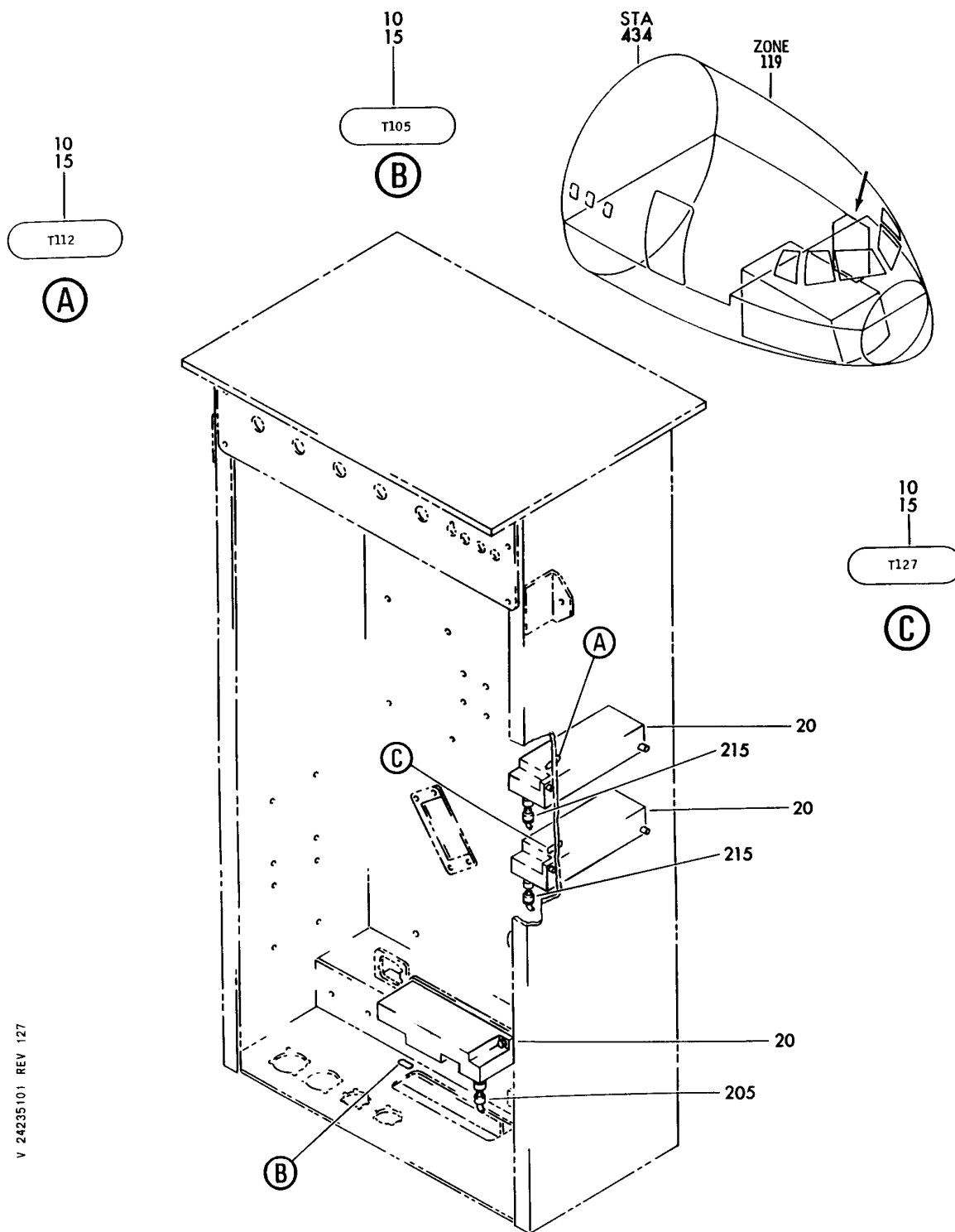


FAULT SENSING

BOEING
767
PARTS CATALOG (MAINTENANCE)



V 24235101 REV 127

EQUIPMENT ASSY-P31 L GEN PWR PNL (FAULT SENSING ONLY)
FIGURE 1

24-23-51-01

HXL
DEC 22/06

24-23-51-01
PAGE 0



767

PARTS CATALOG (MAINTENANCE)

FIG ITEM	PART NUMBER	1 2 3 4 5 6 7	NOMENCLATURE	EFFECT FROM TO	UNITS PER ASSY
1			EQUIPMENT ASSY-P31 L GEN PWR PNL (FAULT SENSING ONLY)		
- 3	284T0171-51		EQUIPMENT ASSY-P31 GEN PWR PNL (FAULT SENSING ONLY) POSITION DATA: L FOR NHA/OTHER SYS DET SEE: 53-11-70-02		RF
10	BAC27TEX3754		.DECALSET-INCLUDES DECALS IDENTIFIED ON THE ILLUSTRATION		RF
20	727802		.TRANSFORMER-CURRENT SUPPLIER CODE: V99167 SPECIFICATION NUMBER: S281T001-4 ELECTRICAL EQUIP NUMBER: T00105 T00112 T00127 COMPONENT MAINT MANUAL REF: 24-25-03		3
- 25	NAS1801-3-20		ATTACHING PARTS .SCREW- -----*-----		6
- 200	286T0022-101		.WIRE BUNDLE ASSY		RF
205	BACC45FT10B5P		..CONNECTOR- ELECTRICAL EQUIP NUMBER: D00312 WIRING DIAGRAM REF: 242311		1
215	BACC45FT10A5P		..CONNECTOR- ELECTRICAL EQUIP NUMBER: D00280 D00282 WIRING DIAGRAM REF: 242311 242312		2

ILLUSTRATION ITEMS NOT ON PARTS LIST ARE NOT APPLICABLE

- ITEM NOT ILLUSTRATED

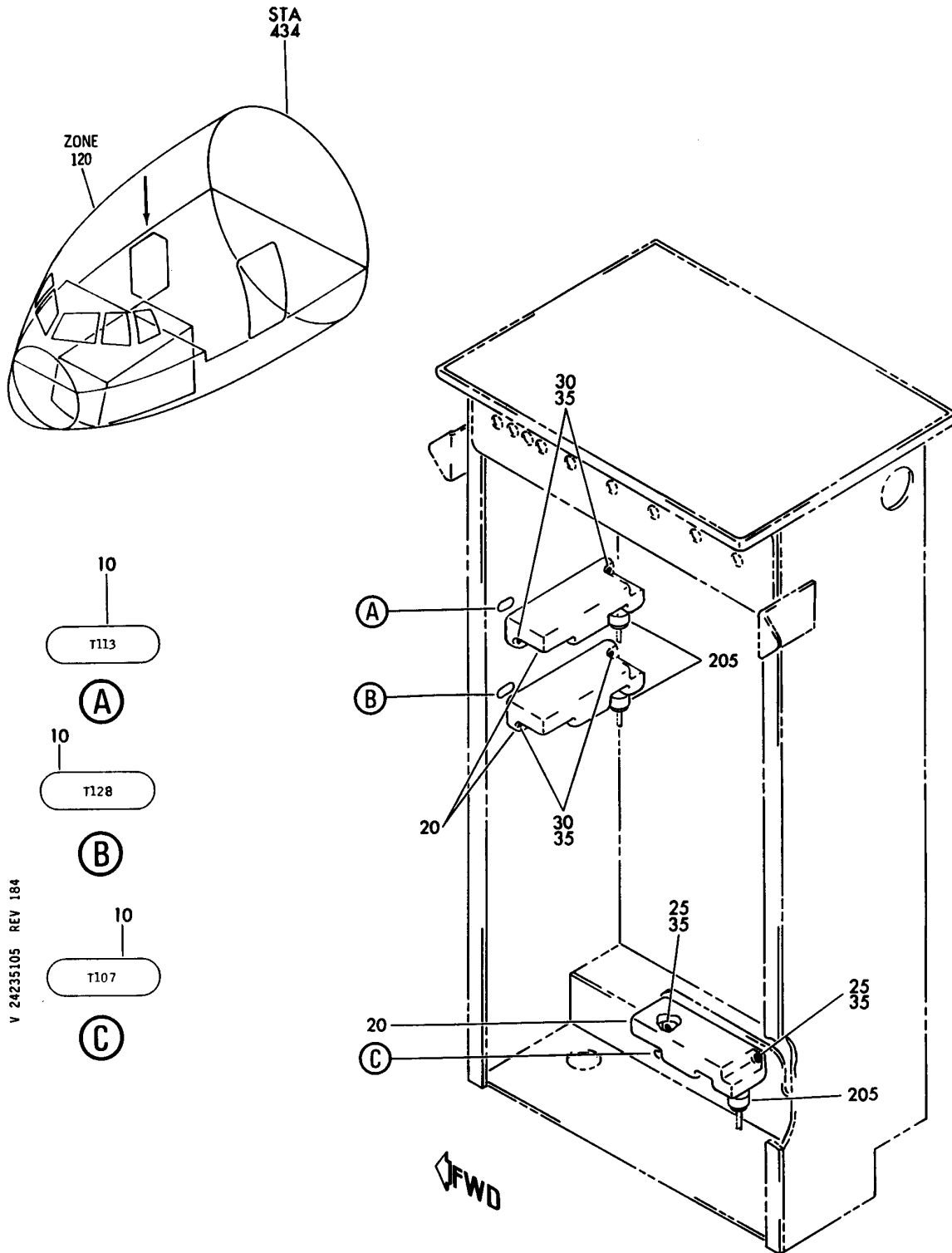
HXL

24-23-51-01

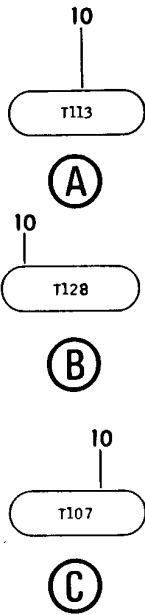
BOEING PROPRIETARY - Copyright © - Unpublished Work - See title page for details.

24-23-51
FIG. 01
PAGE 1
DEC 22/07

BOEING
767
PARTS CATALOG (MAINTENANCE)



V 24235105 REV 184



EQUIPMENT ASSY-P32 MISC ELEC PNL R (FAULT SENSING ONLY)
FIGURE 5

24-23-51-05

HXL
DEC 22/06

24-23-51-05
PAGE 0

 **BOEING**
767
PARTS CATALOG (MAINTENANCE)

FIG ITEM	PART NUMBER	1 2 3 4 5 6 7	NOMENCLATURE	EFFECT FROM TO	UNITS PER ASSY
5			EQUIPMENT ASSY-P32 MISC ELEC PNL R (FAULT SENSING ONLY)		
- 3	284T0172-45		EQUIPMENT ASSY-P32 MISC ELEC PNL (FAULT SENSING ONLY) POSITION DATA: R FOR NHA/OTHER SYS DET SEE: 53-11-70-02		RF
10	BAC27TEX3755		.DECALSET-INCLUDES DECALS IDENTIFIED ON THE ILLUSTRATION		RF
20	727802		.TRANSFORMER-CURRENT SUPPLIER CODE: V99167 SPECIFICATION NUMBER: S281T001-4 ELECTRICAL EQUIP NUMBER: T00107 T00113 T00128 COMPONENT MAINT MANUAL REF: 24-25-03 ATTACHING PARTS		3
25	NAS1801-3-20		.SCREW-		2
30	NAS1801-3-19		.SCREW-		4
35	AN960JD10L		.WASHER		6
			-----*-----		
- 200	286T0024-101		.WIRE BUNDLE ASSY		RF
205	BACC45FT10B5P		..CONNECTOR- ELECTRICAL EQUIP NUMBER: D00284 D00286 D00306 WIRING DIAGRAM REF: 242311 242312		3

ILLUSTRATION ITEMS NOT ON PARTS LIST ARE NOT APPLICABLE

- ITEM NOT ILLUSTRATED

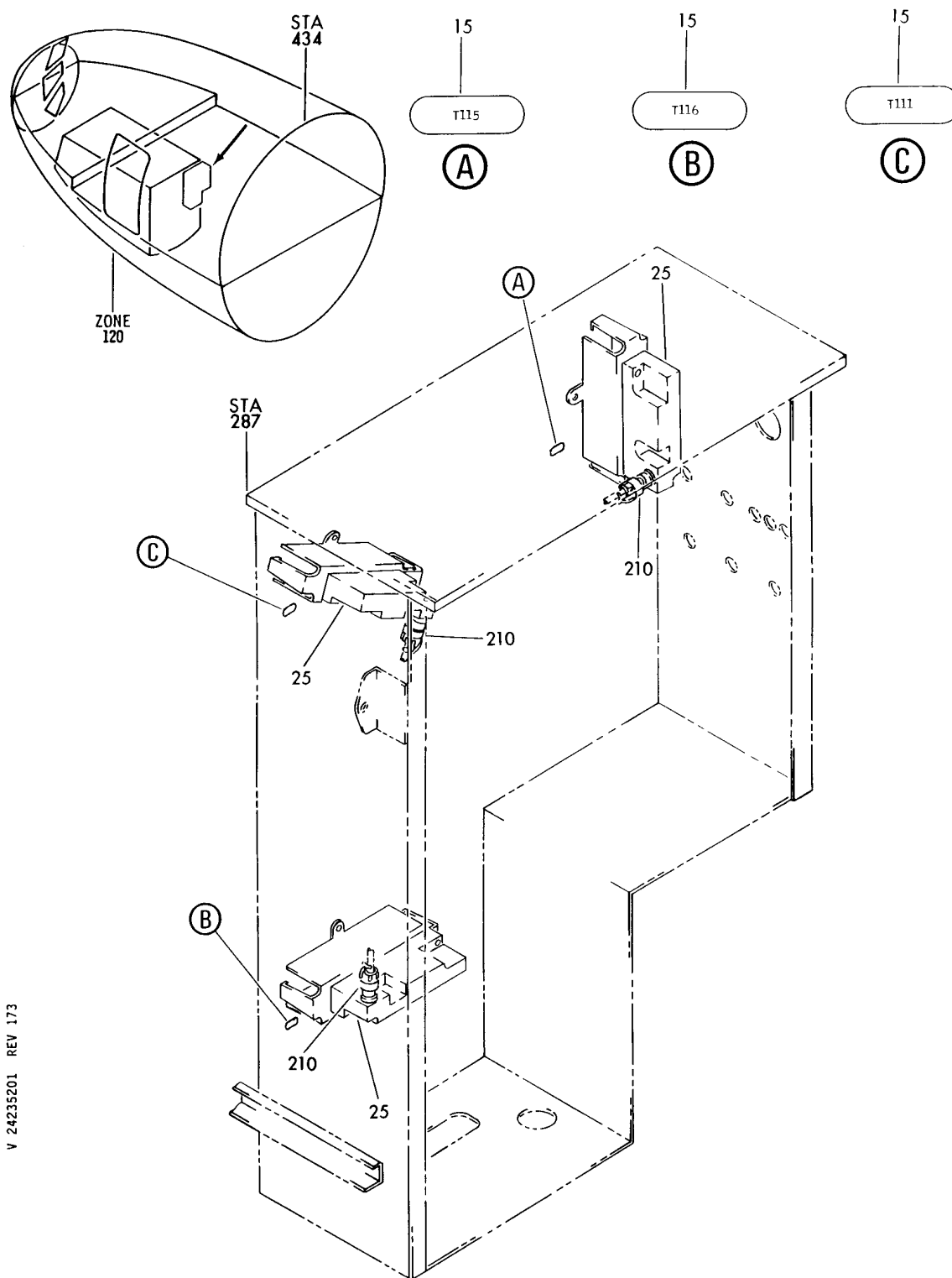
HXL

24-23-51-05

BOEING PROPRIETARY - Copyright © - Unpublished Work - See title page for details.

24-23-51
FIG. 05
PAGE 1
DEC 22/07

BOEING
767
PARTS CATALOG (MAINTENANCE)



V 24235201 REV 173

EQUIPMENT ASSY-P34 APU/EXT PWR PNL (FAULT SENSING ONLY)

FIGURE 1

24-23-52-01

HXL
DEC 22/06

24-23-52-01
PAGE 0



767

PARTS CATALOG (MAINTENANCE)

FIG ITEM	PART NUMBER	1 2 3 4 5 6 7	NOMENCLATURE	EFFECT FROM TO	UNITS PER ASSY
1			EQUIPMENT ASSY-P34 APU/EXT PWR PNL (FAULT SENSING ONLY)		
- 5	284T0175-83		EQUIPMENT ASSY-P34 APU/EXT PWR PNL (FAULT SENSING ONLY)		RF
15	BAC27TEX3706		FOR NHA/OTHER SYS DET SEE: 53-11-70-02 .DECALSET-INCLUDES DECALS IDENTIFIED ON THE ILLUSTRATION		RF
25	727802		.TRANSFORMER-CURRENT SUPPLIER CODE: V99167 SPECIFICATION NUMBER: S281T001-4 ELECTRICAL EQUIP NUMBER: T00111 T00115 T00116 COMPONENT MAINT MANUAL REF: 24-25-03		3
- 30	NAS1801-3-18		ATTACHING PARTS .SCREW		6
- 35	BRC500-8-3		.NUT- SUPPLIER CODE: V52828 SPECIFICATION NUMBER: BACN10FX21 OPTIONAL PART: F49322-3-21 V15653 SL240-3-1 V97393 130061 V60119 A11330-8-3 V72962		6
- 200	286T0026-101		-----*----- .WIRE BUNDLE ASSY		RF
210	BACC45FT10-5P		.CONNECTOR- ELECTRICAL EQUIP NUMBER: D00288 D00290 D00314 WIRING DIAGRAM REF: 242311 242312		3

ILLUSTRATION ITEMS NOT ON PARTS LIST ARE NOT APPLICABLE

- ITEM NOT ILLUSTRATED

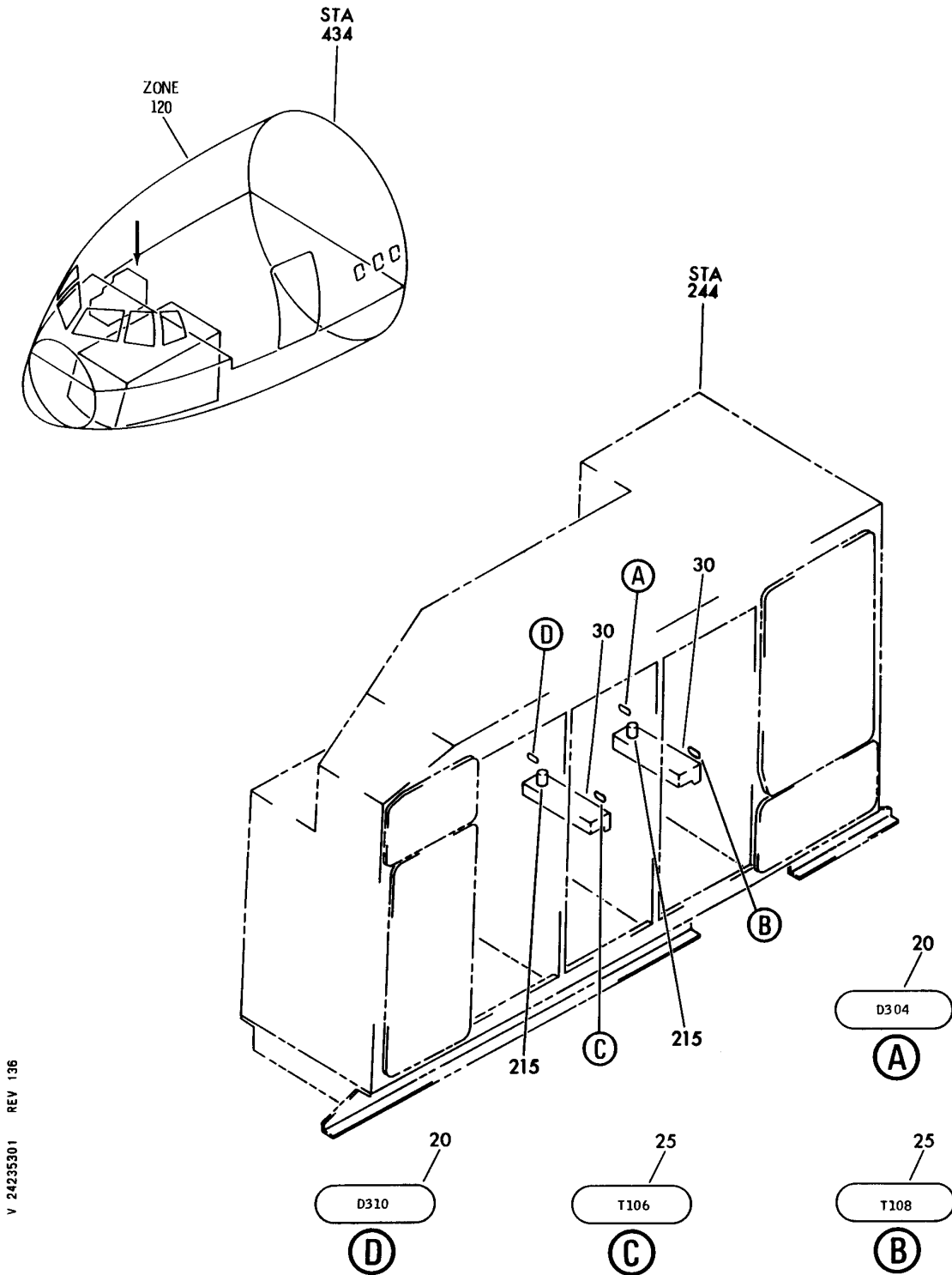
HXL

24-23-52-01

BOEING PROPRIETARY - Copyright © - Unpublished Work - See title page for details.

24-23-52
FIG. 01
PAGE 1
DEC 22/08

BOEING
767
PARTS CATALOG (MAINTENANCE)



V 24235301 REV 136

EQUIPMENT ASSY-MAIN PWR DISTR P6 PNL (FAULT SENSING ONLY)
FIGURE 1

24-23-53-01

HXL
DEC 22/06

24-23-53-01
PAGE 0



767

PARTS CATALOG (MAINTENANCE)

FIG ITEM	PART NUMBER	1 2 3 4 5 6 7	NOMENCLATURE	EFFECT FROM TO	UNITS PER ASSY
1			EQUIPMENT ASSY-MAIN PWR DISTR P6 PNL (FAULT SENSING ONLY)		
- 7	284T0997-147		EQUIPMENT ASSY-MAIN PWR DISTR P6 PNL (FAULT SENSING ONLY) FOR NHA/OTHER SYS DET SEE: 25-10-53-01	163163	RF
- 10	284T0997-175		EQUIPMENT ASSY-MAIN PWR DISTR P6 PNL (FAULT SENSING ONLY) FOR NHA/OTHER SYS DET SEE: 25-10-53-01	155162	RF
- 11	284T0997-184		EQUIPMENT ASSY-MAIN PWR DISTR P6 PNL (FAULT SENSING ONLY) FOR NHA/OTHER SYS DET SEE: 25-10-53-01	164999	RF
20	BAC27TEX3738		.DECALSET-INCLUDES DECALS IDENTIFIED ON THE ILLUSTRATION		RF
25	BAC27TEX3740		.DECALSET-INCLUDES DECALS IDENTIFIED ON THE ILLUSTRATION		RF
30	727802		.TRANSFORMER- SUPPLIER CODE: V99167 SPECIFICATION NUMBER: S281T001-4 ELECTRICAL EQUIP NUMBER: T00106 T00108 COMPONENT MAINT MANUAL REF: 24-25-03		2
- 35	NAS1801-3-20		ATTACHING PARTS .SCREW -----*-----		4
- 200	286T0046-101		.WIRE BUNDLE ASSY		RF
- 205	286T0048-101		.WIRE BUNDLE ASSY		RF
215	BACC45FT10-5P		..CONNECTOR- ELECTRICAL EQUIP NUMBER: D00304 D00310 WIRING DIAGRAM REF: 242311		1
ILLUSTRATION ITEMS NOT ON PARTS LIST ARE NOT APPLICABLE					

- ITEM NOT ILLUSTRATED

24-23-53-01

24-23-53
FIG. 01
PAGE 1
DEC 22/07

HXL