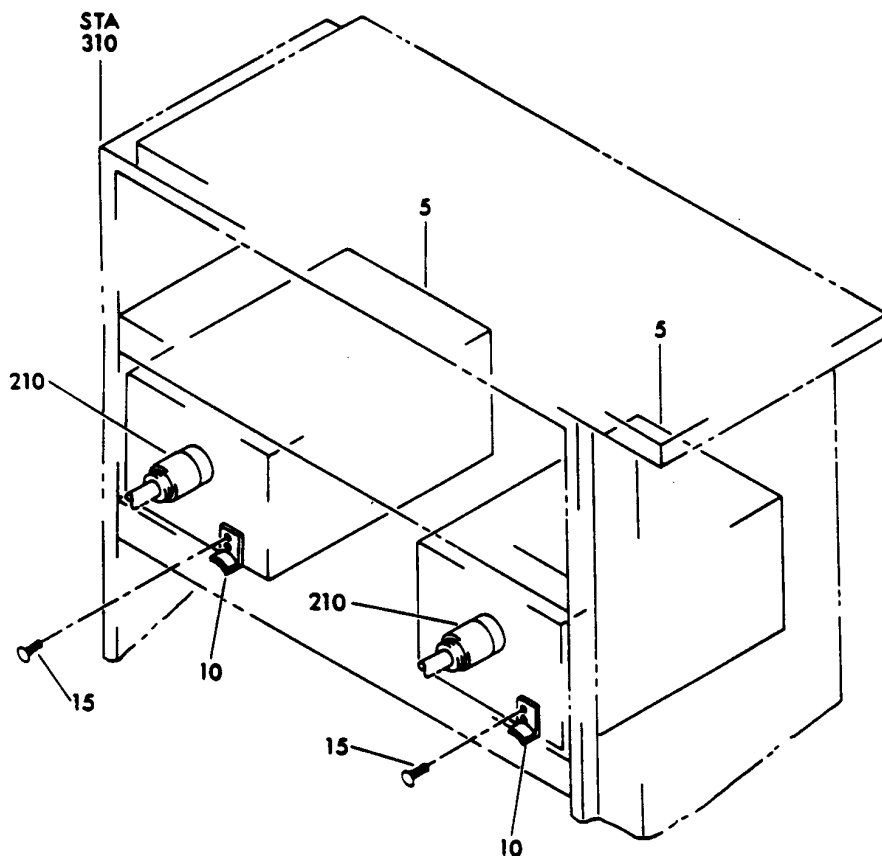
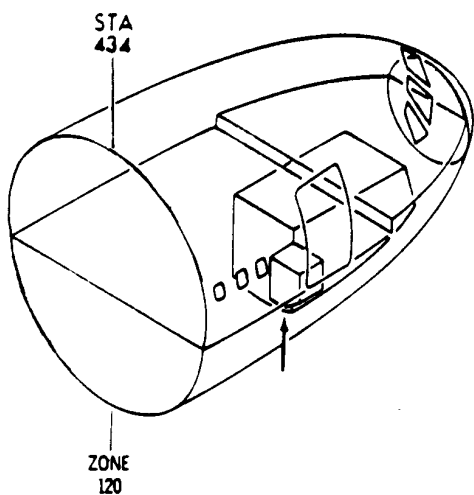


## TRANSFORMER RECTIFIER

HXL  
DEC 22/06

24-32-00  
SECTION TITLE  
PAGE 1

**BOEING**  
767  
PARTS CATALOG (MAINTENANCE)



V 243201 01 REV 090

EQUIPMENT INSTL-ELECTRONIC EQPT CTR E3 RACK (TRANSFORMER RECTIFIER ONLY)

FIGURE 1

**24-32-01-01**

HXL  
DEC 22/06

24-32-01-01  
PAGE 0



767

PARTS CATALOG (MAINTENANCE)

FIG ITEM	PART NUMBER	1 2 3 4 5 6 7	NOMENCLATURE	EFFECT FROM TO	UNITS PER ASSY
1			EQUIPMENT INSTL-ELECTRONIC EQPT CTR E3 RACK (TRANSFORMER RECTIFIER ONLY)		
- 1	284T0130-4		EQUIPMENT INSTL-ELECTRONIC EQPT CTR E3 RACK (TRANSFORMER RECTIFIER ONLY) VARIABLE DRAWING REF: 284T0130-5050 284T0130-5064 FOR NHA/OTHER SYS DET SEE: 24-00-58-01M		RF
5	4-273-03		. TRANSFORMER ASSY-RECTIFIER SUPPLIER CODE: V08748 SPECIFICATION NUMBER: S282T001-1 ELECTRICAL EQUIP NUMBER: T00101 T00102 COMPONENT MAINT MANUAL REF: 24-32-01 OPTIONAL PART: 4-273-02 V08748		2
5	4-273-02		. TRANSFORMER ASSY-RECTIFIER SUPPLIER CODE: V08748 SPECIFICATION NUMBER: S282T001-1 ELECTRICAL EQUIP NUMBER: T00101 T00102 COMPONENT MAINT MANUAL REF: 24-32-01 OPTIONAL PART: 4-273-03 V08748		2
10	NAS622T2		.. BRACKET ATTACHING PARTS		2
15	MS24693C28		.. SCREW -----*-----		4
- 200	286T0252-120		WIRE BUNDLE ASSY- (TRANSFORMER RECTIFIER ONLY)		RF
- 205	286T0254-120		WIRE BUNDLE ASSY- (TRANSFORMER RECTIFIER ONLY)		RF

ILLUSTRATION ITEMS NOT ON PARTS LIST ARE NOT APPLICABLE

- ITEM NOT ILLUSTRATED

HXL

24-32-01-01

BOEING PROPRIETARY - Copyright © - Unpublished Work - See title page for details.

24-32-01  
FIG. 01  
PAGE 1  
DEC 22/07



767

PARTS CATALOG (MAINTENANCE)

FIG ITEM	PART NUMBER	1 2 3 4 5 6 7	NOMENCLATURE	EFFECT FROM TO	UNITS PER ASSY
1 210	BACC45FT18A8S		.CONNECTOR- ELECTRICAL EQUIP NUMBER: D00358 D00360 WIRING DIAGRAM REF: 243211		1

ILLUSTRATION ITEMS NOT ON PARTS LIST ARE NOT APPLICABLE

- ITEM NOT ILLUSTRATED

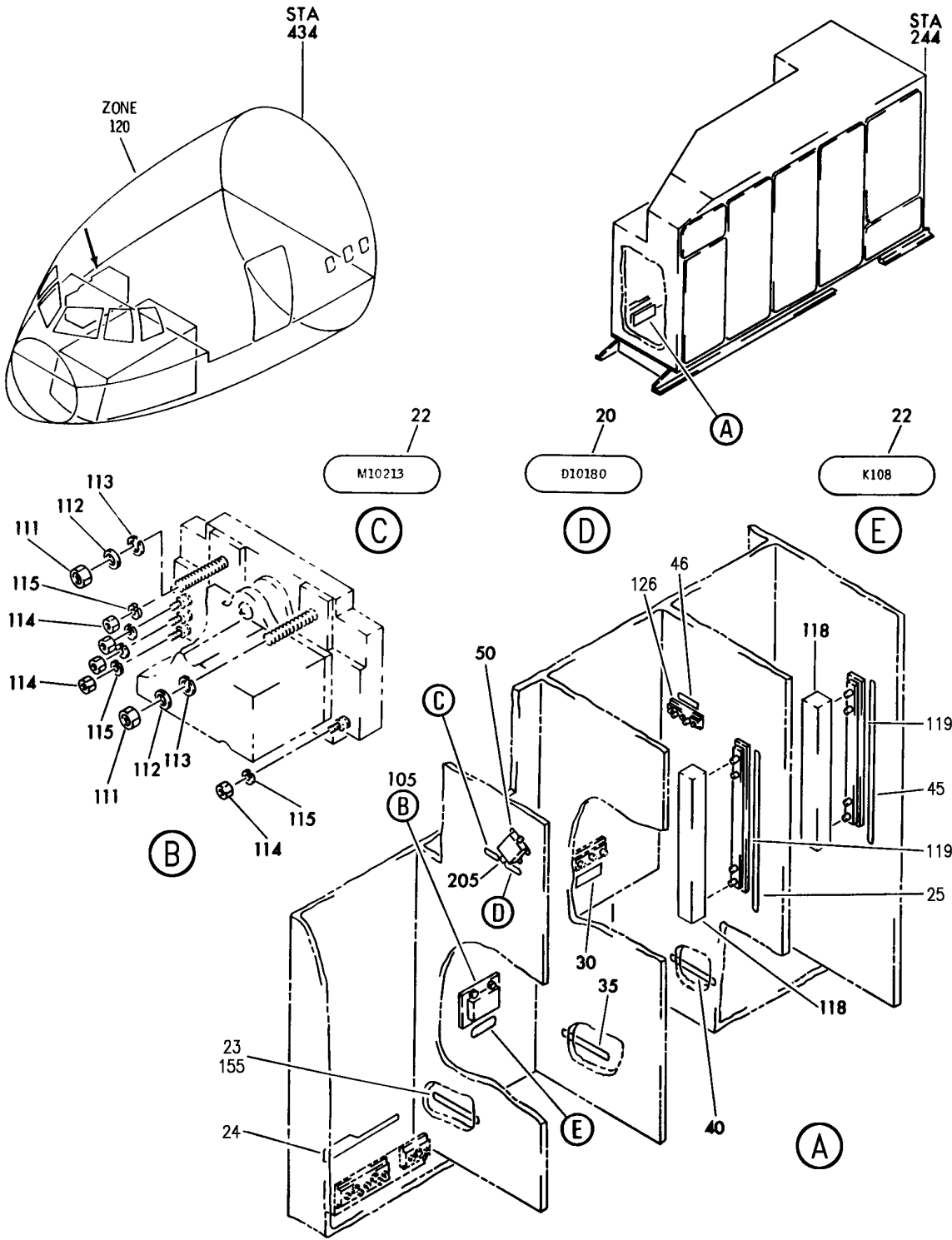
HXL

24-32-01-01

BOEING PROPRIETARY - Copyright © - Unpublished Work - See title page for details.

24-32-01  
FIG. 01  
PAGE 2  
DEC 22/07

**BOEING**  
767  
PARTS CATALOG (MAINTENANCE)



V 24-32-52-01 REV 323

EQUIPMENT ASSY-MAIN PWR DISTR P6 PNL (TRANSFORMER RECTIFIER ONLY)  
FIGURE 1

**24-32-52-01**

HXL  
DEC 22/07

24-32-52-01  
PAGE 0



767

PARTS CATALOG (MAINTENANCE)

FIG ITEM	PART NUMBER	1 2 3 4 5 6 7	NOMENCLATURE	EFFECT FROM TO	UNITS PER ASSY
1			EQUIPMENT ASSY-MAIN PWR DISTR P6 PNL (TRANSFORMER RECTIFIER ONLY)		
- 7	284T0997-147		EQUIPMENT ASSY-MAIN PWR DISTR P6 PNL (TRANSFORMER RECTIFIER ONLY) FOR NHA/OTHER SYS DET SEE: 25-10-53-01	163163	RF
- 10	284T0997-175		EQUIPMENT ASSY-MAIN PWR DISTR P6 PNL (TRANSFORMER RECTIFIER ONLY) FOR NHA/OTHER SYS DET SEE: 25-10-53-01	155162	RF
- 11	284T0997-184		EQUIPMENT ASSY-MAIN PWR DISTR P6 PNL (TRANSFORMER RECTIFIER ONLY) FOR NHA/OTHER SYS DET SEE: 25-10-53-01	164999	RF
20	BAC27TEX3738		.DECALSET-INCLUDES DECALS IDENTIFIED ON THE ILLUSTRATION		RF
22	BAC27TEX3739		.DECALSET-INCLUDES DECALS IDENTIFIED ON THE ILLUSTRATION		RF
23	BAC27TEX4762		.DECAL- PLACARD CONTENT: TB5010 5 4 3 2 1		1
24	BAC27TEX3526		.DECAL- PLACARD CONTENT: TB5014 4 3 2 1		1
30	BAC27TEX2751		.DECAL- PLACARD CONTENT: 1 2 3 TB5012		1
35	BAC27TEX3505		.DECAL- PLACARD CONTENT: TB5002 1 2 3		1
40	BAC27TEX2835		.DECAL- PLACARD CONTENT: TB5008 1 2 3		1

ILLUSTRATION ITEMS NOT ON PARTS LIST ARE NOT APPLICABLE

- ITEM NOT ILLUSTRATED

HXL

24-32-52-01

BOEING PROPRIETARY - Copyright © - Unpublished Work - See title page for details.

24-32-52  
FIG. 01  
PAGE 1  
DEC 22/07

 **BOEING**  
767  
**PARTS CATALOG (MAINTENANCE)**

FIG ITEM	PART NUMBER	1 2 3 4 5 6 7	NOMENCLATURE	EFFECT FROM TO	UNITS PER ASSY
1					
50	708520-2		.UNIT-CONT SUPPLIER CODE: V19623 SPECIFICATION NUMBER: S282N002-2 ELECTRICAL EQUIP NUMBER: M10213 COMPONENT MAINT MANUAL REF: 24-32-01 OPTIONAL PART: 708520-3 V19623		1
50	708520-3		.UNIT DC-CONTROL TIE SUPPLIER CODE: V19623 SPECIFICATION NUMBER: S282N002-2 OPTIONAL PART: 708520-2 V19623		1
- 55	NAS1801-3-7		ATTACHING PARTS .SCREW -----*-----		4
105	A1077DD		.RELAY ASSY- SUPPLIER CODE: V74063 ELECTRICAL EQUIP NUMBER: K00108 COMPONENT MAINT MANUAL REF: 24-09-16 ATTACHING PARTS		1
- 110	NAS1801-3-8		.SCREW -----*-----		4
111	50407-364		..NUT-HEX SUPPLIER CODE: V74063		2
112	51703-064		..WASHER-FLAT SUPPLIER CODE: V74063		2
113	51807-034		..WASHER-LOCK SUPPLIER CODE: V74063		2
114	50406-014		..NUT-HEX SUPPLIER CODE: V74063		5
115	51806-014		..WASHER-LOCK SUPPLIER CODE: V74063		5
- 200	286T0028-101		.WIRE BUNDLE ASSY		1

ILLUSTRATION ITEMS NOT ON PARTS LIST ARE NOT APPLICABLE

- ITEM NOT ILLUSTRATED

HXL

# 24-32-52-01

BOEING PROPRIETARY - Copyright © - Unpublished Work - See title page for details.

24-32-52  
FIG. 01  
PAGE 2  
DEC 22/06



767  
PARTS CATALOG (MAINTENANCE)

FIG ITEM	PART NUMBER	1 2 3 4 5 6 7	NOMENCLATURE	EFFECT FROM TO	UNITS PER ASSY
1 205	BACC45FT12-12S		. . CONNECTOR- ELECTRICAL EQUIP NUMBER: D10180 WIRING DIAGRAM REF: 243211		1

ILLUSTRATION ITEMS NOT ON PARTS LIST ARE NOT APPLICABLE

- ITEM NOT ILLUSTRATED

HXL

24-32-52-01

BOEING PROPRIETARY - Copyright © - Unpublished Work - See title page for details.

24-32-52  
FIG. 01  
PAGE 3  
DEC 22/06