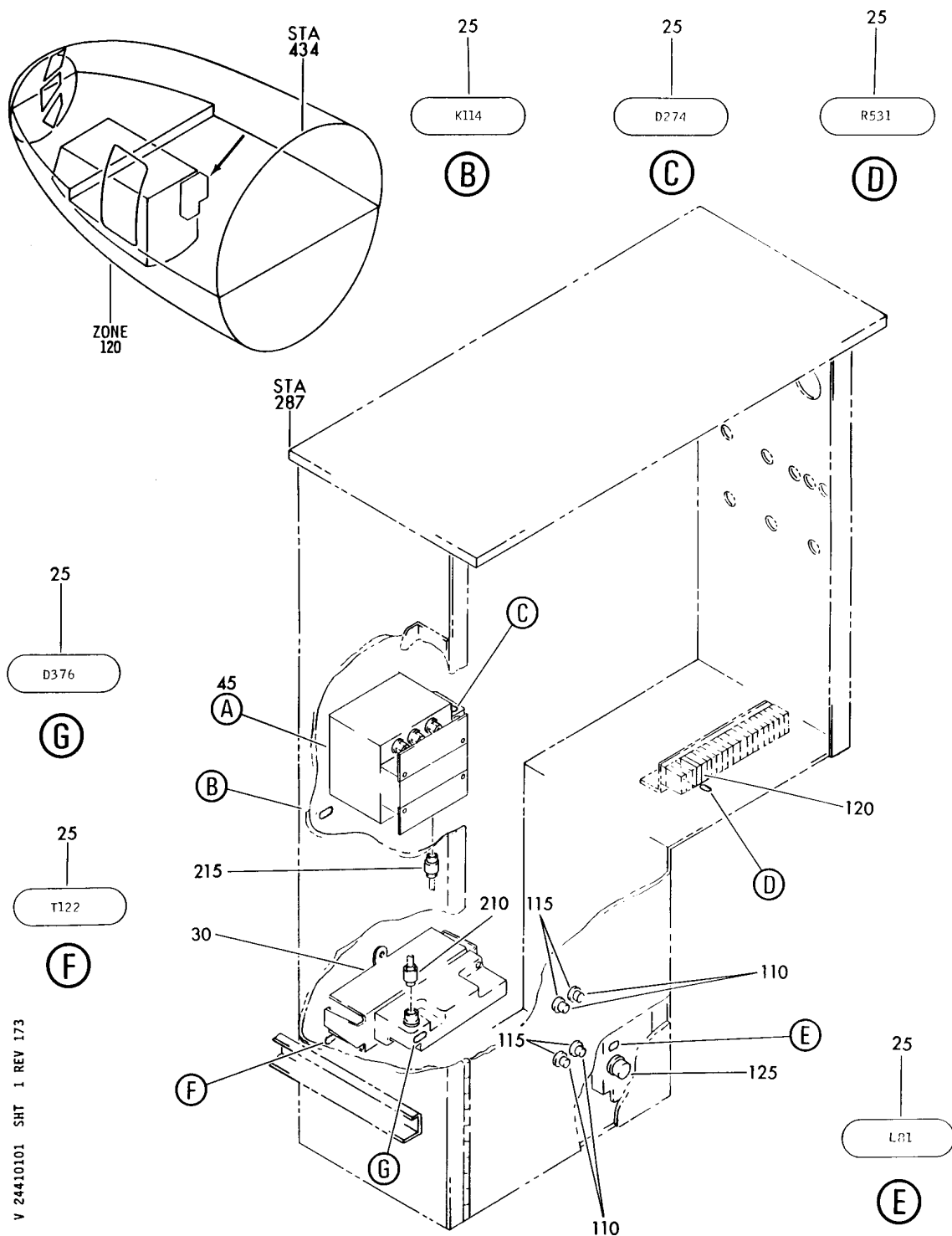


AC EXTERNAL POWER

HXL
DEC 22/06

24-41-00
SECTION TITLE
PAGE 1

BOEING
767
PARTS CATALOG (MAINTENANCE)



V 24410101 SHT 1 REV 173

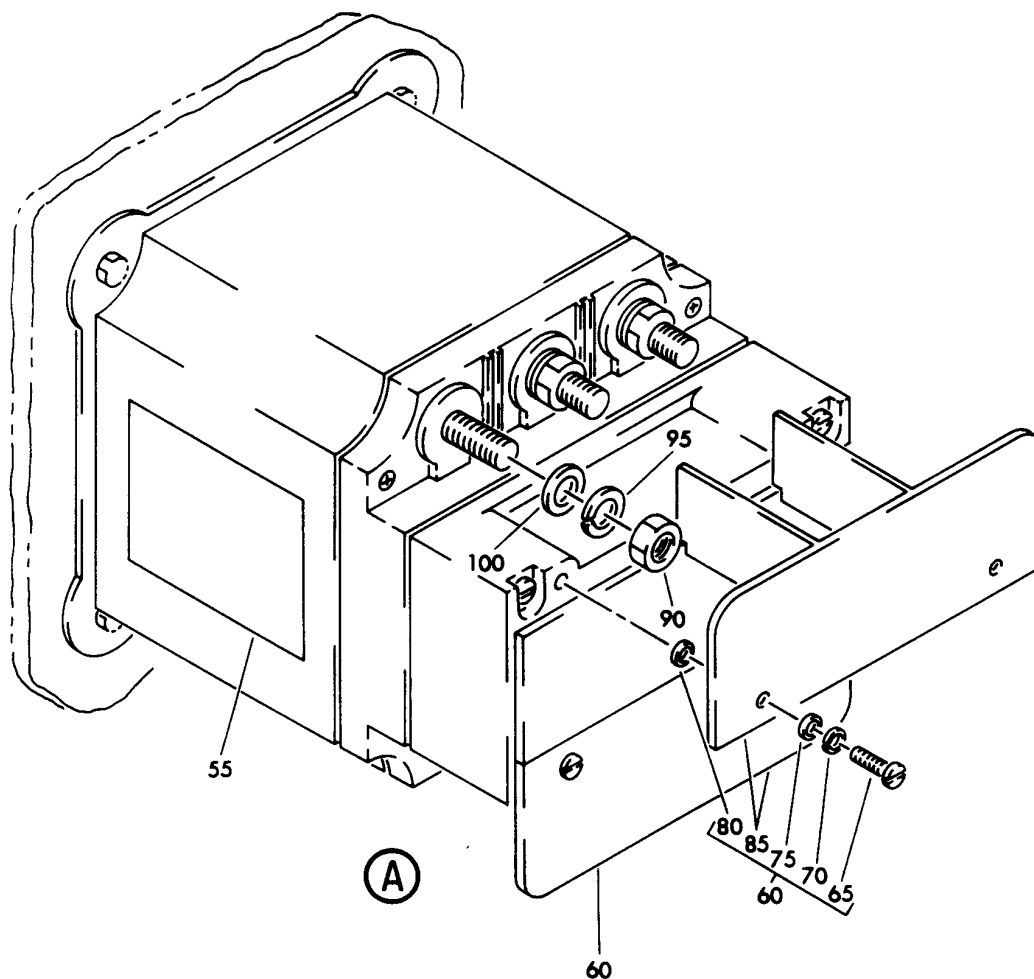
EQUIPMENT ASSY-P34 APU/EXT PWR PNL (AC EXTERNAL POWER ONLY)
FIGURE 1 (SHEET 1)

24-41-01-01

HXL
DEC 22/06

24-41-01-01
PAGE 0

BOEING
767
PARTS CATALOG (MAINTENANCE)



V 24410101 SHT 2 REV 057

EQUIPMENT ASSY-P34 APU/EXT PWR PNL (AC EXTERNAL POWER ONLY)
FIGURE 1 (SHEET 2)

24-41-01-01

HXL
DEC 22/06

24-41-01-01
PAGE 0A



767

PARTS CATALOG (MAINTENANCE)

FIG ITEM	PART NUMBER	1 2 3 4 5 6 7	NOMENCLATURE	EFFECT FROM TO	UNITS PER ASSY
1			EQUIPMENT ASSY-P34 APU/EXT PWR PNL (AC EXTERNAL POWER ONLY)		
- 5	284T0175-83		EQUIPMENT ASSY-P34 APU/EXT PWR PNL (AC EXTERNAL POWER ONLY)		RF
			FOR NHA/OTHER SYS DET SEE: 53-11-70-02		
25	BAC27TEX3706		.DECALSET-INCLUDES DECALS IDENTIFIED ON THE ILLUSTRATION		RF
30	727802		.TRANSFORMER-CURRENT GEN SYS 75/90 KVA ELECTRICAL PWR INTEGRATED DRIVE SUPPLIER CODE: V99167 SPECIFICATION NUMBER: S281T001-4 ELECTRICAL EQUIP NUMBER: T00122 COMPONENT MAINT MANUAL REF: 24-25-03		1
- 35	NAS1801-3-18		ATTACHING PARTS .SCREW-		2
- 40	BRC600-8-3		.NUT- SUPPLIER CODE: V52828 SPECIFICATION NUMBER: BACN10YD1 OPTIONAL PART: 130120 V60119		2
- 40	BRC500-8-3		.NUT- SUPPLIER CODE: V52828 SPECIFICATION NUMBER: BACN10FX21 OPTIONAL PART: F49322-3-21 V15653 SL240-3-1 V97393 130061 V60119 A11330-8-3 V72962 -----*-----		2
ILLUSTRATION ITEMS NOT ON PARTS LIST ARE NOT APPLICABLE					

- ITEM NOT ILLUSTRATED

HXL

24-41-01-01

BOEING PROPRIETARY - Copyright © - Unpublished Work - See title page for details.

24-41-01
FIG. 01
PAGE 1
DEC 22/08

 **BOEING**
767
PARTS CATALOG (MAINTENANCE)

FIG ITEM	PART NUMBER	1 2 3 4 5 6 7	NOMENCLATURE	EFFECT FROM TO	UNITS PER ASSY
1					
45	B429-1		.CONTACTOR ASSY-3PST NO. DOUBLE BREAK SUPPLIER CODE: V74063 SPECIFICATION NUMBER: S281T004-2 ELECTRICAL EQUIP NUMBER: K00114 COMPONENT MAINT MANUAL REF: 24-09-22 OPTIONAL PART: B429 V74063		1
45	B429		.CONTACTOR ASSY-3PST NO. DOUBLE BREAK SUPPLIER CODE: V74063 SPECIFICATION NUMBER: S281T004-2 ELECTRICAL EQUIP NUMBER: K00114 COMPONENT MAINT MANUAL REF: 24-09-14 OPTIONAL PART: B429-1 V74063 ATTACHING PARTS		1
- 50	NAS1801-3-8		.SCREW		4
55	35935-001		..PLATE-WIRING DIAGRAM SUPPLIER CODE: V74063		1
60	36006-010		..COVER ASSY-TERMINAL SUPPLIER CODE: V74063		2
65	51204-391		...SCREW-BINDING HEAD SUPPLIER CODE: V74063		2
70	51804-021		...WASHER-LOCK SUPPLIER CODE: V74063		2
75	51701-291		...WASHER-FLAT SUPPLIER CODE: VK5294		2
80	20584-002		...WASHER-CAPTIVE NYLOCK SUPPLIER CODE: V74063		2
ILLUSTRATION ITEMS NOT ON PARTS LIST ARE NOT APPLICABLE					

- ITEM NOT ILLUSTRATED

HXL

24-41-01-01

BOEING PROPRIETARY - Copyright © - Unpublished Work - See title page for details.

24-41-01
FIG. 01
PAGE 2
DEC 22/07



767

PARTS CATALOG (MAINTENANCE)

FIG ITEM	PART NUMBER	1 2 3 4 5 6 7	NOMENCLATURE	EFFECT FROM TO	UNITS PER ASSY
1					
85	35744-001	...	COVER- SUPPLIER CODE: V74063		1
90	50407-370	..	NUT-HEX SUPPLIER CODE: V74063		6
95	51807-230	..	WASHER-LOCK SUPPLIER CODE: V74063		6
100	51704-010	..	WASHER-FLAT SUPPLIER CODE: V74063		6
110	322001	.	FUSE-TYPE 3AB LITTELFUSE SUPPLIER CODE: V75915		4
115	FHN20G	.	HOLDER-FUSE ELECTRICAL EQUIP NUMBER: B00129 B00130 OPTIONAL PART: MILF1920711F		4
115	MILF1920711F	.	HOLDER-FUSE ELECTRICAL EQUIP NUMBER: B00129 B00130 OPTIONAL PART: FHN20G V75915		4
120	YHLZR17	.	DIODE- SUPPLIER CODE: V09922 ELECTRICAL EQUIP NUMBER: R00531		1
125	33-32683-6P1	.	LIGHT- SUPPLIER CODE: V79692 ELECTRICAL EQUIP NUMBER: L00081 OPTIONAL PART: 33-32683-6P4 V76854		1
125	33-32683-6P4	.	LIGHT- SUPPLIER CODE: V79692 ELECTRICAL EQUIP NUMBER: L00081 OPTIONAL PART: 33-32683-6P1 V76854		1

ILLUSTRATION ITEMS NOT ON PARTS LIST ARE NOT APPLICABLE

- ITEM NOT ILLUSTRATED

HXL

24-41-01-01

BOEING PROPRIETARY - Copyright © - Unpublished Work - See title page for details.

24-41-01
FIG. 01
PAGE 3
DEC 22/07



767

PARTS CATALOG (MAINTENANCE)

FIG ITEM	PART NUMBER	1 2 3 4 5 6 7	NOMENCLATURE	EFFECT FROM TO	UNITS PER ASSY
1					
- 200	286T0026-101		.WIRE BUNDLE ASSY		RF
210	BACC45FT10-5P		..CONNECTOR-		1
			ELECTRICAL EQUIP NUMBER: D00376		
			WIRING DIAGRAM REF: 244111		
215	BACC45FT20-41S7		..CONNECTOR-		1
			ELECTRICAL EQUIP NUMBER: D00274		
			WIRING DIAGRAM REF: 244111		
ILLUSTRATION ITEMS NOT ON PARTS LIST ARE NOT APPLICABLE					

- ITEM NOT ILLUSTRATED

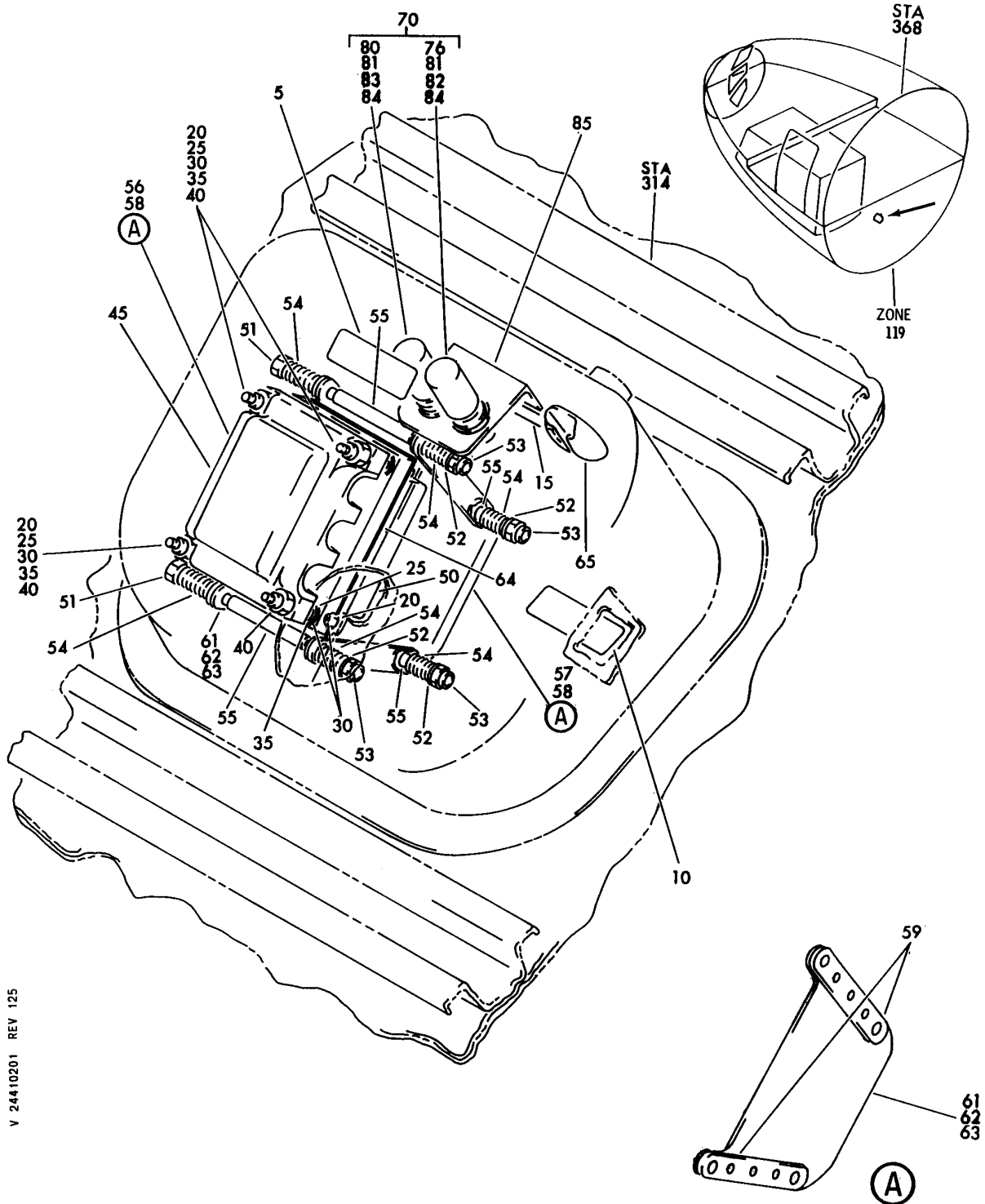
HXL

24-41-01-01

BOEING PROPRIETARY - Copyright © - Unpublished Work - See title page for details.

24-41-01
FIG. 01
PAGE 4
DEC 22/07

BOEING
767
PARTS CATALOG (MAINTENANCE)



V 24410201 REV 125

RECEPTACLE INSTL-EXT PWR (P30)
FIGURE 1

24-41-02-01

HXL
DEC 22/06

24-41-02-01
PAGE 0

 **BOEING**
767
PARTS CATALOG (MAINTENANCE)

FIG ITEM	PART NUMBER	1 2 3 4 5 6 7	NOMENCLATURE	EFFECT FROM TO	UNITS PER ASSY
1			RECEPTACLE INSTL-EXT PWR (P30)		
- 1	284T0390-1		RECEPTACLE INSTL-EXT PWR P30 VARIABLE DRAWING REF: 284T0390-5004 FOR NHA SEE: 24-00-58-01A		RF
	5 BAC27TEX0613		.MARKER-ALUMINUM FOIL PLACARD CONTENT: D372 EXTERNAL POWER RECEPTACLE		1
	10 BAC27TEX0656		.MARKER-ALUMINUM FOIL PLACARD CONTENT: P30 EXTERNAL POWER PANEL		1
	15 BAC27TEX0657		.MARKER-ALUMINUM FOIL PLACARD CONTENT: L082, L083		1
	20 NAS1801-3-30		.SCREW		4
	25 MS35338-43		.WASHER		4
	30 AN960-10L		.WASHER		8
	35 MS35650-302		.NUT		4
	40 MS21042L3		.NUT-		4
	45 AN3114-3A		.COVER- OPTIONAL PART: MS3505-1		1
	45 MS3505-1		.COVER- OPTIONAL PART: AN3114-3A		1
	51 NAS6703-65		.BOLT-		4
	52 AN960C10		.WASHER-		4
	53 MS21042L3		.NUT-		4
	54 MS24585C180		.SPRING-		8
	55 NAS1057T3-200		.SPACER-		4
	58 284T0818-6		.GUIDE ASSY-		2
	59 284T0818-5		..BUSHING ATTACHING PARTS		2
- 60	MS206155M		..RIVET- SIZE DETERMINED ON INSTL. -----*-----		6
	63 284T0818-7		..GUIDE-		1
	64 AN3114-1B		.CONNECTOR-GSE OPTIONAL PART: MS90362-3		1
	64 MS90362-3		.CONNECTOR-GSE OPTIONAL PART: AN3114-1B		1

ILLUSTRATION ITEMS NOT ON PARTS LIST ARE NOT APPLICABLE

- ITEM NOT ILLUSTRATED

HXL

24-41-02-01

BOEING PROPRIETARY - Copyright © - Unpublished Work - See title page for details.

24-41-02
FIG. 01
PAGE 1
DEC 22/06



767

PARTS CATALOG (MAINTENANCE)

FIG ITEM	PART NUMBER	1 2 3 4 5 6 7	NOMENCLATURE	EFFECT FROM TO	UNITS PER ASSY
1	65 20050		.PLATE-ANCHOR SUPPLIER CODE: V32707 ATTACHING PARTS		1
-	66 NAS514P1032-10P		.SCREW -----*-----		2
	70 284T0390-3		.BRACKET ASSY-(EXTERNAL POWER ONLY) FUNCTIONAL REFERENCE: PLACARDS AND MARKINGS FOR DETAILS SEE 11-20-01-01		1
	76 13-32480-5		..LIGHT ASSY- SUPPLIER CODE: V79692 ELECTRICAL EQUIP NUMBER: L00083 OPTIONAL PART: 5-86557-203 V79692		1
	76 13-32480-17		..LIGHT ASSY- SUPPLIER CODE: V79692 ELECTRICAL EQUIP NUMBER: L00083		1
	76 5-86557-203		..LIGHT ASSY- SUPPLIER CODE: V79692 ELECTRICAL EQUIP NUMBER: L00083 OPTIONAL PART: 13-32480-5 V79692		1
	80 5-86557-203		..LIGHT ASSY- SUPPLIER CODE: V79692 ELECTRICAL EQUIP NUMBER: L00082 OPTIONAL PART: 13-32480-5 V79692		1
	80 13-32480-5		..LIGHT ASSY- SUPPLIER CODE: V79692 ELECTRICAL EQUIP NUMBER: L00082 OPTIONAL PART: 5-86557-203 V79692		1

ILLUSTRATION ITEMS NOT ON PARTS LIST ARE NOT APPLICABLE

- ITEM NOT ILLUSTRATED

24-41-02-01

24-41-02
FIG. 01
PAGE 2
DEC 22/06

HXL



767

PARTS CATALOG (MAINTENANCE)

FIG ITEM	PART NUMBER	1 2 3 4 5 6 7	NOMENCLATURE	EFFECT FROM TO	UNITS PER ASSY
1					
80	13-32480-17		..LIGHT ASSY- SUPPLIER CODE: V79692 ELECTRICAL EQUIP NUMBER: L00082		1
81	13-32480		...BASE- SUPPLIER CODE: V76854 USED ON: 13-32480-17 USED ON: 13-32480-5		1
81	103-4962-001		...BASE- SUPPLIER CODE: V81590		1
82	30050-5		...CAP-LENS SUPPLIER CODE: V76854 USED ON: 13-32480-5		1
82	30050-17		...CAP-LENS SUPPLIER CODE: V76854 USED ON: 13-32480-17		1
82	545-4952-001		...CAP-LENS SUPPLIER CODE: V81590 USED ON: BCREF7070		1
83	30050-5		...CAP-LENS SUPPLIER CODE: V76854 USED ON: 13-32480-5		1
83	545-4952-001		...CAP-LENS SUPPLIER CODE: V81590 USED ON: BCREF7070		1
83	30050-17		...CAP-LENS SUPPLIER CODE: V76854 USED ON: 13-32480-17		1

ILLUSTRATION ITEMS NOT ON PARTS LIST ARE NOT APPLICABLE

- ITEM NOT ILLUSTRATED

HXL

24-41-02-01

BOEING PROPRIETARY - Copyright © - Unpublished Work - See title page for details.

24-41-02
FIG. 01
PAGE 3
DEC 22/06



767

PARTS CATALOG (MAINTENANCE)

FIG ITEM	PART NUMBER	1 2 3 4 5 6 7	NOMENCLATURE	EFFECT FROM TO	UNITS PER ASSY
1					
84	1819		.. LAMP- SUPPLIER CODE: V08806 OPTIONAL PART: MS25231-1819		2
84	MS25231-1819		.. LAMP- OPTIONAL PART: 1819 V08806		2
85	284T0389-1		. BRACKET ATTACHING PARTS		1
- 90	NAS1801-3-8		. SCREW -----*-----		2
ILLUSTRATION ITEMS NOT ON PARTS LIST ARE NOT APPLICABLE					

- ITEM NOT ILLUSTRATED

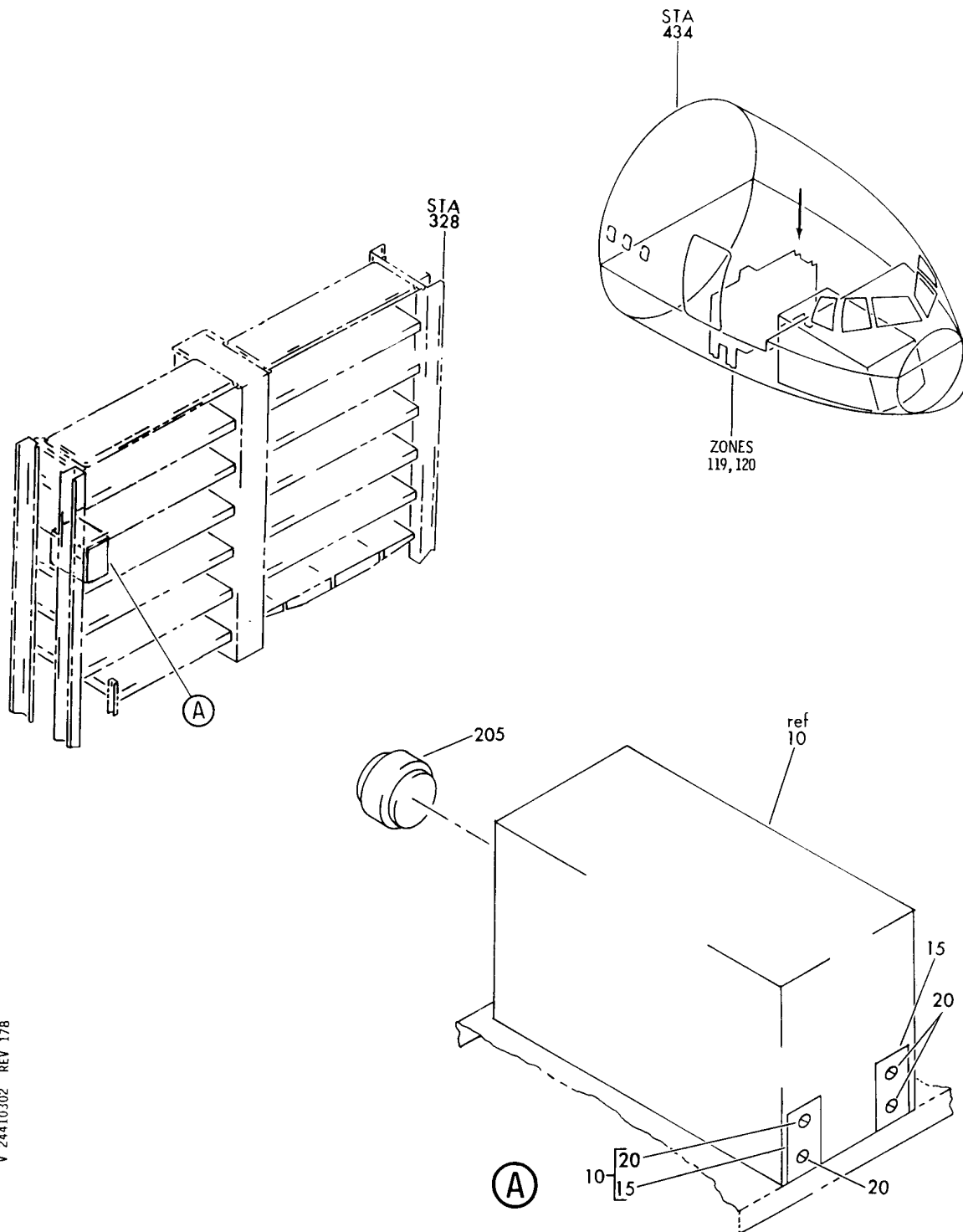
HXL

24-41-02-01

BOEING PROPRIETARY - Copyright © - Unpublished Work - See title page for details.

24-41-02
FIG. 01
PAGE 4
DEC 22/06

BOEING
767
PARTS CATALOG (MAINTENANCE)



V 24410302 REV 17B

EQUIPMENT INSTL-ELECTRONIC EQPT CTR E1/E2 RACK (AC EXTERNAL POWER ONLY)

FIGURE 2

24-41-03-02

HXL
DEC 22/06

24-41-03-02
PAGE 0



767

PARTS CATALOG (MAINTENANCE)

FIG ITEM	PART NUMBER	1 2 3 4 5 6 7	NOMENCLATURE	EFFECT FROM TO	UNITS PER ASSY
2			EQUIPMENT INSTL-ELECTRONIC EQPT CTR E1/E2 RACK (AC EXTERNAL POWER ONLY)		
- 1	284T0400-618		EQUIPMENT INSTL-ELECTRONIC EQPT CTR E1/E2 RACK (AC EXTERNAL POWER ONLY) VARIABLE DRAWING REF: 284T0400-5284 FOR NHA/OTHER SYS DET SEE: 24-00-58-01J	155162	RF
- 2	284T0400-630		EQUIPMENT INSTL-ELECTRONIC EQPT CTR E1/E2 RACK (AC EXTERNAL POWER ONLY) VARIABLE DRAWING REF: 284T0400-5349 284T0400-5357 FOR NHA/OTHER SYS DET SEE: 24-00-58-01J	163999	RF
10	734285C		.UNIT ASSY-BUS PWR SUPPLIER CODE: V99167 SPECIFICATION NUMBER: S281T001-23 ELECTRICAL EQUIP NUMBER: M00116 COMPONENT MAINT MANUAL REF: 24-41-01		1
10	734285		.UNIT ASSY-BUS PWR SUPPLIER CODE: V99167 SPECIFICATION NUMBER: S281T001-15 ELECTRICAL EQUIP NUMBER: M00116 COMPONENT MAINT MANUAL REF: 24-41-01 OPTIONAL PART: 734285C V99167		1

ILLUSTRATION ITEMS NOT ON PARTS LIST ARE NOT APPLICABLE

- ITEM NOT ILLUSTRATED

HXL

24-41-03-02

BOEING PROPRIETARY - Copyright © - Unpublished Work - See title page for details.

24-41-03
FIG. 02
PAGE 1
DEC 22/07



767

PARTS CATALOG (MAINTENANCE)

FIG ITEM	PART NUMBER	1 2 3 4 5 6 7	NOMENCLATURE	EFFECT FROM TO	UNITS PER ASSY
2					
10	734285D		.UNIT ASSY-BUS PWR SUPPLIER CODE: V99167 SPECIFICATION NUMBER: S281T001-41 ELECTRICAL EQUIP NUMBER: M00116 COMPONENT MAINT MANUAL REF: 24-41-01 OPTIONAL PART: 734285E V99167		1
10	734285E		.UNIT ASSY-BUS PWR SUPPLIER CODE: V99167 SPECIFICATION NUMBER: S281T001-41 ELECTRICAL EQUIP NUMBER: M00116 COMPONENT MAINT MANUAL REF: 24-41-01 OPTIONAL PART: 734285D V99167		1
15	NAS622CT2		..HOOK-SPRT		2
20	MS24693C27		..SCREW		4
			-----*-----		
- 200	286T0018-120		WIRE BUNDLE ASSY-(AC EXTERNAL POWER ONLY)		RF
205	BKA11C99AA01		.CONNECTOR- SUPPLIER CODE: V71460 SPECIFICATION NUMBER: BCREFA1372 OPTIONAL PART: S611C99AA01 V59610 NIC66F11C99AA01 V00779 OVERLENGTH PART NUMBER: BACC66F11C99AA01 ELECTRICAL EQUIP NUMBER: D00278 WIRING DIAGRAM REF: 244112		1
ILLUSTRATION ITEMS NOT ON PARTS LIST ARE NOT APPLICABLE					

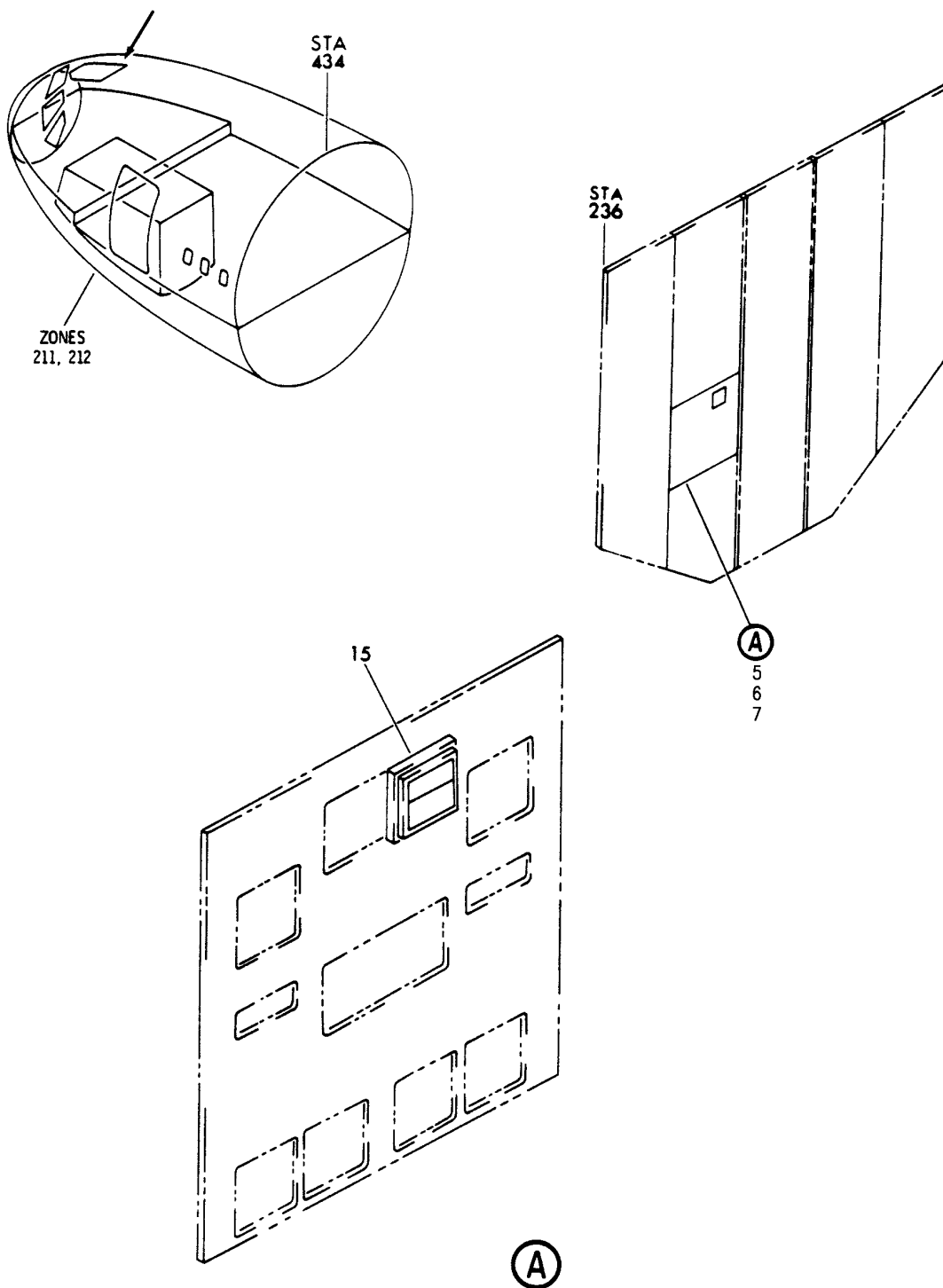
- ITEM NOT ILLUSTRATED

24-41-03-02

24-41-03
FIG. 02
PAGE 2
DEC 22/06

HXL

BOEING
767
PARTS CATALOG (MAINTENANCE)



V 24415101 REV 283

PANEL INSTL-OVHD (AC EXTERNAL POWER ONLY)
FIGURE 1

24-41-51-01

HXL
APR 22/08

24-41-51-01
PAGE 0



767

PARTS CATALOG (MAINTENANCE)

FIG ITEM	PART NUMBER	1 2 3 4 5 6 7	NOMENCLATURE	EFFECT FROM TO	UNITS PER ASSY
1			PANEL INSTL-OVHD (AC EXTERNAL POWER ONLY)		
- 1	233T3100-1		PANEL INSTL-OVHD (AC EXTERNAL POWER ONLY) VARIABLE DRAWING REF: 233T3100-5048		RF
- 1	233T3100-1		PANEL INSTL-OVHD (AC EXTERNAL POWER ONLY) FOR NHA/OTHER SYS DET SEE: 25-10-00-03		RF
5	233T3100-125		.PANEL ASSY-ELEC SYS		RF
5	233T3100-275		.PANEL ASSY-ELEC SYS COMPONENT MAINT MANUAL REF: 24-22-71 PRE SERVICE BULLETIN: 24-0152 PRE ALERT SB: 33A0087R1 PRE COMPONENT SB: 233N3209-24-03R1		RF
6	233N3209-1300		.PANEL ASSY-ELEC SYS SUPPLIER CODE: V89954 COMPONENT MAINT MANUAL REF: 24-22-71 PRE SERVICE BULLETIN: 24-0152 POST ALERT SB: 33A0087R1 POST COMPONENT SB: 233N3209-24-03R1		RF
7	233N6252-13		.PANEL ASSY-ELEC SYS ELECTRICAL EQUIP NUMBER: M10063 COMPONENT MAINT MANUAL REF: 24-22-71 POST SERVICE BULLETIN: 24-0152	163999	RF
- 10	233N3209-12		..PANEL ASSY- SUPPLIER CODE: V89954 ELECTRICAL EQUIP NUMBER: M10063 COMPONENT MAINT MANUAL REF: 24-22-71 USED ON: 233T3100-125		RF

R
R
R
R
R
R
R
R

ILLUSTRATION ITEMS NOT ON PARTS LIST ARE NOT APPLICABLE

- ITEM NOT ILLUSTRATED

HXL

24-41-51-01

BOEING PROPRIETARY - Copyright © - Unpublished Work - See title page for details.

24-41-51
FIG. 01
PAGE 1
AUG 22/09



767

PARTS CATALOG (MAINTENANCE)

FIG ITEM	PART NUMBER	1 2 3 4 5 6 7	NOMENCLATURE	EFFECT FROM TO	UNITS PER ASSY
1					
- 10	233N3209-14		..PANEL ASSY- SUPPLIER CODE: V89954 ELECTRICAL EQUIP NUMBER: M10063 COMPONENT MAINT MANUAL REF: 24-22-71 USED ON: 233T3100-158		RF
- 10	233N3209-18		..PANEL ASSY- SUPPLIER CODE: V89954 ELECTRICAL EQUIP NUMBER: M10063 COMPONENT MAINT MANUAL REF: 24-22-71 USED ON: 233T3100-216		RF
- 10	233N3209-19		..PANEL ASSY- SUPPLIER CODE: V89954 ELECTRICAL EQUIP NUMBER: M10063 COMPONENT MAINT MANUAL REF: 24-22-71 USED ON: 233T3100-217		RF
- 10	233N3209-22		..PANEL ASSY- SUPPLIER CODE: V89954 ELECTRICAL EQUIP NUMBER: M10063 COMPONENT MAINT MANUAL REF: 24-22-71 USED ON: 233T3100-234		RF
- 10	233N3209-23		..PANEL ASSY- SUPPLIER CODE: V89954 ELECTRICAL EQUIP NUMBER: M10063 COMPONENT MAINT MANUAL REF: 24-22-71 USED ON: 233T3100-235		RF

ILLUSTRATION ITEMS NOT ON PARTS LIST ARE NOT APPLICABLE

- ITEM NOT ILLUSTRATED

HXL

24-41-51-01

BOEING PROPRIETARY - Copyright © - Unpublished Work - See title page for details.

24-41-51
FIG. 01
PAGE 2
APR 22/09



767

PARTS CATALOG (MAINTENANCE)

FIG ITEM	PART NUMBER	1 2 3 4 5 6 7	NOMENCLATURE	EFFECT FROM TO	UNITS PER ASSY
1					
- 10	233N3209-41		..PANEL ASSY- SUPPLIER CODE: V89954 MISCELLANEOUS DATA: (THE 233N3209-305 PANEL ASSY IS I/W THE 233N3209-41 PANEL ASSY T/W THE S233T100-6004 LIGHTPLATE) ELECTRICAL EQUIP NUMBER: M10063 COMPONENT MAINT MANUAL REF: 24-22-71		RF
- 10	233N3209-1025		..PANEL ASSY- SUPPLIER CODE: V89954 COMPONENT MAINT MANUAL REF: 24-22-71 USED ON: 233T3100-275 PRE SERVICE BULLETIN: 24-0152 POST ALERT SB: 33A0087 POST COMPONENT SB: 233N3209-24-03		RF
- 12	233N3209-50		..PANEL ASSY- SUPPLIER CODE: V89954 ELECTRICAL EQUIP NUMBER: M10063 COMPONENT MAINT MANUAL REF: 24-22-71		RF
- 12	233N6252-10		..PANEL ASSY- ELECTRICAL EQUIP NUMBER: M10063 POST SERVICE BULLETIN: 24-0152	163999	1

ILLUSTRATION ITEMS NOT ON PARTS LIST ARE NOT APPLICABLE

- ITEM NOT ILLUSTRATED

HXL

24-41-51-01

BOEING PROPRIETARY - Copyright © - Unpublished Work - See title page for details.

24-41-51
FIG. 01
PAGE 4
AUG 22/09



767

PARTS CATALOG (MAINTENANCE)

FIG ITEM	PART NUMBER	1 2 3 4 5 6 7	NOMENCLATURE	EFFECT FROM TO	UNITS PER ASSY
1	15 BCRE7619		...SWITCH ASSY-LIGHTED PUSH BUTTON IND ON/AVAIL SUPPLIER CODE: V81590 OVERLENGTH PART NUMBER: 433-673-1001-1045 SPECIFICATION NUMBER: S231T290-1045 USED ON: 233N3209-18 233N3209-19 233N3209-22 233N3209-23 233N3209-24 233N3209-1018 233N3209-1019 233N3209-1022 233N3209-1023 FOR DETAILS SEE: 33-13-00-01		1
	15 4336731004-4245		...SWITCH ASSY-LIGHTED PUSH BUTTON IND ON/AVAIL SUPPLIER CODE: V81590 SPECIFICATION NUMBER: S231T290-4245 COMPONENT MAINT MANUAL REF: 33-10-22 USED ON: 233N3209-25 233N3209-28 233N3209-29 233N3209-34 233N3209-41 233N3209-1025 233N3209-1028 233N3209-1029 233N3209-1041		1

ILLUSTRATION ITEMS NOT ON PARTS LIST ARE NOT APPLICABLE

- ITEM NOT ILLUSTRATED

HXL

24-41-51-01

BOEING PROPRIETARY - Copyright © - Unpublished Work - See title page for details.

24-41-51
 FIG. 01
 PAGE 5
 AUG 22/09



767

PARTS CATALOG (MAINTENANCE)

FIG ITEM	PART NUMBER	1 2 3 4 5 6 7	NOMENCLATURE	EFFECT FROM TO	UNITS PER ASSY
1 15	BCREFA0520		...SWITCH ASSY-LIGHTED PUSH BUTTON IND ON/AVAIL SUPPLIER CODE: V81590 OVERLENGTH PART NUMBER: 433-673-1004-4045 SPECIFICATION NUMBER: S231T290-4045 USED ON: 233N3209-25 233N3209-28 233N3209-29 233N3209-34 233N3209-41 233N3209-1025 233N3209-1028 233N3209-1029 233N3209-1041 FOR DETAILS SEE: 33-13-75-35		1
15	851-30768-2045		...SWITCH ASSY-LIGHTED PUSH BUTTON IND ON/AVAIL SUPPLIER CODE: V96182 SPECIFICATION NUMBER: S231T290-2045 USED ON: 233N3209-12 233N3209-14 FOR DETAILS SEE: 33-13-75-05		1

ILLUSTRATION ITEMS NOT ON PARTS LIST ARE NOT APPLICABLE

- ITEM NOT ILLUSTRATED

HXL

24-41-51-01

BOEING PROPRIETARY - Copyright © - Unpublished Work - See title page for details.

24-41-51
 FIG. 01
 PAGE 6
 AUG 22/09



767

PARTS CATALOG (MAINTENANCE)

FIG ITEM	PART NUMBER	1 2 3 4 5 6 7	NOMENCLATURE	EFFECT FROM TO	UNITS PER ASSY
1	15 851-30768-3045		...SWITCH ASSY-LIGHTED PUSH BUTTON IND ON/AVAIL SUPPLIER CODE: V96182 SPECIFICATION NUMBER: S231T290-3045 USED ON: 233N3209-12 233N3209-18 233N3209-19 233N3209-22 233N3209-23 233N3209-24 233N3209-1018 233N3209-1019 233N3209-1022 233N3209-1023 FOR DETAILS SEE: 33-13-75-25		1
	15 S231T290-5045		...SWITCH ASSY-LIGHTED PUSH BUTTON IND ON/AVAIL SUPPLIER CODE: V96182 OPTIONAL PART: BCREFA0520 V81590 USED ON: 233N3209-25 233N3209-28 233N3209-34 233N3209-1025 233N3209-1028		1

ILLUSTRATION ITEMS NOT ON PARTS LIST ARE NOT APPLICABLE

- ITEM NOT ILLUSTRATED

HXL

24-41-51-01

BOEING PROPRIETARY - Copyright © - Unpublished Work - See title page for details.

24-41-51
 FIG. 01
 PAGE 7
 AUG 22/09