

## FLIGHT COMPARTMENT

HXL  
DEC 22/06

25-10-00  
SECTION TITLE  
PAGE 1

NON-ILLUSTRATED FIGURE

THE ITEMS REFLECTED IN THIS FIGURE ARE INTENTIONALLY  
NON-ILLUSTRATED. THEY ARE REFERENCED TO EITHER A  
NEXT HIGHER OR NEXT LOWER ASSEMBLY/INSTALLATION FIGURE.

FLIGHT DECK INSTL-VARIABLE  
FIGURE 1

**25-10-00-01**

HXL  
DEC 22/06

25-10-00-01  
PAGE 0



767

PARTS CATALOG (MAINTENANCE)

FIG ITEM	PART NUMBER	1 2 3 4 5 6 7	NOMENCLATURE	EFFECT FROM TO	UNITS PER ASSY
1			FLIGHT DECK INSTL-VARIABLE		
- 4	230T0900-618		FLIGHT DECK INSTL-VARIABLE	155162	RF
- 5	230T0900-630		FLIGHT DECK INSTL-VARIABLE	163999	RF
- 50	232T1100-4		.COVERING INSTL-FLOOR		1
			POSITION DATA:		
			FLIGHT DECK		
- 80	232T1200-2		.INSULATION INSTL-		1
			POSITION DATA:		
			FLIGHT DECK		
			FOR DETAILS SEE:		
			25-15-02-01		
- 100	232T1301-15		.DRIPSHIELD INSTL-OVERHEAD		1
			POSITION DATA:		
			FWD		
			REWORKED BY SB:		
			25-0290		
			FOR DETAILS SEE:		
			25-14-54-02		
- 105	232T1301-20		.DRIPSHIELD INSTL-OVERHEAD		1
			POSITION DATA:		
			FWD		
			REWORKED BY SB:		
			25-0290		
			FOR DETAILS SEE:		
			25-14-54-02		
- 110	232T1302-13		.DRIPSHIELD INSTL-OVERHEAD		1
			POSITION DATA:		
			AFT		
			FOR DETAILS SEE:		
			25-14-54-03		
- 120	232T1303-1		.DRIPSHIELD INSTL-SIDEWALL		1
			POSITION DATA:		
			AFT LH		
			REWORKED BY SB:		
			25-0290		
			FOR DETAILS SEE:		
			25-15-54-01		
- 125	232T1304-8		.DRIPSHIELD INSTL-SIDEWALL		1
			POSITION DATA:		
			AFT RH		
			REWORKED BY SB:		
			25-0290		
			FOR DETAILS SEE:		
			25-15-54-02		

ILLUSTRATION ITEMS NOT ON PARTS LIST ARE NOT APPLICABLE

- ITEM NOT ILLUSTRATED

HXL

25-10-00-01

BOEING PROPRIETARY - Copyright © - Unpublished Work - See title page for details.

25-10-00  
FIG. 01  
PAGE 1  
DEC 22/07



767

PARTS CATALOG (MAINTENANCE)

FIG ITEM	PART NUMBER	1 2 3 4 5 6 7	NOMENCLATURE	EFFECT FROM TO	UNITS PER ASSY
1					
- 130	232T1305-1		.DRIPSHIELD INSTL-SIDEWALL PILOTS REWORKED BY SB: 25-0290 FOR DETAILS SEE: 25-15-54-03		1
- 135	232T1305-2		.DRIPSHIELD INSTL-SIDEWALL PILOTS REWORKED BY SB: 25-0290 FOR DETAILS SEE: 25-15-54-03		1
- 150	232T1308-1		.SEAL INSTL-CONDENSATE POSITION DATA: FLIGHT DECK FOR DETAILS SEE: 25-15-53-01		1
- 155	232T1313-1		.REVEAL INSTL-WINDOW TRACKS FLEXIBLE POSITION DATA: LH FOR DETAILS SEE: 25-21-56-01		1
- 160	232T1313-2		.REVEAL INSTL-WINDOW TRACKS FLEXIBLE POSITION DATA: RH FOR DETAILS SEE: 25-21-56-01		1
- 202	232T1400-51		.LINING INSTL- POSITION DATA: FLIGHT DECK FOR DETAILS SEE: 25-14-53-01		1

ILLUSTRATION ITEMS NOT ON PARTS LIST ARE NOT APPLICABLE

- ITEM NOT ILLUSTRATED

HXL

25-10-00-01

BOEING PROPRIETARY - Copyright © - Unpublished Work - See title page for details.

25-10-00  
FIG. 01  
PAGE 2  
DEC 22/07

 **BOEING**  
767  
PARTS CATALOG (MAINTENANCE)

NON-ILLUSTRATED FIGURE

THE ITEMS REFLECTED IN THIS FIGURE ARE INTENTIONALLY  
NON-ILLUSTRATED. THEY ARE REFERENCED TO EITHER A  
NEXT HIGHER OR NEXT LOWER ASSEMBLY/INSTALLATION FIGURE.

FLIGHT DECK INSTL-  
FIGURE 3

**25-10-00-03**

HXL  
DEC 22/06

25-10-00-03  
PAGE 0



767

PARTS CATALOG (MAINTENANCE)

FIG ITEM	PART NUMBER	1 2 3 4 5 6 7	NOMENCLATURE	EFFECT FROM TO	UNITS PER ASSY
3			FLIGHT DECK INSTL-		
- 1	230T0900-618		FLIGHT DECK INSTL	155162	RF
- 1	230T0900-630		FLIGHT DECK INSTL	163999	RF
- 10	233T2100-1		.PANEL INSTL-PILOTS MAIN VARIABLE DRAWING REF: 233T2100-5048 FUNCTIONAL REFERENCE: AUTOFLIGHT FOR DETAILS SEE 22-11-02-01 22-14-01-02 22-31-02-02 22-34-51-02 ENGINE INDICATING FOR DETAILS SEE 77-12-03-03 FIRE PROTECTION FOR DETAILS SEE 26-17-52-02 FLIGHT CONTROLS FOR DETAILS SEE 27-51-65-01 27-58-02-02 27-81-57-01 27-88-51-01 INDICATING/RECORDING FOR DETAILS SEE 31-11-11-17 31-25-52-02 31-41-52-01 31-51-02-11 LANDING GEAR FOR DETAILS SEE 32-35-55-01 32-41-63-02 32-42-53-02 32-61-52-02 32-71-60-01 LIGHTS FOR DETAILS SEE 33-11-01-05 33-13-54-01 33-16-51-02 NAVIGATION FOR DETAILS SEE 34-12-56-01 34-13-01-03 34-13-51-01 34-21-52-01		1
ILLUSTRATION ITEMS NOT ON PARTS LIST ARE NOT APPLICABLE					

- ITEM NOT ILLUSTRATED

25-10-00-03

25-10-00  
FIG. 03  
PAGE 1  
DEC 22/07

HXL



767

PARTS CATALOG (MAINTENANCE)

FIG ITEM	PART NUMBER	1 2 3 4 5 6 7	NOMENCLATURE	EFFECT FROM TO	UNITS PER ASSY
3 10			34-22-03-02 34-22-04-02 34-22-05-02 34-22-06-02 34-22-54-02 34-23-01-01 34-24-01-02 34-32-51-03 34-46-53-02 34-51-02-01 34-61-51-02 OIL FOR DETAILS SEE 79-33-51-01 PLACARDS AND MARKINGS FOR DETAILS SEE 11-31-01-11		
- 20	233T2321-1		.SUPPORT INSTL-PILOTS INSTR PNL VARIABLE DRAWING REF: 233T2321-5025 233T2321-5041 233T2321-5108 FOR DETAILS SEE: 53-11-54-02 53-11-54-03		1
- 30	233T2402-1		.DIMMER INSTL-PILOTS INSTR PNL VARIABLE DRAWING REF: 233T2402-5007 FOR DETAILS SEE: 33-11-03-02 33-13-02-04		1

ILLUSTRATION ITEMS NOT ON PARTS LIST ARE NOT APPLICABLE

- ITEM NOT ILLUSTRATED

HXL

25-10-00-03

BOEING PROPRIETARY - Copyright © - Unpublished Work - See title page for details.

25-10-00  
 FIG. 03  
 PAGE 2  
 DEC 22/07



767

PARTS CATALOG (MAINTENANCE)

FIG ITEM	PART NUMBER	1 2 3 4 5 6 7 NOMENCLATURE	EFFECT FROM TO	UNITS PER ASSY
3 - 40	233T3100-1	.PANEL INSTL-OVERHEAD VARIABLE DRAWING REF: 233T3100-5048 FUNCTIONAL REFERENCE: AIR CONDITIONING FOR DETAILS SEE 21-25-53-01 21-31-01-10 21-33-52-01 21-43-54-01 21-44-53-01 21-51-54-01 21-58-56-01 21-61-54-02 21-61-56-01 AIRBORNE AUXILIARY POWER FOR DETAILS SEE 49-41-52-01 COMMUNICATIONS FOR DETAILS SEE 23-11-02-01 23-21-51-02 23-32-57-03 23-71-02-01 DOORS FOR DETAILS SEE 52-71-51-01		1

ILLUSTRATION ITEMS NOT ON PARTS LIST ARE NOT APPLICABLE

- ITEM NOT ILLUSTRATED

HXL

25-10-00-03

BOEING PROPRIETARY - Copyright © - Unpublished Work - See title page for details.

25-10-00  
FIG. 03  
PAGE 3  
DEC 22/07





767

PARTS CATALOG (MAINTENANCE)

FIG ITEM	PART NUMBER	1 2 3 4 5 6 7 NOMENCLATURE	EFFECT FROM TO	UNITS PER ASSY
3 - 40	233T3100-1	.PANEL INSTL-OVERHEAD FUNCTIONAL REFERENCE: ELECTRICAL POWER FOR DETAILS SEE 24-11-54-01 24-22-51-01 24-33-52-01 24-41-51-01 24-51-61-01 ENGINE FUEL & CONTROL FOR DETAILS SEE 73-21-58-01 EQUIPMENT/FURNISHINGS FOR DETAILS SEE 25-63-53-01 FLIGHT CONTROLS FOR DETAILS SEE 27-11-72-02 27-21-58-02 27-41-61-02 27-61-51-02 27-62-53-02 FUEL FOR DETAILS SEE 28-22-55-02 28-31-11-01 28-41-53-01 HYDRAULIC POWER FOR DETAILS SEE 29-11-71-01 29-21-56-01 29-31-52-01 29-32-52-01 29-33-52-01 ICE & RAIN PROTECTION FOR DETAILS SEE 30-11-53-02 30-21-53-03 30-31-01-02 30-32-53-01 30-33-53-01 30-41-51-01 30-42-51-02 30-43-51-02 IGNITION FOR DETAILS SEE 74-31-52-02  ILLUSTRATION ITEMS NOT ON PARTS LIST ARE NOT APPLICABLE		RF

- ITEM NOT ILLUSTRATED

HXL

25-10-00-03

BOEING PROPRIETARY - Copyright © - Unpublished Work - See title page for details.

25-10-00  
FIG. 03  
PAGE 4  
DEC 22/07



767

PARTS CATALOG (MAINTENANCE)

FIG ITEM	PART NUMBER	1 2 3 4 5 6 7	NOMENCLATURE	EFFECT FROM TO	UNITS PER ASSY
3					
- 40	233T3100-1		.PANEL INSTL-OVERHEAD FUNCTIONAL REFERENCE: 31-12-11-11 31-12-11-11A 31-12-11-11B LANDING GEAR FOR DETAILS SEE 32-42-52-03		RF
- 40	233T3100-1		.PANEL INSTL-OVERHEAD FUNCTIONAL REFERENCE: ENGINE STARTING FOR DETAILS SEE 80-11-52-02 LIGHTS FOR DETAILS SEE 33-11-53-02 33-13-56-03 33-24-52-01 33-42-54-01 33-45-52-03 33-51-08-01 NAVIGATION FOR DETAILS SEE 34-21-51-01 OXYGEN FOR DETAILS SEE 35-21-52-01 PLACARDS AND MARKINGS FOR DETAILS SEE 11-31-53-02 PNEUMATIC FOR DETAILS SEE 36-11-56-01 36-21-51-01		RF
- 50	233T3310-1		.SUPPORT INSTL-P5 AND P11 OVERHEAD AND CB PNL VARIABLE DRAWING REF: 233T3310-5006 233T3310-5007 FOR DETAILS SEE: 53-11-55-01		1

ILLUSTRATION ITEMS NOT ON PARTS LIST ARE NOT APPLICABLE

- ITEM NOT ILLUSTRATED

HXL

25-10-00-03

BOEING PROPRIETARY - Copyright © - Unpublished Work - See title page for details.

25-10-00  
FIG. 03  
PAGE 5  
DEC 22/08



767

PARTS CATALOG (MAINTENANCE)

FIG ITEM	PART NUMBER	1 2 3 4 5 6 7 NOMENCLATURE	EFFECT FROM TO	UNITS PER ASSY
3 - 60	233T4100-1	.PANEL INSTL- POSITION DATA: R SIDE VARIABLE DRAWING REF: 233T4100-5048 FUNCTIONAL REFERENCE: AIR CONDITIONING FOR DETAILS SEE 21-44-52-02 21-58-55-02 AIRBORNE AUXILIARY POWER FOR DETAILS SEE 49-72-01-02 AUTOFLIGHT FOR DETAILS SEE 22-21-52-01 23-41-52-01 23-51-01-24 ENGINE FUEL & CONTROL FOR DETAILS SEE 73-21-80-01 FIRE PROTECTION FOR DETAILS SEE 26-18-51-02 26-21-04-03		1

ILLUSTRATION ITEMS NOT ON PARTS LIST ARE NOT APPLICABLE

- ITEM NOT ILLUSTRATED

HXL

25-10-00-03

BOEING PROPRIETARY - Copyright © - Unpublished Work - See title page for details.

25-10-00  
FIG. 03  
PAGE 6  
DEC 22/07



767

PARTS CATALOG (MAINTENANCE)

FIG ITEM	PART NUMBER	1 2 3 4 5 6 7	NOMENCLATURE	EFFECT FROM TO	UNITS PER ASSY
3 - 60	233T4100-1		.PANEL INSTL- FUNCTIONAL REFERENCE: FLIGHT CONTROLS FOR DETAILS SEE 27-13-55-01 FUEL FOR DETAILS SEE 28-43-11-01 HYDRAULIC POWER FOR DETAILS SEE 29-21-55-01 ICE & RAIN PROTECTION FOR DETAILS SEE 30-11-52-01 30-81-01-03 INDICATING/RECORDING FOR DETAILS SEE 31-11-26-63 LIGHTS FOR DETAILS SEE 33-13-55-01 NACELLES/PYLONS FOR DETAILS SEE 54-51-78-01 NAVIGATION FOR DETAILS SEE 34-12-51-01 34-46-55-01 34-61-05-01 PLACARDS AND MARKINGS FOR DETAILS SEE 11-32-01-17		RF
- 70	233T4403-1		.DIMMER INSTL-OVHD AND RIGHT HAND CONSOLE VARIABLE DRAWING REF: 233T4403-5006 FOR DETAILS SEE: 33-11-03-07		1

ILLUSTRATION ITEMS NOT ON PARTS LIST ARE NOT APPLICABLE

- ITEM NOT ILLUSTRATED

HXL

25-10-00-03

BOEING PROPRIETARY - Copyright © - Unpublished Work - See title page for details.

25-10-00  
FIG. 03  
PAGE 7  
DEC 22/07

 **BOEING**  
767  
**PARTS CATALOG (MAINTENANCE)**

FIG ITEM	PART NUMBER	1 2 3 4 5 6 7	NOMENCLATURE	EFFECT FROM TO	UNITS PER ASSY
3					
- 80	233T4501-1		.CONSOLE INSTL- POSITION DATA: RH SIDE VARIABLE DRAWING REF: 233T4501-5025 FUNCTIONAL REFERENCE: EQUIPMENT/FURNISHINGS FOR DETAILS SEE 25-13-57-02 LIGHTS FOR DETAILS SEE 33-11-01-02 PLACARDS AND MARKINGS FOR DETAILS SEE 11-32-05-02		1
- 100	233T5100-1		.PANEL INSTL-P11 CB VARIABLE DRAWING REF: 233T5100-5048		1
- 100	233T5100-1		.PANEL INSTL-P11 CB FUNCTIONAL REFERENCE: ELECTRICAL POWER FOR DETAILS SEE 24-51-52-28 24-51-53-31 24-51-54-27 24-51-55-31 24-51-56-22 24-51-57-27 LIGHTS FOR DETAILS SEE 33-13-59-03		RF
- 100	233T5100-1		.PANEL INSTL-P11 CB FUNCTIONAL REFERENCE: PLACARDS AND MARKINGS FOR DETAILS SEE 11-34-01-33		RF
- 110	233T5210-1		.PANEL INSTL-P11 VARIABLE DRAWING REF: 233T5210-5048 FOR DETAILS SEE: 25-17-51-03		1
- 120	233T8101-1		.GLARESHIELD INSTL-PILOTS VARIABLE DRAWING REF: 233T8101-5019 FOR DETAILS SEE: 33-11-01-05		1
ILLUSTRATION ITEMS NOT ON PARTS LIST ARE NOT APPLICABLE					

- ITEM NOT ILLUSTRATED

HXL

**25-10-00-03**

BOEING PROPRIETARY - Copyright © - Unpublished Work - See title page for details.

25-10-00  
FIG. 03  
PAGE 8  
DEC 22/07



767

PARTS CATALOG (MAINTENANCE)

FIG ITEM	PART NUMBER	1 2 3 4 5 6 7	NOMENCLATURE	EFFECT FROM TO	UNITS PER ASSY
3					
- 130	233T9110-41		.TUBING INSTL-PITOT/STATIC POSITION DATA: SECT. 41 VARIABLE DRAWING REF: 233T9110-5078 FUNCTIONAL REFERENCE: 21-33-04-01 34-11-00-13		1
- 140	233T9110-43		.TUBING INSTL-PITOT/STATIC POSITION DATA: SECT. 43 VARIABLE DRAWING REF: 233T9110-5053 FOR DETAILS SEE: 34-11-00-05A		1
- 150	233T9110-45		.TUBING INSTL-PITOT/STATIC POSITION DATA: SECT. 45 VARIABLE DRAWING REF: 233T9110-5075 FOR DETAILS SEE: 34-11-00-06A		1
- 160	233T9110-46		.TUBING INSTL-PITOT/STATIC POSITION DATA: SECT. 46 VARIABLE DRAWING REF: 233T9110-5047 FOR DETAILS SEE: 34-11-00-07A		1
- 170	233T9110-48		.TUBING INSTL-PITOT/STATIC POSITION DATA: SECT. 48 VARIABLE DRAWING REF: 233T9110-5074 FOR DETAILS SEE: 34-11-00-08		1
- 180	233T9114-2		.PROVISIONS INSTL-PITOT/ STATIC TUBING BRKT POSITION DATA: SECT. 41 FOR DETAILS SEE: 34-11-51-01		1
- 190	233T9120-1		.PROBE INSTL-PITOT/STATIC POSITION DATA: SECT 41 LH FOR DETAILS SEE: 34-11-01-01		1
ILLUSTRATION ITEMS NOT ON PARTS LIST ARE NOT APPLICABLE					

- ITEM NOT ILLUSTRATED

25-10-00-03

25-10-00  
FIG. 03  
PAGE 9  
DEC 22/07

HXL



767

PARTS CATALOG (MAINTENANCE)

FIG ITEM	PART NUMBER	1 2 3 4 5 6 7	NOMENCLATURE	EFFECT FROM TO	UNITS PER ASSY
3					
- 200	233T9120-2		.PROBE INSTL-PITOT/STATIC POSITION DATA: SECT 41 RH FOR DETAILS SEE: 34-11-01-01		1
- 210	233T9120-3		.PROBE INSTL-PITOT/STATIC POSITION DATA: SECT 41 LH FOR DETAILS SEE: 34-11-01-01		1
- 220	233T9120-4		.PROBE INSTL-PITOT/STATIC POSITION DATA: SECT 41 RH FOR DETAILS SEE: 34-11-01-01		1
- 230	233T9130-1		.SENSOR INSTL-ANGLE OF ATTACK POSITION DATA: LH FOR DETAILS SEE: 34-12-03-01		1
- 240	233T9130-2		.SENSOR INSTL-ANGLE OF ATTACK POSITION DATA: RH FOR DETAILS SEE: 34-12-03-01		1
- 250	233T9140-1		.PROBE INSTL-TOTAL AIR TEMP POSITION DATA: LH FOR DETAILS SEE: 34-12-02-01		1
- 260	233T9150-4141		.TUBING INSTL-TOTAL AIR TEMP PROBE ASPIRATION POSITION DATA: SECT. 41 VARIABLE DRAWING REF: 233T9150-5010 FOR DETAILS SEE: 34-12-52-01		1
- 270	233T9150-4343		.TUBING INSTL-TOTAL AIR TEMP PROBE ASPIRATION POSITION DATA: SECT. 43 VARIABLE DRAWING REF: 233T9150-5008 FOR DETAILS SEE: 34-12-52-01		1
ILLUSTRATION ITEMS NOT ON PARTS LIST ARE NOT APPLICABLE					

- ITEM NOT ILLUSTRATED

25-10-00-03

25-10-00  
FIG. 03  
PAGE 10  
DEC 22/07

HXL



767

PARTS CATALOG (MAINTENANCE)

FIG ITEM	PART NUMBER	1 2 3 4 5 6 7	NOMENCLATURE	EFFECT FROM TO	UNITS PER ASSY
3					
- 280	233T9150-4949		.TUBING INSTL-TOTAL AIR TEMP PROBE ASPIRATION POSITION DATA: SECT. 49 VARIABLE DRAWING REF: 233T9150-5009 FOR DETAILS SEE: 34-12-52-01		1
- 290	233T9160-1		.PORT INSTL-STATIC PRESSURE POSITION DATA: LH FOR DETAILS SEE: 34-11-03-01		1
- 300	233T9160-2		.PORT INSTL-STATIC PRESSURE POSITION DATA: RH FOR DETAILS SEE: 34-11-03-01		1
- 310	233T9180-2		.PROBE INSTL-ICE DETECTOR FOR DETAILS SEE: 30-81-01-01		1
ILLUSTRATION ITEMS NOT ON PARTS LIST ARE NOT APPLICABLE					

- ITEM NOT ILLUSTRATED

HXL

25-10-00-03

BOEING PROPRIETARY - Copyright © - Unpublished Work - See title page for details.

25-10-00  
FIG. 03  
PAGE 11  
DEC 22/07



 **BOEING**  
767  
PARTS CATALOG (MAINTENANCE)

NON-ILLUSTRATED FIGURE

THE ITEMS REFLECTED IN THIS FIGURE ARE INTENTIONALLY  
NON-ILLUSTRATED. THEY ARE REFERENCED TO EITHER A  
NEXT HIGHER OR NEXT LOWER ASSEMBLY/INSTALLATION FIGURE.

FLIGHT DECK INSTL-VARIABLE  
FIGURE 4

**25-10-00-04**

HXL  
DEC 22/06

25-10-00-04  
PAGE 0



767

PARTS CATALOG (MAINTENANCE)

FIG ITEM	PART NUMBER	1 2 3 4 5 6 7	NOMENCLATURE	EFFECT FROM TO	UNITS PER ASSY
4			FLIGHT DECK INSTL-VARIABLE		
- 4	230T0900-618		FLIGHT DECK INSTL-VARIABLE	155162	RF
- 5	230T0900-630		FLIGHT DECK INSTL-VARIABLE	163999	RF
- 17	232T4200-51		.EQUIPMENT INSTL-MISC		1
			POSITION DATA:		
			FLIGHT DECK		
- 30	232T4204-14		..SUNVISOR INSTL-		2
			POSITION DATA:		
			FLIGHT DECK		
			FOR DETAILS SEE:		
			25-13-02-02		
- 45	232T4206-1		..HOLDER INSTL-APPROACH		1
			PLATE		
			POSITION DATA:		
			LH		
			FOR DETAILS SEE:		
			25-13-66-02		
- 50	232T4206-2		..HOLDER INSTL-APPROACH		1
			PLATE		
			POSITION DATA:		
			RH		
			FOR DETAILS SEE:		
			25-13-66-02		
- 55	232T4207-23		..BOX INSTL-SPARE BULB		1
			FOR DETAILS SEE:		
			25-13-65-01		
- 60	232T4208-2		..CLIP INSTL-MISC		1
			POSITION DATA:		
			STA 191.5		
			FOR DETAILS SEE:		
			25-13-85-01		
- 70	232T4209-1		..HOLDER INSTL-FAA		1
			CERTIFICATION AND RADIO		
			LICENSE		
			FOR DETAILS SEE:		
			25-13-64-01B		
- 105	232T4209-8		..HOLDER INSTL-FAA		1
			CERTIFICATE OF		
			AIRWORTHINESS		
			FOR DETAILS SEE:		
			25-13-64-01C		
- 185	232T4210-64		..MICROPHONE INSTL-HEADSET		1
			AND HAND		
			FOR DETAILS SEE:		
			23-51-51-15		
- 215	232T4211-1		..SPEAKER INSTL-INTPH AND		1
			AURAL WARNING		
			FOR DETAILS SEE:		
			23-51-02-01		

ILLUSTRATION ITEMS NOT ON PARTS LIST ARE NOT APPLICABLE

- ITEM NOT ILLUSTRATED

HXL

25-10-00-04

BOEING PROPRIETARY - Copyright © - Unpublished Work - See title page for details.

25-10-00  
FIG. 04  
PAGE 1  
DEC 22/07



767

PARTS CATALOG (MAINTENANCE)

FIG ITEM	PART NUMBER	1 2 3 4 5 6 7	NOMENCLATURE	EFFECT FROM TO	UNITS PER ASSY
4					
- 230	232T4224-5		..ASH TRAY INSTL-CAPT FIRST OFFICER AND FIRST OBSERVER FOR DETAILS SEE: 25-13-72-01		1
- 260	232T4239-1		..TABLE INSTL-WRITING POSITION DATA: LH FOR DETAILS SEE: 25-13-80-01		1
- 265	232T4239-2		..TABLE INSTL-WRITING POSITION DATA: RH FOR DETAILS SEE: 25-13-80-01		1

ILLUSTRATION ITEMS NOT ON PARTS LIST ARE NOT APPLICABLE

- ITEM NOT ILLUSTRATED

HXL

25-10-00-04

BOEING PROPRIETARY - Copyright © - Unpublished Work - See title page for details.

25-10-00  
FIG. 04  
PAGE 2  
DEC 22/07

 **BOEING**  
767  
PARTS CATALOG (MAINTENANCE)

NON-ILLUSTRATED FIGURE

THE ITEMS REFLECTED IN THIS FIGURE ARE INTENTIONALLY  
NON-ILLUSTRATED. THEY ARE REFERENCED TO EITHER A  
NEXT HIGHER OR NEXT LOWER ASSEMBLY/INSTALLATION FIGURE.

FLIGHT DECK INSTL-VARIABLE ELECTRONICS  
FIGURE 6

**25-10-00-06**

HXL  
DEC 22/06

25-10-00-06  
PAGE 0



767

PARTS CATALOG (MAINTENANCE)

FIG ITEM	PART NUMBER	1 2 3 4 5 6 7	NOMENCLATURE	EFFECT FROM TO	UNITS PER ASSY
6			FLIGHT DECK INSTL-VARIABLE ELECTRONICS		
- 4	230T0900-618		FLIGHT DECK INSTL-VARIABLE ELECTRONICS	155162	1
- 5	230T0900-630		FLIGHT DECK INSTL-VARIABLE ELECTRONICS	163999	1
- 20	233T6100-1		.PANEL INSTL-ELECTRONICS VARIABLE DRAWING REF: 233T6100-5048 FUNCTIONAL REFERENCE: COMMUNICATIONS FOR DETAILS SEE 23-12-02-03 23-51-01-02 FIRE PROTECTION FOR DETAILS SEE 26-11-53-01 26-17-53-01 26-21-56-01 26-22-55-01 26-23-54-01 FLIGHT CONTROLS FOR DETAILS SEE 27-11-71-01 27-21-20-01 27-28-05-01 INDICATING/RECORDING FOR DETAILS SEE 31-35-06-01 31-41-03-01 LIGHTS FOR DETAILS SEE 33-13-57-01 NAVIGATION FOR DETAILS SEE 34-22-02-01 34-31-02-01 34-43-51-01 34-53-51-02 34-57-51-02 34-61-02-01 PLACARDS AND MARKINGS FOR DETAILS SEE 11-31-02-11		1
ILLUSTRATION ITEMS NOT ON PARTS LIST ARE NOT APPLICABLE					

- ITEM NOT ILLUSTRATED

HXL

25-10-00-06

BOEING PROPRIETARY - Copyright © - Unpublished Work - See title page for details.

25-10-00  
FIG. 06  
PAGE 1  
DEC 22/07



767

PARTS CATALOG (MAINTENANCE)

FIG ITEM	PART NUMBER	1 2 3 4 5 6 7	NOMENCLATURE	EFFECT FROM TO	UNITS PER ASSY
6 - 200	233T6304-1		.SUPPORT INSTL- ELECTRONICS PNL POSITION DATA: AFT VARIABLE DRAWING REF: 233T6304-5011 FUNCTIONAL REFERENCE: COMMUNICATIONS FOR DETAILS SEE 23-42-51-02 FUSELAGE FOR DETAILS SEE 53-11-81-02		1

ILLUSTRATION ITEMS NOT ON PARTS LIST ARE NOT APPLICABLE

- ITEM NOT ILLUSTRATED

HXL

25-10-00-06

BOEING PROPRIETARY - Copyright © - Unpublished Work - See title page for details.

25-10-00  
FIG. 06  
PAGE 2  
DEC 22/07

 **BOEING**  
767  
PARTS CATALOG (MAINTENANCE)

NON-ILLUSTRATED FIGURE

THE ITEMS REFLECTED IN THIS FIGURE ARE INTENTIONALLY  
NON-ILLUSTRATED. THEY ARE REFERENCED TO EITHER A  
NEXT HIGHER OR NEXT LOWER ASSEMBLY/INSTALLATION FIGURE.

FLIGHT DECK INSTL-VARIABLE AUX  
FIGURE 7

**25-10-00-07**

HXL  
DEC 22/06

25-10-00-07  
PAGE 0



767

PARTS CATALOG (MAINTENANCE)

FIG ITEM	PART NUMBER	1 2 3 4 5 6 7	NOMENCLATURE	EFFECT FROM TO	UNITS PER ASSY
7			FLIGHT DECK INSTL-VARIABLE AUX		
- 4	230T0900-618		FLIGHT DECK INSTL-VARIABLE AUX	155162	1
- 5	230T0900-630		FLIGHT DECK INSTL-VARIABLE AUX	163999	1
- 20	233T7100-1		.PANEL INSTL-AUX VARIABLE DRAWING REF: 233T7100-5048 FUNCTIONAL REFERENCE: AIR CONDITIONING FOR DETAILS SEE 21-45-51-01 COMMUNICATIONS FOR DETAILS SEE 23-51-01-30 31-13-16-05 31-13-26-05 LIGHTS FOR DETAILS SEE 33-13-01-70 11-31-17-02		1
ILLUSTRATION ITEMS NOT ON PARTS LIST ARE NOT APPLICABLE					

- ITEM NOT ILLUSTRATED

HXL

25-10-00-07

BOEING PROPRIETARY - Copyright © - Unpublished Work - See title page for details.

25-10-00  
FIG. 07  
PAGE 1  
DEC 22/07



 **BOEING**  
767  
PARTS CATALOG (MAINTENANCE)

NON-ILLUSTRATED FIGURE

THE ITEMS REFLECTED IN THIS FIGURE ARE INTENTIONALLY  
NON-ILLUSTRATED. THEY ARE REFERENCED TO EITHER A  
NEXT HIGHER OR NEXT LOWER ASSEMBLY/INSTALLATION FIGURE.

FLIGHT DECK INSTL-VARIABLE CREW OXY  
FIGURE 8

**25-10-00-08**

HXL  
DEC 22/06

25-10-00-08  
PAGE 0



767

PARTS CATALOG (MAINTENANCE)

FIG ITEM	PART NUMBER	1 2 3 4 5 6 7	NOMENCLATURE	EFFECT FROM TO	UNITS PER ASSY
8			FLIGHT DECK INSTL-VARIABLE CREW OXY		
- 4	230T0900-618		FLIGHT DECK INSTL-VARIABLE CREW OXY	155162	RF
- 5	230T0900-630		FLIGHT DECK INSTL-VARIABLE CREW OXY	163999	RF
- 53	232T8000-618		.SYSTEM INSTL-CREW OXY SCANDINAVIAN AIRLINES VARIABLE DRAWING REF: 232T8000-5086 FOR DETAILS SEE: 35-11-51-05	155162	1
- 53	232T8000-630		.SYSTEM INSTL-CREW OXY SCANDINAVIAN AIRLINES VARIABLE DRAWING REF: 232T8000-5086 FOR DETAILS SEE: 35-11-51-05	163999	1

ILLUSTRATION ITEMS NOT ON PARTS LIST ARE NOT APPLICABLE

- ITEM NOT ILLUSTRATED

HXL

25-10-00-08

BOEING PROPRIETARY - Copyright © - Unpublished Work - See title page for details.

25-10-00  
FIG. 08  
PAGE 1  
DEC 22/07

 **BOEING**  
767  
PARTS CATALOG (MAINTENANCE)

NON-ILLUSTRATED FIGURE

THE ITEMS REFLECTED IN THIS FIGURE ARE INTENTIONALLY  
NON-ILLUSTRATED. THEY ARE REFERENCED TO EITHER A  
NEXT HIGHER OR NEXT LOWER ASSEMBLY/INSTALLATION FIGURE.

V 25100011 REV 238

FLIGHT DECK INSTL-VARIABLE ELECTRONICS  
FIGURE 11

**25-10-00-11**

HXL  
DEC 22/06

25-10-00-11  
PAGE 0



767

PARTS CATALOG (MAINTENANCE)

FIG ITEM	PART NUMBER	1 2 3 4 5 6 7	NOMENCLATURE	EFFECT FROM TO	UNITS PER ASSY
11			FLIGHT DECK INSTL-VARIABLE ELECTRONICS		
- 1	230T0900-618		FLIGHT DECK INSTL-VARIABLE ELECTRONICS	155162	1
- 2	230T0900-630		FLIGHT DECK INSTL-VARIABLE ELECTRONICS	163999	1
- 12	232T4100-109		.EQUIPMENT INSTL-EMER	155162	1
- 12	232T4100-44		.EQUIPMENT INSTL-EMER	163999	1
- 20	232T4101-39		..LIFE VEST INSTL- FUNCTIONAL REFERENCE: EQUIPMENT/FURNISHINGS FOR DETAILS SEE 25-64-55-04 PLACARDS AND MARKINGS FOR DETAILS SEE 11-31-15-03		1
- 30	232T4102-6		..AXE INSTL-CRASH POSITION DATA: FLIGHT DECK FOR DETAILS SEE: 25-64-51-01		1
- 40	232T4103-21		..GOGGLE INSTL-SMOKE FOR DETAILS SEE: 25-64-57-02		1
- 50	232T4104-32		..STOWAGE INSTL-FIRE EXT AND OXY BOTTLE POSITION DATA: STA 236.12 FOR DETAILS SEE: 26-26-60-02		1
- 60	232T4105-2		..LIGHT INSTL-EMER EXIT FOR DETAILS SEE: 33-51-01-01		1
- 70	232T4106-19		..ROPE INSTL-EMER ESCAPE POSITION DATA: LH FUNCTIONAL REFERENCE: EQUIPMENT/FURNISHINGS FOR DETAILS SEE 25-61-02-01 PLACARDS AND MARKINGS FOR DETAILS SEE 11-31-51-02	163999	1

ILLUSTRATION ITEMS NOT ON PARTS LIST ARE NOT APPLICABLE

- ITEM NOT ILLUSTRATED

HXL

25-10-00-11

BOEING PROPRIETARY - Copyright © - Unpublished Work - See title page for details.

25-10-00  
FIG. 11  
PAGE 1  
DEC 22/07



767

PARTS CATALOG (MAINTENANCE)

FIG ITEM	PART NUMBER	1 2 3 4 5 6 7	NOMENCLATURE	EFFECT FROM TO	UNITS PER ASSY
11					
- 70	232T4106-21		..ROPE INSTL-EMER ESCAPE POSITION DATA: LH FUNCTIONAL REFERENCE: EQUIPMENT/FURNISHINGS FOR DETAILS SEE 25-61-02-01 PLACARDS AND MARKINGS FOR DETAILS SEE 11-31-51-02	155162	1
- 75	232T4106-18		..ROPE INSTL-EMER ESCAPE POSITION DATA: RH FUNCTIONAL REFERENCE: EQUIPMENT/FURNISHINGS FOR DETAILS SEE 25-61-02-01 PLACARDS AND MARKINGS FOR DETAILS SEE 11-31-51-02	163999	1
- 75	232T4106-20		..ROPE INSTL-EMER ESCAPE POSITION DATA: RH FUNCTIONAL REFERENCE: EQUIPMENT/FURNISHINGS FOR DETAILS SEE 25-61-02-01 PLACARDS AND MARKINGS FOR DETAILS SEE 11-31-51-02	155162	1
- 80	232T4128-1		..MARKER INSTL-NO. 2 WINDOW FOR DETAILS SEE: 11-31-07-02		1
- 90	232T4134-2		..FLASHLIGHT INSTL- FOR DETAILS SEE: 25-64-01-01		1

ILLUSTRATION ITEMS NOT ON PARTS LIST ARE NOT APPLICABLE

- ITEM NOT ILLUSTRATED

HXL

25-10-00-11

BOEING PROPRIETARY - Copyright © - Unpublished Work - See title page for details.

25-10-00  
FIG. 11  
PAGE 2  
DEC 22/07

 **BOEING**  
767  
PARTS CATALOG (MAINTENANCE)

NON-ILLUSTRATED FIGURE

THE ITEMS REFLECTED IN THIS FIGURE ARE INTENTIONALLY  
NON-ILLUSTRATED. THEY ARE REFERENCED TO EITHER A  
NEXT HIGHER OR NEXT LOWER ASSEMBLY/INSTALLATION FIGURE.

FLIGHT DECK INSTL-VARIABLE  
FIGURE 12

**25-10-00-12**

HXL  
DEC 22/06

25-10-00-12  
PAGE 0



767

PARTS CATALOG (MAINTENANCE)

FIG ITEM	PART NUMBER	1 2 3 4 5 6 7	NOMENCLATURE	EFFECT FROM TO	UNITS PER ASSY
12			FLIGHT DECK INSTL-VARIABLE		
- 4	230T0900-618		FLIGHT DECK INSTL-VARIABLE	155162	RF
- 5	230T0900-630		FLIGHT DECK INSTL-VARIABLE	163999	RF
- 150	232T2004-135		.PARTITION INSTL- POSITION DATA: FLIGHT DECK	155162 164999	1
- 160	232T2004-148		.PARTITION INSTL- POSITION DATA: FLIGHT DECK	163163	1
- 200	232T2004-107		..BULKHEAD INSTL- FOR DETAILS SEE: 25-13-54-05		1
- 210	232T2004-115		..PANEL INSTL- FUNCTIONAL REFERENCE: EQUIPMENT/FURNISHINGS FOR DETAILS SEE 25-13-54-06		1
- 220	232T2004-109		..PARTITION INSTL- POSITION DATA: RH FOR DETAILS SEE: 25-13-54-07		1
- 230	232T2004-151		..PARTITION INSTL- POSITION DATA: LH FOR DETAILS SEE: 25-13-54-08		1
- 240	232T2004-111		..HEADER INSTL- FOR DETAILS SEE: 25-13-54-10		1
- 250	232T2004-112		..POST INSTL- FOR DETAILS SEE: 52-51-53-03		1
- 260	413T4200-32		..DOOR INSTL- POSITION DATA: FLIGHT DECK PRE SERVICE BULLETIN: 25-0325 FOR DETAILS SEE: 52-51-00-02	155162	1
- 600	880T2518-10		KIT INSTL-TOP POST SERVICE BULLETIN: 25-0325	155162	1
- 602	880T2518-38		KIT INSTL-TOP POST SERVICE BULLETIN: 25-0325	163999	1

ILLUSTRATION ITEMS NOT ON PARTS LIST ARE NOT APPLICABLE

- ITEM NOT ILLUSTRATED

HXL

25-10-00-12

25-10-00  
FIG. 12  
PAGE 1  
DEC 22/07



767

PARTS CATALOG (MAINTENANCE)

FIG ITEM	PART NUMBER	1 2 3 4 5 6 7	NOMENCLATURE	EFFECT FROM TO	UNITS PER ASSY
12					
- 605	841T3001-1		.STRIKE INSTL-KIT POST SERVICE BULLETIN: 25-0325R16 FOR DETAILS SEE: 52-51-53-03		1
- 610	841T1001-1		.STOP INSTL-KIT FOR DETAILS SEE: 25-15-01-02		1
- 615	827T0009-1		.GROUND BLOCK INSTL-KIT POST SERVICE BULLETIN: 25-0325R16 FOR DETAILS SEE: 52-51-11-01		1
- 620	841T3002-10		.DOOR INSTL-FLIGHT DECK POST SERVICE BULLETIN: 25-0325R16 FOR DETAILS SEE: 52-51-00-02		1
- 625	827T0008-5		.WIRE BUNDLE INSTL- POST SERVICE BULLETIN: 25-0325R16 FOR DETAILS SEE: 52-51-11-01		1
- 630	848T1002-1		.SYSTEM INSTL-DOOR CHIME POST SERVICE BULLETIN: 25-0325R16 FOR DETAILS SEE: 52-51-03-01		1
- 635	848T1003-1		.PRESSURE INSTL- POST SERVICE BULLETIN: 25-0325R16 FOR DETAILS SEE: 52-51-03-01		1
- 645	846T1001-1		.PLACARD INSTL-FLIGHT DECK DOOR CONFIGURATION POST SERVICE BULLETIN: 25-0325R16 FOR DETAILS SEE: 11-31-51-07		1
- 725	841T3003-1		.PARTITION INSTL- REINFORCEMEMNT POSITION DATA: RH POST SERVICE BULLETIN: 25-0325 FOR DETAILS SEE: 25-13-54-07		1
ILLUSTRATION ITEMS NOT ON PARTS LIST ARE NOT APPLICABLE					

- ITEM NOT ILLUSTRATED

25-10-00-12

25-10-00  
FIG. 12  
PAGE 2  
DEC 22/07

HXL





767

PARTS CATALOG (MAINTENANCE)

FIG ITEM	PART NUMBER	1 2 3 4 5 6 7	NOMENCLATURE	EFFECT FROM TO	UNITS PER ASSY
12 - 760	880T2518-67		.KIT INSTL-SUPPLEMENTAL POST SERVICE BULLETIN: 25-0325R3 25-0325R4 FOR DETAILS SEE: 11-31-51-07		1
- 765	880T2518-100		.KIT INSTL-SUPPLEMENTAL POST SERVICE BULLETIN: 25-0325R3 25-0325R4 FUNCTIONAL REFERENCE: PLACARDS AND MARKINGS FOR DETAILS SEE 11-32-01-42 DOORS FOR DETAILS SEE 52-51-03-01		1

ILLUSTRATION ITEMS NOT ON PARTS LIST ARE NOT APPLICABLE

- ITEM NOT ILLUSTRATED

HXL

25-10-00-12

BOEING PROPRIETARY - Copyright © - Unpublished Work - See title page for details.

25-10-00  
FIG. 12  
PAGE 3  
DEC 22/08

NON-ILLUSTRATED FIGURE

THE ITEMS REFLECTED IN THIS FIGURE ARE INTENTIONALLY  
NON-ILLUSTRATED. THEY ARE REFERENCED TO EITHER A  
NEXT HIGHER OR NEXT LOWER ASSEMBLY/INSTALLATION FIGURE.

FLIGHT DECK INSTL-VARIABLE  
FIGURE 13

**25-10-00-13**

HXL  
DEC 22/06

25-10-00-13  
PAGE 0



767

PARTS CATALOG (MAINTENANCE)

FIG ITEM	PART NUMBER	1 2 3 4 5 6 7	NOMENCLATURE	EFFECT FROM TO	UNITS PER ASSY
13			FLIGHT DECK INSTL-VARIABLE		
- 4	230T0900-618		FLIGHT DECK INSTL-VARIABLE	155162	RF
- 5	230T0900-630		FLIGHT DECK INSTL-VARIABLE	163999	RF
- 100	232T3002-33		.SEAT INSTL-CAPT POWERED IPECO FOR DETAILS SEE: 25-11-01-03		1
- 110	232T3002-34		.SEAT INSTL-FIRST OFFICER POWERED IPECO FOR DETAILS SEE: 25-11-01-03		1
- 130	232T3003-13		.SEAT INSTL-FIRST OBSERVER FOR DETAILS SEE: 25-11-02-02		1
- 140	232T3003-15		.FOOTREST INSTL-FIRST OBSERVER FOR DETAILS SEE: 25-11-02-02	163999	1
- 140	232T3003-17		.FOOTREST INSTL-FIRST OBSERVER FOR DETAILS SEE: 25-11-02-02	155162	1
- 160	232T3006-9		.SEAT INSTL-SECOND OBSERVER FOR DETAILS SEE: 25-11-03-02		1

ILLUSTRATION ITEMS NOT ON PARTS LIST ARE NOT APPLICABLE

- ITEM NOT ILLUSTRATED

HXL

25-10-00-13

BOEING PROPRIETARY - Copyright © - Unpublished Work - See title page for details.

25-10-00  
FIG. 13  
PAGE 1  
DEC 22/07

 **BOEING**  
767  
PARTS CATALOG (MAINTENANCE)

NON-ILLUSTRATED FIGURE

THE ITEMS REFLECTED IN THIS FIGURE ARE INTENTIONALLY  
NON-ILLUSTRATED. THEY ARE REFERENCED TO EITHER A  
NEXT HIGHER OR NEXT LOWER ASSEMBLY/INSTALLATION FIGURE.

FLIGHT DECK INSTL-VARIABLE  
FIGURE 15

**25-10-00-15**

HXL  
DEC 22/06

25-10-00-15  
PAGE 0



767

PARTS CATALOG (MAINTENANCE)

FIG ITEM	PART NUMBER	1 2 3 4 5 6 7	NOMENCLATURE	EFFECT FROM TO	UNITS PER ASSY
15			FLIGHT DECK INSTL-VARIABLE		
- 4	230T0900-618		FLIGHT DECK INSTL-VARIABLE	155162	RF
- 5	230T0900-630		FLIGHT DECK INSTL-VARIABLE	163999	RF
- 100	232T5000-17		.LIGHTING INSTL		1
- 110	232T5001-4		..LIGHT INSTL-CAPT FIRST OFFICER AND FIRST OBSERVER MAP FOR DETAILS SEE: 33-14-51-02		1
- 140	232T5011-2		..LIGHT INSTL-LAV OCCUPIED IND POSITION DATA: FWD FOR DETAILS SEE: 33-26-55-01		1
- 160	232T5002-15		..LIGHT INSTL-UTILITY FOR DETAILS SEE: 33-14-52-02		1
- 200	232T5003-2		..LIGHT INSTL-DOME FOR DETAILS SEE: 33-11-51-01		1
- 210	232T5008-8		..LIGHT INSTL-CHART POSITION DATA: LH FOR DETAILS SEE: 33-14-53-01		1
- 220	232T5008-9		..LIGHT INSTL-CHART POSITION DATA: RH FOR DETAILS SEE: 33-14-53-01		1

ILLUSTRATION ITEMS NOT ON PARTS LIST ARE NOT APPLICABLE

- ITEM NOT ILLUSTRATED

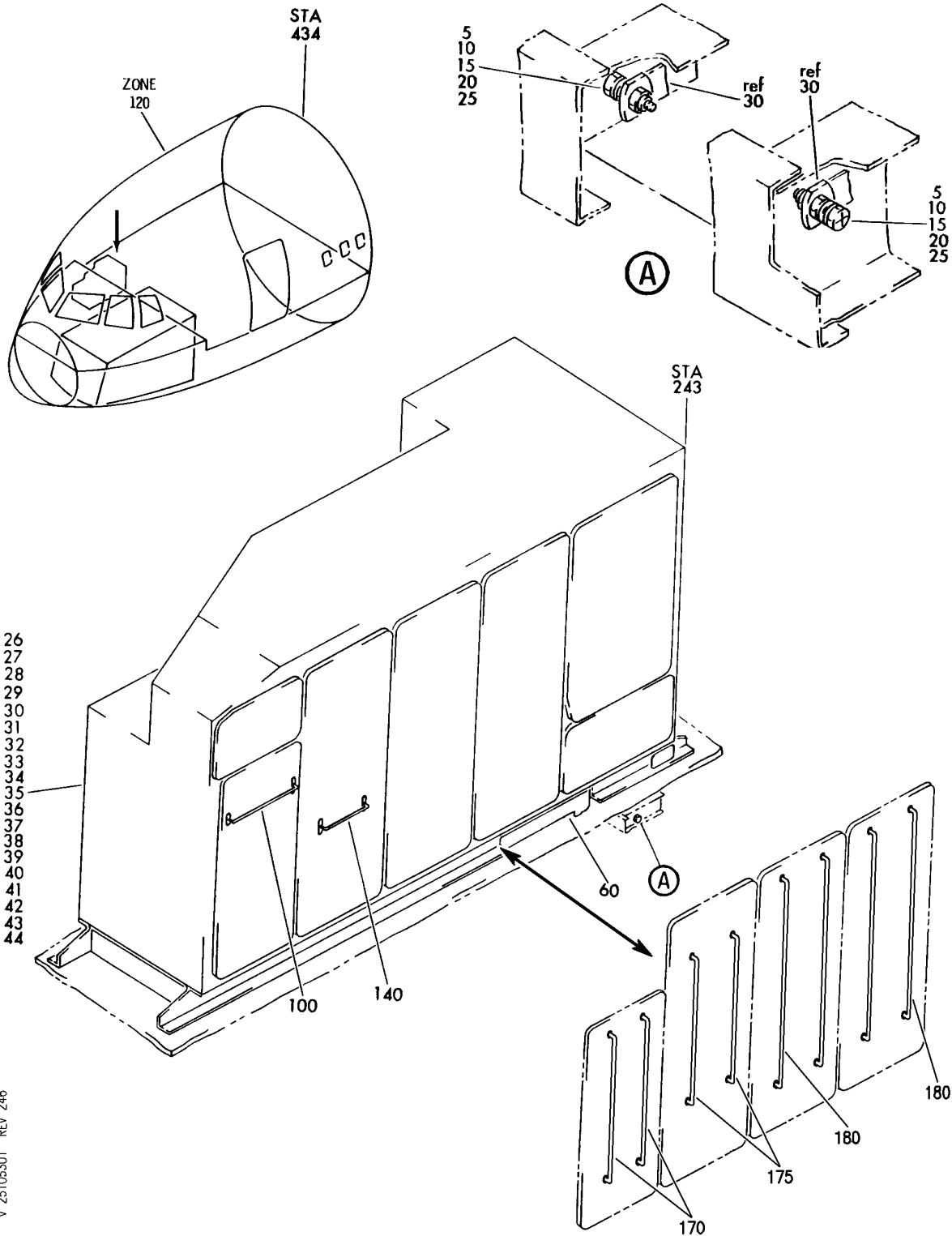
HXL

25-10-00-15

BOEING PROPRIETARY - Copyright © - Unpublished Work - See title page for details.

25-10-00  
FIG. 15  
PAGE 1  
DEC 22/07

**BOEING**  
767  
PARTS CATALOG (MAINTENANCE)



V 25105301 REV 246

PANEL INSTL-MAIN PWR DISTR P6 (EQUIPMENT/FURNISHINGS ONLY)  
FIGURE 1

**25-10-53-01**

HXL  
DEC 22/06

25-10-53-01  
PAGE 0



767

PARTS CATALOG (MAINTENANCE)

FIG ITEM	PART NUMBER	1 2 3 4 5 6 7	NOMENCLATURE	EFFECT FROM TO	UNITS PER ASSY
1			PANEL INSTL-MAIN PWR DISTR P6 (EQUIPMENT/FURNISHINGS ONLY)		
- 1	284T0996-1		PANEL INSTL-MAIN PWR DISTR P6 (EQUIPMENT/FURNISHINGS ONLY) VARIABLE DRAWING REF: 284T0996-5132 FOR NHA/OTHER SYS DET SEE: 24-00-58-01T	163163	RF
- 1	284T0996-1		PANEL INSTL-MAIN PWR DISTR P6 (EQUIPMENT/FURNISHINGS ONLY) VARIABLE DRAWING REF: 284T0996-5172 284T0996-5181 FOR NHA/OTHER SYS DET SEE: 24-00-58-01T	155162 164999	RF
5	NAS1801-4-13		.SCREW-		2
10	MS35338-44		.WASHER		2
15	AN960D416L		.WASHER		2
20	MS35650-3255S		.NUT		2
25	BRH10A4		.NUT		2
			SUPPLIER CODE: V52828 SPECIFICATION NUMBER: BACN10JC4 OPTIONAL PART: T6S428J V11815 96-048 V80539 VN303A048 V92215 RMLH9075-4W V72962 NS202101-048 V80539 H10-4BAC V15653		
ILLUSTRATION ITEMS NOT ON PARTS LIST ARE NOT APPLICABLE					

- ITEM NOT ILLUSTRATED

HXL

25-10-53-01

BOEING PROPRIETARY - Copyright © - Unpublished Work - See title page for details.

25-10-53  
FIG. 01  
PAGE 1  
DEC 22/07

 **BOEING**  
767  
**PARTS CATALOG (MAINTENANCE)**

FIG ITEM	PART NUMBER	1 2 3 4 5 6 7	NOMENCLATURE	EFFECT FROM TO	UNITS PER ASSY
1 26	284T0997-147		.EQUIPMENT ASSY- FUNCTIONAL REFERENCE: AIR CONDITIONING FOR DETAILS SEE 21-58-60-01 AUTOFLIGHT FOR DETAILS SEE 22-41-55-01 ELECTRICAL POWER FOR DETAILS SEE 24-11-56-01 24-23-53-01 24-32-52-01 24-33-02-02 24-34-52-01 24-51-74-03 24-53-52-01 ENGINE INDICATING FOR DETAILS SEE 77-35-51-01 ENGINE STARTING FOR DETAILS SEE 80-11-53-01 EQUIPMENT/FURNISHINGS FOR DETAILS SEE 25-17-55-01 25-29-54-01 LIGHTS FOR DETAILS SEE 33-11-00-01 33-13-52-02 33-16-52-01 NAVIGATION FOR DETAILS SEE 34-21-03-01 34-61-55-01 PLACARDS AND MARKINGS FOR DETAILS SEE 11-34-02-03	163163	1
ILLUSTRATION ITEMS NOT ON PARTS LIST ARE NOT APPLICABLE					

- ITEM NOT ILLUSTRATED

HXL

# 25-10-53-01

BOEING PROPRIETARY - Copyright © - Unpublished Work - See title page for details.

25-10-53  
FIG. 01  
PAGE 2  
DEC 22/06



**BOEING**  
767  
**PARTS CATALOG (MAINTENANCE)**

FIG ITEM	PART NUMBER	1 2 3 4 5 6 7	NOMENCLATURE	EFFECT FROM TO	UNITS PER ASSY
1 35	284T0997-175		.EQUIPMENT ASSY- FUNCTIONAL REFERENCE: AIR CONDITIONING FOR DETAILS SEE 21-58-60-01 AUTOFLIGHT FOR DETAILS SEE 22-41-55-01 ELECTRICAL POWER FOR DETAILS SEE 24-11-56-01 24-23-53-01 24-32-52-01 24-33-02-02 24-34-52-01 24-51-74-03 24-53-52-01 ENGINE INDICATING FOR DETAILS SEE 77-35-51-01 ENGINE STARTING FOR DETAILS SEE 80-11-53-01 EQUIPMENT/FURNISHINGS FOR DETAILS SEE 25-17-55-01 25-29-54-01 LIGHTS FOR DETAILS SEE 33-11-00-01 33-13-52-02 33-16-52-01 NAVIGATION FOR DETAILS SEE 34-21-03-01 34-61-55-01 PLACARDS AND MARKINGS FOR DETAILS SEE 11-34-02-03	155162	1
ILLUSTRATION ITEMS NOT ON PARTS LIST ARE NOT APPLICABLE					

- ITEM NOT ILLUSTRATED

HXL

# 25-10-53-01

BOEING PROPRIETARY - Copyright © - Unpublished Work - See title page for details.

25-10-53  
FIG. 01  
PAGE 3  
DEC 22/07

**BOEING**  
767  
**PARTS CATALOG (MAINTENANCE)**

FIG ITEM	PART NUMBER	1 2 3 4 5 6 7	NOMENCLATURE	EFFECT FROM TO	UNITS PER ASSY
1 36	284T0997-184		.EQUIPMENT ASSY- FUNCTIONAL REFERENCE: AIR CONDITIONING FOR DETAILS SEE 21-58-60-01 AUTOFLIGHT FOR DETAILS SEE 22-41-55-01 ELECTRICAL POWER FOR DETAILS SEE 24-11-56-01 24-23-53-01 24-32-52-01 24-33-02-02 24-34-52-01 24-51-74-03 24-53-52-01 ENGINE INDICATING FOR DETAILS SEE 77-35-51-01 ENGINE STARTING FOR DETAILS SEE 80-11-53-01 EQUIPMENT/FURNISHINGS FOR DETAILS SEE 25-17-55-01 25-29-54-01 LIGHTS FOR DETAILS SEE 33-11-00-01 33-13-52-02 33-16-52-01 NAVIGATION FOR DETAILS SEE 34-21-03-01 34-61-55-01 PLACARDS AND MARKINGS FOR DETAILS SEE 11-34-02-03 ATTACHING PARTS	164999	1
- 50	NAS6603-4		.BOLT		15
- 55	AN960D10L		.WASHER		15
			-----*-----		
60	284T0133-1		.COVER- ATTACHING PARTS		1
- 65	NAS602-7		.SCREW		3
ILLUSTRATION ITEMS NOT ON PARTS LIST ARE NOT APPLICABLE					

- ITEM NOT ILLUSTRATED

HXL

# 25-10-53-01

BOEING PROPRIETARY - Copyright © - Unpublished Work - See title page for details.

25-10-53  
FIG. 01  
PAGE 4  
DEC 22/07



767  
PARTS CATALOG (MAINTENANCE)

FIG ITEM	PART NUMBER	1 2 3 4 5 6 7	NOMENCLATURE	EFFECT FROM TO	UNITS PER ASSY
1 - 70	130008		.NUT SUPPLIER CODE: V60119 SPECIFICATION NUMBER: BACN10FX84 OPTIONAL PART: RM52LHA4972-6-8 V72962 SL211-08-1 V97393 A11330-6-82 V72962 A4972-6-82 V72962 -----*-----		3

ILLUSTRATION ITEMS NOT ON PARTS LIST ARE NOT APPLICABLE

- ITEM NOT ILLUSTRATED

HXL

25-10-53-01

BOEING PROPRIETARY - Copyright © - Unpublished Work - See title page for details.

25-10-53  
FIG. 01  
PAGE 5  
DEC 22/07