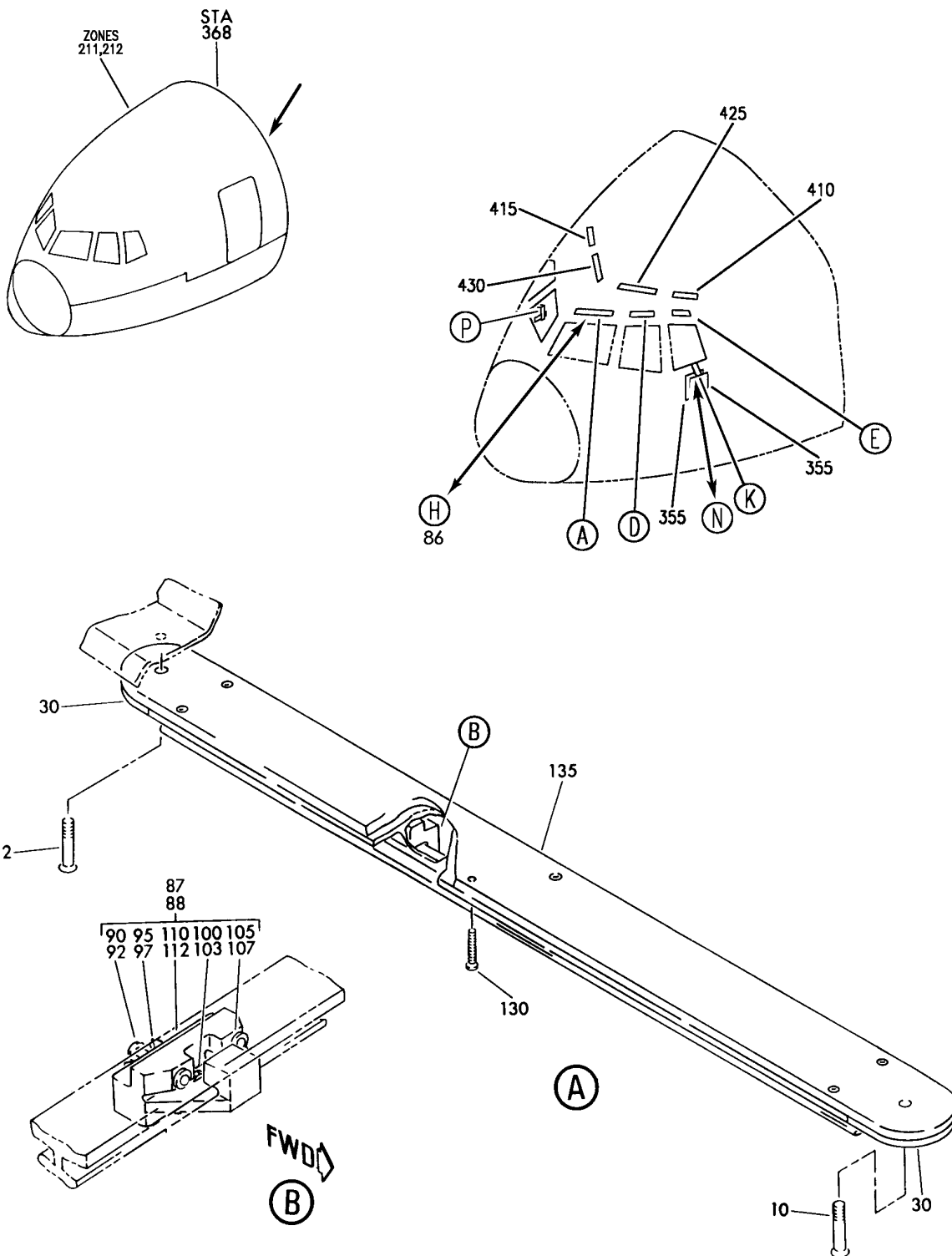


FLIGHT COMPARTMENT ACCOMMODATIONS

HXL
DEC 22/06

25-13-00
SECTION TITLE
PAGE 1

BOEING
767
PARTS CATALOG (MAINTENANCE)



V 25130202 SH1 1 REV 284

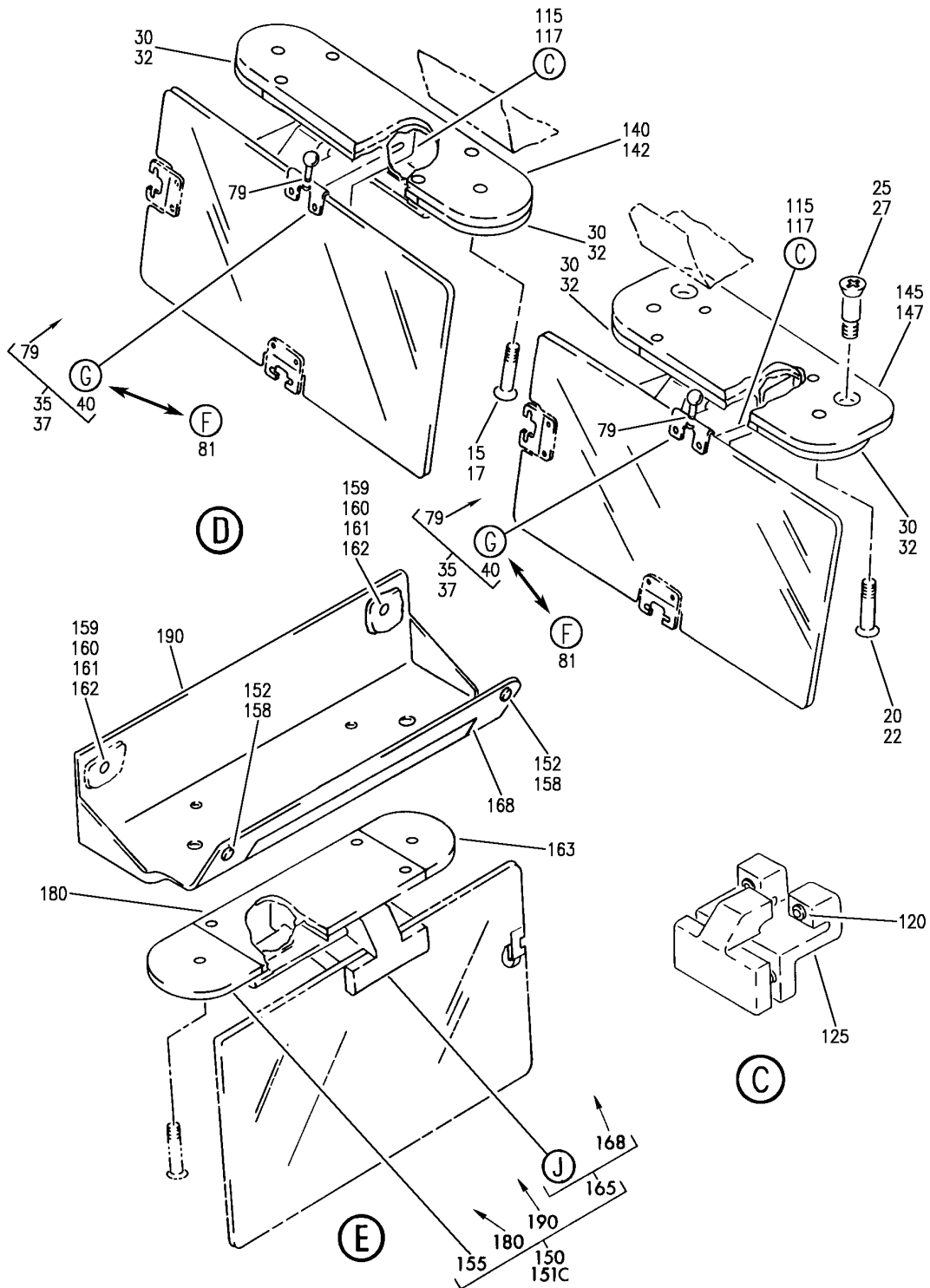
SUNVISOR INSTL-FLIGHT DECK
FIGURE 2 (SHEET 1)

25-13-02-02

HXL
DEC 22/06

25-13-02-02
PAGE 0

BOEING
767
PARTS CATALOG (MAINTENANCE)



V 25130202 SHT 2 REV 310

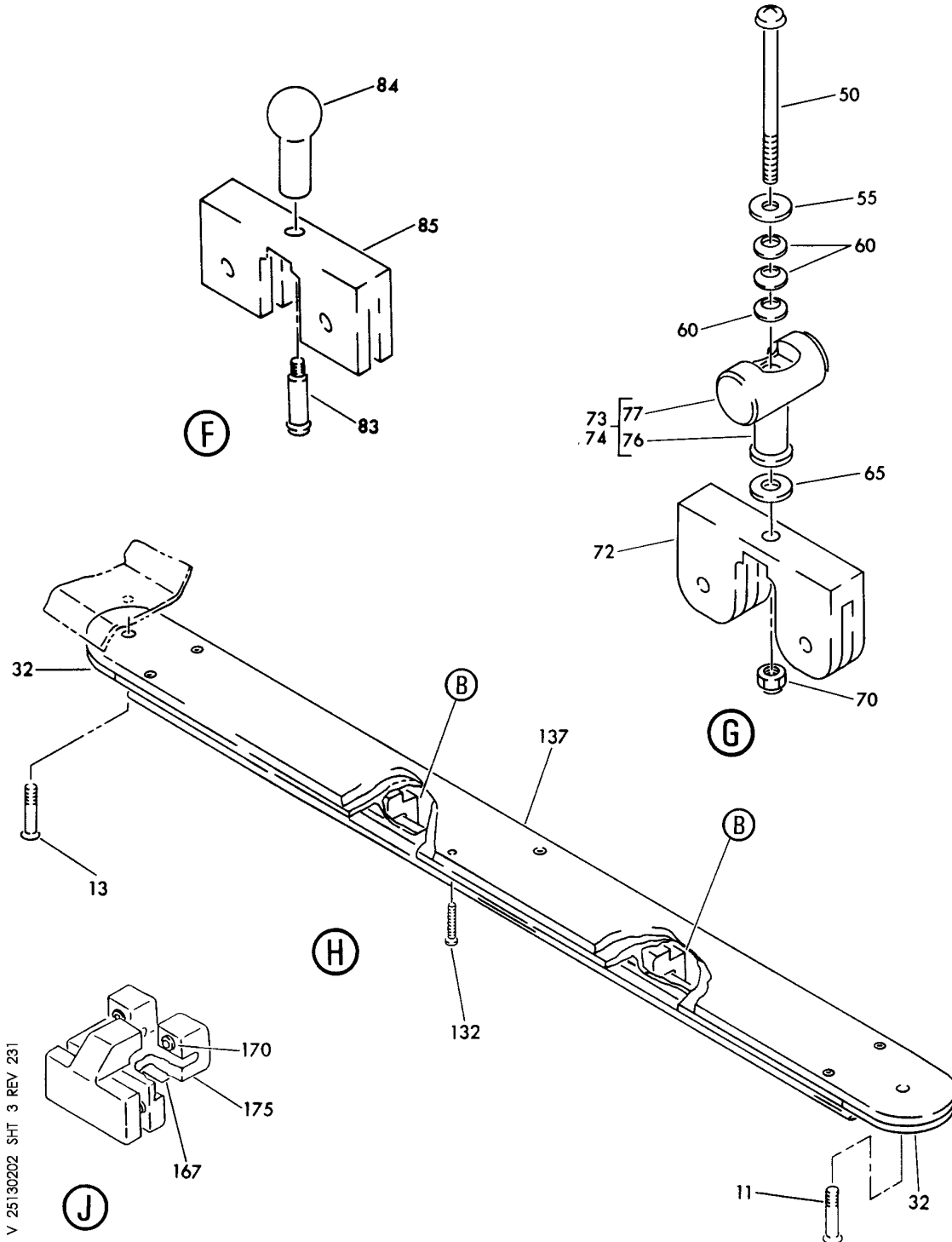
SUNVISOR INSTL-FLIGHT DECK
FIGURE 2 (SHEET 2)

25-13-02-02

HXL
DEC 22/06

25-13-02-02
PAGE 0A

BOEING
767
PARTS CATALOG (MAINTENANCE)



V 25130202 SHT 3 REV 231

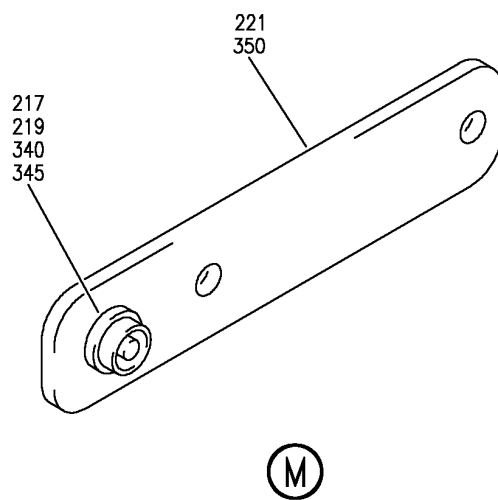
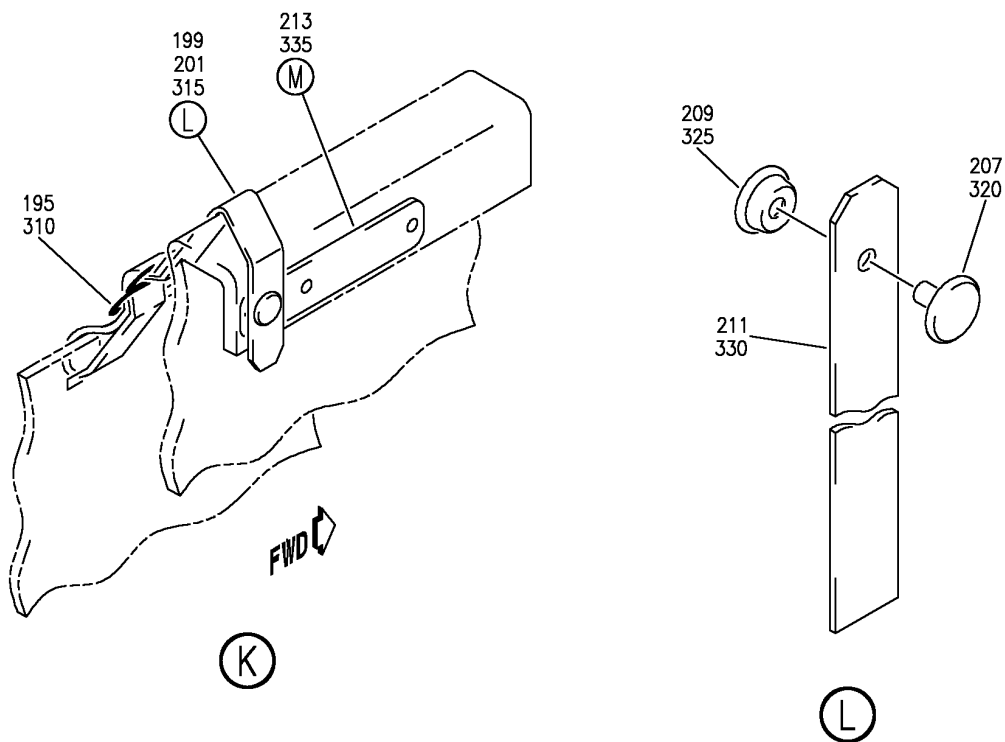
SUNVISOR INSTL-FLIGHT DECK
FIGURE 2 (SHEET 3)

25-13-02-02

HXL
DEC 22/06

25-13-02-02
PAGE 0B

BOEING
767
PARTS CATALOG (MAINTENANCE)



V 25130202 SH1 4 REV 284

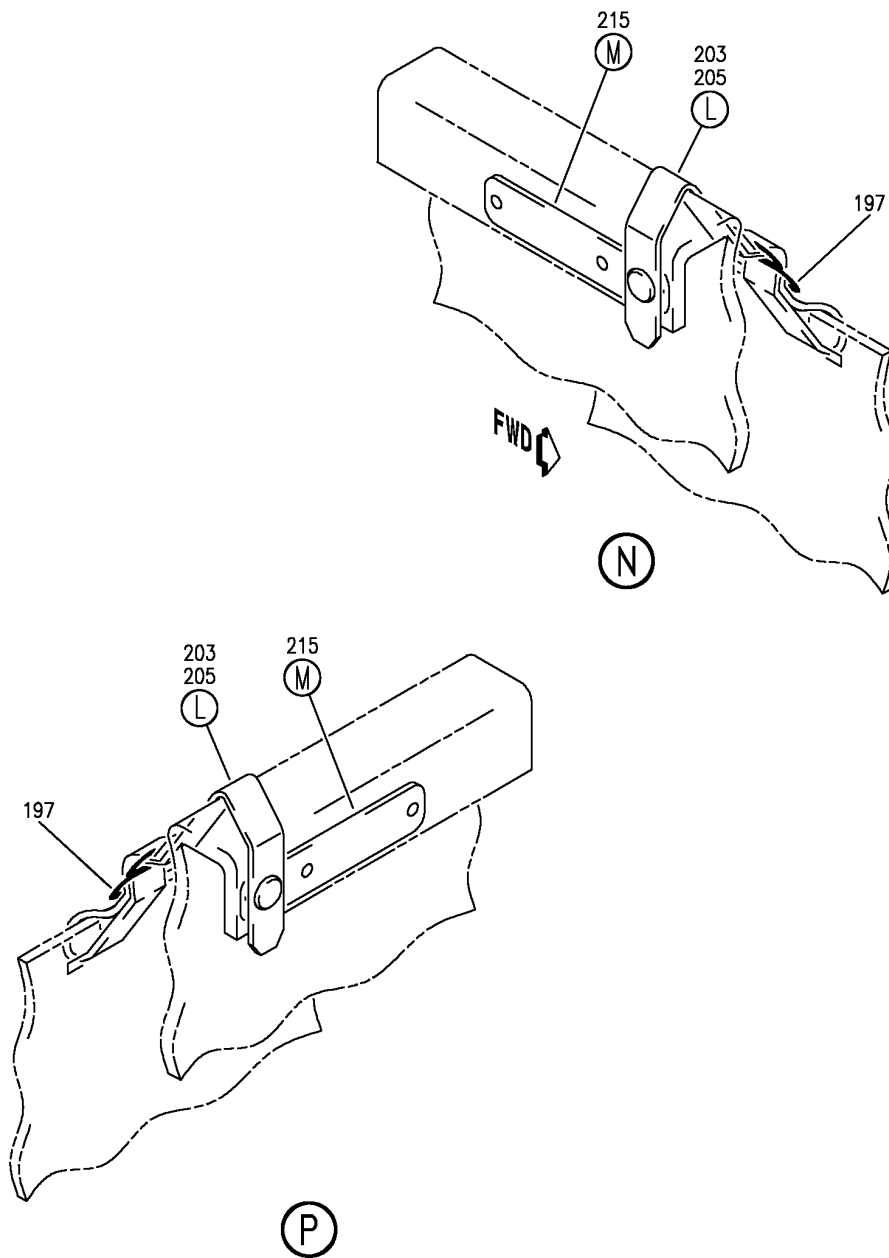
SUNVISOR INSTL-FLIGHT DECK
FIGURE 2 (SHEET 4)

25-13-02-02

HXL
DEC 22/06

25-13-02-02
PAGE 0C

BOEING
767
PARTS CATALOG (MAINTENANCE)



V 25130202 SH1 5 REV 284

SUNVISOR INSTL-FLIGHT DECK
FIGURE 2 (SHEET 5)

25-13-02-02

HXL
DEC 22/06

25-13-02-02
PAGE 0D

 **BOEING**
767
PARTS CATALOG (MAINTENANCE)

FIG ITEM	PART NUMBER	1 2 3 4 5 6 7	NOMENCLATURE	EFFECT FROM TO	UNITS PER ASSY
2			SUNVISOR INSTL-FLIGHT DECK		
- 7	232T4204-14		SUNVISOR INSTL- POSITION DATA: FLIGHT DECK FOR NHA SEE: 25-10-00-04		RF
11	BCREF6928		.SCREW- SUPPLIER CODE: V12324 OVERLENGTH PART NUMBER: SFSW10F16CPL11BG		2
13	BCREF5856		.SCREW- SUPPLIER CODE: V12324 OVERLENGTH PART NUMBER: SFSW10F14CPL11BG		2
17	SFSW10F18DL11BG		.SCREW- SUPPLIER CODE: V12324		4
22	SFSW10F6DL11BG		.SCREW- SUPPLIER CODE: V12324		4
27	BACB30LU3-12		.BOLT		4
32	232T4217-25		.STOP-SLIDER		12
37	232T4216-19		.SUNVISOR ASSY-		4
40	232T4245-6		..STEM ASSY- ATTACHING PARTS		1
- 45	BACR15BA3AD		..RIVET- SIZE DETERMINED ON INSTL. -----*-----		2
50	NAS600-18P		...SCREW-		1
55	AN960C4		...WASHER		1
60	B0250-013S		...WASHER- SUPPLIER CODE: V83553		3
65	AN960PD4L		...WASHER		1

ILLUSTRATION ITEMS NOT ON PARTS LIST ARE NOT APPLICABLE

- ITEM NOT ILLUSTRATED

HXL

25-13-02-02

BOEING PROPRIETARY - Copyright © - Unpublished Work - See title page for details.

25-13-02
FIG. 02
PAGE 1
DEC 22/07



767

PARTS CATALOG (MAINTENANCE)

FIG ITEM	PART NUMBER	1 2 3 4 5 6 7	NOMENCLATURE	EFFECT FROM TO	UNITS PER ASSY
2	70 BRH10A04		...NUT SUPPLIER CODE: V52828 SPECIFICATION NUMBER: BACN10JC04 OPTIONAL PART: NS202101-40 V80539 RMLH9075-40W V72962 VN303A40 V92215 96-40 V80539 T6S440J V11815 H10-04BAC V15653		1
72	232T4245-5		...BRACKET		1
73	232T4245-7		...STEM- OPTIONAL PART: 232T4245-10		1
74	232T4245-10		...STEM ASSY- OPTIONAL PART: 232T4245-7		1
76	232T4245-9	PIN-HOLLOW USED ON: 232T4245-10		1
77	232T4245-8	BARREL- USED ON: 232T4245-10		1
79	232T4245-21		..SHIM- USED ON: 232T4216-19		AR
86	232T4216-22		.SUNVISOR ASSY		2
88	232T4215-14		.SLIDER ASSY		4
92	MS35215-61		..SCREW		1
97	MS35426-26		..NUT		1
103	MS35650-305		..NUT		1
107	H3-1242-1		..CATCH SUPPLIER CODE: V34941 SPECIFICATION NUMBER: BACC12C3 OPTIONAL PART: 3066-1 V14608 LS3066 V14608		3

ILLUSTRATION ITEMS NOT ON PARTS LIST ARE NOT APPLICABLE

- ITEM NOT ILLUSTRATED

25-13-02-02

25-13-02
 FIG. 02
 PAGE 2
 DEC 22/07

HXL

 **BOEING**
767
PARTS CATALOG (MAINTENANCE)

FIG ITEM	PART NUMBER	1 2 3 4 5 6 7	NOMENCLATURE	EFFECT FROM TO	UNITS PER ASSY
2					
R	112		. . SLIDER		1
R	117		. SLIDER ASSY-		4
R			OPTIONAL PART:		
R			232T4215-20		
R	117		. SLIDER ASSY-		4
R	117		. SLIDER ASSY-		4
R			OPTIONAL PART:		
R			232T4215-16		
	117		. SLIDER ASSY-		4
	120		. . CATCH		5
			SUPPLIER CODE:		
			V34941		
			SPECIFICATION NUMBER:		
			BACC12C3		
			OPTIONAL PART:		
			3066-1		
			V14608		
			LS3066		
			V14608		
	125		. . SLIDER-		1
			USED ON:		
			232T4215-11		
	125		. . SLIDER-		1
			USED ON:		
			232T4215-16		
	125		. . SLIDER-		1
			USED ON:		
			232T4215-18		
	125		. . SLIDER-		1
			USED ON:		
			232T4215-20		
	132		. SCREW		2
	137		. TRACK ASSY		2
	142		. TRACK ASSY		2
	147		. TRACK ASSY		2
	150		. TRACK ASSY-MTG		1
	151C		. TRACK ASSY-MTG		2
			ATTACHING PARTS		
	158		. SCREW-		4
			SUPPLIER CODE:		
			V12324		
	158		. SCREW-		4
			SUPPLIER CODE:		
			V12324		
	160		. SCREW-		4
			SUPPLIER CODE:		
			V12324		
	162		. WASHER-		4
			-----*-----		

ILLUSTRATION ITEMS NOT ON PARTS LIST ARE NOT APPLICABLE

- ITEM NOT ILLUSTRATED

HXL

25-13-02-02

BOEING PROPRIETARY - Copyright © - Unpublished Work - See title page for details.

25-13-02
FIG. 02
PAGE 3
AUG 22/09

BOEING
767
PARTS CATALOG (MAINTENANCE)

FIG ITEM	PART NUMBER	1 2 3 4 5 6 7	NOMENCLATURE	EFFECT FROM TO	UNITS PER ASSY
2					
163	232T4217-25	..	STOP-SLIDER ATTACHING PARTS		2
- 164	SFSW10F9DL11BG	..	SCREW- SUPPLIER CODE: V12324 -----*-----		2
165	232T4215-11	..	SLIDER ASSY-		1
165	232T4215-16	..	SLIDER ASSY-		1
165	232T4215-18	..	SLIDER ASSY-		1
165	232T4215-20	..	SLIDER ASSY- OPTIONAL PART: 232T4215-16		1
170	H3-1242-1	...	CATCH SUPPLIER CODE: V34941 SPECIFICATION NUMBER: BACC12C3 OPTIONAL PART: 3066-1 V14608 LS3066 V14608		5
175	232T4215-10	...	SLIDER- USED ON: 232T4215-11		1
175	232T4215-17	...	SLIDER- USED ON: 232T4215-16		1
175	232T4215-19	...	SLIDER- USED ON: 232T4215-18		1
175	232T4215-21	...	SLIDER- USED ON: 232T4215-20		1
180	232T4217-33	..	TRACK ATTACHING PARTS		1
- 185	BACR15BA4AD	..	RIVET- SIZE DETERMINED ON INSTL. -----*-----		4
190	232T4226-6	..	SUPPORT ASSY- OPTIONAL PART: 232T4226-3 USED ON: 232T4204-10		1
190	232T4226-3	..	SUPPORT ASSY- OPTIONAL PART: 232T4226-6 USED ON: 232T4204-10		1

ILLUSTRATION ITEMS NOT ON PARTS LIST ARE NOT APPLICABLE

- ITEM NOT ILLUSTRATED

HXL

25-13-02-02

25-13-02
FIG. 02
PAGE 4
AUG 22/09



767
PARTS CATALOG (MAINTENANCE)

FIG ITEM	PART NUMBER	1 2 3 4 5 6 7	NOMENCLATURE	EFFECT FROM TO	UNITS PER ASSY
2 190	232T4226-7		.. SUPPORT ASSY- USED ON: 232T4204-12 232T4204-13 USED ON: 232T4204-11		1

ILLUSTRATION ITEMS NOT ON PARTS LIST ARE NOT APPLICABLE

- ITEM NOT ILLUSTRATED

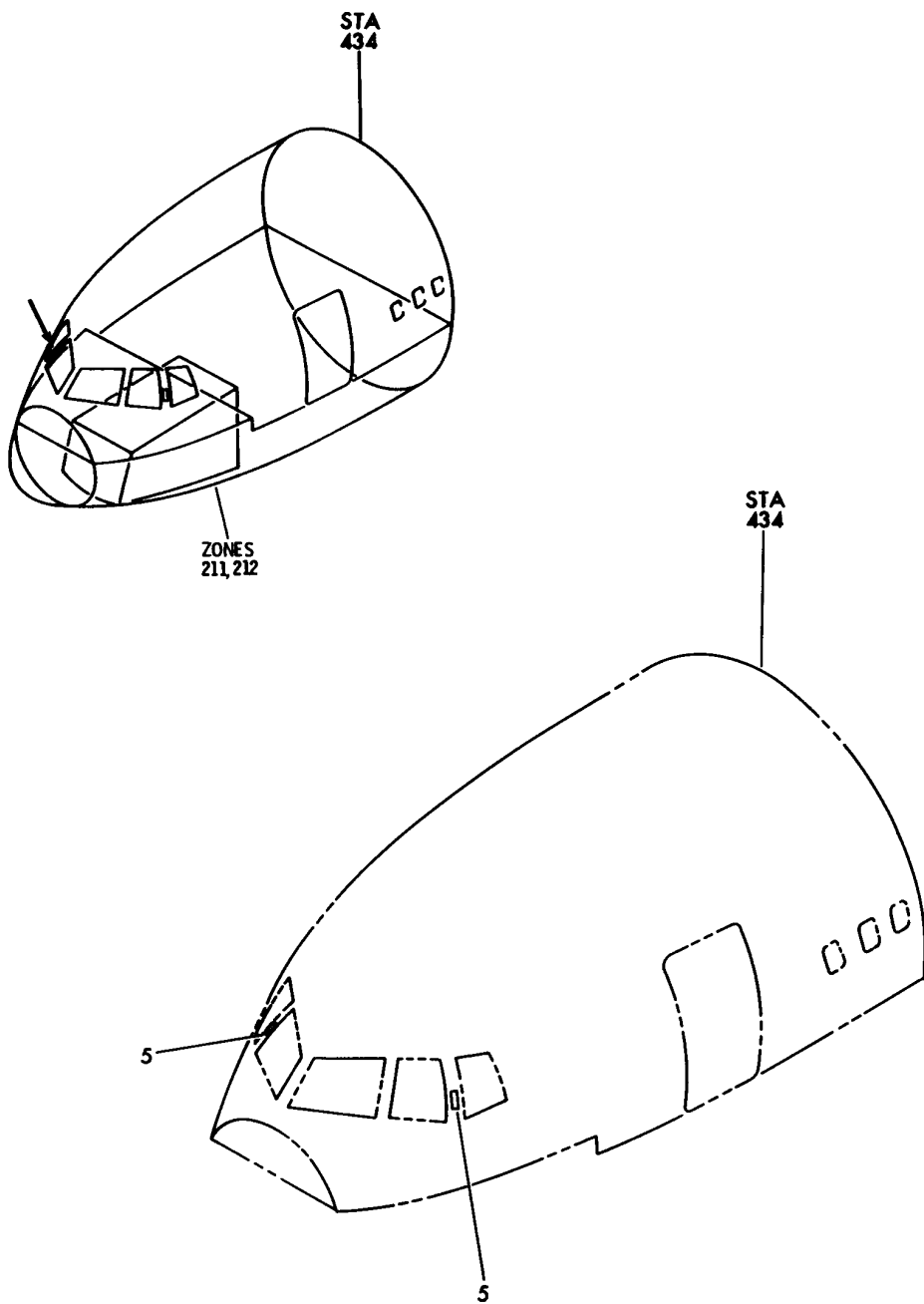
HXL

25-13-02-02

BOEING PROPRIETARY - Copyright © - Unpublished Work - See title page for details.

25-13-02
FIG. 02
PAGE 5
AUG 22/09

BOEING
767
PARTS CATALOG (MAINTENANCE)



V 25134901 REV 113

HOLDER INSTL-PENCIL
FIGURE 1

25-13-49-01

HXL
DEC 22/06

25-13-49-01
PAGE 0



767

PARTS CATALOG (MAINTENANCE)

FIG ITEM	PART NUMBER	1 2 3 4 5 6 7	NOMENCLATURE	EFFECT FROM TO	UNITS PER ASSY
1					
- 1	SAS252310HOLD		HOLDER INSTL-PENCIL HOLDER INSTL-PENCIL SUPPLIER CODE: V1009B POST AIRLINE MOD: MT0-252310 VSAS		1
5	484281		.HOLDER ASSY-PENCIL SUPPLIER CODE: V1009B		2

ILLUSTRATION ITEMS NOT ON PARTS LIST ARE NOT APPLICABLE

- ITEM NOT ILLUSTRATED

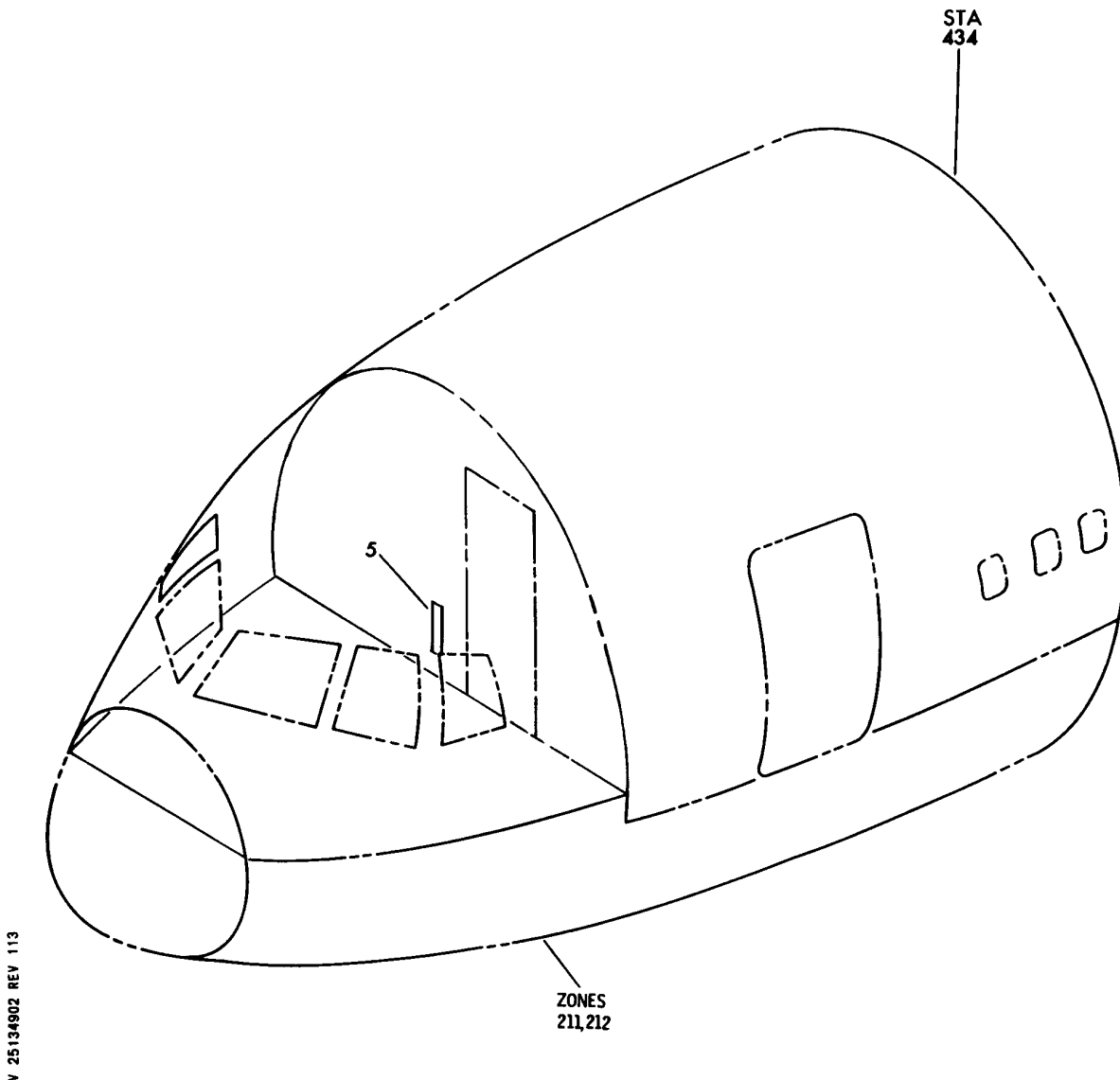
HXL

25-13-49-01

BOEING PROPRIETARY - Copyright © - Unpublished Work - See title page for details.

25-13-49
FIG. 01
PAGE 1
APR 22/09

BOEING
767
PARTS CATALOG (MAINTENANCE)



VHF TRANSCEIVER INSTL
FIGURE 2

25-13-49-02

HXL
DEC 22/06

25-13-49-02
PAGE 0



767

PARTS CATALOG (MAINTENANCE)

FIG ITEM	PART NUMBER	1 2 3 4 5 6 7	NOMENCLATURE	EFFECT FROM TO	UNITS PER ASSY
2					
1	SAS252311TRANS		VHF TRANSCEIVER INSTL TRANSCEIVER INSTL-VHF SUPPLIER CODE: V1009B POST AIRLINE MOD: MT0-252311 VSAS		RF
5	112-02		.HOLDER-TRANSCEIVER SUPPLIER CODE: V1009B		1
- 10	MS24693S270		ATTACHING PARTS .SCREW		2
- 15	SL607-3-7S		.INSERT- SUPPLIER CODE: V97393 -----*-----		2

ILLUSTRATION ITEMS NOT ON PARTS LIST ARE NOT APPLICABLE

- ITEM NOT ILLUSTRATED

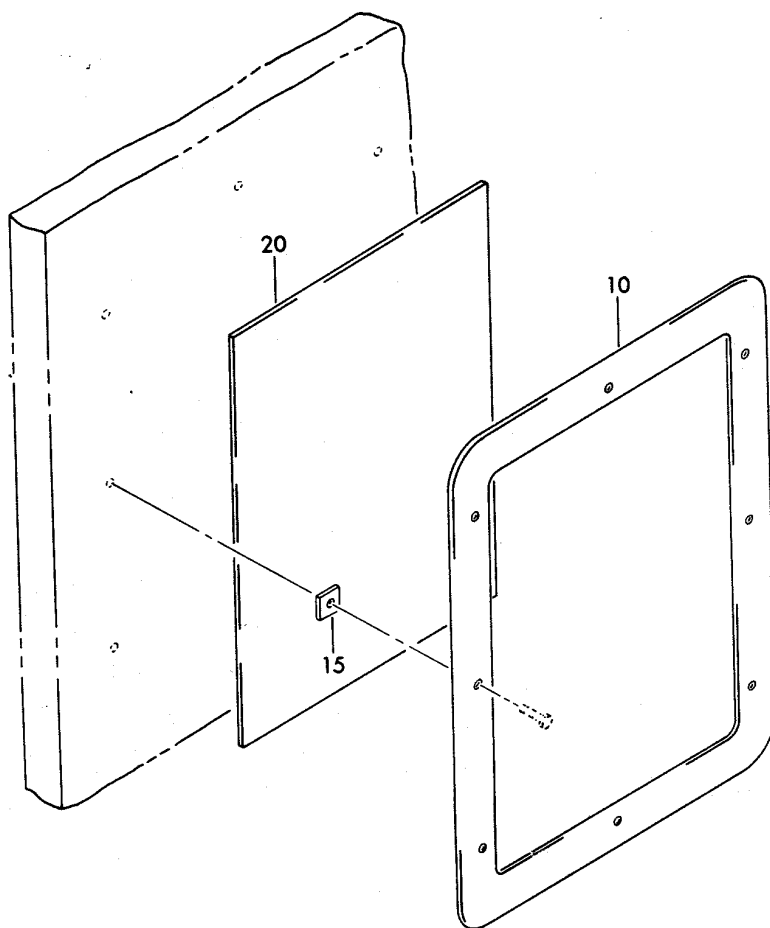
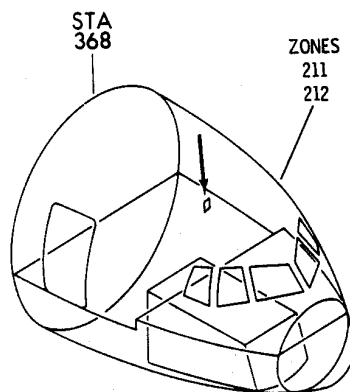
HXL

25-13-49-02

BOEING PROPRIETARY - Copyright © - Unpublished Work - See title page for details.

25-13-49
FIG. 02
PAGE 1
APR 22/09

BOEING
767
PARTS CATALOG (MAINTENANCE)



V 25135101 SHT 1 REV 007

MIRROR INSTL-FLIGHT DECK
FIGURE 1

25-13-51-01

HXL
DEC 22/06

25-13-51-01
PAGE 0



767

PARTS CATALOG (MAINTENANCE)

FIG ITEM	PART NUMBER	1 2 3 4 5 6 7	NOMENCLATURE	EFFECT FROM TO	UNITS PER ASSY
1			MIRROR INSTL-FLIGHT DECK	155162	
- 1	232T4212-1		MIRROR INSTL- POSITION DATA: FLIGHT DECK PRE SERVICE BULLETIN: 25-0325R12 FOR NHA SEE: 52-51-00-02	155162	RF
10	232T4212-2		.FRAME ASSY	155162	1
- 12	PS10F8DL11G		.SCREW- SUPPLIER CODE: V12324	155162	8
15	232T4212-4		-----*----- . . SPACER	155162	8
20	A700327-3		.MIRROR- SUPPLIER CODE: VS5065	155162	1

ILLUSTRATION ITEMS NOT ON PARTS LIST ARE NOT APPLICABLE

- ITEM NOT ILLUSTRATED

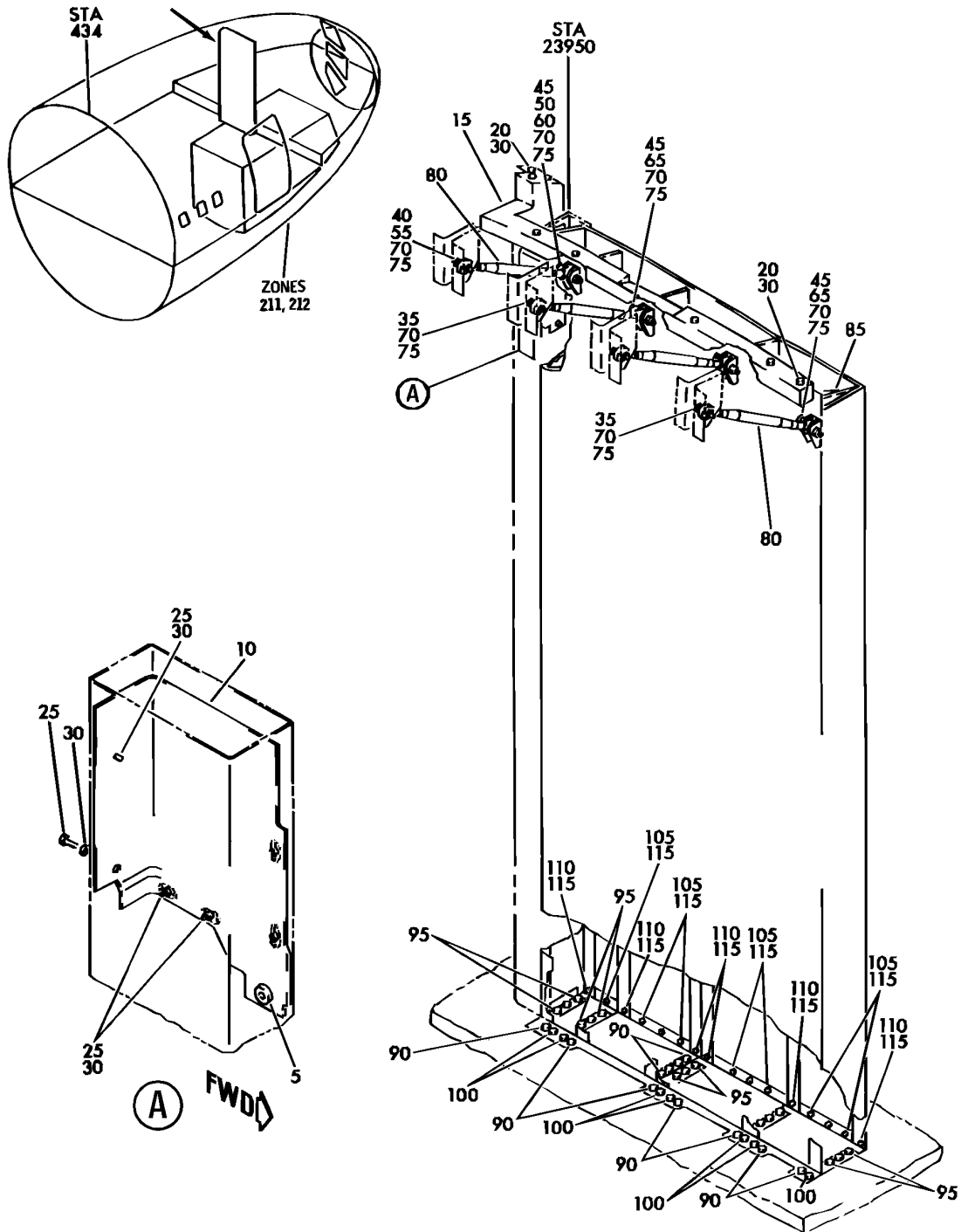
HXL

25-13-51-01

BOEING PROPRIETARY - Copyright © - Unpublished Work - See title page for details.

25-13-51
FIG. 01
PAGE 1
DEC 22/06

BOEING
767
PARTS CATALOG (MAINTENANCE)



V 25135405 REV 113

BULKHEAD INSTL
FIGURE 5

25-13-54-05

HXL
DEC 22/06

25-13-54-05
PAGE 0



767

PARTS CATALOG (MAINTENANCE)

FIG ITEM	PART NUMBER	1 2 3 4 5 6 7	NOMENCLATURE	EFFECT FROM TO	UNITS PER ASSY
5			BULKHEAD INSTL		
- 1	232T2004-107		BULKHEAD INSTL- FOR NHA SEE: 25-10-00-12		RF
5	BACG20C		.GROMMET		1
10	232T2049-10		.SEAL-SMOKE		1
15	232T2049-13		.SEAL-SMOKE		1
			ATTACHING PARTS		
20	NAS603-8P		.SCREW		8
25	NAS603-10P		.SCREW		4
30	AN960JD10L		.WASHER		12
			-----*-----		
35	NAS6605-2		.BOLT		3
40	NAS6605-6		.BOLT		1
45	NAS6605-16		.BOLT		4
50	NAS42DD10-7N		.SPACER		1
55	NAS42DD10-12N		.SPACER		1
60	NAS42DD10-13N		.SPACER		1
65	NAS42DD10-20N		.SPACER-SLEEVE		3
70	AN960-416		.WASHER		12
75	MS21042L5		.NUT		8
80	251T0100-394		.STRUT-SUPPORT		4
			COMPONENT MAINT MANUAL REF: 27-00-11		
85	232T2068-1		.BULKHEAD ASSY- ATTACHING PARTS		1
90	BACB30NM3K3		.BOLT		11
95	BACB30NM3K4		.BOLT		15
100	BACB30NM3K5		.BOLT		7
105	NAS514P1032-4		.SCREW		10
110	NAS514P1032-5		.SCREW		6
115	MS21042L3		.NUT		16
			-----*-----		

ILLUSTRATION ITEMS NOT ON PARTS LIST ARE NOT APPLICABLE

- ITEM NOT ILLUSTRATED

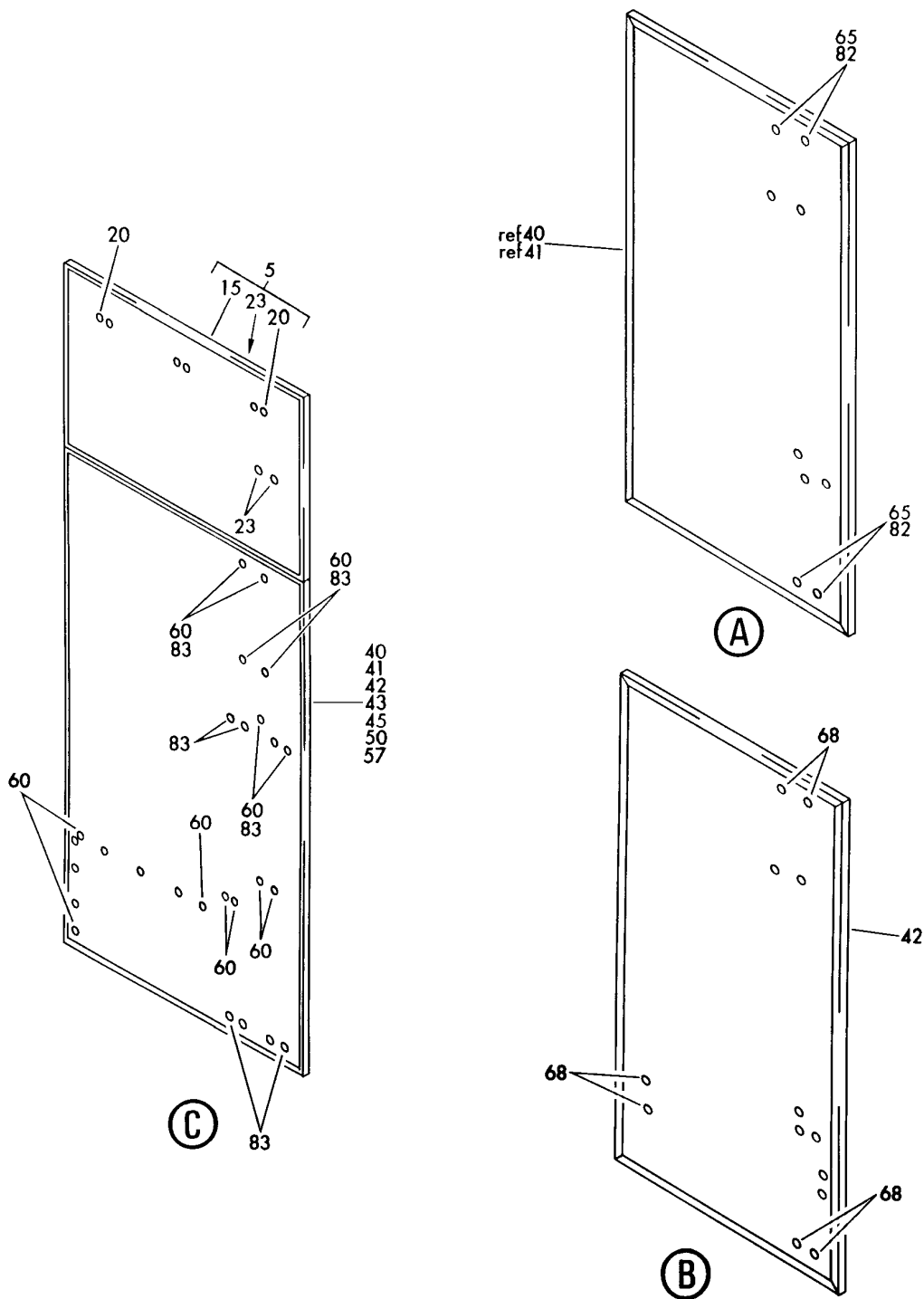
HXL

25-13-54-05

BOEING PROPRIETARY - Copyright © - Unpublished Work - See title page for details.

25-13-54
FIG. 05
PAGE 1
DEC 22/06

BOEING
767
PARTS CATALOG (MAINTENANCE)



V 25135406 SH1 2 REV 329

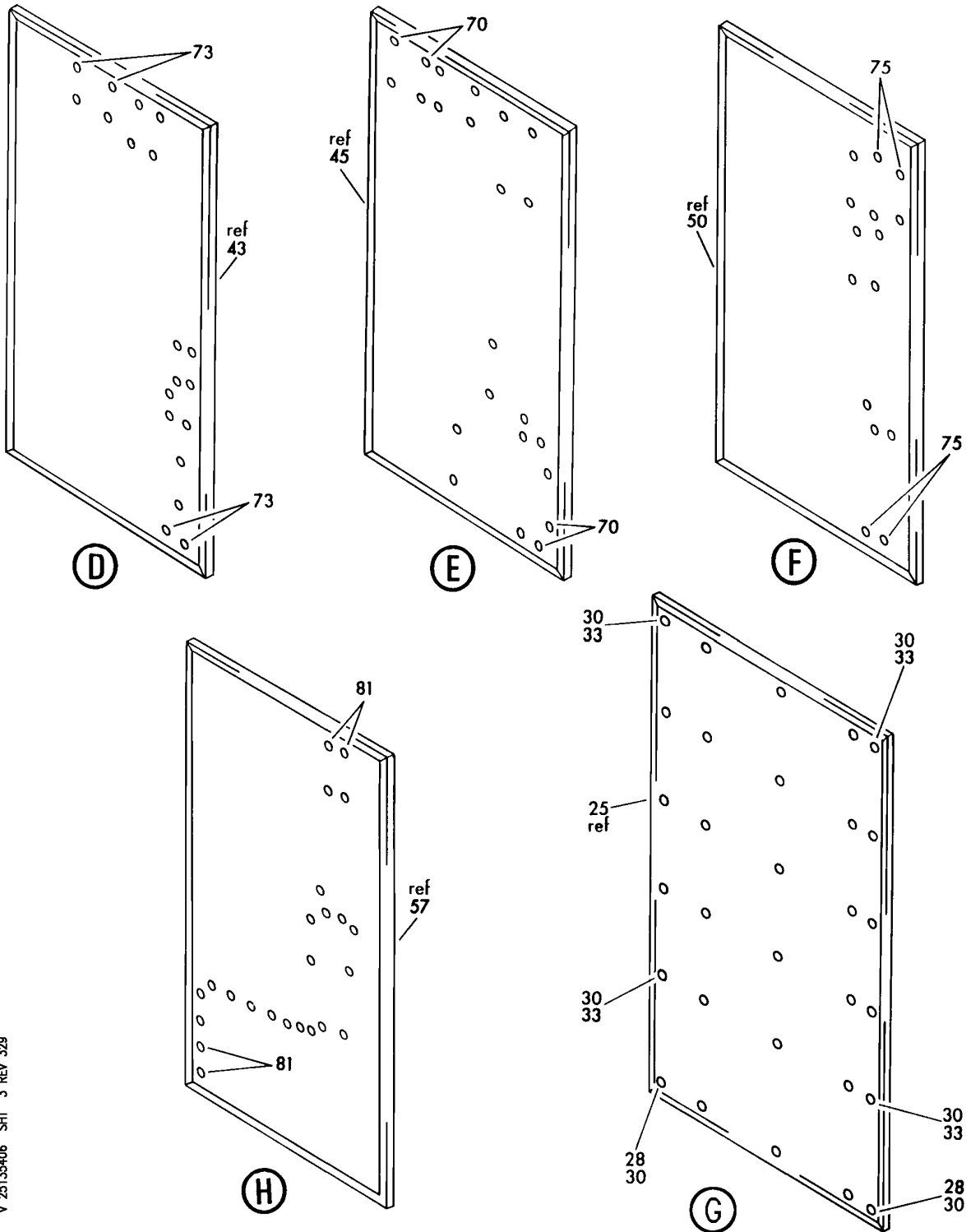
PANEL INSTL
FIGURE 6 (SHEET 2)

25-13-54-06

HXL
AUG 22/08

25-13-54-06
PAGE 0A

BOEING
767
PARTS CATALOG (MAINTENANCE)



V 25135406 SHT 3 REV 329

PANEL INSTL
FIGURE 6 (SHEET 3)

25-13-54-06

HXL
AUG 22/08

25-13-54-06
PAGE 0B



767

PARTS CATALOG (MAINTENANCE)

FIG ITEM	PART NUMBER	1 2 3 4 5 6 7	NOMENCLATURE	EFFECT FROM TO	UNITS PER ASSY
6			PANEL INSTL		
- 1	232T2004-115		PANEL INSTL- FOR NHA SEE: 25-10-00-12		RF
5	232T2078-2		.PANEL ASSY-		1
- 10	FH10F12DL11BG		ATTACHING PARTS .SCREW-		15
			SUPPLIER CODE: V12324		
			-----*-----		
15	232T2078-4		..PANEL ASSY-		1
20	SL2334-06A4		...INSERT-		6
			SUPPLIER CODE: V97393		
25	232T2078-5		.PANEL ASSY-		1
30	FH10F12DL11BG		ATTACHING PARTS .SCREW-		30
			SUPPLIER CODE: V12324		
			-----*-----		
40	232T2078-6		..PANEL ASSY-		1
65	SL2334-3A3		...INSERT-		9
			SUPPLIER CODE: V97393		

ILLUSTRATION ITEMS NOT ON PARTS LIST ARE NOT APPLICABLE

- ITEM NOT ILLUSTRATED

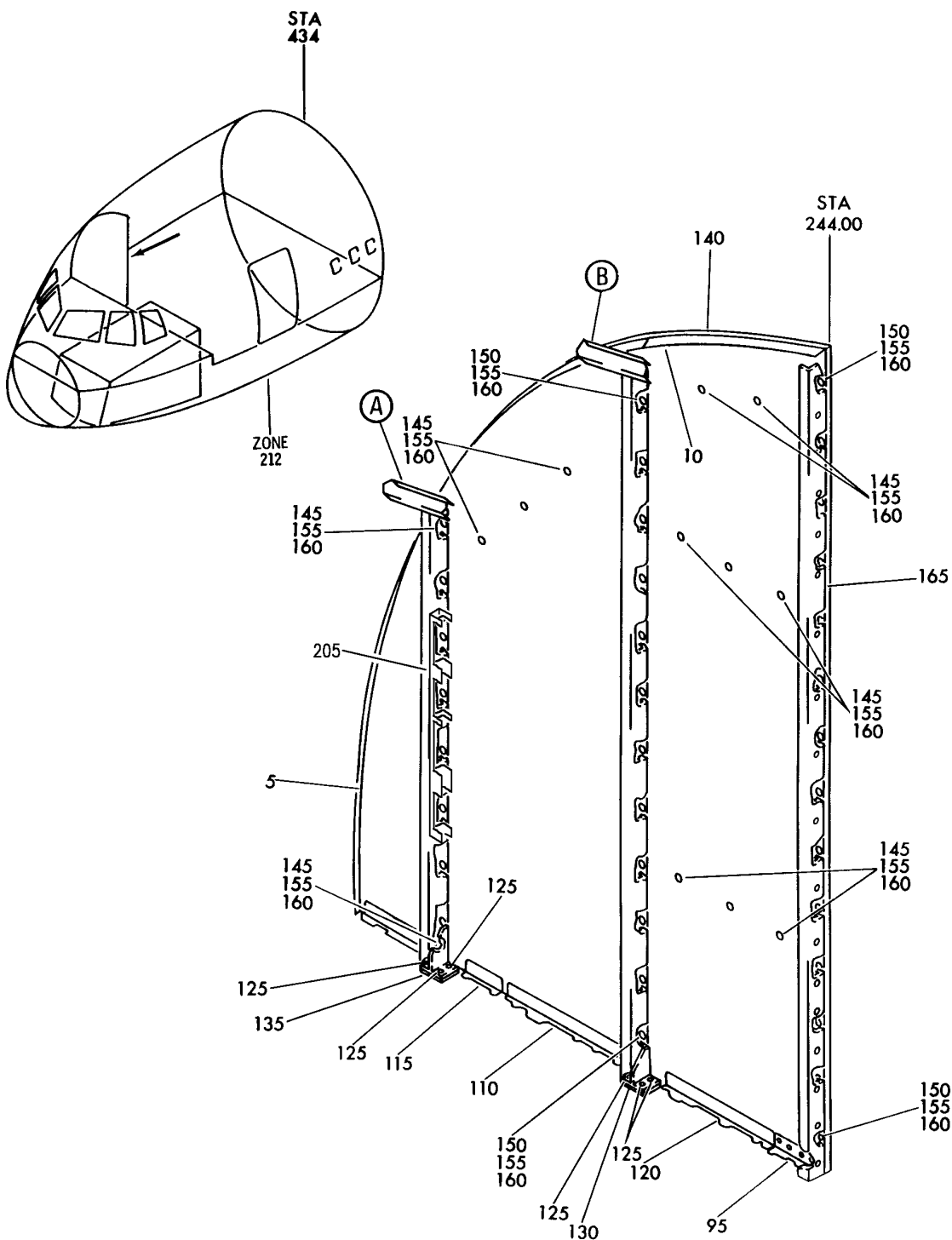
HXL

25-13-54-06

BOEING PROPRIETARY - Copyright © - Unpublished Work - See title page for details.

25-13-54
FIG. 06
PAGE 1
DEC 22/06

BOEING
767
PARTS CATALOG (MAINTENANCE)



V 25135407 REV 270

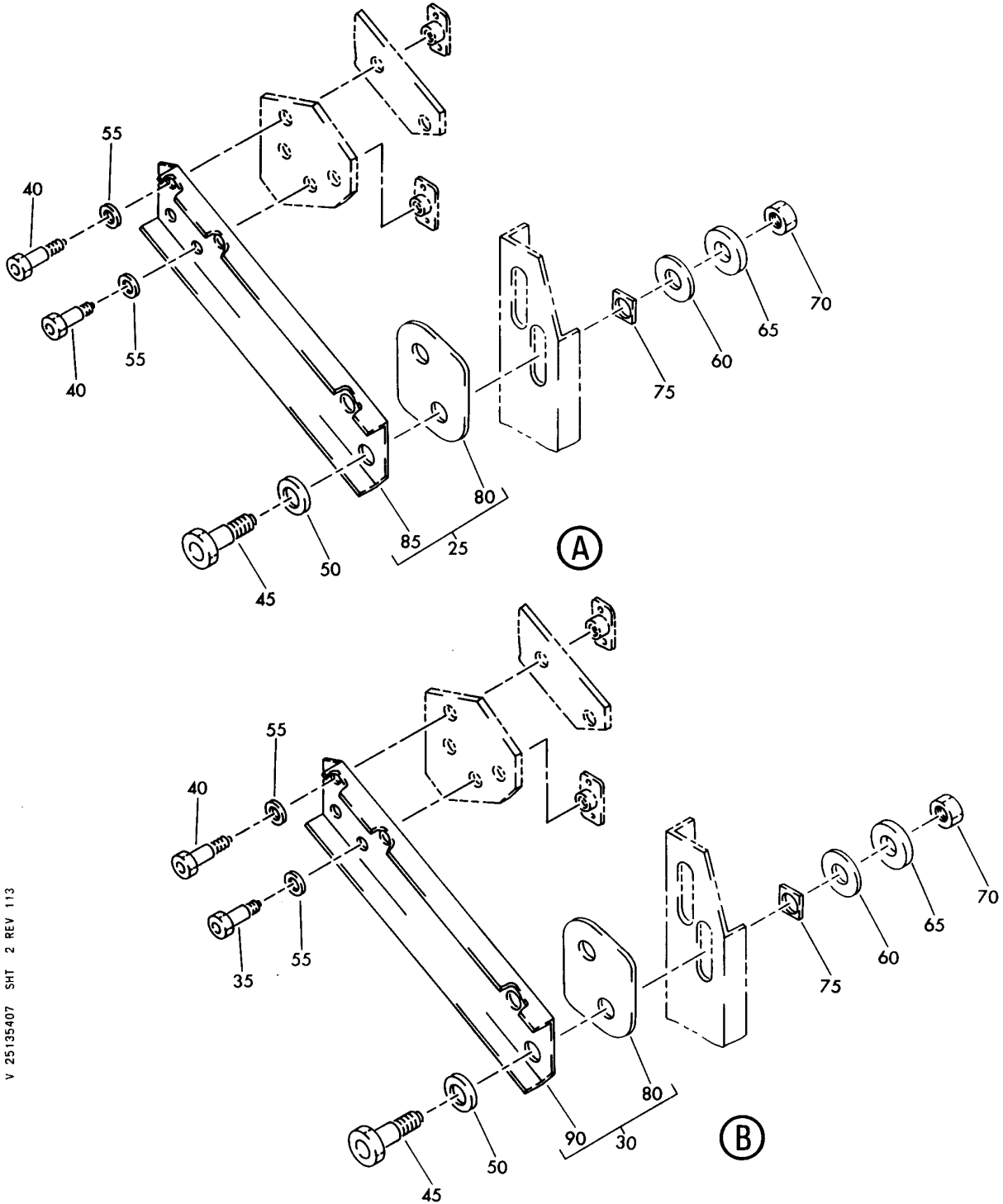
PARTITION INSTL-R.H.
FIGURE 7 (SHEET 1)

25-13-54-07

HXL
DEC 22/06

25-13-54-07
PAGE 0

BOEING
767
PARTS CATALOG (MAINTENANCE)



V 25135407 SHT 2 REV 113

PARTITION INSTL-R.H.
FIGURE 7 (SHEET 2)

25-13-54-07

HXL
DEC 22/06

25-13-54-07
PAGE 0A

 **BOEING**
767
PARTS CATALOG (MAINTENANCE)

FIG ITEM	PART NUMBER	1 2 3 4 5 6 7	NOMENCLATURE	EFFECT FROM TO	UNITS PER ASSY
7			PARTITION INSTL-R.H.		
- 1	232T2004-109		PARTITION INSTL- POSITION DATA: RH FOR NHA SEE: 25-10-00-12		RF
5	232T2019-3		.SEAL-SMOKE		1
10	232T2019-7		.SEAL-SMOKE ATTACHING PARTS		1
- 15	BACB30NM3K2		.BOLT		13
- 20	AN960JD10		.WASHER -----*-----		13
25	232T2004-36		.STRUT ASSY		1
30	232T2004-37		.STRUT ASSY ATTACHING PARTS		1
35	BACB30NM3K7		.BOLT		2
40	BACB30NM3K8		.BOLT		6
45	BACB30NM4K5		.BOLT		4
50	232T2027-1		.WASHER		4
55	AN960JD10L		.WASHER-		8
60	AN960JD416		.WASHER		4
65	BACW10P70S		.WASHER		4
70	MS21042L4		.NUT		4
75	232T2027-2		.INSERT- -----*-----		4
80	232T2038-3		.. SPACER		2
85	232T2004-9		.. STRUT- USED ON: 232T2004-36		1
90	232T2004-10		.. STRUT- USED ON: 232T2004-37		1
95	232T2018-26		.SEAL-SMOKE ATTACHING PARTS		1
- 100	BACB30LU3-5		.BOLT		4
- 105	BRC600-8-3		.NUT-CLIP SUPPLIER CODE: V52828 SPECIFICATION NUMBER: BACN10YD1 OPTIONAL PART: 130120 V60119 -----*-----		4
110	232T2018-19		.SEAL-SMOKE		1
115	232T2018-20		.SEAL-SMOKE		1
120	232T2018-25		.SEAL-SMOKE		1
125	BACB30NM3K4		.BOLT		6
130	232T2018-8		.SEAL-SMOKE		1

ILLUSTRATION ITEMS NOT ON PARTS LIST ARE NOT APPLICABLE

- ITEM NOT ILLUSTRATED

HXL

25-13-54-07

BOEING PROPRIETARY - Copyright © - Unpublished Work - See title page for details.

25-13-54
FIG. 07
PAGE 1
DEC 22/07



767

PARTS CATALOG (MAINTENANCE)

FIG ITEM	PART NUMBER	1 2 3 4 5 6 7	NOMENCLATURE	EFFECT FROM TO	UNITS PER ASSY
7					
135	232T2018-9		.SEAL-SMOKE		1
140	232T2006-57		.PANEL ASSY- ATTACHING PARTS		1
145	BACB30LU2-5		.BOLT		20
150	BACB30LU2-6		.BOLT		27
155	BACW10UB8		.WASHER		47
			-----*-----		
160	232T2034-1		. . SPACER		47
165	232T2006-48		.FRAME ASSY-		1
- 200	841T3003-1		PARTITION INSTL- REINFORCEMENT POSITION DATA: RH POST SERVICE BULLETIN: 25-0325R4 FOR NHA SEE: 25-10-00-12	163999	RF
205	841T3003-3		.CHANNEL ATTACHING PARTS	163999	1
- 210	NAS1398MW5A3		.RIVET -----*-----	163999	36

ILLUSTRATION ITEMS NOT ON PARTS LIST ARE NOT APPLICABLE

- ITEM NOT ILLUSTRATED

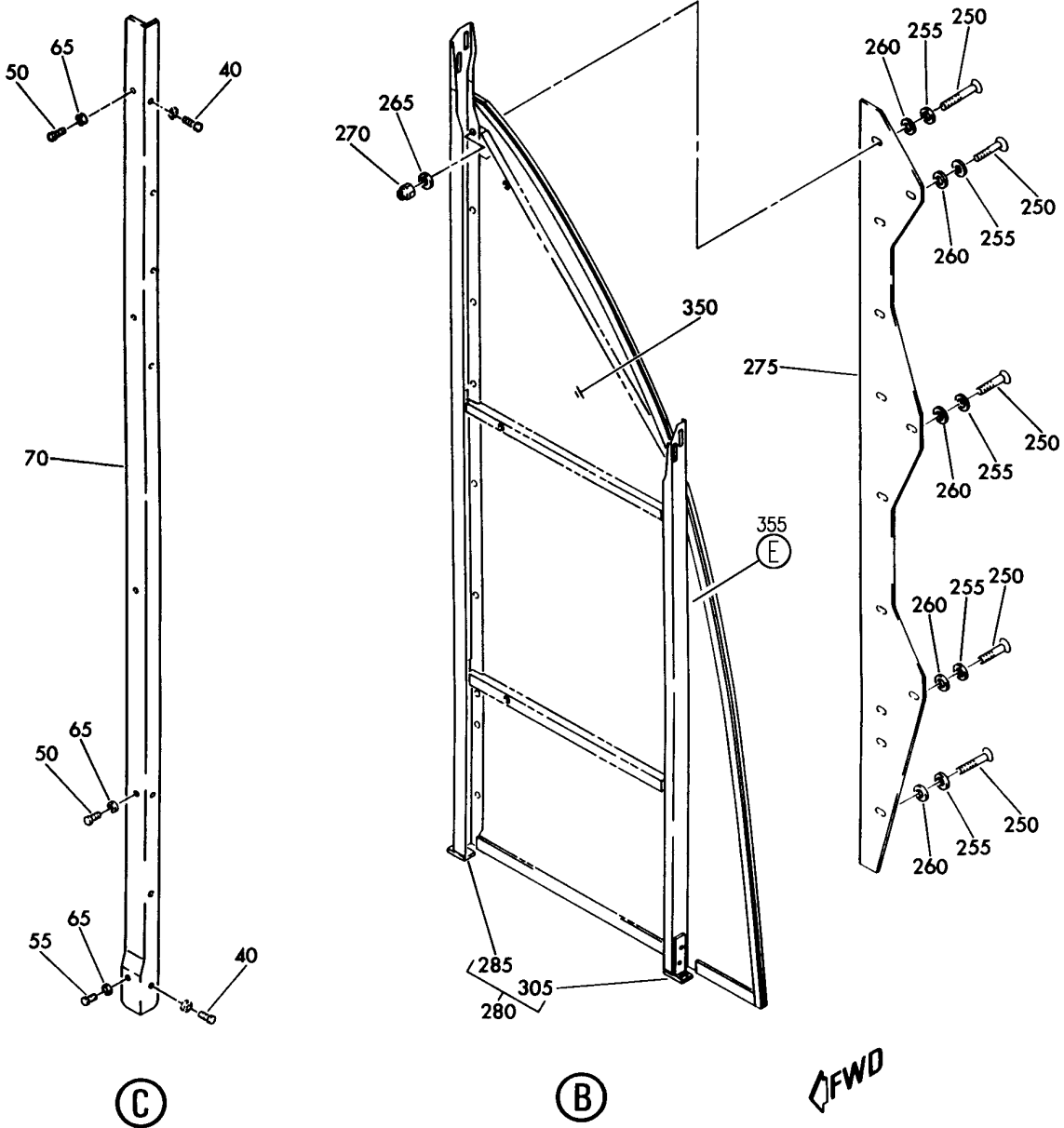
HXL

25-13-54-07

BOEING PROPRIETARY - Copyright © - Unpublished Work - See title page for details.

25-13-54
FIG. 07
PAGE 2
DEC 22/07

BOEING
767
PARTS CATALOG (MAINTENANCE)



V 25135408 SHT 2 REV 262

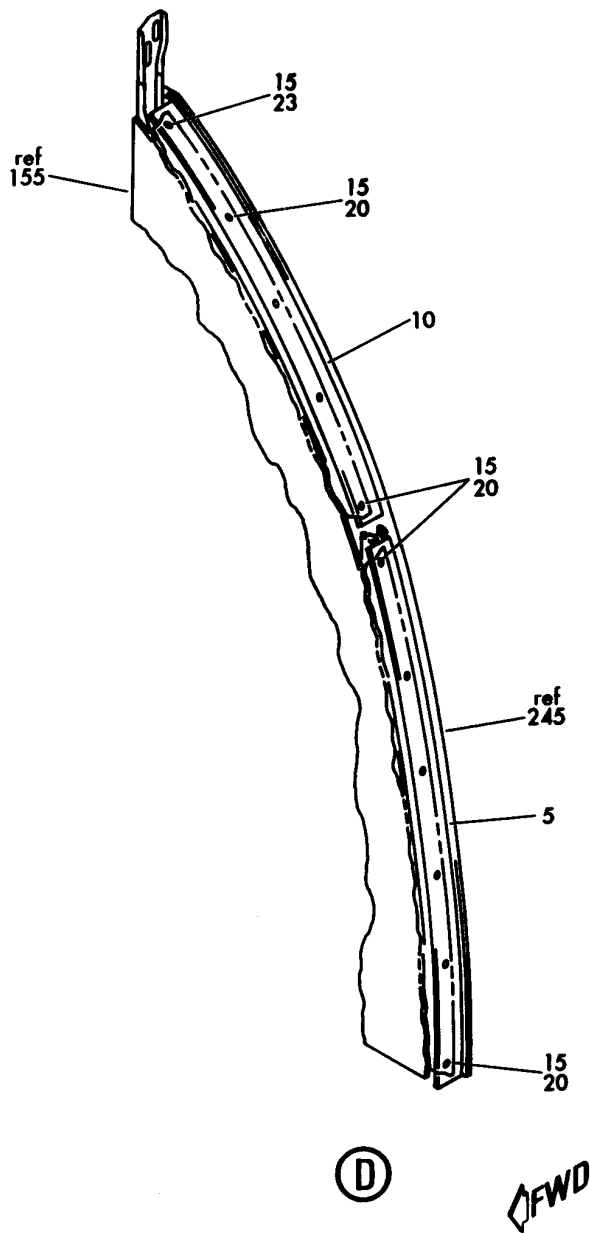
PARTITION INSTL-L.H.
FIGURE 8 (SHEET 2)

25-13-54-08

HXL
DEC 22/06

25-13-54-08
PAGE 0A

BOEING
767
PARTS CATALOG (MAINTENANCE)



V 25135408 SHT 3 REV 127

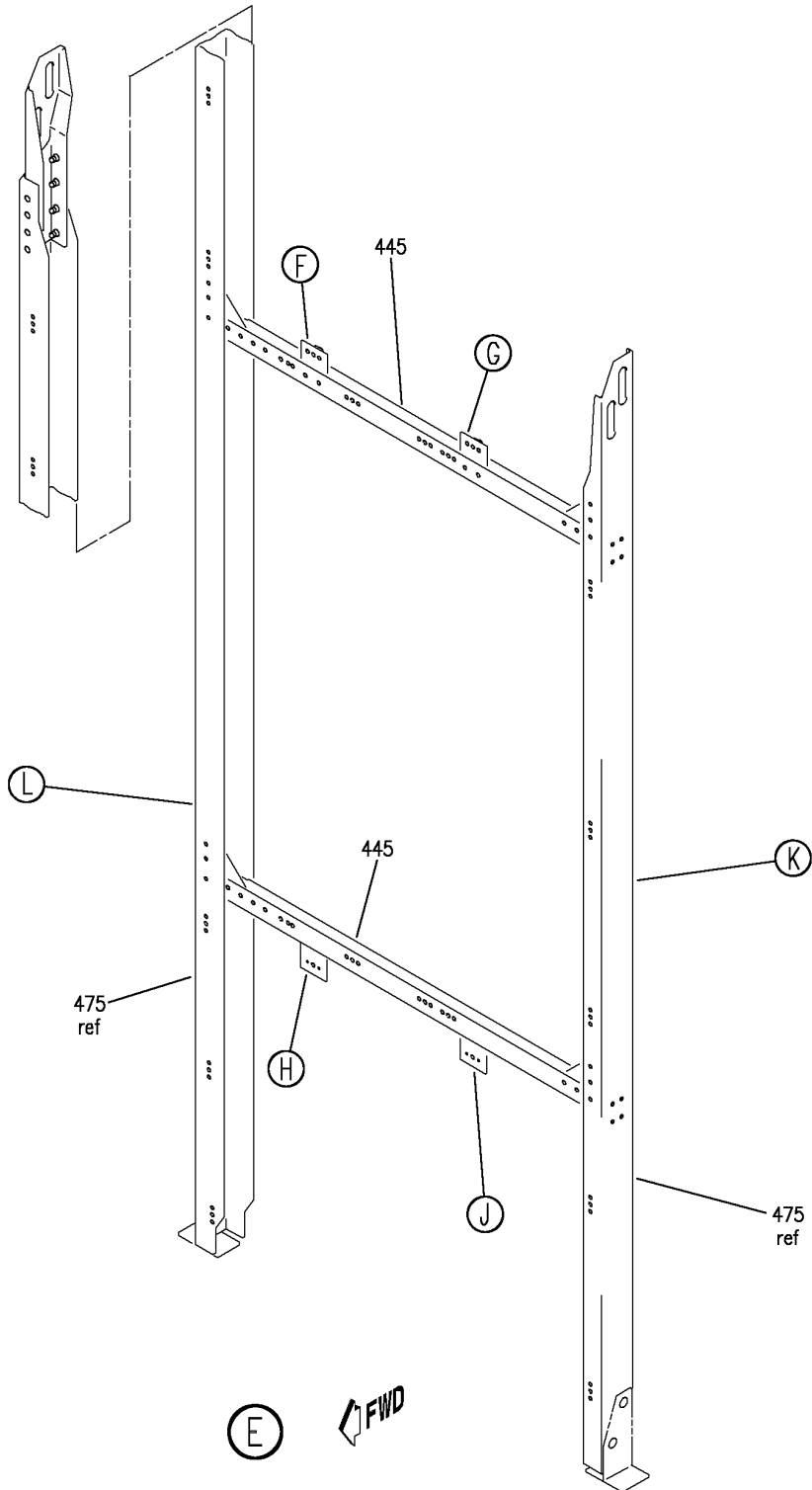
PARTITION INSTL-L.H.
FIGURE 8 (SHEET 3)

25-13-54-08

HXL
DEC 22/06

25-13-54-08
PAGE 0B

BOEING
767
PARTS CATALOG (MAINTENANCE)



V 25135408 SH1 4 REV 262

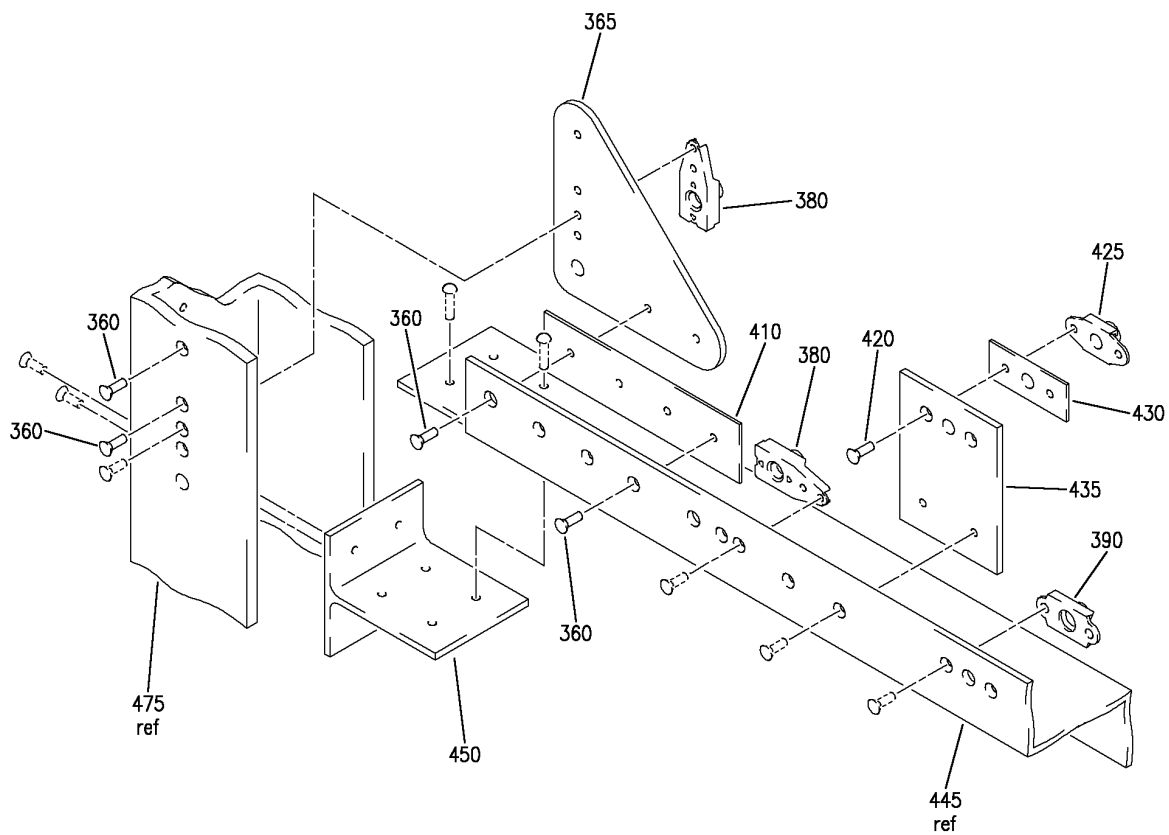
PARTITION INSTL-L.H.
FIGURE 8 (SHEET 4)

25-13-54-08

HXL
DEC 22/06

25-13-54-08
PAGE 0C

BOEING
767
PARTS CATALOG (MAINTENANCE)



(F)

V 25135408 SHT 5 REV 262

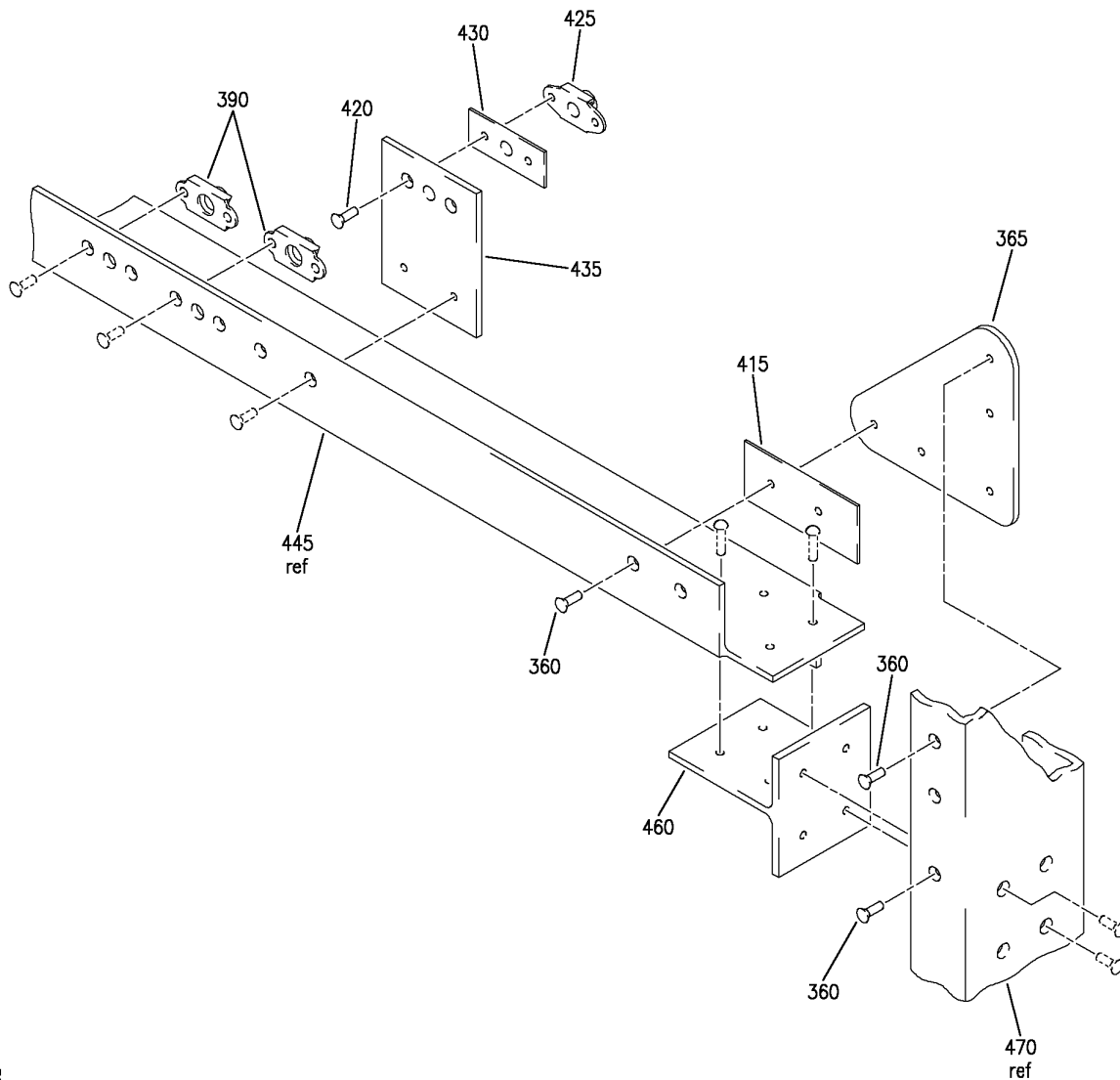
PARTITION INSTL-L.H.
FIGURE 8 (SHEET 5)

25-13-54-08

HXL
DEC 22/06

25-13-54-08
PAGE 0D

BOEING
767
PARTS CATALOG (MAINTENANCE)



(G)

V 25135408 SH1 6 REV 262

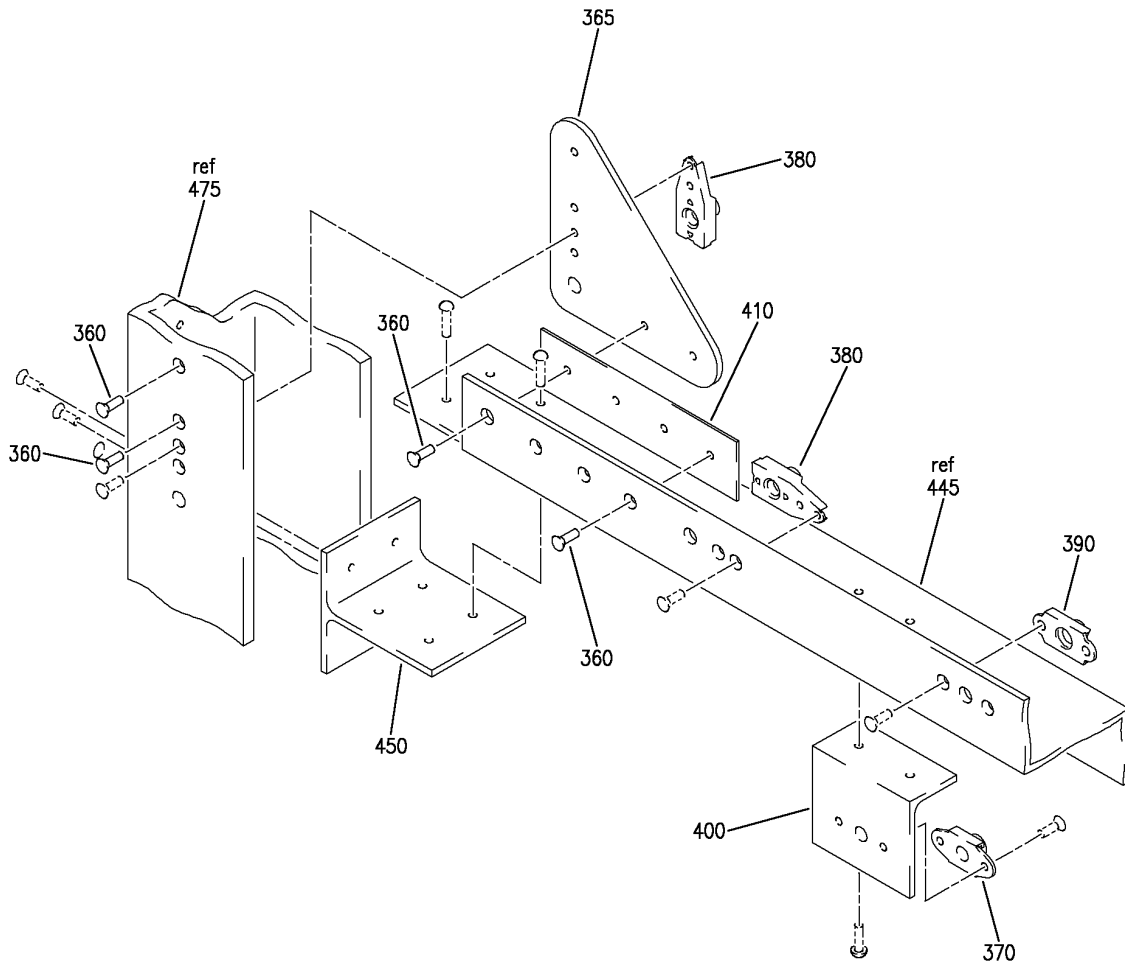
PARTITION INSTL-L.H.
FIGURE 8 (SHEET 6)

25-13-54-08

HXL
DEC 22/06

25-13-54-08
PAGE 0E

BOEING
767
PARTS CATALOG (MAINTENANCE)



(H)

V 25135408 SH1 7 REV 262

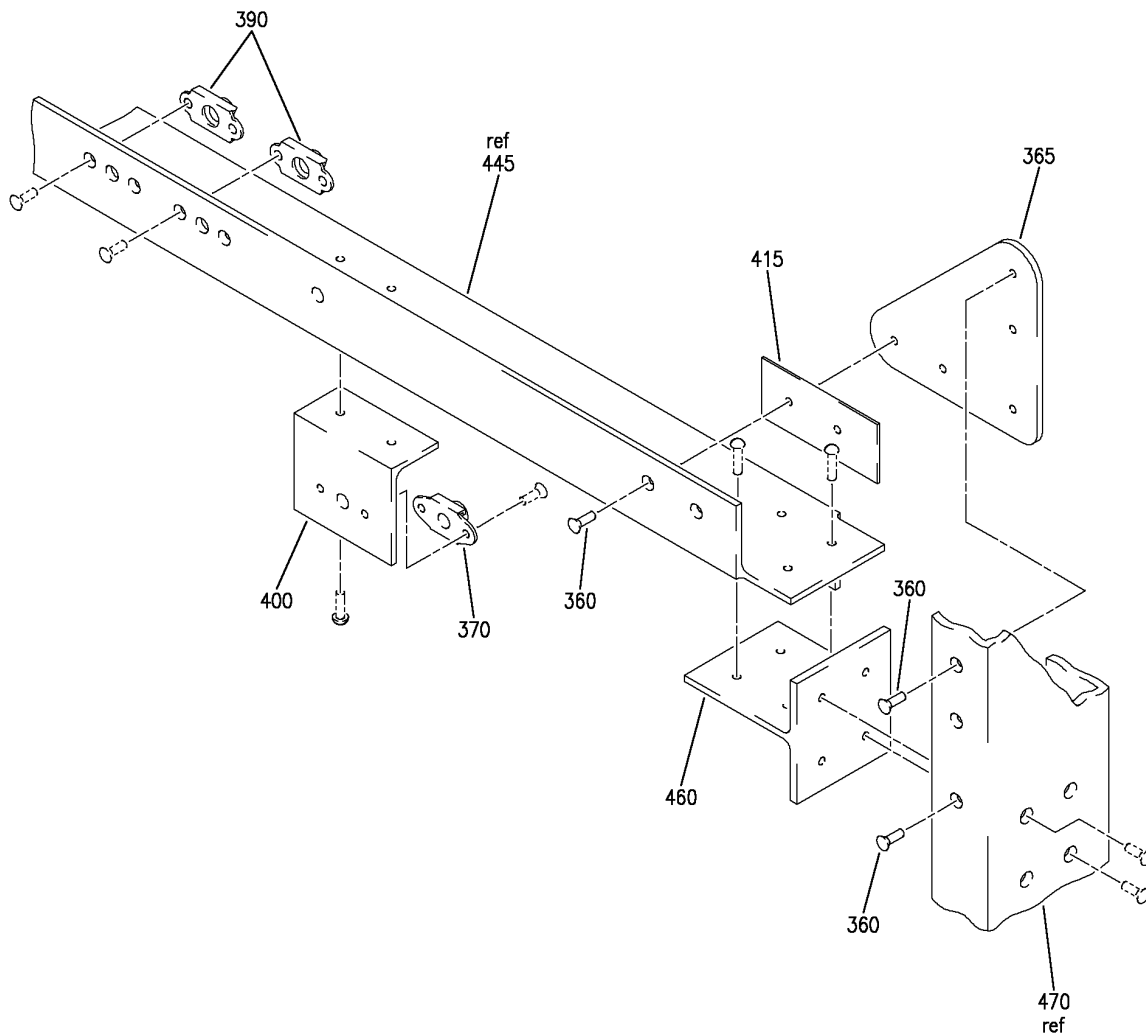
PARTITION INSTL-L.H.
FIGURE 8 (SHEET 7)

25-13-54-08

HXL
DEC 22/06

25-13-54-08
PAGE OF

BOEING
767
PARTS CATALOG (MAINTENANCE)



J

V 25135408 SH1 8 REV 262

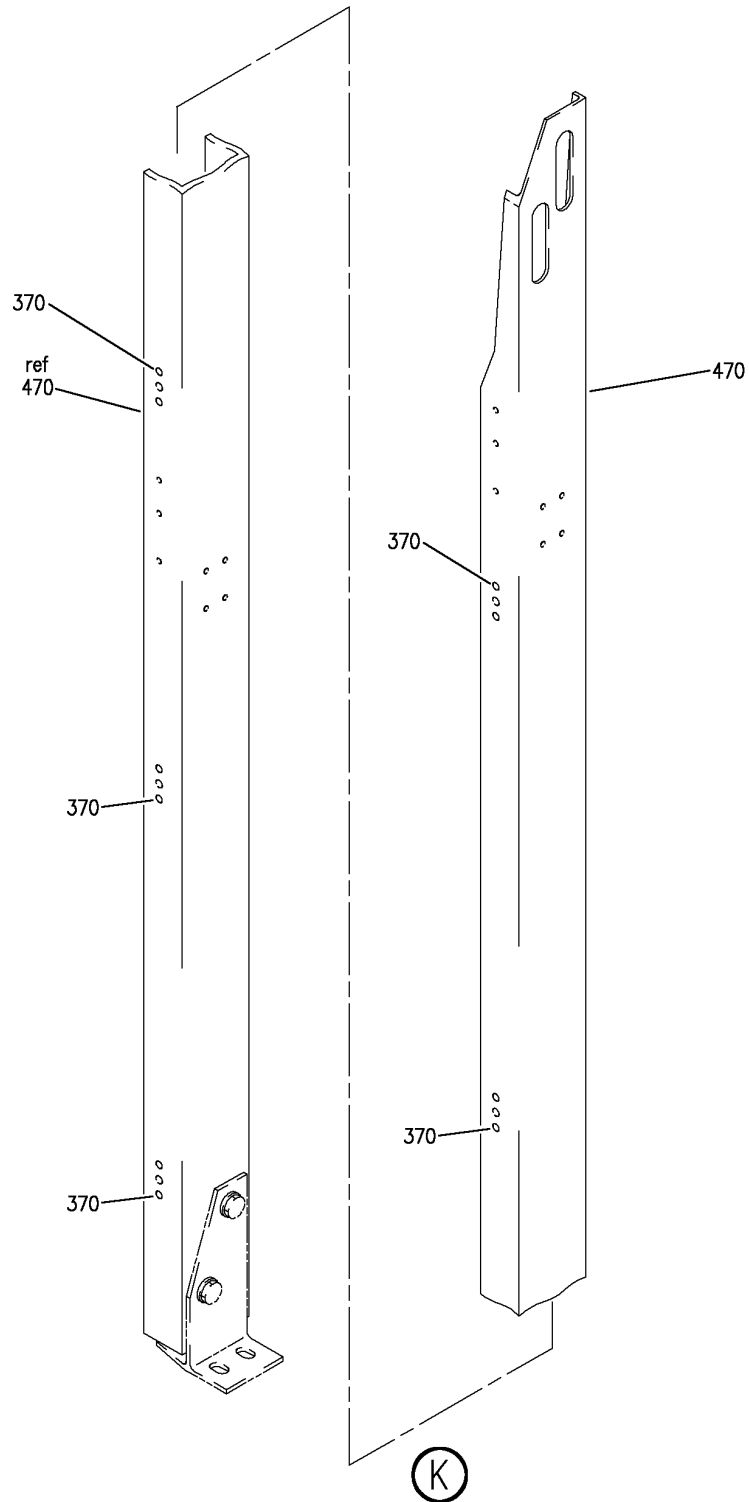
PARTITION INSTL-L.H.
FIGURE 8 (SHEET 8)

25-13-54-08

HXL
DEC 22/06

25-13-54-08
PAGE 08

BOEING
767
PARTS CATALOG (MAINTENANCE)



V 25135408 SH1 9 REV 262

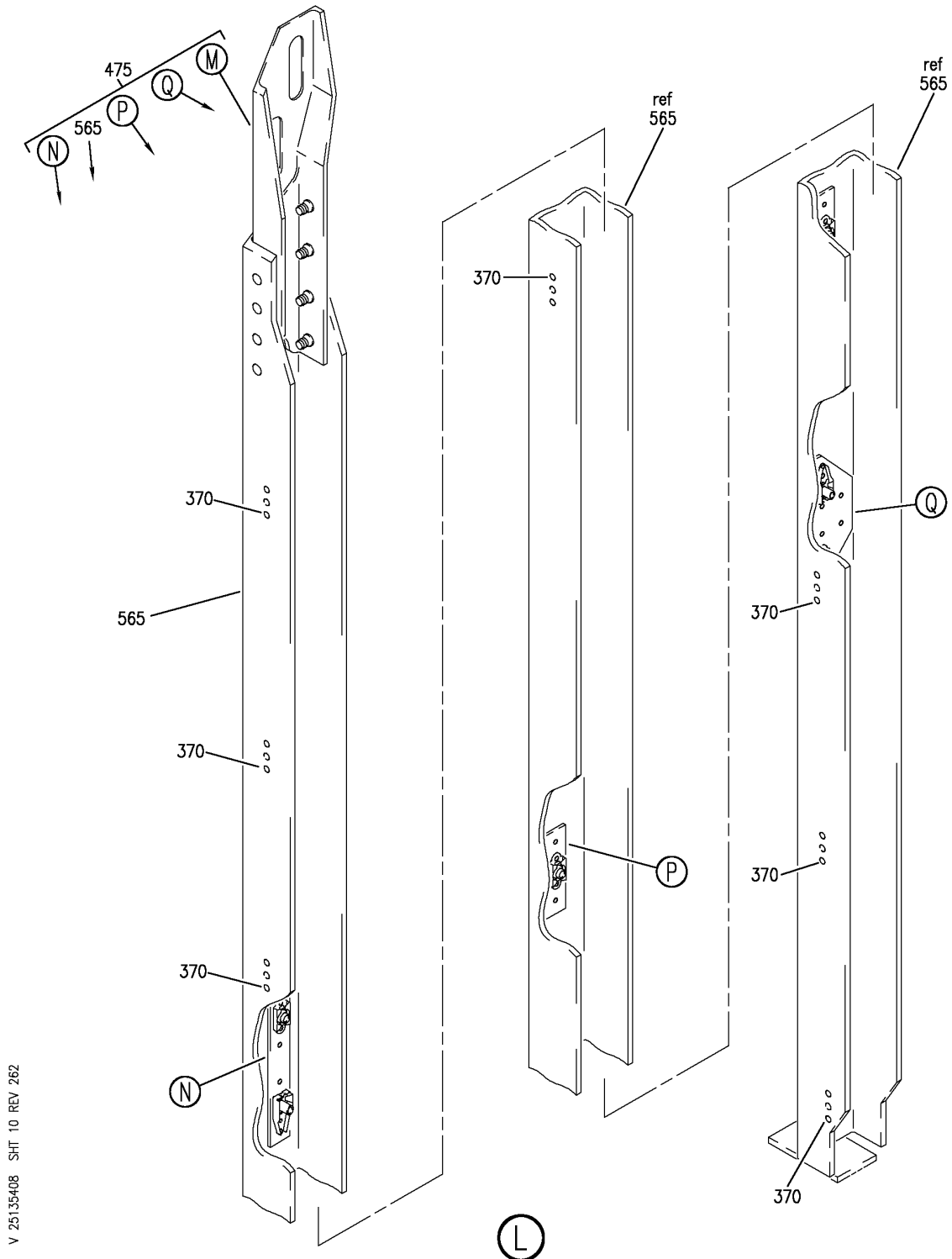
PARTITION INSTL-L.H.
FIGURE 8 (SHEET 9)

25-13-54-08

HXL
DEC 22/06

25-13-54-08
PAGE 0H

BOEING
767
PARTS CATALOG (MAINTENANCE)



V 25135408 SHT 10 REV 262

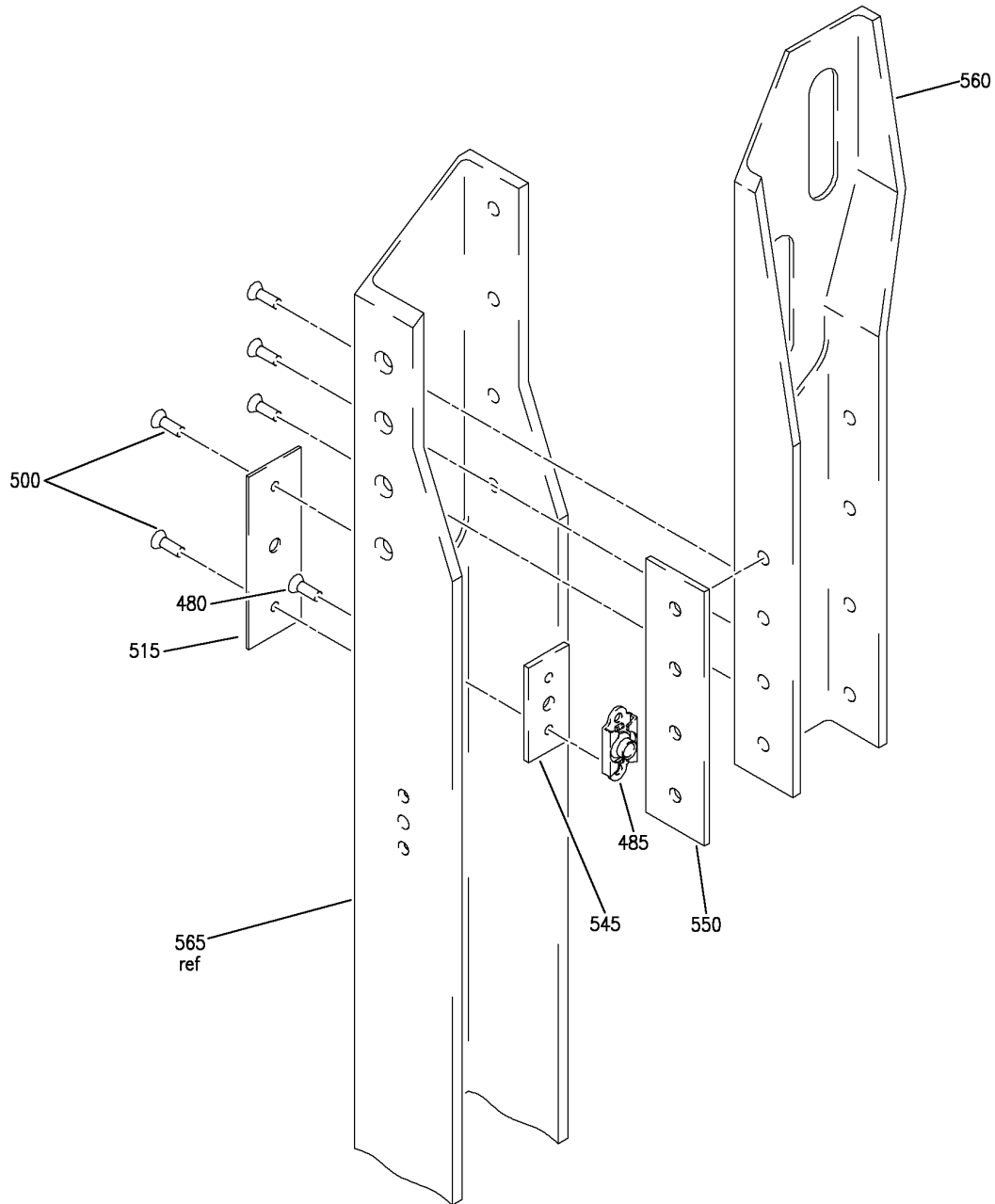
PARTITION INSTL-L.H.
FIGURE 8 (SHEET 10)

25-13-54-08

HXL
DEC 22/06

25-13-54-08
PAGE 01

BOEING
767
PARTS CATALOG (MAINTENANCE)



(M)

V 25135408 SH11 REV 262

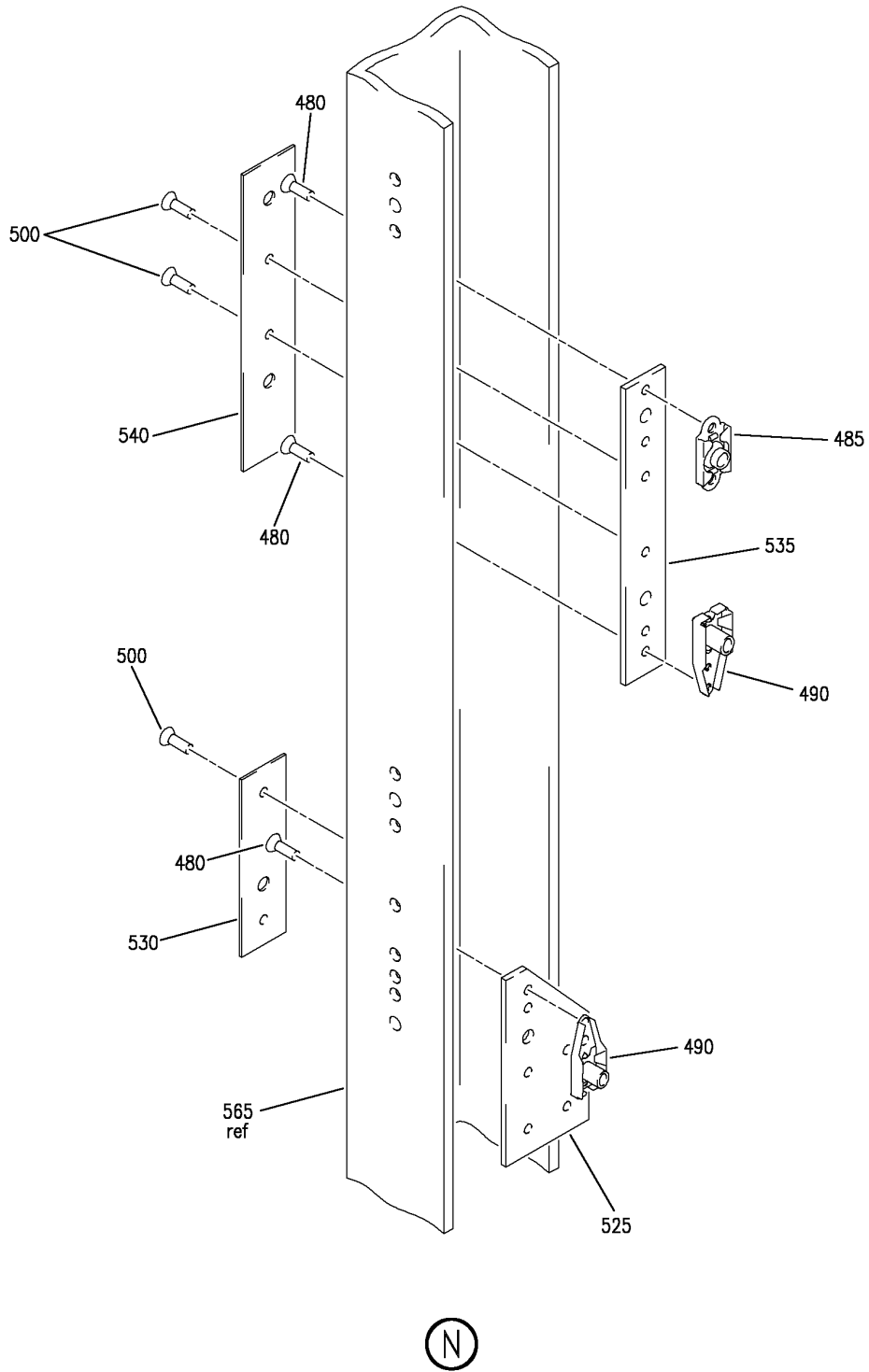
PARTITION INSTL-L.H.
FIGURE 8 (SHEET 11)

25-13-54-08

HXL
DEC 22/06

25-13-54-08
PAGE 0J

BOEING
767
PARTS CATALOG (MAINTENANCE)



V 25135408 SH1 12 REV 262

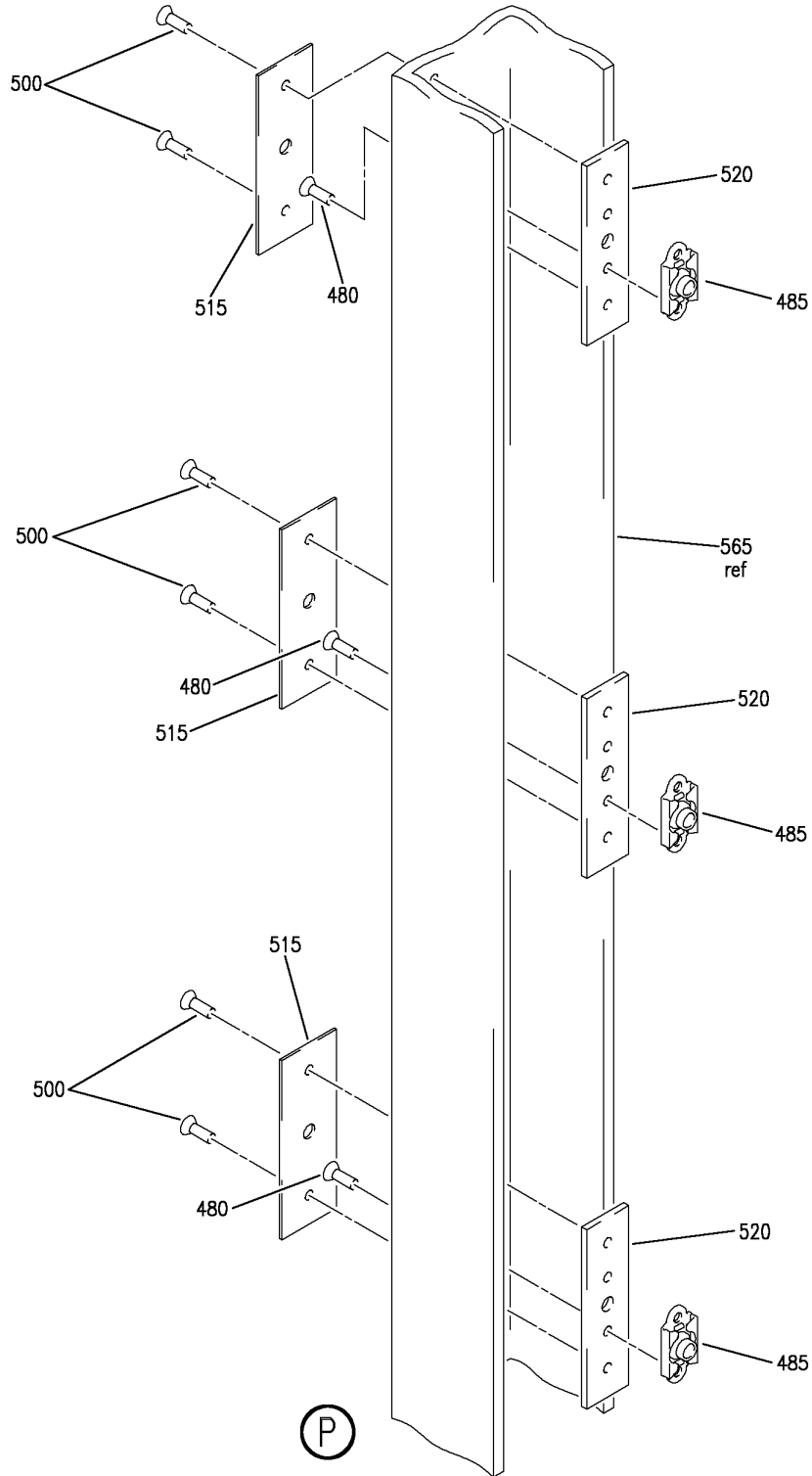
PARTITION INSTL-L.H.
FIGURE 8 (SHEET 12)

25-13-54-08

HXL
DEC 22/06

25-13-54-08
PAGE OK

BOEING
767
PARTS CATALOG (MAINTENANCE)



V 25135408 SHT 13 REV 262

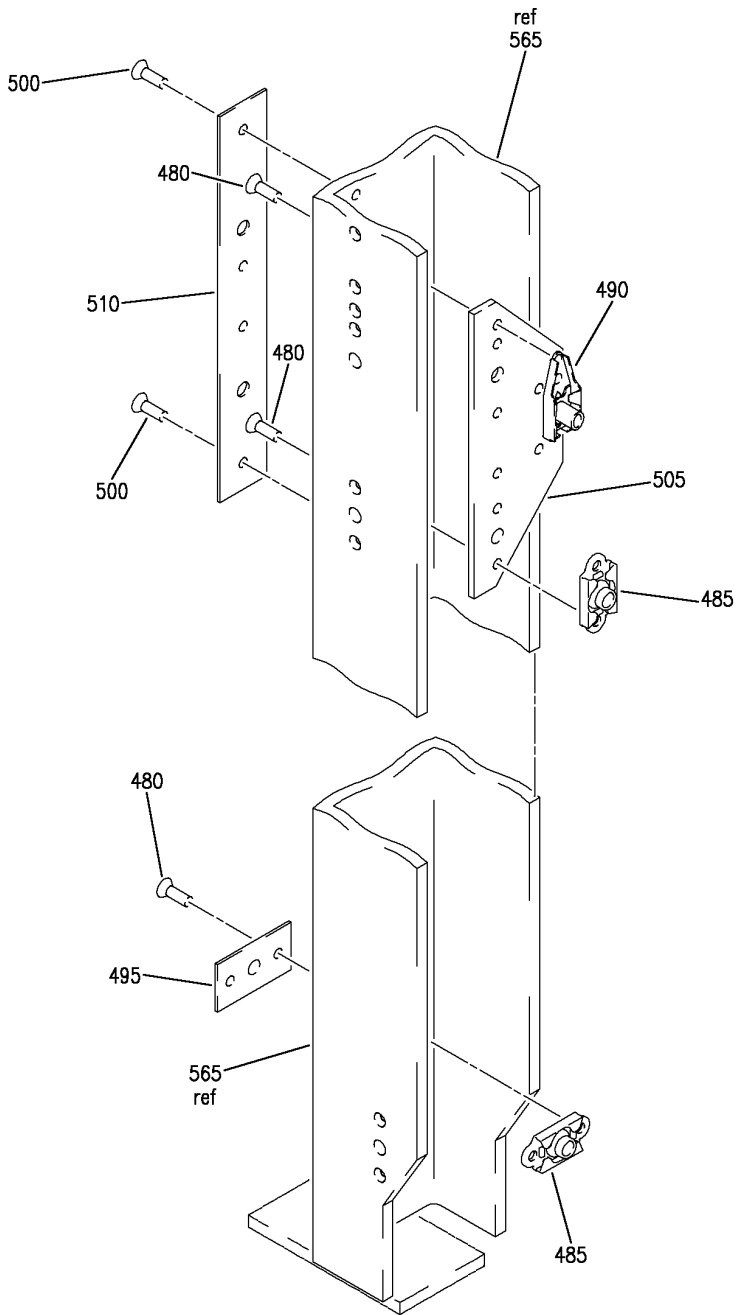
PARTITION INSTL-L.H.
FIGURE 8 (SHEET 13)

25-13-54-08

HXL
DEC 22/06

25-13-54-08
PAGE 01

BOEING
767
PARTS CATALOG (MAINTENANCE)



Q

V 25135408 SH1 14 REV 262

PARTITION INSTL-L.H.
FIGURE 8 (SHEET 14)

25-13-54-08

HXL
DEC 22/06

25-13-54-08
PAGE 0M

 **BOEING**
767
PARTS CATALOG (MAINTENANCE)

FIG ITEM	PART NUMBER	1 2 3 4 5 6 7	NOMENCLATURE	EFFECT FROM TO	UNITS PER ASSY
8			PARTITION INSTL-L.H.		
- 1	232T2004-151		PARTITION INSTL- POSITION DATA: LH FOR NHA SEE: 25-10-00-12		RF
5	232T2019-5		.SEAL-SMOKE		1
10	232T2019-11		.SEAL-SMOKE ATTACHING PARTS		1
15	NAS603-6P		.SCREW-		11
20	AN960JD10L		.WASHER-		10
23	BACW10P76S		.WASHER-		1
			-----*-----		
25	232T2066-1		.PLATE-COVER PRE SERVICE BULLETIN: 25-0325R10 ATTACHING PARTS	155162	1
- 30	PS10F7DL11BG		.SCREW- SUPPLIER CODE: V12324 PRE SERVICE BULLETIN: 25-0325R10	155162	1
			-----*-----		
35	PS10F14DL11BG		.SCREW- SUPPLIER CODE: V12324		6
45	NAS603-10P		.SCREW		2
55	NAS603-12P		.SCREW		1
60	AN960JD10L		.WASHER-		3
75	232T2055-13		.ANGLE-TRIM		1
80	232T2055-3		.ANGLE-TRIM		1
85	232T2063-9SP		.CHANNEL ASSY- ATTACHING PARTS		1
90	BACB30NU3K3		.BOLT		41
95	BACB30NU3K4		.BOLT		6
100	AN960JD10		.WASHER		47
105	MS21042L3		.NUT		47
			-----*-----		
110	232T2064-5		.ANGLE ASSY ATTACHING PARTS		1
115	BACB30NU3K3		.BOLT		44
120	BACB30NU3K4		.BOLT		6
125	AN960JD10		.WASHER-		50
130	MS21042L3		.NUT-		50
			-----*-----		
135	232T2064-4		.ANGLE ATTACHING PARTS		1
- 140	BACB30NU3K4		.BOLT		27
- 145	AN960JD10		.WASHER-		27

ILLUSTRATION ITEMS NOT ON PARTS LIST ARE NOT APPLICABLE

- ITEM NOT ILLUSTRATED

HXL

25-13-54-08

25-13-54
FIG. 08
PAGE 1
DEC 22/07

 **BOEING**
767
PARTS CATALOG (MAINTENANCE)

FIG ITEM	PART NUMBER	1 2 3 4 5 6 7	NOMENCLATURE	EFFECT FROM TO	UNITS PER ASSY
8					
- 150	MS21042L3	.	NUT-		27
		-----*			
155	232T2010-51	.	PANEL ASSY-		1
			ATTACHING PARTS		
165	FH10F14DL11BG	.	SCREW-		9
			SUPPLIER CODE:		
			V12324		
170	FH10F14DL12BN	.	SCREW-		1
			SUPPLIER CODE:		
			V12324		
		-----*			
175	BACB30NM3K4	.	BOLT		7
180	BACB30NM4K5	.	BOLT		2
185	BACB30NR4K4	.	BOLT		2
190	232T2027-1	.	WASHER		4
195	AN960JD10	.	WASHER-		7
200	AN960JD416	.	WASHER-		2
205	AN960JD416L	.	WASHER-		2
210	BACW10P70S	.	WASHER		4
220	MS21042L4	.	NUT-		2
225	MS21042L5	.	NUT-		2
230	232T2027-2	.	INSERT		4
235	232T2018-11	.	SEAL-SMOKE		1
240	232T2018-24	.	SEAL-SMOKE		1
245	232T2007-44	.	LEFT ASSY		1
250	BACB30NU3K11	..	BOLT		12
255	232T2007-51	..	WASHER-		12
			OPTIONAL PART:		
			232T2007-56		
			232T2007-55		
255	232T2007-55	..	WASHER-		12
			OPTIONAL PART:		
			232T2007-56		
			232T2007-51		
255	232T2007-56	..	WASHER-		12
			OPTIONAL PART:		
			232T2007-51		
			232T2007-55		
260	232T2007-53	..	WASHER		12
265	AN960PD10	..	WASHER		12
270	NAS1804-3	..	NUT		12
275	232T2063-7	..	BRACKET		1
280	232T2007-45	..	PARTITION ASSY		1
285	232T2007-20	...	FITTING		1
			ATTACHING PARTS		
- 290	BACB30NN3K6	...	BOLT		4
- 295	AN960PD10	...	WASHER		4
- 300	NAS1804-3	...	NUT		4
		-----*			

ILLUSTRATION ITEMS NOT ON PARTS LIST ARE NOT APPLICABLE

- ITEM NOT ILLUSTRATED

HXL

25-13-54-08

25-13-54
FIG. 08
PAGE 2
DEC 22/07



767

PARTS CATALOG (MAINTENANCE)

FIG ITEM	PART NUMBER	1 2 3 4 5 6 7	NOMENCLATURE	EFFECT FROM TO	UNITS PER ASSY
8					
305	232T2007-54		... FITTING ATTACHING PARTS		1
- 310	BACB30NM4K5		... BOLT		2
- 315	232T2027-1		... WASHER		4
- 320	232T2027-3		... WASHER		2
- 325	AN960PD416		... WASHER		2
- 330	BACW10P70S		... WASHER		2
- 335	NAS1804-3		... NUT		2
- 340	232T2027-2		... INSERT		2
			-----*-----		
350	232T2007-46		.. PANEL ASSY		1
355	232T2007-40		.. FRAME ASSY		1
360	BACR15CE6AD		... RIVET- SIZE DETERMINED ON INSTL.		22
365	232T2007-30		... TIE-SHEAR		4
370	BRF200A3		... NUTPLATE SUPPLIER CODE: V52828 SPECIFICATION NUMBER: BACN10JR3F OPTIONAL PART: NS103203-02 V80539 RMF9201-3 V72962 VN152A1-02 V92215 T8091S1032 V11815 F5000-3BAC V15653 ATTACHING PARTS		14
- 375	BACR15B3AD		... RIVET- SIZE DETERMINED ON INSTL.		28
			-----*-----		
380	F177-3		... NUTPLATE SUPPLIER CODE: V72962 SPECIFICATION NUMBER: BACN10JA3 OPTIONAL PART: F2400-3 V15653 43610-02 V80539 BRF110A3 V52828 BRF170A3 V52828		4

ILLUSTRATION ITEMS NOT ON PARTS LIST ARE NOT APPLICABLE

- ITEM NOT ILLUSTRATED

25-13-54-08

25-13-54
FIG. 08
PAGE 3
DEC 22/07

HXL

BOEING PROPRIETARY - Copyright © - Unpublished Work - See title page for details.



767

PARTS CATALOG (MAINTENANCE)

FIG ITEM	PART NUMBER	1 2 3 4 5 6 7	NOMENCLATURE	EFFECT FROM TO	UNITS PER ASSY
8			ATTACHING PARTS		
- 385	BACR15B3AD	...	RIVET- SIZE DETERMINED ON INSTL. -----*-----		8
390	F171-3	...	NUTPLATE SUPPLIER CODE: V72962 SPECIFICATION NUMBER: BACN10JB3 OPTIONAL PART: 43600-02 V80539 BRF210A3 V52828 BRF270A3 V52828		6
- 395	BACR15B3AD	...	RIVET- SIZE DETERMINED ON INSTL. -----*-----		12
400	BACB2D015D2HOT	...	ANGLE ATTACHING PARTS		2
- 405	BACR15FT6AD	...	RIVET- SIZE DETERMINED ON INSTL. -----*-----		4
410	BACF3F008L030AN	...	FILLER		2
415	BACF3F008B018AN	...	FILLER		2
420	BACR15B3AD	...	RIVET- SIZE DETERMINED ON INSTL.		4
425	BRF200A3	...	NUTPLATE SUPPLIER CODE: V52828 SPECIFICATION NUMBER: BACN10JR3F OPTIONAL PART: NS103203-02 V80539 RMF9201-3 V72962 VN152A1-02 V92215 T8091S1032 V11815 F5000-3BAC V15653		2
430	BACF3F005L012NN	...	FILLER		2
435	232T2007-31	...	PLATE-PANEL TIE		2

ILLUSTRATION ITEMS NOT ON PARTS LIST ARE NOT APPLICABLE

- ITEM NOT ILLUSTRATED

25-13-54-08

25-13-54
FIG. 08
PAGE 4
DEC 22/07

HXL

BOEING PROPRIETARY - Copyright © - Unpublished Work - See title page for details.

 **BOEING**
767
PARTS CATALOG (MAINTENANCE)

FIG ITEM	PART NUMBER	1 2 3 4 5 6 7	NOMENCLATURE	EFFECT FROM TO	UNITS PER ASSY
8			ATTACHING PARTS		
- 440	BACR15CE6AD	...	RIVET- SIZE DETERMINED ON INSTL. -----*-----		4
445	232T2007-32	...	ZEE		2
450	232T2007-38	...	TEE		2
- 455	BACR15CE6AD	...	ATTACHING PARTS RIVET- SIZE DETERMINED ON INSTL. -----*-----		8
460	232T2007-33	...	TEE		2
- 465	BACR15CE6AD	...	ATTACHING PARTS RIVET- SIZE DETERMINED ON INSTL. -----*-----		8
470	232T2007-23	...	STANCHION		1
475	232T2007-41	...	STANCHION ASSY		1
480	BACR15BA3AD	RIVET- SIZE DETERMINED ON INSTL. -----*-----		20
485	F171-3	NUTPLATE SUPPLIER CODE: V72962 SPECIFICATION NUMBER: BACN10JB3 OPTIONAL PART: 43600-02 V80539 BRF210A3 V52828 BRF270A3 V52828		7
490	F177-3	NUTPLATE SUPPLIER CODE: V72962 SPECIFICATION NUMBER: BACN10JA3 OPTIONAL PART: F2400-3 V15653 43610-02 V80539 BRF110A3 V52828 BRF170A3 V52828		3
495	BACF3F006V010AN	FILLER-FLAT		1
500	BACR15CE6AD	RIVET- SIZE DETERMINED ON INSTL.		13
505	232T2007-37	FILLER-RADIUS		1

ILLUSTRATION ITEMS NOT ON PARTS LIST ARE NOT APPLICABLE

- ITEM NOT ILLUSTRATED

HXL

25-13-54-08

BOEING PROPRIETARY - Copyright © - Unpublished Work - See title page for details.

25-13-54
FIG. 08
PAGE 5
DEC 22/07



767

PARTS CATALOG (MAINTENANCE)

FIG ITEM	PART NUMBER	1 2 3 4 5 6 7	NOMENCLATURE	EFFECT FROM TO	UNITS PER ASSY
8					
510	BACF3F008L053AN	FILLER-FLAT		1
515	BACF3F008L023AN	FILLER-FLAT		3
520	232T2007-35	FILLER-RADIUS		3
525	232T2007-29	FILLER-RADIUS		1
530	BACF3F008L027AN	FILLER-FLAT		1
535	232T2007-43	FILLER-RADIUS		1
540	BACF3F008L039AN	FILLER-FLAT		1
545	232T2007-19	FILLER-RADIUS		1
550	232T2007-13	FILLER-		1
			OPTIONAL PART: BACS40R007C034F		
550	BACS40R007C034F	SHIM-LAMINATED		1
			OPTIONAL PART: 232T2007-13		
			ATTACHING PARTS		
- 555	BACB30NW6K	BOLT		4
			-----*-----		
560	232T2028-1	FITTING		1
565	232T2007-42	STANCHION		1

ILLUSTRATION ITEMS NOT ON PARTS LIST ARE NOT APPLICABLE

- ITEM NOT ILLUSTRATED

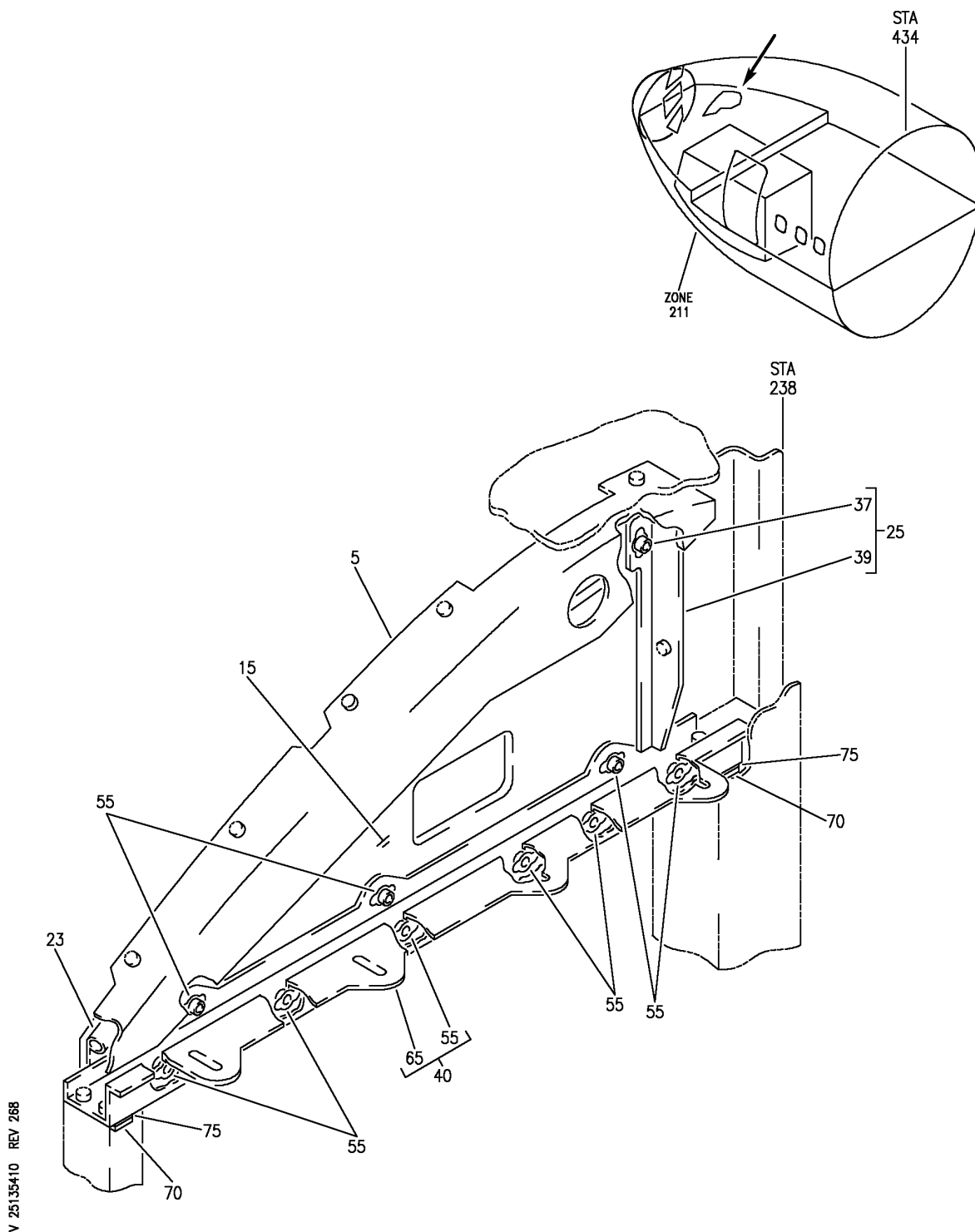
HXL

25-13-54-08

BOEING PROPRIETARY - Copyright © - Unpublished Work - See title page for details.

25-13-54
FIG. 08
PAGE 6
DEC 22/07

BOEING
767
PARTS CATALOG (MAINTENANCE)



V 25135410 REV 268

HEADER INSTL
FIGURE 10

25-13-54-10

HXL
DEC 22/06

25-13-54-10
PAGE 0

BOEING
767
PARTS CATALOG (MAINTENANCE)

FIG ITEM	PART NUMBER	1 2 3 4 5 6 7	NOMENCLATURE	EFFECT FROM TO	UNITS PER ASSY
10			HEADER INSTL		
- 1	232T2004-111		HEADER INSTL- FOR NHA SEE: 25-10-00-12		RF
5	232T2049-5		.SEAL-SMOKE		1
- 10	NAS603-8P		ATTACHING PARTS .SCREW		5
			-----*-----		
15	232T2010-52		.PANEL ASSY		1
- 20	FS10F10DL11BG		ATTACHING PARTS .SCREW-		4
			SUPPLIER CODE: V12324		
			-----*-----		
23	232T2010-18		..SEAL		1
25	232T2056-4		.ANGLE ASSY-		1
- 30	NAS603-10P		ATTACHING PARTS .SCREW		2
- 35	AN960JD10L		.WASHER		2
			-----*-----		
37	F2000-3		..NUTPLATE		1
			SUPPLIER CODE: V15653		
			SPECIFICATION NUMBER: BACN10KB3F		
			OPTIONAL PART: NS103185-02		
			V80539		
			RMF9207-3		
			V72962		
			T8114S1032S		
			V11815		
			VN151A1-02		
			V92215		
			BRF100A3		
			V52828		
			ATTACHING PARTS		
- 38	BACR15BA3AD		..RIVET-		2
			SIZE DETERMINED ON INSTL.		
			-----*-----		
39	232T2056-2		..ANGLE-		1
40	232T2055-9		.HEADER ASSY-DOOR		1
- 45	NAS603-10P		ATTACHING PARTS .SCREW		4
- 50	AN960JD10L		.WASHER		4
			-----*-----		

ILLUSTRATION ITEMS NOT ON PARTS LIST ARE NOT APPLICABLE

- ITEM NOT ILLUSTRATED

HXL

25-13-54-10

BOEING PROPRIETARY - Copyright © - Unpublished Work - See title page for details.

25-13-54
FIG. 10
PAGE 1
DEC 22/06



767

PARTS CATALOG (MAINTENANCE)

FIG ITEM	PART NUMBER	1 2 3 4 5 6 7	NOMENCLATURE	EFFECT FROM TO	UNITS PER ASSY
10					
55	MF53049-3		..NUTPLATE SUPPLIER CODE: V15653 SPECIFICATION NUMBER: BACN10JN3 OPTIONAL PART: BRFM20A3 V52828 MF1000-3BAC V15653 NS103218-02 V80539 RMF9201M3 V72962 VN252A02 V92215 T8124S3S V11815 ATTACHING PARTS		9
- 60	BACR15BA3AD		..RIVET- SIZE DETERMINED ON INSTL. -----*-----		18
65	232T2055-8		..HEADER-DOOR		1

ILLUSTRATION ITEMS NOT ON PARTS LIST ARE NOT APPLICABLE

- ITEM NOT ILLUSTRATED

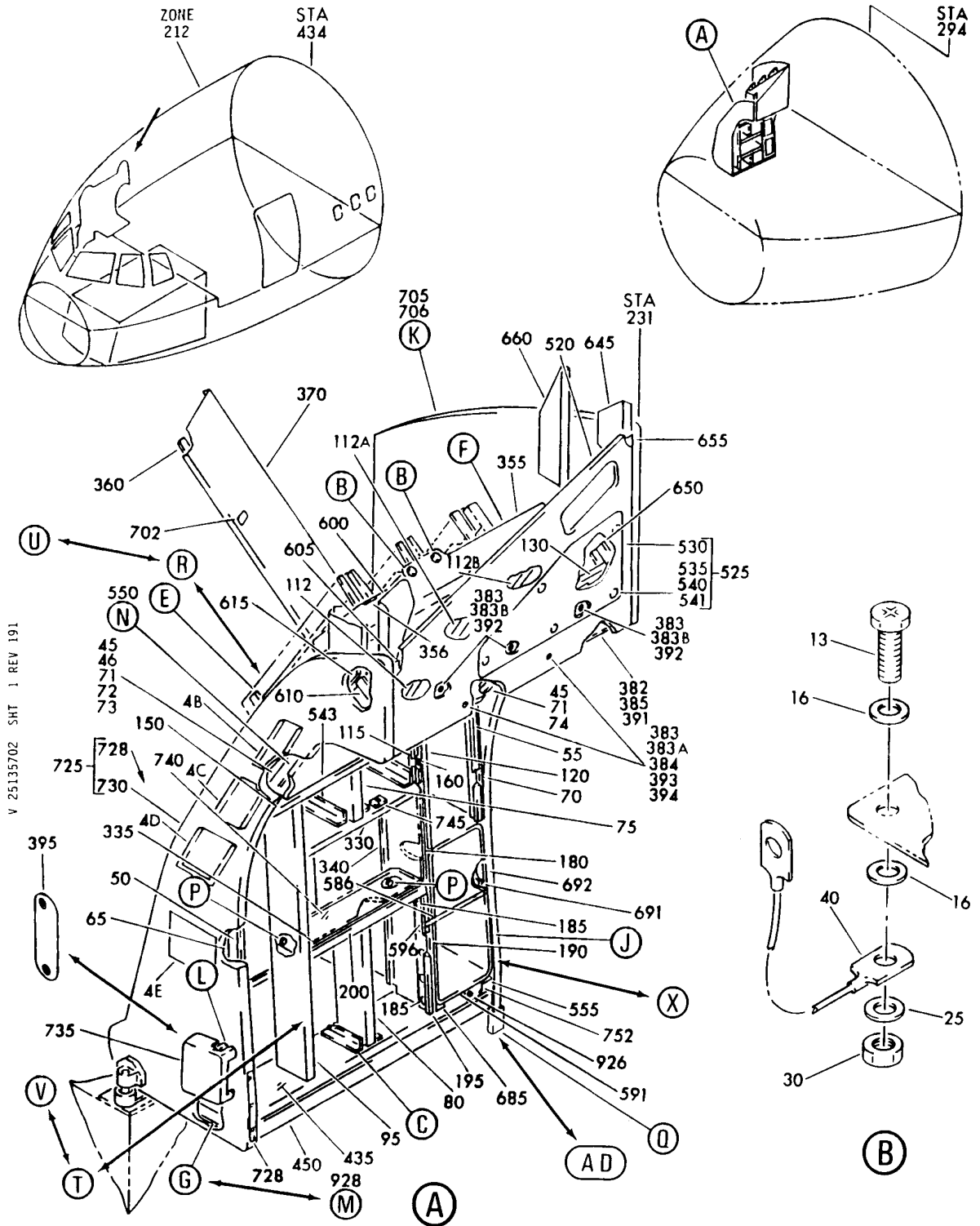
HXL

25-13-54-10

BOEING PROPRIETARY - Copyright © - Unpublished Work - See title page for details.

25-13-54
 FIG. 10
 PAGE 2
 DEC 22/06

BOEING
767
PARTS CATALOG (MAINTENANCE)



V 25135702 SHT 1 REV 191

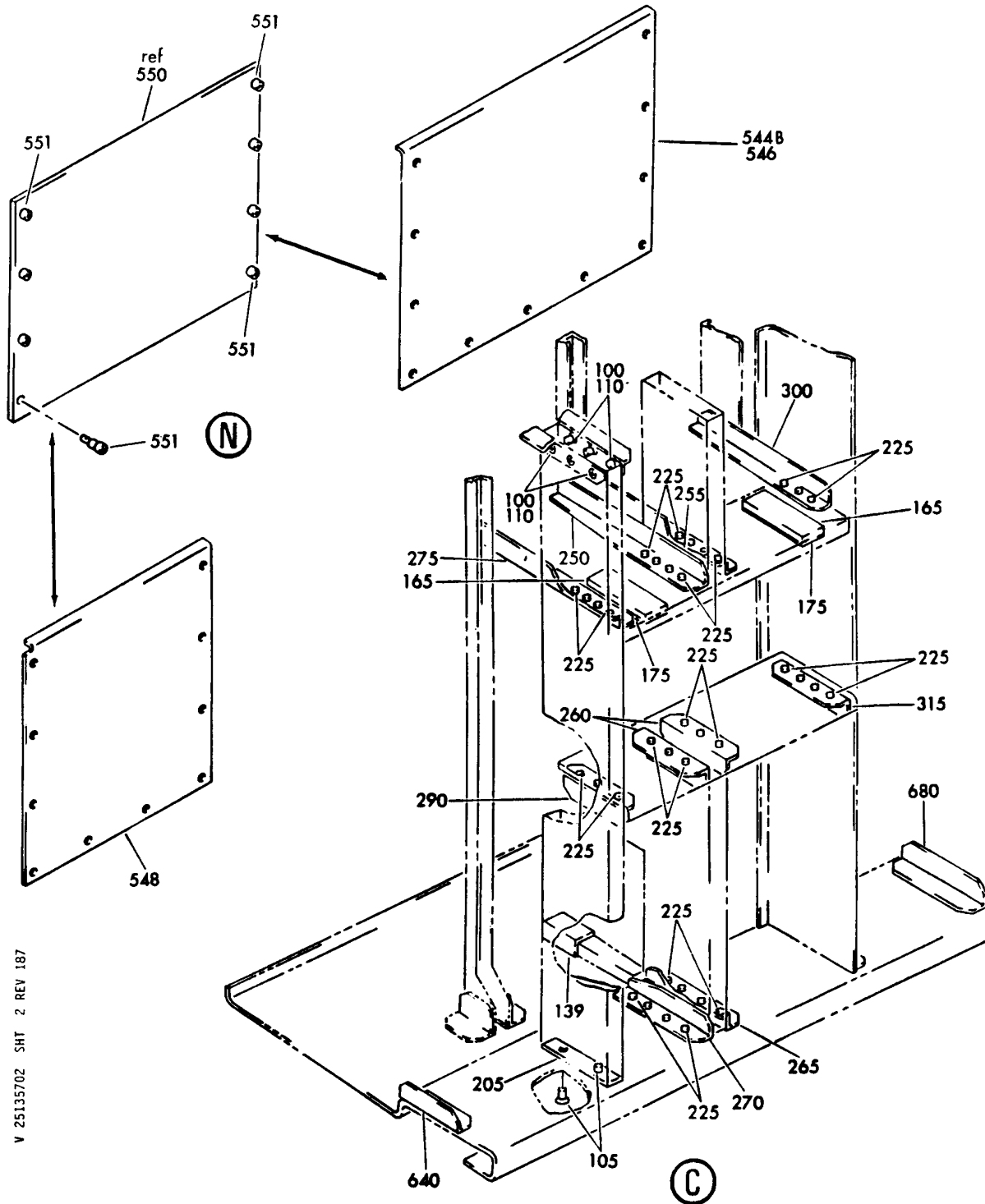
CONSOLE INSTL-RH SIDE (EQUIPMENT/FURNISHINGS ONLY)
FIGURE 2 (SHEET 1)

25-13-57-02

HXL
DEC 22/06

25-13-57-02
PAGE 0

BOEING
767
PARTS CATALOG (MAINTENANCE)



V 25135702 SH1 2 REV 187

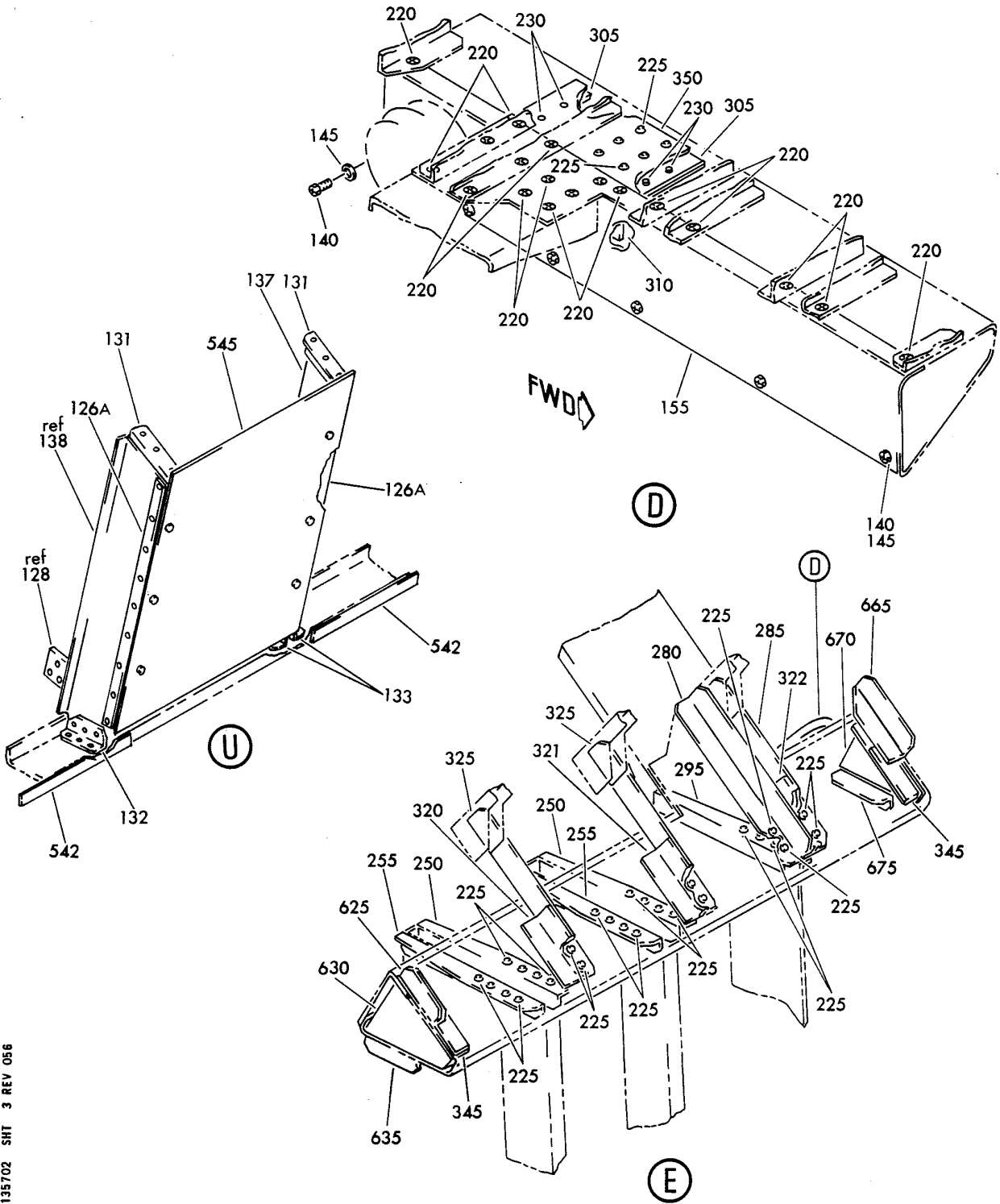
CONSOLE INSTL-RH SIDE (EQUIPMENT/FURNISHINGS ONLY)
FIGURE 2 (SHEET 2)

25-13-57-02

HXL
DEC 22/06

25-13-57-02
PAGE 0A

BOEING
767
PARTS CATALOG (MAINTENANCE)



V 25135702 SHT 3 REV 056

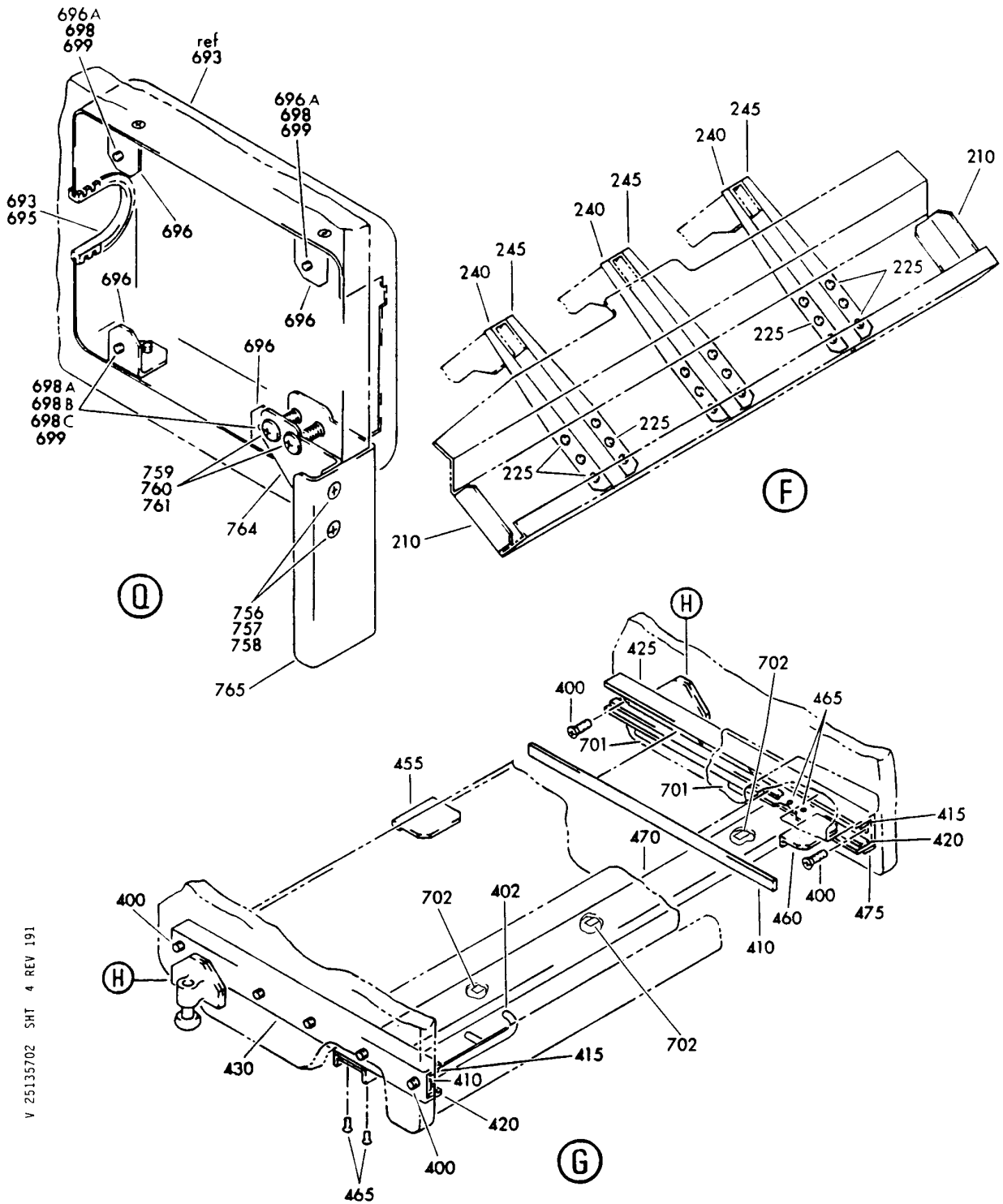
CONSOLE INSTL-RH SIDE (EQUIPMENT/FURNISHINGS ONLY)
FIGURE 2 (SHEET 3)

25-13-57-02

HXL
DEC 22/06

25-13-57-02
PAGE 0B

BOEING
767
PARTS CATALOG (MAINTENANCE)



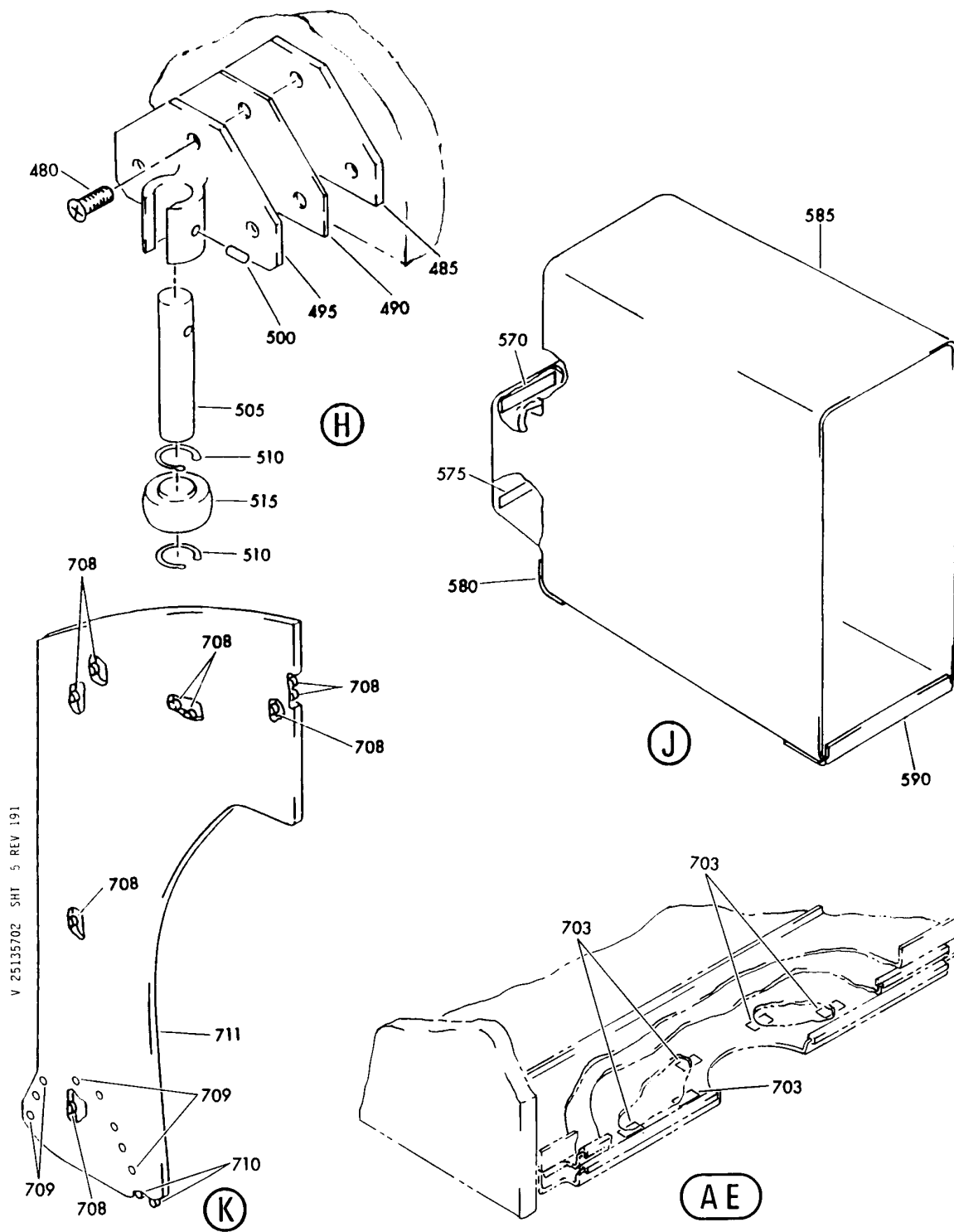
CONSOLE INSTL-RH SIDE (EQUIPMENT/FURNISHINGS ONLY)
FIGURE 2 (SHEET 4)

25-13-57-02

HXL
DEC 22/06

25-13-57-02
PAGE 0C

BOEING
767
PARTS CATALOG (MAINTENANCE)



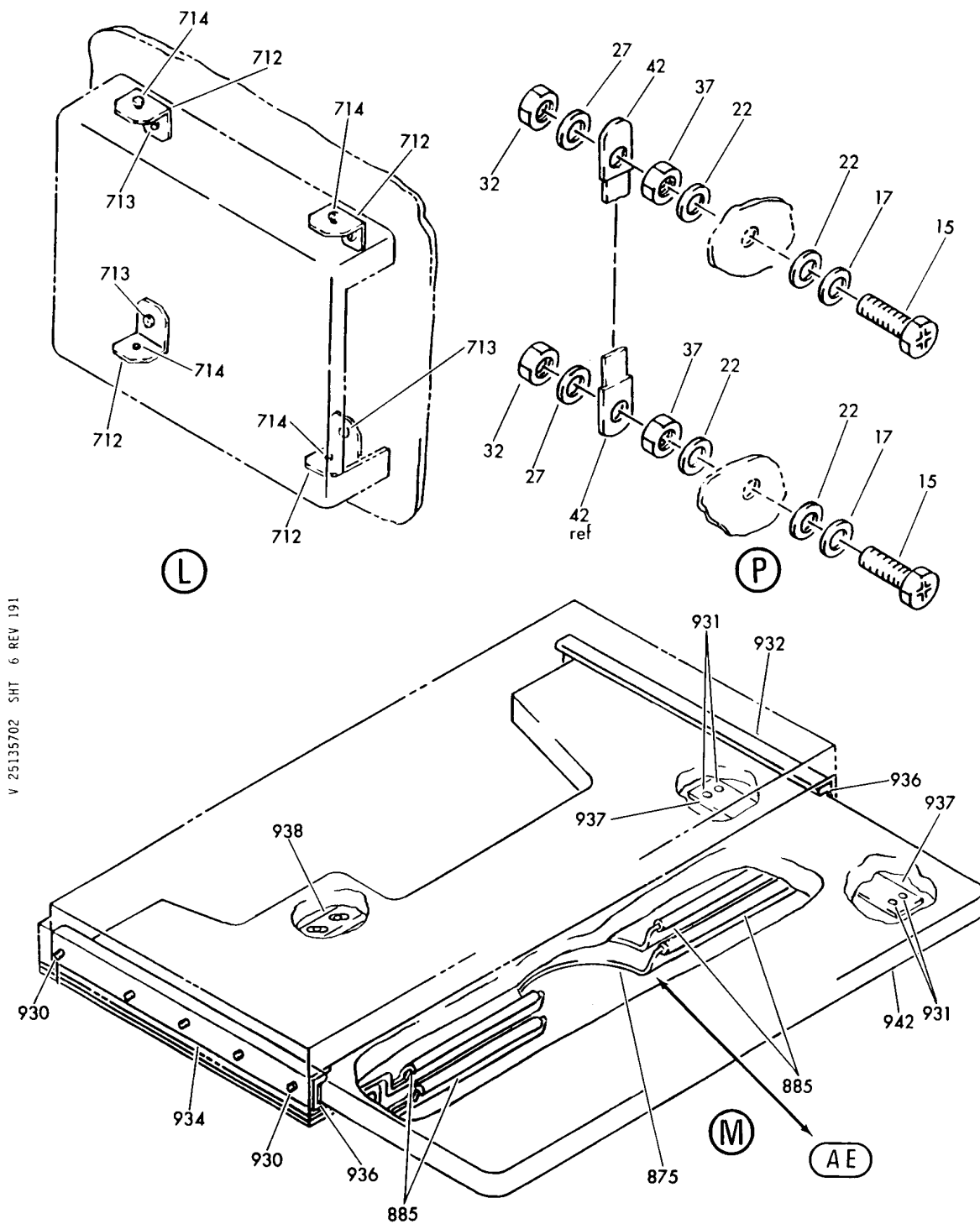
CONSOLE INSTL-RH SIDE (EQUIPMENT/FURNISHINGS ONLY)
FIGURE 2 (SHEET 5)

25-13-57-02

HXL
DEC 22/06

25-13-57-02
PAGE 0D

BOEING
767
PARTS CATALOG (MAINTENANCE)



V 25135702 SHT 6 REV 191

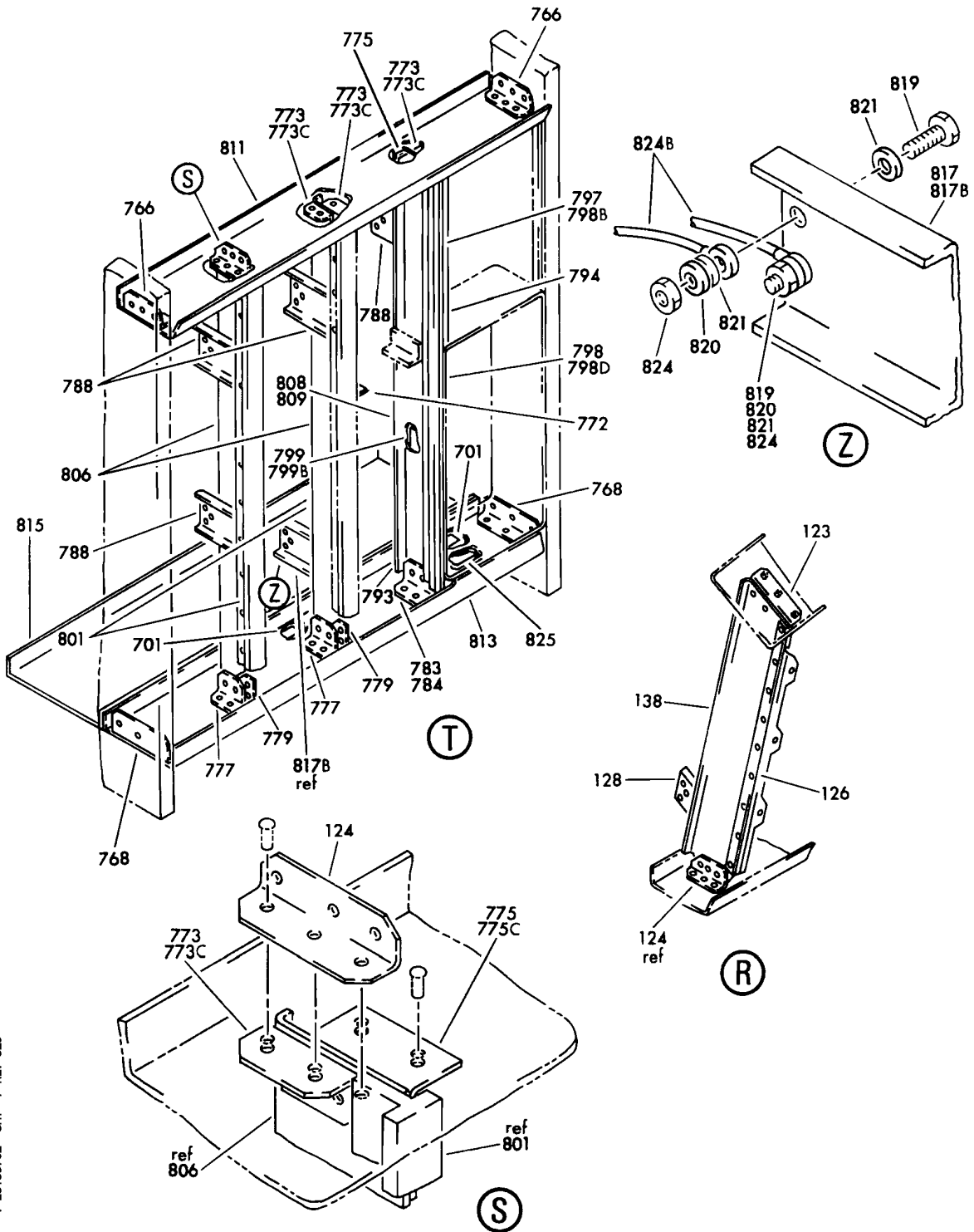
CONSOLE INSTL-RH SIDE (EQUIPMENT/FURNISHINGS ONLY)
FIGURE 2 (SHEET 6)

25-13-57-02

HXL
DEC 22/06

25-13-57-02
PAGE 0E


BOEING
 767
PARTS CATALOG (MAINTENANCE)



V 25135702 SHT 7 REV 329

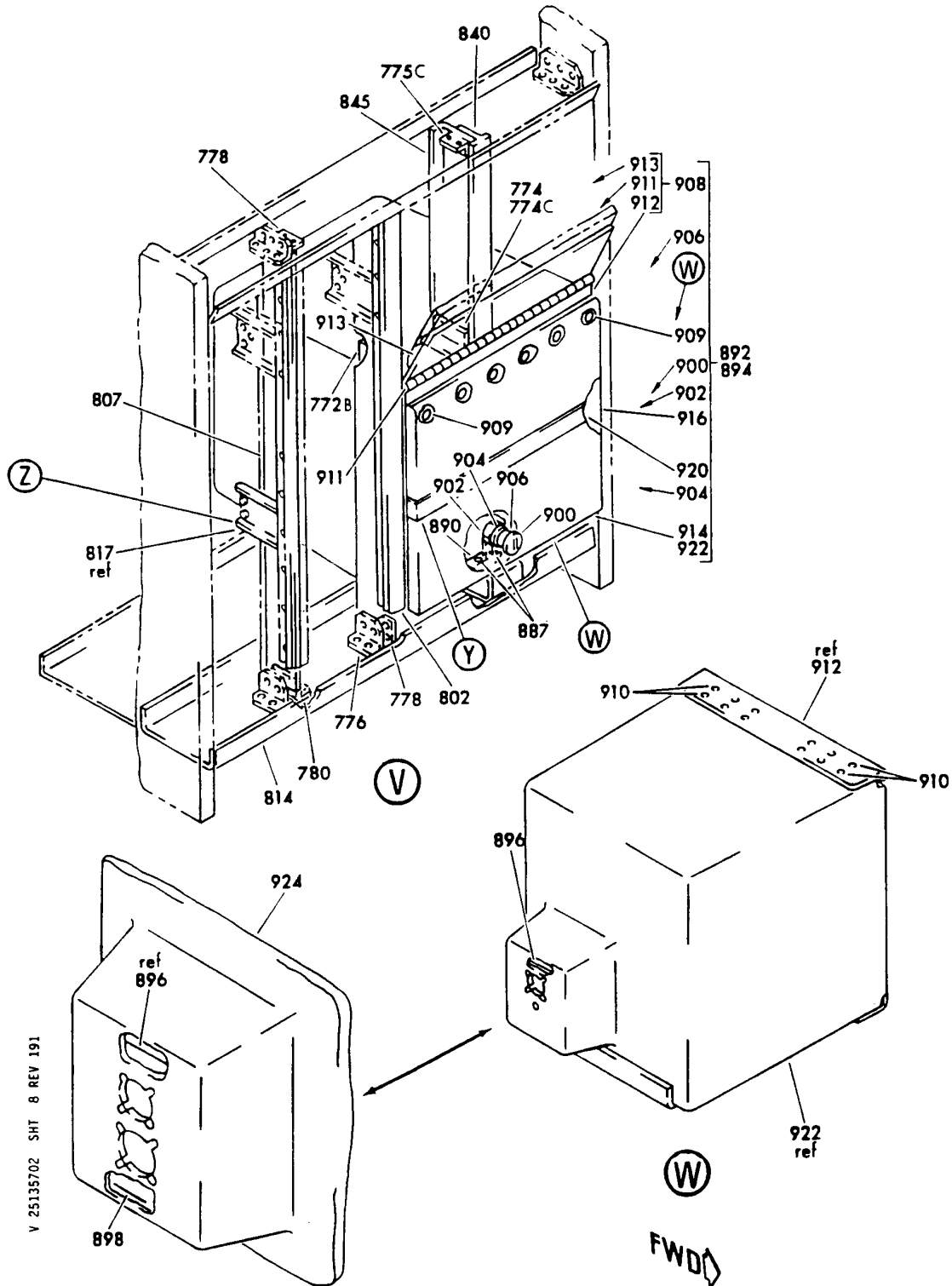
CONSOLE INSTL-RH SIDE (EQUIPMENT/FURNISHINGS ONLY)
 FIGURE 2 (SHEET 7)

25-13-57-02

HXL
AUG 22/08

25-13-57-02
 PAGE OF

BOEING
767
PARTS CATALOG (MAINTENANCE)



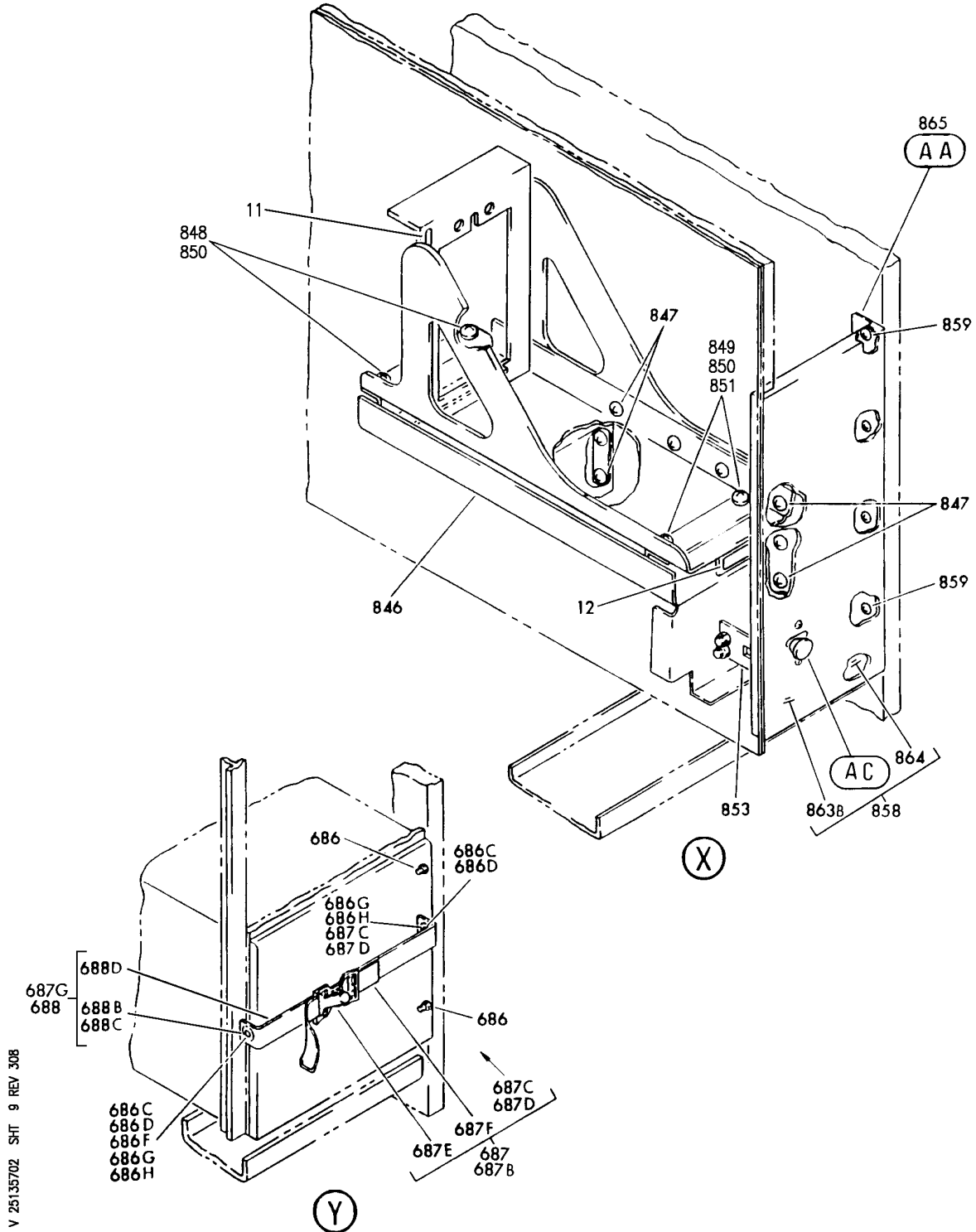
CONSOLE INSTL-RH SIDE (EQUIPMENT/FURNISHINGS ONLY)
FIGURE 2 (SHEET 8)

25-13-57-02

HXL
DEC 22/06

25-13-57-02
PAGE 0G

BOEING
767
PARTS CATALOG (MAINTENANCE)



V 25135702 SHT 9 REV 308

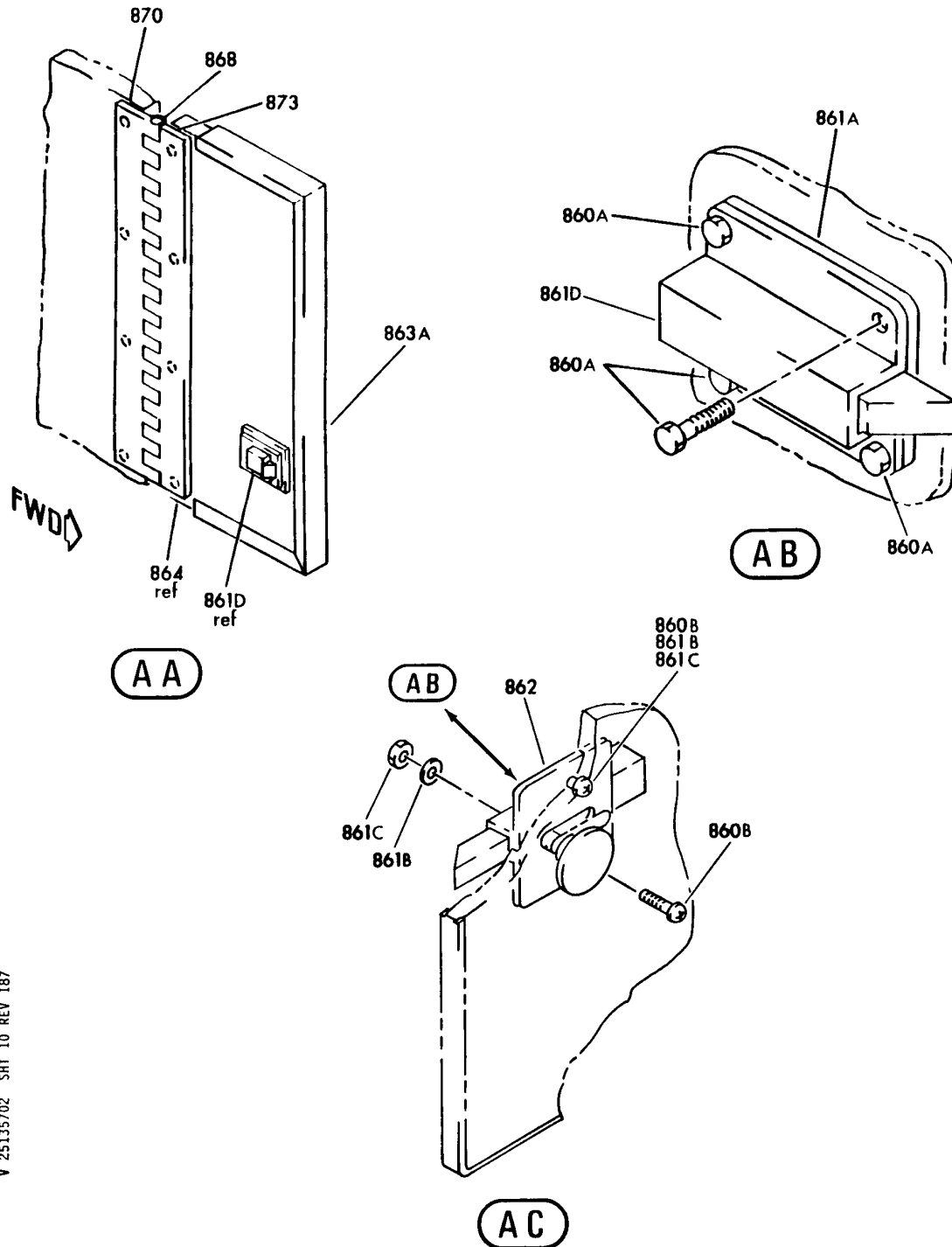
CONSOLE INSTL-RH SIDE (EQUIPMENT/FURNISHINGS ONLY)
FIGURE 2 (SHEET 9)

25-13-57-02

HXL
DEC 22/06

25-13-57-02
PAGE 0H

BOEING
767
PARTS CATALOG (MAINTENANCE)



V 25135702 SH1 10 REV 187

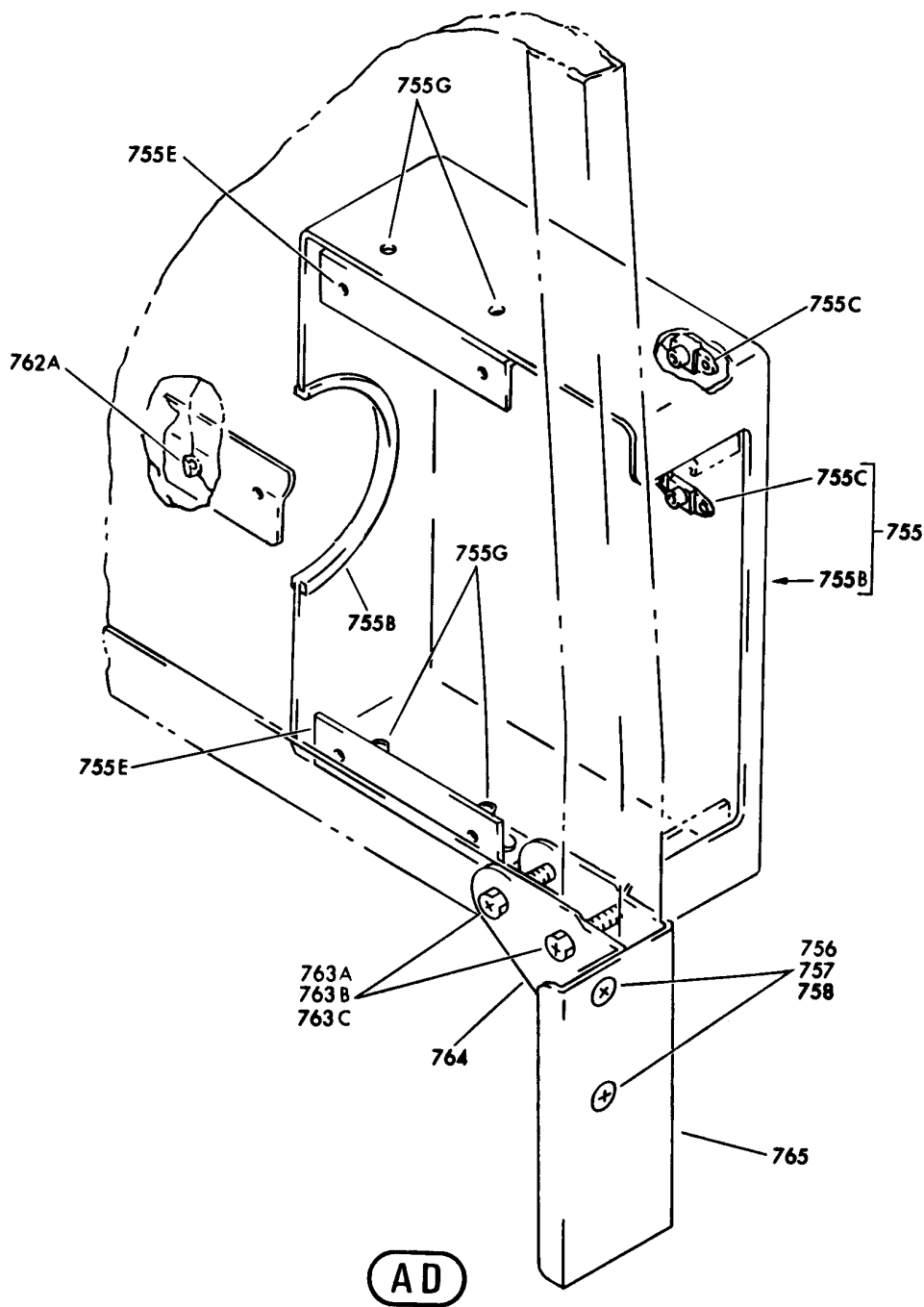
CONSOLE INSTL-RH SIDE (EQUIPMENT/FURNISHINGS ONLY)
FIGURE 2 (SHEET 10)

25-13-57-02

HXL
DEC 22/06

25-13-57-02
PAGE 01

BOEING
767
PARTS CATALOG (MAINTENANCE)



V 25135702 SHT 11 REV 187

CONSOLE INSTL-RH SIDE (EQUIPMENT/FURNISHINGS ONLY)
FIGURE 2 (SHEET 11)

25-13-57-02

HXL
DEC 22/06

25-13-57-02
PAGE 0J

 **BOEING**
767
PARTS CATALOG (MAINTENANCE)

FIG ITEM	PART NUMBER	1 2 3 4 5 6 7	NOMENCLATURE	EFFECT FROM TO	UNITS PER ASSY
2			CONSOLE INSTL-RH SIDE (EQUIPMENT/FURNISHINGS ONLY)		
- 1	233T4501-1		CONSOLE INSTL- (EQUIPMENT/FURNISHINGS ONLY) POSITION DATA: RH SIDE VARIABLE DRAWING REF: 233T4501-5025 FOR NHA/OTHER SYS DET SEE: 25-10-00-03		RF
- 6	233T4501-65		.CONSOLE ASSY- VARIABLE DRAWING REF: 233T4501-7007		1
13	NAS1801-3-10		..SCREW		2
16	NAS1149D0316J		..WASHER		4
25	MS35338-43		..WASHER-		2
30	BRH10A3		..NUT SUPPLIER CODE: V52828 SPECIFICATION NUMBER: BACN10JC3 OPTIONAL PART: H10-3BAC V15653 NS202101-02 V80539 RMLH9075-3W V72962 VN303A02 V92215 96-02 V80539 T6S1032J V11815		2
37	MS35650-305S		..NUT		3
40	740A20-12		..JUMPER ASSY- SUPPLIER CODE: V91812 SPECIFICATION NUMBER: BACJ40A20-12 OPTIONAL PART: TJEJ40A20-12 V33483 RBEJ20-12 V1GK47		2
45	233T4302-8		..RAIL ASSY-		2
46	233T4302-8		..RAIL ASSY-		1
ILLUSTRATION ITEMS NOT ON PARTS LIST ARE NOT APPLICABLE					

- ITEM NOT ILLUSTRATED

HXL

25-13-57-02

BOEING PROPRIETARY - Copyright © - Unpublished Work - See title page for details.

25-13-57
FIG. 02
PAGE 1
DEC 22/08

BOEING
767
PARTS CATALOG (MAINTENANCE)

FIG ITEM	PART NUMBER	1 2 3 4 5 6 7	NOMENCLATURE	EFFECT FROM TO	UNITS PER ASSY
2					
50	233T4302-7		..RAIL ASSY		1
55	233T4502-1		..RAIL ASSY-		1
65	233T4501-7		..SHIM		1
70	233T4501-8		..SHIM-		1
71	233T4301-8		..FILLER-		2
72	233T4301-8		..FILLER-		1
74	233T4559-9		..ANGLE-		1
120	BACS22A24		..STRIP-		1
			ATTACHING PARTS		
- 121	BACR15BA4AD		..RIVET-		8
			SIZE DETERMINED ON INSTL.		
			-----*-----		
123	233T4560-10		..ANGLE-		1
			ATTACHING PARTS		
- 125	BACR15FT5AD		..RIVET-		12
			SIZE DETERMINED ON INSTL.		
			-----*-----		
126	BACS22A50		..RAIL-		1
			ATTACHING PARTS		
- 127	BACR15FT5AD		..RIVET-		9
			SIZE DETERMINED ON INSTL.		
			-----*-----		
138	233T4559-11		..CHANNEL		1
210	233T4322-18		..ANGLE		2
			ATTACHING PARTS		
- 215	BACR15FT5AD		..RIVET-		6
			SIZE DETERMINED ON INSTL.		
			-----*-----		
355	233T4559-1		..CHANNEL ASSY-		1
356	BACG20ZM560		...GROMMET		1
382	232T1429-28		..SUPPORT ASSY-MAP READING		1
			LT		
			ATTACHING PARTS		
383A	NAS603-3P		..SCREW-		2
383B	NAS1801-3-7		..SCREW-		3

ILLUSTRATION ITEMS NOT ON PARTS LIST ARE NOT APPLICABLE

- ITEM NOT ILLUSTRATED

HXL

25-13-57-02

BOEING PROPRIETARY - Copyright © - Unpublished Work - See title page for details.

25-13-57
FIG. 02
PAGE 2
DEC 22/08

BOEING
767
PARTS CATALOG (MAINTENANCE)

FIG ITEM	PART NUMBER	1 2 3 4 5 6 7	NOMENCLATURE	EFFECT FROM TO	UNITS PER ASSY
2 384	BRH10A3		..NUT SUPPLIER CODE: V52828 SPECIFICATION NUMBER: BACN10JC3 OPTIONAL PART: H10-3BAC V15653 NS202101-02 V80539 RMLH9075-3W V72962 VN303A02 V92215 96-02 V80539 T6S1032J V11815 -----*-----		2
410	233T4501-5		..SLIDE		2
415	233T4501-6		..SLIDE		2
420	233T4501-27		..SLIDE		2
425	233T4511-1		..TRACK-		1
430	233T4511-2		..TRACK-		1
455	233T4526-25		..ANGLE		1
465	BACR15CE5AD		..RIVET- SIZE DETERMINED ON INSTL.		4
480	NAS1801-3-11		..SCREW-		6
485	233T4501-22		..SPACER		2
490	233T4501-23		..SHIM		2
495	233T4524-1		..BLOCK		2
500	MS51923-291		..PIN		2
505	233N7612-1		..SHAFT		2
510	MS16632-4037		..RING		4
515	233N7609-1		..BEARING		2
520	233T4514-6		..PANEL ASSY- ATTACHING PARTS		1
- 522	NAS514P632-6		..SCREW -----*-----		9
525	233T4514-3		..PANEL ASSY		1
530	233T4514-4		...PANEL ASSY		1
535	BACs21Y4RB	STUD ASSY-		5

ILLUSTRATION ITEMS NOT ON PARTS LIST ARE NOT APPLICABLE

- ITEM NOT ILLUSTRATED

HXL

25-13-57-02

BOEING PROPRIETARY - Copyright © - Unpublished Work - See title page for details.

25-13-57
FIG. 02
PAGE 3
DEC 22/08

BOEING
767
PARTS CATALOG (MAINTENANCE)

FIG ITEM	PART NUMBER	1 2 3 4 5 6 7	NOMENCLATURE	EFFECT FROM TO	UNITS PER ASSY
2					
540	1127722	WASHER SUPPLIER CODE: V60119 SPECIFICATION NUMBER: BACW10X2 OPTIONAL PART: 2600SW V71286		5
541	BACG20AA	GROMMET- SIZE DETERMINED ON INSTL.		5
543	233T4561-6	..	PANEL-COVER ATTACHING PARTS		1
- 544	NAS601-6P	..	SCREW		2
			-----*-----		
548	233T4561-3	..	PANEL-CLOSURE PRE SERVICE BULLETIN: 25-0325R16 ATTACHING PARTS	155162	1
- 549	NAS601-6P	..	SCREW- PRE SERVICE BULLETIN: 25-0325R16	155162	10
			-----*-----		
555	233T4527-5	..	BOX ASSY-STOWAGE ATTACHING PARTS		1
- 560	NAS514P1032-5	..	SCREW-		2
- 565	BRH10A06	..	NUT SUPPLIER CODE: V52828 SPECIFICATION NUMBER: BACN10JCO6 OPTIONAL PART: H10-06BAC V15653 RMLH9075-62W V72962 VN303A62 V92215 96-62 V80539 NS202101-62 V80539 T6S632J V11815		2
			-----*-----		
570	BAC27TFDE0135	...	DECAL- PLACARD CONTENT: FLIGHT RECORDER SYS TEST PLUG		1
580	233T4527-4	...	PAD-		1
ILLUSTRATION ITEMS NOT ON PARTS LIST ARE NOT APPLICABLE					

- ITEM NOT ILLUSTRATED

HXL

25-13-57-02

BOEING PROPRIETARY - Copyright © - Unpublished Work - See title page for details.

25-13-57
FIG. 02
PAGE 4
DEC 22/08



767

PARTS CATALOG (MAINTENANCE)

FIG ITEM	PART NUMBER	1 2 3 4 5 6 7	NOMENCLATURE	EFFECT FROM TO	UNITS PER ASSY
2					
585	233T4527-6	...	BOX-		1
586	485289	...	STRAP-		1
			SUPPLIER CODE: V1009B		
			POST AIRLINE MOD: MT0252460		
			VSAS		
			ATTACHING PARTS		
- 587	MS24694C48	...	SCREW		1
- 588	2499859-1	...	WASHER-		1
			SUPPLIER CODE: V1009B		
			-----*-----		
590	233T4527-3	...	ANGLE-		1
			PRE AIRLINE MOD: MT0252460		
			VSAS		
591	38727	...	PLATE-		1
			SUPPLIER CODE: V1009B		
			POST AIRLINE MOD: MT0252460		
			VSAS		
			ATTACHING PARTS		
- 595	BACR15CE5AD	...	RIVET-		3
			SIZE DETERMINED ON INSTL.		
			-----*-----		
596	550A	...	BUTTON-PUSH		1
			SUPPLIER CODE: V1009B		
			POST AIRLINE MOD: MT0252460		
			VSAS		
			ATTACHING PARTS		
- 597	2656010-6-10	...	SCREW-		1
			SUPPLIER CODE: V36361		
			-----*-----		
600	233T4530-4	..	ANGLE		1
			ATTACHING PARTS		
- 602	NAS1801-3-14	..	SCREW		4
			-----*-----		
605	233T4517-16	..	ANGLE-		1
645	233T4530-2	..	ANGLE		1
			ATTACHING PARTS		
- 647	NAS1801-3-14	..	SCREW		3
			-----*-----		
655	233T4517-9	..	ANGLE		1
660	233T4530-1	..	ANGLE		1

ILLUSTRATION ITEMS NOT ON PARTS LIST ARE NOT APPLICABLE

- ITEM NOT ILLUSTRATED

25-13-57-02

25-13-57
FIG. 02
PAGE 5
DEC 22/08

HXL

BOEING PROPRIETARY - Copyright © - Unpublished Work - See title page for details.



767

PARTS CATALOG (MAINTENANCE)

FIG ITEM	PART NUMBER	1 2 3 4 5 6 7	NOMENCLATURE	EFFECT FROM TO	UNITS PER ASSY
2			ATTACHING PARTS		
- 662	NAS1801-3-14	..	SCREW		3
			-----*-----		
690	NAS514P1032-7	..	SCREW-		3
691	233T4501-51	..	SHIM-		1
692	233T4501-50	..	FILLER-		1
701	TC105A	..	CLIP-		4
			SUPPLIER CODE: V59730		
705	233T4505-33	..	LEG ASSY-		1
			POSITION DATA: AFT		
			ATTACHING PARTS		
- 707	NAS1801-3-7	..	SCREW		30
			-----*-----		
708	SL618-3A	...	INSERT-		9
			SUPPLIER CODE: V97393		
708	D137HF395	...	INSERT-		9
			SUPPLIER CODE: V29372		
710	SL5107A3-750	...	INSERT-		2
			SUPPLIER CODE: V97393		
711	233T4505-14	...	LEG ASSY-SANDWICH		1
725	233T4505-32	..	LEG ASSY-		1
			POSITION DATA: FWD		
			ATTACHING PARTS		
- 727	NAS1801-3-7	..	SCREW		28
			-----*-----		
752	233T4525-5	..	LATCH ASSY-		1
			ATTACHING PARTS		
- 754	NAS514P1032-18	..	SCREW		2
			-----*-----		
756	NAS514P1032-4	..	SCREW-		2
757	AN960PD10	..	WASHER-		2

ILLUSTRATION ITEMS NOT ON PARTS LIST ARE NOT APPLICABLE

- ITEM NOT ILLUSTRATED

HXL

25-13-57-02

BOEING PROPRIETARY - Copyright © - Unpublished Work - See title page for details.

25-13-57
FIG. 02
PAGE 6
DEC 22/08



767

PARTS CATALOG (MAINTENANCE)

FIG ITEM	PART NUMBER	1 2 3 4 5 6 7	NOMENCLATURE	EFFECT FROM TO	UNITS PER ASSY
2 758	BRH10A3		..NUT- SUPPLIER CODE: V52828 SPECIFICATION NUMBER: BACN10JC3 OPTIONAL PART: H10-3BAC V15653 NS202101-02 V80539 RMLH9075-3W V72962 VN303A02 V92215 96-02 V80539 T6S1032J V11815		2
764	232T4222-4		..BRACKET-		1
765	232T4222-5		..HOOK-HANGER		1
766	233T4560-1		..ANGLE		2
768	233T4560-6		..ANGLE		2
			ATTACHING PARTS		
- 770	BACR15BB5AD		..RIVET- SIZE DETERMINED ON INSTL.		12
- 771	BACR15FT5AD		..RIVET- SIZE DETERMINED ON INSTL. -----*-----		12
773	233T4560-3		..ANGLE		4
775	233T4560-2		..ANGLE		2
777	233T4560-4		..ANGLE		2
779	233T4560-5		..ANGLE		2
780	233T4560-5		..ANGLE		1
			ATTACHING PARTS		
- 781	BACR15FT5AD		..RIVET- SIZE DETERMINED ON INSTL. -----*-----		40
783	233T4560-7		..ANGLE		1
			ATTACHING PARTS		
- 786	BACR15FT5AD		..RIVET- SIZE DETERMINED ON INSTL. -----*-----		6
788	233T4559-13		..CHANNEL ASSY		4
			ATTACHING PARTS		
- 791	BACR15FT5AD		..RIVET- SIZE DETERMINED ON INSTL. -----*-----		12
793	BACR22A59		..RAIL		1

ILLUSTRATION ITEMS NOT ON PARTS LIST ARE NOT APPLICABLE

- ITEM NOT ILLUSTRATED

25-13-57-02

25-13-57
FIG. 02
PAGE 7
DEC 22/08

HXL

BOEING PROPRIETARY - Copyright © - Unpublished Work - See title page for details.



767

PARTS CATALOG (MAINTENANCE)

FIG ITEM	PART NUMBER	1 2 3 4 5 6 7	NOMENCLATURE	EFFECT FROM TO	UNITS PER ASSY
2			ATTACHING PARTS		
- 796	BACR15BA4AD	..	RIVET- SIZE DETERMINED ON INSTL. -----*-----		10
798	233T4501-49	..	SHIM		1
-798F	NAS514P1032-5	..	SCREW		2
-798H	BRH10A06	..	NUT SUPPLIER CODE: V52828 SPECIFICATION NUMBER: BACN10JCO6 OPTIONAL PART: H10-06BAC V15653 RMLH9075-62W V72962 VN303A62 V92215 96-62 V80539 NS202101-62 V80539 T6S632J V11815 -----*-----		2 2
799	233T4501-57	..	SHIM		1
801	BACS22H61	..	RAIL- ATTACHING PARTS		2
- 803	BACR15FT5AD	..	RIVET- SIZE DETERMINED ON INSTL. -----*-----		20
806	233T4559-7	..	ANGLE		2
808	233T4559-8	..	ANGLE		1
811	233T4559-6	..	CHANNEL-		1
813	233T4559-16	..	CHANNEL ASSY-		1
815	233T4559-18	..	CHANNEL ATTACHING PARTS		1
- 816	BACR15CE5AD	..	RIVET- SIZE DETERMINED ON INSTL. -----*-----		8
825	233T4526-27	..	ANGLE-TABLE STOP ATTACHING PARTS		1
- 830	BACR15FT5AD	..	RIVET- SIZE DETERMINED ON INSTL. -----*-----		2
875	233T4564-1	..	STOWAGE ASSY-SUN VISOR		1

ILLUSTRATION ITEMS NOT ON PARTS LIST ARE NOT APPLICABLE

- ITEM NOT ILLUSTRATED

25-13-57-02

25-13-57
FIG. 02
PAGE 8
DEC 22/08

HXL


BOEING
 767
PARTS CATALOG (MAINTENANCE)

FIG ITEM	PART NUMBER	1 2 3 4 5 6 7	NOMENCLATURE	EFFECT FROM TO	UNITS PER ASSY
2			ATTACHING PARTS		
- 880	BACR15CE5AD		..RIVET- SIZE DETERMINED ON INSTL. -----*-----		9
885	BACG20ZB0600B		...GROMMET		4
926	120-5		.CATCH- SUPPLIER CODE: V28277		1
928	233T4501-4		.TABLE ASSY		1
930	NAS514P632-7		..SCREW		10
931	NAS514P632-5P		..SCREW		4
932	233T4531-5		..SLIDE		1
934	233T4531-4		..SLIDE		1
936	233T4531-3		..SHIM		2
938	233T4533-3		..STOP		1
			ATTACHING PARTS		
- 940	NAS514P1032-7		..SCREW -----*-----		2
942	233T4509-1		..TABLE ASSY		1

ILLUSTRATION ITEMS NOT ON PARTS LIST ARE NOT APPLICABLE

- ITEM NOT ILLUSTRATED

HXL

25-13-57-02

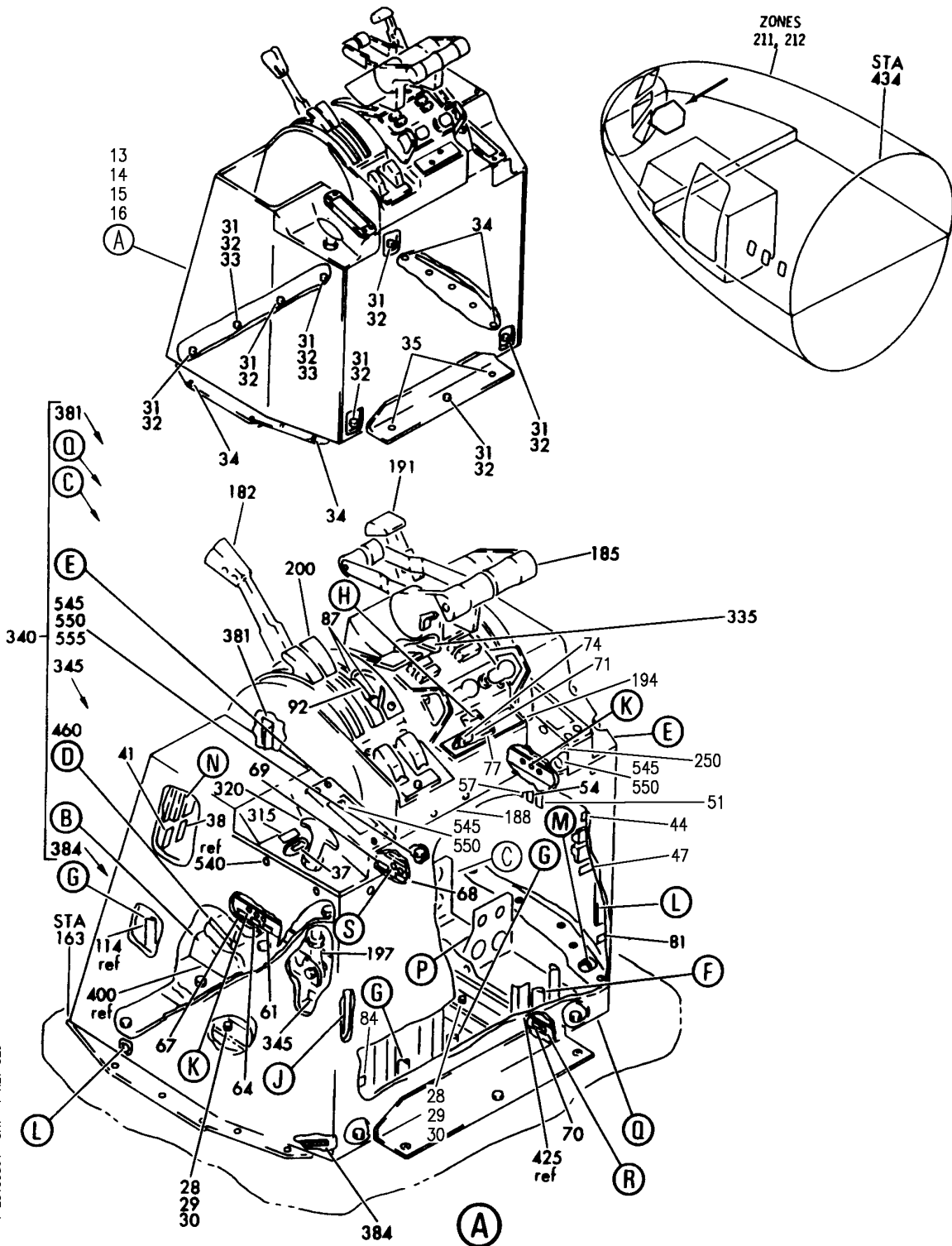
BOEING PROPRIETARY - Copyright © - Unpublished Work - See title page for details.

25-13-57
 FIG. 02
 PAGE 9
 DEC 22/08

BOEING

767

PARTS CATALOG (MAINTENANCE)



V 25135801 SHT 1 REV 329

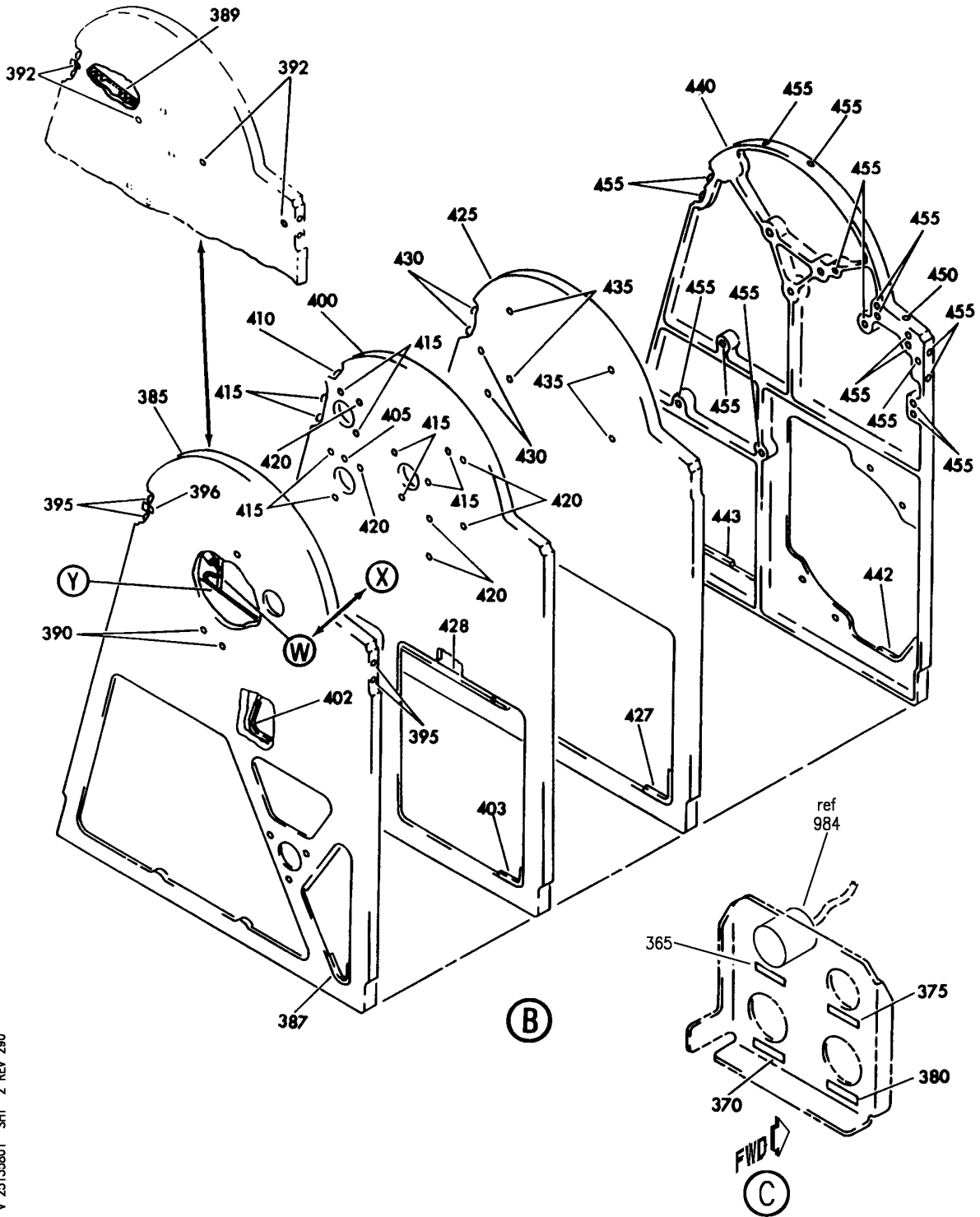
STAND INSTL-CONT (EQUIPMENT/FURNISHINGS ONLY)
FIGURE 1 (SHEET 1)

25-13-58-01

HXL
AUG 22/08

25-13-58-01
PAGE 0

BOEING
767
PARTS CATALOG (MAINTENANCE)



V 25135801 SH1 2 REV 290

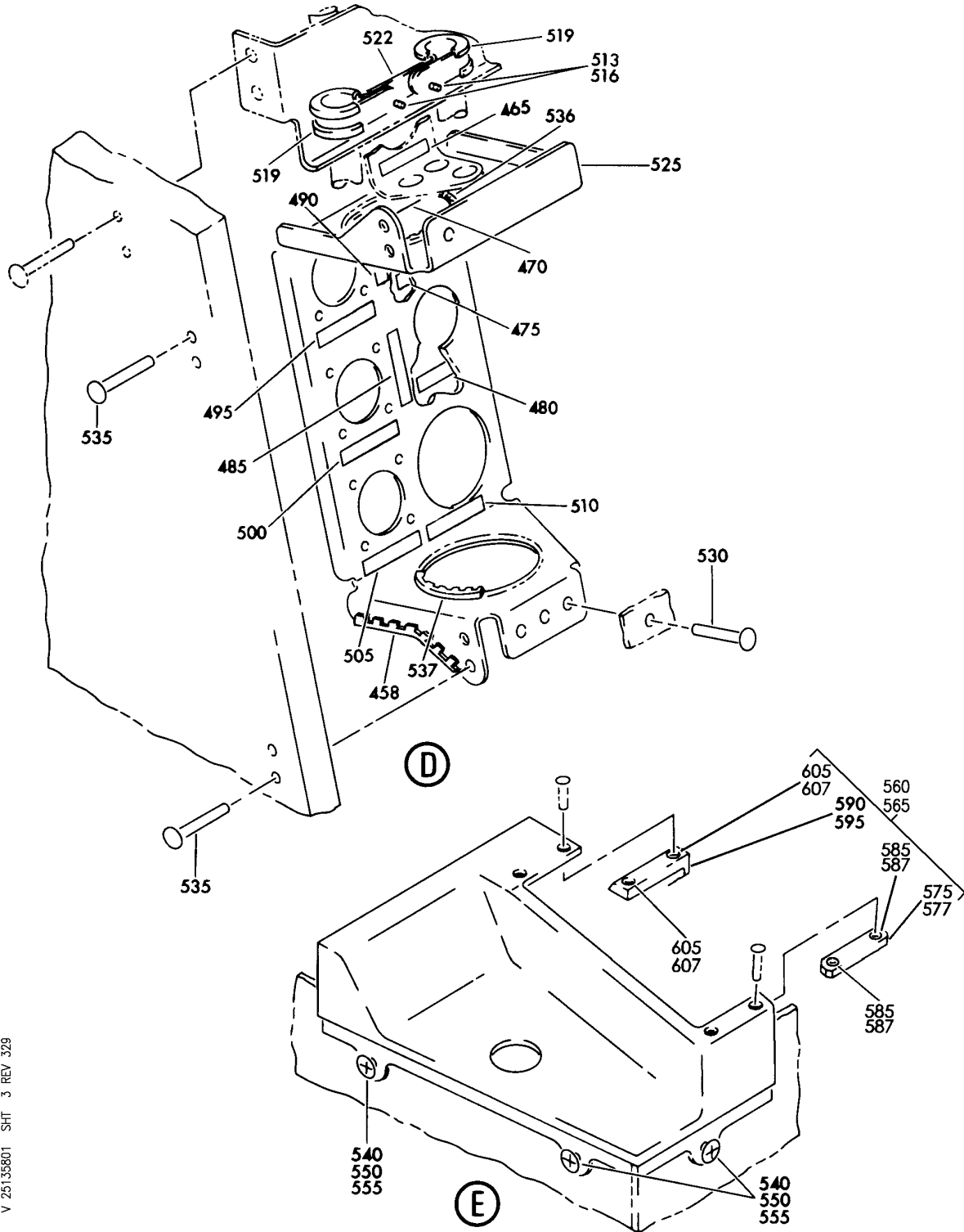
STAND INSTL-CONT (EQUIPMENT/FURNISHINGS ONLY)
FIGURE 1 (SHEET 2)

25-13-58-01

HXL
DEC 22/06

25-13-58-01
PAGE 0A

BOEING
767
PARTS CATALOG (MAINTENANCE)



V 25135801 SHT 3 REV 329

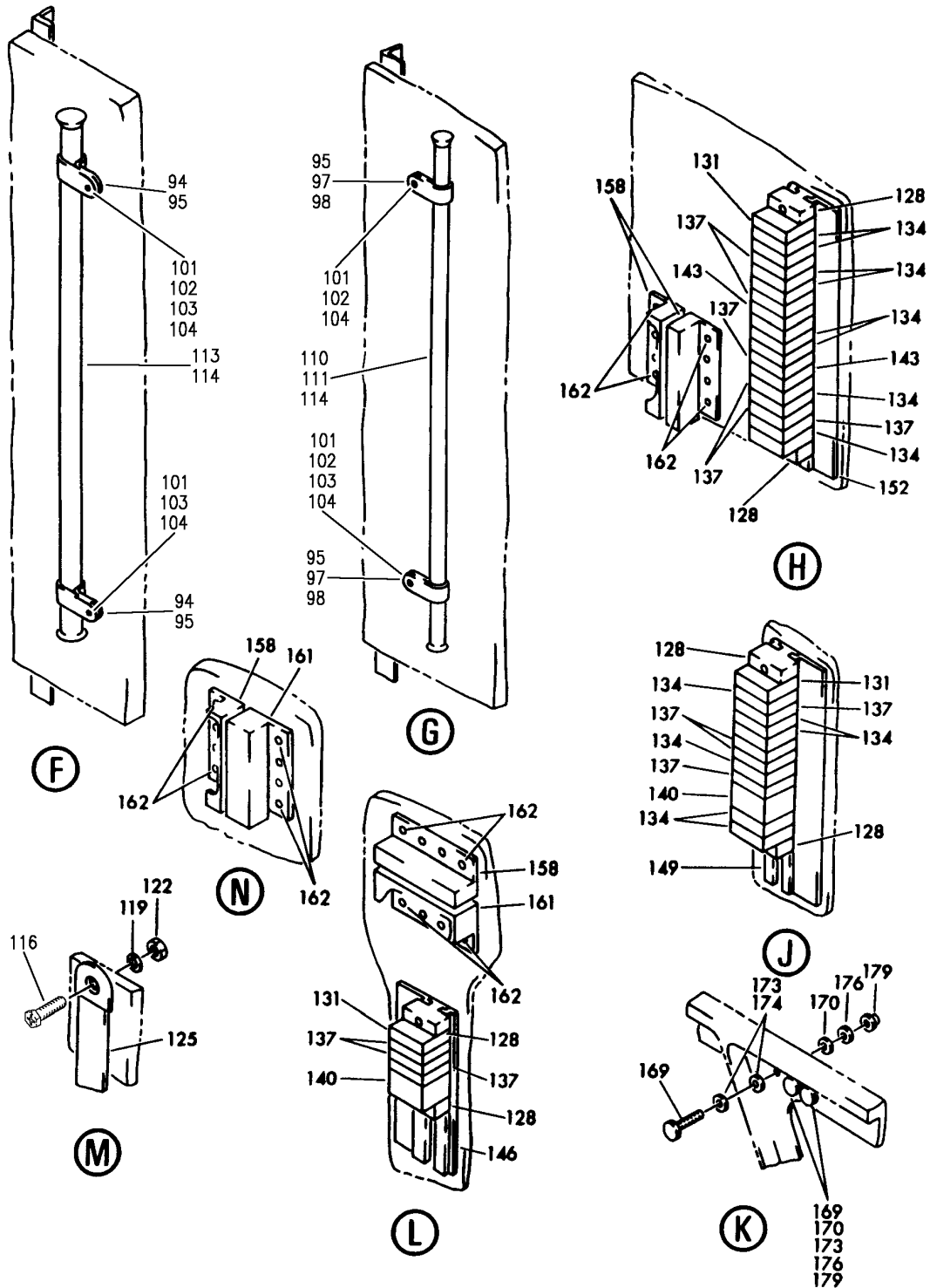
STAND INSTL-CONT (EQUIPMENT/FURNISHINGS ONLY)
FIGURE 1 (SHEET 3)

25-13-58-01

HXL
AUG 22/08

25-13-58-01
PAGE 0B

BOEING
767
PARTS CATALOG (MAINTENANCE)



V 25135801 SHT 4 REV 329

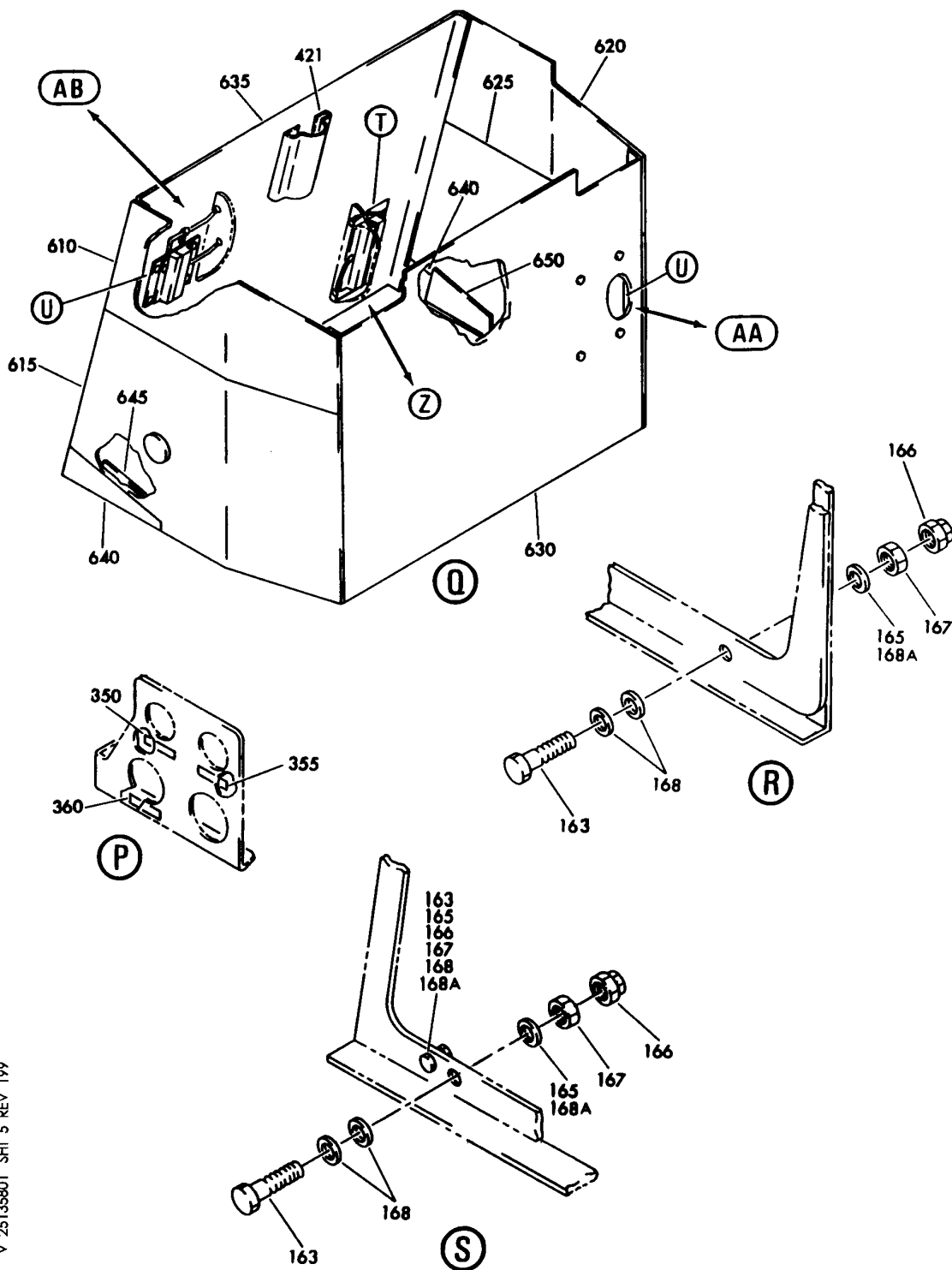
STAND INSTL-CONT (EQUIPMENT/FURNISHINGS ONLY)
FIGURE 1 (SHEET 4)

25-13-58-01

HXL
AUG 22/08

25-13-58-01
PAGE 0C

BOEING
767
PARTS CATALOG (MAINTENANCE)



V 25135801 SHT 5 REV 199

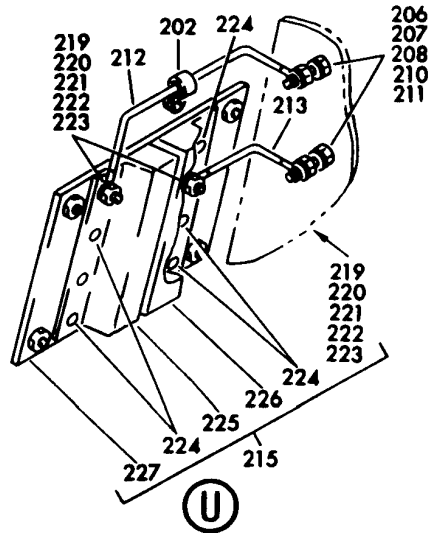
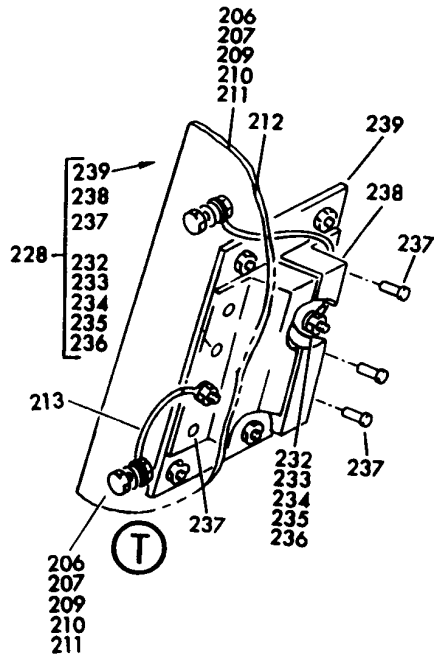
STAND INSTL-CONT (EQUIPMENT/FURNISHINGS ONLY)
FIGURE 1 (SHEET 5)

25-13-58-01

HXL
DEC 22/06

25-13-58-01
PAGE 0D

BOEING
767
PARTS CATALOG (MAINTENANCE)



V 25135801 SHT 6 REV 329

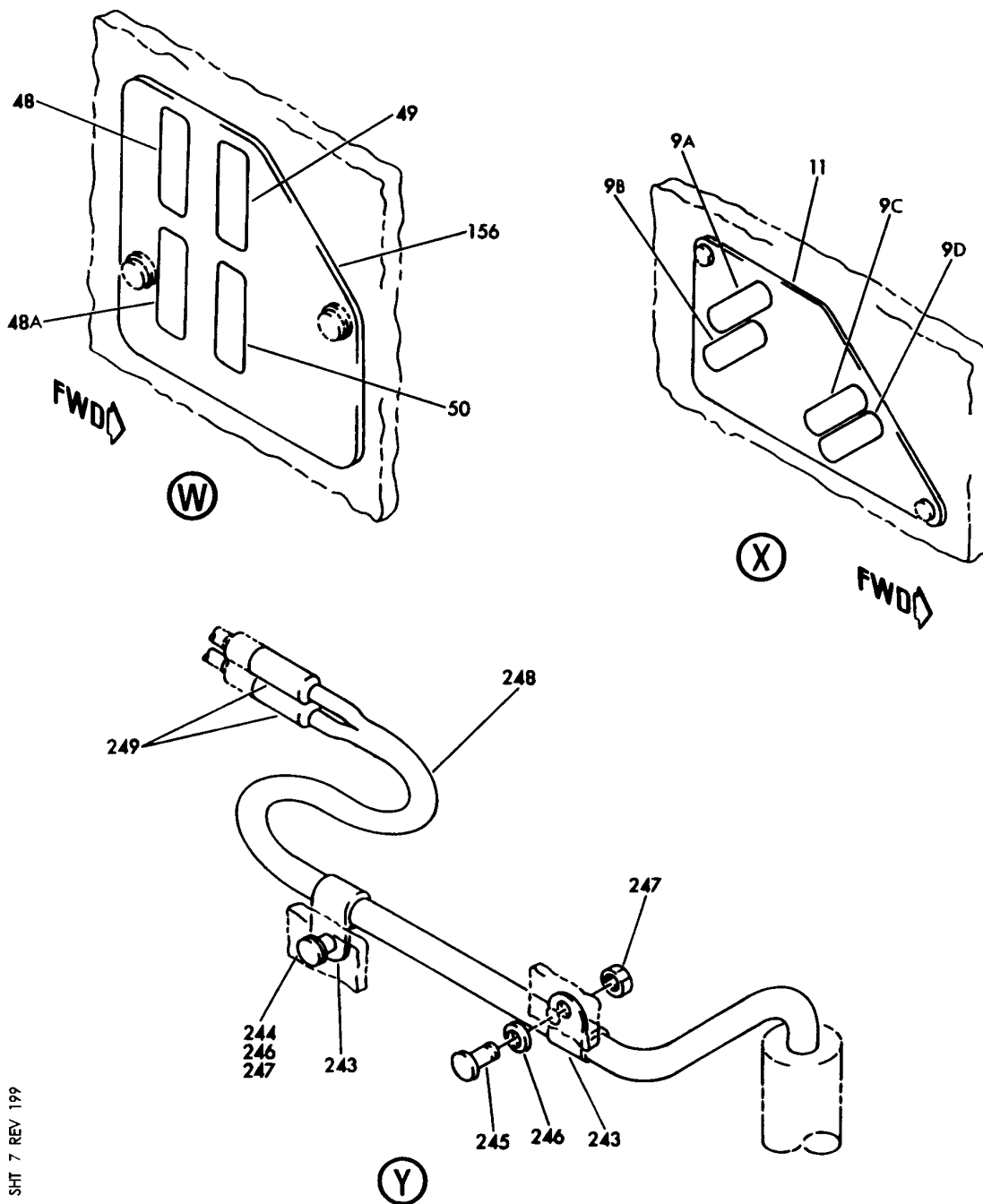
STAND INSTL-CONT (EQUIPMENT/FURNISHINGS ONLY)
FIGURE 1 (SHEET 6)

25-13-58-01

HXL
AUG 22/08

25-13-58-01
PAGE 0E


BOEING
 767
PARTS CATALOG (MAINTENANCE)



V 25135801 SHT 7 REV 199

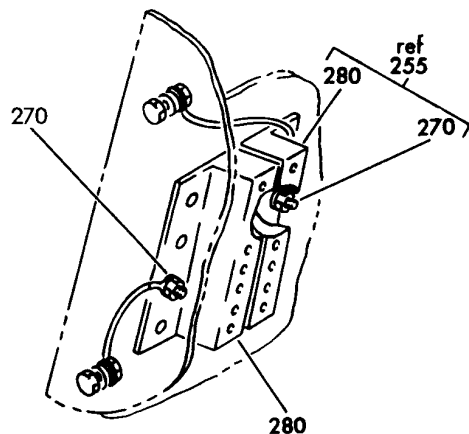
STAND INSTL-CONT (EQUIPMENT/FURNISHINGS ONLY)
 FIGURE 1 (SHEET 7)

25-13-58-01

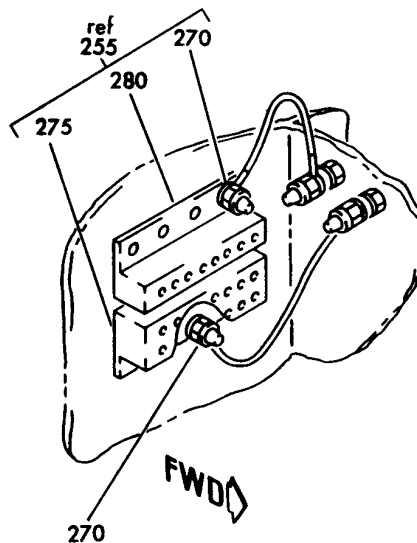
HXL
DEC 22/06

25-13-58-01
 PAGE OF

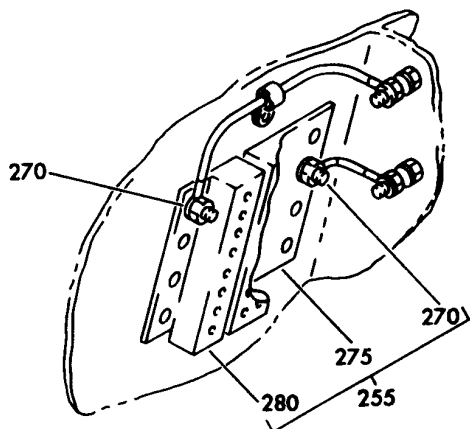
BOEING
767
PARTS CATALOG (MAINTENANCE)



(Z)



(AA)



(AB)

V 25135801 SHT 8 REV 200

STAND INSTL-CONT (EQUIPMENT/FURNISHINGS ONLY)
FIGURE 1 (SHEET 8)

25-13-58-01

HXL
DEC 22/06

25-13-58-01
PAGE 06

BOEING
767
PARTS CATALOG (MAINTENANCE)

FIG ITEM	PART NUMBER	1 2 3 4 5 6 7	NOMENCLATURE	EFFECT FROM TO	UNITS PER ASSY
1			STAND INSTL-CONT (EQUIPMENT/FURNISHINGS ONLY)		
- 4	253T5000-238		STAND INSTL-CONT (EQUIPMENT/FURNISHINGS ONLY) FOR NHA SEE: 27-00-01-01C		RF
10	253T3600-2		.SUPPORT INSTL-CABLE FOR DETAILS SEE: 32-44-01-01		1
13	253T5100-238		.STAND ASSY- FUNCTIONAL REFERENCE: FLIGHT CONTROLS FOR DETAILS SEE 27-48-06-01 LIGHTS FOR DETAILS SEE 33-13-51-01 PLACARDS AND MARKINGS FOR DETAILS SEE 11-31-04-01		1
28	NAS1801-3-8		ATTACHING PARTS .SCREW		2
29	AN960D10L		.WASHER		4
30	MS21042L3		.NUT-		2
31	NAS6604-6		.BOLT		8
32	AN960D416		.WASHER		8
33	MS21042L4		.NUT-		2
34	BACB30LU3-5		.BOLT		8
35	BACB30LU4-4		.BOLT		2
			-----*-----		
37	BAC27TCT0071		..DECAL- PLACARD CONTENT: L592		1
38	BAC27TCT0101		..DECAL- PLACARD CONTENT: GD603-AC		1
41	BAC27TCT0102		..DECAL- PLACARD CONTENT: GD601-DC		1
44	BAC27TCT0103		..DECAL- PLACARD CONTENT: GD609-AC		1
47	BAC27TCT0161		..DECAL- PLACARD CONTENT: GD639-DC		1
ILLUSTRATION ITEMS NOT ON PARTS LIST ARE NOT APPLICABLE					

- ITEM NOT ILLUSTRATED

HXL

25-13-58-01

BOEING PROPRIETARY - Copyright © - Unpublished Work - See title page for details.

25-13-58
FIG. 01
PAGE 1
DEC 22/07

 **BOEING**
767
PARTS CATALOG (MAINTENANCE)

FIG ITEM	PART NUMBER	1 2 3 4 5 6 7	NOMENCLATURE	EFFECT FROM TO	UNITS PER ASSY
1					
48	BAC27TCT0436	..	DECAL- POSITION DATA: QD6776J		1
48A	BAC27TCT0437	..	DECAL- PLACARD CONTENT: QD6776P		1
49	BAC27TCT0438	..	DECAL- PLACARD CONTENT: QD6780P		1
50	BAC27TCT0439	..	DECAL- PLACARD CONTENT: QD6780J		1
51	BAC27TCT0105	..	DECAL- PLACARD CONTENT: GD605-S		1
54	BAC27TCT0106	..	DECAL- PLACARD CONTENT: GD607-S		1
57	BAC27TCT0107	..	DECAL- PLACARD CONTENT: GD615-S		1
61	BAC27TCT0108	..	DECAL- PLACARD CONTENT: GD617-S		1
64	BAC27TCT0109	..	DECAL- PLACARD CONTENT: GD619-S		1
67	BAC27TCT0110	..	DECAL- PLACARD CONTENT: GD621-S		1
68	BAC27TCT0402	..	DECAL- PLACARD CONTENT: GD5400S		1
69	BAC27TCT0403	..	DECAL- PLACARD CONTENT: GD5402S		1
70	BAC27TCT0408	..	DECAL- PLACARD CONTENT: GD5444S		1
71	BAC27TCT0111	..	DECAL- PLACARD CONTENT: GDX1-AC		1
74	BAC27TCT0112	..	DECAL- PLACARD CONTENT: GDX2-DC		1
77	BAC27TCT0146	..	DECAL- PLACARD CONTENT: TB215		1
ILLUSTRATION ITEMS NOT ON PARTS LIST ARE NOT APPLICABLE					

- ITEM NOT ILLUSTRATED

HXL

25-13-58-01

BOEING PROPRIETARY - Copyright © - Unpublished Work - See title page for details.

25-13-58
FIG. 01
PAGE 2
DEC 22/07



767

PARTS CATALOG (MAINTENANCE)

FIG ITEM	PART NUMBER	1 2 3 4 5 6 7	NOMENCLATURE	EFFECT FROM TO	UNITS PER ASSY
1					
81	BAC27TCT0147	..	DECAL- PLACARD CONTENT: TB217		1
84	BAC27TCT0148	..	DECAL- PLACARD CONTENT: TB219		1
87	BACC10DK4	..	CLAMP- ATTACHING PARTS		2
- 89	NAS1801-3-8	..	SCREW-		2
- 90	AN960JD10L	..	WASHER-		2
- 91	MS21042L3	..	NUT-		2
			-----*-----		
92	253T5110-1	..	CONDUIT		1
95	BACC10DK8A	..	CLAMP-		4
98	BACC10DK6	..	CLAMP ATTACHING PARTS		4
102	NAS1801-3-6	..	SCREW		5
103	NAS1801-3-10	..	SCREW-		3
104	AN960JD10L	..	WASHER-		8
			-----*-----		
111	253T5100-11	..	CONDUIT		2
114	253T5100-12	..	CONDUIT-		2
116	NAS1801-3-8	..	SCREW		2
119	AN960JD10L	..	WASHER-		2
122	MS21042L3	..	NUT-		2
125	RBEJ40D10-32	..	JUMPER ASSY SUPPLIER CODE: V1GK47 SPECIFICATION NUMBER: BACJ40D10-32 OPTIONAL PART: 4E32E V79550		2
128	BACC49A1	..	CLAMP ASSY		6
131	H21-1	..	SPACER SUPPLIER CODE: V34941 SPECIFICATION NUMBER: BACS18AR1 OPTIONAL PART: FAB276A V15805 YHLZ1C2 V09922		3

ILLUSTRATION ITEMS NOT ON PARTS LIST ARE NOT APPLICABLE

- ITEM NOT ILLUSTRATED

HXL

25-13-58-01

BOEING PROPRIETARY - Copyright © - Unpublished Work - See title page for details.

25-13-58
FIG. 01
PAGE 3
AUG 22/08

 **BOEING**
767
PARTS CATALOG (MAINTENANCE)

FIG ITEM	PART NUMBER	1 2 3 4 5 6 7	NOMENCLATURE	EFFECT FROM TO	UNITS PER ASSY
1					
134	YHLZ2		..MODULE SUPPLIER CODE: V09922 SPECIFICATION NUMBER: BACM15C1A OPTIONAL PART: YHLZ22 V09922		14
137	YHLZ4		..MODULE SUPPLIER CODE: V09922 SPECIFICATION NUMBER: BACM15C1B OPTIONAL PART: YHLZ44 V09922		13
140	YHLZ8		..MODULE SUPPLIER CODE: V09922 SPECIFICATION NUMBER: BACM15C2A		2
143	H21-6		..SPACER- SUPPLIER CODE: V34941 SPECIFICATION NUMBER: BACS18AR6 OPTIONAL PART: FAB276-0 V15805 YHLZ1C7 V09922		3
146	AMY0400T1		..TRACK SUPPLIER CODE: V09922 SPECIFICATION NUMBER: BACT44A0400U		1
149	AMY0500T1		..TRACK- SUPPLIER CODE: V09922 SPECIFICATION NUMBER: BACT44A0500U		1
152	AMY0700T1		..TRACK SUPPLIER CODE: V09922 SPECIFICATION NUMBER: BACT44A0700U		1
ILLUSTRATION ITEMS NOT ON PARTS LIST ARE NOT APPLICABLE					

- ITEM NOT ILLUSTRATED

HXL

25-13-58-01

BOEING PROPRIETARY - Copyright © - Unpublished Work - See title page for details.

25-13-58
FIG. 01
PAGE 4
AUG 22/08

BOEING
767
PARTS CATALOG (MAINTENANCE)

FIG ITEM	PART NUMBER	1 2 3 4 5 6 7	NOMENCLATURE	EFFECT FROM TO	UNITS PER ASSY
1			ATTACHING PARTS		
- 155	BACR15BA5AD		..RIVET- SIZE DETERMINED ON INSTL. -----*-----		6
156	253T5519-8		..PLATE ATTACHING PARTS		1
- 157	NAS603-8P		..SCREW		2
-157A	AN960JD10L		..WASHER -----*-----		2
163	NAS1801-3-12		..SCREW- QUALIFIED OPTIONAL DATA: (1 BACS53B1EA2 TOGETHER WITH 1 AN960D10L AND 1 MS21042L3 NUT IS PREFERED OPTIONAL CONFIGURATION TO 1 NAS1801-3-12 TOGETHER WITH 1 MS35338-43 WASHER 3 AN960D10L WASHERS, 1 MS35650-305S NUT AND 1 MS21042L3 NUT)		3
163	VNS1924CA2-8		..STUD-GND SUPPLIER CODE: V5M902 SPECIFICATION NUMBER: BACS53B1EA2 OPTIONAL PART: VNS1924CA3-2-8 V92215 QUALIFIED OPTIONAL DATA: (1 BACS53B1EA2 TOGETHER WITH 1 AN960D10L AND 1 MS21042L3 NUT IS PREFERED OPTIONAL CONFIGURATION TO 1 NAS1801-3-12 TOGETHER WITH 1 MS35338-43 WASHER 3 AN960D10L WASHERS, 1 MS35650-305S NUT AND 1 MS21042L3 NUT)		3
ILLUSTRATION ITEMS NOT ON PARTS LIST ARE NOT APPLICABLE					

- ITEM NOT ILLUSTRATED

HXL

25-13-58-01

BOEING PROPRIETARY - Copyright © - Unpublished Work - See title page for details.

25-13-58
FIG. 01
PAGE 5
AUG 22/08

BOEING
767
PARTS CATALOG (MAINTENANCE)

FIG ITEM	PART NUMBER	1 2 3 4 5 6 7	NOMENCLATURE	EFFECT FROM TO	UNITS PER ASSY
1 165	MS35338-43		.. WASHER- QUALIFIED OPTIONAL DATA: (1 BAC53B1EA2 TOGETHER WITH 1 AN960D10L AND 1 MS21042L3 NUT IS PREFERED OPTIONAL CONFIGURATION TO 1 NAS1801-3-12 TOGETHER WITH 1 MS35338-43 WASHER 3 AN960D10L WASHERS, 1 MS35650-305S NUT AND 1 MS21042L3 NUT)		3
166	MS35650-305S		.. NUT- QUALIFIED OPTIONAL DATA: (1 BAC53B1EA2 TOGETHER WITH 1 AN960D10L AND 1 MS21042L3 NUT IS PREFERED OPTIONAL CONFIGURATION TO 1 NAS1801-3-12 TOGETHER WITH 1 MS35338-43 WASHER 3 AN960D10L WASHERS, 1 MS35650-305S NUT AND 1 MS21042L3 NUT)		3
167	MS21042L3		.. NUT- QUALIFIED OPTIONAL DATA: (1 BAC53B1EA2 TOGETHER WITH 1 AN960D10L AND 1 MS21042L3 NUT IS PREFERED OPTIONAL CONFIGURATION TO 1 NAS1801-3-12 TOGETHER WITH 1 MS35338-43 WASHER 3 AN960D10L WASHERS, 1 MS35650-305S NUT AND 1 MS21042L3 NUT)		3
168	AN960D10L		.. WASHER- QUALIFIED OPTIONAL DATA: (1 BAC53B1EA2 TOGETHER WITH 1 AN960D10L AND 1 MS21042L3 NUT IS PREFERED OPTIONAL CONFIGURATION TO 1 NAS1801-3-12 TOGETHER WITH 1 MS35338-43 WASHER 3 AN960D10L WASHERS, 1 MS35650-305S NUT AND 1 MS21042L3 NUT)		AR

ILLUSTRATION ITEMS NOT ON PARTS LIST ARE NOT APPLICABLE

- ITEM NOT ILLUSTRATED

HXL

25-13-58-01

BOEING PROPRIETARY - Copyright © - Unpublished Work - See title page for details.

25-13-58
FIG. 01
PAGE 6
AUG 22/08



767

PARTS CATALOG (MAINTENANCE)

FIG ITEM	PART NUMBER	1 2 3 4 5 6 7	NOMENCLATURE	EFFECT FROM TO	UNITS PER ASSY
1 169	VNS1924CA2-8		<p>..STUD-GND SUPPLIER CODE: V5M902 SPECIFICATION NUMBER: BACS53B1EA2 OPTIONAL PART: VNS1924CA3-2-8 V92215 QUALIFIED OPTIONAL DATA: (1 BACS53B1EA2 TOGETHER WITH 1 AN960D10L AND 1 MS21042L3 NUT IS REFERED OPTIONAL CONFIGURATION TO 1 NAS1801-3-12 TOGETHER WITH 1 MS35338-43 WASHER 3 AN960D10L WASHERS, 1 MS35650-305S NUT AND 1 MS21042L3 NUT)</p>		6
169	NAS1801-3-12		<p>..SCREW- QUALIFIED OPTIONAL DATA: (1 BACS53B1EA2 TOGETHER WITH 1 AN960D10L AND 1 MS21042L3 NUT IS REFERED OPTIONAL CONFIGURATION TO 1 NAS1801-3-12 TOGETHER WITH 1 MS35338-43 WASHER 3 AN960D10L WASHERS, 1 MS35650-305S NUT AND 1 MS21042L3 NUT)</p>		6
170	MS35338-43		<p>..WASHER- QUALIFIED OPTIONAL DATA: (1 BACS53B1EA2 TOGETHER WITH 1 AN960D10L AND 1 MS21042L3 NUT IS REFERED OPTIONAL CONFIGURATION TO 1 NAS1801-3-12 TOGETHER WITH 1 MS35338-43 WASHER 3 AN960D10L WASHERS, 1 MS35650-305S NUT AND 1 MS21042L3 NUT)</p>		6

ILLUSTRATION ITEMS NOT ON PARTS LIST ARE NOT APPLICABLE

- ITEM NOT ILLUSTRATED

HXL

25-13-58-01

BOEING PROPRIETARY - Copyright © - Unpublished Work - See title page for details.

25-13-58
 FIG. 01
 PAGE 7
 AUG 22/08



767

PARTS CATALOG (MAINTENANCE)

FIG ITEM	PART NUMBER	1 2 3 4 5 6 7	NOMENCLATURE	EFFECT FROM TO	UNITS PER ASSY
1 174	AN960D10L		.. WASHER- QUALIFIED OPTIONAL DATA: (1 BACS53B1EA2 TOGETHER WITH 1 AN960D10L AND 1 MS21042L3 NUT IS PREFERED OPTIONAL CONFIGURATION TO 1 NAS1801-3-12 TOGETHER WITH 1 MS35338-43 WASHER 3 AN960D10L WASHERS, 1 MS35650-305S NUT AND 1 MS21042L3 NUT)		AR
176	MS35650-305S		.. NUT- QUALIFIED OPTIONAL DATA: (1 BACS53B1EA2 TOGETHER WITH 1 AN960D10L AND 1 MS21042L3 NUT IS PREFERED OPTIONAL CONFIGURATION TO 1 NAS1801-3-12 TOGETHER WITH 1 MS35338-43 WASHER 3 AN960D10L WASHERS, 1 MS35650-305S NUT AND 1 MS21042L3 NUT)		6
179	MS21042L3		.. NUT- QUALIFIED OPTIONAL DATA: (1 BACS53B1EA2 TOGETHER WITH 1 AN960D10L AND 1 MS21042L3 NUT IS PREFERED OPTIONAL CONFIGURATION TO 1 NAS1801-3-12 TOGETHER WITH 1 MS35338-43 WASHER 3 AN960D10L WASHERS, 1 MS35650-305S NUT AND 1 MS21042L3 NUT)		6
182	253T5600-3		.. LEVER INSTL-SPEED BRAKE FOR DETAILS SEE: 27-62-01-01		1
185	253T5800-26		.. LEVER INSTL-THRUST FOR DETAILS SEE: 76-11-00-01		1
188	253T5900-48		.. MODULE INSTL-ENG FUEL CONT FOR DETAILS SEE: 76-11-54-01		1
191	253T5700-3		.. CONTROL INSTL-FLAP FOR DETAILS SEE: 27-51-25-01		1
ILLUSTRATION ITEMS NOT ON PARTS LIST ARE NOT APPLICABLE					

- ITEM NOT ILLUSTRATED

25-13-58-01

25-13-58
FIG. 01
PAGE 8
AUG 22/08

HXL

BOEING
767
PARTS CATALOG (MAINTENANCE)

FIG ITEM	PART NUMBER	1 2 3 4 5 6 7	NOMENCLATURE	EFFECT FROM TO	UNITS PER ASSY
1					
197	253T1200-4		..ACTUATOR AND MECHANISM- INSTL-SPEED BRAKE FOR DETAILS SEE: 27-62-02-01		1
200	253T5400-7		..LEVER INSTL-STAB. TRIM FOR DETAILS SEE: 27-41-02-01		1
202	BACC10DK8A		..CLAMP ATTACHING PARTS		1
- 203	HL19PB6-2		..BOLT- SUPPLIER CODE: V60516 SPECIFICATION NUMBER: BACB30FN6-2 OPTIONAL PART: HL19PB6-2 V73197 HL19PB6-2 V92215 HL19PB6-2 V97928 62547-6-2 V56878 HL19PB6-2 V80539 HL19PB6-2 V08524 HL19PB6-2 V56878		1
- 204	AN960JD10L		..WASHER		1
- 205	MS21042L3		..NUT -----*-----		1
206	NAS1801-3-12		..SCREW		6
207	MS35338-43		..WASHER-LOCK		6
208	AN960D10L		..WASHER- USED WITH: 253T5100-14		12
209	AN960JD10L		..WASHER- USED WITH: 253T5100-15		6
210	MS35650-305S		..NUT		6
211	MS21042L3		..NUT		6

ILLUSTRATION ITEMS NOT ON PARTS LIST ARE NOT APPLICABLE

- ITEM NOT ILLUSTRATED

HXL

25-13-58-01

BOEING PROPRIETARY - Copyright © - Unpublished Work - See title page for details.

25-13-58
FIG. 01
PAGE 9
DEC 22/08

BOEING
767
PARTS CATALOG (MAINTENANCE)

FIG ITEM	PART NUMBER	1 2 3 4 5 6 7	NOMENCLATURE	EFFECT FROM TO	UNITS PER ASSY
1					
212	740A20-5		.. JUMPER ASSY- SUPPLIER CODE: V91812 SPECIFICATION NUMBER: BACJ40A20-5 OPTIONAL PART: TJEJ40A20-5 V33483 RBEJ20-5 V1GK47		2
213	740A20-4		.. JUMPER ASSY- SUPPLIER CODE: V91812 SPECIFICATION NUMBER: BACJ40A20-4 OPTIONAL PART: TJEJ40A20-4 V33483 RBEJ20-4 V1GK47		4
215	253T5100-14		.. BLOCK ASSY-TERM. QUALIFIED OPTIONAL DATA: (253T5100-14 AND -15 OPTIONAL TO 253T5010-103) ATTACHING PARTS		2
- 216	BACB30LH3-3		.. BOLT		8
- 217	AN960JD10L		.. WASHER		8
- 218	MS21042L3		.. NUT -----*-----		8
219	NAS514P1032-14		... SCREW		2
220	NAS620A10L		... WASHER		2
221	MS35338-43		... WASHER-LOCK		2
222	AN960D10L		... WASHER		2
223	MS35650-305S		... NUT		2
224	BACR15BA4AD		... RIVET- SIZE DETERMINED ON INSTL.		6
225	YHLZG8-1		... BLOCK-TERM. SUPPLIER CODE: V09922		1
226	YHLZG16-1		... BLOCK-TERM. SUPPLIER CODE: V09922		1
227	253T5518-12		... PLATE		1
228	253T5100-15		.. BLOCK ASSY-TERM. QUALIFIED OPTIONAL DATA: (253T5100-14 AND -15 OPTIONAL TO 253T5010-103)		1

ILLUSTRATION ITEMS NOT ON PARTS LIST ARE NOT APPLICABLE

- ITEM NOT ILLUSTRATED

HXL

25-13-58-01

BOEING PROPRIETARY - Copyright © - Unpublished Work - See title page for details.

25-13-58
FIG. 01
PAGE 10
DEC 22/08

 **BOEING**
767
PARTS CATALOG (MAINTENANCE)

FIG ITEM	PART NUMBER	1 2 3 4 5 6 7	NOMENCLATURE	EFFECT FROM TO	UNITS PER ASSY
1			ATTACHING PARTS		
- 229	BACB30LH3-3	..	BOLT		4
- 230	AN960JD10L	..	WASHER		4
- 231	MS21042L3	..	NUT		4
			-----*-----		
	232 NAS514P1032-14	...	SCREW		2
	233 NAS620A10L	...	WASHER		2
	234 MS35338-43	...	WASHER-LOCK		2
	235 AN960D10L	...	WASHER		2
	236 MS35650-305S	...	NUT		2
	237 BACR15BA4AD	...	RIVET-		6
			SIZE DETERMINED ON INSTL.		
	238 YHLZG8-1	...	BLOCK-TERM.		2
			SUPPLIER CODE: V09922		
	239 253T5518-13	...	PLATE		1
- 240	253T5150-14	..	WIRE BUNDLE ASSY-CONT STAND P10		1
	250 253T5523-5	..	SEAL INSTL-LEVERS FOR DETAILS SEE: 27-00-52-01		1
	255 253T5010-103	..	BLOCK ASSY-TERM. QUALIFIED OPTIONAL DATA: (253T5100-14 AND -15 OPTIONAL TO 253T5010-103)		1
			ATTACHING PARTS		
- 260	BACR15BA4AD	..	RIVET-		18
			SIZE DETERMINED ON INSTL.		
			-----*-----		
	265 NAS8703-3	...	SCREW-		6
	270 PLH53CD	...	NUT		6
			SUPPLIER CODE: VF0224		
			SPECIFICATION NUMBER: BACN10YR3CD		
			OPTIONAL PART: H52732-3CD V15653		
	275 YHLZG16-1	...	BLOCK-TERM.		2
			SUPPLIER CODE: V09922		
	280 YHLZG8-1	...	BLOCK-TERM.		4
			SUPPLIER CODE: V09922		

ILLUSTRATION ITEMS NOT ON PARTS LIST ARE NOT APPLICABLE

- ITEM NOT ILLUSTRATED

HXL

25-13-58-01

BOEING PROPRIETARY - Copyright © - Unpublished Work - See title page for details.

25-13-58
FIG. 01
PAGE 11
DEC 22/08

 **BOEING**
767
PARTS CATALOG (MAINTENANCE)

FIG ITEM	PART NUMBER	1 2 3 4 5 6 7	NOMENCLATURE	EFFECT FROM TO	UNITS PER ASSY
1					
315	BCREF8405		..LIGHT ASSY-PARKING BRAKE SUPPLIER CODE: V81590 OVERLENGTH PART NUMBER: 434-674-1031-2234 SPECIFICATION NUMBER: S231T300-2234 FOR DETAILS SEE: 33-16-02-03		1
315	BCREF6390		..LIGHT ASSY-PARKING BRAKE SUPPLIER CODE: V81590 OVERLENGTH PART NUMBER: 434-674-1005-1234 SPECIFICATION NUMBER: S231T300-1234 FOR DETAILS SEE: 33-16-02-02		1
320	253T3600-4		..CABLE INSTL-PARKING BRAKE FOR DETAILS SEE: 32-44-01-01		1
335	253T5533-1		..RAIL INSTL-THRUST CONT LEVER FOR DETAILS SEE: 53-11-59-01		1
340	253T5500-2		..STRUCTURE ASSY-		1
345	BAC27TCT0160		...DECAL- PLACARD CONTENT: D1479J		1
350	BAC27TCT0054		...DECAL- PLACARD CONTENT: D4555J		1
355	BAC27TCT0152		...DECAL- POSITION DATA: D4553J		1
360	BAC27TCT0052		...DECAL- PLACARD CONTENT: D8114J		1
365	BAC27TCT0058		...DECAL- PLACARD CONTENT: D8116J		1
370	BAC27TCT0057		...DECAL- PLACARD CONTENT: D8120J		1
375	BAC27TCT0053		...DECAL- PLACARD CONTENT: D4551J		1

ILLUSTRATION ITEMS NOT ON PARTS LIST ARE NOT APPLICABLE

— ITEM NOT ILLUSTRATED

HXL

25-13-58-01

BOEING PROPRIETARY - Copyright © - Unpublished Work - See title page for details.

25-13-58
FIG. 01
PAGE 12
DEC 22/08

 **BOEING**
767
PARTS CATALOG (MAINTENANCE)

FIG ITEM	PART NUMBER	1 2 3 4 5 6 7	NOMENCLATURE	EFFECT FROM TO	UNITS PER ASSY
1					
380	BAC27TCT0051	...	DECAL- PLACARD CONTENT: D8118J		1
381	253T5514-11	...	BRACKET ATTACHING PARTS		1
- 382	BACR15BA5AD	...	RIVET- SIZE DETERMINED ON INSTL. -----*-----		3
384	BACG20ZN160B	...	GROMMET		1
385	253T5511-9	...	FRAME ASSY-		1
387	BACG20ZC0330	GROMMET- USED ON: 253T5511-9		1
389	BACG20ZC0250	GROMMET		1
392	MS21209F1-20P	INSERT		4
395	MS21209F1-20P	INSERT-		4
400	253T5513-1	...	FRAME ASSY- OPTIONAL PART: 253T5513-3		1
400	253T5513-3	...	FRAME ASSY- OPTIONAL PART: 253T5513-1		1
402	BACG20ZC290	GROMMET- USED ON: 253T5513-1		1
403	BACG20ZC275	GROMMET- USED ON: 253T5513-1		1
405	MS21209C0620	INSERT		1
410	MS21209F1-15	INSERT		1
415	MS21209F1-20	INSERT		10
420	MS21209F4-15	INSERT		6
421	253T5540-1	...	GUIDE ASSY- QUALIFIED OPTIONAL DATA: (253T5540-1 ASSY WITH NUTPLATE IS OPTIONAL TO 253T5540-2 DETAIL USING AN960JD10L & BACN10R10)		1
421	253T5540-2	...	GUIDE- QUALIFIED OPTIONAL DATA: (253T5540-1 ASSY WITH NUTPLATE IS OPTIONAL TO 253T5540-2 DETAIL USING AN960JD10L & BACN10R10)		1
- 422	BACB30LU3-2	...	BOLT ATTACHING PARTS		4

ILLUSTRATION ITEMS NOT ON PARTS LIST ARE NOT APPLICABLE

- ITEM NOT ILLUSTRATED

HXL

25-13-58-01

BOEING PROPRIETARY - Copyright © - Unpublished Work - See title page for details.

25-13-58
FIG. 01
PAGE 13
DEC 22/08



767

PARTS CATALOG (MAINTENANCE)

FIG ITEM	PART NUMBER	1 2 3 4 5 6 7	NOMENCLATURE	EFFECT FROM TO	UNITS PER ASSY
1					
- 423	AN960JD10L		...WASHER- QUALIFIED OPTIONAL DATA: (253T5540-1 ASSY WITH NUTPLATE IS OPTIONAL TO 253T5540-2 DETAIL USING AN960JD10L & BACN10R10)		4
- 424	26C02		...NUT- SUPPLIER CODE: V80539 SPECIFICATION NUMBER: BACN10R10 QUALIFIED OPTIONAL DATA: (253T5540-1 ASSY WITH NUTPLATE IS OPTIONAL TO 253T5540-2 DETAIL USING AN960JD10L & BACN10R10)		4
			-----*-----		
425	253T5515-1		...FRAME ASSY		1
427	BACG20ZB275B	GROMMET- OPTIONAL PART: BACG20ZB275		1
427	BACG20ZB275	GROMMET- OPTIONAL PART: BACG20ZB275B		1
428	BACG20ZB690B	GROMMET- OPTIONAL PART: BACG20ZB690		1
428	BACG20ZB690	GROMMET- OPTIONAL PART: BACG20ZB690B		1
430	MS21209F1-15	INSERT		4
435	MS21209F4-15	INSERT		4
440	253T5517-5		...FRAME ASSY-		1
442	BACG20ZC350	GROMMET-		1
443	BACG20ZC665	GROMMET-		1
450	MS21209F1-10	INSERT		1
455	MS21209F1-15	INSERT		16
458	BACG20ZN0220B		...GROMMET		1
460	253T5536-2		...PANEL INSTL-CONT STAND WIRE SPRT AND ELECTRICAL DISC.		1
465	BAC27TCT0055	DECAL- PLACARD CONTENT: D1469		1
470	BAC27TCT0040	DECAL- PLACARD CONTENT: P8		1

ILLUSTRATION ITEMS NOT ON PARTS LIST ARE NOT APPLICABLE

- ITEM NOT ILLUSTRATED

HXL

25-13-58-01

BOEING PROPRIETARY - Copyright © - Unpublished Work - See title page for details.

25-13-58
FIG. 01
PAGE 14
DEC 22/08

BOEING
767
PARTS CATALOG (MAINTENANCE)

FIG ITEM	PART NUMBER	1 2 3 4 5 6 7	NOMENCLATURE	EFFECT FROM TO	UNITS PER ASSY
1					
475	BAC27TCT0041	DECAL- PLACARD CONTENT: P9		1
480	BAC27TCT0056	DECAL- PLACARD CONTENT: D1471J		1
485	BAC27TCT0038	DECAL- PLACARD CONTENT: P3		1
490	BAC27TCT0036	DECAL- PLACARD CONTENT: P1		1
495	BAC27TCT0048	DECAL- PLACARD CONTENT: D1473J		1
500	BAC27TCT0050	DECAL- PLACARD CONTENT: D1477J		1
505	BAC27TCT0049	DECAL- PLACARD CONTENT: D1475J		1
510	BAC27TCT0037	DECAL- PLACARD CONTENT: P2		1
513	NAS1801-3-8	SCREW-		2
516	AN960PD10L	WASHER		2
519	BACC10DK5	CLAMP-		2
522	253T5541-7	PLATE		1
525	253T5535-6	PANEL ASSY- OPTIONAL PART: 253T5535-11		1
525	253T5535-1	PANEL ASSY- OPTIONAL PART: 253T5535-11		1
525	253T5535-9	PANEL ASSY- OPTIONAL PART: 253T5535-11		1
525	253T5535-11	PANEL ASSY- OPTIONAL PART: 253T5535-1 253T5535-6 253T5535-9 ATTACHING PARTS		1
530	BACR15BA4AD	RIVET		4
535	BACR15FT4AD	RIVET- SIZE DETERMINED ON INSTL. -----*-----		4

ILLUSTRATION ITEMS NOT ON PARTS LIST ARE NOT APPLICABLE

— ITEM NOT ILLUSTRATED

HXL

25-13-58-01

BOEING PROPRIETARY - Copyright © - Unpublished Work - See title page for details.

25-13-58
FIG. 01
PAGE 15
DEC 22/08

 **BOEING**
767
PARTS CATALOG (MAINTENANCE)

FIG ITEM	PART NUMBER	1 2 3 4 5 6 7	NOMENCLATURE	EFFECT FROM TO	UNITS PER ASSY
1					
536	BACG20ZB509	GROMMET- USED ON: 253T5535-1		1
536	BACG20ZB1275	GROMMET- USED ON: 253T5535-6 USED ON: 253T5536-6		1
536	BACG20ZB742	GROMMET- USED ON: 253T5535-9		1
536	BACG20ZB792	GROMMET- USED ON: 253T5535-11		1
537	BACG20ZB707	GROMMET- USED ON: 253T5535-6 253T5535-9 253T5535-11		1
537	BACG20ZB549	GROMMET- USED ON: 253T5535-1 USED ON: 25375535-1		1
540	BACB30LU3-3	...	BOLT		6
545	NAS6603-2	...	BOLT		4
550	AN960D10L	...	WASHER		10
555	BRH10A3	...	NUT		7
			SUPPLIER CODE: V52828 SPECIFICATION NUMBER: BACN10JC3 OPTIONAL PART: H10-3BAC V15653 NS202101-02 V80539 RMLH9075-3W V72962 VN303A02 V92215 96-02 V80539 T6S1032J V11815		
560	253T5524-15	...	PANEL ASSY- POSITION DATA: LH SIDE		1

ILLUSTRATION ITEMS NOT ON PARTS LIST ARE NOT APPLICABLE

- ITEM NOT ILLUSTRATED

HXL

25-13-58-01

BOEING PROPRIETARY - Copyright © - Unpublished Work - See title page for details.

25-13-58
FIG. 01
PAGE 16
DEC 22/08



767

PARTS CATALOG (MAINTENANCE)

FIG ITEM	PART NUMBER	1 2 3 4 5 6 7	NOMENCLATURE	EFFECT FROM TO	UNITS PER ASSY
1					
565	253T5524-12		...PANEL ASSY- POSITION DATA: RH SIDE		1
575	253T5524-7	DOUBLER ASSY- USED ON: 253T5524-12		1
577	253T5524-7	DOUBLER ASSY- USED ON: 253T5524-15		1
- 580	BACR15BA3AD		ATTACHING PARTSRIVET-		2
- 583	BACR15BA3AD	RIVET- SIZE DETERMINED ON INSTL.		2
			-----*-----		
585	MS21209C0610	INSERT		2
587	MS21209C0610	INSERT		2
590	253T5534-5	BRACKET ASSY- POSITION DATA: LH SIDE USED ON: 253T5524-15		1
595	253T5534-6	BRACKET ASSY- POSITION DATA: RH SIDE USED ON: 253T5524-12		1
- 600	BACR15BA3AD		ATTACHING PARTSRIVET-		2
- 603	BACR15BA3AD	RIVET- SIZE DETERMINED ON INSTL.		2
			-----*-----		
605	MS21209C0610	INSERT- USED ON: 253T5534-6		2
607	MS21209C0610	INSERT- USED ON: 253T5534-7 253T5534-15		2
610	253T5526-1		...COVER-PNL		1
615	253T5526-13		...COVER-PNL		1
620	253T5526-2		...COVER-PNL		1
625	253T5526-14		...COVER-PNL		1
			OPTIONAL PART: 253T5526-4		
630	253T5526-5		...COVER-PNL		1
635	253T5526-6		...COVER-PNL		1
640	253T5526-11		...COVER-PNL		2

ILLUSTRATION ITEMS NOT ON PARTS LIST ARE NOT APPLICABLE

- ITEM NOT ILLUSTRATED

25-13-58-01

25-13-58
FIG. 01
PAGE 17
DEC 22/08

HXL



767
PARTS CATALOG (MAINTENANCE)

FIG ITEM	PART NUMBER	1 2 3 4 5 6 7	NOMENCLATURE	EFFECT FROM TO	UNITS PER ASSY
1					
645	253T5526-7		...PLATE ASSY		1
650	253T5526-8		...PLATE ASSY		1

ILLUSTRATION ITEMS NOT ON PARTS LIST ARE NOT APPLICABLE

- ITEM NOT ILLUSTRATED

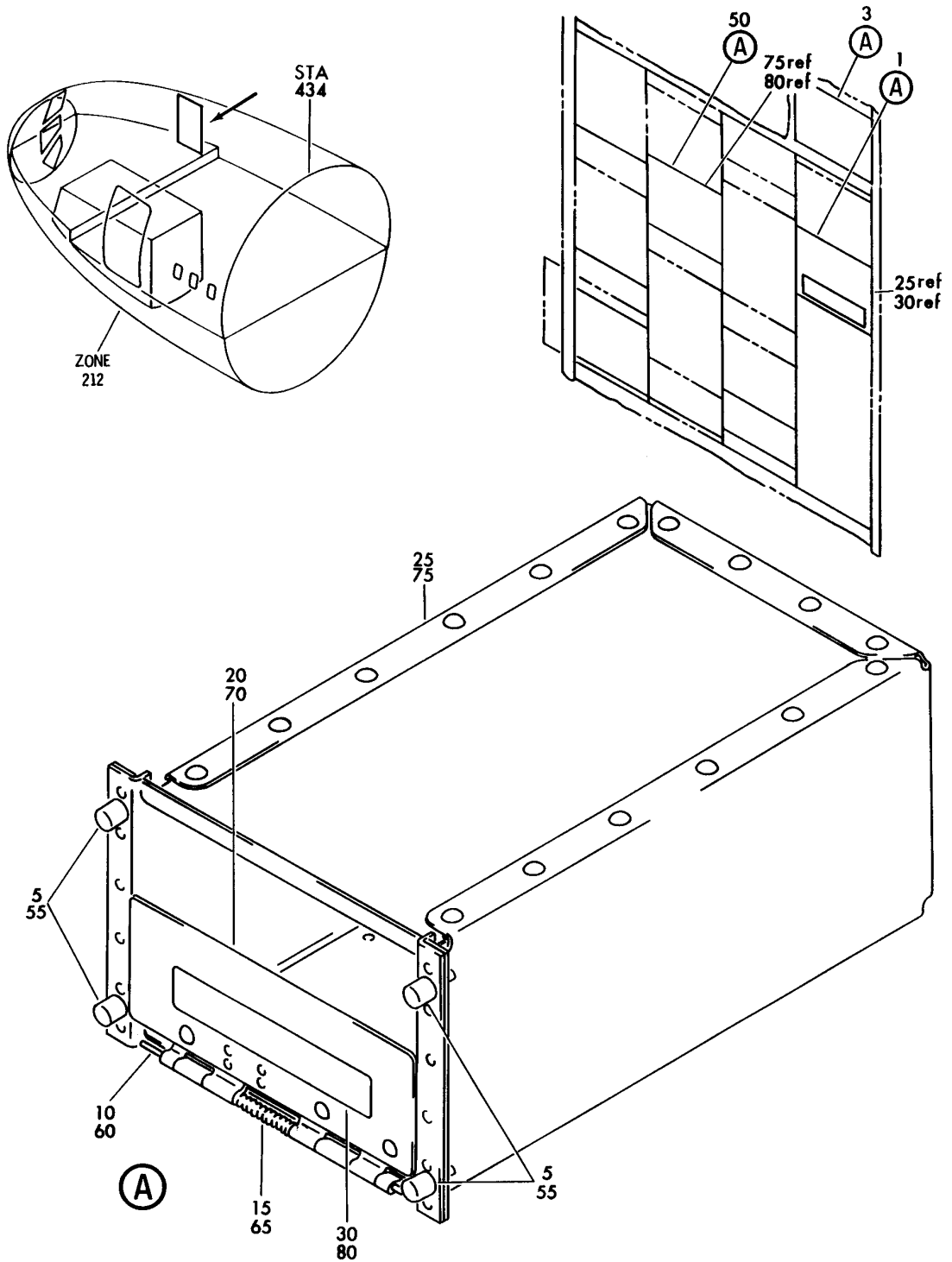
HXL

25-13-58-01

BOEING PROPRIETARY - Copyright © - Unpublished Work - See title page for details.

25-13-58
FIG. 01
PAGE 18
DEC 22/08

BOEING
767
PARTS CATALOG (MAINTENANCE)



V 25135901 REV 121

BOX ASSY-SMOKE GOGGLES (EQUIPMENT/FURNISHINGS ONLY)
FIGURE 1

25-13-59-01

HXL
DEC 22/06

25-13-59-01
PAGE 0



767

PARTS CATALOG (MAINTENANCE)

FIG ITEM	PART NUMBER	1 2 3 4 5 6 7	NOMENCLATURE	EFFECT FROM TO	UNITS PER ASSY
1			BOX ASSY-SMOKE GOGGLES (EQUIPMENT/FURNISHINGS ONLY)		
1	232T4127-1		BOX ASSY-SMOKE GOGGLES (EQUIPMENT/FURNISHINGS ONLY) FOR NHA SEE: 31-11-26-63		RF
R 5	BACS21DD1B		.STUD ASSY		4
10	MS20253P2-375		.PIN		1
15	232T4129-1		.SPRING-TORSION		1
20	232T4127-10		.DOOR ASSY		1
25	232T4127-9		.BOX ASSY		1
30	BAC27TFDE0021		..DECAL- PLACARD CONTENT: SMOKE GOGGLES		1

ILLUSTRATION ITEMS NOT ON PARTS LIST ARE NOT APPLICABLE

- ITEM NOT ILLUSTRATED

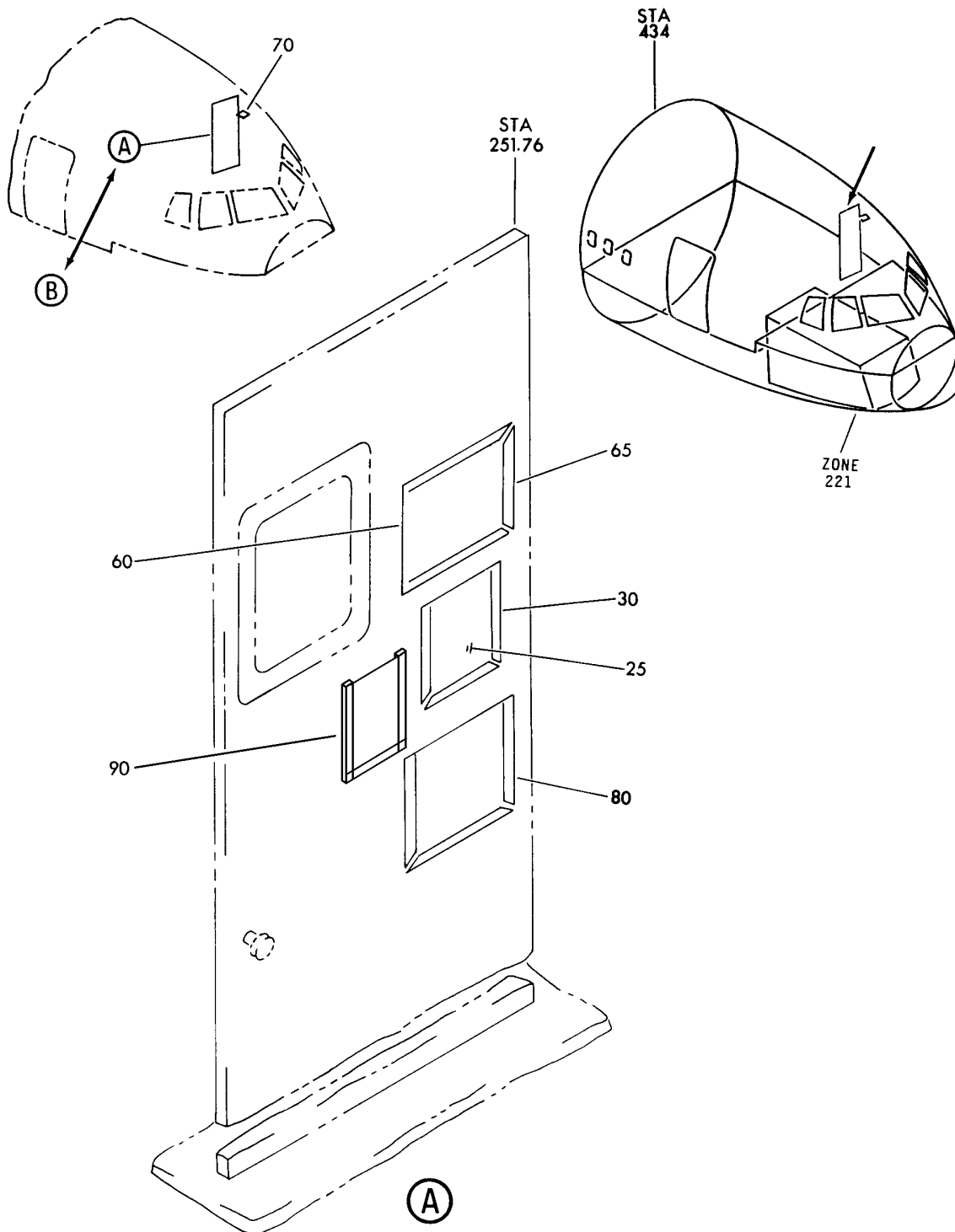
HXL

25-13-59-01

BOEING PROPRIETARY - Copyright © - Unpublished Work - See title page for details.

25-13-59
FIG. 01
PAGE 1
AUG 22/09

BOEING
767
PARTS CATALOG (MAINTENANCE)



V 25136401B SHT 1 REV 229

HOLDER INSTL-FAA CERTIFICATION AND RADIO LICENSE
FIGURE 1B (SHEET 1)

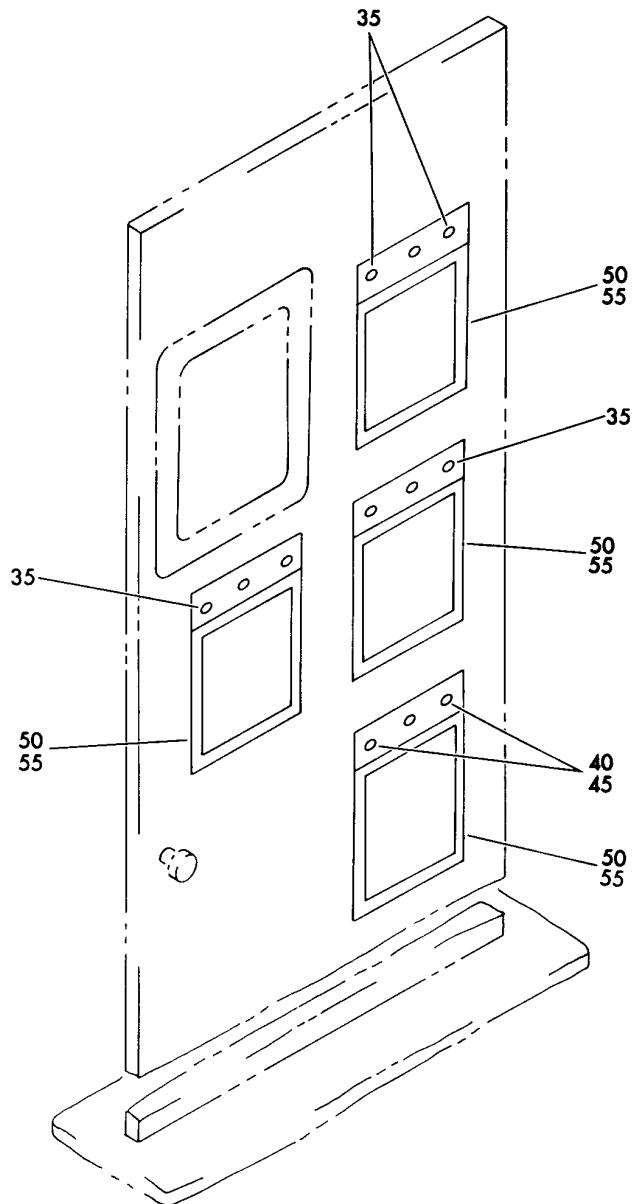
25-13-64-01B

HXL
DEC 22/06

25-13-64-01B
PAGE 0

BOEING
767
PARTS CATALOG (MAINTENANCE)

V 25136401B SHT 2 REV 181



(B)

HOLDER INSTL-FAA CERTIFICATION AND RADIO LICENSE
FIGURE 1B (SHEET 2)

25-13-64-01B

HXL
DEC 22/06

25-13-64-01B
PAGE 0A



767

PARTS CATALOG (MAINTENANCE)

FIG ITEM	PART NUMBER	1 2 3 4 5 6 7	NOMENCLATURE	EFFECT FROM TO	UNITS PER ASSY
1B			HOLDER INSTL-FAA CERTIFICATION AND RADIO LICENSE		
- 1	232T4209-1		HOLDER INSTL-FAA CERTIFICATION AND RADIO LICENSE FOR NHA SEE: 25-10-00-04		RF
25	69B40095-1		.COVER		1
30	232T4220-1		.HOLDER		1
60	69B40095-2		.COVER-		1
65	232T4220-2		.HOLDER-		1
ILLUSTRATION ITEMS NOT ON PARTS LIST ARE NOT APPLICABLE					

- ITEM NOT ILLUSTRATED

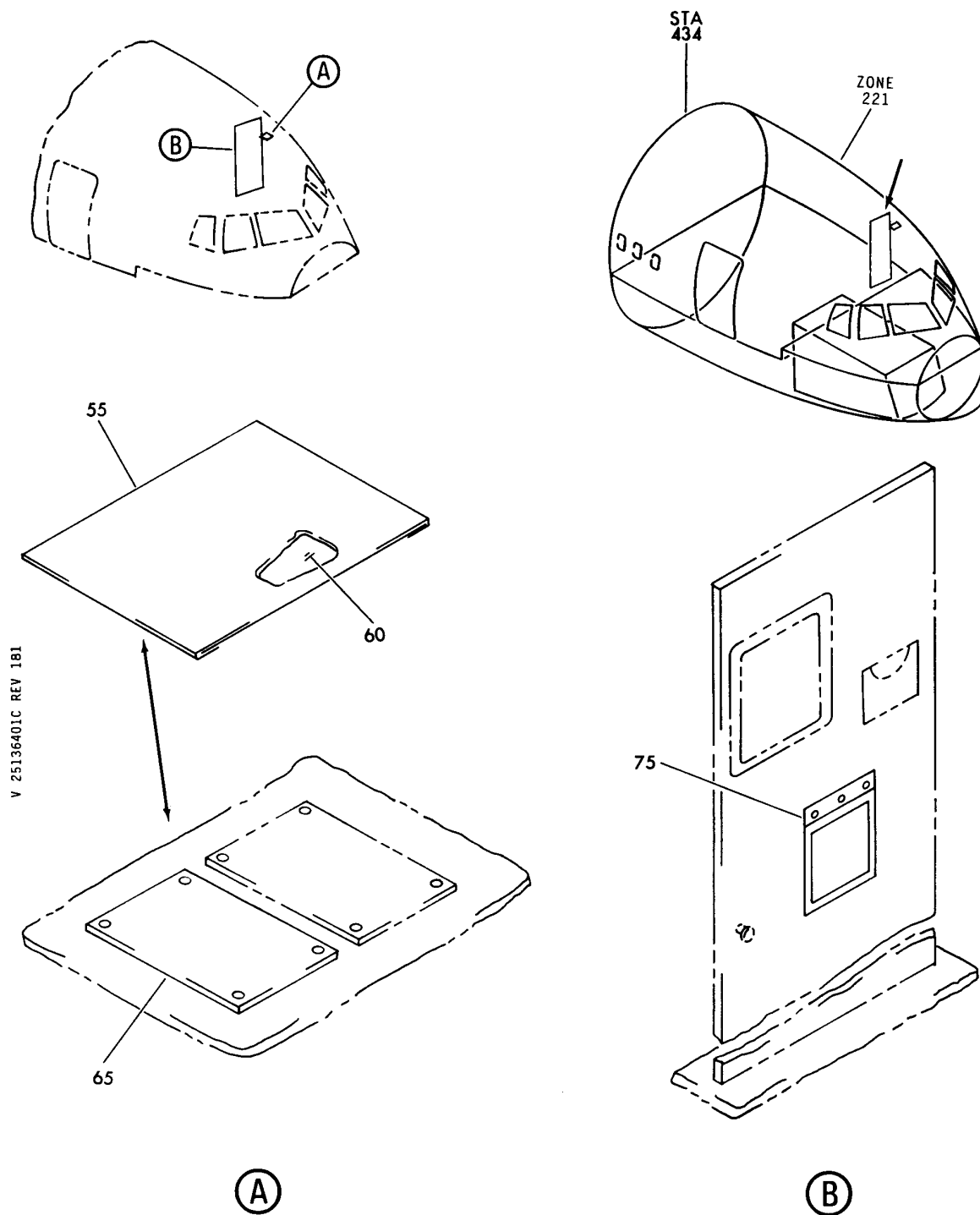
HXL

25-13-64-01B

BOEING PROPRIETARY - Copyright © - Unpublished Work - See title page for details.

25-13-64
FIG. 01B
PAGE 1
DEC 22/06

BOEING
767
PARTS CATALOG (MAINTENANCE)



V 25136401C REV 1B1

(A)

(B)

HOLDER INSTL-FAA CERTIFICATE OF AIRWORTHINESS
FIGURE 1C

25-13-64-01C

HXL
DEC 22/06

25-13-64-01C
PAGE 0

BOEING
767
PARTS CATALOG (MAINTENANCE)

FIG ITEM	PART NUMBER	1 2 3 4 5 6 7	NOMENCLATURE	EFFECT FROM TO	UNITS PER ASSY
1C			HOLDER INSTL-FAA CERTIFICATE OF AIRWORTHINESS		
- 1	232T4209-8		HOLDER INSTL-FAA CERTIFICATE OF AIRWORTHINESS FOR NHA SEE: 25-10-00-04		RF
55	69B40095-1		.COVER-		1
60	232T4220-3		.HOLDER-		1
75	24191		.HOLDER-CERTIFICATE SUPPLIER CODE: V1009B POST AIRLINE MOD: MTO-252299 VSAS		1
- 80	NAS602-10		ATTACHING PARTS .SCREW		4
- 85	SL607-08-9S		.INSERT- SUPPLIER CODE: V97393 -----*-----		4

ILLUSTRATION ITEMS NOT ON PARTS LIST ARE NOT APPLICABLE

- ITEM NOT ILLUSTRATED

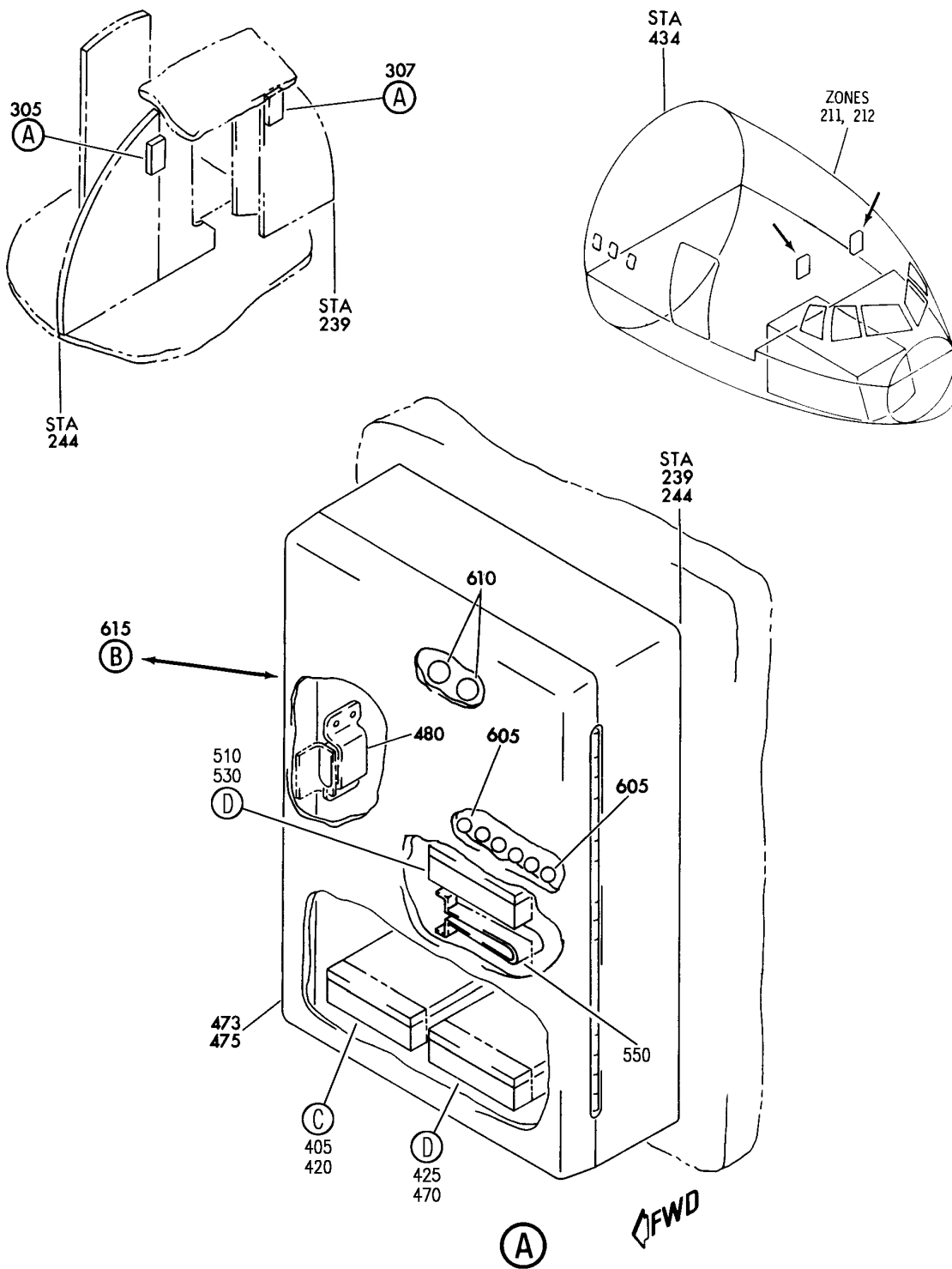
HXL

25-13-64-01C

BOEING PROPRIETARY - Copyright © - Unpublished Work - See title page for details.

25-13-64
FIG. 01C
PAGE 1
DEC 22/07

BOEING
767
PARTS CATALOG (MAINTENANCE)



V 25136501 SHT 1 REV 327

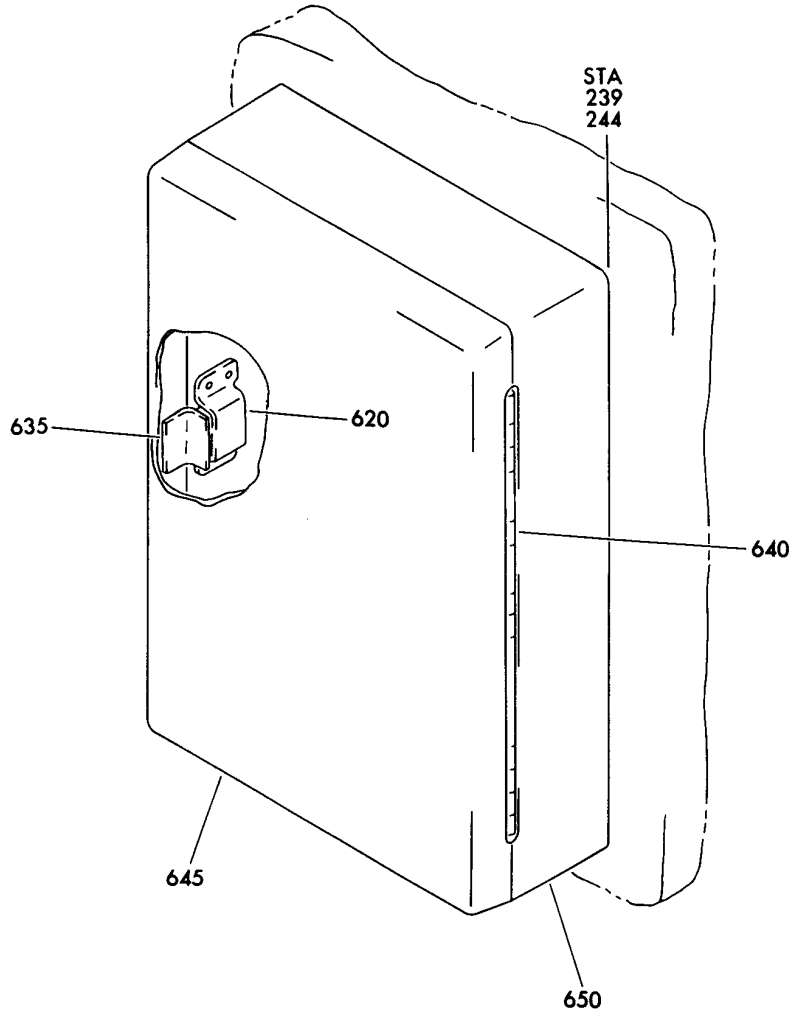
BOX INSTL-SPARE BULB
FIGURE 1 (SHEET 1)

25-13-65-01

HXL
APR 22/08

25-13-65-01
PAGE 0

BOEING
767
PARTS CATALOG (MAINTENANCE)



V 25136501 SHT 2 REV 194

(B)

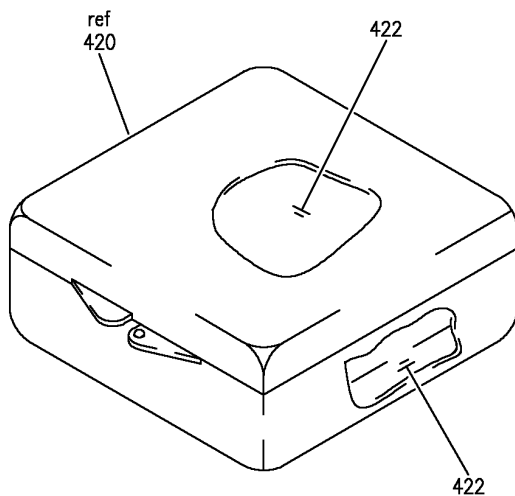
BOX INSTL-SPARE BULB
FIGURE 1 (SHEET 2)

25-13-65-01

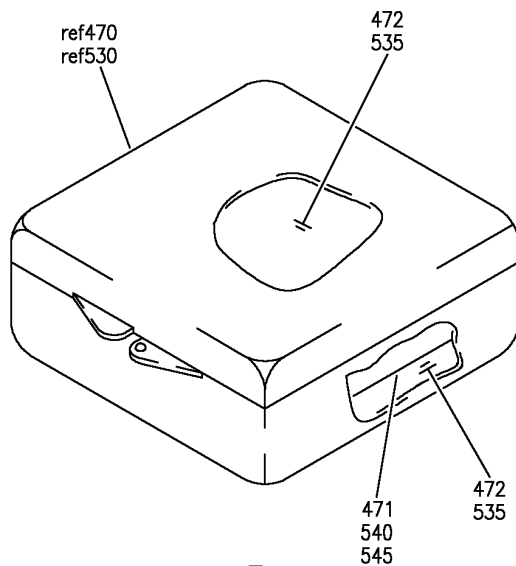
HXL
DEC 22/06

25-13-65-01
PAGE 0A

BOEING
767
PARTS CATALOG (MAINTENANCE)



(C)



(D)

V 25136501 SH1 3 REV 327

BOX INSTL-SPARE BULB
FIGURE 1 (SHEET 3)

25-13-65-01

HXL
APR 22/08

25-13-65-01
PAGE 0B

BOEING
767
PARTS CATALOG (MAINTENANCE)

FIG ITEM	PART NUMBER	1 2 3 4 5 6 7	NOMENCLATURE	EFFECT FROM TO	UNITS PER ASSY
1			BOX INSTL-SPARE BULB		
- 300	232T4207-23		BOX INSTL-SPARE BULB FOR NHA SEE: 25-10-00-04		RF
307	232T4207-18		.BOX ASSY-(EQUIPMENT/ FURNISHINGS ONLY) FUNCTIONAL REFERENCE: PLACARDS AND MARKINGS FOR DETAILS SEE 11-33-51-01		1
- 310	NAS603-5P		ATTACHING PARTS .SCREW-		4
- 315	1308		-----*----- ..BULB-		4
- 320	1315		SUPPLIER CODE: V08806 ..BULB-		2
- 325	1317		SUPPLIER CODE: V08806 ..BULB-		4
- 330	1385		SUPPLIER CODE: V08806 OPTIONAL PART: GE1317 V08806 ..BULB-		2
- 335	1495X		SUPPLIER CODE: V08806 ..BULB-		2
- 340	1665		SUPPLIER CODE: V08806 ..BULB-		2
- 345	1864		SUPPLIER CODE: V71744 ..BULB-		4
- 350	2232		SUPPLIER CODE: V71744 ..LAMP-		2
- 355	2233		SUPPLIER CODE: V08806 ..BULB-		2
- 360	3011		SUPPLIER CODE: V08805 ..BULB-		2
- 365	307		SUPPLIER CODE: V08806 ..BULB-		2
			SUPPLIER CODE: V08806		

ILLUSTRATION ITEMS NOT ON PARTS LIST ARE NOT APPLICABLE

- ITEM NOT ILLUSTRATED

HXL

25-13-65-01

BOEING PROPRIETARY - Copyright © - Unpublished Work - See title page for details.

25-13-65
FIG. 01
PAGE 1
APR 22/08

 **BOEING**
767
PARTS CATALOG (MAINTENANCE)

FIG ITEM	PART NUMBER	1 2 3 4 5 6 7	NOMENCLATURE	EFFECT FROM TO	UNITS PER ASSY
1					
- 370	313		..BULB- SUPPLIER CODE: V08806		2
- 380	387		..LAMP- SUPPLIER CODE: V08806		20
- 380	387AS15		..LAMP- SUPPLIER CODE: V08806		20
- 382	767		..LAMP- SUPPLIER CODE: V08806		2
- 385	5108WW		..BULB- SUPPLIER CODE: V08806		2
- 395	H150AF90		..BOARD ASSY-LIGHTING SUPPLIER CODE: VF6306		1
- 397	0L7152AS15		...LAMP- SUPPLIER CODE: VS3774		5
- 400	0312-0700		..HOUSING ASSY- SUPPLIER CODE: V34830		2
405	232T4207-5		..BOX ASSY-		1
405	232T4207-57		..BOX ASSY-		1
- 410	154-101W		...MODULE- SUPPLIER CODE: V35918 USED ON: 232T4207-5		2
- 415	646-5218-001		...MODULE- SUPPLIER CODE: V4V792		1
420	232T4249-2		...BOX ASSY		1
422	232T4248-3	PAD-FOAM		2
425	232T4207-10		..BOX ASSY-		1
- 430	CM6839		...BULB- SUPPLIER CODE: V71744 OPTIONAL PART: 6839 V79692		2
- 430	6839		...BULB- SUPPLIER CODE: V79692 OPTIONAL PART: CM6839 V71744		2

ILLUSTRATION ITEMS NOT ON PARTS LIST ARE NOT APPLICABLE

- ITEM NOT ILLUSTRATED

HXL

25-13-65-01

BOEING PROPRIETARY - Copyright © - Unpublished Work - See title page for details.

25-13-65
FIG. 01
PAGE 2
DEC 22/08



767

PARTS CATALOG (MAINTENANCE)

FIG ITEM	PART NUMBER	1 2 3 4 5 6 7	NOMENCLATURE	EFFECT FROM TO	UNITS PER ASSY
1					
- 435	CM7-7715	...	BULB- SUPPLIER CODE: V71744 OPTIONAL PART: 7715 V71744		2
- 435	7715	...	BULB- SUPPLIER CODE: V08806 OPTIONAL PART: 7715AS15 V71744		2
- 435	7715AS15	...	LAMP- SUPPLIER CODE: V88204 OPTIONAL PART: CM7-7715 V71744		2
- 440	CM7-7839	...	BULB- SUPPLIER CODE: V71744 OPTIONAL PART: 7839 V71744		2
- 440	7839	...	LAMP- SUPPLIER CODE: V55335 OPTIONAL PART: CM7-7839 V71744		2
- 447	CM8628	...	BULB- SUPPLIER CODE: V71744 OPTIONAL PART: 8628AS15 V0964B		3
- 447	8628AS15	...	BULB- SUPPLIER CODE: V0964B OPTIONAL PART: CM8628 V71744		3
- 455	4864W11P001	...	LAMP- SUPPLIER CODE: V08806		2
- 460	685	...	BULB- SUPPLIER CODE: V08806		6

ILLUSTRATION ITEMS NOT ON PARTS LIST ARE NOT APPLICABLE

- ITEM NOT ILLUSTRATED

25-13-65-01

25-13-65
FIG. 01
PAGE 3
DEC 22/08

HXL

BOEING PROPRIETARY - Copyright © - Unpublished Work - See title page for details.



767

PARTS CATALOG (MAINTENANCE)

FIG ITEM	PART NUMBER	1 2 3 4 5 6 7	NOMENCLATURE	EFFECT FROM TO	UNITS PER ASSY
1					
- 467	85		...BULB- SUPPLIER CODE: V08805		3
470	232T4249-3		...BOX ASSY-		1
471	232T4248-4	PAD-FOAM		1
472	232T4248-2	PAD-FOAM		2
475	232T4229-25		..BOX ASSY- OPTIONAL PART: 232T4229-48		1
475	232T4229-39		..BOX ASSY-		1
475	232T4229-46		..BOX ASSY-		1
475	232T4229-48		..BOX ASSY-		1
480	145		...CATCH-MAGNETIC SUPPLIER CODE: V0483B OPTIONAL PART: H3-1298-1 V34941		1
480	H3-1298-1		...LATCH-MAGNETIC SUPPLIER CODE: V34941 OPTIONAL PART: 145 V0483B		1
- 485	PS6C6DL11BG		ATTACHING PARTS ...SCREW- SUPPLIER CODE: V12324 USED ON: 232T4229-18 232T4229-25		4

ILLUSTRATION ITEMS NOT ON PARTS LIST ARE NOT APPLICABLE

- ITEM NOT ILLUSTRATED

HXL

25-13-65-01

BOEING PROPRIETARY - Copyright © - Unpublished Work - See title page for details.

25-13-65
FIG. 01
PAGE 4
DEC 22/08



767

PARTS CATALOG (MAINTENANCE)

FIG ITEM	PART NUMBER	1 2 3 4 5 6 7	NOMENCLATURE	EFFECT FROM TO	UNITS PER ASSY
1					
- 490	BRH10A06	...	NUT- SUPPLIER CODE: V52828 SPECIFICATION NUMBER: BACN10JCO6 OPTIONAL PART: H10-06BAC V15653 RMLH9075-62W V72962 VN303A62 V92215 96-62 V80539 NS202101-62 V80539 T6S632J V11815 MS21042L06		4
- 490	MS21042L06	...	NUT- OPTIONAL PART: BACN10JCO6 USED ON: 232T4229-18 232T4229-25 -----*-----		4
510	232T4207-12	..	BOX ASSY-SMALL		1
- 515	0L3071BPEGPL	...	LAMP- SUPPLIER CODE: VS3774		10
- 520	328	...	BULB- SUPPLIER CODE: V08806		2
- 525	7335	...	BULB- SUPPLIER CODE: V88204		2
530	232T4249-4	...	BOX ASSY-		1
535	232T4248-2	PAD-FOAM		2
540	232T4248-5	PAD-FOAM		1
615	232T4229-46	..	BOX ASSY-		1
615	232T4229-48	..	BOX ASSY- OPTIONAL PART: 232T4229-25		1
620	145	...	CATCH- SUPPLIER CODE: V0483B OPTIONAL PART: H3-1298-1		1

ILLUSTRATION ITEMS NOT ON PARTS LIST ARE NOT APPLICABLE

- ITEM NOT ILLUSTRATED

HXL

25-13-65-01

BOEING PROPRIETARY - Copyright © - Unpublished Work - See title page for details.

25-13-65
FIG. 01
PAGE 5
AUG 22/08



767

PARTS CATALOG (MAINTENANCE)

FIG ITEM	PART NUMBER	1 2 3 4 5 6 7	NOMENCLATURE	EFFECT FROM TO	UNITS PER ASSY
1 620	H3-1298-1		... LATCH- SUPPLIER CODE: V34941 OPTIONAL PART: 145 ATTACHING PARTS		1
- 625	PS6C6DL11BG		... SCREW- SUPPLIER CODE: V12324		4
- 630	MS21042L06		... NUT -----*-----		4
635	232T4247-1		... ANGLE		1
640	69B42023-2		... HINGE		1
645	69B42022-1		... COVER		1
650	69B41970-6		... BOX		1

ILLUSTRATION ITEMS NOT ON PARTS LIST ARE NOT APPLICABLE

- ITEM NOT ILLUSTRATED

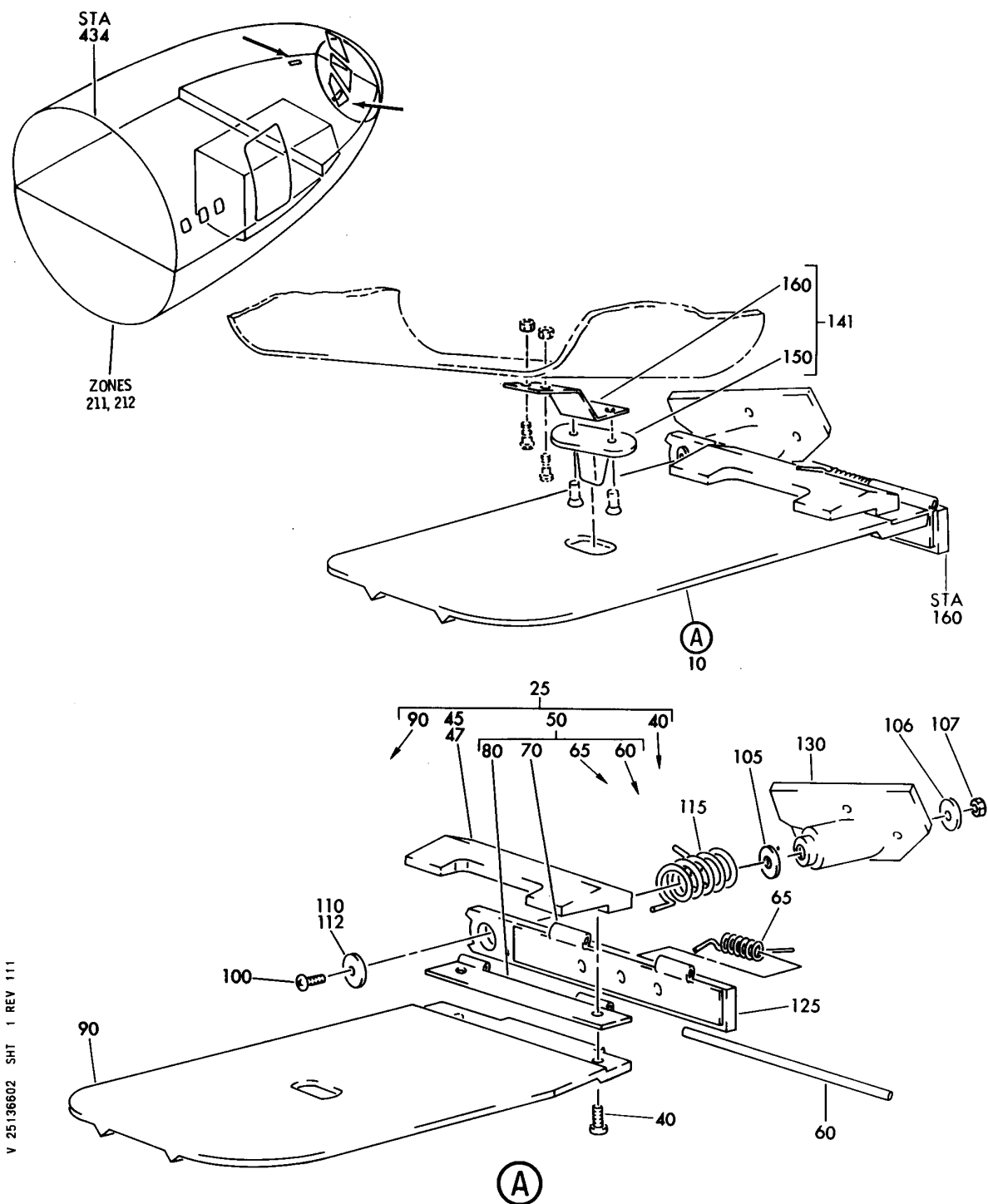
HXL

25-13-65-01

BOEING PROPRIETARY - Copyright © - Unpublished Work - See title page for details.

25-13-65
FIG. 01
PAGE 6
AUG 22/08


BOEING
 767
PARTS CATALOG (MAINTENANCE)



V 25136602 SHT 1 REV 111

HOLDER INSTL-APPROACH PLATE
 FIGURE 2

25-13-66-02

HXL
DEC 22/06

25-13-66-02
 PAGE 0



767

PARTS CATALOG (MAINTENANCE)

FIG ITEM	PART NUMBER	1 2 3 4 5 6 7	NOMENCLATURE	EFFECT FROM TO	UNITS PER ASSY
2					
- 1	232T4206-1		HOLDER INSTL-APPROACH PLATE HOLDER INSTL-APPROACH PLATE POSITION DATA: LH FOR NHA SEE: 25-10-00-04		RF
- 5	232T4206-2		HOLDER INSTL-APPROACH PLATE POSITION DATA: RH FOR NHA SEE: 25-10-00-04		RF
10	232N4350-5		.ARM ASSY-PIVOT POSITION DATA: LH SIDE		1
10	232N4350-7		.ARM ASSY-PIVOT POSITION DATA: LH SIDE		1
- 15	232N4350-6		.ARM ASSY-PIVOT POSITION DATA: RH SIDE		1
- 15	232N4350-8		.ARM ASSY-PIVOT POSITION DATA: RH SIDE		1
- 20	NAS603-7P		ATTACHING PARTS .SCREW -----*-----		2
25	232N4320-13		..HOLDER ASSY- POSITION DATA: LH SIDE		1
- 30	232N4320-14		..HOLDER ASSY- POSITION DATA: RH SIDE ATTACHING PARTS		1
- 35	BACR15BB4A		..RIVET- SIZE DETERMINED ON INSTL.		3
- 35	BACR15BA4AD		..RIVET- SIZE DETERMINED ON INSTL. -----*-----		3
40	NAS601-7P		...SCREW- POSITION DATA: LH SIDE		2
- 42	NAS601-7P		...SCREW- POSITION DATA: RH SIDE		2
45	327-2		...CLIP ASSY- SUPPLIER CODE: V33463 POSITION DATA: LH SIDE		1

ILLUSTRATION ITEMS NOT ON PARTS LIST ARE NOT APPLICABLE

- ITEM NOT ILLUSTRATED

25-13-66-02

25-13-66
FIG. 02
PAGE 1
DEC 22/06

HXL



767

PARTS CATALOG (MAINTENANCE)

FIG ITEM	PART NUMBER	1 2 3 4 5 6 7	NOMENCLATURE	EFFECT FROM TO	UNITS PER ASSY
2					
- 48	327-2		...CLIP ASSY- SUPPLIER CODE: V33463 POSITION DATA: RH SIDE		1
50	232N4320-3		...HINGE ASSY- POSITION DATA: LH SIDE		1
50	232N4320-17		...HINGE ASSY- POSITION DATA: LH SIDE		1
- 55	232N4320-4		...HINGE ASSY- POSITION DATA: RH SIDE		1
- 55	232N4320-18		...HINGE ASSY- POSITION DATA: RH SIDE		1
60	MS20253P2-275	PIN		1
65	232N4320-9	SPRING- ALTERED FROM PART NUMBER: 69-56542-1		1
70	232N4307-5	HINGE HALF- POSITION DATA: LH SIDE ALTERED FROM PART NUMBER: MS20257H4-250		1
71	232N4307-11	HINGE HALF- POSITION DATA: LH SIDE ALTERED FROM PART NUMBER: MS20001H4-250		1
- 75	232N4307-6	HINGE HALF- POSITION DATA: RH SIDE ALTERED FROM PART NUMBER: MS20257H4-250		1
- 76	232N4307-12	HINGE HALF- POSITION DATA: RH SIDE ALTERED FROM PART NUMBER: MS20001H4-250		1
80	232N4307-9	HINGE HALF- POSITION DATA: LH SIDE ALTERED FROM PART NUMBER: MS20257H4-300		1

ILLUSTRATION ITEMS NOT ON PARTS LIST ARE NOT APPLICABLE

- ITEM NOT ILLUSTRATED

25-13-66-02

25-13-66
FIG. 02
PAGE 2
DEC 22/06

HXL

BOEING PROPRIETARY - Copyright © - Unpublished Work - See title page for details.

BOEING
767
PARTS CATALOG (MAINTENANCE)

FIG ITEM	PART NUMBER	1 2 3 4 5 6 7	NOMENCLATURE	EFFECT FROM TO	UNITS PER ASSY
2					
80	232N4307-15	HINGE HALF- POSITION DATA: LH SIDE ALTERED FROM PART NUMBER: MS20001H4-300		1
- 85	232N4307-10	HINGE HALF- POSITION DATA: RH SIDE ALTERED FROM PART NUMBER: MS20257H4-300		1
- 85	232N4307-16	HINGE HALF- POSITION DATA: RH SIDE ALTERED FROM PART NUMBER: MS20001H4-300		1
90	232N4348-1	...	PLATE- POSITION DATA: LH SIDE		1
90	232N4348-9	...	PLATE- POSITION DATA: LH SIDE		1
- 95	232N4348-2	...	PLATE- POSITION DATA: RH SIDE		1
- 95	232N4348-10	...	PLATE- POSITION DATA: RH SIDE		1
100	NAS514P632-22	..	SCREW-		1
100	MS35206-207	..	SCREW-		1
105	BACW10P178AL	..	WASHER-		1
106	AN960PD6L	..	WASHER		1
107	BRH10A06	..	NUT		1
			SUPPLIER CODE: V52828 SPECIFICATION NUMBER: BACN10JCO6 OPTIONAL PART: H10-06BAC V15653 RMLH9075-62W V72962 VN303A62 V92215 96-62 V80539 NS202101-62 V80539 T6S632J V11815		
ILLUSTRATION ITEMS NOT ON PARTS LIST ARE NOT APPLICABLE					

- ITEM NOT ILLUSTRATED

HXL

25-13-66-02

BOEING PROPRIETARY - Copyright © - Unpublished Work - See title page for details.

25-13-66
FIG. 02
PAGE 3
DEC 22/06



767

PARTS CATALOG (MAINTENANCE)

FIG ITEM	PART NUMBER	1 2 3 4 5 6 7	NOMENCLATURE	EFFECT FROM TO	UNITS PER ASSY
2					
110	232N4348-6	..	WASHER-		1
112	232N4348-11	..	WASHER-		1
			POSITION DATA:		
			LH SIDE		
112	232N4348-12	..	WASHER-		1
			POSITION DATA:		
			RH SIDE		
115	232N4349-3	..	SPRING-		1
			POSITION DATA:		
			LH SIDE		
115	232N4349-5	..	SPRING-		1
			POSITION DATA:		
			LH SIDE		
- 120	232N4349-4	..	SPRING-		1
			POSITION DATA:		
			RH SIDE		
- 120	232N4349-6	..	SPRING-		1
			POSITION DATA:		
			RH SIDE		
125	232N4348-5	..	ARM-		1
125	232N4348-15	..	ARM-		1
			USED ON:		
			232N4350-9		
130	232N4346-1	..	PLATE ASSY-		1
			POSITION DATA:		
			LH SIDE		
130	232N4346-5	..	PLATE ASSY-		1
			POSITION DATA:		
			LH SIDE		
- 135	232N4346-2	..	PLATE ASSY-		1
			POSITION DATA:		
			RH SIDE		
- 135	232N4346-6	..	PLATE ASSY-		1
			POSITION DATA:		
			RH SIDE		
141	232T4205-1	.	BRACKET ASSY-CATCH		1
			ATTACHING PARTS		
R - 143	BACS12CK3H3	.	SCREW		2

ILLUSTRATION ITEMS NOT ON PARTS LIST ARE NOT APPLICABLE

- ITEM NOT ILLUSTRATED

HXL

25-13-66-02

BOEING PROPRIETARY - Copyright © - Unpublished Work - See title page for details.

25-13-66
FIG. 02
PAGE 4
AUG 22/09

BOEING
767
PARTS CATALOG (MAINTENANCE)

FIG ITEM	PART NUMBER	1 2 3 4 5 6 7	NOMENCLATURE	EFFECT FROM TO	UNITS PER ASSY
R R R R R R R R R R	2 - 146	BRH10C3D	.NUT SUPPLIER CODE: V52828 SPECIFICATION NUMBER: BACN10JC3CD OPTIONAL PART: T6C1032JCD V11815 NS202486-02 V80539 102LH9075-3W V72962 H51650-3BAC V15653 -----*-----		2
	150	XX78322K1105	..STUD SUPPLIER CODE: V77132 SPECIFICATION NUMBER: BACS21AR1 OPTIONAL PART: XB78322K1105 V77132 ATTACHING PARTS		1
	- 155	BACR15BA5AD3	..RIVET -----*-----		2
	160	232T4205-2	..BRACKET		1

ILLUSTRATION ITEMS NOT ON PARTS LIST ARE NOT APPLICABLE

- ITEM NOT ILLUSTRATED

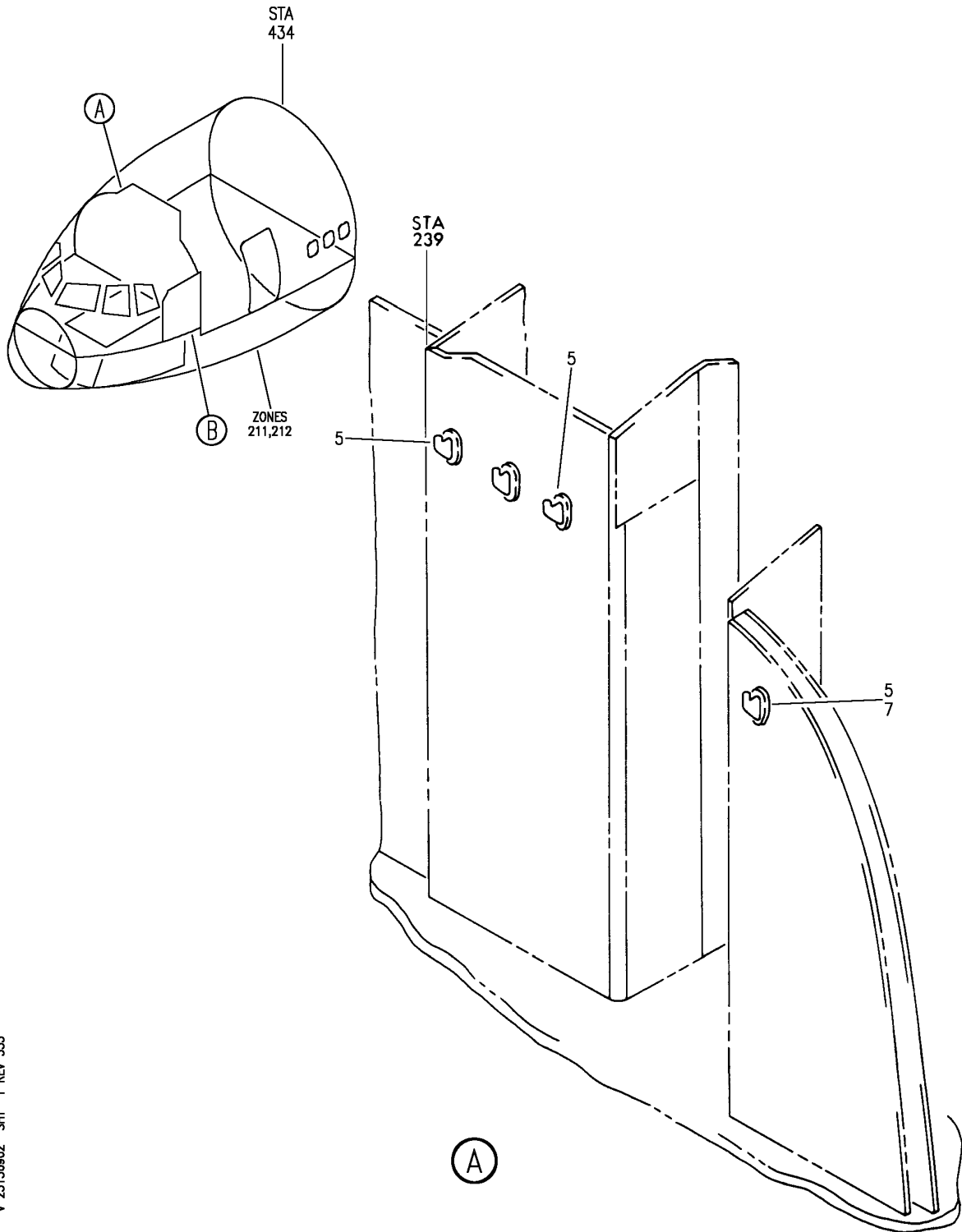
HXL

25-13-66-02

BOEING PROPRIETARY - Copyright © - Unpublished Work - See title page for details.

25-13-66
FIG. 02
PAGE 5
AUG 22/09

BOEING
767
PARTS CATALOG (MAINTENANCE)



V 25136902 SHT 1 REV 333

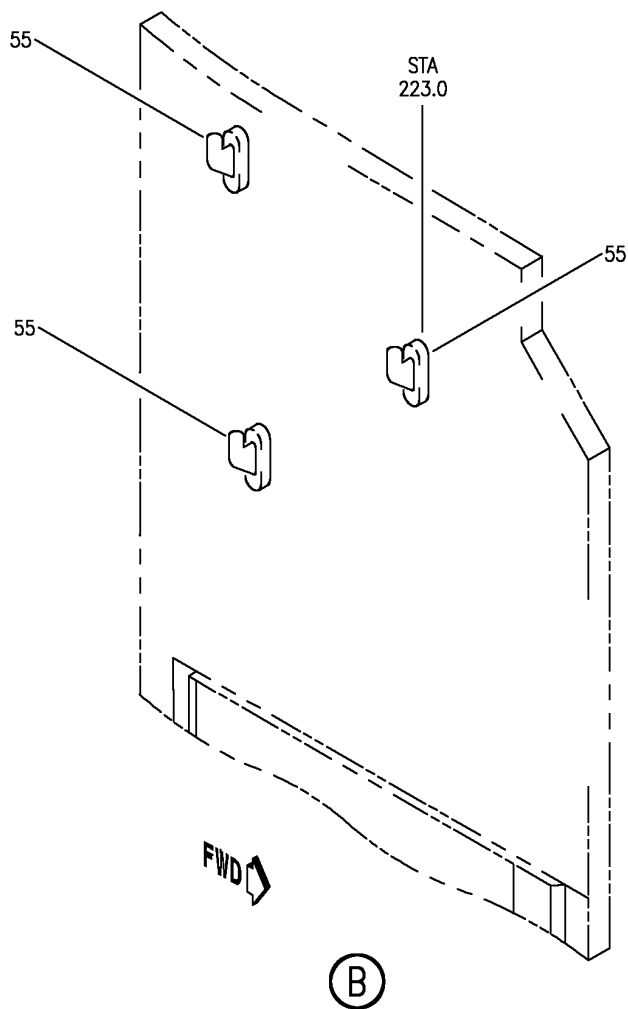
STOWAGE AND LINING INSTL CREW HAT
FIGURE 2 (SHEET 1)

25-13-69-02

HXL
DEC 22/08

25-13-69-02
PAGE 0

BOEING
767
PARTS CATALOG (MAINTENANCE)



V 25136902 SH1 2 REV 333

STOWAGE AND LINING INSTL CREW HAT
FIGURE 2 (SHEET 2)

25-13-69-02

HXL
DEC 22/08

25-13-69-02
PAGE 0A

BOEING
767
PARTS CATALOG (MAINTENANCE)

FIG ITEM	PART NUMBER	1 2 3 4 5 6 7	NOMENCLATURE	EFFECT FROM TO	UNITS PER ASSY
2			STOWAGE AND LINING INSTL CREW HAT		
- 1	232T4302-4		STOWAGE INSTL-CREW HAT		RF
5	CD205		.HOLDER-		4
			SUPPLIER CODE: V63204		
			OPTIONAL PART: H3-1220-2		
			V34941		
			H3-1625-1B		
			V34941		
R	5	H3-1220-2	.CLIP ASSY-HAT		4
R			SUPPLIER CODE: V34941		
R			OPTIONAL PART: CD205		
R			V63204		
R	5	H3-1625-1B	.CLIP ASSY-HAT		4
R			SUPPLIER CODE: V34941		
R			OPTIONAL PART: CD205		
R			V63204		
R			ATTACHING PARTS		
- 10	NAS514P632-6		.SCREW		8
			-----*-----		

ILLUSTRATION ITEMS NOT ON PARTS LIST ARE NOT APPLICABLE

- ITEM NOT ILLUSTRATED

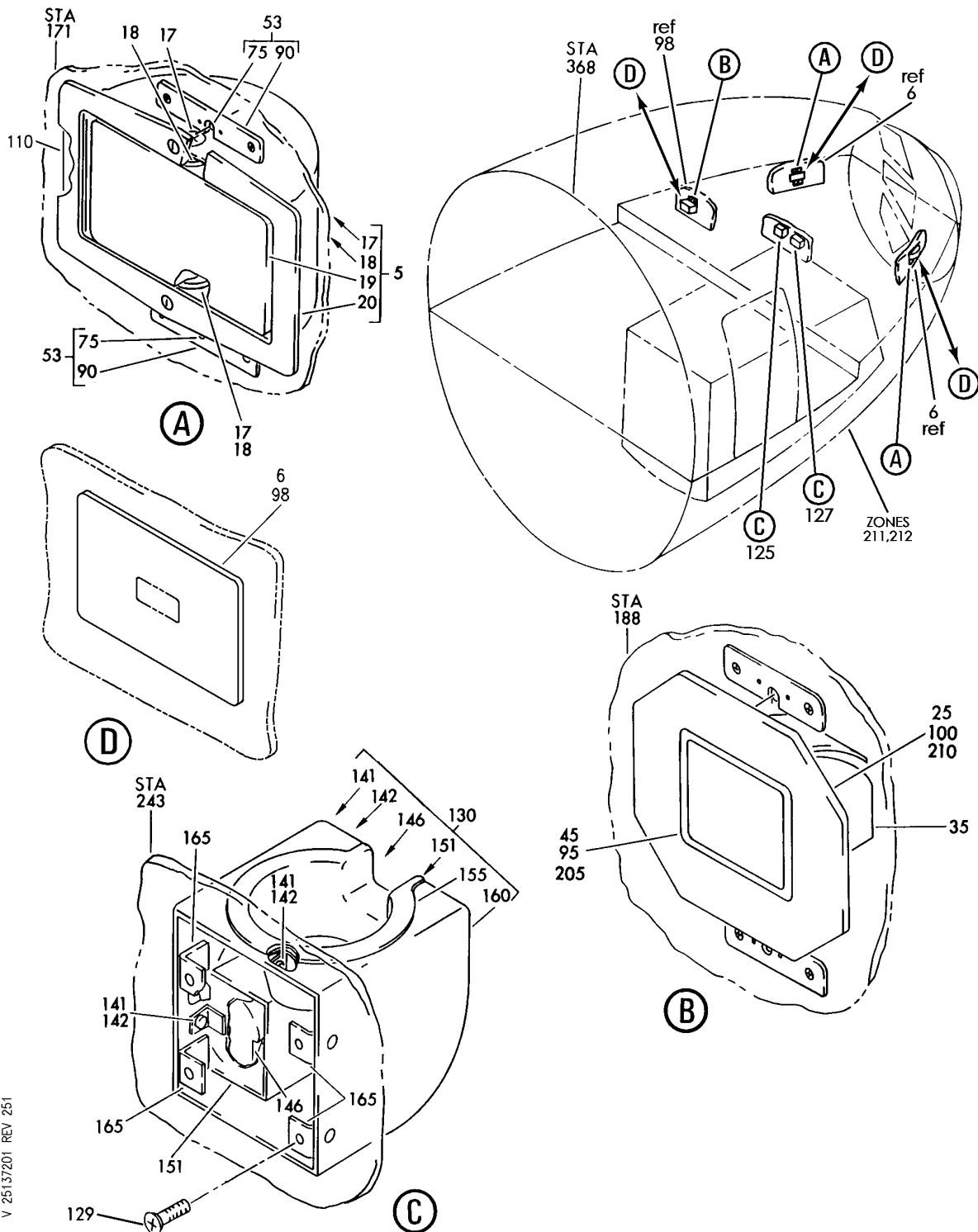
HXL

25-13-69-02

BOEING PROPRIETARY - Copyright © - Unpublished Work - See title page for details.

25-13-69
FIG. 02
PAGE 1
AUG 22/09

BOEING
767
PARTS CATALOG (MAINTENANCE)



V 25137201 REV 251

ASH TRAY INSTL-FLIGHT CREW
FIGURE 1

25-13-72-01

HXL
DEC 22/06

25-13-72-01
PAGE 0

BOEING
767
PARTS CATALOG (MAINTENANCE)

FIG ITEM	PART NUMBER	1 2 3 4 5 6 7	NOMENCLATURE	EFFECT FROM TO	UNITS PER ASSY
1			ASH TRAY INSTL-FLIGHT CREW		
- 1	232T4224-5		ASH TRAY INSTL-CAPT FIRST OFFICER AND FIRST OBSERVER FOR NHA SEE: 25-10-00-04		RF
5	69-44447-3		.ASH TRAY ASSY-	155162	2
5	69-44447-5		.ASH TRAY ASSY- ATTACHING PARTS		2
- 10	26S55-8AB		.STUD- SUPPLIER CODE: V71286 OPTIONAL PART: 26S55-9AB V71286		4
- 10	26S55-9AB		.STUD- SUPPLIER CODE: V71286 OPTIONAL PART: 26S55-8AB V71286		4
- 15	1127700		.WASHER SUPPLIER CODE: V60119 SPECIFICATION NUMBER: BACW10X4 OPTIONAL PART: 2600LW V71286 -----*-----		4
17	NAS607-3-4P		..PIN-		2
18	AN960PD10L		..WASHER		2
19	65-57464-1		..ASH TRAY		1
20	65-57465-1		..SUPPORT		1
53	232T4232-9		.MOUNTING ASSY- ATTACHING PARTS		4
- 55	NAS514P1032-6P		.SCREW-		8
- 65	AN960PD10L		.WASHER		8

ILLUSTRATION ITEMS NOT ON PARTS LIST ARE NOT APPLICABLE

- ITEM NOT ILLUSTRATED

HXL

25-13-72-01

BOEING PROPRIETARY - Copyright © - Unpublished Work - See title page for details.

25-13-72
FIG. 01
PAGE 1
DEC 22/06



767

PARTS CATALOG (MAINTENANCE)

FIG ITEM	PART NUMBER	1 2 3 4 5 6 7	NOMENCLATURE	EFFECT FROM TO	UNITS PER ASSY
1					
- 70	BRH10A3		.NUT SUPPLIER CODE: V52828 SPECIFICATION NUMBER: BACN10JC3 OPTIONAL PART: H10-3BAC V15653 NS202101-02 V80539 RMLH9075-3W V72962 VN303A02 V92215 96-02 V80539 T6S1032J V11815 -----*-----		8
	75 BACR11Y2		..RECEPTACLE ATTACHING PARTS		1
- 80	BACR15BA3AD		..RIVET- SIZE DETERMINED ON INSTL. -----*-----		2
	90 232T4232-10		..BRACKET		1
	95 1052-4		.RECEIVER ASSY-ASH SUPPLIER CODE: V25846		1
	100 232U4282-3		.HOLDER-ASHTRAY ATTACHING PARTS		1
- 105	FH10F10DL12BN		.SCREW- SUPPLIER CODE: V12324 -----*-----		4

ILLUSTRATION ITEMS NOT ON PARTS LIST ARE NOT APPLICABLE

- ITEM NOT ILLUSTRATED

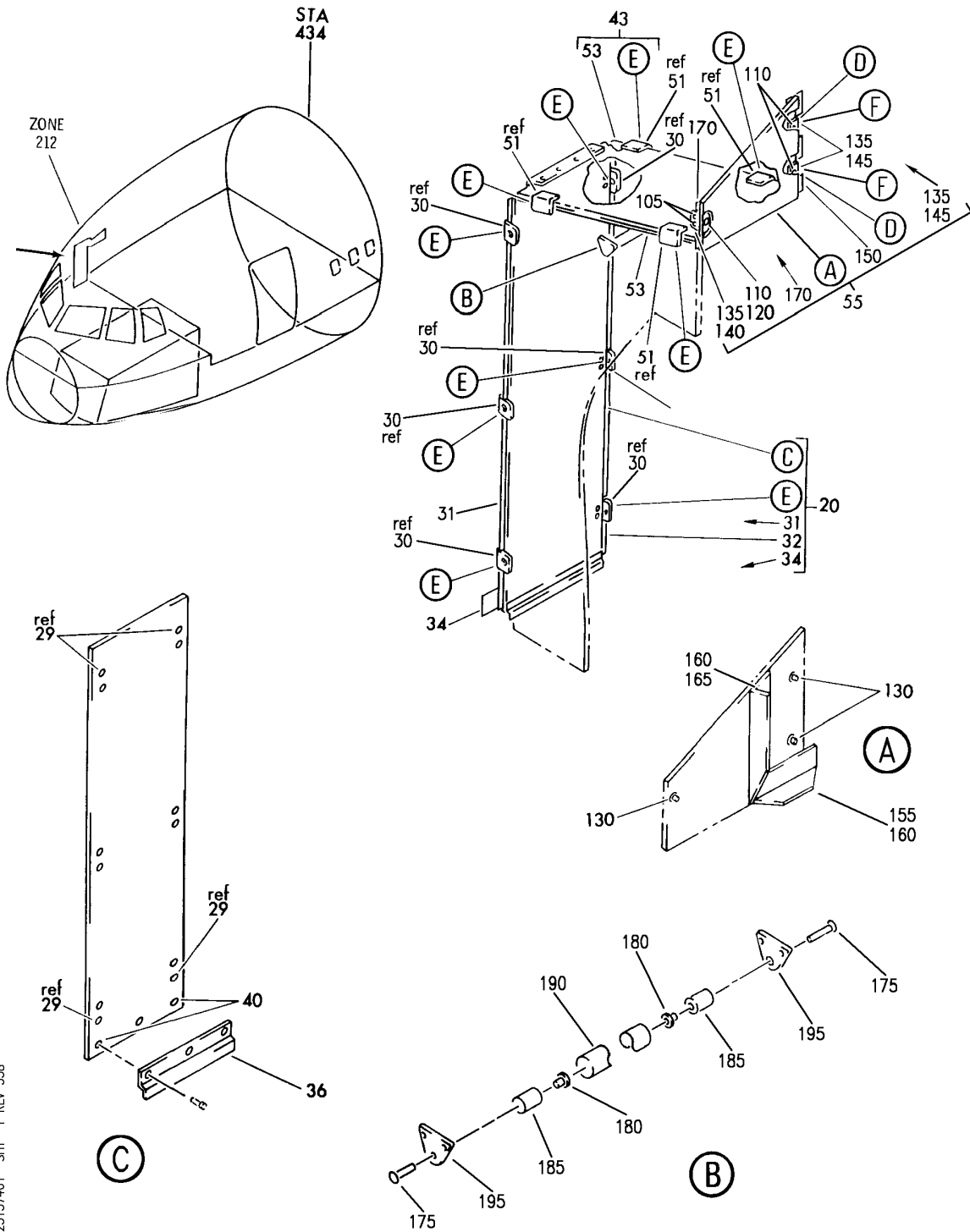
HXL

25-13-72-01

BOEING PROPRIETARY - Copyright © - Unpublished Work - See title page for details.

25-13-72
FIG. 01
PAGE 2
DEC 22/06


BOEING
 767
PARTS CATALOG (MAINTENANCE)



V 25137401 SHT 1 REV 338

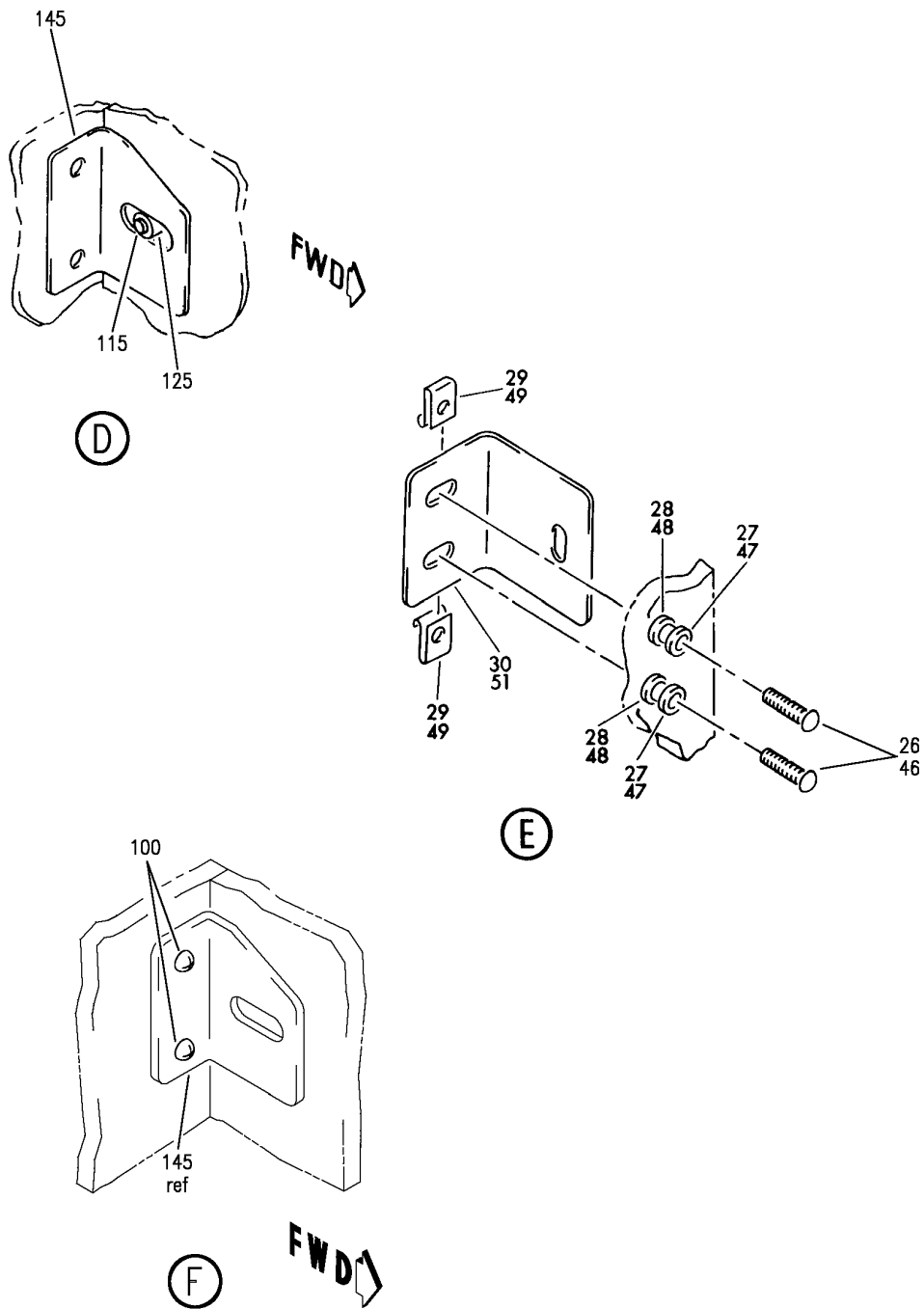
CLOSET INSTL-2 CREW/3 CREW ALTERNATE (EQUIPMENT/ FURNISHINGS ONLY)
 FIGURE 1 (SHEET 1)

HXL
APR 22/09

25-13-74-01

25-13-74-01
 PAGE 0

BOEING
767
PARTS CATALOG (MAINTENANCE)



V 25137401 SH1 2 REV 338

CLOSET INSTL-2 CREW/3 CREW ALTERNATE (EQUIPMENT/ FURNISHINGS ONLY)
FIGURE 1 (SHEET 2)

25-13-74-01

HXL
APR 22/09

25-13-74-01
PAGE 0A

 **BOEING**
767
PARTS CATALOG (MAINTENANCE)

FIG ITEM	PART NUMBER	1 2 3 4 5 6 7	NOMENCLATURE	EFFECT FROM TO	UNITS PER ASSY
1			CLOSET INSTL-2 CREW/3 CREW ALTERNATE (EQUIPMENT/ FURNISHINGS ONLY)		
- 1	232T1457-2		CLOSET INSTL-2 CREW/3 CREW ALTERNATE (EQUIPMENT/ FURNISHINGS ONLY) FOR NHA/OTHER SYS DET SEE: 25-14-53-01		RF
20	232T1455-28		.PANEL ASSY- ATTACHING PARTS		1
- 23	PS10F4DL11BG		.SCREW- SUPPLIER CODE: V12324 -----*-----		6
26	SFSW10F14DL11BG		..SCREW- SUPPLIER CODE: V12324		12
27	SLP102F10-0SP2		..PLUG- SUPPLIER CODE: V97393		12
28	SLS102F10-06		..SLEEVE- SUPPLIER CODE: V97393		12
29	BRC500-8-3		..NUT SUPPLIER CODE: V52828 SPECIFICATION NUMBER: BACN10FX21 OPTIONAL PART: F49322-3-21 V15653 SL240-3-1 V97393 130061 V60119 A11330-8-3 V72962		12
30	232T1456-7		..ANGLE-		6
31	232T1455-19		..SEAL-		1
32	232T1455-19		..SEAL-		1
36	232T1456-10		..SHIELD-DRIP ATTACHING PARTS		1
- 38	SFSW10F4DL11BG		..SCREW- SUPPLIER CODE: V12324 -----*-----		3
40	SL618-3A		..INSERT- SUPPLIER CODE: V97393		3
ILLUSTRATION ITEMS NOT ON PARTS LIST ARE NOT APPLICABLE					

- ITEM NOT ILLUSTRATED

HXL

25-13-74-01

BOEING PROPRIETARY - Copyright © - Unpublished Work - See title page for details.

25-13-74
FIG. 01
PAGE 1
DEC 22/08

 **BOEING**
767
PARTS CATALOG (MAINTENANCE)

FIG ITEM	PART NUMBER	1 2 3 4 5 6 7	NOMENCLATURE	EFFECT FROM TO	UNITS PER ASSY
1					
40	D137HF395		.. INSERT- SUPPLIER CODE: V29372		3
43	232T1455-27		. PANEL ASSY- ATTACHING PARTS		1
- 44	PS10F4DL11BG		. SCREW- SUPPLIER CODE: V12324 -----*-----		4
46	SFSW10F10DL11BG		.. SCREW- SUPPLIER CODE: V12324		8
47	SLP102F10-0SP2		.. PLUG- SUPPLIER CODE: V97393		8
48	SLS102F10-06		.. SLEEVE- SUPPLIER CODE: V97393		8
49	BRC500-8-3		.. NUT SUPPLIER CODE: V52828 SPECIFICATION NUMBER: BACN10FX21 OPTIONAL PART: F49322-3-21 V15653 SL240-3-1 V97393 130061 V60119 A11330-8-3 V72962		8
51	232T1456-7		.. ANGLE-		4
53	232T1455-20		.. SEAL		2
55	232T1455-34		. PANEL ASSY- ATTACHING PARTS		1
100	NAS603-8		. SCREW-		4
105	NAS603-4		. SCREW -----*-----		2
115	PS10F5DL11BG		.. SCREW- SUPPLIER CODE: V12324		2
120	PS10F4DL11BG		.. SCREW- SUPPLIER CODE: V12324		1
125	NAS43DD3-9		.. SPACER		2
130	SL618-3A		.. INSERT- SUPPLIER CODE: V97393		3
ILLUSTRATION ITEMS NOT ON PARTS LIST ARE NOT APPLICABLE					

- ITEM NOT ILLUSTRATED

HXL

25-13-74-01

BOEING PROPRIETARY - Copyright © - Unpublished Work - See title page for details.

25-13-74
FIG. 01
PAGE 2
DEC 22/08



767

PARTS CATALOG (MAINTENANCE)

FIG ITEM	PART NUMBER	1 2 3 4 5 6 7	NOMENCLATURE	EFFECT FROM TO	UNITS PER ASSY
1					
130	D137HF395		.. INSERT- SUPPLIER CODE: V29372		3
140	232T1456-12		.. ANGLE		1
145	232T1456-13		.. ANGLE-		2
150	232T1455-36		.. SEAL-		1
160	232T1455-32		.. SEAL-		2
170	232T1455-18		.. SEAL		1
175	NAS514P428-26		.SCREW-		2
180	SS58698K2215		.NUT- SUPPLIER CODE: V76530		2
185	65B54538-4		.BUSHING-		2
190	232T1456-6		.ROD-		1
195	232T1456-4		.BRACKET- ATTACHING PARTS		2
- 200	PS10F8DL11BG		.SCREW- SUPPLIER CODE: V12324 -----*-----		4

ILLUSTRATION ITEMS NOT ON PARTS LIST ARE NOT APPLICABLE

- ITEM NOT ILLUSTRATED

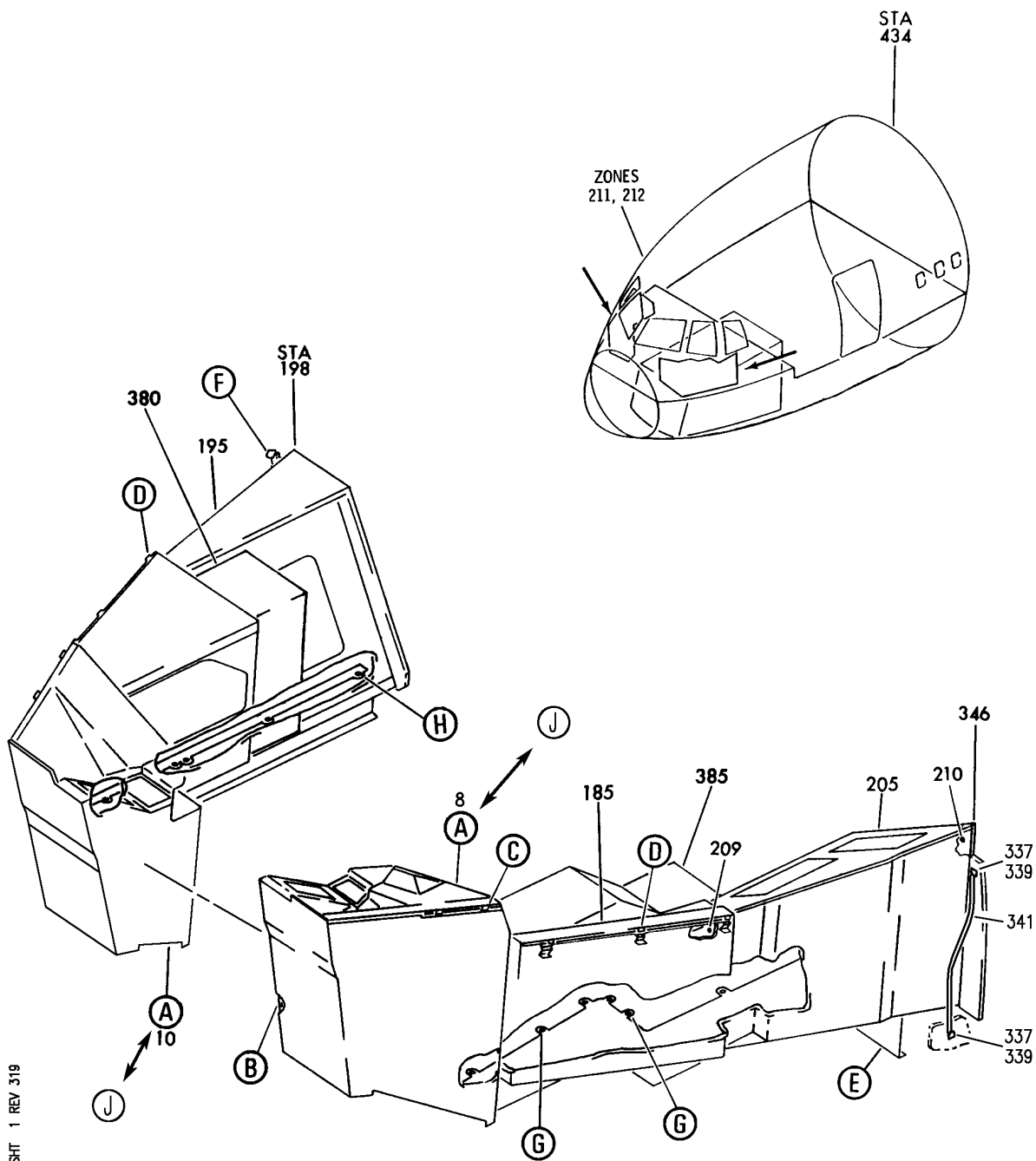
HXL

25-13-74-01

BOEING PROPRIETARY - Copyright © - Unpublished Work - See title page for details.

25-13-74
FIG. 01
PAGE 3
DEC 22/08

BOEING
767
PARTS CATALOG (MAINTENANCE)



V 25137603 SHT 1 REV 319

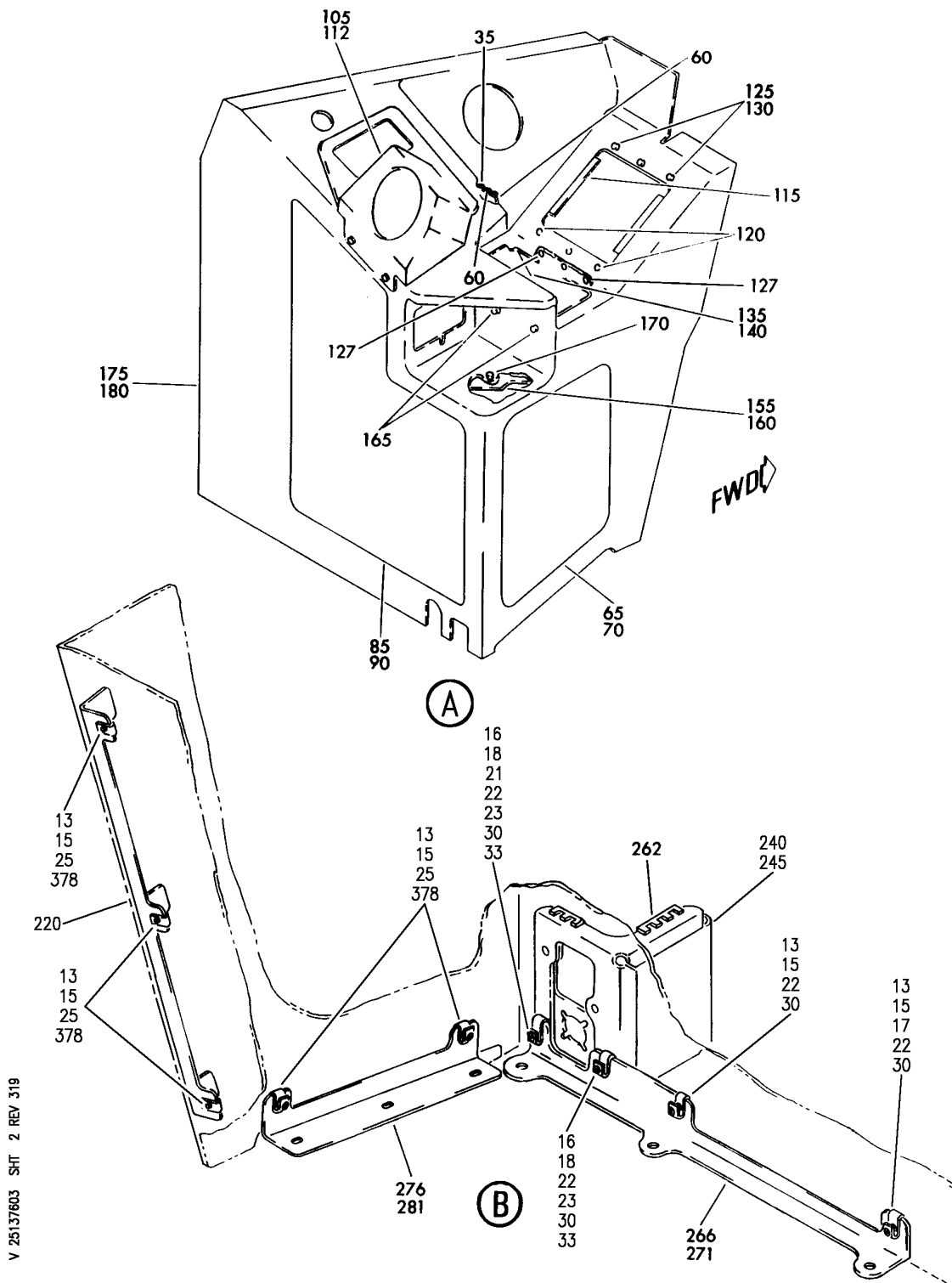
CONSOLE INSTL-CAPT, FIRST OFFICER AND SECOND OBSERVER
FIGURE 3 (SHEET 1)

25-13-76-03

HXL
AUG 22/07

25-13-76-03
PAGE 0

BOEING
767
PARTS CATALOG (MAINTENANCE)



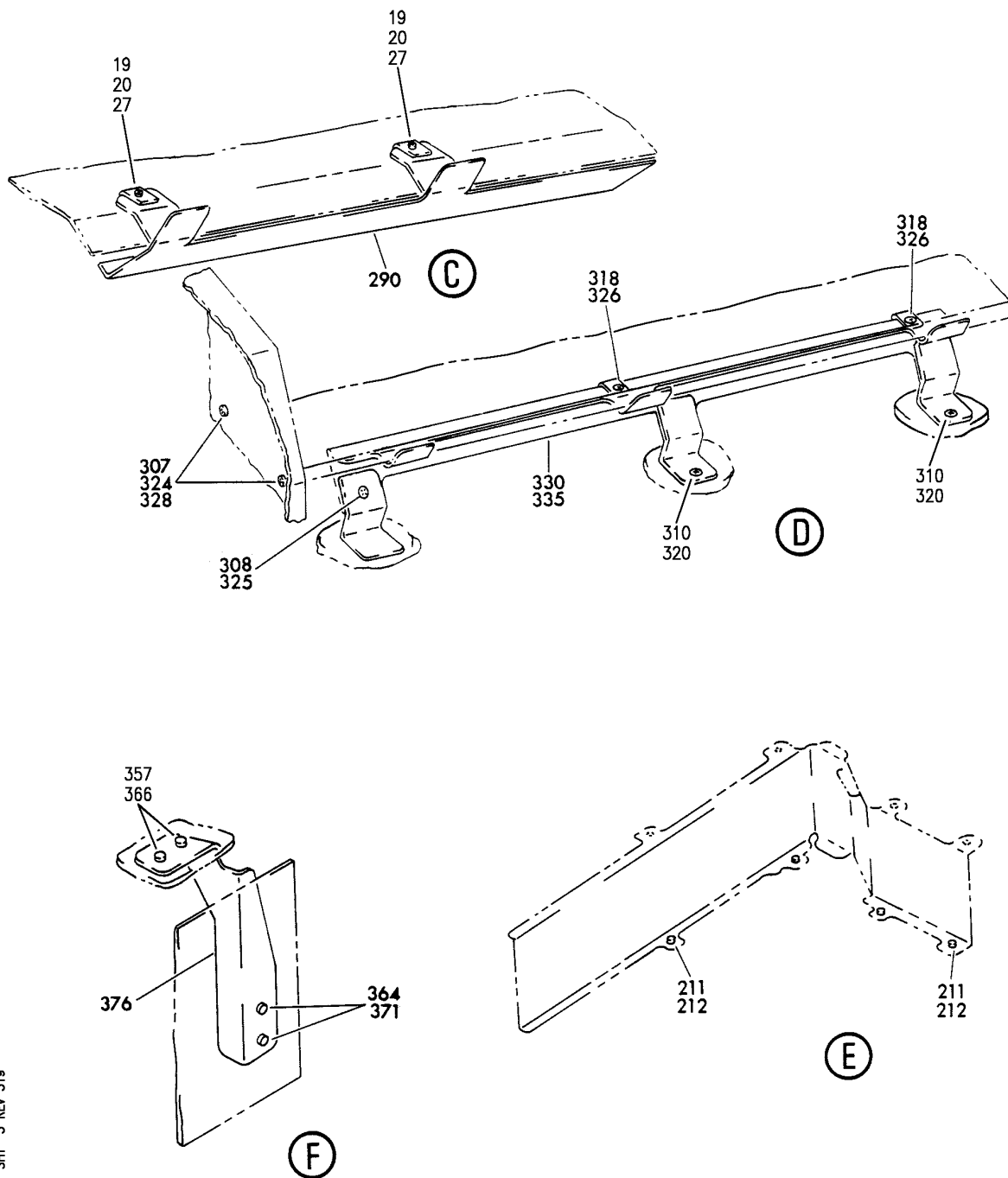
CONSOLE INSTL-CAPT, FIRST OFFICER AND SECOND OBSERVER
FIGURE 3 (SHEET 2)

25-13-76-03

HXL
AUG 22/07

25-13-76-03
PAGE 0A

BOEING
767
PARTS CATALOG (MAINTENANCE)



V 25137603 SH1 3 REV 319

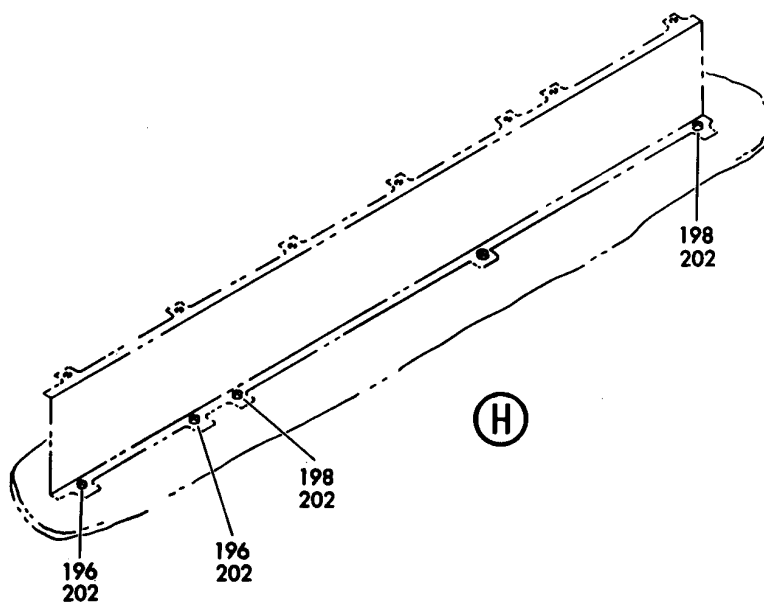
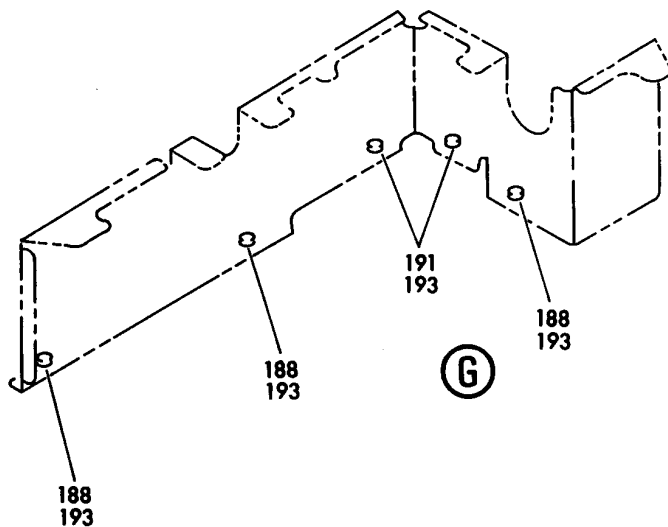
CONSOLE INSTL-CAPT, FIRST OFFICER AND SECOND OBSERVER
FIGURE 3 (SHEET 3)

25-13-76-03

HXL
AUG 22/07

25-13-76-03
PAGE 0B

BOEING
767
PARTS CATALOG (MAINTENANCE)



V 25137603 SMT 4 REV 148

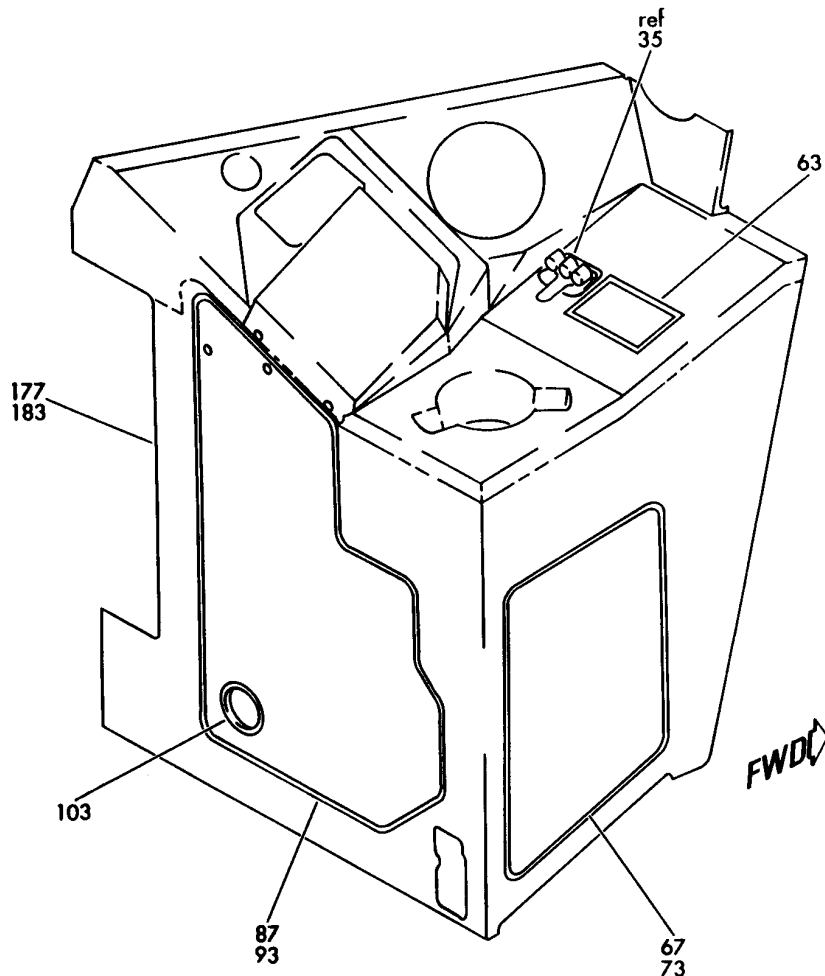
CONSOLE INSTL-CAPT, FIRST OFFICER AND SECOND OBSERVER
FIGURE 3 (SHEET 4)

25-13-76-03

HXL
DEC 22/06

25-13-76-03
PAGE 0C

BOEING
767
PARTS CATALOG (MAINTENANCE)



J

V 25137603 SHT 5 REV 148

CONSOLE INSTL-CAPT, FIRST OFFICER AND SECOND OBSERVER
FIGURE 3 (SHEET 5)

25-13-76-03

HXL
DEC 22/06

25-13-76-03
PAGE 0D

BOEING
767
PARTS CATALOG (MAINTENANCE)

FIG ITEM	PART NUMBER	1 2 3 4 5 6 7	NOMENCLATURE	EFFECT FROM TO	UNITS PER ASSY
3			CONSOLE INSTL-CAPT, FIRST OFFICER AND SECOND OBSERVER		
- 1	232T1405-9		CONSOLE INSTL-CAPT, FIRST OFFICER AND SECOND OBSERVER VARIABLE DRAWING REF: 232T1405-5001 FOR NHA SEE: 25-14-53-01		RF
- 1	232T1405-18		CONSOLE INSTL-CAPT, FIRST OFFICER AND SECOND OBSERVER FOR NHA SEE: 25-14-53-01		RF
8	232T1406-118		.CONSOLE ASSY-CAPT POSITION DATA: FWD		1
10	232T1406-119		.CONSOLE ASSY-FIRST OFFICERS POSITION DATA: FWD		1
15	SFSW10F8DL12BN		ATTACHING PARTS .SCREW- SUPPLIER CODE: V12324		14
18	SFSW10F10DL12BN		.SCREW- SUPPLIER CODE: V12324		4
20	SFSW10F6DL11BG		.SCREW- SUPPLIER CODE: V12324		4
22	AN960PD10		.WASHER		8
25	293163		.NUT- SUPPLIER CODE: V60119 SPECIFICATION NUMBER: BACN10FX5D OPTIONAL PART: F19594-3-1 V15653		10

ILLUSTRATION ITEMS NOT ON PARTS LIST ARE NOT APPLICABLE

- ITEM NOT ILLUSTRATED

HXL

25-13-76-03

BOEING PROPRIETARY - Copyright © - Unpublished Work - See title page for details.

25-13-76
FIG. 03
PAGE 1
DEC 22/07



767

PARTS CATALOG (MAINTENANCE)

FIG ITEM	PART NUMBER	1 2 3 4 5 6 7	NOMENCLATURE	EFFECT FROM TO	UNITS PER ASSY
3					
27	BRC500-8-3	.NUT	SUPPLIER CODE: V52828 SPECIFICATION NUMBER: BACN10FX21 OPTIONAL PART: F49322-3-21 V15653 SL240-3-1 V97393 130061 V60119 A11330-8-3 V72962		4
30	BRH10A3	.NUT	SUPPLIER CODE: V52828 SPECIFICATION NUMBER: BACN10JC3 OPTIONAL PART: H10-3BAC V15653 NS202101-02 V80539 RMLH9075-3W V72962 VN303A02 V92215 96-02 V80539 T6S1032J V11815		8
35	PA062	..CLIP-PENCIL	-----*----- SUPPLIER CODE: V1083B		1
35	487-841	..CLIP-PENCIL	SUPPLIER CODE: VU0683		1
- 40	PS10F8DL11BG	ATTACHING PARTS ..SCREW-	SUPPLIER CODE: V12324		2
- 45	AN960PD10L	..WASHER			2

ILLUSTRATION ITEMS NOT ON PARTS LIST ARE NOT APPLICABLE

- ITEM NOT ILLUSTRATED

25-13-76-03

25-13-76
FIG. 03
PAGE 2
DEC 22/08

HXL

BOEING PROPRIETARY - Copyright © - Unpublished Work - See title page for details.

BOEING
767
PARTS CATALOG (MAINTENANCE)

FIG ITEM	PART NUMBER	1 2 3 4 5 6 7	NOMENCLATURE	EFFECT FROM TO	UNITS PER ASSY
3					
- 50	BRH10A3		.. NUT SUPPLIER CODE: V52828 SPECIFICATION NUMBER: BACN10JC3 OPTIONAL PART: H10-3BAC V15653 NS202101-02 V80539 RMLH9075-3W V72962 VN303A02 V92215 96-02 V80539 T6S1032J V11815		2
- 55	NAS43DD4-4		.. SPACER -----*-----	163999	2
60	232T4232-7		.. PLATE-MTG	163999	1
65	232T1406-6		.. COVER-ACCESS USED ON: 232T1406-129 232T1408-118		1
70	232T1406-7		.. COVER-ACCESS USED ON: 232T1406-99 232T1406-100 232T1406-101 232T1406-128 232T1406-130 232T1406-119 ATTACHING PARTS		1
- 75	SFSW10F8DL12BN		.. SCREW- SUPPLIER CODE: V12324	163999	6
- 80	130069		.. NUT SUPPLIER CODE: V60119 SPECIFICATION NUMBER: BACN10FX16 OPTIONAL PART: A11330-6-3 V72962 A4972-6-02 V72962 -----*-----	163999	6

R
R
R
R
R
R
R
R

- ITEM NOT ILLUSTRATED

ILLUSTRATION ITEMS NOT ON PARTS LIST ARE NOT APPLICABLE

HXL

25-13-76-03

BOEING PROPRIETARY - Copyright © - Unpublished Work - See title page for details.

25-13-76
FIG. 03
PAGE 3
AUG 22/09



767

PARTS CATALOG (MAINTENANCE)

FIG ITEM	PART NUMBER	1 2 3 4 5 6 7	NOMENCLATURE	EFFECT FROM TO	UNITS PER ASSY
3					
85	232T1406-117	..	COVER-ACCESS USED ON: 232T1406-116 232T1406-118 232T1406-129		1
90	232T1406-115	..	COVER-ACCESS USED ON: 232T1406-114 232T1406-119 232T1406-128 232T1406-130 ATTACHING PARTS		1
- 95	SFSW10F7DL12BN	..	SCREW- SUPPLIER CODE: V12324 -----*-----		9
105	232T1445-3	..	HOUSING-NOSE WHL STEERING USED ON: 232T1406-116 232T1406-118 ATTACHING PARTS		1
- 110	PS10F8DL11BG	..	SCREW- SUPPLIER CODE: V12324 -----*-----		4
115	232T1424-87	..	DOUBLER ASSY- ATTACHING PARTS	163999	1
120	BACR15BA4AD	..	RIVET- SIZE DETERMINED ON INSTL.		3
125	SFSW10F7DL11BG	..	SCREW- SUPPLIER CODE: V12324	163999	3
127	SFSW10F8DL12BN	..	SCREW- SUPPLIER CODE: V12324	163999	3

ILLUSTRATION ITEMS NOT ON PARTS LIST ARE NOT APPLICABLE

- ITEM NOT ILLUSTRATED

HXL

25-13-76-03

BOEING PROPRIETARY - Copyright © - Unpublished Work - See title page for details.

25-13-76
FIG. 03
PAGE 4
AUG 22/09

BOEING
767
PARTS CATALOG (MAINTENANCE)

FIG ITEM	PART NUMBER	1 2 3 4 5 6 7	NOMENCLATURE	EFFECT FROM TO	UNITS PER ASSY
3 130	BRH10A3		..NUT SUPPLIER CODE: V52828 SPECIFICATION NUMBER: BACN10JC3 OPTIONAL PART: H10-3BAC V15653 NS202101-02 V80539 RMLH9075-3W V72962 VN303A02 V92215 96-02 V80539 T6S1032J V11815 -----*-----	163999	3
135	232T1447-7		..CONTAINER-MAP STOWAGE USED ON: 232T1406-118 232T1406-129		1
140	232T1447-8		..CONTAINER-MAP STOWAGE USED ON: 232T1406-114 232T1406-119 232T1406-128 232T1406-130 ATTACHING PARTS		1
- 145	PS10F8DL11BG		..SCREW- SUPPLIER CODE: V12324 -----*-----		2
155	232T4232-3		..BRACKET ASSY- USED ON: 232T1406-116 232T1406-118 232T1406-129		1
160	232T4232-4		..BRACKET ASSY- USED ON: 232T1406-101 232T1406-114 232T1406-119 232T1406-128 232T1406-130		1

ILLUSTRATION ITEMS NOT ON PARTS LIST ARE NOT APPLICABLE

- ITEM NOT ILLUSTRATED

HXL

25-13-76-03

BOEING PROPRIETARY - Copyright © - Unpublished Work - See title page for details.

25-13-76
FIG. 03
PAGE 5
APR 22/09

 **BOEING**
767
PARTS CATALOG (MAINTENANCE)

FIG ITEM	PART NUMBER	1 2 3 4 5 6 7	NOMENCLATURE	EFFECT FROM TO	UNITS PER ASSY
3			ATTACHING PARTS		
165	PS10F8DL11BG	..	SCREW- SUPPLIER CODE: V12324		2
170	SFSW10F8DL12BN	..	SCREW- SUPPLIER CODE: V12324	163999	1
175	232T1406-93	..	SHELL- USED ON: 232T1406-118 232T1406-129		1
180	232T1406-94	..	SHELL- USED ON: 232T1406-119		1
185	232T1407-73	.	CONSOLE ASSY-CAPT POSITION DATA: AFT FOR DETAILS SEE: 25-13-77-05		1
188	NAS1801-3-7	.	SCREW- ATTACHING PARTS		3
191	NAS1801-3-14	.	SCREW-		2
193	AN960JD10L	.	WASHER-	163999	5
195	232T1409-84	.	CONSOLE ASSY-FIRST OFFICERS POSITION DATA: AFT FOR DETAILS SEE: 25-13-78-05		1
196	NAS1801-3-7	.	SCREW- ATTACHING PARTS		2
198	NAS1801-3-14	.	SCREW-		3
202	AN960JD10L	.	WASHER-	163999	5
205	232T1408-116	.	CONSOLE ASSY-SECOND OBSERVER OPTIONAL PART: 232T1408-112 FOR DETAILS SEE: 25-13-79-02		1
205	232T1408-112	.	CONSOLE ASSY-SECOND OBSERVER OPTIONAL PART: 232T1408-116 FOR DETAILS SEE: 25-13-79-02		1

ILLUSTRATION ITEMS NOT ON PARTS LIST ARE NOT APPLICABLE

- ITEM NOT ILLUSTRATED

HXL

25-13-76-03

BOEING PROPRIETARY - Copyright © - Unpublished Work - See title page for details.

25-13-76
FIG. 03
PAGE 6
APR 22/09

 **BOEING**
767
PARTS CATALOG (MAINTENANCE)

FIG ITEM	PART NUMBER	1 2 3 4 5 6 7	NOMENCLATURE	EFFECT FROM TO	UNITS PER ASSY
3			ATTACHING PARTS		
209	SFSW10F14DL11BG	.SCREW-		163999	1
			SUPPLIER CODE: V12324		
210	SFSW10F7DL11BG	.SCREW-		163999	1
			SUPPLIER CODE: V12324		
211	NAS1801-3-7	.SCREW-			4
212	AN960JD10L	.WASHER-		163999	4
			-----*-----		
220	232T1437-1	.BRACKET		163999	2
			ATTACHING PARTS		
- 225	NAS603-7P	.SCREW-			6
- 230	AN960PD10L	.WASHER			12
- 235	PLH53CD	.NUT-		163999	6
			SUPPLIER CODE: VF0224		
			SPECIFICATION NUMBER: BACN10YR3CD		
			OPTIONAL PART: H52732-3CD V15653		
			-----*-----		
240	232T1437-47	.BRACKET ASSY-			1
245	232T1437-48	.BRACKET ASSY-			1
			ATTACHING PARTS		
- 250	NAS603-5P	.SCREW			6
- 260	AN960PD10L	.WASHER			6
			-----*-----		
262	BACG20ZA386	.GROMMET-			1
266	232T1437-53	.BRACKET		163999	1
271	232T1437-54	.BRACKET		163999	1
276	232T1437-5	.BRACKET		163999	1
281	232T1437-6	.BRACKET		163999	1
290	232T1437-89	.BRACKET ASSY-		163999	1
295	232T1437-90	.BRACKET ASSY-			1
			ATTACHING PARTS		
- 300	NAS603-5P	.SCREW			4
- 305	AN960PD10L	.WASHER			4
			-----*-----		
307	NAS6603-1	.BOLT			4
308	NAS514P1032-6P	.SCREW			2
310	NAS603-6P	.SCREW-			4
318	SFSW10F7DL11BG	.SCREW-			4
			SUPPLIER CODE: V12324		
320	AN960PD10L	.WASHER			4
324	AN960PD10L	.WASHER			4

ILLUSTRATION ITEMS NOT ON PARTS LIST ARE NOT APPLICABLE

- ITEM NOT ILLUSTRATED

HXL

25-13-76-03

BOEING PROPRIETARY - Copyright © - Unpublished Work - See title page for details.

25-13-76
FIG. 03
PAGE 7
APR 22/09



767

PARTS CATALOG (MAINTENANCE)

FIG ITEM	PART NUMBER	1 2 3 4 5 6 7	NOMENCLATURE	EFFECT FROM TO	UNITS PER ASSY
3					
326	BRC500-8-3	.NUT	SUPPLIER CODE: V52828 SPECIFICATION NUMBER: BACN10FX21 OPTIONAL PART: F49322-3-21 V15653 SL240-3-1 V97393 130061 V60119 A11330-8-3 V72962		2
328	BRC500-8-3	.NUT	SUPPLIER CODE: V52828 SPECIFICATION NUMBER: BACN10FX21 OPTIONAL PART: F49322-3-21 V15653 SL240-3-1 V97393 130061 V60119 A11330-8-3 V72962		4
330	232T1437-87	.BRACKET-	USED ON: MODREF47724		1
335	232T1437-88	.BRACKET-	USED ON: MODREF47725		1
346	232T1424-91	.BRACKET-	ATTACHING PARTS		1
- 350	NAS603-6P	.SCREW-			2
- 355	AN960PD10L	.WASHER			2
		-----*-----			
357	NAS603-6P	.SCREW			2
364	SFSW10F7DL12BN	.SCREW-	SUPPLIER CODE: V12324		2
366	AN960PD10L	.WASHER			2

ILLUSTRATION ITEMS NOT ON PARTS LIST ARE NOT APPLICABLE

- ITEM NOT ILLUSTRATED

25-13-76-03

25-13-76
FIG. 03
PAGE 8
DEC 22/08

HXL

BOEING PROPRIETARY - Copyright © - Unpublished Work - See title page for details.



767

PARTS CATALOG (MAINTENANCE)

FIG ITEM	PART NUMBER	1 2 3 4 5 6 7	NOMENCLATURE	EFFECT FROM TO	UNITS PER ASSY
3 371	BRC500-8-3	.	NUT SUPPLIER CODE: V52828 SPECIFICATION NUMBER: BACN10FX21 OPTIONAL PART: F49322-3-21 V15653 SL240-3-1 V97393 130061 V60119 A11330-8-3 V72962		2
376	232T1437-85	.	BRACKET-		1

ILLUSTRATION ITEMS NOT ON PARTS LIST ARE NOT APPLICABLE

- ITEM NOT ILLUSTRATED

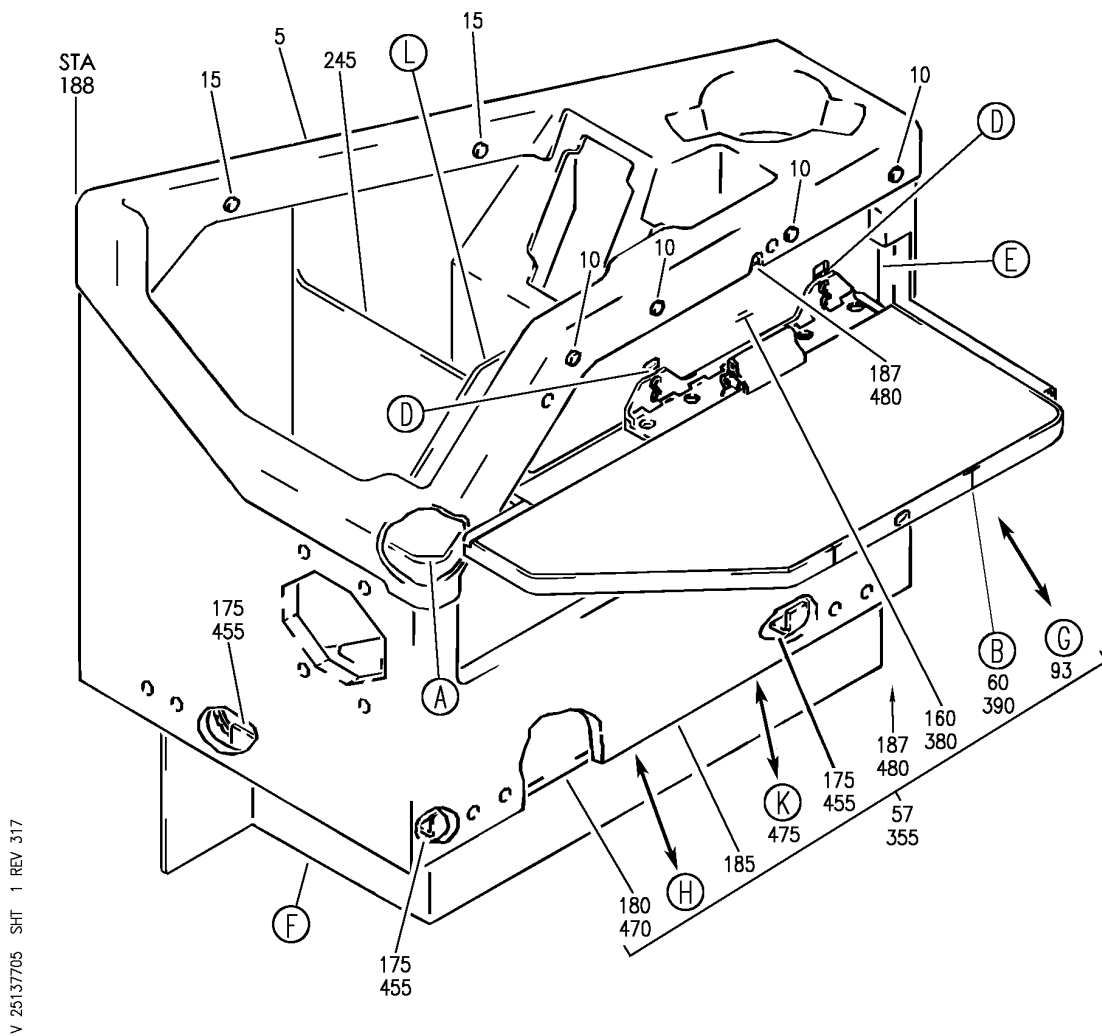
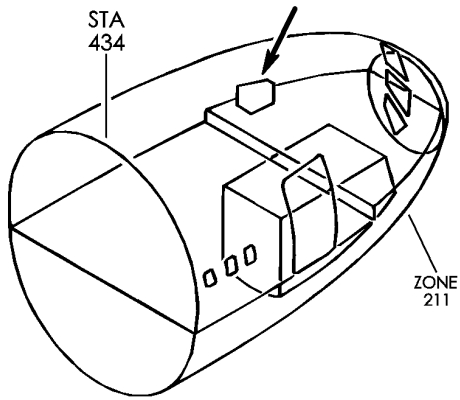
HXL

25-13-76-03

BOEING PROPRIETARY - Copyright © - Unpublished Work - See title page for details.

25-13-76
FIG. 03
PAGE 9
DEC 22/08

BOEING
767
PARTS CATALOG (MAINTENANCE)



V 25137705 SH1 1 REV 317

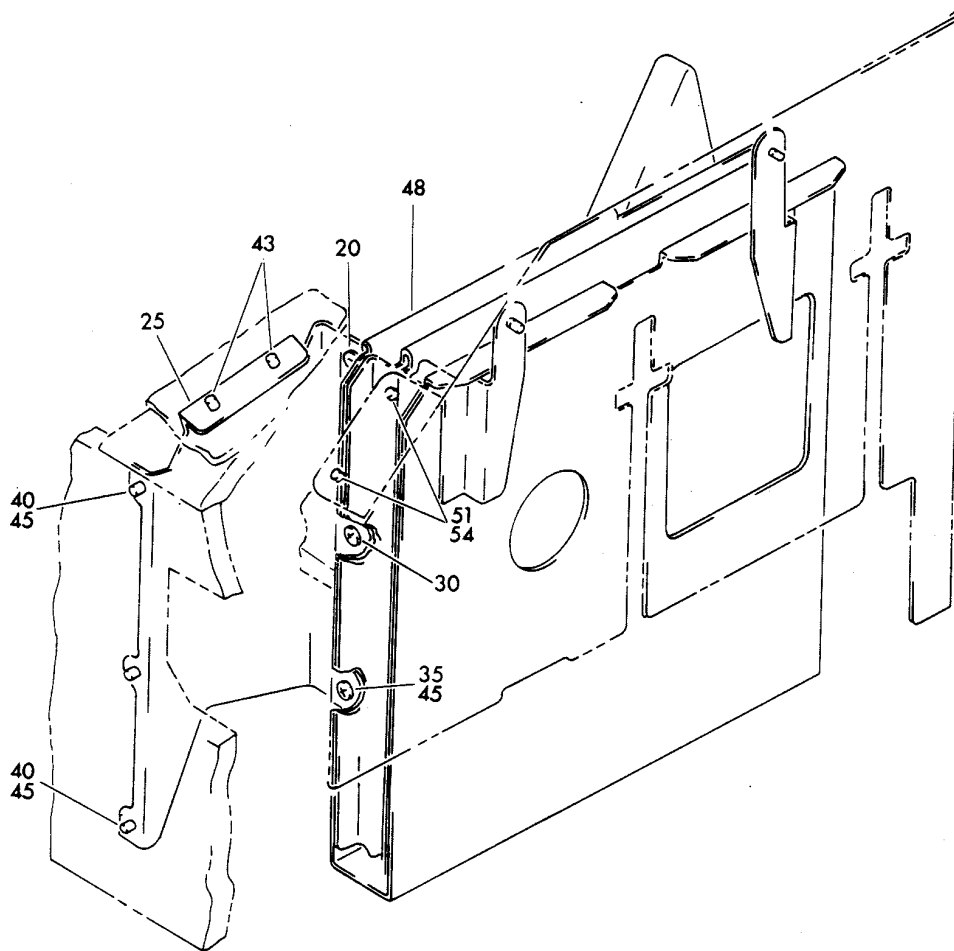
CONSOLE ASSY-CAPT AFT
FIGURE 5 (SHEET 1)

25-13-77-05

HXL
AUG 22/07

25-13-77-05
PAGE 0

BOEING
767
PARTS CATALOG (MAINTENANCE)



v 25137705 SHT 2 REV 048

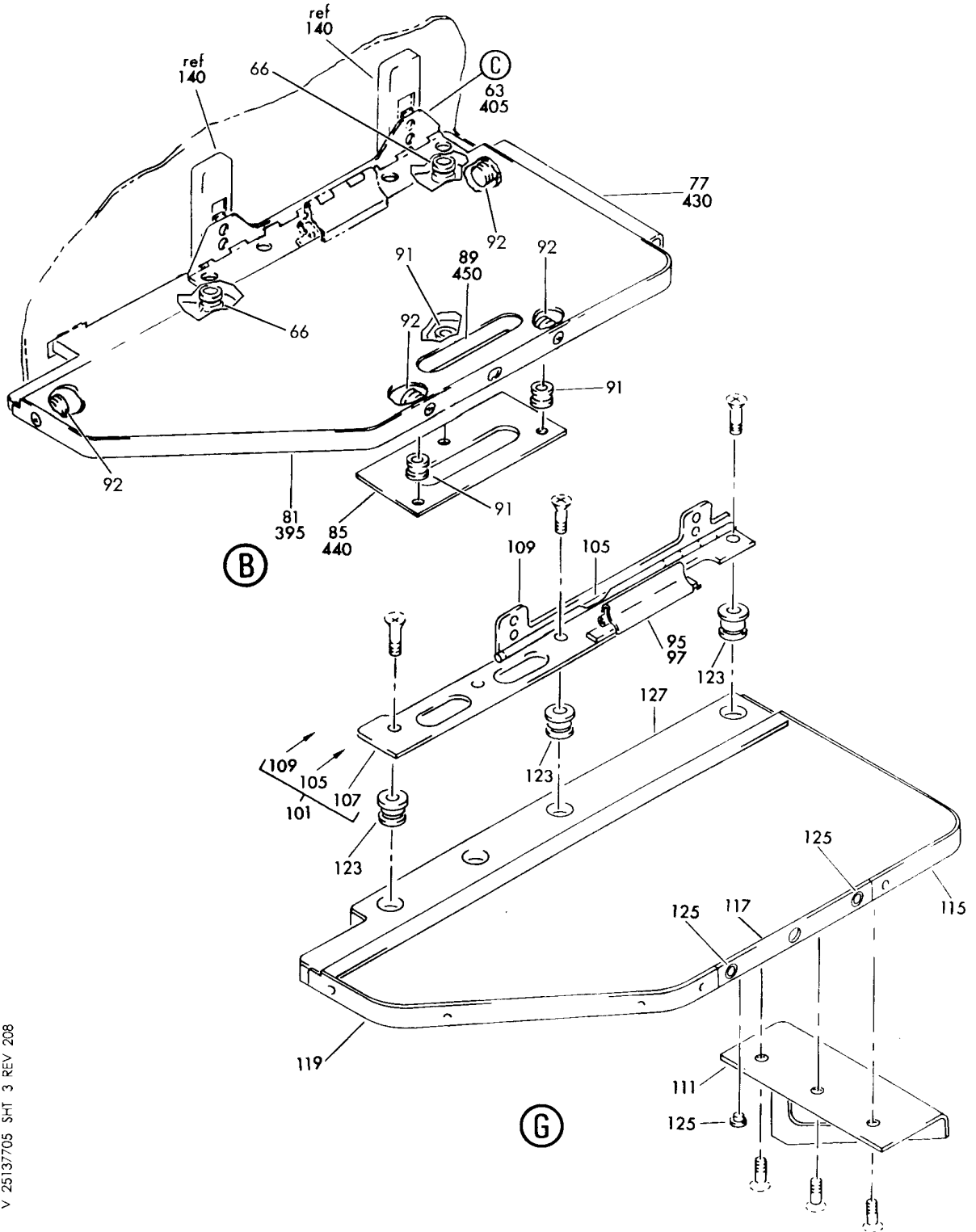
CONSOLE ASSY-CAPT AFT
FIGURE 5 (SHEET 2)

25-13-77-05

HXL
DEC 22/06

25-13-77-05
PAGE 0A

BOEING
767
PARTS CATALOG (MAINTENANCE)



V 25137705 SHT 3 REV 208

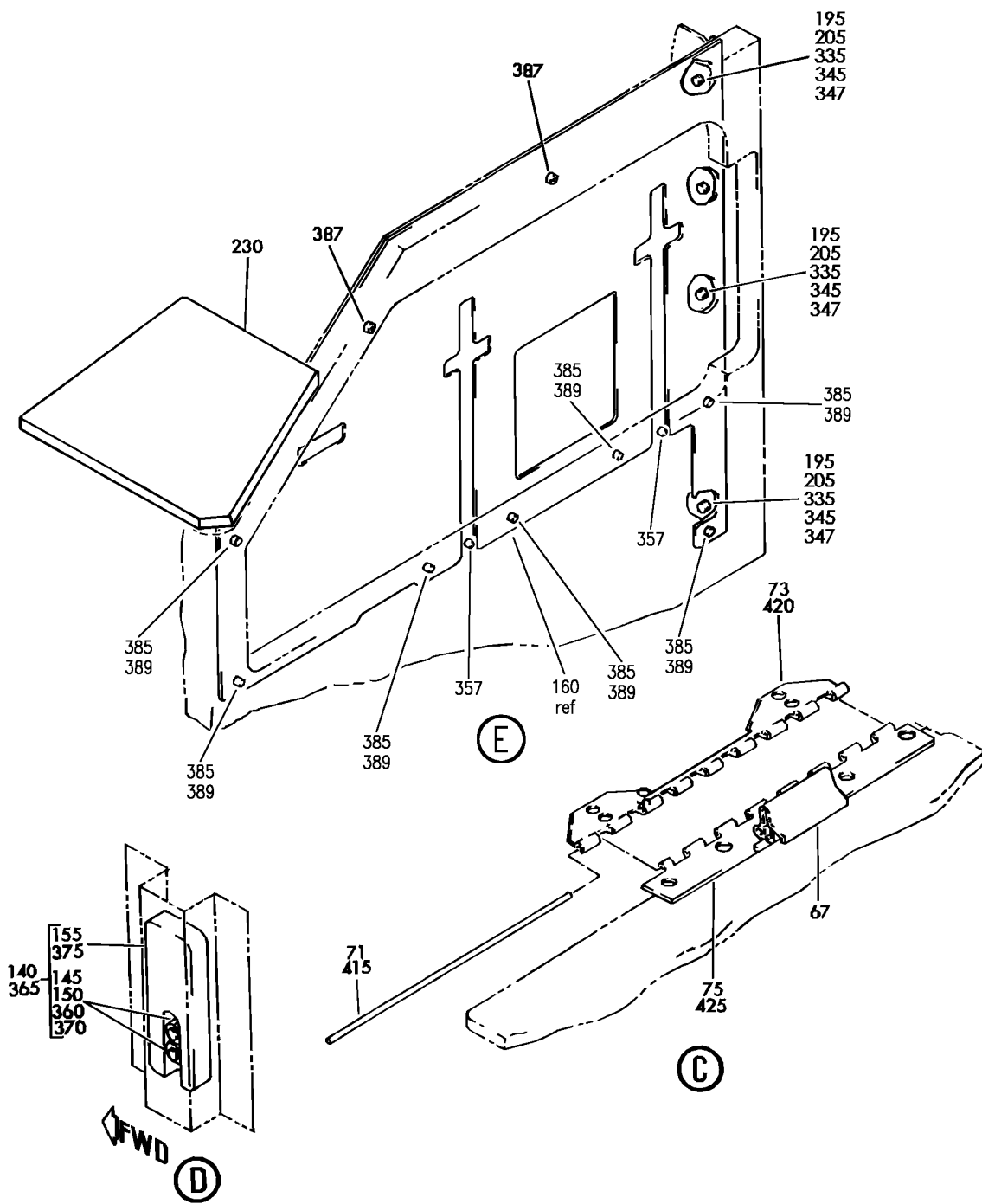
CONSOLE ASSY-CAPT AFT
FIGURE 5 (SHEET 3)

25-13-77-05

HXL
DEC 22/06

25-13-77-05
PAGE 0B

BOEING
767
PARTS CATALOG (MAINTENANCE)



V 25137705 SHT 4 REV 279

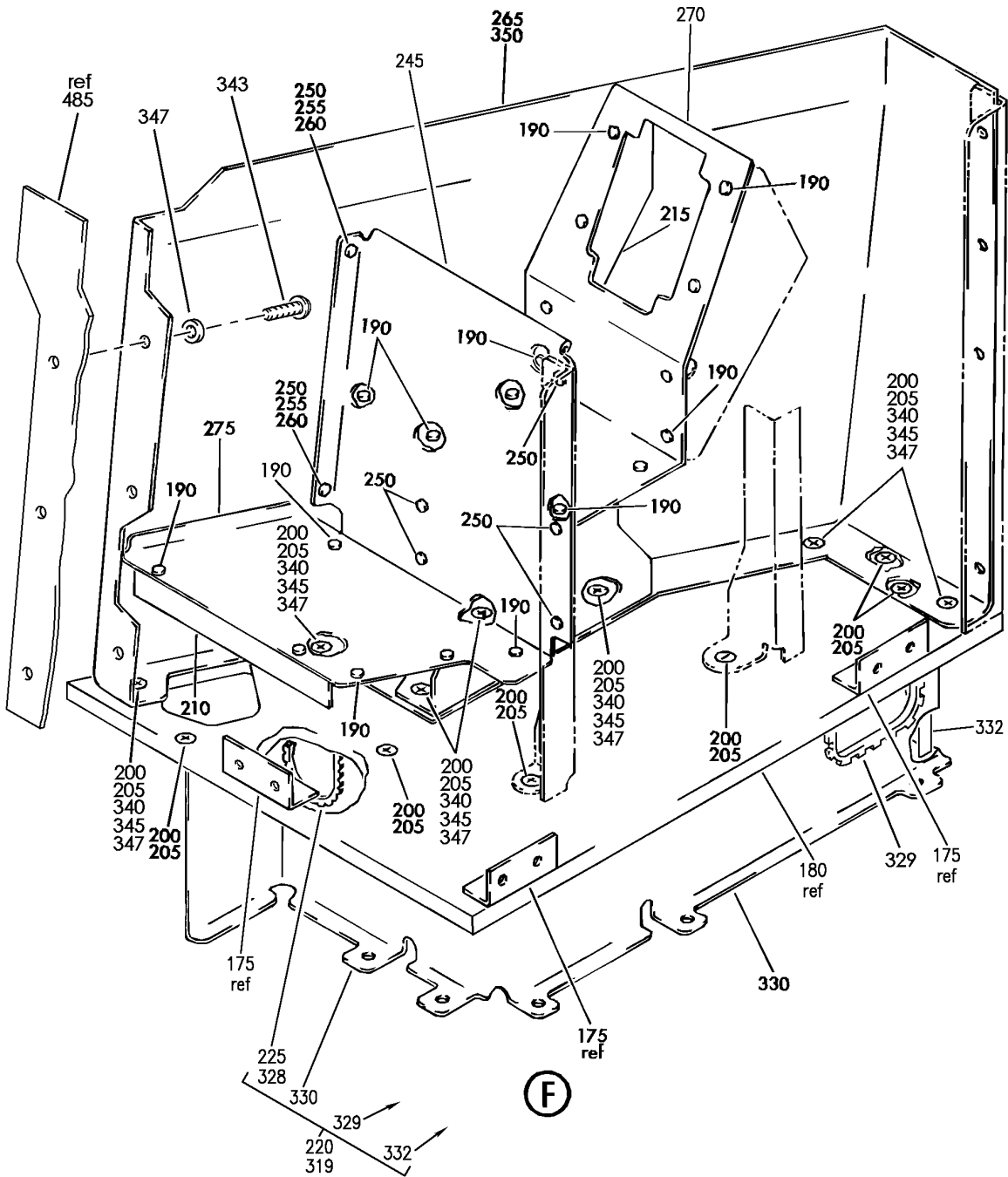
CONSOLE ASSY-CAPT AFT
FIGURE 5 (SHEET 4)

25-13-77-05

HXL
DEC 22/06

25-13-77-05
PAGE 0C

BOEING
 767
 PARTS CATALOG (MAINTENANCE)



V 25137705 SH1 5 REV 27B

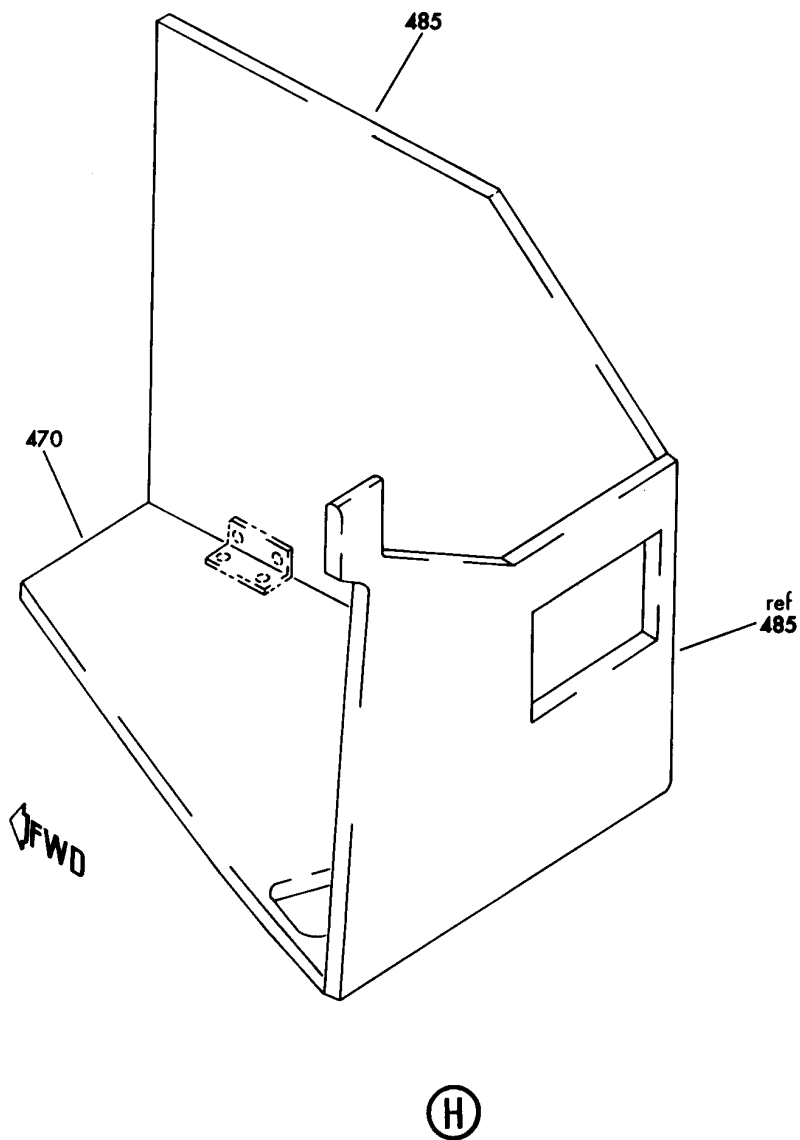
CONSOLE ASSY-CAPT AFT
 FIGURE 5 (SHEET 5)

25-13-77-05

HXL
 DEC 22/06

25-13-77-05
 PAGE 0D

BOEING
767
PARTS CATALOG (MAINTENANCE)



V 25137705 SHT 6 REV 184

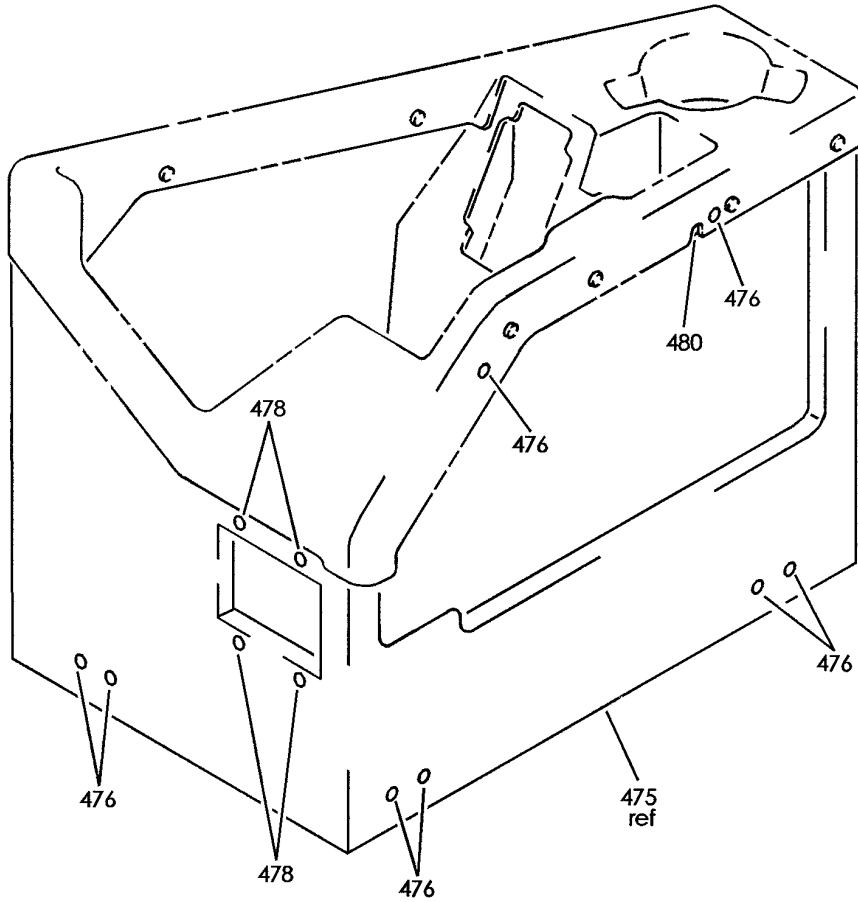
CONSOLE ASSY-CAPT AFT
FIGURE 5 (SHEET 6)

25-13-77-05

HXL
DEC 22/06

25-13-77-05
PAGE 0E

BOEING
767
PARTS CATALOG (MAINTENANCE)



(K)

V 25137705 SH7 7 REV 317

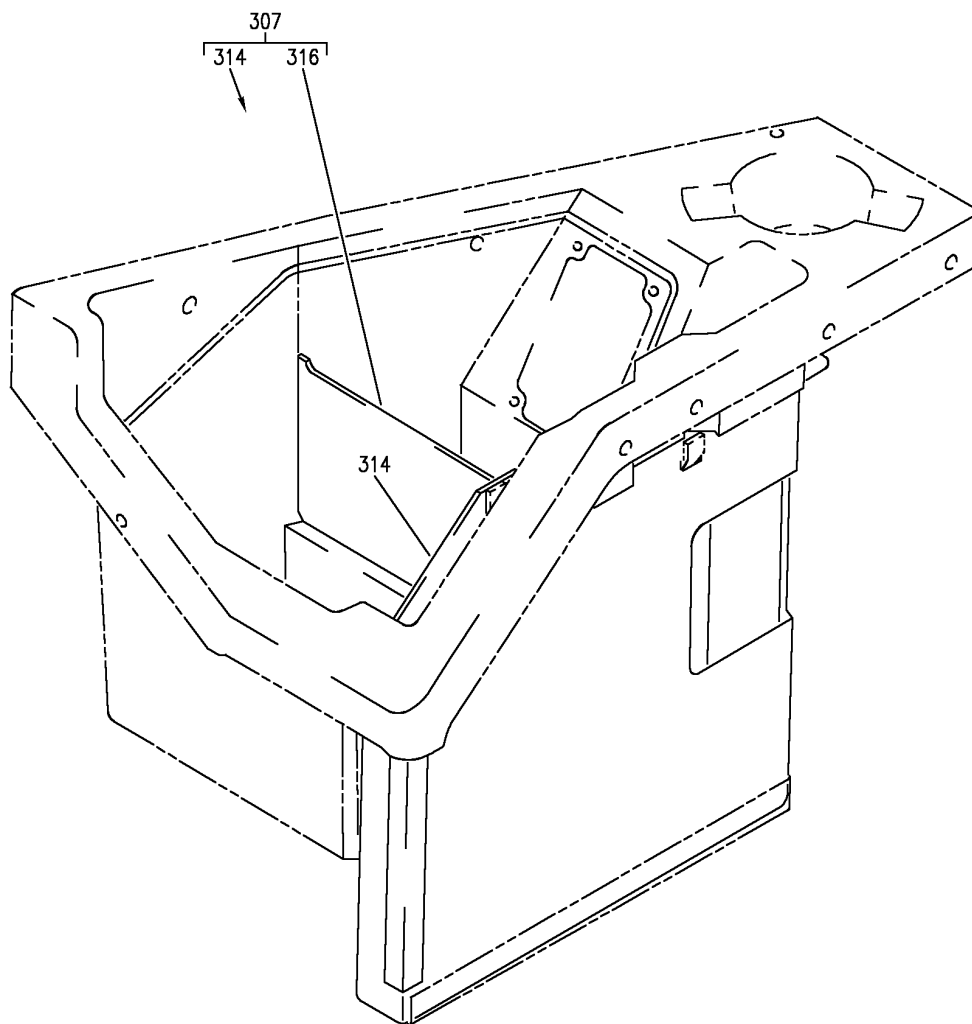
CONSOLE ASSY-CAPT AFT
FIGURE 5 (SHEET 7)

25-13-77-05

HXL
AUG 22/07

25-13-77-05
PAGE OF

BOEING
767
PARTS CATALOG (MAINTENANCE)



(L)

V 25137705 SH1 8 REV 329

CONSOLE ASSY-CAPT AFT
FIGURE 5 (SHEET 8)

25-13-77-05

HXL
AUG 22/08

25-13-77-05
PAGE 06



767

PARTS CATALOG (MAINTENANCE)

FIG ITEM	PART NUMBER	1 2 3 4 5 6 7	NOMENCLATURE	EFFECT FROM TO	UNITS PER ASSY
5			CONSOLE ASSY-CAPT AFT		
- 300	232T1407-73		CONSOLE ASSY-CAPT POSITION DATA: AFT FOR NHA SEE: 25-13-76-03		RF
307	232T1476-1		.CONSOLE ASSY-STOWAGE ATTACHING PARTS		1
- 313	PS10F5DL11BG		.SCREW-DEC SUPPLIER CODE: V12324		4
- 313	SFSW10F5DL11BG		.SCREW-DEC SUPPLIER CODE: V12324 -----*-----		4
316	232T1477-9		..DIVIDER		1
319	232T1424-79		.SUPPORT ASSY ATTACHING PARTS		1
- 320	NAS603-5P		.SCREW		5
- 325	AN960JD10L		.WASHER- -----*-----		5
328	BACG20ZA325		..GROMMET		1
330	232T1424-78		..SUPPORT ZEE-		1
332	232T1424-57		..BRACKET-END ATTACHING PARTS		1
- 333	BACR15BA3AD		..RIVET- SIZE DETERMINED ON INSTL. -----*-----		5
335	NAS603-6P		.SCREW		4
340	NAS603-5P		.SCREW		7
345	AN960JD10L		.WASHER-		11
350	232T1474-1		.WALL-OUTBOARD		1
355	232T1471-58		.PANEL ASSY-		1
357	D2707PLC		..PLUG SUPPLIER CODE: V57771 SPECIFICATION NUMBER: BACP20B64 OPTIONAL PART: SS48179 V61864		2
360	NAS514P832-7		..SCREW		4
365	232T1473-1		..SLIDER ASSY-		2

ILLUSTRATION ITEMS NOT ON PARTS LIST ARE NOT APPLICABLE

- ITEM NOT ILLUSTRATED

HXL

25-13-77-05

BOEING PROPRIETARY - Copyright © - Unpublished Work - See title page for details.

25-13-77
FIG. 05
PAGE 1
DEC 22/07

 **BOEING**
767
PARTS CATALOG (MAINTENANCE)

FIG ITEM	PART NUMBER	1 2 3 4 5 6 7	NOMENCLATURE	EFFECT FROM TO	UNITS PER ASSY
5	370 BRH10A08		...NUT- SUPPLIER CODE: V52828 SPECIFICATION NUMBER: BACN10JCO8 OPTIONAL PART: H10-08BAC V15653 NS202101-82 V80539 RMLH9075-82W V72962 VN303A82 V92215 96-82 V80539 T6S832J V11815		2
375	232T1473-2		...SLIDE-NYLON		1
380	232T1443-46		..SUPPORT ASSY-TABLE ATTACHING PARTS		1
385	NAS603-5		..SCREW		7
387	NAS514P1032-5		..SCREW		2
389	AN960PD10L		..WASHER		7
			-----*-----		
390	232T1446-65		..TABLE ASSY- (EQUIPMENT/FURNISHINGS ONLY) OPTIONAL PART: 232T1446-79 FOR OTHER SYS DETAILS SEE: 11-31-55-01		1
390	232T1446-79		..TABLE ASSY- (EQUIPMENT/FURNISHINGS ONLY) OPTIONAL PART: 323T1446-65 FOR OTHER SYS DETAILS SEE: 11-31-55-01		1
390	232T1446-83		..TABLE ASSY- (EQUIPMENT/FURNISHINGS ONLY) FOR OTHER SYS DETAILS SEE: 11-31-55-01		1
395	232T1446-71		...CHANNEL ATTACHING PARTS		1
- 400	NAS514P632-3		...SCREW		4
			-----*-----		
405	232T1472-1		...HINGE ASSY		1

ILLUSTRATION ITEMS NOT ON PARTS LIST ARE NOT APPLICABLE

- ITEM NOT ILLUSTRATED

HXL

25-13-77-05

BOEING PROPRIETARY - Copyright © - Unpublished Work - See title page for details.

25-13-77
FIG. 05
PAGE 2
DEC 22/07

 **BOEING**
767
PARTS CATALOG (MAINTENANCE)

FIG ITEM	PART NUMBER	1 2 3 4 5 6 7	NOMENCLATURE	EFFECT FROM TO	UNITS PER ASSY
5			ATTACHING PARTS		
- 410	NAS514P832-4	...	SCREW		4
			-----*-----		
415	MS20253P2-850	PIN		1
420	232T1472-2	HINGE HALF		1
425	232T1472-3	HINGE HALF-		1
			ALTERED FROM PART NUMBER: MS20001PH6-850		
430	232T1446-75	...	BRACKET-SPRT		1
			OPTIONAL PART: 232T1446-26		
430	232T1446-26	...	SUPPORT-SPRT		1
			OPTIONAL PART: 232T1446-75		
			USED ON: 232T1446-65		
- 435	SFSW10F5DL12BN	...	SCREW-DEC		3
			SUPPLIER CODE: V12324		
			-----*-----		
440	232T1472-4	...	PLATE-HANDLE		1
			ATTACHING PARTS		
- 445	NAS514P632-3	...	SCREW		3
			-----*-----		
450	232T1446-67	...	CORE ASSY-		1
			USED ON: 232T1446-65		
450	232T1446-77	...	CORE ASSY-		1
			USED ON: 232T1446-79		
450	232T1446-85	...	CORE ASSY-		1
			USED ON: 232T1446-83		
455	232T1460-198	..	ANGLE-		3
			ATTACHING PARTS		
- 460	NAS514P1032-5	..	SCREW-		12
			-----*-----		
470	232T1471-2	..	PANEL ASSY-		1
- 473	SL3089-3-3	...	INSERT-		6
			SUPPLIER CODE: V97393		
475	232T1471-57	..	PANEL ASSY-		1
			USED ON: 232T1471-58		
476	SL3089-3-3	...	INSERT-		8
			SUPPLIER CODE: V97393		

ILLUSTRATION ITEMS NOT ON PARTS LIST ARE NOT APPLICABLE

- ITEM NOT ILLUSTRATED

HXL

25-13-77-05

BOEING PROPRIETARY - Copyright © - Unpublished Work - See title page for details.

25-13-77
FIG. 05
PAGE 3
DEC 22/07



767

PARTS CATALOG (MAINTENANCE)

FIG ITEM	PART NUMBER	1 2 3 4 5 6 7	NOMENCLATURE	EFFECT FROM TO	UNITS PER ASSY
5 478	SL2334-3A3		...INSERT- SUPPLIER CODE: V97393		4
480	H3-1242-3		...CATCH- SUPPLIER CODE: V34941 SPECIFICATION NUMBER: BACC12C9 OPTIONAL PART: 500006 V60119 3067CR1 V14608		1

ILLUSTRATION ITEMS NOT ON PARTS LIST ARE NOT APPLICABLE

- ITEM NOT ILLUSTRATED

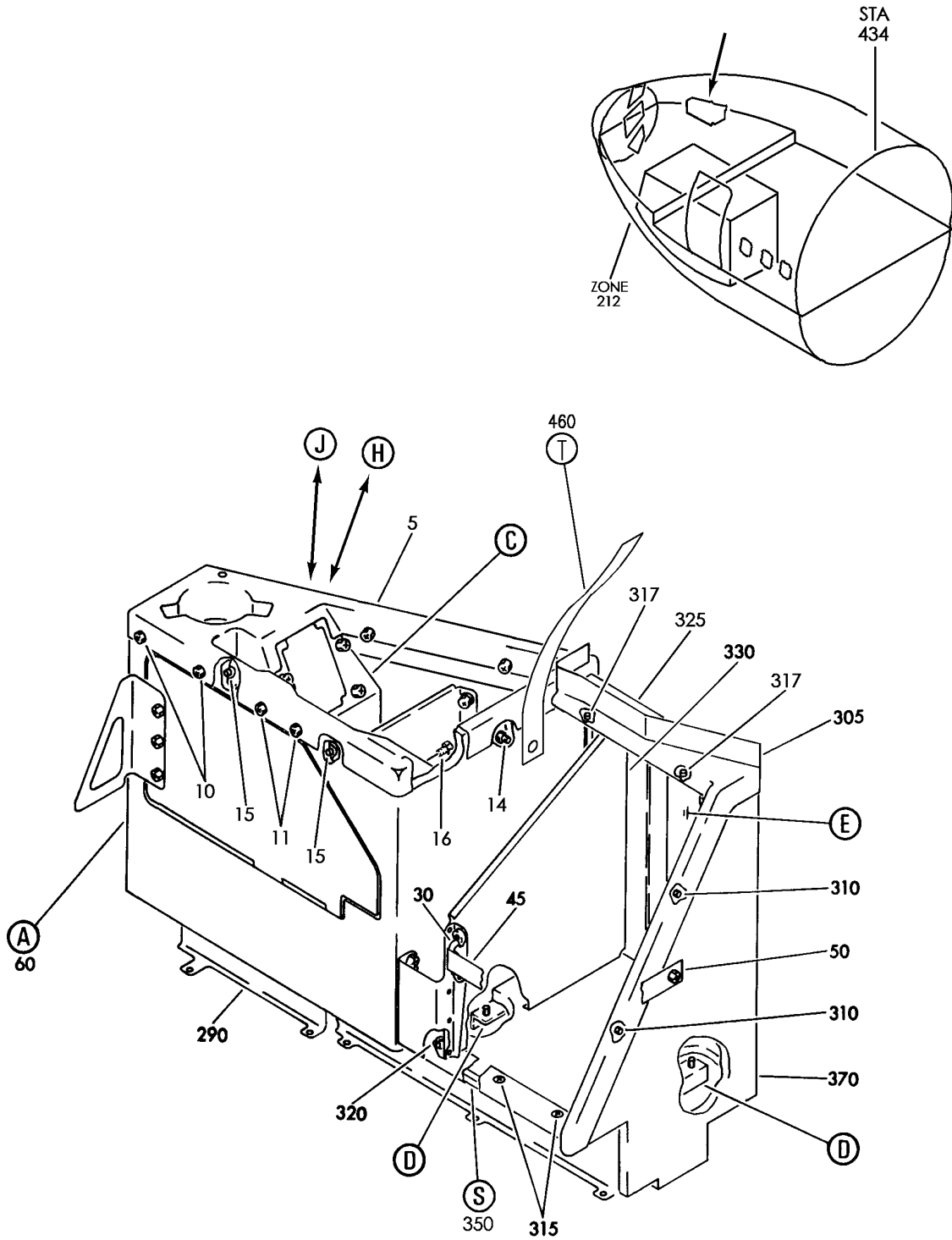
HXL

25-13-77-05

BOEING PROPRIETARY - Copyright © - Unpublished Work - See title page for details.

25-13-77
FIG. 05
PAGE 4
AUG 22/07

BOEING
767
PARTS CATALOG (MAINTENANCE)



V 25137805 SHT 1 REV 253

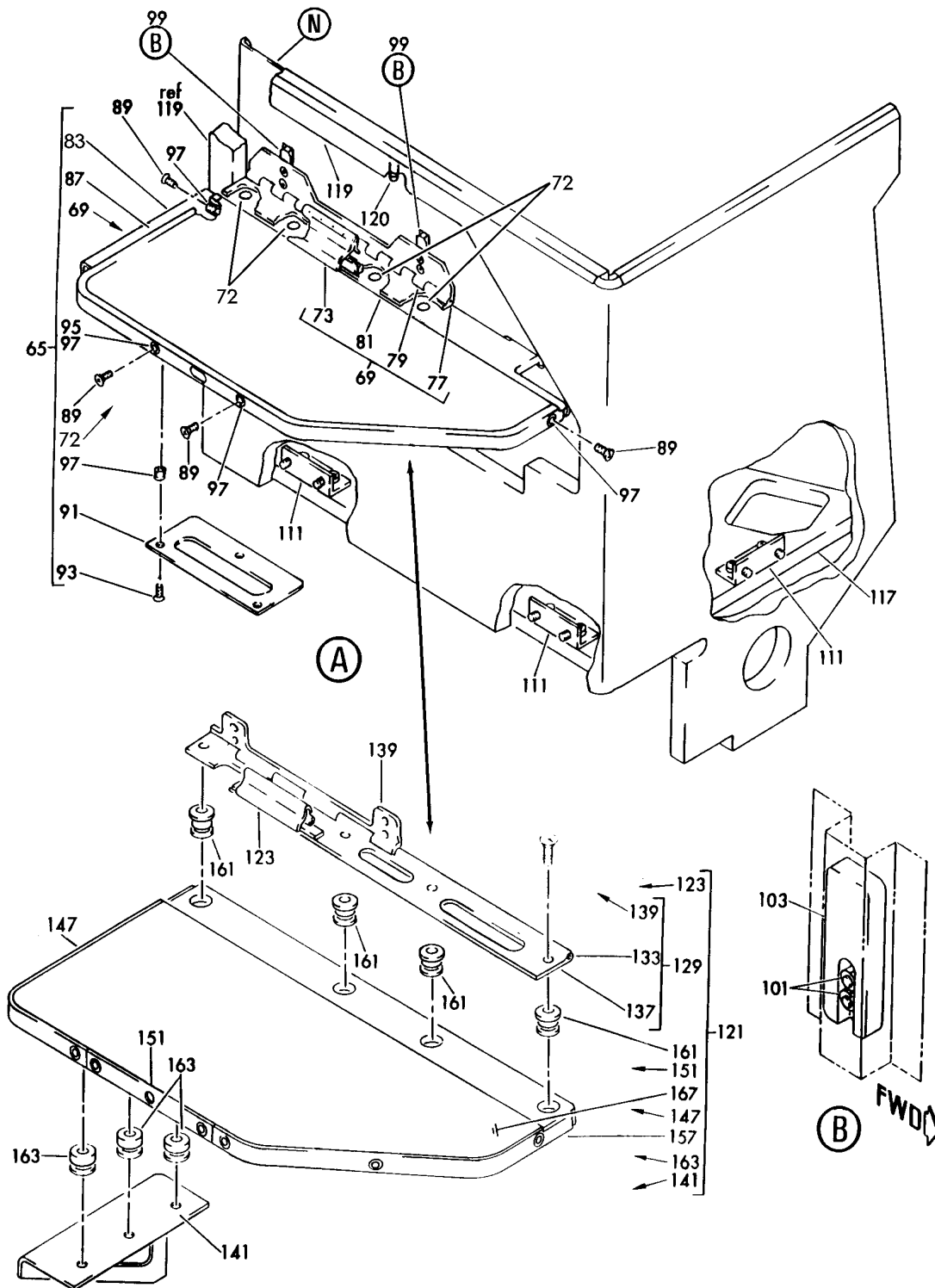
CONSOLE ASSY-FIRST OFFICERS AFT
FIGURE 5 (SHEET 1)

25-13-78-05

HXL
DEC 22/06

25-13-78-05
PAGE 0

BOEING
767
PARTS CATALOG (MAINTENANCE)



V 25137805 SHT 2 REV 226

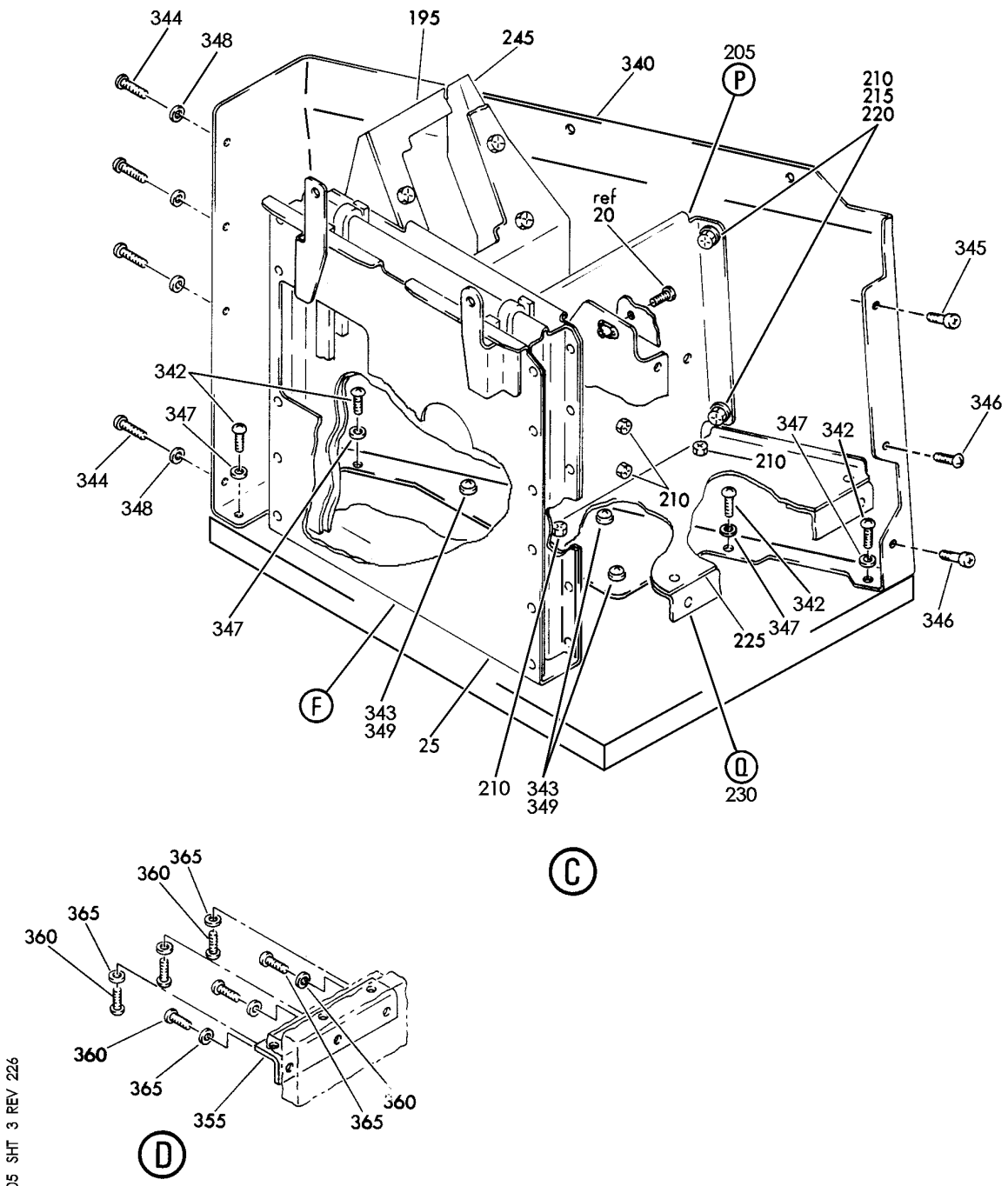
CONSOLE ASSY-FIRST OFFICERS AFT
FIGURE 5 (SHEET 2)

25-13-78-05

HXL
DEC 22/06

25-13-78-05
PAGE 0A

BOEING
767
PARTS CATALOG (MAINTENANCE)



v 25137805 SH1 3 REV 226

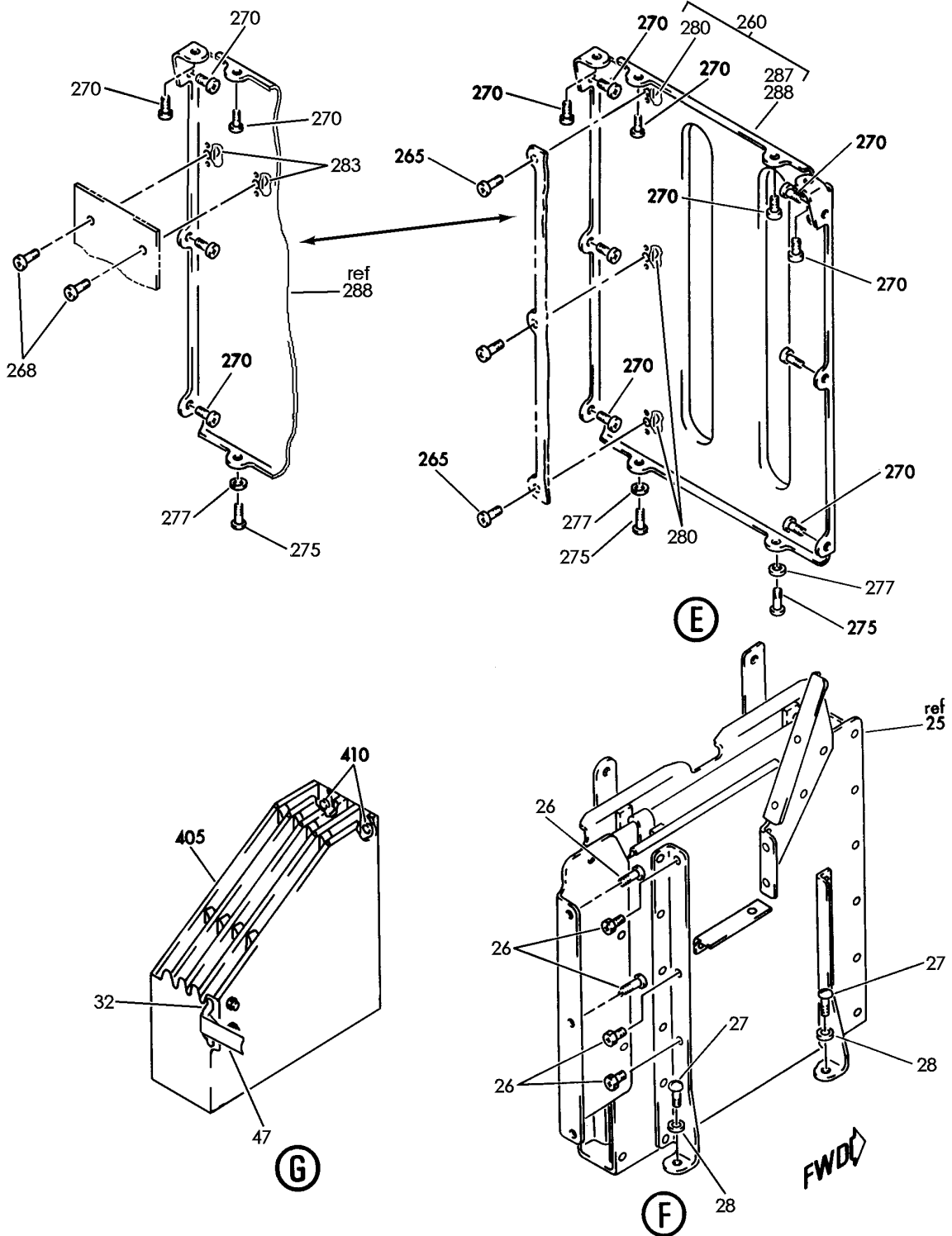
CONSOLE ASSY-FIRST OFFICERS AFT
FIGURE 5 (SHEET 3)

25-13-78-05

HXL
DEC 22/06

25-13-78-05
PAGE 0B

BOEING
767
PARTS CATALOG (MAINTENANCE)



V 25137805 SH1 4 REV 226

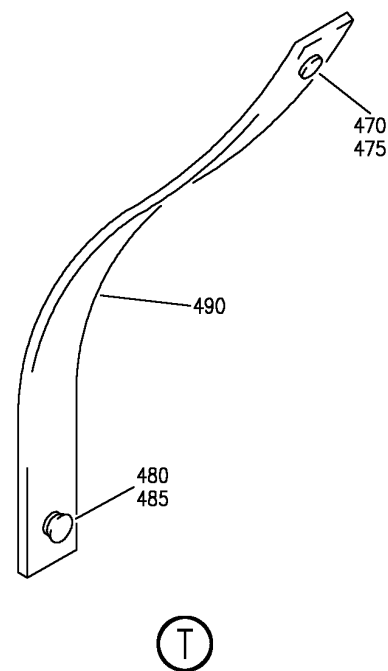
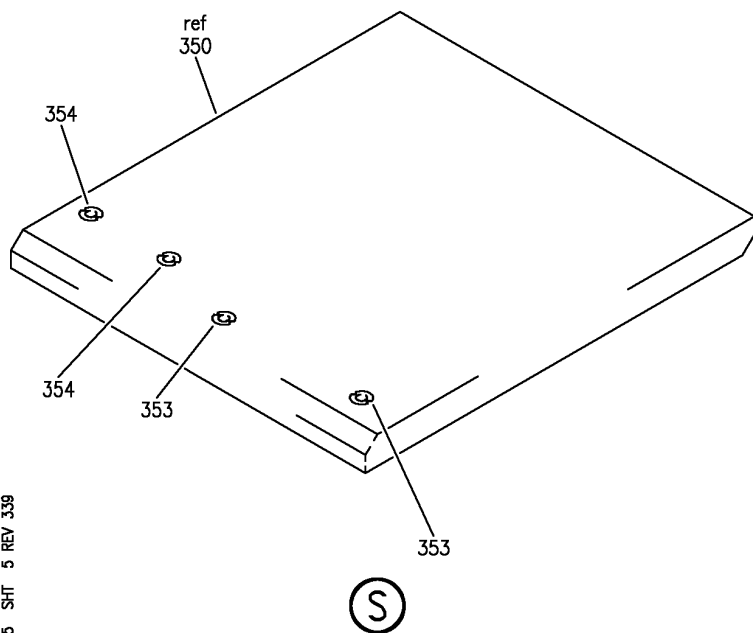
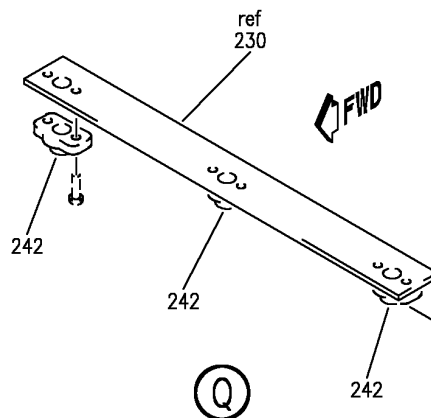
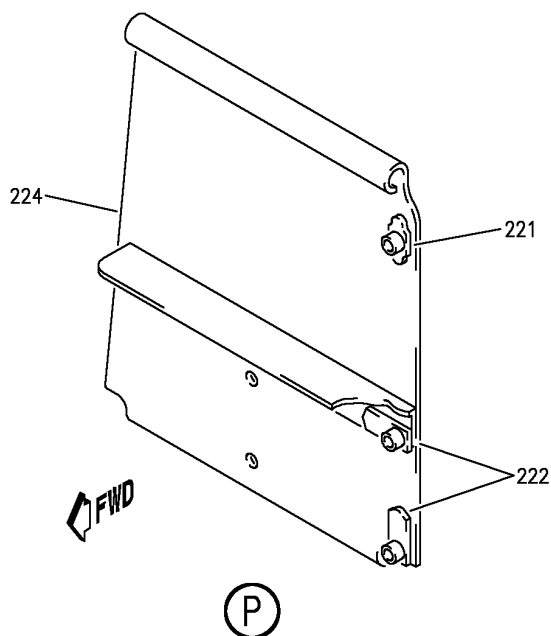
CONSOLE ASSY-FIRST OFFICERS AFT
FIGURE 5 (SHEET 4)

25-13-78-05

HXL
DEC 22/06

25-13-78-05
PAGE 0C

BOEING
767
PARTS CATALOG (MAINTENANCE)



V 25137805 SH1 5 REV 339

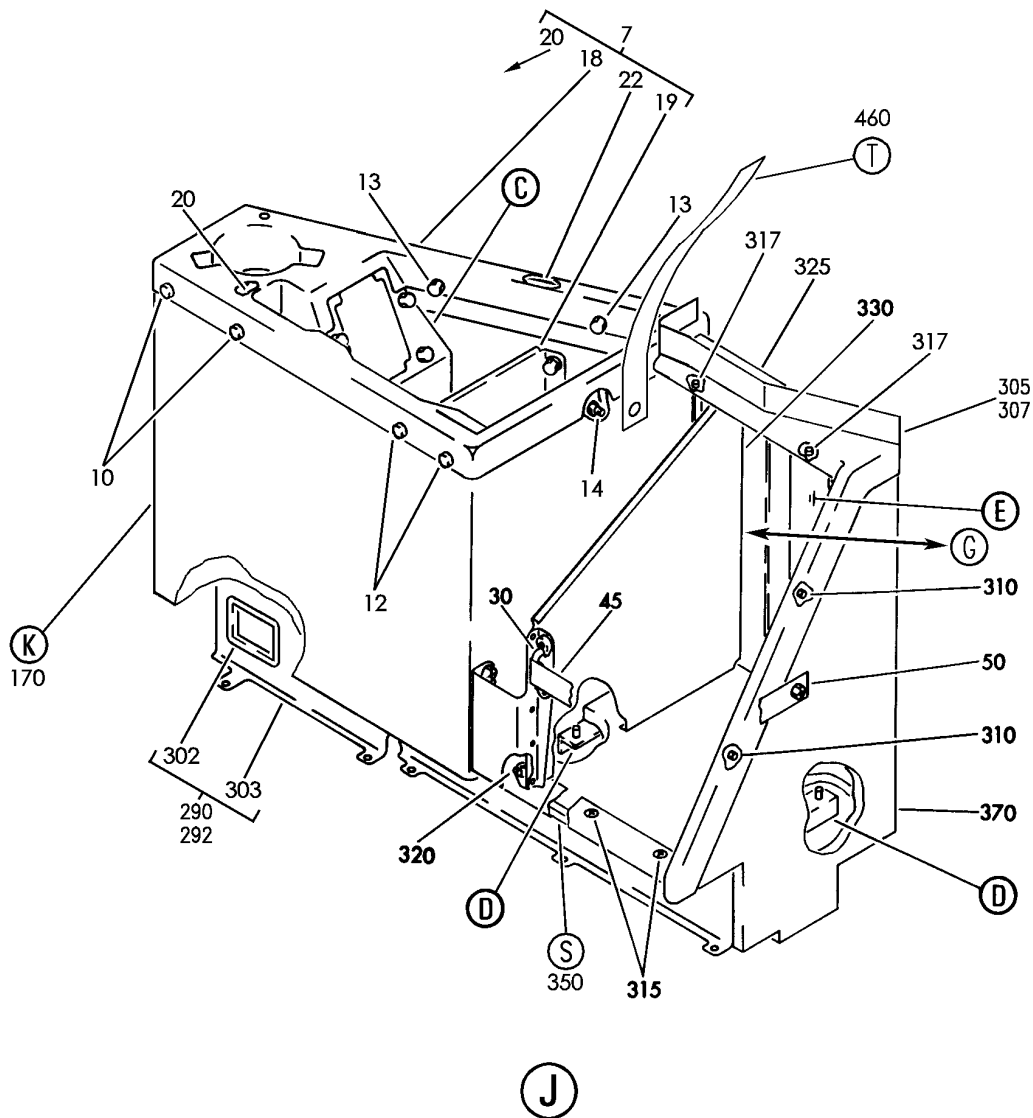
CONSOLE ASSY-FIRST OFFICERS AFT
FIGURE 5 (SHEET 5)

25-13-78-05

HXL
APR 22/09

25-13-78-05
PAGE 0D

BOEING
767
PARTS CATALOG (MAINTENANCE)



V 25137805 SHT 6 REV 339

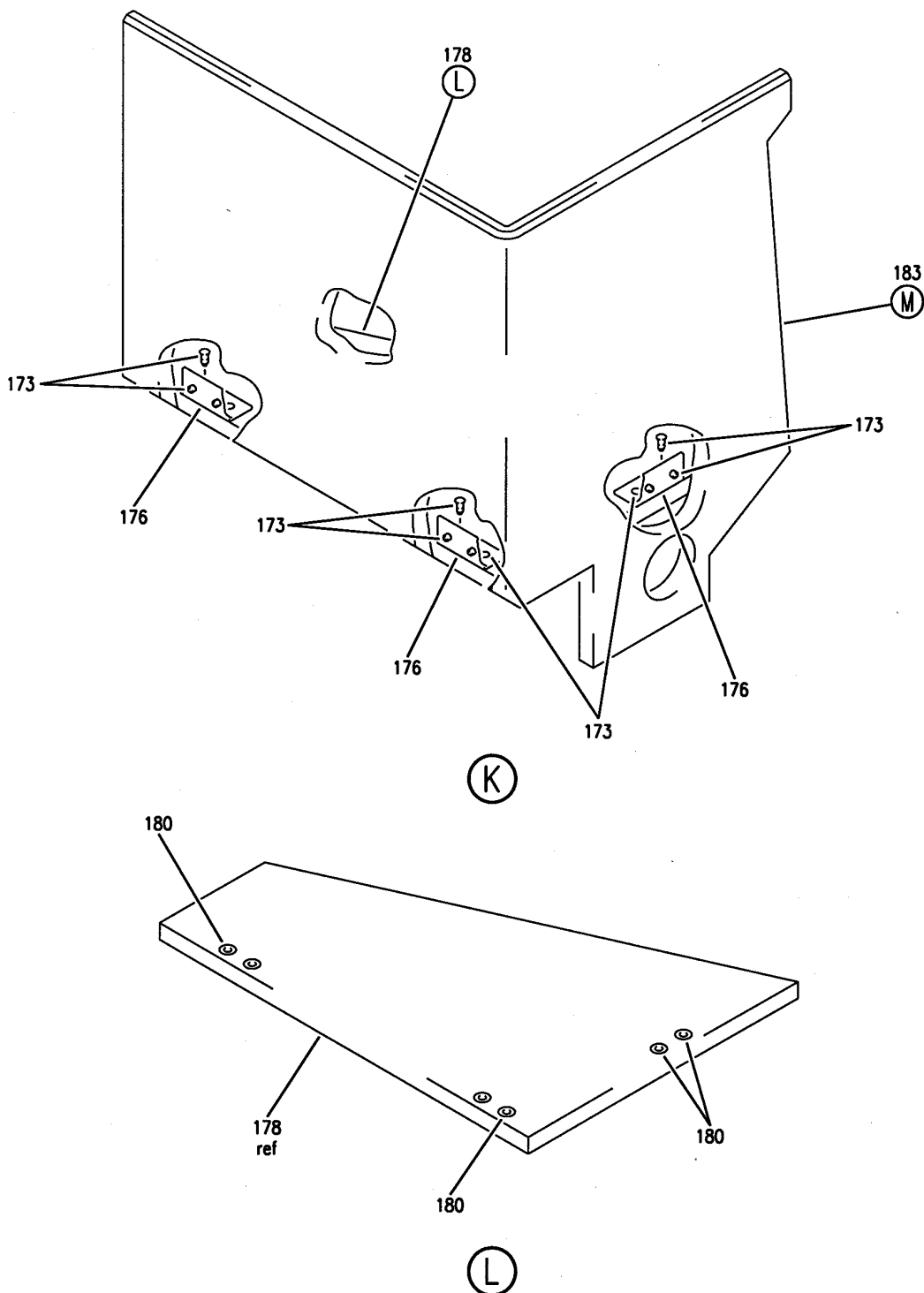
CONSOLE ASSY-FIRST OFFICERS AFT
FIGURE 5 (SHEET 6)

25-13-78-05

HXL
APR 22/09

25-13-78-05
PAGE 0E

BOEING
767
PARTS CATALOG (MAINTENANCE)



V 25137805 SH 7 REV 226

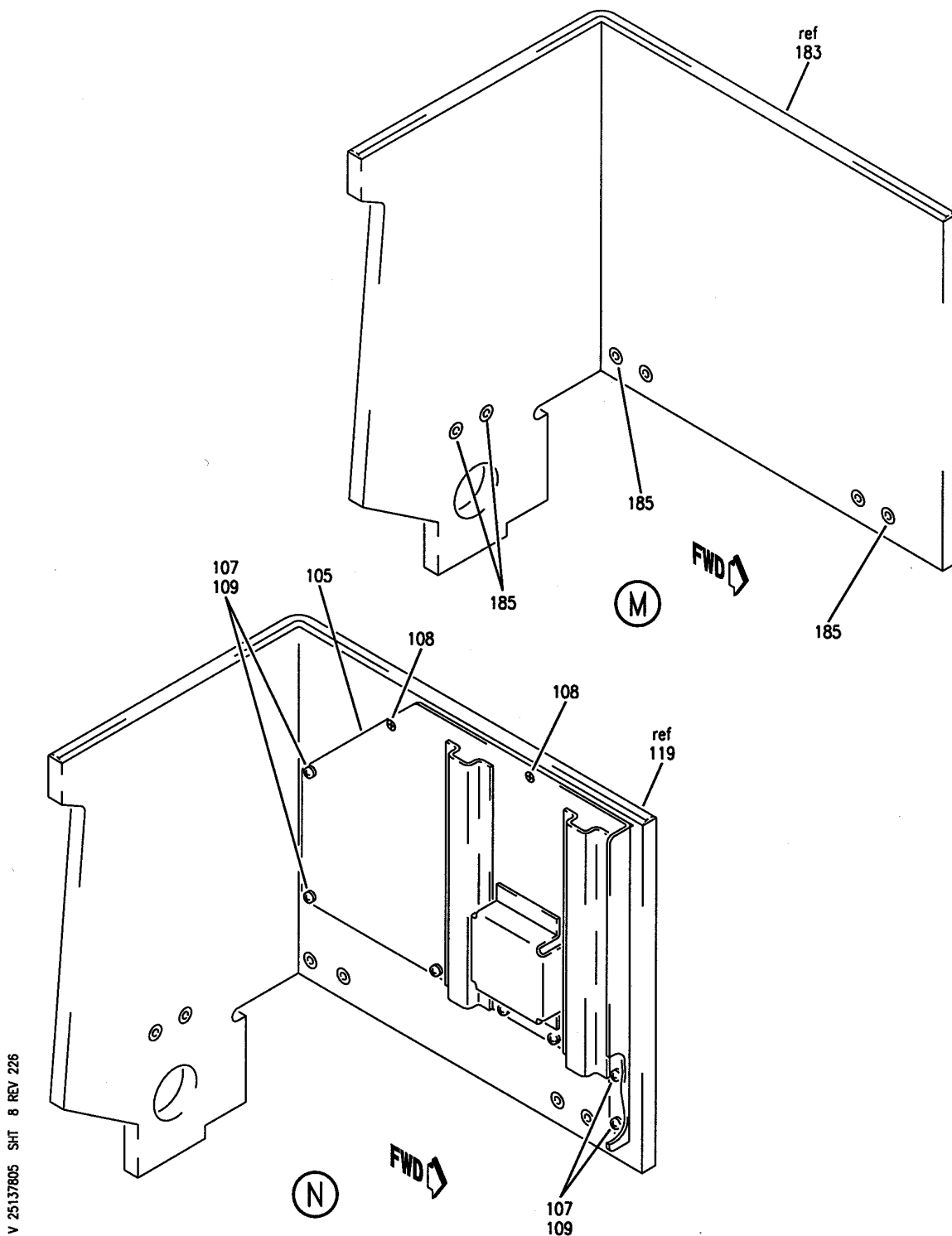
CONSOLE ASSY-FIRST OFFICERS AFT
FIGURE 5 (SHEET 7)

25-13-78-05

HXL
DEC 22/06

25-13-78-05
PAGE OF

BOEING
767
PARTS CATALOG (MAINTENANCE)



V 25137805 SHT 8 REV 226

CONSOLE ASSY-FIRST OFFICERS AFT
FIGURE 5 (SHEET 8)

25-13-78-05

HXL
DEC 22/06

25-13-78-05
PAGE 06

BOEING
767
PARTS CATALOG (MAINTENANCE)

FIG ITEM	PART NUMBER	1 2 3 4 5 6 7	NOMENCLATURE	EFFECT FROM TO	UNITS PER ASSY
5			CONSOLE ASSY-FIRST OFFICERS AFT		
- 1	232T1409-84		CONSOLE ASSY-FIRST OFFICERS POSITION DATA: AFT FOR NHA SEE: 25-13-76-03		RF
7	232T1476-2		.CONSOLE ASSY-STOWAGE ATTACHING PARTS		1
10	PS10F5DL11BG		.SCREW- SUPPLIER CODE: V12324		2
13	PS10F7DL12BN		.SCREW- SUPPLIER CODE: V12324		2
14	PS10F5DL12BN		.SCREW- SUPPLIER CODE: V12324		1
18	232T1463-16		-----*----- ..COVER ASSY-		1
19	232T1477-9		..DIVIDER-STOWAGE		1
20	232T1476-4		..STOWAGE ASSY-VISOR		1
22	232T1477-2		..STOWAGE ASSY-		1
30	BACL20AB		.LOOP-FOOTMAN ATTACHING PARTS		1
- 35	NAS514P1032-6P		.SCREW		2
- 40	F22K1-02		.NUT SUPPLIER CODE: V72962 SPECIFICATION NUMBER: BACN10R10L OPTIONAL PART: 22K1-02 V72962 26CLO2 V80539 -----*-----		2
45	232T1409-50		.STRAP-BUCKLE		1
50	232T1409-49		.STRAP ATTACHING PARTS		1
- 55	PS10F7DL12BN		.SCREW- SUPPLIER CODE: V12324 -----*-----		1
60	232T1471-16		.PANEL ASSY-		1

ILLUSTRATION ITEMS NOT ON PARTS LIST ARE NOT APPLICABLE

- ITEM NOT ILLUSTRATED

HXL

25-13-78-05

BOEING PROPRIETARY - Copyright © - Unpublished Work - See title page for details.

25-13-78
FIG. 05
PAGE 1
DEC 22/07

BOEING
767
PARTS CATALOG (MAINTENANCE)

FIG ITEM	PART NUMBER	1 2 3 4 5 6 7	NOMENCLATURE	EFFECT FROM TO	UNITS PER ASSY
5					
65	232T1446-66		..TABLE ASSY-(EQUIPMENT/ FURNISHING ONLY) POSITION DATA: RH OPTIONAL PART: 232T1446-80 FUNCTIONAL REFERENCE: PLACARDS AND MARKINGS FOR DETAILS SEE 11-31-55-01		1
65	232T1446-80		..TABLE ASSY-(EQUIPMENT/ FURNISHINGS ONLY) POSITION DATA: RH OPTIONAL PART: 232T1446-66 FUNCTIONAL REFERENCE: PLACARDS AND MARKINGS FOR DETAILS SEE 11-31-55-01		1
65	232T1446-84		..TABLE ASSY-(EQUIPMENT/ FURNISHINGS ONLY) POSITION DATA: RH FUNCTIONAL REFERENCE: PLACARDS AND MARKINGS FOR DETAILS SEE 11-31-55-01		1
- 67	NAS514P832-7		..SCREW- POSITION DATA: FAR SIDE -----*-----		4
69	232T1472-1		...HINGE ASSY ATTACHING PARTS		1
- 71	NAS514P832-4		...SCREW -----*-----		4
72	SL618-08A		...INSERT- SUPPLIER CODE: V97393		4
73	69-38947-10	CLIP- ATTACHING PARTS		1
- 75	BACR15CE6AD	RIVET- SIZE DETERMINED ON INSTL. -----*-----		2
77	MS20253P2-850	PIN-		1
79	232T1472-2	HINGE HALF- ALTERED FROM PART NUMBER: MS20001PH6-850		1
ILLUSTRATION ITEMS NOT ON PARTS LIST ARE NOT APPLICABLE					

- ITEM NOT ILLUSTRATED

HXL

25-13-78-05

BOEING PROPRIETARY - Copyright © - Unpublished Work - See title page for details.

25-13-78
FIG. 05
PAGE 2
DEC 22/07

BOEING
767
PARTS CATALOG (MAINTENANCE)

FIG ITEM	PART NUMBER	1 2 3 4 5 6 7	NOMENCLATURE	EFFECT FROM TO	UNITS PER ASSY
5					
81	232T1472-3	HINGE HALF- ALTERED FROM PART NUMBER: MS20001PH6-850		1
83	232T1446-27	...	SUPPORT- OPTIONAL PART: 232T1446-76 USED ON: 232T1446-66		1
83	232T1446-76	...	BRACKET-SUPPORT OPTIONAL PART: 232T1446-27 USED ON: 232T1446-84 USED ON: 232T1446-66 232T1446-80 ATTACHING PARTS		1
- 85	SFSW10F5DL12BN	...	SCREW- SUPPLIER CODE: V12324 -----*-----		3
87	232T1446-72	...	CHANNEL ATTACHING PARTS		1
89	NAS514P632-3	...	SCREW -----*-----		4
91	232T1472-4	...	PLATE-HANDLE ATTACHING PARTS		1
93	NAS514P632-3	...	SCREW -----*-----		3
95	232T1446-68	...	CORE ASSY- USED ON: 232T1446-66		1
95	232T1446-81	...	CORE ASSY- USED ON: 232T1446-80		1
95	232T1446-86	...	CORE ASSY- USED ON: 232T1446-84		1
97	SL2748-06S	INSERT- SUPPLIER CODE: V97393		7
99	232T1473-1	..	SLIDER ASSY-NYLON		2

ILLUSTRATION ITEMS NOT ON PARTS LIST ARE NOT APPLICABLE

- ITEM NOT ILLUSTRATED

HXL

25-13-78-05

BOEING PROPRIETARY - Copyright © - Unpublished Work - See title page for details.

25-13-78
FIG. 05
PAGE 3
DEC 22/07



767

PARTS CATALOG (MAINTENANCE)

FIG ITEM	PART NUMBER	1 2 3 4 5 6 7	NOMENCLATURE	EFFECT FROM TO	UNITS PER ASSY
5 101	BRH10A08	...	NUT SUPPLIER CODE: V52828 SPECIFICATION NUMBER: BACN10JCO8 OPTIONAL PART: H10-08BAC V15653 NS202101-82 V80539 RMLH9075-82W V72962 VN303A82 V92215 96-82 V80539 T6S832J V11815		2
103	232T1473-2	...	SLIDE-NYLON		1
105	232T1443-45	..	SUPPORT ASSY-TABLE ATTACHING PARTS		1
107	NAS603-5	..	SCREW-		7
108	NAS514P1032-4	..	SCREW-		2
109	NAS1149D0316J	..	WASHER-		7
			-----*-----		
111	232T1460-198	..	ANGLE- ATTACHING PARTS		3
- 113	NAS514P1032-5	..	SCREW-		12
			-----*-----		
117	232T1471-17	..	PANEL ASSY		1
119	232T1471-18	..	PANEL ASSY-		1
120	H3-1242-3	...	CATCH- SUPPLIER CODE: V34941 SPECIFICATION NUMBER: BACC12C9 OPTIONAL PART: 500006 V60119 3067CR1 V14608		1
260	232T1460-163	.	BACKPLATE ASSY- ATTACHING PARTS		1
265	PS10F7DL12BN	.	SCREW- SUPPLIER CODE: V12324		3
270	PS10F5DL12BN	.	SCREW- SUPPLIER CODE: V12324		10

ILLUSTRATION ITEMS NOT ON PARTS LIST ARE NOT APPLICABLE

- ITEM NOT ILLUSTRATED

25-13-78-05

25-13-78
FIG. 05
PAGE 4
APR 22/09

HXL

BOEING PROPRIETARY - Copyright © - Unpublished Work - See title page for details.

BOEING
767
PARTS CATALOG (MAINTENANCE)

FIG ITEM	PART NUMBER	1 2 3 4 5 6 7	NOMENCLATURE	EFFECT FROM TO	UNITS PER ASSY
5					
275	NAS603-5P		.SCREW- POSITION DATA: FAR SIDE		2
277	AN960PD10L		.WASHER- POSITION DATA: FAR SIDE		2
280	MF53049-3		-----*----- ..NUTPLATE- SUPPLIER CODE: V15653 SPECIFICATION NUMBER: BACN10JN3 OPTIONAL PART: BRFM20A3 V52828 MF1000-3BAC V15653 NS103218-02 V80539 RMF9201M3 V72962 VN252A02 V92215 T8124S3S V11815 POSITION DATA: FAR SIDE		3
- 281	BACR15BA3AD		ATTACHING PARTS ..RIVET- POSITION DATA: NEAR SIDE SIZE DETERMINED ON INSTL. -----*-----		4
287	232T1460-164		..BACKPLATE		1
290	232T1424-81		.SUPPORT ASSY- ATTACHING PARTS		1
- 295	NAS603-5P		.SCREW- POSITION DATA: FAR SIDE		11
- 300	AN960PD10L		.WASHER- POSITION DATA: FAR SIDE		11
307	232T1463-14		-----*----- .COVER-MOLDED POSITION DATA: AFT		1

ILLUSTRATION ITEMS NOT ON PARTS LIST ARE NOT APPLICABLE

- ITEM NOT ILLUSTRATED

HXL

25-13-78-05

BOEING PROPRIETARY - Copyright © - Unpublished Work - See title page for details.

25-13-78
FIG. 05
PAGE 5
DEC 22/06

 **BOEING**
767
PARTS CATALOG (MAINTENANCE)

FIG ITEM	PART NUMBER	1 2 3 4 5 6 7	NOMENCLATURE	EFFECT FROM TO	UNITS PER ASSY
5			ATTACHING PARTS		
310	PS10F5DL11BG		.SCREW- SUPPLIER CODE: V12324		2
315	NAS514P1032-5P		.SCREW-		2
317	NAS514P1032-5P		.SCREW		2
320	PS10F5DL12BN		.SCREW- SUPPLIER CODE: V12324		1
			-----*-----		
325	232T1471-21		.PANEL ASSY-STORAGE CLG POSITION DATA: AFT		1
- 328	SL2334-3A3		..INSERT- SUPPLIER CODE: V97393 POSITION DATA: FAR SIDE		7
330	232T1460-161		.DIVIDER ASSY- ATTACHING PARTS		1
- 335	PS10F5DL12BN		.SCREW- SUPPLIER CODE: V12324 POSITION DATA: FAR SIDE		3
			-----*-----		
340	232T1474-2		.WALL- PLACARD CONTENT: OUTBOUND ATTACHING PARTS		1
342	NAS603-5P		.SCREW-		4
343	NAS603-5P		.SCREW-		3
344	NAS603-6P		.SCREW-		4
345	PS10F5DL12BN		.SCREW- SUPPLIER CODE: V12324		1
347	AN960PD10L		.WASHER-		4
348	AN960PD10L		.WASHER-		4
349	AN960PD10L		.WASHER-		3
			-----*-----		
350	232T1471-20		.PANEL ASSY-STORAGE FLOOR POSITION DATA: AFT		1
353	SL2334-3A2		..INSERT- SUPPLIER CODE: V97393 POSITION DATA: NEAR SIDE		2
355	232T1460-165		.ANGLE-		2

ILLUSTRATION ITEMS NOT ON PARTS LIST ARE NOT APPLICABLE

- ITEM NOT ILLUSTRATED

HXL

25-13-78-05

BOEING PROPRIETARY - Copyright © - Unpublished Work - See title page for details.

25-13-78
FIG. 05
PAGE 6
DEC 22/06



767

PARTS CATALOG (MAINTENANCE)

FIG ITEM	PART NUMBER	1 2 3 4 5 6 7	NOMENCLATURE	EFFECT FROM TO	UNITS PER ASSY
5			ATTACHING PARTS		
360	NAS603-5P		.SCREW- POSITION DATA: FAR SIDE		12
365	AN960PD10L		.WASHER- POSITION DATA: FAR SIDE		12
370	232T1471-19		-----*----- .PANEL ASSY-STORAGE WALL POSITION DATA: AFT		1

ILLUSTRATION ITEMS NOT ON PARTS LIST ARE NOT APPLICABLE

- ITEM NOT ILLUSTRATED

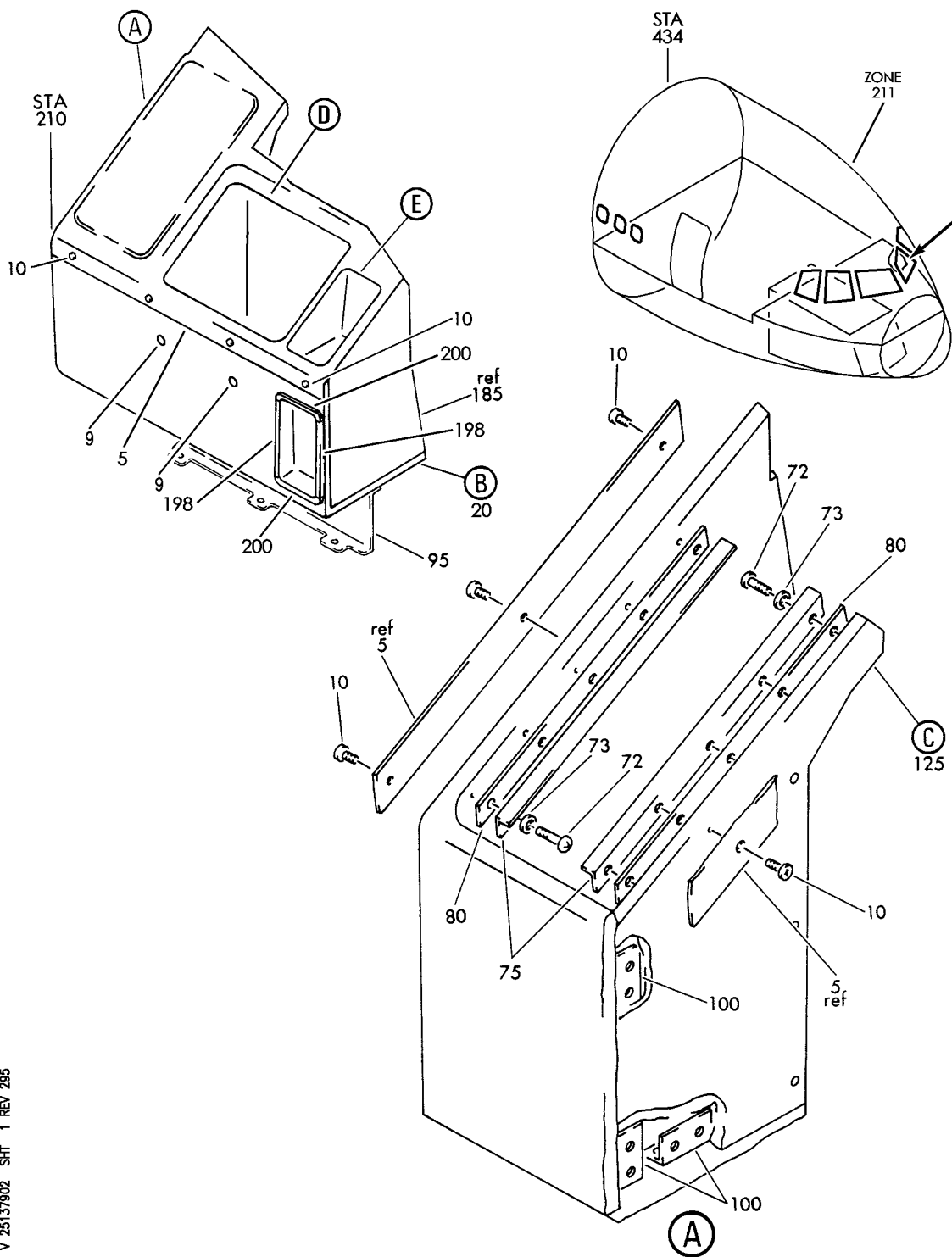
HXL

25-13-78-05

BOEING PROPRIETARY - Copyright © - Unpublished Work - See title page for details.

25-13-78
FIG. 05
PAGE 7
DEC 22/06

BOEING
767
PARTS CATALOG (MAINTENANCE)



V 25137902 SHT 1 REV 295

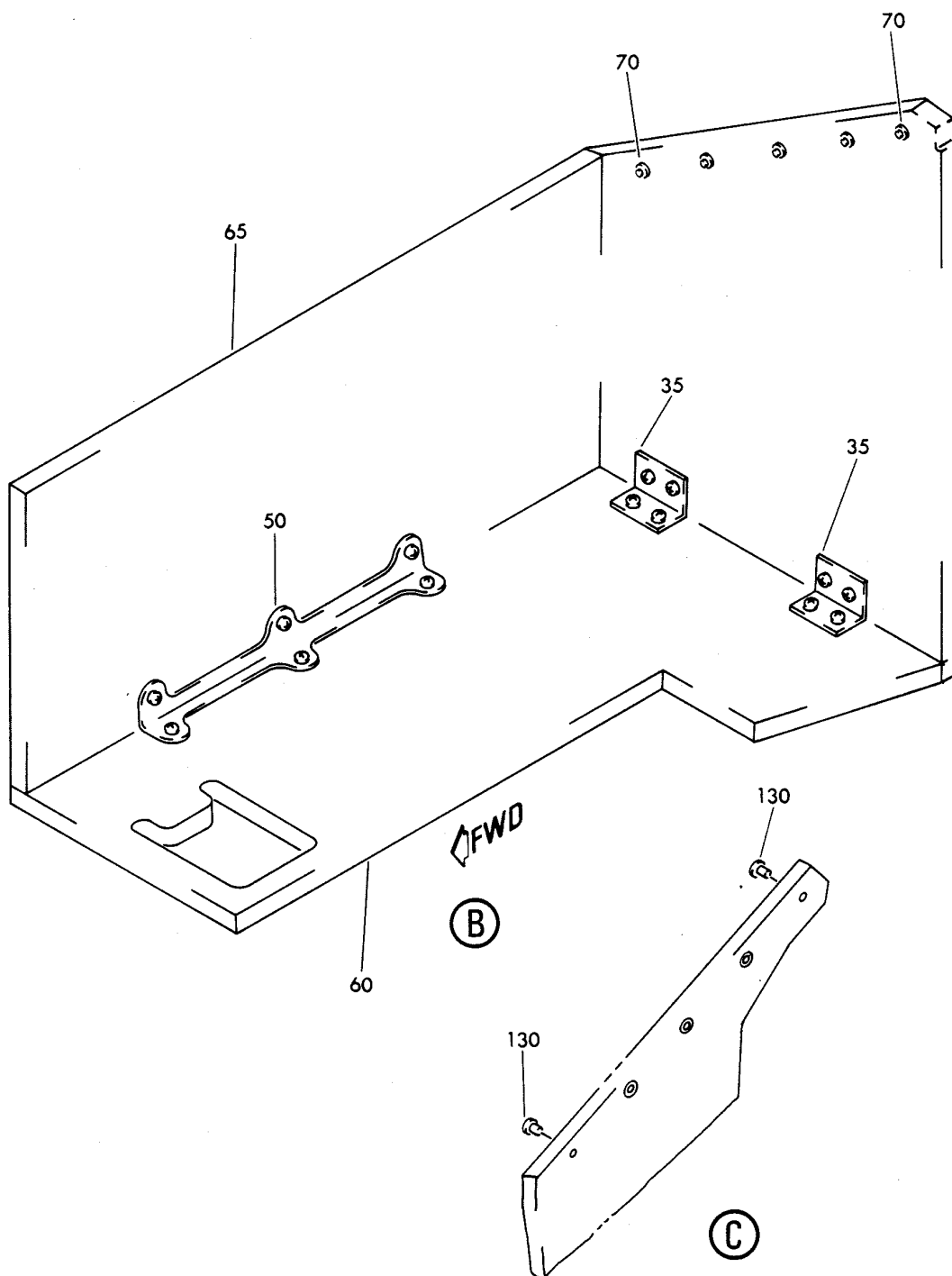
CONSOLE ASSY-SECOND OBSERVER
FIGURE 2 (SHEET 1)

25-13-79-02

HXL
DEC 22/06

25-13-79-02
PAGE 0

BOEING
767
PARTS CATALOG (MAINTENANCE)



V 25137902 SHT 2 REV 059

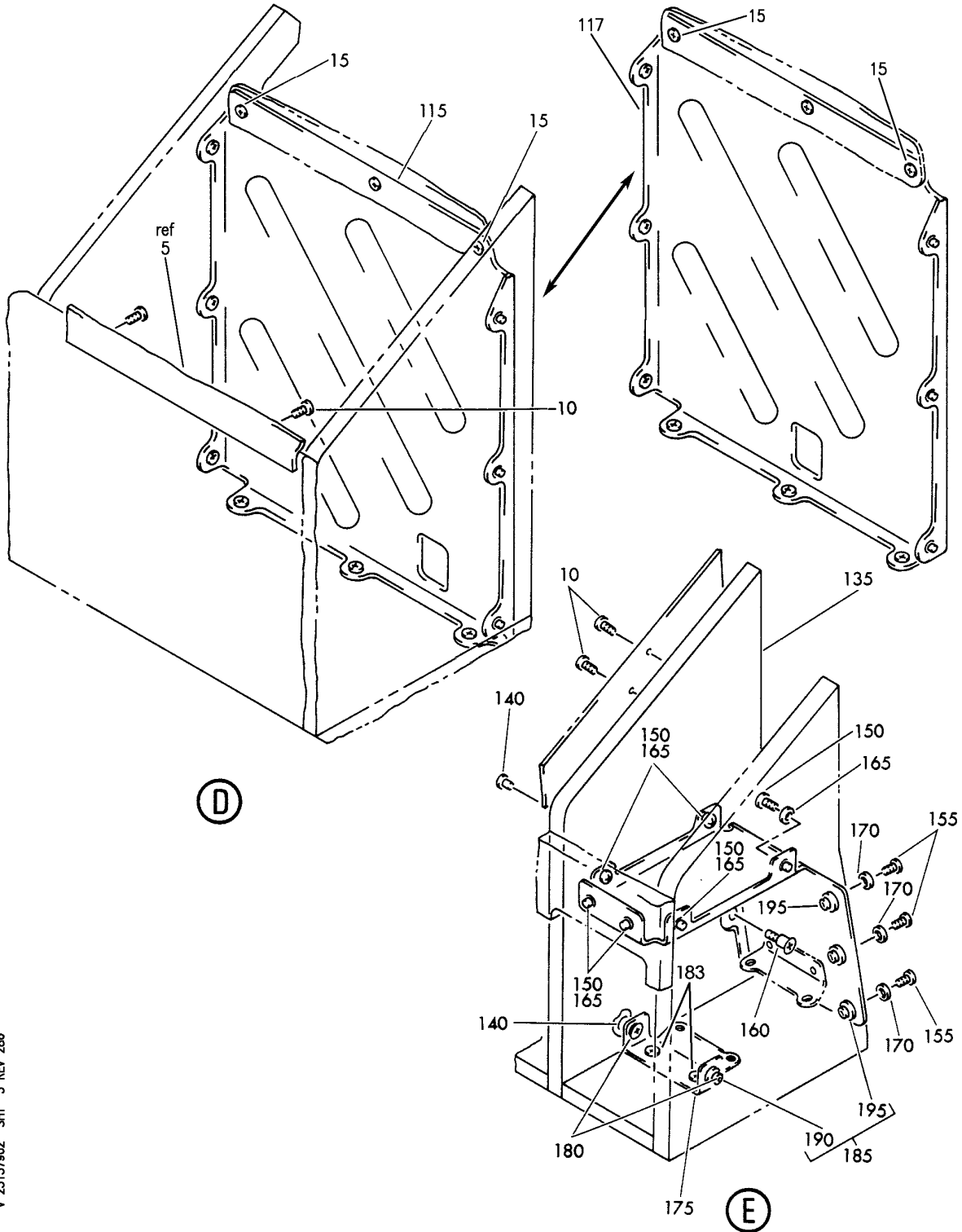
CONSOLE ASSY-SECOND OBSERVER
FIGURE 2 (SHEET 2)

25-13-79-02

HXL
DEC 22/06

25-13-79-02
PAGE 0A

BOEING
767
PARTS CATALOG (MAINTENANCE)



V 25137902 SHT 3 REV 286

CONSOLE ASSY-SECOND OBSERVER
FIGURE 2 (SHEET 3)

25-13-79-02

HXL
DEC 22/06

25-13-79-02
PAGE 0B

BOEING
767
PARTS CATALOG (MAINTENANCE)

FIG ITEM	PART NUMBER	1 2 3 4 5 6 7	NOMENCLATURE	EFFECT FROM TO	UNITS PER ASSY
2			CONSOLE ASSY-SECOND OBSERVER		
- 1	232T1408-112		CONSOLE ASSY-SECOND OBSERVER OPTIONAL PART: 232T1408-116 FOR NHA SEE: 25-13-76-03		RF
- 1	232T1408-116		CONSOLE ASSY-SECOND OBSERVER OPTIONAL PART: 232T1408-112 FOR NHA SEE: 25-13-76-03		RF
5	232T1463-13		.COVER-MOLDED ATTACHING PARTS		1
10	SFSW10F5DL11BG		.SCREW- SUPPLIER CODE: V12324		12
10	PS10F5DL11BG		.SCREW- SUPPLIER CODE: V12324		12
15	SFSW10F7DL11BG		.SCREW- SUPPLIER CODE: V12324		3
20	232T1471-35		-----*----- .PANEL ASSY- OPTIONAL PART: 232T1471-85 USED ON: 232T1408-112 232T1408-116		1
20	232T1471-85		.PANEL ASSY- OPTIONAL PART: 232T1471-35 USED ON: 232T1408-125 232T1408-129 USED ON: 232T1408-116 ATTACHING PARTS		1
- 25	NAS603-5P		.SCREW		7
- 30	AN960PD10L		.WASHER- -----*-----		7
35	232T1460-175		.. ANGLE ATTACHING PARTS		2
- 40	NAS603-5P		.. SCREW-		8
- 45	NAS1149D0332J		.. WASHER- -----*-----		8
ILLUSTRATION ITEMS NOT ON PARTS LIST ARE NOT APPLICABLE					

- ITEM NOT ILLUSTRATED

HXL

25-13-79-02

BOEING PROPRIETARY - Copyright © - Unpublished Work - See title page for details.

25-13-79
FIG. 02
PAGE 1
DEC 22/07



767

PARTS CATALOG (MAINTENANCE)

FIG ITEM	PART NUMBER	1 2 3 4 5 6 7	NOMENCLATURE	EFFECT FROM TO	UNITS PER ASSY
2					
50	232T1460-172	..	ANGLE ATTACHING PARTS		1
- 55	PS10F5DL12BN	..	SCREW- SUPPLIER CODE: V12324 -----*-----		6
60	232T1471-36	..	PANEL ASSY		1
65	232T1471-37	..	PANEL ASSY- OPTIONAL PART: 232T1471-79 USED ON: 232T1471-35		1
65	232T1471-79	..	PANEL ASSY- OPTIONAL PART: 232T1471-37 USED ON: 232T1471-35		1
65	232T1471-88	..	PANEL ASSY- USED ON: 232T1471-85		1
70	SL626A06	...	INSERT- SUPPLIER CODE: V97393		5
72	NAS601-6P	.	SCREW		10
73	AN960PD6L	.	WASHER-		10
75	232T1408-105	.	STRIP-RCPT		2
80	232T1408-106	.	SHIM		2
95	232T1424-88	.	SUPPORT ASSY		1
100	232T1460-175	.	ANGLE- ATTACHING PARTS		3
- 105	NAS603-5P	.	SCREW		12
- 110	AN960PD10L	.	WASHER-		12
117	232T1460-193	.	WALL ASSY- USED ON: 232T1408-114 232T1408-118 232T1408-124 232T1408-125 232T1408-126 232T1408-129 232T1408-131 232T1408-132 USED ON: 232T1408-112 232T1408-113 232T1408-116 232T1408-117		1

ILLUSTRATION ITEMS NOT ON PARTS LIST ARE NOT APPLICABLE

- ITEM NOT ILLUSTRATED

HXL

25-13-79-02

BOEING PROPRIETARY - Copyright © - Unpublished Work - See title page for details.

25-13-79
FIG. 02
PAGE 2
AUG 22/07

 **BOEING**
767
PARTS CATALOG (MAINTENANCE)

FIG ITEM	PART NUMBER	1 2 3 4 5 6 7	NOMENCLATURE	EFFECT FROM TO	UNITS PER ASSY
2			ATTACHING PARTS		
- 120	SFSW10F5DL12BN		.SCREW- SUPPLIER CODE: V12324 -----*-----		9
125	232T1471-40		.PANEL ASSY- USED ON: 232T1408-112 232T1408-113 232T1408-114		1
125	232T1471-78		.PANEL ASSY- OPTIONAL PART: 232T1471-82 USED ON: 232T1408-116 232T1408-117 232T1408-118		1
125	232T1471-82		.PANEL ASSY- OPTIONAL PART: 232T1471-78 USED ON: 232T1408-124 232T1408-125 232T1408-126 232T1408-129 232T1408-130 232T1408-131 232T1408-132 USED ON: 232T1408-116 232T1408-117 232T1408-118		1
130	SL626A06		..INSERT- SUPPLIER CODE: V97393		5
135	232T1471-39		.PANEL ASSY		1
140	SL2846S3-4		..INSERT- SUPPLIER CODE: V97393		2
- 145	232T1460-200		.DIVIDER ASSY- ATTACHING PARTS		1
150	NAS603-5P		.SCREW		6
155	NAS602-3P		.SCREW		3
160	BACS12FA3K3		.SCREW-		1
165	AN960PD10L		.WASHER-		6
170	AN960PD8L		.WASHER-		3
175	232T1460-199		-----*----- .ANGLE-SUPPORT		1

ILLUSTRATION ITEMS NOT ON PARTS LIST ARE NOT APPLICABLE

- ITEM NOT ILLUSTRATED

HXL

25-13-79-02

BOEING PROPRIETARY - Copyright © - Unpublished Work - See title page for details.

25-13-79
FIG. 02
PAGE 3
DEC 22/07



767

PARTS CATALOG (MAINTENANCE)

FIG ITEM	PART NUMBER	1 2 3 4 5 6 7	NOMENCLATURE	EFFECT FROM TO	UNITS PER ASSY
2			ATTACHING PARTS		
180	BACS12FA3K3	.SCREW-			2
183	SFSW10F5DL12BN	.SCREW-			2
		SUPPLIER CODE:			
		V12324			
		-----*-----			
185	232T1471-38	.PANEL ASSY			1
190	SL2846S3-4	..INSERT-			1
		SUPPLIER CODE:			
		V97393			
195	SL2748-08S	..INSERT-			3
		SUPPLIER CODE:			
		V97393			
198	232T1408-107	.TRIM-			2
200	232T1408-108	.TRIM-			2

ILLUSTRATION ITEMS NOT ON PARTS LIST ARE NOT APPLICABLE

- ITEM NOT ILLUSTRATED

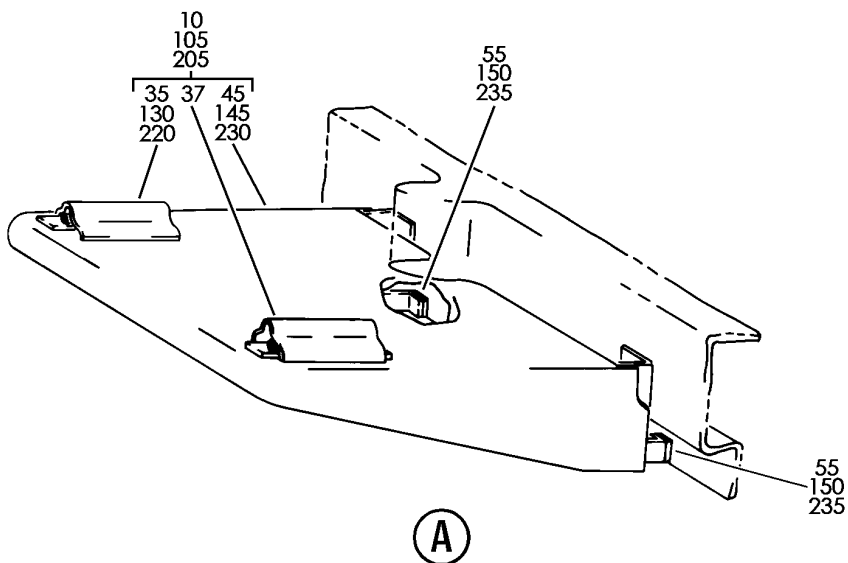
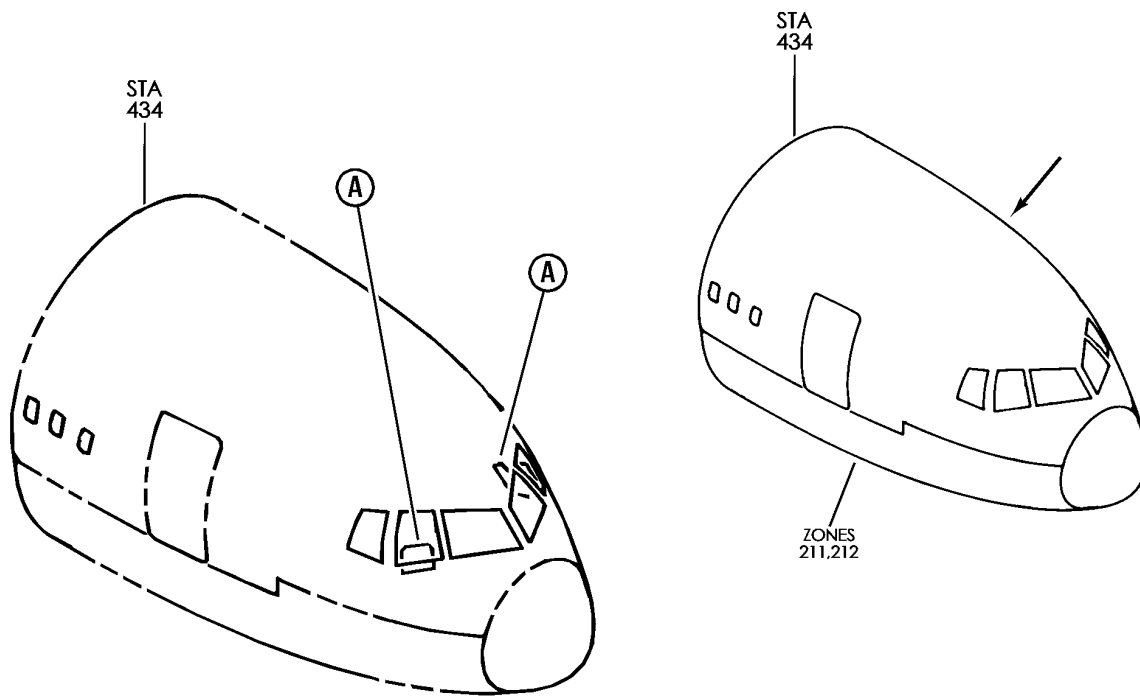
HXL

25-13-79-02

BOEING PROPRIETARY - Copyright © - Unpublished Work - See title page for details.

25-13-79
FIG. 02
PAGE 4
AUG 22/07

BOEING
767
PARTS CATALOG (MAINTENANCE)



V 25138001 REV 218

TABLE INSTL-WRITING
FIGURE 1

25-13-80-01

HXL
DEC 22/06

25-13-80-01
PAGE 0

BOEING
767
PARTS CATALOG (MAINTENANCE)

FIG ITEM	PART NUMBER	1 2 3 4 5 6 7	NOMENCLATURE	EFFECT FROM TO	UNITS PER ASSY
1			TABLE INSTL-WRITING		
- 1	232T4239-1		TABLE INSTL-WRITING POSITION DATA: LH FOR NHA SEE: 25-10-00-04		RF
10	232T4236-7		.TABLE ASSY- POSITION DATA: LH SIDE ATTACHING PARTS		1
- 20	NAS514P1032-6		.SCREW-		4
- 22	BACW10DM6		.WASHER		4
- 25	AN960PD10L		.WASHER		4
- 30	BRH10A3		.NUT SUPPLIER CODE: V52828 SPECIFICATION NUMBER: BACN10JC3 OPTIONAL PART: H10-3BAC V15653 NS202101-02 V80539 RMLH9075-3W V72962 VN303A02 V92215 96-02 V80539 T6S1032J V11815		4
35	69-38947-8		-----*----- ..CLIP ASSY- ATTACHING PARTS		1
- 40	BACR15BB6A		..RIVET- SIZE DETERMINED ON INSTL. -----*-----		2
45	232T4236-4		..TABLE-		1
55	BACS40R04F04F		.SHIM-		2
- 100	232T4239-2		TABLE INSTL-WRITING POSITION DATA: RH FOR NHA SEE: 25-10-00-04		RF
105	232T4236-8		.TABLE ASSY ATTACHING PARTS		1
- 110	NAS514P1032-6		.SCREW		4
- 115	BACW10DM6		.WASHER		4
- 120	AN960PD10L		.WASHER		4

ILLUSTRATION ITEMS NOT ON PARTS LIST ARE NOT APPLICABLE

- ITEM NOT ILLUSTRATED

HXL

25-13-80-01

BOEING PROPRIETARY - Copyright © - Unpublished Work - See title page for details.

25-13-80
FIG. 01
PAGE 1
DEC 22/06



767

PARTS CATALOG (MAINTENANCE)

FIG ITEM	PART NUMBER	1 2 3 4 5 6 7	NOMENCLATURE	EFFECT FROM TO	UNITS PER ASSY
1 - 125	BRH10A3		.NUT SUPPLIER CODE: V52828 SPECIFICATION NUMBER: BACN10JC3 OPTIONAL PART: H10-3BAC V15653 NS202101-02 V80539 RMLH9075-3W V72962 VN303A02 V92215 96-02 V80539 T6S1032J V11815 -----*-----		4
130	69-38947-8		..CLIP ASSY ATTACHING PARTS		1
- 135	BACR15BB6A		..RIVET- SIZE DETERMINED ON INSTL. -----*-----		2
145	232T4236-4		..TABLE		1
150	BACS40R04F04F		.SHIM		2

ILLUSTRATION ITEMS NOT ON PARTS LIST ARE NOT APPLICABLE

- ITEM NOT ILLUSTRATED

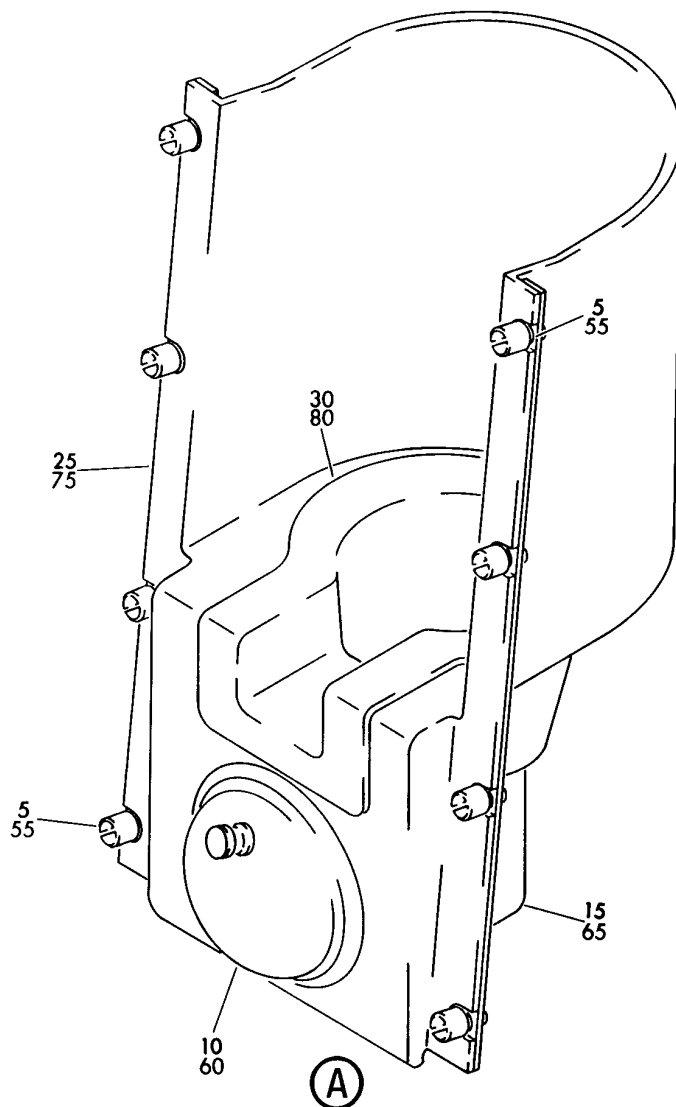
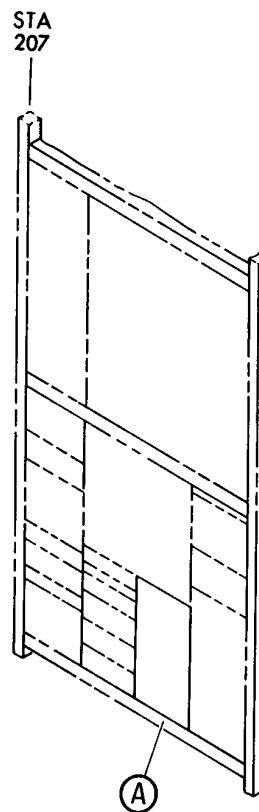
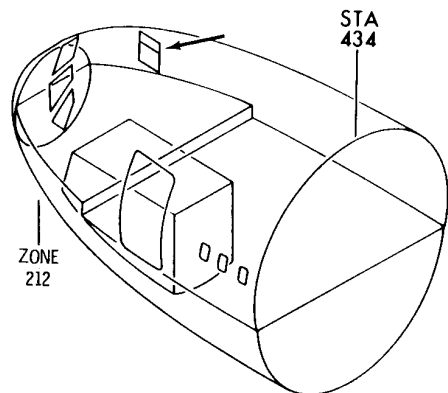
HXL

25-13-80-01

BOEING PROPRIETARY - Copyright © - Unpublished Work - See title page for details.

25-13-80
FIG. 01
PAGE 2
DEC 22/06

BOEING
767
PARTS CATALOG (MAINTENANCE)



V 25138101 REV 1B1

ASHTRAY AND CUP HOLDER ASSY-SECOND OBSERVER PNL
FIGURE 1

25-13-81-01

HXL
DEC 22/06

25-13-81-01
PAGE 0



767

PARTS CATALOG (MAINTENANCE)

FIG ITEM	PART NUMBER	1 2 3 4 5 6 7	NOMENCLATURE	EFFECT FROM TO	UNITS PER ASSY
1			ASHTRAY AND CUP HOLDER ASSY-SECOND OBSERVER PNL		
- 1	232T4250-13		ASHTRAY AND CUP HOLDER- ASSY-SECOND OBSERVER PNL		RF
			OPTIONAL PART: 232T4250-20 FOR NHA SEE: 31-11-26-63		
5	PFSC35-38ASEMB		.STUD ASSY- SUPPLIER CODE: V72794 SPECIFICATION NUMBER: BACS21DX1B		8
10	232T4250-4		.ASHTRAY		1
15	232T4223-8		.BOX ASSY		1
- 20	NAS514P1032-6P		ATTACHING PARTS .SCREW -----*-----		2
25	232T4250-14		.HOUSING ASSY-		1
30	232T4223-9		..CUP HOLDER		1
- 50	232T4250-20		ASHTRAY AND CUP HOLDER- ASSY-SECOND OBSERVER PNL		RF
			OPTIONAL PART: 232T4250-13 FOR NHA SEE: 31-11-26-63		
55	PFSC35-38ASEMB		.STUD ASSY SUPPLIER CODE: V72794 SPECIFICATION NUMBER: BACS21DX1B		8
60	232T4250-4		.ASHTRAY		1
65	232T4223-16		.BOX ASSY		1
- 70	NAS514P1032-6P		ATTACHING PARTS .SCREW -----*-----		2
75	232T4250-19		.HOUSING ASSY		1
80	232T4223-15		..CUP HOLDER		1

ILLUSTRATION ITEMS NOT ON PARTS LIST ARE NOT APPLICABLE

- ITEM NOT ILLUSTRATED

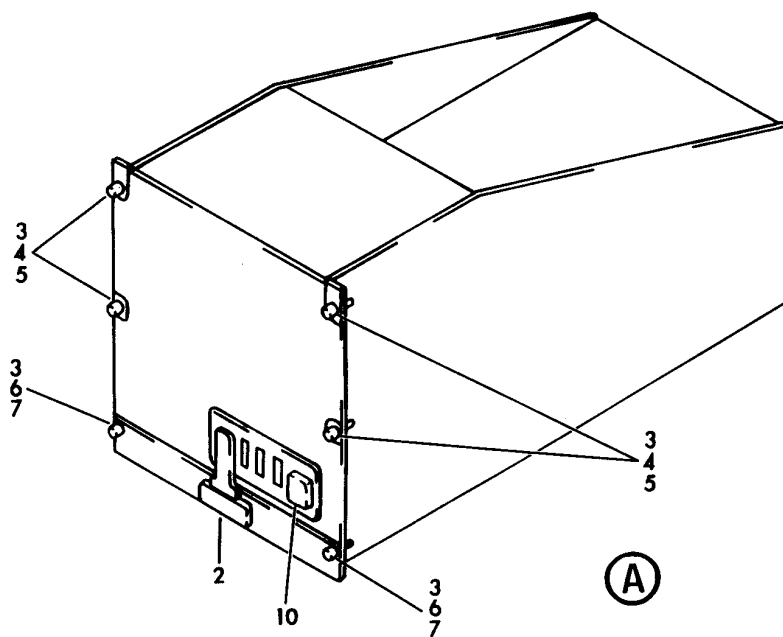
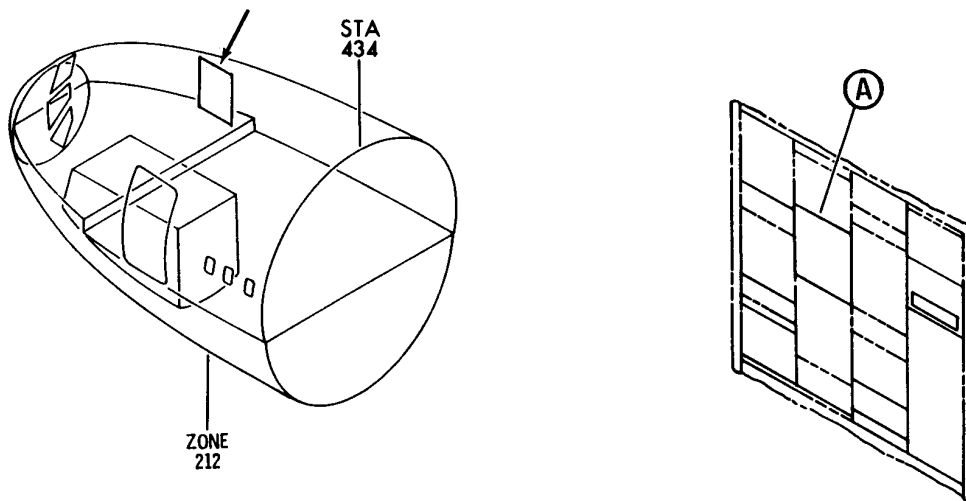
HXL

25-13-81-01

BOEING PROPRIETARY - Copyright © - Unpublished Work - See title page for details.

25-13-81
FIG. 01
PAGE 1
DEC 22/07

BOEING
767
PARTS CATALOG (MAINTENANCE)



V 25138401 REV 137

STOWAGE COMPARTMENT-TAKE OFF DATA COMPUTER
FIGURE 1

25-13-84-01

HXL
DEC 22/06

25-13-84-01
PAGE 0



767

PARTS CATALOG (MAINTENANCE)

FIG ITEM	PART NUMBER	1 2 3 4 5 6 7	NOMENCLATURE	EFFECT FROM TO	UNITS PER ASSY
1			STOWAGE COMPARTMENT-TAKE OFF DATA COMPUTER		
- 1	SAS14366		STOWAGE COMPARTMENT-TAKE OFF DATA COMPUTER SUPPLIER CODE: V1009B POST AIRLINE MOD: MTO-252737 VSAS FOR NHA SEE: 31-11-26-63		RF
2	FS2100		.LOCK ASSY- SUPPLIER CODE: V1009B		1
3	PS3-1-2		.SPRING- SUPPLIER CODE: V1009B		6
4	PC3-1-2X547-12		.CUP- SUPPLIER CODE: V1009B		4
5	PF3-1-2-42X545		.STUD- SUPPLIER CODE: V1009B		4
6	PC3-1-2X547-7		.CUP- SUPPLIER CODE: V1009B		2
7	PF3-1-2-48X545		.STUD- SUPPLIER CODE: V1009B		2
10	SAS485333		.BUTTON STOP- SUPPLIER CODE: V1009B POST AIRLINE MOD: MTO-252993 VSAS		1

ILLUSTRATION ITEMS NOT ON PARTS LIST ARE NOT APPLICABLE

- ITEM NOT ILLUSTRATED

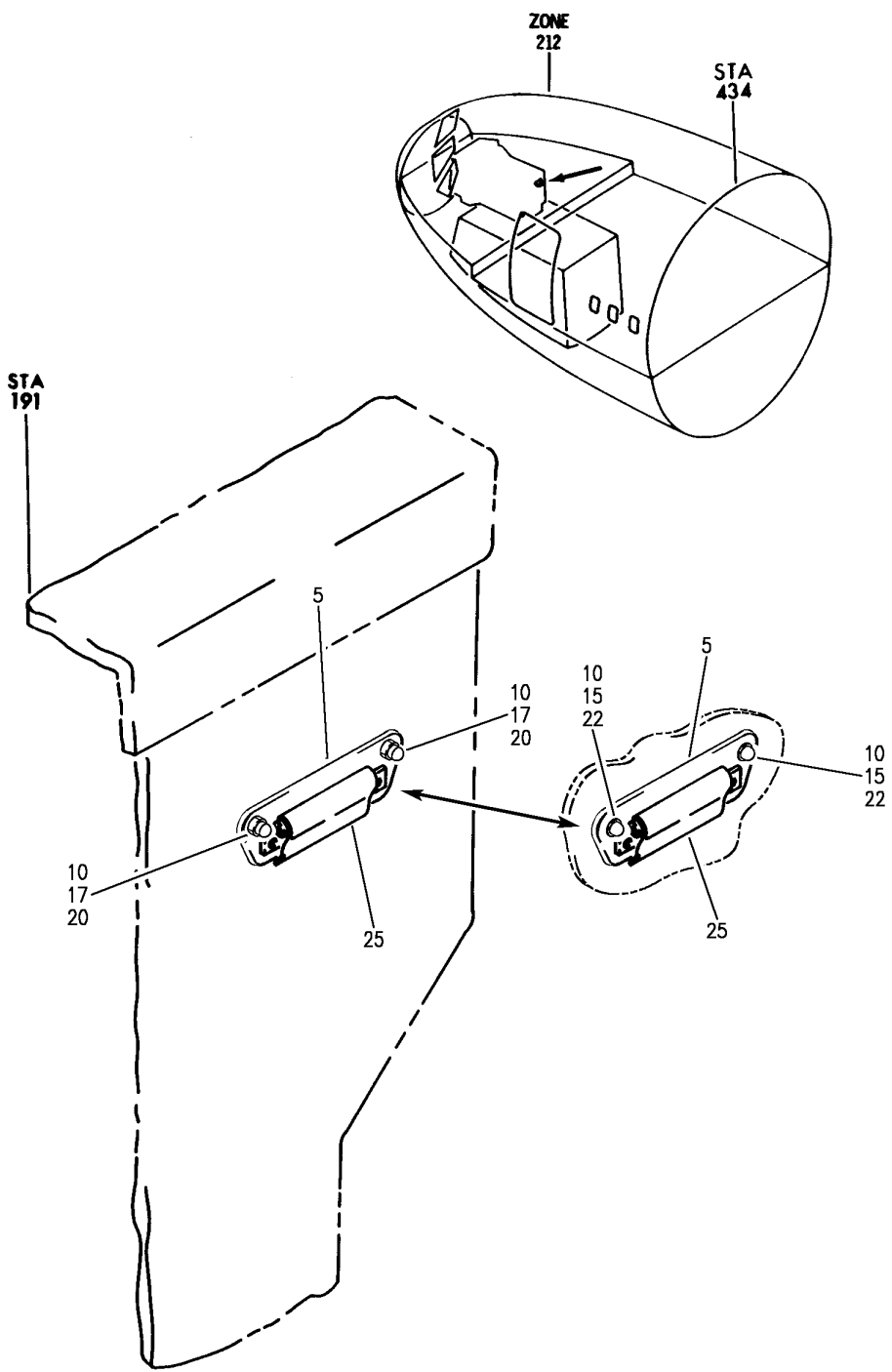
HXL

25-13-84-01

BOEING PROPRIETARY - Copyright © - Unpublished Work - See title page for details.

25-13-84
FIG. 01
PAGE 1
AUG 22/08

BOEING
767
PARTS CATALOG (MAINTENANCE)



V 25138501 REV 263

CLIP INSTL-STA 191.5 MISC
FIGURE 1

25-13-85-01

HXL
DEC 22/06

25-13-85-01
PAGE 0



767

PARTS CATALOG (MAINTENANCE)

FIG ITEM	PART NUMBER	1 2 3 4 5 6 7	NOMENCLATURE	EFFECT FROM TO	UNITS PER ASSY
1			CLIP INSTL-STA 191.5 MISC		
- 1	232T4208-2		CLIP INSTL-MISC POSITION DATA: STA 191.5 FOR NHA SEE: 25-10-00-04		RF
5	232T4208-3		.CLIP ASSY- POST AIRLINE MOD: MTO-252346-1 VSAS		1
10	S4C5DL12BN		ATTACHING PARTS .SCREW- SUPPLIER CODE: V12324 PRE AIRLINE MOD: MTO-252346-1 VSAS		2
10	MS35206-246		.SCREW- POST AIRLINE MOD: MTO-252346-1 VSAS		2
15	AN960JD4L		.WASHER- PRE AIRLINE MOD: MTO-252346-1 VSAS		4
15	NAS1252-8L		.WASHER- POST AIRLINE MOD: MTO-252346-1 VSAS		4
20	H10-08		.NUT- SUPPLIER CODE: V15653 POST AIRLINE MOD: MTO-252346-1 VSAS		2
22	MS21042L04		.NUT- PRE AIRLINE MOD: MTO-252346-1 VSAS		2
25	69-38947-7		-----*----- ..CLIP ASSY- OPTIONAL PART: 69-38947-8		1
25	69-38947-8		..CLIP ASSY- OPTIONAL PART: 69-38947-7		1

ILLUSTRATION ITEMS NOT ON PARTS LIST ARE NOT APPLICABLE

- ITEM NOT ILLUSTRATED

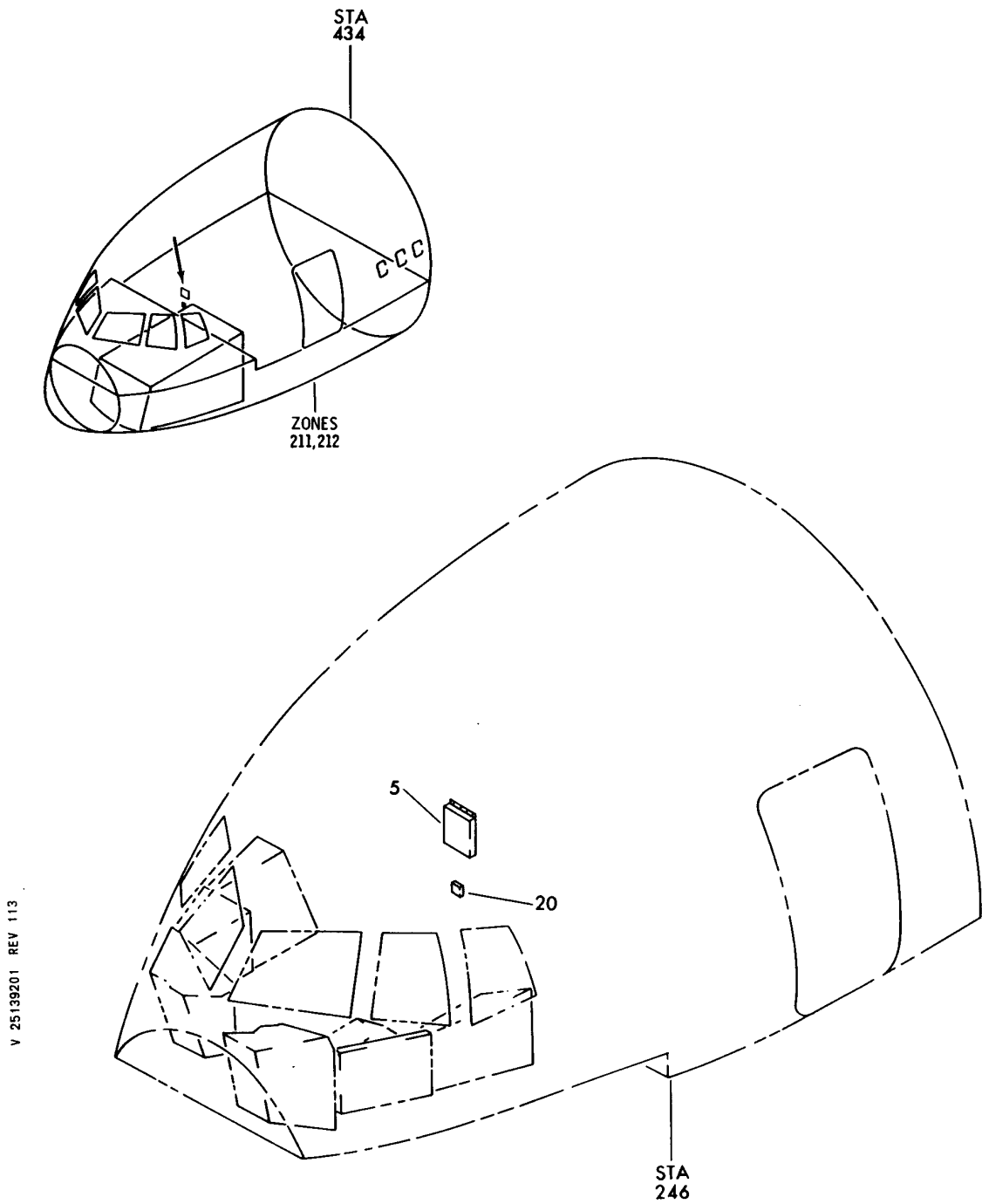
HXL

25-13-85-01

BOEING PROPRIETARY - Copyright © - Unpublished Work - See title page for details.

25-13-85
FIG. 01
PAGE 1
DEC 22/07

BOEING
767
PARTS CATALOG (MAINTENANCE)



HOLDER INSTL-GEAR PIN AND PITOT COVER
FIGURE 1

25-13-92-01

HXL
DEC 22/06

25-13-92-01
PAGE 0



767

PARTS CATALOG (MAINTENANCE)

FIG ITEM	PART NUMBER	1 2 3 4 5 6 7	NOMENCLATURE	EFFECT FROM TO	UNITS PER ASSY
1			HOLDER INSTL-GEAR PIN AND PITOT COVER		
- 1	SAS252340HOLD		HOLDER INSTL-GEAR PIN AND PITOT COVER SUPPLIER CODE: V10091 POST AIRLINE MOD: MT0-252340 VSAS MT0-253255 VSAS		1
5	14351-1		.HOLDER ASSY-GEAR PIN SUPPLIER CODE: V1009B POST AIRLINE MOD: MT0253255 VSAS		1
- 10	MS24694C48		ATTACHING PARTS .SCREW		5
- 15	2761910		.WASHER- SUPPLIER CODE: V1009B		5
20	25514A		-----*----- .HOLDER ASSY-PITOT COVER SUPPLIER CODE: V1009B		1

ILLUSTRATION ITEMS NOT ON PARTS LIST ARE NOT APPLICABLE

- ITEM NOT ILLUSTRATED

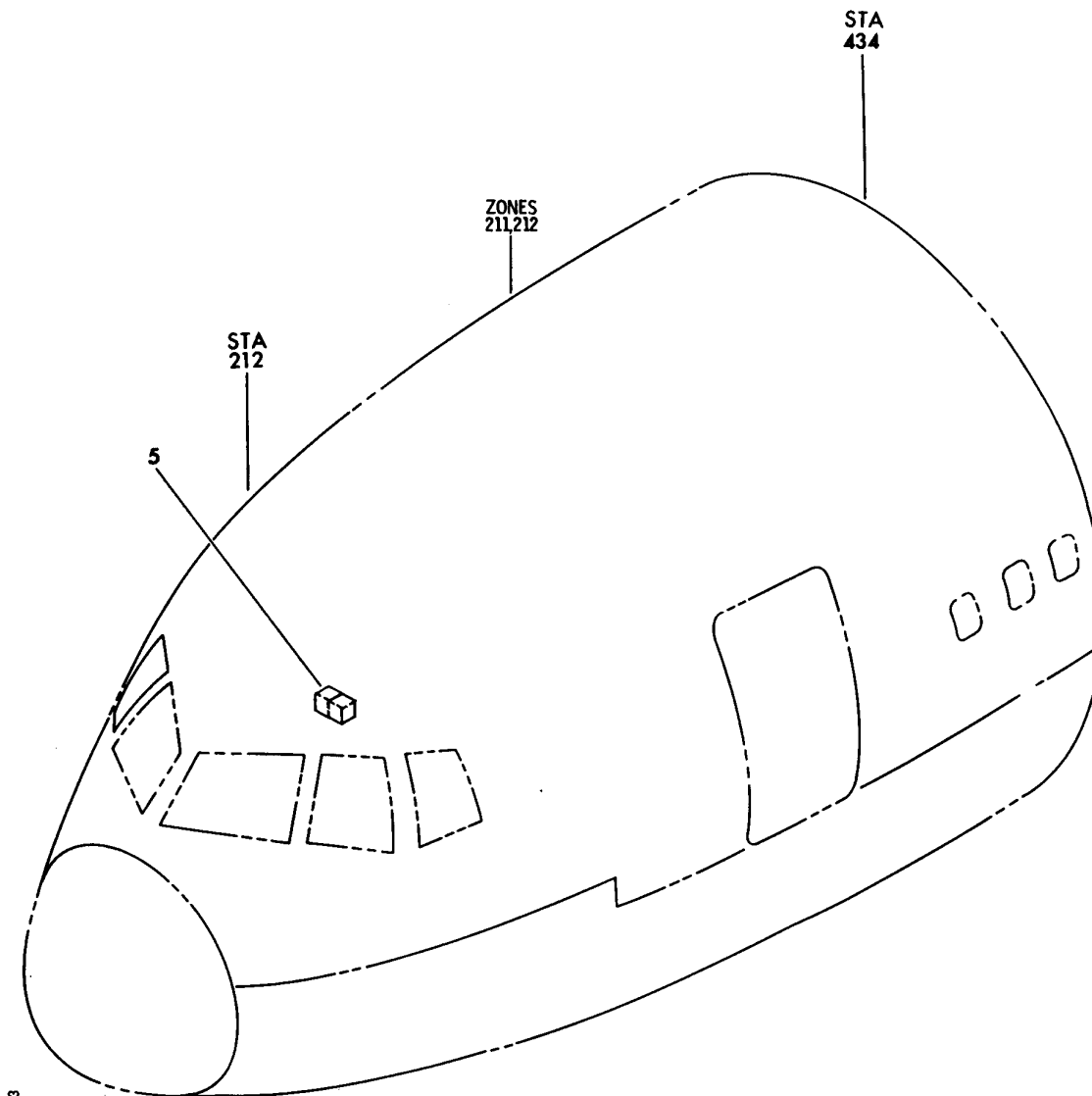
HXL

25-13-92-01

BOEING PROPRIETARY - Copyright © - Unpublished Work - See title page for details.

25-13-92
FIG. 01
PAGE 1
APR 22/09

BOEING
767
PARTS CATALOG (MAINTENANCE)



V 25139301 REV 113

HOLDER INSTL-CLEANING KIT
FIGURE 1

25-13-93-01

HXL
DEC 22/06

25-13-93-01
PAGE 0



767

PARTS CATALOG (MAINTENANCE)

FIG ITEM	PART NUMBER	1 2 3 4 5 6 7	NOMENCLATURE	EFFECT FROM TO	UNITS PER ASSY
1					
- 1	SAS252344HOLD		HOLDER INSTL-CLEANING KIT HOLDER INSTL-CLEANING KIT SUPPLIER CODE: V10091 POST AIRLINE MOD: MT0-252344 VSAS	163163 163163	1
5	OSL9025537		.HOLDER ASSY- SUPPLIER CODE: V1009B	163163	1
- 10	MS24694C48		ATTACHING PARTS .SCREW	163163	2
- 15	2761910		.WASHER- SUPPLIER CODE: V1009B -----*-----	163163	2

ILLUSTRATION ITEMS NOT ON PARTS LIST ARE NOT APPLICABLE

- ITEM NOT ILLUSTRATED

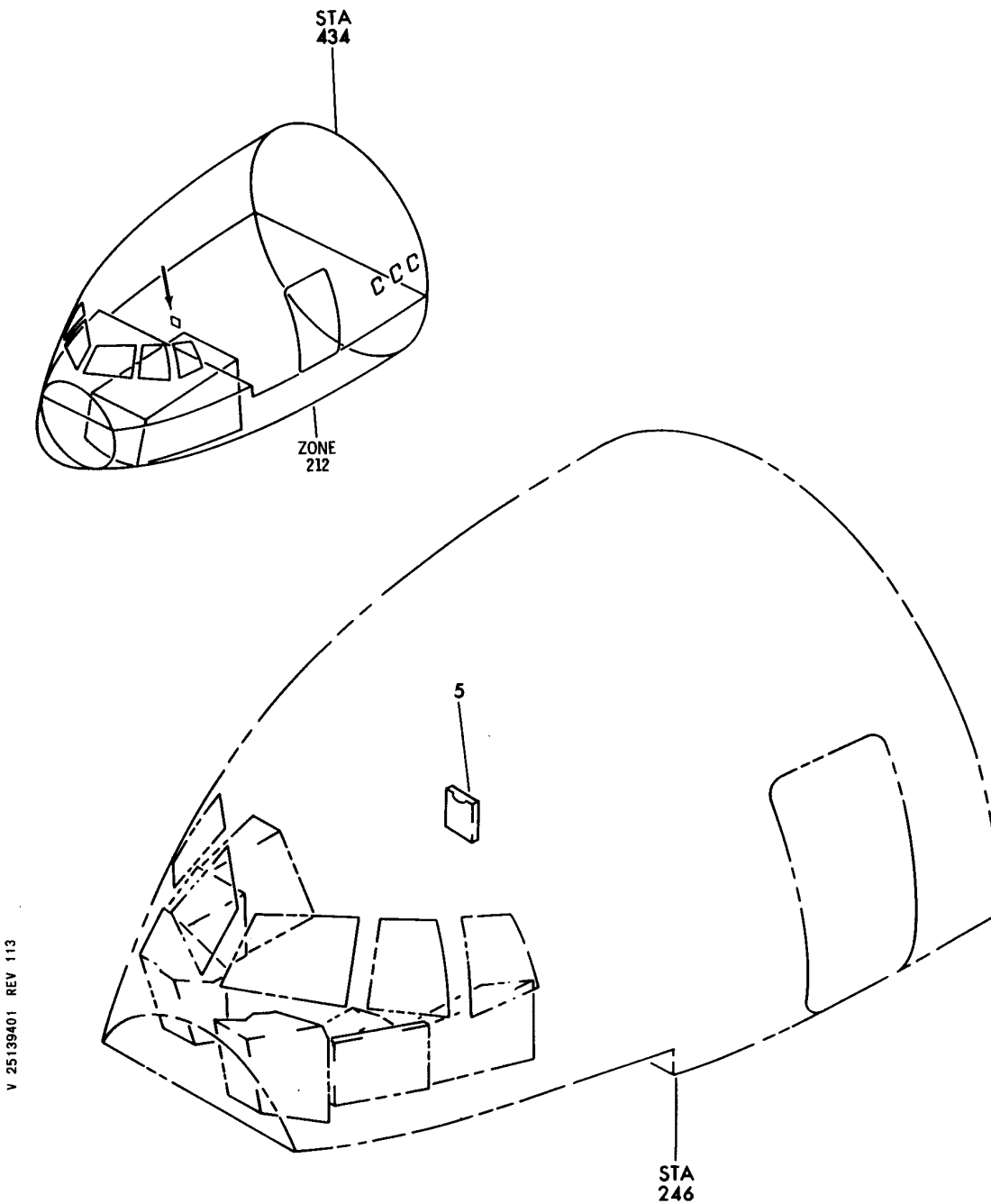
HXL

25-13-93-01

BOEING PROPRIETARY - Copyright © - Unpublished Work - See title page for details.

25-13-93
FIG. 01
PAGE 1
APR 22/09

BOEING
767
PARTS CATALOG (MAINTENANCE)



HOLDER INSTL-FUELING ORDER PAD
FIGURE 1

25-13-94-01

HXL
DEC 22/06

25-13-94-01
PAGE 0



767

PARTS CATALOG (MAINTENANCE)

FIG ITEM	PART NUMBER	1 2 3 4 5 6 7	NOMENCLATURE	EFFECT FROM TO	UNITS PER ASSY
1			HOLDER INSTL-FUELING ORDER PAD	163163	
- 1	SAS252378HOLD		HOLDER INSTL-FUELING ORDER PAD SUPPLIER CODE: V10091 POST AIRLINE MOD: MT0-252378 VSAS	163163	1
5	25740		.HOLDER ASSY- SUPPLIER CODE: V1009B	163163	1
- 10	MS24694S2		ATTACHING PARTS .SCREW -----*-----	163163	4

ILLUSTRATION ITEMS NOT ON PARTS LIST ARE NOT APPLICABLE

- ITEM NOT ILLUSTRATED

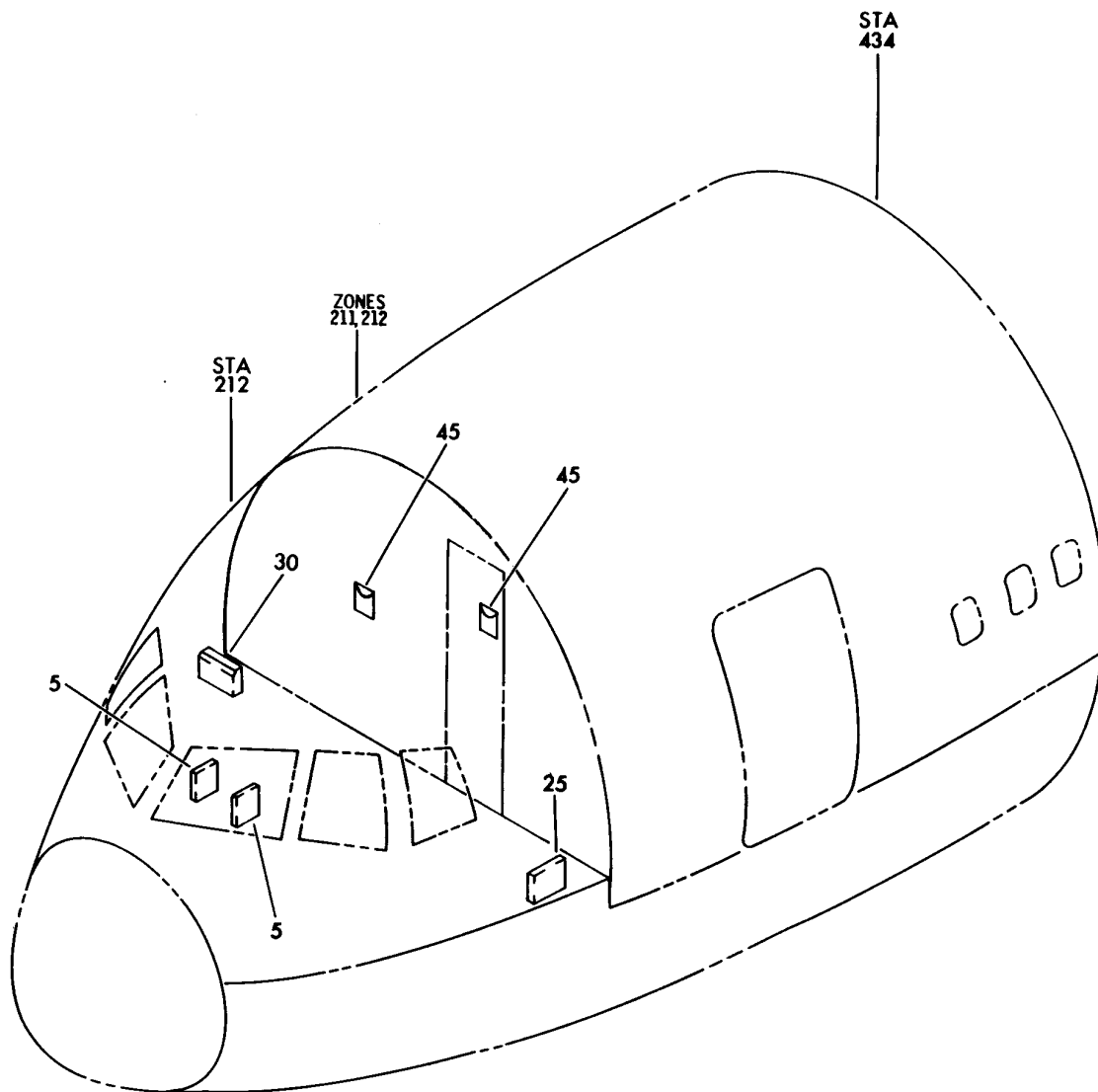
HXL

25-13-94-01

BOEING PROPRIETARY - Copyright © - Unpublished Work - See title page for details.

25-13-94
FIG. 01
PAGE 1
APR 22/09

BOEING
767
PARTS CATALOG (MAINTENANCE)



V 25139501 REV 125

HOLDER INSTL-CHECK LIST
FIGURE 1

25-13-95-01

HXL
DEC 22/06

25-13-95-01
PAGE 0



767

PARTS CATALOG (MAINTENANCE)

FIG ITEM	PART NUMBER	1 2 3 4 5 6 7	NOMENCLATURE	EFFECT FROM TO	UNITS PER ASSY
1					
- 1	SAS252429HOLD		HOLDER INSTL-CHECK LIST HOLDER INSTL-CHECK LIST SUPPLIER CODE: V10091 POST AIRLINE MOD: MTO-252429 VSAS		1
5	25734		.HOLDER ASSY- SUPPLIER CODE: V1009B ATTACHING PARTS		2
- 10	MS24694C48		.SCREW		8
- 15	NAS1252-10L		.WASHER		8
- 20	H10-3		.NUT- SUPPLIER CODE: V15653 OPTIONAL PART: 30-297-668-04 VK5294 -----*-----		8
25	14352		.HOLDER ASSY- SUPPLIER CODE: V1009B		1
30	14347		.HOLDER ASSY- SUPPLIER CODE: V1009B ATTACHING PARTS		1
- 35	MS24694C48		.SCREW -----*-----		6
45	25262D		.HOLDER-CHECK LIST SUPPLIER CODE: V1009B POST AIRLINE MOD: MTO-252312 VSAS ATTACHING PARTS		2
- 46	SL607-08-7S		.INSERT- SUPPLIER CODE: V97393		4
- 47	MS24694S2		.SCREW -----*-----		4

ILLUSTRATION ITEMS NOT ON PARTS LIST ARE NOT APPLICABLE

- ITEM NOT ILLUSTRATED

25-13-95-01

25-13-95
FIG. 01
PAGE 1
APR 22/09

HXL

BOEING PROPRIETARY - Copyright © - Unpublished Work - See title page for details.