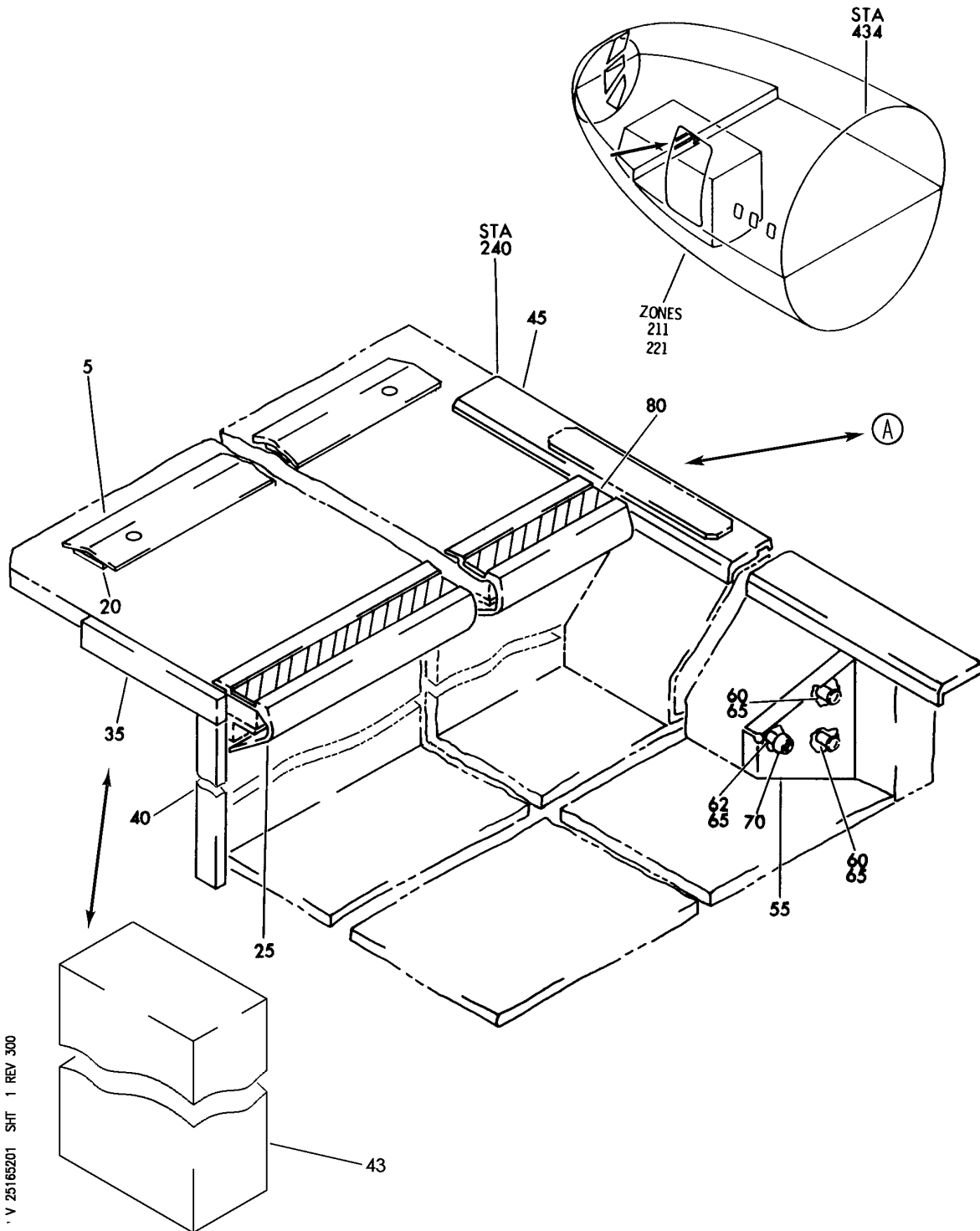


FLIGHT COMPARTMENT FLOOR COVERING

HXL
DEC 22/06

25-16-00
SECTION TITLE
PAGE 1

BOEING
767
PARTS CATALOG (MAINTENANCE)



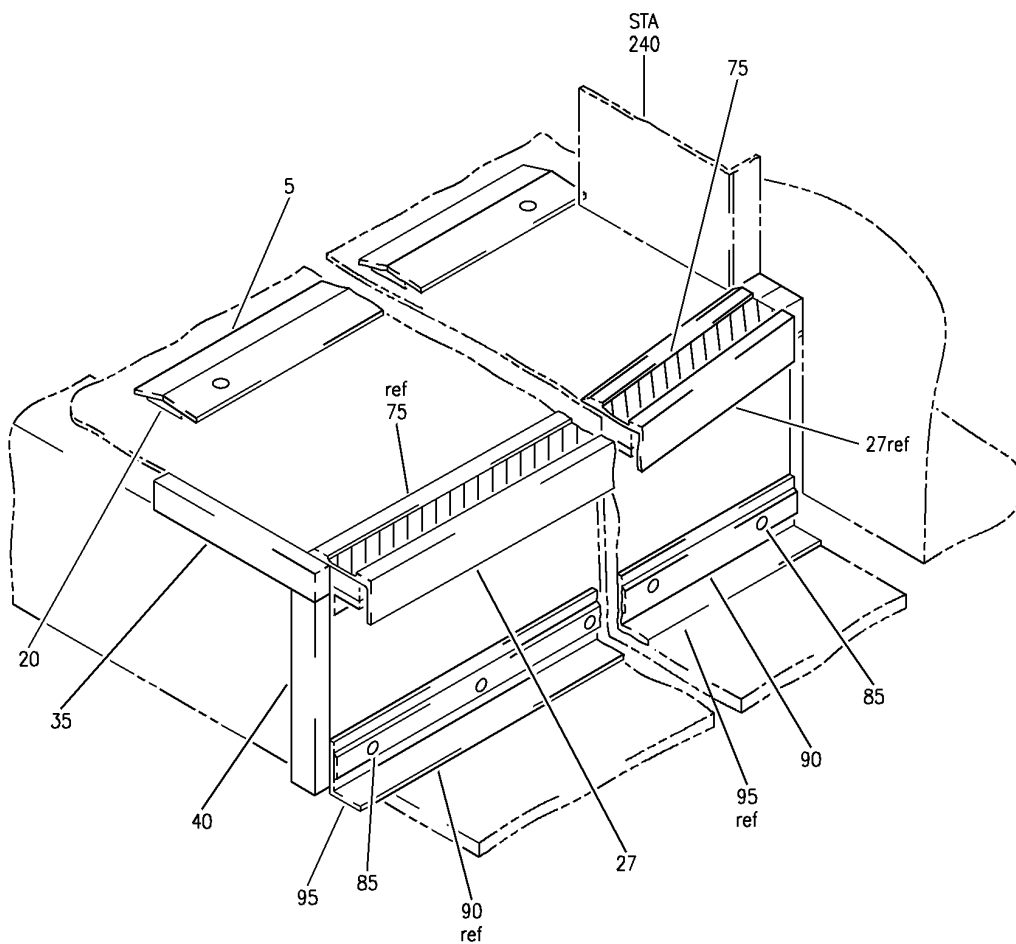
TRIM INSTL-FLIGHT DECK STEP
FIGURE 1 (SHEET 1)

25-16-52-01

HXL
DEC 22/06

25-16-52-01
PAGE 0

BOEING
767
PARTS CATALOG (MAINTENANCE)



V 25165201 SHT 2 REV 300

(A)

TRIM INSTL-FLIGHT DECK STEP
FIGURE 1 (SHEET 2)

25-16-52-01

HXL
DEC 22/06

25-16-52-01
PAGE 0A



767

PARTS CATALOG (MAINTENANCE)

FIG ITEM	PART NUMBER	1 2 3 4 5 6 7	NOMENCLATURE	EFFECT FROM TO	UNITS PER ASSY
1			TRIM INSTL-FLIGHT DECK STEP		
- 1	414T3012-42		TRIM INSTL-STEP POSITION DATA: FLIGHT DECK FOR NHA SEE: 25-20-00-14	163999	RF
- 2	414T3012-60		TRIM INSTL-STEP POSITION DATA: FLIGHT DECK FOR NHA SEE: 25-20-00-14	155162	RF
	5 414T3230-19		.THRESHOLD-CARPET LOW PROFILE ATTACHING PARTS		1
- 10	MS24693C272		.SCREW		5
- 15	BACW10DM8		.WASHER		5
	20 414T3230-20		.SPACER-THRESHOLD		1
	25 414T3231-3		.NOSING-CARPET OPTIONAL PART: 414T3231-5	163999	1
	25 414T3231-4		.NOSING-CARPET	155162	1
	25 414T3231-5		.NOSING-CARPET OPTIONAL PART: 414T3231-3 ATTACHING PARTS	163999	1
- 30	BACB30NN3K11		.BOLT- -----*-----		5
	35 414T3210-67		.SEAL-		1
	40 414T3210-68		.SEAL-		1
	80 414T3012-12		.TAPE-WARNING		1

ILLUSTRATION ITEMS NOT ON PARTS LIST ARE NOT APPLICABLE

- ITEM NOT ILLUSTRATED

HXL

25-16-52-01

BOEING PROPRIETARY - Copyright © - Unpublished Work - See title page for details.

25-16-52
FIG. 01
PAGE 1
DEC 22/07