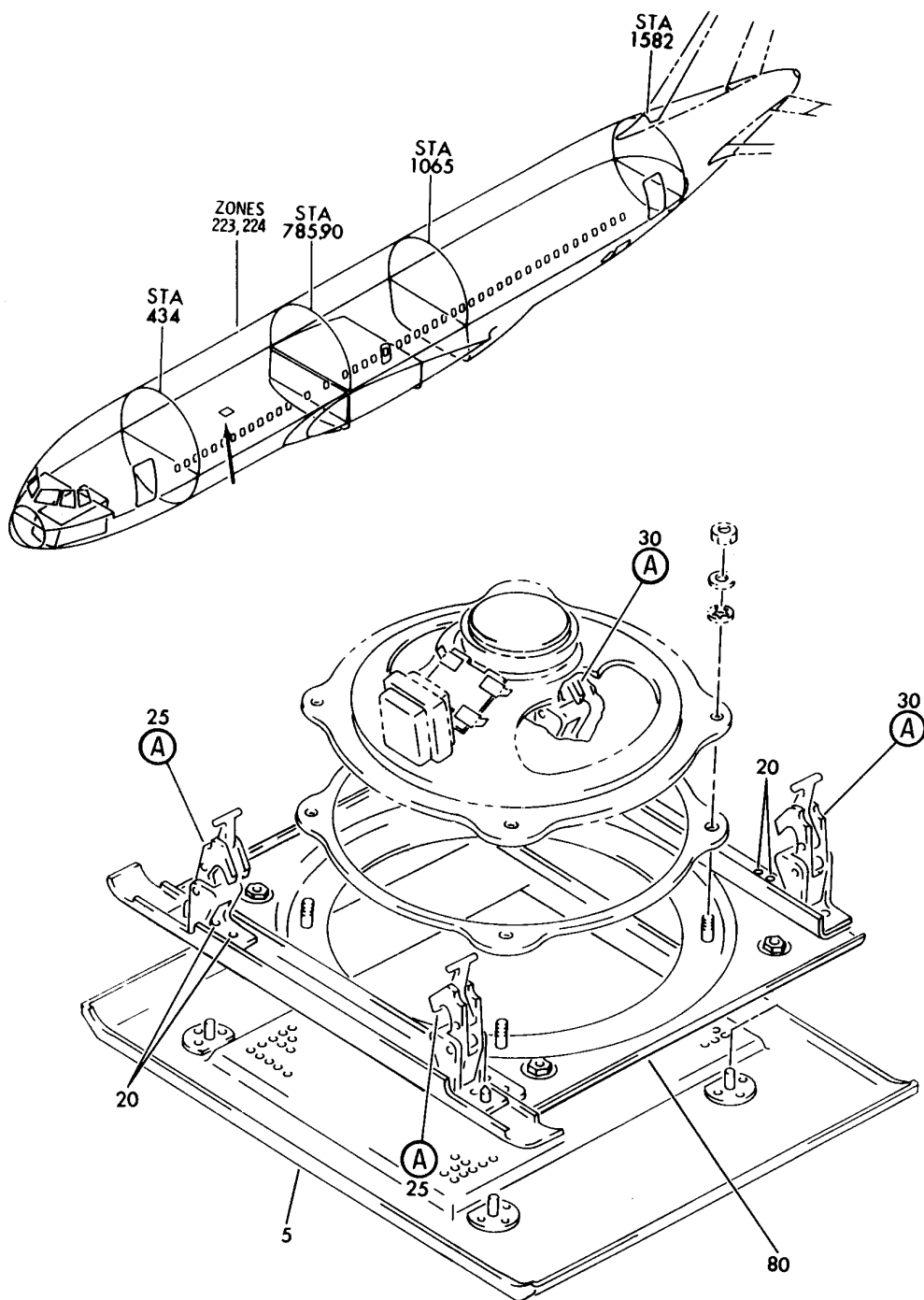


SERVICE UNITS

HXL
DEC 22/06

25-23-00
SECTION TITLE
PAGE 1

BOEING
767
PARTS CATALOG (MAINTENANCE)



V 25230125A SHT 1 REV 106

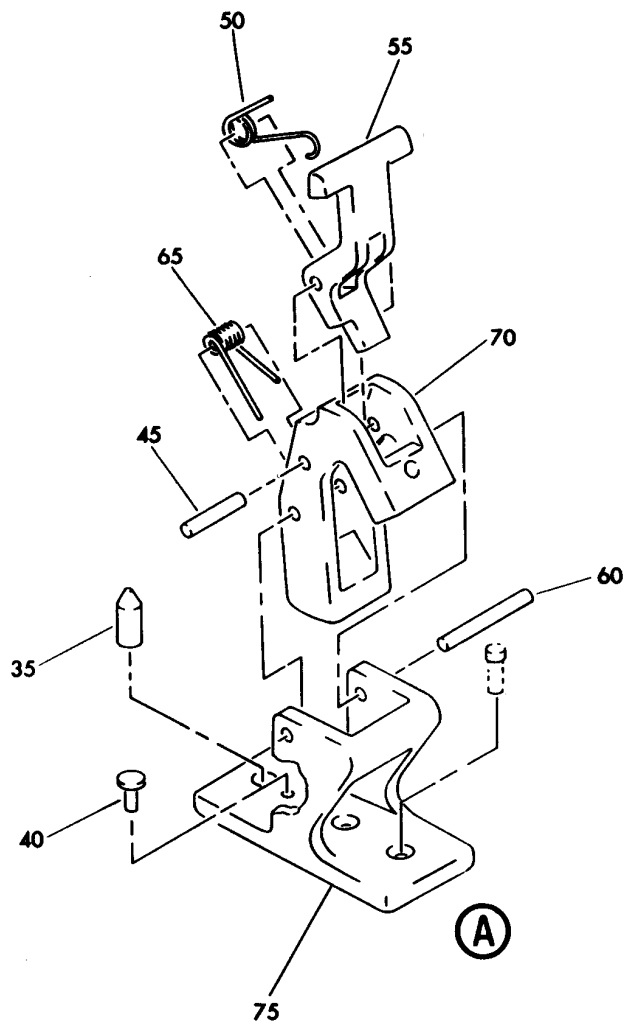
PANEL ASSY-ADJUSTABLE SPACER OUTBD (EQUIPMENT/ FURNISHINGS ONLY)
FIGURE 25A (SHEET 1)

25-23-01-25A

HXL
DEC 22/06

25-23-01-25A
PAGE 0

BOEING
767
PARTS CATALOG (MAINTENANCE)



V 25230125A SHT 2 REV 106

PANEL ASSY-ADJUSTABLE SPACER OUTBD (EQUIPMENT/ FURNISHINGS ONLY)
FIGURE 25A (SHEET 2)

25-23-01-25A

HXL
DEC 22/06

25-23-01-25A
PAGE 0A

BOEING
767
PARTS CATALOG (MAINTENANCE)

FIG ITEM	PART NUMBER	1 2 3 4 5 6 7	NOMENCLATURE	EFFECT FROM TO	UNITS PER ASSY
25A			PANEL ASSY-ADJUSTABLE SPACER OUTBD (EQUIPMENT/ FURNISHINGS ONLY)	163999	
- 1	417T3055-1017SP		PANEL ASSY-ADJUSTABLE SPACER (EQUIPMENT/ FURNISHINGS ONLY)	163999	RF
			POSITION DATA: OUTBD		
5	417T3074-165SP		.PANEL-FACE ATTACHING PARTS	163999	1
- 10	NAS1801-3-4		.SCREW	163999	4
- 15	AN960JD10		.WASHER	163999	4
			-----*-----		
20	NAS514PB832-4		.SCREW	163999	8
25	417T3058-104		.LATCH ASSY-SPKR PNL WITH	163999	2
30	417T3058-106		.LATCH ASSY-SPKR PNL WITH	163999	2
35	417T3058-118		..PIN-INDEX USED ON: 417T3058-104	163999	1
40	417T3058-116		..PAD-RUBBER	163999	1
45	MS20253P2-54		..PIN	163999	1
50	417T3058-121		..SPRING-TRIGGER	163999	1
55	417T3058-115		..TRIGGER	163999	1
60	MS20253P2-76		..PIN	163999	1
65	417T3058-120		..SPRING-CAM	163999	1
70	417T3058-114		..CAM-SHORT ARM	163999	1
75	417T3058-110		..BASE	163999	1
80	417T3090-129		.PLATE ASSY	163999	1

ILLUSTRATION ITEMS NOT ON PARTS LIST ARE NOT APPLICABLE

- ITEM NOT ILLUSTRATED

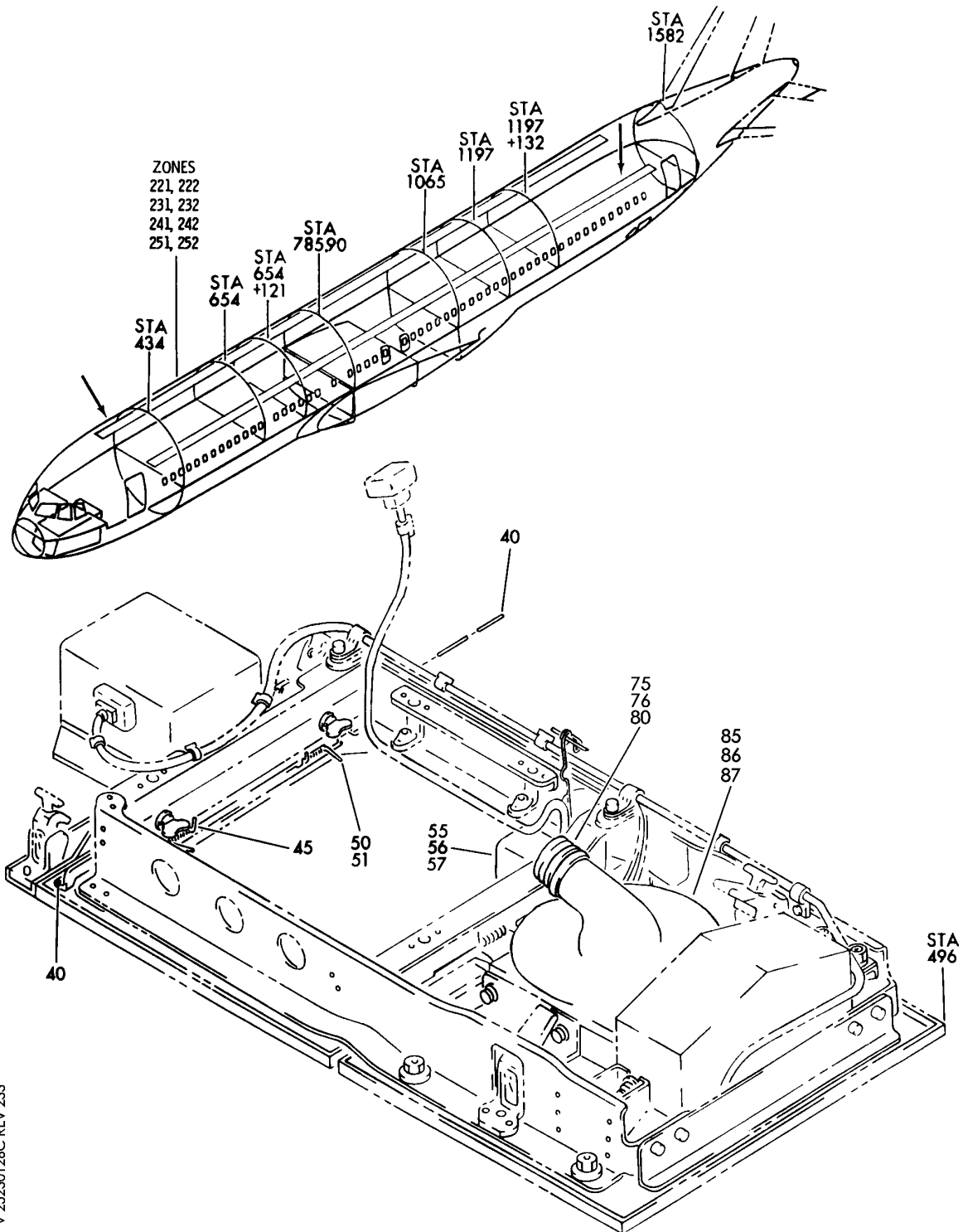
HXL

25-23-01-25A

BOEING PROPRIETARY - Copyright © - Unpublished Work - See title page for details.

25-23-01
FIG. 25A
PAGE 1
DEC 22/07

BOEING
767
PARTS CATALOG (MAINTENANCE)



V 25230126C REV 233

PANEL ASSY-OUTBD PSU OXY/LT (EQUIPMENT/FURNISHINGS ONLY)
FIGURE 26C

25-23-01-26C

HXL
DEC 22/06

25-23-01-26C
PAGE 0



767

PARTS CATALOG (MAINTENANCE)

FIG ITEM	PART NUMBER	1 2 3 4 5 6 7	NOMENCLATURE	EFFECT FROM TO	UNITS PER ASSY
26C			PANEL ASSY-OUTBD PSU OXY/LT (EQUIPMENT/FURNISHINGS ONLY)		
- 3	417T3052-366SP		PANEL ASSY-PSU OXY/LT (EQUIPMENT/FURNISHINGS ONLY) POSITION DATA: OUTBD COMPONENT MAINT MANUAL REF: 25-23-10 FOR NHA/OTHER SYS DET SEE: 25-23-01-48B 25-23-01-48C		RF
- 7	417T3052-365SP		PANEL ASSY-PSU OXY/LT (EQUIPMENT/FURNISHINGS ONLY) POSITION DATA: OUTBD COMPONENT MAINT MANUAL REF: 25-23-10 QUALIFIED I/W DATA: 417T3052-465SP MAY REPLACE 417T3052-365SP TOGETHER WITH RDAX5301A FOR NHA/OTHER SYS DET SEE: 25-23-01-48B 25-23-01-48C		RF
	40 MS20253P2-350		.PIN	155162	2
	40 MS20253P2-350		.PIN		2
- 41	MS20253P2-350		.PIN	163999	2
	45 417T3051-10		.SPRING	155162	1
	45 417T3051-10		.SPRING		1
- 46	417T3051-10		.SPRING	163999	1
	50 417T3051-9		.SPRING	155162	1
	50 417T3051-9		.SPRING		1
	51 417T3051-9		.SPRING	163999	1
	55 78175-3		.ACTUATOR- SUPPLIER CODE: V09790 SPECIFICATION NUMBER: S417T402-3 OPTIONAL PART: 78175-4 V09790	155162	1

ILLUSTRATION ITEMS NOT ON PARTS LIST ARE NOT APPLICABLE

- ITEM NOT ILLUSTRATED

25-23-01-26C

25-23-01
FIG. 26C
PAGE 1
DEC 22/08

HXL

BOEING
767
PARTS CATALOG (MAINTENANCE)

FIG ITEM	PART NUMBER	1 2 3 4 5 6 7	NOMENCLATURE	EFFECT FROM TO	UNITS PER ASSY
26C 55	78175-4	.	ACTUATOR- SUPPLIER CODE: V09790 SPECIFICATION NUMBER: S417T402-4 OPTIONAL PART: 78175-3 V09790	155162	1
56	78175-3	.	ACTUATOR- SUPPLIER CODE: V09790 SPECIFICATION NUMBER: S417T402-3 OPTIONAL PART: 78175-4 V09790		1
56	78175-4	.	ACTUATOR- SUPPLIER CODE: V09790 SPECIFICATION NUMBER: S417T402-4 OPTIONAL PART: 78175-3 V09790		1
57	78175-4	.	ACTUATOR- SUPPLIER CODE: V09790 SPECIFICATION NUMBER: S417T402-4 ATTACHING PARTS	163999	1
- 60	NAS1801-06-6	.	SCREW	155162	2
- 60	NAS1801-06-6	.	SCREW		2
- 61	NAS1801-06-6	.	SCREW	163999	2
- 65	MS35333-37	.	WASHER	155162	2
- 65	MS35333-37	.	WASHER		2
- 66	MS35333-37	.	WASHER	163999	2
- 70	AN960JD6L	.	WASHER	155162	2
- 70	AN960JD6L	.	WASHER		2
- 71	AN960JD6L	.	WASHER	163999	2
			-----*-----		
75	BACD40P4A150	.	DUCT-		1
85	214T4200-23SP	.	OUTLET ASSY-GASPER	155162	1
85	214T4200-23SP	.	OUTLET ASSY-GASPER	163999	1
87	214T4200-23A	.	OUTLET ASSY-GASPER OPTIONAL PART: 3930-23B V83564	163999	1

ILLUSTRATION ITEMS NOT ON PARTS LIST ARE NOT APPLICABLE

- ITEM NOT ILLUSTRATED

HXL

25-23-01-26C

BOEING PROPRIETARY - Copyright © - Unpublished Work - See title page for details.

25-23-01
FIG. 26C
PAGE 2
DEC 22/08



767

PARTS CATALOG (MAINTENANCE)

FIG ITEM	PART NUMBER	1 2 3 4 5 6 7	NOMENCLATURE	EFFECT FROM TO	UNITS PER ASSY
26C 87	3930-23B		.OUTLET ASSY-GASPER SUPPLIER CODE: V83564 OPTIONAL PART: 214T4200-23A ATTACHING PARTS	163999	1
- 90	NAS1801-3-7		.SCREW	155162	4
- 90	NAS1801-3-7		.SCREW		4
- 91	NAS1801-3-7		.SCREW	163999	4
- 95	AN960PD10		.WASHER	155162	4
- 95	AN960PD10		.WASHER		4
- 96	NAS1149D0363J		.WASHER -----*	163999	4

ILLUSTRATION ITEMS NOT ON PARTS LIST ARE NOT APPLICABLE

- ITEM NOT ILLUSTRATED

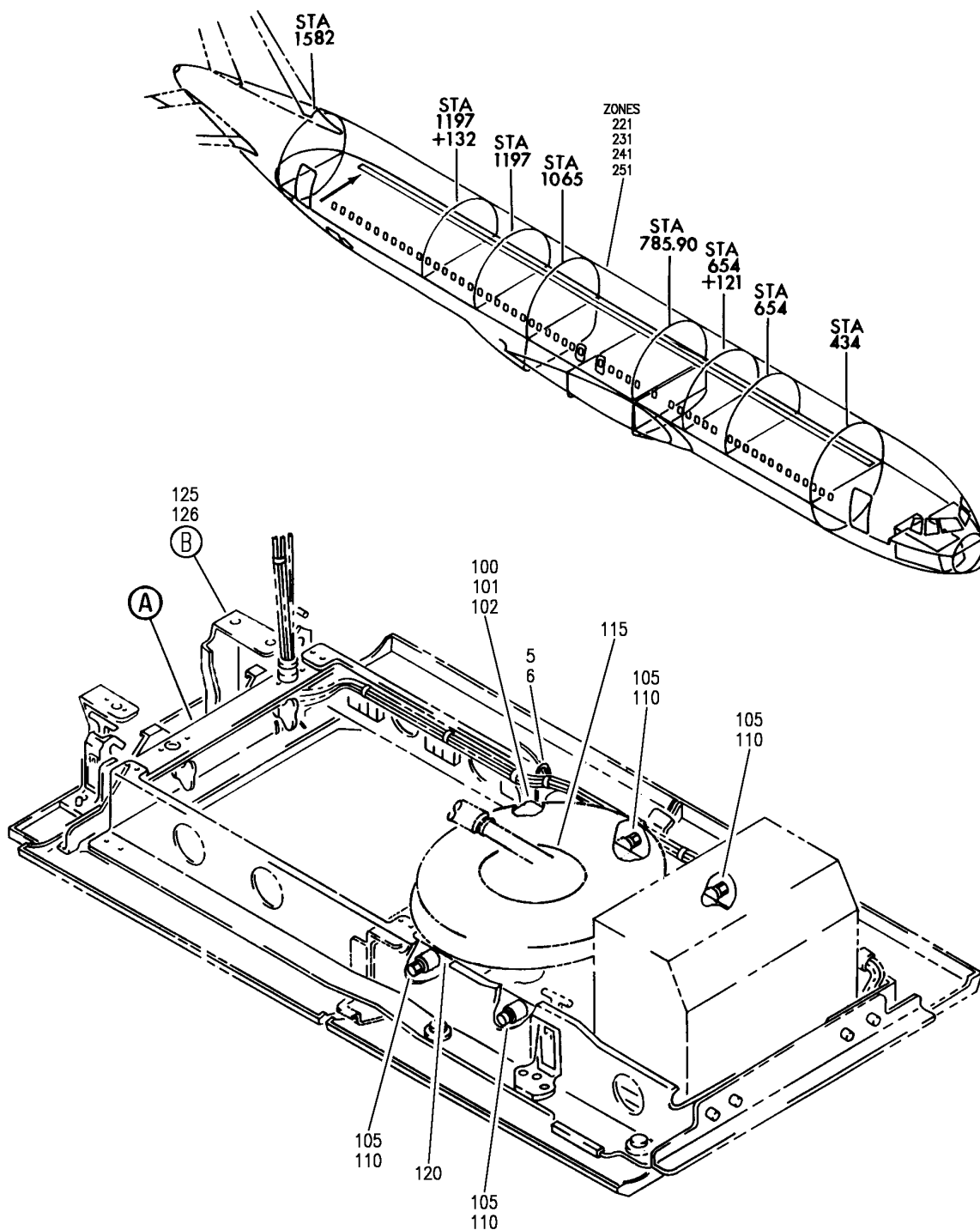
HXL

25-23-01-26C

BOEING PROPRIETARY - Copyright © - Unpublished Work - See title page for details.

25-23-01
FIG. 26C
PAGE 3
DEC 22/08

BOEING
767
PARTS CATALOG (MAINTENANCE)



V 25230127 SHT 1 REV 258

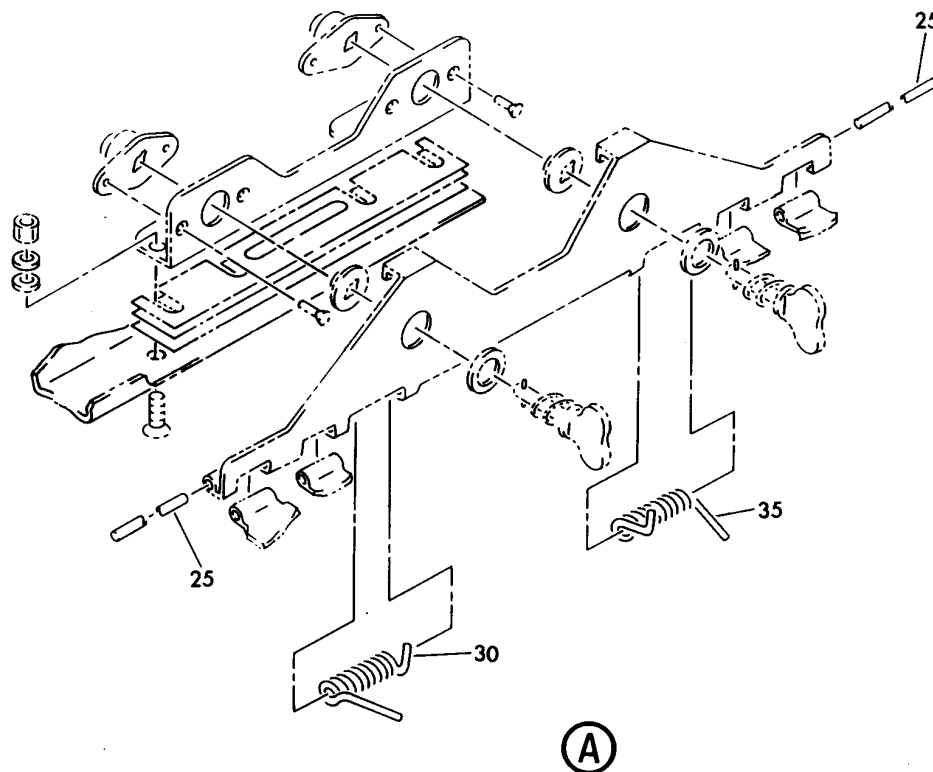
PANEL ASSY-OXY/LT INBD (EQUIPMENT/FURNISHINGS ONLY)
FIGURE 27 (SHEET 1)

25-23-01-27

HXL
DEC 22/06

25-23-01-27
PAGE 0

BOEING
767
PARTS CATALOG (MAINTENANCE)



V 25230127 SHT 2 REV 126

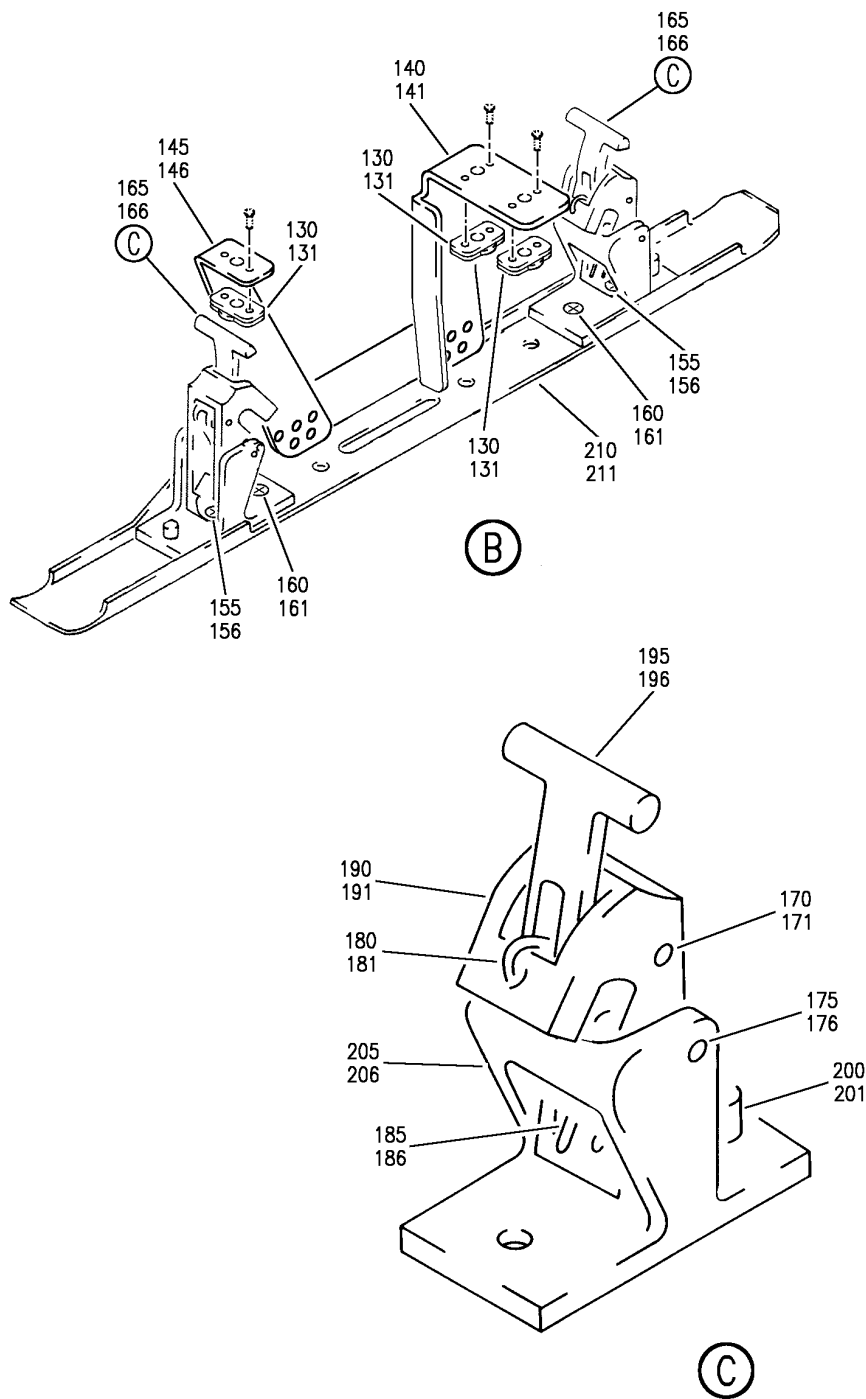
PANEL ASSY-OXY/LT INBD (EQUIPMENT/FURNISHINGS ONLY)
FIGURE 27 (SHEET 2)

25-23-01-27

HXL
DEC 22/06

25-23-01-27
PAGE 0A

BOEING
767
PARTS CATALOG (MAINTENANCE)



V 25230127 SH-T 3 REV 258

PANEL ASSY-OXY/LT INBD (EQUIPMENT/FURNISHINGS ONLY)
FIGURE 27 (SHEET 3)

25-23-01-27

HXL
DEC 22/06

25-23-01-27
PAGE 0B



767

PARTS CATALOG (MAINTENANCE)

FIG ITEM	PART NUMBER	1 2 3 4 5 6 7	NOMENCLATURE	EFFECT FROM TO	UNITS PER ASSY
27			PANEL ASSY-OXY/LT INBD (EQUIPMENT/FURNISHINGS ONLY)	163999	
- 2	417T3051-185SP		PANEL ASSY-OXY/LT (EQUIPMENT/FURNISHINGS ONLY) POSITION DATA: INBD COMPONENT MAINT MANUAL REF: 25-23-09 FOR NHA/OTHER SYS DET SEE: 25-23-01-48B	163999	RF
- 2	417T3051-385SP		PANEL ASSY-OXY/LT (EQUIPMENT/FURNISHINGS ONLY) POSITION DATA: INBD COMPONENT MAINT MANUAL REF: 25-23-09 FOR NHA/OTHER SYS DET SEE: 25-23-01-48B	163999	RF
7	417T3051-12		.LANYARD ASSY- OPTIONAL PART: 417T3051-49	163999	1
7	417T3051-49		.LANYARD ASSY- QUALIFIED I/W DATA: THE -295 CAN REPLACE OR BE REPLACED BY -249 WITH CUSTOMER PREFERENCE. THE -249 HAS TWO OPEN/LOWER STAGES; ONE BEING PARTIALLY OPEN, THE OTHER FULL. THE -295 HAS ONLY THE FULL OPEN, WHICH IS USED THE MAJORITY OF THE TIME BY THE CUSTOMER. OPTIONAL PART: 417T3051-12	163999	1
- 11	NAS514P832-6		ATTACHING PARTS .SCREW	163999	1
- 16	AN960PD8		.WASHER	163999	1

ILLUSTRATION ITEMS NOT ON PARTS LIST ARE NOT APPLICABLE

- ITEM NOT ILLUSTRATED

HXL

25-23-01-27

BOEING PROPRIETARY - Copyright © - Unpublished Work - See title page for details.

25-23-01
FIG. 27
PAGE 1
DEC 22/07

 **BOEING**
767
PARTS CATALOG (MAINTENANCE)

FIG ITEM	PART NUMBER	1 2 3 4 5 6 7	NOMENCLATURE	EFFECT FROM TO	UNITS PER ASSY
27 - 21	BRH10A08	.NUT	SUPPLIER CODE: V52828 SPECIFICATION NUMBER: BACN10JC08 OPTIONAL PART: H10-08BAC V15653 NS202101-82 V80539 RMLH9075-82W V72962 VN303A82 V92215 96-82 V80539 T6S832J V11815 -----*-----	163999	1
26	MS20253P2-320	.PIN		163999	2
31	417T3051-10	.SPRING		163999	1
36	417T3051-9	.SPRING		163999	1
102	78175-3	.ACTUATOR-	SUPPLIER CODE: V09790 SPECIFICATION NUMBER: S417T402-3 OPTIONAL PART: 78175-4 V09790	163999	1
102	78175-4	.ACTUATOR-	SUPPLIER CODE: V09790 SPECIFICATION NUMBER: S417T402-4 OPTIONAL PART: 78175-3 V09790	163999	1
125	417T3051-3	.TIE BAR ASSY		163999	1

ILLUSTRATION ITEMS NOT ON PARTS LIST ARE NOT APPLICABLE

- ITEM NOT ILLUSTRATED

HXL

25-23-01-27

BOEING PROPRIETARY - Copyright © - Unpublished Work - See title page for details.

25-23-01
FIG. 27
PAGE 2
DEC 22/07



767

PARTS CATALOG (MAINTENANCE)

FIG ITEM	PART NUMBER	1 2 3 4 5 6 7	NOMENCLATURE	EFFECT FROM TO	UNITS PER ASSY
27 130	MF53049-06		..NUTPLATE SUPPLIER CODE: V15653 SPECIFICATION NUMBER: BACN10JN06 OPTIONAL PART: MF1000-06BAC V15653 NS103218-62 V80539 RMF9201M62 V72962 VN252A62L V92215 T8124S06S V11815 BRFM20A06L V52828 ATTACHING PARTS	163999	3
- 135	BACR15BA3AD		..RIVET- SIZE DETERMINED ON INSTL. -----*-----	163999	6
140	417T3090-19		..BRACKET-DECODER	163999	1
145	417T3090-20		..BRACKET-DECODER ATTACHING PARTS	163999	1
- 150	BACR15BB3AD		..RIVET- SIZE DETERMINED ON INSTL. -----*-----	163999	10
155	NAS514P832-4		..SCREW	163999	2
160	NAS514P832-5		..SCREW	163999	2
165	417T3058-105		..LATCH ASSY	163999	2
170	MS20253P2-54		...PIN-HINGE	163999	1
175	MS20253P2-76		...PIN-HINGE	163999	1
180	417T3058-121		...SPRING-TRIGGER	163999	1
185	417T3058-120		...SPRING-CAM	163999	1
190	417T3058-114		...CAM	163999	1
195	417T3058-115		...TRIGGER	163999	1
200	417T3058-117		...PIN-INDEX	163999	1
205	417T3058-111		...BASE-NARROW	163999	1
210	417T3054-21		..TIE BAR	163999	1

ILLUSTRATION ITEMS NOT ON PARTS LIST ARE NOT APPLICABLE

- ITEM NOT ILLUSTRATED

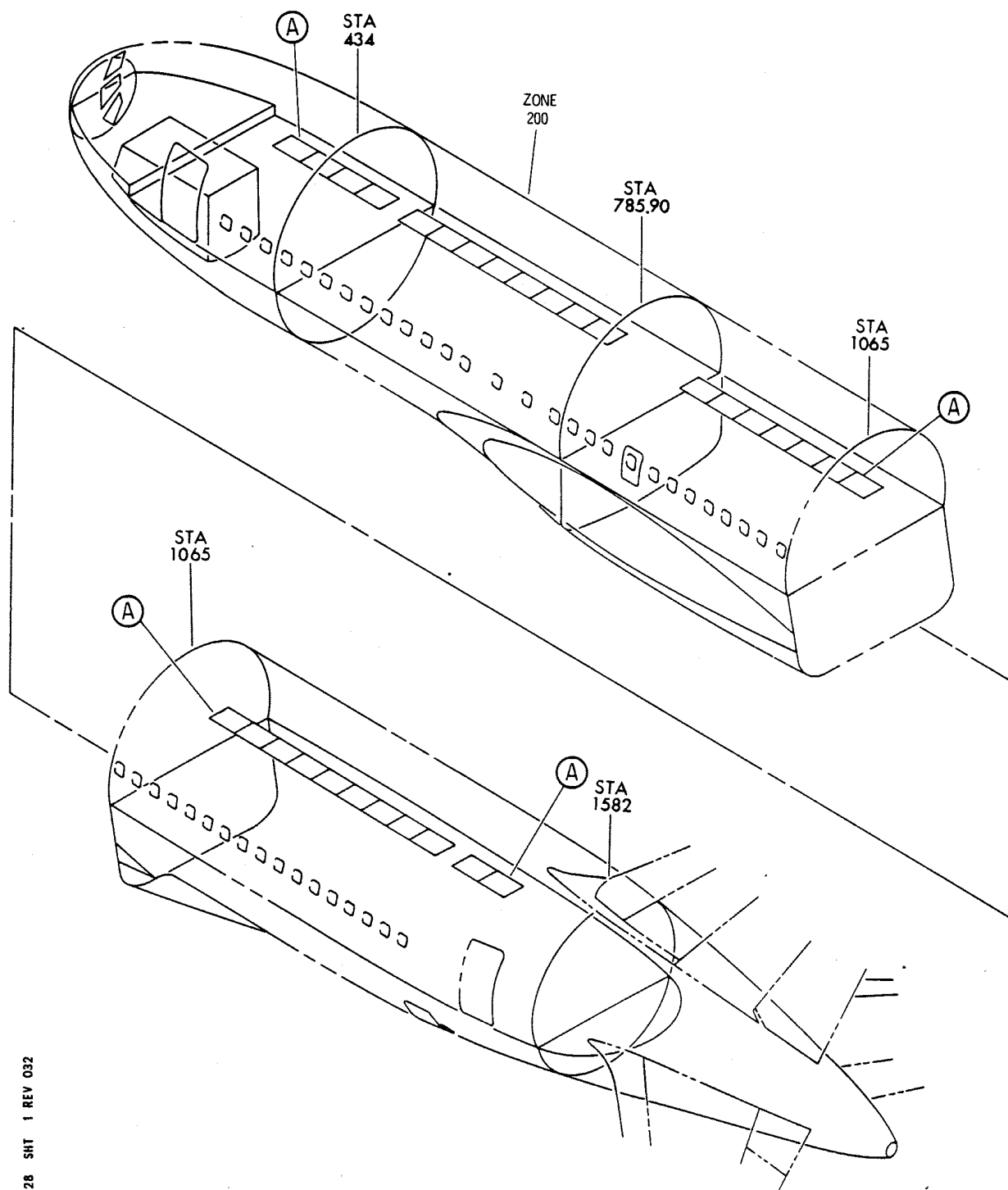
25-23-01-27

25-23-01
FIG. 27
PAGE 3
DEC 22/07

HXL

BOEING PROPRIETARY - Copyright © - Unpublished Work - See title page for details.

BOEING
767
PARTS CATALOG (MAINTENANCE)



V 25230128 SHT 1 REV 032

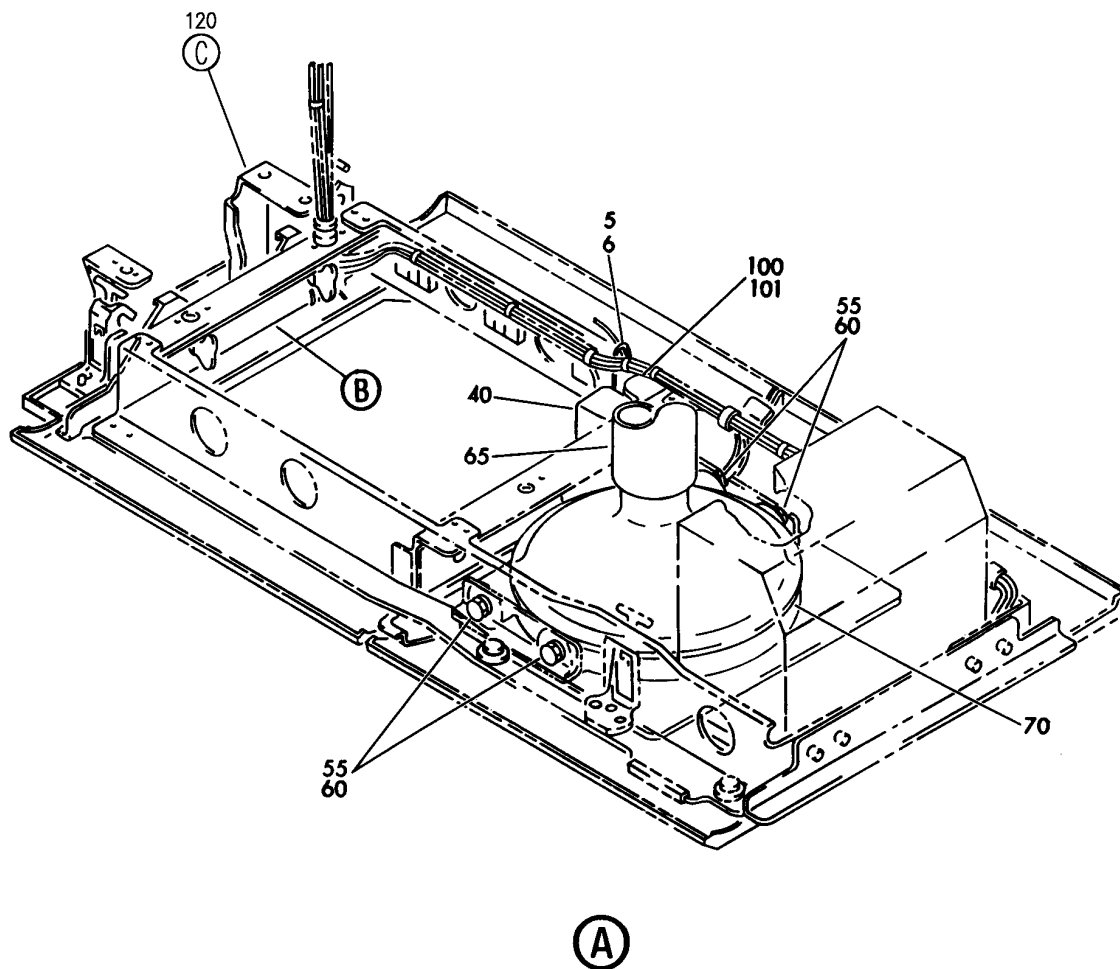
PANEL ASSY-OXY/LT INBD (EQUIPMENT/FURNISHINGS ONLY)
FIGURE 28 (SHEET 1)

25-23-01-28

HXL
DEC 22/06

25-23-01-28
PAGE 0

BOEING
767
PARTS CATALOG (MAINTENANCE)



V 25230128 SH1 2 REV 258

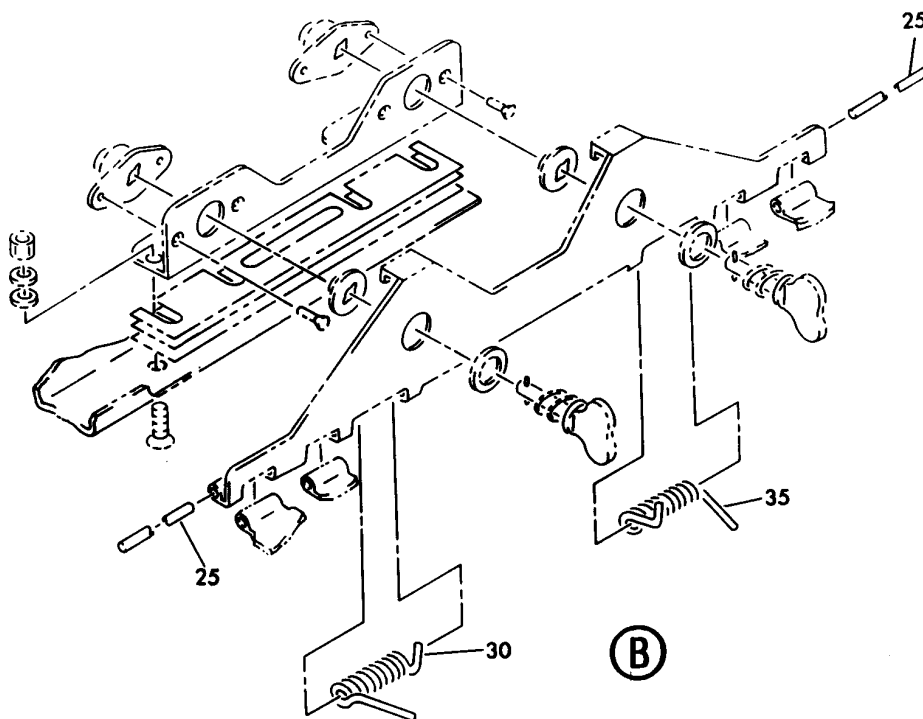
PANEL ASSY-OXY/LT INBD (EQUIPMENT/FURNISHINGS ONLY)
FIGURE 28 (SHEET 2)

25-23-01-28

HXL
DEC 22/06

25-23-01-28
PAGE 0A

BOEING
767
PARTS CATALOG (MAINTENANCE)



V 25230128 SHT 3 REV 125

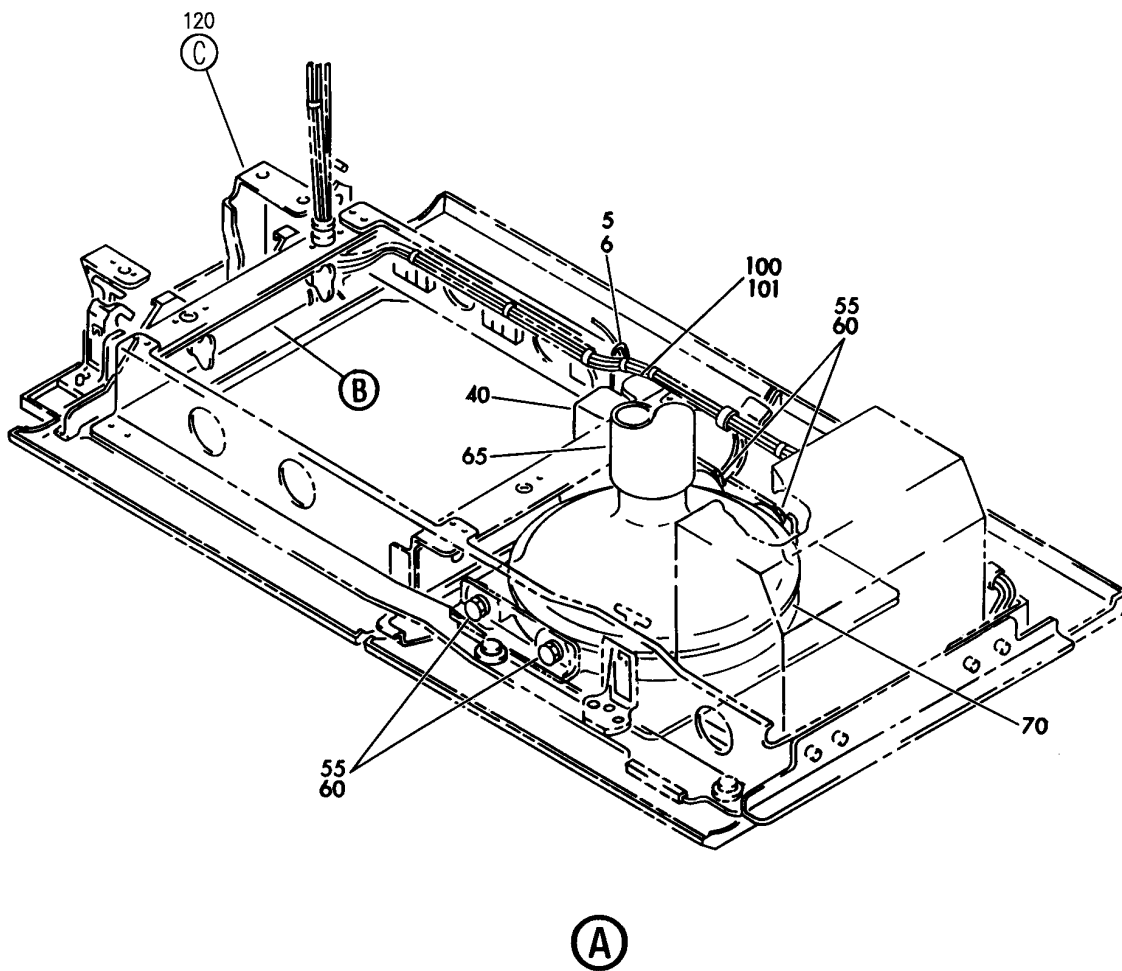
PANEL ASSY-OXY/LT INBD (EQUIPMENT/FURNISHINGS ONLY)
FIGURE 28 (SHEET 3)

25-23-01-28

HXL
DEC 22/06

25-23-01-28
PAGE 0B

BOEING
767
PARTS CATALOG (MAINTENANCE)



V 25230128 SH1 2 REV 258

PANEL ASSY-OXY/LT INBD (EQUIPMENT/FURNISHINGS ONLY)
FIGURE 28 (SHEET 4)

25-23-01-28

HXL
DEC 22/06

25-23-01-28
PAGE 0C



767

PARTS CATALOG (MAINTENANCE)

FIG ITEM	PART NUMBER	1 2 3 4 5 6 7	NOMENCLATURE	EFFECT FROM TO	UNITS PER ASSY
28			PANEL ASSY-OXY/LT INBD (EQUIPMENT/FURNISHINGS ONLY)	163999	
- 1	417T3051-184SP		PANEL ASSY-OXY/LT (EQUIPMENT/FURNISHINGS ONLY) POSITION DATA: INBD COMPONENT MAINT MANUAL REF: 25-23-09 FOR NHA/OTHER SYS DET SEE: 25-23-01-48B	163999	RF
- 1	417T3051-384SP		PANEL ASSY-OXY/LT (EQUIPMENT/FURNISHINGS ONLY) POSITION DATA: INBD COMPONENT MAINT MANUAL REF: 25-23-09 QUALIFIED I/W DATA: 417T3051-484SP MAY REPLACE 417T3051-384SP TOGETHER WITH RDAX5301A. FOR NHA/OTHER SYS DET SEE: 25-23-01-48B	163999	RF
- 3	417T3051-186SP		PANEL ASSY-OXY (EQUIPMENT/FURNISHINGS ONLY) POSITION DATA: INBD COMPONENT MAINT MANUAL REF: 25-23-09 FOR NHA/OTHER SYS DET SEE: 25-23-01-48B	163999	RF
- 3	417T3051-386SP		PANEL ASSY-OXY INBD (EQUIPMENT/FURNISHINGS ONLY) COMPONENT MAINT MANUAL REF: 25-23-09 QUALIFIED I/W DATA: 417T3051-486SP MAY REPLACE 417T3051-386SP TOGETHER WITH RDAX5301A FOR NHA/OTHER SYS DET SEE: 25-23-01-48B	163999	RF
5	417T3051-12		LANYARD ASSY- OPTIONAL PART: 417T3051-49	163999	1

ILLUSTRATION ITEMS NOT ON PARTS LIST ARE NOT APPLICABLE

- ITEM NOT ILLUSTRATED

25-23-01-28

25-23-01
FIG. 28
PAGE 1
DEC 22/07

HXL



767

PARTS CATALOG (MAINTENANCE)

FIG ITEM	PART NUMBER	1 2 3 4 5 6 7	NOMENCLATURE	EFFECT FROM TO	UNITS PER ASSY
28					
5	417T3051-49		.LANYARD ASSY- QUALIFIED I/W DATA: THE -295 CAN REPLACE OR BE REPLACED BY -249 WITH CUSTOMER PREFERENCE.THE -249 HAS TWO OPEN/LOWER STAGES; ONE BEING PARTIALLY OPEN, THE OTHER FULL. THE - 295 HAS ONLY THE FULL OPEN, WHICH IS USED THE MAJORITY OF THE TIME BY THE CUSTOMER. OPTIONAL PART: 417T3051-12 ATTACHING PARTS	163999	1
- 10	NAS514P832-6		.SCREW	163999	1
- 15	AN960PD8		.WASHER	163999	1
- 20	BRH10A08		.NUT	163999	1
			SUPPLIER CODE: V52828 SPECIFICATION NUMBER: BACN10JCO8 OPTIONAL PART: H10-08BAC V15653 NS202101-82 V80539 RMLH9075-82W V72962 VN303A82 V92215 96-82 V80539 T6S832J V11815 -----*-----		
25	MS20253P2-320		.PIN	163999	2
30	417T3051-10		.SPRING	163999	1
35	417T3051-9		.SPRING	163999	1
55	NAS1801-3-7		.SCREW	163999	4
60	AN960JD10		.WASHER	163999	4
65	BACD40P4A200		.DUCT-GASPER AIR	163999	1
70	3735-08		.OUTLET ASSY-GASPER SUPPLIER CODE: V83564 SPECIFICATION NUMBER: 214T4200-8	163999	1

ILLUSTRATION ITEMS NOT ON PARTS LIST ARE NOT APPLICABLE

- ITEM NOT ILLUSTRATED

25-23-01-28

25-23-01
FIG. 28
PAGE 2
DEC 22/07

HXL

 **BOEING**
767
PARTS CATALOG (MAINTENANCE)

FIG ITEM	PART NUMBER	1 2 3 4 5 6 7	NOMENCLATURE	EFFECT FROM TO	UNITS PER ASSY
28 100	78175-3		.ACTUATOR- SUPPLIER CODE: V09790 SPECIFICATION NUMBER: S417T402-3 OPTIONAL PART: 78175-4 V09790	163999	1
100	78175-4		.ACTUATOR- SUPPLIER CODE: V09790 SPECIFICATION NUMBER: S417T402-4 OPTIONAL PART: 78175-3 V09790 ATTACHING PARTS	163999	1
- 105	NAS1801-06-6		.SCREW	163999	2
- 110	MS35333-37		.WASHER	163999	2
- 115	AN960PD6L		.WASHER	163999	2
			-----*-----		
120	417T3051-3		.TIE BAR ASSY	163999	1
125	MF53049-06		..NUTPLATE SUPPLIER CODE: V15653 SPECIFICATION NUMBER: BACN10JN06 OPTIONAL PART: MF1000-06BAC V15653 NS103218-62 V80539 RMF9201M62 V72962 VN252A62L V92215 T8124S06S V11815 BRFM20A06L V52828 ATTACHING PARTS	163999	3
- 130	BACR15BA3AD		..RIVET- SIZE DETERMINED ON INSTL. -----*-----	163999	6
135	417T3090-19		..BRACKET-DECODER	163999	1
140	417T3090-20		..BRACKET-DECODER	163999	1

ILLUSTRATION ITEMS NOT ON PARTS LIST ARE NOT APPLICABLE

- ITEM NOT ILLUSTRATED

HXL

25-23-01-28

BOEING PROPRIETARY - Copyright © - Unpublished Work - See title page for details.

25-23-01
FIG. 28
PAGE 3
DEC 22/07



767

PARTS CATALOG (MAINTENANCE)

FIG ITEM	PART NUMBER	1 2 3 4 5 6 7	NOMENCLATURE	EFFECT FROM TO	UNITS PER ASSY
28			ATTACHING PARTS		
- 145	BACR15BB3AD		..RIVET- SIZE DETERMINED ON INSTL. -----*-----	163999	10
150	NAS514P832-4		..SCREW	163999	2
155	NAS514P832-5		..SCREW	163999	2
160	417T3058-105		..LATCH ASSY	163999	2
165	MS20253P2-54		...PIN-HINGE	163999	1
170	MS20253P2-76		...PIN-HINGE	163999	1
175	417T3058-121		...SPRING-TRIGGER	163999	1
180	417T3058-120		...SPRING-CAM	163999	1
185	417T3058-114		...CAM	163999	1
190	417T3058-115		...TRIGGER	163999	1
195	417T3058-117		...PIN-INDEX	163999	1
200	417T3058-111		...BASE-NARROW	163999	1
205	417T3054-21		..TIE BAR	163999	1

ILLUSTRATION ITEMS NOT ON PARTS LIST ARE NOT APPLICABLE

- ITEM NOT ILLUSTRATED

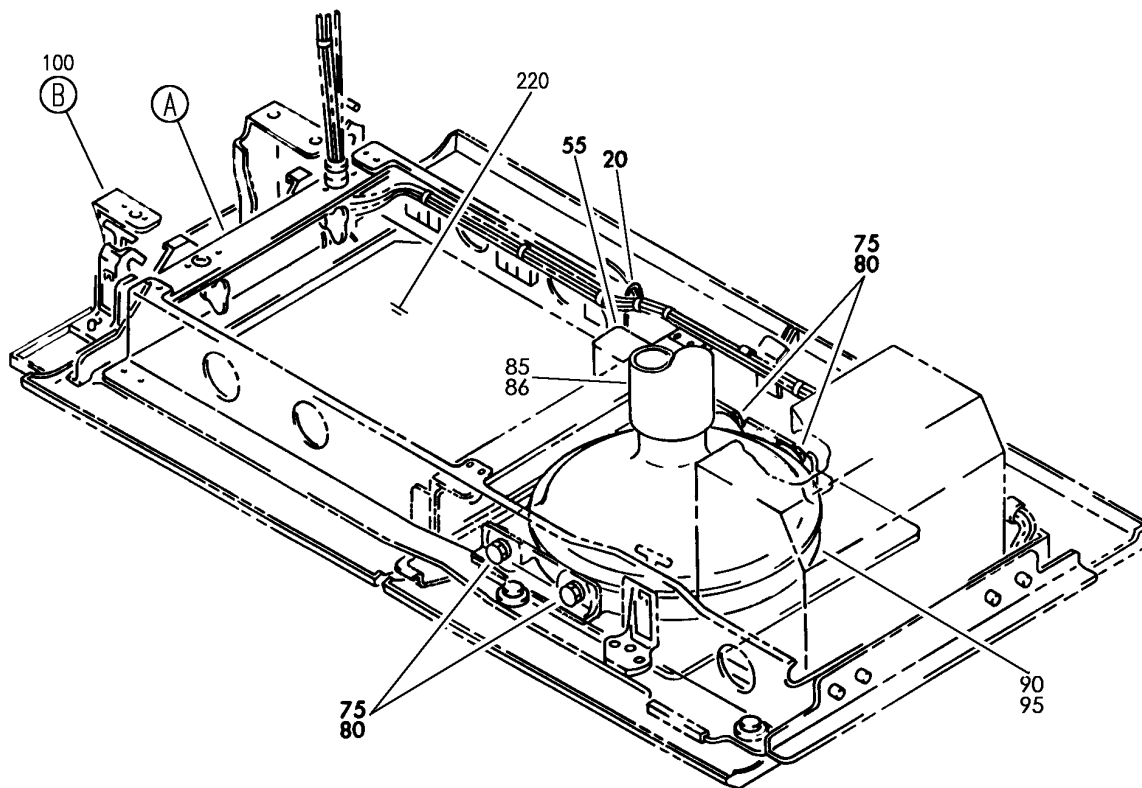
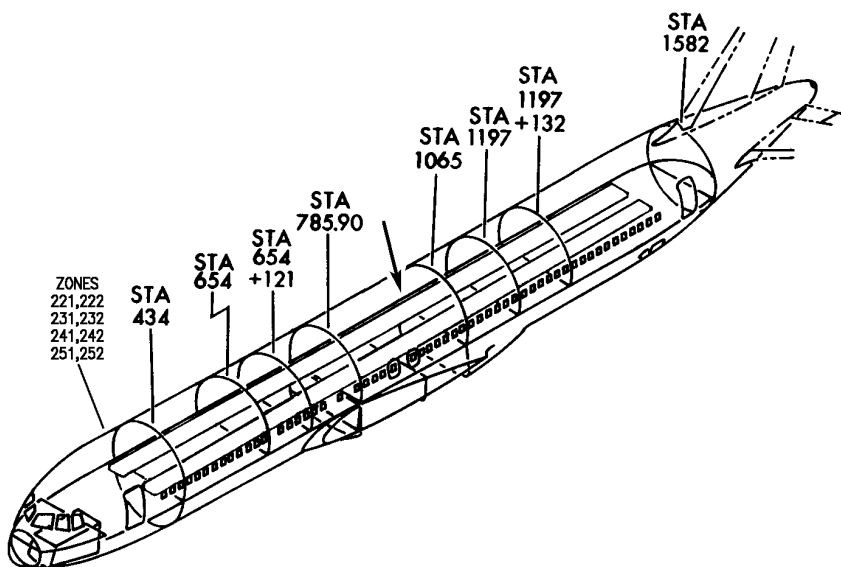
HXL

25-23-01-28

BOEING PROPRIETARY - Copyright © - Unpublished Work - See title page for details.

25-23-01
FIG. 28
PAGE 4
DEC 22/07

BOEING
767
PARTS CATALOG (MAINTENANCE)



V 25230128B SHT 1 REV 262

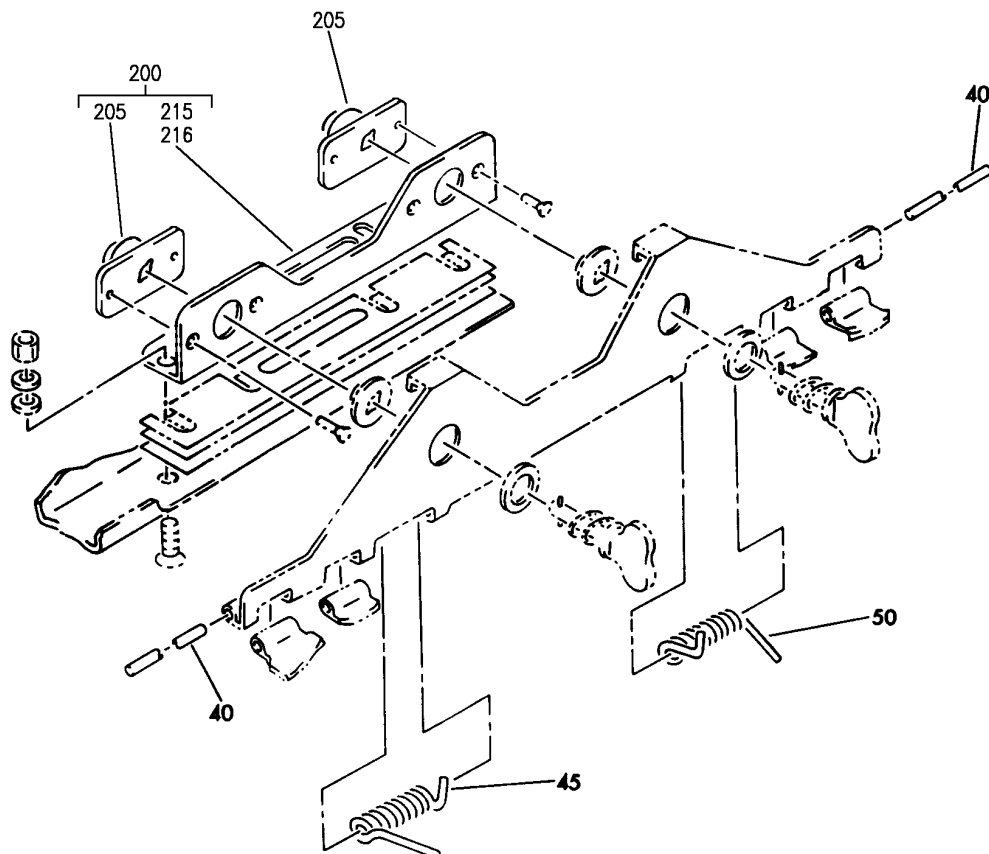
PANEL ASSY-INBD PSU OXY/LT (EQUIPMENTS/FURNISHINGS ONLY)
FIGURE 28B (SHEET 1)

25-23-01-28B

HXL
DEC 22/06

25-23-01-28B
PAGE 0

BOEING
767
PARTS CATALOG (MAINTENANCE)



(A)

V 25230128B SHT 2 REV 262

PANEL ASSY-INBD PSU OXY/LT (EQUIPMENTS/FURNISHINGS ONLY)
FIGURE 28B (SHEET 2)

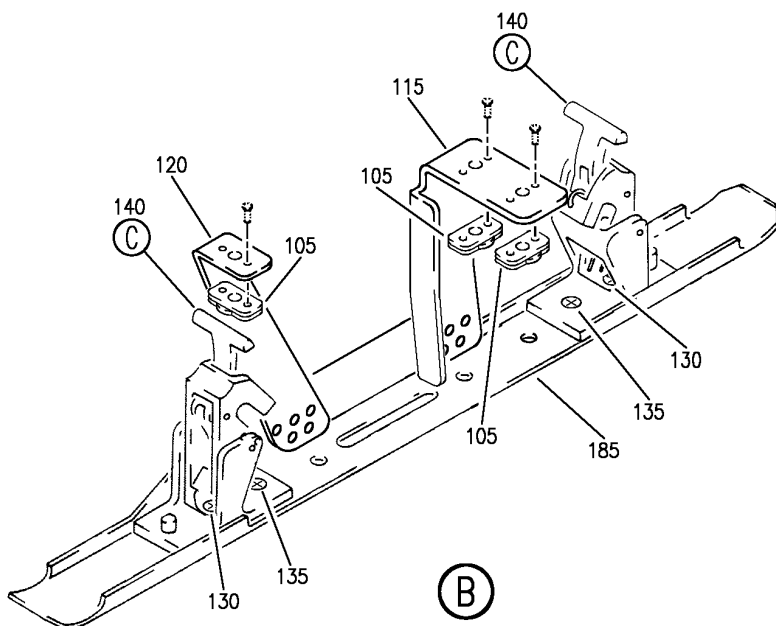
25-23-01-28B

HXL
DEC 22/06

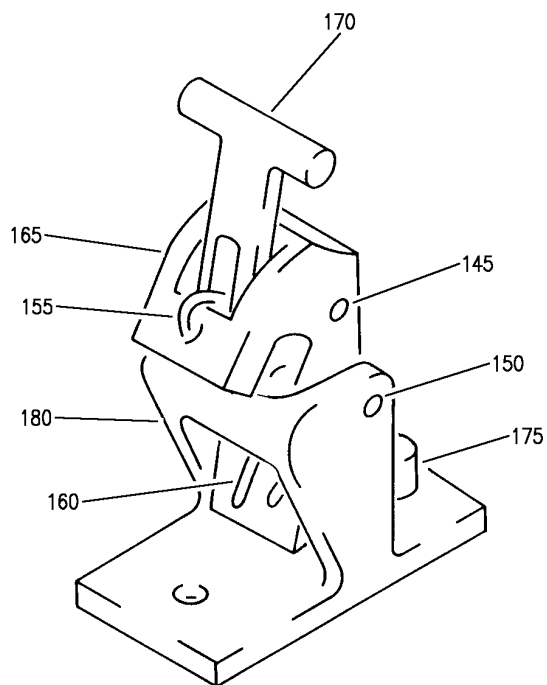
25-23-01-28B
PAGE 0A

BOEING PROPRIETARY - Copyright © - Unpublished Work - See title page for details.

BOEING
767
PARTS CATALOG (MAINTENANCE)



(B)



(C)

V 25230128B SH1 3 REV 25B

PANEL ASSY-INBD PSU OXY/LT (EQUIPMENTS/FURNISHINGS ONLY)
FIGURE 28B (SHEET 3)

25-23-01-28B

HXL
DEC 22/06

25-23-01-28B
PAGE 0B



767

PARTS CATALOG (MAINTENANCE)

FIG ITEM	PART NUMBER	1 2 3 4 5 6 7	NOMENCLATURE	EFFECT FROM TO	UNITS PER ASSY
28B			PANEL ASSY-INBD PSU OXY/LT (EQUIPMENTS/FURNISHINGS ONLY)	155162	
- 1	417T3051-384SP		PANEL ASSY-PSU OXY/LT (EQUIPMENT/FURNISHINGS ONLY) POSITION DATA: INBD COMPONENT MAINT MANUAL REF: 25-23-09 QUALIFIED I/W DATA: 417T3051-484SP MAY REPLACE 417T3051-384SP TOGETHER WITH RDAX5301A FOR NHA/OTHER SYS DET SEE: 25-23-01-48C	155162	RF
- 5	417T3051-385SP		PANEL ASSY-PSU OXY/LT (EQUIPMENT/FURNISHINGS ONLY) POSITION DATA: INBD COMPONENT MAINT MANUAL REF: 25-23-09 QUALIFIED I/W DATA: 417T3051-485SP MAY REPLACE 417T3051-385SP TOGETHER WITH RDAX5301A FOR NHA/OTHER SYS DET SEE: 25-23-01-48C	155162	RF
20	417T3051-12		.LANYARD ASSY- OPTIONAL PART: 417T3051-49	155162	1
20	417T3051-49		.LANYARD ASSY- OPTIONAL PART: 417T3051-12	155162	1
- 25	NAS514P832-6		ATTACHING PARTS .SCREW	155162	1
- 30	AN960PD8		.WASHER	155162	1

ILLUSTRATION ITEMS NOT ON PARTS LIST ARE NOT APPLICABLE

- ITEM NOT ILLUSTRATED

HXL

25-23-01-28B

BOEING PROPRIETARY - Copyright © - Unpublished Work - See title page for details.

25-23-01
FIG. 28B
PAGE 1
DEC 22/06



767

PARTS CATALOG (MAINTENANCE)

FIG ITEM	PART NUMBER	1 2 3 4 5 6 7	NOMENCLATURE	EFFECT FROM TO	UNITS PER ASSY
28B - 35	BRH10A08	.NUT	SUPPLIER CODE: V52828 SPECIFICATION NUMBER: BACN10JC08 OPTIONAL PART: H10-08BAC V15653 NS202101-82 V80539 RMLH9075-82W V72962 VN303A82 V92215 96-82 V80539 T6S832J V11815	155162	1
40	MS20253P2-320	.PIN	-----*-----	155162	2
45	417T3051-10	.SPRING		155162	1
50	417T3051-9	.SPRING		155162	1
55	78175-3	.ACTUATOR-	SUPPLIER CODE: V09790 SPECIFICATION NUMBER: S417T402-3 OPTIONAL PART: 78175-4 V09790	155162	1
55	78175-4	.ACTUATOR-	SUPPLIER CODE: V09790 SPECIFICATION NUMBER: S417T402-4 OPTIONAL PART: 78175-3 V09790	155162	1
- 60	NAS1801-06-6	.SCREW	ATTACHING PARTS	155162	4
- 65	MS35333-37	.WASHER		155162	4
- 70	AN960PD6L	.WASHER		155162	4
75	NAS1801-3-7	.SCREW	-----*-----	155162	4
80	AN960JD10	.WASHER		155162	4
85	BACD40P4A200	.DUCT-GASPER AIR		155162	1

ILLUSTRATION ITEMS NOT ON PARTS LIST ARE NOT APPLICABLE

- ITEM NOT ILLUSTRATED

25-23-01-28B

25-23-01
FIG. 28B
PAGE 2
DEC 22/06

HXL

BOEING PROPRIETARY - Copyright © - Unpublished Work - See title page for details.

 **BOEING**
767
PARTS CATALOG (MAINTENANCE)

FIG ITEM	PART NUMBER	1 2 3 4 5 6 7	NOMENCLATURE	EFFECT FROM TO	UNITS PER ASSY
28B 90	3735-22B		.OUTLET ASSY-GASPER SUPPLIER CODE: VOACH0 SPECIFICATION NUMBER: 214T4200-22B COMPONENT MAINT MANUAL REF: 21-24-18	155162	1
100	417T3051-3		.TIE BAR ASSY	155162	1
105	MF53049-06		..NUTPLATE SUPPLIER CODE: V15653 SPECIFICATION NUMBER: BACN10JN06 OPTIONAL PART: MF1000-06BAC V15653 NS103218-62 V80539 RMF9201M62 V72962 VN252A62L V92215 T8124S06S V11815 BRFM20A06L V52828	155162	3
- 110	BACR15BA3AD		ATTACHING PARTS ..RIVET- SIZE DETERMINED ON INSTL. -----*-----	155162	6
115	417T3090-19		..BRACKET-DECODER	155162	1
120	417T3090-20		..BRACKET-DECODER ATTACHING PARTS	155162	1
- 125	BACR15BB3AD		..RIVET- SIZE DETERMINED ON INSTL. -----*-----	155162	10
130	NAS514P832-4		..SCREW	155162	2
135	NAS514P832-5		..SCREW	155162	2
140	417T3058-105		..LATCH ASSY	155162	2
145	MS20253P2-54		...PIN-HINGE	155162	1
150	MS20253P2-76		...PIN-HINGE	155162	1
155	417T3058-121		...SPRING-TRIGGER	155162	1
160	417T3058-120		...SPRING-CAM	155162	1
165	417T3058-114		...CAM	155162	1
170	417T3058-115		...TRIGGER	155162	1
175	417T3058-117		...PIN-INDEX	155162	1
180	417T3058-111		...BASE-NARROW	155162	1
185	417T3054-21		..TIE BAR	155162	1
200	417T3051-98		.MOUNT ASSY-HINGE	155162	1

ILLUSTRATION ITEMS NOT ON PARTS LIST ARE NOT APPLICABLE

- ITEM NOT ILLUSTRATED

HXL

25-23-01-28B

BOEING PROPRIETARY - Copyright © - Unpublished Work - See title page for details.

25-23-01
FIG. 28B
PAGE 3
DEC 22/06



767

PARTS CATALOG (MAINTENANCE)

FIG ITEM	PART NUMBER	1 2 3 4 5 6 7	NOMENCLATURE	EFFECT FROM TO	UNITS PER ASSY
28B 205	MF53049-4		..NUTPLATE SUPPLIER CODE: V15653 SPECIFICATION NUMBER: BACN10JN4 OPTIONAL PART: BRFM20A4 V52828 MF1000-4BAC V15653 NS103218-048 V80539 RMF9201M4 V72962 VN252A048 V92215 T8124S4S V11815 ATTACHING PARTS	155162	2
- 210	BACR15BA3AD		..RIVET- SIZE DETERMINED ON INSTL. -----*-----	155162	4
215	417T3054-38		..MOUNT- OPTIONAL PART: 417T3054-48	155162	1
216	417T3054-48		..MOUNT- OPTIONAL PART: 417T3054-38	155162	1
220	417T3060-51SP		.PANEL ASSY	155162	1

ILLUSTRATION ITEMS NOT ON PARTS LIST ARE NOT APPLICABLE

- ITEM NOT ILLUSTRATED

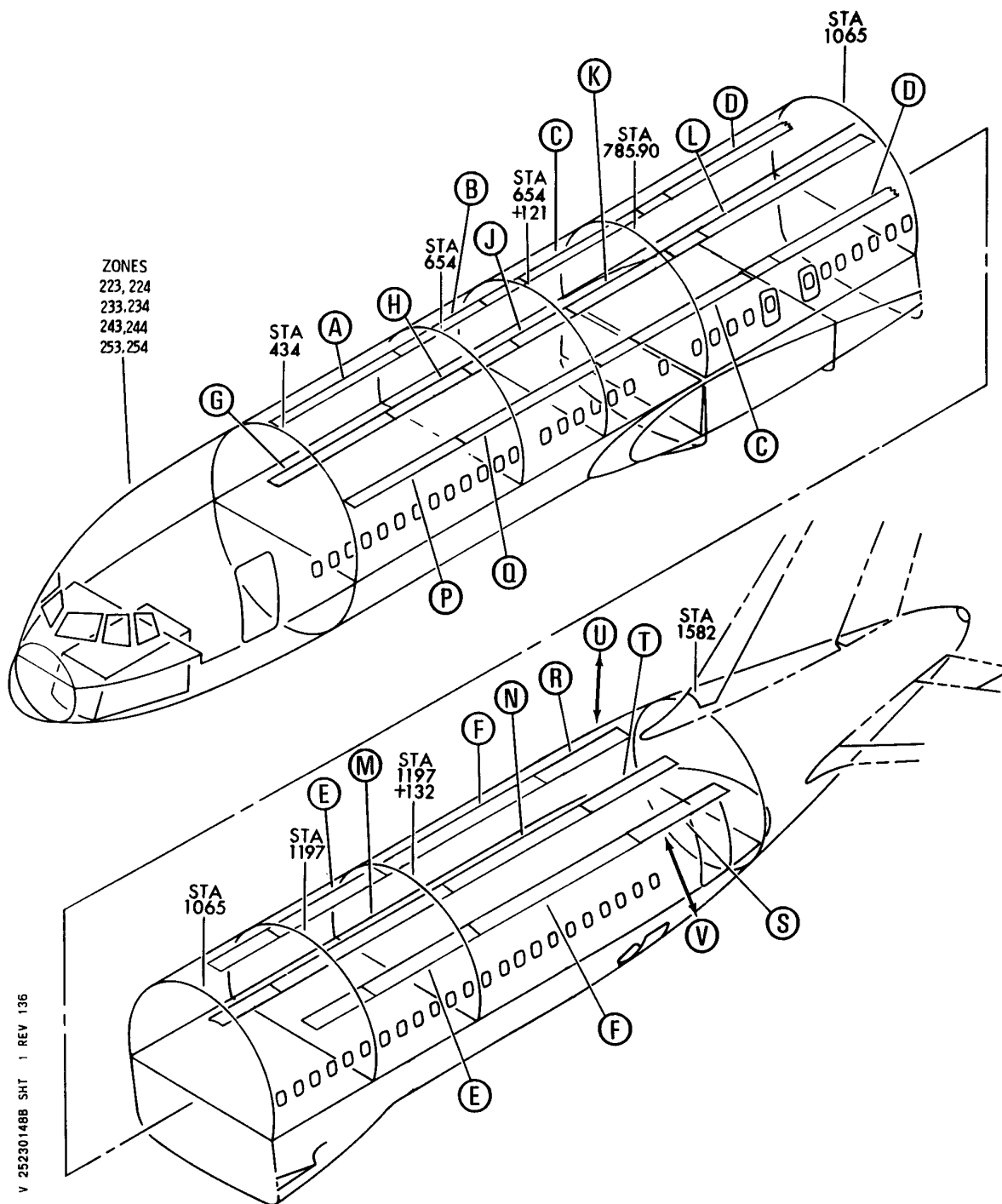
HXL

25-23-01-28B

BOEING PROPRIETARY - Copyright © - Unpublished Work - See title page for details.

25-23-01
 FIG. 28B
 PAGE 4
 DEC 22/06

BOEING
767
PARTS CATALOG (MAINTENANCE)



V 25230148B SHT 1 REV 136

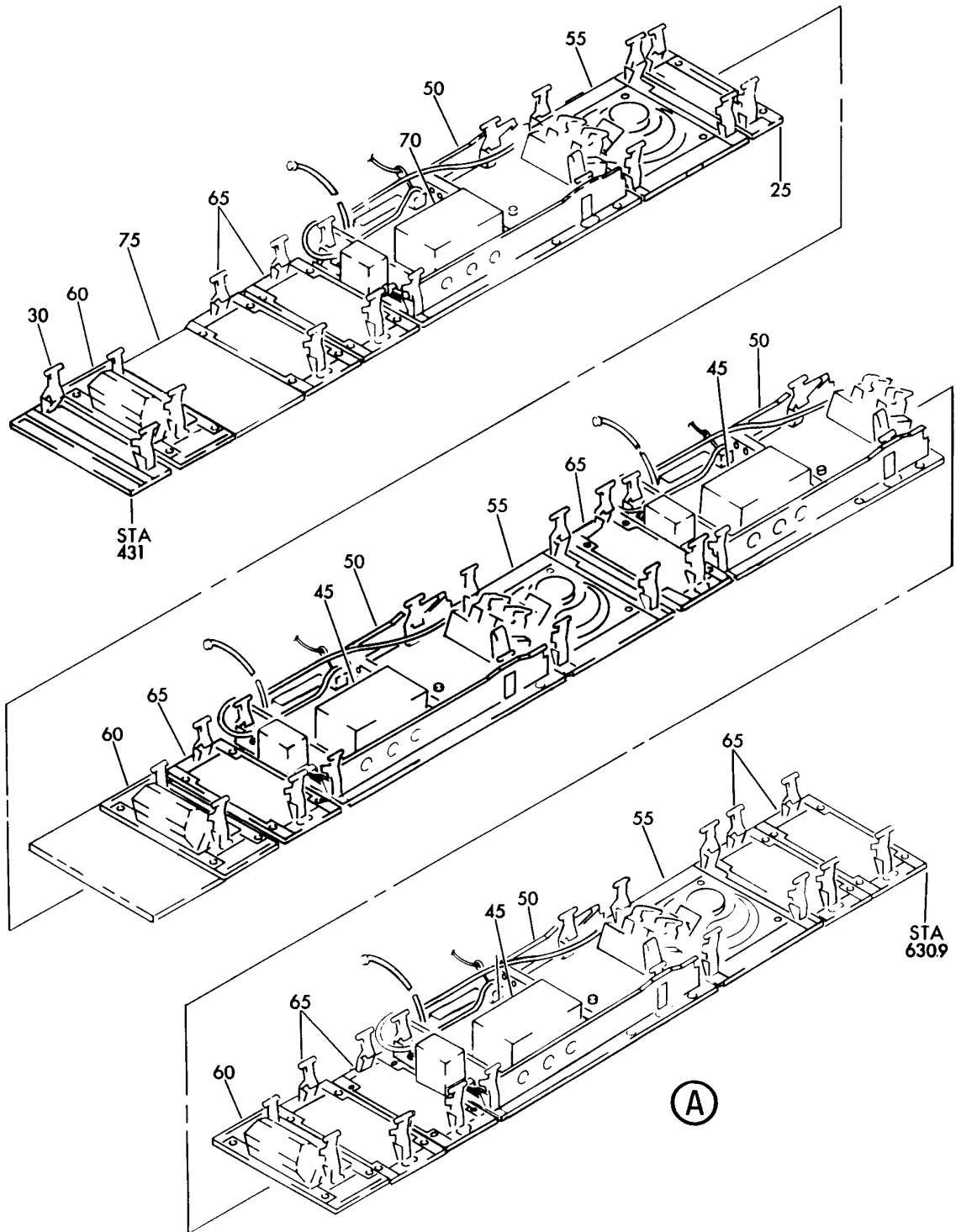
SERVICE UNIT INSTL-PASS. SAS AND SAS, FLYAWAY (EQUIPMENT/FURNISHINGS ONLY)
FIGURE 48B (SHEET 1)

25-23-01-48B

HXL
DEC 22/06

25-23-01-48B
PAGE 0

BOEING
767
PARTS CATALOG (MAINTENANCE)



V 25230148B SHT 2 REV 116

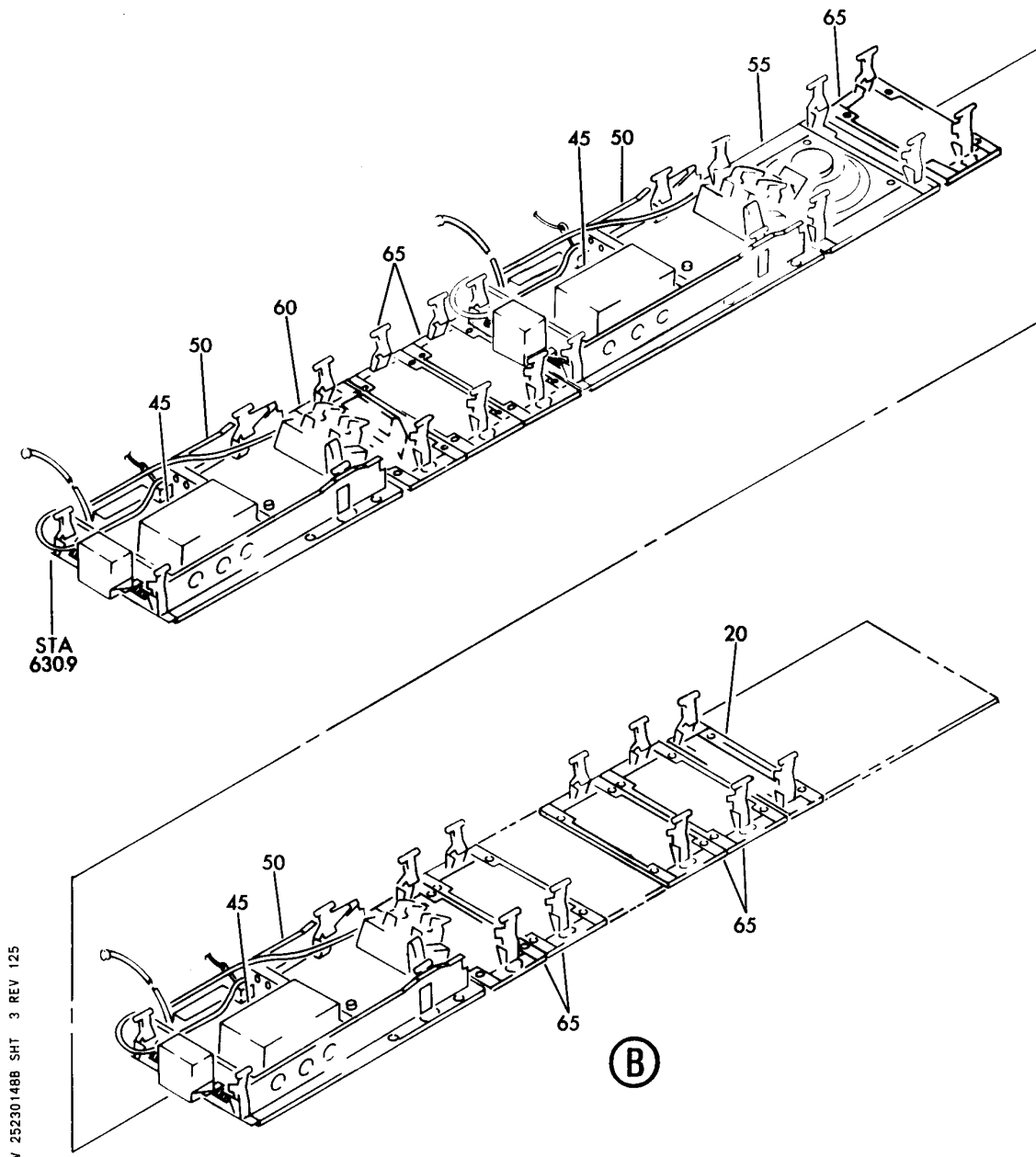
SERVICE UNIT INSTL-PASS. SAS AND SAS, FLYAWAY (EQUIPMENT/FURNISHINGS ONLY)
FIGURE 48B (SHEET 2)

25-23-01-48B

HXL
DEC 22/06

25-23-01-48B
PAGE 0A

BOEING
767
PARTS CATALOG (MAINTENANCE)



V 25230 148B SHT 3 REV 125

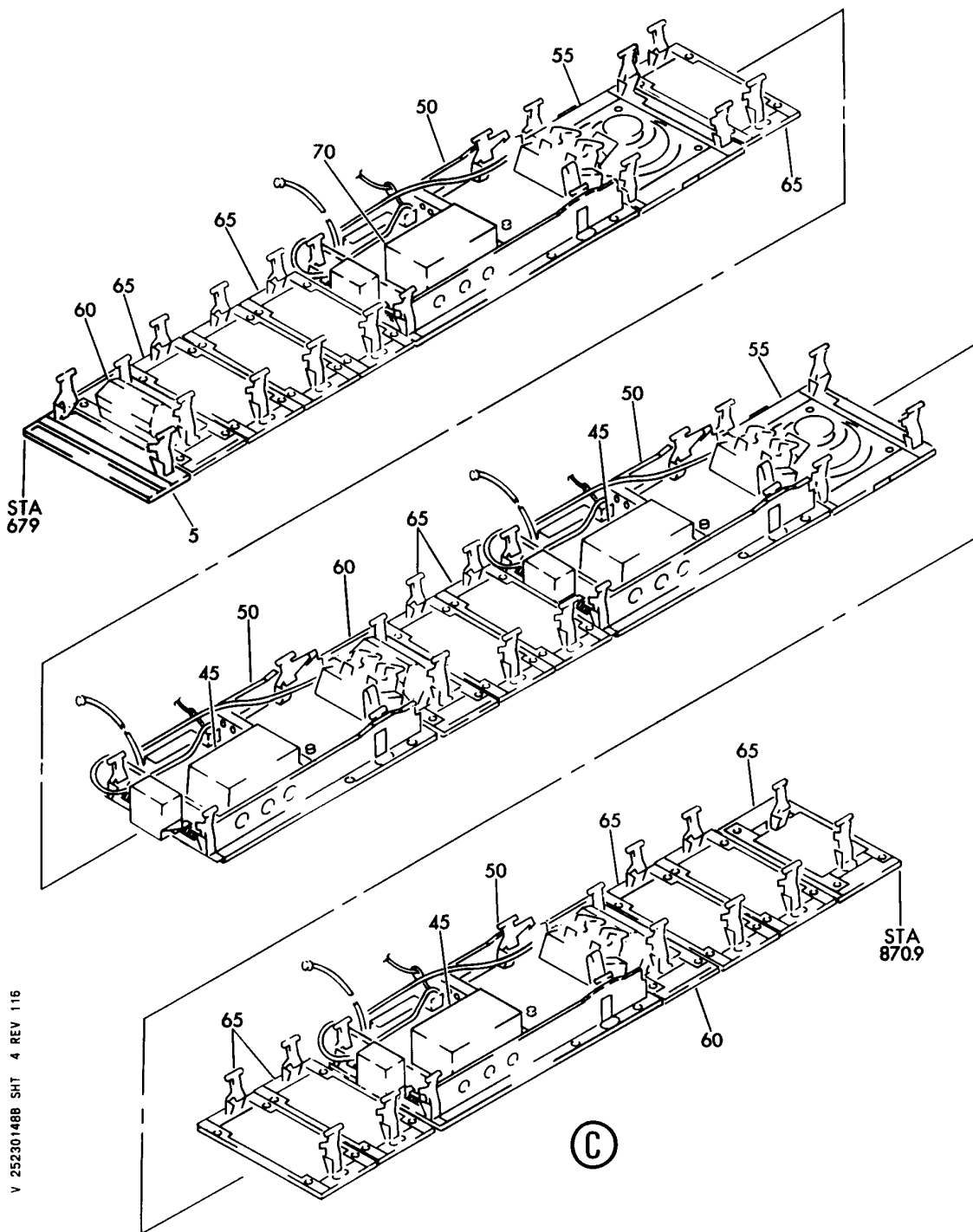
SERVICE UNIT INSTL-PASS. SAS AND SAS, FLYAWAY (EQUIPMENT/FURNISHINGS ONLY)
FIGURE 48B (SHEET 3)

25-23-01-48B

HXL
DEC 22/06

25-23-01-48B
PAGE 0B

BOEING
767
PARTS CATALOG (MAINTENANCE)



V 25230148B SHT 4 REV 116

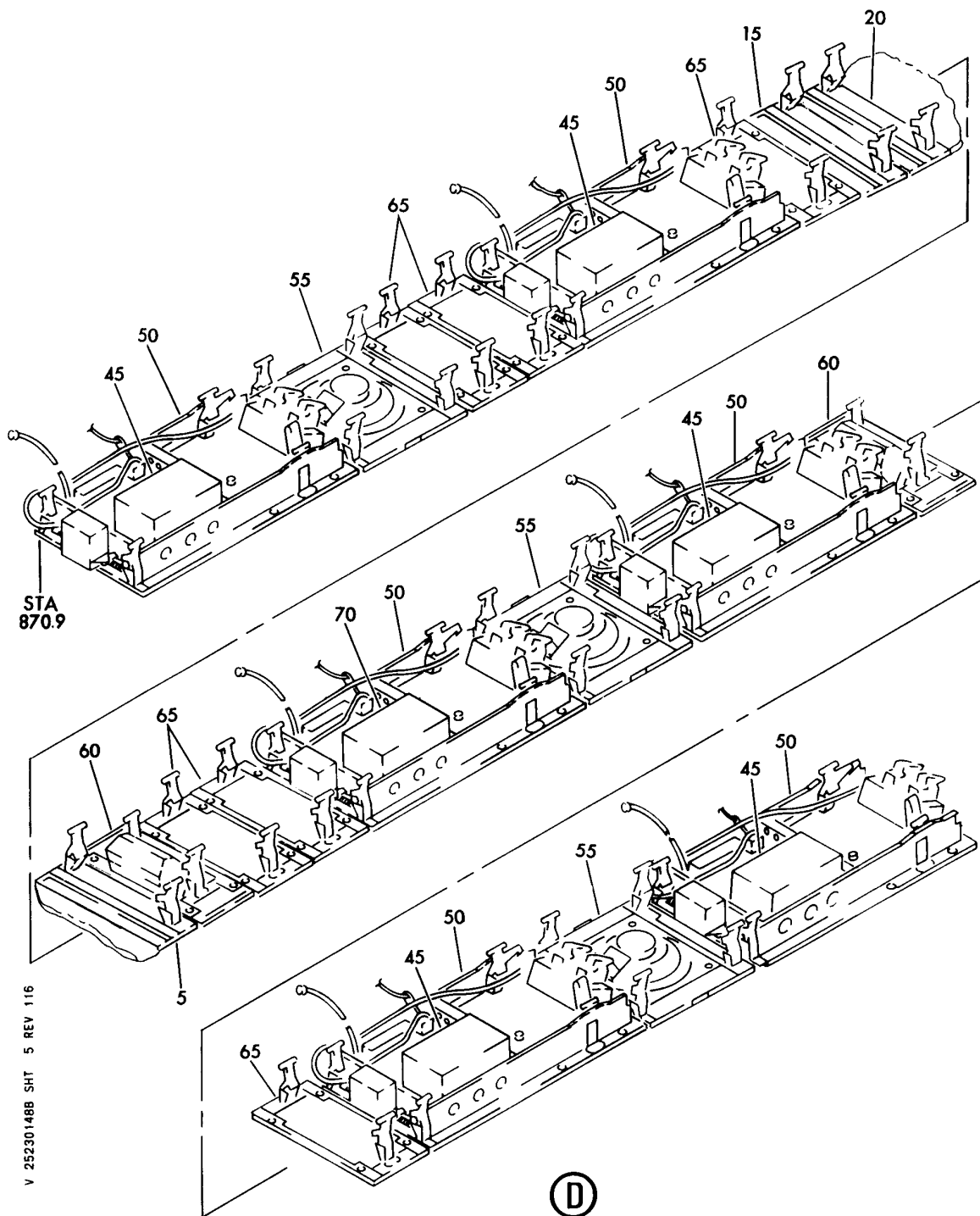
SERVICE UNIT INSTL-PASS. SAS AND SAS, FLYAWAY (EQUIPMENT/FURNISHINGS ONLY)
FIGURE 48B (SHEET 4)

25-23-01-48B

HXL
DEC 22/06

25-23-01-48B
PAGE 0C

BOEING
767
PARTS CATALOG (MAINTENANCE)



V 25230148B SHT 5 REV 116

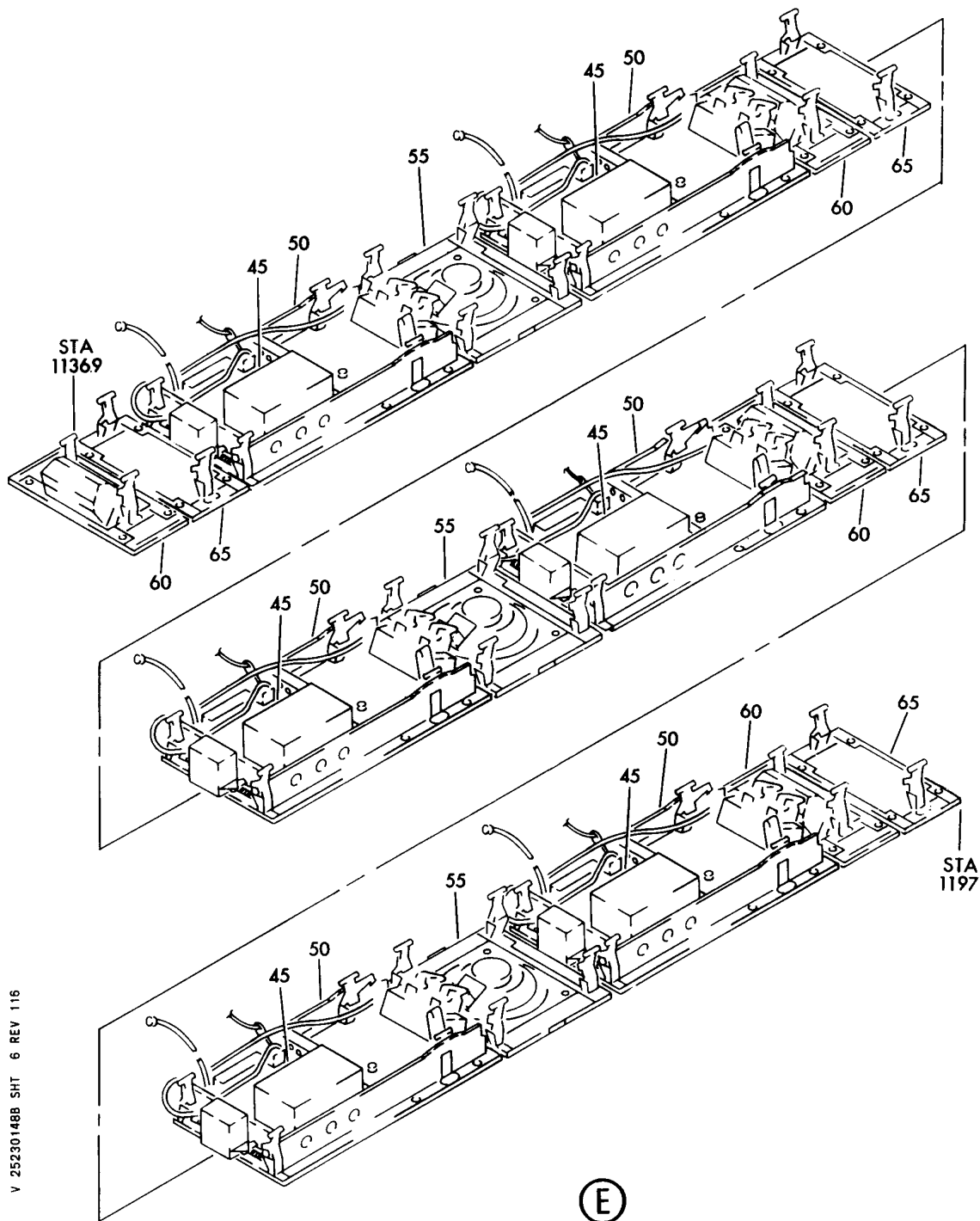
SERVICE UNIT INSTL-PASS. SAS AND SAS, FLYAWAY (EQUIPMENT/FURNISHINGS ONLY)
FIGURE 48B (SHEET 5)

25-23-01-48B

HXL
DEC 22/06

25-23-01-48B
PAGE 0D

BOEING
767
PARTS CATALOG (MAINTENANCE)



V 25230148B SHT 6 REV 116

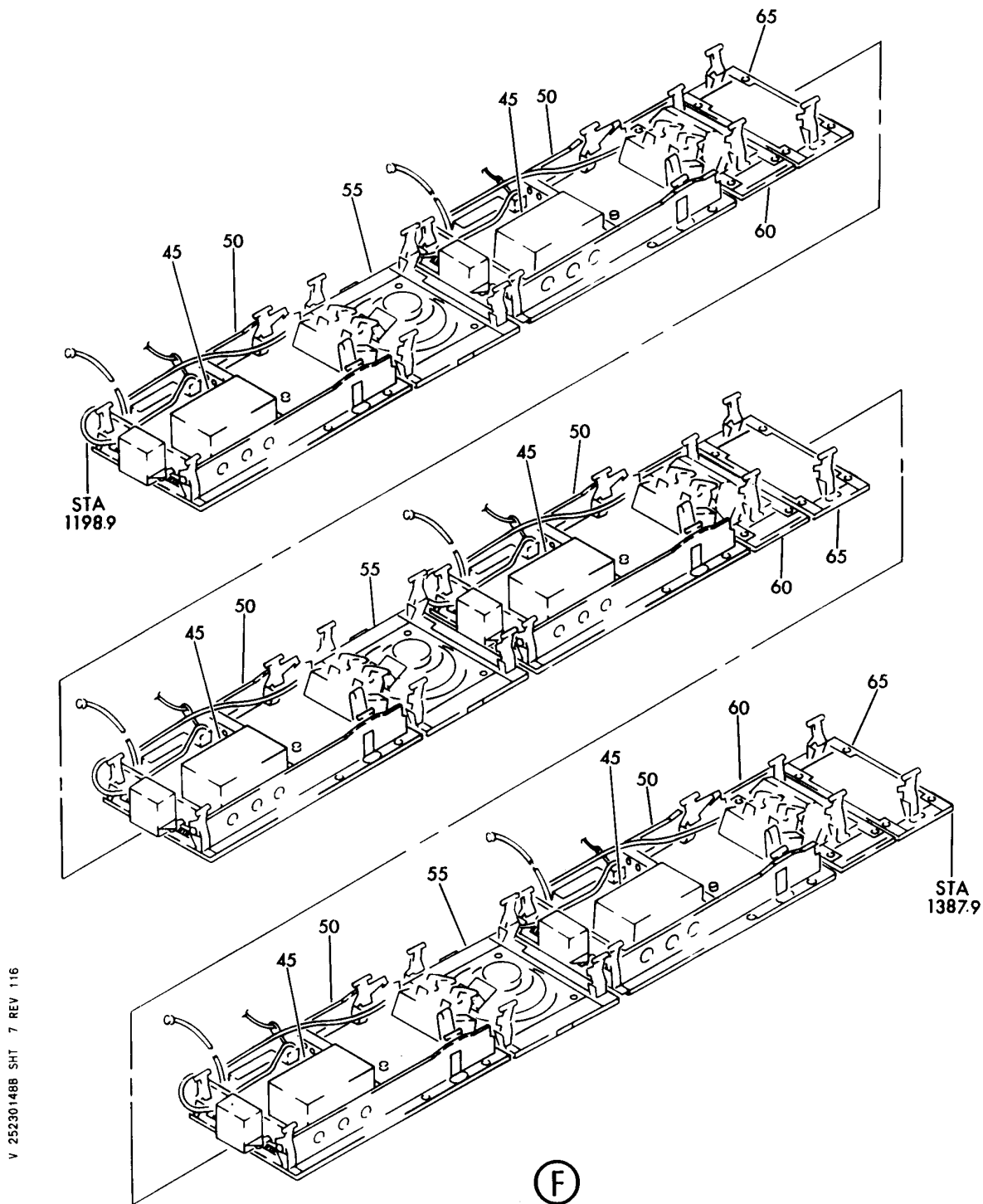
SERVICE UNIT INSTL-PASS. SAS AND SAS, FLYAWAY (EQUIPMENT/FURNISHINGS ONLY)
FIGURE 48B (SHEET 6)

25-23-01-48B

HXL
DEC 22/06

25-23-01-48B
PAGE 0E

BOEING
767
PARTS CATALOG (MAINTENANCE)



V 25230148B SHT 7 REV 116

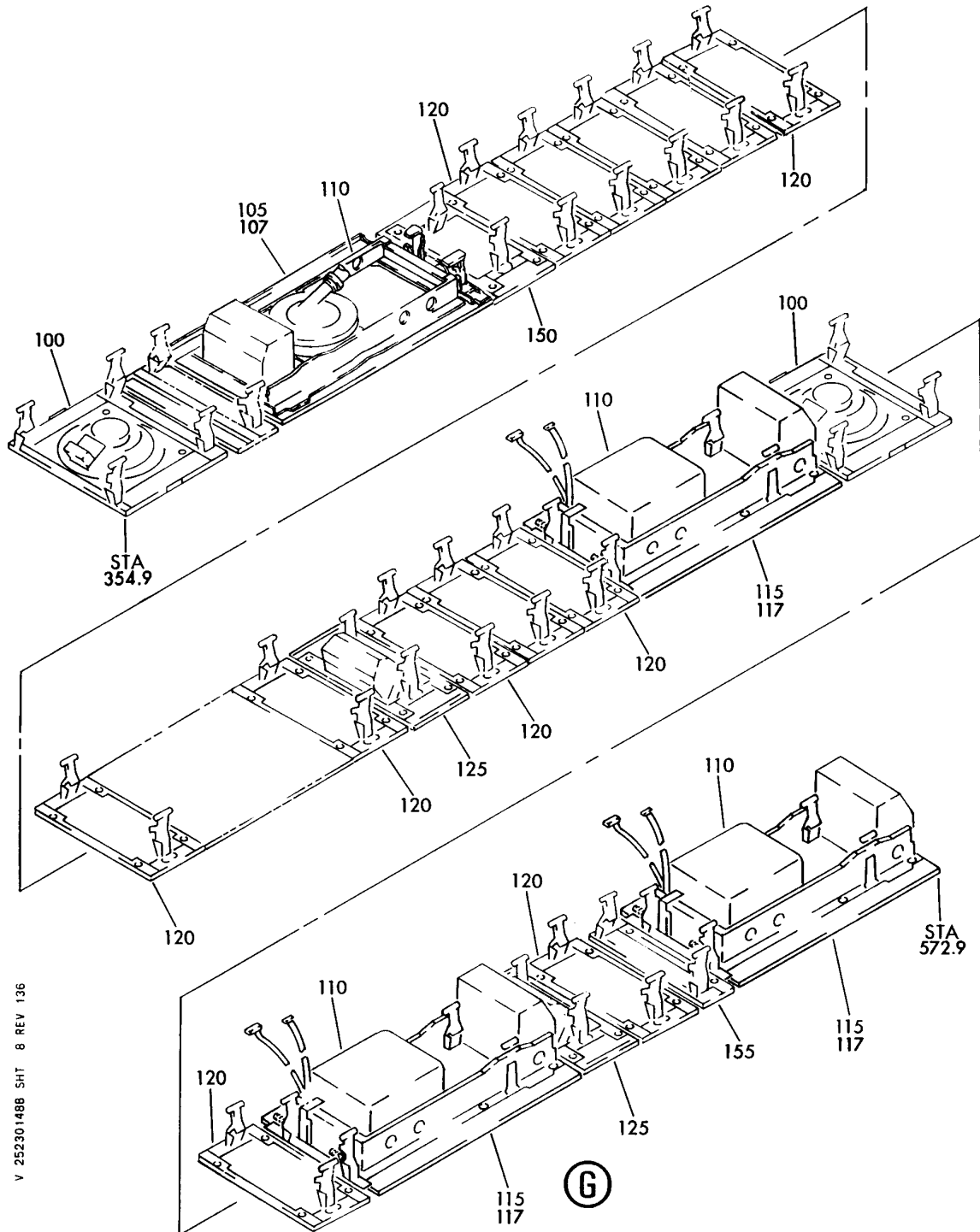
SERVICE UNIT INSTL-PASS. SAS AND SAS, FLYAWAY (EQUIPMENT/FURNISHINGS ONLY)
FIGURE 48B (SHEET 7)

25-23-01-48B

HXL
DEC 22/06

25-23-01-48B
PAGE OF

BOEING
767
PARTS CATALOG (MAINTENANCE)



V 25230148B SHT 8 REV 136

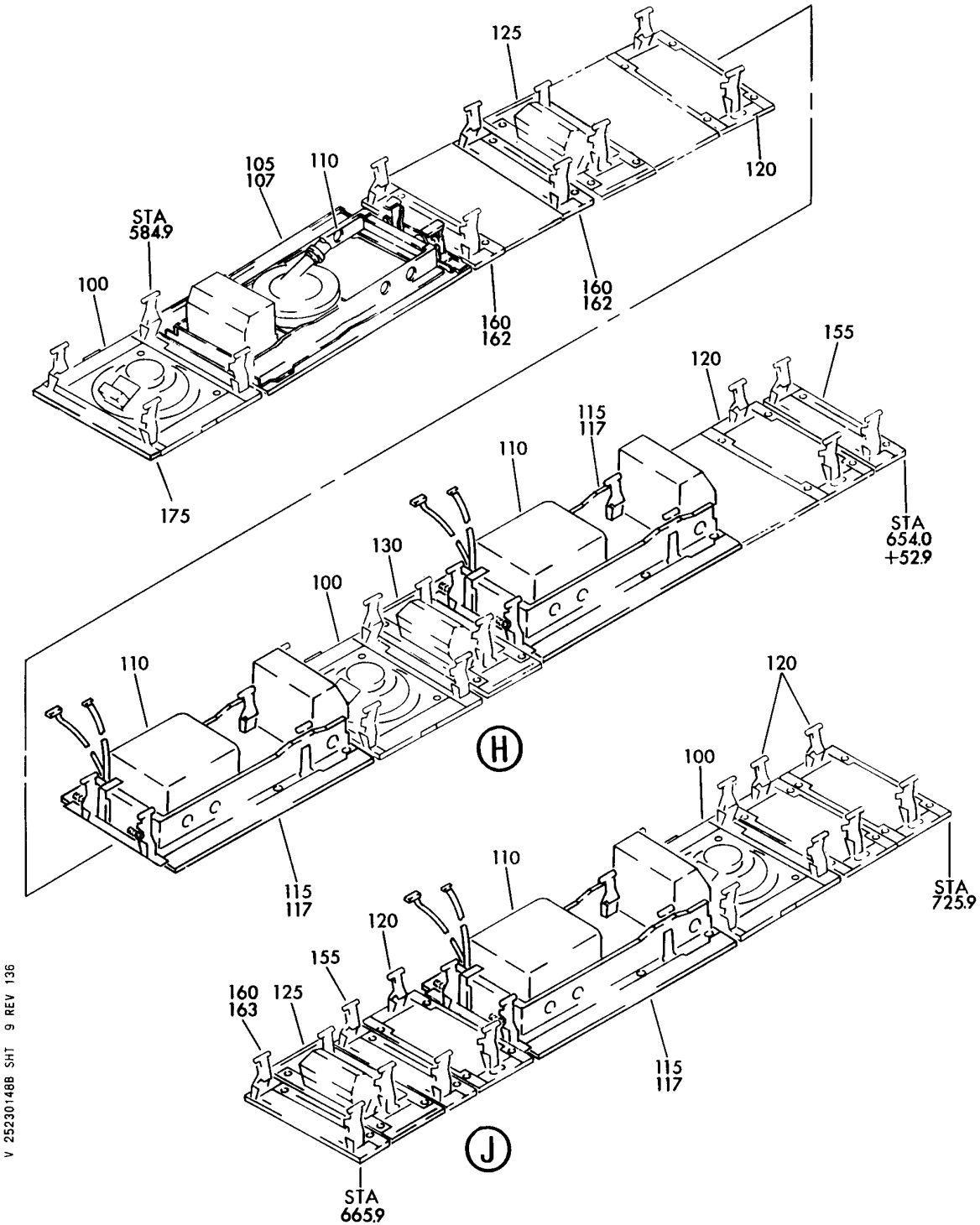
SERVICE UNIT INSTL-PASS. SAS AND SAS, FLYAWAY (EQUIPMENT/FURNISHINGS ONLY)
FIGURE 48B (SHEET 8)

25-23-01-48B

HXL
DEC 22/06

25-23-01-48B
PAGE 0G

BOEING
767
PARTS CATALOG (MAINTENANCE)



V 25230-48B SHT 9 REV 136

SERVICE UNIT INSTL-PASS. SAS AND SAS, FLYAWAY (EQUIPMENT/FURNISHINGS ONLY)
FIGURE 48B (SHEET 9)

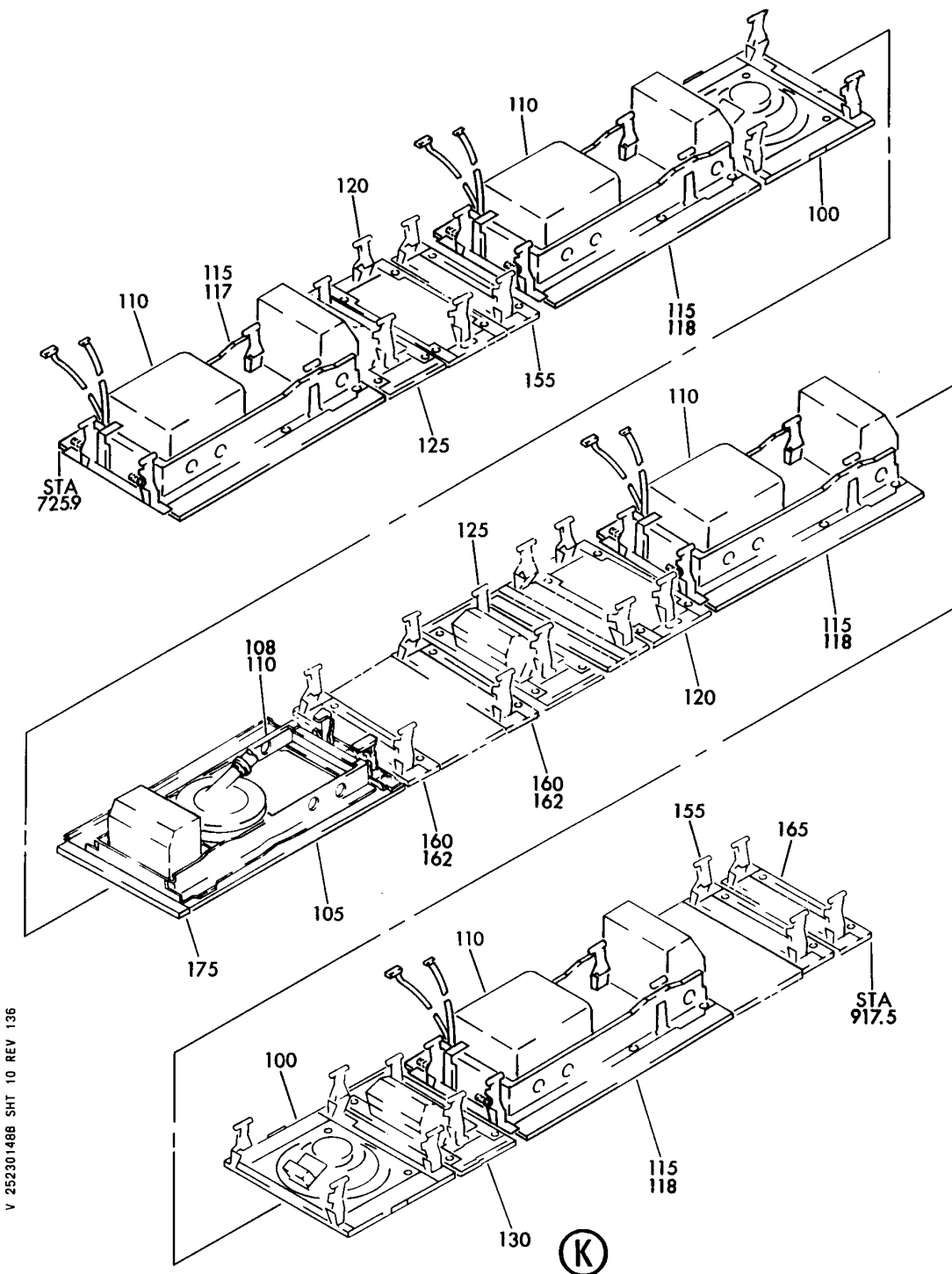
25-23-01-48B

HXL
DEC 22/06

25-23-01-48B
PAGE 0H

BOEING PROPRIETARY - Copyright © - Unpublished Work - See title page for details.

BOEING
767
PARTS CATALOG (MAINTENANCE)



V 25230148B SHT 10 REV 136

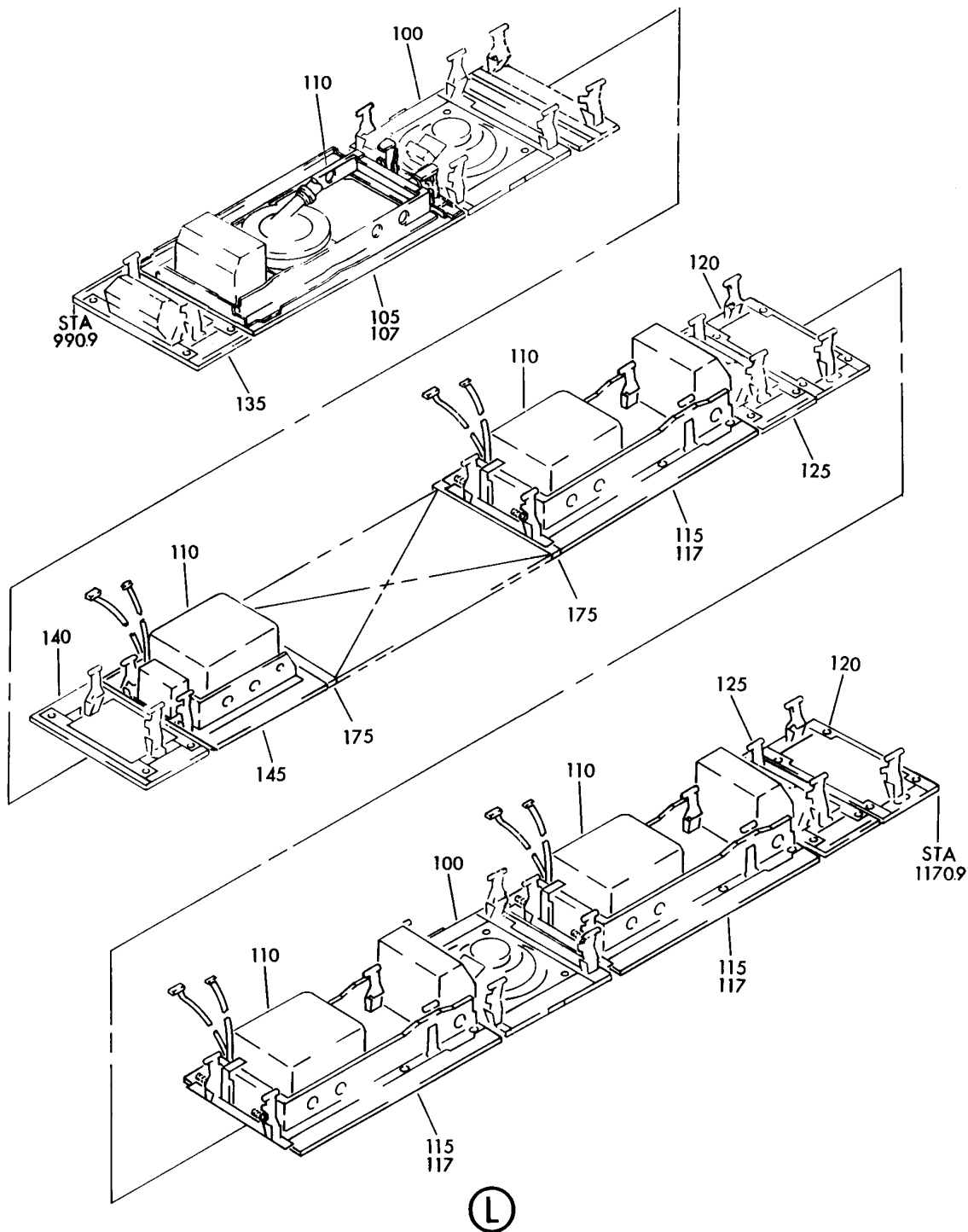
SERVICE UNIT INSTL-PASS. SAS AND SAS, FLYAWAY (EQUIPMENT/FURNISHINGS ONLY)
FIGURE 48B (SHEET 10)

HXL
DEC 22/06

25-23-01-48B

25-23-01-48B
PAGE 01

BOEING
767
PARTS CATALOG (MAINTENANCE)



V 25230148B SHT 11 REV 136

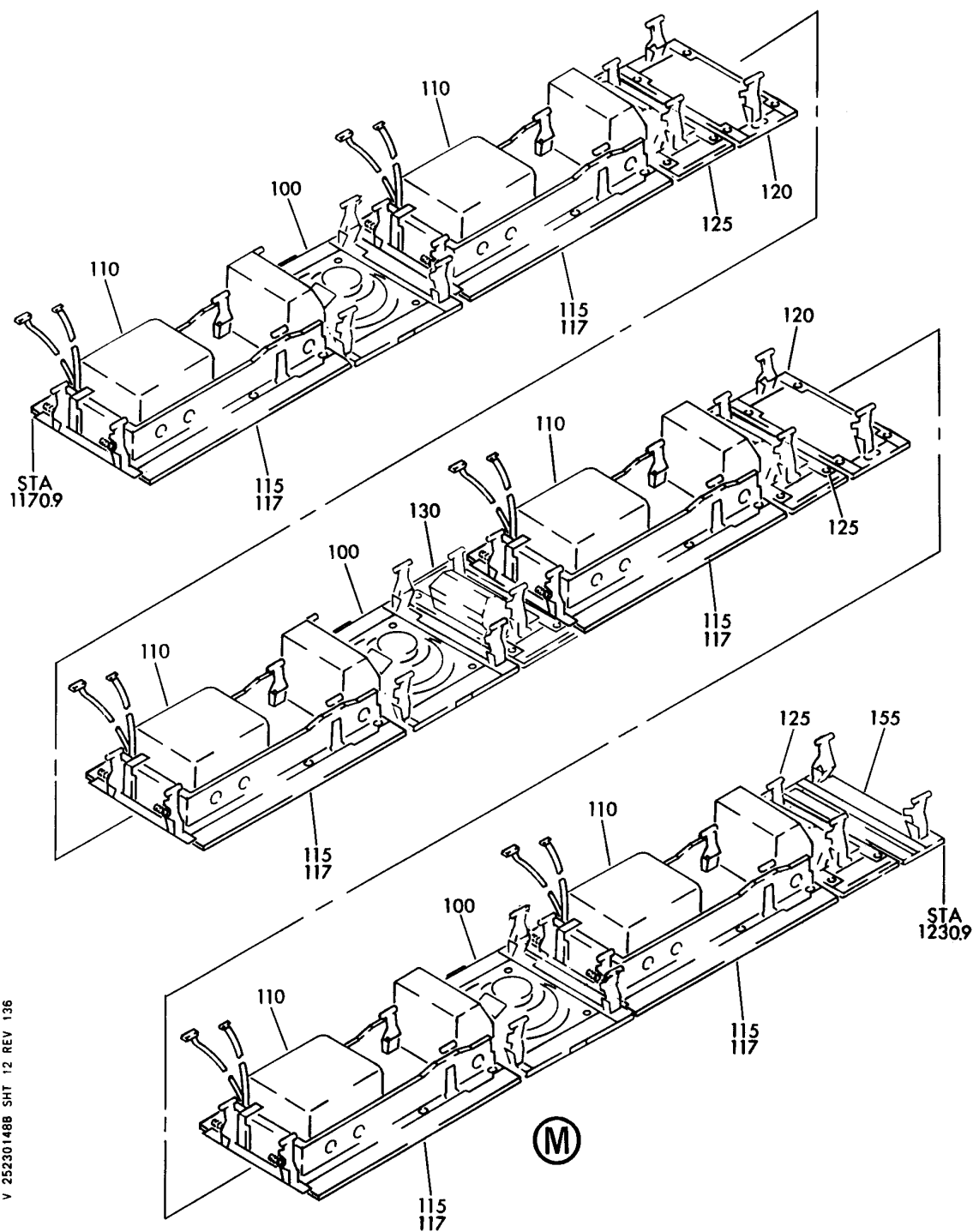
SERVICE UNIT INSTL-PASS. SAS AND SAS, FLYAWAY (EQUIPMENT/FURNISHINGS ONLY)
FIGURE 48B (SHEET 11)

HXL
DEC 22/06

25-23-01-48B

25-23-01-48B
PAGE 0J

BOEING
767
PARTS CATALOG (MAINTENANCE)



V 25230148B SHT 12 REV 136

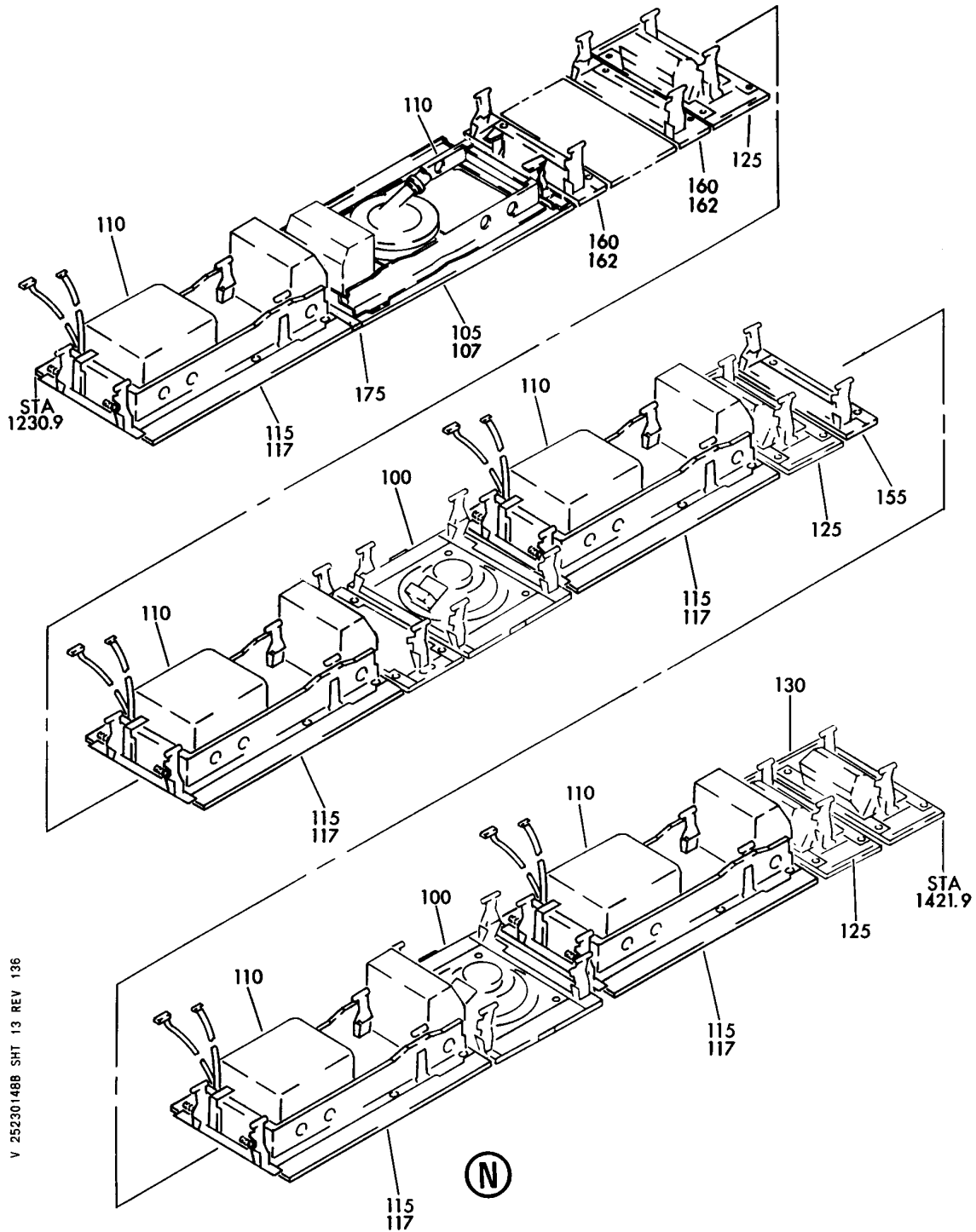
SERVICE UNIT INSTL-PASS. SAS AND SAS, FLYAWAY (EQUIPMENT/FURNISHINGS ONLY)
FIGURE 48B (SHEET 12)

HXL
DEC 22/06

25-23-01-48B

25-23-01-48B
PAGE OK

BOEING
767
PARTS CATALOG (MAINTENANCE)



V 25230148B SHT 13 REV 136

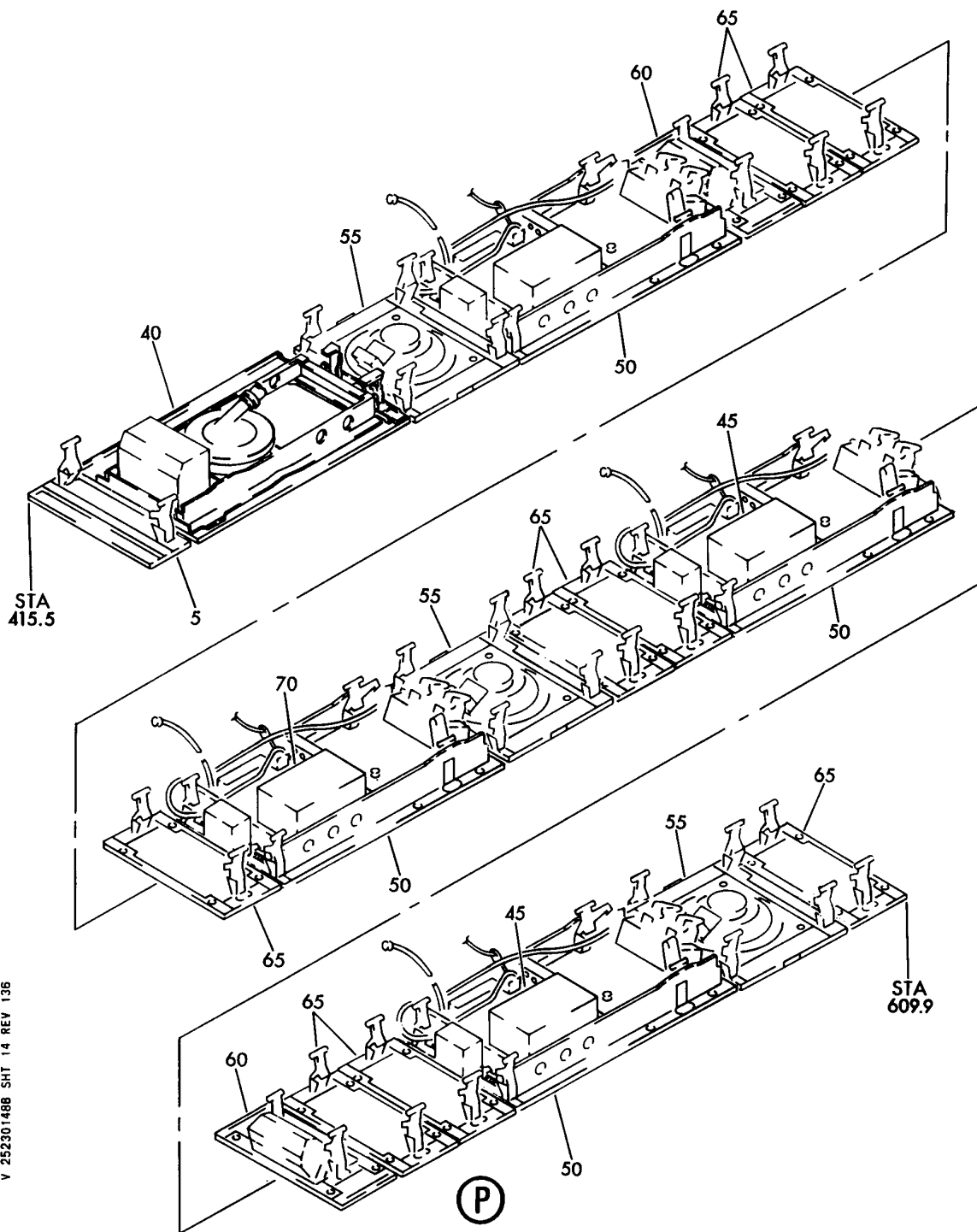
SERVICE UNIT INSTL-PASS. SAS AND SAS, FLYAWAY (EQUIPMENT/FURNISHINGS ONLY)
FIGURE 48B (SHEET 13)

HXL
DEC 22/06

25-23-01-48B

25-23-01-48B
PAGE 01

BOEING
767
PARTS CATALOG (MAINTENANCE)



V 25230148B SHT 14 REV 136

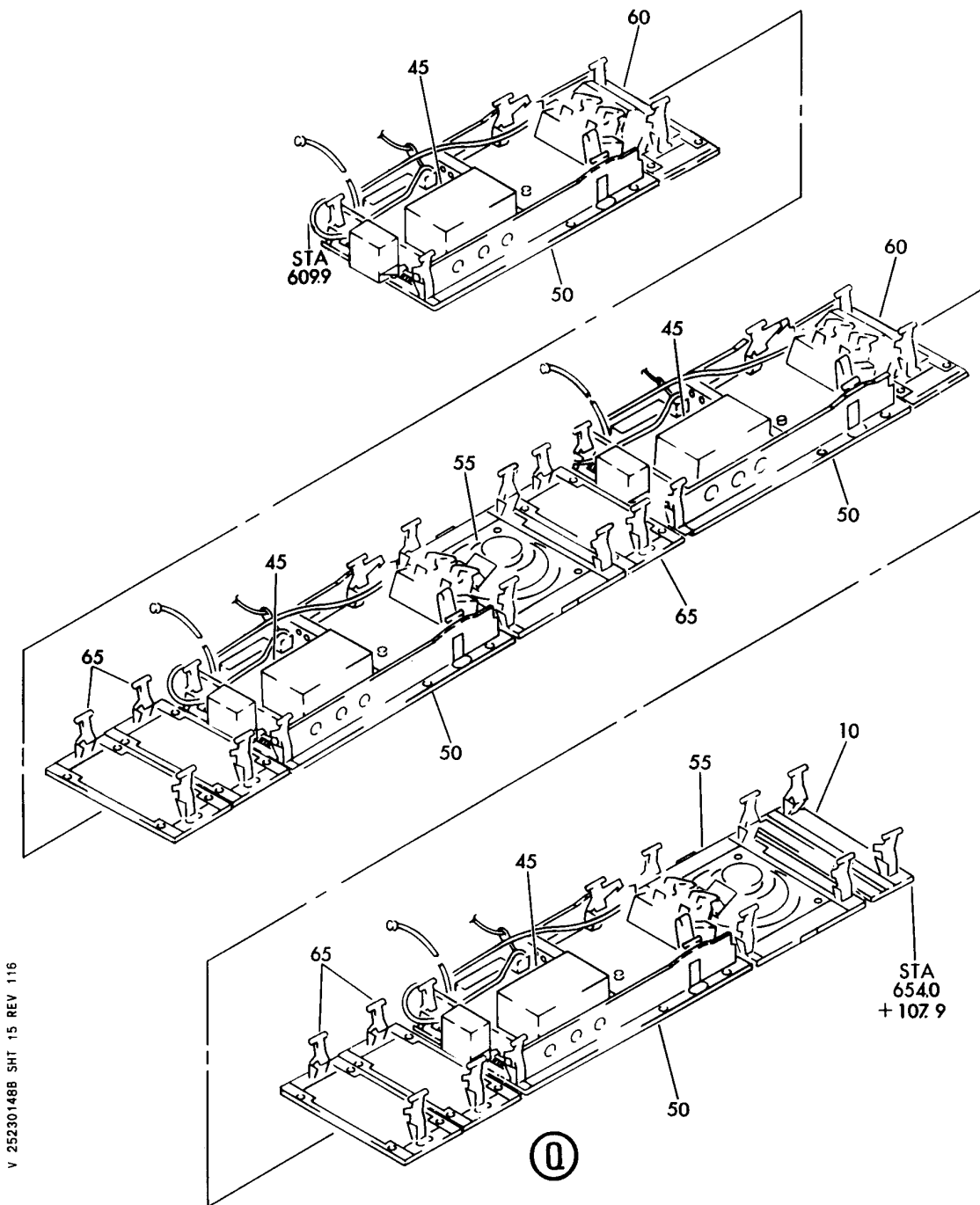
SERVICE UNIT INSTL-PASS. SAS AND SAS, FLYAWAY (EQUIPMENT/FURNISHINGS ONLY)
FIGURE 48B (SHEET 14)

HXL
DEC 22/06

25-23-01-48B

25-23-01-48B
PAGE 0M

BOEING
767
PARTS CATALOG (MAINTENANCE)



V 25230148B SHT 15 REV 116

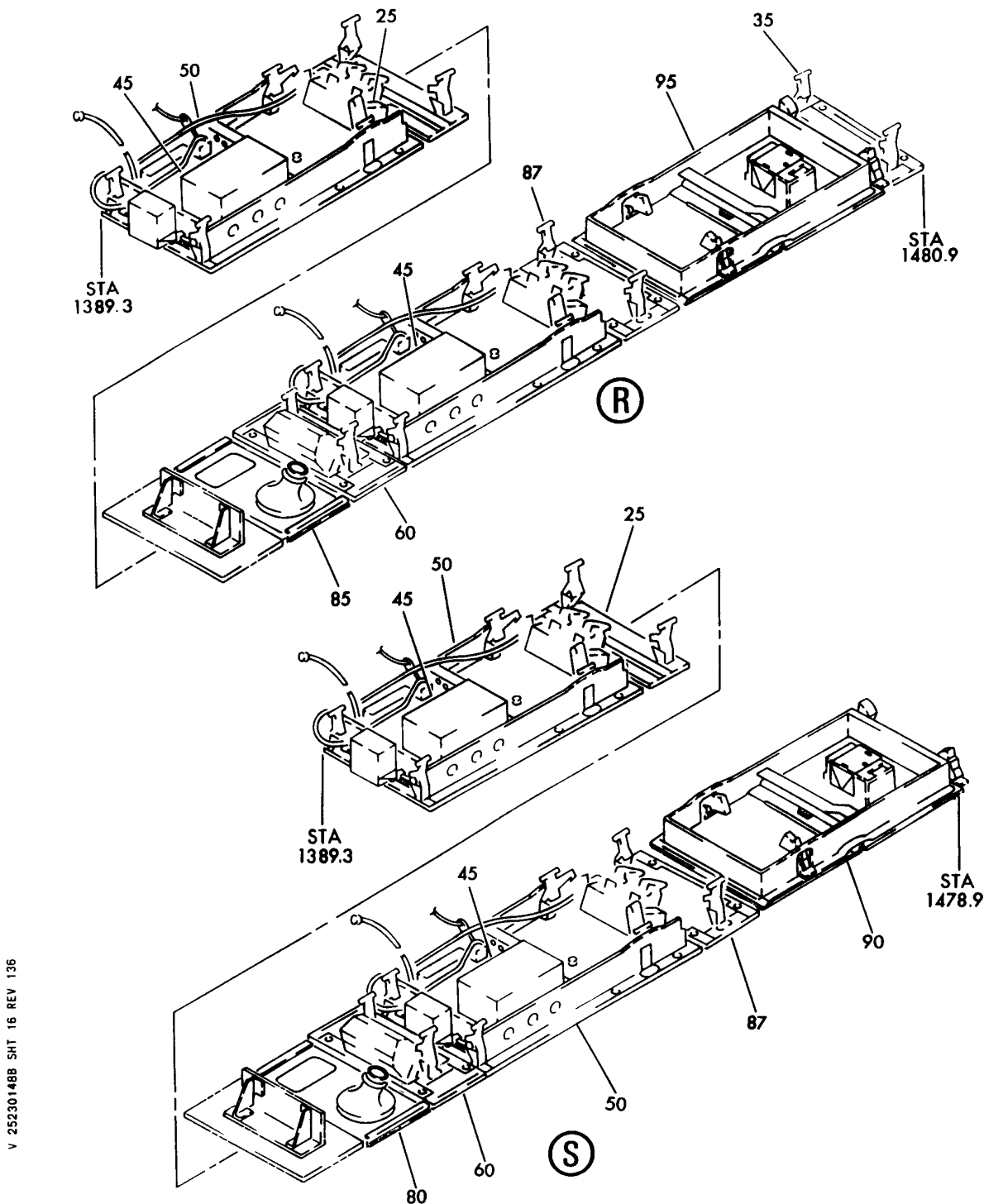
SERVICE UNIT INSTL-PASS. SAS AND SAS, FLYAWAY (EQUIPMENT/FURNISHINGS ONLY)
FIGURE 48B (SHEET 15)

25-23-01-48B

HXL
DEC 22/06

25-23-01-48B
PAGE ON

BOEING
767
PARTS CATALOG (MAINTENANCE)



V 25230148B SHT 16 REV 136

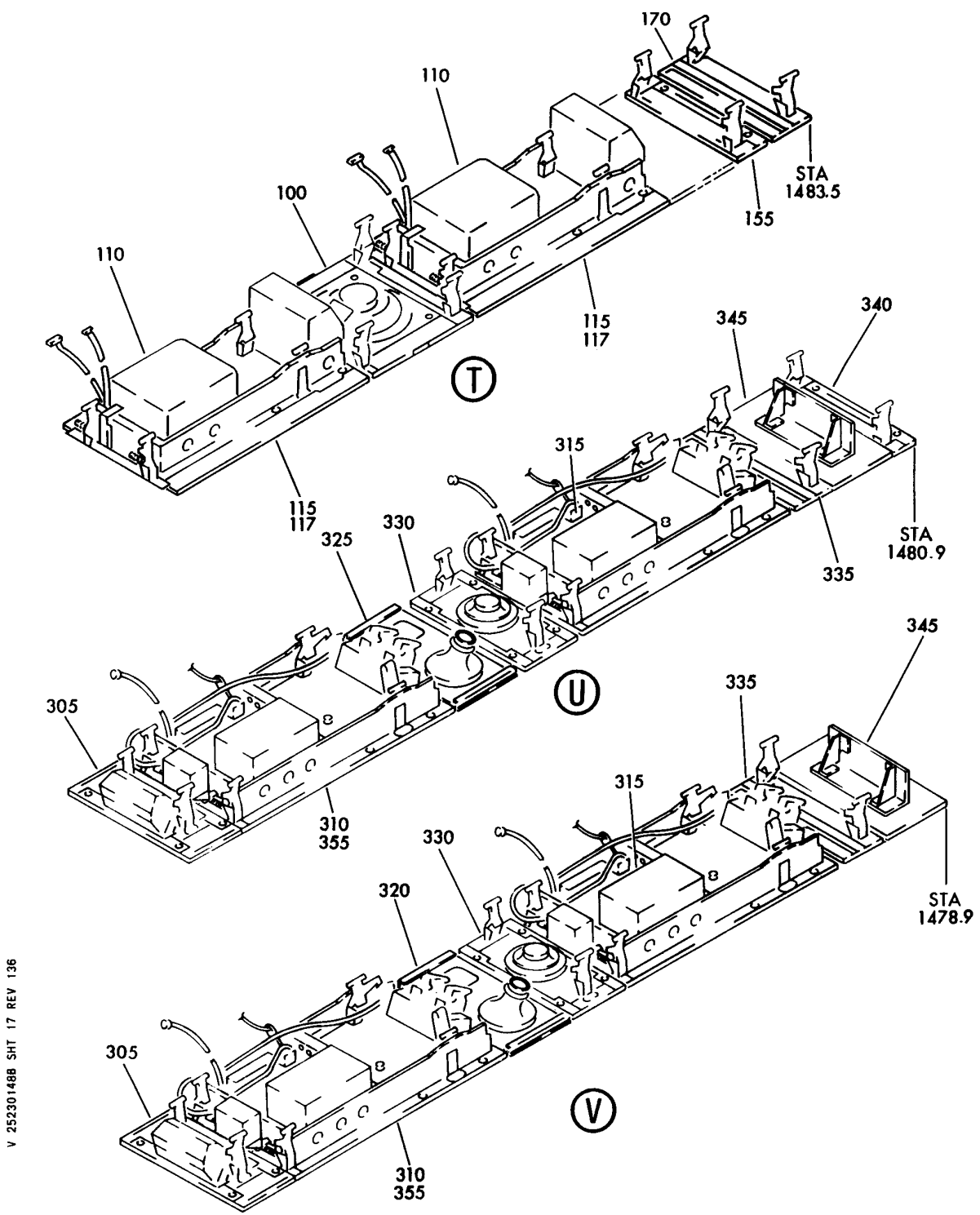
SERVICE UNIT INSTL-PASS. SAS AND SAS, FLYAWAY (EQUIPMENT/FURNISHINGS ONLY)
FIGURE 48B (SHEET 16)

25-23-01-48B

HXL
DEC 22/06

25-23-01-48B
PAGE 00

BOEING
767
PARTS CATALOG (MAINTENANCE)



V 25230148B SHT 17 REV 136

SERVICE UNIT INSTL-PASS. SAS AND SAS, FLYAWAY (EQUIPMENT/FURNISHINGS ONLY)
FIGURE 48B (SHEET 17)

25-23-01-48B

HXL
DEC 22/06

25-23-01-48B
PAGE 0P

BOEING
767
PARTS CATALOG (MAINTENANCE)

FIG ITEM	PART NUMBER	1 2 3 4 5 6 7	NOMENCLATURE	EFFECT FROM TO	UNITS PER ASSY
48B			SERVICE UNIT INSTL-PASS. SAS AND SAS, FLYAWAY (EQUIPMENT/FURNISHINGS ONLY)	163999	
- 1	417T3330-1		SERVICE UNIT INSTL-PASS. SAS (EQUIPMENT/ FURNISHINGS ONLY) FOR NHA/OTHER SYS DET SEE: 25-20-00-17B	163999	RF
5	417T3055-1237SP		.PANEL ASSY-ADJUSTABLE SPACER POSITION DATA: OUTBD FOR DETAILS SEE: 25-23-01-70A	163999	5
5	417T3055-3237SP		.PANEL ASSY-ADJUSTABLE SPACER POSITION DATA: OUTBD FOR DETAILS SEE: 25-23-01-70A	163999	5
10	417T3055-1157SP		.PANEL ASSY-ADJUSTABLE SPACER POSITION DATA: OUTBD FOR DETAILS SEE: 25-23-01-70A	163999	1
15	417T3055-1132SP		.PANEL ASSY-ADJUSTABLE FOR DETAILS SEE: 25-23-01-70A	163999	2
15	417T3055-3132SP		.PANEL ASSY-ADJUSTABLE FOR DETAILS SEE: 25-23-01-70A	163999	2
20	417T3055-1137SP		.PANEL ASSY-ADJUSTABLE SPACER POSITION DATA: OUTBD FOR DETAILS SEE: 25-23-01-70A	163999	3
20	417T3055-3137SP		.PANEL ASSY-ADJUSTABLE SPACER POSITION DATA: OUTBD FOR DETAILS SEE: 25-23-01-70A	163999	3

ILLUSTRATION ITEMS NOT ON PARTS LIST ARE NOT APPLICABLE

- ITEM NOT ILLUSTRATED

HXL

25-23-01-48B

BOEING PROPRIETARY - Copyright © - Unpublished Work - See title page for details.

25-23-01
FIG. 48B
PAGE 1
DEC 22/07

BOEING
767
PARTS CATALOG (MAINTENANCE)

FIG ITEM	PART NUMBER	1 2 3 4 5 6 7	NOMENCLATURE	EFFECT FROM TO	UNITS PER ASSY
48B 25	417T3055-1142SP	.	PANEL ASSY-ADJUSTABLE SPACER POSITION DATA: OUTBD FOR DETAILS SEE: 25-23-01-70A	163999	3
25	417T3055-3142SP	.	PANEL ASSY-ADJUSTABLE SPACER POSITION DATA: OUTBD FOR DETAILS SEE: 25-23-01-70A	163999	3
30	417T3055-1242SP	.	PANEL ASSY-ADJUSTABLE SPACER POSITION DATA: OUTBD FOR DETAILS SEE: 25-23-01-70A	163999	1
30	417T3055-3242SP	.	PANEL ASSY-ADJUSTABLE SPACER POSITION DATA: OUTBD FOR DETAILS SEE: 25-23-01-70A	163999	1
35	417T3055-1121SP	.	PANEL ASSY-ADJUSTABLE SPACER POSITION DATA: OUTBD FOR DETAILS SEE: 25-23-01-70A	163999	1
40	417T3052-166SP	.	PANEL ASSY-OXY/LT POSITION DATA: OUTBD COMPONENT MAINT MANUAL REF: 25-23-10	163999	1
40	417T3052-366SP	.	PANEL ASSY-OXY/LT POSITION DATA: OUTBD COMPONENT MAINT MANUAL REF: 25-23-10 FUNCTIONAL REFERENCE: LIGHTS FOR DETAILS SEE 33-24-02-06 EQUIPMENT/FURNISHINGS FOR DETAILS SEE 25-23-01-26C	163999	1
ILLUSTRATION ITEMS NOT ON PARTS LIST ARE NOT APPLICABLE					

— ITEM NOT ILLUSTRATED

25-23-01-48B

25-23-01
FIG. 48B
PAGE 2
DEC 22/07

HXL

BOEING PROPRIETARY - Copyright © - Unpublished Work - See title page for details.



767

PARTS CATALOG (MAINTENANCE)

FIG ITEM	PART NUMBER	1 2 3 4 5 6 7	NOMENCLATURE	EFFECT FROM TO	UNITS PER ASSY
48B 45	417T4200-207		.MODULE ASSY- POSITION DATA: OUTBD COMPONENT MAINT MANUAL REF: 35-21-01 FOR DETAILS SEE: 35-21-01-34	163999	56
50	417T3052-165SP		.PANEL ASSY-OXY/LT POSITION DATA: OUTBD COMPONENT MAINT MANUAL REF: 25-23-10	163999	62
50	417T3052-365SP		.PANEL ASSY-OXY/LT POSITION DATA: OUTBD COMPONENT MAINT MANUAL REF: 25-23-10 FUNCTIONAL REFERENCE: LIGHTS FOR DETAILS SEE 33-24-02-06 EQUIPMENT/FURNISHINGS FOR DETAILS SEE 25-23-01-26C	163999	62
55	417T3057-22SP		.PANEL ASSY-SPKR POSITION DATA: OUTBD COMPONENT MAINT MANUAL REF: 25-23-07 FUNCTIONAL REFERENCE: COMMUNICATIONS FOR DETAILS SEE 23-31-02-01	163999	31
55	417T3057-42SP		.PANEL ASSY-SPKR POSITION DATA: OUTBD COMPONENT MAINT MANUAL REF: 25-23-07 FUNCTIONAL REFERENCE: COMMUNICATIONS FOR DETAILS SEE 23-31-02-01	163999	31
60	417T3056-128SP		.PANEL ASSY-SIGN POSITION DATA: OUTBD COMPONENT MAINT MANUAL REF: 25-23-08 FOR DETAILS SEE: 33-24-02-04	163999	34

ILLUSTRATION ITEMS NOT ON PARTS LIST ARE NOT APPLICABLE

- ITEM NOT ILLUSTRATED

25-23-01-48B

25-23-01
FIG. 48B
PAGE 3
DEC 22/07

HXL



767

PARTS CATALOG (MAINTENANCE)

FIG ITEM	PART NUMBER	1 2 3 4 5 6 7	NOMENCLATURE	EFFECT FROM TO	UNITS PER ASSY
48B 60	417T3056-328SP	.	PANEL ASSY-SIGN POSITION DATA: OUTBD COMPONENT MAINT MANUAL REF: 25-23-08 FOR DETAILS SEE: 33-24-02-04	163999	34
65	417T3055-1003SP	.	PANEL ASSY-SPACER POSITION DATA: OUTBD FOR DETAILS SEE: 25-23-01-74	163999	77
70	417T4200-223	.	MODULE ASSY-OXY POSITION DATA: OUTBD COMPONENT MAINT MANUAL REF: 35-21-01 FOR DETAILS SEE: 35-21-01-34	163999	6
70	417T4200-323	.	BOX ASSY-OXY POSITION DATA: OUTBD COMPONENT MAINT MANUAL REF: 35-21-01 FOR DETAILS SEE: 35-21-01-34	163999	6
75	215T1103-15SP	.	PANEL ASSY-CONTROL FUNCTIONAL REFERENCE: AIR CONDITIONING FOR DETAILS SEE 21-29-00-01A 21-66-00-01A FIRE PROTECTION FOR DETAILS SEE 26-14-00-01A LIGHTS FOR DETAILS SEE 33-21-58-01A PLACARDS AND MARKINGS FOR DETAILS SEE 11-35-54-04	163999	1

ILLUSTRATION ITEMS NOT ON PARTS LIST ARE NOT APPLICABLE

- ITEM NOT ILLUSTRATED

HXL

25-23-01-48B

BOEING PROPRIETARY - Copyright © - Unpublished Work - See title page for details.

25-23-01
FIG. 48B
PAGE 4
DEC 22/07



767

PARTS CATALOG (MAINTENANCE)

FIG ITEM	PART NUMBER	1 2 3 4 5 6 7	NOMENCLATURE	EFFECT FROM TO	UNITS PER ASSY
48B 80	215T1103-19SP		.PANEL ASSY-CONTROL FUNCTIONAL REFERENCE: AIR CONDITIONING FOR DETAILS SEE 21-29-00-01A 21-66-00-01A LIGHTS FOR DETAILS SEE 33-21-58-01A PLACARDS AND MARKINGS FOR DETAILS SEE 11-35-54-04	163999	1
85	215T1103-20SP		.PANEL ASSY-CONTROL FUNCTIONAL REFERENCE: AIR CONDITIONING FOR DETAILS SEE 21-29-00-01A 21-66-00-01A LIGHTS FOR DETAILS SEE 33-21-58-01A PLACARDS AND MARKINGS FOR DETAILS SEE 11-35-54-04	163999	1
87	417T3055-1017SP		.PANEL ASSY-ADJUSTABLE SPACER POSITION DATA: OUTBD FOR DETAILS SEE: 25-23-01-25A	163999	2
90	218T3408-1SP		.PANEL ASSY-SMOKE DETECTOR CREW REST POSITION DATA: AFT LEFT FUNCTIONAL REFERENCE: FIRE PROTECTION FOR DETAILS SEE 26-14-00-01 EQUIPMENT/FURNISHINGS FOR DETAILS SEE 25-23-01-77	163999	1

ILLUSTRATION ITEMS NOT ON PARTS LIST ARE NOT APPLICABLE

- ITEM NOT ILLUSTRATED

HXL

25-23-01-48B

BOEING PROPRIETARY - Copyright © - Unpublished Work - See title page for details.

25-23-01
FIG. 48B
PAGE 5
DEC 22/07

 **BOEING**
767
PARTS CATALOG (MAINTENANCE)

FIG ITEM	PART NUMBER	1 2 3 4 5 6 7	NOMENCLATURE	EFFECT FROM TO	UNITS PER ASSY
48B 95	218T3408-2SP		.PANEL ASSY-SMOKE DETECTOR CREW REST POSITION DATA: AFT RIGHT FUNCTIONAL REFERENCE: FIRE PROTECTION FOR DETAILS SEE 26-14-00-01 EQUIPMENT/FURNISHINGS FOR DETAILS SEE 25-23-01-77	163999	1
100	417T3057-23SP		.PANEL ASSY-SPKR POSITION DATA: INBD COMPONENT MAINT MANUAL REF: 25-23-07 FOR DETAILS SEE: 23-31-02-01	163999	15
100	417T3057-43SP		.PANEL ASSY-SPKR POSITION DATA: INBD COMPONENT MAINT MANUAL REF: 25-23-07 FOR DETAILS SEE: 23-31-02-01	163999	15
105	417T3051-185SP		.PANEL ASSY-OXY/LT POSITION DATA: INBD COMPONENT MAINT MANUAL REF: 25-23-09 FUNCTIONAL REFERENCE: LIGHTS FOR DETAILS SEE 33-24-02-02 FOR DETAILS SEE: 25-23-01-27	163999	5
105	417T3051-385SP		.PANEL ASSY-OXY/LT POSITION DATA: INBD COMPONENT MAINT MANUAL REF: 25-23-09 FUNCTIONAL REFERENCE: LIGHTS FOR DETAILS SEE 33-24-02-02 FOR DETAILS SEE: 25-23-01-27	163999	5

ILLUSTRATION ITEMS NOT ON PARTS LIST ARE NOT APPLICABLE

- ITEM NOT ILLUSTRATED

HXL

25-23-01-48B

BOEING PROPRIETARY - Copyright © - Unpublished Work - See title page for details.

25-23-01
FIG. 48B
PAGE 6
DEC 22/07

 **BOEING**
767
PARTS CATALOG (MAINTENANCE)

FIG ITEM	PART NUMBER	1 2 3 4 5 6 7	NOMENCLATURE	EFFECT FROM TO	UNITS PER ASSY
48B 110	417T4201-231	.	MODULE ASSY-OXY POSITION DATA: INBD COMPONENT MAINT MANUAL REF: 35-21-10 REWORKED BY SB: 35-0026 FUNCTIONAL REFERENCE: OXYGEN FOR DETAILS SEE 35-21-01-34A PLACARDS AND MARKINGS FOR DETAILS SEE 11-35-68-01	163999	32
110	417T4201-236	.	MODULE ASSY-OXY POSITION DATA: INBD COMPONENT MAINT MANUAL REF: 35-21-10 REWORKED BY ALERT SB: 35A0026 FUNCTIONAL REFERENCE: PLACARDS AND MARKINGS FOR DETAILS SEE 11-35-68-01 OXYGEN FOR DETAILS SEE 35-21-01-34A	163999	32
115	417T3051-184SP	.	PANEL ASSY-OXY/LT POSITION DATA: INBD COMPONENT MAINT MANUAL REF: 25-23-09 FUNCTIONAL REFERENCE: LIGHTS FOR DETAILS SEE 33-24-02-02 EQUIPMENT/FURNISHINGS FOR DETAILS SEE 25-23-01-28	163999	26

ILLUSTRATION ITEMS NOT ON PARTS LIST ARE NOT APPLICABLE

— ITEM NOT ILLUSTRATED

HXL

25-23-01-48B

BOEING PROPRIETARY - Copyright © - Unpublished Work - See title page for details.

25-23-01
FIG. 48B
PAGE 7
DEC 22/07

 **BOEING**
767
PARTS CATALOG (MAINTENANCE)

FIG ITEM	PART NUMBER	1 2 3 4 5 6 7	NOMENCLATURE	EFFECT FROM TO	UNITS PER ASSY
48B 115	417T3051-384SP	.	PANEL ASSY-OXY/LT POSITION DATA: INBD COMPONENT MAINT MANUAL REF: 25-23-09 FUNCTIONAL REFERENCE: LIGHTS FOR DETAILS SEE 33-24-02-02 FOR DETAILS SEE: 25-23-01-28	163999	26
120	417T3055-1004SP	.	PANEL ASSY-SPACER POSITION DATA: INBD FOR DETAILS SEE: 25-23-01-74	163999	23
120	417T3055-3004SP	.	PANEL ASSY-SPACER POSITION DATA: INBD FOR DETAILS SEE: 25-23-01-74	163999	23
125	417T3056-127SP	.	PANEL ASSY-SIGN POSITION DATA: INBD COMPONENT MAINT MANUAL REF: 25-23-08 FOR DETAILS SEE: 33-24-02-04	163999	14
125	417T3056-327SP	.	PANEL ASSY-SIGN POSITION DATA: INBD COMPONENT MAINT MANUAL REF: 25-23-08 FOR DETAILS SEE: 33-24-02-04	163999	14
130	417T3056-137SP	.	PANEL ASSY-SIGN POSITION DATA: INBD COMPONENT MAINT MANUAL REF: 25-23-08 FOR DETAILS SEE: 33-24-02-08	163999	4
130	417T3056-337SP	.	PANEL ASSY-SIGN POSITION DATA: INBD COMPONENT MAINT MANUAL REF: 25-23-08 FOR DETAILS SEE: 33-24-02-08	163999	4

ILLUSTRATION ITEMS NOT ON PARTS LIST ARE NOT APPLICABLE

- ITEM NOT ILLUSTRATED

HXL

25-23-01-48B

BOEING PROPRIETARY - Copyright © - Unpublished Work - See title page for details.

25-23-01
FIG. 48B
PAGE 8
DEC 22/07



767

PARTS CATALOG (MAINTENANCE)

FIG ITEM	PART NUMBER	1 2 3 4 5 6 7	NOMENCLATURE	EFFECT FROM TO	UNITS PER ASSY
48B 135	417T3056-132SP	.	PANEL ASSY-SIGN POSITION DATA: INBD COMPONENT MAINT MANUAL REF: 25-23-08 FOR DETAILS SEE: 33-24-02-04	163999	1
135	417T3056-332SP	.	PANEL ASSY-SIGN POSITION DATA: INBD COMPONENT MAINT MANUAL REF: 25-23-08 FOR DETAILS SEE: 33-24-02-04	163999	1
140	417T3051-187SP	.	PANEL ASSY-LT POSITION DATA: INBD COMPONENT MAINT MANUAL REF: 25-23-09 FOR DETAILS SEE: 33-24-02-03	163999	1
140	417T3051-387SP	.	PANEL ASSY-LT POSITION DATA: INBD COMPONENT MAINT MANUAL REF: 25-23-09 FOR DETAILS SEE: 33-24-02-03	163999	1
145	417T3051-186SP	.	PANEL ASSY-OXY POSITION DATA: INBD COMPONENT MAINT MANUAL REF: 25-23-09 FOR DETAILS SEE: 25-23-01-28	163999	1
145	417T3051-386SP	.	PANEL ASSY-OXY POSITION DATA: INBD COMPONENT MAINT MANUAL REF: 25-23-09 FOR DETAILS SEE: 25-23-01-28	163999	1

ILLUSTRATION ITEMS NOT ON PARTS LIST ARE NOT APPLICABLE

- ITEM NOT ILLUSTRATED

25-23-01-48B

25-23-01
FIG. 48B
PAGE 9
DEC 22/07

HXL



767

PARTS CATALOG (MAINTENANCE)

FIG ITEM	PART NUMBER	1 2 3 4 5 6 7	NOMENCLATURE	EFFECT FROM TO	UNITS PER ASSY
48B 150	417T3055-1015SP		.PANEL ASSY-ATTENDANT WORK LT SWITCH SPACER POSITION DATA: INBD FUNCTIONAL REFERENCE: LIGHTS FOR DETAILS SEE 33-22-57-01	163999	1
155	417T3055-1334SP		.PANEL ASSY-ADJUSTABLE SPACER POSITION DATA: INBD FOR DETAILS SEE: 25-23-01-72	163999	8
160	417T3055-1434SP		.PANEL ASSY-ADJUSTABLE SPACER POSITION DATA: INBD FOR DETAILS SEE: 25-23-01-72	163999	7
160	417T3055-3434SP		.PANEL ASSY-ADJUSTABLE SPACER POSITION DATA: INBD FOR DETAILS SEE: 25-23-01-72	163999	7
165	417T3055-1339SP		.PANEL ASSY-ADJUSTABLE SPACER POSITION DATA: INBD FOR DETAILS SEE: 25-23-01-72	163999	1
165	417T3055-3339SP		.PANEL ASSY-ADJUSTABLE SPACER POSITION DATA: INBD FOR DETAILS SEE: 25-23-01-72	163999	1
170	417T3055-1358SP		.PANEL ASSY-ADJUSTABLE SPACER POSITION DATA: INBD FOR DETAILS SEE: 25-23-01-73	163999	1

ILLUSTRATION ITEMS NOT ON PARTS LIST ARE NOT APPLICABLE

- ITEM NOT ILLUSTRATED

HXL

25-23-01-48B

BOEING PROPRIETARY - Copyright © - Unpublished Work - See title page for details.

25-23-01
FIG. 48B
PAGE 10
DEC 22/07



767

PARTS CATALOG (MAINTENANCE)

FIG ITEM	PART NUMBER	1 2 3 4 5 6 7	NOMENCLATURE	EFFECT FROM TO	UNITS PER ASSY
48B 170	417T3055-3358SP		.PANEL ASSY-ADJUSTABLE SPACER POSITION DATA: INBD FOR DETAILS SEE: 25-23-01-73	163999	1
175 - 300	417T3057-6 417T3830-1		.COVER-TEDLAR SERVICE UNIT INSTL-PASS. SAS, FLYAWAY (EQUIPMENT/ FURNISHINGS ONLY) FOR NHA/OTHER SYS DET SEE: 25-20-00-51	163999 163999	5 RF
305	417T3056-128SP		.PANEL ASSY-SIGN SALVAGE FROM 417T3330-1 POSITION DATA: OUTBD COMPONENT MAINT MANUAL REF: 25-23-08 FOR DETAILS SEE: 33-24-02-04	163999	RF
305	417T3056-328SP		.PANEL ASSY-SIGN SALVAGE FROM 417T3330-2 POSITION DATA: OUTBD COMPONENT MAINT MANUAL REF: 25-23-08 FOR DETAILS SEE: 33-24-02-04	163999	RF
310	417T3052-165SP		.PANEL ASSY-OXY/LT SALVAGE FROM 417T3330-1 POSITION DATA: OUTBD COMPONENT MAINT MANUAL REF: 25-23-10	163999	RF
310	417T3052-365SP		.PANEL ASSY-OXY/LT SALVAGE FROM 417T3330-2 POSITION DATA: OUTBD COMPONENT MAINT MANUAL REF: 25-23-10 FUNCTIONAL REFERENCE: LIGHTS FOR DETAILS SEE 33-24-02-06 EQUIPMENT/FURNISHINGS FOR DETAILS SEE 25-23-01-26C	163999	RF

ILLUSTRATION ITEMS NOT ON PARTS LIST ARE NOT APPLICABLE

- ITEM NOT ILLUSTRATED

25-23-01-48B

25-23-01
FIG. 48B
PAGE 11
DEC 22/07

HXL

BOEING
767
PARTS CATALOG (MAINTENANCE)

FIG ITEM	PART NUMBER	1 2 3 4 5 6 7	NOMENCLATURE	EFFECT FROM TO	UNITS PER ASSY
48B 315	417T4200-207		.MODULE ASSY-SALVAGE FROM 417T3330-1, -2, -3 POSITION DATA: OUTBD COMPONENT MAINT MANUAL REF: 35-21-01 FOR DETAILS SEE: 35-21-01-34	163999	RF
320	215T1103-19SP		.PANEL ASSY-CONTROL SALVAGE FROM 417T3330-1	163999	RF
325	215T1103-20SP		.PANEL ASSY-CONTROL SALVAGE FROM 417T3330-1 FUNCTIONAL REFERENCE: AIR CONDITIONING FOR DETAILS SEE 21-29-00-01A 21-66-00-01A LIGHTS FOR DETAILS SEE 33-21-58-01A	163999	RF
330	417T3055-1017SP		.PANEL ASSY-ADJUSTABLE SPACER SALVAGE FROM 417T3330-1 POSITION DATA: OUTBD FUNCTIONAL REFERENCE: COMMUNICATIONS FOR DETAILS SEE 23-32-02-01A FOR DETAILS SEE: 25-23-01-25A	163999	RF
335	417T3055-1142SP		.PANEL ASSY-ADJUSTABLE SPACER SALVAGE FROM 417T3330-1 POSITION DATA: OUTBD FOR DETAILS SEE: 25-23-01-70	163999	RF
335	417T3055-3142SP		.PANEL ASSY-ADJUSTABLE SPACER SALVAGE FROM 417T3330-2, -3 POSITION DATA: OUTBD FOR DETAILS SEE: 25-23-01-70	163999	RF

ILLUSTRATION ITEMS NOT ON PARTS LIST ARE NOT APPLICABLE

- ITEM NOT ILLUSTRATED

HXL

25-23-01-48B

BOEING PROPRIETARY - Copyright © - Unpublished Work - See title page for details.

25-23-01
FIG. 48B
PAGE 12
AUG 22/08



767

PARTS CATALOG (MAINTENANCE)

FIG ITEM	PART NUMBER	1 2 3 4 5 6 7	NOMENCLATURE	EFFECT FROM TO	UNITS PER ASSY
48B 340	417T3055-1121SP	.	PANEL ASSY-ADJUSTABLE SPACER SALVAGE FROM 417T3330-1 POSITION DATA: OUTBD FOR DETAILS SEE: 25-23-01-70	163999	RF
345	413T3411-17SP	.	PANEL ASSY-FACE SALVAGE FROM 413T3529-1, -2	163999	RF
- 350	417T3830-2	.	COLLECTOR ASSY	163999	1
355	417T3052-165SP	..	PANEL ASSY-OXY/LT POSITION DATA: OUTBD COMPONENT MAINT MANUAL REF: 25-23-10	163999	2
355	417T3052-365SP	..	PANEL ASSY-OXY/LT POSITION DATA: OUTBD COMPONENT MAINT MANUAL REF: 25-23-10 FUNCTIONAL REFERENCE: LIGHTS FOR DETAILS SEE 33-24-02-06 EQUIPMENT/FURNISHINGS FOR DETAILS SEE 25-23-01-26C	163999	2

ILLUSTRATION ITEMS NOT ON PARTS LIST ARE NOT APPLICABLE

- ITEM NOT ILLUSTRATED

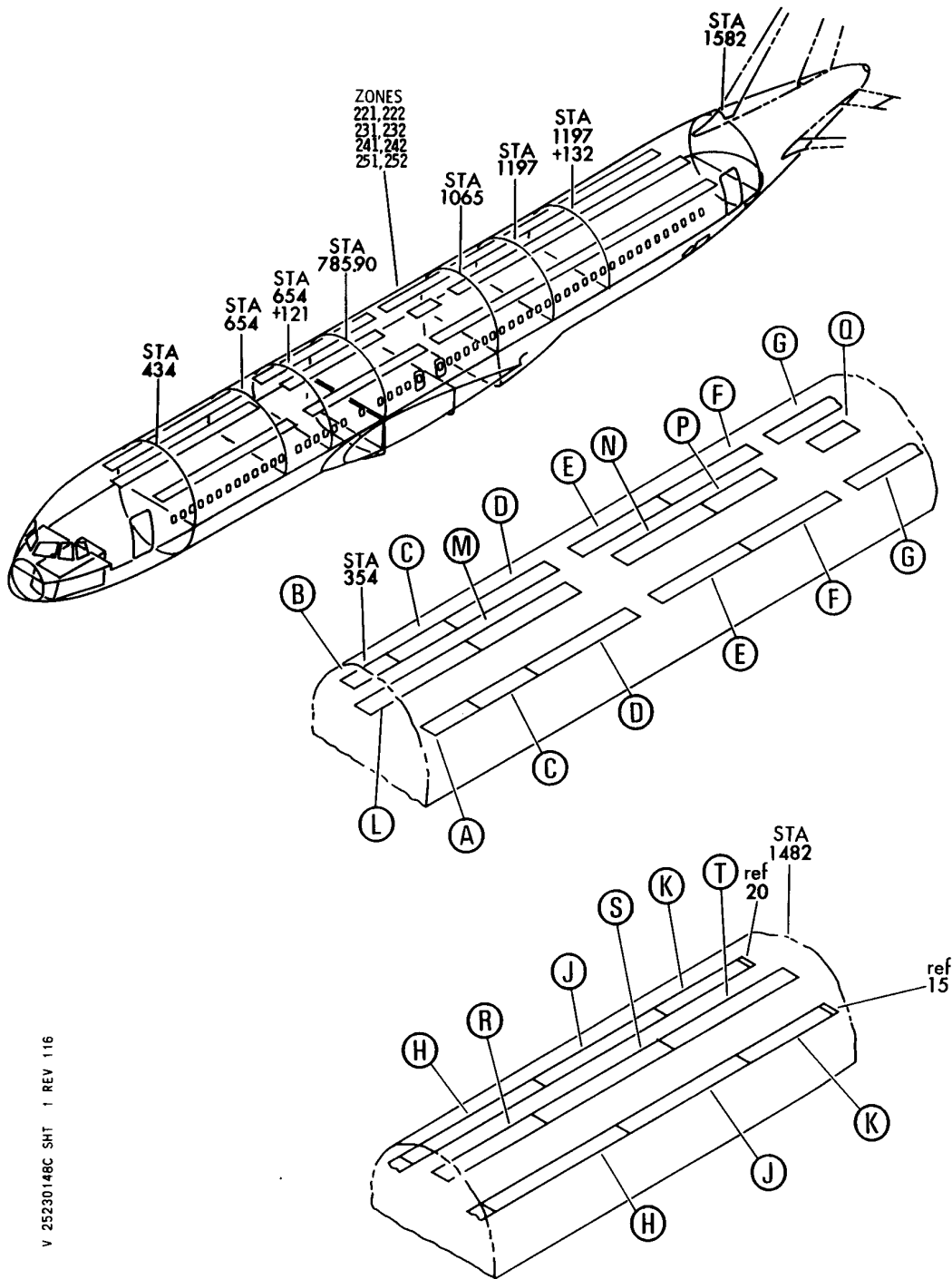
HXL

25-23-01-48B

BOEING PROPRIETARY - Copyright © - Unpublished Work - See title page for details.

25-23-01
FIG. 48B
PAGE 13
DEC 22/08

BOEING
767
PARTS CATALOG (MAINTENANCE)



V 25230148C SHT 1 REV 116

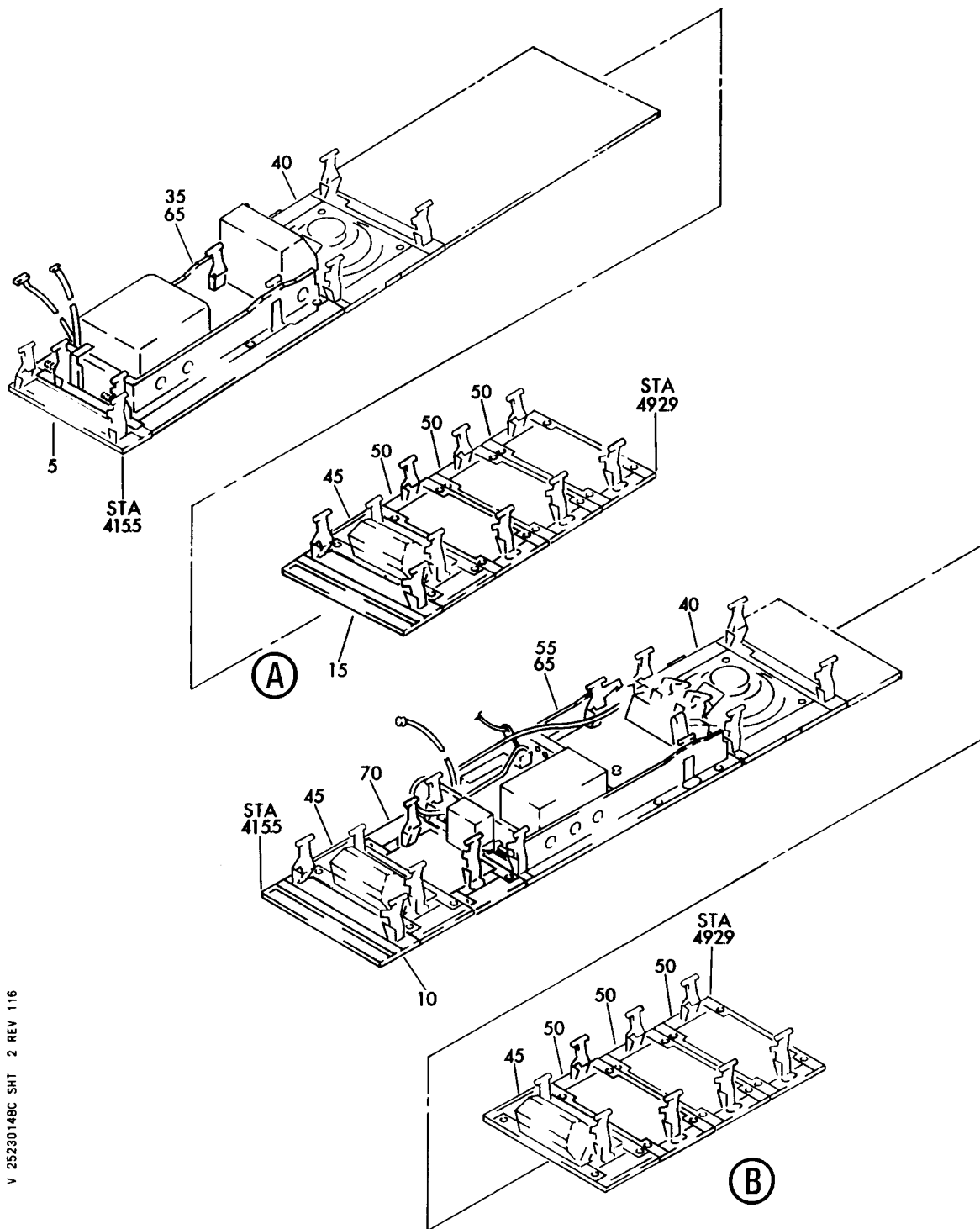
SERVICE UNIT INSTL-PASS. SAS (EQUIPMENT/ FURNISHINGS ONLY)
FIGURE 48C (SHEET 1)

25-23-01-48C

HXL
DEC 22/06

25-23-01-48C
PAGE 0

BOEING
767
PARTS CATALOG (MAINTENANCE)



V 25230148C SHT 2 REV 116

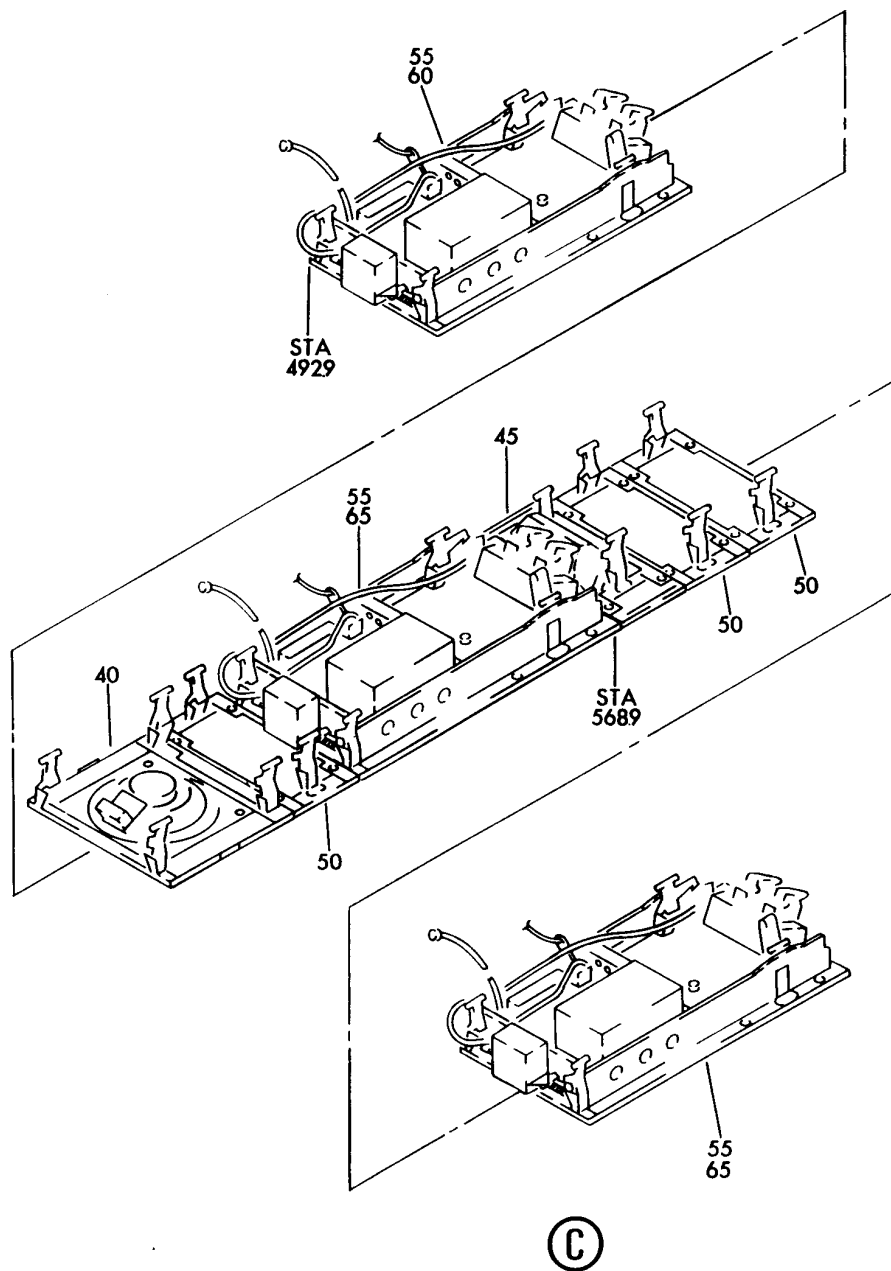
SERVICE UNIT INSTL-PASS. SAS (EQUIPMENT/ FURNISHINGS ONLY)
FIGURE 48C (SHEET 2)

25-23-01-48C

HXL
DEC 22/06

25-23-01-48C
PAGE 0A

BOEING
767
PARTS CATALOG (MAINTENANCE)



V 25230148C SHT 3 REV 116

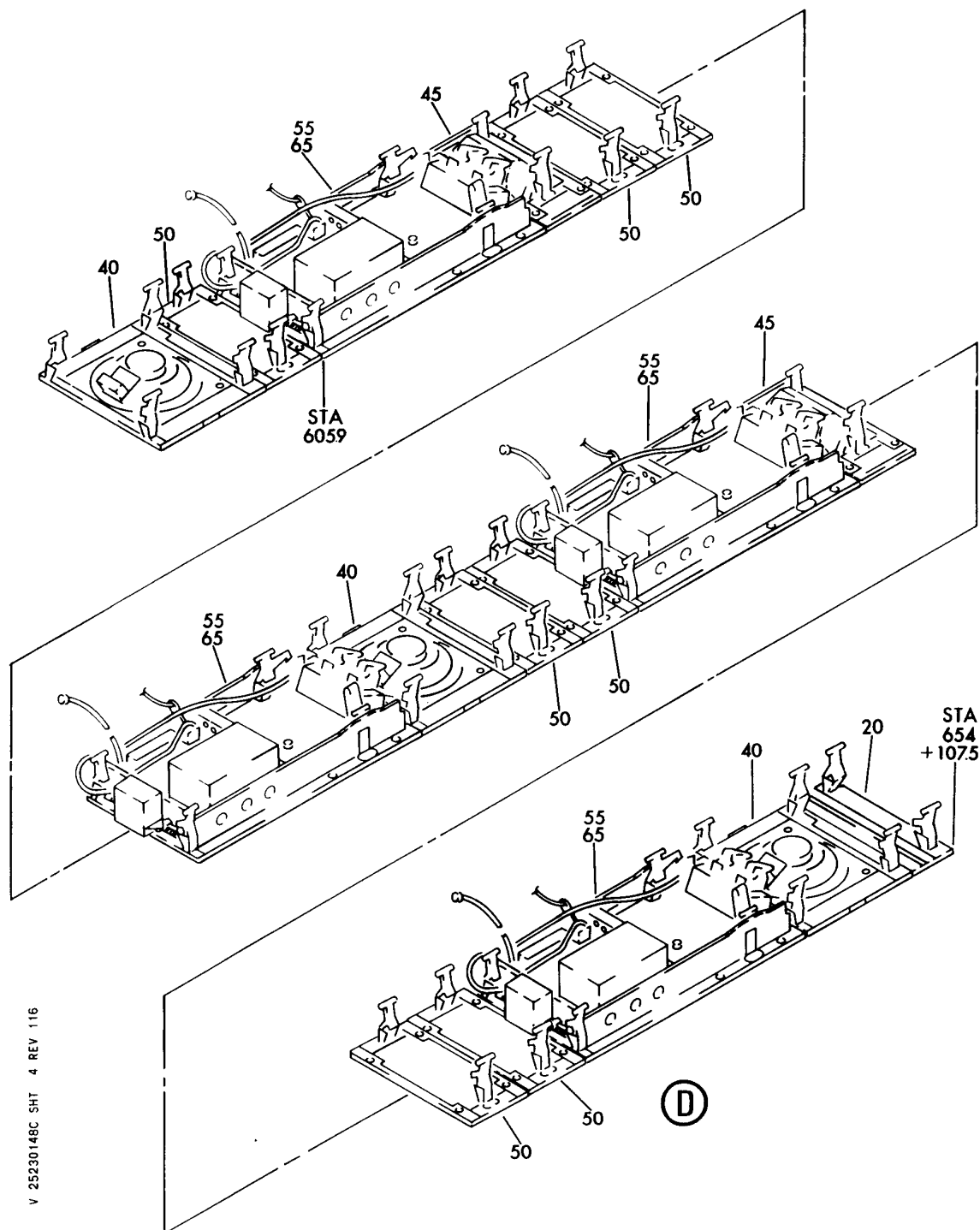
SERVICE UNIT INSTL-PASS. SAS (EQUIPMENT/ FURNISHINGS ONLY)
FIGURE 48C (SHEET 3)

25-23-01-48C

HXL
DEC 22/06

25-23-01-48C
PAGE 0B

BOEING
767
PARTS CATALOG (MAINTENANCE)



V 25230148C SHT 4 REV 116

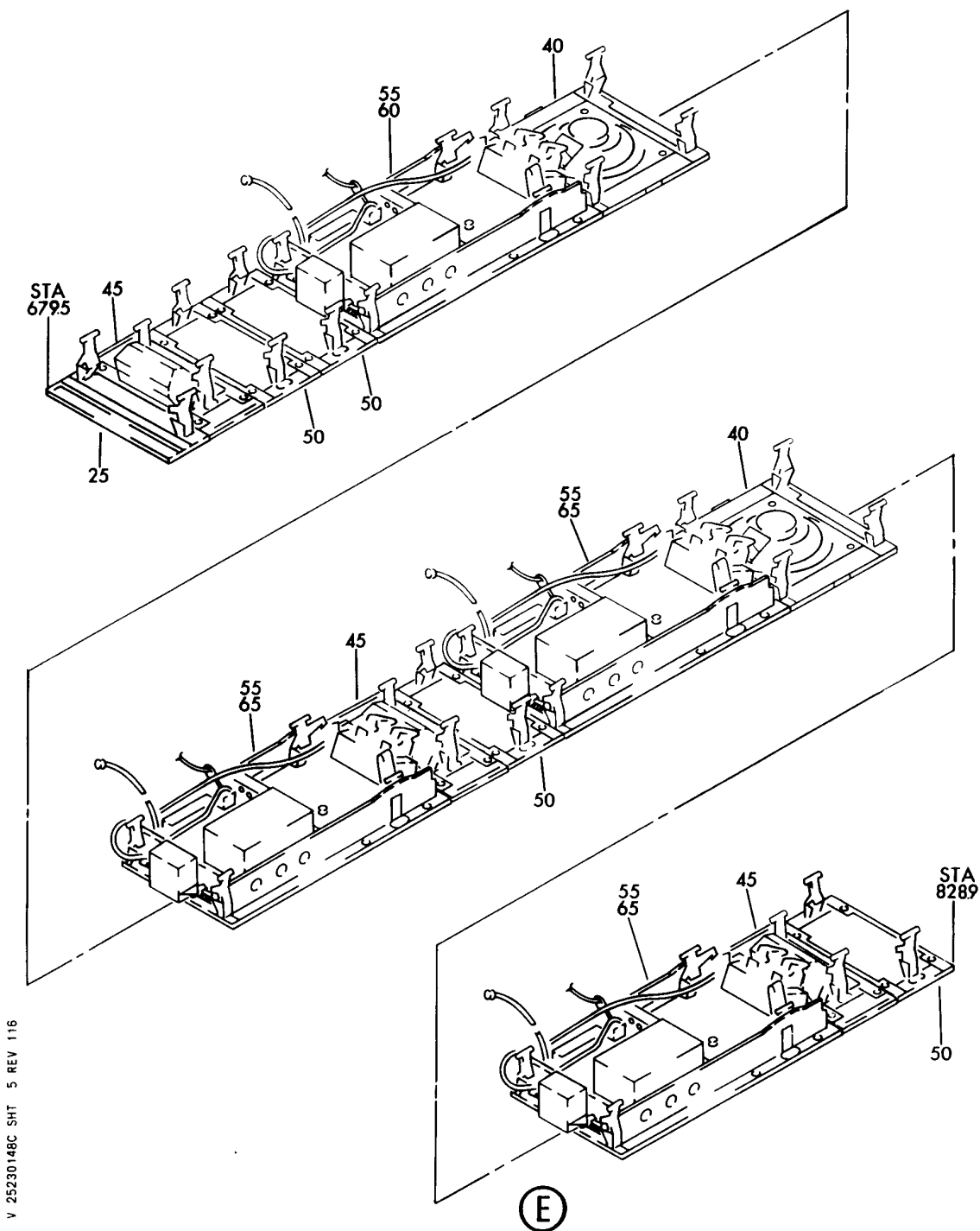
SERVICE UNIT INSTL-PASS. SAS (EQUIPMENT/ FURNISHINGS ONLY)
FIGURE 48C (SHEET 4)

25-23-01-48C

HXL
DEC 22/06

25-23-01-48C
PAGE 0C

BOEING
767
PARTS CATALOG (MAINTENANCE)



V 25230148C SHT 5 REV 116

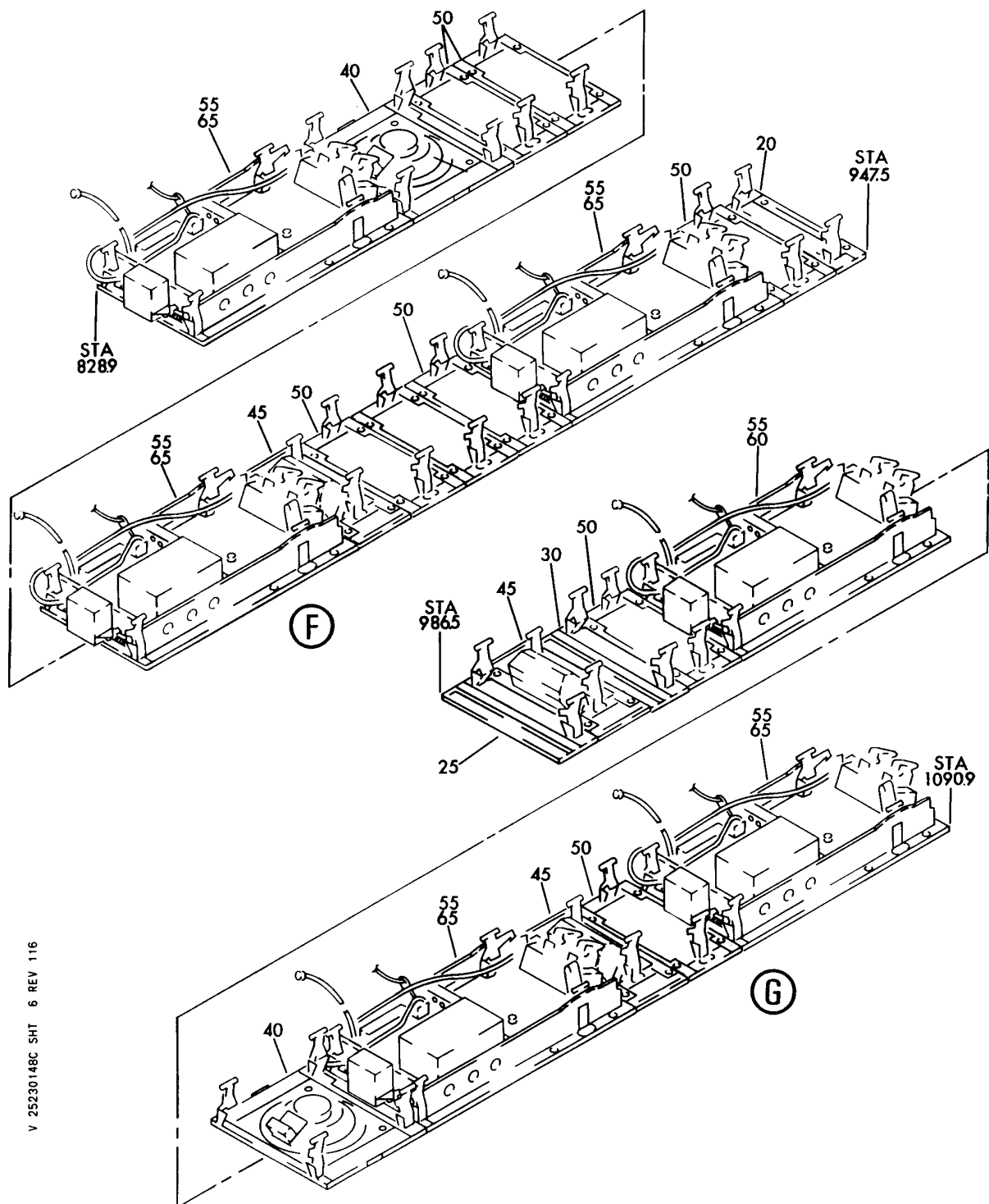
SERVICE UNIT INSTL-PASS. SAS (EQUIPMENT/ FURNISHINGS ONLY)
FIGURE 48C (SHEET 5)

25-23-01-48C

HXL
DEC 22/06

25-23-01-48C
PAGE 0D

BOEING
767
PARTS CATALOG (MAINTENANCE)



V 25230148C SHT 6 REV 116

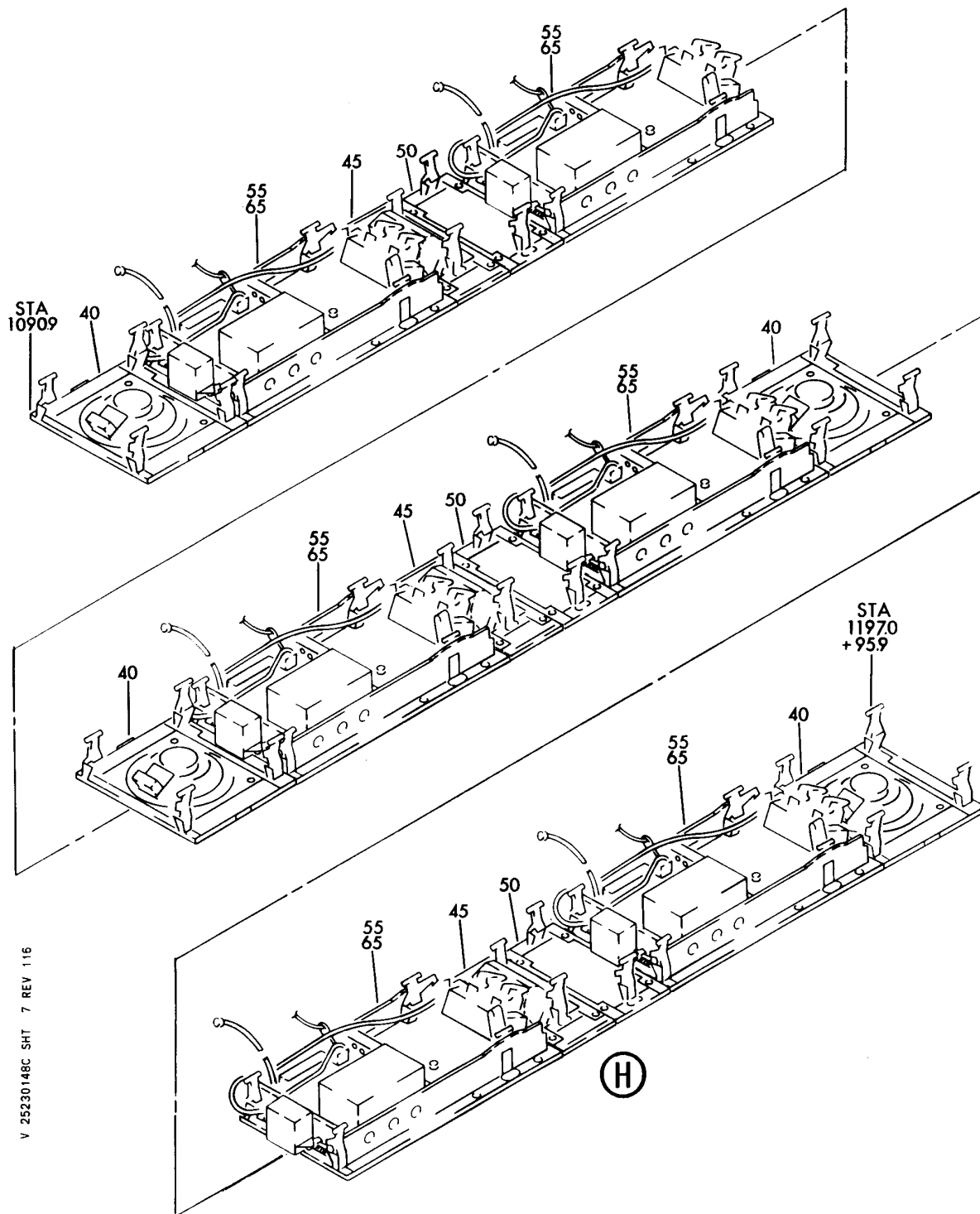
SERVICE UNIT INSTL-PASS. SAS (EQUIPMENT/ FURNISHINGS ONLY)
FIGURE 48C (SHEET 6)

25-23-01-48C

HXL
DEC 22/06

25-23-01-48C
PAGE 0E

BOEING
767
PARTS CATALOG (MAINTENANCE)



V 25230148C SHT 7 REV 116

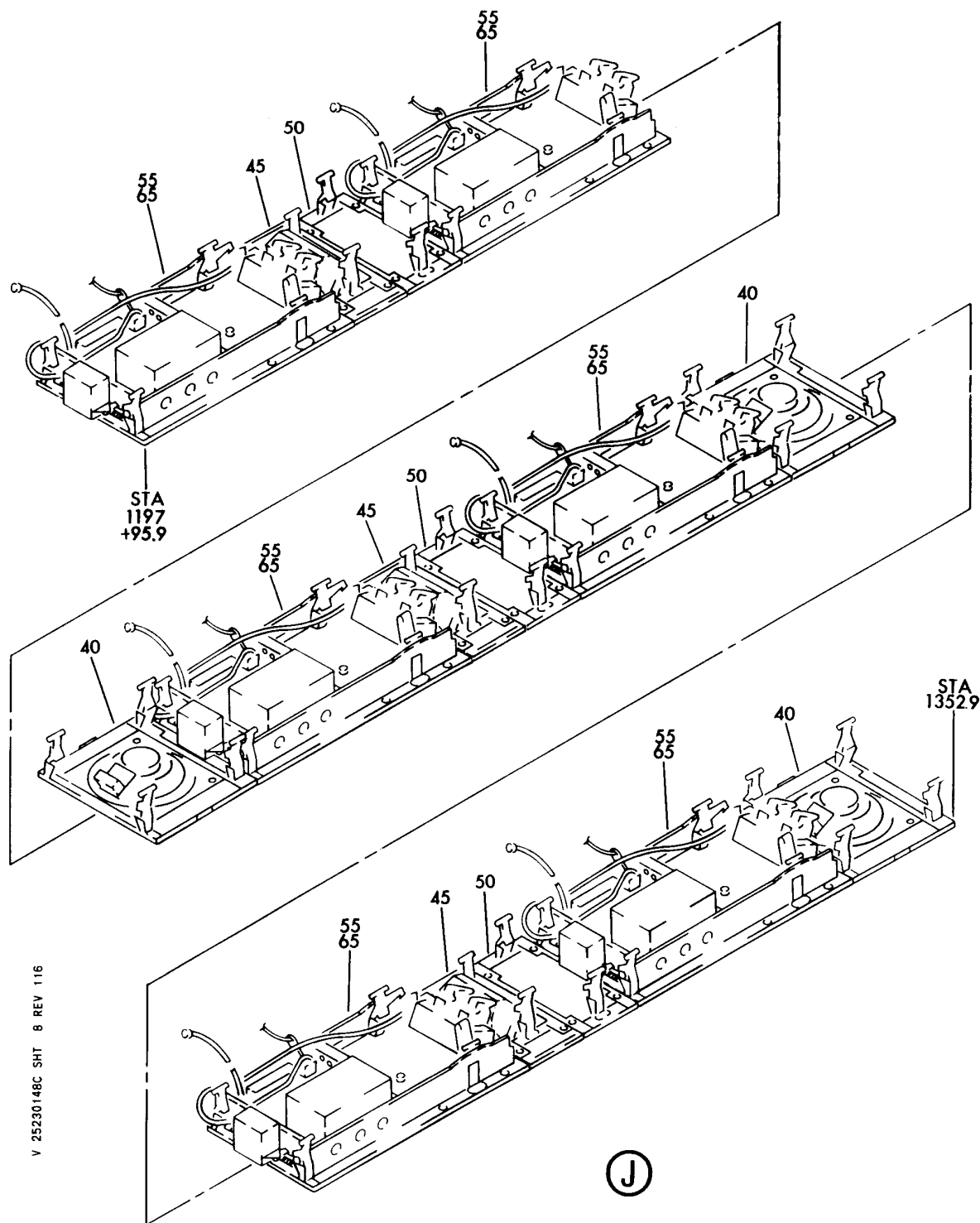
SERVICE UNIT INSTL-PASS. SAS (EQUIPMENT/ FURNISHINGS ONLY)
FIGURE 48C (SHEET 7)

25-23-01-48C

HXL
DEC 22/06

25-23-01-48C
PAGE OF

BOEING
767
PARTS CATALOG (MAINTENANCE)



V 25230148C SHT 8 REV 116

SERVICE UNIT INSTL-PASS. SAS (EQUIPMENT/ FURNISHINGS ONLY)
FIGURE 48C (SHEET 8)

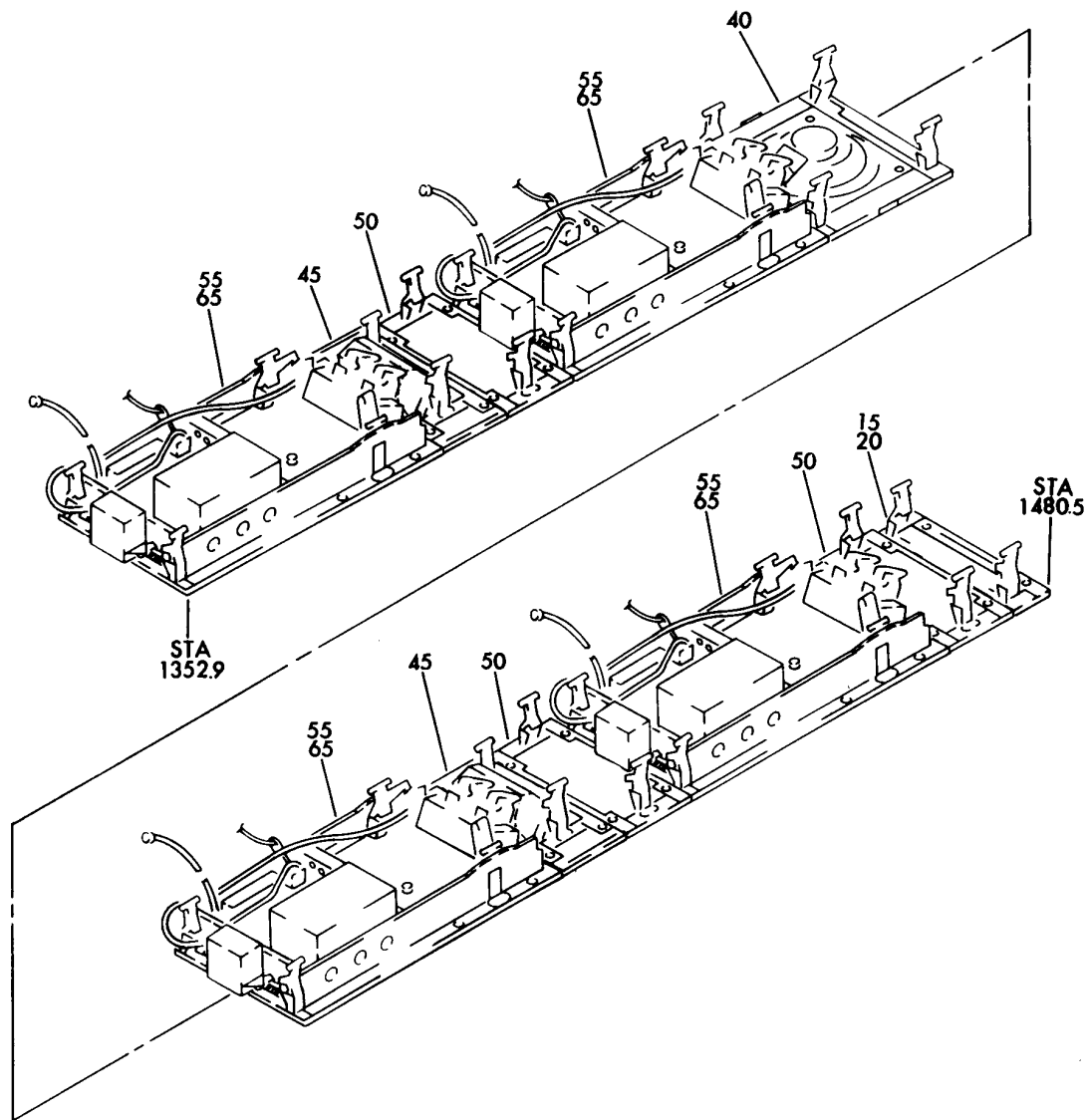
25-23-01-48C

HXL
DEC 22/06

25-23-01-48C
PAGE 08

BOEING PROPRIETARY - Copyright © - Unpublished Work - See title page for details.

BOEING
767
PARTS CATALOG (MAINTENANCE)



V 25230148C SHT 9 REV 116

(K)

SERVICE UNIT INSTL-PASS. SAS (EQUIPMENT/ FURNISHINGS ONLY)
FIGURE 48C (SHEET 9)

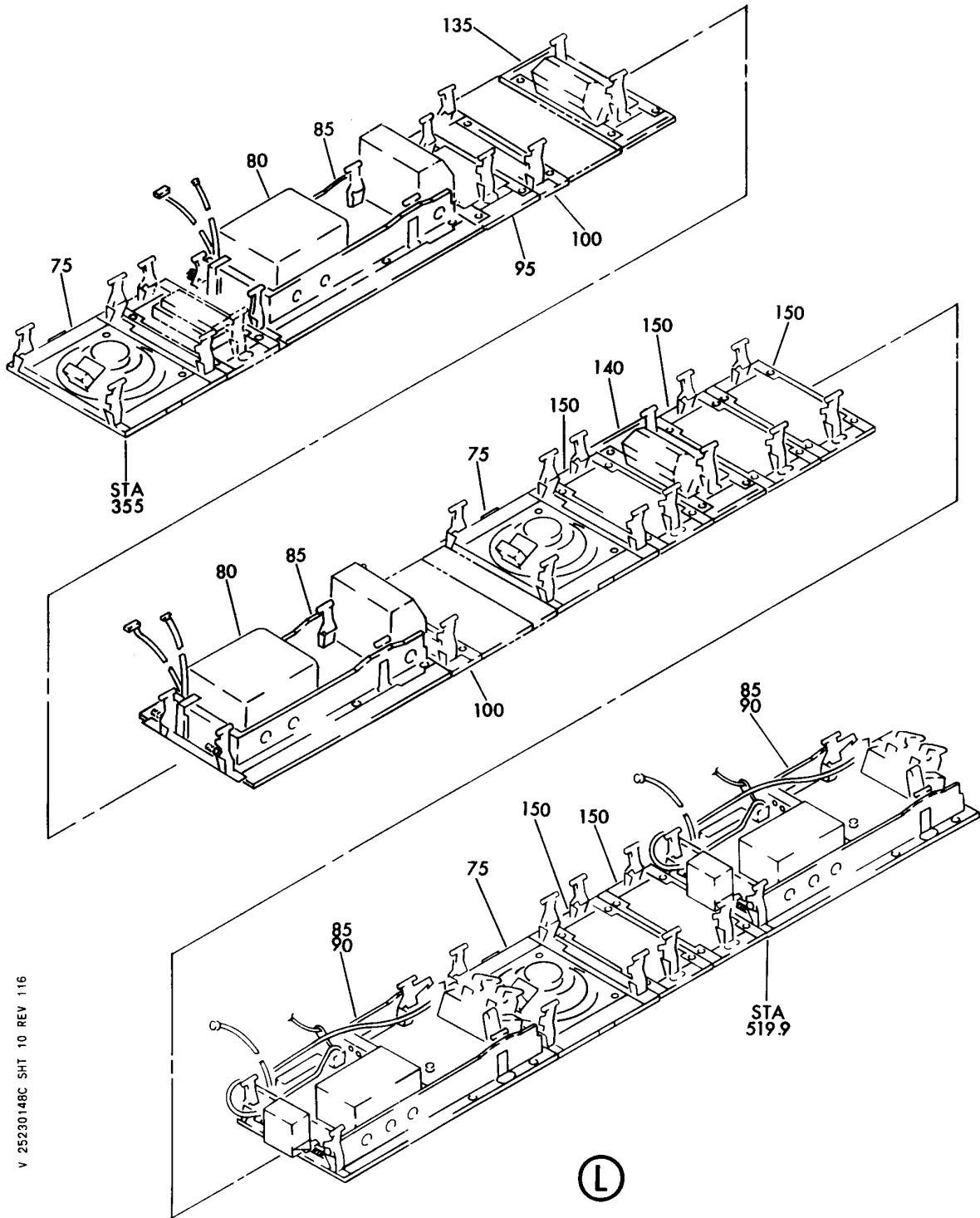
25-23-01-48C

HXL
DEC 22/06

25-23-01-48C
PAGE 0H

BOEING PROPRIETARY - Copyright © - Unpublished Work - See title page for details.

BOEING
767
PARTS CATALOG (MAINTENANCE)



V 25230148C SHT 10 REV 116

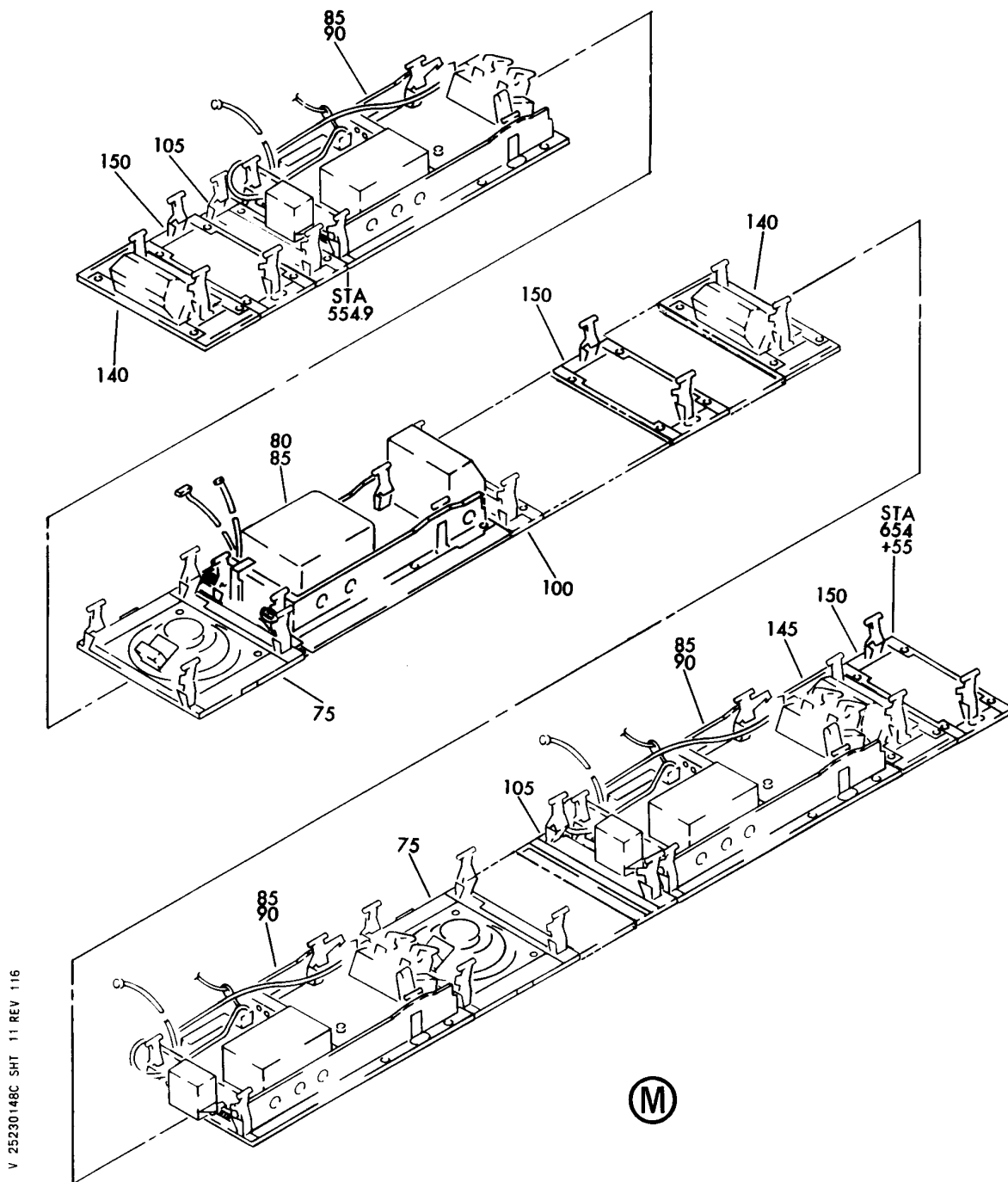
SERVICE UNIT INSTL-PASS. SAS (EQUIPMENT/ FURNISHINGS ONLY)
FIGURE 48C (SHEET 10)

25-23-01-48C

HXL
DEC 22/06

25-23-01-48C
PAGE 01

BOEING
767
PARTS CATALOG (MAINTENANCE)



V 25230148C SHT 11 REV 116

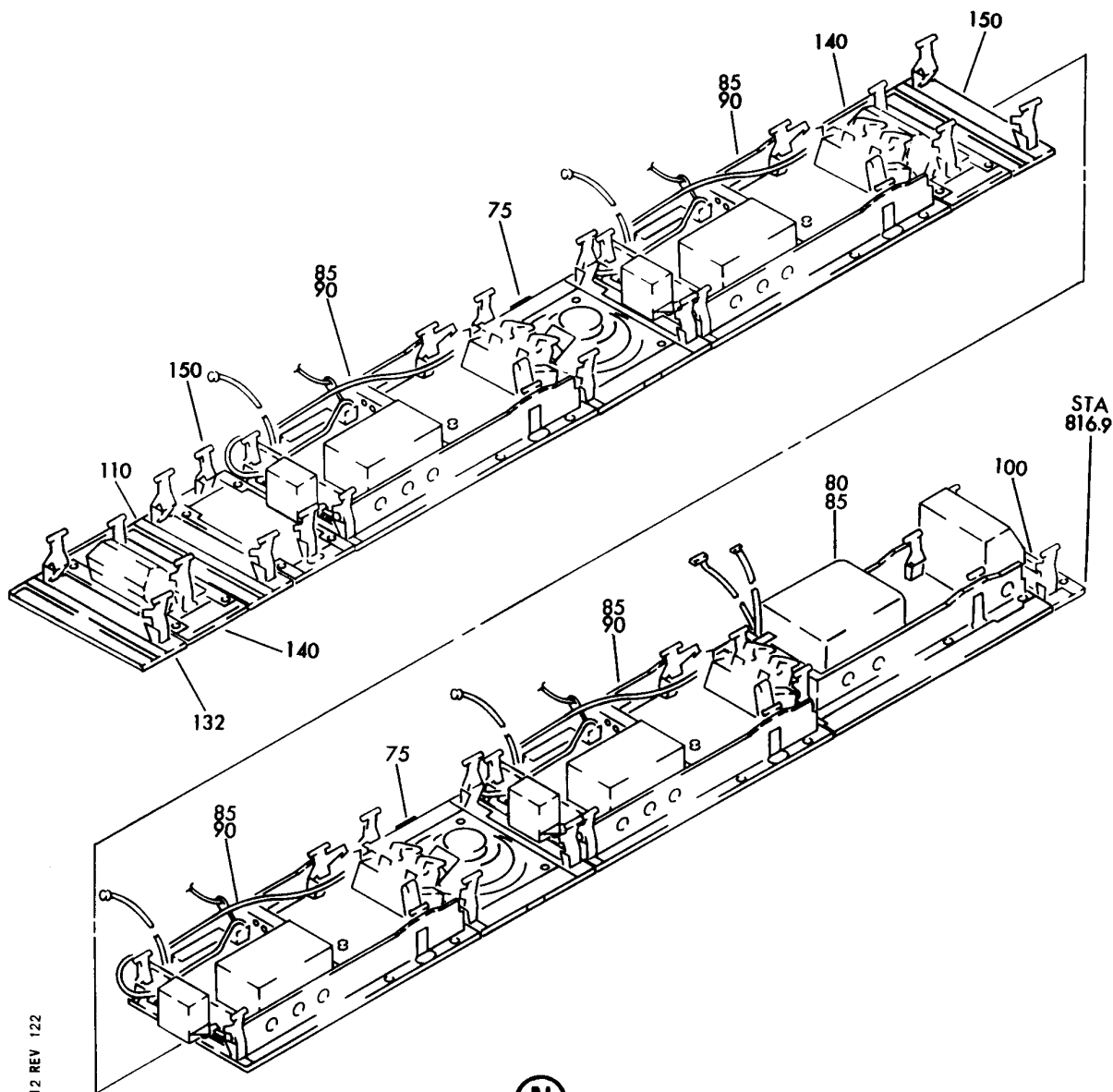
SERVICE UNIT INSTL-PASS. SAS (EQUIPMENT/ FURNISHINGS ONLY)
FIGURE 48C (SHEET 11)

25-23-01-48C

HXL
DEC 22/06

25-23-01-48C
PAGE 0J

BOEING
767
PARTS CATALOG (MAINTENANCE)



V 25230148C SHT 12 REV 122



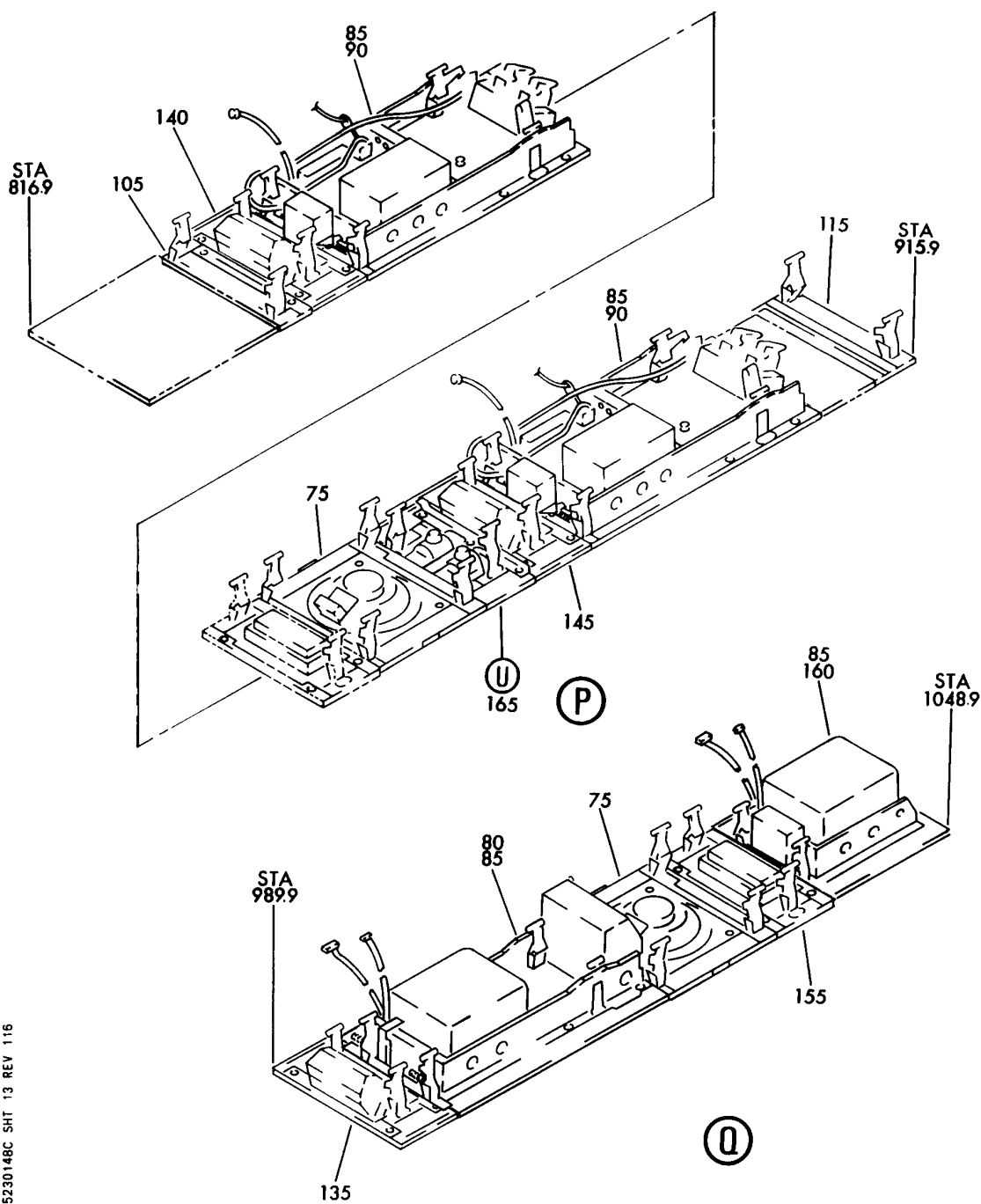
SERVICE UNIT INSTL-PASS. SAS (EQUIPMENT/ FURNISHINGS ONLY)
FIGURE 48C (SHEET 12)

25-23-01-48C

HXL
DEC 22/06

25-23-01-48C
PAGE OK

BOEING
767
PARTS CATALOG (MAINTENANCE)



V 25230148C SHT 13 REV 116

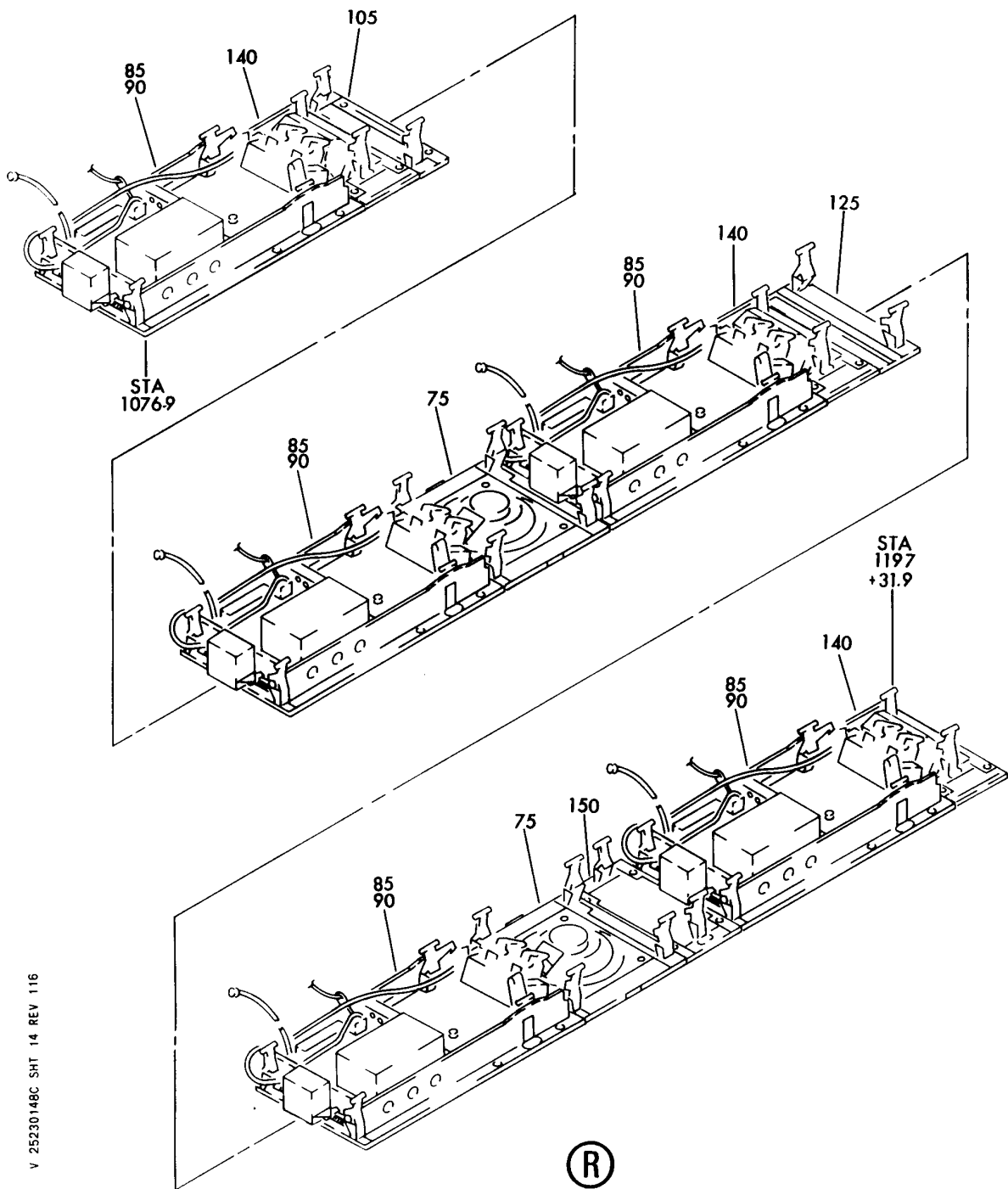
SERVICE UNIT INSTL-PASS. SAS (EQUIPMENT/ FURNISHINGS ONLY)
FIGURE 48C (SHEET 13)

25-23-01-48C

HXL
DEC 22/06

25-23-01-48C
PAGE 01

BOEING
767
PARTS CATALOG (MAINTENANCE)



V 25230148C SHT 14 REV 116

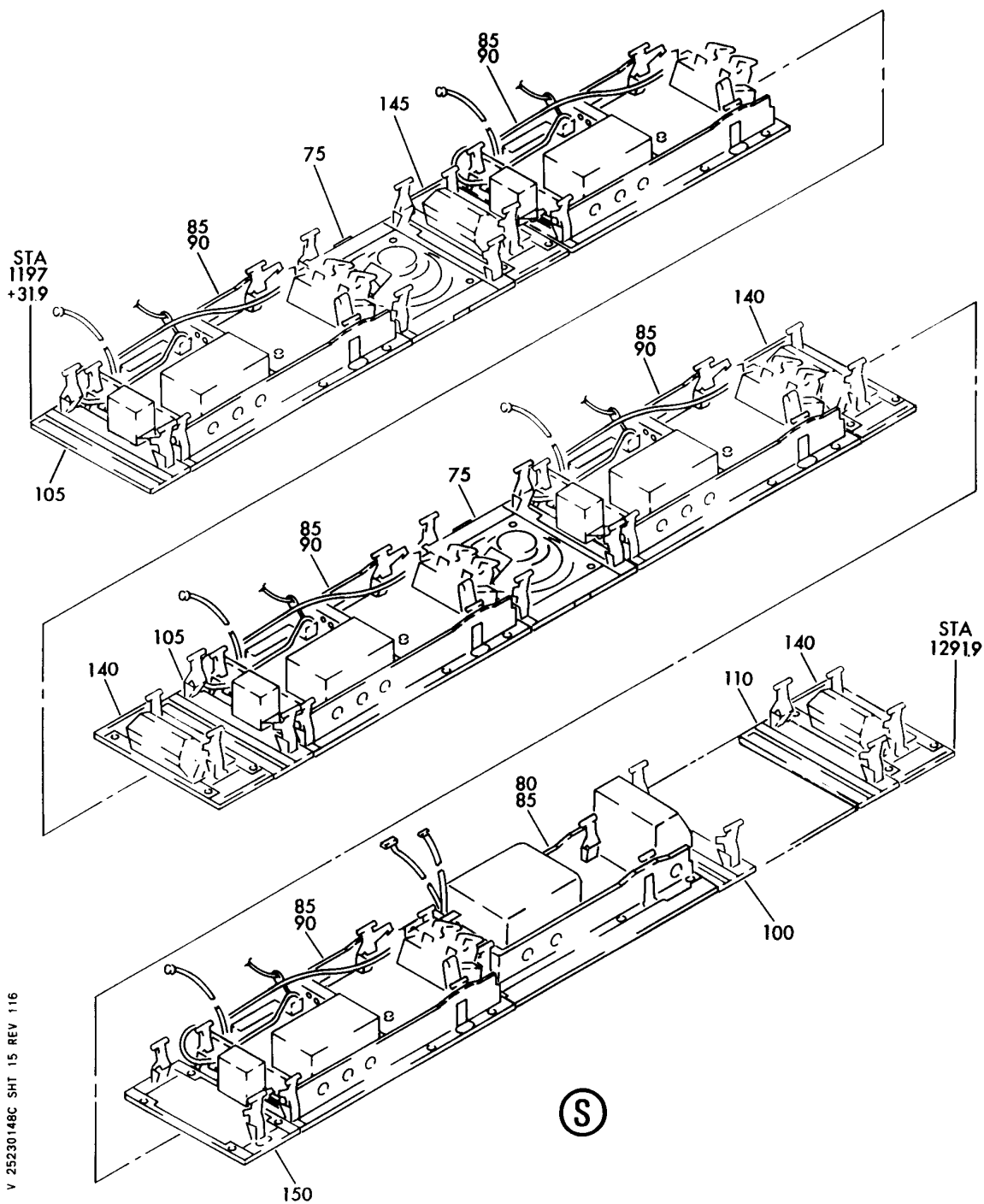
SERVICE UNIT INSTL-PASS. SAS (EQUIPMENT/ FURNISHINGS ONLY)
FIGURE 48C (SHEET 14)

25-23-01-48C

HXL
DEC 22/06

25-23-01-48C
PAGE 0M

BOEING
767
PARTS CATALOG (MAINTENANCE)



V 25230148C SHT 15 REV 116

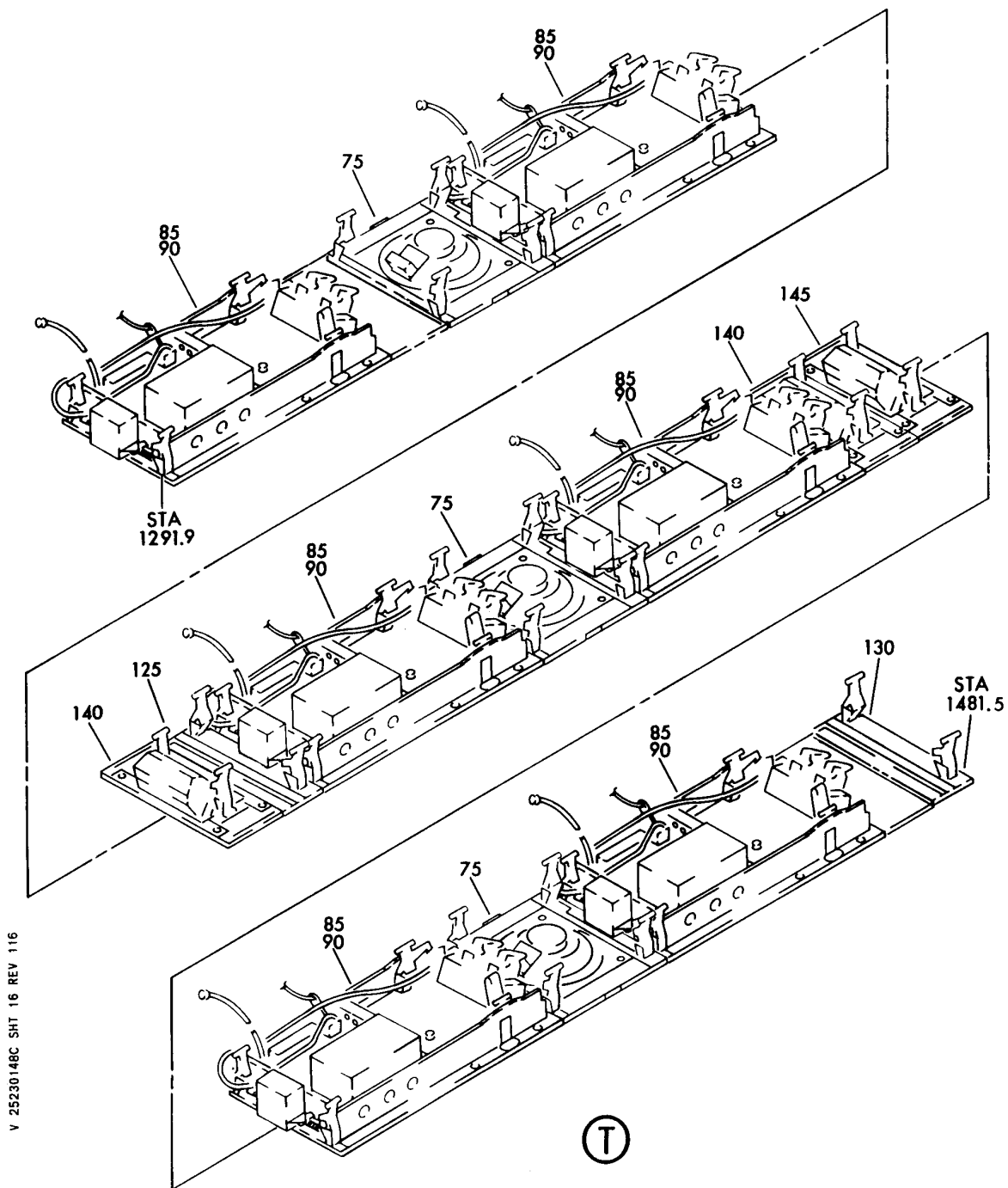
SERVICE UNIT INSTL-PASS. SAS (EQUIPMENT/ FURNISHINGS ONLY)
FIGURE 48C (SHEET 15)

HXL
DEC 22/06

25-23-01-48C

25-23-01-48C
PAGE ON

BOEING
767
PARTS CATALOG (MAINTENANCE)



V 25230148C SHT 16 REV 116

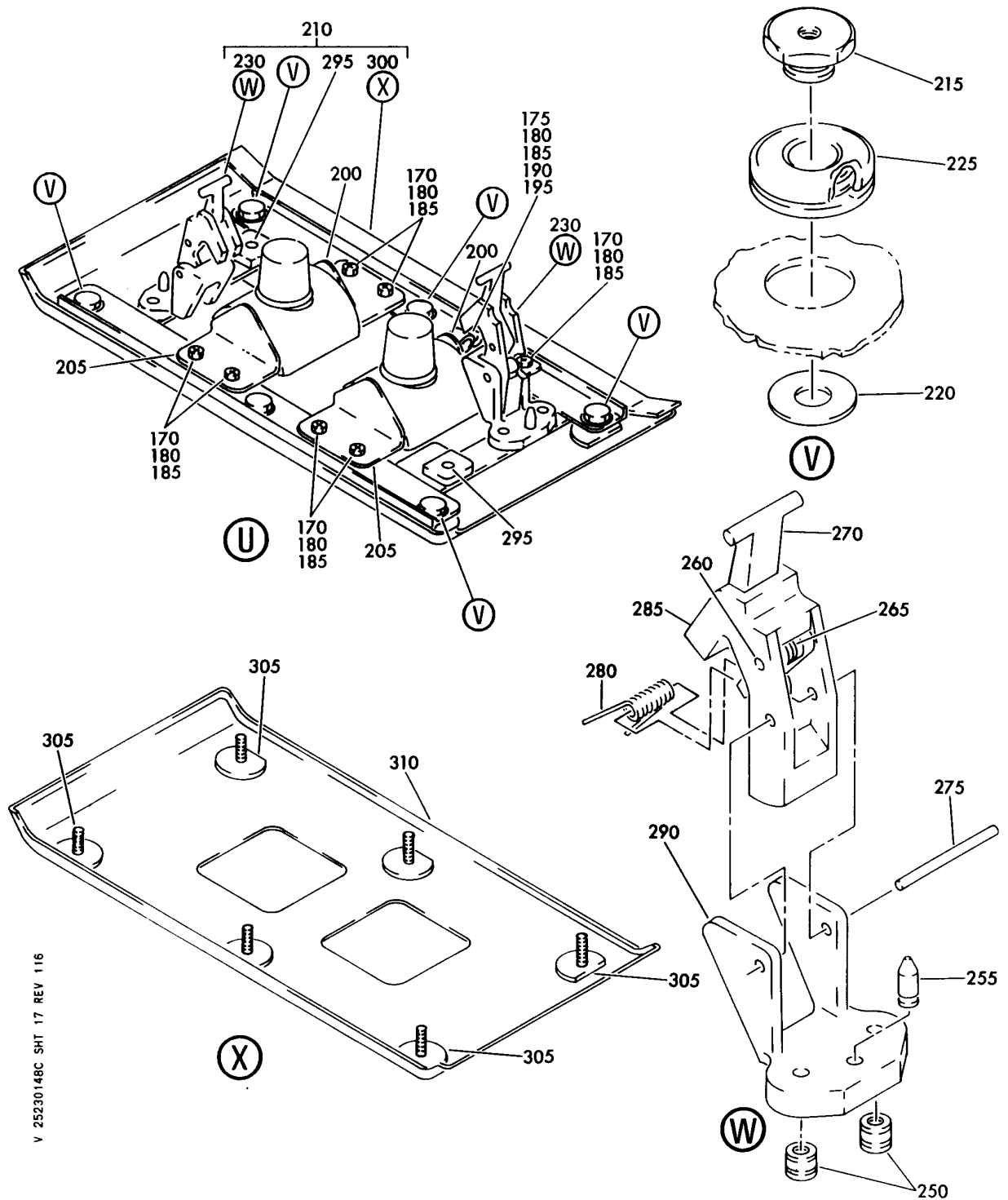
SERVICE UNIT INSTL-PASS. SAS (EQUIPMENT/ FURNISHINGS ONLY)
FIGURE 48C (SHEET 16)

25-23-01-48C

HXL
DEC 22/06

25-23-01-48C
PAGE 00

BOEING
767
PARTS CATALOG (MAINTENANCE)



V 25230148C SHT 17 REV 116

SERVICE UNIT INSTL-PASS. SAS (EQUIPMENT/ FURNISHINGS ONLY)
FIGURE 48C (SHEET 17)

25-23-01-48C

HXL
DEC 22/06

25-23-01-48C
PAGE 0P

 **BOEING**
767
PARTS CATALOG (MAINTENANCE)

FIG ITEM	PART NUMBER	1 2 3 4 5 6 7	NOMENCLATURE	EFFECT FROM TO	UNITS PER ASSY
48C			SERVICE UNIT INSTL-PASS. SAS (EQUIPMENT/ FURNISHINGS ONLY)	155162	
- 1	417T3318-6		SERVICE UNIT INSTL-PASS. SAS (EQUIPMENT/ FURNISHINGS ONLY)	155162	RF
		5	FOR NHA/OTHER SYS DET SEE: 25-20-00-17B		
	417T3055-3232SP		.PANEL ASSY-ADJUSTABLE SPACER POSITION DATA: OUTBD FOR DETAILS SEE: 25-23-01-70A	155162	1
		10	FOR DETAILS SEE: 25-23-01-70A		
	417T3055-3247SP		.PANEL ASSY-ADJUSTABLE SPACER POSITION DATA: OUTBD FOR DETAILS SEE: 25-23-01-71A	155162	1
		15	FOR DETAILS SEE: 25-23-01-71A		
	417T3055-3132SP		.PANEL ASSY-ADJUSTABLE SPACER POSITION DATA: OUTBD FOR DETAILS SEE: 25-23-01-70A	155162	2
		20	FOR DETAILS SEE: 25-23-01-70A		
	417T3055-3137SP		.PANEL ASSY-ADJUSTABLE SPACER POSITION DATA: OUTBD FOR DETAILS SEE: 25-23-01-70A	155162	5
		25	FOR DETAILS SEE: 25-23-01-70A		
	417T3055-3237SP		.PANEL ASSY-ADJUSTABLE SPACER POSITION DATA: OUTBD FOR DETAILS SEE: 25-23-01-70A	155162	4
		30	FOR DETAILS SEE: 25-23-01-70A		
	417T3055-3142SP		.PANEL ASSY-ADJUSTABLE SPACER POSITION DATA: OUTBD FOR DETAILS SEE: 25-23-01-70A	155162	2
			ILLUSTRATION ITEMS NOT ON PARTS LIST ARE NOT APPLICABLE		

- ITEM NOT ILLUSTRATED

HXL

25-23-01-48C

BOEING PROPRIETARY - Copyright © - Unpublished Work - See title page for details.

25-23-01
FIG. 48C
PAGE 1
DEC 22/06



767

PARTS CATALOG (MAINTENANCE)

FIG ITEM	PART NUMBER	1 2 3 4 5 6 7	NOMENCLATURE	EFFECT FROM TO	UNITS PER ASSY
48C 35	417T3052-366SP	.	PANEL ASSY-OXY/LT POSITION DATA: OUTBD COMPONENT MAINT MANUAL REF: 25-23-10 FUNCTIONAL REFERENCE: LIGHTS FOR DETAILS SEE 33-24-02-06 FOR DETAILS SEE: 25-23-01-26C	155162	1
40	417T3057-42SP	.	PANEL ASSY-SPKR POSITION DATA: OUTBD COMPONENT MAINT MANUAL REF: 25-23-07 FUNCTIONAL REFERENCE: COMMUNICATIONS FOR DETAILS SEE 23-31-02-01A	155162	34
45	417T3056-328SP	.	PANEL ASSY-SIGN POSITION DATA: OUTBD COMPONENT MAINT MANUAL REF: 25-23-08 FOR DETAILS SEE: 33-24-02-04	155162	37
50	417T3055-3003SP	.	PANEL ASSY-SPACER POSITION DATA: OUTBD FOR DETAILS SEE: 25-23-01-74A	155162	68
55	417T3052-365SP	.	PANEL ASSY-OXY/LT POSITION DATA: OUTBD COMPONENT MAINT MANUAL REF: 25-23-10 FUNCTIONAL REFERENCE: LIGHTS FOR DETAILS SEE 33-24-02-06 FOR DETAILS SEE: 25-23-01-26C	155162	67

ILLUSTRATION ITEMS NOT ON PARTS LIST ARE NOT APPLICABLE

- ITEM NOT ILLUSTRATED

HXL

25-23-01-48C

BOEING PROPRIETARY - Copyright © - Unpublished Work - See title page for details.

25-23-01
FIG. 48C
PAGE 2
DEC 22/06



767

PARTS CATALOG (MAINTENANCE)

FIG ITEM	PART NUMBER	1 2 3 4 5 6 7	NOMENCLATURE	EFFECT FROM TO	UNITS PER ASSY
48C 60	417T4200-223		.MODULE ASSY-OXY POSITION DATA: OUTBD COMPONENT MAINT MANUAL REF: 35-21-01 FOR DETAILS SEE: 35-21-01-34	155162	6
60	417T4200-323		.BOX ASSY-OXY POSITION DATA: OUTBD COMPONENT MAINT MANUAL REF: 35-21-01 FOR DETAILS SEE: 35-21-01-34	155162	6
65	417T4200-207		.MODULE ASSY-OXY POSITION DATA: OUTBD COMPONENT MAINT MANUAL REF: 35-21-01 FOR DETAILS SEE: 35-21-01-34	155162	62
70	417T3055-3013SP		.PANEL ASSY-WASHLIGHT SPACER POSITION DATA: OUTBD FUNCTIONAL REFERENCE: LIGHTS FOR DETAILS SEE 33-21-31-01 FOR DETAILS SEE: 25-23-01-74A	155162	1
75	417T3057-43SP		.PANEL ASSY-SPKR POSITION DATA: INBD COMPONENT MAINT MANUAL REF: 25-23-07 FOR DETAILS SEE: 23-31-02-01A	155162	16

ILLUSTRATION ITEMS NOT ON PARTS LIST ARE NOT APPLICABLE

- ITEM NOT ILLUSTRATED

HXL

25-23-01-48C

BOEING PROPRIETARY - Copyright © - Unpublished Work - See title page for details.

25-23-01
FIG. 48C
PAGE 3
DEC 22/08



767

PARTS CATALOG (MAINTENANCE)

FIG ITEM	PART NUMBER	1 2 3 4 5 6 7	NOMENCLATURE	EFFECT FROM TO	UNITS PER ASSY
48C 80	417T3051-385SP		.PANEL ASSY-OXY/LT POSITION DATA: INBD COMPONENT MAINT MANUAL REF: 25-23-09 QUALIFIED I/W DATA: 417T3051-485SP MAY REPLACE 417T3051-385SP TOGETHER WITH RDAX5301A FUNCTIONAL REFERENCE: LIGHTS FOR DETAILS SEE 33-24-02-02 EQUIPMENT/FURNISHINGS FOR DETAILS SEE 25-23-01-28B	155162	6
85	417T4201-236		.MODULE ASSY-OXY POSITION DATA: INBD COMPONENT MAINT MANUAL REF: 35-21-10 REWORKED BY ALERT SB: 35A0026 FUNCTIONAL REFERENCE: PLACARDS AND MARKINGS FOR DETAILS SEE 11-35-68-01 OXYGEN FOR DETAILS SEE 35-21-01-34A	155162	34
90	417T3051-384SP		.PANEL ASSY-OXY/LT POSITION DATA: INBD COMPONENT MAINT MANUAL REF: 25-23-09 QUALIFIED I/W DATA: 417T3051-484SP MAY REPLACE 417T3051-384SP TOGETHER WITH RDAX5301A. FUNCTIONAL REFERENCE: LIGHTS FOR DETAILS SEE 33-24-02-02 FOR DETAILS SEE: 25-23-01-28B	155162	27

ILLUSTRATION ITEMS NOT ON PARTS LIST ARE NOT APPLICABLE

- ITEM NOT ILLUSTRATED

HXL

25-23-01-48C

BOEING PROPRIETARY - Copyright © - Unpublished Work - See title page for details.

25-23-01
FIG. 48C
PAGE 4
DEC 22/06



767

PARTS CATALOG (MAINTENANCE)

FIG ITEM	PART NUMBER	1 2 3 4 5 6 7	NOMENCLATURE	EFFECT FROM TO	UNITS PER ASSY
48C 95	417T3055-3015SP		.PANEL ASSY-ATTENDANT WORK LT SWITCH SPACER POSITION DATA: INBD FUNCTIONAL REFERENCE: LIGHTS FOR DETAILS SEE 33-22-57-01 FOR DETAILS SEE: 25-23-01-75A	155162	1
100	417T3055-3434SP		.PANEL ASSY-ADJUSTABLE SPACER POSITION DATA: INBD FOR DETAILS SEE: 25-23-01-72A	155162	5
105	417T3055-3334SP		.PANEL ASSY-ADJUSTABLE SPACER POSITION DATA: INBD FOR DETAILS SEE: 25-23-01-72A	155162	6
110	417T3055-3344SP		.PANEL ASSY-ADJUSTABLE SPACER POSITION DATA: INBD FOR DETAILS SEE: 25-23-01-72A	155162	3
115	417T3055-3339SP		.PANEL ASSY-ADJUSTABLE SPACER POSITION DATA: INBD FOR DETAILS SEE: 25-23-01-72A	155162	1
125	417T3055-3353SP		.PANEL ASSY-ADJUSTABLE SPACER POSITION DATA: INBD FOR DETAILS SEE: 25-23-01-73	155162	2
130	417T3055-3348SP		.PANEL ASSY-ADJUSTABLE SPACER POSITION DATA: INBD FOR DETAILS SEE: 25-23-01-73	155162	1

ILLUSTRATION ITEMS NOT ON PARTS LIST ARE NOT APPLICABLE

- ITEM NOT ILLUSTRATED

25-23-01-48C

25-23-01
FIG. 48C
PAGE 5
DEC 22/06

HXL

 **BOEING**
767
PARTS CATALOG (MAINTENANCE)

FIG ITEM	PART NUMBER	1 2 3 4 5 6 7	NOMENCLATURE	EFFECT FROM TO	UNITS PER ASSY
48C 132	417T3055-3321SP	.	PANEL ASSY-SPACER POSITION DATA: INBD FOR DETAILS SEE: 25-23-01-72A	155162	1
135	417T3056-332SP	.	PANEL ASSY-SIGN POSITION DATA: INBD COMPONENT MAINT MANUAL REF: 25-23-08 FOR DETAILS SEE: 33-24-02-04	155162	2
140	417T3056-327SP	.	PANEL ASSY-SIGN POSITION DATA: INBD COMPONENT MAINT MANUAL REF: 25-23-08 FOR DETAILS SEE: 33-24-02-04	155162	14
145	417T3056-337SP	.	PANEL ASSY-SIGN POSITION DATA: INBD COMPONENT MAINT MANUAL REF: 25-23-08 FOR DETAILS SEE: 33-24-02-04	155162	4
150	417T3055-3004SP	.	PANEL ASSY-ADJUSTABLE SPACER POSITION DATA: INBD FOR DETAILS SEE: 25-23-01-74A	155162	11
155	417T3051-387SP	.	PANEL ASSY-LT POSITION DATA: INBD COMPONENT MAINT MANUAL REF: 25-23-09 FOR DETAILS SEE: 33-24-02-03	155162	1
160	417T3051-386SP	.	PANEL ASSY-OXY POSITION DATA: INBD COMPONENT MAINT MANUAL REF: 25-23-09 QUALIFIED I/W DATA: 417T3051-486SP MAY REPLACE 417T3051-386SP TOGETHER WITH RDAX5301A	155162	1

ILLUSTRATION ITEMS NOT ON PARTS LIST ARE NOT APPLICABLE

- ITEM NOT ILLUSTRATED

HXL

25-23-01-48C

BOEING PROPRIETARY - Copyright © - Unpublished Work - See title page for details.

25-23-01
FIG. 48C
PAGE 6
DEC 22/07



767

PARTS CATALOG (MAINTENANCE)

FIG ITEM	PART NUMBER	1 2 3 4 5 6 7	NOMENCLATURE	EFFECT FROM TO	UNITS PER ASSY
48C 165	417T3055-3006SP		.PANEL ASSY-6 IN. PASS. SVCE UNIT EMER LT (EQUIPMENT/FURNISHINGS ONLY) FUNCTIONAL REFERENCE: LIGHTS FOR DETAILS SEE 33-51-56-01	155162	1
170	NAS1801-08-5	..	SCREW- OPTIONAL PART: BACS12FA08K5	155162	7
170	BACS12FA08K5	..	SCREW- OPTIONAL PART: NAS1801-08-5	155162	7
175	NAS1801-08-8	..	SCREW- OPTIONAL PART: BACS12FA08K8	155162	1
175	BACS12FA08K8	..	SCREW- OPTIONAL PART: NAS1801-08-8	155162	1
180	AN960JD10L	..	WASHER	155162	8
185	130008	..	NUT SUPPLIER CODE: V60119 SPECIFICATION NUMBER: BACN10FX84 OPTIONAL PART: RM52LHA4972-6-8 V72962 SL211-08-1 V97393 A11330-6-82 V72962 A4972-6-82 V72962	155162	8
190	BACC10DK2	..	CLAMP	155162	1
195	N2088	..	PLUG SUPPLIER CODE: V75345 SPECIFICATION NUMBER: BACP20BA1 OPTIONAL PART: SZ7105 V95272 4841 V84914	155162	1
200	417T3090-82	..	BRACKET	155162	2
205	417T3090-83	..	BRACKET	155162	2
210	417T3055-5	..	FRAME ASSY	155162	1

ILLUSTRATION ITEMS NOT ON PARTS LIST ARE NOT APPLICABLE

- ITEM NOT ILLUSTRATED

25-23-01-48C

25-23-01
FIG. 48C
PAGE 7
DEC 22/07

HXL

BOEING PROPRIETARY - Copyright © - Unpublished Work - See title page for details.

BOEING
767
PARTS CATALOG (MAINTENANCE)

FIG ITEM	PART NUMBER	1 2 3 4 5 6 7	NOMENCLATURE	EFFECT FROM TO	UNITS PER ASSY
48C					
215	417T3091-1	...	SLEEVE	155162	6
220	1200-25CD	...	RING-RETAINING	155162	6
			SUPPLIER CODE: V97464		
			OPTIONAL PART: 1200-25ZD V97464		
220	1200-25ZD	...	RING-RETAINING	155162	6
			SUPPLIER CODE: V97464		
			OPTIONAL PART: 1200-25CD V97464		
225	417T3059-1	...	GROMMET	155162	6
230	417T3058-125	...	LATCH ASSY-SIGN	155162	2
			ATTACHING PARTS		
- 235	NAS1801-08-5	...	SCREW	155162	4
- 240	MS35333-38	...	WASHER	155162	4
- 245	AN960PD8L	...	WASHER	155162	4
			-----*-----		
250	6035-2BR0185	INSERT-	155162	2
			SUPPLIER CODE: V01556		
255	417T3058-119	PIN-INDEX	155162	1
260	MS20253P2-54	PIN	155162	1
265	417T3058-121	SPRING-TRIGGER	155162	1
270	417T3058-115	TRIGGER	155162	1
275	MS20253P2-095	PIN	155162	1
280	417T3058-120	SPRING-CAM	155162	1
285	417T3058-114	CAM-SHORT ARM	155162	1
290	417T3058-128	BASE-WIDE	155162	1
295	417T3058-116	...	PAD-RUBBER	155162	2
300	417T3064-311SP	..	PANEL ASSY-CROSS AISLE	155162	1
305	SL6164-08-3	...	STUD-	155162	6
			SUPPLIER CODE: V97393		
310	417T3064-312SP	...	PANEL	155162	1

ILLUSTRATION ITEMS NOT ON PARTS LIST ARE NOT APPLICABLE

- ITEM NOT ILLUSTRATED

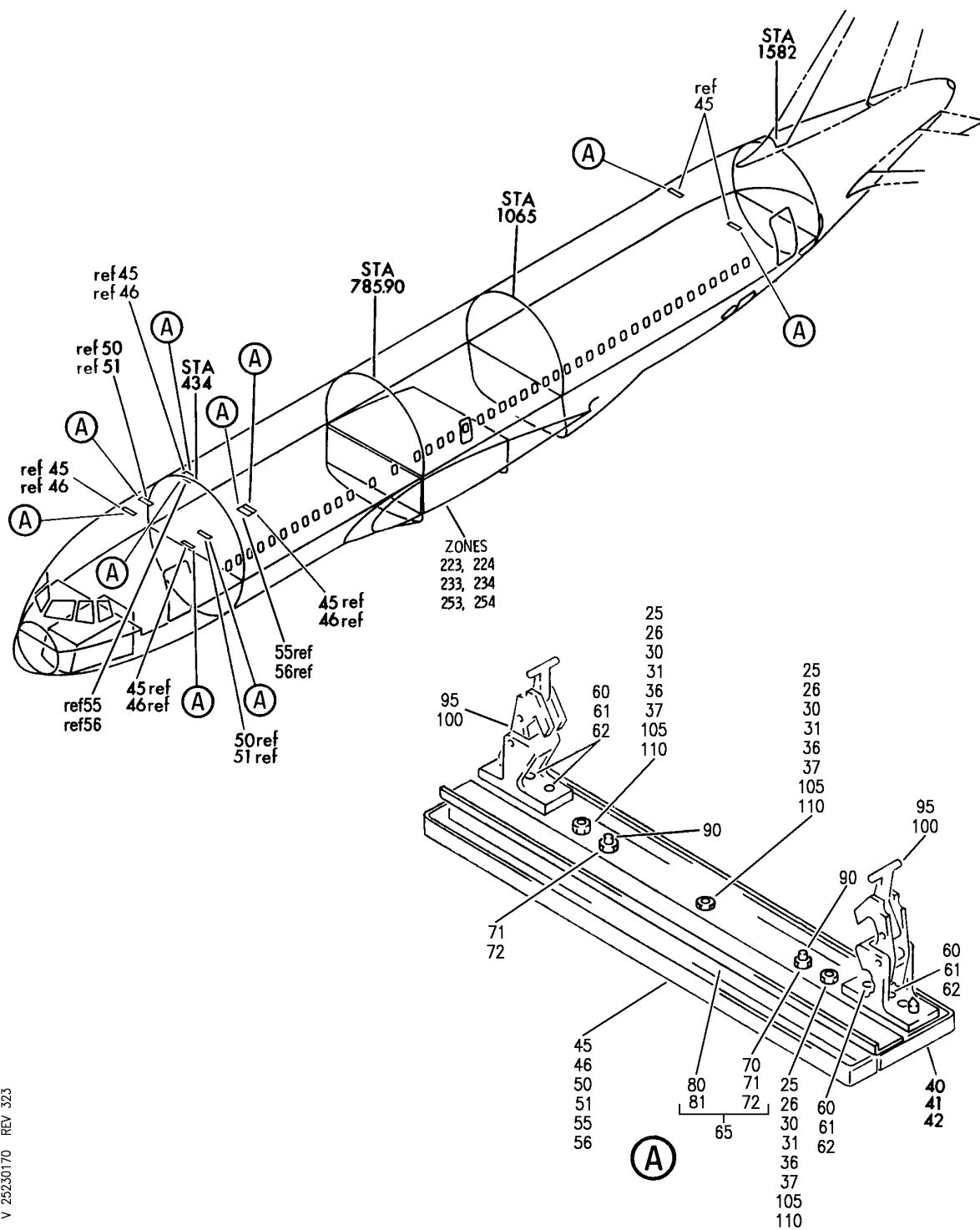
HXL

25-23-01-48C

BOEING PROPRIETARY - Copyright © - Unpublished Work - See title page for details.

25-23-01
FIG. 48C
PAGE 8
DEC 22/07

BOEING
767
PARTS CATALOG (MAINTENANCE)



V 25230170 REV 323

PANEL ASSY-ADJUSTABLE SPACER OUTBD
FIGURE 70

25-23-01-70

HXL
DEC 22/07

25-23-01-70
PAGE 0



767

PARTS CATALOG (MAINTENANCE)

FIG ITEM	PART NUMBER	1 2 3 4 5 6 7	NOMENCLATURE	EFFECT FROM TO	UNITS PER ASSY
70			PANEL ASSY-ADJUSTABLE SPACER OUTBD	163999	
- 1	417T3055-1121SP		PANEL ASSY-ADJUSTABLE SPACER POSITION DATA: OUTBD FOR NHA SEE: 25-23-01-48B	163999	RF
- 1	417T3055-3132SP		PANEL ASSY-ADJUSTABLE SPACER POSITION DATA: OUTBD	163999	RF
25	MS25082-2		.NUT- USED ON: 417T3055-1121SP 417T3055-1132SP 417T3055-132SP	163999	3
30	MS35333-38		.WASHER- USED ON: 417T3055-1121SP 417T3055-1132SP 417T3055-132SP	163999	3
37	AN960JD8L		.WASHER- USED ON: 417T3055-1121SP 417T3055-1142SP	163999	3
41	417T3074-314SP		.PANEL ASSY-FACE USED ON: 417T3055-3132SP 417T3055-3137SP 417T3055-3142SP 417T3055-3232SP	163999	1
41	417T3074-114SP		.PANEL ASSY-FACE USED ON: 417T3055-1137SP 417T3055-1132SP 417T3055-1142SP	163999	1
55	417T3074-142SP		.PANEL-FACE USED ON: 417T3055-1142SP 417T3055-1242SP	163999	1
56	417T3074-342SP		.PANEL-FACE USED ON: 417T3055-3242SP 417T3055-3142SP	163999	1
60	NAS514P832-3		.SCREW	163999	4
65	417T3090-72		.PLATE ASSY-SHORT	163999	1

ILLUSTRATION ITEMS NOT ON PARTS LIST ARE NOT APPLICABLE

- ITEM NOT ILLUSTRATED

25-23-01-70

25-23-01
FIG. 70
PAGE 1
AUG 22/08

HXL



767

PARTS CATALOG (MAINTENANCE)

FIG ITEM	PART NUMBER	1 2 3 4 5 6 7	NOMENCLATURE	EFFECT FROM TO	UNITS PER ASSY
70					
71	SS0321		. . NUT-CLINCH SUPPLIER CODE: V46384	163999	2
80	417T3090-74		. . PLATE	163999	1
90	417T3091-2		. STUD	163999	2
95	417T3058-104		. LATCH ASSY-SPKR PNL WITH PIN FOR DETAILS SEE: 25-23-01-90	163999	2
105	417T3055-101		. KIT ASSY-SUB OPTIONAL PART: BACN10YJ08 USED ON: 417T3055-3242SP 417T3055-3137SP 417T3055-3132SP 417T3055-3142SP 417T3055-3237SP	163999	3
110	BACN10YJ08		. NUT- OPTIONAL PART: 417T3055-101 USED ON: 417T3055-3242SP 417T3055-3137SP 417T3055-3132SP 417T3055-3142SP 417T3055-3237SP	163999	3
- 115	NAS1149DN816J		. . WASHER	163999	1
- 120	MS35333-38		. . WASHER	163999	1
- 125	MS25082-2		. NUT	163999	1

ILLUSTRATION ITEMS NOT ON PARTS LIST ARE NOT APPLICABLE

- ITEM NOT ILLUSTRATED

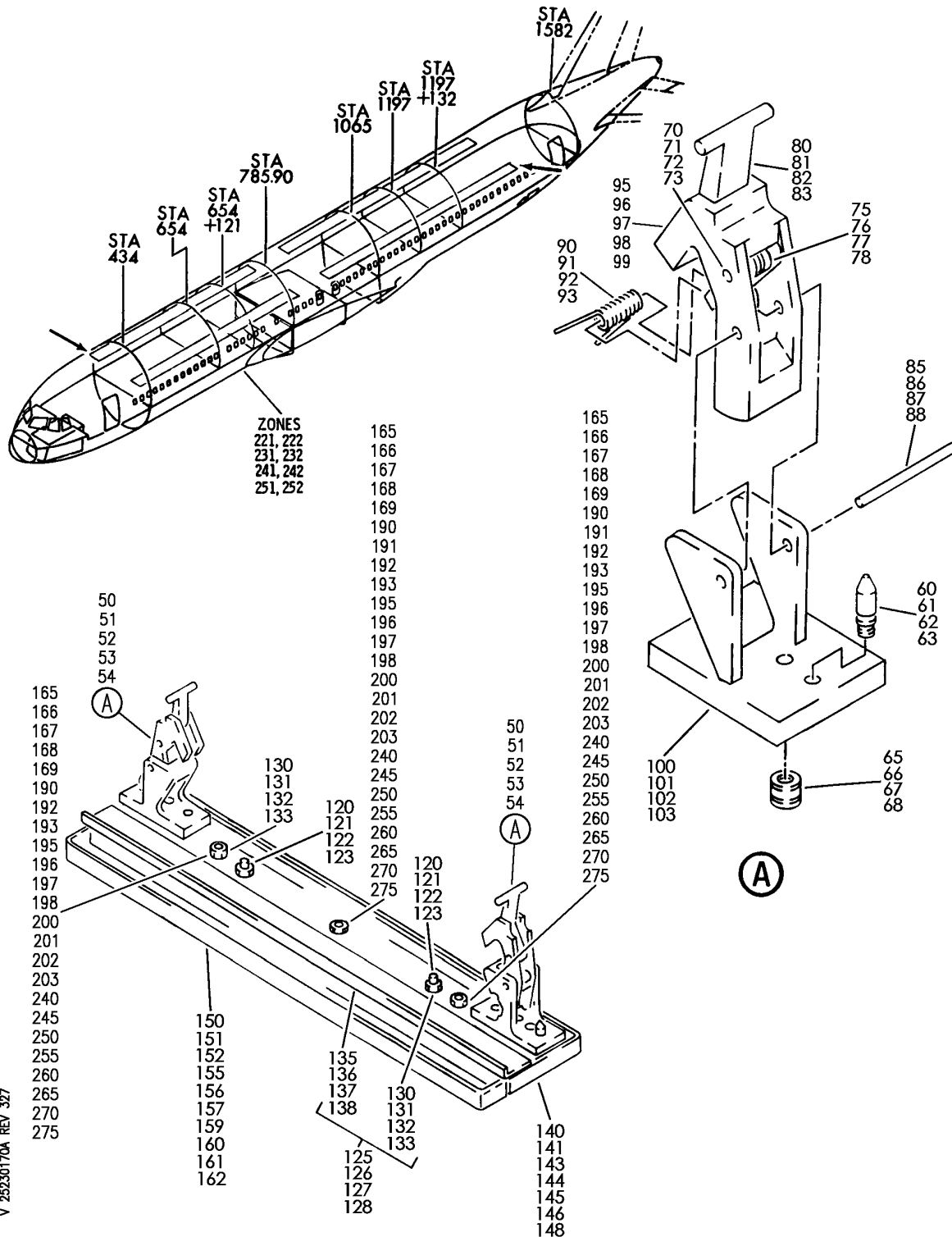
HXL

25-23-01-70

BOEING PROPRIETARY - Copyright © - Unpublished Work - See title page for details.

25-23-01
FIG. 70
PAGE 2
AUG 22/08

BOEING
767
PARTS CATALOG (MAINTENANCE)



V 25230170A REV 377

PANEL ASSY-ADJUSTABLE SPACER OUTBD
FIGURE 70A

25-23-01-70A

HXL
APR 22/08

25-23-01-70A
PAGE 0

 **BOEING**
767
PARTS CATALOG (MAINTENANCE)

FIG ITEM	PART NUMBER	1 2 3 4 5 6 7	NOMENCLATURE	EFFECT FROM TO	UNITS PER ASSY
70A			PANEL ASSY-ADJUSTABLE SPACER OUTBD		
- 1	417T3055-1132SP		PANEL ASSY-ADJUSTABLE SPACER POSITION DATA: OUTBD POST SERVICE BULLETIN: 25-0130 FOR NHA SEE: 25-23-01-48B	163999	RF
- 1	417T3055-3132SP		PANEL ASSY-ADJUSTABLE SPACER POSITION DATA: OUTBD POST SERVICE BULLETIN: 25-0130 FOR NHA SEE: 25-23-01-48B		RF
- 5	417T3055-1142SP		PANEL ASSY-ADJUSTABLE SPACER POSITION DATA: OUTBD FOR NHA SEE: 25-23-01-48B 25-23-01-48C	163999	RF
- 5	417T3055-3142SP		PANEL ASSY-ADJUSTABLE SPACER POSITION DATA: OUTBD FOR NHA SEE: 25-23-01-48B 25-23-01-48C		RF
- 5	417T3055-3142SP		PANEL ASSY-ADJUSTABLE SPACER POSITION DATA: OUTBD FOR NHA SEE: 25-23-01-48B 25-23-01-48C	163999	RF
- 15	417T3055-1242SP		PANEL ASSY-ADJUSTABLE SPACER POSITION DATA: OUTBD FOR NHA SEE: 25-23-01-48B	163999	RF
- 15	417T3055-3242SP		PANEL ASSY-ADJUSTABLE SPACER POSITION DATA: OUTBD FOR NHA SEE: 25-23-01-48B	163999	RF
ILLUSTRATION ITEMS NOT ON PARTS LIST ARE NOT APPLICABLE					

- ITEM NOT ILLUSTRATED

HXL

25-23-01-70A

BOEING PROPRIETARY - Copyright © - Unpublished Work - See title page for details.

25-23-01
FIG. 70A
PAGE 1
APR 22/08



767

PARTS CATALOG (MAINTENANCE)

FIG ITEM	PART NUMBER	1 2 3 4 5 6 7	NOMENCLATURE	EFFECT FROM TO	UNITS PER ASSY
70A - 20	417T3055-1121SP		PANEL ASSY-2 IN. SPACER POSITION DATA: OUTBD FOR NHA SEE: 25-23-01-48B	163999	RF
- 25	417T3055-3137SP		PANEL ASSY-ADJUSTABLE SPACER POSITION DATA: OUTBD FOR NHA SEE: 25-23-01-48B 25-23-01-48C	163999	RF
- 30	417T3055-1237SP		PANEL ASSY-ADJUSTABLE SPACER POSITION DATA: OUTBD FOR NHA SEE: 25-23-01-48B	163999	RF
- 30	417T3055-3237SP		PANEL ASSY-ADJUSTABLE SPACER POSITION DATA: OUTBD FOR NHA SEE: 25-23-01-48B 25-23-01-48C		RF
50	417T3058-104		.LATCH ASSY-SPKR PNL WITH PIN USED ON: 417T3055-132SP 417T3055-1132SP 417T3055-137SP 417T3055-1137SP 417T3055-1142SP 417T3055-1242SP 417T3055-1237SP 417T3055-3121SP 417T3055-3132SP 417T3055-3137SP 417T3055-3142SP	163999	2
52	417T3058-104		.LATCH ASSY-SPKR PNL WITH PIN USED ON: 417T3055-1132SP 417T3055-1142SP 417T3055-3121SP 417T3055-3132SP 417T3055-3142SP 417T3055-3232SP 417T3055-3237SP	155162	2

ILLUSTRATION ITEMS NOT ON PARTS LIST ARE NOT APPLICABLE

- ITEM NOT ILLUSTRATED

HXL

25-23-01-70A

BOEING PROPRIETARY - Copyright © - Unpublished Work - See title page for details.

25-23-01
FIG. 70A
PAGE 2
APR 22/08

 **BOEING**
767
PARTS CATALOG (MAINTENANCE)

FIG ITEM	PART NUMBER	1 2 3 4 5 6 7	NOMENCLATURE	EFFECT FROM TO	UNITS PER ASSY
70A			ATTACHING PARTS		
- 55	NAS514P832-3	.	SCREW	163999	4
- 57	NAS514P832-3	.	SCREW	155162	4
		-----*			
60	417T3058-118	..	PIN-INDEX	163999	1
61	417T3058-118	..	PIN-INDEX	155162	1
65	417T3058-116	..	PAD-RUBBER	163999	1
67	417T3058-116	..	PAD-RUBBER	155162	1
70	MS20253P2-54	..	PIN	163999	1
72	MS20253P2-54	..	PIN	155162	1
75	417T3058-121	..	SPRING-TRIGGER	163999	1
77	417T3058-121	..	SPRING-TRIGGER	155162	1
80	417T3058-115	..	TRIGGER	163999	1
82	417T3058-115	..	TRIGGER	155162	1
85	MS20253P2-76	..	PIN	163999	1
87	MS20253P2-76	..	PIN	155162	1
90	417T3058-120	..	SPRING-CAM	163999	1
92	417T3058-120	..	SPRING-CAM	155162	1
95	417T3058-114	..	CAM-SHORT ARM	163999	1
97	417T3058-114	..	CAM-SHORT ARM	155162	1
100	417T3058-110	..	BASE-NARROW	163999	1
102	417T3058-110	..	BASE-NARROW	155162	1
120	417T3091-2	.	STUD	163999	2
122	417T3091-2	.	STUD	155162	2
125	417T3090-72	.	PLATE ASSY	163999	1
127	417T3090-72	.	PLATE ASSY	155162	1
130	SS0321	..	NUT-CLINCH	163999	2
			SUPPLIER CODE: V46384		
132	SS0321	..	NUT-CLINCH	155162	2
			SUPPLIER CODE: V46384		
135	417T3090-74	..	PLATE	163999	1
137	417T3090-74	..	PLATE	155162	1
143	417T3074-314SP	.	PANEL ASSY-FACE	163999	1
143	417T3074-314SP	.	PANEL ASSY-FACE	155162	1
144	417T3074-114SP	.	PANEL ASSY-FACE	163999	1
150	417T3074-332SP	.	PANEL-FACE	155162	1
			USED ON: 417T3055-3132SP 417T3055-3232SP		
150	417T3074-332SP	.	PANEL-FACE	163999	1
			USED ON: 417T3055-3132SP 417T3055-3232SP		
151	417T3074-132SP	.	PANEL-FACE	163999	1
			USED ON: 417T3055-1132SP		

ILLUSTRATION ITEMS NOT ON PARTS LIST ARE NOT APPLICABLE

- ITEM NOT ILLUSTRATED

HXL

25-23-01-70A

25-23-01
FIG. 70A
PAGE 3
APR 22/08



767

PARTS CATALOG (MAINTENANCE)

FIG ITEM	PART NUMBER	1 2 3 4 5 6 7	NOMENCLATURE	EFFECT FROM TO	UNITS PER ASSY
70A 155	417T3074-342SP	.	PANEL-FACE USED ON: 417T3055-3142SP	155162	1
156	417T3074-142SP	.	PANEL-FACE USED ON: 417T3055-1142SP 417T3055-1242SP	163999	1
160	417T3074-337SP	.	PANEL-FACE USED ON: 417T3055-3137SP 417T3055-3237SP	155162	1
160	417T3074-137SP	.	PANEL-FACE USED ON: 417T3055-1137SP 417T3055-1237SP	163999	1
160	417T3074-337SP	.	PANEL-FACE USED ON: 417T3055-3137SP 417T3055-3237SP	155162	1
165	BACN10YJ08	.	NUT- OPTIONAL PART: 417T3055-101	163999	3
166	BACN10YJ08	.	NUT- OPTIONAL PART: 417T3055-101	155162	3
- 185	417T3055-101	.	KIT ASSY-SUB OPTIONAL PART: BACN10YJ08	163999	3
- 186	417T3055-101	.	KIT ASSY-SUB OPTIONAL PART: BACN10YJ08	155162	3
190	NAS1149DN816J	..	WASHER	163999	1
191	NAS1149DN816J	..	WASHER	155162	1
195	MS35333-38	..	WASHER	163999	1
196	MS35333-38	..	WASHER	155162	1
200	MS25082-2	..	NUT	163999	1
201	MS25082-2	..	NUT	155162	1

ILLUSTRATION ITEMS NOT ON PARTS LIST ARE NOT APPLICABLE

- ITEM NOT ILLUSTRATED

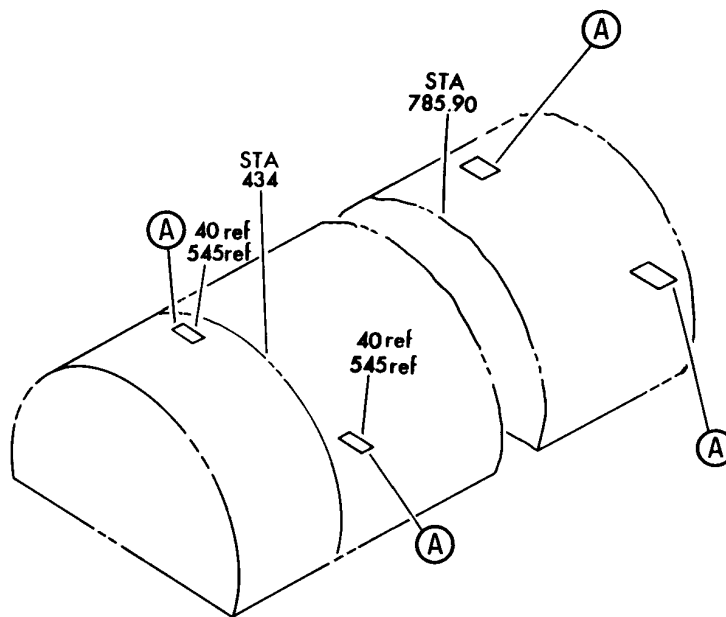
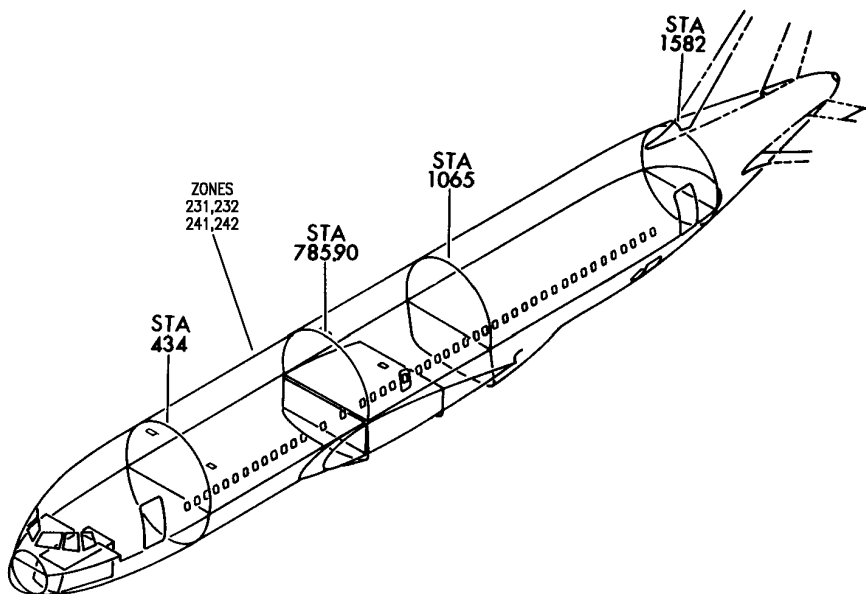
25-23-01-70A

25-23-01
FIG. 70A
PAGE 4
APR 22/08

HXL

BOEING PROPRIETARY - Copyright © - Unpublished Work - See title page for details.

BOEING
767
PARTS CATALOG (MAINTENANCE)



V 25230171 SHT 1 REV 324

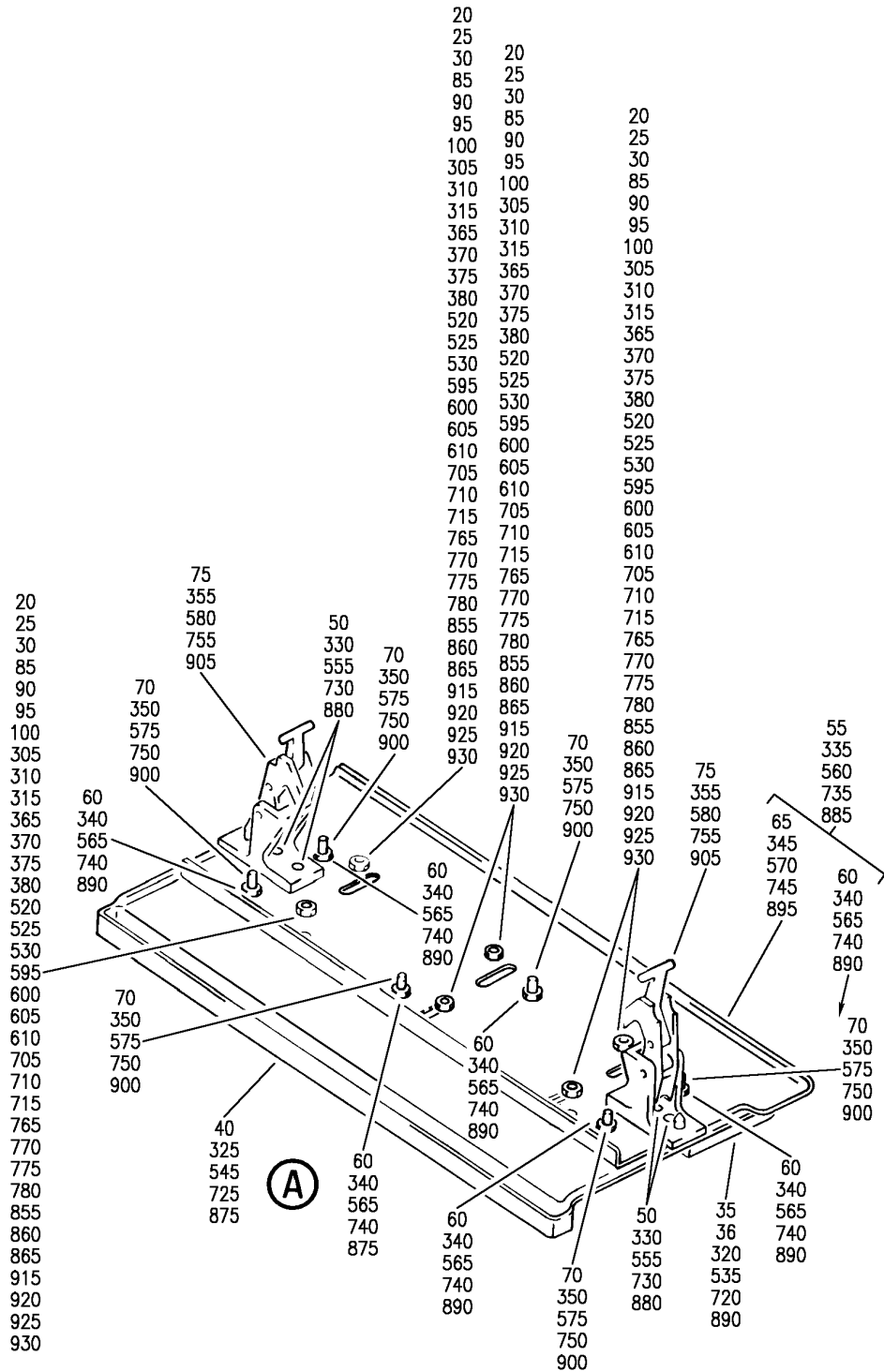
PANEL ASSY-ADJUSTABLE SPACER OUTBD AND SPACER OUTBD (FLYAWAY)
FIGURE 71 (SHEET 1)

25-23-01-71

HXL
APR 22/08

25-23-01-71
PAGE 0

BOEING
767
PARTS CATALOG (MAINTENANCE)



V 25230171 SHT 2 REV 324

PANEL ASSY-ADJUSTABLE SPACER OUTBD AND SPACER OUTBD (FLYAWAY)
FIGURE 71 (SHEET 2)

25-23-01-71

HXL
APR 22/08

25-23-01-71
PAGE 0A



767

PARTS CATALOG (MAINTENANCE)

FIG ITEM	PART NUMBER	1 2 3 4 5 6 7	NOMENCLATURE	EFFECT FROM TO	UNITS PER ASSY
71			PANEL ASSY-ADJUSTABLE SPACER OUTBD AND SPACER OUTBD (FLYAWAY)	163999	
- 700	417T3055-1157SP		PANEL ASSY-ADJUSTABLE SPACER POSITION DATA: OUTBD FOR NHA SEE: 25-23-01-48B	163999	RF
705	MS25082-2	.	NUT	163999	6
710	MS35333-38	.	WASHER	163999	6
715	AN960JD8L	.	WASHER	163999	6
720	417T3074-115SP	.	PANEL ASSY-FACE	163999	1
720	417T3074-315SP	.	PANEL ASSY-FACE	163999	1
725	417T3074-157SP	.	PANEL ASSY-FACE	163999	1
730	NAS514P832-3	.	SCREW	163999	4
735	417T3090-71	.	PLATE ASSY	163999	1
740	SS0321	..	NUT-CLINCH SUPPLIER CODE: V46384	163999	6
745	417T3090-73	..	PLATE	163999	1
750	417T3091-2	.	STUD	163999	6
755	417T3058-104	.	LATCH ASSY- FOR DETAILS SEE: 25-23-01-90	163999	2
- 760	417T3055-101	.	KIT ASSY-SUB OPTIONAL PART: BACN10YJ08	163999	6
765	NAS1149DN816J	..	WASHER	163999	1
770	MS35333-38	..	WASHER	163999	1
775	MS25082-2	..	NUT	163999	1
780	BACN10YJ08	.	NUT- OPTIONAL PART: 417T3055-101	163999	6

ILLUSTRATION ITEMS NOT ON PARTS LIST ARE NOT APPLICABLE

- ITEM NOT ILLUSTRATED

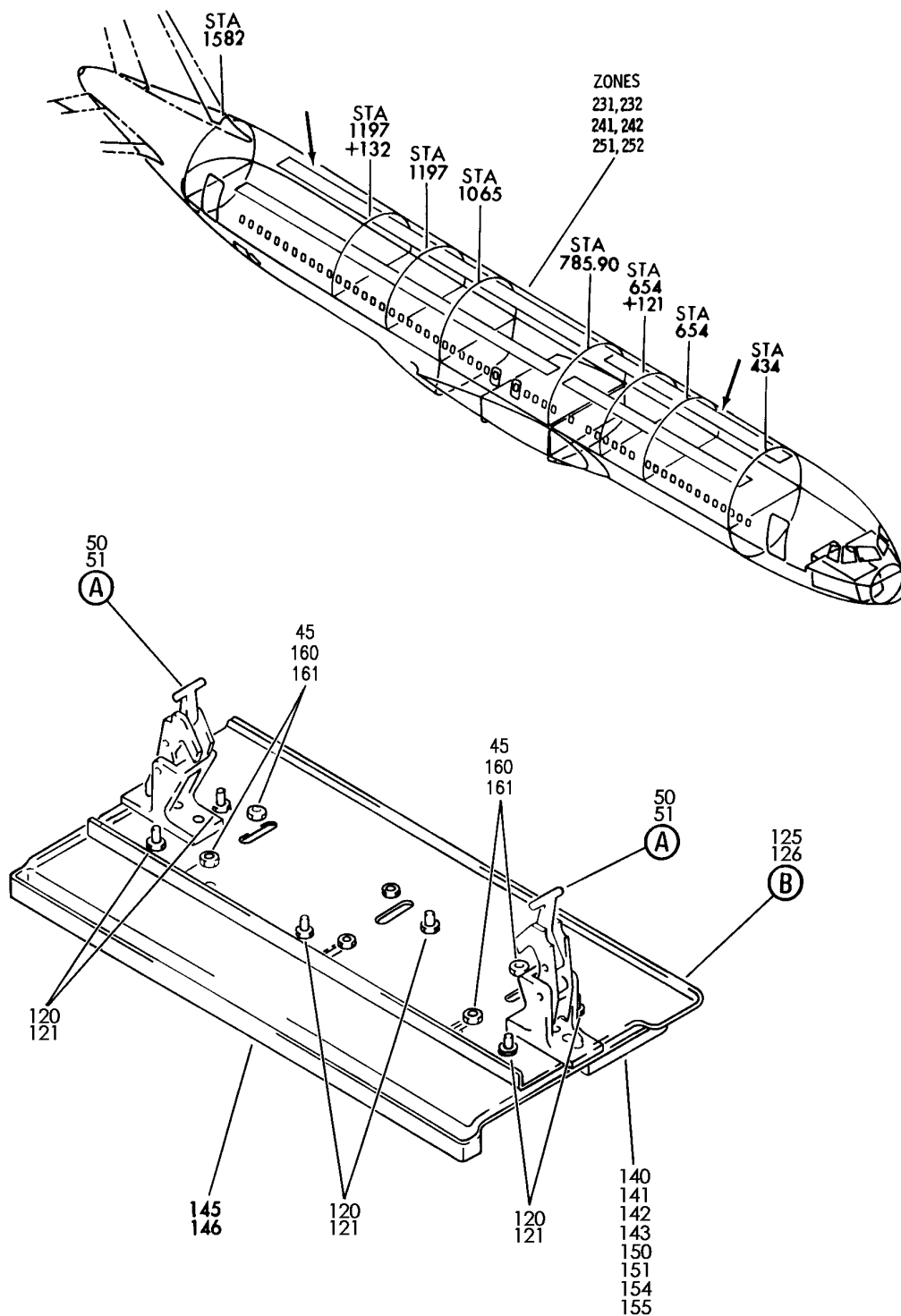
HXL

25-23-01-71

BOEING PROPRIETARY - Copyright © - Unpublished Work - See title page for details.

25-23-01
FIG. 71
PAGE 1
APR 22/08

BOEING
767
PARTS CATALOG (MAINTENANCE)



V 25230171A SHT 1 REV 265

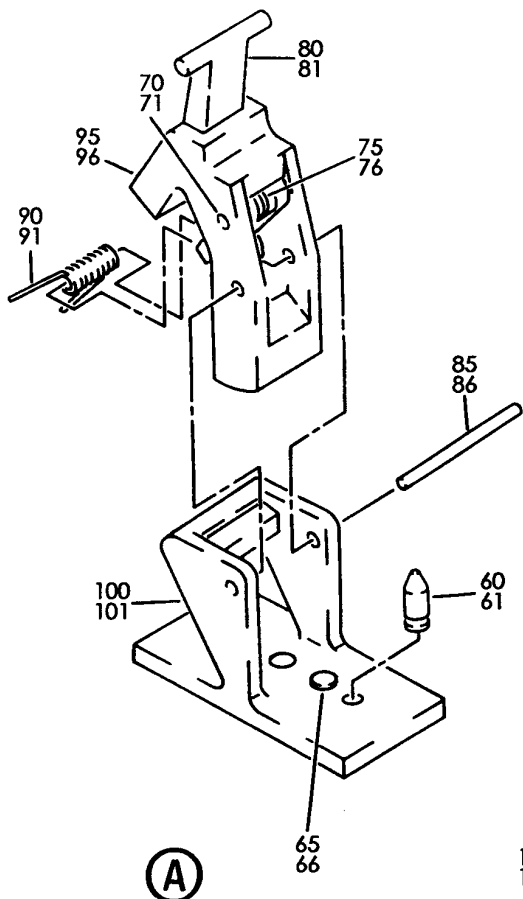
PANEL ASSY-ADJUSTABLE SPACER OUTBD
FIGURE 71A (SHEET 1)

25-23-01-71A

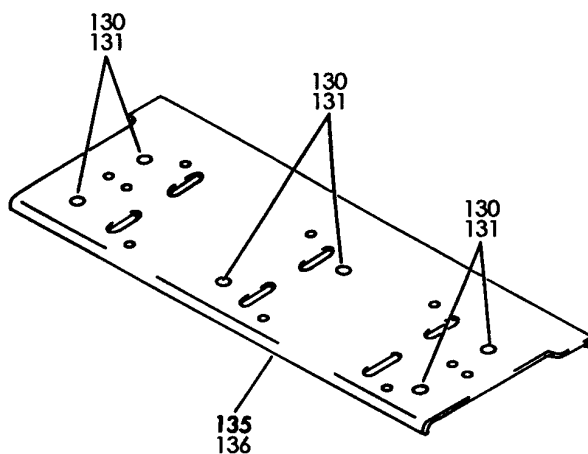
HXL
DEC 22/06

25-23-01-71A
PAGE 0

BOEING
767
PARTS CATALOG (MAINTENANCE)



(A)



(B)

V 25230171A SHT 2 REV 211

PANEL ASSY-ADJUSTABLE SPACER OUTBD
FIGURE 71A (SHEET 2)

25-23-01-71A

HXL
DEC 22/06

25-23-01-71A
PAGE 0A

 **BOEING**
767
PARTS CATALOG (MAINTENANCE)

FIG ITEM	PART NUMBER	1 2 3 4 5 6 7	NOMENCLATURE	EFFECT FROM TO	UNITS PER ASSY
71A			PANEL ASSY-ADJUSTABLE SPACER OUTBD	155162	
- 15	417T3055-3247SP		PANEL ASSY-ADJUSTABLE SPACER POSITION DATA: OUTBD	155162	RF
50	417T3058-104		.LATCH ASSY-SPKR PNL WITH PIN	155162	2
- 55	NAS514P832-3		.ATTACHING PARTS .SCREW -----*-----	155162	4
60	417T3058-118		..PIN-INDEX	155162	1
65	417T3058-116		..PAD-RUBBER	155162	1
70	MS20253P2-54		..PIN	155162	1
75	417T3058-121		..SPRING-TRIGGER	155162	1
80	417T3058-115		..TRIGGER	155162	1
85	MS20253P2-76		..PIN	155162	1
90	417T3058-120		..SPRING-CAM	155162	1
95	417T3058-114		..CAM-SHORT ARM	155162	1
100	417T3058-110		..BASE-NARROW	155162	1
120	417T3091-2		.STUD	155162	6
125	417T3090-71		.PLATE ASSY	155162	1
130	SS0321		..NUT-CLINCH SUPPLIER CODE: V46384	155162	6
135	417T3090-73		..PLATE	155162	1
141	417T3074-315SP		.PANEL ASSY-FACE	155162	1
145	417T3074-347SP		.PANEL ASSY-FACE USED ON: 417T3055-3147SP 417T3055-3247SP	155162	1
145	417T3074-347SP		.PANEL ASSY-FACE USED ON: 417T3055-3147SP 417T3055-3247SP	155162	1
R 146	417T3074-347SP		.PANEL ASSY-FACE	155162	1
160	BACN10YJ08		.NUT- OPTIONAL PART: 417T3055-101	155162	6
- 165	417T3055-101		.KIT ASSY-SUB OPTIONAL PART: BACN10YJ08	155162	6
175	NAS1149DN816J		..WASHER	155162	1
185	MS35333-38		..WASHER	155162	1
195	MS25082-2		..NUT	155162	1

ILLUSTRATION ITEMS NOT ON PARTS LIST ARE NOT APPLICABLE

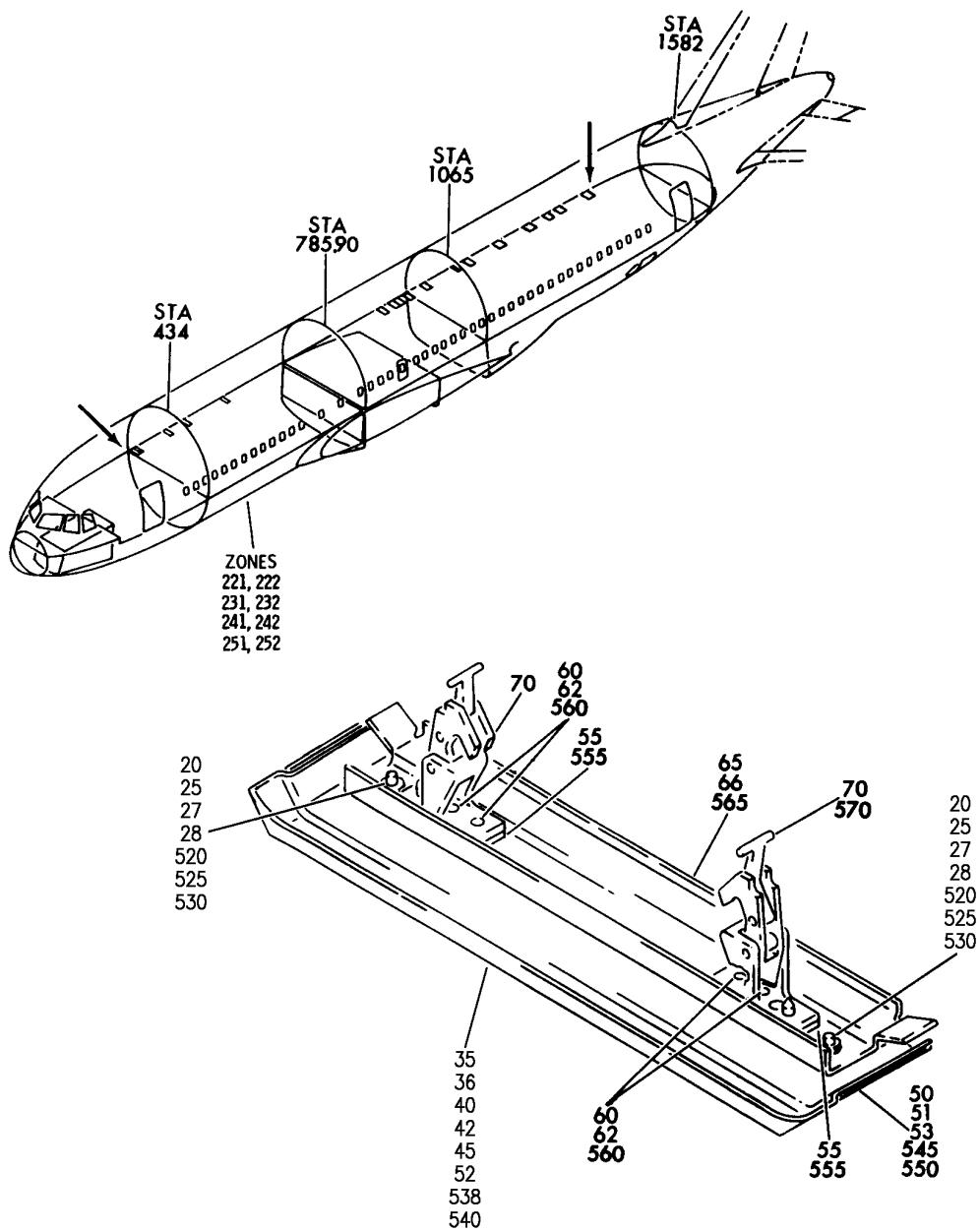
- ITEM NOT ILLUSTRATED

HXL

25-23-01-71A

25-23-01
FIG. 71A
PAGE 1
AUG 22/09

BOEING
767
PARTS CATALOG (MAINTENANCE)



V 25230172 REV 320

PANEL ASSY-ADJUSTABLE SPACER INBD AND SPACER INBD (FLYAWAY)
FIGURE 72

25-23-01-72

HXL
DEC 22/07

25-23-01-72
PAGE 0



767

PARTS CATALOG (MAINTENANCE)

FIG ITEM	PART NUMBER	1 2 3 4 5 6 7	NOMENCLATURE	EFFECT FROM TO	UNITS PER ASSY
72			PANEL ASSY-ADJUSTABLE SPACER INBD AND SPACER INBD (FLYAWAY)	163999	
- 15	417T3055-1339SP		PANEL ASSY-ADJUSTABLE SPACER POSITION DATA: INBD FOR NHA SEE: 25-23-01-48B	163999	RF
20	MS25082-2		.NUT	163999	2
25	MS35333-38		.WASHER	163999	2
- 29	417T3055-100		.KIT ASSY-SUB OPTIONAL PART: BACN10YJ08	163999	2
- 31	NAS1149DN832J		..WASHER	163999	1
- 32	MS35333-38		..WASHER	163999	1
- 33	MS25082-2		..NUT	163999	1
- 34	BACN10YJ08		.NUT- OPTIONAL PART: 417T3055-100	163999	2
45	417T3064-35SP		.PANEL-FACE USED ON: 417T3055-339SP 417T3055-439SP	163999	1
51	417T3064-104SP		.PANEL ASSY-FACE	163999	1
55	417T3092-7		.SPACER-PHENOLIC	163999	2
60	NAS514P832-5		.SCREW-	163999	4
61	NAS514P832-7		.SCREW	163999	4
65	417T3090-111		.PLATE-SHORT	163999	1
70	417T3058-104		.LATCH ASSY-SPKR PNL WITH PIN FOR DETAILS SEE: 25-23-01-90	163999	2

ILLUSTRATION ITEMS NOT ON PARTS LIST ARE NOT APPLICABLE

- ITEM NOT ILLUSTRATED

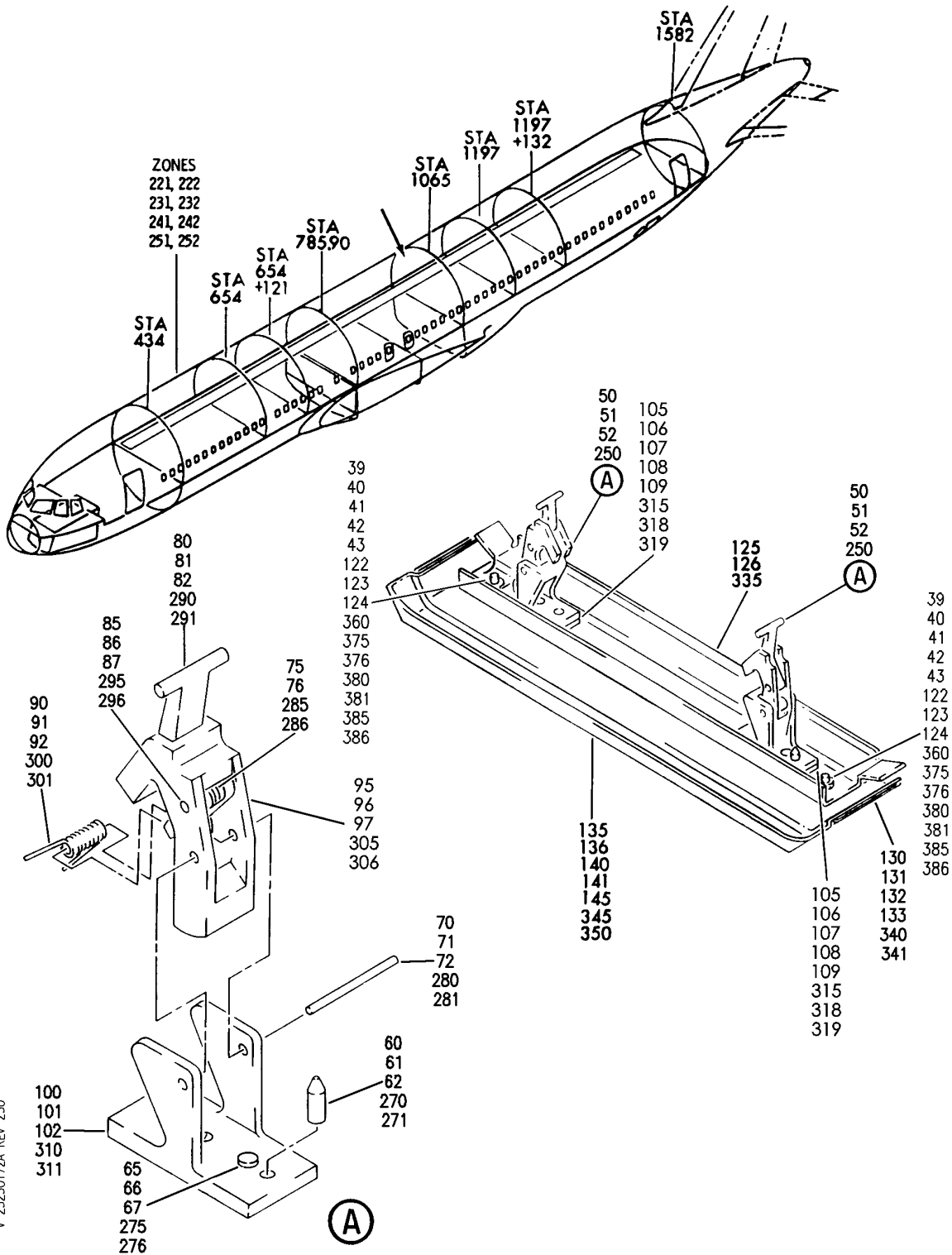
HXL

25-23-01-72

BOEING PROPRIETARY - Copyright © - Unpublished Work - See title page for details.

25-23-01
FIG. 72
PAGE 1
APR 22/09

BOEING
767
PARTS CATALOG (MAINTENANCE)



V 25230172A REV 250

PANEL ASSY-ADJUSTABLE SPACER INBD
FIGURE 72A

25-23-01-72A

HXL
DEC 22/06

25-23-01-72A
PAGE 0

 **BOEING**
767
PARTS CATALOG (MAINTENANCE)

FIG ITEM	PART NUMBER	1 2 3 4 5 6 7	NOMENCLATURE	EFFECT FROM TO	UNITS PER ASSY
72A			PANEL ASSY-ADJUSTABLE SPACER INBD	155162	
- 1	417T3055-3334SP		PANEL ASSY-ADJUSTABLE SPACER POSITION DATA: INBD FOR NHA SEE: 25-23-01-48C	155162	RF
- 5	417T3055-3344SP		PANEL ASSY-ADJUSTABLE SPACER POSITION DATA: INBD FOR NHA SEE: 25-23-01-48C	155162	RF
- 5	417T3055-3344SP		PANEL ASSY-ADJUSTABLE SPACER POSITION DATA: INBD FOR NHA SEE: 25-23-01-48C	155162	RF
- 15	417T3055-3339SP		PANEL ASSY-ADJUSTABLE SPACER POSITION DATA: INBD FOR NHA SEE: 25-23-01-48C	155162	RF
- 20	417T3055-3321SP		PANEL ASSY-ADJUSTABLE SPACER INBD FOR NHA SEE: 25-23-01-48C	155162	RF
- 20	417T3055-3321SP		PANEL ASSY-ADJUSTABLE	155162	RF
- 25	417T3055-3434SP		PANEL ASSY-ADJUSTABLE SPACER POSITION DATA: INBD FOR NHA SEE: 25-23-01-48C	155162	RF
- 37	417T3055-100		.KIT ASSY-SUB OPTIONAL PART: BACN10YJ08	155162	2
40	NAS1149DN832J		..WASHER	155162	1
43	MS35333-38		..WASHER	155162	1
- 46	MS25082-2		..NUT	155162	1
51	417T3058-104		.LATCH ASSY-SPKR PNL WITH PIN ATTACHING PARTS	155162	2
- 58	BACS12BP08BP6		.SCREW- OPTIONAL PART: NAS514P832-5 BACS12BP08P6	155162	4

ILLUSTRATION ITEMS NOT ON PARTS LIST ARE NOT APPLICABLE

- ITEM NOT ILLUSTRATED

HXL

25-23-01-72A

BOEING PROPRIETARY - Copyright © - Unpublished Work - See title page for details.

25-23-01
FIG. 72A
PAGE 1
DEC 22/07

 **BOEING**
767
PARTS CATALOG (MAINTENANCE)

FIG ITEM	PART NUMBER	1 2 3 4 5 6 7	NOMENCLATURE	EFFECT FROM TO	UNITS PER ASSY
72A					
- 58	BACS12BP08P6	.	SCREW- OPTIONAL PART: NAS514P832-5 BACS12BP08BP6	155162	4
- 58	NAS514P832-5	.	SCREW- OPTIONAL PART: BACS12BP08BP6 BACS12BP08P6 -----*-----	155162	4
61	417T3058-118	..	PIN-INDEX	155162	1
66	417T3058-116	..	PAD-RUBBER	155162	1
71	MS20253P2-54	..	PIN	155162	1
76	417T3058-121	..	SPRING-TRIGGER	155162	1
81	417T3058-115	..	TRIGGER	155162	1
86	MS20253P2-76	..	PIN	155162	1
91	417T3058-120	..	SPRING-CAM	155162	1
96	417T3058-114	..	CAM-SHORT ARM	155162	1
100	417T3058-110	..	BASE-NARROW	155162	1
101	417T3058-110	..	BASE-NARROW	155162	1
106	417T3092-7	.	SPACER-PHENOLIC USED ON: 417T3055-3334SP 417T3055-3344SP 417T3055-3339SP 417T3055-3434SP	155162	2
108	417T3092-10	.	SPACER-PHENOLIC USED ON: 417T3055-3321SP	155162	2
123	BACN10YJ08	.	NUT- OPTIONAL PART: 417T3055-100	155162	2
126	417T3090-111	.	PLATE	155162	1
131	417T3064-304SP	.	PANEL ASSY-FACE	155162	1
136	417T3064-330SP	.	PANEL-FACE USED ON: 417T3055-3334SP 417T3055-3434SP	155162	1
140	417T3064-340SP	.	PANEL-FACE USED ON: 417T3055-3344SP 417T3055-3444SP	155162	1
145	417T3064-335SP	.	PANEL-FACE USED ON: 417T3055-3339SP 417T3055-3439SP	155162	1

ILLUSTRATION ITEMS NOT ON PARTS LIST ARE NOT APPLICABLE

- ITEM NOT ILLUSTRATED

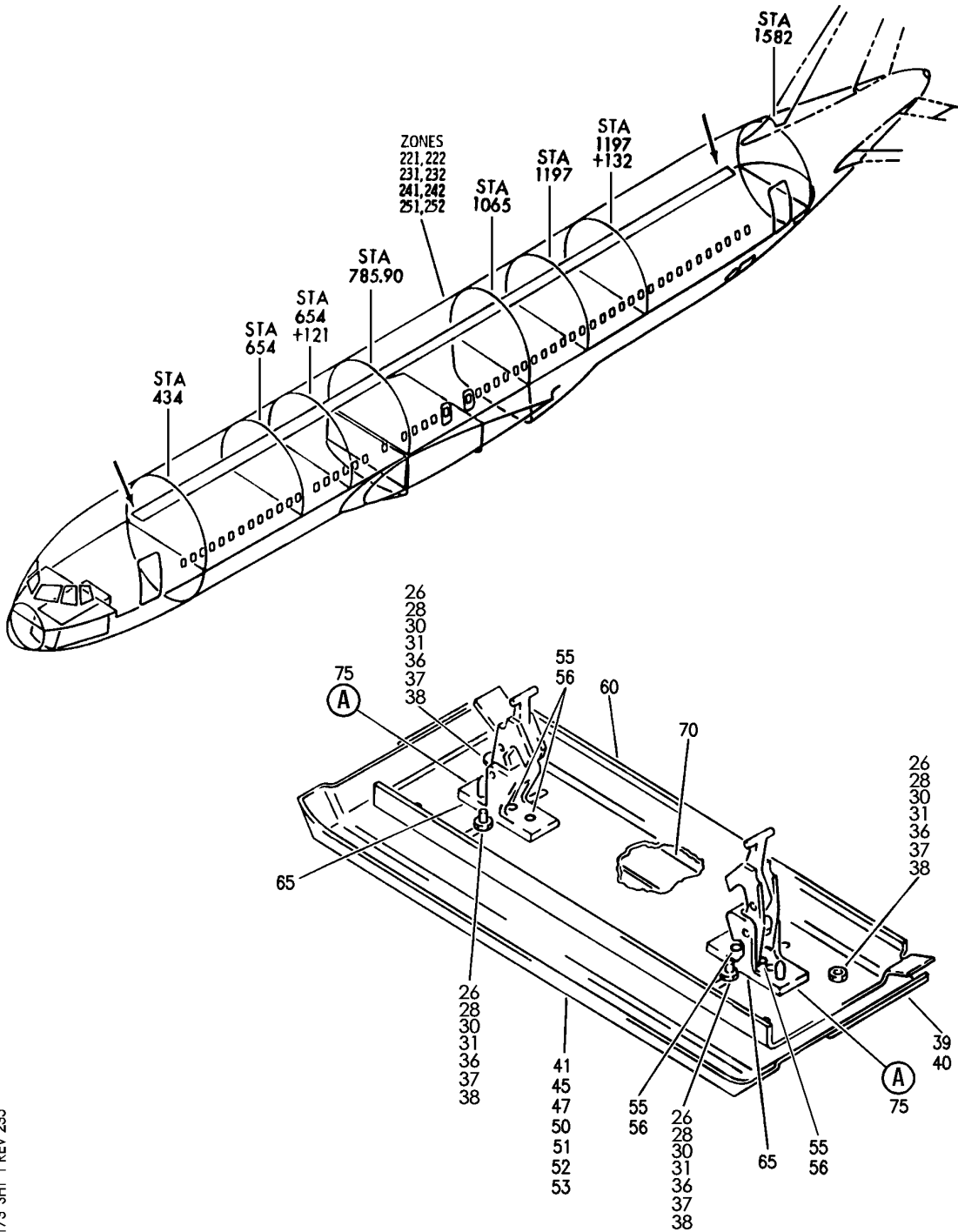
HXL

25-23-01-72A

BOEING PROPRIETARY - Copyright © - Unpublished Work - See title page for details.

25-23-01
FIG. 72A
PAGE 2
DEC 22/07

BOEING
767
PARTS CATALOG (MAINTENANCE)



V 25230173 SHT 1 REV 235

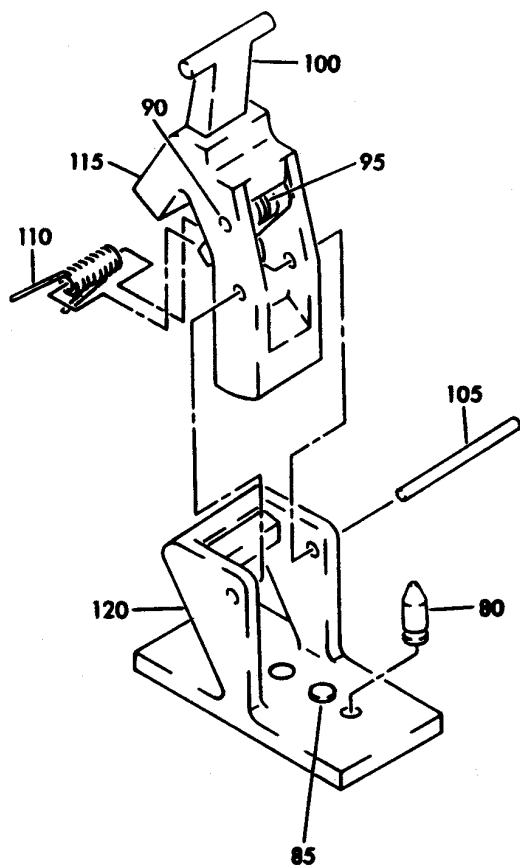
PANEL ASSY-ADJUSTABLE SPACER INBD
FIGURE 73 (SHEET 1)

25-23-01-73

HXL
DEC 22/06

25-23-01-73
PAGE 0

BOEING
767
PARTS CATALOG (MAINTENANCE)



(A)

V 25230173 SHT 2 REV 215

PANEL ASSY-ADJUSTABLE SPACER INBD
FIGURE 73 (SHEET 2)

25-23-01-73

HXL
DEC 22/06

25-23-01-73
PAGE 0A

 **BOEING**
767
PARTS CATALOG (MAINTENANCE)

FIG ITEM	PART NUMBER	1 2 3 4 5 6 7	NOMENCLATURE	EFFECT FROM TO	UNITS PER ASSY
73			PANEL ASSY-ADJUSTABLE SPACER INBD		
- 1	417T3055-3353SP		PANEL ASSY-ADJUSTABLE SPACER POSITION DATA: INBD POST RAPID REVISION: RRB41060-23 FOR NHA SEE: 25-23-01-48C	155162	RF
- 3	417T3055-1358SP		PANEL ASSY-ADJUSTABLE SPACER POSITION DATA: INBD FOR NHA SEE: 25-23-01-48B	163999	RF
- 3	417T3055-3358SP		PANEL ASSY-ADJUSTABLE SPACER POSITION DATA: INBD POST RAPID REVISION: RRB41060-23 FOR NHA SEE: 25-23-01-48B	163999	RF
- 10	417T3055-3348SP		PANEL ASSY-ADJUSTABLE SPACER POSITION DATA: INBD FOR NHA SEE: 25-23-01-48C	155162	RF
26	MS25082-2	.	NUT	163999	4
28	MS35333-38	.	WASHER	163999	4
30	AN960PD8	.	WASHER-	163999	4
40	417T3064-104SP	.	PANEL ASSY-FACE USED ON: 417T3055-1353SP 417T3055-1358SP 417T3055-1348SP 417T3055-1458SP	163999	1
40	417T3064-304SP	.	PANEL ASSY-FACE	155162	1
47	417T3064-348SP	.	PANEL ASSY-FACE USED ON: 417T3055 417T3055-3348SP 417T3055-3448SP	155162	1
51	417T3064-153SP	.	PANEL ASSY-FACE USED ON: 417T3053-1353SP 417T3055-1453SP	163999	1
ILLUSTRATION ITEMS NOT ON PARTS LIST ARE NOT APPLICABLE					

- ITEM NOT ILLUSTRATED

HXL

25-23-01-73

BOEING PROPRIETARY - Copyright © - Unpublished Work - See title page for details.

25-23-01
FIG. 73
PAGE 1
DEC 22/08



767

PARTS CATALOG (MAINTENANCE)

FIG ITEM	PART NUMBER	1 2 3 4 5 6 7	NOMENCLATURE	EFFECT FROM TO	UNITS PER ASSY
73					
51	417T3064-353SP		.PANEL ASSY-FACE USED ON: 417T3055-3353SP	155162	1
55	NAS514P832-4		.SCREW- OPTIONAL PART: BACS12BP08P4	163999	4
55	BACS12BP08BP4		.SCREW- OPTIONAL PART: NAS514P832-4	163999	4
55	NAS514P832-4		.SCREW- OPTIONAL PART: BACS12BP08P4	155162	4
55	BACS12BP08BP4		.SCREW- OPTIONAL PART: NAS514P832-4	155162	4
60	417T3090-99		.PLATE-LONG	163999	1
60	417T3090-99		.PLATE-LONG	155162	1
65	417T3092-8		.SPACER-PHENOLIC	163999	2
65	417T3092-8		.SPACER-PHENOLIC	155162	2
70	417T3092-3		.SPACER-PHENOLIC	163999	1
70	417T3092-3		.SPACER-PHENOLIC	155162	1
75	417T3058-104		.LATCH ASSY-SIGN FOR DETAILS SEE: 25-23-01-90	163999	2
75	417T3058-104		.LATCH ASSY-SIGN FOR DETAILS SEE: 25-23-01-90	155162	2

ILLUSTRATION ITEMS NOT ON PARTS LIST ARE NOT APPLICABLE

- ITEM NOT ILLUSTRATED

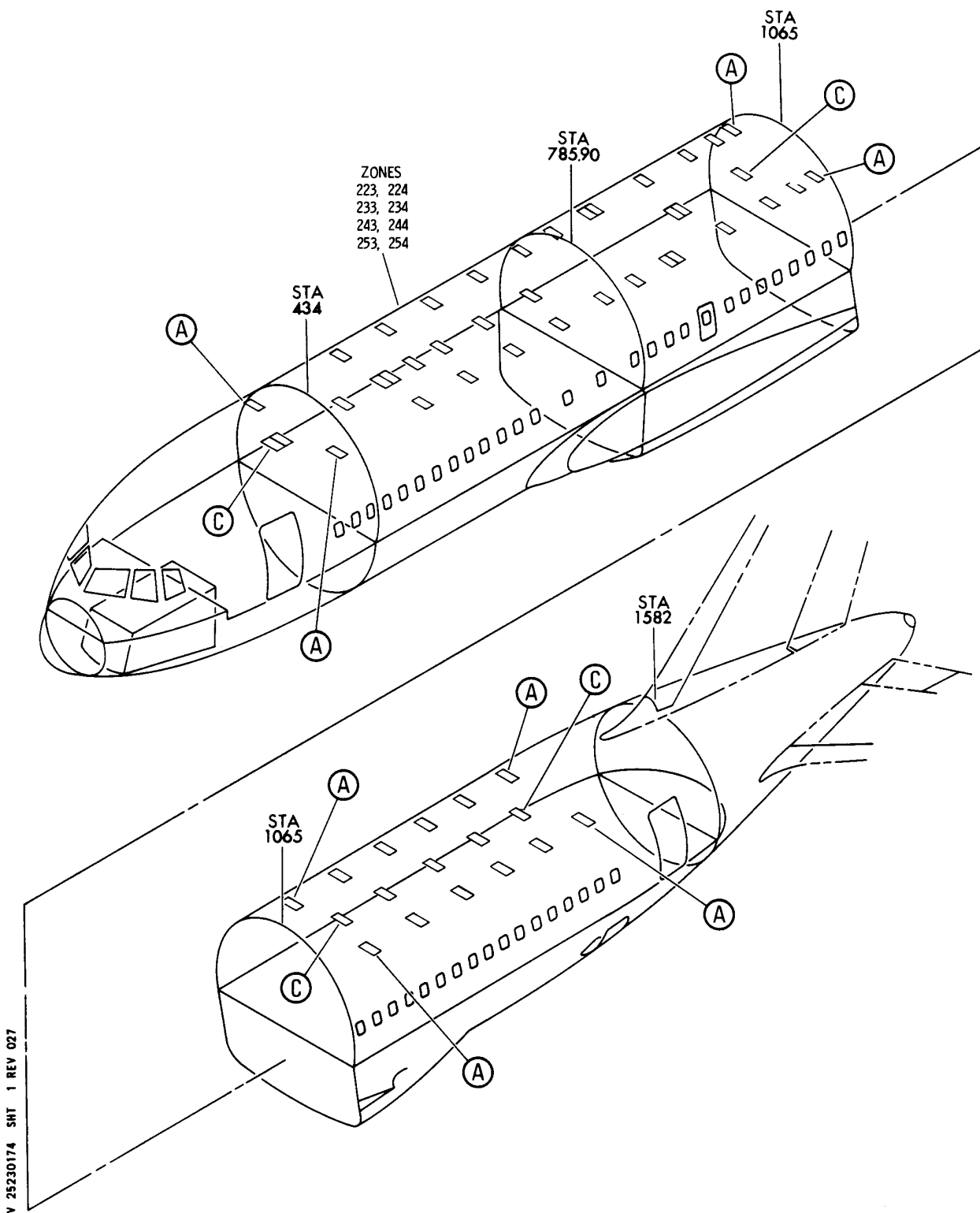
HXL

25-23-01-73

BOEING PROPRIETARY - Copyright © - Unpublished Work - See title page for details.

25-23-01
FIG. 73
PAGE 2
DEC 22/08

BOEING
767
PARTS CATALOG (MAINTENANCE)



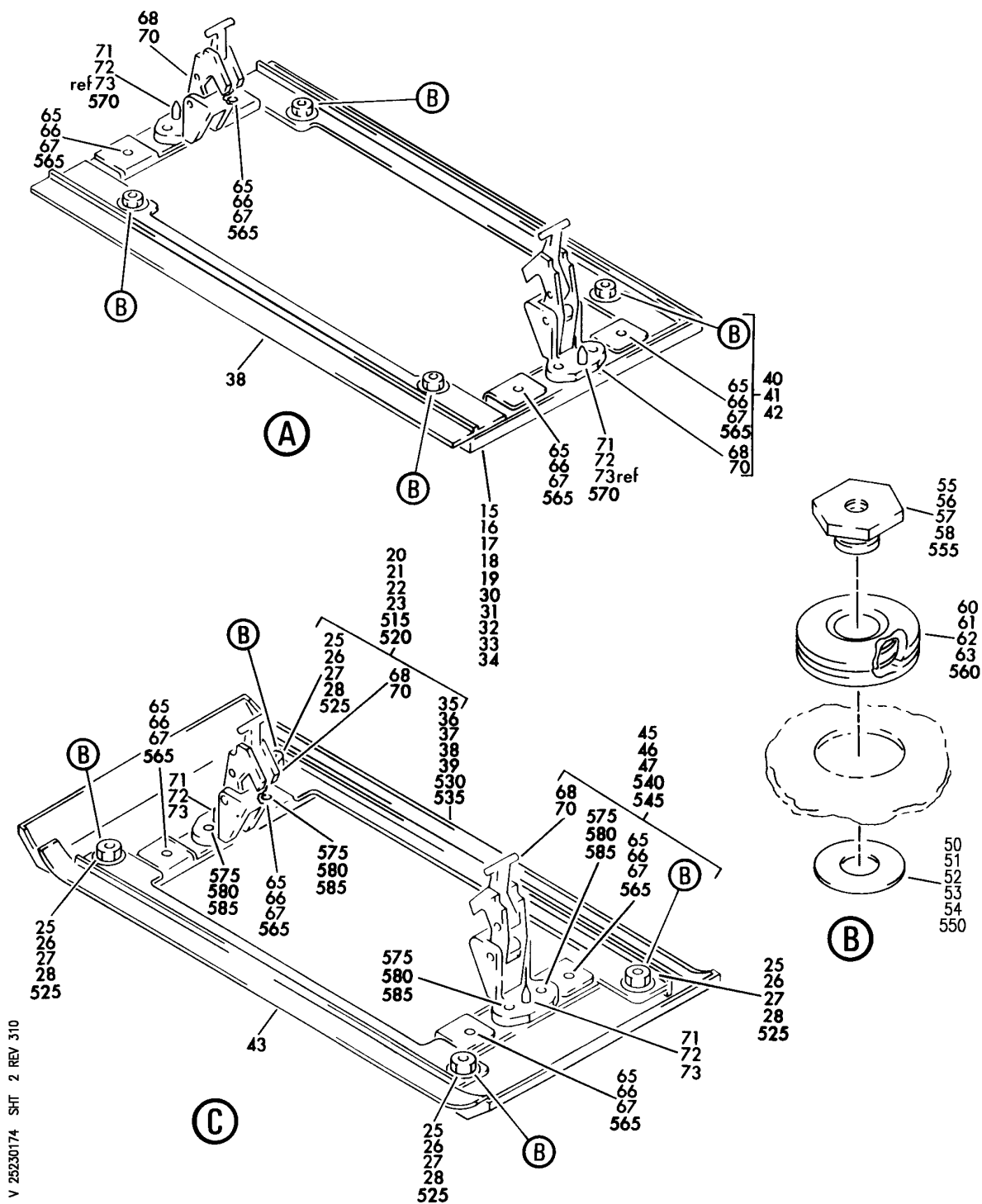
PANEL ASSY-SPACER OUTBD AND INBD
FIGURE 74 (SHEET 1)

25-23-01-74

HXL
DEC 22/06

25-23-01-74
PAGE 0


BOEING
 767
PARTS CATALOG (MAINTENANCE)



V 25230174 SHT 2 REV 310

PANEL ASSY-SPACER OUTBD AND INBD
FIGURE 74 (SHEET 2)

25-23-01-74

HXL
DEC 22/06

25-23-01-74
PAGE 0A



767

PARTS CATALOG (MAINTENANCE)

FIG ITEM	PART NUMBER	1 2 3 4 5 6 7	NOMENCLATURE	EFFECT FROM TO	UNITS PER ASSY
74			PANEL ASSY-SPACER OUTBD AND INBD	163999	
- 1	417T3055-1003SP		PANEL ASSY-SPACER POSITION DATA: OUTBD FOR NHA SEE: 25-23-01-48B	163999	RF
- 1	417T3055-3003SP		PANEL ASSY-SPACER POSITION DATA: OUTBD FOR NHA SEE: 25-23-01-48B	163999	RF
- 5	417T3055-4SP		PANEL ASSY-SPACER POSITION DATA: INBD	163999	RF
- 5	417T3055-1004SP		PANEL ASSY-SPACER POSITION DATA: INBD FOR NHA SEE: 25-23-01-48B	163999	RF
- 5	417T3055-3004SP		PANEL ASSY-SPACER POSITION DATA: INBD FOR NHA SEE: 25-23-01-48B	163999	RF
17	417T3074-101SP		.PANEL ASSY-FACE USED ON: 417T3055 417T3055-1003SP	163999	1
28	SL6164-08-3		..STUD- SUPPLIER CODE: V97393	163999	4
32	417T3074-103SP		..PANEL-FACE USED ON: 417T3074-101SP	163999	1
42	417T3056-16		.FRAME ASSY- USED ON: 417T3055 417T3055-1003SP	163999	1
46	417T3056-17		.FRAME ASSY- USED ON: 417T3055-4SP 417T3055-1004SP 417T3055-3004SP	163999	1
47	1200-25ZD		..RING-RETAINING SUPPLIER CODE: V97464	163999	4

ILLUSTRATION ITEMS NOT ON PARTS LIST ARE NOT APPLICABLE

- ITEM NOT ILLUSTRATED

25-23-01-74

25-23-01
FIG. 74
PAGE 1
DEC 22/07

HXL



767

PARTS CATALOG (MAINTENANCE)

FIG ITEM	PART NUMBER	1 2 3 4 5 6 7	NOMENCLATURE	EFFECT FROM TO	UNITS PER ASSY
74					
53	1200-25CD		..RING-RETAINING SUPPLIER CODE: V97464	163999	4
58	417T3091-1		..SLEEVE-ADJUSTING	163999	4
63	417T3059-1		..GROMMET	163999	4
64	417T3058-116		..PAD-RUBBER	163999	4
73	417T3058-125		..LATCH ASSY-SIGN ATTACHING PARTS	163999	2
- 78	NAS1801-08-05		..SCREW	163999	4
- 83	MS35333-38		..WASHER	163999	4
- 88	AN960PD8L		..WASHER -----*-----	163999	4
ILLUSTRATION ITEMS NOT ON PARTS LIST ARE NOT APPLICABLE					

- ITEM NOT ILLUSTRATED

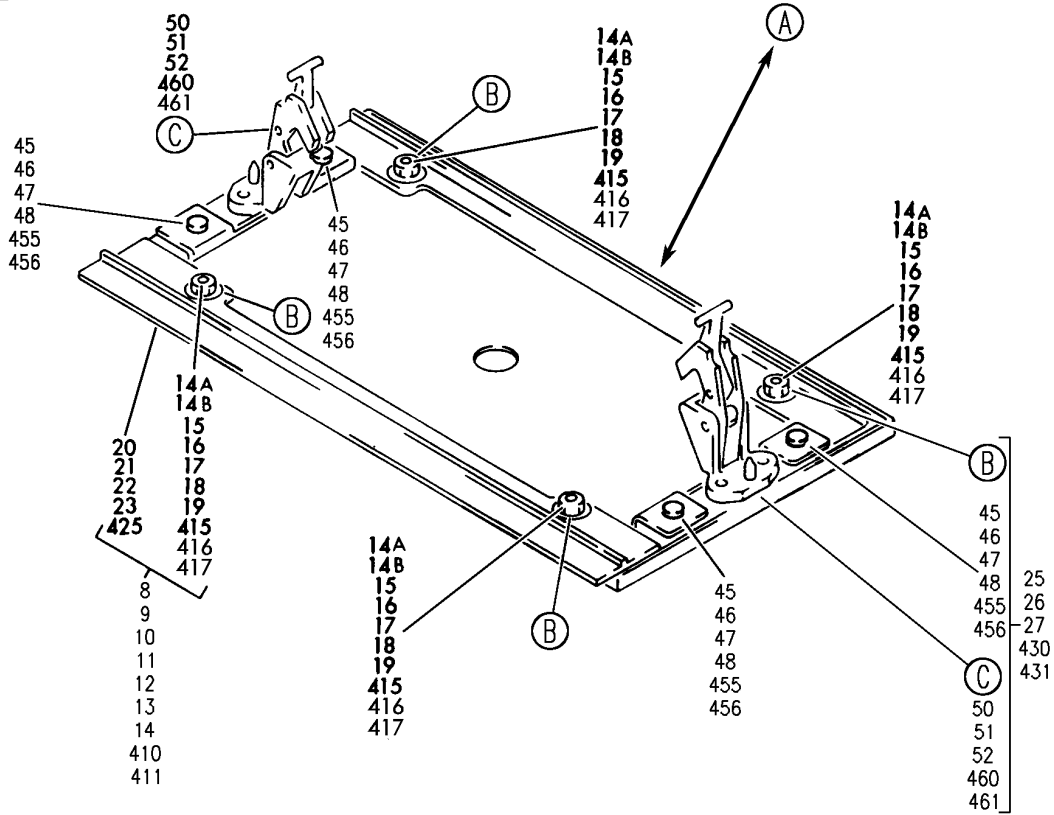
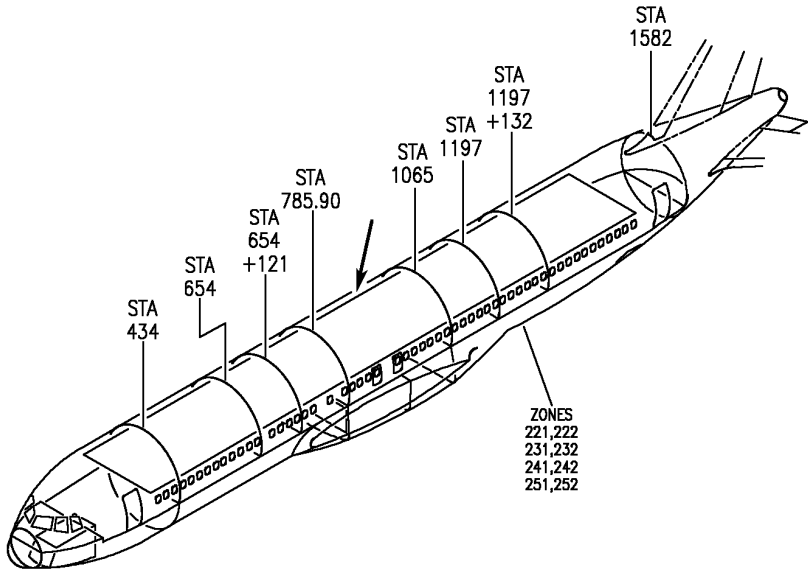
HXL

25-23-01-74

BOEING PROPRIETARY - Copyright © - Unpublished Work - See title page for details.

25-23-01
FIG. 74
PAGE 2
DEC 22/07


BOEING
 767
PARTS CATALOG (MAINTENANCE)



V 25230174A SHT 1 REV 209

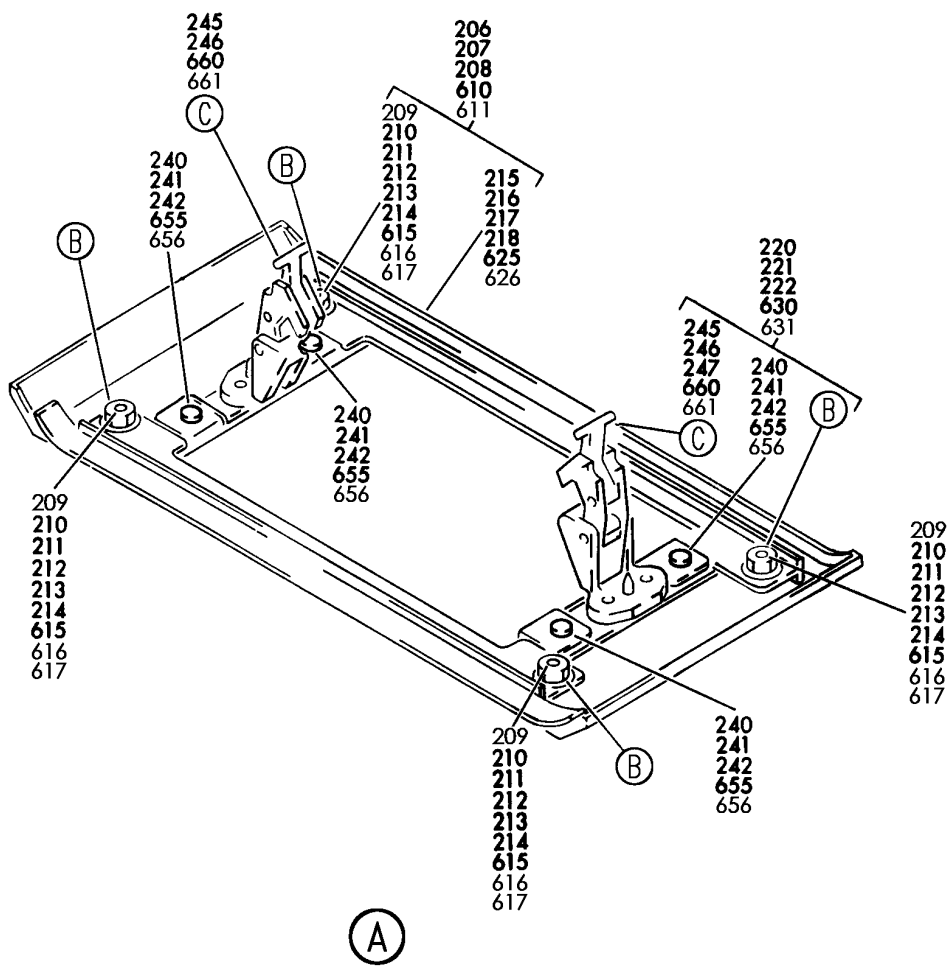
PANEL ASSY-OUTBD AND INBD PSU SPACER
 FIGURE 74A (SHEET 1)

25-23-01-74A

HXL
DEC 22/06

25-23-01-74A
 PAGE 0

BOEING
767
PARTS CATALOG (MAINTENANCE)



V V 25230174A SHT 2 REV 299

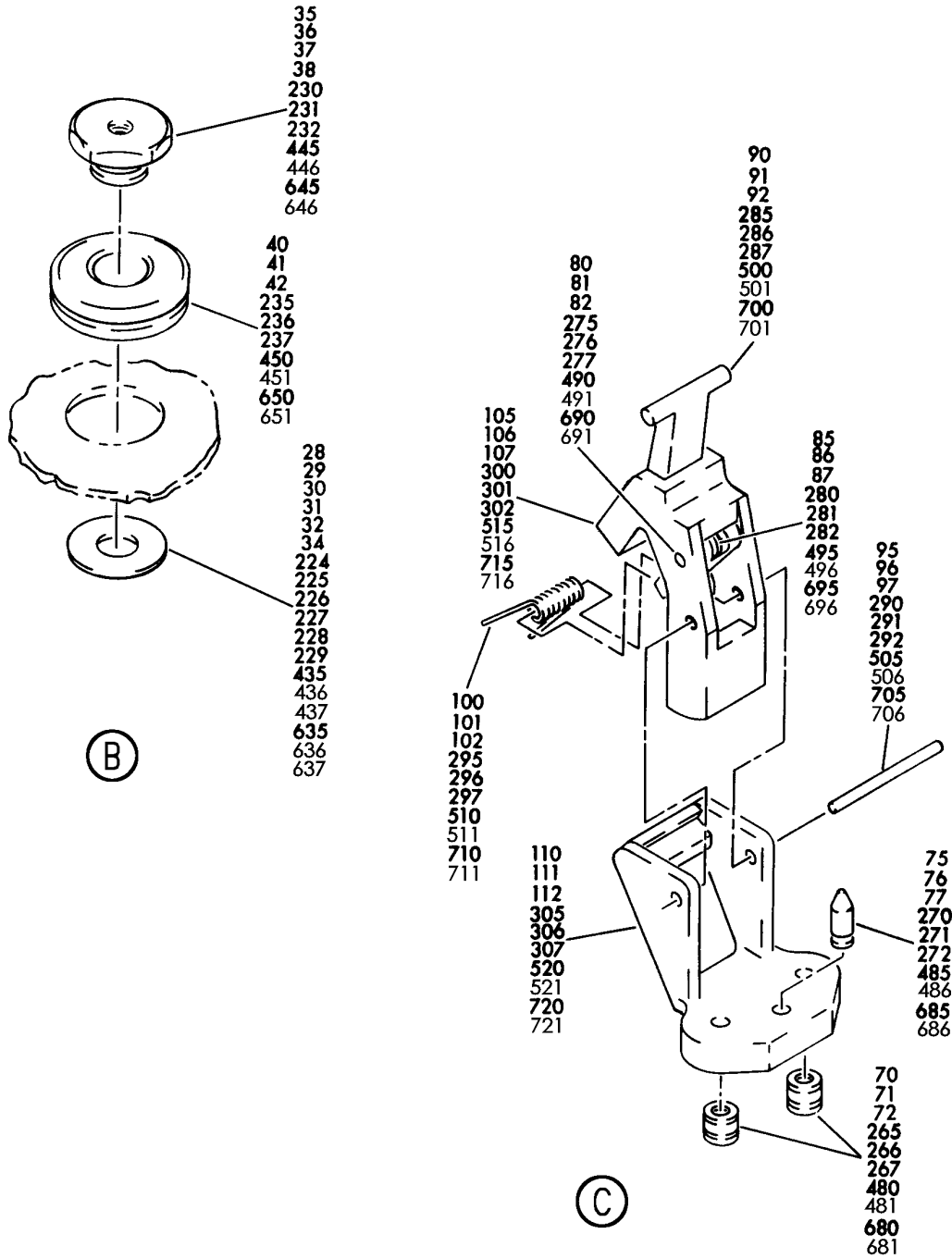
PANEL ASSY-OUTBD AND INBD PSU SPACER
FIGURE 74A (SHEET 2)

25-23-01-74A

HXL
DEC 22/06

25-23-01-74A
PAGE 0A

BOEING
767
PARTS CATALOG (MAINTENANCE)



V 25230174A SHT 3 REV 209

PANEL ASSY-OUTBD AND INBD PSU SPACER
FIGURE 74A (SHEET 3)

25-23-01-74A

HXL
DEC 22/06

25-23-01-74A
PAGE 0B



767

PARTS CATALOG (MAINTENANCE)

FIG ITEM	PART NUMBER	1 2 3 4 5 6 7	NOMENCLATURE	EFFECT FROM TO	UNITS PER ASSY
74A			PANEL ASSY-OUTBD AND INBD PSU SPACER	155162	
- 1	417T3055-3003SP		PANEL ASSY-PSU SPACER POSITION DATA: OUTBD FOR NHA SEE: 25-23-01-48C	155162	RF
- 5	417T3055-3013SP		PANEL ASSY-SPACER POSITION DATA: OUTBD FOR NHA SEE: 25-23-01-48C	155162	RF
11	417T3074-301SP		.PANEL ASSY-FACE USED ON: 417T3055-3003SP	155162	1
13	417T3074-311SP		.PANEL ASSY-FACE USED ON: 417T3055-3013SP	155162	1
17	SL6164-08-3		..STUD- SUPPLIER CODE: V97393 OPTIONAL PART: 22395-1 V1047B	155162	4
17	22395-1		..STUD- SUPPLIER CODE: V1047B OPTIONAL PART: SL6164-08-3 V97393	155162	4
21	417T3074-303SP		..PANEL-FACE USED ON: 417T3074-301SP	155162	1
23	417T3074-313SP		..PANEL-FACE USED ON: 417T3074-311SP	155162	1
26	417T3056-16		.FRAME ASSY	155162	1
31	1200-25CD		..RING-RETAINING SUPPLIER CODE: V97464 OPTIONAL PART: 1200-25ZD V97464	155162	4
34	1200-25ZD		..RING-RETAINING SUPPLIER CODE: V97464 OPTIONAL PART: 1200-25CD V97464	155162	4

ILLUSTRATION ITEMS NOT ON PARTS LIST ARE NOT APPLICABLE

- ITEM NOT ILLUSTRATED

25-23-01-74A

25-23-01
FIG. 74A
PAGE 1
DEC 22/07

HXL

BOEING PROPRIETARY - Copyright © - Unpublished Work - See title page for details.

 **BOEING**
767
PARTS CATALOG (MAINTENANCE)

FIG ITEM	PART NUMBER	1 2 3 4 5 6 7	NOMENCLATURE	EFFECT FROM TO	UNITS PER ASSY
74A					
37	417T3091-1	..	SLEEVE-ADJUSTING	155162	4
41	417T3059-1	..	GROMMET	155162	4
46	417T3058-116	..	PAD-RUBBER	155162	4
51	417T3058-125	..	LATCH ASSY	155162	2
			ATTACHING PARTS		
- 56	NAS1801-08-05	..	SCREW	155162	4
- 61	MS35333-38	..	WASHER	155162	4
- 66	AN960PD8L	..	WASHER-	155162	4
- 68	AN960JD8L	..	WASHER-	155162	4
			-----*-----		
71	6035-2BR0185	...	INSERT-	155162	2
			SUPPLIER CODE: V01556		
76	417T3058-119	...	PIN-INDEX	155162	1
81	MS20253P2-54	...	PIN	155162	1
86	417T3058-121	...	SPRING-TRIGGER	155162	1
91	417T3058-115	...	TRIGGER	155162	1
96	MS20253P2-095	...	PIN	155162	1
101	417T3058-120	...	SPRING-CAM	155162	1
106	417T3058-114	...	CAM-SHORT ARM	155162	1
111	417T3058-128	...	BASE-WIDE	155162	1
- 200	417T3055-3004SP		PANEL ASSY-PSU SPACER	155162	RF
			POSITION DATA: INBD FOR NHA SEE: 25-23-01-48C		
206	417T3064-301SP	.PANEL	ASSY-FACE	155162	1
211	SL6164-08-3	..	STUD-	155162	4
			SUPPLIER CODE: V97393 OPTIONAL PART: 22395-1 V1047B		
212	22395-1	..	STUD-	155162	4
			SUPPLIER CODE: V1047B OPTIONAL PART: SL6164-08-3 V97393		
216	417T3064-303SP	..	PANEL-FACE	155162	1
221	417T3056-17	.FRAME	ASSY	155162	1
226	1200-25CD	..	RING-RETAINING	155162	4
			SUPPLIER CODE: V97464 OPTIONAL PART: 1200-25ZD V97464		

ILLUSTRATION ITEMS NOT ON PARTS LIST ARE NOT APPLICABLE

- ITEM NOT ILLUSTRATED

HXL

25-23-01-74A

25-23-01
FIG. 74A
PAGE 2
DEC 22/07



767

PARTS CATALOG (MAINTENANCE)

FIG ITEM	PART NUMBER	1 2 3 4 5 6 7	NOMENCLATURE	EFFECT FROM TO	UNITS PER ASSY
74A 228	1200-25ZD		..RING-RETAINING SUPPLIER CODE: V97464 OPTIONAL PART: 1200-25CD V97464	155162	4
231	417T3091-1		..SLEEVE-ADJUSTING	155162	4
236	417T3059-1		..GROMMET	155162	4
241	417T3058-116		..PAD-RUBBER	155162	4
246	417T3058-125		..LATCH ASSY	155162	2
			ATTACHING PARTS		
- 251	NAS1801-08-05		..SCREW	155162	4
- 256	MS35333-38		..WASHER	155162	4
- 261	AN960PD8L		..WASHER	155162	4
			-----*-----		
266	6035-2BR0185		...INSERT- SUPPLIER CODE: V01556	155162	2
271	417T3058-119		...PIN-INDEX	155162	1
276	MS20253P2-54		...PIN	155162	1
281	417T3058-121		...SPRING-TRIGGER	155162	1
286	417T3058-115		...TRIGGER	155162	1
291	MS20253P2-095		...PIN	155162	1
296	417T3058-120		...SPRING-CAM	155162	1
301	417T3058-114		...CAM-SHORT ARM	155162	1
306	417T3058-128		...BASE-WIDE	155162	1

ILLUSTRATION ITEMS NOT ON PARTS LIST ARE NOT APPLICABLE

- ITEM NOT ILLUSTRATED

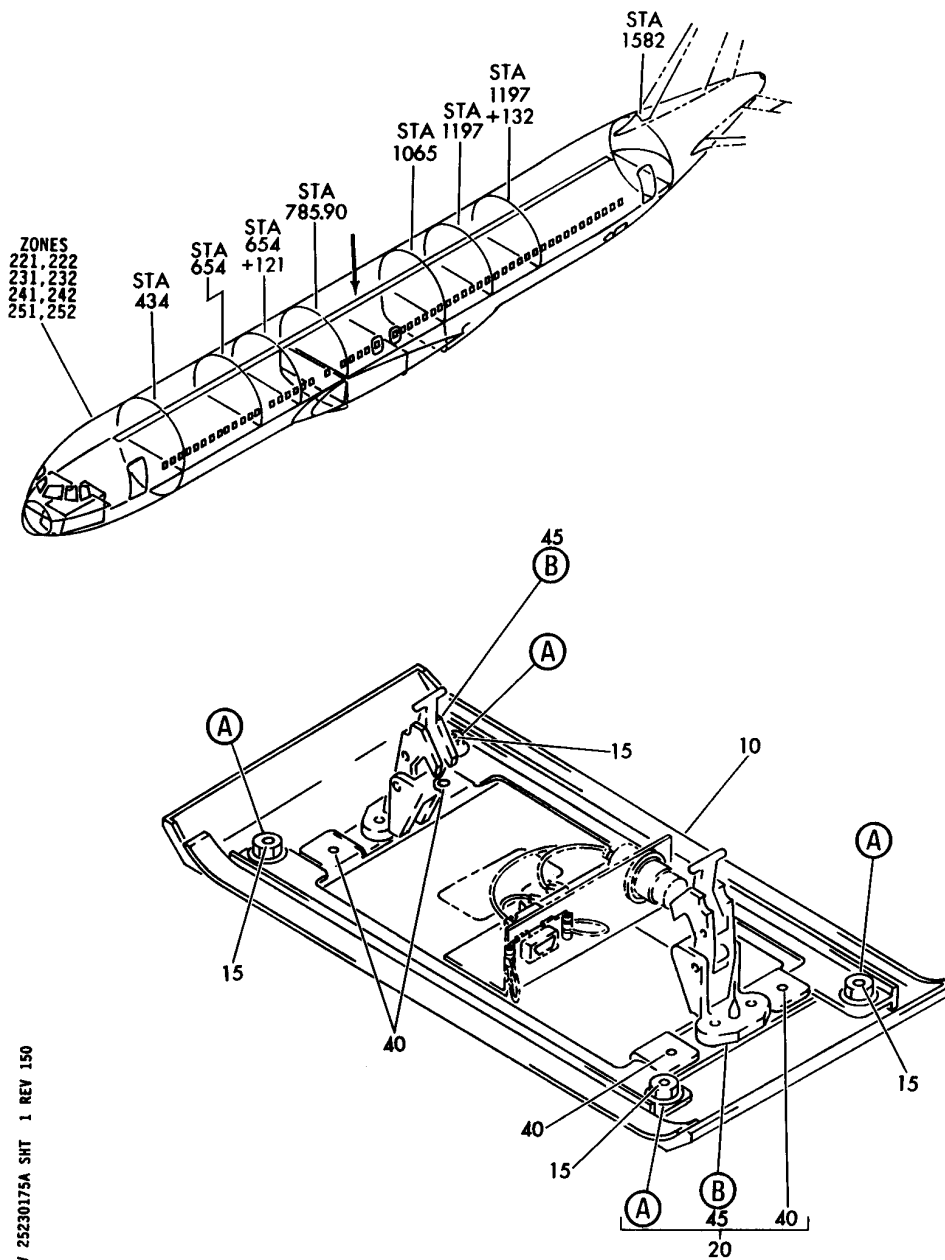
HXL

25-23-01-74A

BOEING PROPRIETARY - Copyright © - Unpublished Work - See title page for details.

25-23-01
FIG. 74A
PAGE 3
DEC 22/07


BOEING
 767
PARTS CATALOG (MAINTENANCE)



V 25230175A SHT 1 REV 150

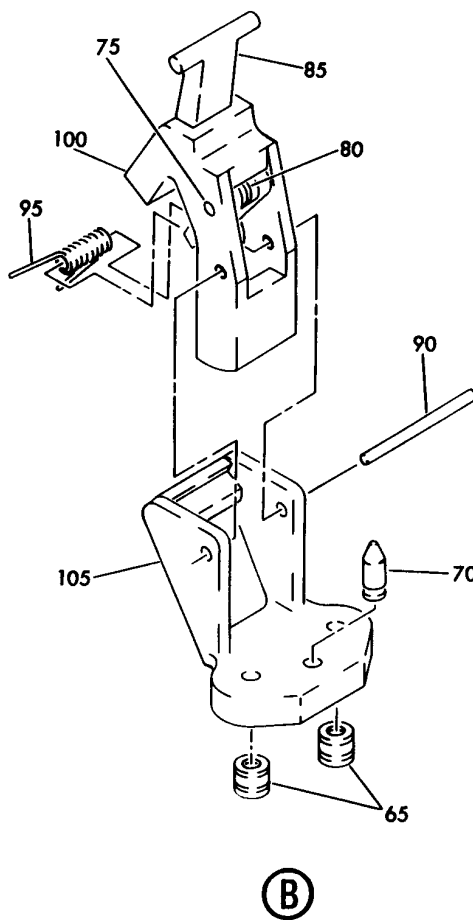
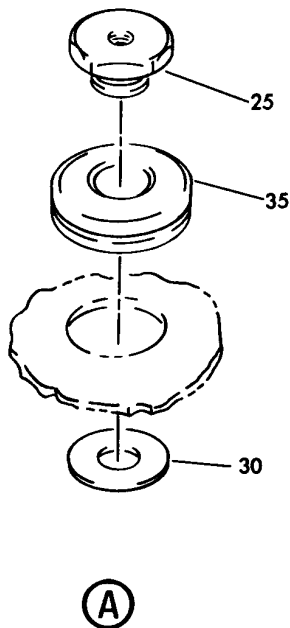
PANEL ASSY-ATTENDANT WORK LT SWITCH SPACER, CTR PSU (EQUIPMENT/FURNISHINGS ONLY)
 FIGURE 75A (SHEET 1)

25-23-01-75A

HXL
DEC 22/06

25-23-01-75A
 PAGE 0

BOEING
767
PARTS CATALOG (MAINTENANCE)



V 25230175A SHT 2 REV 150

PANEL ASSY-ATTENDANT WORK LT SWITCH SPACER, CTR PSU (EQUIPMENT/FURNISHINGS ONLY)
FIGURE 75A (SHEET 2)

25-23-01-75A

HXL
DEC 22/06

25-23-01-75A
PAGE 0A

BOEING
767
PARTS CATALOG (MAINTENANCE)

FIG ITEM	PART NUMBER	1 2 3 4 5 6 7	NOMENCLATURE	EFFECT FROM TO	UNITS PER ASSY
75A			PANEL ASSY-ATTENDANT WORK LT SWITCH SPACER, CTR PSU (EQUIPMENT/FURNISHINGS ONLY)	155162	
- 1	417T3055-3015SP		PANEL ASSY-ATTENDANT WORK LT SWITCH SPACER, PSU (EQUIPMENT/FURNISHINGS ONLY) POSITION DATA: CTR FOR NHA/OTHER SYS DET SEE: 25-23-01-48C	155162	RF
10	417T3064-315SP		.PANEL ASSY-FACE ATTACHING PARTS	155162	1
15	SL6164-08-3		.STUD- SUPPLIER CODE: V97393 -----*-----	155162	4
20	417T3056-17		.FRAME ASSY	155162	1
25	1200-25CD		..RING-RETAINING SUPPLIER CODE: V97464	155162	4
25	1200-25ZD		..RING-RETAINING SUPPLIER CODE: V97464	155162	4
30	417T3091-1		..SLEEVE-ADJUSTING	155162	4
35	417T3059-1		..GROMMET	155162	4
40	417T3058-116		..PAD-RUBBER	155162	4
45	417T3058-125		..LATCH ASSY ATTACHING PARTS	155162	2
- 50	NAS1801-08-05		..SCREW	155162	4
- 55	MS35333-38		..WASHER	155162	4
- 60	AN960PD8L		..WASHER	155162	4
			-----*-----		
65	6035-2BR0185		...INSERT- SUPPLIER CODE: V01556	155162	2
70	417T3058-119		...PIN-INDEX	155162	1
75	MS20253P2-54		...PIN	155162	1
80	417T3058-121		...SPRING-TRIGGER	155162	1
85	417T3058-115		...TRIGGER	155162	1
90	MS20253P2-095		...PIN	155162	1
95	417T3058-120		...SPRING-CAM	155162	1
100	417T3058-114		...CAM-SHORT ARM	155162	1
105	417T3058-128		...BASE-WIDE	155162	1

ILLUSTRATION ITEMS NOT ON PARTS LIST ARE NOT APPLICABLE

- ITEM NOT ILLUSTRATED

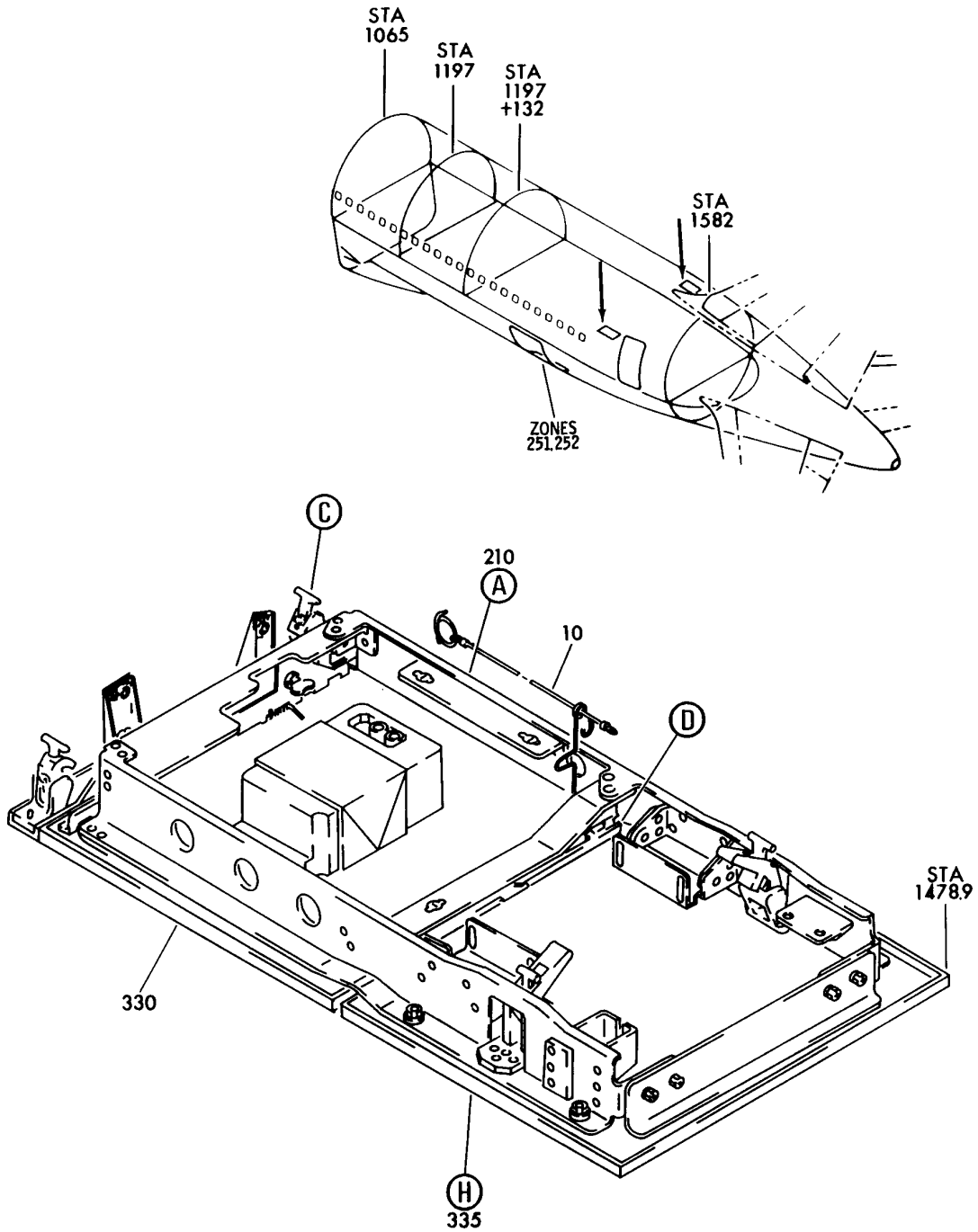
HXL

25-23-01-75A

BOEING PROPRIETARY - Copyright © - Unpublished Work - See title page for details.

25-23-01
FIG. 75A
PAGE 1
DEC 22/06

BOEING
767
PARTS CATALOG (MAINTENANCE)



V 25230-177 SHT 1 REV 116

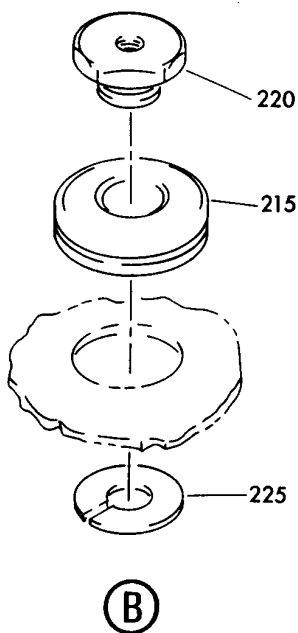
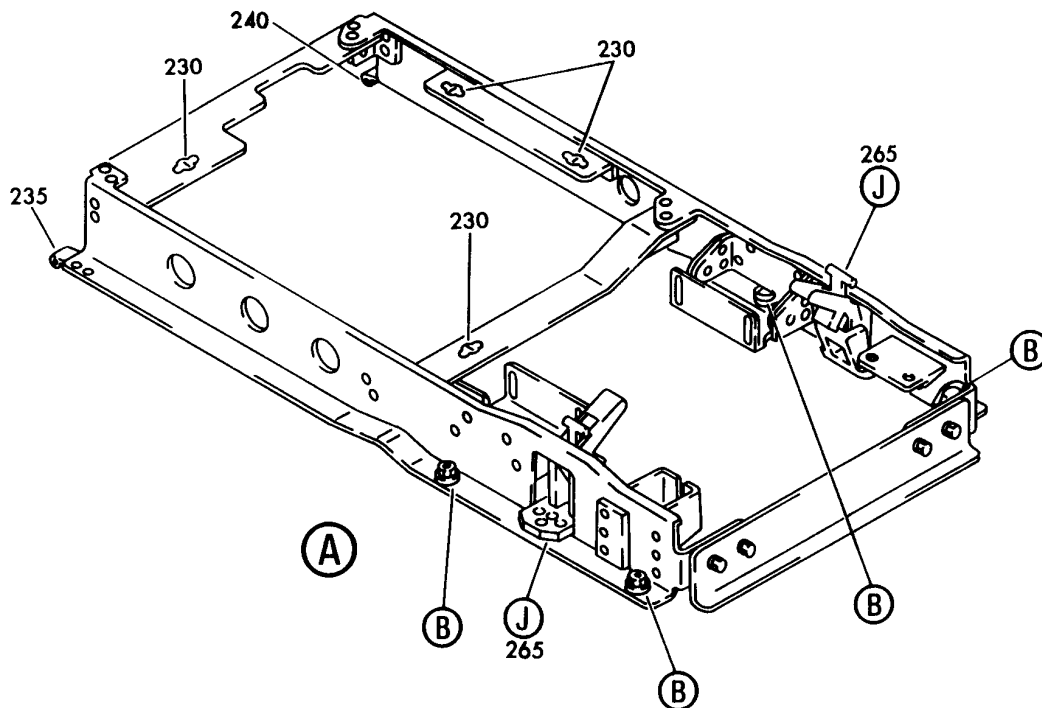
PANEL ASSY-SMOKE DETECTOR CREW REST AFT
FIGURE 77 (SHEET 1)

25-23-01-77

HXL
DEC 22/06

25-23-01-77
PAGE 0

BOEING
767
PARTS CATALOG (MAINTENANCE)



V 25230177 SHT 2 REV 116

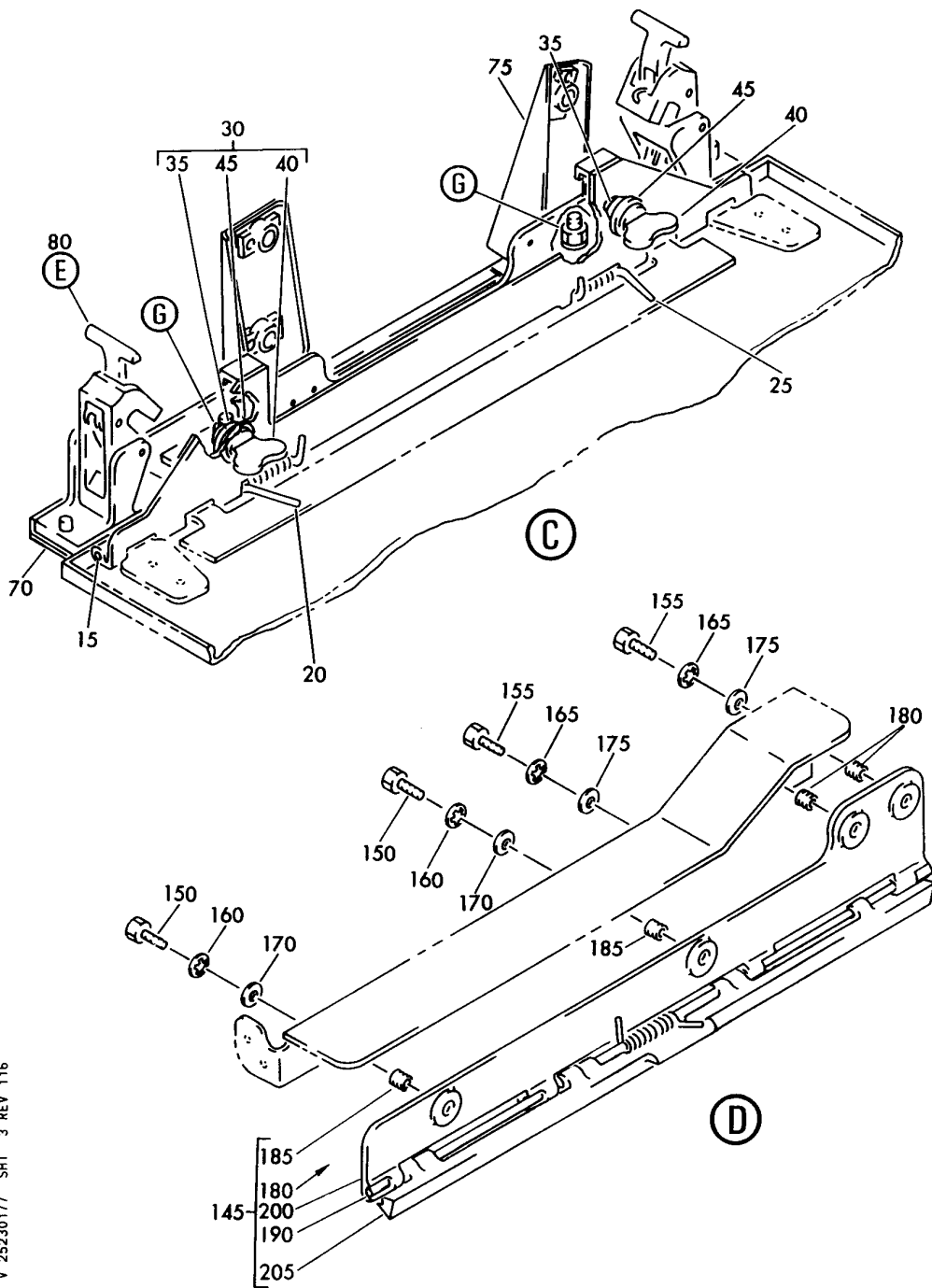
PANEL ASSY-SMOKE DETECTOR CREW REST AFT
FIGURE 77 (SHEET 2)

25-23-01-77

HXL
DEC 22/06

25-23-01-77
PAGE 0A

BOEING
767
PARTS CATALOG (MAINTENANCE)



V 25230177 SHT 3 REV 116

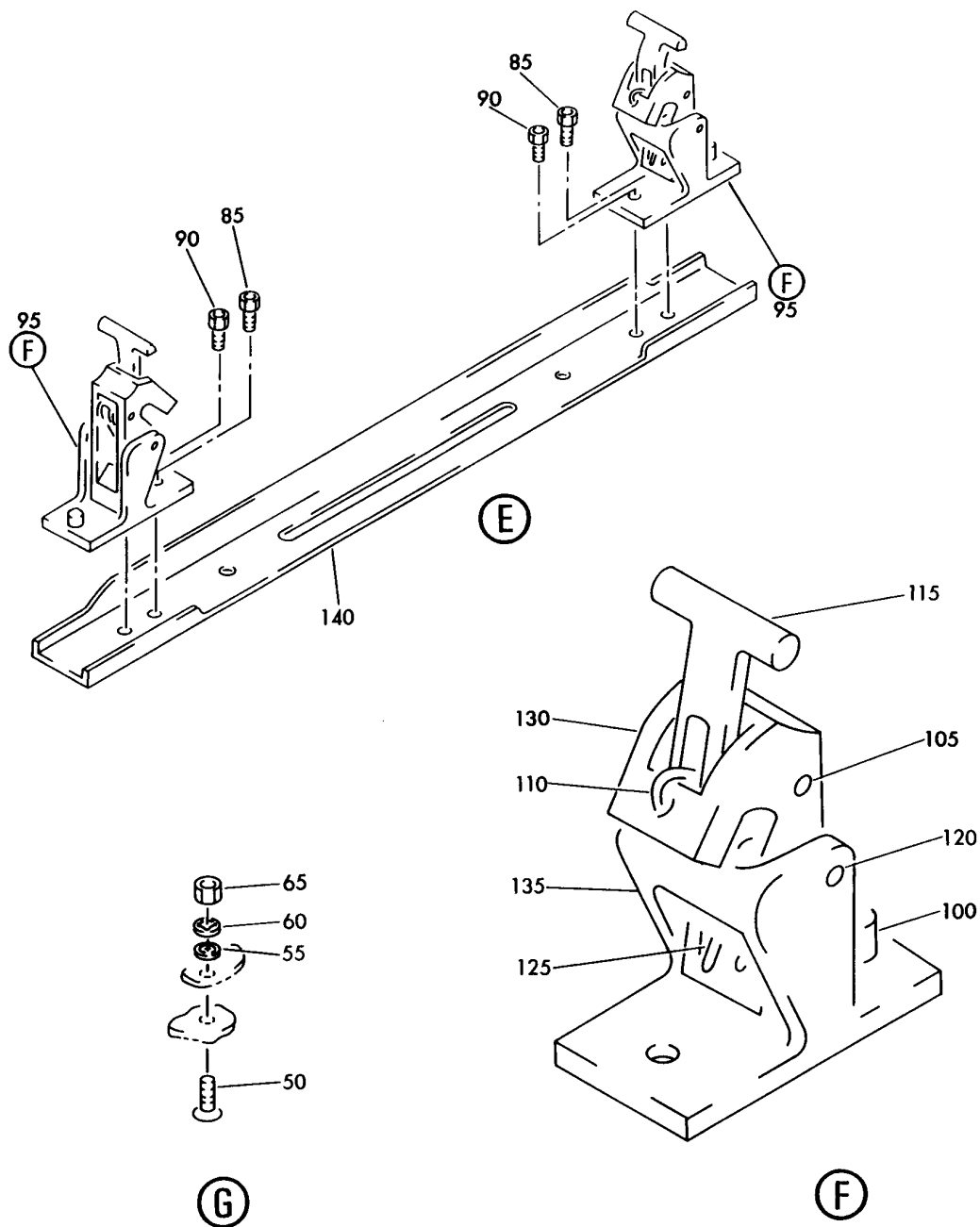
PANEL ASSY-SMOKE DETECTOR CREW REST AFT
FIGURE 77 (SHEET 3)

25-23-01-77

HXL
DEC 22/06

25-23-01-77
PAGE 0B

BOEING
767
PARTS CATALOG (MAINTENANCE)



V 25230177 SHT 4 REV 116

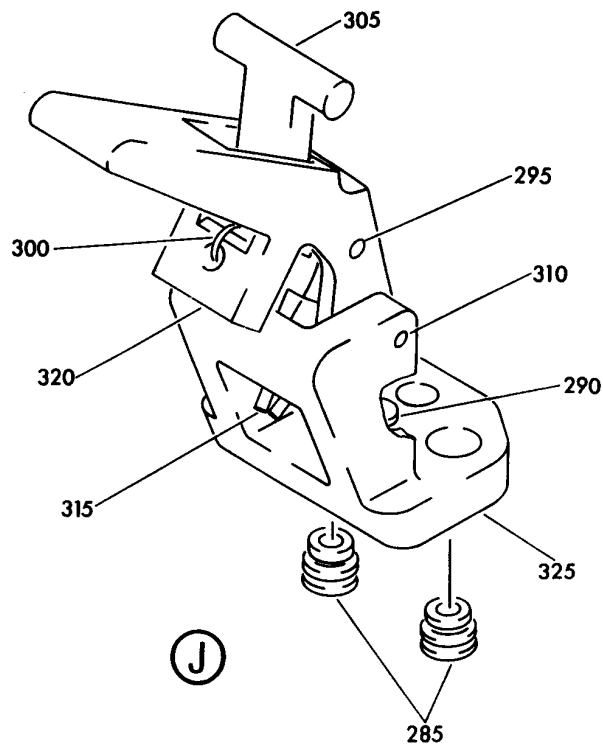
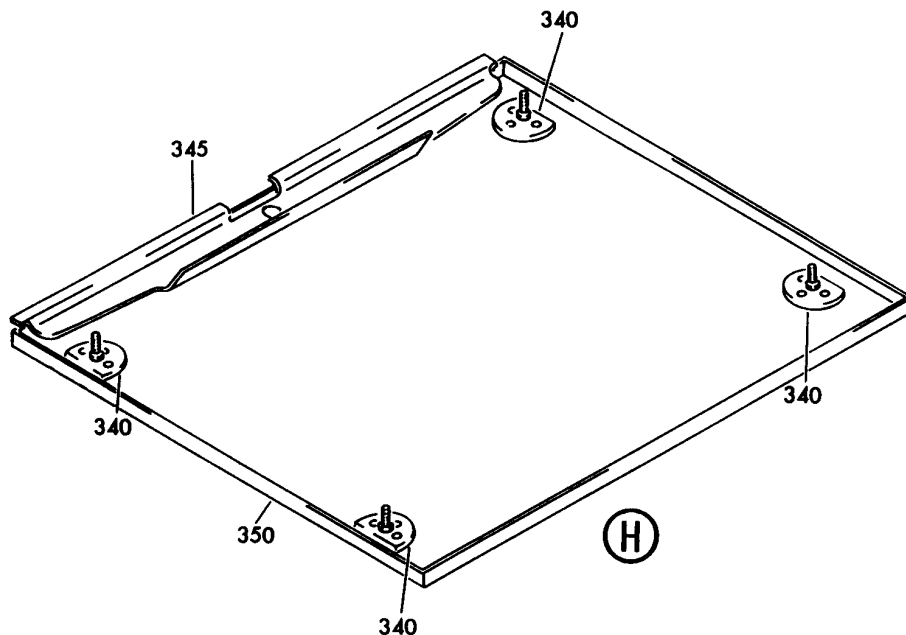
PANEL ASSY-SMOKE DETECTOR CREW REST AFT
FIGURE 77 (SHEET 4)

25-23-01-77

HXL
DEC 22/06

25-23-01-77
PAGE 0C

BOEING
767
PARTS CATALOG (MAINTENANCE)



V 25230177 SHT 5 REV 116

PANEL ASSY-SMOKE DETECTOR CREW REST AFT
FIGURE 77 (SHEET 5)

25-23-01-77

HXL
DEC 22/06

25-23-01-77
PAGE 0D

 **BOEING**
767
PARTS CATALOG (MAINTENANCE)

FIG ITEM	PART NUMBER	1 2 3 4 5 6 7	NOMENCLATURE	EFFECT FROM TO	UNITS PER ASSY
77			PANEL ASSY-SMOKE DETECTOR CREW REST AFT	163999	
- 1	218T3408-1SP		PANEL ASSY-SMOKE DETECTOR CREW REST (EQUIPMENT/ FURNISHINGS ONLY) POSITION DATA: AFT LH FOR NHA/OTHER SYS DET SEE: 25-23-01-48B	163999	1
- 5	218T3408-2SP		PANEL ASSY-SMOKE DETECTOR CREW REST (EQUIPMENT/ FURNISHINGS ONLY) POSITION DATA: AFT RH FOR NHA/OTHER SYS DET SEE: 25-23-01-48B	163999	1
10	417T3051-12		.LANYARD ASSY- OPTIONAL PART: 417T3051-49	163999	1
10	417T3051-49		.LANYARD ASSY- OPTIONAL PART: 417T3051-12	163999	1
15	MS20253P2-350		.PIN	163999	2
20	417T3051-9		.SPRING	163999	1
25	417T3051-10		.SPRING	163999	1
30	417T3052-5		.HINGE ASSY	163999	1
35	R4T		..RING-RETAINING SUPPLIER CODE: V71286	163999	2
40	4002-5W		..STUD- SUPPLIER CODE: V71286	163999	2
45	40G20-11		..GROMMET- SUPPLIER CODE: V71286	163999	2
50	NAS514P832-6		.SCREW	163999	2
55	AN960PD10		.WASHER-	163999	2
55	AN960JD10		..WASHER-	163999	2
55	AN960KD10		..WASHER-	163999	2
60	MS35333-38		.WASHER	163999	2
65	MS35649-282		.NUT	163999	2
70	417T3052-23		.COVER-TEDLAR	163999	1
75	417T3052-24		.MOUNT ASSY-HINGE	163999	1
75	417T3052-54		.MOUNT ASSY-HINGE	163999	1
80	417T3052-3		.BAR ASSY-TIE	163999	1
85	NAS514P832-5		..SCREW	163999	2
90	NAS514P832-3		..SCREW	163999	2
95	417T3058-105		..LATCH ASSY	163999	2
100	417T3058-117		...PIN-INDEX	163999	1

ILLUSTRATION ITEMS NOT ON PARTS LIST ARE NOT APPLICABLE

- ITEM NOT ILLUSTRATED

HXL

25-23-01-77

25-23-01
FIG. 77
PAGE 1
AUG 22/08



767

PARTS CATALOG (MAINTENANCE)

FIG ITEM	PART NUMBER	1 2 3 4 5 6 7	NOMENCLATURE	EFFECT FROM TO	UNITS PER ASSY
77					
105	MS20253P2-54	...	PIN	163999	1
110	417T3058-121	...	SPRING-TRIGGER	163999	1
115	417T3058-115	...	TRIGGER	163999	1
120	MS20253P2-76	...	PIN	163999	1
125	417T3058-120	...	SPRING-CAM	163999	1
130	417T3058-114	...	CAM-SHORT ARM	163999	1
135	417T3058-111	...	BASE-NARROW	163999	1
140	417T3054-23	..	BAR-TIE	163999	1
145	417T3058-21	.	LATCH ASSY- POSITION DATA: OUTBD ATTACHING PARTS	163999	1
150	NAS1801-08-06	.	SCREW	163999	2
155	NAS1801-06-6	.	SCREW	163999	2
160	MS35333-38	.	WASHER	163999	2
165	MS35333-37	.	WASHER	163999	2
170	AN960PD8	.	WASHER-	163999	2
170	AN960JD8	.	WASHER-	163999	2
170	AN960KD8	.	WASHER-	163999	2
175	AN960PD6L	.	WASHER-	163999	2
175	AN960JD6L	.	WASHER-	163999	2
175	AN960KD6L	.	WASHER-	163999	2
			-----*-----		
180	6035-06BR0150	..	INSERT- SUPPLIER CODE: V01556	163999	2
185	6035-06BR0185	..	INSERT- SUPPLIER CODE: V01556	163999	2
190	MS20253-2-942	..	PIN	163999	1
195	417T3058-5	..	SPRING	163999	1
200	417T3058-6	..	LATCH-MOUNT POSITION DATA: OUTBD	163999	1
205	417T3058-123	..	LATCH- POSITION DATA: OUTBD	163999	1
210	417T3052-156	.	FRAME ASSY- OPTIONAL PART: 417T3052-152	163999	1
210	417T3052-152	.	FRAME ASSY- OPTIONAL PART: 417T3052-156	163999	1
215	417T3059-1	..	GROMMET	163999	4
220	417T3091-1	..	SLEEVE-ADJUSTING	163999	4
225	1200-25CD	..	RING-RETAINING SUPPLIER CODE: V97464	163999	4

ILLUSTRATION ITEMS NOT ON PARTS LIST ARE NOT APPLICABLE

- ITEM NOT ILLUSTRATED

25-23-01-77

25-23-01
FIG. 77
PAGE 2
AUG 22/08

HXL

BOEING
767
PARTS CATALOG (MAINTENANCE)

FIG ITEM	PART NUMBER	1 2 3 4 5 6 7	NOMENCLATURE	EFFECT FROM TO	UNITS PER ASSY
77					
225	1200-25ZD		..RING-RETAINING SUPPLIER CODE: V97464	163999	4
230	S3-150		..RETAINER- SUPPLIER CODE: V72794	163999	4
235	417T3054-28		..HINGE-HALF	163999	1
240	417T3054-29		..HINGE-HALF ATTACHING PARTS	163999	1
- 245	NAS1801-06-5		..SCREW	163999	4
- 250	AN960PD6		..WASHER-	163999	4
- 250	AN960JD6		..WASHER-	163999	4
- 250	AN960KD6		..WASHER-	163999	2
- 255	MS35333-37		..WASHER	163999	4
- 260	MS25082-1		..NUT	163999	4
			-----*-----		
265	417T3058-127		..LATCH ASSY ATTACHING PARTS	163999	2
- 270	NAS1801-08-5		..SCREW	163999	4
- 275	MS35333-38		..WASHER	163999	4
- 280	AN960PD8L		..WASHER-	163999	4
- 280	AN960JD8L		..WASHER-	163999	4
- 280	AN960KD8L		..WASHER-	163999	4
			-----*-----		
285	6035-2BR0185		...INSERT- SUPPLIER CODE: V01556	163999	2
290	417T3058-116		...PAD-RUBBER	163999	1
295	MS20253P2-54		...PIN	163999	1
300	417T3058-121		...SPRING-TRIGGER	163999	1
305	417T3058-115		...TRIGGER	163999	1
310	MS20253P2-095		...PIN-	163999	1
315	417T3058-120		...SPRING-CAM	163999	1
320	417T3058-113		...CAM-SHORT ARM	163999	1
325	417T3058-128		...BASE-NARROW	163999	1
330	218T3408-5		.PANEL ASSY	163999	1
335	218T3408-6		.PANEL ASSY	163999	1
340	SL6164-08-3		..STUD- SUPPLIER CODE: V97393 USED ON: 218T3408-6 218T3408-8	163999	4
345	417T3073-4		..FILLER- USED ON: 218T3408-6	163999	1
350	417T3070-23		..PANEL- USED ON: 218T3408-6	163999	1

ILLUSTRATION ITEMS NOT ON PARTS LIST ARE NOT APPLICABLE

- ITEM NOT ILLUSTRATED

HXL

25-23-01-77

BOEING PROPRIETARY - Copyright © - Unpublished Work - See title page for details.

25-23-01
FIG. 77
PAGE 3
DEC 22/07



767
PARTS CATALOG (MAINTENANCE)

FIG ITEM	PART NUMBER	1 2 3 4 5 6 7	NOMENCLATURE	EFFECT FROM TO	UNITS PER ASSY
77 350	417T3070-30		. . PANEL- USED ON: 218T3408-5	163999	1

ILLUSTRATION ITEMS NOT ON PARTS LIST ARE NOT APPLICABLE

- ITEM NOT ILLUSTRATED

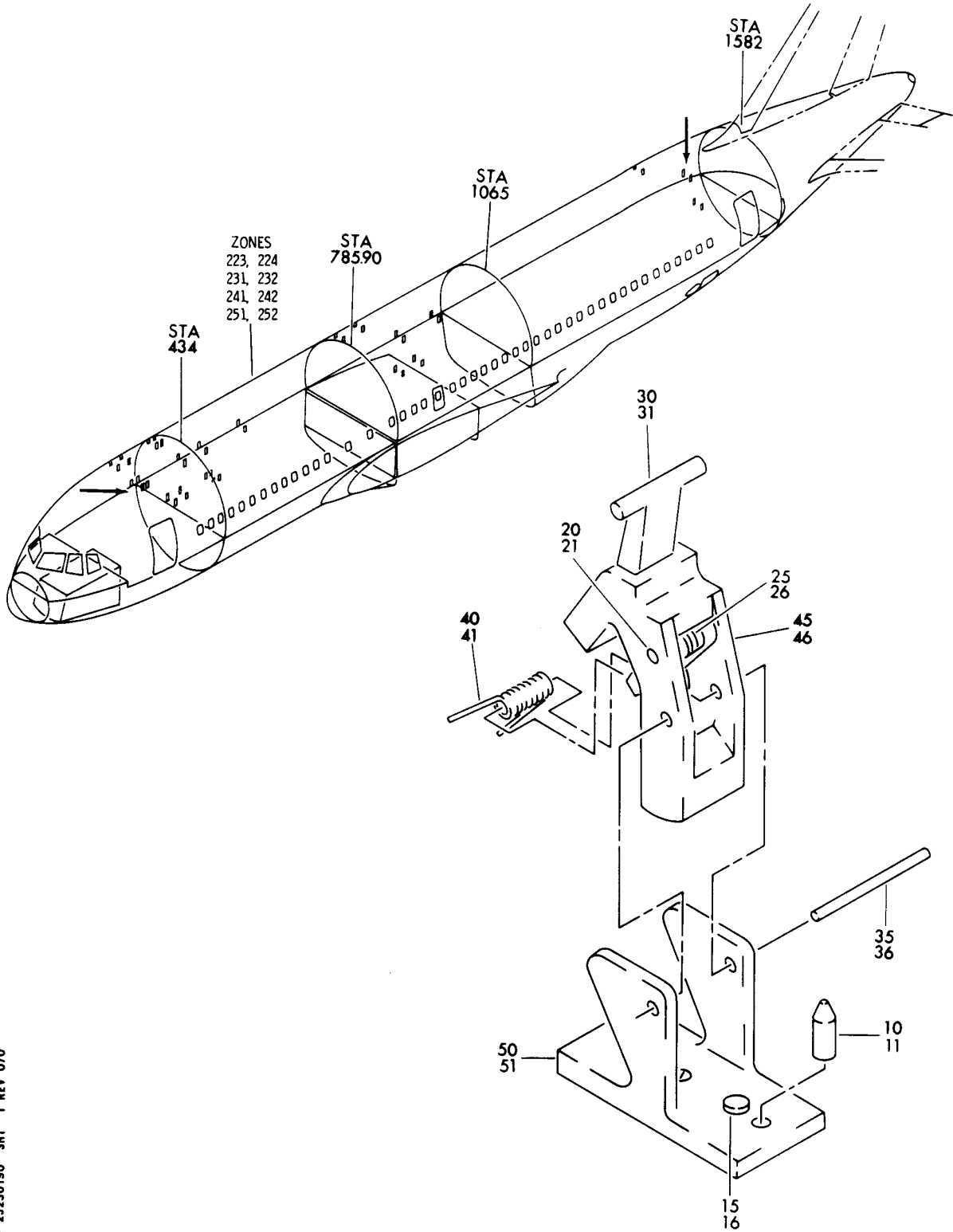
HXL

25-23-01-77

BOEING PROPRIETARY - Copyright © - Unpublished Work - See title page for details.

25-23-01
FIG. 77
PAGE 4
DEC 22/07

BOEING
767
PARTS CATALOG (MAINTENANCE)



V 25230190 SHT 1 REV 070

LATCH ASSY-SPKR PNL WITH PIN
FIGURE 90

25-23-01-90

HXL
DEC 22/06

25-23-01-90
PAGE 0



767

PARTS CATALOG (MAINTENANCE)

FIG ITEM	PART NUMBER	1 2 3 4 5 6 7	NOMENCLATURE	EFFECT FROM TO	UNITS PER ASSY
90			LATCH ASSY-SPKR PNL WITH PIN	163999	
- 1	417T3058-104		LATCH ASSY-SPKR PNL WITH PIN	163999	RF
			FOR NHA SEE: 25-23-01-70 25-23-01-73		
10	417T3058-118		.PIN-INDEX	164999	1
10	417T3058-118		.PIN-INDEX	163999	1
15	417T3058-116		.PAD-RUBBER	164999	1
15	417T3058-116		.PAD-RUBBER	163999	1
20	MS20253P2-54		.PIN	164999	1
20	MS20253P2-54		.PIN	163999	1
25	417T3058-121		.SPRING-TRIGGER	164999	1
25	417T3058-121		.SPRING-TRIGGER	163999	1
30	417T3058-115		.TRIGGER	164999	1
30	417T3058-115		.TRIGGER	163999	1
35	MS20253P2-76		.PIN	164999	1
35	MS20253P2-76		.PIN	163999	1
40	417T3058-120		.SPRING-CAM	164999	1
40	417T3058-120		.SPRING-CAM	163999	1
45	417T3058-114		.CAM-SHORT ARM	164999	1
45	417T3058-114		.CAM-SHORT ARM	163999	1
50	417T3058-110		.BASE-NARROW	164999	1
50	417T3058-110		.BASE-NARROW	163999	1

ILLUSTRATION ITEMS NOT ON PARTS LIST ARE NOT APPLICABLE

- ITEM NOT ILLUSTRATED

HXL

25-23-01-90

BOEING PROPRIETARY - Copyright © - Unpublished Work - See title page for details.

25-23-01
FIG. 90
PAGE 1
DEC 22/07