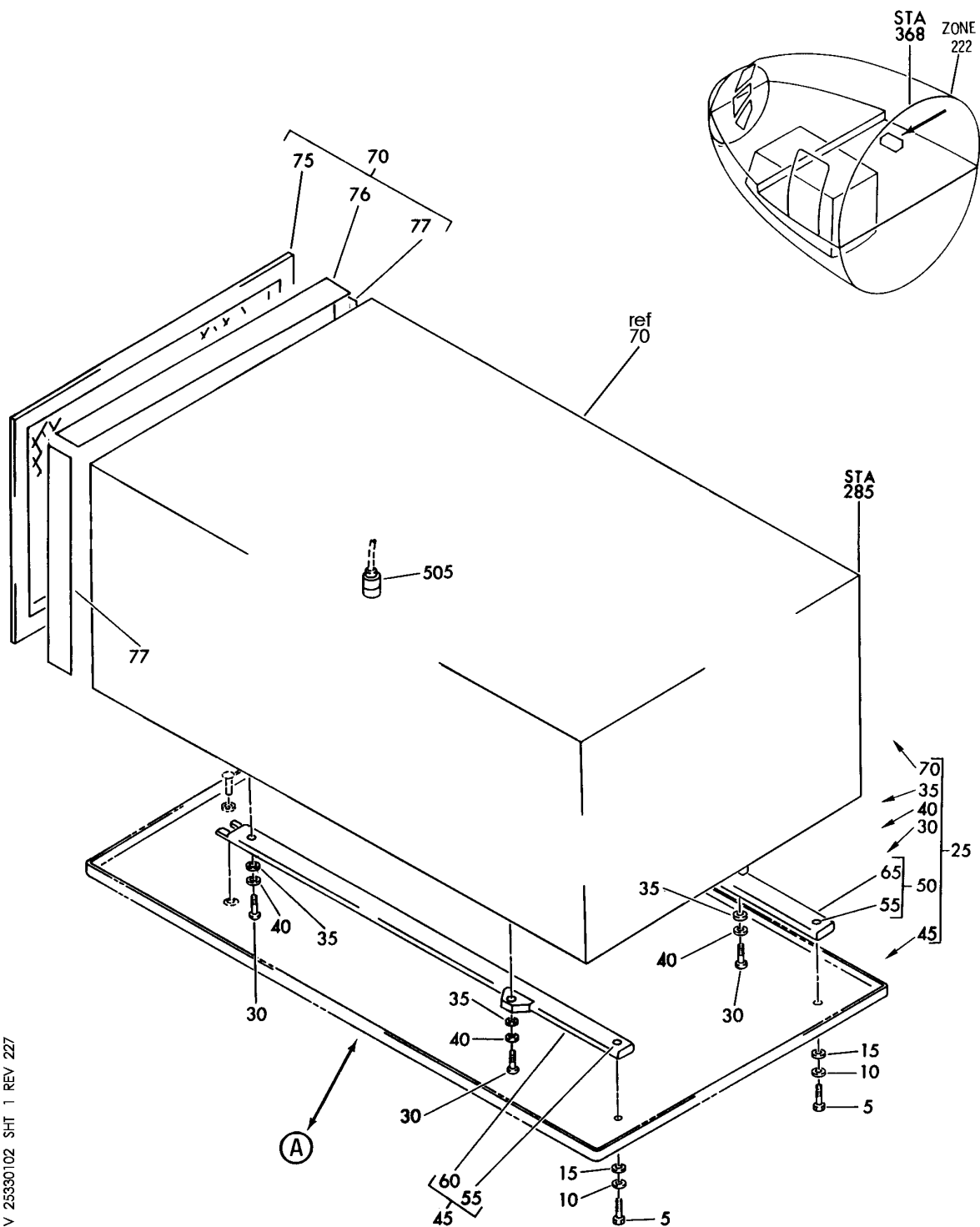


REFRIGERATION

BOEING
767
PARTS CATALOG (MAINTENANCE)



V 25330102 SHT 1 REV 227

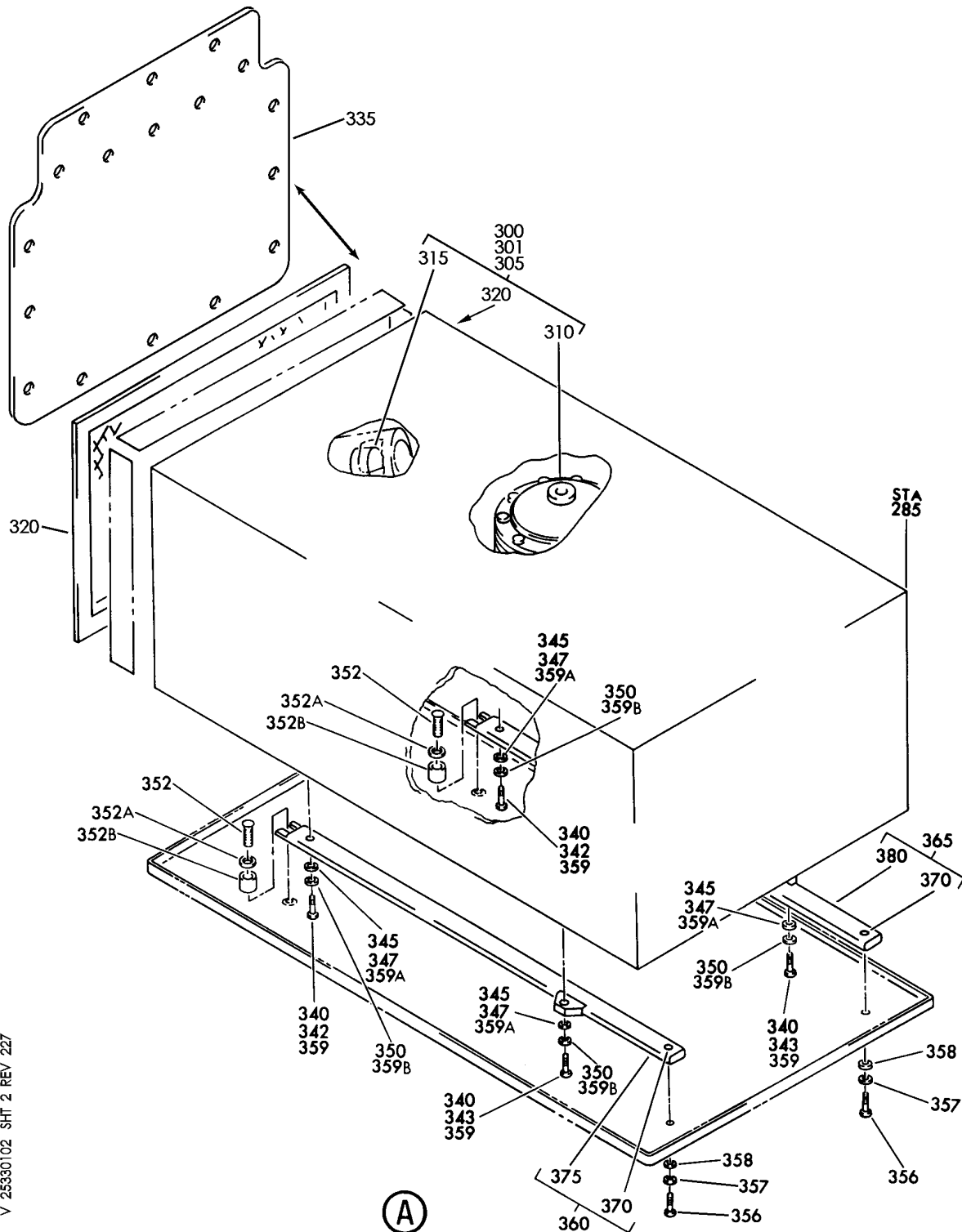
CHILLER INSTL-GALLEY CHILLED AIR SYS FWD
FIGURE 2 (SHEET 1)

25-33-01-02

HXL
DEC 22/06

25-33-01-02
PAGE 0

BOEING
767
PARTS CATALOG (MAINTENANCE)



V 25330102 SHT 2 REV 227

CHILLER INSTL-GALLEY CHILLED AIR SYS FWD
FIGURE 2 (SHEET 2)

25-33-01-02

HXL
DEC 22/06

25-33-01-02
PAGE 0A



767

PARTS CATALOG (MAINTENANCE)

FIG ITEM	PART NUMBER	1 2 3 4 5 6 7	NOMENCLATURE	EFFECT FROM TO	UNITS PER ASSY
2			CHILLER INSTL-GALLEY CHILLED AIR SYS FWD		
- 2	415T6148-28		CHILLER INSTL-GALLEY CHILLED AIR SYS POSITION DATA: FWD FOR NHA SEE: 25-20-00-15		RF
5	NAS6604-3		.BOLT- OPTIONAL PART: NAS1352-4-8		2
5	NAS1352-4-8		.BOLT- OPTIONAL PART: NAS6604-3		2
10	NAS1149F0463P		.WASHER-		2
15	NAS1523-4Y		.PACKING		2
320	2721-1		..FILTER- SUPPLIER CODE: V60299 USED ON: 267-1 267-3 267-6 267SV 267-100		1
342	NAS1352-4-16		.SCREW-		2
343	NAS1352-4-12		.SCREW-		2
347	AN960C416L		.WASHER-		4
350	MS35338-139		.WASHER		4
356	NAS6604-3		.BOLT- POST SERVICE BULLETIN: 25-0206		2
357	NAS1149F0463P		.WASHER- POST SERVICE BULLETIN: 25-0206		2
358	NAS43HT4-17		.SPACER- POST SERVICE BULLETIN: 25-0206		2
359	MS51957-83		.SCREW- POST SERVICE BULLETIN: 25-0206		4
359A	NAS1149C0463R		.WASHER- POST SERVICE BULLETIN: 25-0206		4
360	415T6117-9		.RAIL ASSY- POST SERVICE BULLETIN: 25-0206		1

ILLUSTRATION ITEMS NOT ON PARTS LIST ARE NOT APPLICABLE

- ITEM NOT ILLUSTRATED

25-33-01-02

25-33-01
FIG. 02
PAGE 1
DEC 22/07

HXL



767

PARTS CATALOG (MAINTENANCE)

FIG ITEM	PART NUMBER	1 2 3 4 5 6 7	NOMENCLATURE	EFFECT FROM TO	UNITS PER ASSY
2					
365	415T6117-10		.RAIL ASSY- POST SERVICE BULLETIN: 25-0206		1
370	MS21209F4-10L		..INSERT		1
375	415T6117-3		..TUBE- USED ON: 415T6117-9		1
380	415T6117-4		..TUBE- USED ON: 415T6117-10		1
- 500	286T0282-120		WIRE BUNDLE ASSY		RF
505	BACC45FT16A10S		.CONNECTOR- ELECTRICAL EQUIP NUMBER: D02654 WIRING DIAGRAM REF: 253311		1

ILLUSTRATION ITEMS NOT ON PARTS LIST ARE NOT APPLICABLE

- ITEM NOT ILLUSTRATED

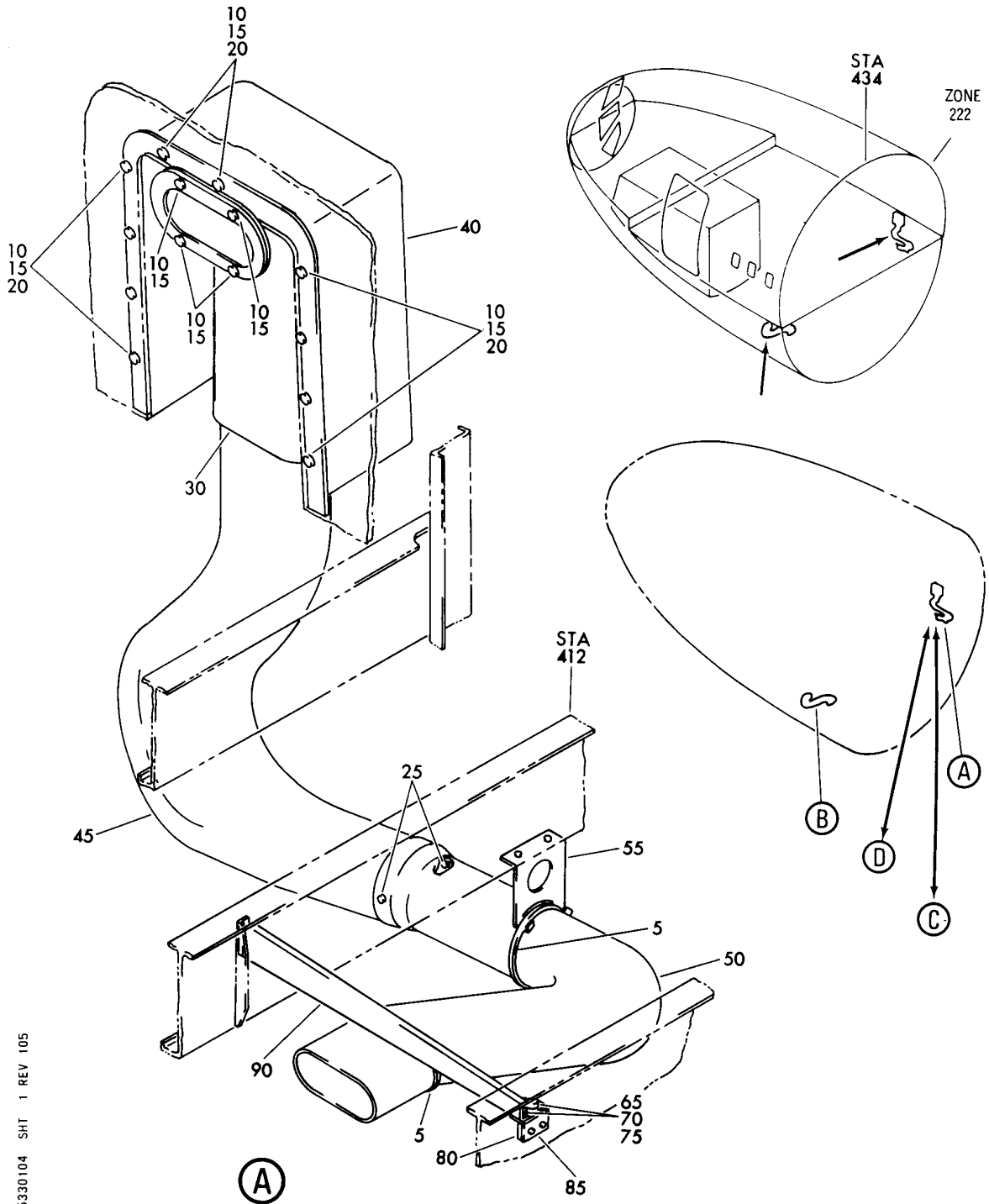
HXL

25-33-01-02

BOEING PROPRIETARY - Copyright © - Unpublished Work - See title page for details.

25-33-01
FIG. 02
PAGE 2
DEC 22/07

BOEING
767
PARTS CATALOG (MAINTENANCE)



V 25330104 SHT 1 REV 105

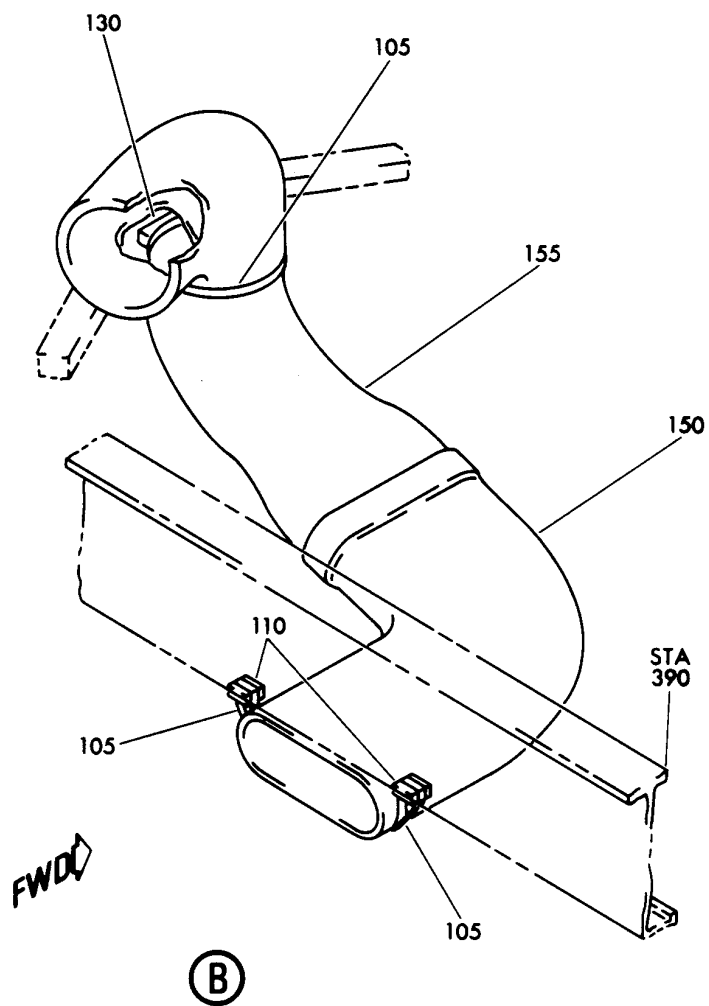
DUCT INSTL-F3 GALLEY CHILLER SUPPLY AND EXHAUST
FIGURE 4 (SHEET 1)

25-33-01-04

HXL
DEC 22/06

25-33-01-04
PAGE 0

BOEING
767
PARTS CATALOG (MAINTENANCE)



V 25330104 SHT 2 REV 095

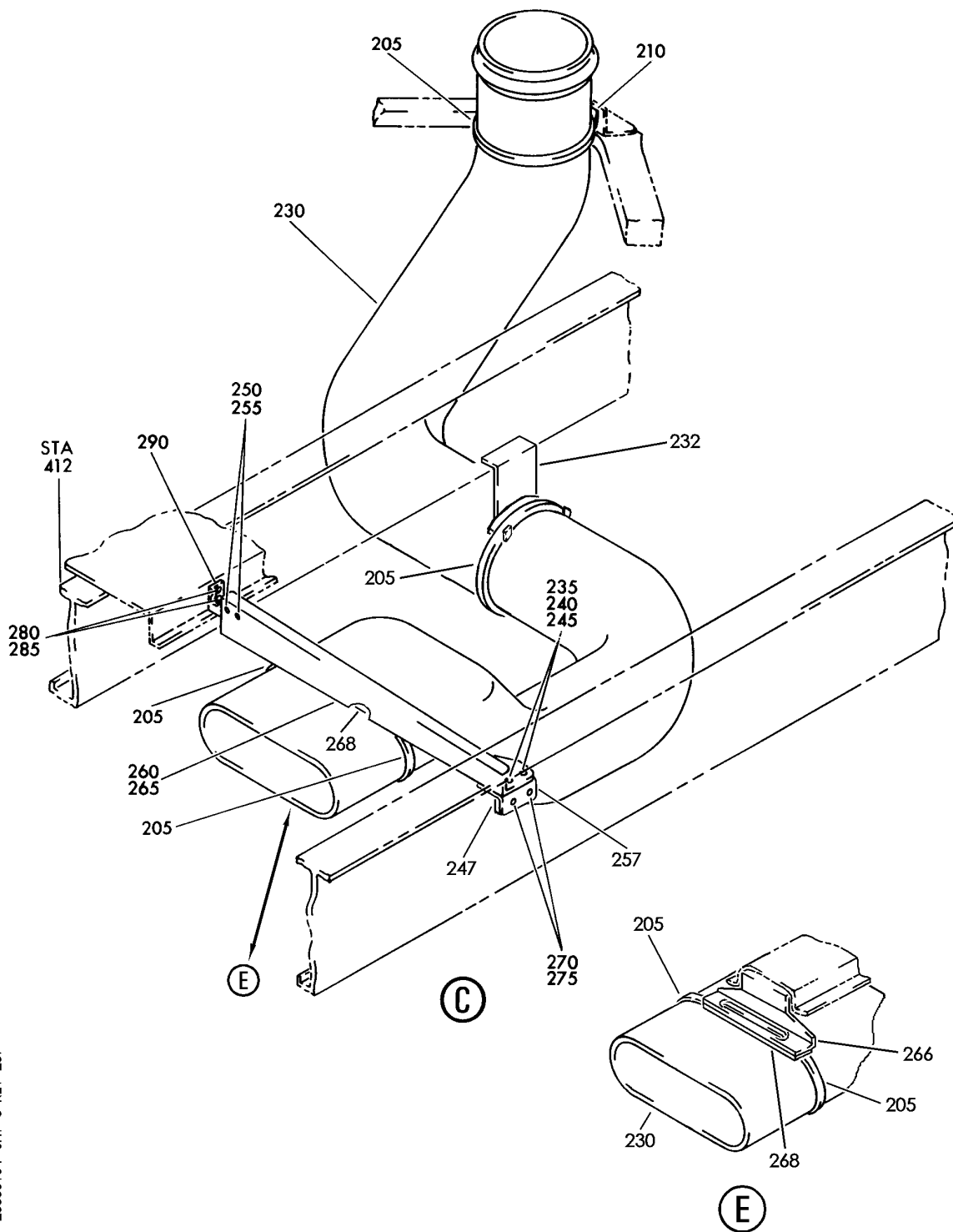
DUCT INSTL-F3 GALLEY CHILLER SUPPLY AND EXHAUST
FIGURE 4 (SHEET 2)

25-33-01-04

HXL
DEC 22/06

25-33-01-04
PAGE 0A

BOEING
767
PARTS CATALOG (MAINTENANCE)



V 25330104 SHT 3 REV 239

DUCT INSTL-F3 GALLEY CHILLER SUPPLY AND EXHAUST
FIGURE 4 (SHEET 3)

25-33-01-04

HXL
DEC 22/06

25-33-01-04
PAGE 0B



767

PARTS CATALOG (MAINTENANCE)

FIG ITEM	PART NUMBER	1 2 3 4 5 6 7	NOMENCLATURE	EFFECT FROM TO	UNITS PER ASSY
4			DUCT INSTL-F3 GALLEY CHILLER SUPPLY AND EXHAUST		
- 100	214T7010-3		DUCT INSTL-G3 GALLEY CHILLER SUPPLY AND EXHAUST		RF
105	T012L0		FOR NHA SEE: 21-00-00-01A .STRAP SUPPLIER CODE: V53421 SPECIFICATION NUMBER: BACS38K6		4
110	TM3S10		.PLATE SUPPLIER CODE: V06383 SPECIFICATION NUMBER: STBP19M12		2
- 115	NAS1801-3-8		ATTACHING PARTS .SCREW		2
- 120	AN960JD10L		.WASHER		2
- 125	MS21042L3		.NUT		2
130	214T3424-21		-----*----- .SUPPORT ATTACHING PARTS		1
- 135	NAS1801-3-8		.SCREW		2
- 140	AN960JD10L		.WASHER		2
- 145	MS21042L3		.NUT		2
150	214T7418-7		-----*----- .DUCT		1
155	214T7418-6		.DUCT		1
- 200	214T7010-6		DUCT INSTL-G2 GALLEY CHILLER SUPPLY AND EXH SAS FOR NHA SEE: 21-00-00-01A	163999	RF
- 200	214T7010-7		DUCT INSTL-G2 GALLEY CHILLER SUPPLY AND EXH SAS FOR NHA SEE: 21-00-00-01A	155162	RF
205	T012L0		.STRAP SUPPLIER CODE: V53421 SPECIFICATION NUMBER: BACS38K6		4
210	214T3424-21		.SUPPORT ATTACHING PARTS		1
- 215	NAS1801-3-8		.SCREW-		2

ILLUSTRATION ITEMS NOT ON PARTS LIST ARE NOT APPLICABLE

- ITEM NOT ILLUSTRATED

25-33-01-04

25-33-01
FIG. 04
PAGE 1
DEC 22/07

HXL

BOEING
767
PARTS CATALOG (MAINTENANCE)

FIG ITEM	PART NUMBER	1 2 3 4 5 6 7	NOMENCLATURE	EFFECT FROM TO	UNITS PER ASSY
4					
- 220	AN960JD10L		.WASHER-		2
- 225	MS21042L3		.NUT-		2
			-----*-----		
230	214T7418-8		.DUCT-		1
232	214T7419-9		.BRACKET ASSY		1
			ATTACHING PARTS		
- 233	BACR15BB6AD		.RIVET-		2
			SIZE DETERMINED ON INSTL.		
			-----*-----		
235	NAS1801-3-7		.SCREW	155162	2
240	AN960PD10L		.WASHER	155162	2
245	MS21042L3		.NUT-	155162	2
247	BACF3H09VH019HN		.SPACER	155162	1
250	BACB30VU5		.BOLT-		2
			SIZE DETERMINED ON INSTL.		
R 255	BACC30BL5		.COLLAR		2
257	214T7419-4		.BRACKET	155162	1
260	214T7419-5		.BRACKET	155162	1
265	214T7419-15		.BRACKET	163999	1
268	214U7409-2		.PAD		1
270	HST10AG5-2		.BOLT	163999	2
			SUPPLIER CODE:		
			VOPTK6		
			SPECIFICATION NUMBER:		
			BACB30VT5K2		
			OPTIONAL PART:		
			HST10AG5-2		
			V06725		
			HST10AG5-2		
			V56878		
			HST10AG5-2		
			V73197		
R 275	BACC30BL5		.COLLAR	163999	2
280	BACB30VT5K		.BOLT-		2
			SIZE DETERMINED ON INSTL.		
R 285	BACC30BS5S		.COLLAR		2
290	214T7419-6		.BRACKET		1

ILLUSTRATION ITEMS NOT ON PARTS LIST ARE NOT APPLICABLE

- ITEM NOT ILLUSTRATED

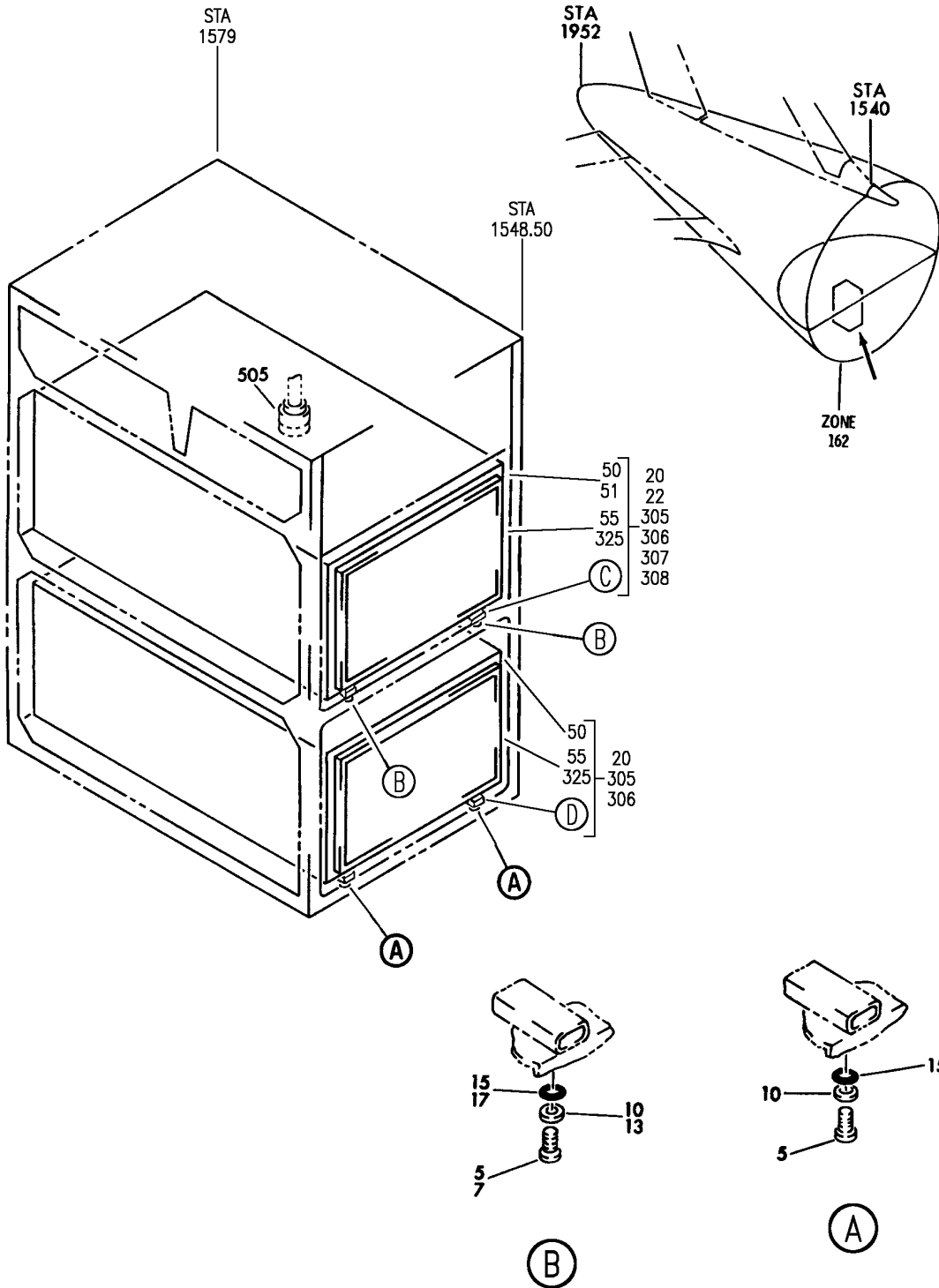
HXL

25-33-01-04

BOEING PROPRIETARY - Copyright © - Unpublished Work - See title page for details.

25-33-01
FIG. 04
PAGE 2
AUG 22/09

BOEING
767
PARTS CATALOG (MAINTENANCE)



V 25330201 SHT 1 REV 342

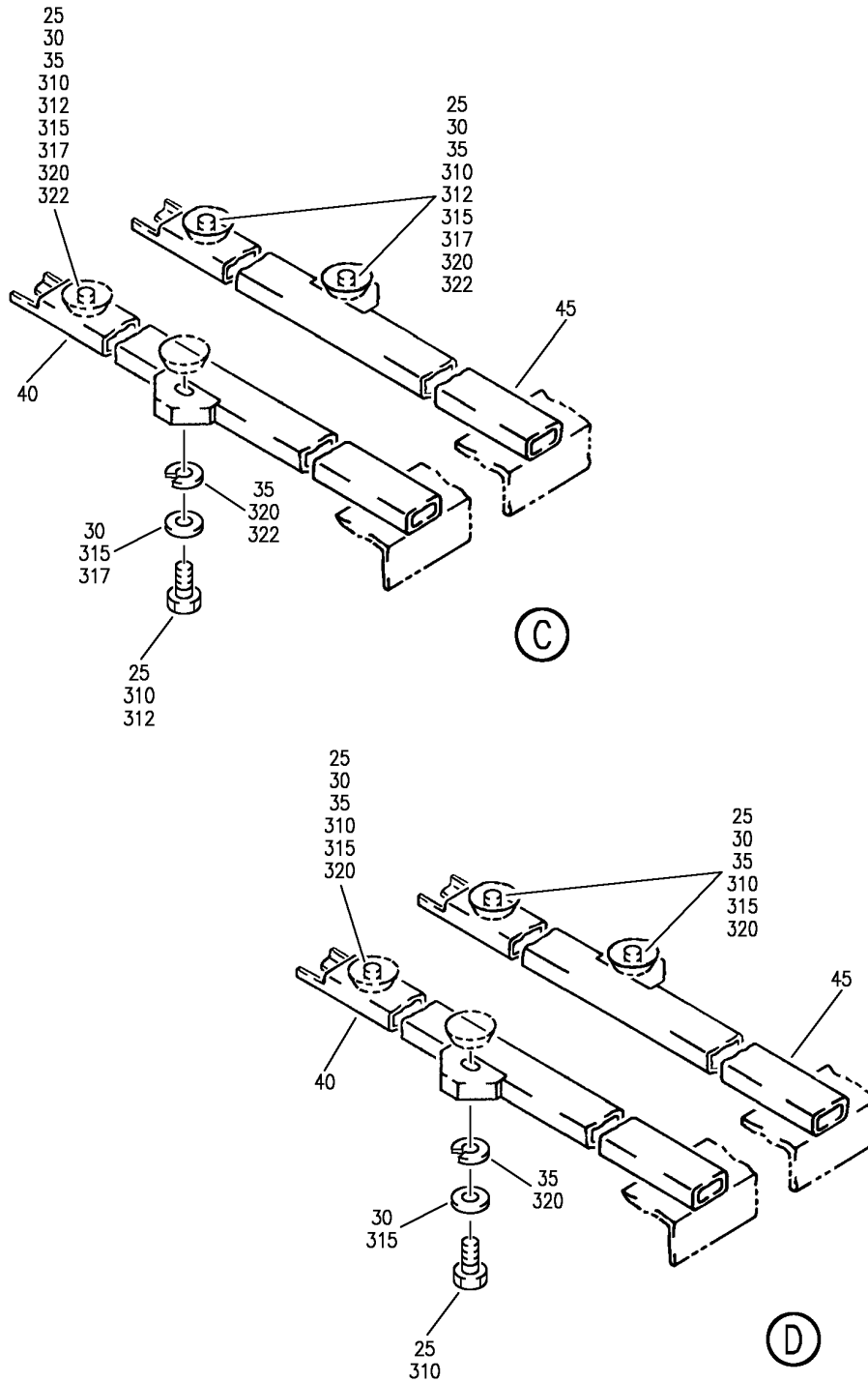
CHILLER INSTL-GALLEY CHILLED AIR SYS AFT
FIGURE 1 (SHEET 1)

25-33-02-01

HXL
AUG 22/09

25-33-02-01
PAGE 0

BOEING
767
PARTS CATALOG (MAINTENANCE)



V 25330201 SH1 2 REV 342

CHILLER INSTL-GALLEY CHILLED AIR SYS AFT
FIGURE 1 (SHEET 2)

25-33-02-01

HXL
AUG 22/09

25-33-02-01
PAGE 0A



767

PARTS CATALOG (MAINTENANCE)

FIG ITEM	PART NUMBER	1 2 3 4 5 6 7	NOMENCLATURE	EFFECT FROM TO	UNITS PER ASSY
1			CHILLER INSTL-GALLEY CHILLED AIR SYS AFT		
- 301	415T6327-28		CHILLER INSTL-GALLEY CHILLED AIR SYS POSITION DATA: AFT FOR NHA SEE: 25-20-00-15		RF
305	267-6		.CHILLER-AIR SUPPLIER CODE: V60299 FUNCTIONAL DESCRIPTION: PROVIDES CHILLED AIR TO GALLEY CARTS OR CART COMPARTMENT COMPONENT MAINT MANUAL REF: 25-30-17		2
305	267SV		.CHILLER ASSY-AIR (CUSTOMER FURNISHED) SUPPLIER CODE: V60299 FUNCTIONAL DESCRIPTION: PROVIDES CHILLED AIR TO GALLEY CARTS OR CART COMPARTMENT COMPONENT MAINT MANUAL REF: 25-30-43		2
306	A826-101		.CHILLER-AIR (CUSTOMER FURNISHED) SUPPLIER CODE: VS5065		2
306	267-15		.CHILLER ASSY-AIR (CUSTOMER FURNISHED) SUPPLIER CODE: V60299 COMPONENT MAINT MANUAL REF: 25-30-38		2
306	267-100		.CHILLER-AIR SUPPLIER CODE: V60299 COMPONENT MAINT MANUAL REF: 25-30-43		2
306	267-500		.CHILLER ASSY-AIR (CUSTOMER FURNISHED) SUPPLIER CODE: V60299 COMPONENT MAINT MANUAL REF: 25-30-43		2

ILLUSTRATION ITEMS NOT ON PARTS LIST ARE NOT APPLICABLE

- ITEM NOT ILLUSTRATED

HXL

25-33-02-01

BOEING PROPRIETARY - Copyright © - Unpublished Work - See title page for details.

25-33-02
FIG. 01
PAGE 1
DEC 22/07



767

PARTS CATALOG (MAINTENANCE)

FIG ITEM	PART NUMBER	1 2 3 4 5 6 7	NOMENCLATURE	EFFECT FROM TO	UNITS PER ASSY
1	306 267-505		.CHILLER-AIR SUPPLIER CODE: V60299 ATTACHING PARTS		2
R	310 MS51957-83		.SCREW-		8
R	315 AN960C416		.WASHER		8
R	320 MS35338-139		.WASHER-		8
	325 2721-1		-----*----- . . FILTER- SUPPLIER CODE: V60299 USED ON: 267-1 267-3 267-6		1

ILLUSTRATION ITEMS NOT ON PARTS LIST ARE NOT APPLICABLE

- ITEM NOT ILLUSTRATED

HXL

25-33-02-01

BOEING PROPRIETARY - Copyright © - Unpublished Work - See title page for details.

25-33-02
FIG. 01
PAGE 2
AUG 22/09



767

PARTS CATALOG (MAINTENANCE)

FIG ITEM	PART NUMBER	1 2 3 4 5 6 7	NOMENCLATURE	EFFECT FROM TO	UNITS PER ASSY
2			DRAIN INSTL-CHILLED AIR SYS GALLEY CHILLER AFT		
- 100	415T6334-8		DRAIN INSTL-CHILLED AIR SYS GALLEY CHILLER POSITION DATA: AFT FOR NHA SEE: 25-20-00-15		RF
105	NAS603-10P	.	SCREW		3
110	AN960C10L	.	WASHER		3
115	BRH10A3	.	NUT		3
			SUPPLIER CODE: V52828		
			SPECIFICATION NUMBER: BACN10JC3		
			OPTIONAL PART: H10-3BAC V15653 NS202101-02 V80539 RMLH9075-3W V72962 VN303A02 V92215 96-02 V80539 T6S1032J V11815		
120	BACC10DK10	.	CLAMP		3
125	415T6334-6	.	TUBE		1
130	415T6334-7	.	TUBE		1
135	415T6334-5	.	TUBE		1
140	69B43050-1	.	DUCT ASSY-TEE		1
145	BACS38K4D	.	STRAP		AR

ILLUSTRATION ITEMS NOT ON PARTS LIST ARE NOT APPLICABLE

- ITEM NOT ILLUSTRATED

HXL

25-33-02-02

BOEING PROPRIETARY - Copyright © - Unpublished Work - See title page for details.

25-33-02
FIG. 02
PAGE 1
DEC 22/06

 **BOEING**
767
PARTS CATALOG (MAINTENANCE)

FIG ITEM	PART NUMBER	1 2 3 4 5 6 7	NOMENCLATURE	EFFECT FROM TO	UNITS PER ASSY
5			AIR SYSTEM AND DUCT INSTL- AFT GALLEY CHILLED AIR		
- 1	214T7034-3		DUCT INSTL-GALLEY CHILLED AIR POSITION DATA: AFT FOR NHA SEE: 25-33-02-09		RF
5	NAS514P832-10		.SCREW		34
10	415T6380-1		.PLATE ASSY-SEAL OPTIONAL PART: 415T6380-2		2
10	415T6380-2		.PLATE ASSY-SEAL OPTIONAL PART: 415T6380-1		2
20	415T6379-7		..MAGNET- USED ON: 415T6380-1		2
25	415T6379-8		..MAGNET- USED ON: 415T6380-1		2
29	415T6379-13		..SEAL		1
31	415T6379-14		..SEAL		1
34	415T6379-17		..SEAL		1
39	415T6379-11		..SEAL		1
45	415T6379-9		..MAGNET- USED ON: 415T6380-1		2
50	415T6379-10		..MAGNET- USED ON: 415T6380-1		2
54	415T6379-15		..SEAL		1
56	415T6379-16		..SEAL		1
59	415T6379-18		..SEAL		1
61	415T6379-12		..SEAL		1
65	415T6378-1		..PLATE		1
70	415T6377-3		.GASKET ASSY- OPTIONAL PART: 425T6377-2		2
70	415T6377-2		.GASKET ASSY- OPTIONAL PART: 415T6377-3		2
75	NAS1801-3-10		.SCREW		108
80	AN960C10L		.WASHER		100
82	BACW10P136AL		.WASHER		8

ILLUSTRATION ITEMS NOT ON PARTS LIST ARE NOT APPLICABLE

- ITEM NOT ILLUSTRATED

HXL

25-33-02-05

BOEING PROPRIETARY - Copyright © - Unpublished Work - See title page for details.

25-33-02
FIG. 05
PAGE 1
DEC 22/06

 **BOEING**
767
PARTS CATALOG (MAINTENANCE)

FIG ITEM	PART NUMBER	1 2 3 4 5 6 7	NOMENCLATURE	EFFECT FROM TO	UNITS PER ASSY
5	85		.NUT SUPPLIER CODE: V60119 SPECIFICATION NUMBER: BACN10FX16 OPTIONAL PART: A11330-6-3 V72962 A4972-6-02 V72962		92
	90	415T6362-6	.MANIFOLD ASSY-NO. 1		1
	95	415T6363-6	.MANIFOLD ASSY-NO. 1		1
	100	415T6360-1	.MANIFOLD ASSY-NO. 2		1
	100	415T6360-4	.MANIFOLD ASSY-NO. 2		1
	105	415T6361-4	.MANIFOLD ASSY-NO. 2		1
	105	415T6361-1004	.MANIFOLD ASSY-NO. 2		1
	110	415T6351-4	.MANIFOLD ASSY-NO. 3		1
	110	415T6351-1004	.MANIFOLD ASSY-NO. 3		1
	110	415T6351-2004	.MANIFOLD ASSY-NO. 3		1
	110	415T6351-3004	.MANIFOLD ASSY-NO. 3		1
	115	415T6374-4	.DUCT ASSY-		1
	115	415T6374-1004	.DUCT ASSY-		1
	120	415T6375-4	.DUCT ASSY-		1
	120	415T6375-1004	.DUCT ASSY-		1
	125	415T6370-6	.DUCT ASSY- OPTIONAL PART: 415T6370-7		1
	125	415T6370-7	.DUCT ASSY- OPTIONAL PART: 415T6370-6		1
	125	415T6370-1007	.DUCT ASSY-		1
	130	415T6371-4	.DUCT ASSY- OPTIONAL PART: 415T6371-6		1
	130	415T6371-6	.DUCT ASSY- OPTIONAL PART: 415T6371-4		1
	130	415T6371-1004	.DUCT ASSY-		1
	130	415T6371-1006	.DUCT ASSY-		1
	135	415T6367-4	.DUCT ASSY-		1
	135	415T6367-1004	.DUCT ASSY-		1
	140	415T6366-1	.DUCT ASSY-		1
	140	415T6366-4	.DUCT ASSY-		1
	145	415T6354-4	.DUCT ASSY-		1
	145	415T6354-1004	.DUCT ASSY-		1
	150	415T6355-4	.DUCT ASSY-		1
	150	415T6355-1004	.DUCT ASSY-		1
	155	415T6358-3	.DUCT ASSY-		1

ILLUSTRATION ITEMS NOT ON PARTS LIST ARE NOT APPLICABLE

— ITEM NOT ILLUSTRATED

25-33-02-05

25-33-02
FIG. 05
PAGE 2
AUG 22/09

HXL



767

PARTS CATALOG (MAINTENANCE)

FIG ITEM	PART NUMBER	1 2 3 4 5 6 7	NOMENCLATURE	EFFECT FROM TO	UNITS PER ASSY
5					
155	415T6358-4		. DUCT ASSY- OPTIONAL PART: 415T6358-6		1
155	415T6358-6		. DUCT ASSY- OPTIONAL PART: 415T6358-4		1
160	415T6359-3		. DUCT ASSY- OPTIONAL PART: 415T6359-5		1
160	415T6359-5		. DUCT ASSY- OPTIONAL PART: 415T6359-3		1
160	415T6359-1003		. DUCT ASSY-		1
165	415T6376-1		. GASKET		8
170	415T6376-3		. GASKET		1
175	415T6376-5		. GASKET		1
180	415T6376-2		. GASKET		1
185	415T6376-4		. GASKET		1
190	415T6376-6		. GASKET		1
- 200	415T6382-2		. BRACKET ASSY-		2

ILLUSTRATION ITEMS NOT ON PARTS LIST ARE NOT APPLICABLE

- ITEM NOT ILLUSTRATED

HXL

25-33-02-05

BOEING PROPRIETARY - Copyright © - Unpublished Work - See title page for details.

25-33-02
FIG. 05
PAGE 3
AUG 22/09

 **BOEING**
767
PARTS CATALOG (MAINTENANCE)

NON-ILLUSTRATED FIGURE

THE ITEMS REFLECTED IN THIS FIGURE ARE INTENTIONALLY
NON-ILLUSTRATED. THEY ARE REFERENCED TO EITHER A
NEXT HIGHER OR NEXT LOWER ASSEMBLY/INSTALLATION FIGURE.

SYSTEM INSTL-AFT GALLEY CHILLED AIR
FIGURE 9

25-33-02-09

HXL
DEC 22/06

25-33-02-09
PAGE 0



767

PARTS CATALOG (MAINTENANCE)

FIG ITEM	PART NUMBER	1 2 3 4 5 6 7	NOMENCLATURE	EFFECT FROM TO	UNITS PER ASSY
9			SYSTEM INSTL-AFT GALLEY CHILLED AIR		
- 1	214T7034-101		COLLECTOR INSTL-GALLEY CHILLED AIR SYS POSITION DATA: AFT MISCELLANEOUS DATA: (SMOKE AND TOXIC GAS CONTROL) FOR NHA SEE: 21-00-00-03A		RF
- 5	214T7030-2		.CLAMP INSTL-GALLEY CHILLED AIR SYS POSITION DATA: AFT FOR DETAILS SEE: 25-33-02-10		1
- 10	214T7034-3		.DUCT INSTL-GALLEY CHILLED AIR POSITION DATA: AFT FOR DETAILS SEE: 25-33-02-05		1
- 15	214T7037-1		.SUPPORT INSTL-GALLEY CHILLED AIR SYS DUCT POSITION DATA: AFT FOR DETAILS SEE: 25-33-02-12		1

ILLUSTRATION ITEMS NOT ON PARTS LIST ARE NOT APPLICABLE

- ITEM NOT ILLUSTRATED

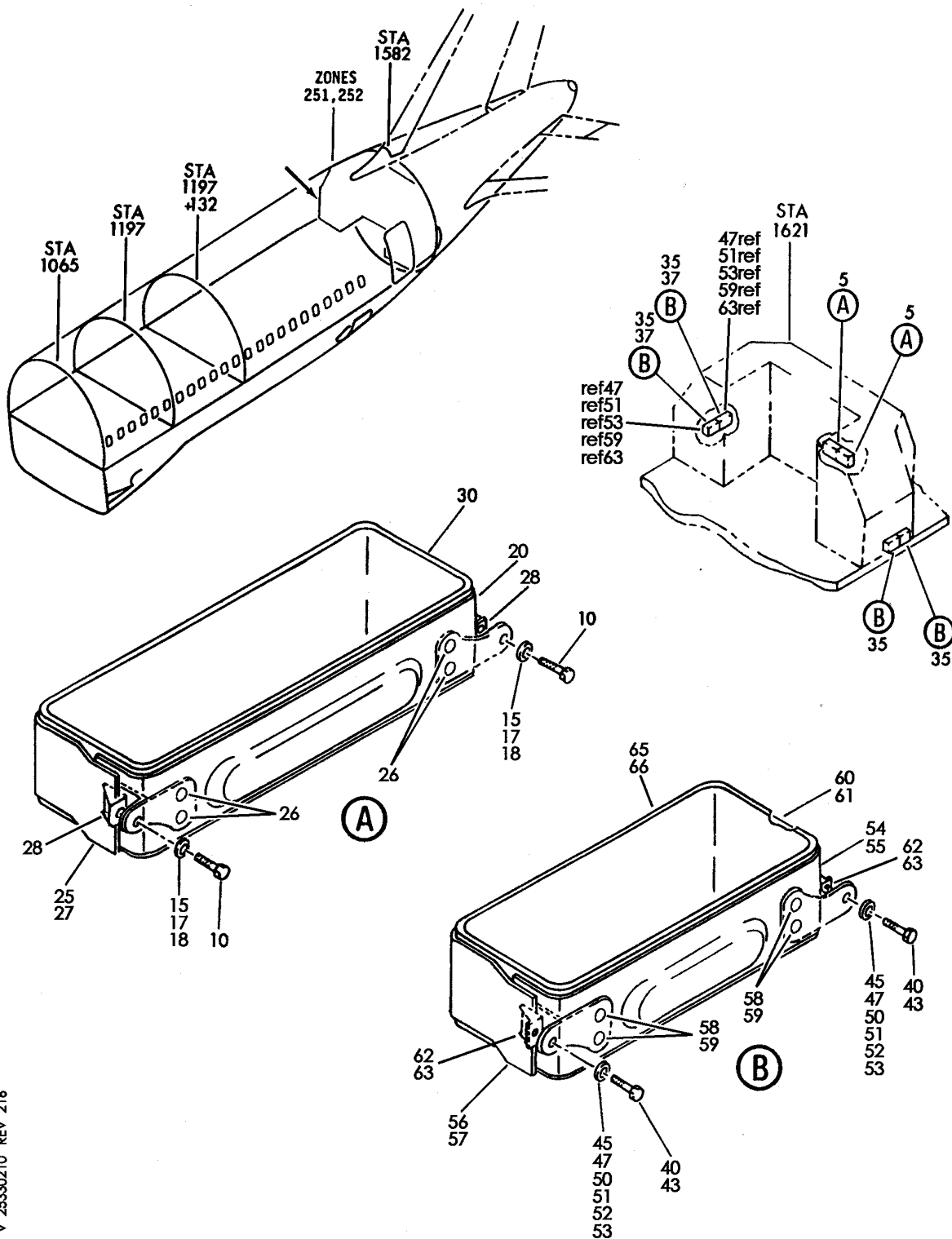
HXL

25-33-02-09

BOEING PROPRIETARY - Copyright © - Unpublished Work - See title page for details.

25-33-02
FIG. 09
PAGE 1
DEC 22/06

BOEING
767
PARTS CATALOG (MAINTENANCE)



V 25330210 REV 216

CLAMP INSTL-AFT GALLEY CHILLED AIR SYS
FIGURE 10

25-33-02-10

HXL
DEC 22/06

25-33-02-10
PAGE 0

 **BOEING**
767
PARTS CATALOG (MAINTENANCE)

FIG ITEM	PART NUMBER	1 2 3 4 5 6 7	NOMENCLATURE	EFFECT FROM TO	UNITS PER ASSY
10			CLAMP INSTL-AFT GALLEY CHILLED AIR SYS		
- 1	214T7030-2		CLAMP INSTL-GALLEY CHILLED AIR SYS POSITION DATA: AFT FOR NHA SEE: 25-33-02-09		RF
5	415T6383-1		.CLAMP ASSY		2
10	NAS1801-3-16		..SCREW		2
15	AN960KD10L		..WASHER- OPTIONAL PART: 415T6383-10		2
- 16	415T6383-9		..SUB KIT ASSY- OPTIONAL PART: AN960KD10L		2
17	K29913-3S		..WASHER- SUPPLIER CODE: V15653 SPECIFICATION NUMBER: BACW10CA3CCS OPTIONAL PART: 70189-3S V56878 922006-3 V60119 942006-3 V60119 USED ON: 415T6383-9		2
18	K29646-3S		..WASHER- SUPPLIER CODE: V15653 SPECIFICATION NUMBER: BACW10CA3CVS OPTIONAL PART: 70186-3S V56878 922005-3 V60119 942005-3 V60119 USED ON: 415T6383-9		2
20	415T6382-1		..BRACKET ASSY		1
25	415T6382-4		..BRACKET ASSY		1

ILLUSTRATION ITEMS NOT ON PARTS LIST ARE NOT APPLICABLE

- ITEM NOT ILLUSTRATED

HXL

25-33-02-10

BOEING PROPRIETARY - Copyright © - Unpublished Work - See title page for details.

25-33-02
FIG. 10
PAGE 1
DEC 22/06

 **BOEING**
767
PARTS CATALOG (MAINTENANCE)

FIG ITEM	PART NUMBER	1 2 3 4 5 6 7	NOMENCLATURE	EFFECT FROM TO	UNITS PER ASSY
10					
26	BACR15BA4AD	...	RIVET- SIZE DETERMINED ON INSTL. USED ON: 415T6382-4		4
27	415T6381-6	...	BRACKET- USED ON: 415T6382-4		1
28	T8059S1032B2	...	NUTPLATE- SUPPLIER CODE: V52828 SPECIFICATION NUMBER: BACN10MK3-65 OPTIONAL PART: RM52LHA71-6-02 V72962 USED ON: 415T6382-4		2
30	415T6383-4	..	SEAL		1
35	415T6383-2	.	CLAMP ASSY-		4
40	NAS1801-3-16	..	SCREW		2
45	AN960KD10L	..	WASHER- OPTIONAL PART: 415T6383-10		2
- 48	415T6383-10	..	SUB KIT ASSY- OPTIONAL PART: AN960KD10L		2
50	K29913-3S	..	WASHER- SUPPLIER CODE: V15653 SPECIFICATION NUMBER: BACW10CA3CCS OPTIONAL PART: 70189-3S V56878 922006-3 V60119 942006-3 V60119 USED ON: 415T6383-10		2

ILLUSTRATION ITEMS NOT ON PARTS LIST ARE NOT APPLICABLE

- ITEM NOT ILLUSTRATED

HXL

25-33-02-10

BOEING PROPRIETARY - Copyright © - Unpublished Work - See title page for details.

25-33-02
FIG. 10
PAGE 2
DEC 22/06



767

PARTS CATALOG (MAINTENANCE)

FIG ITEM	PART NUMBER	1 2 3 4 5 6 7	NOMENCLATURE	EFFECT FROM TO	UNITS PER ASSY
10					
52	K29646-3S		.. WASHER- SUPPLIER CODE: V15653 SPECIFICATION NUMBER: BACW10CA3CVS OPTIONAL PART: 70186-3S V56878 922005-3 V60119 942005-3 V60119 USED ON: 415T6383-10		2
54	415T6382-2		.. BRACKET ASSY		1
56	415T6382-5		.. BRACKET ASSY		1
58	BACR15BA4AD		... RIVET- SIZE DETERMINED ON INSTL. USED ON: 415T6382-5		4
60	415T6381-7		... BRACKET- USED ON: 415T6382-5		1
62	T8059S1032B2		... NUTPLATE- SUPPLIER CODE: V52828 SPECIFICATION NUMBER: BACN10MK3-65 OPTIONAL PART: RM52LHA71-6-02 V72962 USED ON: 415T6382-5		2
65	415T6383-5		.. SEAL		1

ILLUSTRATION ITEMS NOT ON PARTS LIST ARE NOT APPLICABLE

- ITEM NOT ILLUSTRATED

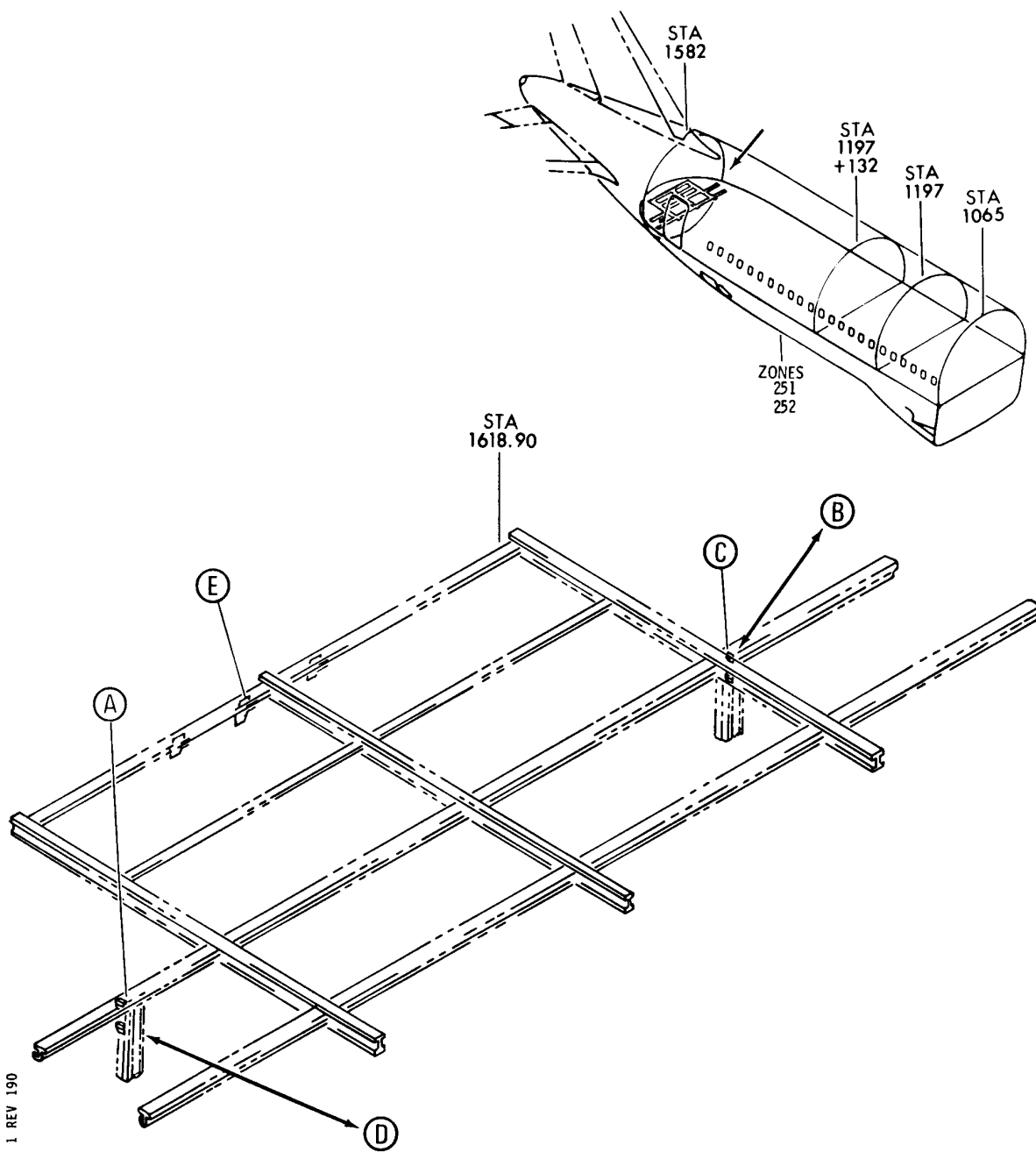
HXL

25-33-02-10

BOEING PROPRIETARY - Copyright © - Unpublished Work - See title page for details.

25-33-02
FIG. 10
PAGE 3
DEC 22/06

BOEING
767
PARTS CATALOG (MAINTENANCE)



V 25330212 SHT 1 REV 190

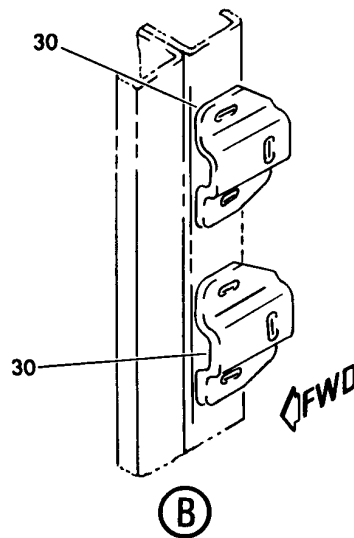
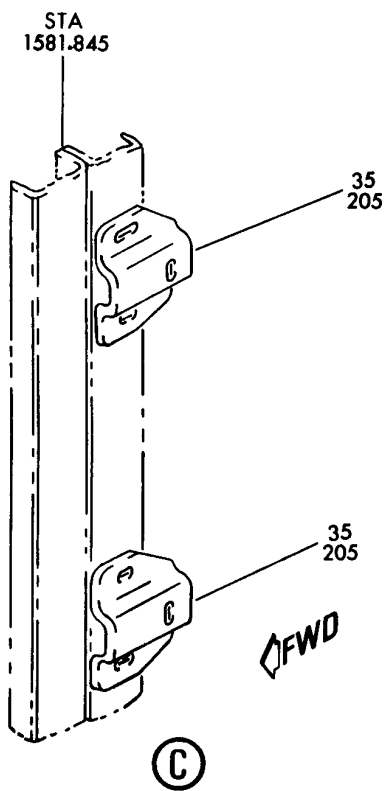
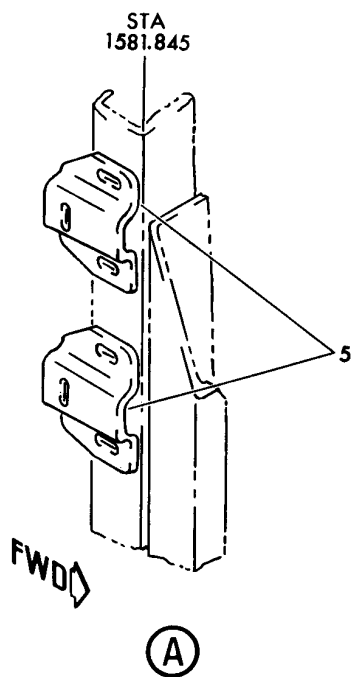
SUPPORT INSTL-AFT GALLEY CHILLED AIR SYS DUCT
FIGURE 12 (SHEET 1)

25-33-02-12

HXL
DEC 22/06

25-33-02-12
PAGE 0

BOEING
767
PARTS CATALOG (MAINTENANCE)



V 25330212 SHT 2 REV 190

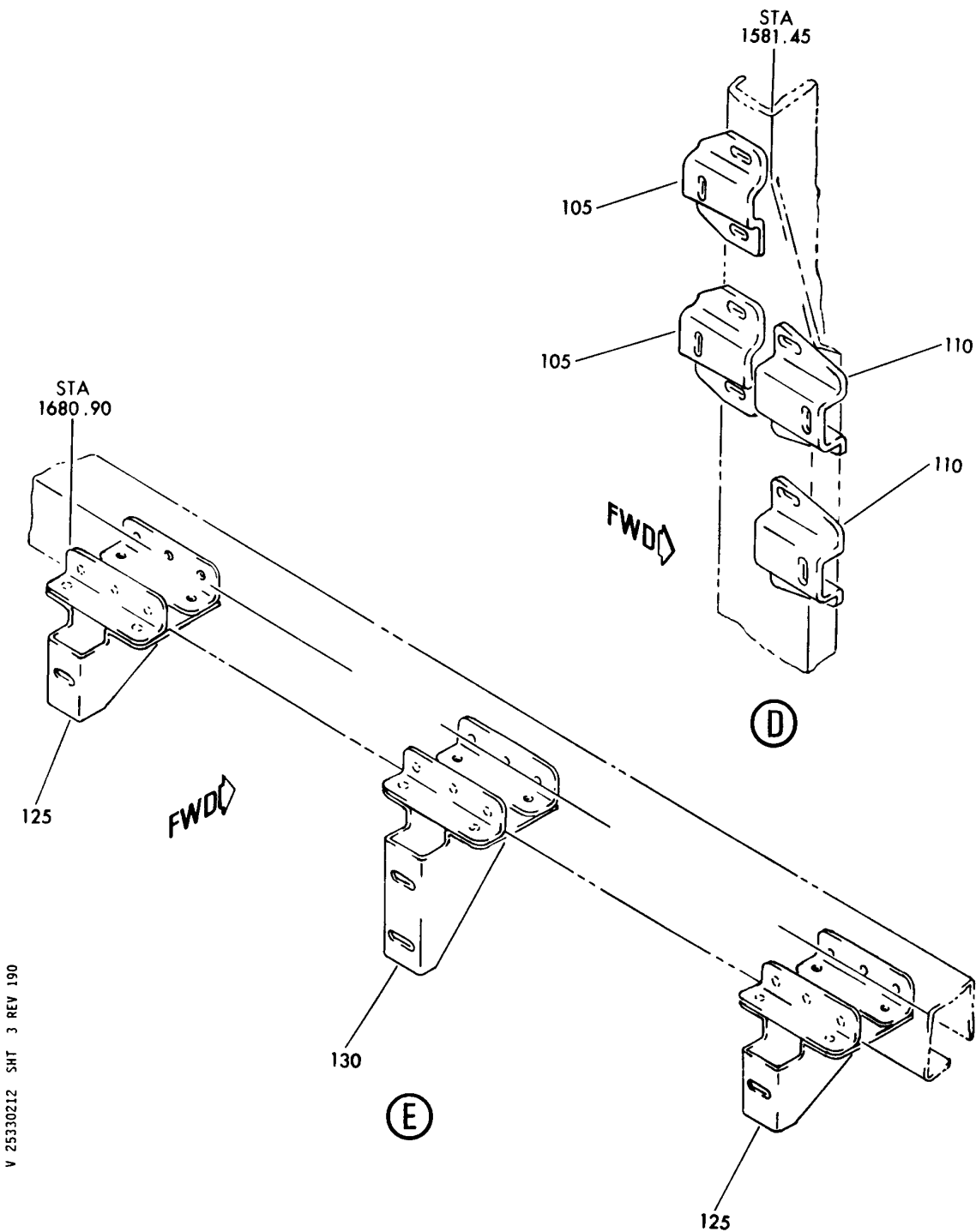
SUPPORT INSTL-AFT GALLEY CHILLED AIR SYS DUCT
FIGURE 12 (SHEET 2)

25-33-02-12

HXL
DEC 22/06

25-33-02-12
PAGE 0A

BOEING
767
PARTS CATALOG (MAINTENANCE)



V 25330212 SHT 3 REV 190

SUPPORT INSTL-AFT GALLEY CHILLED AIR SYS DUCT
FIGURE 12 (SHEET 3)

25-33-02-12

HXL
DEC 22/06

25-33-02-12
PAGE 0B



767

PARTS CATALOG (MAINTENANCE)

FIG ITEM	PART NUMBER	1 2 3 4 5 6 7	NOMENCLATURE	EFFECT FROM TO	UNITS PER ASSY
12			SUPPORT INSTL-AFT GALLEY CHILLED AIR SYS DUCT		
- 1	214T7037-1		SUPPORT INSTL-GALLEY CHILLED AIR SYS DUCT POSITION DATA: AFT FOR NHA SEE: 25-33-02-09		RF
	5 415T6330-24		.BRACKET ATTACHING PARTS		2
- 10	BACB3ONE3H3		.BOLT		4
- 15	BACW10P136AL		.WASHER		4
- 20	BACN10GW3		.NUT		4
	35 415T6330-24		-----*----- .BRACKET ATTACHING PARTS		2
- 40	BACB3ONE3H3		.BOLT		4
- 45	BACW10P136AL		.WASHER		4
- 50	BACN10GW3		.NUT -----*-----		4

ILLUSTRATION ITEMS NOT ON PARTS LIST ARE NOT APPLICABLE

- ITEM NOT ILLUSTRATED

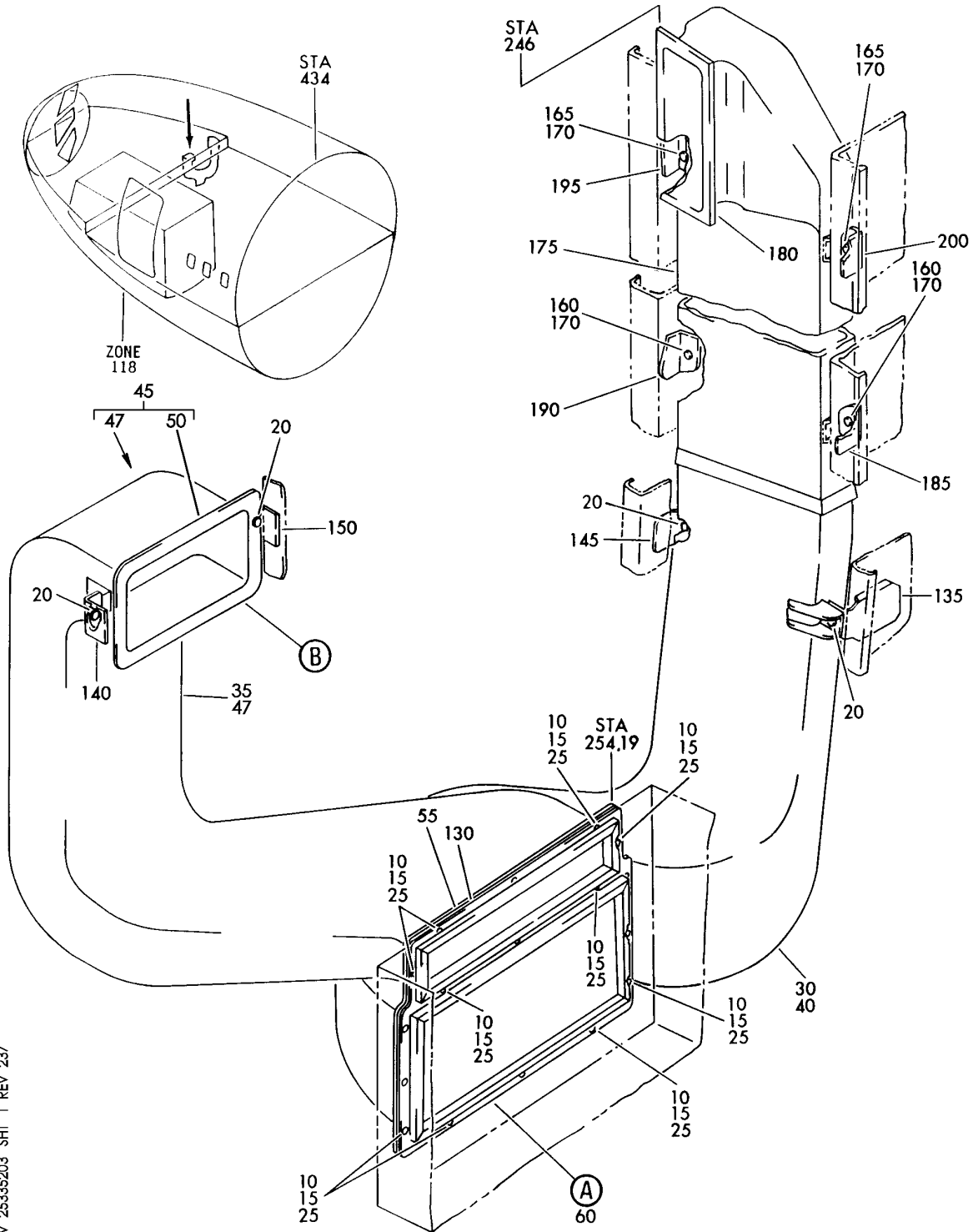
HXL

25-33-02-12

BOEING PROPRIETARY - Copyright © - Unpublished Work - See title page for details.

25-33-02
FIG. 12
PAGE 1
DEC 22/06

BOEING
767
PARTS CATALOG (MAINTENANCE)



V 25335203 SHT 1 REV 237

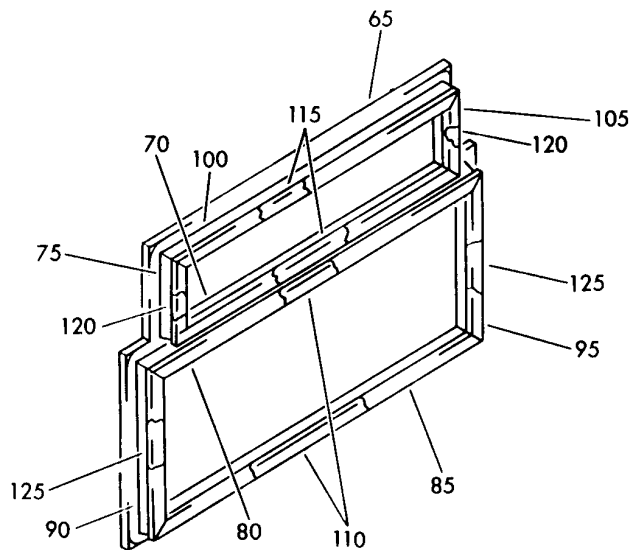
DUCT INSTL-GALLEY REFRIGERATION LWR CHILLED AIR SYS FWD
FIGURE 3 (SHEET 1)

25-33-52-03

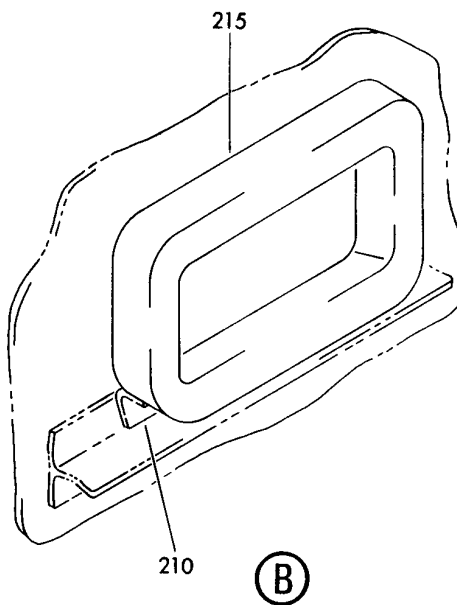
HXL
DEC 22/06

25-33-52-03
PAGE 0

BOEING
767
PARTS CATALOG (MAINTENANCE)



(A)



(B)

V 25335203 SHT 2 REV 166

DUCT INSTL-GALLEY REFRIGERATION LWR CHILLED AIR SYS FWD
FIGURE 3 (SHEET 2)

25-33-52-03

HXL
DEC 22/06

25-33-52-03
PAGE 0A

BOEING PROPRIETARY - Copyright © - Unpublished Work - See title page for details.

 **BOEING**
767
PARTS CATALOG (MAINTENANCE)

FIG ITEM	PART NUMBER	1 2 3 4 5 6 7	NOMENCLATURE	EFFECT FROM TO	UNITS PER ASSY
3			DUCT INSTL-GALLEY REFRIGERATION LWR CHILLED AIR SYS FWD		
- 1	214T7021-104		DUCT INSTL-GALLEY REFRIGERATION CHILLED AIR SYS POSITION DATA: LWR FWD FOR NHA SEE: 21-00-00-01A		RF
- 5	214T7021-5		.DUCT INSTL		1
10	NAS514P832-10		..SCREW		17
40	415T6142-8		..DUCT ASSY-		1
40	415T6142-1008		..DUCT ASSY-		1
40	415T6142-2008		..DUCT ASSY-		1
45	415T6143-6		..DUCT ASSY-		1
45	415T6143-1006		..DUCT ASSY-		1
47	415T6143-7		...BLANKET-INSULATION USED ON: 415T6143-6		1
47	415T6143-1007		...BLANKET-INSULATION USED ON: 415T6143-1006		1
50	415T6133-1		...SEAL		1
60	415T6380-1		..PLATE ASSY-SEAL OPTIONAL PART: 415T6380-2		1
60	415T6380-2		..PLATE ASSY-SEAL OPTIONAL PART: 415T6380-1		1
65	415T6378-1		...PLATE		1
70	415T6379-11		...SEAL		1
75	415T6379-14		...SEAL		1
80	415T6379-12		...SEAL		1
85	415T6379-18		...SEAL		1
90	415T6379-16		...SEAL		1
95	415T6379-15		...SEAL		1
100	415T6379-17		...SEAL		1
105	415T6379-13		...SEAL		1
110	415T6379-10		...MAGNET- USED ON: 415T6380-1		2
115	415T6379-8		...MAGNET- USED ON: 415T6380-1		2
120	415T6376-7		...GASKET- USED ON: 415T6380-1		2

ILLUSTRATION ITEMS NOT ON PARTS LIST ARE NOT APPLICABLE

- ITEM NOT ILLUSTRATED

HXL

25-33-52-03

BOEING PROPRIETARY - Copyright © - Unpublished Work - See title page for details.

25-33-52
FIG. 03
PAGE 1
DEC 22/08

 **BOEING**
767
PARTS CATALOG (MAINTENANCE)

FIG ITEM	PART NUMBER	1 2 3 4 5 6 7	NOMENCLATURE	EFFECT FROM TO	UNITS PER ASSY
3					
125	415T6379-9	...	MAGNET- USED ON: 415T6380-1		2
130	415T6376-7	..	GASKET		1
135	415T6116-30	..	BRACKET ASSY- OPTIONAL PART: 415T6116-53		1
135	415T6116-53	..	BRACKET ASSY- OPTIONAL PART: 415T6116-30		1
140	415T6116-14	..	BRACKET ASSY- OPTIONAL PART: 415T6116-54		1
140	415T6116-54	..	BRACKET ASSY- OPTIONAL PART: 415T6116-14		1
145	415T6116-36	..	BRACKET ASSY- OPTIONAL PART: 415T6116-55		1
145	415T6116-55	..	BRACKET ASSY- OPTIONAL PART: 415T6116-36		1
150	415T6116-45	..	BRACKET ASSY- OPTIONAL PART: 415T6116-56		1
150	415T6116-56	..	BRACKET ASSY- OPTIONAL PART: 415T6116-45		1
- 155	214T7022-5	.	DUCT INSTL		1
160	NAS6603-3	..	BOLT		2
165	NAS6606-6	..	BOLT		2
170	AN960C10L	..	WASHER		4
175	415T6150-6	..	DUCT ASSY-		1
175	415T6150-1006	..	DUCT ASSY-		1
180	415T6133-5	...	SEAL		1
185	415T6116-4	..	BRACKET ASSY-		1
185	415T6116-57	..	BRACKET ASSY-		1
190	415T6116-48	..	BRACKET ASSY- OPTIONAL PART: 415T6116-58		1
190	415T6116-58	..	BRACKET ASSY- OPTIONAL PART: 415T6116-48		1
- 205	214T7020-2	.	SEAL INSTL		1
210	415T6140-1	..	BRACKET ASSY		1
215	415T6133-3	..	SEAL		1

ILLUSTRATION ITEMS NOT ON PARTS LIST ARE NOT APPLICABLE

- ITEM NOT ILLUSTRATED

HXL

25-33-52-03

BOEING PROPRIETARY - Copyright © - Unpublished Work - See title page for details.

25-33-52
FIG. 03
PAGE 2
DEC 22/07



767

PARTS CATALOG (MAINTENANCE)

FIG ITEM	PART NUMBER	1 2 3 4 5 6 7	NOMENCLATURE	EFFECT FROM TO	UNITS PER ASSY
1			RACK INSTL-GALLEY CHILLED AIR SYS CHILLER AFT		
- 100	415T6317-5		RACK INSTL-GALLEY CHILLED AIR SYS CHILLER POSITION DATA: AFT FOR NHA SEE: 25-20-00-15		RF
105	415T6318-20		.RACK ASSY-GALLEY CHILLED ATTACHING PARTS		1
110	BACB3ONE3-4		.BOLT		6
115	BACB3ONE3-3		.BOLT		4
120	BACB3ONE3-5		.BOLT		4
125	AN960JD10L		.WASHER		28
130	PLH53CM		.NUT- SUPPLIER CODE: VF0224 SPECIFICATION NUMBER: BACN10YR3CM OPTIONAL PART: H52732-3CM V15653 -----*-----		14
135	415T6332-8		.FILLER-		2
140	BACS40R007E007F		.SHIM		AR

ILLUSTRATION ITEMS NOT ON PARTS LIST ARE NOT APPLICABLE

- ITEM NOT ILLUSTRATED

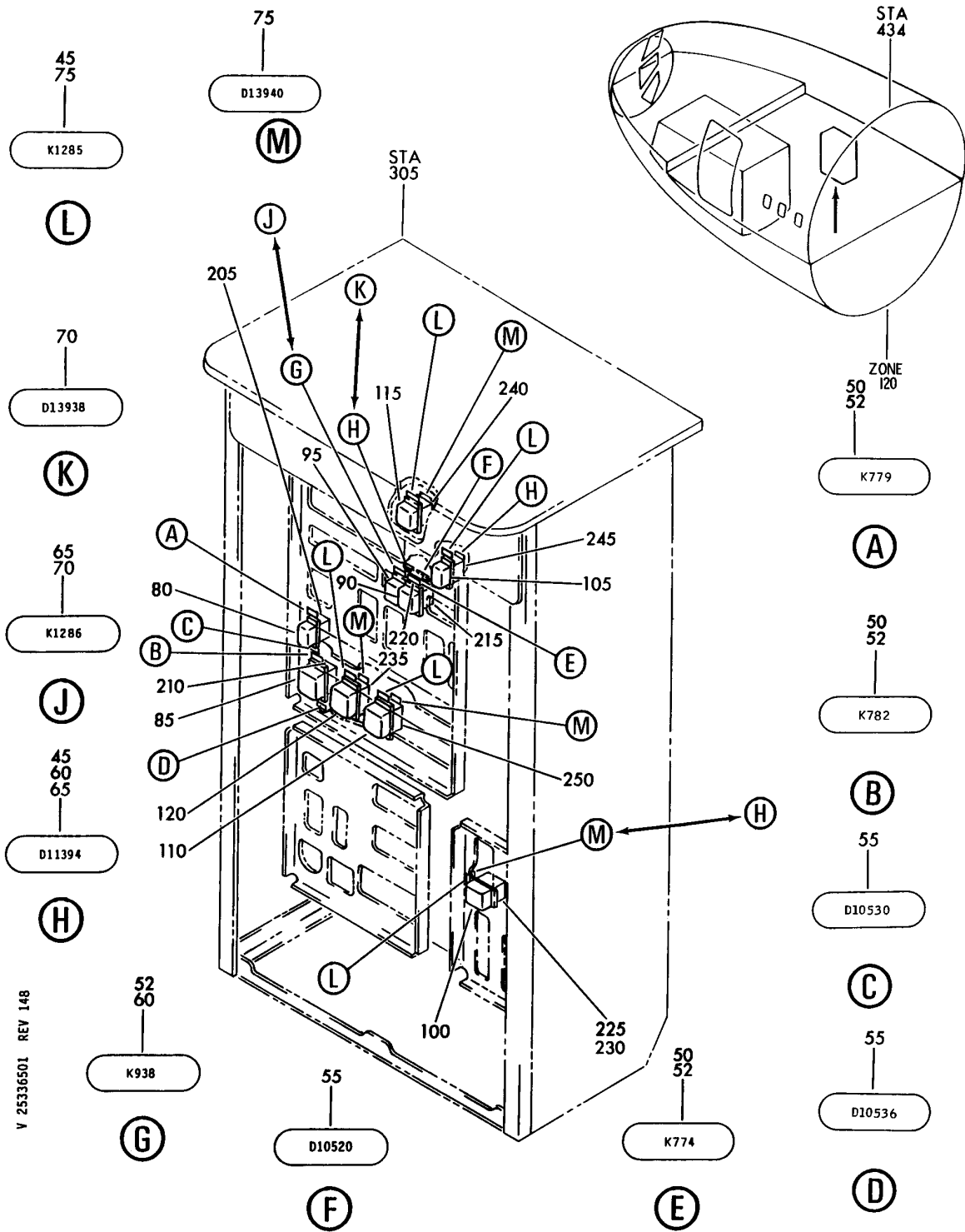
HXL

25-33-55-01

BOEING PROPRIETARY - Copyright © - Unpublished Work - See title page for details.

25-33-55
FIG. 01
PAGE 1
DEC 22/08

BOEING
767
PARTS CATALOG (MAINTENANCE)



EQUIPMENT ASSY-P37 MISC ELEC PNL R (REFRIGERATION ONLY)
FIGURE 1

25-33-65-01

HXL
DEC 22/06

25-33-65-01
PAGE 0



767

PARTS CATALOG (MAINTENANCE)

FIG ITEM	PART NUMBER	1 2 3 4 5 6 7	NOMENCLATURE	EFFECT FROM TO	UNITS PER ASSY
1			EQUIPMENT ASSY-P37 MISC ELEC PNL R (REFRIGERATION ONLY)		
- 11	284T0188-172		EQUIPMENT ASSY-P37 MISC ELEC PNL (REFRIGERATION ONLY) POSITION DATA: R FOR NHA/OTHER SYS DET SEE: 53-11-70-05	163163	RF
- 11	284T0188-194		EQUIPMENT ASSY-P37 MISC ELEC PNL (REFRIGERATION ONLY) POSITION DATA: R FOR NHA/OTHER SYS DET SEE: 53-11-70-05	164999	RF
- 11	284T0188-157		EQUIPMENT ASSY-P37 MISC ELEC PNL (REFRIGERATION ONLY) POSITION DATA: R FOR NHA/OTHER SYS DET SEE: 53-11-70-05	155162	RF
45	BAC27TEX4609		.DECALSET-INCLUDES DECALS IDENTIFIED ON THE ILLUSTRATION		1
52	BAC27TEX4184		.DECALSET-INCLUDES DECALS IDENTIFIED ON THE ILLUSTRATION		RF
55	BAC27TEX4190		.DECALSET-INCLUDES DECALS IDENTIFIED ON THE ILLUSTRATION		RF

ILLUSTRATION ITEMS NOT ON PARTS LIST ARE NOT APPLICABLE

- ITEM NOT ILLUSTRATED

HXL

25-33-65-01

BOEING PROPRIETARY - Copyright © - Unpublished Work - See title page for details.

25-33-65
FIG. 01
PAGE 1
DEC 22/07



767

PARTS CATALOG (MAINTENANCE)

FIG ITEM	PART NUMBER	1 2 3 4 5 6 7	NOMENCLATURE	EFFECT FROM TO	UNITS PER ASSY
1 105	E210-1631		.RELAY- SUPPLIER CODE: V99699 SPECIFICATION NUMBER: BACR13CF2A OPTIONAL PART: BR246S0112 V56623 FCA210-70 V78290 E215-1050 V99699 JD4A017 V35344 BR64S104 V56623 61GB19-1A320 V98927 ELECTRICAL EQUIP NUMBER: K01285		1
- 200 245	286T1118-300 RSF116200		.WIRE BUNDLE ASSY .. SOCKET- SUPPLIER CODE: V58982 SPECIFICATION NUMBER: BACS16X1A OPTIONAL PART: 102-006-1 V09922 000300-1538 V05574 ELECTRICAL EQUIP NUMBER: D11394 WIRING DIAGRAM REF: 253311		RF 1

ILLUSTRATION ITEMS NOT ON PARTS LIST ARE NOT APPLICABLE

- ITEM NOT ILLUSTRATED

HXL

25-33-65-01

BOEING PROPRIETARY - Copyright © - Unpublished Work - See title page for details.

25-33-65
FIG. 01
PAGE 2
DEC 22/07