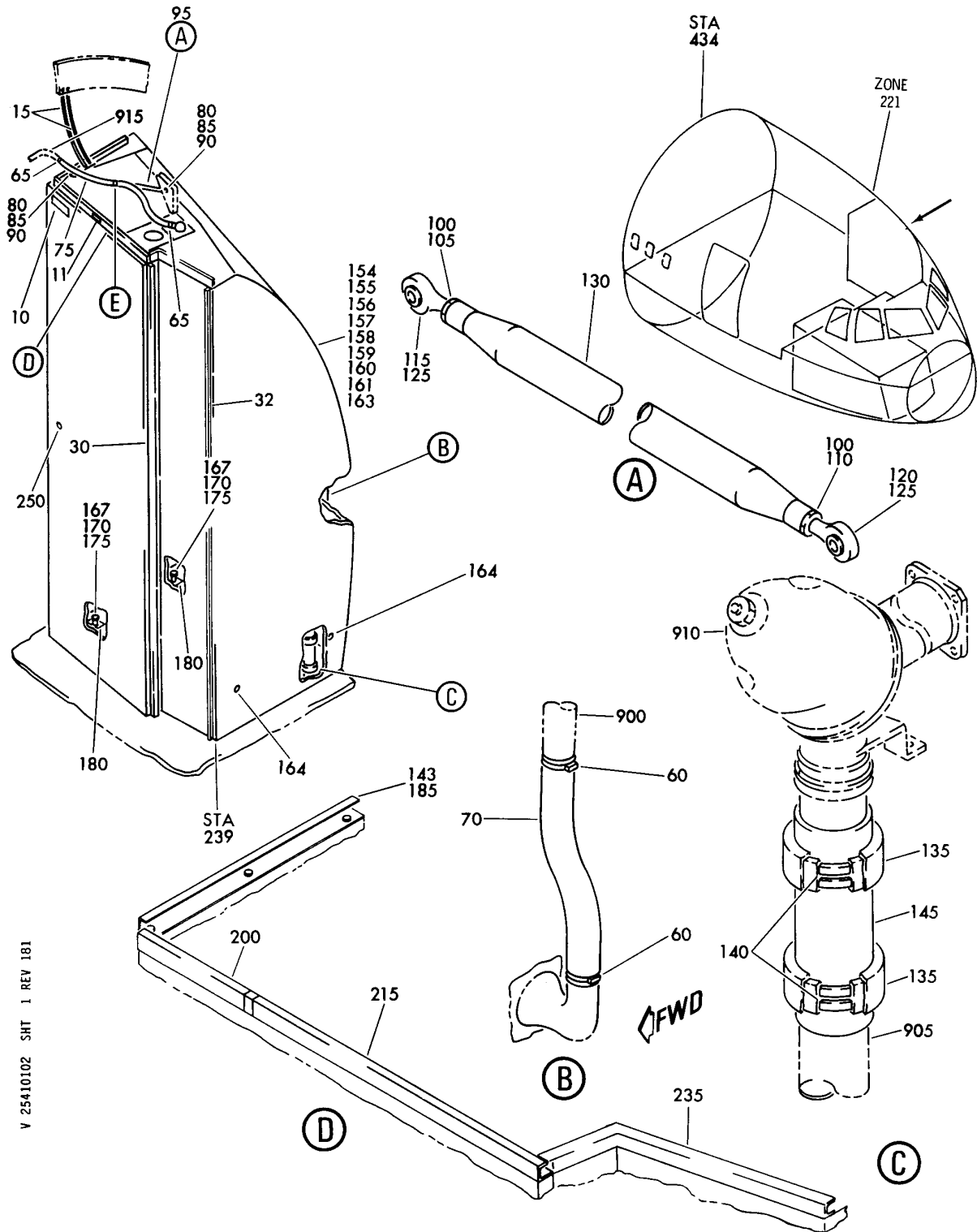


LAVATORY MODULES

HXL
DEC 22/06

25-41-00
SECTION TITLE
PAGE 1

BOEING
767
PARTS CATALOG (MAINTENANCE)



V 25410102 SHT 1 REV 181

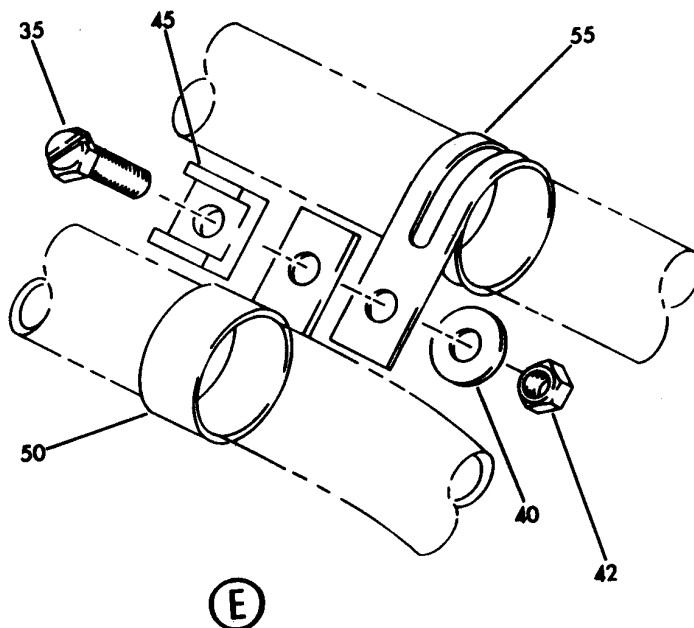
LAVATORY INSTL-SIDEWALL LAV F1 FWD LH (EQUIPMENT/ FURNISHINGS ONLY)
FIGURE 2 (SHEET 1)

25-41-01-02

HXL
DEC 22/06

25-41-01-02
PAGE 0

BOEING
767
PARTS CATALOG (MAINTENANCE)



V 25410102 SHT 2 REV 121

LAVATORY INSTL-SIDEWALL LAV F1 FWD LH (EQUIPMENT/ FURNISHINGS ONLY)
FIGURE 2 (SHEET 2)

25-41-01-02

HXL
DEC 22/06

25-41-01-02
PAGE 0A



767

PARTS CATALOG (MAINTENANCE)

FIG ITEM	PART NUMBER	1 2 3 4 5 6 7	NOMENCLATURE	EFFECT FROM TO	UNITS PER ASSY
2			LAVATORY INSTL-SIDEWALL LAV F1 FWD LH (EQUIPMENT/ FURNISHINGS ONLY)		
- 4	417T1201-72		LAVATORY INSTL-SIDEWALL LAV F1 (EQUIPMENT/ FURNISHINGS ONLY) POSITION DATA: FWD LH FOR NHA/OTHER SYS DET SEE: 25-20-00-17D	163999	RF
- 4	417T1201-73		LAVATORY INSTL-SIDEWALL LAV F1 (EQUIPMENT/ FURNISHINGS ONLY) POSITION DATA: FWD LH FOR NHA/OTHER SYS DET SEE: 25-20-00-17D	155162	RF
15	940CW20-28		. JUMPER ASSY- SUPPLIER CODE: V91812 SPECIFICATION NUMBER: BACJ40AB20-28 OPTIONAL PART: 100220-28 V1FF12 RBEJ40AB20-28 V1GK47		2
- 20	VNS1924CA1-8		ATTACHING PARTS . STUD SUPPLIER CODE: V5M902 SPECIFICATION NUMBER: BACS53B1EA1 OPTIONAL PART: VNS1924CA3-1-8 V92215		2

ILLUSTRATION ITEMS NOT ON PARTS LIST ARE NOT APPLICABLE

- ITEM NOT ILLUSTRATED

HXL

25-41-01-02

BOEING PROPRIETARY - Copyright © - Unpublished Work - See title page for details.

25-41-01
FIG. 02
PAGE 1
DEC 22/07

 **BOEING**
767
PARTS CATALOG (MAINTENANCE)

FIG ITEM	PART NUMBER	1 2 3 4 5 6 7	NOMENCLATURE	EFFECT FROM TO	UNITS PER ASSY
2 - 25	BRH10A3		.NUT SUPPLIER CODE: V52828 SPECIFICATION NUMBER: BACN10JC3 OPTIONAL PART: H10-3BAC V15653 NS202101-02 V80539 RMLH9075-3W V72962 VN303A02 V92215 96-02 V80539 T6S1032J V11815 -----*-----		2
32	417T1201-28		.SEAL-		1
35	NAS1801-3-11		.SCREW-		1
40	AN960D10L		.WASHER		1
45	BACB19F10		.BLOCK		1
50	BACC10DK14		.CLAMP		1
55	BACC10DK16		.CLAMP-		1
60	MS35842-12		.CLAMP-		2
65	MS35842-11		.CLAMP-		2
70	BOE2027-07D0140		.HOSE- SUPPLIER CODE: V16632 SPECIFICATION NUMBER: AS1503-07D0140		1
75	BOE2027-03D0260		.HOSE ASSY- SUPPLIER CODE: V16632 SPECIFICATION NUMBER: AS1503-03D0260		1
80	NAS6604-10		.BOLT-		2
85	AN960PD416		.WASHER-		2

ILLUSTRATION ITEMS NOT ON PARTS LIST ARE NOT APPLICABLE

- ITEM NOT ILLUSTRATED

HXL

25-41-01-02

BOEING PROPRIETARY - Copyright © - Unpublished Work - See title page for details.

25-41-01
FIG. 02
PAGE 2
DEC 22/06

 **BOEING**
767
PARTS CATALOG (MAINTENANCE)

FIG ITEM	PART NUMBER	1 2 3 4 5 6 7	NOMENCLATURE	EFFECT FROM TO	UNITS PER ASSY
2	90 BRH10A4	.	NUT SUPPLIER CODE: V52828 SPECIFICATION NUMBER: BACN10JC4 OPTIONAL PART: T6S428J V11815 96-048 V80539 VN303A048 V92215 RMLH9075-4W V72962 NS202101-048 V80539 H10-4BAC V15653		2
95	417T1203-3	.	ROD ASSY-		1
105	AN316-5L	..	NUT- USED ON: 417T1203-3		1
110	AN316-5R	..	NUT- USED ON: 417T1203-3		1
115	MS21242S4L	..	BEARING- USED ON: 417T1203-3		1
120	MS21242S4	..	BEARING- USED ON: 417T1203-3		1
130	417T1203-4	..	ROD- USED ON: 417T1203-3		1
135	W994-32DE	.	CLAMSHELL ASSY- SUPPLIER CODE: V79326 OPTIONAL PART: 14C02-32A V24984 14C02-32C V24984		2

ILLUSTRATION ITEMS NOT ON PARTS LIST ARE NOT APPLICABLE

- ITEM NOT ILLUSTRATED

HXL

25-41-01-02

BOEING PROPRIETARY - Copyright © - Unpublished Work - See title page for details.

25-41-01
FIG. 02
PAGE 3
DEC 22/06



767

PARTS CATALOG (MAINTENANCE)

FIG ITEM	PART NUMBER	1 2 3 4 5 6 7	NOMENCLATURE	EFFECT FROM TO	UNITS PER ASSY
2 135	14C02-32C		.CLAMSHELL ASSY- SUPPLIER CODE: V24984 OPTIONAL PART: 14C02-32A V24984 W994-32DE V79326		2
135	14C02-32A		.CLAMSHELL ASSY- SUPPLIER CODE: V24984 OPTIONAL PART: W994-32DE V79326 14C02-32C V24984		2
140	AS226B46		.SEAL- SUPPLIER CODE: V01212 OPTIONAL PART: MS28775-226 MS29513-226		2
140	MS28775-226		.PACKING- OPTIONAL PART: MS29513-226 AS226B46 V01212		2
140	MS29513-226		.PACKING- OPTIONAL PART: MS28775-226 AS226B46 V01212		2
143	413U3811-28		.SEAL-FOAM	155162	1
145	417T1326-35		.TUBING ASSY-		1
- 150	14K02-32T		.. FLANGE- SUPPLIER CODE: V24984 OPTIONAL PART: 905B376S32T V79326		2
- 150	905B376S32T		.. FLANGE- SUPPLIER CODE: V79326 OPTIONAL PART: 14K02-32T V24984		2

ILLUSTRATION ITEMS NOT ON PARTS LIST ARE NOT APPLICABLE

- ITEM NOT ILLUSTRATED

25-41-01-02

25-41-01
FIG. 02
PAGE 4
DEC 22/07

HXL

 **BOEING**
767
PARTS CATALOG (MAINTENANCE)

FIG ITEM	PART NUMBER	1 2 3 4 5 6 7	NOMENCLATURE	EFFECT FROM TO	UNITS PER ASSY
2 158	SAS061-1		.MODULE ASSY-LAV F1 SUPPLIER CODE: VS5065 SPECIFICATION NUMBER: S417T106-604A COMPONENT MAINT MANUAL REF: 25-40-39 FUNCTIONAL REFERENCE: AIR CONDITIONING FOR DETAILS SEE 21-26-13-56 EQUIPMENT/FURNISHINGS FOR DETAILS SEE 25-41-01-32B	163999	1
158	SAS061-1001		.MODULE ASSY-LAV F1 SUPPLIER CODE: VS5065 SPECIFICATION NUMBER: S417T106-482A COMPONENT MAINT MANUAL REF: 25-40-39 FUNCTIONAL REFERENCE: AIR CONDITIONING FOR DETAILS SEE 21-26-13-56 EQUIPMENT/FURNISHINGS FOR DETAILS SEE 25-41-01-32B	155162	1
166	BACB30NF4-3		ATTACHING PARTS .BOLT		2
167	NAS6704G16		.BOLT- OPTIONAL PART: NAS6704U16 NAS6704G17		2
167	NAS6704U16		.BOLT- OPTIONAL PART: NAS6704G16		2
170	AN960C416L		.WASHER- USED WITH: NAS6704U16 NAS6704G16		2
180	417T1222-1		.SHIM- USED WITH: NAS6704U17 NAS6704G17		2
185	417T1212-27		-----*----- .BRACKET- ATTACHING PARTS	163999	1
- 190	NAS514P832-4		.SCREW-	163999	3

ILLUSTRATION ITEMS NOT ON PARTS LIST ARE NOT APPLICABLE

- ITEM NOT ILLUSTRATED

HXL

25-41-01-02

BOEING PROPRIETARY - Copyright © - Unpublished Work - See title page for details.

25-41-01
FIG. 02
PAGE 5
DEC 22/07



767

PARTS CATALOG (MAINTENANCE)

FIG ITEM	PART NUMBER	1 2 3 4 5 6 7	NOMENCLATURE	EFFECT FROM TO	UNITS PER ASSY
2					
- 195	BACW10UC8P	.	WASHER	163999	3
		-----*			
200	417T1212-28	.	BRACKET- ATTACHING PARTS	163999	1
- 205	NAS514P832-4	.	SCREW-	163999	2
- 210	BACW10UC8P	.	WASHER	163999	2
		-----*			
215	417T1212-50	.	BRACKET- ATTACHING PARTS	163999	1
- 225	NAS514P832-12	.	SCREW-	163999	3
- 230	BACW10UC8P	.	WASHER	163999	3
		-----*			
235	417T1212-51	.	BRACKET ATTACHING PARTS	163999	1
- 240	NAS514P832-12	.	SCREW	163999	3
- 245	BACW10UC8P	.	WASHER	163999	3
		-----*			
- 260	C659935	..	BRACKET- SUPPLIER CODE: V33586 POST AIRLINE MOD: A2051XX VAAT		1
- 265	C10	..	DEODORIZER-ODOR-END SUPPLIER CODE: V33586 POST AIRLINE MOD: A2051XX VAAT		1
905			ILLUSTRATION REFERENCE: TUBING INSTL-WASTE SYS 38-32-08-96		RF
915			ILLUSTRATION REFERENCE: DUCT AND COLLECTOR INSTL SECT. 41 AIR DISTR SYS 21-23-01-05A	155162	RF
915			ILLUSTRATION REFERENCE: DUCT AND COLLECTOR INSTL SECT. 41 AIR DISTR SYS 21-23-01-05G	163999	RF

ILLUSTRATION ITEMS NOT ON PARTS LIST ARE NOT APPLICABLE

- ITEM NOT ILLUSTRATED

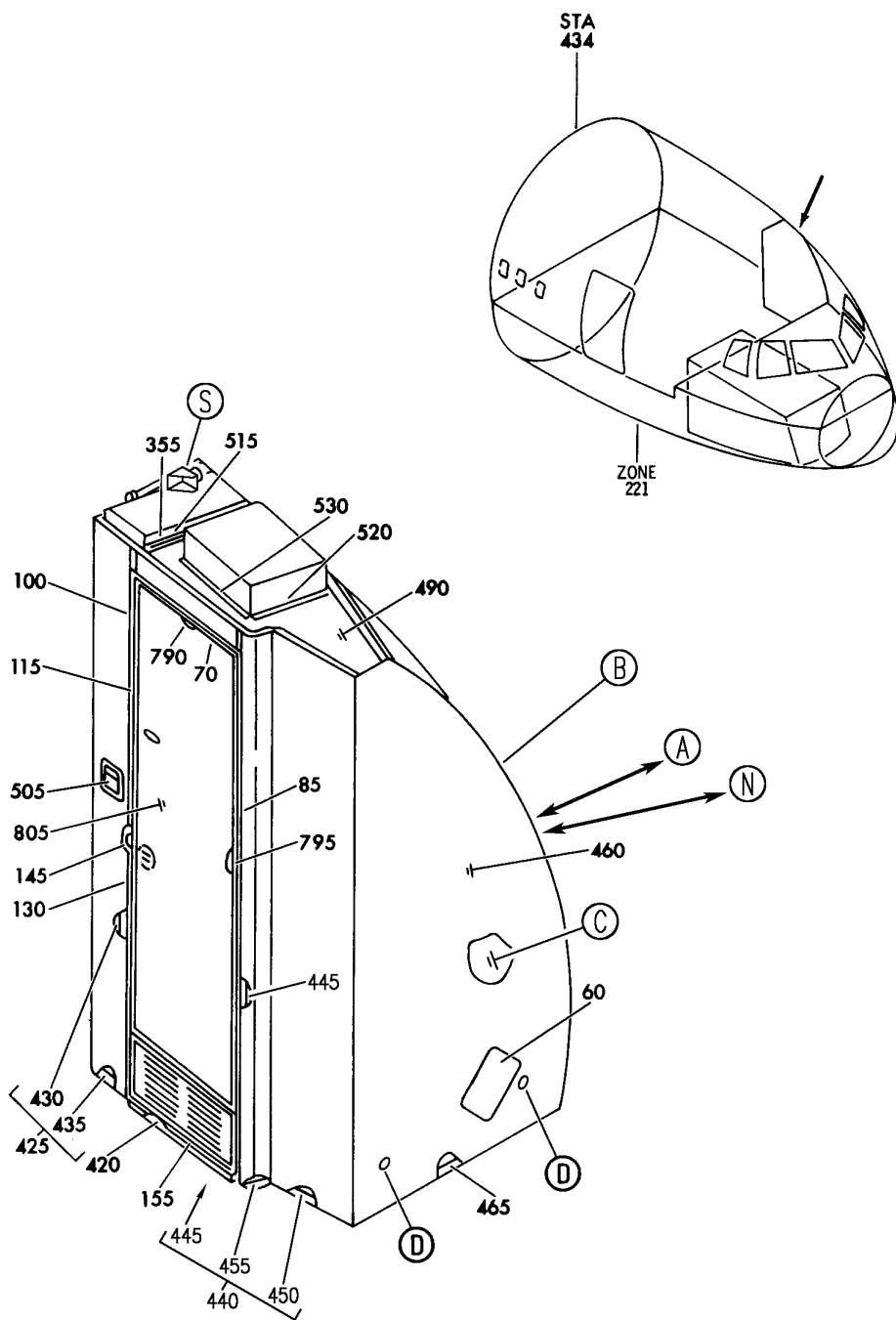
HXL

25-41-01-02

BOEING PROPRIETARY - Copyright © - Unpublished Work - See title page for details.

25-41-01
FIG. 02
PAGE 6
DEC 22/08

BOEING
767
PARTS CATALOG (MAINTENANCE)



V 25410132B SHT 1 REV 279

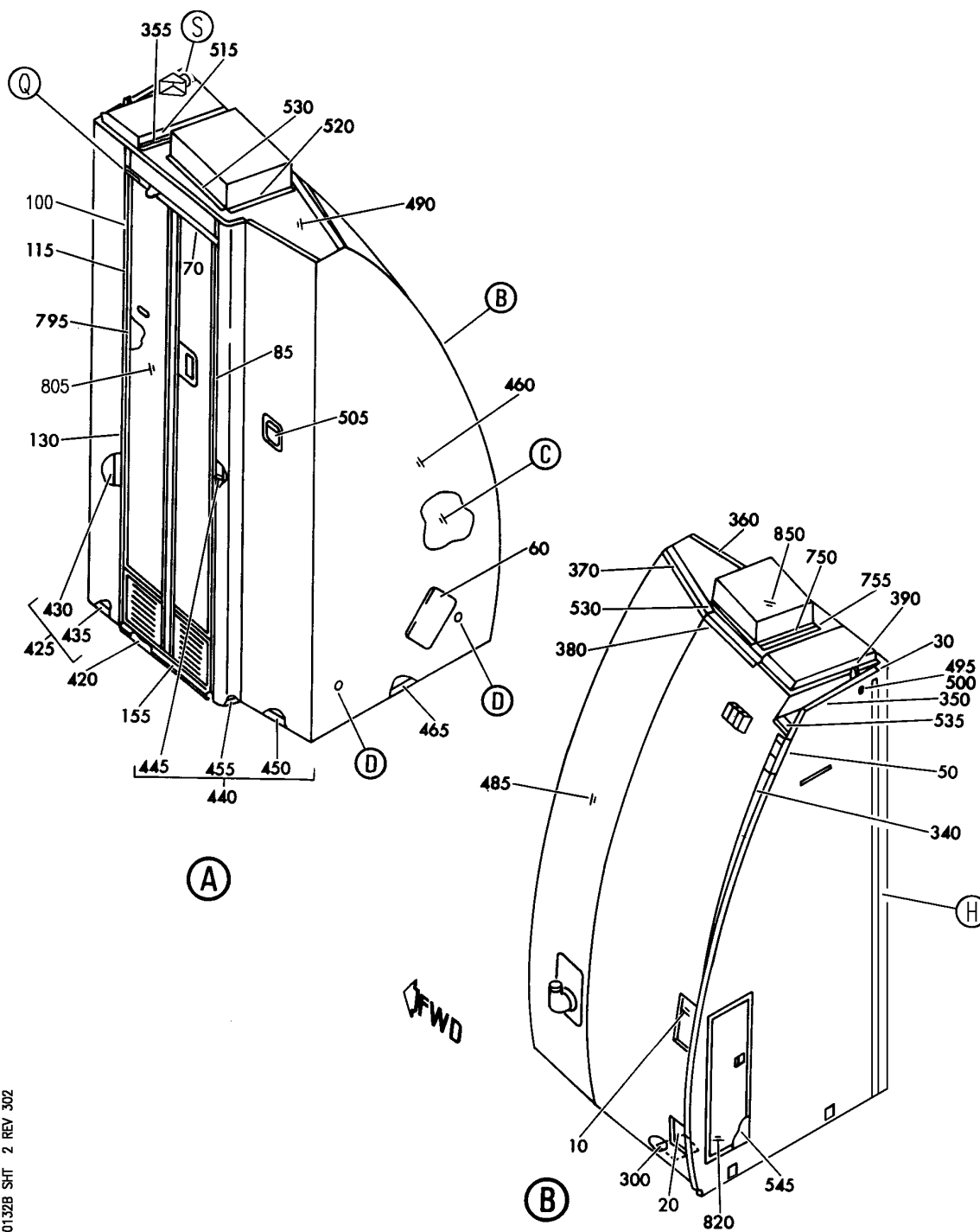
MODULE ASSY-LAV F1 (EQUIPMENT/FURNISHINGS ONLY)
FIGURE 32B (SHEET 1)

25-41-01-32B

HXL
DEC 22/06

25-41-01-32B
PAGE 0

BOEING
767
PARTS CATALOG (MAINTENANCE)



V 25410132B SHT 2 REV 302

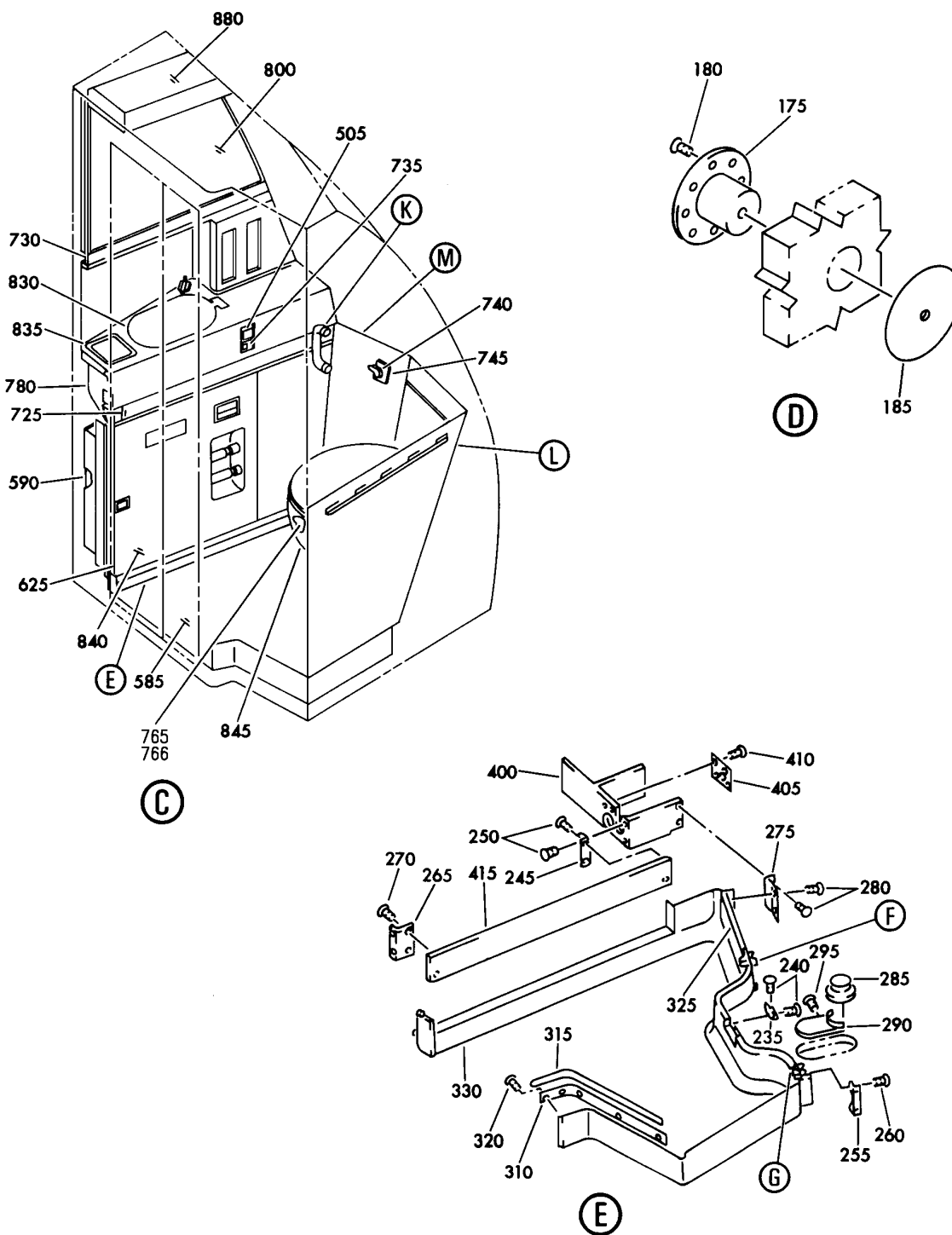
MODULE ASSY-LAV F1 (EQUIPMENT/FURNISHINGS ONLY)
FIGURE 32B (SHEET 2)

25-41-01-32B

HXL
DEC 22/06

25-41-01-32B
PAGE 0A

BOEING
767
PARTS CATALOG (MAINTENANCE)



V 25410132B SHT 3 REV 302

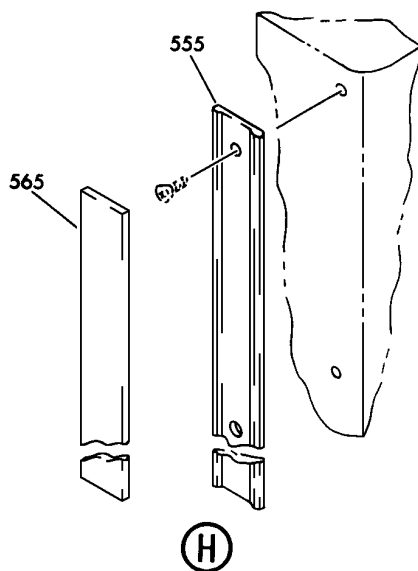
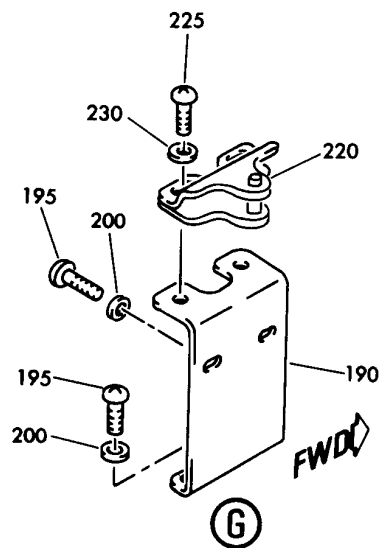
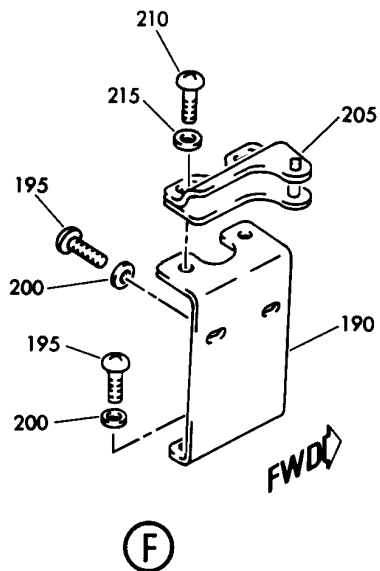
MODULE ASSY-LAV F1 (EQUIPMENT/FURNISHINGS ONLY)
FIGURE 32B (SHEET 3)

25-41-01-32B

HXL
DEC 22/06

25-41-01-32B
PAGE 0B

BOEING
767
PARTS CATALOG (MAINTENANCE)



V 25410132B SHT 4 REV 302

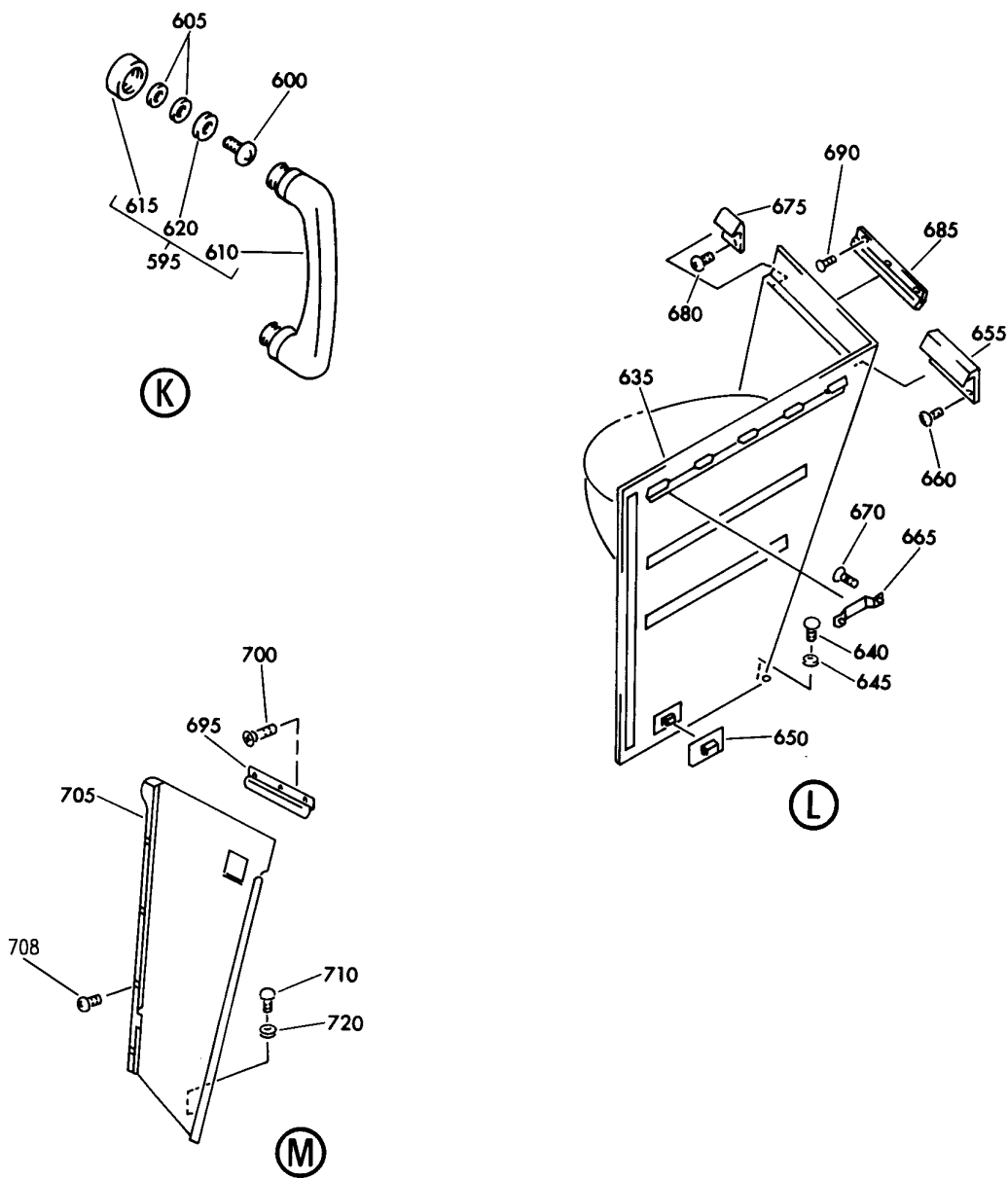
MODULE ASSY-LAV F1 (EQUIPMENT/FURNISHINGS ONLY)
FIGURE 32B (SHEET 4)

25-41-01-32B

HXL
DEC 22/06

25-41-01-32B
PAGE 0C

BOEING
767
PARTS CATALOG (MAINTENANCE)



V 25410132B SHT 5 REV 279

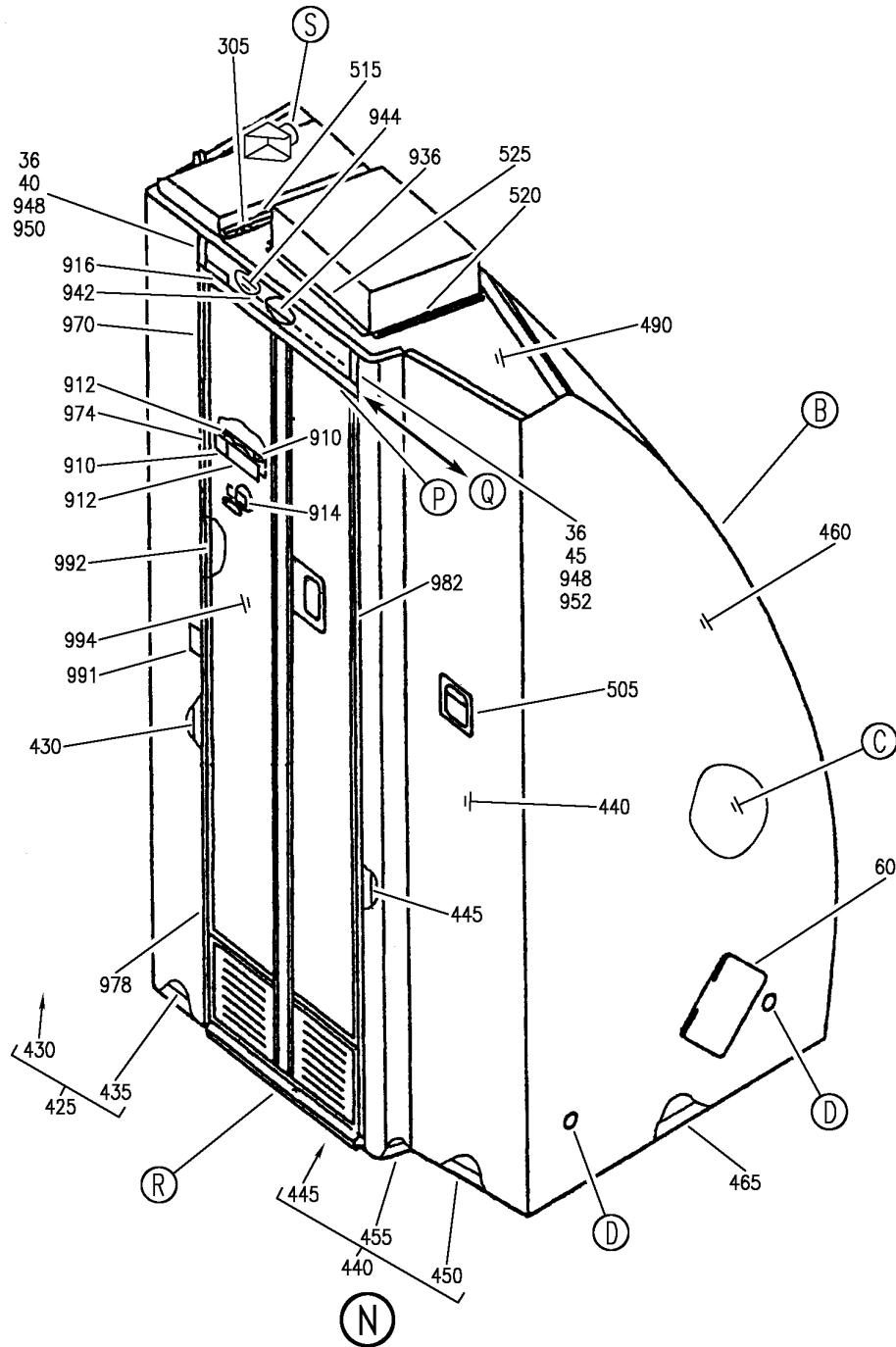
MODULE ASSY-LAV F1 (EQUIPMENT/FURNISHINGS ONLY)
FIGURE 32B (SHEET 5)

25-41-01-32B

HXL
DEC 22/06

25-41-01-32B
PAGE 0D

BOEING
767
PARTS CATALOG (MAINTENANCE)



V 25410132B SHT 6 REV 279

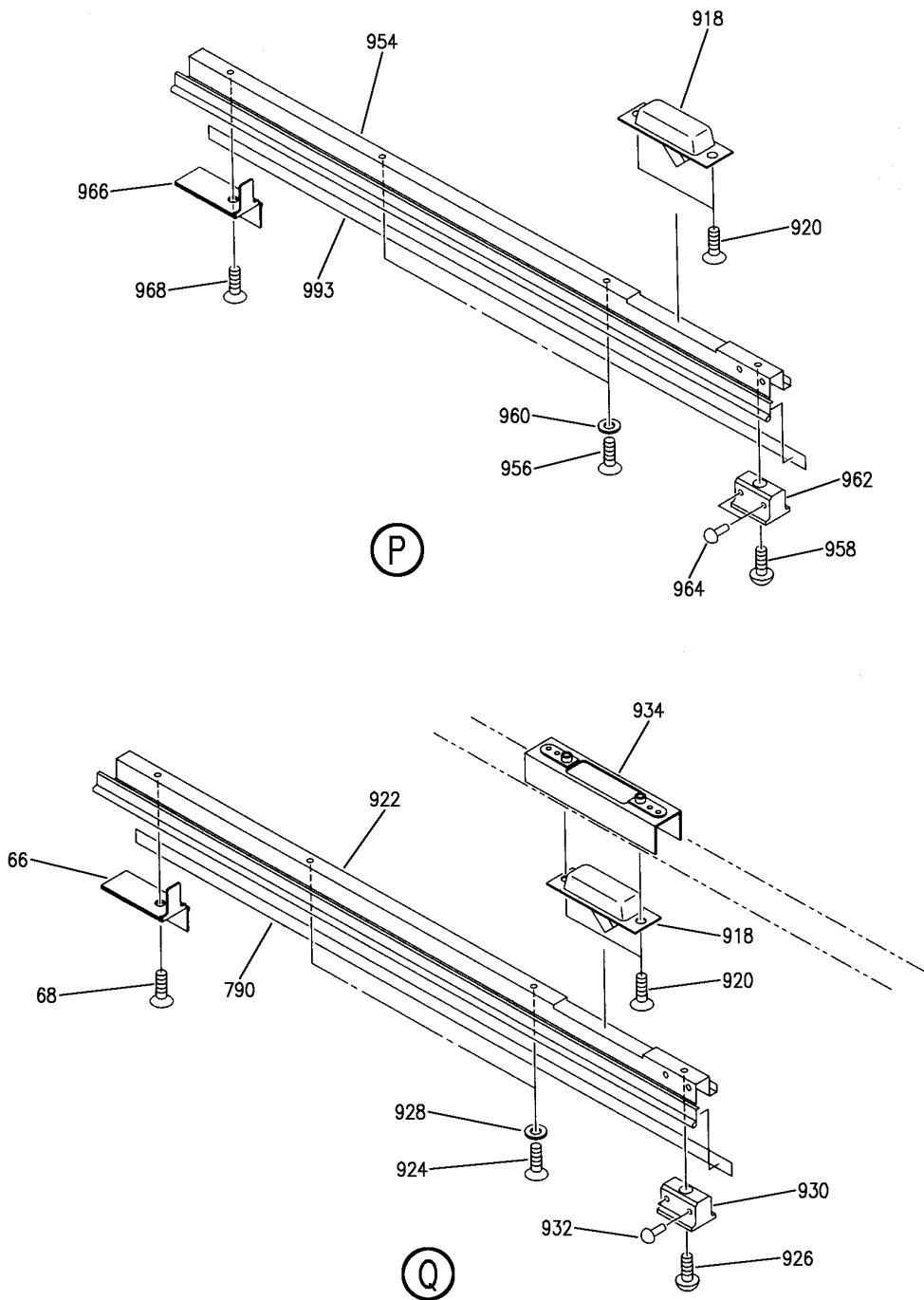
MODULE ASSY-LAV F1 (EQUIPMENT/FURNISHINGS ONLY)
FIGURE 32B (SHEET 6)

25-41-01-32B

HXL
DEC 22/06

25-41-01-32B
PAGE 0E

BOEING
767
PARTS CATALOG (MAINTENANCE)



V 25410132B SHT 7 REV 279

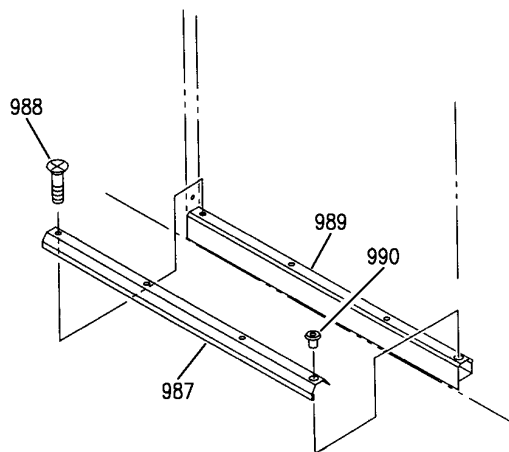
MODULE ASSY-LAV F1 (EQUIPMENT/FURNISHINGS ONLY)
FIGURE 32B (SHEET 7)

25-41-01-32B

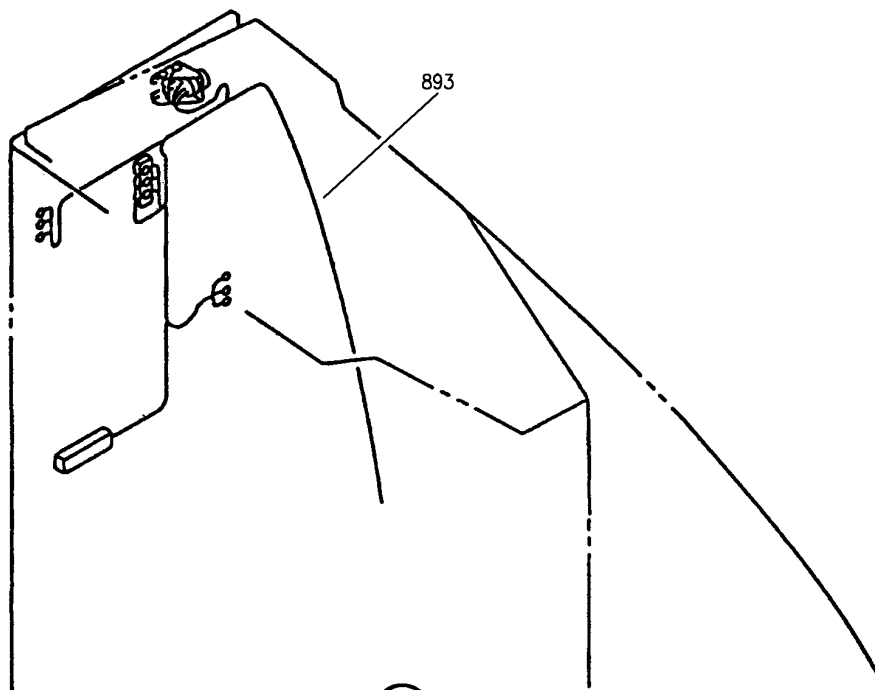
HXL
DEC 22/06

25-41-01-32B
PAGE OF

BOEING
767
PARTS CATALOG (MAINTENANCE)



(R)



(S)

V 25410132B SHT 8 REV 279

MODULE ASSY-LAV F1 (EQUIPMENT/FURNISHINGS ONLY)
FIGURE 32B (SHEET 8)

25-41-01-32B

HXL
DEC 22/06

25-41-01-32B
PAGE 06

 **BOEING**
767
PARTS CATALOG (MAINTENANCE)

FIG ITEM	PART NUMBER	1 2 3 4 5 6 7	NOMENCLATURE	EFFECT FROM TO	UNITS PER ASSY
32B			MODULE ASSY-LAV F1 (EQUIPMENT/FURNISHINGS ONLY)		
- 1	SAS061-1		MODULE ASSY-LAV F1 (EQUIPMENT/FURNISHINGS ONLY) SUPPLIER CODE: VS5065 SPECIFICATION NUMBER: S417T106-604A COMPONENT MAINT MANUAL REF: 25-40-39 FOR NHA/OTHER SYS DET SEE: 25-41-01-02	163999	RF
- 1	SAS061-1001		MODULE ASSY-LAV F1 (EQUIPMENT/FURNISHINGS ONLY) SUPPLIER CODE: VS5065 SPECIFICATION NUMBER: S417T106-482A COMPONENT MAINT MANUAL REF: 25-40-39 FOR NHA/OTHER SYS DET SEE: 25-41-01-02	155162	RF
10	BS061136-1		.PLATE-ACCESS SUPPLIER CODE: VS5065		1
- 15	MS35206-241		ATTACHING PARTS .SCREW		4
20	BS061135-1		-----*----- .PLATE-ACCESS SUPPLIER CODE: VS5065		1
- 25	MS35206-241		ATTACHING PARTS .SCREW		4
30	BS061162-19		-----*----- .TRIM-EDGE SUPPLIER CODE: VS5065		1
- 32	MS24693S47		ATTACHING PARTS .SCREW		5
- 33	MS24693S52		.SCREW		5
- 35	JMS1602-5A50127		-----*----- .BUSHING- SUPPLIER CODE: VS5065		5

ILLUSTRATION ITEMS NOT ON PARTS LIST ARE NOT APPLICABLE

- ITEM NOT ILLUSTRATED

HXL

25-41-01-32B

BOEING PROPRIETARY - Copyright © - Unpublished Work - See title page for details.

25-41-01
FIG. 32B
PAGE 1
DEC 22/07

BOEING
767
PARTS CATALOG (MAINTENANCE)

FIG ITEM	PART NUMBER	1 2 3 4 5 6 7	NOMENCLATURE	EFFECT FROM TO	UNITS PER ASSY
32B					
36	BS060106-53		.PLATE-COLOR BREAK SUPPLIER CODE: VS5065	155162	2
36	BS060106-53		.PLATE-COLOR BREAK SUPPLIER CODE: VS5065 SB DATA FROM A CMM: PRE SB B0060-25-1769	163999	2
40	BS060106-55		.PLATE-COLOR BREAK SUPPLIER CODE: VS5065	155162	1
40	BS060106-55		.PLATE-COLOR BREAK SUPPLIER CODE: VS5065 SB DATA FROM A CMM: PRE SB B0060-25-1769	163999	1
45	BS060106-57		.TRIM-COLOR BREAK SUPPLIER CODE: VS5065	155162	1
45	BS060106-57		.TRIM-COLOR BREAK SUPPLIER CODE: VS5065 SB DATA FROM A CMM: PRE SB B0060-25-1769	163999	1
50	BS061137-3		.DOUBLER- SUPPLIER CODE: VS5065		1
- 55	MS24693S47		ATTACHING PARTS .SCREW -----*-----		10
60	BS061146-3		.PLATE-COVER SUPPLIER CODE: VS5065		1
- 65	MS24693S47		ATTACHING PARTS .SCREW -----*-----		4
66	BS0603336-2		.SEAL- SUPPLIER CODE: VS5065	155162	1
66	0EV6210A02G02		CONFIG CHG DATA FROM A CMM: REPLD BY 0EV6210A02G02 .SEAL- SUPPLIER CODE: VS5065 CONFIG CHG DATA FROM A CMM: REPLS BS0603336-2	155162	1

ILLUSTRATION ITEMS NOT ON PARTS LIST ARE NOT APPLICABLE

- ITEM NOT ILLUSTRATED

HXL

25-41-01-32B

BOEING PROPRIETARY - Copyright © - Unpublished Work - See title page for details.

25-41-01
FIG. 32B
PAGE 2
DEC 22/07



767

PARTS CATALOG (MAINTENANCE)

FIG ITEM	PART NUMBER	1 2 3 4 5 6 7	NOMENCLATURE	EFFECT FROM TO	UNITS PER ASSY
32B 66	BS0603336-2		.SEAL- SUPPLIER CODE: VS5065 SB DATA FROM A CMM: PRE SB B0060-25-1769 ATTACHING PARTS	163999	1
68	MS24693S53		.SCREW	155162	1
68	MS24693S53		.SCREW- USED WITH: BS0603336-2 -----*-----	163999	1
70	BS061163-5		.CHANNEL-DOOR SUPPLIER CODE: VS5065	155162	1
70	BS061163-5		.CHANNEL-DOOR SUPPLIER CODE: VS5065 SB DATA FROM A CMM: PRE SB B0060-25-1769 ATTACHING PARTS	163999	1
- 75	MS24693S47		.SCREW	155162	4
- 75	MS24693S47		.SCREW- USED WITH: BS061163-5 -----*-----	163999	4
85	BS061163-7		.CHANNEL-DOOR SUPPLIER CODE: VS5065 CONFIG CHG DATA FROM A CMM: SUPSD BY BS061166-3	155162	1
85	BS061166-3		.CHANNEL-VERT. SUPPLIER CODE: VS5065 CONFIG CHG DATA FROM A CMM: SUPERSEDES BS061163-7	155162	1
85	BS061163-7		.CHANNEL-DOOR SUPPLIER CODE: VS5065 SB DATA FROM A CMM: PRE SB B0060-25-1769 CONFIG CHG DATA FROM A CMM: SUPSD BY BS061166-3	163999	1
85	BS061166-3		.CHANNEL-DOOR SUPPLIER CODE: VS5065 SB DATA FROM A CMM: PRE SB B0060-25-1769 CONFIG CHG DATA FROM A CMM: SUPERSEDES BS061166-7	163999	1

ILLUSTRATION ITEMS NOT ON PARTS LIST ARE NOT APPLICABLE

- ITEM NOT ILLUSTRATED

25-41-01-32B

25-41-01
FIG. 32B
PAGE 3
DEC 22/07

HXL

BOEING PROPRIETARY - Copyright © - Unpublished Work - See title page for details.

BOEING
767
PARTS CATALOG (MAINTENANCE)

FIG ITEM	PART NUMBER	1 2 3 4 5 6 7	NOMENCLATURE	EFFECT FROM TO	UNITS PER ASSY
32B			ATTACHING PARTS		
- 90	MS24693S49		.SCREW-		2
			USED WITH: BS061163-7		
- 95	MS24693S47		.SCREW-		6
			USED WITH: BS061166-3		
			-----*-----		
100	BS061164-3		.CHANNEL-DOOR	155162	1
			SUPPLIER CODE: VS5065		
100	BS061164-3		.CHANNEL-	163999	1
			SUPPLIER CODE: VS5065		
			SB DATA FROM A CMM: PRE SB B0060-25-1769		
			ATTACHING PARTS		
- 105	MS24693S47		.SCREW	155162	3
- 105	MS24693S47		.SCREW-	163999	3
			USED WITH: BS061164-3		
			-----*-----		
115	BS061164-5		.CHANNEL-DOOR	155162	1
			SUPPLIER CODE: VS5065		
115	BS061164-5		.CHANNEL-DOOR	163999	1
			SUPPLIER CODE: VS5065		
			SB DATA FROM A CMM: PRE SB B0060-25-1769		
			ATTACHING PARTS		
- 120	MS24693S47		.SCREW	155162	2
- 120	MS24693S47		.SCREW-	163999	2
			USED WITH: BS061164-5		
			-----*-----		
130	BS061164-27		.CHANNEL-DOOR	155162	1
			SUPPLIER CODE: VS5065		
130	BS061164-27		.CHANNEL-DOOR	163999	1
			SUPPLIER CODE: VS5065		
			SB DATA FROM A CMM: PRE SB B0060-25-1769		
			ATTACHING PARTS		
- 135	MS24693S47		.SCREW	155162	7

ILLUSTRATION ITEMS NOT ON PARTS LIST ARE NOT APPLICABLE

- ITEM NOT ILLUSTRATED

HXL

25-41-01-32B

BOEING PROPRIETARY - Copyright © - Unpublished Work - See title page for details.

25-41-01
FIG. 32B
PAGE 4
DEC 22/07



767

PARTS CATALOG (MAINTENANCE)

FIG ITEM	PART NUMBER	1 2 3 4 5 6 7	NOMENCLATURE	EFFECT FROM TO	UNITS PER ASSY
32B					
- 135	MS24693S47		.SCREW- USED WITH: BS061164-27 -----*-----	163999	7
145	B0040330-11		.CATCH- SUPPLIER CODE: VS5065	155162	1
145	B0040330-11		.CATCH- SUPPLIER CODE: VS5065 SB DATA FROM A CMM: PRE SB B0060-25-1769 ATTACHING PARTS	163999	1
- 147	MS24693S47		.SCREW	155162	2
- 147	MS24693S47		.SCREW- USED WITH: B0040330-11 -----*-----	163999	2
155	BS061005-3		.THRESHOLD- SUPPLIER CODE: VS5065	155162	1
155	BS061005-3		.THRESHOLD- SUPPLIER CODE: VS5065 SB DATA FROM A CMM: PRE SB B0060-25-1769 ATTACHING PARTS	163999	1
- 160	MS24693C49		.SCREW	155162	6
- 160	MS24693C49		.SCREW- USED WITH: BS061005-3 -----*-----	163999	6
175	BS061142-3		.FITTING-TIE DOWN SUPPLIER CODE: VS5065 ATTACHING PARTS		2
180	MS24693S47		.SCREW		16
185	BS061143-3		.PLATE-TIE DOWN SUPPLIER CODE: VS5065		2
190	BS060521-1		.BRACKET- SUPPLIER CODE: VS5065 ATTACHING PARTS		2
195	MS35206-242		.SCREW		8
200	AN960-8		.WASHER -----*-----		8

ILLUSTRATION ITEMS NOT ON PARTS LIST ARE NOT APPLICABLE

- ITEM NOT ILLUSTRATED

25-41-01-32B

25-41-01
FIG. 32B
PAGE 5
DEC 22/07

HXL

BOEING PROPRIETARY - Copyright © - Unpublished Work - See title page for details.



767

PARTS CATALOG (MAINTENANCE)

FIG ITEM	PART NUMBER	1 2 3 4 5 6 7	NOMENCLATURE	EFFECT FROM TO	UNITS PER ASSY
32B 205	BS060522-1		.BRACKET- SUPPLIER CODE: VS5065 ATTACHING PARTS		1
210	MS35206-245		.SCREW		2
215	AN960-8		.WASHER		2
			-----*-----		
220	BS060522-11		.BRACKET- SUPPLIER CODE: VS5065 ATTACHING PARTS		1
225	MS35206-245		.SCREW		2
230	AN960-8		.WASHER		2
			-----*-----		
235	BS060103-7		.BRACKET-PNL SUPPLIER CODE: VS5065 POSITION DATA: LWR ATTACHING PARTS		1
240	MS35206-242		.SCREW		4
			-----*-----		
245	BS060103-19		.BRACKET-PNL SUPPLIER CODE: VS5065 POSITION DATA: LWR ATTACHING PARTS		1
250	MS35206-242		.SCREW		4
			-----*-----		
255	BS060103-17		.BRACKET-PNL SUPPLIER CODE: VS5065 POSITION DATA: LWR ATTACHING PARTS		1
260	MS35206-242		.SCREW		4
			-----*-----		
265	BS060103-23		.BRACKET-PNL SUPPLIER CODE: VS5065 POSITION DATA: LWR ATTACHING PARTS		1
270	MS35206-242		.SCREW		4
			-----*-----		

ILLUSTRATION ITEMS NOT ON PARTS LIST ARE NOT APPLICABLE

- ITEM NOT ILLUSTRATED

HXL

25-41-01-32B

BOEING PROPRIETARY - Copyright © - Unpublished Work - See title page for details.

25-41-01
FIG. 32B
PAGE 6
DEC 22/07

 **BOEING**
767
PARTS CATALOG (MAINTENANCE)

FIG ITEM	PART NUMBER	1 2 3 4 5 6 7	NOMENCLATURE	EFFECT FROM TO	UNITS PER ASSY
32B 275	BS060103-29		.BRACKET-PNL SUPPLIER CODE: VS5065 POSITION DATA: LWR ATTACHING PARTS		1
280	MS35206-242		.SCREW -----*-----		4
285	BS061106-3		.BOOT- SUPPLIER CODE: VS5065		1
290	B0061108-3		.COVER- SUPPLIER CODE: VS5065 ATTACHING PARTS		1
295	BACS12CB08-3		.SCREW -----*-----		4
300	BS061139-1		.PLATE-ACCESS SUPPLIER CODE: VS5065 ATTACHING PARTS		1
- 305	MS51957-42		.SCREW -----*-----		4
310	BS061191-003GR1		.TRIM-FLOOR PAN SUPPLIER CODE: VS5065		1
315	BS061192-003GR1		.TRIM-FLOOR PAN SUPPLIER CODE: VS5065 ATTACHING PARTS		1
320	MS24693C47		.SCREW -----*-----		5
325	BS061114-011GR1		.PANEL-LWR SUPPLIER CODE: VS5065		1
330	BS061570-005GR1		.PAN ASSY-FLOOR SUPPLIER CODE: VS5065 ATTACHING PARTS		1
- 335	MS35206-242		.SCREW -----*-----		9
340	BS061133-3		.ANGLE- SUPPLIER CODE: VS5065 ATTACHING PARTS		1
- 345	MS24693S47		.SCREW -----*-----		20

ILLUSTRATION ITEMS NOT ON PARTS LIST ARE NOT APPLICABLE

- ITEM NOT ILLUSTRATED

HXL

25-41-01-32B

BOEING PROPRIETARY - Copyright © - Unpublished Work - See title page for details.

25-41-01
FIG. 32B
PAGE 7
DEC 22/07



767

PARTS CATALOG (MAINTENANCE)

FIG ITEM	PART NUMBER	1 2 3 4 5 6 7	NOMENCLATURE	EFFECT FROM TO	UNITS PER ASSY
32B					
350	BS061153-1		.BEAM ASSY-TOP SUPPLIER CODE: VS5065		1
355	BS061161-3		.TRIM-EDGE SUPPLIER CODE: VS5065		1
360	BS061162-13		.TRIM-EDGE SUPPLIER CODE: VS5065		1
- 365	MS24693S47		.ATTACHING PARTS .SCREW -----*-----		5
370	BS061165-3		.ANGLE-TRIM SUPPLIER CODE: VS5065		1
- 375	MS24693S47		.ATTACHING PARTS .SCREW -----*-----		8
380	BS061165-7		.ANGLE-TRIM SUPPLIER CODE: VS5065		1
- 385	MS24693S47		.ATTACHING PARTS .SCREW -----*-----		6
390	BS061003-3		.FITTING-UPR ATTACHMENT SUPPLIER CODE: VS5065		1
- 395	AN4-3A		.ATTACHING PARTS .BOLT -----*-----		4
400	BS060115-1		.PARTITION-LWR (BONDED WITH BMS5-92 TYPE3) SUPPLIER CODE: VS5065		1
405	BS060118-3		.PLATE- SUPPLIER CODE: VS5065		1
410	MS35206-242		.ATTACHING PARTS .SCREW -----*-----		4
415	BS060116-001GR1		.PANEL ASSY-LWR SUPPLIER CODE: VS5065		1
420	BS060089-21		.THRESHOLD- SUPPLIER CODE: VS5065	155162	1

ILLUSTRATION ITEMS NOT ON PARTS LIST ARE NOT APPLICABLE

- ITEM NOT ILLUSTRATED

25-41-01-32B

25-41-01
FIG. 32B
PAGE 8
DEC 22/07

HXL

BOEING PROPRIETARY - Copyright © - Unpublished Work - See title page for details.

 **BOEING**
767
PARTS CATALOG (MAINTENANCE)

FIG ITEM	PART NUMBER	1 2 3 4 5 6 7	NOMENCLATURE	EFFECT FROM TO	UNITS PER ASSY
32B 420	BS060089-21		.THRESHOLD- SUPPLIER CODE: VS5065 SB DATA FROM A CMM: PRE SB B0060-25-1769	163999	1
425	BS061180A261		.WALL ASSY-SINK AND DOOR SUPPLIER CODE: VS5065	163999	1
425	BS061180B221		.WALL ASSY-SINK AND DOOR SUPPLIER CODE: VS5065	155162	1
430	BS060070-111		..WALL-END SUPPLIER CODE: VS5065		1
435	BS060076-11		..WALL-END SUPPLIER CODE: VS5065		1
440	BS061120A201		.WALL ASSY-DOOR SUPPLIER CODE: VS5065	163999	1
440	BS061120B201		.WALL ASSY-DOOR SUPPLIER CODE: VS5065	155162	1
445	BS060042-1		..WALL-END SUPPLIER CODE: VS5065		1
460	BS061130A001		.WALL ASSY-DOOR SUPPLIER CODE: VS5065	163999	1
460	BS061130B001		.WALL ASSY-DOOR SUPPLIER CODE: VS5065	155162	1
465	BS060076-31		..WALL-END SUPPLIER CODE: VS5065		1
485	BS061140A001		.WALL-SHROUD SUPPLIER CODE: VS5065	163999	1
485	BS061140B001		.WALL-SHROUD SUPPLIER CODE: VS5065	155162	1
490	BS061160A011		.PANEL-CLG SUPPLIER CODE: VS5065	163999	1
490	BS061160B011		.PANEL-CLG SUPPLIER CODE: VS5065	155162	1

ILLUSTRATION ITEMS NOT ON PARTS LIST ARE NOT APPLICABLE

- ITEM NOT ILLUSTRATED

HXL

25-41-01-32B

BOEING PROPRIETARY - Copyright © - Unpublished Work - See title page for details.

25-41-01
FIG. 32B
PAGE 9
DEC 22/07



767

PARTS CATALOG (MAINTENANCE)

FIG ITEM	PART NUMBER	1 2 3 4 5 6 7	NOMENCLATURE	EFFECT FROM TO	UNITS PER ASSY
32B 495	BS061024-3		. FLANGE- SUPPLIER CODE: VS5065		1
500	BS061023-7		. BRACKET- SUPPLIER CODE: VS5065	163999	1
500	BS061023-3		. BRACKET- SUPPLIER CODE: VS5065	155162	1
505	BS060110-31		. ASHTRAY ASSY- SUPPLIER CODE: VS5065		2
- 510	MS24693S47		ATTACHING PARTS . SCREW -----*-----		4
515	BS060046-3		. SEAL-P (BONDED WITH JMS0906) SUPPLIER CODE: VS5065		1
520	BS060161-5		. HOLDER- SUPPLIER CODE: VS5065		1
- 525	MS35206-241		ATTACHING PARTS . SCREW -----*-----		3
530	BS060161-3		. HOLDER-(BONDED WITH BMS5-92 TYPE 1) SUPPLIER CODE: VS5065		1
535	BS061165-5		. ANGLE-TRIM SUPPLIER CODE: VS5065		1
- 540	MS35206-242		ATTACHING PARTS . SCREW -----*-----		4
545	BS061156-101		. BOX-FIRE EXT. SUPPLIER CODE: VS5065		1
- 550	MS24693S47		ATTACHING PARTS . SCREW -----*-----		12
555	BS060140-3		. TRIM-COLOR BRKT SUPPLIER CODE: VS5065		1
- 560	MS24693S46		ATTACHING PARTS . SCREW -----*-----		3

ILLUSTRATION ITEMS NOT ON PARTS LIST ARE NOT APPLICABLE

- ITEM NOT ILLUSTRATED

25-41-01-32B

25-41-01
FIG. 32B
PAGE 10
DEC 22/07

HXL

BOEING PROPRIETARY - Copyright © - Unpublished Work - See title page for details.

 **BOEING**
767
PARTS CATALOG (MAINTENANCE)

FIG ITEM	PART NUMBER	1 2 3 4 5 6 7	NOMENCLATURE	EFFECT FROM TO	UNITS PER ASSY
32B 565	BCREF114911		.PLATE-COLOR BRKT (BONDED WITH BMS5-91 TYPE1) OVERLENGTH PART NUMBER: BAC1522-294-7800	163999	AR
565	BCREF108369		.PLATE-COLOR BRKT (BONDED WITH BMS5-91 TYPE1) OVERLENGTH PART NUMBER: BAC1522-294-7802	155162	AR
585	SK061004-3		.MAT-FLOOR SUPPLIER CODE: VS5065	163999	1
585	SAS061004-3		.MAT-FLOOR SUPPLIER CODE: VS5065	155162	1
590	BS060501-001WH1		.CONTAINER ASSY-WASTE SUPPLIER CODE: VS5065		1
595	JMS2071-7		.HANDLE ASSY-ASSIST SUPPLIER CODE: VS5065		1
600	MS27039C1-09		.SCREW		2
605	AN960PD10		.WASHER		4
			-----*-----		
610	A700295-3		..HANDLE- SUPPLIER CODE: VS5065		1
615	A700296-3		..SPACER- SUPPLIER CODE: VS5065		2
620	A700297-3		..WASHER- SUPPLIER CODE: VS5065		2
625	BS061513-001WH2		.END-SINK CABINET SUPPLIER CODE: VS5065		1
			ATTACHING PARTS		
- 630	MS24693S52		.SCREW		4
			-----*-----		
635	BS061511-111WH2		.SHROUD-SURROUND SUPPLIER CODE: VS5065		1
			ATTACHING PARTS		
640	MS35206-243		.SCREW		1
645	AN960-8		.WASHER		1
			-----*-----		

ILLUSTRATION ITEMS NOT ON PARTS LIST ARE NOT APPLICABLE

- ITEM NOT ILLUSTRATED

HXL

25-41-01-32B

BOEING PROPRIETARY - Copyright © - Unpublished Work - See title page for details.

25-41-01
FIG. 32B
PAGE 11
DEC 22/07

 **BOEING**
767
PARTS CATALOG (MAINTENANCE)

FIG ITEM	PART NUMBER	1 2 3 4 5 6 7	NOMENCLATURE	EFFECT FROM TO	UNITS PER ASSY
32B					
650	BS061515-3		.RETAINER- SUPPLIER CODE: VS5065		1
655	BS061020-1		.BRACKET- SUPPLIER CODE: VS5065		1
660	MS35206-243		ATTACHING PARTS .SCREW		3
665	BS061050-3		-----*----- .BRACKET- SUPPLIER CODE: VS5065		5
670	MS24693S47		ATTACHING PARTS .SCREW		50
675	BS061019-1		-----*----- .BRACKET- SUPPLIER CODE: VS5065		1
680	MS35206-242		ATTACHING PARTS .SCREW		3
685	BS061009-5		-----*----- .BRACKET- SUPPLIER CODE: VS5065		1
690	MS35206-242		ATTACHING PARTS .SCREW		3
695	BS061009-3		-----*----- .BRACKET- SUPPLIER CODE: VS5065		1
700	MS24693S47		ATTACHING PARTS .SCREW		3
705	BS061510-101WH2		-----*----- .SHROUD-SURROUND SUPPLIER CODE: VS5065		1
708	MS24693S52		ATTACHING PARTS .SCREW		4
710	MS35206-241		.SCREW		1
720	AN960-8		.WASHER		1
725	BS061485-023043		-----*----- .STRIP-LWR GRAPHIC SUPPLIER CODE: VS5065	155162	1
730	BS061218-051043		.STRIP-UPR GRAPHIC SUPPLIER CODE: VS5065		1

ILLUSTRATION ITEMS NOT ON PARTS LIST ARE NOT APPLICABLE

- ITEM NOT ILLUSTRATED

HXL

25-41-01-32B

BOEING PROPRIETARY - Copyright © - Unpublished Work - See title page for details.

25-41-01
FIG. 32B
PAGE 12
DEC 22/07



**767
PARTS CATALOG (MAINTENANCE)**

FIG ITEM	PART NUMBER	1 2 3 4 5 6 7	NOMENCLATURE	EFFECT FROM TO	UNITS PER ASSY
32B 735	BS061006-003000		.PLATE-DECORATIVE SUPPLIER CODE: VS5065		1
740	BS061001-21		.HANDLE ASSY-FLUSH SUPPLIER CODE: VS5065		1
745	BS061002-011130		.ESCUTCHEON- SUPPLIER CODE: VS5065		1
750	BS060165-3		.BUMPER- SUPPLIER CODE: VS5065		1
755	BS060166-3		.PLATE- SUPPLIER CODE: VS5065		1
- 760	MS35206-241		ATTACHING PARTS .SCREW -----*-----		3
765	7900063-1		.TOILET ASSY- SUPPLIER CODE: V58568 COMPONENT MAINT MANUAL REF: 38-30-23 FOR DETAILS SEE: 38-32-01-21L		1
765	7900003		.TOILET ASSY- SUPPLIER CODE: V58568 SPECIFICATION NUMBER: S417T104-21 COMPONENT MAINT MANUAL REF: 38-30-02 FOR DETAILS SEE: 38-32-01-21B		1
765	15800-010-1		.TOILET ASSY- SUPPLIER CODE: V29780 SPECIFICATION NUMBER: S417T104-23 SB DATA FROM A CMM: PRE SB15800-38-04 COMPONENT MAINT MANUAL REF: 38-33-10 FOR DETAILS SEE: 38-32-01-21C		1

ILLUSTRATION ITEMS NOT ON PARTS LIST ARE NOT APPLICABLE

- ITEM NOT ILLUSTRATED

25-41-01-32B

25-41-01
FIG. 32B
PAGE 13
APR 22/09

HXL

BOEING PROPRIETARY - Copyright © - Unpublished Work - See title page for details.



767

PARTS CATALOG (MAINTENANCE)

FIG ITEM	PART NUMBER	1 2 3 4 5 6 7	NOMENCLATURE	EFFECT FROM TO	UNITS PER ASSY
32B 765	7900043		.TOILET ASSY- SUPPLIER CODE: V58568 SPECIFICATION NUMBER: S417T104-31 COMPONENT MAINT MANUAL REF: 38-30-12 FOR DETAILS SEE: 38-32-01-21D		1
765	7900063		.TOILET ASSY- SUPPLIER CODE: V58568 SPECIFICATION NUMBER: S417T104-41 COMPONENT MAINT MANUAL REF: 38-30-15 FOR DETAILS SEE: 38-32-01-21F		1
765	7900103		.TOILET ASSY- SUPPLIER CODE: V58568 SPECIFICATION NUMBER: S417T104-51 COMPONENT MAINT MANUAL REF: 38-30-21 FOR DETAILS SEE: 38-32-01-21G		1
765	15800-012-1		.TOILET ASSY- SUPPLIER CODE: V29780 SPECIFICATION NUMBER: S417T104-35 COMPONENT MAINT MANUAL REF: 38-33-12 FOR DETAILS SEE: 38-32-01-21E		1
766	15800-022-1		.TOILET ASSY- SUPPLIER CODE: V29780 SPECIFICATION NUMBER: S417T104-57 COMPONENT MAINT MANUAL REF: 38-33-20 FOR DETAILS SEE: 38-32-01-21H		1

ILLUSTRATION ITEMS NOT ON PARTS LIST ARE NOT APPLICABLE

- ITEM NOT ILLUSTRATED

HXL

25-41-01-32B

BOEING PROPRIETARY - Copyright © - Unpublished Work - See title page for details.

25-41-01
FIG. 32B
PAGE 14
AUG 22/08



767

PARTS CATALOG (MAINTENANCE)

FIG ITEM	PART NUMBER	1 2 3 4 5 6 7	NOMENCLATURE	EFFECT FROM TO	UNITS PER ASSY
32B 766	15800-006-1		.TOILET ASSY- SUPPLIER CODE: V29780 SPECIFICATION NUMBER: S417T104-17 COMPONENT MAINT MANUAL REF: 38-33-10 FOR DETAILS SEE: 38-32-01-21A		1
766	15800-010-1		.TOILET ASSY- SUPPLIER CODE: V29780 SPECIFICATION NUMBER: S417T104-23 SB DATA FROM A CMM: POST SB15800-38-04 COMPONENT MAINT MANUAL REF: 38-33-10 FOR DETAILS SEE: 38-32-01-21K		1
- 770	NAS6704-3		.BOLT		4
- 775	AN960C416		.WASHER		4
			-----*-----		
780	BS061440-001WH1		.CHUTE ASSY-WASTE SUPPLIER CODE: VS5065 FOR DETAILS SEE: 26-24-01-02 ATTACHING PARTS		1
- 785	MS24693S47		.SCREW		2
			-----*-----		
790	BS060044-5		.SEAL-P (BONDED WITH JMS0906) SUPPLIER CODE: VS5065	155162	1
790	BS060044-5		.SEAL-P (BONDED WITH JMS0906) SUPPLIER CODE: VS5065 SB DATA FROM A CMM: PRE SB B0060-25-1769	163999	1
795	BS060044-7		.SEAL-P (BONDED WITH JMS0906) SUPPLIER CODE: VS5065	155162	1

ILLUSTRATION ITEMS NOT ON PARTS LIST ARE NOT APPLICABLE

- ITEM NOT ILLUSTRATED

25-41-01-32B

25-41-01
FIG. 32B
PAGE 15
AUG 22/08

HXL

BOEING PROPRIETARY - Copyright © - Unpublished Work - See title page for details.

BOEING
767
PARTS CATALOG (MAINTENANCE)

FIG ITEM	PART NUMBER	1 2 3 4 5 6 7	NOMENCLATURE	EFFECT FROM TO	UNITS PER ASSY
32B 795	BS060044-7		.SEAL-P (BONDED WITH JMS0906 SUPPLIER CODE: VS5065 SB DATA FROM A CMM: PRE SB B0060-25-1769	163999	1
800	SK061200-231		.CABINET ASSY-UPR SUPPLIER CODE: VS5065 FOR DETAILS SEE: 25-43-51-46	163999	1
800	SAS061200-231		.CABINET ASSY-UPR SUPPLIER CODE: VS5065 FOR DETAILS SEE: 25-43-51-46	155162	1
805	SAS061300-4031		.DOOR ASSY-SINGLE PNL SUPPLIER CODE: VS5065 FOR DETAILS SEE: 25-41-02-11	155162	1
805	SK061300-1031		.DOOR ASSY-SINGLE PNL SUPPLIER CODE: VS5065 SB DATA FROM A CMM: PRE SB B0060-25-1769 FOR DETAILS SEE: 25-41-02-11	163999	1
- 815	MS24693S49		ATTACHING PARTS .SCREW -----*-----		13
820	SK061340-1001		.DOOR ASSY-FIRE EXT. SUPPLIER CODE: VS5065 FOR DETAILS SEE: 25-41-02-04	163999	1
820	SAS061340-4001		.DOOR ASSY-FIRE EXT. SUPPLIER CODE: VS5065 FOR DETAILS SEE: 25-41-02-04 ATTACHING PARTS	155162	1
- 825	MS24693S49		.SCREW -----*-----		6
830	BS061400-2111		.COUNTER ASSY- SUPPLIER CODE: VS5065 FOR DETAILS SEE: 25-42-51-04		1

ILLUSTRATION ITEMS NOT ON PARTS LIST ARE NOT APPLICABLE

- ITEM NOT ILLUSTRATED

HXL

25-41-01-32B

BOEING PROPRIETARY - Copyright © - Unpublished Work - See title page for details.

25-41-01
FIG. 32B
PAGE 16
AUG 22/08



767

PARTS CATALOG (MAINTENANCE)

FIG ITEM	PART NUMBER	1 2 3 4 5 6 7	NOMENCLATURE	EFFECT FROM TO	UNITS PER ASSY
32B 835	BS061410-011125	.	FLAP ASSY-WASTE SUPPLIER CODE: VS5065 SB DATA FROM A CMM: PRE SB B0060-25-911 FOR DETAILS SEE: 25-42-60-01		1
835	BS061410-111125	.	FLAP ASSY-WASTE SUPPLIER CODE: VS5065 SB DATA FROM A CMM: POST SB B0060-25-911 FOR DETAILS SEE: 25-42-60-01		1
840	SK061450-41	.	CABINET ASSY-SINK SUPPLIER CODE: VS5065 FOR DETAILS SEE: 25-43-02-01	163999	1
840	SAS061450-41	.	CABINET ASSY-SINK SUPPLIER CODE: VS5065 FOR DETAILS SEE: 25-43-02-01	155162	1
845	B0061500-61	.	SHROUD ASSY-TOILET SUPPLIER CODE: VS5065 COMPONENT MAINT MANUAL REF: 25-40-12 FOR DETAILS SEE: 25-41-51-01		1

ILLUSTRATION ITEMS NOT ON PARTS LIST ARE NOT APPLICABLE

- ITEM NOT ILLUSTRATED

HXL

25-41-01-32B

BOEING PROPRIETARY - Copyright © - Unpublished Work - See title page for details.

25-41-01
FIG. 32B
PAGE 17
AUG 22/08

 **BOEING**
767
PARTS CATALOG (MAINTENANCE)

FIG ITEM	PART NUMBER	1 2 3 4 5 6 7	NOMENCLATURE	EFFECT FROM TO	UNITS PER ASSY
32B 850	B0061600-1		.SERVICE UNIT ASSY- SUPPLIER CODE: VS5065 FUNCTIONAL REFERENCE: AIR CONDITIONING FOR DETAILS SEE 21-24-51-05 COMMUNICATIONS FOR DETAILS SEE 23-31-51-05 EQUIPMENT/FURNISHINGS FOR DETAILS SEE 25-41-60-01 LIGHTS FOR DETAILS SEE 33-26-51-12 OXYGEN FOR DETAILS SEE 35-21-01-55		1
- 855	MS24693S47		.SCREW -----*-----		4
- 860	BS061700-101		.ELECTRICAL SYSTEM INSTL- SUPPLIER CODE: VS5065 FUNCTIONAL REFERENCE: ELECTRICAL POWER FOR DETAILS SEE 24-00-60-38 LIGHTS FOR DETAILS SEE 33-26-51-71 WATER/WASTE FOR DETAILS SEE 38-32-04-02		RF
- 865	BS061710-21		.OUTLET INSTL-SHAVER SUPPLIER CODE: VS5065 FOR DETAILS SEE: 24-00-61-01		RF

ILLUSTRATION ITEMS NOT ON PARTS LIST ARE NOT APPLICABLE

- ITEM NOT ILLUSTRATED

HXL

25-41-01-32B

BOEING PROPRIETARY - Copyright © - Unpublished Work - See title page for details.

25-41-01
FIG. 32B
PAGE 18
AUG 22/08

BOEING
767
PARTS CATALOG (MAINTENANCE)

FIG ITEM	PART NUMBER	1 2 3 4 5 6 7	NOMENCLATURE	EFFECT FROM TO	UNITS PER ASSY
32B - 870	BS061730-21		.TAPE INSTL-HEAT SUPPLIER CODE: VS5065 FUNCTIONAL REFERENCE: PLACARDS AND MARKINGS FOR DETAILS SEE 11-35-18-50 WATER/WASTE FOR DETAILS SEE 38-13-51-02	163999	RF
- 870	BS061730-11		.TAPE INSTL-HEAT SUPPLIER CODE: VS5065 FUNCTIONAL REFERENCE: PLACARDS AND MARKINGS FOR DETAILS SEE 11-35-18-50 WATER/WASTE FOR DETAILS SEE 38-13-51-02	155162	RF
- 875	BS061740-511		.SMOKE DETECTOR INSTL- SUPPLIER CODE: VS5065 FOR DETAILS SEE: 26-13-01-01		RF
880	BS061760-1		.LIGHT ASSY-CLG SUPPLIER CODE: VS5065 FOR DETAILS SEE: 33-26-51-05 ATTACHING PARTS		1
- 885	MS27039C1-05		.SCREW		4
- 890	RF004-31		.DISPENSER ASSY-LIQUID SOAP SUPPLIER CODE: VS5065 FOR DETAILS SEE: 25-41-55-02		1
- 892	BS061780-1		.WIRE BUNDLE ASSY-N.S.F.S.B SIGN SUPPLIER CODE: VS5065		1
893	BS061781-1		..WIRE BUNDLE- SUPPLIER CODE: VS5065		1

ILLUSTRATION ITEMS NOT ON PARTS LIST ARE NOT APPLICABLE

- ITEM NOT ILLUSTRATED

HXL

25-41-01-32B

BOEING PROPRIETARY - Copyright © - Unpublished Work - See title page for details.

25-41-01
FIG. 32B
PAGE 19
AUG 22/08

 **BOEING**
767
PARTS CATALOG (MAINTENANCE)

FIG ITEM	PART NUMBER	1 2 3 4 5 6 7	NOMENCLATURE	EFFECT FROM TO	UNITS PER ASSY
32B - 895	BS061810-21		.SYSTEM INSTL-SINK WATER SUPPLIER CODE: VS5065 FOR DETAILS SEE: 38-00-51-11 38-13-50-51A		RF
- 900	BS061850-1		.WATER SYSTEM INSTL- SUPPLIER CODE: VS5065 FOR DETAILS SEE: 38-00-60-08		RF
- 905	BS060PS355		.PLACARD INSTL- SUPPLIER CODE: VS5065 FOR DETAILS SEE: 11-35-02-52		RF
- 907	OAB1769A01G07		.KIT INSTL-SB SUPPLIER CODE: VS5065 SB DATA FROM A CMM: POST SB B0060-25-1769	163999	1
910	BS060P002-35		..PLACARD- (NO SMOKING IN LAVATORY) SUPPLIER CODE: VS5065	163999	2
912	BS060P002-37		..PLACARD- (NO SMOKING IN LAVATORY) SUPPLIER CODE: VS5065	163999	2
914	BS060P003-57		..PLACARD- (PLEASE LOCK DOOR) SUPPLIER CODE: VS5065	163999	1
916	BAC29PPS12873		..PLACARD- PLACARD CONTENT: A	163999	1
918	A35010A1P		..LATCH- SUPPLIER CODE: V52607	163999	1
920	MS24693S49		ATTACHING PARTS ..SCREW -----*-----	163999	2
936	ORK9900A02G01		..LINTEL-(BONDED WITH JMS1003-8) SUPPLIER CODE: VS5065	163999	1

ILLUSTRATION ITEMS NOT ON PARTS LIST ARE NOT APPLICABLE

- ITEM NOT ILLUSTRATED

HXL

25-41-01-32B

BOEING PROPRIETARY - Copyright © - Unpublished Work - See title page for details.

25-41-01
FIG. 32B
PAGE 20
AUG 22/08

 **BOEING**
767
PARTS CATALOG (MAINTENANCE)

FIG ITEM	PART NUMBER	1 2 3 4 5 6 7	NOMENCLATURE	EFFECT FROM TO	UNITS PER ASSY
32B			ATTACHING PARTS		
- 938	MS51957-42	..	SCREW	163999	3
- 940	TAPK42BS	..	RIVET-	163999	11
			SUPPLIER CODE: V0223D -----*-----		
942	OAB1769A01R07	..	DTL-(BONDED WITH BOSTIK 7132 R) SUPPLIER CODE: VS5065	163999	1
944	OAB1769A01R09	..	DTL- (BONDED WITH BOSTIK 7132 R) SUPPLIER CODE: VS5065	163999	1
- 946	OHD7612A10G03	..	DOOR INSTL-ENTRY SUPPLIER CODE: VS5065	163999	1
948	BS060106-33	...	PLATE-COLOR BREAK (BONDED WITH JMS0906-4 OR JMS0906-3) SUPPLIER CODE: VS5065	163999	2
950	BS060106-13	...	PLATE-COLOR BREAK (BONDED WITH JMS0906-4 OR JMS0906-3) SUPPLIER CODE: VS5065	163999	1
952	BS060106-63	...	TRIM-COLOR BREAK (BONDED WITH JMS0906-4 OR JMS0906-3) SUPPLIER CODE: VS5065	163999	1
954	OEV3190A06G03	...	TRIM ASSY-DOORWAY SUPPLIER CODE: VS5065	163999	1
			ATTACHING PARTS		
956	MS24693S49	...	SCREW	163999	2
958	MS35206-241	...	SCREW	163999	1
960	JMS1503-17-1W	...	WASHER- SUPPLIER CODE: VS5065 -----*-----	163999	2
962	OFV8550A04M01	BEARING- SUPPLIER CODE: VS5065	163999	1
			ATTACHING PARTS		
964	MS20426AD3-12	RIVET -----*-----	163999	2

ILLUSTRATION ITEMS NOT ON PARTS LIST ARE NOT APPLICABLE

- ITEM NOT ILLUSTRATED

HXL

25-41-01-32B

BOEING PROPRIETARY - Copyright © - Unpublished Work - See title page for details.

25-41-01
FIG. 32B
PAGE 21
AUG 22/08

 **BOEING**
767
PARTS CATALOG (MAINTENANCE)

FIG ITEM	PART NUMBER	1 2 3 4 5 6 7	NOMENCLATURE	EFFECT FROM TO	UNITS PER ASSY
32B 966	0EV6210A02G02	...	SEAL- SUPPLIER CODE: VS5065 ATTACHING PARTS	163999	1
968	MS24693C53	...	SCREW -----*-----	163999	1
970	0EV3050A17M05	...	TRIM ASSY-DOORWAY SUPPLIER CODE: VS5065 ATTACHING PARTS	163999	1
- 972	MS24693S49	...	SCREW -----*-----	163999	2
974	0EV3050A17M03	...	TRIM-DOORWAY SUPPLIER CODE: VS5065 ATTACHING PARTS	163999	1
- 976	MS24693S49	...	SCREW -----*-----	163999	2
978	0EV3050A17M01	...	TRIM-DOORWAY SUPPLIER CODE: VS5065 ATTACHING PARTS	163999	1
- 980	MS24693S49	...	SCREW -----*-----	163999	5
982	BS060032-27	...	TRIM- SUPPLIER CODE: VS5065 ATTACHING PARTS	163999	1
- 984	MS24693S49	...	SCREW -----*-----	163999	7
- 986	JMS2090-42-1	...	SHIM- SUPPLIER CODE: VS5065	163999	14
987	0EV9360A01G03	...	THRESHOLD- SUPPLIER CODE: VS5065 ATTACHING PARTS	163999	1
988	MS24693C54	...	SCREW -----*-----	163999	3
989	0EV4030A01G01	...	BOX- SUPPLIER CODE: VS5065	163999	1
990	BS063009-3	...	BEARING- SUPPLIER CODE: VS5065	163999	1
991	0EJ9040A03M01	...	PLATE-(BONDED WITH JMS1003-8) SUPPLIER CODE: VS5065	163999	1

ILLUSTRATION ITEMS NOT ON PARTS LIST ARE NOT APPLICABLE

- ITEM NOT ILLUSTRATED

HXL

25-41-01-32B

BOEING PROPRIETARY - Copyright © - Unpublished Work - See title page for details.

25-41-01
FIG. 32B
PAGE 22
AUG 22/08



767

PARTS CATALOG (MAINTENANCE)

FIG ITEM	PART NUMBER	1 2 3 4 5 6 7	NOMENCLATURE	EFFECT FROM TO	UNITS PER ASSY
32B 992	BS060047-3		...SEAL-(BONDED WITH JMS0906-4 OR JMS0906-3) SUPPLIER CODE: VS5065	163999	1
993	BS060044-9		...SEAL-(BONDED WITH JMS0906-4 OR JMS0906-3) SUPPLIER CODE: VS5065	163999	1
994	BS063300-4442		...DOOR ASSY-BI-FOLD SUPPLIER CODE: VS5065 FOR DETAILS SEE: 25-41-02-15	163999	1

ILLUSTRATION ITEMS NOT ON PARTS LIST ARE NOT APPLICABLE

- ITEM NOT ILLUSTRATED

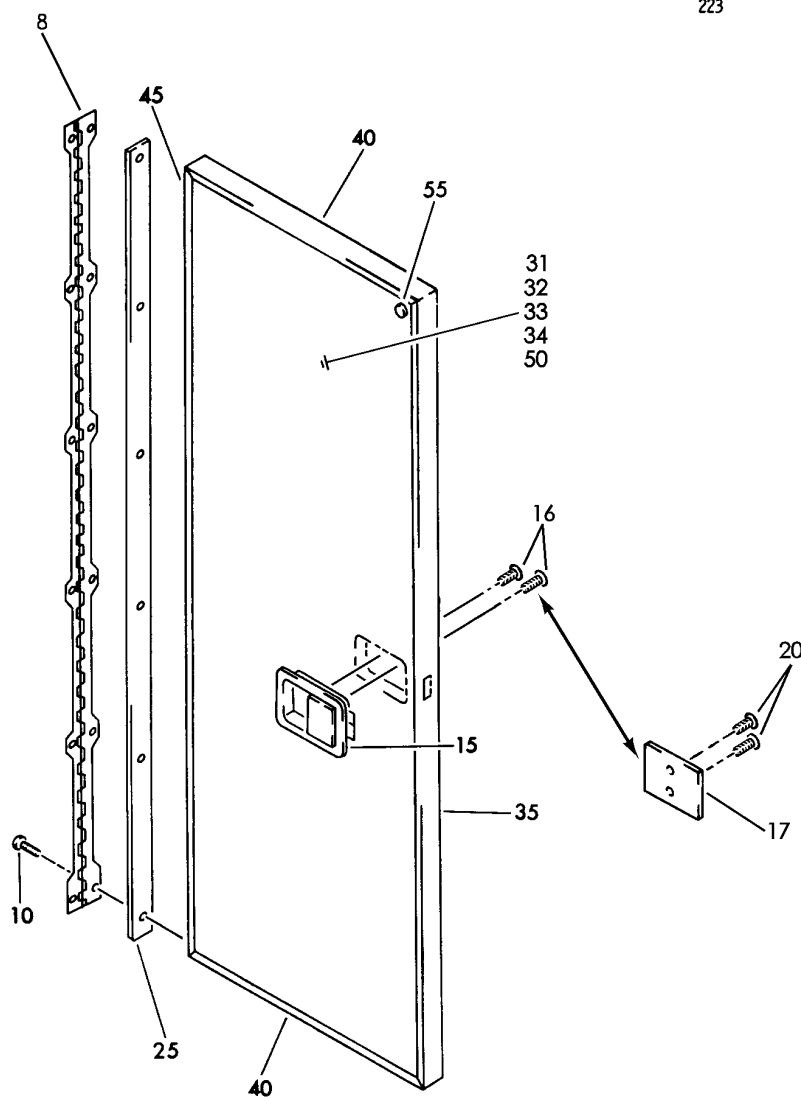
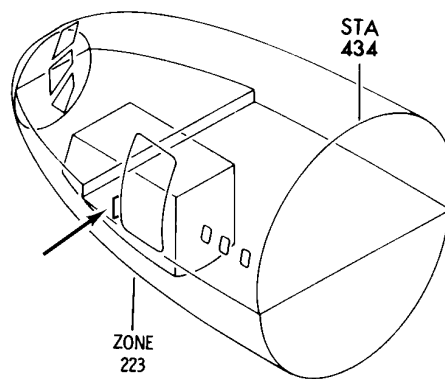
HXL

25-41-01-32B

BOEING PROPRIETARY - Copyright © - Unpublished Work - See title page for details.

25-41-01
FIG. 32B
PAGE 23
AUG 22/08

BOEING
767
PARTS CATALOG (MAINTENANCE)



V 25410204 REV 299

DOOR ASSY-SIDE, FIRE EXT, LAV F1
FIGURE 4

25-41-02-04

HXL
DEC 22/06

25-41-02-04
PAGE 0



767

PARTS CATALOG (MAINTENANCE)

FIG ITEM	PART NUMBER	1 2 3 4 5 6 7	NOMENCLATURE	EFFECT FROM TO	UNITS PER ASSY
4			DOOR ASSY-SIDE, FIRE EXT, LAV F1		
- 2	SK061340-1001		DOOR ASSY-FIRE EXT LAV F1 SUPPLIER CODE: VS5065 FOR NHA SEE: 25-41-01-32B	163999	RF
- 3	SAS061340-4001		DOOR ASSY-FIRE EXT LAV F1 SUPPLIER CODE: VS5065 FOR NHA SEE: 25-41-01-32B	155162	RF
8	BS061342-3		.HINGE- SUPPLIER CODE: VS5065		1
10	MS24693C49		ATTACHING PARTS .SCREW- USED ON: DAL061340-4021 CIF061340-4001 SK061340-1001 SAS061340-1001 SAS061340-4001 -----*-----		6
15	SAM223-2		.LATCH-(BONDED WITH BMS5-92 TYPE3) SUPPLIER CODE: V31845		1
17	BS061343-3		.PLATE-ATTACH SUPPLIER CODE: VS5065		1
20	MS27039C1-07		ATTACHING PARTS .SCREW- -----*-----		2
25	BS060033-7		.CHANNEL-TRIM SUPPLIER CODE: VS5065		1
31	SAS061341A001		.PANEL ASSY- SUPPLIER CODE: VS5065 CONFIG CHG DATA FROM A CMM: SUPERSEDES BS061341A001	163999	1
31	SAS061341B001		.PANEL ASSY- SUPPLIER CODE: VS5065 CONFIG CHG DATA FROM A CMM: SUPERSEDES BS061341B001	155162	1

ILLUSTRATION ITEMS NOT ON PARTS LIST ARE NOT APPLICABLE

- ITEM NOT ILLUSTRATED

HXL

25-41-02-04

BOEING PROPRIETARY - Copyright © - Unpublished Work - See title page for details.

25-41-02
FIG. 04
PAGE 1
DEC 22/07



767

PARTS CATALOG (MAINTENANCE)

FIG ITEM	PART NUMBER	1 2 3 4 5 6 7	NOMENCLATURE	EFFECT FROM TO	UNITS PER ASSY
4	31 BS061341A001		.PANEL ASSY- SUPPLIER CODE: VS5065 CONFIG CHG DATA FROM A CMM: SUPSD BY SAS061341A001	163999	1
	31 BS061341B001		.PANEL- SUPPLIER CODE: VS5065 CONFIG CHG DATA FROM A CMM: SUPSD BY SAS061341B001	155162	1
	35 BS060033-5		.CHANNEL-TRIM (BONDED WITH BMS5-92 TYPE 3) SUPPLIER CODE: VS5065		1
	40 BS060033-3		.CHANNEL-TRIM (BONDED WITH BMS5-92 TYPE 3) SUPPLIER CODE: VS5065		2

ILLUSTRATION ITEMS NOT ON PARTS LIST ARE NOT APPLICABLE

- ITEM NOT ILLUSTRATED

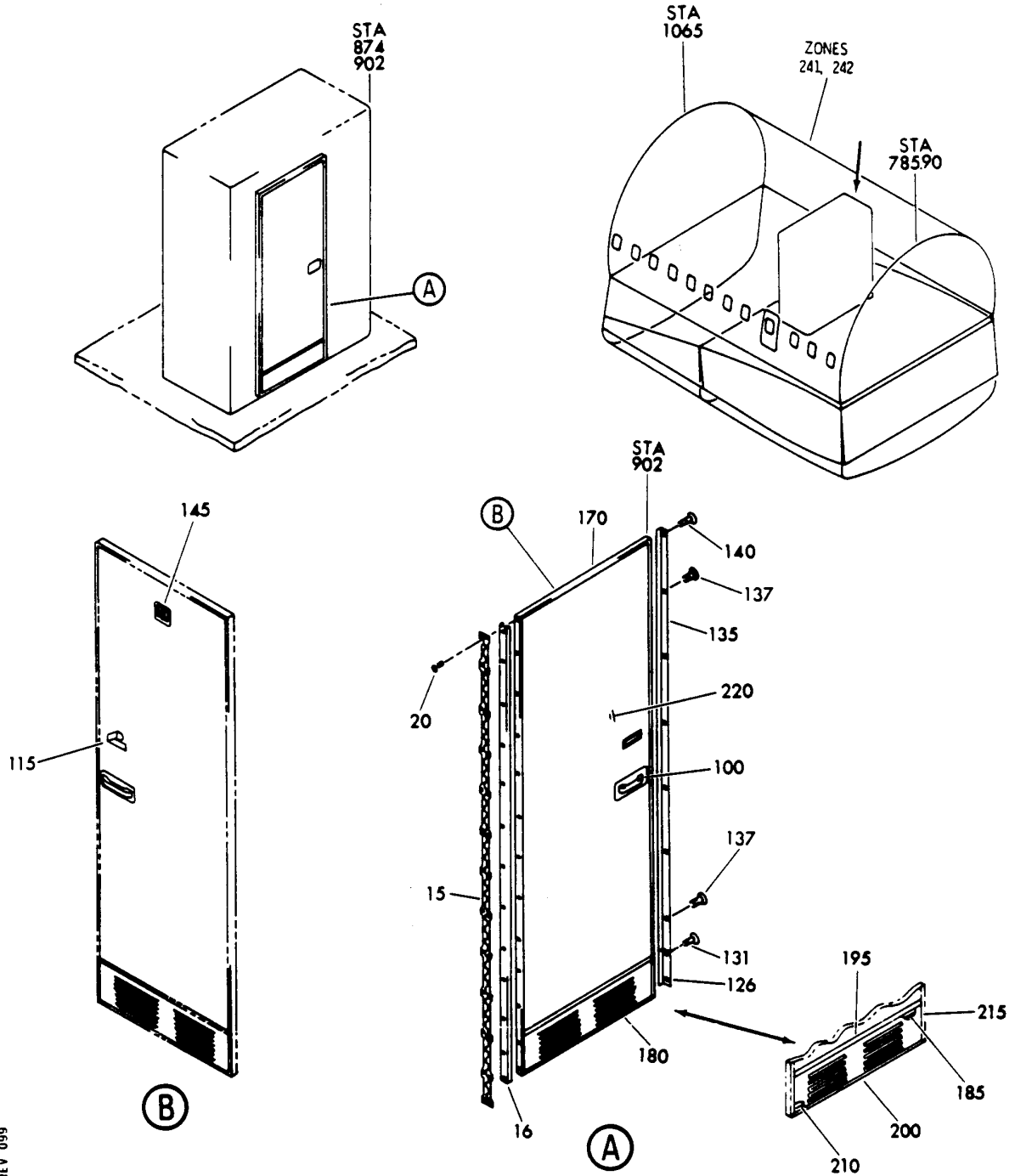
HXL

25-41-02-04

BOEING PROPRIETARY - Copyright © - Unpublished Work - See title page for details.

25-41-02
FIG. 04
PAGE 2
APR 22/08

BOEING
767
PARTS CATALOG (MAINTENANCE)



DOOR ASSY-SINGLE PANEL
FIGURE 5

25-41-02-05

HXL
DEC 22/06

25-41-02-05
PAGE 0

 **BOEING**
767
PARTS CATALOG (MAINTENANCE)

FIG ITEM	PART NUMBER	1 2 3 4 5 6 7	NOMENCLATURE	EFFECT FROM TO	UNITS PER ASSY
5			DOOR ASSY-SINGLE PANEL		
- 1	SK062300-1061		DOOR ASSY-SINGLE PNL, LAV M32 SUPPLIER CODE: VS5065 FOR NHA SEE: 25-41-03-52	163999	RF
- 1	SAS062300-4061		DOOR ASSY-SINGLE PNL, LAV M32 SUPPLIER CODE: VS5065 FOR NHA SEE: 25-41-03-52	155162	RF
15	BS060301-5		.HINGE- SUPPLIER CODE: VS5065		1
16	BS060028-45		.TRIM-CHANNEL SUPPLIER CODE: VS5065		1
20	MS24693S49		ATTACHING PARTS .SCREW		13
100	AM767B		-----*----- .LATCH ASSY- SUPPLIER CODE: V15438 ATTACHING PARTS		1
- 105	MS24693C49		.SCREW		2
115	JMS2001-61S503		-----*----- .LATCH ASSY-SLIDE SUPPLIER CODE: VS5065 FOR DETAILS SEE: 25-41-02-34 ATTACHING PARTS		1
- 120	MS24693C49		.SCREW		2
126	BS060028-39		-----*----- .TRIM-CHANNEL SUPPLIER CODE: VS5065 ATTACHING PARTS		1
131	MS24693S49		.SCREW		2
135	BS060028-33		-----*----- .TRIM-CHANNEL SUPPLIER CODE: VS5065 ATTACHING PARTS		1
140	MS24693S49		.SCREW -----*-----		7

ILLUSTRATION ITEMS NOT ON PARTS LIST ARE NOT APPLICABLE

- ITEM NOT ILLUSTRATED

HXL

25-41-02-05

BOEING PROPRIETARY - Copyright © - Unpublished Work - See title page for details.

25-41-02
FIG. 05
PAGE 1
DEC 22/07



767

PARTS CATALOG (MAINTENANCE)

FIG ITEM	PART NUMBER	1 2 3 4 5 6 7	NOMENCLATURE	EFFECT FROM TO	UNITS PER ASSY
5					
145	BS061330-1		.HOOK ASSY-COAT SUPPLIER CODE: VS5065 ATTACHING PARTS		1
- 150	MS24693S47		.SCREW		1
			-----*-----		
170	BS060028-53		.TRIM-CHANNEL SUPPLIER CODE: VS5065 ATTACHING PARTS		1
- 175	MS24693S49		.SCREW		3
			-----*-----		
180	BS062305-9		.LOUVER-AIR GRILLE SUPPLIER CODE: VS5065		1
220	SAS062301A061		.PANEL ASSY-LAV M32 SUPPLIER CODE: VS5065 CONFIG CHG DATA FROM A CMM: SUPERSEDES BS062301A061	163999	1
220	SAS062301B061		.PANEL ASSY-LAV M32 SUPPLIER CODE: VS5065 CONFIG CHG DATA FROM A CMM: SUPERSEDES BS062301B061	155162	1
220	BS062301A061		.PANEL ASSY-LAV M32 SUPPLIER CODE: VS5065 CONFIG CHG DATA FROM A CMM: SUPSD BY SAS062301A061	163999	1
220	BS062301B061		.PANEL ASSY-LAV M32 SUPPLIER CODE: VS5065 CONFIG CHG DATA FROM A CMM: SUPSD BY SAS062301B061	155162	1

ILLUSTRATION ITEMS NOT ON PARTS LIST ARE NOT APPLICABLE

- ITEM NOT ILLUSTRATED

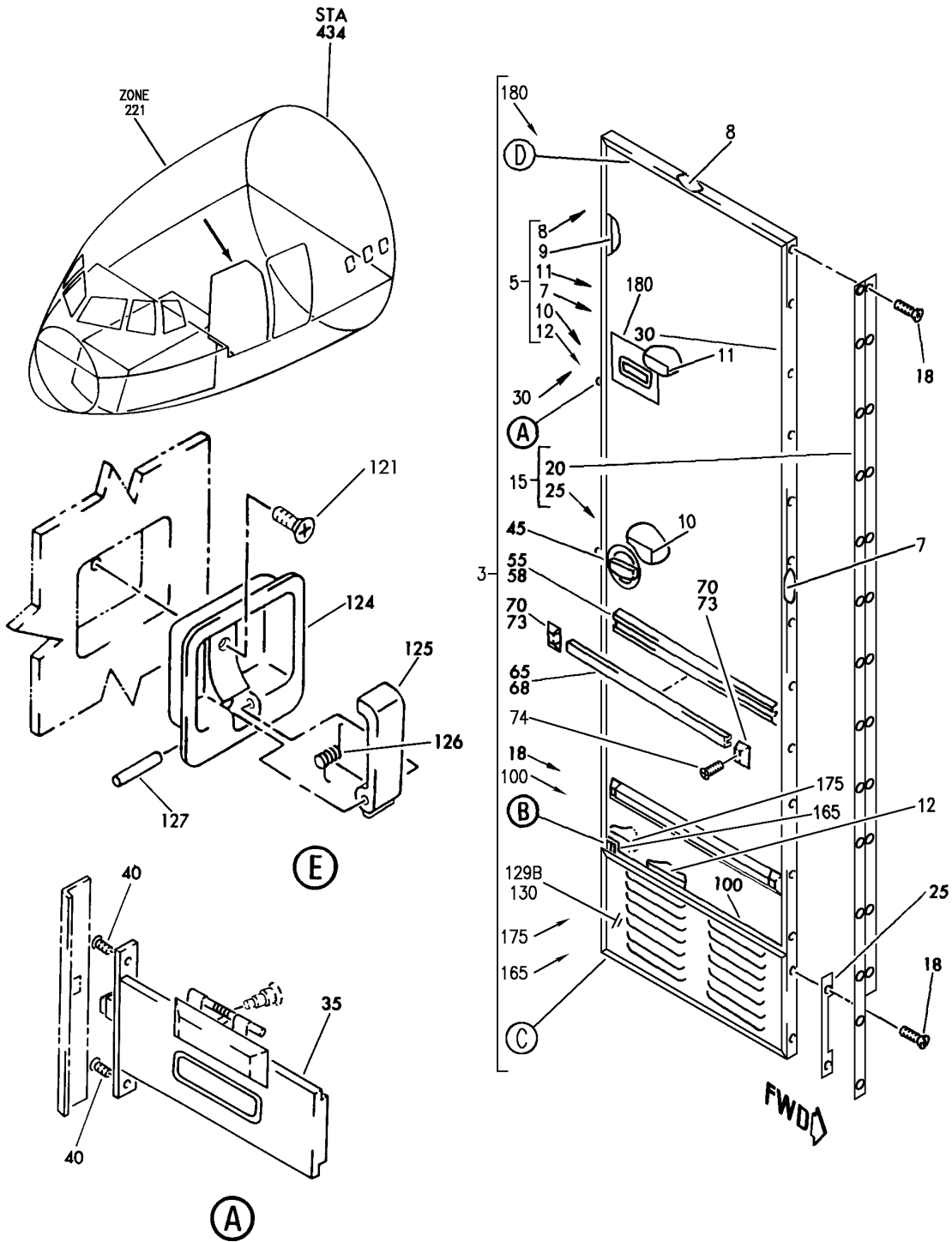
HXL

25-41-02-05

BOEING PROPRIETARY - Copyright © - Unpublished Work - See title page for details.

25-41-02
FIG. 05
PAGE 2
DEC 22/07


BOEING
 767
PARTS CATALOG (MAINTENANCE)



V 25410211 SHT 1 REV 303

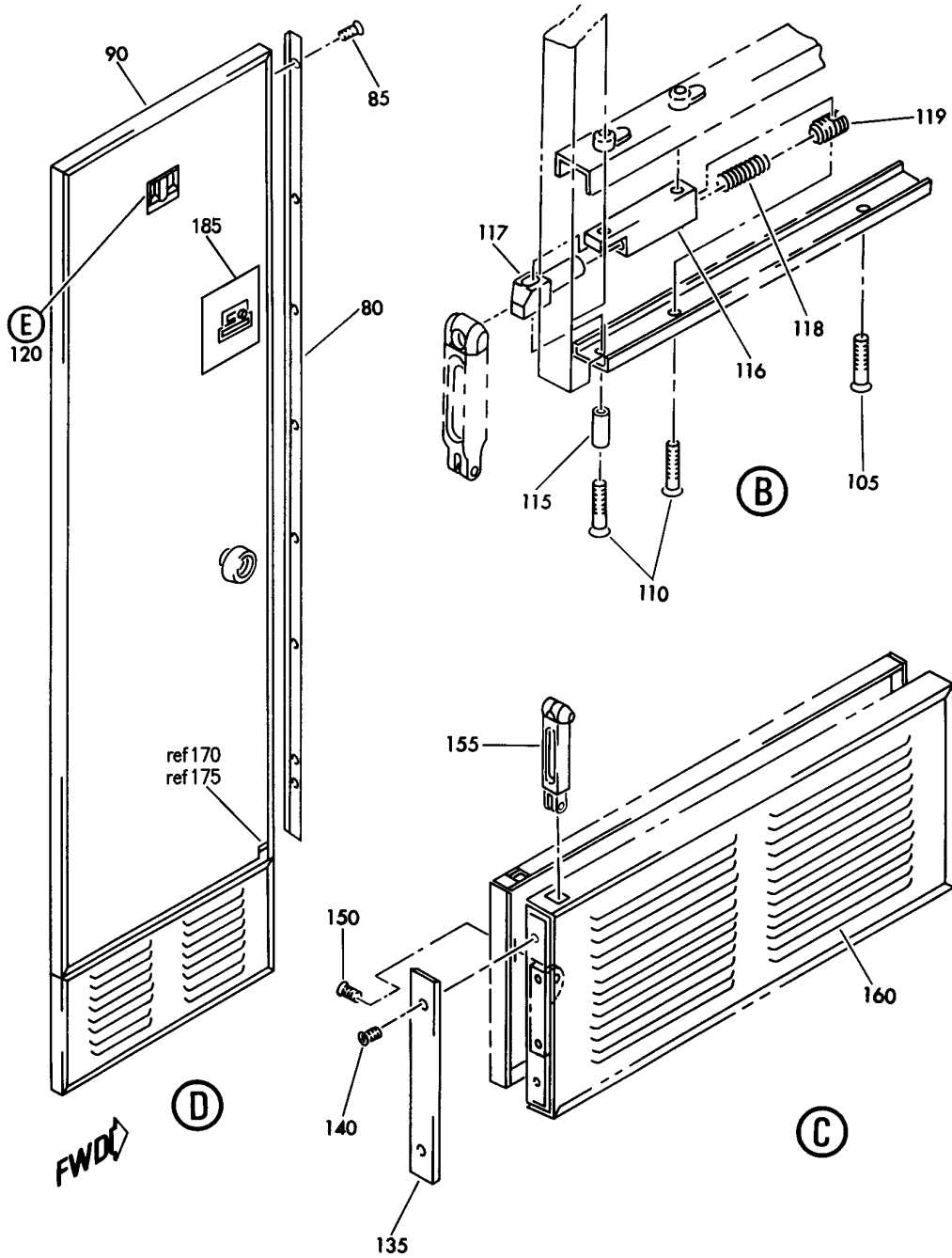
DOOR ASSY-SINGLE PNL, LAV F1
FIGURE 11 (SHEET 1)

25-41-02-11

HXL
DEC 22/06

25-41-02-11
PAGE 0

BOEING
767
PARTS CATALOG (MAINTENANCE)



V 25410211 SHT 2 REV 249

DOOR ASSY-SINGLE PNL, LAV F1
FIGURE 11 (SHEET 2)

25-41-02-11

HXL
DEC 22/06

25-41-02-11
PAGE 0A



767

PARTS CATALOG (MAINTENANCE)

FIG ITEM	PART NUMBER	1 2 3 4 5 6 7	NOMENCLATURE	EFFECT FROM TO	UNITS PER ASSY
11			DOOR ASSY-SINGLE PNL, LAV F1		
- 1	SK061300-1031		DOOR ASSY-SINGLE PNL, LAV F1 SUPPLIER CODE: VS5065 FOR NHA SEE: 25-41-01-32B	163999	RF
- 1	SAS061300-4031		DOOR ASSY-SINGLE PNL, LAV F1 SUPPLIER CODE: VS5065 FOR NHA SEE: 25-41-01-32B	155162	RF
3	SAS061302-1031		.DOOR ASSY- SUPPLIER CODE: VS5065 CONFIG CHG DATA FROM A CMM: SUPERSEDES BS061302-1031	163999	1
3	SAS061302-4031		.DOOR ASSY- SUPPLIER CODE: VS5065 CONFIG CHG DATA FROM A CMM: SUPERSEDES BS061302-4031	155162	1
3	BS061302-4031		.DOOR ASSY- SUPPLIER CODE: VS5065 CONFIG CHG DATA FROM A CMM: SUPSD BY SAS061302-4031	155162	1
3	BS061302-1031		.DOOR ASSY- SUPPLIER CODE: VS5065 CONFIG CHG DATA FROM A CMM: SUPSD BY SAS061302-1031	163999	1
5	SAS061301A011		..PANEL ASSY- SUPPLIER CODE: VS5065 CONFIG CHG DATA FROM A CMM: SUPERSEDES BS061301A011	163999	1
5	BS061301A011		..PANEL ASSY- SUPPLIER CODE: VS5065 CONFIG CHG DATA FROM A CMM: SUPSD BY SAS061301A011	163999	1

ILLUSTRATION ITEMS NOT ON PARTS LIST ARE NOT APPLICABLE

- ITEM NOT ILLUSTRATED

HXL

25-41-02-11

BOEING PROPRIETARY - Copyright © - Unpublished Work - See title page for details.

25-41-02
FIG. 11
PAGE 1
DEC 22/07

BOEING
767
PARTS CATALOG (MAINTENANCE)

FIG ITEM	PART NUMBER	1 2 3 4 5 6 7	NOMENCLATURE	EFFECT FROM TO	UNITS PER ASSY
11					
5	BS061301B011	..	PANEL- SUPPLIER CODE: VS5065 CONFIG CHG DATA FROM A CMM: SUPSD BY SAS061301B011	155162	1
5	SAS061301B011	..	PANEL ASSY- SUPPLIER CODE: VS5065 CONFIG CHG DATA FROM A CMM: SUPERSEDES BS061301B011	155162	1
15	BS060300-1	..	HINGE ASSY- SUPPLIER CODE: VS5065 ATTACHING PARTS		1
18	MS24693S49	..	SCREW -----*-----		12
20	BS060300-1-5	...	HINGE- SUPPLIER CODE: VS5065		1
25	BS060300-1-3	...	HINGE- SUPPLIER CODE: VS5065		1
30	BS060028-15	..	TRIM- SUPPLIER CODE: VS5065		1
35	JMS2001-58S503	..	LATCH ASSY-SLIDE SUPPLIER CODE: VS5065 FOR DETAILS SEE: 25-41-02-34 ATTACHING PARTS		1
40	MS24693S49	..	SCREW -----*-----		2
45	AM777E	..	LATCH ASSY- SUPPLIER CODE: V15438 ATTACHING PARTS		1
- 50	MS24693S49	..	SCREW -----*-----		2
80	BS060028-13	..	TRIM- SUPPLIER CODE: VS5065 ATTACHING PARTS		1
85	MS24693S49	..	SCREW -----*-----		6

ILLUSTRATION ITEMS NOT ON PARTS LIST ARE NOT APPLICABLE

- ITEM NOT ILLUSTRATED

HXL

25-41-02-11

BOEING PROPRIETARY - Copyright © - Unpublished Work - See title page for details.

25-41-02
FIG. 11
PAGE 2
DEC 22/07

BOEING
767
PARTS CATALOG (MAINTENANCE)

FIG ITEM	PART NUMBER	1 2 3 4 5 6 7	NOMENCLATURE	EFFECT FROM TO	UNITS PER ASSY
11					
90	BS060028-17	..	TRIM- SUPPLIER CODE: VS5065 ATTACHING PARTS		1
- 95	MS24693S49	..	SCREW		3
			-----*-----		
100	BS060028-19	..	TRIM- SUPPLIER CODE: VS5065 ATTACHING PARTS		1
105	MS24694S61	..	SCREW		2
110	MS24693S49	..	SCREW		2
			-----*-----		
115	BS060304-3	..	BUSHING- SUPPLIER CODE: VS5065		1
116	BS061310-3	..	HOLDER- SUPPLIER CODE: VS5065		1
117	BS061311-3	..	HOOK- SUPPLIER CODE: VS5065		1
118	SC078-180-0355	..	SPRING- SUPPLIER CODE: VS5065		1
119	BS061314-3	..	SETSCREW- SUPPLIER CODE: VS5065		1
120	BS061330-1	..	HOOK ASSY-COAT SUPPLIER CODE: VS5065 ATTACHING PARTS		1
- 122	MS24693S47	..	SCREW		1
			-----*-----		
- 129	BS061316-3	..	PIECE-CORNER, (BONDED WITH BMS5-92 TYPE3) SUPPLIER CODE: VS5065	163999	1
-129A	BS061316-4	..	PIECE-CORNER, (BONDED WITH BMS5-92 TYPE3) SUPPLIER CODE: VS5065	163999	1
129B	BS061303-1	..	GRILLE ASSY-AIR SUPPLIER CODE: VS5065		1
135	BS060028-3	..	TRIM- SUPPLIER CODE: VS5065		1

ILLUSTRATION ITEMS NOT ON PARTS LIST ARE NOT APPLICABLE

- ITEM NOT ILLUSTRATED

HXL

25-41-02-11

BOEING PROPRIETARY - Copyright © - Unpublished Work - See title page for details.

25-41-02
FIG. 11
PAGE 3
DEC 22/07



767

PARTS CATALOG (MAINTENANCE)

FIG ITEM	PART NUMBER	1 2 3 4 5 6 7	NOMENCLATURE	EFFECT FROM TO	UNITS PER ASSY
11			ATTACHING PARTS		
140	JMS1509-1C49N		.. SCREW- SUPPLIER CODE: VS5065		2
- 145	BS061304-1		-----*----- .. CHASSIS- SUPPLIER CODE: VS5065		1
160	BS061305-5		.. LOUVER- SUPPLIER CODE: VS5065		1
180	BS060333-3		.. ESCUTCHEON-DOOR, (BONDED WITH BMS5-92 TYPE1) SUPPLIER CODE: VS5065	155162	1
185	BS060333-5		.. ESCUTCHEON-DOOR, (BONDED WITH BMS5-92 TYPE1) SUPPLIER CODE: VS5065	155162	1

ILLUSTRATION ITEMS NOT ON PARTS LIST ARE NOT APPLICABLE

- ITEM NOT ILLUSTRATED

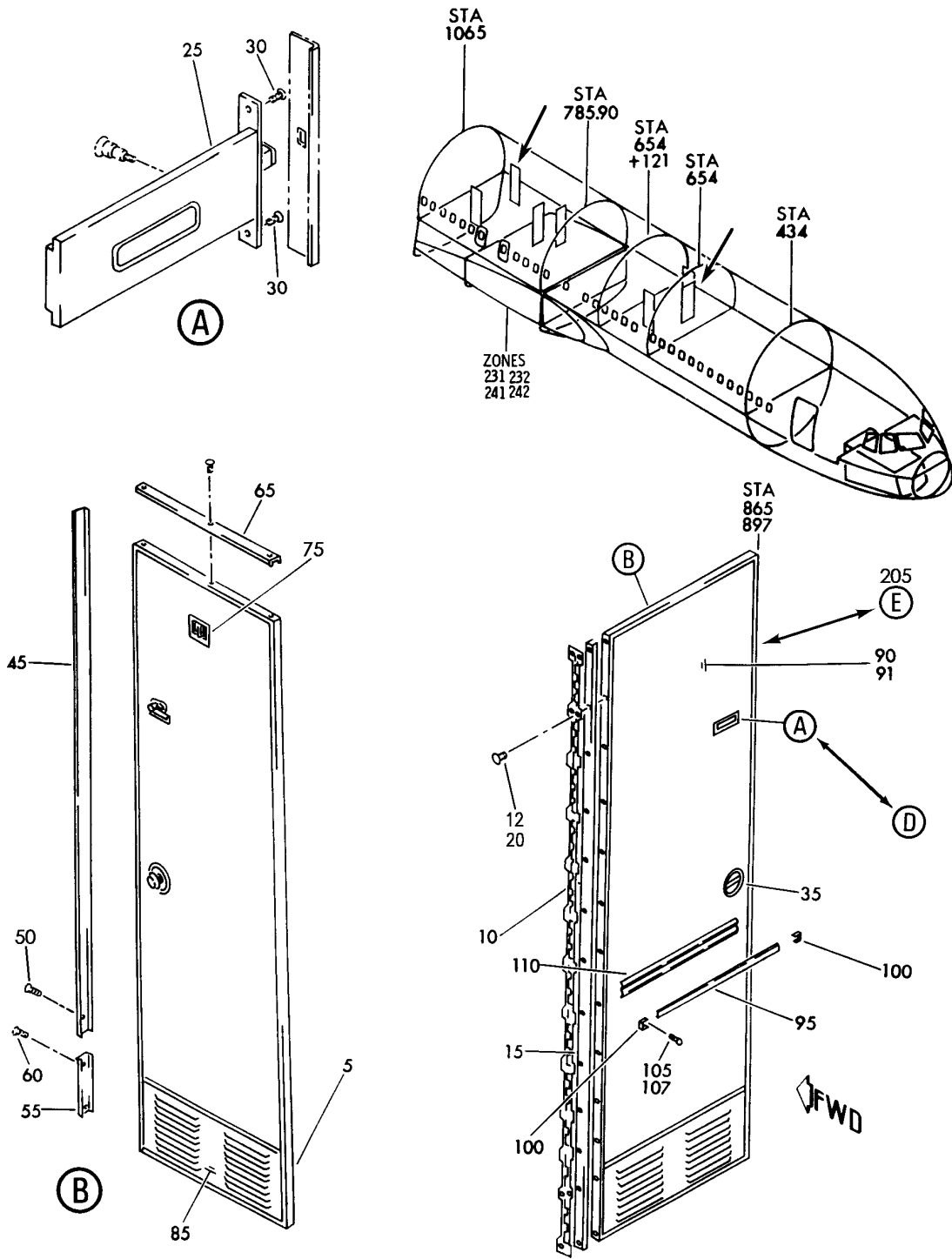
HXL

25-41-02-11

BOEING PROPRIETARY - Copyright © - Unpublished Work - See title page for details.

25-41-02
FIG. 11
PAGE 4
DEC 22/07

BOEING
767
PARTS CATALOG (MAINTENANCE)



V 25410213 SHT 1 REV 281

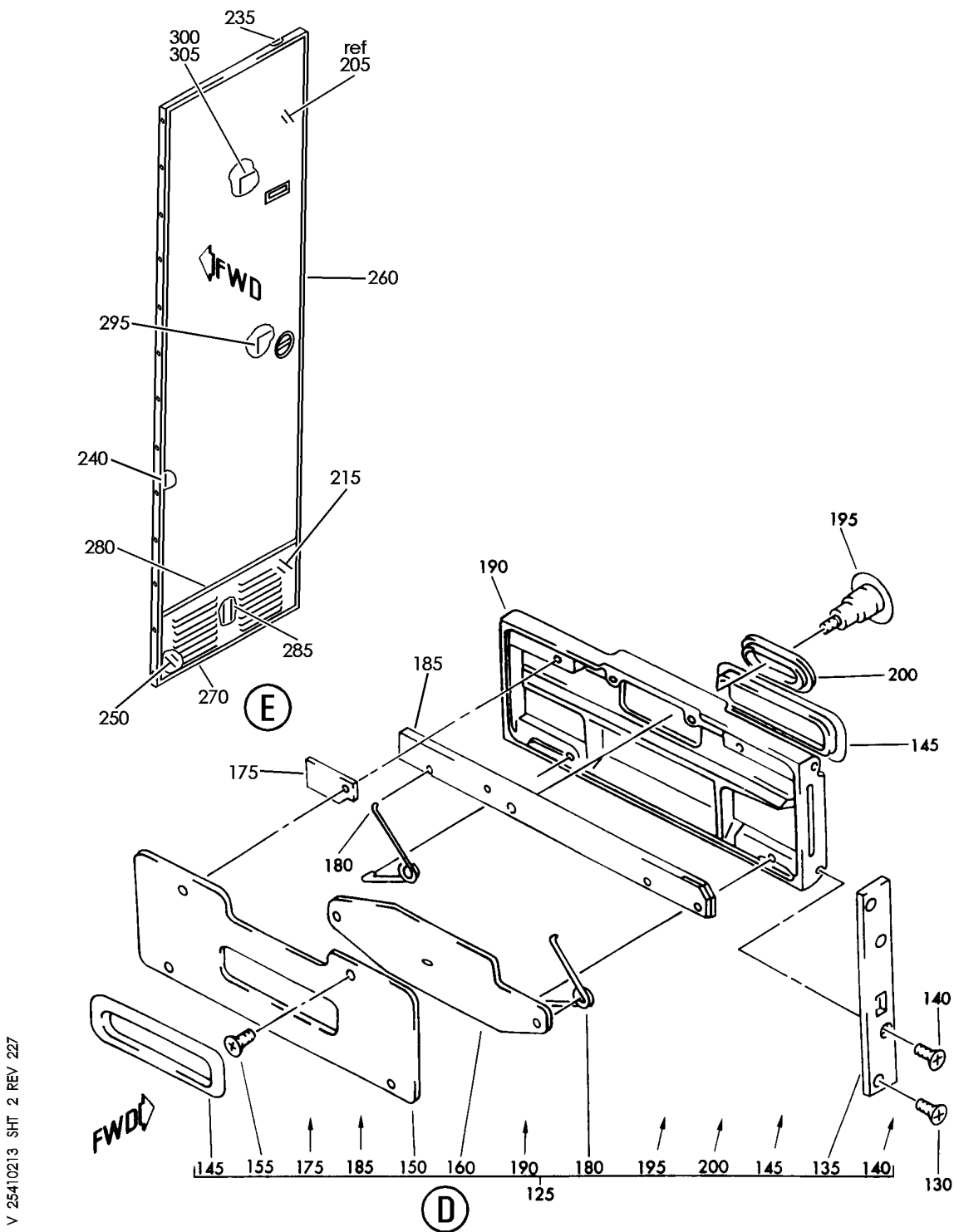
DOOR ASSY-SINGLE PNL
FIGURE 13 (SHEET 1)

25-41-02-13

HXL
DEC 22/06

25-41-02-13
PAGE 0


BOEING
 767
PARTS CATALOG (MAINTENANCE)



V 25410213 SHT 2 REV 227

DOOR ASSY-SINGLE PNL
FIGURE 13 (SHEET 2)

25-41-02-13

HXL
DEC 22/06

25-41-02-13
PAGE 0A

BOEING
767
PARTS CATALOG (MAINTENANCE)

FIG ITEM	PART NUMBER	1 2 3 4 5 6 7	NOMENCLATURE	EFFECT FROM TO	UNITS PER ASSY
13					
- 1	SK062300-1001		DOOR ASSY-SINGLE PNL DOOR ASSY-LAV MS15, MS17 AND M31 SUPPLIER CODE: VS5065 FOR NHA SEE: 25-41-03-46B 25-41-03-52	163999	RF
- 1	SAS062300-4001		DOOR ASSY-LAV MS15, MS1 AND M31 SUPPLIER CODE: VS5065 FOR NHA SEE: 25-41-03-46B 25-41-03-52		RF
- 3	SK062300-1002		DOOR ASSY-LAV MS16 AND MS18 SUPPLIER CODE: VS5065 FOR NHA SEE: 25-41-03-46B 25-41-03-52	163999	RF
- 3	SAS062300-4002		DOOR ASSY-LAV MS16 AND MS18 SUPPLIER CODE: VS5065 FOR NHA SEE: 25-41-03-46B		RF
10	BS060301-3		.HINGE- SUPPLIER CODE: VS5065		1
15	BS060028-43		.TRIM-CHAN SUPPLIER CODE: VS5065		1
20	MS24693S49		ATTACHING PARTS .SCREW -----*-----		13
35	AM777E		.LATCH ASSY- SUPPLIER CODE: V15438 ATTACHING PARTS		1
- 40	MS24693S49		.SCREW -----*-----		2
45	BS060028-29		.TRIM-CHAN SUPPLIER CODE: VS5065 ATTACHING PARTS		1
50	MS24693S49		.SCREW -----*-----		6

ILLUSTRATION ITEMS NOT ON PARTS LIST ARE NOT APPLICABLE

- ITEM NOT ILLUSTRATED

HXL

25-41-02-13

BOEING PROPRIETARY - Copyright © - Unpublished Work - See title page for details.

25-41-02
FIG. 13
PAGE 1
DEC 22/07



767

PARTS CATALOG (MAINTENANCE)

FIG ITEM	PART NUMBER	1 2 3 4 5 6 7	NOMENCLATURE	EFFECT FROM TO	UNITS PER ASSY
13					
55	BS060028-37		.TRIM-CHAN SUPPLIER CODE: VS5065 ATTACHING PARTS		1
60	MS24693S49		.SCREW -----*-----		2
65	BS060028-49		.TRIM-CHAN SUPPLIER CODE: VS5065 ATTACHING PARTS		1
- 70	MS24693S49		.SCREW -----*-----		3
75	BS061330-1		.HOOK ASSY-COAT SUPPLIER CODE: VS5065 ATTACHING PARTS		1
- 80	MS24693S47		.SCREW -----*-----		1
85	BS062305-7		.LOUVER-AIR GRILLE LAV MS15, MS17 AND M31 SUPPLIER CODE: VS5065		1
85	BS062305-8		.LOUVER-AIR GRILLE LAV MS16 AND MS18 MS28 AND MS30 M15 AND M16 SUPPLIER CODE: VS5065 USED ON: DAL062300-4002 DAL062300-4011 SAS062300-1002 SAS062300-4002 SK062300-1002		1
90	BS062301A001		.PANEL ASSY-LAV MS15, MS17 AND MS31 SUPPLIER CODE: VS5065 CONFIG CHG DATA FROM A CMM: SUPSD BY SAS062301A001	163999	1
90	SAS062301A001		.PANEL ASSY-LAV MS15, MS17 AND MS31 SUPPLIER CODE: VS5065 CONFIG CHG DATA FROM A CMM: SUPERSEDES BS062301A001	163999	1

ILLUSTRATION ITEMS NOT ON PARTS LIST ARE NOT APPLICABLE

- ITEM NOT ILLUSTRATED

HXL

25-41-02-13

BOEING PROPRIETARY - Copyright © - Unpublished Work - See title page for details.

25-41-02
FIG. 13
PAGE 2
DEC 22/07



767

PARTS CATALOG (MAINTENANCE)

FIG ITEM	PART NUMBER	1 2 3 4 5 6 7	NOMENCLATURE	EFFECT FROM TO	UNITS PER ASSY
13					
90	SAS062301B001		.PANEL ASSY-LAV MS15, MS17 AND MS31 SUPPLIER CODE: VS5065 CONFIG CHG DATA FROM A CMM: SUPERSEDES BS062301B001		1
90	SAS062301B002		.PANEL ASSY-LAV MS16 AND MS18 SUPPLIER CODE: VS5065 CONFIG CHG DATA FROM A CMM: SUPERSEDES BS062301B002		1
90	BS062301B001		.PANEL-LAV MS15, MS17 AND MS31 SUPPLIER CODE: VS5065 CONFIG CHG DATA FROM A CMM: SUPSD BY SAS062301B001		1
90	BS062301B002		.PANEL ASSY-LAV MS16 AND MS18 SUPPLIER CODE: VS5065 CONFIG CHG DATA FROM A CMM: SUPSD BY SAS062301B002		1
125	JMS2001-59S503		.LATCH ASSY-LAV MS15, MS17 AND M31 SUPPLIER CODE: VS5065		1
125	JMS2001-58S503		.LATCH ASSY-LAV MS16 AND MS18 MS28 AND MS30 SUPPLIER CODE: VS5065 ATTACHING PARTS		1
130	MS24693S49		.SCREW -----*-----		2
135	A700362-3		..COVER-LAV MS15, MS17 AND M31 SUPPLIER CODE: VS5065		1
135	A700362-4		..COVER-LAV MS16 AND MS18 MS28 AND MS30 SUPPLIER CODE: VS5065 ATTACHING PARTS		1
140	MS24693S51		..SCREW -----*-----		2

ILLUSTRATION ITEMS NOT ON PARTS LIST ARE NOT APPLICABLE

- ITEM NOT ILLUSTRATED

25-41-02-13

25-41-02
FIG. 13
PAGE 3
DEC 22/07

HXL

BOEING PROPRIETARY - Copyright © - Unpublished Work - See title page for details.

 **BOEING**
767
PARTS CATALOG (MAINTENANCE)

FIG ITEM	PART NUMBER	1 2 3 4 5 6 7	NOMENCLATURE	EFFECT FROM TO	UNITS PER ASSY
13					
145	A700369-3	..	ESCUTCHEON- SUPPLIER CODE: VS5065		2
150	A700361-3	..	COVER- SUPPLIER CODE: VS5065		1
155	MS24693S5	..	ATTACHING PARTS SCREW		4
160	BS060P100-2S503	..	PLACARD-LAV MS15, MS17 AND M31 SUPPLIER CODE: VS5065		1
160	BS060P100-1S503	..	PLACARD-LAV MS16 AND MS18 MS28 AND MS30 SUPPLIER CODE: VS5065		1
- 165	JMS1514-8-4006	..	PIN-SPRING SUPPLIER CODE: VS5065		1
- 170	MS24693S51	..	SCREW		2
175	A700366-22	..	PLATE- SUPPLIER CODE: VS5065		1
180	A700365-3	..	SPRING- SUPPLIER CODE: VS5065		2
185	A700363-1	..	ROD-LAV MS15, MS17 AND M31 SUPPLIER CODE: VS5065		1
185	A700363-2	..	ROD-LAV MS16 AND MS18 MS28 AND MS30 SUPPLIER CODE: VS5065		1
190	A700367-3	..	HOUSING- SUPPLIER CODE: VS5065		1
195	A700364-1	..	KNOB- SUPPLIER CODE: VS5065		1
200	A700369-5	..	ESCUTCHEON- SUPPLIER CODE: VS5065		1

ILLUSTRATION ITEMS NOT ON PARTS LIST ARE NOT APPLICABLE

- ITEM NOT ILLUSTRATED

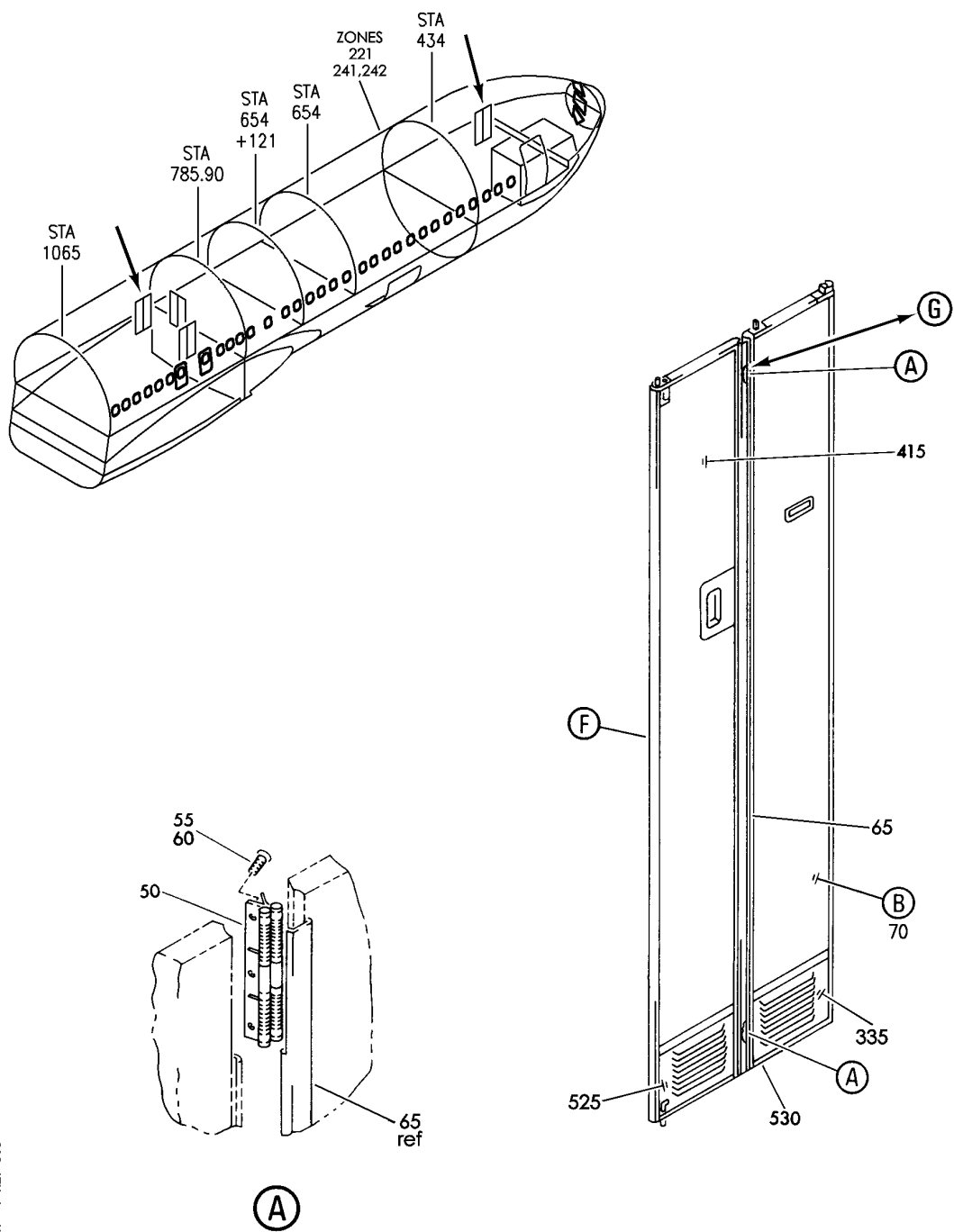
HXL

25-41-02-13

BOEING PROPRIETARY - Copyright © - Unpublished Work - See title page for details.

25-41-02
FIG. 13
PAGE 4
DEC 22/07

BOEING
767
PARTS CATALOG (MAINTENANCE)



V 25410215 SHT 1 REV 303

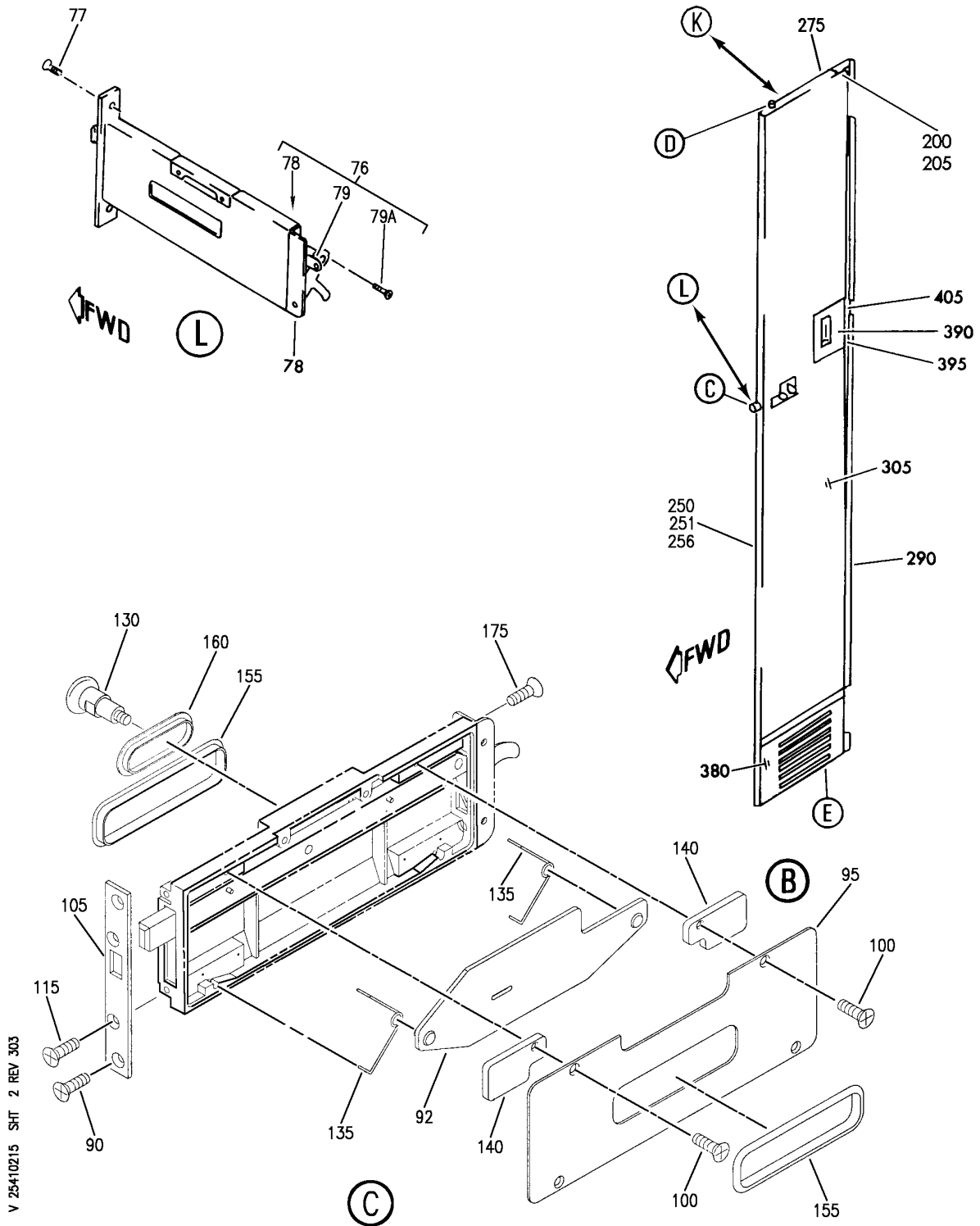
DOOR ASSY-BI-FOLDING
FIGURE 15 (SHEET 1)

25-41-02-15

HXL
DEC 22/06

25-41-02-15
PAGE 0


BOEING
 767
PARTS CATALOG (MAINTENANCE)



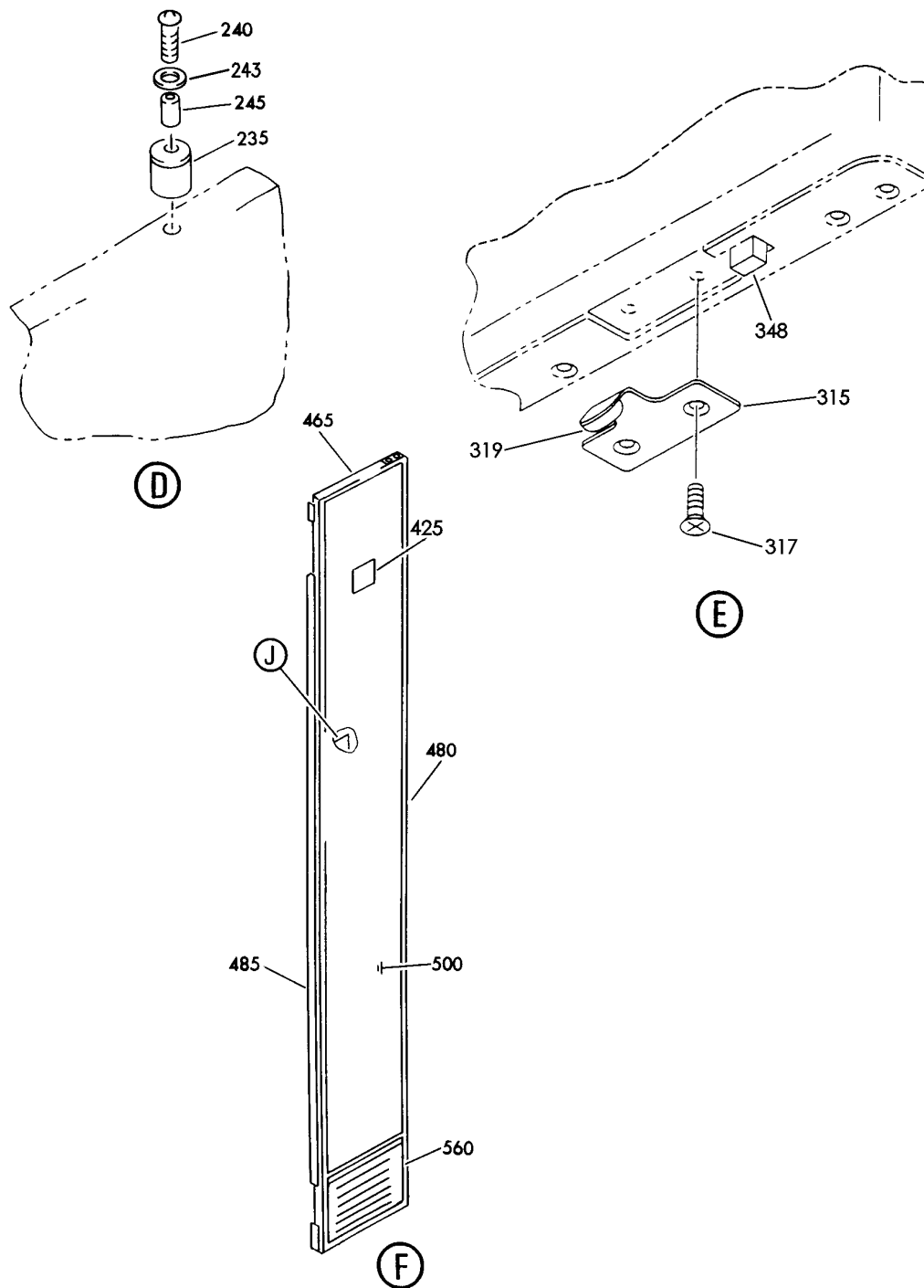
DOOR ASSY-BI-FOLDING
FIGURE 15 (SHEET 2)

25-41-02-15

HXL
DEC 22/06

25-41-02-15
PAGE 0A

BOEING
767
PARTS CATALOG (MAINTENANCE)



V 25410215 SHT 3 REV 248

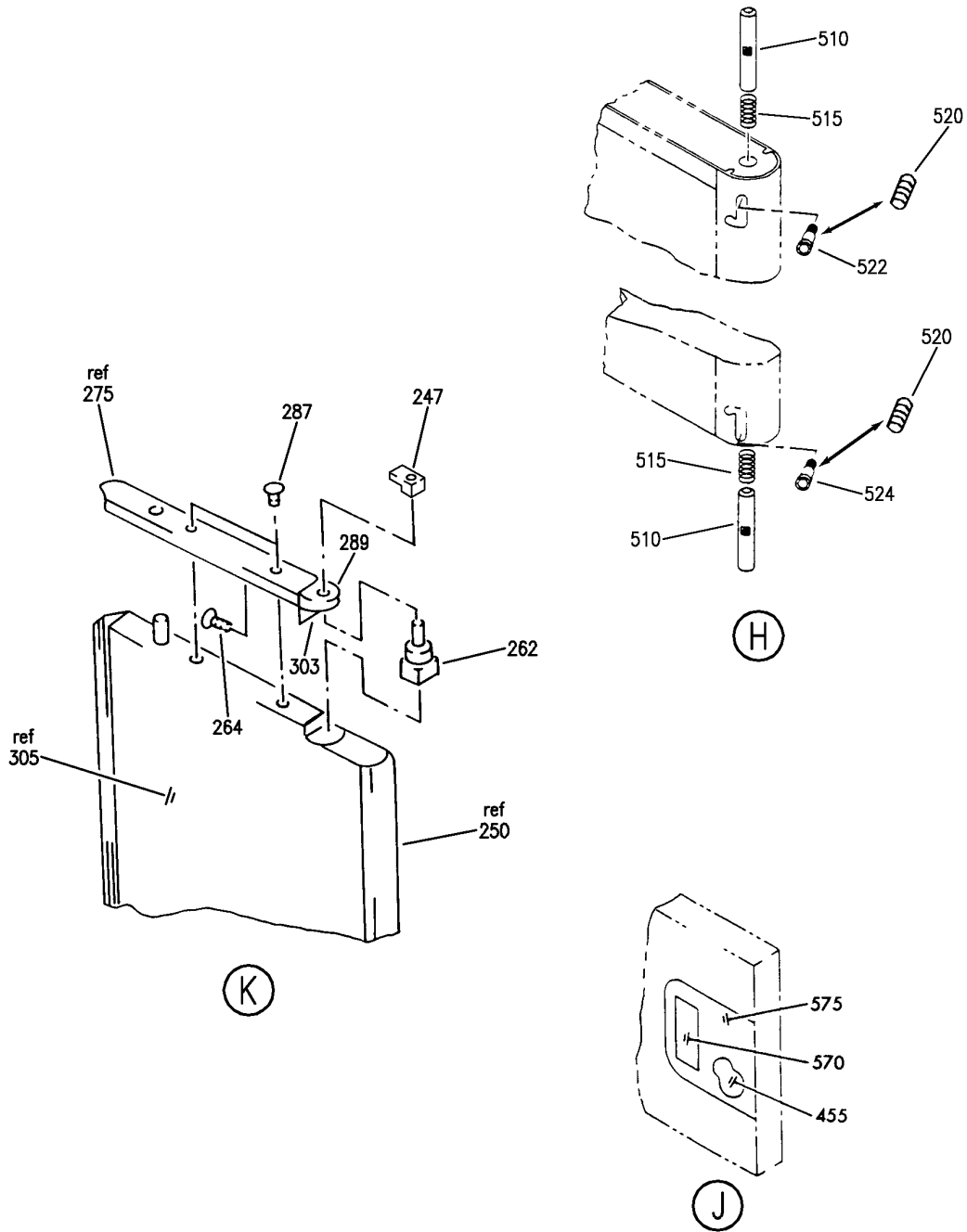
DOOR ASSY-BI-FOLDING
FIGURE 15 (SHEET 3)

25-41-02-15

HXL
DEC 22/06

25-41-02-15
PAGE 0B

BOEING
767
PARTS CATALOG (MAINTENANCE)



V 25410215 SH1 4 REV 269

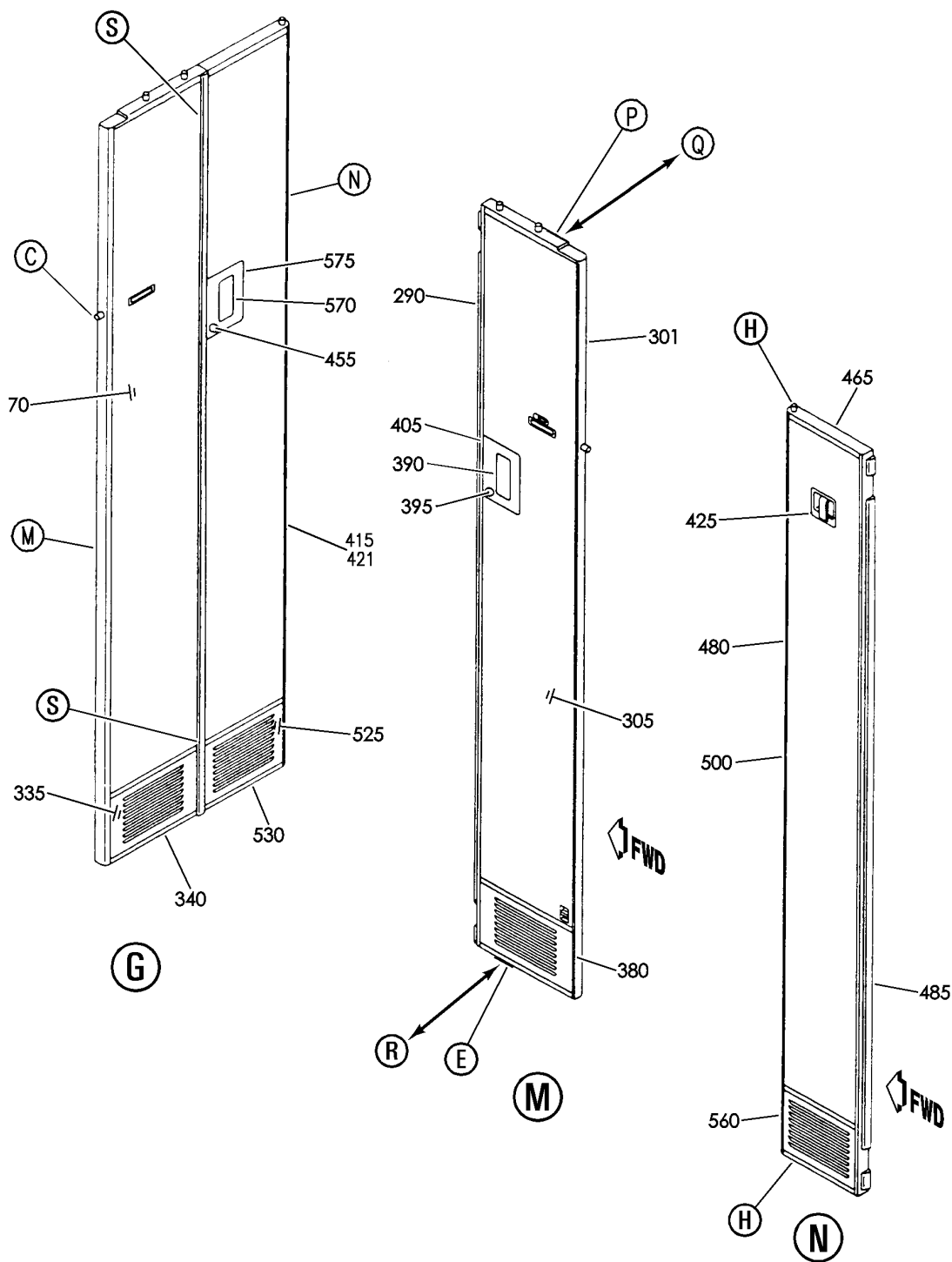
DOOR ASSY-BI-FOLDING
FIGURE 15 (SHEET 4)

25-41-02-15

HXL
DEC 22/06

25-41-02-15
PAGE 0C

BOEING
767
PARTS CATALOG (MAINTENANCE)



V 25410215 SHT 5 REV 27B

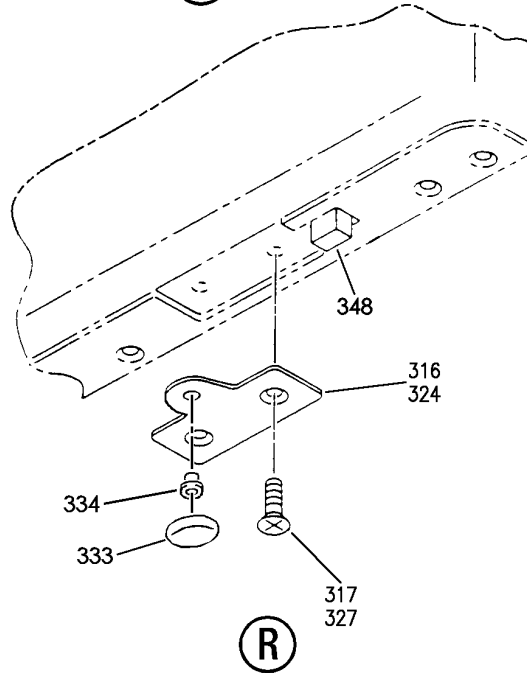
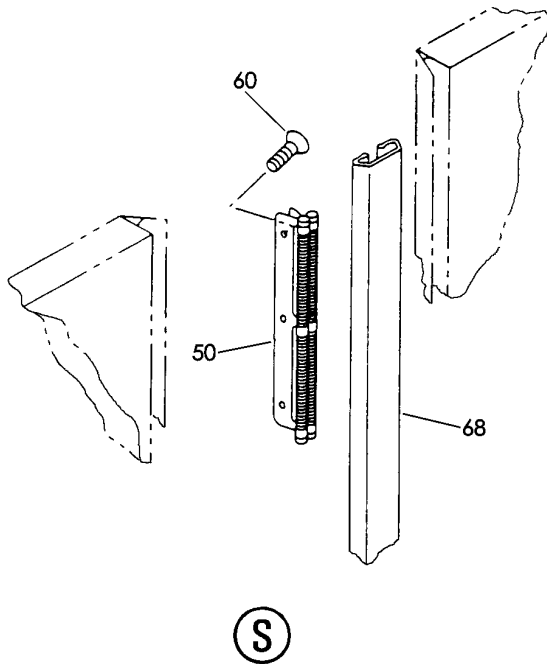
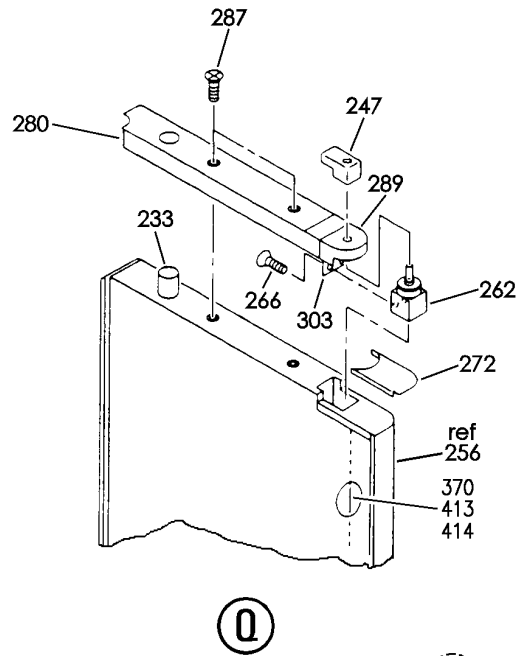
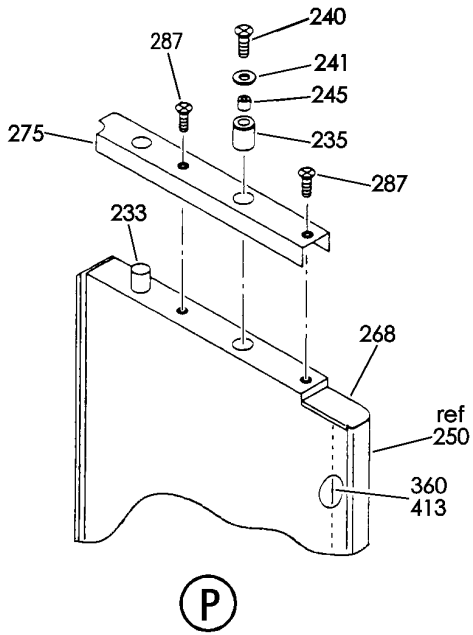
DOOR ASSY-BI-FOLDING
FIGURE 15 (SHEET 5)

25-41-02-15

HXL
DEC 22/06

25-41-02-15
PAGE 0D


BOEING
 767
PARTS CATALOG (MAINTENANCE)



V 25410215 SH1 6 REV 303

DOOR ASSY-BI-FOLDING
FIGURE 15 (SHEET 6)

25-41-02-15

HXL
DEC 22/06

25-41-02-15
PAGE 0E

BOEING
767
PARTS CATALOG (MAINTENANCE)

FIG ITEM	PART NUMBER	1 2 3 4 5 6 7	NOMENCLATURE	EFFECT FROM TO	UNITS PER ASSY
15			DOOR ASSY-BI-FOLDING	163999	
- 1	BS063300-4442		DOOR ASSY-BI-FOLDING, LAV F1 SUPPLIER CODE: VS5065 FOR NHA SEE: 25-41-01-32B	163999	RF
50	BS063320-31		.HINGE ASSY- SUPPLIER CODE: VS5065	163999	2
60	MS24693S47		ATTACHING PARTS .SCREW	163999	12
65	BS060034-13		-----*----- .TRIM- SUPPLIER CODE: VS5065	163999	1
70	BS063301-4442		.DOOR ASSY- SUPPLIER CODE: VS5065	163999	1
- 80	JMS2001-78S501		..LATCH ASSY-SLIDE SUPPLIER CODE: VS5065	163999	1
90	MS24693S49		ATTACHING PARTS ..SCREW	163999	2
92	BS060P100-1S501		-----*----- ...PLACARD- SUPPLIER CODE: VS5065	163999	1
95	A700361-3		...COVER- SUPPLIER CODE: VS5065	163999	1
100	MS24693S5		ATTACHING PARTS ...SCREW-(BONDED WITH JMS0906-4C)	163999	4
105	A700362-4		-----*----- ...COVER- SUPPLIER CODE: VS5065	163999	1
115	MS24693S51		ATTACHING PARTS ...SCREW-	163999	2
130	A700364-1		-----*----- ...KNOB- SUPPLIER CODE: VS5065	163999	1
135	A700365-3		...SPRING- SUPPLIER CODE: VS5065	163999	2

ILLUSTRATION ITEMS NOT ON PARTS LIST ARE NOT APPLICABLE

- ITEM NOT ILLUSTRATED

HXL

25-41-02-15

BOEING PROPRIETARY - Copyright © - Unpublished Work - See title page for details.

25-41-02
FIG. 15
PAGE 1
DEC 22/07

 **BOEING**
767
PARTS CATALOG (MAINTENANCE)

FIG ITEM	PART NUMBER	1 2 3 4 5 6 7	NOMENCLATURE	EFFECT FROM TO	UNITS PER ASSY
15					
140	A700366-3	...	PLATE- SUPPLIER CODE: VS5065	163999	2
155	A700369-3	...	ESCUTCHEON- SUPPLIER CODE: VS5065	163999	2
160	A700369-5	...	ESCUTCHEON- SUPPLIER CODE: VS5065 ATTACHING PARTS	163999	1
175	MS24693S51	...	SCREW- -----*-----	163999	2
200	BS063310-1	..	ROD ASSY- SUPPLIER CODE: VS5065	163999	1
235	BS063307-3	..	SLIDER- SUPPLIER CODE: VS5065 POSITION DATA: TOP SB DATA FROM A CMM: PRE SB B0060-25-1022 ATTACHING PARTS	163999	1
240	MS24693S58	..	SCREW- SB DATA FROM A CMM: PRE SB B0060-25-1022 ATTACHING PARTS	163999	1
241	JMS1503-17-2	..	WASHER- SUPPLIER CODE: VS5065 SB DATA FROM A CMM: PRE SB B0060-25-1022 -----*-----	163999	1
243	BS063393-3	..	SEAL- SUPPLIER CODE: VS5065 SB DATA FROM A CMM: PRE SB B0060-25-1022	163999	1
245	B0040324-3	..	BUSHING- SUPPLIER CODE: VS5065 SB DATA FROM A CMM: PRE SB B0060-25-1022	163999	1
247	OFV8130A02M04	..	GUIDE- SUPPLIER CODE: VS5065 SB DATA FROM A CMM: POST SB B0060-25-1022	163999	1

ILLUSTRATION ITEMS NOT ON PARTS LIST ARE NOT APPLICABLE

— ITEM NOT ILLUSTRATED

HXL

25-41-02-15

BOEING PROPRIETARY - Copyright © - Unpublished Work - See title page for details.

25-41-02
FIG. 15
PAGE 2
DEC 22/07



767

PARTS CATALOG (MAINTENANCE)

FIG ITEM	PART NUMBER	1 2 3 4 5 6 7	NOMENCLATURE	EFFECT FROM TO	UNITS PER ASSY
15 250	BS060029-18	..	CHANNEL- SUPPLIER CODE: VS5065 SB DATA FROM A CMM: PRE SB B0060-25-1022	163999	1
251	0EV3120A05M02	..	CHANNEL- SUPPLIER CODE: VS5065 SB DATA FROM A CMM: POST SB B0060-25-1022 ATTACHING PARTS	163999	1
- 254	MS24693S46	..	SCREW -----*-----	163999	5
262	JMS2018-4L	..	DAMPER-ROTARY SUPPLIER CODE: VS5065 SB DATA FROM A CMM: POST SB B0060-25-1022 ATTACHING PARTS	163999	1
264	NAS1096-3-5	..	SCREW-(BONDED WITH LOCTITE 242) SB DATA FROM A CMM: POST SB B0060-25-1022 -----*-----	163999	4
268	BS060028-104	..	TRIM-CHAN (BONDED WITH BMS5-92 TYPE 3) SUPPLIER CODE: VS5065 SB DATA FROM A CMM: PRE SB B0060-25-1022	163999	1
272	0EV3010A02M02	..	CHANNEL- SUPPLIER CODE: VS5065 SB DATA FROM A CMM: POST SB B0060-25-1022	163999	1
275	BS060099-4	..	TRIM-CHAN SUPPLIER CODE: VS5065 SB DATA FROM A CMM: PRE SB B0060-25-1022	163999	1
- 276	0EV3080A04M02	..	TRIM- SUPPLIER CODE: VS5065 SB DATA FROM A CMM: POST SB B0060-25-1022 ATTACHING PARTS	163999	1
279	MS24693S46	..	SCREW -----*-----	163999	2

ILLUSTRATION ITEMS NOT ON PARTS LIST ARE NOT APPLICABLE

- ITEM NOT ILLUSTRATED

25-41-02-15

25-41-02
FIG. 15
PAGE 3
DEC 22/07

HXL

BOEING PROPRIETARY - Copyright © - Unpublished Work - See title page for details.

BOEING
767
PARTS CATALOG (MAINTENANCE)

FIG ITEM	PART NUMBER	1 2 3 4 5 6 7	NOMENCLATURE	EFFECT FROM TO	UNITS PER ASSY
15 289	0EV3000A01M03	..	TRIM- SUPPLIER CODE: VS5065 SB DATA FROM A CMM: POST SB B0060-25-1022	163999	1
290	BS060049-1303	..	TRIM- SUPPLIER CODE: VS5065 ATTACHING PARTS	163999	1
- 300	MS24693S47	..	SCREW -----*-----	163999	7
303	0FV6140A01M03	..	TEE- SUPPLIER CODE: VS5065 SB DATA FROM A CMM: POST SB B0060-25-1022	163999	1
- 304	MS20426AD45	..	RIVET- SB DATA FROM A CMM: POST SB B0060-25-1022	163999	4
305	BS063303B442	..	PANEL ASSY- SUPPLIER CODE: VS5065	163999	1
315	B0063391-1	...	BRACKET ASSY- SUPPLIER CODE: VS5065 SB DATA FROM A CMM: PRE SB B0060-25-1282	163999	1
316	0EV9610A03G01	...	STOPPER ASSY- SUPPLIER CODE: VS5065 SB DATA FROM A CMM: POST SB B0060-25-1282 ATTACHING PARTS	163999	1
317	MS24693C47	...	SCREW -----*-----	163999	2
319	B0063391-7	BUTTON- SUPPLIER CODE: VS5065 USED ON: B0063391-1 ATTACHING PARTS	163999	1
- 321	AN565DC4H4	SCREW- USED ON: BS063391-1 -----*-----	163999	1

ILLUSTRATION ITEMS NOT ON PARTS LIST ARE NOT APPLICABLE

- ITEM NOT ILLUSTRATED

HXL

25-41-02-15

BOEING PROPRIETARY - Copyright © - Unpublished Work - See title page for details.

25-41-02
FIG. 15
PAGE 4
DEC 22/07

BOEING
767
PARTS CATALOG (MAINTENANCE)

FIG ITEM	PART NUMBER	1 2 3 4 5 6 7	NOMENCLATURE	EFFECT FROM TO	UNITS PER ASSY
15 333	OFV8480A02M01	BUMPER- SUPPLIER CODE: VS5065 USED ON: 0EV9610A03G01	163999	1
334	0EV9610A03R07	BAR- SUPPLIER CODE: VS5065 USED ON: 0EV9610A03G01	163999	1
335	BS063308-3	...	LOUVER-AIR GRILLE SUPPLIER CODE: VS5065 ATTACHING PARTS	163999	1
- 336	TAPD52BS	...	RIVET- SUPPLIER CODE: VS5065	163999	2
- 338	TAPK52BS	...	RIVET- SUPPLIER CODE: VS5825	163999	6
340	BS060028-57	*----- TRIM-CHAN SUPPLIER CODE: VS5065 ATTACHING PARTS	163999	1
- 342	TAPK53BS	...	RIVET- SUPPLIER CODE: VS5065	163999	3
380	BS063308-17	..	*----- LOUVER-AIR GRILLE SUPPLIER CODE: VS5065	163999	1
390	BS063326-3	..	CAP-(BONDED WITH BMS5-92 TYPE 3) SUPPLIER CODE: VS5065	163999	1
395	BS063327-3	..	ANGLE- SUPPLIER CODE: VS5065 ATTACHING PARTS	163999	1
- 400	MS24693S47	..	*----- SCREW	163999	2
405	BS063328-003761	..	*----- PLATE-HANDLE (BONDED WITH BMS5-92 TYPE 3) SUPPLIER CODE: VS5065	163999	1

ILLUSTRATION ITEMS NOT ON PARTS LIST ARE NOT APPLICABLE

- ITEM NOT ILLUSTRATED

HXL

25-41-02-15

BOEING PROPRIETARY - Copyright © - Unpublished Work - See title page for details.

25-41-02
FIG. 15
PAGE 5
DEC 22/07

 **BOEING**
767
PARTS CATALOG (MAINTENANCE)

FIG ITEM	PART NUMBER	1 2 3 4 5 6 7	NOMENCLATURE	EFFECT FROM TO	UNITS PER ASSY
15					
413	BS060041-152	..	DOOR PANEL-END (BONDED WITH BMS5-92 TYPE 1) SUPPLIER CODE: VS5065 SB DATA FROM A CMM: PRE SB B0060-25-1022	163999	1
414	OEV4540A01G01	..	TRIM-(BONDED WITH BMS5-92 TYPE 1) SUPPLIER CODE: VS5065 SB DATA FROM A CMM: POSTSB B0060-25-1022	163999	1
421	BS063302-4442	.D	DOOR ASSY- SUPPLIER CODE: VS5065	163999	1
425	BS061330-1	..	HOOK ASSY-COAT SUPPLIER CODE: VS5065	163999	1
- 430	MS24693S46	..	SCREW- -----*-----	163999	1
455	BS063327-3	..	ANGLE- SUPPLIER CODE: VS5065	163999	1
- 460	MS24693S47	..	SCREW -----*-----	163999	2
465	BS060099-6	..	CHANNEL-TRIM SUPPLIER CODE: VS5065	163999	1
- 475	MS24693S48	..	SCREW- -----*-----	163999	2
480	BS060064-3	..	CHANNEL-TRIM SUPPLIER CODE: VS5065	163999	1
485	BS060050-1303	..	TRIM-CHAN SUPPLIER CODE: VS5065	163999	1
- 495	MS24693S46	..	SCREW -----*-----	163999	7
500	BS063304B442	..	PANEL ASSY- SUPPLIER CODE: VS5065	163999	1
510	BS063317-5	...	SHAFT-PIVOT SUPPLIER CODE: VS5065	163999	2

ILLUSTRATION ITEMS NOT ON PARTS LIST ARE NOT APPLICABLE

- ITEM NOT ILLUSTRATED

HXL

25-41-02-15

BOEING PROPRIETARY - Copyright © - Unpublished Work - See title page for details.

25-41-02
FIG. 15
PAGE 6
DEC 22/08

 **BOEING**
767
PARTS CATALOG (MAINTENANCE)

FIG ITEM	PART NUMBER	1 2 3 4 5 6 7	NOMENCLATURE	EFFECT FROM TO	UNITS PER ASSY
15					
515	KC080-065-0320	...	SPRING- SUPPLIER CODE: VS5065	163999	2
520	BS063319-3	...	SETSCREW- SUPPLIER CODE: VS5065 SB DATA FROM A CMM: PRE SB B0060-25-1282	163999	2
522	15067	...	SCREW-CAP (BONDED WITH LOCTITE 242) SUPPLIER CODE: V56878 SB DATA FROM A CMM: POST SB B0060-25-1282 CONFIG CHG DATA FROM A CMM: REPLD BY JISB1176M4X16 MISCELLANEOUS DATA: BS063317-5 USED WITH 15067 REPLD BY BS063317-9 AND JISB1176M4X16 USED WITH: BS063317-5	163999	2
525	BS063308-33	...	LOUVER-AIR GRILLE SUPPLIER CODE: VS5065 ATTACHING PARTS	163999	1
- 526	TAPD52BS	...	RIVET- SUPPLIER CODE: VS5065	163999	3
- 528	TAPK52BS	...	RIVET- SUPPLIER CODE: VS5825 -----*-----	163999	5
530	BS060028-87	...	TRIM-CHAN SUPPLIER CODE: VS5065 ATTACHING PARTS	163999	1
- 533	TAPK53BS	...	RIVET- SUPPLIER CODE: VS5065 -----*-----	163999	3
560	BS063308-39	..	LOUVER-AIR GRILLE SUPPLIER CODE: VS5065	163999	1
570	BS063326-3	..	CAP-(BONDED WITH BMS5-92 TYPE 3) SUPPLIER CODE: VS5065	163999	1

ILLUSTRATION ITEMS NOT ON PARTS LIST ARE NOT APPLICABLE

- ITEM NOT ILLUSTRATED

HXL

25-41-02-15

BOEING PROPRIETARY - Copyright © - Unpublished Work - See title page for details.

25-41-02
FIG. 15
PAGE 7
DEC 22/08



767
PARTS CATALOG (MAINTENANCE)

FIG ITEM	PART NUMBER	1 2 3 4 5 6 7	NOMENCLATURE	EFFECT FROM TO	UNITS PER ASSY
15 575	BS063328-005759		..PLATE-HANDLE (BONDED WITH BMS5-92 TYPE 3) SUPPLIER CODE: VS5065	163999	1

ILLUSTRATION ITEMS NOT ON PARTS LIST ARE NOT APPLICABLE

- ITEM NOT ILLUSTRATED

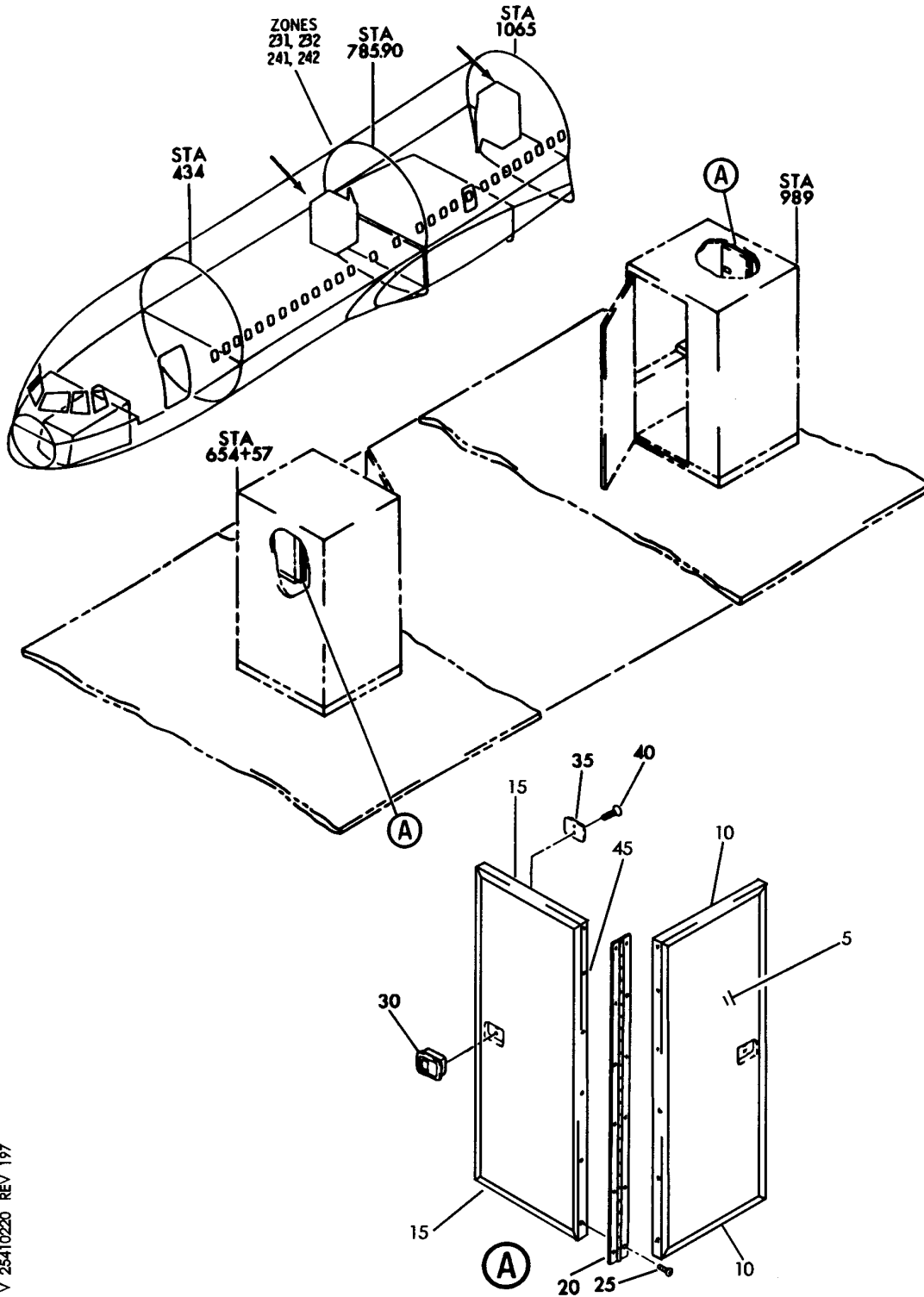
HXL

25-41-02-15

BOEING PROPRIETARY - Copyright © - Unpublished Work - See title page for details.

25-41-02
FIG. 15
PAGE 8
DEC 22/07

BOEING
767
PARTS CATALOG (MAINTENANCE)



V 25410220 REV 197

DOOR ASSY-CABINET
FIGURE 20

25-41-02-20

HXL
DEC 22/06

25-41-02-20
PAGE 0



767

PARTS CATALOG (MAINTENANCE)

FIG ITEM	PART NUMBER	1 2 3 4 5 6 7	NOMENCLATURE	EFFECT FROM TO	UNITS PER ASSY
20			DOOR ASSY-CABINET		
- 1	SK066340-1101		DOOR ASSY-CABINET LAV M31 AND M32 SUPPLIER CODE: VS5065 FOR NHA SEE: 25-41-03-52	163999	RF
- 1	SAS066340-4101		DOOR ASSY-CABINET, LAV M31 AND M32 SUPPLIER CODE: VS5065 FOR NHA SEE: 25-41-03-52		RF
5	SAS066341-103		.PANEL ASSY-LAV M31 AND M32 SUPPLIER CODE: VS5065 CONFIG CHG DATA FROM A CMM: SUPERSEDES BS066341-103	163999	1
5	SAS066341B103		.PANEL ASSY- SUPPLIER CODE: VS5065	155162	1
5	BS066341-103		.PANEL ASSY-LAV M31 AND M32 SUPPLIER CODE: VS5065 CONFIG CHG DATA FROM A CMM: SUPSD BY SAS066341-103	163999	1
5	BS066341B103		.PANEL ASSY-LAV M31 AND M32 SUPPLIER CODE: VS5065 CONFIG CHG DATA FROM A CMM: SUPSD BY SAS066341B103		1
10	BS066343-113		.TRIM-CHAN (BONDED WITH BMS5-92 TYPE 3) SUPPLIER CODE: VS5065		2
15	BS066343-115		.TRIM-CHAN (BONDED WITH BMS5-92 TYPE 3) SUPPLIER CODE: VS5065		2
20	BS066342-15		.HINGE- SUPPLIER CODE: VS5065		1

ILLUSTRATION ITEMS NOT ON PARTS LIST ARE NOT APPLICABLE

- ITEM NOT ILLUSTRATED

HXL

25-41-02-20

BOEING PROPRIETARY - Copyright © - Unpublished Work - See title page for details.

25-41-02
FIG. 20
PAGE 1
DEC 22/07



767

PARTS CATALOG (MAINTENANCE)

FIG ITEM	PART NUMBER	1 2 3 4 5 6 7	NOMENCLATURE	EFFECT FROM TO	UNITS PER ASSY
20			ATTACHING PARTS		
25	MS24693S47		.SCREW-		6
			-----*-----		
30	SAM228-2		.LATCH-		1
			SUPPLIER CODE:		
			V31845		
35	BS061357-003WH1		.PLATE-ATTACH		1
			SUPPLIER CODE:		
			VS5065		
40	MS27039C1-05		ATTACHING PARTS		
			.SCREW		2
			-----*-----		
45	BS066344-51		.TRIM-CHAN		1
			(BONDED WITH BMS5-92		
			TYPE 3)		
			SUPPLIER CODE:		
			VS5065		

ILLUSTRATION ITEMS NOT ON PARTS LIST ARE NOT APPLICABLE

- ITEM NOT ILLUSTRATED

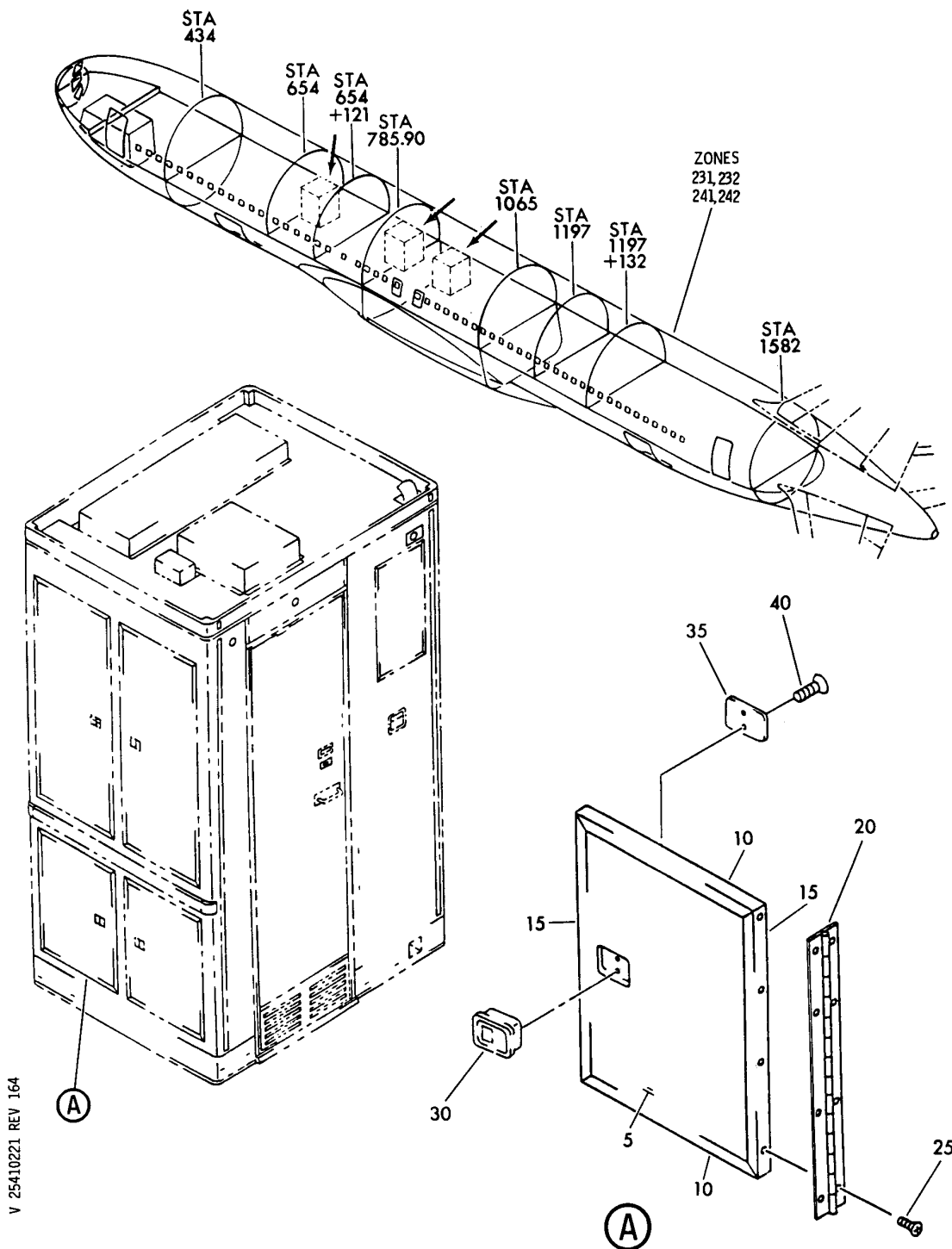
HXL

25-41-02-20

BOEING PROPRIETARY - Copyright © - Unpublished Work - See title page for details.

25-41-02
FIG. 20
PAGE 2
DEC 22/07

BOEING
767
PARTS CATALOG (MAINTENANCE)



V 25410221 REV 164

DOOR ASSY-CABINET
FIGURE 21

25-41-02-21

HXL
DEC 22/06

25-41-02-21
PAGE 0



767

PARTS CATALOG (MAINTENANCE)

FIG ITEM	PART NUMBER	1 2 3 4 5 6 7	NOMENCLATURE	EFFECT FROM TO	UNITS PER ASSY
21			DOOR ASSY-CABINET		
- 1	SK066340-1111		DOOR ASSY-CABINET LAV M31 AND M32 SUPPLIER CODE: VS5065 FOR NHA SEE: 25-41-03-52	163999	RF
- 1	SAS066340-4111		DOOR ASSY-CABINET LAV M31 AND M32 SUPPLIER CODE: VS5065 FOR NHA SEE: 25-41-03-52		RF
5	SAS066341-105		.PANEL ASSY- SUPPLIER CODE: VS5065 CONFIG CHG DATA FROM A CMM: SUPERSEDES BS066341-105	163999	1
5	SAS066341B105		.PANEL ASSY- SUPPLIER CODE: VS5065 CONFIG CHG DATA FROM A CMM: SUPERSEDES BS066341B105		1
5	BS066341-105		.PANEL ASSY- SUPPLIER CODE: VS5065 CONFIG CHG DATA FROM A CMM: SUPSD BY SAS066341-105	163999	1
5	BS066341B105		.PANEL ASSY- SUPPLIER CODE: VS5065 CONFIG CHG DATA FROM A CMM: SUPSD BY SAS066341B105		1
10	BS066343-113		.TRIM-CHAN (BONDED WITH BMS5-92 TYPE 3) SUPPLIER CODE: VS5065		2
15	BS066343-117		.TRIM-CHAN (BONDED WITH BMS5-92 TYPE 3) SUPPLIER CODE: VS5065		2
20	BS066342-17		.HINGE- SUPPLIER CODE: VS5065		1
25	MS24693S47		ATTACHING PARTS .SCREW- -----*-----		4

ILLUSTRATION ITEMS NOT ON PARTS LIST ARE NOT APPLICABLE

- ITEM NOT ILLUSTRATED

25-41-02-21

25-41-02
FIG. 21
PAGE 1
DEC 22/07

HXL



767

PARTS CATALOG (MAINTENANCE)

FIG ITEM	PART NUMBER	1 2 3 4 5 6 7	NOMENCLATURE	EFFECT FROM TO	UNITS PER ASSY
21					
30	SAM228-2		. LATCH- SUPPLIER CODE: V31845		1
35	BS061357-003WH1		. PLATE-ATTACH SUPPLIER CODE: VS5065		1
40	MS27039C1-05		ATTACHING PARTS . SCREW		2
- 45	BS066344-61		-----*----- . TRIM-CHAN (BONDED WITH BMS5-92 TYPE 3) SUPPLIER CODE: VS5065		1

ILLUSTRATION ITEMS NOT ON PARTS LIST ARE NOT APPLICABLE

- ITEM NOT ILLUSTRATED

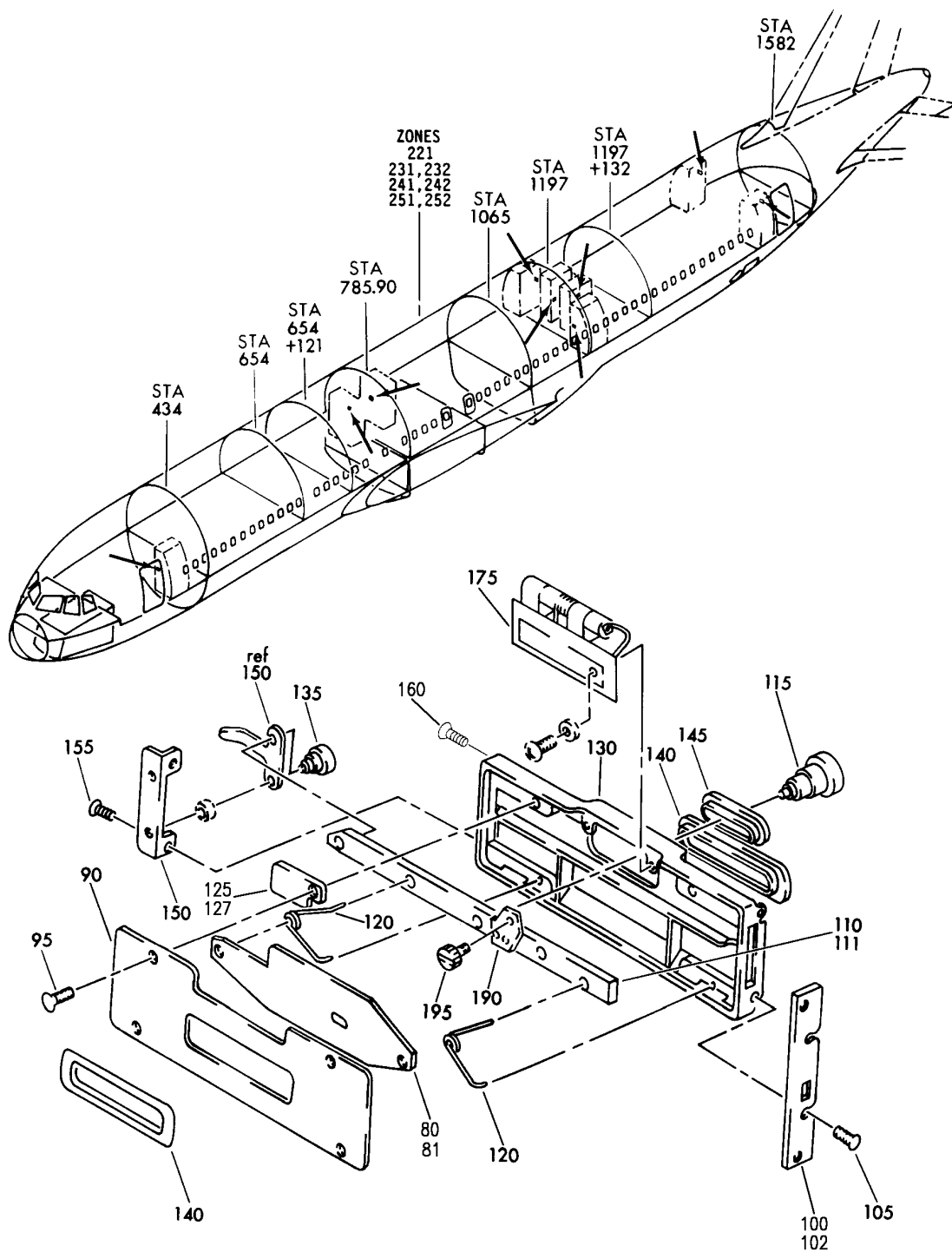
HXL

25-41-02-21

BOEING PROPRIETARY - Copyright © - Unpublished Work - See title page for details.

25-41-02
FIG. 21
PAGE 2
DEC 22/07

BOEING
767
PARTS CATALOG (MAINTENANCE)



V 25410234 REV 329

LATCH ASSY-SLIDE, LAV
FIGURE 34

25-41-02-34

HXL
AUG 22/08

25-41-02-34
PAGE 0



767

PARTS CATALOG (MAINTENANCE)

FIG ITEM	PART NUMBER	1 2 3 4 5 6 7	NOMENCLATURE	EFFECT FROM TO	UNITS PER ASSY
34					
- 3	JMS2001-58S503		LATCH ASSY-SLIDE, LAV LATCH ASSY-SLIDE, LAV F1, MS16 AND MS18 SUPPLIER CODE: VS5065 FOR NHA SEE: 25-41-02-11 25-41-02-13		RF
- 21	JMS2001-59S503		LATCH ASSY-SLIDE, LAV MS15, MS17 AND M31 MS27, MS29 AND M33 SUPPLIER CODE: VS5065 FOR NHA SEE: 25-41-02-13		RF
- 41	JMS2001-61S503		LATCH ASSY-SLIDE, LAV M32 SUPPLIER CODE: VS5065 FOR NHA SEE: 25-41-02-05		RF
80	BS060P100-1S503		.PLACARD-LAV F1, MS16 AND MS18 F1, MS28 AND MS30 SUPPLIER CODE: VS5065		1
81	BS060P100-2S503		.PLACARD-LAV MS15, MS17, M31 AND M32 SUPPLIER CODE: VS5065		1
- 87	JMS1514-8-4006		ATTACHING PARTS .PIN-SPR SUPPLIER CODE: VS5065		1
- 88	MS24693S51		.SCREW -----*-----		2
90	A700361-3		.COVER-LAV F1, MS15, MS16, MS17, MS18, M31 AND M32 A3, A4, AC3, AC4, F1, MS9 AND MS10 SUPPLIER CODE: VS5065		1
95	MS24693S5		ATTACHING PARTS .SCREW -----*-----		4

ILLUSTRATION ITEMS NOT ON PARTS LIST ARE NOT APPLICABLE

- ITEM NOT ILLUSTRATED

25-41-02-34

25-41-02
FIG. 34
PAGE 1
DEC 22/07

HXL

BOEING PROPRIETARY - Copyright © - Unpublished Work - See title page for details.

 **BOEING**
767
PARTS CATALOG (MAINTENANCE)

FIG ITEM	PART NUMBER	1 2 3 4 5 6 7	NOMENCLATURE	EFFECT FROM TO	UNITS PER ASSY
34 100	A700362-3		.COVER-LAV MS12, MS25 AND A4 MS15, MS17 AND M31 MS27, MS29 AND M33 MS12, AC3 AND A4 MS12, MS25 AND A4 MS21, A4 AND A8 MS1, M12 AND A4 FS3, A3 AND A4 SUPPLIER CODE: VS5065 USED ON: JMS2001-79S12 JMS2001-79S13 JMS2001-79S14 JMS2001-79S93 JMS2001-79S506		1
- 103	A700362-4		.COVER-LAV F1 AND M32 A4 AND A7 A3 AND MS14 A5 AND AC4 SUPPLIER CODE: VS5065 USED ON: JMS2001-78S12 ATTACHING PARTS		1
105	MS24693S51		.SCREW -----*-----		2
110	A700363-1		.ROD-LAV MS12, MS25 AND A4 MS10, A4 AND AC3 MS12, AC3 AND A4 MS15, MS17, M31 SUPPLIER CODE: VS5065		1
110	A700363-111		.ROD-LAV M32 A3 SUPPLIER CODE: VS5065		1
110	A700363-22		.ROD-LAV F1 M33 AC5 SUPPLIER CODE: VS5065		1

ILLUSTRATION ITEMS NOT ON PARTS LIST ARE NOT APPLICABLE

- ITEM NOT ILLUSTRATED

HXL

25-41-02-34

BOEING PROPRIETARY - Copyright © - Unpublished Work - See title page for details.

25-41-02
FIG. 34
PAGE 2
DEC 22/07



767

PARTS CATALOG (MAINTENANCE)

FIG ITEM	PART NUMBER	1 2 3 4 5 6 7	NOMENCLATURE	EFFECT FROM TO	UNITS PER ASSY
34 - 112	A700363-2		.ROD-LAV A3 AND AC4 MS16 AND MS18 F1 AND MS11 MS2 AND A4 A4 AND A7 A4 AND MS14 SUPPLIER CODE: VS5065 USED ON: JMS2001-78S12		1
115	A700364-1		.KNOB-LAV F1, MS15, MS16, MS17, MS18, M31 AND M32 A3, A4, AC3, AC4, F1, MS9 AND MS10 SUPPLIER CODE: VS5065		1
120	A700365-3		.SPRING-LAV F1, MS15, MS16, MS17, MS18, M31 AND M32 A3, A4, AC3, AC4, F1, MS9 AND MS10 SUPPLIER CODE: VS5065		2
125	A700366-3		.PLATE-LAV M32 F1 MS9 SUPPLIER CODE: VS5065		2
125	A700366-22		.PLATE-LAV F1, MS15, MS16, MS17, MS18 AND M31 SUPPLIER CODE: VS5065		2
130	A700367-3		.HOUSING-LAV F1, MS15, MS16, MS17, MS18, M31 AND M32 A3, A4, AC3, AC4, F1, MS9 AND MS10 SUPPLIER CODE: VS5065		1
140	A700369-3		.ESCUTCHEON-LAV F1, MS15, MS16, MS17, MS18, M31 AND M32 A3, A4, AC3, AC4, F1, MS9 AND MS10 SUPPLIER CODE: VS5065		2

ILLUSTRATION ITEMS NOT ON PARTS LIST ARE NOT APPLICABLE

- ITEM NOT ILLUSTRATED

25-41-02-34

25-41-02
FIG. 34
PAGE 3
AUG 22/08

HXL

BOEING
767
PARTS CATALOG (MAINTENANCE)

FIG ITEM	PART NUMBER	1 2 3 4 5 6 7	NOMENCLATURE	EFFECT FROM TO	UNITS PER ASSY
34 145	A700369-5		.ESCUTCHEON-LAV F1, MS15, MS16, MS17, MS18, M31 AND M32 A3, A4, AC3, AC4, F1, MS9 AND MS10 SUPPLIER CODE: VS5065		1
175	A700380-1		.COVER-LAV A3 M32 SUPPLIER CODE: VS5065		1
- 180	MS51957-28		ATTACHING PARTS .SCREW-LAV A3 M32		2
- 185	AN936C6		.WASHER-LAV A3 M32		2
190	A700383-2		-----*----- .BRACKET-LAV A3 M32 SUPPLIER CODE: VS5065		1
195	A700384-3		.PIN-LAV A3 M32 SUPPLIER CODE: VS5065		1

ILLUSTRATION ITEMS NOT ON PARTS LIST ARE NOT APPLICABLE

- ITEM NOT ILLUSTRATED

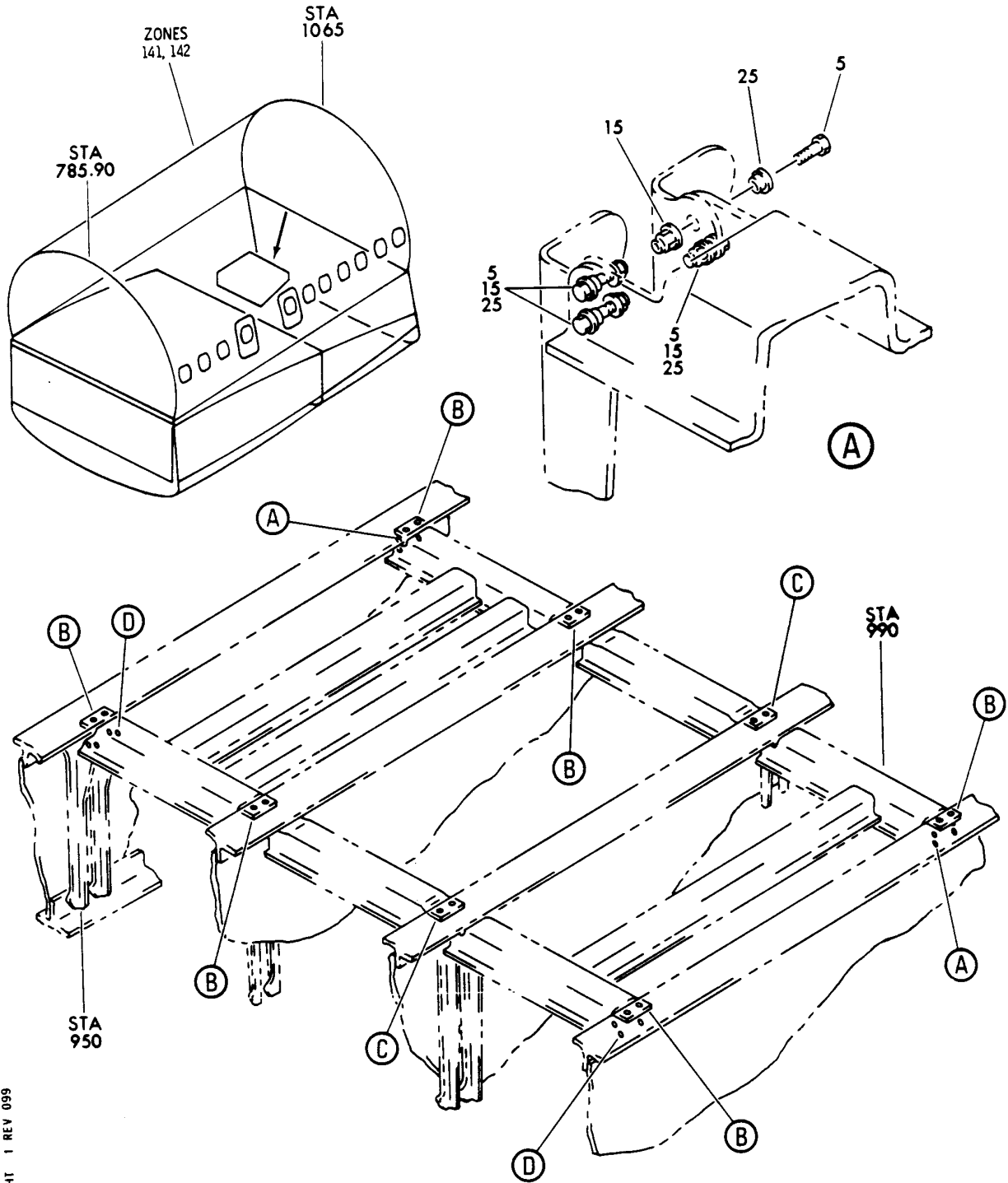
HXL

25-41-02-34

BOEING PROPRIETARY - Copyright © - Unpublished Work - See title page for details.

25-41-02
FIG. 34
PAGE 4
AUG 22/08

BOEING
767
PARTS CATALOG (MAINTENANCE)



V 25410317A SHT 1 REV 099

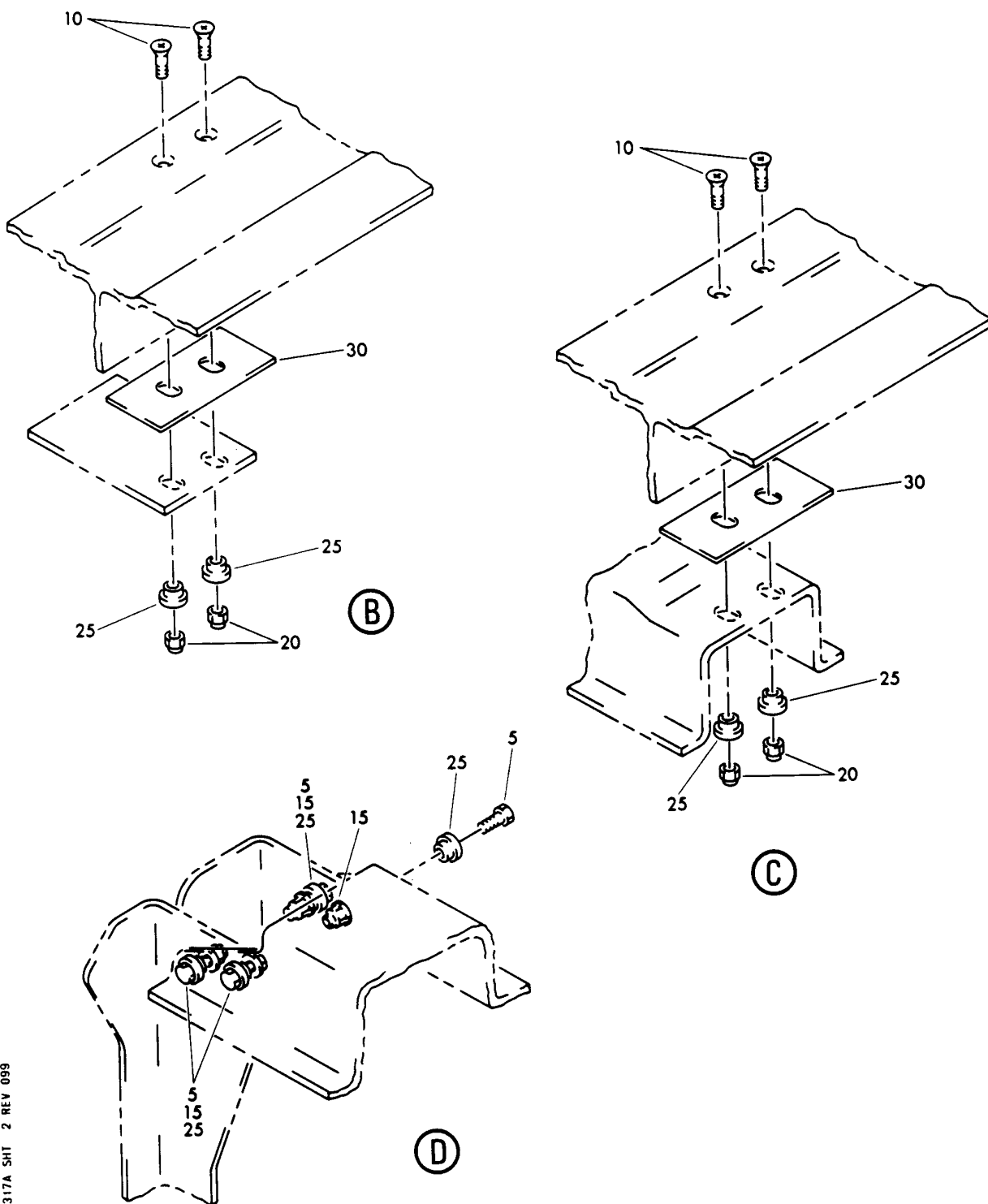
SUPPORT INSTL-SECT. 45 LAV
FIGURE 17A (SHEET 1)

25-41-03-17A

HXL
DEC 22/06

25-41-03-17A
PAGE 0

BOEING
767
PARTS CATALOG (MAINTENANCE)



V 25410317A SH1 2 REV 099

SUPPORT INSTL-SECT. 45 LAV
FIGURE 17A (SHEET 2)

25-41-03-17A

HXL
DEC 22/06

25-41-03-17A
PAGE 0A



767

PARTS CATALOG (MAINTENANCE)

FIG ITEM	PART NUMBER	1 2 3 4 5 6 7	NOMENCLATURE	EFFECT FROM TO	UNITS PER ASSY
17A					
- 1	145T5700-15		SUPPORT INSTL-SECT. 45 LAV SUPPORT INSTL-SECT. 45 LAV FOR NHA SEE: 53-50-00-08		RF
5	BACB30NM3K4		.BOLT		16
10	BACB30VF3K4		.BOLT		16
15	NAS1805-3		.NUT		16
20	BRH10C3M		.NUT		16
			SUPPLIER CODE: V52828 SPECIFICATION NUMBER: BACN10JC3CM OPTIONAL PART: T6C1032JM V11815 97E02 V80539 109LH9075-3W V72962 VN303D02 V92215 NS202101SE02 V80539 H01-3BAC V15653		
25	BACB28X3E007		.BUSHING		32
30	145T5706-3		.STRIP-RUB		8

ILLUSTRATION ITEMS NOT ON PARTS LIST ARE NOT APPLICABLE

- ITEM NOT ILLUSTRATED

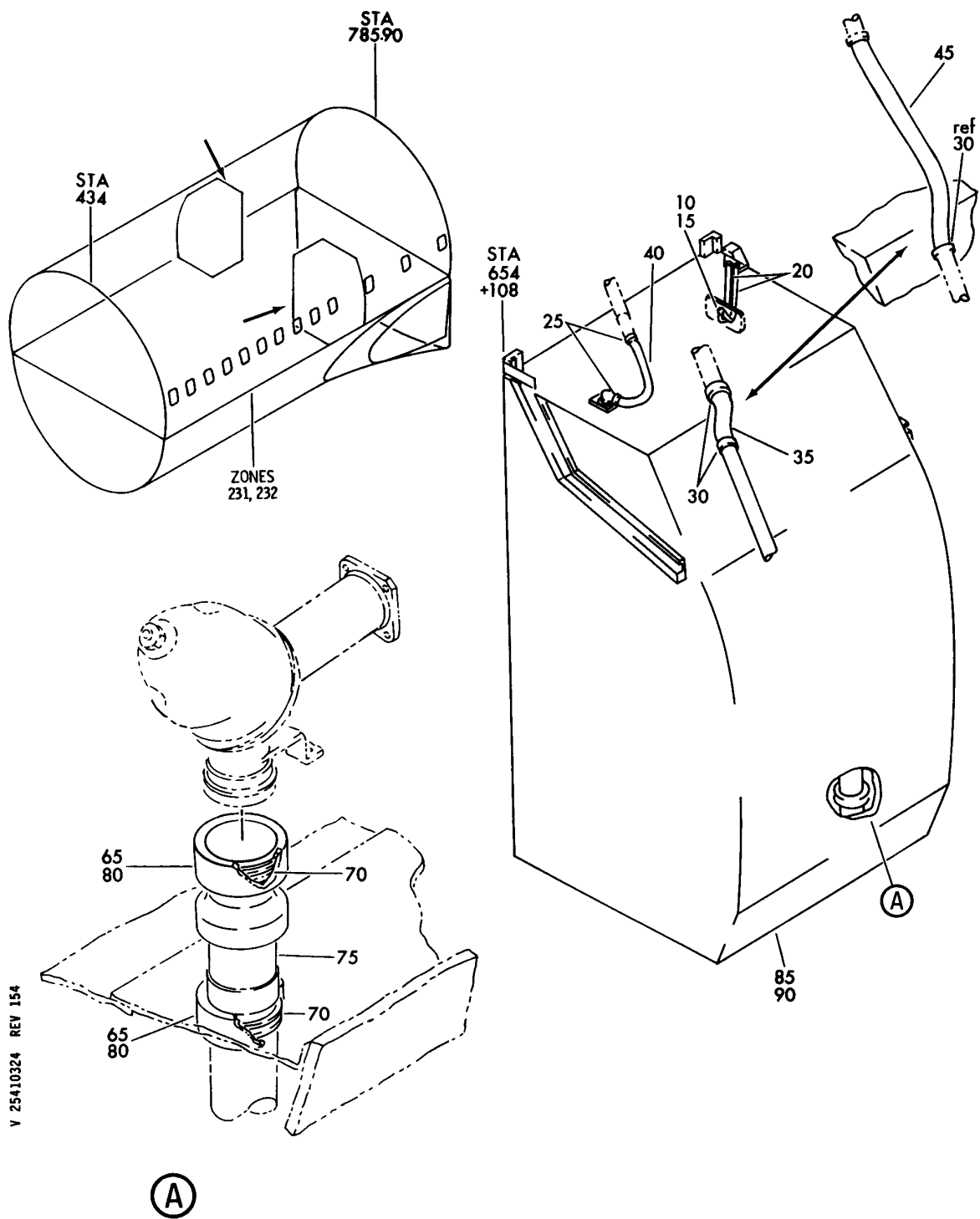
HXL

25-41-03-17A

BOEING PROPRIETARY - Copyright © - Unpublished Work - See title page for details.

25-41-03
FIG. 17A
PAGE 1
DEC 22/07

BOEING
767
PARTS CATALOG (MAINTENANCE)



LAVATORY INSTL-LAV MS-15 AND MS-16
FIGURE 24

25-41-03-24

HXL
DEC 22/06

25-41-03-24
PAGE 0



767

PARTS CATALOG (MAINTENANCE)

FIG ITEM	PART NUMBER	1 2 3 4 5 6 7	NOMENCLATURE	EFFECT FROM TO	UNITS PER ASSY
24			LAVATORY INSTL-LAV MS-15 AND MS-16		RF
- 1	417T1241-6		LAVATORY INSTL-LAV MS-15 LAVATORY DESIGNATED MS-LF ON AFT ATTENDANTS PANEL FOR NHA SEE: 25-20-00-17D	163999	RF
- 1	417T1241-8		LAVATORY INSTL-LAV MS-15 LAVATORY DESIGNATED MS-LF ON AFT ATTENDANTS PANEL FOR NHA SEE: 25-20-00-17D	155162	RF
- 5	417T1241-7		LAVATORY INSTL-LAV MS-16 LAVATORY DESIGNATED MS-RF ON AFT ATTENDANTS PANEL FOR NHA SEE: 25-20-00-17D	163999	RF
- 5	417T1241-9		LAVATORY INSTL-LAV MS-16 LAVATORY DESIGNATED MS-RF ON AFT ATTENDANTS PANEL FOR NHA SEE: 25-20-00-17D	155162	RF
10	AN960JD10L		.WASHER		1
15	MS21042L3		.NUT		1
20	940CW20-28		.JUMPER ASSY SUPPLIER CODE: V91812 SPECIFICATION NUMBER: BACJ40AB20-28 OPTIONAL PART: 100220-28 V1FF12 RBEJ40AB20-28 V1GK47		2
20	940CW20-28		.JUMPER ASSY SUPPLIER CODE: V91812 SPECIFICATION NUMBER: BACJ40AB20-28 OPTIONAL PART: 100220-28 V1FF12 RBEJ40AB20-28 V1GK47		2

ILLUSTRATION ITEMS NOT ON PARTS LIST ARE NOT APPLICABLE

- ITEM NOT ILLUSTRATED

25-41-03-24

25-41-03
FIG. 24
PAGE 1
DEC 22/08

HXL

 **BOEING**
767
PARTS CATALOG (MAINTENANCE)

FIG ITEM	PART NUMBER	1 2 3 4 5 6 7	NOMENCLATURE	EFFECT FROM TO	UNITS PER ASSY
24					
25	MS35842-11	.CLAMP-	OPTIONAL PART: NAS1922-0100-3		2
25	NAS1922-0100-3	.CLAMP-	OPTIONAL PART: MS35842-11	155162	2
30	MS35842-12	.CLAMP-	OPTIONAL PART: NAS1922-0200-3		2
30	NAS1922-0200-3	.CLAMP-	OPTIONAL PART: MS35842-12	155162	2
35	AS1503-070120	.HOSE			1
40	BOE2027-03D0190	.HOSE	SUPPLIER CODE: V16632 SPECIFICATION NUMBER: AS1503-03D0190		1
65	W904B32DE	.CLAMSHELL-	SUPPLIER CODE: V79326 OPTIONAL PART: W994-32DE V79326 14C02-32A V24984		2
65	14C02-32A	.CLAMSHELL ASSY-	SUPPLIER CODE: V24984 OPTIONAL PART: W904B32DE V79326 W994-32DE V79326		2
65	W994-32DE	.CLAMSHELL ASSY-	SUPPLIER CODE: V79326 OPTIONAL PART: 14C02-32A V24984 W904B32DE V79326		2
70	MS28775-226	.PACKING-	OPTIONAL PART: MS29513-226		2
70	MS29513-226	.PACKING-	OPTIONAL PART: MS28775-226		2
75	417T1326-116	.TUBE ASSY-WASTE			1

ILLUSTRATION ITEMS NOT ON PARTS LIST ARE NOT APPLICABLE

— ITEM NOT ILLUSTRATED

HXL

25-41-03-24

BOEING PROPRIETARY - Copyright © - Unpublished Work - See title page for details.

25-41-03
FIG. 24
PAGE 2
DEC 22/07



767

PARTS CATALOG (MAINTENANCE)

FIG ITEM	PART NUMBER	1 2 3 4 5 6 7	NOMENCLATURE	EFFECT FROM TO	UNITS PER ASSY
24 80	14K02-32T	..	FLANGE- SUPPLIER CODE: V24984 OPTIONAL PART: BCREF6671 V08073 905B376S32T V79326		2
80	BCREF6671	..	FLANGE- SUPPLIER CODE: V08073 OVERLENGTH PART NUMBER: MAM67-1081-2-000T OPTIONAL PART: 14K02-32T V24984		2
80	905B376S32T	..	FLANGE- SUPPLIER CODE: V79326 OPTIONAL PART: 14K02-32T V24984		2
85	SAS063-1	.	MODULE ASSY-LAV MS15 SUPPLIER CODE: VS5065 SPECIFICATION NUMBER: S417T106-347B COMPONENT MAINT MANUAL REF: 25-40-39 FUNCTIONAL REFERENCE: AIR CONDITIONING FOR DETAILS SEE 21-26-13-56 EQUIPMENT/FURNISHINGS FOR DETAILS SEE 25-41-03-46B	163999	1

ILLUSTRATION ITEMS NOT ON PARTS LIST ARE NOT APPLICABLE

- ITEM NOT ILLUSTRATED

HXL

25-41-03-24

BOEING PROPRIETARY - Copyright © - Unpublished Work - See title page for details.

25-41-03
FIG. 24
PAGE 3
DEC 22/07

BOEING
767
PARTS CATALOG (MAINTENANCE)

FIG ITEM	PART NUMBER	1 2 3 4 5 6 7	NOMENCLATURE	EFFECT FROM TO	UNITS PER ASSY
24 85	SAS063-1021		.MODULE ASSY-LAV MS15 SUPPLIER CODE: VS5065 SPECIFICATION NUMBER: S417T106-483A COMPONENT MAINT MANUAL REF: 25-40-39 FUNCTIONAL REFERENCE: AIR CONDITIONING FOR DETAILS SEE 21-26-13-56 EQUIPMENT/FURNISHINGS FOR DETAILS SEE 25-41-03-46B		1
90	SAS063-2		.MODULE ASSY-LAV MS16 SUPPLIER CODE: VS5065 SPECIFICATION NUMBER: S417T106-348B COMPONENT MAINT MANUAL REF: 25-40-39 FUNCTIONAL REFERENCE: AIR CONDITIONING FOR DETAILS SEE 21-26-13-56 EQUIPMENT/FURNISHINGS FOR DETAILS SEE 25-41-03-46B	163999	1
90	SAS063-1022		.MODULE ASSY-LAV MS16 SUPPLIER CODE: VS5065 SPECIFICATION NUMBER: S417T106-484A COMPONENT MAINT MANUAL REF: 25-40-39 FUNCTIONAL REFERENCE: AIR CONDITIONING FOR DETAILS SEE 21-26-13-56 EQUIPMENT/FURNISHINGS FOR DETAILS SEE 25-41-03-46B		1
- 95	BACB30NM5K17		ATTACHING PARTS .BOLT		4
- 100	AN960C516		.WASHER		4
- 105	417T1222-1		.SHIM -----*-----		4
ILLUSTRATION ITEMS NOT ON PARTS LIST ARE NOT APPLICABLE					

- ITEM NOT ILLUSTRATED

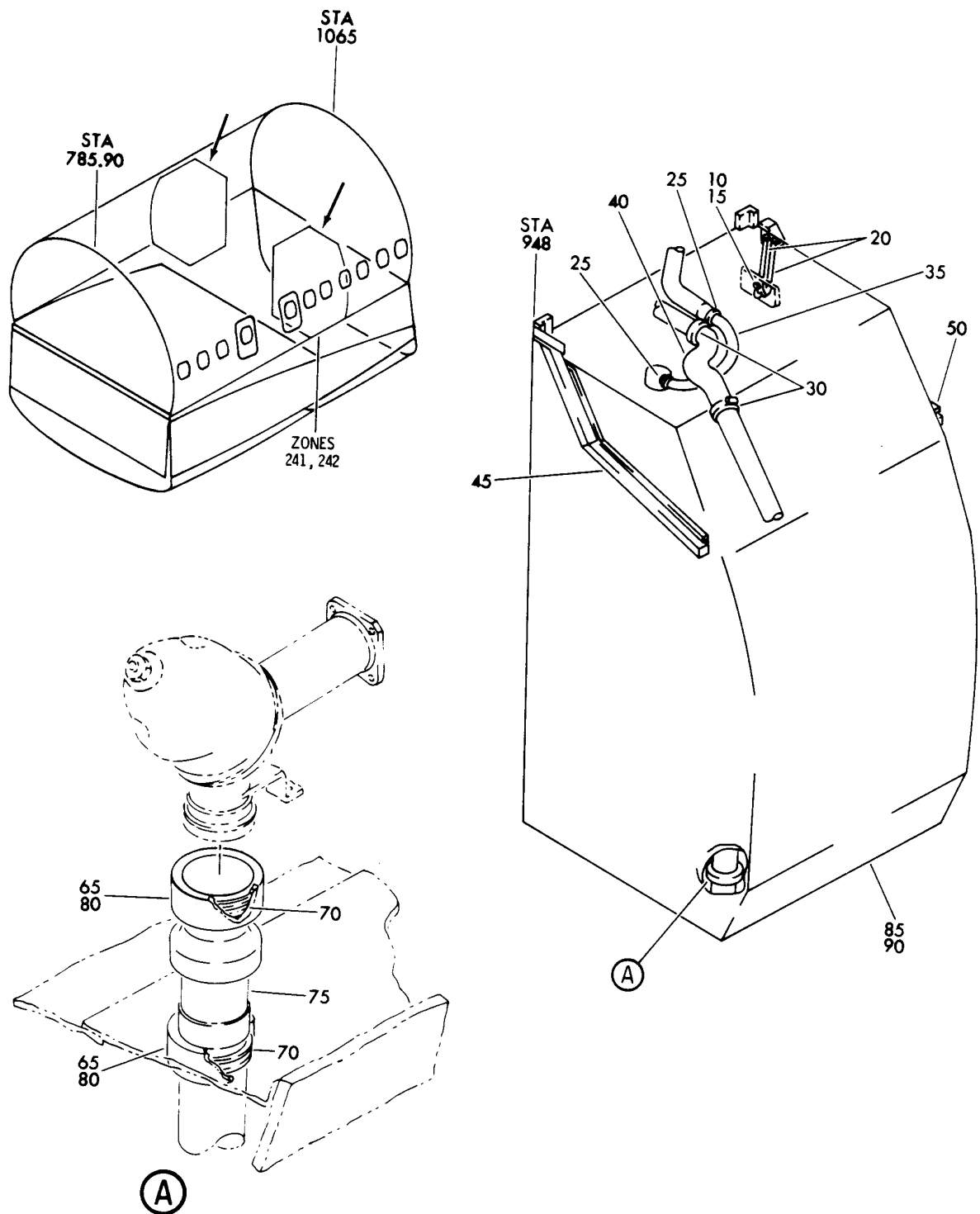
HXL

25-41-03-24

BOEING PROPRIETARY - Copyright © - Unpublished Work - See title page for details.

25-41-03
FIG. 24
PAGE 4
DEC 22/07

BOEING
767
PARTS CATALOG (MAINTENANCE)



V 25410325 SHT 1 REV 098

LAVATORY INSTL-LAV MS-17 AND MS-18
FIGURE 25

25-41-03-25

HXL
DEC 22/06

25-41-03-25
PAGE 0

 **BOEING**
767
PARTS CATALOG (MAINTENANCE)

FIG ITEM	PART NUMBER	1 2 3 4 5 6 7	NOMENCLATURE	EFFECT FROM TO	UNITS PER ASSY
25			LAVATORY INSTL-LAV MS-17 AND MS-18		RF
- 1	417T1242-3		LAVATORY INSTL-LAV MS-17 LAVATORY DESIGNATED MS-LA ON AFT ATTENDANTS PANEL FOR NHA SEE: 25-20-00-17D	163999	RF
- 1	417T1242-5		LAVATORY INSTL-LAV MS-17 LAVATORY DESIGNATED MS-LA ON AFT ATTENDANTS PANEL FOR NHA SEE: 25-20-00-17D	155162	RF
- 5	417T1242-4		LAVATORY INSTL-LAV MS-18 LAVATORY DESIGNATED MS-RA ON AFT ATTENDANTS PANEL FOR NHA SEE: 25-20-00-17D	163999	RF
- 5	417T1242-6		LAVATORY INSTL-LAV MS-18 LAVATORY DESIGNATED MS-RA ON AFT ATTENDANTS PANEL FOR NHA SEE: 25-20-00-17D	155162	RF
10	AN960JD10L		.WASHER		1
15	MS21042L3		.NUT		1
20	940CW20-28		.JUMPER ASSY SUPPLIER CODE: V91812 SPECIFICATION NUMBER: BACJ40AB20-28 OPTIONAL PART: 100220-28 V1FF12 RBEJ40AB20-28 V1GK47		2
25	MS35842-11		.CLAMP		2
30	MS35842-12		.CLAMP		2
35	BOE2027-03D0220		.HOSE ASSY SUPPLIER CODE: V16632 SPECIFICATION NUMBER: AS1503-03D0220		1
ILLUSTRATION ITEMS NOT ON PARTS LIST ARE NOT APPLICABLE					

- ITEM NOT ILLUSTRATED

HXL

25-41-03-25

BOEING PROPRIETARY - Copyright © - Unpublished Work - See title page for details.

25-41-03
FIG. 25
PAGE 1
DEC 22/07

BOEING
767
PARTS CATALOG (MAINTENANCE)

FIG ITEM	PART NUMBER	1 2 3 4 5 6 7	NOMENCLATURE	EFFECT FROM TO	UNITS PER ASSY
25					
40	BOE2027-07D0140		.HOSE SUPPLIER CODE: V16632 SPECIFICATION NUMBER: AS1503-07D0140		1
45	417T1211-26		.BRACKET		1
50	417T1211-27		.BRACKET		1
			ATTACHING PARTS		
- 55	NAS1801-3-4		.SCREW		6
- 60	AN960JD10L		.WASHER		6
			-----*-----		
65	W904B32DE		.CLAMSHELL- SUPPLIER CODE: V79326 OPTIONAL PART: 14C02-32A V24984		2
65	14C02-32A		.CLAMSHELL ASSY- SUPPLIER CODE: V24984 OPTIONAL PART: W904B32DE V79326 W994-32DE V79326		2
65	W994-32DE		.CLAMSHELL ASSY- SUPPLIER CODE: V79326 OPTIONAL PART: 14C02-32A V24984		2
70	MS28775-226		.PACKING- OPTIONAL PART: MS29513-226		2
70	MS29513-226		.PACKING- OPTIONAL PART: MS28775-226		2
75	417T1326-116		.TUBE ASSY-WASTE		1
80	14K02-32T		.. FLANGE- SUPPLIER CODE: V24984 OPTIONAL PART: BCREF6671 V08073 905B376S32T V79326		2
ILLUSTRATION ITEMS NOT ON PARTS LIST ARE NOT APPLICABLE					

- ITEM NOT ILLUSTRATED

HXL

25-41-03-25

BOEING PROPRIETARY - Copyright © - Unpublished Work - See title page for details.

25-41-03
FIG. 25
PAGE 2
DEC 22/07



767

PARTS CATALOG (MAINTENANCE)

FIG ITEM	PART NUMBER	1 2 3 4 5 6 7	NOMENCLATURE	EFFECT FROM TO	UNITS PER ASSY
25 80	BCREF6671	..	FLANGE- SUPPLIER CODE: V08073 OVERLENGTH PART NUMBER: MAM67-1081-2-000T OPTIONAL PART: 14K02-32T V24984		2
80	905B376S32T	..	FLANGE- SUPPLIER CODE: V79326 OPTIONAL PART: 14K02-32T V24984		2
85	SAS063-11	.MODULE ASSY-LAV MS17 SUPPLIER CODE: VS5065 SPECIFICATION NUMBER: S417T106-349B COMPONENT MAINT MANUAL REF: 25-40-39 FUNCTIONAL REFERENCE: AIR CONDITIONING FOR DETAILS SEE 21-26-13-56 EQUIPMENT/FURNISHINGS FOR DETAILS SEE 25-41-03-46B	163999	1	
85	SAS063-1031	.MODULE ASSY-LAV MS17 SUPPLIER CODE: VS5065 SPECIFICATION NUMBER: S417T106-485A COMPONENT MAINT MANUAL REF: 25-40-39 FUNCTIONAL REFERENCE: AIR CONDITIONING FOR DETAILS SEE 21-26-13-56 EQUIPMENT/FURNISHINGS FOR DETAILS SEE 25-41-03-46B		1	

ILLUSTRATION ITEMS NOT ON PARTS LIST ARE NOT APPLICABLE

- ITEM NOT ILLUSTRATED

HXL

25-41-03-25

BOEING PROPRIETARY - Copyright © - Unpublished Work - See title page for details.

25-41-03
FIG. 25
PAGE 3
DEC 22/07

BOEING
767
PARTS CATALOG (MAINTENANCE)

FIG ITEM	PART NUMBER	1 2 3 4 5 6 7	NOMENCLATURE	EFFECT FROM TO	UNITS PER ASSY
25 90	SAS063-12		.MODULE ASSY-LAV MS18 SUPPLIER CODE: VS5065 SPECIFICATION NUMBER: S417T106-350B COMPONENT MAINT MANUAL REF: 25-40-39 FUNCTIONAL REFERENCE: AIR CONDITIONING FOR DETAILS SEE 21-26-13-56 EQUIPMENT/FURNISHINGS FOR DETAILS SEE 25-41-03-46B	163999	1
90	SAS063-1032		.MODULE ASSY-LAV MS18 SUPPLIER CODE: VS5065 SPECIFICATION NUMBER: S417T106-486A COMPONENT MAINT MANUAL REF: 25-40-39 FUNCTIONAL REFERENCE: AIR CONDITIONING FOR DETAILS SEE 21-26-13-56 EQUIPMENT/FURNISHINGS FOR DETAILS SEE 25-41-03-46B		1
- 95	BACB30NM5K17		.ATTACHING PARTS		4
- 100	AN960C516		.BOLT		4
- 105	417T1222-1		.WASHER .SHIM -----*-----		4

ILLUSTRATION ITEMS NOT ON PARTS LIST ARE NOT APPLICABLE

- ITEM NOT ILLUSTRATED

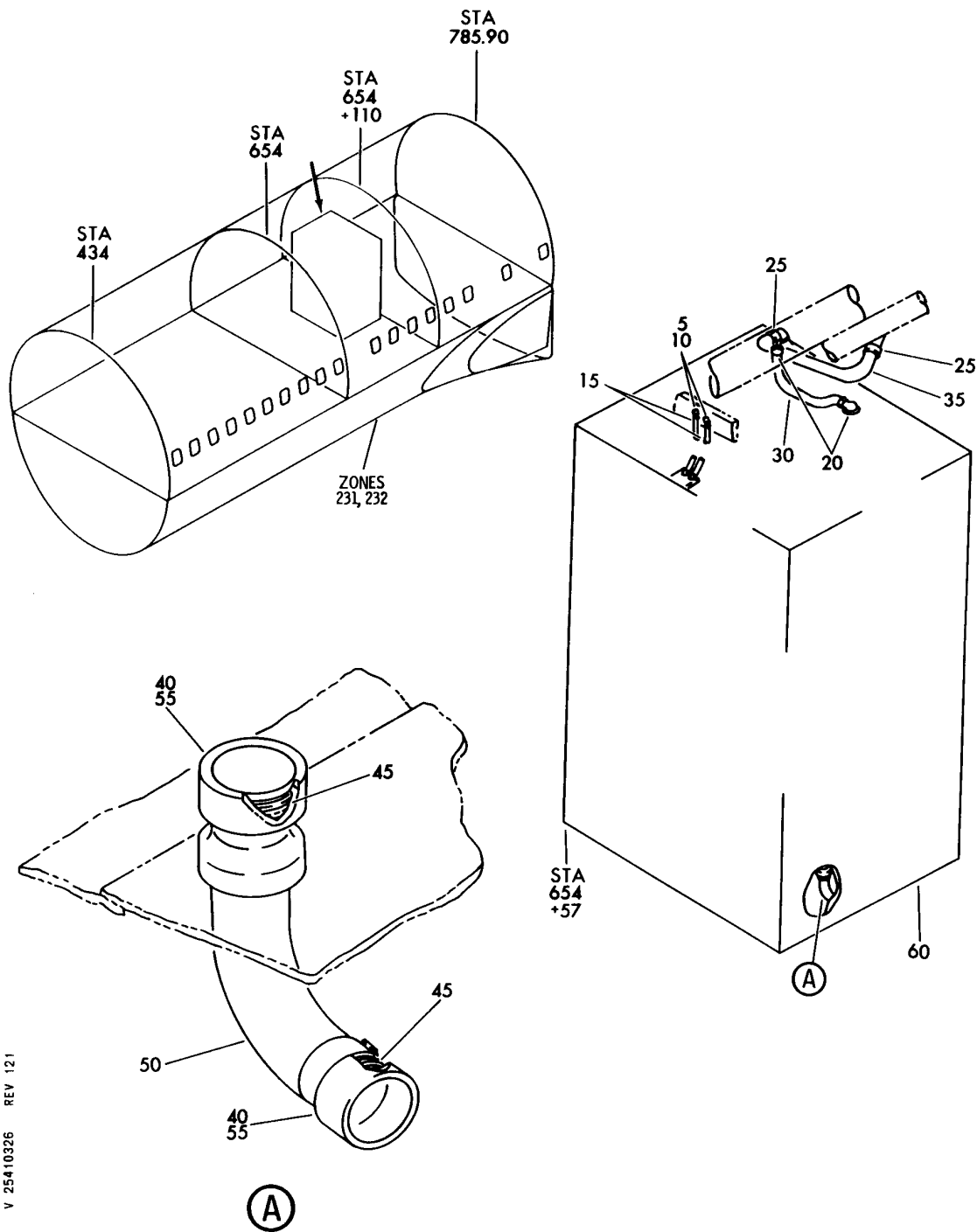
HXL

25-41-03-25

BOEING PROPRIETARY - Copyright © - Unpublished Work - See title page for details.

25-41-03
FIG. 25
PAGE 4
DEC 22/07

BOEING
767
PARTS CATALOG (MAINTENANCE)



V 25410326 REV 121

LAVATORY INSTL-LAV M-31
FIGURE 26

25-41-03-26

HXL
DEC 22/06

25-41-03-26
PAGE 0

 **BOEING**
767
PARTS CATALOG (MAINTENANCE)

FIG ITEM	PART NUMBER	1 2 3 4 5 6 7	NOMENCLATURE	EFFECT FROM TO	UNITS PER ASSY
26					
- 1	417T1243-2		LAVATORY INSTL-LAV M-31 LAVATORY INSTL-LAV M-31 LAVATORY DESIGNATED MC-F ON AFT ATTENDANTS PANEL FOR NHA SEE: 25-20-00-17D	163999	RF
- 1	417T1243-3		LAVATORY INSTL-LAV M-31 LAVATORY DESIGNATED MC-F ON AFT ATTENDANTS PANEL FOR NHA SEE: 25-20-00-17D	155162	RF
5	AN960JD10L		.WASHER		2
10	MS21042L3		.NUT		2
15	940CW20-40		.JUMPER ASSY- SUPPLIER CODE: V91812 SPECIFICATION NUMBER: BACJ40AB20-40 OPTIONAL PART: 100220-40 V1FF12 RBEJ40AB20-40 V1GK47 BACJ40AB20-66		2
15	940CW20-66		.JUMPER ASSY- SUPPLIER CODE: V91812 SPECIFICATION NUMBER: BACJ40AB20-66 OPTIONAL PART: 100220-66 V1FF12 RBEJ40AB20-66 V1GK47 BACJ40AB20-40	155162	2
20	MS35842-11		.CLAMP		2
25	MS35842-12		.CLAMP		2
30	BOE2027-03D0260		.HOSE ASSY SUPPLIER CODE: V16632 SPECIFICATION NUMBER: AS1503-03D0260		1
35	BOE2027-07D0350		.HOSE- SUPPLIER CODE: V16632 SPECIFICATION NUMBER: AS1503-07D0350		1
ILLUSTRATION ITEMS NOT ON PARTS LIST ARE NOT APPLICABLE					

- ITEM NOT ILLUSTRATED

HXL

25-41-03-26

BOEING PROPRIETARY - Copyright © - Unpublished Work - See title page for details.

25-41-03
FIG. 26
PAGE 1
DEC 22/07



767

PARTS CATALOG (MAINTENANCE)

FIG ITEM	PART NUMBER	1 2 3 4 5 6 7	NOMENCLATURE	EFFECT FROM TO	UNITS PER ASSY
26					
40	14C02-32A	.	CLAMSHELL ASSY- SUPPLIER CODE: V24984 OPTIONAL PART: W904B32DE V79326 W994-32DE V79326		2
40	W904B32DE	.	CLAMSHELL- SUPPLIER CODE: V79326 OPTIONAL PART: 14C02-32A V24984		2
40	W994-32DE	.	CLAMSHELL ASSY- SUPPLIER CODE: V79326 OPTIONAL PART: 14C02-32A V24984		2
45	MS28775-226	.	PACKING- OPTIONAL PART: MS29513-226		2
45	MS29513-226	.	PACKING- OPTIONAL PART: MS28775-226		2
50	417T1326-116	.	TUBE ASSY-WASTE		1
55	14K02-32T	..	FLANGE- SUPPLIER CODE: V24984 OPTIONAL PART: BCREF6671 V08073 905B376S32T V79326		2
55	BCREF6671	..	FLANGE- SUPPLIER CODE: V08073 OVERLENGTH PART NUMBER: MAM67-1081-2-000T OPTIONAL PART: 14K02-32T V24984		2
55	905B376S32T	..	FLANGE- SUPPLIER CODE: V79326 OPTIONAL PART: 14K02-32T V24984		2

ILLUSTRATION ITEMS NOT ON PARTS LIST ARE NOT APPLICABLE

- ITEM NOT ILLUSTRATED

HXL

25-41-03-26

BOEING PROPRIETARY - Copyright © - Unpublished Work - See title page for details.

25-41-03
FIG. 26
PAGE 2
DEC 22/07



767

PARTS CATALOG (MAINTENANCE)

FIG ITEM	PART NUMBER	1 2 3 4 5 6 7	NOMENCLATURE	EFFECT FROM TO	UNITS PER ASSY
26 60	SAS066-1		.MODULE ASSY-LAV M31 SUPPLIER CODE: VS5065 SPECIFICATION NUMBER: S417T106-351B COMPONENT MAINT MANUAL REF: 25-40-39 FUNCTIONAL REFERENCE: AIR CONDITIONING FOR DETAILS SEE 21-26-13-56 EQUIPMENT/FURNISHINGS FOR DETAILS SEE 25-41-03-52	163999	1
60	SAS066-1021		.MODULE ASSY-LAV M31 SUPPLIER CODE: VS5065 SPECIFICATION NUMBER: S417T106-487A COMPONENT MAINT MANUAL REF: 25-40-39 FUNCTIONAL REFERENCE: AIR CONDITIONING FOR DETAILS SEE 21-26-13-56 FOR DETAILS SEE: 25-41-03-52 ATTACHING PARTS		1
- 65	BACB30NM5K17		.BOLT		4
- 70	AN960C516L		.WASHER -----*-----		4

ILLUSTRATION ITEMS NOT ON PARTS LIST ARE NOT APPLICABLE

- ITEM NOT ILLUSTRATED

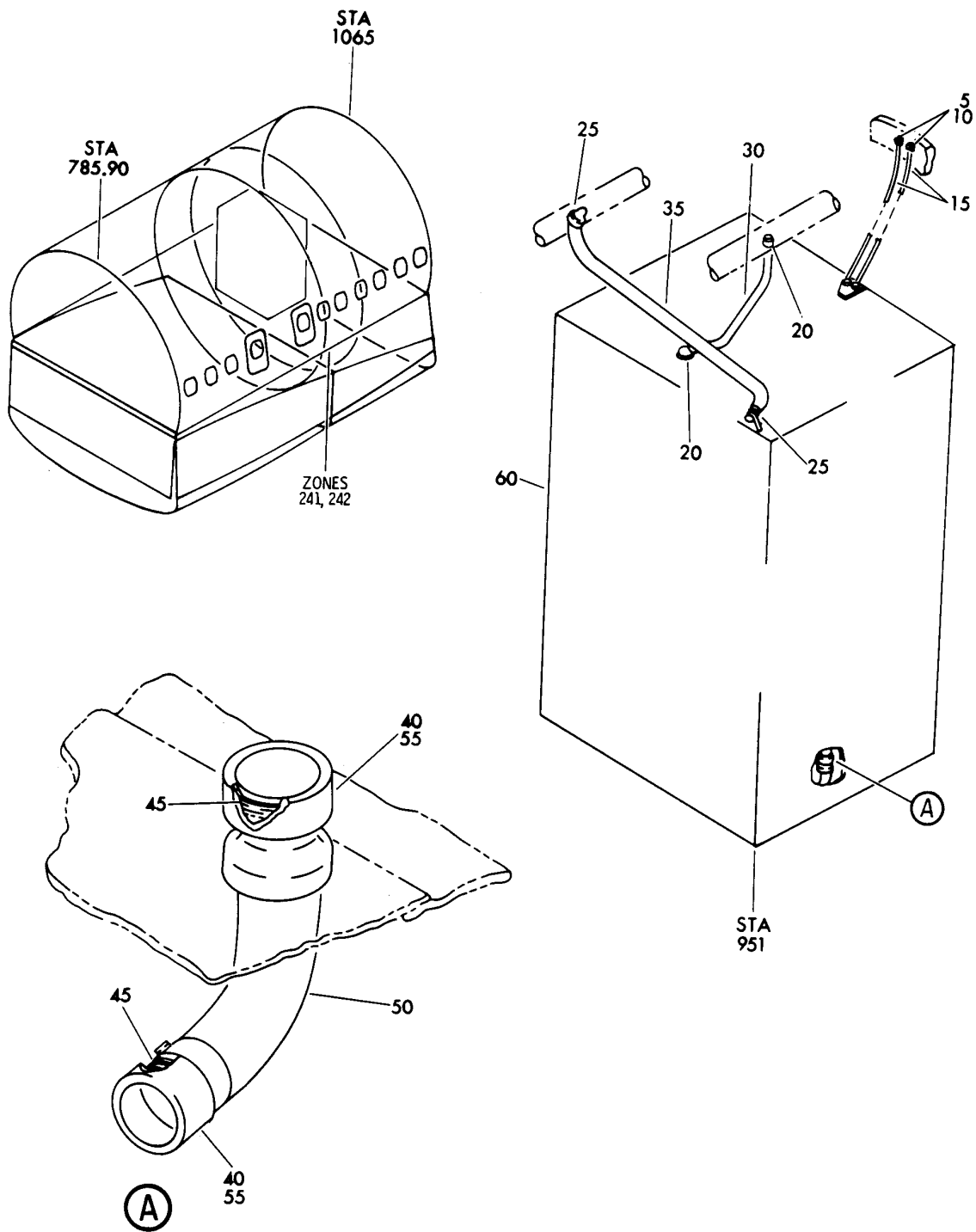
HXL

25-41-03-26

BOEING PROPRIETARY - Copyright © - Unpublished Work - See title page for details.

25-41-03
FIG. 26
PAGE 3
DEC 22/07

BOEING
767
PARTS CATALOG (MAINTENANCE)



V 25410327 SHT 1 REV 09B

LAVATORY INSTL-LAV M-32
FIGURE 27

25-41-03-27

HXL
DEC 22/06

25-41-03-27
PAGE 0

 **BOEING**
767
PARTS CATALOG (MAINTENANCE)

FIG ITEM	PART NUMBER	1 2 3 4 5 6 7	NOMENCLATURE	EFFECT FROM TO	UNITS PER ASSY
27					
- 1	417T1244-2		LAVATORY INSTL-LAV M-32 LAVATORY INSTL-LAV M-32 LAVATORY DESIGNATED MC-A ON AFT ATTENDANTS PANEL FOR NHA SEE: 25-20-00-17D	163999	RF
- 1	417T1244-3		LAVATORY INSTL-LAV M-32 LAVATORY DESIGNATED MC-A ON AFT ATTENDANTS PANEL FOR NHA SEE: 25-20-00-17D	155162	RF
5	AN960JD10L		.WASHER		2
10	MS21042L3		.NUT		2
15	BACJ40BA20-40		.JUMPER ASSY		2
20	MS35842-11		.CLAMP		2
25	MS35842-12		.CLAMP		2
30	BOE2027-03D0260		.HOSE ASSY SUPPLIER CODE: V16632 SPECIFICATION NUMBER: AS1503-03D0260		1
35	BOE2027-07D0520		.HOSE ASSY SUPPLIER CODE: V16632 SPECIFICATION NUMBER: AS1503-07D0520		1
40	14C02-32A		.CLAMSHELL ASSY- SUPPLIER CODE: V24984 OPTIONAL PART: W904B32DE V79326 W994-32DE V79326		2
40	W904B32DE		.CLAMSHELL- SUPPLIER CODE: V79326 OPTIONAL PART: 14C02-32A V24984		2
40	W994-32DE		.CLAMSHELL ASSY- SUPPLIER CODE: V79326 OPTIONAL PART: 14C02-32A V24984		2
ILLUSTRATION ITEMS NOT ON PARTS LIST ARE NOT APPLICABLE					

- ITEM NOT ILLUSTRATED

HXL

25-41-03-27

BOEING PROPRIETARY - Copyright © - Unpublished Work - See title page for details.

25-41-03
FIG. 27
PAGE 1
DEC 22/07



767

PARTS CATALOG (MAINTENANCE)

FIG ITEM	PART NUMBER	1 2 3 4 5 6 7	NOMENCLATURE	EFFECT FROM TO	UNITS PER ASSY
27					
45	MS28775-226		.PACKING- OPTIONAL PART: MS29513-226		2
45	MS29513-226		.PACKING- OPTIONAL PART: MS28775-226		2
50	417T1326-116		.TUBE ASSY-WASTE		1
55	14K02-32T		..FLANGE- SUPPLIER CODE: V24984 OPTIONAL PART: BCREF6671 V08073 905B376S32T V79326		2
55	BCREF6671		..FLANGE- SUPPLIER CODE: V08073 OVERLENGTH PART NUMBER: MAM67-1081-2-000T OPTIONAL PART: 14K02-32T V24984		2
55	905B376S32T		..FLANGE- SUPPLIER CODE: V79326 OPTIONAL PART: 14K02-32T V24984		2
60	SAS066-12		.MODULE ASSY-LAV M32 SUPPLIER CODE: VS5065 SPECIFICATION NUMBER: S417T106-352B COMPONENT MAINT MANUAL REF: 25-40-39 FUNCTIONAL REFERENCE: AIR CONDITIONING FOR DETAILS SEE 21-26-13-56 EQUIPMENT/FURNISHINGS FOR DETAILS SEE 25-41-03-52	163999	1

ILLUSTRATION ITEMS NOT ON PARTS LIST ARE NOT APPLICABLE

- ITEM NOT ILLUSTRATED

HXL

25-41-03-27

BOEING PROPRIETARY - Copyright © - Unpublished Work - See title page for details.

25-41-03
FIG. 27
PAGE 2
DEC 22/07



767

PARTS CATALOG (MAINTENANCE)

FIG ITEM	PART NUMBER	1 2 3 4 5 6 7	NOMENCLATURE	EFFECT FROM TO	UNITS PER ASSY
27 60	SAS066-1032		.MODULE ASSY-LAV M32 SUPPLIER CODE: VS5065 SPECIFICATION NUMBER: S417T106-488A COMPONENT MAINT MANUAL REF: 25-40-39 FUNCTIONAL REFERENCE: AIR CONDITIONING FOR DETAILS SEE 21-26-13-56 FOR DETAILS SEE: 25-41-03-52 ATTACHING PARTS		1
- 65	BACB30NM5K17		.BOLT		4
- 70	AN960C516L		.WASHER -----*-----		4

ILLUSTRATION ITEMS NOT ON PARTS LIST ARE NOT APPLICABLE

- ITEM NOT ILLUSTRATED

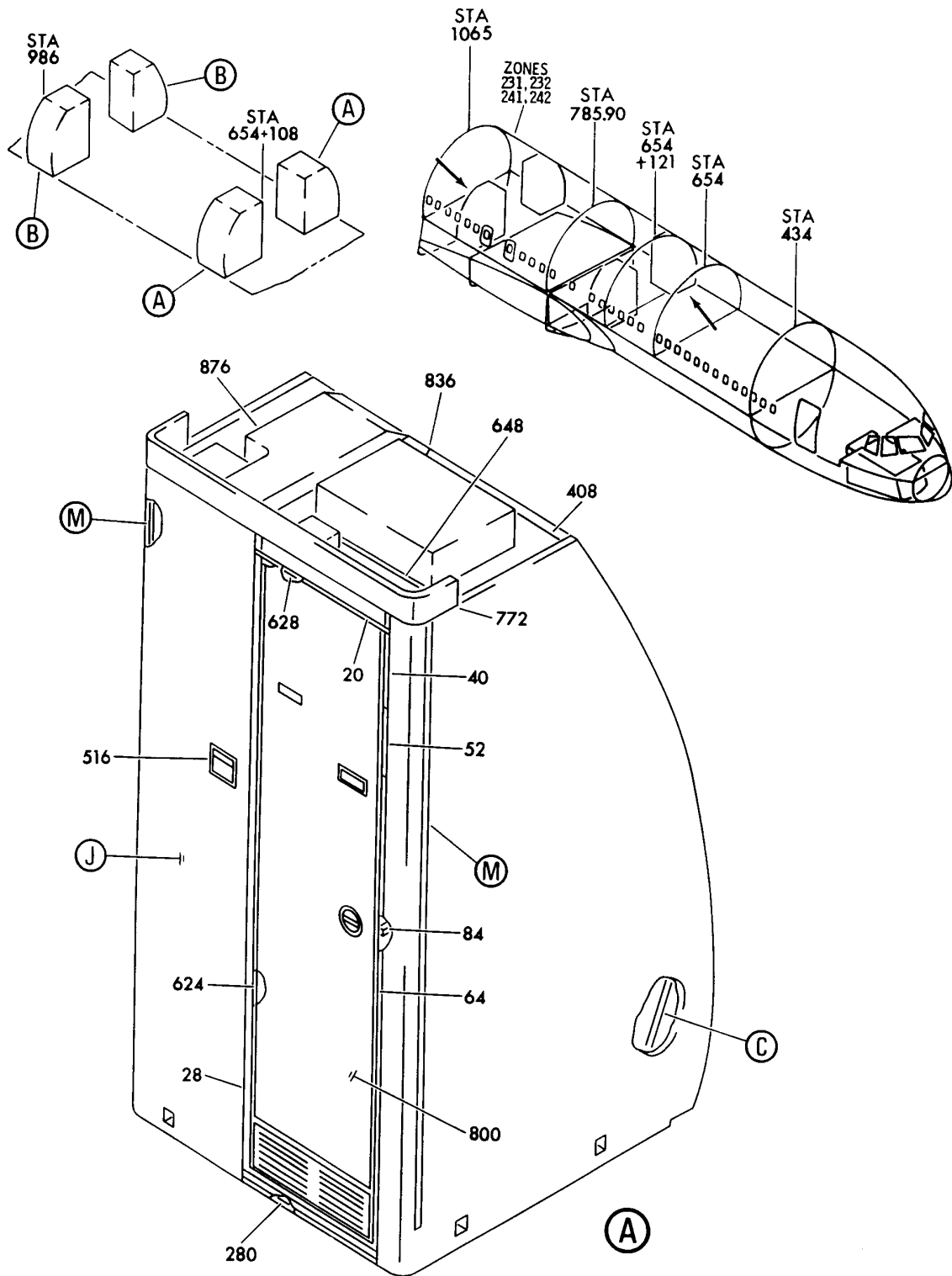
HXL

25-41-03-27

BOEING PROPRIETARY - Copyright © - Unpublished Work - See title page for details.

25-41-03
FIG. 27
PAGE 3
DEC 22/07

BOEING
767
PARTS CATALOG (MAINTENANCE)



V 25410346B SHT 1 REV 166

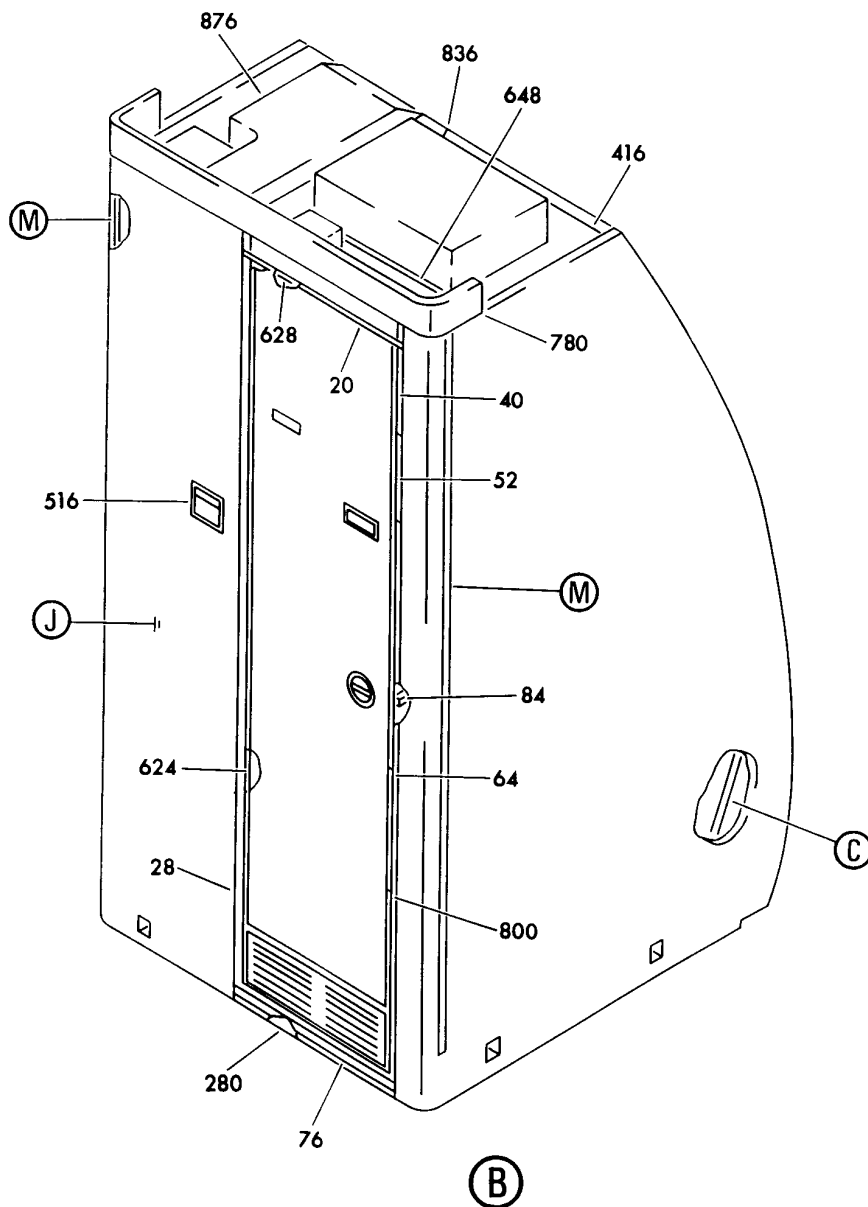
MODULE ASSY-LAV (EQUIPMENT/ FURNISHINGS ONLY)
FIGURE 46B (SHEET 1)

25-41-03-46B

HXL
DEC 22/06

25-41-03-46B
PAGE 0

BOEING
767
PARTS CATALOG (MAINTENANCE)



V 25410346B SHT 2 REV 166

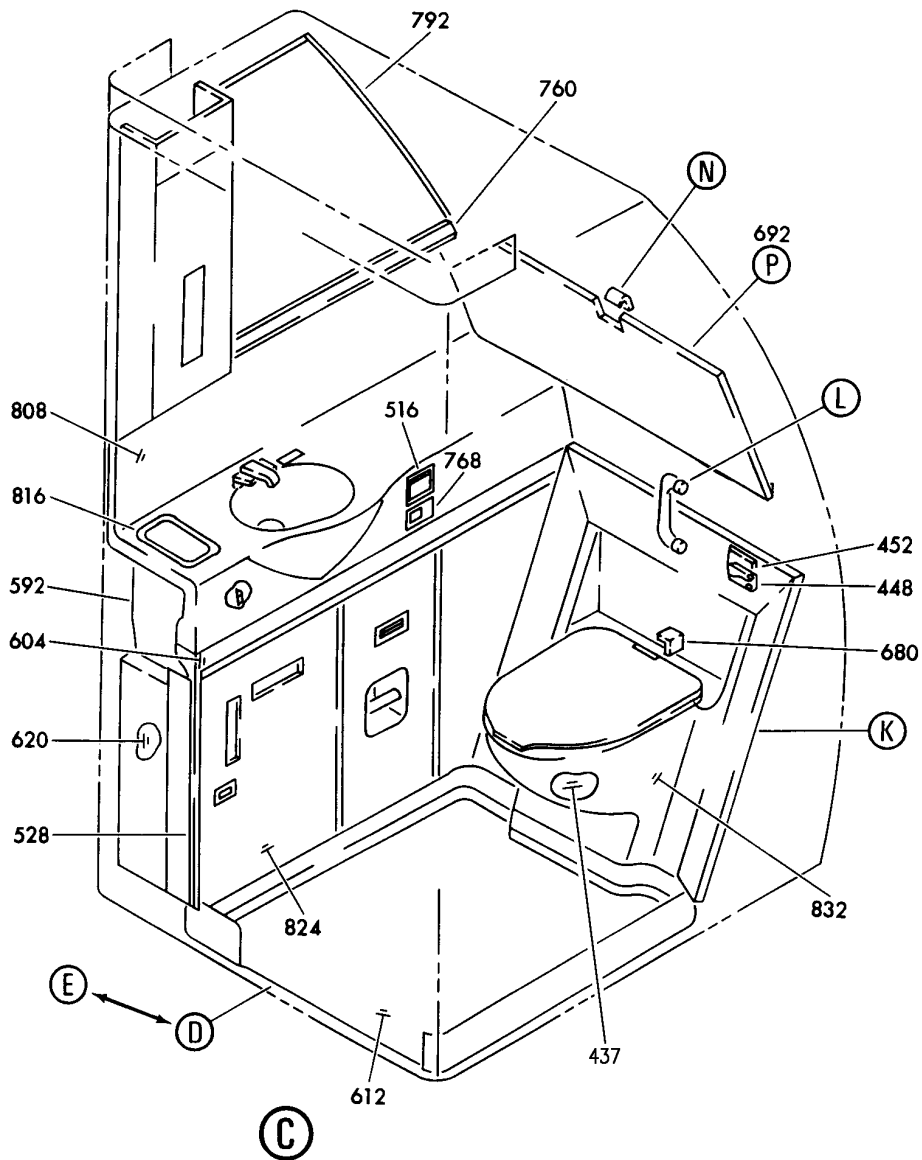
MODULE ASSY-LAV (EQUIPMENT/ FURNISHINGS ONLY)
FIGURE 46B (SHEET 2)

25-41-03-46B

HXL
DEC 22/06

25-41-03-46B
PAGE 0A

BOEING
767
PARTS CATALOG (MAINTENANCE)



V 25410346B SHT 3 REV 303

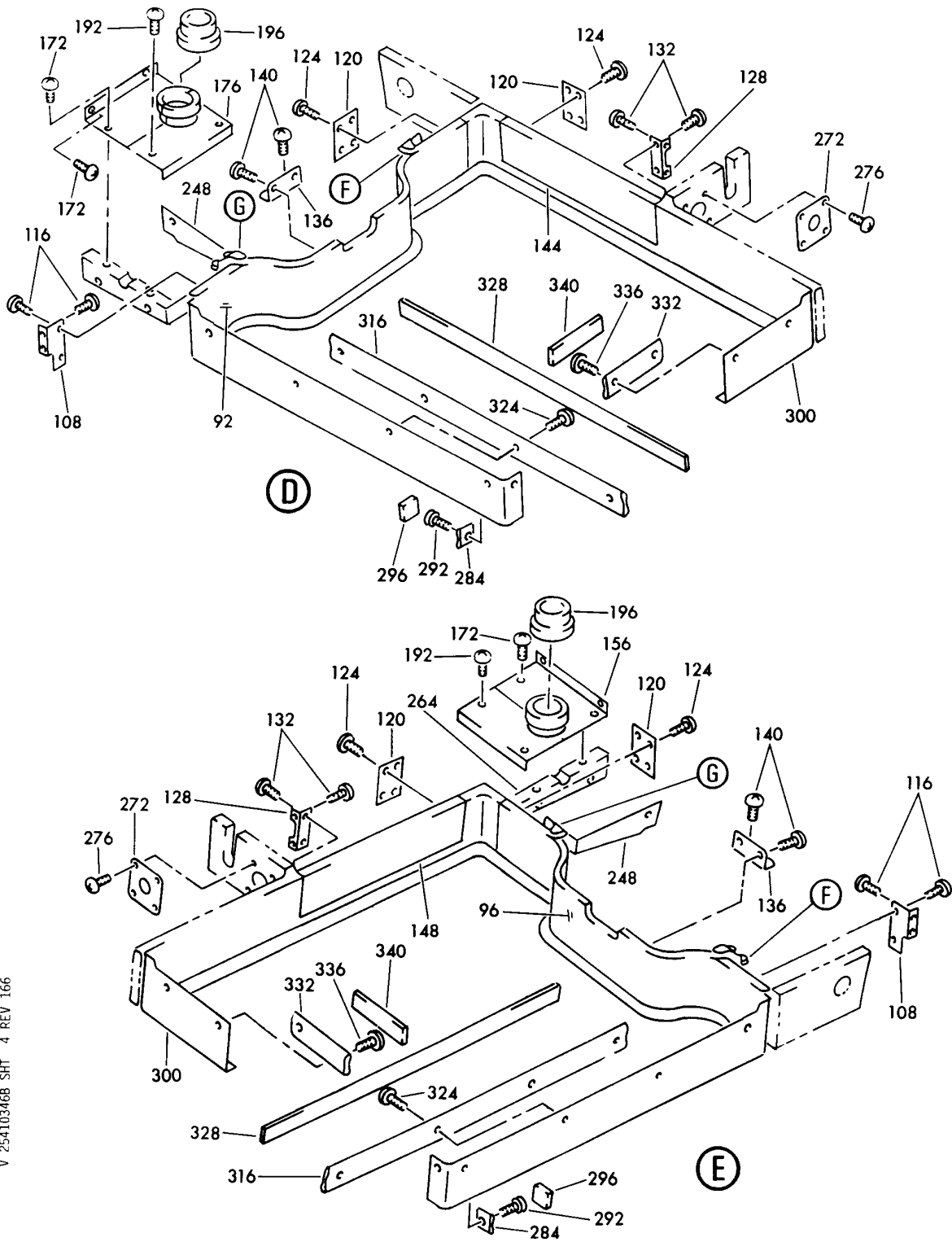
MODULE ASSY-LAV (EQUIPMENT/ FURNISHINGS ONLY)
FIGURE 46B (SHEET 3)

25-41-03-46B

HXL
DEC 22/06

25-41-03-46B
PAGE 0B


BOEING
 767
PARTS CATALOG (MAINTENANCE)



V 25410346B SHT 4 REV 166

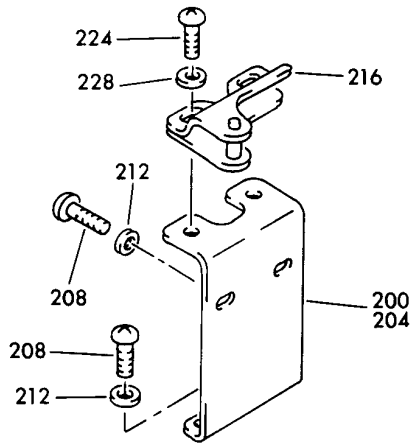
MODULE ASSY-LAV (EQUIPMENT/ FURNISHINGS ONLY)
 FIGURE 46B (SHEET 4)

25-41-03-46B

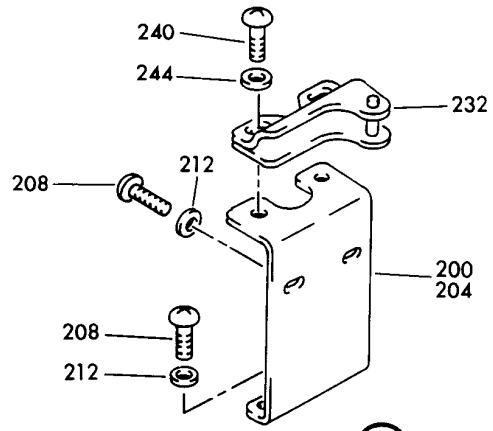
HXL
DEC 22/06

25-41-03-46B
PAGE 0C

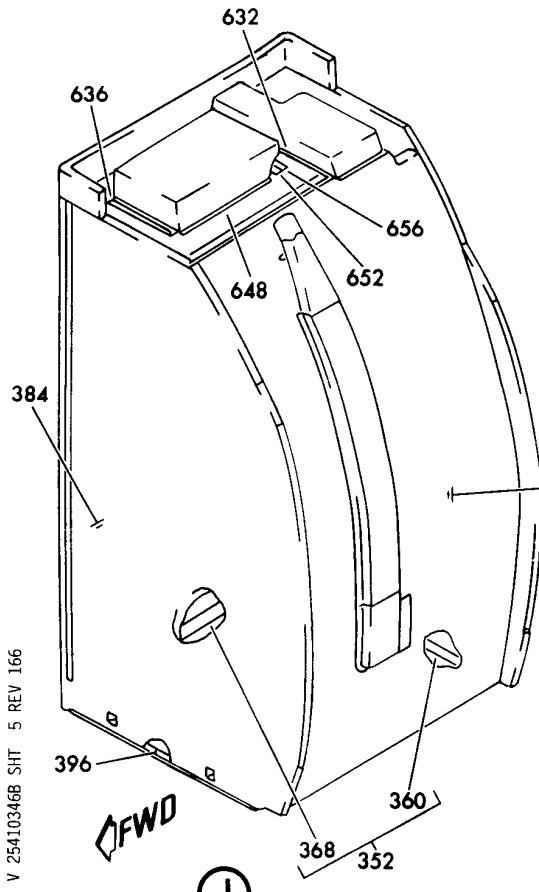

BOEING
 767
PARTS CATALOG (MAINTENANCE)



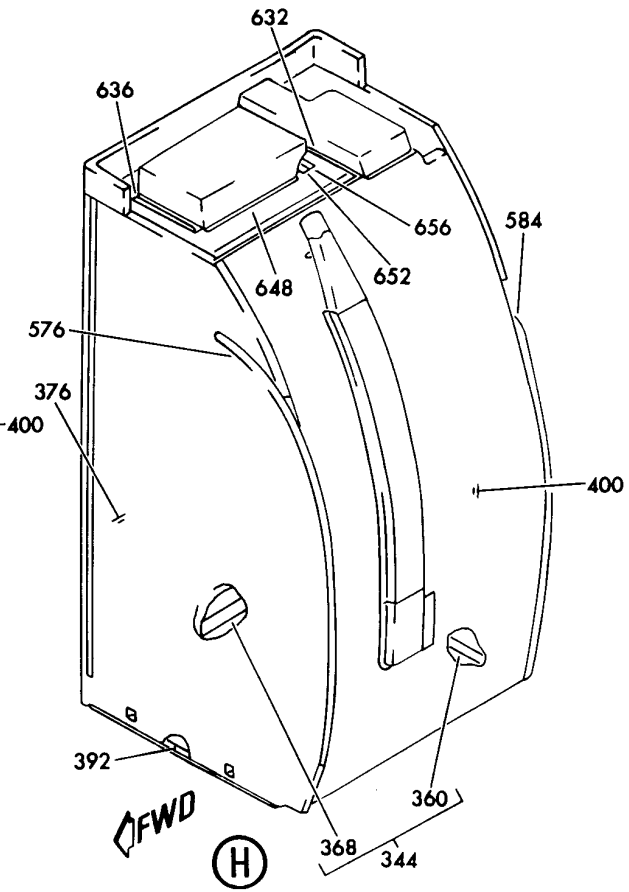
F



G



J



H

V 25410346B SHT 5 REV 166

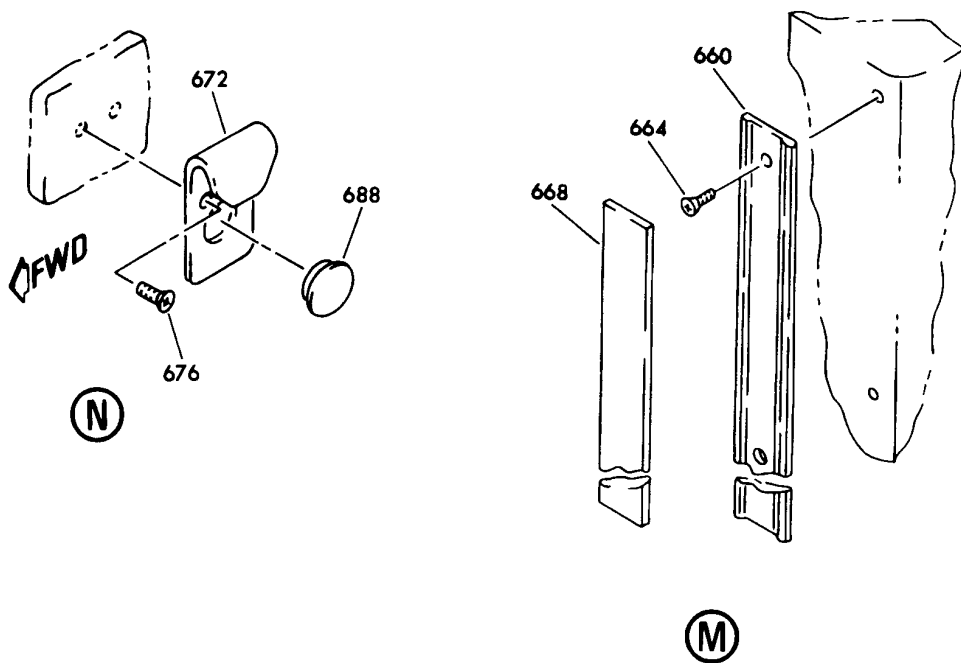
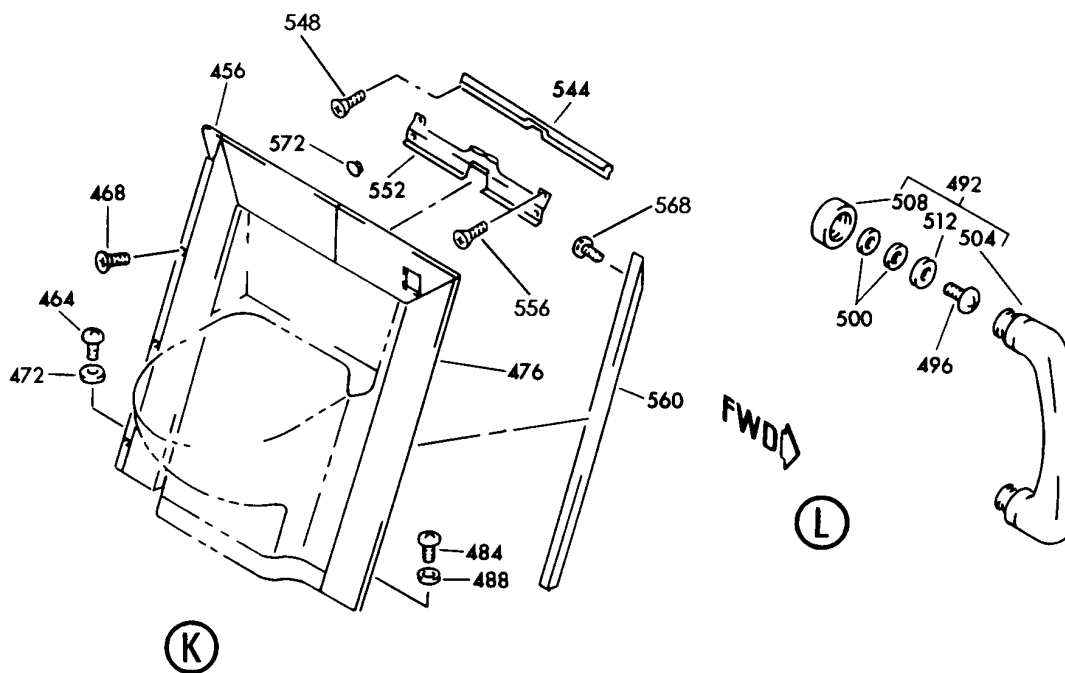
MODULE ASSY-LAV (EQUIPMENT/ FURNISHINGS ONLY)
 FIGURE 46B (SHEET 5)

25-41-03-46B

HXL
DEC 22/06

25-41-03-46B
PAGE 0D

BOEING
767
PARTS CATALOG (MAINTENANCE)



V 25410346B SHT 6 REV 198

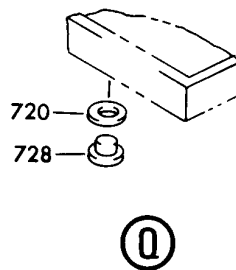
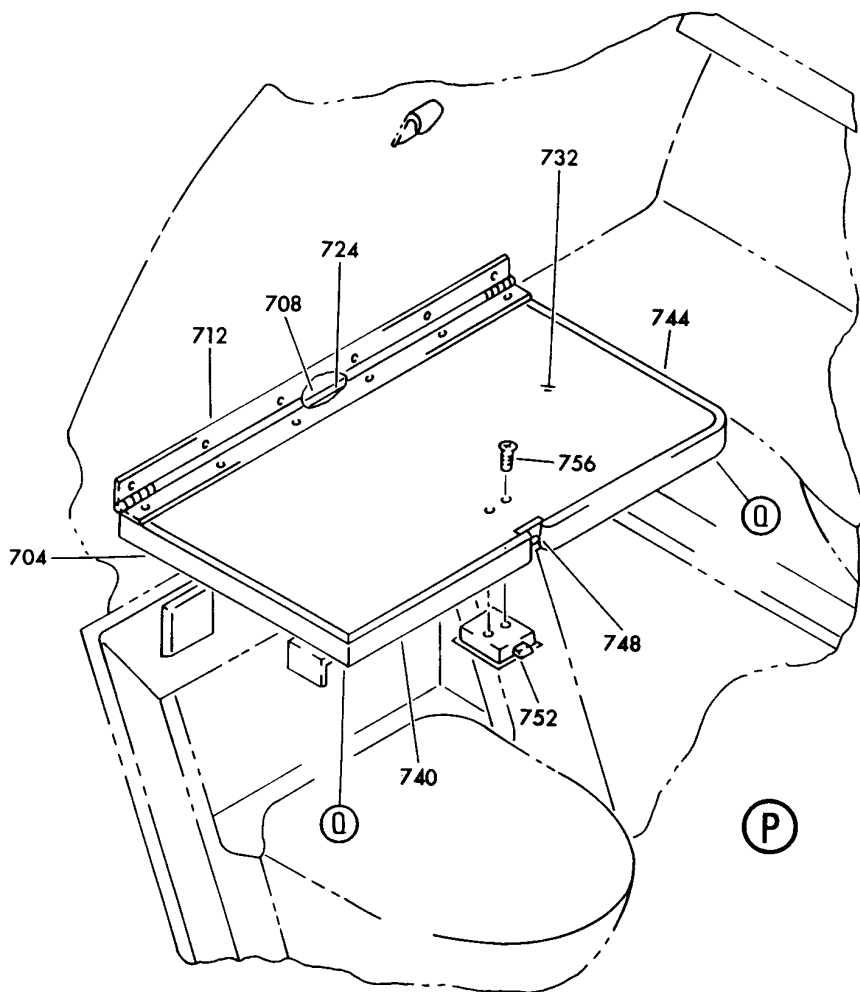
MODULE ASSY-LAV (EQUIPMENT/ FURNISHINGS ONLY)
FIGURE 46B (SHEET 6)

25-41-03-46B

HXL
DEC 22/06

25-41-03-46B
PAGE 0E

BOEING
767
PARTS CATALOG (MAINTENANCE)



V 25410346B SHT 7 REV 166

MODULE ASSY-LAV (EQUIPMENT/ FURNISHINGS ONLY)
FIGURE 46B (SHEET 7)

25-41-03-46B

HXL
DEC 22/06

25-41-03-46B
PAGE OF



767

PARTS CATALOG (MAINTENANCE)

FIG ITEM	PART NUMBER	1 2 3 4 5 6 7	NOMENCLATURE	EFFECT FROM TO	UNITS PER ASSY
46B			MODULE ASSY-LAV (EQUIPMENT/ FURNISHINGS ONLY)		
- 1	SAS063-1		MODULE ASSY-LAV MS15 (EQUIPMENT/FURNISHINGS ONLY) SUPPLIER CODE: VS5065 SPECIFICATION NUMBER: S417T106-347B COMPONENT MAINT MANUAL REF: 25-40-39 FOR NHA/OTHER SYS DET SEE: 25-41-03-24	163999	RF
- 1	SAS063-1021		MODULE ASSY-LAV MS15 (EQUIPMENT/FURNISHINGS ONLY) SUPPLIER CODE: VS5065 SPECIFICATION NUMBER: S417T106-483A COMPONENT MAINT MANUAL REF: 25-40-39 FOR NHA/OTHER SYS DET SEE: 25-41-03-24		RF
- 5	SAS063-2		MODULE ASSY-LAV MS16 (EQUIPMENT/FURNISHINGS ONLY) SUPPLIER CODE: VS5065 SPECIFICATION NUMBER: S417T106-348B COMPONENT MAINT MANUAL REF: 25-40-39 FOR NHA/OTHER SYS DET SEE: 25-41-03-24	163999	RF
- 5	SAS063-1022		MODULE ASSY-LAV MS16 (EQUIPMENT/FURNISHINGS ONLY) SUPPLIER CODE: VS5065 SPECIFICATION NUMBER: S417T106-484A COMPONENT MAINT MANUAL REF: 25-40-39 FOR NHA/OTHER SYS DET SEE: 25-41-03-24		RF

ILLUSTRATION ITEMS NOT ON PARTS LIST ARE NOT APPLICABLE

- ITEM NOT ILLUSTRATED

25-41-03-46B

25-41-03
FIG. 46B
PAGE 1
DEC 22/07

HXL

BOEING
767
PARTS CATALOG (MAINTENANCE)

FIG ITEM	PART NUMBER	1 2 3 4 5 6 7	NOMENCLATURE	EFFECT FROM TO	UNITS PER ASSY
46B - 10	SAS063-11		MODULE ASSY-LAV MS17 (EQUIPMENT/FURNISHINGS ONLY) SUPPLIER CODE: VS5065 SPECIFICATION NUMBER: S417T106-349B COMPONENT MAINT MANUAL REF: 25-40-39 FOR NHA/OTHER SYS DET SEE: 25-41-03-25	163999	RF
- 10	SAS063-1031		MODULE ASSY-LAV MS17 (EQUIPMENT/FURNISHINGS ONLY) SUPPLIER CODE: VS5065 SPECIFICATION NUMBER: S417T106-485A COMPONENT MAINT MANUAL REF: 25-40-39 FOR NHA/OTHER SYS DET SEE: 25-41-03-25		RF
- 15	SAS063-12		MODULE ASSY-LAV MS18 (EQUIPMENT/FURNISHINGS ONLY) SUPPLIER CODE: VS5065 SPECIFICATION NUMBER: S417T106-350B COMPONENT MAINT MANUAL REF: 25-40-39 FOR NHA/OTHER SYS DET SEE: 25-41-03-25	163999	RF
- 15	SAS063-1032		MODULE ASSY-LAV MS18 (EQUIPMENT/FURNISHINGS ONLY) SUPPLIER CODE: VS5065 SPECIFICATION NUMBER: S417T106-486A COMPONENT MAINT MANUAL REF: 25-40-39 FOR NHA/OTHER SYS DET SEE: 25-41-03-25		RF
20	BS062006-13		.TRIM-DOOR SUPPLIER CODE: VS5065		1

ILLUSTRATION ITEMS NOT ON PARTS LIST ARE NOT APPLICABLE

- ITEM NOT ILLUSTRATED

HXL

25-41-03-46B

BOEING PROPRIETARY - Copyright © - Unpublished Work - See title page for details.

25-41-03
FIG. 46B
PAGE 2
DEC 22/07

BOEING
767
PARTS CATALOG (MAINTENANCE)

FIG ITEM	PART NUMBER	1 2 3 4 5 6 7	NOMENCLATURE	EFFECT FROM TO	UNITS PER ASSY
46B			ATTACHING PARTS		
- 24	MS24693S46		.SCREW- USED ON: SK063-1 SAS063-1 SK063-2 SAS063-2 SK063-11 SAS063-11 SK063-12 SAS063-12	163999	4
- 24	MS24693S49		.SCREW- USED ON: SAS063-1021 SAS063-1022 SAS063-1031 SAS063-1032		4
			-----*-----		
28	BS062012-13		.TRIM-DOOR LAV MS15 AND MS17 SUPPLIER CODE: VS5065		1
- 32	BS062012-14		.TRIM-DOOR LAV MS16 AND MS18 SUPPLIER CODE: VS5065		1
- 36	MS24693S47		ATTACHING PARTS .SCREW- -----*-----		2
40	BS062006-5		.TRIM-DOOR LAV MS15 AND MS17 SUPPLIER CODE: VS5065		1
- 44	BS062006-6		.TRIM-DOOR LAV MS16 AND MS18 SUPPLIER CODE: VS5065		1
- 48	MS24693S47		ATTACHING PARTS .SCREW- -----*-----		2
52	BS062006-17		.TRIM-DOOR LAV MS15 AND MS17 SUPPLIER CODE: VS5065		1
- 56	BS062006-18		.TRIM-DOOR LAV MS16 AND MS18 SUPPLIER CODE: VS5065		1

ILLUSTRATION ITEMS NOT ON PARTS LIST ARE NOT APPLICABLE

- ITEM NOT ILLUSTRATED

HXL

25-41-03-46B

BOEING PROPRIETARY - Copyright © - Unpublished Work - See title page for details.

25-41-03
FIG. 46B
PAGE 3
DEC 22/07

BOEING
767
PARTS CATALOG (MAINTENANCE)

FIG ITEM	PART NUMBER	1 2 3 4 5 6 7	NOMENCLATURE	EFFECT FROM TO	UNITS PER ASSY
46B			ATTACHING PARTS		
- 60	MS24693S47		.SCREW-		2
			-----*-----		
64	BS062006-19		.TRIM-DOOR LAV MS15 AND MS17		1
			SUPPLIER CODE: VS5065		
- 68	BS062006-20		.TRIM-DOOR LAV MS16 AND MS18		1
			SUPPLIER CODE: VS5065		
- 72	MS24693S47		ATTACHING PARTS .SCREW-		10
			-----*-----		
76	BS062005-105		.THRESHOLD-		1
			SUPPLIER CODE: VS5065		
- 80	MS24693C49		ATTACHING PARTS .SCREW		5
			-----*-----		
84	B0040330-11		.CATCH-		1
			SUPPLIER CODE: VS5065		
- 88	MS24693S47		ATTACHING PARTS .SCREW-		2
			-----*-----		
92	BS063114-022GR1		.PANEL-LAV MS15 AND MS17	163999	1
			SUPPLIER CODE: VS5065		
			POSITION DATA: LWR		
			USED ON: SK063-1		
			SAS063-1		
			SK063-11		
			SAS063-11		
- 96	BS063114-021GR1		.PANEL-LAV MS16 AND MS18	163999	1
			SUPPLIER CODE: VS5065		
			POSITION DATA: LWR		
			USED ON: SK063-2		
			SAS063-2		
			SK063-12		
			SAS063-12		

ILLUSTRATION ITEMS NOT ON PARTS LIST ARE NOT APPLICABLE

- ITEM NOT ILLUSTRATED

HXL

25-41-03-46B

BOEING PROPRIETARY - Copyright © - Unpublished Work - See title page for details.

25-41-03
FIG. 46B
PAGE 4
DEC 22/07



767

PARTS CATALOG (MAINTENANCE)

FIG ITEM	PART NUMBER	1 2 3 4 5 6 7	NOMENCLATURE	EFFECT FROM TO	UNITS PER ASSY
46B - 100	BS063114B022GR1		.PANEL-LAV MS15 AND MS18 SUPPLIER CODE: VS5065 POSITION DATA: LWR USED ON: SAS063-1021 SAS063-1032		1
- 104	BS063114B021GR1		.PANEL-LAV MS16 AND MS17 SUPPLIER CODE: VS5065 POSITION DATA: LWR USED ON: SAS063-1022 SAS063-1031		1
108	BS060103-26		.BRACKET-PANEL LAV MS15 AND MS17 SUPPLIER CODE: VS5065 POSITION DATA: LWR		1
- 112	BS060103-25		.BRACKET-PANEL LAV MS16 AND MS18 SUPPLIER CODE: VS5065 POSITION DATA: LWR		1
116	MS35206-242		ATTACHING PARTS .SCREW -----*-----		4
120	BS060103-9		.BRACKET-PNL SUPPLIER CODE: VS5065 POSITION DATA: LWR ATTACHING PARTS		2
124	MS35206-242		.SCREW -----*-----		8
128	BS060103-19		.BRACKET-PANEL SUPPLIER CODE: VS5065 POSITION DATA: LWR ATTACHING PARTS		1
132	MS35206-242		.SCREW -----*-----		4

ILLUSTRATION ITEMS NOT ON PARTS LIST ARE NOT APPLICABLE

- ITEM NOT ILLUSTRATED

25-41-03-46B

25-41-03
FIG. 46B
PAGE 5
DEC 22/07

HXL

BOEING PROPRIETARY - Copyright © - Unpublished Work - See title page for details.



767

PARTS CATALOG (MAINTENANCE)

FIG ITEM	PART NUMBER	1 2 3 4 5 6 7	NOMENCLATURE	EFFECT FROM TO	UNITS PER ASSY
46B 136	BS060103-7		.BRACKET-PANEL SUPPLIER CODE: VS5065 POSITION DATA: LWR		1
140	MS35206-242		ATTACHING PARTS .SCREW		4
144	BS060116-031GR1		-----*----- .PANEL ASSY- SUPPLIER CODE: VS5065 POSITION DATA: LWR		1
148	BS060116-111GR1		.PANEL ASSY-LAV MS15 AND MS16 SUPPLIER CODE: VS5065 POSITION DATA: LWR		1
- 152	BS060116-121GR1		USED ON: SAS063-1021 SAS063-1022 .PANEL ASSY-LAV MS17 AND MS18 SUPPLIER CODE: VS5065 POSITION DATA: LWR		1
156	BS062101-4		USED ON: SAS063-1031 SAS063-1032 .COVER-LAV MS15 AND MS17 SUPPLIER CODE: VS5065	163999	1
156	BS062101-3		USED ON: SK063-1 SAS063-1 SK063-11 SAS063-2 .COVER-LAV MS15 AND MS18 SUPPLIER CODE: VS5065		1
			USED ON: SAS063-1021 SAS063-1032		

ILLUSTRATION ITEMS NOT ON PARTS LIST ARE NOT APPLICABLE

- ITEM NOT ILLUSTRATED

25-41-03-46B

25-41-03
FIG. 46B
PAGE 6
DEC 22/07

HXL

BOEING PROPRIETARY - Copyright © - Unpublished Work - See title page for details.

BOEING
767
PARTS CATALOG (MAINTENANCE)

FIG ITEM	PART NUMBER	1 2 3 4 5 6 7	NOMENCLATURE	EFFECT FROM TO	UNITS PER ASSY
46B - 160	BS062101-3		.COVER-LAV MS16 AND MS18 SUPPLIER CODE: VS5065 USED ON: SK063-2 SAS063-2 SK063-12 SAS063-12	163999	1
- 164	BS062101-4		.COVER-LAV MS16 AND MS17 SUPPLIER CODE: VS5065 USED ON: SAS063-1022 SAS063-1031 ATTACHING PARTS		1
172	BACS12CB08-7		.SCREW -----*-----		4
176	BS062102-4		.COVER-LAV MS15 AND MS17 SUPPLIER CODE: VS5065 USED ON: SK063-1 SAS063-1 SK063-11 SAS063-11	163999	1
176	BS062102-3		.COVER-LAV MS15 AND MS18 SUPPLIER CODE: VS5065 USED ON: SAS063-1021 SAS063-1032		1
- 180	BS062102-3		.COVER-LAV MS16 AND MS18 SUPPLIER CODE: VS5065 USED ON: SK063-2 SAS063-2 SK063-12 SAS063-12	163999	1
- 180	BS062102-4		.COVER-LAV MS16 AND MS17 SUPPLIER CODE: VS5065 USED ON: SAS063-1022 SAS063-1031 ATTACHING PARTS		1
192	BACS12CB08-7		.SCREW -----*-----		4

ILLUSTRATION ITEMS NOT ON PARTS LIST ARE NOT APPLICABLE

- ITEM NOT ILLUSTRATED

HXL

25-41-03-46B

BOEING PROPRIETARY - Copyright © - Unpublished Work - See title page for details.

25-41-03
FIG. 46B
PAGE 7
DEC 22/07

 **BOEING**
767
PARTS CATALOG (MAINTENANCE)

FIG ITEM	PART NUMBER	1 2 3 4 5 6 7	NOMENCLATURE	EFFECT FROM TO	UNITS PER ASSY
46B 196	BS061106-3		.BOOT- SUPPLIER CODE: VS5065		1
200	BS060521-1		.BRACKET- SUPPLIER CODE: VS5065		2
204	BS060521-11		.BRACKET- SUPPLIER CODE: VS5065 USED ON: SAS063-1021 SAS063-1022 SAS063-1031 SAS063-1032 ATTACHING PARTS		2
208	MS35206-242		.SCREW		8
212	AN960-8		.WASHER		8
			-----*-----		
216	BS060522-2		.BRACKET-LAV MS15 AND MS17 SUPPLIER CODE: VS5065		1
- 220	BS060522-1		.BRACKET-LAV MS16 AND MS18 SUPPLIER CODE: VS5065 ATTACHING PARTS		1
224	MS35206-245		.SCREW		2
228	AN960-8		.WASHER		2
			-----*-----		
232	BS060522-1		.BRACKET-LAV MS15 AND MS17 SUPPLIER CODE: VS5065		1
- 236	BS060522-2		.BRACKET-LAV MS16 AND MS18 SUPPLIER CODE: VS5065 ATTACHING PARTS		1
240	MS35206-245		.SCREW		2
244	AN960-8		.WASHER		2
			-----*-----		

ILLUSTRATION ITEMS NOT ON PARTS LIST ARE NOT APPLICABLE

- ITEM NOT ILLUSTRATED

HXL

25-41-03-46B

BOEING PROPRIETARY - Copyright © - Unpublished Work - See title page for details.

25-41-03
FIG. 46B
PAGE 8
DEC 22/07



767

PARTS CATALOG (MAINTENANCE)

FIG ITEM	PART NUMBER	1 2 3 4 5 6 7	NOMENCLATURE	EFFECT FROM TO	UNITS PER ASSY
46B 248	BS063106-2		.PLATE-LAV MS15 AND MS17 SUPPLIER CODE: VS5065 USED ON: SK063-1 SAS063-1 SK063-2 SAS063-2	163999	1
- 252	BS063106-1		.PLATE-LAV MS16 AND MS17 SUPPLIER CODE: VS5065 USED ON: SAS063-1022 SAS063-1031		1
- 256	BS063106-2		.PLATE-LAV MS15 AND MS18 SUPPLIER CODE: VS5065 USED ON: SAS063-1021 SAS063-1032		1
- 256	BS063106-1		.PLATE-LAV MS16 AND MS18 SUPPLIER CODE: VS5065 USED ON: SK063-2 SAS063-2 SK063-12 SAS063-12	163999	1
264	BS063102-2		.ANGLE-LAV MS15 AND MS18 SUPPLIER CODE: VS5065 USED ON: SAS063-1021 SAS063-1032		1
- 268	BS063102-1		.ANGLE-LAV MS16 AND MS17 SUPPLIER CODE: VS5065 USED ON: SAS063-1022 SAS063-1031		1

ILLUSTRATION ITEMS NOT ON PARTS LIST ARE NOT APPLICABLE

- ITEM NOT ILLUSTRATED

25-41-03-46B

25-41-03
FIG. 46B
PAGE 9
DEC 22/07

HXL

BOEING PROPRIETARY - Copyright © - Unpublished Work - See title page for details.

 **BOEING**
767
PARTS CATALOG (MAINTENANCE)

FIG ITEM	PART NUMBER	1 2 3 4 5 6 7	NOMENCLATURE	EFFECT FROM TO	UNITS PER ASSY
46B 272	BS060118-5		.PLATE- SUPPLIER CODE: VS5065 USED ON: SK063-1 SAS063-1 SK063-2 SAS063-2 SK063-11 SAS063-11 SK063-12 SAS063-12	163999	1
272	BS060118-5		.PLATE-LAV MS17 AND MS18 SUPPLIER CODE: VS5065 USED ON: SAS063-1031 SAS063-1032 ATTACHING PARTS		1
276	MS35206-242		.SCREW	163999	4
276	MS35206-242		.SCREW		4
280	BS060089-391		-----*----- .THRESHOLD- SUPPLIER CODE: VS5065		1
284	BS061191-044GR1		.TRIM-FLOOR PAN LAV MS15 AND MS17 SUPPLIER CODE: VS5065 USED ON: SK063-1 SAS063-1 SK063-11 SAS063-11	163999	1
284	BS061191-043GR1		.TRIM-FLOOR PAN LAV MS15 AND MS17 SUPPLIER CODE: VS5065 USED ON: SAS063-1021 SAS063-1031		1

ILLUSTRATION ITEMS NOT ON PARTS LIST ARE NOT APPLICABLE

— ITEM NOT ILLUSTRATED

HXL

25-41-03-46B

BOEING PROPRIETARY - Copyright © - Unpublished Work - See title page for details.

25-41-03
FIG. 46B
PAGE 10
DEC 22/07

 **BOEING**
767
PARTS CATALOG (MAINTENANCE)

FIG ITEM	PART NUMBER	1 2 3 4 5 6 7	NOMENCLATURE	EFFECT FROM TO	UNITS PER ASSY
46B - 288	BS061191-043GR1	.	TRIM-FLOOR PAN LAV MS16 AND MS18 SUPPLIER CODE: VS5065 USED ON: SK063-2 SAS063-2 SK063-12 SAS063-12	163999	1
- 288	BS061191-044GR1	.	TRIM-FLOOR PAN LAV MS16 AND MS18 SUPPLIER CODE: VS5065 USED ON: SAS063-1022 SAS063-1032 ATTACHING PARTS		1
292	MS24693S47	.	SCREW -----*-----		1
296	BS061192-043GR1	.	PLATE-FLOOR PAN SUPPLIER CODE: VS5065		1
300	BS063570-010GR1	.	PAN-FLOOR PAN LAV MS15 SUPPLIER CODE: VS5065		1
- 304	BS063570-009GR1	.	PAN-FLOOR PAN LAV MS16 SUPPLIER CODE: VS5065		1
- 308	BS063570-010GR1	.	PAN-FLOOR LAV MS17 SUPPLIER CODE: VS5065 USED ON: SK063-11 SAS063-11	163999	1
- 308	BS063570-014GR1	.	PAN-FLOOR LAV MS17 SUPPLIER CODE: VS5065 USED ON: SAS063-1031		1
- 312	BS063570-009GR1	.	PAN-FLOOR LAV MS18 SUPPLIER CODE: VS5065 USED ON: SK063-12 SAS063-12	163999	1

ILLUSTRATION ITEMS NOT ON PARTS LIST ARE NOT APPLICABLE

- ITEM NOT ILLUSTRATED

HXL

25-41-03-46B

BOEING PROPRIETARY - Copyright © - Unpublished Work - See title page for details.

25-41-03
FIG. 46B
PAGE 11
DEC 22/07

BOEING
767
PARTS CATALOG (MAINTENANCE)

FIG ITEM	PART NUMBER	1 2 3 4 5 6 7	NOMENCLATURE	EFFECT FROM TO	UNITS PER ASSY
46B - 312	BS063570-013GR1		.PAN-FLOOR LAV MS18 SUPPLIER CODE: VS5065 USED ON: SAS063-1032		1
316	BS061191-006GR1		.TRIM-FLOOR PAN LAV MS15 AND MS17 SUPPLIER CODE: VS5065 USED ON: SK063-1 SAS063-1 SK063-11 SAS063-11	163999	1
316	BS061191-005GR1		.TRIM-FLOOR PAN LAV MS15 AND MS17 SUPPLIER CODE: VS5065 USED ON: SAS063-1021 SAS063-1031		1
- 320	BS061191-005GR1		.TRIM-FLOOR PAN LAV MS16 AND MS18 SUPPLIER CODE: VS5065 USED ON: SK063-2 SAS063-2 SK063-12 SAS063-12	163999	1
- 320	BS061191-006GR1		.TRIM-FLOOR PAN LAV MS16 AND MS18 SUPPLIER CODE: VS5065 USED ON: SAS063-1022 SAS063-1032		1
324	MS24693S47		ATTACHING PARTS .SCREW -----*-----		4
328	BS061192-005GR1		.PLATE-FLOOR PAN SUPPLIER CODE: VS5065		1
332	BS061191-007GR1		.TRIM-FLOOR PAN SUPPLIER CODE: VS5065		1
336	MS24693S47		ATTACHING PARTS .SCREW -----*-----		2

ILLUSTRATION ITEMS NOT ON PARTS LIST ARE NOT APPLICABLE

- ITEM NOT ILLUSTRATED

25-41-03-46B

25-41-03
FIG. 46B
PAGE 12
DEC 22/07

HXL

BOEING PROPRIETARY - Copyright © - Unpublished Work - See title page for details.



767

PARTS CATALOG (MAINTENANCE)

FIG ITEM	PART NUMBER	1 2 3 4 5 6 7	NOMENCLATURE	EFFECT FROM TO	UNITS PER ASSY
46B 340	BS061192-007GR1		.PLATE-FLOOR PAN SUPPLIER CODE: VS5065		1
344	BS063190A091		.WALL ASSY-DOOR AND SINK LAV MS15 SUPPLIER CODE: VS5065 USED ON: SK063-1 SAS063-1	163999	1
344	BS063190B091		.WALL ASSY-DOOR AND SINK LAV MS15 SUPPLIER CODE: VS5065		1
- 348	BS063190A092		.WALL ASSY-DOOR AND SINK LAV MS16 SUPPLIER CODE: VS5065 USED ON: SK063-2 SAS063-2	163999	1
- 348	BS063190B092		.WALL ASSY-DOOR AND SINK LAV MS16 SUPPLIER CODE: VS5065 USED ON: SAS063-1022		1
- 352	BS063190A081		.WALL ASSY-DOOR AND SINK LAV MS17 SUPPLIER CODE: VS5065 USED ON: SK063-12 SAS063-12	163999	1
- 352	BS063190B081		.WALL ASSY-DOOR AND SINK LAV MS17 SUPPLIER CODE: VS5065 USED ON: SAS063-1031		1
- 356	BS063190A082		.WALL ASSY-DOOR AND SINK LAV MS18 SUPPLIER CODE: VS5065 USED ON: SK063-12 SAS063-12	163999	1

ILLUSTRATION ITEMS NOT ON PARTS LIST ARE NOT APPLICABLE

- ITEM NOT ILLUSTRATED

25-41-03-46B

25-41-03
FIG. 46B
PAGE 13
DEC 22/07

HXL

BOEING PROPRIETARY - Copyright © - Unpublished Work - See title page for details.

 **BOEING**
767
PARTS CATALOG (MAINTENANCE)

FIG ITEM	PART NUMBER	1 2 3 4 5 6 7	NOMENCLATURE	EFFECT FROM TO	UNITS PER ASSY
46B - 356	BS063190B082		.WALL ASSY-DOOR AND SINK LAV MS18 SUPPLIER CODE: VS5065 USED ON: SAS063-1032		1
360	BS060076-651		..WALL-END LAV MS15 AND MS17 SUPPLIER CODE: VS5065		1
- 364	BS060076-652		..WALL-END LAV MS16 AND MS18 SUPPLIER CODE: VS5065		1
368	BS060076-661		..WALL-END LAV MS15 AND MS17 SUPPLIER CODE: VS5065		1
- 372	BS060076-662		..WALL-END LAV MS16 AND MS18 SUPPLIER CODE: VS5065		1
376	BS063135A181		.WALL ASSY-SIDE LAV MS15 SUPPLIER CODE: VS5065 USED ON: SK063-1 SAS063-11	163999	1
376	BS063135B181		.WALL-SIDE LAV MS15 SUPPLIER CODE: VS5065 USED ON: SAS063-1021		1
- 380	BS063135A182		.WALL ASSY-SIDE LAV MS16 SUPPLIER CODE: VS5065 USED ON: SK063-2 SAS063-2	163999	1
- 380	BS063135B182		.WALL-SIDE LAV MS16 SUPPLIER CODE: VS5065 USED ON: SAS063-1022		1

ILLUSTRATION ITEMS NOT ON PARTS LIST ARE NOT APPLICABLE

- ITEM NOT ILLUSTRATED

HXL

25-41-03-46B

BOEING PROPRIETARY - Copyright © - Unpublished Work - See title page for details.

25-41-03
FIG. 46B
PAGE 14
DEC 22/07



767

PARTS CATALOG (MAINTENANCE)

FIG ITEM	PART NUMBER	1 2 3 4 5 6 7	NOMENCLATURE	EFFECT FROM TO	UNITS PER ASSY
46B 384	BS063135A191		.WALL ASSY-SIDE LAV MS17 SUPPLIER CODE: VS5065 USED ON: SK063-11 SAS063-11	163999	1
384	BS063135B191		.WALL ASSY-SIDE LAV MS17 SUPPLIER CODE: VS5065 USED ON: SAS063-1031		1
- 388	BS063135A192		.WALL ASSY-SIDE LAV MS18 SUPPLIER CODE: VS5065 USED ON: SK063-12 SAS063-12	163999	1
- 388	BS063135B192		.WALL ASSY-SIDE LAV MS18 SUPPLIER CODE: VS5065 USED ON: SAS063-1032		1
392	BS060076-641		..WALL-END LAV MS15 AND MS17 SUPPLIER CODE: VS5065		1
- 396	BS060076-642		..WALL-END LAV MS16 AND MS18 SUPPLIER CODE: VS5065		1
400	BS063140A002		.WALL-SHROUD LAV MS15 AND MS17 SUPPLIER CODE: VS5065 USED ON: SK063-1 SAS063-1 SK063-11 SAS063-11	163999	1
400	BS063140B002		.WALL-SHROUD LAV MS15 AND MS17 SUPPLIER CODE: VS5065 USED ON: SAS063-1021 SAS063-1031		1

ILLUSTRATION ITEMS NOT ON PARTS LIST ARE NOT APPLICABLE

- ITEM NOT ILLUSTRATED

25-41-03-46B

25-41-03
FIG. 46B
PAGE 15
DEC 22/07

HXL

 **BOEING**
767
PARTS CATALOG (MAINTENANCE)

FIG ITEM	PART NUMBER	1 2 3 4 5 6 7	NOMENCLATURE	EFFECT FROM TO	UNITS PER ASSY
46B - 404	BS063140A001		.WALL-SHROUD LAV MS16 AND MS18 SUPPLIER CODE: VS5065 USED ON: SK063-2 SAS063-2 SK063-12 SAS063-12	163999	1
- 404	BS063140B001		.WALL-SHROUD LAV MS16 AND MS18 SUPPLIER CODE: VS5065 USED ON: SAS063-1022 SAS063-1032		1
408	BS063160A262		.PANEL-CLG LAV MS15 SUPPLIER CODE: VS5065 USED ON: SK063-1 SAS063-1	163999	1
408	BS063160B262		.CEILING ASSY-LAV MS15 SUPPLIER CODE: VS5065 USED ON: SAS063-1021		1
- 412	BS063160A261		.PANEL-CLG LAV MS16 SUPPLIER CODE: VS5065 USED ON: SK063-2 SAS063-2	163999	1
- 412	BS063160B261		.CEILING ASSY-LAV MS16 SUPPLIER CODE: VS5065 USED ON: SAS063-1022		1
- 416	BS063160A292		.PANEL-CLG LAV MS17 SUPPLIER CODE: VS5065 USED ON: SK063-11 SAS063-11	163999	1
- 416	BS063160B292		.PANEL-CLG LAV MS17 SUPPLIER CODE: VS5065 USED ON: SAS063-1031		1

ILLUSTRATION ITEMS NOT ON PARTS LIST ARE NOT APPLICABLE

- ITEM NOT ILLUSTRATED

HXL

25-41-03-46B

BOEING PROPRIETARY - Copyright © - Unpublished Work - See title page for details.

25-41-03
FIG. 46B
PAGE 16
DEC 22/07



767

PARTS CATALOG (MAINTENANCE)

FIG ITEM	PART NUMBER	1 2 3 4 5 6 7	NOMENCLATURE	EFFECT FROM TO	UNITS PER ASSY
46B - 420	BS063160A291		.PANEL-CLG LAV MS18 SUPPLIER CODE: VS5065 USED ON: SK063-11 SAS063-11	163999	1
- 420	BS063160B291		.PANEL-CLG LAV MS18 SUPPLIER CODE: VS5065 USED ON: SAS063-1032		1
437	7900004		.TOILET ASSY- LAV MS15 AND MS17 SUPPLIER CODE: V58568 SPECIFICATION NUMBER: S417T104-22 ELECTRICAL EQUIP NUMBER: M00009 COMPONENT MAINT MANUAL REF: 38-30-02 FOR DETAILS SEE: 38-32-01-21B		1
437	7900044		.TOILET ASSY- LAV MS15 AND MS17 SUPPLIER CODE: V58568 SPECIFICATION NUMBER: S417T104-32 ELECTRICAL EQUIP NUMBER: M00009 COMPONENT MAINT MANUAL REF: 38-30-12 FOR DETAILS SEE: 38-32-01-21D		1
437	7900064		.TOILET ASSY- LAV MS15 AND MS17 SUPPLIER CODE: V58568 SPECIFICATION NUMBER: S417T104-42 ELECTRICAL EQUIP NUMBER: M00009 COMPONENT MAINT MANUAL REF: 38-30-15 FOR DETAILS SEE: 38-32-01-21F		1

ILLUSTRATION ITEMS NOT ON PARTS LIST ARE NOT APPLICABLE

- ITEM NOT ILLUSTRATED

25-41-03-46B

25-41-03
FIG. 46B
PAGE 17
DEC 22/07

HXL

BOEING PROPRIETARY - Copyright © - Unpublished Work - See title page for details.



767

PARTS CATALOG (MAINTENANCE)

FIG ITEM	PART NUMBER	1 2 3 4 5 6 7	NOMENCLATURE	EFFECT FROM TO	UNITS PER ASSY
46B 437	7900104		.TOILET ASSY- LAV MS15 AND MS17 SUPPLIER CODE: V58568 SPECIFICATION NUMBER: S417T104-52 ELECTRICAL EQUIP NUMBER: M00009 COMPONENT MAINT MANUAL REF: 38-30-21 FOR DETAILS SEE: 38-32-01-21G		1
437	15800-006-2		.TOILET ASSY- LAV MS15 AND MS17 SUPPLIER CODE: V29780 SPECIFICATION NUMBER: S417T104-18 ELECTRICAL EQUIP NUMBER: M00009 COMPONENT MAINT MANUAL REF: 38-33-10 FOR DETAILS SEE: 38-32-01-21A		1
437	15800-010-2		.TOILET ASSY- LAV MS15 AND MS17 SUPPLIER CODE: V29780 SPECIFICATION NUMBER: S417T104-24 SB DATA FROM A CMM: PRE SB15800-38-04 ELECTRICAL EQUIP NUMBER: M00009 COMPONENT MAINT MANUAL REF: 38-33-10 FOR DETAILS SEE: 38-32-01-21C		1

ILLUSTRATION ITEMS NOT ON PARTS LIST ARE NOT APPLICABLE

- ITEM NOT ILLUSTRATED

HXL

25-41-03-46B

BOEING PROPRIETARY - Copyright © - Unpublished Work - See title page for details.

25-41-03
FIG. 46B
PAGE 18
DEC 22/07



767

PARTS CATALOG (MAINTENANCE)

FIG ITEM	PART NUMBER	1 2 3 4 5 6 7	NOMENCLATURE	EFFECT FROM TO	UNITS PER ASSY
46B 437	15800-010-2		.TOILET ASSY- LAV MS15 AND MS17 SUPPLIER CODE: V29780 SPECIFICATION NUMBER: S417T104-24 SB DATA FROM A CMM: POST SB15800-38-04 ELECTRICAL EQUIP NUMBER: M00009 COMPONENT MAINT MANUAL REF: 38-33-10 FOR DETAILS SEE: 38-32-01-21K		1
437	15800-012-2		.TOILET ASSY- LAV MS15 AND MS17 SUPPLIER CODE: V29780 SPECIFICATION NUMBER: S417T104-36 ELECTRICAL EQUIP NUMBER: M00009 COMPONENT MAINT MANUAL REF: 38-33-12 FOR DETAILS SEE: 38-32-01-21E		1
437	15800-022-2		.TOILET ASSY- LAV MS15 AND MS17 SUPPLIER CODE: V29780 SPECIFICATION NUMBER: S417T104-58 ELECTRICAL EQUIP NUMBER: M00009 COMPONENT MAINT MANUAL REF: 38-33-20 FOR DETAILS SEE: 38-32-01-21H		1

ILLUSTRATION ITEMS NOT ON PARTS LIST ARE NOT APPLICABLE

- ITEM NOT ILLUSTRATED

HXL

25-41-03-46B

BOEING PROPRIETARY - Copyright © - Unpublished Work - See title page for details.

25-41-03
FIG. 46B
PAGE 19
DEC 22/07



767

PARTS CATALOG (MAINTENANCE)

FIG ITEM	PART NUMBER	1 2 3 4 5 6 7	NOMENCLATURE	EFFECT FROM TO	UNITS PER ASSY
46B - 438	7900003		.TOILET ASSY- LAV MS16 AND MS18 SUPPLIER CODE: V58568 SPECIFICATION NUMBER: S417T104-21 ELECTRICAL EQUIP NUMBER: M00009 COMPONENT MAINT MANUAL REF: 38-30-02 FOR DETAILS SEE: 38-32-01-21B		1
- 438	7900043		.TOILET ASSY- LAV MS16 AND MS18 SUPPLIER CODE: V58568 SPECIFICATION NUMBER: S417T104-31 ELECTRICAL EQUIP NUMBER: M00009 COMPONENT MAINT MANUAL REF: 38-30-12 FOR DETAILS SEE: 38-32-01-21D		1
- 438	7900063		.TOILET ASSY- LAV MS16 AND MS18 SUPPLIER CODE: V58568 SPECIFICATION NUMBER: S417T104-41 ELECTRICAL EQUIP NUMBER: M00009 COMPONENT MAINT MANUAL REF: 38-30-15 FOR DETAILS SEE: 38-32-01-21F		1
- 438	7900103		.TOILET ASSY- LAV MS16 AND MS18 SUPPLIER CODE: V58568 SPECIFICATION NUMBER: S417T104-51 ELECTRICAL EQUIP NUMBER: M00009 COMPONENT MAINT MANUAL REF: 38-30-21 FOR DETAILS SEE: 38-32-01-21G		1

ILLUSTRATION ITEMS NOT ON PARTS LIST ARE NOT APPLICABLE

- ITEM NOT ILLUSTRATED

25-41-03-46B

25-41-03
FIG. 46B
PAGE 20
DEC 22/07

HXL



767

PARTS CATALOG (MAINTENANCE)

FIG ITEM	PART NUMBER	1 2 3 4 5 6 7	NOMENCLATURE	EFFECT FROM TO	UNITS PER ASSY
46B - 438	15800-006-1		.TOILET ASSY- LAV MS16 AND MS18 SUPPLIER CODE: V29780 SPECIFICATION NUMBER: S417T104-17 ELECTRICAL EQUIP NUMBER: M00009 COMPONENT MAINT MANUAL REF: 38-33-10 FOR DETAILS SEE: 38-32-01-21A		1
- 438	15800-010-1		.TOILET ASSY- LAV MS16 AND MS18 SUPPLIER CODE: V29780 SPECIFICATION NUMBER: S417T104-23 SB DATA FROM A CMM: PRE SB15800-38-04 ELECTRICAL EQUIP NUMBER: M00009 COMPONENT MAINT MANUAL REF: 38-33-10 FOR DETAILS SEE: 38-32-01-21A		1
- 438	15800-010-1		.TOILET ASSY- LAV MS16 AND MS18 SUPPLIER CODE: V29780 SPECIFICATION NUMBER: S417T104-23 SB DATA FROM A CMM: POST SB15800-38-04 ELECTRICAL EQUIP NUMBER: M00009 COMPONENT MAINT MANUAL REF: 38-33-10 FOR DETAILS SEE: 38-32-01-21K		1

ILLUSTRATION ITEMS NOT ON PARTS LIST ARE NOT APPLICABLE

- ITEM NOT ILLUSTRATED

HXL

25-41-03-46B

BOEING PROPRIETARY - Copyright © - Unpublished Work - See title page for details.

25-41-03
FIG. 46B
PAGE 21
DEC 22/07

 **BOEING**
767
PARTS CATALOG (MAINTENANCE)

FIG ITEM	PART NUMBER	1 2 3 4 5 6 7	NOMENCLATURE	EFFECT FROM TO	UNITS PER ASSY
46B - 438	15800-012-1		.TOILET ASSY- LAV MS16 AND MS18 SUPPLIER CODE: V29780 SPECIFICATION NUMBER: S417T104-35 ELECTRICAL EQUIP NUMBER: M00009 COMPONENT MAINT MANUAL REF: 38-33-12 FOR DETAILS SEE: 38-32-01-21E		1
- 438	15800-022-1		.TOILET ASSY- LAV MS16 AND MS18 SUPPLIER CODE: V29780 SPECIFICATION NUMBER: S417T104-57 ELECTRICAL EQUIP NUMBER: M00009 COMPONENT MAINT MANUAL REF: 38-33-20 FOR DETAILS SEE: 38-32-01-21H		1
- 438	7900063-1		.TOILET ASSY- SUPPLIER CODE: V58568 ELECTRICAL EQUIP NUMBER: M00009 COMPONENT MAINT MANUAL REF: 38-30-23 FOR DETAILS SEE: 38-32-01-21L		1
- 440	NAS6704-3		ATTACHING PARTS .BOLT		4
- 444	AN960C416		.WASHER		4
			-----*-----		
448	BS061002-001130		.ESCUTCHEON- SUPPLIER CODE: VS5065		1
452	BS061001-21		.HANDLE ASSY-FLUSH SUPPLIER CODE: VS5065		1
456	BS063510-112WH2		.SHROUD-SURROUND LAV MS15 AND MS17 SUPPLIER CODE: VS5065		1

ILLUSTRATION ITEMS NOT ON PARTS LIST ARE NOT APPLICABLE

- ITEM NOT ILLUSTRATED

HXL

25-41-03-46B

BOEING PROPRIETARY - Copyright © - Unpublished Work - See title page for details.

25-41-03
FIG. 46B
PAGE 22
APR 22/09

 **BOEING**
767
PARTS CATALOG (MAINTENANCE)

FIG ITEM	PART NUMBER	1 2 3 4 5 6 7	NOMENCLATURE	EFFECT FROM TO	UNITS PER ASSY
46B - 460	BS063510-101WH2	.	SHROUD-SURROUND LAV MS16 AND MS18 SUPPLIER CODE: VS5065 ATTACHING PARTS		1
464	MS35206-243	.	SCREW		1
468	MS24693S52	.	SCREW		4
472	AN960-8	.	WASHER		1
			-----*-----		
476	BS063513-112WH2	.	SHROUD-SURROUND LAV MS15 AND MS17 SUPPLIER CODE: VS5065		1
- 480	BS063513-101WH2	.	SHROUD-SURROUND LAV MS16 AND MS18 SUPPLIER CODE: VS5065 ATTACHING PARTS		1
484	MS35206-243	.	SCREW		1
488	AN960-8	.	WASHER		1
			-----*-----		
492	JMS2071-7	.	HANDLE ASSY-ASSIST SUPPLIER CODE: VS5065 ATTACHING PARTS		1
496	MS27039C1-09	.	SCREW		2
500	AN960PD10	.	WASHER		4
			-----*-----		
504	A700295-3	..	HANDLE- SUPPLIER CODE: VS5065		1
508	A700296-3	..	SPACER- SUPPLIER CODE: VS5065		2
512	A700297-3	..	WASHER- SUPPLIER CODE: VS5065		2
516	BS060110-31	.	ASHTRAY ASSY- SUPPLIER CODE: VS5065 ATTACHING PARTS		2
- 520	MS24693S47	.	SCREW		2

ILLUSTRATION ITEMS NOT ON PARTS LIST ARE NOT APPLICABLE

- ITEM NOT ILLUSTRATED

HXL

25-41-03-46B

BOEING PROPRIETARY - Copyright © - Unpublished Work - See title page for details.

25-41-03
FIG. 46B
PAGE 23
AUG 22/08

 **BOEING**
767
PARTS CATALOG (MAINTENANCE)

FIG ITEM	PART NUMBER	1 2 3 4 5 6 7	NOMENCLATURE	EFFECT FROM TO	UNITS PER ASSY
46B - 524	MS24693S44		.SCREW- USED ON: SK063-1 SAS063-1 SK063-2 SAS063-2 SK063-11 SAS063-11 SK063-12 SAS063-12	163999	2
- 524	MS24693S46		.SCREW- USED ON: SAS063-1021 SAS063-1022 SAS063-1031 SAS063-1032 -----*-----		2
528	BS060513-002WH2		.END-SINK CABINET LAV MS15 AND MS17 SUPPLIER CODE: VS5065		1
- 532	BS060513-002WH2		.END-SINK CABINET LAV MS16 AND MS18 SUPPLIER CODE: VS5065 USED ON: SAS063-1022 SAS063-1032		1
- 532	BS060513-001WH2		.END-SINK CABINET LAV MS16 AND MS18 SUPPLIER CODE: VS5065 USED ON: SK063-2 SAS063-2 SK063-12 SAS063-12	163999	1
- 536	MS24693S52		ATTACHING PARTS .SCREW		4
- 540	AN960PD10		.WASHER -----*-----		4
544	BS063006-3		.BRACKET- SUPPLIER CODE: VS5065		1
548	MS24693S47		ATTACHING PARTS .SCREW -----*-----		3

ILLUSTRATION ITEMS NOT ON PARTS LIST ARE NOT APPLICABLE

- ITEM NOT ILLUSTRATED

HXL

25-41-03-46B

BOEING PROPRIETARY - Copyright © - Unpublished Work - See title page for details.

25-41-03
FIG. 46B
PAGE 24
AUG 22/08

 **BOEING**
767
PARTS CATALOG (MAINTENANCE)

FIG ITEM	PART NUMBER	1 2 3 4 5 6 7	NOMENCLATURE	EFFECT FROM TO	UNITS PER ASSY
46B 552	BS063007-13		.BRACKET- SUPPLIER CODE: VS5065 ATTACHING PARTS		1
556	MS35206-242		.SCREW -----*-----		3
560	BS062015-4		.ANGLE-LAV MS15 AND MS17 SUPPLIER CODE: VS5065		1
- 564	BS062015-3		.ANGLE-LAV MS16 AND MS18 SUPPLIER CODE: VS5065 USED ON: SK063-2 SAS063-2 SK063-12 SAS063-12	163999	1
- 564	BS062015-4		.ANGLE-LAV MS16 AND MS18 SUPPLIER CODE: VS5065 USED ON: SAS063-1022 SAS063-1032 ATTACHING PARTS		1
568	MS35206-242		.SCREW -----*-----		5
572	BS061551-3		.BUMPER- (BONDED WITH BAC5010 TYPE60) SUPPLIER CODE: VS5065	163999	1
576	BS063166-4		.TRIM-LAV MS15 AND MS16 SUPPLIER CODE: VS5065 ATTACHING PARTS		1
- 580	MS24693S46		.SCREW- -----*-----		3
584	BS063166-3		.TRIM-LAV MS15 AND MS16 SUPPLIER CODE: VS5065 ATTACHING PARTS		1
- 588	MS24693S46		.SCREW- -----*-----		3

ILLUSTRATION ITEMS NOT ON PARTS LIST ARE NOT APPLICABLE

- ITEM NOT ILLUSTRATED

25-41-03-46B

25-41-03
FIG. 46B
PAGE 25
AUG 22/08

HXL

BOEING PROPRIETARY - Copyright © - Unpublished Work - See title page for details.

BOEING
767
PARTS CATALOG (MAINTENANCE)

FIG ITEM	PART NUMBER	1 2 3 4 5 6 7	NOMENCLATURE	EFFECT FROM TO	UNITS PER ASSY
46B 592	BS060440-001WH2		.CHUTE ASSY-WASTE LAV MS15 AND MS17 SUPPLIER CODE: VS5065 FOR DETAILS SEE: 26-24-01-02		1
- 596	BS060440-002WH2		.CHUTE ASSY-WASTE LAV MS16 AND MS18 SUPPLIER CODE: VS5065 USED ON: SK063-2 SAS063-2 SK063-12 SAS063-12 FOR DETAILS SEE: 26-24-01-02	163999	1
- 596	BS060440-001WH2		.CHUTE ASSY-WASTE LAV MS16 AND MS18 SUPPLIER CODE: VS5065 USED ON: SAS063-1022 SAS063-1032 FOR DETAILS SEE: 26-24-01-02 ATTACHING PARTS		1
- 600	MS24693S47		.SCREW		2
604	BS063485-024043		.STRIP-GRAPHIC LAV MS15 AND MS17 SUPPLIER CODE: VS5065 POSITION DATA: LWR		1
- 608	BS063485-023043		.STRIP-GRAPHIC LAV MS16 AND MS18 SUPPLIER CODE: VS5065 POSITION DATA: LWR		1
612	SK063004-18		.MAT-FLOOR LAV MS15 AND MS17 SUPPLIER CODE: VS5065		1

ILLUSTRATION ITEMS NOT ON PARTS LIST ARE NOT APPLICABLE

- ITEM NOT ILLUSTRATED

HXL

25-41-03-46B

BOEING PROPRIETARY - Copyright © - Unpublished Work - See title page for details.

25-41-03
FIG. 46B
PAGE 26
AUG 22/08

 **BOEING**
767
PARTS CATALOG (MAINTENANCE)

FIG ITEM	PART NUMBER	1 2 3 4 5 6 7	NOMENCLATURE	EFFECT FROM TO	UNITS PER ASSY
46B - 616	SK063004-17		.MAT-FLOOR LAV MS16 AND MS18 SUPPLIER CODE: VS5065 USED ON: SK063-2 SAS063-2 SK063-12 SAS063-12	163999	1
- 616	SK063004-18		.MAT-FLOOR LAV MS16 AND MS18 SUPPLIER CODE: VS5065 USED ON: SAS063-1022 SAS063-1032		1
620	BS060502-001WH1		.CONTAINER ASSY-WASTE SUPPLIER CODE: VS5065		1
624	BS060044-7		.SEAL-P (BONDED WITH JMS0906) SUPPLIER CODE: VS5065		2
628	BS060044-3		.SEAL-P (BONDED WITH JMS0906) SUPPLIER CODE: VS5065		1
632	BS060046-3		.SEAL-P (BONDED WITH JMS0906) SUPPLIER CODE: VS5065		1
636	BS060161-5		.HOLDER-LAV MS15 AND MS17 SUPPLIER CODE: VS5065		1
- 640	BS060161-6		.HOLDER-LAV MS16 AND MS18 SUPPLIER CODE: VS5065		1
- 644	MS35206-241		ATTACHING PARTS .SCREW -----*-----		3
648	BS060161-3		.HOLDER- (BONDED WITH BMS5-92 TYPE 3) SUPPLIER CODE: VS5065		2
652	BS060165-3		.BUMPER- SUPPLIER CODE: VS5065		1

ILLUSTRATION ITEMS NOT ON PARTS LIST ARE NOT APPLICABLE

- ITEM NOT ILLUSTRATED

HXL

25-41-03-46B

BOEING PROPRIETARY - Copyright © - Unpublished Work - See title page for details.

25-41-03
FIG. 46B
PAGE 27
AUG 22/08

 **BOEING**
767
PARTS CATALOG (MAINTENANCE)

FIG ITEM	PART NUMBER	1 2 3 4 5 6 7	NOMENCLATURE	EFFECT FROM TO	UNITS PER ASSY
46B 656	BS060166-3		.PLATE- SUPPLIER CODE: VS5065		1
660	BS060140-3		.TRIM-COLOR BRACKET SUPPLIER CODE: VS5065		2
664	MS24693S46		ATTACHING PARTS .SCREW		3
668	BCREF128315		-----*----- .TRIM-COLOR BRKT (BONDED WITH BMS5-91 TYPE1) OVERLENGTH PART NUMBER: BAC1522-294-7855 USED ON: SK063-1 SAS063-1 SK063-2 SAS063-2 SK063-11 SAS063-11 SK063-12 SAS063-12	163999	AR
668	BCREF108369		.PLATE-COLOR BRKT (BONDED WITH BMS5-91 TYPE1) OVERLENGTH PART NUMBER: BAC1522-294-7802 USED ON: SAS063-1021 SAS063-1022 SAS063-1031 SAS063-1032		AR
672	BS060396-9		.CATCH- SUPPLIER CODE: VS5065		1
676	MS24693C47		ATTACHING PARTS .SCREW		2
680	BS060395-3		-----*----- .SUPPORT- SUPPLIER CODE: VS5065		1
- 684	MS24693S49		ATTACHING PARTS .SCREW -----*-----		3

ILLUSTRATION ITEMS NOT ON PARTS LIST ARE NOT APPLICABLE

- ITEM NOT ILLUSTRATED

HXL

25-41-03-46B

BOEING PROPRIETARY - Copyright © - Unpublished Work - See title page for details.

25-41-03
FIG. 46B
PAGE 28
AUG 22/08

 **BOEING**
767
PARTS CATALOG (MAINTENANCE)

FIG ITEM	PART NUMBER	1 2 3 4 5 6 7	NOMENCLATURE	EFFECT FROM TO	UNITS PER ASSY
46B 688	BS061551-7		.BUMPER- (BONDED WITH BAC5010 TYPE60) SUPPLIER CODE: VS5065		1
692	SK060390-202		.BOARD ASSY-DIAPER LAV MS15 AND MS17 SUPPLIER CODE: VS5065		1
- 696	SK060390-201		.BOARD ASSY-DIAPER LAV MS16 AND MS18 SUPPLIER CODE: VS5065 USED ON: SK063-2 SAS063-2 SK063-12 SAS063-12	163999	1
- 696	SK060390-202		.BOARD ASSY-DIAPER LAV MS16 AND MS18 SUPPLIER CODE: VS5065 USED ON: SAS063-1022 SAS063-1032		1
- 700	MS24693S47		ATTACHING PARTS .SCREW -----*-----		8
704	BS060392-103		..TRIM- (BONDED WITH BMS5-92 TYPE1) SUPPLIER CODE: VS5065		1
708	BS060392-105		..TRIM- (BONDED WITH BMS5-92 TYPE1) SUPPLIER CODE: VS5065		1
712	BS060393-3		..HINGE- SUPPLIER CODE: VS5065 ATTACHING PARTS		1
- 716	MS24693S49		..SCREW -----*-----		6
720	BS060394-7		..PLATE- (BONDED WITH BMS5-92 TYPE1) SUPPLIER CODE: VS5065		2

ILLUSTRATION ITEMS NOT ON PARTS LIST ARE NOT APPLICABLE

- ITEM NOT ILLUSTRATED

HXL

25-41-03-46B

BOEING PROPRIETARY - Copyright © - Unpublished Work - See title page for details.

25-41-03
FIG. 46B
PAGE 29
AUG 22/08



767

PARTS CATALOG (MAINTENANCE)

FIG ITEM	PART NUMBER	1 2 3 4 5 6 7	NOMENCLATURE	EFFECT FROM TO	UNITS PER ASSY
46B 724	BS060394-5		.. PLATE- SUPPLIER CODE: VS5065		1
728	JMS2090-3		.. PLUG- SUPPLIER CODE: VS5065		2
732	BS060391-132		.. BOARD-DIAPER LAV MS15 AND MS17 SUPPLIER CODE: VS5065		1
- 736	BS060391-131		.. BOARD-DIAPER LAV MS16 AND MS18 SUPPLIER CODE: VS5065 USED ON: SK060390-201	163999	1
- 736	BS060391-132		.. BOARD-DIAPER LAV MS16 AND MS18 SUPPLIER CODE: VS5065 USED ON: SK060390-202		1
740	BS060392-133		.. TRIM- (BONDED WITH BMS5-92 TYPE1) SUPPLIER CODE: VS5065		1
744	BS060392-135		.. TRIM- (BONDED WITH BMS5-92 TYPE1) SUPPLIER CODE: VS5065		1
748	BS060392-137		.. TRIM- (BONDED WITH BMS5-92 TYPE1) SUPPLIER CODE: VS5065		1
752	BS060399-3		.. LATCH- SUPPLIER CODE: VS5065		1
756	JMS1509-1C23N		.. SCREW- SUPPLIER CODE: VS5065		2
760	BS063218-072043		. STRIP-GRAPHIC LAV MS15 AND MS17 SUPPLIER CODE: VS5065 POSITION DATA: UPR		1

ILLUSTRATION ITEMS NOT ON PARTS LIST ARE NOT APPLICABLE

- ITEM NOT ILLUSTRATED

25-41-03-46B

25-41-03
FIG. 46B
PAGE 30
AUG 22/08

HXL

BOEING PROPRIETARY - Copyright © - Unpublished Work - See title page for details.

 **BOEING**
767
PARTS CATALOG (MAINTENANCE)

FIG ITEM	PART NUMBER	1 2 3 4 5 6 7	NOMENCLATURE	EFFECT FROM TO	UNITS PER ASSY
46B - 764	BS063218-071043	.	STRIP-GRAPHIC LAV MS16 AND MS18 SUPPLIER CODE: VS5065 POSITION DATA: UPR		1
768	BS061006-003000	.	PLATE-DECORATIVE SUPPLIER CODE: VS5065		1
772	SK062162-261	.	HEADER-LAV MS15 SUPPLIER CODE: VS5065 USED ON: SK063-1 SAS063-1	163999	1
772	SAS062162-301	.	HEADER-LAV MS15 SUPPLIER CODE: VS5065 USED ON: SAS063-1		1
- 776	SK062162-262	.	HEADER-LAV MS16 SUPPLIER CODE: VS5065 USED ON: SK063-2 SAS063-2	163999	1
- 776	SAS062162-301	.	HEADER-LAV MS16 SUPPLIER CODE: VS5065 USED ON: SAS063-1022		1
- 780	SK062162-271	.	HEADER-LAV MS17 SUPPLIER CODE: VS5065 USED ON: SK063-11 SAS063-11	163999	1
- 780	SAS062162-311	.	HEADER-LAV MS17 SUPPLIER CODE: VS5065 USED ON: SAS063-1031		1
- 784	SK062162-272	.	HEADER-LAV MS18 SUPPLIER CODE: VS5065 USED ON: SK063-12 SAS063-12	163999	1

ILLUSTRATION ITEMS NOT ON PARTS LIST ARE NOT APPLICABLE

- ITEM NOT ILLUSTRATED

HXL

25-41-03-46B

BOEING PROPRIETARY - Copyright © - Unpublished Work - See title page for details.

25-41-03
FIG. 46B
PAGE 31
AUG 22/08



767

PARTS CATALOG (MAINTENANCE)

FIG ITEM	PART NUMBER	1 2 3 4 5 6 7	NOMENCLATURE	EFFECT FROM TO	UNITS PER ASSY
46B - 784	SAS062162-312		.HEADER-LAV MS18 SUPPLIER CODE: VS5065 USED ON: SAS063-1032 ATTACHING PARTS		1
- 788	MS35206-242		.SCREW -----*-----		4
792	SK063200-232		.CABINET ASSY-LAV MS15 AND MS17 SUPPLIER CODE: VS5065 POSITION DATA: UPR USED ON: SK063-1 SAS063-1 SK063-11 SAS063-11 FOR DETAILS SEE: 25-43-51-27D	163999	1
792	SAS063200-232		.CABINET ASSY-LAV MS15 AND MS17 SUPPLIER CODE: VS5065 POSITION DATA: UPR USED ON: SK063-11 SAS063-11 FOR DETAILS SEE: 25-43-51-27D		1
- 796	SK063200-231		.CABINET ASSY-LAV MS16 AND MS18 SUPPLIER CODE: VS5065 POSITION DATA: UPR USED ON: SK063-2 SAS063-2 SK063-12 SAS063-12 FOR DETAILS SEE: 25-43-51-27D	163999	1

ILLUSTRATION ITEMS NOT ON PARTS LIST ARE NOT APPLICABLE

- ITEM NOT ILLUSTRATED

HXL

25-41-03-46B

BOEING PROPRIETARY - Copyright © - Unpublished Work - See title page for details.

25-41-03
FIG. 46B
PAGE 32
DEC 22/08



767

PARTS CATALOG (MAINTENANCE)

FIG ITEM	PART NUMBER	1 2 3 4 5 6 7	NOMENCLATURE	EFFECT FROM TO	UNITS PER ASSY
46B - 796	SAS063200-231		.CABINET ASSY-LAV MS16 AND MS18 SUPPLIER CODE: VS5065 POSITION DATA: UPR USED ON: SAS063-1022 SAS063-1032 FOR DETAILS SEE: 25-43-51-27D		1
800	SK062300-1001		.DOOR ASSY-SINGL PNL LAV MS15 AND MS17 SUPPLIER CODE: VS5065 USED ON: SK063-1 SAS063-1 SK063-11 SAS063-11 FOR DETAILS SEE: 25-41-02-13	163999	1
800	SAS062300-4001		.DOOR ASSY-SINGL PNL LAV MS15 AND MS17 SUPPLIER CODE: VS5065 USED ON: SAS063-1021 SAS063-1031 FOR DETAILS SEE: 25-41-02-13		1
- 804	SK062300-1002		.DOOR ASSY-SINGL PNL LAV MS16 AND MS18 SUPPLIER CODE: VS5065 USED ON: SK063-2 SAS063-2 SK063-12 SAS063-12 FOR DETAILS SEE: 25-41-02-13	163999	1

ILLUSTRATION ITEMS NOT ON PARTS LIST ARE NOT APPLICABLE

- ITEM NOT ILLUSTRATED

HXL

25-41-03-46B

BOEING PROPRIETARY - Copyright © - Unpublished Work - See title page for details.

25-41-03
FIG. 46B
PAGE 33
AUG 22/08

 **BOEING**
767
PARTS CATALOG (MAINTENANCE)

FIG ITEM	PART NUMBER	1 2 3 4 5 6 7	NOMENCLATURE	EFFECT FROM TO	UNITS PER ASSY
46B - 804	SAS062300-4002		.DOOR ASSY-SINGL PNL LAV MS16 AND MS18 SUPPLIER CODE: VS5065 USED ON: SAS063-1022 SAS063-1032 FOR DETAILS SEE: 25-41-02-13		1
808	BS063400-2002		.COUNTER ASSY-LAV MS15 AND MS17 SUPPLIER CODE: VS5065 FOR DETAILS SEE: 25-42-51-08		1
- 812	BS063400-2001		.COUNTER ASSY-LAV MS16 AND MS18 SUPPLIER CODE: VS5065 USED ON: SK063-2 SAS063-2 SK063-12 SAS063-12 FOR DETAILS SEE: 25-42-51-08	163999	1
- 812	BS063400-2002		.COUNTER ASSY-LAV MS16 AND MS18 SUPPLIER CODE: VS5065 USED ON: SAS063-1022 SAS063-1032 FOR DETAILS SEE: 25-42-51-08		1
816	BS062410-011126		.FLAP ASSY-WASTE LAV MS15 AND MS17 SUPPLIER CODE: VS5065 SB DATA FROM A CMM: PRE SB B0060-25-911 FOR DETAILS SEE: 25-42-60-02		1

ILLUSTRATION ITEMS NOT ON PARTS LIST ARE NOT APPLICABLE

- ITEM NOT ILLUSTRATED

HXL

25-41-03-46B

BOEING PROPRIETARY - Copyright © - Unpublished Work - See title page for details.

25-41-03
FIG. 46B
PAGE 34
AUG 22/08



767

PARTS CATALOG (MAINTENANCE)

FIG ITEM	PART NUMBER	1 2 3 4 5 6 7	NOMENCLATURE	EFFECT FROM TO	UNITS PER ASSY
46B 816	BS062410-111126		.FLAP ASSY-WASTE LAV MS15 AND MS17 SUPPLIER CODE: VS5065 SB DATA FROM A CMM: POST SB B0060-25-911 FOR DETAILS SEE: 25-42-60-02		1
- 820	BS062410-012127		.FLAP ASSY-WASTE LAV MS16 AND MS18 SUPPLIER CODE: VS5065 SB DATA FROM A CMM: PRE SB B0060-25-911 USED ON: SK063-2 SAS063-2 SK063-12 SAS063-12 FOR DETAILS SEE: 25-42-60-02	163999	1
- 820	BS062410-112127		.FLAP ASSY-WASTE LAV MS16 AND MS18 SUPPLIER CODE: VS5065 SB DATA FROM A CMM: POST SB B0060-25-911 USED ON: SK063-2 SAS063-2 SK063-12 SAS063-12 FOR DETAILS SEE: 25-42-60-02	163999	1
- 820	BS062410-111126		.FLAP ASSY-WASTE LAV MS16 AND MS18 SUPPLIER CODE: VS5065 SB DATA FROM A CMM: POST SB B0060-25-911 USED ON: SAS063-1022 SAS063-1032 FOR DETAILS SEE: 25-42-60-02		1

ILLUSTRATION ITEMS NOT ON PARTS LIST ARE NOT APPLICABLE

- ITEM NOT ILLUSTRATED

25-41-03-46B

25-41-03
FIG. 46B
PAGE 35
AUG 22/08

HXL



767

PARTS CATALOG (MAINTENANCE)

FIG ITEM	PART NUMBER	1 2 3 4 5 6 7	NOMENCLATURE	EFFECT FROM TO	UNITS PER ASSY
46B 824	SK063450-32		.CABINET ASSY-SINK LAV MS15 AND MS17 SUPPLIER CODE: VS5065 USED ON: SK063-1 SAS063-1 SK063-11 SAS063-11 FOR DETAILS SEE: 25-43-51-12	163999	1
824	SAS063450-32		.CABINET ASSY-SINK LAV MS15 AND MS17 SUPPLIER CODE: VS5065 USED ON: SAS063-1021 SAS063-1031 FOR DETAILS SEE: 25-43-51-12		1
- 828	SK063450-31		.CABINET ASSY-SINK LAV MS16 AND MS18 SUPPLIER CODE: VS5065 USED ON: SK063-2 SAS063-2 SK063-12 SAS063-12 FOR DETAILS SEE: 25-43-51-12	163999	1
- 828	SAS063450-31		.CABINET ASSY-SINK LAV MS16 AND MS18 SUPPLIER CODE: VS5065 USED ON: SAS063-1022 SAS063-1032 FOR DETAILS SEE: 25-43-51-12		1
832	BS062500-61		.SHROUD ASSY-TOILET SUPPLIER CODE: VS5065 FOR DETAILS SEE: 25-41-51-01		1

ILLUSTRATION ITEMS NOT ON PARTS LIST ARE NOT APPLICABLE

- ITEM NOT ILLUSTRATED

25-41-03-46B

25-41-03
FIG. 46B
PAGE 36
AUG 22/08

HXL

BOEING PROPRIETARY - Copyright © - Unpublished Work - See title page for details.



767

PARTS CATALOG (MAINTENANCE)

FIG ITEM	PART NUMBER	1 2 3 4 5 6 7	NOMENCLATURE	EFFECT FROM TO	UNITS PER ASSY
46B 836	B0061600-2		.SERVICE UNIT ASSY-LAV MS15 AND MS17 SUPPLIER CODE: VS5065 USED ON: SK063-1 SAS063-1 SK063-11 SAS063-11 FUNCTIONAL REFERENCE: AIR CONDITIONING FOR DETAILS SEE 21-24-51-05 COMMUNICATIONS FOR DETAILS SEE 23-31-51-05 LIGHTS FOR DETAILS SEE 33-26-51-12 OXYGEN FOR DETAILS SEE 35-21-01-55 EQUIPMENT/FURNISHINGS FOR DETAILS SEE 25-41-60-01	163999	1
836	B0061600-1		.SERVICE UNIT ASSY-LAV MS15 AND MS17 SUPPLIER CODE: VS5065 USED ON: SAS063-1021 SAS063-1031 FUNCTIONAL REFERENCE: AIR CONDITIONING FOR DETAILS SEE 21-24-51-05 COMMUNICATIONS FOR DETAILS SEE 23-31-51-05 LIGHTS FOR DETAILS SEE 33-26-51-12 OXYGEN FOR DETAILS SEE 35-21-01-55 EQUIPMENT/FURNISHINGS FOR DETAILS SEE 25-41-60-01		1

ILLUSTRATION ITEMS NOT ON PARTS LIST ARE NOT APPLICABLE

- ITEM NOT ILLUSTRATED

25-41-03-46B

25-41-03
FIG. 46B
PAGE 37
DEC 22/07

HXL

 **BOEING**
767
PARTS CATALOG (MAINTENANCE)

FIG ITEM	PART NUMBER	1 2 3 4 5 6 7	NOMENCLATURE	EFFECT FROM TO	UNITS PER ASSY
46B - 840	B0061600-1		.SERVICE UNIT ASSY-LAV MS16 AND MS18 SUPPLIER CODE: VS5065 USED ON: SK063-2 SAS063-2 SK063-12 SAS063-12 FUNCTIONAL REFERENCE: AIR CONDITIONING FOR DETAILS SEE 21-24-51-05 COMMUNICATIONS FOR DETAILS SEE 23-31-51-05 LIGHTS FOR DETAILS SEE 33-26-51-12 OXYGEN FOR DETAILS SEE 35-21-01-55 EQUIPMENT/FURNISHINGS FOR DETAILS SEE 25-41-60-01	163999	1
- 840	B0061600-2		.SERVICE UNIT ASSY-LAV MS16 AND MS18 SUPPLIER CODE: VS5065 USED ON: SAS063-1022 SAS063-1032 FUNCTIONAL REFERENCE: AIR CONDITIONING FOR DETAILS SEE 21-24-51-05 COMMUNICATIONS FOR DETAILS SEE 23-31-51-05 LIGHTS FOR DETAILS SEE 33-26-51-12 OXYGEN FOR DETAILS SEE 35-21-01-55 EQUIPMENT/FURNISHINGS FOR DETAILS SEE 25-41-60-01		1

ILLUSTRATION ITEMS NOT ON PARTS LIST ARE NOT APPLICABLE

- ITEM NOT ILLUSTRATED

HXL

25-41-03-46B

BOEING PROPRIETARY - Copyright © - Unpublished Work - See title page for details.

25-41-03
FIG. 46B
PAGE 38
DEC 22/07



767

PARTS CATALOG (MAINTENANCE)

FIG ITEM	PART NUMBER	1 2 3 4 5 6 7	NOMENCLATURE	EFFECT FROM TO	UNITS PER ASSY
46B			ATTACHING PARTS		
- 844	MS24693S47		.SCREW		4
			-----*-----		
- 848	BS063700-132		.ELECTRICAL SYSTEM INSTL- LAV MS15 AND MS17 SUPPLIER CODE: VS5065 FUNCTIONAL REFERENCE: ELECTRICAL POWER FOR DETAILS SEE 24-00-60-36A LIGHTS FOR DETAILS SEE 33-26-51-71 WATER/WASTE FOR DETAILS SEE 38-32-04-01G		RF
- 852	BS063700-131		.ELECTRICAL SYSTEM INSTL- LAV MS16 AND MS18 SUPPLIER CODE: VS5065 FUNCTIONAL REFERENCE: ELECTRICAL POWER FOR DETAILS SEE 24-00-60-36A LIGHTS FOR DETAILS SEE 33-26-51-71 WATER/WASTE FOR DETAILS SEE 38-32-04-01G		RF
- 856	BS063710-41		.OUTLET INSTL-SHAVER LAV SUPPLIER CODE: VS5065 FOR DETAILS SEE: 24-00-61-02		RF
- 860	BS063710-42		.OUTLET INSTL-SHAVER LAV SUPPLIER CODE: VS5065 FOR DETAILS SEE: 24-00-61-02		RF

ILLUSTRATION ITEMS NOT ON PARTS LIST ARE NOT APPLICABLE

- ITEM NOT ILLUSTRATED

HXL

25-41-03-46B

BOEING PROPRIETARY - Copyright © - Unpublished Work - See title page for details.

25-41-03
FIG. 46B
PAGE 39
DEC 22/07



767

PARTS CATALOG (MAINTENANCE)

FIG ITEM	PART NUMBER	1 2 3 4 5 6 7	NOMENCLATURE	EFFECT FROM TO	UNITS PER ASSY
46B - 864	BS063730-21		.TAPE INSTL-HEAT SUPPLIER CODE: VS5065 FUNCTIONAL REFERENCE: PLACARDS AND MARKINGS FOR DETAILS SEE 11-35-18-53 WATER/WASTE FOR DETAILS SEE 38-13-51-03		RF
- 868	BS063740-501		.SMOKE DETECTOR INSTL-LAV MS15 AND MS17 SUPPLIER CODE: VS5065 USED ON: SK063-1 SAS063-1021 SK063-11 SAS063-1031 FOR DETAILS SEE: 26-13-01-02		RF
- 868	BS063740-511		.SMOKE DETECTOR INSTL-LAV MS15 AND MS17 SUPPLIER CODE: VS5065 USED ON: SAS063-1 SAS063-11 FOR DETAILS SEE: 26-13-01-02	163999	RF
- 872	BS063740-502		.SMOKE DETECTOR INSTL-LAV MS16 AND MS18 SUPPLIER CODE: VS5065 USED ON: SK063-2 SAS063-1022 SK063-12 SAS063-1032 FOR DETAILS SEE: 26-13-01-02		RF

ILLUSTRATION ITEMS NOT ON PARTS LIST ARE NOT APPLICABLE

- ITEM NOT ILLUSTRATED

HXL

25-41-03-46B

BOEING PROPRIETARY - Copyright © - Unpublished Work - See title page for details.

25-41-03
FIG. 46B
PAGE 40
DEC 22/07



767

PARTS CATALOG (MAINTENANCE)

FIG ITEM	PART NUMBER	1 2 3 4 5 6 7	NOMENCLATURE	EFFECT FROM TO	UNITS PER ASSY
46B - 872	BS063740-512		.SMOKE DETECTOR INSTL-LAV MS16 AND MS18 SUPPLIER CODE: VS5065 USED ON: SAS063-2 SAS063-12 FOR DETAILS SEE: 26-13-01-02	163999	RF
876	BS063760-12		.LIGHT ASSY-CLG LAV MS15 AND MS17 SUPPLIER CODE: VS5065 FOR DETAILS SEE: 33-26-51-08		1
- 880	BS063760-11		.LIGHT ASSY-CLG LAV MS16 AND MS18 SUPPLIER CODE: VS5065 FOR DETAILS SEE: 33-26-51-08		1
- 884	MS27039C1-05		ATTACHING PARTS .SCREW -----*-----		4
- 888	RF004-31		.DISPENSER ASSY-LIQUID SOAP SUPPLIER CODE: VS5065 FOR DETAILS SEE: 25-41-55-02		1
- 889	BS063785-1		.SIGN INSTL-OCCUPIED LAV MS15 AND MS17 SUPPLIER CODE: VS5065 FOR DETAILS SEE: 33-26-51-40		RF
- 891	BS063785-2		.SIGN INSTL-OCCUPIED LAV MS16 AND MS18 SUPPLIER CODE: VS5065 FOR DETAILS SEE: 33-26-51-40		RF
- 892	BS063810-61		.SYSTEM INSTL-SINK WATER LAV MS15 SUPPLIER CODE: VS5065 FOR DETAILS SEE: 38-00-51-12 38-13-50-51A		RF

ILLUSTRATION ITEMS NOT ON PARTS LIST ARE NOT APPLICABLE

- ITEM NOT ILLUSTRATED

25-41-03-46B

25-41-03
FIG. 46B
PAGE 41
DEC 22/07

HXL



767

PARTS CATALOG (MAINTENANCE)

FIG ITEM	PART NUMBER	1 2 3 4 5 6 7	NOMENCLATURE	EFFECT FROM TO	UNITS PER ASSY
46B - 896	BS063810-62		.SYSTEM INSTL-SINK WATER LAV MS16 SUPPLIER CODE: VS5065 FOR DETAILS SEE: 38-00-51-12 38-13-50-51A		RF
- 900	BS063810-51		.SYSTEM INSTL-SINK WATER LAV MS17 SUPPLIER CODE: VS5065 FOR DETAILS SEE: 38-00-51-12 38-13-50-51A		RF
- 904	BS063810-52		.SYSTEM INSTL-SINK WATER LAV MS18 SUPPLIER CODE: VS5065 FOR DETAILS SEE: 38-00-51-12 38-13-50-51A		RF
- 908	BS063850-31		.WATER SYSTEM INSTL-RINSE LAV MS15 SUPPLIER CODE: VS5065 FOR DETAILS SEE: 38-00-60-09		RF
- 912	BS063850-32		.SYSTEM INSTL-RINSE WATER LAV MS16 SUPPLIER CODE: VS5065 FOR DETAILS SEE: 38-00-60-09		RF
- 916	BS063850-41		.SYSTEM INSTL-RINSE WATER LAV MS17 SUPPLIER CODE: VS5065 FOR DETAILS SEE: 38-00-60-09		RF
- 920	BS063850-42		.SYSTEM INSTL-RINSE WATER LAV MS18 SUPPLIER CODE: VS5065 FOR DETAILS SEE: 38-00-60-09		RF

ILLUSTRATION ITEMS NOT ON PARTS LIST ARE NOT APPLICABLE

- ITEM NOT ILLUSTRATED

25-41-03-46B

25-41-03
FIG. 46B
PAGE 42
DEC 22/07

HXL

BOEING PROPRIETARY - Copyright © - Unpublished Work - See title page for details.



767

PARTS CATALOG (MAINTENANCE)

FIG ITEM	PART NUMBER	1 2 3 4 5 6 7	NOMENCLATURE	EFFECT FROM TO	UNITS PER ASSY
46B - 924	BS060PS356		.PLACARD INSTL-LAV MS15 SUPPLIER CODE: VS5065 FOR DETAILS SEE: 11-35-02-52		RF
- 928	BS060PS357		.PLACARD INSTL-LAV MS16 SUPPLIER CODE: VS5065 FOR DETAILS SEE: 11-35-02-52		RF
- 932	BS060PS358		.PLACARD INSTL-LAV MS17 SUPPLIER CODE: VS5065 FOR DETAILS SEE: 11-35-02-52		RF
- 936	BS060PS359		.PLACARD INSTL-LAV MS18 SUPPLIER CODE: VS5065 FOR DETAILS SEE: 11-35-02-52		RF

ILLUSTRATION ITEMS NOT ON PARTS LIST ARE NOT APPLICABLE

- ITEM NOT ILLUSTRATED

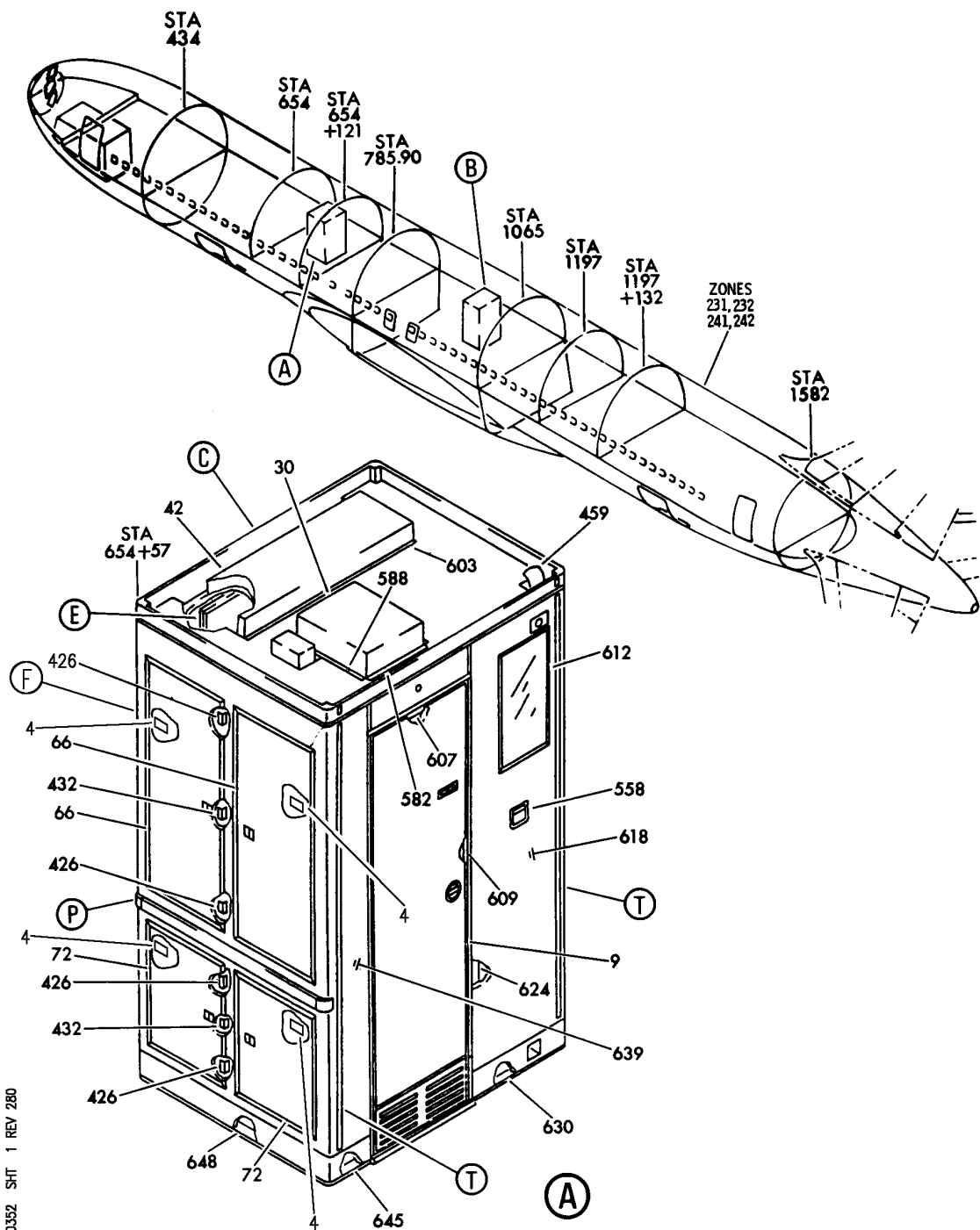
HXL

25-41-03-46B

BOEING PROPRIETARY - Copyright © - Unpublished Work - See title page for details.

25-41-03
FIG. 46B
PAGE 43
DEC 22/07

BOEING
767
PARTS CATALOG (MAINTENANCE)



V 25410352 SH1 1 REV 280

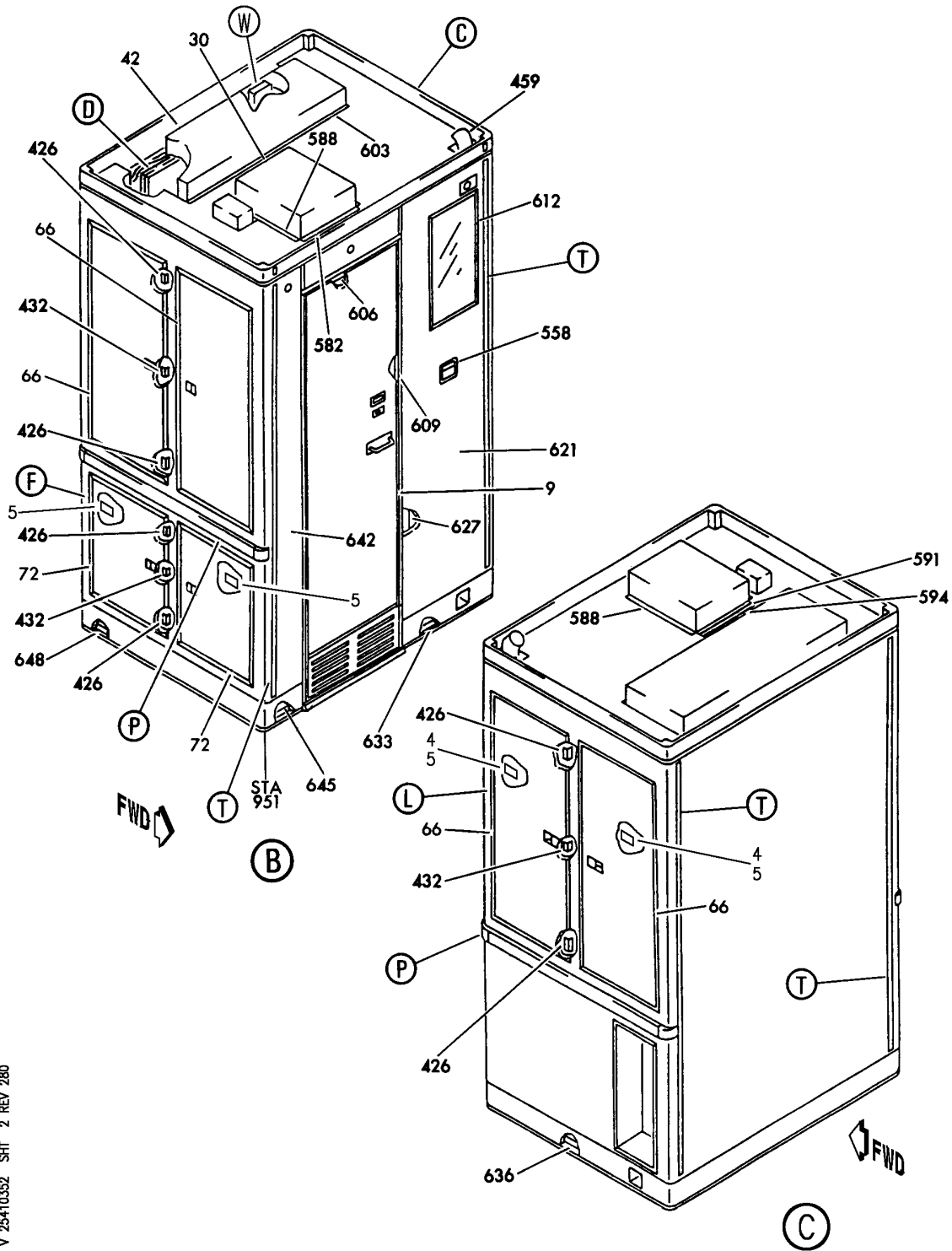
MODULE ASSY-LAV M31 AND M32 (EQUIPMENT/FURNISHINGS ONLY)
FIGURE 52 (SHEET 1)

25-41-03-52

HXL
DEC 22/06

25-41-03-52
PAGE 0


BOEING
 767
PARTS CATALOG (MAINTENANCE)



V 25410352 SHT 2 REV 280

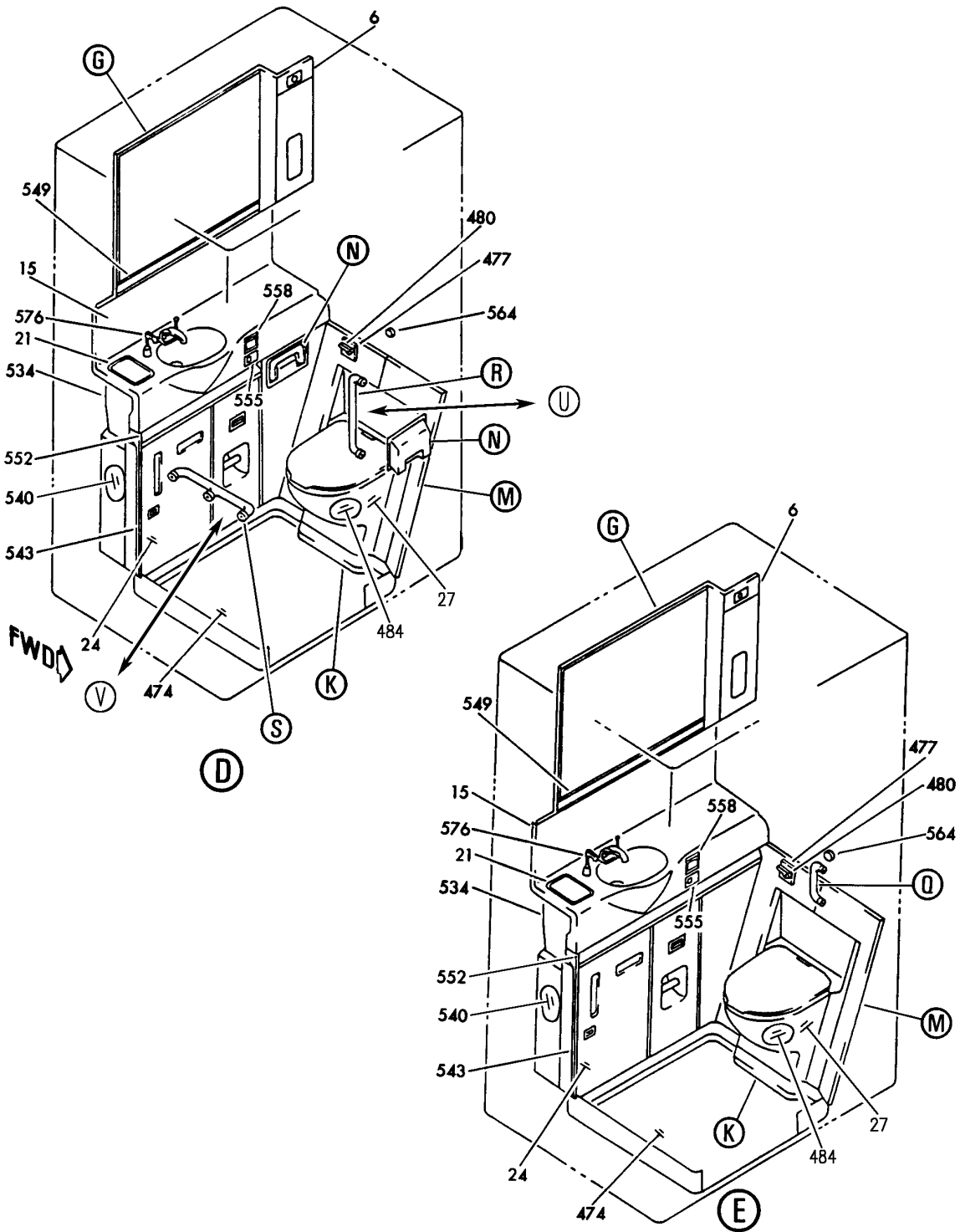
MODULE ASSY-LAV M31 AND M32 (EQUIPMENT/FURNISHINGS ONLY)
 FIGURE 52 (SHEET 2)

25-41-03-52

HXL
DEC 22/06

25-41-03-52
PAGE 0A

BOEING
767
PARTS CATALOG (MAINTENANCE)



V 25410352 SH1 3 REV 303

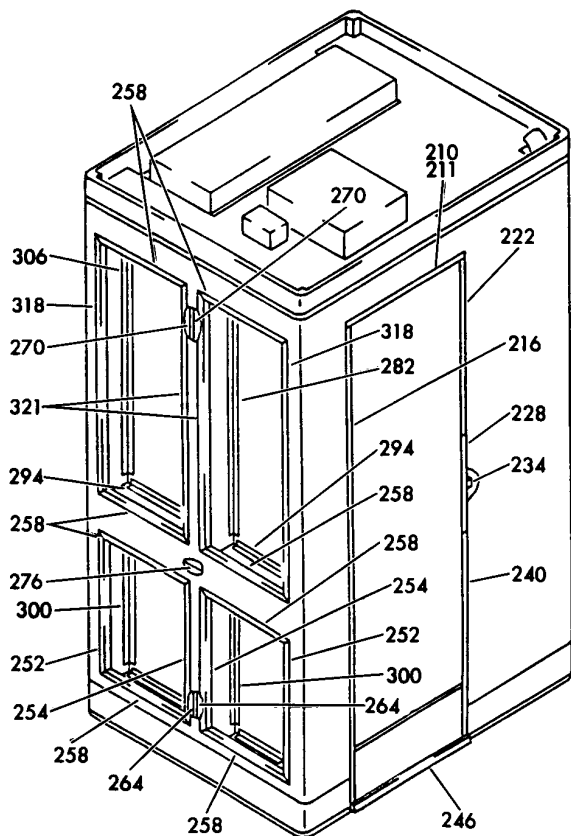
MODULE ASSY-LAV M31 AND M32 (EQUIPMENT/FURNISHINGS ONLY)
FIGURE 52 (SHEET 3)

25-41-03-52

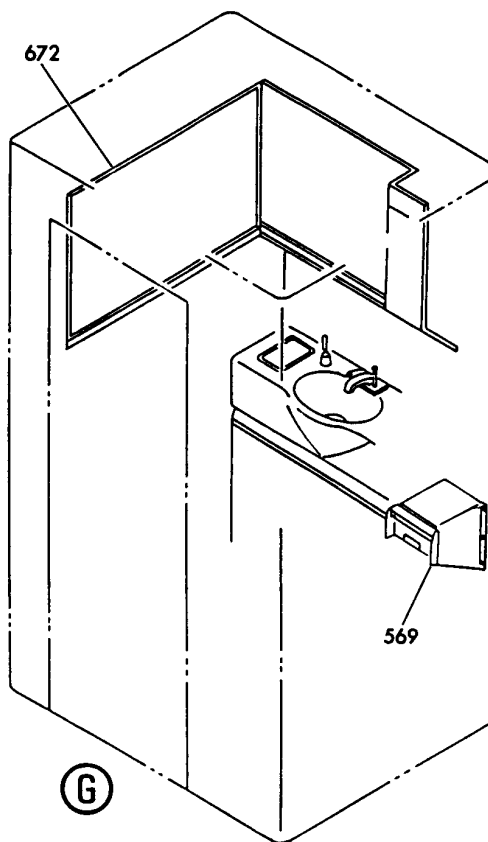
HXL
DEC 22/06

25-41-03-52
PAGE 0B

BOEING
767
PARTS CATALOG (MAINTENANCE)



(F)



(G)

V 25410352 SHIT 4 REV 165

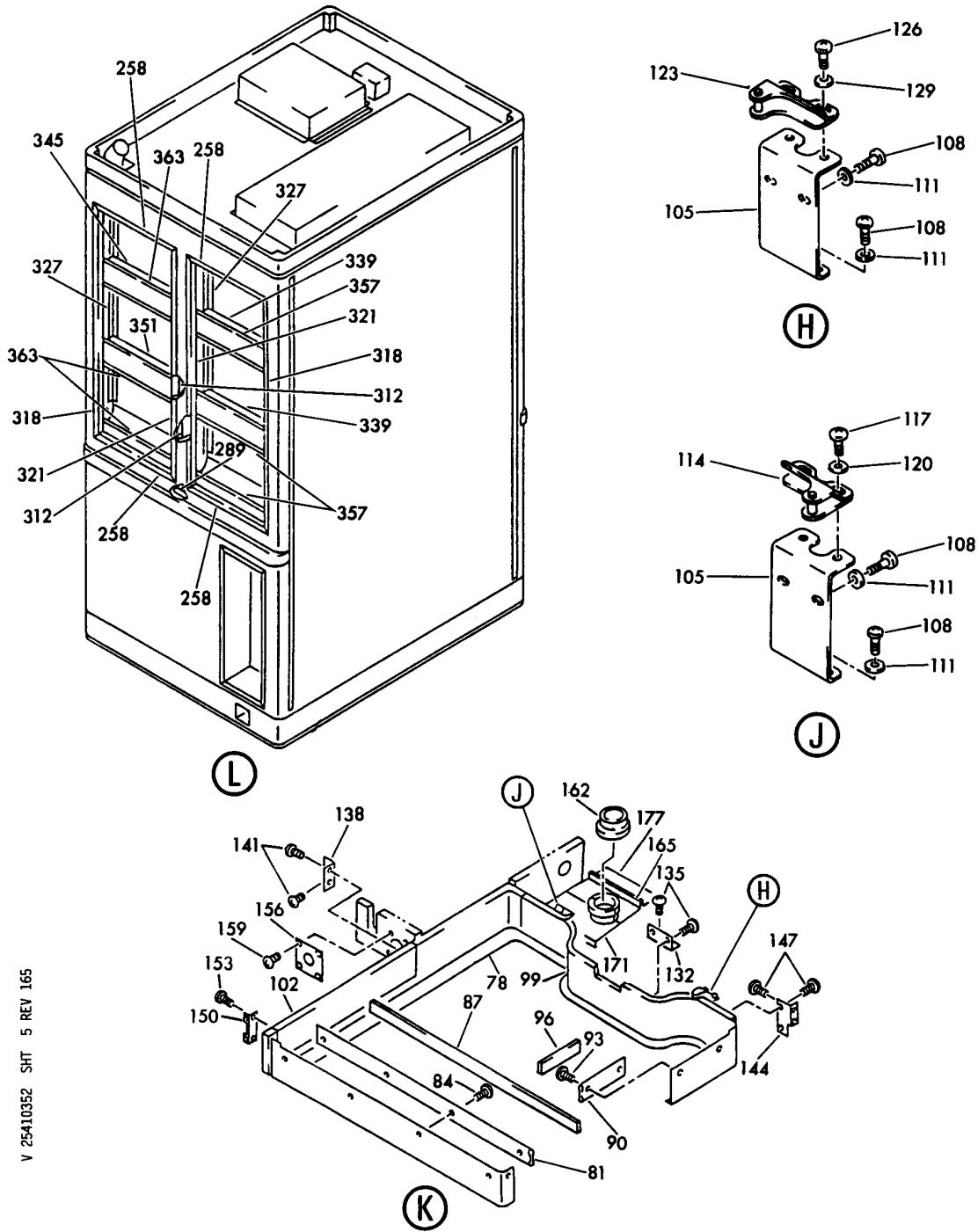
MODULE ASSY-LAV M31 AND M32 (EQUIPMENT/FURNISHINGS ONLY)
FIGURE 52 (SHEET 4)

25-41-03-52

HXL
DEC 22/06

25-41-03-52
PAGE 0C

BOEING
767
PARTS CATALOG (MAINTENANCE)



V 25410352 SHT 5 REV 165

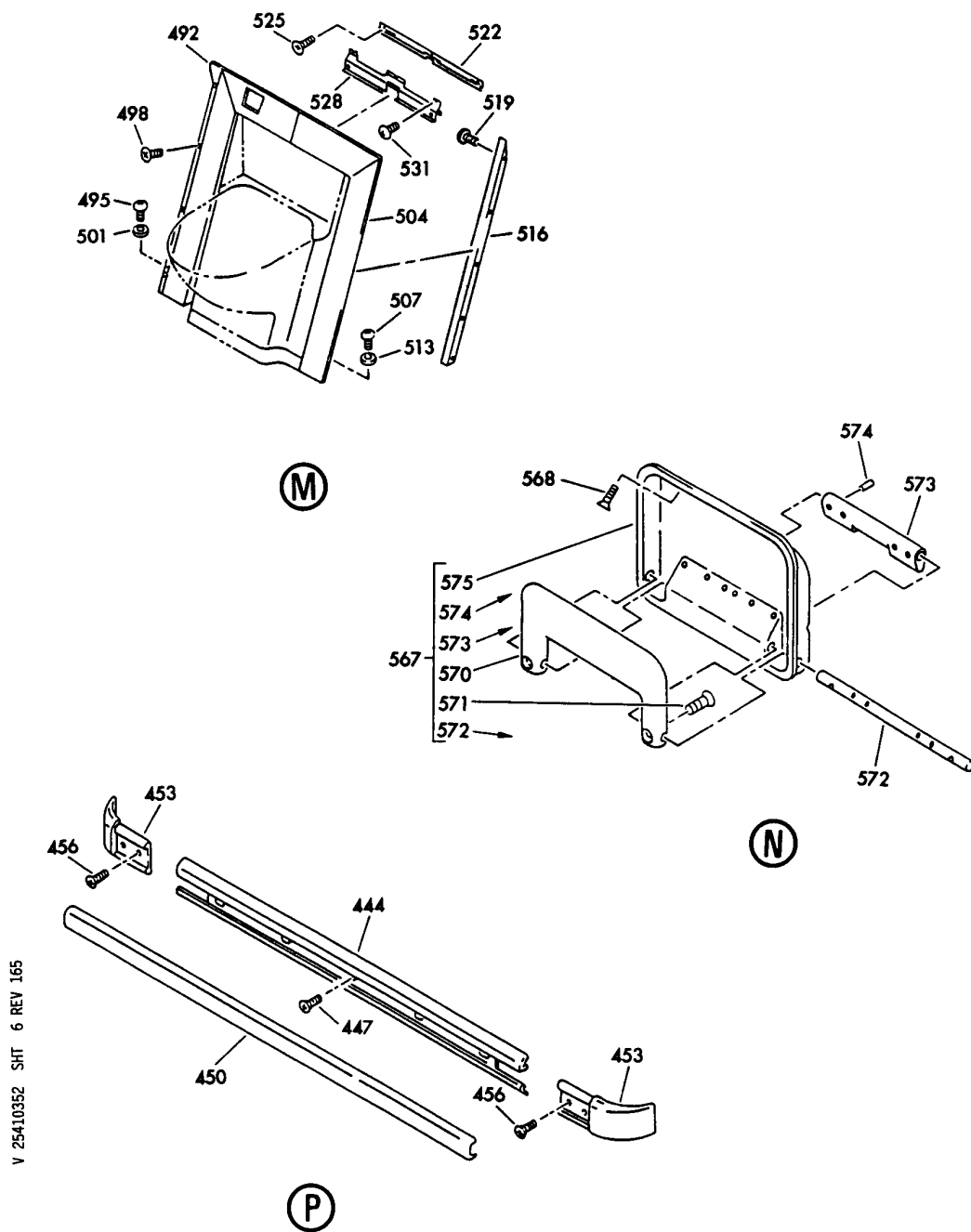
MODULE ASSY-LAV M31 AND M32 (EQUIPMENT/FURNISHINGS ONLY)
FIGURE 52 (SHEET 5)

25-41-03-52

HXL
DEC 22/06

25-41-03-52
PAGE 0D

BOEING
767
PARTS CATALOG (MAINTENANCE)



V 25410352 SHT 6 REV 165

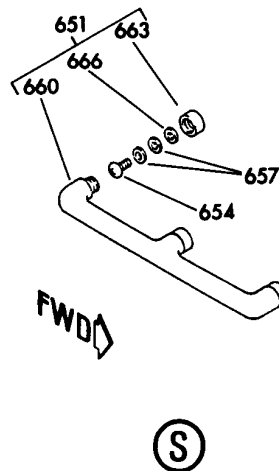
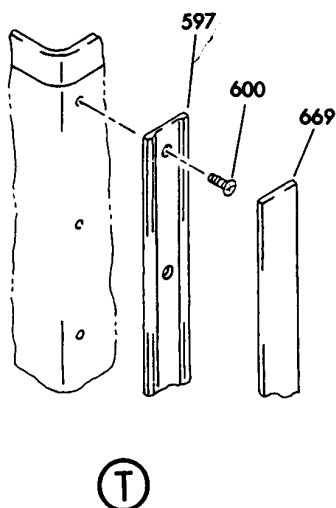
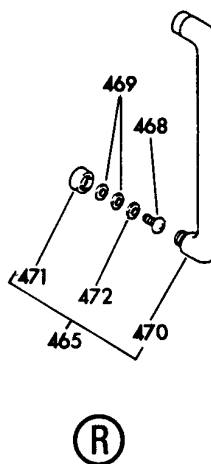
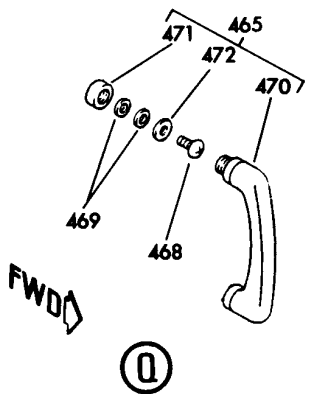
MODULE ASSY-LAV M31 AND M32 (EQUIPMENT/FURNISHINGS ONLY)
FIGURE 52 (SHEET 6)

25-41-03-52

HXL
DEC 22/06

25-41-03-52
PAGE 0E

BOEING
767
PARTS CATALOG (MAINTENANCE)



V 25410352 SHIT 7 REV 165

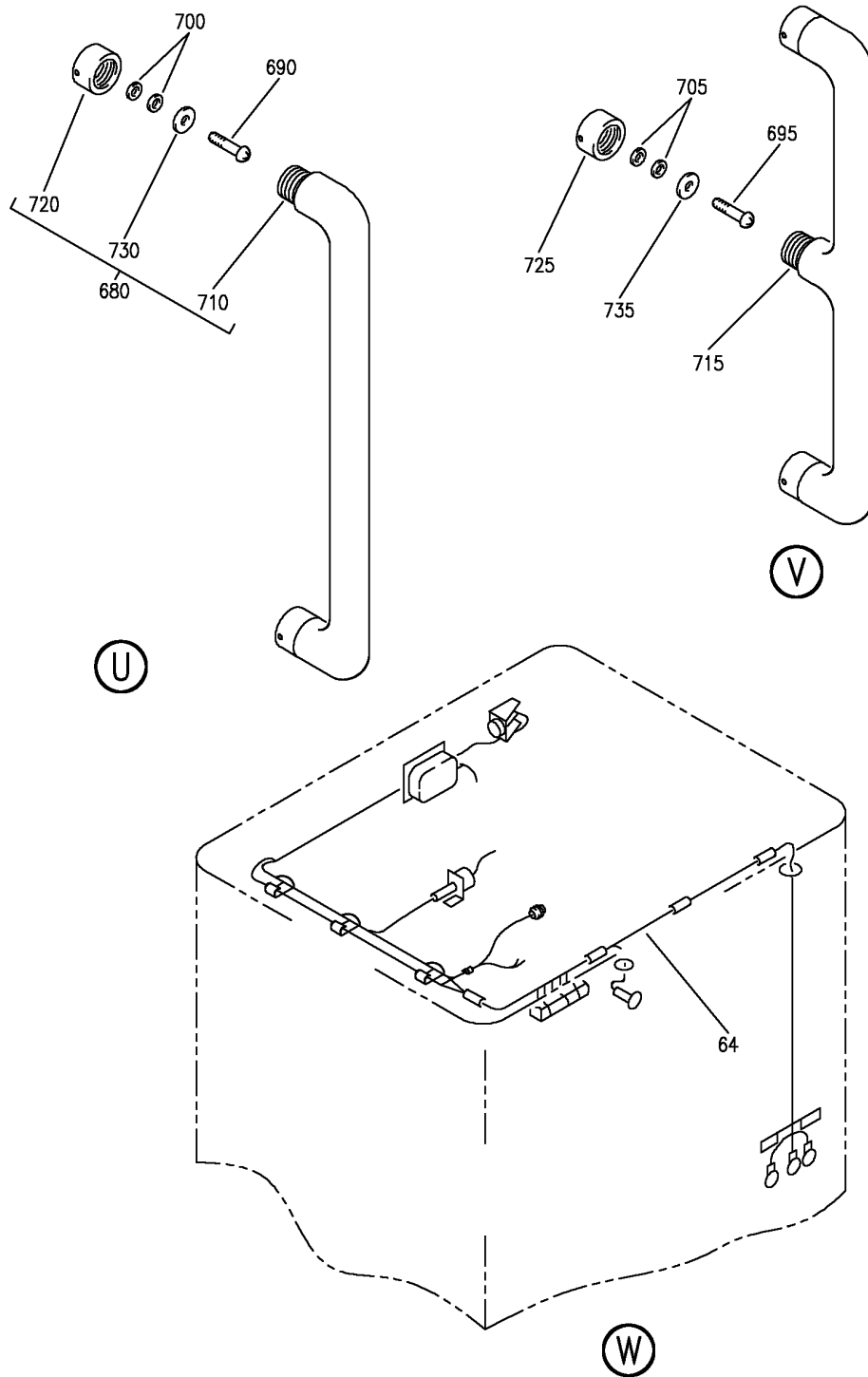
MODULE ASSY-LAV M31 AND M32 (EQUIPMENT/FURNISHINGS ONLY)
FIGURE 52 (SHEET 7)

25-41-03-52

HXL
DEC 22/06

25-41-03-52
PAGE OF

BOEING
767
PARTS CATALOG (MAINTENANCE)



V 25410352 SHIT 8 REV 280

MODULE ASSY-LAV M31 AND M32 (EQUIPMENT/FURNISHINGS ONLY)
FIGURE 52 (SHEET 8)

25-41-03-52

HXL
DEC 22/06

25-41-03-52
PAGE 06

 **BOEING**
767
PARTS CATALOG (MAINTENANCE)

FIG ITEM	PART NUMBER	1 2 3 4 5 6 7	NOMENCLATURE	EFFECT FROM TO	UNITS PER ASSY
52			MODULE ASSY-LAV M31 AND M32 (EQUIPMENT/FURNISHINGS ONLY)		
- 1	SAS066-1032		MODULE ASSY-LAV M32 (EQUIPMENT/FURNISHINGS ONLY) SUPPLIER CODE: VS5065 SPECIFICATION NUMBER: S417T106-488A COMPONENT MAINT MANUAL REF: 25-40-39 FOR NHA/OTHER SYS DET SEE: 25-41-03-27		RF
- 1	SAS066-12		MODULE ASSY-LAV M32 (EQUIPMENT/FURNISHINGS ONLY) SUPPLIER CODE: VS5065 SPECIFICATION NUMBER: S417T106-352B COMPONENT MAINT MANUAL REF: 25-40-39 FOR NHA/OTHER SYS DET SEE: 25-41-03-27	163999	RF
- 3	SAS066-1021		MODULE ASSY-LAV M31 (EQUIPMENT/FURNISHINGS ONLY) SUPPLIER CODE: VS5065 SPECIFICATION NUMBER: S417T106-487A COMPONENT MAINT MANUAL REF: 25-40-39 FOR NHA/OTHER SYS DET SEE: 25-41-03-26		RF
- 3	SAS066-1		MODULE ASSY-LAV M31 (EQUIPMENT/FURNISHINGS ONLY) SUPPLIER CODE: VS5065 SPECIFICATION NUMBER: S417T106-351B COMPONENT MAINT MANUAL REF: 25-40-39 FOR NHA/OTHER SYS DET SEE: 25-41-03-26	163999	RF
ILLUSTRATION ITEMS NOT ON PARTS LIST ARE NOT APPLICABLE					

- ITEM NOT ILLUSTRATED

HXL

25-41-03-52

BOEING PROPRIETARY - Copyright © - Unpublished Work - See title page for details.

25-41-03
FIG. 52
PAGE 1
DEC 22/07



767

PARTS CATALOG (MAINTENANCE)

FIG ITEM	PART NUMBER	1 2 3 4 5 6 7	NOMENCLATURE	EFFECT FROM TO	UNITS PER ASSY
52	4 BAC29PPS5277		.PLACARD-LAV M31 PLACARD CONTENT: LOAD LIMIT 10 LB/4.5 KG USED ON: SK066-1 SAS066-12	163999	6
	4 BS060P071-3		.PLACARD-LAV M31 SUPPLIER CODE: VS5065 USED ON: SAS066-1021		6
	5 BAC29PPS5277		.PLACARD-LAV M32 PLACARD CONTENT: LOAD LIMIT 10 LB/4.5 KG USED ON: SK066-12 SAS066-1	163999	4
	5 BS060P071-3		.PLACARD-LAV M32 SUPPLIER CODE: VS5065 USED ON: SAS066-1032		4
	6 SK062200-252		.CABINET ASSY- SUPPLIER CODE: VS5065 POSITION DATA: UPR USED ON: SK066-1 SAS066-12 SK066-12 SAS066-1 FOR DETAILS SEE: 25-43-51-29A	163999	1
	6 SAS062200-252		.CABINET ASSY- SUPPLIER CODE: VS5065 POSITION DATA: UPR USED ON: SAS066-1021 SAS066-1032 FOR DETAILS SEE: 25-43-51-29A		1

ILLUSTRATION ITEMS NOT ON PARTS LIST ARE NOT APPLICABLE

- ITEM NOT ILLUSTRATED

HXL

25-41-03-52

BOEING PROPRIETARY - Copyright © - Unpublished Work - See title page for details.

25-41-03
FIG. 52
PAGE 2
DEC 22/07

 **BOEING**
767
PARTS CATALOG (MAINTENANCE)

FIG ITEM	PART NUMBER	1 2 3 4 5 6 7	NOMENCLATURE	EFFECT FROM TO	UNITS PER ASSY
52					
9	SK062300-1061		.DOOR ASSY-SINGLE PNL LAV M32 SUPPLIER CODE: VS5065 USED ON: SK066-12 SAS066-1 FOR DETAILS SEE: 25-41-02-05	163999	1
9	SAS062300-4061		.DOOR ASSY-SINGLE PNL LAV M32 SUPPLIER CODE: VS5065 USED ON: SAS066-1032 FOR DETAILS SEE: 25-41-02-05		1
- 10	SK062300-1001		.DOOR ASSY-SINGLE PNL LAV M31 SUPPLIER CODE: VS5065 USED ON: SK066-1 SAS066-12 FOR DETAILS SEE: 25-41-02-05	163999	1
- 10	SAS062300-4001		.DOOR ASSY-SINGLE PNL LAV M31 SUPPLIER CODE: VS5065 USED ON: SAS066-1021 FOR DETAILS SEE: 25-41-02-13		1
- 12	MS24693C49		ATTACHING PARTS .SCREW -----*-----		13
15	BS062400-2141		.COUNTER ASSY-LAV M31 SUPPLIER CODE: VS5065 FOR DETAILS SEE: 25-42-51-07		1
- 18	BS062400-2131		.COUNTER ASSY-LAV M32 SUPPLIER CODE: VS5065 FOR DETAILS SEE: 25-42-51-07		1

ILLUSTRATION ITEMS NOT ON PARTS LIST ARE NOT APPLICABLE

- ITEM NOT ILLUSTRATED

HXL

25-41-03-52

BOEING PROPRIETARY - Copyright © - Unpublished Work - See title page for details.

25-41-03
FIG. 52
PAGE 3
DEC 22/07



767

PARTS CATALOG (MAINTENANCE)

FIG ITEM	PART NUMBER	1 2 3 4 5 6 7	NOMENCLATURE	EFFECT FROM TO	UNITS PER ASSY
52					
21	BS062410-011126	.	FLAP ASSY-WASTE SUPPLIER CODE: VS5065 SB DATA FROM A CMM: PRE SB B0060-25-911 FOR DETAILS SEE: 25-42-60-02		1
21	BS062410-111126	.	FLAP ASSY-WASTE SUPPLIER CODE: VS5065 SB DATA FROM A CMM: POST SB B0060-25-911 FOR DETAILS SEE: 25-42-60-02		1
24	SK066450-41	.	CABINET ASSY-SINK LAV M31 SUPPLIER CODE: VS5065 USED ON: SK066-1 SAS066-1 FOR DETAILS SEE: 25-42-60-02	163999	1
24	SAS066450-41	.	CABINET ASSY-SINK LAV M31 SUPPLIER CODE: VS5065 USED ON: SAS066-1021 FOR DETAILS SEE: 25-43-51-43		1
- 26	SK066450-31	.	CABINET ASSY-SINK LAV M32 SUPPLIER CODE: VS5065 USED ON: SK066-12 SAS066-12 FOR DETAILS SEE: 25-43-51-43	163999	1
- 26	SAS066450-31	.	CABINET ASSY-SINK LAV M32 SUPPLIER CODE: VS5065 FOR DETAILS SEE: 25-43-51-43		1
27	BS062500-61	.	SHROUD ASSY-TOILET SUPPLIER CODE: VS5065 FOR DETAILS SEE: 25-41-51-01		1

ILLUSTRATION ITEMS NOT ON PARTS LIST ARE NOT APPLICABLE

- ITEM NOT ILLUSTRATED

25-41-03-52

25-41-03
FIG. 52
PAGE 4
DEC 22/07

HXL



**767
PARTS CATALOG (MAINTENANCE)**

FIG ITEM	PART NUMBER	1 2 3 4 5 6 7	NOMENCLATURE	EFFECT FROM TO	UNITS PER ASSY
52 30	B0061600-1		.SERVICE UNIT ASSY-PASS. SUPPLIER CODE: VS5065 FUNCTIONAL REFERENCE: AIR CONDITIONING FOR DETAILS SEE 21-24-51-05 COMMUNICATIONS FOR DETAILS SEE 23-31-51-05 EQUIPMENT/FURNISHINGS FOR DETAILS SEE 25-41-60-01 LIGHTS FOR DETAILS SEE 33-26-51-12 OXYGEN FOR DETAILS SEE 35-21-01-55		1
- 33	MS24693S47		.SCREW		4
- 36	BS066700-41		.ELECTRICAL SYSTEM INSTL- BASIC LAV M32 SUPPLIER CODE: VS5065 FUNCTIONAL REFERENCE: ELECTRICAL POWER FOR DETAILS SEE 24-00-60-27 LIGHTS FOR DETAILS SEE 33-26-51-71 WATER/WASTE FOR DETAILS SEE 38-32-04-01G		RF
ILLUSTRATION ITEMS NOT ON PARTS LIST ARE NOT APPLICABLE					

- ITEM NOT ILLUSTRATED

HXL

25-41-03-52

BOEING PROPRIETARY - Copyright © - Unpublished Work - See title page for details.

25-41-03
FIG. 52
PAGE 5
DEC 22/07



767

PARTS CATALOG (MAINTENANCE)

FIG ITEM	PART NUMBER	1 2 3 4 5 6 7	NOMENCLATURE	EFFECT FROM TO	UNITS PER ASSY
52					
- 37	BS066700-141		.ELECTRICAL SYSTEM INSTL- BASIC LAV M31 SUPPLIER CODE: VS5065 FUNCTIONAL REFERENCE: ELECTRICAL POWER FOR DETAILS SEE 24-00-60-27 LIGHTS FOR DETAILS SEE 33-26-51-71 WATER/WASTE FOR DETAILS SEE 38-32-04-01G		RF
39	BS066740-511		.SMOKE DETECTOR INSTL- SUPPLIER CODE: VS5065 FOR DETAILS SEE: 26-13-01-03		RF
42	BS066760-31		.LIGHT ASSY-CLG SUPPLIER CODE: VS5065 FOR DETAILS SEE: 33-26-51-04		1
- 45	MS27039C1-05		ATTACHING PARTS .SCREW -----*-----		4
- 48	BS066810-71		.WATER SYSTEM INSTL-SINK SUPPLIER CODE: VS5065 FOR DETAILS SEE: 38-00-51-13 38-13-50-51A		RF
- 51	BS066850-21		.WATER SYSTEM INSTL-RINSE SUPPLIER CODE: VS5065 FOR DETAILS SEE: 38-00-60-12		RF
- 54	BS060PS360		.PLACARD INSTL- SUPPLIER CODE: VS5065 FOR DETAILS SEE: 11-35-02-52		RF
57	BS066710-11		.OUTLET INSTL-SHAVER SUPPLIER CODE: VS5065 FOR DETAILS SEE: 24-00-61-02A		RF

ILLUSTRATION ITEMS NOT ON PARTS LIST ARE NOT APPLICABLE

- ITEM NOT ILLUSTRATED

25-41-03-52

25-41-03
FIG. 52
PAGE 6
DEC 22/07

HXL



767

PARTS CATALOG (MAINTENANCE)

FIG ITEM	PART NUMBER	1 2 3 4 5 6 7	NOMENCLATURE	EFFECT FROM TO	UNITS PER ASSY
52					
- 60	BS062720-1		.SWITCH INSTL-HANDICAP LT LAV M32 SUPPLIER CODE: VS5065 USED ON: SK066-12 SAS066-12 FOR DETAILS SEE: 24-00-60-35	163999	RF
- 60	BS066720-1		.SWITCH INSTL-HANDICAP LT LAV M32 SUPPLIER CODE: VS5065 USED ON: SAS066-1032 FOR DETAILS SEE: 24-00-60-12		RF
- 63	BS066780-1		.WIRE BUNDLE-N. S. F. S. B. SIGN LAV M32 SUPPLIER CODE: VS5065		RF
64	BS066781-1		..BUNDLE- SUPPLIER CODE: VS5065		1
66	SK066340-1101		.DOOR ASSY-CABINET SUPPLIER CODE: VS5065 USED ON: SK066-1 SAS066-12 SK066-12 SAS066-1 FOR DETAILS SEE: 25-41-02-20	163999	4
66	SAS066340-4101		.DOOR ASSY-CABINET SUPPLIER CODE: VS5065 USED ON: SAS066-1021 SAS066-1032 FOR DETAILS SEE: 25-41-02-20		4
- 69	MS24693S49		ATTACHING PARTS .SCREW- -----*-----		28

ILLUSTRATION ITEMS NOT ON PARTS LIST ARE NOT APPLICABLE

- ITEM NOT ILLUSTRATED

HXL

25-41-03-52

BOEING PROPRIETARY - Copyright © - Unpublished Work - See title page for details.

25-41-03
FIG. 52
PAGE 7
DEC 22/07



767

PARTS CATALOG (MAINTENANCE)

FIG ITEM	PART NUMBER	1 2 3 4 5 6 7	NOMENCLATURE	EFFECT FROM TO	UNITS PER ASSY
52					
- 72	SK066340-1111		.DOOR ASSY-CABINET SUPPLIER CODE: VS5065 FOR DETAILS SEE: 25-41-02-21	163999	2
- 72	SAS066340-4111		.DOOR ASSY-CABINET SUPPLIER CODE: VS5065 FOR DETAILS SEE: 25-41-02-21		2
- 75	MS24693S49		.SCREW- -----*-----		14
- 78	BS066570-015GR1		.PAN-FLOOR, LAV M31 SUPPLIER CODE: VS5065 USED ON: SK066-1 SAS066-1	163999	1
- 78	BS066570-013GR1		.PAN-FLOOR, LAV M31 SUPPLIER CODE: VS5065 USED ON: SAS066-1021		1
- 80	BS066570-013GR1		.PAN-FLOOR, LAV M32 SUPPLIER CODE: VS5065 USED ON: SK066-12 SAS066-12	163999	1
- 80	BS066570-015GR1		.PAN-FLOOR, LAV M32 SUPPLIER CODE: VS5065 USED ON: SAS066-1032		1
- 81	BS061191-037GR1		.TRIM-FLOOR PAN SUPPLIER CODE: VS5065		1
- 84	MS24693S47		.SCREW -----*-----		4
- 87	BS061192-037GR1		.PLATE-FLOOR PAN SUPPLIER CODE: VS5065		1

ILLUSTRATION ITEMS NOT ON PARTS LIST ARE NOT APPLICABLE

- ITEM NOT ILLUSTRATED

25-41-03-52

25-41-03
FIG. 52
PAGE 8
DEC 22/07

HXL



767

PARTS CATALOG (MAINTENANCE)

FIG ITEM	PART NUMBER	1 2 3 4 5 6 7	NOMENCLATURE	EFFECT FROM TO	UNITS PER ASSY
52					
90	BS061191-019GR1		.TRIM-FLOOR PAN, LAV M31 SUPPLIER CODE: VS5065 USED ON: SK066-1 SAS066-1	163999	1
90	BS061191-049GR1		.TRIM-FLOOR PAN, LAV M31 SUPPLIER CODE: VS5065 USED ON: SAS066-1021		1
- 92	BS061191-049GR1		.TRIM-FLOOR PAN, LAV M32 SUPPLIER CODE: VS5065 USED ON: SK066-12 SAS066-1032	163999	1
- 92	BS061191-019GR1		.TRIM-FLOOR PAN, LAV M32 SUPPLIER CODE: VS5065 USED ON: SAS066-1032		1
- 93	MS24693S47		.ATTACHING PARTS .SCREW -----*-----		2
96	BS061192-019GR1		.PLATE-FLOOR PAN, LAV M31 SUPPLIER CODE: VS5065 USED ON: SK066-1 SAS066-1	163999	1
96	BS061192-049GR1		.PLATE-FLOOR PAN, LAV M31 SUPPLIER CODE: VS5065 USED ON: SAS066-1021		1
- 98	BS061192-049GR1		.PLATE-FLOOR PAN, LAV M32 SUPPLIER CODE: VS5065 USED ON: SK066-12 SAS066-12	163999	1

ILLUSTRATION ITEMS NOT ON PARTS LIST ARE NOT APPLICABLE

- ITEM NOT ILLUSTRATED

25-41-03-52

25-41-03
FIG. 52
PAGE 9
DEC 22/07

HXL

BOEING
767
PARTS CATALOG (MAINTENANCE)

FIG ITEM	PART NUMBER	1 2 3 4 5 6 7	NOMENCLATURE	EFFECT FROM TO	UNITS PER ASSY
52					
- 98	BS061192-019GR1		.PLATE-FLOOR PAN, LAV M32 SUPPLIER CODE: VS5065 USED ON: SAS066-1032		1
99	BS063114-022GR1		.PANEL- SUPPLIER CODE: VS5065 POSITION DATA: LWR	163999	1
99	BS063114B022GR1		.PANEL- SUPPLIER CODE: VS5065 POSITION DATA: LWR		1
102	BS060116-081GR1		.PANEL- SUPPLIER CODE: VS5065 POSITION DATA: LWR	163999	1
102	BS060116-151GR1		.PANEL- SUPPLIER CODE: VS5065 POSITION DATA: LWR		1
105	BS060521-1		.BRACKET- SUPPLIER CODE: VS5065 ATTACHING PARTS		2
108	MS35206-242		.SCREW		8
111	AN960-8		.WASHER		8
114	BS060522-1		-----*----- .BRACKET- SUPPLIER CODE: VS5065 ATTACHING PARTS		1
117	MS35206-245		.SCREW		2
120	AN960-8		.WASHER		2
123	BS060522-2		-----*----- .BRACKET-TOILET SHROUD SUPPLIER CODE: VS5065 ATTACHING PARTS		1
126	MS35206-245		.SCREW		2
129	AN960-8		.WASHER		2
			-----*-----		

ILLUSTRATION ITEMS NOT ON PARTS LIST ARE NOT APPLICABLE

- ITEM NOT ILLUSTRATED

HXL

25-41-03-52

BOEING PROPRIETARY - Copyright © - Unpublished Work - See title page for details.

25-41-03
FIG. 52
PAGE 10
DEC 22/07

BOEING
767
PARTS CATALOG (MAINTENANCE)

FIG ITEM	PART NUMBER	1 2 3 4 5 6 7	NOMENCLATURE	EFFECT FROM TO	UNITS PER ASSY
52					
132	BS060103-7		.BRACKET-PNL SUPPLIER CODE: VS5065 POSITION DATA: LWR ATTACHING PARTS		1
135	MS35206-242		.SCREW		4
138	BS060103-19		.BRACKET-PNL SUPPLIER CODE: VS5065 POSITION DATA: LWR ATTACHING PARTS		1
141	MS35206-242		.SCREW		4
144	BS060103-26		.BRACKET-PNL SUPPLIER CODE: VS5065 POSITION DATA: LWR ATTACHING PARTS		1
147	MS35206-242		.SCREW		4
150	BS060103-27		.BRACKET-PNL SUPPLIER CODE: VS5065 POSITION DATA: LWR ATTACHING PARTS		1
153	MS35206-242		.SCREW		4
156	BS060118-5		.PLATE- SUPPLIER CODE: VS5065 ATTACHING PARTS		1
159	MS35206-242		.SCREW		4
162	BS061106-3		.BOOT- SUPPLIER CODE: VS5065		1
165	BS062101-3		.COVER- SUPPLIER CODE: VS5065 ATTACHING PARTS		1
- 168	BACS12CB08-7		.SCREW		4

ILLUSTRATION ITEMS NOT ON PARTS LIST ARE NOT APPLICABLE

- ITEM NOT ILLUSTRATED

HXL

25-41-03-52

BOEING PROPRIETARY - Copyright © - Unpublished Work - See title page for details.

25-41-03
FIG. 52
PAGE 11
DEC 22/07



767

PARTS CATALOG (MAINTENANCE)

FIG ITEM	PART NUMBER	1 2 3 4 5 6 7	NOMENCLATURE	EFFECT FROM TO	UNITS PER ASSY
52					
171	BS062102-3		.COVER- SUPPLIER CODE: VS5065		1
- 174	BACS12CB08-7		.ATTACHING PARTS .SCREW -----*-----		2
177	BS062105-21		.BRACKET- SUPPLIER CODE: VS5065	163999	1
177	BS062105-32		.BRACKET- SUPPLIER CODE: VS5065		1
- 180	BACS12CB08-7		.ATTACHING PARTS .SCREW -----*-----		5
210	BS062006-23		.TRIM-DOOR LAV M32 SUPPLIER CODE: VS5065		1
- 211	BS062006-13		.TRIM-DOOR LAV M31 SUPPLIER CODE: VS5065		1
- 213	MS24693S49		.ATTACHING PARTS .SCREW- -----*-----		3
216	BS062012-13		.TRIM-DOOR LAV M31 SUPPLIER CODE: VS5065		1
- 217	BS062012-15		.TRIM-DOOR LAV M32 SUPPLIER CODE: VS5065		1
- 219	MS24693S47		.ATTACHING PARTS .SCREW- -----*-----		2
222	BS062006-25		.TRIM-DOOR LAV M32 SUPPLIER CODE: VS5065		1
- 223	BS062006-5		.TRIM-DOOR LAV M31 SUPPLIER CODE: VS5065		1
- 225	MS24693S47		.ATTACHING PARTS .SCREW- -----*-----		2
228	BS062006-7		.TRIM-DOOR SUPPLIER CODE: VS5065		1
- 231	MS24693S47		.ATTACHING PARTS .SCREW- -----*-----		2

ILLUSTRATION ITEMS NOT ON PARTS LIST ARE NOT APPLICABLE

- ITEM NOT ILLUSTRATED

25-41-03-52

25-41-03
FIG. 52
PAGE 12
DEC 22/07

HXL

BOEING PROPRIETARY - Copyright © - Unpublished Work - See title page for details.

BOEING
767
PARTS CATALOG (MAINTENANCE)

FIG ITEM	PART NUMBER	1 2 3 4 5 6 7	NOMENCLATURE	EFFECT FROM TO	UNITS PER ASSY
52					
234	B0040330-11		.CATCH- SUPPLIER CODE: VS5065 ATTACHING PARTS		1
- 237	MS24693C47		.SCREW -----*-----		2
240	BS062006-29		.TRIM-DOOR LAV M32 SUPPLIER CODE: VS5065		1
- 241	BS062006-19		.TRIM-DOOR LAV M31 SUPPLIER CODE: VS5065 ATTACHING PARTS		1
- 243	MS24693S47		.SCREW- -----*-----		10
246	BS062005-107		.THRESHOLD-LAV M32 SUPPLIER CODE: VS5065		1
- 247	BS062005-105		.THRESHOLD-LAV M31 SUPPLIER CODE: VS5065 ATTACHING PARTS		1
- 249	MS24693C49		.SCREW	163999	5
- 249	MS24693C49		.SCREW-LAV M31		5
- 250	MS24693C49		.SCREW-LAV M32 -----*-----		3
252	BS060022-103		.TRIM-DOOR SUPPLIER CODE: VS5065		2
254	BS060022-105		.TRIM-DOOR SUPPLIER CODE: VS5065 ATTACHING PARTS		2
- 256	MS24693S46		.SCREW- -----*-----		16
258	BS060022-97		.TRIM-DOOR SUPPLIER CODE: VS5065 ATTACHING PARTS		12
- 261	MS24693S46		.SCREW- -----*-----		36
264	BS064337-25		.ANGLE- SUPPLIER CODE: VS5065 ATTACHING PARTS		2
- 267	MS35206-241		.SCREW -----*-----		16

ILLUSTRATION ITEMS NOT ON PARTS LIST ARE NOT APPLICABLE

- ITEM NOT ILLUSTRATED

HXL

25-41-03-52

25-41-03
FIG. 52
PAGE 13
DEC 22/07

 **BOEING**
767
PARTS CATALOG (MAINTENANCE)

FIG ITEM	PART NUMBER	1 2 3 4 5 6 7	NOMENCLATURE	EFFECT FROM TO	UNITS PER ASSY
52					
270	BS064337-23		. ANGLE- SUPPLIER CODE: VS5065 ATTACHING PARTS		2
- 273	MS35206-241		. SCREW -----*-----		24
276	BS064337-3		. ANGLE- SUPPLIER CODE: VS5065 ATTACHING PARTS		10
- 279	MS35206-242		. SCREW -----*-----		40
282	BS064337-9		. ANGLE- SUPPLIER CODE: VS5065 ATTACHING PARTS		2
- 285	MS35206-242		. SCREW -----*-----		28
288	BS164337-13		. ANGLE- SUPPLIER CODE: VS5065 ATTACHING PARTS		2
- 291	MS35206-242		. SCREW -----*-----		36
294	BS064337-15		. ANGLE- SUPPLIER CODE: VS5065 ATTACHING PARTS		4
- 297	MS35206-242		. SCREW -----*-----		40
300	BS064337-5		. ANGLE- SUPPLIER CODE: VS5065 ATTACHING PARTS		2
- 303	MS35206-242		. SCREW -----*-----		20
306	BS062147-13		. ANGLE- SUPPLIER CODE: VS5065 ATTACHING PARTS		1
- 309	MS35206-242		. SCREW -----*-----		11
312	BS064337-19		. ANGLE- SUPPLIER CODE: VS5065 ATTACHING PARTS		2
- 315	MS35206-241		. SCREW -----*-----		24

ILLUSTRATION ITEMS NOT ON PARTS LIST ARE NOT APPLICABLE

- ITEM NOT ILLUSTRATED

HXL

25-41-03-52

BOEING PROPRIETARY - Copyright © - Unpublished Work - See title page for details.

25-41-03
FIG. 52
PAGE 14
DEC 22/07



767

PARTS CATALOG (MAINTENANCE)

FIG ITEM	PART NUMBER	1 2 3 4 5 6 7	NOMENCLATURE	EFFECT FROM TO	UNITS PER ASSY
52					
318	BS060022-99		.TRIM-DOOR SUPPLIER CODE: VS5065		4
321	BS060022-107		.TRIM-DOOR SUPPLIER CODE: VS5065		4
- 324	MS24693S46		ATTACHING PARTS .SCREW- -----*-----		48
327	BS064337-17		.ANGLE- SUPPLIER CODE: VS5065		4
- 330	MS35206-241		ATTACHING PARTS .SCREW -----*-----		8
339	BS066171-131		.PANEL-SHELF LAV M32 SUPPLIER CODE: VS5065		2
- 342	MS24693S46		ATTACHING PARTS .SCREW -----*-----		22
345	BS066171-111		.PANEL-SHELF LAV M32 SUPPLIER CODE: VS5065		1
- 348	MS24693S46		ATTACHING PARTS .SCREW -----*-----		5
351	BS066171-121		.PANEL-SHELF LAV M32 SUPPLIER CODE: VS5065		1
- 354	MS24693S46		ATTACHING PARTS .SCREW -----*-----		7
357	BS066172-141		.PANEL-PARTITION LAV M32 SUPPLIER CODE: VS5065		3
- 360	MS24693S46		ATTACHING PARTS .SCREW -----*-----		24
363	BS066172-131		.PANEL-PARTITION LAV M32 SUPPLIER CODE: VS5065		3
- 366	MS24693S46		ATTACHING PARTS .SCREW -----*-----		15
426	BS066346-9		.STOPPER- SUPPLIER CODE: VS5065		12

ILLUSTRATION ITEMS NOT ON PARTS LIST ARE NOT APPLICABLE

- ITEM NOT ILLUSTRATED

25-41-03-52

25-41-03
FIG. 52
PAGE 15
DEC 22/07

HXL



767

PARTS CATALOG (MAINTENANCE)

FIG ITEM	PART NUMBER	1 2 3 4 5 6 7	NOMENCLATURE	EFFECT FROM TO	UNITS PER ASSY
52			ATTACHING PARTS		
- 429	MS24693S49		.SCREW		24
			-----*-----		
432	BS066346-7		.CATCH-		6
			SUPPLIER CODE: VS5065		
- 435	MS24693S49		ATTACHING PARTS .SCREW-		12
			-----*-----		
438	BS066470-11		.BOX-FIRE EXT. LAV M32		1
			SUPPLIER CODE: VS5065		
- 440	BS066470-21		.BOX-FIRE EXT. LAV M31		1
			SUPPLIER CODE: VS5065		
- 441	MS24693S47		ATTACHING PARTS .SCREW-		9
			-----*-----		
444	BS060054-305GR3		.RUBSTRIP-PART A		2
			SUPPLIER CODE: VS5065		
447	MS27039C1-04		ATTACHING PARTS .SCREW-		14
			-----*-----		
450	BS060055-305GR3		.RUBSTRIP-PART B		2
			SUPPLIER CODE: VS5065		
453	413T3702-3D		.CAP-END		4
456	MS27039C1-04		ATTACHING PARTS .SCREW		8
			-----*-----		
465	JMS2071-7		.HANDLE ASSY-ASSIST LAV M31		1
			SUPPLIER CODE: VS5065		
468	MS27039C1-09		ATTACHING PARTS .SCREW		2
469	AN960PD10		.WASHER		4
			-----*-----		
470	A700295-3		..HANDLE-		1
			SUPPLIER CODE: VS5065		
471	A700296-3		..SPACER-		1
			SUPPLIER CODE: VS5065		
472	A700297-3		..WASHER-		1
			SUPPLIER CODE: VS5065		

ILLUSTRATION ITEMS NOT ON PARTS LIST ARE NOT APPLICABLE

- ITEM NOT ILLUSTRATED

25-41-03-52

25-41-03
FIG. 52
PAGE 16
DEC 22/07

HXL



767

PARTS CATALOG (MAINTENANCE)

FIG ITEM	PART NUMBER	1 2 3 4 5 6 7	NOMENCLATURE	EFFECT FROM TO	UNITS PER ASSY
52 474	SK066004-15		.MAT-FLOOR LAV M32 SUPPLIER CODE: VS5065		1
- 476	SK066004-13		.MAT-FLOOR LAV M31 SUPPLIER CODE: VS5065		1
477	BS061002-001130		.ESCUTCHEON- SUPPLIER CODE: VS5065		1
480	BS061001-21		.HANDLE ASSY-FLUSH SUPPLIER CODE: VS5065		1
484	7900004		.TOILET ASSY- SUPPLIER CODE: V58568 SPECIFICATION NUMBER: S417T104-22 ELECTRICAL EQUIP NUMBER: M00009 COMPONENT MAINT MANUAL REF: 38-30-02 FOR DETAILS SEE: 38-32-01-21B		1
484	7900044		.TOILET ASSY- SUPPLIER CODE: V58568 SPECIFICATION NUMBER: S417T104-32 ELECTRICAL EQUIP NUMBER: M00009 COMPONENT MAINT MANUAL REF: 38-30-12 FOR DETAILS SEE: 38-32-01-21D		1
484	7900064		.TOILET ASSY- SUPPLIER CODE: V58568 SPECIFICATION NUMBER: S417T104-42 ELECTRICAL EQUIP NUMBER: M00009 COMPONENT MAINT MANUAL REF: 38-30-15 FOR DETAILS SEE: 38-32-01-21F		1

ILLUSTRATION ITEMS NOT ON PARTS LIST ARE NOT APPLICABLE

- ITEM NOT ILLUSTRATED

HXL

25-41-03-52

BOEING PROPRIETARY - Copyright © - Unpublished Work - See title page for details.

25-41-03
FIG. 52
PAGE 17
DEC 22/07



767

PARTS CATALOG (MAINTENANCE)

FIG ITEM	PART NUMBER	1 2 3 4 5 6 7	NOMENCLATURE	EFFECT FROM TO	UNITS PER ASSY
52 484	7900104		.TOILET ASSY- SUPPLIER CODE: V58568 SPECIFICATION NUMBER: S417T104-52 ELECTRICAL EQUIP NUMBER: M00009 COMPONENT MAINT MANUAL REF: 38-30-21 FOR DETAILS SEE: 38-32-01-21G		1
484	15800-006-2		.TOILET ASSY- SUPPLIER CODE: V29780 SPECIFICATION NUMBER: S417T104-18 ELECTRICAL EQUIP NUMBER: M00009 COMPONENT MAINT MANUAL REF: 38-33-10 FOR DETAILS SEE: 38-32-01-21A		1
484	15800-010-2		.TOILET ASSY- SUPPLIER CODE: V29780 SPECIFICATION NUMBER: S417T104-24 SB DATA FROM A CMM: PRE SB15800-38-04 ELECTRICAL EQUIP NUMBER: M00009 COMPONENT MAINT MANUAL REF: 38-33-10 FOR DETAILS SEE: 38-32-01-21C		1
484	15800-010-2		.TOILET ASSY- SUPPLIER CODE: V29780 SPECIFICATION NUMBER: S417T104-24 SB DATA FROM A CMM: POST SB15800-38-04 ELECTRICAL EQUIP NUMBER: M00009 COMPONENT MAINT MANUAL REF: 38-33-10 FOR DETAILS SEE: 38-32-01-21K		1

ILLUSTRATION ITEMS NOT ON PARTS LIST ARE NOT APPLICABLE

- ITEM NOT ILLUSTRATED

HXL

25-41-03-52

BOEING PROPRIETARY - Copyright © - Unpublished Work - See title page for details.

25-41-03
FIG. 52
PAGE 18
DEC 22/07



767

PARTS CATALOG (MAINTENANCE)

FIG ITEM	PART NUMBER	1 2 3 4 5 6 7	NOMENCLATURE	EFFECT FROM TO	UNITS PER ASSY
52 484	15800-012-2		.TOILET ASSY- SUPPLIER CODE: V29780 SPECIFICATION NUMBER: S417T104-36 ELECTRICAL EQUIP NUMBER: M00009 COMPONENT MAINT MANUAL REF: 38-33-12 FOR DETAILS SEE: 38-32-01-21E		1
484	15800-022-2		.TOILET ASSY- SUPPLIER CODE: V29780 SPECIFICATION NUMBER: S417T104-58 ELECTRICAL EQUIP NUMBER: M00009 COMPONENT MAINT MANUAL REF: 38-33-20 FOR DETAILS SEE: 38-32-01-21H		1
- 486	NAS6704-3		.ATTACHING PARTS .BOLT		4
- 489	AN960C416		.WASHER		4
			-----*-----		
492	BS063510-112WH2		.SHROUD-SURROUND SUPPLIER CODE: VS5065 ATTACHING PARTS		1
495	MS35206-243		.SCREW		1
498	MS24693S52		.SCREW		4
501	AN960-8		.WASHER		1
			-----*-----		
504	BS063513-112WH2		.SHROUD-SURROUND SUPPLIER CODE: VS5065 ATTACHING PARTS		1
507	MS35206-243		.SCREW		1
513	AN960-8		.WASHER		1
			-----*-----		
516	BS062015-4		.ANGLE- SUPPLIER CODE: VS5065 ATTACHING PARTS		1
519	MS35206-242		.SCREW		5
			-----*-----		

ILLUSTRATION ITEMS NOT ON PARTS LIST ARE NOT APPLICABLE

- ITEM NOT ILLUSTRATED

25-41-03-52

25-41-03
FIG. 52
PAGE 19
DEC 22/07

HXL

 **BOEING**
767
PARTS CATALOG (MAINTENANCE)

FIG ITEM	PART NUMBER	1 2 3 4 5 6 7	NOMENCLATURE	EFFECT FROM TO	UNITS PER ASSY
52					
522	BS062008-3		.BRACKET- SUPPLIER CODE: VS5065 ATTACHING PARTS		1
525	MS35206-242		.SCREW		8
528	BS062009-13		.BRACKET- SUPPLIER CODE: VS5065 ATTACHING PARTS		1
531	MS35206-242		.SCREW		6
534	BS060440-001WH2		.CHUTE ASSY-WASTE SUPPLIER CODE: VS5065 FOR DETAILS SEE: 26-24-01-02 ATTACHING PARTS		1
- 537	MS24693S47		.SCREW		2
540	BS060502-001WH1		.CONTAINER ASSY-WASTE SUPPLIER CODE: VS5065		1
543	BS060513-002WH2		.END-SINK CABINET SUPPLIER CODE: VS5065 ATTACHING PARTS		1
- 546	MS24693S52		.SCREW		4
549	BS066218-041043		.STRIP-GRAPHIC SUPPLIER CODE: VS5065 POSITION DATA: UPR		1
552	BS066485-017043		.STRIP-GRAPHIC LAV M32 SUPPLIER CODE: VS5065 POSITION DATA: LWR		1
- 554	BS066485-015043		.STRIP-GRAPHIC LAV M31 SUPPLIER CODE: VS5065 POSITION DATA: LWR		1
555	BS061006-003000		.PLATE-ATTENDANT CALL SUPPLIER CODE: VS5065		1

ILLUSTRATION ITEMS NOT ON PARTS LIST ARE NOT APPLICABLE

- ITEM NOT ILLUSTRATED

HXL

25-41-03-52

BOEING PROPRIETARY - Copyright © - Unpublished Work - See title page for details.

25-41-03
FIG. 52
PAGE 20
DEC 22/07



767

PARTS CATALOG (MAINTENANCE)

FIG ITEM	PART NUMBER	1 2 3 4 5 6 7	NOMENCLATURE	EFFECT FROM TO	UNITS PER ASSY
52					
558	BS060110-31		.ASHTRAY ASSY- SUPPLIER CODE: VS5065		2
- 561	MS24693S47		ATTACHING PARTS .SCREW		4
			-----*-----		
564	BS061551-3		.BUMPER- (BONDED WITH BAC5010 TYPE60) SUPPLIER CODE: VS5065		1
565	BS063465-11		.SUPPORT-LAV M32 SUPPLIER CODE: VS5065		1
567	BS062030-11		.HANDLE-ASSIST LAV M32 SUPPLIER CODE: VS5065		2
568	MS24693S49		ATTACHING PARTS .SCREW-LAV M32		8
			-----*-----		
570	BS062031-1		..HANDLE-LAV M32 SUPPLIER CODE: VS5065		1
			ATTACHING PARTS		
571	MS24693S51		..SCREW-LAV M32		2
			-----*-----		
572	BS062035-3		..SHAFT-LAV M32 SUPPLIER CODE: VS5065		1
573	BS062034-3		..CAM-LAV M32 SUPPLIER CODE: VS5065		4
574	JMS1514-5-4012		..PIN-SPR LAV M32 SUPPLIER CODE: VS5065		1
575	BS062033-3		..CASE-LAV M32 SUPPLIER CODE: VS5065		1
576	RF004-31		.DISPENSER ASSY-LIQUID SOAP SUPPLIER CODE: VS5065 FOR DETAILS SEE: 25-41-55-02		1
582	BS060161-5		.HOLDER- SUPPLIER CODE: VS5065		1
			ATTACHING PARTS		
- 585	MS35206-241		.SCREW		3
			-----*-----		

ILLUSTRATION ITEMS NOT ON PARTS LIST ARE NOT APPLICABLE

- ITEM NOT ILLUSTRATED

25-41-03-52

25-41-03
FIG. 52
PAGE 21
DEC 22/07

HXL

BOEING
767
PARTS CATALOG (MAINTENANCE)

FIG ITEM	PART NUMBER	1 2 3 4 5 6 7	NOMENCLATURE	EFFECT FROM TO	UNITS PER ASSY
52 588	BS060161-3		.HOLDER- (BONDED WITH BMS5-92 TYPE3) SUPPLIER CODE: VS5065		1
591	BS060165-3		.BUMPER- SUPPLIER CODE: VS5065		1
594	BS060166-3		.PLATE- SUPPLIER CODE: VS5065		1
597	BS060140-3		.TRIM-COLOR BRKT SUPPLIER CODE: VS5065		4
- 600	MS24693S46		ATTACHING PARTS .SCREW -----*-----		12
603	BS060046-7		.SEAL-P (BONDED WITH JMS0906) SUPPLIER CODE: VS5065		1
606	BS060044-5		.SEAL-P LAV M32 (BONDED WITH JMS0906) SUPPLIER CODE: VS5065		1
607	BS060044-3		.SEAL-P LAV M31 (BONDED WITH JMS0906) SUPPLIER CODE: VS5065		1
609	BS060044-7		.SEAL-P (BONDED WITH JMS0906) SUPPLIER CODE: VS5065		1
612	BS062215-1		.MIRROR ASSY- SUPPLIER CODE: VS5065 USED ON: SK066-1 SAS066-12 SK066-12 SAS066-1 FOR DETAILS SEE: 25-43-51-59	163999	1

ILLUSTRATION ITEMS NOT ON PARTS LIST ARE NOT APPLICABLE

- ITEM NOT ILLUSTRATED

HXL

25-41-03-52

BOEING PROPRIETARY - Copyright © - Unpublished Work - See title page for details.

25-41-03
FIG. 52
PAGE 22
DEC 22/07

 **BOEING**
767
PARTS CATALOG (MAINTENANCE)

FIG ITEM	PART NUMBER	1 2 3 4 5 6 7	NOMENCLATURE	EFFECT FROM TO	UNITS PER ASSY
52 612	BS062215-41		.MIRROR ASSY- SUPPLIER CODE: VS5065 USED ON: SAS066-1021 SAS066-1032 FOR DETAILS SEE: 25-43-51-62 ATTACHING PARTS		1
- 615	MS24693S47		.SCREW		10
618	BS066190A001		.WALL ASSY-SIDE AND DOOR LAV M31 SUPPLIER CODE: VS5065 USED ON: SK066-1 SAS066-1	163999	1
618	BS066190B001		.WALL ASSY-SIDE AND DOOR LAV M31 SUPPLIER CODE: VS5065 USED ON: SAS066-1021		1
621	BS066190A011		.WALL ASSY-SIDE AND DOOR LAV M32 SUPPLIER CODE: VS5065 USED ON: SK066-12 SAS066-12	163999	1
621	BS066190B011		.WALL ASSY-SIDE AND DOOR LAV M32 SUPPLIER CODE: VS5065 USED ON: SAS066-1032		1
624	BS060070-121		..WALL-END LAV M31 SUPPLIER CODE: VS5065		1
627	BS060070-131		..WALL-END LAV M32 SUPPLIER CODE: VS5065		1
630	BS060076-671		..WALL-END LAV M31 SUPPLIER CODE: VS5065		1
633	BS060076-681		..WALL-END LAV M32 SUPPLIER CODE: VS5065		1

ILLUSTRATION ITEMS NOT ON PARTS LIST ARE NOT APPLICABLE

- ITEM NOT ILLUSTRATED

HXL

25-41-03-52

BOEING PROPRIETARY - Copyright © - Unpublished Work - See title page for details.

25-41-03
FIG. 52
PAGE 23
DEC 22/07



767

PARTS CATALOG (MAINTENANCE)

FIG ITEM	PART NUMBER	1 2 3 4 5 6 7	NOMENCLATURE	EFFECT FROM TO	UNITS PER ASSY
52					
636	BS060076-691	..	WALL-END SUPPLIER CODE: VS5065		1
639	BS066135A011	.WALL ASSY-SIDE AND DOOR LAV M31 SUPPLIER CODE: VS5065 USED ON: SK066-1 SAS066-12		163999	1
639	BS066135B011	.WALL ASSY-SIDE AND DOOR LAV M31 SUPPLIER CODE: VS5065 USED ON: SAS066-1021			1
642	BS066135A001	.WALL ASSY-SIDE AND DOOR LAV M32 SUPPLIER CODE: VS5065 USED ON: SK066-12 SAS066-12		163999	1
642	BS066135B001	.WALL ASSY-SIDE AND DOOR LAV M32 SUPPLIER CODE: VS5065 USED ON: SAS066-1032			1
645	BS060076-591	..	WALL-END SUPPLIER CODE: VS5065		1
648	BS060076-711	..	WALL-END SUPPLIER CODE: VS5065		1
651	BS063030-1	.HANDLE ASSY-ASSIST LAV M32 SUPPLIER CODE: VS5065			1
654	MS27039C1-09	.SCREW			3
657	AN960PD10	.WASHER			6
		-----*-----			
660	65B68474-1	..	HANDLE		1
663	A700296-3	..	SPACER- SUPPLIER CODE: VS5065		3
666	A700297-3	..	WASHER- SUPPLIER CODE: VS5065		3

ILLUSTRATION ITEMS NOT ON PARTS LIST ARE NOT APPLICABLE

- ITEM NOT ILLUSTRATED

25-41-03-52

25-41-03
FIG. 52
PAGE 24
DEC 22/07

HXL

 **BOEING**
767
PARTS CATALOG (MAINTENANCE)

FIG ITEM	PART NUMBER	1 2 3 4 5 6 7	NOMENCLATURE	EFFECT FROM TO	UNITS PER ASSY
52 669	BCREF114911		.PLATE-COLOR BRKT (BONDED WITH BMS5-91 TYPE1) OVERLENGTH PART NUMBER: BAC1522-294-7800 USED ON: SK066-1 SAS066-12 SK066-12 SAS066-1	163999	AR
669	BCREF108369		.PLATE-COLOR BRKT (BONDED WITH BMS5-91 TYPE1) OVERLENGTH PART NUMBER: BAC1522-294-7802 USED ON: SAS066-1021 SAS066-1032		AR
- 674	BS062215-31		.MIRROR ASSY- SUPPLIER CODE: VS5065 FOR DETAILS SEE: 25-43-51-61		1
- 675	BS066730-1		.TAPE INSTL-HEAT LAV M31 SUPPLIER CODE: VS5065 FUNCTIONAL REFERENCE: PLACARDS AND MARKINGS FOR DETAILS SEE 11-35-18-53 WATER/WASTE FOR DETAILS SEE 38-13-51-05		RF
- 677	BS066730-11		.TAPE INSTL-HEAT LAV M32 SUPPLIER CODE: VS5065 FUNCTIONAL REFERENCE: PLACARDS AND MARKINGS FOR DETAILS SEE 11-35-18-53 WATER/WASTE FOR DETAILS SEE 38-13-51-05		RF
680	BS063020-1		.HANDLE ASSY-ASSIST LAV M32 SUPPLIER CODE: VS5065 SB DATA FROM A CMM: PRE SL SL-R6-033		1

ILLUSTRATION ITEMS NOT ON PARTS LIST ARE NOT APPLICABLE

- ITEM NOT ILLUSTRATED

HXL

25-41-03-52

BOEING PROPRIETARY - Copyright © - Unpublished Work - See title page for details.

25-41-03
FIG. 52
PAGE 25
DEC 22/07



767

PARTS CATALOG (MAINTENANCE)

FIG ITEM	PART NUMBER	1 2 3 4 5 6 7	NOMENCLATURE	EFFECT FROM TO	UNITS PER ASSY
52 680	JMS2071-23-11		.HANDLE ASSY-ASSIST LAV M32 SUPPLIER CODE: VS5065 SB DATA FROM A CMM: POST SL SL-R6-033 ATTACHING PARTS		1
690	MS27039C1-09		.SCREW- USED WITH: BS063020-1		2
695	MS27039C1-07		.SCREW- USED WITH: JMS2071-23-11		3
700	AN960PD10		.WASHER- USED WITH: BS063020-1		4
705	AN960PD10		.WASHER- USED WITH: JMS2071-23-11		6
710	65B68474-2		-----*----- ..HANDLE- USED ON: BS063020-1		1
715	JMS2071-23-5		..HANDLE- SUPPLIER CODE: VS5065 USED ON: JMS2071-23-11		1
720	A700296-3		..SPACER- SUPPLIER CODE: VS5065 USED ON: BS063020-1		2
725	A700296-3		..SPACER- SUPPLIER CODE: VS5065 USED ON: JMS2071-23-11		3
730	A700297-3		..WASHER- SUPPLIER CODE: VS5065 USED ON: BS063020-1		2
735	A700297-3		..WASHER- SUPPLIER CODE: VS5065 USED ON: JMS2071-23-11		3

ILLUSTRATION ITEMS NOT ON PARTS LIST ARE NOT APPLICABLE

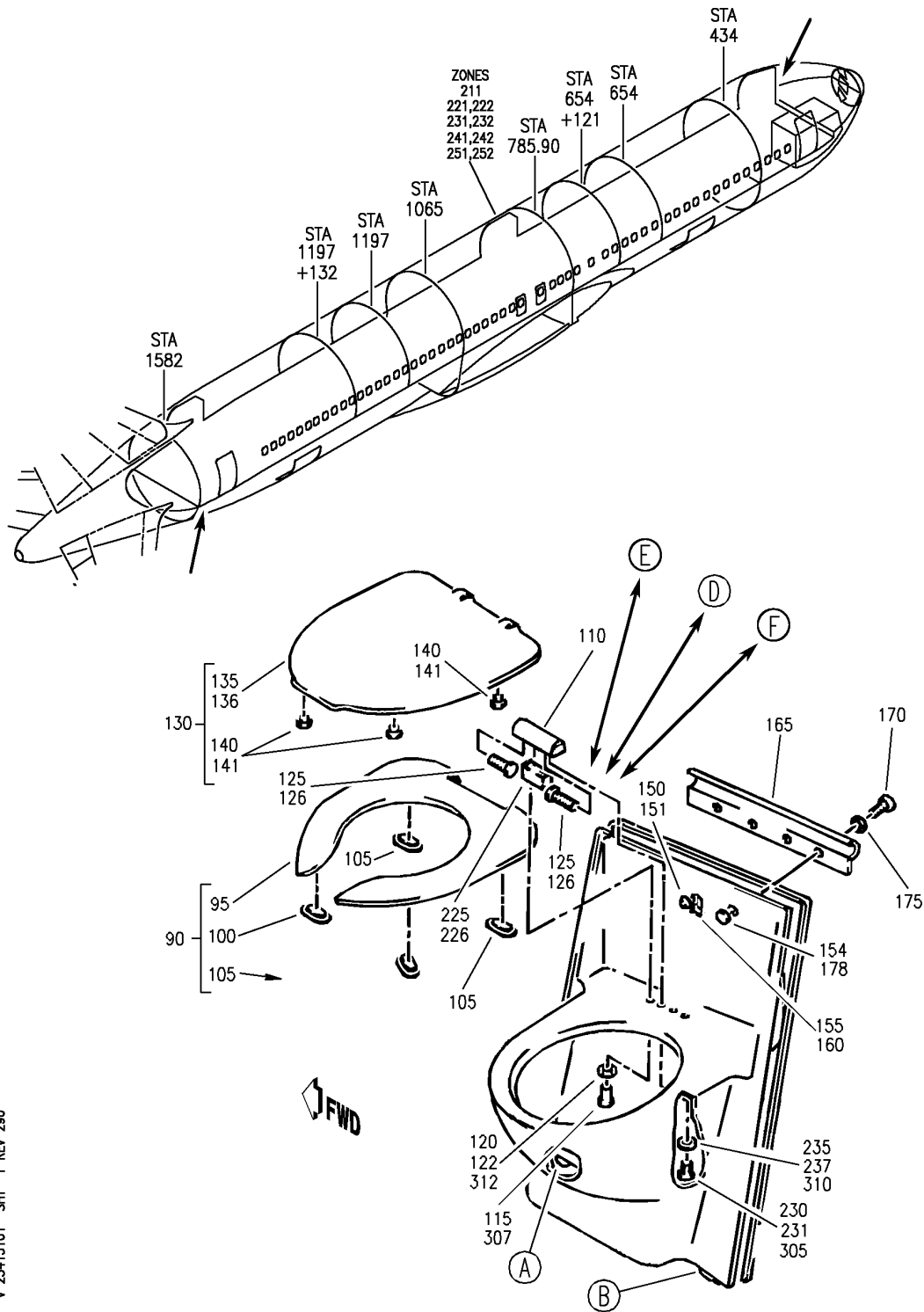
- ITEM NOT ILLUSTRATED

25-41-03-52

25-41-03
FIG. 52
PAGE 26
DEC 22/07

HXL

BOEING
767
PARTS CATALOG (MAINTENANCE)



V 25415101 SHT 1 REV 290

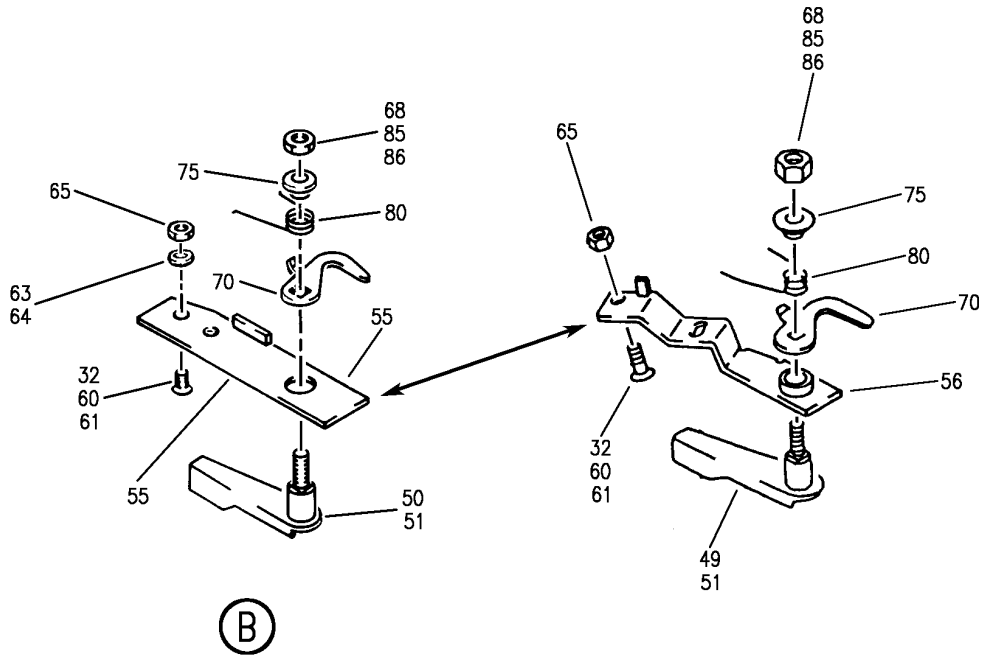
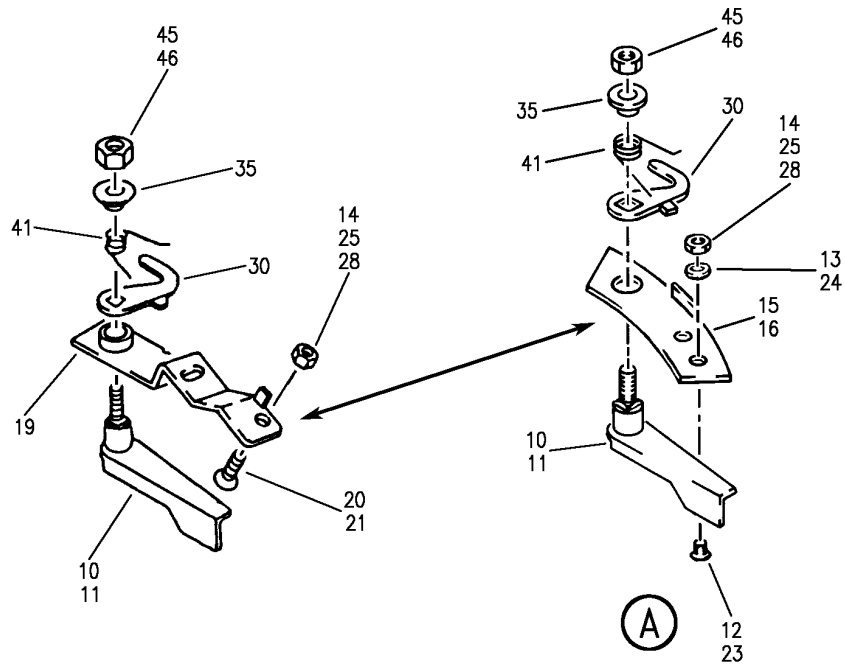
SHROUD ASSY-TOILET, LAV 767-300 ONLY
FIGURE 1 (SHEET 1)

25-41-51-01

HXL
DEC 22/06

25-41-51-01
PAGE 0


BOEING
 767
PARTS CATALOG (MAINTENANCE)



V 25415101 SHIT 2 REV 290

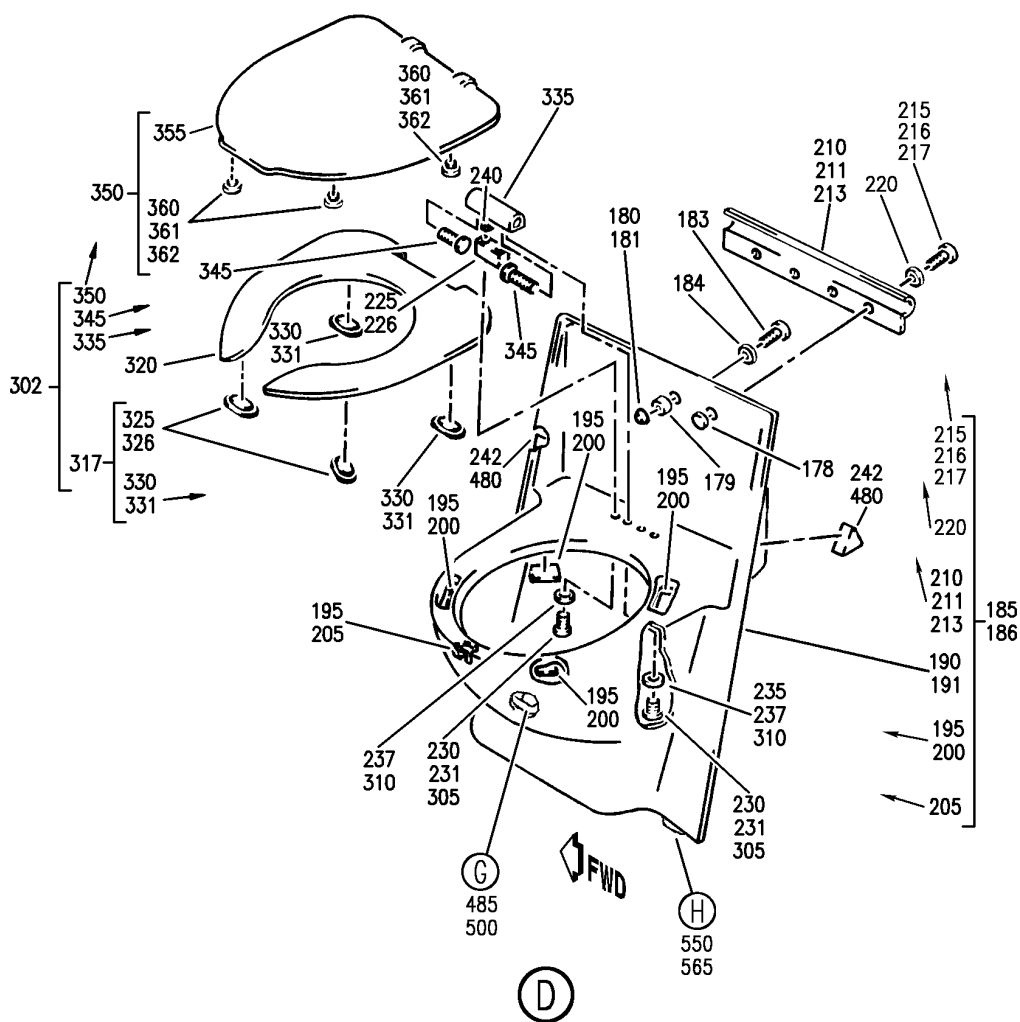
SHROUD ASSY-TOILET, LAV 767-300 ONLY
FIGURE 1 (SHEET 2)

25-41-51-01

HXL
DEC 22/06

25-41-51-01
PAGE 0A


BOEING
 767
PARTS CATALOG (MAINTENANCE)



V 25415101 SH-T 3 REV 290

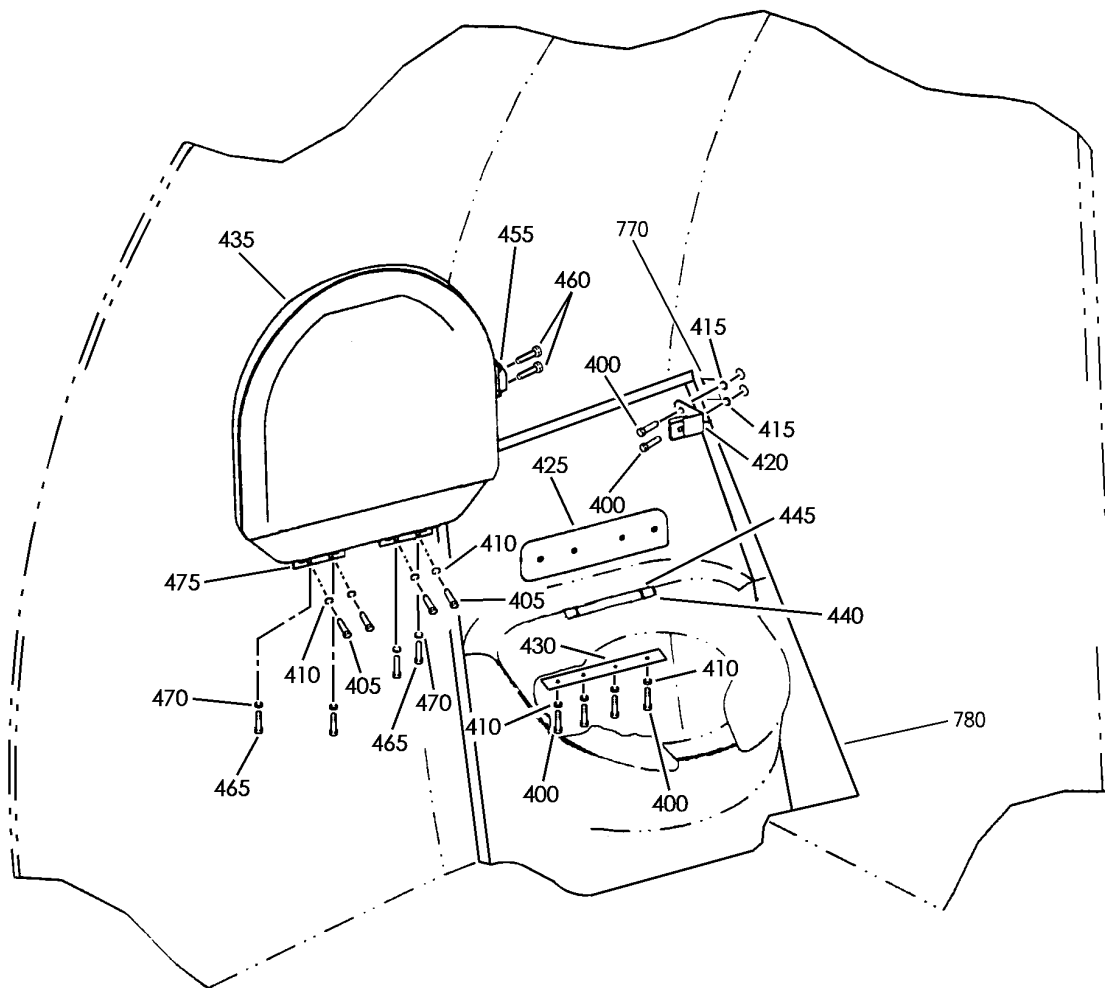
SHROUD ASSY-TOILET, LAV 767-300 ONLY
 FIGURE 1 (SHEET 3)

25-41-51-01

HXL
 DEC 22/06

25-41-51-01
 PAGE 0B

BOEING
767
PARTS CATALOG (MAINTENANCE)



(E)

V 25415101 SHT 4 REV 232

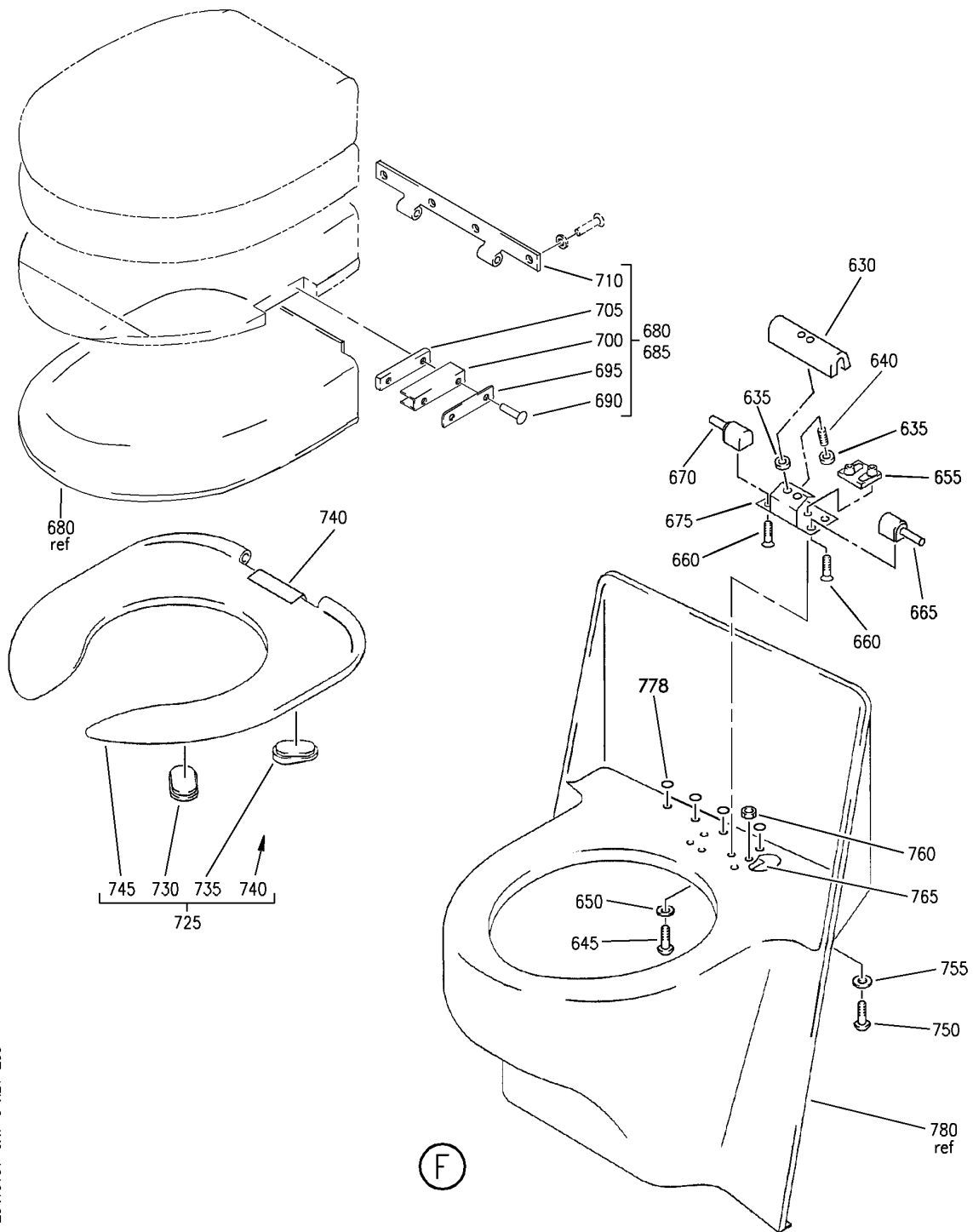
SHROUD ASSY-TOILET, LAV 767-300 ONLY
FIGURE 1 (SHEET 4)

25-41-51-01

HXL
DEC 22/06

25-41-51-01
PAGE 0C

BOEING
767
PARTS CATALOG (MAINTENANCE)



V 25415101 SHT 5 REV 236

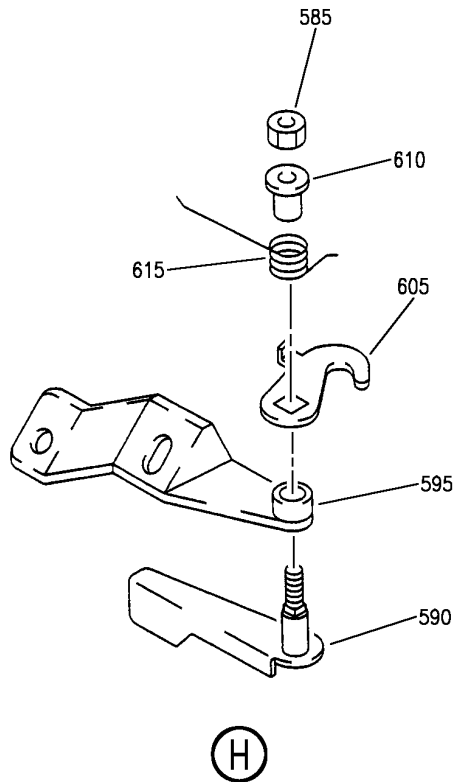
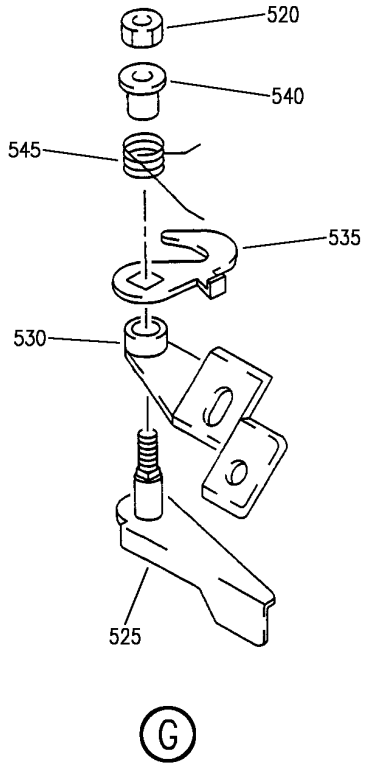
SHROUD ASSY-TOILET, LAV 767-300 ONLY
FIGURE 1 (SHEET 5)

25-41-51-01

HXL
DEC 22/06

25-41-51-01
PAGE 0D

BOEING
767
PARTS CATALOG (MAINTENANCE)



V 25415101 SHIT 6 REV 272

SHROUD ASSY-TOILET, LAV 767-300 ONLY
FIGURE 1 (SHEET 6)

25-41-51-01

HXL
DEC 22/06

25-41-51-01
PAGE 0E



767

PARTS CATALOG (MAINTENANCE)

FIG ITEM	PART NUMBER	1 2 3 4 5 6 7	NOMENCLATURE	EFFECT FROM TO	UNITS PER ASSY
1			SHROUD ASSY-TOILET, LAV 767-300 ONLY		
- 1	B0061500-61		SHROUD ASSY-TOILET, LAV F1 SUPPLIER CODE: VS5065 COMPONENT MAINT MANUAL REF: 25-40-12 FOR NHA SEE: 25-41-01-32B		RF
- 5	BS062500-61		SHROUD ASSY-TOILET, LAV MS15, MS16, MS17, MS18, M31 AND M32 SUPPLIER CODE: VS5065 FOR NHA SEE: 25-41-03-46B 25-41-03-52		RF
10	B0061502-61		.LEVER- SUPPLIER CODE: VS5065		1
15	B0061520-11		.SUPPORT-LEVER, LAV F1 SUPPLIER CODE: VS5065		1
- 18	B0040505-1		.SUPPORT-LEVER, LAV MS15, MS16, MS17, MS18, M31 AND M32 SUPPLIER CODE: VS5065		1
20	MS24693C49		.SCREW		2
25	MS21042-08		.NUT		2
30	B0061503-3		.CATCH- LAV F1, MS3, MS4, A3, A4, AC3 AND AC4 LAV FS7, FS8, A5, A6, AC3 AND AC4 LAV F1, MS15, MS16, MS17, MS18, M31 AND M32 LAV F1, MS9, MS10, A3, A4, AC3 AND AC4 SUPPLIER CODE: VS5065		1

ILLUSTRATION ITEMS NOT ON PARTS LIST ARE NOT APPLICABLE

- ITEM NOT ILLUSTRATED

HXL

25-41-51-01

BOEING PROPRIETARY - Copyright © - Unpublished Work - See title page for details.

25-41-51
FIG. 01
PAGE 1
DEC 22/07



767

PARTS CATALOG (MAINTENANCE)

FIG ITEM	PART NUMBER	1 2 3 4 5 6 7	NOMENCLATURE	EFFECT FROM TO	UNITS PER ASSY
1					
35	B0061505-3		. SPACER- LAV F1, MS3, MS4, A3, A4, AC3 AND AC4 LAV FS7, FS8, A5, A6, AC3 AND AC4 LAV F1, MS15, MS16, MS17, MS18, M31 AND M32 LAV F1, MS9, MS10, A3, A4, AC3 AND AC4 SUPPLIER CODE: VS5065		1
41	B0061506-3		. SPRING- LAV F1, MS3, MS4, A3, A4, AC3 AND AC4 LAV FS7, FS8, A5, A6, AC3 AND AC4 LAV F1, MS15, MS16, MS17, MS18, M31 AND M32 LAV F1, MS9, MS10, A3, A4, AC3 AND AC4 SUPPLIER CODE: VS5065		1
45	MS21042-08		. NUT- LAV F1, MS3, MS4, A3, A4, AC3 AND AC4 LAV F1, MS15, MS16, MS17, MS18, M31 AND M32 LAV F1, MS9, MS10, A3, A4, AC3 AND AC4		1
51	B0061502-62		. LEVER- SUPPLIER CODE: VS5065		1
55	B0061520-21		. SUPPORT-LEVER, LAV F1 SUPPLIER CODE: VS5065		1
- 58	B0040505-2		. SUPPORT-LEVER, LAV MS9, MS10, A3, A4, AC3, AND AC4 MS15, MS16, MS17, MS18, M31 AND M32 SUPPLIER CODE: VS5065		1
60	MS24693C49		. SCREW- LAV F1, MS3, MS4, A3, A4, AC3 AND AC4 LAV F1, MS15, MS16, MS17, MS18, M31 AND M32		2
65	MS21042-08		. NUT		2

ILLUSTRATION ITEMS NOT ON PARTS LIST ARE NOT APPLICABLE

- ITEM NOT ILLUSTRATED

25-41-51-01

25-41-51
FIG. 01
PAGE 2
DEC 22/07

HXL



767

PARTS CATALOG (MAINTENANCE)

FIG ITEM	PART NUMBER	1 2 3 4 5 6 7	NOMENCLATURE	EFFECT FROM TO	UNITS PER ASSY
1	70 B0061503-4		.CATCH-LAV F1, MS3, MS4, A3, A4, AC3 AND AC4 FS7, FS8, A5, A6, AC3 AND AC4 F1, MS14, A3, A4, AC3 AND AC4 F1, MS15, MS16, MS17, MS18, M31 AND M32 F1, MS9, MS10, A3, A4, AC3 AND AC4 SUPPLIER CODE: VS5065		1
	75 B0061505-3		.SPACER- LAV F1, MS3, MS4, A3, A4, AC3 AND AC4 LAV FS7, FS8, A5, A6, AC3 AND AC4 LAV F1, MS15, MS16, MS17, MS18, M31 AND M32 LAV F1, MS9, MS10, A3, A4, AC3 AND AC4 SUPPLIER CODE: VS5065		1
	80 B0061506-4		.SPRING- LAV F1, MS3, MS4, A3, A4, AC3 AND AC4 LAV FS7, FS8, A5, A6, AC3 AND AC4 LAV F1, MS15, MS16, MS17, MS18, M31 AND M32 LAV F1, MS9, MS10, A3, A4, AC3 AND AC4 SUPPLIER CODE: VS5065		1
	85 MS21042-08		.NUT- LAV F1, MS3, MS4, A3, A4, AC3 AND AC4 LAV F1, MS15, MS16, MS17, MS18, M31 AND M32 LAV F1, MS9, MS10, A3, A4, AC3 AND AC4		1
-	91 B0061560-1		.SEAT ASSY-TOILET SUPPLIER CODE: VS5065		1
	95 B0061560-3		..SEAT- SUPPLIER CODE: VS5065		1

ILLUSTRATION ITEMS NOT ON PARTS LIST ARE NOT APPLICABLE

- ITEM NOT ILLUSTRATED

25-41-51-01

25-41-51
FIG. 01
PAGE 3
DEC 22/07

HXL

BOEING
767
PARTS CATALOG (MAINTENANCE)

FIG ITEM	PART NUMBER	1 2 3 4 5 6 7	NOMENCLATURE	EFFECT FROM TO	UNITS PER ASSY
1					
100	B0061561-3		..BUMPER- SUPPLIER CODE: VS5065		2
105	B0061561-5		..BUMPER- SUPPLIER CODE: VS5065		2
110	B0061553-1		.SUPPORT-HINGE SUPPLIER CODE: VS5065		1
115	MS51957-43		ATTACHING PARTS		2
- 117	MS27039C1-07		.SCREW-LAV F1 .SCREW-LAV MS9, MS10, A3, A4, AC3 AND AC4 MS15, MS16, MS17, MS18, M31 AND M32		2
120	AN960-8		.WASHER-LAV F1		2
- 122	AN970-3		.WASHER- LAV MS15, MS16, MS17, MS18, M31 AND M32		2
			-----*-----		
126	B0061552-3		.PIN- SUPPLIER CODE: VS5065		2
130	B0061550-1		.COVER ASSY-TOILET SEAT SUPPLIER CODE: VS5065		1
136	B0061550-3		..COVER- SUPPLIER CODE: VS5065		1
140	B0061551-3		..BUMPER- SUPPLIER CODE: VS5065		4
150	B0061509-1		.BUMPER-LAV F1 SUPPLIER CODE: VS5065		1
- 152	BS061551-15		.BUMPER-LAV F1, MS15, MS16, MS17, MS18, M31 AND M32 SUPPLIER CODE: VS5065		1
155	MS51957-43		ATTACHING PARTS .SCREW-LAV F1		1

ILLUSTRATION ITEMS NOT ON PARTS LIST ARE NOT APPLICABLE

- ITEM NOT ILLUSTRATED

HXL

25-41-51-01

BOEING PROPRIETARY - Copyright © - Unpublished Work - See title page for details.

25-41-51
FIG. 01
PAGE 4
DEC 22/07



767

PARTS CATALOG (MAINTENANCE)

FIG ITEM	PART NUMBER	1 2 3 4 5 6 7	NOMENCLATURE	EFFECT FROM TO	UNITS PER ASSY
1 160	AN960-8		.WASHER-LAV F1 USED ON: B0061500-21 B0061500-1 B0061500-111 B0061500-171 -----*-----		1
185	BS062500-21-1		.SHROUD ASSY-LAV MS15, MS16, MS17, MS18, M31 AND M32 SUPPLIER CODE: VS5065		1
- 187	B0061500-21-1		.SHROUD ASSY-LAV F1 SUPPLIER CODE: VS5065		1
190	B0061500-3		..SHROUD- LAV F1 SUPPLIER CODE: VS5065 USED ON: B0061500-11-1 B0061500-21-1 B0061500-41-1 BS062500-21-1		1
- 193	B0040500-3		..SHROUD-LAV MS15, MS16, MS17, MS18, M31 AND M32 SUPPLIER CODE: VS5065		1
195	B0061501-3		..PAD-LAV F1 SUPPLIER CODE: VS5065		5
200	B0061501-3		..PAD-LAV MS15, MS16, MS17, MS18, M31 AND M32 A3, A4, AC3, AC4, FS5 AND FS6 A3, A4, AC3, AC4, MS9 AND MS10 FS9, MS3, MS4, A3, A4 AC5 SUPPLIER CODE: VS5065		4

ILLUSTRATION ITEMS NOT ON PARTS LIST ARE NOT APPLICABLE

- ITEM NOT ILLUSTRATED

HXL

25-41-51-01

BOEING PROPRIETARY - Copyright © - Unpublished Work - See title page for details.

25-41-51
FIG. 01
PAGE 5
DEC 22/07

 **BOEING**
767
PARTS CATALOG (MAINTENANCE)

FIG ITEM	PART NUMBER	1 2 3 4 5 6 7	NOMENCLATURE	EFFECT FROM TO	UNITS PER ASSY
1 205	B0061501-5		..PAD-LAV MS15, MS16, MS17, MS18, M31 AND M32 FS7, FS8, A5, A6, AC3 AND AC4 MS15, MS16, M15, M16, A3 AND A4 A3, A4, AC3, AC4, FS5 AND FS6 A3, A4, AC3, AC4, MS9 AND MS10 FS9, MS3, MS4, A3, A4 MS3, MS4, M19, A3, A4, M15, M16 AND MS15 AND AC5 SUPPLIER CODE: VS5065		1
210	B0061500-5		..BRACKET-LAV F1 SUPPLIER CODE: VS5065 USED ON: B0061500-11-1 B0061500-21-1 B0061500-41-1		1
- 212	B0060506-3		..HOOK-LAV MS9, MS10, A3, A4, AC3, AND AC4 MS15, MS16, MS17, MS18, M31 AND M32 SUPPLIER CODE: VS5065 ATTACHING PARTS		1
215	MS35206-242		..SCREW-LAV F1		4
- 217	MS35206-242		..SCREW-LAV MS15, MS16, MS17, MS18, M31 AND M32		4
220	AN960-8		..WASHER-LAV F1		4
225	B0061554-3		-----*----- .BLOCK- LAV F1, MS3, MS4, A3, A4, AC3 AND AC4 LAV FS7, FS8, A5, A6, AC3 AND AC4 LAV F1, MS15, MS16, MS17, MS18, M31 AND M32 LAV F1, MS9, MS10, A3, A4, AC3 AND AC4 SUPPLIER CODE: VS5065		1
ILLUSTRATION ITEMS NOT ON PARTS LIST ARE NOT APPLICABLE					

- ITEM NOT ILLUSTRATED

HXL

25-41-51-01

BOEING PROPRIETARY - Copyright © - Unpublished Work - See title page for details.

25-41-51
FIG. 01
PAGE 6
DEC 22/07


BOEING
 767
PARTS CATALOG (MAINTENANCE)

FIG ITEM	PART NUMBER	1 2 3 4 5 6 7	NOMENCLATURE	EFFECT FROM TO	UNITS PER ASSY
1			ATTACHING PARTS		
230	MS35206-249		.SCREW-		2
235	AN960-8		.WASHER-LAV F1, MS3, MS4, A3, A4, AC3 AND AC4 F1, MS15, MS16, M15, M16, A3 AND A4		2
240	MS21042-08		.NUT- LAV F1, MS3, MS4, A3, A4, AC3 AND AC4 LAV F1, MS15, MS16, MS17, MS18, M31 AND M32		2
245	B0061508-3		-----*----- .SEAT-LAV F1 (BONDED WITH BAC5010 TYPE88) SUPPLIER CODE: VS5065		1

ILLUSTRATION ITEMS NOT ON PARTS LIST ARE NOT APPLICABLE

— ITEM NOT ILLUSTRATED

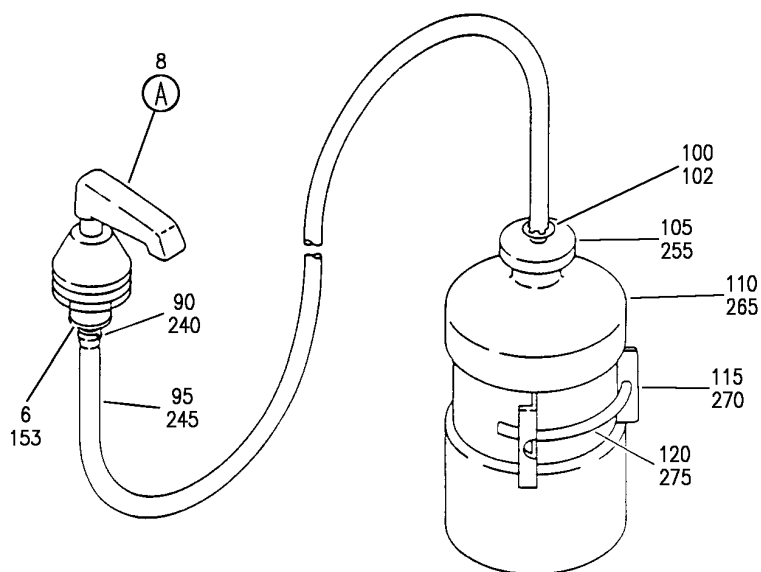
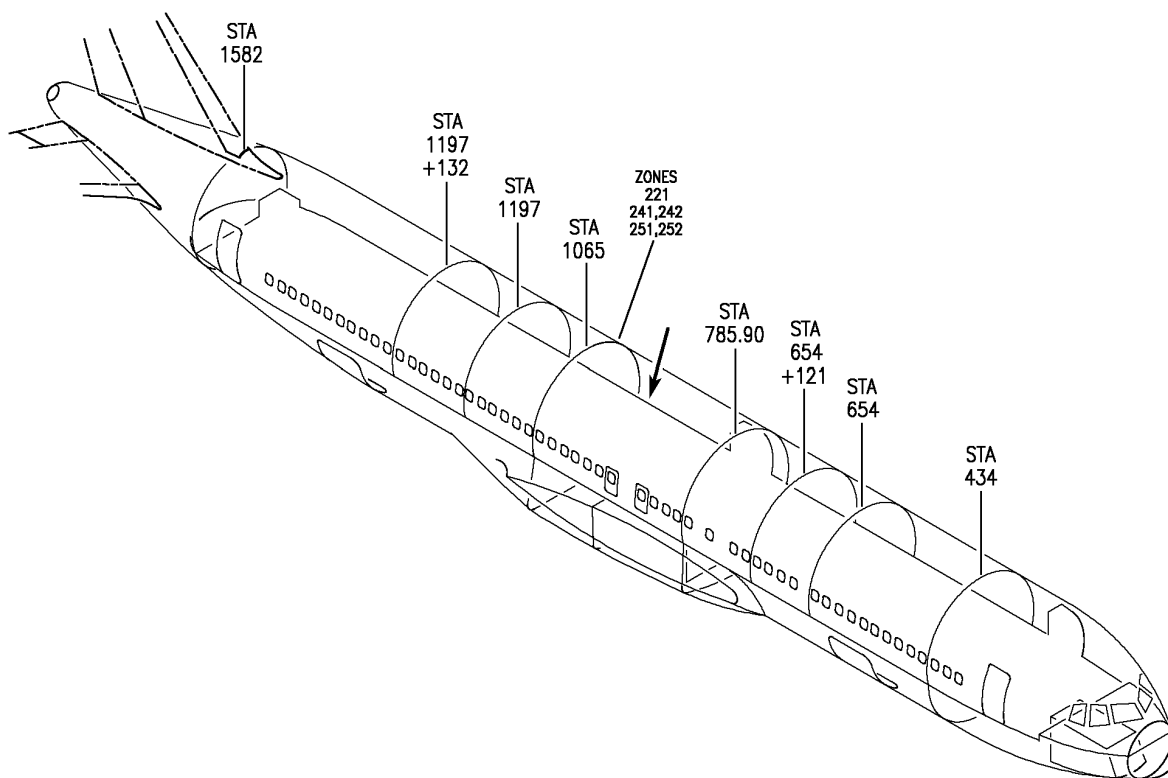
HXL

25-41-51-01

BOEING PROPRIETARY - Copyright © - Unpublished Work - See title page for details.

25-41-51
 FIG. 01
 PAGE 7
 DEC 22/07

BOEING
767
PARTS CATALOG (MAINTENANCE)



V 25415502 SH1 1 REV 327

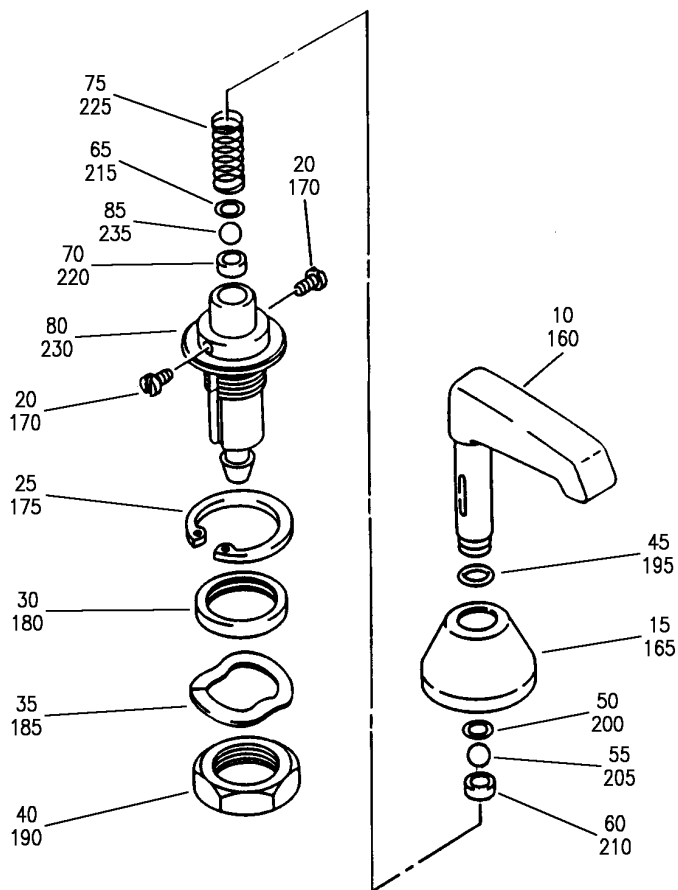
DISPENSER ASSY-LIQUID SOAP
FIGURE 2 (SHEET 1)

25-41-55-02

HXL
APR 22/08

25-41-55-02
PAGE 0

BOEING
767
PARTS CATALOG (MAINTENANCE)



(A)

V 25415502 SH-T 2 REV 327

DISPENSER ASSY-LIQUID SOAP
FIGURE 2 (SHEET 2)

25-41-55-02

HXL
APR 22/08

25-41-55-02
PAGE 0A



767

PARTS CATALOG (MAINTENANCE)

FIG ITEM	PART NUMBER	1 2 3 4 5 6 7	NOMENCLATURE	EFFECT FROM TO	UNITS PER ASSY
2					
- 1	RF004-31		DISPENSER ASSY-LIQUID SOAP DISPENSER ASSY-LIQUID SOAP LAV F1, MS15, MS16, MS17, MS18, M31 AND M32 SUPPLIER CODE: VS5065 FOR NHA SEE: 25-41-01-32B 25-41-03-46B 25-41-03-52		RF
8	RF004100-21		.PUMP ASSY- SUPPLIER CODE: VS5065		1
10	RF004108-21		..SPOUT- SUPPLIER CODE: VS5065		1
15	RF004103-3		..ESCUTCHEON- SUPPLIER CODE: VS5065		1
20	RF004111-5		..PIN- SUPPLIER CODE: VS5065		2
25	JMS1515-5000-30		..RING-RETAINING SUPPLIER CODE: VS5065		1
30	RF004106-3		..PACKING- SUPPLIER CODE: VS5065		1
40	P99-04009-3		..NUT-MTG SUPPLIER CODE: VS5065		1
45	JISB2401P7		..PACKING- SUPPLIER CODE: VS5065		1
50	JISB1255A3S		..WASHER- SUPPLIER CODE: VS5065		1
55	RF004116-3		..BALL- SUPPLIER CODE: VS5065		1
60	RF004114-3		..RETAINER- SUPPLIER CODE: VS5065		1
65	JISB1255A5S		..WASHER- SUPPLIER CODE: VS5065		1
70	RF004115-3		..COLLAR- SUPPLIER CODE: VS5065		1

ILLUSTRATION ITEMS NOT ON PARTS LIST ARE NOT APPLICABLE

- ITEM NOT ILLUSTRATED

25-41-55-02

25-41-55
FIG. 02
PAGE 1
DEC 22/07

HXL



767

PARTS CATALOG (MAINTENANCE)

FIG ITEM	PART NUMBER	1 2 3 4 5 6 7	NOMENCLATURE	EFFECT FROM TO	UNITS PER ASSY
2					
75	RF004104-3	..	SPRING- SUPPLIER CODE: VS5065		1
80	RF004102-5	..	CYLINDER- SUPPLIER CODE: VS5065		1
85	RF004112-3	..	BALL- SUPPLIER CODE: VS5065		1
90	RF004206-3	.	BAND-HOSE SUPPLIER CODE: VS5065		1
95	RF004204-5	.	TUBE- SUPPLIER CODE: VS5065		1
100	6834	.	STOPPER- SUPPLIER CODE: VS5065		1
105	RF004201-3	.	CAP- SUPPLIER CODE: VS5065		1
110	RF004200-3	.	BOTTLE- SUPPLIER CODE: VS5065		1
115	RF004202-3	.	HOLDER- SUPPLIER CODE: VS5065		1
120	RF004203-3	.	BAND- SUPPLIER CODE: VS5065		1

ILLUSTRATION ITEMS NOT ON PARTS LIST ARE NOT APPLICABLE

- ITEM NOT ILLUSTRATED

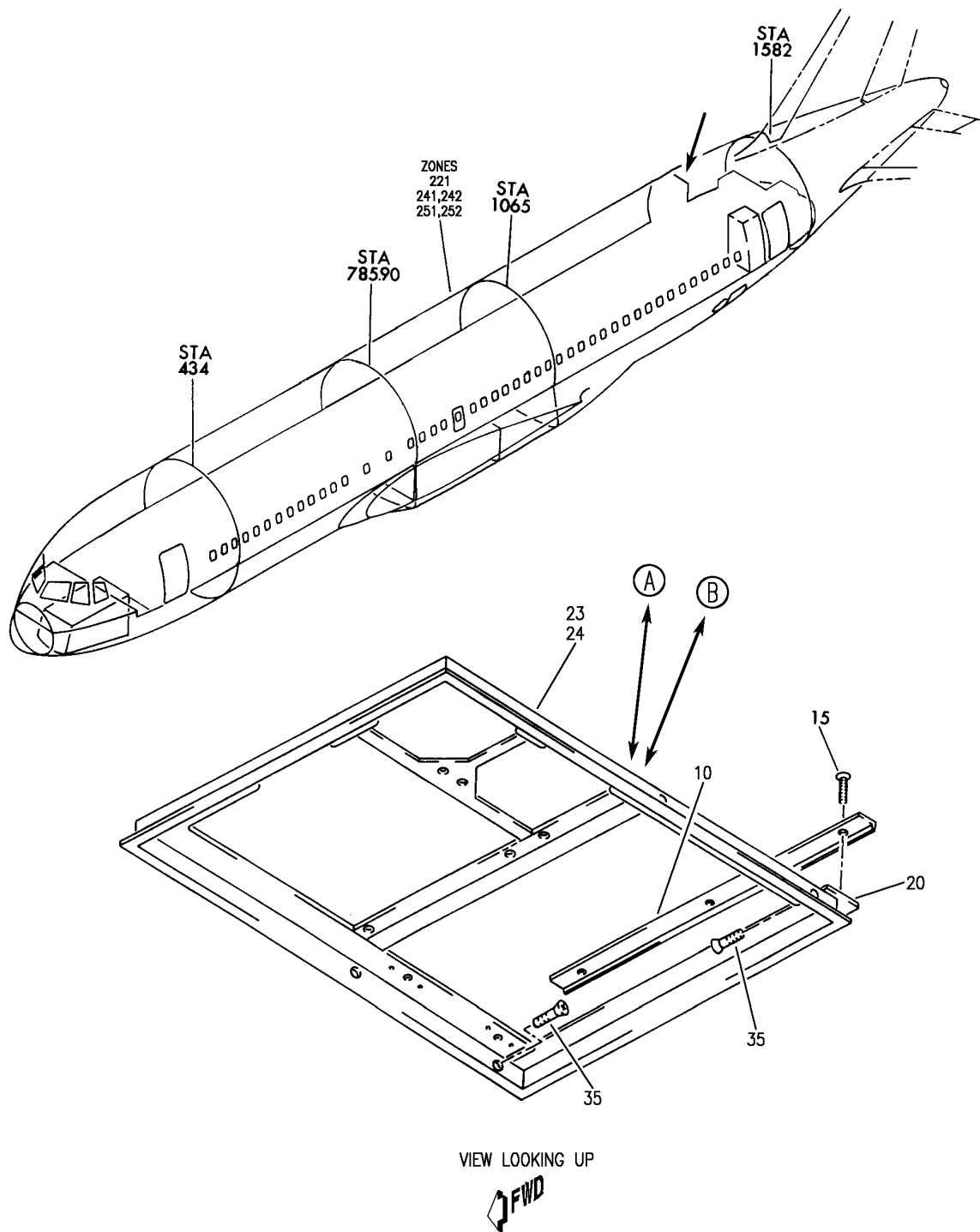
HXL

25-41-55-02

BOEING PROPRIETARY - Copyright © - Unpublished Work - See title page for details.

25-41-55
FIG. 02
PAGE 2
DEC 22/07

BOEING
767
PARTS CATALOG (MAINTENANCE)



V 25416001 SHT 1 REV 327

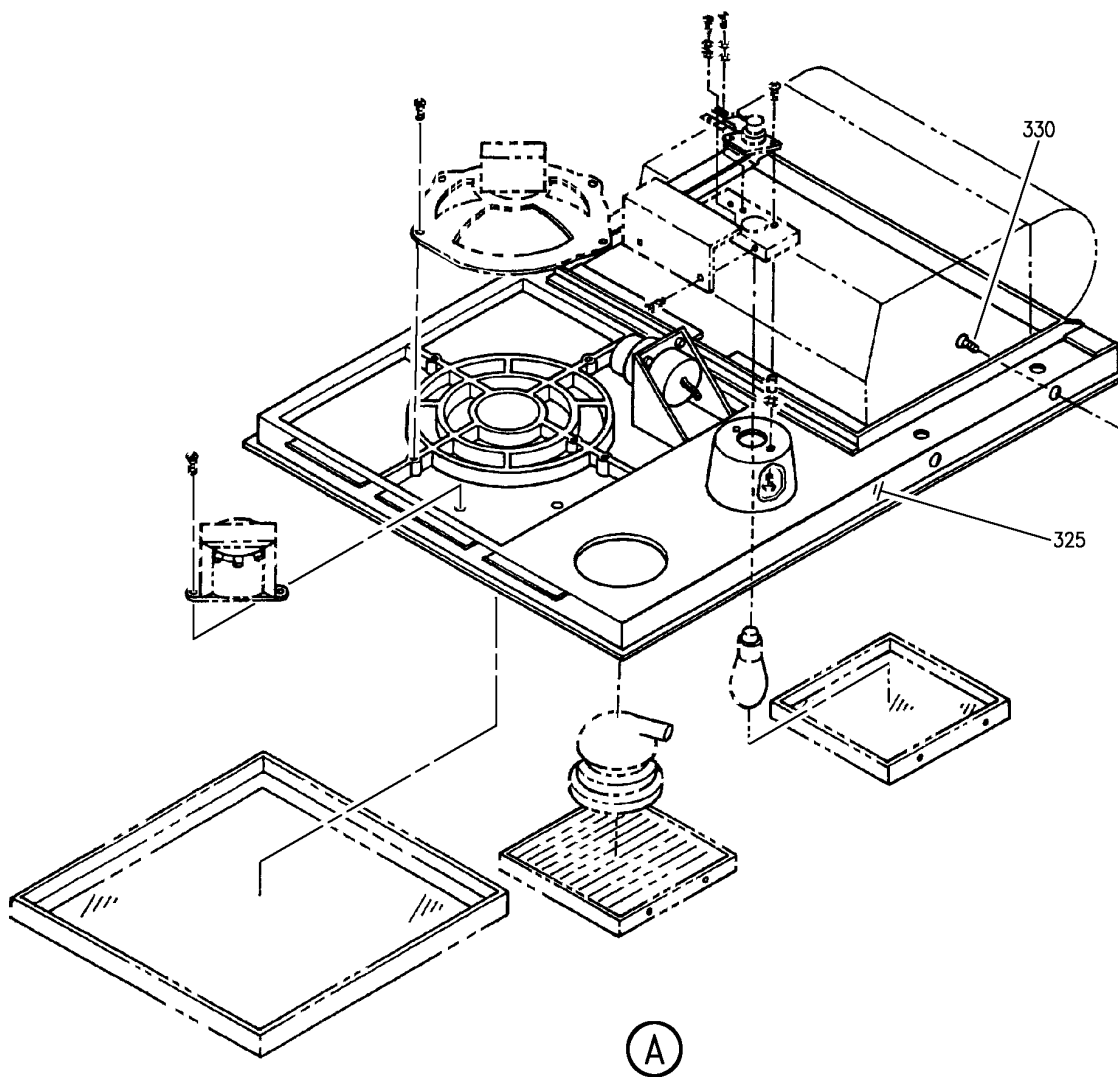
SERVICE UNIT ASSY-PASS. LAV (EQUIPMENT/FURNISHINGS ONLY)
FIGURE 1 (SHEET 1)

25-41-60-01

HXL
APR 22/08

25-41-60-01
PAGE 0

BOEING
767
PARTS CATALOG (MAINTENANCE)



V 25416001 SH1 2 REV 281

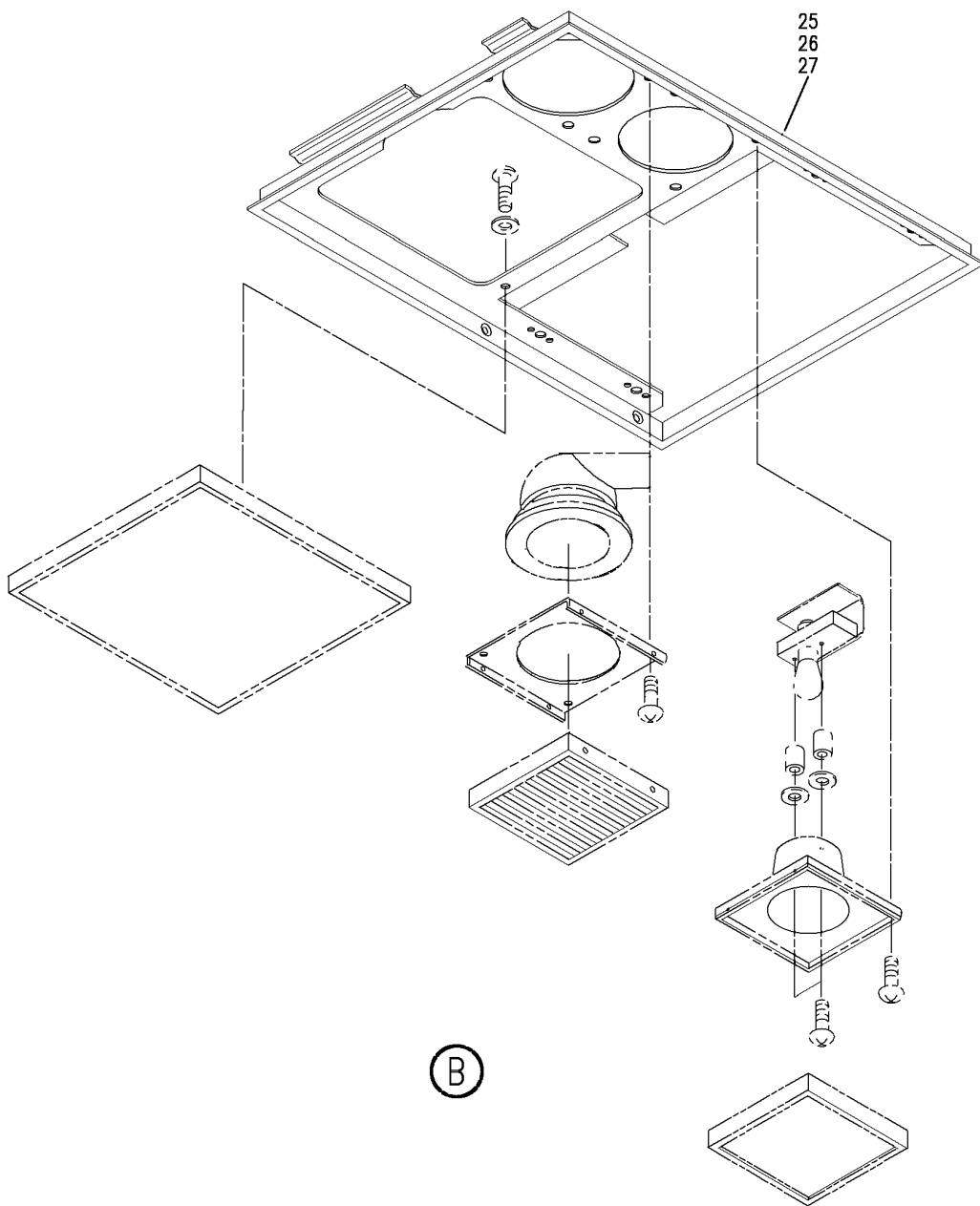
SERVICE UNIT ASSY-PASS. LAV (EQUIPMENT/FURNISHINGS ONLY)
FIGURE 1 (SHEET 2)

25-41-60-01

HXL
DEC 22/06

25-41-60-01
PAGE 0A

BOEING
767
PARTS CATALOG (MAINTENANCE)



V 25416001 SH1 3 REV 327

SERVICE UNIT ASSY-PASS. LAV (EQUIPMENT/FURNISHINGS ONLY)
FIGURE 1 (SHEET 3)

25-41-60-01

HXL
APR 22/08

25-41-60-01
PAGE 0B



767

PARTS CATALOG (MAINTENANCE)

FIG ITEM	PART NUMBER	1 2 3 4 5 6 7 NOMENCLATURE	EFFECT FROM TO	UNITS PER ASSY
1	B0061600-1	SERVICE UNIT ASSY-PASS. LAV (EQUIPMENT/FURNISHINGS ONLY) SERVICE UNIT ASSY-PASS. LAV F1, MS16, MS18, M31 AND M32 F1, MS15, MS17, M31 AND M32 F1, FS2, M7, M8 AND A4 F1, MS15, M15, M16 AND A4 F1, FS9, MS4, A3 AND AC5 F1, MS1, MS2, M11 AND M12 F1, M1, M2, A5 AND A6 F1, MS1, MS2, A3 AND A4 F1, M5, M6, A5 AND A6 F1, M3, M4, A3 AND A4 (EQUIPMENT/FURNISHINGS ONLY) SUPPLIER CODE: VS5065 FOR NHA/OTHER SYS DET SEE: 25-41-01-32B 25-41-03-46B 25-41-03-52		RF

ILLUSTRATION ITEMS NOT ON PARTS LIST ARE NOT APPLICABLE

- ITEM NOT ILLUSTRATED

HXL

25-41-60-01

BOEING PROPRIETARY - Copyright © - Unpublished Work - See title page for details.

25-41-60
 FIG. 01
 PAGE 1
 DEC 22/07



767

PARTS CATALOG (MAINTENANCE)

FIG ITEM	PART NUMBER	1 2 3 4 5 6 7	NOMENCLATURE	EFFECT FROM TO	UNITS PER ASSY
1					
- 5	B0061600-2		SERVICE UNIT ASSY-PASS. LAV A1 AND MS3 LAV MS15 AND MS17 LAV MS16 AND MS18 LAV A3 AND MS14 LAV MS3 AND A4 LAV A5 AND MS8 LAV A3 AND MS10 LAV A3 AND MS4 LAV A3 AND MS1 LAV MS27 AND MS29 LAV A3 AND MS12 LAV A3 AND MS21 LAV A3 AND FS7 LAV A5 AND FS7 LAV A3 AND FS5 LAV MS3 AND A3 (EQUIPMENT/FURNISHINGS ONLY) SUPPLIER CODE: VS5065 FOR NHA/OTHER SYS DET SEE: 25-41-03-46B		RF
23	B0061601-1		.FRAME ASSY-LAV F1, MS16, MS18, M31 AND M32 F1, MS15, MS17, M31 AND M32 SUPPLIER CODE: VS5065		1
- 28	B0061601-2		.FRAME ASSY-LAV MS15 AND MS17 MS16 AND MS18 MS27 AND MS29 SUPPLIER CODE: VS5065		1

ILLUSTRATION ITEMS NOT ON PARTS LIST ARE NOT APPLICABLE

- ITEM NOT ILLUSTRATED

HXL

25-41-60-01

BOEING PROPRIETARY - Copyright © - Unpublished Work - See title page for details.

25-41-60
FIG. 01
PAGE 2
APR 22/08