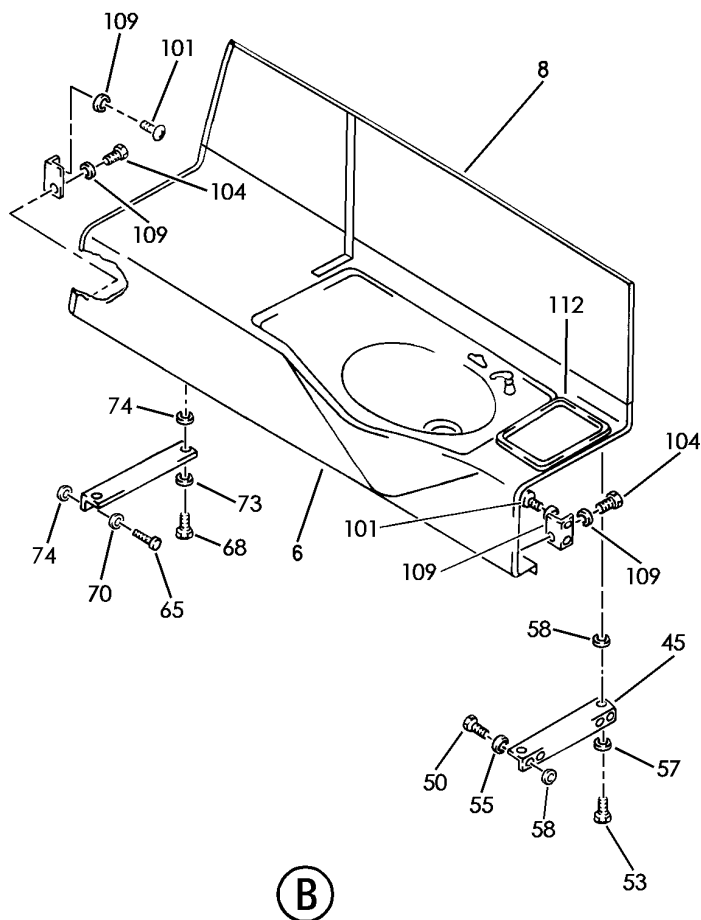


COUNTER AND BASIN

HXL
DEC 22/06

25-42-00
SECTION TITLE
PAGE 1

BOEING
767
PARTS CATALOG (MAINTENANCE)



V 25425104 SHT 2 REV 233

PANEL ASSY-COUNTER
FIGURE 4 (SHEET 2)

25-42-51-04

HXL
DEC 22/06

25-42-51-04
PAGE 0A



767

PARTS CATALOG (MAINTENANCE)

FIG ITEM	PART NUMBER	1 2 3 4 5 6 7	NOMENCLATURE	EFFECT FROM TO	UNITS PER ASSY
4			PANEL ASSY-COUNTER		
- 1	BS061400-2111		COUNTER ASSY-LAV F1 SUPPLIER CODE: VS5065 FOR NHA SEE: 25-41-01-32B		RF
5	BS061401-2111		.PANEL- SUPPLIER CODE: VS5065		1
10	MS35206-242		ATTACHING PARTS .SCREW- USED ON: BS061400-101 BS061400-1101		3
16	AN3-3A		.BOLT		7
20	AN960-10		.WASHER		7
25	BS061422-3		-----*----- .RETAINER- SUPPLIER CODE: VS5065 USED ON: BS061400-101 BS061400-1101 ATTACHING PARTS		1
30	MS35206-242		.SCREW- USED ON: BS061400-101 BS061400-1101 -----*-----		4
35	BS061420-3		.RETAINER- SUPPLIER CODE: VS5065 USED ON: BS061400-101 BS061400-1101 ATTACHING PARTS		1
40	MS35206-242		.SCREW- USED ON: BS061400-101 BS061400-1101 -----*-----		4
45	BS061421-7		.SUPPORT- SUPPLIER CODE: VS5065 USED ON: BS061400-101 BS061400-1101		1

ILLUSTRATION ITEMS NOT ON PARTS LIST ARE NOT APPLICABLE

- ITEM NOT ILLUSTRATED

25-42-51-04

25-42-51
FIG. 04
PAGE 1
DEC 22/07

HXL

BOEING PROPRIETARY - Copyright © - Unpublished Work - See title page for details.



767

PARTS CATALOG (MAINTENANCE)

FIG ITEM	PART NUMBER	1 2 3 4 5 6 7	NOMENCLATURE	EFFECT FROM TO	UNITS PER ASSY
4					
50	MS35206-242		ATTACHING PARTS .SCREW- USED ON: BS061400-101 BS061400-1101 -----*-----		4
60	BS061421-3		.SUPPORT- SUPPLIER CODE: VS5065 USED ON: BS061400-101 BS061400-1101 ATTACHING PARTS		1
65	MS35206-242		.SCREW- USED ON: BS061400-1101 BS061400-101 -----*-----		4
96	BS062422-3		.SUPPORT- SUPPLIER CODE: VS5065 USED ON: BS061400-101 BS061400-1161 BS061400-21 BS061400-1101 ATTACHING PARTS		2
101	MS35206-242		.SCREW- USED ON: BS061400-101 BS061400-1101 -----*-----		4
113	BS061406-5		.SUPPORT- SUPPLIER CODE: VS5065		1
115	BS061418-1		.WEB- SUPPLIER CODE: VS5065 ATTACHING PARTS		1
- 127	MS35206-242		.SCREW -----*-----		3

ILLUSTRATION ITEMS NOT ON PARTS LIST ARE NOT APPLICABLE

- ITEM NOT ILLUSTRATED

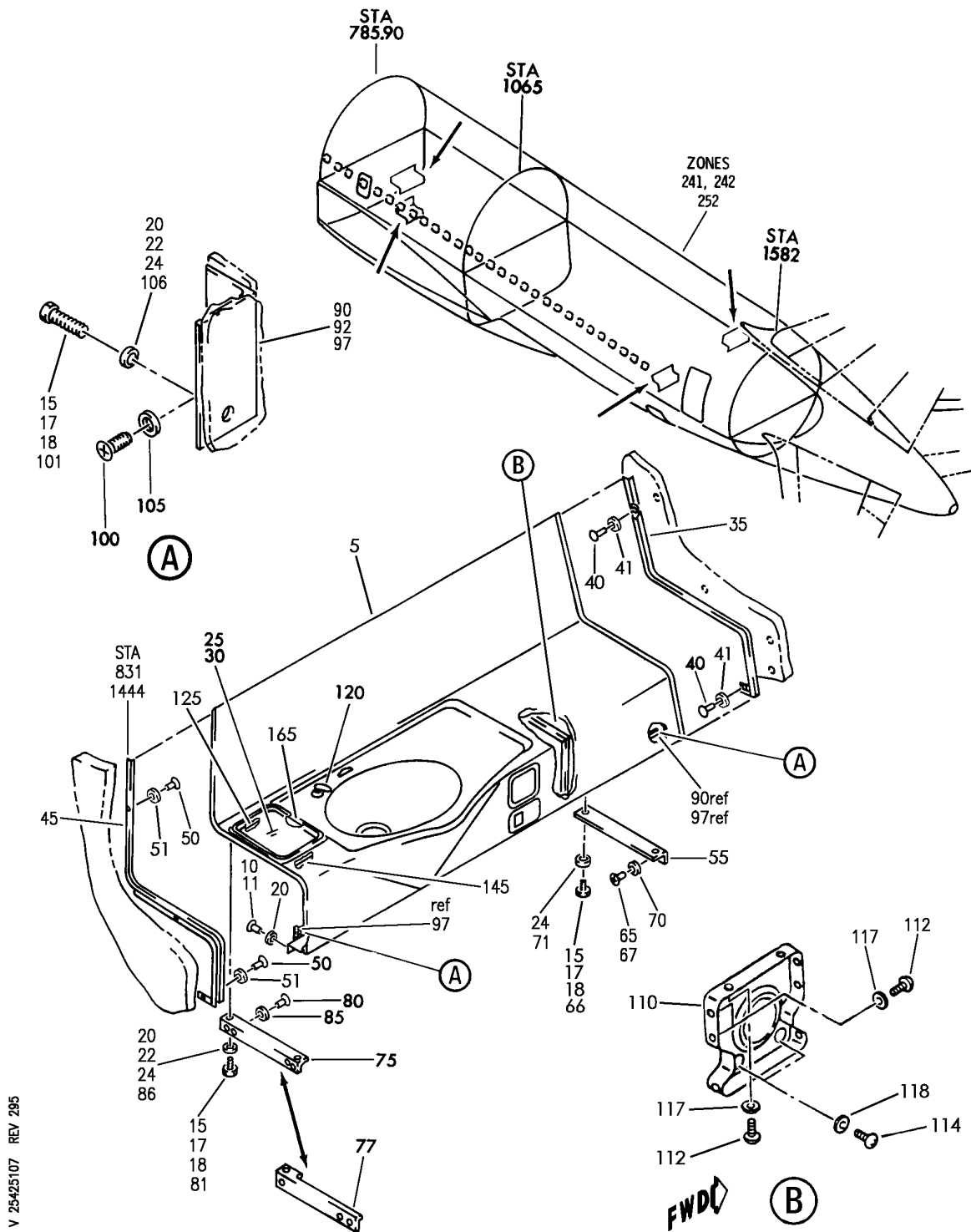
HXL

25-42-51-04

BOEING PROPRIETARY - Copyright © - Unpublished Work - See title page for details.

25-42-51
FIG. 04
PAGE 2
DEC 22/07

BOEING
767
PARTS CATALOG (MAINTENANCE)



PANEL ASSY-COUNTER
FIGURE 7

25-42-51-07

HXL
DEC 22/06

25-42-51-07
PAGE 0



767

PARTS CATALOG (MAINTENANCE)

FIG ITEM	PART NUMBER	1 2 3 4 5 6 7	NOMENCLATURE	EFFECT FROM TO	UNITS PER ASSY
7					
- 1	BS062400-2131		PANEL ASSY-COUNTER COUNTER ASSY-LAV M32 M33 SUPPLIER CODE: VS5065 FOR NHA SEE: 25-41-03-52		RF
- 3	BS062400-2141		COUNTER ASSY-LAV M31 SUPPLIER CODE: VS5065 FOR NHA SEE: 25-41-03-52		RF
5	BS062401-2131		.PANEL ASSY- SUPPLIER CODE: VS5065 ATTACHING PARTS		1
10	MS35206-242		.SCREW		4
17	AN3-3A		.BOLT		5
22	AN960-10		.WASHER		5
35	BS062420-7		-----*----- .RETAINER- SUPPLIER CODE: VS5065 ATTACHING PARTS		1
40	MS35206-242		.SCREW		4
45	BS062420-4		-----*----- .RETAINER- SUPPLIER CODE: VS5065 ATTACHING PARTS		1
50	MS35206-242		.SCREW		4
55	BS062421-7		-----*----- .SUPPORT- SUPPLIER CODE: VS5065 ATTACHING PARTS		1
65	MS35206-242		.SCREW		4
75	BS062421-6		-----*----- .SUPPORT- SUPPLIER CODE: VS5065 ATTACHING PARTS		1
80	MS35206-242		.SCREW		4
90	BS062422-3		-----*----- .SUPPORT- SUPPLIER CODE: VS5065		1

ILLUSTRATION ITEMS NOT ON PARTS LIST ARE NOT APPLICABLE

- ITEM NOT ILLUSTRATED

HXL

25-42-51-07

BOEING PROPRIETARY - Copyright © - Unpublished Work - See title page for details.

25-42-51
FIG. 07
PAGE 1
DEC 22/07



767

PARTS CATALOG (MAINTENANCE)

FIG ITEM	PART NUMBER	1 2 3 4 5 6 7	NOMENCLATURE	EFFECT FROM TO	UNITS PER ASSY
7					
95	BS062422-5		. SUPPORT- SUPPLIER CODE: VS5065 ATTACHING PARTS		1
100	MS35206-242		. SCREW -----*-----		4
110	BS061418-21		. WEB-LAV M32 M33 SUPPLIER CODE: VS5065		1
- 111	BS061418-1		. WEB- LAV M31 SUPPLIER CODE: VS5065 ATTACHING PARTS		1
- 115	MS35206-242		. SCREW -----*-----		3

ILLUSTRATION ITEMS NOT ON PARTS LIST ARE NOT APPLICABLE

- ITEM NOT ILLUSTRATED

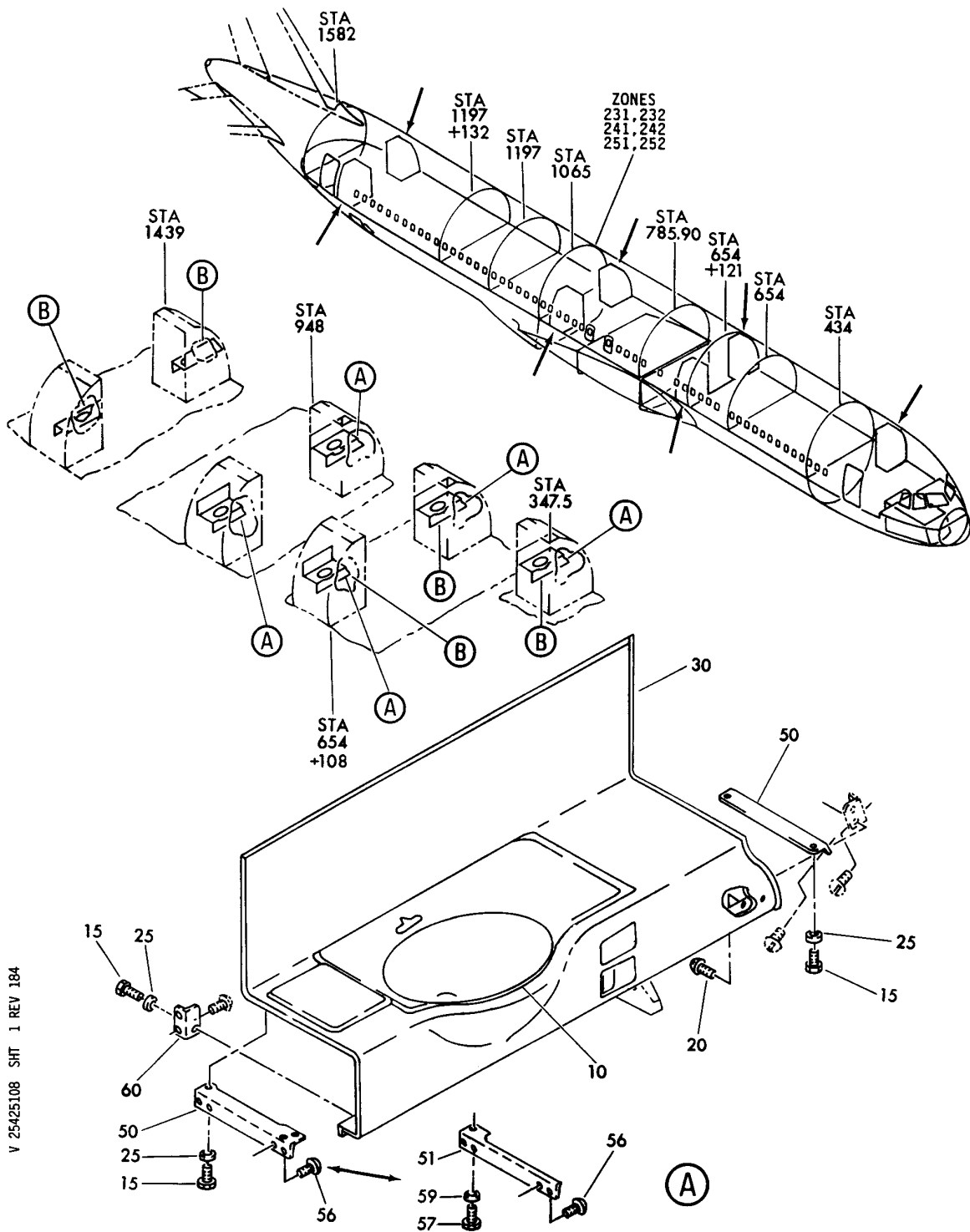
HXL

25-42-51-07

BOEING PROPRIETARY - Copyright © - Unpublished Work - See title page for details.

25-42-51
FIG. 07
PAGE 2
DEC 22/07

BOEING
767
PARTS CATALOG (MAINTENANCE)



V 25425108 SHT 1 REV 184

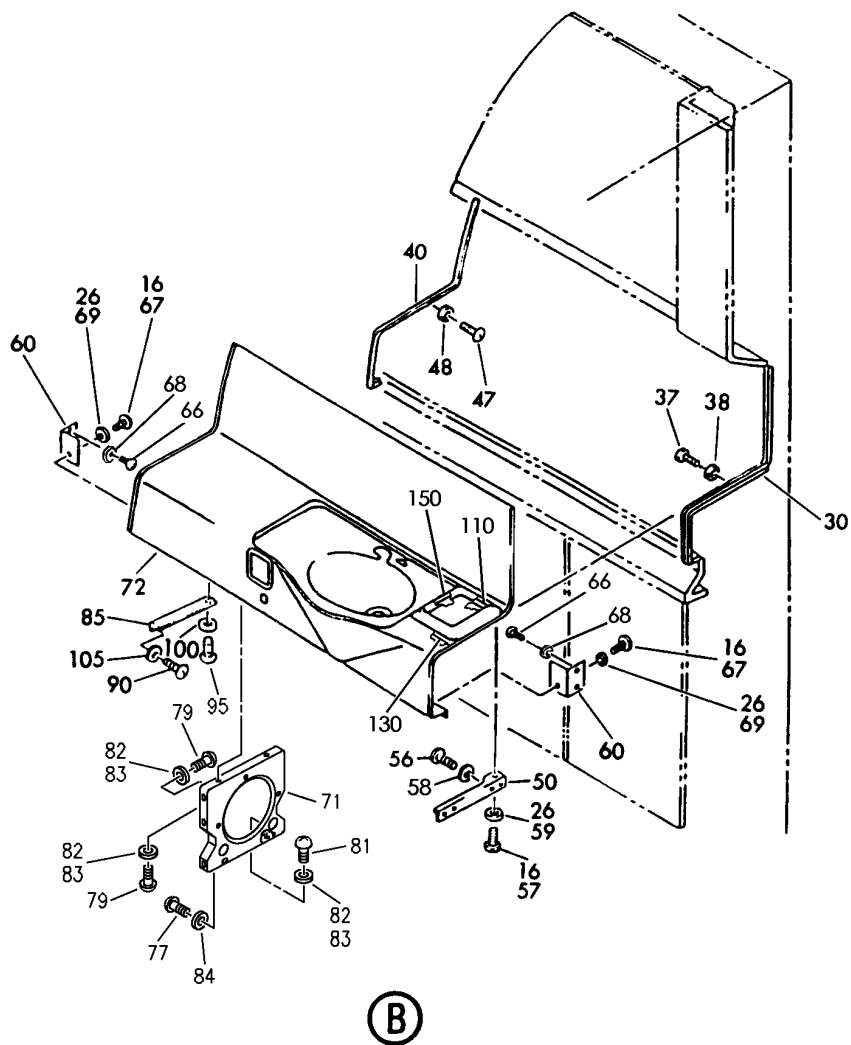
COUNTER ASSY-
FIGURE 8 (SHEET 1)

25-42-51-08

HXL
DEC 22/06

25-42-51-08
PAGE 0

BOEING
767
PARTS CATALOG (MAINTENANCE)



V 25425108 SH1 2 REV 238

COUNTER ASSY-
FIGURE 8 (SHEET 2)

25-42-51-08

HXL
DEC 22/06

25-42-51-08
PAGE 0A



767

PARTS CATALOG (MAINTENANCE)

FIG ITEM	PART NUMBER	1 2 3 4 5 6 7	NOMENCLATURE	EFFECT FROM TO	UNITS PER ASSY
8					
- 1	BS063400-2001		COUNTER ASSY- COUNTER ASSY-LAV MS16 AND MS18 MS28 AND MS30 SUPPLIER CODE: VS5065 FOR NHA SEE: 25-41-03-46B	163999	RF
- 5	BS063400-2002		COUNTER ASSY-LAV MS15 AND MS17 MS27 AND MS29 SUPPLIER CODE: VS5065 FOR NHA SEE: 25-41-03-46B		RF
- 7	BS063400-2002		COUNTER ASSY-LAV MS16 AND MS18 SUPPLIER CODE: VS5065 FOR NHA SEE: 25-41-03-46B		RF
10	BS063401-2001		.PANEL ASSY-LAV MS16 AND MS18 MS28 AND MS30 SUPPLIER CODE: VS5065	163999	1
10	BS063401-2002		.PANEL ASSY-LAV MS15, MS16, MS17 AND MS18 SUPPLIER CODE: VS5065		1
- 11	BS063401-2002		.PANEL ASSY-LAV MS16 AND MS18 SUPPLIER CODE: VS5065	163999	1
- 12	BS063401-2002		.PANEL ASSY-LAV MS15, MS16, MS17 AND MS18 SUPPLIER CODE: VS5065	155162	1
- 12	BS063401-2002		.PANEL ASSY-LAV MS15 AND MS17 MS27 AND MS29 SUPPLIER CODE: VS5065	163999	1
16	AN3-3A		ATTACHING PARTS .BOLT		3
20	MS35206-242		.SCREW		4
26	AN960-10		.WASHER		3
			-----*-----		
ILLUSTRATION ITEMS NOT ON PARTS LIST ARE NOT APPLICABLE					

- ITEM NOT ILLUSTRATED

25-42-51-08

25-42-51
FIG. 08
PAGE 1
DEC 22/07

HXL

 **BOEING**
767
PARTS CATALOG (MAINTENANCE)

FIG ITEM	PART NUMBER	1 2 3 4 5 6 7	NOMENCLATURE	EFFECT FROM TO	UNITS PER ASSY
8					
30	BS062420-3		.RETAINER-LAV MS16 AND MS18 MS28 AND MS30 MS19 AND A3 MS10 AND A3 A31 AND MS3 MS12 AND A3 A3 AND MS3 A3 AND MS21 SUPPLIER CODE: VS5065	163999	1
- 31	BS062420-4		.RETAINER-LAV MS16 AND MS18 SUPPLIER CODE: VS5065	163999	1
- 32	BS062420-4		.RETAINER-LAV MS9 AND A4 A4 AND MS4 MS11 AND A4 MS2 AND A4 FS11 AND MS4 MS15 AND MS17 MS27 AND MS29 A4 AND MS4 SUPPLIER CODE: VS5065	163999	1
- 32	BS062420-4		.RETAINER-LAV MS15, MS16, MS17 AND MS18 SUPPLIER CODE: VS5065	155162	1
37	MS35206-242		ATTACHING PARTS .SCREW		4
40	BS062420-5		-----*----- .RETAINER-LAV MS16 AND MS18 MS28 AND MS30 MS19 AND A3 MS10 AND A3 A3 AND MS3 MS12 AND A3 A3 AND MS3 A3 AND MS21 SUPPLIER CODE: VS5065	163999	1
- 41	BS062420-6		.RETAINER-LAV MS16 AND MS18 SUPPLIER CODE: VS5065	163999	1

ILLUSTRATION ITEMS NOT ON PARTS LIST ARE NOT APPLICABLE

- ITEM NOT ILLUSTRATED

HXL

25-42-51-08

BOEING PROPRIETARY - Copyright © - Unpublished Work - See title page for details.

25-42-51
FIG. 08
PAGE 2
DEC 22/07

 **BOEING**
767
PARTS CATALOG (MAINTENANCE)

FIG ITEM	PART NUMBER	1 2 3 4 5 6 7	NOMENCLATURE	EFFECT FROM TO	UNITS PER ASSY
8					
- 42	BS062420-6		.RETAINER-LAV MS9 AND A4 A4 AND MS4 MS11 AND A4 MS2 AND A4 FS11 AND MS4 MS15 AND MS17 MS17 AND MS29 A4 AND MS4 SUPPLIER CODE: VS5065	163999	1
- 42	BS062420-6		.RETAINER-LAV MS15, MS16, MS17 AND MS18 SUPPLIER CODE: VS5065	155162	1
47	MS35206-242		ATTACHING PARTS .SCREW		4
50	BS062421-5		-----*----- .SUPPORT-LAV MS16 AND MS18 MS28 AND MS30 MS19 AND A3 MS10 AND A3 MS12 AND A3 A3 AND MS3 A3 AND MS21 SUPPLIER CODE: VS5065	163999	1
- 52	BS062421-6		.SUPPORT-LAV MS9 AND A4 MS4 AND A4 MS11 AND A4 MS2 AND A4 FS11 AND MS4 MS15 AND MS17 MS27 AND MS29 A4 AND MS22 SUPPLIER CODE: VS5065	163999	1
- 52	BS062421-6		.SUPPORT-LAV MS15, MS16, MS17 AND MS18 SUPPLIER CODE: VS5065	155162	1
- 53	BS062421-6		.SUPPORT-LAV MS16 AND MS18 SUPPLIER CODE: VS5065	163999	1

ILLUSTRATION ITEMS NOT ON PARTS LIST ARE NOT APPLICABLE

- ITEM NOT ILLUSTRATED

HXL

25-42-51-08

BOEING PROPRIETARY - Copyright © - Unpublished Work - See title page for details.

25-42-51
FIG. 08
PAGE 3
DEC 22/07



767

PARTS CATALOG (MAINTENANCE)

FIG ITEM	PART NUMBER	1 2 3 4 5 6 7	NOMENCLATURE	EFFECT FROM TO	UNITS PER ASSY
8					
56	MS35206-242		ATTACHING PARTS .SCREW -----*-----		4
60	BS062422-3		.SUPPORT- SUPPLIER CODE: VS5065 ATTACHING PARTS .SCREW -----*-----		2
66	MS35206-242		ATTACHING PARTS .SCREW -----*-----		4
72	BS061418-1		.WEB- SUPPLIER CODE: VS5065 ATTACHING PARTS .SCREW -----*-----		1
- 75	MS35206-242		ATTACHING PARTS .SCREW -----*-----		3

ILLUSTRATION ITEMS NOT ON PARTS LIST ARE NOT APPLICABLE

- ITEM NOT ILLUSTRATED

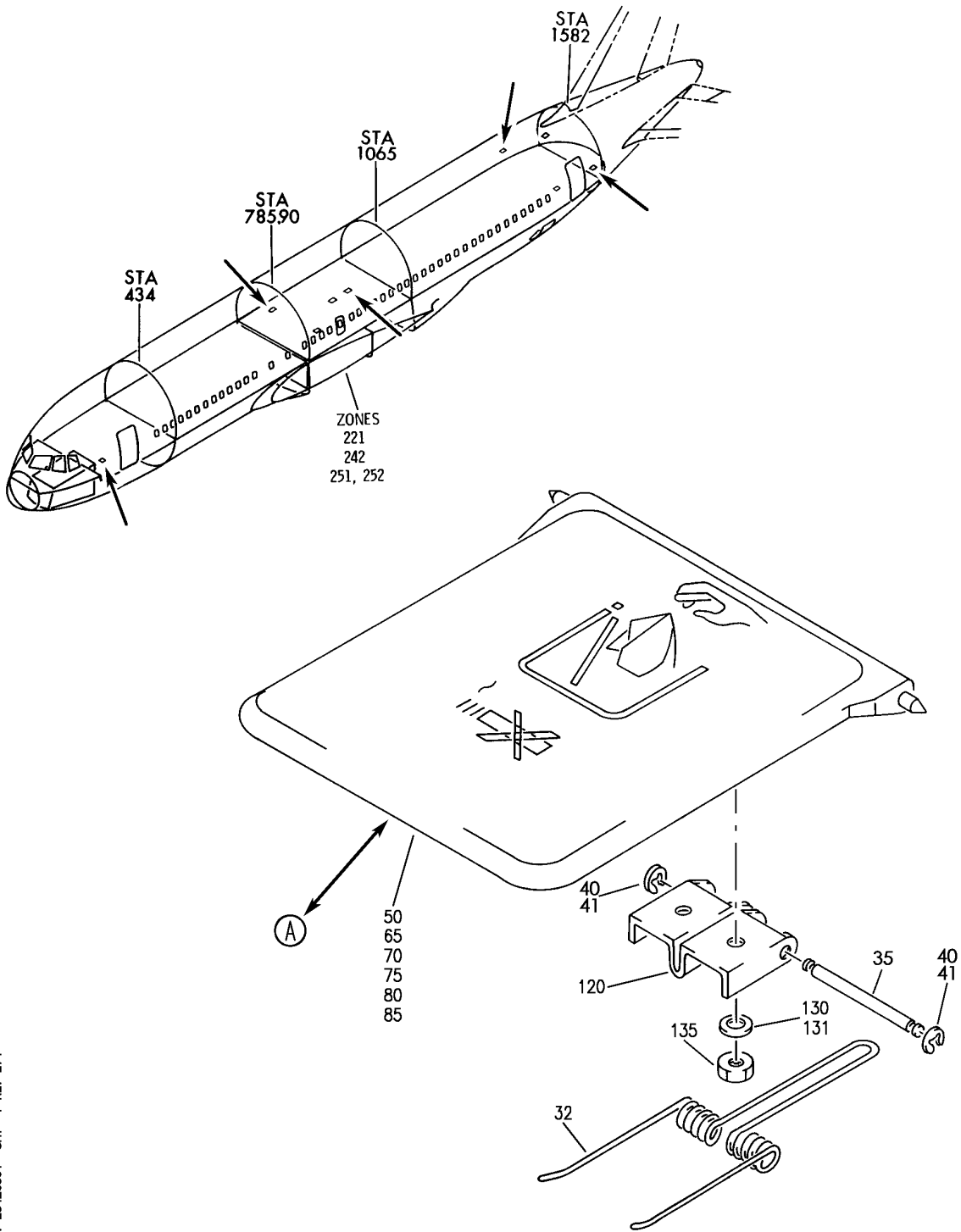
HXL

25-42-51-08

BOEING PROPRIETARY - Copyright © - Unpublished Work - See title page for details.

25-42-51
FIG. 08
PAGE 4
DEC 22/07

BOEING
767
PARTS CATALOG (MAINTENANCE)



V 25426001 SHT 1 REV 274

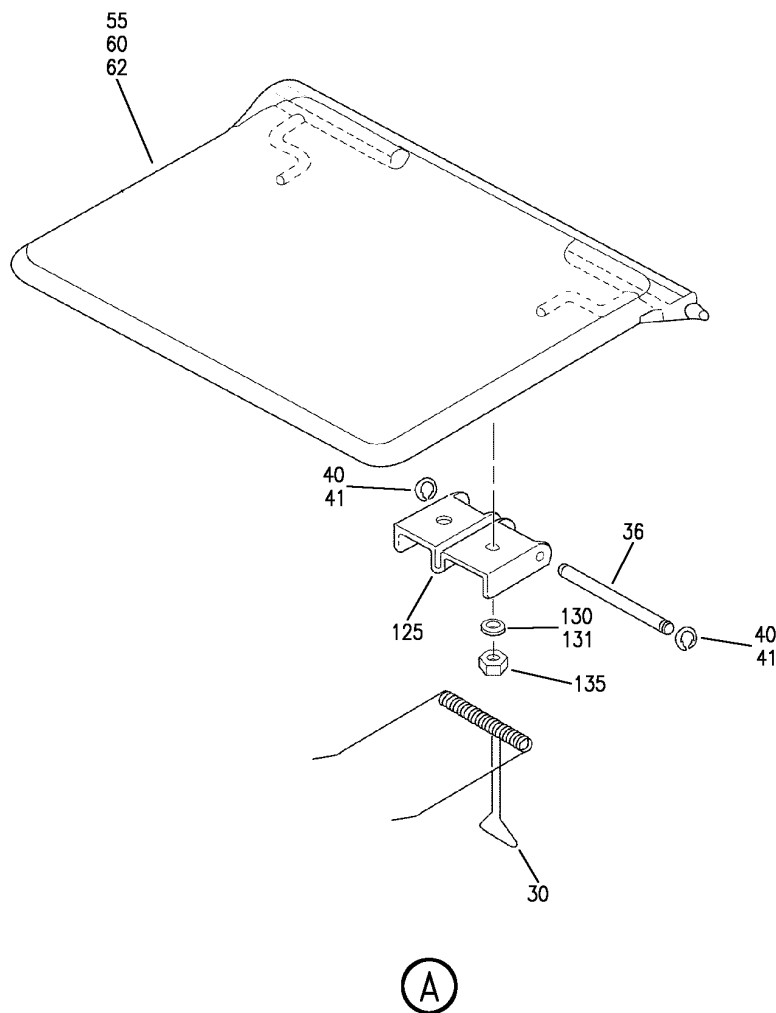
FLAP ASSY-WASTE, LAV
FIGURE 1 (SHEET 1)

25-42-60-01

HXL
DEC 22/06

25-42-60-01
PAGE 0

BOEING
767
PARTS CATALOG (MAINTENANCE)



V 25426001 SH1 2 REV 274

FLAP ASSY-WASTE, LAV
FIGURE 1 (SHEET 2)

25-42-60-01

HXL
DEC 22/06

25-42-60-01
PAGE 0A



767

PARTS CATALOG (MAINTENANCE)

FIG ITEM	PART NUMBER	1 2 3 4 5 6 7	NOMENCLATURE	EFFECT FROM TO	UNITS PER ASSY
1			FLAP ASSY-WASTE, LAV		
- 2	BS061410-111125		FLAP ASSY-WASTE, LAV F1 SUPPLIER CODE: VS5065 SB DATA FROM A CMM: POST SB B0060-25-911 FOR NHA SEE: 25-41-01-32B		RF
- 2	BS061410-011125		FLAP ASSY-WASTE, LAV F1 SUPPLIER CODE: VS5065 SB DATA FROM A CMM: PRE SB B0060-25-911 FOR NHA SEE: 25-41-01-32B		RF
30	BS061413-3		.SPRING-LAV F1 SUPPLIER CODE: VS5065 USED ON: BS061410-001408 BS061410-001507 BS061410-011065 BS061410-011125 BS061410-111125 BS061410-111219		1
35	BS061415-3		.PIN-LAV F1 SUPPLIER CODE: VS5065		1
40	JMS1515-5103-3		.RING-LAV F1 SUPPLIER CODE: VS5065 USED ON: BS061410-011088 BS061410-011245 BS061410-111125 BS061410-111475 BS061410-011263 BS061410-111894		2
40	JMS1515-5103-3		.RING-LAV F1 SUPPLIER CODE: VS5065 USED ON: BS061410-111088 BS061410-111219 BS061410-111245 BS061410-111263		2
60	BS061411-011125		.FLAP- SUPPLIER CODE: VS5065		1

ILLUSTRATION ITEMS NOT ON PARTS LIST ARE NOT APPLICABLE

- ITEM NOT ILLUSTRATED

HXL

25-42-60-01

BOEING PROPRIETARY - Copyright © - Unpublished Work - See title page for details.

25-42-60
FIG. 01
PAGE 1
DEC 22/07



767

PARTS CATALOG (MAINTENANCE)

FIG ITEM	PART NUMBER	1 2 3 4 5 6 7	NOMENCLATURE	EFFECT FROM TO	UNITS PER ASSY
1	70 BS061411-111125		.FLAP-LAV F1 SUPPLIER CODE: VS5065 SB DATA FROM A CMM: POST SB B0060-25-911 USED ON: BS061410-111125		1
	125 BS061414-3		.HOLDER-LAV F1 SUPPLIER CODE: VS5065 ATTACHING PARTS		1
	130 AN960-8L		.WASHER- CONFIG CHG DATA FROM A CMM: SUPERSEDES AN960-8 USED ON: BS061410-111689		2
	135 MS21042-08		.NUT- -----*-----		2

ILLUSTRATION ITEMS NOT ON PARTS LIST ARE NOT APPLICABLE

- ITEM NOT ILLUSTRATED

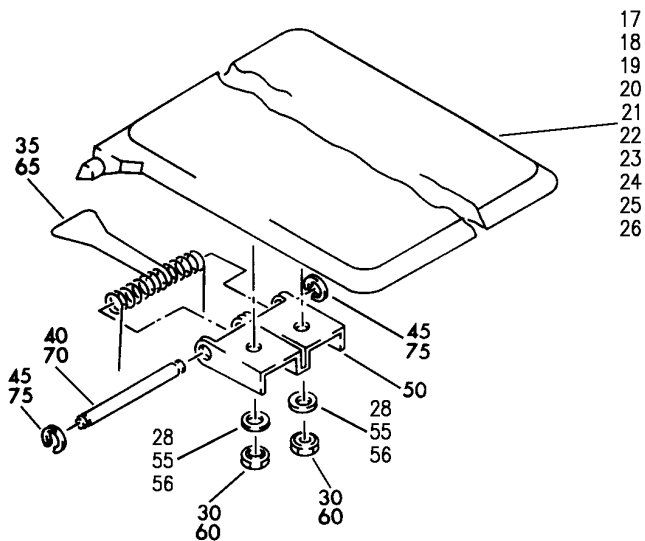
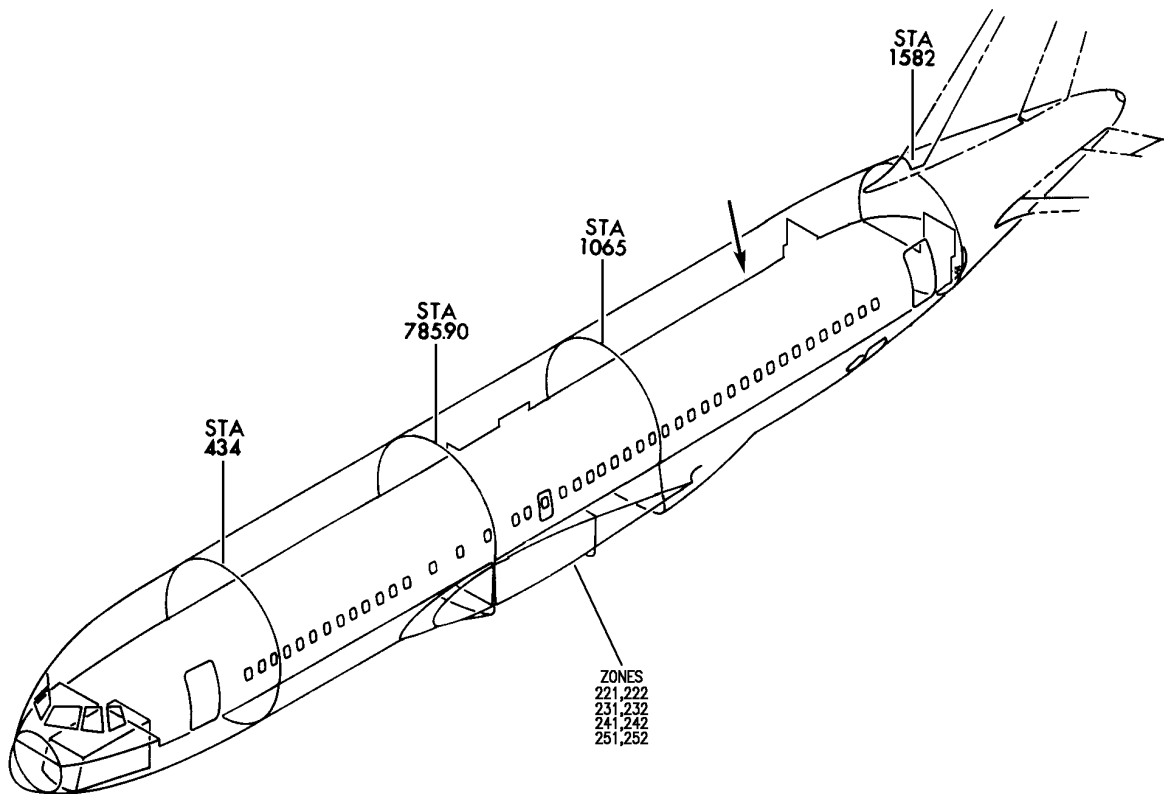
HXL

25-42-60-01

BOEING PROPRIETARY - Copyright © - Unpublished Work - See title page for details.

25-42-60
FIG. 01
PAGE 2
DEC 22/07

BOEING
767
PARTS CATALOG (MAINTENANCE)



V 25426002 REV 263

FLAP ASSY-WASTE
FIGURE 2

25-42-60-02

HXL
DEC 22/06

25-42-60-02
PAGE 0



767

PARTS CATALOG (MAINTENANCE)

FIG ITEM	PART NUMBER	1 2 3 4 5 6 7	NOMENCLATURE	EFFECT FROM TO	UNITS PER ASSY
2					
- 10	BS062410-011126		FLAP ASSY-WASTE FLAP ASSY-WASTE, LAV MS16 AND MS18 SUPPLIER CODE: VS5065 SB DATA FROM A CMM: PRE SB B0060-25-911 FOR NHA SEE: 25-41-03-46B		RF
- 10	BS062410-012127		FLAP ASSY-WASTE LAV MS16 AND MS18 MS28 AND MS30 SUPPLIER CODE: VS5065 SB DATA FROM A CMM: PRE SB B0060-25-911 FOR NHA SEE: 25-41-03-46B	163999	RF
- 10	BS062410-011126		FLAP ASSY-WASTE LAV MS15, MS17, M31 AND M32 SUPPLIER CODE: VS5065 SB DATA FROM A CMM: PRE SB B0060-25-911 FOR NHA SEE: 25-41-03-46B		RF
- 10	BS062410-112127		FLAP ASSY-WASTE LAV MS16 AND MS18 MS28 AND MS30 SUPPLIER CODE: VS5065 SB DATA FROM A CMM: POST SB B0060-25-911 FOR NHA SEE: 25-41-03-46B 25-41-03-52	163999	RF
- 10	BS062410-111126		FLAP ASSY-WASTE LAV MS15, MS17, M31 AND M32 SUPPLIER CODE: VS5065 SB DATA FROM A CMM: POST SB B0060-25-911 FOR NHA SEE: 25-41-03-46B 25-41-03-52		RF

ILLUSTRATION ITEMS NOT ON PARTS LIST ARE NOT APPLICABLE

- ITEM NOT ILLUSTRATED

HXL

25-42-60-02

BOEING PROPRIETARY - Copyright © - Unpublished Work - See title page for details.

25-42-60
FIG. 02
PAGE 1
DEC 22/07

 **BOEING**
767
PARTS CATALOG (MAINTENANCE)

FIG ITEM	PART NUMBER	1 2 3 4 5 6 7	NOMENCLATURE	EFFECT FROM TO	UNITS PER ASSY
2					
- 11	BS062410-111126		FLAP ASSY-WASTE LAV MS16 AND MS18 SUPPLIER CODE: VS5065 SB DATA FROM A CMM: POST SB B0060-25-911 FOR NHA SEE: 25-41-03-46B		RF
19	BS062411-112127	.	FLAP-LAV MS16 AND MS18 MS28 AND MS30 SUPPLIER CODE: VS5065 SB DATA FROM A CMM: POST SB B0060-25-911	163999	1
22	BS062411-012127	.	FLAP-LAV MS16 AND MS18 MS28 AND MS30 SUPPLIER CODE: VS5065 SB DATA FROM A CMM: POST SB B0060-25-911	163999	1
22	BS062411-011126	.	FLAP-LAV MS15, MS17, M31 AND M32 SUPPLIER CODE: VS5065 SB DATA FROM A CMM: PRE SB B0060-25-911	163999	1
22	BS062411-011126	.	FLAP- SUPPLIER CODE: VS5065 SB DATA FROM A CMM: PRE SB B0060-25-911	155162	1
24	BS062411-111126	.	FLAP-LAV SUPPLIER CODE: VS5065 SB DATA FROM A CMM: POST SB B0060-25-911		1
24	BS062411-111126	.	FLAP-LAV MS15, MS17, M31 AND M32 SUPPLIER CODE: VS5065 SB DATA FROM A CMM: POST SB B0060-25-911	163999	1
28	AN960-8L	.	WASHER		2

ILLUSTRATION ITEMS NOT ON PARTS LIST ARE NOT APPLICABLE

- ITEM NOT ILLUSTRATED

HXL

25-42-60-02

BOEING PROPRIETARY - Copyright © - Unpublished Work - See title page for details.

25-42-60
FIG. 02
PAGE 2
DEC 22/07



767

PARTS CATALOG (MAINTENANCE)

FIG ITEM	PART NUMBER	1 2 3 4 5 6 7	NOMENCLATURE	EFFECT FROM TO	UNITS PER ASSY
2	30 MS21042-08		.NUT- LAV MS7, MS8, A3, A4, AC9 AND AC10		2
	35 BS061413-3		-----*----- .SPRING-LAV MS7, MS8, AC9, AC10, A3 AND A4 FS9, MS3, MS4, A3, A4 AND AC5 SUPPLIER CODE: VS5065		1
	40 BS061415-3		.PIN-LAV MS7, MS8, AC9, AC10, A3 AND A4 FS9, MS3, MS4, A3, A4 AND AC5 SUPPLIER CODE: VS5065		1
	45 JMS1515-5103-3		.RING- LAV MS7, MS8, A3, A4, AC9 AND AC10 SUPPLIER CODE: VS5065 SB DATA FROM A CMM: PRE SB B0060-25-911		2
	50 BS061414-3		.HOLDER-LAV MS7, MS8, AC9, AC10, A3 AND A4 FS9, MS3, MS4, A3, A4 AND AC5 SUPPLIER CODE: VS5065		1

ILLUSTRATION ITEMS NOT ON PARTS LIST ARE NOT APPLICABLE

- ITEM NOT ILLUSTRATED

HXL

25-42-60-02

BOEING PROPRIETARY - Copyright © - Unpublished Work - See title page for details.

25-42-60
FIG. 02
PAGE 3
DEC 22/07