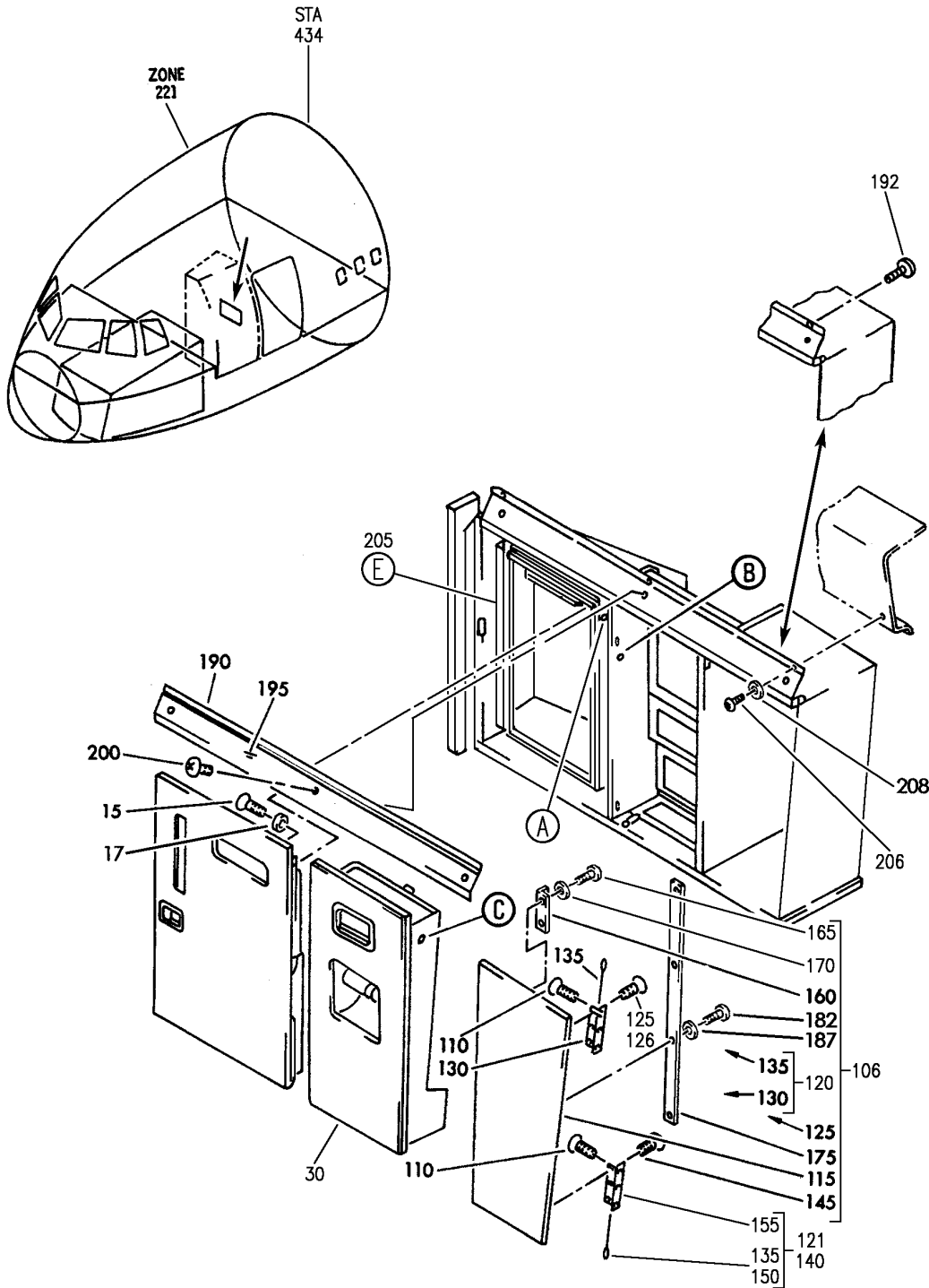


## CABINETS

**BOEING**  
767  
PARTS CATALOG (MAINTENANCE)



V 25430201 SHT 1 REV 315

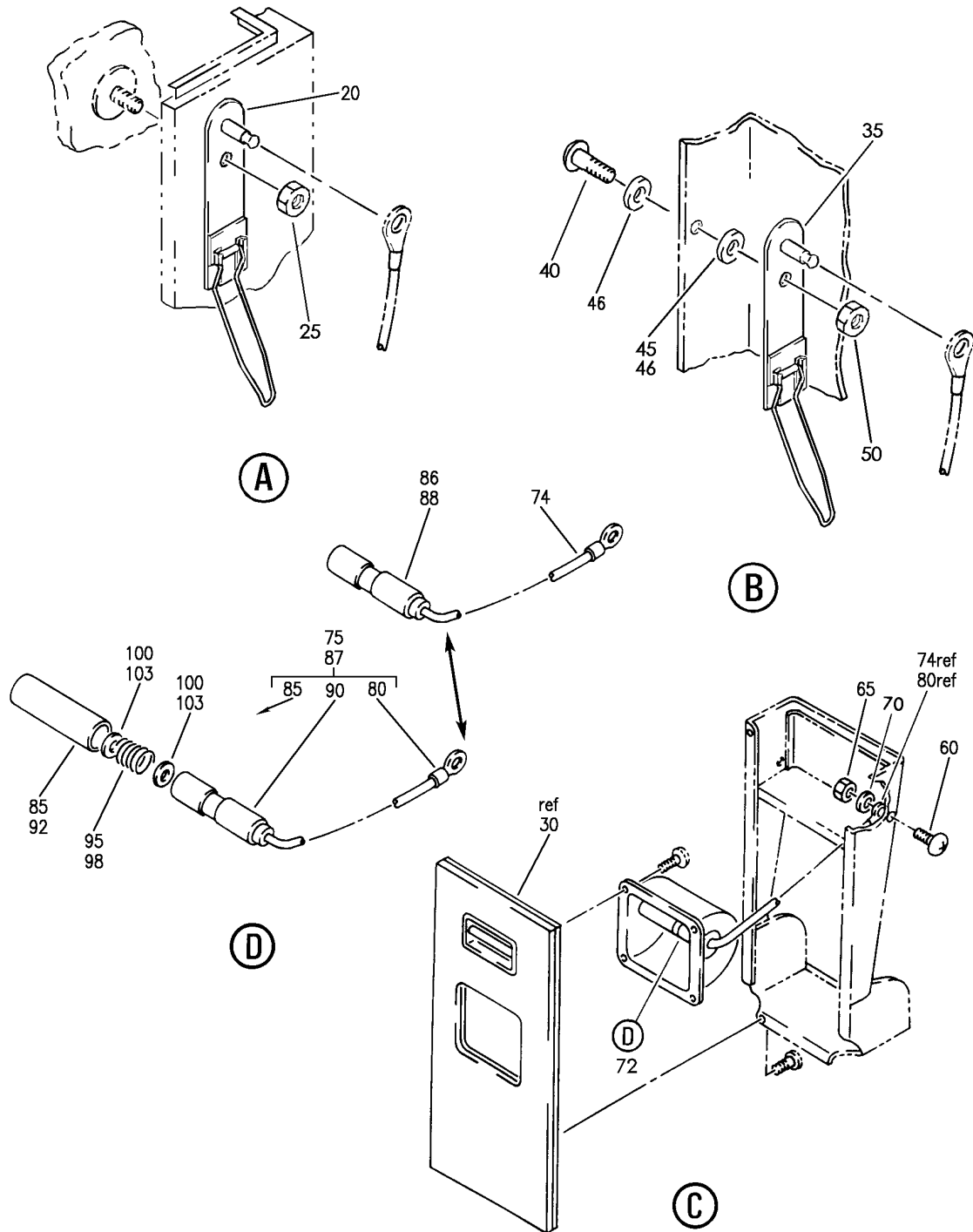
CABINET ASSY-SINK, LAV F1  
FIGURE 1 (SHEET 1)

**25-43-02-01**

HXL  
APR 22/07

25-43-02-01  
PAGE 0

**BOEING**  
767  
PARTS CATALOG (MAINTENANCE)



V 25430201 SH1 2 REV 342

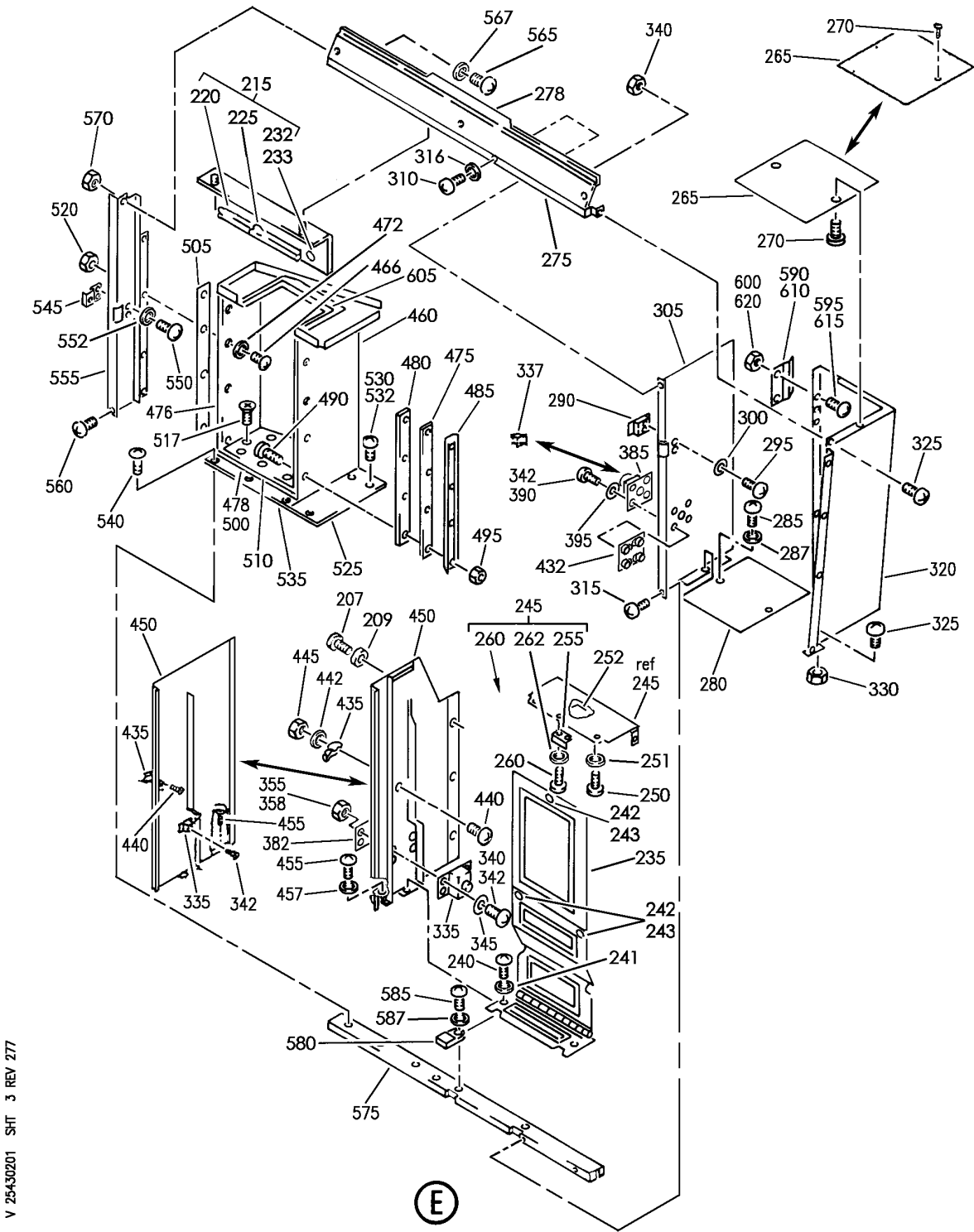
CABINET ASSY-SINK, LAV F1  
FIGURE 1 (SHEET 2)

**25-43-02-01**

HXL  
AUG 22/09

25-43-02-01  
PAGE 0A


**BOEING**  
 767  
**PARTS CATALOG (MAINTENANCE)**



V 25430201 SHT 3 REV 277

CABINET ASSY-SINK, LAV F1  
 FIGURE 1 (SHEET 3)

25-43-02-01

HXL  
DEC 22/06

25-43-02-01  
 PAGE 0B

 **BOEING**  
767  
**PARTS CATALOG (MAINTENANCE)**

FIG ITEM	PART NUMBER	1 2 3 4 5 6 7	NOMENCLATURE	EFFECT FROM TO	UNITS PER ASSY
1					
- 1	SK061450-41		CABINET ASSY-SINK, LAV F1 CABINET ASSY-SINK, LAV F1 SUPPLIER CODE: VS5065 FOR NHA SEE: 25-41-01-32B	163999	RF
- 1	SAS061450-41		CABINET ASSY-SINK, LAV F1 SUPPLIER CODE: VS5065 FOR NHA SEE: 25-41-01-32B	155162	RF
10	BS061350-001WH2		.DOOR ASSY-WASTE CONTAINER SUPPLIER CODE: VS5065 FOR DETAILS SEE: 25-43-60-01		1
15	MS35206-243		ATTACHING PARTS .SCREW -----*-----		6
20	BS060467-1		.CLIP- SUPPLIER CODE: VS5065 ATTACHING PARTS		1
25	MS21040-3		.NUT -----*-----		1
30	BS061360-032WH2		.DOOR ASSY-AMENITY SUPPLIER CODE: VS5065		1
35	BS060467-1		.CLIP- SUPPLIER CODE: VS5065 ATTACHING PARTS		1
40	MS35206-264		.SCREW-		1
45	AN960-10		.WASHER		1
50	MS21040-3		.NUT -----*-----		1
60	MS35206-244		.SCREW		1
65	MS21040-08		.NUT-		1
70	JMS1602-5C50020		.BUSHING- SUPPLIER CODE: VS5065		1
72	BS061451-41		.HOLDER ASSY-TOILET PAPER SUPPLIER CODE: VS5065 CONFIG CHG DATA FROM A CMM: SUPSD BY BS061451-61		1

ILLUSTRATION ITEMS NOT ON PARTS LIST ARE NOT APPLICABLE

- ITEM NOT ILLUSTRATED

HXL

25-43-02-01

BOEING PROPRIETARY - Copyright © - Unpublished Work - See title page for details.

25-43-02  
FIG. 01  
PAGE 1  
DEC 22/07

 **BOEING**  
767  
**PARTS CATALOG (MAINTENANCE)**

FIG ITEM	PART NUMBER	1 2 3 4 5 6 7	NOMENCLATURE	EFFECT FROM TO	UNITS PER ASSY
1	72 BS061451-61		.HOLDER ASSY-TOILET PAPER SUPPLIER CODE: VS5065 CONFIG CHG DATA FROM A CMM: SUPERSEDES BS061451-41		1
-	76 BS061451-11		..SHAFT ASSY-INNER SUPPLIER CODE: VS5065 CONFIG CHG DATA FROM A CMM: SUPSD BY BS061451-51		1
-	76 BS061451-51		..SHAFT ASSY-INNER SUPPLIER CODE: VS5065 CONFIG CHG DATA FROM A CMM: SUPERSEDES BS061451-11		1
	80 BS060470-21		...CABLE ASSY- SUPPLIER CODE: VS5065		1
	85 BS061452-3		...SHAFT- SUPPLIER CODE: VS5065		1
	89 BS061452-5		...SHAFT- SUPPLIER CODE: VS5065		1
	95 BS061458-3		..SPRING- SUPPLIER CODE: VS5065 USED ON: BS061451-1		1
	100 AN970-3		..WASHER- USED ON: BS061451-61		2
	106 BS061380-001WH2		.DOOR ASSY-STOWAGE SUPPLIER CODE: VS5065 ATTACHING PARTS		1
	110 MS35206-243		.SCREW -----*-----		6
	115 BS061380-003WH2		..PANEL-DOOR SUPPLIER CODE: VS5065		1
	120 BS061381-1		..HINGE ASSY- SUPPLIER CODE: VS5065		1
	130 BS061382-3		...HINGE- SUPPLIER CODE: VS5065		1

ILLUSTRATION ITEMS NOT ON PARTS LIST ARE NOT APPLICABLE

- ITEM NOT ILLUSTRATED

HXL

# 25-43-02-01

BOEING PROPRIETARY - Copyright © - Unpublished Work - See title page for details.

25-43-02  
FIG. 01  
PAGE 2  
DEC 22/07



767

PARTS CATALOG (MAINTENANCE)

FIG ITEM	PART NUMBER	1 2 3 4 5 6 7	NOMENCLATURE	EFFECT FROM TO	UNITS PER ASSY
1					
135	BS061383-3	...	PIN- SUPPLIER CODE: VS5065		1
140	BS061381-2	..	HINGE ASSY- SUPPLIER CODE: VS5065 ATTACHING PARTS		1
145	MS35206-245	..	SCREW- CONFIG CHG DATA FROM A CMM: SUPSD BY MS35206-242W -----*-----		3
150	BS061383-3	...	PIN- SUPPLIER CODE: VS5065		1
155	BS061382-4	...	HINGE- SUPPLIER CODE: VS5065 ATTACHING PARTS		1
165	MS35206-243	..	SCREW- CONFIG CHG DATA FROM A CMM: SUPSD BY MS35206-242W -----*-----		2
190	BS061480-001WH1	.	COVER- SUPPLIER CODE: VS5065		1
195	BS060037-3	.	RETAINER-GRAPHIC STRIP SUPPLIER CODE: VS5065 ATTACHING PARTS		1
200	MS24693S49	.	SCREW -----*-----		3
205	BS061460-011WH1	.	STOWAGE ASSY- SUPPLIER CODE: VS5065 ATTACHING PARTS		1
- 210	MS35206-243	.	SCREW -----*-----		8
215	BS061470-001WH1	..	PANEL ASSY-ACCESS SUPPLIER CODE: VS5065		1
215	BS061470-101WH1	..	PANEL ASSY-ACCESS SUPPLIER CODE: VS5065		1
220	BS060038-7	...	SEAL-P SUPPLIER CODE: VS5065		1
225	BS060039-3	...	SEAL-P SUPPLIER CODE: VS5065		1

ILLUSTRATION ITEMS NOT ON PARTS LIST ARE NOT APPLICABLE

- ITEM NOT ILLUSTRATED

25-43-02-01

25-43-02  
FIG. 01  
PAGE 3  
DEC 22/07

HXL

BOEING PROPRIETARY - Copyright © - Unpublished Work - See title page for details.

 **BOEING**  
767  
**PARTS CATALOG (MAINTENANCE)**

FIG ITEM	PART NUMBER	1 2 3 4 5 6 7	NOMENCLATURE	EFFECT FROM TO	UNITS PER ASSY
1					
- 230	AJ3-25		...STUD- SUPPLIER CODE: V72794		4
235	BS061471-001WH1		..PANEL ASSY-HEATER ACCESS SUPPLIER CODE: VS5065 ATTACHING PARTS		1
240	MS35206-243		..SCREW -----*-----		2
245	BS061469-001WH1		..PANEL ASSY-HEATER TOP SUPPLIER CODE: VS5065 ATTACHING PARTS		1
250	MS35206-243		..SCREW -----*-----		4
255	BS062468-3		...CATCH-ANGLE SUPPLIER CODE: VS5065 ATTACHING PARTS		1
260	MS35206-243		...SCREW -----*-----		2
265	BS061474-009WH1		..PLATE-COVER SUPPLIER CODE: VS5065 ATTACHING PARTS		1
270	MS35206-243		..SCREW -----*-----		2
275	BS060095-1		..FRAME ASSY-GRAPHIC STRIP SUPPLIER CODE: VS5065 ATTACHING PARTS		1
277	MS35206-247		..SCREW -----*-----		3
280	BS061474-007WH1		..PLATE-COVER SUPPLIER CODE: VS5065 ATTACHING PARTS		1
285	MS35206-243		..SCREW -----*-----		2
290	BS061490-1		..LATCH- SUPPLIER CODE: VS5065 ATTACHING PARTS		1
295	MS35206-241		..SCREW		2
300	AN960-8		..WASHER- -----*-----		2
305	BS061462-011WH1		..PARTITION-WATER HEATER SUPPLIER CODE: VS5065		1

ILLUSTRATION ITEMS NOT ON PARTS LIST ARE NOT APPLICABLE

- ITEM NOT ILLUSTRATED

HXL

# 25-43-02-01

BOEING PROPRIETARY - Copyright © - Unpublished Work - See title page for details.

25-43-02  
FIG. 01  
PAGE 4  
AUG 22/09





767

PARTS CATALOG (MAINTENANCE)

FIG ITEM	PART NUMBER	1 2 3 4 5 6 7	NOMENCLATURE	EFFECT FROM TO	UNITS PER ASSY
1			ATTACHING PARTS		
310	MS35206-243	..	SCREW		1
315	MS24693S49	..	SCREW		1
			-----*-----		
320	BS061466-011WH1	..	ENCLOSURE-		1
			SUPPLIER CODE:		
			VS5065		
			ATTACHING PARTS		
325	MS35206-243	..	SCREW		2
330	MS21040-08	..	NUT		2
			-----*-----		
335	BS060452-001WH1	..	ROLLER ASSY-AMENITY		1
			SUPPLIER CODE:		
			VS5065		
337	BS060452-011WH1	..	ROLLER ASSY-AMENITY		1
			SUPPLIER CODE:		
			VS5065		
			ATTACHING PARTS		
340	MS35206-244	..	SCREW		4
342	MS35206-244	..	SCREW		8
355	MS21042-08	..	NUT		4
358	MS21042-08	..	NUT		8
			-----*-----		
385	BS060452-011WH1	..	ROLLER ASSY-AMENITY		1
			SUPPLIER CODE:		
			VS5065		
			ATTACHING PARTS		
390	MS35206-244	..	SCREW		4
405	MS21042-08	..	NUT		4
			-----*-----		
435	BS061496-1	..	LATCH-		1
			SUPPLIER CODE:		
			VS5065		
			ATTACHING PARTS		
440	MS35206-243	..	SCREW-		3
445	MS21040-08	..	NUT-		3
			-----*-----		
450	BS061461-001WH1	..	PARTITION-HINGE		1
			SUPPLIER CODE:		
			VS5065		
			ATTACHING PARTS		
455	MS35206-244	..	SCREW-		2
			-----*-----		
460	BS061464-001WH1	..	ENCLOSURE-WASTE		1
			SUPPLIER CODE:		
			VS5065		
			ATTACHING PARTS		
- 465	MS35206-244	..	SCREW		4

ILLUSTRATION ITEMS NOT ON PARTS LIST ARE NOT APPLICABLE

- ITEM NOT ILLUSTRATED

25-43-02-01

25-43-02  
FIG. 01  
PAGE 5  
AUG 22/09

HXL

BOEING PROPRIETARY - Copyright © - Unpublished Work - See title page for details.

 **BOEING**  
767  
**PARTS CATALOG (MAINTENANCE)**

FIG ITEM	PART NUMBER	1 2 3 4 5 6 7	NOMENCLATURE	EFFECT FROM TO	UNITS PER ASSY
1					
- 470	MS21040-08	..	NUT -----*-----		4
475	BS060038-3	..	SEAL-P SUPPLIER CODE: VS5065		1
480	BS060463-3	..	SHIM- SUPPLIER CODE: VS5065		1
485	BS060454-007WH1	..	PLATE-BACKUP SUPPLIER CODE: VS5065 ATTACHING PARTS		1
490	MS24693S49	..	SCREW		4
495	22K2-82	..	NUT- SUPPLIER CODE: V72962 -----*-----		4
500	BS060038-5	..	SEAL-P SUPPLIER CODE: VS5065		1
505	BS060038-3	..	SEAL-P SUPPLIER CODE: VS5065		1
510	BS061472-003WH1	..	PLATE- SUPPLIER CODE: VS5065 POSITION DATA: BOTTOM ATTACHING PARTS		1
515	MS35206-244	..	SCREW -----*-----		4
525	BS061473-003WH1	..	PLATE- SUPPLIER CODE: VS5065 POSITION DATA: BOTTOM ATTACHING PARTS		1
530	MS24693S49	..	SCREW -----*-----		4
535	BS061478-001WH1	..	BRACKET- SUPPLIER CODE: VS5065 ATTACHING PARTS		1
540	MS24693S49	..	SCREW -----*-----		3
545	BS060453-1	..	STRIKER- SUPPLIER CODE: VS5065		1

ILLUSTRATION ITEMS NOT ON PARTS LIST ARE NOT APPLICABLE

- ITEM NOT ILLUSTRATED

HXL

# 25-43-02-01

BOEING PROPRIETARY - Copyright © - Unpublished Work - See title page for details.

25-43-02  
FIG. 01  
PAGE 6  
AUG 22/09


**BOEING**  
 767  
**PARTS CATALOG (MAINTENANCE)**

FIG ITEM	PART NUMBER	1 2 3 4 5 6 7	NOMENCLATURE	EFFECT FROM TO	UNITS PER ASSY
1			ATTACHING PARTS		
550	MS35206-243	..	SCREW		2
			-----*-----		
555	BS060059-003WH1	..	FRAME-		1
			SUPPLIER CODE:		
			VS5065		
			ATTACHING PARTS		
560	MS24693S49	..	SCREW		1
565	MS35206-243	..	SCREW		1
570	MS21042-08	..	NUT-		1
			-----*-----		
575	BS060096-001WH1	..	BEAM-BOX		1
			SUPPLIER CODE:		
			VS5065		
580	BS061365-3	..	PIVOT-AMENITY		2
			SUPPLIER CODE:		
			VS5065		
			ATTACHING PARTS		
585	MS24693S49	..	SCREW-		2
			-----*-----		
590	BS061479-11	..	BRACKET-JT		2
			SUPPLIER CODE:		
			VS5065		
			ATTACHING PARTS		
595	MS35206-243	..	SCREW		4
600	MS21042-08	..	NUT		4
			-----*-----		

ILLUSTRATION ITEMS NOT ON PARTS LIST ARE NOT APPLICABLE

- ITEM NOT ILLUSTRATED

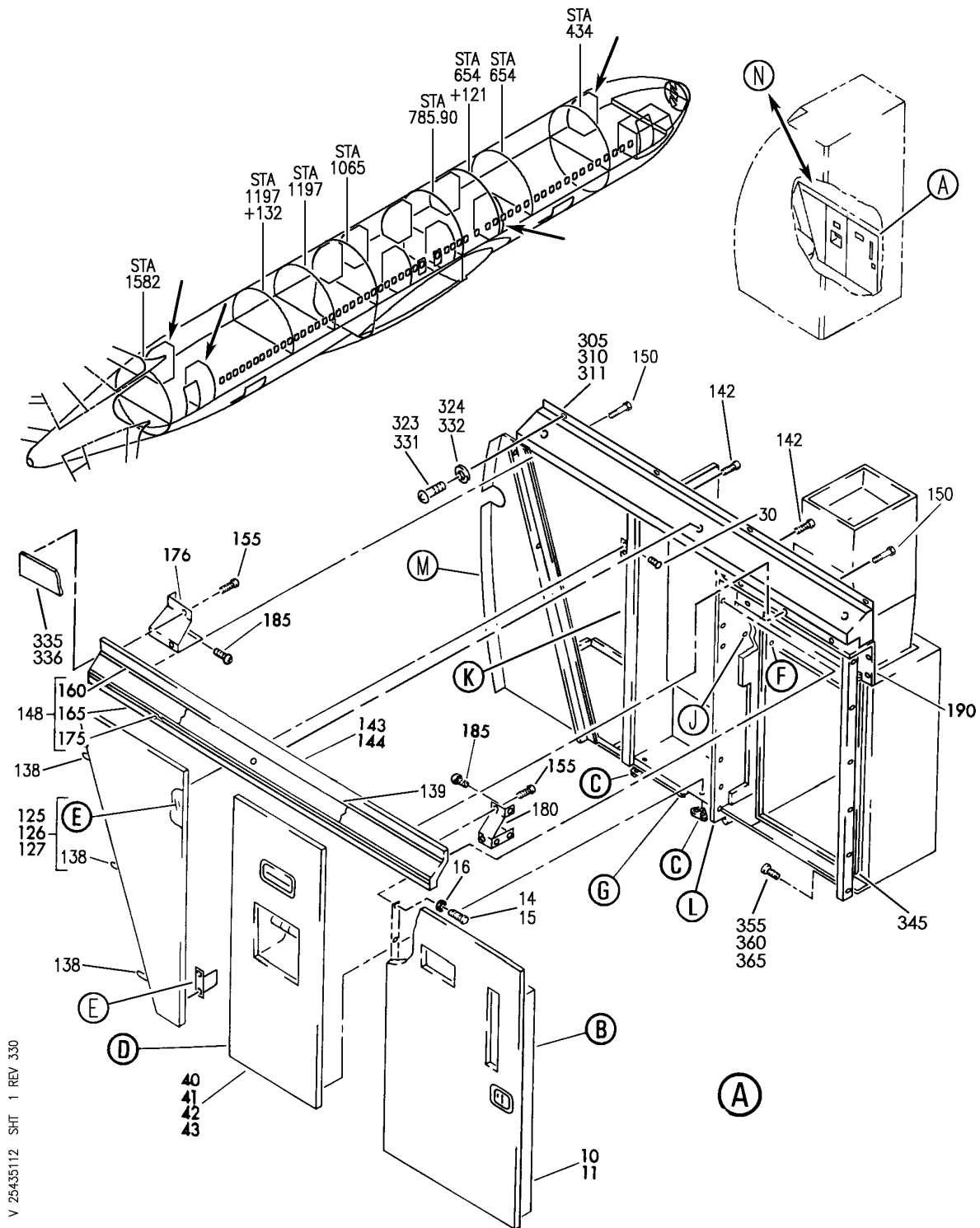
HXL

# 25-43-02-01

BOEING PROPRIETARY - Copyright © - Unpublished Work - See title page for details.

25-43-02  
 FIG. 01  
 PAGE 7  
 AUG 22/09

**BOEING**  
767  
PARTS CATALOG (MAINTENANCE)



V 25435112 SHT 1 REV 330

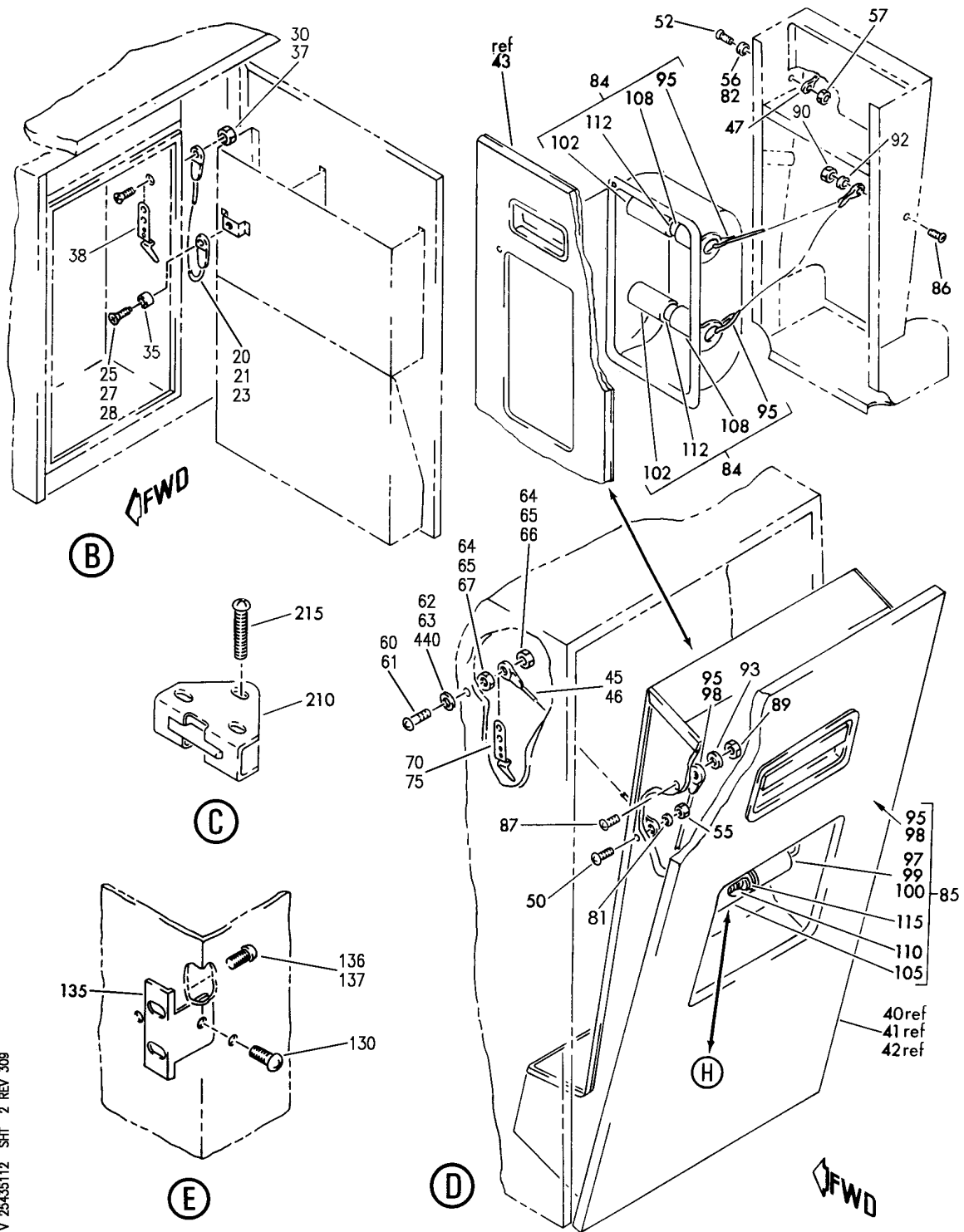
CABINET ASSY-SINK LAV  
FIGURE 12 (SHEET 1)

**25-43-51-12**

HXL  
AUG 22/08

25-43-51-12  
PAGE 0

**BOEING**  
767  
PARTS CATALOG (MAINTENANCE)



V 25435112 SH1 2 REV 309

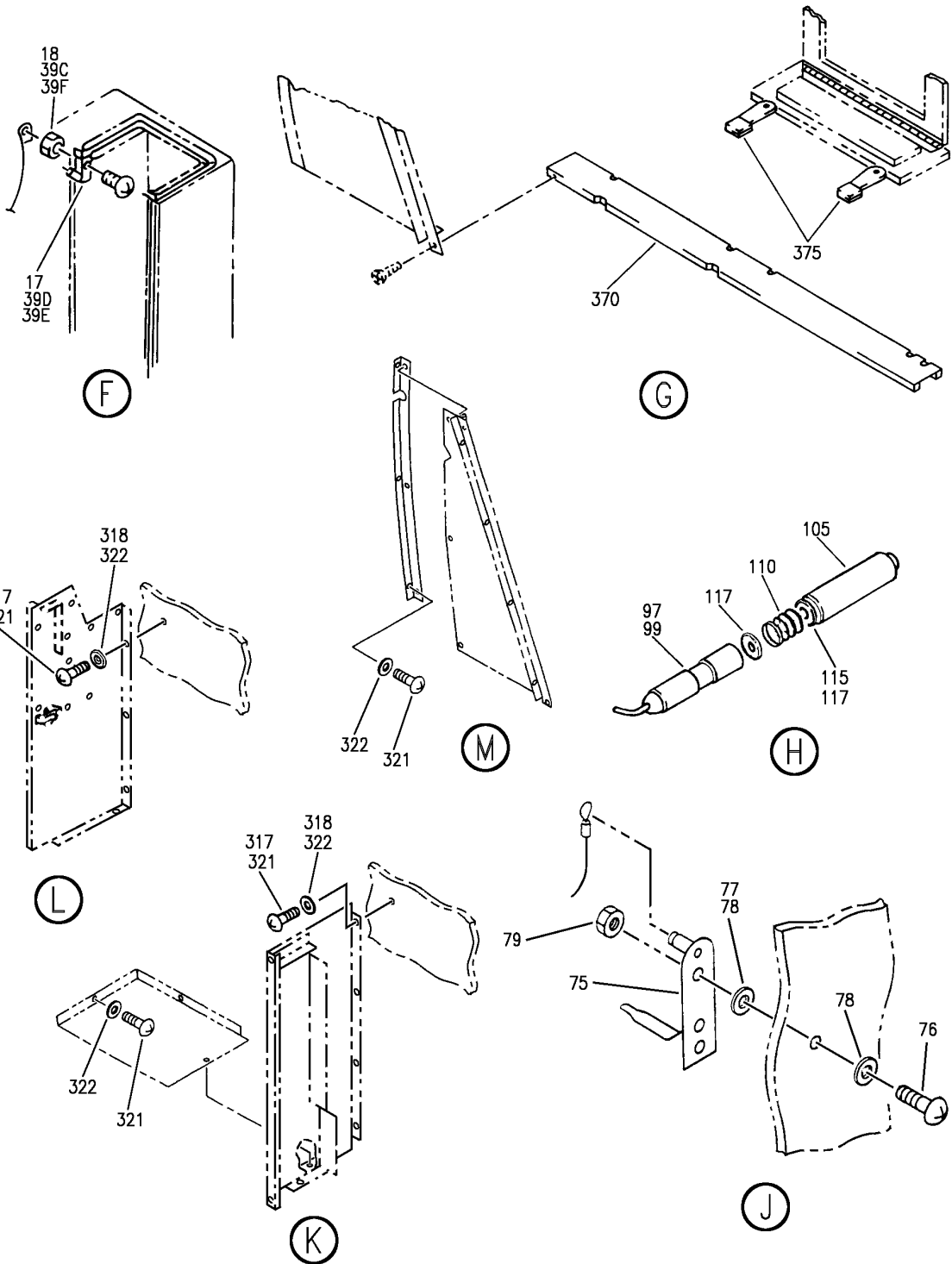
CABINET ASSY-SINK LAV  
FIGURE 12 (SHEET 2)

**25-43-51-12**

HXL  
DEC 22/06

25-43-51-12  
PAGE 0A

**BOEING**  
767  
PARTS CATALOG (MAINTENANCE)



V 25435112 SH-T 3 REV 316

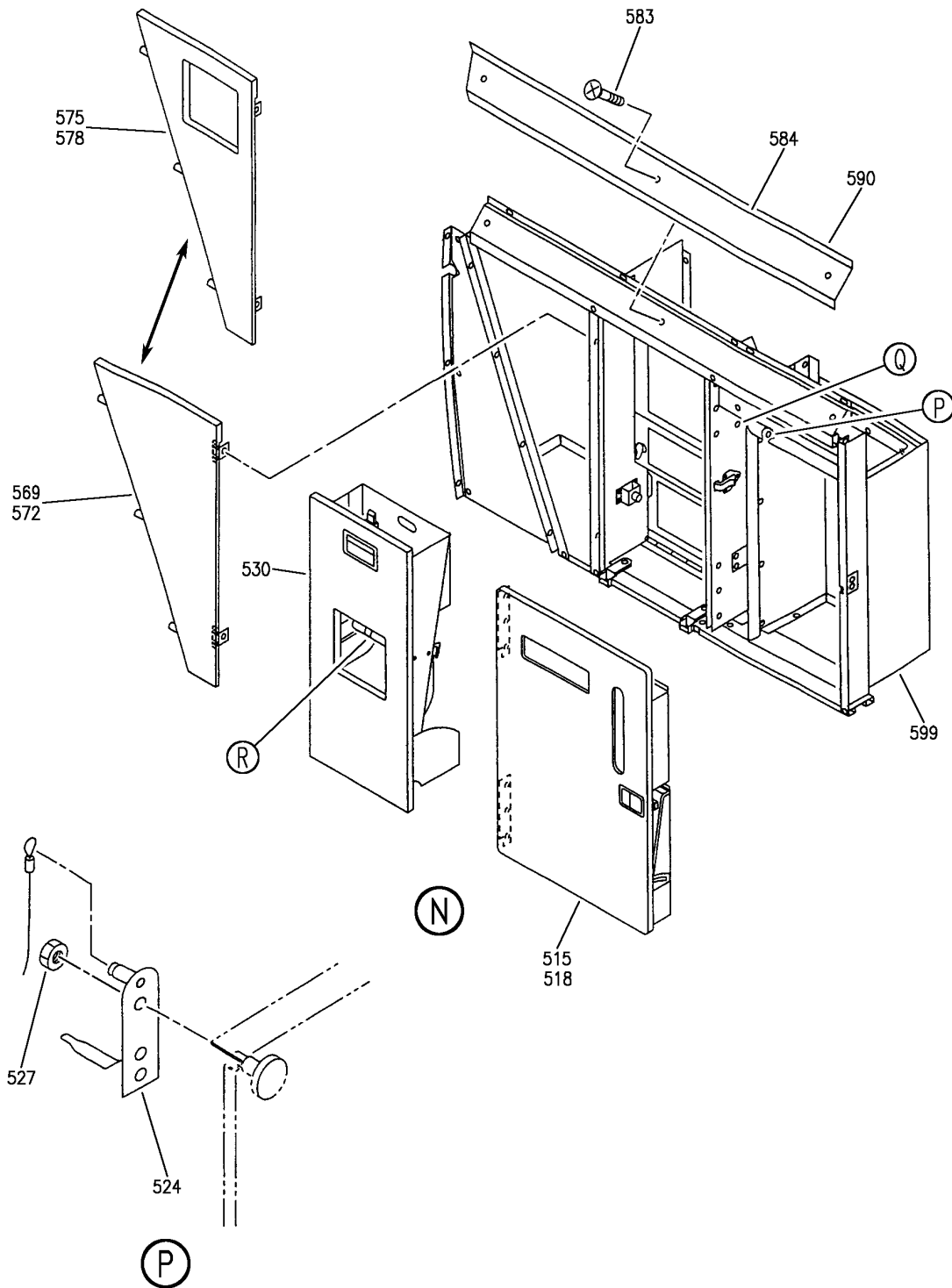
CABINET ASSY-SINK LAV  
FIGURE 12 (SHEET 3)

**25-43-51-12**

HXL  
AUG 22/07

25-43-51-12  
PAGE 0B

**BOEING**  
767  
PARTS CATALOG (MAINTENANCE)



V 25435112 SH1 4 REV 314

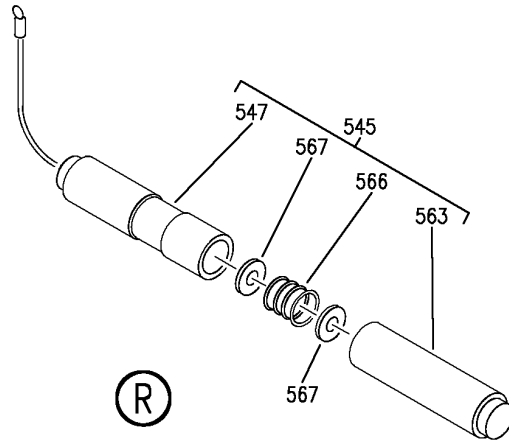
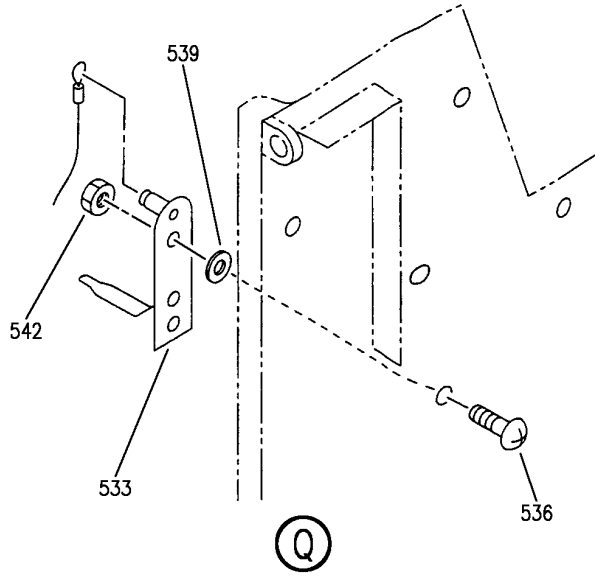
CABINET ASSY-SINK LAV  
FIGURE 12 (SHEET 4)

**25-43-51-12**

HXL  
APR 22/07

25-43-51-12  
PAGE 0C

**BOEING**  
767  
PARTS CATALOG (MAINTENANCE)



V 25435112 SH1 5 REV 314

CABINET ASSY-SINK LAV  
FIGURE 12 (SHEET 5)

**25-43-51-12**

HXL  
APR 22/07

25-43-51-12  
PAGE 0D



**BOEING**  
767  
**PARTS CATALOG (MAINTENANCE)**

FIG ITEM	PART NUMBER	1 2 3 4 5 6 7	NOMENCLATURE	EFFECT FROM TO	UNITS PER ASSY
12					
- 2	SK063450-31		CABINET ASSY-SINK LAV CABINET ASSY-SINK LAV MS16 AND MS18 SUPPLIER CODE: VS5065 FOR NHA SEE: 25-41-03-46B	163999	RF
- 2	SAS063450-31		CABINET ASSY-SINK LAV MS16 AND MS18 SUPPLIER CODE: VS5065 FOR NHA SEE: 25-41-03-46B		RF
- 6	SK063450-32		CABINET ASSY-SINK LAV MS15 AND MS17 SUPPLIER CODE: VS5065 FOR NHA SEE: 25-41-03-46B	163999	RF
- 6	SAS063450-32		CABINET ASSY-SINK LAV MS15 AND MS17 SUPPLIER CODE: VS5065 FOR NHA SEE: 25-41-03-46B		RF
10	BS061350-002WH2		.DOOR ASSY-WASTE CONTAINER LAV MS16 AND MS18 LAV A3 AND MS10 LAV MS28 AND MS30 SUPPLIER CODE: VS5065 FOR DETAILS SEE: 25-43-60-01		1
10	BS061350-001WH2		.DOOR ASSY-WASTE CONTAINER LAV A4 AND MS4 LAV MS15 AND MS17 LAV MS2 AND A4 LAV MS27 AND MS29 SUPPLIER CODE: VS5065 FOR DETAILS SEE: 25-43-60-01		1
15	MS35206-243		ATTACHING PARTS .SCREW		6
39E	BS060467-1		-----*----- .CLIP- SUPPLIER CODE: VS5065		1
39F	MS21040-3		.NUT		1

ILLUSTRATION ITEMS NOT ON PARTS LIST ARE NOT APPLICABLE

- ITEM NOT ILLUSTRATED

HXL

# 25-43-51-12

BOEING PROPRIETARY - Copyright © - Unpublished Work - See title page for details.

25-43-51  
FIG. 12  
PAGE 1  
DEC 22/07

 **BOEING**  
767  
**PARTS CATALOG (MAINTENANCE)**

FIG ITEM	PART NUMBER	1 2 3 4 5 6 7	NOMENCLATURE	EFFECT FROM TO	UNITS PER ASSY
12					
41	BS061360-031WH2		.DOOR ASSY-SINK CABINET LAV A3 AND MS3 LAV MS16 AND MS18 LAV MS28 AND MS30 SUPPLIER CODE: VS5065 FOR DETAILS SEE: 25-43-60-02		1
41	BS061360-032WH2		.DOOR ASSY-SINK CABINET LAV A4 AND MS4 LAV MS15 AND MS17 LAV MS27 AND MS29 SUPPLIER CODE: VS5065 FOR DETAILS SEE: 25-43-60-02		1
75	BS060467-1		.CLIP- SUPPLIER CODE: VS5065 ATTACHING PARTS		1
76	MS35206-264		.SCREW		1
77	AN960-10		.WASHER		1
79	MS21040-3		.NUT		1
			-----*-----		
85	BS061451-41		.HOLDER ASSY-TOILET PAPER SUPPLIER CODE: VS5065 CONFIG CHG DATA FROM A CMM: SUPSD BY BS061451-61		1
85	BS061451-61		.HOLDER ASSY-TOILET PAPER SUPPLIER CODE: VS5065 CONFIG CHG DATA FROM A CMM: SUPERSEDES BS061451-41 ATTACHING PARTS		1
87	MS35206-244		.SCREW		1
89	MS21040-08		.NUT		1
			-----*-----		
93	JMS1602-5C50020		.BUSHING- SUPPLIER CODE: VS5065		1
- 96	BS061451-11		..SHAFT ASSY-INNER SUPPLIER CODE: VS5065 CONFIG CHG DATA FROM A CMM: SUPSD BY BS061451-51		1

ILLUSTRATION ITEMS NOT ON PARTS LIST ARE NOT APPLICABLE

- ITEM NOT ILLUSTRATED

HXL

**25-43-51-12**

BOEING PROPRIETARY - Copyright © - Unpublished Work - See title page for details.

25-43-51  
FIG. 12  
PAGE 2  
DEC 22/07

 **BOEING**  
767  
**PARTS CATALOG (MAINTENANCE)**

FIG ITEM	PART NUMBER	1 2 3 4 5 6 7	NOMENCLATURE	EFFECT FROM TO	UNITS PER ASSY
12					
- 96	BS061451-51		.. SHAFT ASSY-INNER SUPPLIER CODE: VS5065 CONFIG CHG DATA FROM A CMM: SUPERSEDES BS061451-11		1
98	BS060470-21		... CABLE ASSY-LAV MS15, MS16, MS17 AND MS18 MS27, MS28, MS29 AND MS30 SUPPLIER CODE: VS5065		1
99	BS061452-3		... SHAFT-LAV MS15, MS16, MS17 AND MS18 MS27, MS28, MS29 AND MS30 SUPPLIER CODE: VS5065		1
105	BS061452-5		.. SHAFT- SUPPLIER CODE: VS5065 USED ON: BS061451-1		1
108	BS061452-5		.. SHAFT- SUPPLIER CODE: VS5065		1
110	BS061458-3		.. SPRING- SUPPLIER CODE: VS5065 USED ON: BS061451-1		1
115	AN970-3		.. WASHER		1
127	BS063380-001WH2		. DOOR ASSY-LAV MS1 AND A3 MS16 AND MS18 SUPPLIER CODE: VS5065		1
127	BS063380-002WH2		. DOOR ASSY-LAV MS2 AND A4 MS15 AND MS17 SUPPLIER CODE: VS5065		1
130	MS35206-243		ATTACHING PARTS . SCREW -----*-----		2

ILLUSTRATION ITEMS NOT ON PARTS LIST ARE NOT APPLICABLE

- ITEM NOT ILLUSTRATED

HXL

# 25-43-51-12

BOEING PROPRIETARY - Copyright © - Unpublished Work - See title page for details.

25-43-51  
FIG. 12  
PAGE 3  
DEC 22/07



767

PARTS CATALOG (MAINTENANCE)

FIG ITEM	PART NUMBER	1 2 3 4 5 6 7	NOMENCLATURE	EFFECT FROM TO	UNITS PER ASSY
12 139	BS060037-7		.RETAINER-GRAPHIC STRIP LAV A3 AND MS3 LAV MS16 AND MS18 LAV A3 AND MS10 LAV MS28 AND MS30 SUPPLIER CODE: VS5065		1
139	BS060037-8		.RETAINER-LAV A4 AND MS4 MS15 AND MS17 A4 AND MS2 A4 AND FS2 A4 AND MS15 MS27 AND MS29 SUPPLIER CODE: VS5065		1
- 141	MS24693S49		ATTACHING PARTS .SCREW -----*-----		3
143	BS063480-001WH1		.COVER-SINK CABINET LAV MS1 AND A3 NS16 AND MS18 SUPPLIER CODE: VS5065 USED ON: DL063450-1		1
143	BS063480-002WH1		.COVER-SINK CABINET LAV A4 AND MS2 A4 AND MS4 A4 AND MS15 MS15 AND MS17 SUPPLIER CODE: VS5065		1
305	BS063460-001WH1		.STOWAGE ASSY-SINK CABINET LAV A3 AND MS3 LAV A3 AND MS10 LAV MS16 AND MS18 LAV MS28 AND MS30 SUPPLIER CODE: VS5065 FOR DETAILS SEE: 25-43-60-12		1

ILLUSTRATION ITEMS NOT ON PARTS LIST ARE NOT APPLICABLE

- ITEM NOT ILLUSTRATED

HXL

25-43-51-12

BOEING PROPRIETARY - Copyright © - Unpublished Work - See title page for details.

25-43-51  
FIG. 12  
PAGE 4  
DEC 22/07



767

PARTS CATALOG (MAINTENANCE)

FIG ITEM	PART NUMBER	1 2 3 4 5 6 7	NOMENCLATURE	EFFECT FROM TO	UNITS PER ASSY
12 305	BS063460-002WH1		.STOWAGE ASSY-SINK CABINET LAV A4 AND MS2 LAV A4 AND MS4 LAV MS15 AND MS17 LAV A6 AND FS3 LAV A4 AND MS15 LAV MS27 AND MS29 SUPPLIER CODE: VS5065 FOR DETAILS SEE: 25-43-60-12 ATTACHING PARTS		1
- 320	MS35206-243		.SCREW- USED ON: NZ063450-31 NZ063450-32 NZ063450-421 TA063450-31 TA063450-32		8
- 330	MS21042-08		.NUT -----*-----		3

ILLUSTRATION ITEMS NOT ON PARTS LIST ARE NOT APPLICABLE

- ITEM NOT ILLUSTRATED

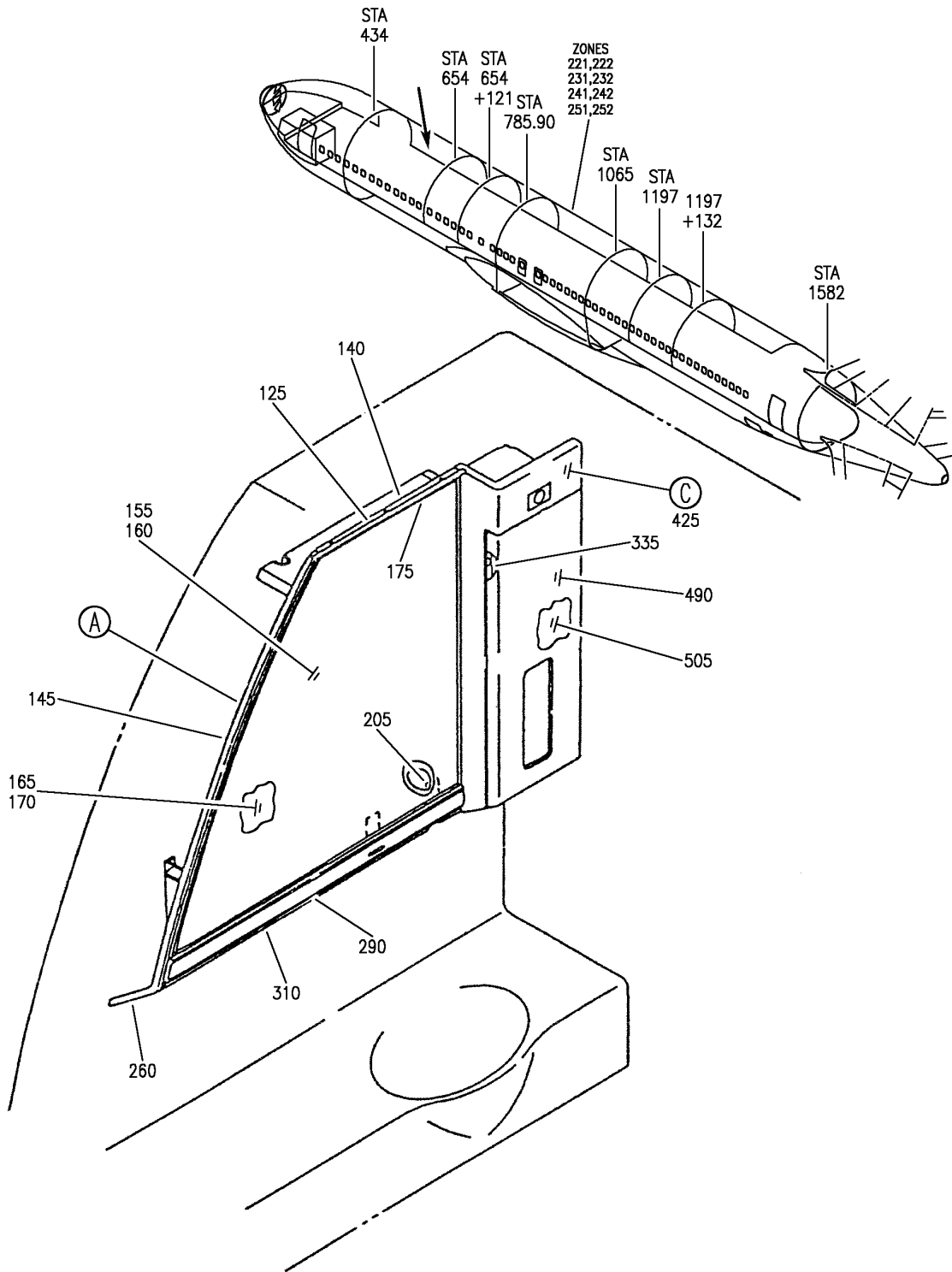
HXL

25-43-51-12

BOEING PROPRIETARY - Copyright © - Unpublished Work - See title page for details.

25-43-51  
FIG. 12  
PAGE 5  
DEC 22/07

**BOEING**  
767  
PARTS CATALOG (MAINTENANCE)



V 25435127D SHT 1 REV 303

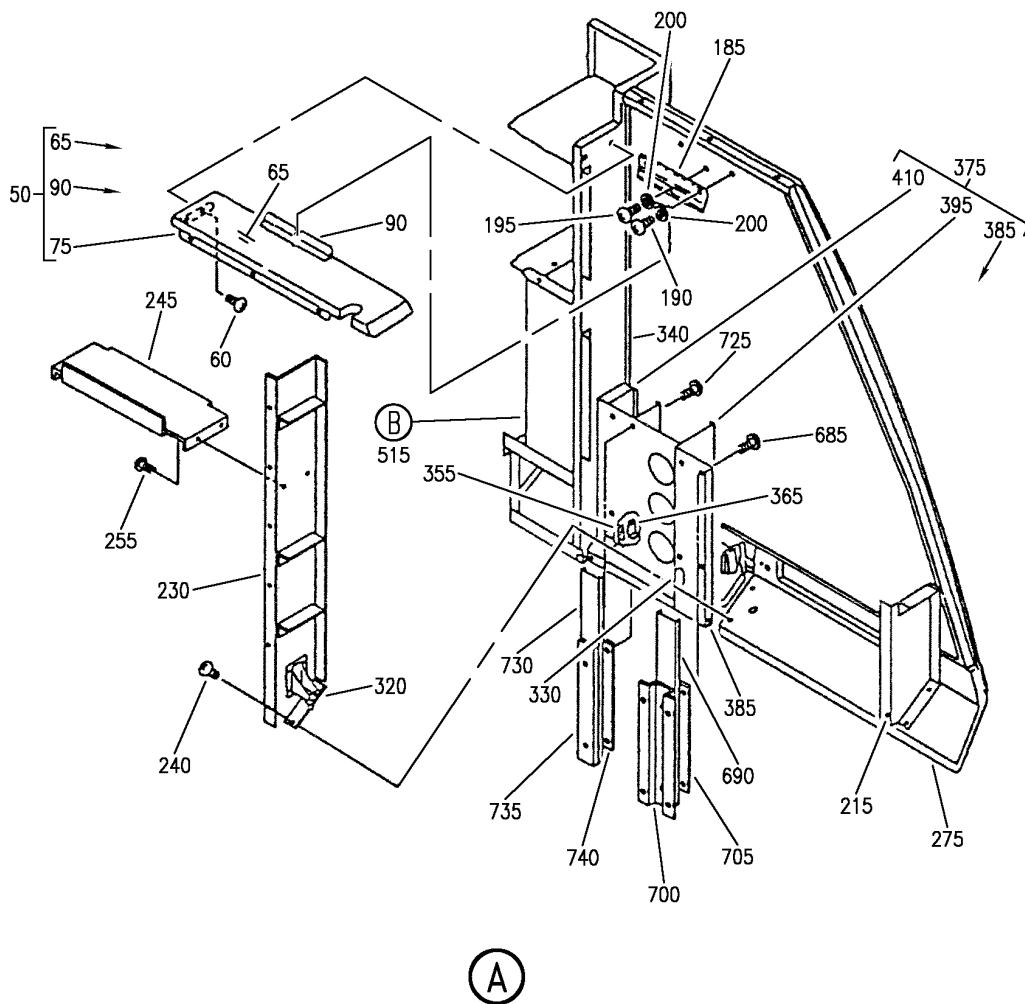
CABINET ASSY-UPR, LAV  
FIGURE 27D (SHEET 1)

**25-43-51-27D**

HXL  
DEC 22/06

25-43-51-27D  
PAGE 0

**BOEING**  
767  
PARTS CATALOG (MAINTENANCE)



V 25435127D SHT 2 REV 303

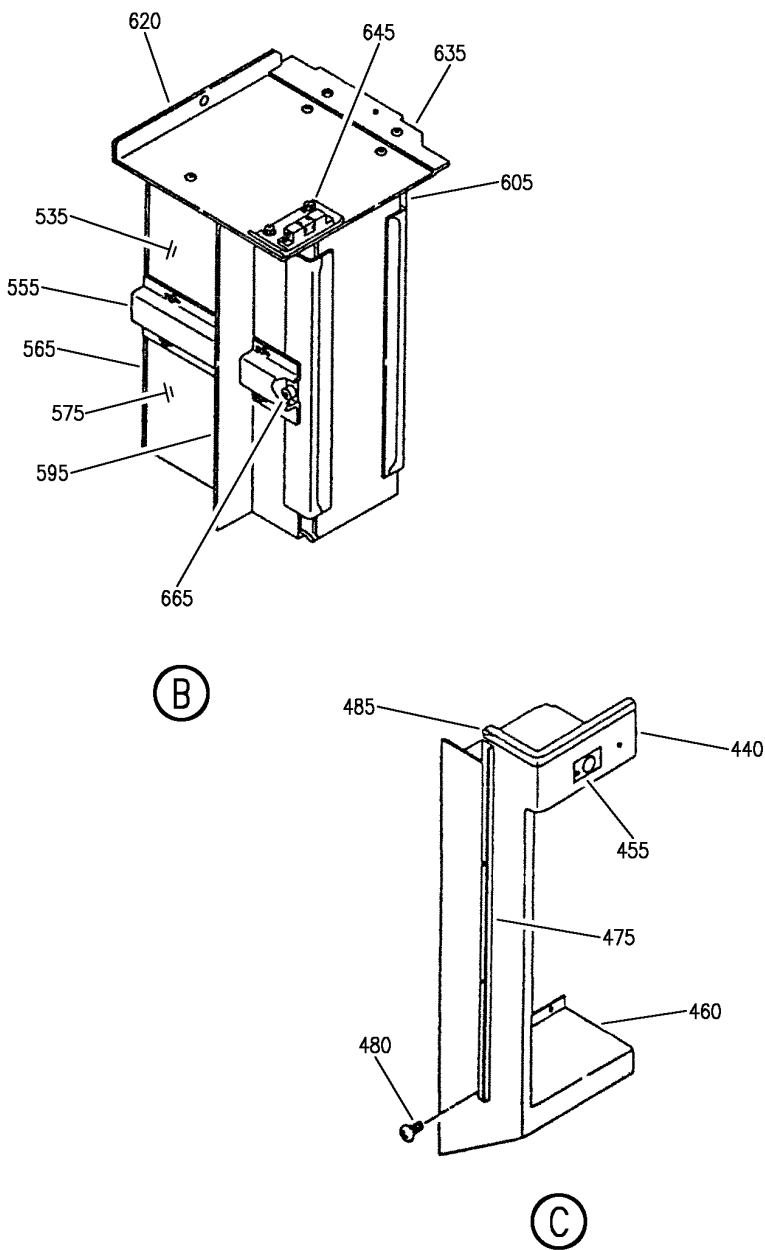
CABINET ASSY-UPR, LAV  
FIGURE 27D (SHEET 2)

**25-43-51-27D**

HXL  
DEC 22/06

25-43-51-27D  
PAGE 0A

**BOEING**  
767  
PARTS CATALOG (MAINTENANCE)



V 25435127D SHT 3 REV 303

CABINET ASSY-UPR, LAV  
FIGURE 27D (SHEET 3)

**25-43-51-27D**

HXL  
DEC 22/06

25-43-51-27D  
PAGE 0B





767

PARTS CATALOG (MAINTENANCE)

FIG ITEM	PART NUMBER	1 2 3 4 5 6 7	NOMENCLATURE	EFFECT FROM TO	UNITS PER ASSY
27D					
- 1	SK063200-232		CABINET ASSY-UPR, LAV CABINET ASSY-LAV MS15 AND MS17 SUPPLIER CODE: VS5065 POSITION DATA: UPR FOR NHA SEE: 25-41-03-46B	163999	RF
- 5	SAS063200-232		CABINET ASSY-LAV MS15 AND MS17 MS27 AND MS29 SUPPLIER CODE: VS5065 POSITION DATA: UPR FOR NHA SEE: 25-41-03-46B		RF
- 10	SK063200-231		CABINET ASSY-LAV MS16 AND MS18 SUPPLIER CODE: VS5065 POSITION DATA: UPR FOR NHA SEE: 25-41-03-46B	163999	RF
- 15	SAS063200-231		CABINET ASSY-LAV MS16 AND MS18 MS28 AND MS30 SUPPLIER CODE: VS5065 POSITION DATA: UPR FOR NHA SEE: 25-41-03-46B		RF
50	BS063245-11		.PANEL ASSY-LAV MS15 AND MS17 MS27 AND MS29 SUPPLIER CODE: VS5065		1
- 55	BS063245-12		.PANEL ASSY-LAV MS16 AND MS18 MS28 AND MS30 SUPPLIER CODE: VS5065		1
60	MS35206-241		ATTACHING PARTS .SCREW -----*-----		6
ILLUSTRATION ITEMS NOT ON PARTS LIST ARE NOT APPLICABLE					

- ITEM NOT ILLUSTRATED

25-43-51-27D

25-43-51  
FIG. 27D  
PAGE 1  
DEC 22/07

HXL

BOEING PROPRIETARY - Copyright © - Unpublished Work - See title page for details.

 **BOEING**  
767  
**PARTS CATALOG (MAINTENANCE)**

FIG ITEM	PART NUMBER	1 2 3 4 5 6 7	NOMENCLATURE	EFFECT FROM TO	UNITS PER ASSY
27D 65	BS063246-11		.. PANEL-LAV MS15 AND MS17 MS27 AND MS29 SUPPLIER CODE: VS5065		1
- 70	BS063246-12		.. PANEL-LAV MS16 AND MS18 MS28 AND MS30 SUPPLIER CODE: VS5065		1
75	BS062248-14		.. ANGLE-LAV MS15 AND MS17 MS27 AND MS29 SUPPLIER CODE: VS5065		1
- 80	BS062248-13		.. ANGLE-LAV MS16 AND MS18 MS28 AND MS30 SUPPLIER CODE: VS5065		1
- 85	MS35206-241		ATTACHING PARTS .. SCREW -----*-----		3
90	BS060245-3		.. ANGLE- SUPPLIER CODE: VS5065		1
- 95	MS35206-243		ATTACHING PARTS .. SCREW -----*-----		3
- 100	BS062248-15		.. ANGLE- SUPPLIER CODE: VS5065		1
- 105	MS35206-241		ATTACHING PARTS .. SCREW -----*-----		3
- 110	BS063210-1		. MIRROR ASSY-LAV MS15 AND MS17 MS27 AND MS29 SUPPLIER CODE: VS5065		1
- 115	BS063210-2		. MIRROR ASSY-LAV MS16 AND MS18 MS28 AND MS30 SUPPLIER CODE: VS5065		1
- 120	MS35206-243		ATTACHING PARTS . SCREW -----*-----		2

ILLUSTRATION ITEMS NOT ON PARTS LIST ARE NOT APPLICABLE

- ITEM NOT ILLUSTRATED

HXL

25-43-51-27D

BOEING PROPRIETARY - Copyright © - Unpublished Work - See title page for details.

25-43-51  
FIG. 27D  
PAGE 2  
DEC 22/07



767

PARTS CATALOG (MAINTENANCE)

FIG ITEM	PART NUMBER	1 2 3 4 5 6 7	NOMENCLATURE	EFFECT FROM TO	UNITS PER ASSY
27D 125	BS060213-5		.. TRIM-LAV MS15 AND MS17 MS27 AND MS29 SUPPLIER CODE: VS5065		1
- 130	BS060213-6		.. TRIM-LAV MS16 AND MS18 MS28 AND MS30 SUPPLIER CODE: VS5065		1
- 135	MS35206-241		ATTACHING PARTS .. SCREW -----*-----		3
140	JMS0311-11		.. SEAL-P SUPPLIER CODE: VS5065		1
145	BS060212-6		.. TRIM-LAV MS15 AND MS17 MS27 AND MS29 SUPPLIER CODE: VS5065		1
- 150	BS060212-5		.. TRIM-LAV MS16 AND MS18 MS28 AND MS30 SUPPLIER CODE: VS5065		1
155	BS060280-5		.. MIRROR-LAV MS15 AND MS17 MS27 AND MS29 SUPPLIER CODE: VS5065		1
160	BS060280-6		.. MIRROR-LAV MS16 AND MS18 MS28 AND MS30 SUPPLIER CODE: VS5065		1
165	BS063211-1		.. PANEL-MIRROR LAV MS15 AND MS17 MS27 AND MS29 SUPPLIER CODE: VS5065		1
170	BS063211-2		.. PANEL-MIRROR LAV MS16 AND MS18 MS28 AND MS30 SUPPLIER CODE: VS5065		1

ILLUSTRATION ITEMS NOT ON PARTS LIST ARE NOT APPLICABLE

- ITEM NOT ILLUSTRATED

25-43-51-27D

25-43-51  
FIG. 27D  
PAGE 3  
DEC 22/07

HXL

BOEING PROPRIETARY - Copyright © - Unpublished Work - See title page for details.

 **BOEING**  
767  
**PARTS CATALOG (MAINTENANCE)**

FIG ITEM	PART NUMBER	1 2 3 4 5 6 7	NOMENCLATURE	EFFECT FROM TO	UNITS PER ASSY
27D 175	BS060210-7		..TRIM-MIRROR LAV MS15 AND MS17 MS27 AND MS29 SUPPLIER CODE: VS5065		1
- 180	BS060210-8		..TRIM-MIRROR LAV MS16 AND MS18 MS28 AND MS30 SUPPLIER CODE: VS5065		1
185	BS060214-3		..RETAINER- SUPPLIER CODE: VS5065 ATTACHING PARTS		1
190	MS35206-241		..SCREW		2
195	MS35206-243		..SCREW		1
200	AN960-08		..WASHER- CONFIG CHG DATA FROM A CMM: SUPSD BY AN960-8		3
- 200	AN960-8		..WASHER- CONFIG CHG DATA FROM A CMM: SUPERSEDES AN960-08		3
205	BS060215-1		-----*----- ..BRACKET- SUPPLIER CODE: VS5065 ATTACHING PARTS		2
- 210	MS35206-241		..SCREW		4
215	BS063221-11		-----*----- .BRACKET-LAV MS15 AND MS17 MS27 AND MS29 SUPPLIER CODE: VS5065		1
- 220	BS063221-12		.BRACKET-LAV MS16 AND MS18 MS28 AND MS30 SUPPLIER CODE: VS5065 ATTACHING PARTS		1
- 225	MS35206-241		.SCREW		2
230	BS063221-1		-----*----- .BRACKET ASSY-UPR CABINET LAV MS15 AND MS17 LAV MS27 AND MS29 SUPPLIER CODE: VS5065		1

ILLUSTRATION ITEMS NOT ON PARTS LIST ARE NOT APPLICABLE

- ITEM NOT ILLUSTRATED

HXL

25-43-51-27D

BOEING PROPRIETARY - Copyright © - Unpublished Work - See title page for details.

25-43-51  
FIG. 27D  
PAGE 4  
DEC 22/07



767

PARTS CATALOG (MAINTENANCE)

FIG ITEM	PART NUMBER	1 2 3 4 5 6 7	NOMENCLATURE	EFFECT FROM TO	UNITS PER ASSY
27D - 235	BS063221-2		.BRACKET ASSY-UPR CABINET LAV MS16 AND MS18 LAV MS28 AND MS30 SUPPLIER CODE: VS5065 ATTACHING PARTS		1
240	MS35206-241		.SCREW		7
245	BS063222-3		.BRACKET-UPR CABINET SUPPLIER CODE: VS5065 ATTACHING PARTS		1
- 250	MS35206-241		.SCREW		5
255	MS35206-243		.SCREW		2
260	BS063205-4		.ANGLE-LAV MS15 AND MS17 MS27 AND MS29 SUPPLIER CODE: VS5065		1
- 265	BS063205-3		.ANGLE-LAV MS16 AND MS18 MS28 AND MS30 SUPPLIER CODE: VS5065 ATTACHING PARTS		1
- 270	MS35206-241		.SCREW		5
275	BS063230-021WH2		.PANEL ASSY-LAV MS15 AND MS17 MS27 AND MS29 SUPPLIER CODE: VS5065		1
- 280	BS063230-022WH2		.PANEL ASSY-LAV MS16 AND MS18 MS28 AND MS30 SUPPLIER CODE: VS5065 ATTACHING PARTS		1
- 285	MS35206-241		.SCREW		4
290	BS063219-1		.PLATE-LAV MS15 AND MS17 MS27 AND MS29 SUPPLIER CODE: VS5065		1

ILLUSTRATION ITEMS NOT ON PARTS LIST ARE NOT APPLICABLE

- ITEM NOT ILLUSTRATED

HXL

25-43-51-27D

BOEING PROPRIETARY - Copyright © - Unpublished Work - See title page for details.

25-43-51  
FIG. 27D  
PAGE 5  
DEC 22/07

 **BOEING**  
767  
**PARTS CATALOG (MAINTENANCE)**

FIG ITEM	PART NUMBER	1 2 3 4 5 6 7	NOMENCLATURE	EFFECT FROM TO	UNITS PER ASSY
27D					
- 295	BS063219-2		.PLATE-LAV MS16 AND MS18 MS28 AND MS30 SUPPLIER CODE: VS5065 ATTACHING PARTS		1
- 300	MS24693S47		.SCREW		1
- 305	MS24693S53		.SCREW		3
			-----*-----		
310	BS063217-41		.RETAINER-GRAPHIC STRIP LAV MS15 AND MS17 LAV MS27 AND MS29 SUPPLIER CODE: VS5065		1
- 315	BS063217-51		.RETAINER-GRAPHIC STRIP LAV MS16 AND MS18 LAV MS28 AND MS30 SUPPLIER CODE: VS5065		1
320	BS060260-11		.LATCH ASSY- SUPPLIER CODE: VS5065 ATTACHING PARTS		1
- 325	MS24693S47		.SCREW		4
			-----*-----		
330	BS063255-1		.BOX-RAZOR BLADE SUPPLIER CODE: VS5065		1
335	JMS2090-13		.PLUG- SUPPLIER CODE: VS5065		2
340	BS062248-17		.ANGLE-LAV MS15 AND MS17 MS27 AND MS29 SUPPLIER CODE: VS5065		2
- 345	BS062248-18		.ANGLE-LAV MS16 AND MS18 MS28 AND MS30 SUPPLIER CODE: VS5065 ATTACHING PARTS		2
- 350	MS35206-241		.SCREW		12
			-----*-----		
355	BS063221-21		.BRACKET-UPR CABINET SUPPLIER CODE: VS5065		1

ILLUSTRATION ITEMS NOT ON PARTS LIST ARE NOT APPLICABLE

- ITEM NOT ILLUSTRATED

HXL

25-43-51-27D

BOEING PROPRIETARY - Copyright © - Unpublished Work - See title page for details.

25-43-51  
FIG. 27D  
PAGE 6  
DEC 22/07

 **BOEING**  
767  
**PARTS CATALOG (MAINTENANCE)**

FIG ITEM	PART NUMBER	1 2 3 4 5 6 7	NOMENCLATURE	EFFECT FROM TO	UNITS PER ASSY
27D			ATTACHING PARTS		
- 360	MS35206-243		.SCREW		2
			-----*-----		
365	BS063207-3		.STOPPER-		1
			SUPPLIER CODE: VS5065		
- 370	MS24693S47		ATTACHING PARTS .SCREW		2
			-----*-----		
375	BS063250-042WH2		.DISPENSER ASSY-LAV MS15 AND MS17 MS27 AND MS29 SUPPLIER CODE: VS5065		1
- 380	BS063250-041WH2		.DISPENSER ASSY-LAV MS16 AND MS18 MS28 AND MS30 SUPPLIER CODE: VS5065		1
385	BS063253-042WH1		..PANEL-DISP LAV MS15 AND MS17 MS27 AND MS29 SUPPLIER CODE: VS5065		1
- 390	BS063253-041WH1		..PANEL-DISP LAV MS16 AND MS18 MS28 AND MS30 SUPPLIER CODE: VS5065		1
395	BS063251-042WH1		..CASE ASSY-DISP LAV MS15 AND MS17 MS27 AND MS29 SUPPLIER CODE: VS5065		1
- 400	BS063251-041WH1		..CASE ASSY-DISP LAV MS16 AND MS18 MS28 AND MS30 SUPPLIER CODE: VS5065		1
- 405	MS35206-241		ATTACHING PARTS ..SCREW		5
			-----*-----		
410	BS063259-1		..ANGLE-STOPPER, LAV MS15 AND MS17 MS27 AND MS29 SUPPLIER CODE: VS5065		1

ILLUSTRATION ITEMS NOT ON PARTS LIST ARE NOT APPLICABLE

- ITEM NOT ILLUSTRATED

HXL

# 25-43-51-27D

BOEING PROPRIETARY - Copyright © - Unpublished Work - See title page for details.

25-43-51  
FIG. 27D  
PAGE 7  
DEC 22/07

 **BOEING**  
767  
**PARTS CATALOG (MAINTENANCE)**

FIG ITEM	PART NUMBER	1 2 3 4 5 6 7	NOMENCLATURE	EFFECT FROM TO	UNITS PER ASSY
27D - 415	BS063259-2		.. ANGLE-STOPPER, LAV MS16 AND MS18 MS28 AND MS30 SUPPLIER CODE: VS5065 ATTACHING PARTS		1
- 420	MS24693C48		.. SCREW		2
425	BS063220-152WH2		.. PANEL ASSY-TOWEL DISP LAV MS15 AND MS17 LAV MS27 AND MS29 SUPPLIER CODE: VS5065		1
- 430	BS063220-151WH2		.. PANEL ASSY-TOWEL DISP LAV MS16 AND MS18 LAV MS28 AND MS30 SUPPLIER CODE: VS5065 ATTACHING PARTS		1
- 435	MS35206-242		. SCREW		3
440	BS063225-19		.. PANEL ASSY-LAV MS15 AND MS17 MS27 AND MS29 SUPPLIER CODE: VS5065		1
- 445	BS063225-20		.. PANEL ASSY-LAV MS16 AND MS18 MS28 AND MS30 SUPPLIER CODE: VS5065 ATTACHING PARTS		1
- 450	MS35206-241		.. SCREW		4
455	BS061025-15		.. PLATE-SHAVER OUTLET SUPPLIER CODE: VS5065		1
460	BS063225-61		.. PANEL ASSY-LAV MS15 AND MS17 MS27 AND MS29 SUPPLIER CODE: VS5065		1
- 465	BS063225-62		.. PANEL ASSY-LAV MS16 AND MS18 MS28 AND MS30 SUPPLIER CODE: VS5065		1

ILLUSTRATION ITEMS NOT ON PARTS LIST ARE NOT APPLICABLE

- ITEM NOT ILLUSTRATED

HXL

# 25-43-51-27D

BOEING PROPRIETARY - Copyright © - Unpublished Work - See title page for details.

25-43-51  
FIG. 27D  
PAGE 8  
DEC 22/07



**BOEING**  
767  
**PARTS CATALOG (MAINTENANCE)**

FIG ITEM	PART NUMBER	1 2 3 4 5 6 7	NOMENCLATURE	EFFECT FROM TO	UNITS PER ASSY
27D			ATTACHING PARTS		
- 470	MS35206-241	..	SCREW		4
			-----*-----		
475	BS063227-3	..	ANGLE-		1
			SUPPLIER CODE:		
			VS5065		
			ATTACHING PARTS		
480	MS35206-241	..	SCREW		4
			-----*-----		
485	JMS0311-11	..	SEAL-P		1
			SUPPLIER CODE:		
			VS5065		
490	BS063260-221WH2	.DOOR-TOWEL DISP			1
		LAV MS15 AND MS17			
		LAV MS27 AND MS29			
		SUPPLIER CODE:			
		VS5065			
- 495	BS063260-222WH2	.DOOR-TOWEL DISP			1
		LAV MS16 AND MS18			
		LAV MS28 AND MS30			
		SUPPLIER CODE:			
		VS5065			
- 500	MS35206-241	.SCREW			4
			-----*-----		
505	BS063277-33	.PANEL-EDGE			1
		SUPPLIER CODE:			
		VS5065			
		ATTACHING PARTS			
- 510	MS35206-243	.SCREW			3
			-----*-----		
515	BS063270-221	.CASE ASSY-TOWEL DISP			1
		LAV MS15 AND MS17			
		LAV MS27 AND MS29			
		SUPPLIER CODE:			
		VS5065			
- 520	BS063270-222	.CASE ASSY-TOWEL DISP			1
		LAV MS16 AND MS18			
		LAV MS28 AND MS30			
		SUPPLIER CODE:			
		VS5065			
- 525	MS35206-243	.SCREW			2
- 530	MS24693S47	.SCREW			4
			-----*-----		

ILLUSTRATION ITEMS NOT ON PARTS LIST ARE NOT APPLICABLE

- ITEM NOT ILLUSTRATED

HXL

25-43-51-27D

BOEING PROPRIETARY - Copyright © - Unpublished Work - See title page for details.

25-43-51  
FIG. 27D  
PAGE 9  
DEC 22/07

 **BOEING**  
767  
**PARTS CATALOG (MAINTENANCE)**

FIG ITEM	PART NUMBER	1 2 3 4 5 6 7	NOMENCLATURE	EFFECT FROM TO	UNITS PER ASSY
27D 535	BS063271-32		.. PANEL-SIDE LAV MS15 AND MS17 MS27 AND MS29 SUPPLIER CODE: VS5065		1
- 540	BS063271-31		.. PANEL-SIDE LAV MS16 AND MS18 MS28 AND MS30 SUPPLIER CODE: VS5065		1
- 545	BS063271-31		.. PANEL-SIDE LAV MS15 AND MS17 MS27 AND MS29 SUPPLIER CODE: VS5065		1
- 550	BS063271-32		.. PANEL-SIDE LAV MS16 AND MS18 MS28 AND MS30 SUPPLIER CODE: VS5065		1
555	BS063273-11		.. COVER-SLIDER SUPPLIER CODE: VS5065 ATTACHING PARTS		2
- 560	MS24693S49		.. SCREW -----*-----		8
565	BS063271-41		.. PANEL-BACK SUPPLIER CODE: VS5065 ATTACHING PARTS		1
- 570	MS35207-243		.. SCREW -----*-----		4
575	BS063271-1		.. PANEL-SIDE LAV MS15 AND MS17 MS27 AND MS29 SUPPLIER CODE: VS5065		1
- 580	BS063271-2		.. PANEL-SIDE LAV MS16 AND MS18 MS28 AND MS30 SUPPLIER CODE: VS5065		1
- 585	BS063271-2		.. PANEL-SIDE LAV MS15 AND MS17 MS27 AND MS29 SUPPLIER CODE: VS5065		1

ILLUSTRATION ITEMS NOT ON PARTS LIST ARE NOT APPLICABLE

- ITEM NOT ILLUSTRATED

HXL

# 25-43-51-27D

BOEING PROPRIETARY - Copyright © - Unpublished Work - See title page for details.

25-43-51  
FIG. 27D  
PAGE 10  
DEC 22/07

 **BOEING**  
767  
**PARTS CATALOG (MAINTENANCE)**

FIG ITEM	PART NUMBER	1 2 3 4 5 6 7	NOMENCLATURE	EFFECT FROM TO	UNITS PER ASSY
27D - 590	BS063271-1		.. PANEL-SIDE LAV MS16 AND MS18 MS28 AND MS30 SUPPLIER CODE: VS5065		1
595	BS063277-3		.. ANGLE- SUPPLIER CODE: VS5065 ATTACHING PARTS		1
- 600	MS35206-243		.. SCREW -----*-----		2
605	BS063278-3		.. ANGLE-EDGE LAV MS15 AND MS17 MS27 AND MS29 SUPPLIER CODE: VS5065		1
- 610	BS063278-4		.. PLATE-EDGE LAV MS16 AND MS18 MS28 AND MS30 SUPPLIER CODE: VS5065 ATTACHING PARTS		1
- 615	MS35206-243		.. SCREW -----*-----		3
620	BS063271-51		.. PANEL-TOP LAV MS15 AND MS17 MS27 AND MS29 SUPPLIER CODE: VS5065		1
- 625	BS063271-52		.. PANEL-TOP LAV MS16 AND MS18 MS28 AND MS30 SUPPLIER CODE: VS5065 ATTACHING PARTS		1
- 630	MS20426AD3-4		.. RIVET -----*-----		4
635	BS063271-823		.. PANEL-TOP SUPPLIER CODE: VS5065 ATTACHING PARTS		1
- 640	MS35206-243		.. SCREW -----*-----		2
645	BS063269-1		.. CATCH ASSY-BALL SUPPLIER CODE: VS5065 ATTACHING PARTS		1
- 650	MS24693S49		.. SCREW		2
- 655	AN960-8		.. WASHER		2
ILLUSTRATION ITEMS NOT ON PARTS LIST ARE NOT APPLICABLE					

- ITEM NOT ILLUSTRATED

HXL

# 25-43-51-27D

BOEING PROPRIETARY - Copyright © - Unpublished Work - See title page for details.

25-43-51  
FIG. 27D  
PAGE 11  
DEC 22/07

 **BOEING**  
767  
**PARTS CATALOG (MAINTENANCE)**

FIG ITEM	PART NUMBER	1 2 3 4 5 6 7	NOMENCLATURE	EFFECT FROM TO	UNITS PER ASSY
27D					
- 660	MS21042-3	..	NUT -----*-----		2
665	BS060270-3	..	SLIDER- SUPPLIER CODE: VS5065 ATTACHING PARTS		2
- 670	MS24693S55	..	SCREW -----*-----		4
- 675	BS060255-91	.RAIL	ASSY-UPR CABINET LAV MS15 AND MS17 LAV MS27 AND MS29 SUPPLIER CODE: VS5065		1
- 680	BS060255-92	.RAIL	ASSY-UPR CABINET LAV MS16 AND MS18 LAV MS28 AND MS30 SUPPLIER CODE: VS5065 ATTACHING PARTS		1
685	MS35206-245	.SCREW	-----*-----		2
690	BS061240-11	..RAIL-	SUPPLIER CODE: VS5065 ATTACHING PARTS		1
- 695	MS35206-243	..	SCREW -----*-----		2
700	BS063206-1	..	BRACKET-RAIL SUPPLIER CODE: VS5065		1
705	BS062240-1	..	PLATE-LAV MS15 AND MS17 MS27 AND MS29 SUPPLIER CODE: VS5065		1
- 710	BS062240-2	..	PLATE-LAV MS16 AND MS18 MS28 AND MS30 SUPPLIER CODE: VS5065		1
- 715	BS060255-121	.RAIL	ASSY-UPR CABINET LAV MS15 AND MS17 LAV MS27 AND MS29 SUPPLIER CODE: VS5065		1

ILLUSTRATION ITEMS NOT ON PARTS LIST ARE NOT APPLICABLE

- ITEM NOT ILLUSTRATED

HXL

# 25-43-51-27D

BOEING PROPRIETARY - Copyright © - Unpublished Work - See title page for details.

25-43-51  
FIG. 27D  
PAGE 12  
DEC 22/07



767

PARTS CATALOG (MAINTENANCE)

FIG ITEM	PART NUMBER	1 2 3 4 5 6 7	NOMENCLATURE	EFFECT FROM TO	UNITS PER ASSY
27D - 720	BS060255-122		.RAIL ASSY-UPR CABINET LAV MS16 AND MS18 LAV MS28 AND MS30 SUPPLIER CODE: VS5065 ATTACHING PARTS		1
725	MS35206-245		.. SCREW -----*-----		2
730	BS061240-11		.. RAIL- SUPPLIER CODE: VS5065 ATTACHING PARTS		1
735	BS063202-3		.. SPACER- SUPPLIER CODE: VS5065 -----*-----		1
740	BS062240-1		.. PLATE-LAV MS15 AND MS17 MS27 AND MS29 SUPPLIER CODE: VS5065		1
- 745	BS062240-2		.. PLATE-LAV MS16 AND MS18 MS28 AND MS30 SUPPLIER CODE: VS5065		1

ILLUSTRATION ITEMS NOT ON PARTS LIST ARE NOT APPLICABLE

- ITEM NOT ILLUSTRATED

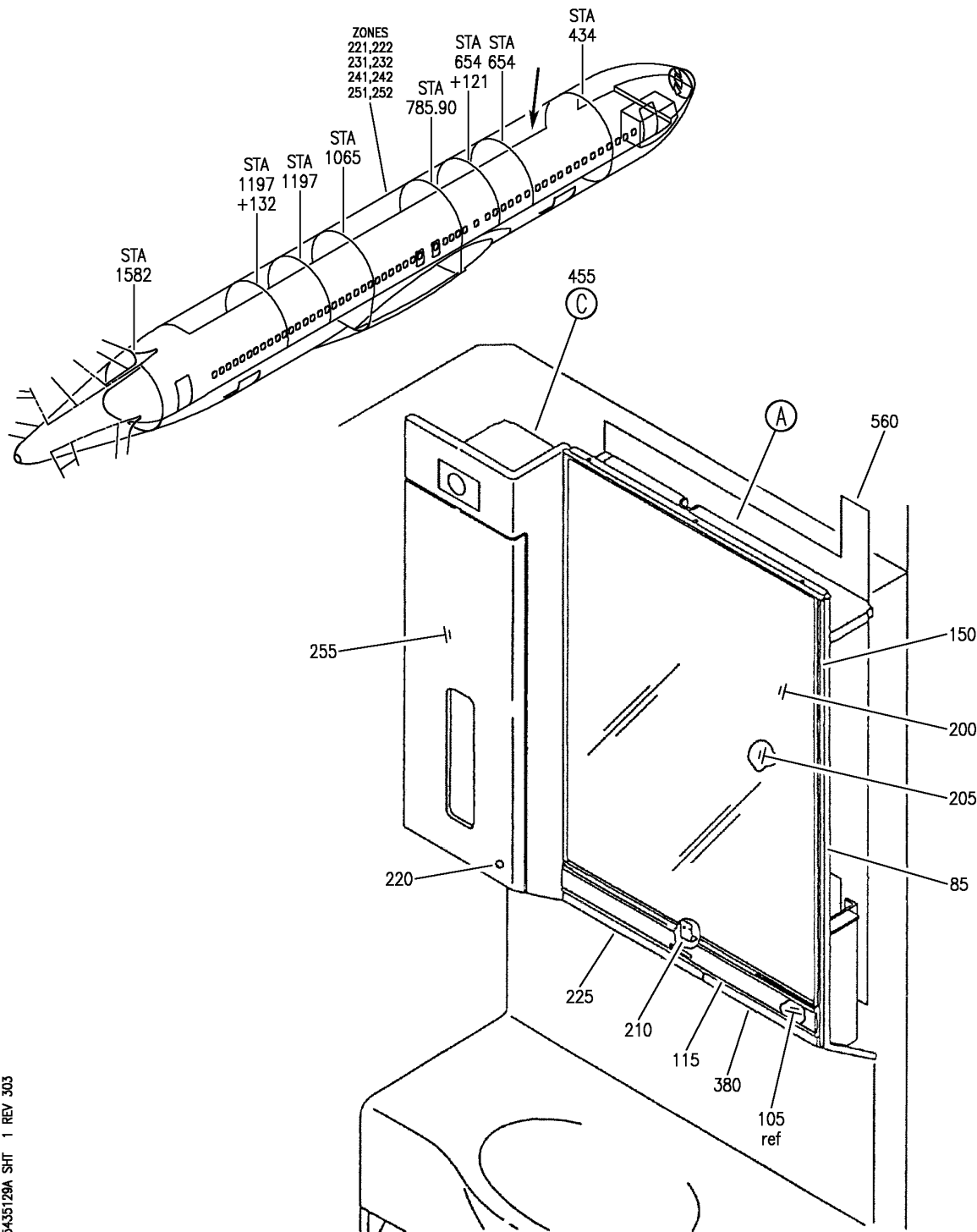
HXL

25-43-51-27D

BOEING PROPRIETARY - Copyright © - Unpublished Work - See title page for details.

25-43-51  
FIG. 27D  
PAGE 13  
DEC 22/07

**BOEING**  
767  
PARTS CATALOG (MAINTENANCE)



V 25435129A SHT 1 REV 303

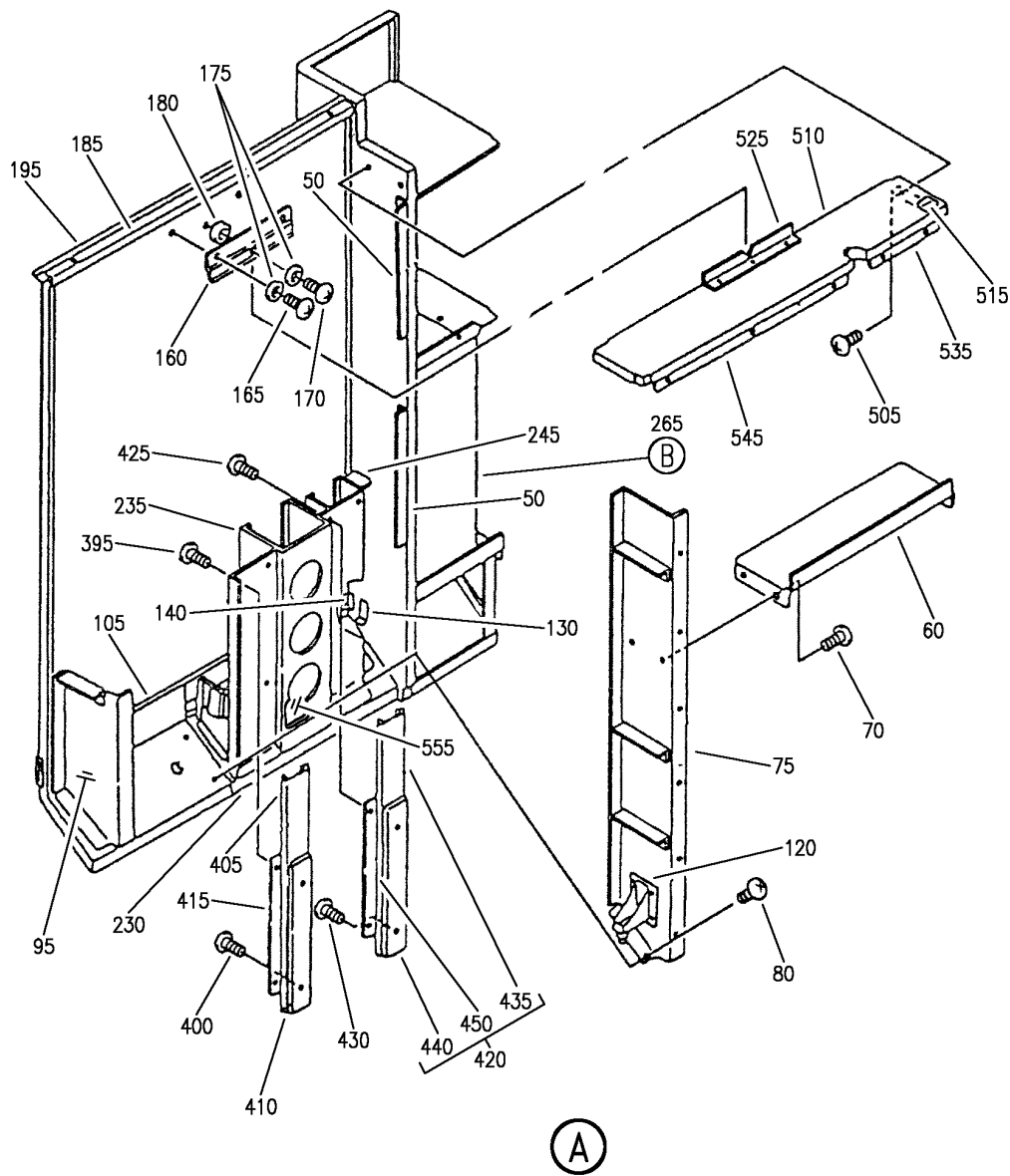
CABINET ASSY-UPR  
FIGURE 29A (SHEET 1)

**25-43-51-29A**

HXL  
DEC 22/06

25-43-51-29A  
PAGE 0

**BOEING**  
767  
**PARTS CATALOG (MAINTENANCE)**



V 25435129A SHT 2 REV 303

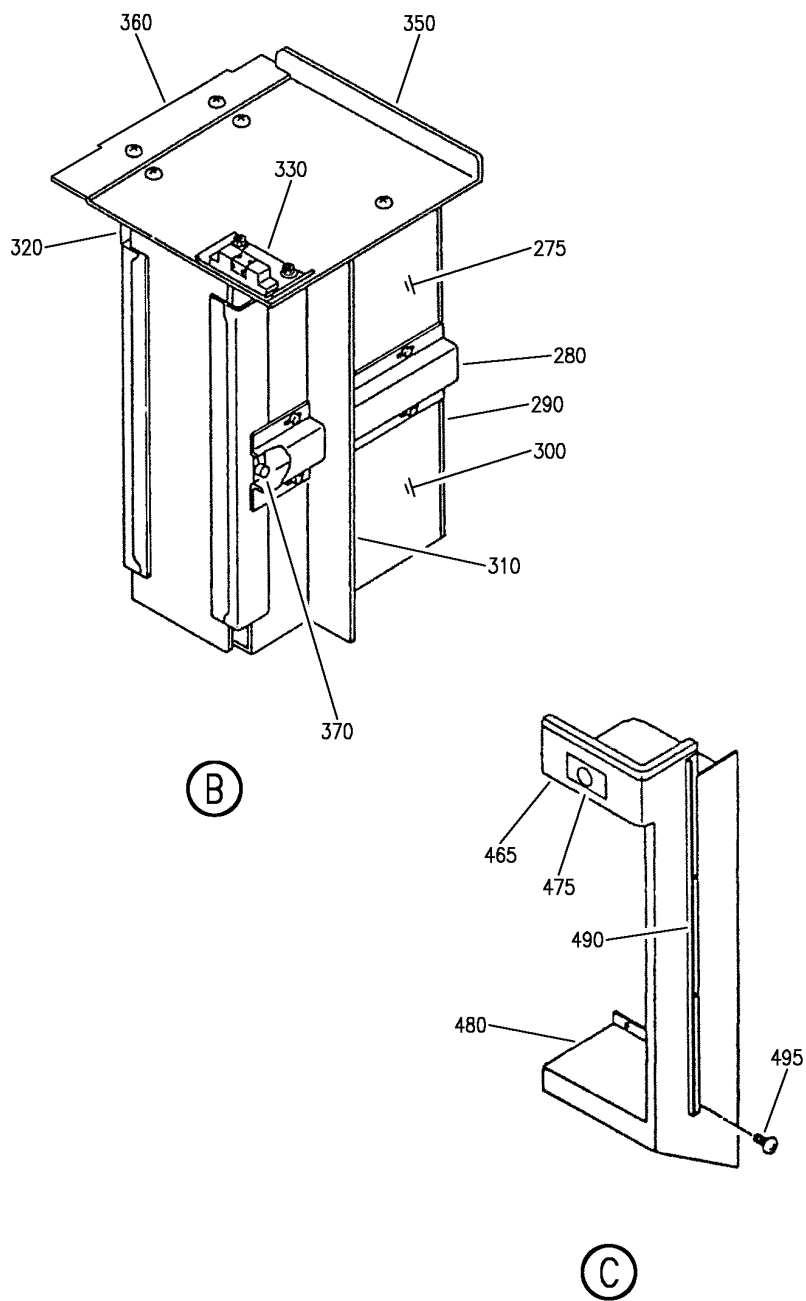
CABINET ASSY-UPR  
FIGURE 29A (SHEET 2)

**25-43-51-29A**

HXL  
DEC 22/06

25-43-51-29A  
PAGE 0A

**BOEING**  
767  
PARTS CATALOG (MAINTENANCE)



V 25435129A SHT 3 REV 303

CABINET ASSY-UPR  
FIGURE 29A (SHEET 3)

**25-43-51-29A**

HXL  
DEC 22/06

25-43-51-29A  
PAGE 0B



**BOEING**  
767  
**PARTS CATALOG (MAINTENANCE)**

FIG ITEM	PART NUMBER	1 2 3 4 5 6 7	NOMENCLATURE	EFFECT FROM TO	UNITS PER ASSY
29A					
- 1	SK062200-252		CABINET ASSY-UPR CABINET ASSY-UPR LAV M31 AND M32 SUPPLIER CODE: VS5065 FOR NHA SEE: 25-41-03-52	163999	RF
- 1	SAS062200-252		CABINET ASSY-UPR LAV M31 AND M32 SUPPLIER CODE: VS5065 FOR NHA SEE: 25-41-03-52		RF
50	BS062248-18		.ANGLE- SUPPLIER CODE: VS5065		2
- 55	MS35206-241		ATTACHING PARTS .SCREW -----*-----		12
60	BS063222-3		.BRACKET- SUPPLIER CODE: VS5065		1
- 65	MS35206-241		ATTACHING PARTS .SCREW		5
70	MS35206-243		.SCREW -----*-----		2
75	BS062221-91		.BRACKET ASSY- SUPPLIER CODE: VS5065		1
80	MS35206-241		ATTACHING PARTS .SCREW -----*-----		7
85	BS062205-5		.ANGLE- SUPPLIER CODE: VS5065		1
- 90	MS35206-241		ATTACHING PARTS .SCREW -----*-----		7
95	BS062221-101		.BRACKET ASSY- SUPPLIER CODE: VS5065		1
- 100	MS35206-241		ATTACHING PARTS .SCREW -----*-----		2
105	BS062219-11		.PLATE- SUPPLIER CODE: VS5065		1

ILLUSTRATION ITEMS NOT ON PARTS LIST ARE NOT APPLICABLE

- ITEM NOT ILLUSTRATED

HXL

# 25-43-51-29A

BOEING PROPRIETARY - Copyright © - Unpublished Work - See title page for details.

25-43-51  
FIG. 29A  
PAGE 1  
DEC 22/07

 **BOEING**  
767  
**PARTS CATALOG (MAINTENANCE)**

FIG ITEM	PART NUMBER	1 2 3 4 5 6 7	NOMENCLATURE	EFFECT FROM TO	UNITS PER ASSY
29A			ATTACHING PARTS		
- 110	MS24693S47		.SCREW		3
			-----*-----		
115	BS062217-61		.RETAINER-GRAPHIC STRIP		1
			SUPPLIER CODE: VS5065		
120	BS060260-11		.LATCH ASSY-		1
			SUPPLIER CODE: VS5065		
			ATTACHING PARTS		
- 125	MS24693S47		.SCREW		4
			-----*-----		
130	BS063207-3		.STOPPER-ANGLE		1
			SUPPLIER CODE: VS5065		
			ATTACHING PARTS		
- 135	MS24693S47		.SCREW		2
			-----*-----		
140	BS063221-21		.BRACKET-		1
			SUPPLIER CODE: VS5065		
			ATTACHING PARTS		
- 145	MS35206-243		.SCREW		2
			-----*-----		
150	BS062210-151		.MIRROR ASSY-		1
			SUPPLIER CODE: VS5065		
			ATTACHING PARTS		
- 155	MS35206-243		.SCREW		2
			-----*-----		
160	BS060214-3		..RETAINER-		1
			SUPPLIER CODE: VS5065		
			ATTACHING PARTS		
165	MS35206-241		..SCREW		2
170	MS35206-243		..SCREW		1
175	AN960-08		..WASHER-		3
			CONFIG CHG DATA FROM A CMM: SUPSD BY AN960-8		
175	AN960-8		..WASHER-		3
			CONFIG CHG DATA FROM A CMM: SUPERSEDES AN960-08		
			-----*-----		
180	JMS1602-5C50030		..BUSHING-		1
			SUPPLIER CODE: VS5065		
185	BS060213-19		..TRIM-		1
			SUPPLIER CODE: VS5065		

ILLUSTRATION ITEMS NOT ON PARTS LIST ARE NOT APPLICABLE

- ITEM NOT ILLUSTRATED

HXL

# 25-43-51-29A

BOEING PROPRIETARY - Copyright © - Unpublished Work - See title page for details.

25-43-51  
FIG. 29A  
PAGE 2  
DEC 22/07

 **BOEING**  
767  
**PARTS CATALOG (MAINTENANCE)**

FIG ITEM	PART NUMBER	1 2 3 4 5 6 7	NOMENCLATURE	EFFECT FROM TO	UNITS PER ASSY
29A			ATTACHING PARTS		
- 190	MS35206-241	..	SCREW -----*-----		3
195	JMS0311-11	..	SEAL-P SUPPLIER CODE: VS5065		1
200	BS060280-119	..	MIRROR- SUPPLIER CODE: VS5065		1
205	BS062211-31	..	PANEL- SUPPLIER CODE: VS5065		1
210	BS060215-1	..	BRACKET- SUPPLIER CODE: VS5065		2
- 215	MS35206-241	..	ATTACHING PARTS SCREW -----*-----		4
220	JMS2090-13	. PLUG-	SUPPLIER CODE: VS5065		2
225	BS063250-042WH1	. DISPENSER ASSY-	SUPPLIER CODE: VS5065		1
230	BS063253-042WH1	.. PANEL-	SUPPLIER CODE: VS5065		1
235	BS063251-032WH1	.. CASE ASSY-	SUPPLIER CODE: VS5065		1
- 240	MS35206-241	..	ATTACHING PARTS SCREW -----*-----		4
245	BS063259-2	.. ANGLE-	SUPPLIER CODE: VS5065		1
- 250	MS35206-243	..	ATTACHING PARTS SCREW -----*-----		2
255	BS063260-212WH2	. DOOR ASSY-TOWEL DISP	SUPPLIER CODE: VS5065		1
- 260	MS35206-242	. SCREW	ATTACHING PARTS -----*-----		4
265	BS063270-222	. CASE ASSY-TOWEL DISP	SUPPLIER CODE: VS5065		1
- 270	MS24693S47	. SCREW			4

ILLUSTRATION ITEMS NOT ON PARTS LIST ARE NOT APPLICABLE

- ITEM NOT ILLUSTRATED

HXL

# 25-43-51-29A

BOEING PROPRIETARY - Copyright © - Unpublished Work - See title page for details.

25-43-51  
FIG. 29A  
PAGE 3  
DEC 22/07

 **BOEING**  
767  
**PARTS CATALOG (MAINTENANCE)**

FIG ITEM	PART NUMBER	1 2 3 4 5 6 7	NOMENCLATURE	EFFECT FROM TO	UNITS PER ASSY
29A					
275	BS063271-31	..	PANEL-SIDE SUPPLIER CODE: VS5065		1
280	BS063273-11	..	COVER-SLIDER SUPPLIER CODE: VS5065 ATTACHING PARTS		2
- 285	MS24693S49	..	SCREW -----*-----		8
290	BS063271-41	..	PANEL- SUPPLIER CODE: VS5065 ATTACHING PARTS		1
- 295	MS35206-242	..	SCREW -----*-----		4
300	BS063271-2	..	PANEL-SIDE SUPPLIER CODE: VS5065		1
- 305	BS063271-1	..	PANEL-SIDE SUPPLIER CODE: VS5065		1
310	BS063277-3	..	ANGLE- SUPPLIER CODE: VS5065 ATTACHING PARTS		1
- 315	MS35206-243	..	SCREW -----*-----		2
320	BS063278-4	..	PLATE-EDGE SUPPLIER CODE: VS5065 ATTACHING PARTS		1
- 325	MS35206-243	..	SCREW -----*-----		3
330	BS063269-1	..	CATCH ASSY-BALL SUPPLIER CODE: VS5065 ATTACHING PARTS		1
- 335	MS24693S49	..	SCREW		2
- 340	AN960-8	..	WASHER		2
- 345	MS21042-3	..	NUT -----*-----		2
350	BS063271-51	..	PANEL-TOP SUPPLIER CODE: VS5065 ATTACHING PARTS		1
- 355	MS35206-243	..	SCREW -----*-----		4

ILLUSTRATION ITEMS NOT ON PARTS LIST ARE NOT APPLICABLE

- ITEM NOT ILLUSTRATED

HXL

# 25-43-51-29A

BOEING PROPRIETARY - Copyright © - Unpublished Work - See title page for details.

25-43-51  
FIG. 29A  
PAGE 4  
DEC 22/07



767

PARTS CATALOG (MAINTENANCE)

FIG ITEM	PART NUMBER	1 2 3 4 5 6 7	NOMENCLATURE	EFFECT FROM TO	UNITS PER ASSY
29A 360	BS060271-824	..	PANEL-TOP SUPPLIER CODE: VS5065 ATTACHING PARTS		1
- 365	MS35206-243	..	SCREW -----*-----		2
370	BS060270-3	..	SLIDER- SUPPLIER CODE: VS5065 ATTACHING PARTS		2
- 375	MS24693S55	..	SCREW -----*-----		4
380	BS062230-041WH2	.	PANEL-CABINET UPR SUPPLIER CODE: VS5065 ATTACHING PARTS		1
- 385	MS35206-241	.	SCREW -----*-----		4
- 390	BS060255-122	.	RAIL ASSY-CABINET UPR SUPPLIER CODE: VS5065 ATTACHING PARTS		1
395	MS35206-241	.	SCREW		4
400	MS35206-245	.	SCREW -----*-----		2
405	BS061240-11	..	RAIL- SUPPLIER CODE: VS5065		1
410	BS063202-3	..	SPACER- SUPPLIER CODE: VS5065		1
415	BS062240-2	..	PLATE- SUPPLIER CODE: VS5065		1
420	BS060255-92	.	RAIL ASSY- SUPPLIER CODE: VS5065 ATTACHING PARTS		1
425	MS35206-241	.	SCREW		4
430	MS35206-245	.	SCREW -----*-----		2
435	BS061240-11	..	RAIL- SUPPLIER CODE: VS5065		1
440	BS063206-1	..	BRACKET- SUPPLIER CODE: VS5065		1

ILLUSTRATION ITEMS NOT ON PARTS LIST ARE NOT APPLICABLE

- ITEM NOT ILLUSTRATED

25-43-51-29A

25-43-51  
FIG. 29A  
PAGE 5  
DEC 22/07

HXL

BOEING PROPRIETARY - Copyright © - Unpublished Work - See title page for details.

 **BOEING**  
767  
**PARTS CATALOG (MAINTENANCE)**

FIG ITEM	PART NUMBER	1 2 3 4 5 6 7	NOMENCLATURE	EFFECT FROM TO	UNITS PER ASSY
29A			ATTACHING PARTS		
- 445	MS35206-243	..	SCREW		2
			-----*-----		
450	BS062240-2	..	PLATE-		1
			SUPPLIER CODE:		
			VS5065		
455	BS063220-032WH2	.PANEL-TOWEL DISP			1
			SUPPLIER CODE:		
			VS5065		
- 460	MS24693S47	.SCREW	ATTACHING PARTS		3
			-----*-----		
465	BS063225-4	..	PANEL ASSY-		1
			SUPPLIER CODE:		
			VS5065		
- 470	MS35206-241	..	SCREW		4
			-----*-----		
475	BS061025-15	..	PLATE-SHAVER OUTLET		1
			SUPPLIER CODE:		
			VS5065		
480	BS063225-32	..	PANEL-		1
			SUPPLIER CODE:		
			VS5065		
- 485	MS35206-241	..	SCREW		4
			-----*-----		
490	BS063227-3	..	ANGLE-		1
			SUPPLIER CODE:		
			VS5065		
495	MS35206-241	..	SCREW		4
			-----*-----		
- 500	BS062245-61	.PANEL ASSY-			1
			SUPPLIER CODE:		
			VS5065		
505	MS35206-241	.SCREW	ATTACHING PARTS		4
			-----*-----		
510	BS062246-13	..	PANEL-		1
			SUPPLIER CODE:		
			VS5065		
515	BS062248-15	..	ANGLE-		1
			SUPPLIER CODE:		
			VS5065		
- 520	MS35206-241	..	SCREW		1
			-----*-----		

ILLUSTRATION ITEMS NOT ON PARTS LIST ARE NOT APPLICABLE

- ITEM NOT ILLUSTRATED

HXL

# 25-43-51-29A

BOEING PROPRIETARY - Copyright © - Unpublished Work - See title page for details.

25-43-51  
FIG. 29A  
PAGE 6  
DEC 22/07



767

PARTS CATALOG (MAINTENANCE)

FIG ITEM	PART NUMBER	1 2 3 4 5 6 7	NOMENCLATURE	EFFECT FROM TO	UNITS PER ASSY
29A 525	BS060245-3		.. ANGLE- SUPPLIER CODE: VS5065 ATTACHING PARTS		1
- 530	MS35206-243		.. SCREW -----*-----		3
535	BS062248-25		.. ANGLE- SUPPLIER CODE: VS5065 ATTACHING PARTS		1
- 540	MS35206-241		.. SCREW -----*-----		1
545	BS062248-27		.. ANGLE- SUPPLIER CODE: VS5065 ATTACHING PARTS		1
- 550	MS35206-241		.. SCREW -----*-----		3
555	BS063255-1		.BOX-RAZOR BLADE SUPPLIER CODE: VS5065		1
560	BS063280-14		.BASEPLATE-BASE SUPPLIER CODE: VS5065		1

ILLUSTRATION ITEMS NOT ON PARTS LIST ARE NOT APPLICABLE

- ITEM NOT ILLUSTRATED

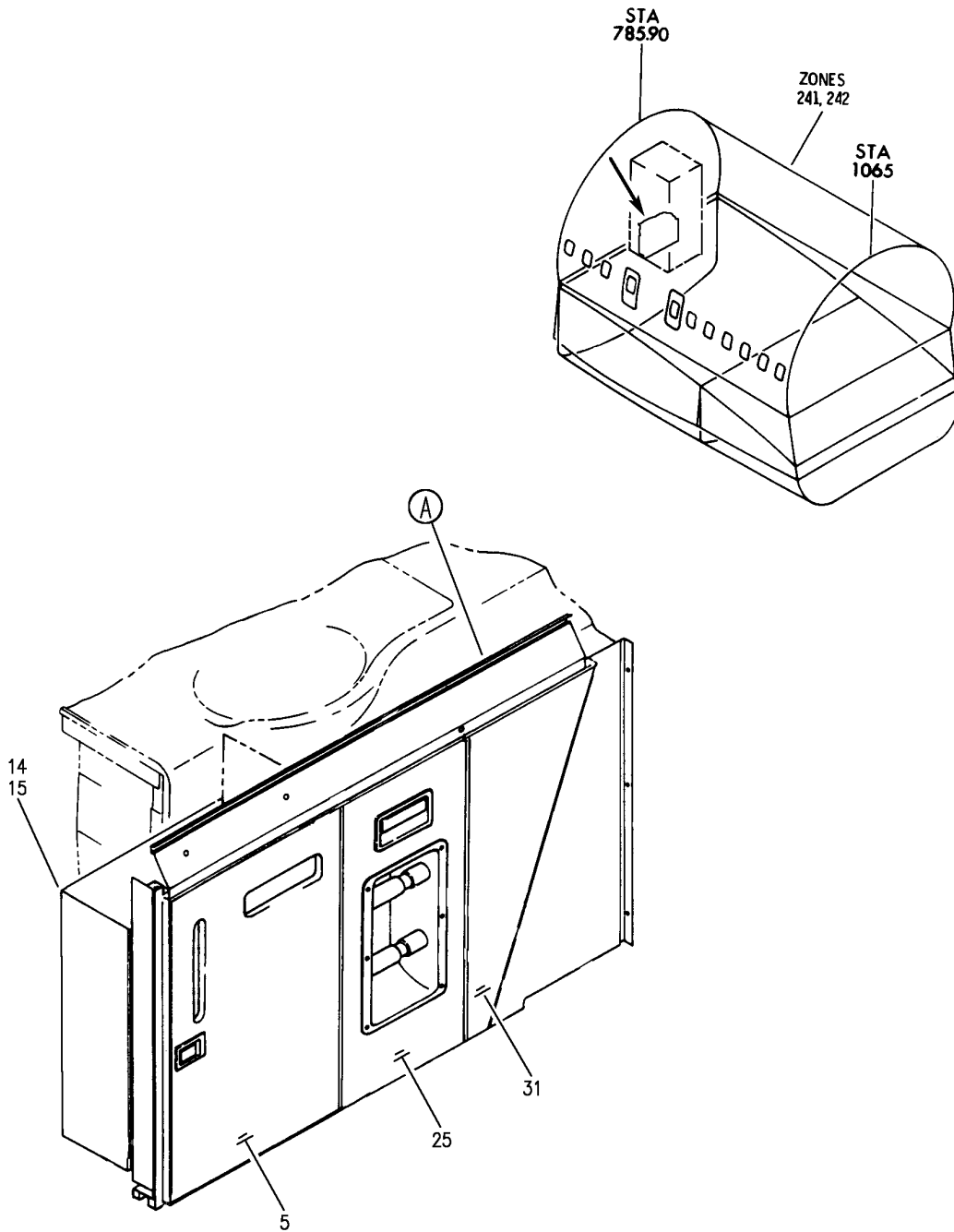
HXL

25-43-51-29A

BOEING PROPRIETARY - Copyright © - Unpublished Work - See title page for details.

25-43-51  
FIG. 29A  
PAGE 7  
DEC 22/07

**BOEING**  
767  
PARTS CATALOG (MAINTENANCE)



V 25435143 SH1 1 REV 303

CABINET ASSY-SINK, LAV  
FIGURE 43 (SHEET 1)

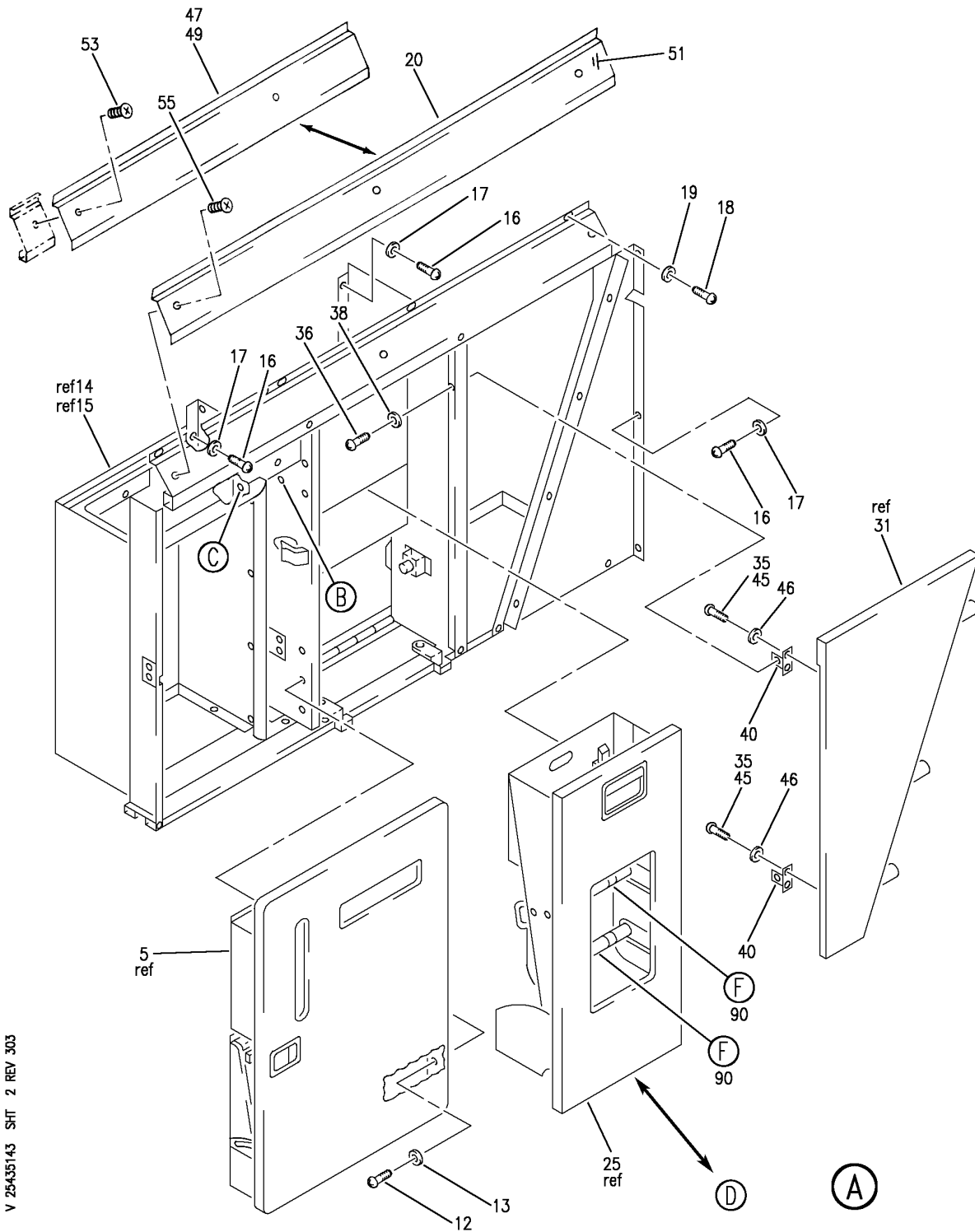
**25-43-51-43**

HXL  
DEC 22/06

25-43-51-43  
PAGE 0




**BOEING**  
 767  
**PARTS CATALOG (MAINTENANCE)**



V 25435143 SH1 2 REV 303

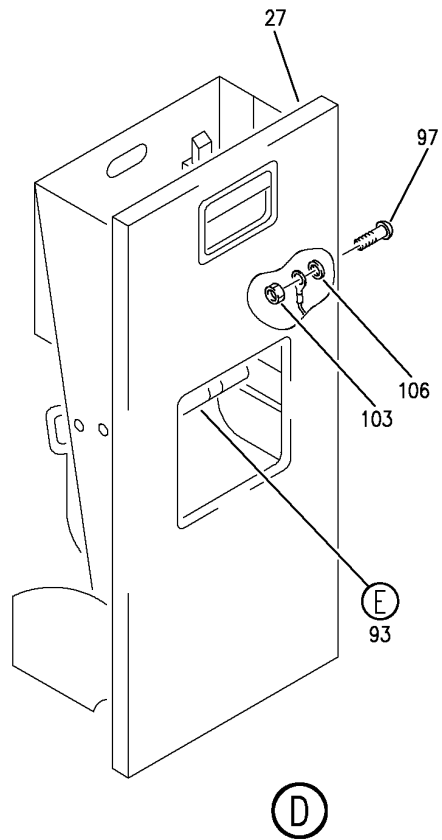
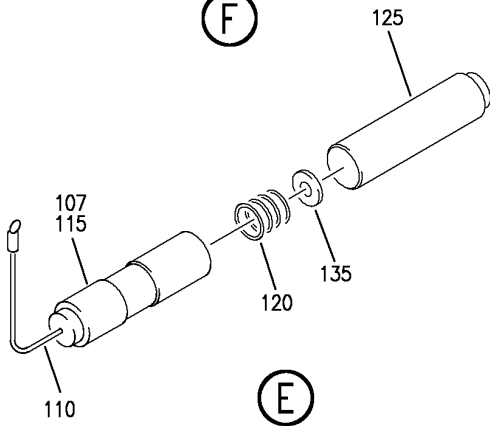
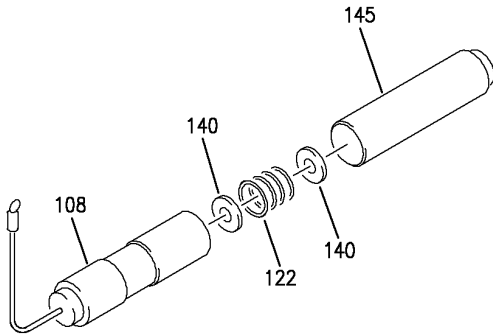
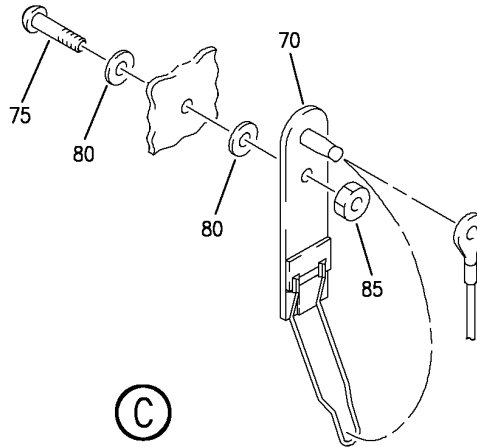
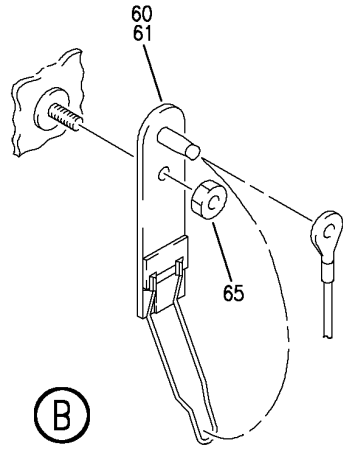
CABINET ASSY-SINK, LAV  
 FIGURE 43 (SHEET 2)

**25-43-51-43**

HXL  
DEC 22/06

25-43-51-43  
 PAGE 0A

**BOEING**  
767  
PARTS CATALOG (MAINTENANCE)



V 25435143 SHIT 3 REV 303

CABINET ASSY-SINK, LAV  
FIGURE 43 (SHEET 3)

**25-43-51-43**

**BOEING**  
767  
**PARTS CATALOG (MAINTENANCE)**

FIG ITEM	PART NUMBER	1 2 3 4 5 6 7	NOMENCLATURE	EFFECT FROM TO	UNITS PER ASSY
43					
- 2	SK066450-41		CABINET ASSY-SINK, LAV CABINET ASSY-SINK, LAV M31 SUPPLIER CODE: VS5065 FOR NHA SEE: 25-41-03-52	163999	RF
- 2	SAS066450-41		CABINET ASSY-SINK, LAV M31 SUPPLIER CODE: VS5065 FOR NHA SEE: 25-41-03-52		RF
- 3	SK066450-31		CABINET ASSY-SINK, LAV M32 SUPPLIER CODE: VS5065 FOR NHA SEE: 25-41-03-52	163999	RF
- 4	SAS066450-31		CABINET ASSY-SINK, LAV M32 M33 SUPPLIER CODE: VS5065 FOR NHA SEE: 25-41-03-52		RF
5	BS061350-001WH2		.DOOR ASSY-WASTE CONTAINER SUPPLIER CODE: VS5065 FOR DETAILS SEE: 25-43-60-01 ATTACHING PARTS		1
12	MS35206-243		.SCREW -----*-----		6
14	BS066460-031WH1		.STOWAGE ASSY-LAV M32 M33 SUPPLIER CODE: VS5065 FOR DETAILS SEE: 25-43-60-15		1
15	BS066460-021WH1		.STOWAGE ASSY-LAV M31 SUPPLIER CODE: VS5065 FOR DETAILS SEE: 25-43-60-15		1

ILLUSTRATION ITEMS NOT ON PARTS LIST ARE NOT APPLICABLE

- ITEM NOT ILLUSTRATED

HXL

25-43-51-43

BOEING PROPRIETARY - Copyright © - Unpublished Work - See title page for details.

25-43-51  
FIG. 43  
PAGE 1  
DEC 22/07



767

PARTS CATALOG (MAINTENANCE)

FIG ITEM	PART NUMBER	1 2 3 4 5 6 7	NOMENCLATURE	EFFECT FROM TO	UNITS PER ASSY
43					
27	BS061360-032WH2	.	DOOR ASSY-AMENITY SUPPLIER CODE: VS5065 FOR DETAILS SEE: 25-43-60-02		1
- 30	BS066380-032WH2	.	DOOR-MISC, LAV M32 M33 SUPPLIER CODE: VS5065		1
31	BS066380-022WH2	.	DOOR-MISC, LAV M29 M31 SUPPLIER CODE: VS5065		1
35	MS35206-243	.	ATTACHING PARTS SCREW -----*-----		4
47	BS066480-031WH1	.	COVER-LAV M32 M33 SUPPLIER CODE: VS5065		1
49	BS066480-022WH1	.	COVER-LAV M31 SUPPLIER CODE: VS5065		1
- 50	BS060037-23	.	RETAINER-GRAPHIC STRIP LAV M32 LAV M33 SUPPLIER CODE: VS5065		1
51	BS060037-18	.	RETAINER-GRAPHIC STRIP, LAV M29 LAV M31 SUPPLIER CODE: VS5065		1
53	MS24693S49	.	ATTACHING PARTS SCREW -----*-----		2
60	BS060467-1	.	CLIP- SUPPLIER CODE: VS5065		1
65	MS21040-3	.	ATTACHING PARTS NUT -----*-----		1
70	BS060467-1	.	CLIP- SUPPLIER CODE: VS5065		1

ILLUSTRATION ITEMS NOT ON PARTS LIST ARE NOT APPLICABLE

- ITEM NOT ILLUSTRATED

25-43-51-43

25-43-51  
FIG. 43  
PAGE 2  
DEC 22/07

HXL



767

PARTS CATALOG (MAINTENANCE)

FIG ITEM	PART NUMBER	1 2 3 4 5 6 7	NOMENCLATURE	EFFECT FROM TO	UNITS PER ASSY
43			ATTACHING PARTS		
75	MS35206-264	.	SCREW		1
80	AN960-10	.	WASHER		1
85	MS21042-3	.	NUT		1
			-----*-----		
93	BS061451-41	.	HOLDER ASSY-TOILET PAPER SUPPLIER CODE: VS5065 CONFIG CHG DATA FROM A CMM: SUPSD BY BS061451-61		1
93	BS061451-61	.	HOLDER ASSY-TOILET PAPER SUPPLIER CODE: VS5065 CONFIG CHG DATA FROM A CMM: SUPERSEDES BS061451-41		1
			ATTACHING PARTS		
97	MS35206-244	.	SCREW		1
103	MS21040-08	.	NUT		1
			-----*-----		
106	JMS1602-5C50020	.	BUSHING- SUPPLIER CODE: VS5065		1
107	BS061451-11	..	SHAFT ASSY-INNER SUPPLIER CODE: VS5065 CONFIG CHG DATA FROM A CMM: SUPSD BY BS061451-51		1
107	BS061451-51	..	SHAFT ASSY-INNER SUPPLIER CODE: VS5065 CONFIG CHG DATA FROM A CMM: SUPERSEDES BS061451-11		1
110	BS060470-21	..	CABLE ASSY- SUPPLIER CODE: VS5065		1
115	BS061452-3	..	SHAFT- SUPPLIER CODE: VS5065		1
120	BS061458-3	..	SPRING- SUPPLIER CODE: VS5065		1
125	BS061452-5	..	SHAFT- SUPPLIER CODE: VS5065		1
135	AN970-3	..	WASHER		1

ILLUSTRATION ITEMS NOT ON PARTS LIST ARE NOT APPLICABLE

- ITEM NOT ILLUSTRATED

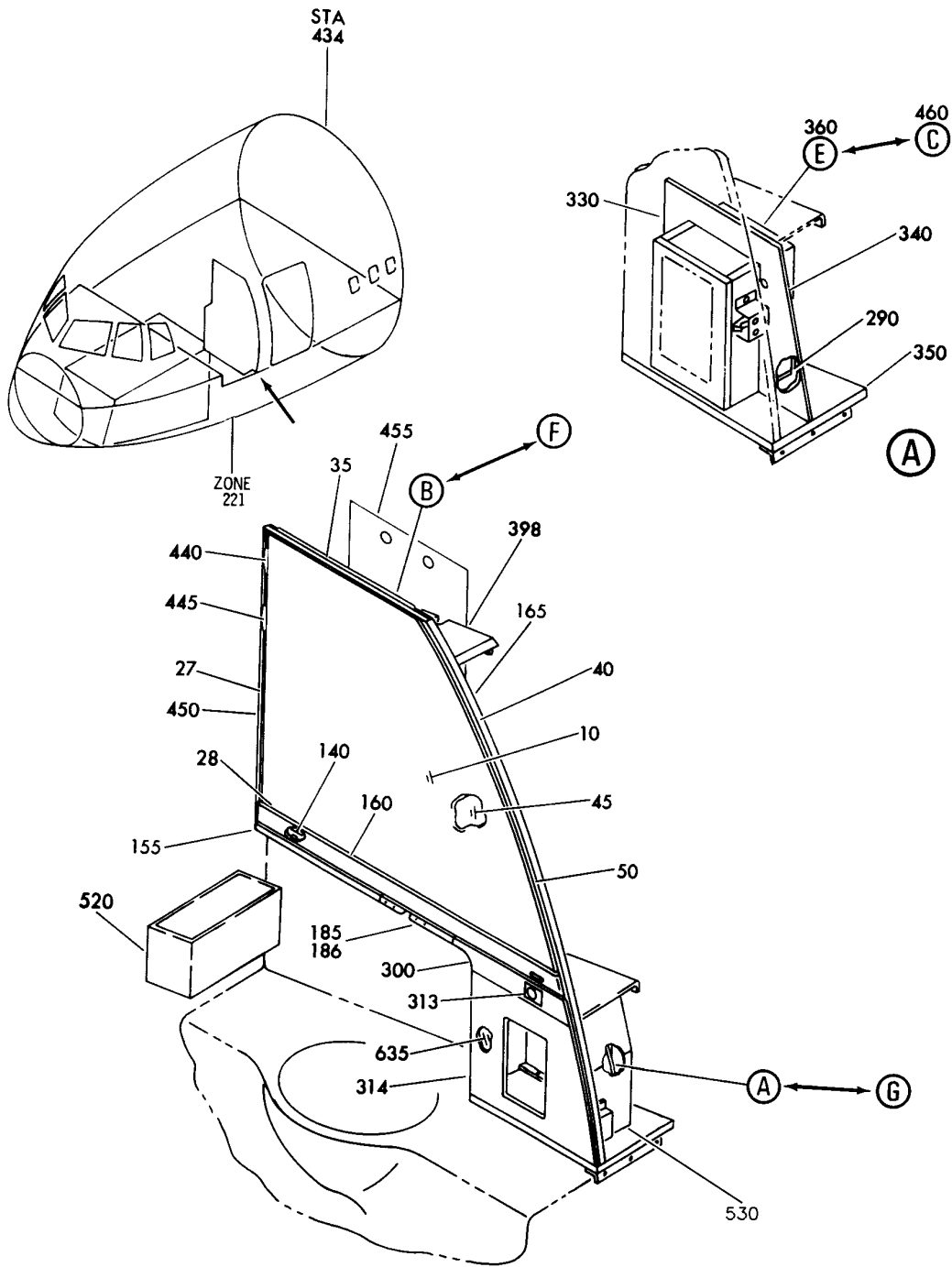
25-43-51-43

25-43-51  
FIG. 43  
PAGE 3  
DEC 22/07

HXL

BOEING PROPRIETARY - Copyright © - Unpublished Work - See title page for details.

**BOEING**  
767  
PARTS CATALOG (MAINTENANCE)



V 25-435146 SHT 1 REV 331

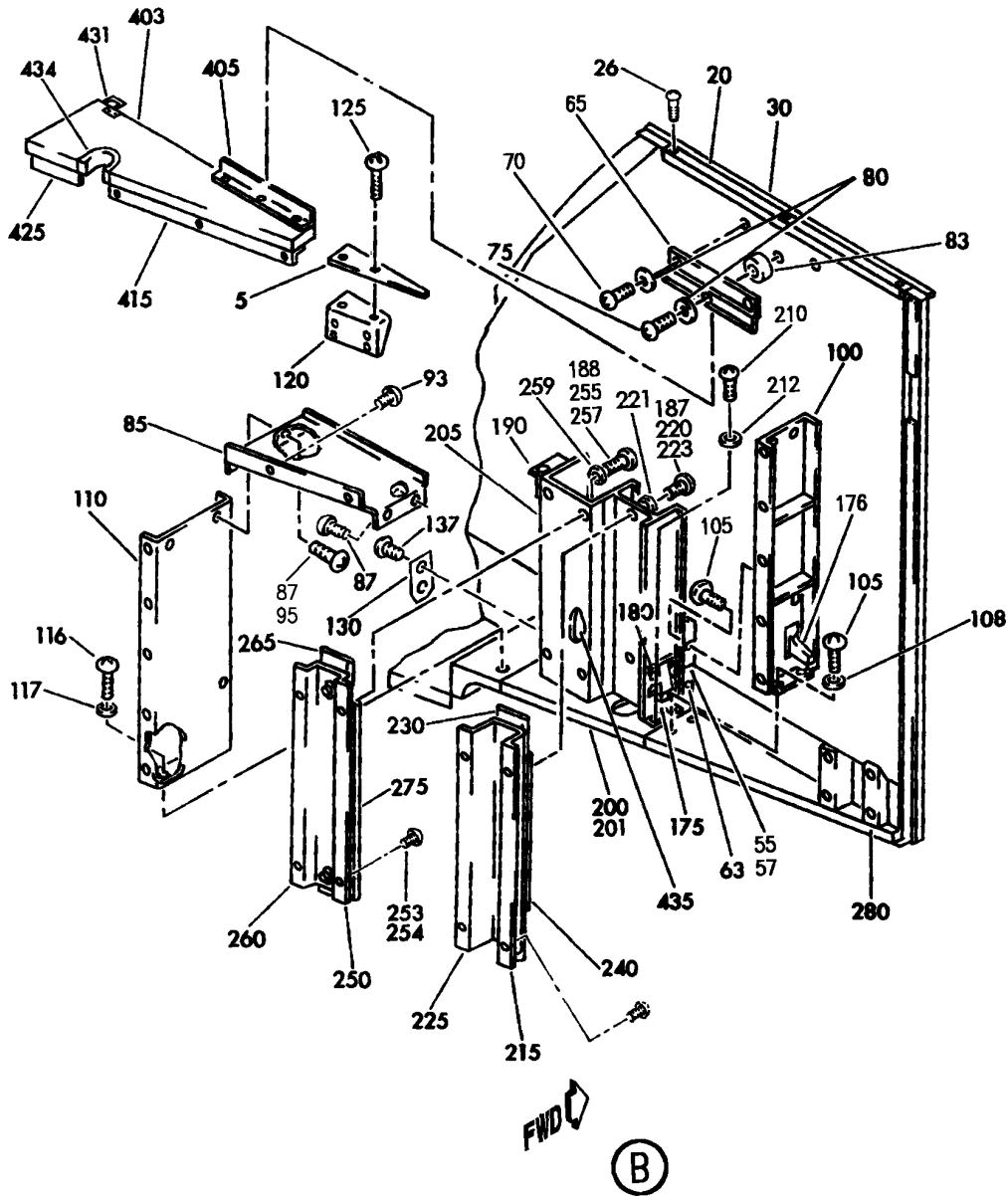
CABINET ASSY-UPR, LAV F1  
FIGURE 46 (SHEET 1)

**25-43-51-46**

HXL  
AUG 22/08

25-43-51-46  
PAGE 0

**BOEING**  
767  
PARTS CATALOG (MAINTENANCE)



V 25-435146 SHT 2 REV 330

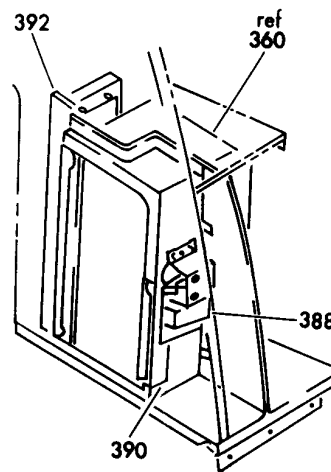
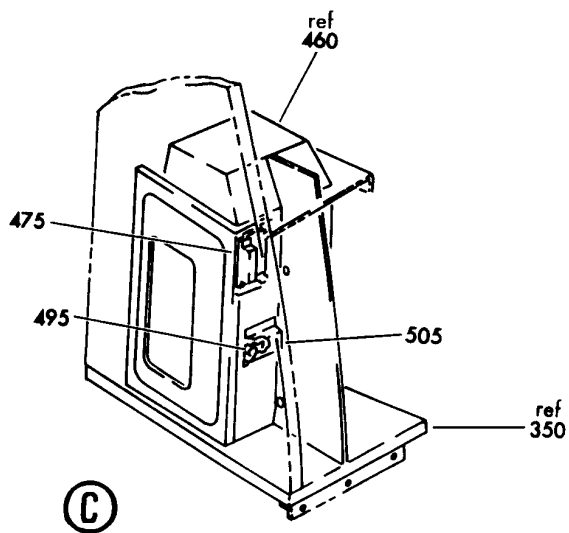
CABINET ASSY-UPR, LAV F1  
FIGURE 46 (SHEET 2)

**25-43-51-46**

HXL  
AUG 22/08

25-43-51-46  
PAGE 0A

**BOEING**  
767  
PARTS CATALOG (MAINTENANCE)



V 25435146 SH1 3 REV 244

CABINET ASSY-UPR, LAV F1  
FIGURE 46 (SHEET 3)

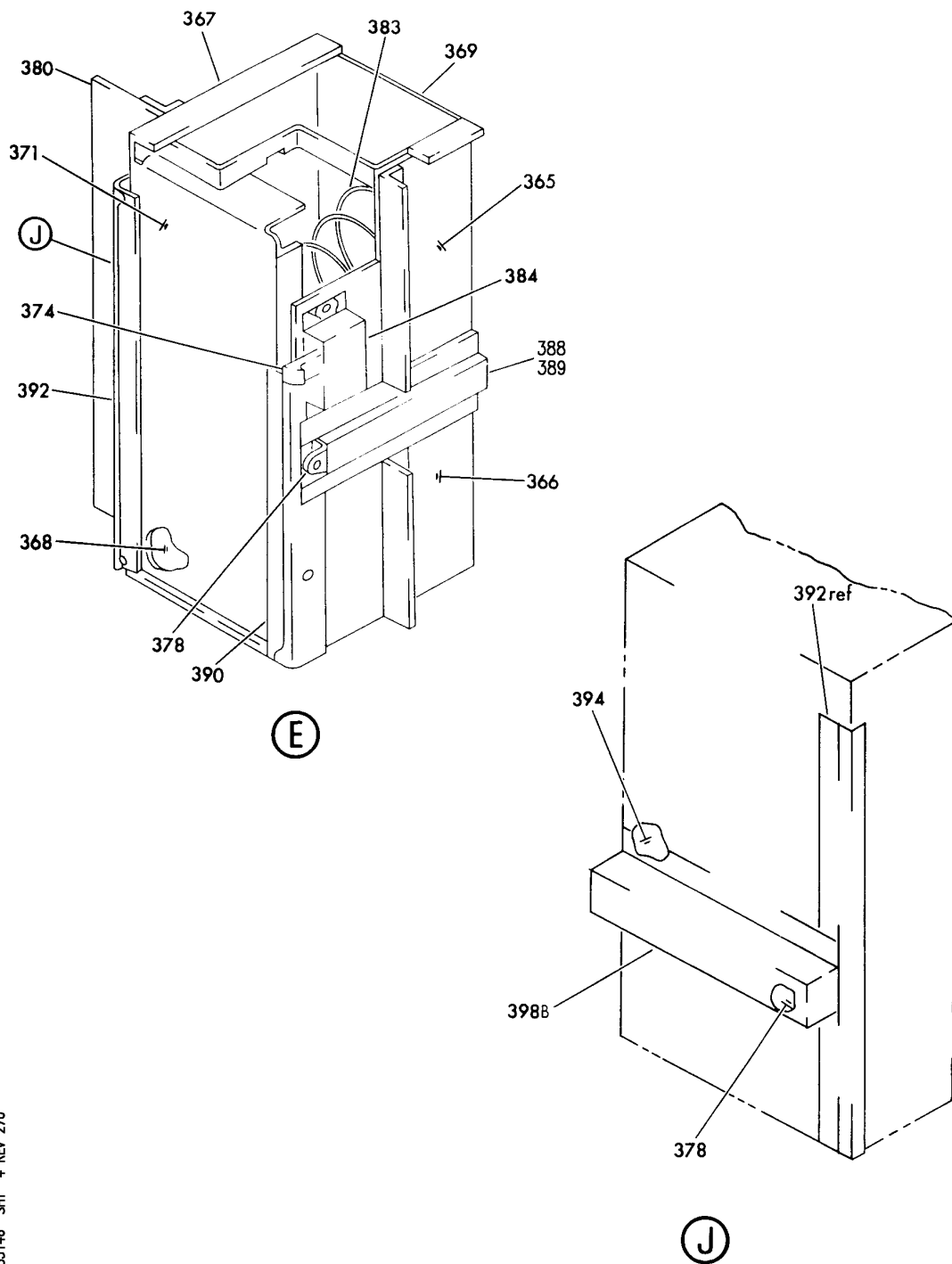
**25-43-51-46**

HXL  
DEC 22/06

25-43-51-46  
PAGE 0B



**BOEING**  
767  
PARTS CATALOG (MAINTENANCE)



V 25435146 SH1 4 REV 270

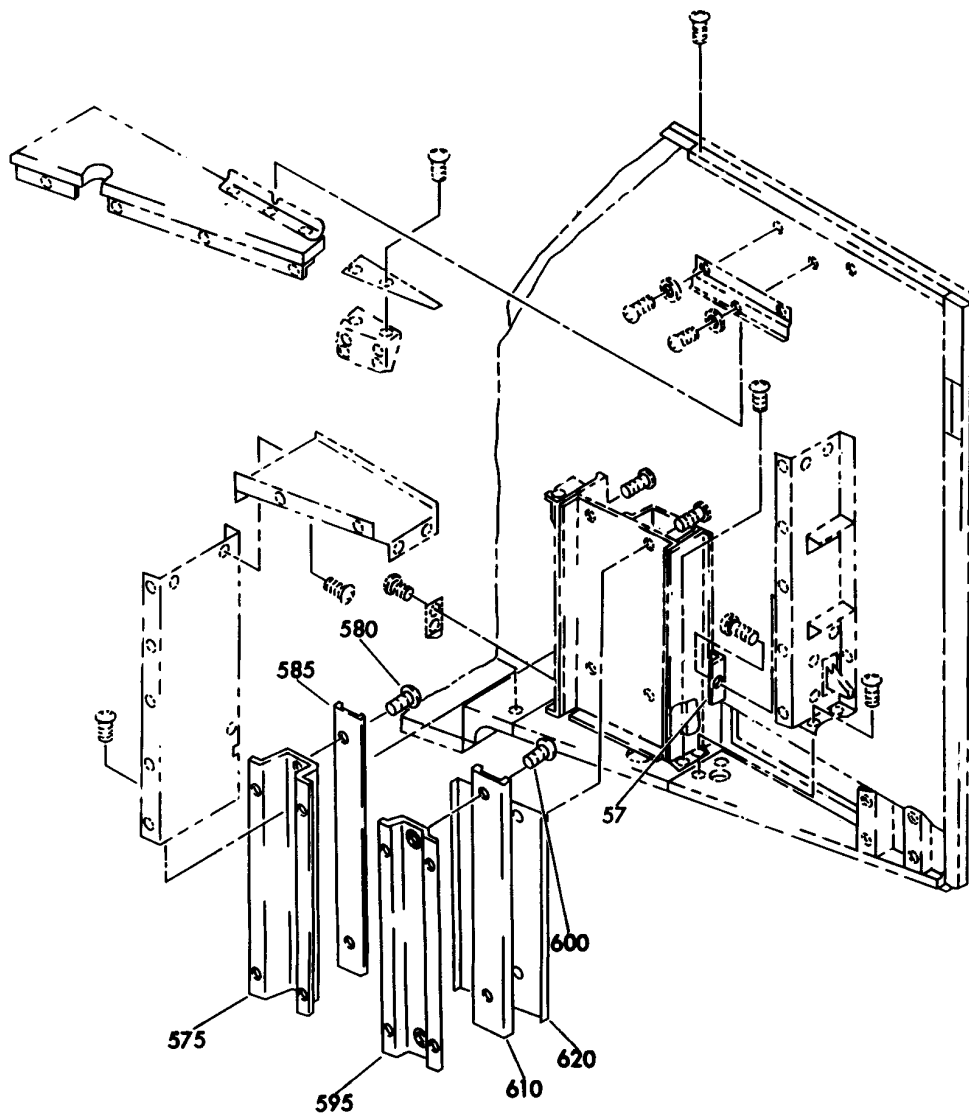
CABINET ASSY-UPR, LAV F1  
FIGURE 46 (SHEET 4)

**25-43-51-46**

HXL  
DEC 22/06

25-43-51-46  
PAGE 0C

**BOEING**  
767  
PARTS CATALOG (MAINTENANCE)



V 25435146 SHT 5 REV 159

(F)

CABINET ASSY-UPR, LAV F1  
FIGURE 46 (SHEET 5)

**25-43-51-46**

HXL  
DEC 22/06

25-43-51-46  
PAGE 0D

**BOEING**  
767  
**PARTS CATALOG (MAINTENANCE)**

FIG ITEM	PART NUMBER	1 2 3 4 5 6 7	NOMENCLATURE	EFFECT FROM TO	UNITS PER ASSY
46					
- 1	SK061200-231		CABINET ASSY-UPR, LAV F1 CABINET ASSY-LAV F1 SUPPLIER CODE: VS5065 POSITION DATA: UPR FOR NHA SEE: 25-41-01-32B	163999	RF
- 1	SAS061200-231		CABINET ASSY-LAV F1 SUPPLIER CODE: VS5065 POSITION DATA: UPR FOR NHA SEE: 25-41-01-32B	155162	RF
5	BS061203-3		.PLATE- (BONDED WITH BAC5010 TYPE72) SUPPLIER CODE: VS5065		1
10	BS061210-1		.MIRROR ASSY- SUPPLIER CODE: VS5065		1
- 15	MS35206-243		ATTACHING PARTS .SCREW		2
20	BS060213-3		-----*----- ..TRIM-TOP (BONDED WITH BMS5-92 TYPE3) SUPPLIER CODE: VS5065		1
27	BS060211-3		..TRIM-SIDE (BONDED WITH BMS5-92 TYPE3, JMS0906-4C) SUPPLIER CODE: VS5065		1
28	BS060210-5		..TRIM- (BONDED WITH BMS5-92 TYPE3, JMS0906-4C) SUPPLIER CODE: VS5065		1
30	JMS0311-11		..SEAL-P SUPPLIER CODE: VS5065		1
35	BS060210-3		..TRIM- SUPPLIER CODE: VS5065		1

ILLUSTRATION ITEMS NOT ON PARTS LIST ARE NOT APPLICABLE

- ITEM NOT ILLUSTRATED

HXL

25-43-51-46

BOEING PROPRIETARY - Copyright © - Unpublished Work - See title page for details.

25-43-51  
FIG. 46  
PAGE 1  
DEC 22/07

**BOEING**  
767  
**PARTS CATALOG (MAINTENANCE)**

FIG ITEM	PART NUMBER	1 2 3 4 5 6 7	NOMENCLATURE	EFFECT FROM TO	UNITS PER ASSY
46					
40	BS060212-3	..	TRIM-CONTOUR SUPPLIER CODE: VS5065		1
45	BS061211-1	..	PANEL- SUPPLIER CODE: VS5065		1
50	BS060280-3	..	MIRROR- SUPPLIER CODE: VS5065		1
55	BS061212-3	..	ANGLE- SUPPLIER CODE: VS5065		4
- 60	MS24693S47	..	SCREW -----*-----		2
65	BS060214-3	..	RETAINER- SUPPLIER CODE: VS5065 ATTACHING PARTS		1
70	MS35206-241	..	SCREW		2
75	MS35206-243	..	SCREW		1
80	AN960-08	..	WASHER- CONFIG CHG DATA FROM A CMM: SUPSD BY AN960-8		3
80	AN960-8	..	WASHER- CONFIG CHG DATA FROM A CMM: SUPERSEDES AN960-08 -----*-----		3
85	BS061222-5	.BRACKET-	SUPPLIER CODE: VS5065 ATTACHING PARTS		1
- 90	MS35206-243	.SCREW			4
95	MS35206-241	.SCREW			3
100	BS061221-21	.BRACKET ASSY-	SUPPLIER CODE: VS5065 ATTACHING PARTS		1
105	MS35206-241	.SCREW			7
110	BS061221-31	.BRACKET-	SUPPLIER CODE: VS5065 ATTACHING PARTS		1
116	MS35206-241	.SCREW			7
			-----*-----		

ILLUSTRATION ITEMS NOT ON PARTS LIST ARE NOT APPLICABLE

- ITEM NOT ILLUSTRATED

HXL

**25-43-51-46**

BOEING PROPRIETARY - Copyright © - Unpublished Work - See title page for details.

25-43-51  
FIG. 46  
PAGE 2  
DEC 22/07

 **BOEING**  
767  
**PARTS CATALOG (MAINTENANCE)**

FIG ITEM	PART NUMBER	1 2 3 4 5 6 7	NOMENCLATURE	EFFECT FROM TO	UNITS PER ASSY
46					
120	BS061204-1		.BRACKET- SUPPLIER CODE: VS5065 ATTACHING PARTS		1
125	MS35206-243		.SCREW -----*-----		4
130	BS061281-3		.STOPPER- SUPPLIER CODE: VS5065 ATTACHING PARTS		1
- 135	MS24693S47		.SCREW -----*-----		2
140	BS061219-5		.PLATE-GRAPHIC STRIP SUPPLIER CODE: VS5065 ATTACHING PARTS		1
- 145	MS24693S51		.SCREW		3
- 150	MS24693S47		.SCREW -----*-----		2
155	BS061230-011WH2		.PANEL ASSY- SUPPLIER CODE: VS5065		1
160	BS061217-21		.RETAINER-GRAPHIC STRIP SUPPLIER CODE: VS5065		1
165	BS061205-5		.ANGLE- SUPPLIER CODE: VS5065 ATTACHING PARTS		1
- 170	MS35206-241		.SCREW -----*-----		7
175	BS060260-11		.LATCH ASSY- SUPPLIER CODE: VS5065 ATTACHING PARTS		1
180	MS24693S47		.SCREW -----*-----		4
185	BS061250-051WH1		.DISPENSER ASSY- SUPPLIER CODE: VS5065		1
190	BS061258-1		..ANGLE-STOPPER SUPPLIER CODE: VS5065 ATTACHING PARTS		1
- 195	MS24693S47		..SCREW- -----*-----		2
200	BS061255-051WH1		..PANEL- SUPPLIER CODE: VS5065		1

ILLUSTRATION ITEMS NOT ON PARTS LIST ARE NOT APPLICABLE

- ITEM NOT ILLUSTRATED

HXL

**25-43-51-46**

BOEING PROPRIETARY - Copyright © - Unpublished Work - See title page for details.

25-43-51  
FIG. 46  
PAGE 3  
DEC 22/07



767

PARTS CATALOG (MAINTENANCE)

FIG ITEM	PART NUMBER	1 2 3 4 5 6 7	NOMENCLATURE	EFFECT FROM TO	UNITS PER ASSY
46					
205	BS061253-41	..	CASE- SUPPLIER CODE: VS5065 ATTACHING PARTS		1
210	MS35206-241	..	SCREW- USED WITH: BS061253-41 -----*		4
215	BS060255-171	.RAIL	ASSY- SUPPLIER CODE: VS5065 ATTACHING PARTS		1
220	MS35206-241	.SCREW			4
225	BS061243-51	..	RAIL-MOUNT SUPPLIER CODE: VS5065		1
230	BS061240-1	..	RAIL- SUPPLIER CODE: VS5065 ATTACHING PARTS		1
- 235	MS35206-243	..	SCREW -----*		2
240	BS061242-1	..	RAIL-MOUNT SUPPLIER CODE: VS5065 ATTACHING PARTS		1
- 245	MS24693S47	..	SCREW -----*		2
250	BS060255-11	.RAIL	ASSY- SUPPLIER CODE: VS5065 ATTACHING PARTS		1
255	MS35206-241	.SCREW			4
260	BS061243-11	..	RAIL-MOUNT SUPPLIER CODE: VS5065		1
265	BS061240-1	..	RAIL- SUPPLIER CODE: VS5065 ATTACHING PARTS		1
- 270	MS35206-243	..	SCREW -----*		2
275	BS061259-1	..	PLATE-RAIL (RIVETED) SUPPLIER CODE: VS5065		1

ILLUSTRATION ITEMS NOT ON PARTS LIST ARE NOT APPLICABLE

- ITEM NOT ILLUSTRATED

25-43-51-46

25-43-51  
FIG. 46  
PAGE 4  
DEC 22/07

HXL

BOEING PROPRIETARY - Copyright © - Unpublished Work - See title page for details.



767

PARTS CATALOG (MAINTENANCE)

FIG ITEM	PART NUMBER	1 2 3 4 5 6 7	NOMENCLATURE	EFFECT FROM TO	UNITS PER ASSY
46 280	BS061220-11		.BRACKET- SUPPLIER CODE: VS5065		1
- 285	MS35206-241		ATTACHING PARTS .SCREW -----*-----		3
290	BS060273-9		.PLATE-CASE SUPPLIER CODE: VS5065		1
300	BS061228-141WH2		.PANEL ASSY- SUPPLIER CODE: VS5065 CONFIG CHG DATA FROM A CMM: SUPSD BY BS061228-191WH2		1
300	BS061228-191WH2		.PANEL ASSY- SUPPLIER CODE: VS5065 CONFIG CHG DATA FROM A CMM: SUPERSEDES BS061228-141WH2		1
- 301	MS35206-241		ATTACHING PARTS .SCREW -----*-----		4
313	BS061025-15		.PLATE-SHAVER OUTLET SUPPLIER CODE: VS5065		1
314	BS061260-201WH2		.DOOR-TOWEL DISP SUPPLIER CODE: VS5065		1
- 315	MS24693S47		ATTACHING PARTS .SCREW -----*-----		3
340	BS061278-3		.PLATE-COVER SUPPLIER CODE: VS5065		1
- 347	MS35206-243		ATTACHING PARTS .SCREW -----*-----	163999	4
350	BS061295-1		.PANEL ASSY-TOWEL DISP SUPPLIER CODE: VS5065		1
- 355	MS35206-241		ATTACHING PARTS .SCREW -----*-----		6
398	BS061245-1		.PANEL ASSY- SUPPLIER CODE: VS5065		1

ILLUSTRATION ITEMS NOT ON PARTS LIST ARE NOT APPLICABLE

- ITEM NOT ILLUSTRATED

25-43-51-46

25-43-51  
FIG. 46  
PAGE 5  
DEC 22/07

HXL

BOEING PROPRIETARY - Copyright © - Unpublished Work - See title page for details.

 **BOEING**  
767  
**PARTS CATALOG (MAINTENANCE)**

FIG ITEM	PART NUMBER	1 2 3 4 5 6 7	NOMENCLATURE	EFFECT FROM TO	UNITS PER ASSY
46			ATTACHING PARTS		
- 399	MS35206-241		.SCREW		4
			-----*-----		
403	BS061246-1		..PANEL-		1
			SUPPLIER CODE:		
			VS5065		
405	BS060245-3		..ANGLE-		1
			SUPPLIER CODE:		
			VS5065		
			ATTACHING PARTS		
- 410	MS35206-241		..SCREW		3
			-----*-----		
415	BS061247-3		..ANGLE-		1
			SUPPLIER CODE:		
			VS5065		
			ATTACHING PARTS		
- 420	MS35206-241		..SCREW		2
			-----*-----		
425	BS061247-5		..ANGLE-		1
			SUPPLIER CODE:		
			VS5065		
			ATTACHING PARTS		
- 427	MS51957-41		..SCREW		2
			-----*-----		
435	BS061229-11		.BOX-RAZOR BLADE		1
			SUPPLIER CODE:		
			VS5065		
440	BS061201-5		.URETHANE-		1
			(BONDED WITH BMS5-92		
			TYPE 3)		
			SUPPLIER CODE:		
			VS5065		
445	BS061201-3		.URETHANE-		1
			(BONDED WITH BMS5-92		
			TYPE 3)		
			SUPPLIER CODE:		
			VS5065		
450	BS061202-3		.TRIM-PLATE		1
			(BONDED WITH BMS5-92		
			TYPE 3)		
			SUPPLIER CODE:		
			VS5065		
455	BS061280-13		.BASEPLATE-		1
			SUPPLIER CODE:		
			VS5065		
460	BS061270-211		.CASE-TOWEL DISP		1
			SUPPLIER CODE:		
			VS5065		

ILLUSTRATION ITEMS NOT ON PARTS LIST ARE NOT APPLICABLE

- ITEM NOT ILLUSTRATED

HXL

# 25-43-51-46

BOEING PROPRIETARY - Copyright © - Unpublished Work - See title page for details.

25-43-51  
FIG. 46  
PAGE 6  
DEC 22/07



**BOEING**  
767  
**PARTS CATALOG (MAINTENANCE)**

FIG ITEM	PART NUMBER	1 2 3 4 5 6 7	NOMENCLATURE	EFFECT FROM TO	UNITS PER ASSY
46			ATTACHING PARTS		
- 465	MS24693S47		.SCREW		4
- 470	MS35206-243		.SCREW		4
			-----*-----		
475	BS063269-1		..CATCH ASSY-BALL SUPPLIER CODE: VS5065		1
			ATTACHING PARTS		
- 480	MS24693S49		..SCREW		2
- 485	AN960-8		..WASHER		2
- 490	MS21042-3		..NUT		2
			-----*-----		
495	BS060270-3		..SLIDER- SUPPLIER CODE: VS5065		2
			ATTACHING PARTS		
- 500	MS24693S55		..SCREW		2
			-----*-----		
505	BS061273-1		..COVER-SLIDER SUPPLIER CODE: VS5065		2
			ATTACHING PARTS		
- 510	MS24693S49		..SCREW		8
			-----*-----		

ILLUSTRATION ITEMS NOT ON PARTS LIST ARE NOT APPLICABLE

- ITEM NOT ILLUSTRATED

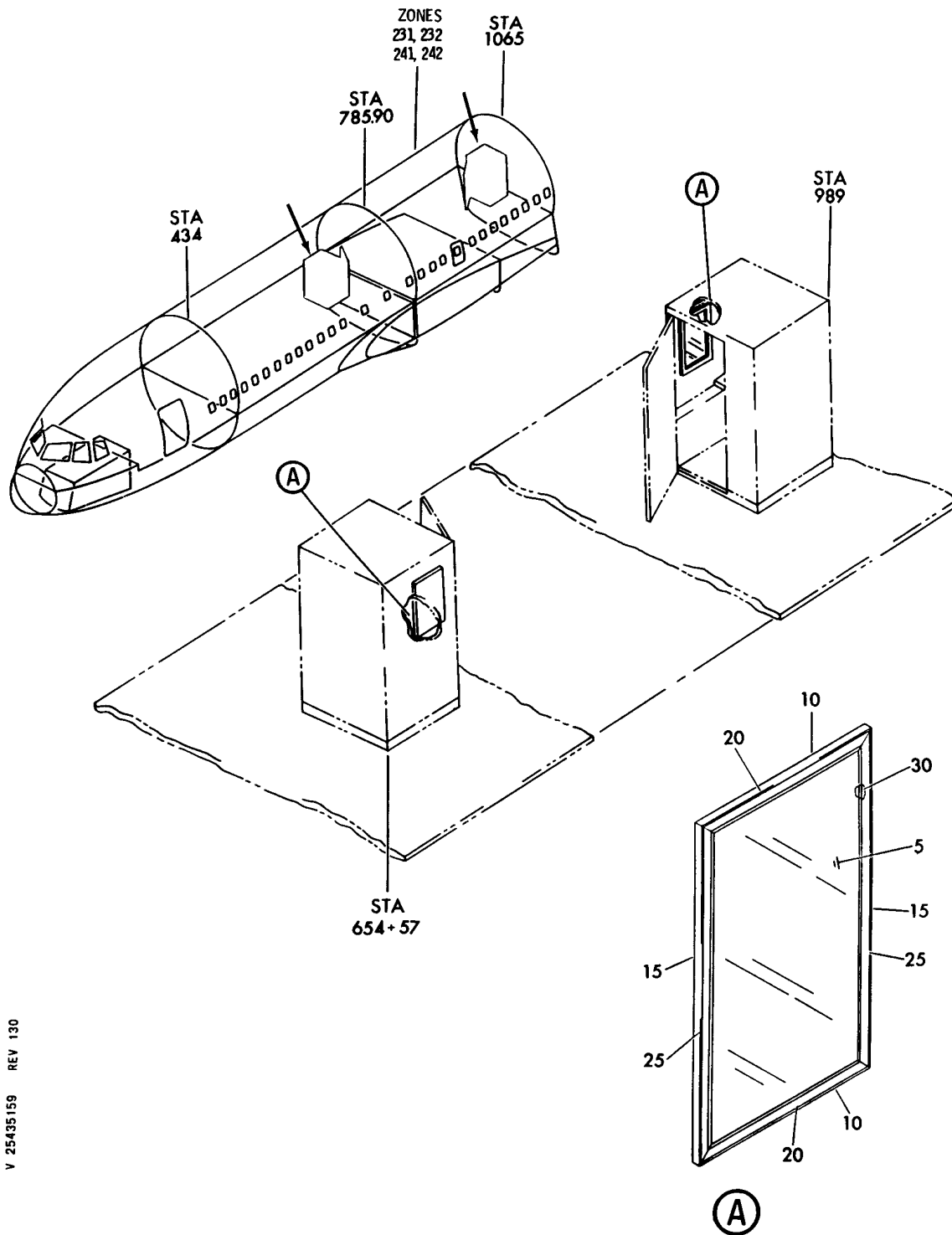
HXL

25-43-51-46

BOEING PROPRIETARY - Copyright © - Unpublished Work - See title page for details.

25-43-51  
FIG. 46  
PAGE 7  
DEC 22/07

**BOEING**  
767  
PARTS CATALOG (MAINTENANCE)



V 25435159 REV 130

MIRROR ASSY-MID LAV  
FIGURE 59

**25-43-51-59**

HXL  
DEC 22/06

25-43-51-59  
PAGE 0



767

PARTS CATALOG (MAINTENANCE)

FIG ITEM	PART NUMBER	1 2 3 4 5 6 7	NOMENCLATURE	EFFECT FROM TO	UNITS PER ASSY
59			MIRROR ASSY-MID LAV	163999	
- 1	BS062215-1		MIRROR ASSY-LAV M31 AND M32 SUPPLIER CODE: VS5065 FOR NHA SEE: 25-41-03-52	163999	RF
5	BS062291-19		.MIRROR- (BONDED WITH JMS1022-9) SUPPLIER CODE: VS5065	163999	1
10	BS062293-9		.TRIM- (BONDED WITH BMS5-126 TYPE 2) SUPPLIER CODE: VS5065	163999	2
15	BS062293-13		.TRIM- (BONDED WITH BMS5-126 TYPE 2) SUPPLIER CODE: VS5065	163999	2
20	BS062296-31		.STRIP- (BONDED WITH BMS5-126 TYPE 2) SUPPLIER CODE: VS5065	163999	2
25	BS062296-41		.STRIP- (BONDED WITH BMS5-126 TYPE 2) SUPPLIER CODE: VS5065	163999	2
30	JMS0311-22		.SEAL-U SUPPLIER CODE: VS5065	163999	AR

ILLUSTRATION ITEMS NOT ON PARTS LIST ARE NOT APPLICABLE

- ITEM NOT ILLUSTRATED

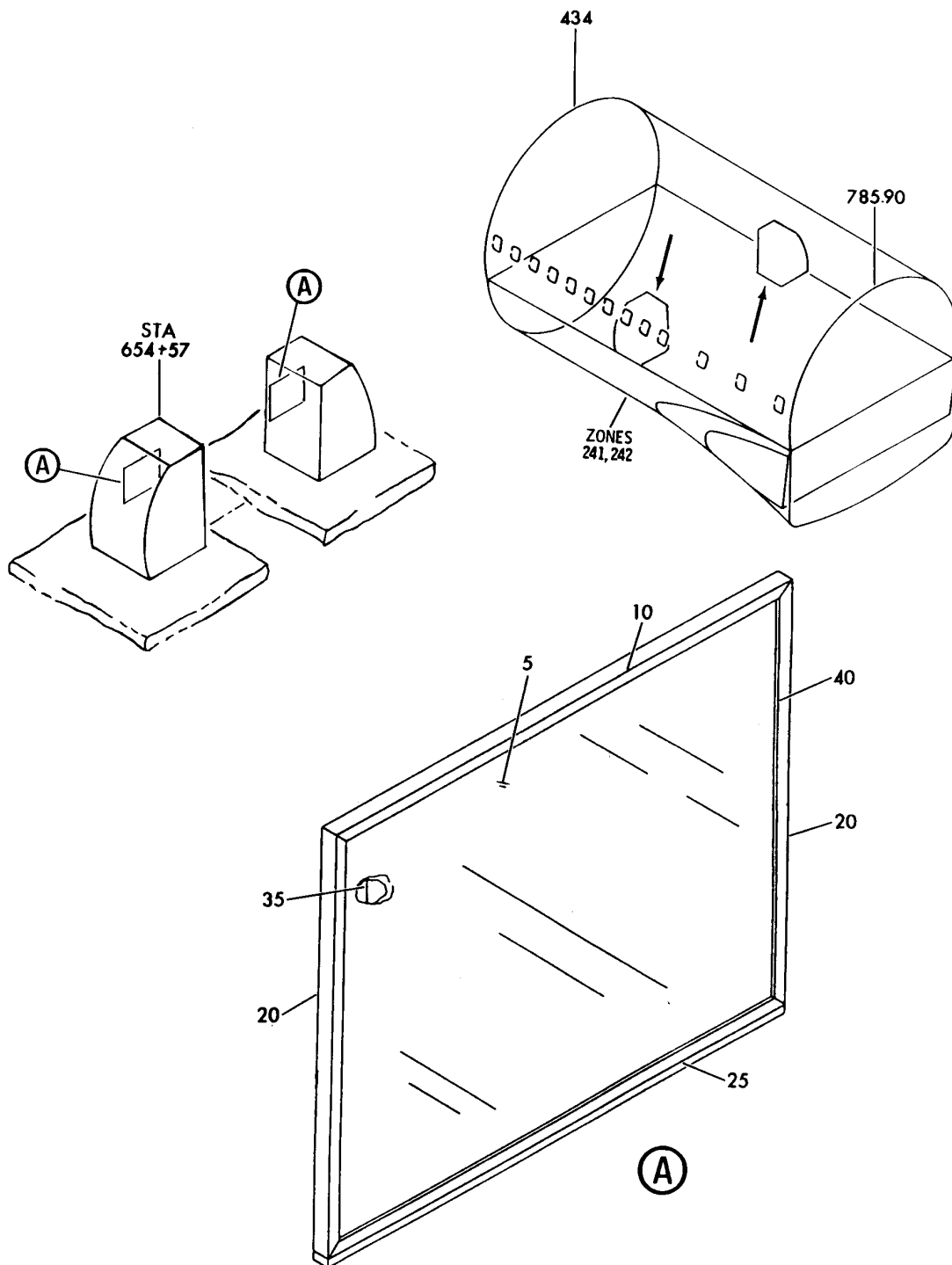
HXL

25-43-51-59

BOEING PROPRIETARY - Copyright © - Unpublished Work - See title page for details.

25-43-51  
FIG. 59  
PAGE 1  
DEC 22/07

**BOEING**  
767  
PARTS CATALOG (MAINTENANCE)



V 25435161 REV 130

MIRROR ASSY-MID LAV  
FIGURE 61

**25-43-51-61**

HXL  
DEC 22/06

25-43-51-61  
PAGE 0



767

PARTS CATALOG (MAINTENANCE)

FIG ITEM	PART NUMBER	1 2 3 4 5 6 7	NOMENCLATURE	EFFECT FROM TO	UNITS PER ASSY
61			MIRROR ASSY-MID LAV		
- 1	BS062215-31		MIRROR ASSY-LAV M31 AND M32 SUPPLIER CODE: VS5065 FOR NHA SEE: 25-41-03-52		RF
5	BS062291-27		.MIRROR- (BONDED WITH JMS1022-9) SUPPLIER CODE: VS5065		1
10	BS062292-53		.TRIM- SUPPLIER CODE: VS5065		1
- 15	MS24693S46		ATTACHING PARTS .SCREW- -----*-----		3
20	BS062292-35		.TRIM- (BONDED WITH BMS5-126 TYPE 2) SUPPLIER CODE: VS5065		2
25	BS062293-17		.TRIM- SUPPLIER CODE: VS5065		1
- 30	MS24693S46		ATTACHING PARTS .SCREW- -----*-----		4
35	BS062295-61		.STRIP- (BONDED WITH BMS5-126 TYPE 2) SUPPLIER CODE: VS5065		1
40	JMS0311-22		.SEAL-U SUPPLIER CODE: VS5065		AR

ILLUSTRATION ITEMS NOT ON PARTS LIST ARE NOT APPLICABLE

- ITEM NOT ILLUSTRATED

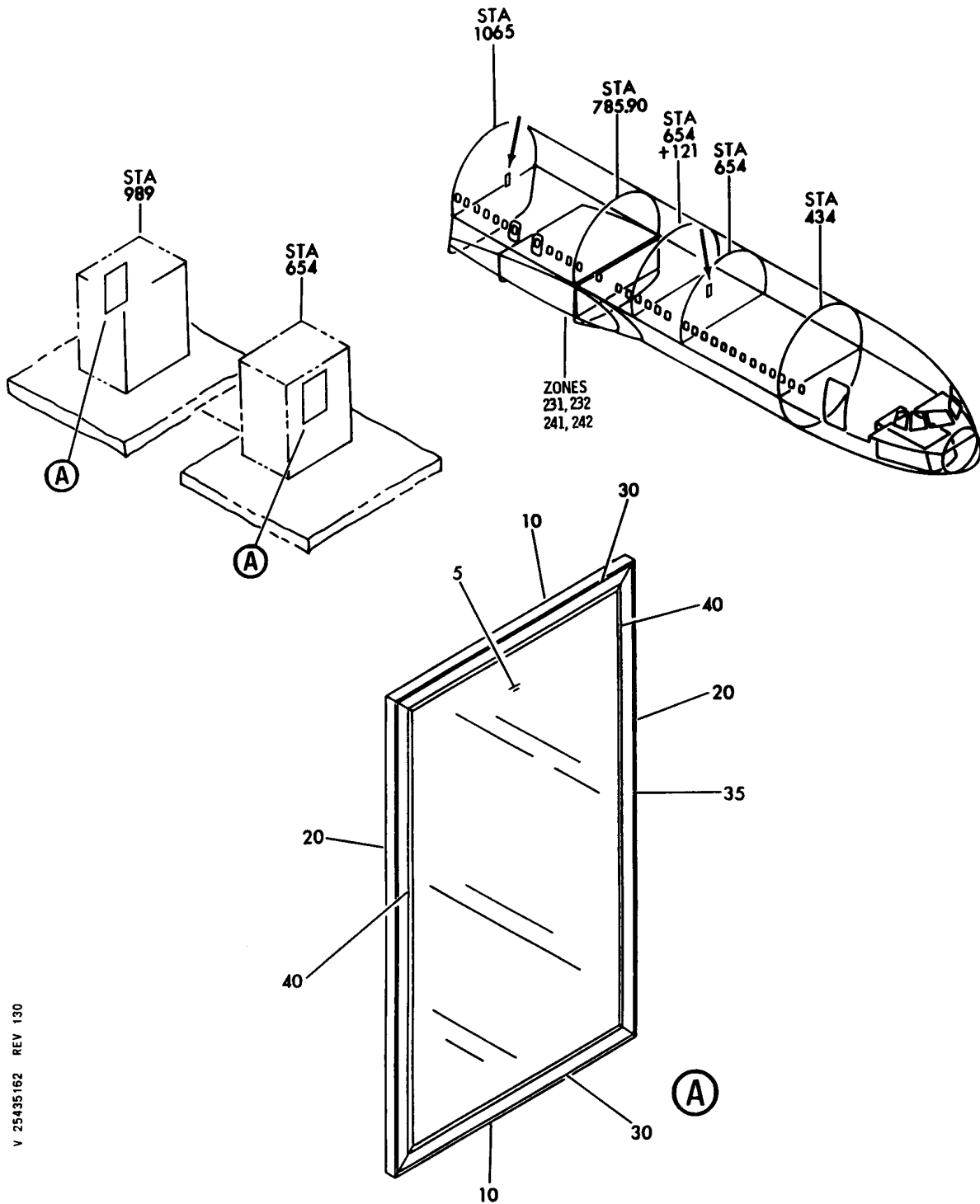
HXL

25-43-51-61

BOEING PROPRIETARY - Copyright © - Unpublished Work - See title page for details.

25-43-51  
FIG. 61  
PAGE 1  
DEC 22/07

**BOEING**  
767  
PARTS CATALOG (MAINTENANCE)



V 25435162 REV 130

MIRROR ASSY-MID LAV  
FIGURE 62

**25-43-51-62**

HXL  
DEC 22/06

25-43-51-62  
PAGE 0



767

PARTS CATALOG (MAINTENANCE)

FIG ITEM	PART NUMBER	1 2 3 4 5 6 7	NOMENCLATURE	EFFECT FROM TO	UNITS PER ASSY
62			MIRROR ASSY-MID LAV		
- 1	BS062215-41		MIRROR ASSY-LAV M31 AND M32 SUPPLIER CODE: VS5065 FOR NHA SEE: 25-41-03-52		RF
5	BS062291-29		.MIRROR- (BONDED WITH JMS1022-9) SUPPLIER CODE: VS5065		1
10	BS062293-25		.TRIM- SUPPLIER CODE: VS5065		2
- 15	MS24693S47		ATTACHING PARTS .SCREW -----*-----		4
20	BS062293-23		.TRIM- SUPPLIER CODE: VS5065		2
- 25	MS24693S47		ATTACHING PARTS .SCREW -----*-----		6
30	BS062296-71		.STRIP- (BONDED WITH BMS5-126 TYPE 2) SUPPLIER CODE: VS5065		2
35	BS062296-81		.STRIP- (BONDED WITH BMS5-126 TYPE 2) SUPPLIER CODE: VS5065		2
40	JMS0311-22		.SEAL-U SUPPLIER CODE: VS5065		AR

ILLUSTRATION ITEMS NOT ON PARTS LIST ARE NOT APPLICABLE

- ITEM NOT ILLUSTRATED

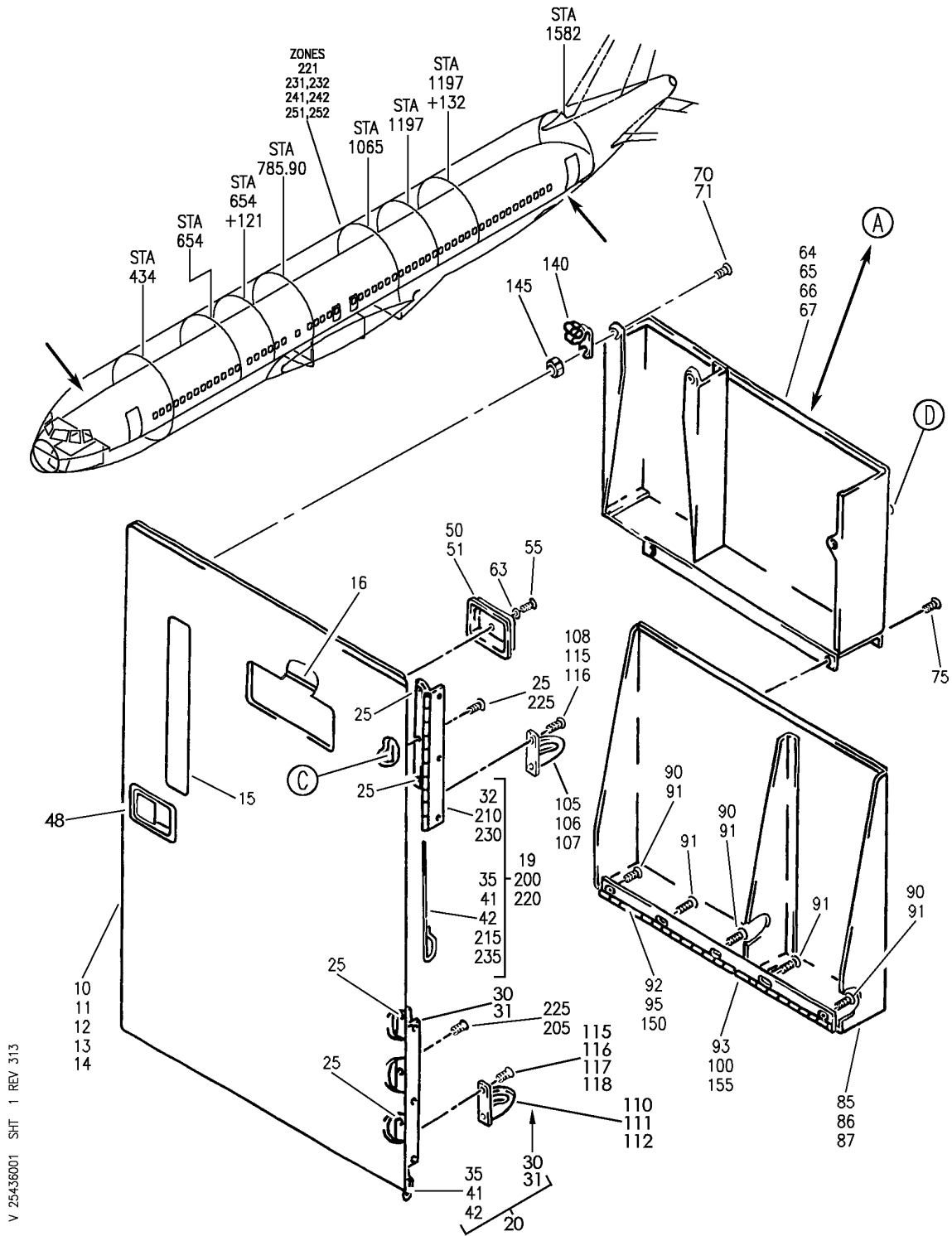
HXL

25-43-51-62

BOEING PROPRIETARY - Copyright © - Unpublished Work - See title page for details.

25-43-51  
FIG. 62  
PAGE 1  
DEC 22/07

**BOEING**  
767  
PARTS CATALOG (MAINTENANCE)



V 25436001\_SHT 1 REV 313

DOOR ASSY-WASTE CONTAINER OR WASTE COMPT LAV  
FIGURE 1 (SHEET 1)

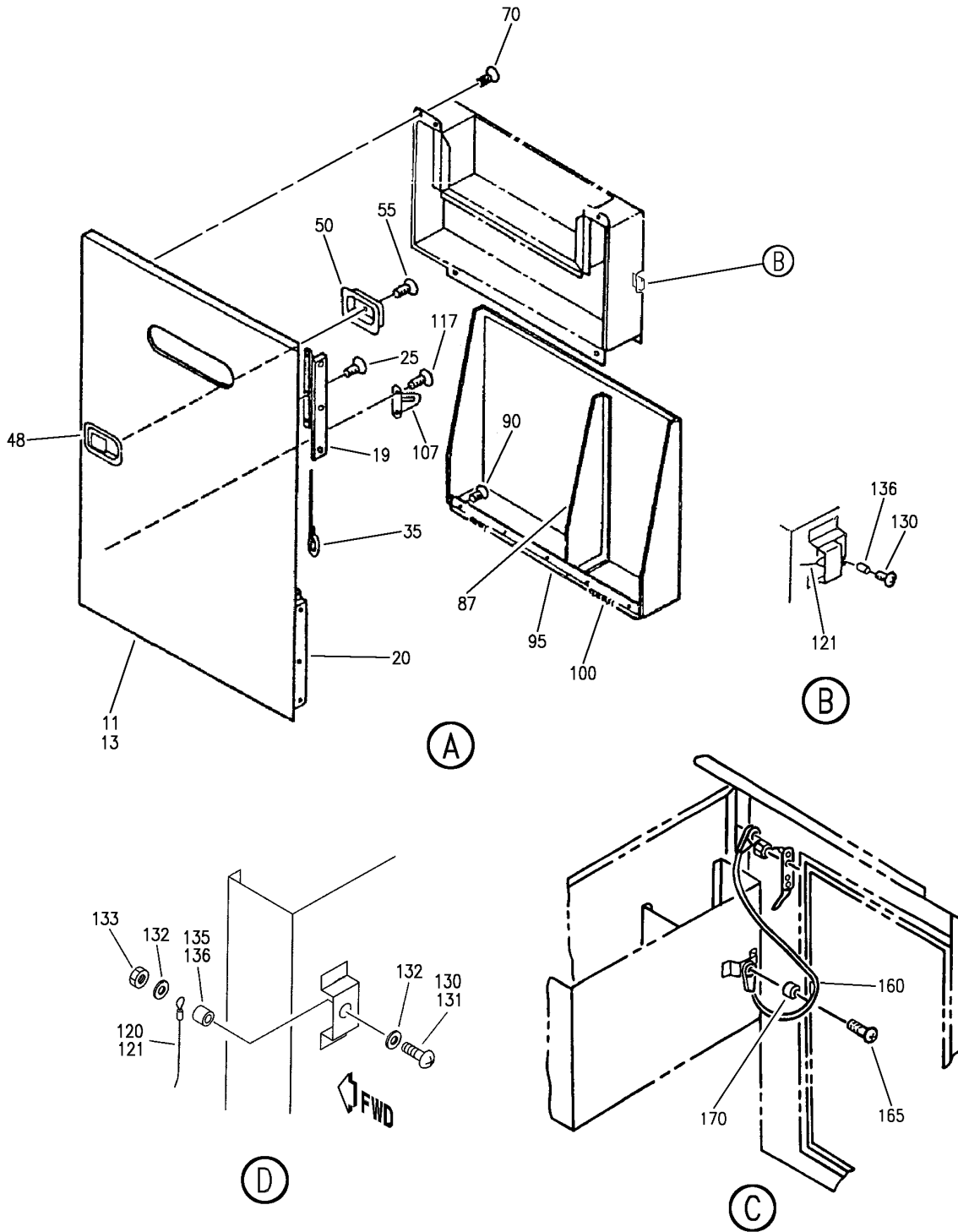
**25-43-60-01**

HXL  
APR 22/07

25-43-60-01  
PAGE 0



**BOEING**  
767  
PARTS CATALOG (MAINTENANCE)



V 25-436001 SHT 2 REV 330

DOOR ASSY-WASTE CONTAINER OR WASTE COMPT LAV  
FIGURE 1 (SHEET 2)

**25-43-60-01**

HXL  
AUG 22/08

25-43-60-01  
PAGE 0A



767

PARTS CATALOG (MAINTENANCE)

FIG ITEM	PART NUMBER	1 2 3 4 5 6 7	NOMENCLATURE	EFFECT FROM TO	UNITS PER ASSY
1			DOOR ASSY-WASTE CONTAINER OR WASTE COMPT LAV		
- 2	BS061350-001WH2		DOOR ASSY-WASTE CONTAINER LAV F1, MS15, MS17, M31 AND M32 LAV F1, FS9, MS11, A4 AND AC4 SUPPLIER CODE: VS5065 FOR NHA SEE: 25-43-51-12 25-43-51-43 25-43-02-01		RF
- 3	BS061350-002WH2		DOOR ASSY-WASTE CONTAINER LAV MS3 AND A3 LAV MS3 AND AC1 LAV MS3 AND AC2 LAV MS10 AND A3 LAV M15 AND M16 LAV MS16 AND MS18 LAV MS1 AND A3 LAV MS1 AND AC3 LAV MS28 AND MS30 LAV A3 AND AC10 LAV A3 AND M19 SUPPLIER CODE: VS5065 CONFIG CHG DATA FROM A CMM: S/N 007999		RF
11	BS061351-001WH2		.PANEL ASSY-LAV F1, MS15, MS17, M31 AND M32 F1, FS3, M17, M18 AND A4 F1, FS9, MS11, A4 AND AC4 F1, M19, MS4, MS15 AND A4 M15, M16, MS4, MS15 AND A4 A4, AC5, F1, FS9 AND MS4 SUPPLIER CODE: VS5065		1
19	BS061381-12		.HINGE ASSY- SUPPLIER CODE: VS5065 POSITION DATA: UPR		1

ILLUSTRATION ITEMS NOT ON PARTS LIST ARE NOT APPLICABLE

- ITEM NOT ILLUSTRATED

25-43-60-01

25-43-60  
FIG. 01  
PAGE 1  
DEC 22/07

HXL

 **BOEING**  
767  
**PARTS CATALOG (MAINTENANCE)**

FIG ITEM	PART NUMBER	1 2 3 4 5 6 7	NOMENCLATURE	EFFECT FROM TO	UNITS PER ASSY
1					
20	BS061381-11		.HINGE ASSY- SUPPLIER CODE: VS5065 POSITION DATA: LWR ATTACHING PARTS		1
25	MS35206-241		.SCREW -----*-----		6
30	BS061382-5		..HINGE- SUPPLIER CODE: VS5065		1
30	BS061382-6		..HINGE- SUPPLIER CODE: VS5065		1
41	BS061383-3		..PIN- SUPPLIER CODE: VS5065		2
48	SAM228-2		.LATCH- SUPPLIER CODE: V31845		1
50	BS061357-003WH1		.PLATE-ATTACH LAV F1, MS15, MS16, MS17 AND MS18 F1, MS27, MS28, MS29 AND MS30 F1, A3, A4, AC9 AND AC10 A3, F1, MS4, MS15 AND A4 F1, MS3, MS4, AC1 AND AC2 F1, AC3, AC4, MS1 AND MS2 F1, M3, M4, A3 AND A4 F1, MS13, MS14, A3 AND A4 SUPPLIER CODE: VS5065		1
51	BS061357-3		.PLATE-ATTACH LAV M31 AND M32 M15 AND M16 SUPPLIER CODE: VS5065		1

ILLUSTRATION ITEMS NOT ON PARTS LIST ARE NOT APPLICABLE

- ITEM NOT ILLUSTRATED

HXL

25-43-60-01

BOEING PROPRIETARY - Copyright © - Unpublished Work - See title page for details.

25-43-60  
FIG. 01  
PAGE 2  
DEC 22/07

 **BOEING**  
767  
**PARTS CATALOG (MAINTENANCE)**

FIG ITEM	PART NUMBER	1 2 3 4 5 6 7	NOMENCLATURE	EFFECT FROM TO	UNITS PER ASSY
1			ATTACHING PARTS		
55	MS27039C1-05		.SCREW-LAV F1, MS15, MS16, MS17 AND MS18 F1, MS27, MS28, MS29 AND MS30 F1, A3, A4, AC9 AND AC10 F1, MS3, MS4, AC1 AND AC2 F1, AC3, AC4, MS1 AND MS2 F1, M3, M4, A3 AND A4 F1, MS13, MS14, A3 AND A4 F1, MS1, MS2, A3, AND A4 F1, A3, A4, M7 AND M8		2
- 60	MS27039C1-05		.SCREW-LAV M31 AND M32		1
65	BS061356-002WH1		-----*----- .CASE ASSY-LAV M15 AND M16 MS16 AND MS18 A3 AND MS10 MS1 AND A3 MS1 AND AC3 MS28 AND MS30 A3 AND AC10 MS3 AND MS19 MS1 AND A3 MS3 AND AC1 MS3 AND A3 SUPPLIER CODE: VS5065 POSITION DATA: UPR		1
67	BS061356-001WH1		.CASE ASSY-LAV F1, MS15, MS17, M31 AND M32 F1, FS3, M17, M18 AND A4 F1, FS9, MS11, A4 AND AC4 A4, AC5, F1, FS9 AND MS4 SUPPLIER CODE: VS5065 POSITION DATA: UPR		1
ILLUSTRATION ITEMS NOT ON PARTS LIST ARE NOT APPLICABLE					

- ITEM NOT ILLUSTRATED

HXL

# 25-43-60-01

BOEING PROPRIETARY - Copyright © - Unpublished Work - See title page for details.

25-43-60  
FIG. 01  
PAGE 3  
DEC 22/07

 **BOEING**  
767  
**PARTS CATALOG (MAINTENANCE)**

FIG ITEM	PART NUMBER	1 2 3 4 5 6 7	NOMENCLATURE	EFFECT FROM TO	UNITS PER ASSY
1			ATTACHING PARTS		
70	MS24693S49	.	SCREW		3
75	MS35206-243	.	SCREW		2
			-----*-----		
86	BS061355-002WH1	.	CASE ASSY-LAV MS3 AND A3 MS16 AND MS18 A3 AND MS10 MS1 AND A3 MS1 AND AC3 A3 AND AC10 A5 AND AC3 MS3 AND AC1 M15 AND M16 SUPPLIER CODE: VS5065 POSITION DATA: LWR		1
87	BS061355-001WH1	.	CASE ASSY-LAV F1, MS15, MS17, M31 AND M32) F1, FS9, MS11, A4 AND AC4 F1, MS4, MS15, MS19 AND A4 A4, AC5, F1, FS9 AND MS4 SUPPLIER CODE: VS5065 POSITION DATA: LWR		1
90	MS35206-241	.	ATTACHING PARTS SCREW		3
			-----*-----		
105	BS061359-3	.	STOPPER-LH, LAV MS15, MS16, MS17 AND MS18 MS3, MS7, A3 AND A4 MS10, AC5, A3, AND A4 MS27, MS28, MS29 AND MS30 MS3, MS4, AC1 AND AC2 MS1, MS2, A3, AND A4 F1, FS2, A3 AND A4 SUPPLIER CODE: VS5065		1

ILLUSTRATION ITEMS NOT ON PARTS LIST ARE NOT APPLICABLE

- ITEM NOT ILLUSTRATED

HXL

25-43-60-01

BOEING PROPRIETARY - Copyright © - Unpublished Work - See title page for details.

25-43-60  
FIG. 01  
PAGE 4  
DEC 22/07



767

PARTS CATALOG (MAINTENANCE)

FIG ITEM	PART NUMBER	1 2 3 4 5 6 7	NOMENCLATURE	EFFECT FROM TO	UNITS PER ASSY
1 105	BS061359-4		. STOPPER-LAV F1, M31 AND M32 F1, MS3 AND MS4 SUPPLIER CODE: VS5065 POSITION DATA: LH		1
111	BS061359-4		. STOPPER-LAV MS15, MS16, MS17 AND MS18 MS3, MS7, A3 AND A4 MS10, AC5, A3 AND A4 M3, M4, A3 AND A4 MS27, MS28, MS29 AND MS30 MS3, MS4, AC1 AND AC2 F1, FS2, A3 AND A4 SUPPLIER CODE: VS5065 POSITION DATA: RH		1
111	BS061359-3		. STOPPER-LAV F1, M31 AND M32 F1, MS3 AND MS4 SUPPLIER CODE: VS5065 POSITION DATA: RH		1
116	MS24693S47		ATTACHING PARTS . SCREW		4
121	BS060470-1		-----*----- . CABLE- SUPPLIER CODE: VS5065 ATTACHING PARTS		1
130	MS35206-245		. SCREW		1
136	JMS1602-5C50040		-----*----- . BUSHING-LAV F1, MS9, MS10, AC3, AC4, A3 AND A4 F1, MS15, MS16, MS17, MS18, M31 AND M32 SUPPLIER CODE: VS5065		1

ILLUSTRATION ITEMS NOT ON PARTS LIST ARE NOT APPLICABLE

- ITEM NOT ILLUSTRATED

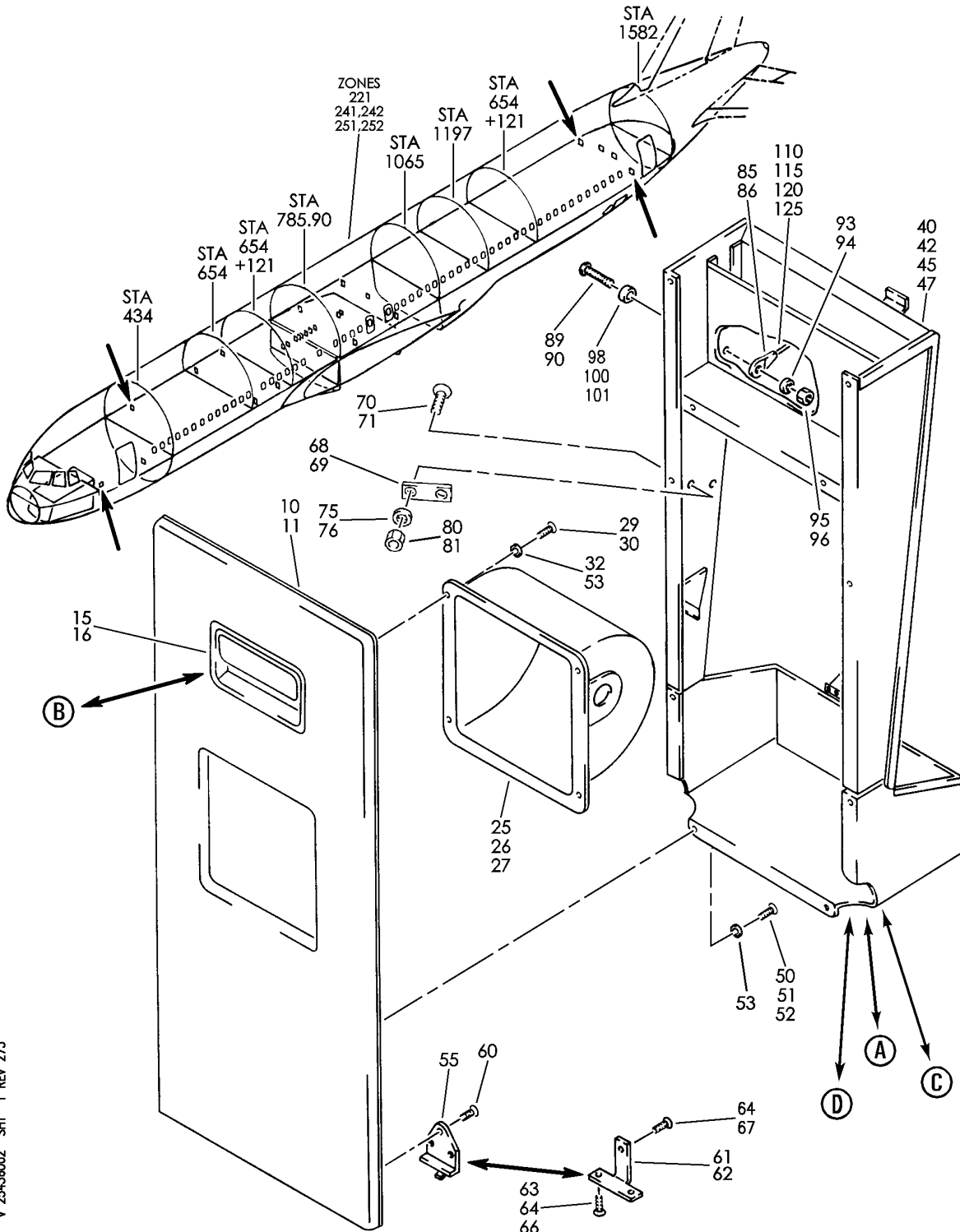
HXL

25-43-60-01

BOEING PROPRIETARY - Copyright © - Unpublished Work - See title page for details.

25-43-60  
FIG. 01  
PAGE 5  
DEC 22/07

**BOEING**  
767  
PARTS CATALOG (MAINTENANCE)



V 25436002 SH1 1 REV 273

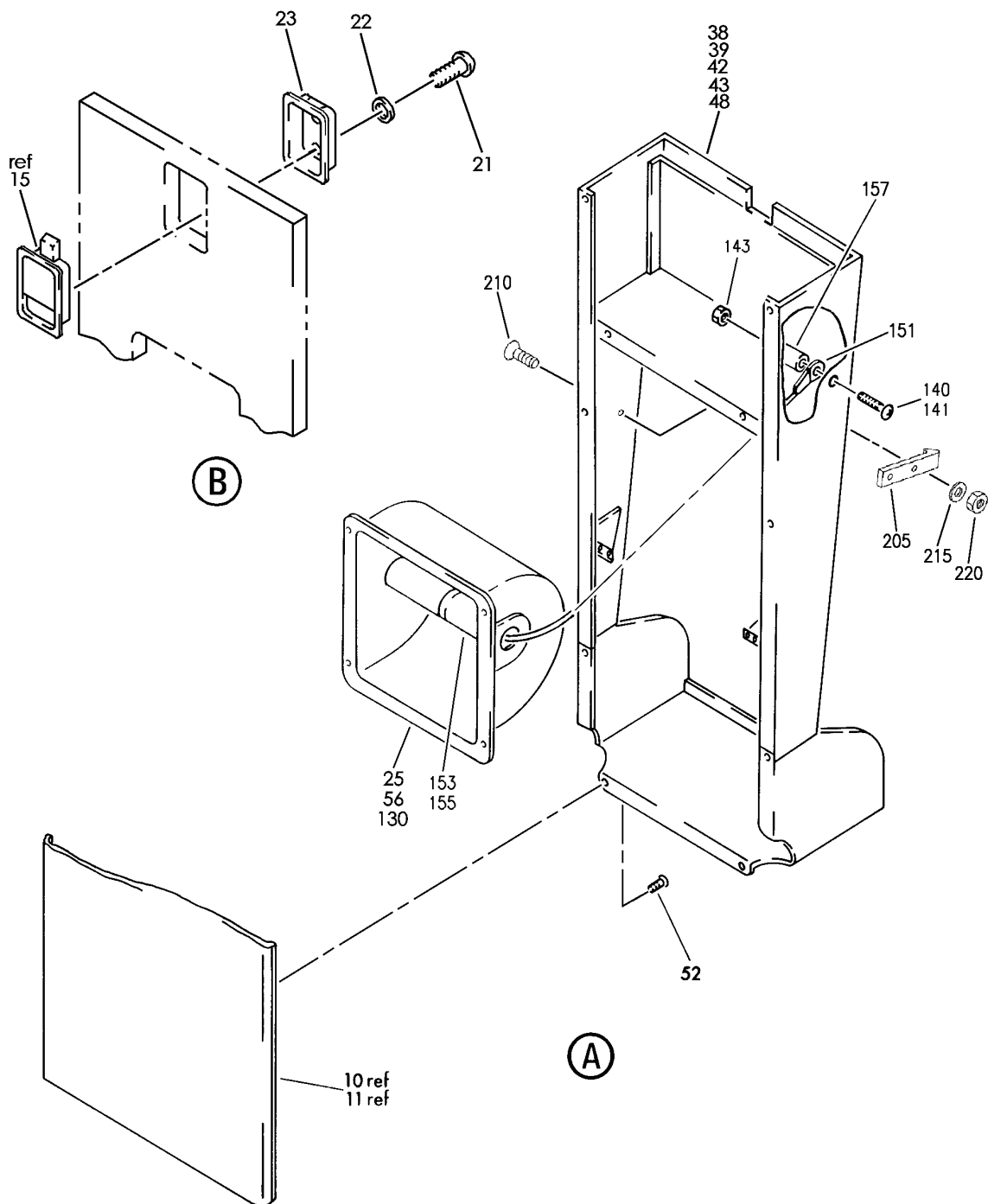
DOOR ASSY-AMENITY, LAV  
FIGURE 2 (SHEET 1)

**25-43-60-02**

HXL  
DEC 22/06

25-43-60-02  
PAGE 0

**BOEING**  
767  
PARTS CATALOG (MAINTENANCE)



V 25436002 SH1 2 REV 305

DOOR ASSY-AMENITY, LAV  
FIGURE 2 (SHEET 2)

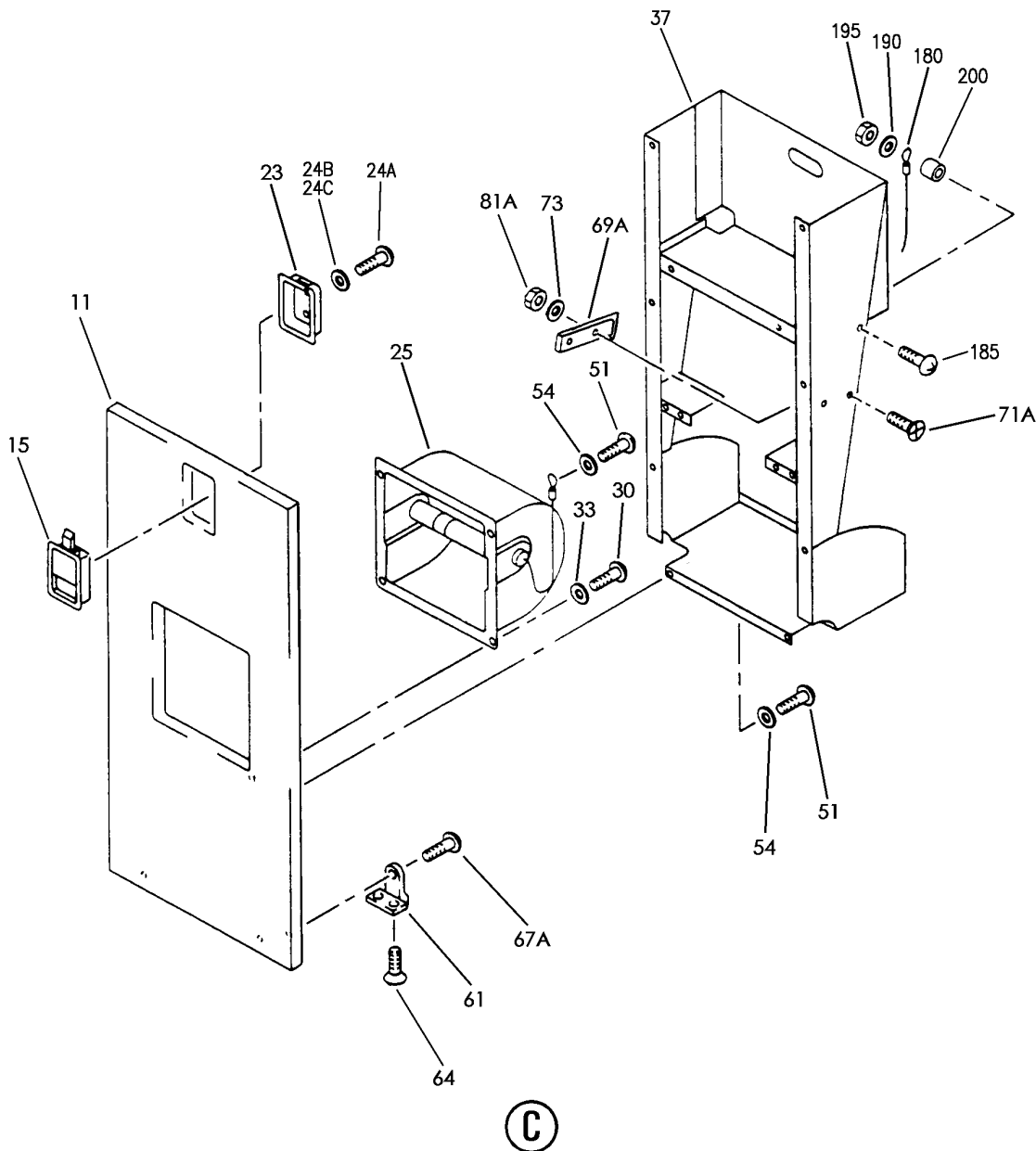
**25-43-60-02**

HXL  
DEC 22/06

25-43-60-02  
PAGE 0A



**BOEING**  
767  
PARTS CATALOG (MAINTENANCE)



V 25436002 SH1 3 REV 299

(C)

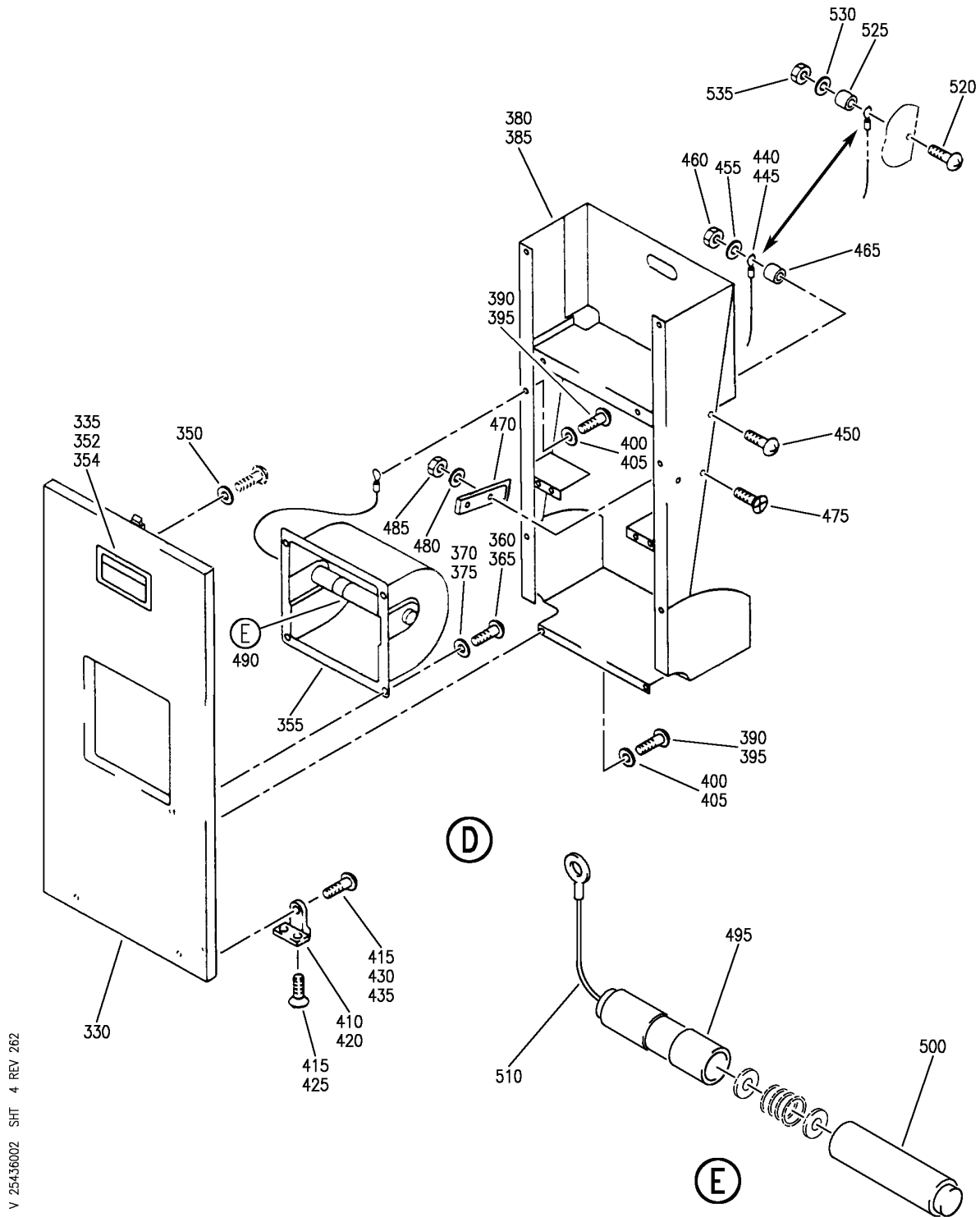
DOOR ASSY-AMENITY, LAV  
FIGURE 2 (SHEET 3)

**25-43-60-02**

HXL  
DEC 22/06

25-43-60-02  
PAGE 0B

**BOEING**  
767  
PARTS CATALOG (MAINTENANCE)



V 25436002 SH1 4 REV 262

DOOR ASSY-AMENITY, LAV  
FIGURE 2 (SHEET 4)

**25-43-60-02**

HXL  
DEC 22/06

25-43-60-02  
PAGE 0C

**BOEING**  
767  
**PARTS CATALOG (MAINTENANCE)**

FIG ITEM	PART NUMBER	1 2 3 4 5 6 7	NOMENCLATURE	EFFECT FROM TO	UNITS PER ASSY
2					
- 1	BS061360-032WH2		DOOR ASSY-AMENITY, LAV DOOR ASSY-AMENITY, LAV F1, FS3, M17, M18 AND A4 F1, FS9, MS11, A4 AND AC4 F1, MS4, FS9, A4 AND AC5 F1, MS15, MS17, M31 AND M32 SUPPLIER CODE: VS5065 FOR NHA SEE: 25-43-02-01 25-43-51-12 25-43-51-43		RF
- 6	BS061360-031WH2		DOOR ASSY-AMENITY, LAV MS16 AND MS18 MS28 AND MS30 SUPPLIER CODE: VS5065 FOR NHA SEE: 25-43-51-12		RF
11	BS061361-001WH2		.PANEL- SUPPLIER CODE: VS5065		1
15	BS061370-1		.LATCH ASSY-LAV F1 SUPPLIER CODE: VS5065		1
16	BS061370-1		.LATCH ASSY-LAV MS15, MS16 MS17, MS18, M31 AND M32 SUPPLIER CODE: VS5065 CONFIG CHG DATA FROM A CMM: REPLD BY BS061370-11		1
16	BS061370-11		.LATCH ASSY-LAV MS15, MS16 MS17, MS18, M31 AND M32 SUPPLIER CODE: VS5065 CONFIG CHG DATA FROM A CMM: REPLS BS061370-1		1
- 20	MS35206-243		ATTACHING PARTS .SCREW -----*-----		4

ILLUSTRATION ITEMS NOT ON PARTS LIST ARE NOT APPLICABLE

- ITEM NOT ILLUSTRATED

HXL

25-43-60-02

BOEING PROPRIETARY - Copyright © - Unpublished Work - See title page for details.

25-43-60  
FIG. 02  
PAGE 1  
DEC 22/07

 **BOEING**  
767  
**PARTS CATALOG (MAINTENANCE)**

FIG ITEM	PART NUMBER	1 2 3 4 5 6 7	NOMENCLATURE	EFFECT FROM TO	UNITS PER ASSY
2					
25	BS061362-003WH2		.HOLDER- LAV F1, MS6, A4, A7 AND A8 LAV F1, A3, A4, AC9 AND AC10 LAV F1, M11, M12, MS1 AND MS2 SUPPLIER CODE: VS5065		1
26	BS061362-003WH2		.HOLDER- SUPPLIER CODE: VS5065 ATTACHING PARTS		1
- 31	MS35206-243		.SCREW -----*-----		4
42	BS061363-031WH1		.CASE ASSY-LAV A3, A4, F1, MS3 AND MS4 SUPPLIER CODE: VS5065 CONFIG CHG DATA FROM A CMM: SUPERSEDES BS061363-001WH1 USED ON: BS061360-002IV1 BS061360-031IV1 BS061360-032IV1 BS061360-031WH2 ATTACHING PARTS		1
52	MS35206-243		.SCREW -----*-----		14
61	BS061364-3		.HOOK- (BONDED WITH LOCTITE 262) SUPPLIER CODE: VS5065 ATTACHING PARTS		2
64	MS24693S49		.SCREW -----*-----		6
68	BS061497-3		.HOOK- SUPPLIER CODE: VS5065 ATTACHING PARTS		1
70	MS24693S51		.SCREW		2
75	AN960-8		.WASHER		2
80	22K2-82		.NUT- SUPPLIER CODE: V72962 -----*-----		2
ILLUSTRATION ITEMS NOT ON PARTS LIST ARE NOT APPLICABLE					

- ITEM NOT ILLUSTRATED

HXL

**25-43-60-02**

BOEING PROPRIETARY - Copyright © - Unpublished Work - See title page for details.

25-43-60  
FIG. 02  
PAGE 2  
DEC 22/07



767

PARTS CATALOG (MAINTENANCE)

FIG ITEM	PART NUMBER	1 2 3 4 5 6 7	NOMENCLATURE	EFFECT FROM TO	UNITS PER ASSY
2					
85	BS060470-11		.CABLE- SUPPLIER CODE: VS5065 ATTACHING PARTS		1
90	MS35206-245		.SCREW		1
95	MS21042-08		.NUT		1
95	MS21040-08		.NUT- LAV F1 LAV M19		1
			-----*-----		
100	JMS1602-5C50040		.BUSHING- SUPPLIER CODE: VS5065		1

ILLUSTRATION ITEMS NOT ON PARTS LIST ARE NOT APPLICABLE

- ITEM NOT ILLUSTRATED

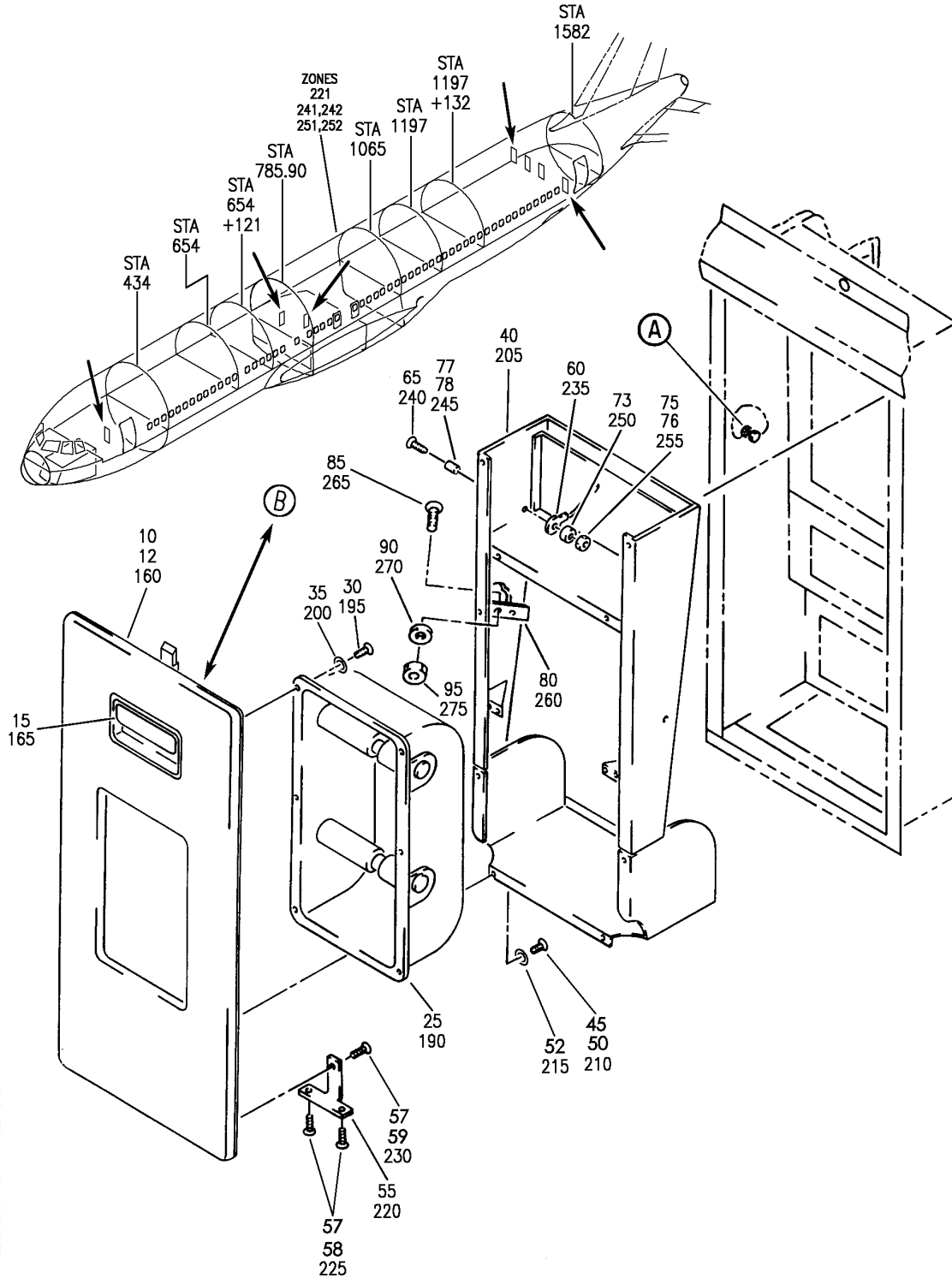
HXL

25-43-60-02

BOEING PROPRIETARY - Copyright © - Unpublished Work - See title page for details.

25-43-60  
FIG. 02  
PAGE 3  
DEC 22/07

**BOEING**  
767  
**PARTS CATALOG (MAINTENANCE)**



V 25436009 SH1 1 REV 313

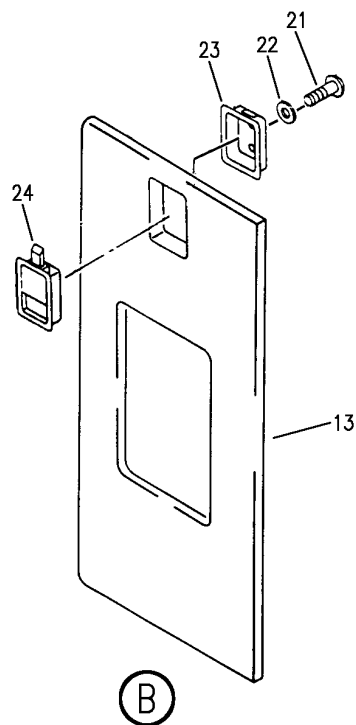
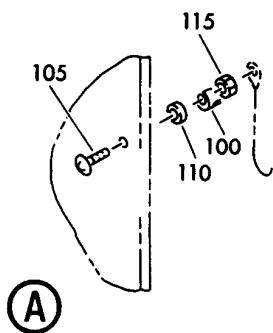
DOOR ASSY-AMENITY, LAV  
FIGURE 9 (SHEET 1)

**25-43-60-09**

HXL  
APR 22/07

25-43-60-09  
PAGE 0

**BOEING**  
767  
PARTS CATALOG (MAINTENANCE)



V 25436009 SH1 2 REV 313

DOOR ASSY-AMENITY, LAV  
FIGURE 9 (SHEET 2)

**25-43-60-09**

HXL  
APR 22/07

25-43-60-09  
PAGE 0A



767

PARTS CATALOG (MAINTENANCE)

FIG ITEM	PART NUMBER	1 2 3 4 5 6 7	NOMENCLATURE	EFFECT FROM TO	UNITS PER ASSY
9			DOOR ASSY-AMENITY, LAV		
- 1	BS061360-032WH2		DOOR ASSY-AMENITY LAV M31 AND M32 SUPPLIER CODE: VS5065 FOR NHA SEE: 25-43-51-43		RF
10	BS061361-001WH2		.PANEL-LAV M31 AND M32 SUPPLIER CODE: VS5065		1
15	BS061370-1		.LATCH ASSY-LAV M31 AND M32 SUPPLIER CODE: VS5065		1
- 17	MS35206-243		ATTACHING PARTS .SCREW-		4
			-----*-----		
25	BS061362-003WH2		.HOLDER-LAV M31 AND M32 SUPPLIER CODE: VS5065		1
			ATTACHING PARTS		
33	MS35206-243		.SCREW-		4
			LAV AC3 AND AC4		
			-----*-----		
40	BS061363-031WH1		.CASE ASSY-LAV M31 AND M32 SUPPLIER CODE: VS5065		1
			ATTACHING PARTS		
- 43	MS35206-243		.SCREW		10
45	MS35206-243		.SCREW		14
			-----*-----		
55	BS061364-3		.HOOK-		2
			SUPPLIER CODE: VS5065		
			ATTACHING PARTS		
57	MS24693S49		.SCREW		6
			-----*-----		
60	BS060470-11		.CABLE-LAV M31 AND M32 SUPPLIER CODE: VS5065		1
			ATTACHING PARTS		
65	MS35206-245		.SCREW		1
75	MS21042-08		.NUT-		1
			LAV AC3 AND AC4		
			-----*-----		

ILLUSTRATION ITEMS NOT ON PARTS LIST ARE NOT APPLICABLE

- ITEM NOT ILLUSTRATED

25-43-60-09

25-43-60  
FIG. 09  
PAGE 1  
DEC 22/07

HXL





767

PARTS CATALOG (MAINTENANCE)

FIG ITEM	PART NUMBER	1 2 3 4 5 6 7	NOMENCLATURE	EFFECT FROM TO	UNITS PER ASSY
9					
77	JMS1602-5C50040		.BUSHING- SUPPLIER CODE: VS5065		1
80	BS061497-3		.HOOK-LAV M31 AND M32 SUPPLIER CODE: VS5065		1
85	MS24693S51		ATTACHING PARTS .SCREW		2
90	AN960-8		.WASHER		2
95	22K2-82		.NUT- SUPPLIER CODE: V72962		2
			-----*-----		
100	BS060467-1		.CLIP- SUPPLIER CODE: VS5065		1
			ATTACHING PARTS		
105	MS35206-264		.SCREW		1
110	AN960-10		.WASHER		1
115	MS21040-3		.NUT -----*-----		1

ILLUSTRATION ITEMS NOT ON PARTS LIST ARE NOT APPLICABLE

- ITEM NOT ILLUSTRATED

HXL

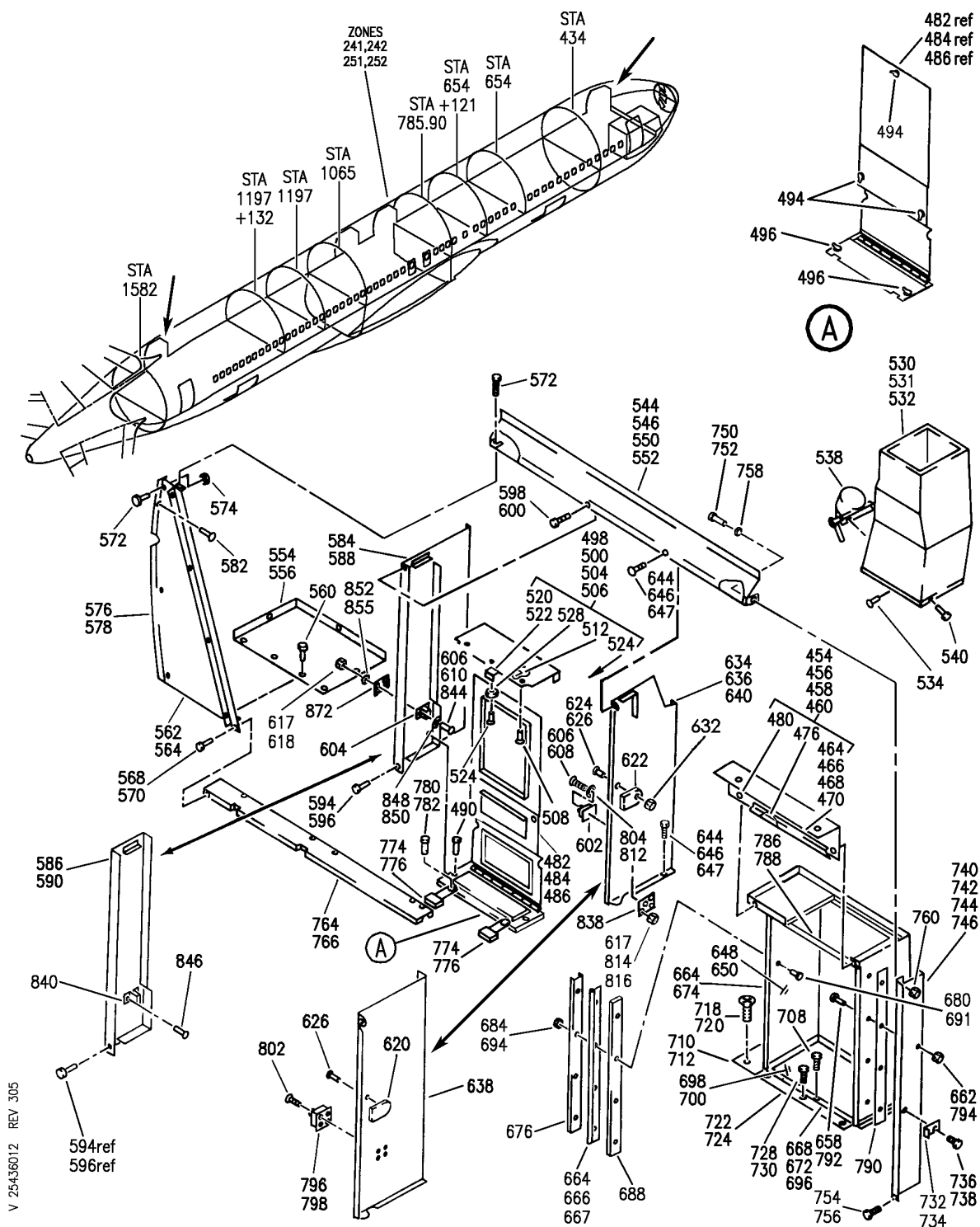
25-43-60-09

BOEING PROPRIETARY - Copyright © - Unpublished Work - See title page for details.

25-43-60  
FIG. 09  
PAGE 2  
DEC 22/07

# BOEING

767  
PARTS CATALOG (MAINTENANCE)



V 25436012 REV 305

STOWAGE ASSY-SINK CABINET, LAV  
FIGURE 12

# 25-43-60-12

HXL  
DEC 22/06

25-43-60-12  
PAGE 0



767

PARTS CATALOG (MAINTENANCE)

FIG ITEM	PART NUMBER	1 2 3 4 5 6 7	NOMENCLATURE	EFFECT FROM TO	UNITS PER ASSY
12			STOWAGE ASSY-SINK CABINET, LAV		
- 1	BS063460-001WH1		STOWAGE ASSY-SINK CABINET LAV MS16 AND MS18 LAV A3 AND MS10 SUPPLIER CODE: VS5065 FOR NHA SEE: 25-43-51-12		RF
- 5	BS063460-002WH1		STOWAGE ASSY-SINK CABINET LAV MS15 AND MS17 LAV MS2 AND A4 LAV MS4 AND A4 LAV MS15 AND A4 LAV MS9 AND A4 SUPPLIER CODE: VS5065 FOR NHA SEE: 25-43-51-12		RF
454	BS061470-012WH1		.PANEL ASSY-ACCESS, LAV A3 AND MS1 A3 AND MS3 A3 AND MS10 MS16 AND MS18 A4 AND MS13 MS28 AND MS30 MS14 AND A3 MS21 AND A3 SUPPLIER CODE: VS5065		1
- 462	BS061470-011WH1		.PANEL ASSY-ACCESS, LAV A4 AND MS15 A4 AND MS2 A4 AND MS4 A4 AND MS9 MS15 AND MS17 MS27 AND MS29 FS3 AND A6 SUPPLIER CODE: VS5065		1
464	BS060038-9		..SEAL-P LAV A3, A4, MS9 AND MS10 M5, M6, A5 AND A6 SUPPLIER CODE: VS5065		1

ILLUSTRATION ITEMS NOT ON PARTS LIST ARE NOT APPLICABLE

- ITEM NOT ILLUSTRATED

HXL

25-43-60-12

BOEING PROPRIETARY - Copyright © - Unpublished Work - See title page for details.

25-43-60  
FIG. 12  
PAGE 1  
DEC 22/07

**BOEING**  
767  
**PARTS CATALOG (MAINTENANCE)**

FIG ITEM	PART NUMBER	1 2 3 4 5 6 7	NOMENCLATURE	EFFECT FROM TO	UNITS PER ASSY
12 470	BS060038-10		..SEAL-P LAV MS9, MS10, A3 AND A4 A3, A4, MS1 AND MS2 MS3, MS4, A3 AND A4 SUPPLIER CODE: VS5065		1
- 474	BS060039-5		..SEAL-P SUPPLIER CODE: VS5065		1
- 478	AJ3-25		..STUD- SUPPLIER CODE: V72794		4
484	BS061471-011WH1		.PANEL ASSY-HEATER ACCESS, LAV A3 AND MS10 LAV MS14 AND A3 LAV MS1 AND A3 LAV MS16 AND MS18 LAV MS28 AND MS30 LAV MS3 AND A3 LAV A3 AND A4 LAV FS3 AND MS21 SUPPLIER CODE: VS5065 CONFIG CHG DATA FROM A CMM: SUPSDS BS061471-001WH1		1
486	BS061471-012WH1		.PANEL ASSY-HEATER ACCESS, LAV MS2 AND A4 LAV MS9 AND A4 LAV MS15 AND MS17 LAV MS27 AND MS29 SUPPLIER CODE: VS5065		1
490	MS35206-243		ATTACHING PARTS .SCREW		2
498	BS061469-002WH1		-----*----- .PANEL ASSY-HEATER, LAV A3 AND MS1 A3 AND MS3 A3 AND MS10 MS16 AND MS18 A3 AND MS14 MS28 AND MS30 MS21 AND A3 SUPPLIER CODE: VS5065 POSITION DATA: TOP		1

ILLUSTRATION ITEMS NOT ON PARTS LIST ARE NOT APPLICABLE

- ITEM NOT ILLUSTRATED

HXL

25-43-60-12

BOEING PROPRIETARY - Copyright © - Unpublished Work - See title page for details.

25-43-60  
FIG. 12  
PAGE 2  
DEC 22/07

**BOEING**  
767  
**PARTS CATALOG (MAINTENANCE)**

FIG ITEM	PART NUMBER	1 2 3 4 5 6 7	NOMENCLATURE	EFFECT FROM TO	UNITS PER ASSY
12 - 502	BS061469-001WH1		.PANEL ASSY-HEATER, LAV A4 AND A7 A4 AND MS15 A4 AND MS2 A4 AND MS4 A4 AND MS9 A6 AND FS3 MS15 AND MS17 MS27 AND MS29 SUPPLIER CODE: VS5065 POSITION DATA: TOP ATTACHING PARTS .SCREW		1
508	MS35206-243		.SCREW -----*-----		4
520	BS062468-3		..CATCH- SUPPLIER CODE: VS5065		1
522	BS062468-3		..CATCH- SUPPLIER CODE: VS5065 ATTACHING PARTS		1
524	MS35206-243		..SCREW -----*-----		2
544	BS060095-21		.FRAME ASSY-LAV A3 AND MS1 A3 AND MS3 A3 AND MS10 MS16 AND MS18 A3 AND MS14 MS28 AND MS30 MS3 AND A1 SUPPLIER CODE: VS5065		1
- 548	BS060095-22		.FRAME ASSY-GRAPHIC STRIP L A4 AND FS2 A4 AND MS15 A4 AND MS2 A4 AND MS22 A4 AND MS4 A4 AND MS9 A6 AND FS3 MS15 AND MS17 MS27 AND MS29 SUPPLIER CODE: VS5065		1

ILLUSTRATION ITEMS NOT ON PARTS LIST ARE NOT APPLICABLE

- ITEM NOT ILLUSTRATED

HXL

25-43-60-12

BOEING PROPRIETARY - Copyright © - Unpublished Work - See title page for details.

25-43-60  
FIG. 12  
PAGE 3  
DEC 22/07



767

PARTS CATALOG (MAINTENANCE)

FIG ITEM	PART NUMBER	1 2 3 4 5 6 7	NOMENCLATURE	EFFECT FROM TO	UNITS PER ASSY
12 554	BS063461-003WH1		.PLATE-LAV A3 AND MS1 A3 AND MS3 A3 AND MS10 MS16 AND MS18 A3 AND MS14 MS28 AND MS30 MS21 AND A3 SUPPLIER CODE: VS5065 POSITION DATA: BOTTOM		1
- 558	BS063461-004WH1		.PLATE-LAV A4 AND MS15 A4 AND MS2 A4 AND MS4 A4 AND MS9 A6 AND FS3 MS15 AND MS17 MS27 AND MS29 SUPPLIER CODE: VS5065 POSITION DATA: BOTTOM		1
560	MS35206-243		ATTACHING PARTS .SCREW		3
562	BS063453-001WH1		-----*----- .BRACKET-MISC. LAV A3 AND MS1 A4 AND MS4 A3 AND MS10 A3 AND MS14 A3 AND MS3 MS16 AND MS18 MS28 AND MS30 MS21 AND A3 SUPPLIER CODE: VS5065		1
- 566	BS063453-002WH1		.BRACKET-MISC LAV A4 AND MS15 A4 AND MS2 A4 AND MS4 A4 AND MS9 A6 AND FS3 MS15 AND MS17 MS27 AND MS29 SUPPLIER CODE: VS5065		1

ILLUSTRATION ITEMS NOT ON PARTS LIST ARE NOT APPLICABLE

- ITEM NOT ILLUSTRATED

25-43-60-12

25-43-60  
FIG. 12  
PAGE 4  
DEC 22/07

HXL



767

PARTS CATALOG (MAINTENANCE)

FIG ITEM	PART NUMBER	1 2 3 4 5 6 7	NOMENCLATURE	EFFECT FROM TO	UNITS PER ASSY
12			ATTACHING PARTS		
570	MS24693S49	.	SCREW		1
572	MS35206-243	.	SCREW		4
574	MS21040-08	.	NUT		4
			-----*-----		
576	BS060456-001WH1	.	ANGLE-LAV A3 AND MS1 A3 AND MS3 A3 AND MS10 MS16 AND MS17 A3 AND MS14 A4 AND MS15 MS28 AND MS30 A4 AND MS4 MS21 AND A3 SUPPLIER CODE: VS5065		1
- 580	BS060456-002WH1	.	ANGLE-LAV A4 AND MS2 A4 AND MS4 A4 AND MS9 A4 AND MS15 A6 AND FS3 MS15 AND MS17 MS27 AND MS29 SUPPLIER CODE: VS5065		1
584	BS062462-022WH1	.	PARTITION-LAV A3 AND MS10 MS16 AND MS18 MS28 AND MS30 SUPPLIER CODE: VS5065		1
586	BS062462-021WH1	.	PARTITION-LAV MS15 AND MS17 MS27 AND MS29 SUPPLIER CODE: VS5065		1
594	MS24693S49	.	SCREW		1
598	MS35206-243	.	SCREW		1
			-----*-----		
602	BS060452-001WH1	.	ROLLER ASSY-AMENITY SUPPLIER CODE: VS5065		1
604	BS060452-011WH1	.	ROLLER ASSY-AMENITY SUPPLIER CODE: VS5065		1

ILLUSTRATION ITEMS NOT ON PARTS LIST ARE NOT APPLICABLE

- ITEM NOT ILLUSTRATED

25-43-60-12

25-43-60  
FIG. 12  
PAGE 5  
DEC 22/07

HXL

**BOEING**  
767  
**PARTS CATALOG (MAINTENANCE)**

FIG ITEM	PART NUMBER	1 2 3 4 5 6 7	NOMENCLATURE	EFFECT FROM TO	UNITS PER ASSY
12			ATTACHING PARTS		
606	MS35206-244	.	SCREW		8
- 614	AN960-8	.	WASHER		8
- 616	MS21040-08	.	NUT-		8
			CONFIG CHG DATA FROM A CMM: SUPSD BY MS21042-08		
			-----*-----		
620	BS061496-1	.	LATCH-		1
			SUPPLIER CODE: VS5065		
			ATTACHING PARTS		
624	MS35206-243	.	SCREW		3
- 628	MS21040-08	.	NUT-		3
			CONFIG CHG DATA FROM A CMM: SUPSD BY MS21042-08		
			-----*-----		
638	BS062461-012WH1	.	PARTITION-LAV		1
			A3 AND MS3		
			A3 AND MS10		
			MS16 AND MS18		
			A3 AND MS14		
			A3 AND MS1		
			MS28 AND MS30		
			MS21 AND A3		
			SUPPLIER CODE: VS5065		
			SB DATA FROM A CMM: POST B0060-25-440 FOR S/N 007010		
- 642	BS062461-011WH1	.	PARTITION-HINGE LAV		1
			A4 AND MS15		
			A4 AND MS2		
			A4 AND MS4		
			A4 AND MS9		
			MS15 AND MS17		
			MS27 AND MS29		
			SUPPLIER CODE: VS5065		
			ATTACHING PARTS		
644	MS35206-244	.	SCREW		2
646	MS35206-244	.	SCREW		2
			-----*-----		

ILLUSTRATION ITEMS NOT ON PARTS LIST ARE NOT APPLICABLE

- ITEM NOT ILLUSTRATED

HXL

# 25-43-60-12

BOEING PROPRIETARY - Copyright © - Unpublished Work - See title page for details.

25-43-60  
FIG. 12  
PAGE 6  
DEC 22/07





767

PARTS CATALOG (MAINTENANCE)

FIG ITEM	PART NUMBER	1 2 3 4 5 6 7	NOMENCLATURE	EFFECT FROM TO	UNITS PER ASSY
12 648	BS062464-002WH1		.ENCLOSURE-WASTE LAV A3 AND MS1 A3 AND MS3 A3 AND MS10 MS16 AND MS18 A3 AND MS14 MS28 AND MS30 MS21 AND A3 SUPPLIER CODE: VS5065		1
- 652	BS062464-001WH1		.ENCLOSURE-WASTE LAV A4 AND MS15 A4 AND MS2 A4 AND MS4 A4 AND MS9 MS15 AND MS17 MS27 AND MS29 SUPPLIER CODE: VS5065 ATTACHING PARTS		1
- 654	MS35206-244		.SCREW		4
- 660	MS21040-08		.NUT- CONFIG CHG DATA FROM A CMM: SUPSD BY MS21042-08 -----*-----		4
664	BS060038-3		.SEAL-P SUPPLIER CODE: VS5065		2
666	BS060038-3		.SEAL-P SUPPLIER CODE: VS5065		1
668	BS060038-5		.SEAL-P SUPPLIER CODE: VS5065		1
676	BS060454-007WH1		.PLATE-BACKUP SUPPLIER CODE: VS5065		1
688	BS060463-3		.SHIM- SUPPLIER CODE: VS5065 ATTACHING PARTS		1
- 690	MS24693S49		.SCREW		4
- 692	22K2-82		.NUT- SUPPLIER CODE: V72962 -----*-----		4

ILLUSTRATION ITEMS NOT ON PARTS LIST ARE NOT APPLICABLE

- ITEM NOT ILLUSTRATED

25-43-60-12

25-43-60  
FIG. 12  
PAGE 7  
DEC 22/07

HXL

 **BOEING**  
767  
**PARTS CATALOG (MAINTENANCE)**

FIG ITEM	PART NUMBER	1 2 3 4 5 6 7	NOMENCLATURE	EFFECT FROM TO	UNITS PER ASSY
12 698	BS062472-003WH1		.PLATE-LAV A4 AND MS2 A4 AND MS4 A4 AND MS9 MS15 AND MS18 A4 AND A7 FS3 AND A6 MS27 AND MS29 SUPPLIER CODE: VS5065 POSITION DATA: BOTTOM		1
700	BS062472-004WH1		.PLATE-LAV A3 AND MS1 A3 AND MS3 A3 AND MS10 MS16 AND MS18 MS28 AND MS30 SUPPLIER CODE: VS5065 POSITION DATA: BOTTOM		1
- 704	MS24693S49		ATTACHING PARTS .SCREW -----*-----		6
710	BS061473-006WH1		.PLATE-LAV A3 AND MS1 A3 AND MS3 A3 AND MS10 MS16 AND MS18 A3 AND MS14 MS28 AND MS30 AC3 AND A5 MS21 AND A3 SUPPLIER CODE: VS5065 POSITION DATA: BOTTOM		1

ILLUSTRATION ITEMS NOT ON PARTS LIST ARE NOT APPLICABLE

- ITEM NOT ILLUSTRATED

HXL

25-43-60-12

BOEING PROPRIETARY - Copyright © - Unpublished Work - See title page for details.

25-43-60  
FIG. 12  
PAGE 8  
AUG 22/08



767

PARTS CATALOG (MAINTENANCE)

FIG ITEM	PART NUMBER	1 2 3 4 5 6 7	NOMENCLATURE	EFFECT FROM TO	UNITS PER ASSY
12 - 716	BS061473-005WH1		.PLATE-LAV A4 AND A7 A4 AND MS15 A4 AND MS2 A4 AND MS4 A4 AND MS9 MS15 AND MS17 MS27 AND MS29 FS3 AND A6 SUPPLIER CODE: VS5065 POSITION DATA: BOTTOM ATTACHING PARTS .SCREW		1
718	MS24693S49		.SCREW -----*-----		3
722	BS061478-002WH1		.BRACKET-LAV A3 AND MS1 A3 AND MS3 A3 AND MS10 MS16 AND MS18 A3 AND MS14 M15 AND M16 MS28 AND MS30 MS21 AND A3 SUPPLIER CODE: VS5065		1
- 726	BS061478-001WH1		.BRACKET-LAV A4 AND A7 A4 AND MS15 A4 AND MS2 A4 AND MS4 A4 AND MS9 A6 AND FS3 MS15 AND MS17 MS27 AND MS29 SUPPLIER CODE: VS5065		1
728	MS24693S49		ATTACHING PARTS .SCREW -----*-----		3
732	BS060453-1		.STRIKER- SUPPLIER CODE: VS5065		1
736	MS35206-243		ATTACHING PARTS .SCREW -----*-----		2

ILLUSTRATION ITEMS NOT ON PARTS LIST ARE NOT APPLICABLE

- ITEM NOT ILLUSTRATED

25-43-60-12

25-43-60  
FIG. 12  
PAGE 9  
AUG 22/08

HXL



767

PARTS CATALOG (MAINTENANCE)

FIG ITEM	PART NUMBER	1 2 3 4 5 6 7	NOMENCLATURE	EFFECT FROM TO	UNITS PER ASSY
12 740	BS060059-004WH1		.FRAME-LAV A3 AND MS1 A3 AND MS3 A3 AND MS10 MS16 AND MS18 A3 AND MS14 MS28 AND MS30 MS21 AND A3 SUPPLIER CODE: VS5065		1
- 748	BS060059-003WH1		.FRAME-SINK CABINET LAV A4 AND FS3 A4 AND MS15 A4 AND MS2 A4 AND MS4 A4 AND MS9 A6 AND FS3 MS15 AND MS17 MS27 AND MS29 SUPPLIER CODE: VS5065 ATTACHING PARTS		1
750	MS35206-243		.SCREW		1
754	MS24693S49		.SCREW		1
760	MS21040-08		.NUT- CONFIG CHG DATA FROM A CMM: SUPSD BY MS21042-08 -----*-----		1
764	BS060096-021WH1		.BEAM-BOX LAV A3 AND MS1 A3 AND MS3 A3 AND MS10 MS16 AND MS18 A3 AND MS14 MS28 AND MS30 FS3 AND MS21 SUPPLIER CODE: VS5065		1
- 768	BS060096-022WH1		.BEAM-BOX LAV A4 AND MS15 A4 AND MS2 A4 AND MS4 A4 AND MS9 A6 AND FS3 MS15 AND MS17 MS27 AND MS29 SUPPLIER CODE: VS5065		1

ILLUSTRATION ITEMS NOT ON PARTS LIST ARE NOT APPLICABLE

- ITEM NOT ILLUSTRATED

25-43-60-12

25-43-60  
FIG. 12  
PAGE 10  
AUG 22/08

HXL



767

PARTS CATALOG (MAINTENANCE)

FIG ITEM	PART NUMBER	1 2 3 4 5 6 7	NOMENCLATURE	EFFECT FROM TO	UNITS PER ASSY
12 774	BS061365-3		.PIVOT- SUPPLIER CODE: VS5065 ATTACHING PARTS		2
- 778	MS24693S49		.SCREW		2
790	BS060038-3		.SEAL-P SUPPLIER CODE: VS5065 ATTACHING PARTS		1
792	MS24693S49		.SCREW		4
794	22K2-82		.NUT- SUPPLIER CODE: V72962 -----*-----		4

ILLUSTRATION ITEMS NOT ON PARTS LIST ARE NOT APPLICABLE

- ITEM NOT ILLUSTRATED

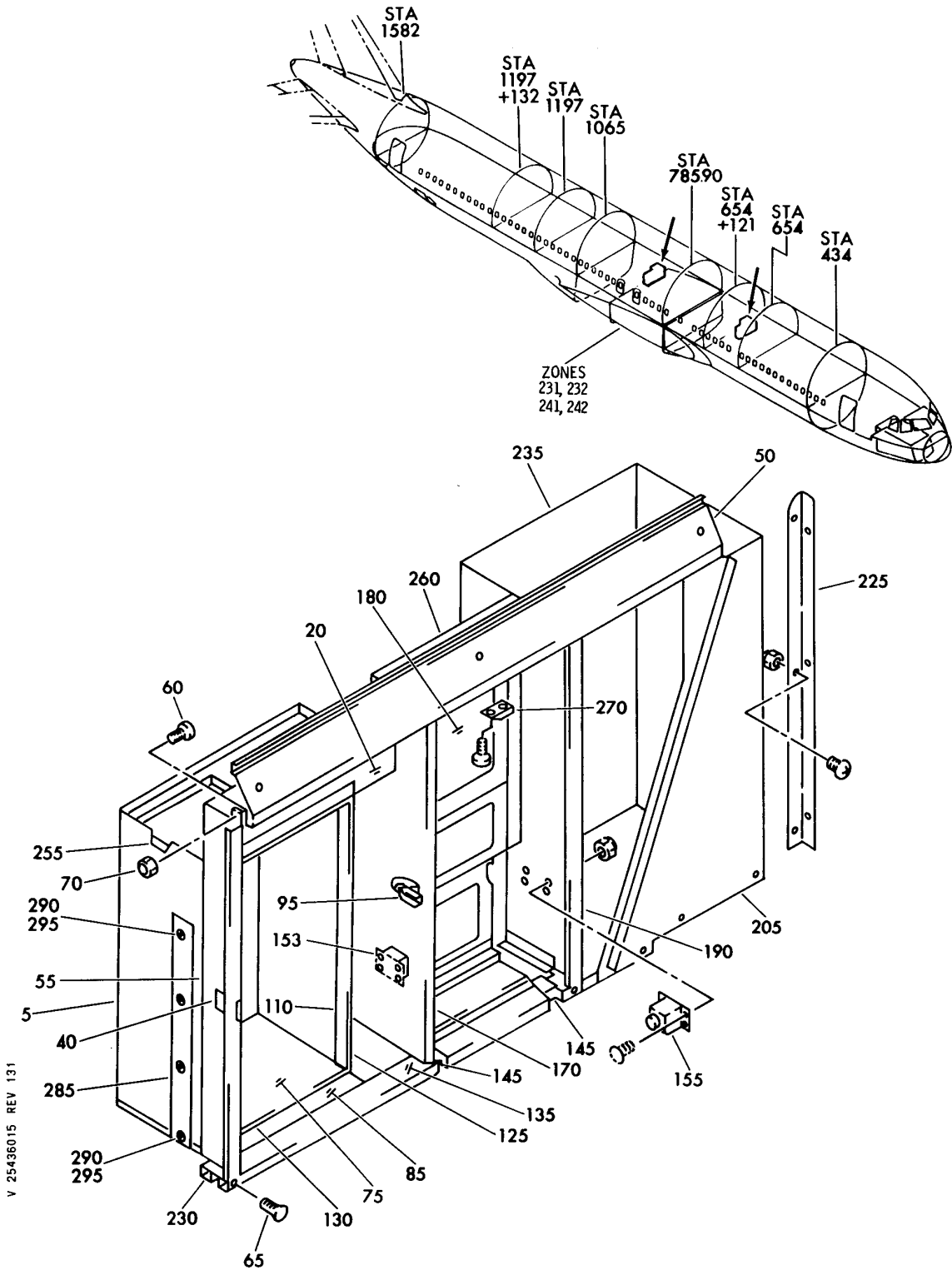
HXL

25-43-60-12

BOEING PROPRIETARY - Copyright © - Unpublished Work - See title page for details.

25-43-60  
FIG. 12  
PAGE 11  
AUG 22/08

**BOEING**  
767  
PARTS CATALOG (MAINTENANCE)



V 25436015 REV 131

STOWAGE ASSY-SINK CABINET  
FIGURE 15

**25-43-60-15**

HXL  
DEC 22/06

25-43-60-15  
PAGE 0



767

PARTS CATALOG (MAINTENANCE)

FIG ITEM	PART NUMBER	1 2 3 4 5 6 7	NOMENCLATURE	EFFECT FROM TO	UNITS PER ASSY
15					
- 1	BS066460-031WH1		STOWAGE ASSY-SINK CABINET STOWAGE ASSY-SINK CABINET LAV M32 LAV M33 SUPPLIER CODE: VS5065 FOR NHA SEE: 25-43-51-43		RF
- 1	BS066460-021WH1		STOWAGE ASSY-SINK CABINET LAV M31 SUPPLIER CODE: VS5065 FOR NHA SEE: 25-43-51-43		RF
5	BS062464-001WH1		.ENCLOSURE-WASTE SUPPLIER CODE: VS5065 ATTACHING PARTS		1
- 10	MS35206-244		.SCREW		4
- 15	MS21040-08		.NUT		4
20	BS061470-011WH1		-----*----- .PANEL ASSY-ACCESS SUPPLIER CODE: VS5065		1
- 23	AJ3-25		..STUD-QUICK SUPPLIER CODE: V72794		4
- 25	BS060038-9		..SEAL-P SUPPLIER CODE: VS5065		1
- 30	BS060038-10		..SEAL-P SUPPLIER CODE: VS5065		1
- 35	BS060039-5		..SEAL-P SUPPLIER CODE: VS5065		1
40	BS060453-1		.STRIKER-SINK SUPPLIER CODE: VS5065 ATTACHING PARTS		1
- 45	MS35206-243		.SCREW -----*-----		2
50	BS060095-51		.FRAME-GRAPHIC STRIP LAV M31 SUPPLIER CODE: VS5065		1

ILLUSTRATION ITEMS NOT ON PARTS LIST ARE NOT APPLICABLE

- ITEM NOT ILLUSTRATED

25-43-60-15

25-43-60  
FIG. 15  
PAGE 1  
DEC 22/07

HXL

 **BOEING**  
767  
**PARTS CATALOG (MAINTENANCE)**

FIG ITEM	PART NUMBER	1 2 3 4 5 6 7	NOMENCLATURE	EFFECT FROM TO	UNITS PER ASSY
15					
50	BS060095-61		.FRAME-GRAPHIC STRIP LAV M32 M33 SUPPLIER CODE: VS5065		1
55	BS060059-003WH1		.FRAME-SINK CABINET SUPPLIER CODE: VS5065 ATTACHING PARTS		1
60	MS35206-243		.SCREW		1
65	MS24693S49		.SCREW		1
70	MS21040-08		.NUT		1
			-----*-----		
75	BS062472-003WH1		.PLATE-BOTTOM SUPPLIER CODE: VS5065 ATTACHING PARTS		1
- 80	MS24693S49		.SCREW		6
			-----*-----		
85	BS061478-001WH1		.BRACKET- SUPPLIER CODE: VS5065 ATTACHING PARTS		1
- 90	MS24693S49		.SCREW		3
			-----*-----		
95	BS061496-1		.LATCH- SUPPLIER CODE: VS5065 ATTACHING PARTS		1
- 100	MS35206-243		.SCREW		3
- 105	MS21040-08		.NUT		3
			-----*-----		
110	BS060454-007WH1		.PLATE-BACK-UP SUPPLIER CODE: VS5065 ATTACHING PARTS		1
- 115	MS24693S49		.SCREW		4
- 120	MS21040-08		.NUT		4
			-----*-----		
125	BS060038-3		.SEAL-P SUPPLIER CODE: VS5065		1
130	BS060038-5		.SEAL-P SUPPLIER CODE: VS5065		1
135	BS061473-005WH1		.PLATE-BOTTOM SUPPLIER CODE: VS5065		1

ILLUSTRATION ITEMS NOT ON PARTS LIST ARE NOT APPLICABLE

- ITEM NOT ILLUSTRATED

HXL

25-43-60-15

BOEING PROPRIETARY - Copyright © - Unpublished Work - See title page for details.

25-43-60  
FIG. 15  
PAGE 2  
DEC 22/07



 **BOEING**  
767  
**PARTS CATALOG (MAINTENANCE)**

FIG ITEM	PART NUMBER	1 2 3 4 5 6 7	NOMENCLATURE	EFFECT FROM TO	UNITS PER ASSY
15			ATTACHING PARTS		
- 140	MS24693S49		.SCREW		3
			-----*-----		
145	BS061365-3		.PIVOT-AMENITY		2
			SUPPLIER CODE: VS5065		
- 150	MS24693S49		ATTACHING PARTS .SCREW		2
			-----*-----		
153	BS060452-001WH1		.ROLLER ASSY-AMENITY		1
			SUPPLIER CODE: VS5065		
155	BS060452-011WH1		.ROLLER ASSY-AMENITY		1
			SUPPLIER CODE: VS5065		
- 160	MS35206-244		ATTACHING PARTS .SCREW-		4
- 165	MS21040-08		.NUT		4
			-----*-----		
170	BS062461-011WH1		.PARTITION-HINGE LAV		1
			M32 M33 SUPPLIER CODE: VS5065		
170	BS062461-011WH1		.PARTITION-HINGE LAV M31		1
			SUPPLIER CODE: VS5065		
- 175	MS35206-244		ATTACHING PARTS .SCREW		2
			-----*-----		
180	BS061471-011WH1		.PANEL ASSY-HEATER ACCESS		1
			SUPPLIER CODE: VS5065		
- 185	MS35206-243		ATTACHING PARTS .SCREW		2
			-----*-----		
190	BS063462-021WH1		.PARTITION-WATER HEATER		1
			LAV M31 SUPPLIER CODE: VS5065		
190	BS063462-021WH1		.PARTITION-WATER HEATER		1
			LAV M32 LAV M33 SUPPLIER CODE: VS5065		
- 195	MS24693S49		ATTACHING PARTS .SCREW		1
- 200	MS35206-243		.SCREW		1
			-----*-----		

ILLUSTRATION ITEMS NOT ON PARTS LIST ARE NOT APPLICABLE

- ITEM NOT ILLUSTRATED

HXL

# 25-43-60-15

BOEING PROPRIETARY - Copyright © - Unpublished Work - See title page for details.

25-43-60  
FIG. 15  
PAGE 3  
DEC 22/07

 **BOEING**  
767  
**PARTS CATALOG (MAINTENANCE)**

FIG ITEM	PART NUMBER	1 2 3 4 5 6 7	NOMENCLATURE	EFFECT FROM TO	UNITS PER ASSY
15					
205	BS066462-021WH1	.	BRACKET-MISC LAV M31 SUPPLIER CODE: VS5065		1
205	BS066462-031WH1	.	BRACKET-MISC LAV M32 M33 SUPPLIER CODE: VS5065 ATTACHING PARTS		1
- 210	MS35206-243	.	SCREW		7
- 215	MS24693S49	.	SCREW		1
- 220	MS21040-08	.	NUT		5
			-----*-----		
225	BS060456-5	.	ANGLE- SUPPLIER CODE: VS5065		1
230	BS060096-031WH1	.	BEAM-BOX SUPPLIER CODE: VS5065		1
235	BS066461-5	.	PLATE-BOTTOM LAV M31 SUPPLIER CODE: VS5065		1
235	BS066461-003WH1	.	PLATE-BOTTOM LAV M32 M33 SUPPLIER CODE: VS5065 ATTACHING PARTS		1
- 240	MS35206-243	.	SCREW		3
			-----*-----		
260	BS061469-001WH1	.	PANEL ASSY-HEATER TOP SUPPLIER CODE: VS5065 ATTACHING PARTS		1
- 265	MS35206-243	.	SCREW		4
			-----*-----		
270	BS062468-3	..	CATCH-ANGLE SUPPLIER CODE: VS5065 ATTACHING PARTS		1
- 275	MS35206-243	..	SCREW		1
			-----*-----		
285	BS060038-3	.	SEAL-P SUPPLIER CODE: VS5065 ATTACHING PARTS		1
290	MS24693S49	.	SCREW		4

ILLUSTRATION ITEMS NOT ON PARTS LIST ARE NOT APPLICABLE

- ITEM NOT ILLUSTRATED

HXL

25-43-60-15

BOEING PROPRIETARY - Copyright © - Unpublished Work - See title page for details.

25-43-60  
FIG. 15  
PAGE 4  
DEC 22/07

**PARTS CATALOG (MAINTENANCE)**

FIG ITEM	PART NUMBER	1 2 3 4 5 6 7 NOMENCLATURE	EFFECT FROM TO	UNITS PER ASSY
15 295	22K2-82	.NUT- SUPPLIER CODE: V72962 -----*-----		4

ILLUSTRATION ITEMS NOT ON PARTS LIST ARE NOT APPLICABLE

- ITEM NOT ILLUSTRATED

HXL

# 25-43-60-15

BOEING PROPRIETARY - Copyright © - Unpublished Work - See title page for details.

 25-43-60  
 FIG. 15  
 PAGE 5  
 DEC 22/07