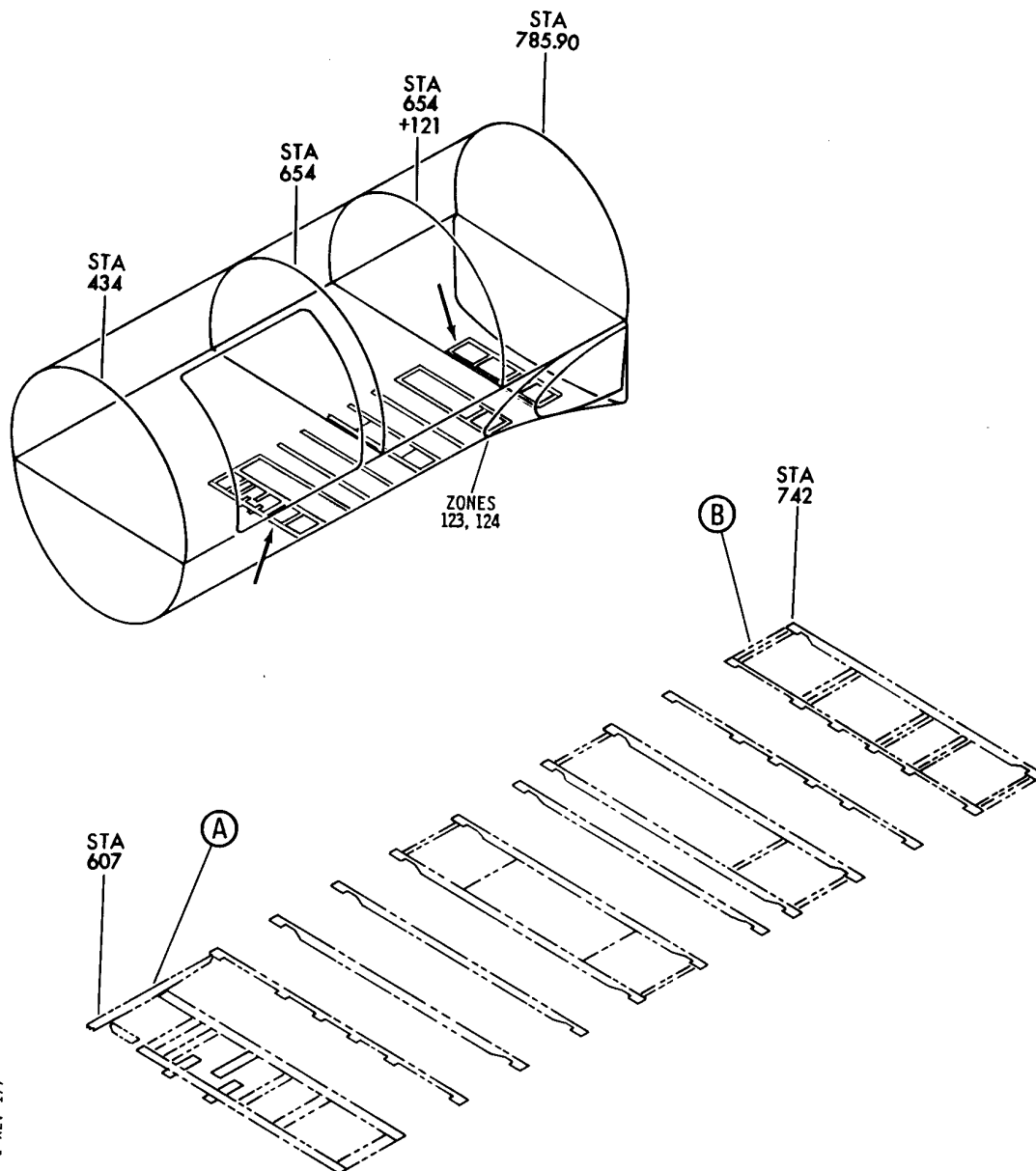


CONTAINERIZED CARGO HANDLING SYSTEM

HXL
DEC 22/06

25-53-00
SECTION TITLE
PAGE 1

BOEING
767
PARTS CATALOG (MAINTENANCE)



V 25530001 SHT 1 REV 177

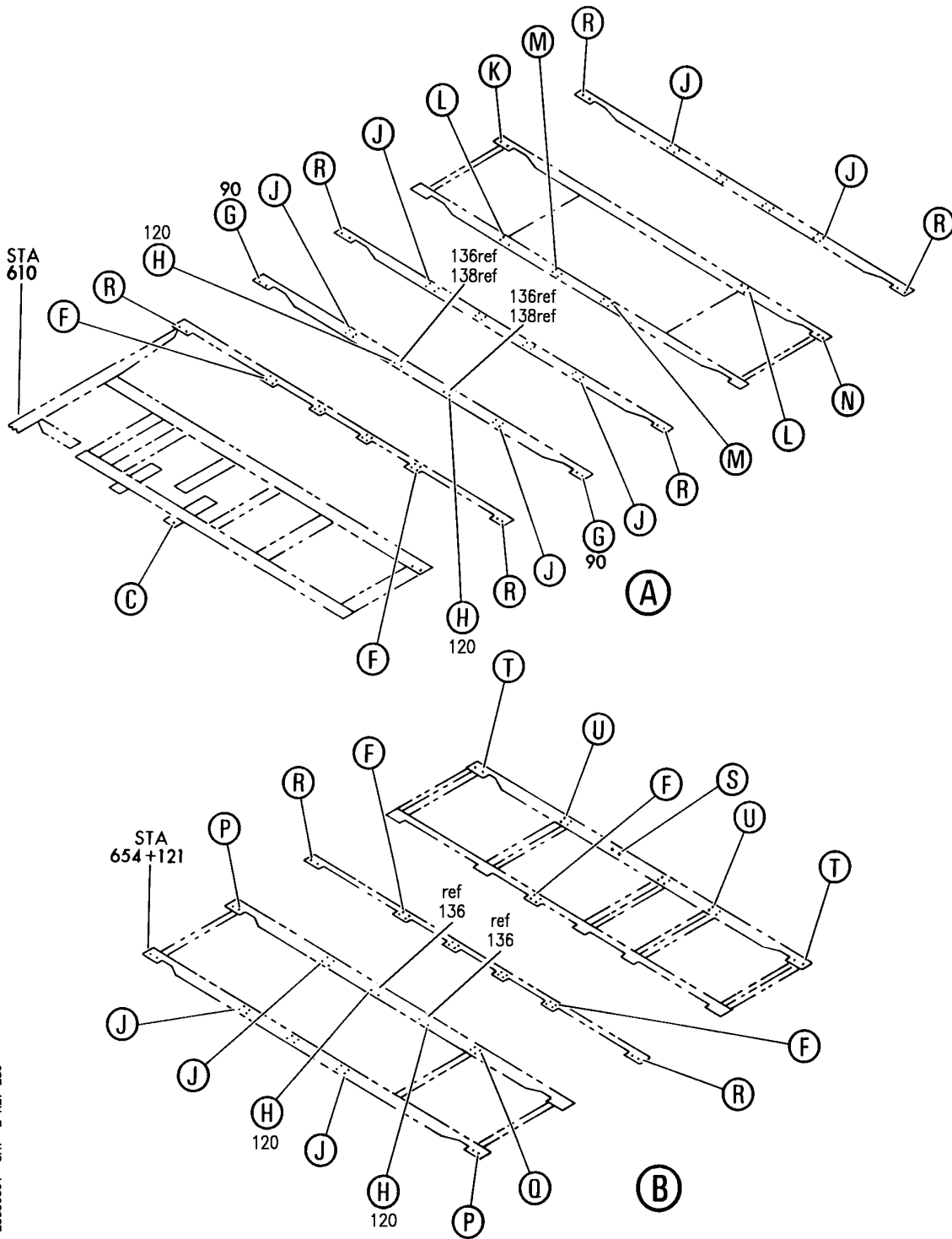
NUTPLATE INSTL-SECT. 43 FWD PALLET OPT CONVEYOR SYS AFT OD DOORWAY
FIGURE 1 (SHEET 1)

25-53-00-01

HXL
DEC 22/06

25-53-00-01
PAGE 0

BOEING
767
PARTS CATALOG (MAINTENANCE)



V 25530001 SH1 2 REV 280

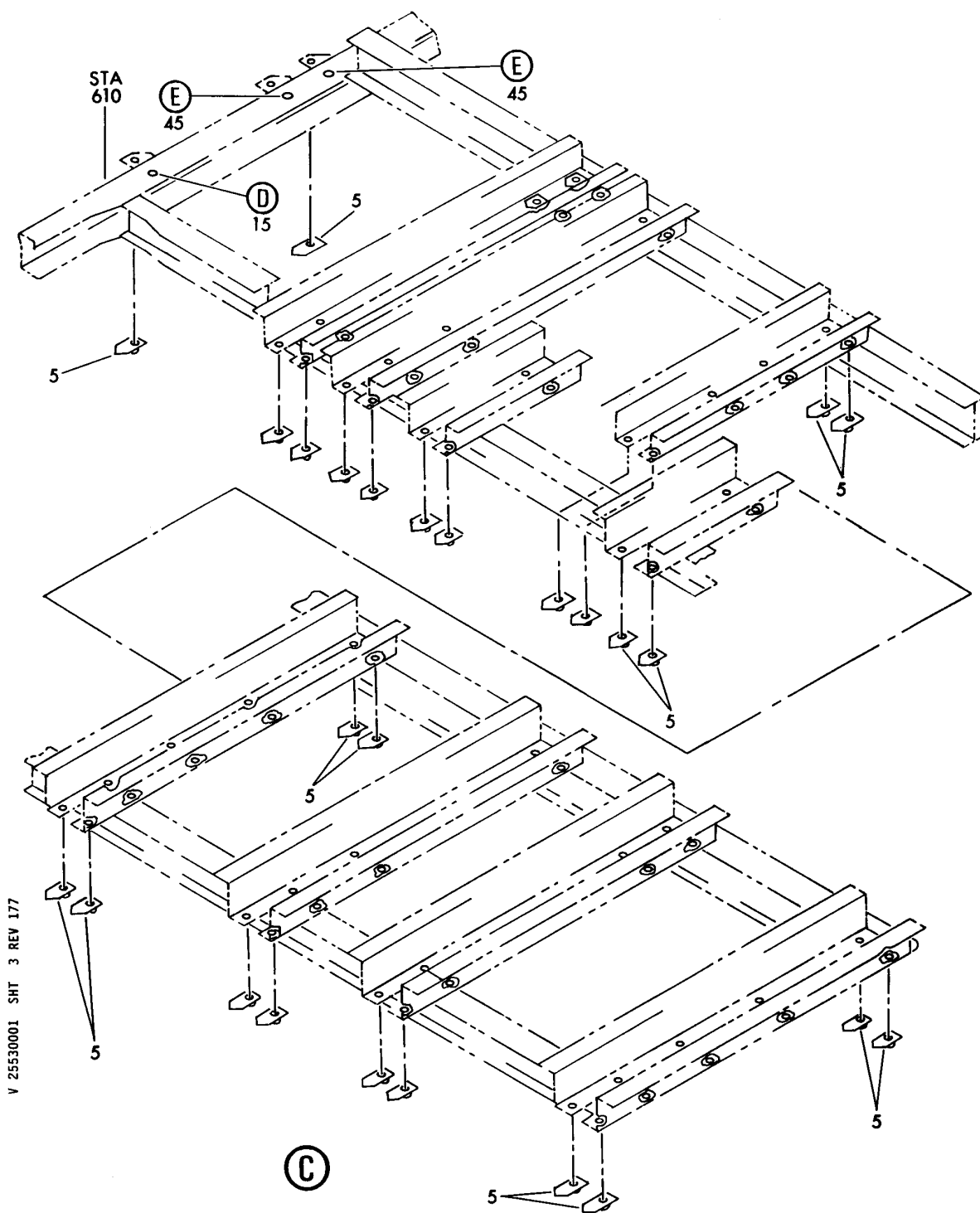
NUTPLATE INSTL-SECT. 43 FWD PALLET OPT CONVEYOR SYS AFT OD DOORWAY
FIGURE 1 (SHEET 2)

25-53-00-01

HXL
DEC 22/06

25-53-00-01
PAGE 0A

BOEING
767
PARTS CATALOG (MAINTENANCE)



V 25530001 SHT 3 REV 177

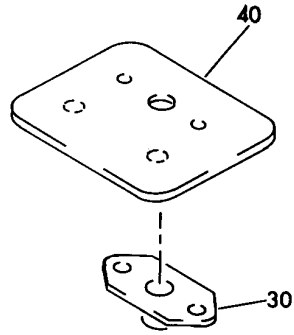
NUTPLATE INSTL-SECT. 43 FWD PALLET OPT CONVEYOR SYS AFT OD DOORWAY
FIGURE 1 (SHEET 3)

HXL
DEC 22/06

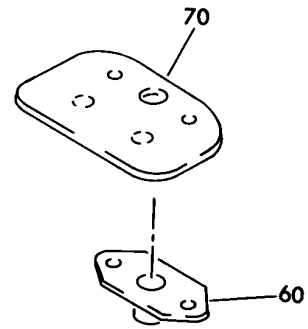
25-53-00-01

25-53-00-01
PAGE 0B

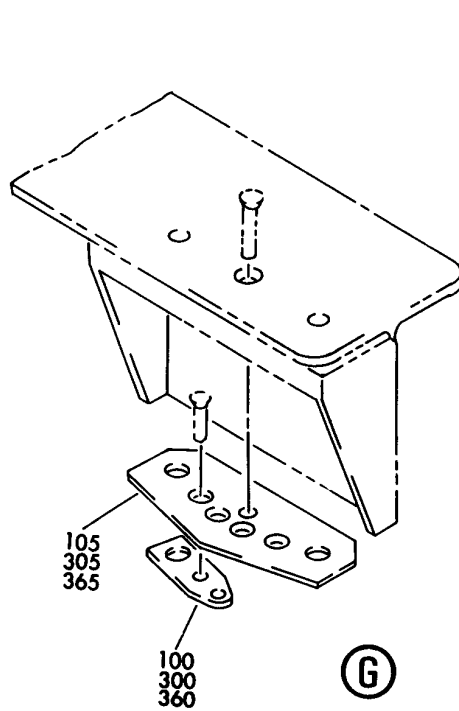
BOEING
767
PARTS CATALOG (MAINTENANCE)



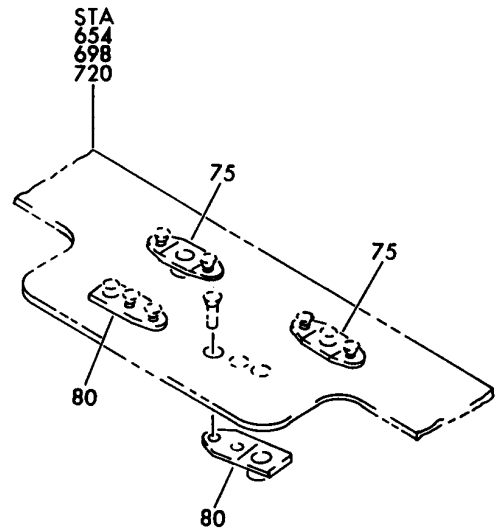
(D)



(E)



(G)



(F)

V 25530001 SHT 4 REV 177

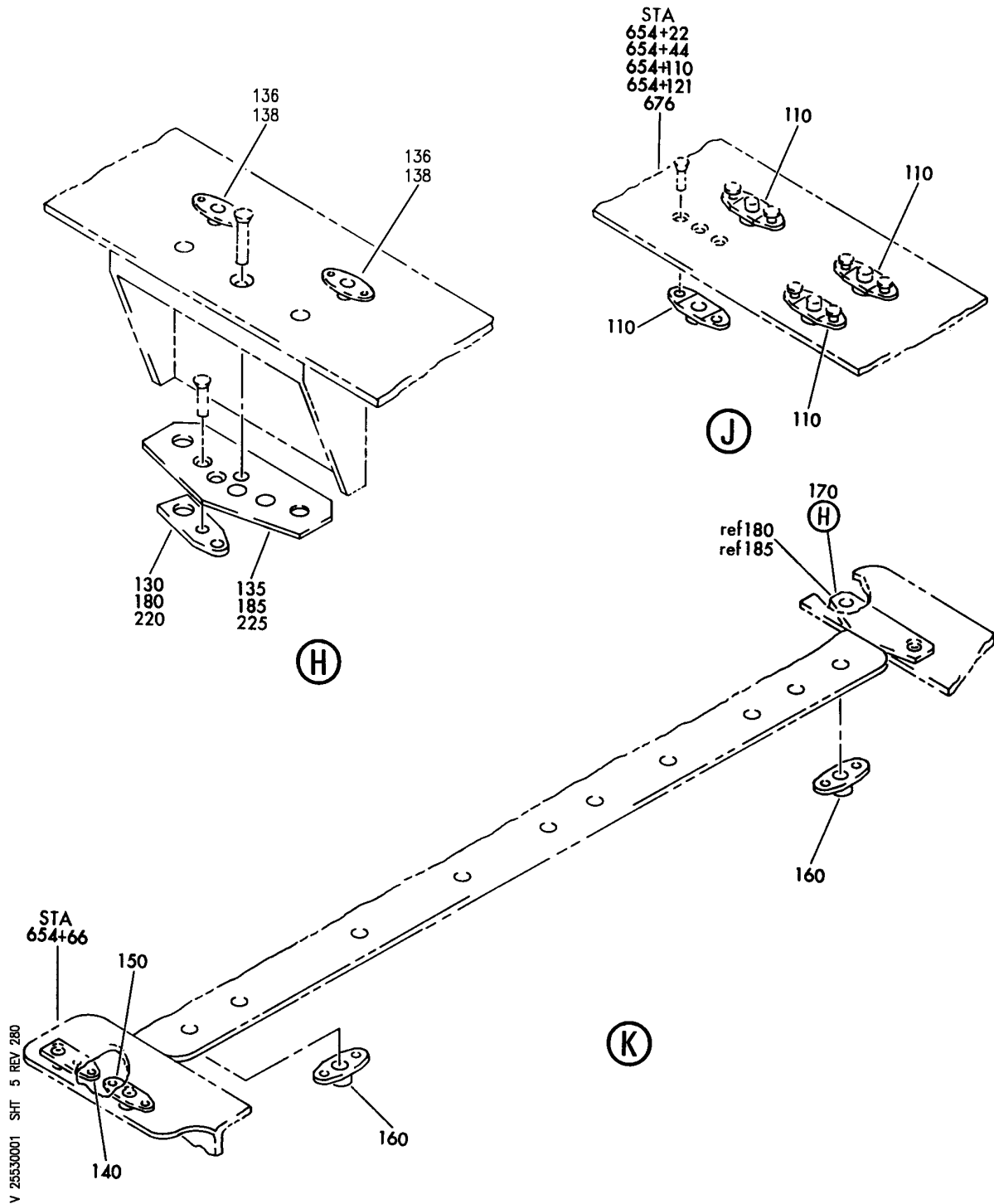
NUTPLATE INSTL-SECT. 43 FWD PALLET OPT CONVEYOR SYS AFT OD DOORWAY
FIGURE 1 (SHEET 4)

25-53-00-01

HXL
DEC 22/06

25-53-00-01
PAGE 0C


BOEING
 767
PARTS CATALOG (MAINTENANCE)

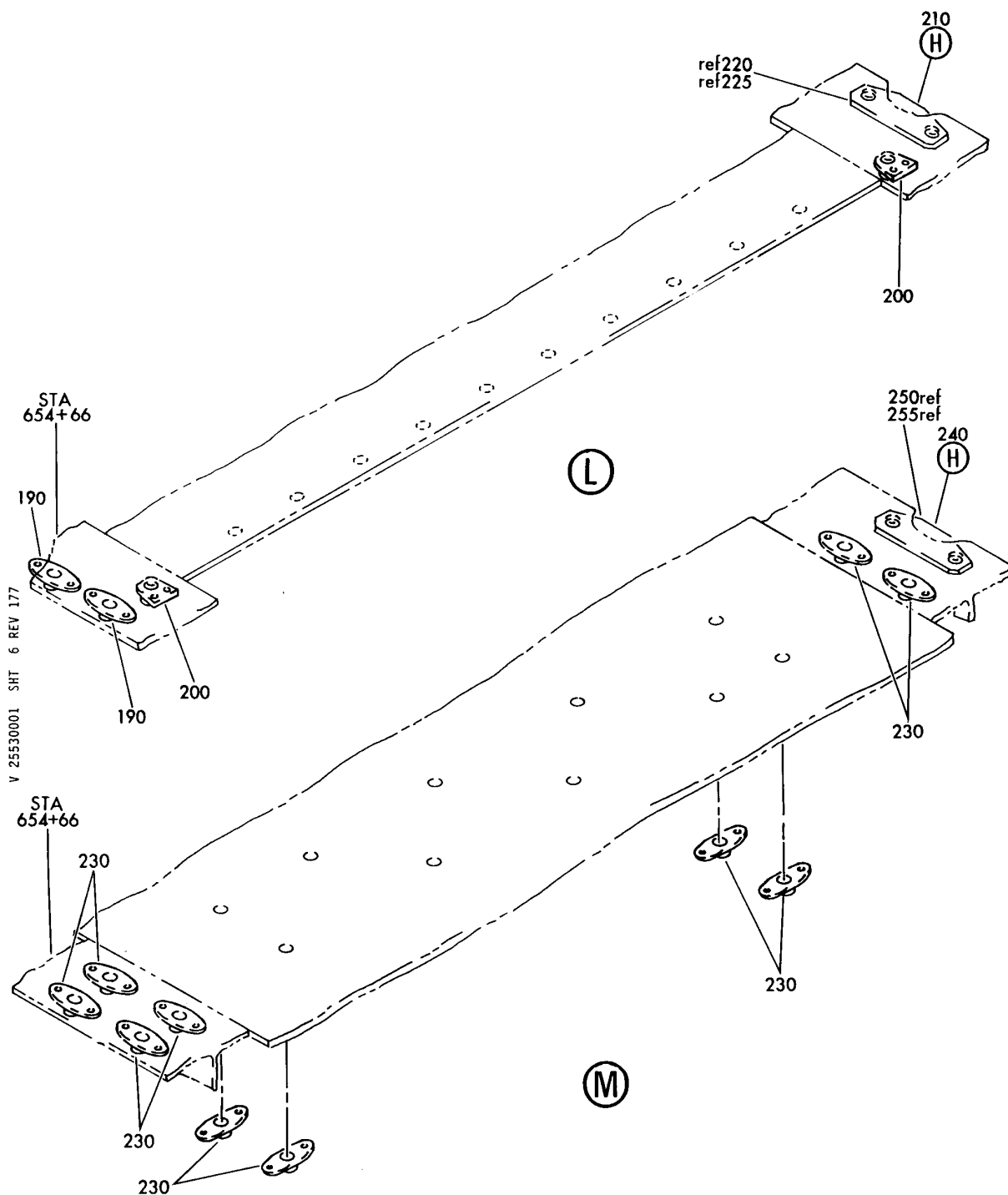


NUTPLATE INSTL-SECT. 43 FWD PALLET OPT CONVEYOR SYS AFT OD DOORWAY
 FIGURE 1 (SHEET 5)

HXL
DEC 22/06

25-53-00-01

25-53-00-01
 PAGE 0D



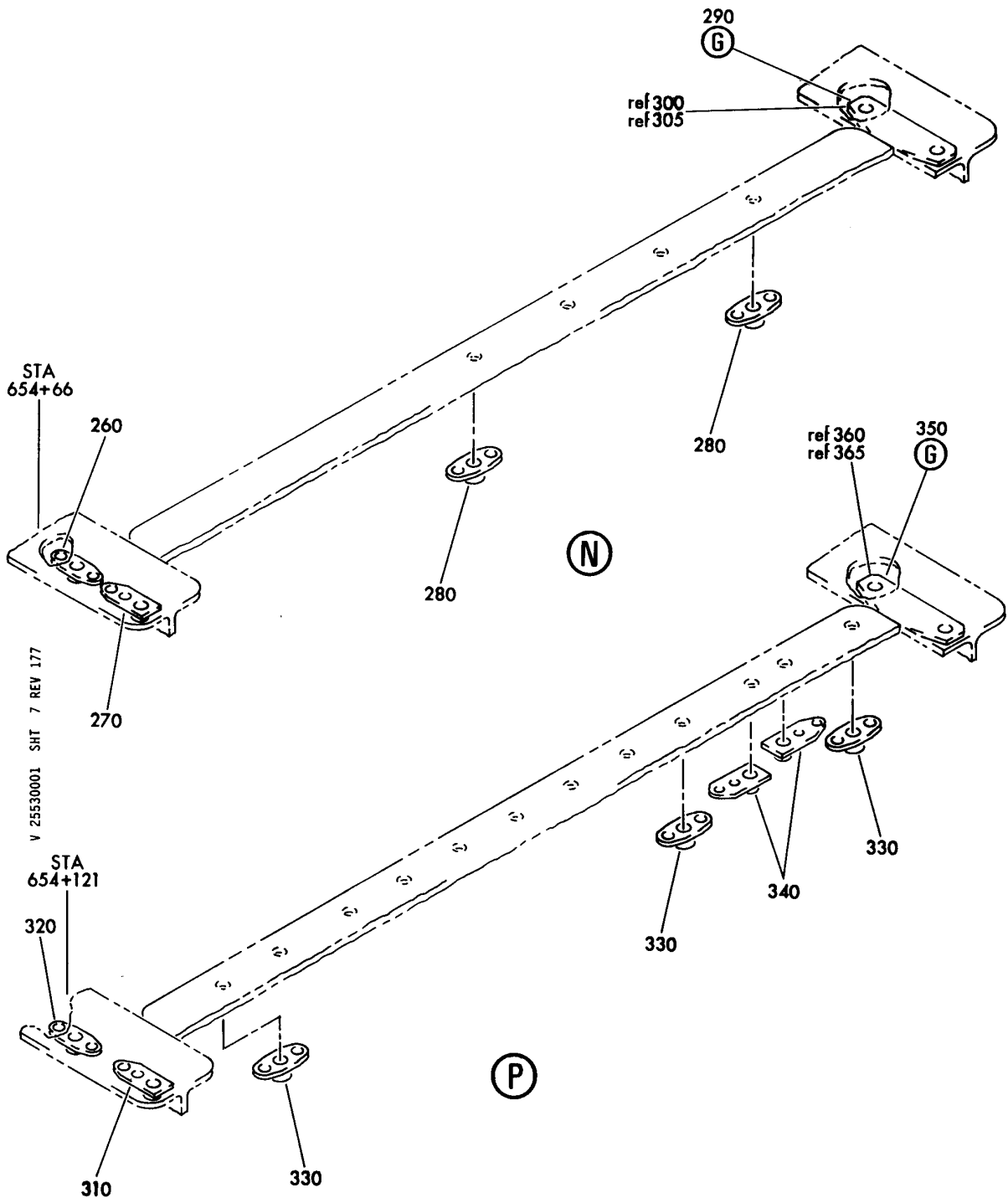
NUTPLATE INSTL-SECT. 43 FWD PALLET OPT CONVEYOR SYS AFT OD DOORWAY
FIGURE 1 (SHEET 6)

HXL
DEC 22/06

25-53-00-01

25-53-00-01
PAGE 0E

BOEING
767
PARTS CATALOG (MAINTENANCE)

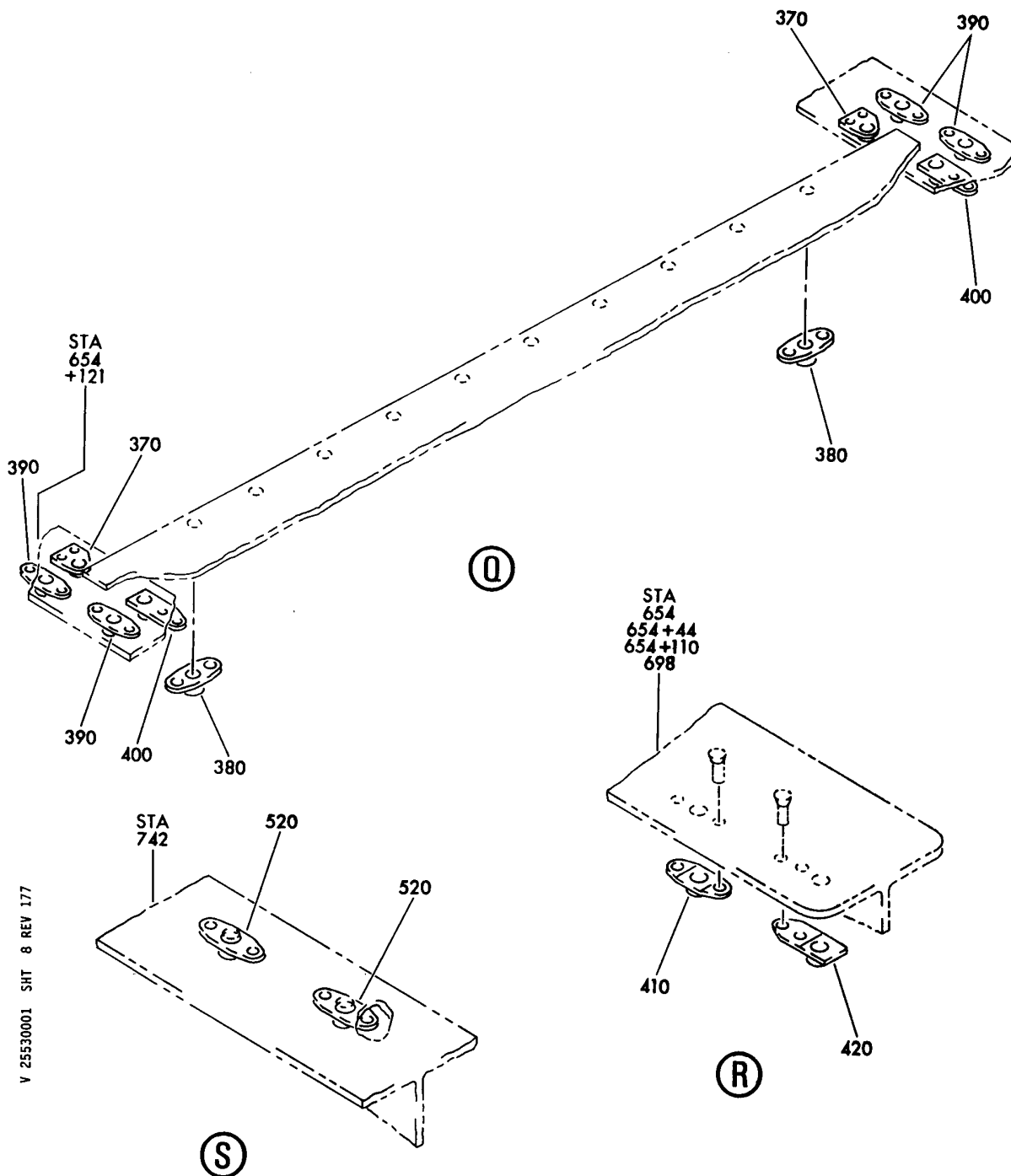


NUTPLATE INSTL-SECT. 43 FWD PALLET OPT CONVEYOR SYS AFT OD DOORWAY
FIGURE 1 (SHEET 7)

25-53-00-01

HXL
DEC 22/06

25-53-00-01
PAGE OF



V 25530001 SHT 8 REV 177

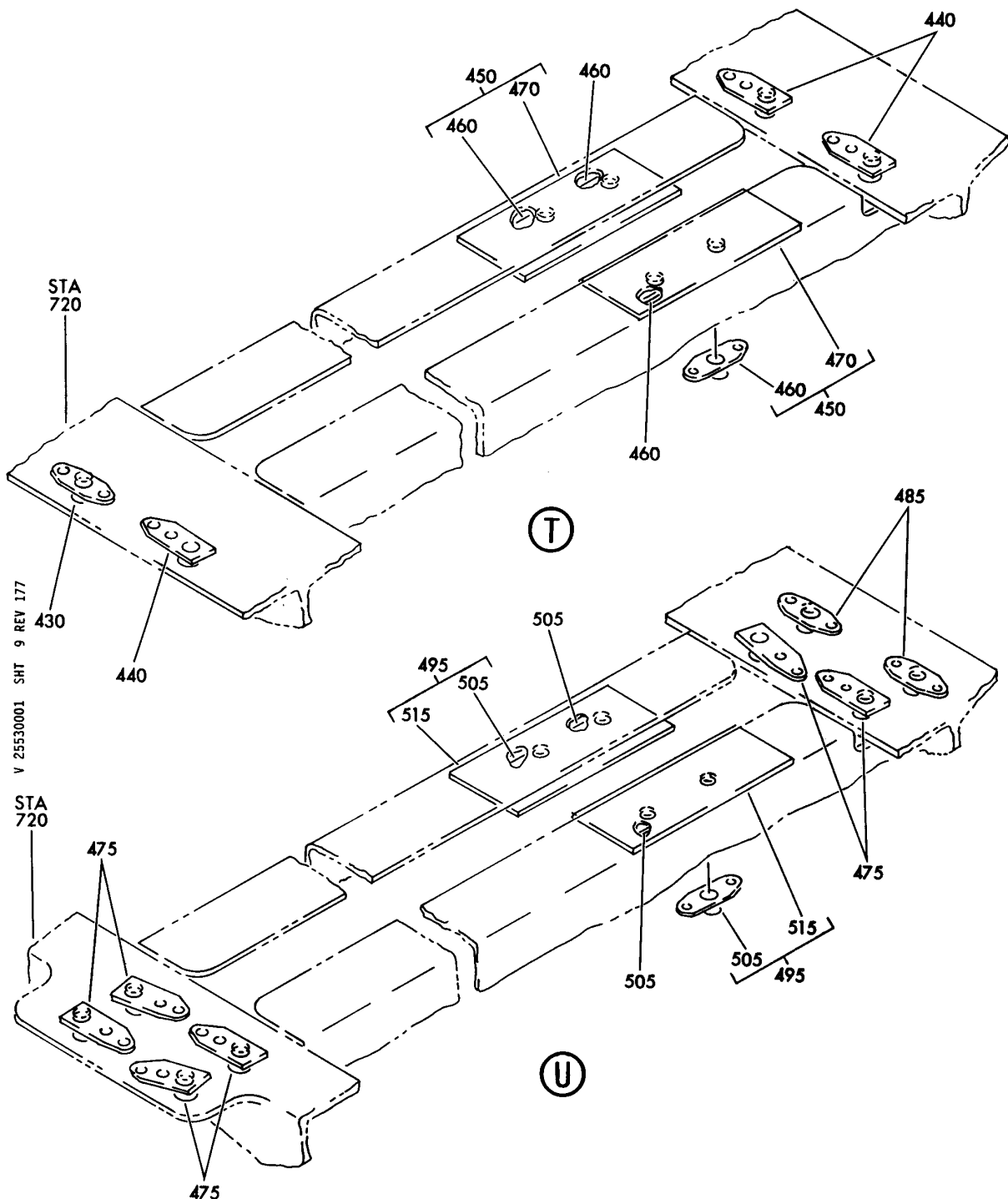
NUTPLATE INSTL-SECT. 43 FWD PALLET OPT CONVEYOR SYS AFT OD DOORWAY
FIGURE 1 (SHEET 8)

25-53-00-01

HXL
DEC 22/06

25-53-00-01
PAGE 06

BOEING
767
PARTS CATALOG (MAINTENANCE)



NUTPLATE INSTL-SECT. 43 FWD PALLET OPT CONVEYOR SYS AFT OD DOORWAY
FIGURE 1 (SHEET 9)

25-53-00-01

HXL
DEC 22/06

25-53-00-01
PAGE 0H



767

PARTS CATALOG (MAINTENANCE)

FIG ITEM	PART NUMBER	1 2 3 4 5 6 7	NOMENCLATURE	EFFECT FROM TO	UNITS PER ASSY
1			NUTPLATE INSTL-SECT. 43 FWD PALLET OPT CONVEYOR SYS AFT OD DOORWAY		
- 1	451T1504-33		NUTPLATE INSTL-PALLET OPT CONVEYOR SYS POSITION DATA: SECT. 43 STA 607 THRU STA 742.51 FWD AFT OF DOORWAY FOR NHA SEE: 25-50-00-01B		RF
5	BRFR120A4-1		.NUTPLATE- SUPPLIER CODE: V52828 SPECIFICATION NUMBER: BACN10KE4C OPTIONAL PART: RMF9214-4 V72962 F51752-4-1 V15653 NS103192-048 V80539 ATTACHING PARTS		71
- 10	BACR15BA3AD		.RIVET- SIZE DETERMINED ON INSTL. -----*-----		142
15	451T2605-5		.HOLDER ASSY-NUTPLATE CONVEYOR SYS, PALLET		1

ILLUSTRATION ITEMS NOT ON PARTS LIST ARE NOT APPLICABLE

- ITEM NOT ILLUSTRATED

HXL

25-53-00-01

BOEING PROPRIETARY - Copyright © - Unpublished Work - See title page for details.

25-53-00
FIG. 01
PAGE 1
APR 22/08



767

PARTS CATALOG (MAINTENANCE)

FIG ITEM	PART NUMBER	1 2 3 4 5 6 7	NOMENCLATURE	EFFECT FROM TO	UNITS PER ASSY
1			ATTACHING PARTS		
- 20	HL11VAZ6-8		.BOLT- SUPPLIER CODE: V60516 SPECIFICATION NUMBER: BACB30NW6K8 OPTIONAL PART: B30NW6K8 V97928 HL11VAZ6-8 V73197 HL11VAZ6-8 V92215 HL11VAZ6-8 V97928 L803-6K8 V06725 HL11VAZ6-8 VOPTK6 HL11VAZ6-8 V56878		2
- 25	HL79-6		.COLLAR SUPPLIER CODE: V5M902 SPECIFICATION NUMBER: BACC30M6 OPTIONAL PART: HL79-6 V73197 HL79-6 V92215 66014-6 V56878 HL79-6 V56878		2
30	BRFR220A4-1		-----*----- .NUTPLATE- SUPPLIER CODE: V52828 SPECIFICATION NUMBER: BACN10KE4A OPTIONAL PART: RMF9212-4 V72962 F51750-4-1 V15653 NS103190-048 V80539 BACN10KE4ACD		1

ILLUSTRATION ITEMS NOT ON PARTS LIST ARE NOT APPLICABLE

- ITEM NOT ILLUSTRATED

HXL

25-53-00-01

BOEING PROPRIETARY - Copyright © - Unpublished Work - See title page for details.

25-53-00
FIG. 01
PAGE 2
DEC 22/06



767

PARTS CATALOG (MAINTENANCE)

FIG ITEM	PART NUMBER	1 2 3 4 5 6 7	NOMENCLATURE	EFFECT FROM TO	UNITS PER ASSY
1	30 BRFR220C4-10		..NUTPLATE- SUPPLIER CODE: V52828 SPECIFICATION NUMBER: BACN10KE4ACD OPTIONAL PART: NS202493-048-1 V80539 102A9212-4 V72962 F51747-4-1CD V15653 BACN10KE4A ATTACHING PARTS		1
-	35 BACR15BA3AD6		..RIVET- OPTIONAL PART: BACR15CE3AD6		2
-	35 BACR15CE3AD6		..RIVET- OPTIONAL PART: BACR15BA3AD6 -----*-----		2
	40 451T2605-11		..HOLDER		1
	45 451T2605-32		.HOLDER ASSY-NUTPLATE CONVEYOR SYS, PALLET ATTACHING PARTS		2
-	50 HL11VAZ6-8		.BOLT- SUPPLIER CODE: V60516 SPECIFICATION NUMBER: BACB30NW6K8 OPTIONAL PART: B30NW6K8 V97928 HL11VAZ6-8 V73197 HL11VAZ6-8 V92215 HL11VAZ6-8 V97928 L803-6K8 V06725 HL11VAZ6-8 VOPTK6 HL11VAZ6-8 V56878		4

ILLUSTRATION ITEMS NOT ON PARTS LIST ARE NOT APPLICABLE

- ITEM NOT ILLUSTRATED

HXL

25-53-00-01

BOEING PROPRIETARY - Copyright © - Unpublished Work - See title page for details.

25-53-00
FIG. 01
PAGE 3
DEC 22/06

 **BOEING**
767
PARTS CATALOG (MAINTENANCE)

FIG ITEM	PART NUMBER	1 2 3 4 5 6 7	NOMENCLATURE	EFFECT FROM TO	UNITS PER ASSY
1 - 55	HL79-6		. COLLAR SUPPLIER CODE: V5M902 SPECIFICATION NUMBER: BACC30M6 OPTIONAL PART: HL79-6 V73197 HL79-6 V92215 66014-6 V56878 HL79-6 V56878		4
60	BRFR220A4-1		-----*----- . . NUTPLATE- SUPPLIER CODE: V52828 SPECIFICATION NUMBER: BACN10KE4A OPTIONAL PART: RMF9212-4 V72962 F51750-4-1 V15653 NS103190-048 V80539 BACN10KE4ACD		1
60	BRFR220C4-10		. . NUTPLATE- SUPPLIER CODE: V52828 SPECIFICATION NUMBER: BACN10KE4ACD OPTIONAL PART: NS202493-048-1 V80539 102A9212-4 V72962 F51747-4-1CD V15653 BACN10KE4A ATTACHING PARTS		1
- 65	BACR15BA3AD6		. . RIVET- OPTIONAL PART: BACR15CE3AD6		2
- 65	BACR15CE3AD6		. . RIVET- OPTIONAL PART: BACR15BA3AD6 -----*-----		2
ILLUSTRATION ITEMS NOT ON PARTS LIST ARE NOT APPLICABLE					

- ITEM NOT ILLUSTRATED

HXL

25-53-00-01

BOEING PROPRIETARY - Copyright © - Unpublished Work - See title page for details.

25-53-00
FIG. 01
PAGE 4
DEC 22/06

BOEING
767
PARTS CATALOG (MAINTENANCE)

FIG ITEM	PART NUMBER	1 2 3 4 5 6 7	NOMENCLATURE	EFFECT FROM TO	UNITS PER ASSY
1					
70	451T2605-31		.. HOLDER		1
75	BRFR220A4-1		.NUTPLATE-		2
			SUPPLIER CODE: V52828		
			SPECIFICATION NUMBER: BACN10KE4A		
			OPTIONAL PART: RMF9212-4		
			V72962		
			F51750-4-1		
			V15653		
			NS103190-048		
			V80539		
80	BRFR120A4-1		.NUTPLATE-		2
			SUPPLIER CODE: V52828		
			SPECIFICATION NUMBER: BACN10KE4C		
			OPTIONAL PART: RMF9214-4		
			V72962		
			F51752-4-1		
			V15653		
			NS103192-048		
			V80539		
			ATTACHING PARTS		
- 85	BACR15BA3AD		.RIVET-		8
			SIZE DETERMINED ON INSTL.		
			-----*-----		
90	451T2605-12		.HOLDER ASSY		2
			ATTACHING PARTS		
- 95	BACR15BA4AD		.RIVET-		1
			SIZE DETERMINED ON INSTL.		
			-----*-----		
100	BRFR120A4-1		..NUTPLATE-		2
			SUPPLIER CODE: V52828		
			SPECIFICATION NUMBER: BACN10KE4C		
			OPTIONAL PART: RMF9214-4		
			V72962		
			F51752-4-1		
			V15653		
			NS103192-048		
			V80539		
105	451T2605-13		.. HOLDER		1

ILLUSTRATION ITEMS NOT ON PARTS LIST ARE NOT APPLICABLE

- ITEM NOT ILLUSTRATED

HXL

25-53-00-01

BOEING PROPRIETARY - Copyright © - Unpublished Work - See title page for details.

25-53-00
FIG. 01
PAGE 5
APR 22/08

 **BOEING**
767
PARTS CATALOG (MAINTENANCE)

FIG ITEM	PART NUMBER	1 2 3 4 5 6 7	NOMENCLATURE	EFFECT FROM TO	UNITS PER ASSY
1 110	BRFR220A4-1		.NUTPLATE- SUPPLIER CODE: V52828 SPECIFICATION NUMBER: BACN10KE4A OPTIONAL PART: RMF9212-4 V72962 F51750-4-1 V15653 NS103190-048 V80539 ATTACHING PARTS		4
- 115	BACR15BA3AD		.RIVET- SIZE DETERMINED ON INSTL. -----*-----		8
120	451T2605-12		.HOLDER ASSY ATTACHING PARTS		4
- 125	BACR15BA4AD		.RIVET- SIZE DETERMINED ON INSTL. -----*-----		1
130	BRFR120A4-1		..NUTPLATE- SUPPLIER CODE: V52828 SPECIFICATION NUMBER: BACN10KE4C OPTIONAL PART: RMF9214-4 V72962 F51752-4-1 V15653 NS103192-048 V80539		2
135	451T2605-13		..HOLDER		1
140	BRFR120A4-1		.NUTPLATE- SUPPLIER CODE: V52828 SPECIFICATION NUMBER: BACN10KE4C OPTIONAL PART: RMF9214-4 V72962 F51752-4-1 V15653 NS103192-048 V80539		1

ILLUSTRATION ITEMS NOT ON PARTS LIST ARE NOT APPLICABLE

- ITEM NOT ILLUSTRATED

HXL

25-53-00-01

BOEING PROPRIETARY - Copyright © - Unpublished Work - See title page for details.

25-53-00
FIG. 01
PAGE 6
APR 22/08



767

PARTS CATALOG (MAINTENANCE)

FIG ITEM	PART NUMBER	1 2 3 4 5 6 7	NOMENCLATURE	EFFECT FROM TO	UNITS PER ASSY
1			ATTACHING PARTS		
- 145	BACR15BA3AD		.RIVET- SIZE DETERMINED ON INSTL. -----*-----		2
150	BRFR220A4-1		.NUTPLATE- SUPPLIER CODE: V52828 SPECIFICATION NUMBER: BACN10KE4A OPTIONAL PART: RMF9212-4 V72962 F51750-4-1 V15653 NS103190-048 V80539		1
- 155	BACR15BA3AD		ATTACHING PARTS .RIVET- SIZE DETERMINED ON INSTL. -----*-----		2
160	BRFR220A3-2		.NUTPLATE- SUPPLIER CODE: V52828 SPECIFICATION NUMBER: BACN10KE3B2 OPTIONAL PART: RMF9213-2-3 V72962 F51750-3-2 V15653 NS103191-02-2 V80539		10
- 165	BACR15BA3AD		ATTACHING PARTS .RIVET- SIZE DETERMINED ON INSTL. -----*-----		2
170	451T2605-12		.HOLDER ASSY		1
- 175	BACR15BA3AD		ATTACHING PARTS .RIVET- SIZE DETERMINED ON INSTL. -----*-----		1

ILLUSTRATION ITEMS NOT ON PARTS LIST ARE NOT APPLICABLE

- ITEM NOT ILLUSTRATED

25-53-00-01

25-53-00
FIG. 01
PAGE 7
DEC 22/06

HXL



767

PARTS CATALOG (MAINTENANCE)

FIG ITEM	PART NUMBER	1 2 3 4 5 6 7	NOMENCLATURE	EFFECT FROM TO	UNITS PER ASSY
1 180	BRFR120A4-1		..NUTPLATE- SUPPLIER CODE: V52828 SPECIFICATION NUMBER: BACN10KE4C OPTIONAL PART: RMF9214-4 V72962 F51752-4-1 V15653 NS103192-048 V80539		2
185	451T2605-13		..HOLDER		1
190	BRFR220A4-1		.NUTPLATE- SUPPLIER CODE: V52828 SPECIFICATION NUMBER: BACN10KE4A OPTIONAL PART: RMF9212-4 V72962 F51750-4-1 V15653 NS103190-048 V80539		4
- 195	BACR15BA3AD		ATTACHING PARTS .RIVET- SIZE DETERMINED ON INSTL. -----*-----		8
200	T8079S428		.NUTPLATE SUPPLIER CODE: V11815 SPECIFICATION NUMBER: BACN10JP4D OPTIONAL PART: NS103200-048 V80539 RMA9209M4 V72962 VN204A1-048 V92215 MK4000-4BAC V15653		4
210	451T2605-12		.HOLDER ASSY ATTACHING PARTS		2
- 215	BACR15BA3AD		.RIVET- SIZE DETERMINED ON INSTL. -----*-----		2

ILLUSTRATION ITEMS NOT ON PARTS LIST ARE NOT APPLICABLE

- ITEM NOT ILLUSTRATED

25-53-00-01

25-53-00
FIG. 01
PAGE 8
APR 22/08

HXL



767

PARTS CATALOG (MAINTENANCE)

FIG ITEM	PART NUMBER	1 2 3 4 5 6 7	NOMENCLATURE	EFFECT FROM TO	UNITS PER ASSY
1					
220	BRFR120A4-1		..NUTPLATE- SUPPLIER CODE: V52828 SPECIFICATION NUMBER: BACN10KE4C OPTIONAL PART: RMF9214-4 V72962 F51752-4-1 V15653 NS103192-048 V80539		2
225	451T2605-13		..HOLDER		1
230	BRFR220A4-1		.NUTPLATE- SUPPLIER CODE: V52828 SPECIFICATION NUMBER: BACN10KE4A OPTIONAL PART: RMF9212-4 V72962 F51750-4-1 V15653 NS103190-048 V80539		32
- 235	BACR15BA3AD		ATTACHING PARTS .RIVET- SIZE DETERMINED ON INSTL. -----*-----		64
240	451T2605-12		.HOLDER ASSY ATTACHING PARTS		1
- 245	BACR15BA3AD		.RIVET- SIZE DETERMINED ON INSTL. -----*-----		1
250	BRFR120A4-1		..NUTPLATE- SUPPLIER CODE: V52828 SPECIFICATION NUMBER: BACN10KE4C OPTIONAL PART: RMF9214-4 V72962 F51752-4-1 V15653 NS103192-048 V80539		2
255	451T2605-13		..HOLDER		1

ILLUSTRATION ITEMS NOT ON PARTS LIST ARE NOT APPLICABLE

- ITEM NOT ILLUSTRATED

HXL

25-53-00-01

BOEING PROPRIETARY - Copyright © - Unpublished Work - See title page for details.

25-53-00
FIG. 01
PAGE 9
APR 22/08

 **BOEING**
767
PARTS CATALOG (MAINTENANCE)

FIG ITEM	PART NUMBER	1 2 3 4 5 6 7	NOMENCLATURE	EFFECT FROM TO	UNITS PER ASSY
1 260	BRFR220A4-1		.NUTPLATE- SUPPLIER CODE: V52828 SPECIFICATION NUMBER: BACN10KE4A OPTIONAL PART: RMF9212-4 V72962 F51750-4-1 V15653 NS103190-048 V80539 ATTACHING PARTS		1
- 265	BACR15BA3AD		.RIVET- SIZE DETERMINED ON INSTL. -----*-----		2
270	BRFR120A4-1		.NUTPLATE- SUPPLIER CODE: V52828 SPECIFICATION NUMBER: BACN10KE4C OPTIONAL PART: RMF9214-4 V72962 F51752-4-1 V15653 NS103192-048 V80539 ATTACHING PARTS		1
- 275	BACR15BA3AD		.RIVET- SIZE DETERMINED ON INSTL. -----*-----		2
280	BRFR220A3-2		.NUTPLATE- SUPPLIER CODE: V52828 SPECIFICATION NUMBER: BACN10KE3B2 OPTIONAL PART: RMF9213-2-3 V72962 F51750-3-2 V15653 NS103191-02-2 V80539 ATTACHING PARTS		4
- 285	BACR15BA3AD		.RIVET- SIZE DETERMINED ON INSTL. -----*-----		8
290	451T2605-12		.HOLDER ASSY		1

ILLUSTRATION ITEMS NOT ON PARTS LIST ARE NOT APPLICABLE

- ITEM NOT ILLUSTRATED

HXL

25-53-00-01

BOEING PROPRIETARY - Copyright © - Unpublished Work - See title page for details.

25-53-00
FIG. 01
PAGE 10
APR 22/08



767

PARTS CATALOG (MAINTENANCE)

FIG ITEM	PART NUMBER	1 2 3 4 5 6 7	NOMENCLATURE	EFFECT FROM TO	UNITS PER ASSY
1			ATTACHING PARTS		
- 295	BACR15BA3AD		.RIVET- SIZE DETERMINED ON INSTL. -----*-----		1
300	BRFR120A4-1		..NUTPLATE- SUPPLIER CODE: V52828 SPECIFICATION NUMBER: BACN10KE4C OPTIONAL PART: RMF9214-4 V72962 F51752-4-1 V15653 NS103192-048 V80539		2
305	451T2605-13		..HOLDER		1
310	BRFR120A4-1		.NUTPLATE- SUPPLIER CODE: V52828 SPECIFICATION NUMBER: BACN10KE4C OPTIONAL PART: RMF9214-4 V72962 F51752-4-1 V15653 NS103192-048 V80539		2
- 315	BACR15BA3AD		ATTACHING PARTS .RIVET- SIZE DETERMINED ON INSTL. -----*-----		4
320	BRFR220A4-1		.NUTPLATE- SUPPLIER CODE: V52828 SPECIFICATION NUMBER: BACN10KE4A OPTIONAL PART: RMF9212-4 V72962 F51750-4-1 V15653 NS103190-048 V80539		2
- 325	BACR15BA3AD		ATTACHING PARTS .RIVET- SIZE DETERMINED ON INSTL. -----*-----		4

ILLUSTRATION ITEMS NOT ON PARTS LIST ARE NOT APPLICABLE

- ITEM NOT ILLUSTRATED

25-53-00-01

25-53-00
FIG. 01
PAGE 11
APR 22/08

HXL

BOEING
767
PARTS CATALOG (MAINTENANCE)

FIG ITEM	PART NUMBER	1 2 3 4 5 6 7	NOMENCLATURE	EFFECT FROM TO	UNITS PER ASSY
1 330	BRFR220A3-2		.NUTPLATE- SUPPLIER CODE: V52828 SPECIFICATION NUMBER: BACN10KE3B2 OPTIONAL PART: RMF9213-2-3 V72962 F51750-3-2 V15653 NS103191-02-2 V80539 ATTACHING PARTS		20
- 335	BACR15BA3AD		.RIVET- SIZE DETERMINED ON INSTL. -----*-----		40
340	BRFR120A3-2		.NUTPLATE- SUPPLIER CODE: V52828 SPECIFICATION NUMBER: BACN10KE3E2 OPTIONAL PART: RMF9216-2-3 V72962 F51752-3-2 V15653 NS103194-02-2 V80539 ATTACHING PARTS		4
- 345	BACR15BA3AD		.RIVET- SIZE DETERMINED ON INSTL. -----*-----		8
350	451T2605-12		.HOLDER ASSY ATTACHING PARTS		2
- 355	BACR15BA3AD		.RIVET- SIZE DETERMINED ON INSTL. -----*-----		2
360	BRFR120A4-1		..NUTPLATE- SUPPLIER CODE: V52828 SPECIFICATION NUMBER: BACN10KE4C OPTIONAL PART: RMF9214-4 V72962 F51752-4-1 V15653 NS103192-048 V80539		2

ILLUSTRATION ITEMS NOT ON PARTS LIST ARE NOT APPLICABLE

- ITEM NOT ILLUSTRATED

HXL

25-53-00-01

BOEING PROPRIETARY - Copyright © - Unpublished Work - See title page for details.

25-53-00
FIG. 01
PAGE 12
APR 22/08

 **BOEING**
767
PARTS CATALOG (MAINTENANCE)

FIG ITEM	PART NUMBER	1 2 3 4 5 6 7	NOMENCLATURE	EFFECT FROM TO	UNITS PER ASSY
1					
365	451T2605-13		. . HOLDER		1
370	T8079S428		. NUTPLATE		2
			SUPPLIER CODE: V11815		
			SPECIFICATION NUMBER: BACN10JP4D		
			OPTIONAL PART: NS103200-048		
			V80539		
			RMA9209M4		
			V72962		
			VN204A1-048		
			V92215		
			MK4000-4BAC		
			V15653		
			ATTACHING PARTS		
- 375	BACR15BA3AD		. RIVET-		4
			SIZE DETERMINED ON INSTL.		
			-----*-----		
380	BRFR220A3-2		. NUTPLATE-		10
			SUPPLIER CODE: V52828		
			SPECIFICATION NUMBER: BACN10KE3B2		
			OPTIONAL PART: RMF9213-2-3		
			V72962		
			F51750-3-2		
			V15653		
			NS103191-02-2		
			V80539		
			ATTACHING PARTS		
- 385	BACR15BA3AD		. RIVET-		20
			SIZE DETERMINED ON INSTL.		
			-----*-----		
390	BRFR220A4-1		. NUTPLATE-		4
			SUPPLIER CODE: V52828		
			SPECIFICATION NUMBER: BACN10KE4A		
			OPTIONAL PART: RMF9212-4		
			V72962		
			F51750-4-1		
			V15653		
			NS103190-048		
			V80539		
ILLUSTRATION ITEMS NOT ON PARTS LIST ARE NOT APPLICABLE					

- ITEM NOT ILLUSTRATED

HXL

25-53-00-01

BOEING PROPRIETARY - Copyright © - Unpublished Work - See title page for details.

25-53-00
FIG. 01
PAGE 13
DEC 22/06

 **BOEING**
767
PARTS CATALOG (MAINTENANCE)

FIG ITEM	PART NUMBER	1 2 3 4 5 6 7	NOMENCLATURE	EFFECT FROM TO	UNITS PER ASSY
1			ATTACHING PARTS		
- 395	BACR15BA3AD		.RIVET- SIZE DETERMINED ON INSTL. -----*-----		8
400	BRFR120A4-1		.NUTPLATE- SUPPLIER CODE: V52828 SPECIFICATION NUMBER: BACN10KE4C OPTIONAL PART: RMF9214-4 V72962 F51752-4-1 V15653 NS103192-048 V80539		2
- 405	BACR15BA3AD		ATTACHING PARTS .RIVET- SIZE DETERMINED ON INSTL. -----*-----		4
410	BRFR120A4-1		.NUTPLATE- SUPPLIER CODE: V52828 SPECIFICATION NUMBER: BACN10KE4C OPTIONAL PART: RMF9214-4 V72962 F51752-4-1 V15653 NS103192-048 V80539		8
- 415	BACR15BA3AD		ATTACHING PARTS .RIVET- SIZE DETERMINED ON INSTL. -----*-----		8
420	BRFR220A4-1		.NUTPLATE- SUPPLIER CODE: V52828 SPECIFICATION NUMBER: BACN10KE4A OPTIONAL PART: RMF9212-4 V72962 F51750-4-1 V15653 NS103190-048 V80539		8

ILLUSTRATION ITEMS NOT ON PARTS LIST ARE NOT APPLICABLE

- ITEM NOT ILLUSTRATED

HXL

25-53-00-01

BOEING PROPRIETARY - Copyright © - Unpublished Work - See title page for details.

25-53-00
FIG. 01
PAGE 14
APR 22/08

 **BOEING**
767
PARTS CATALOG (MAINTENANCE)

FIG ITEM	PART NUMBER	1 2 3 4 5 6 7	NOMENCLATURE	EFFECT FROM TO	UNITS PER ASSY
1			ATTACHING PARTS		
- 425	BACR15BA3AD		.RIVET- SIZE DETERMINED ON INSTL. -----*-----		8
430	BRFR220A4-1		.NUTPLATE- SUPPLIER CODE: V52828 SPECIFICATION NUMBER: BACN10KE4A OPTIONAL PART: RMF9212-4 V72962 F51750-4-1 V15653 NS103190-048 V80539		2
- 435	BACR15BA3AD		ATTACHING PARTS .RIVET- SIZE DETERMINED ON INSTL. -----*-----		4
440	BRFR120A4-1		.NUTPLATE- SUPPLIER CODE: V52828 SPECIFICATION NUMBER: BACN10KE4C OPTIONAL PART: RMF9214-4 V72962 F51752-4-1 V15653 NS103192-048 V80539		6
- 445	BACR15BA3AD		ATTACHING PARTS .RIVET- SIZE DETERMINED ON INSTL. -----*-----		12
450	451T2605-30		.HOLDER ASSY		2
- 455	BACR15BA4AD		ATTACHING PARTS .RIVET- SIZE DETERMINED ON INSTL. -----*-----		2

ILLUSTRATION ITEMS NOT ON PARTS LIST ARE NOT APPLICABLE

- ITEM NOT ILLUSTRATED

HXL

25-53-00-01

BOEING PROPRIETARY - Copyright © - Unpublished Work - See title page for details.

25-53-00
FIG. 01
PAGE 15
APR 22/08

 **BOEING**
767
PARTS CATALOG (MAINTENANCE)

FIG ITEM	PART NUMBER	1 2 3 4 5 6 7	NOMENCLATURE	EFFECT FROM TO	UNITS PER ASSY
1 460	MF53049-4		..NUTPLATE SUPPLIER CODE: V15653 SPECIFICATION NUMBER: BACN10JN4 OPTIONAL PART: BRFM20A4 V52828 MF1000-4BAC V15653 NS103218-048 V80539 RMF9201M4 V72962 VN252A048 V92215 T8124S4S V11815 ATTACHING PARTS		2
- 465	BACR15BA3AD		..RIVET- SIZE DETERMINED ON INSTL. -----*-----		2
470	451T2605-29		..HOLDER		1
475	BRFR120A4-1		.NUTPLATE- SUPPLIER CODE: V52828 SPECIFICATION NUMBER: BACN10KE4C OPTIONAL PART: RMF9214-4 V72962 F51752-4-1 V15653 NS103192-048 V80539 ATTACHING PARTS		18
- 480	BACR15BA3AD		.RIVET- SIZE DETERMINED ON INSTL. -----*-----		36

ILLUSTRATION ITEMS NOT ON PARTS LIST ARE NOT APPLICABLE

- ITEM NOT ILLUSTRATED

HXL

25-53-00-01

BOEING PROPRIETARY - Copyright © - Unpublished Work - See title page for details.

25-53-00
FIG. 01
PAGE 16
APR 22/08



767

PARTS CATALOG (MAINTENANCE)

FIG ITEM	PART NUMBER	1 2 3 4 5 6 7	NOMENCLATURE	EFFECT FROM TO	UNITS PER ASSY
1 485	BRFR220A4-1		.NUTPLATE- SUPPLIER CODE: V52828 SPECIFICATION NUMBER: BACN10KE4A OPTIONAL PART: RMF9212-4 V72962 F51750-4-1 V15653 NS103190-048 V80539 ATTACHING PARTS		6
- 490	BACR15BA3AD		.RIVET- SIZE DETERMINED ON INSTL. -----*-----		12
495	451T2605-30		.HOLDER ASSY ATTACHING PARTS		2
- 500	BACR15BA4AD		.RIVET- SIZE DETERMINED ON INSTL. -----*-----		2
505	MF53049-4		..NUTPLATE SUPPLIER CODE: V15653 SPECIFICATION NUMBER: BACN10JN4 OPTIONAL PART: BRFM20A4 V52828 MF1000-4BAC V15653 NS103218-048 V80539 RMF9201M4 V72962 VN252A048 V92215 T8124S4S V11815 ATTACHING PARTS		2
- 510	BACR15BA3AD		..RIVET- SIZE DETERMINED ON INSTL. -----*-----		2
515	451T2605-29		..HOLDER		1

ILLUSTRATION ITEMS NOT ON PARTS LIST ARE NOT APPLICABLE

- ITEM NOT ILLUSTRATED

25-53-00-01

25-53-00
FIG. 01
PAGE 17
DEC 22/06

HXL



767

PARTS CATALOG (MAINTENANCE)

FIG ITEM	PART NUMBER	1 2 3 4 5 6 7 NOMENCLATURE	EFFECT FROM TO	UNITS PER ASSY
1 520	BRFR220A4-1	.NUTPLATE- SUPPLIER CODE: V52828 SPECIFICATION NUMBER: BACN10KE4A OPTIONAL PART: RMF9212-4 V72962 F51750-4-1 V15653 NS103190-048 V80539 ATTACHING PARTS		2
- 525	BACR15BA3AD	.RIVET- SIZE DETERMINED ON INSTL. -----*-----		4

ILLUSTRATION ITEMS NOT ON PARTS LIST ARE NOT APPLICABLE

- ITEM NOT ILLUSTRATED

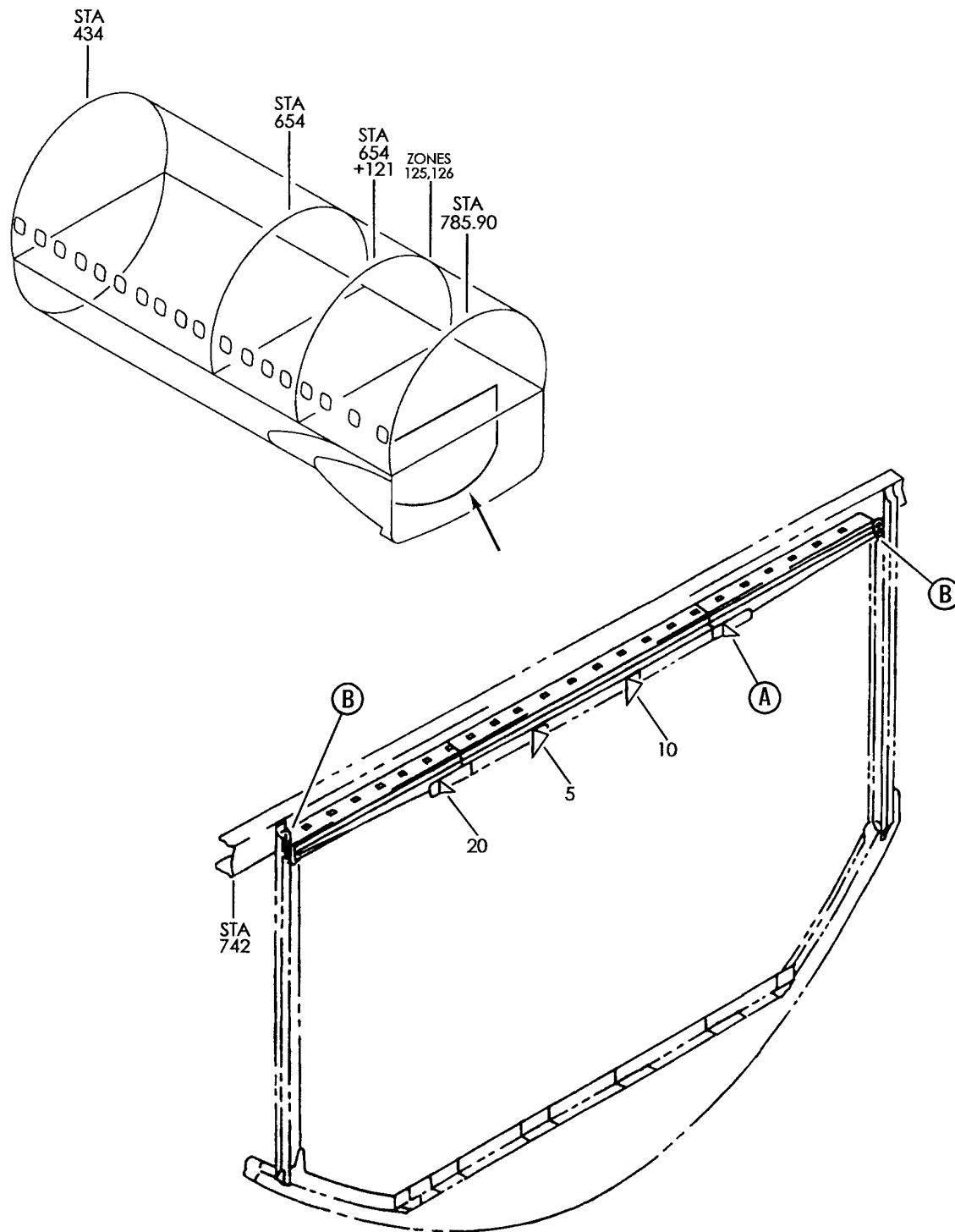
HXL

25-53-00-01

BOEING PROPRIETARY - Copyright © - Unpublished Work - See title page for details.

25-53-00
 FIG. 01
 PAGE 18
 DEC 22/06

BOEING
767
PARTS CATALOG (MAINTENANCE)



V 25530013 SHT 1 REV 210

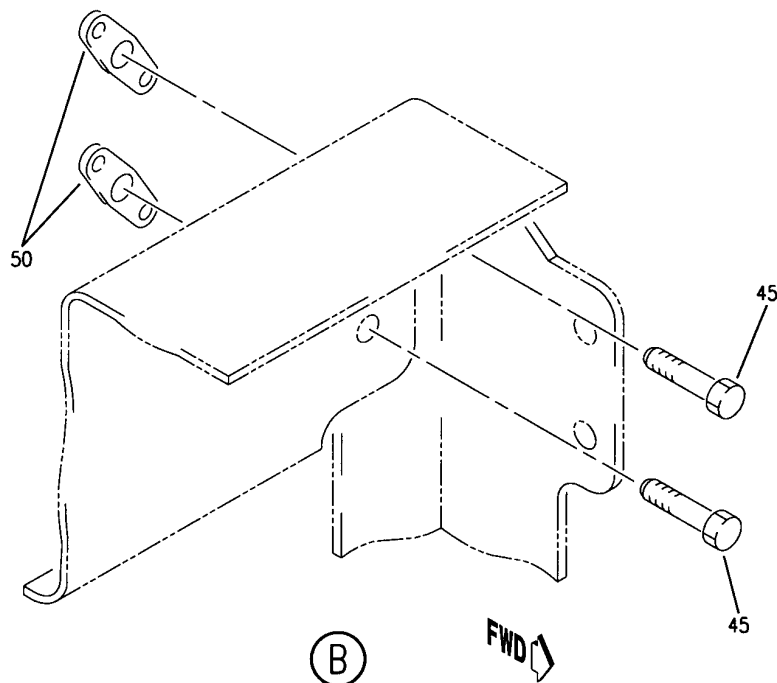
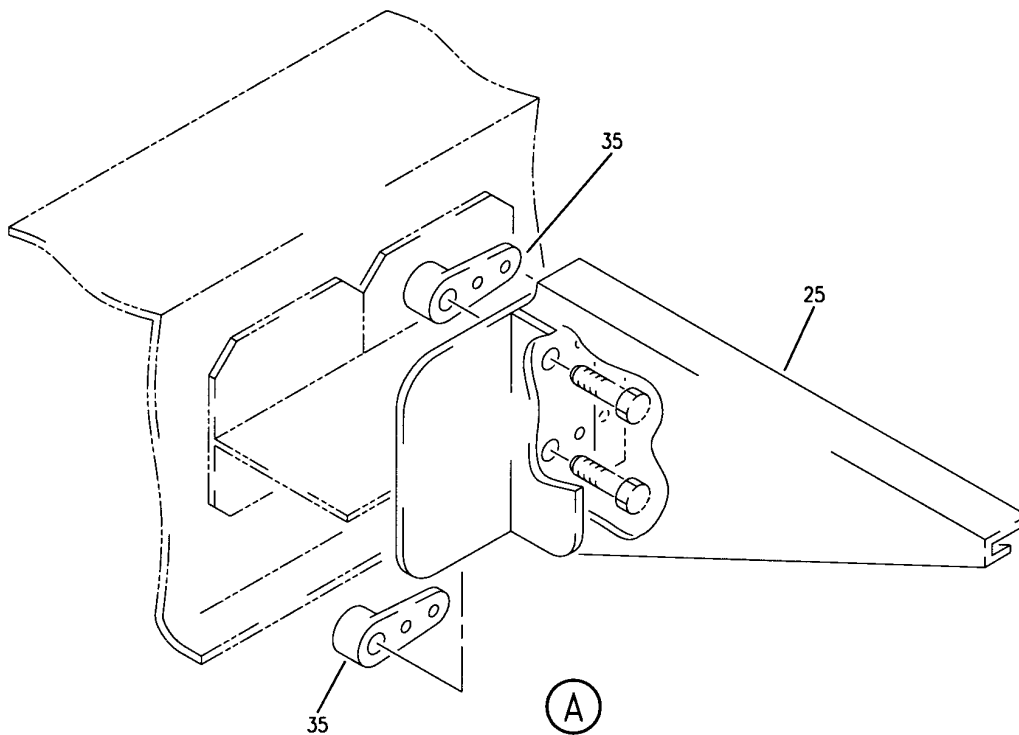
SUPPORT INSTL-SECT. 43 STA 744.36 BHD FWD CARGO COMPT
FIGURE 13 (SHEET 1)

25-53-00-13

HXL
DEC 22/06

25-53-00-13
PAGE 0

BOEING
767
PARTS CATALOG (MAINTENANCE)



V 25530013 SHT 2 REV 210

SUPPORT INSTL-SECT. 43 STA 744.36 BHD FWD CARGO COMPT
FIGURE 13 (SHEET 2)

25-53-00-13

HXL
DEC 22/06

25-53-00-13
PAGE 0A

BOEING
767
PARTS CATALOG (MAINTENANCE)

FIG ITEM	PART NUMBER	1 2 3 4 5 6 7	NOMENCLATURE	EFFECT FROM TO	UNITS PER ASSY
13			SUPPORT INSTL-SECT. 43 STA 744.36 BHD FWD CARGO COMPT		
- 1	453T1146-1		SUPPORT INSTL-CARGO COMPT POSITION DATA: SECT. 43 STA 744.36 BHD FWD FOR NHA SEE: 25-50-00-01B		RF
5	453T1743-11		.BRACKET ASSY		1
10	453T1743-12		.BRACKET ASSY		1
- 15	BACR15FT5AD		ATTACHING PARTS .RIVET- SIZE DETERMINED ON INSTL. -----*-----		9
20	453T1743-23		.BRACKET ASSY- OPTIONAL PART: 453T1743-17		1
20	453T1743-17		.BRACKET ASSY- OPTIONAL PART: 453T1743-23		1
25	453T1743-24		.BRACKET ASSY- OPTIONAL PART: 453T1743-16		1
25	453T1743-16		.BRACKET ASSY- OPTIONAL PART: 453T1743-24		1
- 30	NAS623-3-2		ATTACHING PARTS .SCREW -----*-----		2
35	K2000-3		.NUTPLATE SUPPLIER CODE: V15653 SPECIFICATION NUMBER: BACN10KB3 OPTIONAL PART: NS103184-02 V80539 RMA9207-3 V72962 T8109S1032 V11815 VN101A1-02 V92215 BR1000A3 V52828		2

ILLUSTRATION ITEMS NOT ON PARTS LIST ARE NOT APPLICABLE

- ITEM NOT ILLUSTRATED

HXL

25-53-00-13

BOEING PROPRIETARY - Copyright © - Unpublished Work - See title page for details.

25-53-00
FIG. 13
PAGE 1
DEC 22/07



767

PARTS CATALOG (MAINTENANCE)

FIG ITEM	PART NUMBER	1 2 3 4 5 6 7	NOMENCLATURE	EFFECT FROM TO	UNITS PER ASSY
13					
- 40	BACR15BA3AD		ATTACHING PARTS .RIVET- SIZE DETERMINED ON INSTL. -----*-----		4
45	BACB30VF3K8		.BOLT		4
50	K1000-3BAC		.NUTPLATE SUPPLIER CODE: V15653 SPECIFICATION NUMBER: BACN10JR3 OPTIONAL PART: NS103202-02 V80539 RMA9201-3 V72962 VN102A1-02 V92215 BR2000A3 V52828 T8088S1032 V11815		4
- 55	BACR15BA3AD		ATTACHING PARTS .RIVET- SIZE DETERMINED ON INSTL. -----*-----		8

ILLUSTRATION ITEMS NOT ON PARTS LIST ARE NOT APPLICABLE

- ITEM NOT ILLUSTRATED

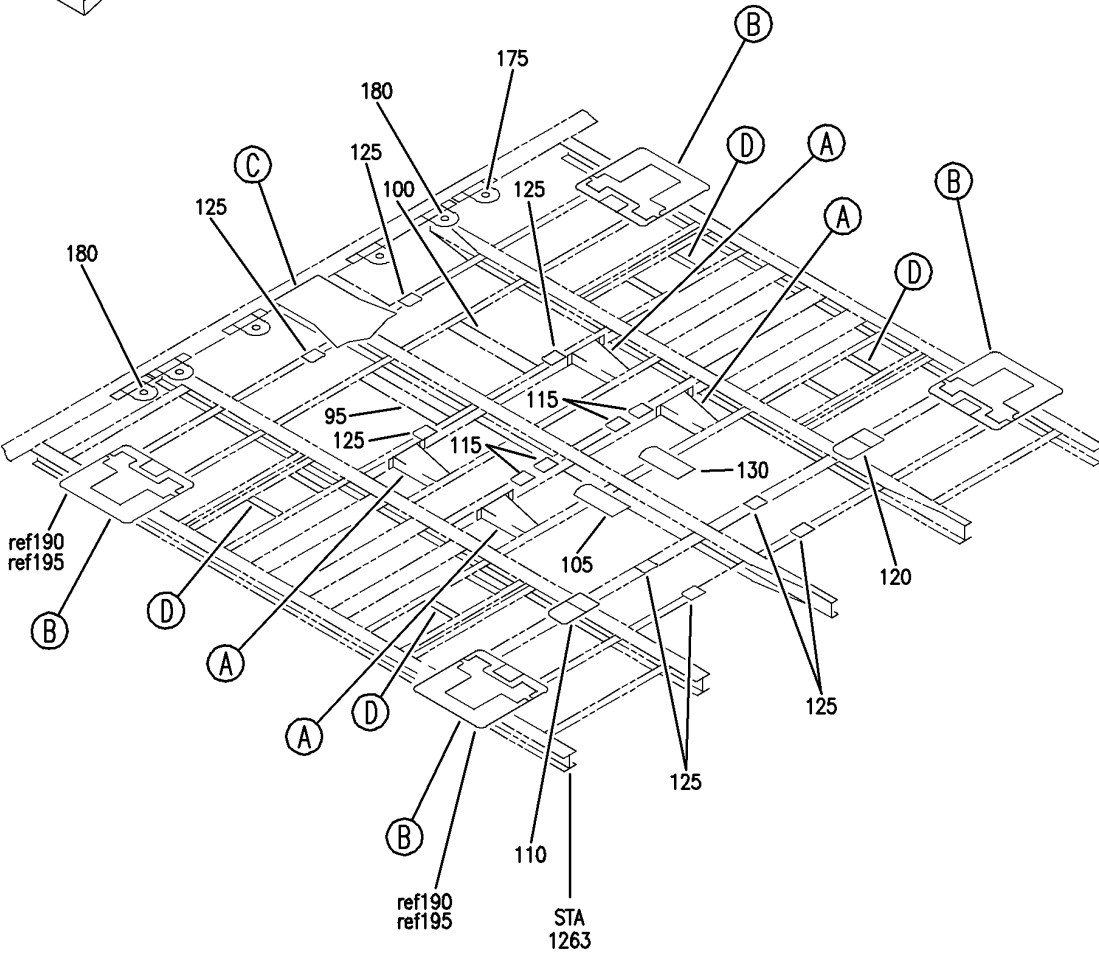
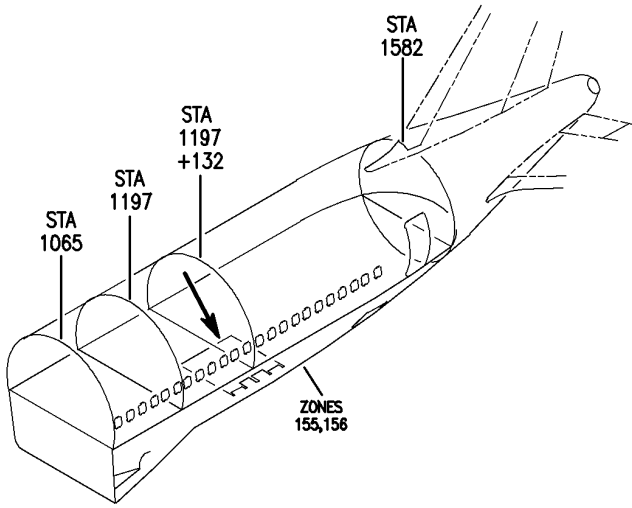
HXL

25-53-00-13

BOEING PROPRIETARY - Copyright © - Unpublished Work - See title page for details.

25-53-00
FIG. 13
PAGE 2
DEC 22/07

 **BOEING**
767
PARTS CATALOG (MAINTENANCE)



V 25530016 SH1 1 REV 244

SUPPORT AND PLATE INSTL-SECT. 46 AFT ENTRYWAY AREA CARGO EQPT
FIGURE 16 (SHEET 1)

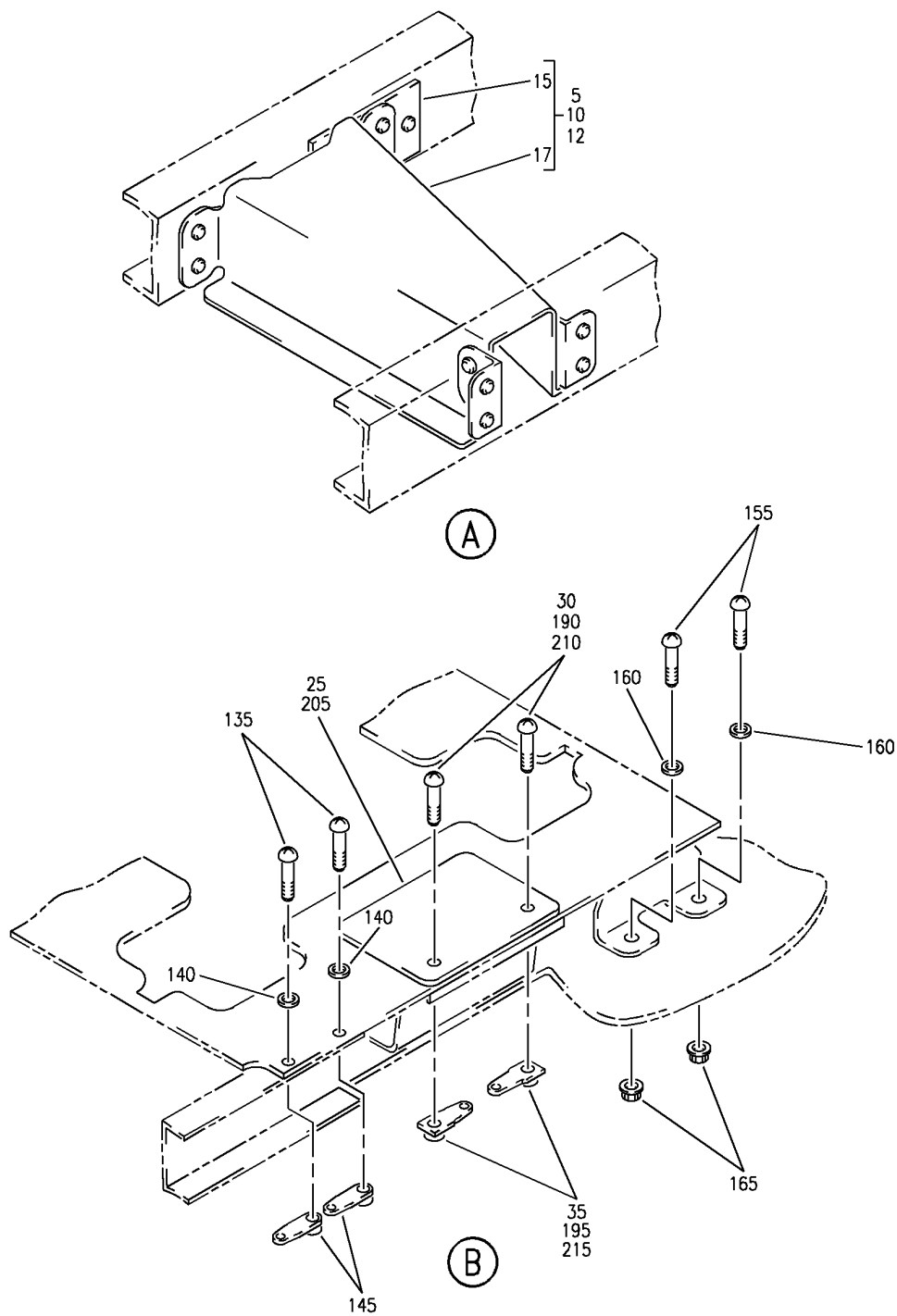
HXL
DEC 22/06

25-53-00-16

25-53-00-16
PAGE 0

BOEING PROPRIETARY - Copyright © - Unpublished Work - See title page for details.

BOEING
767
PARTS CATALOG (MAINTENANCE)



V 25530016 SHT 2 REV 311

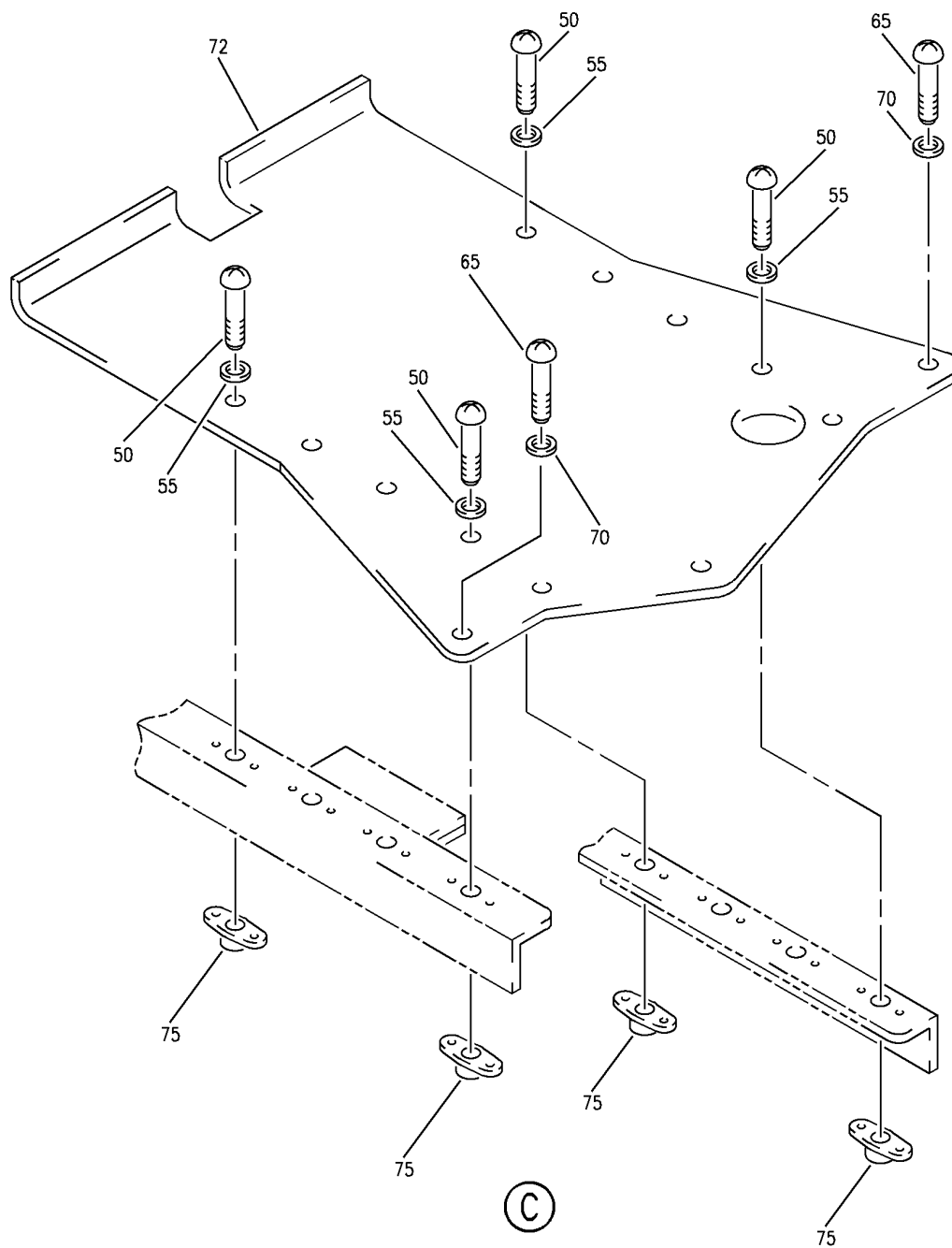
SUPPORT AND PLATE INSTL-SECT. 46 AFT ENTRYWAY AREA CARGO EQPT
FIGURE 16 (SHEET 2)

25-53-00-16

HXL
DEC 22/06

25-53-00-16
PAGE 0A

BOEING
767
PARTS CATALOG (MAINTENANCE)



V 25530016 SHT 3 REV 311

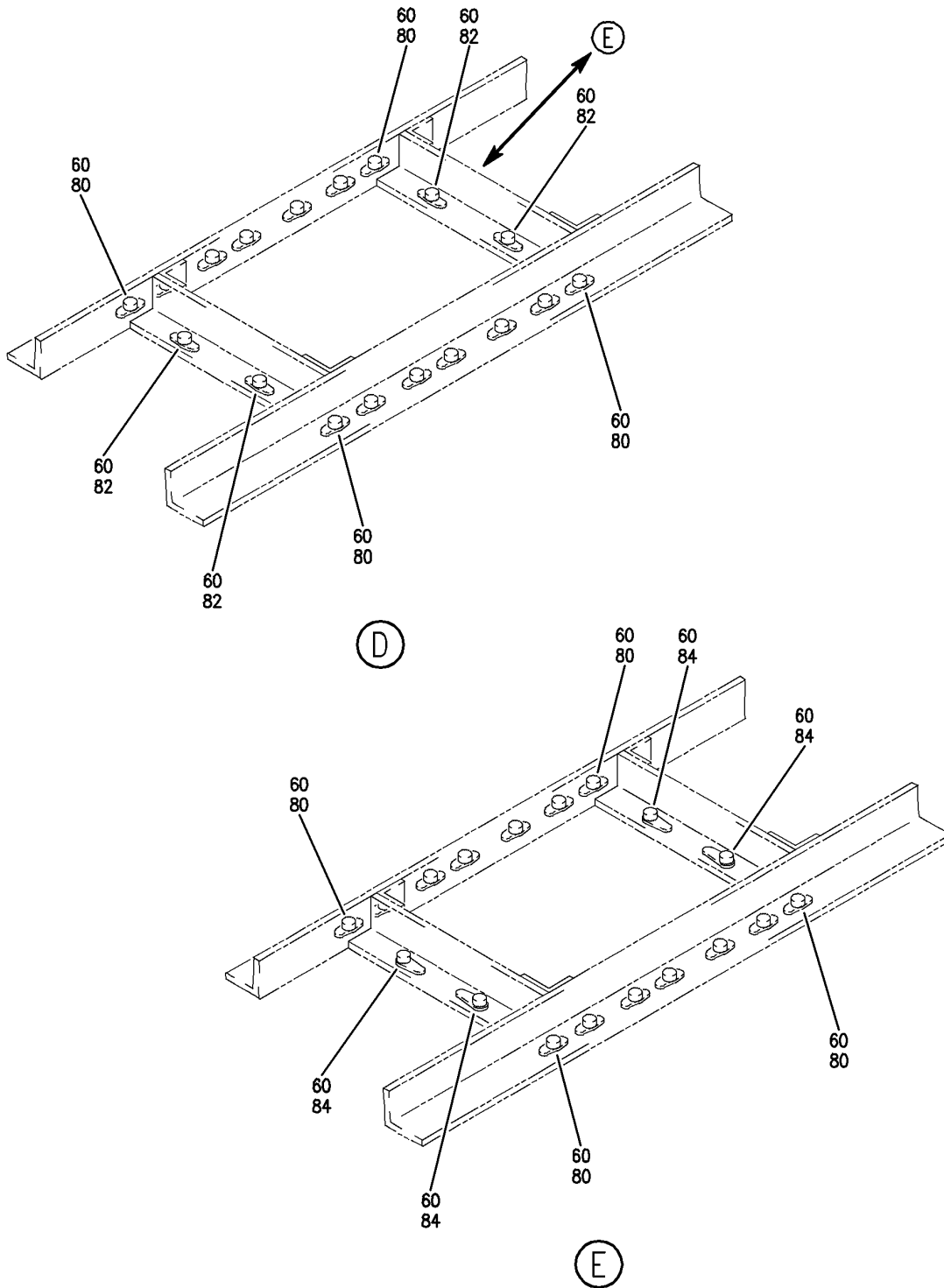
SUPPORT AND PLATE INSTL-SECT. 46 AFT ENTRYWAY AREA CARGO EQPT
FIGURE 16 (SHEET 3)

25-53-00-16

HXL
DEC 22/06

25-53-00-16
PAGE 0B

BOEING
767
PARTS CATALOG (MAINTENANCE)



V 25530016 SH1 4 REV 244

SUPPORT AND PLATE INSTL-SECT. 46 AFT ENTRYWAY AREA CARGO EQPT
FIGURE 16 (SHEET 4)

25-53-00-16

HXL
DEC 22/06

25-53-00-16
PAGE 0C



767

PARTS CATALOG (MAINTENANCE)

FIG ITEM	PART NUMBER	1 2 3 4 5 6 7	NOMENCLATURE	EFFECT FROM TO	UNITS PER ASSY
16			SUPPORT AND PLATE INSTL- SECT. 46 AFT ENTRYWAY AREA CARGO EQPT		
- 1	451T2502-1		SUPPORT INSTL-ENTRYWAY AREA CARGO POSITION DATA: SECT. 46 AFT FOR NHA SEE: 25-50-00-01B		RF
5	451T2502-27		.SUPPORT ASSY- QUALIFIED I/W DATA: 451T2502-39 SUPPORT ASSEMBLY CAN REPLACE OR BE REPLACED BY 451T2502-27 TOGETHER WITH BACF3F028L018NN. QUALIFIED OPTIONAL DATA: -27 AND BACF3F028L018NN OPTIONAL TO -39.		4
10	451T2502-39		.SUPPORT ASSY- QUALIFIED I/W DATA: 451T2502-39 SUPPORT ASSEMBLY CAN REPLACE OR BE REPLACED BY 451T2502-27 TOGETHER WITH BACF3F028L018NN.		4
12	451T2502-58		.KIT ASSY-SUB OPTIONAL PART: 451T2502-39		4
15	BACF3F028L018NN		..FILLER- USED ON: 451T2502-58		1
17	451T2502-27		..SUPPORT ASSY- USED ON: 451T2502-58		1
- 20	451T2502-35		PLATE INSTL-ENTRYWAY AREA CARGO POSITION DATA: SECT. 46 AFT FOR NHA SEE: 25-50-00-01B		RF
25	451T1025-9		.PLATE ASSY		4
30	BACB30ZG3-3		.SCREW-		8

ILLUSTRATION ITEMS NOT ON PARTS LIST ARE NOT APPLICABLE

- ITEM NOT ILLUSTRATED

25-53-00-16

25-53-00
FIG. 16
PAGE 1
AUG 22/08

HXL

BOEING PROPRIETARY - Copyright © - Unpublished Work - See title page for details.



767

PARTS CATALOG (MAINTENANCE)

FIG ITEM	PART NUMBER	1 2 3 4 5 6 7	NOMENCLATURE	EFFECT FROM TO	UNITS PER ASSY
16 35	F2000-3		.NUTPLATE SUPPLIER CODE: V15653 SPECIFICATION NUMBER: BACN10KB3F OPTIONAL PART: NS103185-02 V80539 RMF9207-3 V72962 T8114S1032S V11815 VN151A1-02 V92215 BRF100A3 V52828		8
- 40	BACR15BA5AD		ATTACHING PARTS .RIVET- SIZE DETERMINED ON INSTL. -----*-----		16

ILLUSTRATION ITEMS NOT ON PARTS LIST ARE NOT APPLICABLE

- ITEM NOT ILLUSTRATED

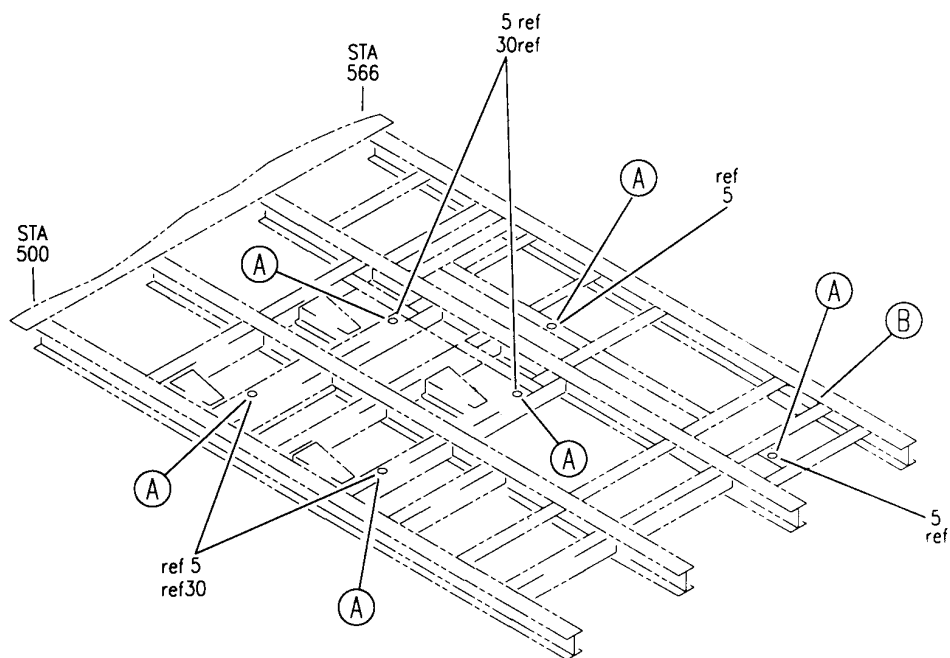
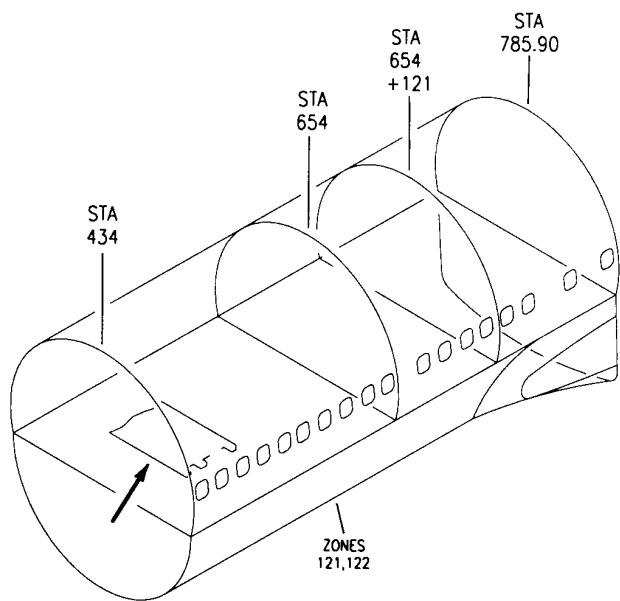
HXL

25-53-00-16

BOEING PROPRIETARY - Copyright © - Unpublished Work - See title page for details.

25-53-00
FIG. 16
PAGE 2
AUG 22/08

BOEING
767
PARTS CATALOG (MAINTENANCE)



V 25530017 SHT 1 REV 208

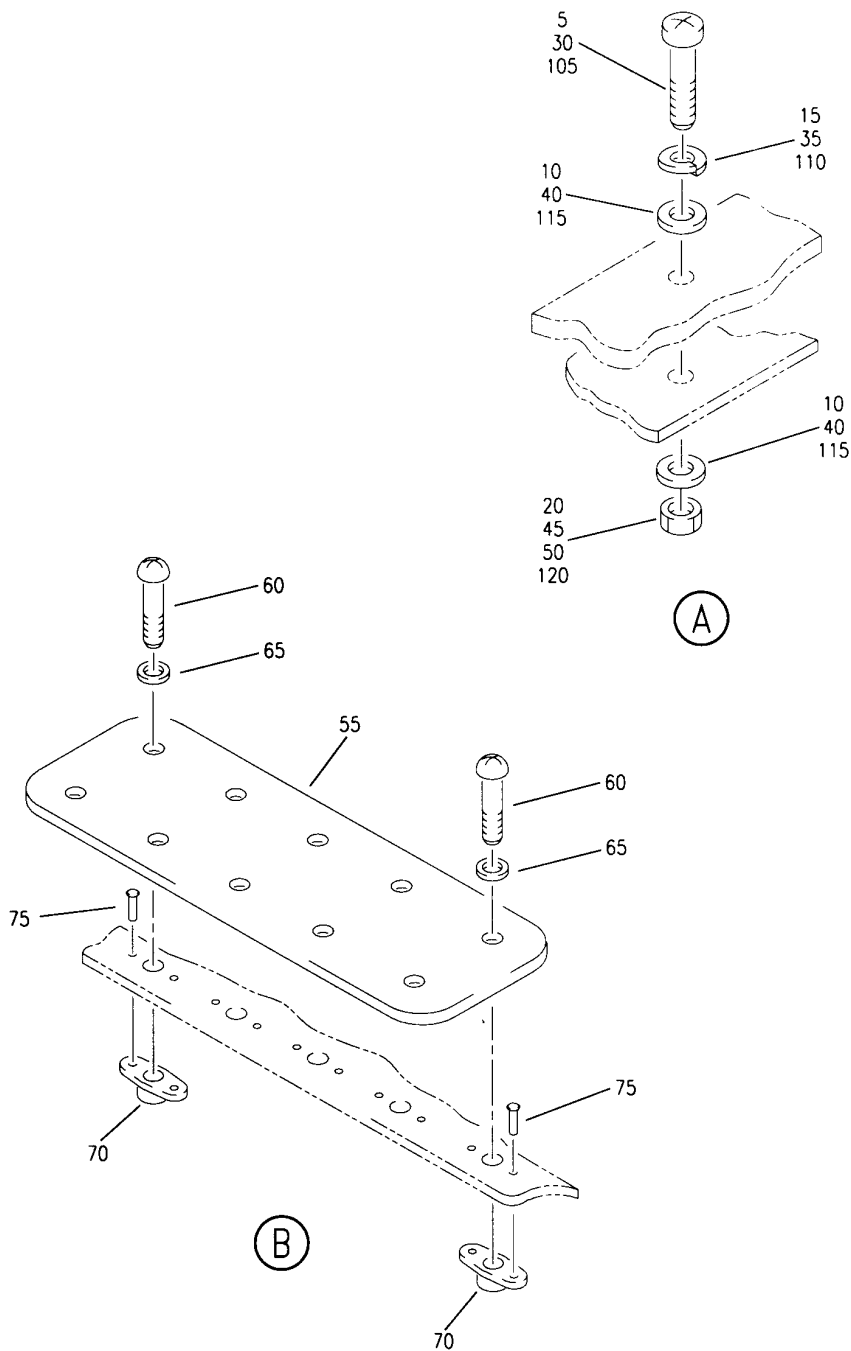
PANEL INSTL-SECT. 43 FWD PALLET OPT ENTRYWAY
FIGURE 17 (SHEET 1)

25-53-00-17

HXL
DEC 22/06

25-53-00-17
PAGE 0

BOEING
767
PARTS CATALOG (MAINTENANCE)



V 25530017 SH1 2 REV 208

PANEL INSTL-SECT. 43 FWD PALLET OPT ENTRYWAY
FIGURE 17 (SHEET 2)

25-53-00-17

HXL
DEC 22/06

25-53-00-17
PAGE 0A



767

PARTS CATALOG (MAINTENANCE)

FIG ITEM	PART NUMBER	1 2 3 4 5 6 7	NOMENCLATURE	EFFECT FROM TO	UNITS PER ASSY
17			PANEL INSTL-SECT. 43 FWD PALLET OPT ENTRYWAY		
- 25	451T2601-18		PANEL INSTL-PALLET OPT ENTRYWAY SHEAR POSITION DATA: SECT. 43 STA 478 THRU STA 632 FWD FOR NHA SEE: 25-50-00-01B		RF
30	NAS1801-3-11	.	SCREW		4
35	BACW10EC3S	.	WASHER-		4
40	NAS1149D0316H	.	WASHER-		8
45	MS35650-305S	.	NUT		4
55	451T2602-59	.	SPLICE ATTACHING PARTS		1
60	BACB30NT3K7	.	BOLT		5
65	NAS1149D0332J	.	WASHER-		5
75	BACR15BA3AD	.	RIVET- SIZE DETERMINED ON INSTL. -----*-----		10

ILLUSTRATION ITEMS NOT ON PARTS LIST ARE NOT APPLICABLE

- ITEM NOT ILLUSTRATED

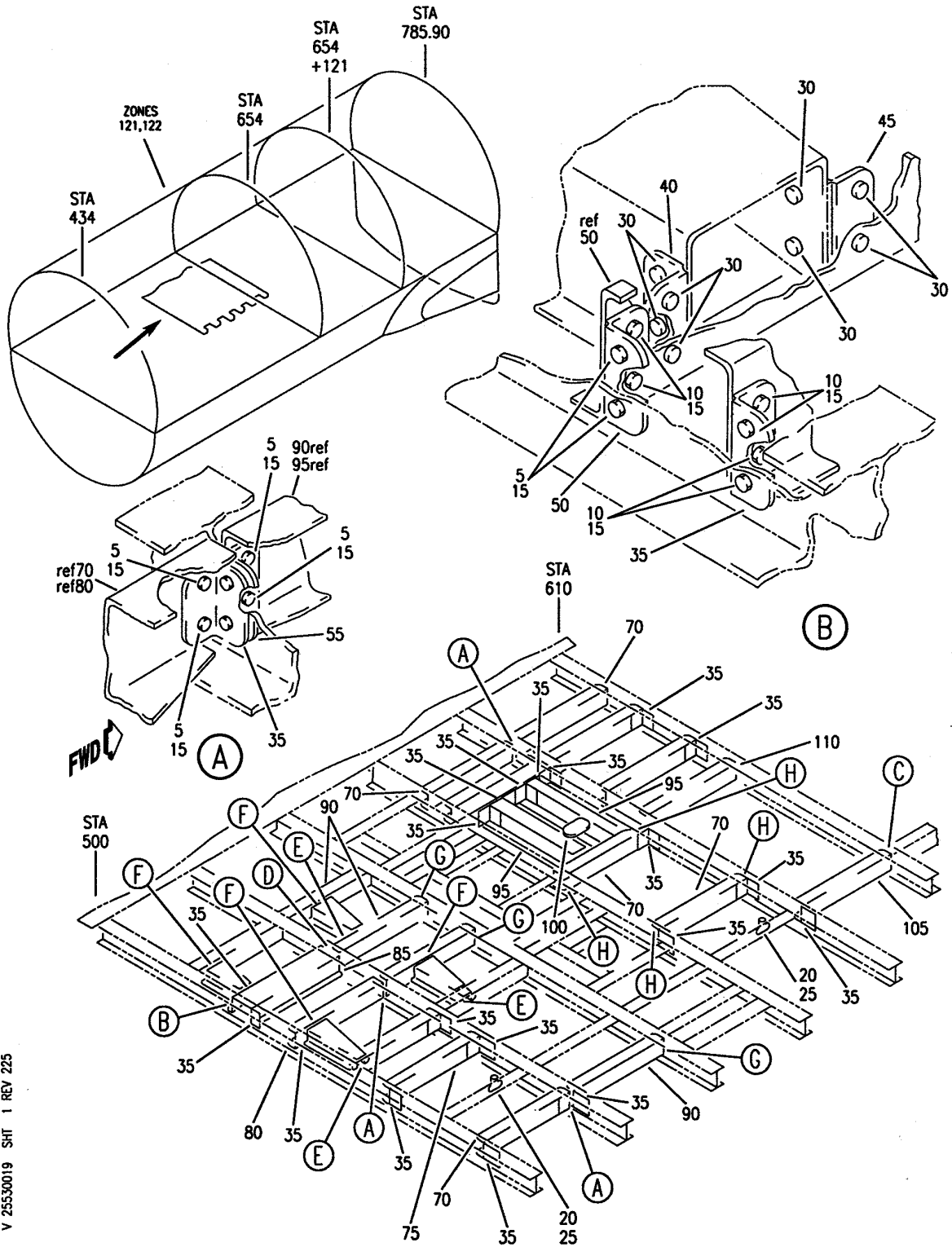
HXL

25-53-00-17

BOEING PROPRIETARY - Copyright © - Unpublished Work - See title page for details.

25-53-00
FIG. 17
PAGE 1
DEC 22/07

BOEING
767
PARTS CATALOG (MAINTENANCE)



V 25530019 SHT 1 REV 225

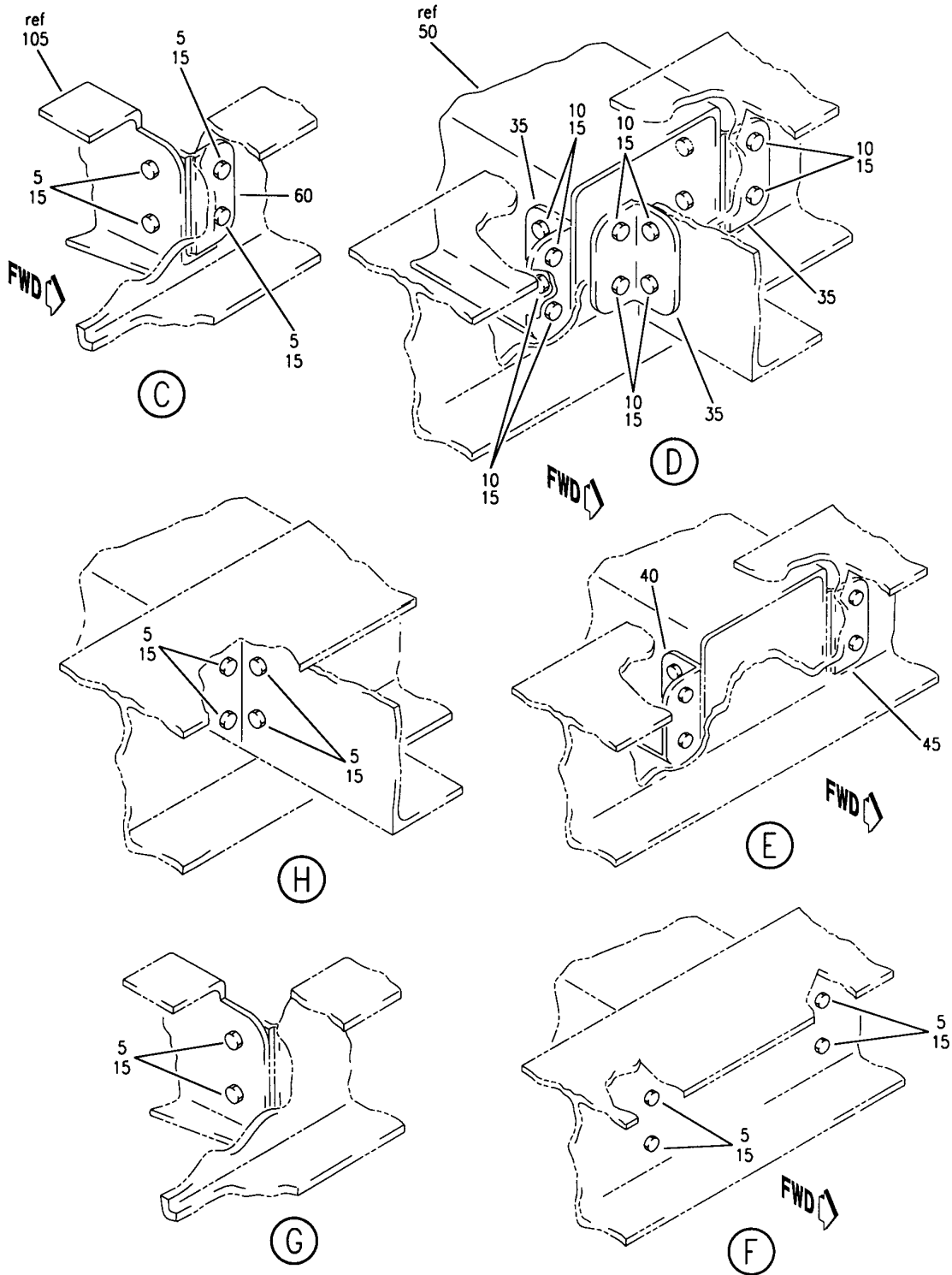
SUPPORT INSTL-SECT. 43 FWD PALLET OPT ENTRYWAY
FIGURE 19 (SHEET 1)

25-53-00-19

HXL
DEC 22/06

25-53-00-19
PAGE 0

BOEING
767
PARTS CATALOG (MAINTENANCE)



V 25530019 SHT 2 REV 209

SUPPORT INSTL-SECT. 43 FWD PALLET OPT ENTRYWAY
FIGURE 19 (SHEET 2)

25-53-00-19

HXL
DEC 22/06

25-53-00-19
PAGE 0A

 **BOEING**
767
PARTS CATALOG (MAINTENANCE)

FIG ITEM	PART NUMBER	1 2 3 4 5 6 7	NOMENCLATURE	EFFECT FROM TO	UNITS PER ASSY
19			SUPPORT INSTL-SECT. 43 FWD PALLET OPT ENTRYWAY		
- 1	451T2601-17		SUPPORT INSTL-PALLET OPT ENTRYWAY POSITION DATA: SECT. 43 FWD FOR NHA SEE: 25-50-00-01B		RF
5	L8006K5		.BOLT SUPPLIER CODE: V06725 SPECIFICATION NUMBER: BACB30MY6K5		100
10	L8006K4		.BOLT SUPPLIER CODE: V06725 SPECIFICATION NUMBER: BACB30MY6K4		12
15	HL79-6		.COLLAR SUPPLIER CODE: V5M902 SPECIFICATION NUMBER: BACC30M6 OPTIONAL PART: HL79-6 V73197 HL79-6 V92215 66014-6 V56878 HL79-6 V56878		112
R 20	BACN10GH3A10		.NUTPLATE		2
25	BACS40R008C18F		.SHIM		AR
30	BACR15FT6D		.RIVET- SIZE DETERMINED ON INSTL.		16
35	451T2506-89		.CLIP		26
40	451T2506-19		.CLIP		4
45	451T2703-1		.CLIP		4
50	451T2506-91		.CLIP		1
55	451T2506-90		.CLIP		3
60	451T2506-68		.CLIP		1
65	451T2506-1		.CLIP		6
70	451T2602-29		.BEAM		5
75	451T2602-2		.BEAM		1
80	451T2602-3		.BEAM		1
85	451T2602-23		.BEAM		1
90	451T2602-57		.BEAM		3
95	451T2602-7		.BEAM		2

ILLUSTRATION ITEMS NOT ON PARTS LIST ARE NOT APPLICABLE

- ITEM NOT ILLUSTRATED

HXL

25-53-00-19

BOEING PROPRIETARY - Copyright © - Unpublished Work - See title page for details.

25-53-00
FIG. 19
PAGE 1
AUG 22/09



767
PARTS CATALOG (MAINTENANCE)

FIG ITEM	PART NUMBER	1 2 3 4 5 6 7	NOMENCLATURE	EFFECT FROM TO	UNITS PER ASSY
19					
100	451T2602-6	.	BEAM		1
105	451T2602-49	.	BEAM		1
110	451T2602-48	.	BEAM		1

ILLUSTRATION ITEMS NOT ON PARTS LIST ARE NOT APPLICABLE

- ITEM NOT ILLUSTRATED

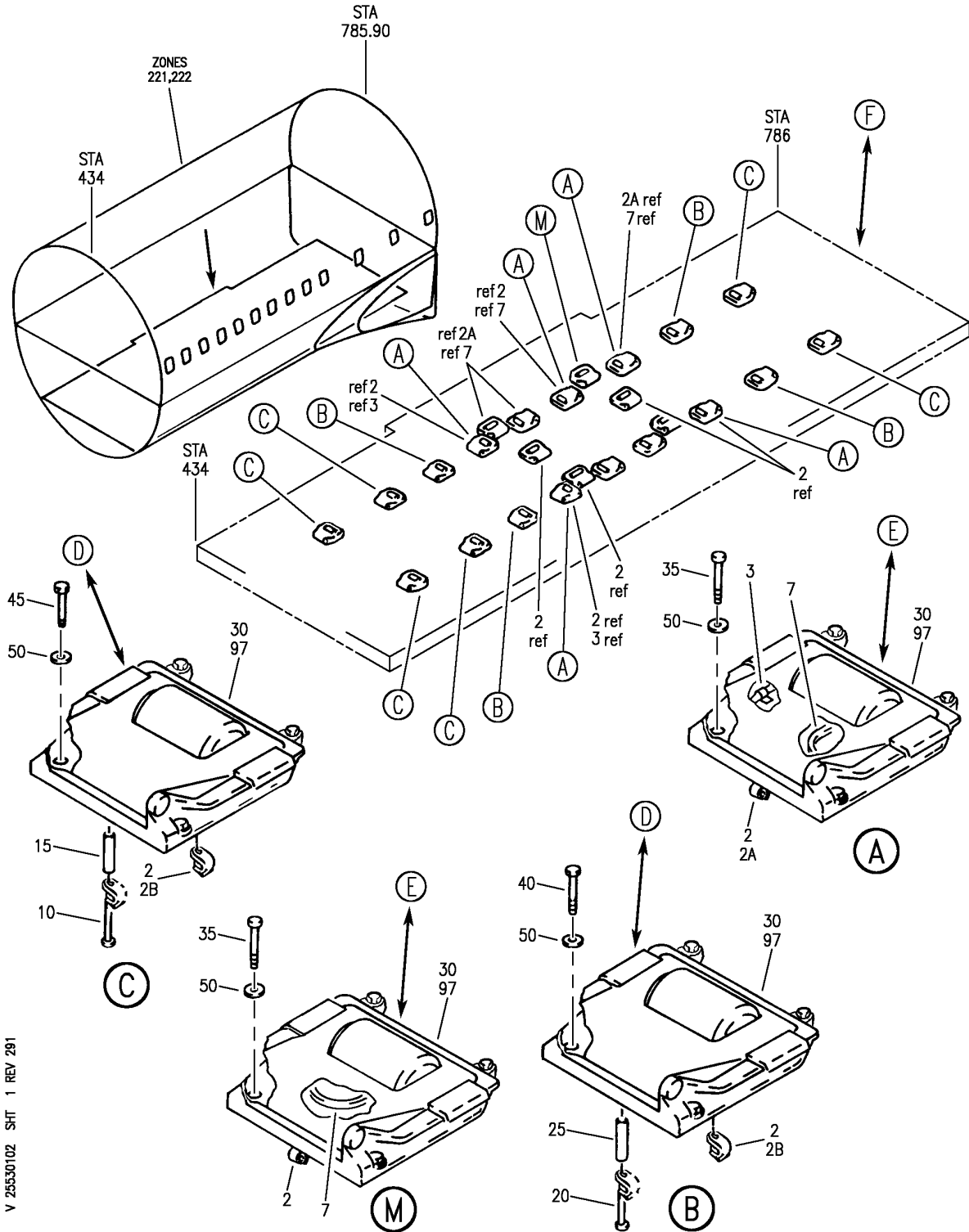
HXL

25-53-00-19

BOEING PROPRIETARY - Copyright © - Unpublished Work - See title page for details.

25-53-00
FIG. 19
PAGE 2
AUG 22/09


BOEING
 767
PARTS CATALOG (MAINTENANCE)



V 25530102 SHT 1 REV 291

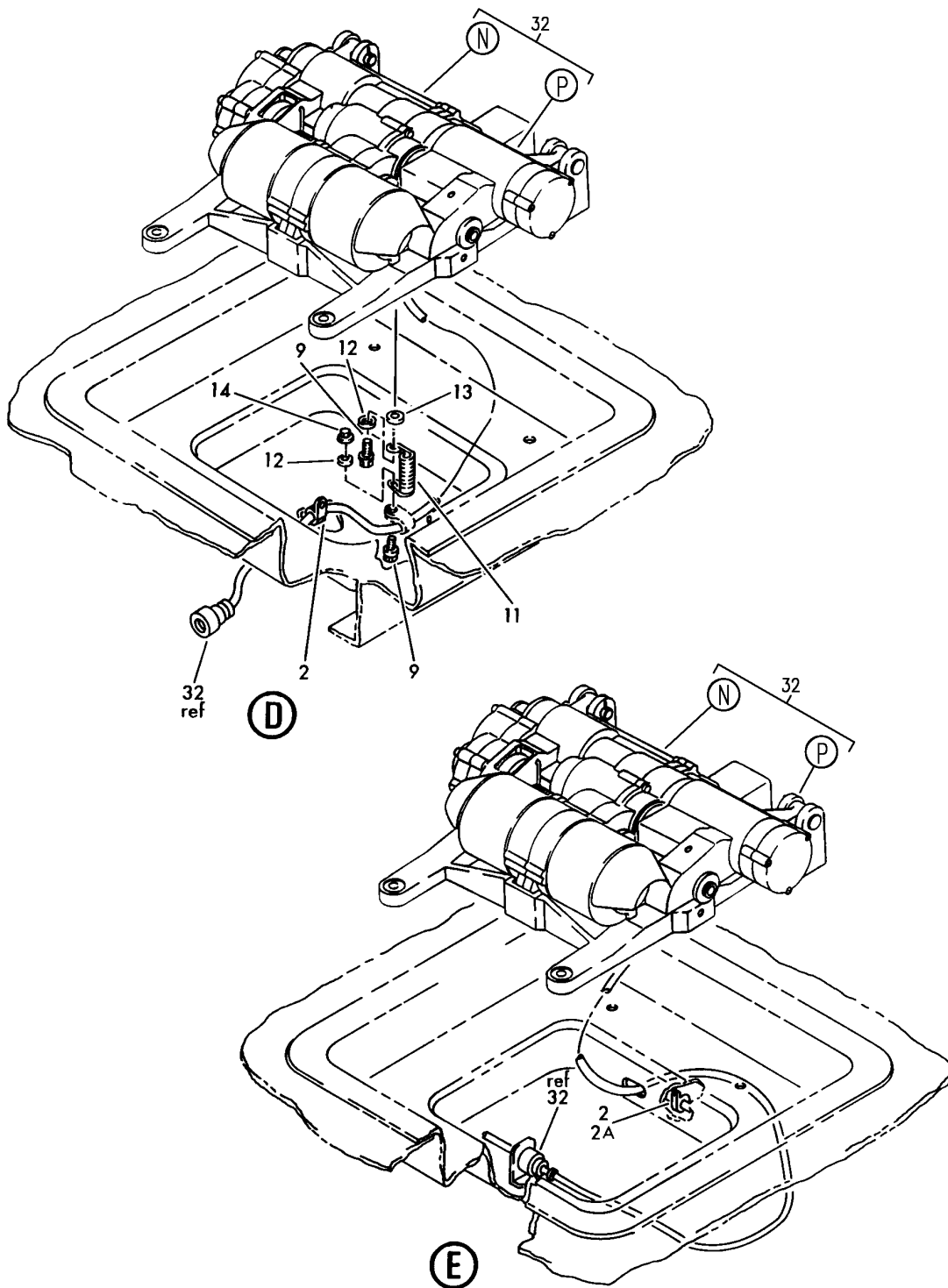
DRIVE SYSTEM INSTL-SECT. 41/43 FWD CARGO COMPT PALLET OPT
FIGURE 2 (SHEET 1)

25-53-01-02

HXL
DEC 22/06

25-53-01-02
PAGE 0

BOEING
767
PARTS CATALOG (MAINTENANCE)



V 25530102 SH1 2 REV 292

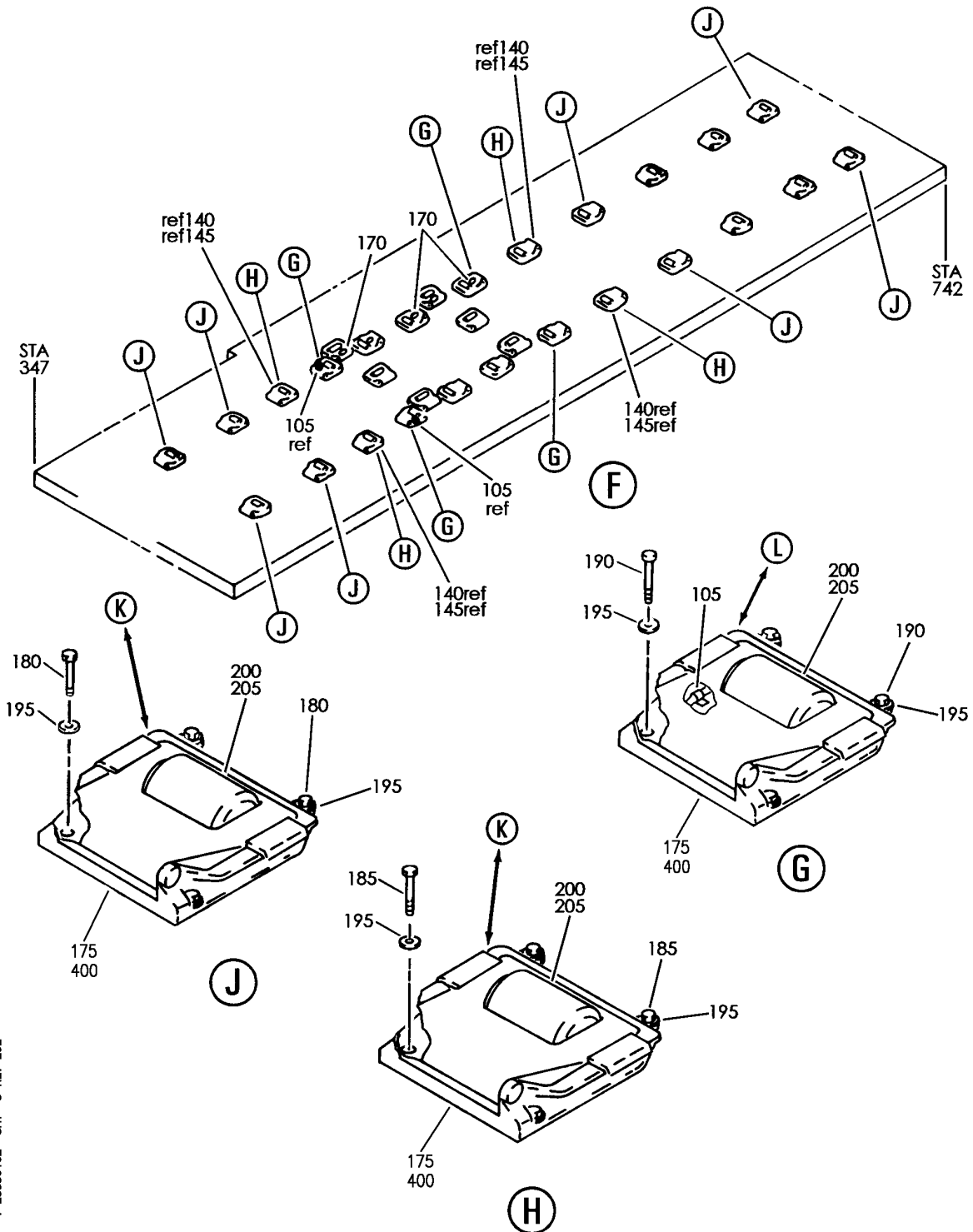
DRIVE SYSTEM INSTL-SECT. 41/43 FWD CARGO COMPT PALLET OPT
FIGURE 2 (SHEET 2)

25-53-01-02

HXL
DEC 22/06

25-53-01-02
PAGE 0A

BOEING
767
PARTS CATALOG (MAINTENANCE)



V 25530102 SHT 3 REV 292

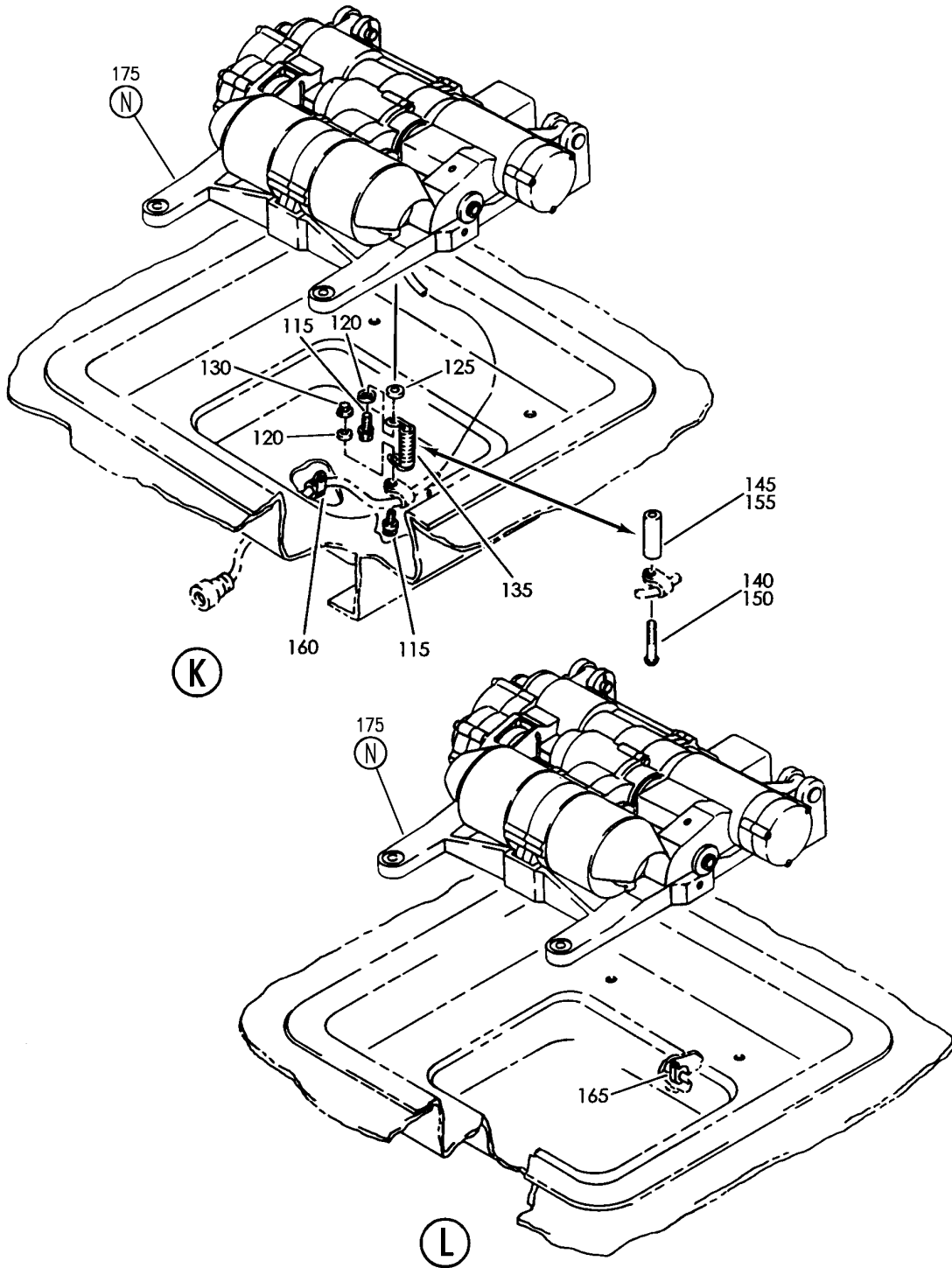
DRIVE SYSTEM INSTL-SECT. 41/43 FWD CARGO COMPT PALLET OPT
FIGURE 2 (SHEET 3)

25-53-01-02

HXL
DEC 22/06

25-53-01-02
PAGE 0B

BOEING
767
PARTS CATALOG (MAINTENANCE)



V 25530102 SH1 4 REV 290

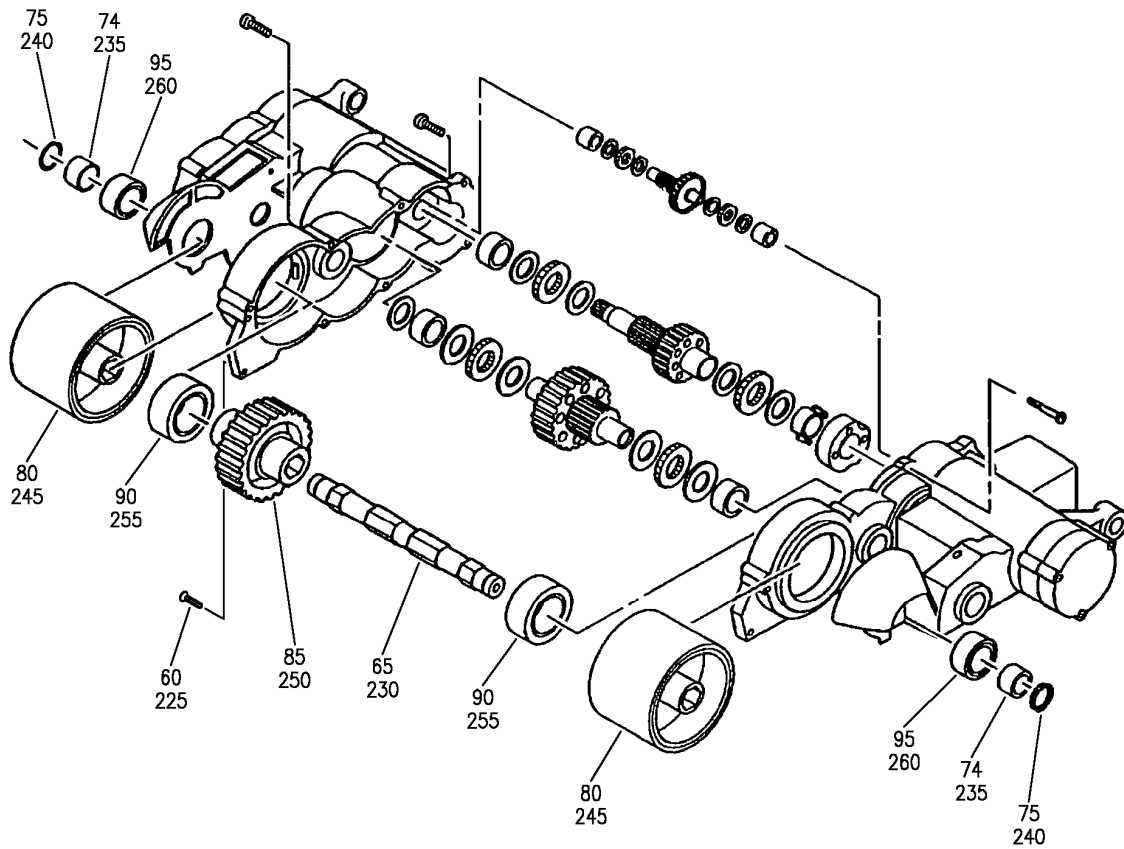
DRIVE SYSTEM INSTL-SECT. 41/43 FWD CARGO COMPT PALLET OPT
FIGURE 2 (SHEET 4)

25-53-01-02

HXL
DEC 22/06

25-53-01-02
PAGE 0C

BOEING
767
PARTS CATALOG (MAINTENANCE)



(N)

V 25530102 SH-T 5 REV 292

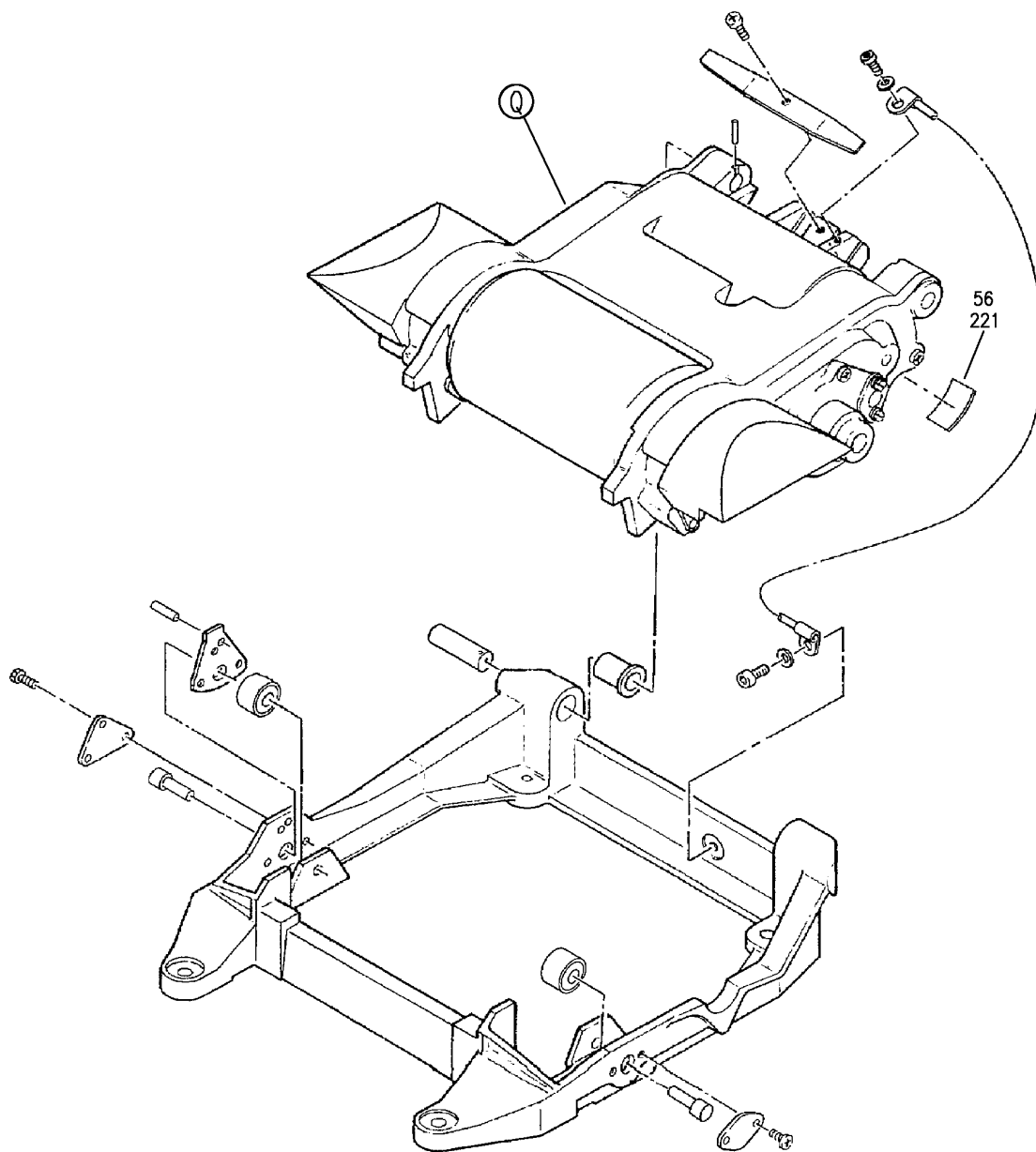
DRIVE SYSTEM INSTL-SECT. 41/43 FWD CARGO COMPT PALLET OPT
FIGURE 2 (SHEET 5)

25-53-01-02

HXL
DEC 22/06

25-53-01-02
PAGE 0D

BOEING
767
PARTS CATALOG (MAINTENANCE)



V 25530102 SH-T 6 REV 292

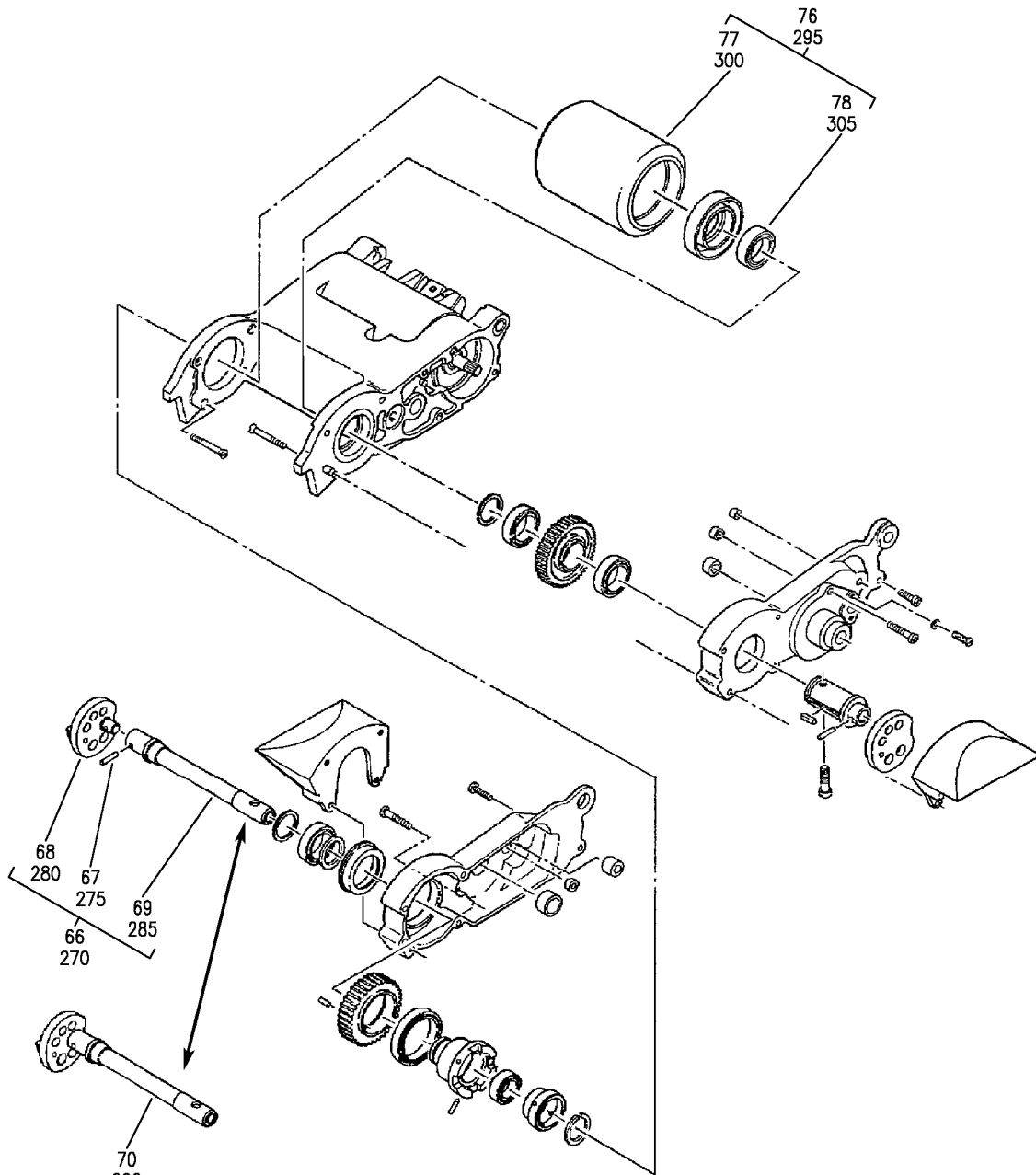
DRIVE SYSTEM INSTL-SECT. 41/43 FWD CARGO COMPT PALLET OPT
FIGURE 2 (SHEET 6)

25-53-01-02

HXL
DEC 22/06

25-53-01-02
PAGE 0E

BOEING
767
PARTS CATALOG (MAINTENANCE)



V 25530102 SH1 7 REV 292

Q

DRIVE SYSTEM INSTL-SECT. 41/43 FWD CARGO COMPT PALLET OPT
FIGURE 2 (SHEET 7)

25-53-01-02

HXL
DEC 22/06

25-53-01-02
PAGE OF



767

PARTS CATALOG (MAINTENANCE)

FIG ITEM	PART NUMBER	1 2 3 4 5 6 7	NOMENCLATURE	EFFECT FROM TO	UNITS PER ASSY
2			DRIVE SYSTEM INSTL-SECT. 41/43 FWD CARGO COMPT PALLET OPT		
- 100	451T2003-6		DRIVE SYSTEM INSTL-CARGO COMPT PALLET OPT POSITION DATA: SECT. 41/43 FWD FOR NHA SEE: 25-50-00-01		RF
115	NAS1801-3-6		.SCREW- QUALIFIED OPTIONAL DATA: (1) NAS42DD6-73 SPACER TOGETHER WITH (1) NAS1801-3-24 BOLT OR (1) NAS42DD6-89 SPACER TOGETHER WITH (1) NAS1801-3-28 BOLT IS OPTIONAL TO (1) 451T2004-1 SPRING TOGETHER WITH (2) NAS1801-3-6 BOLTS, (2) AN960-10L WASHERS, (1) BACN10YR3CD NUT AND (1) MS35333-39 LOCK WASHER)		32
120	AN960-10L		.WASHER- QUALIFIED OPTIONAL DATA: (1) NAS42DD6-73 SPACER TOGETHER WITH (1) NAS1801-3-24 BOLT OR (1) NAS42DD6-89 SPACER TOGETHER WITH (1) NAS1801-3-28 BOLT IS OPTIONAL TO (1) 451T2004-1 SPRING TOGETHER WITH (2) NAS1801-3-6 BOLTS, (2) AN960-10L WASHERS, (1) BACN10YR3CD NUT AND (1) MS35333-39 LOCK WASHER)		32

ILLUSTRATION ITEMS NOT ON PARTS LIST ARE NOT APPLICABLE

- ITEM NOT ILLUSTRATED

HXL

25-53-01-02

BOEING PROPRIETARY - Copyright © - Unpublished Work - See title page for details.

25-53-01
FIG. 02
PAGE 1
DEC 22/07



767

PARTS CATALOG (MAINTENANCE)

FIG ITEM	PART NUMBER	1 2 3 4 5 6 7	NOMENCLATURE	EFFECT FROM TO	UNITS PER ASSY
2 125	MS35333-39		.WASHER- QUALIFIED OPTIONAL DATA: (1) NAS42DD6-73 SPACER TOGETHER WITH (1) NAS1801-3-24 BOLT OR (1) NAS42DD6-89 SPACER TOGETHER WITH (1) NAS1801-3-28 BOLT IS OPTIONAL TO (1) 451T2004-1 SPRING TOGETHER WITH (2) NAS1801-3-6 BOLTS, (2) AN960-10L WASHERS, (1) BACN10YR3CD NUT AND (1) MS35333-39 LOCK WASHER)		16
130	PLH53CD		.NUT- SUPPLIER CODE: VF0224 SPECIFICATION NUMBER: BACN10YR3CD OPTIONAL PART: H52732-3CD V15653 QUALIFIED OPTIONAL DATA: (1) NAS42DD6-73 SPACER TOGETHER WITH (1) NAS1801-3-24 BOLT OR (1) NAS42DD6-89 SPACER TOGETHER WITH (1) NAS1801-3-28 BOLT IS OPTIONAL TO (1) 451T2004-1 SPRING TOGETHER WITH (2) NAS1801-3-6 BOLTS, (2) AN960-10L WASHERS, (1) BACN10YR3CD NUT AND (1) MS35333-39 LOCK WASHER)		16

ILLUSTRATION ITEMS NOT ON PARTS LIST ARE NOT APPLICABLE

- ITEM NOT ILLUSTRATED

HXL

25-53-01-02

BOEING PROPRIETARY - Copyright © - Unpublished Work - See title page for details.

25-53-01
FIG. 02
PAGE 2
DEC 22/08



767

PARTS CATALOG (MAINTENANCE)

FIG ITEM	PART NUMBER	1 2 3 4 5 6 7	NOMENCLATURE	EFFECT FROM TO	UNITS PER ASSY
2 135	451T2004-1		. SPRING- QUALIFIED OPTIONAL DATA: (1) NAS42DD6-73 SPACER TOGETHER WITH (1) NAS1801-3-24 BOLT OR (1) NAS42DD6-89 SPACER TOGETHER WITH (1) NAS1801-3-28 BOLT IS OPTIONAL TO (1) 451T2004-1 SPRING TOGETHER WITH (2) NAS1801-3-6 BOLTS, (2) AN960-10L WASHERS, (1) BACN10YR3CD NUT AND (1) MS35333-39 LOCK WASHER)		16
140	NAS1801-3-24		. SCREW- QUALIFIED OPTIONAL DATA: (1) NAS42DD6-73 SPACER TOGETHER WITH (1) NAS1801-3-24 BOLT OR (1) NAS42DD6-89 SPACER TOGETHER WITH (1) NAS1801-3-28 BOLT IS OPTIONAL TO (1) 451T2004-1 SPRING TOGETHER WITH (2) NAS1801-3-6 BOLTS, (2) AN960-10L WASHERS, (1) BACN10YR3CD NUT AND (1) MS35333-39 LOCK WASHER)		12
145	NAS42DD6-73		. SPACER- QUALIFIED OPTIONAL DATA: (1) NAS42DD6-73 SPACER TOGETHER WITH (1) NAS1801-3-24 BOLT OR (1) NAS42DD6-89 SPACER TOGETHER WITH (1) NAS1801-3-28 BOLT IS OPTIONAL TO (1) 451T2004-1 SPRING TOGETHER WITH (2) NAS1801-3-6 BOLTS, (2) AN960-10L WASHERS, (1) BACN10YR3CD NUT AND (1) MS35333-39 LOCK WASHER)		12

ILLUSTRATION ITEMS NOT ON PARTS LIST ARE NOT APPLICABLE

- ITEM NOT ILLUSTRATED

HXL

25-53-01-02

BOEING PROPRIETARY - Copyright © - Unpublished Work - See title page for details.

25-53-01
FIG. 02
PAGE 3
DEC 22/06



767

PARTS CATALOG (MAINTENANCE)

FIG ITEM	PART NUMBER	1 2 3 4 5 6 7	NOMENCLATURE	EFFECT FROM TO	UNITS PER ASSY
2 150	NAS1801-3-28		.SCREW- QUALIFIED OPTIONAL DATA: (1) NAS42DD6-73 SPACER TOGETHER WITH (1) NAS1801-3-24 BOLT OR (1) NAS42DD6-89 SPACER TOGETHER WITH (1) NAS1801-3-28 BOLT IS OPTIONAL TO (1) 451T2004-1 SPRING TOGETHER WITH (2) NAS1801-3-6 BOLTS, (2) AN960-10L WASHERS, (1) BACN10YR3CD NUT AND (1) MS35333-39 LOCK WASHER)		4
155	NAS42DD6-89		.SPACER- QUALIFIED OPTIONAL DATA: (1) NAS42DD6-73 SPACER TOGETHER WITH (1) NAS1801-3-24 BOLT OR (1) NAS42DD6-89 SPACER TOGETHER WITH (1) NAS1801-3-28 BOLT IS OPTIONAL TO (1) 451T2004-1 SPRING TOGETHER WITH (2) NAS1801-3-6 BOLTS, (2) AN960-10L WASHERS, (1) BACN10YR3CD NUT AND (1) MS35333-39 LOCK WASHER)		4
160	PLT1-5IM		.STRAP-ADJUSTABLE SUPPLIER CODE: V06383 SPECIFICATION NUMBER: BACS38K5 OPTIONAL PART: T03R0 V53421		28
170 176	BACG20ZP1900B 181RA71R206A		.GROMMET .UNIT ASSY- SELF-ERECTING AND RETRACTING PWR SUPPLIER CODE: V00462 SPECIFICATION NUMBER: S451T201-11 ELECTRICAL EQUIP NUMBER: M00347 M00348		5 30

ILLUSTRATION ITEMS NOT ON PARTS LIST ARE NOT APPLICABLE

- ITEM NOT ILLUSTRATED

25-53-01-02

25-53-01
FIG. 02
PAGE 4
APR 22/07

HXL



767

PARTS CATALOG (MAINTENANCE)

FIG ITEM	PART NUMBER	1 2 3 4 5 6 7 NOMENCLATURE	EFFECT FROM TO	UNITS PER ASSY
2 176		M01004 M01005 M01006 M01007 M01008 M01009 M01010 M01011 M01012 M01013 M01014 M01015 M01016 M01017 M01018 M01019 M01020 M01021 M01039 M01040 M01361 M01362 M01363 M01364 M01365 M01366 M01367 M01368 COMPONENT MAINT MANUAL REF: 25-55-17 QUALIFIED I/W DATA: 181RA71R206A IS FULLY I/W WITH 181RA71R206B HOWEVER, RECOMMEND INCORPORATION OF SB 767-25-0169 OR LUCAS WESTERN SB'S 181RA71R206-25-1 & -2 PN 181RA71R206C CAN REPLACE AND CAN BE REPLACED BY PN 2022538-3/-4/-5/-6/-7/-8 IF CABLE ROUTING IS ACCOMPLISHED BY 451T2003-11 FOR 767-200 AND 451T2003-10 FOR 767-300 181RA71R206 IS FULLY I/W WITH 181RA71R206AIF ILLUSTRATION ITEMS NOT ON PARTS LIST ARE NOT APPLICABLE		

- ITEM NOT ILLUSTRATED

HXL

25-53-01-02

BOEING PROPRIETARY - Copyright © - Unpublished Work - See title page for details.

25-53-01
FIG. 02
PAGE 5
APR 22/07



767

PARTS CATALOG (MAINTENANCE)

FIG ITEM	PART NUMBER	1 2 3 4 5 6 7 NOMENCLATURE	EFFECT FROM TO	UNITS PER ASSY
2 176		ELECTRICAL CABLE REROUTED PER DRAWING 451T2001-10, 451T2002-11, 451T2003-11 FOR 767-200 OR DRAWING 451T2001-11, 451T2002-10, 451T2003-10 FOR 767-300 OPTIONAL PART: 181RA71R206C V00462 PRE SERVICE BULLETIN: 25-0169 PRE SERVICE BULLETIN: 181RA71R206-25-1 V82402 181RA71R206-25-2 V82402		
176	181RA71R206B	.UNIT ASSY- SELF-ERECTING AND RETRACTING PWR SUPPLIER CODE: V00462 SPECIFICATION NUMBER: S451T201-12 ELECTRICAL EQUIP NUMBER: M00347 M00348 M01004 M01005 M01006 M01007 M01008 M01009 M01010 M01011 M01012 M01013 M01014 M01015 M01016 M01017 M01018 M01019 M01020 M01021 M01039 M01040 M01361 ILLUSTRATION ITEMS NOT ON PARTS LIST ARE NOT APPLICABLE		30

- ITEM NOT ILLUSTRATED

25-53-01-02

25-53-01
 FIG. 02
 PAGE 6
 APR 22/07

HXL



767

PARTS CATALOG (MAINTENANCE)

FIG ITEM	PART NUMBER	1 2 3 4 5 6 7 NOMENCLATURE	EFFECT FROM TO	UNITS PER ASSY
2 176		M01362 M01363 M01364 M01365 M01366 M01367 M01368 COMPONENT MAINT MANUAL REF: 25-55-17 QUALIFIED I/W DATA: 181RA71R206A IS FULLY I/W 181RA71R206B HOWEVER, RECOMMEND INCORPORATION OF SB 767-25-0169 OR LUCAS WESTERN SB'S 181RA71R206-25-1 & -2 PN 181RA71R206B CAN REPLACE AND CAN BE REPLACED BY PN 2022538-3/-4/-5/-6/-7/-8 IF CABLE ROUTING IS ACCOMPLISHED BY 451T2003-11 FOR 767-200 AND 451T2003-10 FOR 767-300 POST SERVICE BULLETIN: 25-0169 POST SERVICE BULLETIN: 181RA71R206-25-1 V82402 181RA71R206-25-2 V82402		
176	181RA71R206C	.UNIT ASSY- SELF-ERECTING AND RETRACTING PWR SUPPLIER CODE: V00462 SPECIFICATION NUMBER: S451T201-13 ELECTRICAL EQUIP NUMBER: M00347 M00348 M01004 M01005 M01006 M01007 M01008 M01009 ILLUSTRATION ITEMS NOT ON PARTS LIST ARE NOT APPLICABLE		30

- ITEM NOT ILLUSTRATED

HXL

25-53-01-02

BOEING PROPRIETARY - Copyright © - Unpublished Work - See title page for details.

25-53-01
 FIG. 02
 PAGE 7
 APR 22/07

BOEING
767
PARTS CATALOG (MAINTENANCE)

FIG ITEM	PART NUMBER	1 2 3 4 5 6 7	NOMENCLATURE	EFFECT FROM TO	UNITS PER ASSY
2 176			M01010 M01011 M01012 M01013 M01014 M01015 M01016 M01017 M01018 M01019 M01020 M01021 M01039 M01040 M01361 M01362 M01363 M01364 M01365 M01366 M01367 M01368 COMPONENT MAINT MANUAL REF: 25-55-17 QUALIFIED I/W DATA: PN 181RA71R206C CAN REPLACE AND CAN BE REPLACED BY PN 2022538-3/-4/-5/-6/-7/-8 IF CABLE ROUTING IS ACCOMPLISHED BY 451T2003-11 FOR 767-200 AND 451T2003-10 FOR 767-300 OPTIONAL PART: 181RA71R206A V00462 ATTACHING PARTS		
	180 BACB30NR4K12		.BOLT-		48
	185 BACB30NR4K18		.BOLT-		16
	190 BACB30NR4K20		.BOLT-		56
	195 AN960JD416L		.WASHER-		120
	195 AN960PD416L		.WASHER-		120
			-----*-----		
- 215	150192		..DECAL- SUPPLIER CODE: V00462 USED ON: 181RA71R206A		1
			ILLUSTRATION ITEMS NOT ON PARTS LIST ARE NOT APPLICABLE		

- ITEM NOT ILLUSTRATED

HXL

25-53-01-02

BOEING PROPRIETARY - Copyright © - Unpublished Work - See title page for details.

25-53-01
FIG. 02
PAGE 8
APR 22/07



767

PARTS CATALOG (MAINTENANCE)

FIG ITEM	PART NUMBER	1 2 3 4 5 6 7	NOMENCLATURE	EFFECT FROM TO	UNITS PER ASSY
2					
- 215	150781	..	DECAL- SUPPLIER CODE: V00462 USED ON: 181RA71R206B		1
- 215	151726	..	DECAL- SUPPLIER CODE: V00462 USED ON: 181RA71R206C		1
- 220	150193	..	DECAL- SUPPLIER CODE: V00462 USED ON: 181RA71R206A 181RA71R206B 181RA71R206C		1
225	MS35190-255L	..	SCREW- USED ON: 181RA71R206C		1
230	37270	..	SHAFT-HEX DRIVE OUTPUT SUPPLIER CODE: V00462		1
235	37272	..	BEARING-RACEWAY OUTPUT SHAFT SUPPLIER CODE: V00462 USED ON: 181RA71R206C		2
240	RSN62CD	..	RING-RETAINING SUPPLIER CODE: V00462 USED ON: 181RA71R206C		2
245	38284	..	ROLLER ASSY-TRACTION SUPPLIER CODE: V00462 USED ON: 181RA71R206C		2
250	37271	..	GEAR-DRIVE, OUTPUT SUPPLIER CODE: V00462 USED ON: 181RA71R206C		1
255	80499-5	..	BEARING- SUPPLIER CODE: V00462 USED ON: 181RA71R206C		2

ILLUSTRATION ITEMS NOT ON PARTS LIST ARE NOT APPLICABLE

- ITEM NOT ILLUSTRATED

25-53-01-02

25-53-01
FIG. 02
PAGE 9
APR 22/07

HXL

BOEING PROPRIETARY - Copyright © - Unpublished Work - See title page for details.



767

PARTS CATALOG (MAINTENANCE)

FIG ITEM	PART NUMBER	1 2 3 4 5 6 7	NOMENCLATURE	EFFECT FROM TO	UNITS PER ASSY
2 260	SCE148PP		.. BEARING- SUPPLIER CODE: V27737 OPTIONAL PART: JTT148 V60380 USED ON: 181RA71R206C		2
260	JTT148		.. BEARING- SUPPLIER CODE: V60380 OPTIONAL PART: SCE148PP V27737		2
400	43104-14		. UNIT ASSY- SELF-ERECTING AND RETRACTING PWR SUPPLIER CODE: V00462 SPECIFICATION NUMBER: S451T201-14 ELECTRICAL EQUIP NUMBER: M00347 M00348 M01004 M01005 M01006 M01007 M01008 M01009 M01010 M01011 M01012 M01013 M01014 M01015 M01016 M01017 M01018 M01019 M01020 M01021 M01039 M01040 M01361 M01362 M01363 M01364 M01365		30
ILLUSTRATION ITEMS NOT ON PARTS LIST ARE NOT APPLICABLE					

- ITEM NOT ILLUSTRATED

25-53-01-02

25-53-01
FIG. 02
PAGE 10
APR 22/07

HXL

BOEING
767
PARTS CATALOG (MAINTENANCE)

FIG ITEM	PART NUMBER	1 2 3 4 5 6 7	NOMENCLATURE	EFFECT FROM TO	UNITS PER ASSY
2 400			M01366 M01367 M01368 COMPONENT MAINT MANUAL REF: 25-50-35 QUALIFIED I/W DATA: PN 43104-14 CAN REPLACE AND CAN BE REPLACED BY PN 2022538-3/-4/-5/-6/-7/-8 IF CABLE ROUTING IS ACCOMPLISHED BY 451T2003-11 FOR 767-200 AND 451T2003-10 FOR 767-300 FOR DETAILS SEE: 25-53-01-50		
R R	400	43100-13	.UNIT ASSY-POWER DRIVE CARGO COMPARTMENT SUPPLIER CODE: V31645 COMPONENT MAINT MANUAL REF: 25-55-10 QUALIFIED I/W DATA: PN 43100-13 CAN REPLACE AND CAN BE REPLACED BY PN 2022538-3/-4/-5/-6/-7/-8 IF CABLE ROUTING IS ACCOMPLISHED BY 451T2003-11 FOR 767-200 AND 451T2003-10 FOR 767-300 FOR DETAILS SEE: 25-53-01-50		30
ILLUSTRATION ITEMS NOT ON PARTS LIST ARE NOT APPLICABLE					

— ITEM NOT ILLUSTRATED

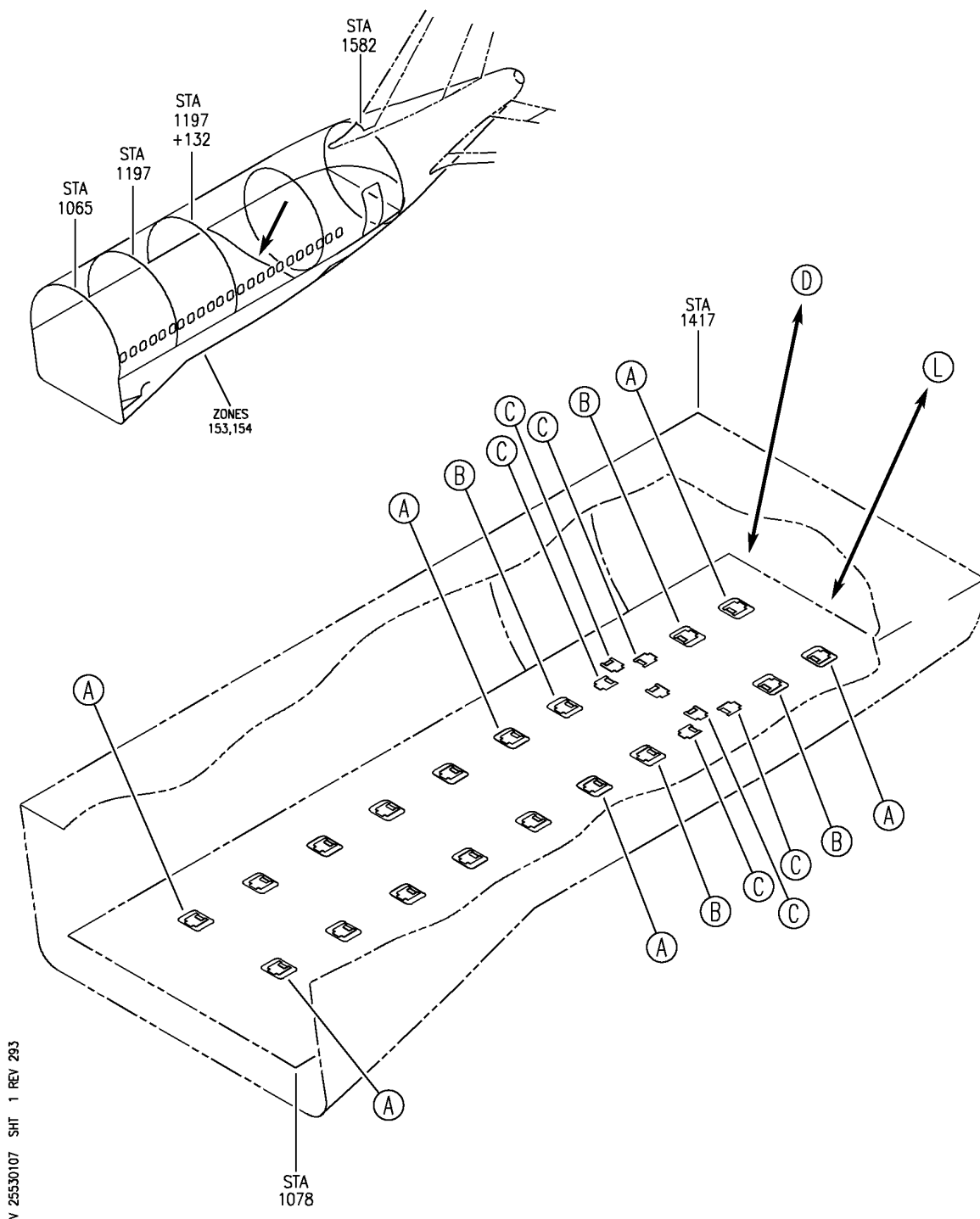
HXL

25-53-01-02

BOEING PROPRIETARY - Copyright © - Unpublished Work - See title page for details.

25-53-01
FIG. 02
PAGE 11
AUG 22/09

BOEING
767
PARTS CATALOG (MAINTENANCE)



V 25530107 SHT 1 REV 293

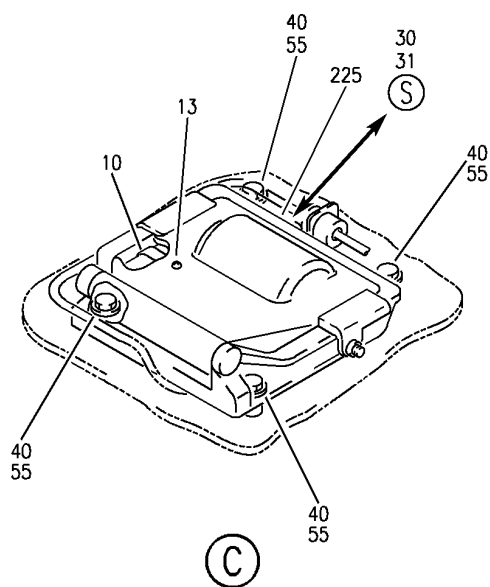
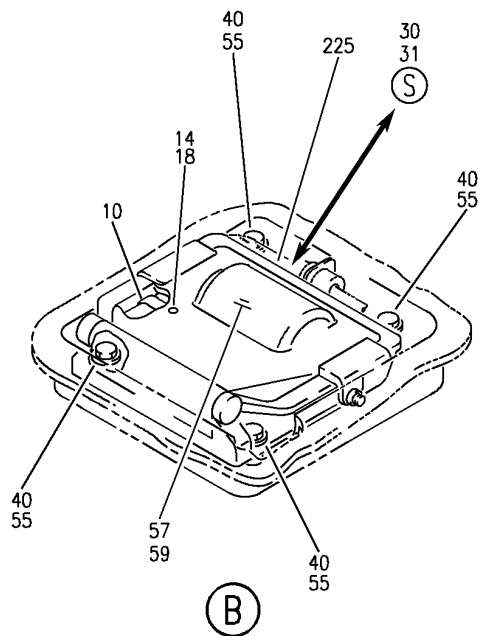
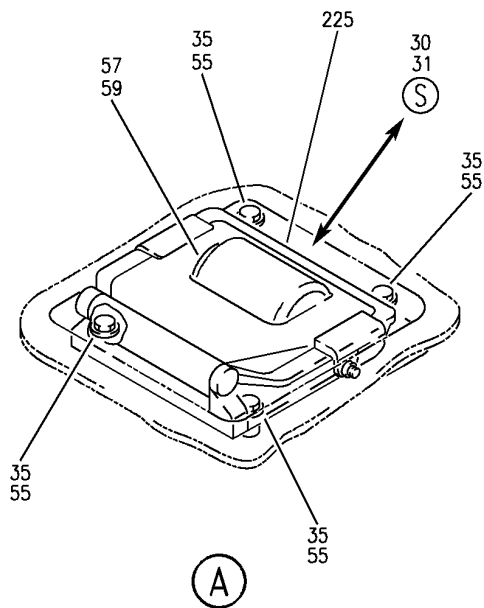
DRIVE SYSTEM INSTL-SECT. 46 AFT CARGO COMPT
FIGURE 7 (SHEET 1)

25-53-01-07

HXL
DEC 22/06

25-53-01-07
PAGE 0

BOEING
767
PARTS CATALOG (MAINTENANCE)



V 25530107 SHT 2 REV 313

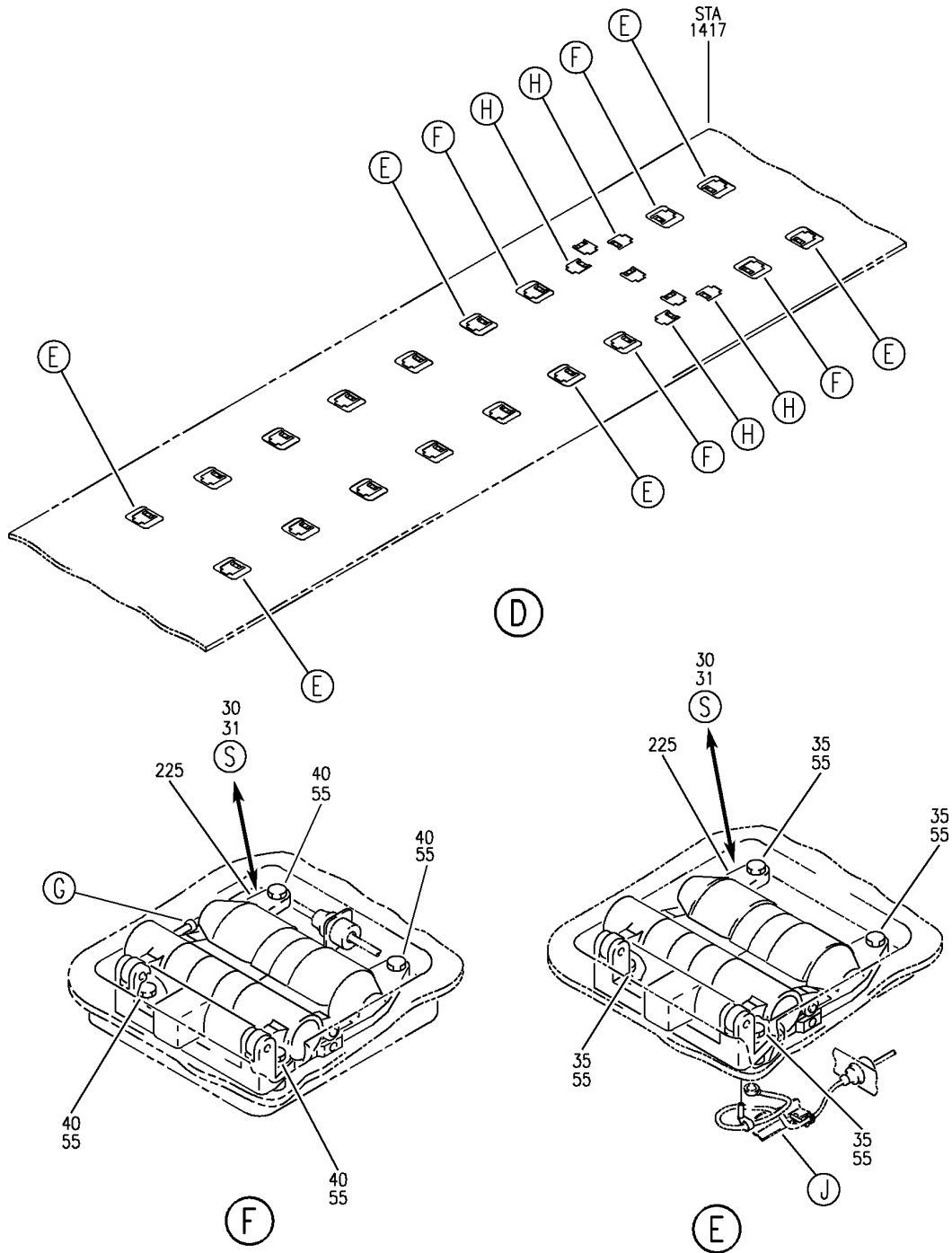
DRIVE SYSTEM INSTL-SECT. 46 AFT CARGO COMPT
FIGURE 7 (SHEET 2)

25-53-01-07

HXL
APR 22/07

25-53-01-07
PAGE 0A

BOEING
767
PARTS CATALOG (MAINTENANCE)



V 25530107 SHT 3 REV 313

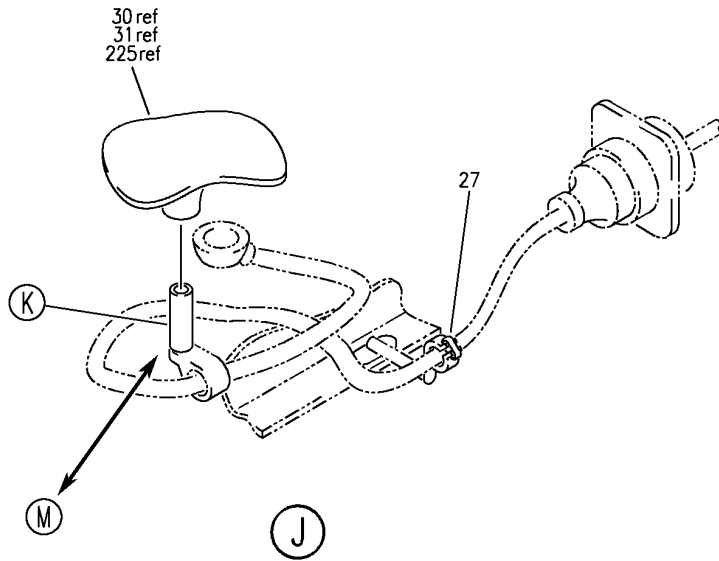
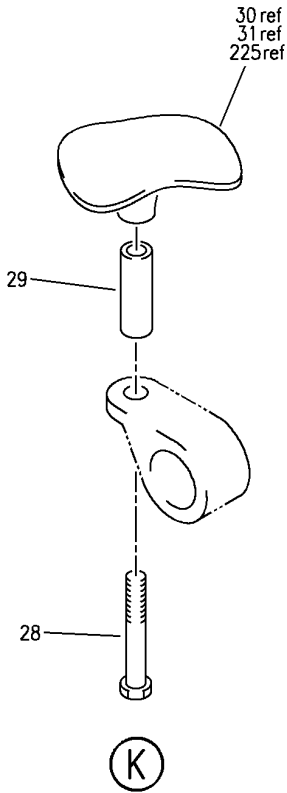
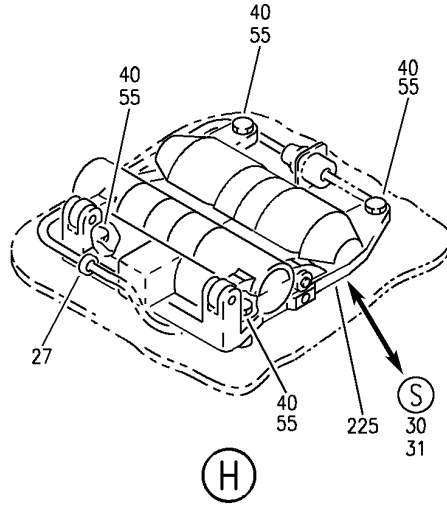
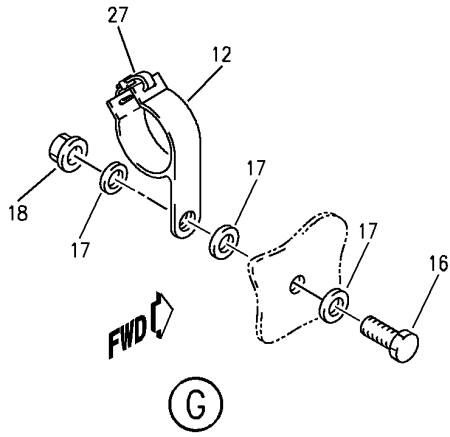
DRIVE SYSTEM INSTL-SECT. 46 AFT CARGO COMPT
FIGURE 7 (SHEET 3)

25-53-01-07

HXL
APR 22/07

25-53-01-07
PAGE 0B

BOEING
767
PARTS CATALOG (MAINTENANCE)



V 25530107 SHT 4 REV 313

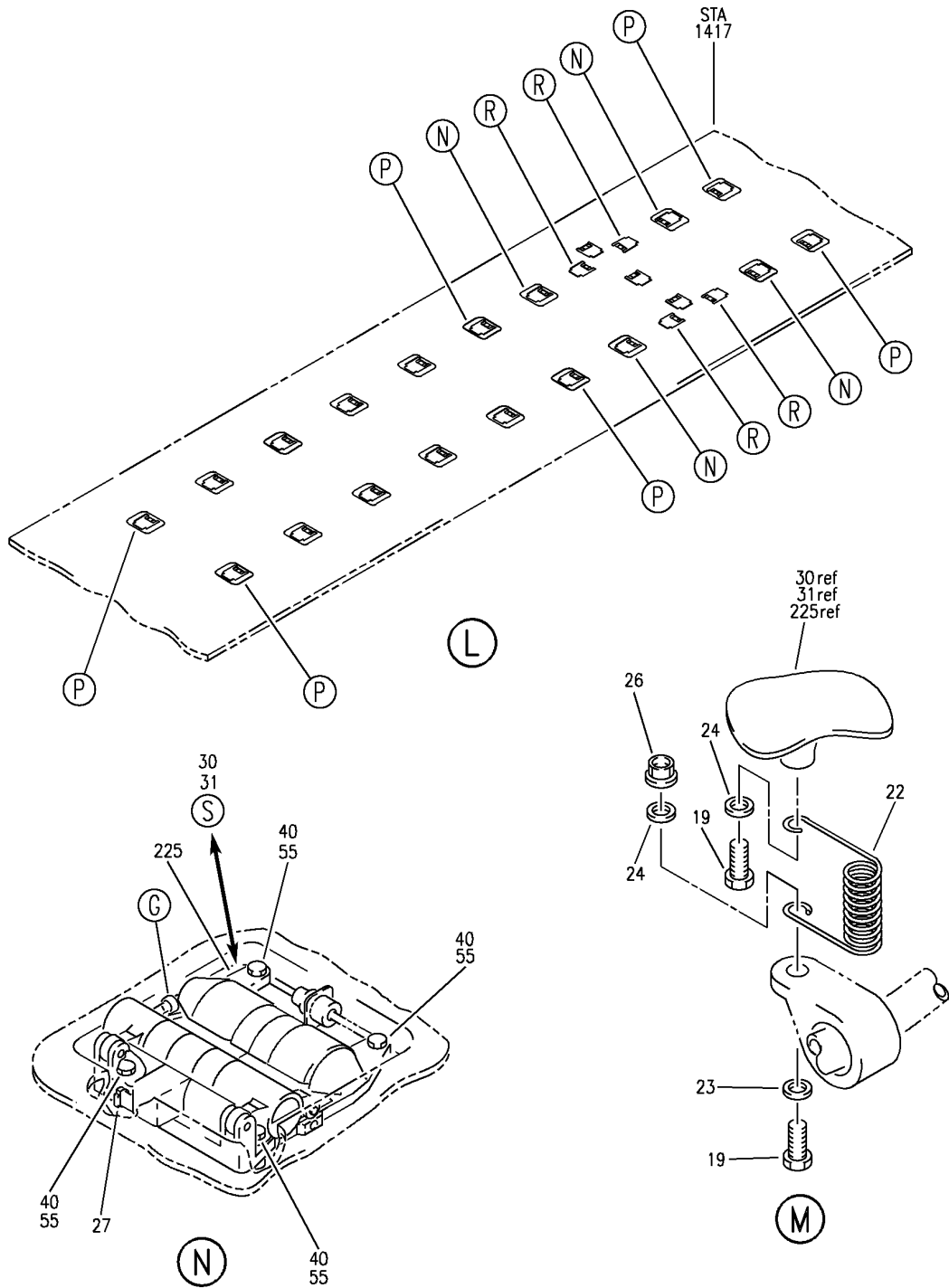
DRIVE SYSTEM INSTL-SECT. 46 AFT CARGO COMPT
FIGURE 7 (SHEET 4)

25-53-01-07

HXL
APR 22/07

25-53-01-07
PAGE 0C

BOEING
767
PARTS CATALOG (MAINTENANCE)



V 25530107 SHT 5 REV 313

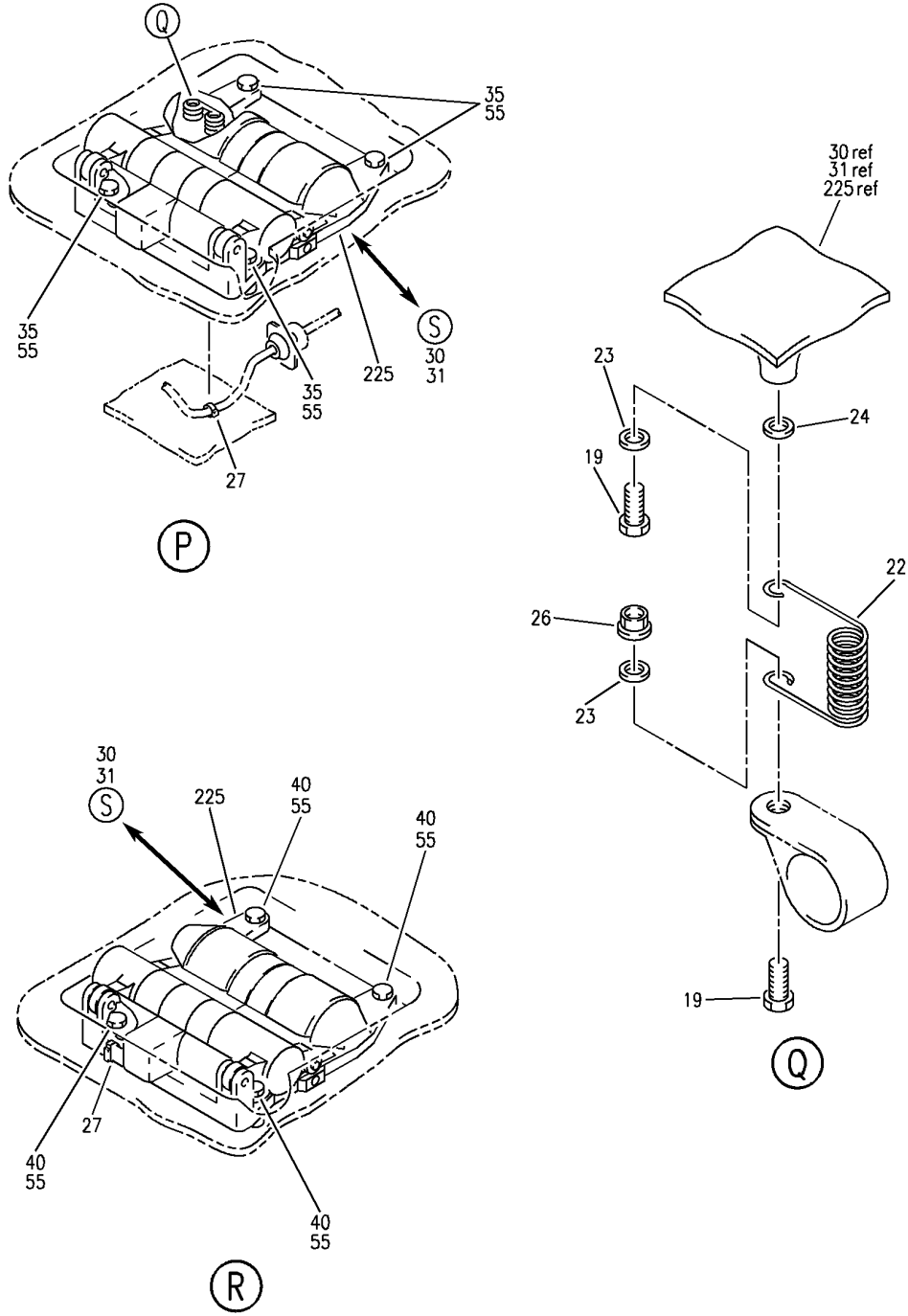
DRIVE SYSTEM INSTL-SECT. 46 AFT CARGO COMPT
FIGURE 7 (SHEET 5)

25-53-01-07

HXL
APR 22/07

25-53-01-07
PAGE 0D

BOEING
767
PARTS CATALOG (MAINTENANCE)



V 25530107 SHT 6 REV 313

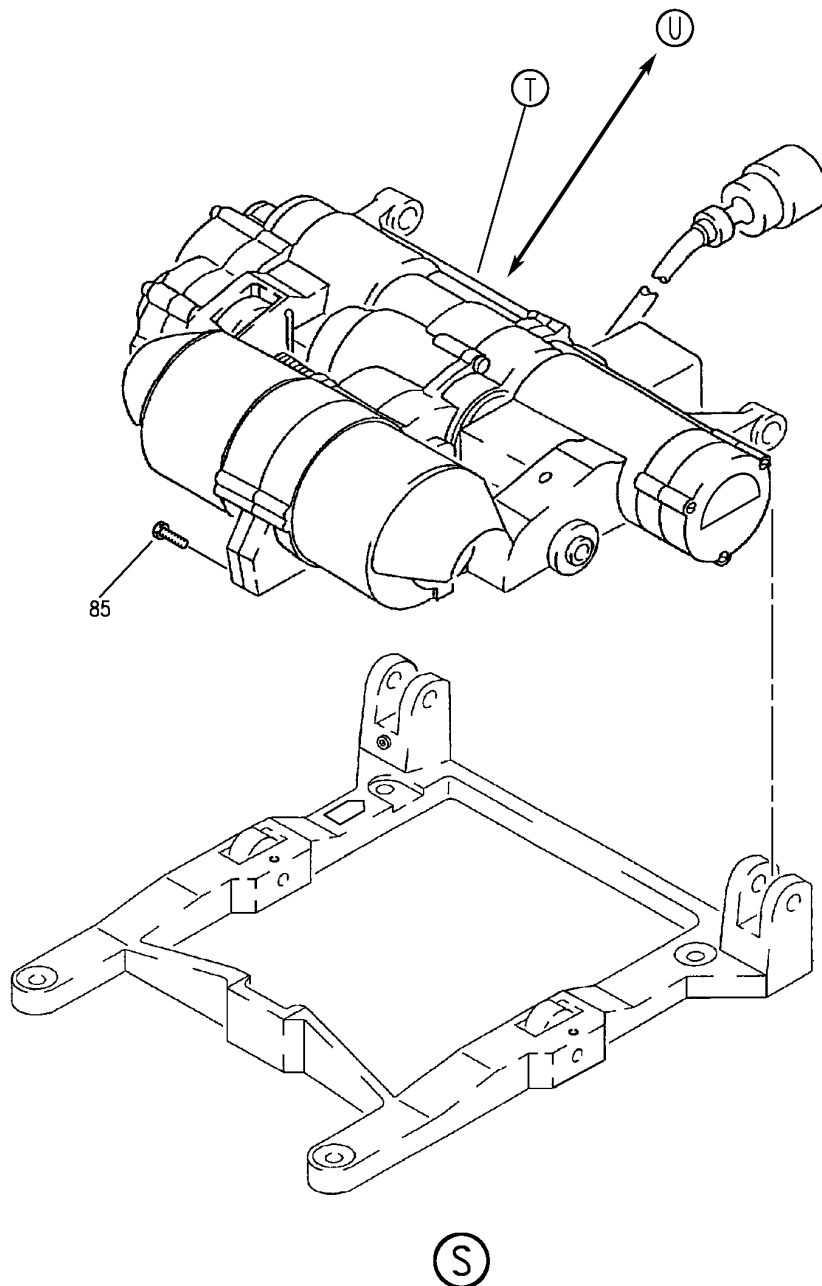
DRIVE SYSTEM INSTL-SECT. 46 AFT CARGO COMPT
FIGURE 7 (SHEET 6)

25-53-01-07

HXL
APR 22/07

25-53-01-07
PAGE 0E

BOEING
767
PARTS CATALOG (MAINTENANCE)



V 25530107 SH1 7 REV 292

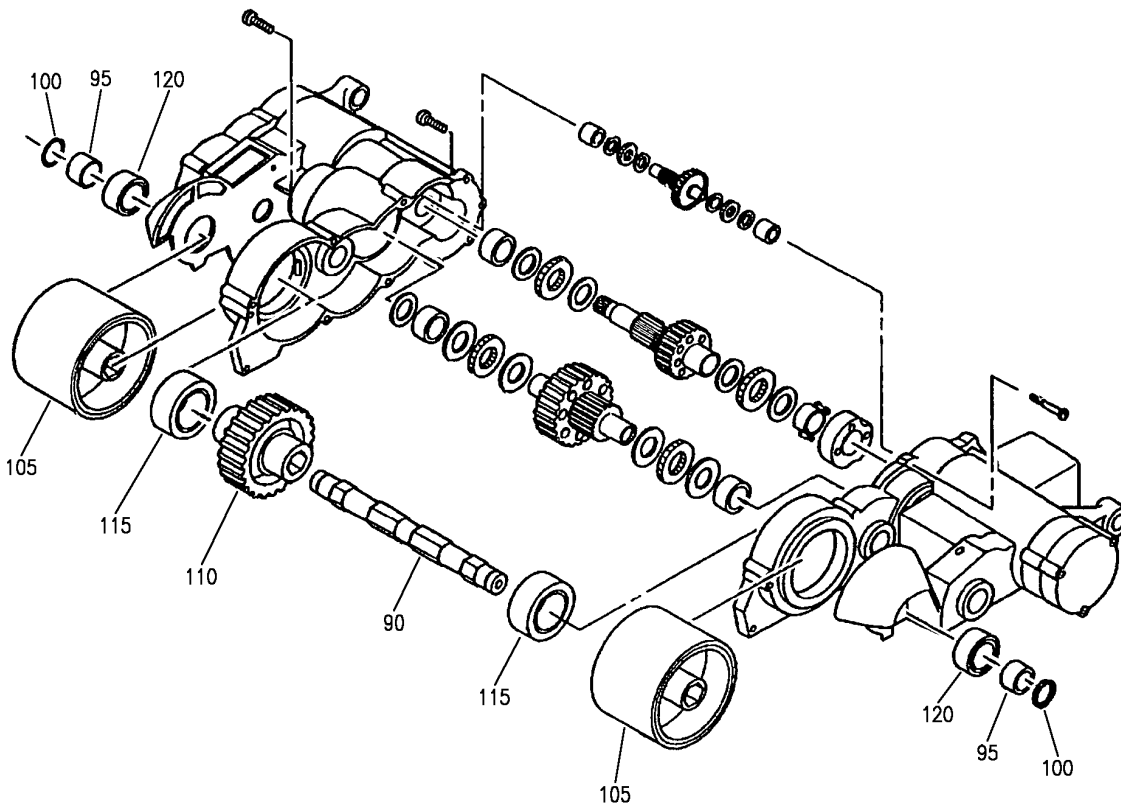
DRIVE SYSTEM INSTL-SECT. 46 AFT CARGO COMPT
FIGURE 7 (SHEET 7)

25-53-01-07

HXL
DEC 22/06

25-53-01-07
PAGE 0F

BOEING
767
PARTS CATALOG (MAINTENANCE)



V 25530107 SH1 8 REV 292

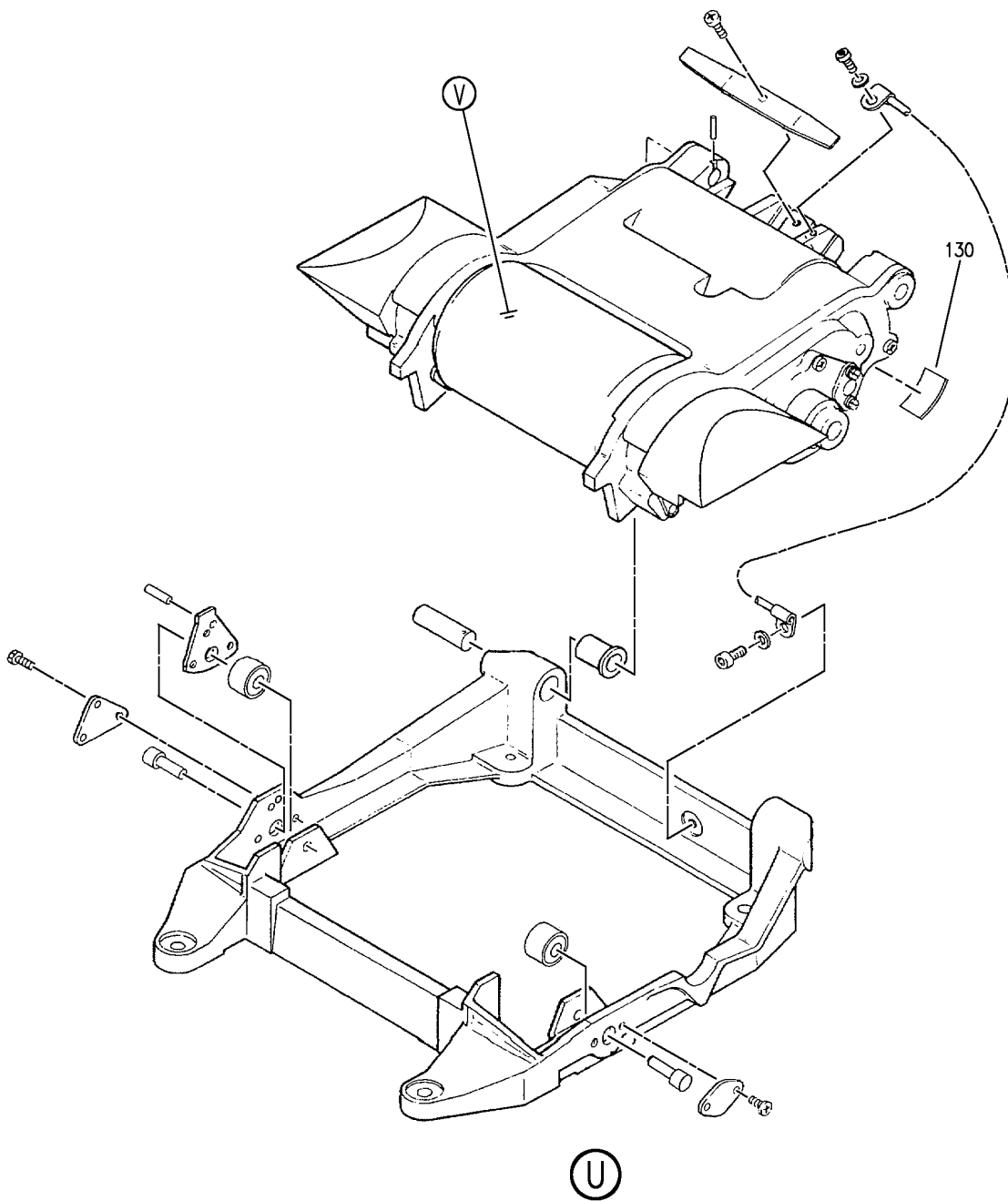
DRIVE SYSTEM INSTL-SECT. 46 AFT CARGO COMPT
FIGURE 7 (SHEET 8)

25-53-01-07

HXL
DEC 22/06

25-53-01-07
PAGE 06

BOEING
767
PARTS CATALOG (MAINTENANCE)



V 25530107 SHT 9 REV 292

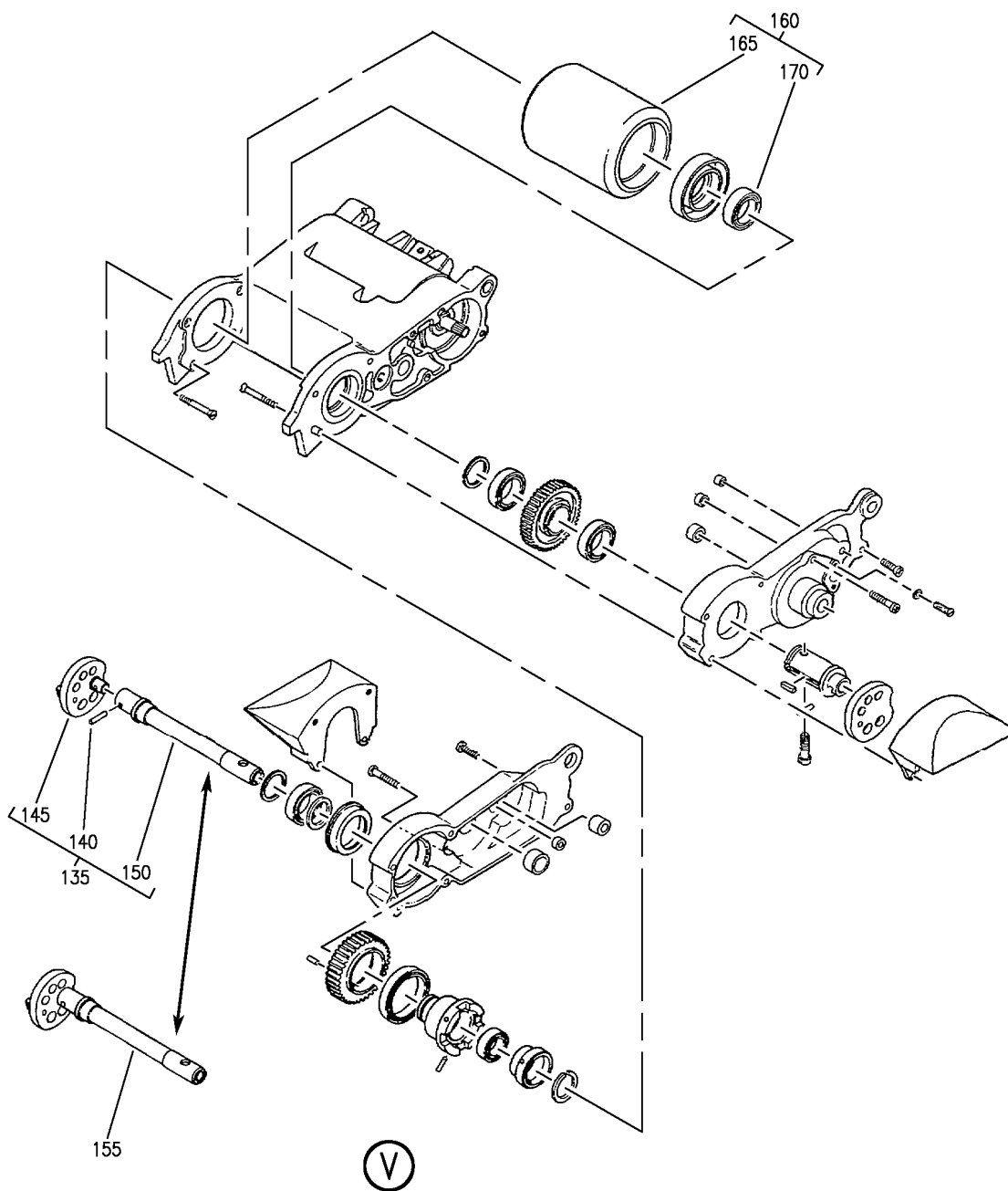
DRIVE SYSTEM INSTL-SECT. 46 AFT CARGO COMPT
FIGURE 7 (SHEET 9)

25-53-01-07

HXL
DEC 22/06

25-53-01-07
PAGE 0H

BOEING
767
PARTS CATALOG (MAINTENANCE)



V 25530107 SHT 10 REV 292

DRIVE SYSTEM INSTL-SECT. 46 AFT CARGO COMPT
FIGURE 7 (SHEET 10)

25-53-01-07

HXL
DEC 22/06

25-53-01-07
PAGE 01

 **BOEING**
767
PARTS CATALOG (MAINTENANCE)

FIG ITEM	PART NUMBER	1 2 3 4 5 6 7	NOMENCLATURE	EFFECT FROM TO	UNITS PER ASSY
7			DRIVE SYSTEM INSTL-SECT. 46 AFT CARGO COMPT		
- 1	451T2002-6		DRIVE SYSTEM INSTL-CARGO COMPT POSITION DATA: SECT. 46 AFT FOR NHA SEE: 25-50-00-01		RF
12	287T0011-2		.CLAMP-ADJUSTABLE QUALIFIED OPTIONAL DATA: (CLAMP 287T0011-1 IS OPTIONAL TO THE 287T0011-2 CLAMP WITH FILLER ROD PER D6T10836-1)		4
12	287T0011-1		.CLAMP-ADJUSTABLE QUALIFIED OPTIONAL DATA: (CLAMP 287T0011-1 IS OPTIONAL TO THE 287T0011-2 CLAMP WITH FILLER ROD PER D6T10836-1)		4
16	NAS1801-3-10		ATTACHING PARTS .SCREW-		4
17	AN960JD10L		.WASHER		12
18	PLH53CD		.NUT- SUPPLIER CODE: VF0224 SPECIFICATION NUMBER: BACN10YR3CD OPTIONAL PART: H52732-3CD V15653 -----*-----		4
19	NAS1801-3-6		.SCREW- QUALIFIED OPTIONAL DATA: ((1) NAS42DD6-73 SPACER TOGETHER WITH (1) NAS1801-3-24 BOLT IS OPTIONAL TO (1) 451T2004-1 SPRING TOGETHER WITH (2) NAS1801-3-6 BOLTS, (2) AN960-10L WASHERS, (1) BACN10YR3CD NUT AND (1) MS35333-39 LOCK WASHER)		28

ILLUSTRATION ITEMS NOT ON PARTS LIST ARE NOT APPLICABLE

- ITEM NOT ILLUSTRATED

HXL

25-53-01-07

BOEING PROPRIETARY - Copyright © - Unpublished Work - See title page for details.

25-53-01
FIG. 07
PAGE 1
DEC 22/08



767

PARTS CATALOG (MAINTENANCE)

FIG ITEM	PART NUMBER	1 2 3 4 5 6 7	NOMENCLATURE	EFFECT FROM TO	UNITS PER ASSY
7 22	451T2004-1		. SPRING- QUALIFIED OPTIONAL DATA: (1) NAS42DD6-73 SPACER TOGETHER WITH (1) NAS1801-3-24 BOLT IS OPTIONAL TO (1) 451T2004-1 SPRING TOGETHER WITH (2) NAS1801-3-6 BOLTS, (2) AN960-10L WASHERS, (1) BACN10YR3CD NUT AND (1) MS35333-39 LOCK WASHER)		14
23	AN960-10L		. WASHER- QUALIFIED OPTIONAL DATA: (1) NAS42DD6-73 SPACER TOGETHER WITH (1) NAS1801-3-24 BOLT IS OPTIONAL TO (1) 451T2004-1 SPRING TOGETHER WITH (2) NAS1801-3-6 BOLTS, (2) AN960-10L WASHERS, (1) BACN10YR3CD NUT AND (1) MS35333-39 LOCK WASHER)		28
24	MS35333-39		. WASHER- QUALIFIED OPTIONAL DATA: (1) NAS42DD6-73 SPACER TOGETHER WITH (1) NAS1801-3-24 BOLT IS OPTIONAL TO (1) 451T2004-1 SPRING TOGETHER WITH (2) NAS1801-3-6 BOLTS, (2) AN960-10L WASHERS, (1) BACN10YR3CD NUT AND (1) MS35333-39 LOCK WASHER)		14

ILLUSTRATION ITEMS NOT ON PARTS LIST ARE NOT APPLICABLE

- ITEM NOT ILLUSTRATED

HXL

25-53-01-07

BOEING PROPRIETARY - Copyright © - Unpublished Work - See title page for details.

25-53-01
FIG. 07
PAGE 2
DEC 22/07



767

PARTS CATALOG (MAINTENANCE)

FIG ITEM	PART NUMBER	1 2 3 4 5 6 7	NOMENCLATURE	EFFECT FROM TO	UNITS PER ASSY
7 26	PLH53CD		.NUT- SUPPLIER CODE: VF0224 SPECIFICATION NUMBER: BACN10YR3CD OPTIONAL PART: H52732-3CD V15653 QUALIFIED OPTIONAL DATA: (1) NAS42DD6-73 SPACER TOGETHER WITH (1) NAS1801-3-24 BOLT IS OPTIONAL TO (1) 451T2004-1 SPRING TOGETHER WITH (2) NAS1801-3-6 BOLTS, (2) AN960-10L WASHERS, (1) BACN10YR3CD NUT AND (1) MS35333-39 LOCK WASHER)		14
27	PLT1-5IM		.STRAP-ADJUSTABLE SUPPLIER CODE: V06383 SPECIFICATION NUMBER: BACS38K5 OPTIONAL PART: T03R0 V53421		29
28	NAS1801-3-24		.SCREW- QUALIFIED OPTIONAL DATA: (1) NAS42DD6-73 SPACER TOGETHER WITH (1) NAS1801-3-24 BOLT IS OPTIONAL TO (1) 451T2004-1 SPRING TOGETHER WITH (2) NAS1801-3-6 BOLTS, (2) AN960-10L WASHERS, (1) BACN10YR3CD NUT AND (1) MS35333-39 LOCK WASHER)		14

ILLUSTRATION ITEMS NOT ON PARTS LIST ARE NOT APPLICABLE

- ITEM NOT ILLUSTRATED

HXL

25-53-01-07

BOEING PROPRIETARY - Copyright © - Unpublished Work - See title page for details.

25-53-01
FIG. 07
PAGE 3
DEC 22/08



767

PARTS CATALOG (MAINTENANCE)

FIG ITEM	PART NUMBER	1 2 3 4 5 6 7	NOMENCLATURE	EFFECT FROM TO	UNITS PER ASSY
7 29	NAS42DD6-73	.	SPACER- QUALIFIED OPTIONAL DATA: (1) NAS42DD6-73 SPACER TOGETHER WITH (1) NAS1801-3-24 BOLT IS OPTIONAL TO (1) 451T2004-1 SPRING TOGETHER WITH (2) NAS1801-3-6 BOLTS, (2) AN960-10L WASHERS, (1) BACN10YR3CD NUT AND (1) MS35333-39 LOCK WASHER)		14

ILLUSTRATION ITEMS NOT ON PARTS LIST ARE NOT APPLICABLE

- ITEM NOT ILLUSTRATED

HXL

25-53-01-07

BOEING PROPRIETARY - Copyright © - Unpublished Work - See title page for details.

25-53-01
FIG. 07
PAGE 4
DEC 22/06



767

PARTS CATALOG (MAINTENANCE)

FIG ITEM	PART NUMBER	1 2 3 4 5 6 7 NOMENCLATURE	EFFECT FROM TO	UNITS PER ASSY
7 31	181RA71R206A	.UNIT ASSY- SELF-ERECTING AND RETRACTING PWR SUPPLIER CODE: V00462 SPECIFICATION NUMBER: S451T201-11 COMPONENT MAINT MANUAL REF: 25-55-17 QUALIFIED I/W DATA: 181RA71R206A IS FULLY I/W WITH 181RA71R206B HOWEVER, RECOMMEND INCORPORATION OF SB 767-25-0169 OR LUCAS WESTERN SB'S 181RA71R206-25-1 & -2 PN 181RA71R206A CAN REPLACE AND CAN BE REPLACED BY PN 2022538-3/-4/-5/-6/-7/-8 IF CABLE ROUTING IS ACCOMPLISHED BY 451T2003-11 FOR 767-200 AND 451T2003-10 FOR 767-300 181RA71R206 IS FULLY I/W WITH 181RA71R206AIF ELECTRICAL CABLE REROUTED PER DRAWING 451T2001-10, 451T2002-11, 451T2003-11 FOR 767-200 OR DRAWING 451T2001-11, 451T2002-10, 451T2003-10 FOR 767-300 OPTIONAL PART: 181RA71R206C V00462		25

ILLUSTRATION ITEMS NOT ON PARTS LIST ARE NOT APPLICABLE

- ITEM NOT ILLUSTRATED

HXL

25-53-01-07

BOEING PROPRIETARY - Copyright © - Unpublished Work - See title page for details.

25-53-01
 FIG. 07
 PAGE 5
 APR 22/07



767

PARTS CATALOG (MAINTENANCE)

FIG ITEM	PART NUMBER	1 2 3 4 5 6 7 NOMENCLATURE	EFFECT FROM TO	UNITS PER ASSY
7 31	181RA71R206B	.UNIT ASSY- SELF-ERECTING AND RETRACTING PWR SUPPLIER CODE: V00462 SPECIFICATION NUMBER: S451T201-12 COMPONENT MAINT MANUAL REF: 25-55-17 QUALIFIED I/W DATA: 181RA71R206A IS FULLY I/W 181RA71R206B HOWEVER, RECOMMEND INCORPORATION OF SB 767-25-0169 OR LUCAS WESTERN SB'S 181RA71R206-25-1 & -2 PN 181RA71R206B CAN REPLACE AND CAN BE REPLACED BY PN 2022538-3/-4/-5/-6/-7/-8 IF CABLE ROUTING IS ACCOMPLISHED BY 451T2003-11 FOR 767-200 AND 451T2003-10 FOR 767-300		25

ILLUSTRATION ITEMS NOT ON PARTS LIST ARE NOT APPLICABLE

- ITEM NOT ILLUSTRATED

HXL

25-53-01-07

BOEING PROPRIETARY - Copyright © - Unpublished Work - See title page for details.

25-53-01
 FIG. 07
 PAGE 6
 APR 22/07



767

PARTS CATALOG (MAINTENANCE)

FIG ITEM	PART NUMBER	1 2 3 4 5 6 7	NOMENCLATURE	EFFECT FROM TO	UNITS PER ASSY
7 31	181RA71R206C		.UNIT ASSY-PWR DRIVE CARGO COMPARTMENT SUPPLIER CODE: V00462 SPECIFICATION NUMBER: S451T201-13 ELECTRICAL EQUIP NUMBER: M00373 M00374 M00375 M00376 M00377 M00378 M00379 M00380 M00381 M00382 M00383 M00384 M00385 M00386 M00387 M00388 M00389 M00559 M01295 M01296 M01297 M01298 M01299 M01300 M01301 COMPONENT MAINT MANUAL REF: 25-55-17 QUALIFIED I/W DATA: PN 181RA71R206C CAN REPLACE AND CAN BE REPLACED BY PN 2022538-3/-4/-5/-6/-7/-8 IF CABLE ROUTING IS ACCOMPLISHED BY 451T2003-11 FOR 767-200 AND 451T2003-10 FOR 767-300 OPTIONAL PART: 181RA71R206A V00462		25
35	BACB30NR4K10		.ATTACHING PARTS .BOLT-		56

ILLUSTRATION ITEMS NOT ON PARTS LIST ARE NOT APPLICABLE

- ITEM NOT ILLUSTRATED

25-53-01-07

25-53-01
FIG. 07
PAGE 7
APR 22/07

HXL

 **BOEING**
767
PARTS CATALOG (MAINTENANCE)

FIG ITEM	PART NUMBER	1 2 3 4 5 6 7	NOMENCLATURE	EFFECT FROM TO	UNITS PER ASSY
7					
40	BACB30NR4K16		.BOLT-		44
55	AN960PD416L		.WASHER-		100
55	AN960JD416L		.WASHER-		100
			-----*-----		
- 75	150192		..DECAL-		1
			SUPPLIER CODE:		
			V00462		
			USED ON:		
			181RA71R206		
			181RA71R206A		
- 75	150781		..DECAL-		1
			SUPPLIER CODE:		
			V00462		
			USED ON:		
			181RA71R206B		
- 75	151726		..DECAL-		1
			SUPPLIER CODE:		
			V00462		
			USED ON:		
			181RA71R206C		
- 80	150193		..DECAL-		1
			SUPPLIER CODE:		
			V00462		
			USED ON:		
			181RA71R206		
			181RA71R206A		
			181RA71R206B		
			181RA71R206C		
85	MS35190-255L		..SCREW-		1
			USED ON:		
			181RA71R206C		
90	37270		..SHAFT-HEX DRIVE OUTPUT		1
			SUPPLIER CODE:		
			V00462		
			USED ON:		
			181RA71R206C		
95	37272		..BEARING-RACEWAY		2
			OUTPUT SHAFT		
			SUPPLIER CODE:		
			V00462		
			USED ON:		
			181RA71R206C		
100	RSN62CD		..RING-RETAINING		2
			SUPPLIER CODE:		
			V00462		
			USED ON:		
			181RA71R206C		

ILLUSTRATION ITEMS NOT ON PARTS LIST ARE NOT APPLICABLE

- ITEM NOT ILLUSTRATED

HXL

25-53-01-07

BOEING PROPRIETARY - Copyright © - Unpublished Work - See title page for details.

25-53-01
FIG. 07
PAGE 8
APR 22/07

BOEING
767
PARTS CATALOG (MAINTENANCE)

FIG ITEM	PART NUMBER	1 2 3 4 5 6 7	NOMENCLATURE	EFFECT FROM TO	UNITS PER ASSY
7 105	38284		..ROLLER ASSY-TRACTION SUPPLIER CODE: V00462 USED ON: 181RA71R206C		2
110	37271		..GEAR-DRIVE, OUTPUT SUPPLIER CODE: V00462 USED ON: 181RA71R206C		1
115	80499-5		..BEARING- SUPPLIER CODE: V00462 USED ON: 181RA71R206C		2
120	SCE148PP		..BEARING- SUPPLIER CODE: V27737 USED ON: 181RA71R206C		2
120	JTT148		..BEARING- SUPPLIER CODE: V60380 OPTIONAL PART: SCE148PP V27737 USED ON: 181RA71R206C		2
225	43104-14		.UNIT ASSY-POWER DRIVE CARGO COMPARTMENT SUPPLIER CODE: V00462 SPECIFICATION NUMBER: S451T201-14 COMPONENT MAINT MANUAL REF: 25-50-35 QUALIFIED I/W DATA: PN 43104-14 CAN REPLACE AND CAN BE REPLACED BY PN 2022538-3/-4/-5/-6/-7/-8 IF CABLE ROUTING IS ACCOMPLISHED BY 451T2003-11 FOR 767-200 AND 451T2003-10 FOR 767-300 FOR DETAILS SEE: 25-53-01-50		25

ILLUSTRATION ITEMS NOT ON PARTS LIST ARE NOT APPLICABLE

- ITEM NOT ILLUSTRATED

HXL

25-53-01-07

BOEING PROPRIETARY - Copyright © - Unpublished Work - See title page for details.

25-53-01
FIG. 07
PAGE 9
APR 22/07



767

PARTS CATALOG (MAINTENANCE)

FIG ITEM	PART NUMBER	1 2 3 4 5 6 7	NOMENCLATURE	EFFECT FROM TO	UNITS PER ASSY
7 225	43100-13		.UNIT ASSY-POWER DRIVE CARGO COMPARTMENT SUPPLIER CODE: V31645 COMPONENT MAINT MANUAL REF: 25-55-10 QUALIFIED I/W DATA: PN 43100-13 CAN REPLACE AND CAN BE REPLACED BY PN 2022538-3/-4/-5/-6/-7/-8 IF CABLE ROUTING IS ACCOMPLISHED BY 451T2003-11 FOR 767-200 AND 451T2003-10 FOR 767-300 FOR DETAILS SEE: 25-53-01-50		25

R
R
R
R
R
R
R
R
R
R
R
R
R
R
R
R
R
R
R
R
R
R

ILLUSTRATION ITEMS NOT ON PARTS LIST ARE NOT APPLICABLE

- ITEM NOT ILLUSTRATED

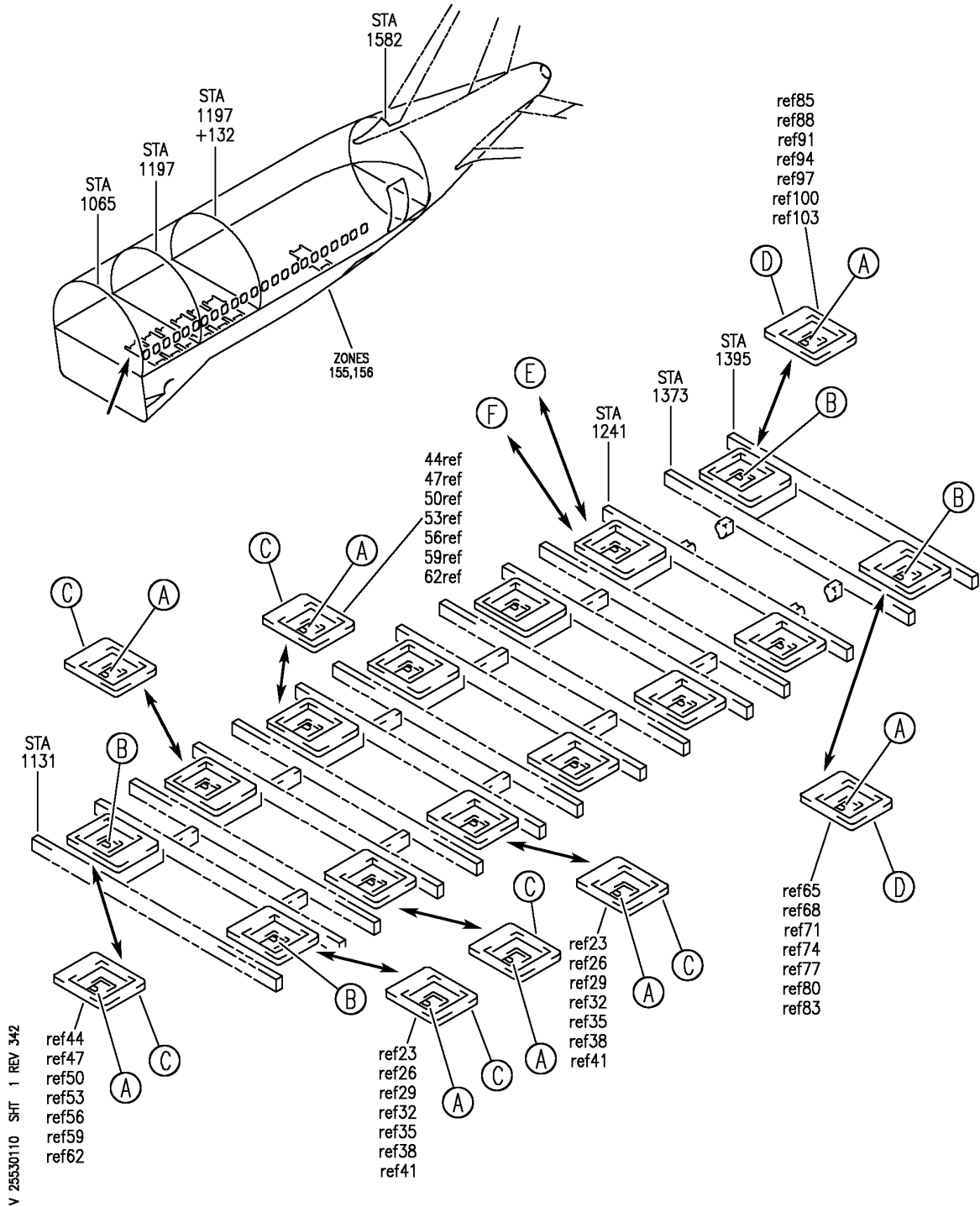
HXL

25-53-01-07

BOEING PROPRIETARY - Copyright © - Unpublished Work - See title page for details.

25-53-01
FIG. 07
PAGE 10
AUG 22/09

BOEING
767
PARTS CATALOG (MAINTENANCE)



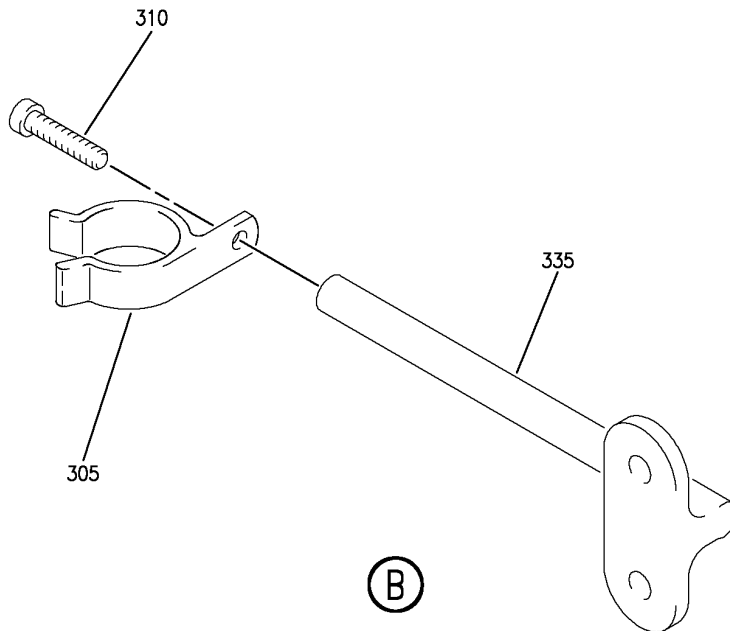
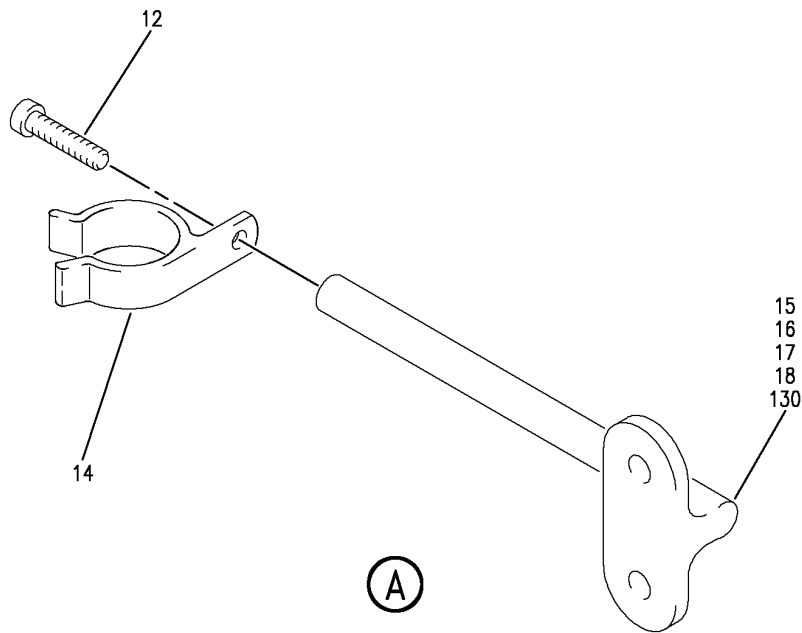
SUPPORT INSTL-SECT. 46 AFT CARGO COMPT DRIVE UNIT
FIGURE 10 (SHEET 1)

25-53-01-10

HXL
AUG 22/09

25-53-01-10
PAGE 0

BOEING
767
PARTS CATALOG (MAINTENANCE)



V 25530110 SH1 2 REV 255

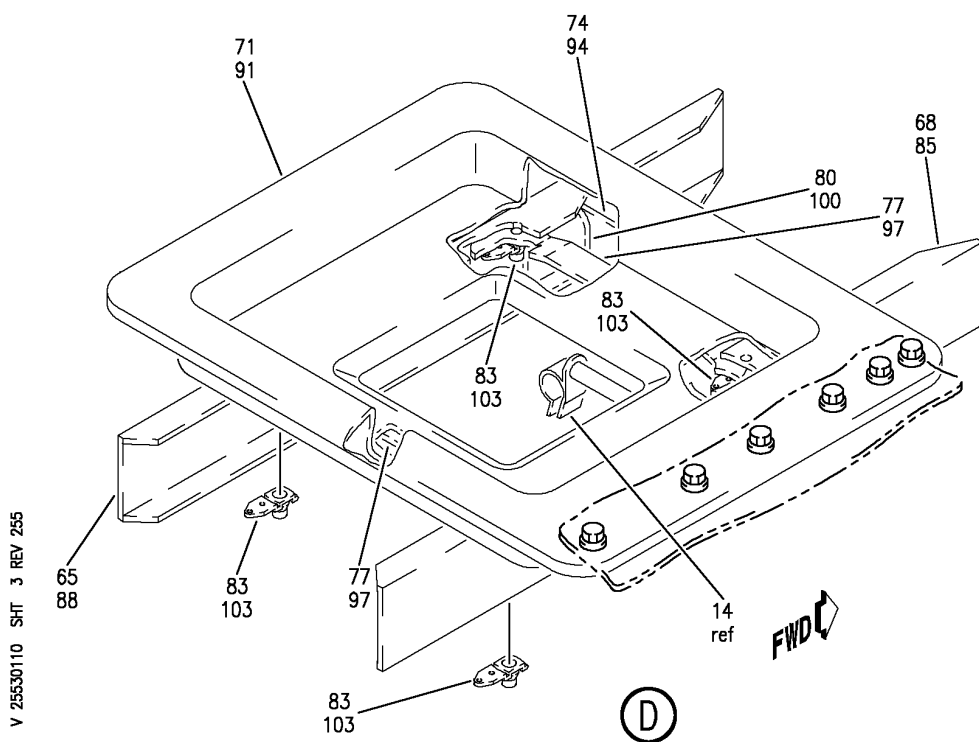
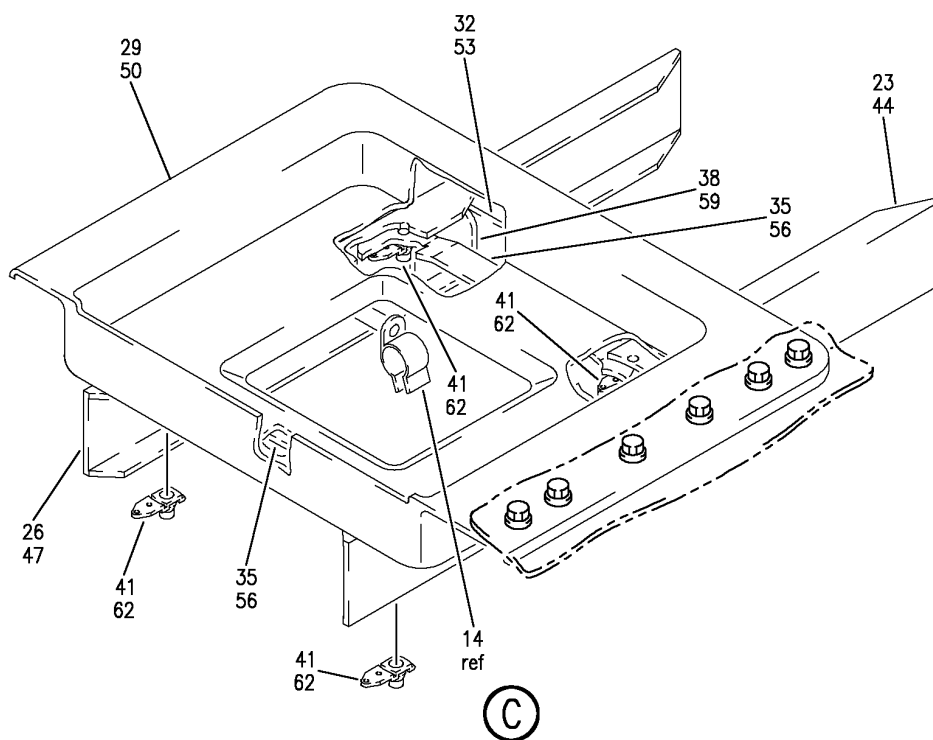
SUPPORT INSTL-SECT. 46 AFT CARGO COMPT DRIVE UNIT
FIGURE 10 (SHEET 2)

25-53-01-10

HXL
DEC 22/06

25-53-01-10
PAGE 0A

BOEING
767
PARTS CATALOG (MAINTENANCE)



V 25530110 SHT 3 REV 255

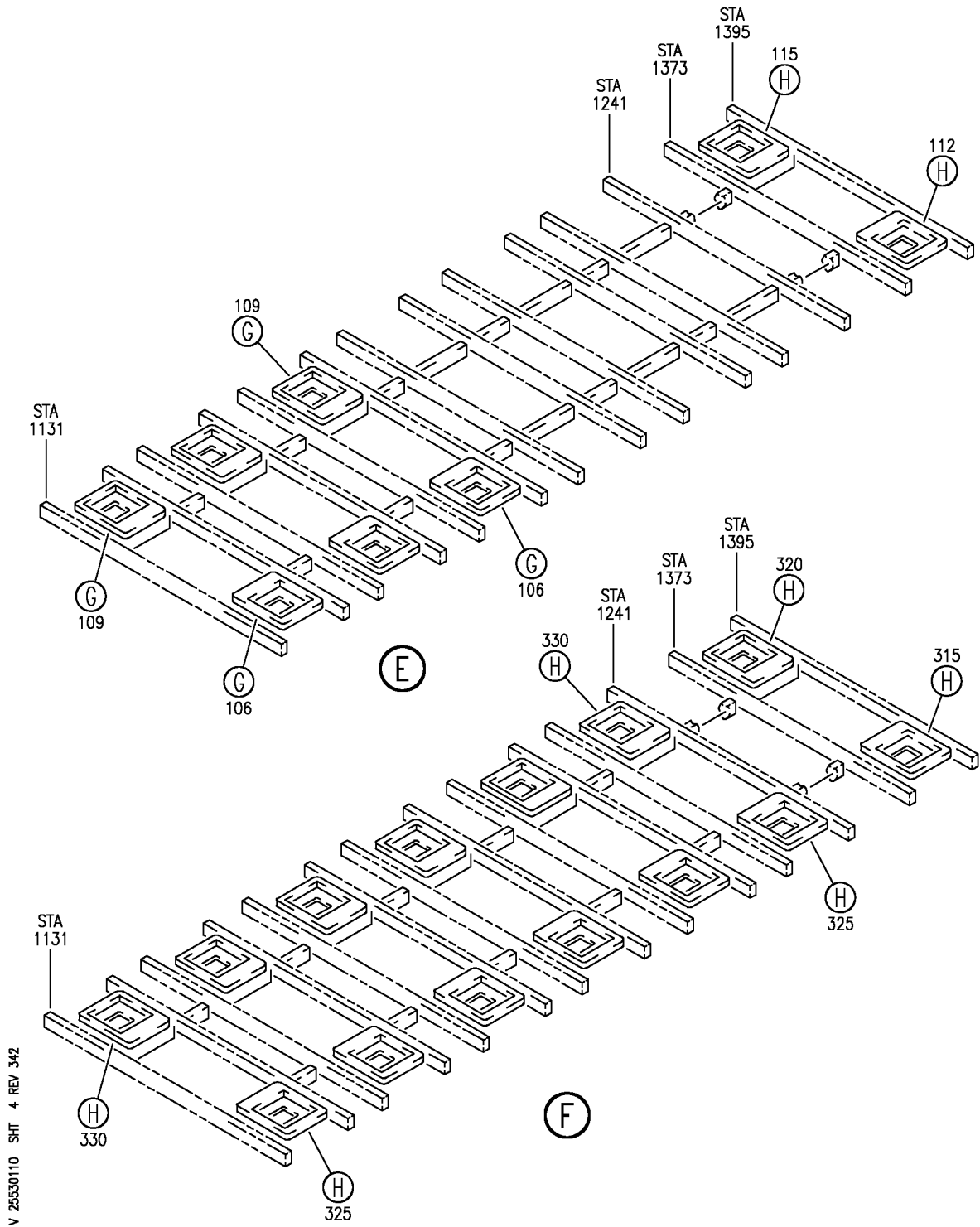
SUPPORT INSTL-SECT. 46 AFT CARGO COMPT DRIVE UNIT
FIGURE 10 (SHEET 3)

25-53-01-10

HXL
DEC 22/06

25-53-01-10
PAGE 0B

BOEING
767
PARTS CATALOG (MAINTENANCE)



V 25530110 SHT 4 REV 342

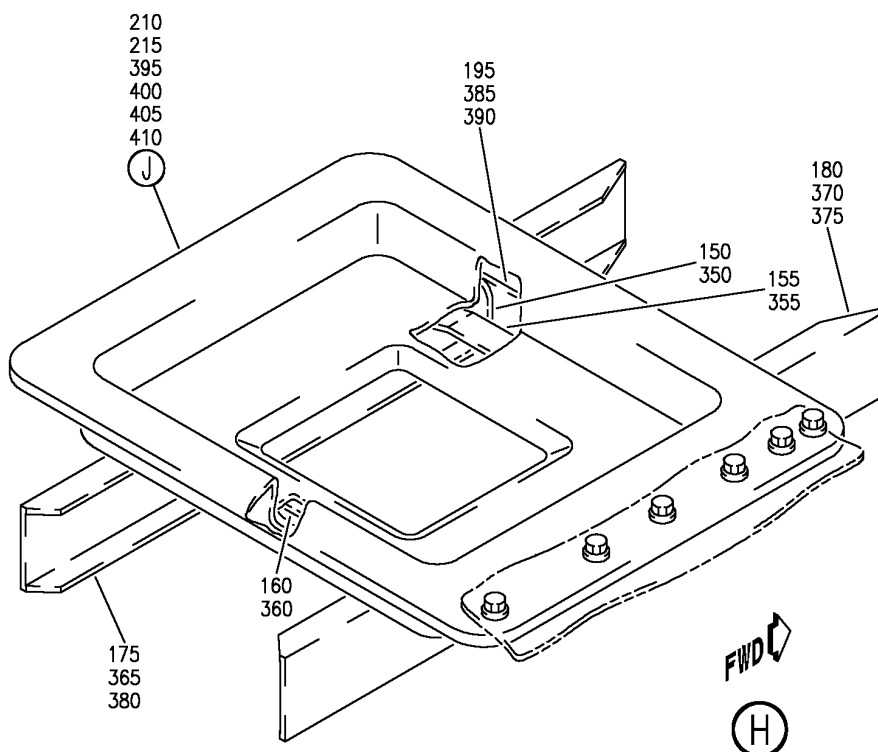
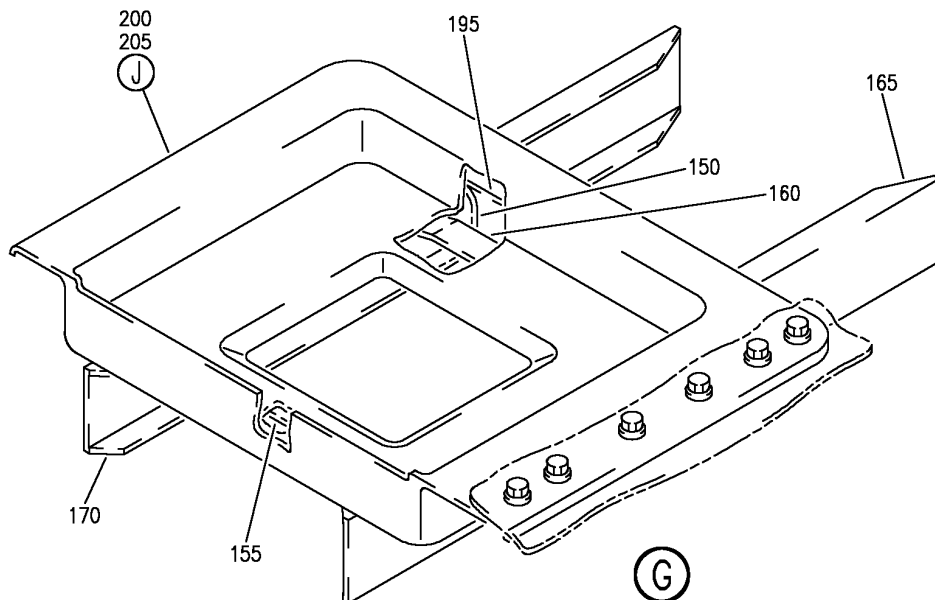
SUPPORT INSTL-SECT. 46 AFT CARGO COMPT DRIVE UNIT
FIGURE 10 (SHEET 4)

25-53-01-10

HXL
AUG 22/09

25-53-01-10
PAGE 0C

BOEING
767
PARTS CATALOG (MAINTENANCE)



V 25530110 SH1 5 REV 342

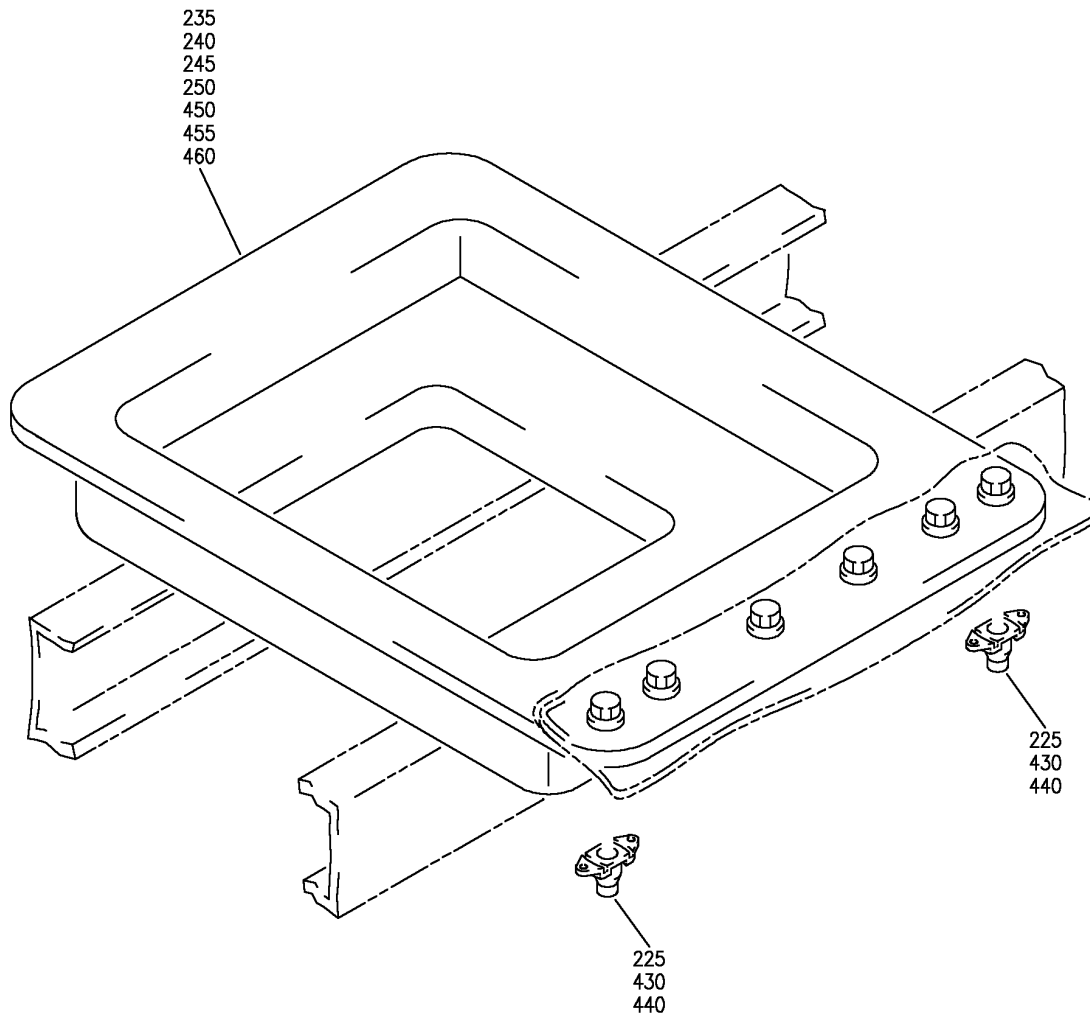
SUPPORT INSTL-SECT. 46 AFT CARGO COMPT DRIVE UNIT
FIGURE 10 (SHEET 5)

25-53-01-10

HXL
AUG 22/09

25-53-01-10
PAGE 0D

BOEING
767
PARTS CATALOG (MAINTENANCE)



(J)

V 25530110 SHIT 6 REV 342

SUPPORT INSTL-SECT. 46 AFT CARGO COMPT DRIVE UNIT
FIGURE 10 (SHEET 6)

25-53-01-10

HXL
AUG 22/09

25-53-01-10
PAGE 0E



767

PARTS CATALOG (MAINTENANCE)

FIG ITEM	PART NUMBER	1 2 3 4 5 6 7	NOMENCLATURE	EFFECT FROM TO	UNITS PER ASSY
10			SUPPORT INSTL-SECT. 46 AFT CARGO COMPT DRIVE UNIT		
- 300	451T2402-29		SUPPORT INSTL-CARGO COMPT DRIVE UNIT		RF
			POSITION DATA: SECT. 46 AFT FOR NHA SEE: 25-50-00-01B		
305	287T0011-2		.CLAMP-		14
			QUALIFIED OPTIONAL DATA: CLAMP 287T0011-1 IS OPTIONAL TO THE 287T0011-2 CLAMP WITH FILLER ROD PER D6T10836-1.		
305	287T0011-1		.CLAMP-		14
			QUALIFIED OPTIONAL DATA: CLAMP 287T0011-1 IS OPTIONAL TO THE 287T0011-2 CLAMP WITH FILLER ROD PER D6T10836-1.		
			ATTACHING PARTS		
310	NAS1801-3-10		.SCREW-		14
			OPTIONAL PART: NAS603-10		
310	NAS603-10		.SCREW-		14
			OPTIONAL PART: NAS1801-3-10		
			-----*-----		
R	315	451T2402-27	.SUPPORT ASSY-		1
R	315	451T2402-30	.SUPPORT ASSY-		1
R	320	451T2402-28	.SUPPORT ASSY		1
R	325	451T2401-49	.SUPPORT ASSY-		6
R			OPTIONAL PART: 451T2401-51		
R	325	451T2401-51	.SUPPORT ASSY-		6
R			OPTIONAL PART: 451T2401-49		
R	330	451T2401-50	.SUPPORT ASSY-		6
R			OPTIONAL PART: 451T2401-52		
R	330	451T2401-52	.SUPPORT ASSY-		6
R			OPTIONAL PART: 451T2401-50		

ILLUSTRATION ITEMS NOT ON PARTS LIST ARE NOT APPLICABLE

- ITEM NOT ILLUSTRATED

HXL

25-53-01-10

BOEING PROPRIETARY - Copyright © - Unpublished Work - See title page for details.

25-53-01
FIG. 10
PAGE 1
AUG 22/09

 **BOEING**
767
PARTS CATALOG (MAINTENANCE)

FIG ITEM	PART NUMBER	1 2 3 4 5 6 7	NOMENCLATURE	EFFECT FROM TO	UNITS PER ASSY
10					
335	WSI332-20		..NUT-SPACER PLATE SUPPLIER CODE: V04169 SPECIFICATION NUMBER: BACN10GH3-20 ATTACHING PARTS		1
R - 340	BACR15BB3AD		..RIVET- SIZE DETERMINED ON INSTL. -----*-----		2
R 350	451T2506-2		..CLIP		1
R 355	451T2409-2		..SUPPORT ANGLE		2
R 360	451T2409-12		..SUPPORT ANGLE		2
R 365	451T2403-13		..BEAM SUPPORT- USED ON: 451T2402-27 451T2402-28 451T2402-30		1
R 370	451T2403-14		..BEAM SUPPORT- USED ON: 451T2402-27 451T2402-28 451T2402-30		1
R 375	451T2403-31		..BEAM SUPPORT- USED ON: 451T2401-49 451T2401-50 451T2401-51 451T2401-52		1
R 380	451T2403-32		..BEAM SUPPORT- USED ON: 451T2401-49 451T2401-50 451T2401-51 451T2401-52		1
R 385	451T2408-2		..BRACKET- USED ON: 451T2402-27 451T2402-28 451T2402-30		1
R 390	451T2408-17		..BRACKET- USED ON: 451T2401-49 451T2401-50 451T2401-51		1
R 395	451T2405-25		..PAN ASSY- USED ON: 451T2401-49 451T2401-51		1

ILLUSTRATION ITEMS NOT ON PARTS LIST ARE NOT APPLICABLE

- ITEM NOT ILLUSTRATED

HXL

25-53-01-10

BOEING PROPRIETARY - Copyright © - Unpublished Work - See title page for details.

25-53-01
FIG. 10
PAGE 2
AUG 22/09



767

PARTS CATALOG (MAINTENANCE)

FIG ITEM	PART NUMBER	1 2 3 4 5 6 7	NOMENCLATURE	EFFECT FROM TO	UNITS PER ASSY
10					
R	400	451T2405-26	..PAN ASSY- USED ON: 451T2401-50 451T2401-52		1
R	405	451T2405-31	..PAN ASSY		1
R	405	451T2405-47	..PAN ASSY- USED ON: 451T2402-30		1
R	410	451T2405-32	..PAN ASSY- USED ON: 451T2402-28		1
R	430	BRFR220A3-2	...NUTPLATE- SUPPLIER CODE: V52828 SPECIFICATION NUMBER: BACN10KE3B2 OPTIONAL PART: RMF9213-2-3 V72962 F51750-3-2 V15653 NS103191-02-2 V80539 USED ON: 451T2405-32 451T2405-31 ATTACHING PARTS		5
R	- 435	BACR15BA3AD	...RIVET- SIZE DETERMINED ON INSTL. USED ON: 451T2402-31 451T2405-32 -----*-----		10
R	440	BRFR220A3-2	...NUTPLATE- SUPPLIER CODE: V52828 SPECIFICATION NUMBER: BACN10KE3B2 OPTIONAL PART: RMF9213-2-3 V72962 F51750-3-2 V15653 NS103191-02-2 V80539 USED ON: 451T2405-25 451T2405-26		6

ILLUSTRATION ITEMS NOT ON PARTS LIST ARE NOT APPLICABLE

- ITEM NOT ILLUSTRATED

HXL

25-53-01-10

BOEING PROPRIETARY - Copyright © - Unpublished Work - See title page for details.

25-53-01
FIG. 10
PAGE 3
AUG 22/09



767

PARTS CATALOG (MAINTENANCE)

FIG ITEM	PART NUMBER	1 2 3 4 5 6 7	NOMENCLATURE	EFFECT FROM TO	UNITS PER ASSY
10			ATTACHING PARTS		
R R R R R	- 445 BACR15BA3AD		...RIVET- SIZE DETERMINED ON INSTL. USED ON: 451T2405-25 451T2405-26 -----*-----		12
R R R R R	450 451T2406-21		...PAN- USED ON: 451T2405-32 451T2405-25		1
R R R R R	455 451T2406-22		...PAN- USED ON: 451T2402-26 451T2405-31		1
R R R R R	- 460 451T2406-40		...PAN- USED ON: 451T2405-47		1

ILLUSTRATION ITEMS NOT ON PARTS LIST ARE NOT APPLICABLE

- ITEM NOT ILLUSTRATED

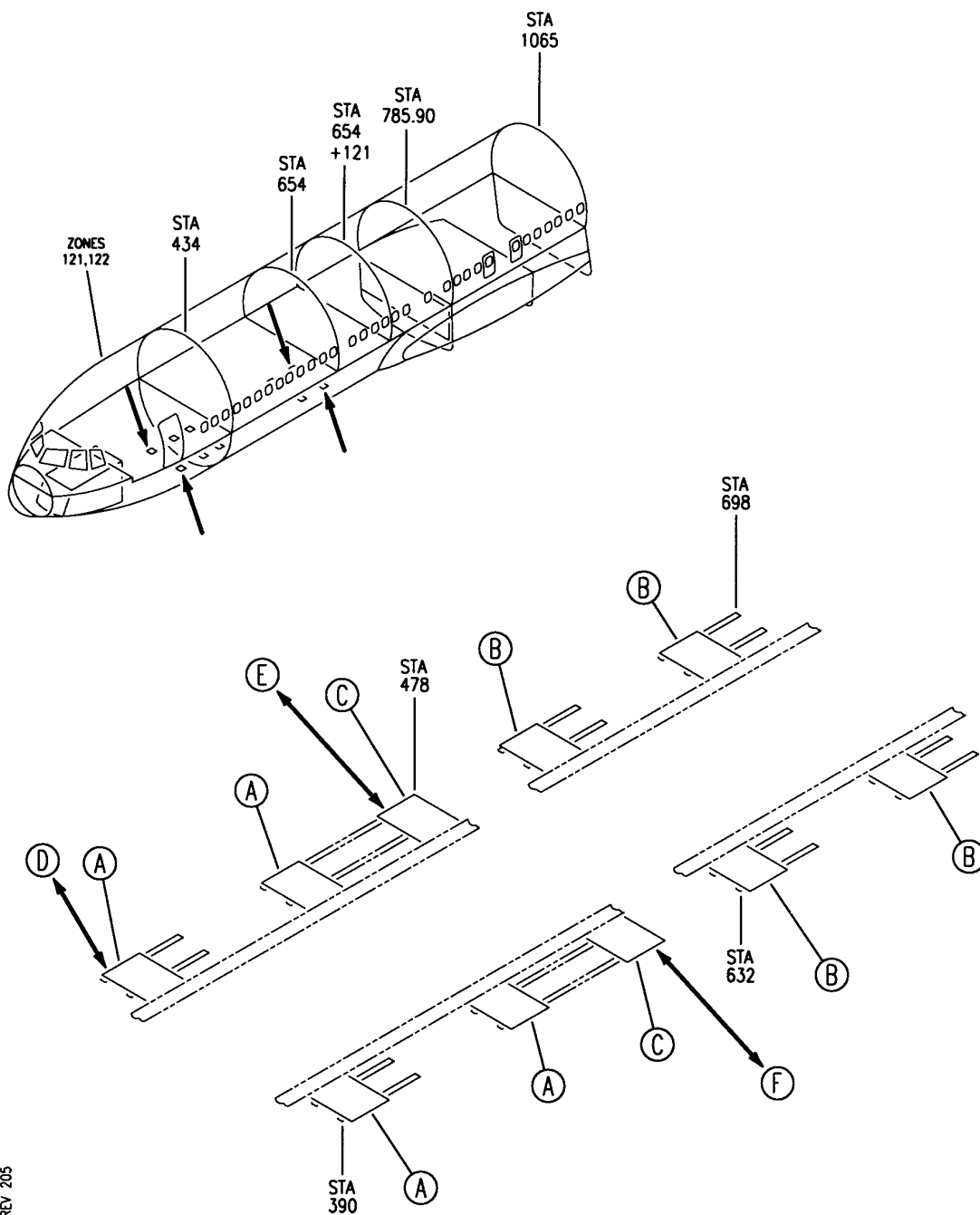
HXL

25-53-01-10

BOEING PROPRIETARY - Copyright © - Unpublished Work - See title page for details.

25-53-01
FIG. 10
PAGE 4
AUG 22/09

BOEING
767
PARTS CATALOG (MAINTENANCE)



V 25530126 SHT 1 REV 205

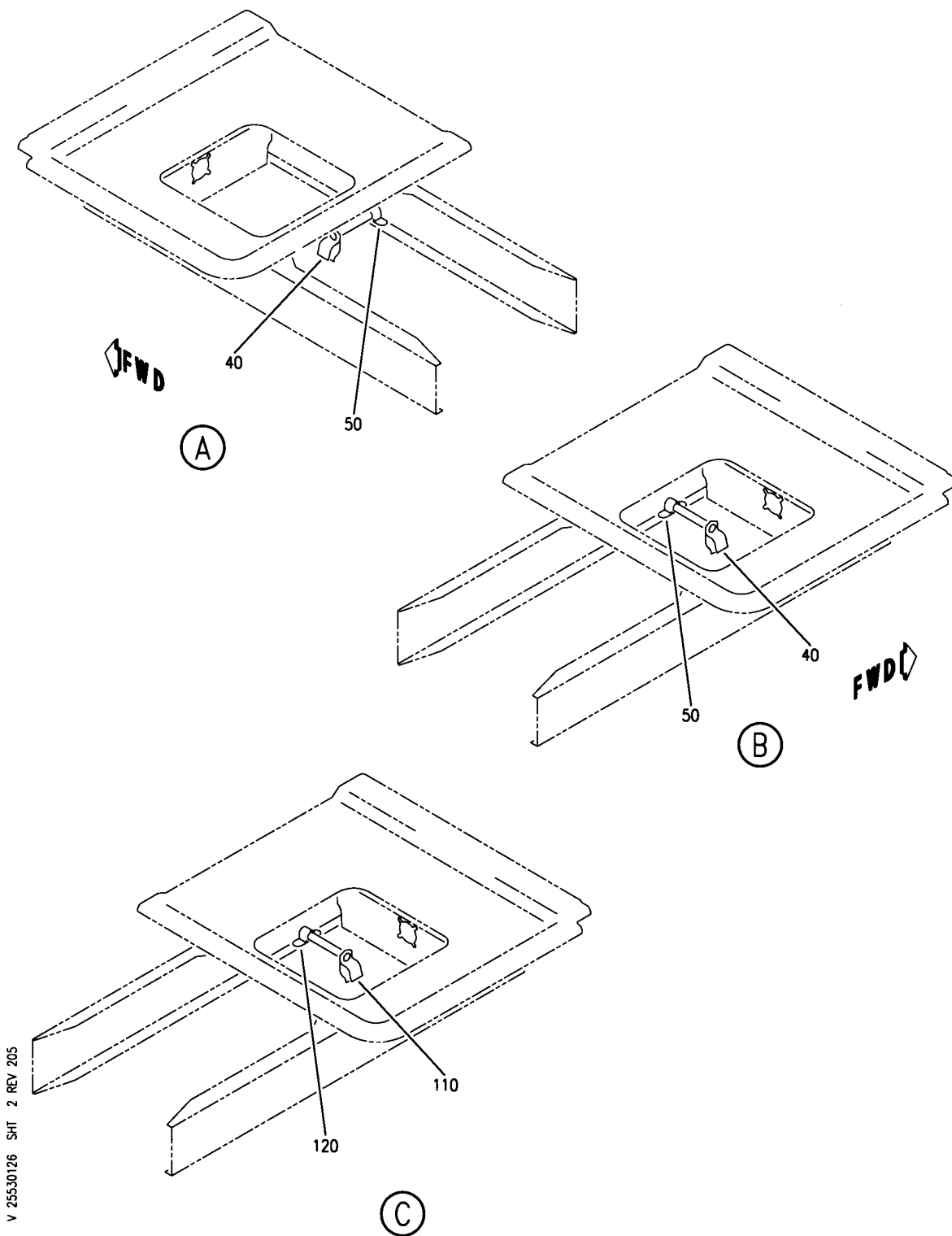
SUPPORT INSTL-SECT. 41/43 FWD PDU CARGO COMPT LCD PALLET OPT
FIGURE 26 (SHEET 1)

25-53-01-26

HXL
DEC 22/06

25-53-01-26
PAGE 0

BOEING
767
PARTS CATALOG (MAINTENANCE)



V 25530126 SH1 2 REV 205

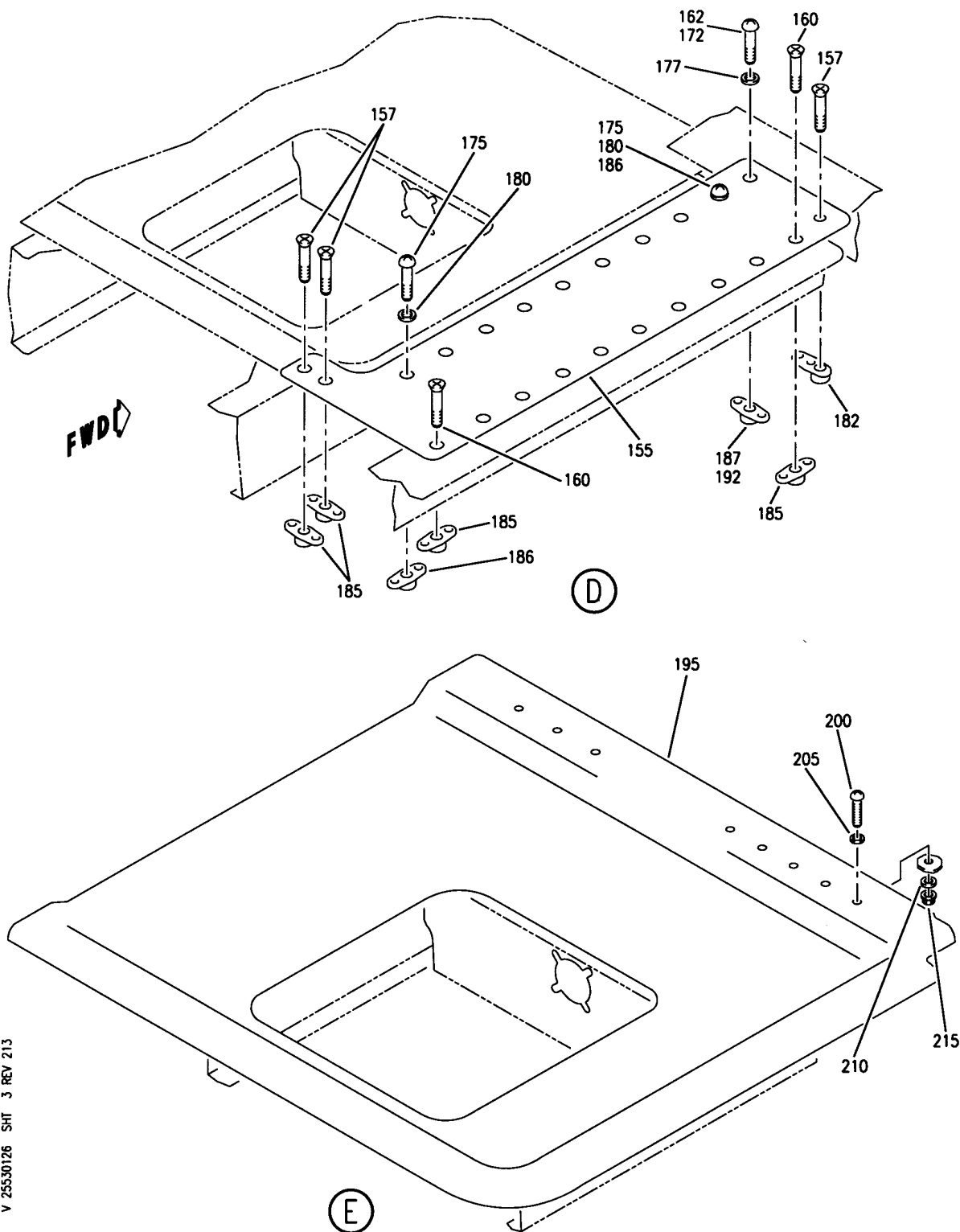
SUPPORT INSTL-SECT. 41/43 FWD PDU CARGO COMPT LCD PALLET OPT
FIGURE 26 (SHEET 2)

HXL
DEC 22/06

25-53-01-26

25-53-01-26
PAGE 0A

BOEING
767
PARTS CATALOG (MAINTENANCE)



V 25530126 SHT 3 REV 213

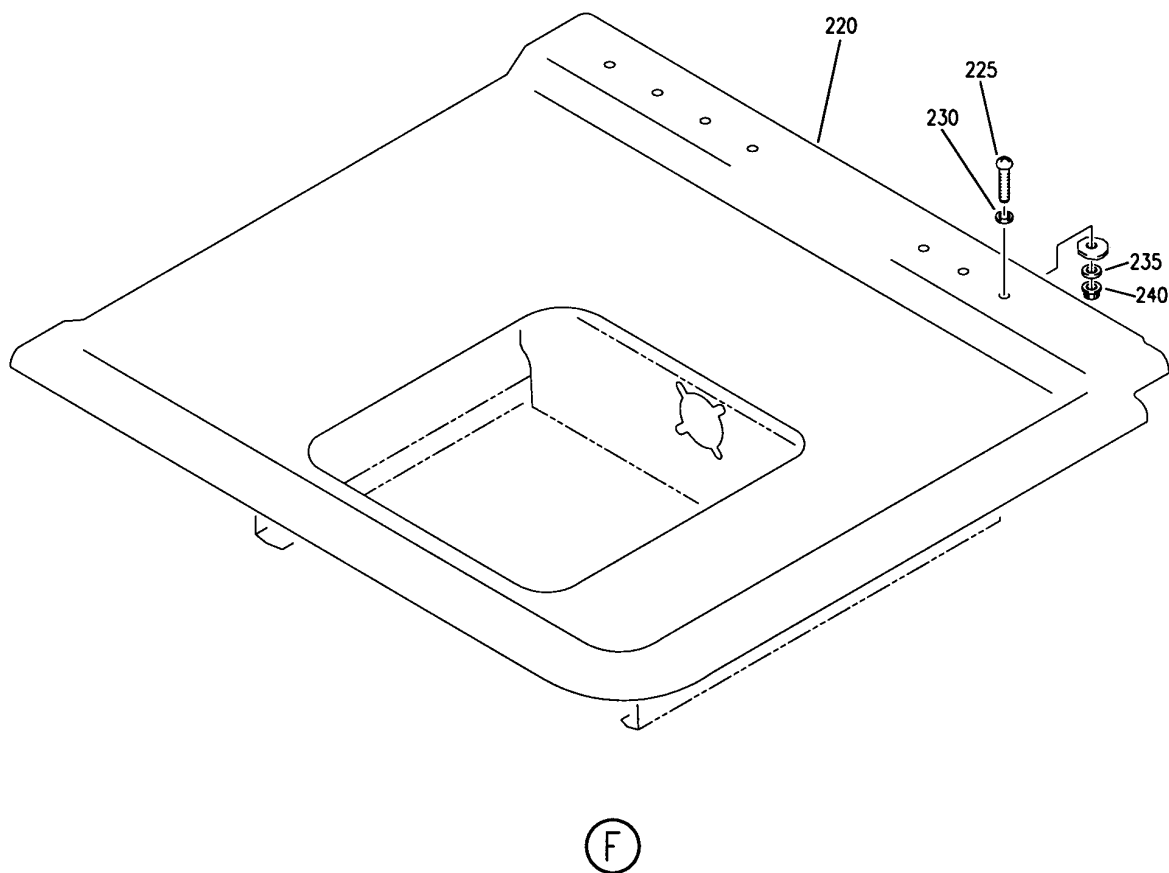
SUPPORT INSTL-SECT. 41/43 FWD PDU CARGO COMPT LCD PALLET OPT
FIGURE 26 (SHEET 3)

25-53-01-26

HXL
DEC 22/06

25-53-01-26
PAGE 0B

BOEING
767
PARTS CATALOG (MAINTENANCE)



V 25530126 SH1 4 REV 205

SUPPORT INSTL-SECT. 41/43 FWD PDU CARGO COMPT LCD PALLET OPT
FIGURE 26 (SHEET 4)

25-53-01-26

HXL
DEC 22/06

25-53-01-26
PAGE 0C

BOEING
767
PARTS CATALOG (MAINTENANCE)

FIG ITEM	PART NUMBER	1 2 3 4 5 6 7	NOMENCLATURE	EFFECT FROM TO	UNITS PER ASSY
26			SUPPORT INSTL-SECT. 41/43 FWD PDU CARGO COMPT LCD PALLET OPT		
- 150	451T2451-41		SUPPORT INSTL-PDU CARGO COMPT LCD PALLET OPT POSITION DATA: SECT. 41/43 FWD FOR NHA SEE: 25-50-00-01B		RF
155	451T2603-52		.PANEL- POSITION DATA: SECT. 41 STA 398 FWD RH ATTACHING PARTS		1
157	BACB30VF08K3		.BOLT		3
160	BACB30VF08K2		.BOLT		10
172	NAS623-2-2		.SCREW		1
175	NAS623-2-2		.SCREW		9
177	NAS1149DN816J		.WASHER		1
180	NAS1149DN816J		.WASHER		9
			-----*-----		
182	T8077S832		.NUTPLATE SUPPLIER CODE: V11815 SPECIFICATION NUMBER: BACN10JP08B OPTIONAL PART: MK2000-08BAC V15653 NS103198-82 V80539 RMA9207M82 V72962 VN201A1-82 V92215 BRM100A08 V52828 ATTACHING PARTS		1
- 183	BACR15BA3AD		.RIVET- SIZE DETERMINED ON INSTL. -----*-----		2
ILLUSTRATION ITEMS NOT ON PARTS LIST ARE NOT APPLICABLE					

- ITEM NOT ILLUSTRATED

HXL

25-53-01-26

BOEING PROPRIETARY - Copyright © - Unpublished Work - See title page for details.

25-53-01
FIG. 26
PAGE 1
DEC 22/07



767

PARTS CATALOG (MAINTENANCE)

FIG ITEM	PART NUMBER	1 2 3 4 5 6 7	NOMENCLATURE	EFFECT FROM TO	UNITS PER ASSY
26 185	T8076S832	.	NUTPLATE SUPPLIER CODE: V11815 SPECIFICATION NUMBER: BACN10JP08A OPTIONAL PART: MK1000-08BAC V15653 NS103197-82 V80539 RMA9201M82 V72962 VN202A1-82 V92215 BRM200A08 V52828		12
186	T8076S832	.	NUTPLATE SUPPLIER CODE: V11815 SPECIFICATION NUMBER: BACN10JP08A OPTIONAL PART: MK1000-08BAC V15653 NS103197-82 V80539 RMA9201M82 V72962 VN202A1-82 V92215 BRM200A08 V52828		9
187	T8076S832	.	NUTPLATE SUPPLIER CODE: V11815 SPECIFICATION NUMBER: BACN10JP08A OPTIONAL PART: MK1000-08BAC V15653 NS103197-82 V80539 RMA9201M82 V72962 VN202A1-82 V92215 BRM200A08 V52828		1

ILLUSTRATION ITEMS NOT ON PARTS LIST ARE NOT APPLICABLE

- ITEM NOT ILLUSTRATED

HXL

25-53-01-26

BOEING PROPRIETARY - Copyright © - Unpublished Work - See title page for details.

25-53-01
FIG. 26
PAGE 2
DEC 22/07



767
PARTS CATALOG (MAINTENANCE)

FIG ITEM	PART NUMBER	1 2 3 4 5 6 7	NOMENCLATURE	EFFECT FROM TO	UNITS PER ASSY
26			ATTACHING PARTS		
- 188	BACR15BA3AD		.RIVET- SIZE DETERMINED ON INSTL.		18
- 189	BACR15BA3AD		.RIVET- SIZE DETERMINED ON INSTL. -----*-----		26
ILLUSTRATION ITEMS NOT ON PARTS LIST ARE NOT APPLICABLE					

- ITEM NOT ILLUSTRATED

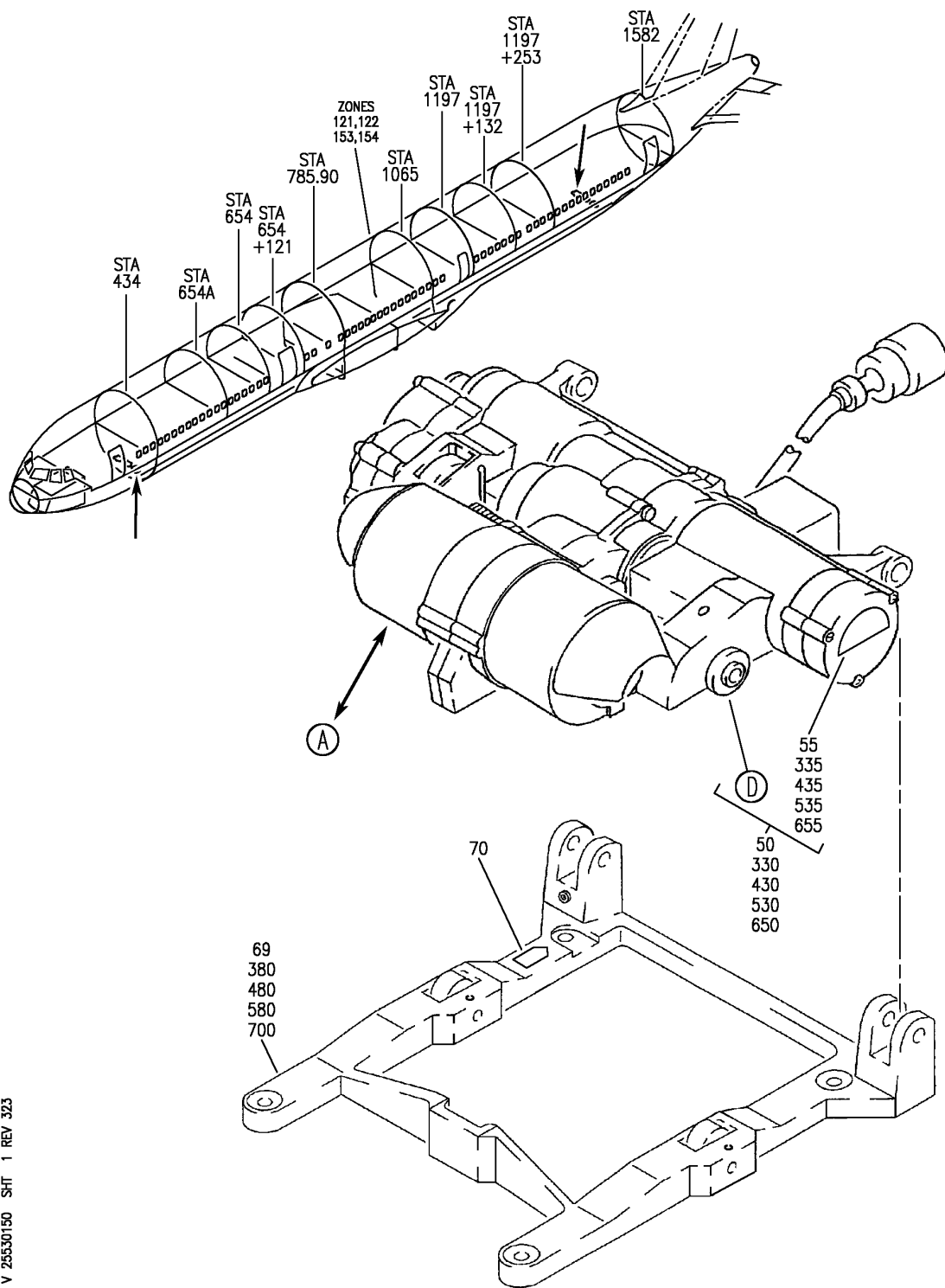
HXL

25-53-01-26

BOEING PROPRIETARY - Copyright © - Unpublished Work - See title page for details.

25-53-01
FIG. 26
PAGE 3
DEC 22/06

BOEING
767
PARTS CATALOG (MAINTENANCE)



V 25530150 SHT 1 REV 323

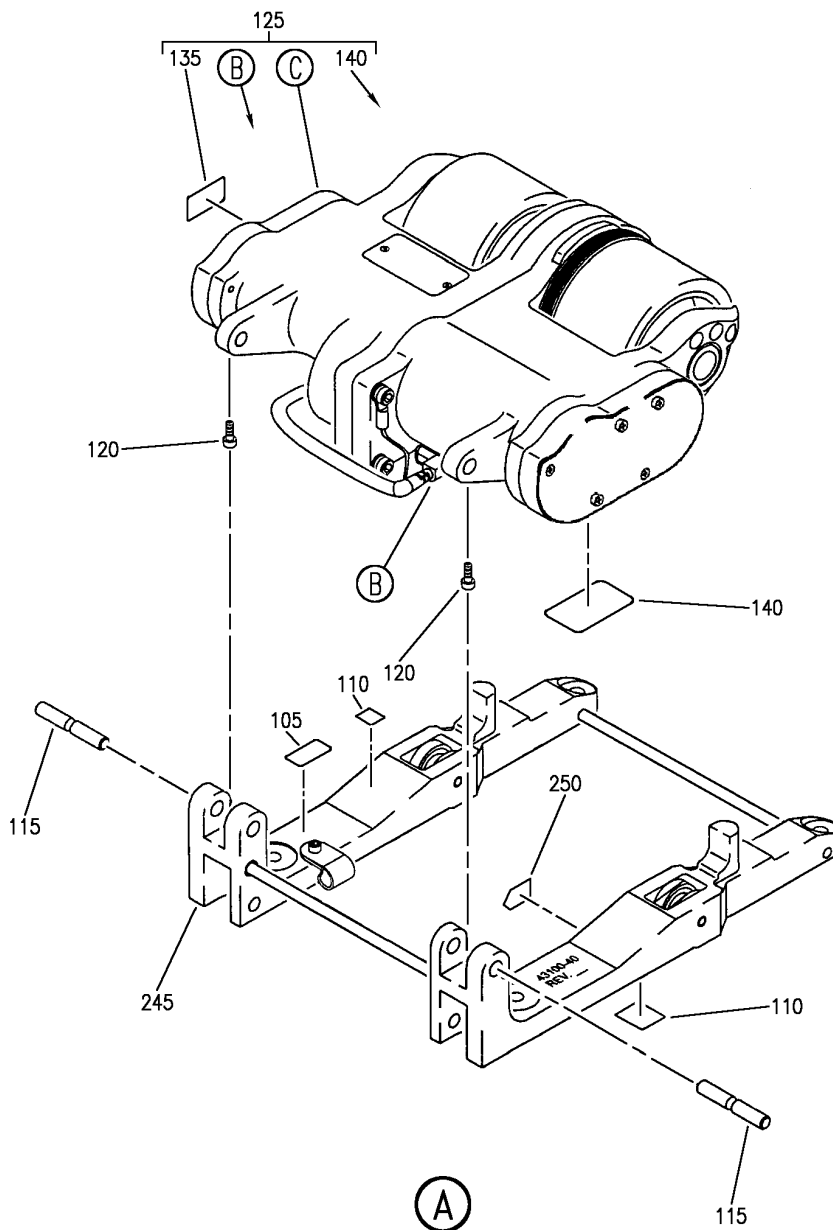
UNIT ASSY-POWERED DRIVE CARGO, SHORT BASE
FIGURE 50 (SHEET 1)

25-53-01-50

HXL
DEC 22/07

25-53-01-50
PAGE 0

BOEING
767
PARTS CATALOG (MAINTENANCE)



V 25530150 SH1 2 REV 343

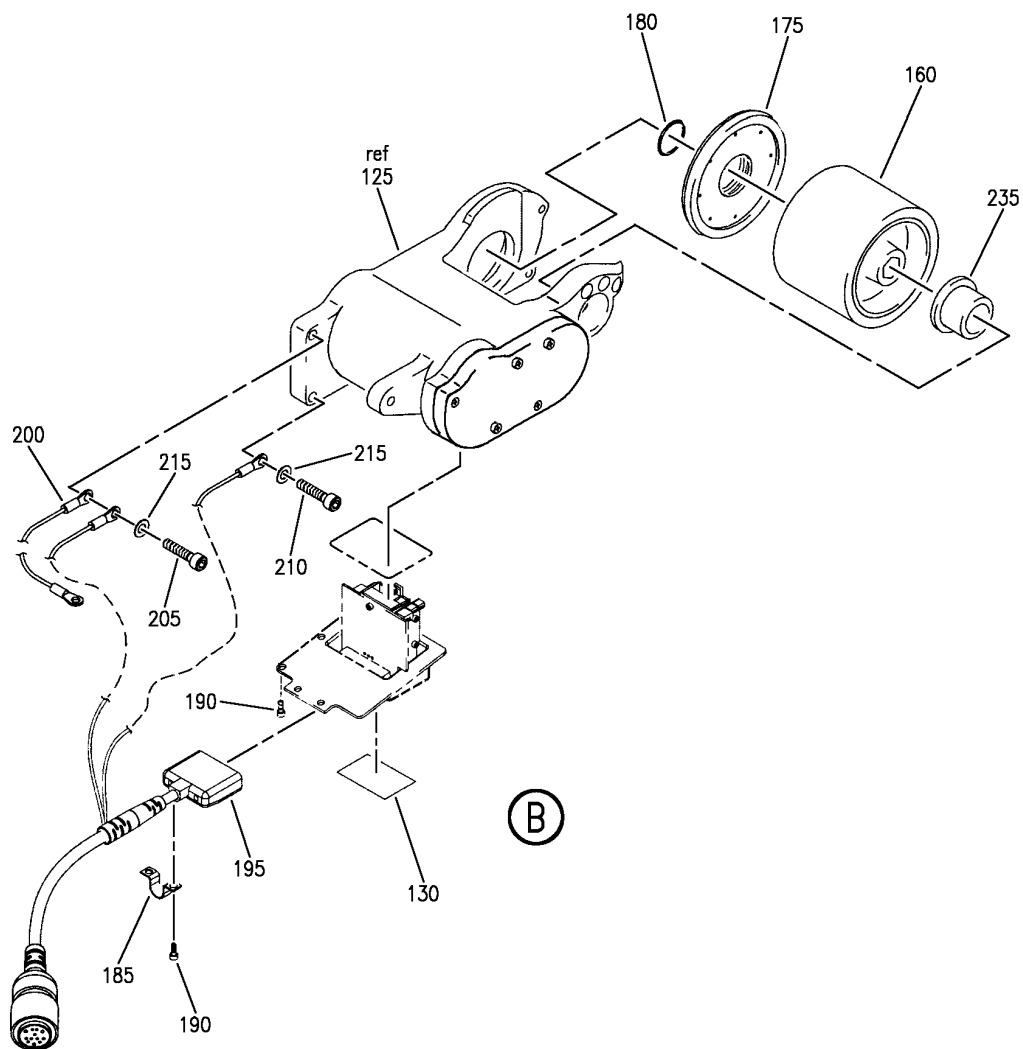
UNIT ASSY-POWERED DRIVE CARGO, SHORT BASE
FIGURE 50 (SHEET 2)

25-53-01-50

HXL
AUG 22/09

25-53-01-50
PAGE 0A

BOEING
767
PARTS CATALOG (MAINTENANCE)



V 25530150 SH1 3 REV 343

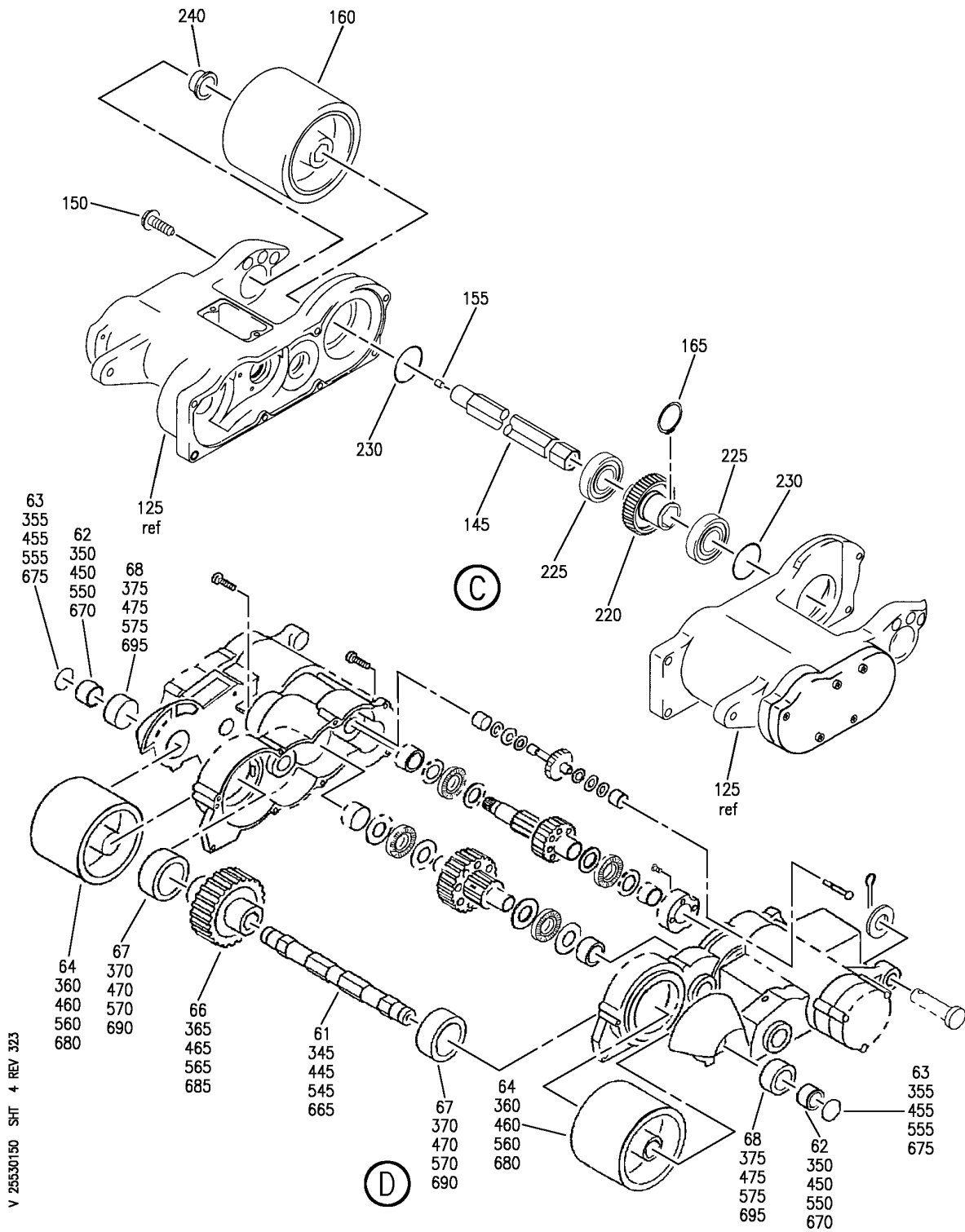
UNIT ASSY-POWERED DRIVE CARGO, SHORT BASE
FIGURE 50 (SHEET 3)

25-53-01-50

HXL
AUG 22/09

25-53-01-50
PAGE 0B

BOEING
767
PARTS CATALOG (MAINTENANCE)



UNIT ASSY-POWERED DRIVE CARGO, SHORT BASE
FIGURE 50 (SHEET 4)

25-53-01-50

HXL
DEC 22/07

25-53-01-50
PAGE 0C

BOEING
767
PARTS CATALOG (MAINTENANCE)

FIG ITEM	PART NUMBER	1 2 3 4 5 6 7	NOMENCLATURE	EFFECT FROM TO	UNITS PER ASSY
50			UNIT ASSY-POWERED DRIVE CARGO, SHORT BASE		
R - 100	43100-13		UNIT ASSY-POWERED DRIVE CARGO, LONG BASE		RF
R			SUPPLIER CODE: V31645		
R			COMPONENT MAINT MANUAL REF: 25-55-10		
R			FOR NHA SEE: 25-53-01-02		
R			25-53-01-07		
R	105	43100-584-1	. LABEL-IDENT		1
R			SUPPLIER CODE: V00462		
R	110	43100-584-2	. LABEL-IDENT		1
R			SUPPLIER CODE: V00462		
R	115	43100-500-1	. PIN-DOWEL GROOVED, SHORT		2
R			SUPPLIER CODE: V00462		
R			ATTACHING PARTS		
R	120	NAS1352-06LB6P	. SCREW		2
R			-----*-----		
R	125	43100-21	. DRIVE ASSY-		1
R			SUPPLIER CODE: V00462		
R	130	43100-597	.. PLACARD-ELECTRICAL GROUNDING		1
R			SUPPLIER CODE: V00462		
R	135	43100-586	.. PLACARD-SEAL LIFT DRIVE ASSEMBLY		1
R			SUPPLIER CODE: V00462		
R	140	43100-592	.. PLACARD-ROLLER REMOVAL ASSEMBLY		1
R			SUPPLIER CODE: V00462		
R	145	43100-307	.. SHAFT ASSY-OUTPUT DRIVE		1
R			SUPPLIER CODE: V31645		
R	150	80753-1	.. BOLT-		1
R			SUPPLIER CODE: V00462		
R	155	NASM21209C5-15	... INSERT		1
R	160	43100-400	.. ROLLER ASSY-OUTPUT, MOULDED		2
R			SUPPLIER CODE: V00462		

ILLUSTRATION ITEMS NOT ON PARTS LIST ARE NOT APPLICABLE

- ITEM NOT ILLUSTRATED

HXL

25-53-01-50

25-53-01
FIG. 50
PAGE 1
AUG 22/09

 **BOEING**
767
PARTS CATALOG (MAINTENANCE)

FIG ITEM	PART NUMBER	1 2 3 4 5 6 7	NOMENCLATURE	EFFECT FROM TO	UNITS PER ASSY
50					
R	165	MS16624-4098	..RING-EXTERNAL		1
R			RETAINING		
R	170	43112-412	..SENSOR ASSY-SCRUB		1
R			SUPPLIER CODE:		
R			V00462		
R			OPTIONAL PART:		
R			43100-410		
R			V00462		
R	173	43100-410	..SENSOR ASSY-SCRUB		1
R			SUPPLIER CODE:		
R			V00462		
R			OPTIONAL PART:		
R			43112-412		
R			V00462		
R	180	M259881-214	..SEAL-		1
R			USED WITH:		
R			43100-410		
R	185	43100-540	..CLAMP-HARNESS		1
R			SUPPLIER CODE:		
R			V00462		
R			ATTACHING PARTS		
R	190	NAS1352-06LB4P	..SCREW-		5
R			-----*-----		
R	195	43100-33	..HARNESS-DRIVE ASSY		1
R			SUPPLIER CODE:		
R			V31645		
R	200	M83413-8A004BB	..CABLE ASSY-JUMPER		1
R			ATTACHING PARTS		
R	205	NAS1352-08LB12P	..SCREW-		5
R	210	NAS1352-08LB14P	..SCREW-		2
R	213	SGT030018X	..WASHER-		4
R			SUPPLIER CODE:		
R			V31645		
R	215	NAS1149CN832R	..WASHER-		2
R			-----*-----		
R	220	43100-306	..GEAR-OUTPUT DRIVE		1
R			SUPPLIER CODE:		
R			V00462		
R	225	61905-2RS1	..BEARING-BALL		2
R			SUPPLIER CODE:		
R			V3U613		
R	230	43100-524	..SEAL-O-RING, OUTPUT DRIVE		2
R			BEARING		
R			SUPPLIER CODE:		
R			V00462		
R	235	LF1-1416-12	..BEARING-FLANGED		1
R			SUPPLIER CODE:		
R			VOJFH8		

ILLUSTRATION ITEMS NOT ON PARTS LIST ARE NOT APPLICABLE

— ITEM NOT ILLUSTRATED

HXL

25-53-01-50

BOEING PROPRIETARY - Copyright © - Unpublished Work - See title page for details.

25-53-01
FIG. 50
PAGE 2
AUG 22/09

 **BOEING**
767
PARTS CATALOG (MAINTENANCE)

FIG ITEM	PART NUMBER	1 2 3 4 5 6 7	NOMENCLATURE	EFFECT FROM TO	UNITS PER ASSY
50					
R 240	LF1-1011-12		.. BEARING-FLANGED SUPPLIER CODE: VOJFH8		1
R 245	43100-45		. BASE ASSY- SUPPLIER CODE: V31645		1
R 250	43100-444		.. PLACARD-GND SUPPLIER CODE: V00462		1
R - 400	43104-14		UNIT ASSY-POWERED DRIVE CARGO, LONG BASE SUPPLIER CODE: V00462 SPECIFICATION NUMBER: S451T201-14 COMPONENT MAINT MANUAL REF: 25-55-36 QUALIFIED I/W DATA: PN 43104-14 CAN REPLACE AND CAN BE REPLACED BY PN 2022538-3/-4/-5/-6/-7/-8 IF CABLE ROUTING IS ACCOMPLISHED BY 451T2003-11 FOR 767-200 AND 451T2003-10 FOR 767-300 FOR NHA SEE: 25-53-01-02		RF
430	43104-20		. DRIVE ASSY- SUPPLIER CODE: V00462		1
435	43104-590		.. NAMEPLATE- SUPPLIER CODE: V00462		1
- 440	150193		.. DECAL- SUPPLIER CODE: V00462		1
445	37270		.. SHAFT-HEX DRIVE OUTPUT SUPPLIER CODE: V00462		1
450	37272		.. BEARING-RACEWAY OUTPUT SHAFT SUPPLIER CODE: V00462		2
455	RSN62CD		.. RING-RETAINING SUPPLIER CODE: V00462		2

ILLUSTRATION ITEMS NOT ON PARTS LIST ARE NOT APPLICABLE

- ITEM NOT ILLUSTRATED

HXL

25-53-01-50

BOEING PROPRIETARY - Copyright © - Unpublished Work - See title page for details.

25-53-01
FIG. 50
PAGE 3
AUG 22/09



767

PARTS CATALOG (MAINTENANCE)

FIG ITEM	PART NUMBER	1 2 3 4 5 6 7	NOMENCLATURE	EFFECT FROM TO	UNITS PER ASSY
50					
460	38284		..ROLLER ASSY-TRACTION SUPPLIER CODE: V00462		2
465	37271		..GEAR-DRIVE, OUTPUT(35T) SUPPLIER CODE: V00462		1
470	80499-5		..BEARING- SUPPLIER CODE: V00462		2
475	SCE148PP		..BEARING- SUPPLIER CODE: V27737 MISCELLANEOUS DATA: V00462 SCD 148274 OPTIONAL PART: JTT148 V60380		2
475	JTT148		..BEARING- SUPPLIER CODE: V60380 OPTIONAL PART: SCE148PP V27737		2
480	43104-30		.BASE ASSY- SUPPLIER CODE: V00462		1
- 600	43104-14		UNIT ASSY-POWERED DRIVE CARGO, LONG BASE SUPPLIER CODE: V00462 SPECIFICATION NUMBER: S451T201-14 COMPONENT MAINT MANUAL REF: 25-55-36 QUALIFIED I/W DATA: PN 43104-14 CAN REPLACE AND CAN BE REPLACED BY PN 2022538-3/-4/-5/-6/-7/-8 IF CABLE ROUTING IS ACCOMPLISHED BY 451T2003-11 FOR 767-200 AND 451T2003-10 FOR 767-300 FOR NHA SEE: 25-53-01-07		RF
650	43104-20		.DRIVE ASSY- SUPPLIER CODE: V00462		1

ILLUSTRATION ITEMS NOT ON PARTS LIST ARE NOT APPLICABLE

- ITEM NOT ILLUSTRATED

25-53-01-50

25-53-01
FIG. 50
PAGE 4
AUG 22/09

HXL



767

PARTS CATALOG (MAINTENANCE)

FIG ITEM	PART NUMBER	1 2 3 4 5 6 7	NOMENCLATURE	EFFECT FROM TO	UNITS PER ASSY
50					
655	43104-590		..NAMEPLATE- SUPPLIER CODE: V00462		1
- 660	150193		..DECAL- SUPPLIER CODE: V00462		1
665	37270		..SHAFT-HEX DRIVE OUTPUT SUPPLIER CODE: V00462		1
670	37272		..BEARING-RACEWAY OUTPUT SHAFT SUPPLIER CODE: V00462		2
675	RSN62CD		..RING-RETAINING SUPPLIER CODE: V00462		2
680	38284		..ROLLER ASSY-TRACTION SUPPLIER CODE: V00462		2
685	37271		..GEAR-DRIVE, OUTPUT(35T) SUPPLIER CODE: V00462		1
690	80499-5		..BEARING- SUPPLIER CODE: V00462		2
695	SCE148PP		..BEARING- SUPPLIER CODE: V27737 MISCELLANEOUS DATA: V00462 SCD 148274 OPTIONAL PART: JTT148 V60380		2
695	JTT148		..BEARING- SUPPLIER CODE: V60380 OPTIONAL PART: SCE148PP V27737		2
700	43104-30		.BASE ASSY- SUPPLIER CODE: V00462		1

ILLUSTRATION ITEMS NOT ON PARTS LIST ARE NOT APPLICABLE

- ITEM NOT ILLUSTRATED

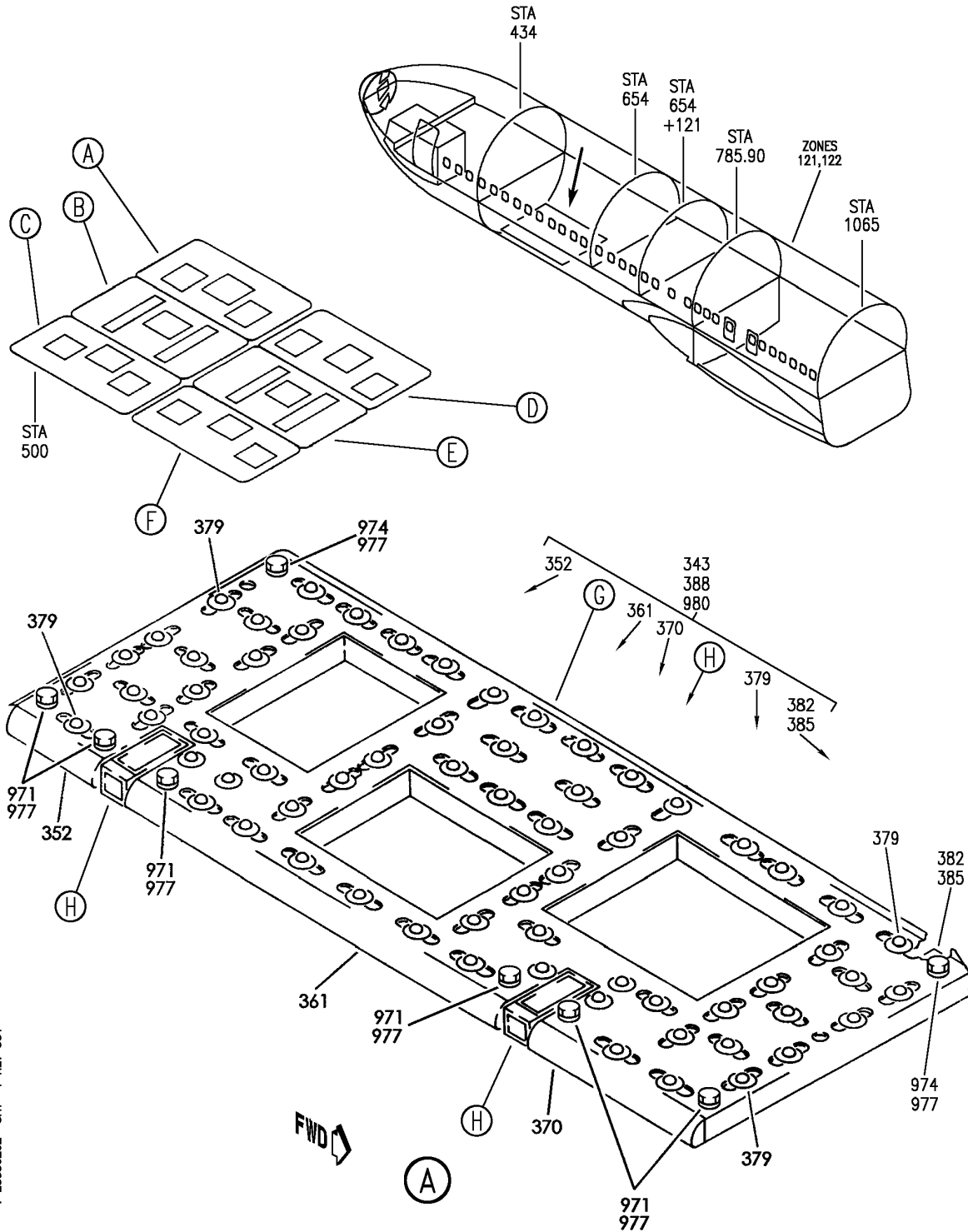
HXL

25-53-01-50

BOEING PROPRIETARY - Copyright © - Unpublished Work - See title page for details.

25-53-01
FIG. 50
PAGE 5
AUG 22/09

BOEING
767
PARTS CATALOG (MAINTENANCE)



V 25530202 SHT 1 REV 331

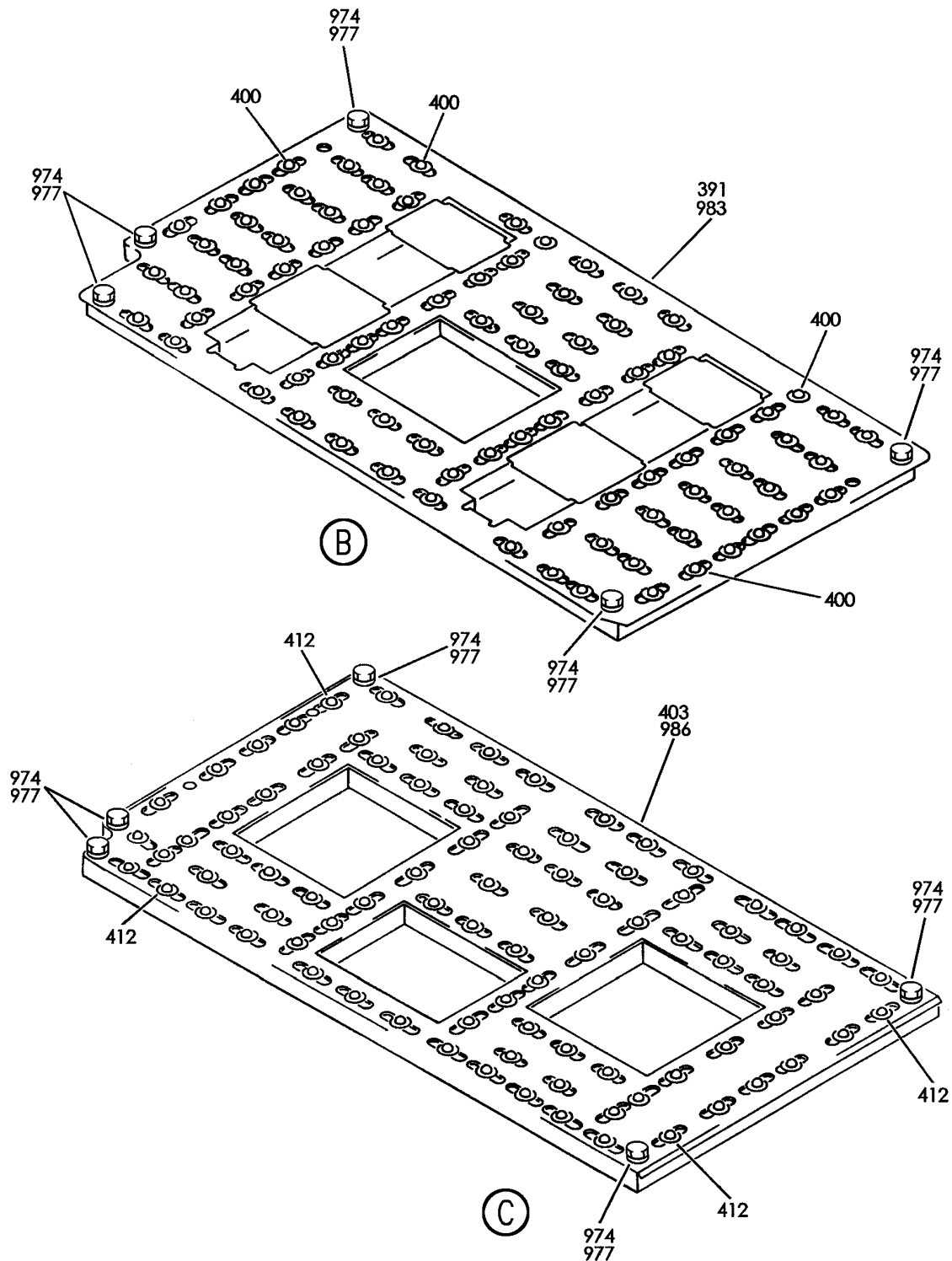
TRAY AND BALL PANEL INSTL SECT. 43 FWD PALLET OPT CARGO COMPT ROLLER
FIGURE 2 (SHEET 1)

25-53-02-02

HXL
AUG 22/08

25-53-02-02
PAGE 0

BOEING
767
PARTS CATALOG (MAINTENANCE)



V 25530202 SHT 2 REV 331

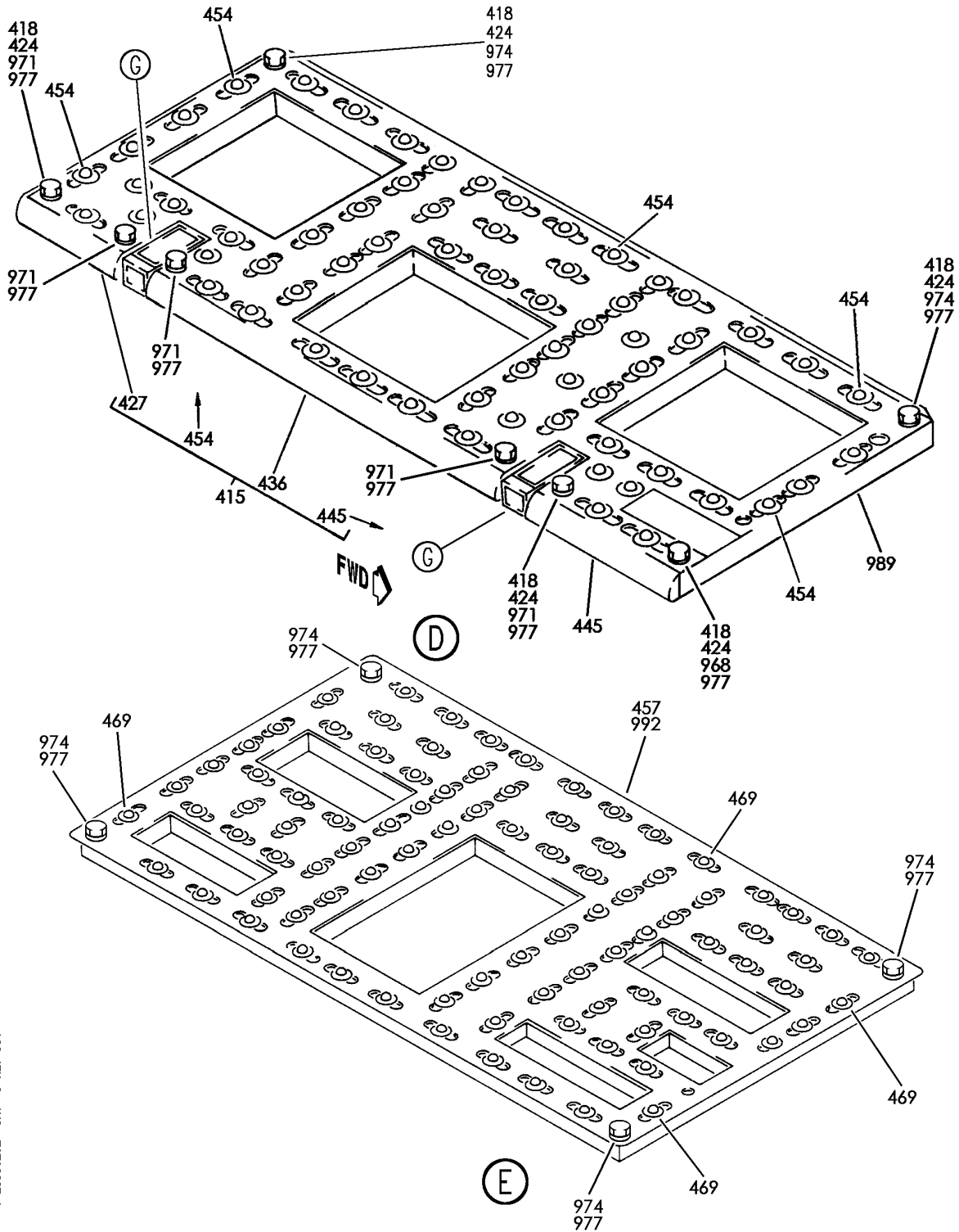
TRAY AND BALL PANEL INSTL SECT. 43 FWD PALLET OPT CARGO COMPT ROLLER
FIGURE 2 (SHEET 2)

25-53-02-02

HXL
AUG 22/08

25-53-02-02
PAGE 0A

BOEING
767
PARTS CATALOG (MAINTENANCE)



V 25530202 SHT 3 REV 331

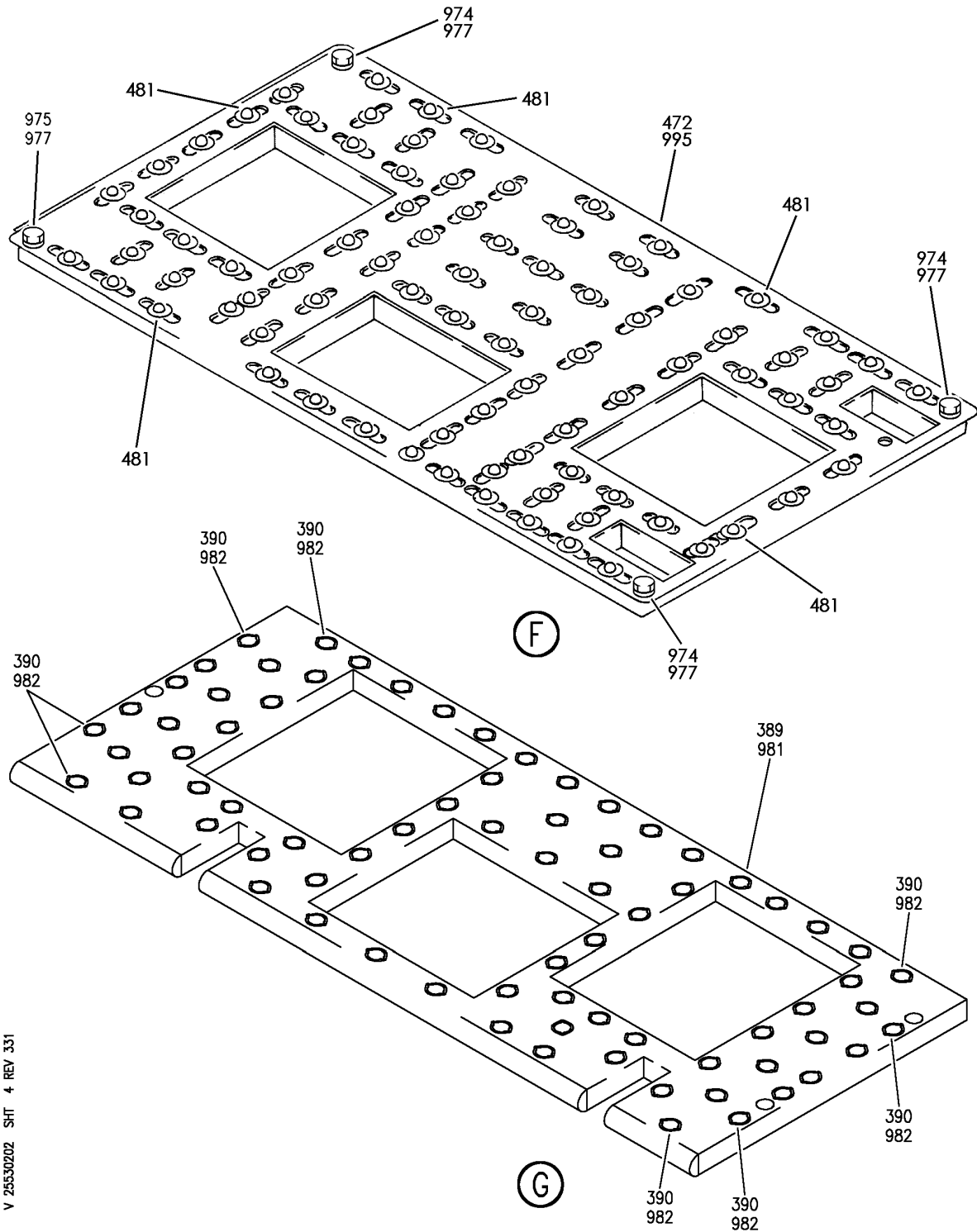
TRAY AND BALL PANEL INSTL SECT. 43 FWD PALLET OPT CARGO COMPT ROLLER
FIGURE 2 (SHEET 3)

25-53-02-02

HXL
AUG 22/08

25-53-02-02
PAGE 0B

BOEING
767
PARTS CATALOG (MAINTENANCE)



V 25530202 SHT 4 REV 331

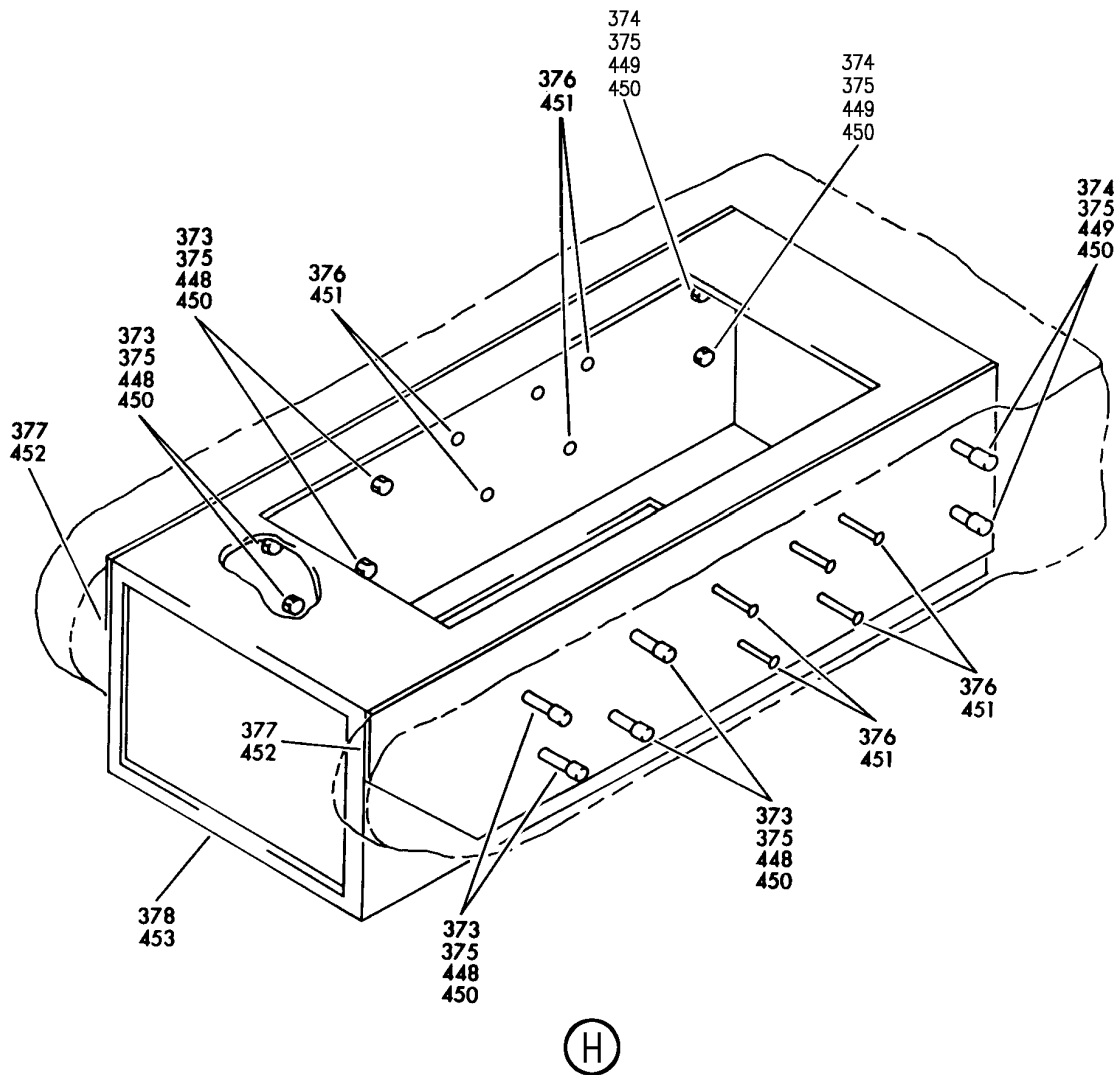
TRAY AND BALL PANEL INSTL SECT. 43 FWD PALLET OPT CARGO COMPT ROLLER
FIGURE 2 (SHEET 4)

25-53-02-02

HXL
AUG 22/08

25-53-02-02
PAGE 0C

BOEING
767
PARTS CATALOG (MAINTENANCE)



V 25530202 SHT 5 REV 331

TRAY AND BALL PANEL INSTL SECT. 43 FWD PALLET OPT CARGO COMPT ROLLER
FIGURE 2 (SHEET 5)

25-53-02-02

HXL
AUG 22/08

25-53-02-02
PAGE 0D



767

PARTS CATALOG (MAINTENANCE)

FIG ITEM	PART NUMBER	1 2 3 4 5 6 7	NOMENCLATURE	EFFECT FROM TO	UNITS PER ASSY
2			TRAY AND BALL PANEL INSTL SECT. 43 FWD PALLET OPT CARGO COMPT ROLLER		
- 340	451T1501-32		PANEL INSTL-PALLET OPT CARGO COMPT BALL POSITION DATA: SECT. 43 FWD FOR NHA SEE: 25-50-00-01	163999	RF
- 340	451T1501-38		TRAY INSTL-PALLET OPT CARGO COMPT ROLLER POSITION DATA: SECT. 43 FWD FOR NHA SEE: 25-50-00-01	155162	RF
343	451T1505-18		.PANEL ASSY-BALL SUPPLIER CODE: V31645		1
343	451T1505-23		.PANEL ASSY-BALL SUPPLIER CODE: V31645		1
343	451T1505-40		.PANEL ASSY-BALL SUPPLIER CODE: V31645		1
- 346	BACB30MR4K9		ATTACHING PARTS .BOLT		8
- 349	BACW10BP4CD		.WASHER-		8
			-----*-----		
352	451T1506-3		..BUMPER- SUPPLIER CODE: V31645		1
			ATTACHING PARTS		
- 355	BACB30MR3K14		..BOLT- OPTIONAL PART: BACB30MR3K16		2
- 355	BACB30MR3K16		..BOLT- OPTIONAL PART: BACB30MR3K14		2
- 358	AN960PD10L		..WASHER		2
			-----*-----		
361	451T1506-2		..BUMPER- SUPPLIER CODE: V31645		1
			ATTACHING PARTS		
- 364	BACB30MR3K14		..BOLT- OPTIONAL PART: BACB30MR3K16		6

ILLUSTRATION ITEMS NOT ON PARTS LIST ARE NOT APPLICABLE

- ITEM NOT ILLUSTRATED

25-53-02-02

25-53-02
FIG. 02
PAGE 1
AUG 22/08

HXL



767

PARTS CATALOG (MAINTENANCE)

FIG ITEM	PART NUMBER	1 2 3 4 5 6 7	NOMENCLATURE	EFFECT FROM TO	UNITS PER ASSY
2					
- 364	BACB30MR3K16	..	BOLT- OPTIONAL PART: BACB30MR3K14		6
- 367	AN960PD10L	..	WASHER -----*-----		6
370	451T1506-1	..	BUMPER- SUPPLIER CODE: V31645 ATTACHING PARTS		1
- 371	BACB30MR3K14	..	BOLT- OPTIONAL PART: BACB30MR3K16		3
- 371	BACB30MR3K16	..	BOLT- OPTIONAL PART: BACB30MR3K14		3
- 372	AN960PD10L	..	WASHER -----*-----		3
373	HL11VAZ6-5	..	BOLT SUPPLIER CODE: V60516 SPECIFICATION NUMBER: BACB30NW6K5 OPTIONAL PART: B30NW6K5 V97928 HL11VAZ6-5 V73197 HL11VAZ6-5 V92215 HL11VAZ6-5 V97928 L803-6K5 V06725 HL11VAZ6-5 V0PTK6 HL11VAZ6-5 V56878		16
374	BACB30MY6K	..	BOLT- SIZE DETERMINED ON INSTL.		8

ILLUSTRATION ITEMS NOT ON PARTS LIST ARE NOT APPLICABLE

- ITEM NOT ILLUSTRATED

HXL

25-53-02-02

BOEING PROPRIETARY - Copyright © - Unpublished Work - See title page for details.

25-53-02
FIG. 02
PAGE 2
AUG 22/08

 **BOEING**
767
PARTS CATALOG (MAINTENANCE)

FIG ITEM	PART NUMBER	1 2 3 4 5 6 7	NOMENCLATURE	EFFECT FROM TO	UNITS PER ASSY
2	375 HL79-6		.. COLLAR SUPPLIER CODE: V5M902 SPECIFICATION NUMBER: BACC30M6 OPTIONAL PART: HL79-6 V73197 HL79-6 V92215 66014-6 V56878 HL79-6 V56878		24
	376 BACR15CE5AD		.. RIVET- SIZE DETERMINED ON INSTL.		20
	377 BACS40R14C48F		.. SHIM		4
	378 452T2136-1		.. HOUSING- SUPPLIER CODE: V31645		2
	379 J082269-1		.. BALL UNIT- SUPPLIER CODE: V31645 OPTIONAL PART: J082269-6 V31645 20188-1 V1N6X0		66
	379 20188-1		.. BALL UNIT- SUPPLIER CODE: V1N6X0 SPECIFICATION NUMBER: S451T101-1 OPTIONAL PART: J082269-1 V31645 J082269-6 V31645		66

ILLUSTRATION ITEMS NOT ON PARTS LIST ARE NOT APPLICABLE

- ITEM NOT ILLUSTRATED

HXL

25-53-02-02

BOEING PROPRIETARY - Copyright © - Unpublished Work - See title page for details.

25-53-02
FIG. 02
PAGE 3
AUG 22/08

BOEING
767
PARTS CATALOG (MAINTENANCE)

FIG ITEM	PART NUMBER	1 2 3 4 5 6 7	NOMENCLATURE	EFFECT FROM TO	UNITS PER ASSY
2 379	J082269-6		..BALL UNIT- SUPPLIER CODE: V31645 SPECIFICATION NUMBER: S451W151-1 S451W151-2 QUALIFIED I/W DATA: J082269-7 CAN REPLACE OR BE REPLACED BY J082269-6 DEPENDING ON CUSTOMER PREFERENCE. J082269-7 HAS HIGHER DURABILITY BUT INCURS WEIGHT PENALTY OPTIONAL PART: J082269-1 V31645 20188-1 V1N6X0		66
382	451T1507-1		..FRAME ASSY- SUPPLIER CODE: V31645		1
385	451T1009-7		...FILLER- SUPPLIER CODE: V31645 ATTACHING PARTS		1
- 386	BACR15CE3AD		...RIVET- SIZE DETERMINED ON INSTL. -----*-----		2
388	7616A0-1		.PANEL ASSY-BALL SUPPLIER CODE: V31645 SPECIFICATION NUMBER: S451T100-1		1
389	7616A0-2		..PANEL ASSY- SUPPLIER CODE: V31645		1

ILLUSTRATION ITEMS NOT ON PARTS LIST ARE NOT APPLICABLE

- ITEM NOT ILLUSTRATED

HXL

25-53-02-02

BOEING PROPRIETARY - Copyright © - Unpublished Work - See title page for details.

25-53-02
FIG. 02
PAGE 4
AUG 22/08

BOEING
767
PARTS CATALOG (MAINTENANCE)

FIG ITEM	PART NUMBER	1 2 3 4 5 6 7	NOMENCLATURE	EFFECT FROM TO	UNITS PER ASSY
2 390	J082269-6		..BALL UNIT- SUPPLIER CODE: V31645 SPECIFICATION NUMBER: S451W151-1 S451W151-2 QUALIFIED I/W DATA: J082269-7 CAN REPLACE OR BE REPLACED BY J082269-6 DEPENDING ON CUSTOMER PREFERENCE. J082269-7 HAS HIGHER DURABILITY BUT INCURS WEIGHT PENALTY.		77
390	J082269-1		..BALL UNIT- SUPPLIER CODE: V31645		77
391	451T1505-19		.PANEL ASSY-BALL SUPPLIER CODE: V31645		1
391	451T1505-25		.PANEL ASSY-BALL SUPPLIER CODE: V31645		1
391	7616B0-1		.PANEL-BALL SUPPLIER CODE: V31645 SPECIFICATION NUMBER: S451T100-2		1
- 394	BACB30MR4K9		.BOLT		5
- 397	BACW10BP4CD		.WASHER-		5
			-----*-----		
400	J082269-1		..BALL UNIT- SUPPLIER CODE: V31645 OPTIONAL PART: J082269-6 V31645 20188-1 V1N6X0		87

ILLUSTRATION ITEMS NOT ON PARTS LIST ARE NOT APPLICABLE

- ITEM NOT ILLUSTRATED

HXL

25-53-02-02

BOEING PROPRIETARY - Copyright © - Unpublished Work - See title page for details.

25-53-02
FIG. 02
PAGE 5
AUG 22/08


BOEING
 767
PARTS CATALOG (MAINTENANCE)

FIG ITEM	PART NUMBER	1 2 3 4 5 6 7	NOMENCLATURE	EFFECT FROM TO	UNITS PER ASSY
2 400	20188-1		..BALL UNIT- SUPPLIER CODE: V1N6X0 SPECIFICATION NUMBER: S451T101-1 OPTIONAL PART: J082269-1 V31645 J082269-6 V31645		87
400	J082269-6		..BALL UNIT- SUPPLIER CODE: V31645 SPECIFICATION NUMBER: S451W151-1 S451W151-2 QUALIFIED I/W DATA: J082269-7 CAN REPLACE OR BE REPLACED BY J082269-6 DEPENDING ON CUSTOMER PREFERENCE. J082269-7 HAS HIGHER DURABILITY BUT INCURS WEIGHT PENALTY OPTIONAL PART: J082269-1 V31645 20188-1 V1N6X0 USED ON: 451T1505-25		87
403	451T1505-15		.PANEL ASSY-BALL SUPPLIER CODE: V31645		1
403	451T1505-24		.PANEL ASSY-BALL SUPPLIER CODE: V31645		1
403	7616C0-1		.PANEL-BALL SUPPLIER CODE: V31645 SPECIFICATION NUMBER: S451T100-3 ATTACHING PARTS		1
- 406	BACB30MR4K9		.BOLT		5
- 409	BACW10BP4CD		.WASHER- -----*-----		5

ILLUSTRATION ITEMS NOT ON PARTS LIST ARE NOT APPLICABLE

- ITEM NOT ILLUSTRATED

HXL

25-53-02-02

BOEING PROPRIETARY - Copyright © - Unpublished Work - See title page for details.

25-53-02
 FIG. 02
 PAGE 6
 AUG 22/08



767

PARTS CATALOG (MAINTENANCE)

FIG ITEM	PART NUMBER	1 2 3 4 5 6 7	NOMENCLATURE	EFFECT FROM TO	UNITS PER ASSY
2 412	J082269-1		..BALL UNIT- SUPPLIER CODE: V31645 OPTIONAL PART: J082269-6 V31645 20188-1 V1N6X0		90
412	J082269-6		..BALL UNIT- SUPPLIER CODE: V31645 SPECIFICATION NUMBER: S451W151-1 S451W151-2 QUALIFIED I/W DATA: J082269-7 CAN REPLACE OR BE REPLACED BY J082269-6 DEPENDING ON CUSTOMER PREFERENCE. J082269-7 HAS HIGHER DURABILITY BUT INCURS WEIGHT PENALTY OPTIONAL PART: J082269-1 V31645 20188-1 V1N6X0 USED ON: 451T1505-24		90
412	20188-1		..BALL UNIT- SUPPLIER CODE: V1N6X0 SPECIFICATION NUMBER: S451T101-1 OPTIONAL PART: J082269-1 V31645 J082269-6 V31645 USED ON: 451T1505-24		90
415	451T1505-22		.PANEL ASSY-BALL SUPPLIER CODE: V31645 OPTIONAL PART: 451T1505-28 V31645		1

ILLUSTRATION ITEMS NOT ON PARTS LIST ARE NOT APPLICABLE

- ITEM NOT ILLUSTRATED

25-53-02-02

25-53-02
FIG. 02
PAGE 7
AUG 22/08

HXL

BOEING PROPRIETARY - Copyright © - Unpublished Work - See title page for details.

BOEING
767
PARTS CATALOG (MAINTENANCE)

FIG ITEM	PART NUMBER	1 2 3 4 5 6 7	NOMENCLATURE	EFFECT FROM TO	UNITS PER ASSY
2					
415	451T1505-28		.PANEL ASSY-BALL SUPPLIER CODE: V31645 OPTIONAL PART: 451T1505-22 V31645		1
415	451T1505-39		.PANEL ASSY-BALL SUPPLIER CODE: V31645		1
415	7616D0-2		.PANEL-BALL SUPPLIER CODE: V31645 SPECIFICATION NUMBER: S451T100-7 ATTACHING PARTS		1
418	BACB30MR4K9		.BOLT		7
421	BACB30MR4K16		.BOLT		1
424	BACW10BP4CD		.WASHER-		8
			-----*-----		
427	451T1506-6		..BUMPER- SUPPLIER CODE: V31645 ATTACHING PARTS		1
- 430	BACB30MR3K14		..BOLT- OPTIONAL PART: BACB30MR3K16		2
- 430	BACB30MR3K16		..BOLT- OPTIONAL PART: BACB30MR3K14		2
- 433	AN960PD10L		..WASHER -----*-----		2
436	451T1506-5		..BUMPER- SUPPLIER CODE: V31645 ATTACHING PARTS		1
- 439	BACB30MR3K14		..BOLT- OPTIONAL PART: BACB30MR3K16		5
- 439	BACB30MR3K16		..BOLT- OPTIONAL PART: BACB30MR3K14		5
- 442	AN960PD10L		..WASHER -----*-----		5
445	451T1506-4		..BUMPER- SUPPLIER CODE: V31645		1

ILLUSTRATION ITEMS NOT ON PARTS LIST ARE NOT APPLICABLE

- ITEM NOT ILLUSTRATED

HXL

25-53-02-02

BOEING PROPRIETARY - Copyright © - Unpublished Work - See title page for details.

25-53-02
FIG. 02
PAGE 8
AUG 22/08

 **BOEING**
767
PARTS CATALOG (MAINTENANCE)

FIG ITEM	PART NUMBER	1 2 3 4 5 6 7	NOMENCLATURE	EFFECT FROM TO	UNITS PER ASSY
2			ATTACHING PARTS		
- 446	BACB30MR3K14	..	BOLT- OPTIONAL PART: BACB30MR3K16		3
- 446	BACB30MR3K16	..	BOLT- OPTIONAL PART: BACB30MR3K14		3
- 447	AN960PD10L	..	WASHER		3
			-----*-----		
448	HL11VAZ6-5	..	BOLT SUPPLIER CODE: V60516 SPECIFICATION NUMBER: BACB30NW6K5 OPTIONAL PART: B30NW6K5 V97928 HL11VAZ6-5 V73197 HL11VAZ6-5 V92215 HL11VAZ6-5 V97928 L803-6K5 V06725 HL11VAZ6-5 V0PTK6 HL11VAZ6-5 V56878		16
449	BACB30MY6K	..	BOLT- SIZE DETERMINED ON INSTL.		8
450	HL79-6	..	COLLAR SUPPLIER CODE: V5M902 SPECIFICATION NUMBER: BACC30M6 OPTIONAL PART: HL79-6 V73197 HL79-6 V92215 66014-6 V56878 HL79-6 V56878		24
451	BACR15CE5AD	..	RIVET- SIZE DETERMINED ON INSTL.		20
452	BACS40R14C48F	..	SHIM		4
ILLUSTRATION ITEMS NOT ON PARTS LIST ARE NOT APPLICABLE					

- ITEM NOT ILLUSTRATED

HXL

25-53-02-02

BOEING PROPRIETARY - Copyright © - Unpublished Work - See title page for details.

25-53-02
FIG. 02
PAGE 9
AUG 22/08



767

PARTS CATALOG (MAINTENANCE)

FIG ITEM	PART NUMBER	1 2 3 4 5 6 7	NOMENCLATURE	EFFECT FROM TO	UNITS PER ASSY
2					
453	452T2136-1		..HOUSING- SUPPLIER CODE: V31645		2
454	J082269-1		..BALL UNIT- SUPPLIER CODE: V31645 OPTIONAL PART: J082269-6 V31645 20188-1 V1N6X0		64
454	J082269-6		..BALL UNIT- SUPPLIER CODE: V31645 SPECIFICATION NUMBER: S451W151-1 S451W151-2 QUALIFIED I/W DATA: J082269-7 CAN REPLACE OR BE REPLACED BY J082269-6 DEPENDING ON CUSTOMER PREFERENCE. J082269-7 HAS HIGHER DURABILITY BUT INCURS WEIGHT PENALTY OPTIONAL PART: J082269-1 V31645 20188-1 V1N6X0 USED ON: 451T1505-28		64
454	20188-1		..BALL UNIT- SUPPLIER CODE: V1N6X0 SPECIFICATION NUMBER: S451T101-1 OPTIONAL PART: J082269-1 V31645 J082269-6 V31645 USED ON: 451T1505-28		64

ILLUSTRATION ITEMS NOT ON PARTS LIST ARE NOT APPLICABLE

- ITEM NOT ILLUSTRATED

HXL

25-53-02-02

BOEING PROPRIETARY - Copyright © - Unpublished Work - See title page for details.

25-53-02
FIG. 02
PAGE 10
AUG 22/08



767

PARTS CATALOG (MAINTENANCE)

FIG ITEM	PART NUMBER	1 2 3 4 5 6 7	NOMENCLATURE	EFFECT FROM TO	UNITS PER ASSY
2					
457	451T1505-21		.PANEL ASSY-BALL SUPPLIER CODE: V31645 OPTIONAL PART: 451T1505-27 V31645		1
457	451T1505-27		.PANEL ASSY-BALL SUPPLIER CODE: V31645 OPTIONAL PART: 451T1505-21 V31645		1
457	451T1505-38		.PANEL ASSY-BALL SUPPLIER CODE: V31645		1
457	7616E0-2		.PANEL-BALL SUPPLIER CODE: V31645 SPECIFICATION NUMBER: S451T100-8 ATTACHING PARTS		1
- 460	BACB30MR4K9		.BOLT		4
- 463	BACW10BP4CD		.WASHER-		4
			-----*-----		
469	J082269-1		..BALL UNIT- SUPPLIER CODE: V31645 OPTIONAL PART: J082269-6 V31645 20188-1 V1N6X0		91

ILLUSTRATION ITEMS NOT ON PARTS LIST ARE NOT APPLICABLE

- ITEM NOT ILLUSTRATED

HXL

25-53-02-02

BOEING PROPRIETARY - Copyright © - Unpublished Work - See title page for details.

25-53-02
FIG. 02
PAGE 11
AUG 22/08



767

PARTS CATALOG (MAINTENANCE)

FIG ITEM	PART NUMBER	1 2 3 4 5 6 7	NOMENCLATURE	EFFECT FROM TO	UNITS PER ASSY
2 469	J082269-6		..BALL UNIT- SUPPLIER CODE: V31645 SPECIFICATION NUMBER: S451W151-1 S451W151-2 QUALIFIED I/W DATA: J082269-7 CAN REPLACE OR BE REPLACED BY J082269-6 DEPENDING ON CUSTOMER PREFERENCE. J082269-7 HAS HIGHER DURABILITY BUT INCURS WEIGHT PENALTY OPTIONAL PART: J082269-1 V31645 20188-1 V1N6X0 USED ON: 451T1505-27		91
469	20188-1		..BALL UNIT- SUPPLIER CODE: V1N6X0 SPECIFICATION NUMBER: S451T101-1 OPTIONAL PART: J082269-1 V31645 J082269-6 V31645 USED ON: 451T1505-27		91
472	451T1505-20		.PANEL ASSY-BALL SUPPLIER CODE: V31645 OPTIONAL PART: 451T1505-26 V31645		1
472	451T1505-26		.PANEL ASSY-BALL SUPPLIER CODE: V31645 OPTIONAL PART: 451T1505-20 V31645		1
472	451T1505-37		.PANEL ASSY-BALL SUPPLIER CODE: V31645		1

ILLUSTRATION ITEMS NOT ON PARTS LIST ARE NOT APPLICABLE

- ITEM NOT ILLUSTRATED

25-53-02-02

25-53-02
 FIG. 02
 PAGE 12
 AUG 22/08

HXL



767

PARTS CATALOG (MAINTENANCE)

FIG ITEM	PART NUMBER	1 2 3 4 5 6 7	NOMENCLATURE	EFFECT FROM TO	UNITS PER ASSY
2 472	7616F0-2		.PANEL-BALL SUPPLIER CODE: V31645 SPECIFICATION NUMBER: S451T100-9 ATTACHING PARTS		1
- 475	BACB30MR4K9		.BOLT		4
- 478	BACW10BP4CD		.WASHER-		4
			-----*-----		
481	J082269-1		..BALL UNIT- SUPPLIER CODE: V31645 OPTIONAL PART: J082269-6 V31645 20188-1 V1N6X0		89
481	J082269-6		..BALL UNIT- SUPPLIER CODE: V31645 SPECIFICATION NUMBER: S451W151-1 S451W151-2 QUALIFIED I/W DATA: J082269-7 CAN REPLACE OR BE REPLACED BY J082269-6 DEPENDING ON CUSTOMER PREFERENCE. J082269-7 HAS HIGHER DURABILITY BUT INCURS WEIGHT PENALTY OPTIONAL PART: J082269-1 V31645 20188-1 V1N6X0 USED ON: 451T1505-26		89

ILLUSTRATION ITEMS NOT ON PARTS LIST ARE NOT APPLICABLE

- ITEM NOT ILLUSTRATED

HXL

25-53-02-02

BOEING PROPRIETARY - Copyright © - Unpublished Work - See title page for details.

25-53-02
FIG. 02
PAGE 13
AUG 22/08



767

PARTS CATALOG (MAINTENANCE)

FIG ITEM	PART NUMBER	1 2 3 4 5 6 7	NOMENCLATURE	EFFECT FROM TO	UNITS PER ASSY
2 481	20188-1		..BALL UNIT- SUPPLIER CODE: V1N6X0 SPECIFICATION NUMBER: S451T101-1 OPTIONAL PART: J082269-1 V31645 J082269-6 V31645 USED ON: 451T1505-26		89

ILLUSTRATION ITEMS NOT ON PARTS LIST ARE NOT APPLICABLE

- ITEM NOT ILLUSTRATED

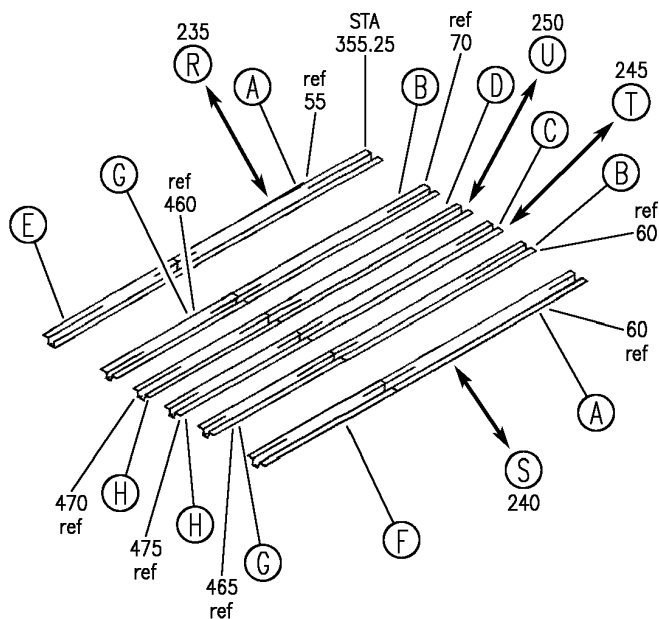
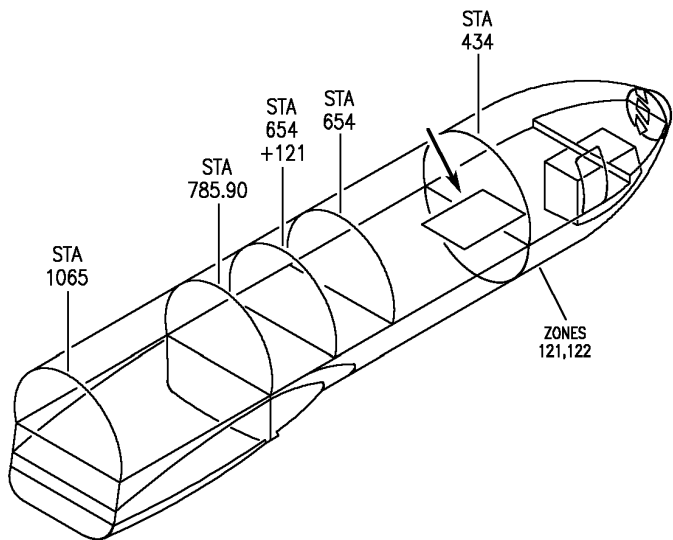
HXL

25-53-02-02

BOEING PROPRIETARY - Copyright © - Unpublished Work - See title page for details.

25-53-02
FIG. 02
PAGE 14
AUG 22/08

BOEING
767
PARTS CATALOG (MAINTENANCE)



V 25530202A SHT 1 REV 332

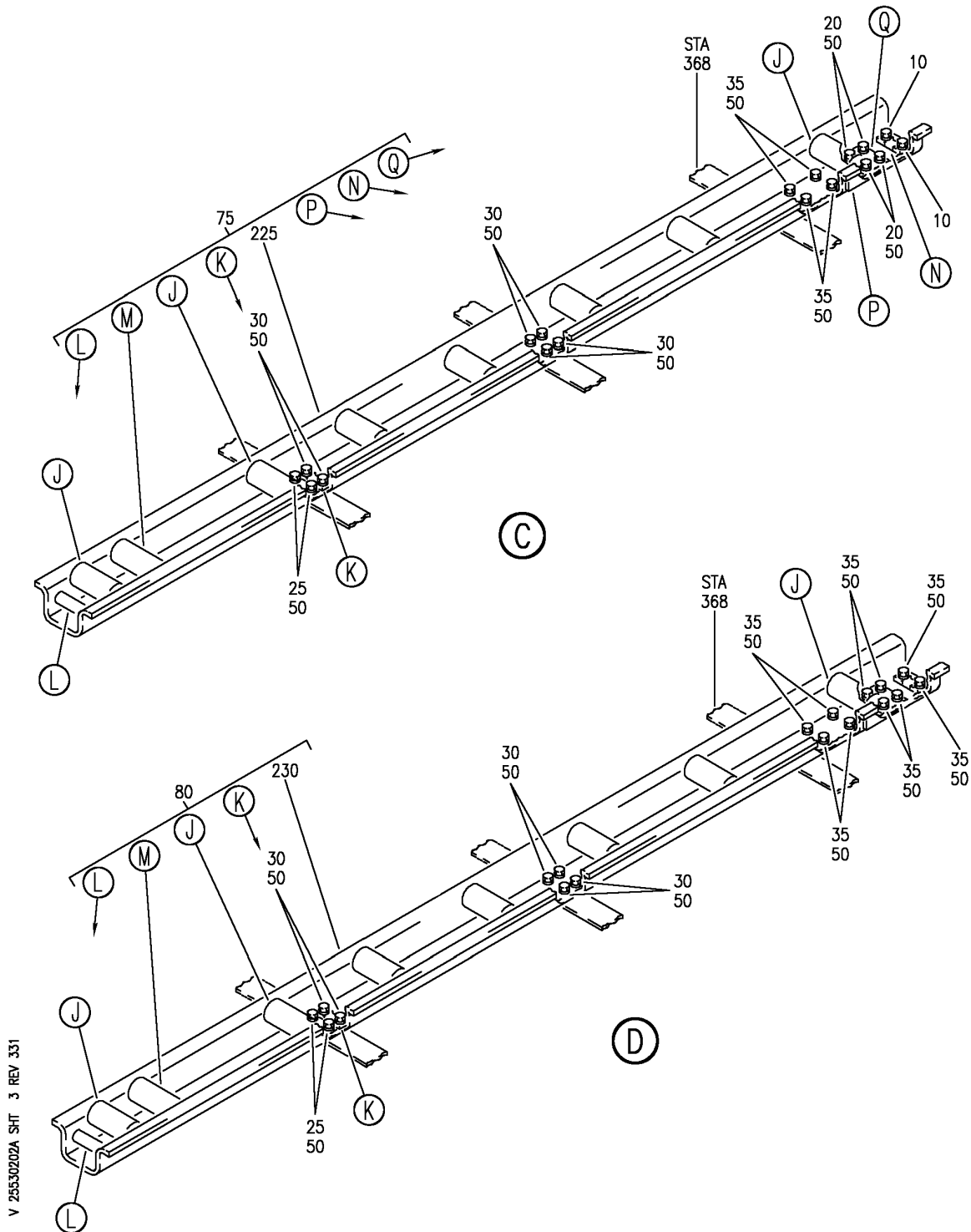
TRAY INSTL-FWD CARGO COMPT PALLET OPTION ROLLER
FIGURE 2A (SHEET 1)

25-53-02-02A

HXL
DEC 22/08

25-53-02-02A
PAGE 0

BOEING
767
PARTS CATALOG (MAINTENANCE)



V 25530202A SHT 3 REV 331

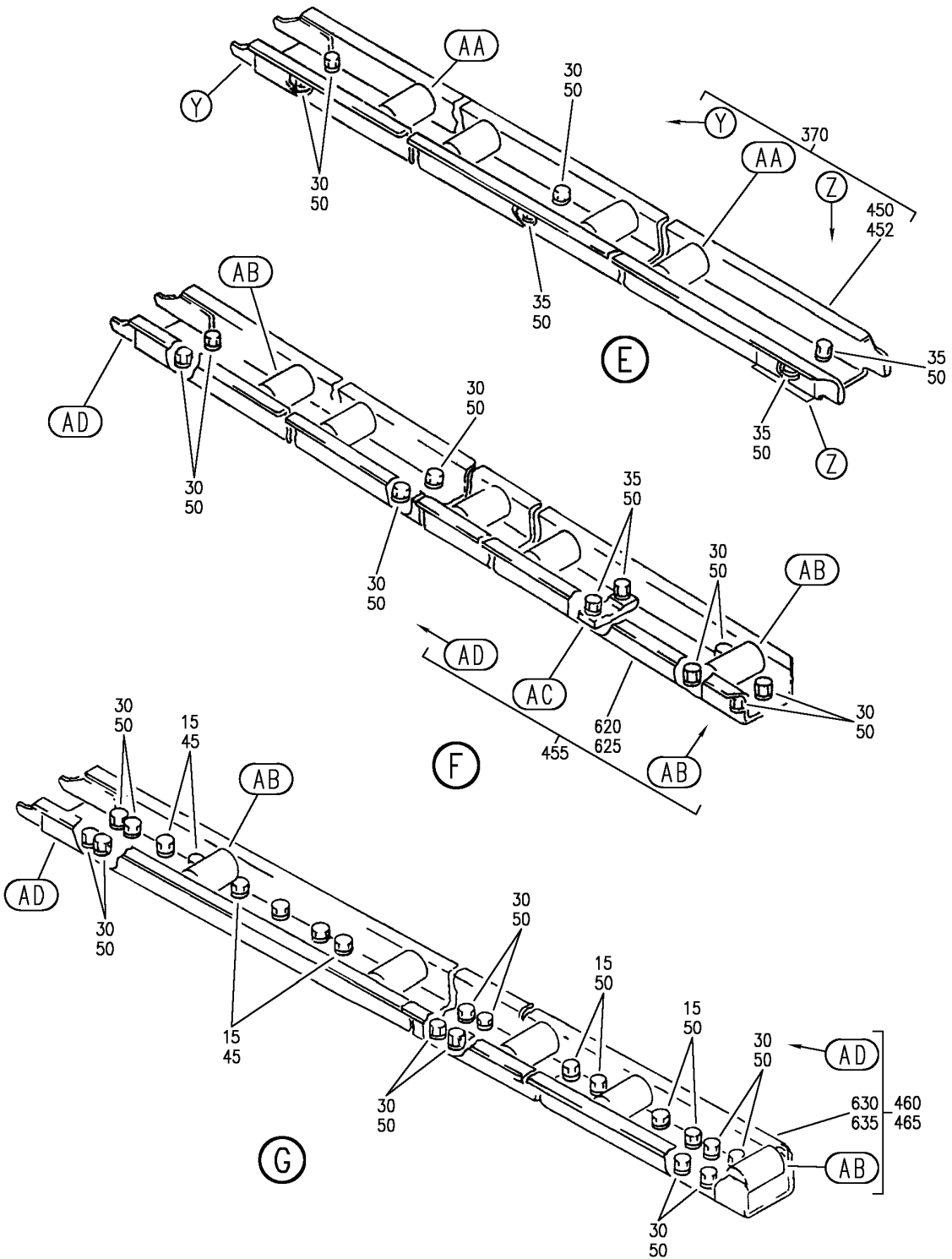
TRAY INSTL-FWD CARGO COMPT PALLET OPTION ROLLER
FIGURE 2A (SHEET 3)

25-53-02-02A

HXL
AUG 22/08

25-53-02-02A
PAGE 0B

BOEING
767
PARTS CATALOG (MAINTENANCE)



V 25530202A SHT 4 REV 331

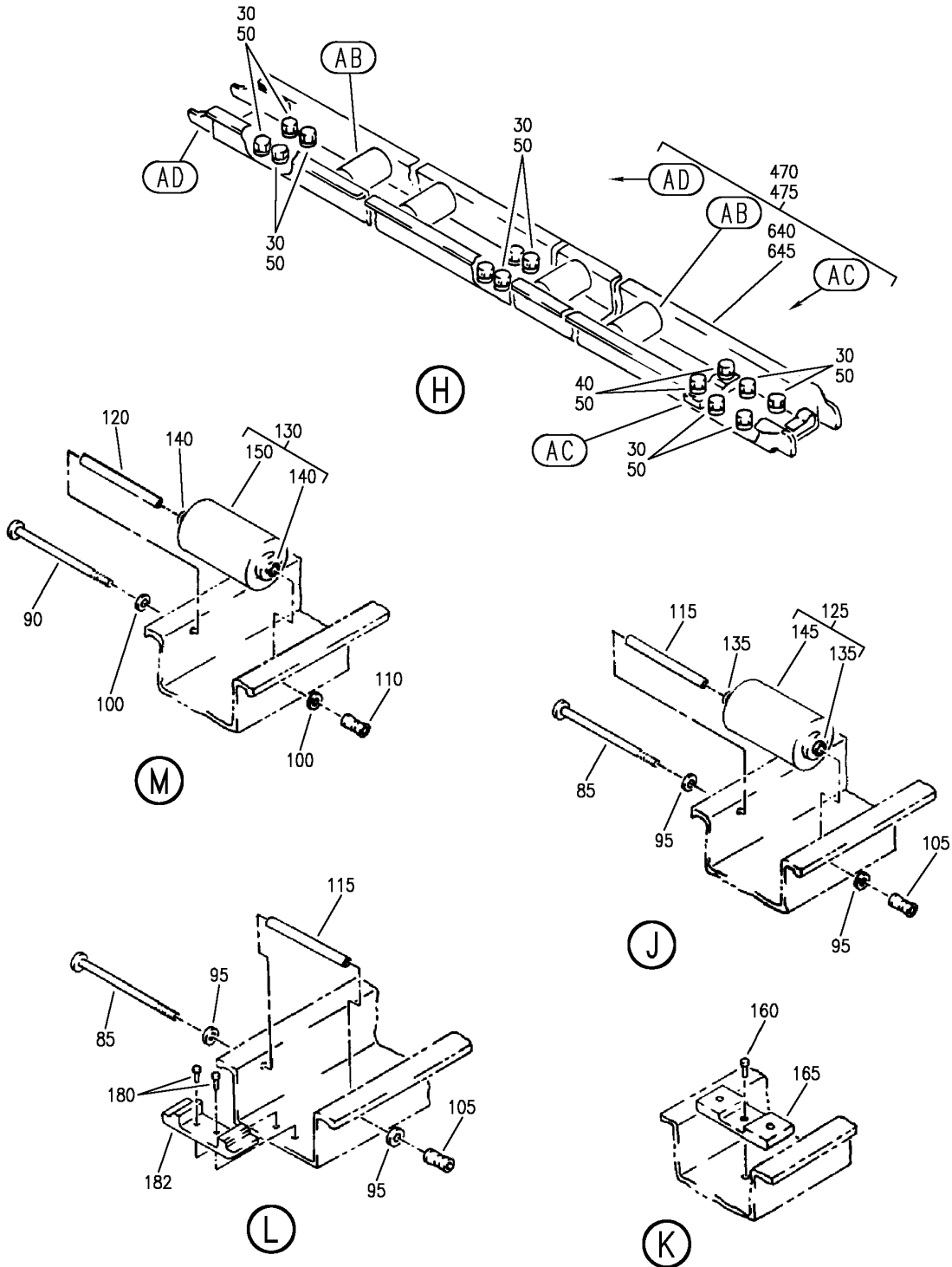
TRAY INSTL-FWD CARGO COMPT PALLET OPTION ROLLER
FIGURE 2A (SHEET 4)

25-53-02-02A

HXL
AUG 22/08

25-53-02-02A
PAGE 0C

BOEING
767
PARTS CATALOG (MAINTENANCE)



V 25530202A SHT 5 REV 331

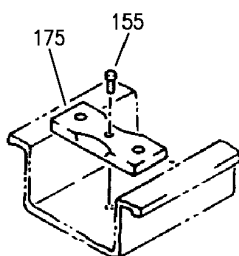
TRAY INSTL-FWD CARGO COMPT PALLET OPTION ROLLER
FIGURE 2A (SHEET 5)

25-53-02-02A

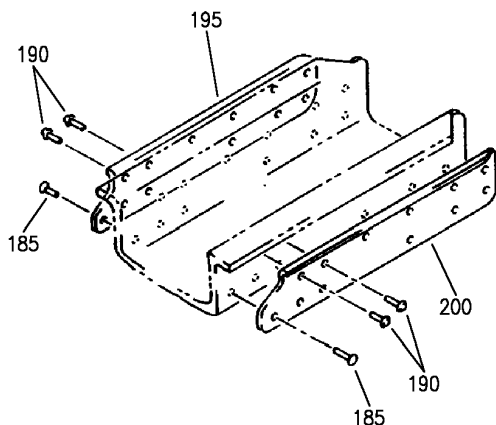
HXL
AUG 22/08

25-53-02-02A
PAGE 0D

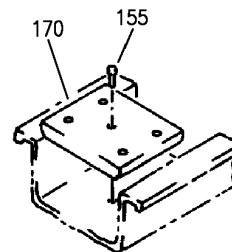
BOEING
767
PARTS CATALOG (MAINTENANCE)



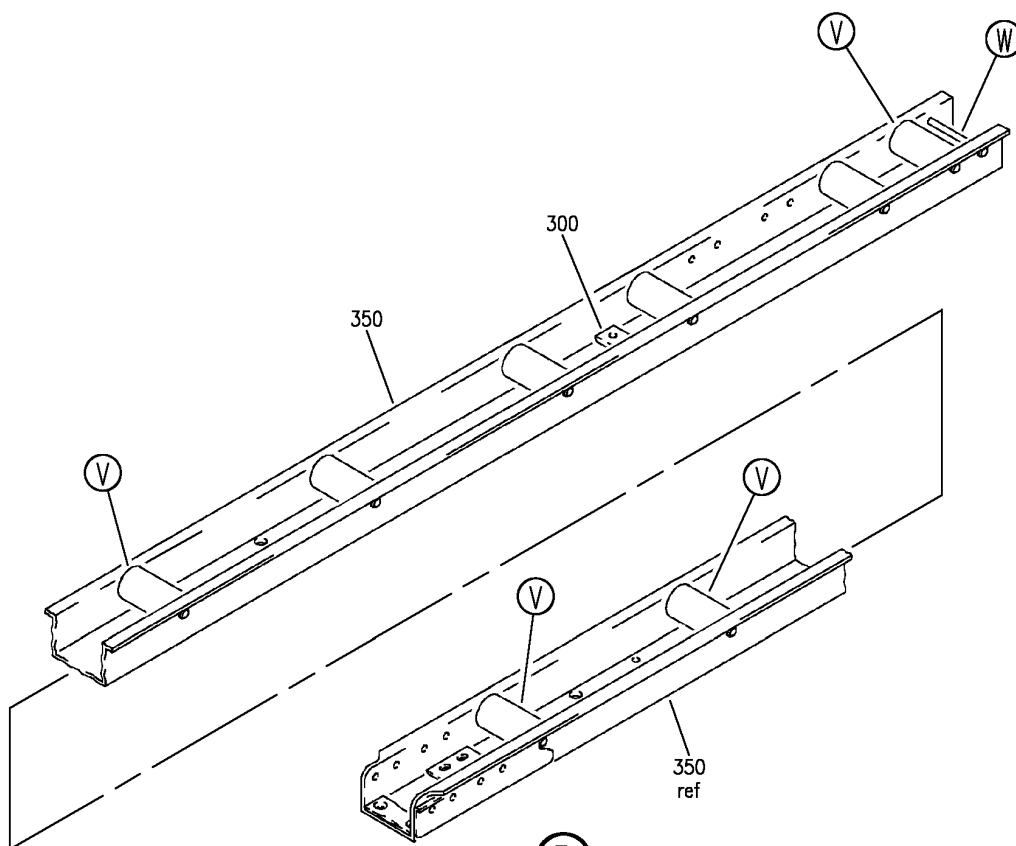
(N)



(P)



(Q)



(R)

V 25530202A SHT 6 REV 331

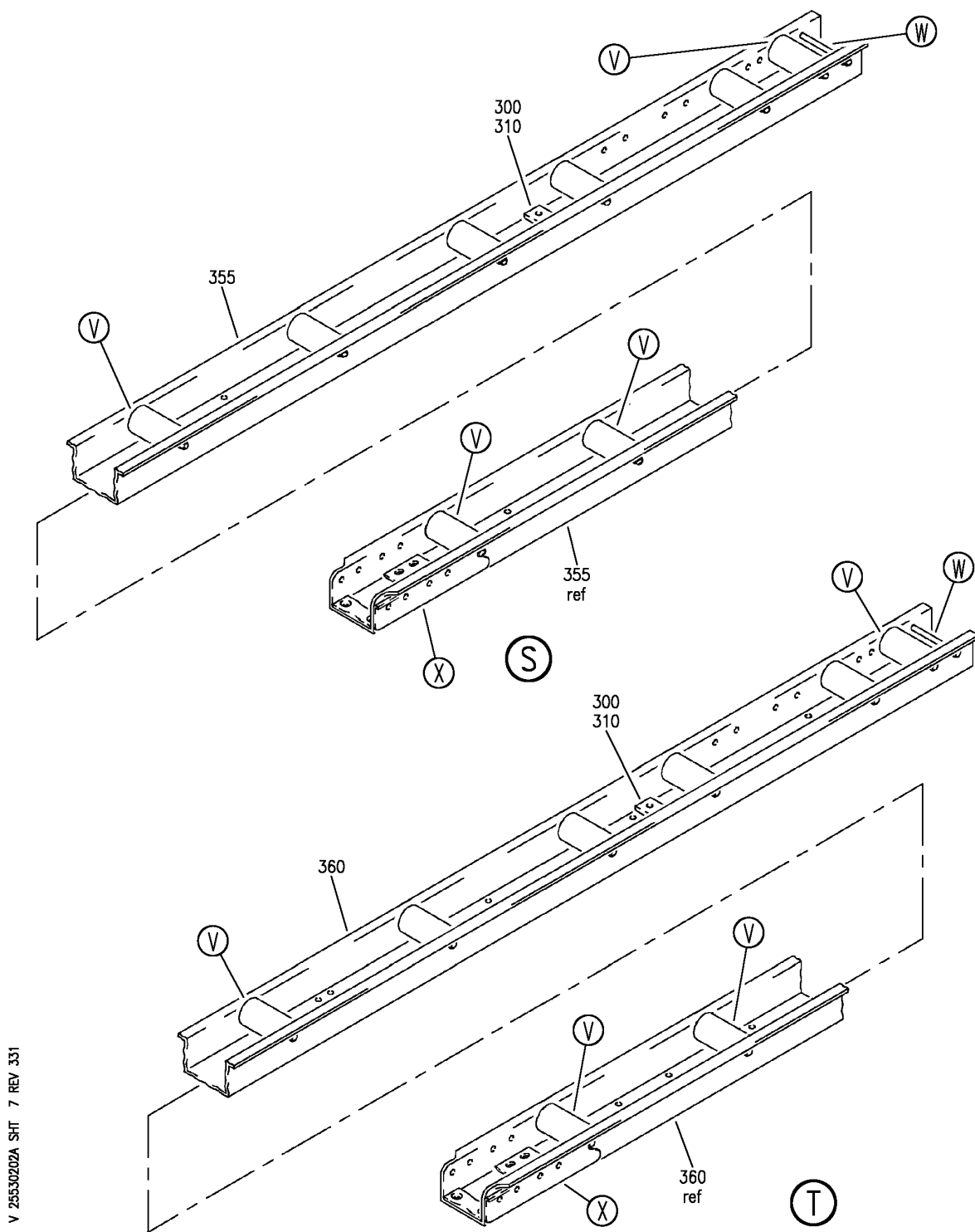
TRAY INSTL-FWD CARGO COMPT PALLET OPTION ROLLER
FIGURE 2A (SHEET 6)

25-53-02-02A

HXL
AUG 22/08

25-53-02-02A
PAGE 0E

BOEING
767
PARTS CATALOG (MAINTENANCE)



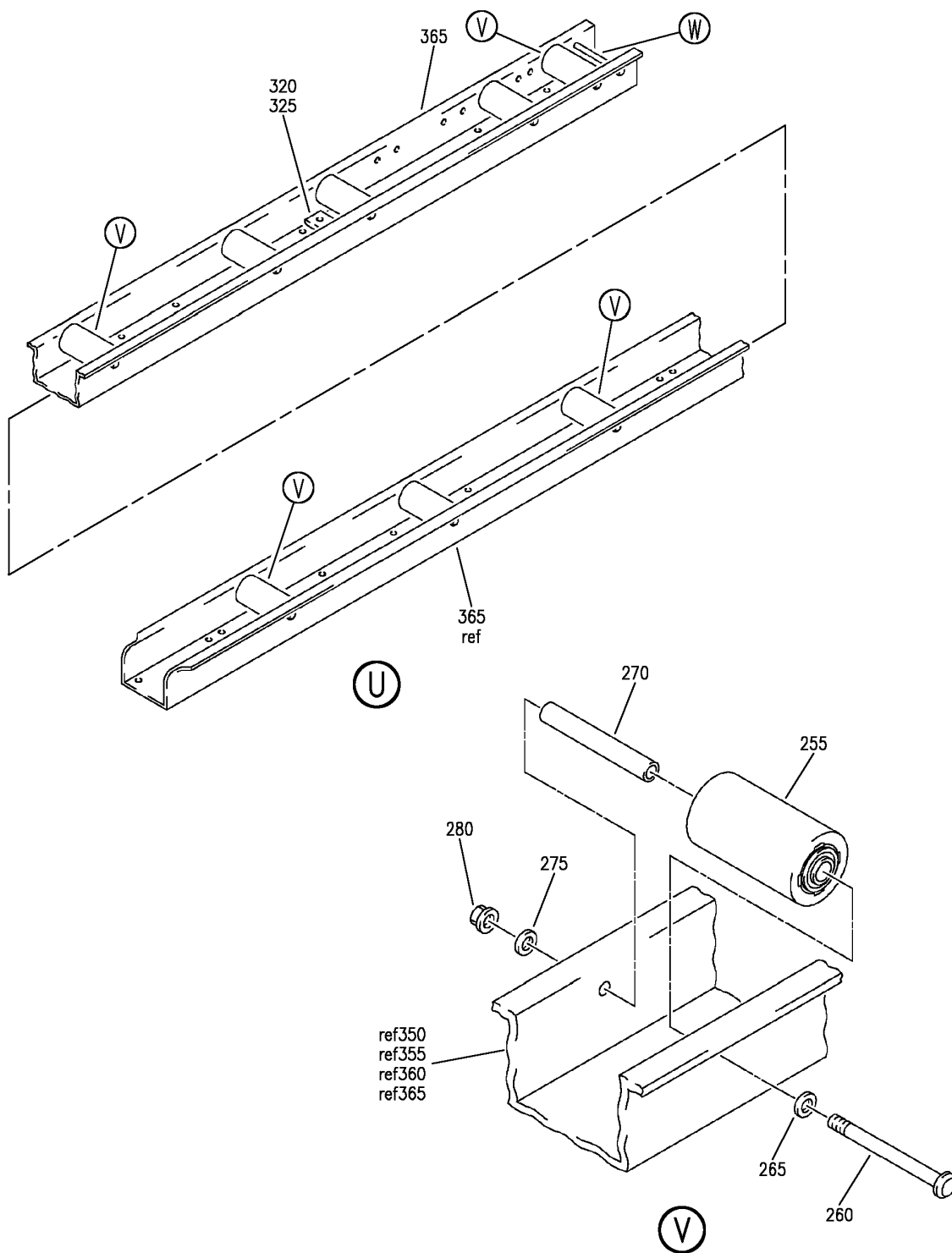
TRAY INSTL-FWD CARGO COMPT PALLET OPTION ROLLER
FIGURE 2A (SHEET 7)

25-53-02-02A

HXL
AUG 22/08

25-53-02-02A
PAGE OF

BOEING
767
PARTS CATALOG (MAINTENANCE)



V 25530202A SHT 8 REV 331

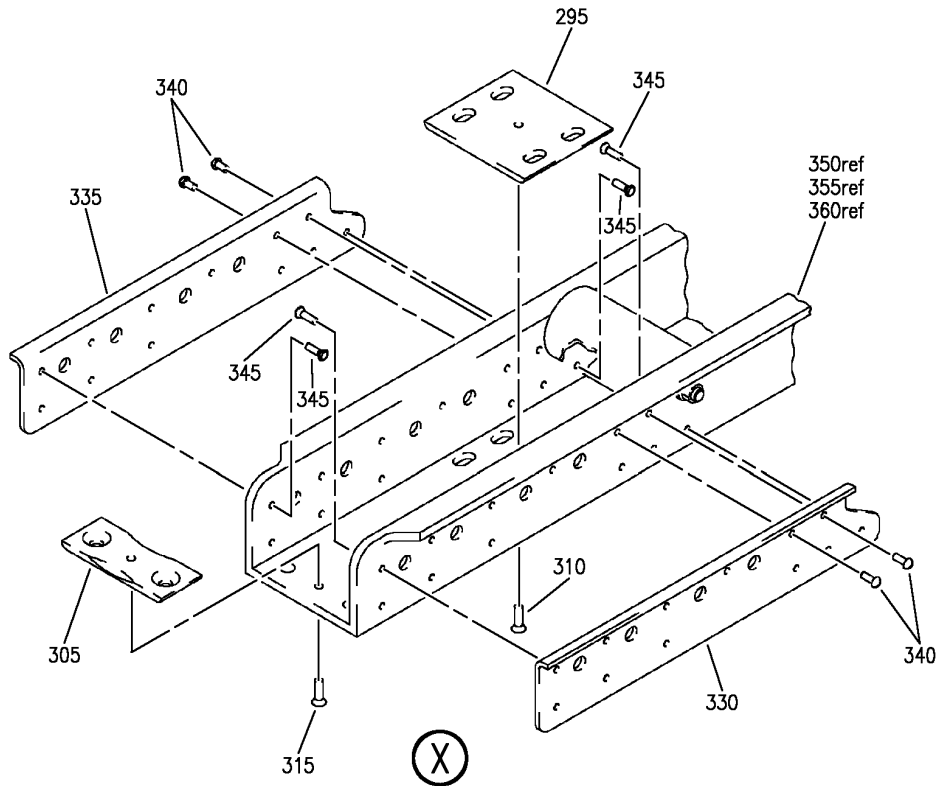
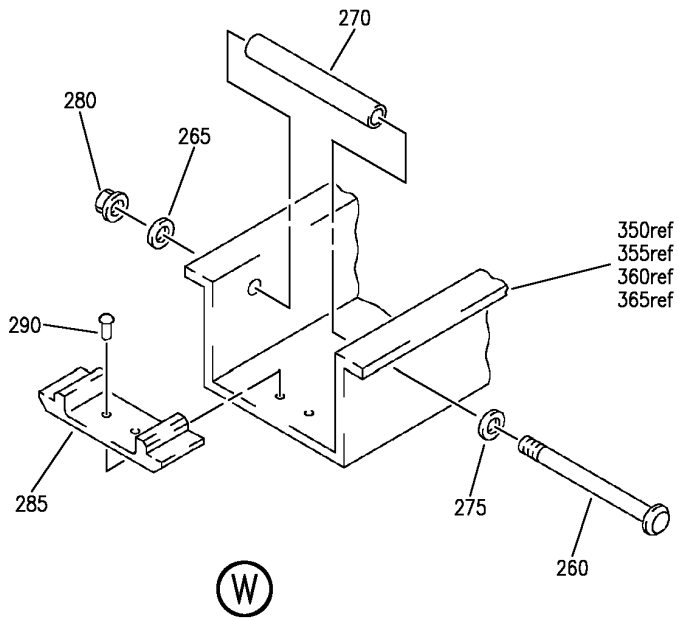
TRAY INSTL-FWD CARGO COMPT PALLET OPTION ROLLER
FIGURE 2A (SHEET 8)

25-53-02-02A

HXL
AUG 22/08

25-53-02-02A
PAGE 0G

BOEING
767
PARTS CATALOG (MAINTENANCE)



V 25530202A SHT 9 REV 331

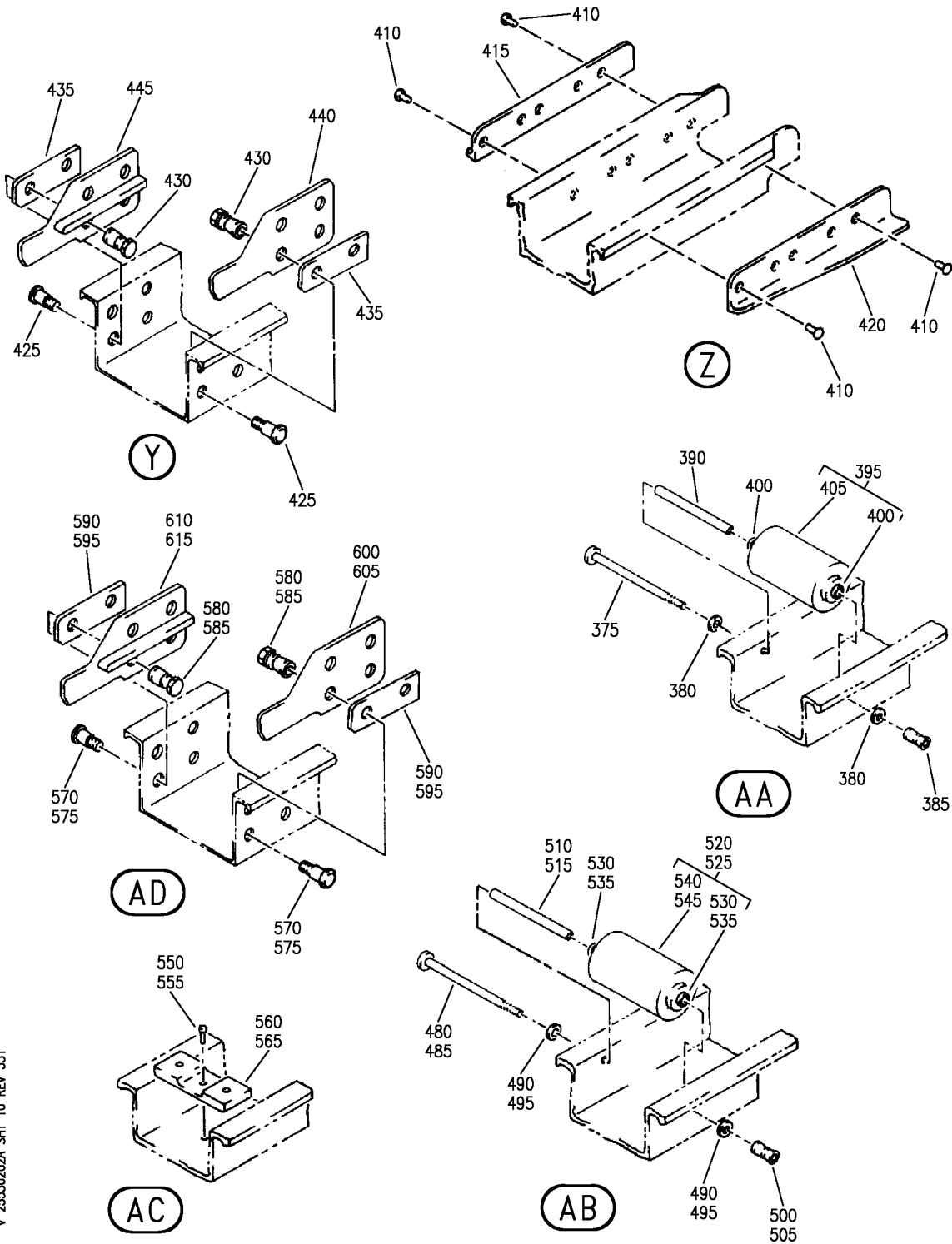
TRAY INSTL-FWD CARGO COMPT PALLET OPTION ROLLER
FIGURE 2A (SHEET 9)

25-53-02-02A

HXL
AUG 22/08

25-53-02-02A
PAGE 0H


BOEING
 767
PARTS CATALOG (MAINTENANCE)



V 25530202A SHT 10 REV 331

TRAY INSTL-FWD CARGO COMPT PALLET OPTION ROLLER
 FIGURE 2A (SHEET 10)

25-53-02-02A

HXL
 AUG 22/08

25-53-02-02A
 PAGE 01

 **BOEING**
767
PARTS CATALOG (MAINTENANCE)

FIG ITEM	PART NUMBER	1 2 3 4 5 6 7	NOMENCLATURE	EFFECT FROM TO	UNITS PER ASSY
2A			TRAY INSTL-FWD CARGO COMPT PALLET OPTION ROLLER		
- 1	451T1501-34		TRAY INSTL-CARGO COMPT PALLET OPTION ROLLER POSITION DATA: FWD FOR NHA SEE: 53-00-00-08		RF
10	BACB30LH4-11	.BOLT			10
15	BACB30NM3K4	.BOLT			32
20	BACB30NR4K10	.BOLT			20
25	BACB30NR4K14	.BOLT			8
30	BACB30NR4K4	.BOLT			92
35	BACB30NR4K8	.BOLT			34
40	BACB30NR4K7	.BOLT			4
45	NAS1149D0332J	.WASHER			32
50	NAS1149D0416J	.WASHER			158
55	451T1502-331	.TRAY ASSY-	SUPPLIER CODE: V31645 COMPONENT MAINT MANUAL REF: 25-53-30		1
60	451T1502-330	.TRAY ASSY-	SUPPLIER CODE: V31645 COMPONENT MAINT MANUAL REF: 25-53-30		1
65	451T1502-329	.TRAY ASSY-	SUPPLIER CODE: V31645 COMPONENT MAINT MANUAL REF: 25-53-30		1
70	451T1502-333	.TRAY ASSY-	SUPPLIER CODE: V31645 COMPONENT MAINT MANUAL REF: 25-53-30		1
75	451T1502-332	.TRAY ASSY-	SUPPLIER CODE: V31645 COMPONENT MAINT MANUAL REF: 25-53-30		1
80	451T1502-306	.TRAY ASSY-	SUPPLIER CODE: V31645 COMPONENT MAINT MANUAL REF: 25-53-30		1

ILLUSTRATION ITEMS NOT ON PARTS LIST ARE NOT APPLICABLE

- ITEM NOT ILLUSTRATED

HXL

25-53-02-02A

BOEING PROPRIETARY - Copyright © - Unpublished Work - See title page for details.

25-53-02
FIG. 02A
PAGE 1
AUG 22/08



767

PARTS CATALOG (MAINTENANCE)

FIG ITEM	PART NUMBER	1 2 3 4 5 6 7	NOMENCLATURE	EFFECT FROM TO	UNITS PER ASSY
2A 85	HST10AG8-46	..	BOLT SUPPLIER CODE: VOPTK6 SPECIFICATION NUMBER: BACB30VT8K46 OPTIONAL PART: HST10AG8-46 V06725 HST10AG8-46 V56878 HST10AG8-46 V73197 WC10K8-46 V60516		8
90	HST10AG8-46	..	BOLT- SUPPLIER CODE: VOPTK6 SPECIFICATION NUMBER: BACB30VT8K46 OPTIONAL PART: HST10AG8-46 V06725 HST10AG8-46 V56878 HST10AG8-46 V73197 WC10K8-46 V60516 USED ON: 451T1502-301 451T1502-302 451T1502-305 451T1502-306 451T1502-330 451T1502-331 451T1502-332		1
95 100	AN960JD416 AN960JD416	..	WASHER WASHER- USED ON: 451T1502-301 451T1502-302 451T1502-305 451T1502-306 451T1502-330 451T1502-331 451T1502-332		16 2
R 105	BACC3OBL8	..	COLLAR		8

ILLUSTRATION ITEMS NOT ON PARTS LIST ARE NOT APPLICABLE

- ITEM NOT ILLUSTRATED

HXL

25-53-02-02A

BOEING PROPRIETARY - Copyright © - Unpublished Work - See title page for details.

25-53-02
FIG. 02A
PAGE 2
AUG 22/09



767

PARTS CATALOG (MAINTENANCE)

FIG ITEM	PART NUMBER	1 2 3 4 5 6 7	NOMENCLATURE	EFFECT FROM TO	UNITS PER ASSY
R R R R R R R	2A 110	BACC30BL8	.. COLLAR- USED ON: 451T1502-301 451T1502-302 451T1502-305 451T1502-306 451T1502-330 451T1502-331 451T1502-332		1
	115	69B60110-1	.. SPACER- SUPPLIER CODE: V31645		8
	115	69B60110-4	.. SPACER- SUPPLIER CODE: V31645		8
	115	7712570-1	.. SPACER- SUPPLIER CODE: V31645		8
	120	69B60110-1	.. SPACER- SUPPLIER CODE: V31645 USED ON: 451T1502-301 451T1502-302 451T1502-305 451T1502-306 451T1502-330 451T1502-331 451T1502-332		1
	120	69B60110-4	.. SPACER- SUPPLIER CODE: V31645 USED ON: 451T1502-301 451T1502-302 451T1502-305 451T1502-306 451T1502-330 451T1502-331 451T1502-332		1

ILLUSTRATION ITEMS NOT ON PARTS LIST ARE NOT APPLICABLE

- ITEM NOT ILLUSTRATED

HXL

25-53-02-02A

BOEING PROPRIETARY - Copyright © - Unpublished Work - See title page for details.

25-53-02
FIG. 02A
PAGE 3
AUG 22/09



767

PARTS CATALOG (MAINTENANCE)

FIG ITEM	PART NUMBER	1 2 3 4 5 6 7	NOMENCLATURE	EFFECT FROM TO	UNITS PER ASSY
2A 120	7712570-1		.. SPACER- SUPPLIER CODE: V31645 USED ON: 451T1502-301 451T1502-302 451T1502-305 451T1502-306 451T1502-330 451T1502-331 451T1502-332		1
125	69B60735-1		.. ROLLER ASSY- SUPPLIER CODE: V31645		7
125	7712571-1		.. ROLLER ASSY- SUPPLIER CODE: V31645		7
130	69B60735-1		.. ROLLER ASSY- SUPPLIER CODE: V31645 USED ON: 451T1502-301 451T1502-302 451T1502-305 451T1502-306 451T1502-330 451T1502-331 451T1502-332		1
130	7712571-1		.. ROLLER ASSY- SUPPLIER CODE: V31645 USED ON: 451T1502-301 451T1502-302 451T1502-305 451T1502-306 451T1502-330 451T1502-331 451T1502-332		1
135	594D		... BEARING- SUPPLIER CODE: V73134 OPTIONAL PART: SR340-168PS V75277		2

ILLUSTRATION ITEMS NOT ON PARTS LIST ARE NOT APPLICABLE

- ITEM NOT ILLUSTRATED

25-53-02-02A

25-53-02
FIG. 02A
PAGE 4
AUG 22/09

HXL

BOEING PROPRIETARY - Copyright © - Unpublished Work - See title page for details.

 **BOEING**
767
PARTS CATALOG (MAINTENANCE)

FIG ITEM	PART NUMBER	1 2 3 4 5 6 7	NOMENCLATURE	EFFECT FROM TO	UNITS PER ASSY
2A 135	SR340-168PS	...	BEARING- SUPPLIER CODE: V75277 OPTIONAL PART: 594D V73134		2
140	594D	...	BEARING- SUPPLIER CODE: V73134 OPTIONAL PART: SR340-168PS V75277		2
140	SR340-168PS	...	BEARING- SUPPLIER CODE: V75277 OPTIONAL PART: 594D V73134		2
145	69B60734-1	...	ROLLER- SUPPLIER CODE: V31645 OPTIONAL PART: 7712572-1 V31645		1
145	7712572-1	...	ROLLER- SUPPLIER CODE: V31645 OPTIONAL PART: 69B60734-1 V31645		1
- 150	69B60734-1	...	ROLLER- SUPPLIER CODE: V31645 OPTIONAL PART: 7712572-1 V31645		1
- 150	7712572-1	...	ROLLER- SUPPLIER CODE: V31645 OPTIONAL PART: 69B60734-1 V31645		1

ILLUSTRATION ITEMS NOT ON PARTS LIST ARE NOT APPLICABLE

- ITEM NOT ILLUSTRATED

HXL

25-53-02-02A

BOEING PROPRIETARY - Copyright © - Unpublished Work - See title page for details.

25-53-02
FIG. 02A
PAGE 5
AUG 22/09



767

PARTS CATALOG (MAINTENANCE)

FIG ITEM	PART NUMBER	1 2 3 4 5 6 7	NOMENCLATURE	EFFECT FROM TO	UNITS PER ASSY
2A 155	BACR15BA5AD		..RIVET- SIZE DETERMINED ON INSTL. USED ON: 451T1502-301 451T1502-302 451T1502-303 451T1502-304 451T1502-305 451T1502-329 451T1502-330 451T1502-331 451T1502-332 451T1502-333		2
160	BACR15BA5AD		..RIVET- SIZE DETERMINED ON INSTL. USED ON: 451T1502-301 451T1502-302 451T1502-305 451T1502-306 451T1502-330 451T1502-331 451T1502-332		1
165	451T1009-12		.. FILLER-RADIUS SUPPLIER CODE: V31645 SIZE DETERMINED ON INSTL. USED ON: 451T1502-301 451T1502-302 451T1502-305 451T1502-306 451T1502-330 451T1502-331 451T1502-332		1
170	451T1009-8		.. FILLER-RADIUS SUPPLIER CODE: V31645 USED ON: 451T1502-301 451T1502-302 451T1502-303 451T1502-304 451T1502-305 451T1502-329 451T1502-330 451T1502-331 451T1502-332 451T1502-333		1

ILLUSTRATION ITEMS NOT ON PARTS LIST ARE NOT APPLICABLE

- ITEM NOT ILLUSTRATED

25-53-02-02A

25-53-02
 FIG. 02A
 PAGE 6
 AUG 22/09

HXL

BOEING PROPRIETARY - Copyright © - Unpublished Work - See title page for details.



767

PARTS CATALOG (MAINTENANCE)

FIG ITEM	PART NUMBER	1 2 3 4 5 6 7	NOMENCLATURE	EFFECT FROM TO	UNITS PER ASSY
2A 175	451T1009-16		.. FILLER-RADIUS SUPPLIER CODE: V31645 USED ON: 451T1502-301 451T1502-302 451T1502-303 451T1502-304 451T1502-305 451T1502-329 451T1502-330 451T1502-331 451T1502-332 451T1502-333		1
180	BACR15FT6D		.. RIVET- SIZE DETERMINED ON INSTL.		2
182	451T1007-1		.. BLOCK- SUPPLIER CODE: V31645		1
185	BACR15CE6D		.. RIVET- SIZE DETERMINED ON INSTL. USED ON: 451T1502-301 451T1502-302 451T1502-303 451T1502-304 451T1502-305 451T1502-329 451T1502-330 451T1502-331 451T1502-332 451T1502-333		20
190	BACR15FT6D		.. RIVET- SIZE DETERMINED ON INSTL. USED ON: 451T1502-301 451T1502-302 451T1502-303 451T1502-304 451T1502-305 451T1502-329 451T1502-330 451T1502-331 451T1502-332 451T1502-333		4

ILLUSTRATION ITEMS NOT ON PARTS LIST ARE NOT APPLICABLE

- ITEM NOT ILLUSTRATED

HXL

25-53-02-02A

BOEING PROPRIETARY - Copyright © - Unpublished Work - See title page for details.

25-53-02
FIG. 02A
PAGE 7
AUG 22/09



767

PARTS CATALOG (MAINTENANCE)

FIG ITEM	PART NUMBER	1 2 3 4 5 6 7	NOMENCLATURE	EFFECT FROM TO	UNITS PER ASSY
2A 205	451T1503-301	..	TRAY- SUPPLIER CODE: V31645 USED ON: 451T1502-301 451T1502-330		1
210	451T1503-302	..	TRAY- SUPPLIER CODE: V31645 USED ON: 451T1502-302 451T1502-331		1
215	451T1503-303	..	TRAY- SUPPLIER CODE: V31645 USED ON: 451T1502-303 451T1502-329		1
220	451T1503-304	..	TRAY- SUPPLIER CODE: V31645 USED ON: 451T1502-304 451T1502-333		1
225	451T1503-305	..	TRAY- SUPPLIER CODE: V31645 USED ON: 451T1502-305 451T1502-332		1
230	451T1503-306	..	TRAY- SUPPLIER CODE: V31645 USED ON: 451T1502-306		1
235	7612160-1	.TRAY ASSY-	SUPPLIER CODE: V31645 SPECIFICATION NUMBER: S451T110-160 COMPONENT MAINT MANUAL REF: 25-51-02		1
240	7612161-1	.TRAY ASSY-	SUPPLIER CODE: V31645 SPECIFICATION NUMBER: S451T110-161 COMPONENT MAINT MANUAL REF: 25-51-02		1

ILLUSTRATION ITEMS NOT ON PARTS LIST ARE NOT APPLICABLE

- ITEM NOT ILLUSTRATED

25-53-02-02A

25-53-02
FIG. 02A
PAGE 8
AUG 22/09

HXL

BOEING PROPRIETARY - Copyright © - Unpublished Work - See title page for details.

 **BOEING**
767
PARTS CATALOG (MAINTENANCE)

FIG ITEM	PART NUMBER	1 2 3 4 5 6 7	NOMENCLATURE	EFFECT FROM TO	UNITS PER ASSY
2A 245	7612165-1		.TRAY ASSY- SUPPLIER CODE: V31645 SPECIFICATION NUMBER: S451T110-165 COMPONENT MAINT MANUAL REF: 25-51-02		1
250	7612164-1		.TRAY ASSY- SUPPLIER CODE: V31645 SPECIFICATION NUMBER: S451T110-164 COMPONENT MAINT MANUAL REF: 25-51-02		1
255	7712571-1		..ROLLER ASSY- SUPPLIER CODE: V31645		8
255	69B60735-1		..ROLLER ASSY- SUPPLIER CODE: V31645		8
260	HST10AG8-46		ATTACHING PARTS ..BOLT SUPPLIER CODE: VOPTK6 SPECIFICATION NUMBER: BACB30VT8K46 OPTIONAL PART: HST10AG8-46 V06725 HST10AG8-46 V56878 HST10AG8-46 V73197 WC10K8-46 V60516		9
265	BACW10BN4AC		..WASHER		9
270	7712570-1		..SPACER- SUPPLIER CODE: V31645		9
275	BACW10BN4AP		..WASHER		9
280	CR6551-4		..NUT SUPPLIER CODE: VFO224 SPECIFICATION NUMBER: BACN10ZV4 -----*-----		9
285	7712439-1		..BLOCK-WEAR SUPPLIER CODE: V31645		1

ILLUSTRATION ITEMS NOT ON PARTS LIST ARE NOT APPLICABLE

- ITEM NOT ILLUSTRATED

R
R
R
R
R

HXL

25-53-02-02A

BOEING PROPRIETARY - Copyright © - Unpublished Work - See title page for details.

25-53-02
FIG. 02A
PAGE 9
AUG 22/09



767

PARTS CATALOG (MAINTENANCE)

FIG ITEM	PART NUMBER	1 2 3 4 5 6 7	NOMENCLATURE	EFFECT FROM TO	UNITS PER ASSY
2A			ATTACHING PARTS		
290	BACR15FT6D7C	..	RIVET		2
			-----*-----		
295	7612241-1	..	FILLER-		1
			SUPPLIER CODE:		
			V31645		
			USED ON:		
			7612160-1		
			7612161-1		
			7612165-1		
300	7612244-1	..	FILLER-		1
			SUPPLIER CODE:		
			V31645		
			USED ON:		
			7612160-1		
			7612161-1		
			7612165-1		
305	7612246-1	..	FILLER-		1
			SUPPLIER CODE:		
			V31645		
			USED ON:		
			7612160-1		
			7612161-1		
			7612165-1		
310	BACR15BA5AD6C	..	RIVET-		2
			SUPPLIER CODE:		
			V31645		
315	BACR15BA5AD7C	..	RIVET-		2
			SUPPLIER CODE:		
			V31645		
			-----*-----		
320	7612244-1	..	FILLER-		1
			SUPPLIER CODE:		
			V31645		
			USED ON:		
			7612164-1		
325	BACR15BA5AD6C	..	RIVET-		1
			SUPPLIER CODE:		
			V31645		
			-----*-----		
330	7612223-1	..	PLATE-		1
			SUPPLIER CODE:		
			V31645		
			USED ON:		
			7612160-1		
			7612161-1		
			7612165-1		

ILLUSTRATION ITEMS NOT ON PARTS LIST ARE NOT APPLICABLE

- ITEM NOT ILLUSTRATED

HXL

25-53-02-02A

BOEING PROPRIETARY - Copyright © - Unpublished Work - See title page for details.

25-53-02
FIG. 02A
PAGE 10
AUG 22/09



767

PARTS CATALOG (MAINTENANCE)

FIG ITEM	PART NUMBER	1 2 3 4 5 6 7	NOMENCLATURE	EFFECT FROM TO	UNITS PER ASSY
2A 335	7612223-2		.. PLATE- SUPPLIER CODE: V31645 USED ON: 7612160-1 7612161-1 7612165-1 ATTACHING PARTS		1
340	BACR15FT6D6C		.. RIVET		4
345	BACR15GF6D6		.. RIVET -----*-----		20
350	7612360-1		.. TRAY- SUPPLIER CODE: V31645 USED ON: 7612160-1		1
355	7612361-1		.. TRAY- SUPPLIER CODE: V31645 USED ON: 7612161-1		1
360	7612365-1		.. TRAY- SUPPLIER CODE: V31645 USED ON: 7612165-1		1
365	7612364-1		.. TRAY- SUPPLIER CODE: V31645 USED ON: 7612164-1		1
370	451T1502-119		. TRAY ASSY- SUPPLIER CODE: V31645 OPTIONAL PART: 451T1502-334 V31645		1
370	451T1502-334		. TRAY ASSY- SUPPLIER CODE: V31645 OPTIONAL PART: 451T1502-119 V31645		1

ILLUSTRATION ITEMS NOT ON PARTS LIST ARE NOT APPLICABLE

- ITEM NOT ILLUSTRATED

HXL

25-53-02-02A

BOEING PROPRIETARY - Copyright © - Unpublished Work - See title page for details.

25-53-02
FIG. 02A
PAGE 11
AUG 22/09

 **BOEING**
767
PARTS CATALOG (MAINTENANCE)

FIG ITEM	PART NUMBER	1 2 3 4 5 6 7	NOMENCLATURE	EFFECT FROM TO	UNITS PER ASSY
2A 375	HST10AG8-46	..	BOLT SUPPLIER CODE: VOPTK6 SPECIFICATION NUMBER: BACB30VT8K46 OPTIONAL PART: HST10AG8-46 V06725 HST10AG8-46 V56878 HST10AG8-46 V73197 WC10K8-46 V60516		4
R 380	AN960JD416	..	WASHER		8
385	BACC30BL8	..	COLLAR		4
390	69B60110-1	..	SPACER- SUPPLIER CODE: V31645		4
390	69B60110-4	..	SPACER- SUPPLIER CODE: V31645		4
390	7712570-1	..	SPACER- SUPPLIER CODE: V31645		4
395	69B60735-1	..	ROLLER ASSY- SUPPLIER CODE: V31645		4
395	7712571-1	..	ROLLER ASSY- SUPPLIER CODE: V31645		4
400	594D	...	BEARING- SUPPLIER CODE: V73134 OPTIONAL PART: SR340-168PS V75277		2
400	SR340-168PS	...	BEARING- SUPPLIER CODE: V75277 OPTIONAL PART: 594D V73134		2
405	69B60734-1	...	ROLLER- SUPPLIER CODE: V31645 OPTIONAL PART: 7712572-1 V31645		1

ILLUSTRATION ITEMS NOT ON PARTS LIST ARE NOT APPLICABLE

- ITEM NOT ILLUSTRATED

HXL

25-53-02-02A

BOEING PROPRIETARY - Copyright © - Unpublished Work - See title page for details.

25-53-02
FIG. 02A
PAGE 12
AUG 22/09

 **BOEING**
767
PARTS CATALOG (MAINTENANCE)

FIG ITEM	PART NUMBER	1 2 3 4 5 6 7	NOMENCLATURE	EFFECT FROM TO	UNITS PER ASSY
2A 405	7712572-1		...ROLLER- SUPPLIER CODE: V31645 OPTIONAL PART: 69B60734-1 V31645		1
410	BACR15CE5D		..RIVET- SIZE DETERMINED ON INSTL.		10
415	451T1008-7		..PLATE- SUPPLIER CODE: V31645		1
420	451T1008-8		..PLATE- SUPPLIER CODE: V31645		1
425	HL22-6-3		..BOLT SUPPLIER CODE: V60516 SPECIFICATION NUMBER: BACB30GZ6-3		8
430	HL77-6		..COLLAR SUPPLIER CODE: V5M902 SPECIFICATION NUMBER: BACC30P6 OPTIONAL PART: HL77-6 V73197 HL77-6 V92215 66015-6 V56878 HL77-6 V56878		8
435	BACF3F015D019AN		..FILLER		2
440	451T1006-1		..FITTING- SUPPLIER CODE: V31645		1
445	451T1006-2		..FITTING- SUPPLIER CODE: V31645		1
450	451T1503-329		..TRAY- SUPPLIER CODE: V31645 USED ON: 451T1502-334		1

ILLUSTRATION ITEMS NOT ON PARTS LIST ARE NOT APPLICABLE

— ITEM NOT ILLUSTRATED

HXL

25-53-02-02A

BOEING PROPRIETARY - Copyright © - Unpublished Work - See title page for details.

25-53-02
FIG. 02A
PAGE 13
AUG 22/09



767

PARTS CATALOG (MAINTENANCE)

FIG ITEM	PART NUMBER	1 2 3 4 5 6 7	NOMENCLATURE	EFFECT FROM TO	UNITS PER ASSY
2A 452	451T1503-345	. .	TRAY- SUPPLIER CODE: V31645 USED ON: 451T1502-119		1
455	451T1502-110	. TRAY ASSY-	SUPPLIER CODE: V31645 COMPONENT MAINT MANUAL REF: 25-53-30 OPTIONAL PART: 451T1502-307 V31645		1
455	451T1502-307	. TRAY ASSY-	SUPPLIER CODE: V31645 COMPONENT MAINT MANUAL REF: 25-53-30 OPTIONAL PART: 451T1502-110 V31645		1
460	451T1502-309	. TRAY ASSY-	SUPPLIER CODE: V31645 COMPONENT MAINT MANUAL REF: 25-53-30 OPTIONAL PART: 451T1502-110 V31645		1
465	451T1502-310	. TRAY ASSY-	SUPPLIER CODE: V31645 COMPONENT MAINT MANUAL REF: 25-53-30 OPTIONAL PART: 451T1502-110 V31645		1
470	451T1502-335	. TRAY ASSY-	SUPPLIER CODE: V31645 COMPONENT MAINT MANUAL REF: 25-53-30 OPTIONAL PART: 451T1502-110 V31645		1
475	451T1502-336	. TRAY ASSY-	SUPPLIER CODE: V31645 COMPONENT MAINT MANUAL REF: 25-53-30 OPTIONAL PART: 451T1502-110 V31645		1

ILLUSTRATION ITEMS NOT ON PARTS LIST ARE NOT APPLICABLE

- ITEM NOT ILLUSTRATED

HXL

25-53-02-02A

BOEING PROPRIETARY - Copyright © - Unpublished Work - See title page for details.

25-53-02
FIG. 02A
PAGE 14
AUG 22/09

 **BOEING**
767
PARTS CATALOG (MAINTENANCE)

FIG ITEM	PART NUMBER	1 2 3 4 5 6 7	NOMENCLATURE	EFFECT FROM TO	UNITS PER ASSY
2A 480	HST10AG8-46		..BOLT- SUPPLIER CODE: VOPTK6 SPECIFICATION NUMBER: BACB30VT8K46 OPTIONAL PART: HST10AG8-46 V06725 HST10AG8-46 V56878 HST10AG8-46 V73197 WC10K8-46 V60516 USED ON: 451T1502-110 451T1502-307 451T1502-309 451T1502-310		5
485	HST10AG8-46		..BOLT- SUPPLIER CODE: VOPTK6 SPECIFICATION NUMBER: BACB30VT8K46 OPTIONAL PART: HST10AG8-46 V06725 HST10AG8-46 V56878 HST10AG8-46 V73197 WC10K8-46 V60516 USED ON: 451T1502-335 451T1502-336		4
490	AN960JD416		..WASHER- USED ON: 451T1502-110 451T1502-307 451T1502-309 451T1502-310		10
495	AN960JD416		..WASHER- USED ON: 451T1502-335 451T1502-336		8

ILLUSTRATION ITEMS NOT ON PARTS LIST ARE NOT APPLICABLE

- ITEM NOT ILLUSTRATED

HXL

25-53-02-02A

BOEING PROPRIETARY - Copyright © - Unpublished Work - See title page for details.

25-53-02
FIG. 02A
PAGE 15
AUG 22/09



767

PARTS CATALOG (MAINTENANCE)

FIG ITEM	PART NUMBER	1 2 3 4 5 6 7	NOMENCLATURE	EFFECT FROM TO	UNITS PER ASSY
R R R R R R R R	2A 500	BACC30BL8	.. COLLAR- USED ON: 451T1502-110 451T1502-307 451T1502-309 451T1502-310		5
	505	BACC30BL8	.. COLLAR- USED ON: 451T1502-335 451T1502-336		4
	510	69B60110-1	.. SPACER- SUPPLIER CODE: V31645 USED ON: 451T1502-110 451T1502-307 451T1502-309 451T1502-310		5
	510	69B60110-4	.. SPACER- SUPPLIER CODE: V31645 USED ON: 451T1502-110 451T1502-307 451T1502-309 451T1502-310		5
	510	7712570-1	.. SPACER- SUPPLIER CODE: V31645 USED ON: 451T1502-110 451T1502-307 451T1502-309 451T1502-310		5
	515	69B60110-1	.. SPACER- SUPPLIER CODE: V31645 USED ON: 451T1502-335 451T1502-336		4
	515	69B60110-4	.. SPACER- SUPPLIER CODE: V31645 USED ON: 451T1502-335 451T1502-336		4
	ILLUSTRATION ITEMS NOT ON PARTS LIST ARE NOT APPLICABLE				

- ITEM NOT ILLUSTRATED

25-53-02-02A

25-53-02
FIG. 02A
PAGE 16
AUG 22/09

HXL



767

PARTS CATALOG (MAINTENANCE)

FIG ITEM	PART NUMBER	1 2 3 4 5 6 7	NOMENCLATURE	EFFECT FROM TO	UNITS PER ASSY
2A 515	7712570-1		.. SPACER- SUPPLIER CODE: V31645 USED ON: 451T1502-335 451T1502-336		4
520	69B60735-1		.. ROLLER ASSY- SUPPLIER CODE: V31645 USED ON: 451T1502-110 451T1502-307 451T1502-309 451T1502-310		5
520	7712571-1		.. ROLLER ASSY- SUPPLIER CODE: V31645 USED ON: 451T1502-110 451T1502-307 451T1502-309 451T1502-310		5
525	69B60735-1		.. ROLLER ASSY- SUPPLIER CODE: V31645 USED ON: 451T1502-335 451T1502-336		4
525	7712571-1		.. ROLLER ASSY- SUPPLIER CODE: V31645 USED ON: 451T1502-335 451T1502-336		4
530	594D		... BEARING- SUPPLIER CODE: V31645 OPTIONAL PART: SR340-168PS V75277		2
530	SR340-168PS		... BEARING- SUPPLIER CODE: V75277 OPTIONAL PART: 594D V73134		2

ILLUSTRATION ITEMS NOT ON PARTS LIST ARE NOT APPLICABLE

- ITEM NOT ILLUSTRATED

25-53-02-02A

25-53-02
FIG. 02A
PAGE 17
AUG 22/09

HXL

BOEING PROPRIETARY - Copyright © - Unpublished Work - See title page for details.



767

PARTS CATALOG (MAINTENANCE)

FIG ITEM	PART NUMBER	1 2 3 4 5 6 7	NOMENCLATURE	EFFECT FROM TO	UNITS PER ASSY
2A 535	594D		... BEARING- SUPPLIER CODE: V31645 OPTIONAL PART: SR340-168PS V75277		2
535	SR340-168PS		... BEARING- SUPPLIER CODE: V75277 OPTIONAL PART: 594D V73134		2
540	69B60734-1		... ROLLER- SUPPLIER CODE: V31645 OPTIONAL PART: 7712572-1 V31645		1
540	7712572-1		... ROLLER- SUPPLIER CODE: V31645 OPTIONAL PART: 69B60734-1 V31645		1
545	69B60734-1		... ROLLER- SUPPLIER CODE: V31645 OPTIONAL PART: 7712572-1 V31645		1
545	7712572-1		... ROLLER- SUPPLIER CODE: V31645 OPTIONAL PART: 69B60734-1 V31645		1
550	BACR15BA5AD		.. RIVET- SIZE DETERMINED ON INSTL. USED ON: 451T1502-110 451T1502-307		1
555	BACR15BA5AD		.. RIVET- SIZE DETERMINED ON INSTL. USED ON: 451T1502-335 451T1502-336		1

ILLUSTRATION ITEMS NOT ON PARTS LIST ARE NOT APPLICABLE

- ITEM NOT ILLUSTRATED

25-53-02-02A

25-53-02
FIG. 02A
PAGE 18
AUG 22/09

HXL

BOEING PROPRIETARY - Copyright © - Unpublished Work - See title page for details.

 **BOEING**
767
PARTS CATALOG (MAINTENANCE)

FIG ITEM	PART NUMBER	1 2 3 4 5 6 7	NOMENCLATURE	EFFECT FROM TO	UNITS PER ASSY
2A 560	451T1009-12		.. FILLER- SUPPLIER CODE: V31645 USED ON: 451T1502-110 451T1502-307		1
565	451T1009-15		.. FILLER- SUPPLIER CODE: V31645 USED ON: 451T1502-335 451T1502-336		1
570	HL22-6-3		.. BOLT- SUPPLIER CODE: V60516 SPECIFICATION NUMBER: BACB30GZ6-3 V31645 USED ON: 451T1502-110 451T1502-307 451T1502-309 451T1502-310		8
575	HL22-6-3		.. BOLT- SUPPLIER CODE: V60516 SPECIFICATION NUMBER: BACB30GZ6-3 V31645 USED ON: 451T1502-335 451T1502-336		8

ILLUSTRATION ITEMS NOT ON PARTS LIST ARE NOT APPLICABLE

- ITEM NOT ILLUSTRATED

HXL

25-53-02-02A

BOEING PROPRIETARY - Copyright © - Unpublished Work - See title page for details.

25-53-02
FIG. 02A
PAGE 19
AUG 22/09



767

PARTS CATALOG (MAINTENANCE)

FIG ITEM	PART NUMBER	1 2 3 4 5 6 7	NOMENCLATURE	EFFECT FROM TO	UNITS PER ASSY
2A 580	HL77-6		.. COLLAR- SUPPLIER CODE: V5M902 SPECIFICATION NUMBER: BACC30P6 OPTIONAL PART: HL77-6 V73197 HL77-6 V92215 66015-6 V56878 HL77-6 V56878 USED ON: 451T1502-110 451T1502-307 451T1502-309 451T1502-310		8
585	HL77-6		.. COLLAR- SUPPLIER CODE: V5M902 SPECIFICATION NUMBER: BACC30P6 OPTIONAL PART: HL77-6 V73197 HL77-6 V92215 66015-6 V56878 HL77-6 V56878 USED ON: 451T1502-335 451T1502-336		8
590	BACF3F015D019AN		.. FILLER- USED ON: 451T1502-110 451T1502-307 451T1502-309 451T1502-310		2
595	BACF3F015D019AN		.. FILLER- USED ON: 451T1502-335 451T1502-336		2

ILLUSTRATION ITEMS NOT ON PARTS LIST ARE NOT APPLICABLE

- ITEM NOT ILLUSTRATED

HXL

25-53-02-02A

BOEING PROPRIETARY - Copyright © - Unpublished Work - See title page for details.

25-53-02
 FIG. 02A
 PAGE 20
 AUG 22/09



767

PARTS CATALOG (MAINTENANCE)

FIG ITEM	PART NUMBER	1 2 3 4 5 6 7	NOMENCLATURE	EFFECT FROM TO	UNITS PER ASSY
2A - 600	451T1006-1		.. FITTING- SUPPLIER CODE: V31645 USED ON: 451T1502-110 451T1502-307 451T1502-309 451T1502-310		1
605	451T1006-1		.. FITTING- SUPPLIER CODE: V31645 USED ON: 451T1502-335 451T1502-336		1
610	451T1006-2		.. FITTING- SUPPLIER CODE: V31645 USED ON: 451T1502-110 451T1502-307 451T1502-309 451T1502-310		1
615	451T1006-2		.. FITTING- SUPPLIER CODE: V31645 USED ON: 451T1502-335 451T1502-336		1
620	451T1503-307		.. TRAY- SUPPLIER CODE: V31645 USED ON: 451T1502-307		1
625	451T1503-337		.. TRAY- SUPPLIER CODE: V31645 USED ON: 451T1502-110		1
630	451T1503-309		.. TRAY- SUPPLIER CODE: V31645 USED ON: 451T1502-309		1
635	451T1503-310		.. TRAY- SUPPLIER CODE: V31645 USED ON: 451T1502-310		1

ILLUSTRATION ITEMS NOT ON PARTS LIST ARE NOT APPLICABLE

- ITEM NOT ILLUSTRATED

25-53-02-02A

25-53-02
FIG. 02A
PAGE 21
AUG 22/09

HXL

BOEING PROPRIETARY - Copyright © - Unpublished Work - See title page for details.



767

PARTS CATALOG (MAINTENANCE)

FIG ITEM	PART NUMBER	1 2 3 4 5 6 7	NOMENCLATURE	EFFECT FROM TO	UNITS PER ASSY
2A 640	451T1503-330		.. TRAY- SUPPLIER CODE: V31645 USED ON: 451T1502-335		1
645	451T1503-331		.. TRAY- SUPPLIER CODE: V31645 USED ON: 451T1502-336		1

ILLUSTRATION ITEMS NOT ON PARTS LIST ARE NOT APPLICABLE

- ITEM NOT ILLUSTRATED

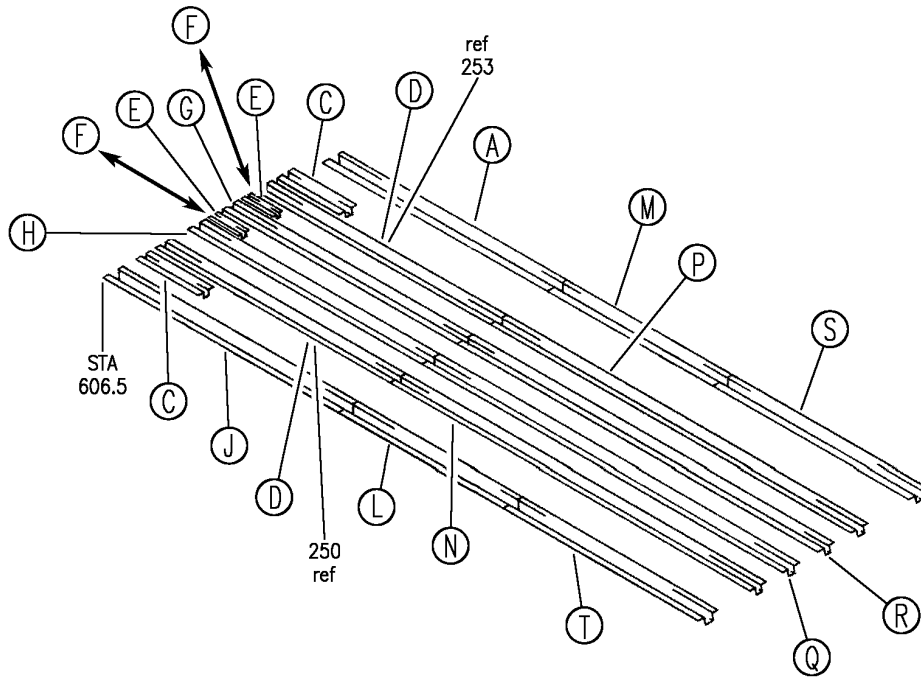
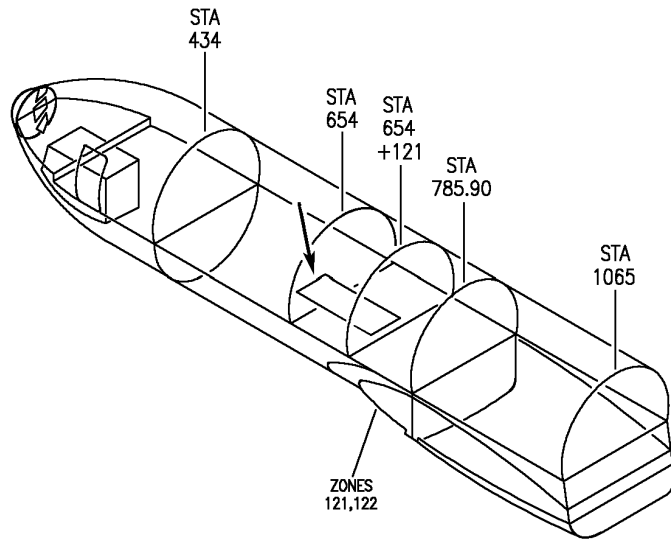
HXL

25-53-02-02A

BOEING PROPRIETARY - Copyright © - Unpublished Work - See title page for details.

25-53-02
FIG. 02A
PAGE 22
AUG 22/09

BOEING
767
PARTS CATALOG (MAINTENANCE)



V 25530202B SHT 1 REV 332

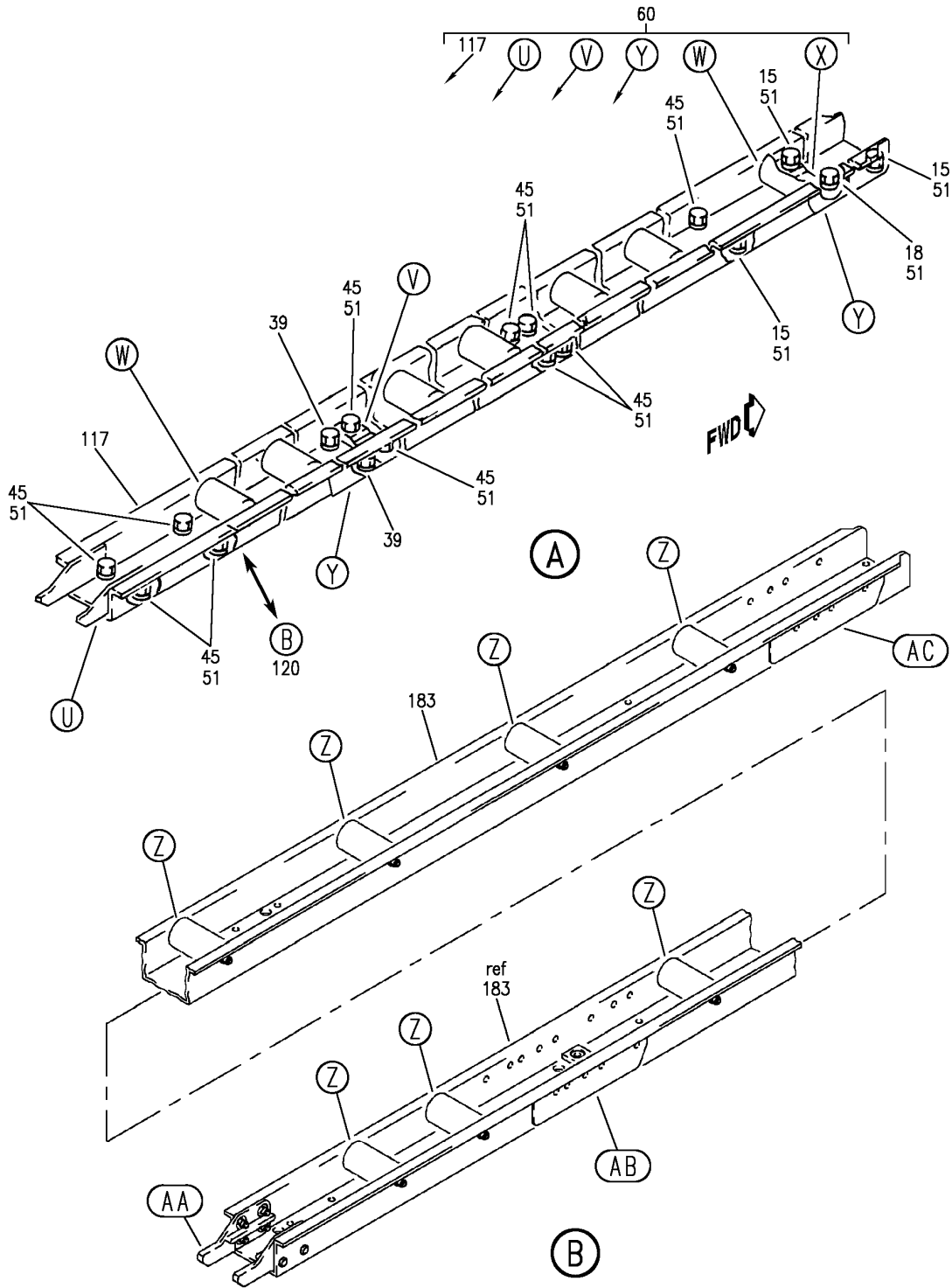
TRAY INSTL-FWD CARGO COMPT PALLET OPT CONVEYOR SYS
FIGURE 2B (SHEET 1)

25-53-02-02B

HXL
DEC 22/08

25-53-02-02B
PAGE 0

BOEING
767
PARTS CATALOG (MAINTENANCE)



V 25530202B SHT 2 REV 332

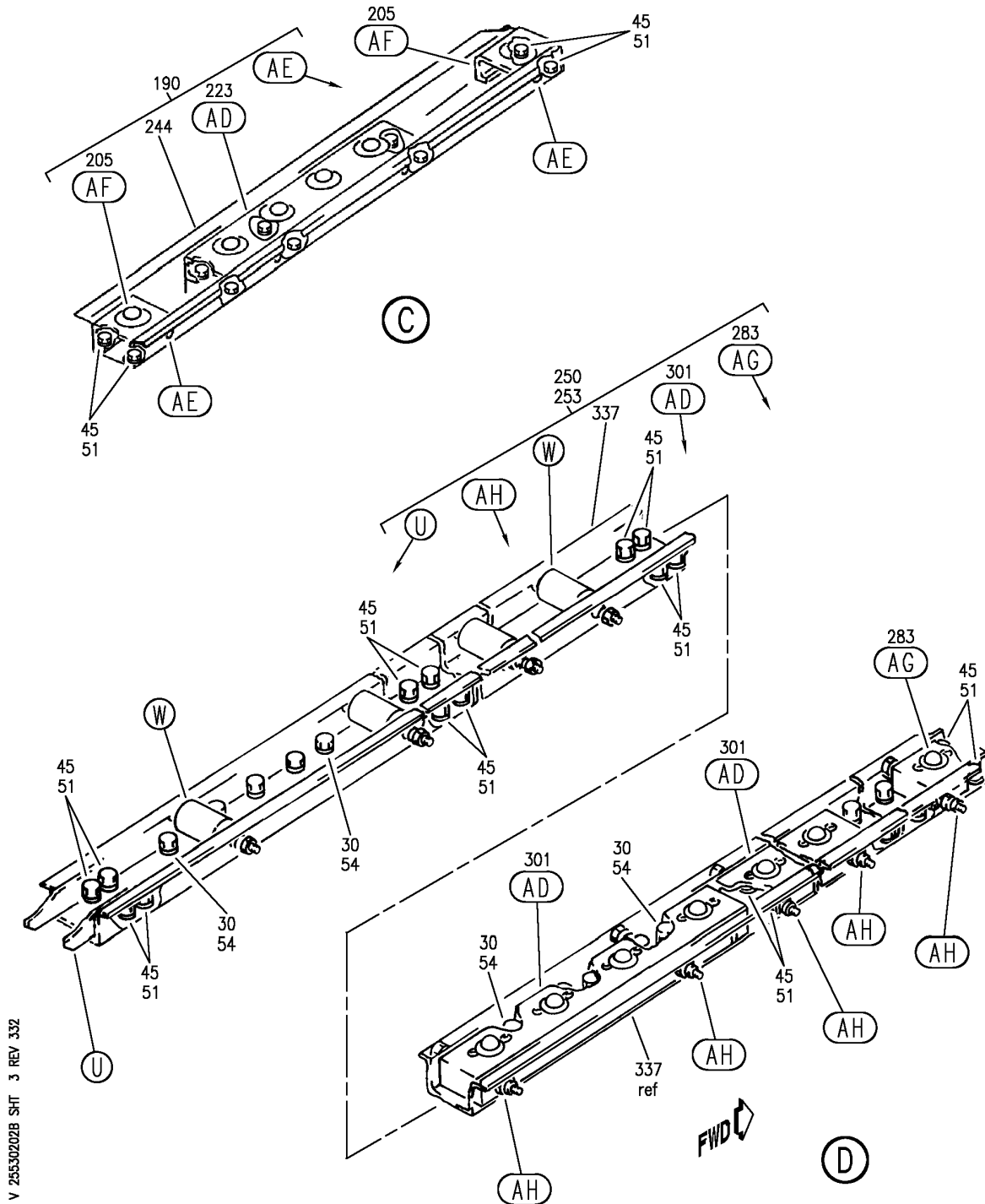
TRAY INSTL-FWD CARGO COMPT PALLET OPT CONVEYOR SYS
FIGURE 2B (SHEET 2)

25-53-02-02B

HXL
DEC 22/08

25-53-02-02B
PAGE 0A

BOEING
767
PARTS CATALOG (MAINTENANCE)



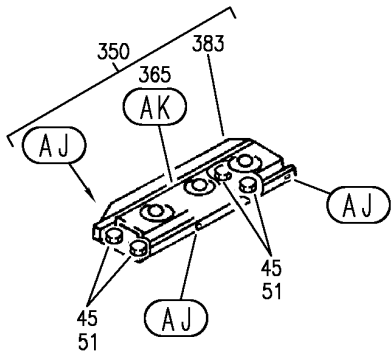
TRAY INSTL-FWD CARGO COMPT PALLET OPT CONVEYOR SYS
FIGURE 2B (SHEET 3)

25-53-02-02B

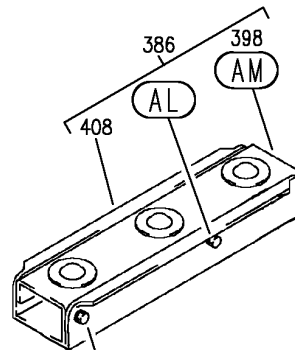
HXL
DEC 22/08

25-53-02-02B
PAGE 0B

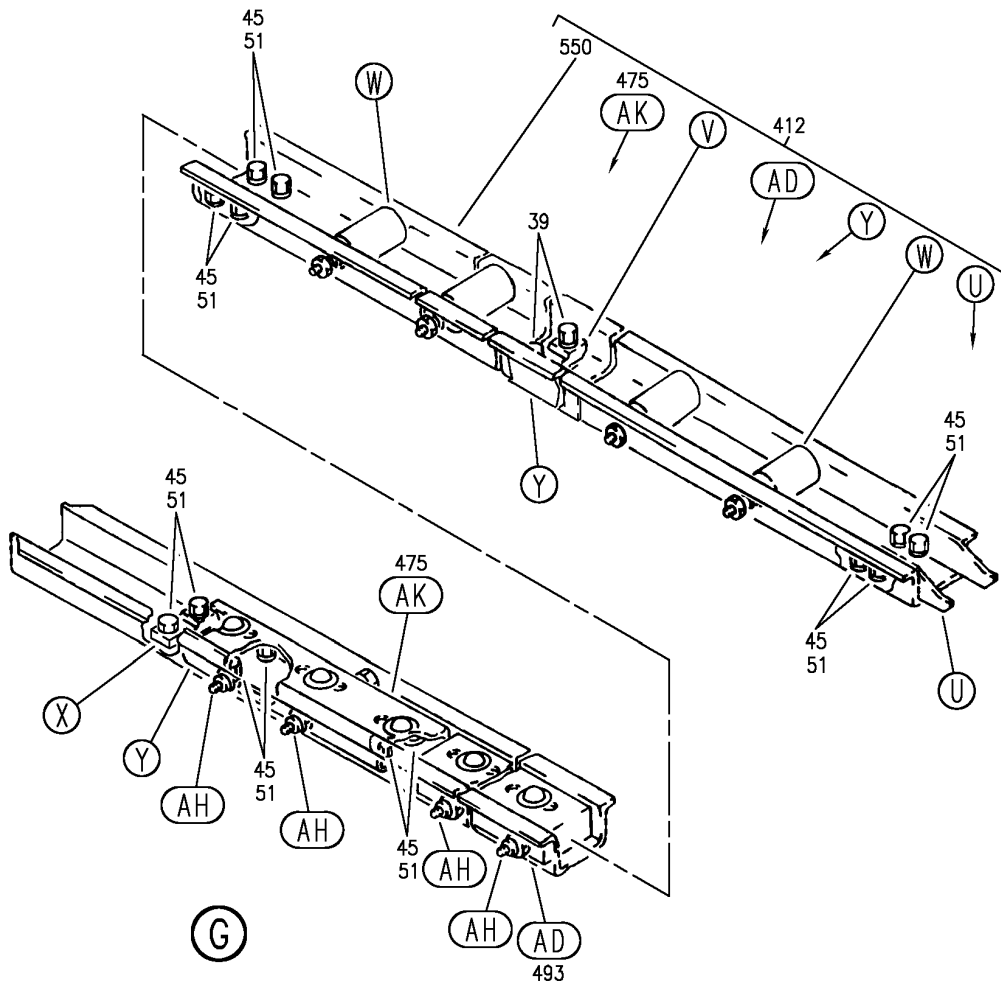
BOEING
767
PARTS CATALOG (MAINTENANCE)



(E)



(F)



(G)

V 25530202B SHT 4 REV 332

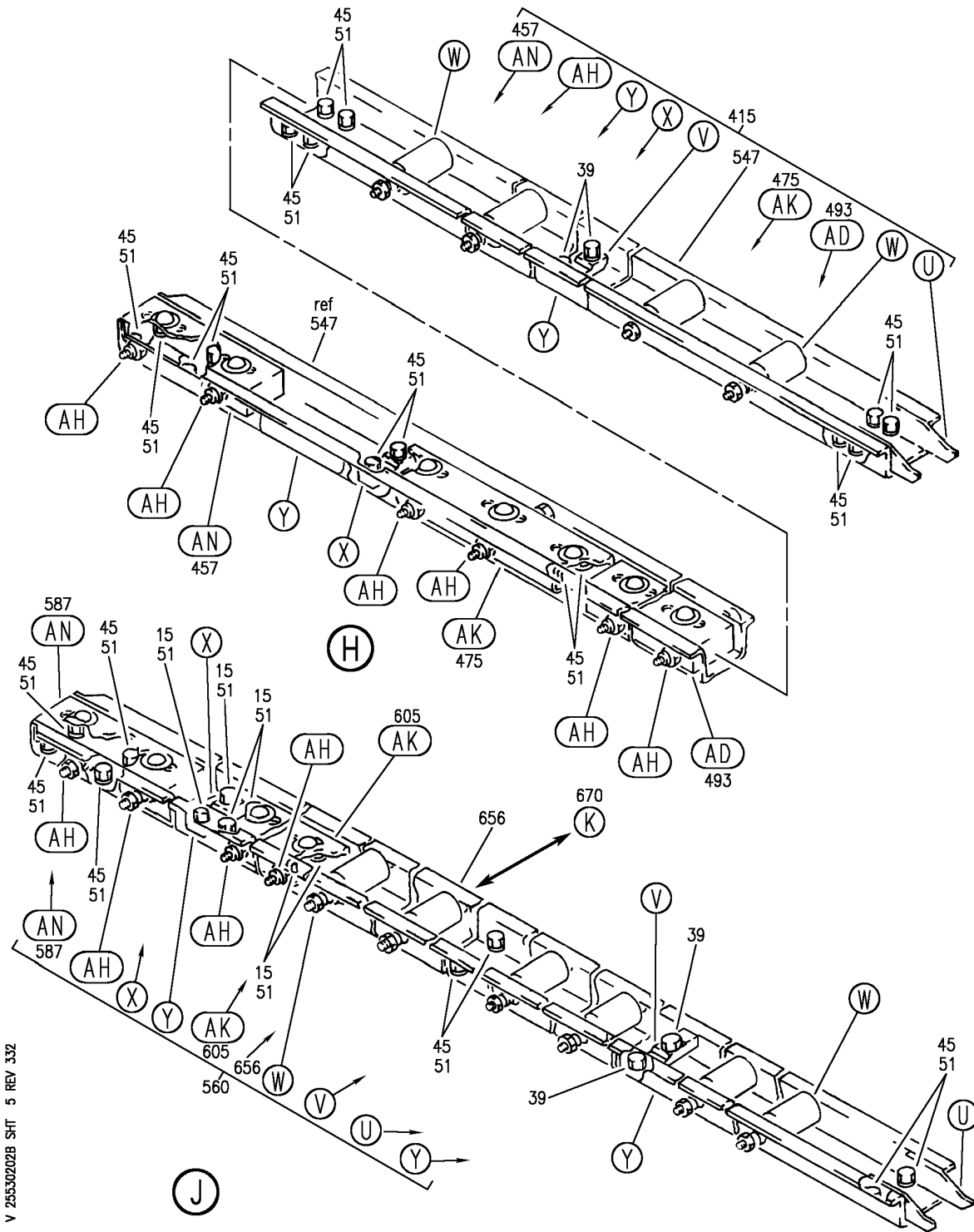
TRAY INSTL-FWD CARGO COMPT PALLET OPT CONVEYOR SYS
FIGURE 2B (SHEET 4)

25-53-02-02B

HXL
DEC 22/08

25-53-02-02B
PAGE 0C


BOEING
 767
PARTS CATALOG (MAINTENANCE)



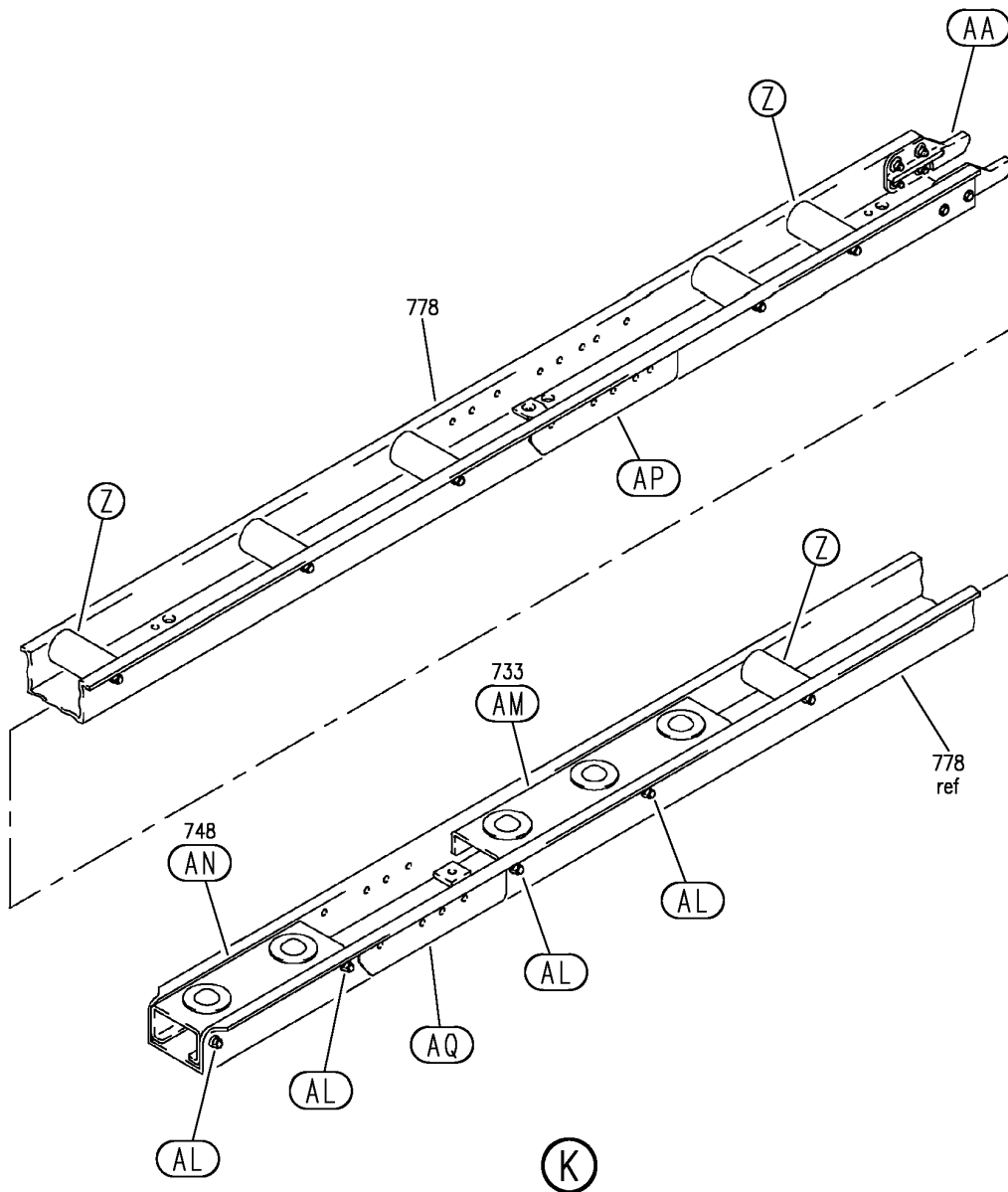
TRAY INSTL-FWD CARGO COMPT PALLET OPT CONVEYOR SYS
 FIGURE 2B (SHEET 5)

25-53-02-02B

HXL
 DEC 22/08

25-53-02-02B
 PAGE 0D

BOEING
767
PARTS CATALOG (MAINTENANCE)



V 25530202B SHT 6 REV 332

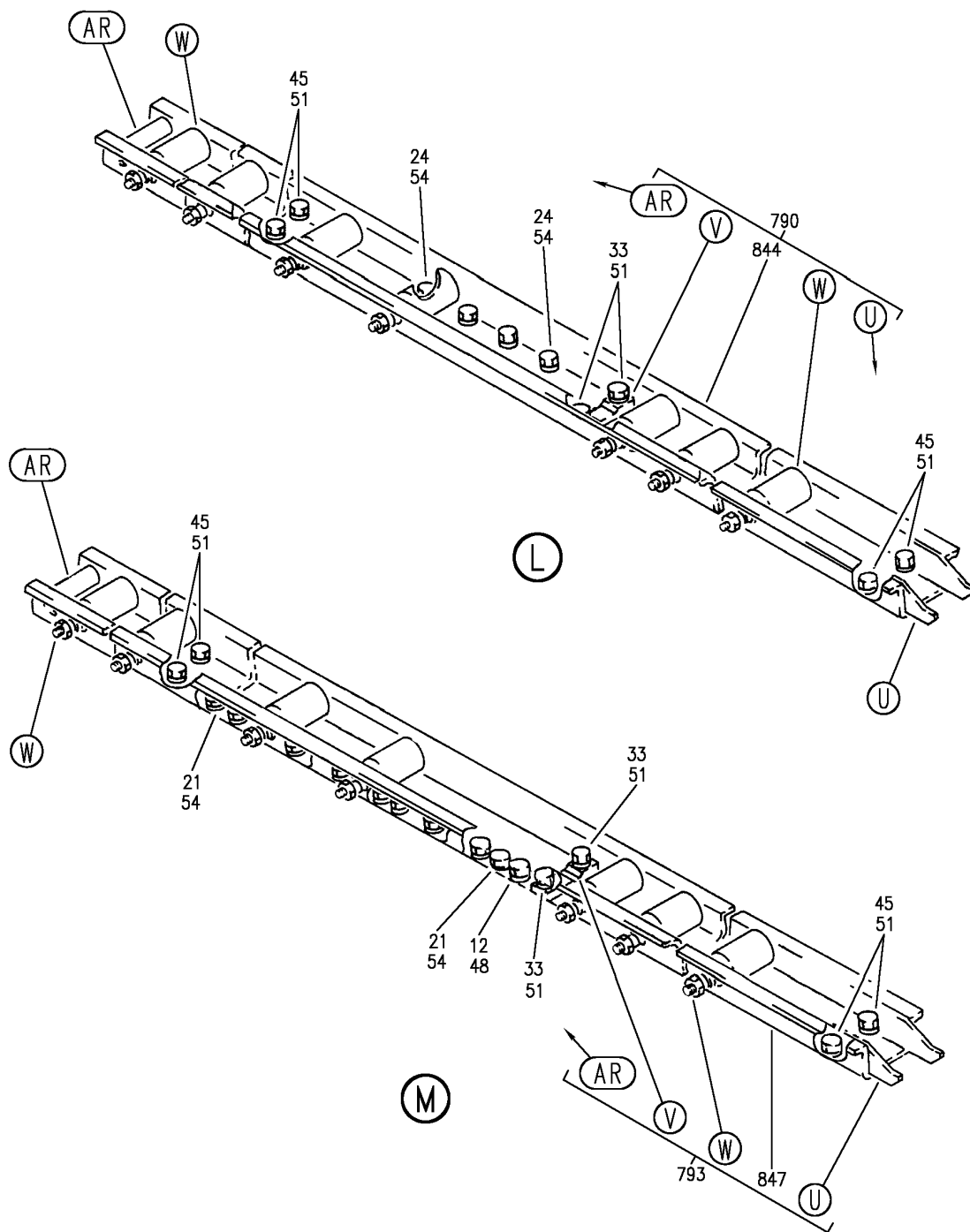
TRAY INSTL-FWD CARGO COMPT PALLET OPT CONVEYOR SYS
FIGURE 2B (SHEET 6)

25-53-02-02B

HXL
DEC 22/08

25-53-02-02B
PAGE 0E

BOEING
767
PARTS CATALOG (MAINTENANCE)



V 25530202B SHT 7 REV 332

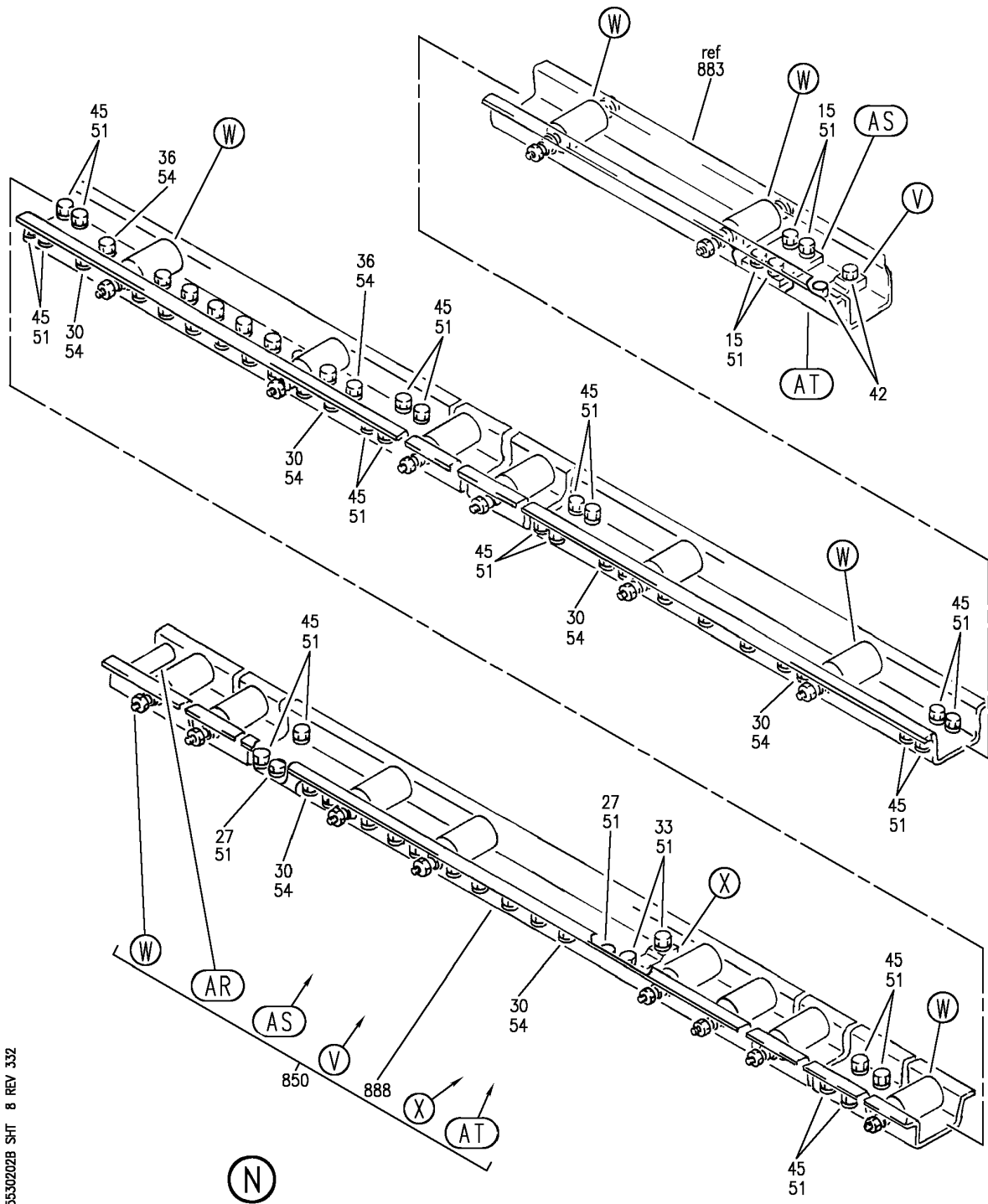
TRAY INSTL-FWD CARGO COMPT PALLET OPT CONVEYOR SYS
FIGURE 2B (SHEET 7)

25-53-02-02B

HXL
DEC 22/08

25-53-02-02B
PAGE OF

BOEING
767
PARTS CATALOG (MAINTENANCE)



V 25530202B SHT 8 REV 332

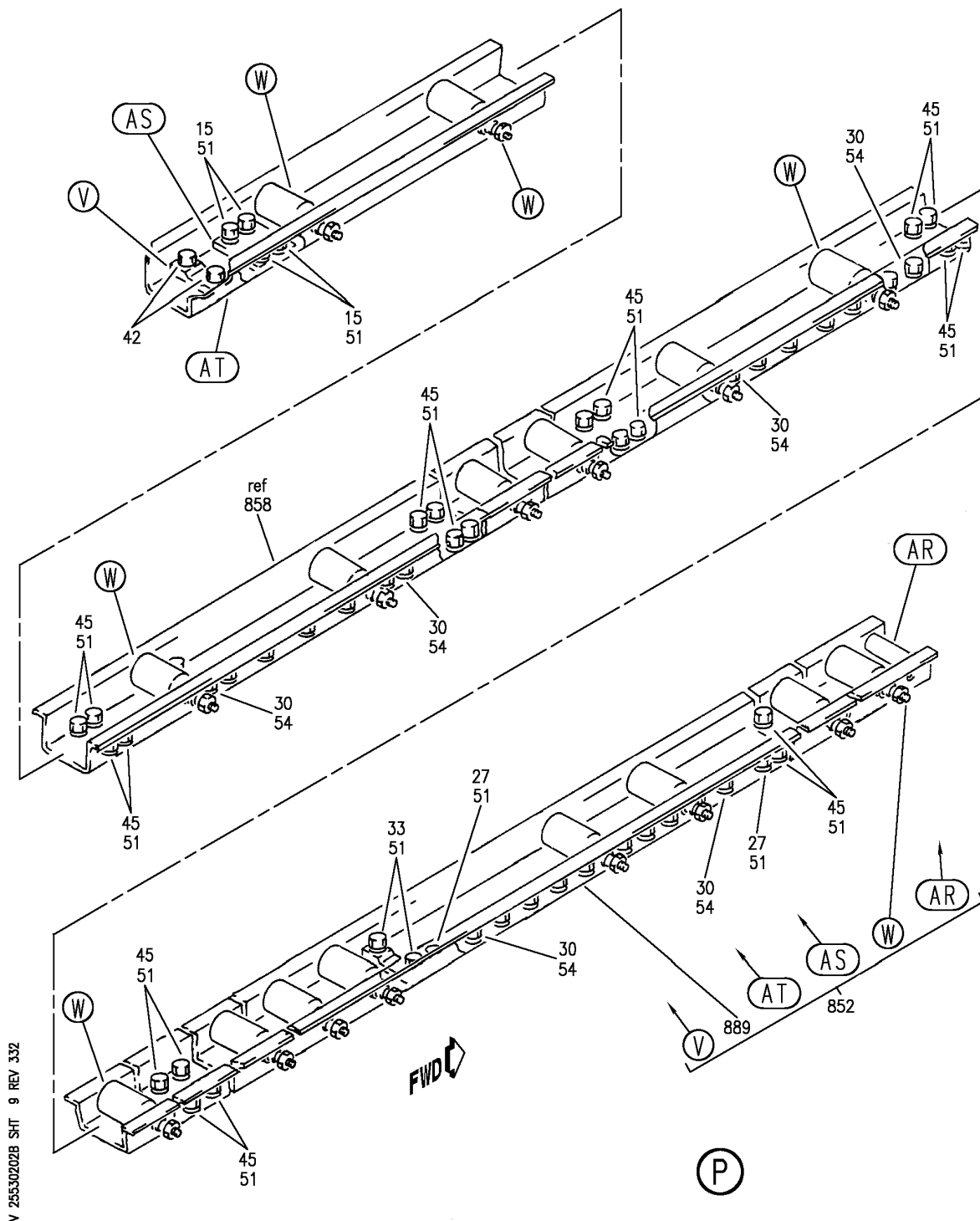
TRAY INSTL-FWD CARGO COMPT PALLET OPT CONVEYOR SYS
FIGURE 2B (SHEET 8)

25-53-02-02B

HXL
DEC 22/08

25-53-02-02B
PAGE 0G


BOEING
 767
PARTS CATALOG (MAINTENANCE)



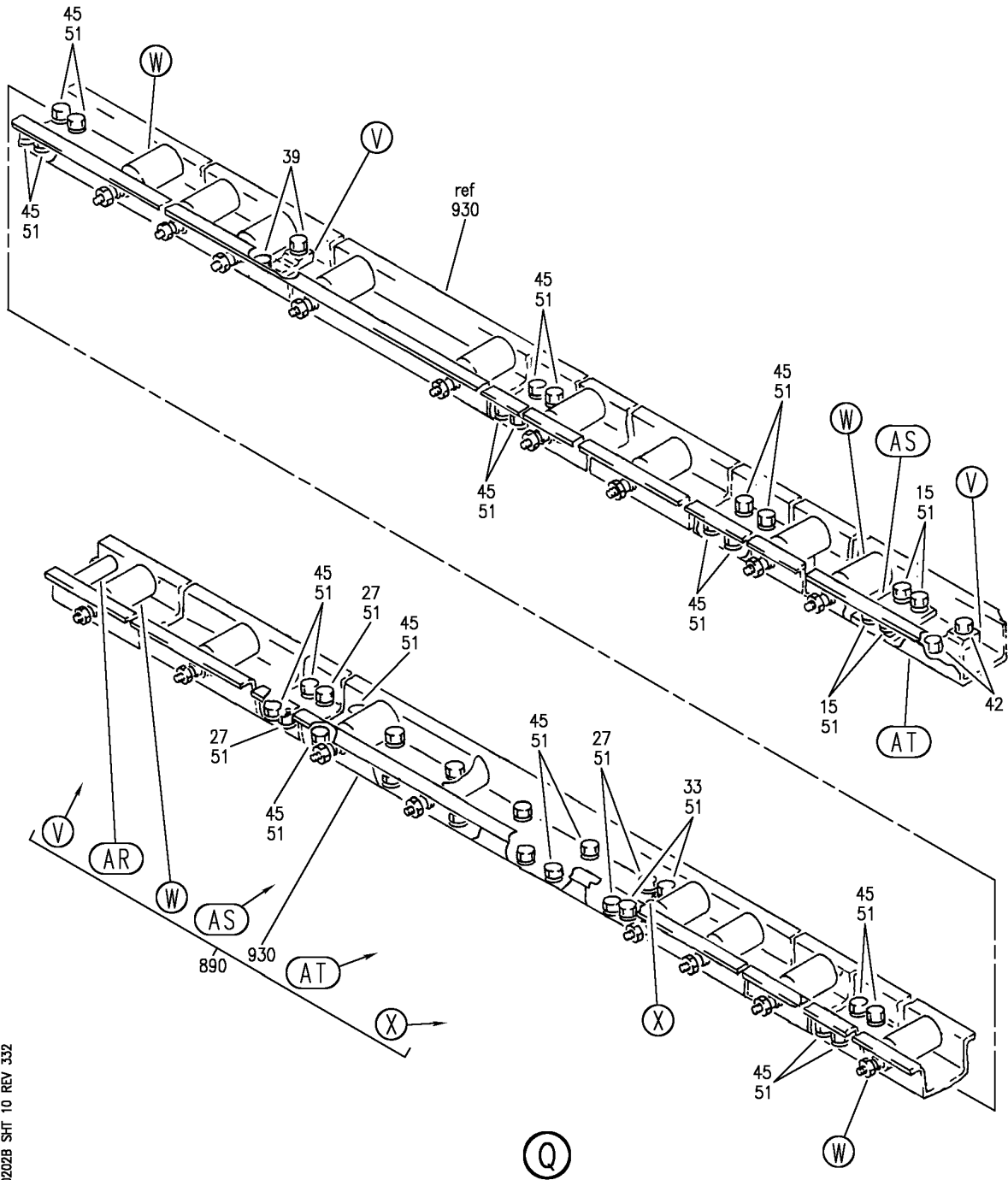
TRAY INSTL-FWD CARGO COMPT PALLET OPT CONVEYOR SYS
 FIGURE 2B (SHEET 9)

25-53-02-02B

HXL
 DEC 22/08

25-53-02-02B
 PAGE 0H

BOEING
767
PARTS CATALOG (MAINTENANCE)



V 25530202B SHT 10 REV 332

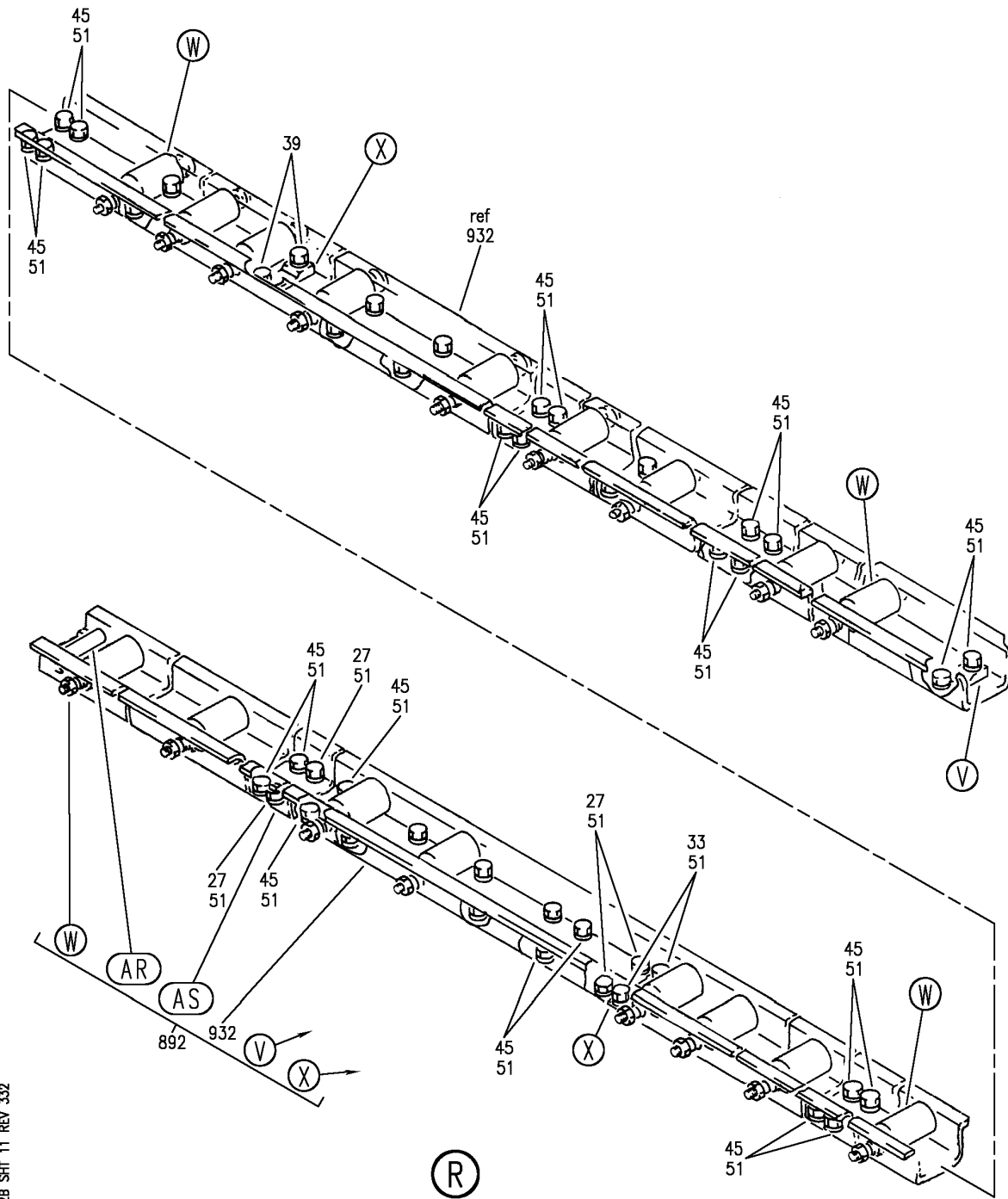
TRAY INSTL-FWD CARGO COMPT PALLET OPT CONVEYOR SYS
FIGURE 2B (SHEET 10)

25-53-02-02B

HXL
DEC 22/08

25-53-02-02B
PAGE 01

BOEING
767
PARTS CATALOG (MAINTENANCE)



V 25530202B SHT 11 REV 332

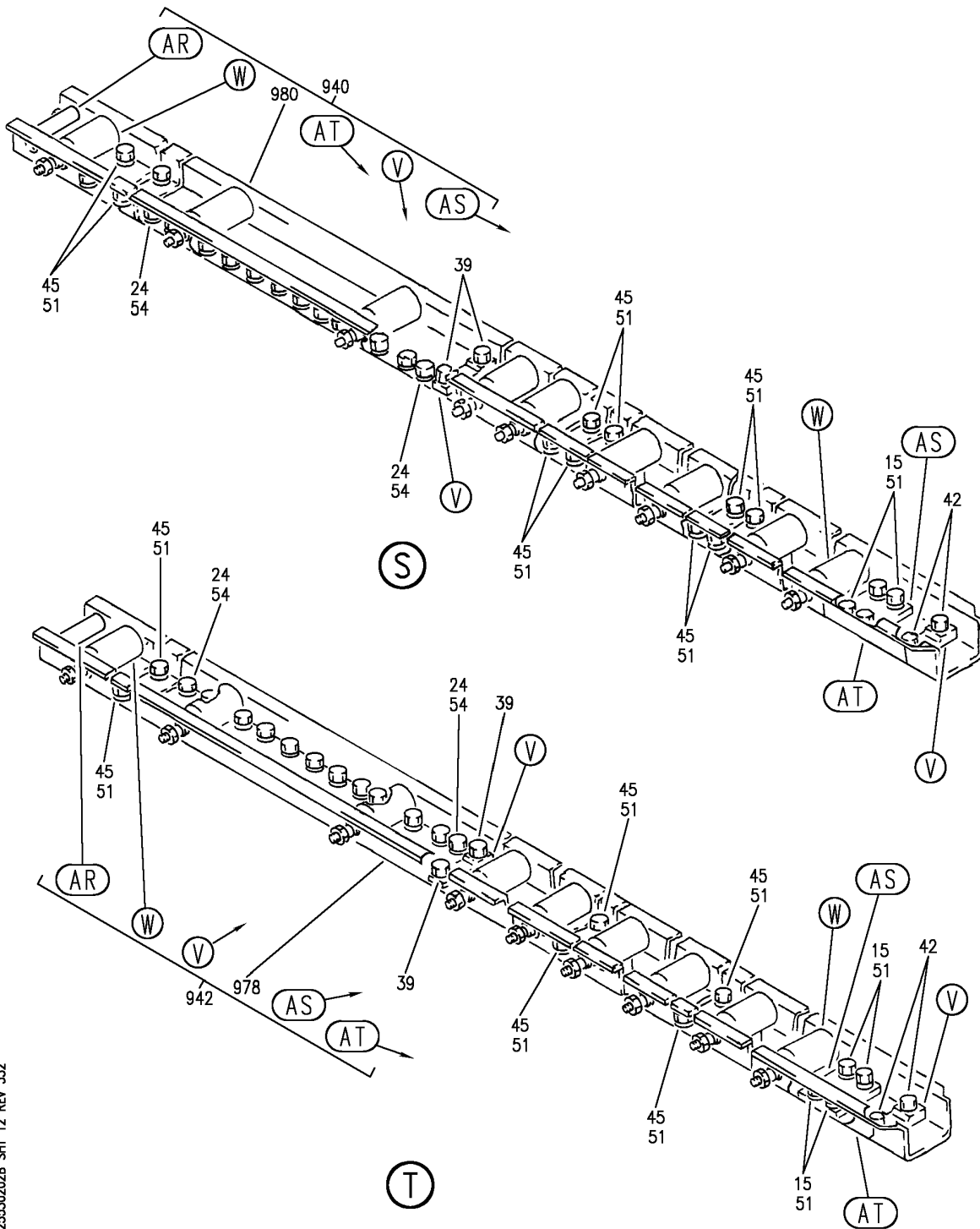
TRAY INSTL-FWD CARGO COMPT PALLET OPT CONVEYOR SYS
FIGURE 2B (SHEET 11)

25-53-02-02B

HXL
DEC 22/08

25-53-02-02B
PAGE 0J


BOEING
 767
PARTS CATALOG (MAINTENANCE)



V 25530202B SHT 12 REV 332

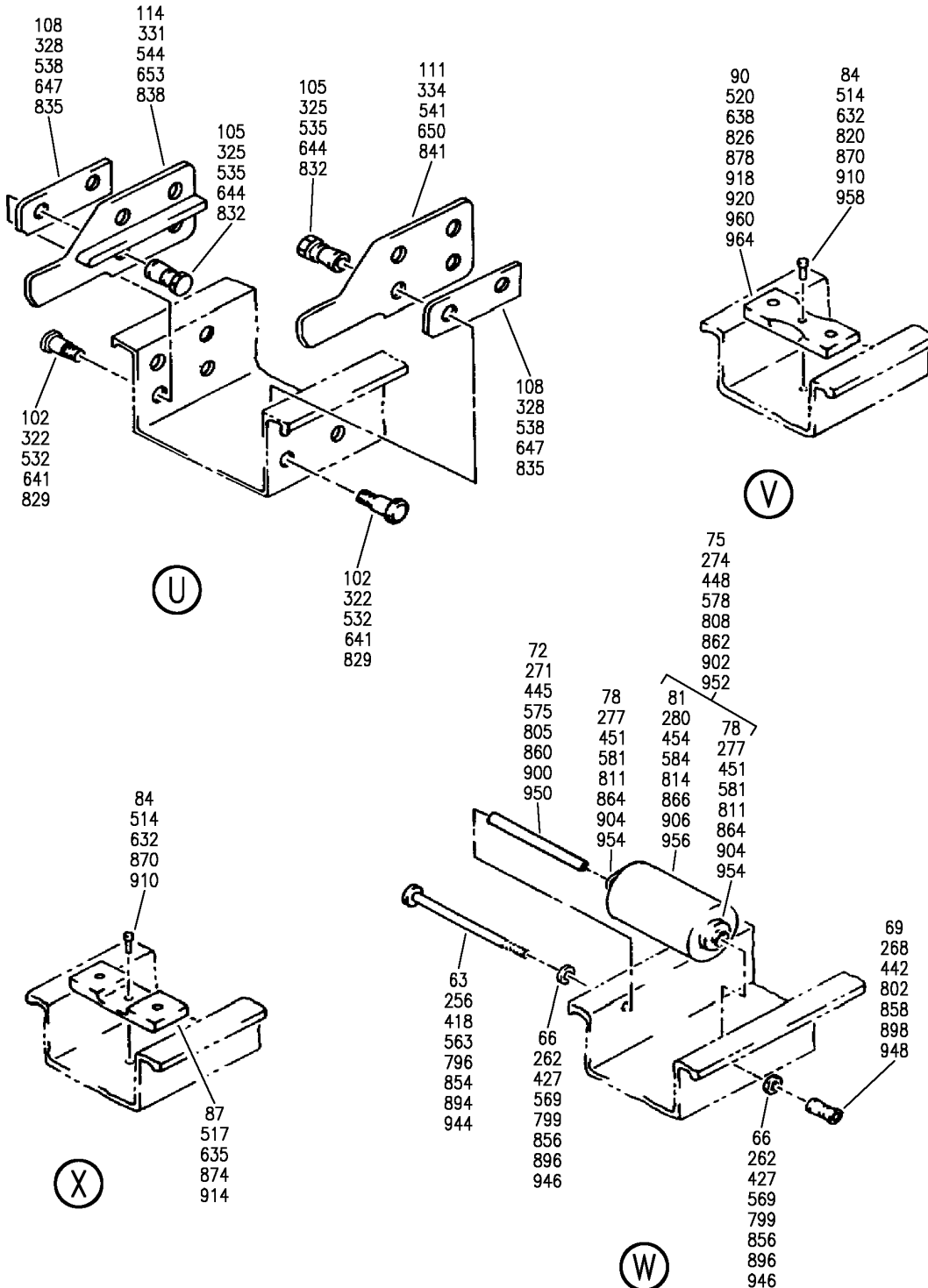
TRAY INSTL-FWD CARGO COMPT PALLET OPT CONVEYOR SYS
 FIGURE 2B (SHEET 12)

25-53-02-02B

HXL
DEC 22/08

25-53-02-02B
 PAGE 0K

BOEING
767
PARTS CATALOG (MAINTENANCE)



V 25530202B SHT 13 REV 332

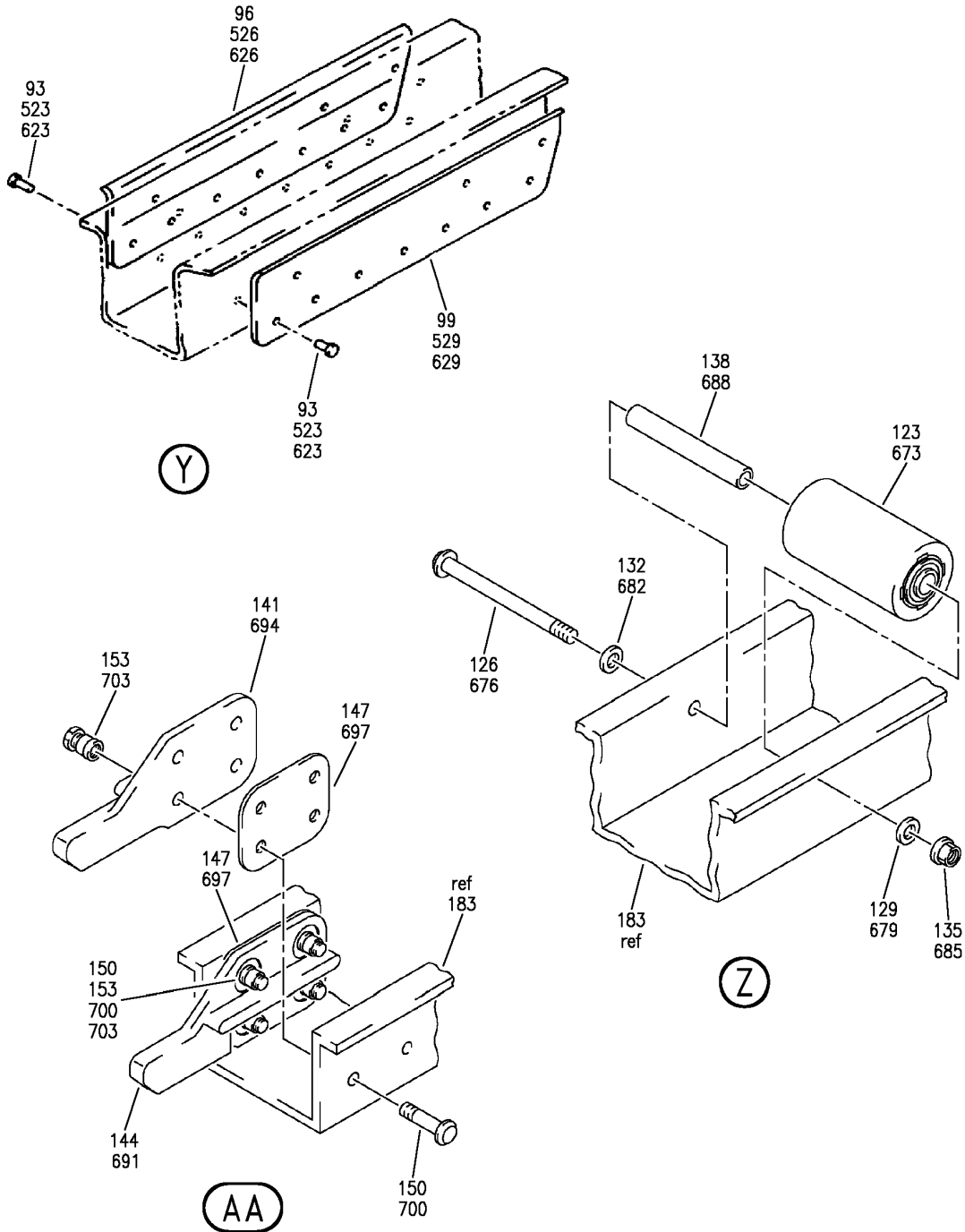
TRAY INSTL-FWD CARGO COMPT PALLET OPT CONVEYOR SYS
FIGURE 2B (SHEET 13)

25-53-02-02B

HXL
DEC 22/08

25-53-02-02B
PAGE 01

BOEING
767
PARTS CATALOG (MAINTENANCE)



V 25530202B SHT 14 REV 332

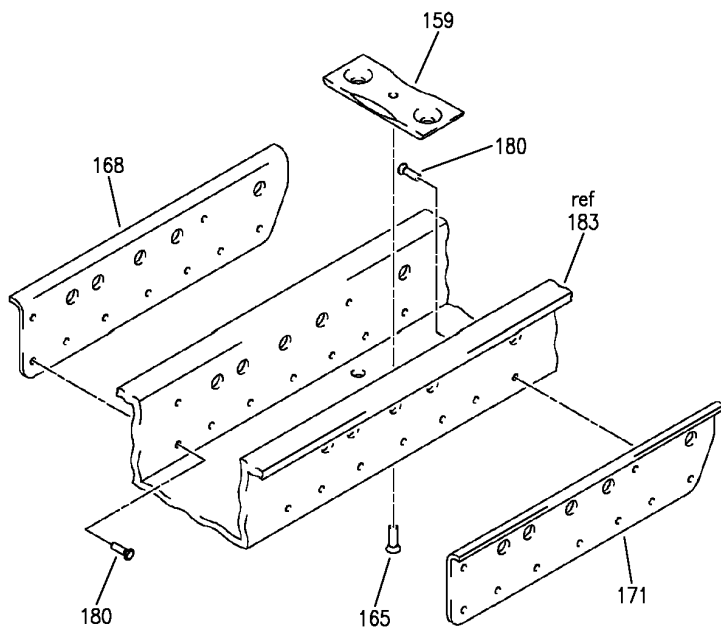
TRAY INSTL-FWD CARGO COMPT PALLET OPT CONVEYOR SYS
FIGURE 2B (SHEET 14)

25-53-02-02B

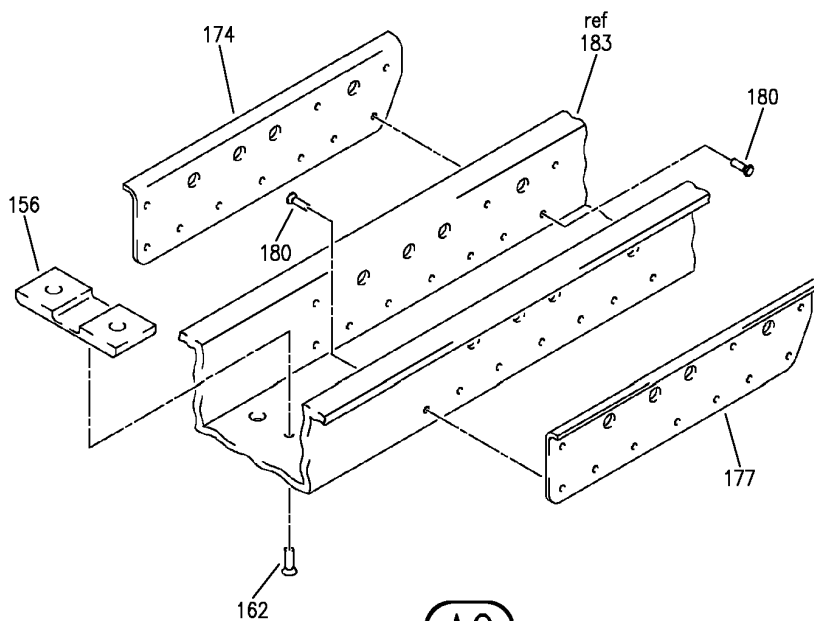
HXL
DEC 22/08

25-53-02-02B
PAGE 0M

BOEING
767
PARTS CATALOG (MAINTENANCE)



(AB)



(AC)

V 25530202B SHT 15 REV 332

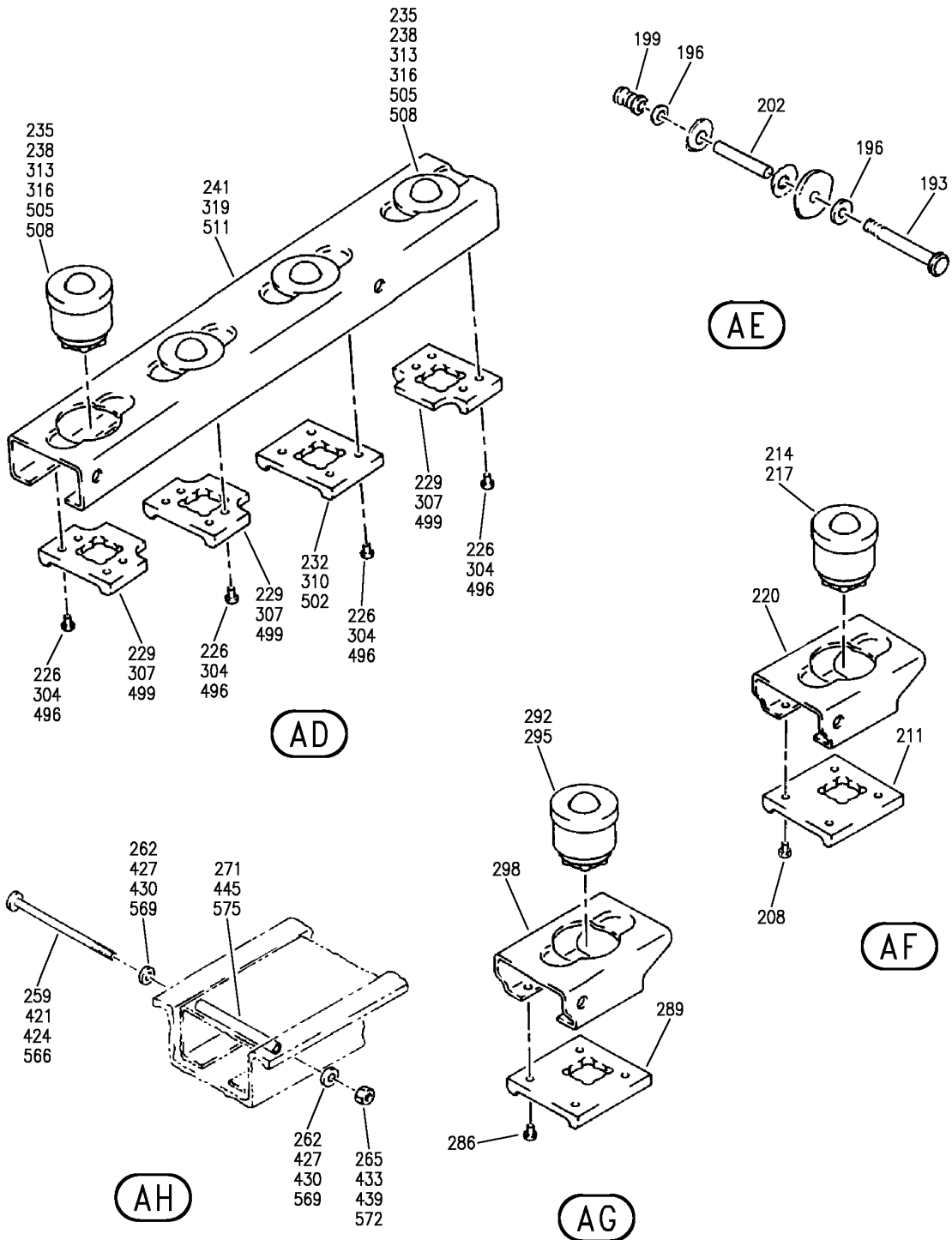
TRAY INSTL-FWD CARGO COMPT PALLET OPT CONVEYOR SYS
FIGURE 2B (SHEET 15)

25-53-02-02B

HXL
DEC 22/08

25-53-02-02B
PAGE ON

BOEING
767
PARTS CATALOG (MAINTENANCE)



V 25530202B SHT 16 REV 332

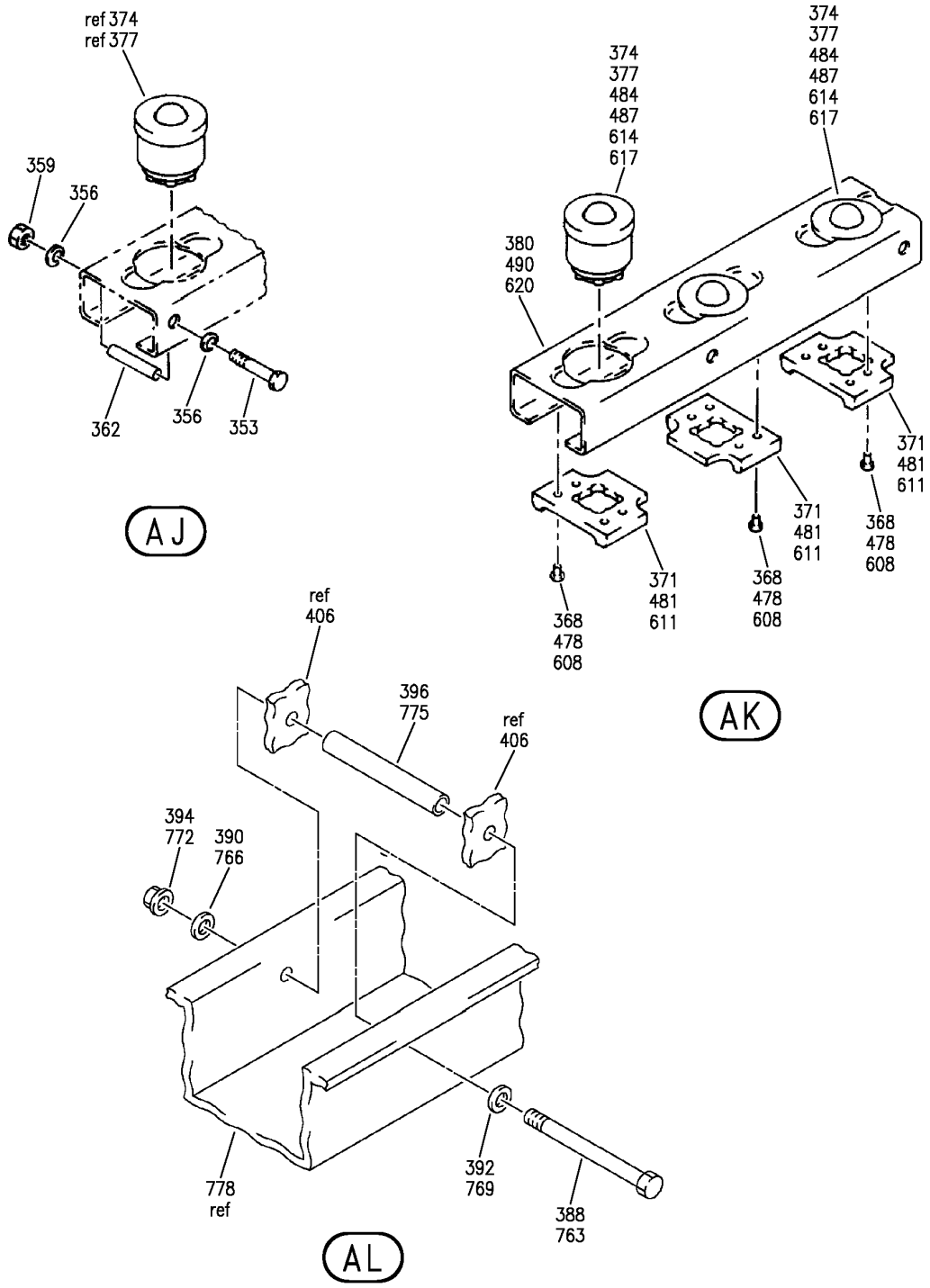
TRAY INSTL-FWD CARGO COMPT PALLET OPT CONVEYOR SYS
FIGURE 2B (SHEET 16)

25-53-02-02B

HXL
DEC 22/08

25-53-02-02B
PAGE 00

BOEING
767
PARTS CATALOG (MAINTENANCE)



V 25530202B SHT 17 REV 332

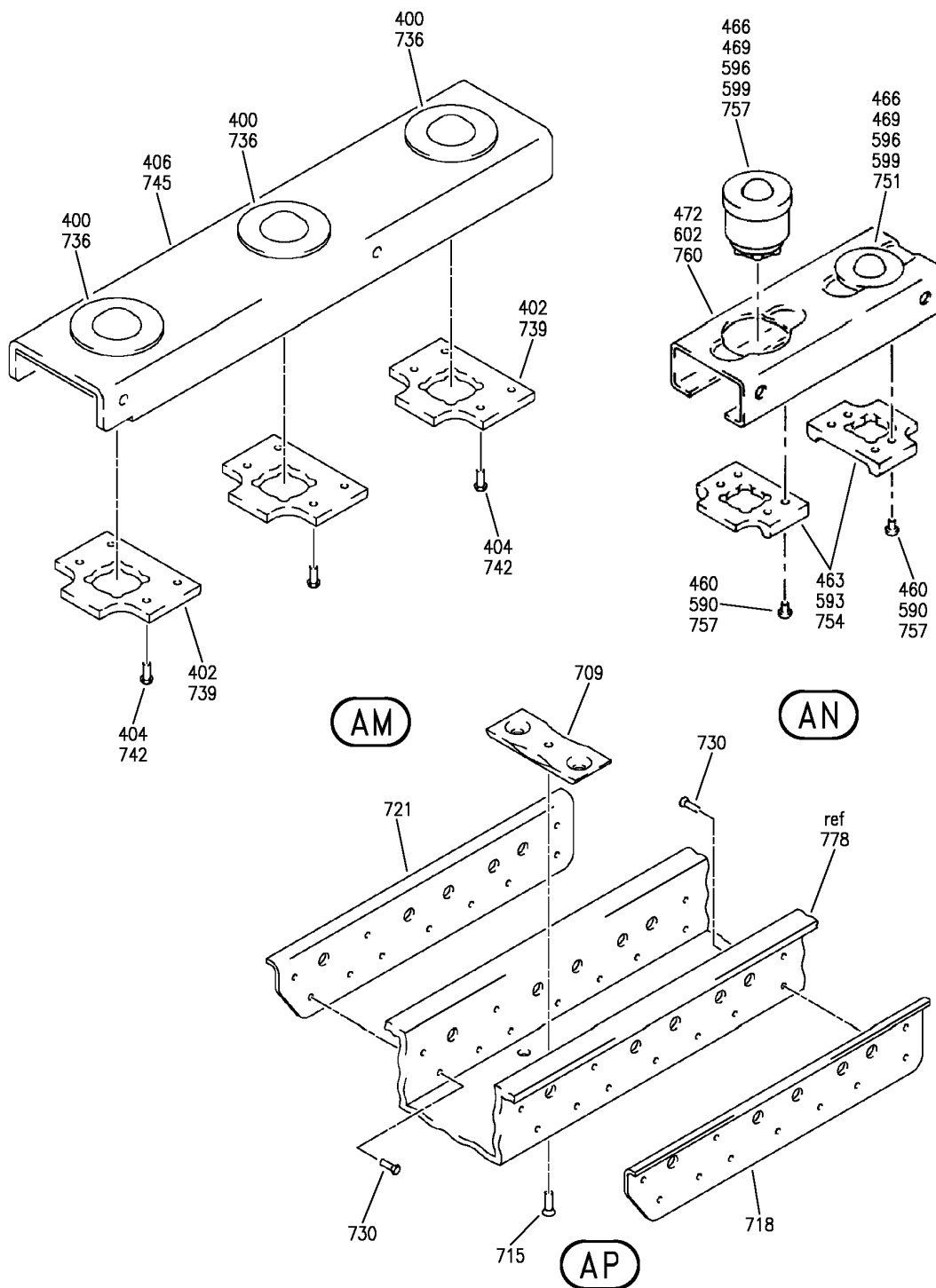
TRAY INSTL-FWD CARGO COMPT PALLET OPT CONVEYOR SYS
FIGURE 2B (SHEET 17)

25-53-02-02B

HXL
DEC 22/08

25-53-02-02B
PAGE 0P

BOEING
767
PARTS CATALOG (MAINTENANCE)



V 25530202B SHT 18 REV 332

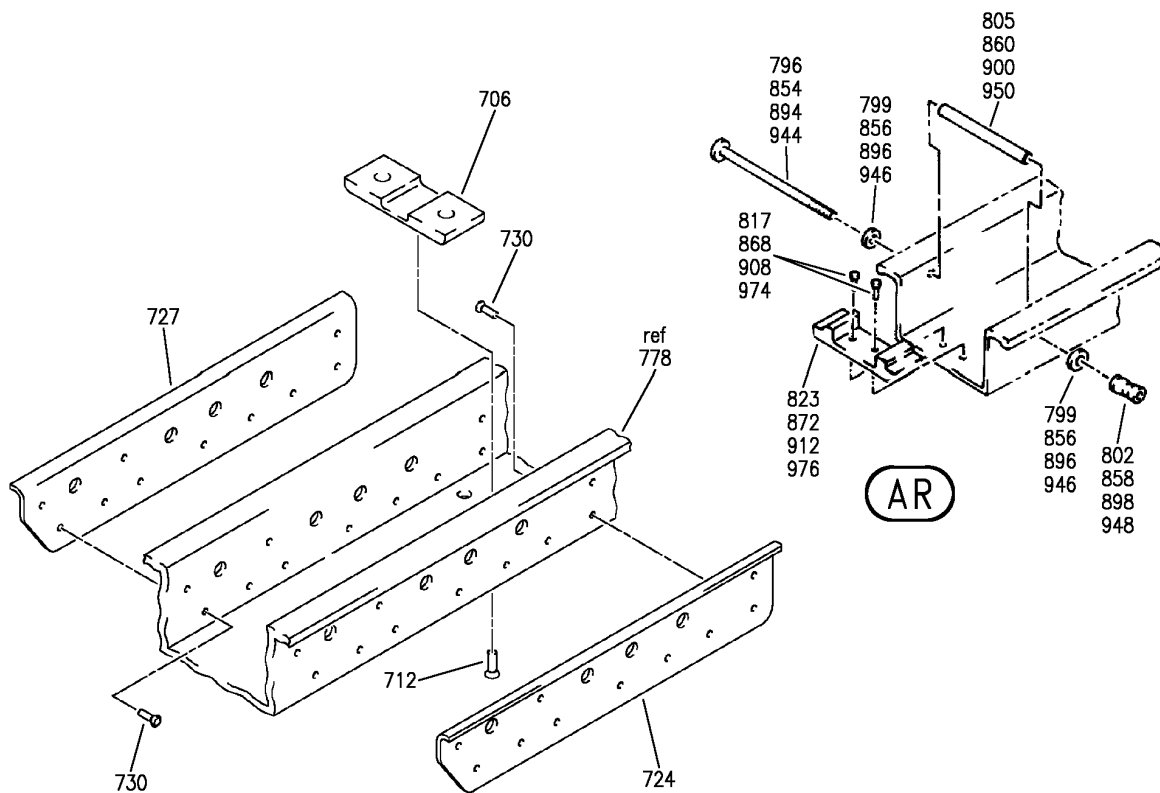
TRAY INSTL-FWD CARGO COMPT PALLET OPT CONVEYOR SYS
FIGURE 2B (SHEET 18)

25-53-02-02B

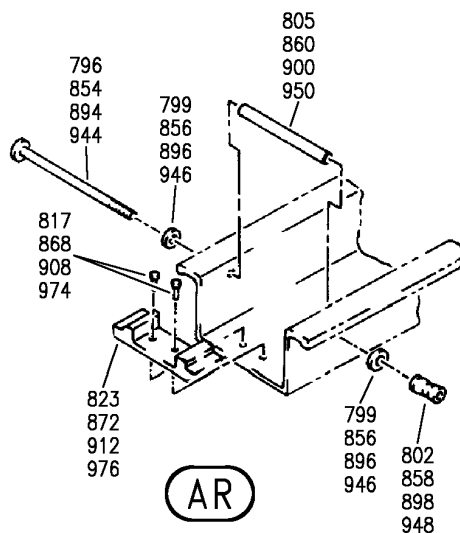
HXL
DEC 22/08

25-53-02-02B
PAGE 00

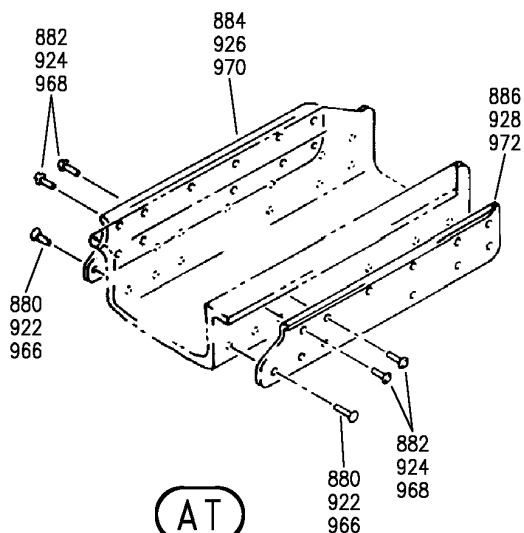
BOEING
767
PARTS CATALOG (MAINTENANCE)



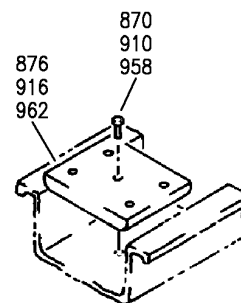
AQ



AR



AT



AS

V 25530202B SHT 19 REV 332

TRAY INSTL-FWD CARGO COMPT PALLET OPT CONVEYOR SYS
FIGURE 2B (SHEET 19)

25-53-02-02B

HXL
DEC 22/08

25-53-02-02B
PAGE OR



767

PARTS CATALOG (MAINTENANCE)

FIG ITEM	PART NUMBER	1 2 3 4 5 6 7	NOMENCLATURE	EFFECT FROM TO	UNITS PER ASSY
2B			TRAY INSTL-FWD CARGO COMPT PALLET OPT CONVEYOR SYS		
- 1	451T1501-33		TRAY INSTL-FWD CARGO COMPT FOR NHA SEE: 53-00-00-08	163999	RF
- 1	451T1501-39		TRAY INSTL-FWD CARGO COMPT FOR NHA SEE: 53-00-00-08	155162	RF
12	BACS12FA3K10		.SCREW		1
15	BACB30NR4K8		.BOLT		29
18	BACB30NR4K12		.BOLT		1
21	BACB30NT3K4		.BOLT		9
24	BACB30NT3K5		.BOLT		28
27	BACN30NR4K5		.BOLT		12
30	BACB30NM3K4		.BOLT		71
33	BACB30NR4K14		.BOLT		10
36	BACB30NT3K7		.BOLT		10
39	BACB30LH4-13		.BOLT		16
42	BACB30LH4-6		.BOLT		10
45	BACB30NR4K4		.BOLT		242
48	NAS1149D0316J		.WASHER		1
51	NAS1149D0416J		.WASHER		294
54	NAS1149D0332J		.WASHER		118
60	451T1502-314		.TRAY ASSY-ROLLER SUPPLIER CODE: V31645 COMPONENT MAINT MANUAL REF: 25-53-30 OPTIONAL PART: 451T1502-112 V31645		1
60	451T1502-112		.TRAY ASSY-ROLLER SUPPLIER CODE: V31645 COMPONENT MAINT MANUAL REF: 25-53-30 OPTIONAL PART: 451T1502-314 V31645		1

ILLUSTRATION ITEMS NOT ON PARTS LIST ARE NOT APPLICABLE

- ITEM NOT ILLUSTRATED

HXL

25-53-02-02B

BOEING PROPRIETARY - Copyright © - Unpublished Work - See title page for details.

25-53-02
FIG. 02B
PAGE 1
AUG 22/08

 **BOEING**
767
PARTS CATALOG (MAINTENANCE)

FIG ITEM	PART NUMBER	1 2 3 4 5 6 7	NOMENCLATURE	EFFECT FROM TO	UNITS PER ASSY
2B 63	HST10AG8-46	..	BOLT SUPPLIER CODE: VOPTK6 SPECIFICATION NUMBER: BACB30VT8K46 OPTIONAL PART: HST10AG8-46 V06725 HST10AG8-46 V56878 HST10AG8-46 V73197 WC10K8-46 V60516		7
R 66	AN960JD416	..	WASHER		14
69	BACC30BL8	..	COLLAR		7
72	69B60110-1	..	SPACER- SUPPLIER CODE: V31645		7
72	69B60110-4	..	SPACER- SUPPLIER CODE: V31645		7
72	7712570-1	..	SPACER- SUPPLIER CODE: V31645		7
75	69B60735-1	..	ROLLER ASSY- SUPPLIER CODE: V31645		7
75	7712571-1	..	ROLLER ASSY- SUPPLIER CODE: V31645		7
78	594D	...	BEARING- SUPPLIER CODE: V73134 OPTIONAL PART: SR340-168PS V75277		2
78	SR340-168PS	...	BEARING- SUPPLIER CODE: V75277 OPTIONAL PART: 594D V73134		2
81	69B60734-1	...	ROLLER- SUPPLIER CODE: V31645 OPTIONAL PART: 7712572-1 V31645		1

ILLUSTRATION ITEMS NOT ON PARTS LIST ARE NOT APPLICABLE

- ITEM NOT ILLUSTRATED

HXL

25-53-02-02B

BOEING PROPRIETARY - Copyright © - Unpublished Work - See title page for details.

25-53-02
FIG. 02B
PAGE 2
AUG 22/09



767

PARTS CATALOG (MAINTENANCE)

FIG ITEM	PART NUMBER	1 2 3 4 5 6 7	NOMENCLATURE	EFFECT FROM TO	UNITS PER ASSY
2B					
81	7712572-1	...	ROLLER- SUPPLIER CODE: V31645 OPTIONAL PART: 69B60734-1 V31645		1
81	69B60734-2	...	ROLLER- SUPPLIER CODE: V31645		1
84	BACR15BA5AD	..	RIVET- SIZE DETERMINED ON INSTL.		2
87	451T1009-12	..	FILLER- SUPPLIER CODE: V31645		1
87	451T1009-1	..	FILLER- SUPPLIER CODE: V31645		1
90	451T1009-16	..	FILLER- SUPPLIER CODE: V31645		1
93	BACR15CE6D	..	RIVET- SIZE DETERMINED ON INSTL.		40
96	451T1008-35	..	PLATE		2
99	451T1008-36	..	PLATE		2
102	HL22-6-3	..	BOLT SUPPLIER CODE: V60516 SPECIFICATION NUMBER: BACB30GZ6-3		8
105	HL77-6	..	COLLAR SUPPLIER CODE: V5M902 SPECIFICATION NUMBER: BACC30P6 OPTIONAL PART: HL77-6 V73197 HL77-6 V92215 66015-6 V56878 HL77-6 V56878		8
108	BACF3F015D019AN	..	FILLER		2
111	451T1006-1	..	FITTING- SUPPLIER CODE: V31645		1

ILLUSTRATION ITEMS NOT ON PARTS LIST ARE NOT APPLICABLE

- ITEM NOT ILLUSTRATED

25-53-02-02B

25-53-02
FIG. 02B
PAGE 3
AUG 22/09

HXL

BOEING PROPRIETARY - Copyright © - Unpublished Work - See title page for details.



767

PARTS CATALOG (MAINTENANCE)

FIG ITEM	PART NUMBER	1 2 3 4 5 6 7	NOMENCLATURE	EFFECT FROM TO	UNITS PER ASSY
2B					
114	451T1006-2	..	FITTING- SUPPLIER CODE: V31645		1
117	451T1503-314	..	TRAY- SUPPLIER CODE: V31645 USED ON: 451T1502-314		1
117	451T1503-340	..	TRAY- SUPPLIER CODE: V31645 USED ON: 451T1502-112		1
190	451T1502-24	.TRAY	ASSY-ROLLER SUPPLIER CODE: V31645 COMPONENT MAINT MANUAL REF: 25-53-30	163999	2
190	451T1502-92	.TRAY	ASSY-ROLLER SUPPLIER CODE: V31645 COMPONENT MAINT MANUAL REF: 25-53-30	155162	2
193	HST10AG8-46	..	BOLT SUPPLIER CODE: VOPTK6 SPECIFICATION NUMBER: BACB30VT8K46 OPTIONAL PART: HST10AG8-46 V06725 HST10AG8-46 V56878 HST10AG8-46 V73197 WC10K8-46 V60516		4
196	AN960JD416	..	WASHER		8
199	BACC30BL8	..	COLLAR		4
202	69B60110-1	..	SPACER- SUPPLIER CODE: V31645		4
202	69B60110-4	..	SPACER- SUPPLIER CODE: V31645		4
202	7712570-1	..	SPACER- SUPPLIER CODE: V31645		4
ILLUSTRATION ITEMS NOT ON PARTS LIST ARE NOT APPLICABLE					

R

- ITEM NOT ILLUSTRATED

25-53-02-02B

25-53-02
FIG. 02B
PAGE 4
AUG 22/09

HXL

BOEING PROPRIETARY - Copyright © - Unpublished Work - See title page for details.

 **BOEING**
767
PARTS CATALOG (MAINTENANCE)

FIG ITEM	PART NUMBER	1 2 3 4 5 6 7	NOMENCLATURE	EFFECT FROM TO	UNITS PER ASSY
2B					
205	451T1515-2	..	SUPPORT ASSY- SUPPLIER CODE: V31645	163999	2
205	451T1515-6	..	SUPPORT ASSY- SUPPLIER CODE: V31645	155162	2
208	BACR15BB4AD	...	RIVET- SIZE DETERMINED ON INSTL.		4
211	451T1517-2	...	FILLER- SUPPLIER CODE: V31645		1
214	J082269-1	...	BALL UNIT- SUPPLIER CODE: V31645	163999	1
214	J082269-6	...	BALL UNIT- SUPPLIER CODE: V31645 SPECIFICATION NUMBER: S451W151-1	163999	1
214	20188-1	...	BALL UNIT- SUPPLIER CODE: V1N6X0 SPECIFICATION NUMBER: S451T101-1	163999	1
217	20188-1	...	BALL UNIT- SUPPLIER CODE: V26835 SPECIFICATION NUMBER: S451T101-1	155162	1
217	J082269-1	...	BALL UNIT- SUPPLIER CODE: V31645	155162	1
217	J082269-6	...	BALL UNIT- SUPPLIER CODE: V31645 SPECIFICATION NUMBER: S451W151-1	155162	1
220	451T1516-2	...	SUPPORT- SUPPLIER CODE: V31645		1
223	451T1515-1	..	SUPPORT ASSY- SUPPLIER CODE: V31645	163999	1
223	451T1515-5	..	SUPPORT ASSY- SUPPLIER CODE: V31645	155162	1
226	BACR15BB4AD	...	RIVET- SIZE DETERMINED ON INSTL.		16

ILLUSTRATION ITEMS NOT ON PARTS LIST ARE NOT APPLICABLE

— ITEM NOT ILLUSTRATED

HXL

25-53-02-02B

BOEING PROPRIETARY - Copyright © - Unpublished Work - See title page for details.

25-53-02
FIG. 02B
PAGE 5
AUG 22/09

 **BOEING**
767
PARTS CATALOG (MAINTENANCE)

FIG ITEM	PART NUMBER	1 2 3 4 5 6 7	NOMENCLATURE	EFFECT FROM TO	UNITS PER ASSY
2B					
229	451T1517-1	...	FILLER- SUPPLIER CODE: V31645		3
232	451T1517-3	...	FILLER- SUPPLIER CODE: V31645		1
235	J082269-1	...	BALL UNIT- SUPPLIER CODE: V31645	163999	4
235	J082269-6	...	BALL UNIT- SUPPLIER CODE: V31645 SPECIFICATION NUMBER: S451W151-1	163999	4
235	20188-1	...	BALL UNIT- SUPPLIER CODE: V1N6X0 SPECIFICATION NUMBER: S451T101-1	163999	4
238	20188-1	...	BALL UNIT- SUPPLIER CODE: V26835 SPECIFICATION NUMBER: S451T101-1	155162	4
238	J082269-1	...	BALL UNIT- SUPPLIER CODE: V31645	155162	4
238	J082269-6	...	BALL UNIT- SUPPLIER CODE: V31645 SPECIFICATION NUMBER: S451W151-1	155162	4
241	451T1516-1	...	SUPPORT- SUPPLIER CODE: V31645		1
244	451T1503-19	..	TRAY- SUPPLIER CODE: V31645		1
250	451T1502-315	.	TRAY ASSY-ROLLER SUPPLIER CODE: V31645 COMPONENT MAINT MANUAL REF: 25-53-30	163999	1
250	451T1502-348	.	TRAY ASSY-ROLLER SUPPLIER CODE: V31645 COMPONENT MAINT MANUAL REF: 25-53-30	155162	1
ILLUSTRATION ITEMS NOT ON PARTS LIST ARE NOT APPLICABLE					

- ITEM NOT ILLUSTRATED

HXL

25-53-02-02B

BOEING PROPRIETARY - Copyright © - Unpublished Work - See title page for details.

25-53-02
FIG. 02B
PAGE 6
AUG 22/09

 **BOEING**
767
PARTS CATALOG (MAINTENANCE)

FIG ITEM	PART NUMBER	1 2 3 4 5 6 7	NOMENCLATURE	EFFECT FROM TO	UNITS PER ASSY
2B R	253	451T1502-316	.TRAY ASSY-ROLLER SUPPLIER CODE: V31645 COMPONENT MAINT MANUAL REF: 25-53-30	163999	1
	253	451T1502-349	.TRAY ASSY-ROLLER SUPPLIER CODE: V31645 COMPONENT MAINT MANUAL REF: 25-53-30	155162	1
	256	HST10AG8-46	..BOLT SUPPLIER CODE: VOPTK6 SPECIFICATION NUMBER: BACB30VT8K46 OPTIONAL PART: HST10AG8-46 V06725 HST10AG8-46 V56878 HST10AG8-46 V73197 WC10K8-46 V60516		4
	259	BACB30NR4K44	..BOLT		5
	262	AN960JD416	..WASHER		18
	265	MS21042L4	..NUT		5
	268	BACC30BL8	..COLLAR		4
	271	69B60110-1	..SPACER- SUPPLIER CODE: V31645		9
	271	69B60110-4	..SPACER- SUPPLIER CODE: V31645		9
	271	7712570-1	..SPACER- SUPPLIER CODE: V31645		9
	274	69B60735-1	..ROLLER ASSY- SUPPLIER CODE: V31645		4
	274	7712571-1	..ROLLER ASSY- SUPPLIER CODE: V31645		4
	277	594D	...BEARING- SUPPLIER CODE: V73134 OPTIONAL PART: SR340-168PS V75277		2

ILLUSTRATION ITEMS NOT ON PARTS LIST ARE NOT APPLICABLE

- ITEM NOT ILLUSTRATED

HXL

25-53-02-02B

BOEING PROPRIETARY - Copyright © - Unpublished Work - See title page for details.

25-53-02
FIG. 02B
PAGE 7
AUG 22/09

BOEING
767
PARTS CATALOG (MAINTENANCE)

FIG ITEM	PART NUMBER	1 2 3 4 5 6 7	NOMENCLATURE	EFFECT FROM TO	UNITS PER ASSY
2B 277	SR340-168PS		... BEARING- SUPPLIER CODE: V75277 OPTIONAL PART: 594D V73134		2
280	69B60734-1		... ROLLER- SUPPLIER CODE: V31645 OPTIONAL PART: 7712572-1 V31645		1
280	7712572-1		... ROLLER- SUPPLIER CODE: V31645 OPTIONAL PART: 69B60734-1 V31645		1
280	69B60734-2		... ROLLER- SUPPLIER CODE: V31645		1
283	451T1515-2		.. SUPPORT ASSY- SUPPLIER CODE: V31645	163999	1
283	451T1515-6		.. SUPPORT ASSY- SUPPLIER CODE: V31645	155162	1
286	BACR15BB4AD		... RIVET- SIZE DETERMINED ON INSTL.		4
289	451T1517-2		... FILLER- SUPPLIER CODE: V31645		1
292	J082269-1		... BALL UNIT- SUPPLIER CODE: V31645 SPECIFICATION NUMBER: S451W151-1	163999	1
292	J082269-6		... BALL UNIT- SUPPLIER CODE: V31645 SPECIFICATION NUMBER: S451W151-1 USED ON: 7612261-1	163999	1

ILLUSTRATION ITEMS NOT ON PARTS LIST ARE NOT APPLICABLE

— ITEM NOT ILLUSTRATED

HXL

25-53-02-02B

BOEING PROPRIETARY - Copyright © - Unpublished Work - See title page for details.

25-53-02
FIG. 02B
PAGE 8
AUG 22/09

 **BOEING**
767
PARTS CATALOG (MAINTENANCE)

FIG ITEM	PART NUMBER	1 2 3 4 5 6 7	NOMENCLATURE	EFFECT FROM TO	UNITS PER ASSY
2B 292	20188-1		...BALL UNIT- SUPPLIER CODE: V26835 SPECIFICATION NUMBER: S451T101-1 USED ON: 7612261-1	163999	1
295	20188-1		...BALL UNIT- SUPPLIER CODE: V26835 SPECIFICATION NUMBER: S451T101-1 USED ON: 7612261-1	155162	1
295	J082268-1		...BALL UNIT- SUPPLIER CODE: V31645 OPTIONAL PART: 20188-1 V26835 J082269-6 V31645	155162	1
295	J082269-6		...BALL UNIT- SUPPLIER CODE: V31645 SPECIFICATION NUMBER: S451W151-1 OPTIONAL PART: J082268-1 V31645 USED ON: 7612261-1	155162	1
295	J082269-1		...BALL UNIT- SUPPLIER CODE: V31645 SPECIFICATION NUMBER: S451W151-1	155162	1
298	451T1516-2		...SUPPORT- SUPPLIER CODE: V31645		1
301	451T1515-1		..SUPPORT ASSY- SUPPLIER CODE: V31645	163999	2
301	451T1515-5		..SUPPORT ASSY- SUPPLIER CODE: V31645	155162	2
304	BACR15BB4AD		...RIVET- SIZE DETERMINED ON INSTL.		16

ILLUSTRATION ITEMS NOT ON PARTS LIST ARE NOT APPLICABLE

— ITEM NOT ILLUSTRATED

25-53-02-02B

25-53-02
FIG. 02B
PAGE 9
AUG 22/09

HXL

BOEING PROPRIETARY - Copyright © - Unpublished Work - See title page for details.

 **BOEING**
767
PARTS CATALOG (MAINTENANCE)

FIG ITEM	PART NUMBER	1 2 3 4 5 6 7	NOMENCLATURE	EFFECT FROM TO	UNITS PER ASSY
2B					
307	451T1517-1	...	FILLER- SUPPLIER CODE: V31645		3
310	451T1517-3	...	FILLER- SUPPLIER CODE: V31645		1
313	J082269-1	...	BALL UNIT- SUPPLIER CODE: V31645 SPECIFICATION NUMBER: S451W151-1	163999	4
313	J082269-6	...	BALL UNIT- SUPPLIER CODE: V31645 SPECIFICATION NUMBER: S451W151-1	163999	4
313	20188-1	...	BALL UNIT- SUPPLIER CODE: V26835 SPECIFICATION NUMBER: S451T101-1	163999	4
316	20188-1	...	BALL UNIT- SUPPLIER CODE: V26835 SPECIFICATION NUMBER: S451T101-1 OPTIONAL PART: J082268-1 V31645	155162	4
316	J082268-1	...	BALL UNIT- SUPPLIER CODE: V31645 OPTIONAL PART: 20188-1 V26835 J082269-6 V31645	155162	4
316	J082269-6	...	BALL UNIT- SUPPLIER CODE: V31645 SPECIFICATION NUMBER: S451W151-1 OPTIONAL PART: J082268-1 V31645	155162	4

ILLUSTRATION ITEMS NOT ON PARTS LIST ARE NOT APPLICABLE

— ITEM NOT ILLUSTRATED

HXL

25-53-02-02B

BOEING PROPRIETARY - Copyright © - Unpublished Work - See title page for details.

25-53-02
FIG. 02B
PAGE 10
AUG 22/09



767

PARTS CATALOG (MAINTENANCE)

FIG ITEM	PART NUMBER	1 2 3 4 5 6 7	NOMENCLATURE	EFFECT FROM TO	UNITS PER ASSY
2B 316	J082269-1	...	BALL UNIT- SUPPLIER CODE: V31645 SPECIFICATION NUMBER: S451W151-1	155162	4
319	451T1516-1	...	SUPPORT- SUPPLIER CODE: V31645		1
322	HL22-6-3	..	BOLT SUPPLIER CODE: V60516 SPECIFICATION NUMBER: BACB30GZ6-3		3
325	HL77-6	..	COLLAR SUPPLIER CODE: V5M902 SPECIFICATION NUMBER: BACC30P6 OPTIONAL PART: HL77-6 V73197 HL77-6 V92215 66015-6 V56878 HL77-6 V56878		8
328	BACF3F015D019AN	..	FILLER		2
331	451T1006-1	..	FITTING- SUPPLIER CODE: V31645		1
334	451T1006-2	..	FITTING- SUPPLIER CODE: V31645		1
337	451T1503-315	..	TRAY- SUPPLIER CODE: V31645 USED ON: 451T1502-315 451T1502-348		1
337	451T1503-316	..	TRAY- SUPPLIER CODE: V31645 USED ON: 451T1502-316 451T1502-349		1

ILLUSTRATION ITEMS NOT ON PARTS LIST ARE NOT APPLICABLE

- ITEM NOT ILLUSTRATED

HXL

25-53-02-02B

BOEING PROPRIETARY - Copyright © - Unpublished Work - See title page for details.

25-53-02
FIG. 02B
PAGE 11
AUG 22/09



767

PARTS CATALOG (MAINTENANCE)

FIG ITEM	PART NUMBER	1 2 3 4 5 6 7	NOMENCLATURE	EFFECT FROM TO	UNITS PER ASSY
2B					
350	451T1502-327	.TRAY ASSY-ROLLER		163999	2
		SUPPLIER CODE:			
		V31645			
		COMPONENT MAINT MANUAL REF:			
		25-53-30			
350	451T1502-353	.TRAY ASSY-ROLLER		155162	2
		SUPPLIER CODE:			
		V31645			
		COMPONENT MAINT MANUAL REF:			
		25-53-30			
353	BACB30NR4K44	..BOLT			2
356	AN960JD416	..WASHER			4
359	MS21042L4	..NUT			2
362	69B60110-1	..SPACER-			4
		SUPPLIER CODE:			
		V31645			
362	69B60110-4	..SPACER-			4
		SUPPLIER CODE:			
		V31645			
362	7712570-1	..SPACER-			4
		SUPPLIER CODE:			
		V31645			
365	451T1515-4	..SUPPORT ASSY-		163999	1
		SUPPLIER CODE:			
		V31645			
365	451T1515-8	..SUPPORT ASSY-		155162	1
		SUPPLIER CODE:			
		V31645			
368	BACR15BB4AD	...RIVET-			12
		SIZE DETERMINED ON INSTL.			
371	451T1517-1	...FILLER-			3
		SUPPLIER CODE:			
		V31645			
374	J082269-1	...BALL UNIT-		163999	3
		SUPPLIER CODE:			
		V31645			
374	J082269-6	...BALL UNIT-		163999	3
		SUPPLIER CODE:			
		V31645			
		SPECIFICATION NUMBER:			
		S451W151-1			
374	20188-1	...BALL UNIT-		163999	3
		SUPPLIER CODE:			
		V1N6X0			
		SPECIFICATION NUMBER:			
		S451T101-1			

ILLUSTRATION ITEMS NOT ON PARTS LIST ARE NOT APPLICABLE

- ITEM NOT ILLUSTRATED

25-53-02-02B

25-53-02
FIG. 02B
PAGE 12
AUG 22/09

HXL

BOEING PROPRIETARY - Copyright © - Unpublished Work - See title page for details.

 **BOEING**
767
PARTS CATALOG (MAINTENANCE)

FIG ITEM	PART NUMBER	1 2 3 4 5 6 7	NOMENCLATURE	EFFECT FROM TO	UNITS PER ASSY
2B 377	20188-1		...BALL UNIT- SUPPLIER CODE: V26835 SPECIFICATION NUMBER: S451T101-1 OPTIONAL PART: J082268-1 V31645	155162	3
377	J082268-1		...BALL UNIT- SUPPLIER CODE: V31645 OPTIONAL PART: 20188-1 V26835 J082269-6 V31645	155162	3
377	J082269-6		...BALL UNIT- SUPPLIER CODE: V31645 SPECIFICATION NUMBER: S451W151-1 OPTIONAL PART: J082268-1 V31645	155162	3
377	J082269-1		...BALL UNIT- SUPPLIER CODE: V31645 SPECIFICATION NUMBER: S451W151-1	155162	3
380	451T1516-3		...SUPPORT- SUPPLIER CODE: V31645		1
383	451T1503-327		..TRAY- SUPPLIER CODE: V31645		1
386	7612155-1		.TRAY ASSY-ROLLER SUPPLIER CODE: V31645 SPECIFICATION NUMBER: S451T110-155 COMPONENT MAINT MANUAL REF: 25-51-02	155162	2
388	BACB30NR4K44		..BOLT	155162	2
390	BACW10BN4AP		..WASHER	155162	2
392	BACW10BN4AC		..WASHER	155162	2
394	MS21042L4		..NUT	155162	2
396	7712570-1		..SPACER- SUPPLIER CODE: V31645	155162	2

ILLUSTRATION ITEMS NOT ON PARTS LIST ARE NOT APPLICABLE

- ITEM NOT ILLUSTRATED

HXL

25-53-02-02B

BOEING PROPRIETARY - Copyright © - Unpublished Work - See title page for details.

25-53-02
FIG. 02B
PAGE 13
AUG 22/09

 **BOEING**
767
PARTS CATALOG (MAINTENANCE)

FIG ITEM	PART NUMBER	1 2 3 4 5 6 7	NOMENCLATURE	EFFECT FROM TO	UNITS PER ASSY
2B					
396	69B60110-4	..	SPACER- SUPPLIER CODE: V31645	155162	2
396	69B60110-1	..	SPACER- SUPPLIER CODE: V31645	155162	2
398	7612263-1	..	SUPPORT ASSY- SUPPLIER CODE: V31645	155162	1
400	J082269-6	...	BALL UNIT- SUPPLIER CODE: V31645 SPECIFICATION NUMBER: S451W151-1	155162	3
400	J082269-1	...	BALL UNIT- SUPPLIER CODE: V31645	155162	3
400	20188-1	...	BALL UNIT- SUPPLIER CODE: V1N6X0 SPECIFICATION NUMBER: S451T101-1	155162	3
402	7612280-1	...	FILLER- SUPPLIER CODE: V31645	155162	3
404	BACR15BB4AD7C	...	RIVET- SIZE DETERMINED ON INSTL. -----*-----	155162	12
406	7612273-1	...	SUPPORT- SUPPLIER CODE: V31645	155162	1
408	7612355-1	..	TRAY- SUPPLIER CODE: V31645	155162	1
412	451T1502-318	.	TRAY ASSY-ROLLER SUPPLIER CODE: V31645 COMPONENT MAINT MANUAL REF: 25-53-30	163999	1
412	451T1502-351	.	TRAY ASSY-ROLLER SUPPLIER CODE: V31645 COMPONENT MAINT MANUAL REF: 25-53-30	155162	1

ILLUSTRATION ITEMS NOT ON PARTS LIST ARE NOT APPLICABLE

— ITEM NOT ILLUSTRATED

HXL

25-53-02-02B

BOEING PROPRIETARY - Copyright © - Unpublished Work - See title page for details.

25-53-02
FIG. 02B
PAGE 14
AUG 22/09

 **BOEING**
767
PARTS CATALOG (MAINTENANCE)

FIG ITEM	PART NUMBER	1 2 3 4 5 6 7	NOMENCLATURE	EFFECT FROM TO	UNITS PER ASSY
2B 415	451T1502-317	.TRAY ASSY-ROLLER SUPPLIER CODE: V31645 COMPONENT MAINT MANUAL REF: 25-53-30		163999	1
415	451T1502-350	.TRAY ASSY-ROLLER SUPPLIER CODE: V31645 COMPONENT MAINT MANUAL REF: 25-53-30		155162	1
418	HST10AG8-46	..BOLT SUPPLIER CODE: VOPTK6 SPECIFICATION NUMBER: BACB30VT8K46 OPTIONAL PART: HST10AG8-46 V06725 HST10AG8-46 V56878 HST10AG8-46 V73197 WC10K8-46 V60516			4
421	BACB30NR4K44	..BOLT			4
424	BACB30NR4K44	..BOLT- USED ON: 451T1502-317 451T1502-350			2
427	AN960JD416	..WASHER			16
430	AN960JD416	..WASHER- USED ON: 451T1502-317 451T1502-350			4
433	MS21042L4	..NUT			4
439	MS21042L4	..NUT- USED ON: 451T1502-317 451T1502-350			2
R 442	BACC30BL8	..COLLAR			4
445	69B60110-1	..SPACER- SUPPLIER CODE: V31645			8
445	69B60110-4	..SPACER- SUPPLIER CODE: V31645 OPTIONAL PART: 69B60110-1 V31645			8

ILLUSTRATION ITEMS NOT ON PARTS LIST ARE NOT APPLICABLE

- ITEM NOT ILLUSTRATED

HXL

25-53-02-02B

BOEING PROPRIETARY - Copyright © - Unpublished Work - See title page for details.

25-53-02
FIG. 02B
PAGE 15
AUG 22/09

 **BOEING**
767
PARTS CATALOG (MAINTENANCE)

FIG ITEM	PART NUMBER	1 2 3 4 5 6 7	NOMENCLATURE	EFFECT FROM TO	UNITS PER ASSY
2B					
445	7712570-1	..	SPACER- SUPPLIER CODE: V31645		8
448	69B60735-1	..	ROLLER ASSY- SUPPLIER CODE: V31645		4
448	7712571-1	..	ROLLER ASSY- SUPPLIER CODE: V31645		4
451	594D	...	BEARING- SUPPLIER CODE: V73134 OPTIONAL PART: SR340-168PS V75277		2
451	SR340-168PS	...	BEARING- SUPPLIER CODE: V75277 OPTIONAL PART: 594D V73134		2
454	69B60734-1	...	ROLLER- SUPPLIER CODE: V31645 OPTIONAL PART: 7712572-1 V31645		2
454	7712572-1	...	ROLLER- SUPPLIER CODE: V31645 OPTIONAL PART: 69B60734-1 V31645		2
454	69B60734-2	...	ROLLER- SUPPLIER CODE: V31645		2
457	451T1515-3	..	SUPPORT ASSY- SUPPLIER CODE: V31645 USED ON: 451T1502-317	163999	1
457	451T1515-7	..	SUPPORT ASSY- SUPPLIER CODE: V31645 USED ON: 451T1502-350	155162	1

ILLUSTRATION ITEMS NOT ON PARTS LIST ARE NOT APPLICABLE

— ITEM NOT ILLUSTRATED

HXL

25-53-02-02B

BOEING PROPRIETARY - Copyright © - Unpublished Work - See title page for details.

25-53-02
FIG. 02B
PAGE 16
AUG 22/09

BOEING
767
PARTS CATALOG (MAINTENANCE)

FIG ITEM	PART NUMBER	1 2 3 4 5 6 7	NOMENCLATURE	EFFECT FROM TO	UNITS PER ASSY
2B 460	BACR15BB4AD		...RIVET- SIZE DETERMINED ON INSTL. USED ON: 451T1502-317 451T1502-350		8
463	451T1517-1		...FILLER- SUPPLIER CODE: V31645 USED ON: 451T1502-317 451T1502-350		2
466	J082269-1		...BALL UNIT- SUPPLIER CODE: V31645 USED ON: 451T1502-317	163999	2
466	J082269-6		...BALL UNIT- SUPPLIER CODE: V31645 SPECIFICATION NUMBER: S451W151-1 USED ON: 451T1502-317	163999	2
466	20188-1		...BALL UNIT- SUPPLIER CODE: V1N6X0 SPECIFICATION NUMBER: S451T101-1	163999	2
469	20188-1		...BALL UNIT- SUPPLIER CODE: V26835 SPECIFICATION NUMBER: S451T101-1 OPTIONAL PART: J082268-1 V31645 USED ON: 451T1502-350	155162	2
469	J082268-1		...BALL UNIT- SUPPLIER CODE: V31645 OPTIONAL PART: 20188-1 V26835 J082269-6 V31645 USED ON: 451T1502-350	155162	2

ILLUSTRATION ITEMS NOT ON PARTS LIST ARE NOT APPLICABLE

- ITEM NOT ILLUSTRATED

HXL

25-53-02-02B

BOEING PROPRIETARY - Copyright © - Unpublished Work - See title page for details.

25-53-02
FIG. 02B
PAGE 17
AUG 22/09



767

PARTS CATALOG (MAINTENANCE)

FIG ITEM	PART NUMBER	1 2 3 4 5 6 7	NOMENCLATURE	EFFECT FROM TO	UNITS PER ASSY
2B 469	J082269-6		...BALL UNIT- SUPPLIER CODE: V31645 SPECIFICATION NUMBER: S451W151-1 OPTIONAL PART: J082268-1 V31645 USED ON: 451T1502-350	155162	2
469	J082269-1		...BALL UNIT- SUPPLIER CODE: V31645 SPECIFICATION NUMBER: S451W151-1 USED ON: 451T1502-350	155162	2
472	451T1516-4		...SUPPORT- SUPPLIER CODE: V31645 USED ON: 451T1502-317 451T1502-350		1
475	451T1515-4		..SUPPORT ASSY- SUPPLIER CODE: V31645	163999	1
475	451T1515-8		..SUPPORT ASSY- SUPPLIER CODE: V31645	155162	1
478	BACR15BB4AD		...RIVET- SIZE DETERMINED ON INSTL.		12
481	451T1517-1		...FILLER- SUPPLIER CODE: V31645		3
484	J082269-1		...BALL UNIT- SUPPLIER CODE: V31645	163999	3
484	J082269-6		...BALL UNIT- SUPPLIER CODE: V31645 SPECIFICATION NUMBER: S451W151-1	163999	3
484	20188-1		...BALL UNIT- SUPPLIER CODE: V1N6X0 SPECIFICATION NUMBER: S451T101-1	163999	3

ILLUSTRATION ITEMS NOT ON PARTS LIST ARE NOT APPLICABLE

- ITEM NOT ILLUSTRATED

25-53-02-02B

25-53-02
FIG. 02B
PAGE 18
AUG 22/09

HXL

BOEING PROPRIETARY - Copyright © - Unpublished Work - See title page for details.

 **BOEING**
767
PARTS CATALOG (MAINTENANCE)

FIG ITEM	PART NUMBER	1 2 3 4 5 6 7	NOMENCLATURE	EFFECT FROM TO	UNITS PER ASSY
2B 487	20188-1		...BALL UNIT- SUPPLIER CODE: V26835 SPECIFICATION NUMBER: S451T101-1 OPTIONAL PART: J082268-1 V31645	155162	3
487	J082268-1		...BALL UNIT- SUPPLIER CODE: V31645 OPTIONAL PART: 20188-1 V26835 J082269-6 V31645	155162	3
487	J082269-6		...BALL UNIT- SUPPLIER CODE: V31645 SPECIFICATION NUMBER: S451W151-1 OPTIONAL PART: J082268-1 V31645	155162	3
487	J082269-1		...BALL UNIT- SUPPLIER CODE: V31645 SPECIFICATION NUMBER: S451W151-1	155162	3
490	451T1516-3		...SUPPORT- SUPPLIER CODE: V31645		1
493	451T1515-1		..SUPPORT ASSY- SUPPLIER CODE: V31645	163999	1
493	451T1515-5		..SUPPORT ASSY- SUPPLIER CODE: V31645	155162	1
496	BACR15BB4AD		...RIVET- SIZE DETERMINED ON INSTL.		16
499	451T1517-1		...FILLER- SUPPLIER CODE: V31645		3
502	451T1517-3		...FILLER- SUPPLIER CODE: V31645		1
505	J082269-1		...BALL UNIT- SUPPLIER CODE: V31645	163999	1

ILLUSTRATION ITEMS NOT ON PARTS LIST ARE NOT APPLICABLE

— ITEM NOT ILLUSTRATED

HXL

25-53-02-02B

BOEING PROPRIETARY - Copyright © - Unpublished Work - See title page for details.

25-53-02
FIG. 02B
PAGE 19
AUG 22/09



767

PARTS CATALOG (MAINTENANCE)

FIG ITEM	PART NUMBER	1 2 3 4 5 6 7	NOMENCLATURE	EFFECT FROM TO	UNITS PER ASSY
2B 505	J082269-6	...	BALL UNIT- SUPPLIER CODE: V31645 SPECIFICATION NUMBER: S451W151-1	163999	1
505	20188-1	...	BALL UNIT- SUPPLIER CODE: V1N6X0 SPECIFICATION NUMBER: S451T101-1	163999	1
508	20188-1	...	BALL UNIT- SUPPLIER CODE: V26835 SPECIFICATION NUMBER: S451T101-1 OPTIONAL PART: J082268-1 V31645	155162	4
508	J082268-1	...	BALL UNIT- SUPPLIER CODE: V31645 OPTIONAL PART: 20188-1 V26835 J082269-6 V31645	155162	4
508	J082269-6	...	BALL UNIT- SUPPLIER CODE: V31645 SPECIFICATION NUMBER: S451W151-1 OPTIONAL PART: J082268-1 V31645	155162	2
508	J082269-1	...	BALL UNIT- SUPPLIER CODE: V31645 SPECIFICATION NUMBER: S451W151-1	155162	4
511	451T1516-1	...	SUPPORT- SUPPLIER CODE: V31645		1
514	BACR15BA5AD	..	RIVET- SIZE DETERMINED ON INSTL.		2
517	451T1009-12	..	FILLER- SUPPLIER CODE: V31645		1

ILLUSTRATION ITEMS NOT ON PARTS LIST ARE NOT APPLICABLE

- ITEM NOT ILLUSTRATED

25-53-02-02B

25-53-02
FIG. 02B
PAGE 20
AUG 22/09

HXL

BOEING PROPRIETARY - Copyright © - Unpublished Work - See title page for details.



767

PARTS CATALOG (MAINTENANCE)

FIG ITEM	PART NUMBER	1 2 3 4 5 6 7	NOMENCLATURE	EFFECT FROM TO	UNITS PER ASSY
2B 517	451T1009-1	..	FILLER-RADIUS SUPPLIER CODE: V31645		1
520	451T1009-16	..	FILLER-RADIUS SUPPLIER CODE: V31645		1
523	BACR15CE6D	..	RIVET- SIZE DETERMINED ON INSTL.		40
526	451T1008-36	..	PLATE		2
529	451T1008-35	..	PLATE		2
532	HL22-6-3	..	BOLT SUPPLIER CODE: V60516 SPECIFICATION NUMBER: BACB30GZ6-3		8
535	HL77-6	..	COLLAR SUPPLIER CODE: V5M902 SPECIFICATION NUMBER: BACC30P6 OPTIONAL PART: HL77-6 V73197 HL77-6 V92215 66015-6 V56878 HL77-6 V56878		8
538	BACF3F015D019AN	..	FILLER		2
541	451T1006-1	..	FITTING- SUPPLIER CODE: V31645		1
544	451T1006-2	..	FITTING- SUPPLIER CODE: V31645		1
547	451T1503-317	..	TRAY- SUPPLIER CODE: V31645 USED ON: 451T1502-317 451T1502-350		1
550	451T1503-318	..	TRAY- SUPPLIER CODE: V31645 USED ON: 451T1502-318 451T1502-351		1

ILLUSTRATION ITEMS NOT ON PARTS LIST ARE NOT APPLICABLE

- ITEM NOT ILLUSTRATED

25-53-02-02B

25-53-02
FIG. 02B
PAGE 21
AUG 22/09

HXL

BOEING PROPRIETARY - Copyright © - Unpublished Work - See title page for details.



767

PARTS CATALOG (MAINTENANCE)

FIG ITEM	PART NUMBER	1 2 3 4 5 6 7	NOMENCLATURE	EFFECT FROM TO	UNITS PER ASSY
2B 560	451T1502-313	.	TRAY ASSY-ROLLER SUPPLIER CODE: V31645 COMPONENT MAINT MANUAL REF: 25-53-30 OPTIONAL PART: 451T1502-111 V31645	163999	1
560	451T1502-352	.	TRAY ASSY-ROLLER SUPPLIER CODE: V31645 COMPONENT MAINT MANUAL REF: 25-53-30 OPTIONAL PART: 451T1502-120 V31645	155162	1
560	451T1502-111	.	TRAY ASSY-ROLLER SUPPLIER CODE: V31645 COMPONENT MAINT MANUAL REF: 25-53-30 OPTIONAL PART: 451T1502-313 V31645	163999	1
560	451T1502-120	.	TRAY ASSY-ROLLER SUPPLIER CODE: V31645 COMPONENT MAINT MANUAL REF: 25-53-30 OPTIONAL PART: 451T1502-352 V31645	155162	1
563	HST10AG8-46	..	BOLT SUPPLIER CODE: VOPTK6 SPECIFICATION NUMBER: BACB30VT8K46 OPTIONAL PART: HST10AG8-46 V06725 HST10AG8-46 V56878 HST10AG8-46 V73197 WC10K8-46 V60516		6
566	BACB30NR4K44	..	BOLT		4
569	AN960JD416	..	WASHER		20
572	MS21042L4	..	NUT		4

ILLUSTRATION ITEMS NOT ON PARTS LIST ARE NOT APPLICABLE

- ITEM NOT ILLUSTRATED

25-53-02-02B

25-53-02
FIG. 02B
PAGE 22
AUG 22/09

HXL

BOEING PROPRIETARY - Copyright © - Unpublished Work - See title page for details.

 **BOEING**
767
PARTS CATALOG (MAINTENANCE)

FIG ITEM	PART NUMBER	1 2 3 4 5 6 7	NOMENCLATURE	EFFECT FROM TO	UNITS PER ASSY
2B					
575	69B60110-1	..	SPACER- SUPPLIER CODE: V31645		10
575	69B60110-4	..	SPACER- SUPPLIER CODE: V31645		10
575	7712570-1	..	SPACER- SUPPLIER CODE: V31645		10
578	69B60735-1	..	ROLLER ASSY- SUPPLIER CODE: V31645		6
578	7712571-1	..	ROLLER ASSY- SUPPLIER CODE: V31645		6
581	594D	...	BEARING- SUPPLIER CODE: V73134 OPTIONAL PART: SR340-168PS V75277		6
581	SR340-168PS	...	BEARING- SUPPLIER CODE: V75277 OPTIONAL PART: 594D V73134		6
584	69B60734-1	...	ROLLER- SUPPLIER CODE: V31645 OPTIONAL PART: 7712572-1 V31645		1
584	7712572-1	...	ROLLER- SUPPLIER CODE: V31645 OPTIONAL PART: 69B60734-1 V31645		1
584	69B60734-2	...	ROLLER- SUPPLIER CODE: V31645		1
587	451T1515-3	..	SUPPORT ASSY- SUPPLIER CODE: V31645	163999	1
587	451T1515-7	..	SUPPORT ASSY- SUPPLIER CODE: V31645	155162	1

ILLUSTRATION ITEMS NOT ON PARTS LIST ARE NOT APPLICABLE

— ITEM NOT ILLUSTRATED

HXL

25-53-02-02B

BOEING PROPRIETARY - Copyright © - Unpublished Work - See title page for details.

25-53-02
FIG. 02B
PAGE 23
AUG 22/09

 **BOEING**
767
PARTS CATALOG (MAINTENANCE)

FIG ITEM	PART NUMBER	1 2 3 4 5 6 7	NOMENCLATURE	EFFECT FROM TO	UNITS PER ASSY
2B					
590	BACR15BB4AD	...	RIVET- SIZE DETERMINED ON INSTL.		8
593	451T1517-1	...	FILLER- SUPPLIER CODE: V31645		6
596	J082269-1	...	BALL UNIT- SUPPLIER CODE: V31645	163999	2
596	J082269-6	...	BALL UNIT- SUPPLIER CODE: V31645 SPECIFICATION NUMBER: S451W151-1	163999	2
596	20188-1	...	BALL UNIT- SUPPLIER CODE: V1N6X0 SPECIFICATION NUMBER: S451T101-1	163999	2
599	20188-1	...	BALL UNIT- SUPPLIER CODE: V26835 SPECIFICATION NUMBER: S451T101-1	155162	2
599	J082268-1	...	BALL UNIT- SUPPLIER CODE: V31645 OPTIONAL PART: 20188-1 V26835 J082269-6 V31645	155162	2
599	J082269-6	...	BALL UNIT- SUPPLIER CODE: V31645 SPECIFICATION NUMBER: S451W151-1	155162	2
599	J082269-1	...	BALL UNIT- SUPPLIER CODE: V31645	155162	2
602	451T1516-4	...	SUPPORT- SUPPLIER CODE: V31645		1
605	451T1515-4	..	SUPPORT ASSY- SUPPLIER CODE: V31645	163999	1
605	451T1515-8	..	SUPPORT ASSY- SUPPLIER CODE: V31645	155162	1

ILLUSTRATION ITEMS NOT ON PARTS LIST ARE NOT APPLICABLE

— ITEM NOT ILLUSTRATED

25-53-02-02B

25-53-02
FIG. 02B
PAGE 24
AUG 22/09

HXL

BOEING PROPRIETARY - Copyright © - Unpublished Work - See title page for details.



767

PARTS CATALOG (MAINTENANCE)

FIG ITEM	PART NUMBER	1 2 3 4 5 6 7	NOMENCLATURE	EFFECT FROM TO	UNITS PER ASSY
2B					
608	BACR15BB4AD	...	RIVET- SIZE DETERMINED ON INSTL.		12
611	451T1517-1	...	FILLER- SUPPLIER CODE: V31645		3
614	J082269-1	...	BALL UNIT- SUPPLIER CODE: V31645	163999	3
614	J082269-6	...	BALL UNIT- SUPPLIER CODE: V31645 SPECIFICATION NUMBER: S451W151-1	163999	3
614	20188-1	...	BALL UNIT- SUPPLIER CODE: V26835 SPECIFICATION NUMBER: S451T101-1	163999	3
617	20188-1	...	BALL UNIT- SUPPLIER CODE: V26835 SPECIFICATION NUMBER: S451T101-1 OPTIONAL PART: J082268-1 V31645	155162	3
617	J082268-1	...	BALL UNIT- SUPPLIER CODE: V31645 OPTIONAL PART: 20188-1 V26835 J082269-6 V31645	155162	3
617	J082269-6	...	BALL UNIT- SUPPLIER CODE: V31645 SPECIFICATION NUMBER: S451W151-1 OPTIONAL PART: J082268-1 V31645	155162	3
617	J082269-1	...	BALL UNIT- SUPPLIER CODE: V31645 SPECIFICATION NUMBER: S451W151-1	155162	3

ILLUSTRATION ITEMS NOT ON PARTS LIST ARE NOT APPLICABLE

- ITEM NOT ILLUSTRATED

25-53-02-02B

25-53-02
FIG. 02B
PAGE 25
AUG 22/09

HXL

BOEING PROPRIETARY - Copyright © - Unpublished Work - See title page for details.

 **BOEING**
767
PARTS CATALOG (MAINTENANCE)

FIG ITEM	PART NUMBER	1 2 3 4 5 6 7	NOMENCLATURE	EFFECT FROM TO	UNITS PER ASSY
2B					
620	451T1516-3	...	SUPPORT- SUPPLIER CODE: V31645		1
623	BACR15CE6D	..	RIVET- SIZE DETERMINED ON INSTL.		40
626	451T1008-35	..	PLATE		2
629	451T1008-36	..	PLATE		2
632	BACR15BA5AD	..	RIVET- SIZE DETERMINED ON INSTL.		2
635	451T1009-12	..	FILLER- SUPPLIER CODE: V31645		1
635	451T1009-1	..	FILLER- SUPPLIER CODE: V31645		1
638	451T1009-16	..	FILLER-RADIUS SUPPLIER CODE: V31645		1
641	HL22-6-3	..	BOLT SUPPLIER CODE: V60516 SPECIFICATION NUMBER: BACB30GZ6-3		8
644	HL77-6	..	COLLAR SUPPLIER CODE: V5M902 SPECIFICATION NUMBER: BACC30P6 OPTIONAL PART: HL77-6 V73197 HL77-6 V92215 66015-6 V56878 HL77-6 V56878		8
647	BACF3F015D019AN	..	FILLER		2
650	451T1006-1	..	FITTING- SUPPLIER CODE: V31645		1
653	451T1006-2	..	FITTING- SUPPLIER CODE: V31645		1
656	451T1503-313	..	TRAY- SUPPLIER CODE: V31645	163999	1

ILLUSTRATION ITEMS NOT ON PARTS LIST ARE NOT APPLICABLE

— ITEM NOT ILLUSTRATED

HXL

25-53-02-02B

BOEING PROPRIETARY - Copyright © - Unpublished Work - See title page for details.

25-53-02
FIG. 02B
PAGE 26
AUG 22/09



767

PARTS CATALOG (MAINTENANCE)

FIG ITEM	PART NUMBER	1 2 3 4 5 6 7	NOMENCLATURE	EFFECT FROM TO	UNITS PER ASSY
2B 656	451T1503-340	. .	TRAY- SUPPLIER CODE: V31645	155162	1
790	451T1502-319	. .	TRAY ASSY-ROLLER SUPPLIER CODE: V31645 COMPONENT MAINT MANUAL REF: 25-53-30 OPTIONAL PART: 451T1502-113 V31645		1
790	451T1502-113	. .	TRAY ASSY-ROLLER SUPPLIER CODE: V31645 COMPONENT MAINT MANUAL REF: 25-53-30 OPTIONAL PART: 451T1502-319 V31645		1
793	451T1502-320	. .	TRAY ASSY-ROLLER SUPPLIER CODE: V31645 COMPONENT MAINT MANUAL REF: 25-53-30 OPTIONAL PART: 451T1502-114 V31645		1
793	451T1502-114	. .	TRAY ASSY-ROLLER SUPPLIER CODE: V31645 COMPONENT MAINT MANUAL REF: 25-53-30 OPTIONAL PART: 451T1502-320 V31645		1
796	HST10AG8-46	. .	BOLT SUPPLIER CODE: VOPTK6 SPECIFICATION NUMBER: BACB30VT8K46 OPTIONAL PART: HST10AG8-46 V06725 HST10AG8-46 V56878 HST10AG8-46 V73197 WC10K8-46 V60516		8

ILLUSTRATION ITEMS NOT ON PARTS LIST ARE NOT APPLICABLE

- ITEM NOT ILLUSTRATED

25-53-02-02B

25-53-02
FIG. 02B
PAGE 27
AUG 22/09

HXL

BOEING PROPRIETARY - Copyright © - Unpublished Work - See title page for details.

 **BOEING**
767
PARTS CATALOG (MAINTENANCE)

FIG ITEM	PART NUMBER	1 2 3 4 5 6 7	NOMENCLATURE	EFFECT FROM TO	UNITS PER ASSY
2B					
R 799	AN960JD416	..	WASHER		16
802	BACC30BL8	..	COLLAR		8
805	69B60110-1	..	SPACER-		8
			SUPPLIER CODE: V31645		
805	69B60110-4	..	SPACER-		8
			SUPPLIER CODE: V31645		
805	7712570-1	..	SPACER-		8
			SUPPLIER CODE: V31645		
808	69B60735-1	..	ROLLER ASSY-		7
			SUPPLIER CODE: V31645		
808	7712571-1	..	ROLLER ASSY-		7
			SUPPLIER CODE: V31645		
811	594D	...	BEARING-		2
			SUPPLIER CODE: V73134		
			OPTIONAL PART: SR340-168PS V75277		
811	SR340-168PS	...	BEARING-		2
			SUPPLIER CODE: V75277		
			OPTIONAL PART: 594D V73134		
814	69B60734-1	...	ROLLER-		1
			SUPPLIER CODE: V31645		
814	7712572-1	...	ROLLER-		1
			SUPPLIER CODE: V31645		
			OPTIONAL PART: 69B60734-1 V31645		
814	69B60734-2	...	ROLLER-		1
			SUPPLIER CODE: V31645		
817	BACR15FT6D	..	RIVET-		2
			SIZE DETERMINED ON INSTL.		
820	BACR15BA5AD	..	RIVET-		1
			SIZE DETERMINED ON INSTL.		
823	451T1007-1	..	BLOCK-		1
			SUPPLIER CODE: V31645		

ILLUSTRATION ITEMS NOT ON PARTS LIST ARE NOT APPLICABLE

— ITEM NOT ILLUSTRATED

HXL

25-53-02-02B

BOEING PROPRIETARY - Copyright © - Unpublished Work - See title page for details.

25-53-02
FIG. 02B
PAGE 28
AUG 22/09



767

PARTS CATALOG (MAINTENANCE)

FIG ITEM	PART NUMBER	1 2 3 4 5 6 7	NOMENCLATURE	EFFECT FROM TO	UNITS PER ASSY
2B					
826	451T1009-12	..	FILLER- SUPPLIER CODE: V31645		1
826	451T1009-1	..	FILLER- SUPPLIER CODE: V31645		1
829	HL22-6-3	..	BOLT SUPPLIER CODE: V60516 SPECIFICATION NUMBER: BACB30GZ6-3		8
832	HL77-6	..	COLLAR SUPPLIER CODE: V5M902 SPECIFICATION NUMBER: BACC30P6 OPTIONAL PART: HL77-6 V73197 HL77-6 V92215 66015-6 V56878 HL77-6 V56878		8
835	BACF3F015D019AN	..	FILLER		2
838	451T1006-1	..	FITTING- SUPPLIER CODE: V31645		1
841	451T1006-2	..	FITTING- SUPPLIER CODE: V31645		1
844	451T1503-319	..	TRAY- SUPPLIER CODE: V31645 USED ON: 451T1502-319		1
847	451T1503-320	..	TRAY- SUPPLIER CODE: V31645 USED ON: 451T1502-320		1
847	451T1503-341	..	TRAY- SUPPLIER CODE: V31645 USED ON: 451T1502-113		1

ILLUSTRATION ITEMS NOT ON PARTS LIST ARE NOT APPLICABLE

- ITEM NOT ILLUSTRATED

25-53-02-02B

25-53-02
FIG. 02B
PAGE 29
AUG 22/09

HXL

BOEING PROPRIETARY - Copyright © - Unpublished Work - See title page for details.

 **BOEING**
767
PARTS CATALOG (MAINTENANCE)

FIG ITEM	PART NUMBER	1 2 3 4 5 6 7	NOMENCLATURE	EFFECT FROM TO	UNITS PER ASSY
2B 847	451T1503-342		..TRAY- SUPPLIER CODE: V31645 USED ON: 451T1502-114		1
850	451T1502-321		.TRAY ASSY-ROLLER SUPPLIER CODE: V31645 COMPONENT MAINT MANUAL REF: 25-53-30		1
852	451T1502-322		.TRAY ASSY-ROLLER SUPPLIER CODE: V31645 COMPONENT MAINT MANUAL REF: 25-53-30		1
854	HST10AG8-46		..BOLT SUPPLIER CODE: VOPTK6 SPECIFICATION NUMBER: BACB30VT8K46 OPTIONAL PART: HST10AG8-46 V06725 HST10AG8-46 V56878 HST10AG8-46 V73197 WC10K8-46 V60516		17
856	AN960JD416		..WASHER		34
858	BACC30BL8		..COLLAR		17
860	69B60110-1		..SPACER- SUPPLIER CODE: V31645		17
860	69B60110-4		..SPACER- SUPPLIER CODE: V31645		17
860	7712570-1		..SPACER- SUPPLIER CODE: V31645		17
862	69B60735-1		..ROLLER ASSY- SUPPLIER CODE: V31645		16
862	7712571-1		..ROLLER ASSY- SUPPLIER CODE: V31645		16

ILLUSTRATION ITEMS NOT ON PARTS LIST ARE NOT APPLICABLE

— ITEM NOT ILLUSTRATED

HXL

25-53-02-02B

BOEING PROPRIETARY - Copyright © - Unpublished Work - See title page for details.

25-53-02
FIG. 02B
PAGE 30
AUG 22/09



767

PARTS CATALOG (MAINTENANCE)

FIG ITEM	PART NUMBER	1 2 3 4 5 6 7	NOMENCLATURE	EFFECT FROM TO	UNITS PER ASSY
2B 864	594D	...	BEARING- SUPPLIER CODE: V73134 OPTIONAL PART: SR340-168PS V75277		2
864	SR340-168PS	...	BEARING- SUPPLIER CODE: V75277 OPTIONAL PART: 594D V73134		2
866	69B60734-1	...	ROLLER- SUPPLIER CODE: V31645 OPTIONAL PART: 7712572-1 V31645		1
866	7712572-1	...	ROLLER- SUPPLIER CODE: V31645 OPTIONAL PART: 69B60734-1 V31645		1
866	69B60734-2	...	ROLLER- SUPPLIER CODE: V31645		1
868	BACR15FT6D	..	RIVET- SIZE DETERMINED ON INSTL.		2
870	BACR15BA5AD	..	RIVET- SIZE DETERMINED ON INSTL.		3
872	451T1007-1	..	BLOCK-WEAR SUPPLIER CODE: V31645		1
874	451T1009-12	..	FILLER- SUPPLIER CODE: V31645		1
874	451T1009-1	..	FILLER- SUPPLIER CODE: V31645		1
876	451T1009-8	..	FILLER- SUPPLIER CODE: V31645		1
878	451T1009-16	..	FILLER- SUPPLIER CODE: V31645		1
880	BACR15CE6D	..	RIVET- SIZE DETERMINED ON INSTL.		20

ILLUSTRATION ITEMS NOT ON PARTS LIST ARE NOT APPLICABLE

- ITEM NOT ILLUSTRATED

25-53-02-02B

25-53-02
FIG. 02B
PAGE 31
AUG 22/09

HXL

BOEING PROPRIETARY - Copyright © - Unpublished Work - See title page for details.

 **BOEING**
767
PARTS CATALOG (MAINTENANCE)

FIG ITEM	PART NUMBER	1 2 3 4 5 6 7	NOMENCLATURE	EFFECT FROM TO	UNITS PER ASSY
2B					
882	BACR15FT6D	..	RIVET- SIZE DETERMINED ON INSTL.		4
884	451T1008-33	..	PLATE- SUPPLIER CODE: V31645		1
886	451T1008-34	..	PLATE- SUPPLIER CODE: V31645		1
888	451T1503-321	..	TRAY- SUPPLIER CODE: V31645 USED ON: 451T1502-321		1
888	451T1503-322	..	TRAY- SUPPLIER CODE: V31645 USED ON: 451T1502-322		1
890	451T1502-323	.	TRAY ASSY-ROLLER SUPPLIER CODE: V31645 COMPONENT MAINT MANUAL REF: 25-53-30		1
892	451T1502-324	.	TRAY ASSY-ROLLER SUPPLIER CODE: V31645 COMPONENT MAINT MANUAL REF: 25-53-30		1
894	HST10AG8-46	..	BOLT SUPPLIER CODE: VOPTK6 SPECIFICATION NUMBER: BACB30VT8K46 OPTIONAL PART: HST10AG8-46 V06725 HST10AG8-46 V56878 HST10AG8-46 V73197 WC10K8-46 V60516		18
896	AN960JD416	..	WASHER		36
898	BACC30BL8	..	COLLAR		18
900	69B60110-1	..	SPACER- SUPPLIER CODE: V31645		18
ILLUSTRATION ITEMS NOT ON PARTS LIST ARE NOT APPLICABLE					

- ITEM NOT ILLUSTRATED

HXL

25-53-02-02B

BOEING PROPRIETARY - Copyright © - Unpublished Work - See title page for details.

25-53-02
FIG. 02B
PAGE 32
AUG 22/09

 **BOEING**
767
PARTS CATALOG (MAINTENANCE)

FIG ITEM	PART NUMBER	1 2 3 4 5 6 7	NOMENCLATURE	EFFECT FROM TO	UNITS PER ASSY
2B					
900	69B60110-4	..	SPACER- SUPPLIER CODE: V31645		18
900	7712570-1	..	SPACER- SUPPLIER CODE: V31645		18
902	69B60735-1	..	ROLLER ASSY- SUPPLIER CODE: V31645		17
902	7712571-1	..	ROLLER ASSY- SUPPLIER CODE: V31645		17
904	594D	...	BEARING- SUPPLIER CODE: V73134 OPTIONAL PART: SR340-168PS V75277		2
904	SR340-168PS	...	BEARING- SUPPLIER CODE: V75277 OPTIONAL PART: 594D V73134		2
906	69B60734-1	...	ROLLER- SUPPLIER CODE: V31645		1
906	7712572-1	...	ROLLER- SUPPLIER CODE: V31645 OPTIONAL PART: 69B60734-1 V31645		1
906	69B60734-2	...	ROLLER- SUPPLIER CODE: V31645		1
908	BACR15FT6D	..	RIVET- SIZE DETERMINED ON INSTL.		2
910	BACR15BA5AD	..	RIVET- SIZE DETERMINED ON INSTL.		4
912	451T1007-1	..	BLOCK-WEAR SUPPLIER CODE: V31645		1
914	451T1009-12	..	FILLER- SUPPLIER CODE: V31645 USED ON: 451T1502-353		1
ILLUSTRATION ITEMS NOT ON PARTS LIST ARE NOT APPLICABLE					

- ITEM NOT ILLUSTRATED

HXL

25-53-02-02B

BOEING PROPRIETARY - Copyright © - Unpublished Work - See title page for details.

25-53-02
FIG. 02B
PAGE 33
AUG 22/09



767

PARTS CATALOG (MAINTENANCE)

FIG ITEM	PART NUMBER	1 2 3 4 5 6 7	NOMENCLATURE	EFFECT FROM TO	UNITS PER ASSY
2B 914	451T1009-1	..	FILLER- SUPPLIER CODE: V31645 USED ON: 451T1502-323		1
916	451T1009-8	..	FILLER- SUPPLIER CODE: V31645 USED ON: 451T1502-323		1
918	451T1009-16	..	FILLER- SUPPLIER CODE: V31645		1
920	451T1009-16	..	FILLER- SUPPLIER CODE: V31645 USED ON: 451T1502-323		1
922	BACR15CE6D	..	RIVET- SIZE DETERMINED ON INSTL. USED ON: 451T1502-323		20
924	BACR15FT6D	..	RIVET- SIZE DETERMINED ON INSTL. USED ON: 451T1502-323		4
926	451T1008-33	..	PLATE- SUPPLIER CODE: V31645 USED ON: 451T1502-323		1
928	451T1008-34	..	PLATE- SUPPLIER CODE: V31645 USED ON: 451T1502-323		1
930	451T1503-323	..	TRAY- SUPPLIER CODE: V31645 USED ON: 451T1502-323		1
932	451T1503-324	..	TRAY- SUPPLIER CODE: V31645 USED ON: 451T1502-324		1

ILLUSTRATION ITEMS NOT ON PARTS LIST ARE NOT APPLICABLE

- ITEM NOT ILLUSTRATED

25-53-02-02B

25-53-02
FIG. 02B
PAGE 34
AUG 22/09

HXL

BOEING PROPRIETARY - Copyright © - Unpublished Work - See title page for details.



767

PARTS CATALOG (MAINTENANCE)

FIG ITEM	PART NUMBER	1 2 3 4 5 6 7	NOMENCLATURE	EFFECT FROM TO	UNITS PER ASSY
2B 940	451T1502-116		.TRAY ASSY-ROLLER SUPPLIER CODE: V31645 COMPONENT MAINT MANUAL REF: 25-53-30 OPTIONAL PART: 451T1502-326 V31645		1
940	451T1502-326		.TRAY ASSY-ROLLER SUPPLIER CODE: V31645 COMPONENT MAINT MANUAL REF: 25-53-30 OPTIONAL PART: 451T1502-116 V31645		1
942	451T1502-115		.TRAY ASSY-ROLLER SUPPLIER CODE: V31645 COMPONENT MAINT MANUAL REF: 25-53-30 OPTIONAL PART: 451T1502-325 V31645		1
942	451T1502-325		.TRAY ASSY-ROLLER SUPPLIER CODE: V31645 COMPONENT MAINT MANUAL REF: 25-53-30 OPTIONAL PART: 451T1502-115 V31645		1
944	HST10AG8-46		..BOLT SUPPLIER CODE: VOPTK6 SPECIFICATION NUMBER: BACB30VT8K46 OPTIONAL PART: HST10AG8-46 V06725 HST10AG8-46 V56878 HST10AG8-46 V73197 WC10K8-46 V60516		10
946	AN960JD416		..WASHER		20
948	BACC30BL8		..COLLAR		10

ILLUSTRATION ITEMS NOT ON PARTS LIST ARE NOT APPLICABLE

- ITEM NOT ILLUSTRATED

25-53-02-02B

25-53-02
FIG. 02B
PAGE 35
AUG 22/09

HXL

BOEING PROPRIETARY - Copyright © - Unpublished Work - See title page for details.



767

PARTS CATALOG (MAINTENANCE)

FIG ITEM	PART NUMBER	1 2 3 4 5 6 7	NOMENCLATURE	EFFECT FROM TO	UNITS PER ASSY
2B					
950	69B60110-1	..	SPACER- SUPPLIER CODE: V31645		10
950	69B60110-4	..	SPACER- SUPPLIER CODE: V31645		10
950	7712570-1	..	SPACER- SUPPLIER CODE: V31645		10
952	69B60735-1	..	ROLLER ASSY- SUPPLIER CODE: V31645		9
952	7712571-1	..	ROLLER ASSY- SUPPLIER CODE: V31645		9
954	594D	...	BEARING- SUPPLIER CODE: V73134 OPTIONAL PART: SR340-168PS V75277		2
954	SR340-168PS	...	BEARING- SUPPLIER CODE: V75277 OPTIONAL PART: 594D V73134		2
956	69B60734-1	...	ROLLER- SUPPLIER CODE: V31645 OPTIONAL PART: 7712572-1 V31645		1
956	7712572-1	...	ROLLER- SUPPLIER CODE: V31645 OPTIONAL PART: 69B60734-1 V31645		1
956	69B60734-2	...	ROLLER- SUPPLIER CODE: V31645		1
958	BACR15BA5AD	..	RIVET- SIZE DETERMINED ON INSTL.		3
960	451T1009-16	..	FILLER-RADIUS SUPPLIER CODE: V31645		1

ILLUSTRATION ITEMS NOT ON PARTS LIST ARE NOT APPLICABLE

- ITEM NOT ILLUSTRATED

HXL

25-53-02-02B

BOEING PROPRIETARY - Copyright © - Unpublished Work - See title page for details.

25-53-02
FIG. 02B
PAGE 36
AUG 22/09

 **BOEING**
767
PARTS CATALOG (MAINTENANCE)

FIG ITEM	PART NUMBER	1 2 3 4 5 6 7	NOMENCLATURE	EFFECT FROM TO	UNITS PER ASSY
2B					
962	451T1009-18	..	FILLER-RADIUS SUPPLIER CODE: V31645		1
964	451T1009-17	..	FILLER-RADIUS SUPPLIER CODE: V31645		1
966	BACR15CE6D	..	RIVET- SIZE DETERMINED ON INSTL.		20
968	BACR15FT6D	..	RIVET- SIZE DETERMINED ON INSTL.		2
970	451T1008-33	..	PLATE- SUPPLIER CODE: V31645		1
972	451T1008-34	..	PLATE- SUPPLIER CODE: V31645		1
974	BACR15FT6D	..	RIVET- SIZE DETERMINED ON INSTL.		2
976	451T1007-1	..	BLOCK-WEAR SUPPLIER CODE: V31645		1
978	451T1503-325	..	TRAY- SUPPLIER CODE: V31645 USED ON: 451T1502-325		1
- 980	451T1503-326	..	TRAY- SUPPLIER CODE: V31645 USED ON: 451T1502-326		1
- 980	451T1503-343	..	TRAY- SUPPLIER CODE: V31645 USED ON: 451T1502-115		1
- 980	451T1503-344	..	TRAY- SUPPLIER CODE: V31645 USED ON: 451T1502-116		1

ILLUSTRATION ITEMS NOT ON PARTS LIST ARE NOT APPLICABLE

- ITEM NOT ILLUSTRATED

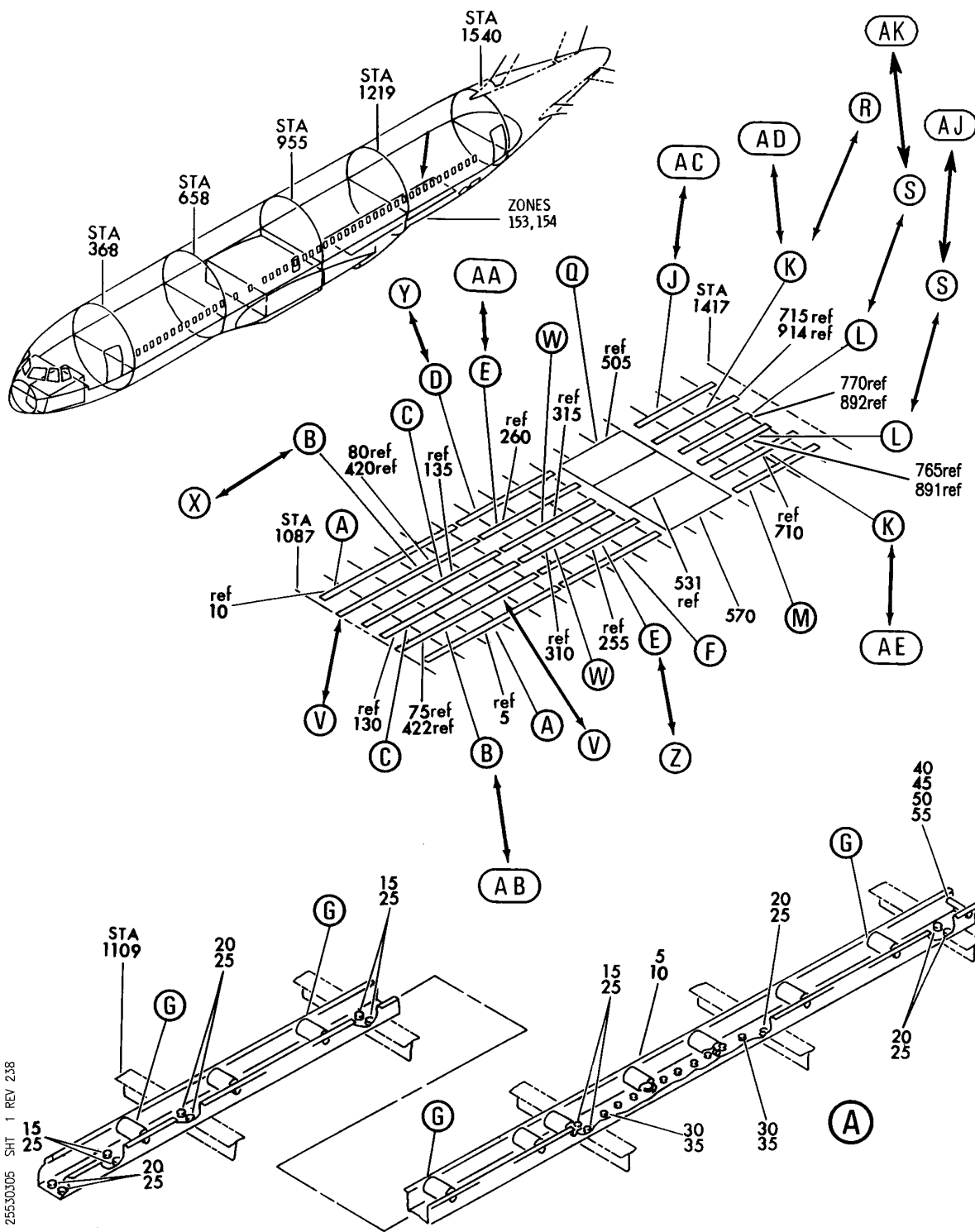
HXL

25-53-02-02B

BOEING PROPRIETARY - Copyright © - Unpublished Work - See title page for details.

25-53-02
FIG. 02B
PAGE 37
AUG 22/09


BOEING
 767
PARTS CATALOG (MAINTENANCE)



V 25530305 SHT 1 REV 238

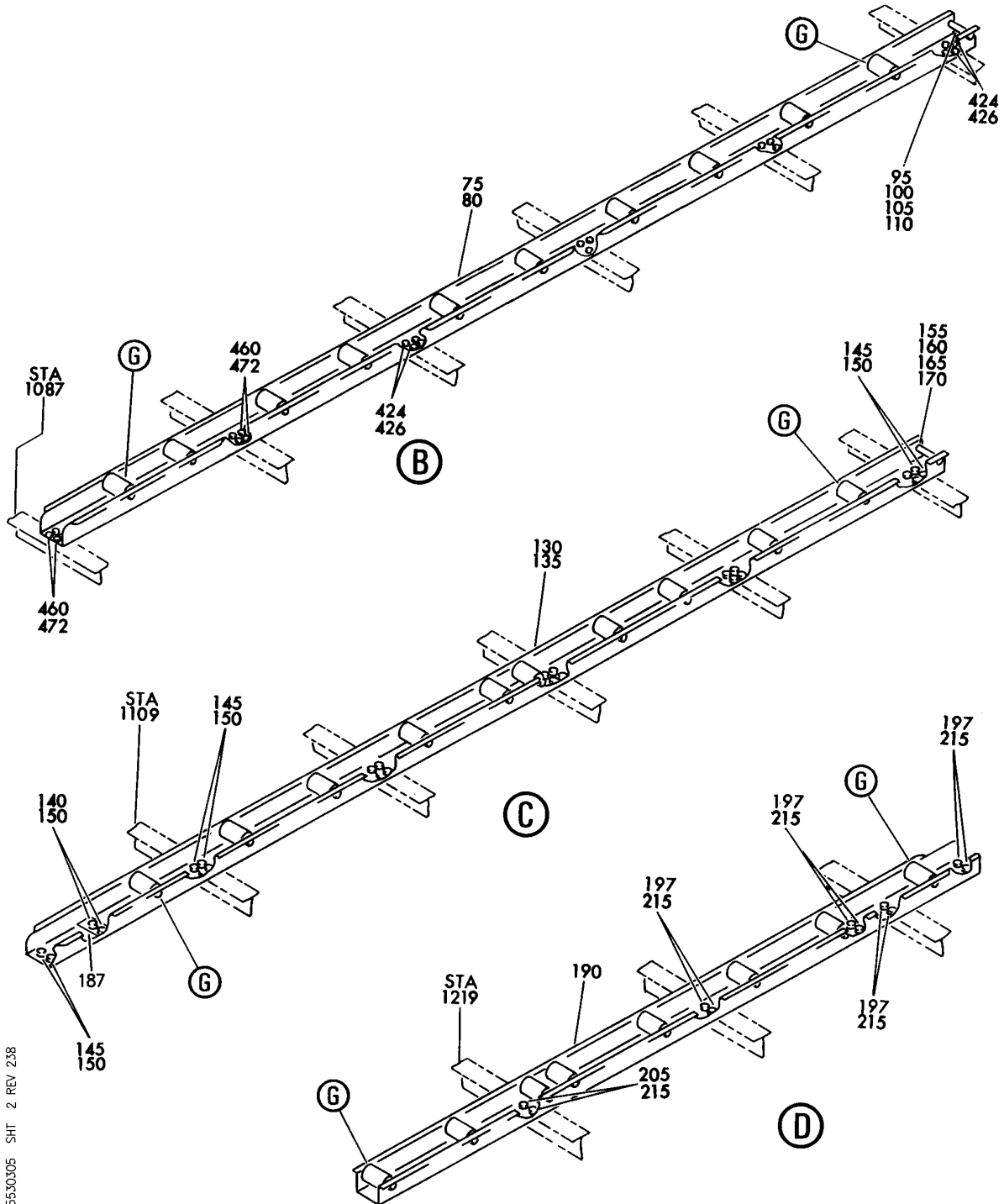
CONVEYOR SYSTEM INSTL-SECT. 46 AFT COMPT CARGO HANDLING
 FIGURE 5 (SHEET 1)

25-53-03-05

HXL
 DEC 22/06

25-53-03-05
 PAGE 0

BOEING
767
PARTS CATALOG (MAINTENANCE)



V 25530305 SHT 2 REV 238

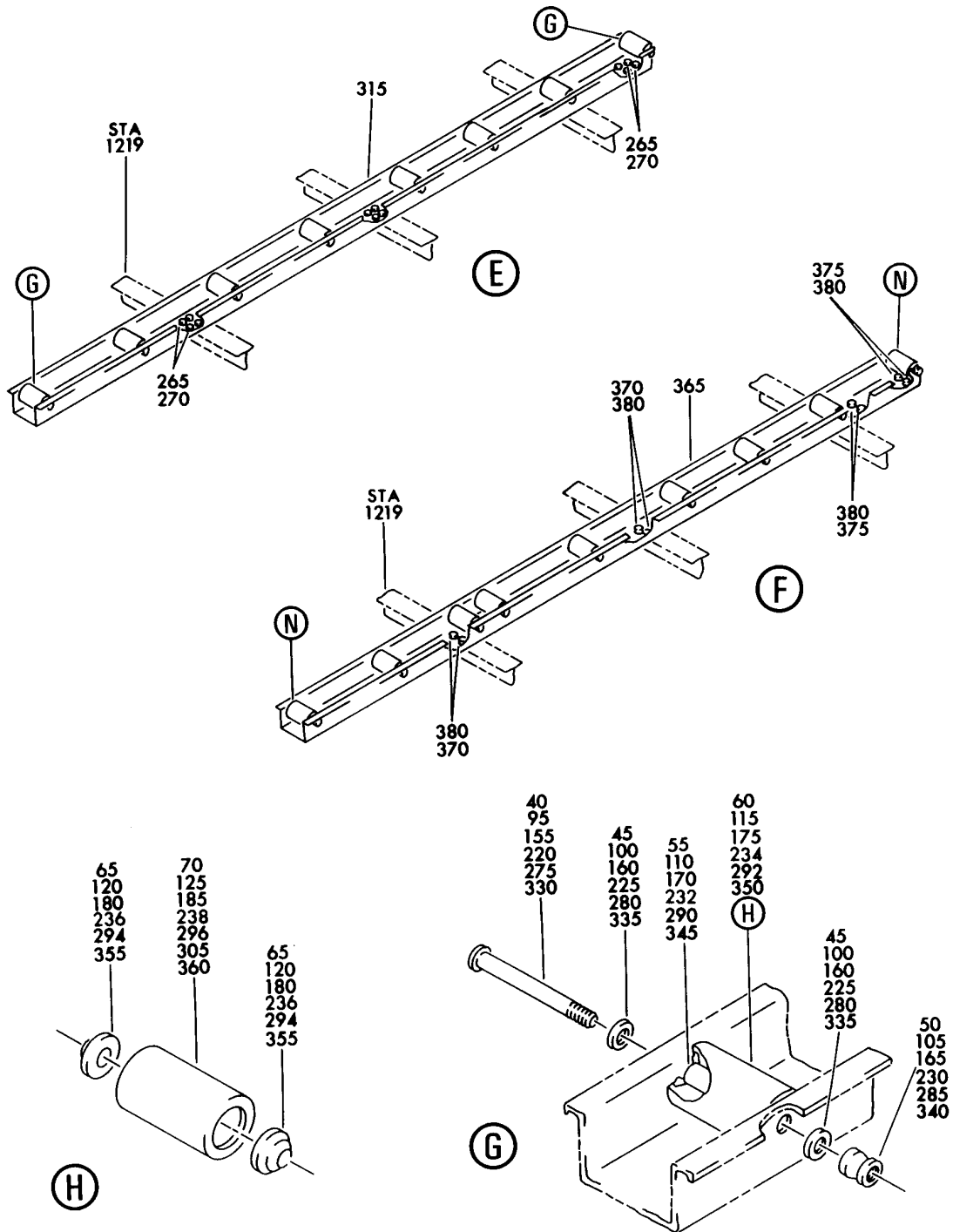
CONVEYOR SYSTEM INSTL-SECT. 46 AFT COMPT CARGO HANDLING
FIGURE 5 (SHEET 2)

25-53-03-05

HXL
DEC 22/06

25-53-03-05
PAGE 0A


BOEING
 767
PARTS CATALOG (MAINTENANCE)



V 25530305 SHT 3 REV 114

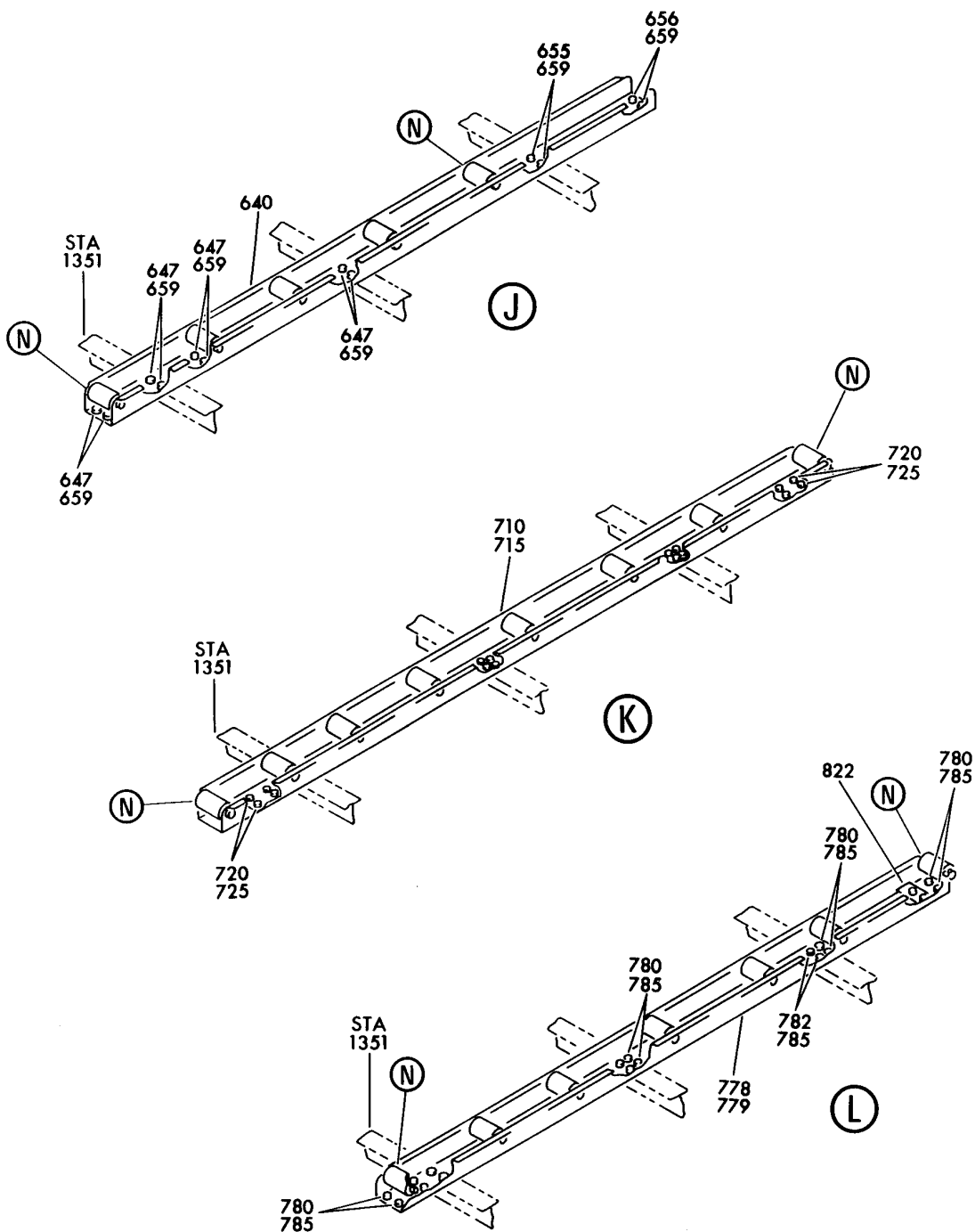
CONVEYOR SYSTEM INSTL-SECT. 46 AFT COMPT CARGO HANDLING
 FIGURE 5 (SHEET 3)

25-53-03-05

HXL
DEC 22/06

25-53-03-05
 PAGE 0B

BOEING
767
PARTS CATALOG (MAINTENANCE)



V 25530305 SHT 4 REV 126

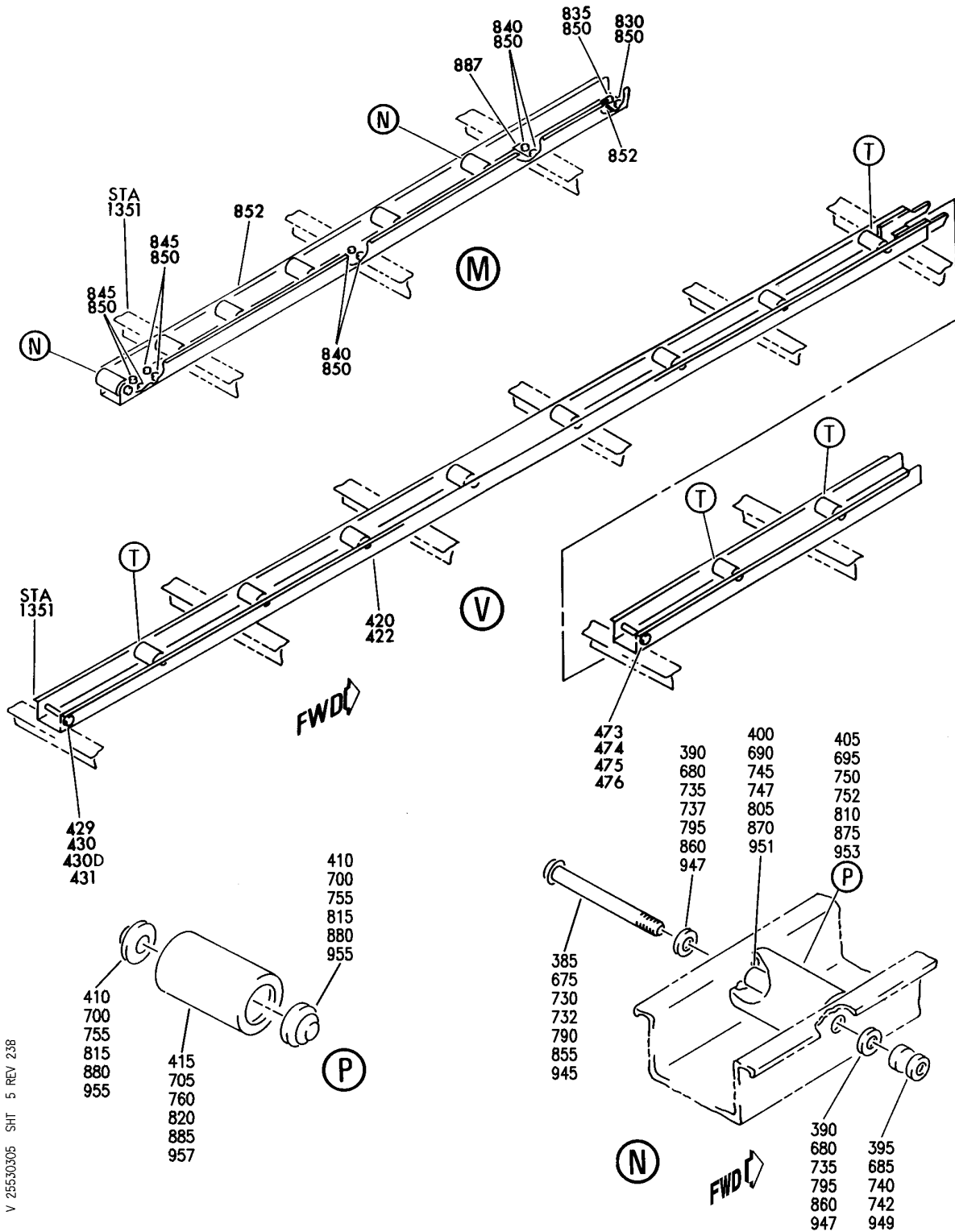
CONVEYOR SYSTEM INSTL-SECT. 46 AFT COMPT CARGO HANDLING
FIGURE 5 (SHEET 4)

25-53-03-05

HXL
DEC 22/06

25-53-03-05
PAGE 0C

BOEING
767
PARTS CATALOG (MAINTENANCE)



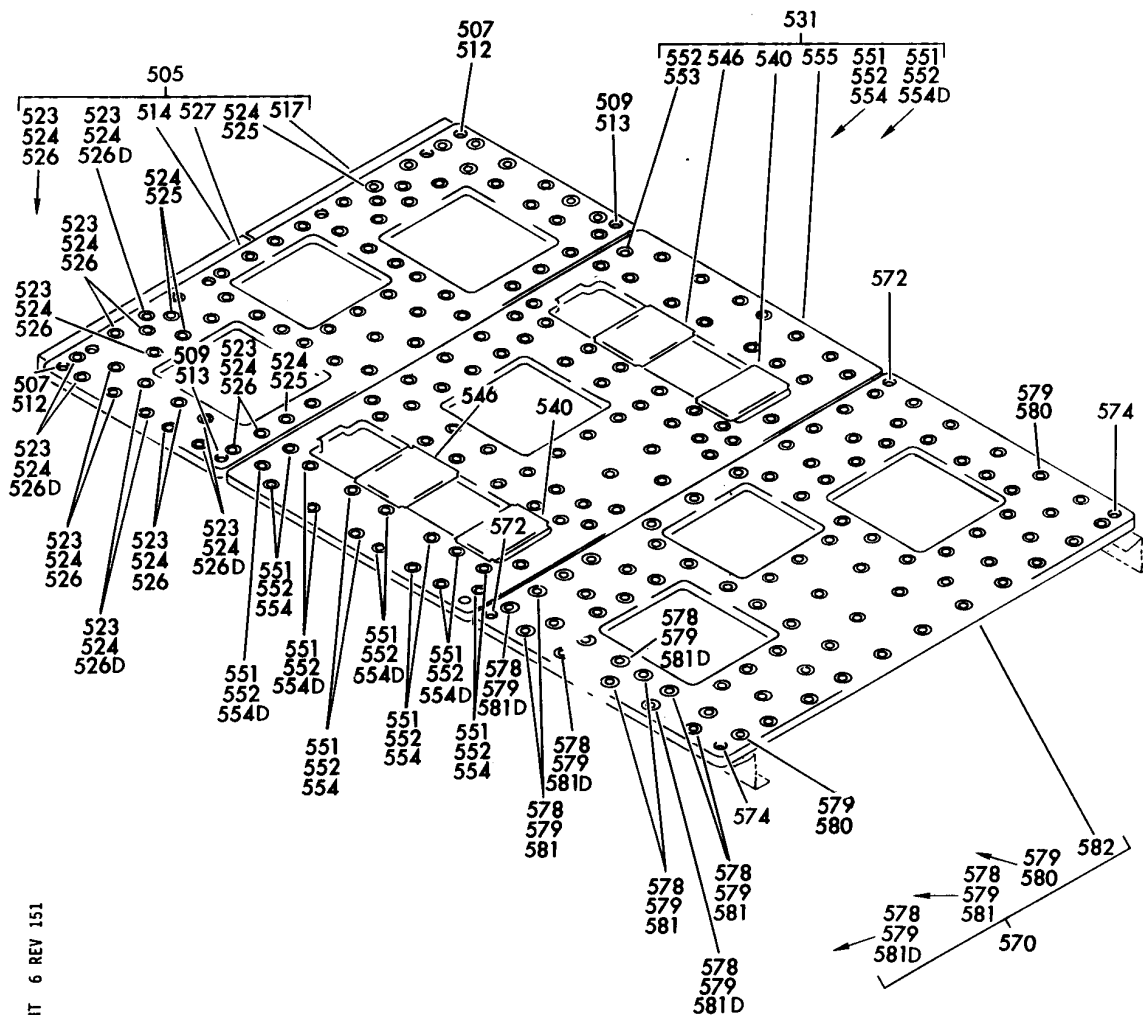
CONVEYOR SYSTEM INSTL-SECT. 46 AFT COMPT CARGO HANDLING
FIGURE 5 (SHEET 5)

25-53-03-05

HXL
DEC 22/06

25-53-03-05
PAGE 0D


BOEING
 767
PARTS CATALOG (MAINTENANCE)



V 25530305 SHT 6 REV 151



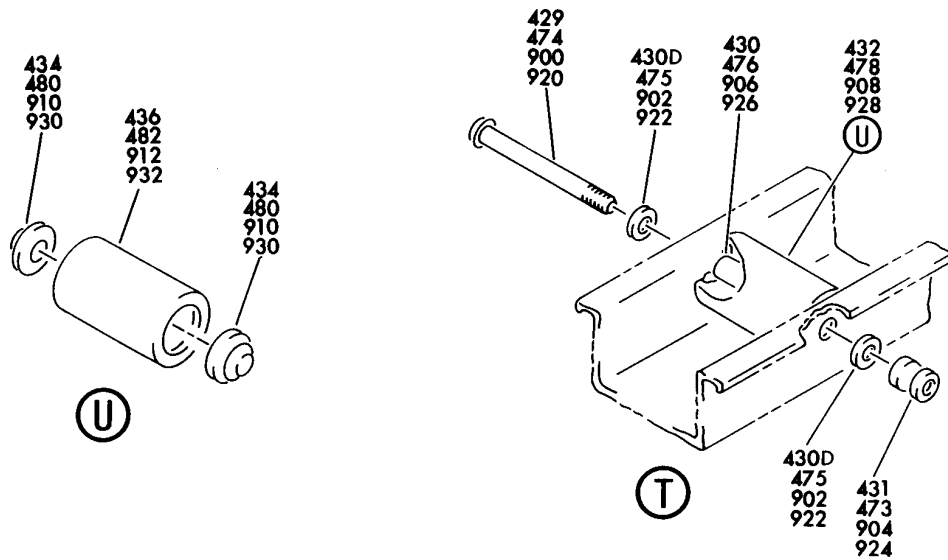
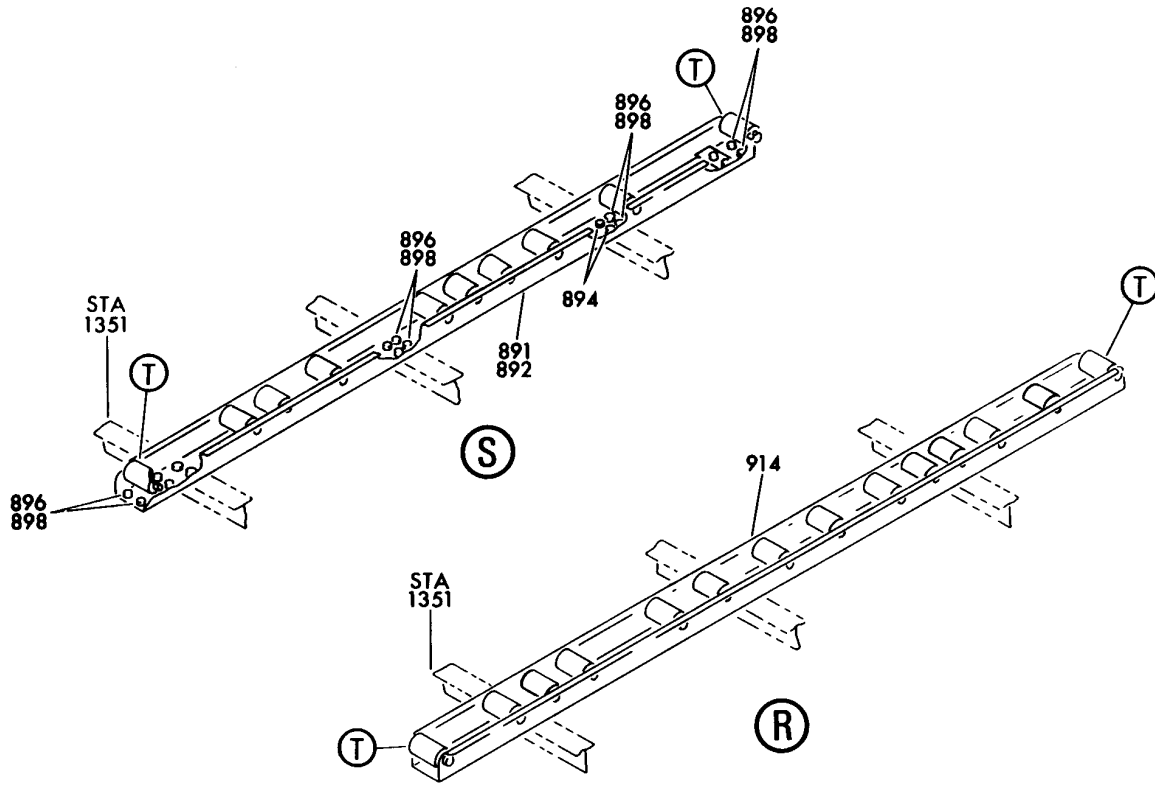
CONVEYOR SYSTEM INSTL-SECT. 46 AFT COMPT CARGO HANDLING
 FIGURE 5 (SHEET 6)

25-53-03-05

HXL
DEC 22/06

25-53-03-05
 PAGE 0E

BOEING
767
PARTS CATALOG (MAINTENANCE)



V 25530305 SHT 7 REV 1.14

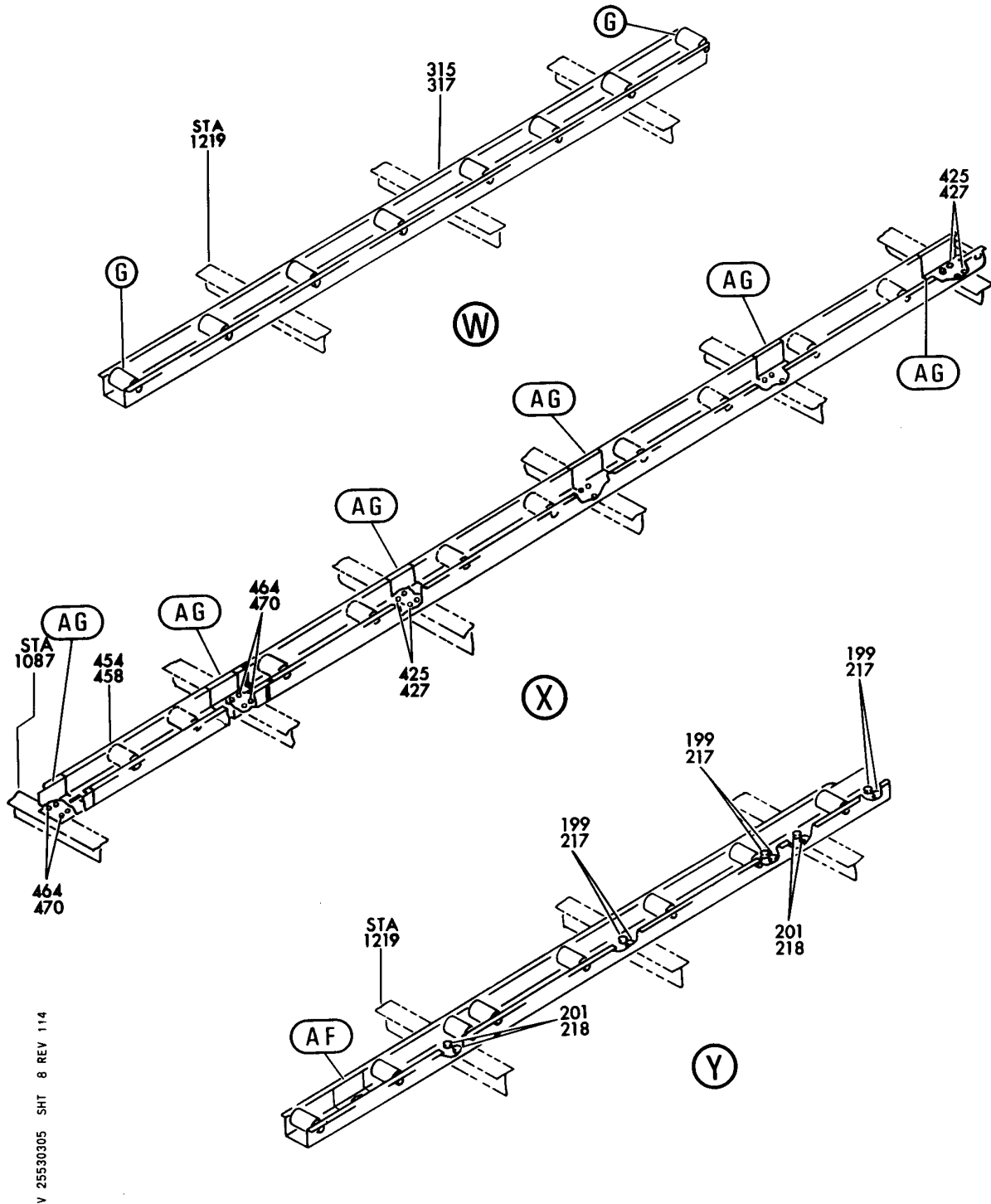
CONVEYOR SYSTEM INSTL-SECT. 46 AFT COMPT CARGO HANDLING
FIGURE 5 (SHEET 7)

25-53-03-05

HXL
DEC 22/06

25-53-03-05
PAGE OF

BOEING
767
PARTS CATALOG (MAINTENANCE)



V 25530305 SHT 8 REV 114

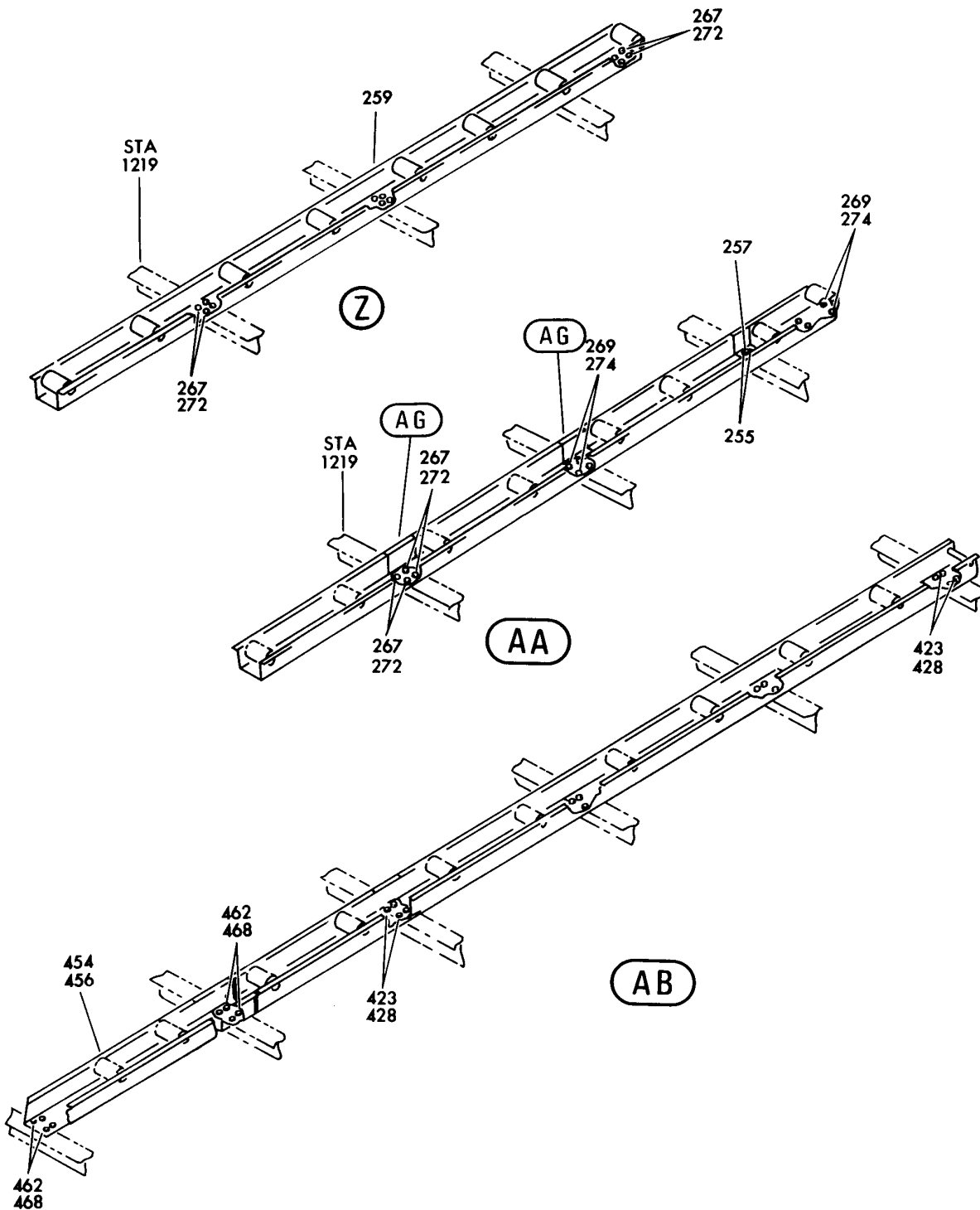
CONVEYOR SYSTEM INSTL-SECT. 46 AFT COMPT CARGO HANDLING
FIGURE 5 (SHEET 8)

25-53-03-05

HXL
DEC 22/06

25-53-03-05
PAGE 0G

BOEING
767
PARTS CATALOG (MAINTENANCE)



V 25530305 SHT 9 REV 114

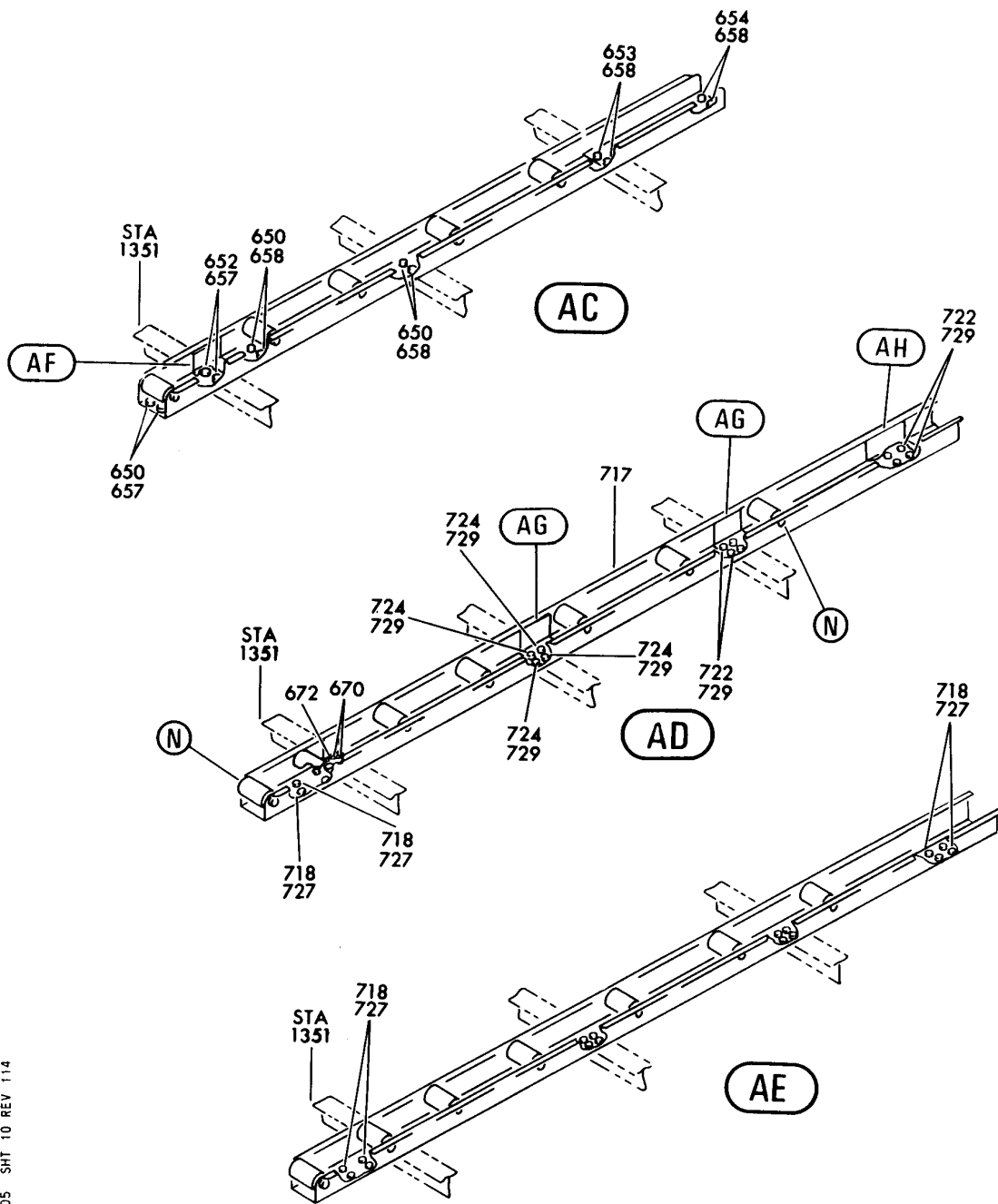
CONVEYOR SYSTEM INSTL-SECT. 46 AFT COMPT CARGO HANDLING
FIGURE 5 (SHEET 9)

25-53-03-05

HXL
DEC 22/06

25-53-03-05
PAGE 0H

BOEING
767
PARTS CATALOG (MAINTENANCE)



V 25530305 SHT 10 REV 114

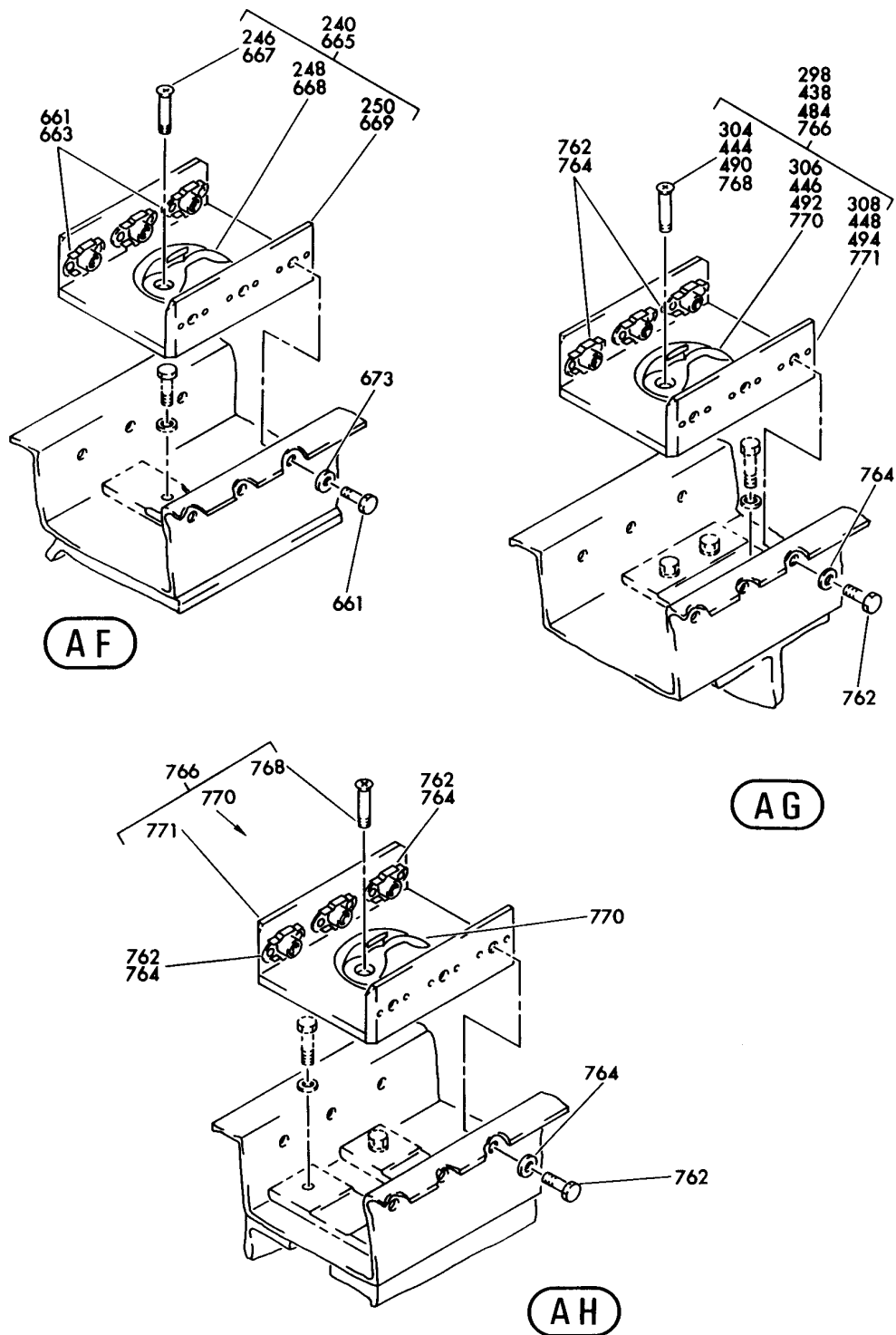
CONVEYOR SYSTEM INSTL-SECT. 46 AFT COMPT CARGO HANDLING
FIGURE 5 (SHEET 10)

25-53-03-05

HXL
DEC 22/06

25-53-03-05
PAGE 01

BOEING
767
PARTS CATALOG (MAINTENANCE)



V 25530305 SHT 11 REV 126

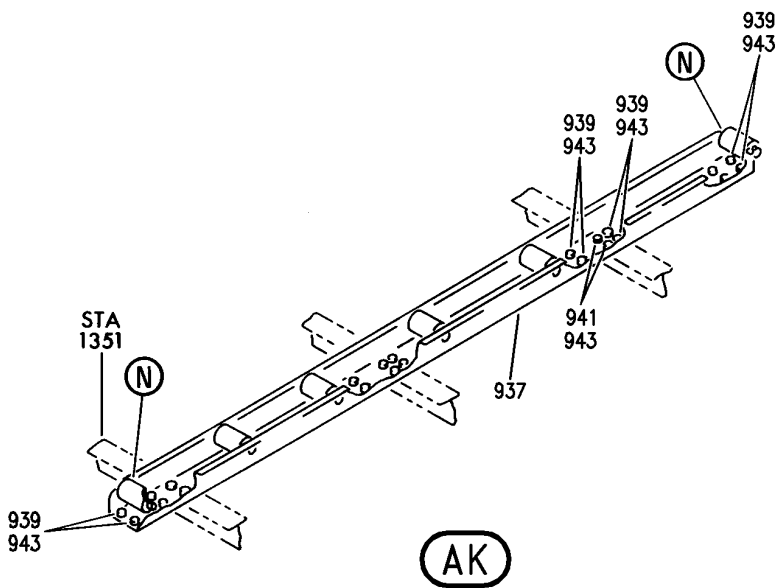
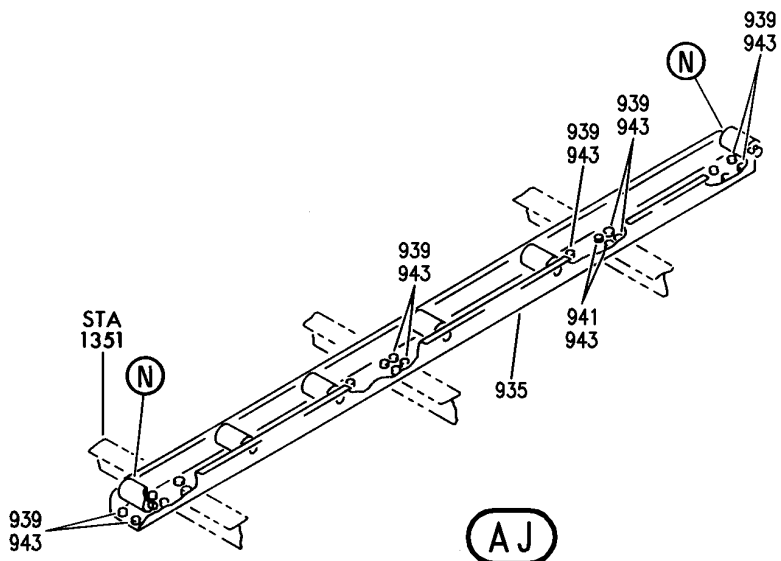
CONVEYOR SYSTEM INSTL-SECT. 46 AFT COMPT CARGO HANDLING
FIGURE 5 (SHEET 11)

25-53-03-05

HXL
DEC 22/06

25-53-03-05
PAGE 0J

BOEING
767
PARTS CATALOG (MAINTENANCE)



V 25530305 SHT 12 REV 238

CONVEYOR SYSTEM INSTL-SECT. 46 AFT COMPT CARGO HANDLING
FIGURE 5 (SHEET 12)

25-53-03-05

HXL
DEC 22/06

25-53-03-05
PAGE OK

BOEING
767
PARTS CATALOG (MAINTENANCE)

FIG ITEM	PART NUMBER	1 2 3 4 5 6 7	NOMENCLATURE	EFFECT FROM TO	UNITS PER ASSY
5			CONVEYOR SYSTEM INSTL-SECT. 46 AFT COMPT CARGO HANDLING		
- 500	451T1002-4		CONVEYOR SYSTEM INSTL-COMPT CARGO HANDLING POSITION DATA: SECT. 46 AFT FOR NHA SEE: 25-50-00-01	163999	RF
- 500	451T1002-41		CONVEYOR SYSTEM INSTL-COMPT CARGO HANDLING POSITION DATA: SECT. 46 AFT FOR NHA SEE: 25-50-00-01	155162	RF
R R R	505	451T1004-11	.PANEL ASSY-BALL TRANSFER SUPPLIER CODE: V81205	163999	1
	505	451T1004-15	.PANEL ASSY-BALL TRANSFER SUPPLIER CODE: V31645	155162	1
	505	761610-1	.PANEL ASSY-BALL TRANSFER SUPPLIER CODE: V31645 SPECIFICATION NUMBER: S451T103-1 ATTACHING PARTS		1
	507	BACB30NR4K7	.BOLT-		6
	509	BACB30MR4K9	.BOLT-		2
	512	NAS1149D0416J	.WASHER-		6
	513	BACW10BP4CD	.WASHER-		2
	514	451T1016-5	..BUMPER- SUPPLIER CODE: V31645 USED ON: 451T1004-11 451T1004-15		1
	517	451T1016-6	..BUMPER- SUPPLIER CODE: V31645 USED ON: 451T1004-11 451T1004-15 ATTACHING PARTS		1
-	521	BACB30MR3K9	..BOLT -----*-----		10

ILLUSTRATION ITEMS NOT ON PARTS LIST ARE NOT APPLICABLE

- ITEM NOT ILLUSTRATED

HXL

25-53-03-05

BOEING PROPRIETARY - Copyright © - Unpublished Work - See title page for details.

25-53-03
FIG. 05
PAGE 1
AUG 22/09

BOEING
767
PARTS CATALOG (MAINTENANCE)

FIG ITEM	PART NUMBER	1 2 3 4 5 6 7	NOMENCLATURE	EFFECT FROM TO	UNITS PER ASSY
5					
524	J082269-1		..BALL UNIT- SUPPLIER CODE: V31645		66
524	J082269-6		..BALL UNIT- SUPPLIER CODE: V31645 SPECIFICATION NUMBER: S451W151-1 S451W151-2 QUALIFIED I/W DATA: J082269-7 CAN REPLACE OR BE REPLACED BY J082269-6 DEPENDING ON CUSTOMER PREFERENCE. J082269-7 HAS HIGHER DURABILITY BUT INCURS WEIGHT PENALTY		66
524	20188-1		..BALL UNIT- SUPPLIER CODE: V1N6X0 SPECIFICATION NUMBER: S451T101-1		66
527	451T1015-7		..PANEL ASSY- SUPPLIER CODE: V31645 USED ON: 451T1004-11 451T1004-15		1
531	451T1004-10		.PANEL ASSY-BALL TRANSFER SUPPLIER CODE: V31645	163999	1
531	451T1004-14		.PANEL ASSY-BALL TRANSFER SUPPLIER CODE: V31645 ATTACHING PARTS		1
- 534	BACB30MR4K9		.BOLT-		4
- 537	BACW10BP4CD		.WASHER-		4
			-----*-----		
540	7616GA1		..PANEL-STOP/LOCK COVER SUPPLIER CODE: V31645 USED ON: 451T1004-10 451T1004-14		2

ILLUSTRATION ITEMS NOT ON PARTS LIST ARE NOT APPLICABLE

- ITEM NOT ILLUSTRATED

HXL

25-53-03-05

BOEING PROPRIETARY - Copyright © - Unpublished Work - See title page for details.

25-53-03
FIG. 05
PAGE 2
DEC 22/08



767

PARTS CATALOG (MAINTENANCE)

FIG ITEM	PART NUMBER	1 2 3 4 5 6 7	NOMENCLATURE	EFFECT FROM TO	UNITS PER ASSY
5					
540	452T1221-8		.. PANEL-STOP/LOCK COVER SUPPLIER CODE: V31645 USED ON: 451T1004-9 451T1004-10 451T1004-14 ATTACHING PARTS		2
- 543	NAS602-8P		.. SCREW-	163999	8
- 543	BACS12CK08-8		.. SCREW -----*-----		8
546	452T1221-9		.. PANEL-STOP/LOCK COVER SUPPLIER CODE: V31645 USED ON: 451T1004-9 451T1004-10 451T1004-14		2
546	7616G9-1		.. PANEL-STOP/LOCK COVER SUPPLIER CODE: V31645 USED ON: 451T1004-9 451T1004-10 451T1004-14 ATTACHING PARTS		2
- 549	BACS12CK08-8		.. SCREW-		12
- 549	NAS602-8P		.. SCREW- -----*-----	163999	12
552	J082269-1		.. BALL UNIT- SUPPLIER CODE: V31645		75
552	J082269-6		.. BALL UNIT- SUPPLIER CODE: V31645 SPECIFICATION NUMBER: S451W151-1 S451W151-2 QUALIFIED I/W DATA: J082269-7 CAN REPLACE OR BE REPLACED BY J082269-6 DEPENDING ON CUSTOMER PREFERENCE. J082269-7 HAS HIGHER DURABILITY BUT INCURS WEIGHT PENALTY.		75

ILLUSTRATION ITEMS NOT ON PARTS LIST ARE NOT APPLICABLE

- ITEM NOT ILLUSTRATED

25-53-03-05

25-53-03
FIG. 05
PAGE 3
AUG 22/08

HXL

BOEING
767
PARTS CATALOG (MAINTENANCE)

FIG ITEM	PART NUMBER	1 2 3 4 5 6 7	NOMENCLATURE	EFFECT FROM TO	UNITS PER ASSY
5					
552	20188-1		..BALL UNIT- SUPPLIER CODE: V1N6X0 SPECIFICATION NUMBER: S451T101-1		75
555	451T1015-9		..PANEL ASSY- SUPPLIER CODE: V31645 USED ON: 451T1004-10		1
570	451T1004-6		.PANEL ASSY-BALL TRANSFER SUPPLIER CODE: V31645	163999	1
570	451T1004-13		.PANEL ASSY-BALL TRANSFER SUPPLIER CODE: V31645	155162	1
570	761630-1		.PANEL ASSY-BALL TRANSFER SUPPLIER CODE: V31645 SPECIFICATION NUMBER: S451T103-3 ATTACHING PARTS		1
572	BACB30MR4K9		.BOLT-		2
574	BACB30MR4K7		.BOLT-		2
576	BACW10BP4CD		.WASHER-		4
			-----*-----		
579	J082269-1		..BALL UNIT- SUPPLIER CODE: V31645		83
579	J082269-6		..BALL UNIT- SUPPLIER CODE: V31645 SPECIFICATION NUMBER: S451W151-1 S451W151-2 QUALIFIED I/W DATA: J082269-7 CAN REPLACE OR BE REPLACED BY J082269-6 DEPENDING ON CUSTOMER PREFERENCE. J082269-7 HAS HIGHER DURABILITY BUT INCURS WEIGHT PENALTY		83
579	20188-1		..BALL UNIT- SUPPLIER CODE: V1N6X0 SPECIFICATION NUMBER: S451T101-1		83

R
R
R

ILLUSTRATION ITEMS NOT ON PARTS LIST ARE NOT APPLICABLE

- ITEM NOT ILLUSTRATED

HXL

25-53-03-05

BOEING PROPRIETARY - Copyright © - Unpublished Work - See title page for details.

25-53-03
FIG. 05
PAGE 4
AUG 22/09



767
PARTS CATALOG (MAINTENANCE)

FIG ITEM	PART NUMBER	1 2 3 4 5 6 7	NOMENCLATURE	EFFECT FROM TO	UNITS PER ASSY
5 582	451T1015-5		.. PANEL ASSY- SUPPLIER CODE: V31645		1

ILLUSTRATION ITEMS NOT ON PARTS LIST ARE NOT APPLICABLE

- ITEM NOT ILLUSTRATED

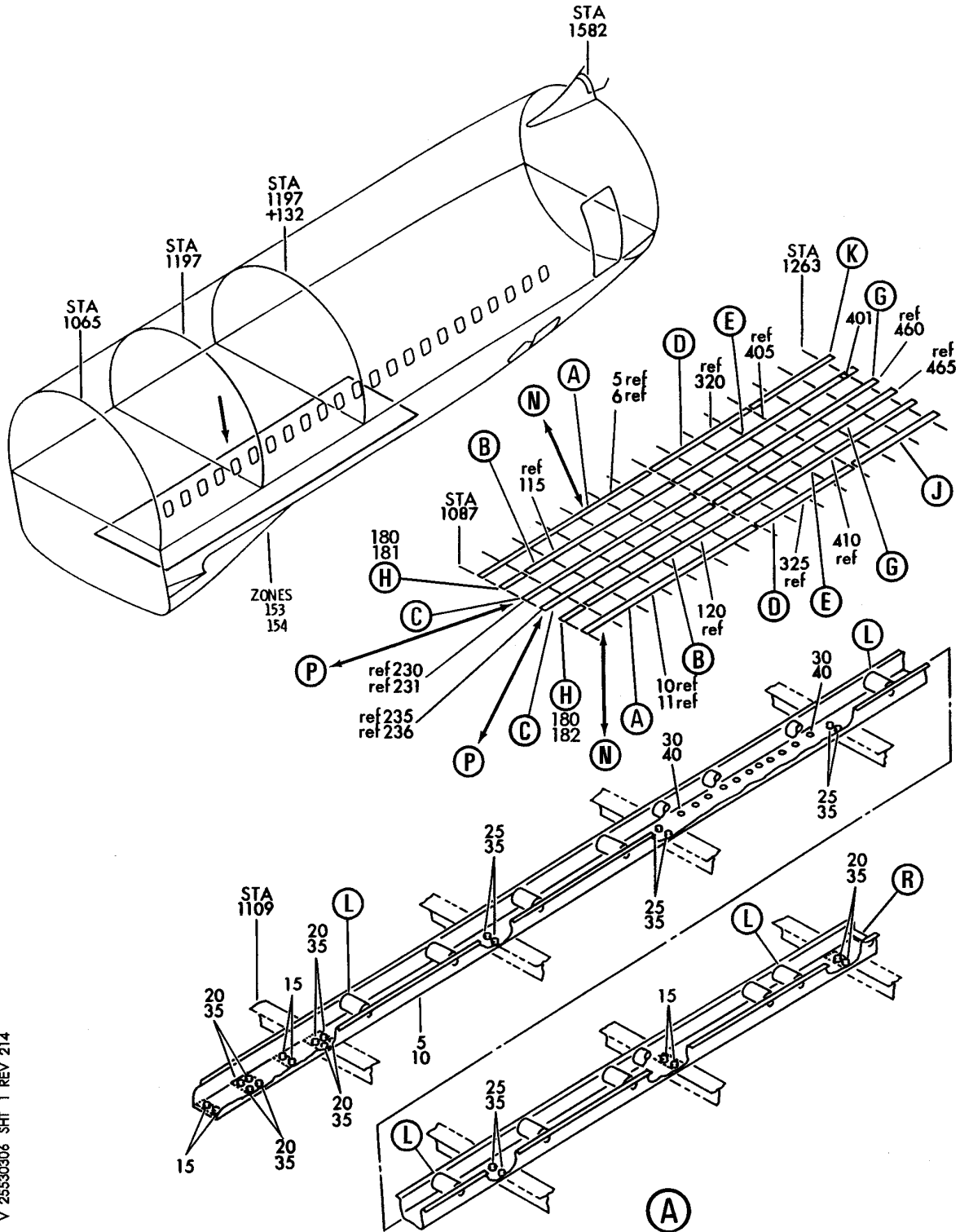
HXL

25-53-03-05

BOEING PROPRIETARY - Copyright © - Unpublished Work - See title page for details.

25-53-03
FIG. 05
PAGE 5
AUG 22/08

BOEING
767
PARTS CATALOG (MAINTENANCE)



V 25530306 SHT 1 REV 214

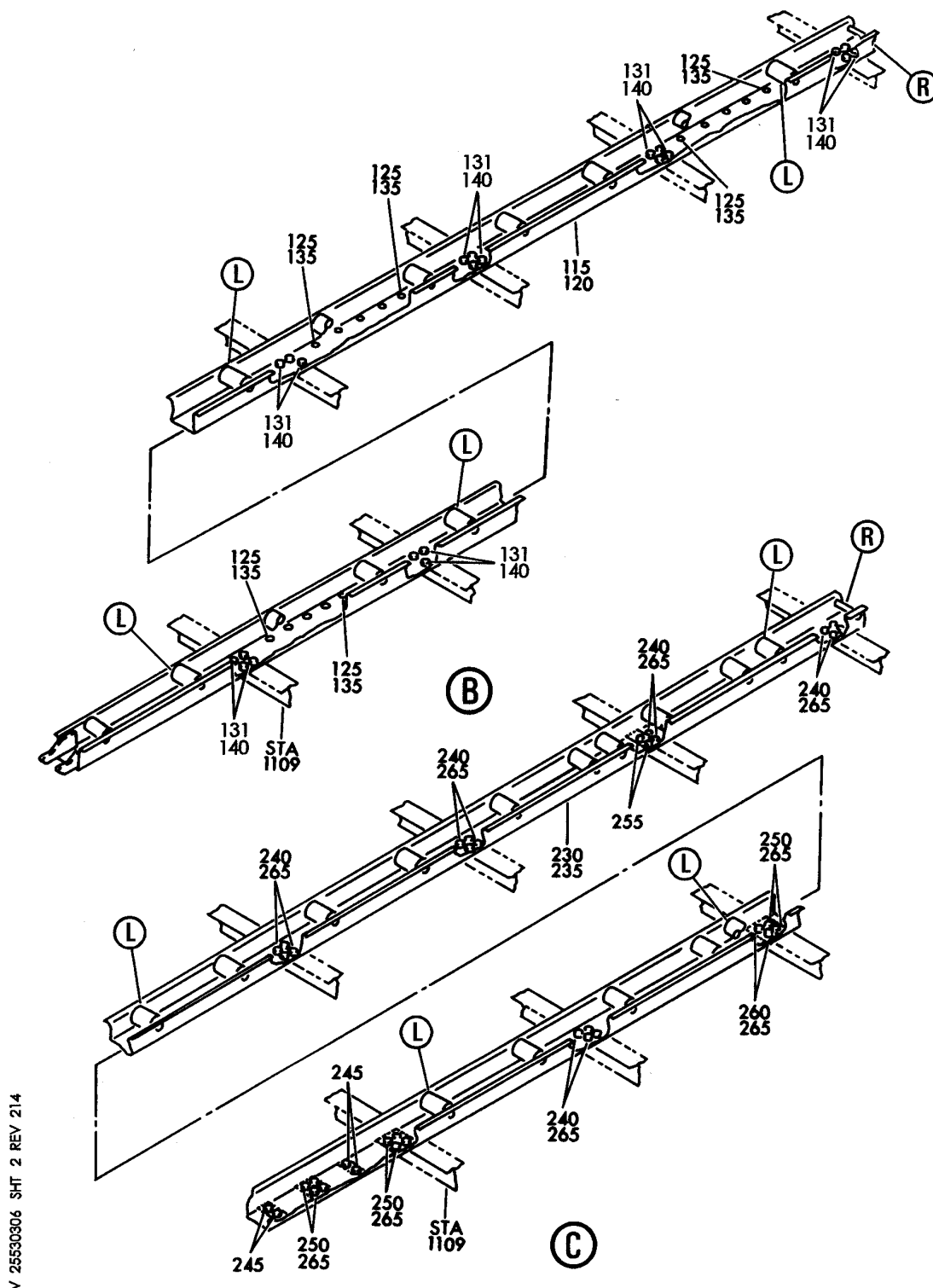
CONVEYOR SYSTEM INSTL-SECT. 46 AFT CARGO HANDLING COMPT CONTAINER CONFIGURATION
FIGURE 6 (SHEET 1)

25-53-03-06

HXL
DEC 22/06

25-53-03-06
PAGE 0

BOEING
767
PARTS CATALOG (MAINTENANCE)



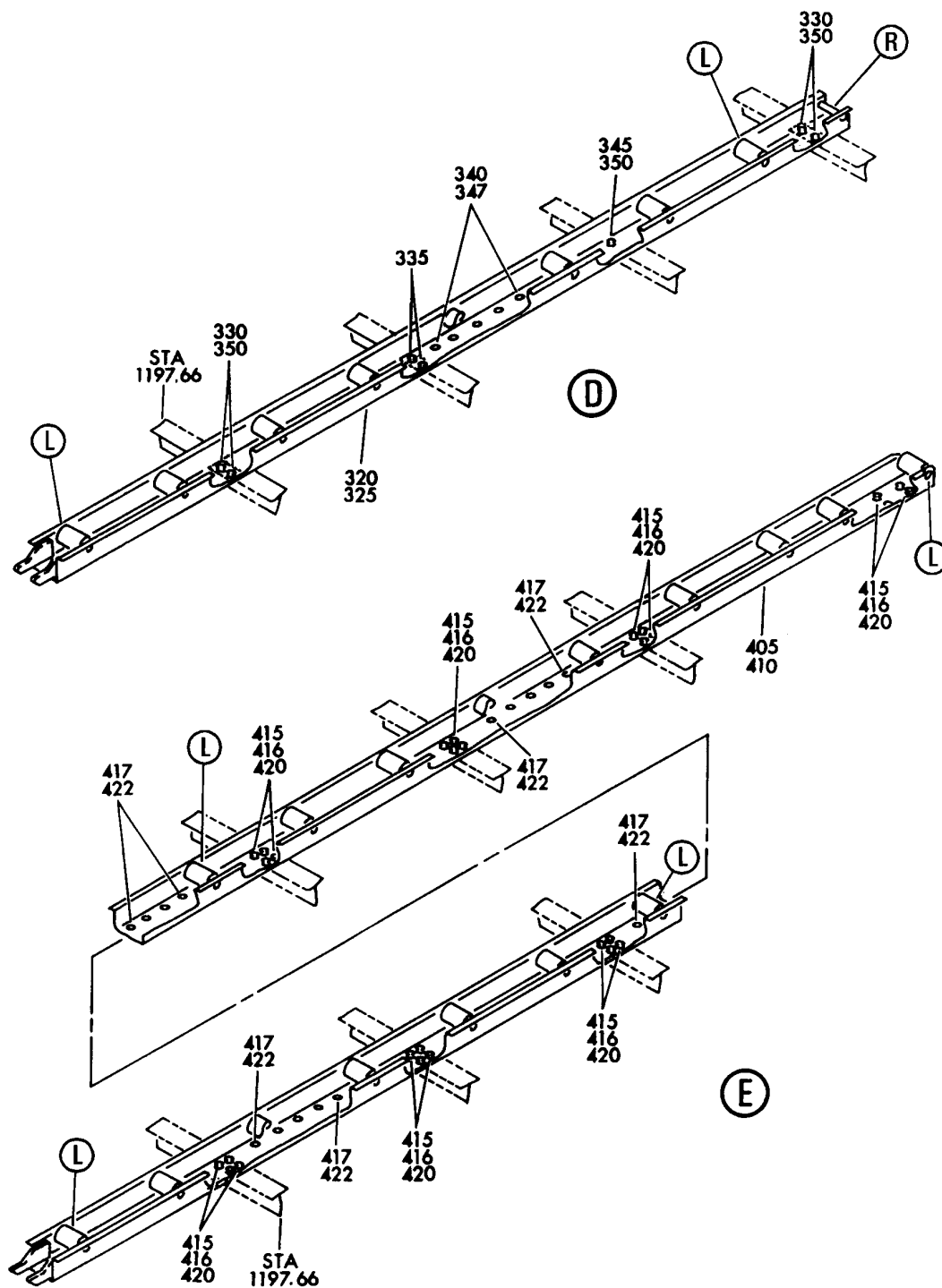
CONVEYOR SYSTEM INSTL-SECT. 46 AFT CARGO HANDLING COMPT CONTAINER CONFIGURATION
FIGURE 6 (SHEET 2)

HXL
DEC 22/06

25-53-03-06

25-53-03-06
PAGE 0A


BOEING
 767
PARTS CATALOG (MAINTENANCE)



V 25530306 SHT 3 REV 207

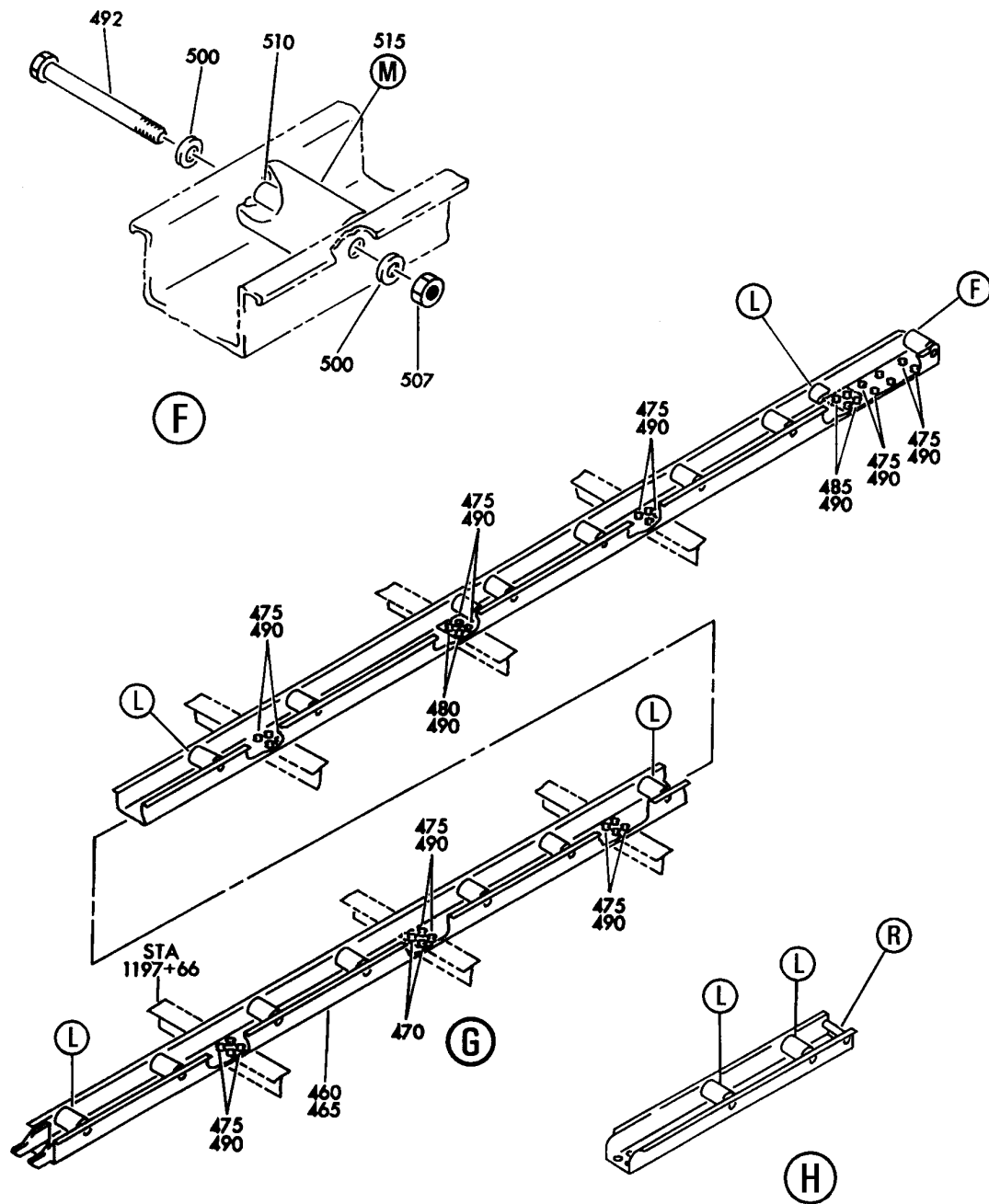
CONVEYOR SYSTEM INSTL-SECT. 46 AFT CARGO HANDLING COMPT CONTAINER CONFIGURATION
 FIGURE 6 (SHEET 3)

25-53-03-06

HXL
DEC 22/06

25-53-03-06
 PAGE 0B


BOEING
 767
PARTS CATALOG (MAINTENANCE)



V 25530306 SHT 4 REV 207

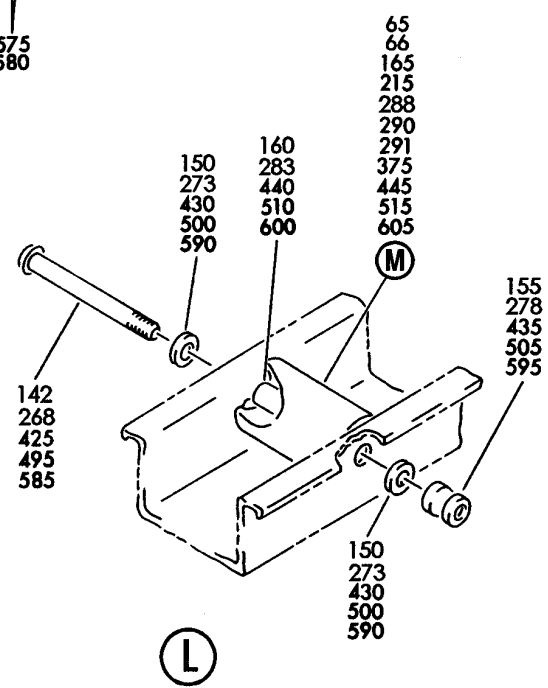
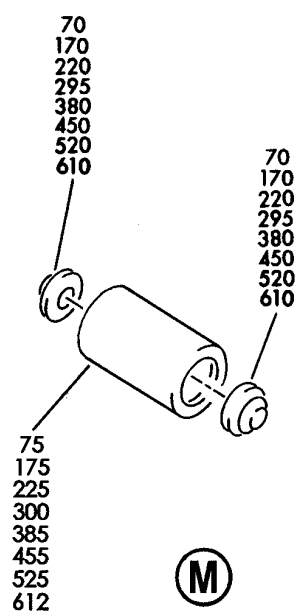
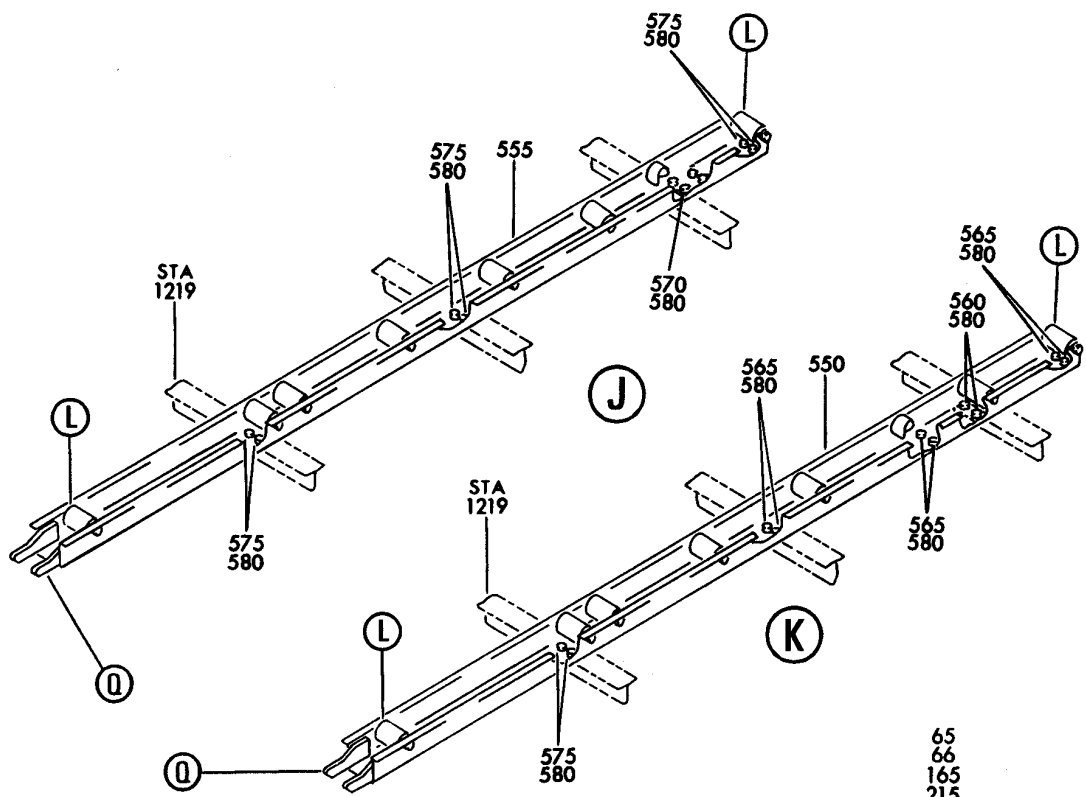
CONVEYOR SYSTEM INSTL-SECT. 46 AFT CARGO HANDLING COMPT CONTAINER CONFIGURATION
 FIGURE 6 (SHEET 4)

25-53-03-06

HXL
DEC 22/06

25-53-03-06
 PAGE 0C


BOEING
 767
PARTS CATALOG (MAINTENANCE)



V 25530306 SH1 5 REV 214

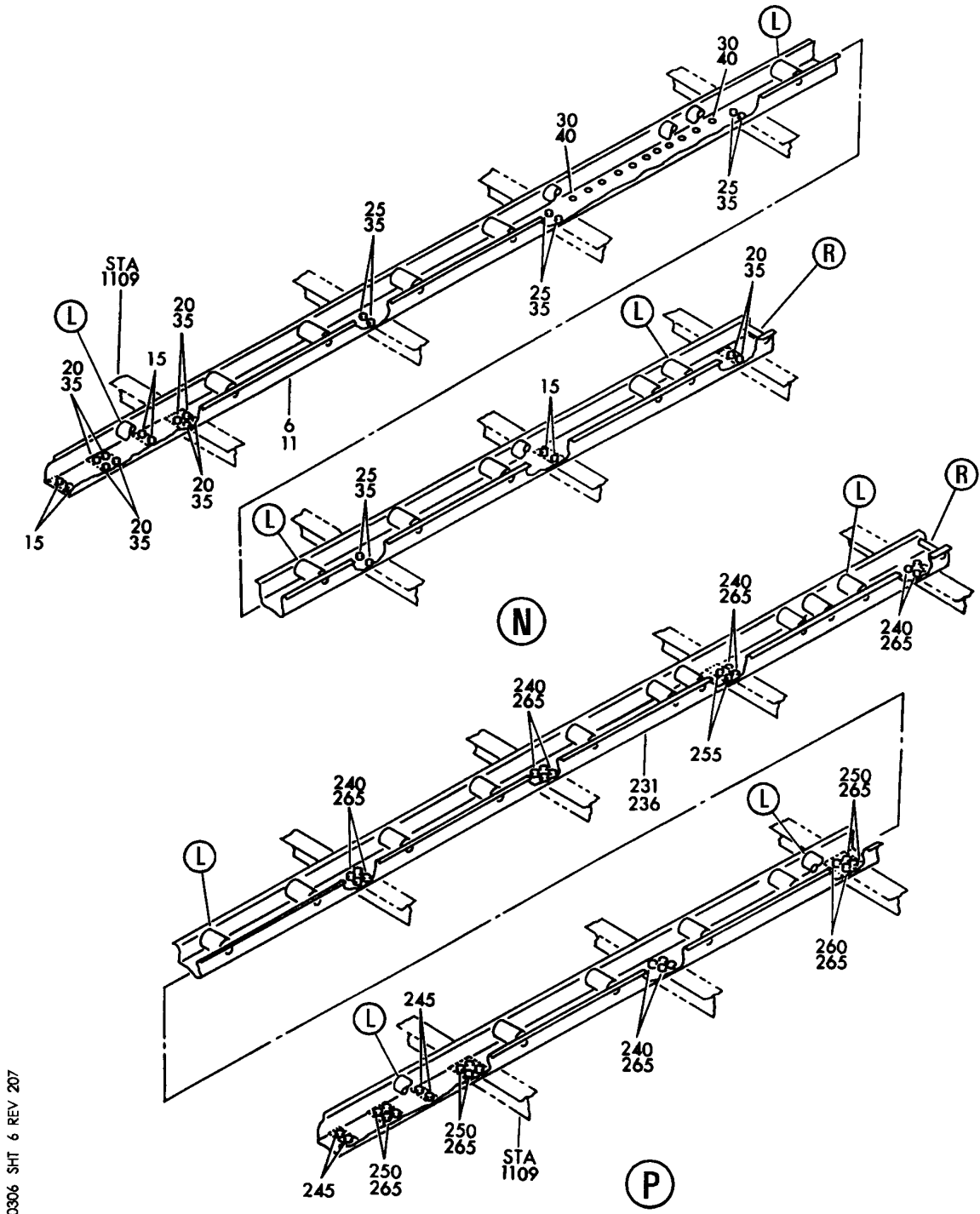
CONVEYOR SYSTEM INSTL-SECT. 46 AFT CARGO HANDLING COMPT CONTAINER CONFIGURATION
FIGURE 6 (SHEET 5)

25-53-03-06

HXL
DEC 22/06

25-53-03-06
PAGE 0D

BOEING
767
PARTS CATALOG (MAINTENANCE)



V 25530306 SHT 6 REV 207

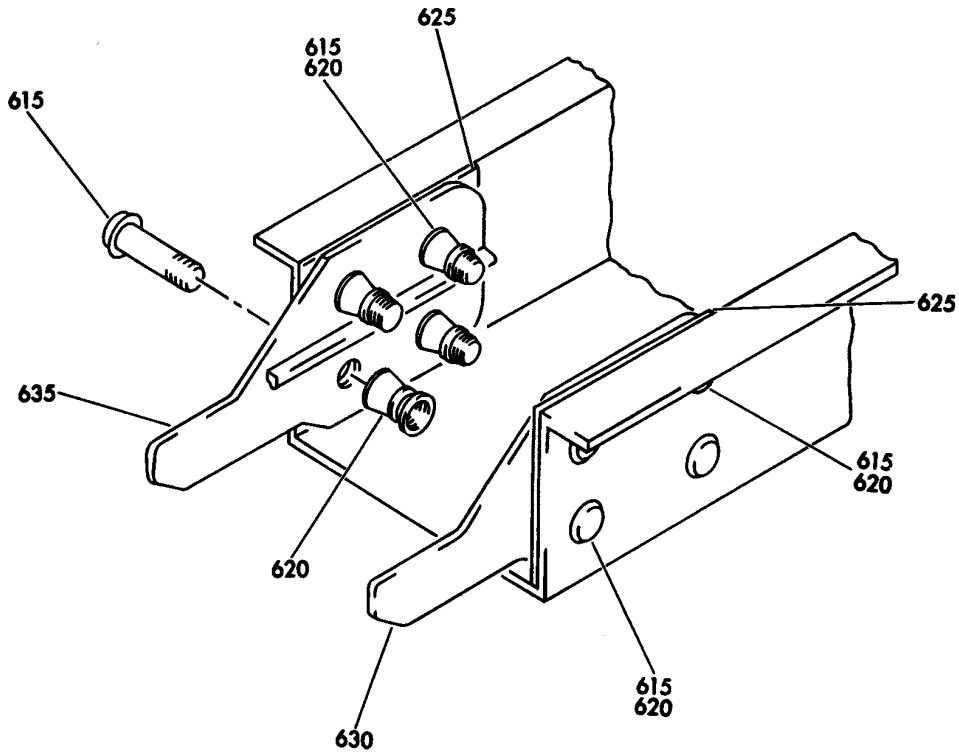
CONVEYOR SYSTEM INSTL-SECT. 46 AFT CARGO HANDLING COMPT CONTAINER CONFIGURATION
FIGURE 6 (SHEET 6)

25-53-03-06

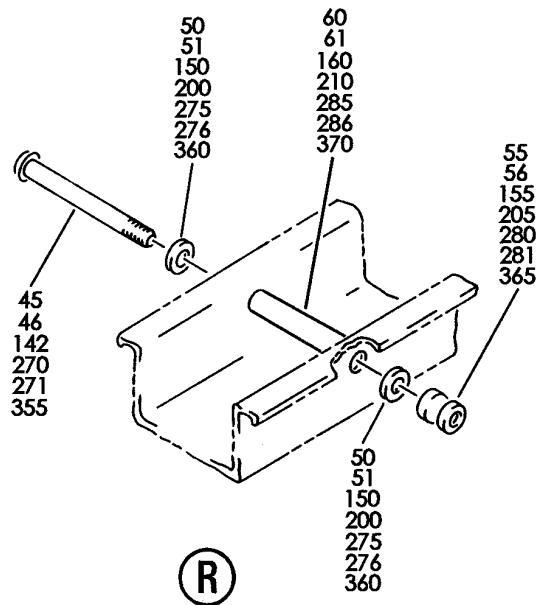
HXL
DEC 22/06

25-53-03-06
PAGE 0E

BOEING
767
PARTS CATALOG (MAINTENANCE)



Q



R

V 25530306 SHT 7 REV 214

CONVEYOR SYSTEM INSTL-SECT. 46 AFT CARGO HANDLING COMPT CONTAINER CONFIGURATION
FIGURE 6 (SHEET 7)

25-53-03-06

HXL
DEC 22/06

25-53-03-06
PAGE OF



767

PARTS CATALOG (MAINTENANCE)

FIG ITEM	PART NUMBER	1 2 3 4 5 6 7	NOMENCLATURE	EFFECT FROM TO	UNITS PER ASSY
6			CONVEYOR SYSTEM INSTL-SECT. 46 AFT CARGO HANDLING COMPT CONTAINER CONFIGURATION		
- 1	451T1002-31		CONVEYOR SYSTEM INSTL-CARGO HANDLING COMPT CONTAINER CONFIGURATION POSITION DATA: SECT. 46 AFT FOR NHA SEE: 53-60-00-08		RF
5	451T1003-390		.TRAY ASSY- SUPPLIER CODE: V31645 COMPONENT MAINT MANUAL REF: 25-53-02 OPTIONAL PART: 451T1003-644 V31645 USED ON: 451T1002-31 451T1002-39 451T1002-48 451T1002-49		1
5	451T1003-644		.TRAY ASSY- SUPPLIER CODE: V31645 COMPONENT MAINT MANUAL REF: 25-53-02 OPTIONAL PART: 451T1003-390 V31645 USED ON: 451T1002-31 451T1002-39 451T1002-48 451T1002-49		1

ILLUSTRATION ITEMS NOT ON PARTS LIST ARE NOT APPLICABLE

- ITEM NOT ILLUSTRATED

HXL

25-53-03-06

BOEING PROPRIETARY - Copyright © - Unpublished Work - See title page for details.

25-53-03
FIG. 06
PAGE 1
DEC 22/07



767

PARTS CATALOG (MAINTENANCE)

FIG ITEM	PART NUMBER	1 2 3 4 5 6 7	NOMENCLATURE	EFFECT FROM TO	UNITS PER ASSY
6					
10	451T1003-643		.TRAY ASSY- SUPPLIER CODE: V31645 COMPONENT MAINT MANUAL REF: 25-53-02 OPTIONAL PART: 451T1003-389 V31645 USED ON: 451T1002-31 451T1002-39 451T1002-48 451T1002-49		1
10	451T1003-389		.TRAY ASSY- SUPPLIER CODE: V31645 COMPONENT MAINT MANUAL REF: 25-53-02 OPTIONAL PART: 451T1003-643 V31645 USED ON: 451T1002-31 451T1002-39 451T1002-48 451T1002-49		1
15	BACB30LH4-7		ATTACHING PARTS .BOLT		12
20	BACB30NR4K8		.BOLT		20
25	BACB30NR4K4		.BOLT		16
30	BACB30NT3K5		.BOLT		22
35	NAS1149D0416J		.WASHER-		36
40	NAS1149D0332J		.WASHER- -----*-----		22

ILLUSTRATION ITEMS NOT ON PARTS LIST ARE NOT APPLICABLE

- ITEM NOT ILLUSTRATED

HXL

25-53-03-06

BOEING PROPRIETARY - Copyright © - Unpublished Work - See title page for details.

25-53-03
FIG. 06
PAGE 2
DEC 22/06



767

PARTS CATALOG (MAINTENANCE)

FIG ITEM	PART NUMBER	1 2 3 4 5 6 7	NOMENCLATURE	EFFECT FROM TO	UNITS PER ASSY
6	45 HST10AG8-46		..BOLT- SUPPLIER CODE: VOPTK6 SPECIFICATION NUMBER: BACB30VT8K46 OPTIONAL PART: HST10AG8-46 V06725 HST10AG8-46 V56878 HST10AG8-46 V73197 WC10K8-46 V60516 USED ON: 451T1003-389 451T1003-390 451T1003-643 451T1003-644 USED WITH: BACC30BL8		15
R	50 AN960JD416		..WASHER-		30
R	55 BACC30BL8		..COLLAR-		15
R			OPTIONAL PART: BACN10ZV4		
R			USED ON: 451T1003-389		
R			451T1003-390		
R			451T1003-643		
R			451T1003-644		
R			USED WITH: BACB30VT8K46		
R	55 CR6551-4		..NUT-		15
R			SUPPLIER CODE: VFO224		
R			SPECIFICATION NUMBER: BACN10ZV4		
R			OPTIONAL PART: BACC30BL8		

ILLUSTRATION ITEMS NOT ON PARTS LIST ARE NOT APPLICABLE

- ITEM NOT ILLUSTRATED

HXL

25-53-03-06

BOEING PROPRIETARY - Copyright © - Unpublished Work - See title page for details.

25-53-03
 FIG. 06
 PAGE 3
 AUG 22/09



767

PARTS CATALOG (MAINTENANCE)

FIG ITEM	PART NUMBER	1 2 3 4 5 6 7	NOMENCLATURE	EFFECT FROM TO	UNITS PER ASSY
6					
60	69B60110-1	..	SPACER- SUPPLIER CODE: V31645 OPTIONAL PART: 69B60110-4 V31645 USED ON: 451T1003-389 451T1003-390 451T1003-643 451T1003-644		15
60	69B60110-4	..	SPACER- SUPPLIER CODE: V31645 OPTIONAL PART: 69B60110-1 V31645		15
60	7712570-1	..	SPACER- SUPPLIER CODE: V31645		15
65	69B60735-1	..	ROLLER ASSY- SUPPLIER CODE: V31645 USED ON: 451T1003-389 451T1003-390 451T1003-643 451T1003-644		14
65	7712571-1	..	ROLLER ASSY- SUPPLIER CODE: V31645 USED ON: 451T1003-389 451T1003-390 451T1003-643 451T1003-644		14
70	594D	...	BEARING- SUPPLIER CODE: V73134 OPTIONAL PART: SR340-168PS V75277		2
70	SR340-168PS	...	BEARING- SUPPLIER CODE: V75277 OPTIONAL PART: 594D V73134		2

ILLUSTRATION ITEMS NOT ON PARTS LIST ARE NOT APPLICABLE

- ITEM NOT ILLUSTRATED

25-53-03-06

25-53-03
FIG. 06
PAGE 4
AUG 22/07

HXL

BOEING PROPRIETARY - Copyright © - Unpublished Work - See title page for details.

 **BOEING**
767
PARTS CATALOG (MAINTENANCE)

FIG ITEM	PART NUMBER	1 2 3 4 5 6 7	NOMENCLATURE	EFFECT FROM TO	UNITS PER ASSY
6					
75	69B60734-1	...	ROLLER- SUPPLIER CODE: V31645		1
75	69B60734-2	...	ROLLER- SUPPLIER CODE: V31645		1
115	451T1003-330	.	TRAY ASSY- SUPPLIER CODE: V31645 COMPONENT MAINT MANUAL REF: 25-53-02		1
120	451T1003-329	.	TRAY ASSY- SUPPLIER CODE: V31645 COMPONENT MAINT MANUAL REF: 25-53-02		1
125	BACB30NM3K4	.	BOLT- USED WITH: 453T1003-329		30
131	BACB30NR4K4	.	BOLT- USED WITH: 453T1003-330		22
135	NAS1149D0332J	.	WASHER- USED WITH: 453T1003-329		30
140	NAS1149D0416J	.	WASHER- USED WITH: 451T1002-330 451T1002-386		44
142	HST10AG8-46	..	BOLT- SUPPLIER CODE: VOPTK6 SPECIFICATION NUMBER: BACB30VT8K46 OPTIONAL PART: HST10AG8-46 V06725 HST10AG8-46 V56878 HST10AG8-46 V73197 WC10K8-46 V60516 USED WITH: BACC30BL8		13
150	AN960JD416	..	WASHER-		26

ILLUSTRATION ITEMS NOT ON PARTS LIST ARE NOT APPLICABLE

- ITEM NOT ILLUSTRATED

HXL

25-53-03-06

BOEING PROPRIETARY - Copyright © - Unpublished Work - See title page for details.

25-53-03
FIG. 06
PAGE 5
APR 22/08

 **BOEING**
767
PARTS CATALOG (MAINTENANCE)

FIG ITEM	PART NUMBER	1 2 3 4 5 6 7	NOMENCLATURE	EFFECT FROM TO	UNITS PER ASSY
R R R R R R R R R R	6 155	BACC30BL8	.. COLLAR- OPTIONAL PART: BACN10ZV4 USED WITH: BACB30VT8K46		13
	155	CR6551-4	.. NUT- SUPPLIER CODE: VFO224 SPECIFICATION NUMBER: BACN10ZV4 OPTIONAL PART: BACC30BL8		13
	160	69B60110-1	.. SPACER- SUPPLIER CODE: V31645 OPTIONAL PART: 69B60110-4 V31645		13
	160	69B60110-4	.. SPACER- SUPPLIER CODE: V31645 OPTIONAL PART: 69B60110-1 V31645		13
	160	7712570-1	.. SPACER- SUPPLIER CODE: V31645		13
	165	69B60735-1	.. ROLLER ASSY- SUPPLIER CODE: V31645		12
	165	7712571-1	.. ROLLER ASSY- SUPPLIER CODE: V31645		12
	170	594D	... BEARING- SUPPLIER CODE: V73134 OPTIONAL PART: SR340-168PS V75277		2
	170	SR340-168PS	... BEARING- SUPPLIER CODE: V75277 OPTIONAL PART: 594D V73134		2
	175	69B60734-1	... ROLLER- SUPPLIER CODE: V31645		1

ILLUSTRATION ITEMS NOT ON PARTS LIST ARE NOT APPLICABLE

— ITEM NOT ILLUSTRATED

HXL

25-53-03-06

BOEING PROPRIETARY - Copyright © - Unpublished Work - See title page for details.

25-53-03
FIG. 06
PAGE 6
AUG 22/09

BOEING
767
PARTS CATALOG (MAINTENANCE)

FIG ITEM	PART NUMBER	1 2 3 4 5 6 7	NOMENCLATURE	EFFECT FROM TO	UNITS PER ASSY
6					
175	69B60734-2	...	ROLLER- SUPPLIER CODE: V31645		1
180	451T1003-347	.TRAY ASSY-	SUPPLIER CODE: V31645 COMPONENT MAINT MANUAL REF: 25-53-02		2
180	451T1003-610	.TRAY ASSY-	SUPPLIER CODE: V31645 COMPONENT MAINT MANUAL REF: 25-53-02		2
180	7612118-1	.ROLLER TRAY ASSY-	SUPPLIER CODE: V31645 SPECIFICATION NUMBER: S451T210-118 COMPONENT MAINT MANUAL REF: 25-51-02		2
180	7612107-1	.ROLLER TRAY ASSY-	SUPPLIER CODE: V31645 SPECIFICATION NUMBER: S451T210-107 COMPONENT MAINT MANUAL REF: 25-51-02		2
- 185	BACB30NR4K4	.BOLT	ATTACHING PARTS		8
- 190	NAS1149D0416J	.WASHER-	-----*-----		8
195	HST10AG8-46	..BOLT-	SUPPLIER CODE: VOPTK6 SPECIFICATION NUMBER: BACB30VT8K46 OPTIONAL PART: HST10AG8-46 V06725 HST10AG8-46 V56878 HST10AG8-46 V73197 WC10K8-46 V60516 USED WITH: BACC3OBL8		3
200	AN960JD416	..WASHER-			6

ILLUSTRATION ITEMS NOT ON PARTS LIST ARE NOT APPLICABLE

- ITEM NOT ILLUSTRATED

HXL

25-53-03-06

BOEING PROPRIETARY - Copyright © - Unpublished Work - See title page for details.

25-53-03
FIG. 06
PAGE 7
AUG 22/09

BOEING
767
PARTS CATALOG (MAINTENANCE)

FIG ITEM	PART NUMBER	1 2 3 4 5 6 7	NOMENCLATURE	EFFECT FROM TO	UNITS PER ASSY
R R R R R R R R R R	6 205	BACC30BL8	.. COLLAR- QUALIFIED OPTIONAL DATA: (BACB30GZ8-46 BOLT AND BACC30P8 COLLAR OPTIONAL TO BACB30VT8K46 BOLT AND BACC30BL8 COLLAR) OPTIONAL PART: BACN10ZV4 USED WITH: BACB30VT8K46		3
	205	CR6551-4	.. NUT- SUPPLIER CODE: VFO224 SPECIFICATION NUMBER: BACN10ZV4 OPTIONAL PART: BACC30BL8		3
	210	69B60110-1	.. SPACER- SUPPLIER CODE: V31645 OPTIONAL PART: 69B60110-4 V31645		3
	210	69B60110-4	.. SPACER- SUPPLIER CODE: V31645 OPTIONAL PART: 69B60110-1 V31645		3
	210	7712570-1	.. SPACER- SUPPLIER CODE: V31645		3
	215	69B60735-1	.. ROLLER ASSY- SUPPLIER CODE: V31645		2
	215	7712571-1	.. ROLLER ASSY- SUPPLIER CODE: V31645		2
	220	594D	... BEARING- SUPPLIER CODE: V73134 OPTIONAL PART: SR340-168PS V75277		2

ILLUSTRATION ITEMS NOT ON PARTS LIST ARE NOT APPLICABLE

— ITEM NOT ILLUSTRATED

HXL

25-53-03-06

BOEING PROPRIETARY - Copyright © - Unpublished Work - See title page for details.

25-53-03
FIG. 06
PAGE 8
AUG 22/09



767

PARTS CATALOG (MAINTENANCE)

FIG ITEM	PART NUMBER	1 2 3 4 5 6 7	NOMENCLATURE	EFFECT FROM TO	UNITS PER ASSY
6					
220	SR340-168PS	...	BEARING- SUPPLIER CODE: V75277 OPTIONAL PART: 594D V73134		2
225	69B60734-1	...	ROLLER- SUPPLIER CODE: V31645		1
225	69B60734-2	...	ROLLER- SUPPLIER CODE: V31645		1
230	451T1003-378	.	TRAY ASSY- SUPPLIER CODE: V31645 COMPONENT MAINT MANUAL REF: 25-53-02		1
230	451T1003-611	.	TRAY ASSY- SUPPLIER CODE: V31645 COMPONENT MAINT MANUAL REF: 25-53-02		1
230	7612119-1	.	ROLLER TRAY ASSY- SUPPLIER CODE: V31645 SPECIFICATION NUMBER: S451T210-119 COMPONENT MAINT MANUAL REF: 25-51-02		1
235	451T1003-379	.	TRAY ASSY- SUPPLIER CODE: V31645 COMPONENT MAINT MANUAL REF: 25-53-02		1
235	451T1003-612	.	TRAY ASSY- SUPPLIER CODE: V31645 COMPONENT MAINT MANUAL REF: 25-53-02		1
235	7612120-1	.	ROLLER TRAY ASSY- SUPPLIER CODE: V31645 SPECIFICATION NUMBER: S451T210-120 COMPONENT MAINT MANUAL REF: 25-51-02		1
240	BACB30NR4K4	.	BOLT		56
245	BACB30LH4-7	.	BOLT		8
ILLUSTRATION ITEMS NOT ON PARTS LIST ARE NOT APPLICABLE					

- ITEM NOT ILLUSTRATED

25-53-03-06

25-53-03
FIG. 06
PAGE 9
AUG 22/09

HXL



767

PARTS CATALOG (MAINTENANCE)

FIG ITEM	PART NUMBER	1 2 3 4 5 6 7	NOMENCLATURE	EFFECT FROM TO	UNITS PER ASSY
6					
250	BACB30NR4K8	.BOLT			20
255	BACB30LH4-12	.BOLT			4
260	BACB30NR4K12	.BOLT			4
265	NAS1149D0416J	.WASHER-			80
		-----*-----			
268	HST10AG8-46	..BOLT-			15
		SUPPLIER CODE:			
		V0PTK6			
		SPECIFICATION NUMBER:			
		BACB30VT8K46			
		OPTIONAL PART:			
		HST10AG8-46			
		V06725			
		HST10AG8-46			
		V56878			
		HST10AG8-46			
		V73197			
		WC10K8-46			
		V60516			
		USED ON:			
		451T1003-611			
		451T1003-612			
		USED WITH:			
		BACC30BL8			
270	HST10AG8-46	..BOLT-			16
		SUPPLIER CODE:			
		V0PTK6			
		SPECIFICATION NUMBER:			
		BACB30VT8K46			
		OPTIONAL PART:			
		HST10AG8-46			
		V06725			
		HST10AG8-46			
		V56878			
		HST10AG8-46			
		V73197			
		WC10K8-46			
		V60516			
		USED ON:			
		451T1003-378			
		451T1003-379			
		USED WITH:			
		BACC30BL8			
273	AN960JD416	..WASHER-			30
		USED ON:			
		451T1003-611			
		451T1003-612			

ILLUSTRATION ITEMS NOT ON PARTS LIST ARE NOT APPLICABLE

- ITEM NOT ILLUSTRATED

25-53-03-06

25-53-03
FIG. 06
PAGE 10
AUG 22/09

HXL

 **BOEING**
767
PARTS CATALOG (MAINTENANCE)

FIG ITEM	PART NUMBER	1 2 3 4 5 6 7	NOMENCLATURE	EFFECT FROM TO	UNITS PER ASSY
6					
275	AN960JD416		.. WASHER- USED ON: 451T1003-378 451T1003-379		32
278	BACC30BL8		.. COLLAR- OPTIONAL PART: BACN10ZV4 USED ON: 451T1003-611 451T1003-612 USED WITH: BACB30VT8K46		15
278	CR6551-4		.. NUT- SUPPLIER CODE: VFO224 SPECIFICATION NUMBER: BACN10ZV4 OPTIONAL PART: BACC30BL8 USED ON: 451T1003-611 451T1003-612		15
280	BACC30BL8		.. COLLAR- OPTIONAL PART: BACN10ZV4 USED ON: 451T1003-378 451T1003-379 USED WITH: BACB30VT8K46		16
280	CR6551-4		.. NUT- SUPPLIER CODE: VFO224 SPECIFICATION NUMBER: BACN10ZV4 OPTIONAL PART: BACC30BL8 USED ON: 451T1003-378 451T1003-379		16
283	69B60110-1		.. SPACER- SUPPLIER CODE: V31645 OPTIONAL PART: 69B60110-4 V31645 USED ON: 451T1003-611 451T1003-612		15

ILLUSTRATION ITEMS NOT ON PARTS LIST ARE NOT APPLICABLE

- ITEM NOT ILLUSTRATED

HXL

25-53-03-06

BOEING PROPRIETARY - Copyright © - Unpublished Work - See title page for details.

25-53-03
FIG. 06
PAGE 11
AUG 22/09



767

PARTS CATALOG (MAINTENANCE)

FIG ITEM	PART NUMBER	1 2 3 4 5 6 7	NOMENCLATURE	EFFECT FROM TO	UNITS PER ASSY
6 283	69B60110-4	..	SPACER- SUPPLIER CODE: V31645 OPTIONAL PART: 69B60110-1 V31645		15
283	7712570-1	..	SPACER- SUPPLIER CODE: V31645		15
285	69B60110-1	..	SPACER- SUPPLIER CODE: V31645 OPTIONAL PART: 69B60110-4 V31645 USED ON: 451T1003-378 451T1003-379		16
285	69B60110-4	..	SPACER- SUPPLIER CODE: V31645 OPTIONAL PART: 69B60110-1 V31645		16
285	7712570-1	..	SPACER- SUPPLIER CODE: V31645		16
288	69B60735-1	..	ROLLER ASSY- SUPPLIER CODE: V31645 USED ON: 451T1003-611 451T1003-612		14
288	7712571-1	..	ROLLER ASSY- SUPPLIER CODE: V31645 USED ON: 451T1003-611 451T1003-612		14
290	69B60735-1	..	ROLLER ASSY- SUPPLIER CODE: V31645 USED ON: 451T1003-378 451T1003-379		15

ILLUSTRATION ITEMS NOT ON PARTS LIST ARE NOT APPLICABLE

- ITEM NOT ILLUSTRATED

25-53-03-06

25-53-03
FIG. 06
PAGE 12
AUG 22/09

HXL

BOEING PROPRIETARY - Copyright © - Unpublished Work - See title page for details.



767

PARTS CATALOG (MAINTENANCE)

FIG ITEM	PART NUMBER	1 2 3 4 5 6 7	NOMENCLATURE	EFFECT FROM TO	UNITS PER ASSY
6 290	7712571-1		..ROLLER ASSY- SUPPLIER CODE: V31645 USED ON: 451T1003-378 451T1003-379		15
295	594D		...BEARING- SUPPLIER CODE: V73134 OPTIONAL PART: SR340-168PS V75277		2
295	SR340-168PS		...BEARING- SUPPLIER CODE: V75277 OPTIONAL PART: 594D V73134		2
300	69B60734-1		...ROLLER- SUPPLIER CODE: V31645		1
300	69B60734-2		...ROLLER- SUPPLIER CODE: V31645		1
320	451T1003-334		.TRAY ASSY- SUPPLIER CODE: V31645 COMPONENT MAINT MANUAL REF: 25-53-02		1
320	451T1003-602		.TRAY ASSY- SUPPLIER CODE: V31645 COMPONENT MAINT MANUAL REF: 25-53-02		1
320	7612114-1		.ROLLER TRAY ASSY- SUPPLIER CODE: V31645 SPECIFICATION NUMBER: S451T210-114 COMPONENT MAINT MANUAL REF: 25-51-02		1
325	451T1003-333		.TRAY ASSY- SUPPLIER CODE: V31645 COMPONENT MAINT MANUAL REF: 25-53-02		1

ILLUSTRATION ITEMS NOT ON PARTS LIST ARE NOT APPLICABLE

- ITEM NOT ILLUSTRATED

HXL

25-53-03-06

BOEING PROPRIETARY - Copyright © - Unpublished Work - See title page for details.

25-53-03
FIG. 06
PAGE 13
AUG 22/09

BOEING
767
PARTS CATALOG (MAINTENANCE)

FIG ITEM	PART NUMBER	1 2 3 4 5 6 7	NOMENCLATURE	EFFECT FROM TO	UNITS PER ASSY
6					
325	451T1003-601		.TRAY ASSY- SUPPLIER CODE: V31645 COMPONENT MAINT MANUAL REF: 25-53-02		1
325	7612113-1		.ROLLER TRAY ASSY- SUPPLIER CODE: V31645 SPECIFICATION NUMBER: S451T210-113 COMPONENT MAINT MANUAL REF: 25-51-02 ATTACHING PARTS		1
330	BACB30NR4K8		.BOLT		8
335	BACB30LH4-7		.BOLT		4
340	BACB30NT3K5		.BOLT		10
345	BACB30NR4K4		.BOLT		2
347	NAS1149D0332J		.WASHER-		10
350	NAS1149D0416J		.WASHER-		10
			-----*-----		
355	HST10AG8-46		..BOLT- SUPPLIER CODE: VOPTK6 SPECIFICATION NUMBER: BACB30VT8K46 OPTIONAL PART: HST10AG8-46 V06725 HST10AG8-46 V56878 HST10AG8-46 V73197 WC10K8-46 V60516 USED WITH: BACC30BL8		9
360	AN960JD416		..WASHER		18
365	BACC30BL8		..COLLAR- OPTIONAL PART: BACN10ZV4 USED WITH: BACB30VT8K46		9
365	CR6551-4		..NUT- SUPPLIER CODE: VF0224 SPECIFICATION NUMBER: BACN10ZV4 OPTIONAL PART: BACC30BL8		9
			ILLUSTRATION ITEMS NOT ON PARTS LIST ARE NOT APPLICABLE		

R
R
R
R
R
R
R
R
R
R

- ITEM NOT ILLUSTRATED

25-53-03-06

25-53-03
FIG. 06
PAGE 14
AUG 22/09

HXL

 **BOEING**
767
PARTS CATALOG (MAINTENANCE)

FIG ITEM	PART NUMBER	1 2 3 4 5 6 7	NOMENCLATURE	EFFECT FROM TO	UNITS PER ASSY
6					
370	69B60110-1	..	SPACER- SUPPLIER CODE: V31645 OPTIONAL PART: 69B60110-4 V31645		9
370	69B60110-4	..	SPACER- SUPPLIER CODE: V31645 OPTIONAL PART: 69B60110-1 V31645		9
370	7712570-1	..	SPACER- SUPPLIER CODE: V31645		9
375	69B60735-1	..	ROLLER ASSY- SUPPLIER CODE: V31645		8
375	7712571-1	..	ROLLER ASSY- SUPPLIER CODE: V31645		8
380	594D	...	BEARING- SUPPLIER CODE: V73134 OPTIONAL PART: AST30H8K2 V5V122		2
380	SR340-168PS	...	BEARING- SUPPLIER CODE: V75277 OPTIONAL PART: 594D V73134		2
385	69B60734-1	...	ROLLER- SUPPLIER CODE: V31645		1
385	69B60734-2	...	ROLLER- SUPPLIER CODE: V31645		1
405	451T1003-336	.	TRAY ASSY- SUPPLIER CODE: V31645 COMPONENT MAINT MANUAL REF: 25-53-02		1
410	451T1003-335	.	TRAY ASSY- SUPPLIER CODE: V31645 COMPONENT MAINT MANUAL REF: 25-53-02		1
ILLUSTRATION ITEMS NOT ON PARTS LIST ARE NOT APPLICABLE					

- ITEM NOT ILLUSTRATED

HXL

25-53-03-06

BOEING PROPRIETARY - Copyright © - Unpublished Work - See title page for details.

25-53-03
FIG. 06
PAGE 15
AUG 22/09

BOEING
767
PARTS CATALOG (MAINTENANCE)

FIG ITEM	PART NUMBER	1 2 3 4 5 6 7	NOMENCLATURE	EFFECT FROM TO	UNITS PER ASSY
6			ATTACHING PARTS		
415	BACB30NR4K4	.BOLT			28
416	BACB30NR4K4	.BOLT-			28
		USED WITH:			
		451T1003-335			
417	BACB30NM3K4	.BOLT			30
420	NAS1149D0416J	.WASHER-			56
422	NAS1149D0332J	.WASHER-			30
		-----*-----			
425	HST10AG8-46	..BOLT-			16
		SUPPLIER CODE:			
		V0PTK6			
		SPECIFICATION NUMBER:			
		BACB30VT8K46			
		OPTIONAL PART:			
		HST10AG8-46			
		V06725			
		HST10AG8-46			
		V56878			
		HST10AG8-46			
		V73197			
		WC10K8-46			
		V60516			
		USED WITH:			
		BACC3OBL8			
430	AN960JD416	..WASHER-			32
435	BACC3OBL8	..COLLAR-			16
		OPTIONAL PART:			
		BACN10ZV4			
		USED WITH:			
		BACB30VT8K46			
435	CR6551-4	..NUT-			16
		SUPPLIER CODE:			
		VFO224			
		SPECIFICATION NUMBER:			
		BACN10ZV4			
		OPTIONAL PART:			
		BACC3OBL8			
440	69B60110-1	..SPACER-			16
		SUPPLIER CODE:			
		V31645			
		OPTIONAL PART:			
		69B60110-4			
		V31645			

ILLUSTRATION ITEMS NOT ON PARTS LIST ARE NOT APPLICABLE

- ITEM NOT ILLUSTRATED

HXL

25-53-03-06

BOEING PROPRIETARY - Copyright © - Unpublished Work - See title page for details.

25-53-03
FIG. 06
PAGE 16
AUG 22/09



767

PARTS CATALOG (MAINTENANCE)

FIG ITEM	PART NUMBER	1 2 3 4 5 6 7	NOMENCLATURE	EFFECT FROM TO	UNITS PER ASSY
6					
440	69B60110-4	..	SPACER- SUPPLIER CODE: V31645 OPTIONAL PART: 69B60110-1 V31645		16
440	7712570-1	..	SPACER- SUPPLIER CODE: V31645		16
445	69B60735-1	..	ROLLER ASSY- SUPPLIER CODE: V31645		16
445	7712571-1	..	ROLLER ASSY- SUPPLIER CODE: V31645		16
450	594D	...	BEARING- SUPPLIER CODE: V73134 OPTIONAL PART: SR340-168PS V75277		2
450	SR340-168PS	...	BEARING- SUPPLIER CODE: V75277 OPTIONAL PART: 594D V73134		2
455	69B60734-1	...	ROLLER- SUPPLIER CODE: V31645		1
455	69B60734-2	...	ROLLER- SUPPLIER CODE: V31645		1
460	451T1003-366	.	TRAY ASSY- SUPPLIER CODE: V31645 COMPONENT MAINT MANUAL REF: 25-53-02		1
460	7612108-1	.	ROLLER TRAY ASSY- SUPPLIER CODE: V31645 SPECIFICATION NUMBER: S451T210-108 COMPONENT MAINT MANUAL REF: 25-51-02		1

ILLUSTRATION ITEMS NOT ON PARTS LIST ARE NOT APPLICABLE

- ITEM NOT ILLUSTRATED

25-53-03-06

25-53-03
FIG. 06
PAGE 17
AUG 22/09

HXL

BOEING PROPRIETARY - Copyright © - Unpublished Work - See title page for details.

BOEING
767
PARTS CATALOG (MAINTENANCE)

FIG ITEM	PART NUMBER	1 2 3 4 5 6 7	NOMENCLATURE	EFFECT FROM TO	UNITS PER ASSY
6					
465	451T1003-366		.TRAY ASSY- SUPPLIER CODE: V31645 COMPONENT MAINT MANUAL REF: 25-53-02		1
465	7612108-1		.ROLLER TRAY ASSY- SUPPLIER CODE: V31645 SPECIFICATION NUMBER: S451T210-108 COMPONENT MAINT MANUAL REF: 25-51-02 ATTACHING PARTS		1
470	BACB30LH4-12		.BOLT		4
475	BACB30NR4K4		.BOLT		52
480	BACB30NR4K14		.BOLT		4
485	BACB30NR4K9		.BOLT		8
490	NAS1149D0416J		.WASHER- -----*-----		64
492	BACB30NR4K44		..BOLT		1
495	HST10AG8-46		..BOLT- SUPPLIER CODE: VOPTK6 SPECIFICATION NUMBER: BACB30VT8K46 OPTIONAL PART: HST10AG8-46 V06725 HST10AG8-46 V56878 HST10AG8-46 V73197 WC10K8-46 V60516 USED WITH: BACC30BL8		15
500	NAS1149D0463J		..WASHER-		32
505	BACC30BL8		..COLLAR- OPTIONAL PART: BACN10ZV4 USED WITH: BACB30VT8K46		15
505	CR6551-4		..NUT- SUPPLIER CODE: VF0224 SPECIFICATION NUMBER: BACN10ZV4 OPTIONAL PART: BACC30BL8		15
ILLUSTRATION ITEMS NOT ON PARTS LIST ARE NOT APPLICABLE					

R
R
R
R
R
R
R
R
R
R

- ITEM NOT ILLUSTRATED

HXL

25-53-03-06

BOEING PROPRIETARY - Copyright © - Unpublished Work - See title page for details.

25-53-03
FIG. 06
PAGE 18
AUG 22/09

 **BOEING**
767
PARTS CATALOG (MAINTENANCE)

FIG ITEM	PART NUMBER	1 2 3 4 5 6 7	NOMENCLATURE	EFFECT FROM TO	UNITS PER ASSY
6 507	PLH54CD		..NUT- SUPPLIER CODE: VF0224 SPECIFICATION NUMBER: BACN10YR4CD OPTIONAL PART: H52732-4CD V15653		1
510	69B60110-1		..SPACER- SUPPLIER CODE: V31645 OPTIONAL PART: 69B60110-4 V31645		16
510	69B60110-4		..SPACER- SUPPLIER CODE: V31645 OPTIONAL PART: 69B60110-1 V31645		16
510	7712570-1		..SPACER- SUPPLIER CODE: V31645		16
515	69B60735-1		..ROLLER ASSY- SUPPLIER CODE: V31645		16
515	7712571-1		..ROLLER ASSY- SUPPLIER CODE: V31645		16
520	594D		...BEARING- SUPPLIER CODE: V73134 OPTIONAL PART: SR340-168PS V75277		2
520	SR340-168PS		...BEARING- SUPPLIER CODE: V75277 OPTIONAL PART: 594D V73134		2
525	69B60734-1		...ROLLER- SUPPLIER CODE: V31645		1
525	69B60734-2		...ROLLER- SUPPLIER CODE: V31645		1

ILLUSTRATION ITEMS NOT ON PARTS LIST ARE NOT APPLICABLE

— ITEM NOT ILLUSTRATED

HXL

25-53-03-06

BOEING PROPRIETARY - Copyright © - Unpublished Work - See title page for details.

25-53-03
FIG. 06
PAGE 19
AUG 22/09



767

PARTS CATALOG (MAINTENANCE)

FIG ITEM	PART NUMBER	1 2 3 4 5 6 7	NOMENCLATURE	EFFECT FROM TO	UNITS PER ASSY
6 550	451T1003-663		.TRAY ASSY- SUPPLIER CODE: V31645 COMPONENT MAINT MANUAL REF: 25-53-02		1
550	7612130-1		.ROLLER TRAY ASSY- SUPPLIER CODE: V31645 SPECIFICATION NUMBER: S451T210-130 COMPONENT MAINT MANUAL REF: 25-51-02		1
555	451T1003-662		.TRAY ASSY- SUPPLIER CODE: V31645 COMPONENT MAINT MANUAL REF: 25-53-02		1
555	7612129-1		.ROLLER TRAY ASSY- SUPPLIER CODE: V31645 SPECIFICATION NUMBER: S451T210-129 COMPONENT MAINT MANUAL REF: 25-51-02		1
560	BACB30NR4K14		ATTACHING PARTS .BOLT- USED WITH: 451T1003-340 451T1003-603 451T1003-663		2
565	BACB30NR4K11		.BOLT- USED WITH: 451T1003-340 451T1003-384 451T1003-603 451T1003-604 451T1003-663		6
570	BACB30NR4K9		.BOLT- USED WITH: 451T1003-339 451T1003-639 451T1003-662		4
575	BACB30NR4K4		.BOLT- USED WITH: 451T1003-339 451T1003-639 451T1003-662		8
580	NAS1149D0416J		.WASHER- -----*-----		20

ILLUSTRATION ITEMS NOT ON PARTS LIST ARE NOT APPLICABLE

- ITEM NOT ILLUSTRATED

25-53-03-06

25-53-03
FIG. 06
PAGE 20
AUG 22/09

HXL

BOEING PROPRIETARY - Copyright © - Unpublished Work - See title page for details.

BOEING
767
PARTS CATALOG (MAINTENANCE)

FIG ITEM	PART NUMBER	1 2 3 4 5 6 7	NOMENCLATURE	EFFECT FROM TO	UNITS PER ASSY
6					
585	HST10AG8-46	..	BOLT- SUPPLIER CODE: VOPTK6 SPECIFICATION NUMBER: BACB30VT8K46 OPTIONAL PART: HST10AG8-46 V06725 HST10AG8-46 V56878 HST10AG8-46 V73197 WC10K8-46 V60516 USED WITH: BACC30BL8		8
590	AN960JD416	..	WASHER-		16
595	BACC30BL8	..	COLLAR- OPTIONAL PART: BACN10ZV4		8
595	CR6551-4	..	NUT- SUPPLIER CODE: VFO224 SPECIFICATION NUMBER: BACN10ZV4 OPTIONAL PART: BACC30BL8		8
600	69B60110-1	..	SPACER- SUPPLIER CODE: V31645 OPTIONAL PART: 69B60110-4 V31645		8
600	69B60110-4	..	SPACER- SUPPLIER CODE: V31645 OPTIONAL PART: 69B60110-1 V31645		8
600	7712570-1	..	SPACER- SUPPLIER CODE: V31645		8
605	69B60735-1	..	ROLLER ASSY- SUPPLIER CODE: V31645		8
605	7712571-1	..	ROLLER ASSY- SUPPLIER CODE: V31645		8
ILLUSTRATION ITEMS NOT ON PARTS LIST ARE NOT APPLICABLE					

R
R
R
R
R
R
R
R
R

- ITEM NOT ILLUSTRATED

25-53-03-06

25-53-03
FIG. 06
PAGE 21
AUG 22/09

HXL



767

PARTS CATALOG (MAINTENANCE)

FIG ITEM	PART NUMBER	1 2 3 4 5 6 7	NOMENCLATURE	EFFECT FROM TO	UNITS PER ASSY
6					
610	594D	...	BEARING- SUPPLIER CODE: V73134 OPTIONAL PART: SR340-168PS V75277		2
610	SR340-168PS	...	BEARING- SUPPLIER CODE: V75277 OPTIONAL PART: 594D V73134		2
612	69B60734-1	...	ROLLER- SUPPLIER CODE: V31645		1
612	69B60734-2	...	ROLLER- SUPPLIER CODE: V31645		1
615	HL22-6-3	..	BOLT SUPPLIER CODE: V60516 SPECIFICATION NUMBER: BACB30GZ6-3		8
620	HL77-6	..	COLLAR SUPPLIER CODE: V5M902 SPECIFICATION NUMBER: BACC30P6 OPTIONAL PART: HL77-6 V73197 HL77-6 V92215 66015-6 V56878 HL77-6 V56878		8
625	BACF3F015D019AN	..	FILLER		2
630	451T1006-1	..	FITTING-SLIP JOINT SUPPLIER CODE: V31645		1
635	451T1006-2	..	FITTING-SLIP JOINT SUPPLIER CODE: V31645		1

ILLUSTRATION ITEMS NOT ON PARTS LIST ARE NOT APPLICABLE

- ITEM NOT ILLUSTRATED

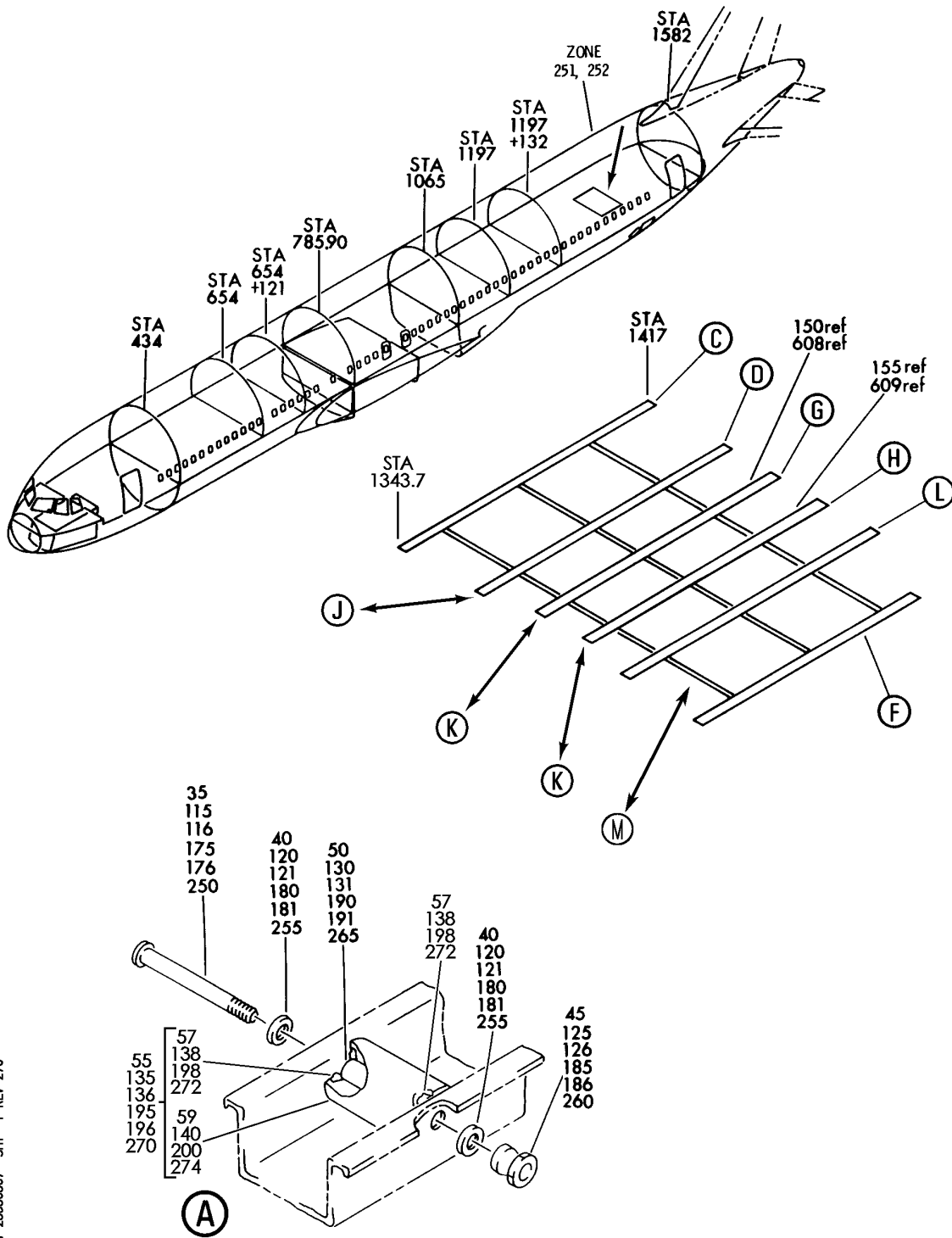
25-53-03-06

25-53-03
FIG. 06
PAGE 22
AUG 22/09

HXL

BOEING PROPRIETARY - Copyright © - Unpublished Work - See title page for details.

BOEING
767
PARTS CATALOG (MAINTENANCE)



V 25530307 SH1 1 REV 276

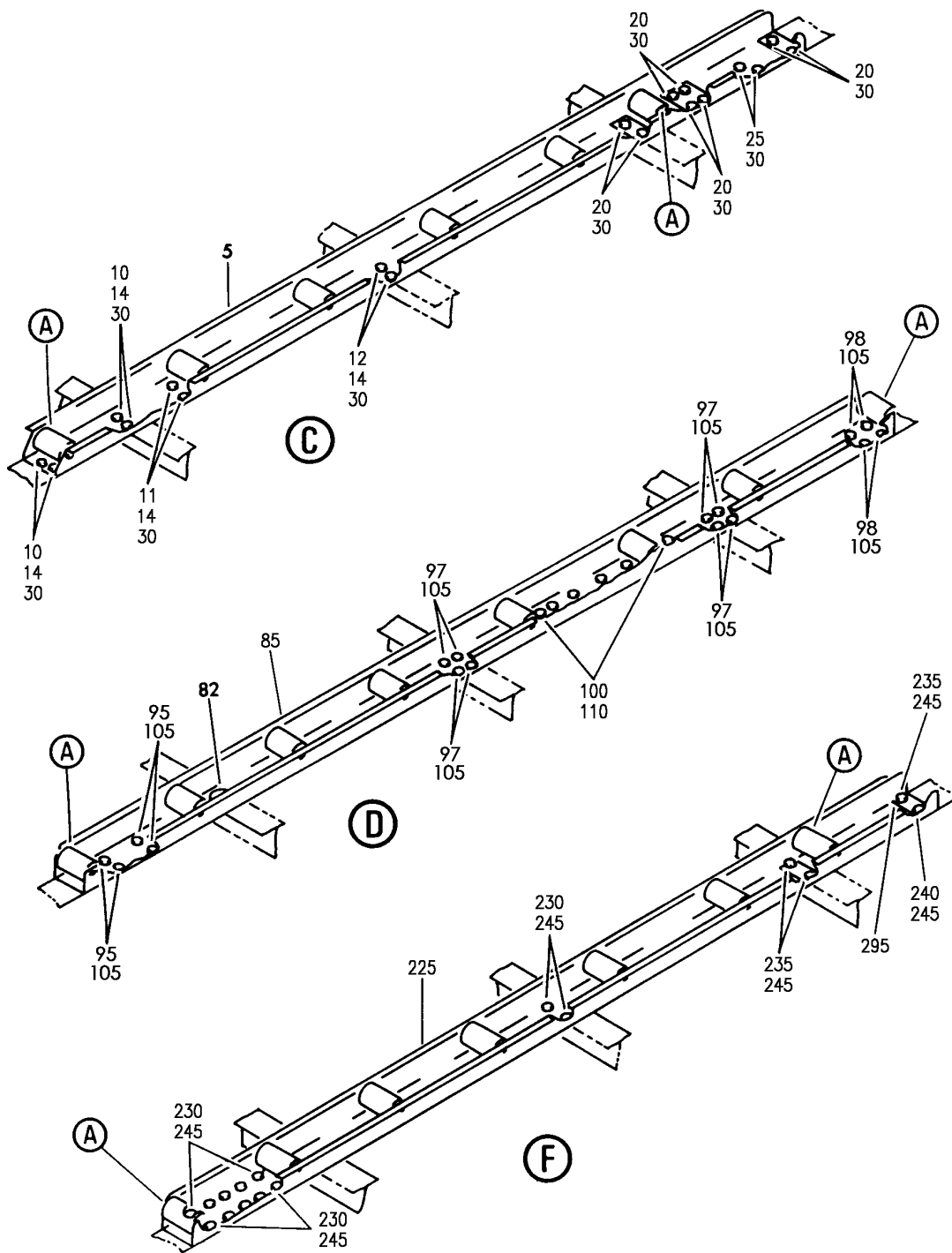
CONVEYOR SYSTEM INSTL-SECT. 46 AFT CARGO HANDLING COMPT CONTAINER CONFIGURATION
FIGURE 7 (SHEET 1)

25-53-03-07

HXL
DEC 22/06

25-53-03-07
PAGE 0

BOEING
767
PARTS CATALOG (MAINTENANCE)



V 25530307 SHT 2 REV 316

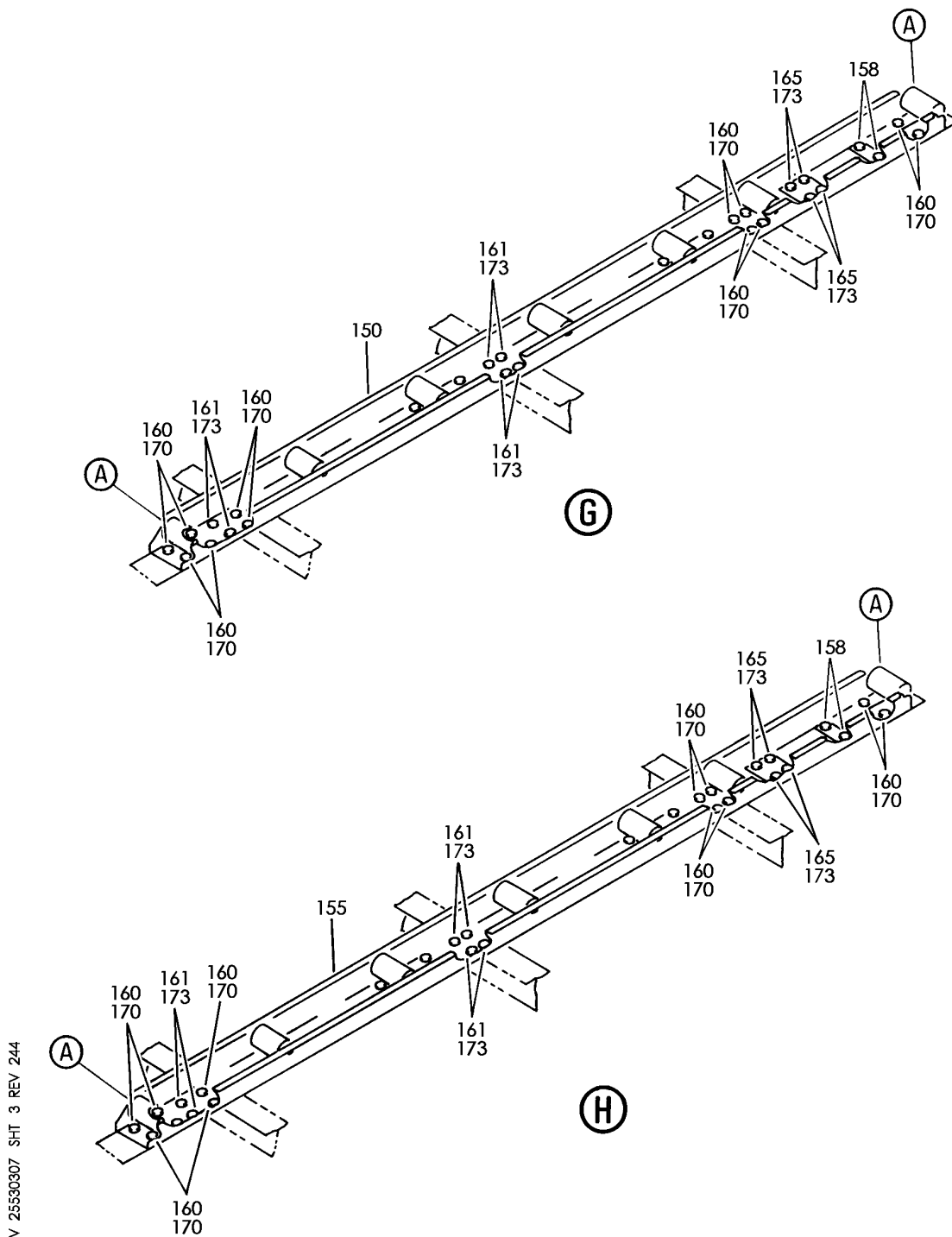
CONVEYOR SYSTEM INSTL-SECT. 46 AFT CARGO HANDLING COMPT CONTAINER CONFIGURATION
FIGURE 7 (SHEET 2)

HXL
AUG 22/07

25-53-03-07

25-53-03-07
PAGE 0A

BOEING
767
PARTS CATALOG (MAINTENANCE)



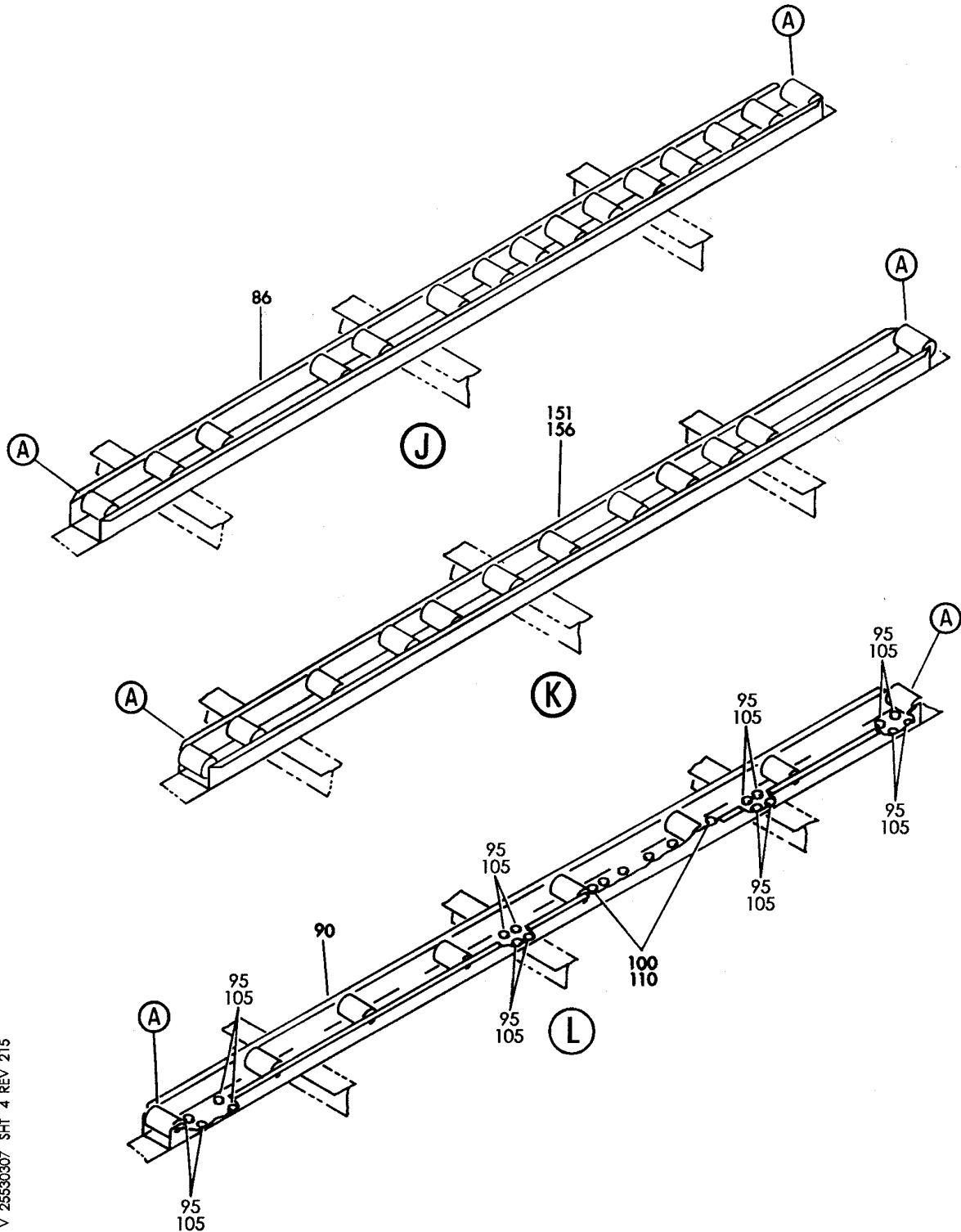
CONVEYOR SYSTEM INSTL-SECT. 46 AFT CARGO HANDLING COMPT CONTAINER CONFIGURATION
FIGURE 7 (SHEET 3)

HXL
DEC 22/06

25-53-03-07

25-53-03-07
PAGE 0B

BOEING
767
PARTS CATALOG (MAINTENANCE)



V 25530307 SHT 4 REV 215

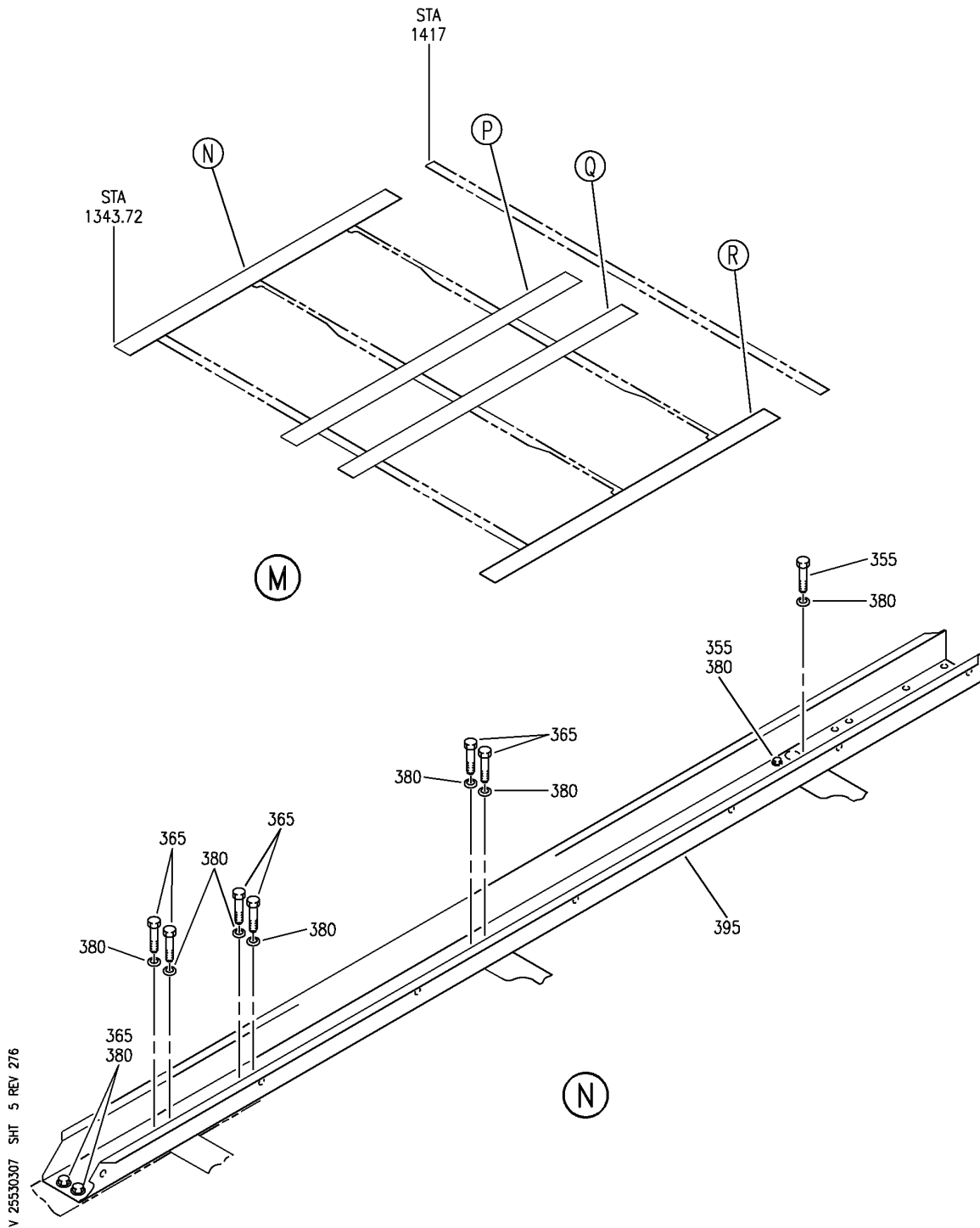
CONVEYOR SYSTEM INSTL-SECT. 46 AFT CARGO HANDLING COMPT CONTAINER CONFIGURATION
FIGURE 7 (SHEET 4)

25-53-03-07

HXL
DEC 22/06

25-53-03-07
PAGE 0C

BOEING
767
PARTS CATALOG (MAINTENANCE)



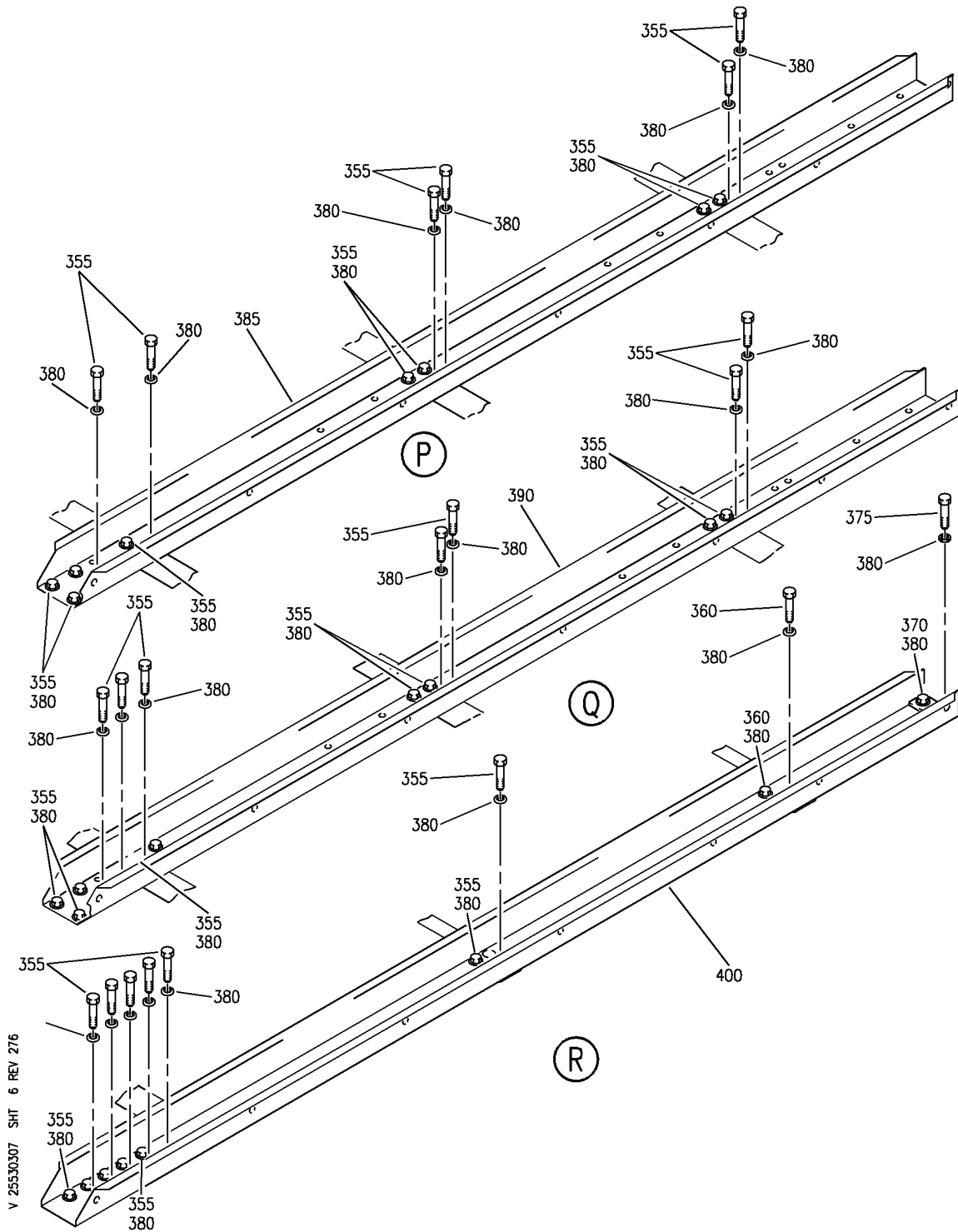
CONVEYOR SYSTEM INSTL-SECT. 46 AFT CARGO HANDLING COMPT CONTAINER CONFIGURATION
FIGURE 7 (SHEET 5)

HXL
DEC 22/06

25-53-03-07

25-53-03-07
PAGE 0D

BOEING
767
PARTS CATALOG (MAINTENANCE)



CONVEYOR SYSTEM INSTL-SECT. 46 AFT CARGO HANDLING COMPT CONTAINER CONFIGURATION
FIGURE 7 (SHEET 6)

HXL
DEC 22/06

25-53-03-07

25-53-03-07
PAGE 0E



767

PARTS CATALOG (MAINTENANCE)

FIG ITEM	PART NUMBER	1 2 3 4 5 6 7	NOMENCLATURE	EFFECT FROM TO	UNITS PER ASSY
7			CONVEYOR SYSTEM INSTL-SECT. 46 AFT CARGO HANDLING COMPT CONTAINER CONFIGURATION		
- 1	451T1002-32		CONVEYOR SYSTEM INSTL-CARGO HANDLING COMPT CONTAINER CONFIGURATION POSITION DATA: SECT. 46 AFT FOR NHA SEE: 53-60-00-08		RF
5	451T1003-342		.TRAY ASSY- SUPPLIER CODE: V31645 COMPONENT MAINT MANUAL REF: 25-53-02 OPTIONAL PART: 451T1003-640 V31645		1
5	451T1003-640		.TRAY ASSY- SUPPLIER CODE: V31645 COMPONENT MAINT MANUAL REF: 25-53-02 OPTIONAL PART: 451T1003-342 V31645		1
5	7612122-1		.ROLLER TRAY ASSY- SUPPLIER CODE: V31645 SPECIFICATION NUMBER: S451T210-122 COMPONENT MAINT MANUAL REF: 25-51-02		1
14	BACB30NR4K11		.BOLT		8
20	BACB30NR4K8		.BOLT		8
25	BACB30NR4K4		.BOLT		2
30	NAS1149D0416J		.WASHER- -----*-----		18
ILLUSTRATION ITEMS NOT ON PARTS LIST ARE NOT APPLICABLE					

- ITEM NOT ILLUSTRATED

HXL

25-53-03-07

BOEING PROPRIETARY - Copyright © - Unpublished Work - See title page for details.

25-53-03
FIG. 07
PAGE 1
DEC 22/07



767

PARTS CATALOG (MAINTENANCE)

FIG ITEM	PART NUMBER	1 2 3 4 5 6 7	NOMENCLATURE	EFFECT FROM TO	UNITS PER ASSY
7	35 HST10AG8-46		.. BOLT SUPPLIER CODE: VOPTK6 SPECIFICATION NUMBER: BACB30VT8K46 OPTIONAL PART: HST10AG8-46 V06725 HST10AG8-46 V56878 HST10AG8-46 V73197 WC10K8-46 V60516		6
	40 NAS1149D0416J		.. WASHER-		12
	45 HL77-8		.. COLLAR SUPPLIER CODE: V5M902 SPECIFICATION NUMBER: BACC30P8 OPTIONAL PART: HL77-8 V73197 HL77-8 V92215 66015-8 V56878 HL77-8 V56878		6
	45 BACC30BL8		.. COLLAR-		6
	45 CR6551-4		.. NUT- SUPPLIER CODE: VF0224 SPECIFICATION NUMBER: BACN10ZV4 OPTIONAL PART: BACC30BL8		6
	50 69B60110-1		.. SPACER- SUPPLIER CODE: V31645 OPTIONAL PART: 69B60110-4 V31645		6

R
R
R
R
R
R
R
R

ILLUSTRATION ITEMS NOT ON PARTS LIST ARE NOT APPLICABLE

- ITEM NOT ILLUSTRATED

25-53-03-07

25-53-03
FIG. 07
PAGE 2
AUG 22/09

HXL



**767
PARTS CATALOG (MAINTENANCE)**

FIG ITEM	PART NUMBER	1 2 3 4 5 6 7	NOMENCLATURE	EFFECT FROM TO	UNITS PER ASSY
7					
50	69B60110-4	..	SPACER- SUPPLIER CODE: V31645 OPTIONAL PART: 69B60110-1 V31645		6
50	7712570-1	..	SPACER- SUPPLIER CODE: V31645		6
55	69B60735-1	..	ROLLER ASSY- SUPPLIER CODE: V31645		6
55	7712571-1	..	ROLLER ASSY- SUPPLIER CODE: V31645		6
57	594D	...	BEARING- SUPPLIER CODE: V73134 OPTIONAL PART: SR340-168PS V75277		2
57	SR340-168PS	...	BEARING- SUPPLIER CODE: V75277 OPTIONAL PART: 594D V73134		2
59	69B60734-1	...	ROLLER- SUPPLIER CODE: V31645		1
59	69B60734-2	...	ROLLER- SUPPLIER CODE: V31645		1
85	451T1003-344	.	TRAY ASSY- SUPPLIER CODE: V31645 COMPONENT MAINT MANUAL REF: 25-53-02		1
90	451T1003-380	.	TRAY ASSY- SUPPLIER CODE: V31645 COMPONENT MAINT MANUAL REF: 25-53-02		1
			ATTACHING PARTS		
95	BACB30NR4K4	.	BOLT		20
97	BACB30NR4K4	.	BOLT		8
98	BACB30NR4K4	.	BOLT		4
100	BACB30NM3K4	.	BOLT		12
105	NAS1149D0416J	.	WASHER-		32

ILLUSTRATION ITEMS NOT ON PARTS LIST ARE NOT APPLICABLE

- ITEM NOT ILLUSTRATED

25-53-03-07

25-53-03
FIG. 07
PAGE 3
AUG 22/09

HXL

BOEING PROPRIETARY - Copyright © - Unpublished Work - See title page for details.

BOEING
767
PARTS CATALOG (MAINTENANCE)

FIG ITEM	PART NUMBER	1 2 3 4 5 6 7	NOMENCLATURE	EFFECT FROM TO	UNITS PER ASSY
7					
110	NAS1149D0332J	.	WASHER-		12
		-----*			
115	HST10AG8-46	..	BOLT-		8
			SUPPLIER CODE: VOPTK6		
			SPECIFICATION NUMBER: BACB30VT8K46		
			OPTIONAL PART: HST10AG8-46		
			V06725		
			HST10AG8-46		
			V56878		
			HST10AG8-46		
			V73197		
			WC10K8-46		
			V60516		
			USED ON: 451T1003-344		
			451T1003-380		
			451T1003-388		
120	NAS1149D0416J	..	WASHER-		16
			USED ON: 451T1003-344		
			451T1003-380		
			451T1003-388		
125	BACC30BL8	..	COLLAR-		8
			OPTIONAL PART: BACN10ZV4		
			USED ON: 451T1003-344		
			451T1003-380		
			451T1003-388		
125	CR6551-4	..	NUT-		8
			SUPPLIER CODE: VFO224		
			SPECIFICATION NUMBER: BACN10ZV4		
			OPTIONAL PART: BACC30BL8		
130	69B60110-1	..	SPACER-		8
			SUPPLIER CODE: V31645		
			OPTIONAL PART: 69B60110-4		
			V31645		
			USED ON: 451T1003-344		
			451T1003-380		
			451T1003-388		

ILLUSTRATION ITEMS NOT ON PARTS LIST ARE NOT APPLICABLE

— ITEM NOT ILLUSTRATED

HXL

25-53-03-07

BOEING PROPRIETARY - Copyright © - Unpublished Work - See title page for details.

25-53-03
FIG. 07
PAGE 4
AUG 22/09



767

PARTS CATALOG (MAINTENANCE)

FIG ITEM	PART NUMBER	1 2 3 4 5 6 7	NOMENCLATURE	EFFECT FROM TO	UNITS PER ASSY
7 130	69B60110-4		.. SPACER- SUPPLIER CODE: V31645 OPTIONAL PART: 69B60110-1 V31645 USED ON: 451T1003-344 451T1003-380 451T1003-388		8
130	7712570-1		.. SPACER- SUPPLIER CODE: V31645 USED ON: 451T1003-344 451T1003-380 451T1003-388		8
135	69B60735-1		.. ROLLER ASSY- SUPPLIER CODE: V31645 USED ON: 451T1003-344 451T1003-380 451T1003-388		8
135	7712571-1		.. ROLLER ASSY- SUPPLIER CODE: V31645 USED ON: 451T1003-344 451T1003-380 451T1003-388		8
138	SR340-168PS		... BEARING- SUPPLIER CODE: V75277 OPTIONAL PART: 594D V73134		2
138	594D		... BEARING- SUPPLIER CODE: V73134 OPTIONAL PART: SR340-168PS V75277		2
140	69B60734-1		... ROLLER- SUPPLIER CODE: V31645		1
140	69B60734-2		... ROLLER- SUPPLIER CODE: V31645		1

ILLUSTRATION ITEMS NOT ON PARTS LIST ARE NOT APPLICABLE

- ITEM NOT ILLUSTRATED

25-53-03-07

25-53-03
FIG. 07
PAGE 5
AUG 22/09

HXL

BOEING PROPRIETARY - Copyright © - Unpublished Work - See title page for details.

BOEING
767
PARTS CATALOG (MAINTENANCE)

FIG ITEM	PART NUMBER	1 2 3 4 5 6 7	NOMENCLATURE	EFFECT FROM TO	UNITS PER ASSY
7					
150	451T1003-346		.TRAY ASSY- SUPPLIER CODE: V31645 COMPONENT MAINT MANUAL REF: 25-53-02		1
150	7612106-1		.ROLLER TRAY ASSY- SUPPLIER CODE: V31645 SPECIFICATION NUMBER: S451T210-106 COMPONENT MAINT MANUAL REF: 25-51-02		1
155	451T1003-381		.TRAY ASSY- SUPPLIER CODE: V31645 COMPONENT MAINT MANUAL REF: 25-53-02		1
155	7612110-1		.ROLLER TRAY ASSY- SUPPLIER CODE: V31645 SPECIFICATION NUMBER: S451T210-110 COMPONENT MAINT MANUAL REF: 25-51-02		1
158	BACB30LH4-7		ATTACHING PARTS .BOLT		4
160	BACB30NR4K4		.BOLT		25
161	BACB30NR4K4		.BOLT		11
165	BACB30NR4K8		.BOLT		8
170	NAS1149D0416J		.WASHER-		25
173	NAS1149D0416J		.WASHER- -----*-----		19
ILLUSTRATION ITEMS NOT ON PARTS LIST ARE NOT APPLICABLE					

— ITEM NOT ILLUSTRATED

HXL

25-53-03-07

BOEING PROPRIETARY - Copyright © - Unpublished Work - See title page for details.

25-53-03
FIG. 07
PAGE 6
AUG 22/09

BOEING
767
PARTS CATALOG (MAINTENANCE)

FIG ITEM	PART NUMBER	1 2 3 4 5 6 7	NOMENCLATURE	EFFECT FROM TO	UNITS PER ASSY
7 175	HST10AG8-46		.. BOLT- SUPPLIER CODE: VOPTK6 SPECIFICATION NUMBER: BACB30VT8K46 OPTIONAL PART: HST10AG8-46 V06725 HST10AG8-46 V56878 HST10AG8-46 V73197 WC10K8-46 V60516 USED ON: 451T1003-101 451T1003-102 451T1003-346 451T1003-381		7
180	NAS1149D0463J		.. WASHER- USED ON: 451T1003-101 451T1003-102 451T1003-346 451T1003-381		14
R R R R R R R R R R R	185 BACC3OBL8		.. COLLAR- OPTIONAL PART: BACN10ZV4 USED ON: 451T1003-101 451T1003-102 451T1003-346 451T1003-381		7
185	CR6551-4		.. NUT- SUPPLIER CODE: VFO224 SPECIFICATION NUMBER: BACN10ZV4 OPTIONAL PART: BACC3OBL8		7

ILLUSTRATION ITEMS NOT ON PARTS LIST ARE NOT APPLICABLE

— ITEM NOT ILLUSTRATED

HXL

25-53-03-07

BOEING PROPRIETARY - Copyright © - Unpublished Work - See title page for details.

25-53-03
FIG. 07
PAGE 7
AUG 22/09



767

PARTS CATALOG (MAINTENANCE)

FIG ITEM	PART NUMBER	1 2 3 4 5 6 7	NOMENCLATURE	EFFECT FROM TO	UNITS PER ASSY
7 190	69B60110-1		.. SPACER- SUPPLIER CODE: V31645 OPTIONAL PART: 69B60110-4 V31645 USED ON: 451T1003-101 451T1003-102 451T1003-346 451T1003-381		7
190	69B60110-4		.. SPACER- SUPPLIER CODE: V31645 OPTIONAL PART: 69B60110-1 V31645		7
190	7712570-1		.. SPACER- SUPPLIER CODE: V31645		7
195	69B60735-1		.. ROLLER ASSY- SUPPLIER CODE: V31645 USED ON: 451T1003-101 451T1003-102 451T1003-346 451T1003-381		7
195	7712571-1		.. ROLLER ASSY- SUPPLIER CODE: V31645 USED ON: 451T1003-101 451T1003-102 451T1003-346 451T1003-381		7
198	SR340-168PS		... BEARING- SUPPLIER CODE: V75277 OPTIONAL PART: 594D V73134		2
198	594D		... BEARING- SUPPLIER CODE: V73134 OPTIONAL PART: SR340-168PS V75277		2

ILLUSTRATION ITEMS NOT ON PARTS LIST ARE NOT APPLICABLE

- ITEM NOT ILLUSTRATED

25-53-03-07

25-53-03
FIG. 07
PAGE 8
DEC 22/07

HXL

BOEING
767
PARTS CATALOG (MAINTENANCE)

FIG ITEM	PART NUMBER	1 2 3 4 5 6 7	NOMENCLATURE	EFFECT FROM TO	UNITS PER ASSY
7 200	69B60734-1		...ROLLER- SUPPLIER CODE: V31645		1
200	69B60734-2		...ROLLER- SUPPLIER CODE: V31645		1
225	451T1003-391		.TRAY ASSY- SUPPLIER CODE: V31645 COMPONENT MAINT MANUAL REF: 25-53-02 OPTIONAL PART: 451T1003-641 V31645		1
225	451T1003-641		.TRAY ASSY- SUPPLIER CODE: V31645 COMPONENT MAINT MANUAL REF: 25-53-02 OPTIONAL PART: 451T1003-391 V31645		1
225	7612123-1		.ROLLER TRAY ASSY- SUPPLIER CODE: V31645 SPECIFICATION NUMBER: S451T210-123 COMPONENT MAINT MANUAL REF: 25-51-02 ATTACHING PARTS		1
230	BACB30NR4K4		.BOLT		12
235	BACB30NR4K14		.BOLT		3
240	BACB30NR4K20		.BOLT		1
245	NAS1149D0416J		.WASHER- -----*-----		16
250	HST10AG8-46		..BOLT SUPPLIER CODE: VOPTK6 SPECIFICATION NUMBER: BACB30VT8K46 OPTIONAL PART: HST10AG8-46 V06725 HST10AG8-46 V56878 HST10AG8-46 V73197 WC10K8-46 V60516		7

ILLUSTRATION ITEMS NOT ON PARTS LIST ARE NOT APPLICABLE

- ITEM NOT ILLUSTRATED

HXL

25-53-03-07

BOEING PROPRIETARY - Copyright © - Unpublished Work - See title page for details.

25-53-03
FIG. 07
PAGE 9
APR 22/08

BOEING
767
PARTS CATALOG (MAINTENANCE)

FIG ITEM	PART NUMBER	1 2 3 4 5 6 7	NOMENCLATURE	EFFECT FROM TO	UNITS PER ASSY	
R R R R R R R R R R R R	7					
	255	NAS1149D0416J	..	WASHER-		14
	260	BACC30BL8	..	COLLAR-		7
				OPTIONAL PART:		
				BACN10ZV4		
	260	CR6551-4	..	NUT-		7
				SUPPLIER CODE:		
				VF0224		
				SPECIFICATION NUMBER:		
				BACN10ZV4		
				OPTIONAL PART:		
				BACC30BL8		
	265	69B60110-1	..	SPACER-		7
			SUPPLIER CODE:			
			V31645			
			OPTIONAL PART:			
			69B60110-4			
			V31645			
265	69B60110-4	..	SPACER-		7	
			SUPPLIER CODE:			
			V31645			
			OPTIONAL PART:			
			69B60110-1			
			V31645			
265	7712570-1	..	SPACER-		7	
			SUPPLIER CODE:			
			V31645			
270	69B60735-1	..	ROLLER ASSY-		7	
			SUPPLIER CODE:			
			V31645			
270	7712571-1	..	ROLLER ASSY-		7	
			SUPPLIER CODE:			
			V31645			
272	SR340-168PS	...	BEARING-		2	
			SUPPLIER CODE:			
			V75277			
			OPTIONAL PART:			
			594D			
			V73134			
272	594D	...	BEARING-		2	
			SUPPLIER CODE:			
			V73134			
			OPTIONAL PART:			
			SR340-168PS			
			V75277			
274	69B60734-1	...	ROLLER-		1	
			SUPPLIER CODE:			
			V31645			

ILLUSTRATION ITEMS NOT ON PARTS LIST ARE NOT APPLICABLE

- ITEM NOT ILLUSTRATED

HXL

25-53-03-07

BOEING PROPRIETARY - Copyright © - Unpublished Work - See title page for details.

25-53-03
FIG. 07
PAGE 10
AUG 22/09



767

PARTS CATALOG (MAINTENANCE)

FIG ITEM	PART NUMBER	1 2 3 4 5 6 7	NOMENCLATURE	EFFECT FROM TO	UNITS PER ASSY
7 274	69B60734-2		. . . ROLLER- SUPPLIER CODE: V31645		1
295	451T1009-22		. FILLER- SUPPLIER CODE: V31645 OPTIONAL PART: 451T1009-2 V31645		1
295	451T1009-2		. FILLER- SUPPLIER CODE: V31645 OPTIONAL PART: 451T1009-22 V31645		1

ILLUSTRATION ITEMS NOT ON PARTS LIST ARE NOT APPLICABLE

- ITEM NOT ILLUSTRATED

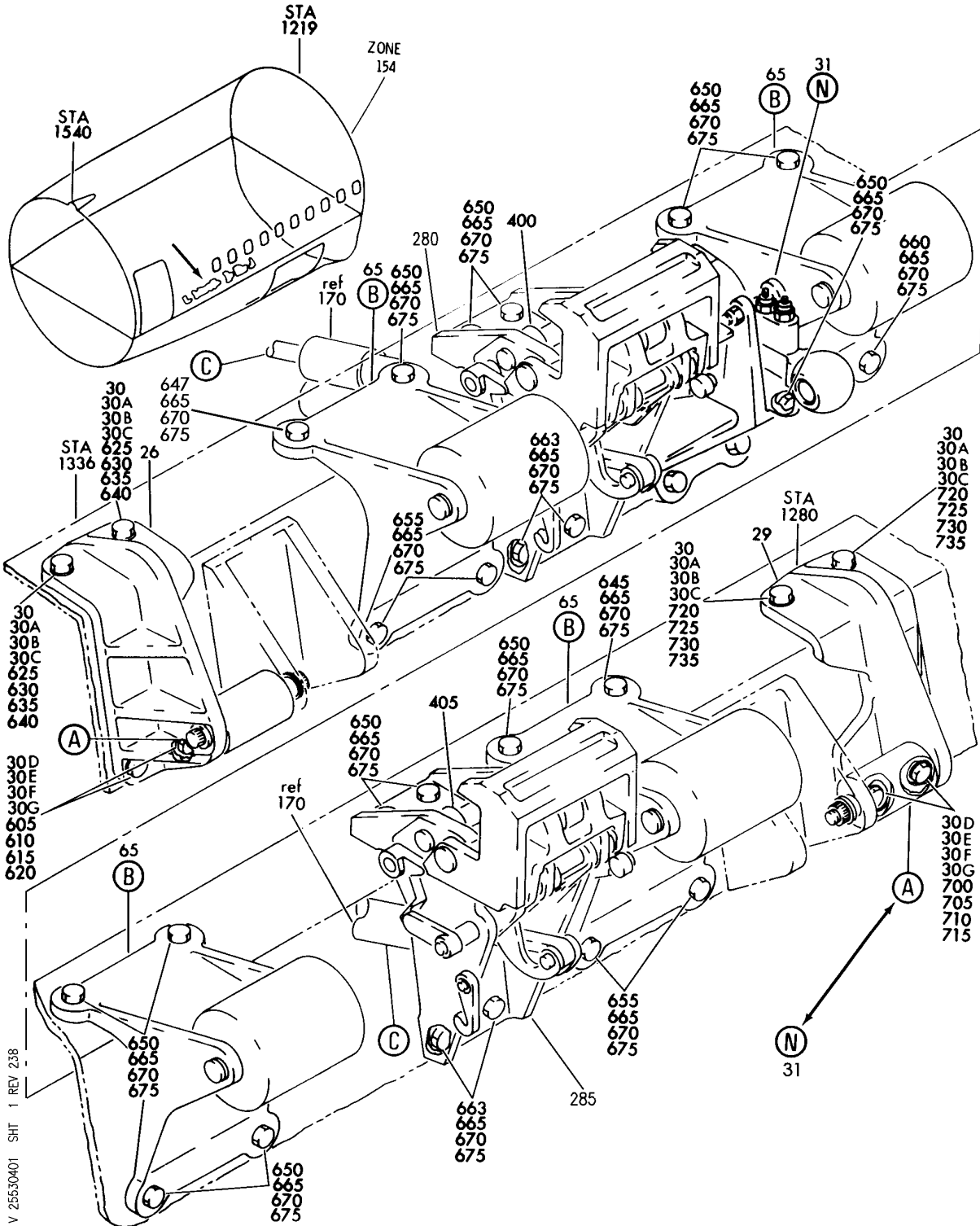
HXL

25-53-03-07

BOEING PROPRIETARY - Copyright © - Unpublished Work - See title page for details.

25-53-03
FIG. 07
PAGE 11
AUG 22/09

BOEING
767
PARTS CATALOG (MAINTENANCE)



V 25530401 SH 1 REV 238

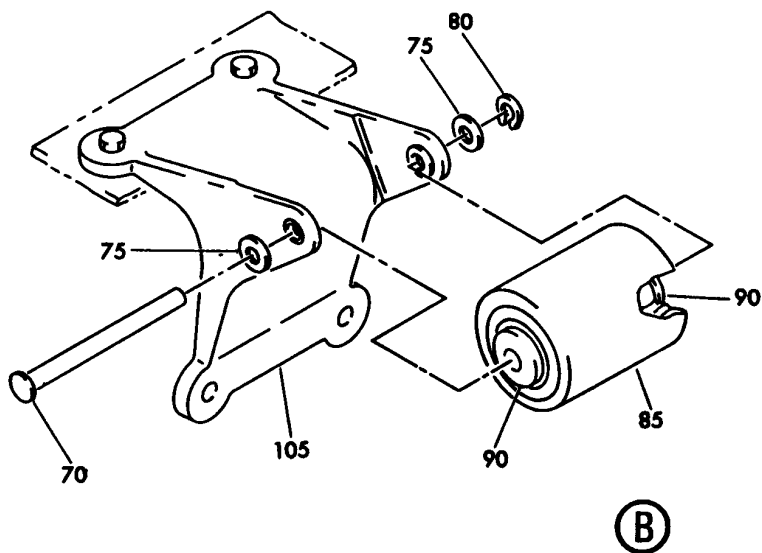
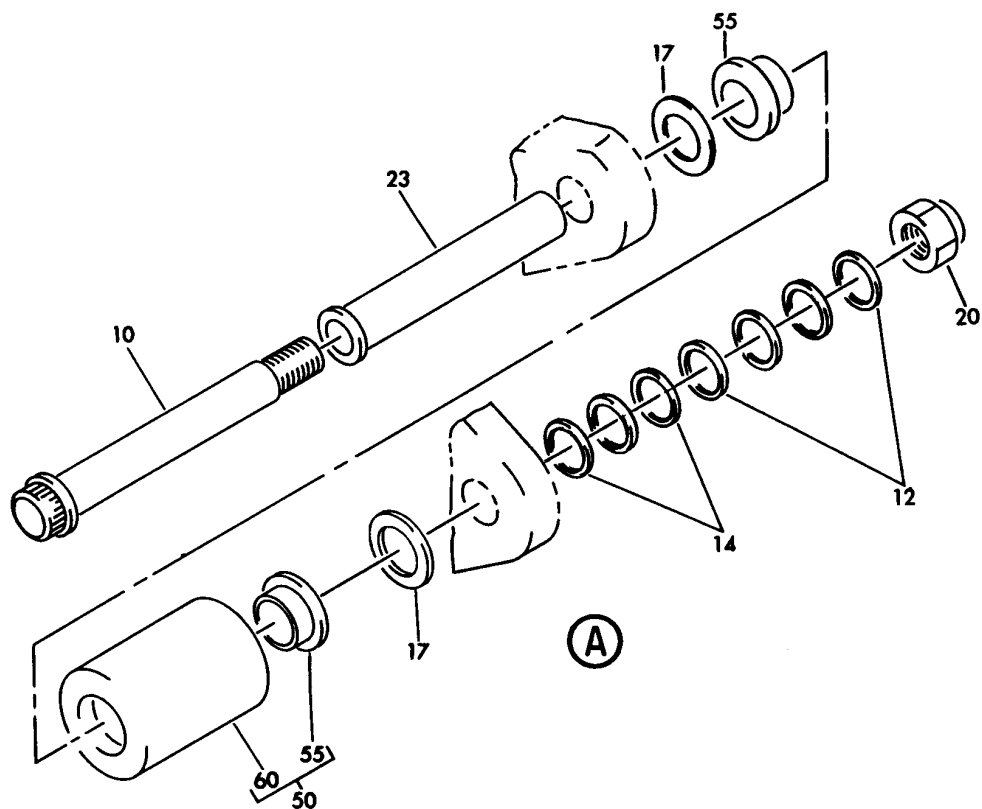
ROLLER AND ATTACHMENT FITTING INSTL-SECT. 46 AFT CARGO COMPT ROLLOUT STOP AND LOADER SILL SPRT
FIGURE 1 (SHEET 1)

HXL
DEC 22/06

25-53-04-01

25-53-04-01
PAGE 0

BOEING
767
PARTS CATALOG (MAINTENANCE)



V 25530401 SHT 2 REV 195

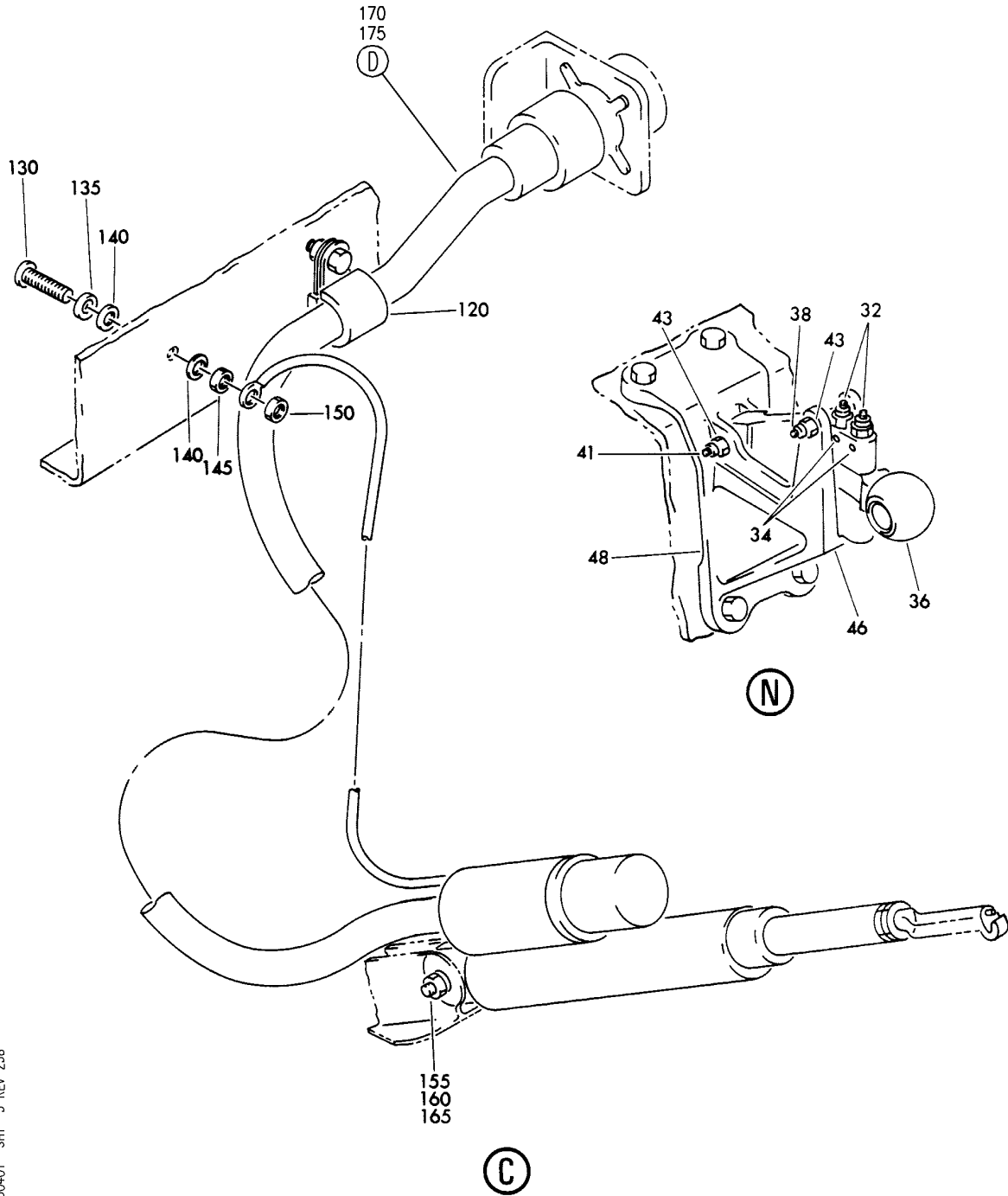
ROLLER AND ATTACHMENT FITTING INSTL-SECT. 46 AFT CARGO COMPT ROLLOUT STOP AND LOADER SILL SPRT
FIGURE 1 (SHEET 2)

25-53-04-01

HXL
DEC 22/06

25-53-04-01
PAGE 0A

BOEING
767
PARTS CATALOG (MAINTENANCE)



V 25530401 SHT 3 REV 238

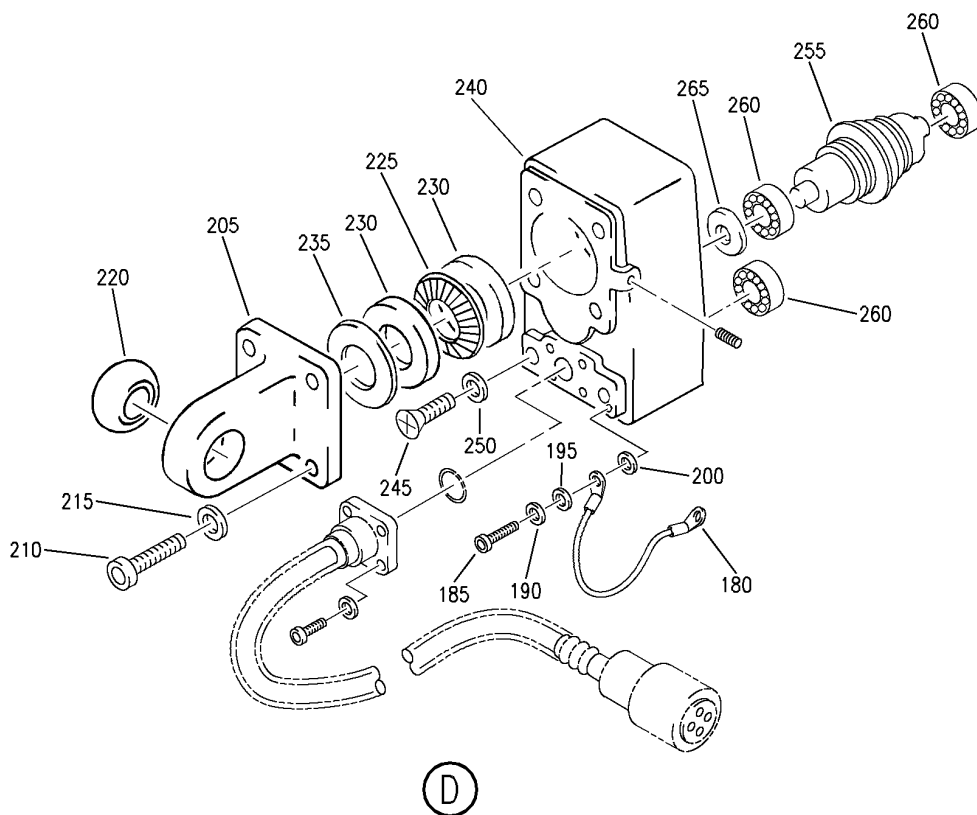
ROLLER AND ATTACHMENT FITTING INSTL-SECT. 46 AFT CARGO COMPT ROLLOUT STOP AND LOADER SILL SPRT
FIGURE 1 (SHEET 3)

HXL
DEC 22/06

25-53-04-01

25-53-04-01
PAGE 0B

BOEING
767
PARTS CATALOG (MAINTENANCE)



V 25530401 SHT 4 REV 238

ROLLER AND ATTACHMENT FITTING INSTL-SECT. 46 AFT CARGO COMPT ROLLOUT STOP AND LOADER SILL SPRT
FIGURE 1 (SHEET 4)

HXL
DEC 22/06

25-53-04-01

25-53-04-01
PAGE 0C

BOEING PROPRIETARY - Copyright © - Unpublished Work - See title page for details.



767

PARTS CATALOG (MAINTENANCE)

FIG ITEM	PART NUMBER	1 2 3 4 5 6 7	NOMENCLATURE	EFFECT FROM TO	UNITS PER ASSY
1			ROLLER AND ATTACHMENT FITTING INSTL-SECT. 46 AFT CARGO COMPT ROLLOUT STOP AND LOADER SILL SPRT		
- 5	451T1702-20		ROLLER INSTL-CARGO COMPT ROLLOUT STOP AND LOADER SILL SPRT POSITION DATA: SECT. 46 STA 1276 THRU STA 1340 AFT FOR NHA SEE: 25-50-00-01		RF
10	140T2645-3		.BOLT-		2
12	AN960JD616L		.WASHER-		8
14	AN960JD616		.WASHER-		6
17	452T1223-1		.WASHER-		4
			SUPPLIER CODE: V31645		
17	7425121-1		.WASHER-		4
			SUPPLIER CODE: V31645		
20	BRH10A5		.NUT-		2
			SUPPLIER CODE: V52828		
			SPECIFICATION NUMBER: BACN10JC5		
			OPTIONAL PART: T6S524J V11815 96-054 V80539 RMLH9075-5W V72962 H10-5BAC V15653		
23	BACB28Y6M170		.BUSHING-		2
26	452T2803-5		.FITTING ASSY-		1
			SUPPLIER CODE: V31645		
29	452T2803-6		.FITTING ASSY-		1
			SUPPLIER CODE: V31645		
			ATTACHING PARTS		
30	BACB30NR6K20		.BOLT-		4
30A	BACW10BP6CD		.WASHER-		4
30B	BACW10BP6DP		.WASHER-		4

ILLUSTRATION ITEMS NOT ON PARTS LIST ARE NOT APPLICABLE

- ITEM NOT ILLUSTRATED

25-53-04-01

25-53-04
FIG. 01
PAGE 1
DEC 22/07

HXL

 **BOEING**
767
PARTS CATALOG (MAINTENANCE)

FIG ITEM	PART NUMBER	1 2 3 4 5 6 7	NOMENCLATURE	EFFECT FROM TO	UNITS PER ASSY
1					
30C	BRH10A6		.NUT- SUPPLIER CODE: V52828 SPECIFICATION NUMBER: BACN10JC6 OPTIONAL PART: 96-064 V80539 RMLH9075-6 V72962 H10-6BAC V15653		4
30D	BACB30NR5K14		.BOLT-		4
30E	BACW10BP5CD		.WASHER-		4
30F	BACW10BP5DP		.WASHER-		4
30G	BRH10A5		.NUT- SUPPLIER CODE: V52828 SPECIFICATION NUMBER: BACN10JC5 OPTIONAL PART: T6S524J V11815 96-054 V80539 RMLH9075-5W V72962 H10-5BAC V15653		4
			-----*-----		
50	452T2804-3		.SPINDLE ASSY- SUPPLIER CODE: V31645		2
55	BACB28W8B025		..BUSHING-		2
60	452T2804-4		..SPINDLE- SUPPLIER CODE: V31645		1
65	451T1703-2		.ROLLER ASSY- SUPPLIER CODE: V31645 COMPONENT MAINT MANUAL REF: 25-53-10		4
65	451T1703-3		.ROLLER ASSY- SUPPLIER CODE: V31645		4
70	451T1705-1		..PIN- SUPPLIER CODE: V31645		1
75	AN960PD616L		..WASHER		2
ILLUSTRATION ITEMS NOT ON PARTS LIST ARE NOT APPLICABLE					

- ITEM NOT ILLUSTRATED

HXL

25-53-04-01

BOEING PROPRIETARY - Copyright © - Unpublished Work - See title page for details.

25-53-04
FIG. 01
PAGE 2
DEC 22/07



767

PARTS CATALOG (MAINTENANCE)

FIG ITEM	PART NUMBER	1 2 3 4 5 6 7	NOMENCLATURE	EFFECT FROM TO	UNITS PER ASSY
1					
80	MS16624-1037	..	RING		1
85	451T1704-1	..	ROLLER ASSY- SUPPLIER CODE: V31645		1
90	JKP6P310	...	BEARING SUPPLIER CODE: V40920 SPECIFICATION NUMBER: BACB10BY6 OPTIONAL PART: KP6TT V43991 LLKP6 V38443 KP6 V38443 KP6SD610 V83086 KP6G27 V30163		2
105	451T1706-4	..	BRACKET ASSY- SUPPLIER CODE: V31645		1
120	JM44LC13WD7R	.	CLAMP SUPPLIER CODE: V22175 SPECIFICATION NUMBER: BACC10GE7A OPTIONAL PART: S369WHD7 V18076 TA12C32WD7 V84971 509A7 V83930		2
- 125	NAS1801-3-8	.	ATTACHING PARTS SCREW- -----*-----		2
130	NAS1801-3-12	.	SCREW-		2
135	MS35338-43	.	WASHER-		2
140	AN960PD10L	.	WASHER-		4
140	AN960JD10L	.	WASHER-		4
145	MS35650-305T	.	NUT-		2

ILLUSTRATION ITEMS NOT ON PARTS LIST ARE NOT APPLICABLE

- ITEM NOT ILLUSTRATED

25-53-04-01

25-53-04
FIG. 01
PAGE 3
DEC 22/07

HXL

BOEING PROPRIETARY - Copyright © - Unpublished Work - See title page for details.



767

PARTS CATALOG (MAINTENANCE)

FIG ITEM	PART NUMBER	1 2 3 4 5 6 7	NOMENCLATURE	EFFECT FROM TO	UNITS PER ASSY
1 150	BRH10A3		.NUT- SUPPLIER CODE: V52828 SPECIFICATION NUMBER: BACN10JC3 OPTIONAL PART: H10-3BAC V15653 NS202101-02 V80539 RMLH9075-3W V72962 VN303A02 V92215 96-02 V80539 T6S1032J V11815		2
155	BACB30NF4-7		.BOLT-		2
160	AN960PD416		.WASHER-		2
160	AN960JD416		.WASHER-		2
165	BRH10A4		.NUT- SUPPLIER CODE: V52828 SPECIFICATION NUMBER: BACN10JC4 OPTIONAL PART: T6S428J V11815 96-048 V80539 VN303A048 V92215 RMLH9075-4W V72962 NS202101-048 V80539 H10-4BAC V15653		2
170	1827T100-3		.ACTUATOR-LINEAR SUPPLIER CODE: V98889 SPECIFICATION NUMBER: S452T201-2 COMPONENT MAINT MANUAL REF: 25-53-02 OPTIONAL PART: 1827T100-5 V60631		2

ILLUSTRATION ITEMS NOT ON PARTS LIST ARE NOT APPLICABLE

- ITEM NOT ILLUSTRATED

25-53-04-01

25-53-04
FIG. 01
PAGE 4
DEC 22/07

HXL



767

PARTS CATALOG (MAINTENANCE)

FIG ITEM	PART NUMBER	1 2 3 4 5 6 7	NOMENCLATURE	EFFECT FROM TO	UNITS PER ASSY
1 170	1827T100-5	.	ACTUATOR-LINEAR SUPPLIER CODE: V60631 SPECIFICATION NUMBER: S452T201-2 COMPONENT MAINT MANUAL REF: 25-53-02 OPTIONAL PART: 1827T100-3 V98889		2
170	1827T100-7	.	ACTUATOR-LINEAR SUPPLIER CODE: V60631 SPECIFICATION NUMBER: S452T201-3 COMPONENT MAINT MANUAL REF: 25-53-02		2
170	132VJ1RL13A	.	ACTUATOR ASSY-LINEAR SUPPLIER CODE: V31645 FUNCTIONAL DESCRIPTION: POSITIONS COMPONENTS OF THE CARGO HANDLING SYSTEM. SPECIFICATION NUMBER: S452T202-1 COMPONENT MAINT MANUAL REF: 25-55-03 OPTIONAL PART: 132VJ1RL13 V00462		2
170	132VJ1RL13	.	ACTUATOR ASSY-LINEAR SUPPLIER CODE: V00462 SPECIFICATION NUMBER: S452T202-1 COMPONENT MAINT MANUAL REF: 25-55-03 OPTIONAL PART: 132VJ1RL13A V00462		2
175	96282	..	ACTUATOR ASSY- SUPPLIER CODE: V00462 USED ON: 132VJ1RL13		1

ILLUSTRATION ITEMS NOT ON PARTS LIST ARE NOT APPLICABLE

- ITEM NOT ILLUSTRATED

HXL

25-53-04-01

BOEING PROPRIETARY - Copyright © - Unpublished Work - See title page for details.

25-53-04
FIG. 01
PAGE 5
AUG 22/08

 **BOEING**
767
PARTS CATALOG (MAINTENANCE)

FIG ITEM	PART NUMBER	1 2 3 4 5 6 7	NOMENCLATURE	EFFECT FROM TO	UNITS PER ASSY
1					
175	96418	..	ACTUATOR ASSY- SUPPLIER CODE: V00462 USED ON: 132VJ1RL13A		1
180	22058	...	STRAP-GND SUPPLIER CODE: V00462 ATTACHING PARTS		1
185	NAS1352-04-6P	...	SCREW		1
190	MS35338-40	...	WASHER		1
195	NAS620-4	...	WASHER		1
200	NAS620-4L	...	WASHER		1
			-----*-----		
205	150336	...	FITTING-END SUPPLIER CODE: V00462 ATTACHING PARTS		1
210	NAS1352-06H18P	...	SCREW		4
215	NAS620-6L	...	WASHER		4
			-----*-----		
220	150353	...	BALL-SELF-ALIGNING SUPPLIER CODE: V00462		1
225	146413	...	BEARING-THRUST SUPPLIER CODE: V00462		1
230	146440	...	WASHER- SUPPLIER CODE: V00462		2
235	886-276	...	SHIM- SUPPLIER CODE: V00462		AR
240	151260	...	HOUSING-MACHINED SUPPLIER CODE: V00462 CONFIG CHG DATA FROM A CMM: SUPSD BY 151784 USED ON: 96282		1
240	151784	...	HOUSING-MACHINED SUPPLIER CODE: V00462 ATTACHING PARTS		1
245	NAS1191-04P12L	...	SCREW		2
250	NAS620-4L	...	WASHER		2
			-----*-----		

ILLUSTRATION ITEMS NOT ON PARTS LIST ARE NOT APPLICABLE

- ITEM NOT ILLUSTRATED

HXL

25-53-04-01

BOEING PROPRIETARY - Copyright © - Unpublished Work - See title page for details.

25-53-04
FIG. 01
PAGE 6
DEC 22/07



767

PARTS CATALOG (MAINTENANCE)

FIG ITEM	PART NUMBER	1 2 3 4 5 6 7	NOMENCLATURE	EFFECT FROM TO	UNITS PER ASSY
1					
255	37414		...CLUTCH- SUPPLIER CODE: V00462		1
260	80383-3		...BEARING-BALL SUPPLIER CODE: V00462		3
265	886-115		...SHIM- SUPPLIER CODE: V00462		AR
400	452T1603-27		.STOP ASSY- SUPPLIER CODE: V31645 COMPONENT MAINT MANUAL REF: 25-53-25 FOR DETAILS SEE: 25-53-04-11		1
400	452T1603-33		.STOP ASSY- SUPPLIER CODE: V31645 COMPONENT MAINT MANUAL REF: 25-53-25 OPTIONAL PART: 452T1603-37 V31645 FOR DETAILS SEE: 25-53-04-11		1
400	452T1603-37		.STOP ASSY- SUPPLIER CODE: V31645 COMPONENT MAINT MANUAL REF: 25-53-25 FOR DETAILS SEE: 25-53-04-11		1
405	452T1603-28		.STOP ASSY- SUPPLIER CODE: V31645 COMPONENT MAINT MANUAL REF: 25-53-25 FOR DETAILS SEE: 25-53-04-11		1
405	452T1603-34		.STOP ASSY- SUPPLIER CODE: V31645 COMPONENT MAINT MANUAL REF: 25-53-25 FOR DETAILS SEE: 25-53-04-11		1

ILLUSTRATION ITEMS NOT ON PARTS LIST ARE NOT APPLICABLE

- ITEM NOT ILLUSTRATED

HXL

25-53-04-01

BOEING PROPRIETARY - Copyright © - Unpublished Work - See title page for details.

25-53-04
FIG. 01
PAGE 7
DEC 22/07



767

PARTS CATALOG (MAINTENANCE)

FIG ITEM	PART NUMBER	1 2 3 4 5 6 7	NOMENCLATURE	EFFECT FROM TO	UNITS PER ASSY
1					
405	452T1603-38		.STOP ASSY- SUPPLIER CODE: V31645 COMPONENT MAINT MANUAL REF: 25-53-25 FOR DETAILS SEE: 25-53-04-11		1
- 600	146T0014-3		SILL ATTACHMENT FITTING- INTEGRATION FOR NHA SEE: 53-60-00-08		RF
605	BACB30NR5K14		.BOLT-		2
610	BACW10BP5CD		.WASHER		2
615	BACW10BP5DP		.WASHER		2
620	BRH10A5		.NUT SUPPLIER CODE: V52828 SPECIFICATION NUMBER: BACN10JC5 OPTIONAL PART: T6S524J V11815 96-054 V80539 RMLH9075-5W V72962 H10-5BAC V15653		2
625	BACB30NR6K20		.BOLT-		2
630	BACW10BP6CD		.WASHER		2
635	BACW10BP6DP		.WASHER		2
640	BRH10A6		.NUT SUPPLIER CODE: V52828 SPECIFICATION NUMBER: BACN10JC6 OPTIONAL PART: 96-064 V80539 RMLH9075-6 V72962 H10-6BAC V15653		2
645	BACB30NR5K17		.BOLT		1
647	BACB30NR5K17		.BOLT		1
650	BACB30NR5K14		.BOLT		13
655	BACB30NR5K12		.BOLT		4
660	BACB30NR5K13		.BOLT		1
663	BACB30NR5K14		.BOLT		4

ILLUSTRATION ITEMS NOT ON PARTS LIST ARE NOT APPLICABLE

- ITEM NOT ILLUSTRATED

25-53-04-01

25-53-04
FIG. 01
PAGE 8
DEC 22/07

HXL



767

PARTS CATALOG (MAINTENANCE)

FIG ITEM	PART NUMBER	1 2 3 4 5 6 7	NOMENCLATURE	EFFECT FROM TO	UNITS PER ASSY
1					
665	BACW10BP5CD	.	WASHER		24
670	BACW10BP5DP	.	WASHER		24
675	BRH10A5	.	NUT		24
			SUPPLIER CODE: V52828		
			SPECIFICATION NUMBER: BACN10JC5		
			OPTIONAL PART: T6S524J		
			V11815		
			96-054		
			V80539		
			RMLH9075-5W		
			V72962		
			H10-5BAC		
			V15653		
700	BACB30NR5K14	.	BOLT-		2
705	BACW10BP5CD	.	WASHER		2
710	BACW10BP5DP	.	WASHER		2
715	BRH10A5	.	NUT		2
			SUPPLIER CODE: V52828		
			SPECIFICATION NUMBER: BACN10JC5		
			OPTIONAL PART: T6S524J		
			V11815		
			96-054		
			V80539		
			RMLH9075-5W		
			V72962		
			H10-5BAC		
			V15653		
720	BACB30NR6K20	.	BOLT-		2
725	BACW10BP6CD	.	WASHER		2
730	BACW10BP6DP	.	WASHER		2
735	BRH10A6	.	NUT		2
			SUPPLIER CODE: V52828		
			SPECIFICATION NUMBER: BACN10JC6		
			OPTIONAL PART: 96-064		
			V80539		
			RMLH9075-6		
			V72962		
			H10-6BAC		
			V15653		
ILLUSTRATION ITEMS NOT ON PARTS LIST ARE NOT APPLICABLE					

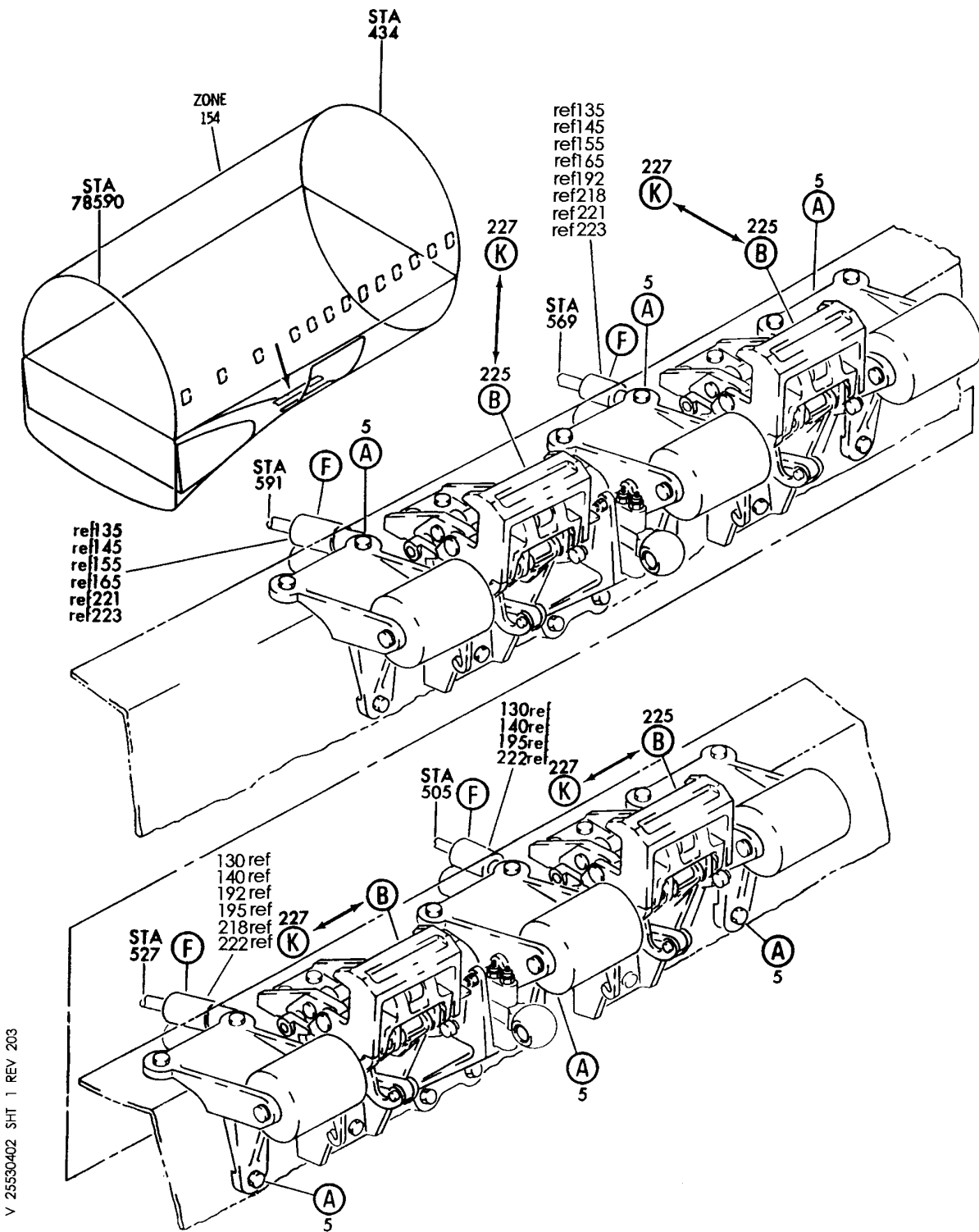
- ITEM NOT ILLUSTRATED

25-53-04-01

25-53-04
FIG. 01
PAGE 9
DEC 22/07

HXL


BOEING
 767
PARTS CATALOG (MAINTENANCE)



V 25530402 SHT 1 REV 203

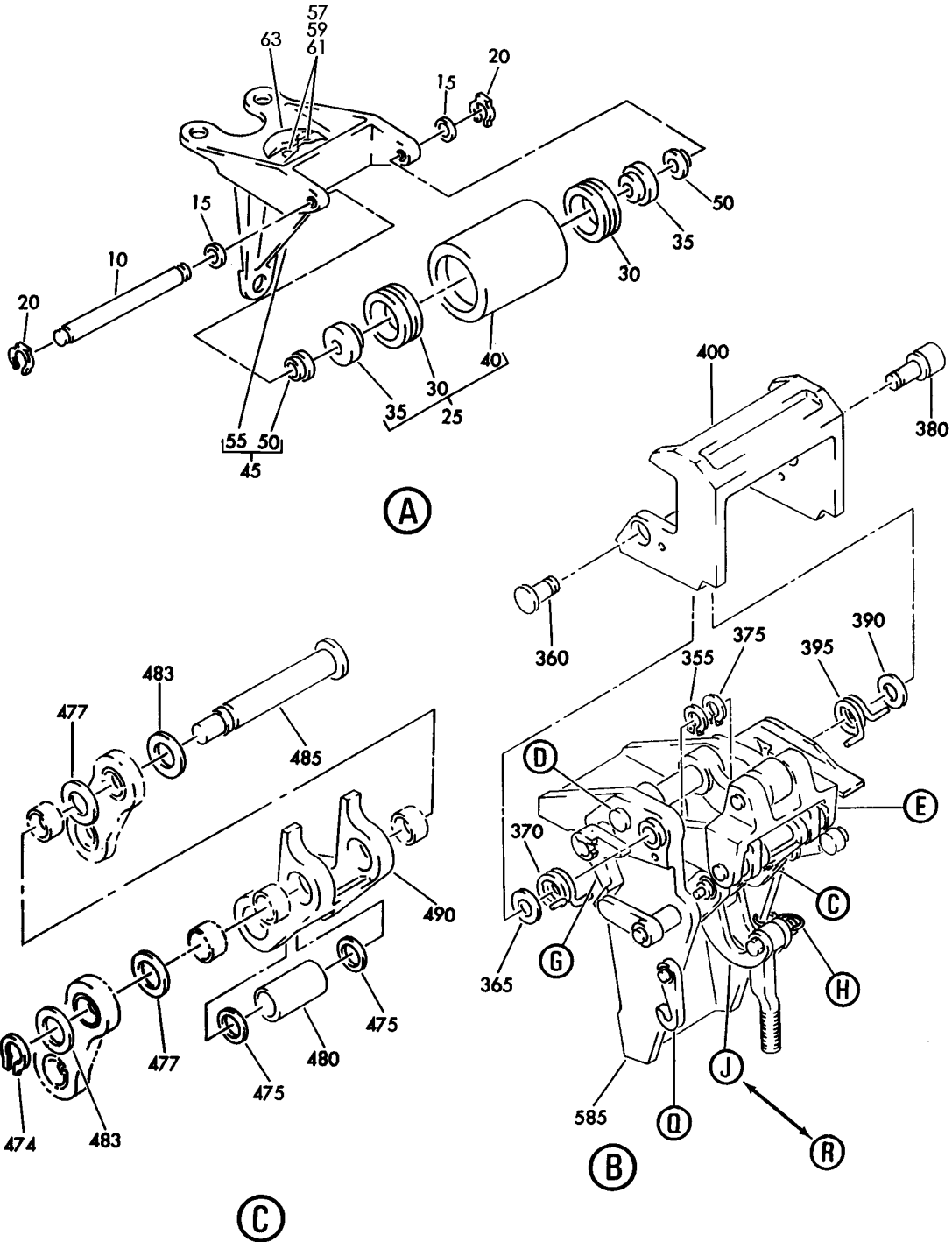
ROLLER INSTL-SECT. 43 FWD CARGO COMPT ROLLOUT STOP AND LOADER FTG SILL
 FIGURE 2 (SHEET 1)

HXL
DEC 22/06

25-53-04-02

25-53-04-02
 PAGE 0

BOEING
767
PARTS CATALOG (MAINTENANCE)



V 25530402 SHT 2 REV 228

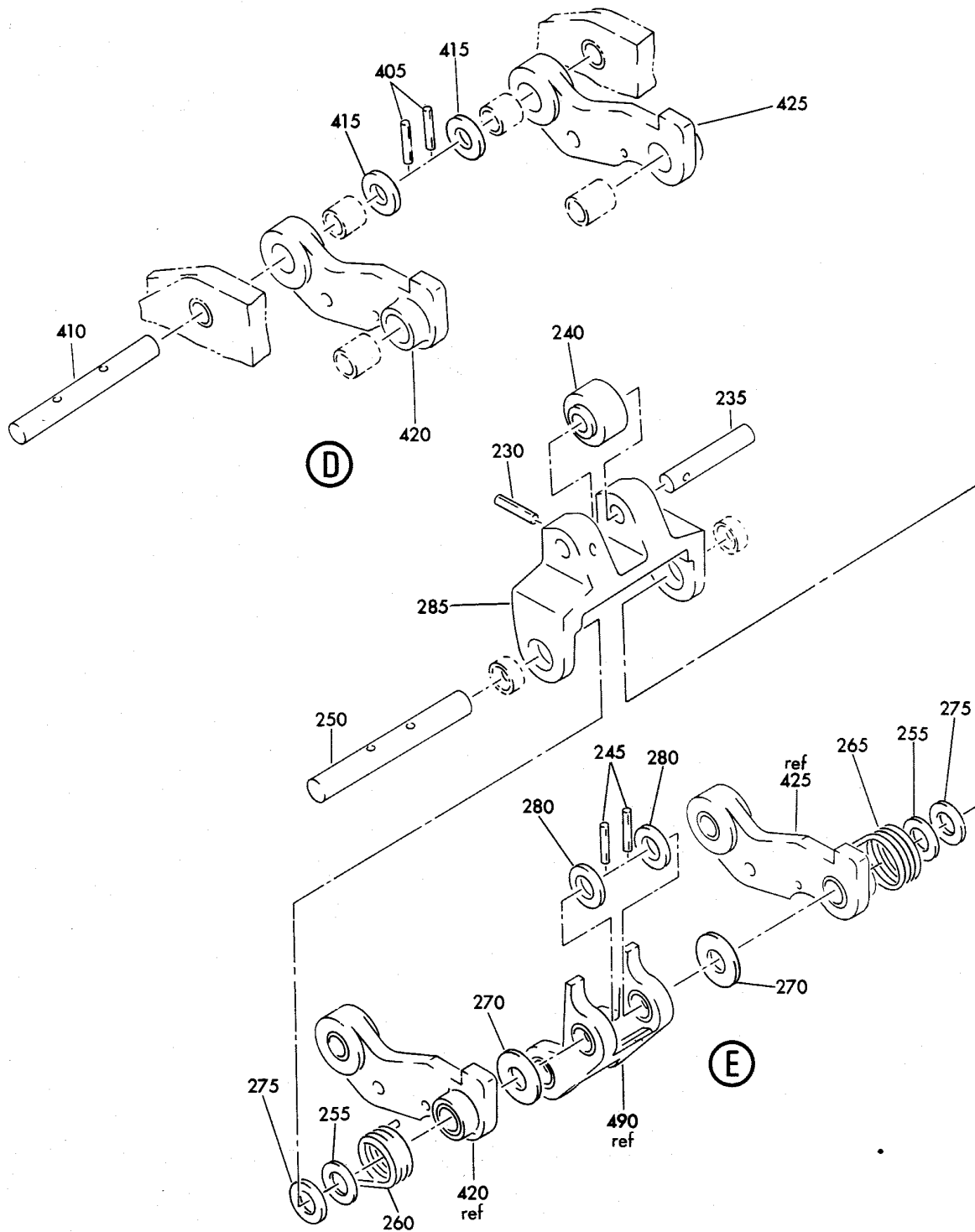
ROLLER INSTL-SECT. 43 FWD CARGO COMPT ROLLOUT STOP AND LOADER FTG SILL
FIGURE 2 (SHEET 2)

25-53-04-02

HXL
DEC 22/06

25-53-04-02
PAGE 0A

BOEING
767
PARTS CATALOG (MAINTENANCE)



V 25530402 SHIT 3 REV 032

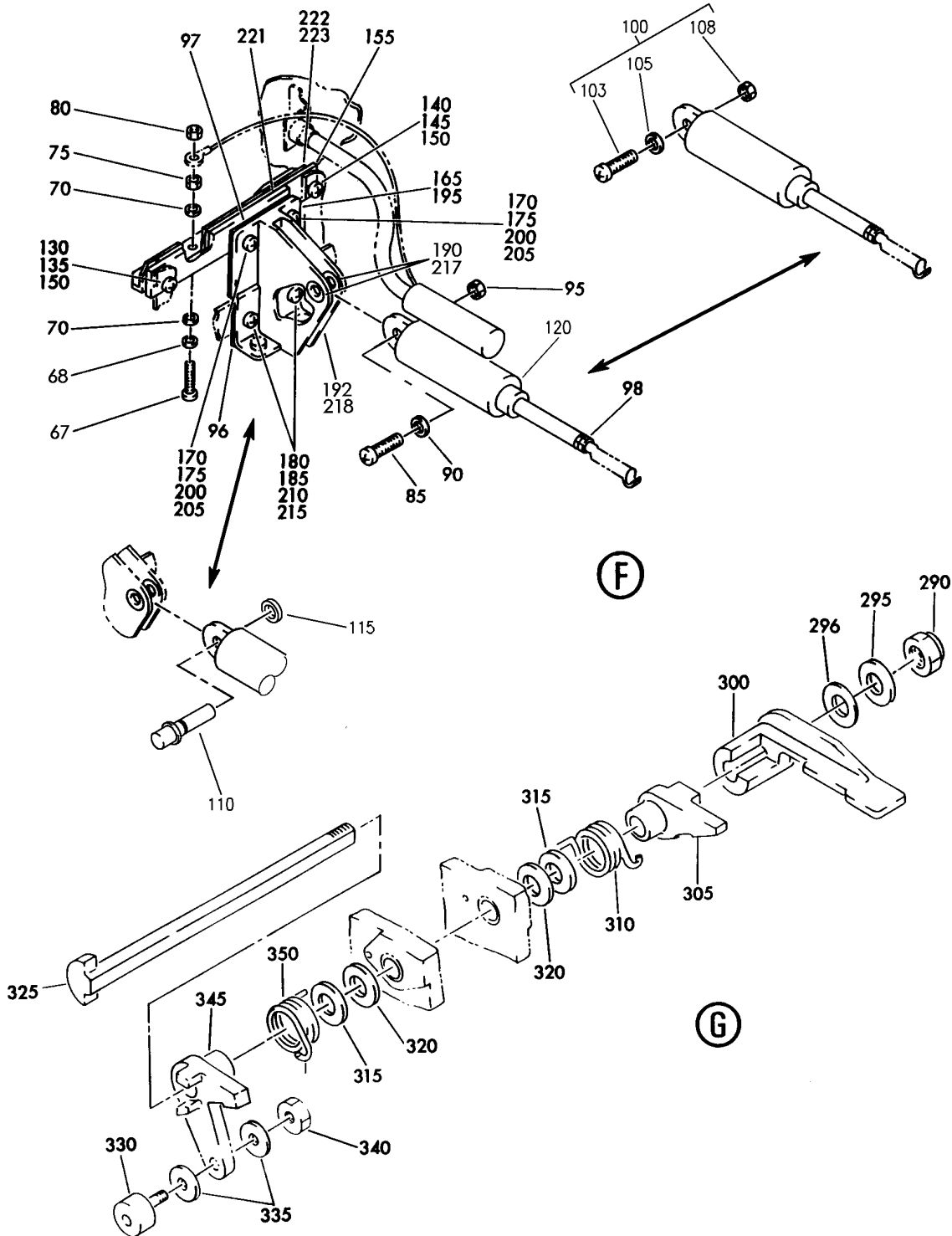
ROLLER INSTL-SECT. 43 FWD CARGO COMPT ROLLOUT STOP AND LOADER FTG SILL
FIGURE 2 (SHEET 3)

25-53-04-02

HXL
DEC 22/06

25-53-04-02
PAGE 0B


BOEING
 767
PARTS CATALOG (MAINTENANCE)



V 25530402 SHIT 4 REV 244

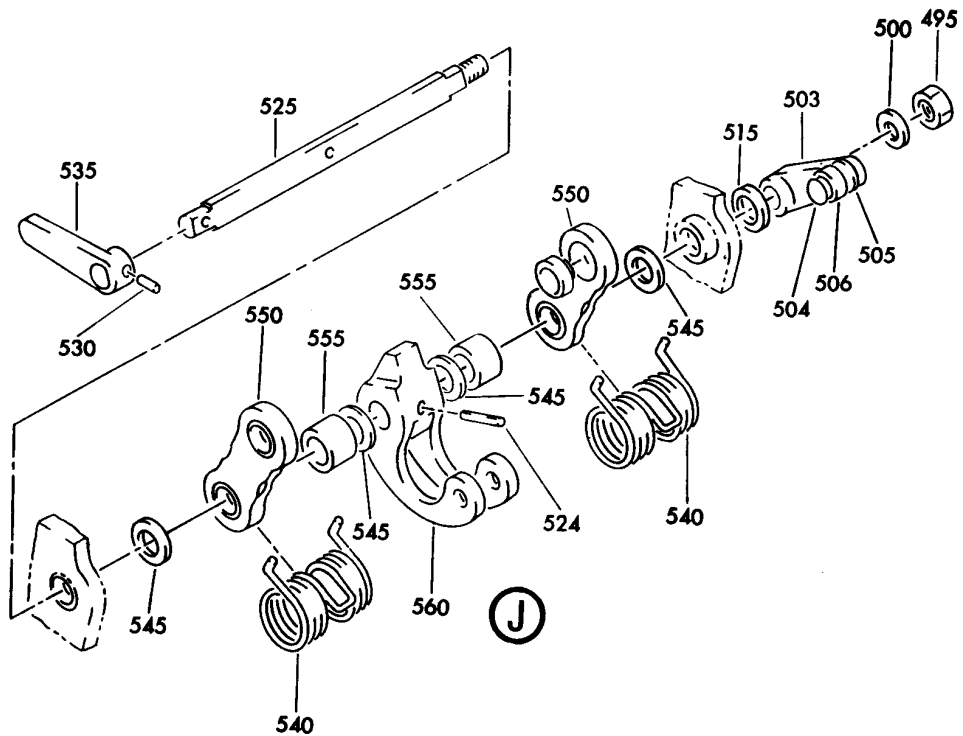
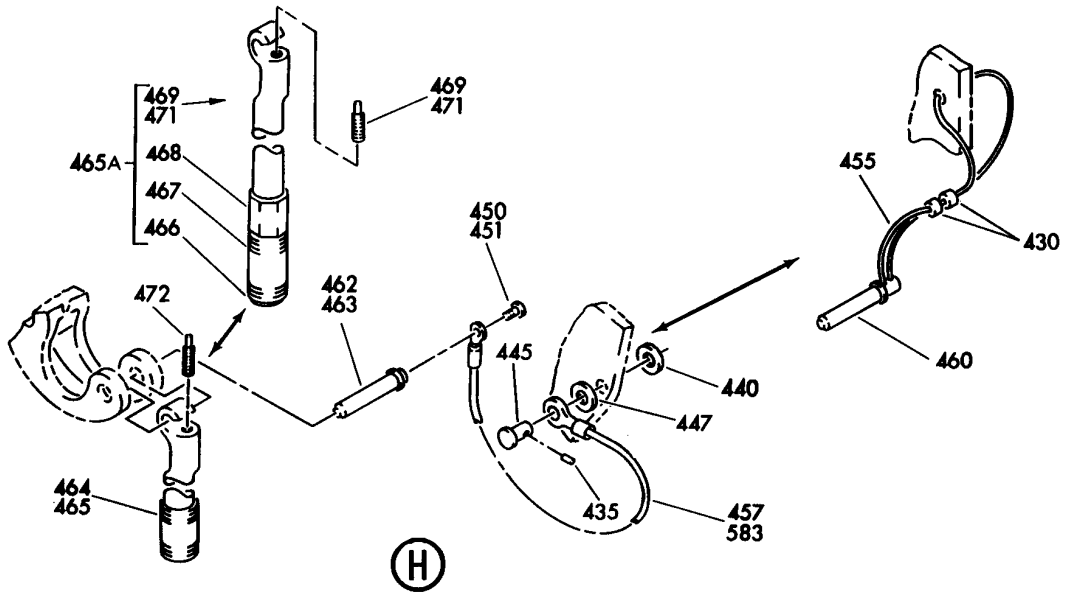
ROLLER INSTL-SECT. 43 FWD CARGO COMPT ROLLOUT STOP AND LOADER FTG SILL
 FIGURE 2 (SHEET 4)

25-53-04-02

HXL
DEC 22/06

25-53-04-02
 PAGE 0C

BOEING
767
PARTS CATALOG (MAINTENANCE)



V 25530402 SHT 5 REV 139

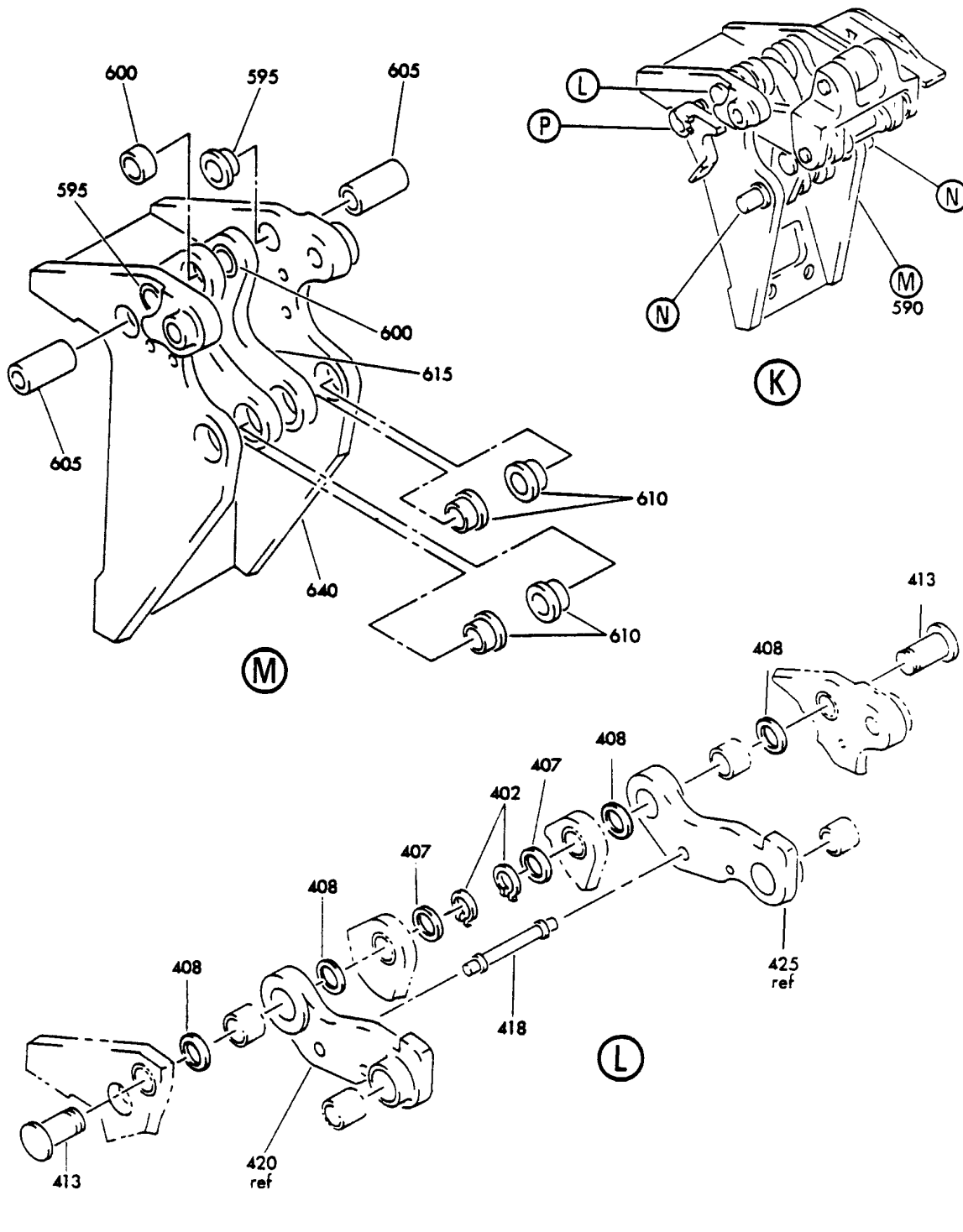
ROLLER INSTL-SECT. 43 FWD CARGO COMPT ROLLOUT STOP AND LOADER FTG SILL
FIGURE 2 (SHEET 5)

HXL
DEC 22/06

25-53-04-02

25-53-04-02
PAGE 0D

BOEING
767
PARTS CATALOG (MAINTENANCE)



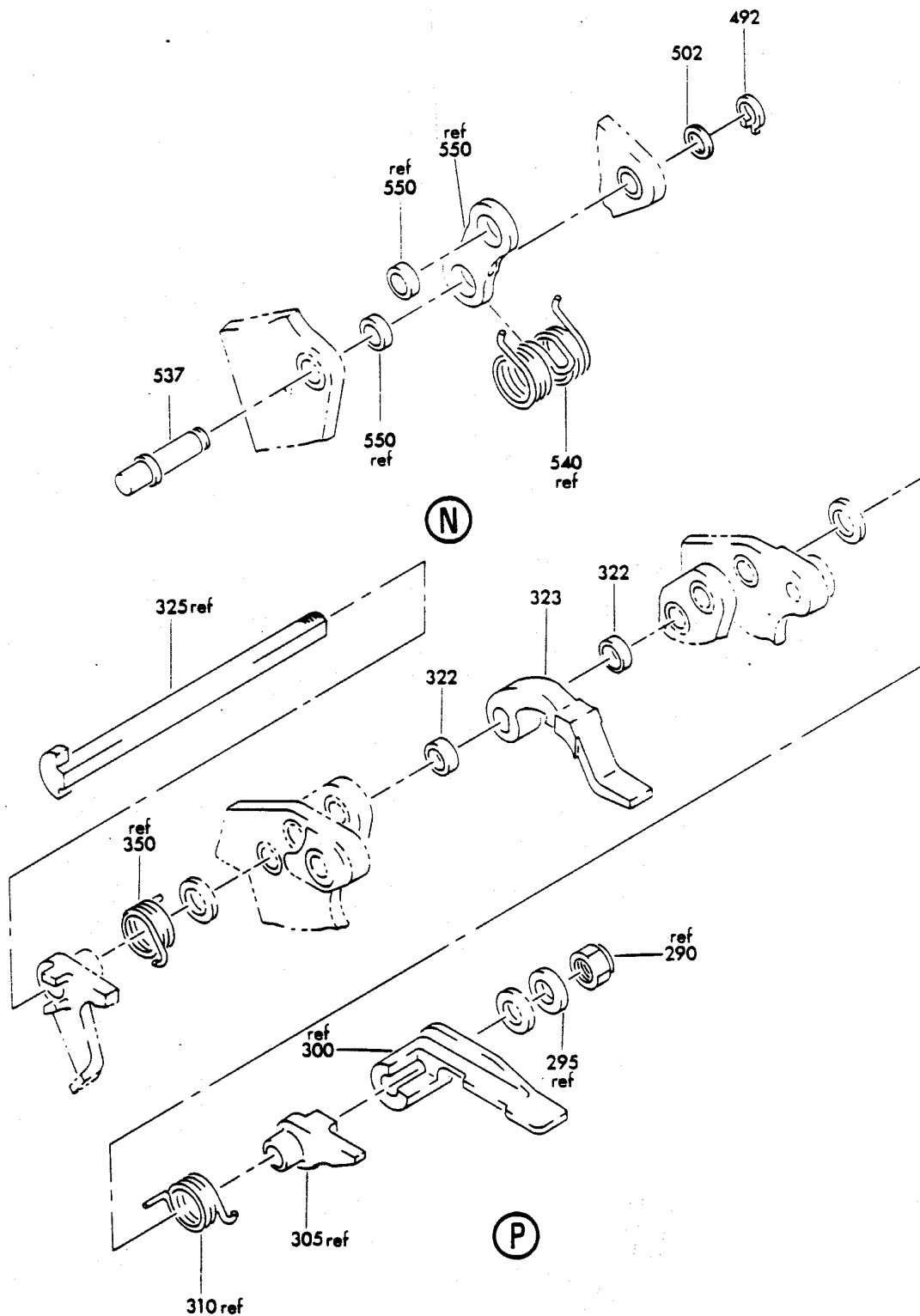
ROLLER INSTL-SECT. 43 FWD CARGO COMPT ROLLOUT STOP AND LOADER FTG SILL
FIGURE 2 (SHEET 6)

25-53-04-02

HXL
DEC 22/06

25-53-04-02
PAGE 0E

BOEING
767
PARTS CATALOG (MAINTENANCE)



V 25530402 SHT 7 REV 038

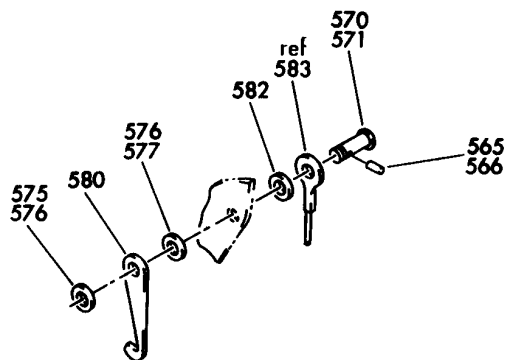
ROLLER INSTL-SECT. 43 FWD CARGO COMPT ROLLOUT STOP AND LOADER FTG SILL
FIGURE 2 (SHEET 7)

25-53-04-02

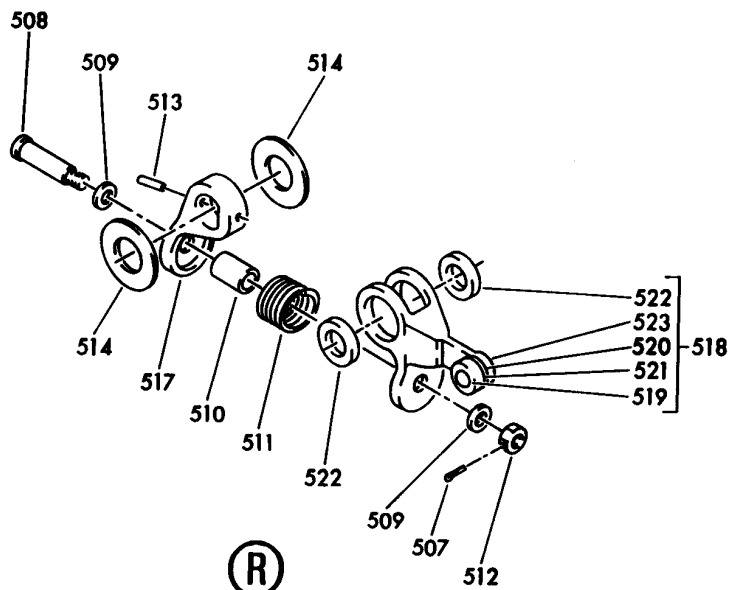
HXL
DEC 22/06

25-53-04-02
PAGE OF

BOEING
767
PARTS CATALOG (MAINTENANCE)



Q



R

V 25530402 SHT 8 REV 139

ROLLER INSTL-SECT. 43 FWD CARGO COMPT ROLLOUT STOP AND LOADER FTG SILL
FIGURE 2 (SHEET 8)

HXL
DEC 22/06

25-53-04-02

25-53-04-02
PAGE 06



767

PARTS CATALOG (MAINTENANCE)

FIG ITEM	PART NUMBER	1 2 3 4 5 6 7	NOMENCLATURE	EFFECT FROM TO	UNITS PER ASSY
2			ROLLER INSTL-SECT. 43 FWD CARGO COMPT ROLLOUT STOP AND LOADER FTG SILL		
- 1	451T1701-20		ROLLER INSTL-CARGO COMPT SILLROLLER ROLLOUT STOP AND LOADER		RF
			POSITION DATA: SECT. 43 FWD FOR NHA SEE: 25-50-00-01		
5	451T1721-1		.ROLLER ASSY- SUPPLIER CODE: V31645 COMPONENT MAINT MANUAL REF: 25-53-16 QUALIFIED I/W DATA: 451T1721-1 TOGETHER WITH ONE (1) 20050 ANCHOR PLATE AND TWO (2) EACH BACB30NN3K6 BOLTS, BACN10JC3CM NUTS, AND NAS1149D0363J WASHERS IS INTERCHANGEABLE WITH 451T1721-3		6
10	452T1110-3		..PIN- SUPPLIER CODE: V31645		1
15	AN960PD616L		..WASHER-		2
20	MS16624-1037		..RING-		2
25	451T1704-1		..ROLLER ASSY- SUPPLIER CODE: V31645		1
30	451T1708-1		...RETAINER- SUPPLIER CODE: V31645		2

ILLUSTRATION ITEMS NOT ON PARTS LIST ARE NOT APPLICABLE

- ITEM NOT ILLUSTRATED

HXL

25-53-04-02

BOEING PROPRIETARY - Copyright © - Unpublished Work - See title page for details.

25-53-04
FIG. 02
PAGE 1
DEC 22/07

 **BOEING**
767
PARTS CATALOG (MAINTENANCE)

FIG ITEM	PART NUMBER	1 2 3 4 5 6 7	NOMENCLATURE	EFFECT FROM TO	UNITS PER ASSY
2					
35	JKP6P310		... BEARING- SUPPLIER CODE: V40920 SPECIFICATION NUMBER: BACB10BY6 OPTIONAL PART: KP6TT V43991 LLKP6 V38443 KP6 V38443 KP6SD610 V83086 KP6G27 V30163		2
40	451T1707-1		... SHELL- SUPPLIER CODE: V31645		1
45	451T1722-1		.. BRACKET ASSY- SUPPLIER CODE: V31645		1
50	BACB28X6F031		... BUSHING		2
55	451T1722-2		... BRACKET- SUPPLIER CODE: V31645		1
67	NAS1801-3-12		. SCREW-		4
68	MS35338-43		. WASHER-		4
70	AN960JD10L		. WASHER-		8
75	MS35650-305T		. NUT-		4
80	MS21042L3		. NUT-		4
85	BACB30NF4-10		. BOLT-		4
90	AN960JD416		. WASHER-		4
95	MS21042L4		. NUT-		4
96	BACS40R11B20F		. SHIM-		4
97	BACS40R20A20F		. SHIM-		4
98	MS25082C20		. NUT-		4
120	1827T100-5		. ACTUATOR-LINEAR SUPPLIER CODE: V60631 SPECIFICATION NUMBER: S452T201-2 COMPONENT MAINT MANUAL REF: 25-53-02 OPTIONAL PART: 1827T100-3 V98889		4

ILLUSTRATION ITEMS NOT ON PARTS LIST ARE NOT APPLICABLE

- ITEM NOT ILLUSTRATED

HXL

25-53-04-02

BOEING PROPRIETARY - Copyright © - Unpublished Work - See title page for details.

25-53-04
FIG. 02
PAGE 2
APR 22/08



767

PARTS CATALOG (MAINTENANCE)

FIG ITEM	PART NUMBER	1 2 3 4 5 6 7	NOMENCLATURE	EFFECT FROM TO	UNITS PER ASSY
2 120	1827T100-7		.ACTUATOR-LINEAR SUPPLIER CODE: V60631 SPECIFICATION NUMBER: S452T201-3 COMPONENT MAINT MANUAL REF: 25-53-02		4
120	132VJ1RL13		.ACTUATOR ASSY- SUPPLIER CODE: V00462 SPECIFICATION NUMBER: S452T202-1 ELECTRICAL EQUIP NUMBER: M01034 M01035 M01036 M01037 COMPONENT MAINT MANUAL REF: 25-55-03 OPTIONAL PART: 132VJ1RL13A V00462		4
120	132VJ1RL13A		.ACTUATOR ASSY- SUPPLIER CODE: V31645 FUNCTIONAL DESCRIPTION: POSITIONS COMPONENTS OF THE CARGO HANDLING SYSTEM. SPECIFICATION NUMBER: S452T202-1 ELECTRICAL EQUIP NUMBER: M01034 M01035 M01036 M01037 COMPONENT MAINT MANUAL REF: 25-55-03 OPTIONAL PART: 132VJ1RL13 V00462		4

ILLUSTRATION ITEMS NOT ON PARTS LIST ARE NOT APPLICABLE

- ITEM NOT ILLUSTRATED

HXL

25-53-04-02

BOEING PROPRIETARY - Copyright © - Unpublished Work - See title page for details.

25-53-04
FIG. 02
PAGE 3
AUG 22/08



767

PARTS CATALOG (MAINTENANCE)

FIG ITEM	PART NUMBER	1 2 3 4 5 6 7	NOMENCLATURE	EFFECT FROM TO	UNITS PER ASSY
2 130	HST10AG6-5	.BOLT	SUPPLIER CODE: VOPTK6 SPECIFICATION NUMBER: BACB30VT6K5 OPTIONAL PART: HST10AG6-5 V06725 HST10AG6-5 V56878 HST10AG6-5 V73197 WC10K6-5 V60516		2
135	HST10AG6-9	.BOLT	SUPPLIER CODE: VOPTK6 SPECIFICATION NUMBER: BACB30VT6K9 OPTIONAL PART: HST10AG6-9 V06725 HST10AG6-9 V56878 HST10AG6-9 V73197 WC10K6-9 V60516		2
140	HST10AG6-4	.BOLT	SUPPLIER CODE: V06725 SPECIFICATION NUMBER: BACB30VT6K4 OPTIONAL PART: HST10AG6-4 V73197 HST10AG6-4 V56878 HST10AG6-4 VOPTK6 WC10K6-4 V60516		2

ILLUSTRATION ITEMS NOT ON PARTS LIST ARE NOT APPLICABLE

- ITEM NOT ILLUSTRATED

HXL

25-53-04-02

BOEING PROPRIETARY - Copyright © - Unpublished Work - See title page for details.

25-53-04
FIG. 02
PAGE 4
DEC 22/08

 **BOEING**
767
PARTS CATALOG (MAINTENANCE)

FIG ITEM	PART NUMBER	1 2 3 4 5 6 7	NOMENCLATURE	EFFECT FROM TO	UNITS PER ASSY
2					
145	HST10AG6-6		.BOLT- SUPPLIER CODE: VOPTK6 SPECIFICATION NUMBER: BACB30VT6K6 OPTIONAL PART: HST10AG6-6 V06725 HST10AG6-6 V56878 HST10AG6-6 V73197 WC10K6-6 V60516 POSITION DATA: STA 569 & 591		2
R 150	BACC3OBL6		.COLLAR		8
155	BACS4OR5B8F		.SHIM		2
165	452T1633-4		.FITTING ASSY-SPRT SUPPLIER CODE: V31645 ATTACHING PARTS		2
170	HST10AG6-6		.BOLT- SUPPLIER CODE: VOPTK6 SPECIFICATION NUMBER: BACB30VT6K6 OPTIONAL PART: HST10AG6-6 V06725 HST10AG6-6 V56878 HST10AG6-6 V73197 WC10K6-6 V60516		4
R 175	BACC3OBL6		.COLLAR-		4

ILLUSTRATION ITEMS NOT ON PARTS LIST ARE NOT APPLICABLE

- ITEM NOT ILLUSTRATED

HXL

25-53-04-02

BOEING PROPRIETARY - Copyright © - Unpublished Work - See title page for details.

25-53-04
FIG. 02
PAGE 5
AUG 22/09

 **BOEING**
767
PARTS CATALOG (MAINTENANCE)

FIG ITEM	PART NUMBER	1 2 3 4 5 6 7	NOMENCLATURE	EFFECT FROM TO	UNITS PER ASSY
2	180 HST10AG6-5		.BOLT- SUPPLIER CODE: VOPTK6 SPECIFICATION NUMBER: BACB30VT6K5 OPTIONAL PART: HST10AG6-5 V06725 HST10AG6-5 V56878 HST10AG6-5 V73197 WC10K6-5 V60516		4
R	185 BACC30BL6		.COLLAR- -----*-----		4
	190 BACB28Y4M015		..BUSHING		2
	192 452T1633-5		..FITTING-SPRT SUPPLIER CODE: V31645		1
	195 452T1633-1		.FITTING ASSY-SPRT SUPPLIER CODE: V31645		2
	200 HST10AG6-4		ATTACHING PARTS .BOLT- SUPPLIER CODE: V06725 SPECIFICATION NUMBER: BACB30VT6K4 OPTIONAL PART: HST10AG6-4 V73197 HST10AG6-4 V56878 HST10AG6-4 VOPTK6 WC10K6-4 V60516		4
R	205 BACC30BL6		.COLLAR-		4

ILLUSTRATION ITEMS NOT ON PARTS LIST ARE NOT APPLICABLE

- ITEM NOT ILLUSTRATED

HXL

25-53-04-02

BOEING PROPRIETARY - Copyright © - Unpublished Work - See title page for details.

25-53-04
FIG. 02
PAGE 6
AUG 22/09

BOEING
767
PARTS CATALOG (MAINTENANCE)

FIG ITEM	PART NUMBER	1 2 3 4 5 6 7	NOMENCLATURE	EFFECT FROM TO	UNITS PER ASSY
2	210 HST10AG6-5		.BOLT- SUPPLIER CODE: VOPTK6 SPECIFICATION NUMBER: BACB30VT6K5 OPTIONAL PART: HST10AG6-5 V06725 HST10AG6-5 V56878 HST10AG6-5 V73197 WC10K6-5 V60516		4
R	215 BACC30BL6		.COLLAR- -----*-----		4
	217 BACB28Y4M015		..BUSHING		2
	218 452T1633-2		..FITTING-SPRT SUPPLIER CODE: V31645		1
	221 BACF3F007V044AE		.FILLER-		2
	222 452T1634-3		.ANGLE- SUPPLIER CODE: V31645 OPTIONAL PART: 452T1634-5 V31645		2
	222 452T1634-5		.ANGLE- SUPPLIER CODE: V31645 OPTIONAL PART: 452T1634-3 V31645		2
	223 452T1634-4		.ANGLE- SUPPLIER CODE: V31645 OPTIONAL PART: 452T1634-6 V31645		2
	223 452T1634-6		.ANGLE- SUPPLIER CODE: V31645 OPTIONAL PART: 452T1634-4 V31645		2

ILLUSTRATION ITEMS NOT ON PARTS LIST ARE NOT APPLICABLE

- ITEM NOT ILLUSTRATED

HXL

25-53-04-02

BOEING PROPRIETARY - Copyright © - Unpublished Work - See title page for details.

25-53-04
FIG. 02
PAGE 7
AUG 22/09



767

PARTS CATALOG (MAINTENANCE)

FIG ITEM	PART NUMBER	1 2 3 4 5 6 7	NOMENCLATURE	EFFECT FROM TO	UNITS PER ASSY
2					
225	452T1630-6	.STOP ASSY-	SUPPLIER CODE: V31645 COMPONENT MAINT MANUAL REF: 25-53-26		4
225	452T1630-7	.STOP ASSY-	SUPPLIER CODE: V31645 COMPONENT MAINT MANUAL REF: 25-53-26		4
225	452T1630-8	.STOP ASSY-	SUPPLIER CODE: V31645 COMPONENT MAINT MANUAL REF: 25-53-26		4
225	452T1630-9	.STOP ASSY-	SUPPLIER CODE: V31645 COMPONENT MAINT MANUAL REF: 25-53-26		4
225	452T1630-10	.STOP ASSY-	SUPPLIER CODE: V31645 COMPONENT MAINT MANUAL REF: 25-53-26		4
230	MS16562-26	..PIN-			1
230	MS16562-214	..PIN-			1
235	452T1220-3	..PIN-	SUPPLIER CODE: V31645		1
240	69B60581-1	..ROLLER-	SUPPLIER CODE: V31645		1
245	MS16562-26	..PIN-			2
245	MS16562-214	..PIN-			2
250	452T1220-1	..PIN-	SUPPLIER CODE: V31645 USED ON: 452T1630-4		1
250	452T1220-5	..PIN-	SUPPLIER CODE: V31645 USED ON: 452T1630-5		1

ILLUSTRATION ITEMS NOT ON PARTS LIST ARE NOT APPLICABLE

- ITEM NOT ILLUSTRATED

25-53-04-02

25-53-04
FIG. 02
PAGE 8
AUG 22/09

HXL



767

PARTS CATALOG (MAINTENANCE)

FIG ITEM	PART NUMBER	1 2 3 4 5 6 7	NOMENCLATURE	EFFECT FROM TO	UNITS PER ASSY
2					
255	AN960PD616L	..	WASHER- USED ON: 452T1630-5 452T1630-6 452T1630-7 452T1630-8		2
255	AN960JD616L	..	WASHER-		2
255	NAS1149C0632R	..	WASHER- USED ON: 452T1630-10		2
260	69B60593-4	..	SPRING- SUPPLIER CODE: V31645		1
265	69B60593-3	..	SPRING- SUPPLIER CODE: V31645		1
270	69B60259-4	..	WASHER- SUPPLIER CODE: V31645 USED ON: 452T1630-4		2
270	452T1223-1	..	WASHER- SUPPLIER CODE: V31645 OPTIONAL PART: 452T1223-3 V31645 USED ON: 452T1630-5		2
270	452T1223-3	..	WASHER- SUPPLIER CODE: V31645 OPTIONAL PART: 452T1223-1 V31645 USED ON: 452T1630-5		2
270	7425121-1	..	WASHER- SUPPLIER CODE: V31645 USED ON: 452T1630-5		2
280	AN960PD616	..	WASHER- USED ON: 452T1630-5 452T1630-6 452T1630-7 452T1630-8		2
280	AN960JD616	..	WASHER-		2

ILLUSTRATION ITEMS NOT ON PARTS LIST ARE NOT APPLICABLE

- ITEM NOT ILLUSTRATED

HXL

25-53-04-02

BOEING PROPRIETARY - Copyright © - Unpublished Work - See title page for details.

25-53-04
FIG. 02
PAGE 9
AUG 22/09

 **BOEING**
767
PARTS CATALOG (MAINTENANCE)

FIG ITEM	PART NUMBER	1 2 3 4 5 6 7	NOMENCLATURE	EFFECT FROM TO	UNITS PER ASSY
2					
280	NAS1149D0663J		.. WASHER- USED ON: 452T1630-10		2
285	452T1639-1		.. GUIDE-LIP SUPPLIER CODE: V31645 USED ON: 452T1630-6 452T1630-7 452T1630-8 452T1630-9 452T1630-10		1
290	MS21042L4		.. NUT-		1
290	PLH54CM		.. NUT- SUPPLIER CODE: V62554 SPECIFICATION NUMBER: BACN10YR4CM OPTIONAL PART: H52732-4CM V15653		1
295	AN960-416L		.. WASHER- USED ON: 452T1630-5 452T1630-6 452T1630-7		AR
295	NAS1149C0432R		.. WASHER- USED ON: 452T1630-10		AR
296	AN960-516L		.. WASHER- USED ON: 452T1630-5 452T1630-6 452T1630-7		AR
296	NAS1149C0532R		.. WASHER- USED ON: 452T1630-10		AR
300	452T1205-13		.. PEDAL- SUPPLIER CODE: V31645 USED ON: 452T1630-6 452T1630-7 452T1630-8 452T1630-9 452T1630-10		1

ILLUSTRATION ITEMS NOT ON PARTS LIST ARE NOT APPLICABLE

— ITEM NOT ILLUSTRATED

HXL

25-53-04-02

BOEING PROPRIETARY - Copyright © - Unpublished Work - See title page for details.

25-53-04
FIG. 02
PAGE 10
AUG 22/09



767

PARTS CATALOG (MAINTENANCE)

FIG ITEM	PART NUMBER	1 2 3 4 5 6 7	NOMENCLATURE	EFFECT FROM TO	UNITS PER ASSY
2 305	452T1212-4	..	PAWL- SUPPLIER CODE: V31645 USED ON: 452T1630-4		1
305	452T1212-12	..	PAWL- SUPPLIER CODE: V31645 USED ON: 452T1630-5		1
310	69B60597-4	..	SPRING- SUPPLIER CODE: V31645 USED ON: 452T1630-5		1
315	BACW10P90S	..	WASHER- USED ON: 452T1630-5 452T1630-6 452T1630-7 452T1630-8 452T1630-9 452T1630-10		AR
320	452T1223-2	..	WASHER- SUPPLIER CODE: V31645 QUALIFIED I/W DATA: (-5) FULLEY I/W FOR 767 ONLY OPTIONAL PART: 452T1223-4 V31645 USED ON: 452T1630-5		2
320	69B60259-5	..	WASHER- SUPPLIER CODE: V31645 QUALIFIED I/W DATA: (-2) FULLEY I/W FOR 767 ONLY USED ON: 452T1630-4		2

ILLUSTRATION ITEMS NOT ON PARTS LIST ARE NOT APPLICABLE

- ITEM NOT ILLUSTRATED

HXL

25-53-04-02

BOEING PROPRIETARY - Copyright © - Unpublished Work - See title page for details.

25-53-04
FIG. 02
PAGE 11
AUG 22/09



767

PARTS CATALOG (MAINTENANCE)

FIG ITEM	PART NUMBER	1 2 3 4 5 6 7	NOMENCLATURE	EFFECT FROM TO	UNITS PER ASSY
2 320	452T1223-4		.. WASHER- SUPPLIER CODE: V31645 QUALIFIED I/W DATA: FULLY I/W FOR 767 ONLY OPTIONAL PART: 452T1223-2 V31645 USED ON: 452T1630-5		2
325	452T1615-4		.. SHAFT- SUPPLIER CODE: V31645 USED ON: 452T1630-5		1
330	HRS1CFR3		.. CAM FOLLOWER- SUPPLIER CODE: V07484 SPECIFICATION NUMBER: BACB10AF3F3HS OPTIONAL PART: HRS1CFR3 V92563 HRS1CFR3 V60380 USED ON: 452T1630-5 452T1630-6 452T1630-7 452T1630-8 452T1630-9 452T1630-10		1
335	AN960-10L		.. WASHER- USED ON: 452T1630-5 452T1630-6 452T1630-7 452T1630-8 452T1630-9		2
335	NAS1149F0332P		.. WASHER- USED ON: 452T1630-10		2
340	MS21042L3		.. NUT-		1

ILLUSTRATION ITEMS NOT ON PARTS LIST ARE NOT APPLICABLE

- ITEM NOT ILLUSTRATED

HXL

25-53-04-02

BOEING PROPRIETARY - Copyright © - Unpublished Work - See title page for details.

25-53-04
FIG. 02
PAGE 12
AUG 22/09



767

PARTS CATALOG (MAINTENANCE)

FIG ITEM	PART NUMBER	1 2 3 4 5 6 7	NOMENCLATURE	EFFECT FROM TO	UNITS PER ASSY
2					
340	PLH53CD		..NUT- SUPPLIER CODE: VF0224 SPECIFICATION NUMBER: BACN10YR3CD OPTIONAL PART: H52732-3CD V15653		1
345	452T1610-7		..PAWL- SUPPLIER CODE: V31645 USED ON: 452T1630-5 452T1630-6 452T1630-7 452T1630-8 452T1630-9 452T1630-10		1
350	69B60597-3		..SPRING- SUPPLIER CODE: V31645 USED ON: 452T1630-5 452T1630-6 452T1630-7 452T1630-8 452T1630-9 452T1630-10		1
355	MS16624-1031		..RING		1
360	452T1218-5		..PIN- SUPPLIER CODE: V31645 USED ON: 452T1630-4		1
360	452T1218-11		..PIN- SUPPLIER CODE: V31645 USED ON: 452T1630-5		1
365	69B60259-5		..WASHER- SUPPLIER CODE: V31645 QUALIFIED I/W DATA: (-2) FULLEY I/W FOR 767 ONLY USED ON: 452T1630-4		1

ILLUSTRATION ITEMS NOT ON PARTS LIST ARE NOT APPLICABLE

- ITEM NOT ILLUSTRATED

25-53-04-02

25-53-04
FIG. 02
PAGE 13
AUG 22/09

HXL

BOEING PROPRIETARY - Copyright © - Unpublished Work - See title page for details.



767

PARTS CATALOG (MAINTENANCE)

FIG ITEM	PART NUMBER	1 2 3 4 5 6 7	NOMENCLATURE	EFFECT FROM TO	UNITS PER ASSY
2 365	452T1223-2		.. WASHER- SUPPLIER CODE: V31645 QUALIFIED I/W DATA: (-5) FULLY I/W FOR 767 ONLY OPTIONAL PART: 452T1223-4 V31645 USED ON: 452T1630-5		1
365	452T1223-4		.. WASHER- SUPPLIER CODE: V31645 QUALIFIED I/W DATA: FULLY I/W FOR 767 ONLY OPTIONAL PART: 452T1223-2 V31645 USED ON: 452T1630-5		1
370	69B60594-3		.. SPRING- SUPPLIER CODE: V31645		1
375	MS16624-1031		.. RING		1
380	452T1218-9		.. PIN- SUPPLIER CODE: V31645 USED ON: 452T1630-4		1
380	452T1218-12		.. PIN- SUPPLIER CODE: V31645 USED ON: 452T1630-5		1
390	69B60259-5		.. WASHER- SUPPLIER CODE: V31645 QUALIFIED I/W DATA: (-2) FULLY I/W FOR 767 ONLY USED ON: 452T1630-4		1

ILLUSTRATION ITEMS NOT ON PARTS LIST ARE NOT APPLICABLE

- ITEM NOT ILLUSTRATED

HXL

25-53-04-02

BOEING PROPRIETARY - Copyright © - Unpublished Work - See title page for details.

25-53-04
FIG. 02
PAGE 14
AUG 22/09



767

PARTS CATALOG (MAINTENANCE)

FIG ITEM	PART NUMBER	1 2 3 4 5 6 7	NOMENCLATURE	EFFECT FROM TO	UNITS PER ASSY
2 390	452T1223-2		.. WASHER- SUPPLIER CODE: V31645 QUALIFIED I/W DATA: (-5) FULLY I/W FOR 767 ONLY OPTIONAL PART: 452T1223-4 V31645 USED ON: 452T1630-5		1
390	452T1223-4		.. WASHER- SUPPLIER CODE: V31645 QUALIFIED I/W DATA: FULLY I/W FOR 767 ONLY OPTIONAL PART: 452T1223-2 V31645 USED ON: 452T1630-5		1
395	69B60594-4		.. SPRING- SUPPLIER CODE: V31645		1
400	452T1640-1		.. RESTRAINT ASSY- SUPPLIER CODE: V31645 USED ON: 452T1630-6 452T1630-7 452T1630-8		1
400	452T1640-15		.. RESTRAINT ASSY- SUPPLIER CODE: V31645 OPTIONAL PART: 452T1640-19 V31645		1
400	452T1640-19		.. HOGOUT- SUPPLIER CODE: V31645 OPTIONAL PART: 452T1640-15 V31645		1
405	MS16562-26		.. PIN-		2
405	MS16562-214		.. PIN-		2

ILLUSTRATION ITEMS NOT ON PARTS LIST ARE NOT APPLICABLE

- ITEM NOT ILLUSTRATED

25-53-04-02

25-53-04
FIG. 02
PAGE 15
AUG 22/09

HXL

BOEING PROPRIETARY - Copyright © - Unpublished Work - See title page for details.



767

PARTS CATALOG (MAINTENANCE)

FIG ITEM	PART NUMBER	1 2 3 4 5 6 7	NOMENCLATURE	EFFECT FROM TO	UNITS PER ASSY
2					
410	452T1220-2	..	PIN- SUPPLIER CODE: V31645 USED ON: 452T1630-4		1
410	452T1220-6	..	PIN- SUPPLIER CODE: V31645 USED ON: 452T1630-5		1
415	AN960JD616	..	WASHER-		2
415	NAS1149C0663R	..	WASHER- USED ON: 452T1630-10		2
420	452T1204-12	..	LINK ASSY- SUPPLIER CODE: V31645		1
425	452T1204-11	..	LINK ASSY- SUPPLIER CODE: V31645		1
435	MS16562-14	..	PIN- USED ON: 452T1630-5 452T1630-6 452T1630-7 452T1630-8		1
440	AN960PD416	..	WASHER- USED ON: 452T1630-5 452T1630-6 452T1630-7		1
440	AN960JD416	..	WASHER-		1
445	BACP18T4-11	..	PIN- USED ON: 452T1630-5 452T1630-6 452T1630-7		1
450	NAS1352C04LB4P	..	SCREW- USED ON: 452T1630-5 452T1630-6 452T1630-7		1
451	NAS1352N04LB4P	..	SCREW-		1

ILLUSTRATION ITEMS NOT ON PARTS LIST ARE NOT APPLICABLE

- ITEM NOT ILLUSTRATED

25-53-04-02

25-53-04
FIG. 02
PAGE 16
AUG 22/09

HXL

BOEING PROPRIETARY - Copyright © - Unpublished Work - See title page for details.

 **BOEING**
767
PARTS CATALOG (MAINTENANCE)

FIG ITEM	PART NUMBER	1 2 3 4 5 6 7	NOMENCLATURE	EFFECT FROM TO	UNITS PER ASSY
2					
457	452T1635-1		.. CABLE ASSY- SUPPLIER CODE: V31645 USED ON: 452T1630-5 452T1630-6 452T1630-7 452T1630-8 452T1630-9 452T1630-10		1
462	452T1622-6		.. PIN- SUPPLIER CODE: V31645 USED ON: 452T1630-10		1
463	452T1622-6		.. PIN- SUPPLIER CODE: V31645 USED ON: 452T1630-5 452T1630-6 452T1630-7 452T1630-8 452T1630-9		1
464	452T1632-10		.. FITTING ASSY-END SUPPLIER CODE: V31645 USED ON: 452T1630-10		1
465A	452T1632-5		.. FITTING ASSY- SUPPLIER CODE: V31645 USED ON: 452T1630-5 452T1630-6 452T1630-7 452T1630-8		1
466	MS39086-101		... PIN- USED ON: 452T1632-5		1
467	452T1608-9		... COLLAR- SUPPLIER CODE: V31645 USED ON: 452T1632-5		1

ILLUSTRATION ITEMS NOT ON PARTS LIST ARE NOT APPLICABLE

- ITEM NOT ILLUSTRATED

HXL

25-53-04-02

BOEING PROPRIETARY - Copyright © - Unpublished Work - See title page for details.

25-53-04
FIG. 02
PAGE 17
AUG 22/09

 **BOEING**
767
PARTS CATALOG (MAINTENANCE)

FIG ITEM	PART NUMBER	1 2 3 4 5 6 7	NOMENCLATURE	EFFECT FROM TO	UNITS PER ASSY
2					
468	452T1608-11	...	NUT- SUPPLIER CODE: V31645 USED ON: 452T1632-5		1
469	SSS53P	...	PLUNGER- SUPPLIER CODE: V01226 OPTIONAL PART: CL30SSPS2 V99862 SSS53N V01226 USED ON: 452T1632-5		1
469	SSS53N	...	PLUNGER- SUPPLIER CODE: V01226 OPTIONAL PART: CLOSSPS2 V99862 SSS53P V01226 USED ON: 452T1632-5		1
469	CL30SSPS2	...	PLUNGER- SUPPLIER CODE: V99862 OPTIONAL PART: SSS53P V01226 SSS53N V01226 USED ON: 452T1632-5		1
474	MS16624-1037	..	RING		1
475	AN960PD616L	..	WASHER- USED ON: 452T1630-5 452T1630-6 452T1630-7		2
475	AN960JD616L	..	WASHER- USED ON: 452T1630-5 452T1630-6 452T1630-7		2
475	NAS1149D0616J	..	WASHER- USED ON: 452T1630-10		2

ILLUSTRATION ITEMS NOT ON PARTS LIST ARE NOT APPLICABLE

- ITEM NOT ILLUSTRATED

HXL

25-53-04-02

BOEING PROPRIETARY - Copyright © - Unpublished Work - See title page for details.

25-53-04
FIG. 02
PAGE 18
AUG 22/09



767

PARTS CATALOG (MAINTENANCE)

FIG ITEM	PART NUMBER	1 2 3 4 5 6 7	NOMENCLATURE	EFFECT FROM TO	UNITS PER ASSY
2					
477	452T1223-1		.. WASHER- SUPPLIER CODE: V31645 OPTIONAL PART: 452T1223-3 V31645		2
477	452T1223-3		.. WASHER- SUPPLIER CODE: V31645 OPTIONAL PART: 452T1223-1 V31645		2
477	69B60259-4		.. WASHER- SUPPLIER CODE: V31645		2
477	7425121-1		.. WASHER- SUPPLIER CODE: V31645		2
480	BACB28Y6M083		.. BUSHING- USED ON: 452T1630-5 452T1630-6 452T1630-7 452T1630-8 452T1630-9 452T1630-10		1
483	BACW10P221S		.. WASHER- USED ON: 452T1630-5 452T1630-6 452T1630-7 452T1630-8 452T1630-9 452T1630-10		2
485	452T1618-2		.. PIN- SUPPLIER CODE: V31645 USED ON: 452T1630-4		1
485	452T1618-3		.. PIN- SUPPLIER CODE: V31645 USED ON: 452T1630-5 452T1630-6 452T1630-7 452T1630-8 452T1630-9 452T1630-10		1

ILLUSTRATION ITEMS NOT ON PARTS LIST ARE NOT APPLICABLE

- ITEM NOT ILLUSTRATED

25-53-04-02

25-53-04
FIG. 02
PAGE 19
AUG 22/09

HXL

BOEING PROPRIETARY - Copyright © - Unpublished Work - See title page for details.



767

PARTS CATALOG (MAINTENANCE)

FIG ITEM	PART NUMBER	1 2 3 4 5 6 7	NOMENCLATURE	EFFECT FROM TO	UNITS PER ASSY
2					
490	452T1217-5		..LINK ASSY- SUPPLIER CODE: V31645		1
495	MS21042L4		..NUT-		1
500	AN960-416L		..WASHER-		1
503	452T1611-6		..LEVER ASSY- SUPPLIER CODE: V31645 USED ON: 452T1630-4		1
503	452T1611-9		..LEVER ASSY- SUPPLIER CODE: V31645 USED ON: 452T1630-5 452T1630-6 452T1630-7 452T1630-8		1
504	452T1611-10		...RIVET- SUPPLIER CODE: V31645		1
505	AN960C10L		...WASHER		1
506	KP3ALP		...BEARING SUPPLIER CODE: V21760 SPECIFICATION NUMBER: BACB10BG1M OPTIONAL PART: KP3ALE6531 V21335 KP3ALFS428 V21335 KP3ALTT V43991 KP3ALT1C1-01 V21760 LLKP3AL V38443 KP3ALG20 V38443 CS203AE VK8455 KP3ALSD610 V83086 KP3ALE V21760 KP3AL V38443		1
ILLUSTRATION ITEMS NOT ON PARTS LIST ARE NOT APPLICABLE					

- ITEM NOT ILLUSTRATED

25-53-04-02

25-53-04
FIG. 02
PAGE 20
AUG 22/09

HXL



767

PARTS CATALOG (MAINTENANCE)

FIG ITEM	PART NUMBER	1 2 3 4 5 6 7	NOMENCLATURE	EFFECT FROM TO	UNITS PER ASSY
2					
507	MS24665-151	..	PIN-COTTER USED ON: 452T1630-9 452T1630-10		1
508	BACB30LK3DU18	..	BOLT- USED ON: 452T1630-9 452T1630-10		1
509	NAS1149C0332R	..	WASHER-		2
510	NAS1057W3A065	..	SPACER- USED ON: 452T1630-9 452T1630-10		1
511	452T1624-1	..	SPRING- SUPPLIER CODE: V31645 USED ON: 452T1630-9 452T1630-10		1
512	BACN10JD3AU	..	NUT- USED ON: 452T1630-9 452T1630-10		1
513	MS16562-214	..	PIN- USED ON: 452T1630-9 452T1630-10		1
514	452T1223-1	..	WASHER- SUPPLIER CODE: V31645 USED ON: 452T1630-9 452T1630-10		2
514	7425121-1	..	WASHER- SUPPLIER CODE: V31645 USED ON: 452T1630-9 452T1630-10		2
515	AN960-516	..	WASHER- USED ON: 452T1630-5 452T1630-6 452T1630-7		1

ILLUSTRATION ITEMS NOT ON PARTS LIST ARE NOT APPLICABLE

- ITEM NOT ILLUSTRATED

HXL

25-53-04-02

BOEING PROPRIETARY - Copyright © - Unpublished Work - See title page for details.

25-53-04
FIG. 02
PAGE 21
AUG 22/09



767

PARTS CATALOG (MAINTENANCE)

FIG ITEM	PART NUMBER	1 2 3 4 5 6 7	NOMENCLATURE	EFFECT FROM TO	UNITS PER ASSY
2 517	452T1623-1		.. END-LEVER SUPPLIER CODE: V31645 OPTIONAL PART: 452T1623-3 V31645 USED ON: 452T1630-9 452T1630-10		1
518	452T1611-19		.. LEVER ASSY- SUPPLIER CODE: V31645 USED ON: 452T1630-9 452T1630-10		1
519	452T1611-20		... RIVET- SUPPLIER CODE: V31645		1
520	AN960C10L		... WASHER		1
521	KP3ALP		... BEARING SUPPLIER CODE: V21760 SPECIFICATION NUMBER: BACB10BG1M OPTIONAL PART: KP3ALE6531 V21335 KP3ALFS428 V21335 KP3ALTT V43991 KP3ALT1C1-01 V21760 LLKP3AL V38443 KP3ALG20 V38443 CS203AE VK8455 KP3ALSD610 V83086 KP3ALE V21760 KP3AL V38443		1
522	BACB28U6F018		... BUSHING		2

ILLUSTRATION ITEMS NOT ON PARTS LIST ARE NOT APPLICABLE

- ITEM NOT ILLUSTRATED

25-53-04-02

25-53-04
FIG. 02
PAGE 22
AUG 22/09

HXL



767

PARTS CATALOG (MAINTENANCE)

FIG ITEM	PART NUMBER	1 2 3 4 5 6 7	NOMENCLATURE	EFFECT FROM TO	UNITS PER ASSY
2					
523	452T1611-13	...	LEVER- SUPPLIER CODE: V31645 OPTIONAL PART: 452T1611-15 V31645		1
523	452T1611-15	...	LEVER-HOGOUT SUPPLIER CODE: V31645 OPTIONAL PART: 452T1611-13 V31645		1
524	MS16562-26	..	PIN-		1
524	MS16562-214	..	PIN- USED ON: 452T1630-10		1
525	452T1614-3	..	SHAFT- SUPPLIER CODE: V31645 USED ON: 452T1630-5 452T1630-6		1
525	452T1614-4	..	SHAFT- SUPPLIER CODE: V31645 USED ON: 452T1630-7 452T1630-8		1
525	452T1614-5	..	SHAFT- SUPPLIER CODE: V31645 USED ON: 452T1630-9 452T1630-10		1
530	MS16562-26	..	PIN-		1
530	MS16562-214	..	PIN-		1
535	452T1609-7	..	LEVER- SUPPLIER CODE: V31645 USED ON: 452T1630-5 452T1630-6 452T1630-7 452T1630-8 452T1630-9 452T1630-10		1
540	452T1616-1	..	SPRING- SUPPLIER CODE: V31645		2

ILLUSTRATION ITEMS NOT ON PARTS LIST ARE NOT APPLICABLE

- ITEM NOT ILLUSTRATED

25-53-04-02

25-53-04
FIG. 02
PAGE 23
AUG 22/09

HXL

BOEING PROPRIETARY - Copyright © - Unpublished Work - See title page for details.



767

PARTS CATALOG (MAINTENANCE)

FIG ITEM	PART NUMBER	1 2 3 4 5 6 7	NOMENCLATURE	EFFECT FROM TO	UNITS PER ASSY
2					
545	AN960PD616L	..	WASHER-		4
545	NAS1149D0663J	..	WASHER-		4
			OPTIONAL PART: NAS1149D0616J		
545	NAS1149D0616J	..	WASHER-		4
			OPTIONAL PART: NAS1149D0636J		
550	69B60583-1	..	LINK ASSY-		2
			SUPPLIER CODE: V31645		
555	NAS42DD12-21	..	SPACER-		2
			USED ON: 452T1630-5 452T1630-6 452T1630-7 452T1630-8		
555	NAS42DD12-21FC	..	SPACER-		2
			USED ON: 452T1630-9 452T1630-10		
560	452T1606-8	..	LEVER-		1
			SUPPLIER CODE: V31645 USED ON: 452T1630-5 452T1630-6 452T1630-7 452T1630-8 452T1630-9 452T1630-10		
565	MS16562-14	..	PIN-		1
			USED ON: 452T1630-5 452T1630-6 452T1630-7 452T1630-8		
566	MS16562-14	..	PIN-		1
			USED ON: 452T1630-4 452T1630-9 452T1630-10		
570	BACP18T4-13	..	PIN-		1
			USED ON: 452T1630-4 452T1630-5 452T1630-6 452T1630-7		

ILLUSTRATION ITEMS NOT ON PARTS LIST ARE NOT APPLICABLE

- ITEM NOT ILLUSTRATED

25-53-04-02

25-53-04
FIG. 02
PAGE 24
AUG 22/09

HXL

BOEING PROPRIETARY - Copyright © - Unpublished Work - See title page for details.



767

PARTS CATALOG (MAINTENANCE)

FIG ITEM	PART NUMBER	1 2 3 4 5 6 7	NOMENCLATURE	EFFECT FROM TO	UNITS PER ASSY
2					
570	BACP18T4-11	..	PIN- USED ON: 452T1630-5 452T1630-6 452T1630-7		1
571	BACP18T4K15	..	PIN-FLATHEAD USED ON: 452T1630-9 452T1630-10		1
575	AN960PD416	..	WASHER-		1
575	AN960JD416	..	WASHER-		1
576	NAS1149D0463J	..	WASHER-		2
580	452T1607-1	..	LATCH- SUPPLIER CODE: V31645		1
582	BACW10P227TF	..	WASHER- USED ON: 452T1630-8 452T1630-9 452T1630-10		1
583	452T1635-1	..	CABLE ASSY- SUPPLIER CODE: V31645 USED ON: 452T1630-5 452T1630-6 452T1630-7 452T1630-8 452T1630-9 452T1630-10		1
585	452T1631-5	..	HOUSING ASSY- SUPPLIER CODE: V31645 USED ON: 452T1630-5 452T1630-6 452T1630-7		1
585	452T1631-6	..	HOUSING ASSY- SUPPLIER CODE: V31645 USED ON: 452T1630-8 452T1630-9 452T1630-10		1

ILLUSTRATION ITEMS NOT ON PARTS LIST ARE NOT APPLICABLE

- ITEM NOT ILLUSTRATED

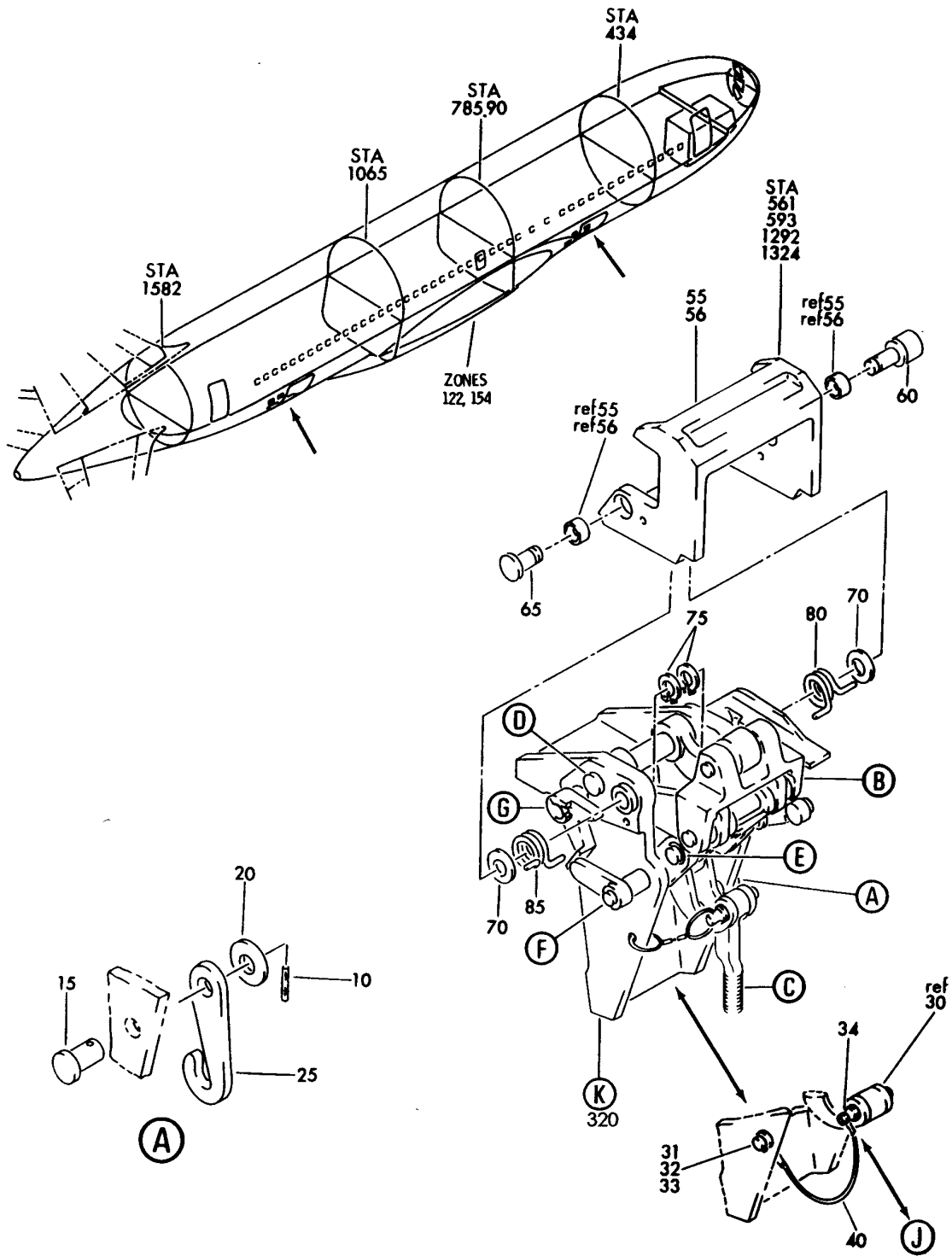
HXL

25-53-04-02

BOEING PROPRIETARY - Copyright © - Unpublished Work - See title page for details.

25-53-04
FIG. 02
PAGE 25
AUG 22/09

BOEING
767
PARTS CATALOG (MAINTENANCE)



V 25530411 SHT 1 REV 212

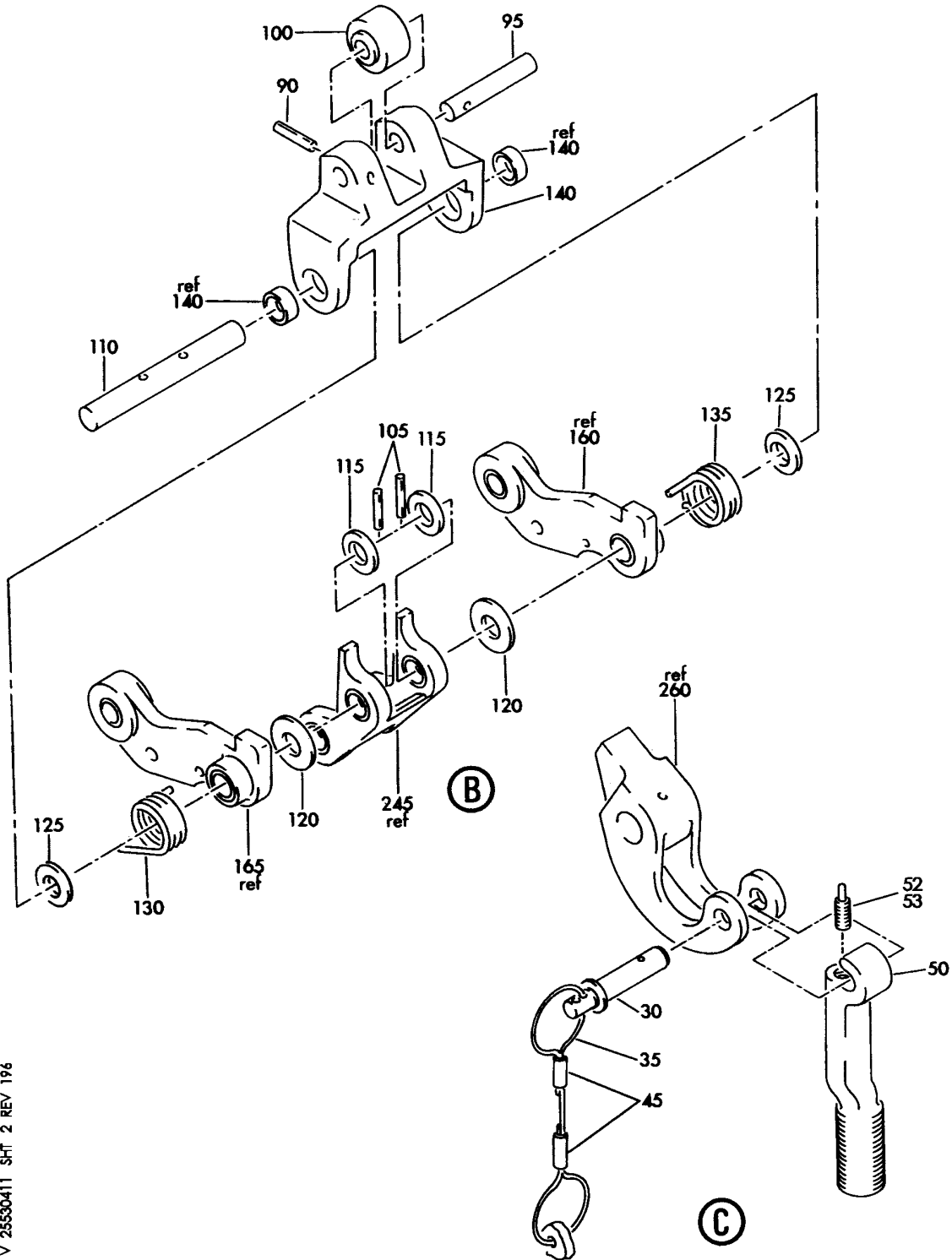
STOP ASSY-CARGO HANDLING ROLLOUT
FIGURE 11 (SHEET 1)

25-53-04-11

HXL
DEC 22/06

25-53-04-11
PAGE 0

BOEING
767
PARTS CATALOG (MAINTENANCE)



V 25530411 SHT 2 REV 196

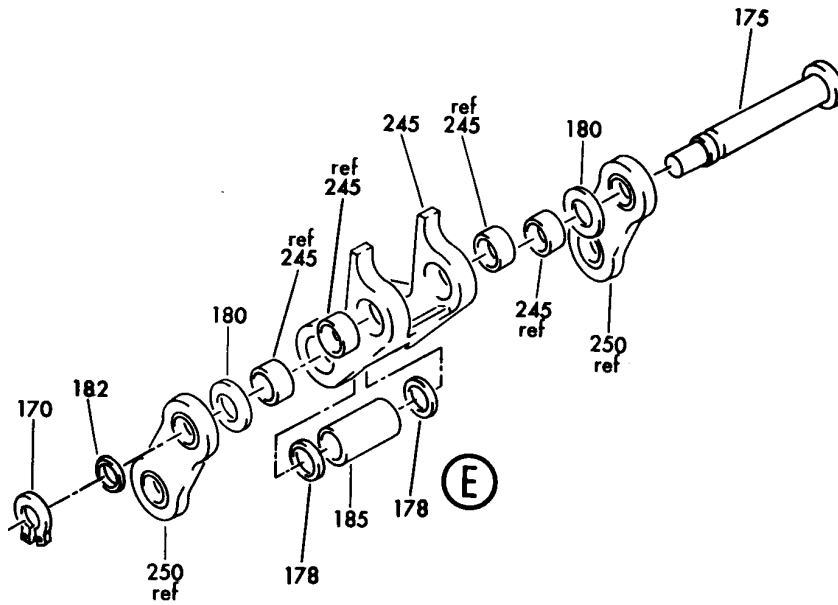
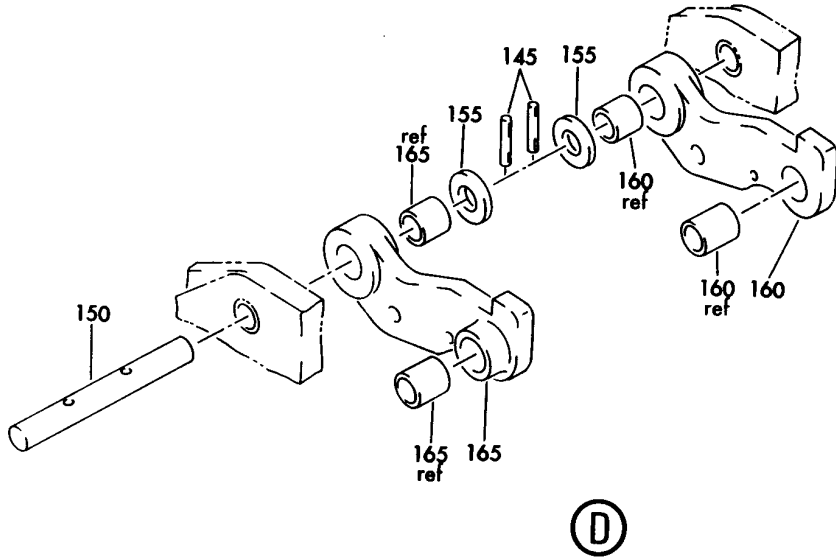
STOP ASSY-CARGO HANDLING ROLLOUT
FIGURE 11 (SHEET 2)

25-53-04-11

HXL
DEC 22/06

25-53-04-11
PAGE 0A

BOEING
767
PARTS CATALOG (MAINTENANCE)



V 25530411 SMT 3 REV 140

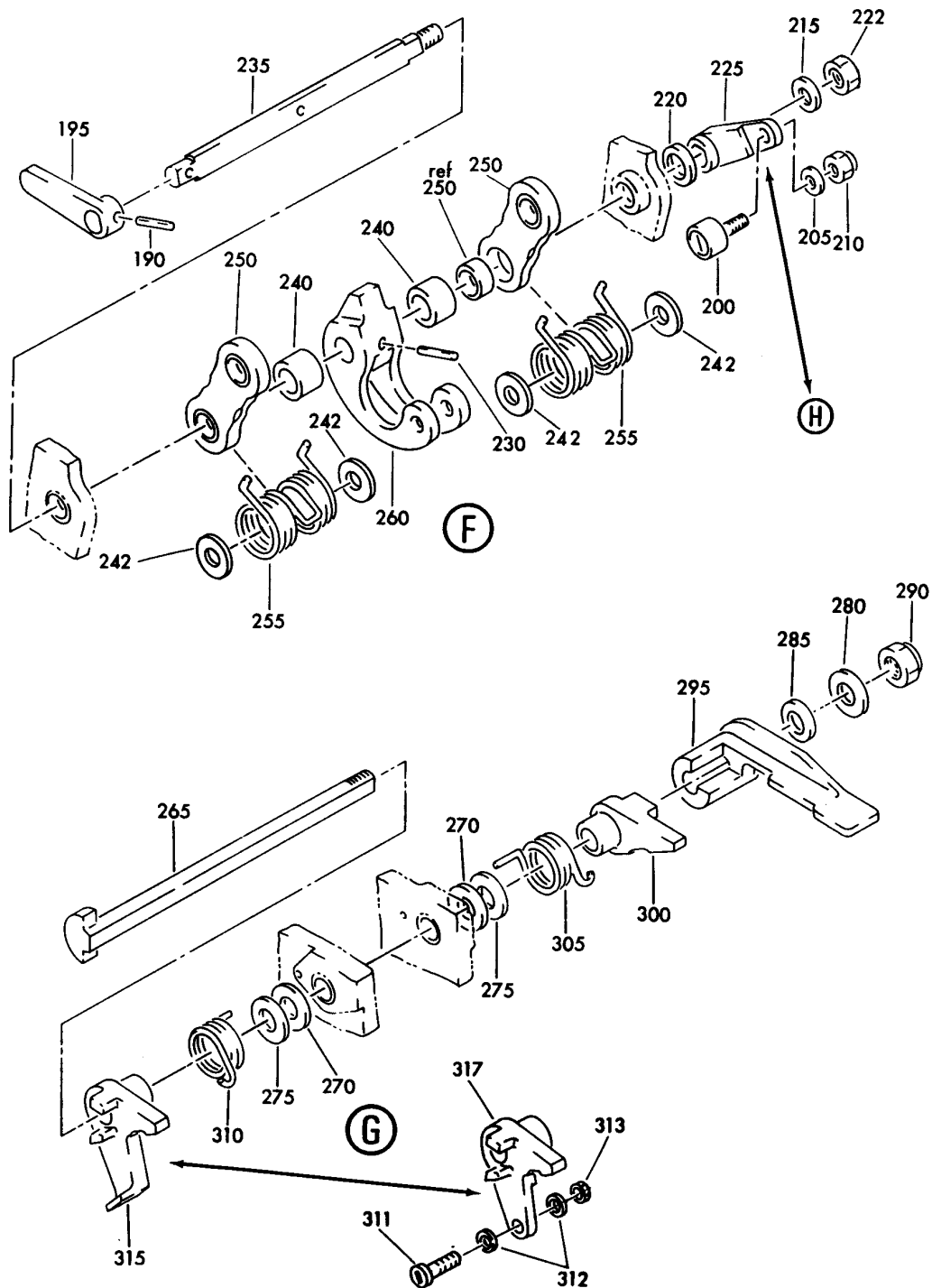
STOP ASSY-CARGO HANDLING ROLLOUT
FIGURE 11 (SHEET 3)

25-53-04-11

HXL
DEC 22/06

25-53-04-11
PAGE 0B

BOEING
767
PARTS CATALOG (MAINTENANCE)



V 25530411 SHT 4 REV 140

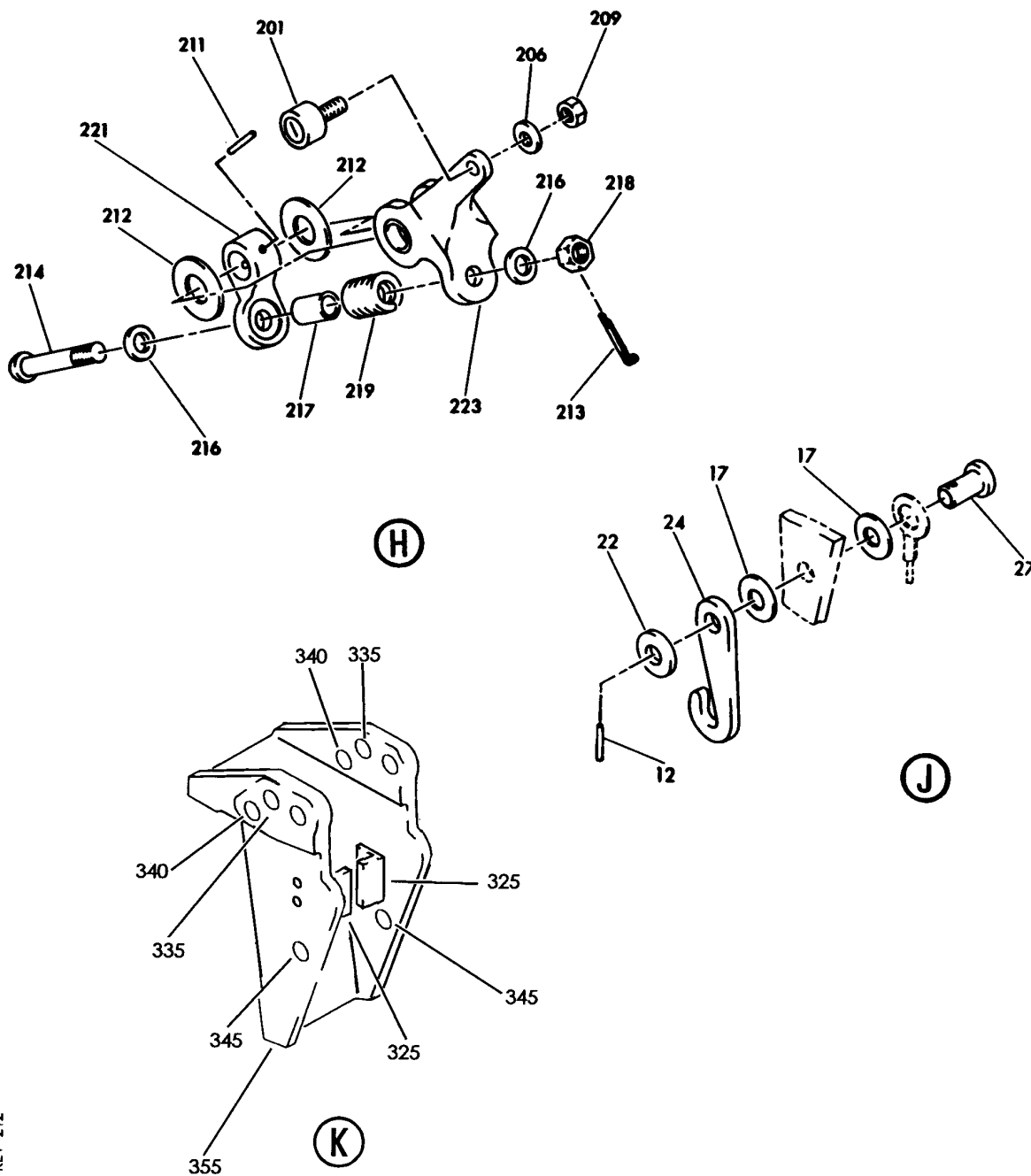
STOP ASSY-CARGO HANDLING ROLLOUT
FIGURE 11 (SHEET 4)

25-53-04-11

HXL
DEC 22/06

25-53-04-11
PAGE 0C

BOEING
767
PARTS CATALOG (MAINTENANCE)



V 25530411 SHT 5 REV 212

STOP ASSY-CARGO HANDLING ROLLOUT
FIGURE 11 (SHEET 5)

25-53-04-11

HXL
DEC 22/06

25-53-04-11
PAGE 0D

 **BOEING**
767
PARTS CATALOG (MAINTENANCE)

FIG ITEM	PART NUMBER	1 2 3 4 5 6 7	NOMENCLATURE	EFFECT FROM TO	UNITS PER ASSY
11			STOP ASSY-CARGO HANDLING ROLLOUT		
- 1	452T1603-27		STOP ASSY-CARGO HANDLING ROLLOUT SUPPLIER CODE: V31645 COMPONENT MAINT MANUAL REF: 25-53-25 FOR NHA SEE: 25-53-04-01		RF
- 1	452T1603-31		STOP ASSY-CARGO HANDLING ROLLOUT SUPPLIER CODE: V31645 COMPONENT MAINT MANUAL REF: 25-53-25 FOR NHA SEE: 25-53-04-01		RF
- 1	452T1603-33		STOP ASSY-CARGO HANDLING ROLLOUT SUPPLIER CODE: V31645 COMPONENT MAINT MANUAL REF: 25-53-25 FOR NHA SEE: 25-53-04-01		RF
- 1	452T1603-37		STOP ASSY-CARGO HANDLING ROLLOUT SUPPLIER CODE: V31645 COMPONENT MAINT MANUAL REF: 25-53-25 FOR NHA SEE: 25-53-04-01		RF
- 5	452T1603-28		STOP ASSY-CARGO HANDLING ROLLOUT SUPPLIER CODE: V31645 COMPONENT MAINT MANUAL REF: 25-53-25 FOR NHA SEE: 25-53-04-01		RF
10	MS16562-14		.PIN		1
15	BACP18T4-13		.PIN		1
20	AN960PD416		.WASHER-		1
20	AN960JD416		.WASHER-		1
25	452T1607-1		.LATCH- SUPPLIER CODE: V31645		1
ILLUSTRATION ITEMS NOT ON PARTS LIST ARE NOT APPLICABLE					

- ITEM NOT ILLUSTRATED

HXL

25-53-04-11

BOEING PROPRIETARY - Copyright © - Unpublished Work - See title page for details.

25-53-04
FIG. 11
PAGE 1
DEC 22/07



767

PARTS CATALOG (MAINTENANCE)

FIG ITEM	PART NUMBER	1 2 3 4 5 6 7	NOMENCLATURE	EFFECT FROM TO	UNITS PER ASSY
R R R R R R	11 30	452T1622-6	.PIN-QUICK RELEASE SUPPLIER CODE: V31645 USED ON: 452T1603-27 452T1603-28 452T1603-25 452T1603-26		1
	31	MS16562-14	.PIN-		1
	32	AN960PD416	.WASHER-		1
	33	BACP18T4-11	.PIN-		1
	34	NAS1352C04LB4P	.SCREW-		1
R R R R R R R R R R	40	452T1635-1	.CABLE ASSY- SUPPLIER CODE: V31645 USED ON: 452T1603-27 452T1603-28 452T1603-25 452T1603-26		1
	50	452T1608-7	.FITTING ASSY-END SUPPLIER CODE: V31645 USED ON: 452T1603-27 452T1603-28 452T1603-25 452T1603-26		1
	53	SSS53N	.. PLUNGER- SUPPLIER CODE: V01226 OPTIONAL PART: SSS53P V01226 CL30SSPS2 V99862		1
	53	SSS53P	.. PLUNGER- SUPPLIER CODE: V01226 OPTIONAL PART: SSS53N V01226 CL30SSPS2 V99862		1
	ILLUSTRATION ITEMS NOT ON PARTS LIST ARE NOT APPLICABLE				

- ITEM NOT ILLUSTRATED

25-53-04-11

25-53-04
FIG. 11
PAGE 2
AUG 22/09

HXL



767

PARTS CATALOG (MAINTENANCE)

FIG ITEM	PART NUMBER	1 2 3 4 5 6 7	NOMENCLATURE	EFFECT FROM TO	UNITS PER ASSY
11					
53	CL30SSPS2		.. PLUNGER- SUPPLIER CODE: V99862 OPTIONAL PART: SSS53N V01226 SSS53P V01226		1
55	452T1640-6		. RESTRAINT ASSY-LIP SUPPLIER CODE: V31645 USED ON: 452T1603-27 452T1603-31		1
55	452T1640-2		. RESTRAINT ASSY-LIP SUPPLIER CODE: V31645 USED ON: 452T1603-28		1
60	452T1218-9		. PIN- SUPPLIER CODE: V31645 USED ON: 452T1603-19 452T1603-20		1
60	452T1218-12		. PIN- SUPPLIER CODE: V31645 USED ON: 452T1603-25 452T1603-26		1
65	452T1218-5		. PIN- SUPPLIER CODE: V31645 USED ON: 452T1603-19 452T1603-20		1
65	452T1218-11		. PIN- SUPPLIER CODE: V31645 USED ON: 452T1603-25 452T1603-26		1

R
R
R
R
R
R
R
R
R
R
R
R
R
R
R
R
R
R
R
R
R
R

ILLUSTRATION ITEMS NOT ON PARTS LIST ARE NOT APPLICABLE

- ITEM NOT ILLUSTRATED

25-53-04-11

25-53-04
FIG. 11
PAGE 3
AUG 22/09

HXL



767

PARTS CATALOG (MAINTENANCE)

FIG ITEM	PART NUMBER	1 2 3 4 5 6 7	NOMENCLATURE	EFFECT FROM TO	UNITS PER ASSY
R R R R R R R R R R R	11 70	452T1223-2	.WASHER- SUPPLIER CODE: V31645 QUALIFIED I/W DATA: (-5) FULLY I/W FOR 767 ONLY OPTIONAL PART: 452T1223-4 V31645 USED ON: 452T1603-25 452T1603-26		2
	70	452T1223-4	.WASHER- SUPPLIER CODE: V31645 OPTIONAL PART: 452T1223-2 V31645 USED ON: 452T1603-25 452T1603-26		2
	75	MS16624-1031	.RING		2
	80	69B60594-4	.SPRING- SUPPLIER CODE: V31645		1
	85	69B60594-3	.SPRING- SUPPLIER CODE: V31645		1
	90	MS16562-26	.PIN-		1
	95	452T1220-3	.PIN- SUPPLIER CODE: V31645		1
	100	69B60581-1	.ROLLER- SUPPLIER CODE: V31645		1
	105	MS16562-26	.PIN-		2
	110	452T1220-1	.PIN- SUPPLIER CODE: V31645 USED ON: 452T1603-19 452T1603-20		1
	110	452T1220-5	.PIN- SUPPLIER CODE: V31645 USED ON: 452T1603-25 452T1603-26		1
115	AN960PD616	.WASHER-		2	

ILLUSTRATION ITEMS NOT ON PARTS LIST ARE NOT APPLICABLE

- ITEM NOT ILLUSTRATED

25-53-04-11

25-53-04
FIG. 11
PAGE 4
AUG 22/09

HXL

 **BOEING**
767
PARTS CATALOG (MAINTENANCE)

FIG ITEM	PART NUMBER	1 2 3 4 5 6 7	NOMENCLATURE	EFFECT FROM TO	UNITS PER ASSY
11					
115	AN960JD616		.WASHER-		2
120	69B60259-4		.WASHER-		2
			SUPPLIER CODE: V31645		
			USED ON: 452T1603-19 452T1603-20		
120	452T1223-1		.WASHER-		2
			SUPPLIER CODE: V31645		
			OPTIONAL PART: 452T1223-3 V31645		
			USED ON: 452T1603-25 452T1603-26		
120	7425121-1		.WASHER-		2
			SUPPLIER CODE: V31645		
			USED ON: 452T1603-25 452T1603-26		
120	452T1223-3		.WASHER-		2
			SUPPLIER CODE: V31645		
			OPTIONAL PART: 452T1223-1 V31645		
			USED ON: 452T1603-25 452T1603-26		
125	AN960PD616L		.WASHER-		2
			USED ON: 452T1603-27 452T1603-28 452T1603-31 452T1603-25 452T1603-26		
125	AN960JD616L		.WASHER-		2
			USED ON: 452T1603-25 452T1603-26 452T1603-27 452T1603-28 452T1603-31		
130	69B60593-4		.SPRING-		1
			SUPPLIER CODE: V31645		

ILLUSTRATION ITEMS NOT ON PARTS LIST ARE NOT APPLICABLE

- ITEM NOT ILLUSTRATED

HXL

25-53-04-11

25-53-04
FIG. 11
PAGE 5
AUG 22/09

 **BOEING**
767
PARTS CATALOG (MAINTENANCE)

FIG ITEM	PART NUMBER	1 2 3 4 5 6 7	NOMENCLATURE	EFFECT FROM TO	UNITS PER ASSY
11					
135	69B60593-3		.SPRING- SUPPLIER CODE: V31645		1
140	452T1639-1		.GUIDE-LIP SUPPLIER CODE: V31645 USED ON: 452T1603-27 452T1603-28 452T1603-31		1
145	MS16562-26		.PIN-		2
150	452T1220-2		.PIN- SUPPLIER CODE: V31645 USED ON: 452T1603-19 452T1603-20		1
150	452T1220-6		.PIN- SUPPLIER CODE: V31645 USED ON: 452T1603-25 452T1603-26		1
155	AN960PD616		.WASHER-		2
155	AN960JD616		.WASHER-		2
160	452T1204-11		.LINK ASSY- SUPPLIER CODE: V31645		1
165	452T1204-12		.LINK ASSY- SUPPLIER CODE: V31645		1
170	MS16624-1037		.RING		1
175	452T1618-2		.PIN- SUPPLIER CODE: V31645 USED ON: 452T1603-19 452T1603-20		1
175	452T1618-3		.PIN- SUPPLIER CODE: V31645 USED ON: 452T1603-25 452T1603-26		1

R
R
R
R
R
R
R
R
R
R

R
R
R
R
R
R
R
R
R
R

ILLUSTRATION ITEMS NOT ON PARTS LIST ARE NOT APPLICABLE

- ITEM NOT ILLUSTRATED

25-53-04-11

25-53-04
FIG. 11
PAGE 6
AUG 22/09

HXL



767
PARTS CATALOG (MAINTENANCE)

FIG ITEM	PART NUMBER	1 2 3 4 5 6 7	NOMENCLATURE	EFFECT FROM TO	UNITS PER ASSY
R R	11 178	AN960JD616L	.WASHER- USED ON: 452T1603-27 452T1603-28 452T1603-25 452T1603-26		2
	180	69B60259-4	.WASHER- SUPPLIER CODE: V31645 USED ON: 452T1603-19 452T1603-20		2
	180	452T1223-1	.WASHER- SUPPLIER CODE: V31645 OPTIONAL PART: 452T1223-3 V31645 USED ON: 452T1603-25 452T1603-26		2
	180	452T1223-3	.WASHER- SUPPLIER CODE: V31645 OPTIONAL PART: 452T1223-1 V31645 USED ON: 452T1603-25 452T1603-26		2
	180	7425121-1	.WASHER- SUPPLIER CODE: V31645 USED ON: 452T1603-25 452T1603-26		2
	182	BACW10P221S	.WASHER- USED ON: 452T1603-27 452T1603-28 452T1603-25 452T1603-26		2
	185	BACB28Y6M083	.BUSHING- USED ON: 452T1603-27 452T1603-28 452T1603-19 452T1603-20		1
	190	MS16562-26	.PIN-		1
ILLUSTRATION ITEMS NOT ON PARTS LIST ARE NOT APPLICABLE					

- ITEM NOT ILLUSTRATED

HXL

25-53-04-11

BOEING PROPRIETARY - Copyright © - Unpublished Work - See title page for details.

25-53-04
FIG. 11
PAGE 7
AUG 22/09



767

PARTS CATALOG (MAINTENANCE)

FIG ITEM	PART NUMBER	1 2 3 4 5 6 7	NOMENCLATURE	EFFECT FROM TO	UNITS PER ASSY
R R R R R R R R R R R	11 195	452T1609-7	. LEVER- SUPPLIER CODE: V31645 USED ON: 452T1603-27 452T1603-31 452T1603-25		1
	195	452T1609-8	. LEVER- SUPPLIER CODE: V31645 USED ON: 452T1603-28 452T1603-26		1
	200	HRS1CFR1	. CAM FOLLOWER- SUPPLIER CODE: V07484 SPECIFICATION NUMBER: BACB10AF3F1HS OPTIONAL PART: HRS1CFR1 V92563 HRS1CFR1 V60380		1
	205	AN960-10L	. WASHER-		1
	210	MS21042L3	. NUT-		1
	215	AN960-416L	. WASHER-		1
	220	AN960-516L	. WASHER-		1
	222	MS21042L4	. NUT-		1
	225	452T1611-3	. LEVER- SUPPLIER CODE: V31645 USED ON: 452T1603-19		1
	225	452T1611-4	. LEVER- SUPPLIER CODE: V31645 USED ON: 452T1603-20		1
	225	452T1611-7	. LEVER- SUPPLIER CODE: V31645 USED ON: 452T1603-27 452T1603-25		1

ILLUSTRATION ITEMS NOT ON PARTS LIST ARE NOT APPLICABLE

- ITEM NOT ILLUSTRATED

HXL

25-53-04-11

BOEING PROPRIETARY - Copyright © - Unpublished Work - See title page for details.

25-53-04
FIG. 11
PAGE 8
AUG 22/09



767

PARTS CATALOG (MAINTENANCE)

FIG ITEM	PART NUMBER	1 2 3 4 5 6 7	NOMENCLATURE	EFFECT FROM TO	UNITS PER ASSY	
R R	11 225		. LEVER- SUPPLIER CODE: V31645 USED ON: 452T1603-28 452T1603-26		1	
	230	MS16562-26	. PIN- USED ON: 452T1603-27 452T1603-28 452T1603-25 452T1603-26		1	
	235	452T1614-2	. SHAFT- SUPPLIER CODE: V31645 USED ON: 452T1603-19 452T1603-20		1	
	235	452T1614-3	. SHAFT- SUPPLIER CODE: V31645 USED ON: 452T1603-25 452T1603-26		1	
	240	NAS42DD12-21	. SPACER- USED ON: 452T1603-27 452T1603-28 452T1603-19 452T1603-20		2	
	242	AN960PD616L	. WASHER- USED ON: 452T1603-27 452T1603-28 452T1603-31 452T1603-25 452T1603-26		4	
	242	AN960JD616L	. WASHER- USED ON: 452T1603-25 452T1603-26 452T1603-27 452T1603-28 452T1603-31		4	
	245	452T1217-5	. LINK ASSY- SUPPLIER CODE: V31645		1	
	ILLUSTRATION ITEMS NOT ON PARTS LIST ARE NOT APPLICABLE					

- ITEM NOT ILLUSTRATED

25-53-04-11

25-53-04
FIG. 11
PAGE 9
AUG 22/09

HXL



**767
PARTS CATALOG (MAINTENANCE)**

FIG ITEM	PART NUMBER	1 2 3 4 5 6 7	NOMENCLATURE	EFFECT FROM TO	UNITS PER ASSY
11					
250	69B60583-1		.LINK ASSY-TOGGLE SUPPLIER CODE: V31645 POSITION DATA: LWR		2
255	452T1616-1		.SPRING- SUPPLIER CODE: V31645		2
260	452T1606-8		.LEVER- SUPPLIER CODE: V31645 USED ON: 452T1603-27 452T1603-28 452T1603-31 452T1603-25 452T1603-26		1
265	452T1615-4		.SHAFT- SUPPLIER CODE: V31645 USED ON: 452T1603-25 452T1603-26		1
270	452T1223-2		.WASHER- SUPPLIER CODE: V31645 QUALIFIED I/W DATA: (-5) FULLY I/W FOR 767 ONLY OPTIONAL PART: 452T1223-4 V31645 USED ON: 452T1603-25 452T1603-26		2
270	452T1223-4		.WASHER- SUPPLIER CODE: V31645 OPTIONAL PART: 452T1223-2 V31645 USED ON: 452T1603-25 452T1603-26		2

R
R
R
R
R
R
R
R
R
R
R
R
R
R
R
R
R
R
R
R
R
R

ILLUSTRATION ITEMS NOT ON PARTS LIST ARE NOT APPLICABLE

- ITEM NOT ILLUSTRATED

HXL

25-53-04-11

BOEING PROPRIETARY - Copyright © - Unpublished Work - See title page for details.

25-53-04
FIG. 11
PAGE 10
AUG 22/09



767

PARTS CATALOG (MAINTENANCE)

FIG ITEM	PART NUMBER	1 2 3 4 5 6 7	NOMENCLATURE	EFFECT FROM TO	UNITS PER ASSY	
R R R R R R R R R R	11 275	BACW10P90S	.WASHER- USED ON: 452T1603-27 452T1603-28 452T1603-25 452T1603-26		2	
	280	AN960-416L	.WASHER-		1	
	285	AN960-516L	.WASHER-		AR	
	290	MS21042L4	.NUT-		1	
	R R R R R R R R R R	295	452T1205-5	.PEDAL- SUPPLIER CODE: V31645 USED ON: 452T1603-25 452T1603-31 452T1603-19		1
		295	452T1205-6	.PEDAL- SUPPLIER CODE: V31645 USED ON: 452T1603-26 452T1603-20		1
		295	452T1205-9	.PEDAL- SUPPLIER CODE: V31645 USED ON: 452T1603-19 452T1603-36 452T1603-25 452T1603-31		1
		295	452T1205-13	.PEDAL- SUPPLIER CODE: V31645 USED ON: 452T1603-27 452T1603-37		1
	R R R R R	295	452T1205-14	.PEDAL- SUPPLIER CODE: V31645 USED ON: 452T1603-28 452T1603-38		1
		300	452T1212-4	.PAWL- SUPPLIER CODE: V31645 USED ON: 452T1603-19		1

ILLUSTRATION ITEMS NOT ON PARTS LIST ARE NOT APPLICABLE

- ITEM NOT ILLUSTRATED

25-53-04-11

25-53-04
FIG. 11
PAGE 11
AUG 22/09

HXL

 **BOEING**
767
PARTS CATALOG (MAINTENANCE)

FIG ITEM	PART NUMBER	1 2 3 4 5 6 7	NOMENCLATURE	EFFECT FROM TO	UNITS PER ASSY
R R R R R R R R R R R R R R R R R R R R	11 300	452T1212-3	.PAWL- SUPPLIER CODE: V31645 USED ON: 452T1603-20		1
	300	452T1212-11	.PAWL- SUPPLIER CODE: V31645 USED ON: 452T1603-28 452T1603-26		1
	300	452T1212-12	.PAWL- SUPPLIER CODE: V31645 USED ON: 452T1603-27 452T1603-31 452T1603-25		1
	305	69B60597-4	.SPRING- SUPPLIER CODE: V31645 USED ON: 452T1603-27 452T1603-28 452T1603-25 452T1603-26		1
	310	69B60597-3	.SPRING- SUPPLIER CODE: V31645 USED ON: 452T1603-27 452T1603-28 452T1603-25 452T1603-26		1
	311	HRS1CFR3	.CAM FOLLOWER- SUPPLIER CODE: V07484 SPECIFICATION NUMBER: BACB10AF3F3HS OPTIONAL PART: HRS1CFR3 V92563 HRS1CFR3 V60380 USED ON: 452T1603-27 452T1603-28 452T1603-25 452T1603-26		1
	ILLUSTRATION ITEMS NOT ON PARTS LIST ARE NOT APPLICABLE				

- ITEM NOT ILLUSTRATED

25-53-04-11

25-53-04
FIG. 11
PAGE 12
AUG 22/09

HXL

 **BOEING**
767
PARTS CATALOG (MAINTENANCE)

FIG ITEM	PART NUMBER	1 2 3 4 5 6 7	NOMENCLATURE	EFFECT FROM TO	UNITS PER ASSY
11					
R	312	AN960-10L	.WASHER-		2
R			USED ON:		
R			452T1603-27		
R			452T1603-28		
R			452T1603-31		
R			452T1603-25		
R			452T1603-26		
R	313	MS21042L3	.NUT-		1
R	317	452T1610-7	.PAWL-		1
R			SUPPLIER CODE:		
R			V31645		
R			USED ON:		
R			452T1603-27		
R			452T1603-31		
R			452T1603-36		
R			452T1603-37		
R			452T1603-25		
R	317	452T1610-8	.PAWL-		1
R			SUPPLIER CODE:		
R			V31645		
R			USED ON:		
R			452T1603-28		
R			452T1603-38		
R			452T1603-26		
R	320	452T1604-4	.HOUSING ASSY-		1
R			SUPPLIER CODE:		
R			V31645		
R			USED ON:		
R			452T1603-25		
R			452T1603-26		
R	325	452T1613-1	..CLIP-		2
R			SUPPLIER CODE:		
R			V31645		
R			ATTACHING PARTS		
R	- 330	MS20470AD4	..RIVET-		4
R			MISCELLANEOUS DATA:		
R			SIZE DETERMINED ON		
R			INSTL		
R			-----*-----		
R	335	BACB28X6M030	..BUSHING-FLANGE		2
R	340	BACB28Y5M030	..BUSHING		2
R	345	452T1216-1	..BUSHING-FLANGED		2
			SUPPLIER CODE:		
			V31645		

ILLUSTRATION ITEMS NOT ON PARTS LIST ARE NOT APPLICABLE

- ITEM NOT ILLUSTRATED

HXL

25-53-04-11

BOEING PROPRIETARY - Copyright © - Unpublished Work - See title page for details.

25-53-04
FIG. 11
PAGE 13
AUG 22/09



767

PARTS CATALOG (MAINTENANCE)

FIG ITEM	PART NUMBER	1 2 3 4 5 6 7	NOMENCLATURE	EFFECT FROM TO	UNITS PER ASSY
11 355	452T1604-2		..HOUSING ASSY- SUPPLIER CODE: V31645 OPTIONAL PART: 452T1604-5 V31645		1
355	452T1604-5		..HOUSING-MACHINED SUPPLIER CODE: V31645 OPTIONAL PART: 452T1604-2 V31645		1

ILLUSTRATION ITEMS NOT ON PARTS LIST ARE NOT APPLICABLE

- ITEM NOT ILLUSTRATED

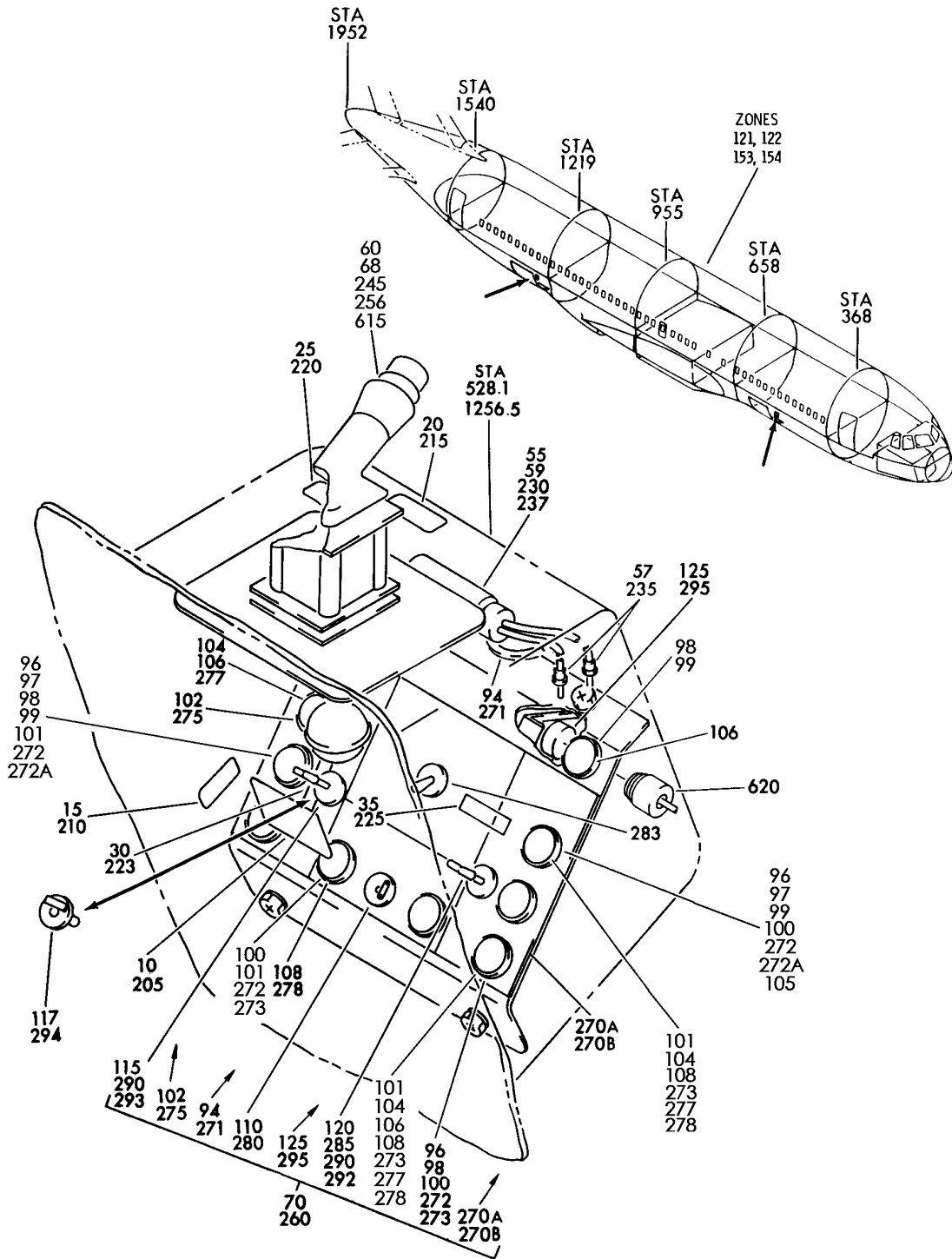
HXL

25-53-04-11

BOEING PROPRIETARY - Copyright © - Unpublished Work - See title page for details.

25-53-04
FIG. 11
PAGE 14
AUG 22/09

BOEING
767
PARTS CATALOG (MAINTENANCE)



V 25530501 REV 221

PANEL INSTL-FWD AND AFT CARGO HANDLING CONT (EQUIPMENT/FURNISHINGS ONLY)
FIGURE 1

25-53-05-01

HXL
DEC 22/06

25-53-05-01
PAGE 0



767

PARTS CATALOG (MAINTENANCE)

FIG ITEM	PART NUMBER	1 2 3 4 5 6 7	NOMENCLATURE	EFFECT FROM TO	UNITS PER ASSY
1			PANEL INSTL-FWD AND AFT CARGO HANDLING CONT (EQUIPMENT/FURNISHINGS ONLY)		
- 5	284T0216-4		PANEL INSTL-CARGO HANDLING CONT P24 LARGE DOOR (EQUIPMENT/FURNISHINGS ONLY) POSITION DATA: FWD STA 466.6 VARIABLE DRAWING REF: 284T0216-5006 FOR NHA/OTHER SYS DET SEE: 24-00-58-01A		RF
10	BAC27TEX0658		.MARKER-ALUMINUM FOIL-PLACARD CONTENT: P24		1
15	BAC27TEX0659		.MARKER-ALUMINUM FOIL-PLACARD CONTENT: M844		1
20	BAC27TEX0660		.MARKER-ALUMINUM FOIL-PLACARD CONTENT: L595		RF
25	BAC27TEX0661		.MARKER-ALUMINUM FOIL-PLACARD CONTENT: S326		1
55	284T0216-3		.FLOODLIGHT ASSY- ELECTRICAL EQUIP NUMBER: L00595 ALTERED FROM PART NUMBER: 15-0003-2-1495 V72914		1
57	M39029-1-16-20		..CONTACT		2
- 58	A5389-1		..LENS- SUPPLIER CODE: V72914		1
59	1873		..BULB- SUPPLIER CODE: V08806 ELECTRICAL EQUIP NUMBER: L00595T OPTIONAL PART: 1495X V08806 1864 V71744		1

ILLUSTRATION ITEMS NOT ON PARTS LIST ARE NOT APPLICABLE

- ITEM NOT ILLUSTRATED

25-53-05-01

25-53-05
FIG. 01
PAGE 1
APR 22/08

HXL



767

PARTS CATALOG (MAINTENANCE)

FIG ITEM	PART NUMBER	1 2 3 4 5 6 7	NOMENCLATURE	EFFECT FROM TO	UNITS PER ASSY
1					
59	1495X		..BULB- SUPPLIER CODE: V08806 ELECTRICAL EQUIP NUMBER: L00595T OPTIONAL PART: 1873 V08806 1864 V71744		1
59	1864		..BULB- SUPPLIER CODE: V71744 ELECTRICAL EQUIP NUMBER: L00595T OPTIONAL PART: 1873 V08806 1495X V08806		1
60	2056-1		.SWITCH ASSY- SUPPLIER CODE: V51074 SPECIFICATION NUMBER: 60B40072-5 ELECTRICAL EQUIP NUMBER: S00326 COMPONENT MAINT MANUAL REF: 25-53-11 OPTIONAL PART: WCS2056-1 V51074		1
60	WCS2056-1		.SWITCH- SUPPLIER CODE: V51074 SPECIFICATION NUMBER: 60B40072-5 ELECTRICAL EQUIP NUMBER: S00326 COMPONENT MAINT MANUAL REF: 25-53-11 OPTIONAL PART: 2056-1 V51074		1
- 65	BACB30NM3K3		ATTACHING PARTS		8
- 67	AN960D10L		.BOLT- .WASHER -----*-----		8
ILLUSTRATION ITEMS NOT ON PARTS LIST ARE NOT APPLICABLE					

- ITEM NOT ILLUSTRATED

HXL

25-53-05-01

BOEING PROPRIETARY - Copyright © - Unpublished Work - See title page for details.

25-53-05
FIG. 01
PAGE 2
APR 22/08



767

PARTS CATALOG (MAINTENANCE)

FIG ITEM	PART NUMBER	1 2 3 4 5 6 7	NOMENCLATURE	EFFECT FROM TO	UNITS PER ASSY
1					
68	2042109	..	KNOB- SUPPLIER CODE: V51074		1
70	284T0215-19	.MODULE ASSY-	SUPPLIER CODE: V89954 ELECTRICAL EQUIP NUMBER: M00844 COMPONENT MAINT MANUAL REF: 25-53-18 ATTACHING PARTS		1
- 75	NAS1801-3-8	.SCREW-			4
- 80	AN960D10L	.WASHER			4
		-----*			
94	BACG20ZA000130	..	GROMMET-		1
98	L5105BAM	..	LENS-AMBER SUPPLIER CODE: V81640 OPTIONAL PART: L5105AM V81640		8
99	L5105AM	..	LIGHT-IND SUPPLIER CODE: V81640 OPTIONAL PART: L5105BAM V81640		8
106	MS25237-387	..	LAMP- OPTIONAL PART: M6363-8-7		9
106	M6363-8-7	..	LAMP- OPTIONAL PART: MS25237-387		9
110	1TL82-3	..	SWITCH- SUPPLIER CODE: V91929		1
115	2TL82-10	..	SWITCH- SUPPLIER CODE: V91929		1
120	2TL82-10	..	SWITCH- SUPPLIER CODE: V91929		1
125	BACC45FM14-15P	..	CONNECTOR		1

ILLUSTRATION ITEMS NOT ON PARTS LIST ARE NOT APPLICABLE

- ITEM NOT ILLUSTRATED

HXL

25-53-05-01

BOEING PROPRIETARY - Copyright © - Unpublished Work - See title page for details.

25-53-05
FIG. 01
PAGE 3
DEC 22/06



767

PARTS CATALOG (MAINTENANCE)

FIG ITEM	PART NUMBER	1 2 3 4 5 6 7	NOMENCLATURE	EFFECT FROM TO	UNITS PER ASSY
1					
- 200	284T0216-2		PANEL INSTL-CARGO HANDLING P27 (EQUIPMENT/ FURNISHINGS ONLY) POSITION DATA: AFT VARIABLE DRAWING REF: 284T0216-5004 FOR NHA/OTHER SYS DET SEE: 24-00-58-01A		RF
205	BAC27TEX0662		.MARKER-ALUMINUM FOIL- PLACARD CONTENT: P27		1
210	BAC27TEX0663		.MARKER-ALUMINUM FOIL- PLACARD CONTENT: P845		1
215	BAC27TEX0664		.MARKER-ALUMINUM FOIL- PLACARD CONTENT: P596		1
220	BAC27TEX0665		.MARKER-ALUMINUM FOIL- PLACARD CONTENT: L327		1
230	284T0216-3		.FLOODLIGHT ASSY- ELECTRICAL EQUIP NUMBER: L00596 ALTERED FROM PART NUMBER: 15-0003-2-1495 V72914		1
235	M39029-1-16-20		..CONTACT		2
- 236	A5389-1		..LENS- SUPPLIER CODE: V72914		1
237	1873		..BULB- SUPPLIER CODE: V08806 ELECTRICAL EQUIP NUMBER: L00596T OPTIONAL PART: 1495X V08806 1864 V71744		1

ILLUSTRATION ITEMS NOT ON PARTS LIST ARE NOT APPLICABLE

- ITEM NOT ILLUSTRATED

HXL

25-53-05-01

BOEING PROPRIETARY - Copyright © - Unpublished Work - See title page for details.

25-53-05
FIG. 01
PAGE 4
APR 22/08

 **BOEING**
767
PARTS CATALOG (MAINTENANCE)

FIG ITEM	PART NUMBER	1 2 3 4 5 6 7	NOMENCLATURE	EFFECT FROM TO	UNITS PER ASSY
1					
237	1495X		..BULB- SUPPLIER CODE: V08806 ELECTRICAL EQUIP NUMBER: L00596T OPTIONAL PART: 1873 V08806 1864 V71744		1
237	1864		..BULB- SUPPLIER CODE: V71744 ELECTRICAL EQUIP NUMBER: L00596T OPTIONAL PART: 1873 V08806 1495X V08806		1
245	2056-1		.SWITCH ASSY- SUPPLIER CODE: V51074 SPECIFICATION NUMBER: 60B40072-5 ELECTRICAL EQUIP NUMBER: S00327 COMPONENT MAINT MANUAL REF: 25-53-11 OPTIONAL PART: WCS2056-1 V51074		1
245	WCS2056-1		.SWITCH- SUPPLIER CODE: V51074 SPECIFICATION NUMBER: 60B40072-5 ELECTRICAL EQUIP NUMBER: S00327 COMPONENT MAINT MANUAL REF: 25-53-11 OPTIONAL PART: 2056-1 V51074		1
- 250	BACB30NM3K3		ATTACHING PARTS		8
- 255	AN960D10L		.BOLT .WASHER -----*-----		8
ILLUSTRATION ITEMS NOT ON PARTS LIST ARE NOT APPLICABLE					

- ITEM NOT ILLUSTRATED

HXL

25-53-05-01

BOEING PROPRIETARY - Copyright © - Unpublished Work - See title page for details.

25-53-05
FIG. 01
PAGE 5
APR 22/08

 **BOEING**
767
PARTS CATALOG (MAINTENANCE)

FIG ITEM	PART NUMBER	1 2 3 4 5 6 7	NOMENCLATURE	EFFECT FROM TO	UNITS PER ASSY
1					
256	2042109		.. KNOB- SUPPLIER CODE: V51074		1
260	284T0215-17		.MODULE ASSY- SUPPLIER CODE: V89954 ELECTRICAL EQUIP NUMBER: M00845 COMPONENT MAINT MANUAL REF: 25-53-18 ATTACHING PARTS		1
- 265	NAS1801-3-8		.SCREW		4
- 270	AN960D10L		.WASHER		4
			-----*-----		
270A	BAC27TEX0542		.. NAMEPLATE- SUPPLIER CODE: V89954		1
271	BACG20ZA000130		.. GROMMET-		1
272	L5105BAM		.. LENS-AMBER SUPPLIER CODE: V81640 OPTIONAL PART: L5105AM V81640		7
272A	L5105AM		.. LIGHT-IND SUPPLIER CODE: V81640 OPTIONAL PART: L5105BAM V81640		7
273	L5105BAM		.. LENS-AMBER SUPPLIER CODE: V81640 OPTIONAL PART: L5105AM V81640		5
273A	L5105AM		.. LIGHT-IND SUPPLIER CODE: V81640 OPTIONAL PART: L5105BAM V81640		5
275	L5105BG3		.. LENS-GREEN SUPPLIER CODE: V81640		1
277	MS25237-387		.. LAMP-		8
278	MS25237-387		.. LAMP-		5
ILLUSTRATION ITEMS NOT ON PARTS LIST ARE NOT APPLICABLE					

- ITEM NOT ILLUSTRATED

HXL

25-53-05-01

BOEING PROPRIETARY - Copyright © - Unpublished Work - See title page for details.

25-53-05
FIG. 01
PAGE 6
DEC 22/07



767

PARTS CATALOG (MAINTENANCE)

FIG ITEM	PART NUMBER	1 2 3 4 5 6 7	NOMENCLATURE	EFFECT FROM TO	UNITS PER ASSY
1					
280	1TL82-3		.. SWITCH- SUPPLIER CODE: V91929		1
283	MS24523-23		.. SWITCH		1
290	2TL82-10		.. SWITCH- SUPPLIER CODE: V91929		2
295	BACC45FM14-15P		.. CONNECTOR		1
- 600	286T0700-350		WIRE BUNDLE ASSY		RF
- 605	286T0706-001		WIRE BUNDLE ASSY		RF
- 610	GS3417-14C		. CLAMP- SUPPLIER CODE: V06324 SPECIFICATION NUMBER: BACC10HF14 OPTIONAL PART: S2125-14-8 V07418 ELECTRICAL EQUIP NUMBER: D00820T D00824T WIRING DIAGRAM REF: 255311 255221		1
615	BACC45FT12A12S		. CONNECTOR- ELECTRICAL EQUIP NUMBER: D00818 D00822 WIRING DIAGRAM REF: 255311 255321		1
620	BCREF5949		. CONNECTOR- OVERLENGTH PART NUMBER: BACC63BP14R15SNL ELECTRICAL EQUIP NUMBER: D00820 D00824 WIRING DIAGRAM REF: 255311 255321		1

ILLUSTRATION ITEMS NOT ON PARTS LIST ARE NOT APPLICABLE

- ITEM NOT ILLUSTRATED

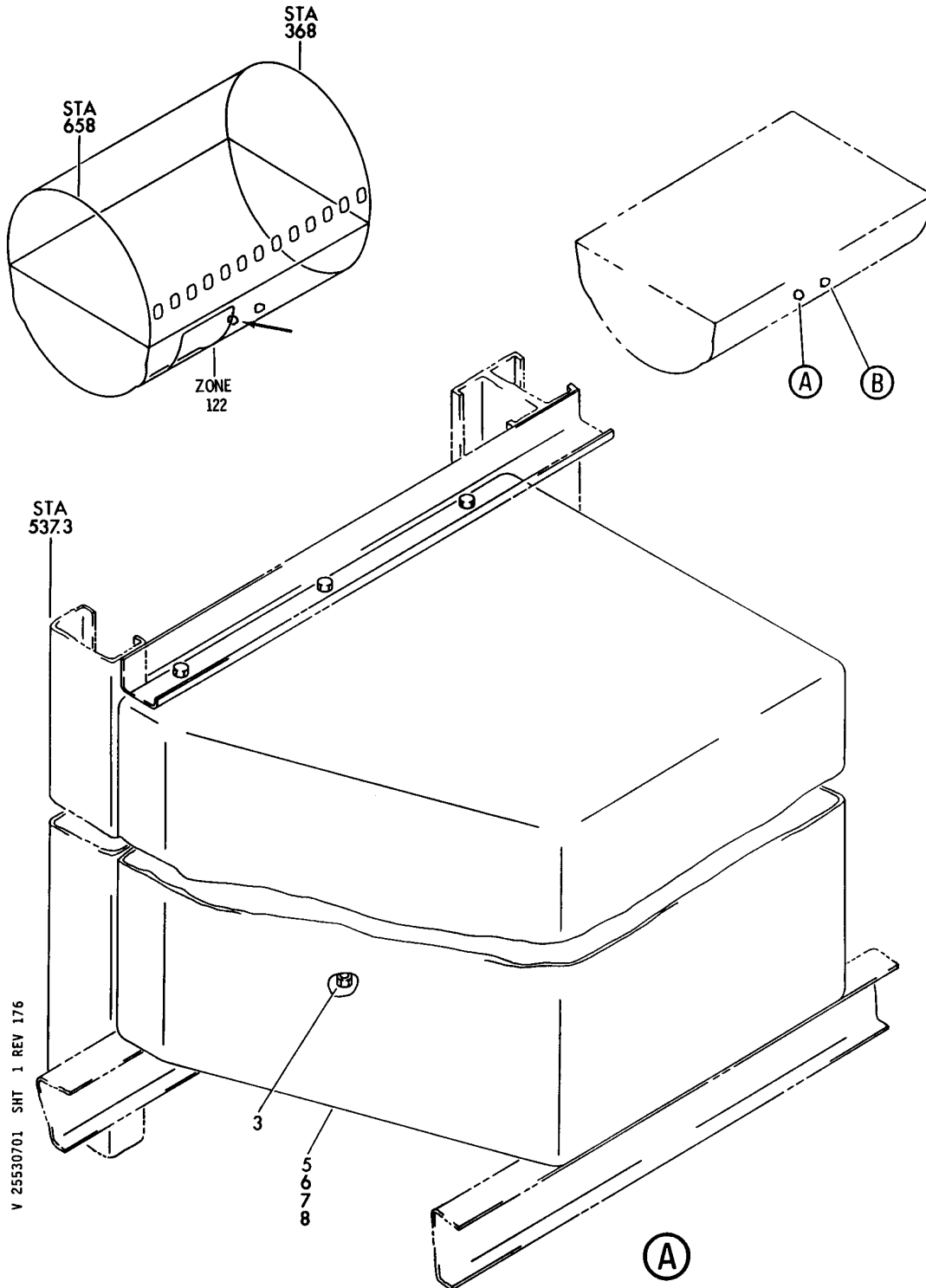
HXL

25-53-05-01

BOEING PROPRIETARY - Copyright © - Unpublished Work - See title page for details.

25-53-05
FIG. 01
PAGE 7
DEC 22/07

BOEING
767
PARTS CATALOG (MAINTENANCE)



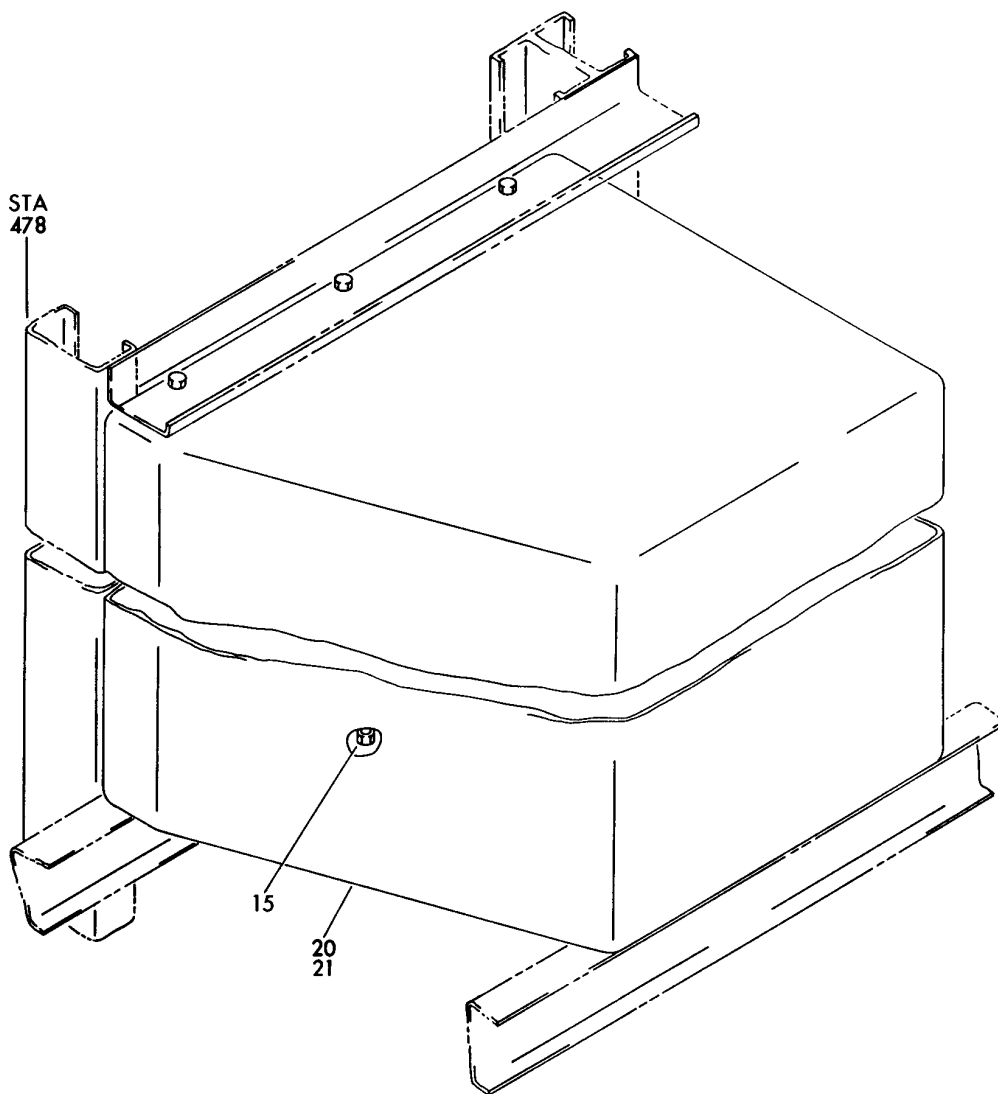
BOX INSTL-CARGO LOADING ACCESS. PNL P35 FWD
FIGURE 1 (SHEET 1)

25-53-07-01

HXL
DEC 22/06

25-53-07-01
PAGE 0

BOEING
767
PARTS CATALOG (MAINTENANCE)



V 25530701 SHT 2 REV 176

BOX INSTL-CARGO LOADING ACCESS. PNL P35 FWD
FIGURE 1 (SHEET 2)

25-53-07-01

HXL
DEC 22/06

25-53-07-01
PAGE 0A

BOEING
767
PARTS CATALOG (MAINTENANCE)

FIG ITEM	PART NUMBER	1 2 3 4 5 6 7	NOMENCLATURE	EFFECT FROM TO	UNITS PER ASSY
1			BOX INSTL-CARGO LOADING ACCESS. PNL P35 FWD		
- 1	284T0348-1		BOX INSTL-CARGO LOADING ACCESS. PNL P35 POSITION DATA: FWD VARIABLE DRAWING REF: 284T0348-5068 FOR NHA SEE: 24-00-58-01A		RF
3	MS21042L3		.NUT-		1
8	284T0687-84		.PANEL ASSY- ELECTRICAL EQUIP NUMBER: P035-00 FUNCTIONAL REFERENCE: DOORS FOR DETAILS SEE 52-33-42-01 ELECTRICAL POWER FOR DETAILS SEE 24-51-69-04 FIRE PROTECTION FOR DETAILS SEE 26-16-02-01 LIGHTS FOR DETAILS SEE 33-31-55-01 33-37-51-01 PLACARDS AND MARKINGS FOR DETAILS SEE 11-37-01-01 FOR DETAILS SEE: 25-53-53-19		1
- 10	NAS1801-3-8		ATTACHING PARTS .SCREW -----*-----		8

ILLUSTRATION ITEMS NOT ON PARTS LIST ARE NOT APPLICABLE

- ITEM NOT ILLUSTRATED

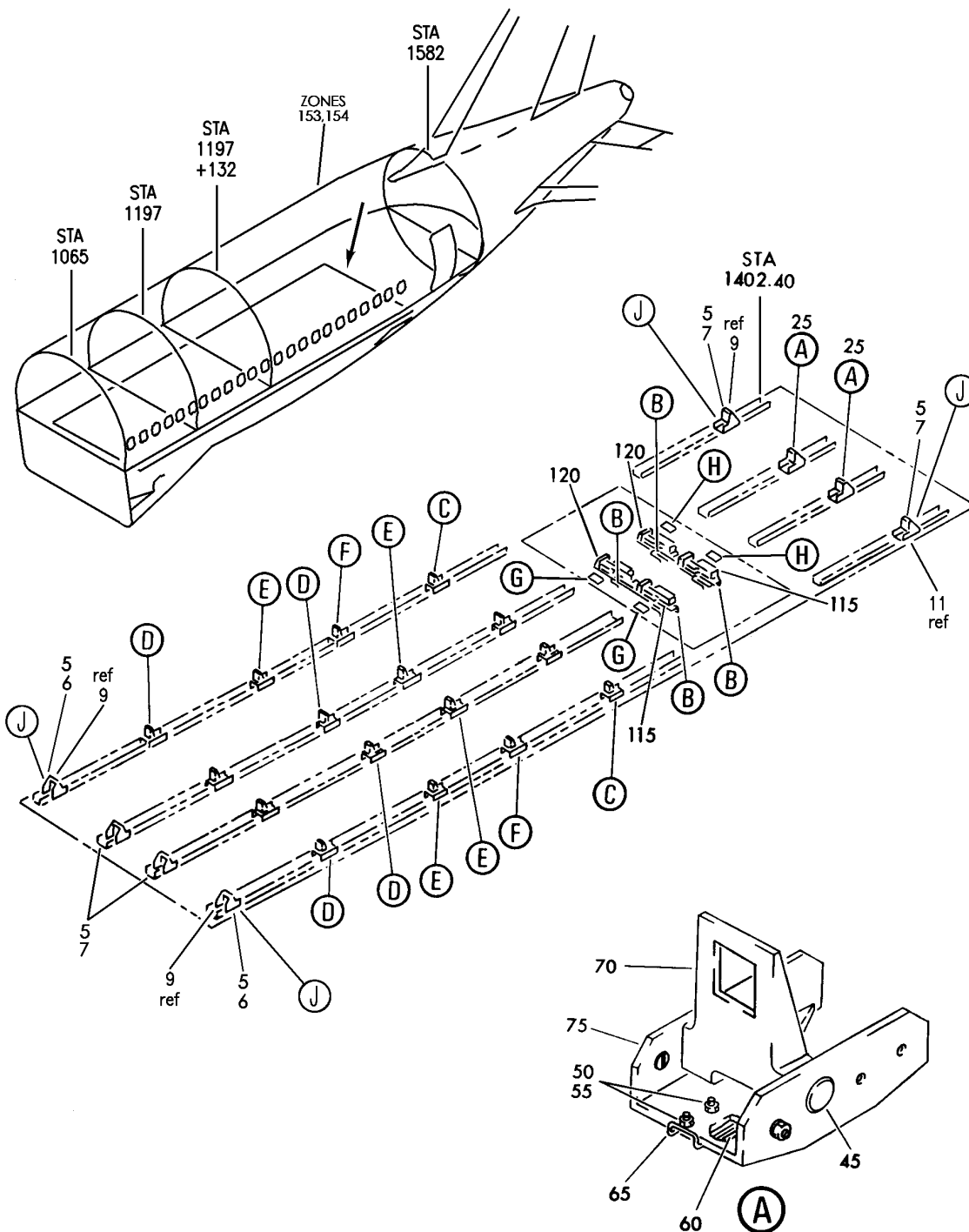
HXL

25-53-07-01

BOEING PROPRIETARY - Copyright © - Unpublished Work - See title page for details.

25-53-07
FIG. 01
PAGE 1
DEC 22/07

BOEING
767
PARTS CATALOG (MAINTENANCE)



V 25531307 SHT 1 REV 257

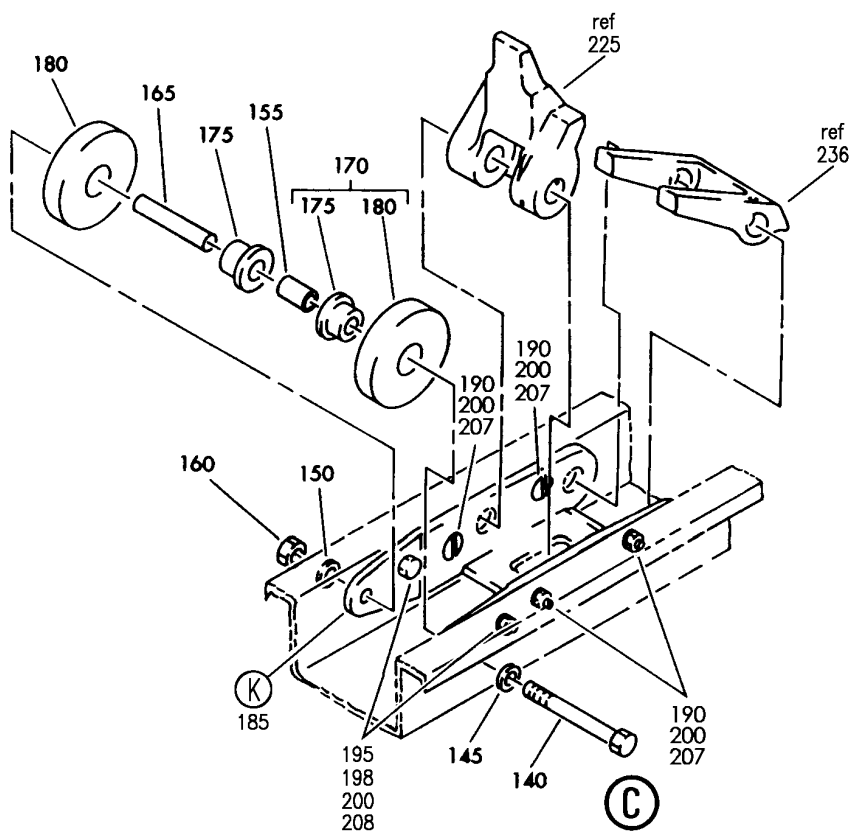
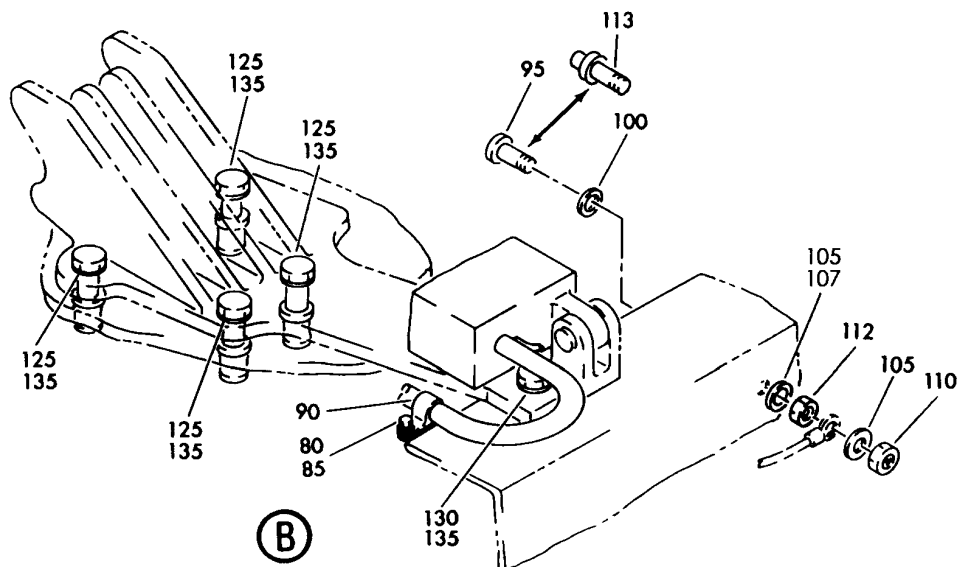
STOP AND LOCK INSTL-SECT. 46 CARGO HANDLING AFT COMPT
FIGURE 7 (SHEET 1)

25-53-13-07

HXL
DEC 22/06

25-53-13-07
PAGE 0

BOEING
767
PARTS CATALOG (MAINTENANCE)



V 25531307 SH1 2 REV 343

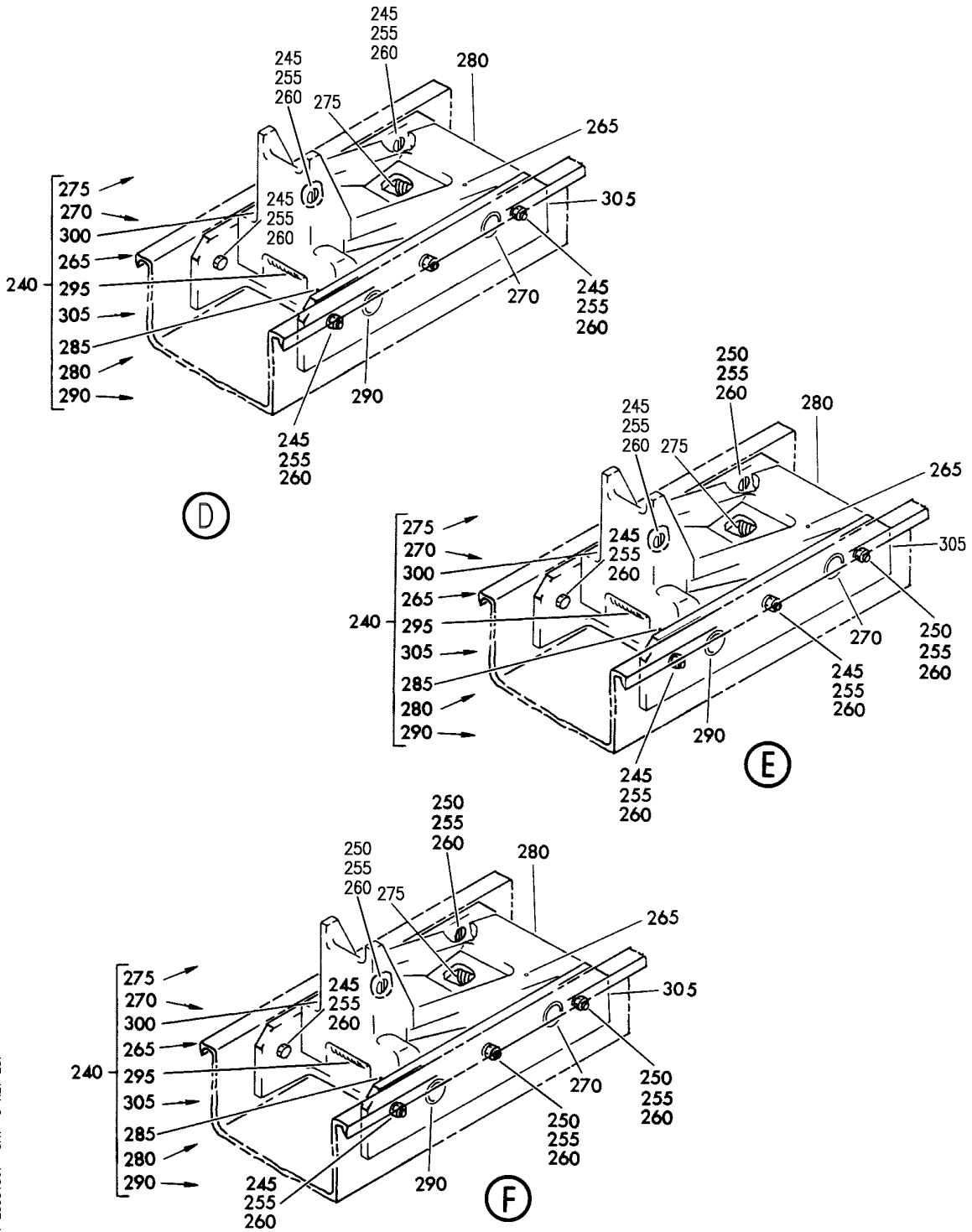
STOP AND LOCK INSTL-SECT. 46 CARGO HANDLING AFT COMPT
FIGURE 7 (SHEET 2)

25-53-13-07

HXL
AUG 22/09

25-53-13-07
PAGE 0A


BOEING
 767
PARTS CATALOG (MAINTENANCE)



V 25531307 SHT. 3 REV 287

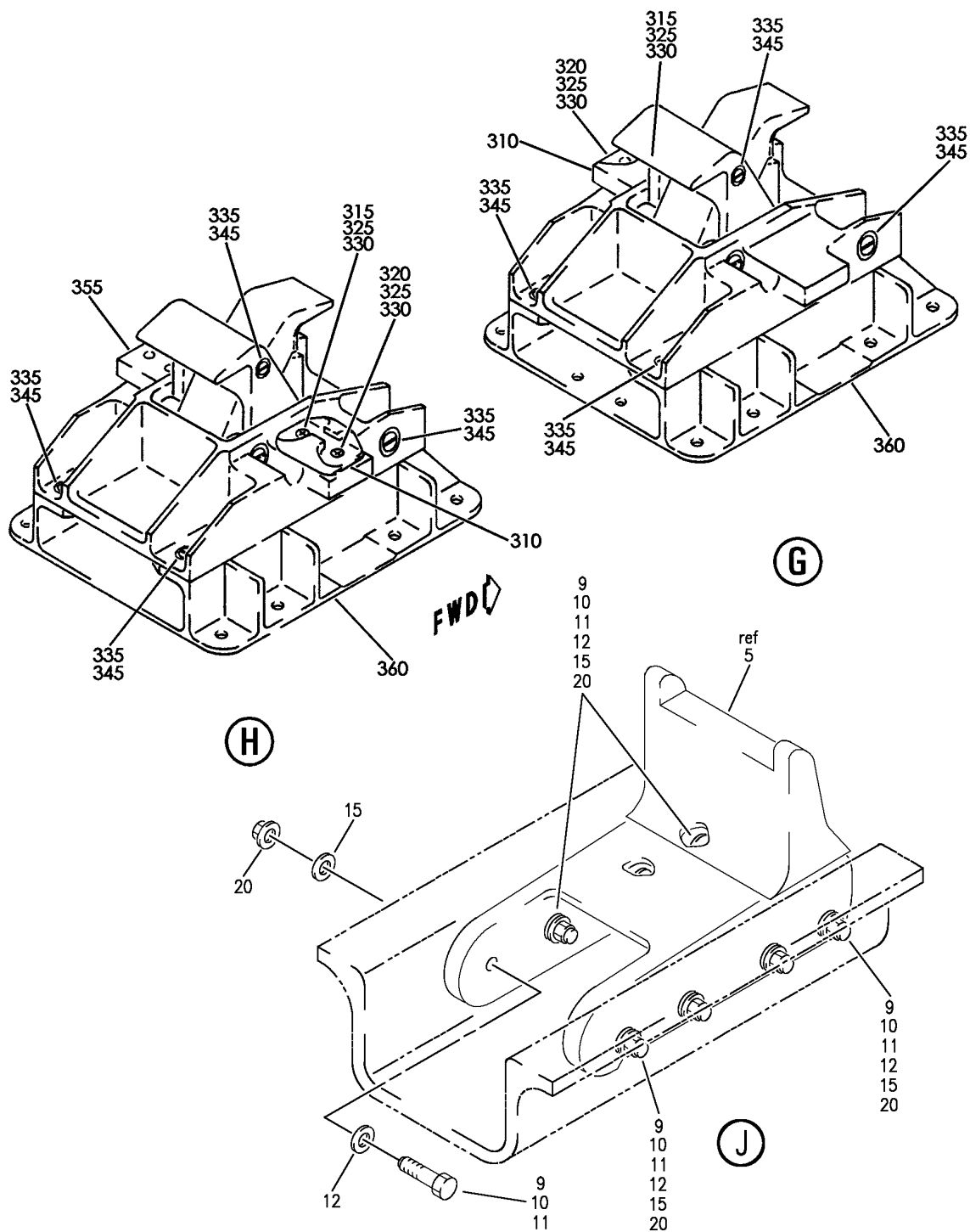
STOP AND LOCK INSTL-SECT. 46 CARGO HANDLING AFT COMPT
FIGURE 7 (SHEET 3)

25-53-13-07

HXL
DEC 22/06

25-53-13-07
PAGE 0B

BOEING
767
PARTS CATALOG (MAINTENANCE)



V 25531307 SH1 4 REV 257

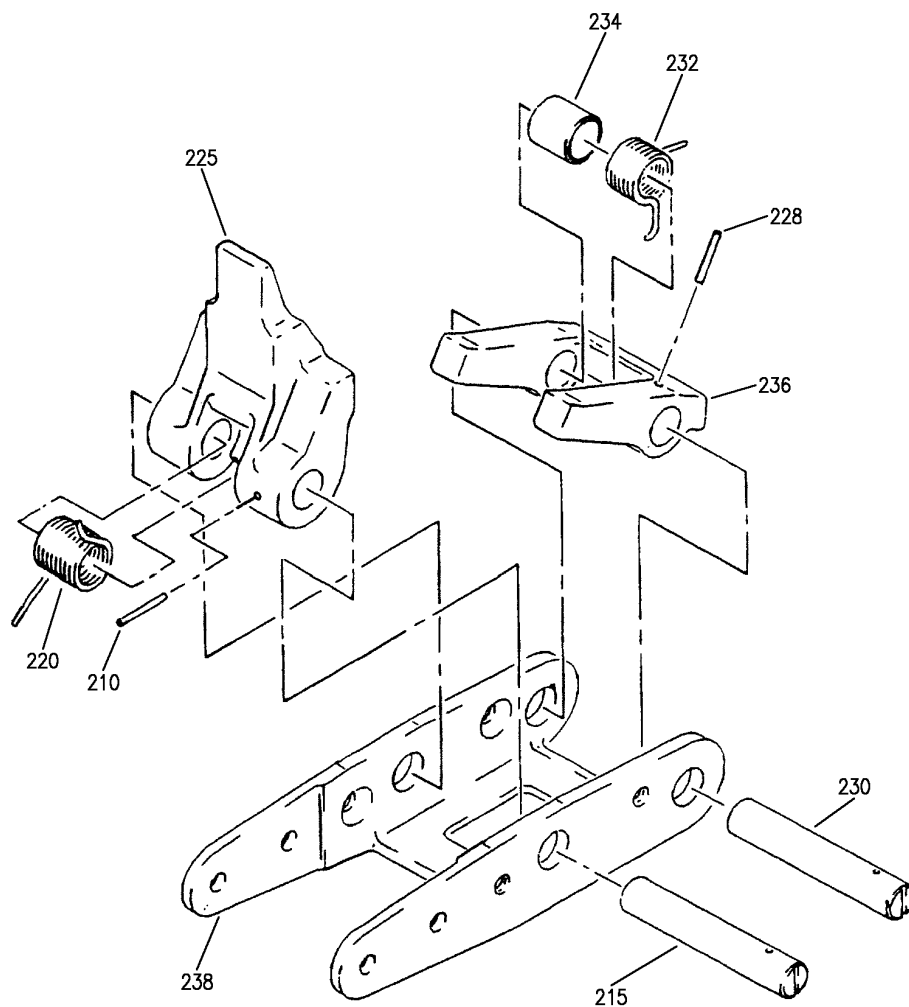
STOP AND LOCK INSTL-SECT. 46 CARGO HANDLING AFT COMPT
FIGURE 7 (SHEET 4)

25-53-13-07

HXL
DEC 22/06

25-53-13-07
PAGE 0C

BOEING
767
PARTS CATALOG (MAINTENANCE)



(K)

V 25531307 SH1 5 REV 343

STOP AND LOCK INSTL-SECT. 46 CARGO HANDLING AFT COMPT
FIGURE 7 (SHEET 5)

25-53-13-07

HXL
AUG 22/09

25-53-13-07
PAGE 0D

 **BOEING**
767
PARTS CATALOG (MAINTENANCE)

FIG ITEM	PART NUMBER	1 2 3 4 5 6 7	NOMENCLATURE	EFFECT FROM TO	UNITS PER ASSY
7			STOP AND LOCK INSTL-SECT. 46 CARGO HANDLING AFT COMPT		
- 1	452T1002-7		STOP AND LOCK INSTL-CARGO HANDLING COMPT POSITION DATA: SECT. 46 AFT FOR NHA SEE: 25-50-00-01		RF
5	452T1027-2		.STOP-END SUPPLIER CODE: V31645 OPTIONAL PART: 452T1027-5 V31645		6
5	452T1027-5		.STOP-END SUPPLIER CODE: V31645 OPTIONAL PART: 452T1027-2 V31645		6
10	BACB30NR5K7		ATTACHING PARTS .BOLT-		48
15	NAS1149D0563J		.WASHER-		48
20	PLH55CD		.NUT- SUPPLIER CODE: VF0224 SPECIFICATION NUMBER: BACN10YR5CD OPTIONAL PART: H52732-5CD V15653		48
25	452T1004-4		-----*----- .STOP ASSY- SUPPLIER CODE: V31645 COMPONENT MAINT MANUAL REF: 25-53-31 ATTACHING PARTS		2
- 30	BACB30NN4K5		.BOLT		12
- 35	NAS1149D0463J		.WASHER-		12
- 40	NAS1805-4L		.NUT- -----*-----		12
45	452T1009-3		..PIN- SUPPLIER CODE: V31645		1
50	NAS601-8		..SCREW-		2

ILLUSTRATION ITEMS NOT ON PARTS LIST ARE NOT APPLICABLE

- ITEM NOT ILLUSTRATED

HXL

25-53-13-07

BOEING PROPRIETARY - Copyright © - Unpublished Work - See title page for details.

25-53-13
FIG. 07
PAGE 1
DEC 22/08



767

PARTS CATALOG (MAINTENANCE)

FIG ITEM	PART NUMBER	1 2 3 4 5 6 7	NOMENCLATURE	EFFECT FROM TO	UNITS PER ASSY
7					
55	BRH10A06	..	NUT- SUPPLIER CODE: V52828 SPECIFICATION NUMBER: BACN10JCO6 OPTIONAL PART: H10-06BAC V15653 RMLH9075-62W V72962 VN303A62 V92215 96-62 V80539 NS202101-62 V80539 T6S632J V11815		2
60	452T1015-1	..	PAD-SPR SUPPLIER CODE: V31645		1
65	452T1014-1	..	SPRING- SUPPLIER CODE: V31645		1
70	452T1012-3	..	HEAD- SUPPLIER CODE: V31645		1
75	452T1013-3	..	CHANNEL- SUPPLIER CODE: V31645		1
80	NAS1801-3-10	.	SCREW-		4
85	AN960JD10L	.	WASHER-		4
90	BACC10DK7	.	CLAMP		4
95	NAS1801-3-12	.	SCREW-		4
100	MS35338-43	.	WASHER-		4
105	AN960D10L	.	WASHER-		8
107	AN960D10	.	WASHER-		4
110	MS35650-305S	.	NUT		4
112	MS21042L3	.	NUT-		4
115	452T1201-18	.	STOP AND LOCK ASSY- SUPPLIER CODE: V31645 POSITION DATA: CTR COMPONENT MAINT MANUAL REF: 25-53-08 FOR DETAILS SEE: 25-53-13-10		2

ILLUSTRATION ITEMS NOT ON PARTS LIST ARE NOT APPLICABLE

- ITEM NOT ILLUSTRATED

25-53-13-07

25-53-13
FIG. 07
PAGE 2
DEC 22/06

HXL



767

PARTS CATALOG (MAINTENANCE)

FIG ITEM	PART NUMBER	1 2 3 4 5 6 7	NOMENCLATURE	EFFECT FROM TO	UNITS PER ASSY
7					
120	452T1202-18		.STOP AND LOCK ASSY-AUX SUPPLIER CODE: V31645 COMPONENT MAINT MANUAL REF: 25-53-42 FOR DETAILS SEE: 25-53-13-10 ATTACHING PARTS		2
125	BACB30MR5K13		.BOLT		16
130	BACB30MR5K8		.BOLT		4
135	BACW10CT10J		.WASHER-		20
			-----*-----		
140	BACB30NL4-48		.BOLT- OPTIONAL PART: BACB30UU4P48		4
140	BACB30UU4P48		.BOLT- OPTIONAL PART: BACB30NL4-48		4
145	BACW10BN4AC		.WASHER		4
150	NAS1149D0463J		.WASHER-		4
155	NAS43HT6-59		.SPACER		4
160	PLH54CD		.NUT- SUPPLIER CODE: VF0224 SPECIFICATION NUMBER: BACN10YR4CD OPTIONAL PART: H52732-4CD V15653		4
165	BACB28AK04-230		.BUSHING		4
170	452T1036-1		.ROLLER ASSY- SUPPLIER CODE: V31645		8
175	BACB28X6M062		..BUSHING		1
180	452T1036-2		..ROLLER- SUPPLIER CODE: V31645		1
185	452T1030-4		.STOP ASSY-PARTIAL LOAD SUPPLIER CODE: V31645 COMPONENT MAINT MANUAL REF: 25-53-23		4
185	452T1030-3		.STOP ASSY-PARTIAL LOAD SUPPLIER CODE: V31645 COMPONENT MAINT MANUAL REF: 25-53-23 ATTACHING PARTS		4
190	BACB30NN4K6		.BOLT		16

ILLUSTRATION ITEMS NOT ON PARTS LIST ARE NOT APPLICABLE

- ITEM NOT ILLUSTRATED

25-53-13-07

25-53-13
FIG. 07
PAGE 3
DEC 22/08

HXL

 **BOEING**
767
PARTS CATALOG (MAINTENANCE)

FIG ITEM	PART NUMBER	1 2 3 4 5 6 7	NOMENCLATURE	EFFECT FROM TO	UNITS PER ASSY
7					
	195 BACB30NR4K5		.BOLT		8
	200 NAS1149D0463J		.WASHER-		24
	207 NAS1805-4L		.NUT-		16
	208 PLH54CD		.NUT		8
			SUPPLIER CODE: VF0224		
			SPECIFICATION NUMBER: BACN10YR4CD		
			OPTIONAL PART: H52732-4CD V15653		
			-----*-----		
R	210 MS16562-10		..PIN		1
R	215 452T1009-8		..PIN-		1
R			SUPPLIER CODE: V31645		
R	220 452T1034-1		..SPRING-		1
			SUPPLIER CODE: V31645		
R	225 452T1032-6		..LOCKHEAD-		1
R			SUPPLIER CODE: V31645		
R			OPTIONAL PART: 771078-1 V31645		
R			USED ON: 452T1030-3 452T1030-4		
R	225 452T1032-7		..LOCKHEAD-		1
R			SUPPLIER CODE: V31645		
R			OPTIONAL PART: 771078-1 V31645		
R			USED ON: 452T1030-3 452T1030-4		
R	225 771078-1		..LOCKHEAD-		1
R			SUPPLIER CODE: V31645		
R			OPTIONAL PART: 452T1032-6 V31645 452T1032-7 V31645		
R			USED ON: 452T1030-3 452T1030-4		
R	228 MS16562-10		..PIN		1

ILLUSTRATION ITEMS NOT ON PARTS LIST ARE NOT APPLICABLE

- ITEM NOT ILLUSTRATED

HXL

25-53-13-07

BOEING PROPRIETARY - Copyright © - Unpublished Work - See title page for details.

25-53-13
FIG. 07
PAGE 4
AUG 22/09

 **BOEING**
767
PARTS CATALOG (MAINTENANCE)

FIG ITEM	PART NUMBER	1 2 3 4 5 6 7	NOMENCLATURE	EFFECT FROM TO	UNITS PER ASSY
7					
R	230	452T1009-8	..PIN- SUPPLIER CODE: V31645		1
R	232	452T1035-1	..SPRING- SUPPLIER CODE: V31645		1
R	234	BACB28Y8D063	..BUSHING-		1
R	236	452T1033-9	..FORK- SUPPLIER CODE: V31645 USED ON: 452T1030-3 452T1030-4		1
R	236	452T1033-10	..FORK- SUPPLIER CODE: V31645 OPTIONAL PART: 7711134-1 V31645 USED ON: 452T1030-3 452T1030-4		1
R	236	7711134-1	..FORK- SUPPLIER CODE: V31645 OPTIONAL PART: 452T1033-10 V31645 USED ON: 452T1030-3 452T1030-4		1
R	238	452T1031-1	..CHANNEL- SUPPLIER CODE: V31645 USED ON: 452T1030-1 452T1030-2 452T1030-3		1
R	238	452T1031-2	..CHANNEL- SUPPLIER CODE: V31645 USED ON: 452T1030-4		1
R	240	452T1003-7	.STOP ASSY-LOAD SUPPLIER CODE: V31645 COMPONENT MAINT MANUAL REF: 25-53-06		12

ILLUSTRATION ITEMS NOT ON PARTS LIST ARE NOT APPLICABLE

- ITEM NOT ILLUSTRATED

HXL

25-53-13-07

BOEING PROPRIETARY - Copyright © - Unpublished Work - See title page for details.

25-53-13
FIG. 07
PAGE 5
AUG 22/09

 **BOEING**
767
PARTS CATALOG (MAINTENANCE)

FIG ITEM	PART NUMBER	1 2 3 4 5 6 7	NOMENCLATURE	EFFECT FROM TO	UNITS PER ASSY
7			ATTACHING PARTS		
245	BACB30NN4K5	.BOLT-			56
250	BACB30NN4K6	.BOLT			16
255	NAS1149D0463J	.WASHER-			72
260	NAS1805-4L	.NUT-			72
		-----*-----			
265	MS16562-10	..PIN			1
270	452T1009-4	..PIN-			1
		SUPPLIER CODE:			
		V31645			
275	452T1115-1	..SPRING-			1
		SUPPLIER CODE:			
		V31645			
280	452T1007-3	..YOKE-			1
		SUPPLIER CODE:			
		V31645			
		OPTIONAL PART:			
		452T1007-5			
		V31645			
280	452T1007-5	..YOKE-			1
		SUPPLIER CODE:			
		V31645			
		OPTIONAL PART:			
		452T1007-3			
		V31645			
285	MS16562-10	..PIN			1
290	452T1009-5	..PIN-			1
		SUPPLIER CODE:			
		V31645			
295	452T1011-1	..SPRING-			1
		SUPPLIER CODE:			
		V31645			
300	452T1006-1	..HEAD-			1
		SUPPLIER CODE:			
		V31645			
		OPTIONAL PART:			
		452T1006-3			
		V31645			
300	452T1006-3	..HEAD-HOGOUT			1
		SUPPLIER CODE:			
		V31645			
		OPTIONAL PART:			
		452T1006-1			
		V31645			
305	452T1008-5	..CHANNEL ASSY-			1
		SUPPLIER CODE:			
		V31645			

ILLUSTRATION ITEMS NOT ON PARTS LIST ARE NOT APPLICABLE

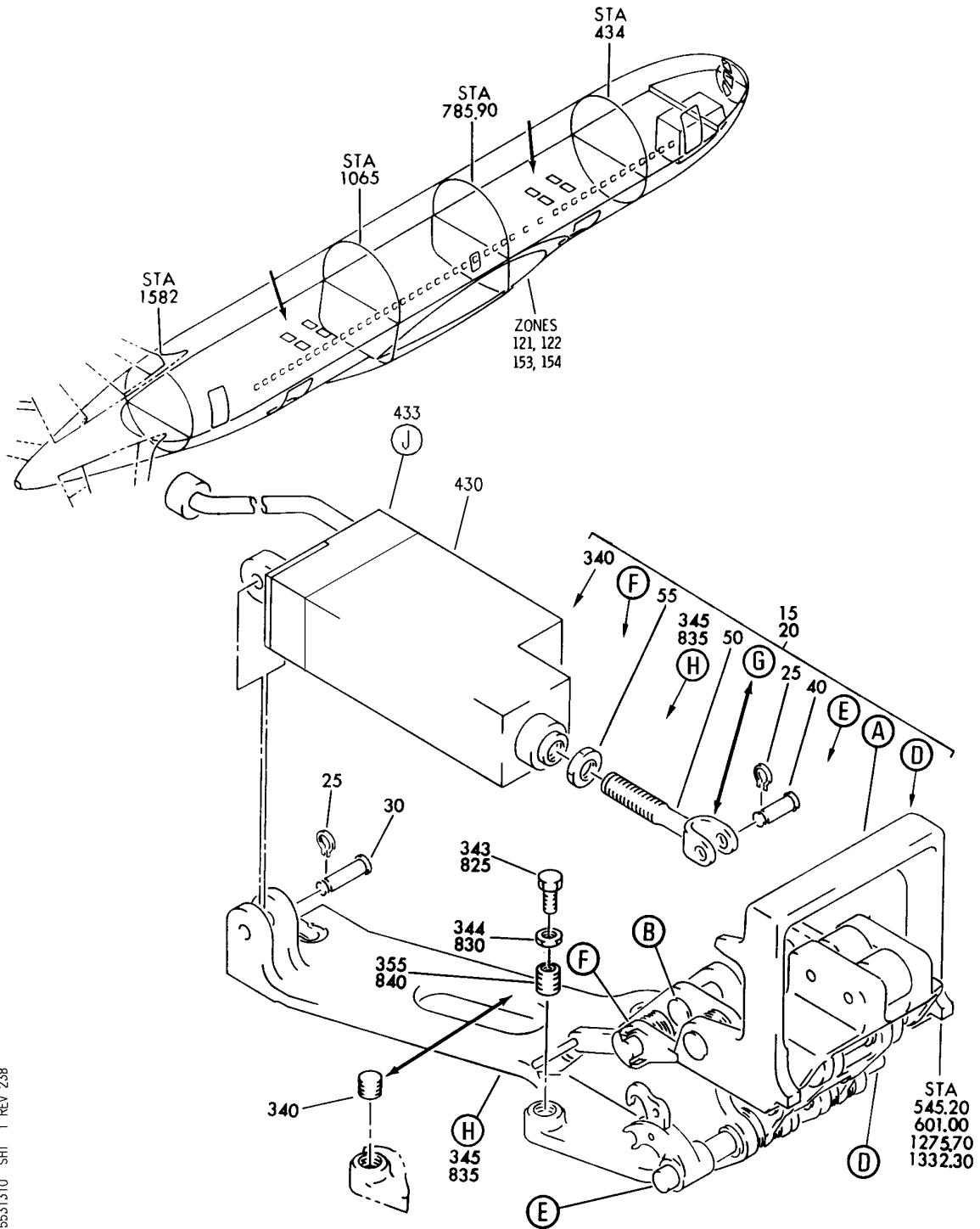
- ITEM NOT ILLUSTRATED

HXL

25-53-13-07

25-53-13
FIG. 07
PAGE 6
AUG 22/09

BOEING
767
PARTS CATALOG (MAINTENANCE)



V 25531310 SHT 1 REV 238

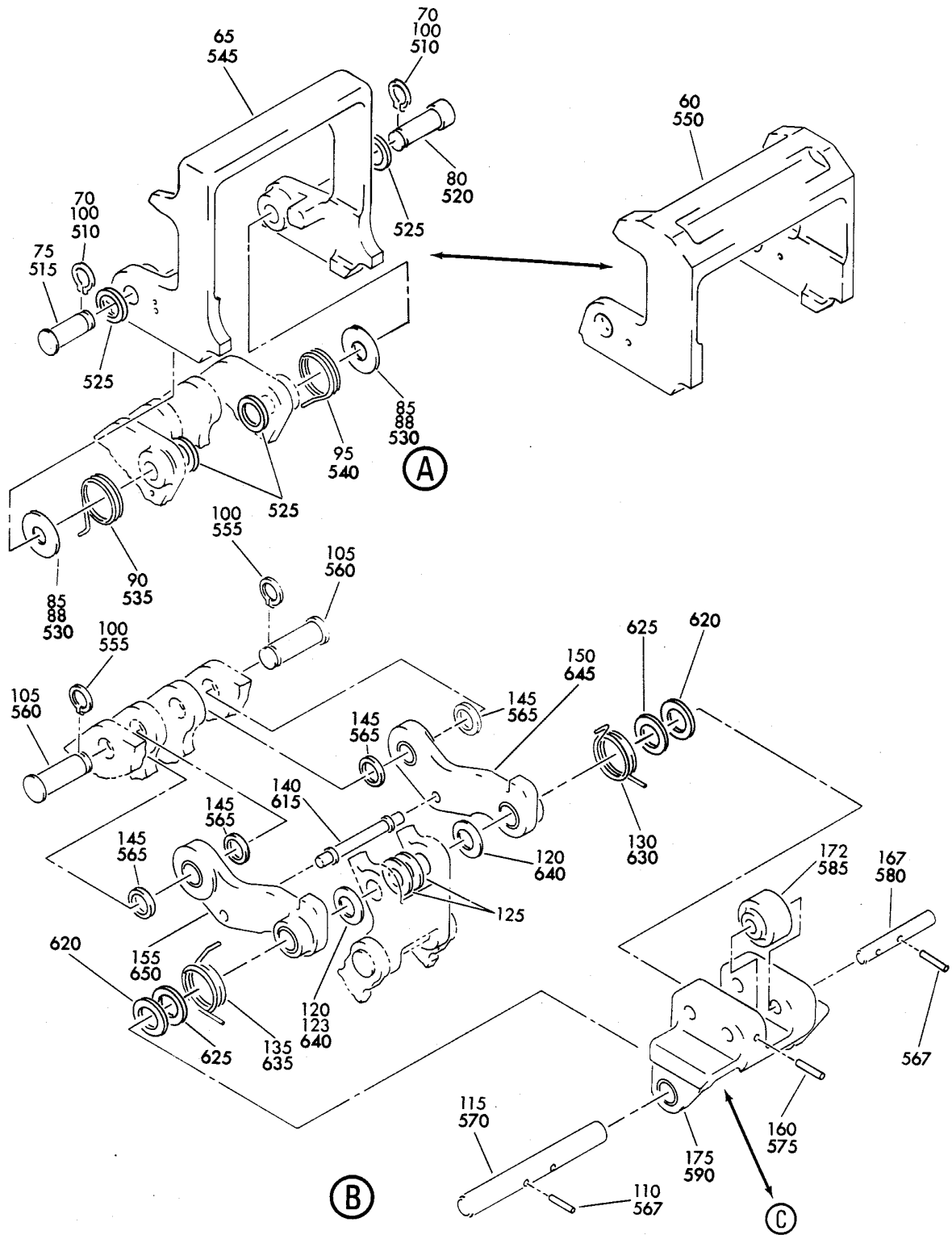
STOP AND LOCK ASSY-CARGO HANDLING CTR AND AUX
FIGURE 10 (SHEET 1)

25-53-13-10

HXL
DEC 22/06

25-53-13-10
PAGE 0


BOEING
 767
PARTS CATALOG (MAINTENANCE)



V 25531310 SH1 2 REV 078

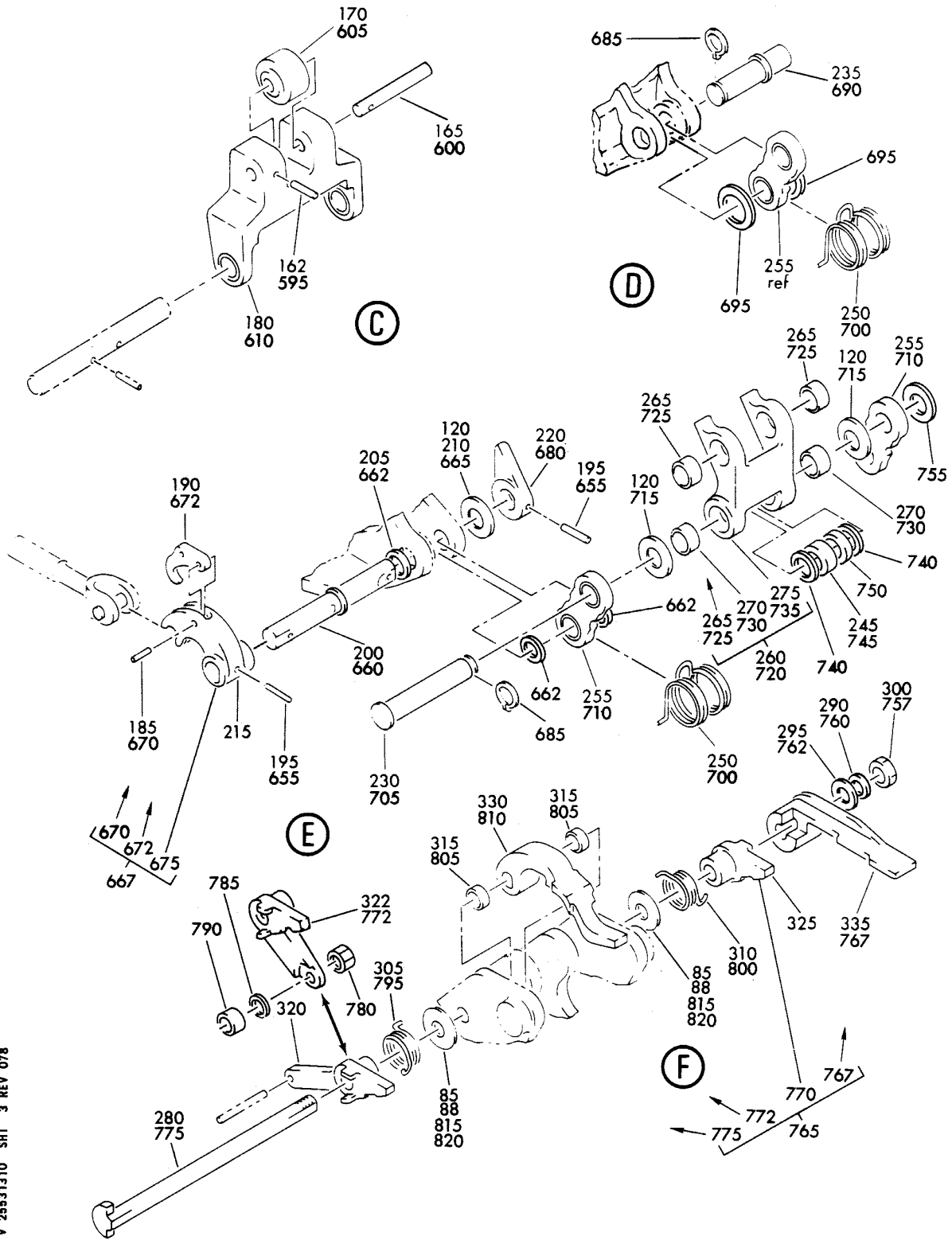
STOP AND LOCK ASSY-CARGO HANDLING CTR AND AUX
FIGURE 10 (SHEET 2)

25-53-13-10

HXL
DEC 22/06

25-53-13-10
PAGE 0A

BOEING
767
PARTS CATALOG (MAINTENANCE)



V 25531310 SH1 3 REV 078

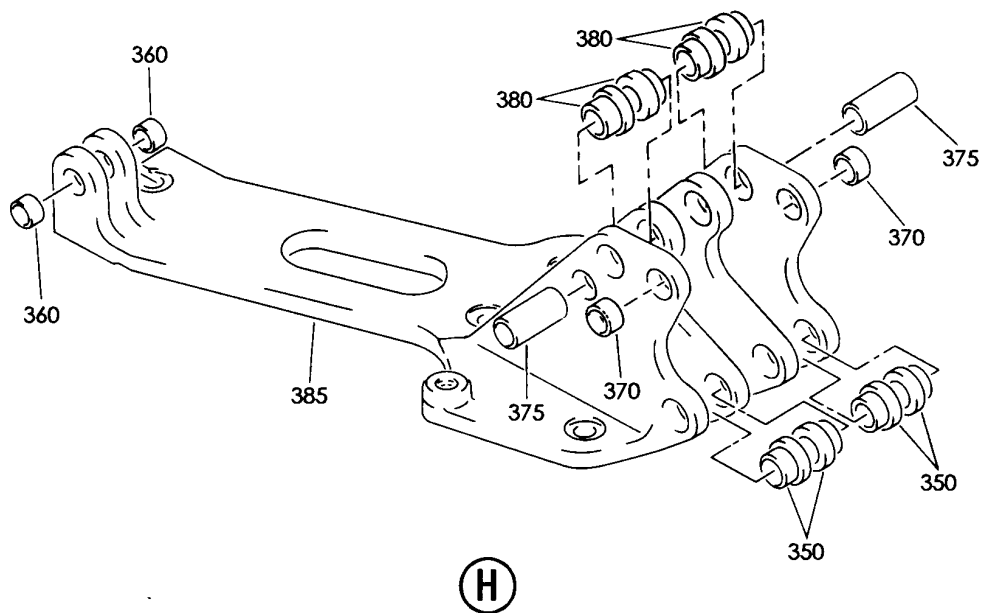
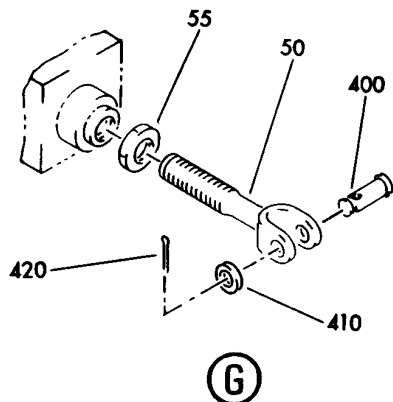
STOP AND LOCK ASSY-CARGO HANDLING CTR AND AUX
FIGURE 10 (SHEET 3)

25-53-13-10

HXL
DEC 22/06

25-53-13-10
PAGE 0B

BOEING
767
PARTS CATALOG (MAINTENANCE)



V 25531310 SHT 4 REV 204

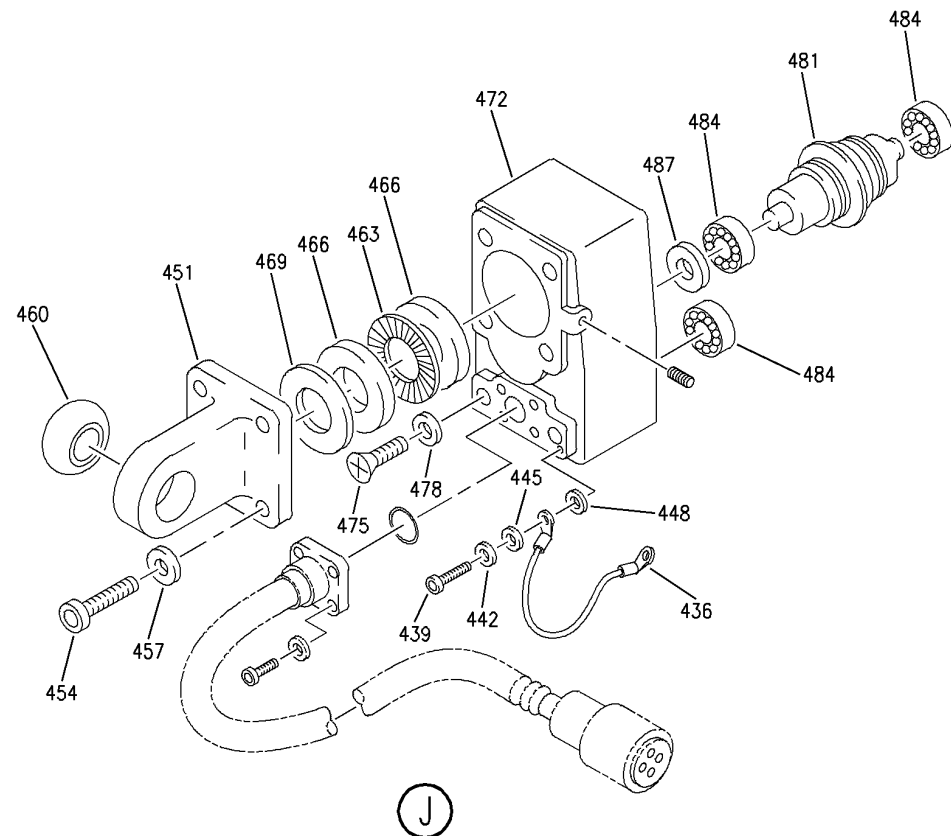
STOP AND LOCK ASSY-CARGO HANDLING CTR AND AUX
FIGURE 10 (SHEET 4)

25-53-13-10

HXL
DEC 22/06

25-53-13-10
PAGE 0C

BOEING
767
PARTS CATALOG (MAINTENANCE)



V 25531310 SH1 5 REV 238

STOP AND LOCK ASSY-CARGO HANDLING CTR AND AUX
FIGURE 10 (SHEET 5)

25-53-13-10

HXL
DEC 22/06

25-53-13-10
PAGE 00

BOEING
767
PARTS CATALOG (MAINTENANCE)

FIG ITEM	PART NUMBER	1 2 3 4 5 6 7	NOMENCLATURE	EFFECT FROM TO	UNITS PER ASSY
10			STOP AND LOCK ASSY-CARGO HANDLING CTR AND AUX		
- 1	452T1201-18		STOP AND LOCK ASSY-CARGO HANDLING SUPPLIER CODE: V31645 POSITION DATA: CTR COMPONENT MAINT MANUAL REF: 25-53-08 FOR NHA SEE: 25-53-13-07 25-53-13-12		RF
- 5	452T1202-18		STOP AND LOCK ASSY-CARGO HANDLING AUX SUPPLIER CODE: V31645 COMPONENT MAINT MANUAL REF: 25-53-42 FOR NHA SEE: 25-53-13-07 25-53-13-12		RF
15	452T1201-6		.STOP AND LOCK ASSY- SUPPLIER CODE: V31645 USED ON: 452T1201-7		1
15	452T1201-8		.STOP AND LOCK ASSY- SUPPLIER CODE: V31645 USED ON: 452T1201-16 452T1201-18 452T1201-9		1
15	452T1201-14		.STOP AND LOCK ASSY- SUPPLIER CODE: V31645 USED ON: 452T1201-15		1
20	452T1202-6		.STOP AND LOCK ASSY- SUPPLIER CODE: V31645 USED ON: 452T1202-7		1

R
R
R
R
R
R

ILLUSTRATION ITEMS NOT ON PARTS LIST ARE NOT APPLICABLE

- ITEM NOT ILLUSTRATED

HXL

25-53-13-10

BOEING PROPRIETARY - Copyright © - Unpublished Work - See title page for details.

25-53-13
FIG. 10
PAGE 1
AUG 22/09

BOEING
767
PARTS CATALOG (MAINTENANCE)

FIG ITEM	PART NUMBER	1 2 3 4 5 6 7	NOMENCLATURE	EFFECT FROM TO	UNITS PER ASSY
10					
R R R R R R	20 452T1202-8		.STOP AND LOCK ASSY- SUPPLIER CODE: V31645 USED ON: 452T1202-16 452T1202-18 452T1202-9		1
	20 452T1202-14		.STOP AND LOCK ASSY- SUPPLIER CODE: V31645 USED ON: 452T1202-15		1
	25 MS16624-1025		..RING-		2
	30 452T1218-3		..PIN- SUPPLIER CODE: V31645		1
	40 452T1218-4		..PIN- SUPPLIER CODE: V31645 OPTIONAL PART: 452T1218-10 V31645 USED ON: 452T1201-6 452T1202-6		1
	40 452T1218-10		..PIN- SUPPLIER CODE: V31645 OPTIONAL PART: 452T1218-4 V31645 USED ON: 452T1201-6 452T1202-6		1
	40 452T1218-4		..PIN- SUPPLIER CODE: V31645 USED ON: 452T1201-14 452T1202-14		1
	40 452T1218-10		..PIN- SUPPLIER CODE: V31645 USED ON: 452T1201-8 452T1202-8		1
ILLUSTRATION ITEMS NOT ON PARTS LIST ARE NOT APPLICABLE					

- ITEM NOT ILLUSTRATED

HXL

25-53-13-10

BOEING PROPRIETARY - Copyright © - Unpublished Work - See title page for details.

25-53-13
FIG. 10
PAGE 2
AUG 22/09

 **BOEING**
767
PARTS CATALOG (MAINTENANCE)

FIG ITEM	PART NUMBER	1 2 3 4 5 6 7	NOMENCLATURE	EFFECT FROM TO	UNITS PER ASSY
10					
50	452T1215-4	..	FITTING-END SUPPLIER CODE: V31645 OPTIONAL PART: 452T1215-1 V31645 452T1215-3 V31645		1
50	452T1215-1	..	FITTING-END SUPPLIER CODE: V31645 QUALIFIED OPTIONAL DATA: (OPT 452T1215-3 WHEN USED ON 452T1201-8, 452T1202-8) OPTIONAL PART: 452T1215-4 V31645		1
50	452T1215-3	..	FITTING-END SUPPLIER CODE: V31645 QUALIFIED OPTIONAL DATA: (OPT 452T1215-1) OPTIONAL PART: 452T1215-4 V31645 USED ON: 452T1201-8 452T1202-8		1
55	MS25082-20	..	NUT-		1
60	452T1208-1	..	RESTRAINT ASSY-LIP SUPPLIER CODE: V31645 USED ON: 452T1202-6 452T1202-8 452T1202-14		1
65	452T1209-2	..	RESTRAINT-LIP SUPPLIER CODE: V31645 QUALIFIED OPTIONAL DATA: (OPT 452T1209-7 WHEN USED ON 452T1201-6) OPTIONAL PART: 452T1209-5 V31645 USED ON: 452T1201-6 452T1201-14		1
ILLUSTRATION ITEMS NOT ON PARTS LIST ARE NOT APPLICABLE					

R
R
R
R
R
R
R
R
R
R

- ITEM NOT ILLUSTRATED

25-53-13-10

25-53-13
FIG. 10
PAGE 3
AUG 22/09

HXL



767

PARTS CATALOG (MAINTENANCE)

FIG ITEM	PART NUMBER	1 2 3 4 5 6 7	NOMENCLATURE	EFFECT FROM TO	UNITS PER ASSY
10					
R R	65 452T1209-5		.. RESTRAINT-LIP SUPPLIER CODE: V31645 QUALIFIED OPTIONAL DATA: (OPT 452T1209-7 WHEN USED ON 452T1201-6) OPTIONAL PART: 452T1209-2 V31645 USED ON: 452T1201-6 452T1201-14		1
	65 452T1209-7		.. RESTRAINT-LIP SUPPLIER CODE: V31645 QUALIFIED OPTIONAL DATA: (OPT 452T1209-2, -5 WHEN USED ON 452T1201-6) USED ON: 452T1201-6 452T1201-8 452T1201-14		1
	70 MS16624-1031		.. RING		2
	75 452T1218-5		.. PIN- SUPPLIER CODE: V31645 USED ON: 452T1201-6 452T1201-14 452T1202-6 452T1202-14		1
	75 452T1218-11		.. PIN- SUPPLIER CODE: V31645 USED ON: 452T1201-8 452T1202-8		1
	80 452T1218-6		.. PIN- SUPPLIER CODE: V31645 USED ON: 452T1201-6 452T1201-14 452T1202-6 452T1202-14		1

ILLUSTRATION ITEMS NOT ON PARTS LIST ARE NOT APPLICABLE

- ITEM NOT ILLUSTRATED

25-53-13-10

25-53-13
FIG. 10
PAGE 4
AUG 22/09

HXL

BOEING
767
PARTS CATALOG (MAINTENANCE)

FIG ITEM	PART NUMBER	1 2 3 4 5 6 7	NOMENCLATURE	EFFECT FROM TO	UNITS PER ASSY
10					
80	452T1218-15		.. PIN- SUPPLIER CODE: V31645 USED ON: 452T1201-8 452T1202-8		1
85	69B60259-5		.. WASHER- SUPPLIER CODE: V31645 USED ON: 452T1201-6 452T1201-14 452T1202-6 452T1202-14		4
88	452T1223-2		.. WASHER- SUPPLIER CODE: V31645 QUALIFIED I/W DATA: (-5) FULLY I/W FOR 767 ONLY OPTIONAL PART: 452T1223-4 V31645 USED ON: 452T1201-8 452T1202-8		AR
88	452T1223-4		.. WASHER- SUPPLIER CODE: V31645 OPTIONAL PART: 452T1223-2 V31645 USED ON: 452T1201-8 452T1202-8		AR
90	69B60594-3		.. SPRING- SUPPLIER CODE: V31645		1
95	69B60594-4		.. SPRING- SUPPLIER CODE: V31645		1
100	MS16624-1037		.. RING		4

R
R
R
R
R
R
R

ILLUSTRATION ITEMS NOT ON PARTS LIST ARE NOT APPLICABLE

- ITEM NOT ILLUSTRATED

HXL

25-53-13-10

BOEING PROPRIETARY - Copyright © - Unpublished Work - See title page for details.

25-53-13
FIG. 10
PAGE 5
AUG 22/09



767

PARTS CATALOG (MAINTENANCE)

FIG ITEM	PART NUMBER	1 2 3 4 5 6 7	NOMENCLATURE	EFFECT FROM TO	UNITS PER ASSY
10					
105	452T1218-1	..	PIN- SUPPLIER CODE: V31645 USED ON: 452T1201-6 452T1201-14 452T1202-6 452T1202-14		2
105	452T1218-13	..	PIN- SUPPLIER CODE: V31645 USED ON: 452T1201-8 452T1202-8		2
110	MS16562-26	..	PIN		2
115	452T1220-1	..	PIN- SUPPLIER CODE: V31645 USED ON: 452T51202-14 452T51202-6 452T1201-6 452T1201-14		1
115	452T1220-4	..	PIN- SUPPLIER CODE: V31645 USED ON: 452T1201-8 452T1202-8		1
120	69B60259-4	..	WASHER- SUPPLIER CODE: V31645 OPTIONAL PART: 452T1223-1 V31645 452T1223-3 V31645 USED ON: 452T1201-6 452T1201-14 452T1202-6 452T1202-14		5

R
R
R
R
R
R
R

ILLUSTRATION ITEMS NOT ON PARTS LIST ARE NOT APPLICABLE

- ITEM NOT ILLUSTRATED

HXL

25-53-13-10

BOEING PROPRIETARY - Copyright © - Unpublished Work - See title page for details.

25-53-13
FIG. 10
PAGE 6
AUG 22/09



767

PARTS CATALOG (MAINTENANCE)

FIG ITEM	PART NUMBER	1 2 3 4 5 6 7	NOMENCLATURE	EFFECT FROM TO	UNITS PER ASSY
R R	10				
	120	452T1223-1	.. WASHER- SUPPLIER CODE: V31645 OPTIONAL PART: 69B60259-4 V31645 452T1223-3 V31645 USED ON: 452T1201-6 452T1201-14 452T1202-6 452T1202-14		5
	120	452T1223-3	.. WASHER- SUPPLIER CODE: V31645 OPTIONAL PART: 69B60259-4 V31645 452T1223-1 V31645 USED ON: 452T1201-6 452T1201-14 452T1202-6 452T1202-14		5
	120	7425121-1	.. WASHER- SUPPLIER CODE: V31645 USED ON: 452T1201-6 452T1201-14 452T1202-6 452T1202-14		5
	123	452T1223-1	.. WASHER- SUPPLIER CODE: V31645 OPTIONAL PART: 452T1223-3 V31645 USED ON: 452T1201-8 452T1202-8		AR

ILLUSTRATION ITEMS NOT ON PARTS LIST ARE NOT APPLICABLE

- ITEM NOT ILLUSTRATED

HXL

25-53-13-10

BOEING PROPRIETARY - Copyright © - Unpublished Work - See title page for details.

25-53-13
FIG. 10
PAGE 7
AUG 22/09



767

PARTS CATALOG (MAINTENANCE)

FIG ITEM	PART NUMBER	1 2 3 4 5 6 7	NOMENCLATURE	EFFECT FROM TO	UNITS PER ASSY
10 123	452T1223-3		.. WASHER- SUPPLIER CODE: V31645 OPTIONAL PART: 452T1223-1 V31645 USED ON: 452T1201-8 452T1202-8		AR
123	69B60259-4		.. WASHER- SUPPLIER CODE: V31645		AR
123	7425121-1		.. WASHER- SUPPLIER CODE: V31645 USED ON: 452T1201-8 452T1202-8		AR
125	AN960PD616		.. WASHER		2
130	69B60593-3		.. SPRING- SUPPLIER CODE: V31645		1
135	69B60593-4		.. SPRING- SUPPLIER CODE: V31645		1
140	452T1618-1		.. PIN- SUPPLIER CODE: V31645 USED ON: 452T1201-6 452T1201-14 452T1202-6 452T1202-14		1
140	452T1618-4		.. PIN- SUPPLIER CODE: V31645 USED ON: 452T1201-8 452T1202-8		1
145 150	BACW10P274G 452T1204-1		.. WASHER .. LINK ASSY- SUPPLIER CODE: V31645 USED ON: 452T1201-6 452T1201-14 452T1202-6 452T1202-14		AR 1

ILLUSTRATION ITEMS NOT ON PARTS LIST ARE NOT APPLICABLE

- ITEM NOT ILLUSTRATED

HXL

25-53-13-10

BOEING PROPRIETARY - Copyright © - Unpublished Work - See title page for details.

25-53-13
FIG. 10
PAGE 8
AUG 22/09

BOEING
767
PARTS CATALOG (MAINTENANCE)

FIG ITEM	PART NUMBER	1 2 3 4 5 6 7	NOMENCLATURE	EFFECT FROM TO	UNITS PER ASSY
10					
150	452T1204-15		..LINK ASSY- SUPPLIER CODE: V31645 USED ON: 452T1201-8 452T1202-8		1
155	452T1204-2		..GUIDE ASSY- SUPPLIER CODE: V31645		1
160	MS16562-28		..PIN- USED ON: 452T1201-6 452T1201-8 452T1201-14		2
162	MS16562-28		..PIN- USED ON: 452T1202-6 452T1202-8 452T1202-14		1
165	452T1220-3		..PIN- SUPPLIER CODE: V31645 USED ON: 452T1202-6 452T1202-8 452T1202-14		1
167	452T1220-3		..PIN- SUPPLIER CODE: V31645 USED ON: 452T1201-6 452T1201-8 452T1201-14		2
170	69B60581-1		..ROLLER- SUPPLIER CODE: V31645 USED ON: 452T1202-6 452T1202-8 452T1202-14		1
172	69B60581-1		..ROLLER- SUPPLIER CODE: V31645 USED ON: 452T1201-6 452T1201-14 452T1202-6 452T1202-14		2

R
R
R
R
R
R
R

ILLUSTRATION ITEMS NOT ON PARTS LIST ARE NOT APPLICABLE

- ITEM NOT ILLUSTRATED

HXL

25-53-13-10

BOEING PROPRIETARY - Copyright © - Unpublished Work - See title page for details.

25-53-13
FIG. 10
PAGE 9
AUG 22/09

 **BOEING**
767
PARTS CATALOG (MAINTENANCE)

FIG ITEM	PART NUMBER	1 2 3 4 5 6 7	NOMENCLATURE	EFFECT FROM TO	UNITS PER ASSY
10					
175	452T1210-4		..GUIDE ASSY-LIP SUPPLIER CODE: V31645 USED ON: 452T1201-6 452T1201-8 452T1201-14		1
180	452T1211-1		..GUIDE ASSY-LIP SUPPLIER CODE: V31645 USED ON: 452T1202-6 452T1202-8 452T1202-14		1
185	MS16562-23		..PIN- USED ON: 452T1201-6 452T1201-14 452T1202-6 452T1202-14		1
185	MS16562-23		..PIN- USED ON: 452T1201-8		1
190	452T1213-1		..LATCH- SUPPLIER CODE: V31645 USED ON: 452T1201-6 452T1201-14 452T1202-6 452T1202-14		1
190	452T1213-3		..LATCH- SUPPLIER CODE: V31645 USED ON: 452T1201-8		1
195	MS16562-26		..PIN		2
200	452T1219-4		..PIN- SUPPLIER CODE: V31645 USED ON: 452T1201-6 452T1201-14 452T1202-6 452T1202-14		1

ILLUSTRATION ITEMS NOT ON PARTS LIST ARE NOT APPLICABLE

- ITEM NOT ILLUSTRATED

HXL

25-53-13-10

BOEING PROPRIETARY - Copyright © - Unpublished Work - See title page for details.

25-53-13
FIG. 10
PAGE 10
AUG 22/09



767

PARTS CATALOG (MAINTENANCE)

FIG ITEM	PART NUMBER	1 2 3 4 5 6 7	NOMENCLATURE	EFFECT FROM TO	UNITS PER ASSY
10 200	452T1219-5		.. PIN- SUPPLIER CODE: V31645 USED ON: 452T1201-8 452T1202-8		1
205	AN960C616L		.. WASHER- USED ON: 452T1201-6 452T1201-14 452T1202-6 452T1202-14		1
205	BACW10P274G		.. WASHER- USED ON: 452T1201-8 452T1202-8		1
210	452T1223-1		.. WASHER- SUPPLIER CODE: V31645 OPTIONAL PART: 452T1223-3 V31645 USED ON: 452T1201-8 452T1202-8		1
210	452T1223-3		.. WASHER- SUPPLIER CODE: V31645 OPTIONAL PART: 452T1223-1 V31645		1
210	69B60259-4		.. WASHER- SUPPLIER CODE: V31645		1
210	7425121-1		.. WASHER- SUPPLIER CODE: V31645 USED ON: 452T1201-8 452T1202-8		1
215	452T1206-3		.. CRANK- SUPPLIER CODE: V31645 USED ON: 452T1201-6 452T1201-14 452T1202-6 452T1202-14		1

ILLUSTRATION ITEMS NOT ON PARTS LIST ARE NOT APPLICABLE

- ITEM NOT ILLUSTRATED

HXL

25-53-13-10

BOEING PROPRIETARY - Copyright © - Unpublished Work - See title page for details.

25-53-13
FIG. 10
PAGE 11
AUG 22/09



767

PARTS CATALOG (MAINTENANCE)

FIG ITEM	PART NUMBER	1 2 3 4 5 6 7	NOMENCLATURE	EFFECT FROM TO	UNITS PER ASSY
10 215	452T1206-4		.. CRANK- SUPPLIER CODE: V31645 USED ON: 452T1201-8		1
220	452T1214-6		.. LEVER- SUPPLIER CODE: V31645 QUALIFIED OPTIONAL DATA: (OPT 452T1214-9 WHEN USED ON 452T1201-6, 452T1202-6) USED ON: 452T1201-6 452T1202-6		1
220	452T1214-9		.. LEVER- SUPPLIER CODE: V31645 QUALIFIED OPTIONAL DATA: (OPT 452T1214-6 WHEN USED ON 452T1201-6, 452T1202-6) USED ON: 452T1201-6 452T1201-14 452T1202-6 452T1202-14		1
220	452T1214-8		.. LEVER- SUPPLIER CODE: V31645 USED ON: 452T1201-8 452T1202-8		1
230	452T1218-2		.. PIN- SUPPLIER CODE: V31645 USED ON: 452T1201-14 452T1201-6 452T1202-14 452T1202-6		1
230	452T1218-14		.. PIN- SUPPLIER CODE: V31645 USED ON: 452T1201-8 452T1202-8		1

ILLUSTRATION ITEMS NOT ON PARTS LIST ARE NOT APPLICABLE

- ITEM NOT ILLUSTRATED

HXL

25-53-13-10

BOEING PROPRIETARY - Copyright © - Unpublished Work - See title page for details.

25-53-13
FIG. 10
PAGE 12
AUG 22/09

 **BOEING**
767
PARTS CATALOG (MAINTENANCE)

FIG ITEM	PART NUMBER	1 2 3 4 5 6 7	NOMENCLATURE	EFFECT FROM TO	UNITS PER ASSY
R R R R R R R R R	10 235	452T1219-2	..PIN- SUPPLIER CODE: V31645 QUALIFIED OPTIONAL DATA: (OPT 452T1219-6 WHEN USED ON 452T1201-6, 452T1202-6) USED ON: 452T1201-6 452T1201-14 452T1202-6 452T1202-14		1
	235	452T1219-6	..PIN- SUPPLIER CODE: V31645 QUALIFIED OPTIONAL DATA: (OPT 452T1219-2 WHEN USED ON 452T1201-6, 452T1202-6) USED ON: 452T1201-6 452T1201-8 452T1202-6 452T1202-8		1
R R R R R R R	245	BACB28Y6M088	..BUSHING- USED ON: 452T1201-6 452T1201-14 452T1202-6 452T1202-14		1
	245	BACB28Z6G030	..BUSHING- USED ON: 452T1201-8 452T1202-8		1
	250	452T1616-2	..SPRING- SUPPLIER CODE: V31645		2
	255	69B60583-1	..LINK ASSY-TOGGLE SUPPLIER CODE: V31645 POSITION DATA: LWR		2
	260	452T1217-1	..LINK ASSY- SUPPLIER CODE: V31645		1
	265	BACB28Y6M025	...BUSHING		2
	270	BACB28Y6M022	...BUSHING		2

ILLUSTRATION ITEMS NOT ON PARTS LIST ARE NOT APPLICABLE

— ITEM NOT ILLUSTRATED

HXL

25-53-13-10

BOEING PROPRIETARY - Copyright © - Unpublished Work - See title page for details.

25-53-13
FIG. 10
PAGE 13
AUG 22/09



767

PARTS CATALOG (MAINTENANCE)

FIG ITEM	PART NUMBER	1 2 3 4 5 6 7	NOMENCLATURE	EFFECT FROM TO	UNITS PER ASSY
10					
275	452T1217-2	...	LINK- SUPPLIER CODE: V31645		1
280	452T1615-1	..	SHAFT- SUPPLIER CODE: V31645 USED ON: 452T1201-6 452T1201-14 452T1202-6 452T1202-14		1
280	452T1615-3	..	SHAFT- SUPPLIER CODE: V31645 USED ON: 452T1201-8 452T1202-8		1
280	452T1615-3	..	SHAFT- SUPPLIER CODE: V31645 USED ON: 452T1201-6 452T1201-14		1
290	AN960-416L	..	WASHER		1
295	AN960-516L	..	WASHER		1
300	BRH10A4	..	NUT SUPPLIER CODE: V52828 SPECIFICATION NUMBER: BACN10JC4 OPTIONAL PART: T6S428J V11815 96-048 V80539 VN303A048 V92215 RMLH9075-4W V72962 NS202101-048 V80539 H10-4BAC V15653		1
305	69B60597-3	..	SPRING- SUPPLIER CODE: V31645		1
310	69B60597-4	..	SPRING- SUPPLIER CODE: V31645		1

ILLUSTRATION ITEMS NOT ON PARTS LIST ARE NOT APPLICABLE

- ITEM NOT ILLUSTRATED

HXL

25-53-13-10

BOEING PROPRIETARY - Copyright © - Unpublished Work - See title page for details.

25-53-13
FIG. 10
PAGE 14
AUG 22/07



767

PARTS CATALOG (MAINTENANCE)

FIG ITEM	PART NUMBER	1 2 3 4 5 6 7	NOMENCLATURE	EFFECT FROM TO	UNITS PER ASSY
10					
315	452T1617-2	..	SPACER- SUPPLIER CODE: V31645		2
322	452T1610-7	..	PAWL- SUPPLIER CODE: V31645 OPTIONAL PART: 452T1610-11 V31645 USED ON: 452T1201-8 452T1202-8		1
322	452T1610-11	..	PAWL- SUPPLIER CODE: V31645 OPTIONAL PART: 452T1610-7 V31645 USED ON: 452T1201-8 452T1202-8		1
325	452T1212-4	..	PAWL- SUPPLIER CODE: V31645 USED ON: 452T1201-6 452T1201-14 452T1202-6 452T1202-14		1
325	452T1212-12	..	PAWL- SUPPLIER CODE: V31645 USED ON: 452T1201-6 452T1201-14 452T1202-6 452T1202-14		1
330	452T1207-5	..	CAM- SUPPLIER CODE: V31645 QUALIFIED OPTIONAL DATA: (OPT 452T1207-6) USED ON: 452T1201-6 452T1202-6		1

ILLUSTRATION ITEMS NOT ON PARTS LIST ARE NOT APPLICABLE

- ITEM NOT ILLUSTRATED

HXL

25-53-13-10

BOEING PROPRIETARY - Copyright © - Unpublished Work - See title page for details.

25-53-13
FIG. 10
PAGE 15
AUG 22/09



767

PARTS CATALOG (MAINTENANCE)

FIG ITEM	PART NUMBER	1 2 3 4 5 6 7	NOMENCLATURE	EFFECT FROM TO	UNITS PER ASSY
10 330	452T1207-6	..CAM-	SUPPLIER CODE: V31645 QUALIFIED OPTIONAL DATA: (OPT 452T1207-5 WHEN USED ON 452T1201-6, 452T1202-6) USED ON: 452T1201-6 452T1201-14 452T1202-6 452T1202-14		1
330	452T1207-7	..CAM-	SUPPLIER CODE: V31645 USED ON: 452T1201-8 452T1202-8		1
335	452T1205-1	..PEDAL-	SUPPLIER CODE: V31645 QUALIFIED OPTIONAL DATA: (OPT 452T1205-7 WHEN USED ON 452T1201-14, 452T1202-14) USED ON: 452T1201-6 452T1201-14 452T1202-6 452T1202-14		1
335	452T1205-7	..PEDAL-	SUPPLIER CODE: V31645 QUALIFIED OPTIONAL DATA: (OPT 452T1205-1 WHEN USED ON 452T1201-14, 452T1202-14) USED ON: 452T1201-14 452T1202-14		1
335	452T1205-11	..PEDAL-	SUPPLIER CODE: V31645 USED ON: 452T1201-8		1

ILLUSTRATION ITEMS NOT ON PARTS LIST ARE NOT APPLICABLE

- ITEM NOT ILLUSTRATED

HXL

25-53-13-10

BOEING PROPRIETARY - Copyright © - Unpublished Work - See title page for details.

25-53-13
FIG. 10
PAGE 16
AUG 22/09



767

PARTS CATALOG (MAINTENANCE)

FIG ITEM	PART NUMBER	1 2 3 4 5 6 7	NOMENCLATURE	EFFECT FROM TO	UNITS PER ASSY
R R R R R R R	10 340		N3716-50 .. SETSCREW- SUPPLIER CODE: V31645 USED ON: 452T1201-6 452T1201-14 452T1202-6 452T1202-14		1
	343		NAS428-4-5 .. BOLT- USED ON: 452T1201-8 452T1202-8		1
	344		MS25082-4 .. NUT- USED ON: 452T1201-8 452T1202-8		1
R R R R R	345		452T1203-3 .. HOUSING ASSY- SUPPLIER CODE: V31645 USED ON: 452T1201-6 452T1201-14		1
	345		452T1203-13 .. HOUSING ASSY- SUPPLIER CODE: V31645 USED ON: 452T1201-8 452T1202-14		1
R R R R R	345		452T1203-1 .. HOUSING ASSY- SUPPLIER CODE: V31645 USED ON: 452T1202-6 452T1202-14		1
	345		452T1203-11 .. HOUSING ASSY- SUPPLIER CODE: V31645 USED ON: 452T1202-8		1
	350		452T1216-1 ... BUSHING- SUPPLIER CODE: V31645		4
	355		NAS1394-4L ... INSERT- USED ON: 452T1203-11		1
	355		NAS1394-4 ... INSERT- USED ON: 452T1203-13		1

ILLUSTRATION ITEMS NOT ON PARTS LIST ARE NOT APPLICABLE

- ITEM NOT ILLUSTRATED

25-53-13-10

25-53-13
FIG. 10
PAGE 17
AUG 22/09

HXL



767

PARTS CATALOG (MAINTENANCE)

FIG ITEM	PART NUMBER	1 2 3 4 5 6 7	NOMENCLATURE	EFFECT FROM TO	UNITS PER ASSY
10 360	BACB28Y4M021	...	BUSHING- USED ON: 452T1203-1 452T1203-3 452T1203-11 452T1203-13		2
- 365	BACB28Y5M021	...	BUSHING- USED ON: 452T1203-3 452T1203-11		2
370	BACB28Y5M021	...	BUSHING- USED ON: 452T1203-1		4
375	BACB28Y5M100	...	BUSHING		2
380	452T1216-2	...	BUSHING- SUPPLIER CODE: V31645		4
385	452T1203-5	...	HOUSING- SUPPLIER CODE: V31645 USED ON: 452T1203-1 452T1203-11		1
385	452T1203-7	...	HOUSING- SUPPLIER CODE: V31645 USED ON: 452T1203-3 452T1203-13		1
430	1827T100-3	.	ACTUATOR-LINEAR SUPPLIER CODE: V98889 SPECIFICATION NUMBER: S452T201-2 COMPONENT MAINT MANUAL REF: 25-53-02 OPTIONAL PART: 1827T100-5 V60631		1
430	1827T100-5	.	ACTUATOR-LINEAR SUPPLIER CODE: V60631 SPECIFICATION NUMBER: S452T201-2 COMPONENT MAINT MANUAL REF: 25-53-02 OPTIONAL PART: 1827T100-3 V98889		1

ILLUSTRATION ITEMS NOT ON PARTS LIST ARE NOT APPLICABLE

- ITEM NOT ILLUSTRATED

HXL

25-53-13-10

BOEING PROPRIETARY - Copyright © - Unpublished Work - See title page for details.

25-53-13
FIG. 10
PAGE 18
AUG 22/09



767

PARTS CATALOG (MAINTENANCE)

FIG ITEM	PART NUMBER	1 2 3 4 5 6 7	NOMENCLATURE	EFFECT FROM TO	UNITS PER ASSY
10					
430	1827T100-7	.	ACTUATOR-LINEAR SUPPLIER CODE: V60631 SPECIFICATION NUMBER: S452T201-3 COMPONENT MAINT MANUAL REF: 25-53-02		1
430	132VJ1RL13A	.	ACTUATOR ASSY-LINEAR SUPPLIER CODE: V31645 FUNCTIONAL DESCRIPTION: POSITIONS COMPONENTS OF THE CARGO HANDLING SYSTEM. SPECIFICATION NUMBER: S452T202-1 COMPONENT MAINT MANUAL REF: 25-55-03 OPTIONAL PART: 132VJ1RL13 V00462		1
430	132VJ1RL13	.	ACTUATOR ASSY-LINEAR SUPPLIER CODE: V00462 SPECIFICATION NUMBER: S452T202-1 COMPONENT MAINT MANUAL REF: 25-55-03 OPTIONAL PART: 132VJ1RL13A V00462		1
433	96282	..	ACTUATOR ASSY- SUPPLIER CODE: V00462 USED ON: 132VJ1RL13		1
433	96418	..	ACTUATOR ASSY- SUPPLIER CODE: V00462 USED ON: 132VJ1RL13A		1
436	22058	..	STRAP-GND SUPPLIER CODE: V00462 ATTACHING PARTS		1
439	NAS1352-04-6P	...	SCREW		1
442	MS35338-40	...	WASHER		1
445	NAS620-4	...	WASHER		1

ILLUSTRATION ITEMS NOT ON PARTS LIST ARE NOT APPLICABLE

- ITEM NOT ILLUSTRATED

25-53-13-10

25-53-13
FIG. 10
PAGE 19
AUG 22/09

HXL

BOEING
767
PARTS CATALOG (MAINTENANCE)

FIG ITEM	PART NUMBER	1 2 3 4 5 6 7	NOMENCLATURE	EFFECT FROM TO	UNITS PER ASSY
10					
448	NAS620-4L	...	WASHER -----*-----		1
451	150336	...	FITTING-END SUPPLIER CODE: V00462 ATTACHING PARTS		1
454	NAS1352-06H18P	...	SCREW		4
457	NAS620-6L	...	WASHER -----*-----		4
460	150353	...	BALL-SELF-ALIGNING SUPPLIER CODE: V00462		1
463	146413	...	BEARING-THRUST SUPPLIER CODE: V00462		1
466	146440	...	WASHER- SUPPLIER CODE: V00462		2
469	886-276	...	SHIM- SUPPLIER CODE: V00462		AR
472	151260	...	HOUSING-MACHINED SUPPLIER CODE: V00462 CONFIG CHG DATA FROM A CMM: SUPSD BY 151784 USED ON: 132VJ1RL13		1
472	151784	...	HOUSING-MACHINED SUPPLIER CODE: V00462 CONFIG CHG DATA FROM A CMM: SUPERSEDES 151260 ATTACHING PARTS		1
475	NAS1191-04P12L	...	SCREW		2
478	NAS620-4L	...	WASHER -----*-----		2
481	37414	...	CLUTCH- SUPPLIER CODE: V00462		1
484	80383-3	...	BEARING-BALL SUPPLIER CODE: V00462		3
487	886-115	...	SHIM- SUPPLIER CODE: V00462		AR

ILLUSTRATION ITEMS NOT ON PARTS LIST ARE NOT APPLICABLE

— ITEM NOT ILLUSTRATED

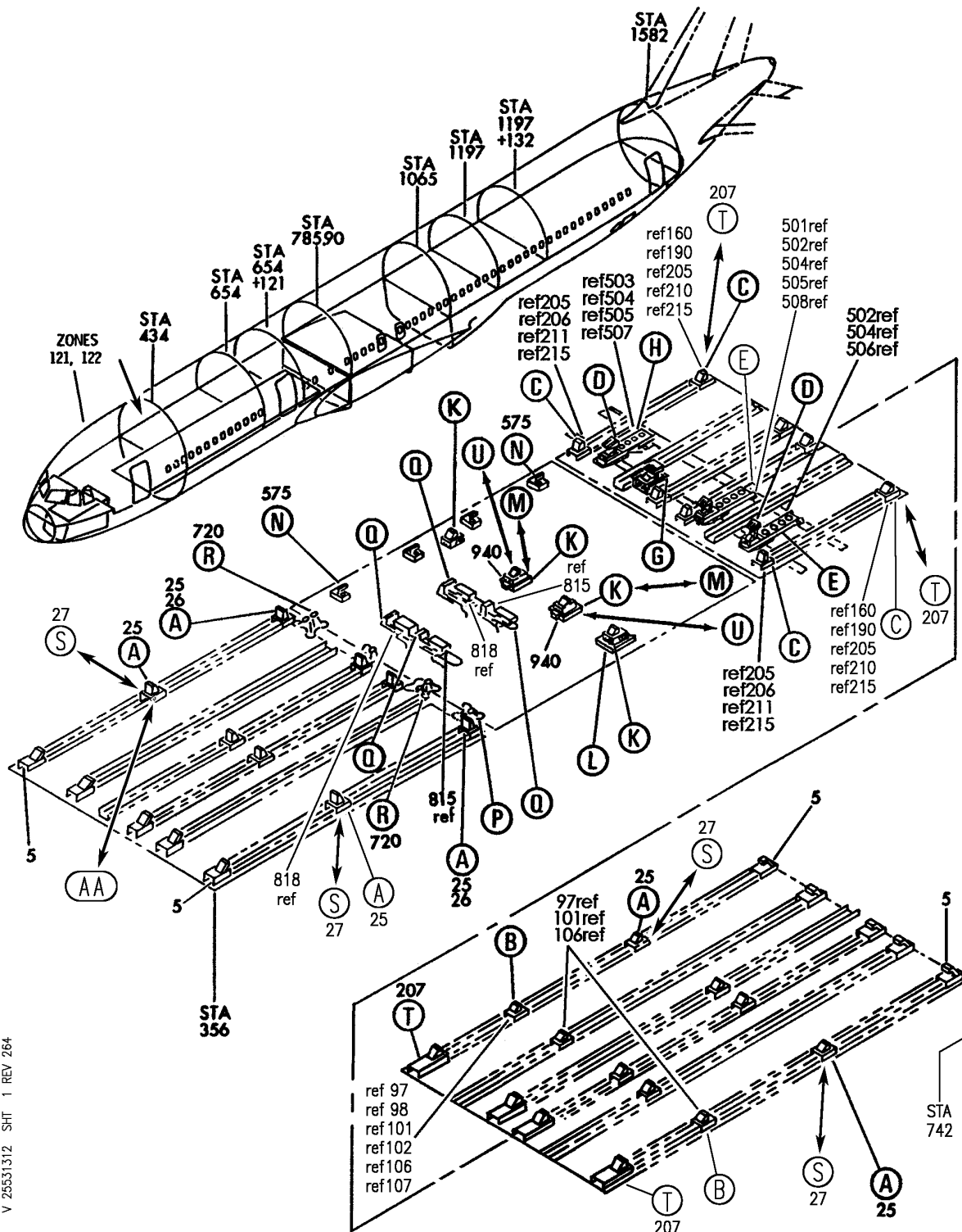
HXL

25-53-13-10

BOEING PROPRIETARY - Copyright © - Unpublished Work - See title page for details.

25-53-13
FIG. 10
PAGE 20
AUG 22/09

BOEING
767
PARTS CATALOG (MAINTENANCE)



V 25531312 SH1 1 REV 264

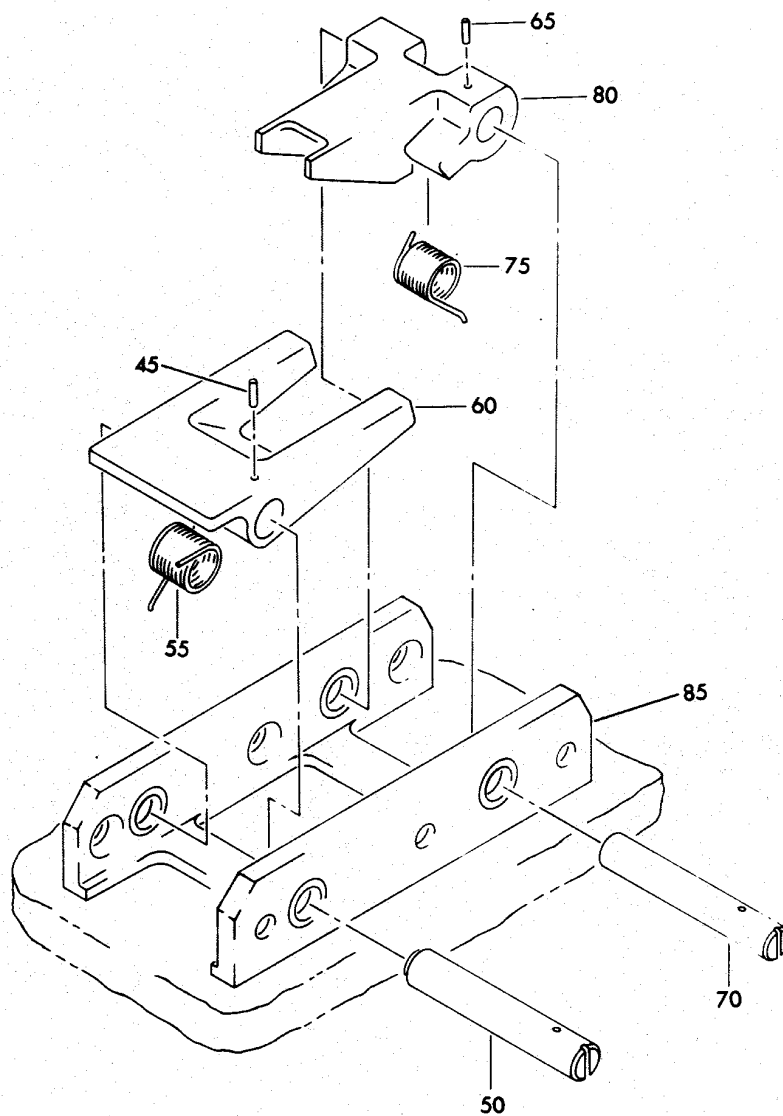
STOP AND LOCK INSTL-CARGO HANDLING COMPT FWD
FIGURE 12 (SHEET 1)

25-53-13-12

HXL
DEC 22/06

25-53-13-12
PAGE 0

BOEING
767
PARTS CATALOG (MAINTENANCE)



V 25531312 SH1 2 REV 073

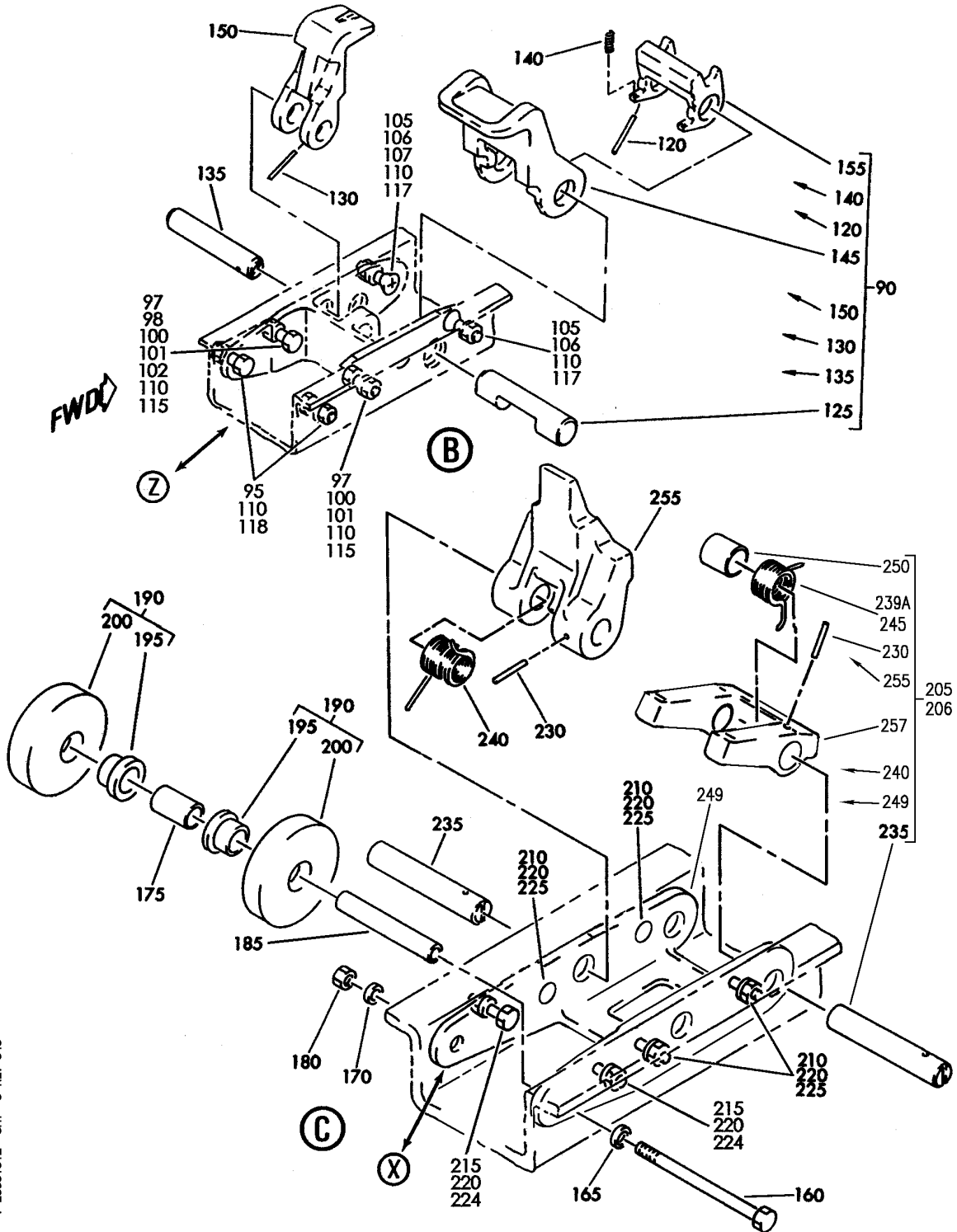
STOP AND LOCK INSTL-CARGO HANDLING COMPT FWD
FIGURE 12 (SHEET 2)

25-53-13-12

HXL
DEC 22/06

25-53-13-12
PAGE 0A

BOEING
767
PARTS CATALOG (MAINTENANCE)



V 25531312 SH1 3 REV 343

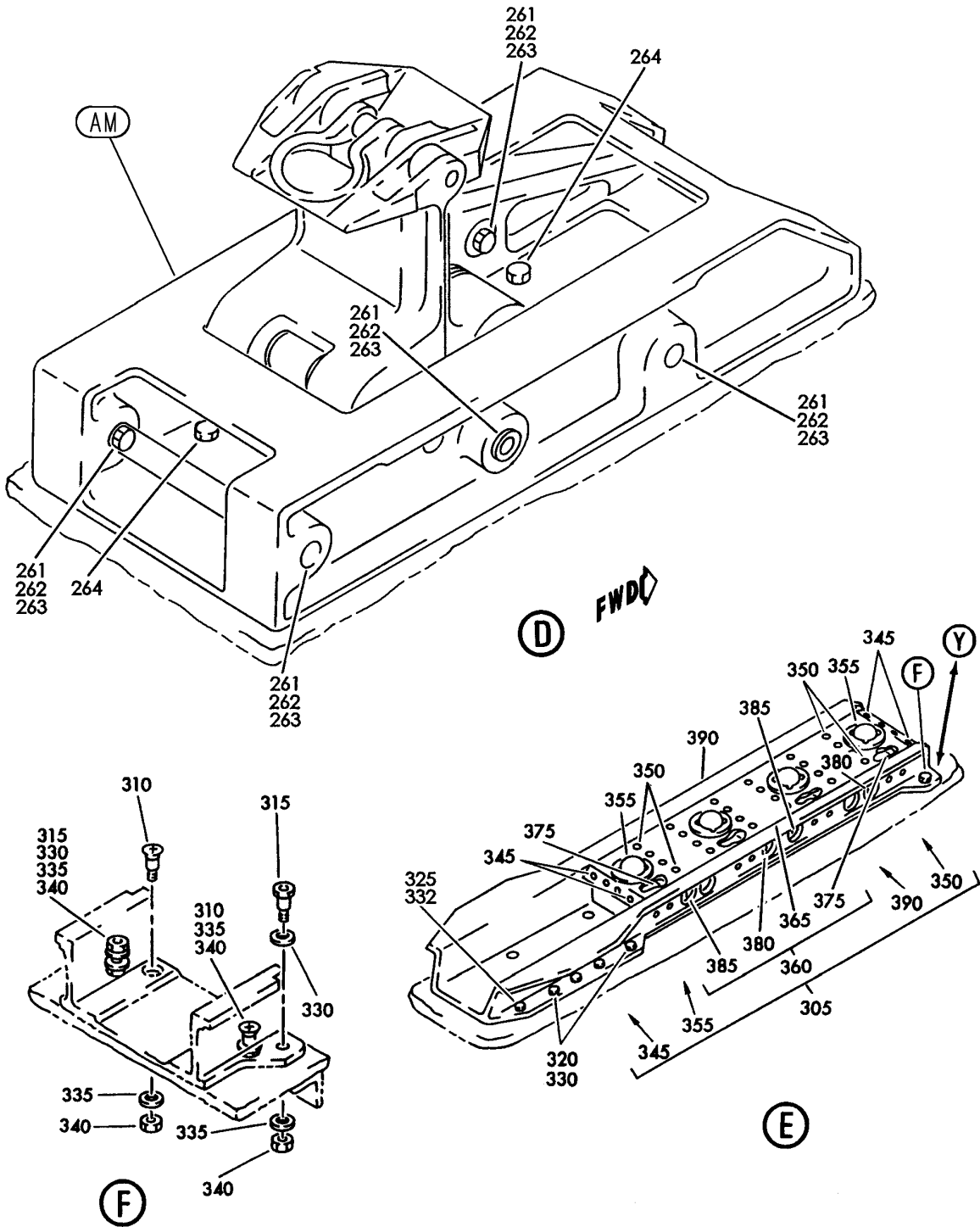
STOP AND LOCK INSTL-CARGO HANDLING COMPT FWD
FIGURE 12 (SHEET 3)

25-53-13-12

HXL
AUG 22/09

25-53-13-12
PAGE 0B

BOEING
767
PARTS CATALOG (MAINTENANCE)



V 25531312 SHT 4 REV 338

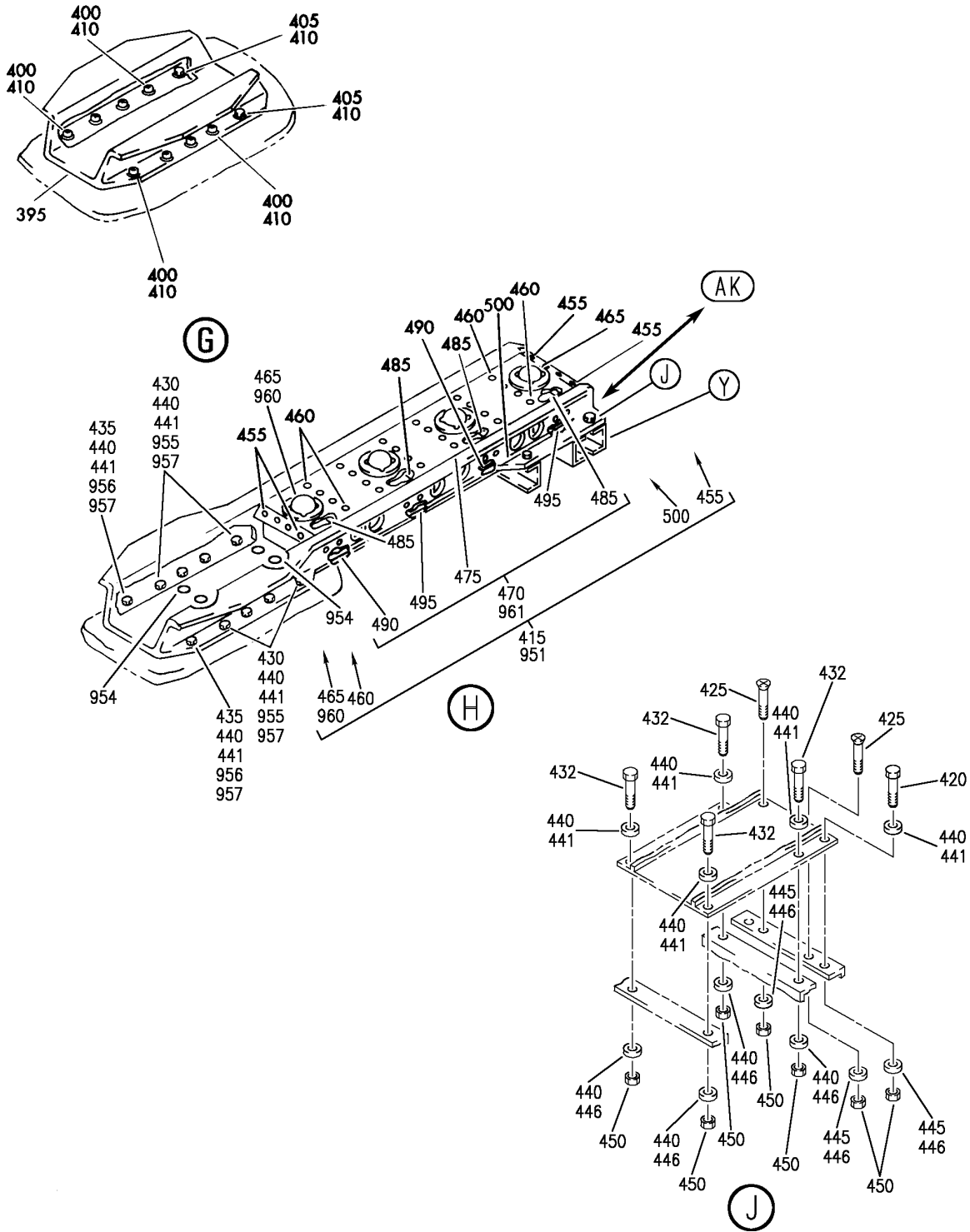
STOP AND LOCK INSTL-CARGO HANDLING COMPT FWD
FIGURE 12 (SHEET 4)

25-53-13-12

HXL
APR 22/09

25-53-13-12
PAGE 0C


BOEING
 767
PARTS CATALOG (MAINTENANCE)



V 25531312 SHT 5 REV 264

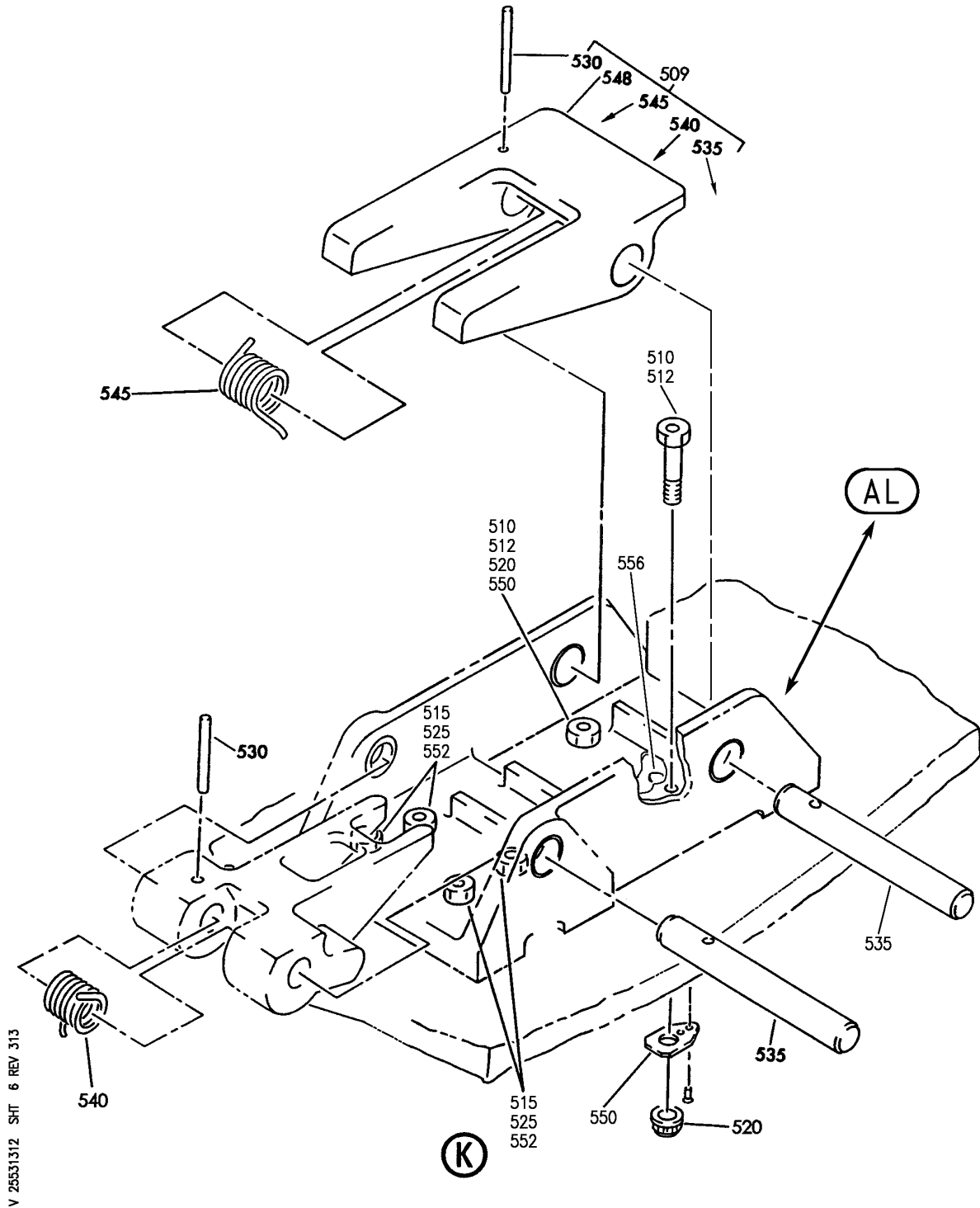
STOP AND LOCK INSTL-CARGO HANDLING COMPT FWD
FIGURE 12 (SHEET 5)

25-53-13-12

HXL
DEC 22/06

25-53-13-12
PAGE 0D

BOEING
767
PARTS CATALOG (MAINTENANCE)



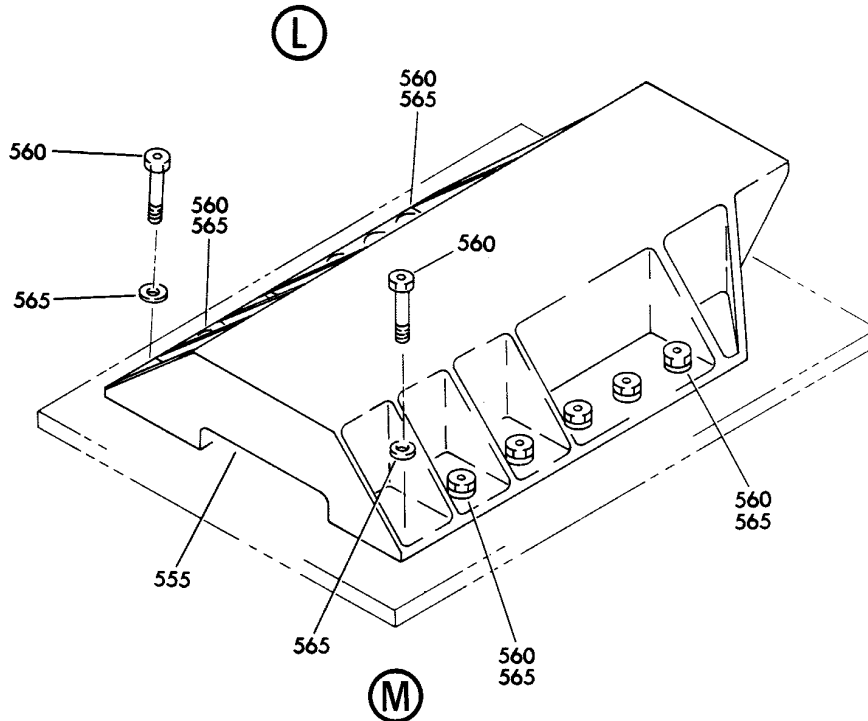
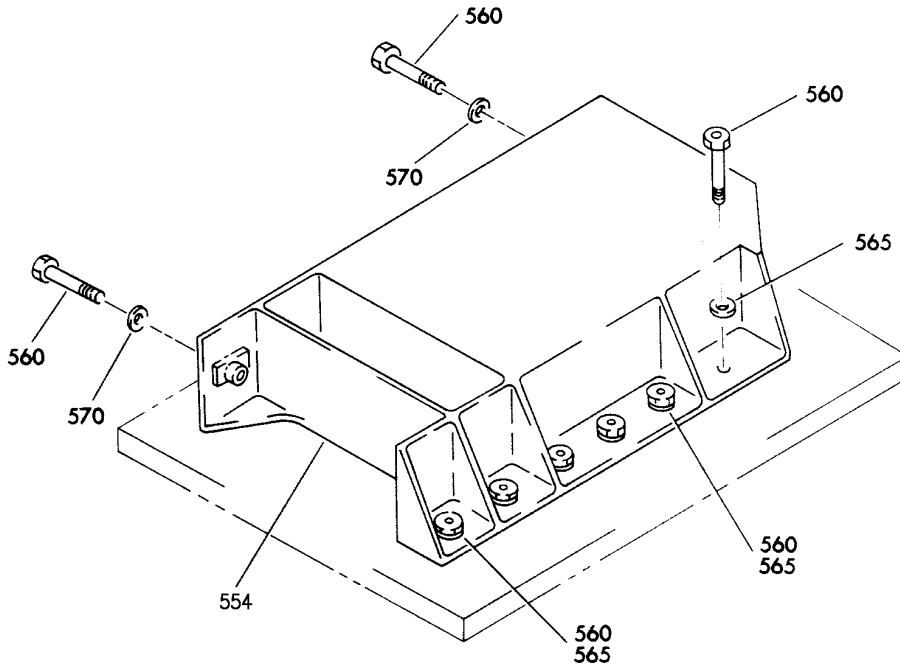
STOP AND LOCK INSTL-CARGO HANDLING COMPT FWD
FIGURE 12 (SHEET 6)

25-53-13-12

HXL
APR 22/07

25-53-13-12
PAGE 0E

BOEING
767
PARTS CATALOG (MAINTENANCE)



V 25531312 SH1 7 REV 259

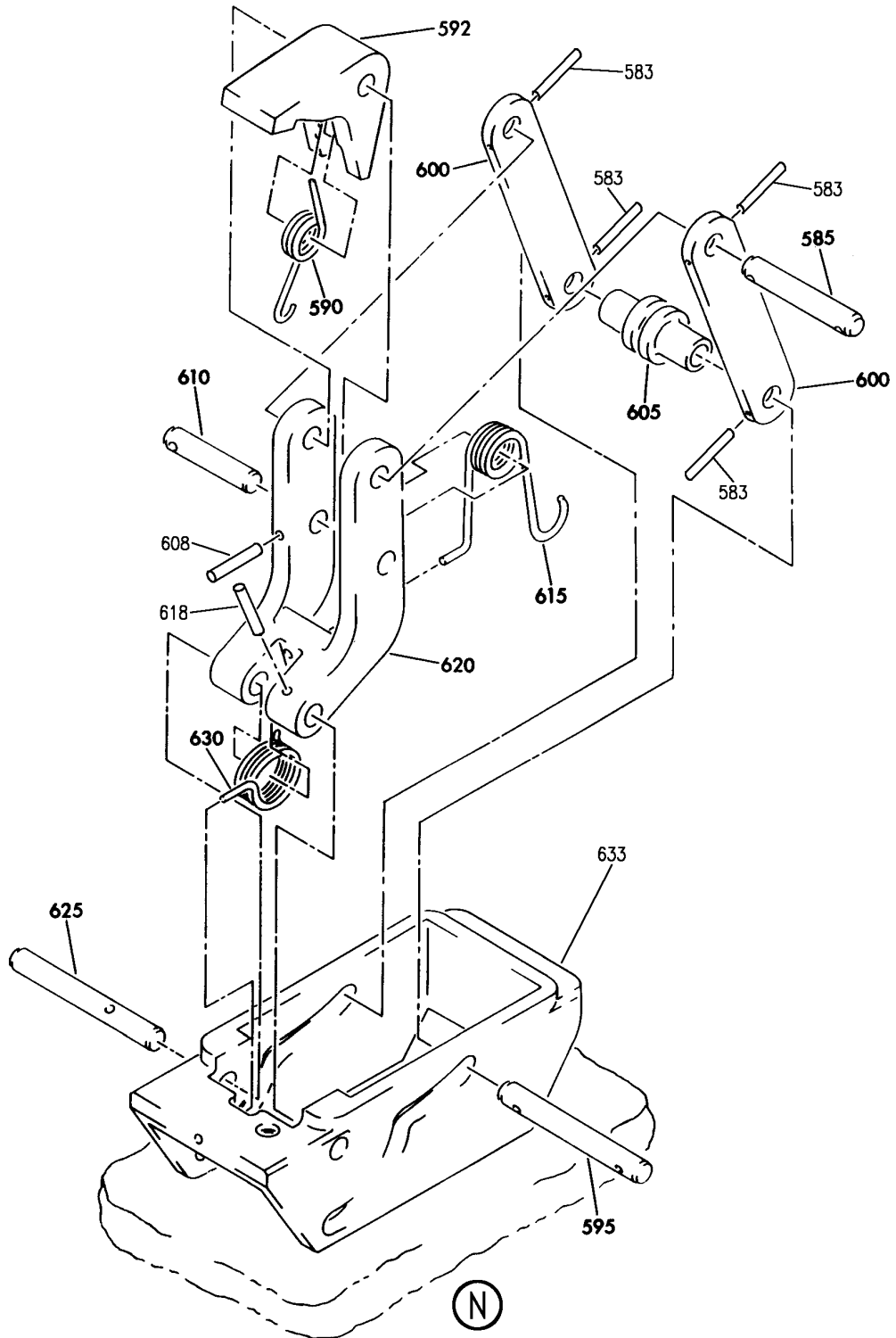
STOP AND LOCK INSTL-CARGO HANDLING COMPT FWD
FIGURE 12 (SHEET 7)

25-53-13-12

HXL
DEC 22/06

25-53-13-12
PAGE OF

BOEING
767
PARTS CATALOG (MAINTENANCE)



V 25531312 SHT 8 REV 341

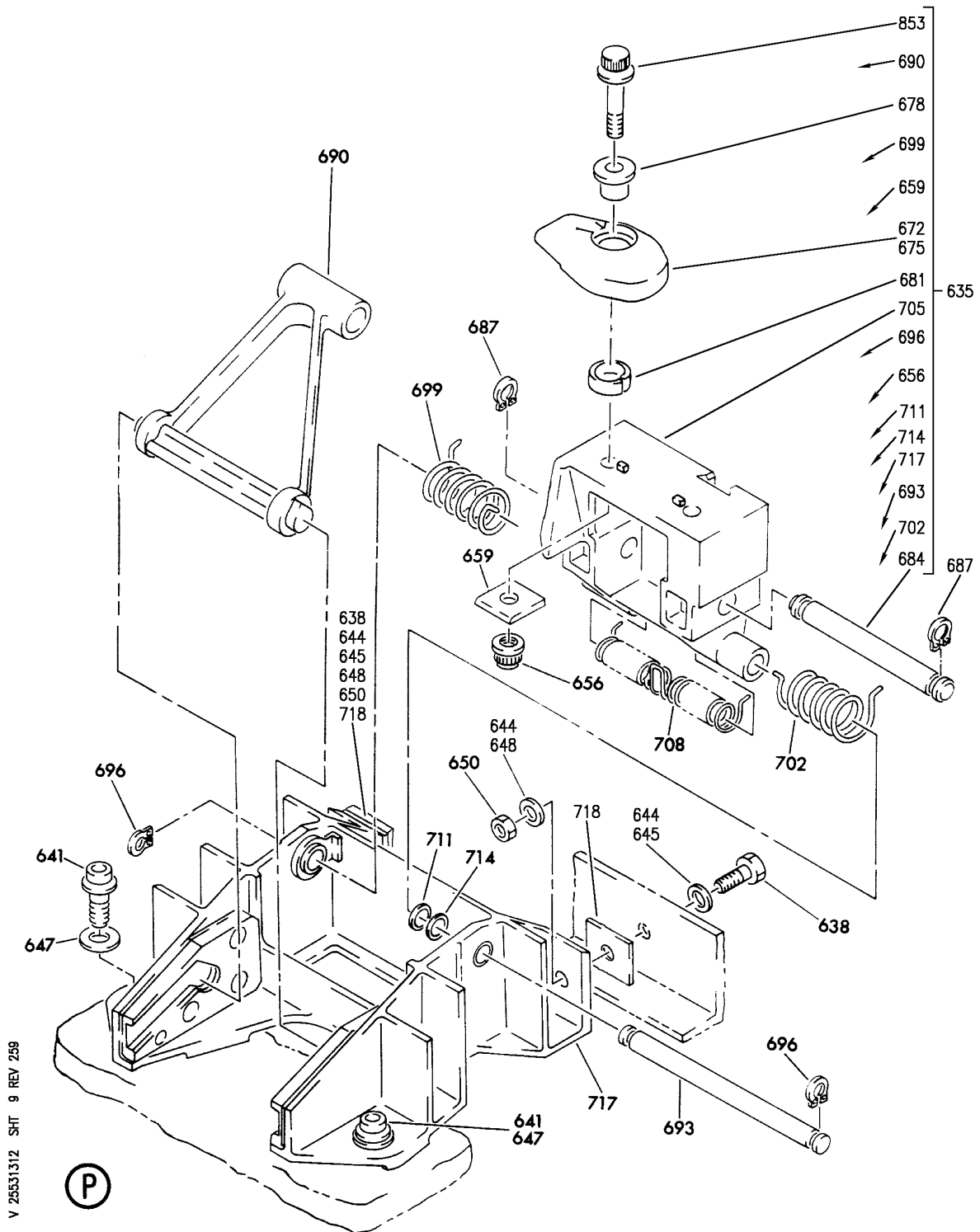
STOP AND LOCK INSTL-CARGO HANDLING COMPT FWD
FIGURE 12 (SHEET 8)

25-53-13-12

HXL
AUG 22/09

25-53-13-12
PAGE 0G

BOEING
767
PARTS CATALOG (MAINTENANCE)



V 25531312 SHT 9 REV 259

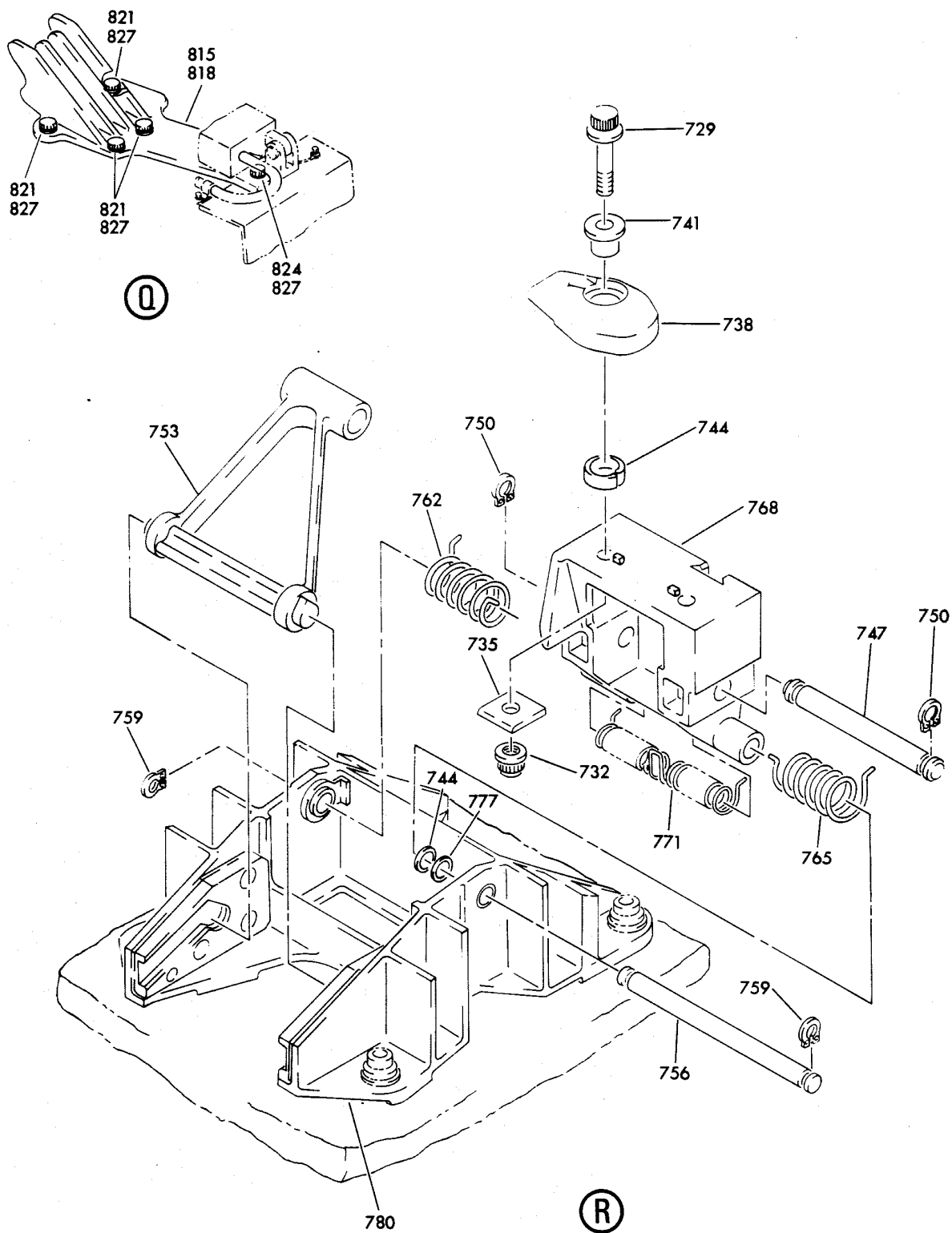
STOP AND LOCK INSTL-CARGO HANDLING COMPT FWD
FIGURE 12 (SHEET 9)

25-53-13-12

HXL
DEC 22/06

25-53-13-12
PAGE 0H

BOEING
767
PARTS CATALOG (MAINTENANCE)



V 25531312 SHT 10 REV 073

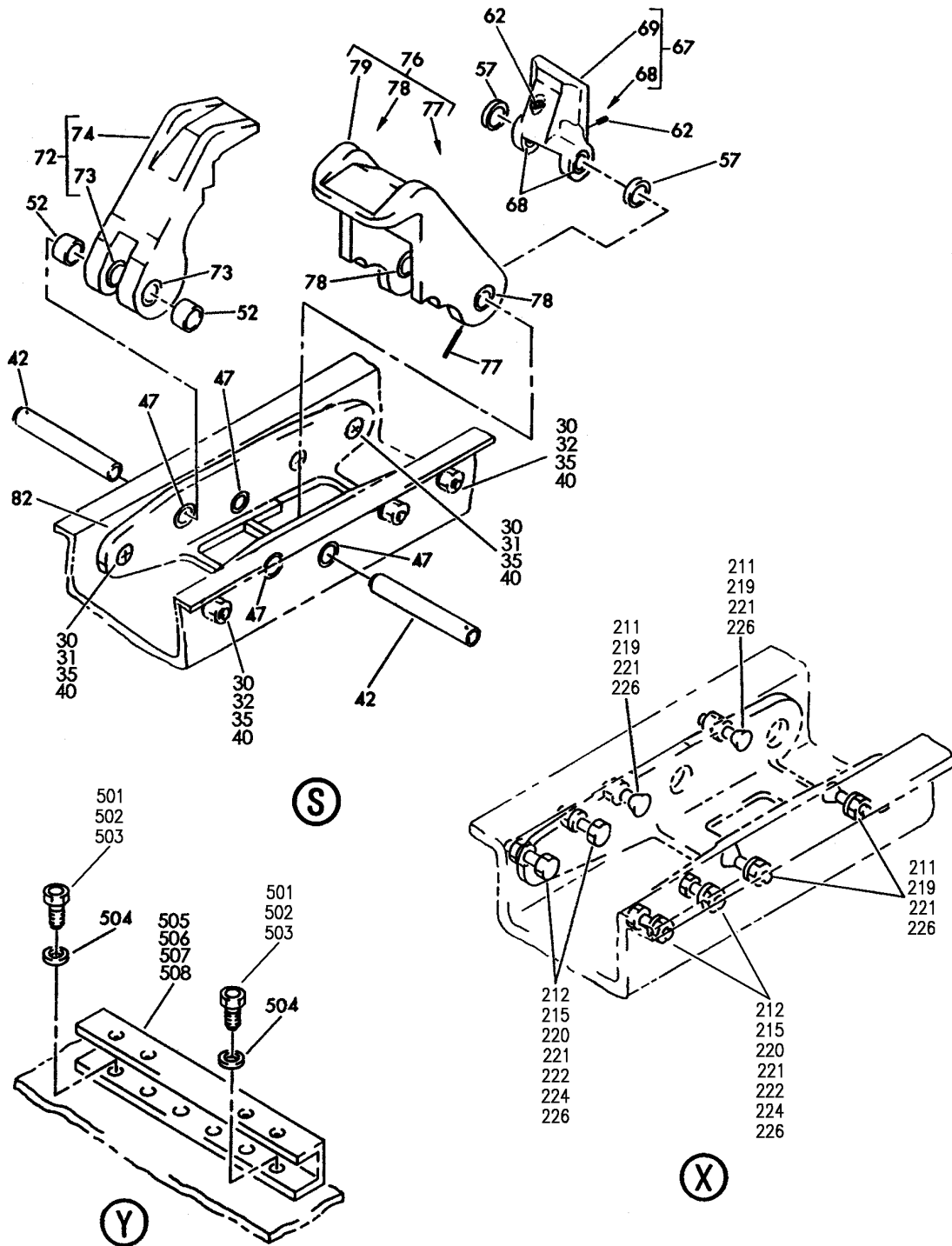
STOP AND LOCK INSTL-CARGO HANDLING COMPT FWD
FIGURE 12 (SHEET 10)

25-53-13-12

HXL
DEC 22/06

25-53-13-12
PAGE 01

BOEING
767
PARTS CATALOG (MAINTENANCE)



V 25531312 SHT 11 REV 264

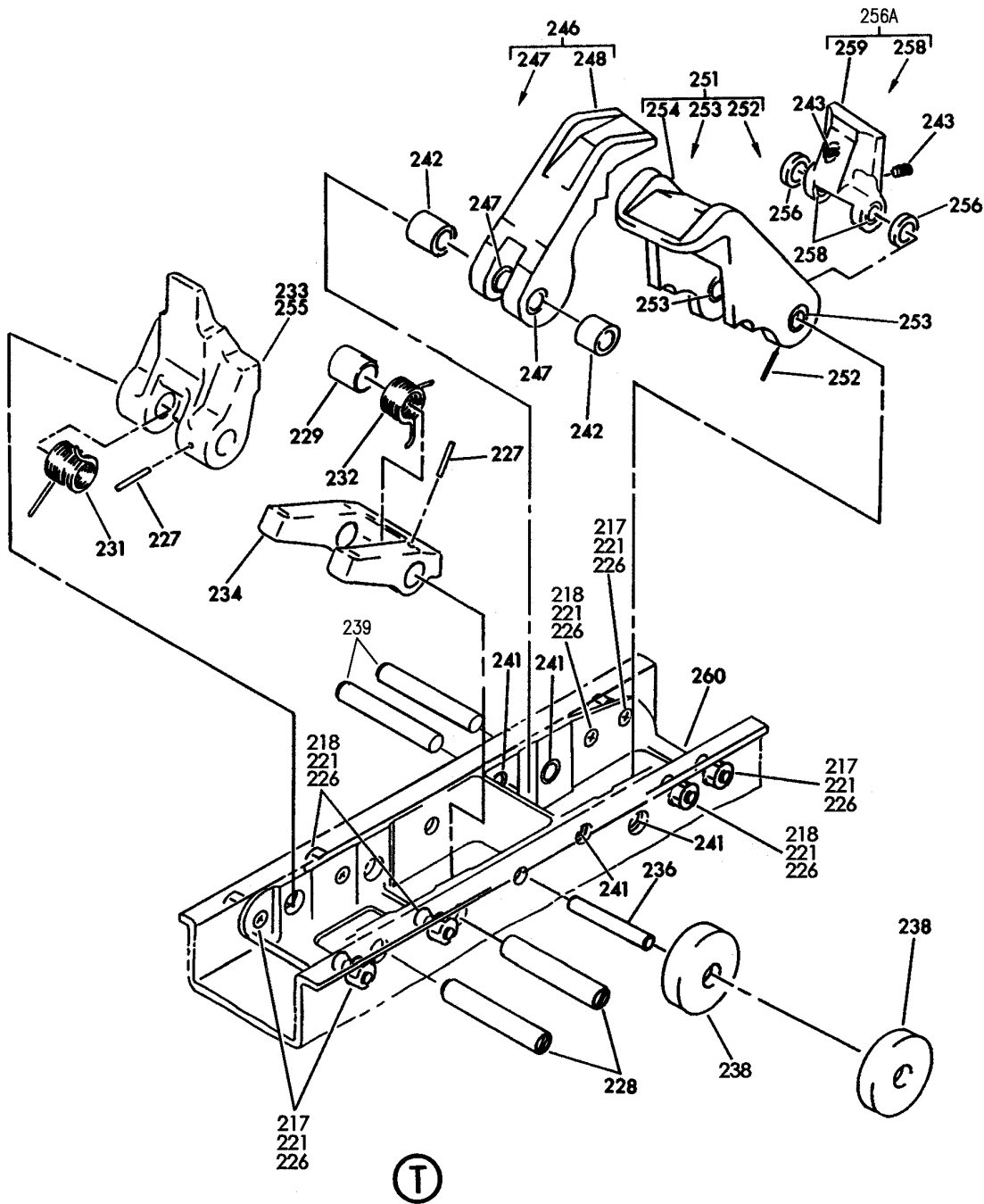
STOP AND LOCK INSTL-CARGO HANDLING COMPT FWD
FIGURE 12 (SHEET 11)

25-53-13-12

HXL
DEC 22/06

25-53-13-12
PAGE 0J

BOEING
767
PARTS CATALOG (MAINTENANCE)



V 25531312 SHT 12 REV 343

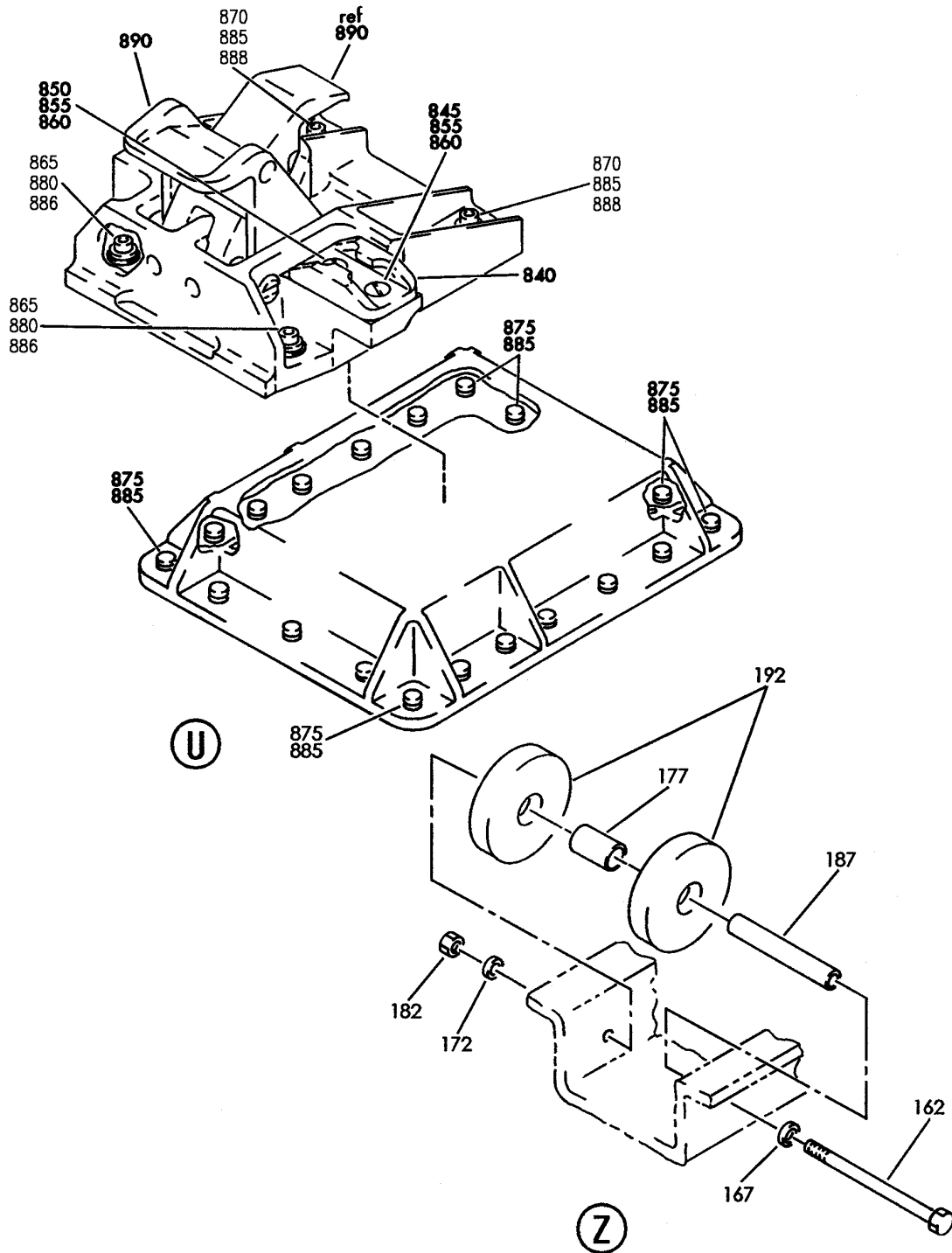
STOP AND LOCK INSTL-CARGO HANDLING COMPT FWD
FIGURE 12 (SHEET 12)

25-53-13-12

HXL
AUG 22/09

25-53-13-12
PAGE OK

BOEING
767
PARTS CATALOG (MAINTENANCE)



V 25531312 SHT 13 REV 259

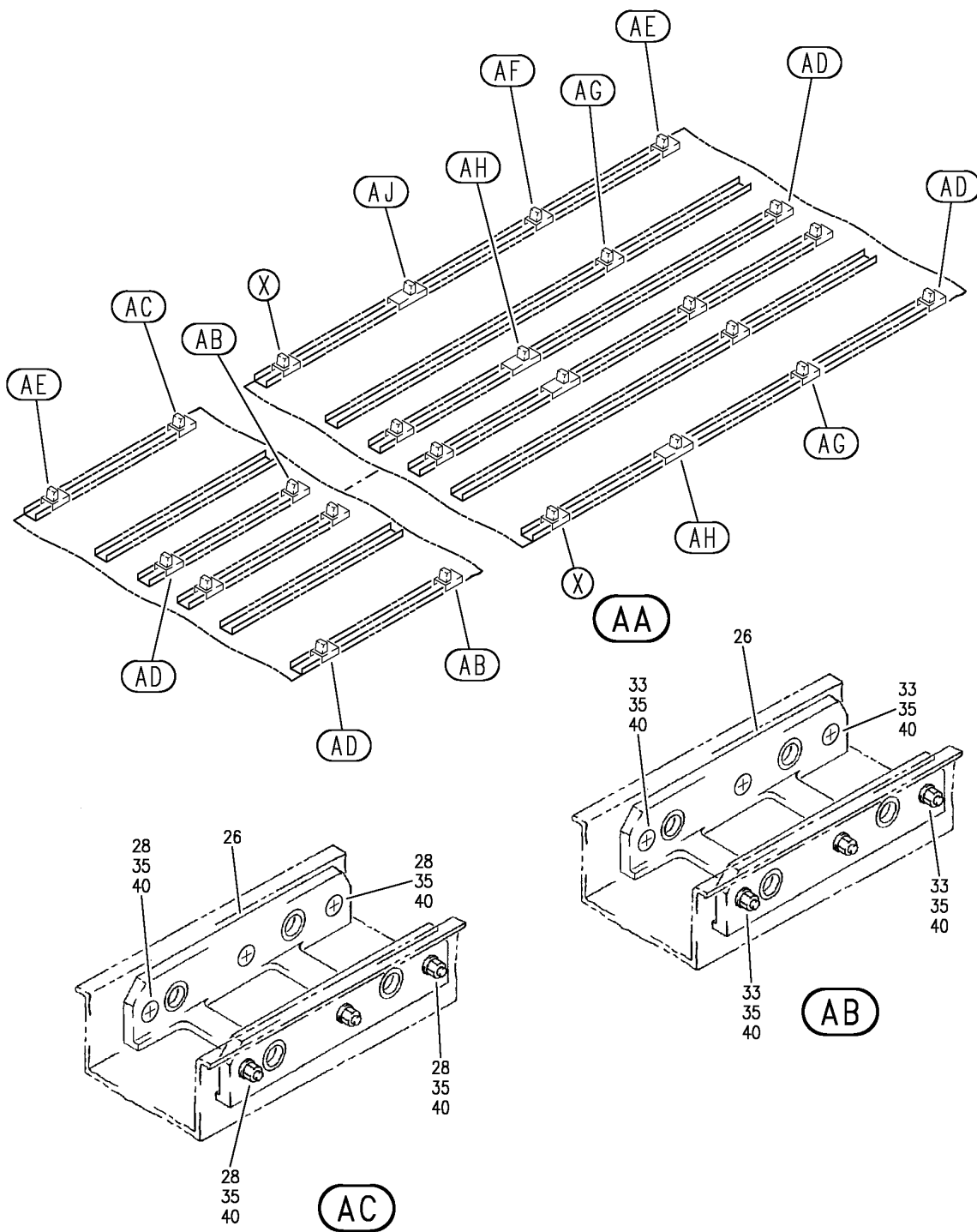
STOP AND LOCK INSTL-CARGO HANDLING COMPT FWD
FIGURE 12 (SHEET 13)

25-53-13-12

HXL
DEC 22/06

25-53-13-12
PAGE 01

BOEING
767
PARTS CATALOG (MAINTENANCE)



V 25531312 SH1 14 REV 259

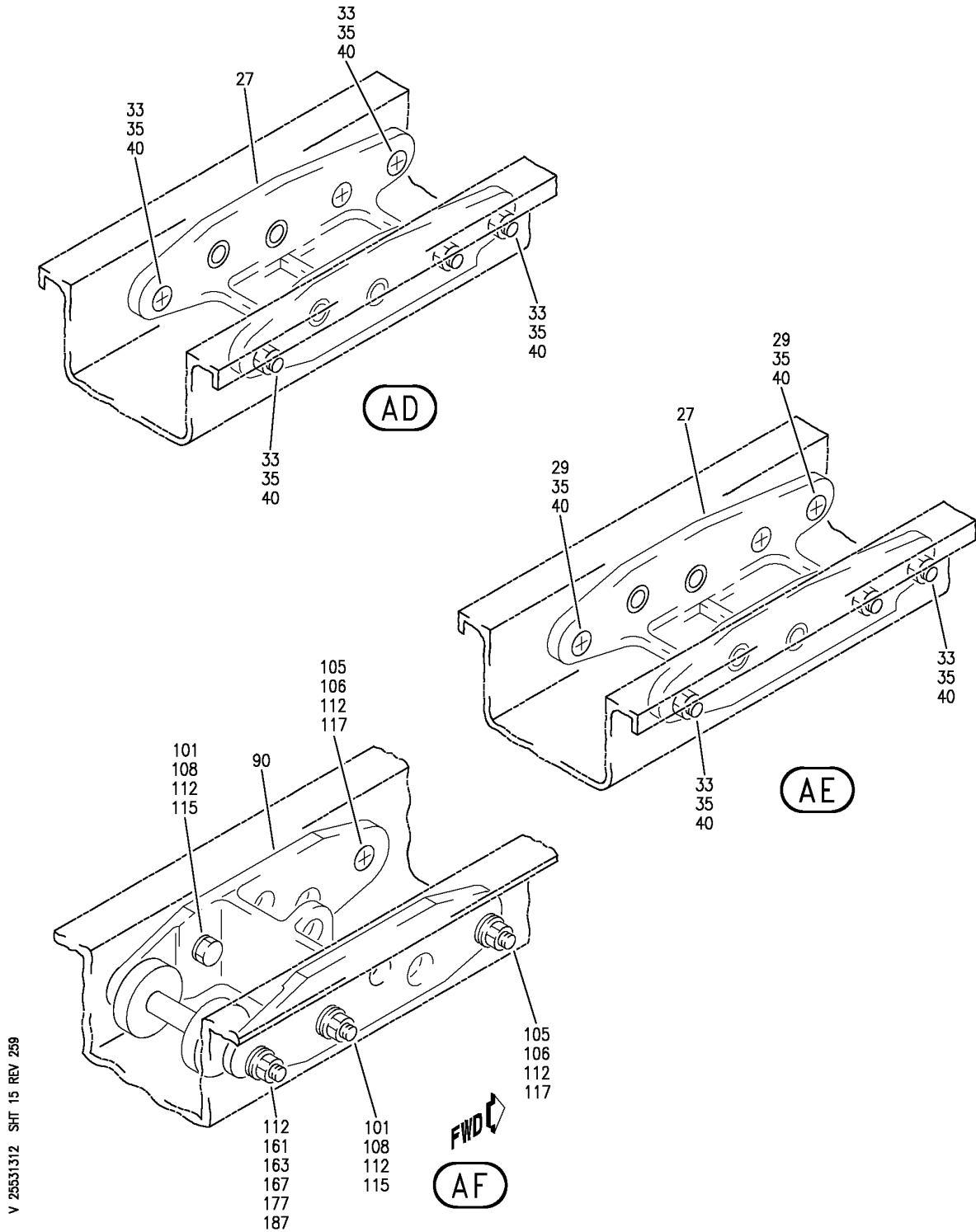
STOP AND LOCK INSTL-CARGO HANDLING COMPT FWD
FIGURE 12 (SHEET 14)

25-53-13-12

HXL
DEC 22/06

25-53-13-12
PAGE 0M

BOEING
767
PARTS CATALOG (MAINTENANCE)



V 25531312 SH1 15 REV 259

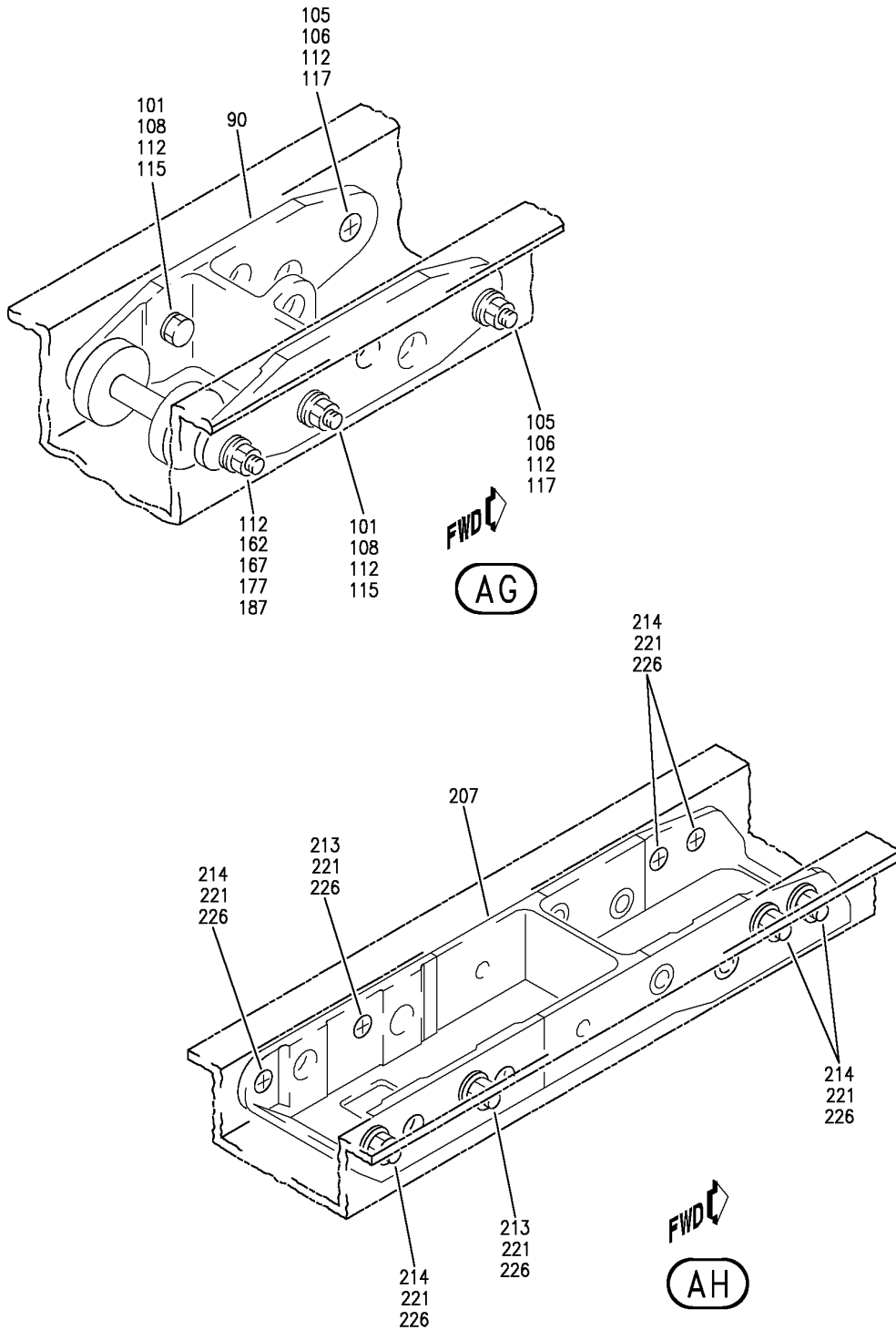
STOP AND LOCK INSTL-CARGO HANDLING COMPT FWD
FIGURE 12 (SHEET 15)

25-53-13-12

HXL
DEC 22/06

25-53-13-12
PAGE ON

BOEING
767
PARTS CATALOG (MAINTENANCE)



V 25531312 SH1 16 REV 259

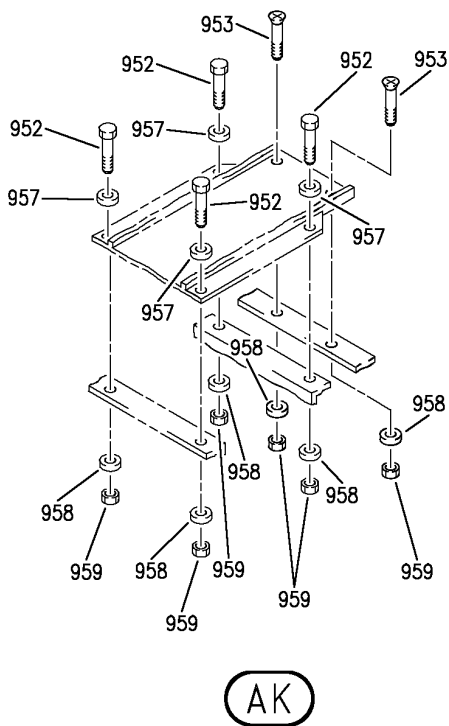
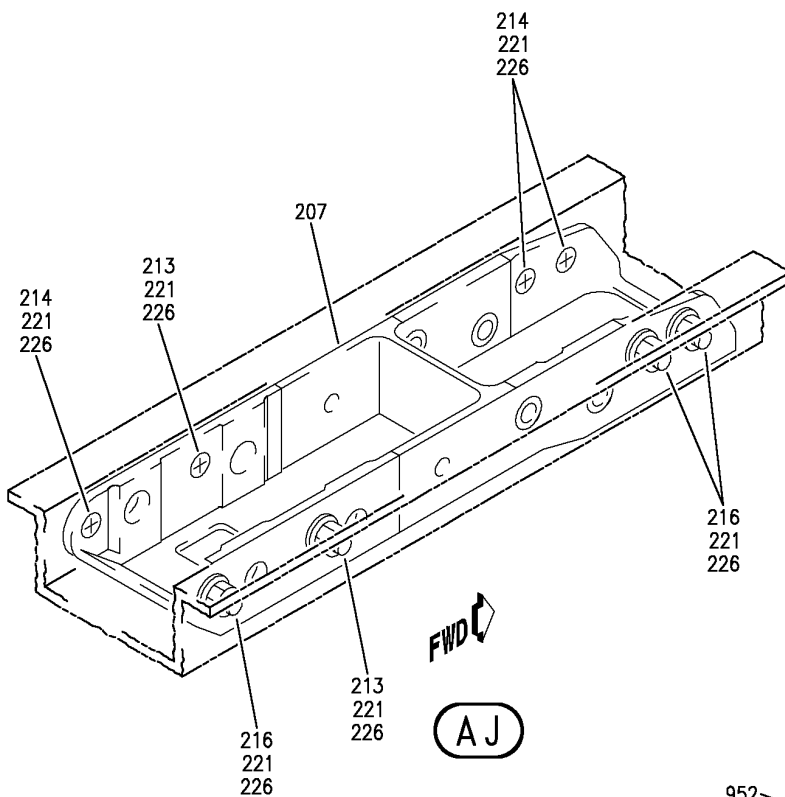
STOP AND LOCK INSTL-CARGO HANDLING COMPT FWD
FIGURE 12 (SHEET 16)

25-53-13-12

HXL
DEC 22/06

25-53-13-12
PAGE 00

BOEING
767
PARTS CATALOG (MAINTENANCE)



V 25531312 SH1 17 REV 264

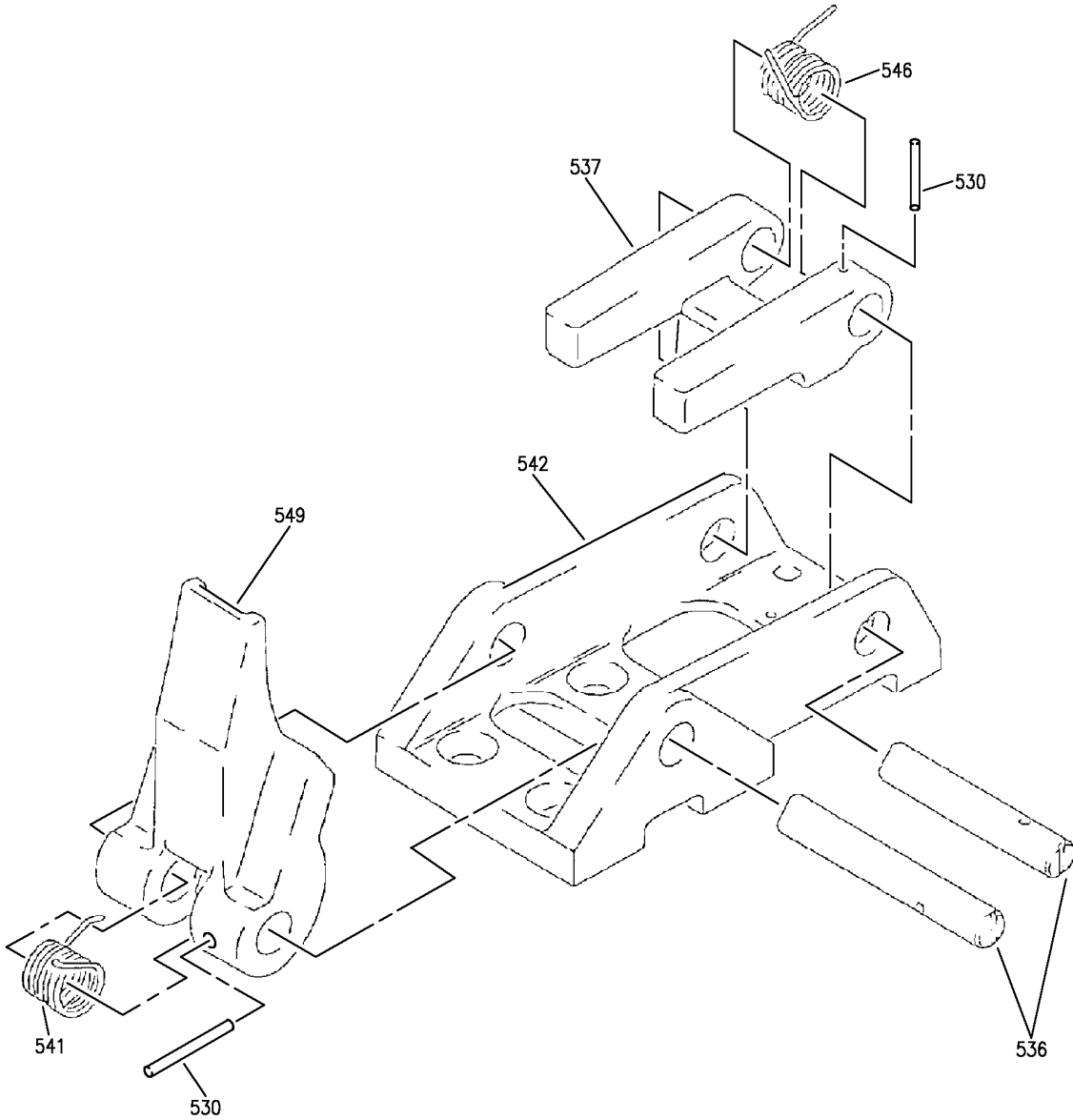
STOP AND LOCK INSTL-CARGO HANDLING COMPT FWD
FIGURE 12 (SHEET 17)

25-53-13-12

HXL
DEC 22/06

25-53-13-12
PAGE 0P

BOEING
767
PARTS CATALOG (MAINTENANCE)



AL

V 25531312 SH1 18 REV 313

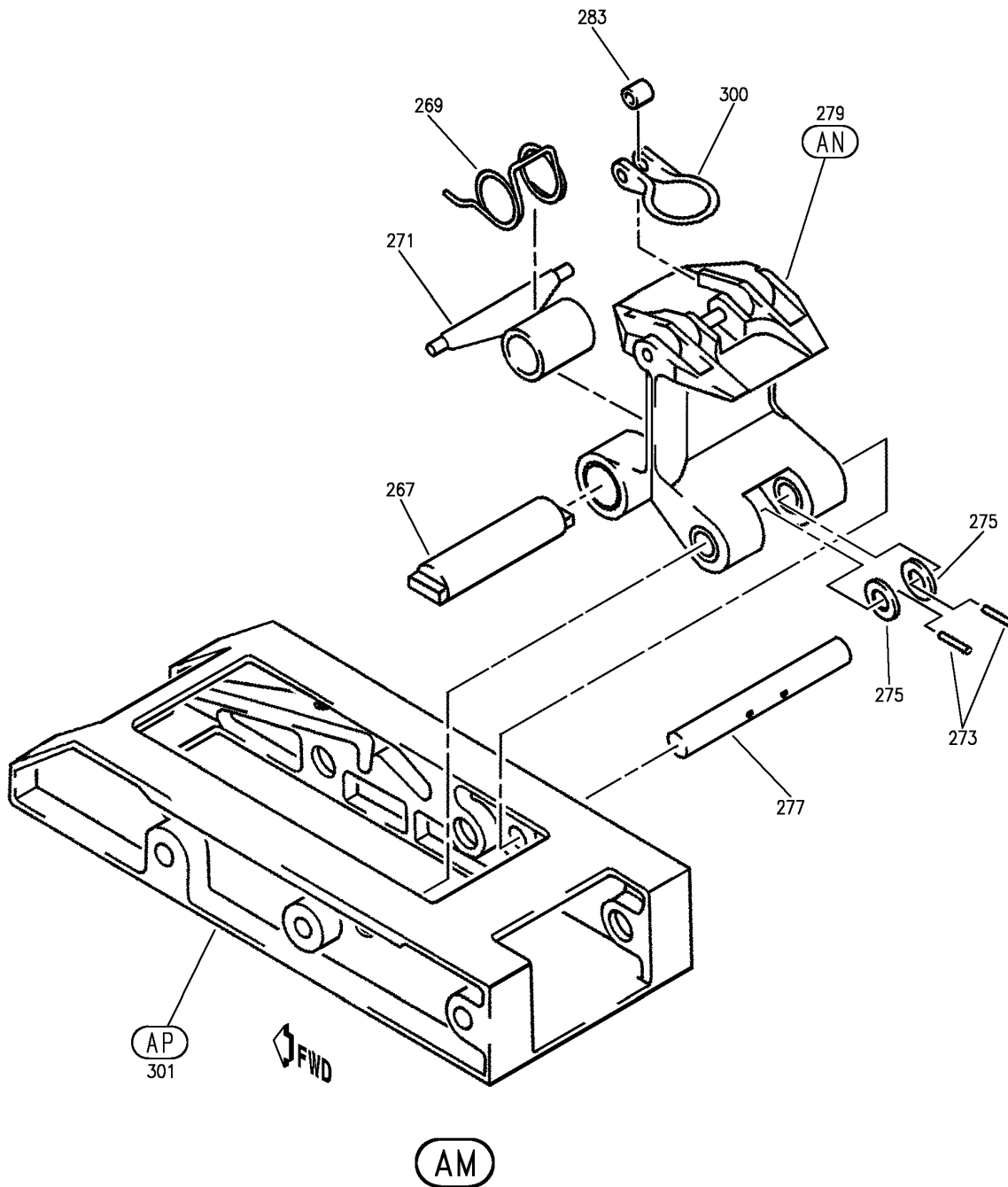
STOP AND LOCK INSTL-CARGO HANDLING COMPT FWD
FIGURE 12 (SHEET 18)

25-53-13-12

HXL
APR 22/07

25-53-13-12
PAGE 00

BOEING
767
PARTS CATALOG (MAINTENANCE)



V 25531312 SHT 19 REV 338

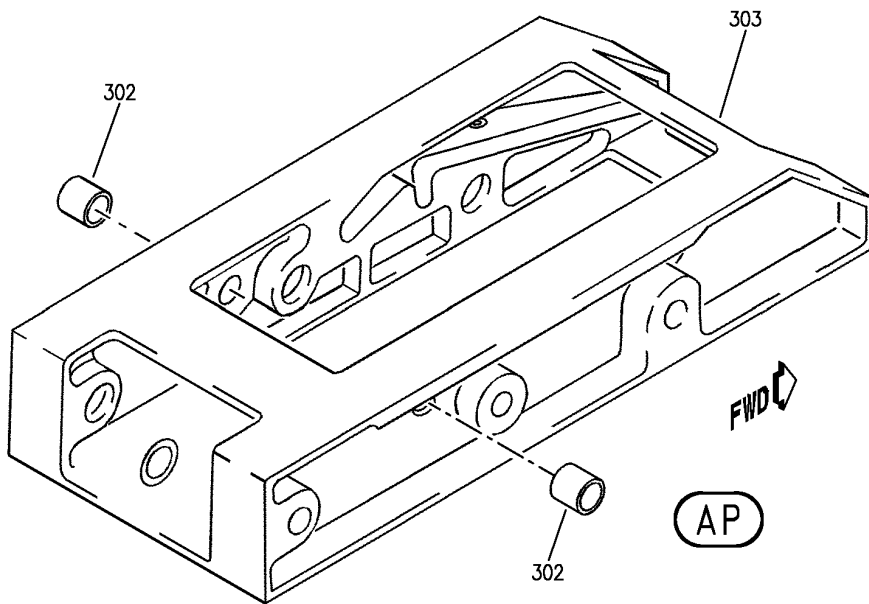
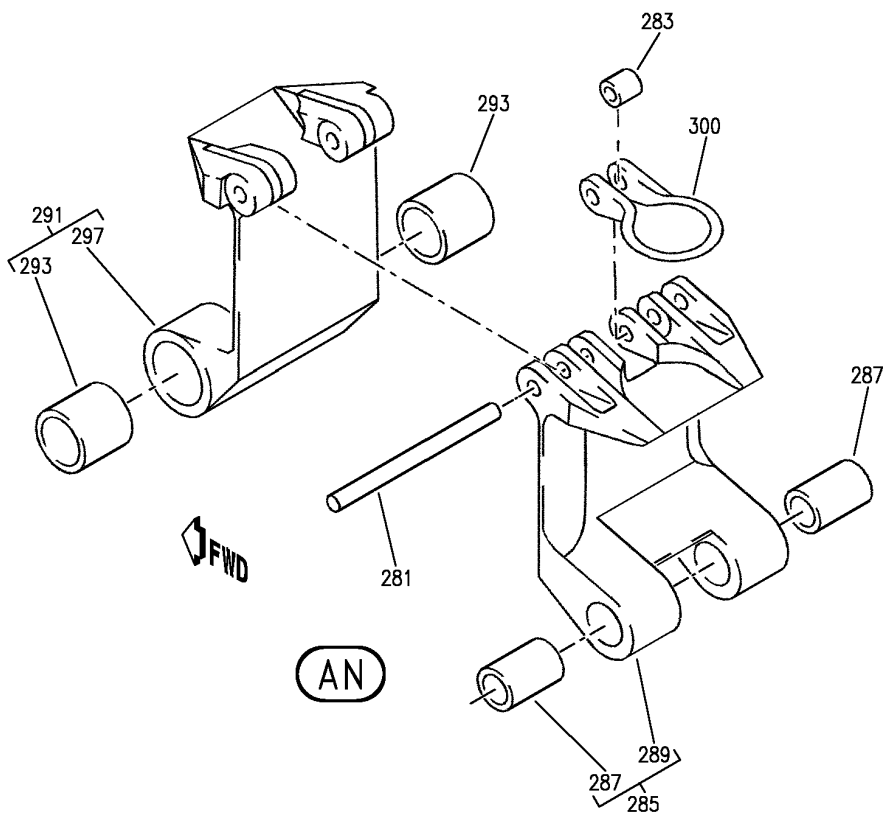
STOP AND LOCK INSTL-CARGO HANDLING COMPT FWD
FIGURE 12 (SHEET 19)

25-53-13-12

HXL
APR 22/09

25-53-13-12
PAGE 0R

BOEING
 767
 PARTS CATALOG (MAINTENANCE)



V 25531312 SHT 20 REV 338

STOP AND LOCK INSTL-CARGO HANDLING COMPT FWD
 FIGURE 12 (SHEET 20)

25-53-13-12

HXL
 APR 22/09

25-53-13-12
 PAGE 05

 **BOEING**
767
PARTS CATALOG (MAINTENANCE)

FIG ITEM	PART NUMBER	1 2 3 4 5 6 7	NOMENCLATURE	EFFECT FROM TO	UNITS PER ASSY
12			STOP AND LOCK INSTL-CARGO HANDLING COMPT FWD		
- 1	452T1001-29		STOP AND LOCK INSTL-CARGO HANDLING POSITION DATA: FWD COMPT FOR NHA SEE: 25-50-00-01	163999	RF
- 1	452T1001-33		STOP AND LOCK INSTL-CARGO HANDLING POSITION DATA: FWD COMPT FOR NHA SEE: 25-50-00-01	155162	RF
5	452T1027-1		.END STOP-END SUPPLIER CODE: V31645 OPTIONAL PART: 452T1027-4 V31645		10
5	452T1027-4		.STOP-END SUPPLIER CODE: V31645 OPTIONAL PART: 452T1027-1 V31645		10
- 10	BACB30NR5K7		.ATTACHING PARTS .BOLT-		80
- 15	NAS1149D0563J		.WASHER-		80
- 20	PLH55CD		.NUT- SUPPLIER CODE: VF0224 SPECIFICATION NUMBER: BACN10YR5CD OPTIONAL PART: H52732-5CD V15653		80
25	452T1003-7		-----*----- .STOP ASSY-PARTIAL LOAD SUPPLIER CODE: V31645 COMPONENT MAINT MANUAL REF: 25-53-06 ATTACHING PARTS .BOLT- .WASHER- .NUT- -----*-----		12
30	BACB30NN4K5		.BOLT-		72
35	NAS1149D0463J		.WASHER-		72
40	NAS1805-4L		.NUT- -----*-----		72

ILLUSTRATION ITEMS NOT ON PARTS LIST ARE NOT APPLICABLE

- ITEM NOT ILLUSTRATED

HXL

25-53-13-12

25-53-13
FIG. 12
PAGE 1
DEC 22/08



767

PARTS CATALOG (MAINTENANCE)

FIG ITEM	PART NUMBER	1 2 3 4 5 6 7	NOMENCLATURE	EFFECT FROM TO	UNITS PER ASSY
12					
45	MS16562-10	..	PIN- USED ON: 452T1003-7		1
50	452T1009-4	..	PIN- SUPPLIER CODE: V31645 USED ON: 452T1003-7		1
55	452T1115-1	..	SPRING- SUPPLIER CODE: V31645 USED ON: 452T1003-7		1
60	452T1007-3	..	YOKE- SUPPLIER CODE: V31645 OPTIONAL PART: 452T1007-5 V31645 USED ON: 452T1003-7		1
60	452T1007-5	..	YOKE- SUPPLIER CODE: V31645 OPTIONAL PART: 452T1007-3 V31645 USED ON: 452T1003-7		1
65	MS16562-10	..	PIN- USED ON: 452T1003-7		1
70	452T1009-5	..	PIN- SUPPLIER CODE: V31645 USED ON: 452T1003-7		1
75	452T1011-1	..	SPRING- SUPPLIER CODE: V31645 USED ON: 452T1003-7		1

ILLUSTRATION ITEMS NOT ON PARTS LIST ARE NOT APPLICABLE

- ITEM NOT ILLUSTRATED

HXL

25-53-13-12

BOEING PROPRIETARY - Copyright © - Unpublished Work - See title page for details.

25-53-13
FIG. 12
PAGE 2
DEC 22/07

BOEING
767
PARTS CATALOG (MAINTENANCE)

FIG ITEM	PART NUMBER	1 2 3 4 5 6 7	NOMENCLATURE	EFFECT FROM TO	UNITS PER ASSY
12					
80	452T1006-1	..	HEAD- SUPPLIER CODE: V31645 OPTIONAL PART: 452T1006-3 V31645 USED ON: 452T1003-7		1
80	452T1006-3	..	HEAD- SUPPLIER CODE: V31645 OPTIONAL PART: 452T1006-1 V31645 USED ON: 452T1003-7		1
85	452T1008-5	..	CHANNEL ASSY- SUPPLIER CODE: V31645 USED ON: 452T1003-7		1
90	452T1016-1	.LOCK ASSY-1.0 IN.	SUPPLIER CODE: V31645 COMPONENT MAINT MANUAL REF: 25-53-17		5
90	452T1016-2	.LOCK ASSY-1.0 IN.	SUPPLIER CODE: V31645 COMPONENT MAINT MANUAL REF: 25-53-17		5
95	BACB30NR4K5	.BOLT-	ATTACHING PARTS		10
100	BACB30NR4K6	.BOLT-			10
105	BACB30NN4K6	.BOLT-			10
110	NAS1149D0463J	.WASHER-			30
117	NAS1805-4L	.NUT-			10
		-----*-----			
120	MS39086-13	..	PIN		1
125	452T1155-4	..	PIN- SUPPLIER CODE: V31645		1
130	MS39086-109	..	PIN		1
135	452T1009-9	..	PIN- SUPPLIER CODE: V31645 OPTIONAL PART: 452T1009-15 V31645		1

ILLUSTRATION ITEMS NOT ON PARTS LIST ARE NOT APPLICABLE

- ITEM NOT ILLUSTRATED

HXL

25-53-13-12

BOEING PROPRIETARY - Copyright © - Unpublished Work - See title page for details.

25-53-13
FIG. 12
PAGE 3
DEC 22/07



767

PARTS CATALOG (MAINTENANCE)

FIG ITEM	PART NUMBER	1 2 3 4 5 6 7	NOMENCLATURE	EFFECT FROM TO	UNITS PER ASSY
12					
135	452T1009-15	..	PIN- SUPPLIER CODE: V31645 OPTIONAL PART: 452T1009-9 V31645		1
140	MS24585-1018	..	SPRING		2
145	452T1150-3	..	PAWL- SUPPLIER CODE: V31645 USED ON: 452T1016-1		1
145	452T1028-1	..	PAWL- SUPPLIER CODE: V31645 USED ON: 452T1016-2		1
150	452T1017-1	..	LOCKHEAD- SUPPLIER CODE: V31645		1
150	452T1017-3	..	LOCKHEAD- SUPPLIER CODE: V31645		1
155	452T1018-1	..	LOCKHEAD- SUPPLIER CODE: V31645 OPTIONAL PART: 452T1018-3 V31645		1
155	452T1018-3	..	LOCKHEAD- SUPPLIER CODE: V31645 OPTIONAL PART: 452T1018-1 V31645		1
160	BACB30NL4-48	.BOLT-	OPTIONAL PART: BACB30UU4P48		4
160	BACB30UU4P48	.BOLT-	OPTIONAL PART: BACB30NL4-48		4
161	BACB30UU4K45	.BOLT			1
165	BACW10BN4AC	.WASHER			4
170	NAS1149D0463J	.WASHER-			4
175	NAS43HT6-59	.SPACER			4

ILLUSTRATION ITEMS NOT ON PARTS LIST ARE NOT APPLICABLE

- ITEM NOT ILLUSTRATED

25-53-13-12

25-53-13
FIG. 12
PAGE 4
AUG 22/08

HXL

BOEING PROPRIETARY - Copyright © - Unpublished Work - See title page for details.

 **BOEING**
767
PARTS CATALOG (MAINTENANCE)

FIG ITEM	PART NUMBER	1 2 3 4 5 6 7	NOMENCLATURE	EFFECT FROM TO	UNITS PER ASSY
12 180	PLH54CD	.NUT-	SUPPLIER CODE: VF0224 SPECIFICATION NUMBER: BACN10YR4CD OPTIONAL PART: H52732-4CD V15653		4
185	BACB28AK04-230	.BUSHING			4
190	452T1036-1	.ROLLER ASSY-PARTIAL LOAD	SUPPLIER CODE: V31645		8
195	BACB28X6M062	..BUSHING			1
200	452T1036-2	..ROLLER-	SUPPLIER CODE: V31645		1
205	452T1030-3	.STOP ASSY-PARTIAL LOAD	SUPPLIER CODE: V31645 COMPONENT MAINT MANUAL REF: 25-53-23		8
205	452T1030-4	.STOP ASSY-PARTIAL LOAD	SUPPLIER CODE: V31645 COMPONENT MAINT MANUAL REF: 25-53-23		8
210	BACB30NN4K6	.BOLT-	ATTACHING PARTS		32
215	BACB30NR4K5	.BOLT			24
220	NAS1149D0463J	.WASHER-			56
224	PLH54CD	.NUT-	SUPPLIER CODE: VF0224 SPECIFICATION NUMBER: BACN10YR4CD OPTIONAL PART: H52732-4CD V15653		24
225	NAS1805-4L	.NUT-	-----*-----		32
230	MS16562-10	..PIN			2
235	452T1009-8	..PIN-	SUPPLIER CODE: V31645 OPTIONAL PART: 452T1009-14 V31645		2

ILLUSTRATION ITEMS NOT ON PARTS LIST ARE NOT APPLICABLE

- ITEM NOT ILLUSTRATED

HXL

25-53-13-12

BOEING PROPRIETARY - Copyright © - Unpublished Work - See title page for details.

25-53-13
FIG. 12
PAGE 5
DEC 22/08



767

PARTS CATALOG (MAINTENANCE)

FIG ITEM	PART NUMBER	1 2 3 4 5 6 7	NOMENCLATURE	EFFECT FROM TO	UNITS PER ASSY
12 235	452T1009-14		.. PIN- SUPPLIER CODE: V31645 OPTIONAL PART: 452T1009-8 V31645		2
R R R R R R	239A 452T1035-1		.. SPRING- SUPPLIER CODE: V31645 USED ON: 452T1030-2 452T1030-3 452T1030-4		1
	240 452T1034-1		.. SPRING- SUPPLIER CODE: V31645		1
	245 452T1035-1		.. SPRING- SUPPLIER CODE: V31645		1
R R R R R	249 452T1031-1		.. CHANNEL- SUPPLIER CODE: V31645 USED ON: 452T1030-2 452T1030-3		1
	250 BACB28Y8D063		.. BUSHING		1
R R R R R R R R R R	255 452T1032-6		.. LOCKHEAD- SUPPLIER CODE: V31645 OPTIONAL PART: 771078-1 V31645 USED ON: 452T1030-3 452T1030-4		1
	255 452T1032-7		.. LOCKHEAD- SUPPLIER CODE: V31645 OPTIONAL PART: 771078-1 V31645 USED ON: 452T1030-3 452T1030-4		1

ILLUSTRATION ITEMS NOT ON PARTS LIST ARE NOT APPLICABLE

- ITEM NOT ILLUSTRATED

HXL

25-53-13-12

BOEING PROPRIETARY - Copyright © - Unpublished Work - See title page for details.

25-53-13
FIG. 12
PAGE 6
AUG 22/09

 **BOEING**
767
PARTS CATALOG (MAINTENANCE)

FIG ITEM	PART NUMBER	1 2 3 4 5 6 7	NOMENCLATURE	EFFECT FROM TO	UNITS PER ASSY
R R R R R R R R R R	12 255	771078-1	.. LOCKHEAD- SUPPLIER CODE: V31645 OPTIONAL PART: 452T1032-6 V31645 452T1032-7 V31645 USED ON: 452T1030-3 452T1030-4		1
	257	452T1033-9	.. FORK- SUPPLIER CODE: V31645 USED ON: 452T1030-3 452T1030-4		1
	257	452T1033-10	.. FORK- SUPPLIER CODE: V31645 OPTIONAL PART: 7711134-1 V31645 USED ON: 452T1030-3 452T1030-4		1
	257	7711134-1	.. FORK- SUPPLIER CODE: V31645 OPTIONAL PART: 452T1033-10 V31645 USED ON: 452T1030-3 452T1030-4		1
	261	BACB30NU5K15	.BOLT-		24
	262	AN960JD516L	.WASHER		24
	263	MS21042L5	.NUT		24
	264	BACB30NN3K5	.BOLT		16
	265	452T1131-4	.LOCK ASSY- SUPPLIER CODE: V31645 COMPONENT MAINT MANUAL REF: 25-53-47		4
	265	452T1131-1	.LOCK ASSY- SUPPLIER CODE: V31645 COMPONENT MAINT MANUAL REF: 25-53-47		4

ILLUSTRATION ITEMS NOT ON PARTS LIST ARE NOT APPLICABLE

- ITEM NOT ILLUSTRATED

HXL

25-53-13-12

BOEING PROPRIETARY - Copyright © - Unpublished Work - See title page for details.

25-53-13
FIG. 12
PAGE 7
AUG 22/09



767

PARTS CATALOG (MAINTENANCE)

FIG ITEM	PART NUMBER	1 2 3 4 5 6 7	NOMENCLATURE	EFFECT FROM TO	UNITS PER ASSY
12					
265	452T1131-6	.	LOCK ASSY- SUPPLIER CODE: V31645 COMPONENT MAINT MANUAL REF: 25-53-47		4
267	69B63089-1	..	PIN- SUPPLIER CODE: V31645		1
269	69B63032-1	..	SPRING- SUPPLIER CODE: V31645		1
271	65B63159-1	..	LATCH- SUPPLIER CODE: V31645		1
R 273	MS16562-27	..	PIN		2
275	AN960PD616	..	WASHER		2
277	452T1129-1	..	PIN- SUPPLIER CODE: V31645		1
279	452T1131-2	..	HOOK ASSY- SUPPLIER CODE: V31645 USED ON: 452T1131-1		1
279	452T1131-5	..	HOOK ASSY- SUPPLIER CODE: V31645 USED ON: 452T1131-4 452T1131-6		1
281	69B63127-1	...	PIN- SUPPLIER CODE: V31645		1
281	69B63127-2	...	PIN- SUPPLIER CODE: V31645		1
281	69B63127-3	...	PIN- SUPPLIER CODE: V31645		1
283	NAS43HT3-12	...	SPACER		1
285	452T1122-1	...	HOOK ASSY- SUPPLIER CODE: V31645 USED ON: 452T1131-2		1

ILLUSTRATION ITEMS NOT ON PARTS LIST ARE NOT APPLICABLE

- ITEM NOT ILLUSTRATED

HXL

25-53-13-12

BOEING PROPRIETARY - Copyright © - Unpublished Work - See title page for details.

25-53-13
FIG. 12
PAGE 8
AUG 22/09



767

PARTS CATALOG (MAINTENANCE)

FIG ITEM	PART NUMBER	1 2 3 4 5 6 7	NOMENCLATURE	EFFECT FROM TO	UNITS PER ASSY
12 285	452T1122-4		...HOOK ASSY- SUPPLIER CODE: V31645 USED ON: 452T1131-5		1
287	BACB28Y6M063	BUSHING		2
289	452T1122-2	HOOK- SUPPLIER CODE: V31645 USED ON: 452T1122-1		1
289	452T1122-5	HOOK- SUPPLIER CODE: V31645 USED ON: 452T1122-4		1
291	452T1123-1		...HOOK ASSY- SUPPLIER CODE: V31645 USED ON: 452T1131-2		1
291	452T1123-4		...HOOK ASSY- SUPPLIER CODE: V31645 USED ON: 452T1131-5		1
293	452T1128-1	BUSHING- SUPPLIER CODE: V31645		2
297	452T1123-2	HOOK- SUPPLIER CODE: V31645 USED ON: 452T1123-1		1
297	452T1123-5	HOOK- SUPPLIER CODE: V31645 USED ON: 452T1123-4		1
300	69B63149-1		...SHACKLE- SUPPLIER CODE: V31645		1

ILLUSTRATION ITEMS NOT ON PARTS LIST ARE NOT APPLICABLE

- ITEM NOT ILLUSTRATED

HXL

25-53-13-12

BOEING PROPRIETARY - Copyright © - Unpublished Work - See title page for details.

25-53-13
FIG. 12
PAGE 9
AUG 22/09



767

PARTS CATALOG (MAINTENANCE)

FIG ITEM	PART NUMBER	1 2 3 4 5 6 7	NOMENCLATURE	EFFECT FROM TO	UNITS PER ASSY
12 301	452T1131-3		..HOUSING ASSY- SUPPLIER CODE: V31645 OPTIONAL PART: 452T1121-6 V31645 USED ON: 452T1131-1 452T1131-4		1
301	452T1121-6		..HOUSING ASSY- SUPPLIER CODE: V31645 OPTIONAL PART: 452T1131-3 V31645 USED ON: 452T1131-1 452T1131-4		1
301	452T1121-8		..HOUSING ASSY- SUPPLIER CODE: V31645 USED ON: 452T1131-6		1
302	BACB28Y6F036		...BUSHING		2
303	452T1121-1		...HOUSING- SUPPLIER CODE: V31645 USED ON: 452T1131-3		1
303	452T1121-5		...HOUSING- SUPPLIER CODE: V31645 USED ON: 452T1121-6		1
303	452T1121-9		...HOUSING- SUPPLIER CODE: V31645 USED ON: 452T1121-8		1
305	452T1125-1		.LOCKTRAY ASSY- SUPPLIER CODE: V31645 POSITION DATA: STA 610	163999	2
305	452T1125-5		.LOCKTRAY ASSY- SUPPLIER CODE: V31645 POSITION DATA: STA 610	155162	2

ILLUSTRATION ITEMS NOT ON PARTS LIST ARE NOT APPLICABLE

- ITEM NOT ILLUSTRATED

25-53-13-12

25-53-13
FIG. 12
PAGE 10
AUG 22/09

HXL

 **BOEING**
767
PARTS CATALOG (MAINTENANCE)

FIG ITEM	PART NUMBER	1 2 3 4 5 6 7	NOMENCLATURE	EFFECT FROM TO	UNITS PER ASSY
12			ATTACHING PARTS		
310	BACB30NN3K4	.BOLT			4
315	BACB30NM3K4	.BOLT-			4
320	BACB30LK3-4	.BOLT-			16
325	BACB30LK3-6	.BOLT-			4
330	AN960JD10L	.WASHER-			20
332	AN960JD10L	.WASHER			4
335	AN960JD10	.WASHER-			8
340	MS21042L3	.NUT-			8
		-----*-----			
345	BACR15FT5D	..RIVET-	SIZE DETERMINED ON INSTL.		8
345	BACR15BB5AD	..RIVET-	SIZE DETERMINED ON INSTL. OPTIONAL PART: BACR15FT5D		8
350	BACR15CE5AD	..RIVET-	SIZE DETERMINED ON INSTL.		24
355	J082269-1	..BALL UNIT-TRANSFER	SUPPLIER CODE: V31645		4
355	J082269-6	..BALL UNIT-	SUPPLIER CODE: V31645 SPECIFICATION NUMBER: S451W151-1 S451W151-2 QUALIFIED I/W DATA: J082269-7 CAN REPLACE OR BE REPLACED BY J082269-6 DEPENDING ON CUSTOMER PREFERENCE. J082269-7 HAS HIGHER DURABILITY BUT INCURS WEIGHT PENALTY. USED ON: 452T1125-5		4
355	20188-1	..BALL UNIT-	SUPPLIER CODE: V07RZ7 SPECIFICATION NUMBER: S451T101-1		4
360	452T1125-3	..TRAY ASSY-	SUPPLIER CODE: V31645		1
365	452T1132-2	...PANEL-	SUPPLIER CODE: V31645		1

ILLUSTRATION ITEMS NOT ON PARTS LIST ARE NOT APPLICABLE

- ITEM NOT ILLUSTRATED

HXL

25-53-13-12

BOEING PROPRIETARY - Copyright © - Unpublished Work - See title page for details.

25-53-13
FIG. 12
PAGE 11
AUG 22/09

BOEING
767
PARTS CATALOG (MAINTENANCE)

FIG ITEM	PART NUMBER	1 2 3 4 5 6 7	NOMENCLATURE	EFFECT FROM TO	UNITS PER ASSY
12			ATTACHING PARTS		
- 370	BACR15FT5D	...	RIVET- SIZE DETERMINED ON INSTL.		48
- 370	BACR15BB5AD	...	RIVET- SIZE DETERMINED ON INSTL. OPTIONAL PART: BACR15FT5D -----*-----		48
375	451T1023-2	...	CLIP- SUPPLIER CODE: V31645		8
380	452T1130-2	...	TRAY-BALL SUPPLIER CODE: V31645		2
385	452T1130-1	...	TRAY-BALL SUPPLIER CODE: V31645		2
390	452T1126-3	..	TRAY-LOCK SUPPLIER CODE: V31645		1
395	452T1126-1	.	TRAY-LOCK SUPPLIER CODE: V31645		1
395	452T1126-5	.	TRAY-LOCK SUPPLIER CODE: V31645		1
400	BACB30LK3-4	.	BOLT-		8
405	BACB30LK3-6	.	BOLT-		2
410	AN960JD10L	.	WASHER-		10
415	452T1125-2	.	LOCKTRAY ASSY- SUPPLIER CODE: V31645 POSITION DATA: STA 610	163999	1
415	452T1125-6	.	LOCKTRAY ASSY- SUPPLIER CODE: V31645 POSITION DATA: STA 610	155162	1
420	BACB30NM3K4	.	BOLT		1
425	BACB30NN3K4	.	BOLT		2
430	BACB30LK3-4	.	BOLT-		12
435	BACB30LK3-6	.	BOLT-		2
440	AN960JD10L	.	WASHER-		19
445	AN960JD10	.	WASHER-		3
ILLUSTRATION ITEMS NOT ON PARTS LIST ARE NOT APPLICABLE					

- ITEM NOT ILLUSTRATED

HXL

25-53-13-12

BOEING PROPRIETARY - Copyright © - Unpublished Work - See title page for details.

25-53-13
FIG. 12
PAGE 12
AUG 22/09

 **BOEING**
767
PARTS CATALOG (MAINTENANCE)

FIG ITEM	PART NUMBER	1 2 3 4 5 6 7	NOMENCLATURE	EFFECT FROM TO	UNITS PER ASSY
12					
450	MS21042L3	.NUT-			7
		-----*-----			
455	BACR15FT5D	..RIVET-			8
		SIZE DETERMINED ON INSTL.			
455	BACR15BB5AD	..RIVET-			8
		SIZE DETERMINED ON INSTL.			
460	BACR15CE5AD	..RIVET-			24
		SIZE DETERMINED ON INSTL.			
465	J082269-1	..BALL UNIT-TRANSFER			4
		SUPPLIER CODE:			
		V31645			
465	J082269-6	..BALL UNIT-			4
		SUPPLIER CODE:			
		V31645			
		SPECIFICATION NUMBER:			
		S451W151-1			
		S451W151-2			
		QUALIFIED I/W DATA:			
		J082269-7 CAN REPLACE OR			
		BE REPLACED BY J082269-6			
		DEPENDING ON CUSTOMER			
		PREFERENCE. J082269-7			
		HAS HIGHER DURABILITY			
		BUT INCURS WEIGHT			
		PENALTY.			
465	20188-1	..BALL UNIT-			4
		SUPPLIER CODE:			
		V1N6X0			
		SPECIFICATION NUMBER:			
		S451T101-1			
470	452T1125-4	..TRAY ASSY-			1
		SUPPLIER CODE:			
		V31645			
475	452T1132-1	...PANEL			1
		ATTACHING PARTS			
- 480	BACR15FT5D	...RIVET-			48
		SIZE DETERMINED ON INSTL.			
- 480	BACR15BB5AD	...RIVET-			48
		SIZE DETERMINED ON INSTL.			
		OPTIONAL PART:			
		BACR15FT5D			
		-----*-----			
485	451T1023-2	...CLIP-			8
		SUPPLIER CODE:			
		V31645			
490	452T1130-2	...TRAY-BALL			2
		SUPPLIER CODE:			
		V31645			

ILLUSTRATION ITEMS NOT ON PARTS LIST ARE NOT APPLICABLE

- ITEM NOT ILLUSTRATED

HXL

25-53-13-12

BOEING PROPRIETARY - Copyright © - Unpublished Work - See title page for details.

25-53-13
FIG. 12
PAGE 13
AUG 22/09



767

PARTS CATALOG (MAINTENANCE)

FIG ITEM	PART NUMBER	1 2 3 4 5 6 7	NOMENCLATURE	EFFECT FROM TO	UNITS PER ASSY
12					
495	452T1130-1	...	TRAY-BALL SUPPLIER CODE: V31645		2
500	452T1126-4	..	TRAY-LOCK SUPPLIER CODE: V31645		1
502	BACB30NM3K8	.	BOLT		12
503	BACB30NM3K10	.	BOLT		6
505	452T1127-3	.	CHANNEL- SUPPLIER CODE: V31645		2
506	452T1127-3	.	CHANNEL- SUPPLIER CODE: V31645		1
509	452T1040-1	.	STOP ASSY-PARTIAL LOAD SUPPLIER CODE: V31645 COMPONENT MAINT MANUAL REF: 25-53-20 ATTACHING PARTS		4
510	BACB30NM4K10	.	BOLT-		8
515	BACB30NN5K9	.	BOLT		16
520	NAS1805-4L	.	NUT-		8
525	NAS1805-5L	.	NUT-		16
			-----*-----		
530	MS16562-10	..	PIN		2
535	452T1009-10	..	PIN- SUPPLIER CODE: V31645 OPTIONAL PART: 7425231-10 V31645		2
536	7425231-10	..	PIN- SUPPLIER CODE: V31645 OPTIONAL PART: 452T1009-10 V31645		2
537	452T1043-1	..	FORK- SUPPLIER CODE: V31645 OPTIONAL PART: 7425238-3 V31645		1
537	452T1043-3	..	FORK- SUPPLIER CODE: V31645		1

ILLUSTRATION ITEMS NOT ON PARTS LIST ARE NOT APPLICABLE

- ITEM NOT ILLUSTRATED

HXL

25-53-13-12

BOEING PROPRIETARY - Copyright © - Unpublished Work - See title page for details.

25-53-13
FIG. 12
PAGE 14
AUG 22/09

 **BOEING**
767
PARTS CATALOG (MAINTENANCE)

FIG ITEM	PART NUMBER	1 2 3 4 5 6 7	NOMENCLATURE	EFFECT FROM TO	UNITS PER ASSY
12 537	7425238-1		.. FORK- SUPPLIER CODE: V31645 OPTIONAL PART: 7425238-3 V31645		1
537	7425238-3		.. FORK- SUPPLIER CODE: V31645 OPTIONAL PART: 452T1043-1 V31645 7425238-1 V31645		1
540	452T1047-1		.. SPRING- SUPPLIER CODE: V31645 OPTIONAL PART: 7711347-1 V31645		1
541	7711347-1		.. SPRING- SUPPLIER CODE: V31645 OPTIONAL PART: 452T1047-1 V31645		1
542	452T1041-1		.. CHANNEL- SUPPLIER CODE: V31645 OPTIONAL PART: 452T1041-3 V31645 7711341-1 V31645 7711341-3 V31645		1
542	452T1041-3		.. CHANNEL- SUPPLIER CODE: V31645 OPTIONAL PART: 452T1041-1 V31645 7711341-1 V31645 7711341-3 V31645		1

ILLUSTRATION ITEMS NOT ON PARTS LIST ARE NOT APPLICABLE

- ITEM NOT ILLUSTRATED

HXL

25-53-13-12

BOEING PROPRIETARY - Copyright © - Unpublished Work - See title page for details.

25-53-13
FIG. 12
PAGE 15
AUG 22/09



767

PARTS CATALOG (MAINTENANCE)

FIG ITEM	PART NUMBER	1 2 3 4 5 6 7	NOMENCLATURE	EFFECT FROM TO	UNITS PER ASSY
12 542	7711341-1		.. CHANNEL- SUPPLIER CODE: V31645 OPTIONAL PART: 452T1041-1 V31645 452T1041-3 V31645 7711341-3 V31645		1
542	7711341-3		.. CHANNEL- SUPPLIER CODE: V31645 OPTIONAL PART: 452T1041-1 V31645 452T1041-3 V31645 7711341-1 V31645		1
545	452T1048-1		.. SPRING- SUPPLIER CODE: V31645 OPTIONAL PART: 7711138-1 V31645		1
546	7711348-1		.. SPRING- SUPPLIER CODE: V31645 OPTIONAL PART: 452T1048-1 V31645		1
548	452T1042-1		.. LOCKHEAD- SUPPLIER CODE: V31645 OPTIONAL PART: 452T1042-3 V31645 7425232-1 V31645 742523-3 V31645		1

ILLUSTRATION ITEMS NOT ON PARTS LIST ARE NOT APPLICABLE

- ITEM NOT ILLUSTRATED

HXL

25-53-13-12

BOEING PROPRIETARY - Copyright © - Unpublished Work - See title page for details.

25-53-13
FIG. 12
PAGE 16
AUG 22/09



767

PARTS CATALOG (MAINTENANCE)

FIG ITEM	PART NUMBER	1 2 3 4 5 6 7	NOMENCLATURE	EFFECT FROM TO	UNITS PER ASSY
12 548	452T1042-3		.. LOCKHEAD- SUPPLIER CODE: V31645 OPTIONAL PART: 452T1042-1 V31645 7425232-1 V31645 7425232-3 V31645		1
549	7425232-1		.. LOCKHEAD- SUPPLIER CODE: V31645 OPTIONAL PART: 452T1042-1 V31645 452T1042-3 V31645 7425232-3 V31645		1
549	7425232-3		.. LOCKHEAD- SUPPLIER CODE: V31645 OPTIONAL PART: 452T1042-1 V31645 452T1042-3 V31645 7425232-1 V31645		1
554	452T1046-1		. SUPPORT- SUPPLIER CODE: V31645		1
555	452T1045-1		. SUPPORT- SUPPLIER CODE: V31645 OPTIONAL PART: 452T1045-4 V31645		2
555	452T1045-3		. SUPPORT- SUPPLIER CODE: V31645 OPTIONAL PART: 452T1045-4 V31645		2

ILLUSTRATION ITEMS NOT ON PARTS LIST ARE NOT APPLICABLE

- ITEM NOT ILLUSTRATED

HXL

25-53-13-12

BOEING PROPRIETARY - Copyright © - Unpublished Work - See title page for details.

25-53-13
FIG. 12
PAGE 17
AUG 22/09

 **BOEING**
767
PARTS CATALOG (MAINTENANCE)

FIG ITEM	PART NUMBER	1 2 3 4 5 6 7	NOMENCLATURE	EFFECT FROM TO	UNITS PER ASSY
12					
555	452T1045-4	.	SUPPORT- SUPPLIER CODE: V31645 OPTIONAL PART: 452T1045-1 V31645 452T1045-3 V31645 452T1045-6 V31645		2
555	452T1045-6	.	SUPPORT- SUPPLIER CODE: V31645 OPTIONAL PART: 452T1045-4 V31645 ATTACHING PARTS		2
560	BACB30NM4K8	.	BOLT		37
565	AN960C416	.	WASHER-		30
570	AN960JD416	.	WASHER-		7
			-----*-----		
575	65B63104-501	.	CONVERSION ASSY- SUPPLIER CODE: V31645 COMPONENT MAINT MANUAL REF: 25-53-28 ATTACHING PARTS		4
- 580	NAS1351-3-6	.	BOLT-		4
			-----*-----		
R 583	MS16562-204	..	PIN		4
585	69B63049-6	..	PIN- SUPPLIER CODE: V31645		1
590	69B63132-1	..	SPRING- SUPPLIER CODE: V31645		1
592	65B63114-503	..	HOOK- SUPPLIER CODE: V31645		1
595	69B63049-7	..	PIN- SUPPLIER CODE: V31645		1
600	69B63002-2	..	LINK- SUPPLIER CODE: V31645		2
605	69B63296-1	..	RETAINER-SPR SUPPLIER CODE: V31645		1
R 608	MS16562-205	..	PIN		1

ILLUSTRATION ITEMS NOT ON PARTS LIST ARE NOT APPLICABLE

- ITEM NOT ILLUSTRATED

HXL

25-53-13-12

BOEING PROPRIETARY - Copyright © - Unpublished Work - See title page for details.

25-53-13
FIG. 12
PAGE 18
AUG 22/09



767

PARTS CATALOG (MAINTENANCE)

FIG ITEM	PART NUMBER	1 2 3 4 5 6 7	NOMENCLATURE	EFFECT FROM TO	UNITS PER ASSY
12					
610	69B63049-4	..	PIN- SUPPLIER CODE: V31645		1
615	69B63282-501	..	SPRING- SUPPLIER CODE: V31645		1
R 618	MS16562-202	..	PIN		1
620	65B63117-501	..	LINK- SUPPLIER CODE: V31645		1
625	69B63049-5	..	PIN- SUPPLIER CODE: V31645		1
630	69B63284-501	..	SPRING- SUPPLIER CODE: V31645		1
R 633	65B63116-501	..	HOUSING- SUPPLIER CODE: V31645		1
R 635	452T1104-7	.LOCK ASSY-	SUPPLIER CODE: V31645 POSITION DATA: STA 485 COMPONENT MAINT MANUAL REF: 25-53-45		1
R 635	452T1104-9	.LOCK ASSY-	SUPPLIER CODE: V31645 POSITION DATA: STA 485 COMPONENT MAINT MANUAL REF: 25-53-45		1
R 635	452T1104-11	.LOCK ASSY-	SUPPLIER CODE: V31645 POSITION DATA: STA 485 COMPONENT MAINT MANUAL REF: 25-53-45		1
R 635	452T1104-5	.LOCK ASSY-	SUPPLIER CODE: V31645 POSITION DATA: STA 485 COMPONENT MAINT MANUAL REF: 25-53-45		1
638	BACB30NR5K6	.BOLT-	ATTACHING PARTS		2

ILLUSTRATION ITEMS NOT ON PARTS LIST ARE NOT APPLICABLE

- ITEM NOT ILLUSTRATED

HXL

25-53-13-12

BOEING PROPRIETARY - Copyright © - Unpublished Work - See title page for details.

25-53-13
FIG. 12
PAGE 19
AUG 22/09

BOEING
767
PARTS CATALOG (MAINTENANCE)

FIG ITEM	PART NUMBER	1 2 3 4 5 6 7	NOMENCLATURE	EFFECT FROM TO	UNITS PER ASSY
12					
641	BACB30MR5K12	.BOLT			2
644	AN960JD516L	.WASHER-			4
647	BACW10CT10D	.WASHER-			2
650	MS21042L5	.NUT-			2
		-----*-----			
653	BACB30NH5U15	..BOLT-			2
		USED ON:			
		452T1104-7			
		452T1104-9			
653	BACB30MR5K15	..BOLT-			2
		USED ON:			
		452T1104-5			
656	BH00303-5	..NUT-			2
		SUPPLIER CODE:			
		V27238			
		SPECIFICATION NUMBER:			
		BACN10HR5CS			
		OPTIONAL PART:			
		H39953-5			
		V15653			
		109LH9031-5			
		V72962			
		67832AS524			
		V56878			
		SL7059C524			
		V11815			
		BMN5024CPD35			
		V97928			
		SL705095			
		V11815			
		109LH90315			
		V72962			
		67832AS5			
		V56878			
		CR5908-5			
		VF0224			
		BMN10HRCPD3-5			
		V97928			
		USED ON:			
		452T1104-7			
		452T1104-9			
		452T1104-11			
656	BACN10GW5	..NUT-			2
		USED ON:			
		452T1104-5			
659	452T2054-15	..FILLER-			2
		SUPPLIER CODE:			
		V31645			

ILLUSTRATION ITEMS NOT ON PARTS LIST ARE NOT APPLICABLE

— ITEM NOT ILLUSTRATED

HXL

25-53-13-12

BOEING PROPRIETARY - Copyright © - Unpublished Work - See title page for details.

25-53-13
FIG. 12
PAGE 20
AUG 22/09

 **BOEING**
767
PARTS CATALOG (MAINTENANCE)

FIG ITEM	PART NUMBER	1 2 3 4 5 6 7	NOMENCLATURE	EFFECT FROM TO	UNITS PER ASSY
12 672	452T2124-4		.. RESTRAINT- SUPPLIER CODE: V31645 OPTIONAL PART: 452T2124-8 V31645 USED ON: 452T1104-7 452T1104-5		2
675	452T2124-8		.. RESTRAINT- SUPPLIER CODE: V31645 OPTIONAL PART: 452T2124-4 V31645 USED ON: 452T1104-7 452T1104-5		2
675	452T2124-10		.. RESTRAINT- SUPPLIER CODE: V31645 USED ON: 452T1104-9 452T1104-11		2
678	452T1116-1		.. BUSHING- SUPPLIER CODE: V31645		2
681	69B63102-1		.. SPRING- SUPPLIER CODE: V31645		2
684	452T1110-1		.. PIN- SUPPLIER CODE: V31645		1
687	MS16624-1043		.. RING		2
690	452T1108-3		.. ARM- SUPPLIER CODE: V31645		1
693	452T1110-2		.. PIN- SUPPLIER CODE: V31645		1
696	MS16624-1037		.. RING		2
699	452T1113-1		.. SPRING- SUPPLIER CODE: V31645 USED ON: 452T1104-5 452T1104-7		1

ILLUSTRATION ITEMS NOT ON PARTS LIST ARE NOT APPLICABLE

— ITEM NOT ILLUSTRATED

HXL

25-53-13-12

BOEING PROPRIETARY - Copyright © - Unpublished Work - See title page for details.

25-53-13
FIG. 12
PAGE 21
AUG 22/09



767

PARTS CATALOG (MAINTENANCE)

FIG ITEM	PART NUMBER	1 2 3 4 5 6 7	NOMENCLATURE	EFFECT FROM TO	UNITS PER ASSY
12 699	452T1113-3		.. SPRING- SUPPLIER CODE: V31645 USED ON: 452T1104-9 452T1104-11		1
702	452T1113-2		.. SPRING- SUPPLIER CODE: V31645 USED ON: 452T1104-5 452T1104-7		1
702	452T1113-4		.. SPRING- SUPPLIER CODE: V31645 USED ON: 452T1104-9 452T1104-11		1
705	452T1107-6		.. HEAD- SUPPLIER CODE: V31645		1
708	452T1112-1		.. SPRING- SUPPLIER CODE: V31645		1
711	66-15956-1		.. WASHER- SUPPLIER CODE: V31645		AR
714	AN960CX616L		.. WASHER- CONFIG CHG DATA FROM A CMM: REPLD BY NAS1149C0632B		AR
714	NAS1149C0632B		.. WASHER- CONFIG CHG DATA FROM A CMM: REPLS AN960XC616L		AR
717	452T1106-7		.. BASE ASSY- SUPPLIER CODE: V31645 USED ON: 452T1104-5 452T1104-7		1
717	452T1106-11		.. BASE ASSY- SUPPLIER CODE: V31645 USED ON: 452T1104-9		1
717	452T1106-18		.. BASE ASSY- SUPPLIER CODE: V31645 USED ON: 452T1104-11		1

ILLUSTRATION ITEMS NOT ON PARTS LIST ARE NOT APPLICABLE

- ITEM NOT ILLUSTRATED

25-53-13-12

25-53-13
FIG. 12
PAGE 22
AUG 22/09

HXL

BOEING PROPRIETARY - Copyright © - Unpublished Work - See title page for details.



767

PARTS CATALOG (MAINTENANCE)

FIG ITEM	PART NUMBER	1 2 3 4 5 6 7	NOMENCLATURE	EFFECT FROM TO	UNITS PER ASSY
12 720	452T1104-8		.LOCK ASSY-STA 485 SUPPLIER CODE: V31645 COMPONENT MAINT MANUAL REF: 25-53-45		3
720	452T1104-10		.LOCK ASSY- SUPPLIER CODE: V31645 POSITION DATA: STA 485 COMPONENT MAINT MANUAL REF: 25-53-45		3
720	452T1104-6		.LOCK ASSY- SUPPLIER CODE: V31645 POSITION DATA: STA 485 COMPONENT MAINT MANUAL REF: 25-53-45		3
- 723	BACB30MR5K12		.BOLT		12
- 726	BACW10CT10D		.WASHER-		12
			-----*-----		
729	BACB30NH5U15		..BOLT- USED ON: 452T1104-8		2
729	BACB30MR5K15		..BOLT- USED ON: 452T1104-6		2

ILLUSTRATION ITEMS NOT ON PARTS LIST ARE NOT APPLICABLE

- ITEM NOT ILLUSTRATED

HXL

25-53-13-12

BOEING PROPRIETARY - Copyright © - Unpublished Work - See title page for details.

25-53-13
FIG. 12
PAGE 23
AUG 22/09



767

PARTS CATALOG (MAINTENANCE)

FIG ITEM	PART NUMBER	1 2 3 4 5 6 7	NOMENCLATURE	EFFECT FROM TO	UNITS PER ASSY
12	BH00303-5		..NUT- SUPPLIER CODE: V27238 SPECIFICATION NUMBER: BACN10HR5CS OPTIONAL PART: H39953-5 V15653 109LH9031-5 V72962 67832AS524 V56878 SL7059C524 V11815 BMN5024CPD35 V97928 SL705095 V11815 109LH90315 V72962 67832AS5 V56878 CR5908-5 VF0224 BMN10HRCPD3-5 V97928 USED ON: 452T1104-8 452T1104-10		2
732	BACN10GW5		..NUT- USED ON: 452T1104-6		2
735	452T2054-15		..FILLER- SUPPLIER CODE: V31645		2
738	452T2124-4		..RESTRAINT- SUPPLIER CODE: V31645 OPTIONAL PART: 452T2124-8 V31645 USED ON: 452T1104-6 452T1104-8		2

ILLUSTRATION ITEMS NOT ON PARTS LIST ARE NOT APPLICABLE

- ITEM NOT ILLUSTRATED

25-53-13-12

25-53-13
FIG. 12
PAGE 24
AUG 22/09

HXL

 **BOEING**
767
PARTS CATALOG (MAINTENANCE)

FIG ITEM	PART NUMBER	1 2 3 4 5 6 7	NOMENCLATURE	EFFECT FROM TO	UNITS PER ASSY
12 738	452T2124-8		.. RESTRAINT- SUPPLIER CODE: V31645 OPTIONAL PART: 452T2124-4 V31645 USED ON: 452T1104-6 452T1104-8		2
738	452T2124-10		.. RESTRAINT- SUPPLIER CODE: V31645 USED ON: 452T1104-10		2
741	452T1116-1		.. BUSHING- SUPPLIER CODE: V31645		2
744	69B63102-1		.. SPRING- SUPPLIER CODE: V31645		2
747	452T1110-1		.. PIN- SUPPLIER CODE: V31645		1
750	MS16624-1043		.. RING		2
753	452T1108-3		.. ARM- SUPPLIER CODE: V31645		1
756	452T1110-2		.. PIN- SUPPLIER CODE: V31645		1
759	MS16624-1037		.. RING		2
762	452T1113-1		.. SPRING- SUPPLIER CODE: V31645 USED ON: 452T1104-6 452T1104-8		1
762	452T1113-3		.. SPRING- SUPPLIER CODE: V31645 USED ON: 452T1104-10		1
765	452T1113-2		.. SPRING- SUPPLIER CODE: V31645 USED ON: 452T1104-6 452T1104-8		1

ILLUSTRATION ITEMS NOT ON PARTS LIST ARE NOT APPLICABLE

— ITEM NOT ILLUSTRATED

HXL

25-53-13-12

BOEING PROPRIETARY - Copyright © - Unpublished Work - See title page for details.

25-53-13
FIG. 12
PAGE 25
AUG 22/09

 **BOEING**
767
PARTS CATALOG (MAINTENANCE)

FIG ITEM	PART NUMBER	1 2 3 4 5 6 7	NOMENCLATURE	EFFECT FROM TO	UNITS PER ASSY
12 765	452T1113-4		.. SPRING- SUPPLIER CODE: V31645 USED ON: 452T1104-10		1
768	452T1107-6		.. HEAD- SUPPLIER CODE: V31645		1
771	452T1112-1		.. SPRING- SUPPLIER CODE: V31645		1
774	66-15956-1		.. WASHER- SUPPLIER CODE: V31645		AR
777	AN960CX616L		.. WASHER- CONFIG CHG DATA FROM A CMM: REPLD BY NAS1149C0632B		AR
777	NAS1149C0632B		.. WASHER- CONFIG CHG DATA FROM A CMM: REPLS AN960XC616L		AR
780	452T1106-8		.. BASE ASSY- SUPPLIER CODE: V31645 USED ON: 452T1104-6 452T1104-8		1
780	452T1106-12		.. BASE ASSY- SUPPLIER CODE: V31645 USED ON: 452T1104-10		1
806	NAS1801-3-10		. SCREW		4
809	AN960JD10L		. WASHER-		4
812	BACC10DK7		. CLAMP		4
815	452T1201-18		. STOP AND LOCK ASSY- SUPPLIER CODE: V31645 POSITION DATA: CTR COMPONENT MAINT MANUAL REF: 25-53-08 FOR DETAILS SEE: 25-53-13-10		2

ILLUSTRATION ITEMS NOT ON PARTS LIST ARE NOT APPLICABLE

- ITEM NOT ILLUSTRATED

HXL

25-53-13-12

BOEING PROPRIETARY - Copyright © - Unpublished Work - See title page for details.

25-53-13
FIG. 12
PAGE 26
AUG 22/09



767

PARTS CATALOG (MAINTENANCE)

FIG ITEM	PART NUMBER	1 2 3 4 5 6 7	NOMENCLATURE	EFFECT FROM TO	UNITS PER ASSY
12 818	452T1202-18		.STOP AND LOCK ASSY-AUX SUPPLIER CODE: V31645 COMPONENT MAINT MANUAL REF: 25-53-42 FOR DETAILS SEE: 25-53-13-10 ATTACHING PARTS		2
821	BACB30MR5K13		.BOLT		16
824	BACB30MR5K8		.BOLT		4
827	BACW10CT10D		.WASHER-		20
			-----*-----		
ILLUSTRATION ITEMS NOT ON PARTS LIST ARE NOT APPLICABLE					

- ITEM NOT ILLUSTRATED

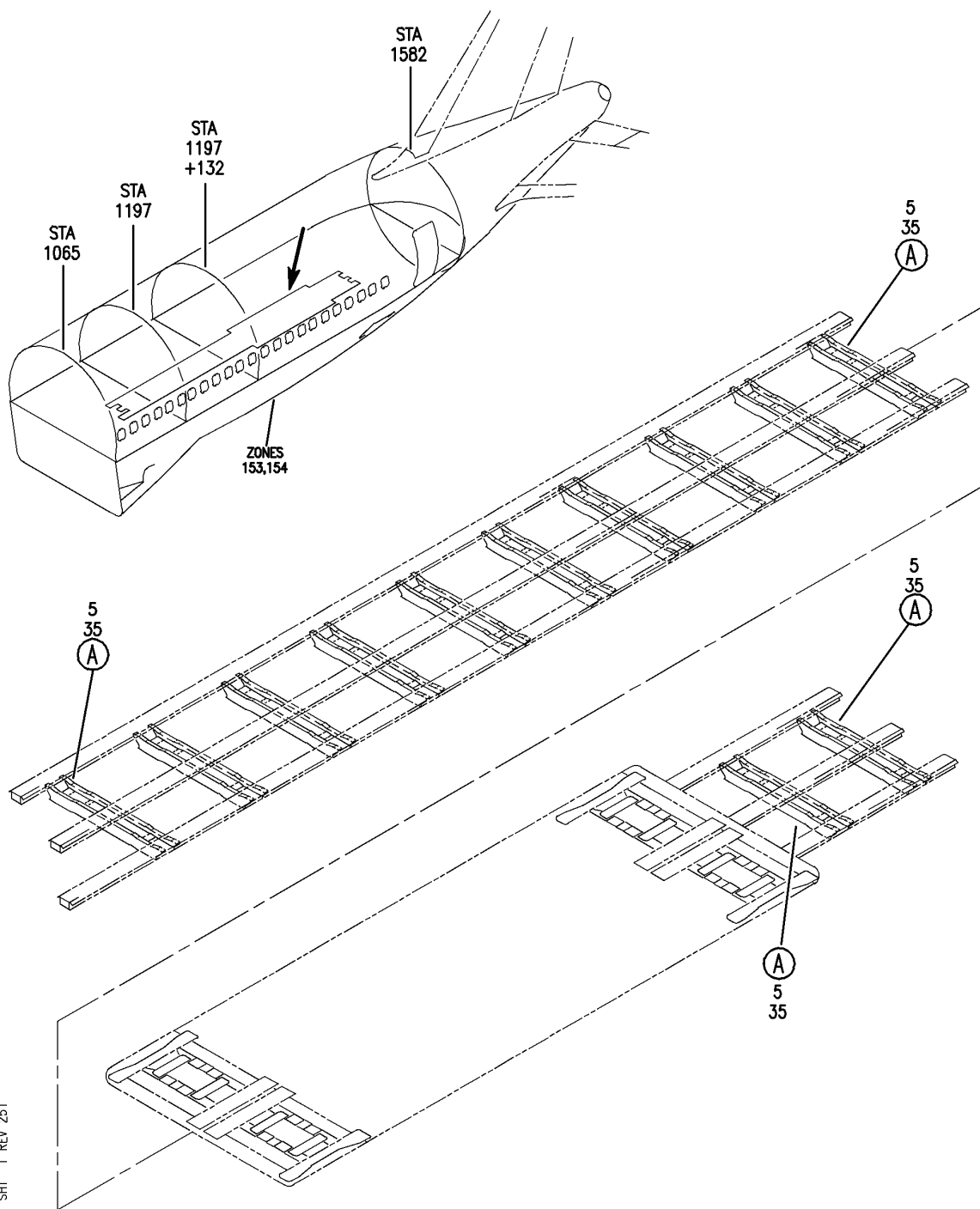
HXL

25-53-13-12

BOEING PROPRIETARY - Copyright © - Unpublished Work - See title page for details.

25-53-13
FIG. 12
PAGE 27
AUG 22/09

BOEING
767
PARTS CATALOG (MAINTENANCE)



V 25531506 SHT 1 REV 251

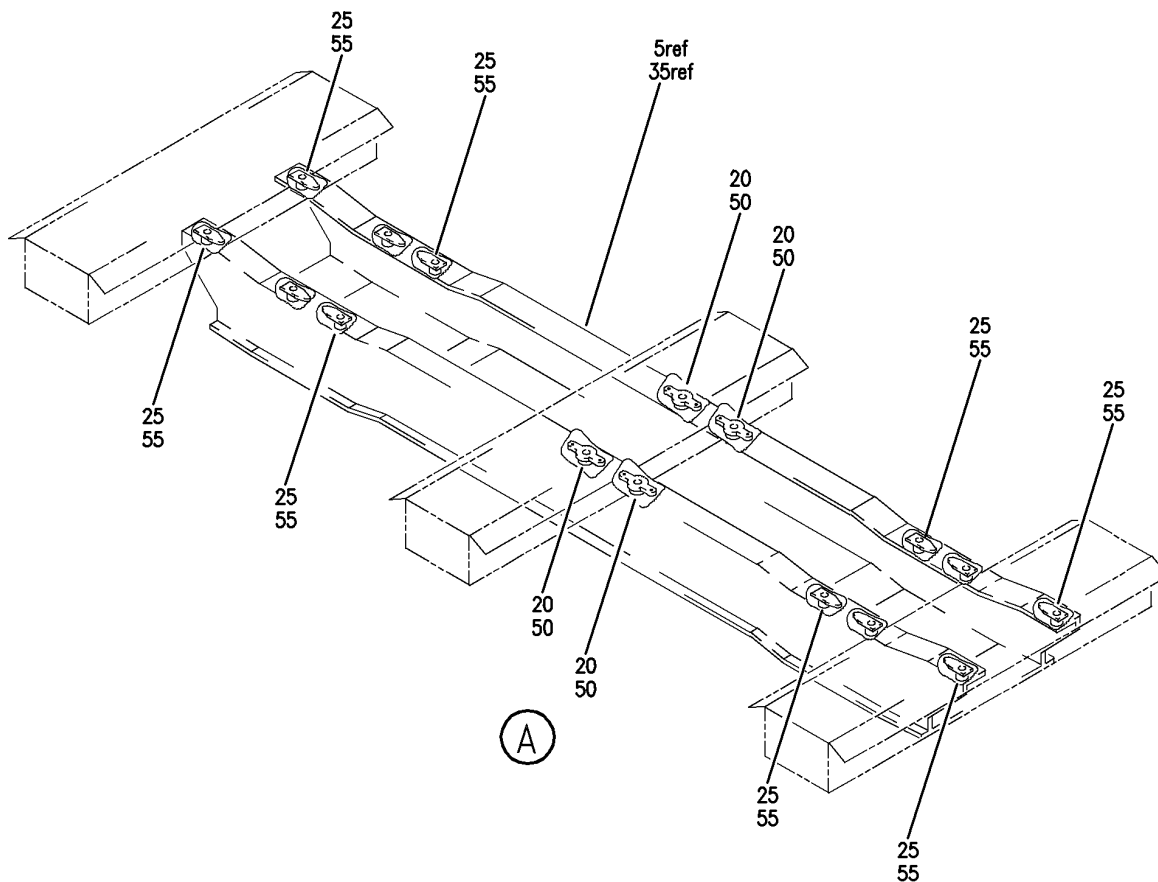
STRUCTURE INSTL-SECT. 46 AFT CARGO COMPT HANDLING LONG.
FIGURE 6 (SHEET 1)

25-53-15-06

HXL
DEC 22/06

25-53-15-06
PAGE 0

BOEING
767
PARTS CATALOG (MAINTENANCE)



V 25531506 SH1 2 REV 251

STRUCTURE INSTL-SECT. 46 AFT CARGO COMPT HANDLING LONG.
FIGURE 6 (SHEET 2)

25-53-15-06

HXL
DEC 22/06

25-53-15-06
PAGE 0A



767

PARTS CATALOG (MAINTENANCE)

FIG ITEM	PART NUMBER	1 2 3 4 5 6 7	NOMENCLATURE	EFFECT FROM TO	UNITS PER ASSY
6			STRUCTURE INSTL-SECT. 46 AFT CARGO COMPT HANDLING LONG.		
- 1	452T2002-10		STRUCTURE INSTL-CARGO COMPT HANDLING LONG. POSITION DATA: SECT. 46 STA 1118-1246, 1369 AND 1390 AFT FOR NHA SEE: 25-50-00-01B		RF
	5 452T2051-11		.BEAM ASSY- SUPPLIER CODE: V31645 OPTIONAL PART: 452T2051-10 V31645		12
	5 452T2051-10		.BEAM ASSY- SUPPLIER CODE: V31645 OPTIONAL PART: 452T2051-11 V31645		12
- 10	BACB30NR4K6		ATTACHING PARTS .BOLT		96
- 15	AN960JD416		.WASHER		96
			-----*-----		
	20 BRFR220A4-1		. .NUTPLATE SUPPLIER CODE: V52828 SPECIFICATION NUMBER: BACN10KE4A OPTIONAL PART: RMF9212-4 V72962 F51750-4-1 V15653 NS103190-048 V80539		4

ILLUSTRATION ITEMS NOT ON PARTS LIST ARE NOT APPLICABLE

- ITEM NOT ILLUSTRATED

HXL

25-53-15-06

BOEING PROPRIETARY - Copyright © - Unpublished Work - See title page for details.

25-53-15
FIG. 06
PAGE 1
DEC 22/06



767

PARTS CATALOG (MAINTENANCE)

FIG ITEM	PART NUMBER	1 2 3 4 5 6 7	NOMENCLATURE	EFFECT FROM TO	UNITS PER ASSY
6 25	BRFR120A4-1		..NUTPLATE SUPPLIER CODE: V52828 SPECIFICATION NUMBER: BACN10KE4C OPTIONAL PART: RMF9214-4 V72962 F51752-4-1 V15653 NS103192-048 V80539 ATTACHING PARTS		12
- 30	AF5141-3C		..RIVET- SUPPLIER CODE: V53551 SPECIFICATION NUMBER: BACR15DR3AC SIZE DETERMINED ON INSTL. OPTIONAL PART: BACR15DR3AD BACR15BB3AD		32
- 30	BACR15DA3AD		..RIVET- SIZE DETERMINED ON INSTL. OPTIONAL PART: BACR15DR3AC BACR15BB3AD		32
- 30	BACR15BB3AD		..RIVET- SIZE DETERMINED ON INSTL. OPTIONAL PART: BACR15DR3AC BACR15BA3AD -----*-----		32

ILLUSTRATION ITEMS NOT ON PARTS LIST ARE NOT APPLICABLE

- ITEM NOT ILLUSTRATED

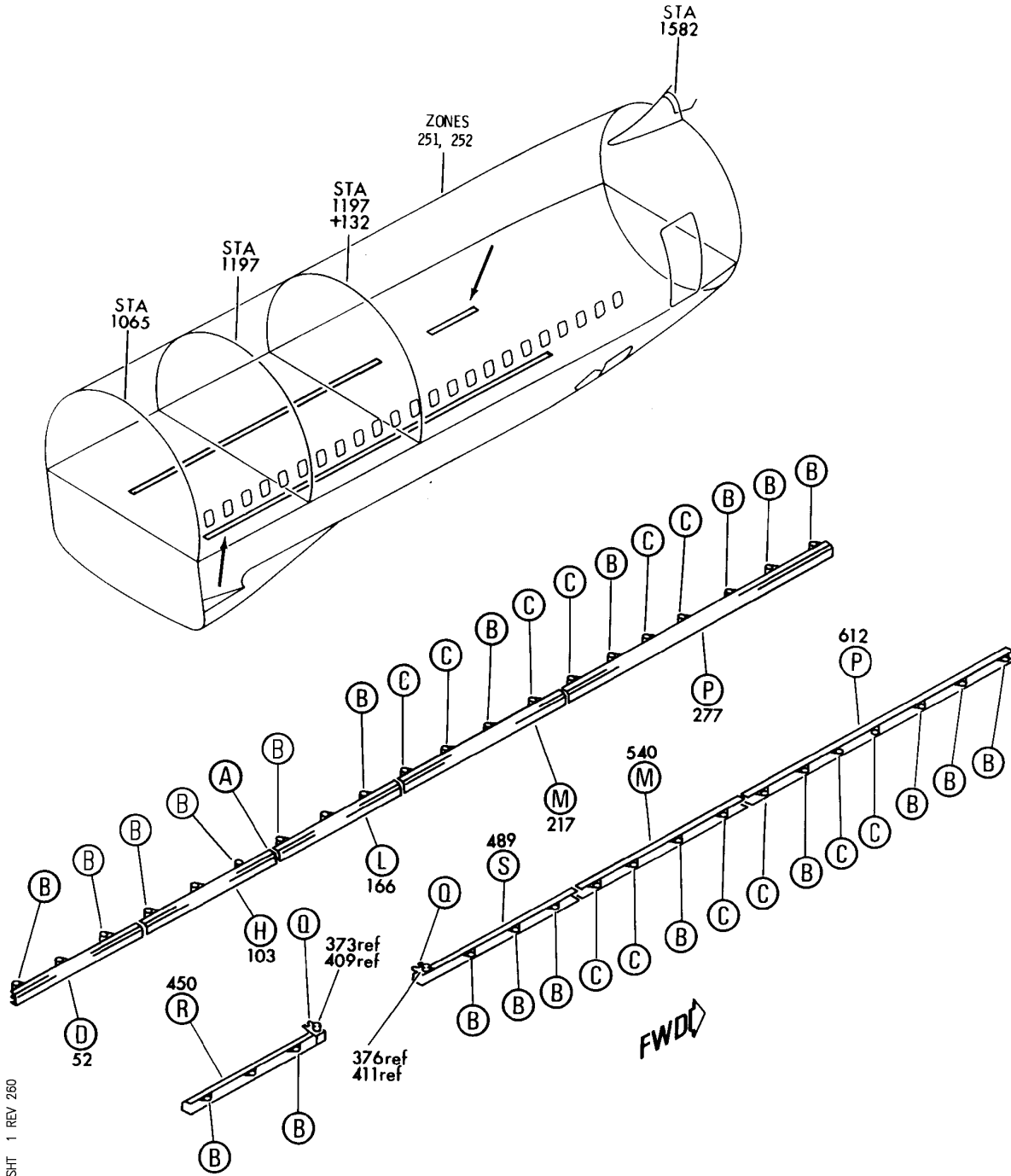
HXL

25-53-15-06

BOEING PROPRIETARY - Copyright © - Unpublished Work - See title page for details.

25-53-15
 FIG. 06
 PAGE 2
 APR 22/08

BOEING
767
PARTS CATALOG (MAINTENANCE)



V 23531512 SH1 1 REV 260

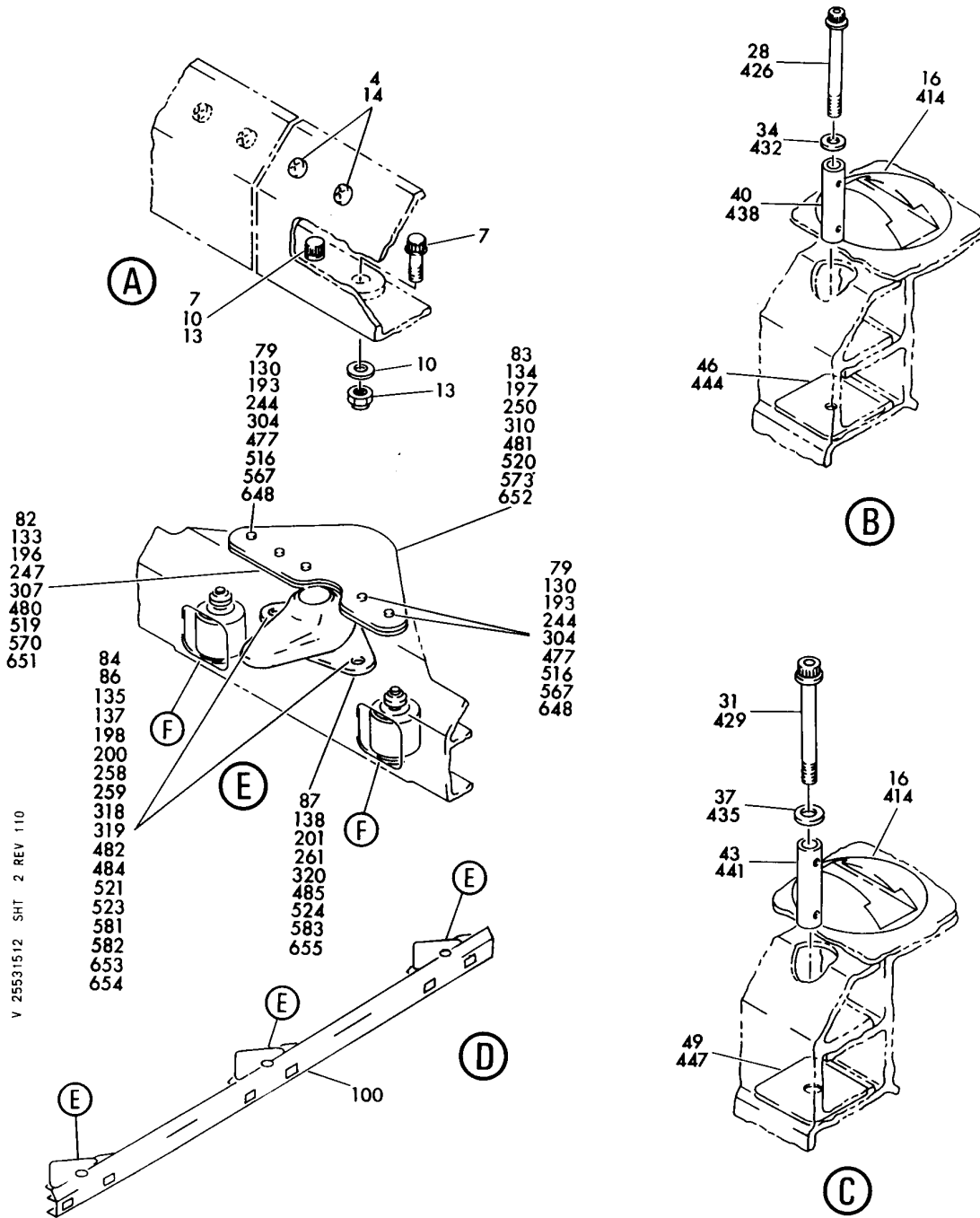
RAIL INSTL-SECT. 46 AFT COMPT CARGO HANDLING LONG.
FIGURE 12 (SHEET 1)

25-53-15-12

HXL
DEC 22/06

25-53-15-12
PAGE 0

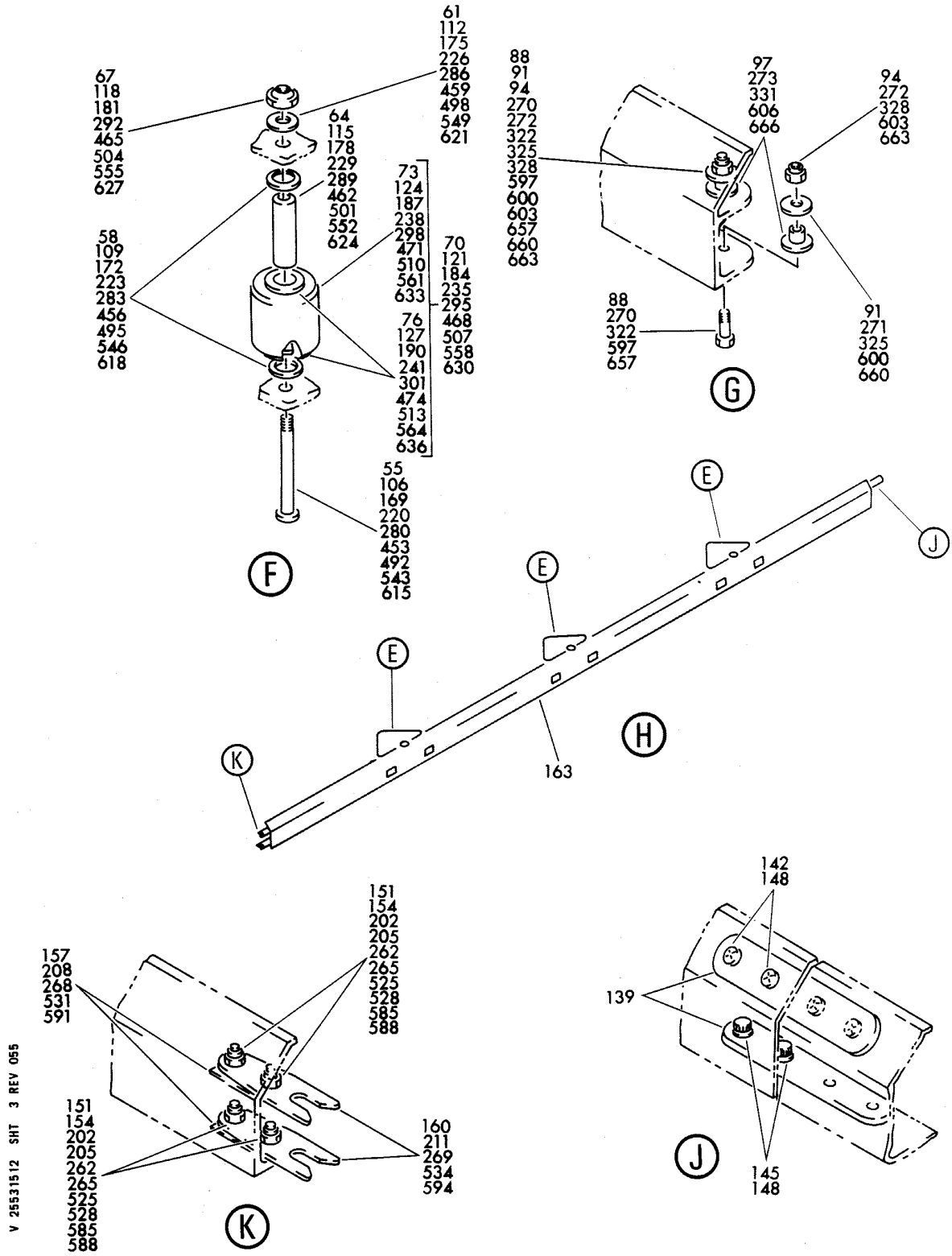

BOEING
 767
PARTS CATALOG (MAINTENANCE)



RAIL INSTL-SECT. 46 AFT COMPT CARGO HANDLING LONG.
 FIGURE 12 (SHEET 2)

25-53-15-12

BOEING
767
PARTS CATALOG (MAINTENANCE)

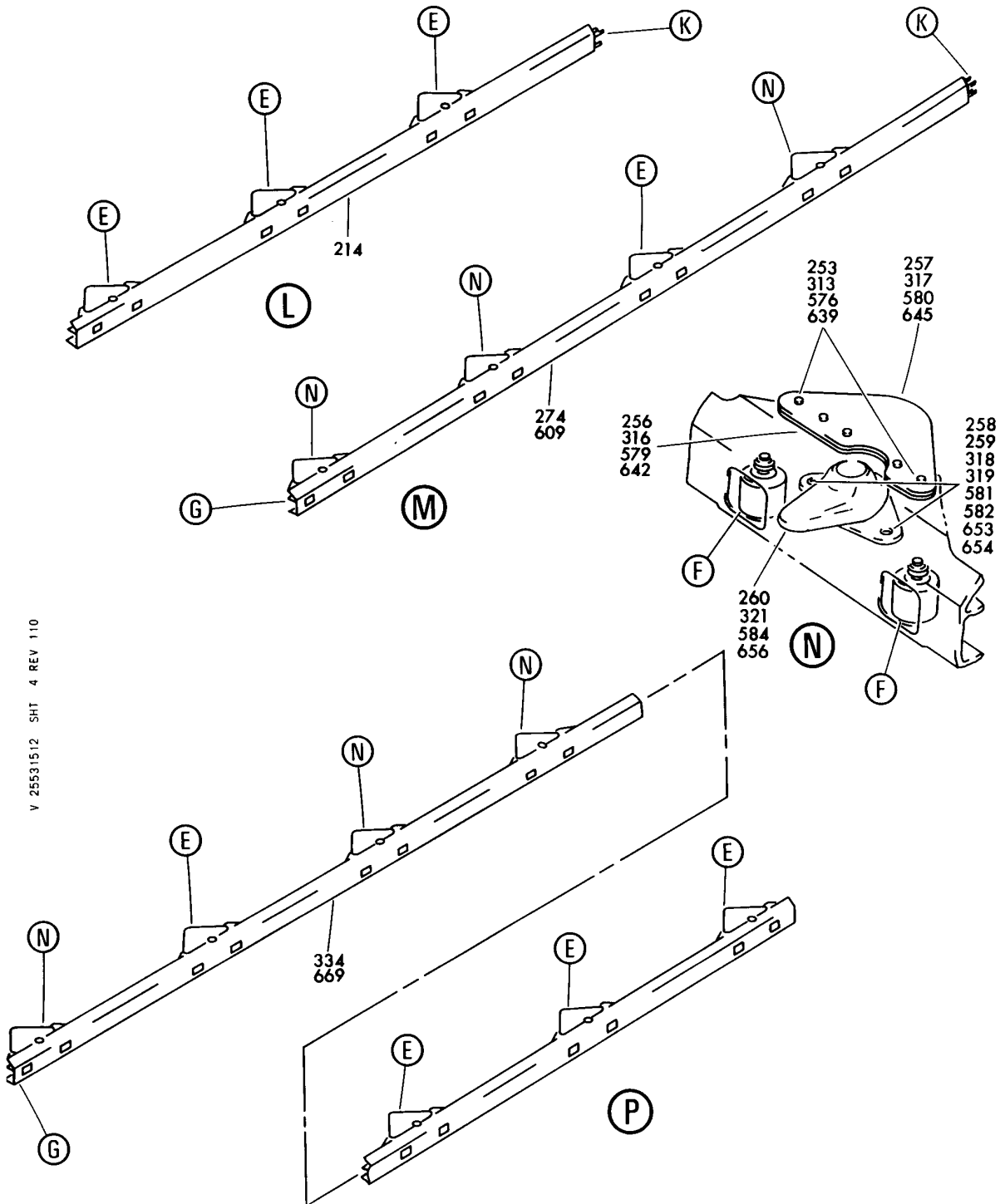


V 25531512 SHT 3 REV 055

RAIL INSTL-SECT. 46 AFT COMPT CARGO HANDLING LONG.
FIGURE 12 (SHEET 3)

25-53-15-12

BOEING
767
PARTS CATALOG (MAINTENANCE)



V 25531512 SH1 4 REV 110

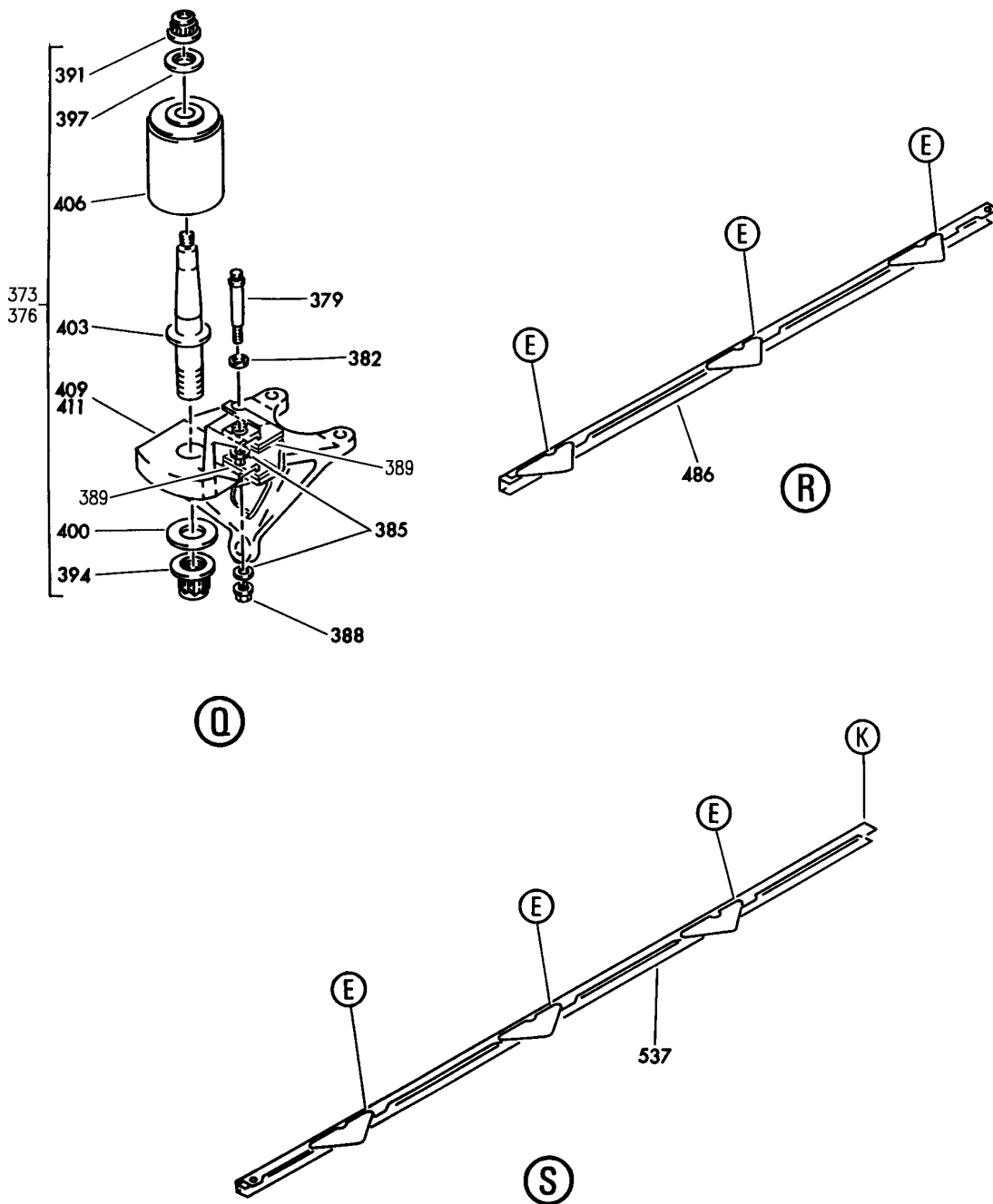
RAIL INSTL-SECT. 46 AFT COMPT CARGO HANDLING LONG.
FIGURE 12 (SHEET 4)

25-53-15-12

HXL
DEC 22/06

25-53-15-12
PAGE 0C

BOEING
767
PARTS CATALOG (MAINTENANCE)



V 25531512 SH1 5 REV 269

RAIL INSTL-SECT. 46 AFT COMPT CARGO HANDLING LONG.
FIGURE 12 (SHEET 5)

25-53-15-12

HXL
DEC 22/06

25-53-15-12
PAGE 0D

 **BOEING**
767
PARTS CATALOG (MAINTENANCE)

FIG ITEM	PART NUMBER	1 2 3 4 5 6 7	NOMENCLATURE	EFFECT FROM TO	UNITS PER ASSY
12			RAIL INSTL-SECT. 46 AFT COMPT CARGO HANDLING LONG.		
- 1	452T2002-6		RAIL INSTL-CARGO COMPT HANDLING LONG. POSITION DATA: SECT. 46 LH FOR NHA SEE: 25-50-00-01		RF
	4 BACB30VF3K4		.BOLT-		2
	7 BACB30MR3K5		.BOLT		2
	10 BACW10CT6J		.WASHER		2
	13 NAS1805-3L		.NUT-		2
	14 NAS1805-3L		.NUT-		2
	16 20050		.PLATE-ANCHOR SUPPLIER CODE: V32707 OPTIONAL PART: 40000-11 V31272		20
	16 40000-11		.PLATE-ANCHOR SUPPLIER CODE: V31272 OPTIONAL PART: 20050 V32707		20
			ATTACHING PARTS		
- 19	BACB30NN3K5		.BOLT		40
- 22	BACW10P216S		.WASHER-		40
- 25	NAS1805-3L		.NUT-		40
			-----*-----		
	28 BACB30MR5K32		.BOLT-		14
	31 BACB30MR6K33		.BOLT-		6
	34 BACW10CT10J		.WASHER-		14
	37 BACW10CT12J		.WASHER-		6
	40 452T2128-4		.BUSHING- SUPPLIER CODE: V31645		14
	43 452T2128-5		.BUSHING- SUPPLIER CODE: V31645		6
	46 452T2017-1		.SHIM- SUPPLIER CODE: V31645		14
	49 452T2017-2		.SHIM- SUPPLIER CODE: V31645		6

ILLUSTRATION ITEMS NOT ON PARTS LIST ARE NOT APPLICABLE

- ITEM NOT ILLUSTRATED

HXL

25-53-15-12

BOEING PROPRIETARY - Copyright © - Unpublished Work - See title page for details.

25-53-15
FIG. 12
PAGE 1
DEC 22/06

 **BOEING**
767
PARTS CATALOG (MAINTENANCE)

FIG ITEM	PART NUMBER	1 2 3 4 5 6 7	NOMENCLATURE	EFFECT FROM TO	UNITS PER ASSY
12					
52	452T2003-59	.	RAIL ASSY- SUPPLIER CODE: V31645		1
55	BACB30LK3-22	..	BOLT		6
58	BACW10P219TF	..	WASHER		12
61	NAS1149D0316J	..	WASHER-		6
64	452T2005-1	..	SPACER- SUPPLIER CODE: V31645		6
64	7713103-1	..	SPACER- SUPPLIER CODE: V31645		6
67	BRH10C3D	..	NUT- SUPPLIER CODE: V52828 SPECIFICATION NUMBER: BACN10JC3CD OPTIONAL PART: T6C1032JCD V11815 NS202486-02 V80539 102LH9075-3W V72962 H51650-3BAC V15653		6
70	452T2004-1	..	ROLLER ASSY- SUPPLIER CODE: V31645 OPTIONAL PART: 452T2004-4 V31645		6
70	452T2004-4	..	ROLLER ASSY- SUPPLIER CODE: V31645 OPTIONAL PART: 452T2004-1 V31645		6
73	452T2004-2	...	HOUSING- SUPPLIER CODE: V31645 USED ON: 452T2004-1		1
73	452T2013-1	...	HOUSING- SUPPLIER CODE: V31645 USED ON: 452T2004-4		1

ILLUSTRATION ITEMS NOT ON PARTS LIST ARE NOT APPLICABLE

- ITEM NOT ILLUSTRATED

HXL

25-53-15-12

BOEING PROPRIETARY - Copyright © - Unpublished Work - See title page for details.

25-53-15
FIG. 12
PAGE 2
AUG 22/07

 **BOEING**
767
PARTS CATALOG (MAINTENANCE)

FIG ITEM	PART NUMBER	1 2 3 4 5 6 7	NOMENCLATURE	EFFECT FROM TO	UNITS PER ASSY
12					
76	452T2004-3	...	BUSHING- SUPPLIER CODE: V31645 USED ON: 452T2004-1		2
76	452T2012-2	...	BUSHING- SUPPLIER CODE: V31645 USED ON: 452T2004-4		2
79	BACR15FT5KE	..	RIVET- SIZE DETERMINED ON INSTL.		15
82	452T2003-44	..	SHIM- SUPPLIER CODE: V31645		3
83	452T2007-1	..	PLATE- SUPPLIER CODE: V31645		3
88	BACB30NM3K6	..	BOLT		2
91	BACW10P5CC	..	WASHER-		2
94	MS21042L3	..	NUT-		2
97	452T2012-1	..	BUSHING- SUPPLIER CODE: V31645		2
100	452T2006-59	..	RAIL- SUPPLIER CODE: V31645		1
103	452T2003-58	.RAIL	ASSY- SUPPLIER CODE: V31645		1
106	BACB30LK3-22	..	BOLT		6
109	BACW10P219TF	..	WASHER		12
112	NAS1149D0316J	..	WASHER-		6
115	452T2005-1	..	SPACER- SUPPLIER CODE: V31645		6
115	7713103-1	..	SPACER- SUPPLIER CODE: V31645		6

ILLUSTRATION ITEMS NOT ON PARTS LIST ARE NOT APPLICABLE

— ITEM NOT ILLUSTRATED

HXL

25-53-15-12

BOEING PROPRIETARY - Copyright © - Unpublished Work - See title page for details.

25-53-15
FIG. 12
PAGE 3
AUG 22/07

 **BOEING**
767
PARTS CATALOG (MAINTENANCE)

FIG ITEM	PART NUMBER	1 2 3 4 5 6 7	NOMENCLATURE	EFFECT FROM TO	UNITS PER ASSY
12 118	BRH10C3D		..NUT- SUPPLIER CODE: V52828 SPECIFICATION NUMBER: BACN10JC3CD OPTIONAL PART: T6C1032JCD V11815 NS202486-02 V80539 102LH9075-3W V72962 H51650-3BAC V15653		6
121	452T2004-1		..ROLLER ASSY- SUPPLIER CODE: V31645 OPTIONAL PART: 452T2004-4 V31645		6
121	452T2004-4		..ROLLER ASSY- SUPPLIER CODE: V31645 OPTIONAL PART: 452T2004-1 V31645		6
124	452T2004-2		...HOUSING- SUPPLIER CODE: V31645 USED ON: 452T2004-1		1
124	452T2013-1		...HOUSING- SUPPLIER CODE: V31645 USED ON: 452T2004-4		1
127	452T2004-3		...BUSHING- SUPPLIER CODE: V31645 USED ON: 452T2004-1		2
127	452T2012-2		...BUSHING- SUPPLIER CODE: V31645 USED ON: 452T2004-4		2
130	BACR15FT5KE		..RIVET- SIZE DETERMINED ON INSTL.		15

ILLUSTRATION ITEMS NOT ON PARTS LIST ARE NOT APPLICABLE

- ITEM NOT ILLUSTRATED

HXL

25-53-15-12

BOEING PROPRIETARY - Copyright © - Unpublished Work - See title page for details.

25-53-15
FIG. 12
PAGE 4
DEC 22/06



767

PARTS CATALOG (MAINTENANCE)

FIG ITEM	PART NUMBER	1 2 3 4 5 6 7	NOMENCLATURE	EFFECT FROM TO	UNITS PER ASSY
12					
133	452T2003-44	..	SHIM- SUPPLIER CODE: V31645		3
134	452T2007-1	..	PLATE- SUPPLIER CODE: V31645		3
139	452T2011-1	..	PLATE- SUPPLIER CODE: V31645		2
142	BACB30VF3K4	..	BOLT- ATTACHING PARTS		2
145	BACB30MR3K4	..	BOLT		2
148	MS21042L3	..	NUT		4
			-----*-----		
151	BACB30NM3K5	..	BOLT		4
154	MS21042L3	..	NUT		4
157	BACS40R008C016F	..	SHIM-		2
160	452T2011-2	..	PLATE- SUPPLIER CODE: V31645		2
163	452T2006-58	..	RAIL- SUPPLIER CODE: V31645		1
166	452T2003-56	.RAIL	ASSY- SUPPLIER CODE: V31645		1
169	BACB30LK3-22	..	BOLT		6
172	BACW10P219TF	..	WASHER		12
175	NAS1149D0316J	..	WASHER-		6
178	452T2005-1	..	SPACER- SUPPLIER CODE: V31645		6
178	7713103-1	..	SPACER- SUPPLIER CODE: V31645		6
181	BRH10C3D	..	NUT- SUPPLIER CODE: V52828 SPECIFICATION NUMBER: BACN10JC3CD OPTIONAL PART: T6C1032JCD V11815 NS202486-02 V80539 102LH9075-3W V72962 H51650-3BAC V15653		6

ILLUSTRATION ITEMS NOT ON PARTS LIST ARE NOT APPLICABLE

- ITEM NOT ILLUSTRATED

HXL

25-53-15-12

BOEING PROPRIETARY - Copyright © - Unpublished Work - See title page for details.

25-53-15
FIG. 12
PAGE 5
AUG 22/07

 **BOEING**
767
PARTS CATALOG (MAINTENANCE)

FIG ITEM	PART NUMBER	1 2 3 4 5 6 7	NOMENCLATURE	EFFECT FROM TO	UNITS PER ASSY
12 184	452T2004-1	..	ROLLER ASSY- SUPPLIER CODE: V31645 OPTIONAL PART: 452T2004-4 V31645		6
184	452T2004-4	..	ROLLER ASSY- SUPPLIER CODE: V31645 OPTIONAL PART: 452T2004-1 V31645		6
187	452T2004-2	...	HOUSING- SUPPLIER CODE: V31645 USED ON: 452T2004-1		1
187	452T2013-1	...	HOUSING- SUPPLIER CODE: V31645 USED ON: 452T2004-4		1
190	452T2004-3	...	BUSHING- SUPPLIER CODE: V31645 USED ON: 452T2004-1		2
190	452T2012-2	...	BUSHING- SUPPLIER CODE: V31645 USED ON: 452T2004-4		2
193	BACR15FT5KE	..	RIVET- SIZE DETERMINED ON INSTL.		15
196	452T2003-44	..	SHIM- SUPPLIER CODE: V31645		3
197	452T2007-1	..	PLATE- SUPPLIER CODE: V31645		3
202	BACB30NM3K5	..	BOLT		4
205	MS21042L3	..	NUT		4
208	BACS40R008C016F	..	SHIM-		2
211	452T2011-2	..	PLATE- SUPPLIER CODE: V31645		2
214	452T2006-56	..	RAIL- SUPPLIER CODE: V31645		1

ILLUSTRATION ITEMS NOT ON PARTS LIST ARE NOT APPLICABLE

— ITEM NOT ILLUSTRATED

HXL

25-53-15-12

BOEING PROPRIETARY - Copyright © - Unpublished Work - See title page for details.

25-53-15
FIG. 12
PAGE 6
DEC 22/06

 **BOEING**
767
PARTS CATALOG (MAINTENANCE)

FIG ITEM	PART NUMBER	1 2 3 4 5 6 7	NOMENCLATURE	EFFECT FROM TO	UNITS PER ASSY
12					
217	452T2003-61		.RAIL ASSY- SUPPLIER CODE: V31645		1
220	BACB30LK3-22		..BOLT		8
223	BACW10P219TF		..WASHER		16
226	NAS1149D0316J		..WASHER-		8
229	452T2005-1		..SPACER- SUPPLIER CODE: V31645		8
229	7713103-1		..SPACER- SUPPLIER CODE: V31645		8
232	BRH10C3D		..NUT- SUPPLIER CODE: V52828 SPECIFICATION NUMBER: BACN10JC3CD OPTIONAL PART: T6C1032JCD V11815 NS202486-02 V80539 102LH9075-3W V72962 H51650-3BAC V15653		8
235	452T2004-1		..ROLLER ASSY- SUPPLIER CODE: V31645 OPTIONAL PART: 452T2004-4 V31645		8
235	452T2004-4		..ROLLER ASSY- SUPPLIER CODE: V31645 OPTIONAL PART: 452T2004-1 V31645		8
238	452T2004-2		...HOUSING- SUPPLIER CODE: V31645 USED ON: 452T2004-1		1
238	452T2013-1		...HOUSING- SUPPLIER CODE: V31645 USED ON: 452T2004-4		1

ILLUSTRATION ITEMS NOT ON PARTS LIST ARE NOT APPLICABLE

- ITEM NOT ILLUSTRATED

HXL

25-53-15-12

BOEING PROPRIETARY - Copyright © - Unpublished Work - See title page for details.

25-53-15
FIG. 12
PAGE 7
AUG 22/07

 **BOEING**
767
PARTS CATALOG (MAINTENANCE)

FIG ITEM	PART NUMBER	1 2 3 4 5 6 7	NOMENCLATURE	EFFECT FROM TO	UNITS PER ASSY
12					
241	452T2004-3	...	BUSHING- SUPPLIER CODE: V31645 USED ON: 452T2004-1		2
241	452T2012-2	...	BUSHING- SUPPLIER CODE: V31645 USED ON: 452T2004-4		2
244	BACR15FT5KE	..	RIVET- SIZE DETERMINED ON INSTL.		5
247	452T2003-44	..	SHIM- SUPPLIER CODE: V31645		1
250	452T2007-1	..	PLATE- SUPPLIER CODE: V31645		1
253	BACR15CE5KE	..	RIVET- SIZE DETERMINED ON INSTL.		15
256	452T2003-44	..	SHIM- SUPPLIER CODE: V31645		3
257	452T2007-3	..	PLATE- SUPPLIER CODE: V31645		3
262	BACB30NM3K5	..	BOLT		4
265	MS21042L3	..	NUT		4
268	BACS40R008C016F	..	SHIM-		2
269	452T2011-2	..	PLATE- SUPPLIER CODE: V31645		2
270	BACB30NM3K6	..	BOLT		2
271	BACW10P5CC	..	WASHER-		2
272	MS21042L3	..	NUT-		2
273	452T2012-1	..	BUSHING- SUPPLIER CODE: V31645		2
274	452T2006-61	..	RAIL- SUPPLIER CODE: V31645		1
277	452T2003-63	.	RAIL ASSY- SUPPLIER CODE: V31645		1
280	BACB30LK3-22	..	BOLT		14
283	BACW10P219TF	..	WASHER		28
286	NAS1149D0316J	..	WASHER-		14

ILLUSTRATION ITEMS NOT ON PARTS LIST ARE NOT APPLICABLE

— ITEM NOT ILLUSTRATED

HXL

25-53-15-12

BOEING PROPRIETARY - Copyright © - Unpublished Work - See title page for details.

25-53-15
FIG. 12
PAGE 8
DEC 22/06



767

PARTS CATALOG (MAINTENANCE)

FIG ITEM	PART NUMBER	1 2 3 4 5 6 7	NOMENCLATURE	EFFECT FROM TO	UNITS PER ASSY
12					
289	452T2005-1	..	SPACER- SUPPLIER CODE: V31645		14
289	7713103-1	..	SPACER- SUPPLIER CODE: V31645		14
292	BRH10C3D	..	NUT- SUPPLIER CODE: V52828 SPECIFICATION NUMBER: BACN10JC3CD OPTIONAL PART: T6C1032JCD V11815 NS202486-02 V80539 102LH9075-3W V72962 H51650-3BAC V15653		14
295	452T2004-1	..	ROLLER ASSY- SUPPLIER CODE: V31645 OPTIONAL PART: 452T2004-4 V31645		14
295	452T2004-4	..	ROLLER ASSY- SUPPLIER CODE: V31645 OPTIONAL PART: 452T2004-1 V31645		14
298	452T2004-2	...	HOUSING- SUPPLIER CODE: V31645 USED ON: 452T2004-1		1
298	452T2013-1	...	HOUSING- SUPPLIER CODE: V31645 USED ON: 452T2004-4		1
301	452T2004-3	...	BUSHING- SUPPLIER CODE: V31645 USED ON: 452T2004-1		2

ILLUSTRATION ITEMS NOT ON PARTS LIST ARE NOT APPLICABLE

- ITEM NOT ILLUSTRATED

25-53-15-12

25-53-15
FIG. 12
PAGE 9
AUG 22/07

HXL



767

PARTS CATALOG (MAINTENANCE)

FIG ITEM	PART NUMBER	1 2 3 4 5 6 7	NOMENCLATURE	EFFECT FROM TO	UNITS PER ASSY
12					
301	452T2012-2	...	BUSHING- SUPPLIER CODE: V31645 USED ON: 452T2004-4		2
304	BACR15FT5KE	..	RIVET- SIZE DETERMINED ON INSTL.		20
307	452T2003-44	..	SHIM- SUPPLIER CODE: V31645		4
310	452T2007-1	..	PLATE- SUPPLIER CODE: V31645		4
313	BACR15CE5KE	..	RIVET- SIZE DETERMINED ON INSTL.		15
316	452T2003-44	..	SHIM- SUPPLIER CODE: V31645		3
317	452T2007-3	..	PLATE- SUPPLIER CODE: V31645		3
322	BACB30NM3K6	..	BOLT		2
325	BACW10P5CC	..	WASHER-		2
328	MS21042L3	..	NUT-		2
331	452T2012-1	..	BUSHING- SUPPLIER CODE: V31645		2
334	452T2006-63	..	RAIL- SUPPLIER CODE: V31645		1
- 370	452T2002-7		RAIL INSTL-CARGO COMPT HANDLING LONG. POSITION DATA: SECT. 46 RH FOR NHA SEE: 25-50-00-01		RF
373	452T2204-7	.	GUIDE ASSY-ROLLER SUPPLIER CODE: V31645 COMPONENT MAINT MANUAL REF: 25-53-04 FOR SPARES PROCURE: 452T2204-3		1

ILLUSTRATION ITEMS NOT ON PARTS LIST ARE NOT APPLICABLE

- ITEM NOT ILLUSTRATED

HXL

25-53-15-12

BOEING PROPRIETARY - Copyright © - Unpublished Work - See title page for details.

25-53-15
FIG. 12
PAGE 10
AUG 22/07



767

PARTS CATALOG (MAINTENANCE)

FIG ITEM	PART NUMBER	1 2 3 4 5 6 7	NOMENCLATURE	EFFECT FROM TO	UNITS PER ASSY
12 376	452T2204-4		.GUIDE ASSY-ROLLER SUPPLIER CODE: V31645 COMPONENT MAINT MANUAL REF: 25-53-04 OPTIONAL PART: 452T2204-8 V31645 FOR SPARES PROCURE: 452T2204-8		1
376	452T2204-8		.GUIDE ASSY-ROLLER SUPPLIER CODE: V31645 COMPONENT MAINT MANUAL REF: 25-53-04 OPTIONAL PART: 452T2204-4 V31645 FOR SPARES PROCURE: 452T2204-4		1
379	452T2009-2		ATTACHING PARTS .BOLT- SUPPLIER CODE: V31645		2
382	NAS1149D0663J		.WASHER-		2
385	NAS1149D0463J		.WASHER-		4
388	NAS1805-4L		.NUT- -----*-----		2
389	452T2017-2		.SHIM- SUPPLIER CODE: V31645		4
391	NAS1805-6L		..NUT-		1

ILLUSTRATION ITEMS NOT ON PARTS LIST ARE NOT APPLICABLE

- ITEM NOT ILLUSTRATED

HXL

25-53-15-12

BOEING PROPRIETARY - Copyright © - Unpublished Work - See title page for details.

25-53-15
FIG. 12
PAGE 11
AUG 22/07



767

PARTS CATALOG (MAINTENANCE)

FIG ITEM	PART NUMBER	1 2 3 4 5 6 7	NOMENCLATURE	EFFECT FROM TO	UNITS PER ASSY
12 394	BH0030212		..NUT SUPPLIER CODE: V27238 SPECIFICATION NUMBER: BACN10HR12 OPTIONAL PART: H96-12 V15653 RMLH22-12 V72962 67832-1216 V56878 BH00302-12 V27238 H9612 V15653 RMLH2212 V72962 BMNN10HR12 V97928 CR590612 V62554 VAL2800912 V06710 6783212 V56878		1
397	BACW10P125C		..WASHER- USED ON: 452T2204-7 452T2204-8		1
400	NAS1149C1232R		..WASHER-		1
406	452T2105-10		..ROLLER ASSY- SUPPLIER CODE: V31645 USED ON: 452T2204-7 452T2204-8		1
409	452T2205-7		..BRACKET- SUPPLIER CODE: V31645 USED ON: 452T2204-3 452T2204-7		1
411	452T2205-8		..BRACKET- SUPPLIER CODE: V31645 USED ON: 452T2204-4 452T2204-8		1

ILLUSTRATION ITEMS NOT ON PARTS LIST ARE NOT APPLICABLE

- ITEM NOT ILLUSTRATED

25-53-15-12

25-53-15
 FIG. 12
 PAGE 12
 AUG 22/07

HXL



767

PARTS CATALOG (MAINTENANCE)

FIG ITEM	PART NUMBER	1 2 3 4 5 6 7	NOMENCLATURE	EFFECT FROM TO	UNITS PER ASSY
12					
414	20050		.PLATE-ANCHOR SUPPLIER CODE: V32707 OPTIONAL PART: 40000-11 V31272		17
414	40000-11		.PLATE-ANCHOR SUPPLIER CODE: V31272 OPTIONAL PART: 20050 V32707 ATTACHING PARTS		17
- 417	BACB30NN3K5		.BOLT		34
- 420	BACW10P216S		.WASHER-		34
- 423	NAS1805-3L		.NUT-		34
			-----*-----		
426	BACB30MR5K32		.BOLT-		11
429	BACB30MR6K33		.BOLT-		6
432	BACW10CT10J		.WASHER-		11
435	BACW10CT12J		.WASHER-		6
438	452T2128-4		.BUSHING- SUPPLIER CODE: V31645		11
441	452T2128-5		.BUSHING- SUPPLIER CODE: V31645		6
444	452T2017-1		.SHIM- SUPPLIER CODE: V31645		11
447	452T2017-2		.SHIM- SUPPLIER CODE: V31645		6
450	452T2003-98		.RAIL ASSY- SUPPLIER CODE: V31645		1
453	BACB30LK3-22		..BOLT		6
456	BACW10P219TF		..WASHER		12
459	NAS1149D0332J		..WASHER-		6
462	452T2005-1		..SPACER- SUPPLIER CODE: V31645		6
462	7713103-1		..SPACER- SUPPLIER CODE: V31645		6
465	MS21042L3		..NUT-		6

ILLUSTRATION ITEMS NOT ON PARTS LIST ARE NOT APPLICABLE

- ITEM NOT ILLUSTRATED

25-53-15-12

25-53-15
FIG. 12
PAGE 13
AUG 22/07

HXL



767

PARTS CATALOG (MAINTENANCE)

FIG ITEM	PART NUMBER	1 2 3 4 5 6 7	NOMENCLATURE	EFFECT FROM TO	UNITS PER ASSY
12 468	452T2004-1	..	ROLLER ASSY- SUPPLIER CODE: V31645 OPTIONAL PART: 452T2004-4 V31645		6
468	452T2004-4	..	ROLLER ASSY- SUPPLIER CODE: V31645 OPTIONAL PART: 452T2004-1 V31645		6
471	452T2004-2	...	HOUSING- SUPPLIER CODE: V31645 USED ON: 452T2004-1		1
471	452T2013-1	...	HOUSING- SUPPLIER CODE: V31645 USED ON: 452T2004-4		1
474	452T2004-3	...	BUSHING- SUPPLIER CODE: V31645 USED ON: 452T2004-1		2
474	452T2012-2	...	BUSHING- SUPPLIER CODE: V31645 USED ON: 452T2004-4		2
477	BACR15FT5KE	..	RIVET- SIZE DETERMINED ON INSTL.		15
480	452T2003-44	..	SHIM- SUPPLIER CODE: V31645		3
481	452T2007-1	..	PLATE- SUPPLIER CODE: V31645		3
486	452T2006-91	..	RAIL- SUPPLIER CODE: V31645		1
489	452T2003-92	.R	RAIL ASSY- SUPPLIER CODE: V31645		1
492	BACB30LK3-22	..	BOLT		6
495	BACW10P219TF	..	WASHER		12
498	NAS1149D0332J	..	WASHER-		6

ILLUSTRATION ITEMS NOT ON PARTS LIST ARE NOT APPLICABLE

- ITEM NOT ILLUSTRATED

25-53-15-12

25-53-15
FIG. 12
PAGE 14
AUG 22/07

HXL

BOEING PROPRIETARY - Copyright © - Unpublished Work - See title page for details.

 **BOEING**
767
PARTS CATALOG (MAINTENANCE)

FIG ITEM	PART NUMBER	1 2 3 4 5 6 7	NOMENCLATURE	EFFECT FROM TO	UNITS PER ASSY
12					
501	452T2005-1	..	SPACER- SUPPLIER CODE: V31645		6
501	7713103-1	..	SPACER- SUPPLIER CODE: V31645		6
504	MS21042L3	..	NUT-		6
507	452T2004-1	..	ROLLER ASSY- SUPPLIER CODE: V31645 OPTIONAL PART: 452T2004-4 V31645		6
507	452T2004-4	..	ROLLER ASSY- SUPPLIER CODE: V31645 OPTIONAL PART: 452T2004-1 V31645		6
510	452T2004-2	...	HOUSING- SUPPLIER CODE: V31645 USED ON: 452T2004-1		1
510	452T2013-1	...	HOUSING- SUPPLIER CODE: V31645 USED ON: 452T2004-4		1
513	452T2004-3	...	BUSHING- SUPPLIER CODE: V31645 USED ON: 452T2004-1		2
513	452T2012-2	...	BUSHING- SUPPLIER CODE: V31645 USED ON: 452T2004-4		2
516	BACR15FT5KE	..	RIVET- SIZE DETERMINED ON INSTL.		15
519	452T2003-44	..	SHIM- SUPPLIER CODE: V31645		3
520	452T2007-1	..	PLATE- SUPPLIER CODE: V31645		3
525	BACB30NM3K5	..	BOLT		4
528	MS21042L3	..	NUT		4
ILLUSTRATION ITEMS NOT ON PARTS LIST ARE NOT APPLICABLE					

- ITEM NOT ILLUSTRATED

HXL

25-53-15-12

BOEING PROPRIETARY - Copyright © - Unpublished Work - See title page for details.

25-53-15
FIG. 12
PAGE 15
AUG 22/07



767

PARTS CATALOG (MAINTENANCE)

FIG ITEM	PART NUMBER	1 2 3 4 5 6 7	NOMENCLATURE	EFFECT FROM TO	UNITS PER ASSY
12					
531	BACS40R008C016F	..	SHIM-		2
534	452T2011-2	..	PLATE-		2
			SUPPLIER CODE: V31645		
537	452T2006-86	..	RAIL-		1
			SUPPLIER CODE: V31645		
540	452T2003-62	.R	RAIL ASSY-		1
			SUPPLIER CODE: V31645		
			OPTIONAL PART: 452T2003-112 V31645		
540	452T2003-112	.R	RAIL ASSY-		1
			SUPPLIER CODE: V31645		
			OPTIONAL PART: 452T1003-62 V31645		
543	BACB30LK3-22	..	BOLT		8
546	BACW10P219TF	..	WASHER		16
549	NAS1149D0332J	..	WASHER-		6
552	452T2005-1	..	SPACER-		8
			SUPPLIER CODE: V31645		
552	7713103-1	..	SPACER-		8
			SUPPLIER CODE: V31645		
555	MS21042L3	..	NUT-		8
558	452T2004-1	..	ROLLER ASSY-		8
			SUPPLIER CODE: V31645		
			OPTIONAL PART: 452T2004-4 V31645		
558	452T2004-4	..	ROLLER ASSY-		8
			SUPPLIER CODE: V31645		
			OPTIONAL PART: 452T2004-1 V31645		
561	452T2004-2	...	HOUSING-		1
			SUPPLIER CODE: V31645		
			USED ON: 452T2004-1		

ILLUSTRATION ITEMS NOT ON PARTS LIST ARE NOT APPLICABLE

- ITEM NOT ILLUSTRATED

25-53-15-12

25-53-15
FIG. 12
PAGE 16
DEC 22/07

HXL



767

PARTS CATALOG (MAINTENANCE)

FIG ITEM	PART NUMBER	1 2 3 4 5 6 7	NOMENCLATURE	EFFECT FROM TO	UNITS PER ASSY
12					
561	452T2013-1	...	HOUSING- SUPPLIER CODE: V31645 USED ON: 452T2004-4		1
564	452T2004-3	...	BUSHING- SUPPLIER CODE: V31645 USED ON: 452T2004-1		2
564	452T2012-2	...	BUSHING- SUPPLIER CODE: V31645 USED ON: 452T2004-4		2
567	BACR15FT5KE	..	RIVET- SIZE DETERMINED ON INSTL.		5
570	452T2003-44	..	SHIM- SUPPLIER CODE: V31645		1
573	452T2007-1	..	PLATE- SUPPLIER CODE: V31645		1
576	BACR15CE5KE	..	RIVET- SIZE DETERMINED ON INSTL.		15
579	452T2003-44	..	SHIM- SUPPLIER CODE: V31645		3
580	452T2007-3	..	PLATE- SUPPLIER CODE: V31645		3
585	BACB30NM3K5	..	BOLT		4
588	MS21042L3	..	NUT		4
591	BACS40R008C016F	..	SHIM- USED ON: 452T1003-112		2
594	452T2011-2	..	PLATE- SUPPLIER CODE: V31645		2
597	BACB30NM3K6	..	BOLT		2
600	BACW10P5CC	..	WASHER-		2
603	MS21042L3	..	NUT-		2
606	452T2012-1	..	BUSHING- SUPPLIER CODE: V31645		2

ILLUSTRATION ITEMS NOT ON PARTS LIST ARE NOT APPLICABLE

- ITEM NOT ILLUSTRATED

25-53-15-12

25-53-15
FIG. 12
PAGE 17
AUG 22/07

HXL



767

PARTS CATALOG (MAINTENANCE)

FIG ITEM	PART NUMBER	1 2 3 4 5 6 7	NOMENCLATURE	EFFECT FROM TO	UNITS PER ASSY
12 609	452T2006-62	..	RAIL- SUPPLIER CODE: V31645 USED ON: 452T2003-62		1
609	452T2006-102	..	RAIL- SUPPLIER CODE: V31645 USED ON: 452T1003-112		1
612	452T2003-64	.RAIL	ASSY- SUPPLIER CODE: V31645		1
615	BACB30LK3-22	..	BOLT		14
618	BACW10P219TF	..	WASHER		28
621	NAS1149D0316J	..	WASHER-		14
624	452T2005-1	..	SPACER- SUPPLIER CODE: V31645		14
624	7713103-1	..	SPACER- SUPPLIER CODE: V31645		14
627	MS21042L3	..	NUT-		14
627	BRH10C3D	..	NUT- SUPPLIER CODE: V52828 SPECIFICATION NUMBER: BACN10JC3CD OPTIONAL PART: T6C1032JCD V11815 NS202486-02 V80539 102LH9075-3W V72962 H51650-3BAC V15653		14
630	452T2004-1	..	ROLLER ASSY- SUPPLIER CODE: V31645 OPTIONAL PART: 452T2004-4 V31645		14
630	452T2004-4	..	ROLLER ASSY- SUPPLIER CODE: V31645 OPTIONAL PART: 452T2004-1 V31645		14

ILLUSTRATION ITEMS NOT ON PARTS LIST ARE NOT APPLICABLE

- ITEM NOT ILLUSTRATED

HXL

25-53-15-12

BOEING PROPRIETARY - Copyright © - Unpublished Work - See title page for details.

25-53-15
FIG. 12
PAGE 18
DEC 22/07

 **BOEING**
767
PARTS CATALOG (MAINTENANCE)

FIG ITEM	PART NUMBER	1 2 3 4 5 6 7	NOMENCLATURE	EFFECT FROM TO	UNITS PER ASSY
12					
633	452T2004-2	...	HOUSING- SUPPLIER CODE: V31645 USED ON: 452T2004-1		1
633	452T2013-1	...	HOUSING- SUPPLIER CODE: V31645 USED ON: 452T2004-4		1
636	452T2004-3	...	BUSHING- SUPPLIER CODE: V31645 USED ON: 452T2004-1		2
636	452T2012-2	...	BUSHING- SUPPLIER CODE: V31645 USED ON: 452T2004-4		2
639	BACR15CE5KE	..	RIVET- SIZE DETERMINED ON INSTL.		15
642	452T2003-44	..	SHIM- SUPPLIER CODE: V31645		3
645	452T2007-3	..	PLATE- SUPPLIER CODE: V31645		3
648	BACR15FT5KE	..	RIVET- SIZE DETERMINED ON INSTL.		20
651	452T2003-44	..	SHIM- SUPPLIER CODE: V31645		4
652	452T2007-1	..	PLATE- SUPPLIER CODE: V31645		4
657	BACB30NM3K6	..	BOLT		2
660	BACW10P5CC	..	WASHER-		2
663	MS21042L3	..	NUT-		2
666	452T2012-1	..	BUSHING- SUPPLIER CODE: V31645		2
669	452T2006-64	..	RAIL- SUPPLIER CODE: V31645		1

ILLUSTRATION ITEMS NOT ON PARTS LIST ARE NOT APPLICABLE

- ITEM NOT ILLUSTRATED

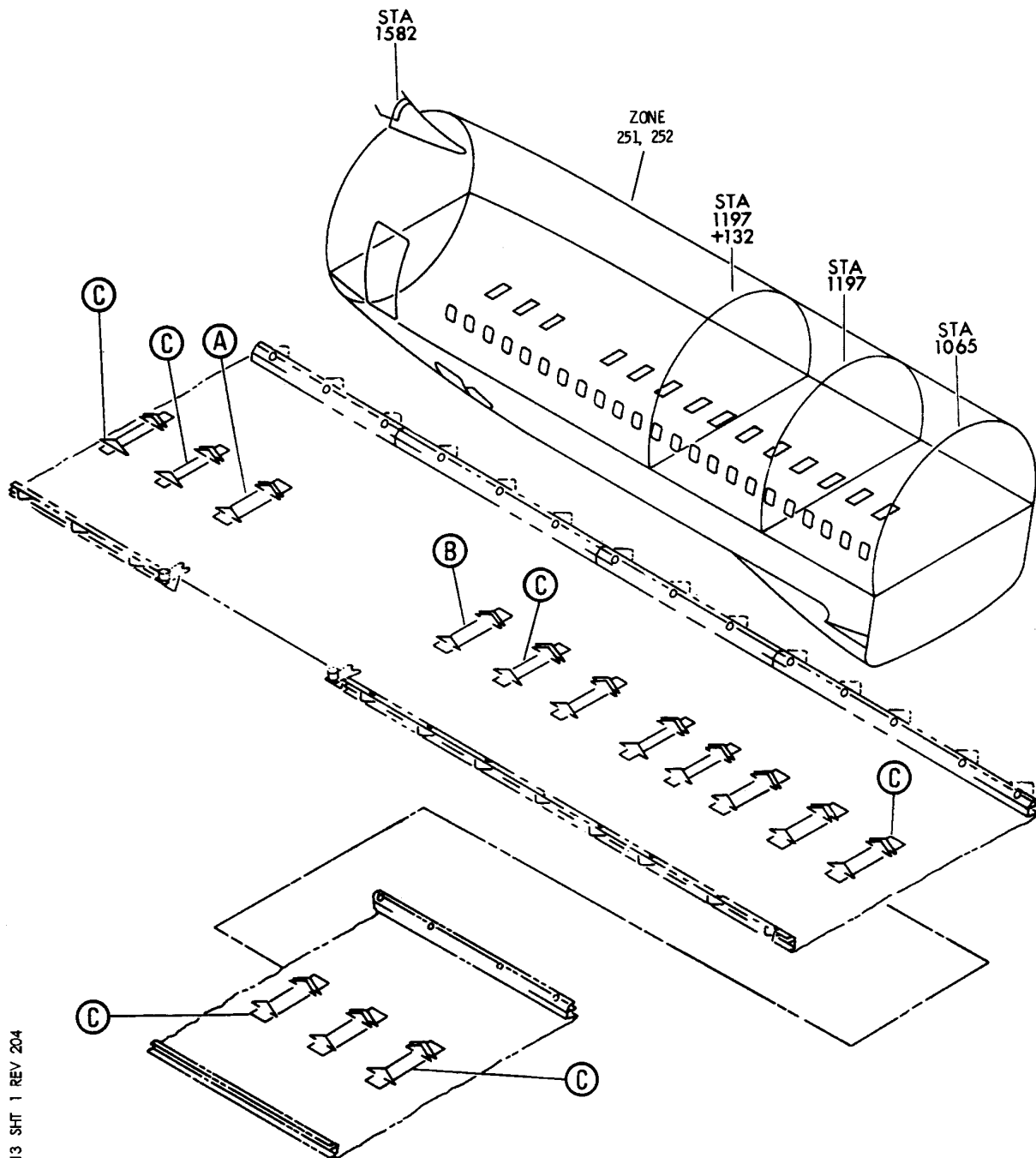
HXL

25-53-15-12

BOEING PROPRIETARY - Copyright © - Unpublished Work - See title page for details.

25-53-15
FIG. 12
PAGE 19
AUG 22/07

BOEING
767
PARTS CATALOG (MAINTENANCE)



v 25531513 SHT 1 REV 204

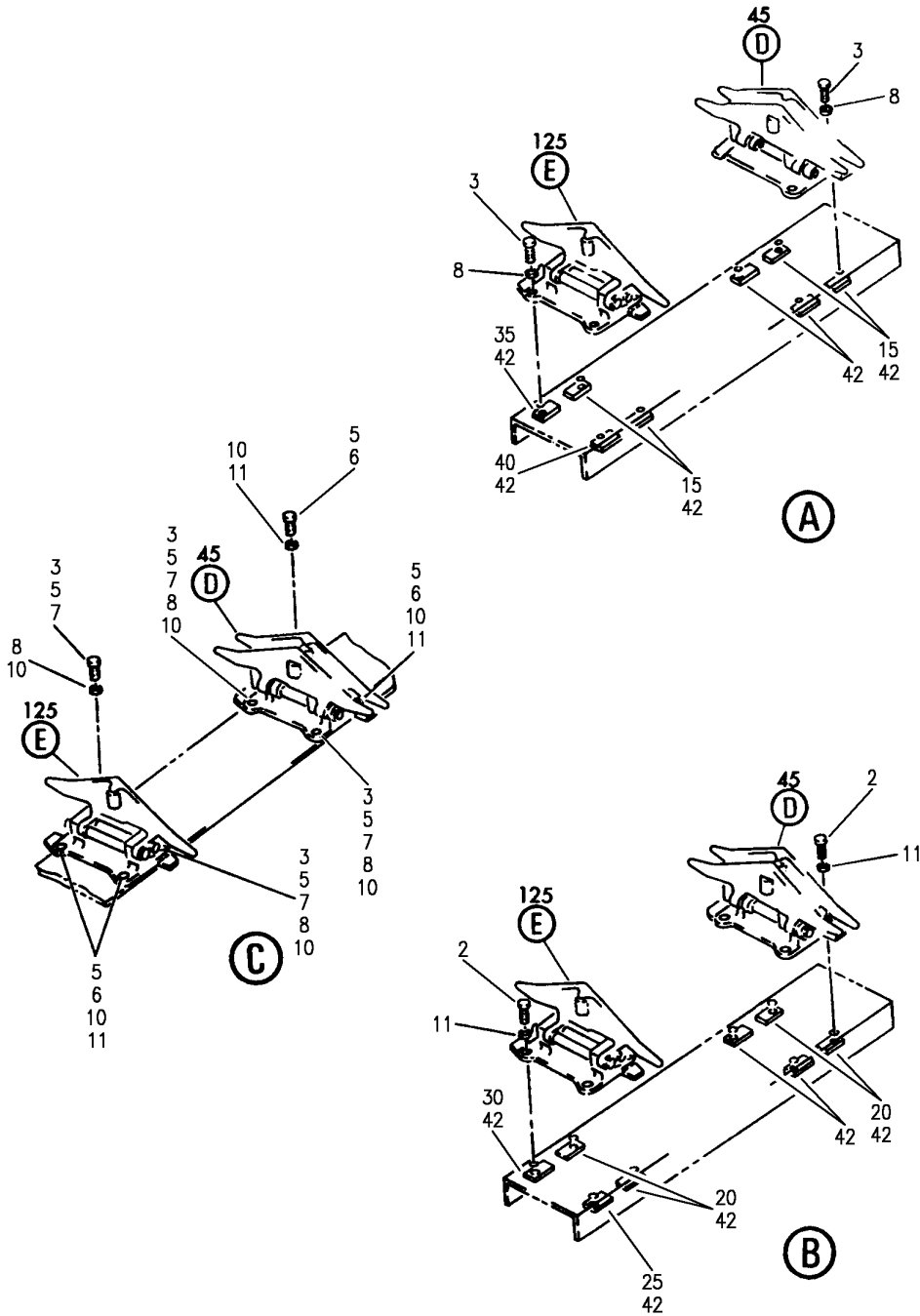
GUIDE INSTL-SECT. 46 CTR AUX CARGO COMPT HANDLING LONG.
FIGURE 13 (SHEET 1)

25-53-15-13

HXL
DEC 22/06

25-53-15-13
PAGE 0

BOEING
767
PARTS CATALOG (MAINTENANCE)



V 25531513 SHF 2 REV 277

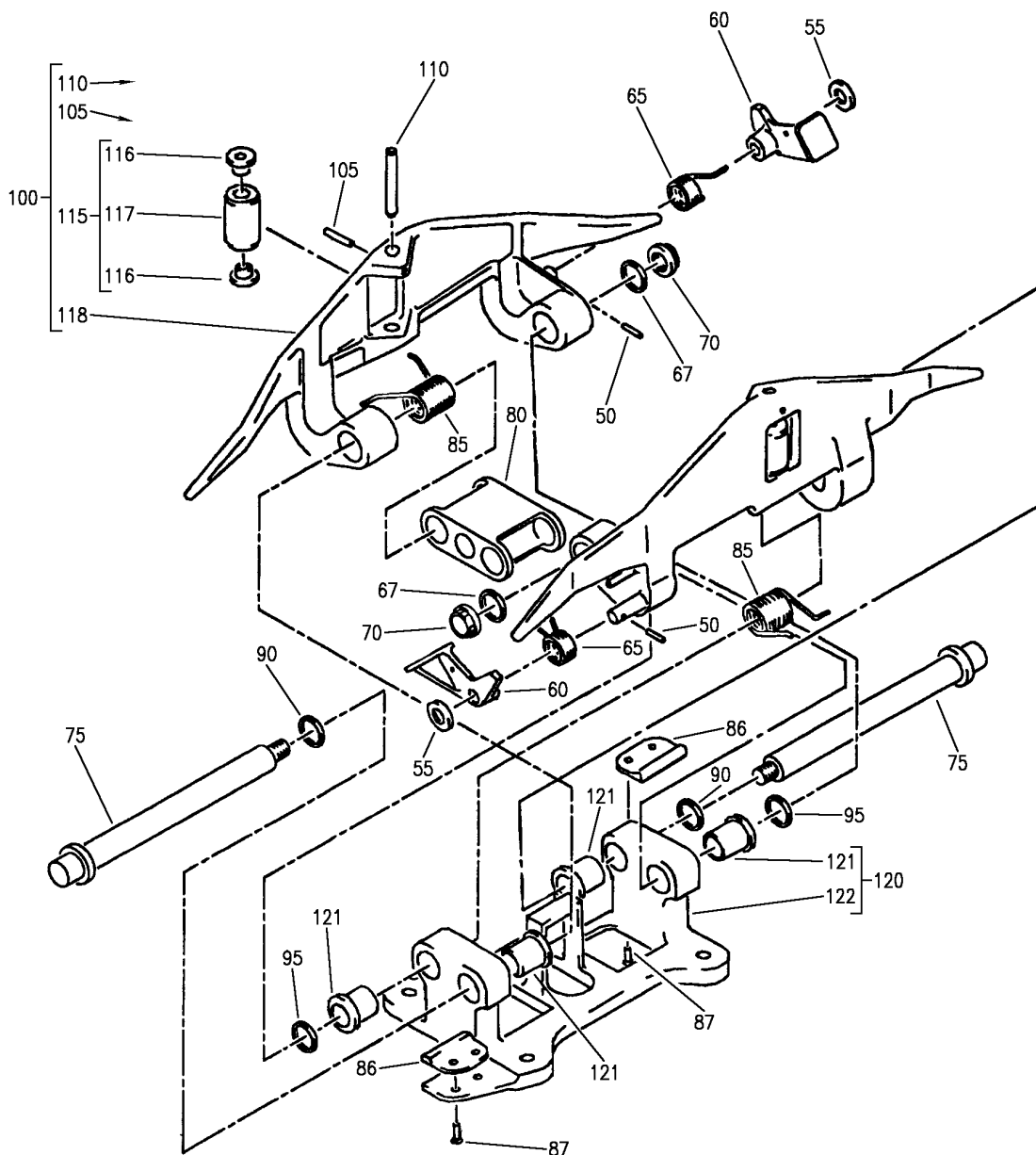
GUIDE INSTL-SECT. 46 CTR AUX CARGO COMPT HANDLING LONG.
FIGURE 13 (SHEET 2)

25-53-15-13

HXL
DEC 22/06

25-53-15-13
PAGE 0A

BOEING
767
PARTS CATALOG (MAINTENANCE)



(D)

V 25531513 SH1 3 REV 313

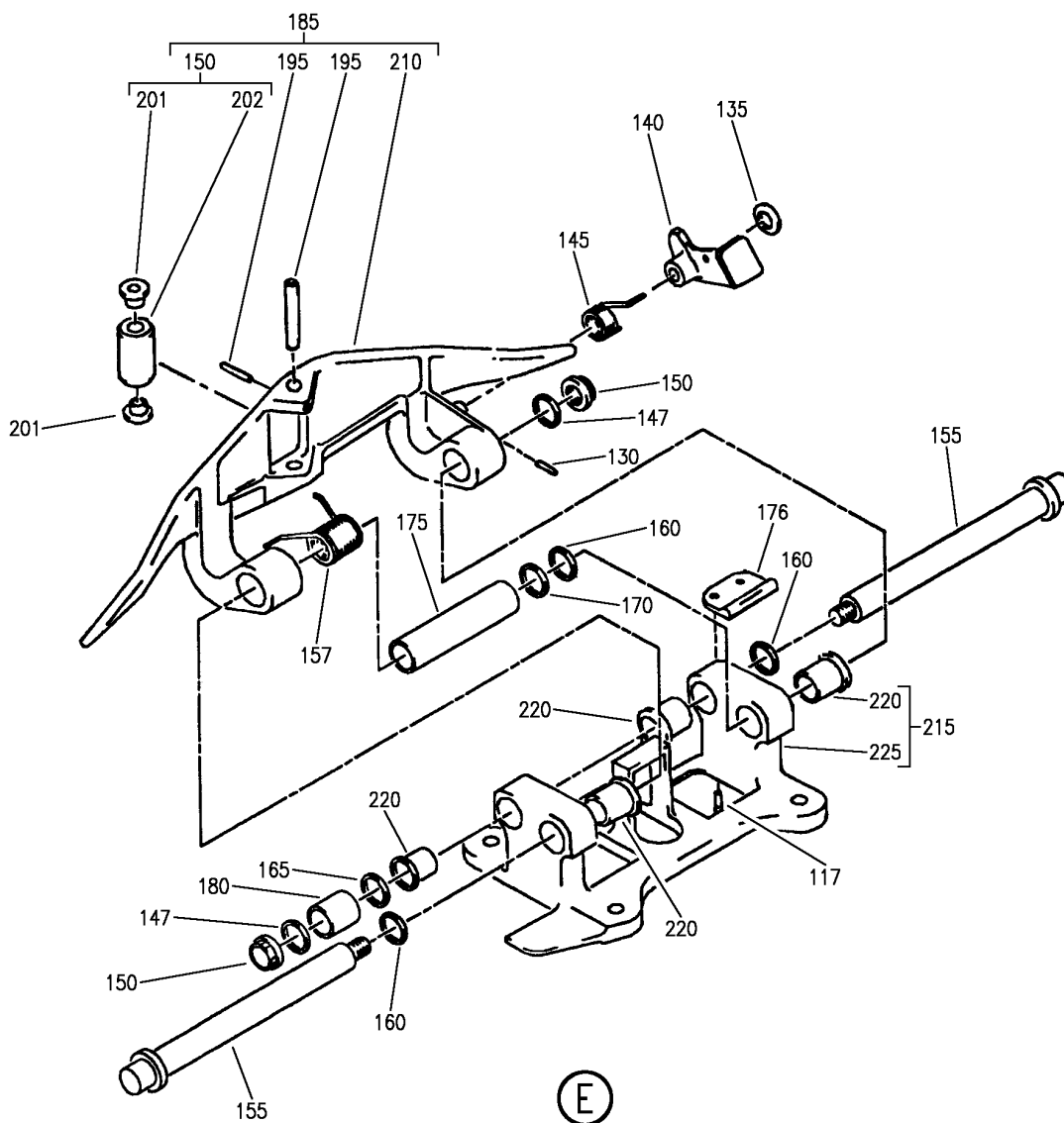
GUIDE INSTL-SECT. 46 CTR AUX CARGO COMPT HANDLING LONG.
FIGURE 13 (SHEET 3)

25-53-15-13

HXL
APR 22/07

25-53-15-13
PAGE 0B

BOEING
767
PARTS CATALOG (MAINTENANCE)



V 25531513 SH1 4 REV 313

GUIDE INSTL-SECT. 46 CTR AUX CARGO COMPT HANDLING LONG.
FIGURE 13 (SHEET 4)

25-53-15-13

HXL
APR 22/07

25-53-15-13
PAGE 0C



767

PARTS CATALOG (MAINTENANCE)

FIG ITEM	PART NUMBER	1 2 3 4 5 6 7	NOMENCLATURE	EFFECT FROM TO	UNITS PER ASSY
13			GUIDE INSTL-SECT. 46 CTR AUX CARGO COMPT HANDLING LONG.		
- 1	452T2002-9		GUIDE INSTL-AUX CARGO COMPT HANDLING LONG. POSITION DATA: SECT. 46 CTR FOR NHA SEE: 25-50-00-01		RF
5	BACB30NR4K13		.BOLT		112
10	BACW10CT8J		.WASHER-		112
15	452T2054-8		.FILLER- SUPPLIER CODE: V31645		6
20	452T2054-21		.FILLER- SUPPLIER CODE: V31645		6
25	452T2054-9		.FILLER- SUPPLIER CODE: V31645		1
30	452T2054-10		.FILLER- SUPPLIER CODE: V31645		1
35	452T2054-19		.FILLER- SUPPLIER CODE: V31645		1
40	452T2054-20		.FILLER- SUPPLIER CODE: V31645		1
45	452T2301-16		.GUIDE ASSY- SUPPLIER CODE: V31645 POSITION DATA: CTR COMPONENT MAINT MANUAL REF: 25-53-15		14
50	MS16562-14		..PIN		2
55	AN960C416L		..WASHER- CONFIG CHG DATA FROM A CMM: REPLD BY NAS1149C0432R		2
55	NAS1149C0432R		..WASHER- CONFIG CHG DATA FROM A CMM: REPLS AN960C416L		2
60	452T2310-1		..LEVER- SUPPLIER CODE: V31645		2
65	452T2311-1		..SPRING- SUPPLIER CODE: V31645		2

ILLUSTRATION ITEMS NOT ON PARTS LIST ARE NOT APPLICABLE

- ITEM NOT ILLUSTRATED

25-53-15-13

25-53-15
FIG. 13
PAGE 1
APR 22/07

HXL

BOEING
767
PARTS CATALOG (MAINTENANCE)

FIG ITEM	PART NUMBER	1 2 3 4 5 6 7	NOMENCLATURE	EFFECT FROM TO	UNITS PER ASSY
13					
67	NAS620C416L	..	WASHER		2
70	NAS1805-4	..	NUT		2
75	452T2308-4	..	SHAFT-		2
			SUPPLIER CODE: V31645		
75	452T2308-5	..	SHAFT-		2
			SUPPLIER CODE: V31645		
80	452T2313-1	..	SPACER-		1
			SUPPLIER CODE: V31645		
85	452T2309-1	..	SPRING-		2
			SUPPLIER CODE: V31645		
86	452T2312-1	..	PLATE-STRIKER		2
			SUPPLIER CODE: V31645		
			OPTIONAL PART: 452T2312-2 V31645		
86	452T2312-2	..	PLATE-STRIKER		2
			SUPPLIER CODE: V31645		
			OPTIONAL PART: 452T2312-1 V31645		
			ATTACHING PARTS		
- 87	BACR15CE4D	..	RIVET-		4
			SIZE DETERMINED ON INSTL. -----*-----		
90	BACW10P274G	..	WASHER		2
95	BACW10P274G	..	WASHER		AR
100	452T2301-18	..	ARM ASSY-		2
			SUPPLIER CODE: V31645		
			COMPONENT MAINT MANUAL REF: 25-53-15		
105	MS16562-204	...	PIN		1
110	452T2306-1	...	PIN-		1
			SUPPLIER CODE: V31645		
115	452T2305-1	...	ROLLER ASSY-		1
			SUPPLIER CODE: V31645		
			OPTIONAL PART: 452T2305-3 V31645		

ILLUSTRATION ITEMS NOT ON PARTS LIST ARE NOT APPLICABLE

- ITEM NOT ILLUSTRATED

HXL

25-53-15-13

BOEING PROPRIETARY - Copyright © - Unpublished Work - See title page for details.

25-53-15
FIG. 13
PAGE 2
APR 22/07



767

PARTS CATALOG (MAINTENANCE)

FIG ITEM	PART NUMBER	1 2 3 4 5 6 7	NOMENCLATURE	EFFECT FROM TO	UNITS PER ASSY
13					
115	452T2305-3	...	ROLLER ASSY- SUPPLIER CODE: V31645 OPTIONAL PART: 452T2305-1 V31645		1
116	BACB28W4B020	BUSHING		2
117	452T2305-2	ROLLER- SUPPLIER CODE: V31645		1
118	452T2315-1	...	ARM- SUPPLIER CODE: V31645 OPTIONAL PART: 452T2315-3 V31645		1
118	452T2315-3	...	ARM- SUPPLIER CODE: V31645 OPTIONAL PART: 452T2315-1 V31645		1
120	452T2307-6	..	BASE ASSY- SUPPLIER CODE: V31645		1
121	BACB28X6M048	...	BUSHING		4
122	452T2307-7	...	BASE- SUPPLIER CODE: V31645		1
125	452T2301-17	.	GUIDE ASSY-AUX SUPPLIER CODE: V31645 COMPONENT MAINT MANUAL REF: 25-53-15		14
130	MS16562-14	..	PIN		1
135	AN960C416L	..	WASHER- CONFIG CHG DATA FROM A CMM: REPLD BY NAS1149C0432R		1
135	NAS1149C0432R	..	WASHER- CONFIG CHG DATA FROM A CMM: REPLS AN960C416L		1
140	452T2310-1	..	LEVER- SUPPLIER CODE: V31645		1
145	452T2311-1	..	SPRING- SUPPLIER CODE: V31645		1
147	NAS620C416L	..	WASHER		2
150	NAS1805-4	..	NUT		2

ILLUSTRATION ITEMS NOT ON PARTS LIST ARE NOT APPLICABLE

- ITEM NOT ILLUSTRATED

25-53-15-13

25-53-15
FIG. 13
PAGE 3
APR 22/07

HXL

BOEING PROPRIETARY - Copyright © - Unpublished Work - See title page for details.

 **BOEING**
767
PARTS CATALOG (MAINTENANCE)

FIG ITEM	PART NUMBER	1 2 3 4 5 6 7	NOMENCLATURE	EFFECT FROM TO	UNITS PER ASSY
13					
155	452T2308-4	..	SHAFT- SUPPLIER CODE: V31645 OPTIONAL PART: 452T2308-5 V31645		2
155	452T2308-5	..	SHAFT- SUPPLIER CODE: V31645 OPTIONAL PART: 452T2308-4 V31645		2
157	452T2309-1	..	SPRING- SUPPLIER CODE: V31645		1
160	BACW10P274G	..	WASHER		3
165	BACW10P274G	..	WASHER		AR
170	AN960C616	..	WASHER- CONFIG CHG DATA FROM A CMM: REPLD BY NAS1149C0663R		1
170	NAS1149C0663R	..	WASHER- CONFIG CHG DATA FROM A CMM: REPLS AN960C616		1
175	BACB28Y6C210	..	BUSHING- OPTIONAL PART: NAS1057W6-210		1
175	NAS1057W6-210	..	SPACER- OPTIONAL PART: BACB28Y6C210		1
176	452T2312-1	..	PLATE-STRIKER SUPPLIER CODE: V31645 OPTIONAL PART: 452T2312-2 V31645		1
176	452T2312-2	..	PLATE-STRIKER SUPPLIER CODE: V31645 OPTIONAL PART: 452T2312-1 V31645		1
- 177	BACR15CE4D	..	ATTACHING PARTS RIVET- SIZE DETERMINED ON INSTL. -----*-----		2
180	BACB28Y6E040	..	BUSHING- OPTIONAL PART: NAS1057W6-040		1

ILLUSTRATION ITEMS NOT ON PARTS LIST ARE NOT APPLICABLE

- ITEM NOT ILLUSTRATED

HXL

25-53-15-13

BOEING PROPRIETARY - Copyright © - Unpublished Work - See title page for details.

25-53-15
FIG. 13
PAGE 4
APR 22/07



767

PARTS CATALOG (MAINTENANCE)

FIG ITEM	PART NUMBER	1 2 3 4 5 6 7	NOMENCLATURE	EFFECT FROM TO	UNITS PER ASSY
13					
180	NAS1057W6-040	..	SPACER- OPTIONAL PART: BACB28Y6E040		1
185	452T2301-18	..	ARM ASSY- SUPPLIER CODE: V31645 COMPONENT MAINT MANUAL REF: 25-53-15		1
190	MS16562-204	...	PIN		1
195	452T2306-1	...	PIN- SUPPLIER CODE: V31645		1
200	452T2305-1	...	ROLLER ASSY- SUPPLIER CODE: V31645		1
200	452T2305-3	...	ROLLER ASSY- SUPPLIER CODE: V31645		1
201	BACB28W4B020	BUSHING		2
202	452T2305-2	ROLLER- SUPPLIER CODE: V31645		1
210	452T2315-1	...	ARM- SUPPLIER CODE: V31645 OPTIONAL PART: 452T2315-3 V31645		1
210	452T2315-3	...	ARM- SUPPLIER CODE: V31645 OPTIONAL PART: 452T2315-1 V31645		1
215	452T2307-6	..	BASE ASSY- SUPPLIER CODE: V31645		1
220	BACB28X6M048	...	BUSHING		4
225	452T2307-7	...	BASE- SUPPLIER CODE: V31645		1

ILLUSTRATION ITEMS NOT ON PARTS LIST ARE NOT APPLICABLE

- ITEM NOT ILLUSTRATED

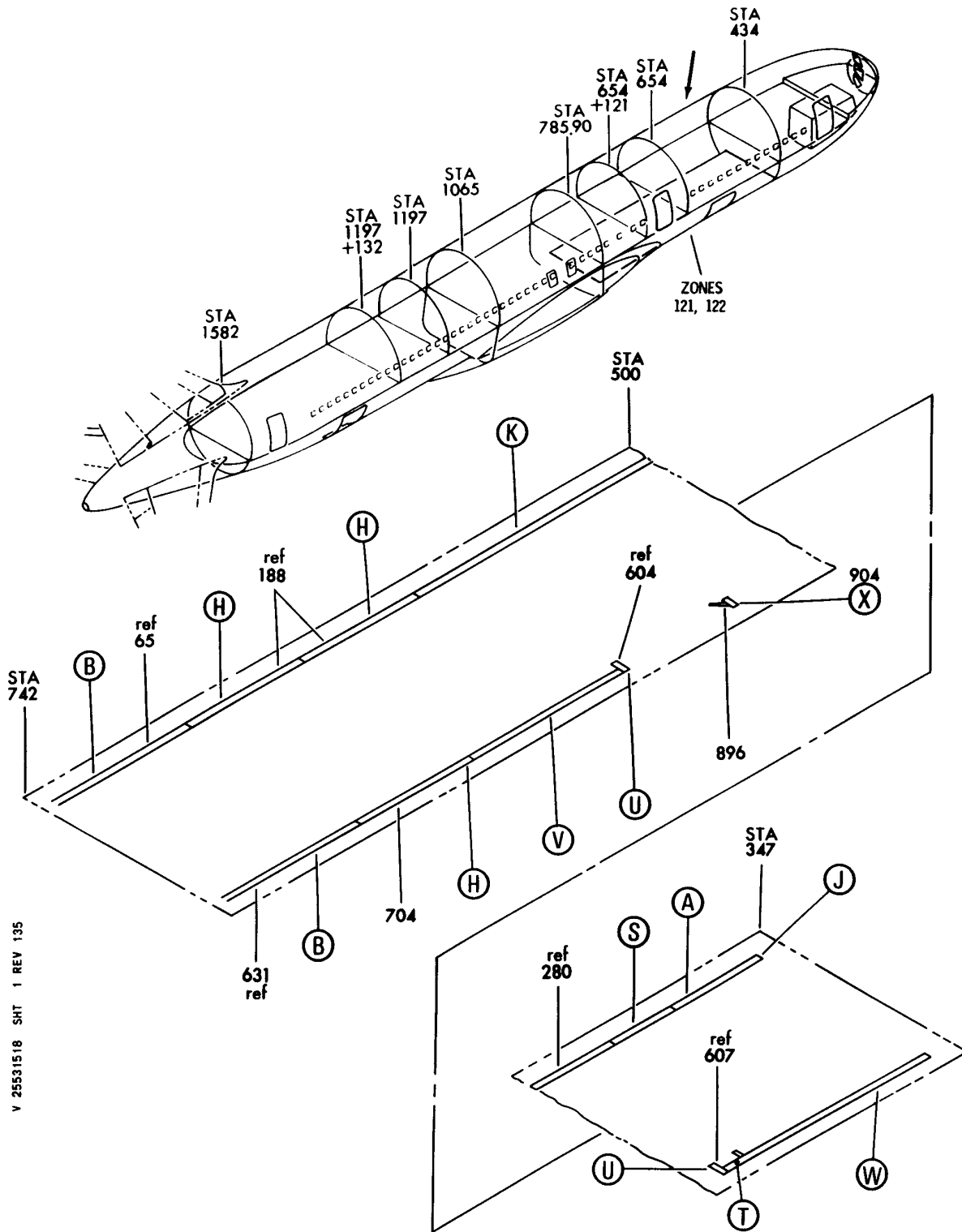
HXL

25-53-15-13

BOEING PROPRIETARY - Copyright © - Unpublished Work - See title page for details.

25-53-15
FIG. 13
PAGE 5
APR 22/07

BOEING
767
PARTS CATALOG (MAINTENANCE)



V 25531518 SHT 1 REV 135

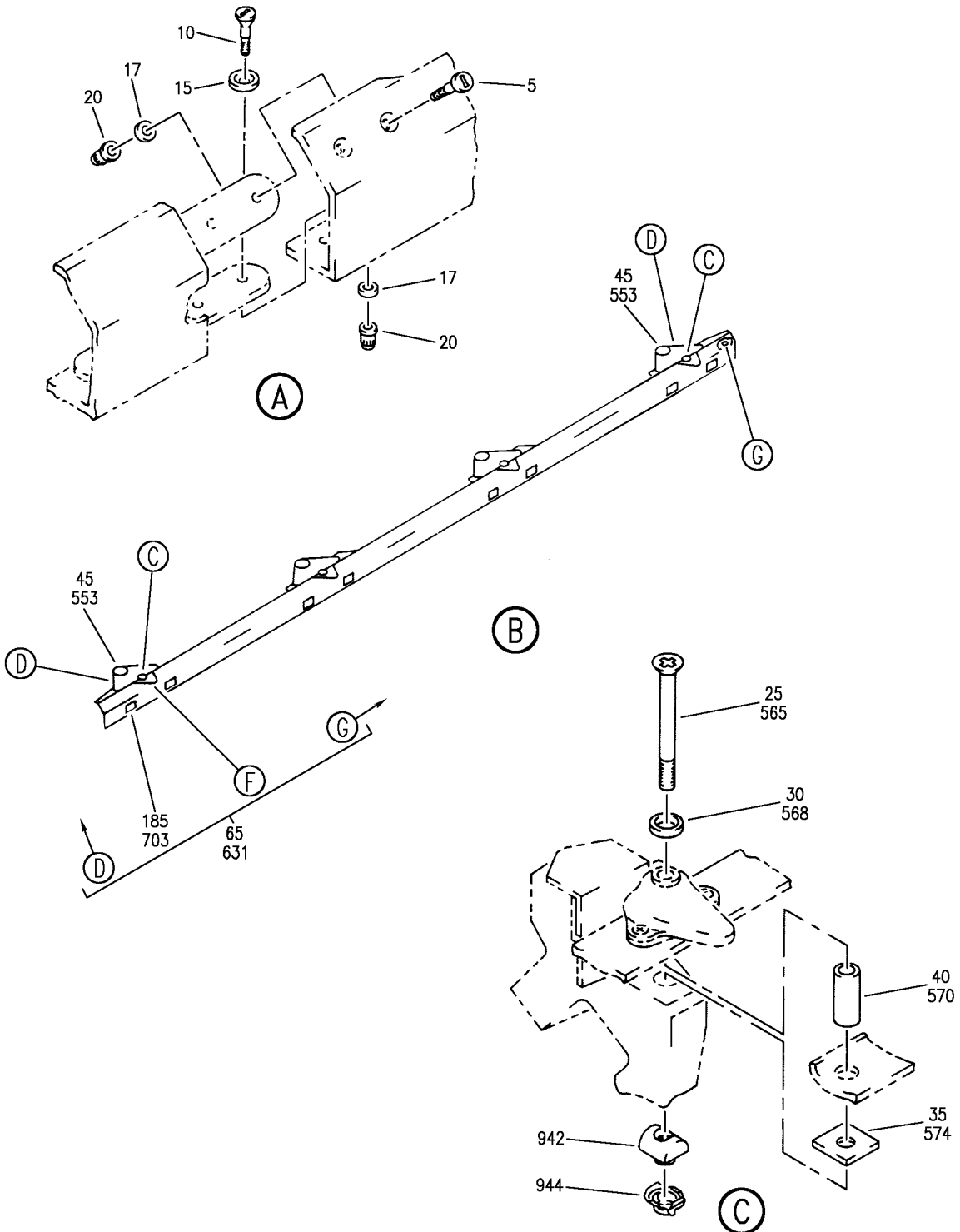
RAIL INSTL-SECT. 41/43 FWD CARGO COMPT LONG. GUIDE
FIGURE 18 (SHEET 1)

25-53-15-18

HXL
DEC 22/06

25-53-15-18
PAGE 0

BOEING
767
PARTS CATALOG (MAINTENANCE)



V 25531518 SHT 2 REV 285

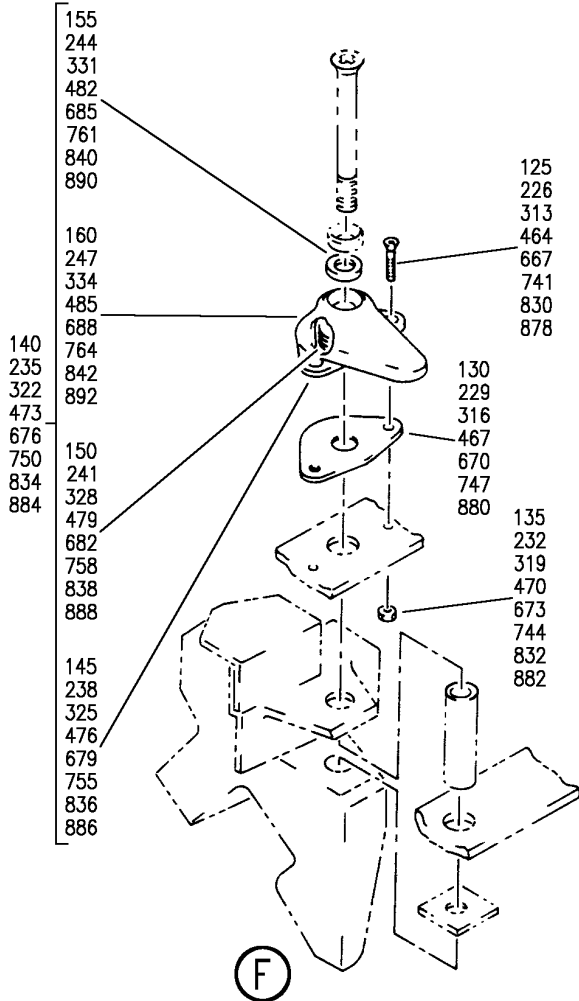
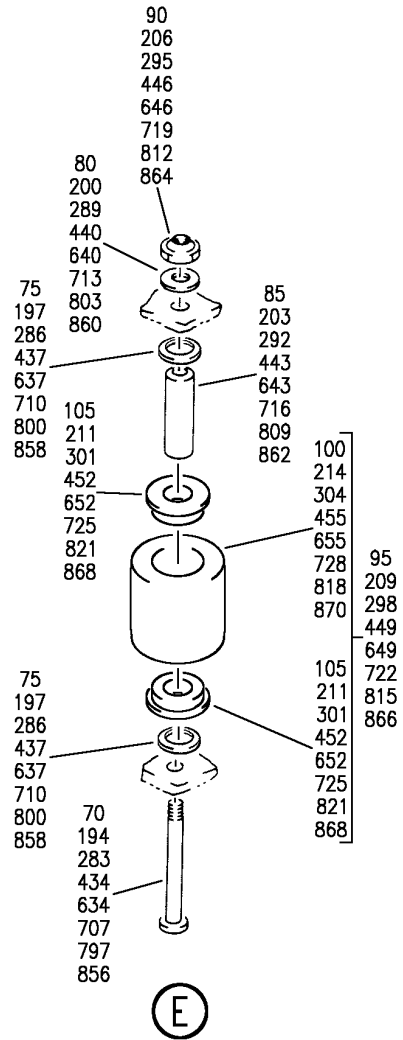
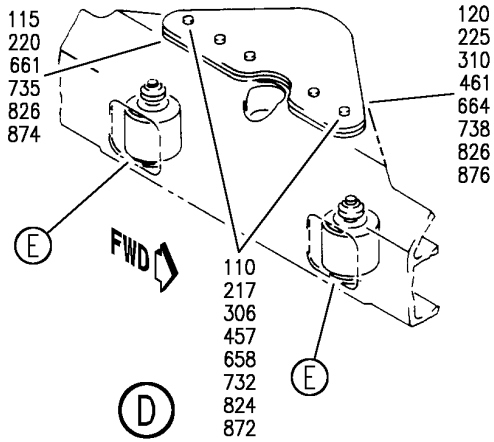
RAIL INSTL-SECT. 41/43 FWD CARGO COMPT LONG. GUIDE
FIGURE 18 (SHEET 2)

25-53-15-18

HXL
DEC 22/06

25-53-15-18
PAGE 0A

BOEING
767
PARTS CATALOG (MAINTENANCE)



V 25531518 SHT 3 REV 285

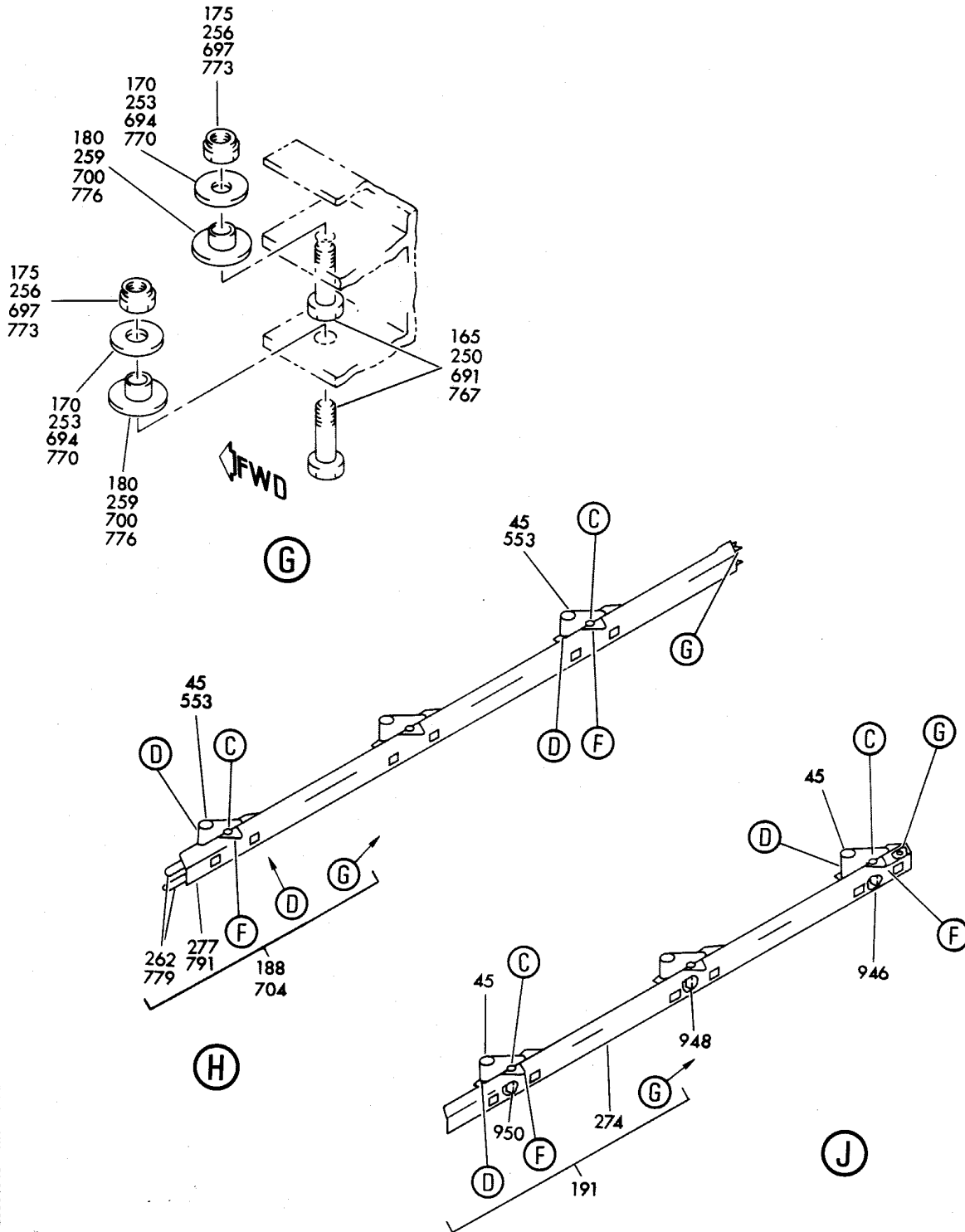
RAIL INSTL-SECT. 41/43 FWD CARGO COMPT LONG. GUIDE
FIGURE 18 (SHEET 3)

25-53-15-18

HXL
DEC 22/06

25-53-15-18
PAGE 0B

BOEING
767
PARTS CATALOG (MAINTENANCE)



V 25531518 SHT 4 REV 066

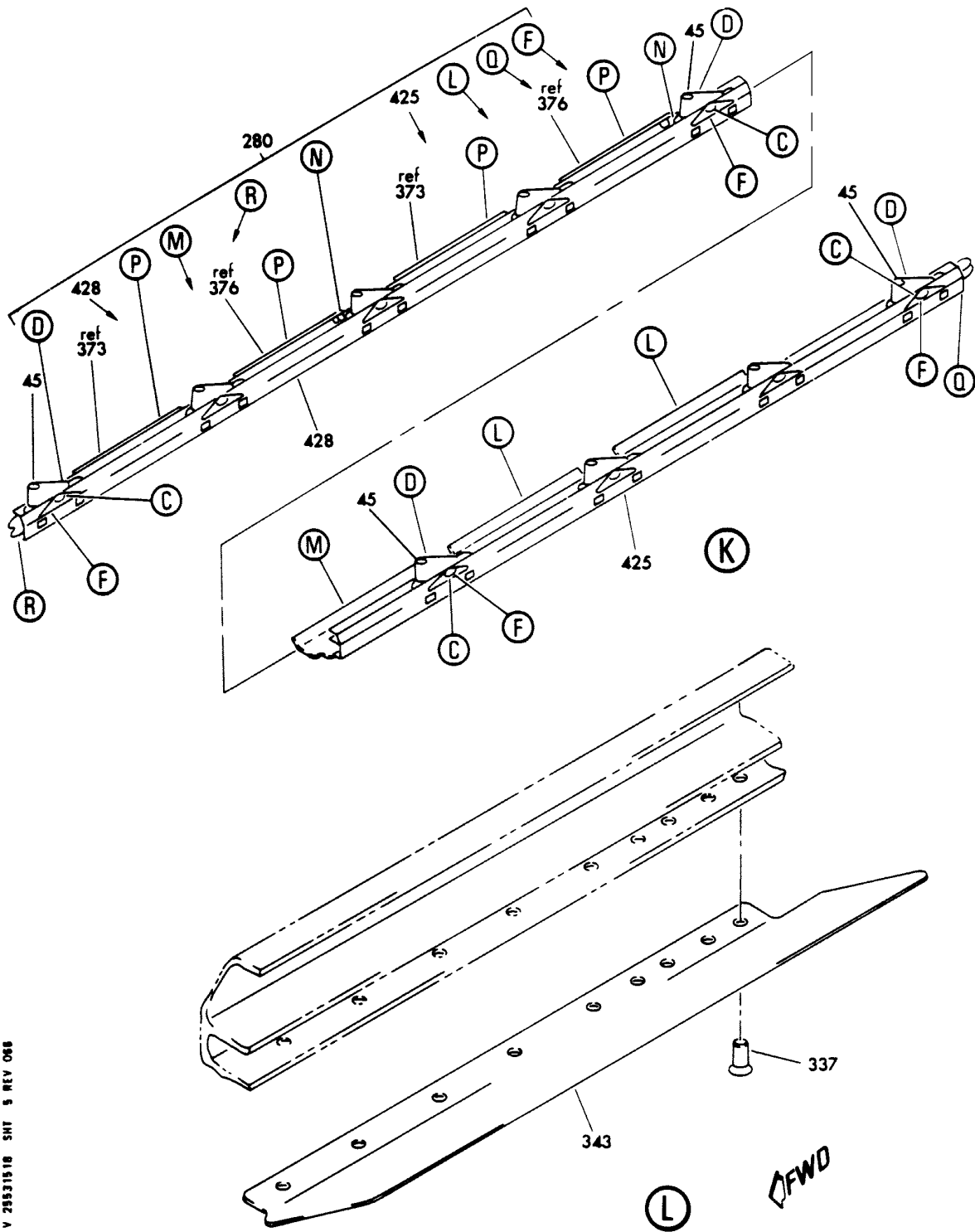
RAIL INSTL-SECT. 41/43 FWD CARGO COMPT LONG. GUIDE
FIGURE 18 (SHEET 4)

25-53-15-18

HXL
DEC 22/06

25-53-15-18
PAGE 0C

BOEING
767
PARTS CATALOG (MAINTENANCE)



V 25531518 SHT 5 REV 068

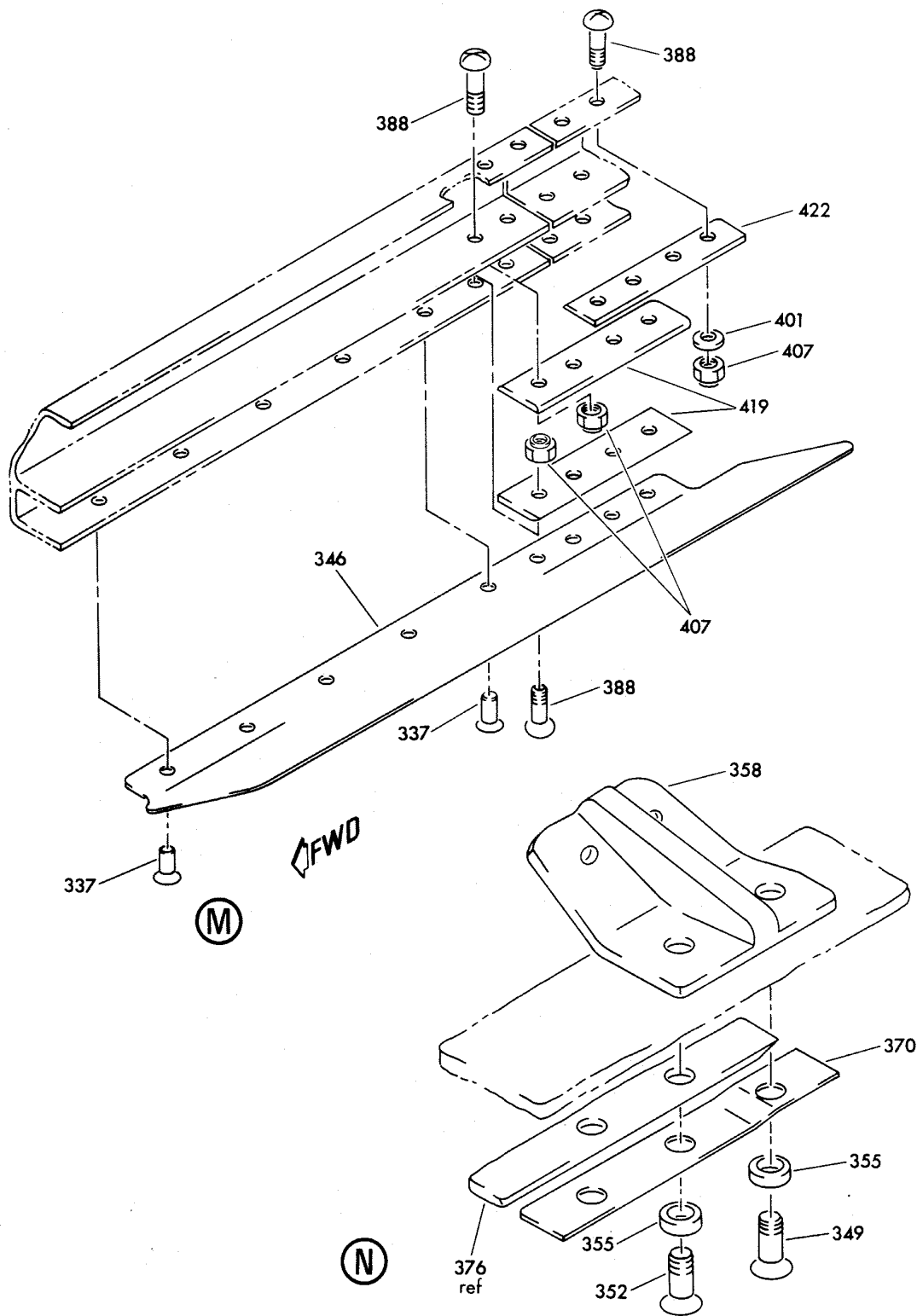
RAIL INSTL-SECT. 41/43 FWD CARGO COMPT LONG. GUIDE
FIGURE 18 (SHEET 5)

25-53-15-18

HXL
DEC 22/06

25-53-15-18
PAGE 0D

BOEING
767
PARTS CATALOG (MAINTENANCE)



V 25531518 SHIT 6 REV 086

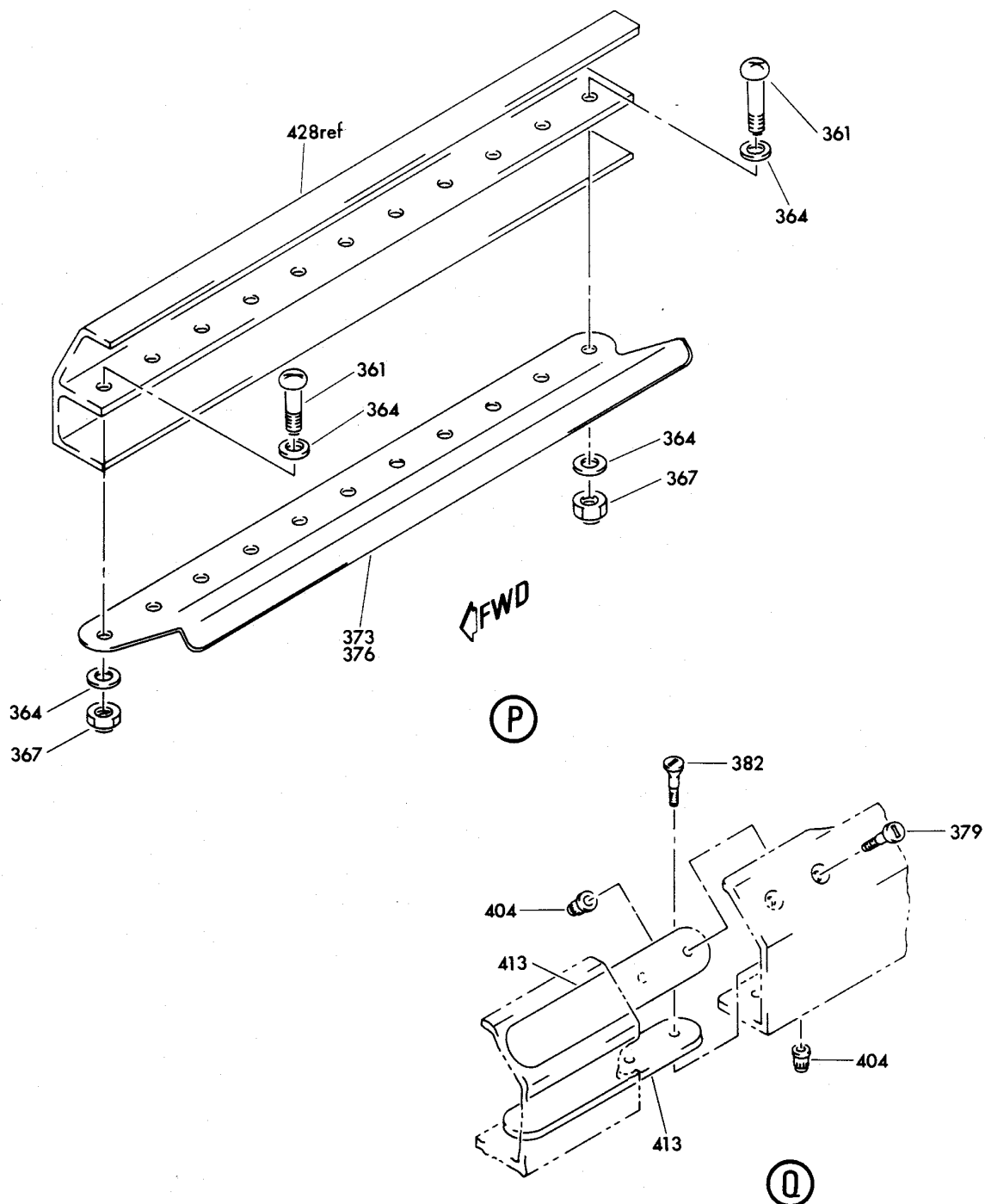
RAIL INSTL-SECT. 41/43 FWD CARGO COMPT LONG. GUIDE
FIGURE 18 (SHEET 6)

25-53-15-18

HXL
DEC 22/06

25-53-15-18
PAGE 0E

BOEING
767
PARTS CATALOG (MAINTENANCE)



V 25531518 SH1 7 REV 066

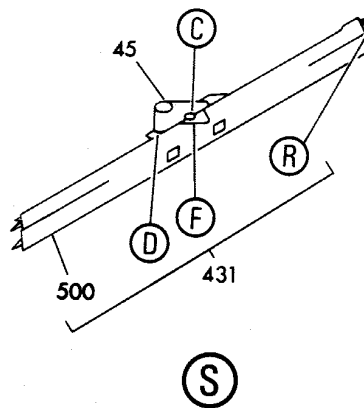
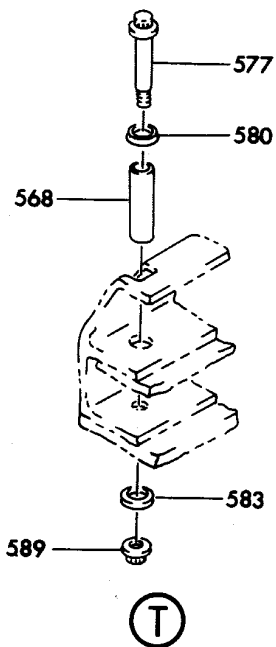
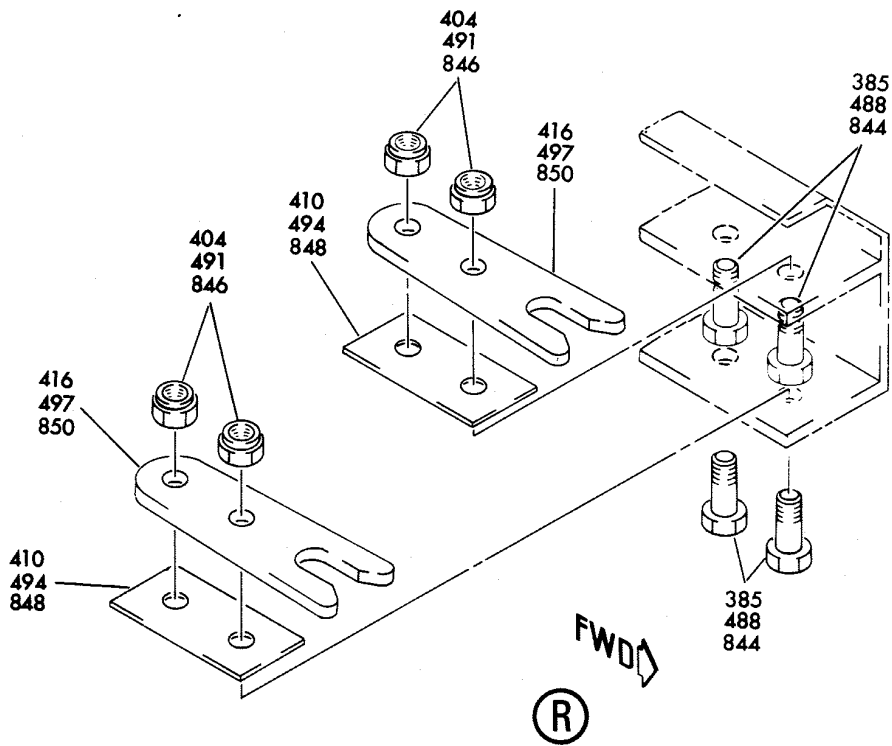
RAIL INSTL-SECT. 41/43 FWD CARGO COMPT LONG. GUIDE
FIGURE 18 (SHEET 7)

25-53-15-18

HXL
DEC 22/06

25-53-15-18
PAGE OF


BOEING
 767
PARTS CATALOG (MAINTENANCE)



V 25531518 SHT 8 REV 066

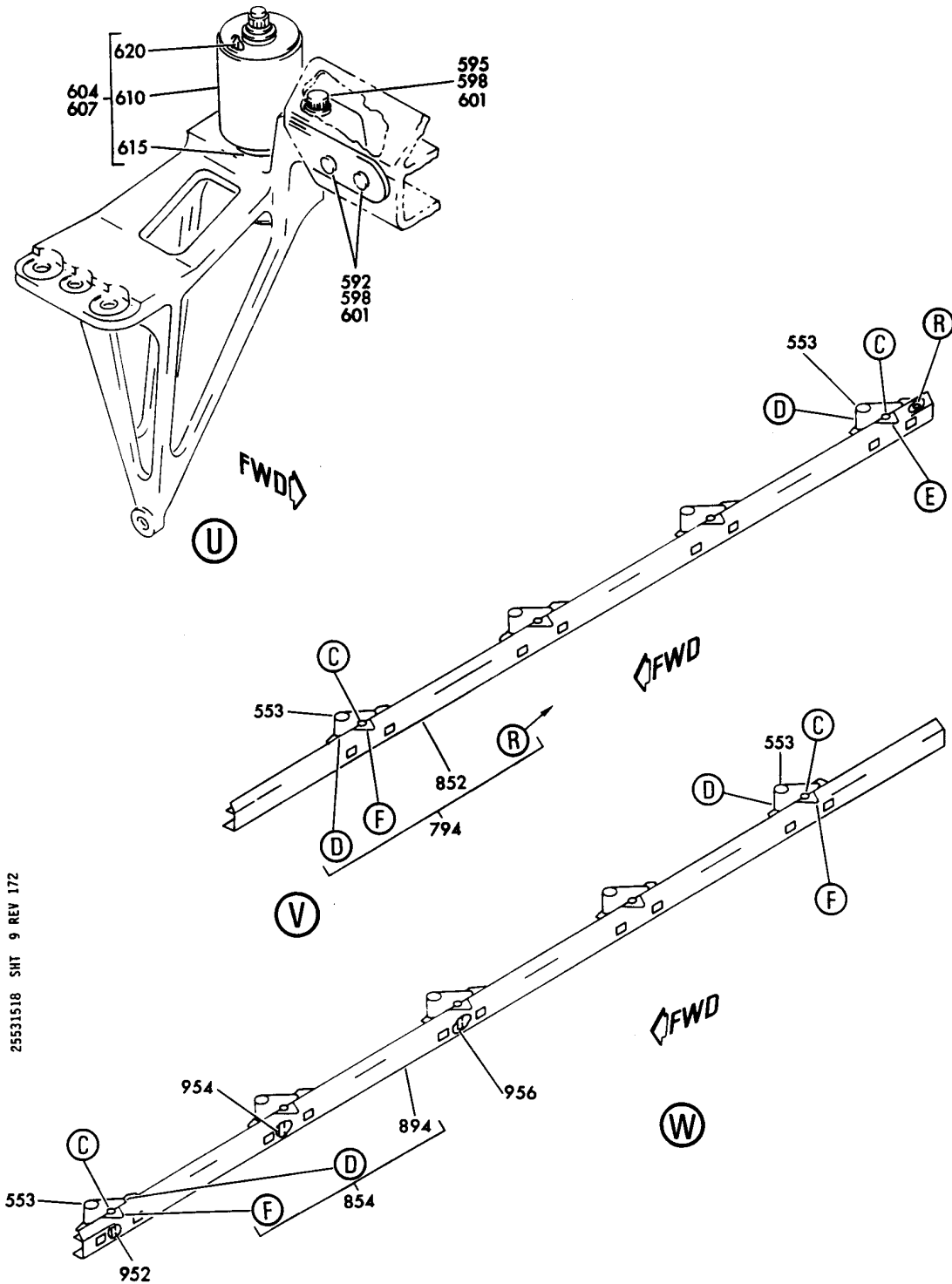
RAIL INSTL-SECT. 41/43 FWD CARGO COMPT LONG. GUIDE
 FIGURE 18 (SHEET 8)

25-53-15-18

HXL
DEC 22/06

25-53-15-18
 PAGE 0G


BOEING
 767
PARTS CATALOG (MAINTENANCE)



25531518 SHT 9 REV 172

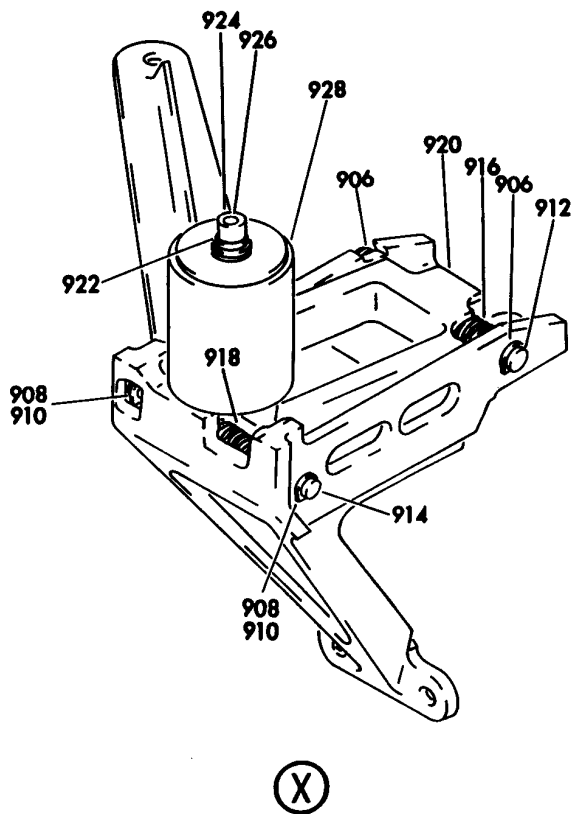
RAIL INSTL-SECT. 41/43 FWD CARGO COMPT LONG. GUIDE
 FIGURE 18 (SHEET 9)

25-53-15-18

HXL
 DEC 22/06

25-53-15-18
 PAGE 0H

BOEING
767
PARTS CATALOG (MAINTENANCE)



V 25531518 SHT 10 REV 135

RAIL INSTL-SECT. 41/43 FWD CARGO COMPT LONG. GUIDE
FIGURE 18 (SHEET 10)

25-53-15-18

HXL
DEC 22/06

25-53-15-18
PAGE 01

BOEING
767
PARTS CATALOG (MAINTENANCE)

FIG ITEM	PART NUMBER	1 2 3 4 5 6 7	NOMENCLATURE	EFFECT FROM TO	UNITS PER ASSY
18			RAIL INSTL-SECT. 41/43 FWD CARGO COMPT LONG. GUIDE		RF
- 1	452T2001-100		RAIL INSTL-CARGO COMPT LONG. GUIDE POSITION DATA: SECT. 41/43 FWD LH SIDE FOR NHA SEE: 25-50-00-01		RF
5	BACB30VF3K5		.BOLT-		2
10	BACB30MR3K5		.BOLT		2
15	BACW10CT6J		.WASHER		2
17	NAS1149D0332J		.WASHER		4
20	NAS1804-3		.NUT		4
25	BACB30WP5K43		.BOLT-		23
			OPTIONAL PART: BACB30WP5K43R BACB30WP5K42R BACB30WP5K44R		
25	BACB30WP5K43R		.BOLT-		23
			OPTIONAL PART: BACB30WP5K43 BACB30WP5K42R BACB30WP5K44R		
25	BACB30WP5K42R		.BOLT-		23
			OPTIONAL PART: BACB30WP5K43 BACB30WP5K43R BACB30WP5K44R		
25	BACB30WP5K44R		.BOLT-		23
			OPTIONAL PART: BACB30WP5K43 BACB30WP5K43R BACB30WP5K42R		
30	452T2127-1		.WASHER-		23
			SUPPLIER CODE: V31645		
35	452T2017-1		.SHIM-		AR
			SUPPLIER CODE: V31645		
40	452T2128-3		.BUSHING-		23
			SUPPLIER CODE: V31645		
45	20050		.PLATE-ANCHOR		23
			SUPPLIER CODE: V32707 OPTIONAL PART: 40000-11 V31272		

ILLUSTRATION ITEMS NOT ON PARTS LIST ARE NOT APPLICABLE

- ITEM NOT ILLUSTRATED

HXL

25-53-15-18

BOEING PROPRIETARY - Copyright © - Unpublished Work - See title page for details.

25-53-15
FIG. 18
PAGE 1
DEC 22/06



767

PARTS CATALOG (MAINTENANCE)

FIG ITEM	PART NUMBER	1 2 3 4 5 6 7	NOMENCLATURE	EFFECT FROM TO	UNITS PER ASSY
18					
45	40000-11		.PLATE-ANCHOR SUPPLIER CODE: V31272 OPTIONAL PART: 20050 V32707 ATTACHING PARTS		23
- 50	BACB30NN3K5		.BOLT		46
- 55	BACW10P216S		.WASHER-		46
- 60	NAS1804-3		.NUT		46
			-----*-----		
65	452T2003-51		.RAIL ASSY- SUPPLIER CODE: V31645		1
70	BACB30LK3-22		..BOLT		8
75	BACW10P219TF		..WASHER		16
80	AN960JD10L		..WASHER		8
85	452T2005-1		..SPACER- SUPPLIER CODE: V31645		8
85	7713103-1		..SPACER- SUPPLIER CODE: V31645		8
90	MS21042L3		..NUT		8
95	452T2004-1		..ROLLER ASSY- SUPPLIER CODE: V31645 OPTIONAL PART: 452T2004-4 V31645		8
95	452T2004-4		..ROLLER ASSY- SUPPLIER CODE: V31645 OPTIONAL PART: 452T2004-1 V31645		8
100	452T2004-2		...HOUSING- SUPPLIER CODE: V31645 USED ON: 452T2004-1		1
100	452T2013-1		...HOUSING- SUPPLIER CODE: V31645 USED ON: 452T2004-4		1

ILLUSTRATION ITEMS NOT ON PARTS LIST ARE NOT APPLICABLE

- ITEM NOT ILLUSTRATED

HXL

25-53-15-18

BOEING PROPRIETARY - Copyright © - Unpublished Work - See title page for details.

25-53-15
FIG. 18
PAGE 2
AUG 22/07



767

PARTS CATALOG (MAINTENANCE)

FIG ITEM	PART NUMBER	1 2 3 4 5 6 7	NOMENCLATURE	EFFECT FROM TO	UNITS PER ASSY
18					
105	452T2004-3	...	BUSHING- SUPPLIER CODE: V31645 USED ON: 452T2004-1		2
105	452T2012-2	...	BUSHING- SUPPLIER CODE: V31645 USED ON: 452T2004-4		2
110	BACR15FT5KEC	..	RIVET- SIZE DETERMINED ON INSTL.		20
115	452T2003-44	..	SHIM- SUPPLIER CODE: V31645		4
120	452T2007-1	..	PLATE- SUPPLIER CODE: V31645		4
125	BACB30LU2-3	..	BOLT		8
130	452T2145-2	..	WASHER- SUPPLIER CODE: V31645		4
135	MS21042L08	..	NUT		8
140	452T2123-2	..	RESTRAINT ASSY- SUPPLIER CODE: V31645 COMPONENT MAINT MANUAL REF: 25-53-27		4
145	452T2126-1	...	BUSHING- SUPPLIER CODE: V31645		1
150	69B63102-1	...	SPRING- SUPPLIER CODE: V31645		1
155	452T2125-1	...	COLLAR- SUPPLIER CODE: V31645		1
160	452T2124-5	...	RESTRAINT- SUPPLIER CODE: V31645 OPTIONAL PART: 452T2124-9 V31645		1
160	452T2124-9	...	RESTRAINT- SUPPLIER CODE: V31645 OPTIONAL PART: 452T2124-5 V31645		1

ILLUSTRATION ITEMS NOT ON PARTS LIST ARE NOT APPLICABLE

- ITEM NOT ILLUSTRATED

HXL

25-53-15-18

BOEING PROPRIETARY - Copyright © - Unpublished Work - See title page for details.

25-53-15
FIG. 18
PAGE 3
AUG 22/07



767

PARTS CATALOG (MAINTENANCE)

FIG ITEM	PART NUMBER	1 2 3 4 5 6 7	NOMENCLATURE	EFFECT FROM TO	UNITS PER ASSY
18					
165	BACB30NM3K6	..	BOLT		2
170	BACW10P5C	..	WASHER		2
175	MS21042L3	..	NUT		2
180	452T2012-1	..	BUSHING-		2
			SUPPLIER CODE: V31645		
185	452T2006-51	..	RAIL-		1
			SUPPLIER CODE: V31645		
188	452T2003-88	.RAIL	ASSY-		2
			SUPPLIER CODE: V31645		
191	452T2003-77	.RAIL	ASSY-		1
			SUPPLIER CODE: V31645		
194	BACB30LK3-22	..	BOLT		6
197	BACW10P219TF	..	WASHER		12
200	AN960JD10L	..	WASHER		6
203	452T2005-1	..	SPACER-		6
			SUPPLIER CODE: V31645		
203	7713103-1	..	SPACER-		6
			SUPPLIER CODE: V31645		
206	MS21042L3	..	NUT		6
209	452T2004-1	..	ROLLER ASSY-		6
			SUPPLIER CODE: V31645		
			OPTIONAL PART: 452T2004-4 V31645		
209	452T2004-4	..	ROLLER ASSY-		6
			SUPPLIER CODE: V31645		
			OPTIONAL PART: 452T2004-1 V31645		
211	452T2004-3	...	BUSHING-		2
			SUPPLIER CODE: V31645		
			USED ON: 452T2004-1		
211	452T2012-2	...	BUSHING-		2
			SUPPLIER CODE: V31645		
			USED ON: 452T2004-4		

ILLUSTRATION ITEMS NOT ON PARTS LIST ARE NOT APPLICABLE

- ITEM NOT ILLUSTRATED

HXL

25-53-15-18

BOEING PROPRIETARY - Copyright © - Unpublished Work - See title page for details.

25-53-15
FIG. 18
PAGE 4
AUG 22/07



767

PARTS CATALOG (MAINTENANCE)

FIG ITEM	PART NUMBER	1 2 3 4 5 6 7	NOMENCLATURE	EFFECT FROM TO	UNITS PER ASSY
18					
214	452T2004-2	...	HOUSING- SUPPLIER CODE: V31645 USED ON: 452T2004-1		1
214	452T2013-1	...	HOUSING- SUPPLIER CODE: V31645 USED ON: 452T2004-4		1
217	BACR15FT5KEC	..	RIVET- SIZE DETERMINED ON INSTL.		15
220	452T2003-44	..	SHIM- SUPPLIER CODE: V31645		3
223	452T2007-1	..	PLATE- SUPPLIER CODE: V31645		3
226	BACB30LU2-3	..	BOLT		6
229	452T2145-2	..	WASHER- SUPPLIER CODE: V31645		3
232	MS21042L08	..	NUT		6
235	452T2123-2	..	RESTRAINT ASSY- SUPPLIER CODE: V31645 COMPONENT MAINT MANUAL REF: 25-53-27		3
238	452T2126-1	...	BUSHING- SUPPLIER CODE: V31645		1
241	69B63102-1	...	SPRING- SUPPLIER CODE: V31645		1
244	452T2125-1	...	COLLAR- SUPPLIER CODE: V31645		1
247	452T2124-5	...	RESTRAINT- SUPPLIER CODE: V31645 OPTIONAL PART: 452T2124-9 V31645		1
247	452T2124-9	...	RESTRAINT- SUPPLIER CODE: V31645 OPTIONAL PART: 452T2124-5 V31645		1

ILLUSTRATION ITEMS NOT ON PARTS LIST ARE NOT APPLICABLE

- ITEM NOT ILLUSTRATED

25-53-15-18

25-53-15
FIG. 18
PAGE 5
AUG 22/07

HXL

BOEING PROPRIETARY - Copyright © - Unpublished Work - See title page for details.

 **BOEING**
767
PARTS CATALOG (MAINTENANCE)

FIG ITEM	PART NUMBER	1 2 3 4 5 6 7	NOMENCLATURE	EFFECT FROM TO	UNITS PER ASSY
18					
250	BACB30NM3K6	..	BOLT		2
253	BACW10P5C	..	WASHER		2
256	MS21042L3	..	NUT		2
259	452T2012-1	..	BUSHING-		2
			SUPPLIER CODE: V31645		
262	452T2011-2	..	PLATE-JT		2
			SUPPLIER CODE: V31645		
			USED ON: 452T2003-88		
			ATTACHING PARTS		
- 265	BACB30NM3K5	..	BOLT		4
- 268	BACS40R08C16F	..	SHIM		4
- 271	MS21042L3	..	NUT		4
			-----*-----		
274	452T2006-77	..	RAIL-		1
			SUPPLIER CODE: V31645		
			USED ON: 452T2003-77		
277	452T2006-73	..	RAIL-		1
			SUPPLIER CODE: V31645		
			USED ON: 452T2003-88		
280	452T2003-97	.RAIL	ASSY-		1
			SUPPLIER CODE: V31645		
283	BACB30LK3-22	..	BOLT		18
286	BACW10P219TF	..	WASHER		36
289	AN960JD10L	..	WASHER		18
292	452T2005-1	..	SPACER-		18
			SUPPLIER CODE: V31645		
292	7713103-1	..	SPACER-		18
			SUPPLIER CODE: V31645		
295	MS21042L3	..	NUT		18
298	452T2004-1	..	ROLLER ASSY-		18
			SUPPLIER CODE: V31645		
			OPTIONAL PART: 452T2004-4 V31645		

ILLUSTRATION ITEMS NOT ON PARTS LIST ARE NOT APPLICABLE

- ITEM NOT ILLUSTRATED

HXL

25-53-15-18

BOEING PROPRIETARY - Copyright © - Unpublished Work - See title page for details.

25-53-15
FIG. 18
PAGE 6
AUG 22/07



767

PARTS CATALOG (MAINTENANCE)

FIG ITEM	PART NUMBER	1 2 3 4 5 6 7	NOMENCLATURE	EFFECT FROM TO	UNITS PER ASSY
18 298	452T2004-4	..	ROLLER ASSY- SUPPLIER CODE: V31645 OPTIONAL PART: 452T2004-1 V31645		18
301	452T2004-3	...	BUSHING- SUPPLIER CODE: V31645 USED ON: 452T2004-1		2
301	452T2012-2	...	BUSHING- SUPPLIER CODE: V31645 USED ON: 452T2004-4		2
304	452T2004-2	...	HOUSING- SUPPLIER CODE: V31645 USED ON: 452T2004-1		1
304	452T2013-1	...	HOUSING- SUPPLIER CODE: V31645 USED ON: 452T2004-4		1
306	BACR15FT5KEC	..	RIVET- SIZE DETERMINED ON INSTL.		45
310	452T2007-1	..	PLATE- SUPPLIER CODE: V31645		9
313	BACB30LU2-3	..	BOLT		18
316	452T2145-2	..	WASHER- SUPPLIER CODE: V31645		9
319	MS21042L08	..	NUT		18
322	452T2123-2	..	RESTRAINT ASSY- SUPPLIER CODE: V31645 COMPONENT MAINT MANUAL REF: 25-53-27		9
325	452T2126-1	...	BUSHING- SUPPLIER CODE: V31645		1
328	69B63102-1	...	SPRING- SUPPLIER CODE: V31645		1

ILLUSTRATION ITEMS NOT ON PARTS LIST ARE NOT APPLICABLE

- ITEM NOT ILLUSTRATED

25-53-15-18

25-53-15
FIG. 18
PAGE 7
AUG 22/07

HXL

 **BOEING**
767
PARTS CATALOG (MAINTENANCE)

FIG ITEM	PART NUMBER	1 2 3 4 5 6 7	NOMENCLATURE	EFFECT FROM TO	UNITS PER ASSY
18					
331	452T2125-1	...	COLLAR- SUPPLIER CODE: V31645		1
334	452T2124-5	...	RESTRAINT- SUPPLIER CODE: V31645 OPTIONAL PART: 452T2124-9 V31645		1
334	452T2124-9	...	RESTRAINT- SUPPLIER CODE: V31645 OPTIONAL PART: 452T2124-5 V31645		1
337	BACR15FT6KEC	..	RIVET- SIZE DETERMINED ON INSTL.		23
343	452T2586-2	..	ANGLE-SPRT SUPPLIER CODE: V31645		2
346	452T2586-3	..	ANGLE-SPRT SUPPLIER CODE: V31645		1
349	NAS623-4-8	..	SCREW		2
352	NAS623-4-9	..	SCREW		2
355	AN960C416	..	WASHER		4
358	452T2588-3	..	BRACKET- SUPPLIER CODE: V31645		2
361	NAS623-4-15	..	SCREW		44
364	AN960C416	..	WASHER		88
367	MS21042L4	..	NUT		44
370	452T2587-3	..	STRAP ASSY- SUPPLIER CODE: V31645		2
373	452T2587-1	..	ANGLE-SPRT SUPPLIER CODE: V31645		2
376	452T2587-2	..	ANGLE-SPRT SUPPLIER CODE: V31645		2
379	BACB30MR3K4	..	BOLT		2
382	BACB30NU3K4	..	BOLT		2
385	BACB30NM3K5	..	BOLT		4
388	NAS623-4-5	..	SCREW		12
401	AN960C416L	..	WASHER		4
404	MS21042L3	..	NUT		8

ILLUSTRATION ITEMS NOT ON PARTS LIST ARE NOT APPLICABLE

— ITEM NOT ILLUSTRATED

HXL

25-53-15-18

BOEING PROPRIETARY - Copyright © - Unpublished Work - See title page for details.

25-53-15
FIG. 18
PAGE 8
AUG 22/07

 **BOEING**
767
PARTS CATALOG (MAINTENANCE)

FIG ITEM	PART NUMBER	1 2 3 4 5 6 7	NOMENCLATURE	EFFECT FROM TO	UNITS PER ASSY
18 407	BRH10A4	..	NUT SUPPLIER CODE: V52828 SPECIFICATION NUMBER: BACN10JC4 OPTIONAL PART: T6S428J V11815 96-048 V80539 VN303A048 V92215 RMLH9075-4W V72962 NS202101-048 V80539 H10-4BAC V15653		12
410	BACS40R08C16F	..	SHIM		2
413	452T2011-1	..	PLATE- SUPPLIER CODE: V31645		2
416	452T2011-2	..	PLATE- SUPPLIER CODE: V31645		2
419	452T2011-3	..	PLATE- SUPPLIER CODE: V31645		2
422	452T2011-4	..	PLATE- SUPPLIER CODE: V31645		1
425	452T2006-80	..	RAIL- SUPPLIER CODE: V31645		1
428	452T2006-81	..	RAIL- SUPPLIER CODE: V31645		1
431	452T2003-79	.R	RAIL ASSY- SUPPLIER CODE: V31645		1
434	BACB30LK3-22	..	BOLT		2
437	BACW10P219TF	..	WASHER		4
440	AN960JD10L	..	WASHER		2
443	452T2005-1	..	SPACER- SUPPLIER CODE: V31645		2
443	7713103-1	..	SPACER- SUPPLIER CODE: V31645		2

ILLUSTRATION ITEMS NOT ON PARTS LIST ARE NOT APPLICABLE

— ITEM NOT ILLUSTRATED

HXL

25-53-15-18

BOEING PROPRIETARY - Copyright © - Unpublished Work - See title page for details.

25-53-15
FIG. 18
PAGE 9
AUG 22/07



767

PARTS CATALOG (MAINTENANCE)

FIG ITEM	PART NUMBER	1 2 3 4 5 6 7	NOMENCLATURE	EFFECT FROM TO	UNITS PER ASSY
18					
446	MS21042L3	..	NUT		2
449	452T2004-1	..	ROLLER ASSY- SUPPLIER CODE: V31645 OPTIONAL PART: 452T2004-4 V31645		2
449	452T2004-4	..	ROLLER ASSY- SUPPLIER CODE: V31645 OPTIONAL PART: 452T2004-1 V31645		2
452	452T2004-3	...	BUSHING- SUPPLIER CODE: V31645 USED ON: 452T2004-1		2
452	452T2012-2	...	BUSHING- SUPPLIER CODE: V31645 USED ON: 452T2004-4		2
455	452T2004-2	...	HOUSING- SUPPLIER CODE: V31645 USED ON: 452T2004-1		1
455	452T2013-1	...	HOUSING- SUPPLIER CODE: V31645 USED ON: 452T2004-4		1
457	BACR15FT5KEC	..	RIVET- SIZE DETERMINED ON INSTL.		5
461	452T2007-1	..	PLATE- SUPPLIER CODE: V31645		1
464	BACB30LU2-3	..	BOLT		2
467	452T2145-2	..	WASHER- SUPPLIER CODE: V31645		1
470	MS21042L08	..	NUT		2
473	452T2123-2	..	RESTRAINT ASSY- SUPPLIER CODE: V31645 COMPONENT MAINT MANUAL REF: 25-53-27		1

ILLUSTRATION ITEMS NOT ON PARTS LIST ARE NOT APPLICABLE

- ITEM NOT ILLUSTRATED

HXL

25-53-15-18

BOEING PROPRIETARY - Copyright © - Unpublished Work - See title page for details.

25-53-15
FIG. 18
PAGE 10
AUG 22/07

 **BOEING**
767
PARTS CATALOG (MAINTENANCE)

FIG ITEM	PART NUMBER	1 2 3 4 5 6 7	NOMENCLATURE	EFFECT FROM TO	UNITS PER ASSY
18					
476	452T2126-1	...	BUSHING- SUPPLIER CODE: V31645		1
479	69B63102-1	...	SPRING- SUPPLIER CODE: V31645		1
482	452T2125-1	...	COLLAR- SUPPLIER CODE: V31645		1
485	452T2124-5	...	RESTRAINT- SUPPLIER CODE: V31645 OPTIONAL PART: 452T2124-9 V31645		1
485	452T2124-9	...	RESTRAINT- SUPPLIER CODE: V31645 OPTIONAL PART: 452T2124-5 V31645		1
488	BACB30NM3K5	..	BOLT		4
491	MS21042L3	..	NUT		4
494	BACS40R08C16F	..	SHIM		2
497	452T2011-2	..	PLATE- SUPPLIER CODE: V31645		2
500	452T2006-79	..	RAIL- SUPPLIER CODE: V31645		1
- 550	452T2001-101		RAIL INSTL-CARGO HANDLING COMPT LONG. POSITION DATA: FWD RH FOR NHA SEE: 25-50-00-01		RF
553	20050	.	PLATE-ANCHOR SUPPLIER CODE: V32707 OPTIONAL PART: 40000-11 V31272		16
553	40000-11	.	PLATE-ANCHOR SUPPLIER CODE: V31272 OPTIONAL PART: 20050 V32707		16

ILLUSTRATION ITEMS NOT ON PARTS LIST ARE NOT APPLICABLE

- ITEM NOT ILLUSTRATED

HXL

25-53-15-18

BOEING PROPRIETARY - Copyright © - Unpublished Work - See title page for details.

25-53-15
FIG. 18
PAGE 11
DEC 22/06

 **BOEING**
767
PARTS CATALOG (MAINTENANCE)

FIG ITEM	PART NUMBER	1 2 3 4 5 6 7	NOMENCLATURE	EFFECT FROM TO	UNITS PER ASSY
18			ATTACHING PARTS		
- 556	BACB30NN3K5	.BOLT			32
- 559	BACW10P216S	.WASHER-			32
- 562	NAS1804-3	.NUT			32
		-----*-----			
565	BACB30WP5K43	.BOLT-			16
		OPTIONAL PART:			
		BACB30WP5K43R			
		BACB30WP5K42R			
		BACB30WP5K44R			
565	BACB30WP5K43R	.BOLT-			16
		OPTIONAL PART:			
		BACB30WP5K43			
		BACB30WP5K42R			
		BACB30WP5K44R			
565	BACB30WP5K42R	.BOLT-			16
		OPTIONAL PART:			
		BACB30WP5K43			
		BACB30WP5K43R			
		BACB30WP5K44R			
565	BACB30WP5K44R	.BOLT-			16
		OPTIONAL PART:			
		BACB30WP5K43			
		BACB30WP5K43R			
		BACB30WP5K42R			
568	452T2127-1	.WASHER-			16
		SUPPLIER CODE:			
		V31645			
571	452T2128-3	.BUSHING-			16
		SUPPLIER CODE:			
		V31645			
574	452T2017-1	.SHIM-			16
		SUPPLIER CODE:			
		V31645			
577	BACB30MR4K26	.BOLT			1
580	BACW10CT8J	.WASHER			1
583	AN960JD416	.WASHER			1
586	NAS43HT4-81	.SPACER			1
589	NAS1804-4	.NUT			1
592	BACB30NU4K4	.BOLT			4
595	BACB30MR4K4	.BOLT			2
598	AN960JD416L	.WASHER			6
601	NAS1804-4	.NUT			6
604	452T2103-7	.ROLLER ASSY-GUIDE			1
		SUPPLIER CODE:			
		V31645			
		COMPONENT MAINT MANUAL REF:			
		25-53-03			

ILLUSTRATION ITEMS NOT ON PARTS LIST ARE NOT APPLICABLE

- ITEM NOT ILLUSTRATED

HXL

25-53-15-18

BOEING PROPRIETARY - Copyright © - Unpublished Work - See title page for details.

25-53-15
FIG. 18
PAGE 12
DEC 22/06



767

PARTS CATALOG (MAINTENANCE)

FIG ITEM	PART NUMBER	1 2 3 4 5 6 7	NOMENCLATURE	EFFECT FROM TO	UNITS PER ASSY
18 607	452T2103-8	.	ROLLER ASSY-GUIDE SUPPLIER CODE: V31645 COMPONENT MAINT MANUAL REF: 25-53-03		1
610	452T2105-10	..	ROLLER ASSY- SUPPLIER CODE: V31645		1
615	452T2111-2	...	BUSHING- SUPPLIER CODE: V31645		1
620	BACB28X8M038	...	BUSHING		1
631	452T2003-52	.	RAIL ASSY- SUPPLIER CODE: V31645 OPTIONAL PART: 452T2003-108 V31645		1
631	452T2003-108	.	RAIL ASSY- SUPPLIER CODE: V31645 OPTIONAL PART: 452T2003-52 V31645		1
634	BACB30LK3-22	..	BOLT		8
637	BACW10P219TF	..	WASHER		16
640	AN960JD10L	..	WASHER		8
643	452T2005-1	..	SPACER- SUPPLIER CODE: V31645		8
643	7713103-1	..	SPACER- SUPPLIER CODE: V31645		8
646	MS21042L3	..	NUT		8
649	452T2004-1	..	ROLLER ASSY- SUPPLIER CODE: V31645 OPTIONAL PART: 452T2004-4 V31645		8
649	452T2004-4	..	ROLLER ASSY- SUPPLIER CODE: V31645 OPTIONAL PART: 452T2004-1 V31645		8

ILLUSTRATION ITEMS NOT ON PARTS LIST ARE NOT APPLICABLE

- ITEM NOT ILLUSTRATED

HXL

25-53-15-18

BOEING PROPRIETARY - Copyright © - Unpublished Work - See title page for details.

25-53-15
FIG. 18
PAGE 13
AUG 22/07



767

PARTS CATALOG (MAINTENANCE)

FIG ITEM	PART NUMBER	1 2 3 4 5 6 7	NOMENCLATURE	EFFECT FROM TO	UNITS PER ASSY
18 652	452T2004-2	...	HOUSING- SUPPLIER CODE: V31645 USED ON: 452T2004-1		1
652	452T2013-1	...	HOUSING- SUPPLIER CODE: V31645 USED ON: 452T2004-4		1
655	452T2004-3	...	BUSHING- SUPPLIER CODE: V31645 USED ON: 452T2004-1		2
655	452T2012-2	...	BUSHING- SUPPLIER CODE: V31645 USED ON: 452T2004-4		2
658	BACR15FT5KEC	..	RIVET- SIZE DETERMINED ON INSTL.		20
661	452T2003-44	..	SHIM- SUPPLIER CODE: V31645		4
664	452T2007-1	..	PLATE- SUPPLIER CODE: V31645		4
667	BACB30LU2-3	..	BOLT		8
670	452T2145-2	..	WASHER- SUPPLIER CODE: V31645		4
673	MS21042L08	..	NUT		8
676	452T2123-2	..	RESTRAINT ASSY- SUPPLIER CODE: V31645 COMPONENT MAINT MANUAL REF: 25-53-27		4
679	452T2126-1	...	BUSHING- SUPPLIER CODE: V31645		1
682	69B63102-1	...	SPRING- SUPPLIER CODE: V31645		1
685	452T2125-1	...	COLLAR- SUPPLIER CODE: V31645		1

ILLUSTRATION ITEMS NOT ON PARTS LIST ARE NOT APPLICABLE

- ITEM NOT ILLUSTRATED

25-53-15-18

25-53-15
FIG. 18
PAGE 14
AUG 22/07

HXL

 **BOEING**
767
PARTS CATALOG (MAINTENANCE)

FIG ITEM	PART NUMBER	1 2 3 4 5 6 7	NOMENCLATURE	EFFECT FROM TO	UNITS PER ASSY
18 688	452T2124-5	...	RESTRAINT- SUPPLIER CODE: V31645 OPTIONAL PART: 452T2124-9 V31645		1
688	452T2124-9	...	RESTRAINT- SUPPLIER CODE: V31645 OPTIONAL PART: 452T2124-5 V31645		1
691	BACB30NM3K6	..	BOLT		2
694	BACW10P5C	..	WASHER		2
697	MS21042L3	..	NUT		2
700	452T2012-1	..	BUSHING- SUPPLIER CODE: V31645		2
703	452T2006-51	..	RAIL- SUPPLIER CODE: V31645		1
704	452T2003-89	.RAIL ASSY-	SUPPLIER CODE: V31645 OPTIONAL PART: 452T2003-109 V31645		1
704	452T2003-109	.RAIL ASSY-	SUPPLIER CODE: V31645 OPTIONAL PART: 452T2003-89 V31645		1
707	BACB30LK3-22	..	BOLT		6
710	BACW10P219TF	..	WASHER		12
713	AN960JD10L	..	WASHER		6
716	452T2005-1	..	SPACER- SUPPLIER CODE: V31645		6
716	7713103-1	..	SPACER- SUPPLIER CODE: V31645		6
719	MS21042L3	..	NUT		6
722	452T2004-1	..	ROLLER ASSY- SUPPLIER CODE: V31645 OPTIONAL PART: 452T2004-4 V31645		6

ILLUSTRATION ITEMS NOT ON PARTS LIST ARE NOT APPLICABLE

- ITEM NOT ILLUSTRATED

HXL

25-53-15-18

BOEING PROPRIETARY - Copyright © - Unpublished Work - See title page for details.

25-53-15
FIG. 18
PAGE 15
AUG 22/07

 **BOEING**
767
PARTS CATALOG (MAINTENANCE)

FIG ITEM	PART NUMBER	1 2 3 4 5 6 7	NOMENCLATURE	EFFECT FROM TO	UNITS PER ASSY
18 722	452T2004-4		..ROLLER ASSY- SUPPLIER CODE: V31645 OPTIONAL PART: 452T2004-1 V31645		6
725	452T2004-3		...BUSHING- SUPPLIER CODE: V31645 USED ON: 452T2004-1		2
725	452T2012-2		...BUSHING- SUPPLIER CODE: V31645 USED ON: 452T2004-4		2
728	452T2004-2		...HOUSING- SUPPLIER CODE: V31645 USED ON: 452T2004-1		1
728	452T2013-1		...HOUSING- SUPPLIER CODE: V31645 USED ON: 452T2004-4		1
732	BACR15FT5KEC		..RIVET- SIZE DETERMINED ON INSTL.		15
735	452T2003-44		..SHIM- SUPPLIER CODE: V31645		3
738	452T2007-1		..PLATE- SUPPLIER CODE: V31645		3
741	BACB30LU2-3		..BOLT		6
744	MS21042L08		..NUT		6
747	452T2145-2		..WASHER- SUPPLIER CODE: V31645		3
750	452T2123-2		..RESTRAINT ASSY- SUPPLIER CODE: V31645 COMPONENT MAINT MANUAL REF: 25-53-27		3
755	452T2126-1		...BUSHING- SUPPLIER CODE: V31645		1

ILLUSTRATION ITEMS NOT ON PARTS LIST ARE NOT APPLICABLE

- ITEM NOT ILLUSTRATED

HXL

25-53-15-18

BOEING PROPRIETARY - Copyright © - Unpublished Work - See title page for details.

25-53-15
FIG. 18
PAGE 16
AUG 22/07

BOEING
767
PARTS CATALOG (MAINTENANCE)

FIG ITEM	PART NUMBER	1 2 3 4 5 6 7	NOMENCLATURE	EFFECT FROM TO	UNITS PER ASSY
18					
758	69B63102-1	...	SPRING- SUPPLIER CODE: V31645		1
761	452T2125-1	...	COLLAR- SUPPLIER CODE: V31645		1
764	452T2124-5	...	RESTRAINT- SUPPLIER CODE: V31645 OPTIONAL PART: 452T2124-9 V31645		1
764	452T2124-9	...	RESTRAINT- SUPPLIER CODE: V31645 OPTIONAL PART: 452T2124-5 V31645		1
767	BACB30NM3K6	..	BOLT		2
770	BACW10P5C	..	WASHER		2
773	MS21042L3	..	NUT		2
776	452T2012-1	..	BUSHING- SUPPLIER CODE: V31645		2
779	452T2011-2	..	PLATE-JT SUPPLIER CODE: V31645 ATTACHING PARTS		2
- 782	BACB30NM3K5	..	BOLT		4
- 785	BACS40R08C16F	..	SHIM		4
- 788	MS21042L3	..	NUT		4
			-----*-----		
791	452T2006-74	..	RAIL- SUPPLIER CODE: V31645		1
794	452T2003-110	.R	RAIL ASSY- SUPPLIER CODE: V31645 OPTIONAL PART: 452T2003-96 V31645		1
794	452T2003-96	.R	RAIL ASSY- SUPPLIER CODE: V31645 OPTIONAL PART: 452T2003-110 V31645		1
797	BACB30LK3-22	..	BOLT		8
800	BACW10P219TF	..	WASHER		16

ILLUSTRATION ITEMS NOT ON PARTS LIST ARE NOT APPLICABLE

- ITEM NOT ILLUSTRATED

HXL

25-53-15-18

25-53-15
FIG. 18
PAGE 17
AUG 22/07

 **BOEING**
767
PARTS CATALOG (MAINTENANCE)

FIG ITEM	PART NUMBER	1 2 3 4 5 6 7	NOMENCLATURE	EFFECT FROM TO	UNITS PER ASSY
18					
803	AN960JD10L	..	WASHER		8
809	452T2005-1	..	SPACER-		8
			SUPPLIER CODE: V31645		
809	7713103-1	..	SPACER-		8
			SUPPLIER CODE: V31645		
812	MS21042L3	..	NUT		8
815	452T2004-1	..	ROLLER ASSY-		8
			SUPPLIER CODE: V31645		
			OPTIONAL PART: 452T2004-4 V31645		
815	452T2004-4	..	ROLLER ASSY-		8
			SUPPLIER CODE: V31645		
			OPTIONAL PART: 452T2004-1 V31645		
818	452T2004-2	...	HOUSING-		1
			SUPPLIER CODE: V31645		
			USED ON: 452T2004-1		
818	452T2013-1	...	HOUSING-		1
			SUPPLIER CODE: V31645		
			USED ON: 452T2004-4		
821	452T2004-3	...	BUSHING-		2
			SUPPLIER CODE: V31645		
			USED ON: 452T2004-1		
821	452T2012-2	...	BUSHING-		2
			SUPPLIER CODE: V31645		
			USED ON: 452T2004-4		
824	BACR15FT5KEC	..	RIVET-		20
			SIZE DETERMINED ON INSTL.		
826	452T2003-44	..	SHIM-		4
			SUPPLIER CODE: V31645		
828	452T2007-1	..	PLATE-		4
			SUPPLIER CODE: V31645		
830	BACB30LU2-3	..	BOLT		8

ILLUSTRATION ITEMS NOT ON PARTS LIST ARE NOT APPLICABLE

— ITEM NOT ILLUSTRATED

HXL

25-53-15-18

BOEING PROPRIETARY - Copyright © - Unpublished Work - See title page for details.

25-53-15
FIG. 18
PAGE 18
AUG 22/07



767

PARTS CATALOG (MAINTENANCE)

FIG ITEM	PART NUMBER	1 2 3 4 5 6 7	NOMENCLATURE	EFFECT FROM TO	UNITS PER ASSY
18					
832	MS21042L08	..	NUT		8
833	452T2145-2	..	WASHER-		4
			SUPPLIER CODE: V31645		
834	452T2123-2	..	RESTRAINT ASSY-		4
			SUPPLIER CODE: V31645 COMPONENT MAINT MANUAL REF: 25-53-27		
836	452T2126-1	...	BUSHING-		1
			SUPPLIER CODE: V31645		
838	69B63102-1	...	SPRING-		1
			SUPPLIER CODE: V31645		
840	452T2125-1	...	COLLAR-		1
			SUPPLIER CODE: V31645		
842	452T2124-5	...	RESTRAINT-		1
			SUPPLIER CODE: V31645 OPTIONAL PART: 452T2124-9 V31645		
842	452T2124-9	...	RESTRAINT-		1
			SUPPLIER CODE: V31645 OPTIONAL PART: 452T2124-5 V31645		
844	BACB30NM3K5	..	BOLT		4
846	MS21042L3	..	NUT		4
848	BACS40R08C16F	..	SHIM		2
850	452T2011-2	..	PLATE-		2
			SUPPLIER CODE: V31645		
852	452T2006-88	..	RAIL-		1
			SUPPLIER CODE: V31645		
854	452T2003-94	.	RAIL ASSY-		1
			SUPPLIER CODE: V31645		
856	BACB30LK3-22	..	BOLT		11
858	BACW10P219TF	..	WASHER		22
860	AN960JD10L	..	WASHER		11
862	452T2005-1	..	SPACER-		11
			SUPPLIER CODE: V31645		

ILLUSTRATION ITEMS NOT ON PARTS LIST ARE NOT APPLICABLE

- ITEM NOT ILLUSTRATED

25-53-15-18

25-53-15
FIG. 18
PAGE 19
AUG 22/07

HXL

BOEING PROPRIETARY - Copyright © - Unpublished Work - See title page for details.



767

PARTS CATALOG (MAINTENANCE)

FIG ITEM	PART NUMBER	1 2 3 4 5 6 7	NOMENCLATURE	EFFECT FROM TO	UNITS PER ASSY
18					
862	7713103-1	..	SPACER- SUPPLIER CODE: V31645		11
864	MS21042L3	..	NUT		11
866	452T2004-1	..	ROLLER ASSY- SUPPLIER CODE: V31645 OPTIONAL PART: 452T2004-4 V31645		11
866	452T2004-4	..	ROLLER ASSY- SUPPLIER CODE: V31645 OPTIONAL PART: 452T2004-1 V31645		11
868	452T2004-3	...	BUSHING- SUPPLIER CODE: V31645 USED ON: 452T2004-1		2
868	452T2012-2	...	BUSHING- SUPPLIER CODE: V31645 USED ON: 452T2004-4		2
870	452T2004-2	...	HOUSING- SUPPLIER CODE: V31645 USED ON: 452T2004-1		1
870	452T2013-1	...	HOUSING- SUPPLIER CODE: V31645 USED ON: 452T2004-4		1
872	BACR15FT5KEC	..	RIVET- SIZE DETERMINED ON INSTL.		25
874	452T2003-44	..	SHIM- SUPPLIER CODE: V31645		5
876	452T2007-1	..	PLATE- SUPPLIER CODE: V31645		5
878	BACB30LU2-3	..	BOLT		10
880	452T2145-2	..	WASHER- SUPPLIER CODE: V31645		5
882	MS21042L08	..	NUT		10

ILLUSTRATION ITEMS NOT ON PARTS LIST ARE NOT APPLICABLE

- ITEM NOT ILLUSTRATED

25-53-15-18

25-53-15
FIG. 18
PAGE 20
AUG 22/07

HXL

BOEING PROPRIETARY - Copyright © - Unpublished Work - See title page for details.

 **BOEING**
767
PARTS CATALOG (MAINTENANCE)

FIG ITEM	PART NUMBER	1 2 3 4 5 6 7	NOMENCLATURE	EFFECT FROM TO	UNITS PER ASSY
18					
884	452T2123-2	..	RESTRAINT ASSY- SUPPLIER CODE: V31645 COMPONENT MAINT MANUAL REF: 25-53-27		5
886	452T2126-1	...	BUSHING- SUPPLIER CODE: V31645		1
888	69B63102-1	...	SPRING- SUPPLIER CODE: V31645		1
890	452T2125-1	...	COLLAR- SUPPLIER CODE: V31645		1
892	452T2124-5	...	RESTRAINT- SUPPLIER CODE: V31645 OPTIONAL PART: 452T2124-9 V31645		1
892	452T2124-9	...	RESTRAINT- SUPPLIER CODE: V31645 OPTIONAL PART: 452T2124-5 V31645		1
894	452T2006-89	..	RAIL- SUPPLIER CODE: V31645		1
896	452T2146-3	.	BRACE- SUPPLIER CODE: V31645 ATTACHING PARTS		1
- 898	BACB30MR4K7	.	BOLT-		2
- 900	AN960JD416	.	WASHER		2
- 902	NAS1804-4	.	NUT		2
			-----*-----		
904	452T2107-7	.	ROLLER ASSY- SUPPLIER CODE: V31645 COMPONENT MAINT MANUAL REF: 25-53-07 QUALIFIED OPTIONAL DATA: (453T2107-11 PREFERED SPARE TO 453T2107-7) OPTIONAL PART: 452T2107-11 V31645		1
ILLUSTRATION ITEMS NOT ON PARTS LIST ARE NOT APPLICABLE					

- ITEM NOT ILLUSTRATED

HXL

25-53-15-18

BOEING PROPRIETARY - Copyright © - Unpublished Work - See title page for details.

25-53-15
FIG. 18
PAGE 21
DEC 22/06



767

PARTS CATALOG (MAINTENANCE)

FIG ITEM	PART NUMBER	1 2 3 4 5 6 7	NOMENCLATURE	EFFECT FROM TO	UNITS PER ASSY
18 904	452T2107-11		.ROLLER ASSY- SUPPLIER CODE: V31645 COMPONENT MAINT MANUAL REF: 25-53-07 QUALIFIED OPTIONAL DATA: (453T2107-11 PREFERED SPARE TO 453T2107-7) OPTIONAL PART: 452T2107-7 V31645		1
906	MS16624-1043		..RING- USED ON: 452T2107-7		2
906	MS16624-2043		..RING- USED ON: 452T2107-11		2
908	MS16624-1037		..RING- USED ON: 452T2107-7		2
908	MS16624-2037		..RING- USED ON: 452T2107-11		2
910	AN960JD716L		..WASHER- USED ON: 452T2107-7		2
910	NAS1149D0716J		..WASHER- USED ON: 452T2107-11		2
912	452T1110-6		..PIN- SUPPLIER CODE: V31645 USED ON: 452T2107-7		1
912	452T1110-7		..PIN- SUPPLIER CODE: V31645 USED ON: 452T2107-11		1
914	452T1110-4		..PIN- SUPPLIER CODE: V31645		1
916	452T2114-1		..SPRING- SUPPLIER CODE: V31645		1
918	452T2113-1		..SPRING- SUPPLIER CODE: V31645		1

ILLUSTRATION ITEMS NOT ON PARTS LIST ARE NOT APPLICABLE

- ITEM NOT ILLUSTRATED

25-53-15-18

25-53-15
FIG. 18
PAGE 22
DEC 22/06

HXL

BOEING PROPRIETARY - Copyright © - Unpublished Work - See title page for details.

 **BOEING**
767
PARTS CATALOG (MAINTENANCE)

FIG ITEM	PART NUMBER	1 2 3 4 5 6 7	NOMENCLATURE	EFFECT FROM TO	UNITS PER ASSY
18					
920	452T2110-1	..	FORK- SUPPLIER CODE: V31645		1
922	BACW10P125C	..	WASHER- USED ON: 452T2107-7		1
922	BACW10P125CC	..	WASHER- USED ON: 452T2107-11		1
924	NAS1804-6	..	NUT		1
926	452T2109-4	..	SPINDLE- SUPPLIER CODE: V31645		1
926	452T2109-1	..	SPINDLE- SUPPLIER CODE: V31645		1
928	452T2105-11	..	ROLLER ASSY- SUPPLIER CODE: V31645		1
928	452T2105-5	..	ROLLER ASSY- SUPPLIER CODE: V31645		1
- 940	452T2001-102		FITTING INSTL-CARGO HANDLIN COMPT LONG. POSITION DATA: FWD FOR NHA SEE: 25-50-00-01		RF
942	LH8065-054	.	NUT SUPPLIER CODE: V72962 SPECIFICATION NUMBER: BACN10HC5 OPTIONAL PART: SL414-5 V97393 94263-524 V56878		39
944	SLR4027-5	.	RETAINER SUPPLIER CODE: V97393 SPECIFICATION NUMBER: BACR10V5 OPTIONAL PART: 2452-054RET V72962		39
946	452T2120-69	.	FITTING- SUPPLIER CODE: V31645		1

ILLUSTRATION ITEMS NOT ON PARTS LIST ARE NOT APPLICABLE

- ITEM NOT ILLUSTRATED

HXL

25-53-15-18

BOEING PROPRIETARY - Copyright © - Unpublished Work - See title page for details.

25-53-15
FIG. 18
PAGE 23
DEC 22/06



767

PARTS CATALOG (MAINTENANCE)

FIG ITEM	PART NUMBER	1 2 3 4 5 6 7	NOMENCLATURE	EFFECT FROM TO	UNITS PER ASSY
18 948	452T2120-71		. FITTING- SUPPLIER CODE: V31645 ALTERED FROM PART NUMBER: 452T2120-23		1
950	452T2120-67		. FITTING- SUPPLIER CODE: V31645 ALTERED FROM PART NUMBER: 452T2120-23		1
952	452T2120-70		. FITTING- SUPPLIER CODE: V31645		1
954	452T2120-42		. FITTING- SUPPLIER CODE: V31645 ALTERED FROM PART NUMBER: 452T2120-24		1
956	452T2120-38		. FITTING- SUPPLIER CODE: V31645 ALTERED FROM PART NUMBER: 452T2120-24		1

ILLUSTRATION ITEMS NOT ON PARTS LIST ARE NOT APPLICABLE

- ITEM NOT ILLUSTRATED

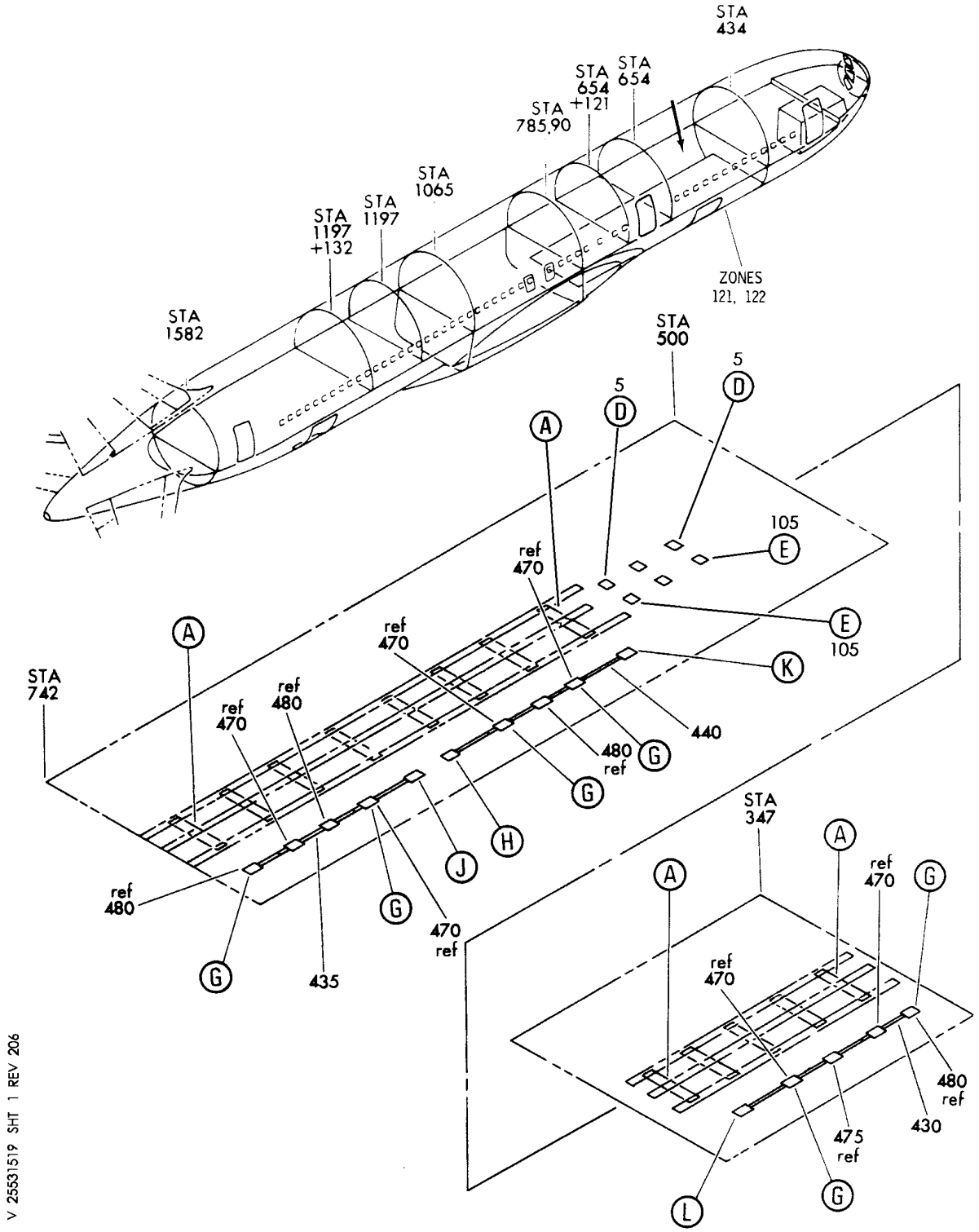
HXL

25-53-15-18

BOEING PROPRIETARY - Copyright © - Unpublished Work - See title page for details.

25-53-15
FIG. 18
PAGE 24
DEC 22/07

BOEING
767
PARTS CATALOG (MAINTENANCE)



V 25531519 SHT 1 REV 206

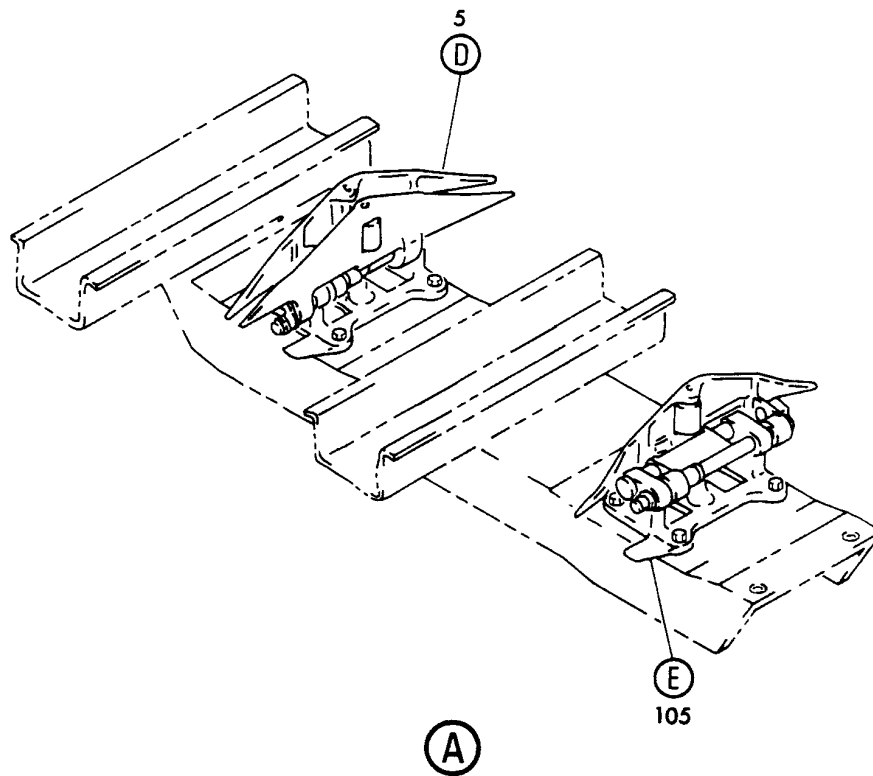
GUIDE INSTL-SECT. 41/43 FWD CARGO COMPT CTR AUX LONG.
FIGURE 19 (SHEET 1)

25-53-15-19

HXL
DEC 22/06

25-53-15-19
PAGE 0

BOEING
767
PARTS CATALOG (MAINTENANCE)



V 25531519 SH1 2 REV 206

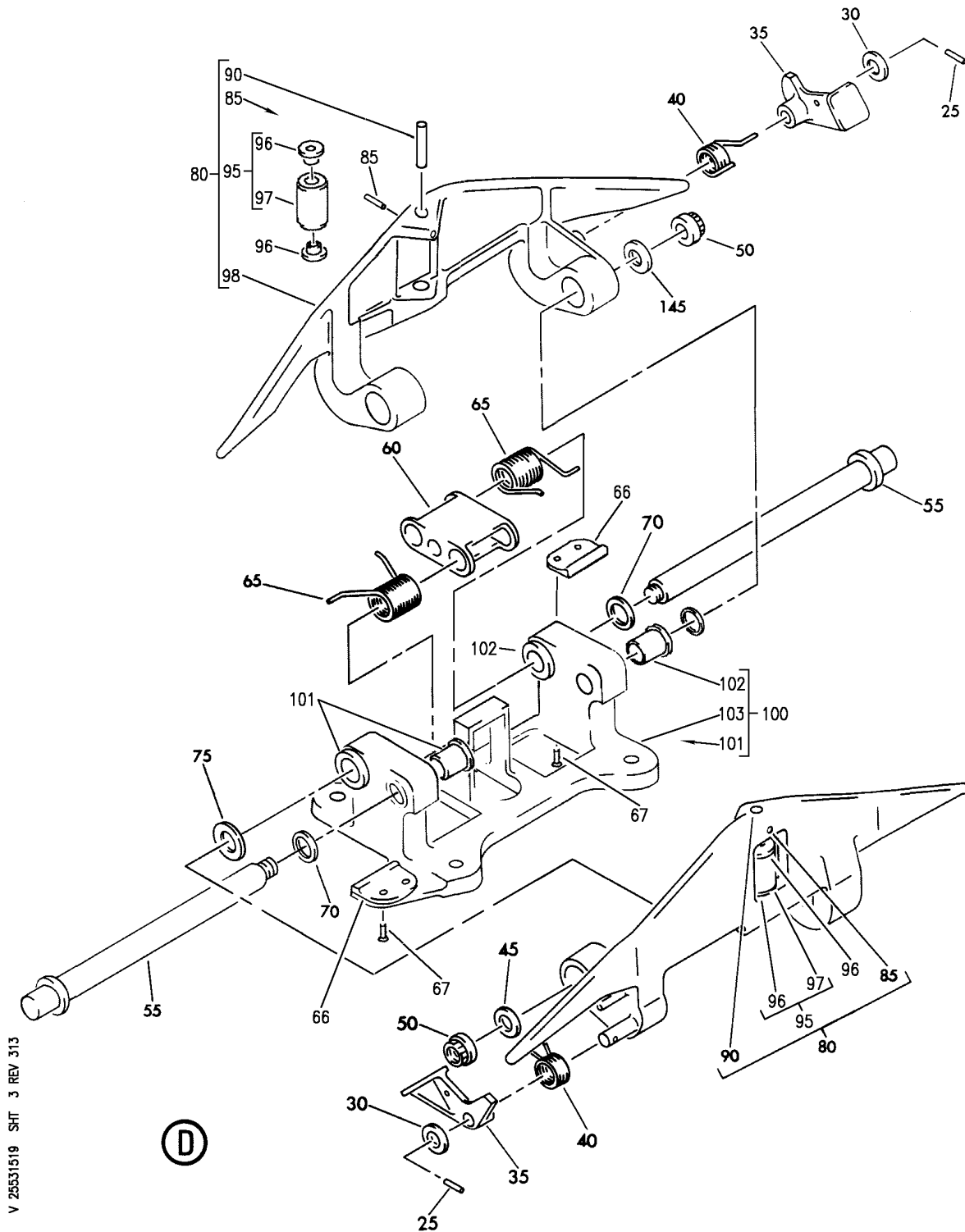
GUIDE INSTL-SECT. 41/43 FWD CARGO COMPT CTR AUX LONG.
FIGURE 19 (SHEET 2)

25-53-15-19

HXL
DEC 22/06

25-53-15-19
PAGE 0A

BOEING
767
PARTS CATALOG (MAINTENANCE)



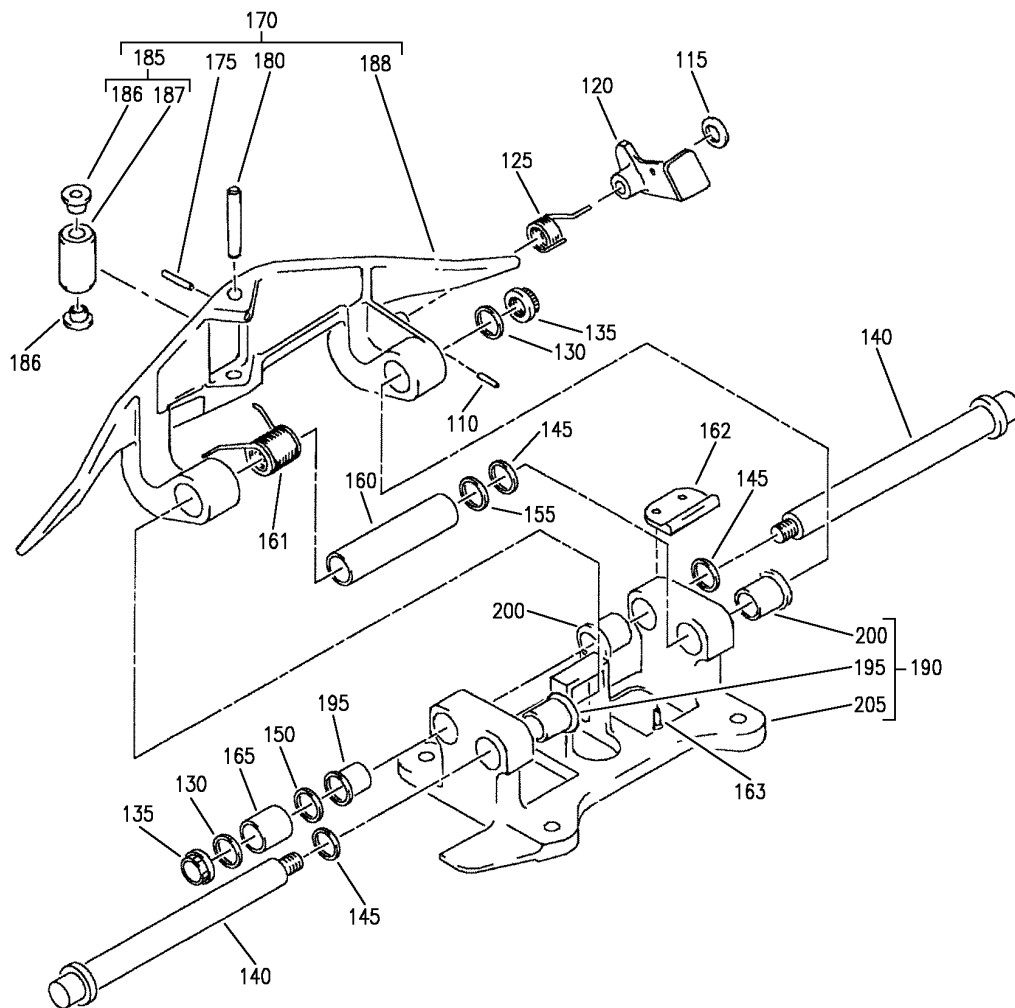
GUIDE INSTL-SECT. 41/43 FWD CARGO COMPT CTR AUX LONG.
FIGURE 19 (SHEET 3)

25-53-15-19

HXL
APR 22/07

25-53-15-19
PAGE 0B

BOEING
767
PARTS CATALOG (MAINTENANCE)



(E)

V 25531519 SH-T 4 REV 313

GUIDE INSTL-SECT. 41/43 FWD CARGO COMPT CTR AUX LONG.
FIGURE 19 (SHEET 4)

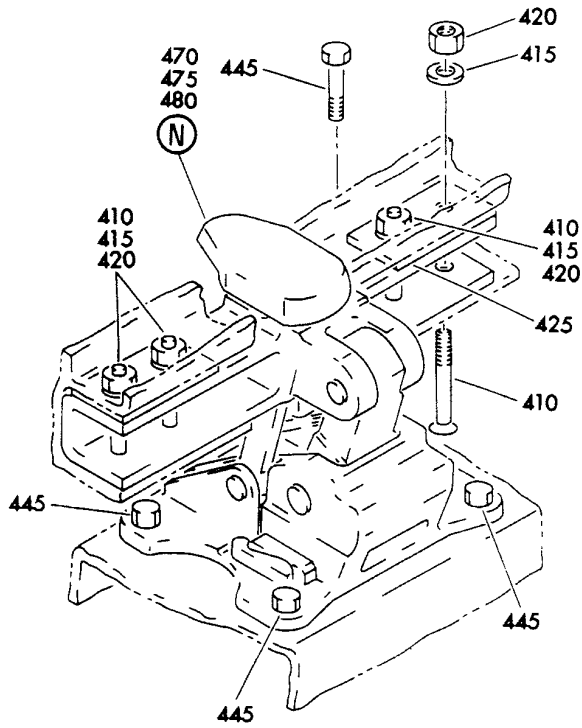
25-53-15-19

HXL
APR 22/07

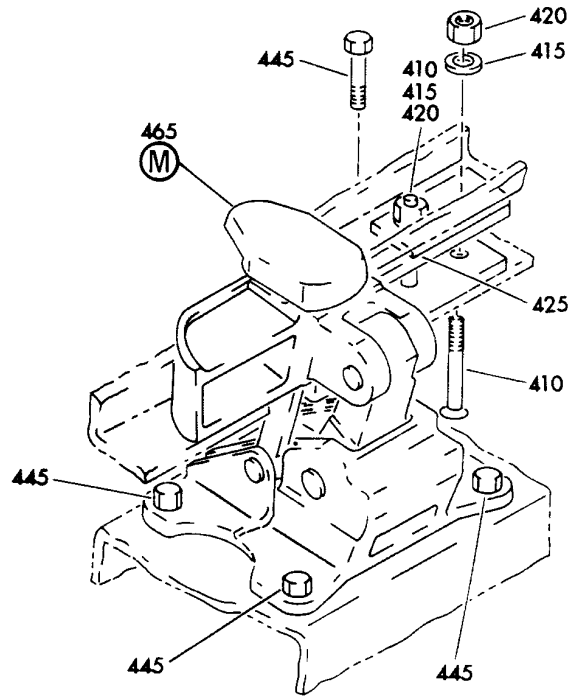
25-53-15-19
PAGE 0C

BOEING PROPRIETARY - Copyright © - Unpublished Work - See title page for details.

BOEING
767
PARTS CATALOG (MAINTENANCE)



(G)



(H)

V 25531519 SHT 5 REV 206

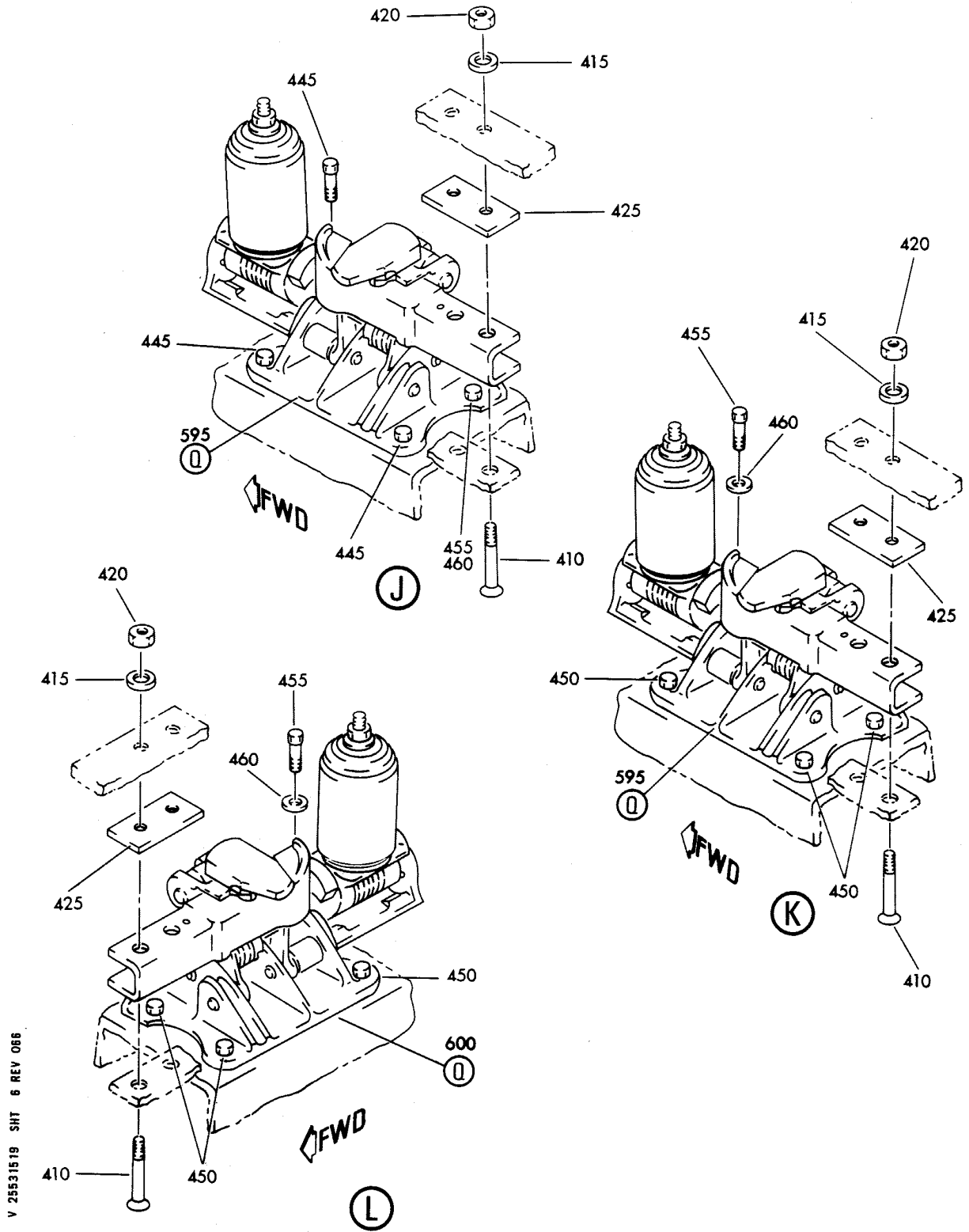
GUIDE INSTL-SECT. 41/43 FWD CARGO COMPT CTR AUX LONG.
FIGURE 19 (SHEET 5)

25-53-15-19

HXL
DEC 22/06

25-53-15-19
PAGE 0D

BOEING
767
PARTS CATALOG (MAINTENANCE)



V 25531519 SHT 6 REV 086

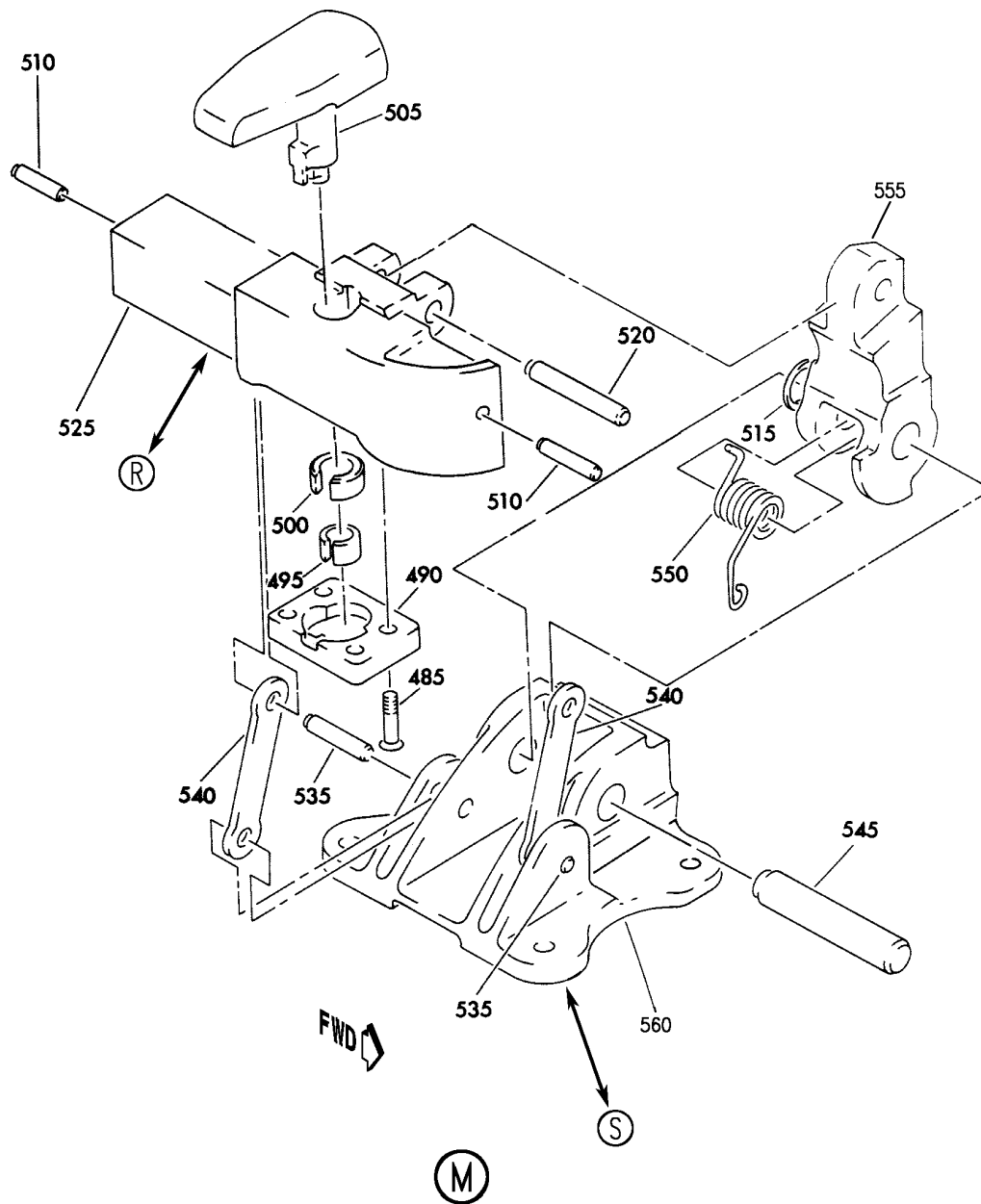
GUIDE INSTL-SECT. 41/43 FWD CARGO COMPT CTR AUX LONG.
FIGURE 19 (SHEET 6)

25-53-15-19

HXL
DEC 22/06

25-53-15-19
PAGE 0E

BOEING
767
PARTS CATALOG (MAINTENANCE)



V 25531519 SH1 7 REV 330

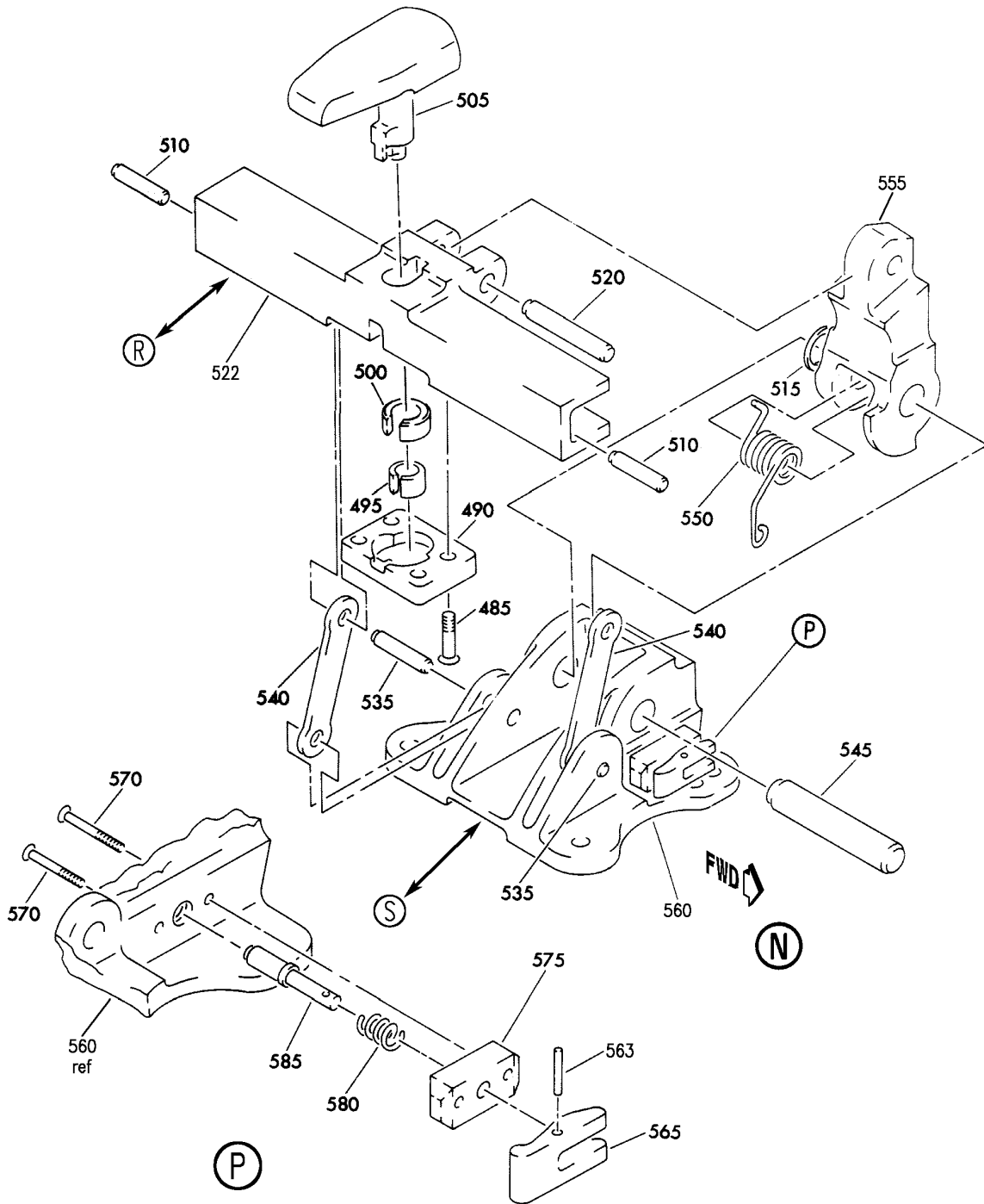
GUIDE INSTL-SECT. 41/43 FWD CARGO COMPT CTR AUX LONG.
FIGURE 19 (SHEET 7)

25-53-15-19

HXL
AUG 22/08

25-53-15-19
PAGE OF

BOEING
767
PARTS CATALOG (MAINTENANCE)



V 25531519 SHT 8 REV 330

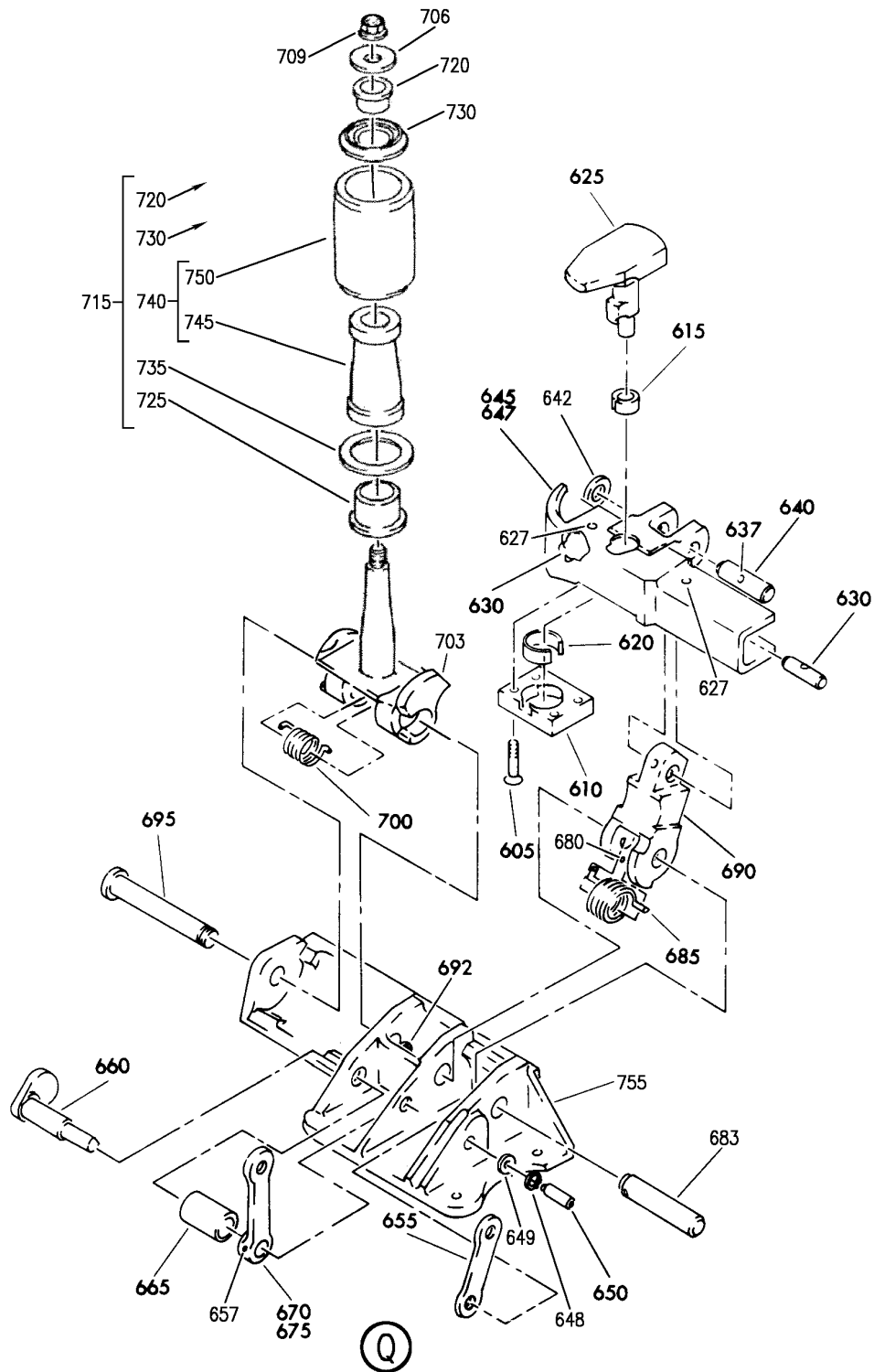
GUIDE INSTL-SECT. 41/43 FWD CARGO COMPT CTR AUX LONG.
FIGURE 19 (SHEET 8)

25-53-15-19

HXL
AUG 22/08

25-53-15-19
PAGE 0G

BOEING
767
PARTS CATALOG (MAINTENANCE)



V 25531519 SHT 9 REV 330

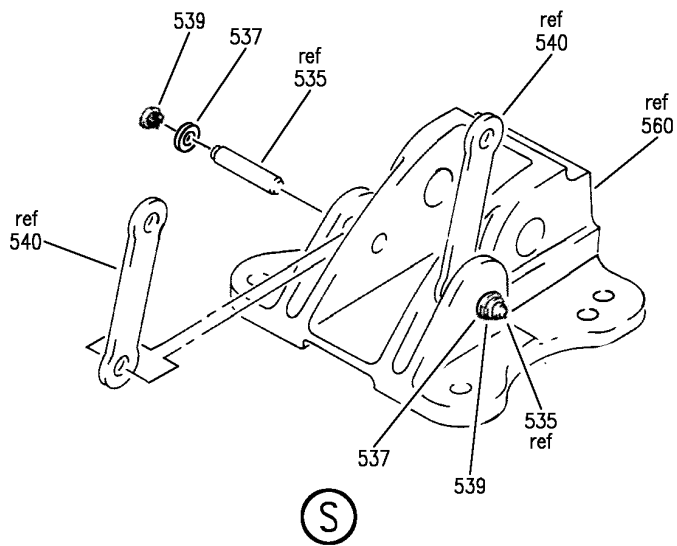
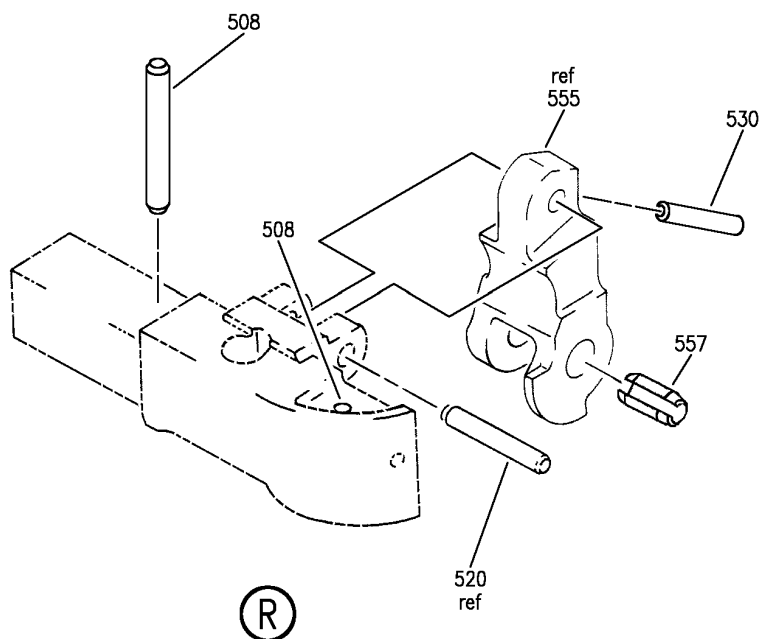
GUIDE INSTL-SECT. 41/43 FWD CARGO COMPT CTR AUX LONG.
FIGURE 19 (SHEET 9)

25-53-15-19

HXL
AUG 22/08

25-53-15-19
PAGE 0H

BOEING
767
PARTS CATALOG (MAINTENANCE)



V 25531519 SHT 10 REV 330

GUIDE INSTL-SECT. 41/43 FWD CARGO COMPT CTR AUX LONG.
FIGURE 19 (SHEET 10)

25-53-15-19

HXL
AUG 22/08

25-53-15-19
PAGE 01



767

PARTS CATALOG (MAINTENANCE)

FIG ITEM	PART NUMBER	1 2 3 4 5 6 7	NOMENCLATURE	EFFECT FROM TO	UNITS PER ASSY
19			GUIDE INSTL-SECT. 41/43 FWD CARGO COMPT CTR AUX LONG.		
- 1	452T2001-104		GUIDE INSTL-CARGO COMPT AUX LONG. POSITION DATA: SECT. 41/43 FWD CTR FOR NHA SEE: 25-50-00-01		RF
5	452T2301-16		.GUIDE ASSY- SUPPLIER CODE: V31645 POSITION DATA: CTR COMPONENT MAINT MANUAL REF: 25-53-15 ATTACHING PARTS		16
- 10	BACB30NR4K13		.BOLT		64
- 15	BACW10CT8J		.WASHER -----*-----		64
25	MS16562-14		..PIN		2
30	AN960C416L		..WASHER- CONFIG CHG DATA FROM A CMM: REPLD BY NAS1149C0432R		2
30	NAS1149C0432R		..WASHER- CONFIG CHG DATA FROM A CMM: REPLS AN960C416L		2
35	452T2310-1		..LEVER- SUPPLIER CODE: V31645		2
40	452T2311-1		..SPRING- SUPPLIER CODE: V31645		2
45	NAS620C416L		..WASHER		2
50	NAS1805-4		..NUT		2
55	452T2308-5		..SHAFT- SUPPLIER CODE: V31645		2
55	452T2308-4		..SHAFT- SUPPLIER CODE: V31645		2
60	452T2313-1		..SPACER- SUPPLIER CODE: V31645		1
65	452T2309-1		..SPRING- SUPPLIER CODE: V31645		2

ILLUSTRATION ITEMS NOT ON PARTS LIST ARE NOT APPLICABLE

- ITEM NOT ILLUSTRATED

25-53-15-19

25-53-15
FIG. 19
PAGE 1
APR 22/07

HXL

BOEING
767
PARTS CATALOG (MAINTENANCE)

FIG ITEM	PART NUMBER	1 2 3 4 5 6 7	NOMENCLATURE	EFFECT FROM TO	UNITS PER ASSY
19					
66	452T2312-1	..	PLATE-STRIKER SUPPLIER CODE: V31645 OPTIONAL PART: 452T2312-2 V31645		2
66	452T2312-2	..	PLATE-STRIKER SUPPLIER CODE: V31645 OPTIONAL PART: 452T2312-1 V31645 ATTACHING PARTS		2
67	BACR15CE4D	..	RIVET -----*-----		4
70	BACW10P274G	..	WASHER		2
75	BACW10P274G	..	WASHER		AR
80	452T2301-18	..	ARM ASSY- SUPPLIER CODE: V31645 COMPONENT MAINT MANUAL REF: 25-53-15		2
85	MS16562-204	...	PIN		1
90	452T2306-1	...	PIN- SUPPLIER CODE: V31645		1
95	452T2305-1	...	ROLLER ASSY- SUPPLIER CODE: V31645 OPTIONAL PART: 452T2305-3 V31645		1
95	452T2305-3	...	ROLLER ASSY- SUPPLIER CODE: V31645 OPTIONAL PART: 452T2305-1 V31645		1
96	BACB28W4B020	BUSHING- USED ON: 452T2305-1		2
97	452T2305-2	ROLLER- SUPPLIER CODE: V31645 USED ON: 452T2305-1		1

ILLUSTRATION ITEMS NOT ON PARTS LIST ARE NOT APPLICABLE

— ITEM NOT ILLUSTRATED

HXL

25-53-15-19

BOEING PROPRIETARY - Copyright © - Unpublished Work - See title page for details.

25-53-15
FIG. 19
PAGE 2
APR 22/07

BOEING
767
PARTS CATALOG (MAINTENANCE)

FIG ITEM	PART NUMBER	1 2 3 4 5 6 7	NOMENCLATURE	EFFECT FROM TO	UNITS PER ASSY
19					
98	452T2315-1	...	ARM- SUPPLIER CODE: V31645 OPTIONAL PART: 452T2315-3 V31645		1
98	452T2315-3	...	ARM- SUPPLIER CODE: V31645 OPTIONAL PART: 452T2315-1 V31645		1
100	452T2307-6	..	BASE ASSY- SUPPLIER CODE: V31645		1
101	BACB28X6M048	...	BUSHING		2
102	BACB28X6M048	...	BUSHING		2
103	452T2307-7	...	BASE- SUPPLIER CODE: V31645		1
105	452T2301-17	.	GUIDE ASSY-AUX SUPPLIER CODE: V31645 COMPONENT MAINT MANUAL REF: 25-53-15 ATTACHING PARTS		16
- 106	BACB30NR4K13	.	BOLT		64
- 107	BACW10CT8J	.	WASHER		64
			-----*-----		
110	MS16562-14	..	PIN		1
115	AN960C416L	..	WASHER- CONFIG CHG DATA FROM A CMM: REPLD BY NAS1149C0432R		1
115	NAS1149C0432R	..	WASHER- CONFIG CHG DATA FROM A CMM: REPLS AN960C416L		1
120	452T2310-1	..	LEVER- SUPPLIER CODE: V31645		1
125	452T2311-1	..	SPRING- SUPPLIER CODE: V31645		1
130	NAS620C416L	..	WASHER		2
135	NAS1805-4	..	NUT		2

ILLUSTRATION ITEMS NOT ON PARTS LIST ARE NOT APPLICABLE

- ITEM NOT ILLUSTRATED

HXL

25-53-15-19

BOEING PROPRIETARY - Copyright © - Unpublished Work - See title page for details.

25-53-15
FIG. 19
PAGE 3
APR 22/07



767

PARTS CATALOG (MAINTENANCE)

FIG ITEM	PART NUMBER	1 2 3 4 5 6 7	NOMENCLATURE	EFFECT FROM TO	UNITS PER ASSY
19					
140	452T2308-4	..	SHAFT- SUPPLIER CODE: V31645 OPTIONAL PART: 452T2308-5 V31645		2
140	452T2308-5	..	SHAFT- SUPPLIER CODE: V31645 OPTIONAL PART: 452T2308-4 V31645		2
145	BACW10P274G	..	WASHER		3
150	BACW10P274G	..	WASHER		AR
155	AN960C616	..	WASHER- CONFIG CHG DATA FROM A CMM: REPLD BY NAS1149C0663R		1
155	NAS1149C0663R	..	WASHER- CONFIG CHG DATA FROM A CMM: REPLS AN960C616		1
160	BACB28Y6C210	..	BUSHING- OPTIONAL PART: NAS1057W6-210		1
160	NAS1057W6-210	..	SPACER- OPTIONAL PART: BACB28Y6C210		1
161	452T2309-1	..	SPRING- SUPPLIER CODE: V31645		1
162	452T2312-1	..	PLATE-STRIKER SUPPLIER CODE: V31645 OPTIONAL PART: 452T2312-2 V31645		1
162	452T2312-2	..	PLATE-STRIKER SUPPLIER CODE: V31645 OPTIONAL PART: 452T2312-1 V31645 ATTACHING PARTS		1
163	BACR15CE4D	..	RIVET -----*-----		2
165	BACB28Y6E040	..	BUSHING- OPTIONAL PART: NAS1057W6-040		1

ILLUSTRATION ITEMS NOT ON PARTS LIST ARE NOT APPLICABLE

- ITEM NOT ILLUSTRATED

HXL

25-53-15-19

BOEING PROPRIETARY - Copyright © - Unpublished Work - See title page for details.

25-53-15
FIG. 19
PAGE 4
APR 22/07



767

PARTS CATALOG (MAINTENANCE)

FIG ITEM	PART NUMBER	1 2 3 4 5 6 7	NOMENCLATURE	EFFECT FROM TO	UNITS PER ASSY
19					
165	NAS1057W6-040	..	SPACER- OPTIONAL PART: BACB28Y6E040		1
170	452T2301-18	..	ARM ASSY- SUPPLIER CODE: V31645 COMPONENT MAINT MANUAL REF: 25-53-15		1
175	MS16562-204	...	PIN		1
180	452T2306-1	...	PIN- SUPPLIER CODE: V31645		1
185	452T2305-1	...	ROLLER ASSY- SUPPLIER CODE: V31645		1
185	452T2305-3	...	ROLLER ASSY- SUPPLIER CODE: V31645		1
186	BACB28W4B020	BUSHING- USED ON: 452T2305-1		2
187	452T2305-2	ROLLER- SUPPLIER CODE: V31645 USED ON: 452T2305-1		1
188	452T2315-1	...	ARM- SUPPLIER CODE: V31645 OPTIONAL PART: 452T2315-3 V31645		1
188	452T2315-3	...	ARM- SUPPLIER CODE: V31645 OPTIONAL PART: 452T2315-1 V31645		1
190	452T2307-6	..	BASE ASSY- SUPPLIER CODE: V31645		1
195	BACB28X6M048	...	BUSHING		2
200	BACB28X6M048	...	BUSHING		2
205	452T2307-7	...	BASE- SUPPLIER CODE: V31645		1

ILLUSTRATION ITEMS NOT ON PARTS LIST ARE NOT APPLICABLE

- ITEM NOT ILLUSTRATED

HXL

25-53-15-19

BOEING PROPRIETARY - Copyright © - Unpublished Work - See title page for details.

25-53-15
FIG. 19
PAGE 5
APR 22/07



767

PARTS CATALOG (MAINTENANCE)

FIG ITEM	PART NUMBER	1 2 3 4 5 6 7	NOMENCLATURE	EFFECT FROM TO	UNITS PER ASSY
19 - 400	452T2001-106		RAIL INSTL-CARGO COMPT AUX LONG. GUIDE POSITION DATA: SECT. 41/43 FWD FOR NHA/OTHER SYS DET SEE: 25-50-00-01		RF
410	BACB30LL4K20		.BOLT		52
415	AN960C416L		.WASHER		52
420	MS21042L4		.NUT		52
425	BACS40R06C20F		.SHIM		26
430	452T2132-3		.RAIL- SUPPLIER CODE: V31645		1
435	452T2132-4		.RAIL- SUPPLIER CODE: V31645		1
440	452T2132-5		.RAIL- SUPPLIER CODE: V31645		1
445	BACB30NM4K10		.BOLT		51
450	BACB30NM4K12		.BOLT		6
455	BACB30LE5K15		.BOLT		3
460	BACW10BP5C		.WASHER-		3
465	452T2130-4		.BASE ASSY- SUPPLIER CODE: V31645 COMPONENT MAINT MANUAL REF: 25-53-13		1
465	452T2130-12		.BASE ASSY- SUPPLIER CODE: V31645 COMPONENT MAINT MANUAL REF: 25-53-13		1
470	452T2130-5		.BASE ASSY- SUPPLIER CODE: V31645 COMPONENT MAINT MANUAL REF: 25-53-13		6
470	452T2130-13		.BASE ASSY- SUPPLIER CODE: V31645 COMPONENT MAINT MANUAL REF: 25-53-13		6
470	452T2130-2		.BASE ASSY- SUPPLIER CODE: V31645 COMPONENT MAINT MANUAL REF: 25-53-13		6

ILLUSTRATION ITEMS NOT ON PARTS LIST ARE NOT APPLICABLE

- ITEM NOT ILLUSTRATED

25-53-15-19

25-53-15
FIG. 19
PAGE 6
APR 22/08

HXL



767

PARTS CATALOG (MAINTENANCE)

FIG ITEM	PART NUMBER	1 2 3 4 5 6 7	NOMENCLATURE	EFFECT FROM TO	UNITS PER ASSY
19					
475	452T2130-6	.BASE ASSY-	SUPPLIER CODE: V31645 COMPONENT MAINT MANUAL REF: 25-53-13		1
475	452T2130-14	.BASE ASSY-	SUPPLIER CODE: V31645 COMPONENT MAINT MANUAL REF: 25-53-13		1
475	452T2130-3	.BASE ASSY-	SUPPLIER CODE: V31645 COMPONENT MAINT MANUAL REF: 25-53-13		1
480	452T2130-9	.BASE ASSY-	SUPPLIER CODE: V31645 COMPONENT MAINT MANUAL REF: 25-53-13		4
480	452T2130-15	.BASE ASSY-	SUPPLIER CODE: V31645 COMPONENT MAINT MANUAL REF: 25-53-13		4
480	452T2130-1	.BASE ASSY-	SUPPLIER CODE: V31645 COMPONENT MAINT MANUAL REF: 25-53-13		4
485	BACB30LU06P4	..BOLT			4
490	65B62062-1	..CAP-	SUPPLIER CODE: V31645 POSITION DATA: BOTTOM OPTIONAL PART: 7M33334-1 V31645		1
490	7M33334-1	..CAP-	SUPPLIER CODE: V31645 POSITION DATA: BOTTOM OPTIONAL PART: 65B62062-1 V31645		1

ILLUSTRATION ITEMS NOT ON PARTS LIST ARE NOT APPLICABLE

- ITEM NOT ILLUSTRATED

HXL

25-53-15-19

BOEING PROPRIETARY - Copyright © - Unpublished Work - See title page for details.

25-53-15
FIG. 19
PAGE 7
AUG 22/08



767

PARTS CATALOG (MAINTENANCE)

FIG ITEM	PART NUMBER	1 2 3 4 5 6 7	NOMENCLATURE	EFFECT FROM TO	UNITS PER ASSY
19 495	69B63047-1		.. SPRING ASSY-LEAF SUPPLIER CODE: V31645 OPTIONAL PART: 7M33344-1 V31645		1
495	7M33344-1		.. SPRING ASSY-LEAF SUPPLIER CODE: V31645 OPTIONAL PART: 69B63047-1 V31645		1
500	65B62120-6		.. SPACER- SUPPLIER CODE: V31645 USED ON: 452T2130-1 452T2130-2 452T2130-3 452T2130-4 452T2130-5 452T2130-6 452T2130-9		1
500	65B62120-7		.. SPACER- SUPPLIER CODE: V31645 OPTIONAL PART: 7M33336-7 V31645 USED ON: 452T2130-12 452T2130-13 452T2130-14 452T2130-15		1
500	7M33336-7		.. SPACER- SUPPLIER CODE: V31645 OPTIONAL PART: 65B62120-7 V31645 USED ON: 452T2130-12 452T2130-13 452T2130-14 452T2130-15		1

ILLUSTRATION ITEMS NOT ON PARTS LIST ARE NOT APPLICABLE

- ITEM NOT ILLUSTRATED

HXL

25-53-15-19

BOEING PROPRIETARY - Copyright © - Unpublished Work - See title page for details.

25-53-15
FIG. 19
PAGE 8
AUG 22/08

 **BOEING**
767
PARTS CATALOG (MAINTENANCE)

FIG ITEM	PART NUMBER	1 2 3 4 5 6 7	NOMENCLATURE	EFFECT FROM TO	UNITS PER ASSY
19 505	65B62120-4		.. RESTRAINT-VERTICAL SUPPLIER CODE: V31645 USED ON: 452T2130-1 452T2130-2 452T2130-3 452T2130-4 452T2130-5 452T2130-6 452T2130-9		1
505	65B62120-8		.. RESTRAINT-VERTICAL SUPPLIER CODE: V31645 OPTIONAL PART: 7M33336-8 V31645 USED ON: 452T2130-12 452T2130-13 452T2130-14 452T2130-15		1
505	7M33336-8		.. RESTRAINT-VERTICAL SUPPLIER CODE: V31645 OPTIONAL PART: 65B62120-8 V31645 USED ON: 452T2130-12 452T2130-13 452T2130-14 452T2130-15		1
508	BACP18BE8C0875U		.. PIN-SPRING USED ON: 452T2130-12 452T2130-13 452T2130-14 452T2130-15		2
508	MS16562-225		.. PIN-SPRING USED ON: 452T2130-4 452T2130-5 452T2130-6 452T2130-9		2

ILLUSTRATION ITEMS NOT ON PARTS LIST ARE NOT APPLICABLE

— ITEM NOT ILLUSTRATED

HXL

25-53-15-19

BOEING PROPRIETARY - Copyright © - Unpublished Work - See title page for details.

25-53-15
FIG. 19
PAGE 9
AUG 22/08



767

PARTS CATALOG (MAINTENANCE)

FIG ITEM	PART NUMBER	1 2 3 4 5 6 7	NOMENCLATURE	EFFECT FROM TO	UNITS PER ASSY
19 510	69B63049-15	..	PIN- SUPPLIER CODE: V31645 OPTIONAL PART: 7M30053-15 V31645 USED ON: 452T2130-4 452T2130-5 452T2130-6 452T2130-9 452T2130-12 452T2130-13 452T2130-14 452T2130-15		2
510	69B63049-14	..	PIN- SUPPLIER CODE: V31645 USED ON: 452T2130-1 452T2130-2 452T2130-3		2
510	7M30053-15	..	PIN- SUPPLIER CODE: V31645 OPTIONAL PART: 69B63049-15 V31645 USED ON: 452T2130-4 452T2130-5 452T2130-6 452T2130-9 452T2130-12 452T2130-13 452T2130-14 452T2130-15		2
515	BACW10P343TF	..	WASHER		1

ILLUSTRATION ITEMS NOT ON PARTS LIST ARE NOT APPLICABLE

- ITEM NOT ILLUSTRATED

HXL

25-53-15-19

BOEING PROPRIETARY - Copyright © - Unpublished Work - See title page for details.

25-53-15
FIG. 19
PAGE 10
AUG 22/08



767

PARTS CATALOG (MAINTENANCE)

FIG ITEM	PART NUMBER	1 2 3 4 5 6 7	NOMENCLATURE	EFFECT FROM TO	UNITS PER ASSY
19 520	69B63049-16	..	PIN- SUPPLIER CODE: V31645 USED ON: 452T2130-4 452T2130-5 452T2130-6 452T2130-9 452T2130-12 452T2130-13 452T2130-14 452T2130-15		1
520	69B63049-2	..	PIN- SUPPLIER CODE: V31645 USED ON: 452T2130-1 452T2130-2 452T2130-3		1
520	7M30053-2	..	PIN- SUPPLIER CODE: V31645		1
522	65B62061-5	..	FITTING-CHANNEL SUPPLIER CODE: V31645 OPTIONAL PART: 7M33364-6 V31645 USED ON: 452T2130-5 452T2130-6 452T2130-9		1
522	65B62061-6	..	FITTING-CHANNEL SUPPLIER CODE: V31645 OPTIONAL PART: 7M33364-6 V31645 USED ON: 452T2130-13 452T2130-14 452T2130-15		1
522	65B62061-1	..	FITTING-CHANNEL SUPPLIER CODE: V31645 USED ON: 452T2130-1 452T2130-2 452T2130-3		1

ILLUSTRATION ITEMS NOT ON PARTS LIST ARE NOT APPLICABLE

- ITEM NOT ILLUSTRATED

25-53-15-19

25-53-15
FIG. 19
PAGE 11
DEC 22/08

HXL



767

PARTS CATALOG (MAINTENANCE)

FIG ITEM	PART NUMBER	1 2 3 4 5 6 7	NOMENCLATURE	EFFECT FROM TO	UNITS PER ASSY
19 522	7M33364-6		.. FITTING-CHANNEL SUPPLIER CODE: V31645 OPTIONAL PART: 65B62061-5 V31645 65B62061-6 V31645 USED ON: 452T2130-5 452T2130-6 452T2130-9 452T2130-13 452T2130-14 452T2130-15		1
525	452T2150-1		.. FITTING-CHANNEL SUPPLIER CODE: V31645 USED ON: 452T2130-4		1
525	452T2150-5		.. FITTING-CHANNEL SUPPLIER CODE: V31645 USED ON: 452T2130-12		1
530	BACP18BE4C0625U		.. PIN-SPRING USED ON: 452T2130-12 452T2130-13 452T2130-14 452T2130-15		1
530	MS16562-196		.. PIN-SPRING USED ON: 452T2130-4 452T2130-5 452T2130-6 452T2130-9		1
535	452T1218-16		.. PIN- SUPPLIER CODE: V31645 USED ON: 452T2130-4 452T2130-5 452T2130-6 452T2130-9 452T2130-12 452T2130-13 452T2130-14 452T2130-15		2

ILLUSTRATION ITEMS NOT ON PARTS LIST ARE NOT APPLICABLE

- ITEM NOT ILLUSTRATED

HXL

25-53-15-19

BOEING PROPRIETARY - Copyright © - Unpublished Work - See title page for details.

25-53-15
FIG. 19
PAGE 12
AUG 22/08



767

PARTS CATALOG (MAINTENANCE)

FIG ITEM	PART NUMBER	1 2 3 4 5 6 7	NOMENCLATURE	EFFECT FROM TO	UNITS PER ASSY
19 535	69B63049-1		..PIN- SUPPLIER CODE: V31645 OPTIONAL PART: 7M30053-1 V31645 USED ON: 452T2130-1 452T2130-2 452T2130-3		2
535	7M30053-1		..PIN- SUPPLIER CODE: V31645 OPTIONAL PART: 69B63049-1 V31645 USED ON: 452T2130-1 452T2130-2 452T2130-3		2
537	NAS1149F0432P		..WASHER- USED ON: 452T2130-12 452T2130-13 452T2130-14 452T2130-15		AR
537	AN960-416L		..WASHER- USED ON: 452T2130-4 452T2130-5 452T2130-6 452T2130-9		AR
539	MS16624-4025		..RING- USED ON: 452T2130-4 452T2130-5 452T2130-6 452T2130-9 452T2130-12 452T2130-13 452T2130-14 452T2130-15		2
540	69B63002-1		..LINK- SUPPLIER CODE: V31645 OPTIONAL PART: 7M33136-1 V31645		2

ILLUSTRATION ITEMS NOT ON PARTS LIST ARE NOT APPLICABLE

- ITEM NOT ILLUSTRATED

HXL

25-53-15-19

BOEING PROPRIETARY - Copyright © - Unpublished Work - See title page for details.

25-53-15
FIG. 19
PAGE 13
AUG 22/08



767

PARTS CATALOG (MAINTENANCE)

FIG ITEM	PART NUMBER	1 2 3 4 5 6 7	NOMENCLATURE	EFFECT FROM TO	UNITS PER ASSY
19 540	7M33136-1		.. LINK- SUPPLIER CODE: V31645 OPTIONAL PART: 69B63002-1 V31645		2
545	69B63049-17		.. PIN- SUPPLIER CODE: V31645 USED ON: 452T2130-4 452T2130-5 452T2130-6 452T2130-9 452T2130-12 452T2130-13 452T2130-14 452T2130-15		1
545	69B63049-13		.. PIN- SUPPLIER CODE: V31645 USED ON: 452T2130-1 452T2130-2 452T2130-3		1
550	452T2135-1		.. SPRING-LINK SUPPLIER CODE: V31645		1
555	65B63526-3		.. LINK- SUPPLIER CODE: V31645 USED ON: 452T2130-4 452T2130-5 452T2130-6 452T2130-9 452T2130-12 452T2130-13 452T2130-14 452T2130-15		1

ILLUSTRATION ITEMS NOT ON PARTS LIST ARE NOT APPLICABLE

- ITEM NOT ILLUSTRATED

HXL

25-53-15-19

BOEING PROPRIETARY - Copyright © - Unpublished Work - See title page for details.

25-53-15
FIG. 19
PAGE 14
AUG 22/08

 **BOEING**
767
PARTS CATALOG (MAINTENANCE)

FIG ITEM	PART NUMBER	1 2 3 4 5 6 7	NOMENCLATURE	EFFECT FROM TO	UNITS PER ASSY
19 555	65B63526-1		..LINK- SUPPLIER CODE: V31645 OPTIONAL PART: 7M33338-1 V31645 USED ON: 452T2130-1 452T2130-2 452T2130-3		1
555	7M33338-1		..LINK- SUPPLIER CODE: V31645 OPTIONAL PART: 69B63526-1 V31645 USED ON: 452T2130-1 452T2130-2 452T2130-3		1
557	BACP18BE4C0750U		..PIN-SPRING USED ON: 452T2130-12 452T2130-13 452T2130-14 452T2130-15		1
557	MS16562-198		..PIN-SPRING USED ON: 452T2130-4 452T2130-5 452T2130-6 452T2130-9		1
560	452T2131-5		..BASE- SUPPLIER CODE: V31645 USED ON: 452T2130-4 452T2130-9 452T2130-12 452T2130-15		1
560	452T2131-6		..BASE- SUPPLIER CODE: V31645 USED ON: 452T2130-5 452T2130-13		1

ILLUSTRATION ITEMS NOT ON PARTS LIST ARE NOT APPLICABLE

— ITEM NOT ILLUSTRATED

HXL

25-53-15-19

BOEING PROPRIETARY - Copyright © - Unpublished Work - See title page for details.

25-53-15
FIG. 19
PAGE 15
AUG 22/08

 **BOEING**
767
PARTS CATALOG (MAINTENANCE)

FIG ITEM	PART NUMBER	1 2 3 4 5 6 7	NOMENCLATURE	EFFECT FROM TO	UNITS PER ASSY
19 560	452T2131-7		..BASE- SUPPLIER CODE: V31645 USED ON: 452T2130-6 452T2130-14		1
560	452T2131-2		..BASE- SUPPLIER CODE: V31645 USED ON: 452T2130-2		1
560	452T2131-3		..BASE- SUPPLIER CODE: V31645 USED ON: 452T2130-3		1
560	452T2131-1		..BASE- SUPPLIER CODE: V31645 USED ON: 452T2130-1		1
563	MS16562-24		..PIN- USED ON: 452T2130-2 452T2130-5		1
563	BACP18BE6P0437U		..PIN- USED ON: 452T2130-13		1
565	69-38408-1		..LEVER- SUPPLIER CODE: V31645 USED ON: 452T2130-2 452T2130-5 452T2130-13		1
570	BACB30LU06P7		..BOLT- USED ON: 452T2130-5 452T2130-13 452T2130-2		2
575	452T2134-1		..HOUSING-PLUNGER SUPPLIER CODE: V31645 USED ON: 452T2130-5 452T2130-13 452T2130-2		1

ILLUSTRATION ITEMS NOT ON PARTS LIST ARE NOT APPLICABLE

— ITEM NOT ILLUSTRATED

HXL

25-53-15-19

BOEING PROPRIETARY - Copyright © - Unpublished Work - See title page for details.

25-53-15
FIG. 19
PAGE 16
AUG 22/08



767

PARTS CATALOG (MAINTENANCE)

FIG ITEM	PART NUMBER	1 2 3 4 5 6 7	NOMENCLATURE	EFFECT FROM TO	UNITS PER ASSY
19 580	MS24585-1167		.. SPRING- USED ON: 452T2130-5 452T2130-13 452T2130-2		1
585	452T2133-1		.. PLUNGER- SUPPLIER CODE: V31645 USED ON: 452T2130-5 452T2130-13 452T2130-2		1
595	452T2130-23		.BASE ASSY-GUIDE SUPPLIER CODE: V31645 COMPONENT MAINT MANUAL REF: 25-53-13		2
600	452T2130-24		.BASE ASSY-GUIDE SUPPLIER CODE: V31645 COMPONENT MAINT MANUAL REF: 25-53-13		1
605	BACB30LU06P4		.. BOLT		4
610	65B62062-1		.. CAP- SUPPLIER CODE: V31645 POSITION DATA: BOTTOM OPTIONAL PART: 7M33334-1 V31645		1
610	7M33334-1		.. CAP- SUPPLIER CODE: V31645 POSITION DATA: BOTTOM OPTIONAL PART: 65B62062-1 V31645		1
615	69B63047-1		.. SPRING ASSY-LEAF SUPPLIER CODE: V31645 OPTIONAL PART: 7M33344-1 V31645		1

ILLUSTRATION ITEMS NOT ON PARTS LIST ARE NOT APPLICABLE

- ITEM NOT ILLUSTRATED

HXL

25-53-15-19

BOEING PROPRIETARY - Copyright © - Unpublished Work - See title page for details.

25-53-15
FIG. 19
PAGE 17
AUG 22/08



767

PARTS CATALOG (MAINTENANCE)

FIG ITEM	PART NUMBER	1 2 3 4 5 6 7	NOMENCLATURE	EFFECT FROM TO	UNITS PER ASSY
19 615	7M33344-1		.. SPRING ASSY-LEAF SUPPLIER CODE: V31645 OPTIONAL PART: 69B63047-1 V31645		1
620	7M33336-7		.. SPACER- SUPPLIER CODE: V31645 OPTIONAL PART: 65B62120-7 V31645		1
620	65B62120-7		.. SPACER- SUPPLIER CODE: V31645 OPTIONAL PART: 7M33336-7 V31645		1
625	7M33336-8		.. RESTRAINT-VERTICAL SUPPLIER CODE: V31645 OPTIONAL PART: 65B62120-8 V31645		1
625	65B62120-8		.. RESTRAINT-VERTICAL SUPPLIER CODE: V31645 OPTIONAL PART: 7M33336-8 V31645		1
627 630	BACP18BE8C0875U 69B63049-15		.. PIN-SPRING .. PIN- SUPPLIER CODE: V31645 OPTIONAL PART: 7M30053-15 V31645		2 2
630	7M30053-15		.. PIN- SUPPLIER CODE: V31645 OPTIONAL PART: 69B63049-15 V31645		2
637 640	BACP18BE4C0625U 69B63049-16		.. PIN-SPRING .. PIN- SUPPLIER CODE: V31645		1 1
642	BACW10P343TF		.. WASHER-		1

ILLUSTRATION ITEMS NOT ON PARTS LIST ARE NOT APPLICABLE

- ITEM NOT ILLUSTRATED

25-53-15-19

25-53-15
FIG. 19
PAGE 18
AUG 22/08

HXL

BOEING PROPRIETARY - Copyright © - Unpublished Work - See title page for details.

 **BOEING**
767
PARTS CATALOG (MAINTENANCE)

FIG ITEM	PART NUMBER	1 2 3 4 5 6 7	NOMENCLATURE	EFFECT FROM TO	UNITS PER ASSY
19					
645	452T2150-6	..	FITTING-CHANNEL SUPPLIER CODE: V31645 USED ON: 452T2130-23		1
647	452T2150-5	..	FITTING-CHANNEL SUPPLIER CODE: V31645 USED ON: 452T2130-24		1
648	MS16624-4025	..	RING-RETAINING		1
649	NAS1149F0432P	..	WASHER		AR
650	452T1218-16	..	PIN- SUPPLIER CODE: V31645		1
655	69B63002-1	..	LINK- SUPPLIER CODE: V31645 OPTIONAL PART: 7M33136-1 V31645		1
655	7M33136-1	..	LINK- SUPPLIER CODE: V31645 OPTIONAL PART: 69B63002-1 V31645		1
657	BACP18BE6C0562U	..	PIN-SPRING		1
660	452T2151-2	..	PAWL- SUPPLIER CODE: V31645		1
665	BACB28Y7F103	..	BUSHING		1
670	452T2156-1	..	LINK- SUPPLIER CODE: V31645 USED ON: 452T2130-23		1
675	452T2156-2	..	LINK- SUPPLIER CODE: V31645 USED ON: 452T2130-24		1
680	BACP18BE4C0750U	..	PIN-SPRING		1
683	69B63049-17	..	PIN- SUPPLIER CODE: V31645		1
685	452T2135-1	..	SPRING-LINK SUPPLIER CODE: V31645		1

ILLUSTRATION ITEMS NOT ON PARTS LIST ARE NOT APPLICABLE

- ITEM NOT ILLUSTRATED

HXL

25-53-15-19

BOEING PROPRIETARY - Copyright © - Unpublished Work - See title page for details.

25-53-15
FIG. 19
PAGE 19
AUG 22/08

 **BOEING**
767
PARTS CATALOG (MAINTENANCE)

FIG ITEM	PART NUMBER	1 2 3 4 5 6 7	NOMENCLATURE	EFFECT FROM TO	UNITS PER ASSY
19					
690	65B63526-3	..	LINK- SUPPLIER CODE: V31645		1
692	MS16624-4050	..	RING-RETAINING		1
695	452T1218-17	..	PIN- SUPPLIER CODE: V31645		1
700	452T2113-2	..	SPRING- SUPPLIER CODE: V31645		1
703	452T2109-7	..	SPINDLE- SUPPLIER CODE: V31645		1
706	BACW10P125C	..	WASHER-		1
709	BACN11AG6	..	NUT-		1
715	452T2105-12	..	ROLLER ASSY- SUPPLIER CODE: V31645		1
715	452T2105-11	..	ROLLER ASSY- SUPPLIER CODE: V31645		1
715	452T2105-5	..	ROLLER ASSY- SUPPLIER CODE: V31645		1
720	BACB28X8M038	...	BUSHING		1
725	452T2111-2	...	BUSHING- SUPPLIER CODE: V31645		1
730	452T2148-2	...	SHIELD- SUPPLIER CODE: V2W100		1
735	452T2148-3	...	SHIELD- SUPPLIER CODE: V2W100 OPTIONAL PART: 452T2148-5 V2W100		1
735	452T2148-5	...	SHIELD- SUPPLIER CODE: V2W100 OPTIONAL PART: 452T2148-3 V2W100		1
740	452T2105-6	...	ROLLER ASSY- SUPPLIER CODE: V31645		1
745	452T2105-7	HUB- SUPPLIER CODE: V31645		1

ILLUSTRATION ITEMS NOT ON PARTS LIST ARE NOT APPLICABLE

— ITEM NOT ILLUSTRATED

HXL

25-53-15-19

BOEING PROPRIETARY - Copyright © - Unpublished Work - See title page for details.

25-53-15
FIG. 19
PAGE 20
AUG 22/08



767

PARTS CATALOG (MAINTENANCE)

FIG ITEM	PART NUMBER	1 2 3 4 5 6 7	NOMENCLATURE	EFFECT FROM TO	UNITS PER ASSY
19 750	452T2105-8	SHELL- SUPPLIER CODE: V31645		1
755	452T2149-9		..BASE- SUPPLIER CODE: V31645 USED ON: 452T2130-23		1
- 760	452T2149-12		..BASE- SUPPLIER CODE: V31645 USED ON: 452T2130-24		1

ILLUSTRATION ITEMS NOT ON PARTS LIST ARE NOT APPLICABLE

- ITEM NOT ILLUSTRATED

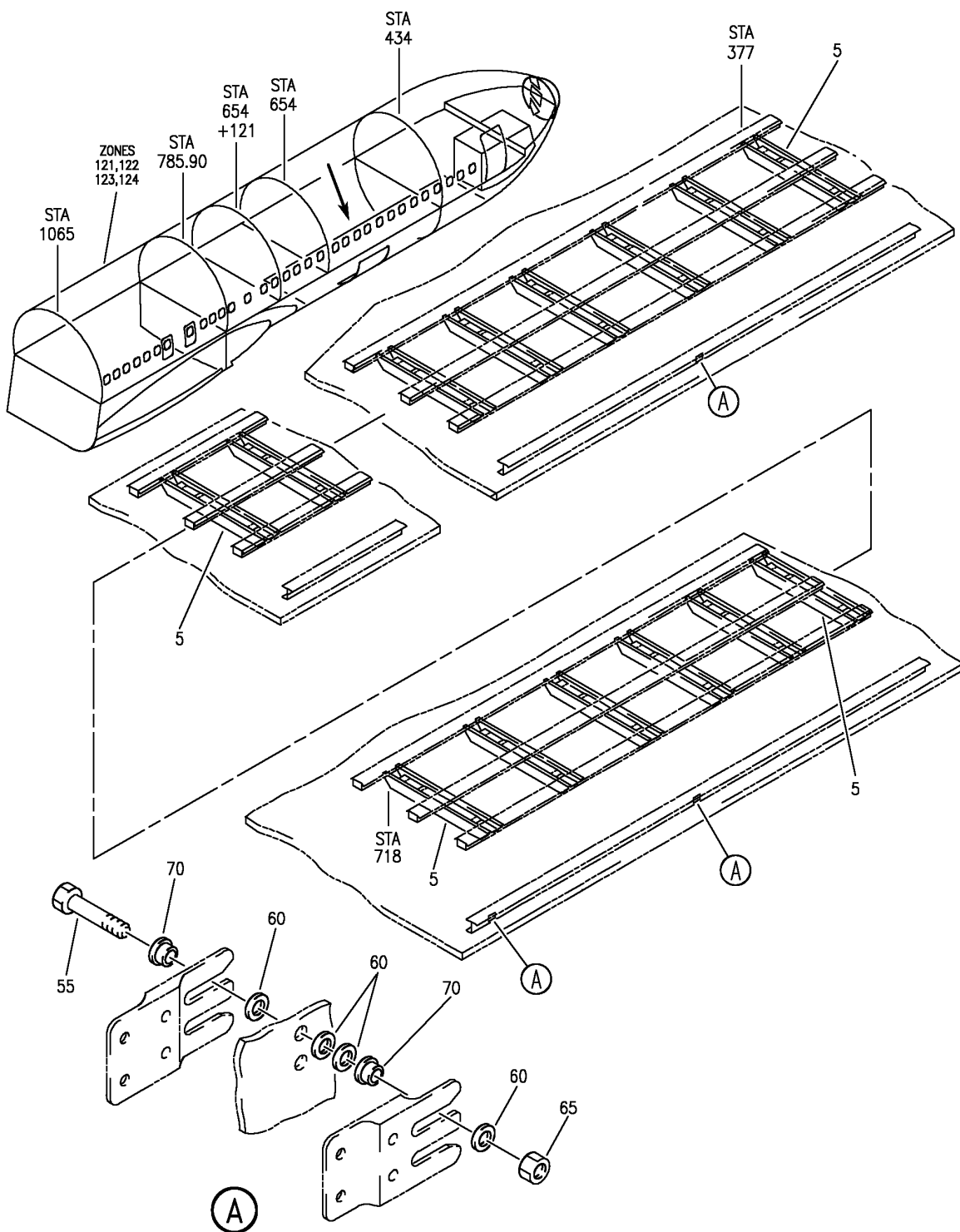
HXL

25-53-15-19

BOEING PROPRIETARY - Copyright © - Unpublished Work - See title page for details.

25-53-15
FIG. 19
PAGE 21
AUG 22/08

BOEING
767
PARTS CATALOG (MAINTENANCE)



V 25531536 REV 272

STRUCTURE INSTL-SECT. 41/43 FWD CARGO COMPT LONG. GUIDE
FIGURE 36

25-53-15-36

HXL
DEC 22/06

25-53-15-36
PAGE 0



767

PARTS CATALOG (MAINTENANCE)

FIG ITEM	PART NUMBER	1 2 3 4 5 6 7	NOMENCLATURE	EFFECT FROM TO	UNITS PER ASSY
36			STRUCTURE INSTL-SECT. 41/43 FWD CARGO COMPT LONG. GUIDE		
- 50	452T2001-130		STRUCTURE INSTL-CARGO COMPT LONG. GUIDE POSITION DATA: SECT. 41/43 FWD FOR NHA SEE: 25-50-00-01		RF
55	BACB30NM3K11		.BOLT SUPPLIER CODE: V06710 SPECIFICATION NUMBER: BACB30NM3K11		6
60	BACW10P5C		.WASHER		24
65	MS21042L3		.NUT		6
70	452T2012-1		.BUSHING- SUPPLIER CODE: V31645		12
ILLUSTRATION ITEMS NOT ON PARTS LIST ARE NOT APPLICABLE					

- ITEM NOT ILLUSTRATED

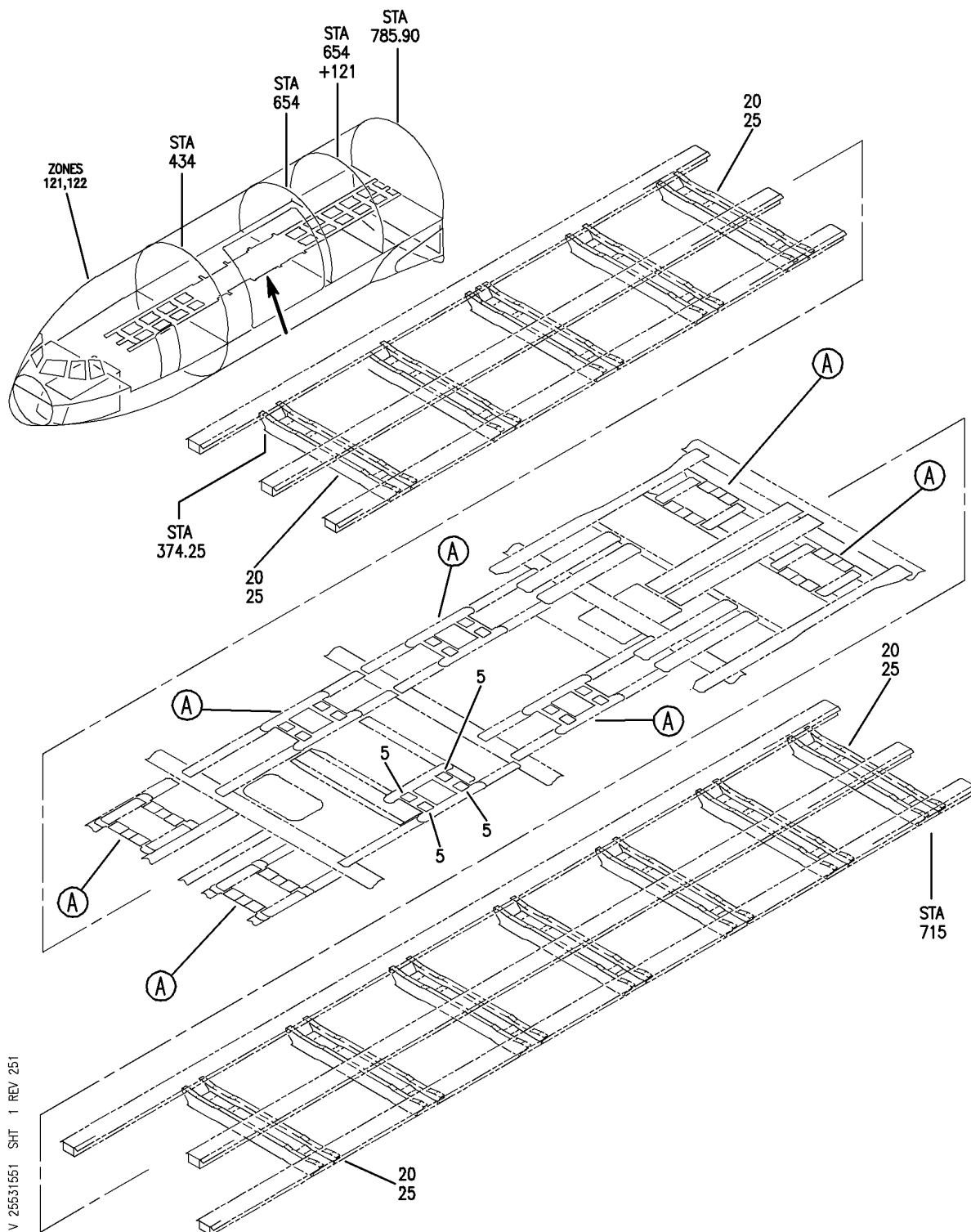
HXL

25-53-15-36

BOEING PROPRIETARY - Copyright © - Unpublished Work - See title page for details.

25-53-15
FIG. 36
PAGE 1
DEC 22/07

BOEING
767
PARTS CATALOG (MAINTENANCE)



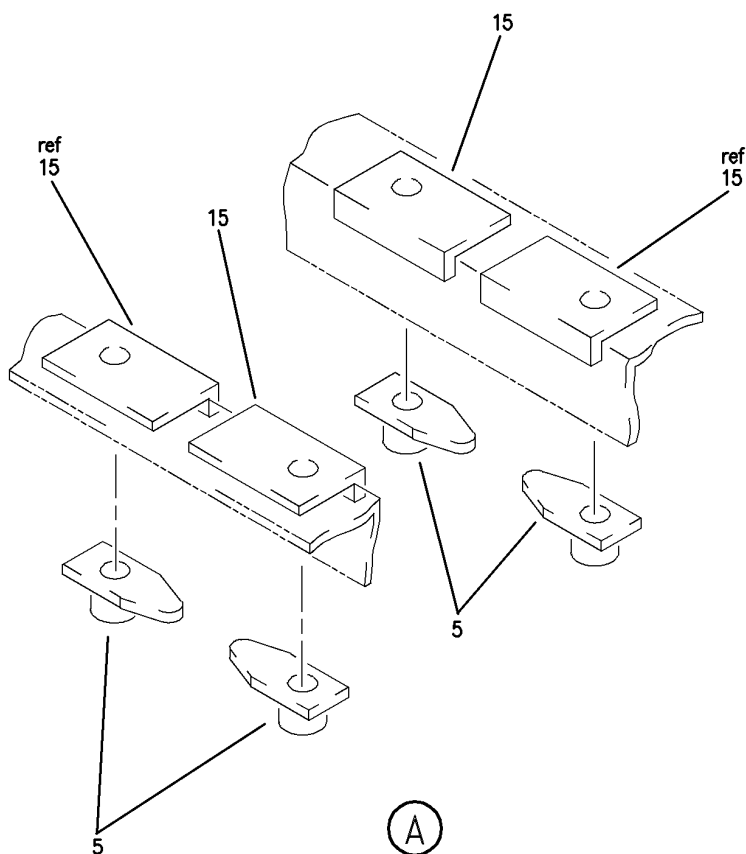
SUPPORT INSTL-SECT. 41/43 FWD CARGO COMPT LONG. GUIDE
FIGURE 51 (SHEET 1)

25-53-15-51

HXL
DEC 22/06

25-53-15-51
PAGE 0

BOEING
767
PARTS CATALOG (MAINTENANCE)



V 25531551 SHIT 2 REV 251

SUPPORT INSTL-SECT. 41/43 FWD CARGO COMPT LONG. GUIDE
FIGURE 51 (SHEET 2)

25-53-15-51

HXL
DEC 22/06

25-53-15-51
PAGE 0A

BOEING PROPRIETARY - Copyright © - Unpublished Work - See title page for details.



767

PARTS CATALOG (MAINTENANCE)

FIG ITEM	PART NUMBER	1 2 3 4 5 6 7	NOMENCLATURE	EFFECT FROM TO	UNITS PER ASSY
51			SUPPORT INSTL-SECT. 41/43 FWD CARGO COMPT LONG. GUIDE		
- 1	452T2001-103		SUPPORT INSTL-CARGO COMPT LONG. GUIDE POSITION DATA: SECT. 41/43 FWD FOR NHA SEE: 25-50-00-01		RF
5	F177-4		.NUTPLATE SUPPLIER CODE: V72962 SPECIFICATION NUMBER: BACN10JA4 OPTIONAL PART: F2400-4 V15653 43610-048 V80539 BRF110A4 V52828 BRF170A4 V52828		32
- 10	BACR15BA3AD		ATTACHING PARTS .RIVET		64
15	452T2054-9		-----*----- .FILLER- SUPPLIER CODE: V31645 OPTIONAL PART: 452T2054-10 V31645		14
15	452T2054-10		.FILLER- SUPPLIER CODE: V31645 OPTIONAL PART: 452T2054-9 V31645		14
20	452T2051-10		.BEAM ASSY- SUPPLIER CODE: V31645 OPTIONAL PART: 452T2051-11 V31645		12

ILLUSTRATION ITEMS NOT ON PARTS LIST ARE NOT APPLICABLE

- ITEM NOT ILLUSTRATED

HXL

25-53-15-51

BOEING PROPRIETARY - Copyright © - Unpublished Work - See title page for details.

25-53-15
FIG. 51
PAGE 1
DEC 22/06



767

PARTS CATALOG (MAINTENANCE)

FIG ITEM	PART NUMBER	1 2 3 4 5 6 7	NOMENCLATURE	EFFECT FROM TO	UNITS PER ASSY
51 20	452T2051-11		.BEAM ASSY- SUPPLIER CODE: V31645 OPTIONAL PART: 452T2051-10 V31645 ATTACHING PARTS		12
- 30	BACB30NR4K6		.BOLT		96
- 35	AN960JD416		.WASHER -----*-----		96

ILLUSTRATION ITEMS NOT ON PARTS LIST ARE NOT APPLICABLE

- ITEM NOT ILLUSTRATED

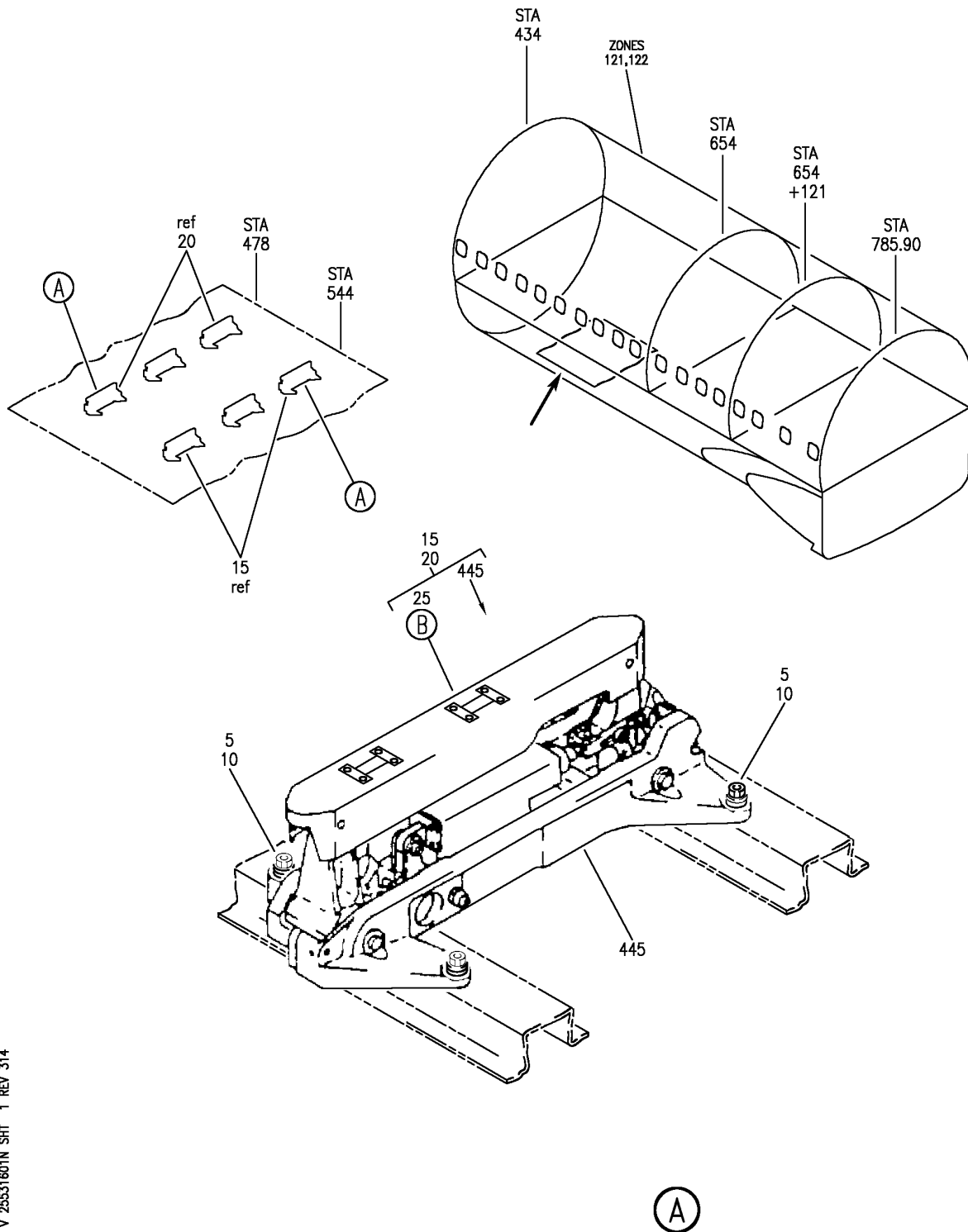
HXL

25-53-15-51

BOEING PROPRIETARY - Copyright © - Unpublished Work - See title page for details.

25-53-15
FIG. 51
PAGE 2
DEC 22/06

BOEING
767
PARTS CATALOG (MAINTENANCE)



V 25531601N SHT 1 REV 314

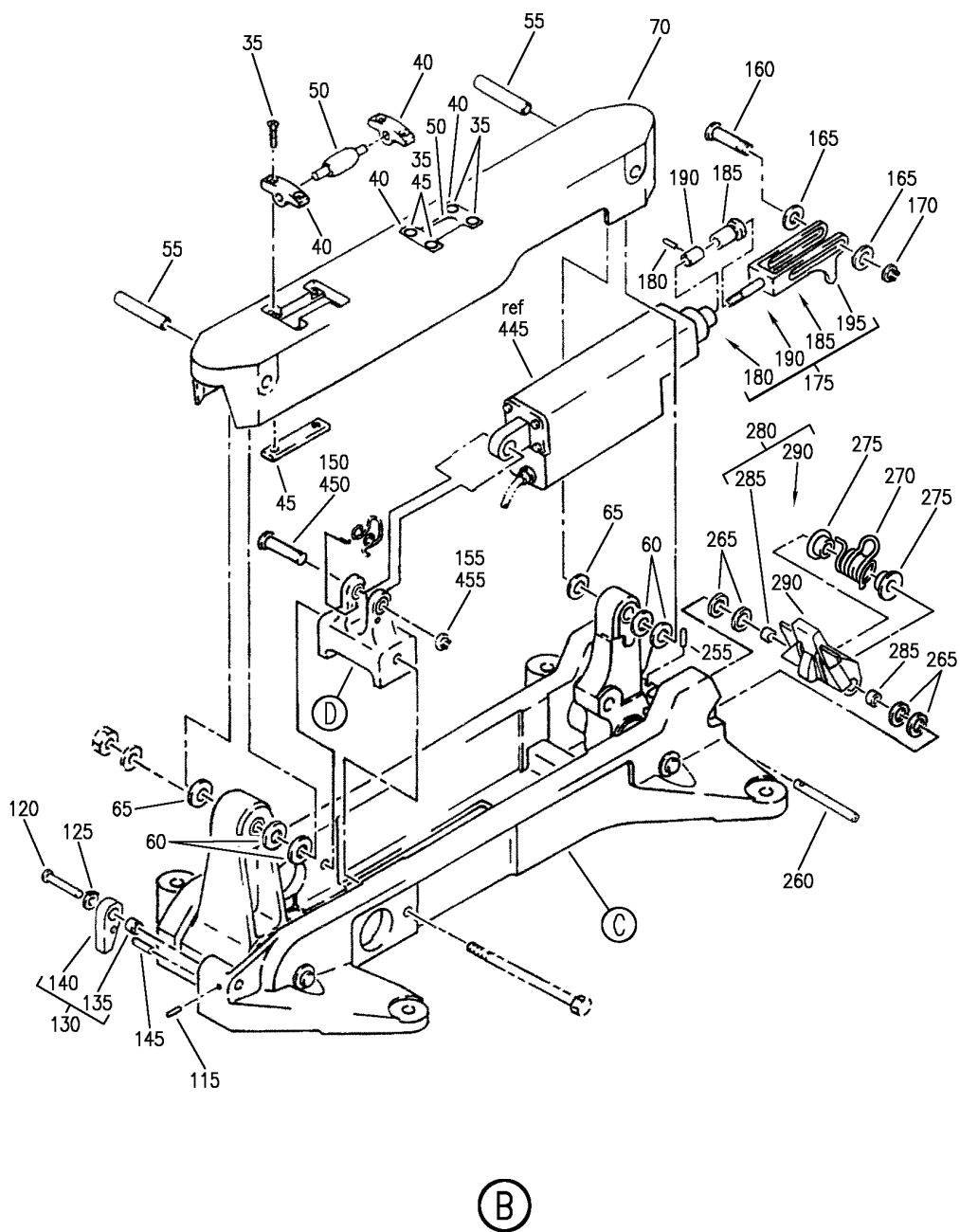
GUIDE INSTL-SECT. 43 FWD CARGO COMPT LATERAL
FIGURE 1N (SHEET 1)

25-53-16-01N

HXL
APR 22/07

25-53-16-01N
PAGE 0

BOEING
767
PARTS CATALOG (MAINTENANCE)



V 25531601N SHT 2 REV 314

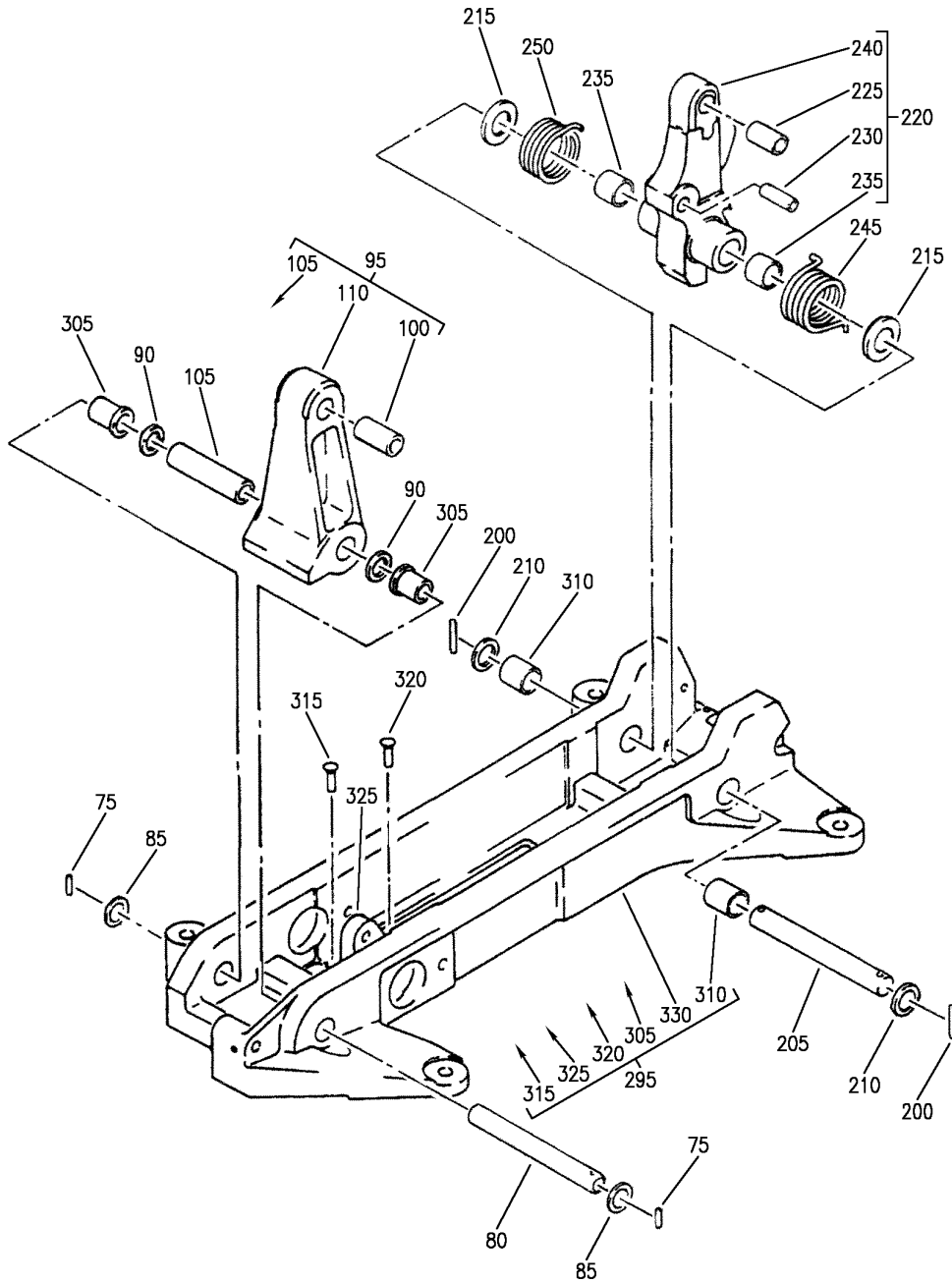
GUIDE INSTL-SECT. 43 FWD CARGO COMPT LATERAL
FIGURE 1N (SHEET 2)

25-53-16-01N

HXL
APR 22/07

25-53-16-01N
PAGE 0A

BOEING
767
PARTS CATALOG (MAINTENANCE)



(C)

V 25531601N SHT 3 REV 314

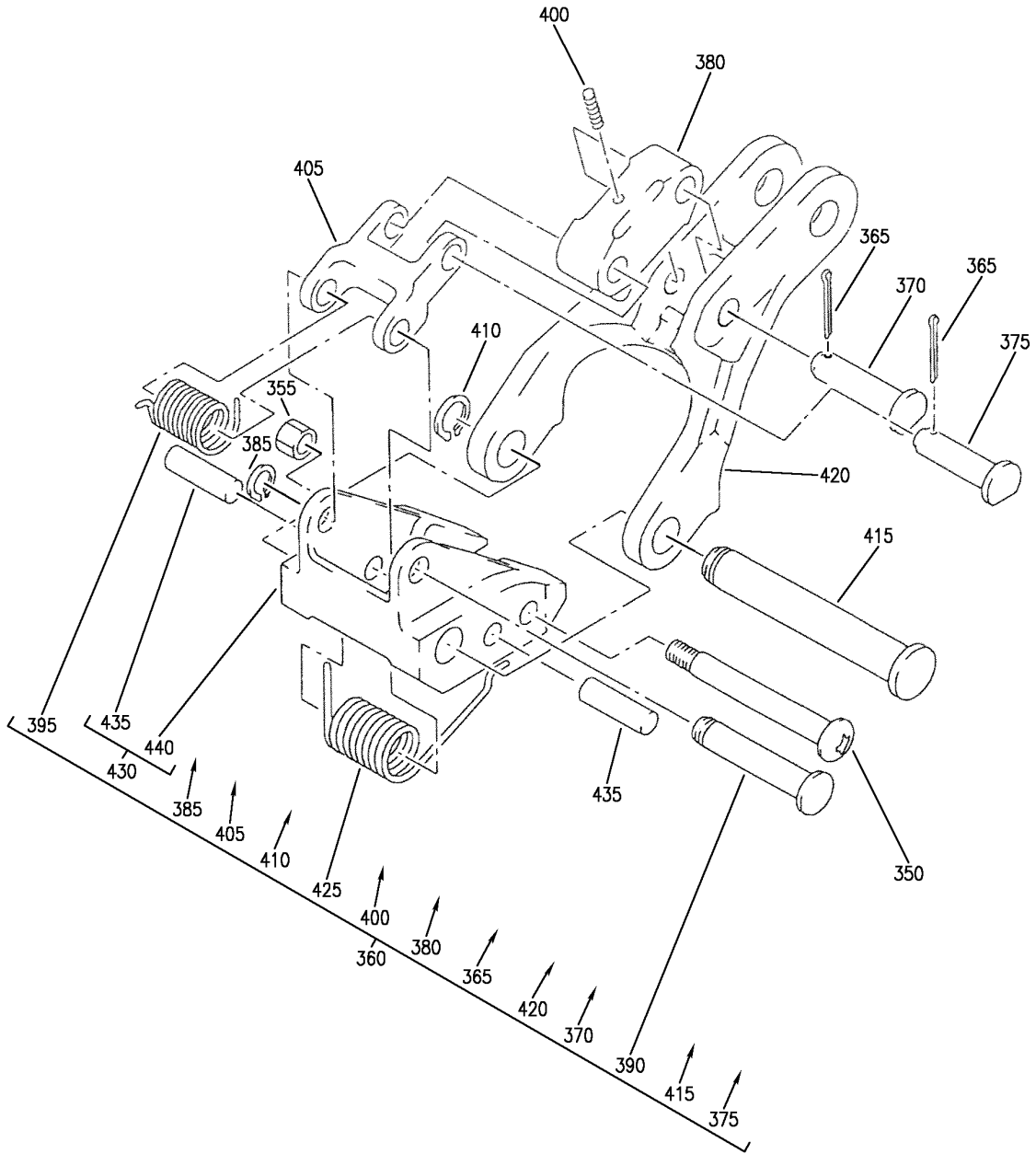
GUIDE INSTL-SECT. 43 FWD CARGO COMPT LATERAL
FIGURE 1N (SHEET 3)

25-53-16-01N

HXL
APR 22/07

25-53-16-01N
PAGE 0B

BOEING
767
PARTS CATALOG (MAINTENANCE)



(D)

V 25531601N SHT 4 REV 314

GUIDE INSTL-SECT. 43 FWD CARGO COMPT LATERAL
FIGURE 1N (SHEET 4)

25-53-16-01N

HXL
APR 22/07

25-53-16-01N
PAGE 0C



767

PARTS CATALOG (MAINTENANCE)

FIG ITEM	PART NUMBER	1 2 3 4 5 6 7	NOMENCLATURE	EFFECT FROM TO	UNITS PER ASSY
1N			GUIDE INSTL-SECT. 43 FWD CARGO COMPT LATERAL		
- 1	452T2601-34		GUIDE INSTL-CARGO HANDLING COMPT LATERAL POSITION DATA: SECT. 43 FWD FOR NHA SEE: 25-50-00-01		RF
5	BACB30MR6K16		.BOLT		24
10	BACW10BP6C		.WASHER		24
15	452T2633-17		.GUIDE ASSY- SUPPLIER CODE: V31645 COMPONENT MAINT MANUAL REF: 25-53-14 OPTIONAL PART: 452T2633-27 V31645		3
15	452T2633-27		.GUIDE ASSY- SUPPLIER CODE: V31645 COMPONENT MAINT MANUAL REF: 25-53-14 OPTIONAL PART: 452T2633-17 V31645		3
15	452T2633-35		.GUIDE ASSY- SUPPLIER CODE: V31645 COMPONENT MAINT MANUAL REF: 25-53-14		3
20	452T2633-7		.GUIDE ASSY- SUPPLIER CODE: V31645 COMPONENT MAINT MANUAL REF: 25-53-14 QUALIFIED I/W DATA: -15 IS FULLY I/W (-7) WHEN ACTUATOR CABLE IS MOVED TO OPPOSITE SIDE ON INSTALLATION (-7 IS OPP -15)		3

ILLUSTRATION ITEMS NOT ON PARTS LIST ARE NOT APPLICABLE

- ITEM NOT ILLUSTRATED

HXL

25-53-16-01N

BOEING PROPRIETARY - Copyright © - Unpublished Work - See title page for details.

25-53-16
FIG. 01N
PAGE 1
APR 22/07



767

PARTS CATALOG (MAINTENANCE)

FIG ITEM	PART NUMBER	1 2 3 4 5 6 7	NOMENCLATURE	EFFECT FROM TO	UNITS PER ASSY
1N					
20	452T2633-18		.GUIDE ASSY- SUPPLIER CODE: V31645 COMPONENT MAINT MANUAL REF: 25-53-14 OPTIONAL PART: 452T2633-28 V31645		3
20	452T2633-28		.GUIDE ASSY- SUPPLIER CODE: V31645 COMPONENT MAINT MANUAL REF: 25-53-14 QUALIFIED I/W DATA: -30 IS FULLY INTERCHANGEABLE WITH -28 WHEN ACTUATOR CABLE IS MOVED TO THE OPPOSITE SIDE ON INSTALLATION. OPTIONAL PART: 452T2633-18 V31645		3
20	452T2633-20		.GUIDE ASSY- SUPPLIER CODE: V31645 COMPONENT MAINT MANUAL REF: 25-53-14		3
20	452T2633-15		.GUIDE ASSY- SUPPLIER CODE: V31645 COMPONENT MAINT MANUAL REF: 25-53-14 QUALIFIED I/W DATA: (-7) -15 IS FULLY I/W -7 WHEN ACTUATOR CABLE IS MOVED TO OPPOSITE SIDE ON INSTALLATION (-7 IS OPPOSITE -15)		3
20	452T2633-30		.GUIDE ASSY- SUPPLIER CODE: V31645 COMPONENT MAINT MANUAL REF: 25-53-14 QUALIFIED I/W DATA: -30 IS FULLY INTER- CHANGEABLE WITH -28 WHEN ACTUATOR CABLE IS MOVED TO THE OPPOSITE SIDE ON INSTALLATION.		3

ILLUSTRATION ITEMS NOT ON PARTS LIST ARE NOT APPLICABLE

- ITEM NOT ILLUSTRATED

25-53-16-01N

25-53-16
FIG. 01N
PAGE 2
APR 22/07

HXL

BOEING PROPRIETARY - Copyright © - Unpublished Work - See title page for details.



767

PARTS CATALOG (MAINTENANCE)

FIG ITEM	PART NUMBER	1 2 3 4 5 6 7	NOMENCLATURE	EFFECT FROM TO	UNITS PER ASSY
1N					
25	452T2633-6		..GUIDE ASSY- SUPPLIER CODE: V31645 USED ON: 452T2633-17		1
25	452T2633-26		..GUIDE ASSY- SUPPLIER CODE: V31645 USED ON: 452T2633-27		1
25	452T2633-36		..GUIDE ASSY- SUPPLIER CODE: V31645 USED ON: 452T2633-35		1
- 30	452T2633-8		..GUIDE ASSY- SUPPLIER CODE: V31645 USED ON: 452T2633-7 452T2633-15 452T2633-18 452T2633-20		1
- 30	452T2633-23		..GUIDE ASSY- SUPPLIER CODE: V31645 QUALIFIED I/W DATA: 452T2633-33 TOGETHER WITH (1EA) 452T1218-20 AND (1EA) MS16624-1025 CAN REPLACE OR BE REPLACED BY 452T2633-23 USED ON: 452T2633-7 452T2633-15 452T2633-18 452T2633-20		1
- 30	452T2633-32		..GUIDE ASSY- SUPPLIER CODE: V31645 USED ON: 452T2633-28 452T2633-30		1
35	NAS514P1032-6P		...SCREW- USED ON: 452T2633-6 452T2633-8 452T2633-23		8

ILLUSTRATION ITEMS NOT ON PARTS LIST ARE NOT APPLICABLE

- ITEM NOT ILLUSTRATED

HXL

25-53-16-01N

BOEING PROPRIETARY - Copyright © - Unpublished Work - See title page for details.

25-53-16
FIG. 01N
PAGE 3
APR 22/07

 **BOEING**
767
PARTS CATALOG (MAINTENANCE)

FIG ITEM	PART NUMBER	1 2 3 4 5 6 7	NOMENCLATURE	EFFECT FROM TO	UNITS PER ASSY
1N					
40	452T2611-1		...BLOCK- SUPPLIER CODE: V31645 USED ON: 452T2633-6 452T2633-8 452T2633-23		4
45	452T2620-2		...PLATE- SUPPLIER CODE: V31645 USED ON: 452T2633-6 452T2633-8 452T2633-23		4
50	452T2614-4		...ROLLER- SUPPLIER CODE: V31645 USED ON: 452T2633-6 452T2633-8 452T2633-23		2
55	452T2613-2		...PIN- SUPPLIER CODE: V31645 OPTIONAL PART: 7715222-1 V31645		2
55	7715222-1		...PIN- SUPPLIER CODE: V31645 OPTIONAL PART: 7715222-1 V31645		2
60	BACW10BP6NDP		...WASHER		4
65	BACW10BP6NDP		...WASHER		AR
70	452T2609-3		...RAIL- SUPPLIER CODE: V31645 USED ON: 452T2633-6 452T2633-8 452T2633-23		1

ILLUSTRATION ITEMS NOT ON PARTS LIST ARE NOT APPLICABLE

- ITEM NOT ILLUSTRATED

HXL

25-53-16-01N

BOEING PROPRIETARY - Copyright © - Unpublished Work - See title page for details.

25-53-16
FIG. 01N
PAGE 4
APR 22/07



767

PARTS CATALOG (MAINTENANCE)

FIG ITEM	PART NUMBER	1 2 3 4 5 6 7	NOMENCLATURE	EFFECT FROM TO	UNITS PER ASSY
1N					
70	452T2609-4	...	RAIL- SUPPLIER CODE: V31645 OPTIONAL PART: 452T2609-5 V31645 USED ON: 452T2633-26 452T2633-32 452T2633-36		1
70	452T2609-5	...	RAIL- SUPPLIER CODE: V31645 OPTIONAL PART: 452T2609-4 V31645 USED ON: 452T2633-26 452T2633-32 452T2633-36		1
75	MS16562-18	...	PIN		2
80	452T2612-4	...	PIN- SUPPLIER CODE: V31645		1
85	BACW10P209AL	...	WASHER		2
90	BACW10P195S	...	WASHER		2
95	452T2605-6	...	CRANK ASSY- SUPPLIER CODE: V31645		1
100	BACB28Y6M085	BUSHING		1
105	BACB28Y8M200	BUSHING		1
110	452T2605-7	CRANK- SUPPLIER CODE: V31645 OPTIONAL PART: 452T2605-9 V31645		1
110	452T2605-9	CRANK- SUPPLIER CODE: V31645 OPTIONAL PART: 452T2605-7 V31645		1
115	MS16562-17	...	PIN		1
120	MS20392-3C31	...	PIN		1

ILLUSTRATION ITEMS NOT ON PARTS LIST ARE NOT APPLICABLE

- ITEM NOT ILLUSTRATED

HXL

25-53-16-01N

BOEING PROPRIETARY - Copyright © - Unpublished Work - See title page for details.

25-53-16
FIG. 01N
PAGE 5
APR 22/07

BOEING
767
PARTS CATALOG (MAINTENANCE)

FIG ITEM	PART NUMBER	1 2 3 4 5 6 7	NOMENCLATURE	EFFECT FROM TO	UNITS PER ASSY
1N 125	AN960-416L	...	WASHER- USED ON: 452T2633-6 452T2633-8 452T2633-23		1
125	NAS1149F0432P	...	WASHER- USED ON: 452T2633-26 452T2633-32 452T2633-36		1
130	452T2606-1	...	PAWL ASSY- SUPPLIER CODE: V31645 OPTIONAL PART: 7715206-1 V31645		1
130	7715206-1	...	PAWL ASSY- SUPPLIER CODE: V31645 OPTIONAL PART: 452T2606-1 V31645		1
135	BACB28Y4M025	BUSHING		1
140	452T2606-2	PAWL- SUPPLIER CODE: V31645		1
145	SSBL54N	...	PLUNGER-BALL SUPPLIER CODE: V01226		1
150	452T1218-20	...	PIN- SUPPLIER CODE: V31645 OPTIONAL PART: 7715212-2 V31645 USED ON: 452T2633-6 452T2633-8 452T2633-23		1
150	7715212-2	...	PIN- SUPPLIER CODE: V31645 OPTIONAL PART: 452T1218-20 V31645 USED ON: 452T2633-6 452T2633-8 452T2633-23		1

ILLUSTRATION ITEMS NOT ON PARTS LIST ARE NOT APPLICABLE

— ITEM NOT ILLUSTRATED

HXL

25-53-16-01N

BOEING PROPRIETARY - Copyright © - Unpublished Work - See title page for details.

25-53-16
FIG. 01N
PAGE 6
DEC 22/07



767

PARTS CATALOG (MAINTENANCE)

FIG ITEM	PART NUMBER	1 2 3 4 5 6 7	NOMENCLATURE	EFFECT FROM TO	UNITS PER ASSY
1N					
155	MS16624-1025	...	RING- USED ON: 452T2633-6 452T2633-8 452T2633-23		1
160	452T2618-2	...	PIN- SUPPLIER CODE: V31645		1
165	BACW10P250S	...	WASHER		2
170	MS16624-1025	...	RING		1
170	MS16624-2025	...	RETAINING RING- USED ON: 452T2633-36		1
175	452T2617-11	...	CLEVIS ASSY- SUPPLIER CODE: V31645		1
180	452T2617-7	PIN- SUPPLIER CODE: V31645		1
185	452T2617-10	NUT- SUPPLIER CODE: V31645 OPTIONAL PART: 7715235-1 V31645		1
185	7715235-1	NUT- SUPPLIER CODE: V31645 OPTIONAL PART: 452T2617-10 V31645		1
190	452T2617-5	COLLAR- SUPPLIER CODE: V31645 OPTIONAL PART: 7715234-1 V31645		1
190	7715234-1	COLLAR- SUPPLIER CODE: V31645 OPTIONAL PART: 452T2617-5 V31645		1
195	452T2617-12	CLEVIS- SUPPLIER CODE: V31645		1
200	MS16562-18	...	PIN		2

ILLUSTRATION ITEMS NOT ON PARTS LIST ARE NOT APPLICABLE

- ITEM NOT ILLUSTRATED

HXL

25-53-16-01N

BOEING PROPRIETARY - Copyright © - Unpublished Work - See title page for details.

25-53-16
FIG. 01N
PAGE 7
APR 22/07



767

PARTS CATALOG (MAINTENANCE)

FIG ITEM	PART NUMBER	1 2 3 4 5 6 7	NOMENCLATURE	EFFECT FROM TO	UNITS PER ASSY
1N					
205	452T2612-3	...	PIN- SUPPLIER CODE: V31645		1
210	452T2621-1	...	WASHER- SUPPLIER CODE: V31645		2
215	AN960JD916L	...	WASHER- USED ON: 452T2633-6 452T2633-8 452T2633-23		2
215	NAS1149D0916J	...	WASHER- USED ON: 452T2633-26 452T2633-32 452T2633-36		2
220	452T2625-1	...	CRANK ASSY- SUPPLIER CODE: V31645		1
225	BACB28Y6F067	BUSHING		1
230	BACB28Y4F079	BUSHING		1
235	BACB28U9F050	BUSHING		2
240	452T2625-6	CRANK- SUPPLIER CODE: V31645 OPTIONAL PART: 452T2625-10 V31645		1
240	452T2625-10	CRANK- SUPPLIER CODE: V31645 OPTIONAL PART: 452T2625-6 V31645		1
245	452T2615-4	...	SPRING- SUPPLIER CODE: V31645		1
250	452T2615-3	...	SPRING- SUPPLIER CODE: V31645		1
255	MS16562-10	...	PIN		1
260	452T2612-6	...	PIN- SUPPLIER CODE: V31645 OPTIONAL PART: 7715219-1 V31645		1

ILLUSTRATION ITEMS NOT ON PARTS LIST ARE NOT APPLICABLE

- ITEM NOT ILLUSTRATED

25-53-16-01N

25-53-16
FIG. 01N
PAGE 8
APR 22/07

HXL

BOEING PROPRIETARY - Copyright © - Unpublished Work - See title page for details.



767

PARTS CATALOG (MAINTENANCE)

FIG ITEM	PART NUMBER	1 2 3 4 5 6 7	NOMENCLATURE	EFFECT FROM TO	UNITS PER ASSY
1N 260	7715219-1		...PIN- SUPPLIER CODE: V31645 OPTIONAL PART: 452T2612-6 V31645		1
265	AN960JD416L		...WASHER- USED ON: 452T2633-6 452T2633-8 452T2633-23		4
265	NAS1149D0416J		...WASHER- USED ON: 452T2633-26 452T2633-32 452T2633-36		4
270	452T2627-5		...SPRING- SUPPLIER CODE: V31645 OPTIONAL PART: 7715218-1 V31645		1
270	7715218-1		...SPRING- SUPPLIER CODE: V31645 OPTIONAL PART: 452T2627-5 V31645		1
275	BACB28X4F014		...BUSHING		2
280	452T2626-8		...PAWL ASSY- SUPPLIER CODE: V31645		1
285	BACB28Y4F015	BUSHING		2
290	452T2626-9	PAWL- SUPPLIER CODE: V31645		1
295	452T2610-11		...BASE ASSY- SUPPLIER CODE: V31645 OPTIONAL PART: 452T2610-18 V31645 USED ON: 452T2633-6 452T2633-26		1

ILLUSTRATION ITEMS NOT ON PARTS LIST ARE NOT APPLICABLE

- ITEM NOT ILLUSTRATED

HXL

25-53-16-01N

BOEING PROPRIETARY - Copyright © - Unpublished Work - See title page for details.

25-53-16
FIG. 01N
PAGE 9
APR 22/07

 **BOEING**
767
PARTS CATALOG (MAINTENANCE)

FIG ITEM	PART NUMBER	1 2 3 4 5 6 7	NOMENCLATURE	EFFECT FROM TO	UNITS PER ASSY
1N 295	452T2610-18		...BASE ASSY- SUPPLIER CODE: V31645 OPTIONAL PART: 452T2610-11 V31645 USED ON: 452T2633-6 452T2633-26		1
295	452T2610-27		...BASE ASSY- SUPPLIER CODE: V31645 USED ON: 452T2633-36		1
- 300	452T2610-14		...BASE ASSY- SUPPLIER CODE: V31645 OPTIONAL PART: 452T2610-21 V31645 USED ON: 452T2633-8 452T2633-23 452T2633-32		1
- 300	452T2610-21		...BASE ASSY- SUPPLIER CODE: V31645 OPTIONAL PART: 452T2610-14 V31645 USED ON: 452T2633-8 452T2633-23 452T2633-32		1
305	BACB28X8M060	BUSHING		2
310	BACB28U9B060	BUSHING		2
315	MS20427F6-8	RIVET		1
320	MS20427F8-9	RIVET		1
325	452T2636-1	FITTING- SUPPLIER CODE: V31645		1

ILLUSTRATION ITEMS NOT ON PARTS LIST ARE NOT APPLICABLE

- ITEM NOT ILLUSTRATED

HXL

25-53-16-01N

BOEING PROPRIETARY - Copyright © - Unpublished Work - See title page for details.

25-53-16
FIG. 01N
PAGE 10
APR 22/07



767

PARTS CATALOG (MAINTENANCE)

FIG ITEM	PART NUMBER	1 2 3 4 5 6 7	NOMENCLATURE	EFFECT FROM TO	UNITS PER ASSY
1N 330	452T2610-12	BASE- SUPPLIER CODE: V31645 OPTIONAL PART: 452T2610-13 V31647 USED ON: 452T2610-11 452T2610-18		1
330	452T2610-13	BASE- SUPPLIER CODE: V31645 OPTIONAL PART: 452T2610-12 V31647 USED ON: 452T2610-11 452T2610-18		1
330	452T2610-28	BASE- SUPPLIER CODE: V31645 OPTIONAL PART: 452T2610-29 V31647 USED ON: 452T2610-27		1
330	452T2610-29	BASE- SUPPLIER CODE: V31645 OPTIONAL PART: 452T2610-28 V31647 USED ON: 452T2610-27		1
- 335	452T2610-6	BASE- SUPPLIER CODE: V31645 OPTIONAL PART: 452T2610-7 V31647 USED ON: 452T2610-14 452T2610-21		1

ILLUSTRATION ITEMS NOT ON PARTS LIST ARE NOT APPLICABLE

- ITEM NOT ILLUSTRATED

HXL

25-53-16-01N

BOEING PROPRIETARY - Copyright © - Unpublished Work - See title page for details.

25-53-16
FIG. 01N
PAGE 11
APR 22/07



767

PARTS CATALOG (MAINTENANCE)

FIG ITEM	PART NUMBER	1 2 3 4 5 6 7	NOMENCLATURE	EFFECT FROM TO	UNITS PER ASSY
1N - 335	452T2610-7	BASE- SUPPLIER CODE: V31645 OPTIONAL PART: 452T2610-6 V31647 USED ON: 452T2610-14 452T2610-21		1
350	BACB30LK3U20	...	BOLT- OPTIONAL PART: BACB30LK3K20		1
350	BACB30LK3K20	...	BOLT- OPTIONAL PART: BACB30LK3U20		1
355	BRH10C3M	...	NUT- SUPPLIER CODE: V52828 SPECIFICATION NUMBER: BACN10JC3CM OPTIONAL PART: T6C1032JM V11815 97E02 V80539 109LH9075-3W V72962 VN303D02 V92215 NS202101SE02 V80539 H01-3BAC V15653 MS21042L3		1
355	MS21042L3	...	NUT- OPTIONAL PART: BACN10JC3CM		1
360	452T2634-1	...	ATTENUATOR ASSY- SUPPLIER CODE: V31645		1
365	MS24665-86	PIN		2
370	452T1218-21	PIN- SUPPLIER CODE: V31645 OPTIONAL PART: 7715212-3 V31645		1

ILLUSTRATION ITEMS NOT ON PARTS LIST ARE NOT APPLICABLE

- ITEM NOT ILLUSTRATED

25-53-16-01N

25-53-16
FIG. 01N
PAGE 12
APR 22/07

HXL

BOEING PROPRIETARY - Copyright © - Unpublished Work - See title page for details.

 **BOEING**
767
PARTS CATALOG (MAINTENANCE)

FIG ITEM	PART NUMBER	1 2 3 4 5 6 7	NOMENCLATURE	EFFECT FROM TO	UNITS PER ASSY
1N 370	7715212-3	PIN- SUPPLIER CODE: V31645 OPTIONAL PART: 452T1218-21 V31645		1
375	452T1218-22	PIN- SUPPLIER CODE: V31645 OPTIONAL PART: 7715212-4 V31645		1
375	7715212-4	PIN- SUPPLIER CODE: V31645 OPTIONAL PART: 452T1218-22 V31645		1
380	452T2642-1	LINK-TOGGLE SUPPLIER CODE: V31645 OPTIONAL PART: 7715216-1 V31645		1
380	7715216-1	LINK-TOGGLE SUPPLIER CODE: V31645 OPTIONAL PART: 452T2643-1 V31645		1
385	MS16624-5018-1	RING		1
390	452T1218-18	PIN- SUPPLIER CODE: V31645 OPTIONAL PART: 7715212-1 V31645		1
390	7715212-1	PIN- SUPPLIER CODE: V31645 OPTIONAL PART: 452T1218-18 V31645		1
395	452T2640-1	SPRING- SUPPLIER CODE: V31645 OPTIONAL PART: 7715213-1 V31645		1

ILLUSTRATION ITEMS NOT ON PARTS LIST ARE NOT APPLICABLE

— ITEM NOT ILLUSTRATED

HXL

25-53-16-01N

BOEING PROPRIETARY - Copyright © - Unpublished Work - See title page for details.

25-53-16
FIG. 01N
PAGE 13
APR 22/07

 **BOEING**
767
PARTS CATALOG (MAINTENANCE)

FIG ITEM	PART NUMBER	1 2 3 4 5 6 7	NOMENCLATURE	EFFECT FROM TO	UNITS PER ASSY
1N 395	7715213-1	SPRING- SUPPLIER CODE: V31645 SPECIFICATION NUMBER: S451W302-1 OPTIONAL PART: 452T2640-1 V31645		1
400	MS18066-10	SCREW		1
405	452T2643-1	LINK-FORK END SUPPLIER CODE: V31645 OPTIONAL PART: 7715217-1 V31645		1
405	7715217-1	LINK-FORK END SUPPLIER CODE: V31645 OPTIONAL PART: 452T2643-1 V31645		1
410	MS16624-1025	RING		1
415	452T1218-19	PIN- SUPPLIER CODE: V31645		1
420	452T2635-1	LINK- SUPPLIER CODE: V31645		1
425	452T2640-2	SPRING- SUPPLIER CODE: V31645 OPTIONAL PART: 7715214-1 V31645		1
425	7715214-1	SPRING- SUPPLIER CODE: V31645 SPECIFICATION NUMBER: S451W302-1 OPTIONAL PART: 452T2640-2 V31645		1
430	452T2637-1	FITTING ASSY- SUPPLIER CODE: V31645		1
435	NAS607-3-4P	PIN		2
440	452T2637-2	FITTING- SUPPLIER CODE: V31645		1

ILLUSTRATION ITEMS NOT ON PARTS LIST ARE NOT APPLICABLE

— ITEM NOT ILLUSTRATED

HXL

25-53-16-01N

BOEING PROPRIETARY - Copyright © - Unpublished Work - See title page for details.

25-53-16
FIG. 01N
PAGE 14
APR 22/07



767

PARTS CATALOG (MAINTENANCE)

FIG ITEM	PART NUMBER	1 2 3 4 5 6 7	NOMENCLATURE	EFFECT FROM TO	UNITS PER ASSY
1N 445	1827T100-5		.. ACTUATOR-LINEAR SUPPLIER CODE: V98889 SPECIFICATION NUMBER: S452T201-2 COMPONENT MAINT MANUAL REF: 25-53-02 OPTIONAL PART: 1827T100-3 V98889 OPTIONAL PART: 1827T100-7 V98889 132VJ1RL13A V00462 USED ON: 452T2633-7 452T2633-15		1
445	1827T100-7		.. ACTUATOR-LINEAR SUPPLIER CODE: V98889 SPECIFICATION NUMBER: S452T201-3 COMPONENT MAINT MANUAL REF: 25-53-02 OPTIONAL PART: 1827T100-5 V98889 132VJ1RL13A V00462 USED ON: 452T2633-7 452T2633-15		1

ILLUSTRATION ITEMS NOT ON PARTS LIST ARE NOT APPLICABLE

- ITEM NOT ILLUSTRATED

HXL

25-53-16-01N

BOEING PROPRIETARY - Copyright © - Unpublished Work - See title page for details.

25-53-16
 FIG. 01N
 PAGE 15
 APR 22/07



767

PARTS CATALOG (MAINTENANCE)

FIG ITEM	PART NUMBER	1 2 3 4 5 6 7 NOMENCLATURE	EFFECT FROM TO	UNITS PER ASSY
1N 445	132VJ1RL13A	.. ACTUATOR ASSY-LINEAR SUPPLIER CODE: V00462 SPECIFICATION NUMBER: S452T202-1 COMPONENT MAINT MANUAL REF: 25-55-03 OPTIONAL PART: 132VJ1RL13 V00462 OPTIONAL PART: 1827T100-5 V98889 1827T100-7 V98889 USED ON: 452T2633-7 452T2633-15		1
445	132VJ1RL13	.. ACTUATOR ASSY-LINEAR SUPPLIER CODE: V00462 SPECIFICATION NUMBER: S452T202-1 COMPONENT MAINT MANUAL REF: 25-55-03 OPTIONAL PART: 132VJ1RL13A V00462 USED ON: 452T2633-17 452T2633-18 452T2633-20 452T2633-28 452T2633-30		1

ILLUSTRATION ITEMS NOT ON PARTS LIST ARE NOT APPLICABLE

- ITEM NOT ILLUSTRATED

HXL

25-53-16-01N

BOEING PROPRIETARY - Copyright © - Unpublished Work - See title page for details.

25-53-16
 FIG. 01N
 PAGE 16
 APR 22/07



767

PARTS CATALOG (MAINTENANCE)

FIG ITEM	PART NUMBER	1 2 3 4 5 6 7	NOMENCLATURE	EFFECT FROM TO	UNITS PER ASSY
1N 445	132VJ1RL13A		..ACTUATOR ASSY-LINEAR SUPPLIER CODE: V00462 SPECIFICATION NUMBER: S452T202-1 COMPONENT MAINT MANUAL REF: 25-55-03 OPTIONAL PART: 132VJ1RL13 V00462 USED ON: 452T2633-17 452T2633-18 452T2633-20 452T2633-28 452T2633-30		1
450	452T1218-20		..PIN- SUPPLIER CODE: V31645 OPTIONAL PART: 7715212-2 V31645 USED ON: 452T2633-27 452T2633-28 452T2633-30 452T2633-35		1
450	7715212-2		..PIN- SUPPLIER CODE: V31645 OPTIONAL PART: 452T1218-20 V31645 USED ON: 452T2633-27 452T2633-28 452T2633-30 452T2633-35		1
455	MS16624-1025		..RING- USED ON: 452T2633-27 452T2633-28 452T2633-30		1
455	MS16624-2025		..RETAINING RING- USED ON: 452T2633-35		1

ILLUSTRATION ITEMS NOT ON PARTS LIST ARE NOT APPLICABLE

- ITEM NOT ILLUSTRATED

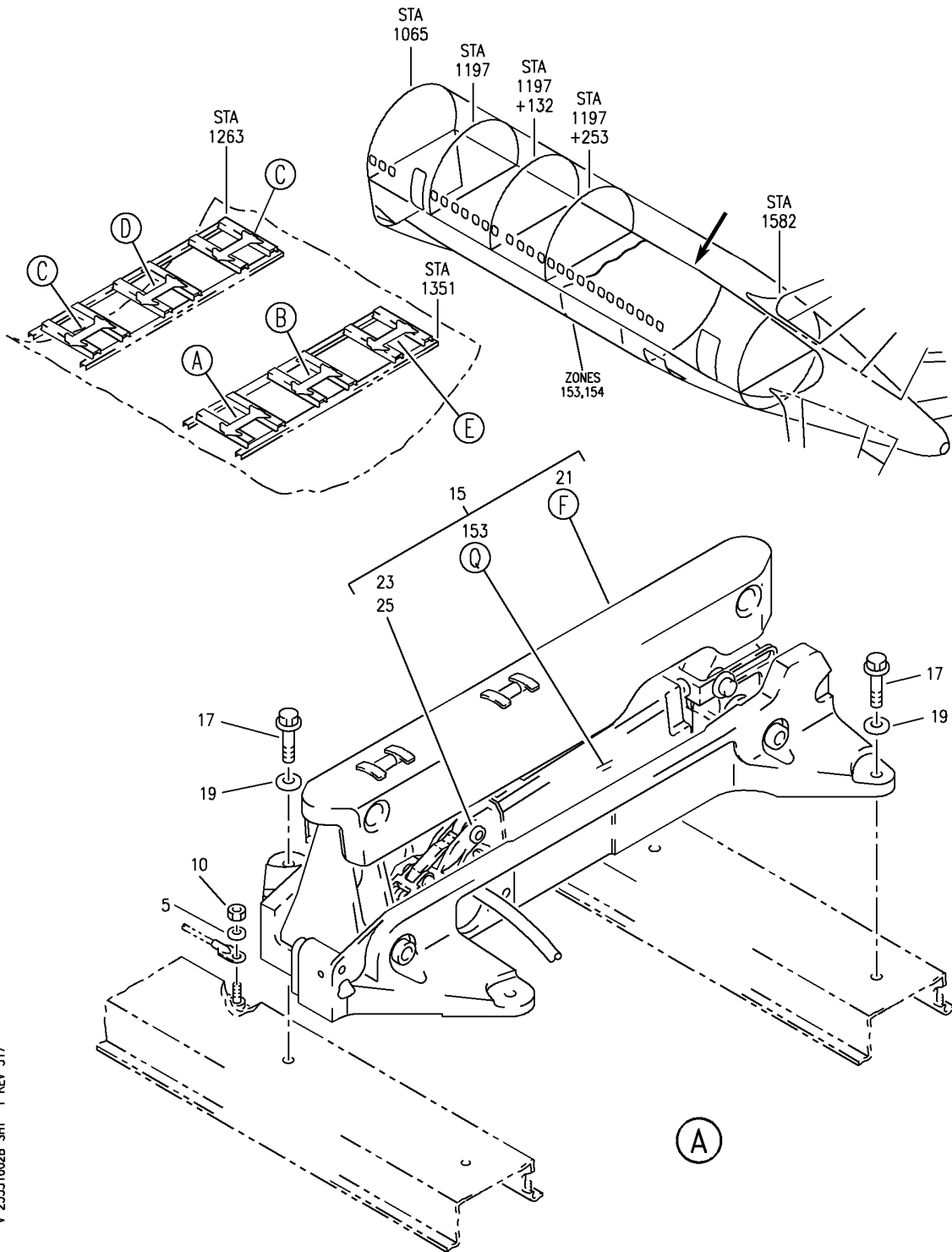
HXL

25-53-16-01N

BOEING PROPRIETARY - Copyright © - Unpublished Work - See title page for details.

25-53-16
FIG. 01N
PAGE 17
APR 22/07

BOEING
767
PARTS CATALOG (MAINTENANCE)



V 25531602B SHT 1 REV 317

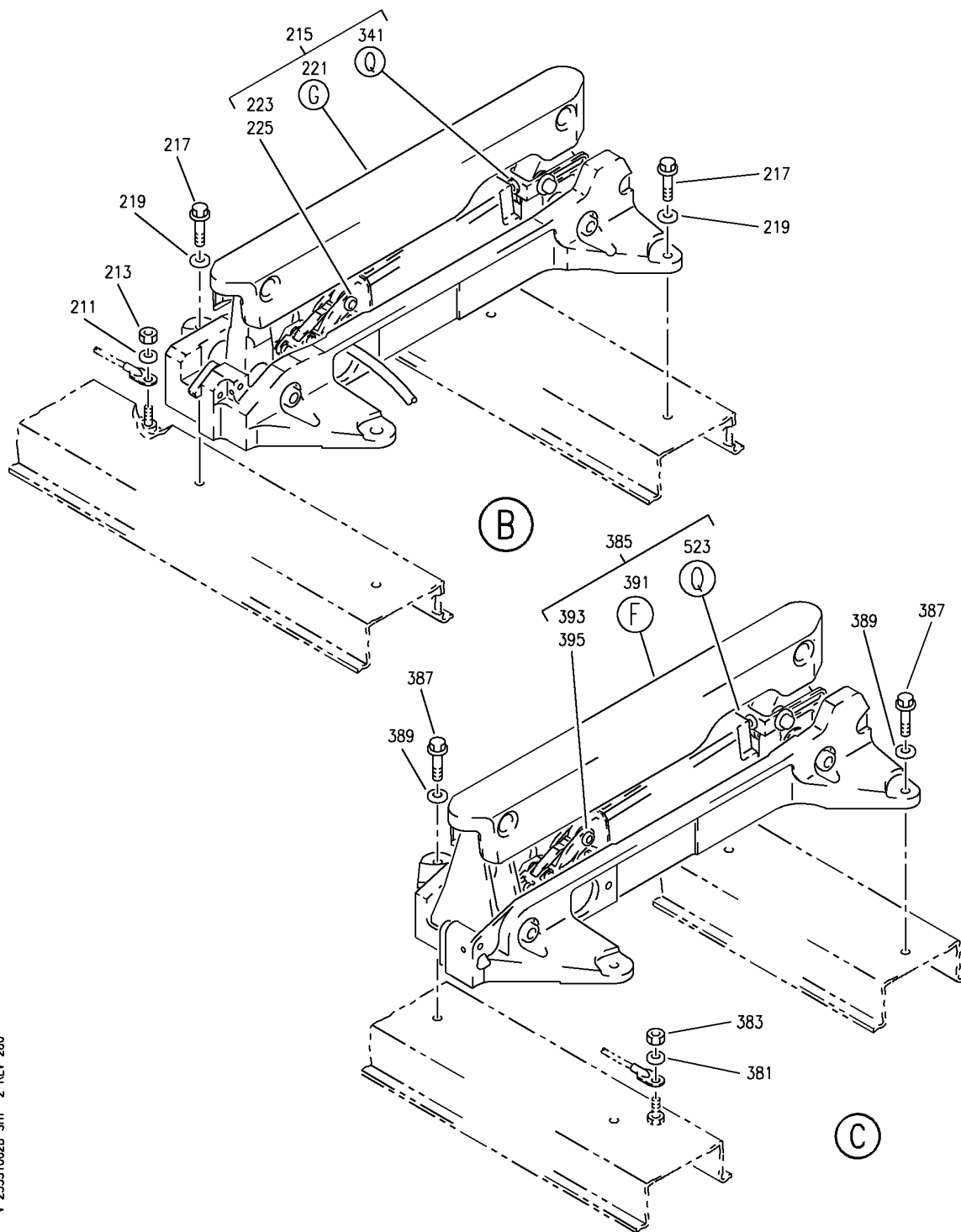
GUIDE INSTL-CARGO HANDLING CARGO COMPT LATERAL AFT
FIGURE 2B (SHEET 1)

25-53-16-02B

HXL
AUG 22/07

25-53-16-02B
PAGE 0

BOEING
767
PARTS CATALOG (MAINTENANCE)



V 25531602B SHT 2 REV 286

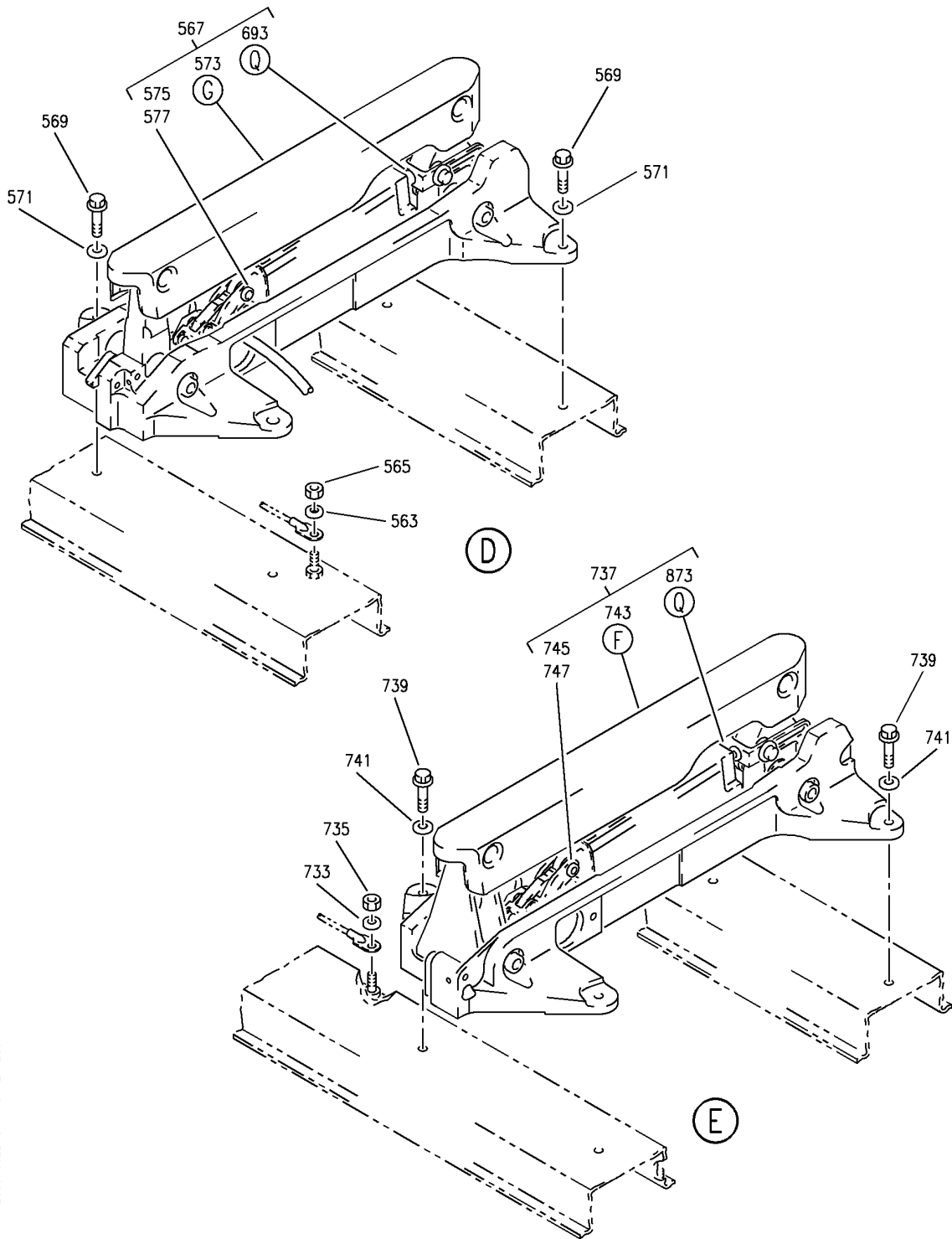
GUIDE INSTL-CARGO HANDLING CARGO COMPT LATERAL AFT
FIGURE 2B (SHEET 2)

25-53-16-02B

HXL
DEC 22/06

25-53-16-02B
PAGE 0A

BOEING
767
PARTS CATALOG (MAINTENANCE)



V 25531602B SHT 3 REV 286

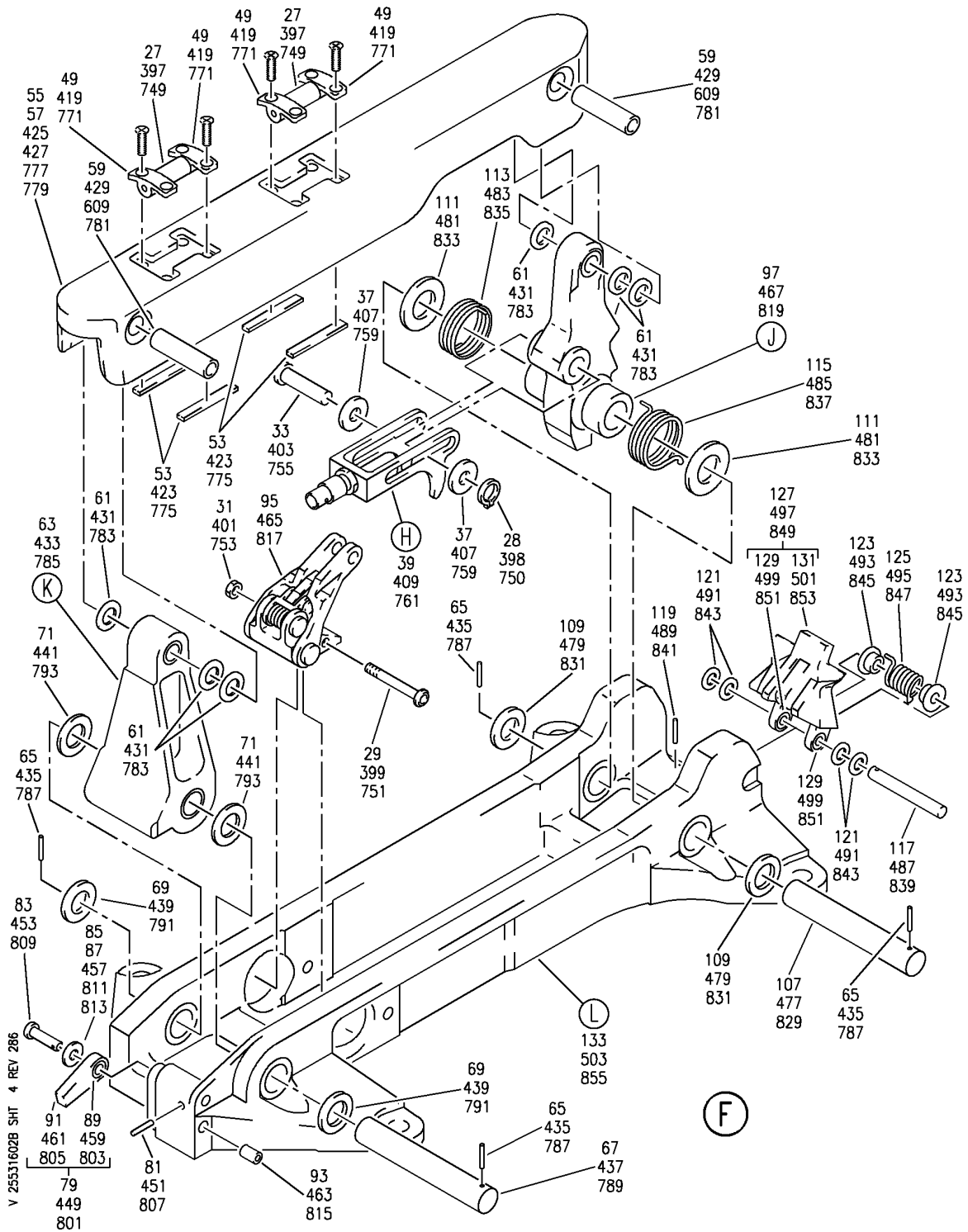
GUIDE INSTL-CARGO HANDLING CARGO COMPT LATERAL AFT
FIGURE 2B (SHEET 3)

25-53-16-02B

HXL
DEC 22/06

25-53-16-02B
PAGE 0B

BOEING
767
PARTS CATALOG (MAINTENANCE)



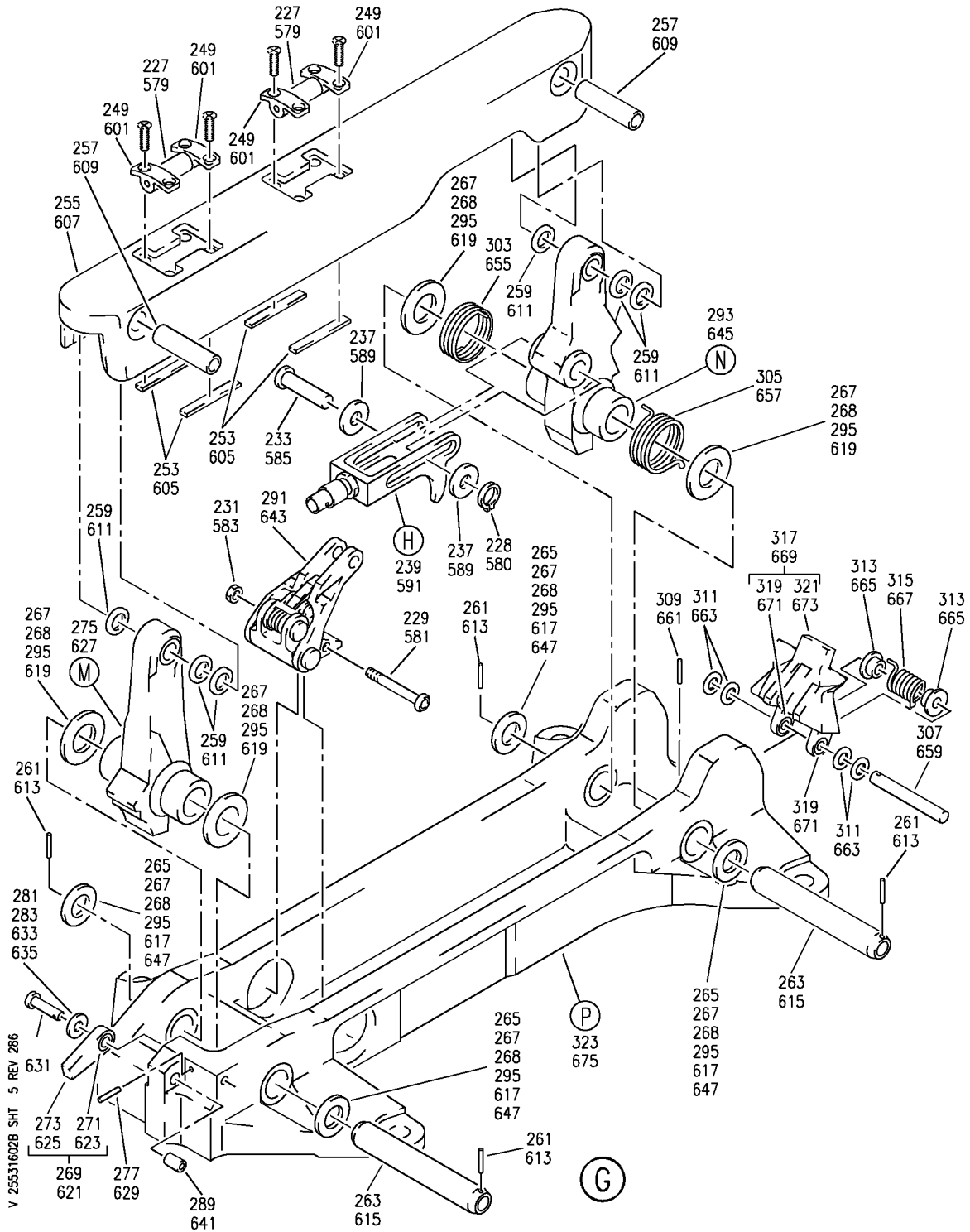
GUIDE INSTL-CARGO HANDLING CARGO COMPT LATERAL AFT
FIGURE 2B (SHEET 4)

25-53-16-02B

HXL
DEC 22/06

25-53-16-02B
PAGE 0C

BOEING
767
PARTS CATALOG (MAINTENANCE)



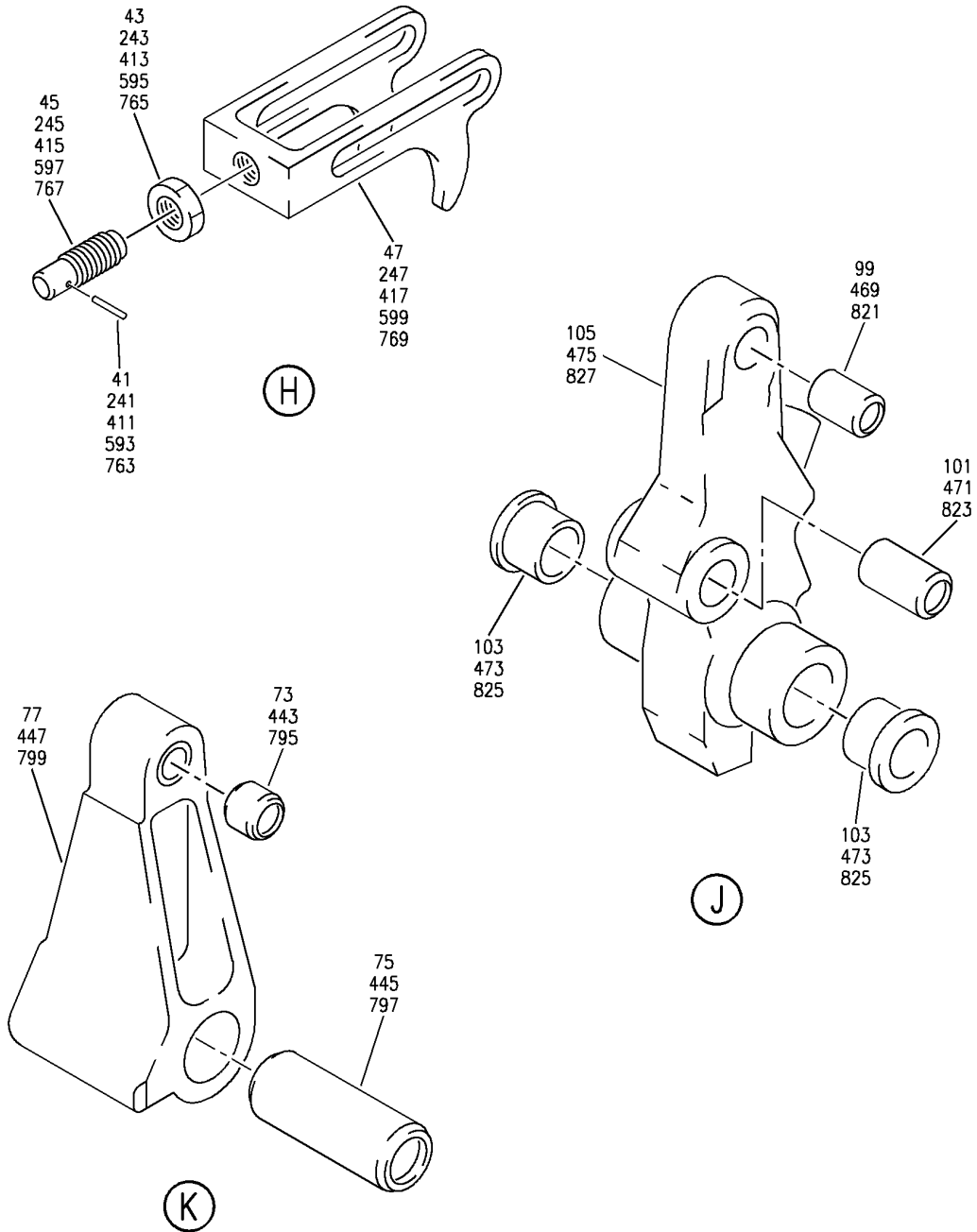
GUIDE INSTL-CARGO HANDLING CARGO COMPT LATERAL AFT
FIGURE 2B (SHEET 5)

25-53-16-02B

HXL
DEC 22/06

25-53-16-02B
PAGE 0D

BOEING
767
PARTS CATALOG (MAINTENANCE)



V 25531602B SHT 6 REV 286

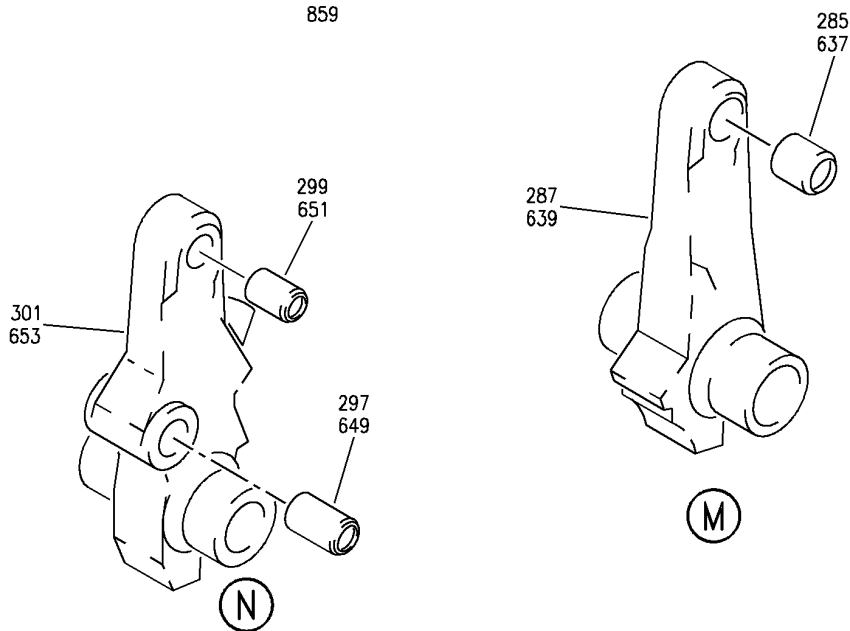
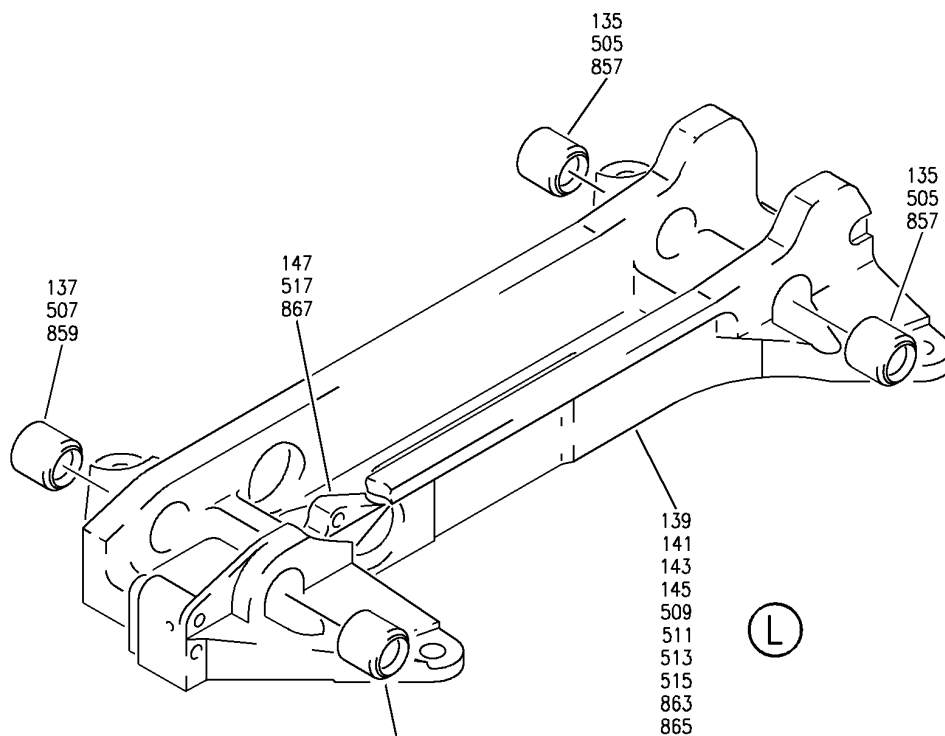
GUIDE INSTL-CARGO HANDLING CARGO COMPT LATERAL AFT
FIGURE 2B (SHEET 6)

25-53-16-02B

HXL
DEC 22/06

25-53-16-02B
PAGE 0E

BOEING
767
PARTS CATALOG (MAINTENANCE)



V 25531602B SHT 7 REV 286

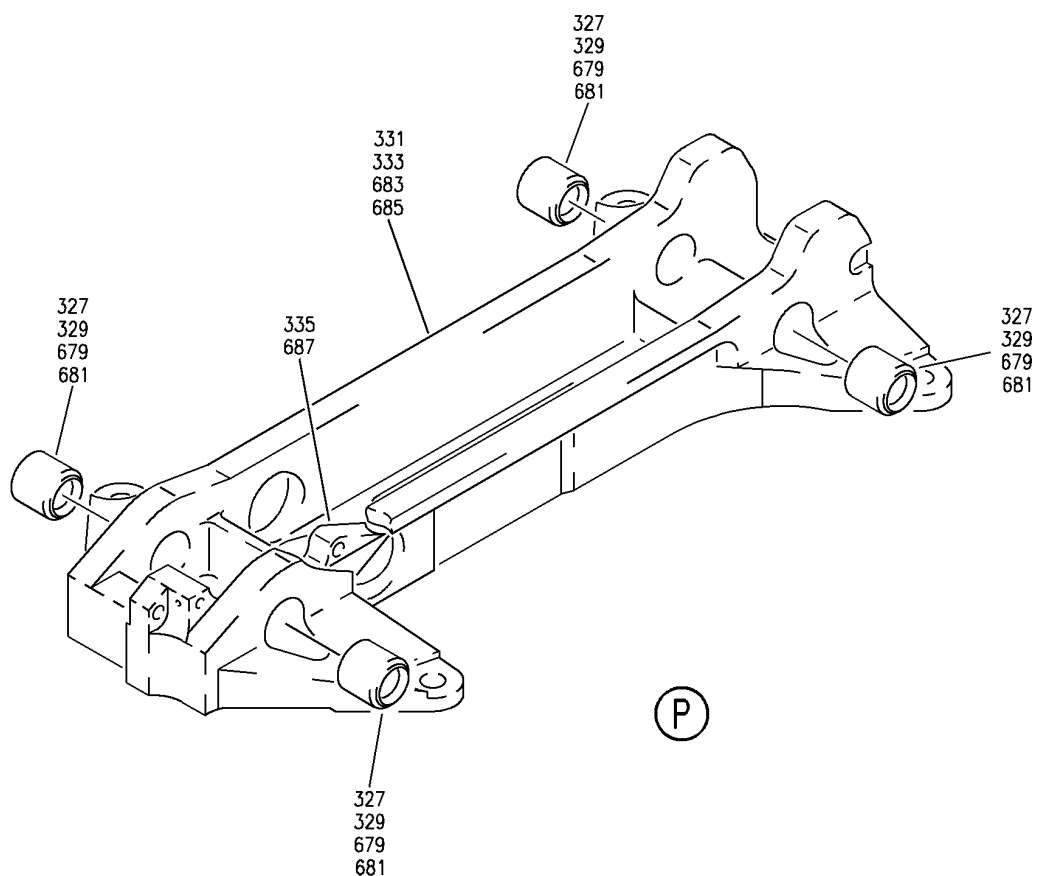
GUIDE INSTL-CARGO HANDLING CARGO COMPT LATERAL AFT
FIGURE 2B (SHEET 7)

25-53-16-02B

HXL
DEC 22/06

25-53-16-02B
PAGE OF

BOEING
767
PARTS CATALOG (MAINTENANCE)



V 25531602B SHT 8 REV 286

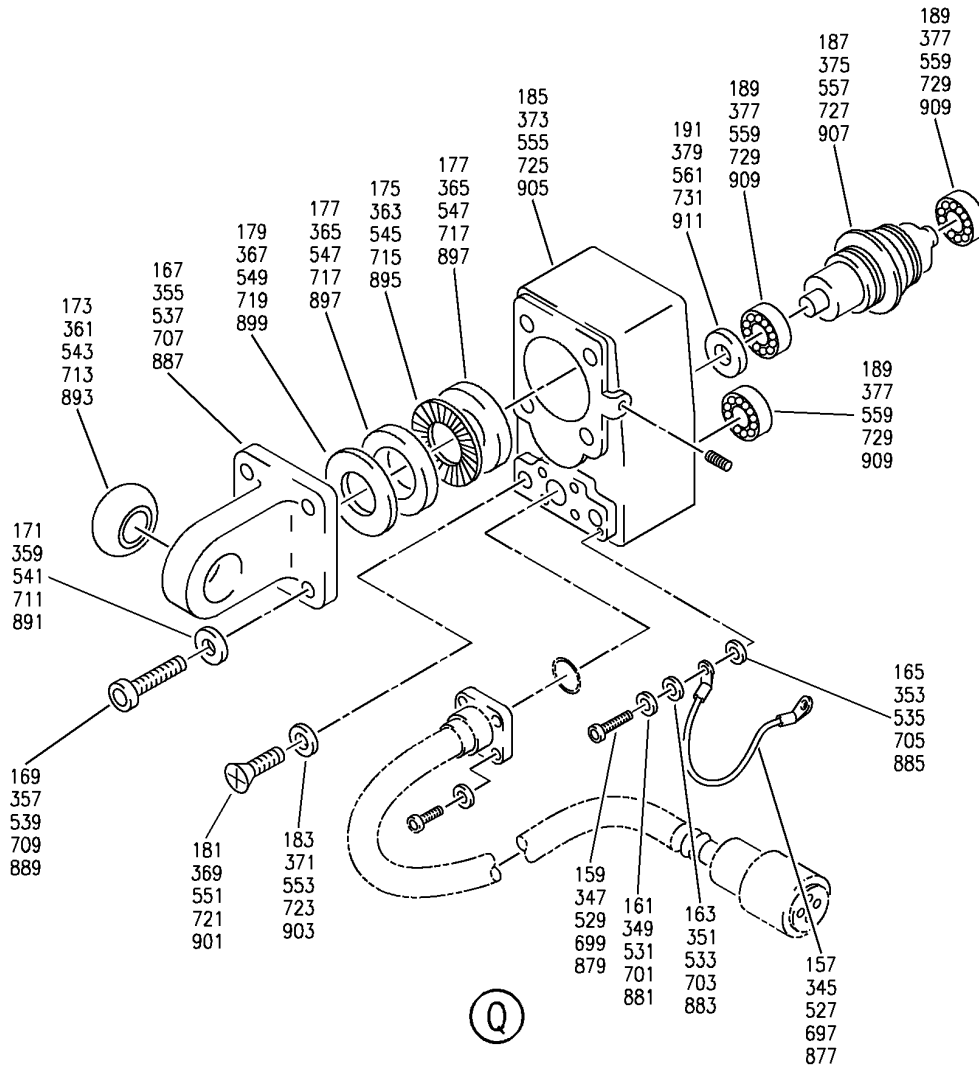
GUIDE INSTL-CARGO HANDLING CARGO COMPT LATERAL AFT
FIGURE 2B (SHEET 8)

25-53-16-02B

HXL
DEC 22/06

25-53-16-02B
PAGE 0G

BOEING
767
PARTS CATALOG (MAINTENANCE)



V 25531602B SHT 9 REV 286

GUIDE INSTL-CARGO HANDLING CARGO COMPT LATERAL AFT
FIGURE 2B (SHEET 9)

25-53-16-02B

HXL
DEC 22/06

25-53-16-02B
PAGE 0H

 **BOEING**
767
PARTS CATALOG (MAINTENANCE)

FIG ITEM	PART NUMBER	1 2 3 4 5 6 7	NOMENCLATURE	EFFECT FROM TO	UNITS PER ASSY
2B			GUIDE INSTL-CARGO HANDLING CARGO COMPT LATERAL AFT		
- 1	452T2602-13		GUIDE INSTL-CARGO HANDLING CARGO COMPT LATERAL POSITION DATA: AFT FOR NHA SEE: 25-50-00-01		RF
5	AN960D10		.WASHER		1
10	MS21042L3		.NUT		1
15	452T2633-18		.GUIDE ASSY-LATERAL SUPPLIER CODE: V31645 COMPONENT MAINT MANUAL REF: 25-53-14 OPTIONAL PART: 452T2633-28		1
15	452T2633-28		.GUIDE ASSY-LATERAL SUPPLIER CODE: V31645 COMPONENT MAINT MANUAL REF: 25-53-14 QUALIFIED I/W DATA: -30 IS FULLY INTERCHANGEABLE WITH -28 WHEN ACTUATOR CABLE IS MOVED TO THE OPPOSITE SIDE ON INSTALLATION. OPTIONAL PART: 452T2633-18		1
15	452T2633-7		.GUIDE ASSY-LATERAL SUPPLIER CODE: V31645 COMPONENT MAINT MANUAL REF: 25-53-14 QUALIFIED I/W DATA: -15 IS FULLY I/W -7 WHEN ACTUATOR CABLE IS MOVED TO THE OPPOSITE SIDE ON INSTALLATION (-7 IS OPP -15)		1
17	BACB30MR6K14		ATTACHING PARTS .BOLT		4
19	BACW10BP6C		.WASHER -----*-----		4

ILLUSTRATION ITEMS NOT ON PARTS LIST ARE NOT APPLICABLE

- ITEM NOT ILLUSTRATED

HXL

25-53-16-02B

BOEING PROPRIETARY - Copyright © - Unpublished Work - See title page for details.

25-53-16
FIG. 02B
PAGE 1
DEC 22/06



767

PARTS CATALOG (MAINTENANCE)

FIG ITEM	PART NUMBER	1 2 3 4 5 6 7	NOMENCLATURE	EFFECT FROM TO	UNITS PER ASSY
2B					
21	452T2633-32	..	GUIDE ASSY- SUPPLIER CODE: V31645 USED ON: 452T2633-28		1
21	452T2633-8	..	GUIDE ASSY- SUPPLIER CODE: V31645 USED ON: 452T2633-7 USED ON: 452T2633-18		1
21	452T2633-23	..	GUIDE ASSY- SUPPLIER CODE: V31645 QUALIFIED I/W DATA: 452T2633-33 TOGETHER WITH (1EA) 452T1218-20 AND (1EA) MS16624-1025 CAN REPLACE OR BE REPLACED BY 452T2633-23 USED ON: 452T2633-7 USED ON: 452T2633-18		1
23	MS16624-1025	..	RING- USED ON: 452T2633-7 452T2633-18		1
25	452T1218-20	..	PIN- SUPPLIER CODE: V31645 OPTIONAL PART: 7715212-2 V31645 USED ON: 452T2633-7 452T2633-18		1
25	7715212-2	..	PIN- SUPPLIER CODE: V31645 OPTIONAL PART: 452T1218-20 V31645 USED ON: 452T2633-7 452T2633-18		1

ILLUSTRATION ITEMS NOT ON PARTS LIST ARE NOT APPLICABLE

- ITEM NOT ILLUSTRATED

25-53-16-02B

25-53-16
FIG. 02B
PAGE 2
APR 22/07

HXL

BOEING PROPRIETARY - Copyright © - Unpublished Work - See title page for details.



767

PARTS CATALOG (MAINTENANCE)

FIG ITEM	PART NUMBER	1 2 3 4 5 6 7	NOMENCLATURE	EFFECT FROM TO	UNITS PER ASSY
2B					
27	452T2614-4	...	ROLLER- SUPPLIER CODE: V31645 USED ON: 452T2633-8 452T2633-23		2
28	MS16624-1025	...	RING- USED ON: 452T2633-32		1
29	BACB30LK3K20	...	BOLT- OPTIONAL PART: BACB30LK3U20		1
29	BACB30LK3U20	...	BOLT- OPTIONAL PART: BACB30LK3K20		1
31	BRH10C3M	...	NUT- SUPPLIER CODE: V52828 SPECIFICATION NUMBER: BACN10JC3CM OPTIONAL PART: T6C1032JM V11815 97E02 V80539 109LH9075-3W V72962 VN303D02 V92215 NS202101SE02 V80539 H01-3BAC V15653 MS21042L3		1
31	MS21042L3	...	NUT- OPTIONAL PART: BACB10JC3CM		1
33	452T2618-2	...	PIN- SUPPLIER CODE: V31645		1
37	BACW10P250S	...	WASHER		2
39	452T2617-11	...	CLEVIS ASSY- SUPPLIER CODE: V31645		1
41	452T2617-7	PIN- SUPPLIER CODE: V31645		1

ILLUSTRATION ITEMS NOT ON PARTS LIST ARE NOT APPLICABLE

- ITEM NOT ILLUSTRATED

25-53-16-02B

25-53-16
FIG. 02B
PAGE 3
APR 22/07

HXL

BOEING PROPRIETARY - Copyright © - Unpublished Work - See title page for details.



767

PARTS CATALOG (MAINTENANCE)

FIG ITEM	PART NUMBER	1 2 3 4 5 6 7	NOMENCLATURE	EFFECT FROM TO	UNITS PER ASSY
2B					
43	452T2617-10	NUT- SUPPLIER CODE: V31645 OPTIONAL PART: 7715235-1 V31645		1
43	7715235-1	NUT- SUPPLIER CODE: V31645 OPTIONAL PART: 452T2617-10 V31645		1
45	7715234-1	COLLAR- SUPPLIER CODE: V31645 OPTIONAL PART: 452T2617-5 V31645		1
45	452T2617-5	COLLAR- SUPPLIER CODE: V31645 OPTIONAL PART: 7715234-1 V31645		1
47	452T2617-12	CLEVIS- SUPPLIER CODE: V31645		1
49	452T2611-1	BLOCK- SUPPLIER CODE: V31645 USED ON: 452T2633-8 452T2633-23 ATTACHING PARTS		4
- 51	NAS514P1032-6P	SCREW- USED ON: 452T2633-8 452T2633-23 -----*-----		8
53	452T2620-2	PLATE- SUPPLIER CODE: V31645 USED ON: 452T2633-8 452T2633-23		4

ILLUSTRATION ITEMS NOT ON PARTS LIST ARE NOT APPLICABLE

- ITEM NOT ILLUSTRATED

HXL

25-53-16-02B

BOEING PROPRIETARY - Copyright © - Unpublished Work - See title page for details.

25-53-16
FIG. 02B
PAGE 4
APR 22/07

BOEING
767
PARTS CATALOG (MAINTENANCE)

FIG ITEM	PART NUMBER	1 2 3 4 5 6 7	NOMENCLATURE	EFFECT FROM TO	UNITS PER ASSY
2B					
55	452T2609-3	...	RAIL- SUPPLIER CODE: V31645 USED ON: 452T2633-8 452T2633-23		1
57	452T2609-4	...	RAIL- SUPPLIER CODE: V31645 OPTIONAL PART: 452T2609-5 V31645 USED ON: 452T2633-32		1
57	452T2609-5	...	RAIL- SUPPLIER CODE: V31645 OPTIONAL PART: 452T2609-4 V31645 USED ON: 452T2633-32		1
59	452T2613-2	...	PIN- SUPPLIER CODE: V31645 OPTIONAL PART: 7715222-1 V31645		2
59	7715222-1	...	PIN- SUPPLIER CODE: V31645 OPTIONAL PART: 452T2613-2 V31645		2
61	BACW10BP6NDP	...	WASHER		6
63	452T2605-6	...	CRANK ASSY- SUPPLIER CODE: V31645 ATTACHING PARTS		1
65	MS16562-18	...	PIN		4
67	452T2612-4	...	PIN- SUPPLIER CODE: V31645		1
69	BACW10P209AL	...	WASHER		2
69	NAS1149F0832P	...	WASHER		2
71	BACW10P195S	...	WASHER -----*-----		2
73	BACB28Y6M085	BUSHING		1
75	BACB28Y8M200	BUSHING		1

ILLUSTRATION ITEMS NOT ON PARTS LIST ARE NOT APPLICABLE

- ITEM NOT ILLUSTRATED

HXL

25-53-16-02B

BOEING PROPRIETARY - Copyright © - Unpublished Work - See title page for details.

25-53-16
FIG. 02B
PAGE 5
APR 22/07

BOEING
767
PARTS CATALOG (MAINTENANCE)

FIG ITEM	PART NUMBER	1 2 3 4 5 6 7	NOMENCLATURE	EFFECT FROM TO	UNITS PER ASSY
2B					
77	452T2605-7	CRANK- SUPPLIER CODE: V31645 OPTIONAL PART: 452T2605-9 V31645		1
77	452T2605-9	CRANK- SUPPLIER CODE: V31645 OPTIONAL PART: 452T2605-7 V31645		1
79	452T2606-1	PAWL ASSY- SUPPLIER CODE: V31645 OPTIONAL PART: 7715206-1 V31645		1
79	7715206-1	PAWL ASSY- SUPPLIER CODE: V31645 OPTIONAL PART: 452T2606-1 V31645 ATTACHING PARTS		1
81	MS16562-17	PIN		1
83	MS20392-3C31	PIN		1
85	AN960-416L	WASHER- USED ON: 452T2633-8 452T2633-23		AR
87	NAS1149F0432P	WASHER- USED ON: 452T2633-32 -----*-----		1
89	BACB28Y4M025	BUSHING		1
91	452T2606-2	PAWL- SUPPLIER CODE: V31645		1
93	SSBL54N	PLUNGER-BALL SUPPLIER CODE: V01226		1
95	452T2634-1	ATTENUATOR ASSY- SUPPLIER CODE: V31645 FOR DETAILS SEE: 25-53-16-05		1

ILLUSTRATION ITEMS NOT ON PARTS LIST ARE NOT APPLICABLE

— ITEM NOT ILLUSTRATED

HXL

25-53-16-02B

BOEING PROPRIETARY - Copyright © - Unpublished Work - See title page for details.

25-53-16
FIG. 02B
PAGE 6
APR 22/07



767

PARTS CATALOG (MAINTENANCE)

FIG ITEM	PART NUMBER	1 2 3 4 5 6 7	NOMENCLATURE	EFFECT FROM TO	UNITS PER ASSY
2B					
97	452T2625-1	...	CRANK ASSY- SUPPLIER CODE: V31645		1
99	BACB28Y6F067	BUSHING		1
101	BACB28Y4F079	BUSHING		1
103	BACB28U9F050	BUSHING		2
105	452T2625-6	CRANK- SUPPLIER CODE: V31645 OPTIONAL PART: 452T2625-10 V31645		1
105	452T2625-10	CRANK- SUPPLIER CODE: V31645 OPTIONAL PART: 452T2625-6 V31645 ATTACHING PARTS		1
107	452T2612-3	...	PIN- SUPPLIER CODE: V31645		1
109	452T2621-1	...	WASHER- SUPPLIER CODE: V31645		2
111	AN960KD916L	...	WASHER- USED ON: 452T2603-8 452T2633-23		2
111	NAS1149D0916J	...	WASHER- USED ON: 452T2633-32 -----*-----		2
113	452T2615-3	...	SPRING- SUPPLIER CODE: V31645		1
115	452T2615-4	...	SPRING- SUPPLIER CODE: V31645		1
117	452T2612-6	...	PIN- SUPPLIER CODE: V31645 OPTIONAL PART: 7715219-1 V31645		1

ILLUSTRATION ITEMS NOT ON PARTS LIST ARE NOT APPLICABLE

- ITEM NOT ILLUSTRATED

25-53-16-02B

25-53-16
FIG. 02B
PAGE 7
APR 22/07

HXL

BOEING PROPRIETARY - Copyright © - Unpublished Work - See title page for details.

 **BOEING**
767
PARTS CATALOG (MAINTENANCE)

FIG ITEM	PART NUMBER	1 2 3 4 5 6 7	NOMENCLATURE	EFFECT FROM TO	UNITS PER ASSY
2B 117	7715219-1	...	PIN- SUPPLIER CODE: V31645 OPTIONAL PART: 452T2612-6 V31645		1
119	MS16562-10	...	PIN		1
121	AN960KD416L	...	WASHER- USED ON: 452T2633-8 452T2633-23		4
121	NAS1149D0416J	...	WASHER- USED ON: 452T2633-32		4
123	BACB28X4F014	...	BUSHING		2
125	7715218-1	...	SPRING- SUPPLIER CODE: V31645 OPTIONAL PART: 452T2627-5 V31645		1
125	452T2627-5	...	SPRING- SUPPLIER CODE: V31645 OPTIONAL PART: 7715218-1 V31645		1
127	452T2626-8	...	PAWL ASSY- SUPPLIER CODE: V31645		1
129	BACB28Y4F015	BUSHING		2
131	452T2626-9	PAWL- SUPPLIER CODE: V31645		1
133	452T2610-14	...	BASE ASSY- SUPPLIER CODE: V31645 OPTIONAL PART: 452T2610-21 V31645 USED ON: 452T2633-8 452T2633-32		1

ILLUSTRATION ITEMS NOT ON PARTS LIST ARE NOT APPLICABLE

— ITEM NOT ILLUSTRATED

HXL

25-53-16-02B

BOEING PROPRIETARY - Copyright © - Unpublished Work - See title page for details.

25-53-16
FIG. 02B
PAGE 8
APR 22/07



PARTS CATALOG (MAINTENANCE)

FIG ITEM	PART NUMBER	1 2 3 4 5 6 7	NOMENCLATURE	EFFECT FROM TO	UNITS PER ASSY
2B 133	452T2610-24		...BASE ASSY- SUPPLIER CODE: V31645 OPTIONAL PART: 452T2610-17 V31645 USED ON: 452T2633-23		1
133	452T2610-21		...BASE ASSY- SUPPLIER CODE: V31645 OPTIONAL PART: 452T2610-14 V31645 USED ON: 452T2633-8 452T2633-32		1
135	BACB28U9B060	BUSHING- USED ON: 452T2610-14 452T2610-21 452T2610-24		2
137 139	BACB28X8M060 452T2610-6	BUSHINGBASE- SUPPLIER CODE: V31645 OPTIONAL PART: 452T2610-7 V31645 USED ON: 452T2610-14		2 1
139	452T2610-7	BASE- SUPPLIER CODE: V31645 OPTIONAL PART: 452T2610-6 V31645 USED ON: 452T2610-14		1
139	452T2610-22	BASE- SUPPLIER CODE: V31645 OPTIONAL PART: 452T2610-23 V31645 USED ON: 452T2610-21		1

ILLUSTRATION ITEMS NOT ON PARTS LIST ARE NOT APPLICABLE

- ITEM NOT ILLUSTRATED

HXL

25-53-16-02B

BOEING PROPRIETARY - Copyright © - Unpublished Work - See title page for details.

25-53-16
FIG. 02B
PAGE 9
APR 22/07



767

PARTS CATALOG (MAINTENANCE)

FIG ITEM	PART NUMBER	1 2 3 4 5 6 7	NOMENCLATURE	EFFECT FROM TO	UNITS PER ASSY
2B 139	452T2610-23	BASE- SUPPLIER CODE: V31645 OPTIONAL PART: 452T2610-22 V31645 USED ON: 452T2610-21		1
141	452T2610-22	BASE- SUPPLIER CODE: V31645 OPTIONAL PART: 452T2610-23 V31645 USED ON: 452T2610-21		1
141	452T2610-23	BASE- SUPPLIER CODE: V31645 OPTIONAL PART: 452T2610-22 V31645 USED ON: 452T2610-21		1
143	452T2610-15	BASE- SUPPLIER CODE: V31645 OPTIONAL PART: 452T2610-16 V31645 USED ON: 452T2610-17		1
143	452T2610-16	BASE- SUPPLIER CODE: V31645 OPTIONAL PART: 452T2610-15 V31645 USED ON: 452T2610-17		1
145	452T2610-25	BASE- SUPPLIER CODE: V31645 OPTIONAL PART: 452T2610-26 V31645 USED ON: 452T2610-24		1

ILLUSTRATION ITEMS NOT ON PARTS LIST ARE NOT APPLICABLE

- ITEM NOT ILLUSTRATED

25-53-16-02B

25-53-16
FIG. 02B
PAGE 10
APR 22/07

HXL

BOEING PROPRIETARY - Copyright © - Unpublished Work - See title page for details.

BOEING
767
PARTS CATALOG (MAINTENANCE)

FIG ITEM	PART NUMBER	1 2 3 4 5 6 7	NOMENCLATURE	EFFECT FROM TO	UNITS PER ASSY
2B 145	452T2610-26	BASE- SUPPLIER CODE: V31645 OPTIONAL PART: 452T2610-25 V31645 USED ON: 452T2610-24		1
147	452T2636-1	FITTING- SUPPLIER CODE: V31645 ATTACHING PARTS		1
- 149	MS20427F6-8	RIVET		1
- 151	MS20427F8-9	RIVET		1
153	132VJ1RL13	..	ACTUATOR ASSY-LINEAR SUPPLIER CODE: V00462 SPECIFICATION NUMBER: S452T202-1 COMPONENT MAINT MANUAL REF: 25-55-03 OPTIONAL PART: 132VJ1RL13A V00462		1
153	132VJ1RL13A	..	ACTUATOR ASSY-LINEAR SUPPLIER CODE: V31645 FUNCTIONAL DESCRIPTION: POSITIONS COMPONENTS OF THE CARGO HANDLING SYSTEM. SPECIFICATION NUMBER: S452T202-1 COMPONENT MAINT MANUAL REF: 25-55-03 OPTIONAL PART: 132VJ1RL13 V00462		1
153	1827T100-7	..	ACTUATOR-LINEAR SUPPLIER CODE: V60631 SPECIFICATION NUMBER: S452T201-3 COMPONENT MAINT MANUAL REF: 25-53-02		1

ILLUSTRATION ITEMS NOT ON PARTS LIST ARE NOT APPLICABLE

- ITEM NOT ILLUSTRATED

HXL

25-53-16-02B

BOEING PROPRIETARY - Copyright © - Unpublished Work - See title page for details.

25-53-16
FIG. 02B
PAGE 11
AUG 22/08

 **BOEING**
767
PARTS CATALOG (MAINTENANCE)

FIG ITEM	PART NUMBER	1 2 3 4 5 6 7	NOMENCLATURE	EFFECT FROM TO	UNITS PER ASSY
2B 153	1827T100-5	..	ACTUATOR-LINEAR SUPPLIER CODE: V60631 SPECIFICATION NUMBER: S452T201-2 COMPONENT MAINT MANUAL REF: 25-53-02 OPTIONAL PART: 1827T100-3 V98889		1
- 155	96282	...	ACTUATOR ASSY-LINER SUPPLIER CODE: V00462 USED ON: 132VJ1RL13		1
- 155	96418	...	ACTUATOR ASSY-LINER SUPPLIER CODE: V00462 USED ON: 132VJ1RL13A		1
157	22058	STRAP- SUPPLIER CODE: V00462 ATTACHING PARTS		1
159	NAS1352-04-6P	SCREW		1
161	MS35338-40	WASHER		1
163	NAS620-4	WASHER		1
165	NAS620-4L	WASHER		1
			-----*-----		
167	150336	FITTING-END SUPPLIER CODE: V00462 ATTACHING PARTS		1
169	NAS1352-06H18P	SCREW		4
171	NAS620-6L	WASHER		4
			-----*-----		
173	150353	BALL-SELF-ALIGING SUPPLIER CODE: V00462		1
175	146413	BEARING-THRUST SUPPLIER CODE: V00462		1
177	146440	WASHER-THRUST SUPPLIER CODE: V00462		2
179	886-276	SHIM- SUPPLIER CODE: V00462		AR
181	NAS1191-04P12L	SCREW		2

ILLUSTRATION ITEMS NOT ON PARTS LIST ARE NOT APPLICABLE

- ITEM NOT ILLUSTRATED

HXL

25-53-16-02B

BOEING PROPRIETARY - Copyright © - Unpublished Work - See title page for details.

25-53-16
FIG. 02B
PAGE 12
APR 22/07

 **BOEING**
767
PARTS CATALOG (MAINTENANCE)

FIG ITEM	PART NUMBER	1 2 3 4 5 6 7	NOMENCLATURE	EFFECT FROM TO	UNITS PER ASSY
2B					
183	NAS620-4L	WASHER		2
185	151260	HOUSING-MACHINED SUPPLIER CODE: V00462 CONFIG CHG DATA FROM A CMM: SUPSD BY 151784 USED ON: 96282		1
185	151784	HOUSING-MACHINED SUPPLIER CODE: V00462 CONFIG CHG DATA FROM A CMM: SUPERSEDES 151260		1
187	37414	CLUTCH- SUPPLIER CODE: V00462		1
189	80383-3	BEARING-BALL SUPPLIER CODE: V00462		3
191	886-115	SHIM- SUPPLIER CODE: V00462		AR
211	AN960D10	.	WASHER		1
213	MS21042L3	.	NUT		1
215	452T2633-19	.	GUIDE ASSY-LATERAL SUPPLIER CODE: V31645 COMPONENT MAINT MANUAL REF: 25-53-14 OPTIONAL PART: 452T2633-29 V31645		1
215	452T2633-29	.	GUIDE ASSY-LATERAL SUPPLIER CODE: V31645 COMPONENT MAINT MANUAL REF: 25-53-14 OPTIONAL PART: 452T2633-19 V31645		1
217	BACB30MR6K14	.	ATTACHING PARTS BOLT		4
219	BACW10BP6C	.	WASHER		4
221	452T2633-10	..	GUIDE ASSY- SUPPLIER CODE: V31645 USED ON: 452T2633-19		1

ILLUSTRATION ITEMS NOT ON PARTS LIST ARE NOT APPLICABLE

- ITEM NOT ILLUSTRATED

HXL

25-53-16-02B

BOEING PROPRIETARY - Copyright © - Unpublished Work - See title page for details.

25-53-16
FIG. 02B
PAGE 13
APR 22/07



767

PARTS CATALOG (MAINTENANCE)

FIG ITEM	PART NUMBER	1 2 3 4 5 6 7	NOMENCLATURE	EFFECT FROM TO	UNITS PER ASSY
2B					
221	452T2633-25	..	GUIDE ASSY- SUPPLIER CODE: V31645 USED ON: 452T2633-29		1
223	MS16624-1025	..	RING- USED ON: 452T2633-19		1
225	452T1218-20	..	PIN- SUPPLIER CODE: V31645 OPTIONAL PART: 7715212-2 V31645 USED ON: 452T2633-19		1
225	7715212-2	..	PIN- SUPPLIER CODE: V31645 OPTIONAL PART: 452T1218-20 V31645 USED ON: 452T2633-19		1
227	452T2614-4	...	ROLLER- SUPPLIER CODE: V31645 USED ON: 452T2633-10		2
228	MS16624-1025	...	RING- USED ON: 452T2633-25		1
229	BACB30LK3K20	...	BOLT- OPTIONAL PART: BACB30LK3U20		1
229	BACB30LK3U20	...	BOLT- OPTIONAL PART: BACB30LK3K20		1

ILLUSTRATION ITEMS NOT ON PARTS LIST ARE NOT APPLICABLE

- ITEM NOT ILLUSTRATED

HXL

25-53-16-02B

BOEING PROPRIETARY - Copyright © - Unpublished Work - See title page for details.

25-53-16
FIG. 02B
PAGE 14
APR 22/07



767

PARTS CATALOG (MAINTENANCE)

FIG ITEM	PART NUMBER	1 2 3 4 5 6 7	NOMENCLATURE	EFFECT FROM TO	UNITS PER ASSY
2B 231	BRH10C3M	...	NUT- SUPPLIER CODE: V52828 SPECIFICATION NUMBER: BACN10JC3CM OPTIONAL PART: T6C1032JM V11815 97E02 V80539 109LH9075-3W V72962 VN303D02 V92215 NS202101SE02 V80539 H01-3BAC V15653 MS21042L3		1
231	MS21042L3	...	NUT- OPTIONAL PART: BACN10JC3CM		1
233	452T2618-2	...	PIN- SUPPLIER CODE: V31645		1
237	BACW10P250S	...	WASHER		2
239	452T2617-11	...	CLEVIS ASSY- SUPPLIER CODE: V31645		1
241	452T2617-7	PIN- SUPPLIER CODE: V31645		1
243	452T2617-10	NUT- SUPPLIER CODE: V31645 OPTIONAL PART: 7715235-1 V31645		1
243	7715235-1	NUT- SUPPLIER CODE: V31645 OPTIONAL PART: 452T2617-10 V31645		1

ILLUSTRATION ITEMS NOT ON PARTS LIST ARE NOT APPLICABLE

- ITEM NOT ILLUSTRATED

HXL

25-53-16-02B

BOEING PROPRIETARY - Copyright © - Unpublished Work - See title page for details.

25-53-16
FIG. 02B
PAGE 15
APR 22/07

BOEING
767
PARTS CATALOG (MAINTENANCE)

FIG ITEM	PART NUMBER	1 2 3 4 5 6 7	NOMENCLATURE	EFFECT FROM TO	UNITS PER ASSY
2B 245	7715234-1	COLLAR- SUPPLIER CODE: V31645 OPTIONAL PART: 452T2617-5 V31645		1
245	452T2617-5	COLLAR- SUPPLIER CODE: V31645 OPTIONAL PART: 7715234-1 V31645		1
247	452T2617-12	CLEVIS- SUPPLIER CODE: V31645		1
249	452T2611-1	...	BLOCK- SUPPLIER CODE: V31645 USED ON: 452T2633-10 ATTACHING PARTS		4
- 251	NAS514P1032-6P	...	SCREW- USED ON: 452T2633-10 -----*-----		8
253	452T2620-2	...	PLATE- SUPPLIER CODE: V31645 USED ON: 452T2633-10		4
255	452T2628-1	...	RAIL- SUPPLIER CODE: V31645 OPTIONAL PART: 452T2628-4 V31645 USED ON: 452T2633-10		1
255	452T2628-4	...	RAIL- SUPPLIER CODE: V31645 OPTIONAL PART: 452T2628-1 V31645 USED ON: 452T2633-10		1

ILLUSTRATION ITEMS NOT ON PARTS LIST ARE NOT APPLICABLE

- ITEM NOT ILLUSTRATED

HXL

25-53-16-02B

BOEING PROPRIETARY - Copyright © - Unpublished Work - See title page for details.

25-53-16
FIG. 02B
PAGE 16
APR 22/07

BOEING
767
PARTS CATALOG (MAINTENANCE)

FIG ITEM	PART NUMBER	1 2 3 4 5 6 7	NOMENCLATURE	EFFECT FROM TO	UNITS PER ASSY
2B 255	452T2628-5	...	RAIL- SUPPLIER CODE: V31645 OPTIONAL PART: 452T2628-6 V31645 USED ON: 452T2633-25		1
255	452T2628-6	...	RAIL- SUPPLIER CODE: V31645 OPTIONAL PART: 452T2628-5 V31645 USED ON: 452T2633-25		1
257	452T2613-2	...	PIN- SUPPLIER CODE: V31645 OPTIONAL PART: 7715222-1 V31645		2
257	7715222-1	...	PIN- SUPPLIER CODE: V31645 OPTIONAL PART: 452T2613-2 V31645		2
259	BACW10BP6NDP	...	WASHER ATTACHING PARTS		6
261	MS16562-18	...	PIN		4
263	452T2612-5	...	PIN- SUPPLIER CODE: V31645		2
265	NAS1149F0832P	...	WASHER- USED ON: 452T2633-25		4
267	NAS1149D1016J	...	WASHER- USED ON: 452T2633-25		4
268	AN960KD1016L	...	WASHER- USED ON: 452T2633-10 -----*-----		4

ILLUSTRATION ITEMS NOT ON PARTS LIST ARE NOT APPLICABLE

- ITEM NOT ILLUSTRATED

HXL

25-53-16-02B

BOEING PROPRIETARY - Copyright © - Unpublished Work - See title page for details.

25-53-16
FIG. 02B
PAGE 17
APR 22/07



767

PARTS CATALOG (MAINTENANCE)

FIG ITEM	PART NUMBER	1 2 3 4 5 6 7	NOMENCLATURE	EFFECT FROM TO	UNITS PER ASSY
2B 269	452T2606-1	...	PAWL ASSY- SUPPLIER CODE: V31645 OPTIONAL PART: 7715206-1 V31645		1
269	7715206-1	...	PAWL ASSY- SUPPLIER CODE: V31645 OPTIONAL PART: 452T2606-1 V31645		1
271	BACB28Y4M025	BUSHING		1
273	452T2606-2	PAWL- SUPPLIER CODE: V31645		1
275	452T2625-2	...	CRANK ASSY- SUPPLIER CODE: V31645 ATTACHING PARTS		1
277	MS16562-17	...	PIN		1
279	MS20392-3C31	...	PIN		1
281	AN960-416L	...	WASHER- USED ON: 452T2633-10		AR
283	NAS1149F0432P	...	WASHER- USED ON: 452T2633-25 -----*-----		1
285	BACB28Y6F067	BUSHING		1
287	452T2625-4	CRANK- SUPPLIER CODE: V31645 OPTIONAL PART: 452T2625-7 V31645		1
287	452T2625-7	CRANK-HOGOUT SUPPLIER CODE: V31645 OPTIONAL PART: 452T2625-4 V31645		1
289	SSBL54N	...	PLUNGER-BALL SUPPLIER CODE: V01226		1

ILLUSTRATION ITEMS NOT ON PARTS LIST ARE NOT APPLICABLE

- ITEM NOT ILLUSTRATED

25-53-16-02B

25-53-16
FIG. 02B
PAGE 18
APR 22/07

HXL

BOEING PROPRIETARY - Copyright © - Unpublished Work - See title page for details.



767

PARTS CATALOG (MAINTENANCE)

FIG ITEM	PART NUMBER	1 2 3 4 5 6 7	NOMENCLATURE	EFFECT FROM TO	UNITS PER ASSY
2B 291	452T2634-1		...ATTENUATOR ASSY- SUPPLIER CODE: V31645 FOR DETAILS SEE: 25-53-16-05		1
293	452T2625-3		...CRANK ASSY- SUPPLIER CODE: V31645 ATTACHING PARTS		1
295	AN960-816L		...WASHER- USED ON: 452T2633-10 -----*-----		4
297	BACB28Y4F079	BUSHING		1
299	BACB28Y6F067	BUSHING		1
301	452T2625-5	CRANK- SUPPLIER CODE: V31645 OPTIONAL PART: 452T2625-9 V31645		1
301	452T2625-9	CRANK-HOGOUT SUPPLIER CODE: V31645 OPTIONAL PART: 452T2625-5 V31645		1
303	452T2615-3		...SPRING- SUPPLIER CODE: V31645		1
305	452T2615-4		...SPRING- SUPPLIER CODE: V31645		1
307	452T2612-6		...PIN- SUPPLIER CODE: V31645 OPTIONAL PART: 7715219-1 V31645		1
307	7715219-1		...PIN- SUPPLIER CODE: V31645 OPTIONAL PART: 452T2612-6 V31645		1
309	MS16562-10		...PIN		1
311	AN960KD416L		...WASHER- USED ON: 452T2633-10		4

ILLUSTRATION ITEMS NOT ON PARTS LIST ARE NOT APPLICABLE

- ITEM NOT ILLUSTRATED

25-53-16-02B

25-53-16
FIG. 02B
PAGE 19
APR 22/07

HXL

BOEING PROPRIETARY - Copyright © - Unpublished Work - See title page for details.

 **BOEING**
767
PARTS CATALOG (MAINTENANCE)

FIG ITEM	PART NUMBER	1 2 3 4 5 6 7	NOMENCLATURE	EFFECT FROM TO	UNITS PER ASSY
2B					
311	NAS1149D0416J	...	WASHER- USED ON: 452T2633-25		4
313	BACB28X4F014	...	BUSHING		2
315	7715218-1	...	SPRING- SUPPLIER CODE: V31645 OPTIONAL PART: 452T2627-5 V31645		1
315	452T2627-5	...	SPRING- SUPPLIER CODE: V31645 OPTIONAL PART: 7715218-1 V31645		1
317	452T2626-8	...	PAWL ASSY- SUPPLIER CODE: V31645		1
319	BACB28Y4F015	BUSHING		2
321	452T2626-9	PAWL- SUPPLIER CODE: V31645		1
323	452T2629-5	...	BASE ASSY- SUPPLIER CODE: V31645 OPTIONAL PART: 452T2629-6 V31645		1
323	452T2629-6	...	BASE ASSY- SUPPLIER CODE: V31645 OPTIONAL PART: 452T2629-5 V31645		1
325	BACB28U10B060	BUSHING- USED ON: 452T2629-5		2
327	BACB28Y10M060	BUSHING- USED ON: 452T2629-5		2
329	BACB28U10B060	BUSHING- OPTIONAL PART: BACB28Y10M060 USED ON: 452T2629-6		4

ILLUSTRATION ITEMS NOT ON PARTS LIST ARE NOT APPLICABLE

— ITEM NOT ILLUSTRATED

HXL

25-53-16-02B

BOEING PROPRIETARY - Copyright © - Unpublished Work - See title page for details.

25-53-16
FIG. 02B
PAGE 20
APR 22/07

BOEING
767
PARTS CATALOG (MAINTENANCE)

FIG ITEM	PART NUMBER	1 2 3 4 5 6 7	NOMENCLATURE	EFFECT FROM TO	UNITS PER ASSY
2B 329	BACB28Y10M060	BUSHING- OPTIONAL PART: BACB28U10B060 USED ON: 452T2629-6		4
331	452T2629-2	BASE- SUPPLIER CODE: V31645 OPTIONAL PART: 452T2629-4 V31645 USED ON: 452T2629-5		1
331	452T2629-4	BASE- SUPPLIER CODE: V31645 OPTIONAL PART: 452T2629-2 V31645 USED ON: 452T2629-5		1
333	452T2629-7	BASE- SUPPLIER CODE: V31645 OPTIONAL PART: 452T2629-8 V31645 USED ON: 452T2629-6		1
333	452T2629-8	BASE- SUPPLIER CODE: V31645 OPTIONAL PART: 452T2629-7 V31645 USED ON: 452T2629-6		1
335	452T2636-1	FITTING- SUPPLIER CODE: V31645 ATTACHING PARTS		1
- 337	MS20427F6-8	RIVET		1
- 339	MS20427F8-9	RIVET		1
			-----*-----		

ILLUSTRATION ITEMS NOT ON PARTS LIST ARE NOT APPLICABLE

- ITEM NOT ILLUSTRATED

HXL

25-53-16-02B

BOEING PROPRIETARY - Copyright © - Unpublished Work - See title page for details.

25-53-16
FIG. 02B
PAGE 21
APR 22/07



767

PARTS CATALOG (MAINTENANCE)

FIG ITEM	PART NUMBER	1 2 3 4 5 6 7	NOMENCLATURE	EFFECT FROM TO	UNITS PER ASSY
2B 341	132VJ1RL13		..ACTUATOR ASSY-LINEAR SUPPLIER CODE: V00462 SPECIFICATION NUMBER: S452T202-1 COMPONENT MAINT MANUAL REF: 25-55-03 OPTIONAL PART: 132VJ1RL13A V00462		1
341	132VJ1RL13A		..ACTUATOR ASSY-LINEAR SUPPLIER CODE: V31645 FUNCTIONAL DESCRIPTION: POSITIONS COMPONENTS OF THE CARGO HANDLING SYSTEM. SPECIFICATION NUMBER: S452T202-1 COMPONENT MAINT MANUAL REF: 25-55-03 OPTIONAL PART: 132VJ1RL13 V00462		1
341	1827T100-7		..ACTUATOR-LINEAR SUPPLIER CODE: V60631 SPECIFICATION NUMBER: S452T201-3 COMPONENT MAINT MANUAL REF: 25-53-02		1
341	1827T100-5		..ACTUATOR-LINEAR SUPPLIER CODE: V60631 SPECIFICATION NUMBER: S452T201-2 COMPONENT MAINT MANUAL REF: 25-53-02 OPTIONAL PART: 1827T100-3 V98889		1
- 343	96282		...ACTUATOR ASSY-LINER SUPPLIER CODE: V00462 USED ON: 132VJ1RL13		1

ILLUSTRATION ITEMS NOT ON PARTS LIST ARE NOT APPLICABLE

- ITEM NOT ILLUSTRATED

25-53-16-02B

25-53-16
FIG. 02B
PAGE 22
AUG 22/08

HXL



767

PARTS CATALOG (MAINTENANCE)

FIG ITEM	PART NUMBER	1 2 3 4 5 6 7	NOMENCLATURE	EFFECT FROM TO	UNITS PER ASSY
2B					
- 343	96418		...ACTUATOR ASSY-LINER SUPPLIER CODE: V00462 USED ON: 132VJ1RL13A		1
345	22058	STRAP- SUPPLIER CODE: V00462 ATTACHING PARTS		1
347	NAS1352-04-6P	SCREW		1
349	MS35338-40	WASHER		1
351	NAS620-4	WASHER		1
353	NAS620-4L	WASHER		1
			-----*-----		
355	150336	FITTING-END SUPPLIER CODE: V00462 ATTACHING PARTS		1
357	NAS1352-06H18P	SCREW		4
359	NAS620-6L	WASHER		4
			-----*-----		
361	150353	BALL-SELF-ALIGING SUPPLIER CODE: V00462		1
363	146413	BEARING-THRUST SUPPLIER CODE: V00462		1
365	146440	WASHER-THRUST SUPPLIER CODE: V00462		2
367	886-276	SHIM- SUPPLIER CODE: V00462		AR
369	NAS1191-04P12L	SCREW		2
371	NAS620-4L	WASHER		2
373	151260	HOUSING-MACHINED SUPPLIER CODE: V00462 CONFIG CHG DATA FROM A CMM: SUPSD BY 151784 USED ON: 96282		1
373	151784	HOUSING-MACHINED SUPPLIER CODE: V00462 CONFIG CHG DATA FROM A CMM: SUPERSEDES 151260		1

ILLUSTRATION ITEMS NOT ON PARTS LIST ARE NOT APPLICABLE

- ITEM NOT ILLUSTRATED

HXL

25-53-16-02B

BOEING PROPRIETARY - Copyright © - Unpublished Work - See title page for details.

25-53-16
FIG. 02B
PAGE 23
APR 22/07

 **BOEING**
767
PARTS CATALOG (MAINTENANCE)

FIG ITEM	PART NUMBER	1 2 3 4 5 6 7	NOMENCLATURE	EFFECT FROM TO	UNITS PER ASSY
2B					
375	37414	CLUTCH- SUPPLIER CODE: V00462		1
377	80383-3	BEARING-BALL SUPPLIER CODE: V00462		3
379	886-115	SHIM- SUPPLIER CODE: V00462		AR
381	AN960D10	.	WASHER		2
383	MS21042L3	.	NUT		2
385	452T2633-20	.	GUIDE ASSY-LATERAL SUPPLIER CODE: V31645 COMPONENT MAINT MANUAL REF: 25-53-14 OPTIONAL PART: 452T2633-30 V31645		2
385	452T2633-30	.	GUIDE ASSY-LATERAL SUPPLIER CODE: V31645 COMPONENT MAINT MANUAL REF: 25-53-14 QUALIFIED I/W DATA: -30 IS FULLY INTERCHANGEABLE WITH -28 WHEN ACTUATOR CABLE IS MOVED TO THE OPPOSITE SIDE ON INSTALLATION. OPTIONAL PART: 452T2633-20 V31645		2
385	452T2633-15	.	GUIDE ASSY-LATERAL SUPPLIER CODE: V31645 COMPONENT MAINT MANUAL REF: 25-53-14 QUALIFIED I/W DATA: (-7) -15 IS FULLY I/W -7 WHEN ACTUATOR CABLE IS MOVED TO OPPOSITE SIDE ON INSTALLATION (-7 IS OPPOSITE -15)		2
387	BACB30MR6K14	.	BOLT		8
389	BACW10BP6C	.	WASHER		8
			-----*-----		
ILLUSTRATION ITEMS NOT ON PARTS LIST ARE NOT APPLICABLE					

— ITEM NOT ILLUSTRATED

25-53-16-02B

25-53-16
FIG. 02B
PAGE 24
APR 22/07

HXL

BOEING PROPRIETARY - Copyright © - Unpublished Work - See title page for details.



767

PARTS CATALOG (MAINTENANCE)

FIG ITEM	PART NUMBER	1 2 3 4 5 6 7	NOMENCLATURE	EFFECT FROM TO	UNITS PER ASSY
2B 391	452T2633-32		..GUIDE ASSY- SUPPLIER CODE: V31645 USED ON: 452T2633-30		1
391	452T2633-8		..GUIDE ASSY- SUPPLIER CODE: V31645 USED ON: 452T2633-15 USED ON: 452T2633-20		1
391	452T2633-23		..GUIDE ASSY- SUPPLIER CODE: V31645 QUALIFIED I/W DATA: 452T2633-33 TOGETHER WITH (1EA) 452T1218-20 AND (1EA) MS16624-1025 CAN REPLACE OR BE REPLACED BY 452T2633-23 USED ON: 452T2633-15 USED ON: 452T2633-20		1
393	MS16624-1025		..RING- USED ON: 452T2633-15 452T2633-20		1
395	452T1218-20		..PIN- SUPPLIER CODE: V31645 OPTIONAL PART: 7715212-2 V31645 USED ON: 452T2633-15 452T2633-20		1
395	7715212-2		..PIN- SUPPLIER CODE: V31645 OPTIONAL PART: 452T1218-20 V31645 USED ON: 452T2633-15 452T2633-20		1

ILLUSTRATION ITEMS NOT ON PARTS LIST ARE NOT APPLICABLE

- ITEM NOT ILLUSTRATED

25-53-16-02B

25-53-16
FIG. 02B
PAGE 25
APR 22/07

HXL

BOEING PROPRIETARY - Copyright © - Unpublished Work - See title page for details.

 **BOEING**
767
PARTS CATALOG (MAINTENANCE)

FIG ITEM	PART NUMBER	1 2 3 4 5 6 7	NOMENCLATURE	EFFECT FROM TO	UNITS PER ASSY
2B 397	452T2614-4		...ROLLER- SUPPLIER CODE: V31645 USED ON: 452T2633-8 452T2633-23		2
398	MS16624-1025		...RING- USED ON: 452T2633-32		1
399	BACB30LK3K20		...BOLT- OPTIONAL PART: BACB30LK3U20		1
399	BACB30LK3U20		...BOLT- OPTIONAL PART: BACB30LK3K20		1
401	BRH10C3M		...NUT- SUPPLIER CODE: V52828 SPECIFICATION NUMBER: BACN10JC3CM OPTIONAL PART: T6C1032JM V11815 97E02 V80539 109LH9075-3W V72962 VN303D02 V92215 NS202101SE02 V80539 H01-3BAC V15653 MS21042L3		1
401	MS21042L3		...NUT- OPTIONAL PART: BACN10JC3CM		1
403	452T2618-2		...PIN- SUPPLIER CODE: V31645		1
407	BACW10P250S		...WASHER		2
409	452T2617-11		...CLEVIS ASSY- SUPPLIER CODE: V31645		1
411	452T2617-7	PIN- SUPPLIER CODE: V31645		1

ILLUSTRATION ITEMS NOT ON PARTS LIST ARE NOT APPLICABLE

— ITEM NOT ILLUSTRATED

HXL

25-53-16-02B

BOEING PROPRIETARY - Copyright © - Unpublished Work - See title page for details.

25-53-16
FIG. 02B
PAGE 26
APR 22/07

 **BOEING**
767
PARTS CATALOG (MAINTENANCE)

FIG ITEM	PART NUMBER	1 2 3 4 5 6 7	NOMENCLATURE	EFFECT FROM TO	UNITS PER ASSY
2B 413	452T2617-10	NUT- SUPPLIER CODE: V31645 OPTIONAL PART: 7715235-1 V31645		1
413	7715235-1	NUT- SUPPLIER CODE: V31645 OPTIONAL PART: 452T2617-10 V31645		1
415	452T2617-5	COLLAR- SUPPLIER CODE: V31645 OPTIONAL PART: 7715234-1 V31645		1
415	452T2617-5	COLLAR- SUPPLIER CODE: V31645 OPTIONAL PART: 7715234-1 V31645		1
417	452T2617-12	CLEVIS- SUPPLIER CODE: V31645		1
419	452T2611-1	BLOCK- SUPPLIER CODE: V31645 USED ON: 452T2633-8 452T2633-23 ATTACHING PARTS		4
- 421	NAS514P1032-6P	SCREW- USED ON: 452T2633-8 452T2633-23 -----*-----		8
423	452T2620-2	PLATE- SUPPLIER CODE: V31645 USED ON: 452T2633-8 452T2633-23		4

ILLUSTRATION ITEMS NOT ON PARTS LIST ARE NOT APPLICABLE

- ITEM NOT ILLUSTRATED

HXL

25-53-16-02B

BOEING PROPRIETARY - Copyright © - Unpublished Work - See title page for details.

25-53-16
FIG. 02B
PAGE 27
APR 22/07

 **BOEING**
767
PARTS CATALOG (MAINTENANCE)

FIG ITEM	PART NUMBER	1 2 3 4 5 6 7	NOMENCLATURE	EFFECT FROM TO	UNITS PER ASSY
2B 425	452T2609-3		...RAIL- SUPPLIER CODE: V31645 USED ON: 452T2633-8 452T2633-23		1
427	452T2609-4		...RAIL- SUPPLIER CODE: V31645 OPTIONAL PART: 452T2609-5 V31645 USED ON: 452T2633-32		1
427	452T2609-5		...RAIL- SUPPLIER CODE: V31645 OPTIONAL PART: 452T2609-4 V31645 USED ON: 452T2633-32		1
429	452T2613-2		...PIN- SUPPLIER CODE: V31645 OPTIONAL PART: 7715222-1 V31645		2
429	7715222-1		...PIN- SUPPLIER CODE: V31645 OPTIONAL PART: 452T2613-2 V31645		2
431	BACW10BP6NDP		...WASHER		6
433	452T2605-6		...CRANK ASSY- SUPPLIER CODE: V31645 ATTACHING PARTS		1
435	MS16562-18		...PIN		4
437	452T2612-4		...PIN- SUPPLIER CODE: V31645		1
439	BACW10P209AL		...WASHER		2
441	BACW10P195S		...WASHER -----*-----		2
443	BACB28Y6M085	BUSHING		1
445	BACB28Y8M200	BUSHING		1

ILLUSTRATION ITEMS NOT ON PARTS LIST ARE NOT APPLICABLE

— ITEM NOT ILLUSTRATED

HXL

25-53-16-02B

BOEING PROPRIETARY - Copyright © - Unpublished Work - See title page for details.

25-53-16
FIG. 02B
PAGE 28
APR 22/07

BOEING
767
PARTS CATALOG (MAINTENANCE)

FIG ITEM	PART NUMBER	1 2 3 4 5 6 7	NOMENCLATURE	EFFECT FROM TO	UNITS PER ASSY
2B 447	452T2605-7	CRANK- SUPPLIER CODE: V31645 OPTIONAL PART: 452T2605-9 V31645		1
447	452T2605-9	CRANK- SUPPLIER CODE: V31645 OPTIONAL PART: 452T2605-7 V31645		1
449	452T2606-1	PAWL ASSY- SUPPLIER CODE: V31645 OPTIONAL PART: 7715206-1 V31645		1
449	7715206-1	PAWL ASSY- SUPPLIER CODE: V31645 OPTIONAL PART: 452T2606-1 V31645 ATTACHING PARTS		1
451	MS16562-17	PIN		1
453	MS20392-3C31	PIN		1
455	AN960-416L	WASHER- USED ON: 452T2633-8 452T2633-23		AR
457	NAS1149F0432P	WASHER- USED ON: 452T2633-32 -----*-----		1
459	BACB28Y4M025	BUSHING		1
461	452T2606-2	PAWL- SUPPLIER CODE: V31645		1
463	SSBL54N	PLUNGER-BALL SUPPLIER CODE: V01226		1
465	452T2634-1	ATTENUATOR ASSY- SUPPLIER CODE: V31645 FOR DETAILS SEE: 25-53-16-05		1

ILLUSTRATION ITEMS NOT ON PARTS LIST ARE NOT APPLICABLE

— ITEM NOT ILLUSTRATED

HXL

25-53-16-02B

BOEING PROPRIETARY - Copyright © - Unpublished Work - See title page for details.

25-53-16
FIG. 02B
PAGE 29
APR 22/07



767

PARTS CATALOG (MAINTENANCE)

FIG ITEM	PART NUMBER	1 2 3 4 5 6 7	NOMENCLATURE	EFFECT FROM TO	UNITS PER ASSY
2B					
467	452T2625-1	...	CRANK ASSY- SUPPLIER CODE: V31645		1
469	BACB28Y6F067	BUSHING		1
471	BACB28Y4F079	BUSHING		1
473	BACB28U9F050	BUSHING		2
475	452T2625-6	CRANK- SUPPLIER CODE: V31645 OPTIONAL PART: 452T2625-10 V31645		1
475	452T2625-10	CRANK- SUPPLIER CODE: V31645 OPTIONAL PART: 452T2625-6 V31645 ATTACHING PARTS		1
477	452T2612-3	...	PIN- SUPPLIER CODE: V31645		1
479	452T2621-1	...	WASHER- SUPPLIER CODE: V31645		2
481	AN960KD916L	...	WASHER- USED ON: 452T2603-8 452T2633-23		2
481	NAS1149D0916J	...	WASHER- USED ON: 452T2633-32 -----*-----		2
483	452T2615-3	...	SPRING- SUPPLIER CODE: V31645		1
485	452T2615-4	...	SPRING- SUPPLIER CODE: V31645		1
487	452T2612-6	...	PIN- SUPPLIER CODE: V31645 OPTIONAL PART: 7715219-1 V31645		1

ILLUSTRATION ITEMS NOT ON PARTS LIST ARE NOT APPLICABLE

- ITEM NOT ILLUSTRATED

25-53-16-02B

25-53-16
FIG. 02B
PAGE 30
APR 22/07

HXL

BOEING PROPRIETARY - Copyright © - Unpublished Work - See title page for details.

 **BOEING**
767
PARTS CATALOG (MAINTENANCE)

FIG ITEM	PART NUMBER	1 2 3 4 5 6 7	NOMENCLATURE	EFFECT FROM TO	UNITS PER ASSY
2B 487	7715219-1	...	PIN- SUPPLIER CODE: V31645 OPTIONAL PART: 452T2612-6 V31645		1
489	MS16562-10	...	PIN		1
491	AN960KD416L	...	WASHER- USED ON: 452T2633-8 452T2633-23		4
491	NAS1149D0416J	...	WASHER- USED ON: 452T2633-32		4
493	BACB28X4F014	...	BUSHING		2
495	7715218-1	...	SPRING- SUPPLIER CODE: V31645 OPTIONAL PART: 452T2627-5 V31645		1
495	452T2627-5	...	SPRING- SUPPLIER CODE: V31645 OPTIONAL PART: 7715218-1 V31645		1
497	452T2626-8	...	PAWL ASSY- SUPPLIER CODE: V31645		1
499	BACB28Y4F015	BUSHING		2
501	452T2626-9	PAWL- SUPPLIER CODE: V31645		1
503	452T2610-14	...	BASE ASSY- SUPPLIER CODE: V31645 OPTIONAL PART: 452T2610-21 V31645 USED ON: 452T2633-8 452T2633-32		1

ILLUSTRATION ITEMS NOT ON PARTS LIST ARE NOT APPLICABLE

— ITEM NOT ILLUSTRATED

HXL

25-53-16-02B

BOEING PROPRIETARY - Copyright © - Unpublished Work - See title page for details.

25-53-16
FIG. 02B
PAGE 31
APR 22/07



767

PARTS CATALOG (MAINTENANCE)

FIG ITEM	PART NUMBER	1 2 3 4 5 6 7	NOMENCLATURE	EFFECT FROM TO	UNITS PER ASSY
2B 503	452T2610-21		...BASE ASSY- SUPPLIER CODE: V31645 OPTIONAL PART: 452T2610-14 V31645 USED ON: 452T2633-8 452T2633-32		1
503	452T2610-17		...BASE ASSY- SUPPLIER CODE: V31645 OPTIONAL PART: 452T2610-24 V31645 USED ON: 452T2633-23		1
503	452T2610-24		...BASE ASSY- SUPPLIER CODE: V31645 OPTIONAL PART: 452T2610-17 V31645 USED ON: 452T2633-23		1
505	BACB28U9B060	BUSHING- USED ON: 452T2610-14 452T2610-21 452T2610-24		2
507 509	BACB28X8M060 452T2610-6	BUSHINGBASE- SUPPLIER CODE: V31645 OPTIONAL PART: 452T2610-7 V31645 USED ON: 452T2610-14		2 1
509	452T2610-7	BASE- SUPPLIER CODE: V31645 OPTIONAL PART: 452T2610-6 V31645 USED ON: 452T2610-14		1

ILLUSTRATION ITEMS NOT ON PARTS LIST ARE NOT APPLICABLE

- ITEM NOT ILLUSTRATED

25-53-16-02B

25-53-16
FIG. 02B
PAGE 32
APR 22/07

HXL

BOEING PROPRIETARY - Copyright © - Unpublished Work - See title page for details.



767

PARTS CATALOG (MAINTENANCE)

FIG ITEM	PART NUMBER	1 2 3 4 5 6 7	NOMENCLATURE	EFFECT FROM TO	UNITS PER ASSY
2B 511	452T2610-22	BASE- SUPPLIER CODE: V31645 OPTIONAL PART: 452T2610-23 V31645 USED ON: 452T2610-21		1
511	452T2610-23	BASE- SUPPLIER CODE: V31645 OPTIONAL PART: 452T2610-22 V31645 USED ON: 452T2610-21		1
513	452T2610-15	BASE- SUPPLIER CODE: V31645 OPTIONAL PART: 452T2610-16 V31645 USED ON: 452T2610-17		1
513	452T2610-16	BASE- SUPPLIER CODE: V31645 OPTIONAL PART: 452T2610-15 V31645 USED ON: 452T2610-17		1
515	452T2610-25	BASE- SUPPLIER CODE: V31645 OPTIONAL PART: 452T2610-26 V31645 USED ON: 452T2610-24		1
515	452T2610-26	BASE- SUPPLIER CODE: V31645 OPTIONAL PART: 452T2610-25 V31645 USED ON: 452T2610-24		1

ILLUSTRATION ITEMS NOT ON PARTS LIST ARE NOT APPLICABLE

- ITEM NOT ILLUSTRATED

HXL

25-53-16-02B

BOEING PROPRIETARY - Copyright © - Unpublished Work - See title page for details.

25-53-16
FIG. 02B
PAGE 33
APR 22/07



767

PARTS CATALOG (MAINTENANCE)

FIG ITEM	PART NUMBER	1 2 3 4 5 6 7	NOMENCLATURE	EFFECT FROM TO	UNITS PER ASSY
2B 517	452T2636-1	FITTING- SUPPLIER CODE: V31645 ATTACHING PARTS		1
- 519	MS20427F6-8	RIVET		1
- 521	MS20427F8-9	RIVET		1
		-----*			
523	132VJ1RL13	..	ACTUATOR ASSY-LINEAR SUPPLIER CODE: V00462 SPECIFICATION NUMBER: S452T202-1 COMPONENT MAINT MANUAL REF: 25-55-03 OPTIONAL PART: 132VJ1RL13A V00462		1
523	132VJ1RL13A	..	ACTUATOR ASSY-LINEAR SUPPLIER CODE: V31645 FUNCTIONAL DESCRIPTION: POSITIONS COMPONENTS OF THE CARGO HANDLING SYSTEM. SPECIFICATION NUMBER: S452T202-1 COMPONENT MAINT MANUAL REF: 25-55-03 OPTIONAL PART: 132VJ1RL13 V00462		1
523	1827T100-7	..	ACTUATOR-LINEAR SUPPLIER CODE: V60631 SPECIFICATION NUMBER: S452T201-3 COMPONENT MAINT MANUAL REF: 25-53-02		1
523	1827T100-5	..	ACTUATOR-LINEAR SUPPLIER CODE: V60631 SPECIFICATION NUMBER: S452T201-2 COMPONENT MAINT MANUAL REF: 25-53-02 OPTIONAL PART: 1827T100-3 V98889		1

ILLUSTRATION ITEMS NOT ON PARTS LIST ARE NOT APPLICABLE

- ITEM NOT ILLUSTRATED

25-53-16-02B

25-53-16
FIG. 02B
PAGE 34
AUG 22/08

HXL

BOEING PROPRIETARY - Copyright © - Unpublished Work - See title page for details.

BOEING
767
PARTS CATALOG (MAINTENANCE)

FIG ITEM	PART NUMBER	1 2 3 4 5 6 7	NOMENCLATURE	EFFECT FROM TO	UNITS PER ASSY
2B					
- 525	96282	...	ACTUATOR ASSY-LINER SUPPLIER CODE: V00462 USED ON: 132VJ1RL13		1
- 525	96418	...	ACTUATOR ASSY-LINER SUPPLIER CODE: V00462 USED ON: 132VJ1RL13A		1
527	22058	STRAP- SUPPLIER CODE: V00462 ATTACHING PARTS		1
529	NAS1352-04-6P	SCREW		1
531	MS35338-40	WASHER		1
533	NAS620-4	WASHER		1
535	NAS620-4L	WASHER		1
			-----*-----		
537	150336	FITTING-END SUPPLIER CODE: V00462 ATTACHING PARTS		1
539	NAS1352-06H18P	SCREW		4
541	NAS620-6L	WASHER		4
			-----*-----		
543	150353	BALL-SELF-ALIGING SUPPLIER CODE: V00462		1
545	146413	BEARING-THRUST SUPPLIER CODE: V00462		1
547	146440	WASHER-THRUST SUPPLIER CODE: V00462		2
549	886-276	SHIM- SUPPLIER CODE: V00462		AR
551	NAS1191-04P12L	SCREW		2
553	NAS620-4L	WASHER		2
555	151260	HOUSING-MACHINED SUPPLIER CODE: V00462 CONFIG CHG DATA FROM A CMM: SUPSD BY 151784 USED ON: 96282		1

ILLUSTRATION ITEMS NOT ON PARTS LIST ARE NOT APPLICABLE

- ITEM NOT ILLUSTRATED

HXL

25-53-16-02B

BOEING PROPRIETARY - Copyright © - Unpublished Work - See title page for details.

25-53-16
FIG. 02B
PAGE 35
APR 22/07



767

PARTS CATALOG (MAINTENANCE)

FIG ITEM	PART NUMBER	1 2 3 4 5 6 7	NOMENCLATURE	EFFECT FROM TO	UNITS PER ASSY
2B 555	151784	HOUSING-MACHINED SUPPLIER CODE: V00462 CONFIG CHG DATA FROM A CMM: SUPERSEDES 151260		1
557	37414	CLUTCH- SUPPLIER CODE: V00462		1
559	80383-3	BEARING-BALL SUPPLIER CODE: V00462		3
561	886-115	SHIM- SUPPLIER CODE: V00462		AR
563	AN960D10	.	WASHER		1
565	MS21042L3	.	NUT		1
567	452T2633-21	.	GUIDE ASSY-LATERAL SUPPLIER CODE: V31645 COMPONENT MAINT MANUAL REF: 25-53-14 OPTIONAL PART: 452T2633-31 V31645		1
567	452T2633-31	.	GUIDE ASSY-LATERAL SUPPLIER CODE: V31645 COMPONENT MAINT MANUAL REF: 25-53-14 OPTIONAL PART: 452T2633-21 V31645		1
569	BACB30MR6K14	.	BOLT		4
571	BACW10BP6C	.	WASHER		4
573	452T2633-10	..	GUIDE ASSY- SUPPLIER CODE: V31645 USED ON: 452T2633-21		1
573	452T2633-25	..	GUIDE ASSY- SUPPLIER CODE: V31645 USED ON: 452T2633-31		1
575	MS16624-1025	..	RING- USED ON: 452T2633-21		1

ILLUSTRATION ITEMS NOT ON PARTS LIST ARE NOT APPLICABLE

- ITEM NOT ILLUSTRATED

25-53-16-02B

25-53-16
FIG. 02B
PAGE 36
APR 22/07

HXL

BOEING PROPRIETARY - Copyright © - Unpublished Work - See title page for details.



767

PARTS CATALOG (MAINTENANCE)

FIG ITEM	PART NUMBER	1 2 3 4 5 6 7	NOMENCLATURE	EFFECT FROM TO	UNITS PER ASSY
2B 577	452T1218-20	..	PIN- SUPPLIER CODE: V31645 OPTIONAL PART: 7715212-2 V31645 USED ON: 452T2633-21		1
577	7715212-2	..	PIN- SUPPLIER CODE: V31645 OPTIONAL PART: 452T1218-20 V31645 USED ON: 452T2633-21		1
579	452T2614-4	...	ROLLER- SUPPLIER CODE: V31645 USED ON: 452T2633-10		2
580	MS16624-1025	...	RING- USED ON: 452T2633-25		1
581	BACB30LK3K20	...	BOLT- OPTIONAL PART: BACB30LK3U20		1
581	BACB30LK3U20	...	BOLT- OPTIONAL PART: BACB30LK3K20		1
583	BRH10C3M	...	NUT- SUPPLIER CODE: V52828 SPECIFICATION NUMBER: BACN10JC3CM OPTIONAL PART: T6C1032JM V11815 97E02 V80539 109LH9075-3W V72962 VN303D02 V92215 NS202101SE02 V80539 H01-3BAC V15653 MS21042L3		1

ILLUSTRATION ITEMS NOT ON PARTS LIST ARE NOT APPLICABLE

- ITEM NOT ILLUSTRATED

25-53-16-02B

25-53-16
FIG. 02B
PAGE 37
APR 22/07

HXL

BOEING PROPRIETARY - Copyright © - Unpublished Work - See title page for details.



767

PARTS CATALOG (MAINTENANCE)

FIG ITEM	PART NUMBER	1 2 3 4 5 6 7	NOMENCLATURE	EFFECT FROM TO	UNITS PER ASSY
2B					
583	MS21042L3	...	NUT- OPTIONAL PART: BACN10JC3CM		1
585	452T2618-2	...	PIN- SUPPLIER CODE: V31645		1
589	BACW10P250S	...	WASHER		2
591	452T2617-11	...	CLEVIS ASSY- SUPPLIER CODE: V31645		1
593	452T2617-7	PIN- SUPPLIER CODE: V31645		1
595	452T2617-10	NUT- SUPPLIER CODE: V31645 OPTIONAL PART: 7715235-1 V31645		1
595	7715235-1	NUT- SUPPLIER CODE: V31645 OPTIONAL PART: 452T2617-10 V31645		1
597	452T2617-5	COLLAR- SUPPLIER CODE: V31645 OPTIONAL PART: 7715234-1 V31645		1
597	7715234-1	COLLAR- SUPPLIER CODE: V31645 OPTIONAL PART: 452T2617-5 V31645		1
599	452T2617-12	CLEVIS- SUPPLIER CODE: V31645		1
601	452T2611-1	...	BLOCK- SUPPLIER CODE: V31645 USED ON: 452T2633-10		4

ILLUSTRATION ITEMS NOT ON PARTS LIST ARE NOT APPLICABLE

- ITEM NOT ILLUSTRATED

25-53-16-02B

25-53-16
FIG. 02B
PAGE 38
APR 22/07

HXL

BOEING PROPRIETARY - Copyright © - Unpublished Work - See title page for details.

 **BOEING**
767
PARTS CATALOG (MAINTENANCE)

FIG ITEM	PART NUMBER	1 2 3 4 5 6 7	NOMENCLATURE	EFFECT FROM TO	UNITS PER ASSY
2B			ATTACHING PARTS		
- 603	NAS514P1032-6P	...	SCREW- USED ON: 452T2633-10 -----*-----		8
605	452T2620-2	...	PLATE- SUPPLIER CODE: V31645 USED ON: 452T2633-10		4
607	452T2628-1	...	RAIL- SUPPLIER CODE: V31645 OPTIONAL PART: 452T2628-4 V31645 USED ON: 452T2633-10		1
607	452T2628-4	...	RAIL- SUPPLIER CODE: V31645 OPTIONAL PART: 452T2628-1 V31645 USED ON: 452T2633-10		1
607	452T2628-5	...	RAIL- SUPPLIER CODE: V31645 OPTIONAL PART: 452T2628-6 V31645 USED ON: 452T2633-25		1
607	452T2628-6	...	RAIL- SUPPLIER CODE: V31645 OPTIONAL PART: 452T2628-5 V31645 USED ON: 452T2633-25		1
609	452T2613-2	...	PIN- SUPPLIER CODE: V31645 OPTIONAL PART: 7715222-1 V31645		2

ILLUSTRATION ITEMS NOT ON PARTS LIST ARE NOT APPLICABLE

- ITEM NOT ILLUSTRATED

HXL

25-53-16-02B

BOEING PROPRIETARY - Copyright © - Unpublished Work - See title page for details.

25-53-16
FIG. 02B
PAGE 39
APR 22/07



767

PARTS CATALOG (MAINTENANCE)

FIG ITEM	PART NUMBER	1 2 3 4 5 6 7	NOMENCLATURE	EFFECT FROM TO	UNITS PER ASSY
2B 609	7715222-1	...	PIN- SUPPLIER CODE: V31645 OPTIONAL PART: 452T2613-2 V31645		2
611	BACW10BP6NDP	...	WASHER ATTACHING PARTS		6
613	MS16562-18	...	PIN		4
615	452T2612-5	...	PIN- SUPPLIER CODE: V31645		2
617	NAS1149F0832P	...	WASHER- USED ON: 452T2633-25		4
619	NAS1149D1016J	...	WASHER- USED ON: 452T2633-25		4
619	AN960KD1016L	...	WASHER- USED ON: 452T2633-10		4
621	452T2606-1	-----*	PAWL ASSY- SUPPLIER CODE: V31645 OPTIONAL PART: 7715206-1 V31645		1
621	7715206-1	...	PAWL ASSY- SUPPLIER CODE: V31645 OPTIONAL PART: 452T2606-1 V31645		1
623	BACB28Y4M025	BUSHING		1
625	452T2606-2	PAWL- SUPPLIER CODE: V31645		1
627	452T2625-2	...	CRANK ASSY- SUPPLIER CODE: V31645 ATTACHING PARTS		1
629	MS16562-17	...	PIN		1
631	MS20392-3C31	...	PIN		1
633	AN960-416L	...	WASHER- USED ON: 452T2633-10		AR

ILLUSTRATION ITEMS NOT ON PARTS LIST ARE NOT APPLICABLE

- ITEM NOT ILLUSTRATED

25-53-16-02B

25-53-16
FIG. 02B
PAGE 40
APR 22/07

HXL

BOEING PROPRIETARY - Copyright © - Unpublished Work - See title page for details.



767

PARTS CATALOG (MAINTENANCE)

FIG ITEM	PART NUMBER	1 2 3 4 5 6 7	NOMENCLATURE	EFFECT FROM TO	UNITS PER ASSY
2B					
635	NAS1149F0432P	...	WASHER- USED ON: 452T2633-25 -----*-----		1
637	BACB28Y6F067	BUSHING		1
639	452T2625-4	CRANK- SUPPLIER CODE: V31645 OPTIONAL PART: 452T2625-7 V31645		1
639	452T2625-7	CRANK-HOGOUT SUPPLIER CODE: V31645 OPTIONAL PART: 452T2625-4 V31645		1
641	SSBL54N	...	PLUNGER-BALL SUPPLIER CODE: V01226		1
643	452T2634-1	...	ATTENUATOR ASSY- SUPPLIER CODE: V31645 FOR DETAILS SEE: 25-53-16-05		1
645	452T2625-3	...	CRANK ASSY- SUPPLIER CODE: V31645 ATTACHING PARTS		1
647	AN960-816L	...	WASHER- USED ON: 452T2633-10 -----*-----		4
649	BACB28Y4F079	BUSHING		1
651	BACB28Y6F067	BUSHING		1
653	452T2625-5	CRANK- SUPPLIER CODE: V31645 OPTIONAL PART: 452T2625-9 V31645		1
653	452T2625-9	CRANK-HOGOUT SUPPLIER CODE: V31645 OPTIONAL PART: 452T2625-5 V31645		1

ILLUSTRATION ITEMS NOT ON PARTS LIST ARE NOT APPLICABLE

- ITEM NOT ILLUSTRATED

25-53-16-02B

25-53-16
FIG. 02B
PAGE 41
APR 22/07

HXL

BOEING PROPRIETARY - Copyright © - Unpublished Work - See title page for details.

 **BOEING**
767
PARTS CATALOG (MAINTENANCE)

FIG ITEM	PART NUMBER	1 2 3 4 5 6 7	NOMENCLATURE	EFFECT FROM TO	UNITS PER ASSY
2B					
655	452T2615-3	...	SPRING- SUPPLIER CODE: V31645		1
657	452T2615-4	...	SPRING- SUPPLIER CODE: V31645		1
659	452T2612-6	...	PIN- SUPPLIER CODE: V31645 OPTIONAL PART: 7715219-1 V31645		1
659	7715219-1	...	PIN- SUPPLIER CODE: V31645 OPTIONAL PART: 452T2612-6 V31645		1
661	MS16562-10	...	PIN		1
663	AN960KD416L	...	WASHER- USED ON: 452T2633-10		4
663	NAS1149D0416J	...	WASHER- USED ON: 452T2633-25		4
665	BACB28X4F014	...	BUSHING		2
667	452T2627-5	...	SPRING- SUPPLIER CODE: V31645 OPTIONAL PART: 7715218-1 V31645		1
667	7715218-1	...	SPRING- SUPPLIER CODE: V31645 OPTIONAL PART: 452T2627-5 V31645		1
669	452T2626-8	...	PAWL ASSY- SUPPLIER CODE: V31645		1
671	BACB28Y4F015	BUSHING		2
673	452T2626-9	PAWL- SUPPLIER CODE: V31645		1

ILLUSTRATION ITEMS NOT ON PARTS LIST ARE NOT APPLICABLE

— ITEM NOT ILLUSTRATED

HXL

25-53-16-02B

BOEING PROPRIETARY - Copyright © - Unpublished Work - See title page for details.

25-53-16
FIG. 02B
PAGE 42
APR 22/07



767

PARTS CATALOG (MAINTENANCE)

FIG ITEM	PART NUMBER	1 2 3 4 5 6 7	NOMENCLATURE	EFFECT FROM TO	UNITS PER ASSY
2B 675	452T2629-5		...BASE ASSY- SUPPLIER CODE: V31645 OPTIONAL PART: 452T2629-6 V31645 USED ON: 452T2633-10 452T2633-25		1
675	452T2629-6		...BASE ASSY- SUPPLIER CODE: V31645 OPTIONAL PART: 452T2629-5 V31645 USED ON: 452T2633-10 452T2633-25		1
677	BACB28U10B060	BUSHING- USED ON: 452T2629-5		2
679	BACB28Y10M060	BUSHING- USED ON: 452T2629-5		2
681	BACB28U10B060	BUSHING- OPTIONAL PART: BACB28Y10M060 USED ON: 452T2629-6		4
681	BACB28Y10M060	BUSHING- OPTIONAL PART: BACB28U10B060 USED ON: 452T2629-6		4
683	452T2629-2	BASE- SUPPLIER CODE: V31645 OPTIONAL PART: 452T2629-4 V31645 USED ON: 452T2629-5		1

ILLUSTRATION ITEMS NOT ON PARTS LIST ARE NOT APPLICABLE

- ITEM NOT ILLUSTRATED

HXL

25-53-16-02B

BOEING PROPRIETARY - Copyright © - Unpublished Work - See title page for details.

25-53-16
FIG. 02B
PAGE 43
APR 22/07

BOEING
767
PARTS CATALOG (MAINTENANCE)

FIG ITEM	PART NUMBER	1 2 3 4 5 6 7	NOMENCLATURE	EFFECT FROM TO	UNITS PER ASSY
2B 683	452T2629-4	BASE- SUPPLIER CODE: V31645 OPTIONAL PART: 452T2629-2 V31645 USED ON: 452T2629-5		1
685	452T2629-7	BASE- SUPPLIER CODE: V31645 OPTIONAL PART: 452T2629-8 V31645 USED ON: 452T2629-6		1
685	452T2629-8	BASE- SUPPLIER CODE: V31645 OPTIONAL PART: 452T2629-7 V31645 USED ON: 452T2629-6		1
687	452T2636-1	FITTING- SUPPLIER CODE: V31645 ATTACHING PARTS		1
- 689	MS20427F6-8	RIVET		1
- 691	MS20427F8-9	RIVET		1
693	132VJ1RL13	..	ACTUATOR ASSY-LINEAR SUPPLIER CODE: V00462 SPECIFICATION NUMBER: S452T202-1 COMPONENT MAINT MANUAL REF: 25-55-03 OPTIONAL PART: 132VJ1RL13A V00462		1

ILLUSTRATION ITEMS NOT ON PARTS LIST ARE NOT APPLICABLE

- ITEM NOT ILLUSTRATED

HXL

25-53-16-02B

BOEING PROPRIETARY - Copyright © - Unpublished Work - See title page for details.

25-53-16
FIG. 02B
PAGE 44
AUG 22/08



767

PARTS CATALOG (MAINTENANCE)

FIG ITEM	PART NUMBER	1 2 3 4 5 6 7	NOMENCLATURE	EFFECT FROM TO	UNITS PER ASSY
2B 693	132VJ1RL13A	..	ACTUATOR ASSY-LINEAR SUPPLIER CODE: V31645 FUNCTIONAL DESCRIPTION: POSITIONS COMPONENTS OF THE CARGO HANDLING SYSTEM. SPECIFICATION NUMBER: S452T202-1 COMPONENT MAINT MANUAL REF: 25-55-03 OPTIONAL PART: 132VJ1RL13 V00462		1
693	1827T100-7	..	ACTUATOR-LINEAR SUPPLIER CODE: V60631 SPECIFICATION NUMBER: S452T201-3 COMPONENT MAINT MANUAL REF: 25-53-02		1
693	1827T100-5	..	ACTUATOR-LINEAR SUPPLIER CODE: V60631 SPECIFICATION NUMBER: S452T201-2 COMPONENT MAINT MANUAL REF: 25-53-02 OPTIONAL PART: 1827T100-3 V98889		1
- 695	96282	...	ACTUATOR ASSY-LINER SUPPLIER CODE: V00462 USED ON: 132VJ1RL13		1
- 695	96418	...	ACTUATOR ASSY-LINER SUPPLIER CODE: V00462 USED ON: 132VJ1RL13A		1
697	22058	STRAP- SUPPLIER CODE: V00462 ATTACHING PARTS		1
699	NAS1352-04-6P	SCREW		1
701	MS35338-40	WASHER		1
703	NAS620-4	WASHER		1

ILLUSTRATION ITEMS NOT ON PARTS LIST ARE NOT APPLICABLE

- ITEM NOT ILLUSTRATED

25-53-16-02B

25-53-16
FIG. 02B
PAGE 45
AUG 22/08

HXL

BOEING PROPRIETARY - Copyright © - Unpublished Work - See title page for details.



767

PARTS CATALOG (MAINTENANCE)

FIG ITEM	PART NUMBER	1 2 3 4 5 6 7	NOMENCLATURE	EFFECT FROM TO	UNITS PER ASSY
2B					
705	NAS620-4L	WASHER -----*-----		1
707	150336	FITTING-END SUPPLIER CODE: V00462 ATTACHING PARTS		1
709	NAS1352-06H18P	SCREW		4
711	NAS620-6L	WASHER -----*-----		4
713	150353	BALL-SELF-ALIGING SUPPLIER CODE: V00462		1
715	146413	BEARING-THRUST SUPPLIER CODE: V00462		1
717	146440	WASHER-THRUST SUPPLIER CODE: V00462		2
719	886-276	SHIM- SUPPLIER CODE: V00462		AR
721	NAS1191-04P12L	SCREW		2
723	NAS620-4L	WASHER		2
725	151260	HOUSING-MACHINED SUPPLIER CODE: V00462 CONFIG CHG DATA FROM A CMM: SUPSD BY 151784 USED ON: 96282		1
725	151784	HOUSING-MACHINED SUPPLIER CODE: V00462 CONFIG CHG DATA FROM A CMM: SUPERSEDES 151260		1
727	37414	CLUTCH- SUPPLIER CODE: V00462		1
729	80383-3	BEARING-BALL SUPPLIER CODE: V00462		3
731	886-115	SHIM- SUPPLIER CODE: V00462		AR
733	AN960D10	.	WASHER		1
735	MS21042L3	.	NUT		1

ILLUSTRATION ITEMS NOT ON PARTS LIST ARE NOT APPLICABLE

- ITEM NOT ILLUSTRATED

25-53-16-02B

25-53-16
FIG. 02B
PAGE 46
APR 22/07

HXL

BOEING PROPRIETARY - Copyright © - Unpublished Work - See title page for details.

 **BOEING**
767
PARTS CATALOG (MAINTENANCE)

FIG ITEM	PART NUMBER	1 2 3 4 5 6 7	NOMENCLATURE	EFFECT FROM TO	UNITS PER ASSY
2B 737	452T2633-24		.GUIDE ASSY-LATERAL SUPPLIER CODE: V31645 COMPONENT MAINT MANUAL REF: 25-53-14 OPTIONAL PART: 452T2633-34 V31645		1
737	452T2633-34		.GUIDE ASSY-LATERAL SUPPLIER CODE: V31645 COMPONENT MAINT MANUAL REF: 25-53-14 OPTIONAL PART: 452T2633-24 V31645		1
737	452T2633-22		.GUIDE ASSY-LATERAL SUPPLIER CODE: V31645 COMPONENT MAINT MANUAL REF: 25-53-14 ATTACHING PARTS		1
739	BACB30MR6K14		.BOLT		4
741	BACW10BP6C		.WASHER		4
743	452T2633-33		-----*----- ..GUIDE ASSY- SUPPLIER CODE: V31645 QUALIFIED I/W DATA: 452T2633-33 TOGETHER WITH (1EA) 452T1218-20 AND (1EA) MS16624-1025 CAN REPLACE OR BE REPLACED BY 452T2633-23 USED ON: 452T2633-34		1
743	452T2633-23		..GUIDE ASSY- SUPPLIER CODE: V31645 QUALIFIED I/W DATA: 452T2633-33 TOGETHER WITH (1EA) 452T1218-20 AND (1EA) MS16624-1025 CAN REPLACE OR BE REPLACED BY 452T2633-23 USED ON: 452T2633-22 USED ON: 452T2633-24		1

ILLUSTRATION ITEMS NOT ON PARTS LIST ARE NOT APPLICABLE

- ITEM NOT ILLUSTRATED

HXL

25-53-16-02B

BOEING PROPRIETARY - Copyright © - Unpublished Work - See title page for details.

25-53-16
FIG. 02B
PAGE 47
APR 22/07



767

PARTS CATALOG (MAINTENANCE)

FIG ITEM	PART NUMBER	1 2 3 4 5 6 7	NOMENCLATURE	EFFECT FROM TO	UNITS PER ASSY
2B 745	MS16624-1025		..RING- USED ON: 452T2633-22		1
747	452T1218-20		USED ON: 452T2633-24 ..PIN- SUPPLIER CODE: V31645 OPTIONAL PART: 7715212-2 V31645 USED ON: 452T2633-22		1
747	7715212-2		..PIN- SUPPLIER CODE: V31645 OPTIONAL PART: 452T1218-20 V31645 USED ON: 452T2633-24		1
749	452T2614-4		...ROLLER- SUPPLIER CODE: V31645 USED ON: 452T2633-23		2
750	MS16624-1025		...RING- USED ON: 452T2633-33		1
751	BACB30LK3K20		...BOLT- OPTIONAL PART: BACB30LK3U20		1
751	BACB30LK3U20		...BOLT- OPTIONAL PART: BACB30LK3K20		1

ILLUSTRATION ITEMS NOT ON PARTS LIST ARE NOT APPLICABLE

- ITEM NOT ILLUSTRATED

HXL

25-53-16-02B

BOEING PROPRIETARY - Copyright © - Unpublished Work - See title page for details.

25-53-16
FIG. 02B
PAGE 48
APR 22/07



767

PARTS CATALOG (MAINTENANCE)

FIG ITEM	PART NUMBER	1 2 3 4 5 6 7	NOMENCLATURE	EFFECT FROM TO	UNITS PER ASSY
2B 753	BRH10C3M		...NUT- SUPPLIER CODE: V52828 SPECIFICATION NUMBER: BACN10JC3CM OPTIONAL PART: T6C1032JM V11815 97E02 V80539 109LH9075-3W V72962 VN303D02 V92215 NS202101SE02 V80539 H01-3BAC V15653 MS21042L3		1
753	MS21042L3		...NUT- OPTIONAL PART: BACN10JC3CM		1
755	452T2618-2		...PIN- SUPPLIER CODE: V31645		1
759 761	BACW10P250S 452T2617-11		...WASHER ...CLEVIS ASSY- SUPPLIER CODE: V31645		2 1
763	452T2617-7	PIN- SUPPLIER CODE: V31645		1
765	452T2617-10	NUT- SUPPLIER CODE: V31645 OPTIONAL PART: 7715235-1 V31645		1
765	7715235-1	NUT- SUPPLIER CODE: V31645 OPTIONAL PART: 452T2617-10 V31645		1
767	452T2617-5	COLLAR- SUPPLIER CODE: V31645		1

ILLUSTRATION ITEMS NOT ON PARTS LIST ARE NOT APPLICABLE

- ITEM NOT ILLUSTRATED

25-53-16-02B

25-53-16
 FIG. 02B
 PAGE 49
 APR 22/07

HXL

BOEING PROPRIETARY - Copyright © - Unpublished Work - See title page for details.

 **BOEING**
767
PARTS CATALOG (MAINTENANCE)

FIG ITEM	PART NUMBER	1 2 3 4 5 6 7	NOMENCLATURE	EFFECT FROM TO	UNITS PER ASSY
2B 769	452T2617-12	CLEVIS- SUPPLIER CODE: V31645		1
771	452T2611-1	...	BLOCK- SUPPLIER CODE: V31645 USED ON: 452T2633-23 ATTACHING PARTS		4
- 773	NAS514P1032-6P	...	SCREW- USED ON: 452T2633-23 -----*-----		8
775	452T2620-2	...	PLATE- SUPPLIER CODE: V31645 USED ON: 452T2633-23		4
777	452T2609-3	...	RAIL- SUPPLIER CODE: V31645 USED ON: 452T2633-23		1
779	452T2609-4	...	RAIL- SUPPLIER CODE: V31645 OPTIONAL PART: 452T2609-5 V31645 USED ON: 452T2633-23		1
779	452T2609-5	...	RAIL- SUPPLIER CODE: V31645 OPTIONAL PART: 452T2609-4 V31645 USED ON: 452T2633-33		1
781	452T2613-2	...	PIN- SUPPLIER CODE: V31645 OPTIONAL PART: 7715222-1 V31645		2

ILLUSTRATION ITEMS NOT ON PARTS LIST ARE NOT APPLICABLE

- ITEM NOT ILLUSTRATED

HXL

25-53-16-02B

BOEING PROPRIETARY - Copyright © - Unpublished Work - See title page for details.

25-53-16
FIG. 02B
PAGE 50
APR 22/07



767

PARTS CATALOG (MAINTENANCE)

FIG ITEM	PART NUMBER	1 2 3 4 5 6 7	NOMENCLATURE	EFFECT FROM TO	UNITS PER ASSY
2B 781	7715222-1	...	PIN- SUPPLIER CODE: V31645 OPTIONAL PART: 452T2613-2 V31645		2
783	BACW10BP6NDP	...	WASHER		6
785	452T2605-6	...	CRANK ASSY- SUPPLIER CODE: V31645 ATTACHING PARTS		1
787	MS16562-18	...	PIN		4
789	452T2612-4	...	PIN- SUPPLIER CODE: V31645		1
791	BACW10P209AL	...	WASHER		2
793	BACW10P195S	...	WASHER -----*-----		2
795	BACB28Y6M085	BUSHING		1
797	BACB28Y8M200	BUSHING		1
799	452T2605-7	CRANK- SUPPLIER CODE: V31645 OPTIONAL PART: 452T2605-9 V31645		1
799	452T2605-9	CRANK- SUPPLIER CODE: V31645 OPTIONAL PART: 452T2605-7 V31645		1
801	452T2606-1	...	PAWL ASSY- SUPPLIER CODE: V31645 OPTIONAL PART: 7715206-1 V31645		1
801	7715206-1	...	PAWL ASSY- SUPPLIER CODE: V31645 OPTIONAL PART: 452T2606-1 V31645		1
803	BACB28Y4M025	BUSHING		1
805	452T2606-2	PAWL- SUPPLIER CODE: V31645		1

ILLUSTRATION ITEMS NOT ON PARTS LIST ARE NOT APPLICABLE

- ITEM NOT ILLUSTRATED

25-53-16-02B

25-53-16
FIG. 02B
PAGE 51
APR 22/07

HXL

BOEING PROPRIETARY - Copyright © - Unpublished Work - See title page for details.



767

PARTS CATALOG (MAINTENANCE)

FIG ITEM	PART NUMBER	1 2 3 4 5 6 7	NOMENCLATURE	EFFECT FROM TO	UNITS PER ASSY
2B			ATTACHING PARTS		
807	MS16562-17	...	PIN		1
809	MS20392-3C31	...	PIN		1
811	AN960-416L	...	WASHER-		AR
			USED ON: 452T2633-23		
813	NAS1149F0432P	...	WASHER-		1
			USED ON: 452T2633-33		
			-----*-----		
815	SSBL54N	...	PLUNGER-BALL		1
			SUPPLIER CODE: V01226		
817	452T2634-1	...	ATTENUATOR ASSY-		1
			SUPPLIER CODE: V31645		
			FOR DETAILS SEE: 25-53-16-05		
819	452T2625-1	...	CRANK ASSY-		1
			SUPPLIER CODE: V31645		
821	BACB28Y6F067	BUSHING		1
823	BACB28Y4F079	BUSHING		1
825	BACB28U9F050	BUSHING		2
827	452T2625-6	CRANK-		1
			SUPPLIER CODE: V31645		
			OPTIONAL PART: 452T2625-10		
			V31645		
827	452T2625-10	CRANK-		1
			SUPPLIER CODE: V31645		
			OPTIONAL PART: 452T2625-6		
			V31645		
			ATTACHING PARTS		
829	452T2612-3	...	PIN-		1
			SUPPLIER CODE: V31645		
831	452T2621-1	...	WASHER-		2
			SUPPLIER CODE: V31645		
833	AN960KD916L	...	WASHER-		2
			USED ON: 452T2633-23		

ILLUSTRATION ITEMS NOT ON PARTS LIST ARE NOT APPLICABLE

- ITEM NOT ILLUSTRATED

25-53-16-02B

25-53-16
FIG. 02B
PAGE 52
APR 22/07

HXL

BOEING PROPRIETARY - Copyright © - Unpublished Work - See title page for details.

 **BOEING**
767
PARTS CATALOG (MAINTENANCE)

FIG ITEM	PART NUMBER	1 2 3 4 5 6 7	NOMENCLATURE	EFFECT FROM TO	UNITS PER ASSY
2B					
833	NAS1149D0916J	...	WASHER- USED ON: 452T2633-33 -----*-----		2
835	452T2615-3	...	SPRING- SUPPLIER CODE: V31645		1
837	452T2615-4	...	SPRING- SUPPLIER CODE: V31645		1
839	452T2612-6	...	PIN- SUPPLIER CODE: V31645 OPTIONAL PART: 7715219-1 V31645		1
839	7715219-1	...	PIN- SUPPLIER CODE: V31645 OPTIONAL PART: 452T2612-6 V31645		1
841	MS16562-10	...	PIN		1
843	AN960KD416L	...	WASHER- USED ON: 452T2633-23		4
843	NAS1149D0416J	...	WASHER- USED ON: 452T2633-33		4
845	BACB28X4F014	...	BUSHING		2
847	452T2627-5	...	SPRING- SUPPLIER CODE: V31645 OPTIONAL PART: 7715218-1 V31645		1
847	7715218-1	...	SPRING- SUPPLIER CODE: V31645 OPTIONAL PART: 452T2627-5 V31645		1
849	452T2626-8	...	PAWL ASSY- SUPPLIER CODE: V31645		1
851	BACB28Y4F015	BUSHING		2
853	452T2626-9	PAWL- SUPPLIER CODE: V31645		1

ILLUSTRATION ITEMS NOT ON PARTS LIST ARE NOT APPLICABLE

- ITEM NOT ILLUSTRATED

HXL

25-53-16-02B

BOEING PROPRIETARY - Copyright © - Unpublished Work - See title page for details.

25-53-16
FIG. 02B
PAGE 53
APR 22/07



767

PARTS CATALOG (MAINTENANCE)

FIG ITEM	PART NUMBER	1 2 3 4 5 6 7	NOMENCLATURE	EFFECT FROM TO	UNITS PER ASSY
2B 855	452T2610-17	...	BASE ASSY- SUPPLIER CODE: V31645 OPTIONAL PART: 452T2610-24 V31645		1
855	452T2610-24	...	BASE ASSY- SUPPLIER CODE: V31645 OPTIONAL PART: 452T2610-17 V31645		1
857	BACB28U9B060	BUSHING- USED ON: 452T2610-24		2
859	BACB28X8M060	BUSHING		2
863	452T2610-15	BASE- SUPPLIER CODE: V31645 OPTIONAL PART: 452T2610-16 V31645 USED ON: 452T2610-17		1
863	452T2610-16	BASE- SUPPLIER CODE: V31645 OPTIONAL PART: 452T2610-15 V31645 USED ON: 452T2610-17		1
865	452T2610-25	BASE- SUPPLIER CODE: V31645 OPTIONAL PART: 452T2610-26 V31645 USED ON: 452T2610-24		1
865	452T2610-26	BASE- SUPPLIER CODE: V31645 OPTIONAL PART: 452T2610-25 V31645 USED ON: 452T2610-24		1

ILLUSTRATION ITEMS NOT ON PARTS LIST ARE NOT APPLICABLE

- ITEM NOT ILLUSTRATED

HXL

25-53-16-02B

BOEING PROPRIETARY - Copyright © - Unpublished Work - See title page for details.

25-53-16
FIG. 02B
PAGE 54
APR 22/07

 **BOEING**
767
PARTS CATALOG (MAINTENANCE)

FIG ITEM	PART NUMBER	1 2 3 4 5 6 7	NOMENCLATURE	EFFECT FROM TO	UNITS PER ASSY
2B 867	452T2636-1	FITTING- SUPPLIER CODE: V31645 ATTACHING PARTS		1
- 869	MS20427F6-8	RIVET		1
- 871	MS20427F8-9	RIVET		1
			-----*-----		
873	132VJ1RL13		..ACTUATOR ASSY-LINEAR SUPPLIER CODE: V00462 SPECIFICATION NUMBER: S452T202-1 COMPONENT MAINT MANUAL REF: 25-55-03 OPTIONAL PART: 132VJ1RL13A V00462		1
873	132VJ1RL13A		..ACTUATOR ASSY-LINEAR SUPPLIER CODE: V31645 FUNCTIONAL DESCRIPTION: POSITIONS COMPONENTS OF THE CARGO HANDLING SYSTEM. SPECIFICATION NUMBER: S452T202-1 COMPONENT MAINT MANUAL REF: 25-55-03 OPTIONAL PART: 132VJ1RL13 V00462		1
873	1827T100-7		..ACTUATOR-LINEAR SUPPLIER CODE: V60631 SPECIFICATION NUMBER: S452T201-3 COMPONENT MAINT MANUAL REF: 25-53-02		1
873	1827T100-5		..ACTUATOR-LINEAR SUPPLIER CODE: V60631 SPECIFICATION NUMBER: S452T201-2 COMPONENT MAINT MANUAL REF: 25-53-02 OPTIONAL PART: 1827T100-3 V98889		1

ILLUSTRATION ITEMS NOT ON PARTS LIST ARE NOT APPLICABLE

- ITEM NOT ILLUSTRATED

HXL

25-53-16-02B

BOEING PROPRIETARY - Copyright © - Unpublished Work - See title page for details.

25-53-16
FIG. 02B
PAGE 55
AUG 22/08

BOEING
767
PARTS CATALOG (MAINTENANCE)

FIG ITEM	PART NUMBER	1 2 3 4 5 6 7	NOMENCLATURE	EFFECT FROM TO	UNITS PER ASSY
2B					
- 875	96282	...	ACTUATOR ASSY-LINER SUPPLIER CODE: V00462 USED ON: 132VJ1RL13		1
- 875	96418	...	ACTUATOR ASSY-LINER SUPPLIER CODE: V00462 USED ON: 132VJ1RL13A		1
877	22058	STRAP- SUPPLIER CODE: V00462 ATTACHING PARTS		1
879	NAS1352-04-6P	SCREW		1
881	MS35338-40	WASHER		1
883	NAS620-4	WASHER		1
885	NAS620-4L	WASHER		1
			-----*-----		
887	150336	FITTING-END SUPPLIER CODE: V00462 ATTACHING PARTS		1
889	NAS1352-06H18P	SCREW		4
891	NAS620-6L	WASHER		4
			-----*-----		
893	150353	BALL-SELF-ALIGING SUPPLIER CODE: V00462		1
895	146413	BEARING-THRUST SUPPLIER CODE: V00462		1
897	146440	WASHER-THRUST SUPPLIER CODE: V00462		2
899	886-276	SHIM- SUPPLIER CODE: V00462		AR
901	NAS1191-04P12L	SCREW		2
903	NAS620-4L	WASHER		2
905	151260	HOUSING-MACHINED SUPPLIER CODE: V00462 CONFIG CHG DATA FROM A CMM: SUPSD BY 151784 USED ON: 96282		1

ILLUSTRATION ITEMS NOT ON PARTS LIST ARE NOT APPLICABLE

- ITEM NOT ILLUSTRATED

HXL

25-53-16-02B

BOEING PROPRIETARY - Copyright © - Unpublished Work - See title page for details.

25-53-16
FIG. 02B
PAGE 56
APR 22/07



767

PARTS CATALOG (MAINTENANCE)

FIG ITEM	PART NUMBER	1 2 3 4 5 6 7	NOMENCLATURE	EFFECT FROM TO	UNITS PER ASSY
2B 905	151784	HOUSING-MACHINED SUPPLIER CODE: V00462 CONFIG CHG DATA FROM A CMM: SUPERSEDES 151260		1
907	37414	CLUTCH- SUPPLIER CODE: V00462		1
909	80383-3	BEARING-BALL SUPPLIER CODE: V00462		3
911	886-115	SHIM- SUPPLIER CODE: V00462		AR

ILLUSTRATION ITEMS NOT ON PARTS LIST ARE NOT APPLICABLE

- ITEM NOT ILLUSTRATED

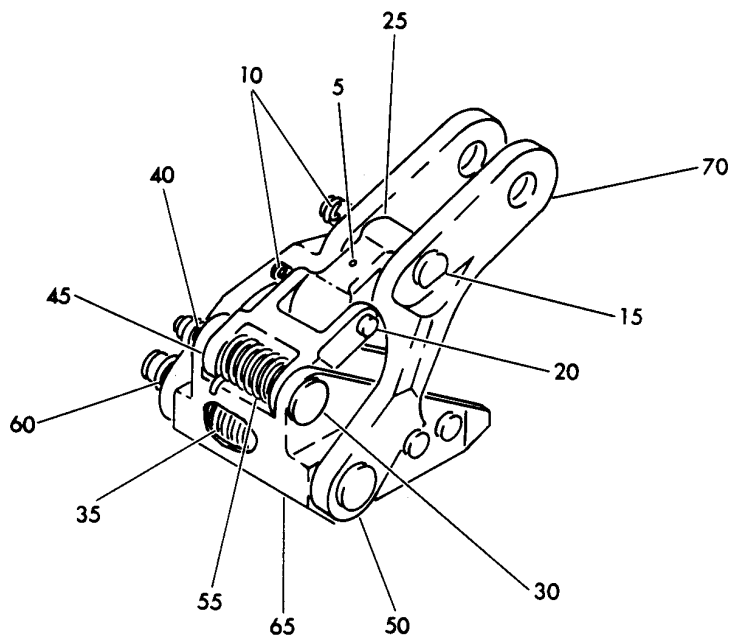
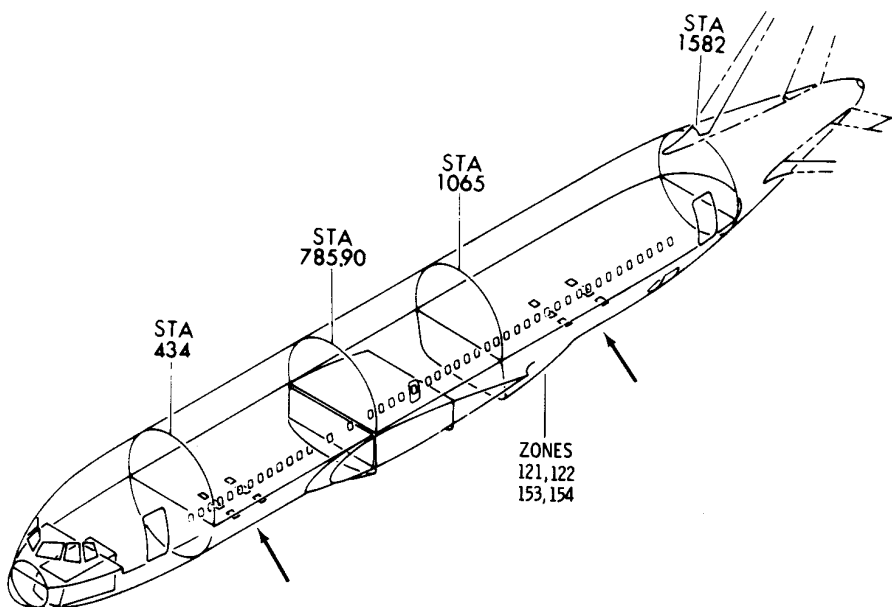
HXL

25-53-16-02B

BOEING PROPRIETARY - Copyright © - Unpublished Work - See title page for details.

25-53-16
FIG. 02B
PAGE 57
APR 22/07

BOEING
767
PARTS CATALOG (MAINTENANCE)



V 25531605 SMT 1 REV 098

ATTENUATOR ASSY-LATERAL GUIDE CARGO HANDLING
FIGURE 5

25-53-16-05

HXL
DEC 22/06

25-53-16-05
PAGE 0



767

PARTS CATALOG (MAINTENANCE)

FIG ITEM	PART NUMBER	1 2 3 4 5 6 7	NOMENCLATURE	EFFECT FROM TO	UNITS PER ASSY
5			ATTENUATOR ASSY-LATERAL GUIDE CARGO HANDLING		
- 1	452T2634-1		ATTENUATOR ASSY-LATERAL GUIDE CARGO HANDLING SUPPLIER CODE: V31645 FOR NHA SEE: 25-53-16-02B		RF
5	MS18066-10		.SCREW- OPTIONAL PART: MS51965-10		1
5	MS51965-10		.SCREW- OPTIONAL PART: MS18066-10		1
10	BACP18BC01A04P		.PIN-		2
15	452T1218-21		.PIN- SUPPLIER CODE: V31645 OPTIONAL PART: 7715212-3 V31645		1
15	7715212-3		.PIN- SUPPLIER CODE: V31645 OPTIONAL PART: 452T1218-21 V31645		1
20	452T1218-22		.PIN- SUPPLIER CODE: V31645 OPTIONAL PART: 7715212-4 V31645		1
20	7715212-4		.PIN- SUPPLIER CODE: V31645 OPTIONAL PART: 452T1218-22 V31645		1
25	452T2642-1		.LINK-TOGGLE SUPPLIER CODE: V31645 OPTIONAL PART: 7715216-1 V31645		1

ILLUSTRATION ITEMS NOT ON PARTS LIST ARE NOT APPLICABLE

- ITEM NOT ILLUSTRATED

HXL

25-53-16-05

BOEING PROPRIETARY - Copyright © - Unpublished Work - See title page for details.

25-53-16
FIG. 05
PAGE 1
APR 22/07



767

PARTS CATALOG (MAINTENANCE)

FIG ITEM	PART NUMBER	1 2 3 4 5 6 7	NOMENCLATURE	EFFECT FROM TO	UNITS PER ASSY
5					
25	7715216-1		.LINK-TOGGLE SUPPLIER CODE: V31645 OPTIONAL PART: 452T2642-1 V31645		1
30	452T1218-18		.PIN- SUPPLIER CODE: V31645 OPTIONAL PART: 7715212-1 V31645		1
30	7715212-1		.PIN- SUPPLIER CODE: V31645 OPTIONAL PART: 452T1218-18 V31645		1
35	452T2640-1		.SPRING- SUPPLIER CODE: V31645 OPTIONAL PART: 7715213-1 V31645		1
35	7715213-1		.SPRING- SUPPLIER CODE: V31645 SPECIFICATION NUMBER: S451W302-1 OPTIONAL PART: 452T2640-1 V31645		1
40	MS16624-5018-1		.RING		1
45	452T2643-1		.LINK-FORK END SUPPLIER CODE: V31645 OPTIONAL PART: 7715217-1 V31645		1
45	7715217-1		.LINK-FORK END SUPPLIER CODE: V31645 OPTIONAL PART: 452T2643-1 V31645		1
50	452T1218-19		.PIN- SUPPLIER CODE: V31645		1

ILLUSTRATION ITEMS NOT ON PARTS LIST ARE NOT APPLICABLE

- ITEM NOT ILLUSTRATED

HXL

25-53-16-05

BOEING PROPRIETARY - Copyright © - Unpublished Work - See title page for details.

25-53-16
FIG. 05
PAGE 2
APR 22/07



767

PARTS CATALOG (MAINTENANCE)

FIG ITEM	PART NUMBER	1 2 3 4 5 6 7	NOMENCLATURE	EFFECT FROM TO	UNITS PER ASSY
5					
55	452T2640-2	.	SPRING- SUPPLIER CODE: V31645 OPTIONAL PART: 7715214-1 V31645		1
55	7715214-1	.	SPRING- SUPPLIER CODE: V31645 SPECIFICATION NUMBER: S451W302-1 OPTIONAL PART: 452T2640-2 V31645		1
60	MS16624-2025	.	RETAINING RING-		1
65	452T2637-1	.	FITTING ASSY- SUPPLIER CODE: V31645		1
70	452T2635-1	.	LINK- SUPPLIER CODE: V31645		1
ILLUSTRATION ITEMS NOT ON PARTS LIST ARE NOT APPLICABLE					

- ITEM NOT ILLUSTRATED

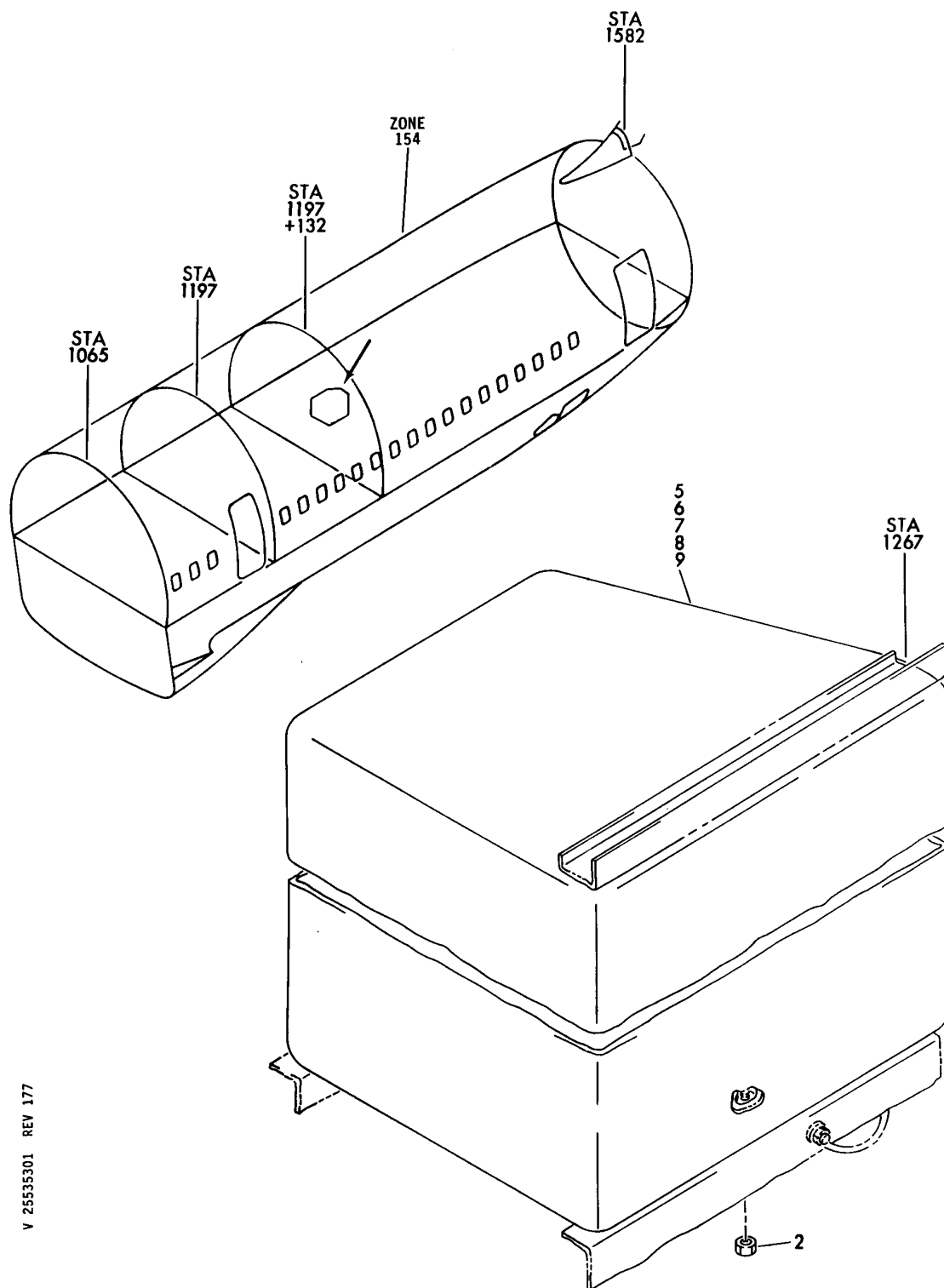
HXL

25-53-16-05

BOEING PROPRIETARY - Copyright © - Unpublished Work - See title page for details.

25-53-16
FIG. 05
PAGE 3
APR 22/07

BOEING
767
PARTS CATALOG (MAINTENANCE)



V 25533301 REV 177

BOX INSTL-CARGO HANDLING ACCESS PNL P39 AFT
FIGURE 1

25-53-53-01

HXL
DEC 22/06

25-53-53-01
PAGE 0



767

PARTS CATALOG (MAINTENANCE)

FIG ITEM	PART NUMBER	1 2 3 4 5 6 7	NOMENCLATURE	EFFECT FROM TO	UNITS PER ASSY
1			BOX INSTL-CARGO HANDLING ACCESS PNL P39 AFT		
- 1	284T0349-1		BOX INSTL-CARGO HANDLING ACCESS PNL P39 POSITION DATA: AFT VARIABLE DRAWING REF: 284T0349-5054 FOR NHA SEE: 24-00-58-01A		RF
2	MS21042L3		.NUT		1
7	284T0688-64		.PANEL ASSY- ELECTRICAL EQUIP NUMBER: P039-00 FUNCTIONAL REFERENCE: DOORS FOR DETAILS SEE 52-34-42-05 ELECTRICAL POWER FOR DETAILS SEE 24-51-73-04 EQUIPMENT/FURNISHINGS FOR DETAILS SEE 25-53-53-22 LIGHTS FOR DETAILS SEE 33-37-52-01 PLACARDS AND MARKINGS FOR DETAILS SEE 11-38-06-10		1
- 10	NAS1801-3-10		ATTACHING PARTS .SCREW- -----*-----		8

ILLUSTRATION ITEMS NOT ON PARTS LIST ARE NOT APPLICABLE

- ITEM NOT ILLUSTRATED

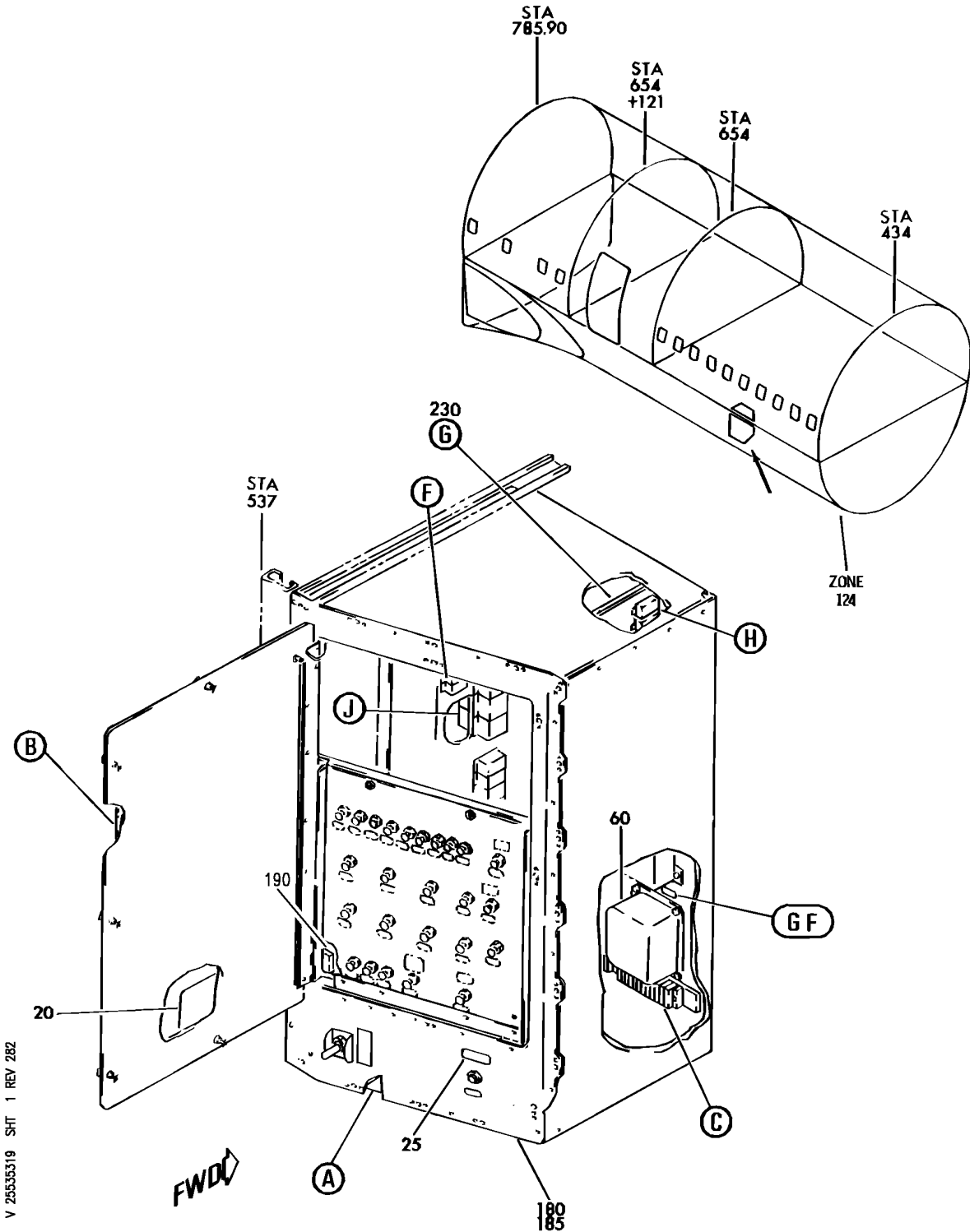
HXL

25-53-53-01

BOEING PROPRIETARY - Copyright © - Unpublished Work - See title page for details.

25-53-53
FIG. 01
PAGE 1
DEC 22/07

BOEING
767
PARTS CATALOG (MAINTENANCE)



V 25535319 SHT 1 REV 282

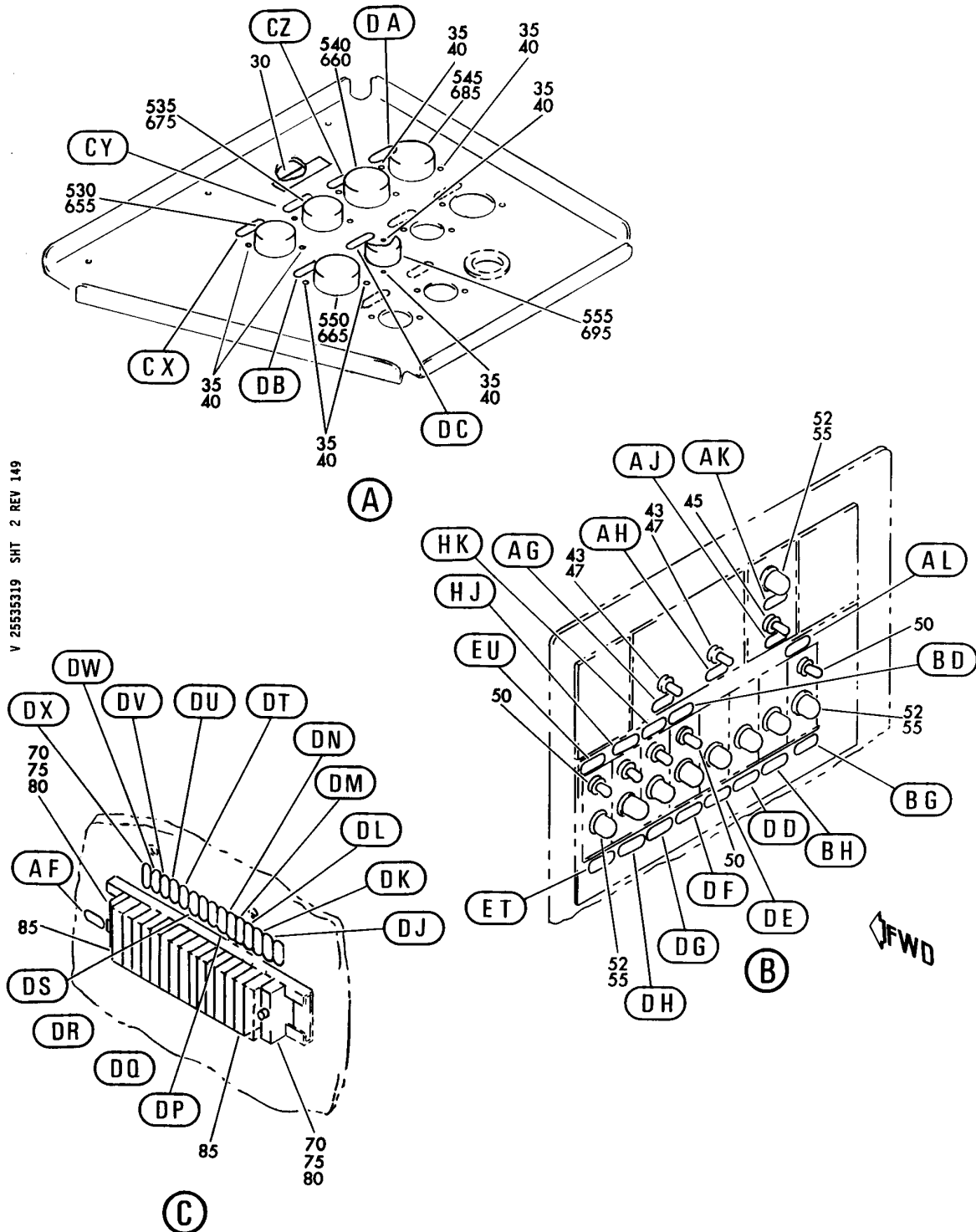
PANEL ASSY-FWD COMPT CARGO HANDLING ACCESS. (P35) (EQUIPMENT/FURNISHINGS ONLY)
FIGURE 19 (SHEET 1)

HXL
DEC 22/06

25-53-53-19

25-53-53-19
PAGE 0

BOEING
767
PARTS CATALOG (MAINTENANCE)



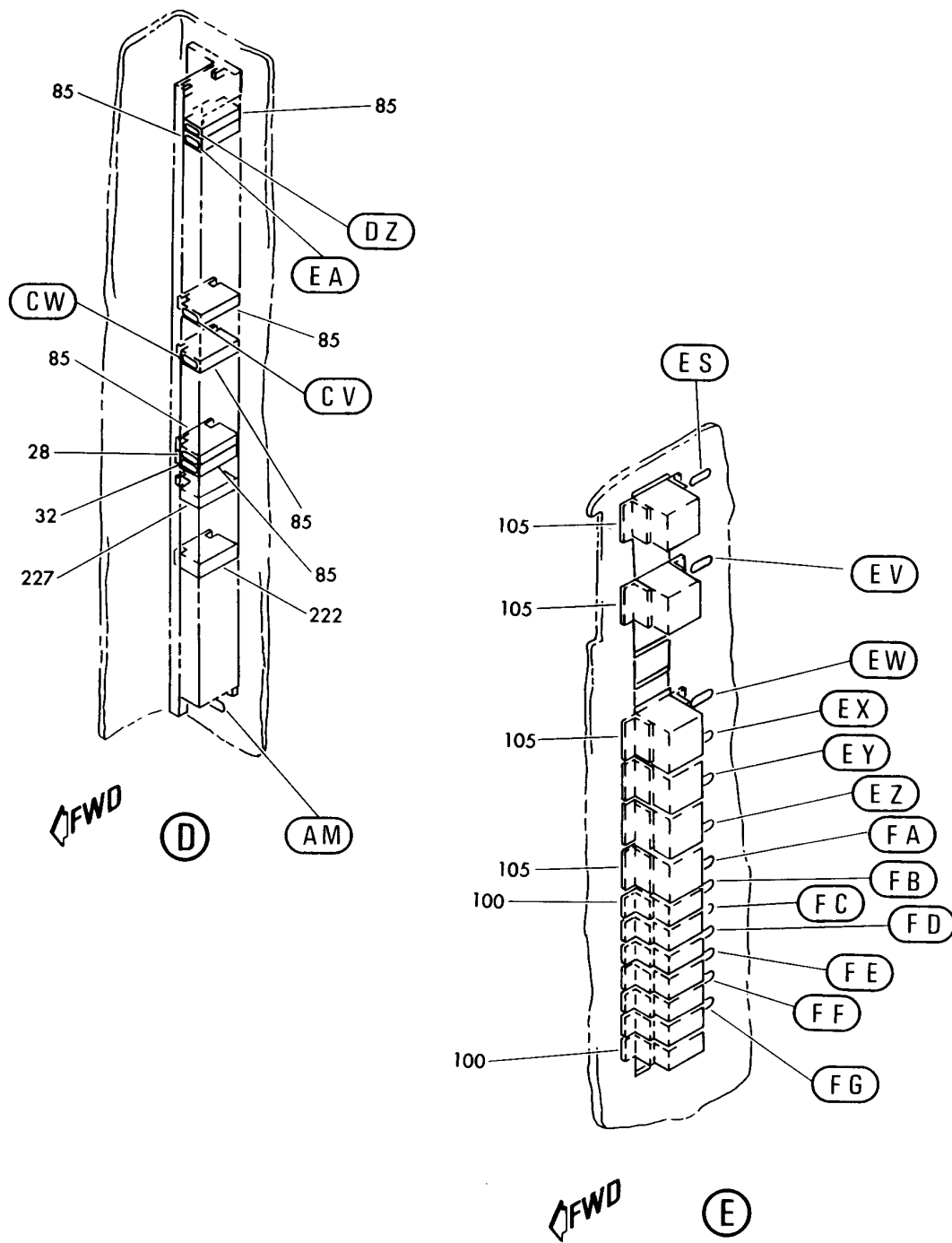
PANEL ASSY-FWD COMPT CARGO HANDLING ACCESS. (P35) (EQUIPMENT/FURNISHINGS ONLY)
FIGURE 19 (SHEET 2)

25-53-53-19

HXL
DEC 22/06

25-53-53-19
PAGE 0A


BOEING
 767
PARTS CATALOG (MAINTENANCE)



V 25535319 SHT 3 REV 116

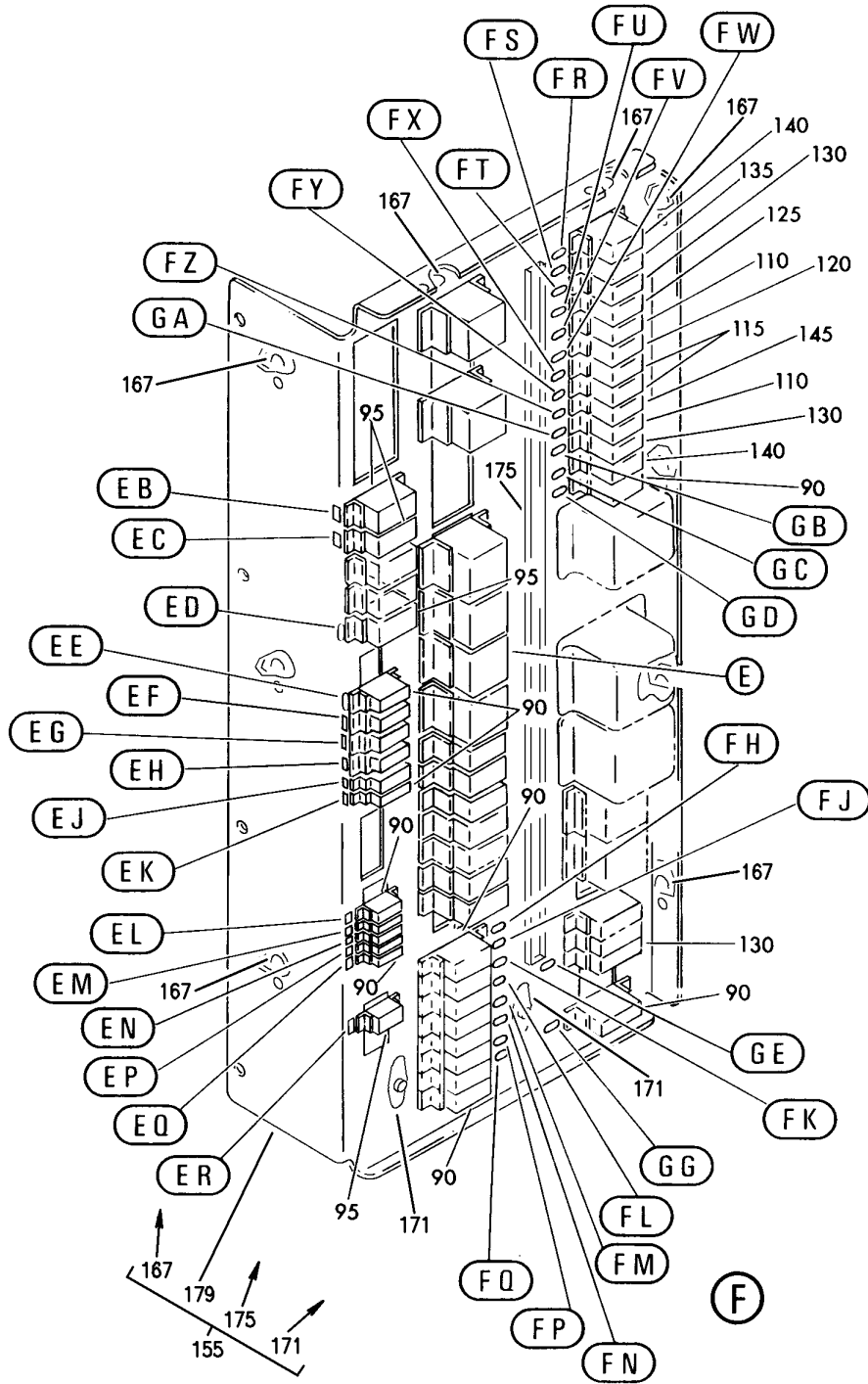
PANEL ASSY-FWD COMPT CARGO HANDLING ACCESS. (P35) (EQUIPMENT/FURNISHINGS ONLY)
 FIGURE 19 (SHEET 3)

25-53-53-19

HXL
DEC 22/06

25-53-53-19
 PAGE 0B

BOEING
767
PARTS CATALOG (MAINTENANCE)



V 25535319 SH1 4 REV 234

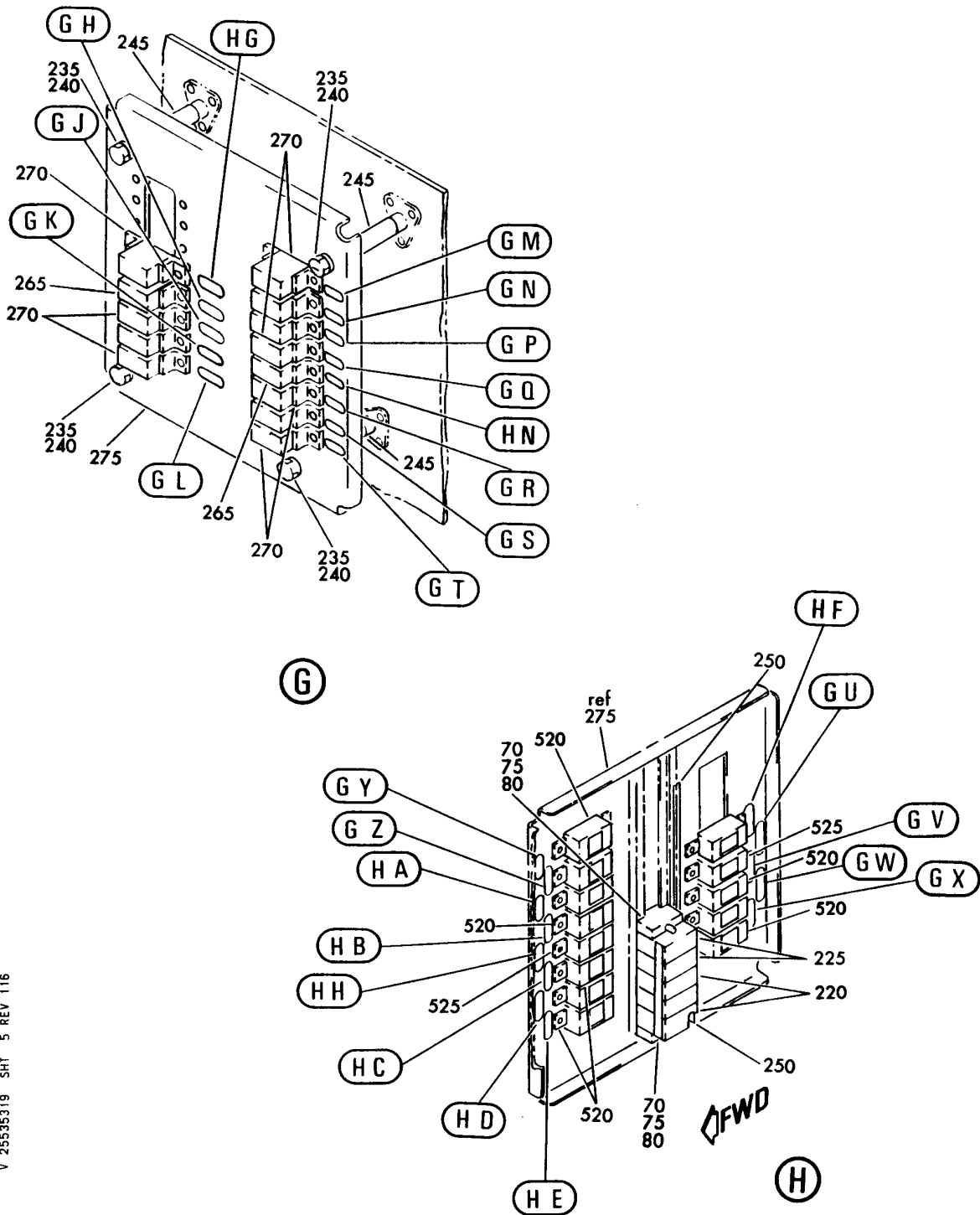
PANEL ASSY-FWD COMPT CARGO HANDLING ACCESS. (P35) (EQUIPMENT/FURNISHINGS ONLY)
FIGURE 19 (SHEET 4)

25-53-53-19

HXL
DEC 22/06

25-53-53-19
PAGE 0C

BOEING
767
PARTS CATALOG (MAINTENANCE)



V 25535319 SHT 5 REV 116

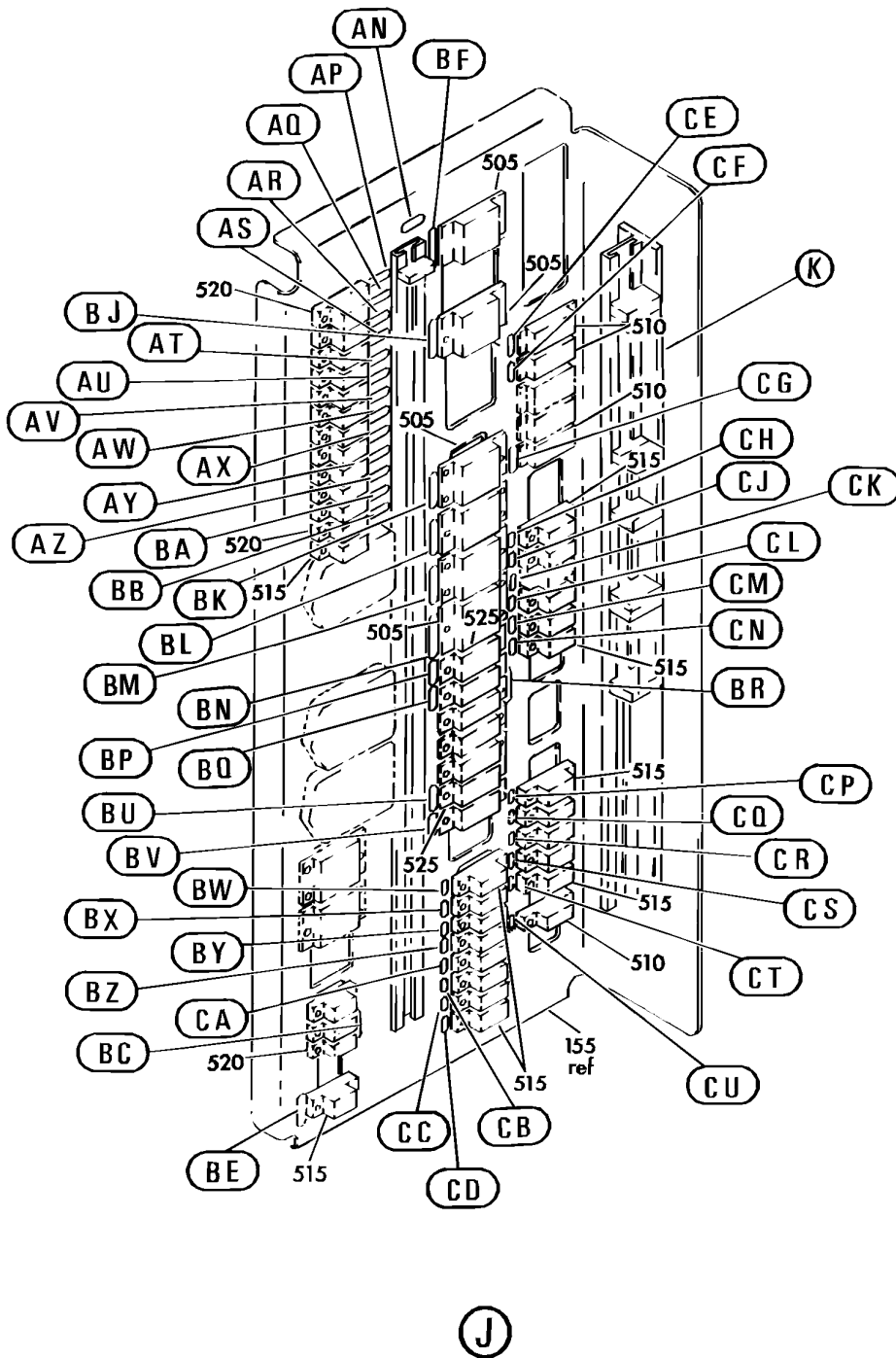
PANEL ASSY-FWD COMPT CARGO HANDLING ACCESS. (P35) (EQUIPMENT/FURNISHINGS ONLY)
FIGURE 19 (SHEET 5)

25-53-53-19

HXL
DEC 22/06

25-53-53-19
PAGE 0D

BOEING
767
PARTS CATALOG (MAINTENANCE)



V 25535319 SH 6 REV 233

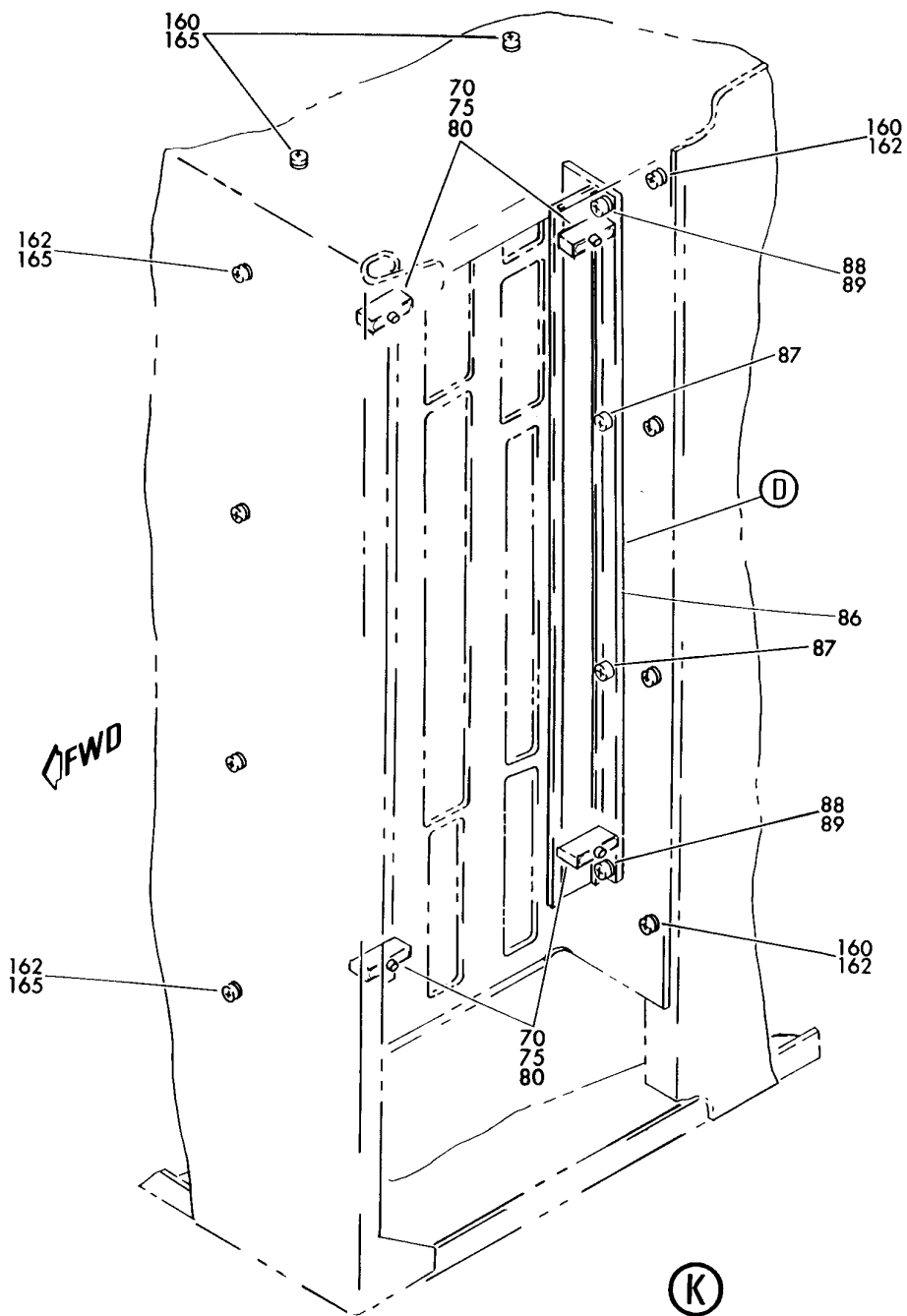
PANEL ASSY-FWD COMPT CARGO HANDLING ACCESS. (P35) (EQUIPMENT/FURNISHINGS ONLY)
FIGURE 19 (SHEET 6)

25-53-53-19

HXL
DEC 22/06

25-53-53-19
PAGE 0E

BOEING
767
PARTS CATALOG (MAINTENANCE)



V 25535319 SHT 7 REV 116

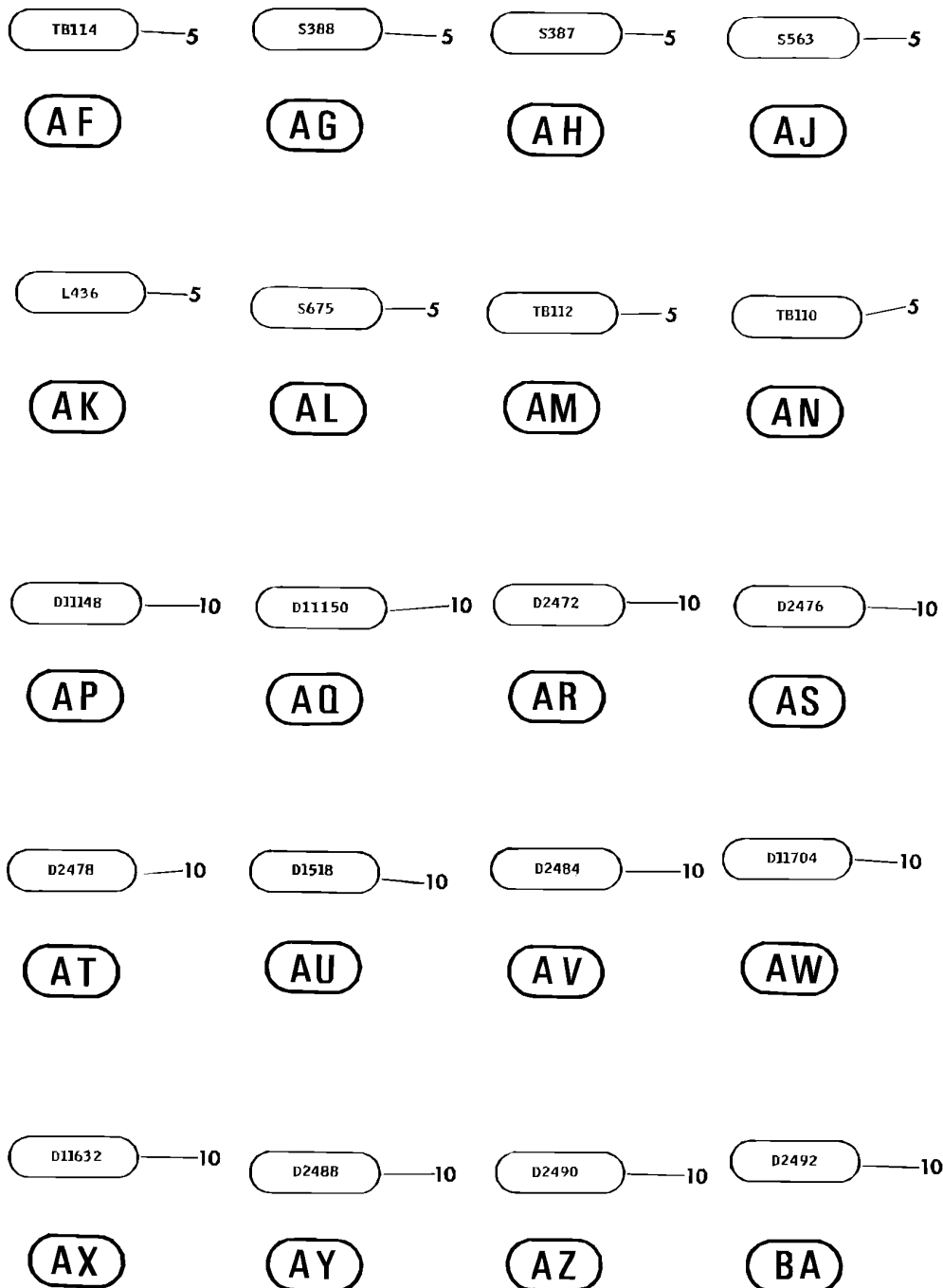
PANEL ASSY-FWD COMPT CARGO HANDLING ACCESS. (P35) (EQUIPMENT/FURNISHINGS ONLY)
FIGURE 19 (SHEET 7)

25-53-53-19

HXL
DEC 22/06

25-53-53-19
PAGE OF

BOEING
767
PARTS CATALOG (MAINTENANCE)



V 25535319 SH 8 REV 233

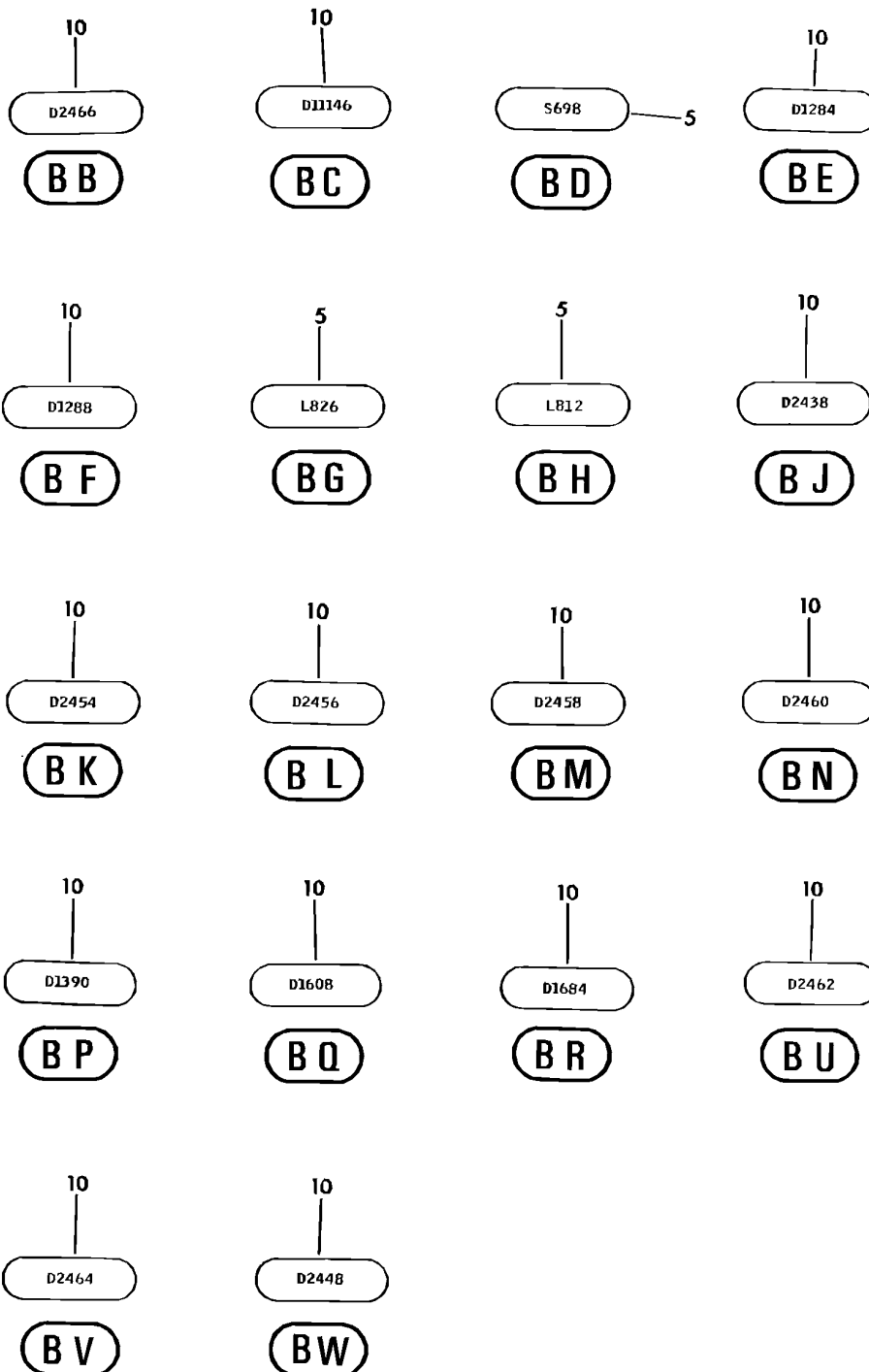
PANEL ASSY-FWD COMPT CARGO HANDLING ACCESS. (P35) (EQUIPMENT/FURNISHINGS ONLY)
FIGURE 19 (SHEET 8)

HXL
DEC 22/06

25-53-53-19

25-53-53-19
PAGE 06

BOEING
767
PARTS CATALOG (MAINTENANCE)



V 25535319 SH1 9 REV 233

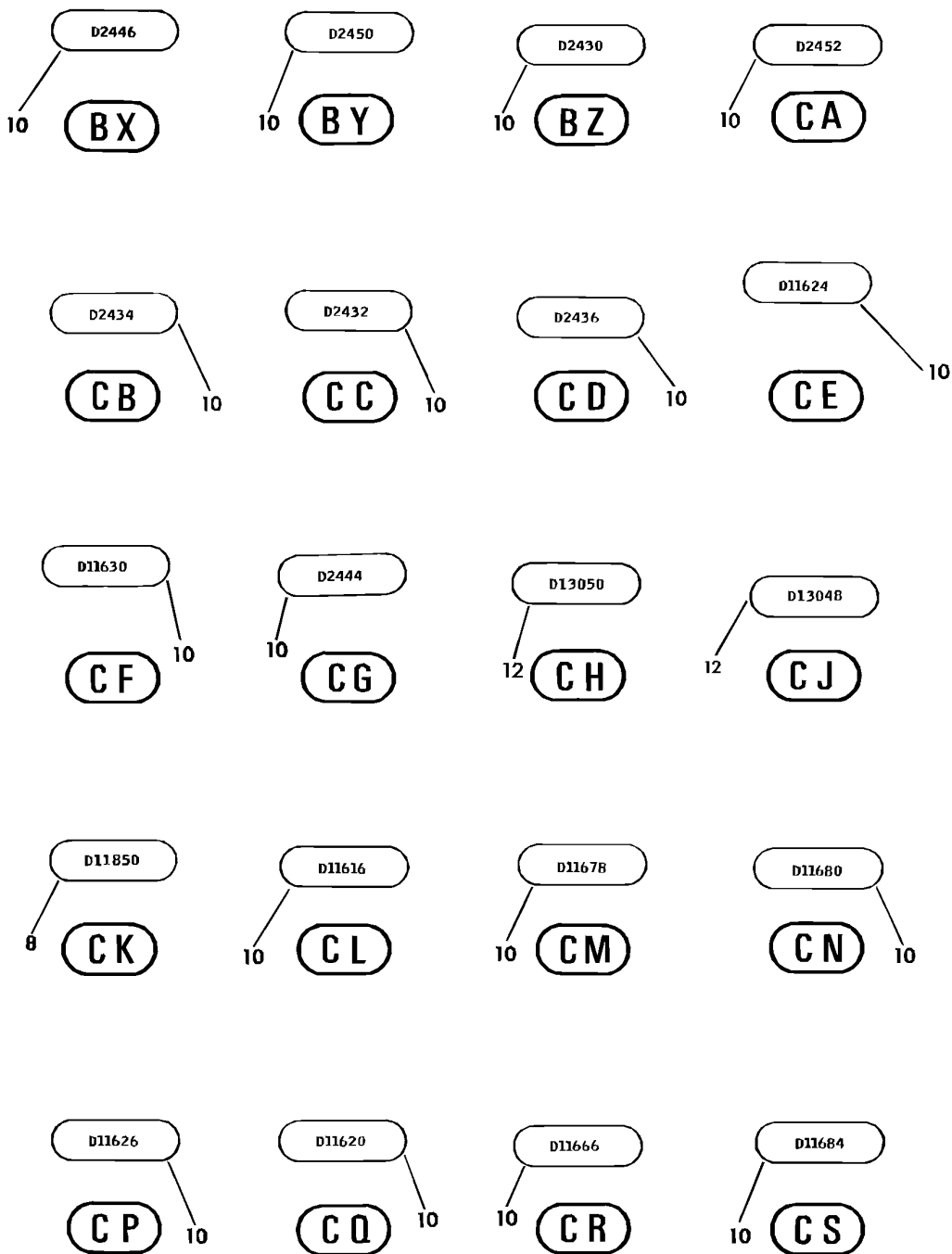
PANEL ASSY-FWD COMPT CARGO HANDLING ACCESS. (P35) (EQUIPMENT/FURNISHINGS ONLY)
FIGURE 19 (SHEET 9)

HXL
DEC 22/06

25-53-53-19

25-53-53-19
PAGE 0H

BOEING
767
PARTS CATALOG (MAINTENANCE)



V 25535319 SH1 10 REV 233

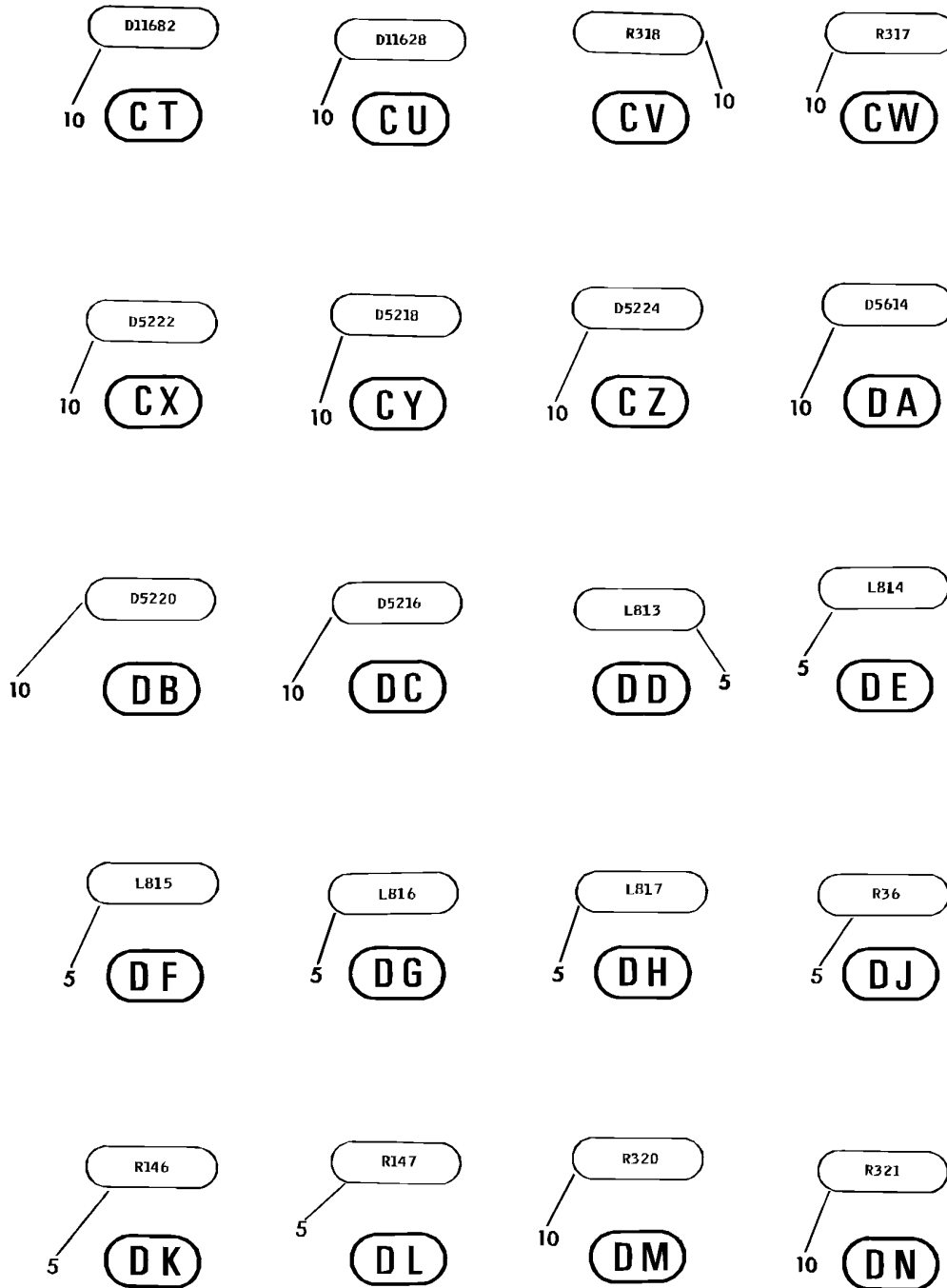
PANEL ASSY-FWD COMPT CARGO HANDLING ACCESS. (P35) (EQUIPMENT/FURNISHINGS ONLY)
FIGURE 19 (SHEET 10)

HXL
DEC 22/06

25-53-53-19

25-53-53-19
PAGE 01

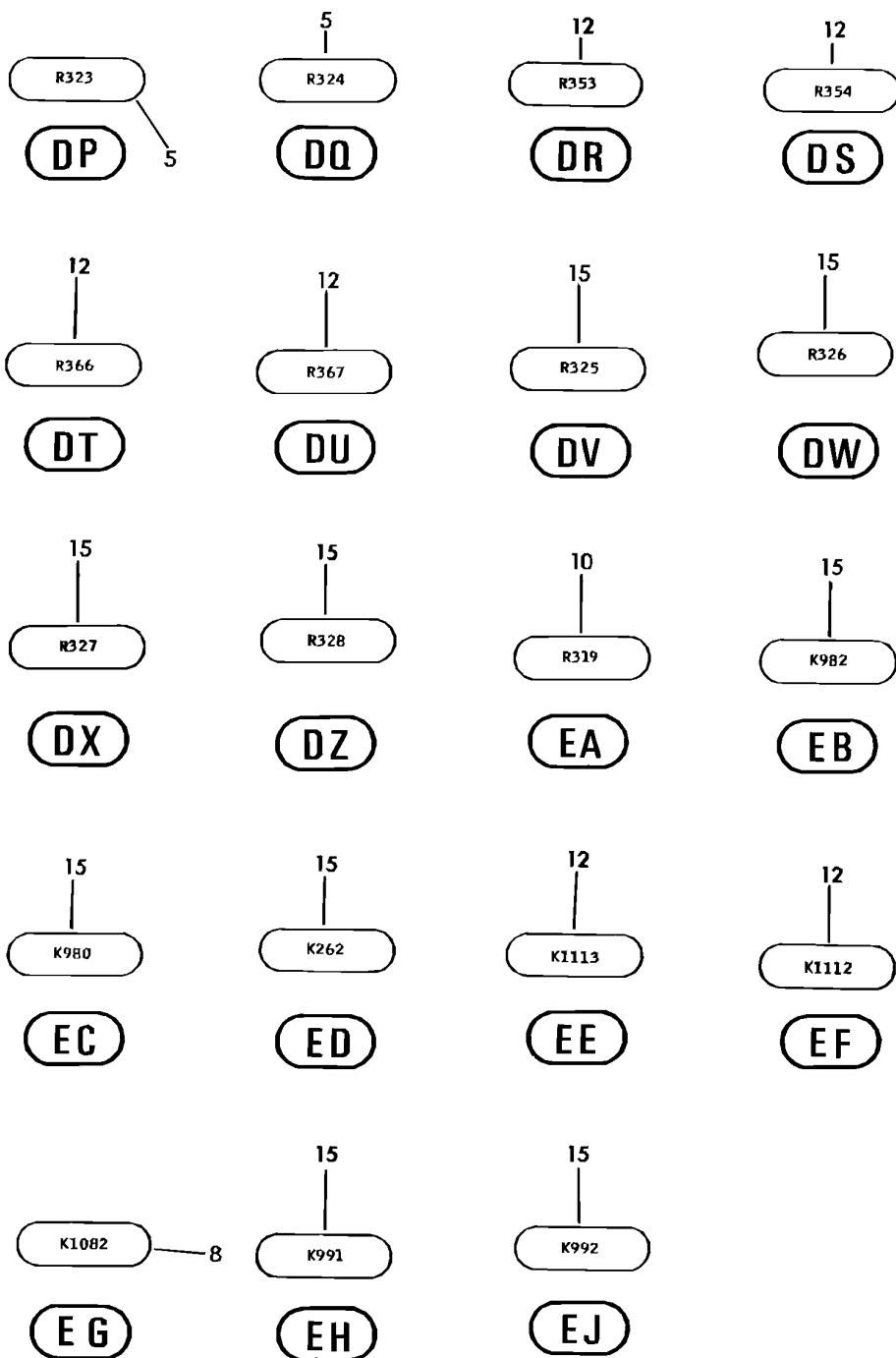
BOEING
767
PARTS CATALOG (MAINTENANCE)



V 25535319 SHT 11 REV 233

PANEL ASSY-FWD COMPT CARGO HANDLING ACCESS. (P35) (EQUIPMENT/FURNISHINGS ONLY)
FIGURE 19 (SHEET 11)

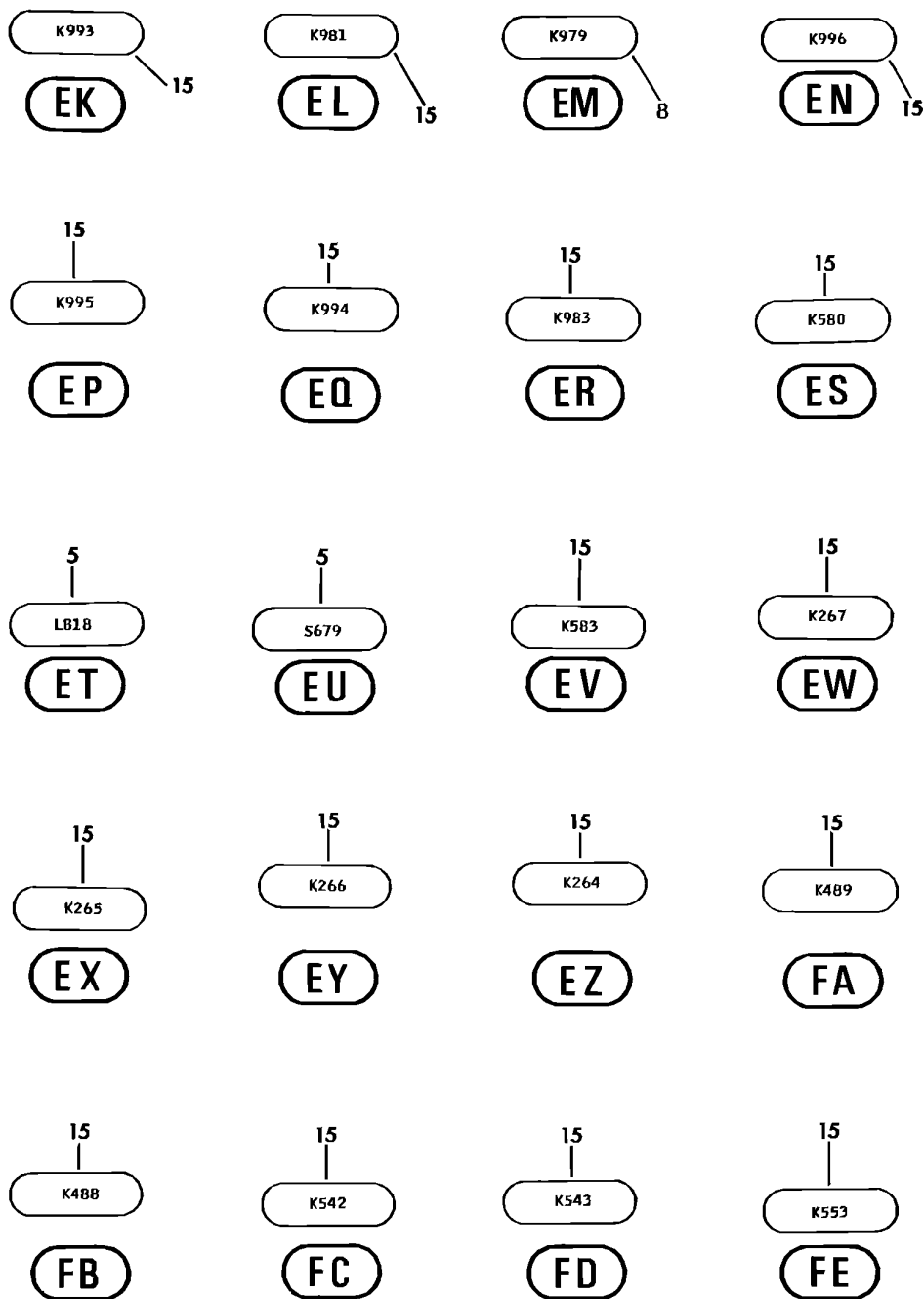
BOEING
767
PARTS CATALOG (MAINTENANCE)



V 25535319 SHT 12 REV 233

PANEL ASSY-FWD COMPT CARGO HANDLING ACCESS. (P35) (EQUIPMENT/FURNISHINGS ONLY)
FIGURE 19 (SHEET 12)

BOEING
767
PARTS CATALOG (MAINTENANCE)



V 25535319 SH1 13 REV 233

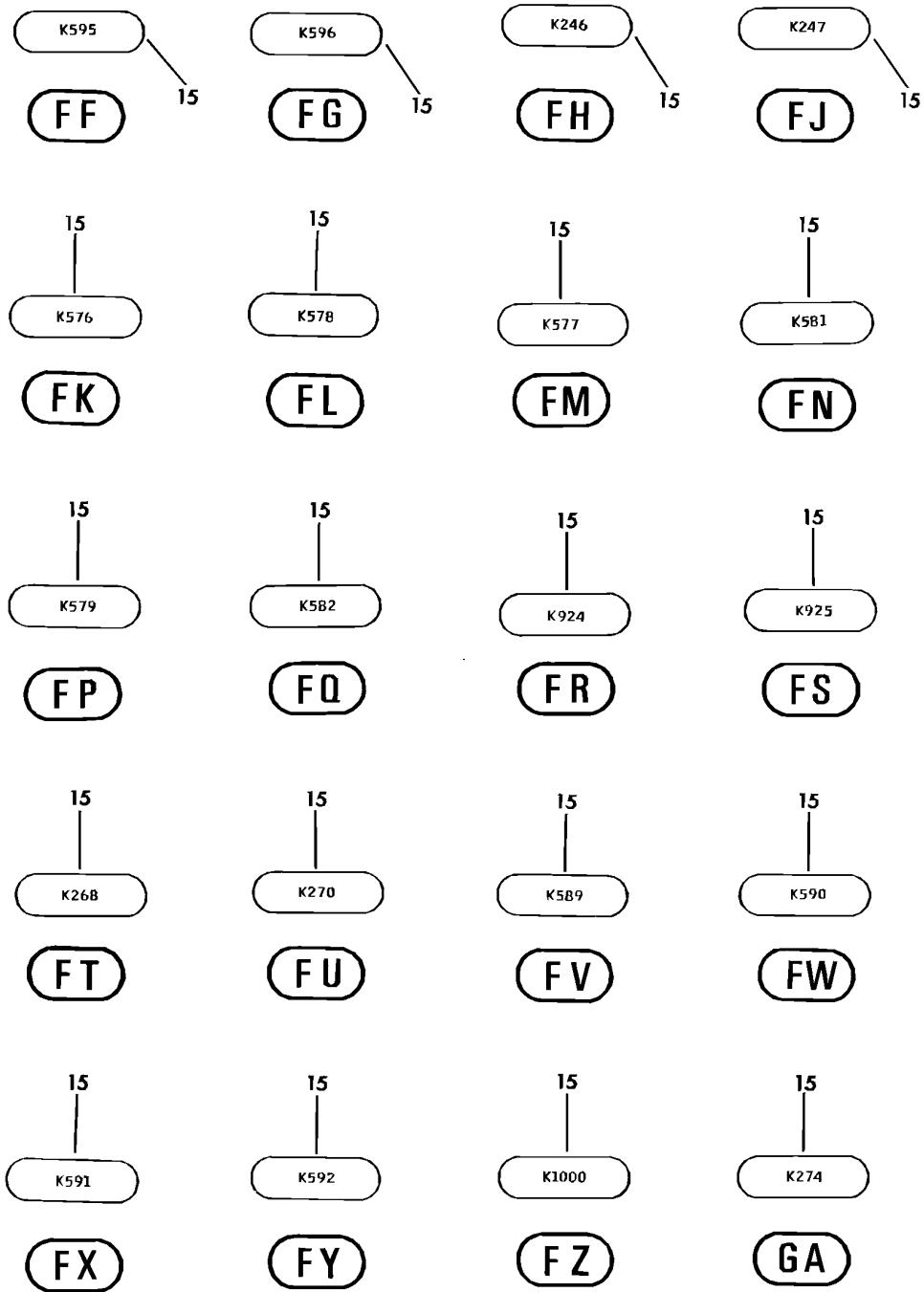
PANEL ASSY-FWD COMPT CARGO HANDLING ACCESS. (P35) (EQUIPMENT/FURNISHINGS ONLY)
FIGURE 19 (SHEET 13)

25-53-53-19

HXL
DEC 22/06

25-53-53-19
PAGE 01

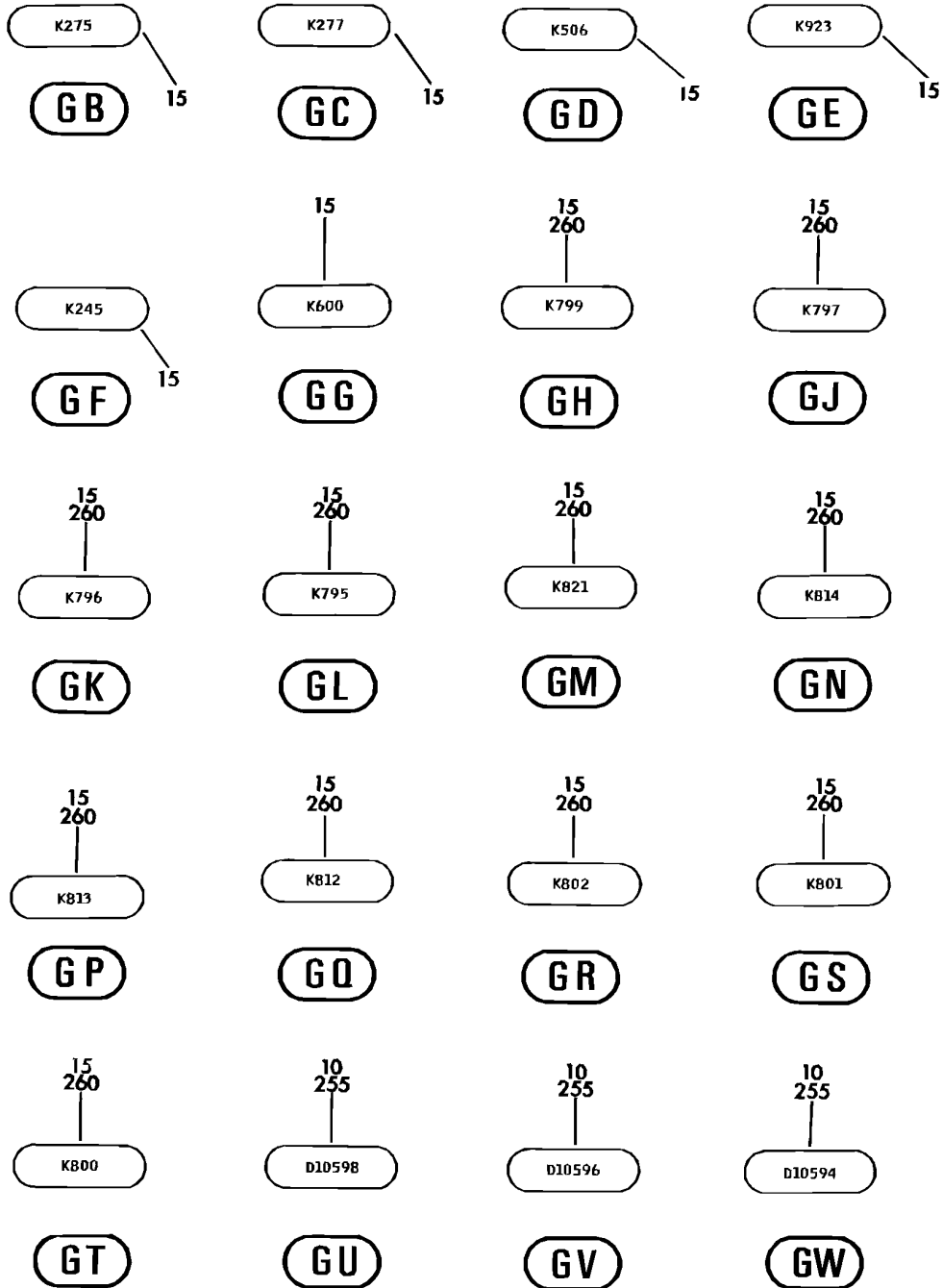
BOEING
767
PARTS CATALOG (MAINTENANCE)



V 2555319 SH1 14 REV 233

PANEL ASSY-FWD COMPT CARGO HANDLING ACCESS. (P35) (EQUIPMENT/FURNISHINGS ONLY)
FIGURE 19 (SHEET 14)

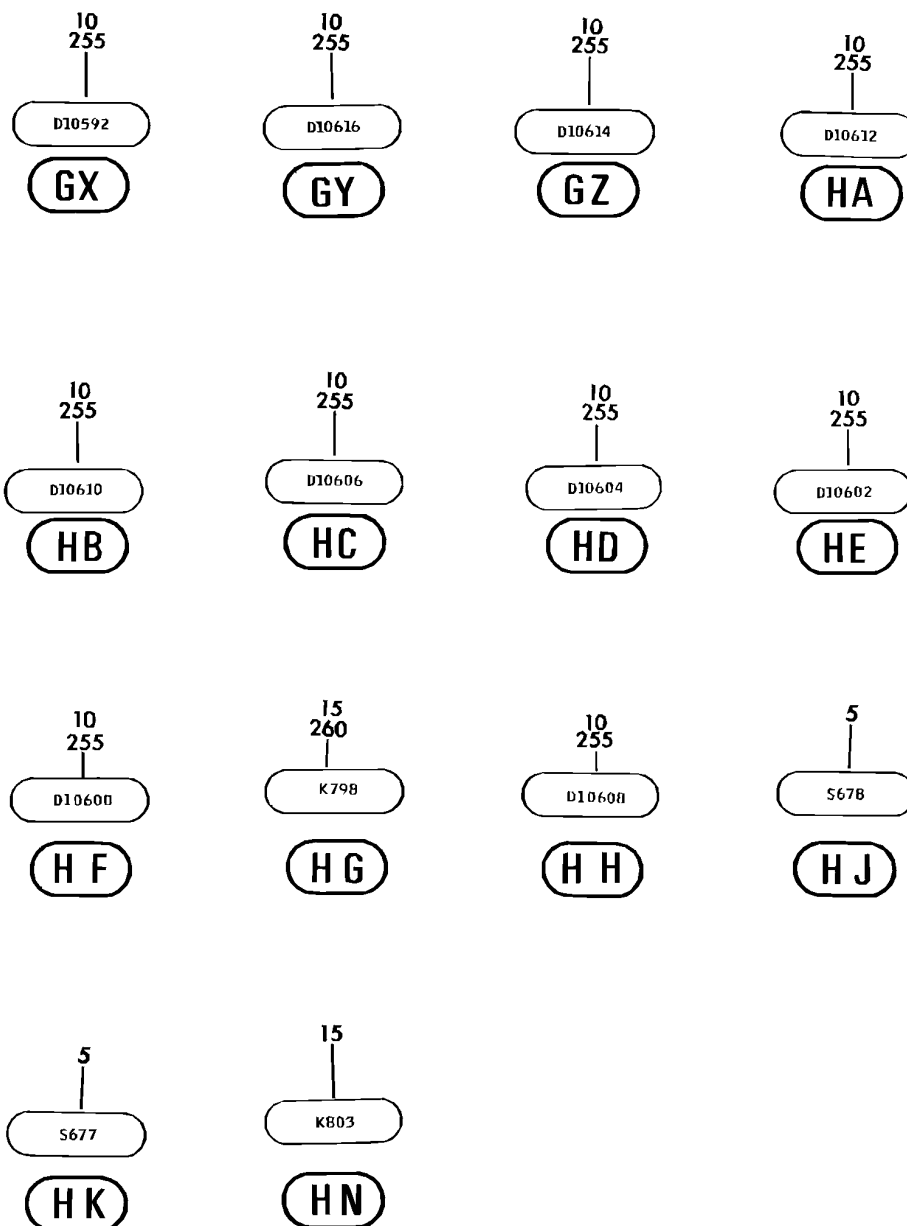
BOEING
767
PARTS CATALOG (MAINTENANCE)



V 25535319 SH1 15 REV 233

PANEL ASSY-FWD COMPT CARGO HANDLING ACCESS. (P35) (EQUIPMENT/FURNISHINGS ONLY)
FIGURE 19 (SHEET 15)

BOEING
767
PARTS CATALOG (MAINTENANCE)



V 25535319 SHT 16 REV 233

PANEL ASSY-FWD COMPT CARGO HANDLING ACCESS. (P35) (EQUIPMENT/FURNISHINGS ONLY)
FIGURE 19 (SHEET 16)

HXL
DEC 22/06

25-53-53-19

25-53-53-19
PAGE 00



767

PARTS CATALOG (MAINTENANCE)

FIG ITEM	PART NUMBER	1 2 3 4 5 6 7	NOMENCLATURE	EFFECT FROM TO	UNITS PER ASSY
19			PANEL ASSY-FWD COMPT CARGO HANDLING ACCESS. (P35) (EQUIPMENT/FURNISHINGS ONLY)		
- 1	284T0687-84		PANEL ASSY-COMPT CARGO HANDLING ACCESS. P35 (EQUIPMENT/FURNISHINGS ONLY) POSITION DATA: FWD FOR NHA/OTHER SYS DET SEE: 25-53-07-01		RF
5	BAC27TEX3801		.DECALSET-INCLUDES DECALS IDENTIFIED ON THE ILLUSTRATION		1
8	BAC27TEX3989		.DECALSET-INCLUDES DECALS IDENTIFIED ON THE ILLUSTRATION		1
10	BAC27TEX3802		.DECALSET-INCLUDES DECALS IDENTIFIED ON THE ILLUSTRATION		1
12	BAC27TEX4000		.DECALSET-INCLUDES DECALS IDENTIFIED ON THE ILLUSTRATION		1
15	BAC27TEX3803		.DECALSET-INCLUDES DECALS IDENTIFIED ON THE ILLUSTRATION		1
20	BAC27TEX0961		.MARKER-ALUMINUM FOIL PLACARD CONTENT: P35 CARGO HANDLING ACCESSORY PANEL		1
25	BAC27TEX0943		.DECAL- PLACARD CONTENT: SERVICE INTERPHONE		1
28	BAC27TEX3984		.DECAL- PLACARD CONTENT: R355		1
30	BAC27TEX2316		.DECAL- PLACARD CONTENT: AC0506		1
32	BAC27TEX3985		.DECAL- PLACARD CONTENT: R356		1
35	NAS1801-04-8		.SCREW-		12
40	BACN10W1		.NUT		12
45	MS24525-23		.SWITCH-TG ELECTRICAL EQUIP NUMBER: S00563		1
ILLUSTRATION ITEMS NOT ON PARTS LIST ARE NOT APPLICABLE					

- ITEM NOT ILLUSTRATED

25-53-53-19

25-53-53
FIG. 19
PAGE 1
DEC 22/07

HXL



**767
PARTS CATALOG (MAINTENANCE)**

FIG ITEM	PART NUMBER	1 2 3 4 5 6 7	NOMENCLATURE	EFFECT FROM TO	UNITS PER ASSY
19 50	25ET120S		.SWITCH-TG SUPPLIER CODE: V91929 ELECTRICAL EQUIP NUMBER: S00675 S00677 S00678 S00679 S00698		5
52 55	MS25237-387 L5105AM		.LAMP- .LIGHT- SUPPLIER CODE: V81640 ELECTRICAL EQUIP NUMBER: L00436 L00812 L00813 L00814 L00815 L00816 L00817 L00818 L00826		9 9
60	9131-8506		.RELAY-3PST NORMALLY OPEN SPDT AUX TYPE 1 REPAIRABLE 50 AMP SUPPLIER CODE: V35344 SPECIFICATION NUMBER: 10-61445-21 ELECTRICAL EQUIP NUMBER: K00245 COMPONENT MAINT MANUAL REF: 24-09-07 OPTIONAL PART: BH316A V74063		1

ILLUSTRATION ITEMS NOT ON PARTS LIST ARE NOT APPLICABLE

- ITEM NOT ILLUSTRATED

HXL

25-53-53-19

BOEING PROPRIETARY - Copyright © - Unpublished Work - See title page for details.

25-53-53
FIG. 19
PAGE 2
DEC 22/07



767

PARTS CATALOG (MAINTENANCE)

FIG ITEM	PART NUMBER	1 2 3 4 5 6 7	NOMENCLATURE	EFFECT FROM TO	UNITS PER ASSY
19 60	BH316A		.RELAY-3PST NORMALLY OPEN SPDT AUX TYPE 1 REPAIRABLE 50 AMP SUPPLIER CODE: V74063 FUNCTIONAL DESCRIPTION: A SEALED REPAIRABLE ELECTROMAGNETIC DEVICE FOR REMOTE ACTUATION OF 28V, 50 AMP ELECTRICAL CONTACT. SPECIFICATION NUMBER: 10-61445-21 ELECTRICAL EQUIP NUMBER: K00245 COMPONENT MAINT MANUAL REF: 24-09-36 OPTIONAL PART: 9131-8506 V35344		1
- 65	NAS1801-3-8		.SCREW		4
70	H21-1		.SPACER- SUPPLIER CODE: V34941 SPECIFICATION NUMBER: BACS18AR1 OPTIONAL PART: FAB276A V15805 YHLZ1C2 V09922 QUALIFIED OPTIONAL DATA: (BACC49A1 PLUS BACS18AR1 OPT TO BACC49A2)		AR
R R R R	75 BACC49A1		.CLAMP ASSY- QUALIFIED OPTIONAL DATA: (BACC49A1 PLUS BACS18AR1 OPT TO BACC49A2)		AR

ILLUSTRATION ITEMS NOT ON PARTS LIST ARE NOT APPLICABLE

- ITEM NOT ILLUSTRATED

HXL

25-53-53-19

BOEING PROPRIETARY - Copyright © - Unpublished Work - See title page for details.

25-53-53
FIG. 19
PAGE 3
AUG 22/09



767

PARTS CATALOG (MAINTENANCE)

FIG ITEM	PART NUMBER	1 2 3 4 5 6 7	NOMENCLATURE	EFFECT FROM TO	UNITS PER ASSY
19 80	H49-2		.CLAMP ASSY- SUPPLIER CODE: V34941 SPECIFICATION NUMBER: BACC49A2 OPTIONAL PART: MF104-2 V6E102 QUALIFIED OPTIONAL DATA: (BACC49A1 PLUS BACS18AR1 OPT TO BACC49A2)		AR
- 82	H21-6		.SPACER SUPPLIER CODE: V34941 SPECIFICATION NUMBER: BACS18AR6 OPTIONAL PART: FAB276-0 V15805 YHLZ1C7 V09922		AR
85	YHLZD30		.DIODE- SUPPLIER CODE: V09922 ELECTRICAL EQUIP NUMBER: R00036 R00146 R00147 R00317 R00318 R00319 R00320 R00321 R00323 R00324 R00325 R00326 R00327 R00328 R00353 R00354 R00355 R00356 R00366 R00367		20
86	284T0691-17		.TRACK ATTACHING PARTS		1
87	NAS514P632-6		.SCREW-		3
88	NAS1801-06-5		.SCREW		2

ILLUSTRATION ITEMS NOT ON PARTS LIST ARE NOT APPLICABLE

- ITEM NOT ILLUSTRATED

25-53-53-19

25-53-53
FIG. 19
PAGE 4
AUG 22/09

HXL



767

PARTS CATALOG (MAINTENANCE)

FIG ITEM	PART NUMBER	1 2 3 4 5 6 7	NOMENCLATURE	EFFECT FROM TO	UNITS PER ASSY
19					
89	AN960JD6		.WASHER		2
			-----*-----		
90	W260F4AM11		.RELAY-		21
			SUPPLIER CODE: VF0219		
			SPECIFICATION NUMBER: BACR13CD2		
			OPTIONAL PART: BR16S233		
			V09026		
			EE4AA005		
			V35344		
			3SAV1338A2		
			V01526		
			HFW1206K03		
			V58614		
			HFW1204K01		
			V71482		
			ELECTRICAL EQUIP NUMBER:		
			K00246		
			K00247		
			K00506		
			K00576		
			K00577		
			K00578		
			K00579		
			K00581		
			K00582		
			K00600		
			K00979		
			K00981		
			K00991		
			K00992		
			K00993		
			K00994		
			K00995		
			K00996		
			K01082		
			K01112		
			K01113		
ILLUSTRATION ITEMS NOT ON PARTS LIST ARE NOT APPLICABLE					

- ITEM NOT ILLUSTRATED

HXL

25-53-53-19

BOEING PROPRIETARY - Copyright © - Unpublished Work - See title page for details.

25-53-53
FIG. 19
PAGE 5
AUG 22/09



767

PARTS CATALOG (MAINTENANCE)

FIG ITEM	PART NUMBER	1 2 3 4 5 6 7	NOMENCLATURE	EFFECT FROM TO	UNITS PER ASSY
19 95	W460F1A		.RELAY- SUPPLIER CODE: VF0219 SPECIFICATION NUMBER: BACR13CE2 OPTIONAL PART: 3SAH5-13-4K1 V01526 3SAH1326A2 V01526 ELECTRICAL EQUIP NUMBER: K00262 K00980 K00982 K00983		4
100	ES210-1632		.RELAY- SUPPLIER CODE: V99699 SPECIFICATION NUMBER: BACR13CF2AB OPTIONAL PART: JD4L018 V35344 JD4L031 V35344 BR246S0111 V56623 BR64S105 V56623 FCA210-71 V78290 61GB2319-1A320 V98927 ELECTRICAL EQUIP NUMBER: K00488 K00489 K00542 K00543 K00553 K00595 K00596		7

ILLUSTRATION ITEMS NOT ON PARTS LIST ARE NOT APPLICABLE

- ITEM NOT ILLUSTRATED

HXL

25-53-53-19

BOEING PROPRIETARY - Copyright © - Unpublished Work - See title page for details.

25-53-53
FIG. 19
PAGE 6
AUG 22/09



767

PARTS CATALOG (MAINTENANCE)

FIG ITEM	PART NUMBER	1 2 3 4 5 6 7	NOMENCLATURE	EFFECT FROM TO	UNITS PER ASSY
19 105	ES410-1538		.RELAY- SUPPLIER CODE: V99699 SPECIFICATION NUMBER: BACR13CG2AB OPTIONAL PART: KD4L018 V35344 BR230DS0115 V56623 KD4L036 V58657 FCA410-63 V78290 ELECTRICAL EQUIP NUMBER: K00264 K00265 K00266 K00267 K00580 K00583		6
110	600-154-200M0		.RELAY- SUPPLIER CODE: V15420 ELECTRICAL EQUIP NUMBER: K00274 K00589 FOR SPARES PROCURE: TDH1852-2000 V58657 600-154-2000 V15420		2
115	600-154-400M0		.RELAY- SUPPLIER CODE: V15420 ELECTRICAL EQUIP NUMBER: K00591 K00592 FOR SPARES PROCURE: TDH1852-4000 V58657 600-154-4000 V15420		2

ILLUSTRATION ITEMS NOT ON PARTS LIST ARE NOT APPLICABLE

- ITEM NOT ILLUSTRATED

HXL

25-53-53-19

BOEING PROPRIETARY - Copyright © - Unpublished Work - See title page for details.

25-53-53
FIG. 19
PAGE 7
AUG 22/09



767

PARTS CATALOG (MAINTENANCE)

FIG ITEM	PART NUMBER	1 2 3 4 5 6 7	NOMENCLATURE	EFFECT FROM TO	UNITS PER ASSY
19 120	600-154-600M0		.RELAY- SUPPLIER CODE: V15420 ELECTRICAL EQUIP NUMBER: K00590 FOR SPARES PROCURE: TDH1852-6000 V58657 600-154-6000 V15420		1
125	600-154-800M0		.RELAY- SUPPLIER CODE: V15420 ELECTRICAL EQUIP NUMBER: K00270 OPTIONAL PART: 600-154-8000 V15420 FOR SPARES PROCURE: 600-154-8000 V15420		1
130	600-154-1250M0		.RELAY- SUPPLIER CODE: V15420 ELECTRICAL EQUIP NUMBER: K00268 K00275 K00923 FOR SPARES PROCURE: TDH1852-1251 V58657 600-154-1251 V15420		3
135	600-154-2000M0		.RELAY- SUPPLIER CODE: V15420 ELECTRICAL EQUIP NUMBER: K00925 FOR SPARES PROCURE: TDH1852-2001 V58657 600-154-2001 V15420		1

ILLUSTRATION ITEMS NOT ON PARTS LIST ARE NOT APPLICABLE

- ITEM NOT ILLUSTRATED

HXL

25-53-53-19

BOEING PROPRIETARY - Copyright © - Unpublished Work - See title page for details.

25-53-53
FIG. 19
PAGE 8
AUG 22/09



767

PARTS CATALOG (MAINTENANCE)

FIG ITEM	PART NUMBER	1 2 3 4 5 6 7	NOMENCLATURE	EFFECT FROM TO	UNITS PER ASSY
19 140	600-154-2500M0		.RELAY- SUPPLIER CODE: V15420 ELECTRICAL EQUIP NUMBER: K00277 K00924 FOR SPARES PROCURE: TDHA852-2501 V58657 600-154-2501 V15420		2
145	600-154-3000M0		.RELAY- SUPPLIER CODE: V15420 ELECTRICAL EQUIP NUMBER: K01000 FOR SPARES PROCURE: 58657 TDH1852-3001 15420 600-154-3001		1
155	284T0691-43		.BRACKET ASSY-RELAY QUALIFIED OPTIONAL DATA: (284T0691-43 WITH BACD2010-813 HOLE REWORKED INTO BAC2010-812 HOLE (TO ACCOMODATE BACS16AG-1 SOCKET) PLUS (2) AN960JD6L (TRIMMED .05 INCH) WASHERS FOR POSITION D2466 OPT TO 284T0691-49)		1
155	284T0691-49		.BRACKET ASSY-RELAY QUALIFIED OPTIONAL DATA: (284T0691-43 WITH BACD2010-813 HOLE REWORKED INTO BAC2010-812 HOLE (TO ACCOMODATE BACS16AG-1 SOCKET) PLUS (2) AN960JD6L (TRIMMED .05 INCH) WASHERS FOR POSITION D2466 OPT TO 284T0691-49)		1
160	NAS1801-06-6		.SCREW		6
162	NAS1801-06-5		.SCREW		4

ILLUSTRATION ITEMS NOT ON PARTS LIST ARE NOT APPLICABLE

- ITEM NOT ILLUSTRATED

25-53-53-19

25-53-53
FIG. 19
PAGE 9
AUG 22/09

HXL

BOEING
767
PARTS CATALOG (MAINTENANCE)

FIG ITEM	PART NUMBER	1 2 3 4 5 6 7	NOMENCLATURE	EFFECT FROM TO	UNITS PER ASSY
19					
165	AN960PD6		.WASHER-		10
			-----*-----		
167	BRF200A06		..NUTPLATE-		9
			SUPPLIER CODE: V52828		
			SPECIFICATION NUMBER: BACN10JR06F		
			OPTIONAL PART: NS103203-62		
			V80539		
			RMF9201-62		
			V72962		
			VN152A1-62		
			V92215		
			T8091S632		
			V11815		
			F5000-06BAC		
			V15653		
			USED ON: 284T0691-63		
			USED ON: 284T0691-43		
			284T0691-49		
			ATTACHING PARTS		
- 169	BACR15BA3AD		..RIVET-		18
			POSITION DATA: NEAR SIDE		
			SIZE DETERMINED ON INSTL.		
			USED ON: 284T0691-63		
			USED ON: 284T0691-43		
			284T0691-49		
			-----*-----		
171	WSI4-18		..NUTPLATE-		2
			SUPPLIER CODE: V04169		
			SPECIFICATION NUMBER: BACN10TL3-18		
			USED ON: 284T0691-63		
			USED ON: 284T0691-43		
			284T0691-49		

ILLUSTRATION ITEMS NOT ON PARTS LIST ARE NOT APPLICABLE

- ITEM NOT ILLUSTRATED

HXL

25-53-53-19

BOEING PROPRIETARY - Copyright © - Unpublished Work - See title page for details.

25-53-53
FIG. 19
PAGE 10
AUG 22/09

 **BOEING**
767
PARTS CATALOG (MAINTENANCE)

FIG ITEM	PART NUMBER	1 2 3 4 5 6 7	NOMENCLATURE	EFFECT FROM TO	UNITS PER ASSY
19			ATTACHING PARTS		
- 173	BACR15BB3AD		..RIVET- SIZE DETERMINED ON INSTL. USED ON: 284T0691-63 USED ON: 284T0691-43 284T0691-49 -----*-----		4
175	AMY1775T5		..TRACK- SUPPLIER CODE: V09922 SPECIFICATION NUMBER: BACT44B1775U USED ON: 284T0691-63 USED ON: 284T0691-43 284T0691-49 ATTACHING PARTS		1
- 177	BACR15BB5AD		..RIVET- SIZE DETERMINED ON INSTL. USED ON: 284T0691-63 USED ON: 284T0691-43 284T0691-49 -----*-----		5
179	284T0691-42		..RELAY- USED ON: 284T0691-43		1
179	284T0691-48		..RELAY- USED ON: 284T0691-49		1
180	284T1207-3		.ENCLOSURE ASSY- OPTIONAL PART: 13361001-01 V23296 PAC1019-506 V30137		1
180	PAC1019-506		.ENCLOSURE ASSY- SUPPLIER CODE: V30137 OPTIONAL PART: 284T1207-3 13361001-01 V23296 FOR DETAILS SEE: 25-53-53-50		1
ILLUSTRATION ITEMS NOT ON PARTS LIST ARE NOT APPLICABLE					

- ITEM NOT ILLUSTRATED

HXL

25-53-53-19

BOEING PROPRIETARY - Copyright © - Unpublished Work - See title page for details.

25-53-53
FIG. 19
PAGE 11
AUG 22/09

 **BOEING**
767
PARTS CATALOG (MAINTENANCE)

FIG ITEM	PART NUMBER	1 2 3 4 5 6 7	NOMENCLATURE	EFFECT FROM TO	UNITS PER ASSY
19 180	13361001-01		.ENCLOSURE ASSY- SUPPLIER CODE: V23296 OPTIONAL PART: 284T1207-3 PAC1019-506 V30137		1
185	PAC1019-505		..ENCLOSURE ASSY- SUPPLIER CODE: V31967 USED ON: 284T1207-3 FOR DETAILS SEE: 25-53-53-50		1
190	284T0692-3		.BUMPER- POST ALERT SB: 24A0104		1
220	YHLZ16-4		.MODULE SUPPLIER CODE: V09922 SPECIFICATION NUMBER: BACM15C3B OPTIONAL PART: 421120-452 V58982 TBH120452 V58982		AR
222	YHLZ2		.MODULE SUPPLIER CODE: V09922 SPECIFICATION NUMBER: BACM15C1A OPTIONAL PART: YHLZ2 V09922		AR
225	YHLZ16-8		.MODULE SUPPLIER CODE: V09922 SPECIFICATION NUMBER: BACM15C3C OPTIONAL PART: 421120-454 V58982 TBH120454 V58982		AR

ILLUSTRATION ITEMS NOT ON PARTS LIST ARE NOT APPLICABLE

- ITEM NOT ILLUSTRATED

HXL

25-53-53-19

BOEING PROPRIETARY - Copyright © - Unpublished Work - See title page for details.

25-53-53
FIG. 19
PAGE 12
AUG 22/09

 **BOEING**
767
PARTS CATALOG (MAINTENANCE)

FIG ITEM	PART NUMBER	1 2 3 4 5 6 7	NOMENCLATURE	EFFECT FROM TO	UNITS PER ASSY
19 227	YHLZ4		.MODULE SUPPLIER CODE: V09922 SPECIFICATION NUMBER: BACM15C1B OPTIONAL PART: YHLZ44 V09922		AR
230	284T0687-93		.TRAY ASSY-TD RELAY ATTACHING PARTS		1
235	NAS1801-3-17		.SCREW		4
240	AN960PD10L		.WASHER		4
245	BACS18K10-32W		.SPACER		4
			-----*-----		
250	BAC27TEX8		..DECAL- PLACARD CONTENT: 1 THRU 25		2
255	BAC27TEX3261		..DECALSET-INCLUDES DECALS IDENTIFIED ON THE ILLUSTRATION		1
260	BAC27TEX3262		..DECALSET-INCLUDES DECALS IDENTIFIED ON THE ILLUSTRATION		1
265	ES210-1632		..RELAY- SUPPLIER CODE: V99699 SPECIFICATION NUMBER: BACR13CF2AB OPTIONAL PART: JD4L018 V35344 JD4L031 V35344 BR246S0111 V56623 BR64S105 V56623 FCA210-71 V78290 61GB2319-1A320 V98927 ELECTRICAL EQUIP NUMBER: K00799 K00803		2

ILLUSTRATION ITEMS NOT ON PARTS LIST ARE NOT APPLICABLE

- ITEM NOT ILLUSTRATED

HXL

25-53-53-19

BOEING PROPRIETARY - Copyright © - Unpublished Work - See title page for details.

25-53-53
FIG. 19
PAGE 13
AUG 22/09



767

PARTS CATALOG (MAINTENANCE)

FIG ITEM	PART NUMBER	1 2 3 4 5 6 7	NOMENCLATURE	EFFECT FROM TO	UNITS PER ASSY
19 270	TDH1853-2002		..RELAY- SUPPLIER CODE: V58657 ELECTRICAL EQUIP NUMBER: K00795 K00796 K00797 K00798 K00800 K00801 K00802 K00812 K00813 K00814 K00821 OPTIONAL PART: 600-159-2002 V15420		11
270	600-159-2002		..RELAY- SUPPLIER CODE: V15420 ELECTRICAL EQUIP NUMBER: K00795 K00796 K00797 K00798 K00800 K00801 K00802 K00812 K00813 K00814 K00821 OPTIONAL PART: TDH1853-2002 V58657		11
275 - 500	284T0691-22 286T1066-300		..TRAY ASSY- .WIRE BUNDLE ASSY		1 1

ILLUSTRATION ITEMS NOT ON PARTS LIST ARE NOT APPLICABLE

- ITEM NOT ILLUSTRATED

HXL

25-53-53-19

BOEING PROPRIETARY - Copyright © - Unpublished Work - See title page for details.

25-53-53
FIG. 19
PAGE 14
AUG 22/09



767

PARTS CATALOG (MAINTENANCE)

FIG ITEM	PART NUMBER	1 2 3 4 5 6 7	NOMENCLATURE	EFFECT FROM TO	UNITS PER ASSY
19 505	BACS16W1		.. SOCKET- ELECTRICAL EQUIP NUMBER: D01288 D02438 D02454 D02456 D02458 D02460 WIRING DIAGRAM REF: 255314 255315 255316		6
510	RSE120027		.. SOCKET- SUPPLIER CODE: V58982 SPECIFICATION NUMBER: BACS16AF1 OPTIONAL PART: 451120-027 V58982 ELECTRICAL EQUIP NUMBER: D02444 D11624 D11628 D11630 WIRING DIAGRAM REF: 255313 255316		4

ILLUSTRATION ITEMS NOT ON PARTS LIST ARE NOT APPLICABLE

- ITEM NOT ILLUSTRATED

HXL

25-53-53-19

BOEING PROPRIETARY - Copyright © - Unpublished Work - See title page for details.

25-53-53
 FIG. 19
 PAGE 15
 AUG 22/09



767

PARTS CATALOG (MAINTENANCE)

FIG ITEM	PART NUMBER	1 2 3 4 5 6 7 NOMENCLATURE	EFFECT FROM TO	UNITS PER ASSY
19 515	RSE120026	.. SOCKET- SUPPLIER CODE: V58982 SPECIFICATION NUMBER: BACS16AG1 OPTIONAL PART: 451120-026 V58982 ELECTRICAL EQUIP NUMBER: D01284 D02430 D02432 D02434 D02436 D02446 D02448 D02450 D02452 D02466 D11616 D11620 D11626 D11666 D11678 D11680 D11682 D11684 D11850 D13048 D13050 WIRING DIAGRAM REF: 255311 255314 255316		21

ILLUSTRATION ITEMS NOT ON PARTS LIST ARE NOT APPLICABLE

- ITEM NOT ILLUSTRATED

HXL

25-53-53-19

BOEING PROPRIETARY - Copyright © - Unpublished Work - See title page for details.

25-53-53
FIG. 19
PAGE 16
AUG 22/09



767

PARTS CATALOG (MAINTENANCE)

FIG ITEM	PART NUMBER	1 2 3 4 5 6 7 NOMENCLATURE	EFFECT FROM TO	UNITS PER ASSY
19 520	RSE120028	.. SOCKET- SUPPLIER CODE: V58982 SPECIFICATION NUMBER: BACS16AH1 OPTIONAL PART: 451120-028 V58982 ELECTRICAL EQUIP NUMBER: D01518 D02472 D02476 D02478 D02484 D02488 D02490 D02492 D10592 D10594 D10596 D10598 D10602 D10604 D10606 D10610 D10612 D10614 D10616 D11146 D11148 D11150 D11632 D11704 WIRING DIAGRAM REF: 255314 255315 255316 255317		24

ILLUSTRATION ITEMS NOT ON PARTS LIST ARE NOT APPLICABLE

- ITEM NOT ILLUSTRATED

HXL

25-53-53-19

BOEING PROPRIETARY - Copyright © - Unpublished Work - See title page for details.

25-53-53
 FIG. 19
 PAGE 17
 AUG 22/09



767

PARTS CATALOG (MAINTENANCE)

FIG ITEM	PART NUMBER	1 2 3 4 5 6 7	NOMENCLATURE	EFFECT FROM TO	UNITS PER ASSY
19 525	RSF116200		.. SOCKET- SUPPLIER CODE: V58982 SPECIFICATION NUMBER: BACS16X1A OPTIONAL PART: 102-006-1 V09922 000300-1538 V05574 ELECTRICAL EQUIP NUMBER: D01390 D01608 D01684 D02462 D02464 D10600 D10608 WIRING DIAGRAM REF: 255314 255317		7
530	BACC45FN18-14S		.. RECPTACLE- ELECTRICAL EQUIP NUMBER: D05222J WIRING DIAGRAM REF: 255311		1
535	BACC45FN18-31S6		.. CONNECTOR-RECEPTACLE ELECTRICAL EQUIP NUMBER: D05218J WIRING DIAGRAM REF: 255315		1
540	BACC45FN22-55S7		.. RECEPTACLE- ELECTRICAL EQUIP NUMBER: D05224J WIRING DIAGRAM REF: 255314		1
545	BACC45FN20-25S8		.. RECPTACLE- ELECTRICAL EQUIP NUMBER: D05614J WIRING DIAGRAM REF: 255311		1
550	BACC45FN20-16S7		.. RECPTACLE- ELECTRICAL EQUIP NUMBER: D05220J WIRING DIAGRAM REF: 255312		1

ILLUSTRATION ITEMS NOT ON PARTS LIST ARE NOT APPLICABLE

- ITEM NOT ILLUSTRATED

HXL

25-53-53-19

BOEING PROPRIETARY - Copyright © - Unpublished Work - See title page for details.

25-53-53
 FIG. 19
 PAGE 18
 AUG 22/09



767

PARTS CATALOG (MAINTENANCE)

FIG ITEM	PART NUMBER	1 2 3 4 5 6 7	NOMENCLATURE	EFFECT FROM TO	UNITS PER ASSY
19 555	BACC45FN16-24S8	. .	RECEPTACLE- ELECTRICAL EQUIP NUMBER: D05216J WIRING DIAGRAM REF: 255311		1
- 650 655	286T0704-350 BACC45FT18-14P		WIRE BUNDLE ASSY .CONNECTOR- ELECTRICAL EQUIP NUMBER: D05222P WIRING DIAGRAM REF: 255312		RF 1
660	BACC45FT20-41P7	.CONNECTOR-	ELECTRICAL EQUIP NUMBER: D05224P WIRING DIAGRAM REF: 255314		1
665	BACC45FT20-16P7	.CONNECTOR-	ELECTRICAL EQUIP NUMBER: D05220P WIRING DIAGRAM REF: 255312		1
- 670 675	286T0702-350 BACC45FT18-31P6		WIRE BUNDLE ASSY .CONNECTOR- ELECTRICAL EQUIP NUMBER: D05218P WIRING DIAGRAM REF: 255315		RF 1
- 680 685	286T0616-350 BACC45FT20-25P8		WIRE BUNDLE ASSY .CONNECTOR- ELECTRICAL EQUIP NUMBER: D05614P WIRING DIAGRAM REF: 255311		RF 1
- 690 695	286T0700-350 BACC45FT16-24P8		WIRE BUNDLE ASSY .CONNECTOR- ELECTRICAL EQUIP NUMBER: D05216P WIRING DIAGRAM REF: 255311		RF 1

ILLUSTRATION ITEMS NOT ON PARTS LIST ARE NOT APPLICABLE

- ITEM NOT ILLUSTRATED

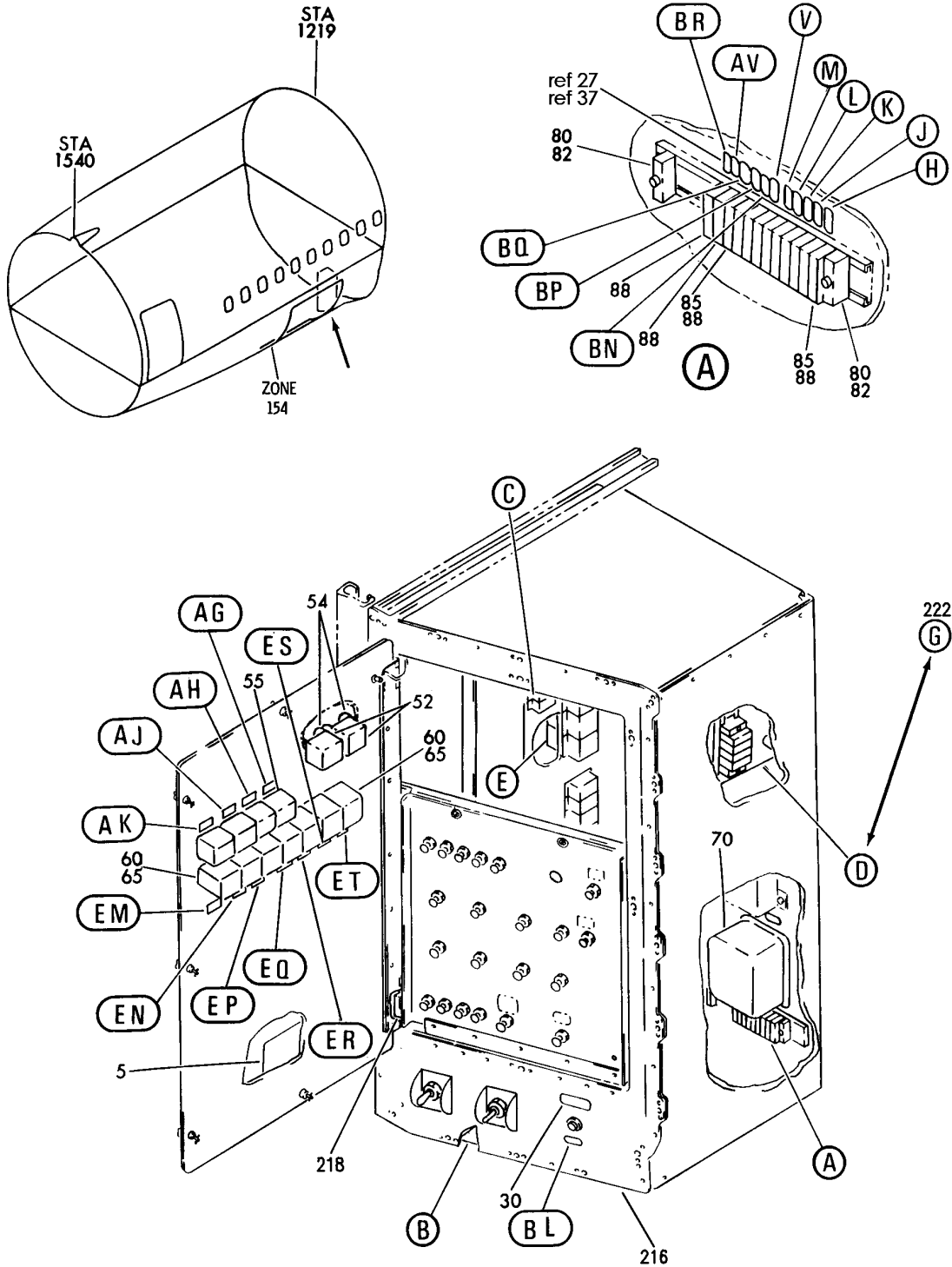
HXL

25-53-53-19

BOEING PROPRIETARY - Copyright © - Unpublished Work - See title page for details.

25-53-53
FIG. 19
PAGE 19
AUG 22/09


BOEING
 767
PARTS CATALOG (MAINTENANCE)



V 25535322 SHT 1 REV 234

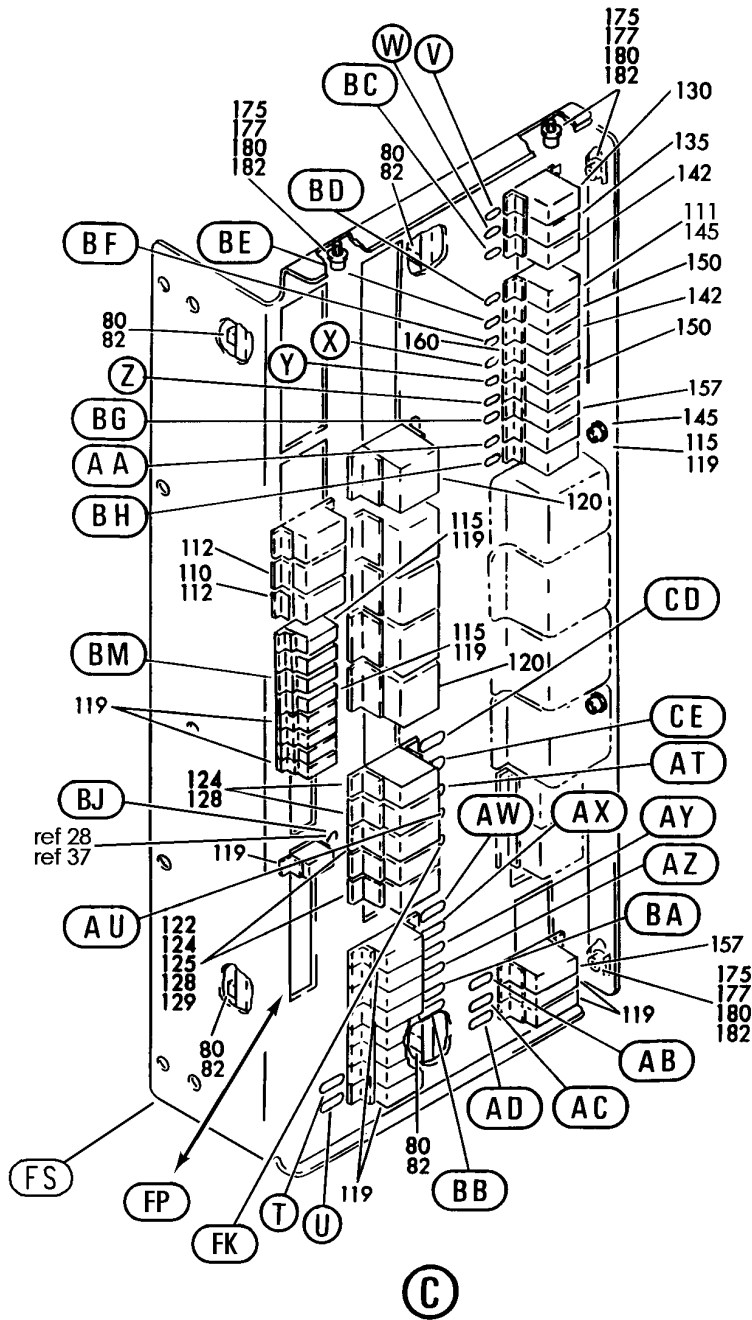
PANEL ASSY-AFT COMPT CARGO HANDLING ACCESS. (P39) (EQUIPMENT/FURNISHINGS ONLY)
 FIGURE 22 (SHEET 1)

25-53-53-22

HXL
DEC 22/06

25-53-53-22
 PAGE 0

BOEING
767
PARTS CATALOG (MAINTENANCE)

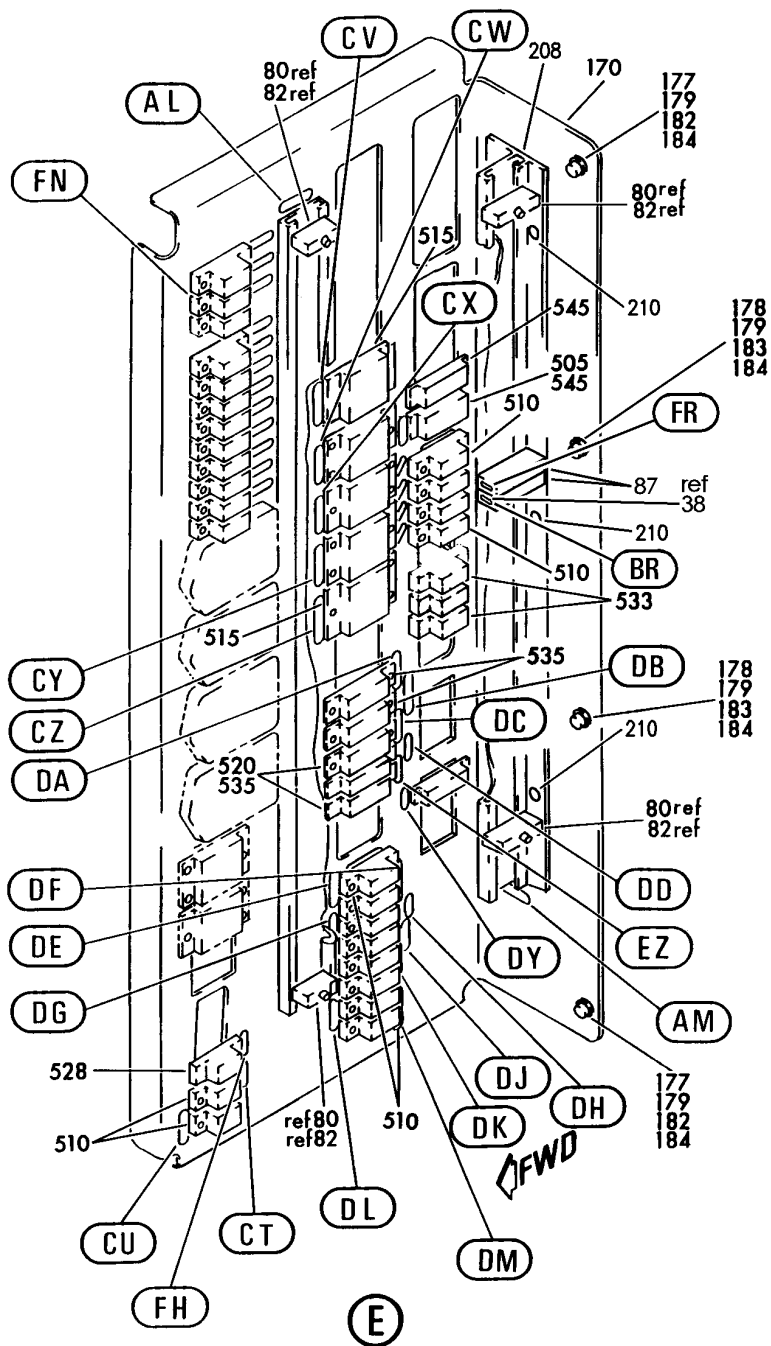


V 25535322 SH 2 REV 234

PANEL ASSY-AFT COMPT CARGO HANDLING ACCESS. (P39) (EQUIPMENT/FURNISHINGS ONLY)
FIGURE 22 (SHEET 2)

25-53-53-22

BOEING
767
PARTS CATALOG (MAINTENANCE)



V 25535322 SH 3 REV 234

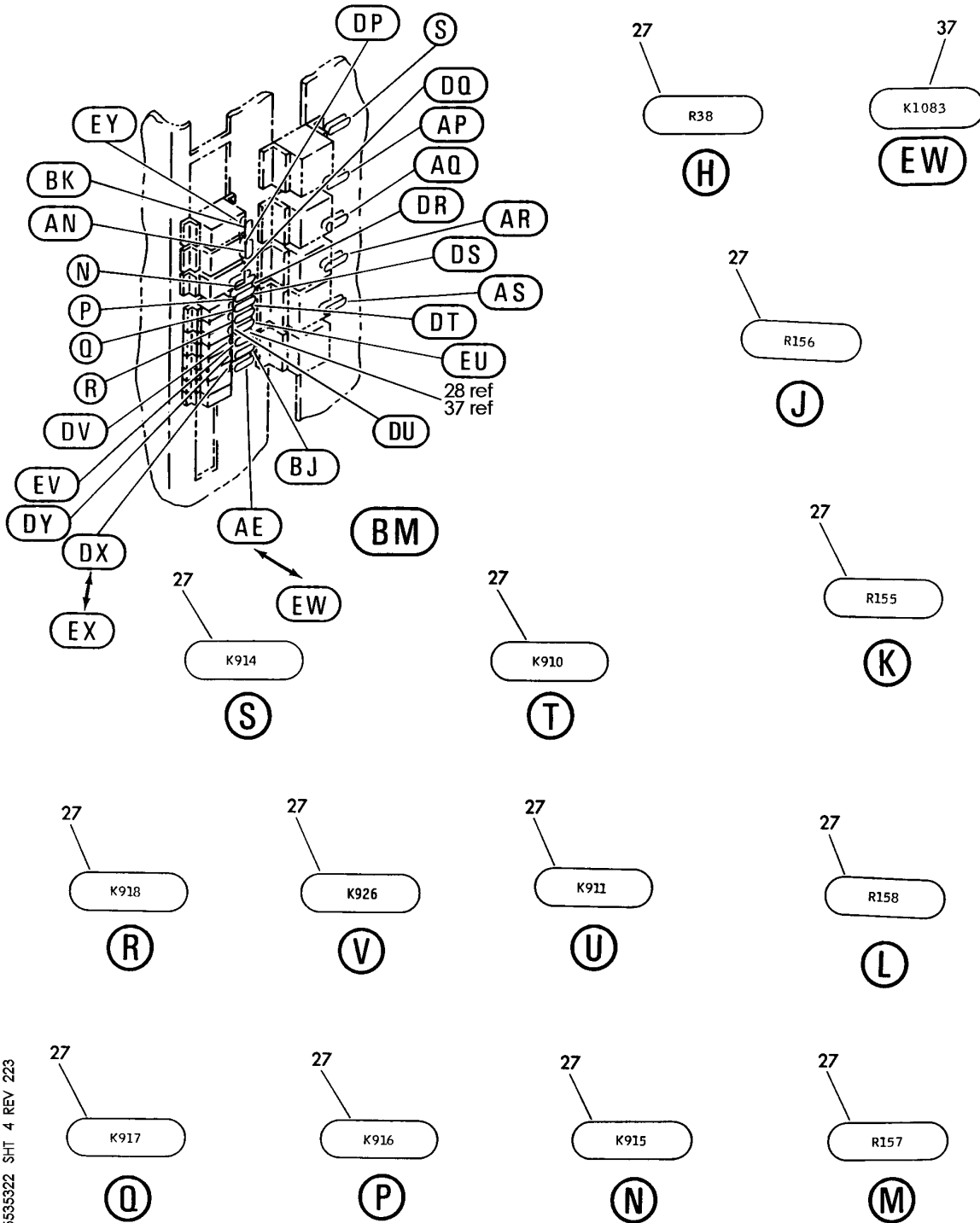
PANEL ASSY-AFT COMPT CARGO HANDLING ACCESS. (P39) (EQUIPMENT/FURNISHINGS ONLY)
FIGURE 22 (SHEET 3)

25-53-53-22

HXL
DEC 22/06

25-53-53-22
PAGE 0B

BOEING
767
PARTS CATALOG (MAINTENANCE)



V 2553322 SHT 4 REV 223

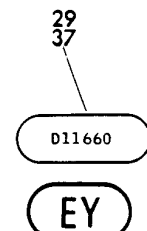
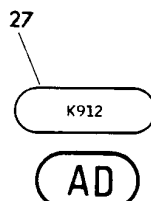
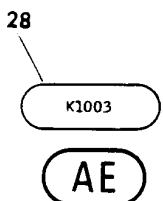
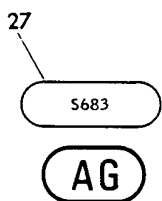
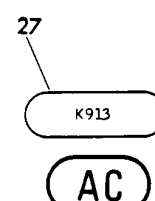
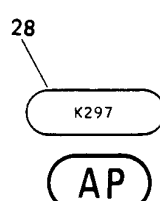
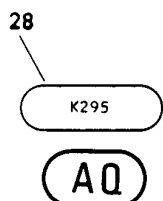
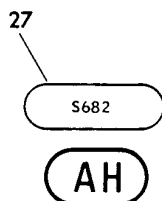
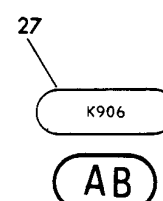
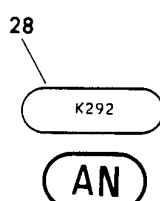
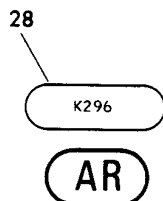
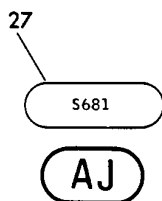
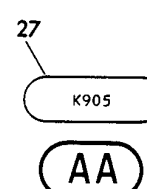
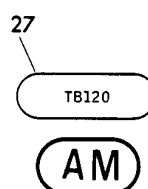
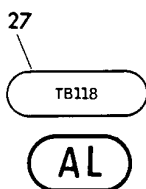
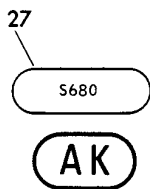
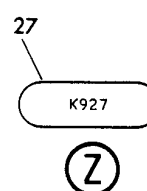
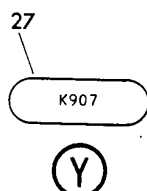
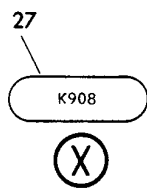
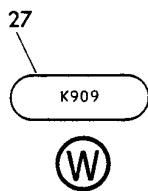
PANEL ASSY-AFT COMPT CARGO HANDLING ACCESS. (P39) (EQUIPMENT/FURNISHINGS ONLY)
FIGURE 22 (SHEET 4)

25-53-53-22

HXL
DEC 22/06

25-53-53-22
PAGE 0C

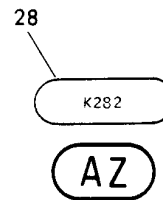
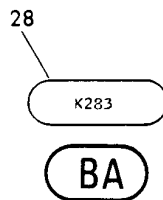
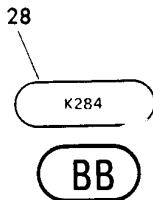
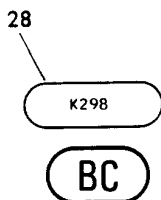
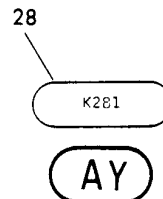
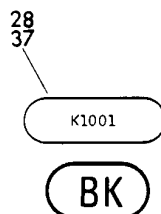
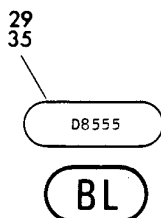
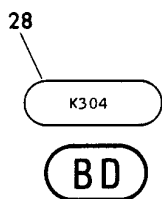
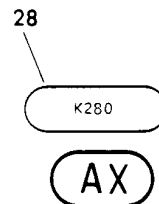
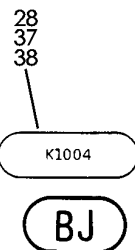
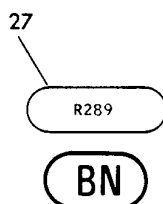
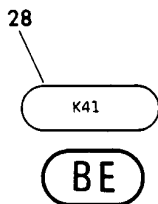
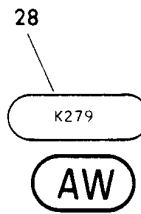
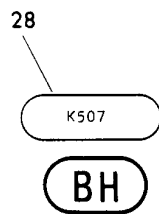
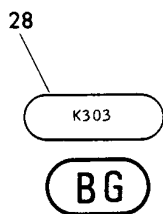
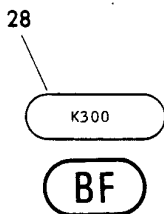
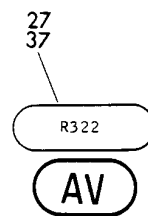
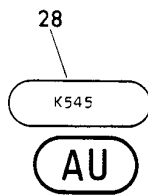
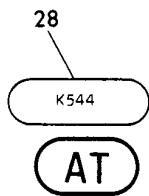
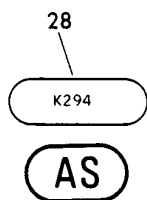
BOEING
767
PARTS CATALOG (MAINTENANCE)



V 25535322 SH1 5 REV 078

PANEL ASSY-AFT COMPT CARGO HANDLING ACCESS. (P39) (EQUIPMENT/FURNISHINGS ONLY)
FIGURE 22 (SHEET 5)

BOEING
767
PARTS CATALOG (MAINTENANCE)



V 2553322 SHT 6 REV 223

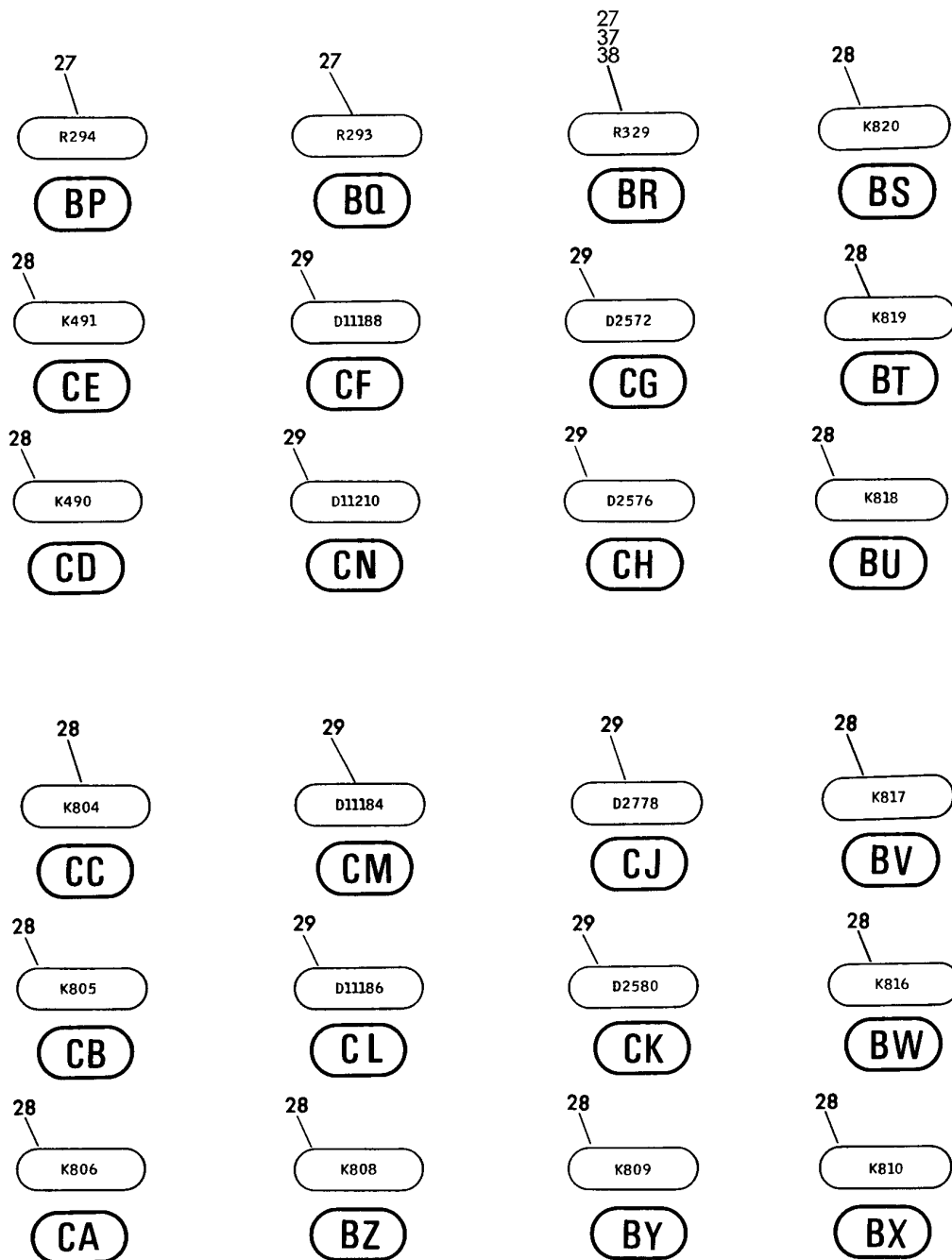
PANEL ASSY-AFT COMPT CARGO HANDLING ACCESS. (P39) (EQUIPMENT/FURNISHINGS ONLY)
FIGURE 22 (SHEET 6)

25-53-53-22

HXL
DEC 22/06

25-53-53-22
PAGE 0E

BOEING
767
PARTS CATALOG (MAINTENANCE)



V 25535322 SH1 7 REV 223

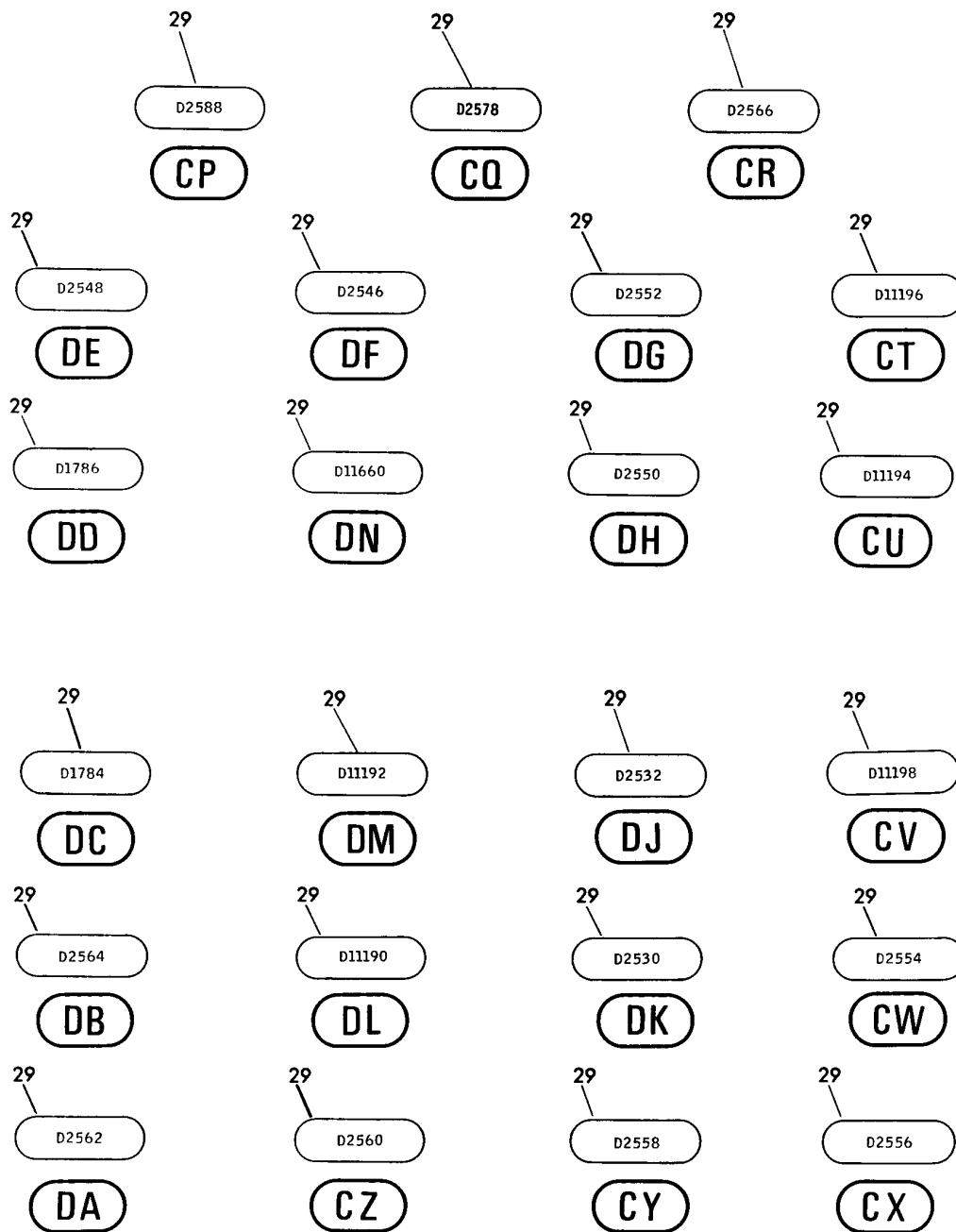
PANEL ASSY-AFT COMPT CARGO HANDLING ACCESS. (P39) (EQUIPMENT/FURNISHINGS ONLY)
FIGURE 22 (SHEET 7)

25-53-53-22

HXL
DEC 22/06

25-53-53-22
PAGE OF

BOEING
767
PARTS CATALOG (MAINTENANCE)



V 25535322 SHT 8 REV 142

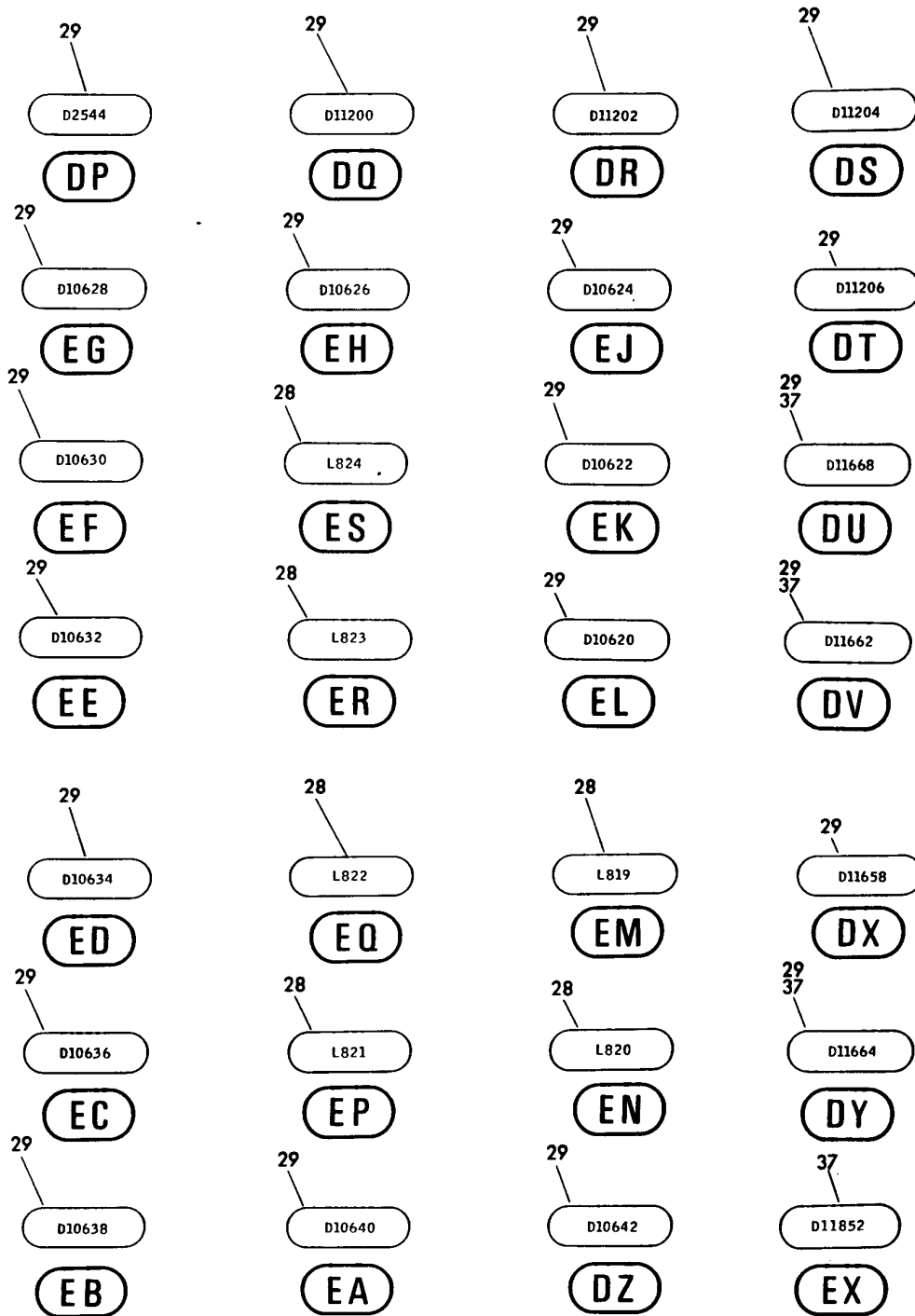
PANEL ASSY-AFT COMPT CARGO HANDLING ACCESS. (P39) (EQUIPMENT/FURNISHINGS ONLY)
FIGURE 22 (SHEET 8)

25-53-53-22

HXL
DEC 22/06

25-53-53-22
PAGE 06

BOEING
767
PARTS CATALOG (MAINTENANCE)



V 25535322 SHT 9 REV 078

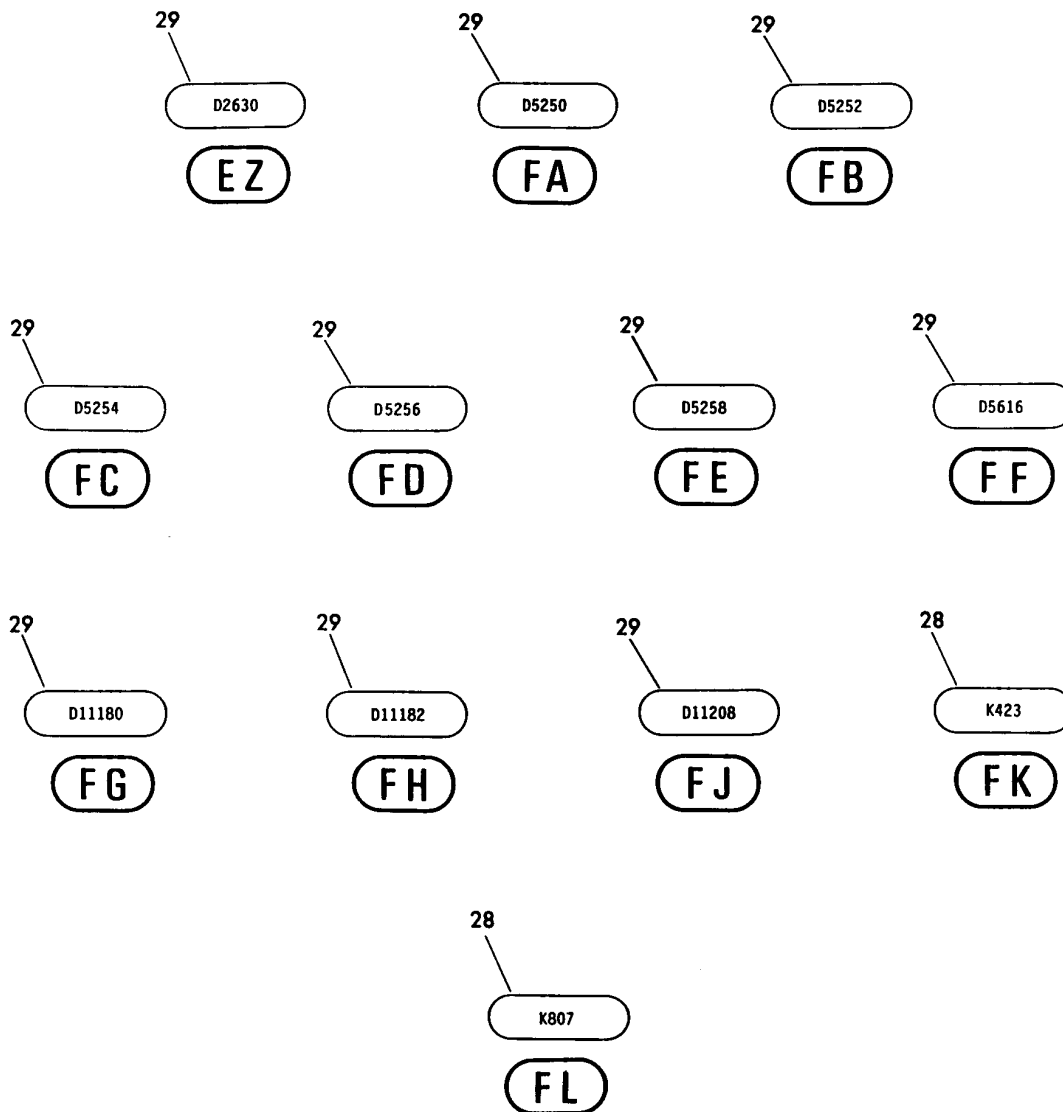
PANEL ASSY-AFT COMPT CARGO HANDLING ACCESS. (P39) (EQUIPMENT/FURNISHINGS ONLY)
FIGURE 22 (SHEET 9)

25-53-53-22

HXL
DEC 22/06

25-53-53-22
PAGE 0H

BOEING
767
PARTS CATALOG (MAINTENANCE)



V 25535322 SH1 10 REV 142

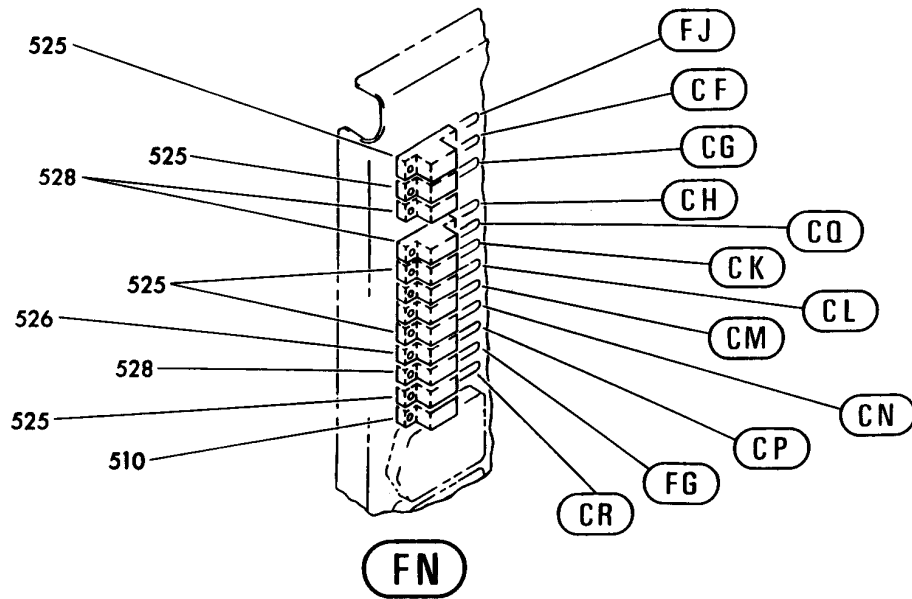
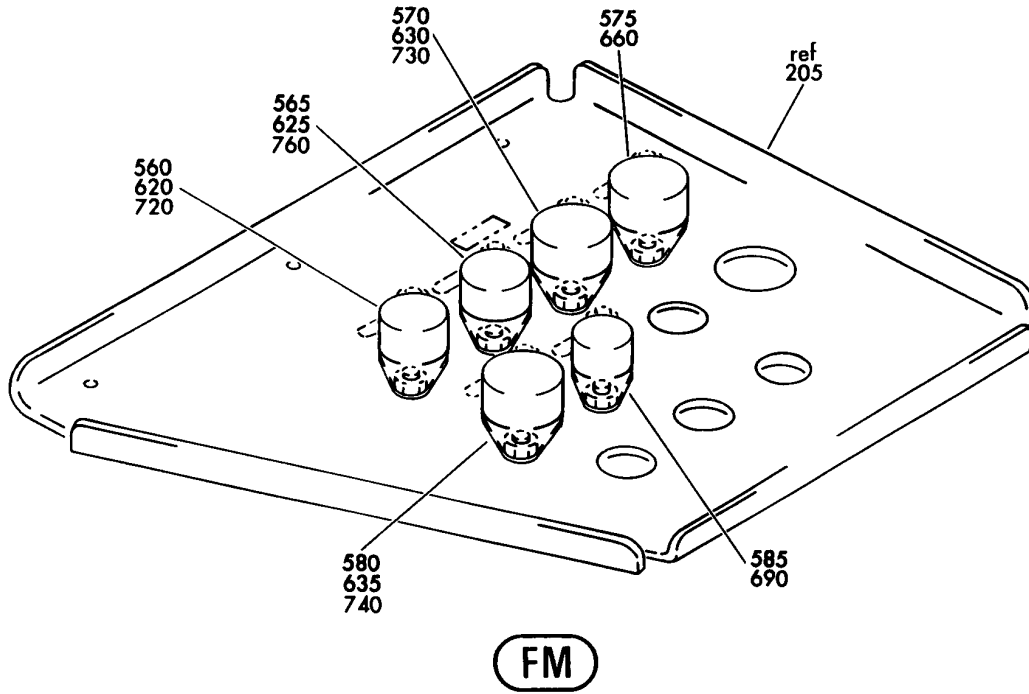
PANEL ASSY-AFT COMPT CARGO HANDLING ACCESS. (P39) (EQUIPMENT/FURNISHINGS ONLY)
FIGURE 22 (SHEET 10)

25-53-53-22

HXL
DEC 22/06

25-53-53-22
PAGE 01

BOEING
767
PARTS CATALOG (MAINTENANCE)



V 25535322 SHT 11 REV 142

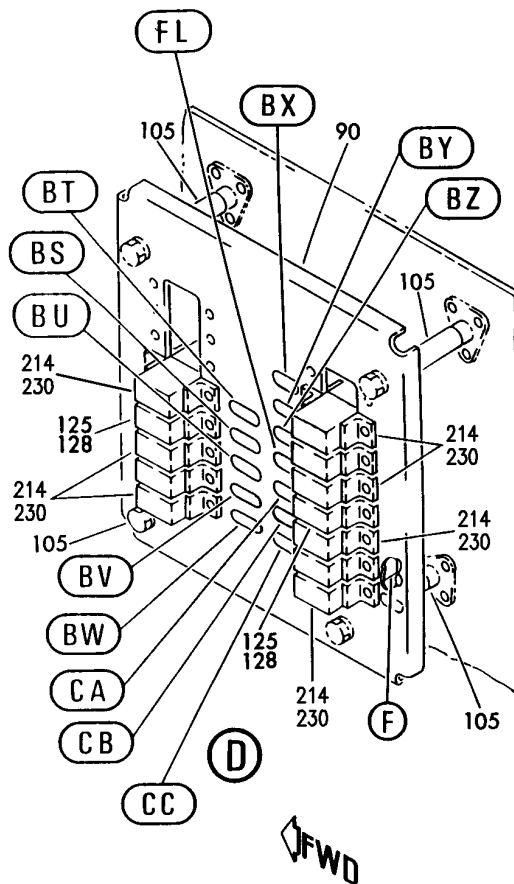
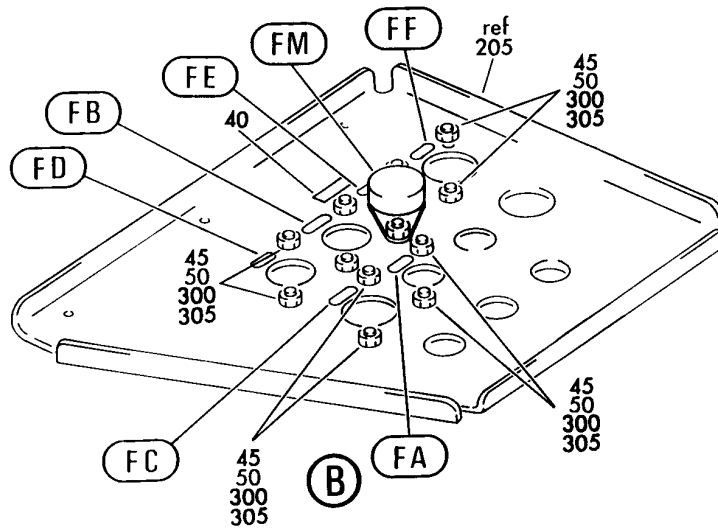
PANEL ASSY-AFT COMPT CARGO HANDLING ACCESS. (P39) (EQUIPMENT/FURNISHINGS ONLY)
FIGURE 22 (SHEET 11)

25-53-53-22

HXL
DEC 22/06

25-53-53-22
PAGE 0J

BOEING
767
PARTS CATALOG (MAINTENANCE)



V 25535322 SHT 12 REV 234

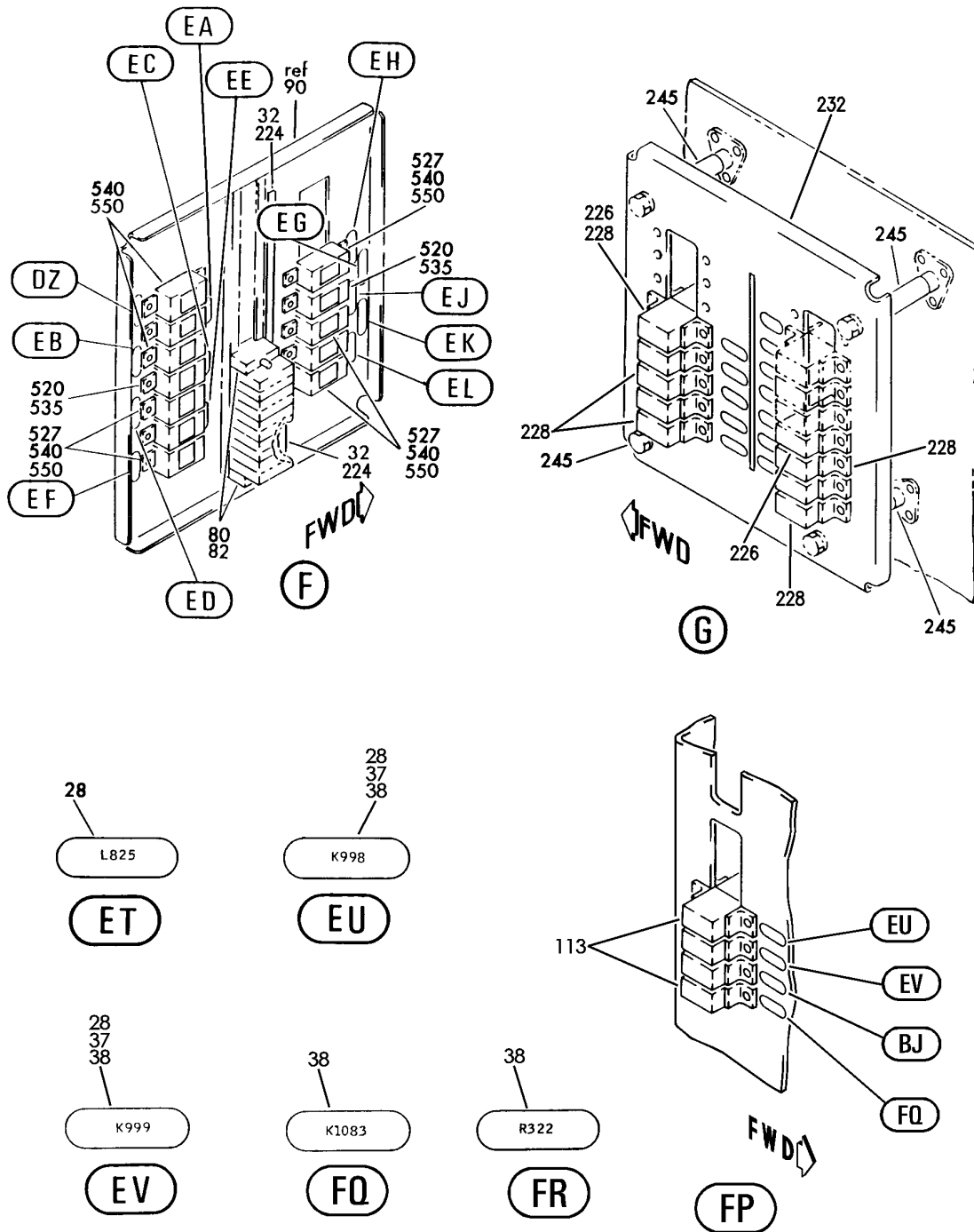
PANEL ASSY-AFT COMPT CARGO HANDLING ACCESS. (P39) (EQUIPMENT/FURNISHINGS ONLY)
FIGURE 22 (SHEET 12)

25-53-53-22

HXL
DEC 22/06

25-53-53-22
PAGE OK

BOEING
767
PARTS CATALOG (MAINTENANCE)



V 25535322 SHT 13 REV 234

PANEL ASSY-AFT COMPT CARGO HANDLING ACCESS. (P39) (EQUIPMENT/FURNISHINGS ONLY)
FIGURE 22 (SHEET 13)

25-53-53-22

HXL
DEC 22/06

25-53-53-22
PAGE 01



767

PARTS CATALOG (MAINTENANCE)

FIG ITEM	PART NUMBER	1 2 3 4 5 6 7	NOMENCLATURE	EFFECT FROM TO	UNITS PER ASSY
22			PANEL ASSY-AFT COMPT CARGO HANDLING ACCESS. (P39) (EQUIPMENT/FURNISHINGS ONLY)		
- 1	284T0688-64		PANEL ASSY-COMPT CARGO HANDLING ACCESS. P39 (EQUIPMENT/FURNISHINGS ONLY) POSITION DATA: AFT FOR NHA/OTHER SYS DET SEE: 25-53-53-01		RF
5	BAC27TEX0964		.MARKER-ALUMINUM FOIL PLACARD CONTENT: P39 CARGO HANDLING ACCESSORY PANEL		1
27	BAC27TEX3794		.DECALSET-INCLUDES DECALS IDENTIFIED ON THE ILLUSTRATION		RF
28	BAC27TEX3795		.DECALSET-INCLUDES DECALS IDENTIFIED ON THE ILLUSTRATION		1
29	BAC27TEX3796		.DECALSET-INCLUDES DECALS IDENTIFIED ON THE ILLUSTRATION		1
30	BAC27TEX0943		.DECAL- PLACARD CONTENT: SERVICE INTERPHONE		1
35	BAC27TEX0945		.DECAL- PLACARD CONTENT: D8555		1
37	BAC27TEX3989		.DECALSET-INCLUDES DECALS IDENTIFIED ON THE ILLUSTRATION		1
40	BAC27TEX2317		.DECAL- PLACARD CONTENT: AC1304		1
42	BAC27TEX1302		.DECAL- USED WITH: BACC49A1		2
45	NAS1801-04-6		.SCREW		12

ILLUSTRATION ITEMS NOT ON PARTS LIST ARE NOT APPLICABLE

- ITEM NOT ILLUSTRATED

HXL

25-53-53-22

25-53-53
FIG. 22
PAGE 1
DEC 22/07



767

PARTS CATALOG (MAINTENANCE)

FIG ITEM	PART NUMBER	1 2 3 4 5 6 7	NOMENCLATURE	EFFECT FROM TO	UNITS PER ASSY
22 50	K19798-04		.NUT SUPPLIER CODE: V15653 SPECIFICATION NUMBER: BACN10NW1 OPTIONAL PART: RMA4812-160-40 V72962 293162 V60119		12
54 55	NAS1072-1 25ET120S		.GUARD- .SWITCH-MAGNETIC TG SUPPLIER CODE: V91929 ELECTRICAL EQUIP NUMBER: S00680 S00681 S00682 S00683		2 4
60	MS25237-387		.LAMP- ELECTRICAL EQUIP NUMBER: L00819T L00820T L00821T L00822T L00823T L00824T L00825T		7
65	L5105AM		.LIGHT- SUPPLIER CODE: V81640 ELECTRICAL EQUIP NUMBER: L00819 L00820 L00821 L00822 L00823 L00824 L00825		7

ILLUSTRATION ITEMS NOT ON PARTS LIST ARE NOT APPLICABLE

- ITEM NOT ILLUSTRATED

HXL

25-53-53-22

BOEING PROPRIETARY - Copyright © - Unpublished Work - See title page for details.

25-53-53
FIG. 22
PAGE 2
DEC 22/06



767

PARTS CATALOG (MAINTENANCE)

FIG ITEM	PART NUMBER	1 2 3 4 5 6 7	NOMENCLATURE	EFFECT FROM TO	UNITS PER ASSY
22					
70	9131-8506		.RELAY-3PST NORMALLY OPEN SPDT AUX TYPE REPAIRABLE 50 AMP SUPPLIER CODE: V35344 SPECIFICATION NUMBER: 10-61445-21 ELECTRICAL EQUIP NUMBER: K00278 COMPONENT MAINT MANUAL REF: 24-09-07 OPTIONAL PART: BH316A V74063		1
70	BH316A		.RELAY-3PST NORMALLY OPEN SPDT AUX TYPE REPAIRABLE 50 AMP SUPPLIER CODE: V74063 FUNCTIONAL DESCRIPTION: A SEALED REPAIRABLE ELECTROMAGNETIC DEVICE FOR REMOTE ACTUATION OF 28V, 50 AMP ELECTRICAL CONTACT. SPECIFICATION NUMBER: 10-61445-21 ELECTRICAL EQUIP NUMBER: K00278 COMPONENT MAINT MANUAL REF: 24-09-36 OPTIONAL PART: 9131-8506 V35344		1
- 75	NAS1801-3-8		ATTACHING PARTS .SCREW- -----*-----		4
80	BACC49A1		.CLAMP ASSY- QUALIFIED OPTIONAL DATA: (TOGETHER WITH BAC27TEX1302 IS OPT BACC49A2)		AR

R
R
R
R
R

ILLUSTRATION ITEMS NOT ON PARTS LIST ARE NOT APPLICABLE

- ITEM NOT ILLUSTRATED

HXL

25-53-53-22

BOEING PROPRIETARY - Copyright © - Unpublished Work - See title page for details.

25-53-53
FIG. 22
PAGE 3
AUG 22/09



767

PARTS CATALOG (MAINTENANCE)

FIG ITEM	PART NUMBER	1 2 3 4 5 6 7	NOMENCLATURE	EFFECT FROM TO	UNITS PER ASSY
22					
80	H49-2		.CLAMP ASSY- SUPPLIER CODE: V34941 SPECIFICATION NUMBER: BACC49A2 OPTIONAL PART: MF104-2 V6E102 QUALIFIED OPTIONAL DATA: (OPT BACC49A1 TOGETHER WITH BAC27TEX1302)		AR
88	YHLZD30		.DIODE- SUPPLIER CODE: V09922 ELECTRICAL EQUIP NUMBER: R00037 R00038 R00155 R00156 R00157 R00158 R00289 R00290 R00293 R00294 R00322 R00329		12
112	W460F1A		.RELAY- SUPPLIER CODE: VF0219 SPECIFICATION NUMBER: BACR13CE2 OPTIONAL PART: 3SAH5-13-4K1 V01526 3SAH1326A2 V01526 ELECTRICAL EQUIP NUMBER: K00292 K01001		2

ILLUSTRATION ITEMS NOT ON PARTS LIST ARE NOT APPLICABLE

- ITEM NOT ILLUSTRATED

HXL

25-53-53-22

BOEING PROPRIETARY - Copyright © - Unpublished Work - See title page for details.

25-53-53
FIG. 22
PAGE 4
AUG 22/09



767

PARTS CATALOG (MAINTENANCE)

FIG ITEM	PART NUMBER	1 2 3 4 5 6 7 NOMENCLATURE	EFFECT FROM TO	UNITS PER ASSY
22 119	W260F4AM11	.RELAY- SUPPLIER CODE: VF0219 SPECIFICATION NUMBER: BACR13CD2 OPTIONAL PART: BR16S233 V09026 EE4AA005 V35344 3SAV1338A2 V01526 HFW1206K03 V58614 HFW1204K01 V71482 ELECTRICAL EQUIP NUMBER: K00279 K00280 K00281 K00282 K00283 K00284 K00507 K00910 K00911 K00912 K00913 K00915 K00916 K00917 K00918 K00998 K00999 K01004 K01083		19

ILLUSTRATION ITEMS NOT ON PARTS LIST ARE NOT APPLICABLE

- ITEM NOT ILLUSTRATED

HXL

25-53-53-22

BOEING PROPRIETARY - Copyright © - Unpublished Work - See title page for details.

25-53-53
 FIG. 22
 PAGE 5
 AUG 22/09



767

PARTS CATALOG (MAINTENANCE)

FIG ITEM	PART NUMBER	1 2 3 4 5 6 7	NOMENCLATURE	EFFECT FROM TO	UNITS PER ASSY
22 120	ES410-1538		.RELAY- SUPPLIER CODE: V99699 SPECIFICATION NUMBER: BACR13CG2AB OPTIONAL PART: KD4L018 V35344 BR230DS0115 V56623 KD4L036 V58657 FCA410-63 V78290 ELECTRICAL EQUIP NUMBER: K00294 K00295 K00296 K00297 K00914		5
122	ES210-1632		.RELAY- SUPPLIER CODE: V99699 SPECIFICATION NUMBER: BACR13CF2AB OPTIONAL PART: JD4L018 V35344 JD4L031 V35344 BR246S0111 V56623 BR64S105 V56623 FCA210-71 V78290 61GB2319-1A320 V98927 ELECTRICAL EQUIP NUMBER: K00423 K00490 K00491 K00544 K00545		5

ILLUSTRATION ITEMS NOT ON PARTS LIST ARE NOT APPLICABLE

- ITEM NOT ILLUSTRATED

HXL

25-53-53-22

BOEING PROPRIETARY - Copyright © - Unpublished Work - See title page for details.

25-53-53
FIG. 22
PAGE 6
DEC 22/07



767

PARTS CATALOG (MAINTENANCE)

FIG ITEM	PART NUMBER	1 2 3 4 5 6 7	NOMENCLATURE	EFFECT FROM TO	UNITS PER ASSY
22 124	ES210-1632		.RELAY- SUPPLIER CODE: V99699 SPECIFICATION NUMBER: BACR13CF2AB OPTIONAL PART: JD4L018 V35344 JD4L031 V35344 BR246S0111 V56623 BR64S105 V56623 FCA210-71 V78290 61GB2319-1A320 V98927 ELECTRICAL EQUIP NUMBER: K00423 K00490 K00491 K00544 K00545		5
130	600-154-2001		.RELAY-TIME DELAY SUPPLIER CODE: V15420 ELECTRICAL EQUIP NUMBER: K00926 OPTIONAL PART: 600-154-2000M0 V15420		1
130	600-154-2000M0		.RELAY- SUPPLIER CODE: V15420 ELECTRICAL EQUIP NUMBER: K00926 OPTIONAL PART: 600-154-2001 V15420 FOR SPARES PROCURE: TDH1852-2001 V58657 600-154-2001 V15420		1

ILLUSTRATION ITEMS NOT ON PARTS LIST ARE NOT APPLICABLE

- ITEM NOT ILLUSTRATED

HXL

25-53-53-22

BOEING PROPRIETARY - Copyright © - Unpublished Work - See title page for details.

25-53-53
FIG. 22
PAGE 7
DEC 22/07



767

PARTS CATALOG (MAINTENANCE)

FIG ITEM	PART NUMBER	1 2 3 4 5 6 7	NOMENCLATURE	EFFECT FROM TO	UNITS PER ASSY
22 135	600-154-800M0		.RELAY- SUPPLIER CODE: V15420 ELECTRICAL EQUIP NUMBER: K00909 FOR SPARES PROCURE: 600-154-8000 V15420		1
142	600-154-2500M0		.RELAY- SUPPLIER CODE: V15420 ELECTRICAL EQUIP NUMBER: K00298 K00300 FOR SPARES PROCURE: TDHA852-2501 V58657 600-154-2501 V15420		2
145	600-154-1250M0		.RELAY- SUPPLIER CODE: V15420 ELECTRICAL EQUIP NUMBER: K00304 K00905 FOR SPARES PROCURE: TDH1852-1251 V58657 600-154-1251 V15420		2
150	600-154-2000		.RELAY-TIME DELAY SUPPLIER CODE: V15420 ELECTRICAL EQUIP NUMBER: K00041 K00907		2
157	600-154-400M0		.RELAY- SUPPLIER CODE: V15420 ELECTRICAL EQUIP NUMBER: K00303 K00906 FOR SPARES PROCURE: TDH1852-4000 V58657 600-154-4000 V15420		2

ILLUSTRATION ITEMS NOT ON PARTS LIST ARE NOT APPLICABLE

- ITEM NOT ILLUSTRATED

HXL

25-53-53-22

BOEING PROPRIETARY - Copyright © - Unpublished Work - See title page for details.

25-53-53
FIG. 22
PAGE 8
DEC 22/07

BOEING
767
PARTS CATALOG (MAINTENANCE)

FIG ITEM	PART NUMBER	1 2 3 4 5 6 7	NOMENCLATURE	EFFECT FROM TO	UNITS PER ASSY
22 160	600-154-6000		.RELAY-TIME DELAY SUPPLIER CODE: V15420 ELECTRICAL EQUIP NUMBER: K00908		1
172	284T0691-43		.BRACKET ASSY-RELAY QUALIFIED OPTIONAL DATA: (MODIFY 284T0691-43 TO ACCOMMODATE BACS16AG1 SOCKET (BACD2010-812) CUTOUT FOR POSITION D2566, DRILL TWO HOLES .11 DIA MAX, INSTALL SOCKET WITH (2) AN960JD4L WASHERS (TRIMMED .05 INCH) THEREFORE MAKING 284T0691-43 OPTIONAL TO 284T0691-49)		1
172	284T0691-49		.BRACKET ASSY-RELAY QUALIFIED OPTIONAL DATA: (MODIFY 284T0691-43 TO ACCOMMODATE BACS16AG1 SOCKET (BACD2010-812) CUTOUT FOR POSITION D2566, DRILL TWO HOLES .11 DIA MAX, INSTALL SOCKET WITH (2) AN960JD4L WASHERS (TRIMMED .05 INCH) THEREFORE MAKING 284T0691-43 OPTIONAL TO 284T0691-49)		1
177	NAS1801-06-6		ATTACHING PARTS .SCREW		8
178	NAS514P632-6		.SCREW		2
182	AN960JD6		.WASHER-		8
183	BACW10UD6		.WASHER -----*-----		2

ILLUSTRATION ITEMS NOT ON PARTS LIST ARE NOT APPLICABLE

- ITEM NOT ILLUSTRATED

HXL

25-53-53-22

BOEING PROPRIETARY - Copyright © - Unpublished Work - See title page for details.

25-53-53
FIG. 22
PAGE 9
DEC 22/07



767

PARTS CATALOG (MAINTENANCE)

FIG ITEM	PART NUMBER	1 2 3 4 5 6 7	NOMENCLATURE	EFFECT FROM TO	UNITS PER ASSY
22 186	BRF200A06		..NUTPLATE- SUPPLIER CODE: V52828 SPECIFICATION NUMBER: BACN10JR06F OPTIONAL PART: NS103203-62 V80539 RMF9201-62 V72962 VN152A1-62 V92215 T8091S632 V11815 F5000-06BAC V15653 USED ON: 284T0691-43 284T0691-49 ATTACHING PARTS		9
- 188	BACR15BA3AD		..RIVET- SIZE DETERMINED ON INSTL. USED ON: 284T0691-43 284T0691-49 -----*-----		18
190	WSI4-18		..NUTPLATE- SUPPLIER CODE: V04169 SPECIFICATION NUMBER: BACN10TL3-18 USED ON: 284T0691-43 284T0691-49 ATTACHING PARTS		2
- 192	BACR15BB3AD		..RIVET- SIZE DETERMINED ON INSTL. -----*-----		4
198	AMY1775T5		..TRACK- SUPPLIER CODE: V09922 SPECIFICATION NUMBER: BACT44B1775U SIZE DETERMINED ON INSTL. USED ON: 284T0691-43 284T0691-49		1

ILLUSTRATION ITEMS NOT ON PARTS LIST ARE NOT APPLICABLE

- ITEM NOT ILLUSTRATED

25-53-53-22

25-53-53
 FIG. 22
 PAGE 10
 DEC 22/07

HXL



767

PARTS CATALOG (MAINTENANCE)

FIG ITEM	PART NUMBER	1 2 3 4 5 6 7	NOMENCLATURE	EFFECT FROM TO	UNITS PER ASSY
22			ATTACHING PARTS		
- 200	BACR15BB5AD		..RIVET- SIZE DETERMINED ON INSTL. USED ON: 284T0691-43 284T0691-49 -----*-----		5
206	284T0691-42		..RELAY- USED ON: 284T0691-43		1
206	284T0691-48		..RELAY- USED ON: 284T0691-49		1
208	284T0691-17		.TRACK		1
210	NAS514P632-8		.SCREW		3
216	PAC1019-506		.ENCLOSURE ASSY- SUPPLIER CODE: V30137 OPTIONAL PART: 284T1207-3 FOR DETAILS SEE: 25-53-53-50		1
216	284T1207-3		.ENCLOSURE ASSY- OPTIONAL PART: PAC1019-506 V30137		1
218	284T0692-3		.BUMPER- POST ALERT SB: 24A0104		1
222	284T0688-92		.TRAY ASSY-TD RELAY		1
224	BAC27TEX8		..DECAL- PLACARD CONTENT: 1 THRU 25		2

ILLUSTRATION ITEMS NOT ON PARTS LIST ARE NOT APPLICABLE

- ITEM NOT ILLUSTRATED

HXL

25-53-53-22

BOEING PROPRIETARY - Copyright © - Unpublished Work - See title page for details.

25-53-53
FIG. 22
PAGE 11
DEC 22/07



767

PARTS CATALOG (MAINTENANCE)

FIG ITEM	PART NUMBER	1 2 3 4 5 6 7	NOMENCLATURE	EFFECT FROM TO	UNITS PER ASSY
22 226	ES210-1632		..RELAY- SUPPLIER CODE: V99699 SPECIFICATION NUMBER: BACR13CF2AB OPTIONAL PART: JD4L018 V35344 JD4L031 V35344 BR246S0111 V56623 BR64S105 V56623 FCA210-71 V78290 61GB2319-1A320 V98927 ELECTRICAL EQUIP NUMBER: K00807 K00820		2
230	TDH1853-2002		..RELAY- SUPPLIER CODE: V58657 ELECTRICAL EQUIP NUMBER: K00804 K00805 K00806 K00808 K00809 K00810 K00816 K00817 K00818 K00819 OPTIONAL PART: 600-159-2002 V15420		10

ILLUSTRATION ITEMS NOT ON PARTS LIST ARE NOT APPLICABLE

- ITEM NOT ILLUSTRATED

HXL

25-53-53-22

BOEING PROPRIETARY - Copyright © - Unpublished Work - See title page for details.

25-53-53
 FIG. 22
 PAGE 12
 DEC 22/07



767

PARTS CATALOG (MAINTENANCE)

FIG ITEM	PART NUMBER	1 2 3 4 5 6 7	NOMENCLATURE	EFFECT FROM TO	UNITS PER ASSY
22 230	600-159-2002		..RELAY- SUPPLIER CODE: V15420 ELECTRICAL EQUIP NUMBER: K00804 K00805 K00806 K00808 K00809 K00810 K00816 K00817 K00818 K00819 OPTIONAL PART: TDH1853-2002 V58657		10
232	284T0691-22		..TRAY ASSY ATTACHING PARTS		1
- 235	NAS1801-3-17		..SCREW		4
- 240	AN960PD10L		..WASHER		4
- 245	BACS18K10-32W		..SPACER		AR
			-----*-----		
300	NAS1801-04-6		.SCREW		12
305	K19798-04		.NUT		12
			SUPPLIER CODE: V15653 SPECIFICATION NUMBER: BACN10NW1 OPTIONAL PART: RMA4812-160-40 V72962 293162 V60119		
- 500	286T1068-300		.WIRE BUNDLE ASSY		1

ILLUSTRATION ITEMS NOT ON PARTS LIST ARE NOT APPLICABLE

- ITEM NOT ILLUSTRATED

HXL

25-53-53-22

BOEING PROPRIETARY - Copyright © - Unpublished Work - See title page for details.

25-53-53
 FIG. 22
 PAGE 13
 DEC 22/07



767

PARTS CATALOG (MAINTENANCE)

FIG ITEM	PART NUMBER	1 2 3 4 5 6 7	NOMENCLATURE	EFFECT FROM TO	UNITS PER ASSY
22 510	RSE120026		.. SOCKET- SUPPLIER CODE: V58982 SPECIFICATION NUMBER: BACS16AG1 OPTIONAL PART: 451120-026 V58982 ELECTRICAL EQUIP NUMBER: D02530 D02532 D02546 D02548 D02550 D02552 D02566 D11190 D11192 D11194 D11196 D11200 D11202 D11204 D11206 WIRING DIAGRAM REF: 255321 255323 255324		15
515	BACS16W1		.. SOCKET- ELECTRICAL EQUIP NUMBER: D02554 D02556 D02558 D02560 D11198 WIRING DIAGRAM REF: 255324 255325 255326		5

ILLUSTRATION ITEMS NOT ON PARTS LIST ARE NOT APPLICABLE

- ITEM NOT ILLUSTRATED

HXL

25-53-53-22

BOEING PROPRIETARY - Copyright © - Unpublished Work - See title page for details.

25-53-53
 FIG. 22
 PAGE 14
 DEC 22/07



767

PARTS CATALOG (MAINTENANCE)

FIG ITEM	PART NUMBER	1 2 3 4 5 6 7	NOMENCLATURE	EFFECT FROM TO	UNITS PER ASSY
22 525	RSE120026		.. SOCKET- SUPPLIER CODE: V58982 SPECIFICATION NUMBER: BACS16AG1 OPTIONAL PART: 451120-026 V58982 ELECTRICAL EQUIP NUMBER: D02578 D02580 D11180 D11184 D11186 D11188 WIRING DIAGRAM REF: 255323 255324		7
533	RSE120026		.. SOCKET- SUPPLIER CODE: V58982 SPECIFICATION NUMBER: BACS16AG1 OPTIONAL PART: 451120-026 V58982 ELECTRICAL EQUIP NUMBER: D11662 D11664 D11668 D11852 WIRING DIAGRAM REF: 255326		4
560	BACC45FN18-14S		.. RECPTACLE- ELECTRICAL EQUIP NUMBER: D05256J WIRING DIAGRAM REF: 255322		1
565	BACC45FN18-31S6		.. CONNECTOR-RECEPTACLE ELECTRICAL EQUIP NUMBER: D05252J WIRING DIAGRAM REF: 255325		1
570	BACC45FN20-41S7		.. RECEPTACLE- ELECTRICAL EQUIP NUMBER: D05258J WIRING DIAGRAM REF: 255324		1

ILLUSTRATION ITEMS NOT ON PARTS LIST ARE NOT APPLICABLE

- ITEM NOT ILLUSTRATED

HXL

25-53-53-22

BOEING PROPRIETARY - Copyright © - Unpublished Work - See title page for details.

25-53-53
 FIG. 22
 PAGE 15
 DEC 22/07



767

PARTS CATALOG (MAINTENANCE)

FIG ITEM	PART NUMBER	1 2 3 4 5 6 7	NOMENCLATURE	EFFECT FROM TO	UNITS PER ASSY
22 575	BACC45FN20-25P8	..	CONNECTOR- ELECTRICAL EQUIP NUMBER: D05616J WIRING DIAGRAM REF: 255321		1
580	BACC45FN20-16S7	..	RECPTACLE- ELECTRICAL EQUIP NUMBER: D05254J WIRING DIAGRAM REF: 255322		1
585	BACC45FN16-24S8	..	RECEPTACLE- ELECTRICAL EQUIP NUMBER: D05250J WIRING DIAGRAM REF: 255321		1
- 650	286T0616-350		WIRE BUNDLE ASSY		RF
660	BACC45FT20-25S8	.	CONNECTOR- ELECTRICAL EQUIP NUMBER: D05616P WIRING DIAGRAM REF: 255321		1
- 680	286T0706-101		WIRE BUNDLE ASSY		RF
690	BACC45FT16-24P8	.	CONNECTOR- ELECTRICAL EQUIP NUMBER: D05250P WIRING DIAGRAM REF: 255321		1
- 710	286T0710-300		WIRE BUNDLE ASSY		RF
720	BACC45FT18-14P	.	CONNECTOR- ELECTRICAL EQUIP NUMBER: D05256P WIRING DIAGRAM REF: 255322		1
730	BACC45FT18-41P7	.	CONNECTOR- ELECTRICAL EQUIP NUMBER: D05258P WIRING DIAGRAM REF: 255324		1
740	BACC45FT18-16P7	.	CONNECTOR- ELECTRICAL EQUIP NUMBER: D05254P WIRING DIAGRAM REF: 255322		1
- 750	286T0708-101		WIRE BUNDLE ASSY		RF
760	BACC45FT18-31P6	.	CONNECTOR- ELECTRICAL EQUIP NUMBER: D05252P WIRING DIAGRAM REF: 255322		1

ILLUSTRATION ITEMS NOT ON PARTS LIST ARE NOT APPLICABLE

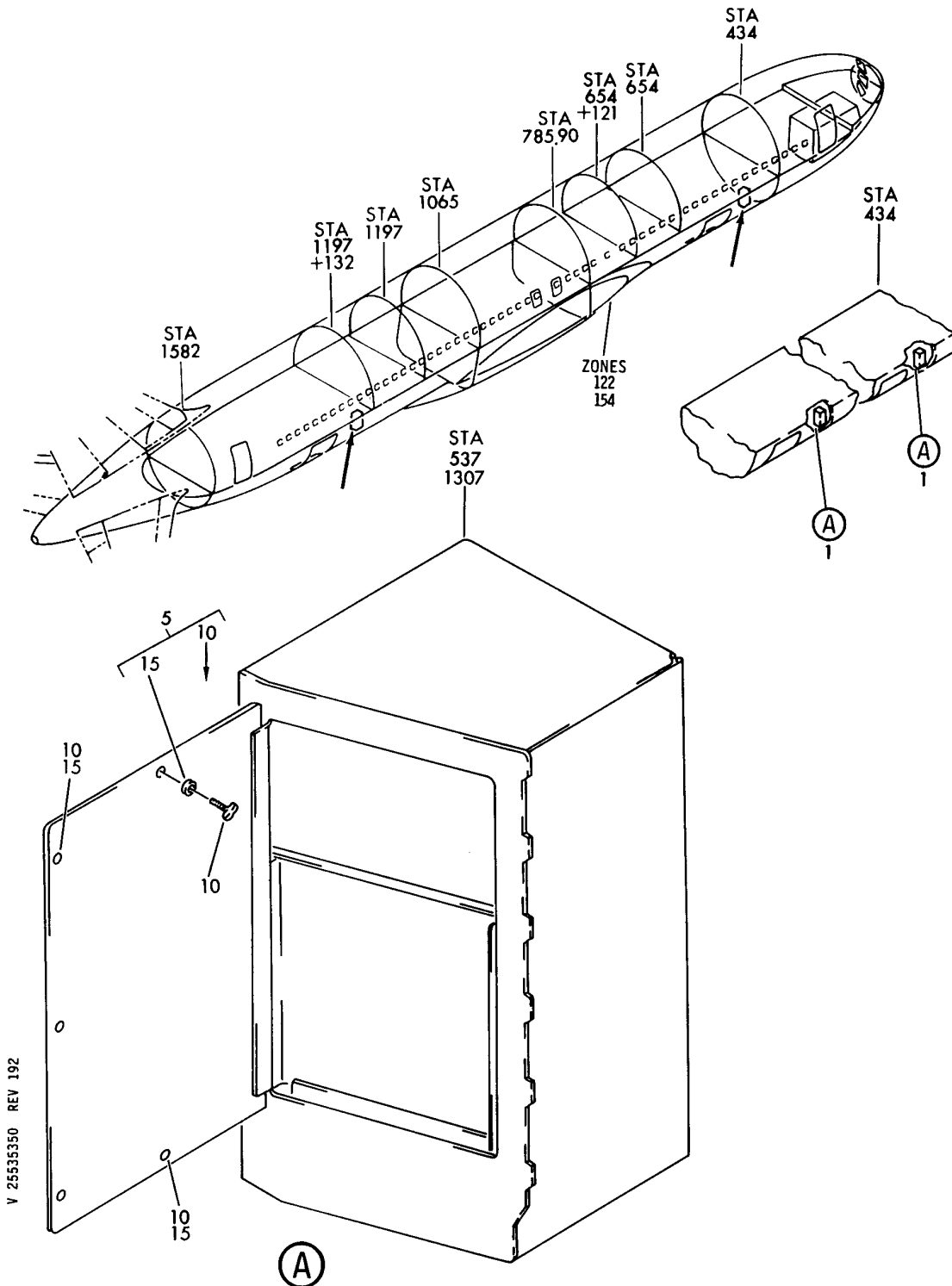
- ITEM NOT ILLUSTRATED

25-53-53-22

25-53-53
FIG. 22
PAGE 16
DEC 22/07

HXL

BOEING
767
PARTS CATALOG (MAINTENANCE)



V 25535350 REV 192

ENCLOSURE ASSY-COMPT CARGO HANDLING ACCESS. (P35 AND P39) FWD, AFT
FIGURE 50

25-53-53-50

HXL
DEC 22/06

25-53-53-50
PAGE 0



767

PARTS CATALOG (MAINTENANCE)

FIG ITEM	PART NUMBER	1 2 3 4 5 6 7	NOMENCLATURE	EFFECT FROM TO	UNITS PER ASSY
50			ENCLOSURE ASSY-COMPT CARGO HANDLING ACCESS. (P35 AND P39) FWD, AFT		
1	PAC1019-506		ENCLOSURE ASSY-COMPT CARGO HANDLING ACCESS. (P35 AND P39) SUPPLIER CODE: V30137 POSITION DATA: FWD, AFT FOR NHA SEE: 25-53-53-19 25-53-53-22		RF
5	PAC10196-1		.PANEL ASSY-DOOR SUPPLIER CODE: V30137		1
10	BACS21Y3W		..STUD ASSY		5
15	1127700		..WASHER SUPPLIER CODE: V60119 SPECIFICATION NUMBER: BACW10X4 OPTIONAL PART: 2600LW V71286		5
ILLUSTRATION ITEMS NOT ON PARTS LIST ARE NOT APPLICABLE					

- ITEM NOT ILLUSTRATED

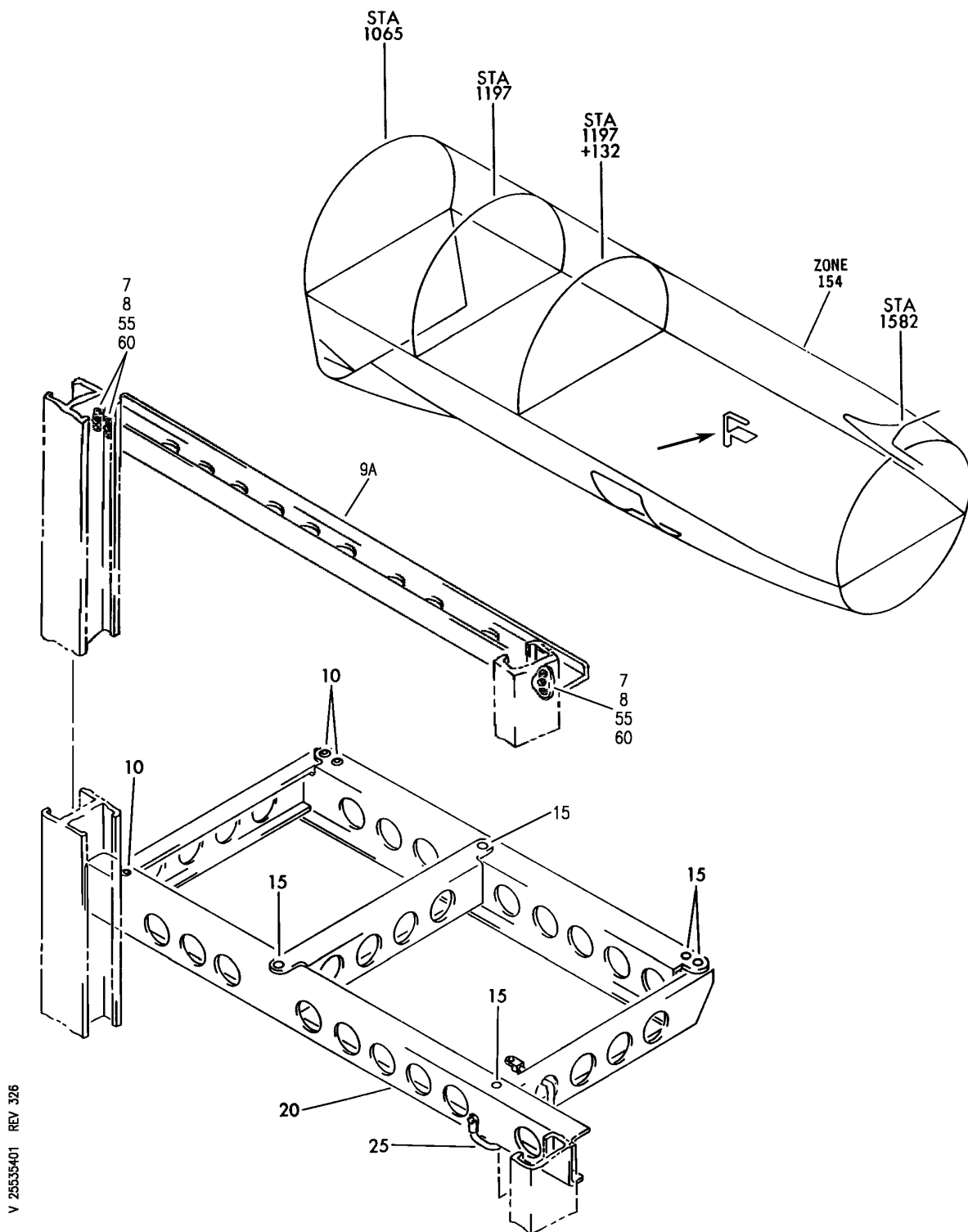
HXL

25-53-53-50

BOEING PROPRIETARY - Copyright © - Unpublished Work - See title page for details.

25-53-53
FIG. 50
PAGE 1
DEC 22/06

BOEING
767
PARTS CATALOG (MAINTENANCE)



V 25535401 REV 326

SUPPORT INSTL-AFT CARGO HANDLING ACCESS. PNL (P39)

FIGURE 1

25-53-54-01

HXL
APR 22/08

25-53-54-01
PAGE 0

BOEING
767
PARTS CATALOG (MAINTENANCE)

FIG ITEM	PART NUMBER	1 2 3 4 5 6 7	NOMENCLATURE	EFFECT FROM TO	UNITS PER ASSY
1			SUPPORT INSTL-AFT CARGO HANDLING ACCESS. PNL (P39)		
- 1	284T0202-1		SUPPORT INSTL-CARGO HANDLING ACCESS. PNL P39 POSITION DATA: AFT FOR NHA SEE: 24-00-58-02		RF
7	NAS1801-3-8		.SCREW-		3
8	BRF200A3		.NUTPLATE- SUPPLIER CODE: V52828 SPECIFICATION NUMBER: BACN10JR3F OPTIONAL PART: NS103203-02 V80539 RMF9201-3 V72962 VN152A1-02 V92215 T8091S1032 V11815 F5000-3BAC V15653		3
- 9	BACR15BA3AD		ATTACHING PARTS .RIVET- SIZE DETERMINED ON INSTL. -----*-----		6
9A	284T0350-10		.BRACKET ASSY		1
10	BACR15FT5AD		.RIVET- SIZE DETERMINED ON INSTL. OPTIONAL PART: BACR15BB5B		3
10	BACR15BB5B		.RIVET- OPTIONAL PART: BACR15FT5AD		3
15	BACR15CE5AD		.RIVET- SIZE DETERMINED ON INSTL.		5
20	284T0202-2		.BRACKET ASSY-		1

ILLUSTRATION ITEMS NOT ON PARTS LIST ARE NOT APPLICABLE

- ITEM NOT ILLUSTRATED

HXL

25-53-54-01

BOEING PROPRIETARY - Copyright © - Unpublished Work - See title page for details.

25-53-54
FIG. 01
PAGE 1
APR 22/08



767

PARTS CATALOG (MAINTENANCE)

FIG ITEM	PART NUMBER	1 2 3 4 5 6 7	NOMENCLATURE	EFFECT FROM TO	UNITS PER ASSY
1	25 940CW20-7		.. JUMPER ASSY SUPPLIER CODE: V91812 SPECIFICATION NUMBER: BACJ40AB20-7 OPTIONAL PART: 100220-7 V1FF12 RBEJ40AB20-7 V1GK47 ATTACHING PARTS		1
- 30	VNS1924CA1-8		.. STUD SUPPLIER CODE: V5M902 SPECIFICATION NUMBER: BACS53B1EA1 OPTIONAL PART: VNS1924CA3-1-8 V92215		1
- 35	BRH10A3		.. NUT SUPPLIER CODE: V52828 SPECIFICATION NUMBER: BACN10JC3 OPTIONAL PART: H10-3BAC V15653 NS202101-02 V80539 RMLH9075-3W V72962 VN303A02 V92215 96-02 V80539 T6S1032J V11815 -----*-----		1

ILLUSTRATION ITEMS NOT ON PARTS LIST ARE NOT APPLICABLE

- ITEM NOT ILLUSTRATED

HXL

25-53-54-01

BOEING PROPRIETARY - Copyright © - Unpublished Work - See title page for details.

25-53-54
 FIG. 01
 PAGE 2
 APR 22/08