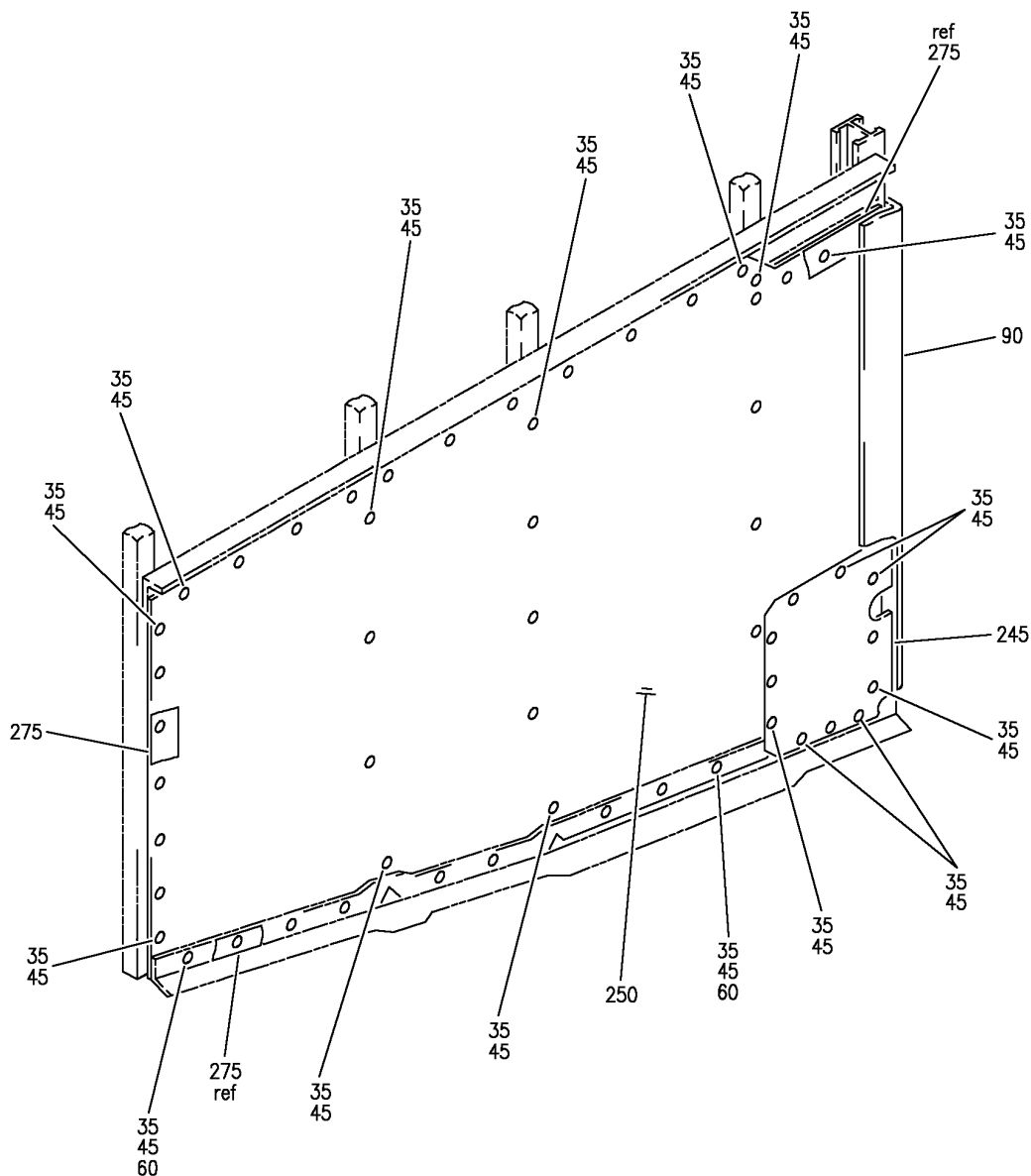


BULK CARGO COMPARTMENT

HXL
DEC 22/06

25-55-00
SECTION TITLE
PAGE 1

BOEING
767
PARTS CATALOG (MAINTENANCE)



(D)

V 25550103 SH1 3 REV 330

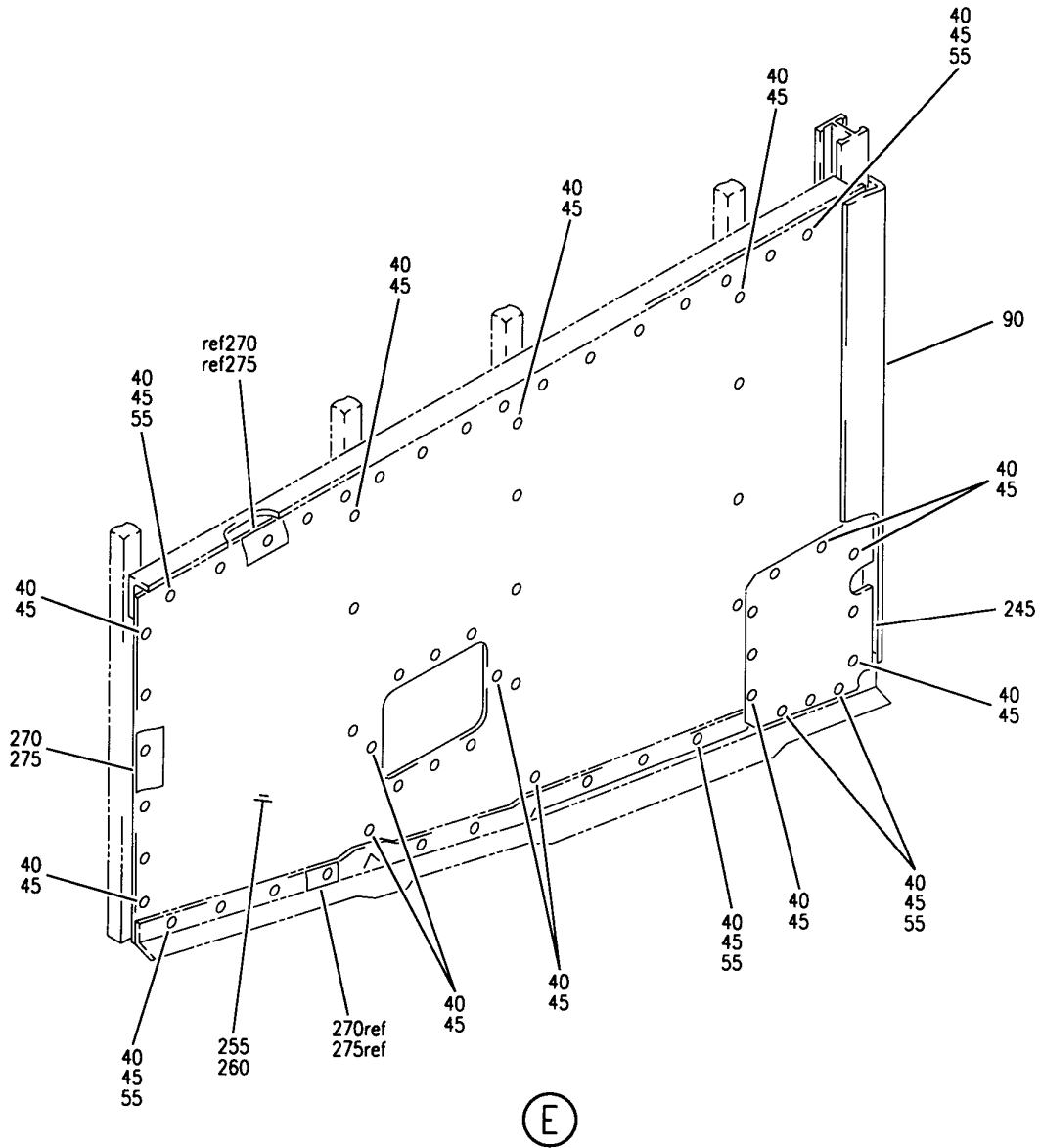
LINING INSTL-SECT. 46 BULK CARGO COMPT VERT. SIDEWALL
FIGURE 3 (SHEET 3)

25-55-01-03

HXL
AUG 22/08

25-55-01-03
PAGE 0B

BOEING
767
PARTS CATALOG (MAINTENANCE)



V 25550103 SH1 4 REV 203

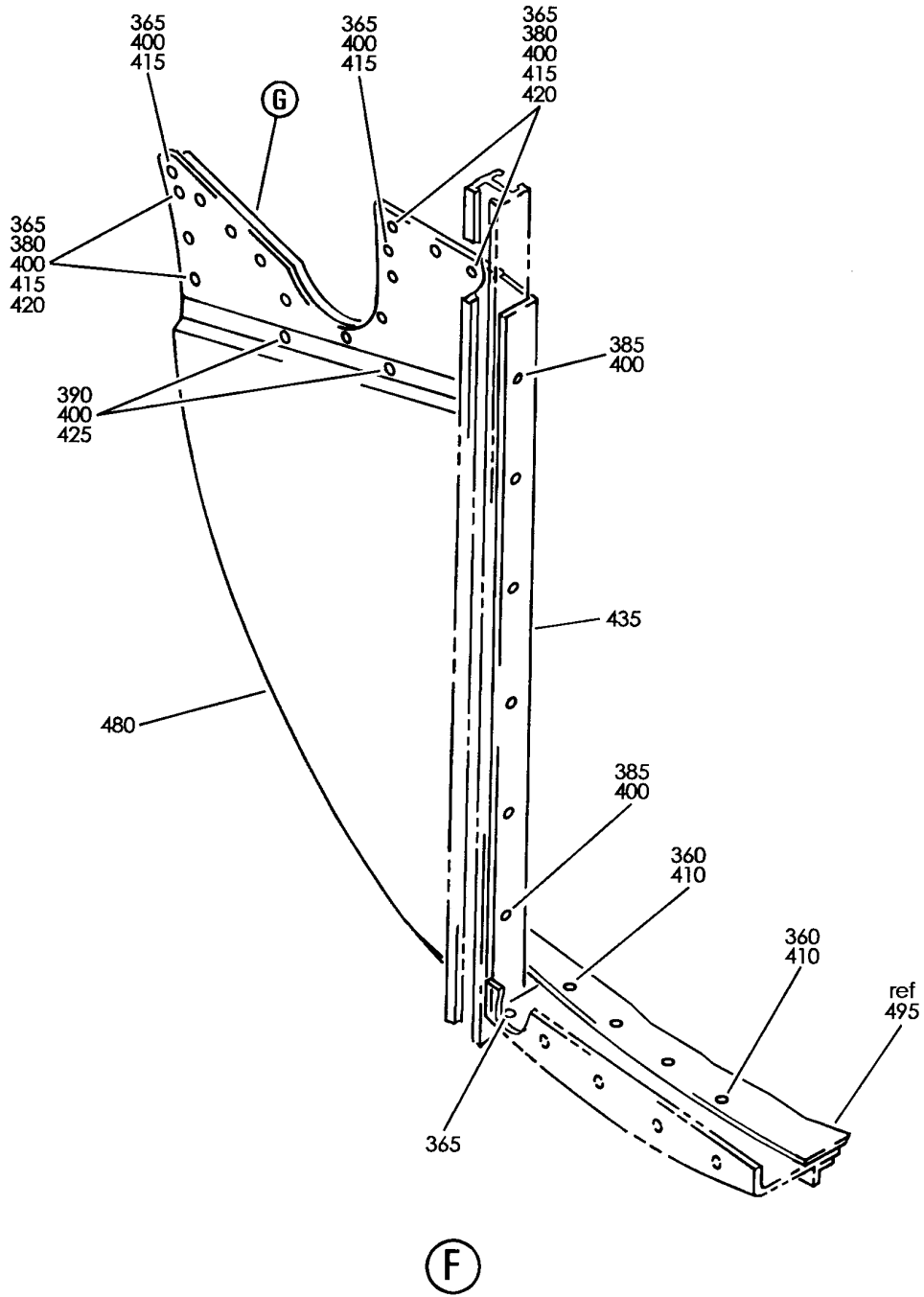
LINING INSTL-SECT. 46 BULK CARGO COMPT VERT. SIDEWALL
FIGURE 3 (SHEET 4)

25-55-01-03

HXL
DEC 22/06

25-55-01-03
PAGE 0C

BOEING
767
PARTS CATALOG (MAINTENANCE)



V 25550103 SH 5 REV 203

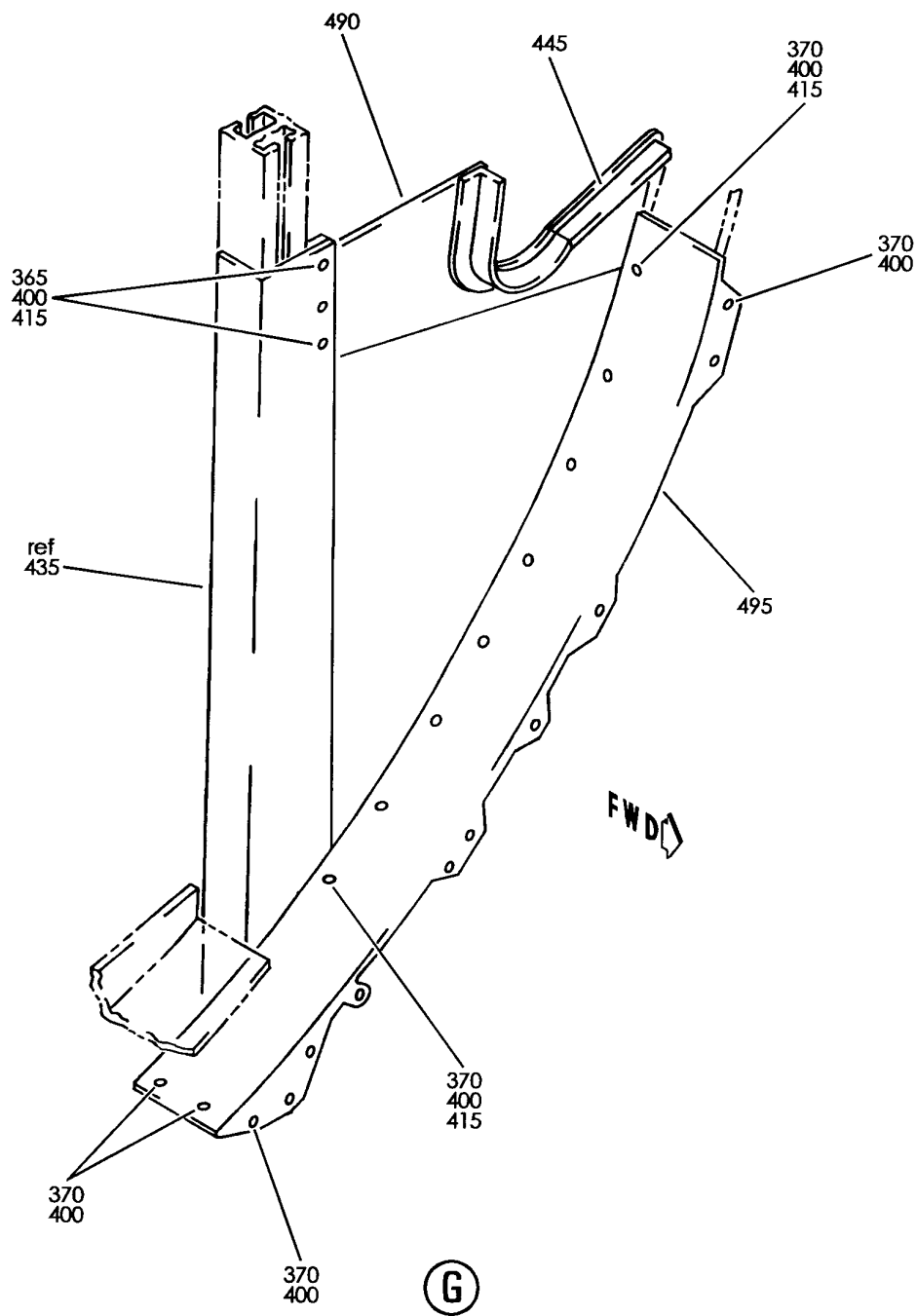
LINING INSTL-SECT. 46 BULK CARGO COMPT VERT. SIDEWALL
FIGURE 3 (SHEET 5)

25-55-01-03

HXL
DEC 22/06

25-55-01-03
PAGE 0D

BOEING
767
PARTS CATALOG (MAINTENANCE)



V 25550103 SHT 6 REV 203

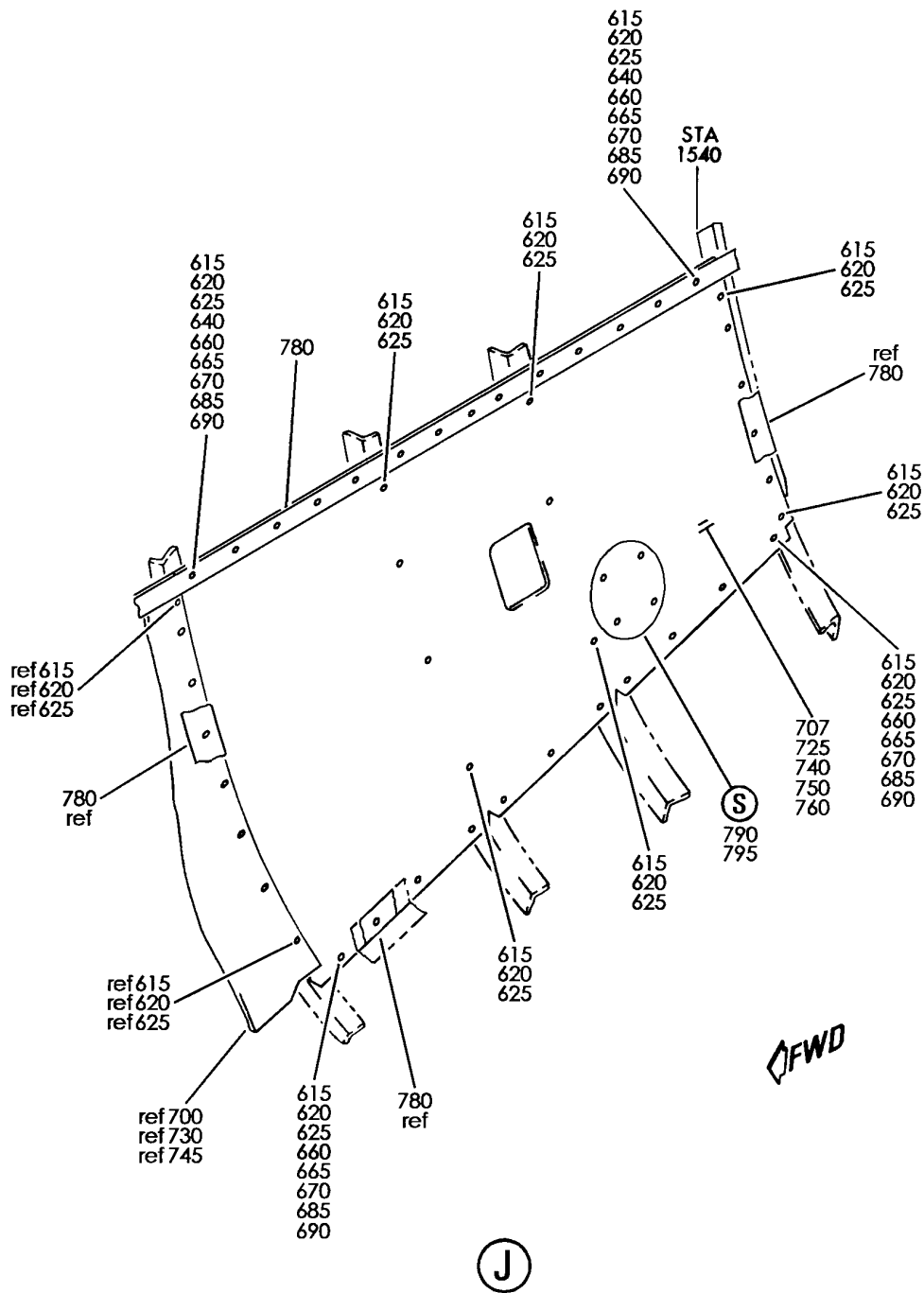
LINING INSTL-SECT. 46 BULK CARGO COMPT VERT. SIDEWALL
FIGURE 3 (SHEET 6)

25-55-01-03

HXL
DEC 22/06

25-55-01-03
PAGE 0E

BOEING
767
PARTS CATALOG (MAINTENANCE)



V 25550103 SH1 8 REV 203

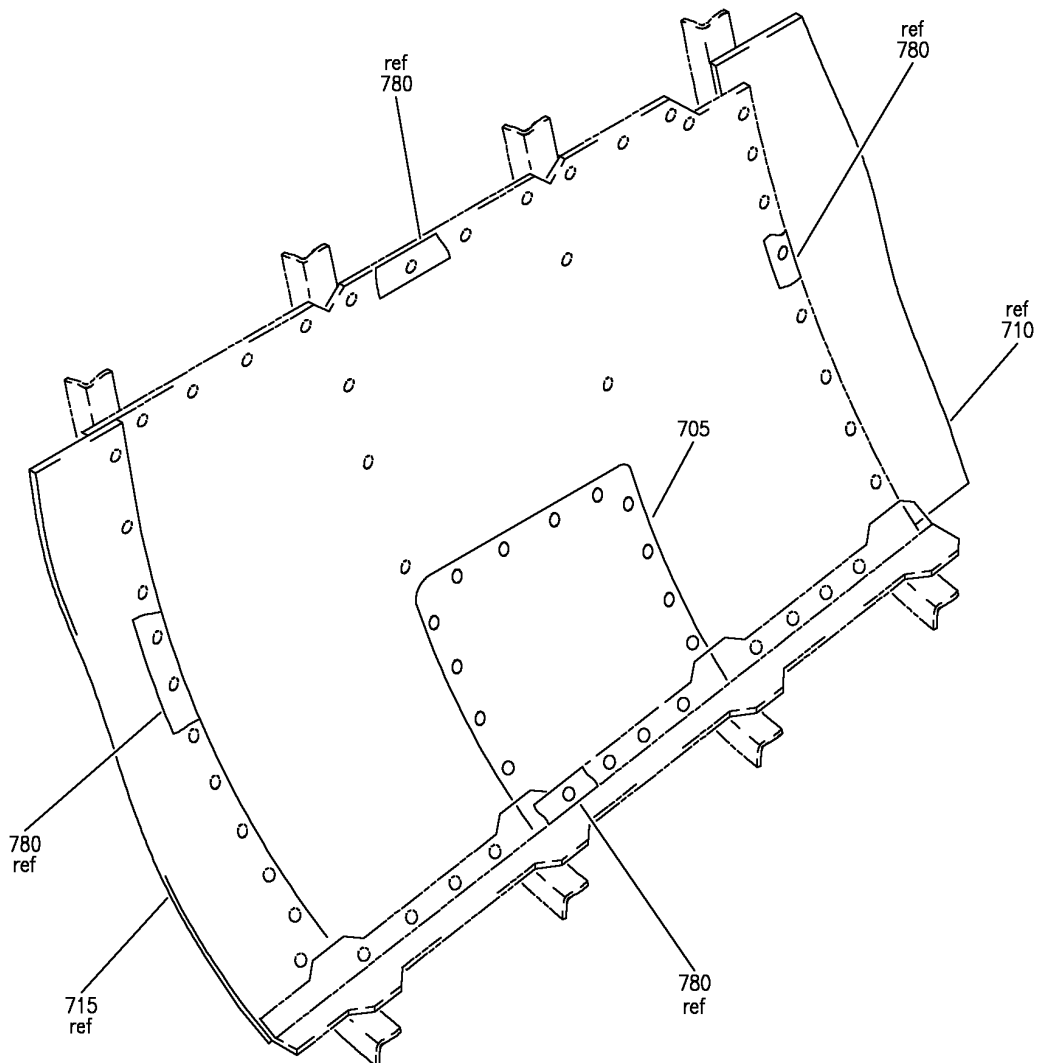
LINING INSTL-SECT. 46 BULK CARGO COMPT VERT. SIDEWALL
FIGURE 3 (SHEET 8)

25-55-01-03

HXL
DEC 22/06

25-55-01-03
PAGE 0G

BOEING
767
PARTS CATALOG (MAINTENANCE)



V 25550103 SHT 9 REV 330



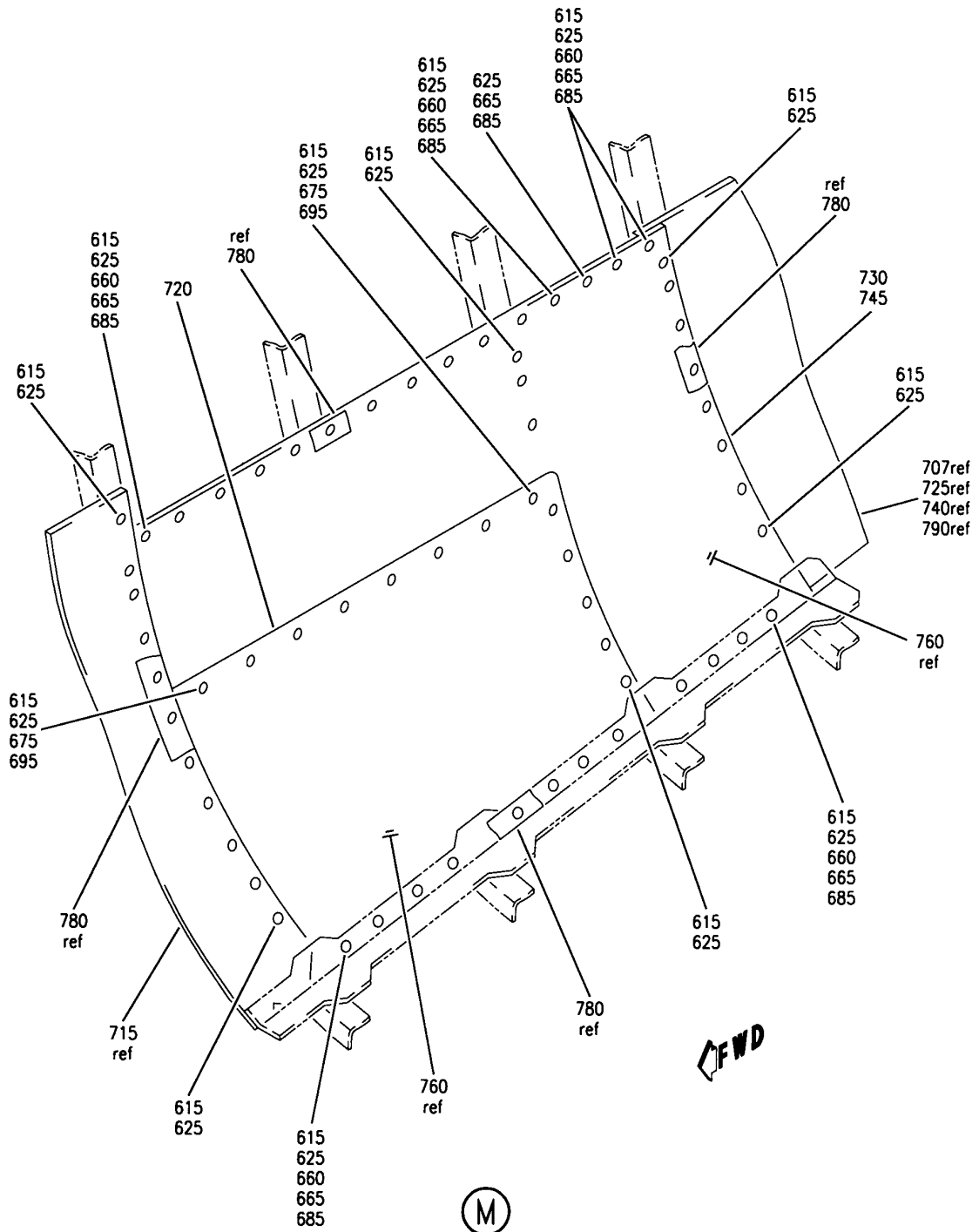
LINING INSTL-SECT. 46 BULK CARGO COMPT VERT. SIDEWALL
FIGURE 3 (SHEET 9)

25-55-01-03

HXL
AUG 22/08

25-55-01-03
PAGE 0H

BOEING
767
PARTS CATALOG (MAINTENANCE)



V 25550103 SHT 11 REV 203

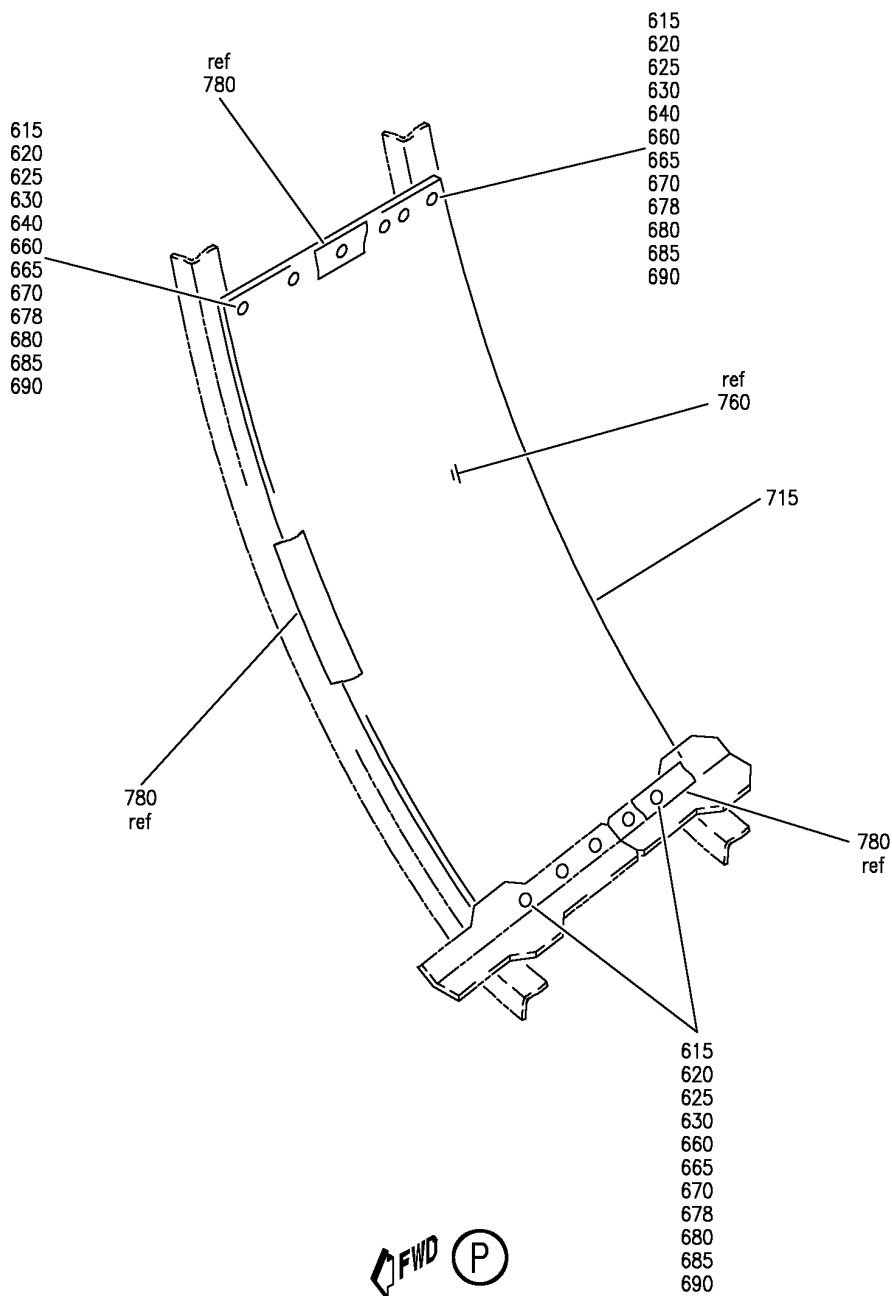
LINING INSTL-SECT. 46 BULK CARGO COMPT VERT. SIDEWALL
FIGURE 3 (SHEET 11)

25-55-01-03

HXL
DEC 22/06

25-55-01-03
PAGE 0J

BOEING
767
PARTS CATALOG (MAINTENANCE)



V 25550103 SH1 13 REV 330

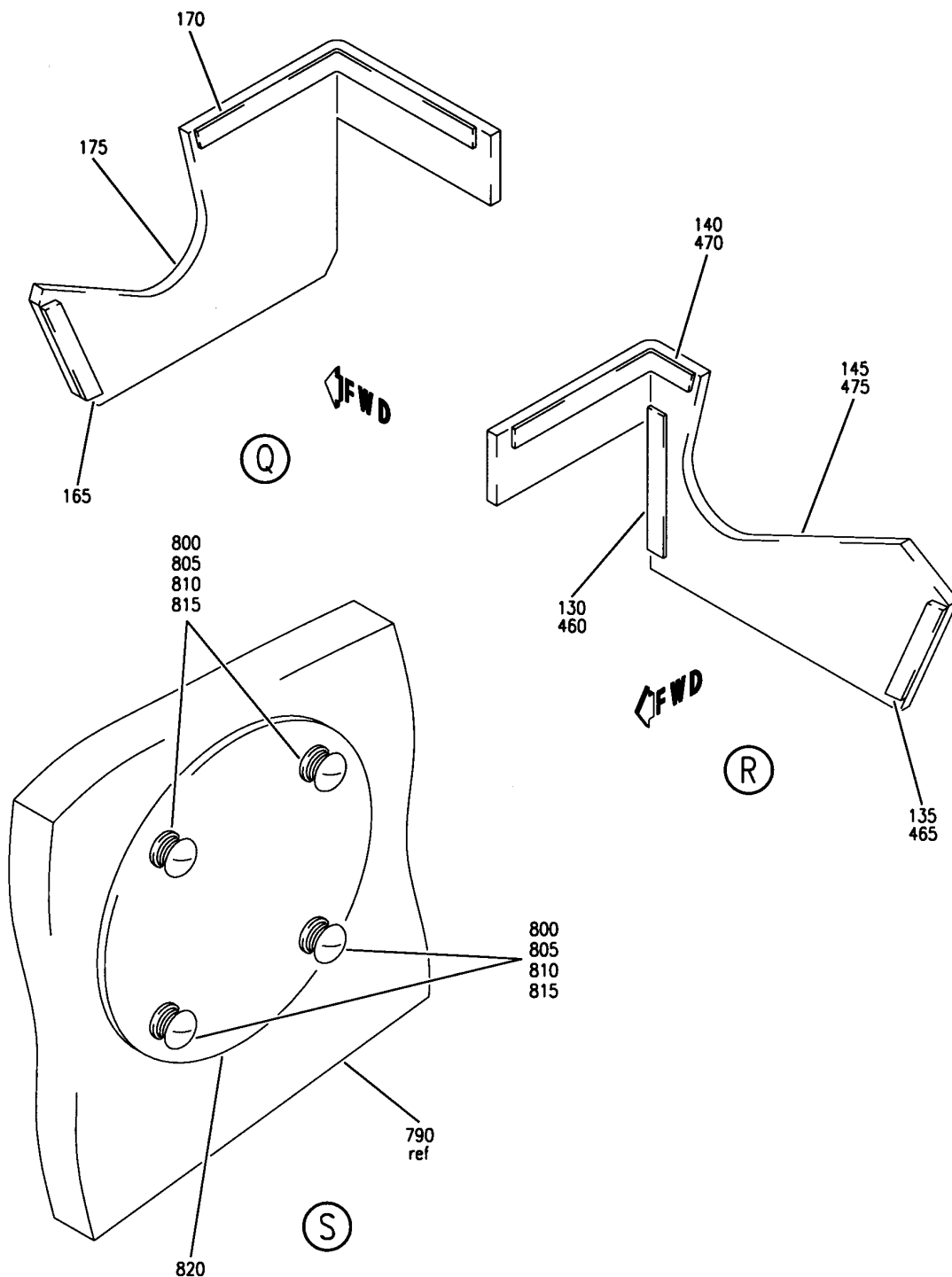
LINING INSTL-SECT. 46 BULK CARGO COMPT VERT. SIDEWALL
FIGURE 3 (SHEET 13)

25-55-01-03

HXL
AUG 22/08

25-55-01-03
PAGE 01

BOEING
767
PARTS CATALOG (MAINTENANCE)



V 25550103 SHT 14 REV 204

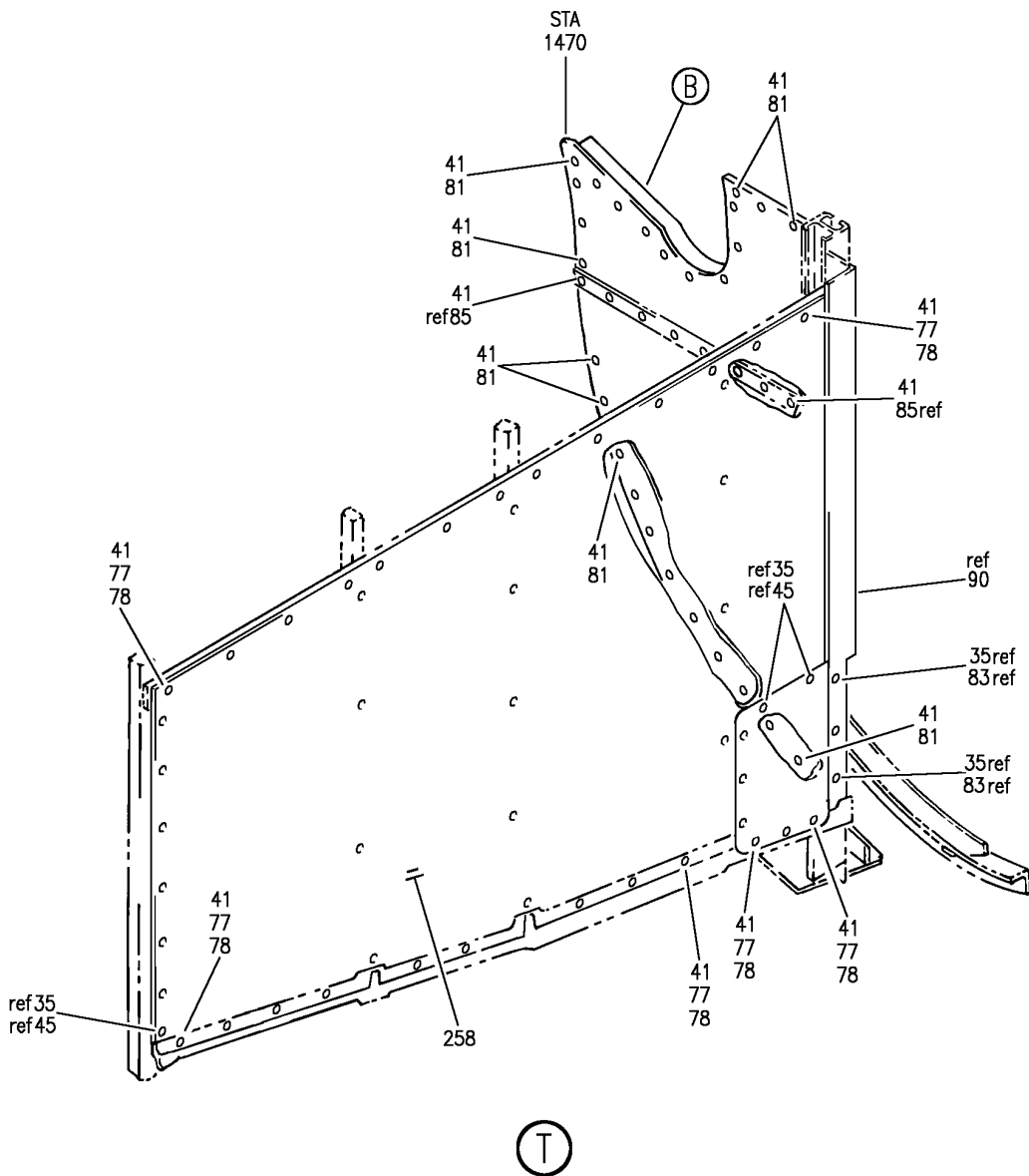
LINING INSTL-SECT. 46 BULK CARGO COMPT VERT. SIDEWALL
FIGURE 3 (SHEET 14)

25-55-01-03

HXL
DEC 22/06

25-55-01-03
PAGE 0M

BOEING
 767
 PARTS CATALOG (MAINTENANCE)



V 25550103 SH1 15 REV 316

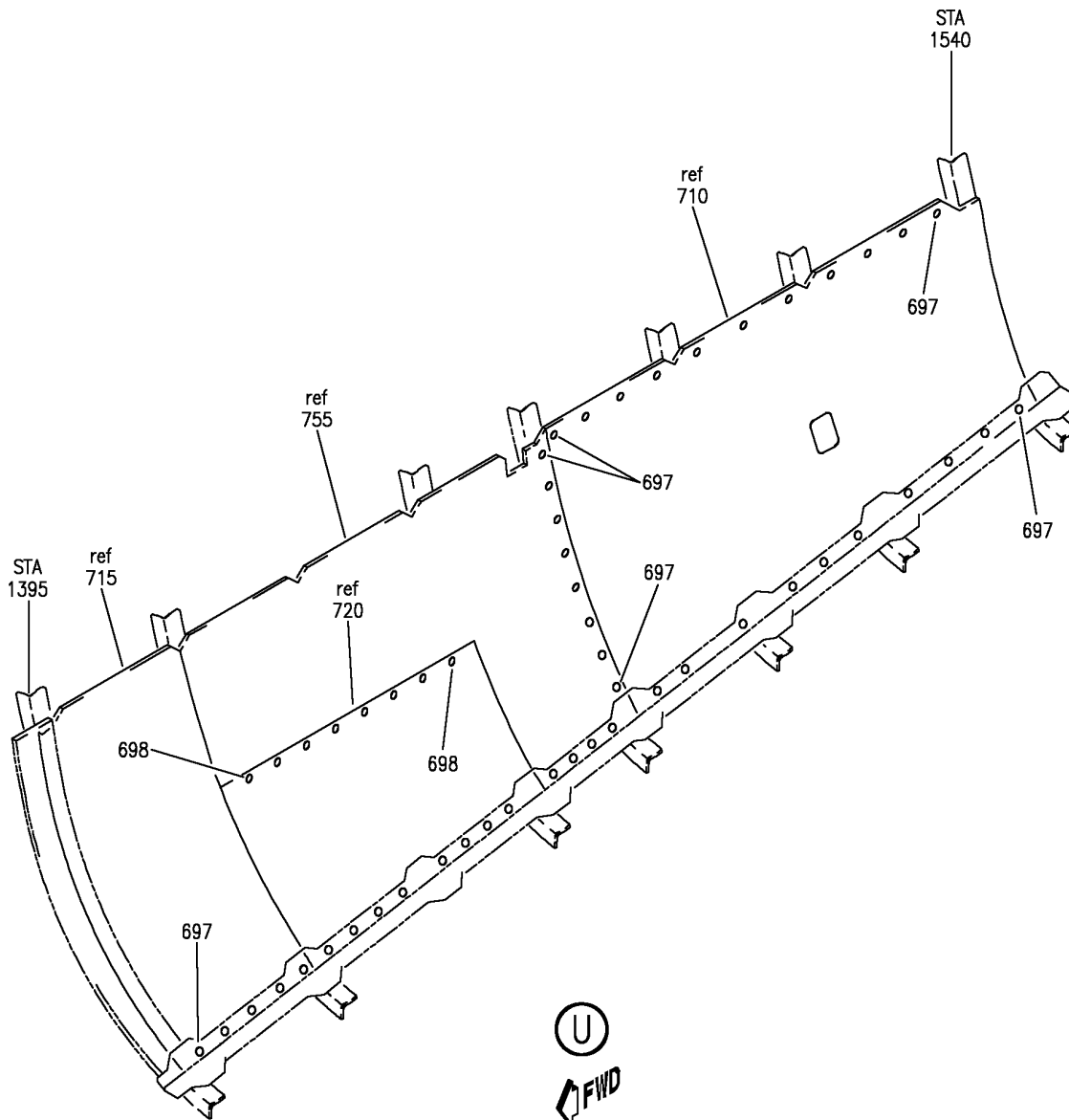
LINING INSTL-SECT. 46 BULK CARGO COMPT VERT. SIDEWALL
 FIGURE 3 (SHEET 15)

25-55-01-03

HXL
 AUG 22/07

25-55-01-03
 PAGE ON

BOEING
767
PARTS CATALOG (MAINTENANCE)



V 25550103 SH1 16 REV 330

LINING INSTL-SECT. 46 BULK CARGO COMPT VERT. SIDEWALL
FIGURE 3 (SHEET 16)

25-55-01-03

HXL
AUG 22/08

25-55-01-03
PAGE 00



767

PARTS CATALOG (MAINTENANCE)

FIG ITEM	PART NUMBER	1 2 3 4 5 6 7	NOMENCLATURE	EFFECT FROM TO	UNITS PER ASSY
3			LINING INSTL-SECT. 46 BULK CARGO COMPT VERT. SIDEWALL		
- 1	453T1357-36		LINING INSTL-BULK CARGO COMPT SIDEWALL POSITION DATA: SECT. 46 VERT. LH FOR NHA SEE: 25-50-00-01B		RF
10	BCREF6581		.SCRIVET- SUPPLIER CODE: V9U239 OVERLENGTH PART NUMBER: 231-700055-00-3704		1
15	BACS12FA3K8		.SCREW- USED ON: 453T1357-20 453T1357-21 453T1357-32 453T1357-35 453T1357-36 453T1357-37 453T1357-39 453T1357-40 453T1357-41 453T1357-51 453T1357-52 453T1357-53 453T1357-57 453T1357-58 453T1357-59 453T1357-78 453T1357-89 453T1357-94 453T1357-95 453T1357-99 453T1357-101 453T1357-102 453T1357-105		3
ILLUSTRATION ITEMS NOT ON PARTS LIST ARE NOT APPLICABLE					

- ITEM NOT ILLUSTRATED

HXL

25-55-01-03

BOEING PROPRIETARY - Copyright © - Unpublished Work - See title page for details.

25-55-01
FIG. 03
PAGE 1
DEC 22/07



767

PARTS CATALOG (MAINTENANCE)

FIG ITEM	PART NUMBER	1 2 3 4 5 6 7	NOMENCLATURE	EFFECT FROM TO	UNITS PER ASSY
3					
17	BACS12FA3K8		. SCREW- USED ON: 453T1357-9 453T1357-20 453T1357-21 453T1357-32 453T1357-35 453T1357-36 453T1357-37 453T1357-39 453T1357-40 453T1357-41		1
20	BACS12FA3K8		. SCREW		107
30	BACS12FA3K8		. SCREW- USED ON: 453T1357-35 453T1357-36 453T1357-37 453T1357-39 453T1357-40 453T1357-41 453T1357-51 453T1357-52 453T1357-53 453T1357-57 453T1357-58 453T1357-59 453T1357-78 453T1357-81 453T1357-89 453T1357-94 453T1357-95 453T1357-99 453T1357-101 453T1357-102 453T1357-105 453T1357-109 MODREF69093		55
45	BACW10P63AL		. WASHER		AR

ILLUSTRATION ITEMS NOT ON PARTS LIST ARE NOT APPLICABLE

- ITEM NOT ILLUSTRATED

HXL

25-55-01-03

BOEING PROPRIETARY - Copyright © - Unpublished Work - See title page for details.

25-55-01
FIG. 03
PAGE 2
DEC 22/07



767

PARTS CATALOG (MAINTENANCE)

FIG ITEM	PART NUMBER	1 2 3 4 5 6 7	NOMENCLATURE	EFFECT FROM TO	UNITS PER ASSY
3					
55	BRC500-8-3	.NUT-	SUPPLIER CODE: V52828 SPECIFICATION NUMBER: BACN10FX21 OPTIONAL PART: F49322-3-21 V15653 SL240-3-1 V97393 130061 V60119 A11330-8-3 V72962 USED ON: 453T1357-20 453T1357-21 453T1357-32 453T1357-35 453T1357-36 453T1357-37 453T1357-57		28
65	BRC500-8-3	.NUT-	SUPPLIER CODE: V52828 SPECIFICATION NUMBER: BACN10FX21 OPTIONAL PART: F49322-3-21 V15653 SL240-3-1 V97393 130061 V60119 A11330-8-3 V72962 USED ON: 453T1357-9 453T1357-20 453T1357-21 453T1357-32 453T1357-35 453T1357-36 453T1357-37		1
ILLUSTRATION ITEMS NOT ON PARTS LIST ARE NOT APPLICABLE					

- ITEM NOT ILLUSTRATED

HXL

25-55-01-03

BOEING PROPRIETARY - Copyright © - Unpublished Work - See title page for details.

25-55-01
 FIG. 03
 PAGE 3
 DEC 22/08

 **BOEING**
767
PARTS CATALOG (MAINTENANCE)

FIG ITEM	PART NUMBER	1 2 3 4 5 6 7	NOMENCLATURE	EFFECT FROM TO	UNITS PER ASSY
3					
70	BRC500-8-3	.NUT-	SUPPLIER CODE: V52828 SPECIFICATION NUMBER: BACN10FX21 OPTIONAL PART: F49322-3-21 V15653 SL240-3-1 V97393 130061 V60119 A11330-8-3 V72962 USED ON: 453T1357-20 453T1357-21 453T1357-32 453T1357-35 453T1357-36 453T1357-37 453T1357-57		3
75	BRC600-8-3	.NUT	SUPPLIER CODE: V52828 SPECIFICATION NUMBER: BACN10YD1 OPTIONAL PART: 130120 V60119		64
80	BRC600-8-3	.NUT-	SUPPLIER CODE: V52828 SPECIFICATION NUMBER: BACN10YD1 OPTIONAL PART: 130120 V60119 USED ON: 453T1357-32 453T1357-36 453T1357-37		6
90	453T1804-6	.COVER-STANCHION			1
95	453T1804-7	.COVER-STANCHION			1
100	453T1599-1	.STRIP-CAP	POSITION DATA: STA 1412		1
105	453T1620-1	.STRIP-CAP PNL SPRT			1

ILLUSTRATION ITEMS NOT ON PARTS LIST ARE NOT APPLICABLE

- ITEM NOT ILLUSTRATED

HXL

25-55-01-03

BOEING PROPRIETARY - Copyright © - Unpublished Work - See title page for details.

25-55-01
FIG. 03
PAGE 4
DEC 22/08

 **BOEING**
767
PARTS CATALOG (MAINTENANCE)

FIG ITEM	PART NUMBER	1 2 3 4 5 6 7	NOMENCLATURE	EFFECT FROM TO	UNITS PER ASSY
3					
110	453T1601-8		.PANEL ASSY-EXPANSION JT USED ON: 453T1357-9 453T1357-20 453T1357-21 453T1357-32 453T1357-35 453T1357-36 453T1357-37 453T1357-57 453T1357-60		1
115	BACS12FA3K8		.SCREW- POST SERVICE BULLETIN: 25-0168		2
120	BRF200A3		.NUTPLATE- SUPPLIER CODE: V52828 SPECIFICATION NUMBER: BACN10JR3F OPTIONAL PART: NS103203-02 V80539 RMF9201-3 V72962 VN152A1-02 V92215 T8091S1032 V11815 F5000-3BAC V15653 POST SERVICE BULLETIN: 25-0168		2
- 125	BACR15BA3AD3		ATTACHING PARTS .RIVET- USED ON: 453T1357-21 453T1357-36 -----*-----		2
130	453T1601-10		..TAPE-VELCRO		1
135	453T1601-11		..TAPE-VELCRO		1
140	453T1601-12		..TAPE-VELCRO		1
145	453T1601-9		..PANEL		1
150	BACS12FA3K8		.SCREW- USED ON: 453T1357-21 453T1357-36 POST SERVICE BULLETIN: 25-0168		6
ILLUSTRATION ITEMS NOT ON PARTS LIST ARE NOT APPLICABLE					

- ITEM NOT ILLUSTRATED

HXL

25-55-01-03

BOEING PROPRIETARY - Copyright © - Unpublished Work - See title page for details.

25-55-01
FIG. 03
PAGE 5
DEC 22/07



767

PARTS CATALOG (MAINTENANCE)

FIG ITEM	PART NUMBER	1 2 3 4 5 6 7	NOMENCLATURE	EFFECT FROM TO	UNITS PER ASSY
3 155	BRC600-8-3		.NUT- SUPPLIER CODE: V52828 SPECIFICATION NUMBER: BACN10YD1 OPTIONAL PART: 130120 V60119 USED ON: 453T1357-21 453T1357-36 POST SERVICE BULLETIN: 25-0168		6
160	453T1929-7		.PANEL ASSY-CLOSURE POSITION DATA: STA 1470 USED ON: 453T1357-9 453T1357-20 453T1357-21 453T1357-32 453T1357-35 453T1357-36 453T1357-57 453T1357-60		1
165	453T1929-3		..TAPE-VELCRO		1
170	453T1929-9		..TAPE-VELCRO		1
175	453T1929-8		..PANEL		1
185	453T1828-1		.PANEL-CLOSURE POSITION DATA: STA 1470 USED ON: 453T1357-9 453T1357-20 453T1357-21 453T1357-35 453T1357-36 453T1357-39 453T1357-40 453T1357-51 453T1357-52		1
205	453T1898-3		.PANEL-CLOSURE POSITION DATA: STA 1412		1

ILLUSTRATION ITEMS NOT ON PARTS LIST ARE NOT APPLICABLE

- ITEM NOT ILLUSTRATED

HXL

25-55-01-03

BOEING PROPRIETARY - Copyright © - Unpublished Work - See title page for details.

25-55-01
FIG. 03
PAGE 6
DEC 22/07



767

PARTS CATALOG (MAINTENANCE)

FIG ITEM	PART NUMBER	1 2 3 4 5 6 7	NOMENCLATURE	EFFECT FROM TO	UNITS PER ASSY
3					
230	453T1897-8		.SHROUD-CLOSURE POSITION DATA: STA 1412 LH USED ON: 453T1357-9 453T1357-20 453T1357-21 453T1357-32 453T1357-35 453T1357-36 453T1357-37 453T1357-39 453T1357-40 453T1357-41		1
240	453T1827-3		.SHROUD-CLOSURE POSITION DATA: STA 1461 LH		1
245	453T1822-12		.PANEL-		1
257	453T1822-52		.PANEL- USED ON: 453T1357-36 453T1357-37 453T1357-40 453T1357-41 453T1357-52 453T1357-53 453T1357-57 453T1357-58 453T1357-78 453T1357-81 453T1357-89 453T1357-94 453T1357-99 453T1357-101 453T1357-105 453T1357-109 MODREF69093		1
275	453T1357-3		.TAPE-VELCRO		1

ILLUSTRATION ITEMS NOT ON PARTS LIST ARE NOT APPLICABLE

- ITEM NOT ILLUSTRATED

HXL

25-55-01-03

BOEING PROPRIETARY - Copyright © - Unpublished Work - See title page for details.

25-55-01
FIG. 03
PAGE 7
DEC 22/07



767

PARTS CATALOG (MAINTENANCE)

FIG ITEM	PART NUMBER	1 2 3 4 5 6 7	NOMENCLATURE	EFFECT FROM TO	UNITS PER ASSY
3 280	453T1357-10		.TAPE-VELCRO USED ON: 453T1357-9 453T1357-20 453T1357-21 453T1357-32 453T1357-35 453T1357-36 453T1357-37 453T1357-57 453T1357-60 453T1357-81 453T1357-89 453T1357-94 453T1357-95 453T1357-99 453T1357-101 453T1357-102 453T1357-105 453T1357-109 MODREF69093 MODREF69094 MODREF321394		1
280	453T1307-10		.TAPE-VELCRO		1
285	453T1357-13		.TAPE-VELCRO USED ON: 453T1357-9 453T1357-20 453T1357-21 453T1357-32 453T1357-35 453T1357-36 453T1357-37 453T1357-57 453T1357-60 453T1357-81 453T1357-89 453T1357-94 453T1357-95 453T1357-99 453T1357-101 453T1357-102 453T1357-105 453T1357-109 MODREF69093 MODREF69094 MODREF321394		1
285	453T1307-13		.TAPE-VELCRO		1
290	453T1357-14		.TAPE-VELCRO		1

ILLUSTRATION ITEMS NOT ON PARTS LIST ARE NOT APPLICABLE

- ITEM NOT ILLUSTRATED

25-55-01-03

25-55-01
FIG. 03
PAGE 8
DEC 22/07

HXL

BOEING PROPRIETARY - Copyright © - Unpublished Work - See title page for details.



767

PARTS CATALOG (MAINTENANCE)

FIG ITEM	PART NUMBER	1 2 3 4 5 6 7	NOMENCLATURE	EFFECT FROM TO	UNITS PER ASSY
3					
290	453T1307-14		.TAPE-VELCRO		1
295	453T1357-17		.TAPE-VELCRO		1
295	453T1307-17		.TAPE-VELCRO		1
300	453T1357-30		.TAPE-VELCRO		1
			USED ON:		
			453T1357-9		
			453T1357-20		
			453T1357-21		
			453T1357-32		
			453T1357-35		
			453T1357-36		
			453T1357-37		
			453T1357-57		
			453T1357-60		
			453T1357-81		
			453T1357-89		
			453T1357-94		
			453T1357-95		
			453T1357-99		
			453T1357-101		
			453T1357-102		
			453T1357-105		
			453T1357-109		
			MODREF69093		
			MODREF69094		
			MODREF321394		
300	453T1307-11		.TAPE-VELCRO		1
- 600	453T1357-31		LINING INSTL-BULK CARGO		RF
			COMPT SIDEWALL		
			POSITION DATA:		
			SECT. 46 VERT. RH		
			FOR NHA SEE:		
			25-50-00-01B		
615	BACS12FA3K8		.SCREW-		110
			USED ON:		
			453T1357-31		
			453T1357-73		
			453T1357-69		
			453T1357-93		

ILLUSTRATION ITEMS NOT ON PARTS LIST ARE NOT APPLICABLE

- ITEM NOT ILLUSTRATED

HXL

25-55-01-03

BOEING PROPRIETARY - Copyright © - Unpublished Work - See title page for details.

25-55-01
FIG. 03
PAGE 9
DEC 22/07



767

PARTS CATALOG (MAINTENANCE)

FIG ITEM	PART NUMBER	1 2 3 4 5 6 7	NOMENCLATURE	EFFECT FROM TO	UNITS PER ASSY
3 660	BRC500-8-3		.NUT- SUPPLIER CODE: V52828 SPECIFICATION NUMBER: BACN10FX21 OPTIONAL PART: F49322-3-21 V15653 SL240-3-1 V97393 130061 V60119 A11330-8-3 V72962 USED ON: 453T1357-31		62
675	BRC500-8G3		.NUT- SUPPLIER CODE: V52828 SPECIFICATION NUMBER: BACN10FX24 OPTIONAL PART: F49322-3-24 V15653 SL253-3-1 V97393 130064 V60119 A11330-8A3 V72962 USED ON: 453T1357-28 453T1357-31 453T1357-33 453T1357-66 453T1357-70		8

ILLUSTRATION ITEMS NOT ON PARTS LIST ARE NOT APPLICABLE

- ITEM NOT ILLUSTRATED

HXL

25-55-01-03

BOEING PROPRIETARY - Copyright © - Unpublished Work - See title page for details.

25-55-01
FIG. 03
PAGE 10
DEC 22/08



767

PARTS CATALOG (MAINTENANCE)

FIG ITEM	PART NUMBER	1 2 3 4 5 6 7	NOMENCLATURE	EFFECT FROM TO	UNITS PER ASSY
3 715	453T1822-44		.PANEL- USED ON: 453T1357-27 453T1357-31 453T1357-45 453T1357-61 453T1357-67 453T1357-68 453T1357-69 453T1357-71 453T1357-72 453T1357-73 453T1357-103 MODREF69088 453T1357-93		1
720	453T1822-31		.PANEL- USED ON: 453T1357-27 453T1357-28 453T1357-31 453T1357-33 453T1357-42 453T1357-43 453T1357-45 453T1357-61 453T1357-66 453T1357-67 453T1357-68 453T1357-69 453T1357-70 453T1357-71 453T1357-72 453T1357-73 453T1357-93 453T1357-103 MODREF69088 MODREF74388 MODREF321395		1
725	453T1822-33		.PANEL- USED ON: 453T1357-24 453T1357-26 453T1357-28 453T1357-31 453T1357-27		1
730	453T1822-49		.PANEL- USED ON: 453T1357-31		1

ILLUSTRATION ITEMS NOT ON PARTS LIST ARE NOT APPLICABLE

- ITEM NOT ILLUSTRATED

HXL

25-55-01-03

BOEING PROPRIETARY - Copyright © - Unpublished Work - See title page for details.

25-55-01
FIG. 03
PAGE 11
DEC 22/07



767

PARTS CATALOG (MAINTENANCE)

FIG ITEM	PART NUMBER	1 2 3 4 5 6 7	NOMENCLATURE	EFFECT FROM TO	UNITS PER ASSY
3 780	453T1357-3		.TAPE- USED ON: 453T1357-8 453T1357-23 453T1357-24 453T1357-26 453T1357-27 453T1357-28 453T1357-31 453T1357-33 453T1357-42 453T1357-43 453T1357-45 453T1357-55 453T1357-61 453T1357-64 453T1357-66 453T1357-67 453T1357-68 453T1357-69 453T1357-70 453T1357-71 453T1357-72 453T1357-73 453T1357-103 MODREF69088 MODREF74388 453T1357-92 453T1357-93		1

ILLUSTRATION ITEMS NOT ON PARTS LIST ARE NOT APPLICABLE

- ITEM NOT ILLUSTRATED

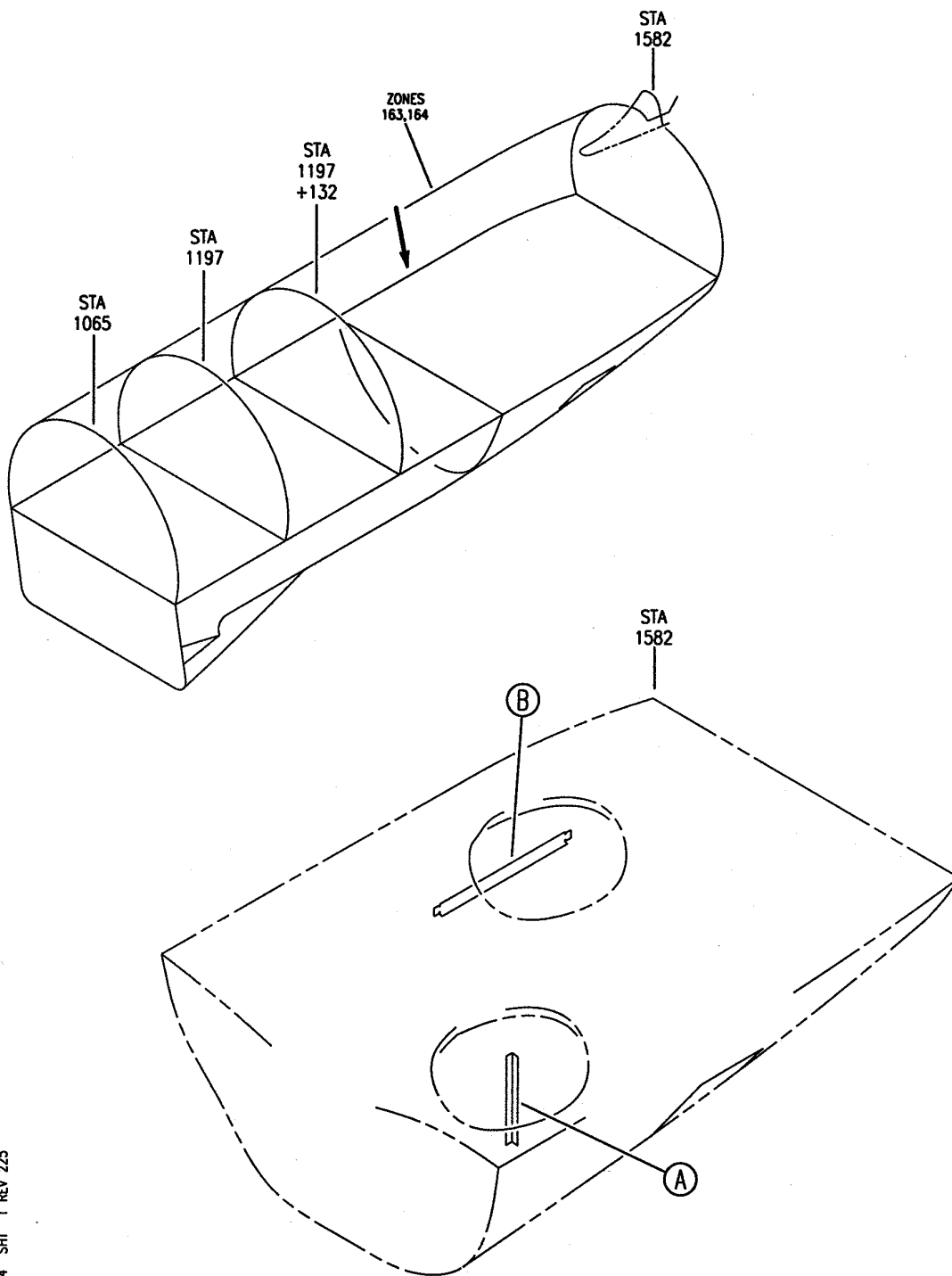
HXL

25-55-01-03

BOEING PROPRIETARY - Copyright © - Unpublished Work - See title page for details.

25-55-01
FIG. 03
PAGE 12
DEC 22/07

BOEING
767
PARTS CATALOG (MAINTENANCE)



V 25550104 SHT 1 REV 225

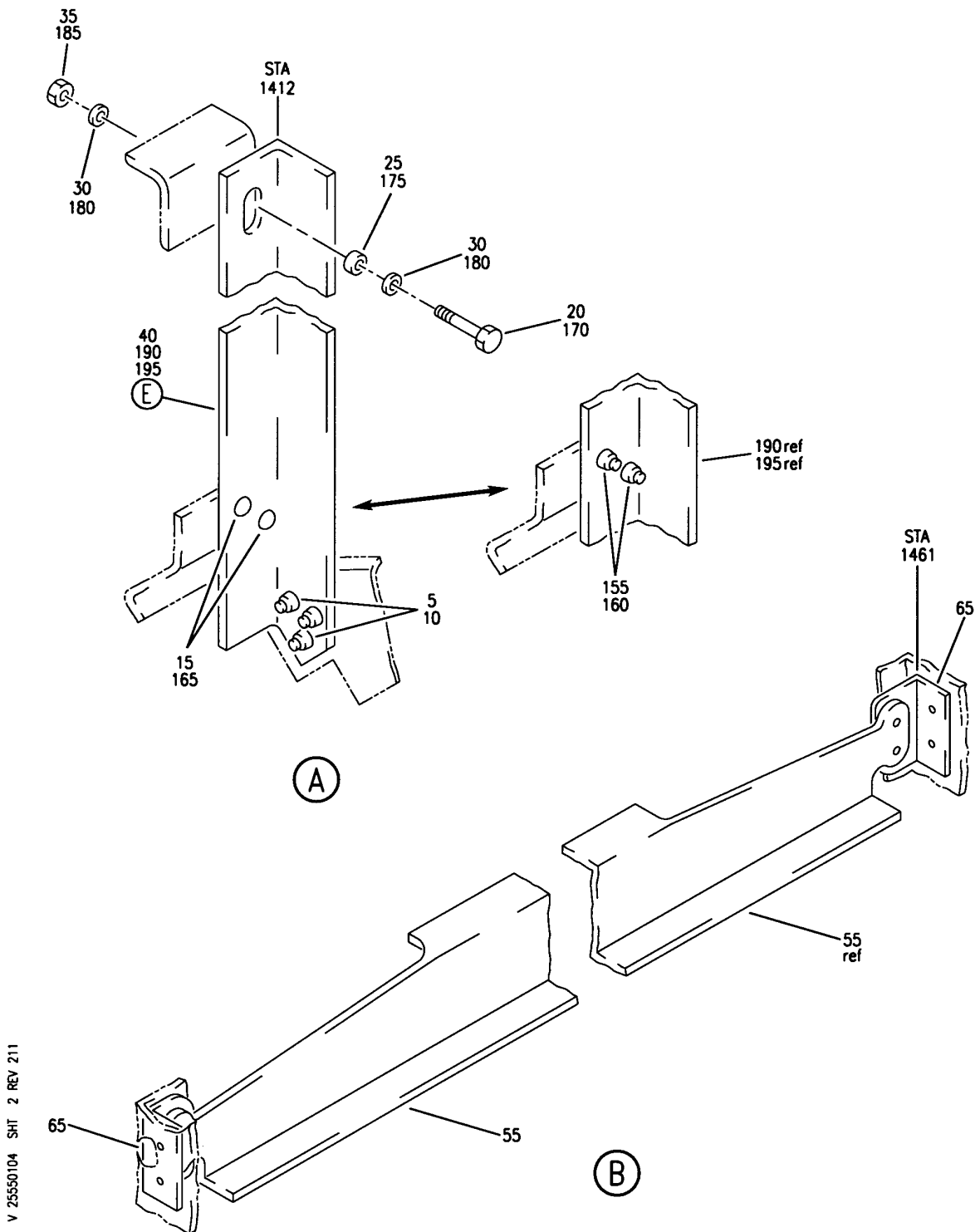
SUPPORT INSTL-SECT. 46 SIDEWALL LINING VERT. BULK COMPT
FIGURE 4 (SHEET 1)

25-55-01-04

HXL
DEC 22/06

25-55-01-04
PAGE 0

BOEING
767
PARTS CATALOG (MAINTENANCE)



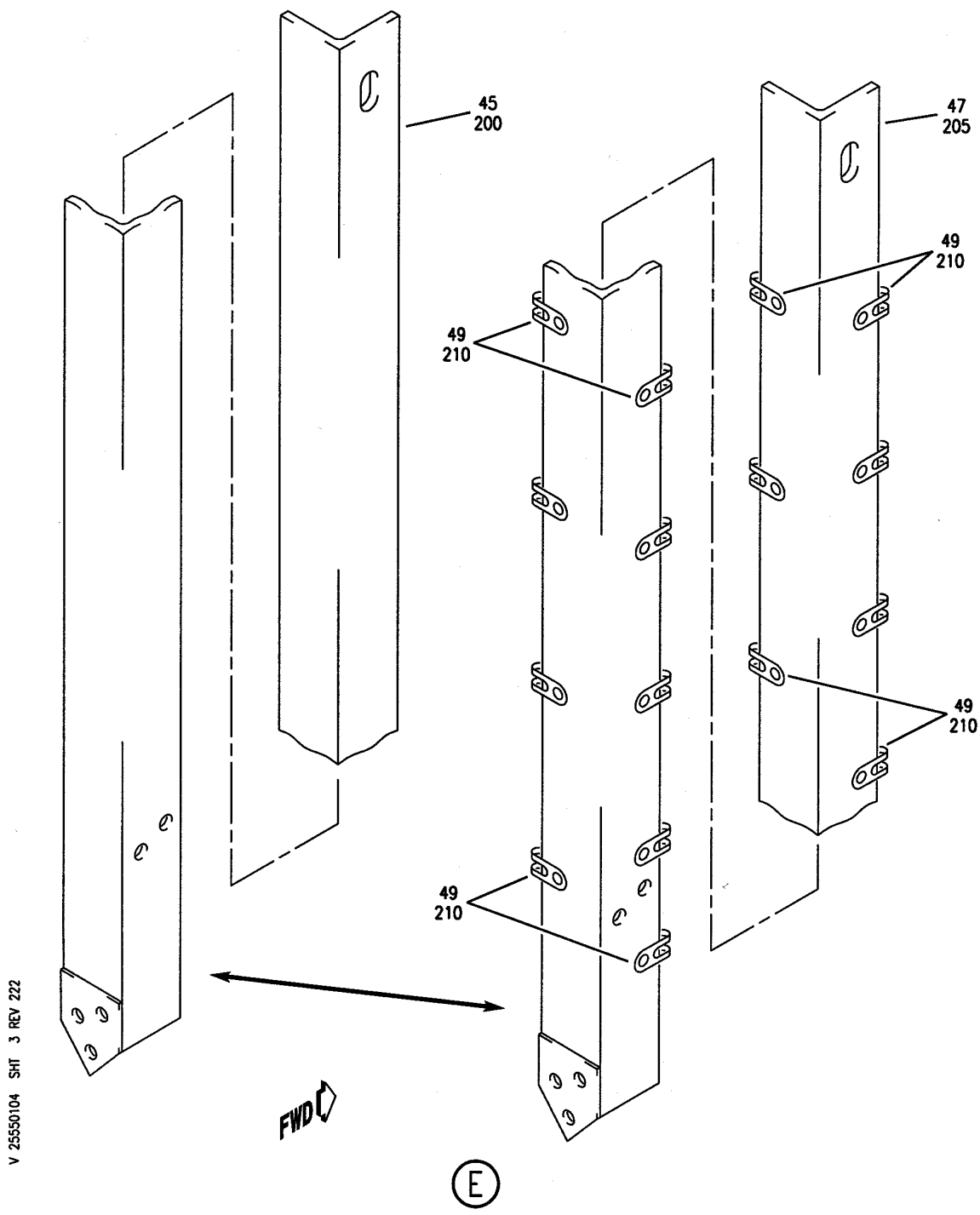
SUPPORT INSTL-SECT. 46 SIDEWALL LINING VERT. BULK COMPT
FIGURE 4 (SHEET 2)

25-55-01-04

HXL
DEC 22/06

25-55-01-04
PAGE 0A

BOEING
767
PARTS CATALOG (MAINTENANCE)



SUPPORT INSTL-SECT. 46 SIDEWALL LINING VERT. BULK COMPT
FIGURE 4 (SHEET 3)

25-55-01-04

HXL
DEC 22/06

25-55-01-04
PAGE 0B



767

PARTS CATALOG (MAINTENANCE)

FIG ITEM	PART NUMBER	1 2 3 4 5 6 7	NOMENCLATURE	EFFECT FROM TO	UNITS PER ASSY
4			SUPPORT INSTL-SECT. 46 SIDEWALL LINING VERT. BULK COMPT		
- 1	453T1302-1		SUPPORT INSTL-SIDEWALL LINING VERT. BULK COMPT POSITION DATA: SECT. 46 STA 1412 LH FOR NHA SEE: 25-50-00-01B		RF
5	HL1012AZ6-5		.BOLT SUPPLIER CODE: V97928 SPECIFICATION NUMBER: BACB30NX6K5 OPTIONAL PART: HL12VAZ6-5 V73197 HL12VAZ6-5 V92215 HL12VAZ6-5 V97928 L802-6K5 V06725 HL12VAZ6-5 V56878 HL1012AZ6-5 VOPTK6 HL1012AZ6-5 V06725 HL1012AZ6-5 V06950 HL1012AZ6-5 V17446 HL1012AZ6-5 V56878 HL1012AZ6-5 V60516 HL1012AZ6-5 V73197		3
ILLUSTRATION ITEMS NOT ON PARTS LIST ARE NOT APPLICABLE					

- ITEM NOT ILLUSTRATED

HXL

25-55-01-04

BOEING PROPRIETARY - Copyright © - Unpublished Work - See title page for details.

25-55-01
FIG. 04
PAGE 1
DEC 22/06

BOEING
767
PARTS CATALOG (MAINTENANCE)

FIG ITEM	PART NUMBER	1 2 3 4 5 6 7	NOMENCLATURE	EFFECT FROM TO	UNITS PER ASSY
4					
10	HL1087-6		.COLLAR SUPPLIER CODE: V73197 SPECIFICATION NUMBER: BACC30BH6 OPTIONAL PART: HL1087-6 V56878 HL1087-6 V92215 HL1087-6 V9N513		3
15	BACR15FT6KE		.RIVET- SIZE DETERMINED ON INSTL.		2
20	NAS6604-5		.BOLT		1
25	NAS43HT4-14		.SPACER		1
40	453T1571-4		.ANGLE-ASSY		1
45	453T1571-2		..ANGLE		1
- 50	453T1302-4		SUPPORT INSTL-SIDEWALL LINING VERT. BULK COMPT POSITION DATA: SECT. 46 STA 1417 TO STA 1461 FOR NHA SEE: 25-50-00-01B		RF
55	453T1684-1		.BEAM ATTACHING PARTS		1
- 60	BACS12FA3K8		.SCREW -----*-----		4
65	453T1678-1		.CLIP ASSY ATTACHING PARTS		2
- 70	BACR15FT6D		.RIVET- SIZE DETERMINED ON INSTL. -----*-----		4

ILLUSTRATION ITEMS NOT ON PARTS LIST ARE NOT APPLICABLE

- ITEM NOT ILLUSTRATED

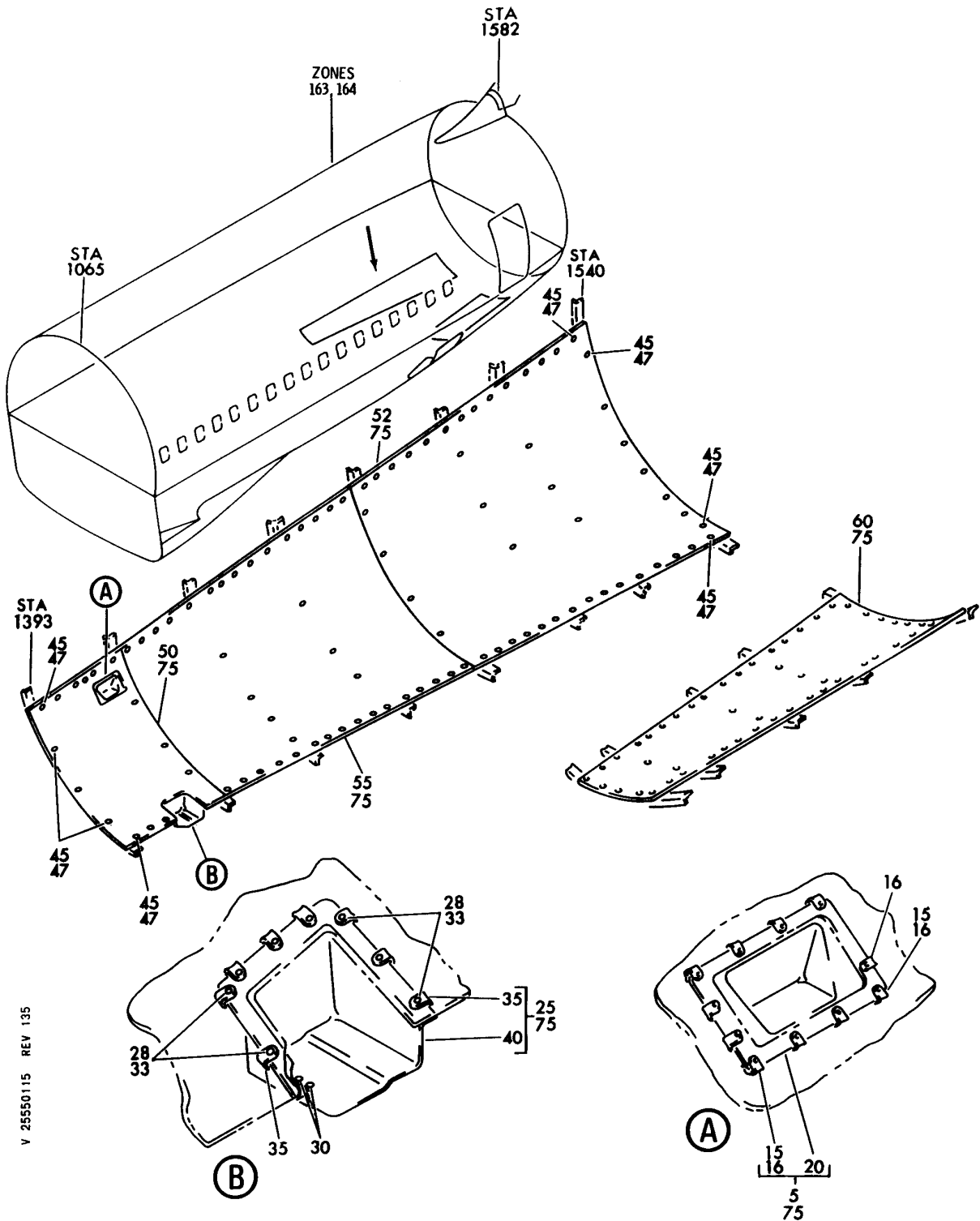
HXL

25-55-01-04

BOEING PROPRIETARY - Copyright © - Unpublished Work - See title page for details.

25-55-01
FIG. 04
PAGE 2
DEC 22/06


BOEING
 767
PARTS CATALOG (MAINTENANCE)



LINING INSTL-SECT. 46 BULK COMPT SLOPING SIDEWALL
 FIGURE 15

25-55-01-15

HXL
 DEC 22/06

25-55-01-15
 PAGE 0



767

PARTS CATALOG (MAINTENANCE)

FIG ITEM	PART NUMBER	1 2 3 4 5 6 7	NOMENCLATURE	EFFECT FROM TO	UNITS PER ASSY
15			LINING INSTL-SECT. 46 BULK COMPT SLOPING SIDEWALL		
- 1	453T1356-5		LINING INSTL-BULK COMPT SLOPING SIDEWALL POSITION DATA: SECT. 46 FOR NHA SEE: 25-50-00-01B		RF
5	453T1817-5		.SHROUD ASSY- ATTACHING PARTS		1
- 11	BACB30NN3K3		.BOLT		11
- 13	2499859-501		.WASHER- SUPPLIER CODE: V59789 OPTIONAL PART: BACW10DY3A		11
- 13	BACW10DY3A		.WASHER- OPTIONAL PART: 2499859-501 V59789 -----*-----		11
R R R R R R R R R	16	130069	. . NUT SUPPLIER CODE: V60119 SPECIFICATION NUMBER: BACN10FX16 OPTIONAL PART: A11330-6-3 V72962 A4972-6-02 V72962		11
	20	453T1817-6	. . SHROUD-		1
	25	453T1832-3	.SHROUD ASSY- ATTACHING PARTS		1
	28	BACB30NN3K3	.BOLT		8
	30	BACS12FA3K8	.SCREW		2
	33	2499859-501	.WASHER- SUPPLIER CODE: V59789 OPTIONAL PART: BACW10DY3A		8
	33	BACW10DY3A	.WASHER- OPTIONAL PART: 2499859-501 V59789		8

ILLUSTRATION ITEMS NOT ON PARTS LIST ARE NOT APPLICABLE

- ITEM NOT ILLUSTRATED

25-55-01-15

25-55-01
FIG. 15
PAGE 1
AUG 22/09

HXL

BOEING
767
PARTS CATALOG (MAINTENANCE)

FIG ITEM	PART NUMBER	1 2 3 4 5 6 7	NOMENCLATURE	EFFECT FROM TO	UNITS PER ASSY
15					
R R R R R R R R	35 130069		. . NUT SUPPLIER CODE: V60119 SPECIFICATION NUMBER: BACN10FX16 OPTIONAL PART: A11330-6-3 V72962 A4972-6-02 V72962		8
	40 453T1832-4		. . SHROUD-		1
	45 BACB30NN3K3		. BOLT-		99
	47 2499859-501		. WASHER- SUPPLIER CODE: V59789 OPTIONAL PART: BACW10DY3A		99
	47 BACW10DY3A		. WASHER- OPTIONAL PART: 2499859-501 V59789		99
	50 453T1821-14		. PANEL-		1
	52 453T1821-7		. PANEL-		1
	55 453T1821-15		. PANEL-		1
	60 453T1821-9		. PANEL-		1
			ATTACHING PARTS		
-	65 BACB30NN3K3		. BOLT-		50
-	70 2499859-501		. WASHER- SUPPLIER CODE: V59789 OPTIONAL PART: BACW10DY3A		50
-	70 BACW10DY3A		. WASHER- OPTIONAL PART: 2499859-501 V59789 -----*-----		50

ILLUSTRATION ITEMS NOT ON PARTS LIST ARE NOT APPLICABLE

- ITEM NOT ILLUSTRATED

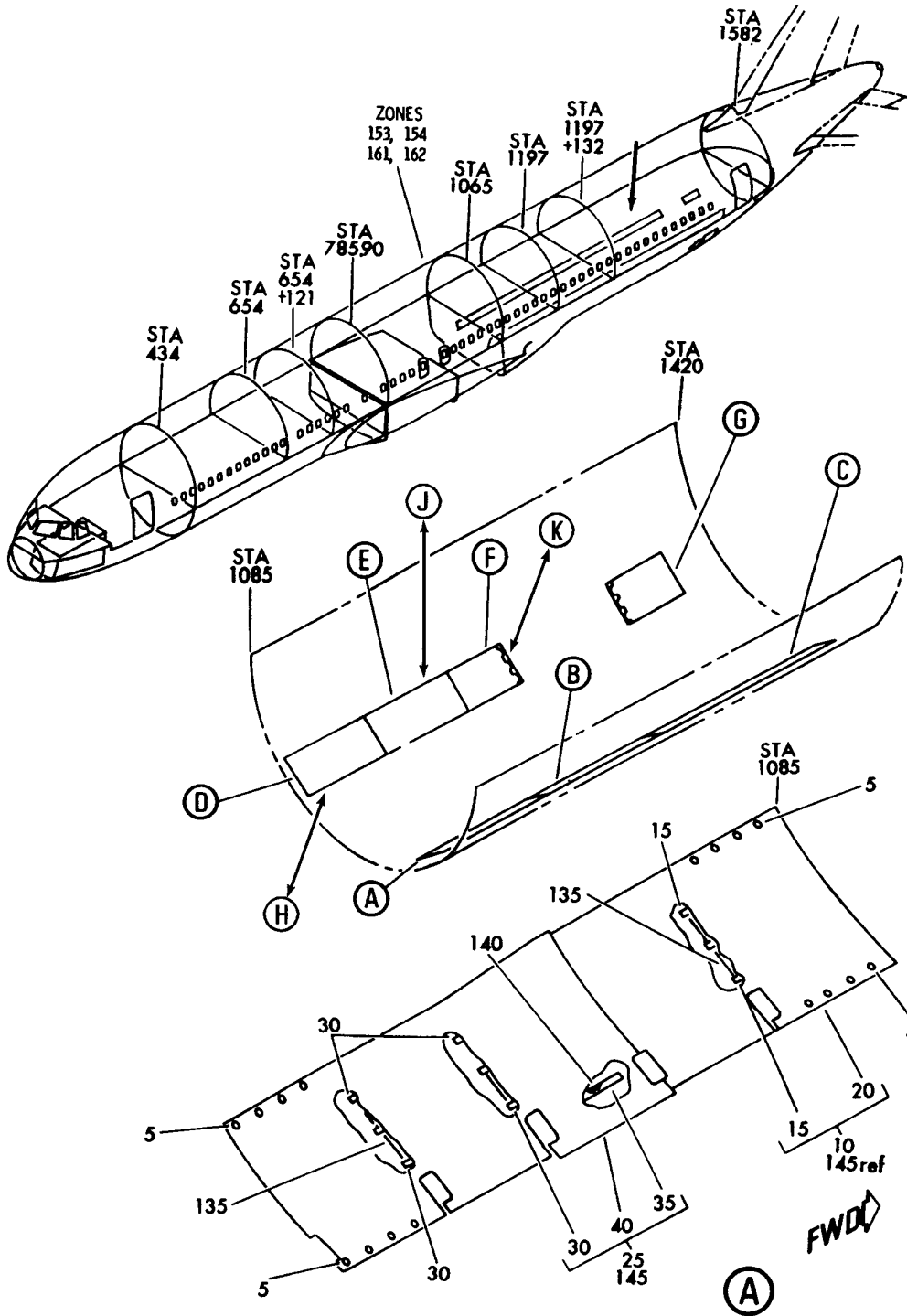
HXL

25-55-01-15

BOEING PROPRIETARY - Copyright © - Unpublished Work - See title page for details.

25-55-01
FIG. 15
PAGE 2
AUG 22/09

BOEING
767
PARTS CATALOG (MAINTENANCE)



V 25550120 SH1 1 REV 198

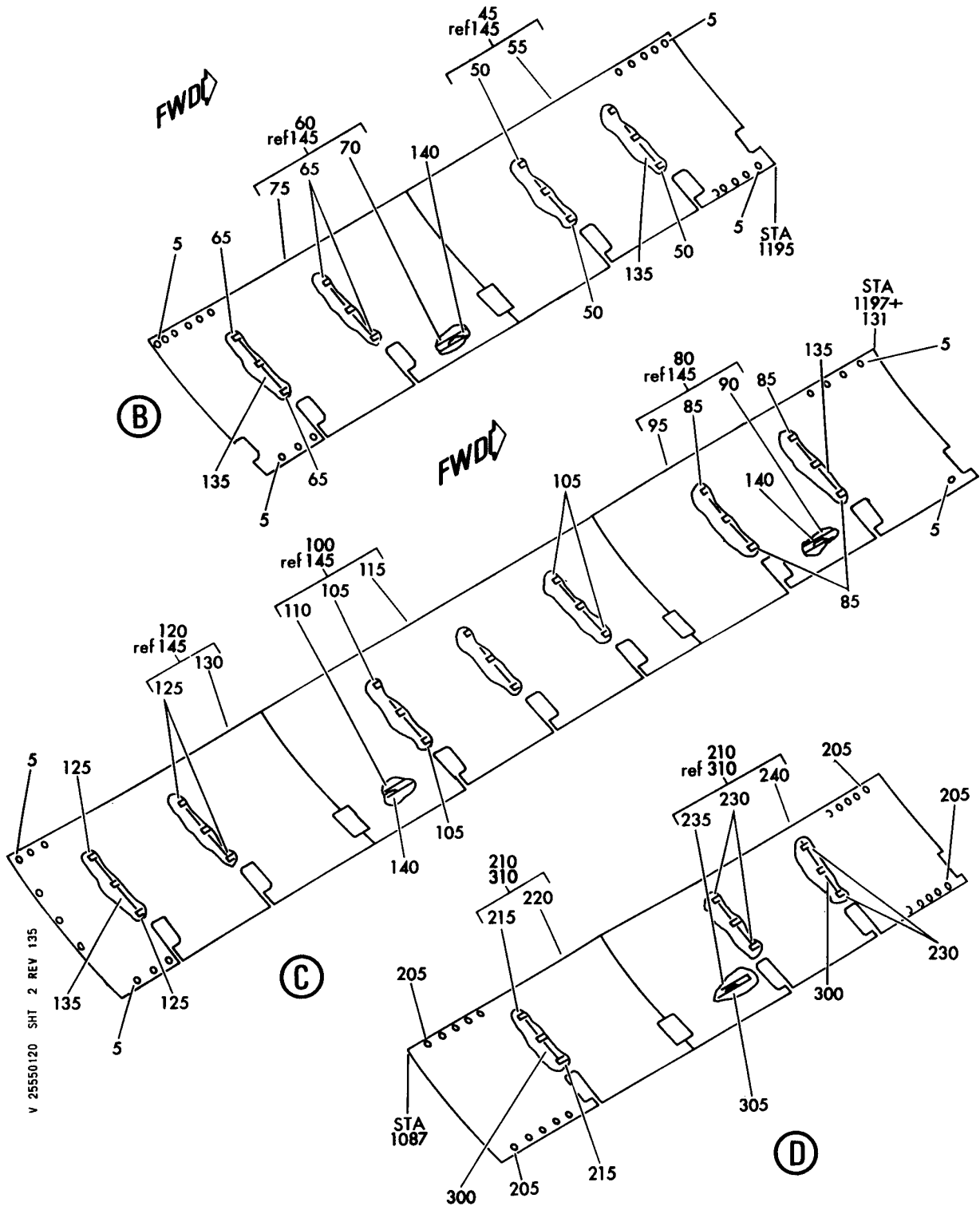
LINING INSTL-SECT. 46 AFT CARGO COMPT SLOPING SIDEWALL
FIGURE 20 (SHEET 1)

25-55-01-20

HXL
DEC 22/06

25-55-01-20
PAGE 0

BOEING
767
PARTS CATALOG (MAINTENANCE)

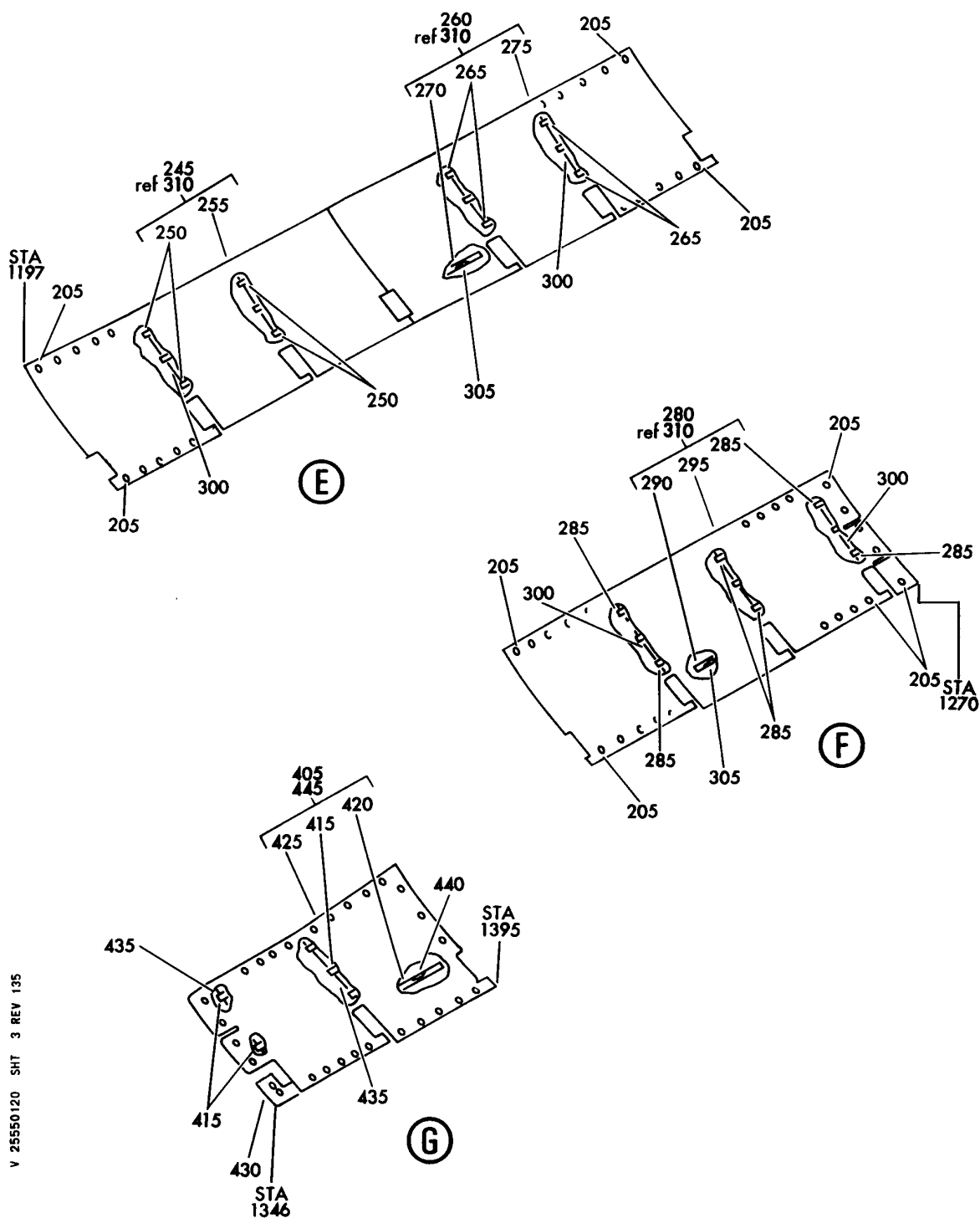


25-55-01-20

HXL
DEC 22/06

25-55-01-20
PAGE 0A

BOEING
767
PARTS CATALOG (MAINTENANCE)



V 25550120 SHT 3 REV 135

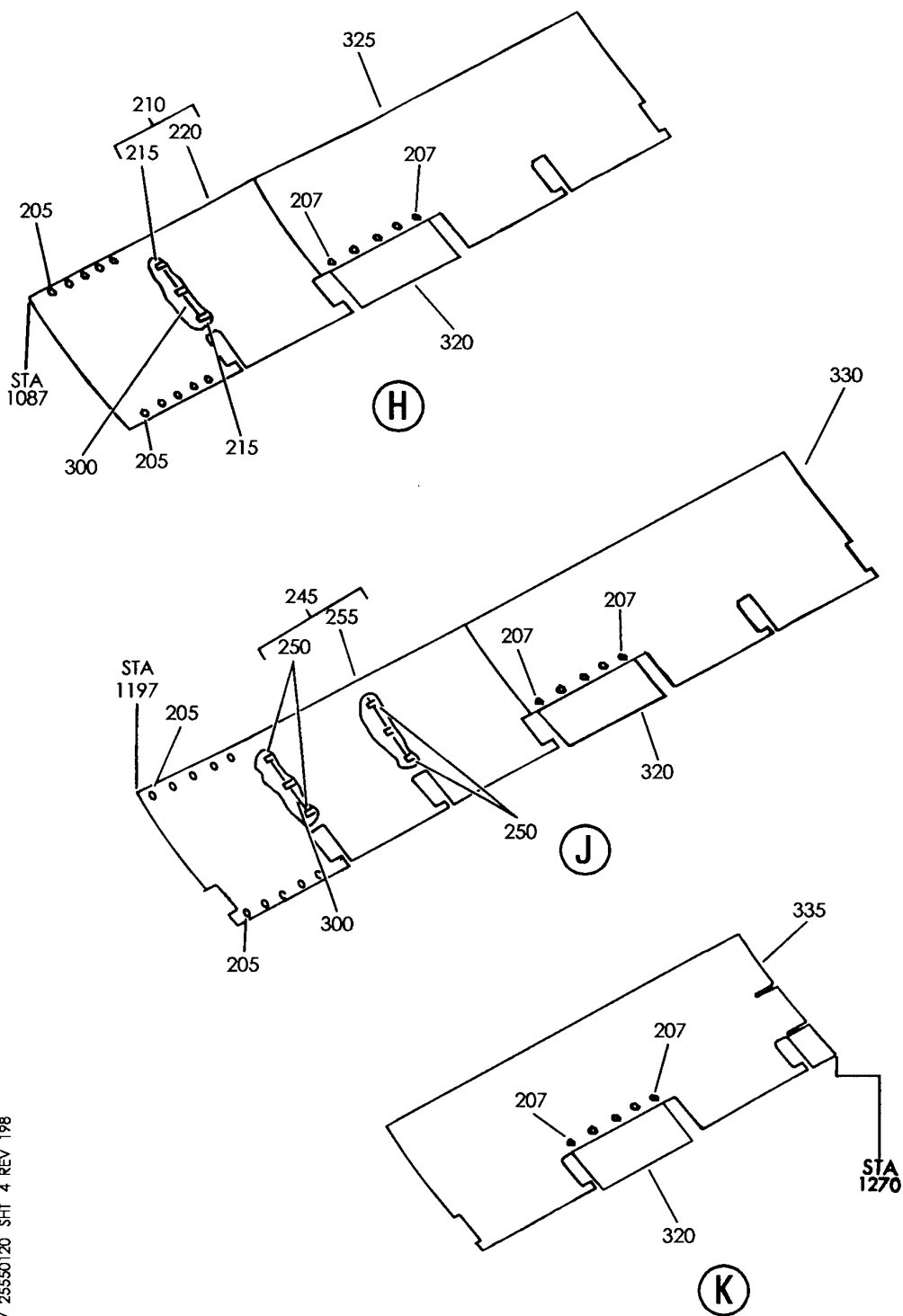
LINING INSTL-SECT. 46 AFT CARGO COMPT SLOPING SIDEWALL
FIGURE 20 (SHEET 3)

25-55-01-20

HXL
DEC 22/06

25-55-01-20
PAGE 0B

BOEING
767
PARTS CATALOG (MAINTENANCE)



V 25550120 SHT 4 REV 198

LINING INSTL-SECT. 46 AFT CARGO COMPT SLOPING SIDEWALL
FIGURE 20 (SHEET 4)

25-55-01-20

HXL
DEC 22/06

25-55-01-20
PAGE 0C

 **BOEING**
767
PARTS CATALOG (MAINTENANCE)

FIG ITEM	PART NUMBER	1 2 3 4 5 6 7	NOMENCLATURE	EFFECT FROM TO	UNITS PER ASSY
20			LINING INSTL-SECT. 46 AFT CARGO COMPT SLOPING SIDEWALL		
- 1	453T1255-21		LINING INSTL-CARGO COMPT SLOPING SIDEWALL POSITION DATA: SECT. 46 AFT LH FOR NHA SEE: 25-50-00-01B		RF
5	BCREF6581		.SCRIVET- SUPPLIER CODE: V9U239 OVERLENGTH PART NUMBER: 231-700055-00-3704		234
10	453T1866-78		.PANEL ASSY- OPTIONAL PART: 453T1866-203		1
10	453T1866-203		.PANEL ASSY- OPTIONAL PART: 453T1866-78		1
15	453T1866-302		..TAPE-VELCRO		3
20	453T1866-165		..PANEL- USED ON: 453T1866-78		1
20	453T1866-202		..PANEL- USED ON: 453T1866-203		1
25	453T1866-79		.PANEL ASSY-		1
30	453T1866-302		..TAPE-VELCRO		6
35	453T1866-303		..TAPE-VELCRO		1
40	453T1866-166		..PANEL-		1
45	453T1866-88		.PANEL ASSY-		1
50	453T1866-302		..TAPE-VELCRO		6
55	453T1866-175		..PANEL-		1
60	453T1866-457		.PANEL ASSY- OPTIONAL PART: 453T1866-209		1
60	453T1866-209		.PANEL ASSY- OPTIONAL PART: 453T1866-457		1
65	453T1866-302		..TAPE-VELCRO		6
70	453T1866-303		..TAPE-VELCRO		1
75	453T1866-465		..PANEL- USED ON: 453T1866-457		1
75	453T1866-208		..PANEL- USED ON: 453T1866-209		1
80	453T1866-460		.PANEL ASSY-		1

ILLUSTRATION ITEMS NOT ON PARTS LIST ARE NOT APPLICABLE

- ITEM NOT ILLUSTRATED

HXL

25-55-01-20

BOEING PROPRIETARY - Copyright © - Unpublished Work - See title page for details.

25-55-01
FIG. 20
PAGE 1
DEC 22/07



767

PARTS CATALOG (MAINTENANCE)

FIG ITEM	PART NUMBER	1 2 3 4 5 6 7	NOMENCLATURE	EFFECT FROM TO	UNITS PER ASSY
20					
85	453T1866-302	..	TAPE-VELCRO		6
90	453T1866-303	..	TAPE-VELCRO		1
95	453T1866-466	..	PANEL-		1
100	453T1866-81	.PANEL ASSY-			1
		OPTIONAL PART:			
		453T1866-213			
100	453T1866-213	.PANEL ASSY-			1
		OPTIONAL PART:			
		453T1866-81			
105	453T1866-302	..	TAPE-VELCRO		9
110	453T1866-303	..	TAPE-VELCRO		1
115	453T1866-168	..	PANEL-		1
		USED ON:			
		453T1866-81			
115	453T1866-214	..	PANEL-		1
		USED ON:			
		453T1866-213			
120	453T1866-82	.PANEL ASSY-			1
		OPTIONAL PART:			
		453T1866-221			
120	453T1866-221	.PANEL ASSY-			1
		OPTIONAL PART:			
		453T1866-82			
125	453T1866-302	..	TAPE-VELCRO		6
130	453T1866-169	..	PANEL-		1
		USED ON:			
		453T1866-82			
		453T1866-198			
130	453T1866-222	..	PANEL-		1
		USED ON:			
		453T1866-221			
135	453T1255-104	.TAPE-VELCRO			14
140	453T1255-102	.TAPE-VELCRO			4
- 150	80TA512	.TAPE-GLASS CLOTH			AR
		SUPPLIER CODE:			
		V33586			
- 200	453T1255-22	LINING INSTL-CARGO COMPT			RF
		SLOPING SIDEWALL			
		POSITION DATA:			
		SECT. 46 AFT RH			
		FOR NHA SEE:			
		25-50-00-01B			
205	BCREF6581	.SCRIVET-			159
		SUPPLIER CODE:			
		V9U239			
		OVERLENGTH PART NUMBER:			
		231-700055-00-3704			
210	453T1866-92	.PANEL ASSY-			1
215	453T1866-302	..	TAPE-VELCRO		3

ILLUSTRATION ITEMS NOT ON PARTS LIST ARE NOT APPLICABLE

- ITEM NOT ILLUSTRATED

25-55-01-20

25-55-01
FIG. 20
PAGE 2
DEC 22/08

HXL

BOEING PROPRIETARY - Copyright © - Unpublished Work - See title page for details.



767

PARTS CATALOG (MAINTENANCE)

FIG ITEM	PART NUMBER	1 2 3 4 5 6 7	NOMENCLATURE	EFFECT FROM TO	UNITS PER ASSY
20					
220	453T1866-179		.. PANEL-		1
225	453T1866-93		.PANEL ASSY- OPTIONAL PART: 453T1866-307		1
225	453T1866-307		.PANEL ASSY- OPTIONAL PART: 453T1866-93		1
230	453T1866-302		.. TAPE-VELCRO USED ON: 453T1866-435 453T1866-57 453T1866-65 USED ON: 453T1866-93 453T1866-97		6
235	453T1866-303		.. TAPE-VELCRO USED ON: 453T1866-435 453T1866-57 453T1866-65 USED ON: 453T1866-93 453T1866-97		1
240	453T1866-180		.. PANEL- USED ON: 453T1866-93		1
240	453T1866-308		.. PANEL- USED ON: 453T1866-307		1
245	453T1866-468		.PANEL ASSY-		1
250	453T1866-302		.. TAPE-VELCRO		6
255	453T1866-464		.. PANEL-		1
260	453T1866-470		.PANEL ASSY- OPTIONAL PART: 453T1866-311		1
260	453T1866-311		.PANEL ASSY- OPTIONAL PART: 453T1866-470		1
265	453T1866-302		.. TAPE-VELCRO USED ON: 453T1866-471 453T1866-62 453T1866-67 USED ON: 453T1866-469 453T1866-470		6

ILLUSTRATION ITEMS NOT ON PARTS LIST ARE NOT APPLICABLE

- ITEM NOT ILLUSTRATED

HXL

25-55-01-20

BOEING PROPRIETARY - Copyright © - Unpublished Work - See title page for details.

25-55-01
FIG. 20
PAGE 3
DEC 22/08



767

PARTS CATALOG (MAINTENANCE)

FIG ITEM	PART NUMBER	1 2 3 4 5 6 7	NOMENCLATURE	EFFECT FROM TO	UNITS PER ASSY
20					
270	453T1866-303	..	TAPE-VELCRO USED ON: 453T1866-471 453T1866-62 453T1866-67 USED ON: 453T1866-469 453T1866-470		1
275	453T1866-473	..	PANEL- USED ON: 453T1866-470		1
275	453T1866-312	..	PANEL- USED ON: 453T1866-311		1
280	453T1866-475	.	PANEL ASSY- OPTIONAL PART: 453T1866-313		1
280	453T1866-313	.	PANEL ASSY- OPTIONAL PART: 453T1866-475		1
281	453T1866-420	.	PANEL- OPTIONAL PART: 453T1866-199		1
281	453T1866-199	.	PANEL- OPTIONAL PART: 453T1866-420		1
285	453T1866-302	..	TAPE-VELCRO USED ON: 453T1866-478 453T1866-60 453T1866-68 USED ON: 453T1866-475 453T1866-476		9
290	453T1866-303	..	TAPE-VELCRO USED ON: 453T1866-478 453T1866-60 453T1866-68 USED ON: 453T1866-475 453T1866-476		1
295	453T1866-479	..	PANEL- USED ON: 453T1866-475		1
295	453T1866-314	..	PANEL- USED ON: 453T1866-313		1
300	453T1255-103	.	TAPE-VELCRO		9

ILLUSTRATION ITEMS NOT ON PARTS LIST ARE NOT APPLICABLE

- ITEM NOT ILLUSTRATED

25-55-01-20

25-55-01
FIG. 20
PAGE 4
DEC 22/07

HXL

BOEING PROPRIETARY - Copyright © - Unpublished Work - See title page for details.



767

PARTS CATALOG (MAINTENANCE)

FIG ITEM	PART NUMBER	1 2 3 4 5 6 7	NOMENCLATURE	EFFECT FROM TO	UNITS PER ASSY
20					
305	453T1255-102		.TAPE-VELCRO		3
- 400	453T1255-24		LINING INSTL-CARGO COMPT SLOPING SIDEWALL POSITION DATA: SECT. 46 AFT RH FOR NHA SEE: 25-50-00-01B		RF
405	453T1866-95		.PANEL ASSY- ATTACHING PARTS		1
- 410	BCREF6581		.SCRIVET- SUPPLIER CODE: V9U239 OVERLENGTH PART NUMBER: 231-700055-00-3704 -----*-----		28
415	453T1866-302		..TAPE-VELCRO		5
420	453T1866-303		..TAPE-VELCRO		1
425	453T1866-182		..PANEL-		1
430	453T1833-4		.DOUBLER ASSY-		1
435	453T1255-103		.TAPE-VELCRO		2
440	453T1255-102		.TAPE-VELCRO		1

ILLUSTRATION ITEMS NOT ON PARTS LIST ARE NOT APPLICABLE

- ITEM NOT ILLUSTRATED

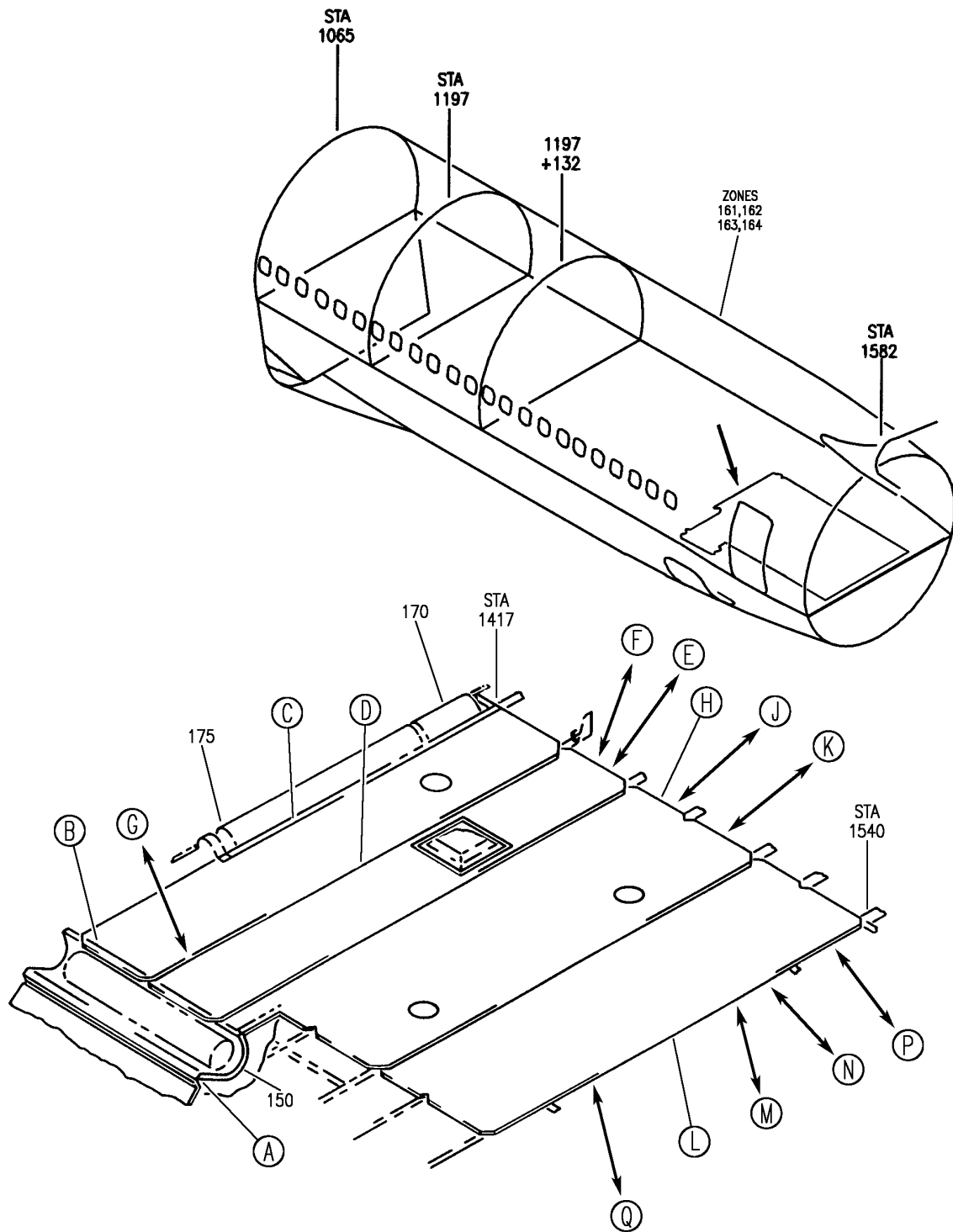
HXL

25-55-01-20

BOEING PROPRIETARY - Copyright © - Unpublished Work - See title page for details.

25-55-01
FIG. 20
PAGE 5
DEC 22/07

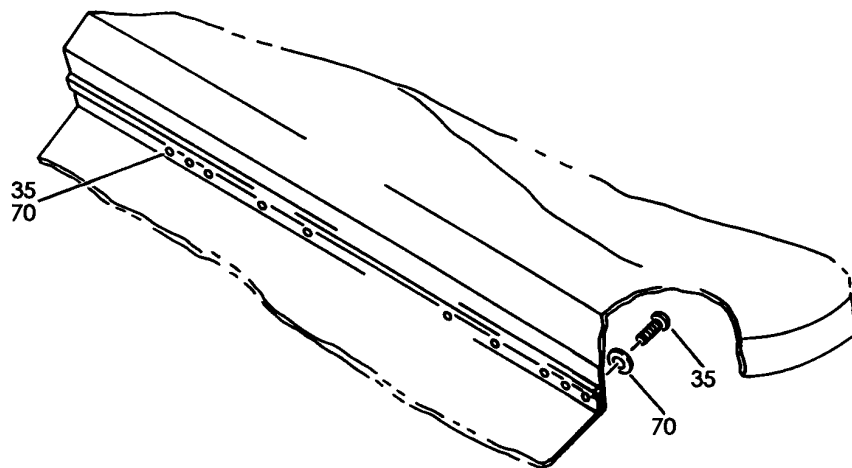
BOEING
767
PARTS CATALOG (MAINTENANCE)



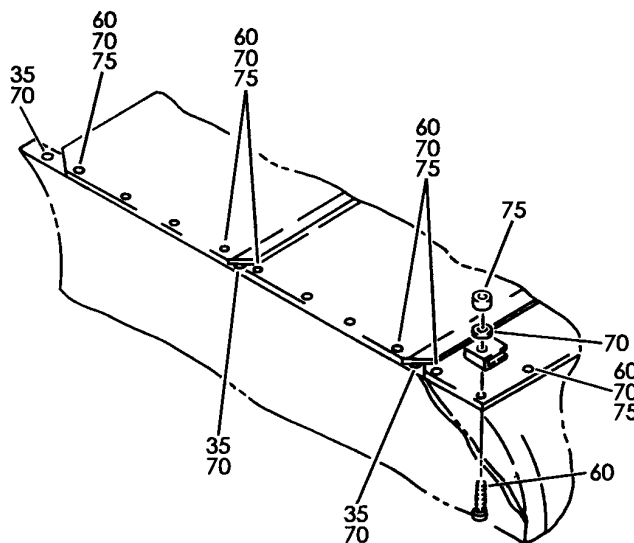
PANEL INSTL-SECT. 46 BULK CARGO COMPT CLG
FIGURE 7 (SHEET 1)

25-55-02-07

BOEING
767
PARTS CATALOG (MAINTENANCE)



(A)



(B)

V 25550207 SHT 2 REV 211

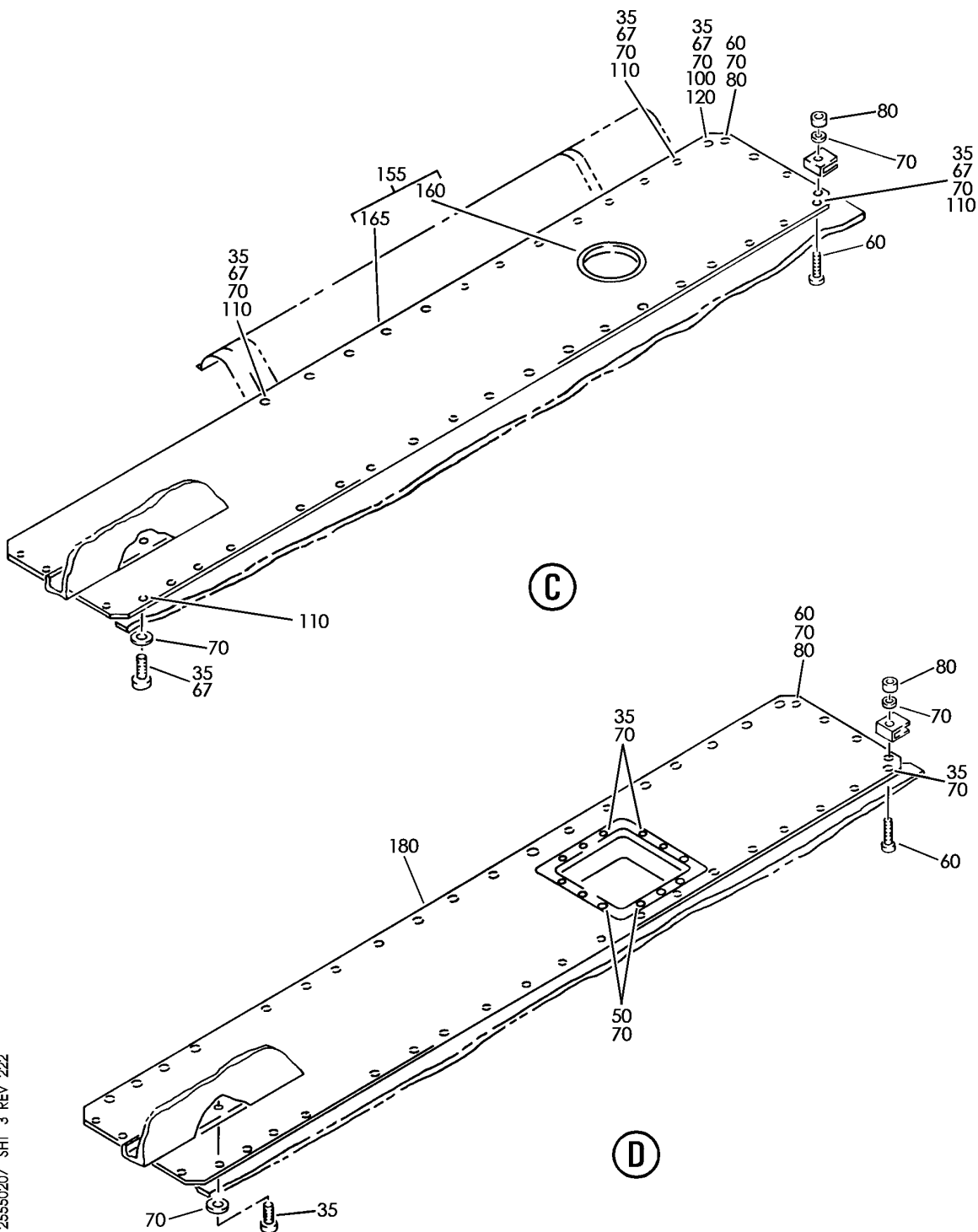
PANEL INSTL-SECT. 46 BULK CARGO COMPT CLG
FIGURE 7 (SHEET 2)

25-55-02-07

HXL
DEC 22/06

25-55-02-07
PAGE 0A

BOEING
767
PARTS CATALOG (MAINTENANCE)



V 25550207 SHT 3 REV 222

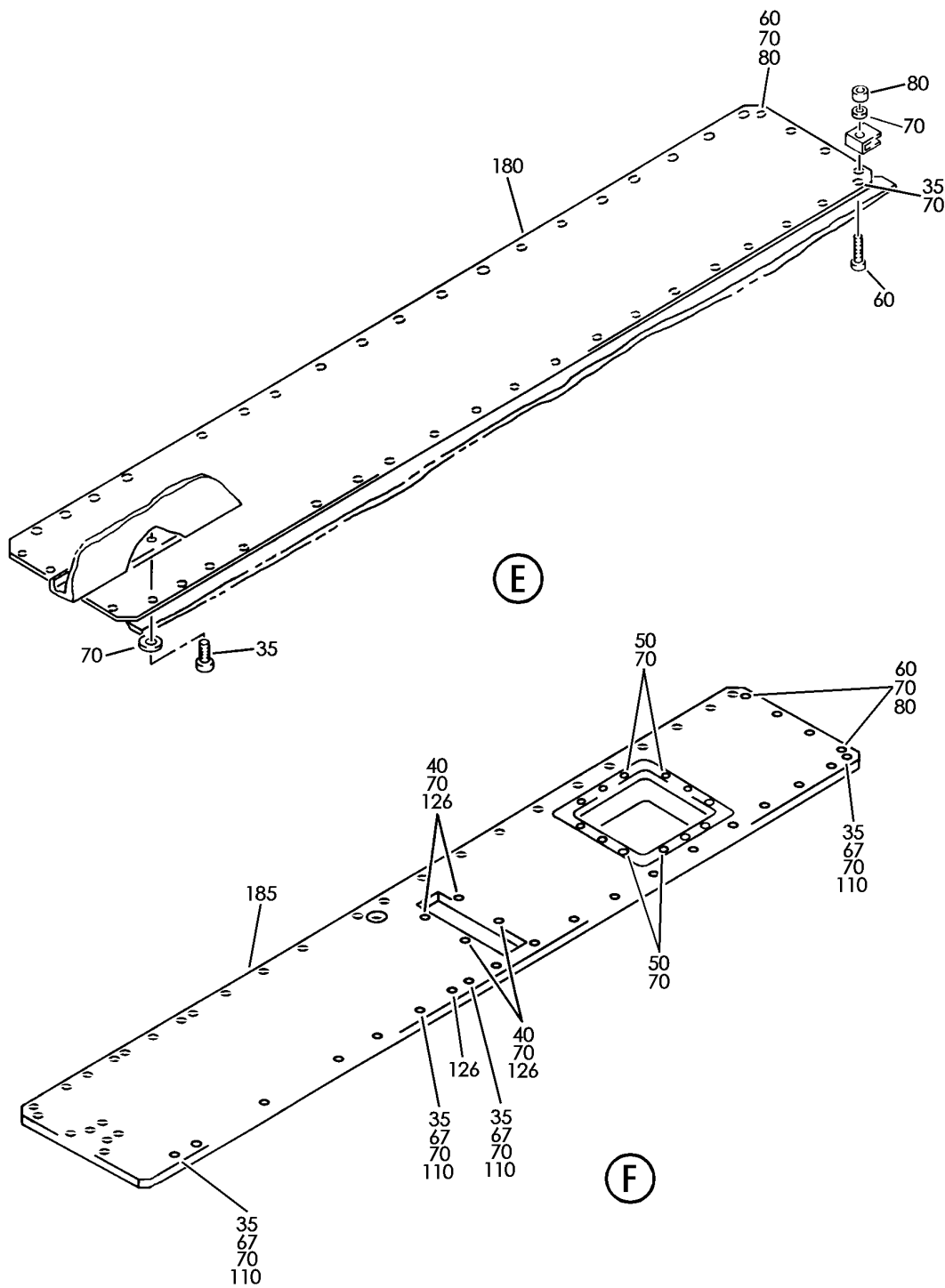
PANEL INSTL-SECT. 46 BULK CARGO COMPT CLG
FIGURE 7 (SHEET 3)

25-55-02-07

HXL
DEC 22/06

25-55-02-07
PAGE 0B

BOEING
767
PARTS CATALOG (MAINTENANCE)



V 25550207 SHT 4 REV 227

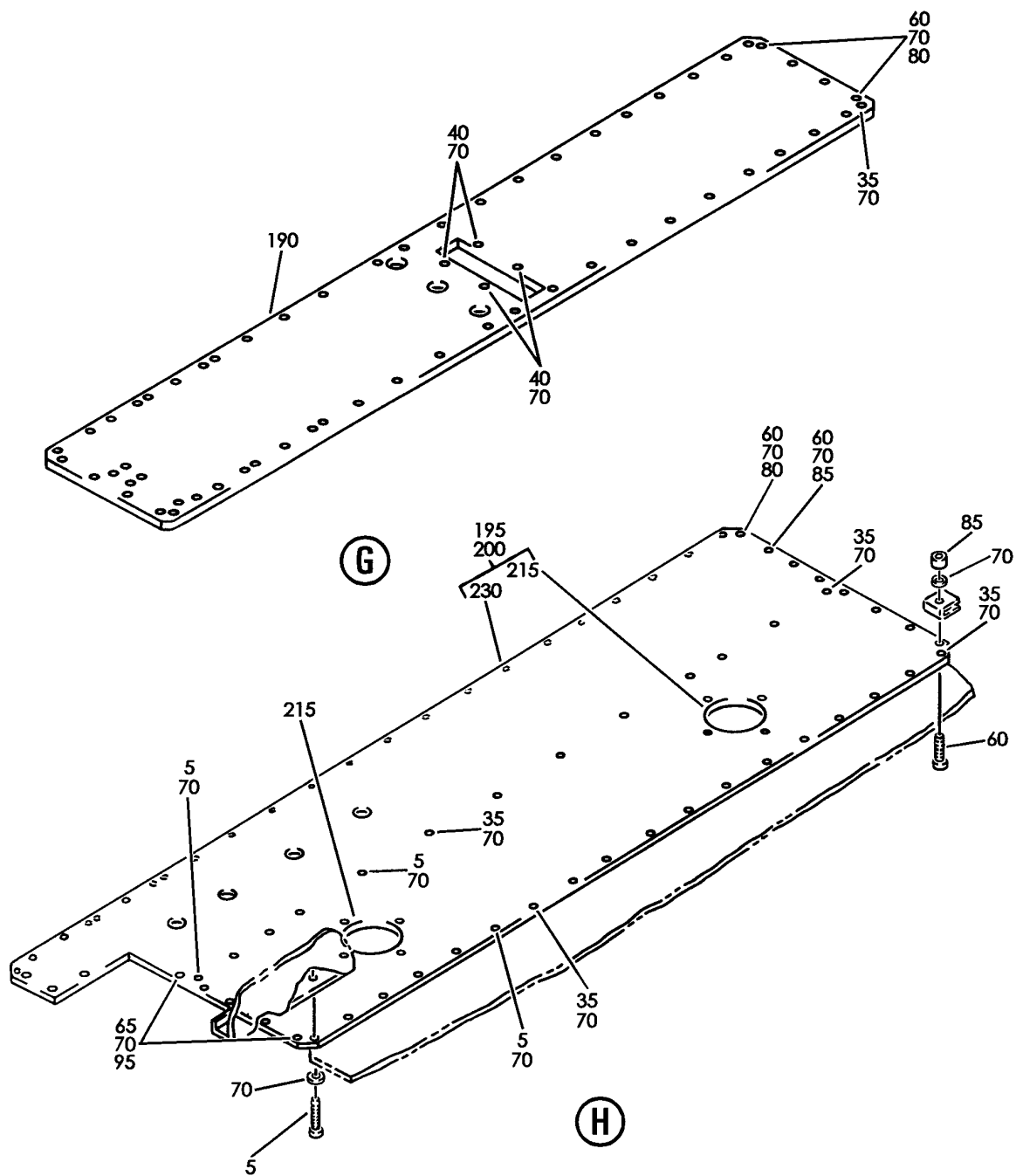
PANEL INSTL-SECT. 46 BULK CARGO COMPT CLG
FIGURE 7 (SHEET 4)

25-55-02-07

HXL
DEC 22/06

25-55-02-07
PAGE 0C

BOEING
767
PARTS CATALOG (MAINTENANCE)



V 25550207 SHT 5 REV 211

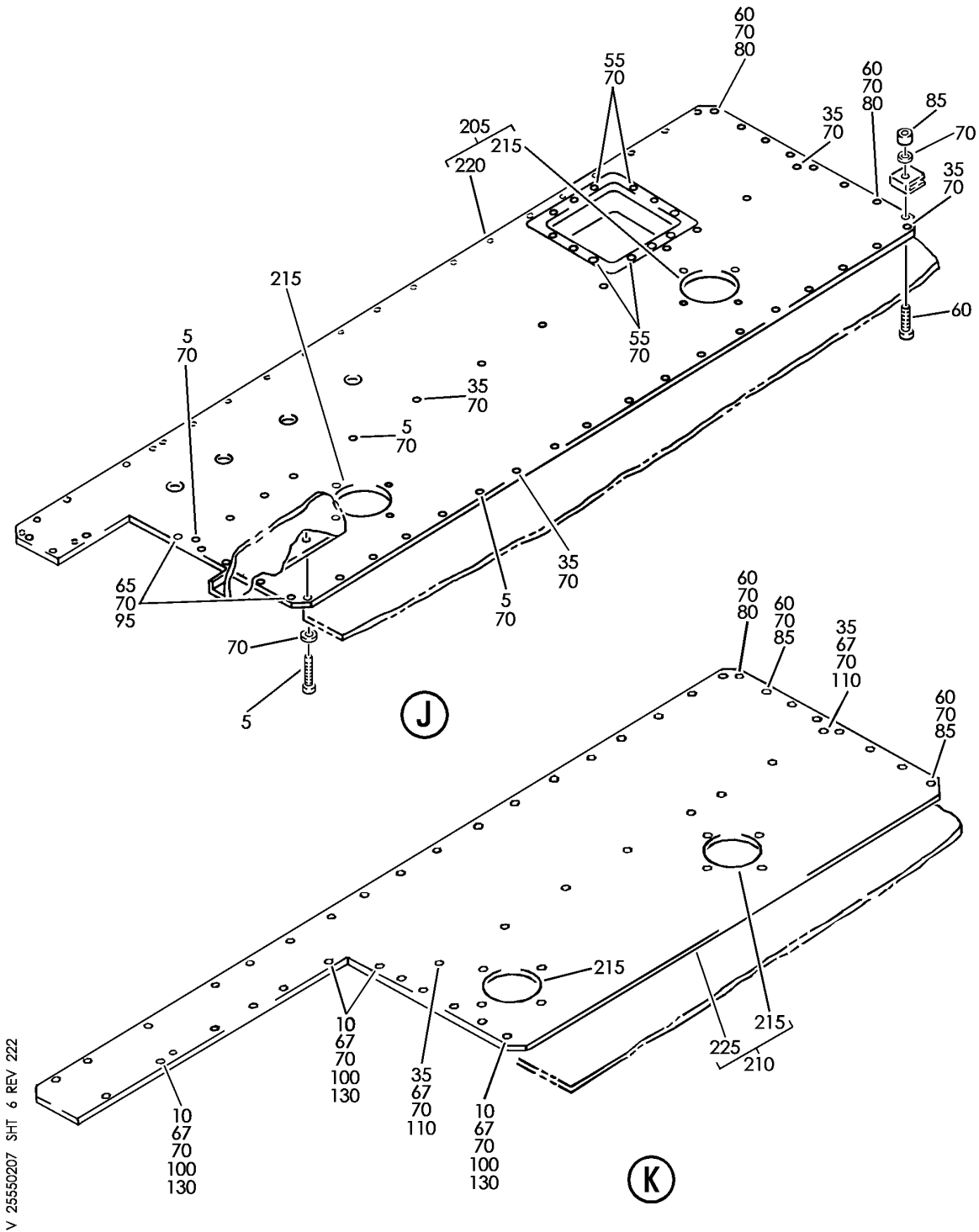
PANEL INSTL-SECT. 46 BULK CARGO COMPT CLG
FIGURE 7 (SHEET 5)

25-55-02-07

HXL
DEC 22/06

25-55-02-07
PAGE 0D

BOEING
767
PARTS CATALOG (MAINTENANCE)



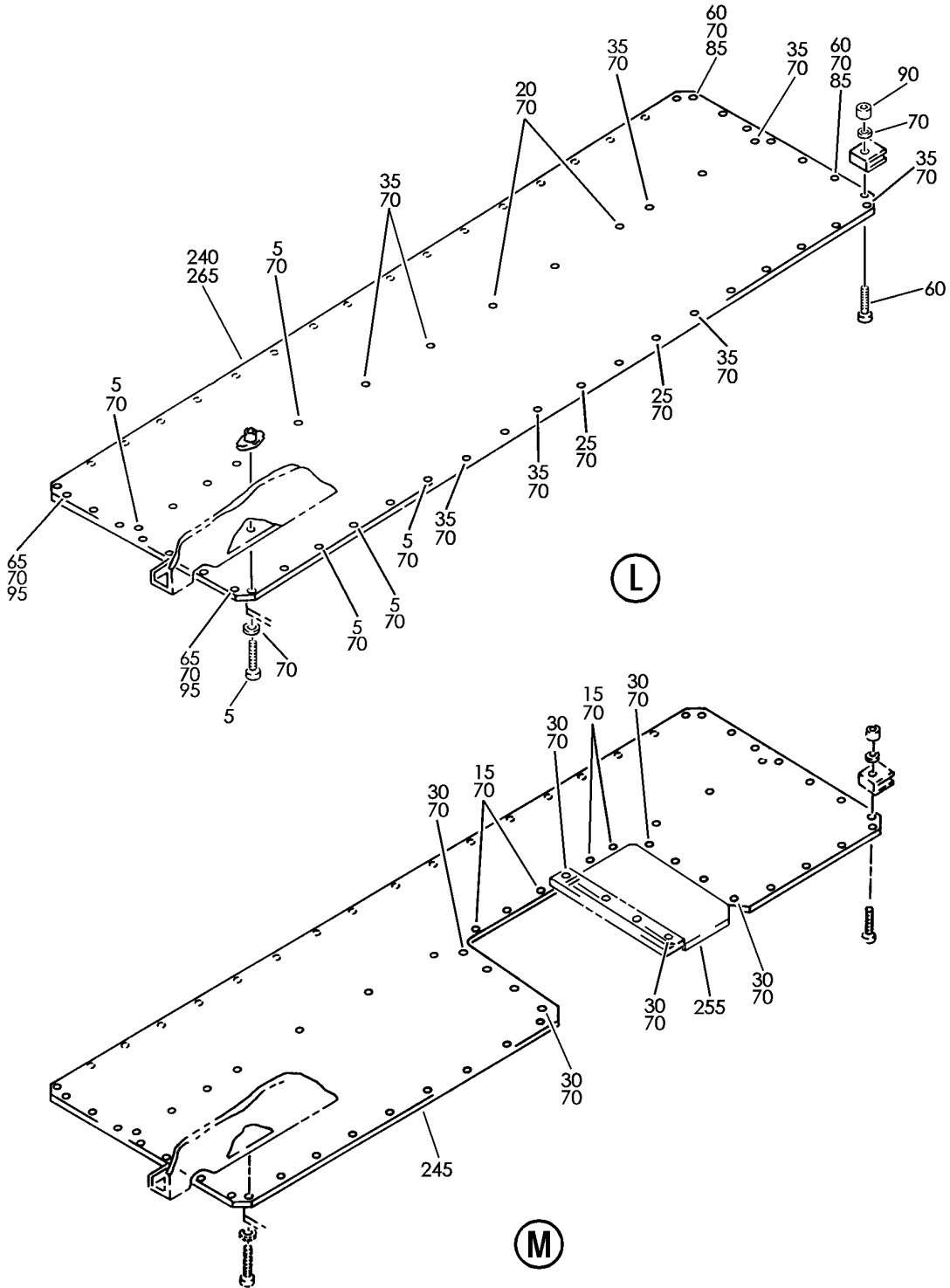
PANEL INSTL-SECT. 46 BULK CARGO COMPT CLG
FIGURE 7 (SHEET 6)

25-55-02-07

HXL
DEC 22/06

25-55-02-07
PAGE 0E

BOEING
767
PARTS CATALOG (MAINTENANCE)



V 25550207 SHT 7 REV 222

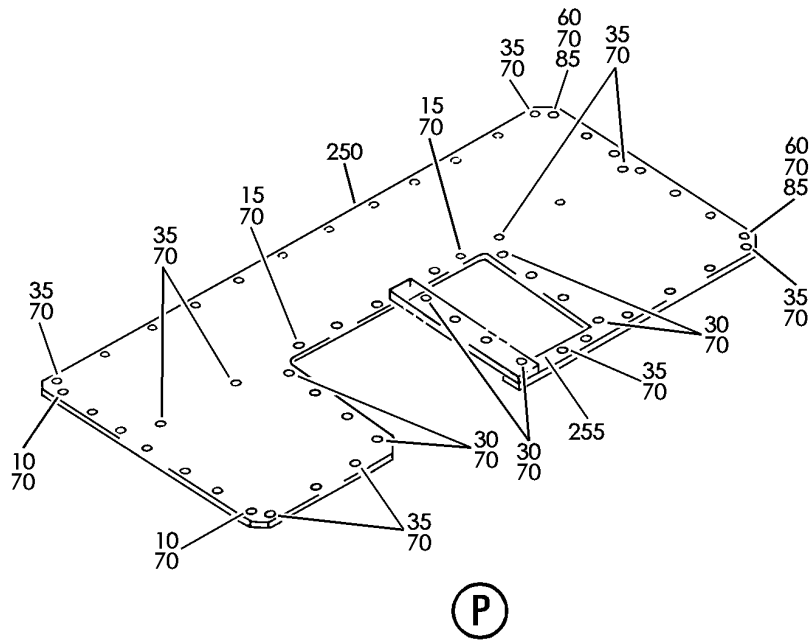
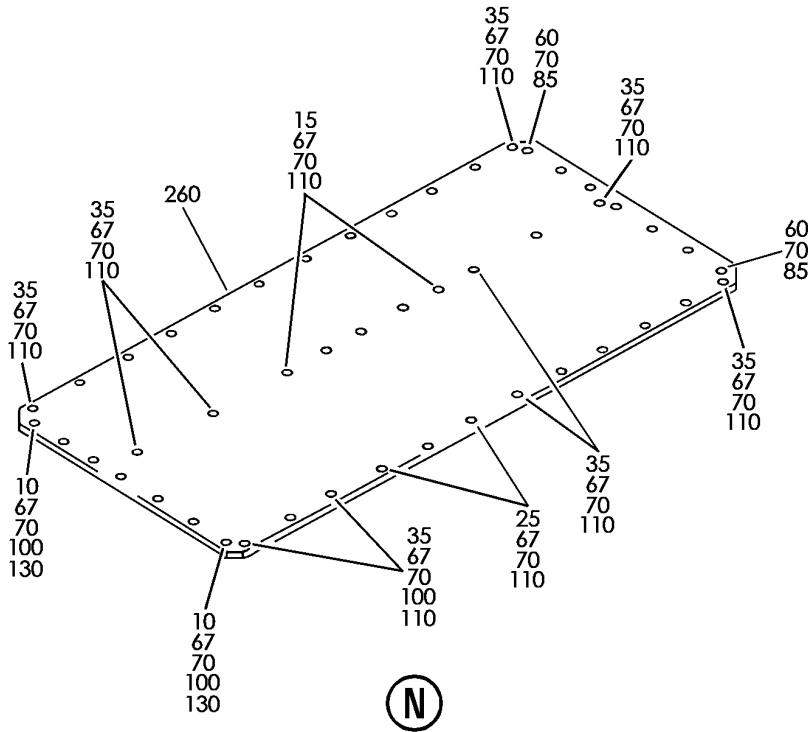
PANEL INSTL-SECT. 46 BULK CARGO COMPT CLG
FIGURE 7 (SHEET 7)

25-55-02-07

HXL
DEC 22/06

25-55-02-07
PAGE OF

BOEING
767
PARTS CATALOG (MAINTENANCE)



V 25550207 SHT 8 REV 222

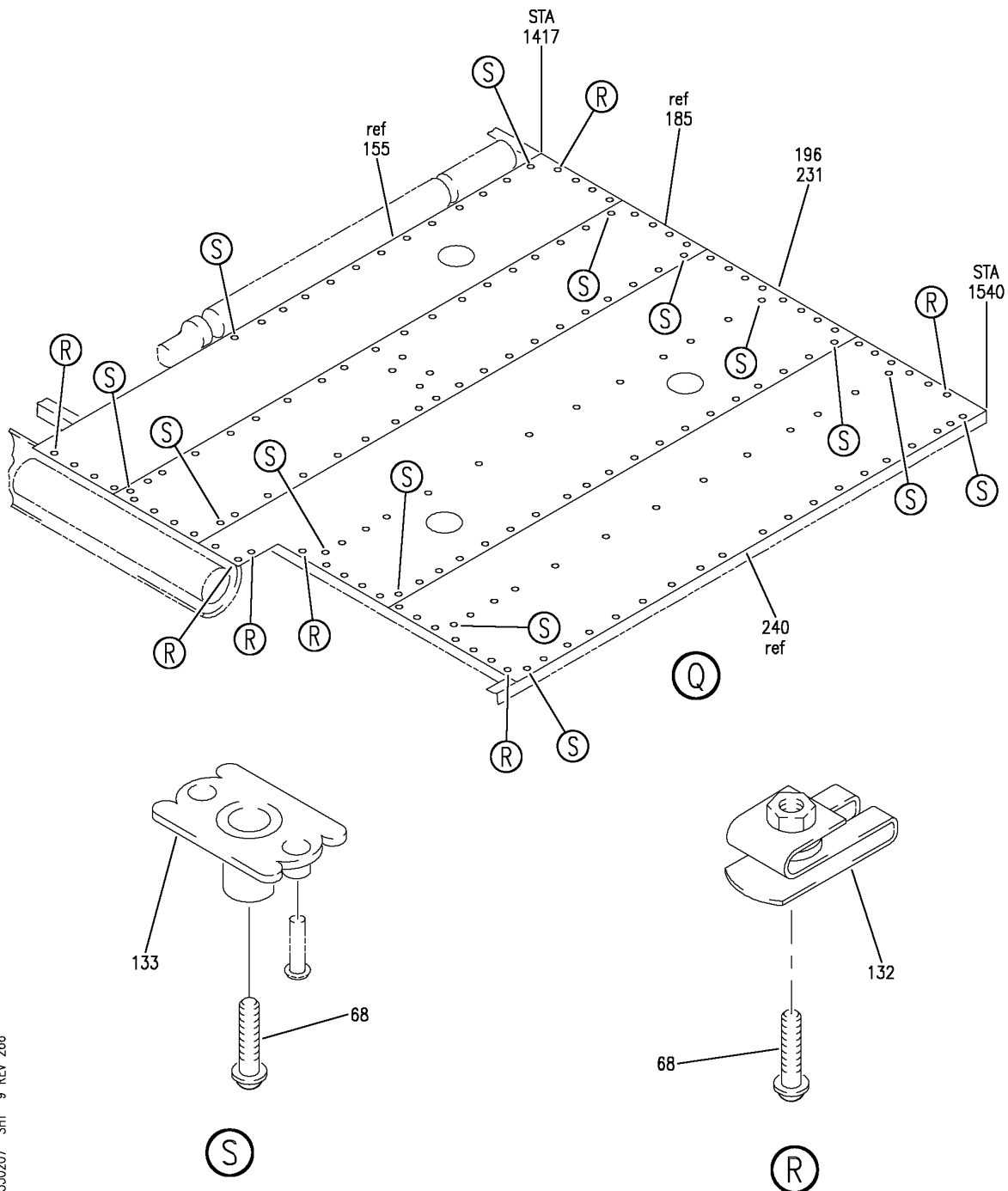
PANEL INSTL-SECT. 46 BULK CARGO COMPT CLG
FIGURE 7 (SHEET 8)

25-55-02-07

HXL
DEC 22/06

25-55-02-07
PAGE 0G

BOEING
767
PARTS CATALOG (MAINTENANCE)



V 25550207 SH1 9 REV 266

PANEL INSTL-SECT. 46 BULK CARGO COMPT CLG
FIGURE 7 (SHEET 9)

25-55-02-07

HXL
DEC 22/06

25-55-02-07
PAGE 0H



767

PARTS CATALOG (MAINTENANCE)

FIG ITEM	PART NUMBER	1 2 3 4 5 6 7	NOMENCLATURE	EFFECT FROM TO	UNITS PER ASSY
7			PANEL INSTL-SECT. 46 BULK CARGO COMPT CLG		
- 1	453T1358-34		PANEL INSTL-BULK CARGO COMPT CLG		RF
			POSITION DATA: SECT. 46 FOR NHA SEE: 25-50-00-01		
5	SC1420-3K		.SCREW- SUPPLIER CODE: V06950		22
20	SC1420-3K		.SCREW- SUPPLIER CODE: V06950		3
25	SC1420-3K		.SCREW- SUPPLIER CODE: V06950		3
30	SC1420-3K		.SCREW- SUPPLIER CODE: V06950		12
35	SC1420-3K		.SCREW- SUPPLIER CODE: V06950		97
40	SC1420-3K		.SCREW- SUPPLIER CODE: V06950		4
60	BACS12FA3K8		.SCREW		34
65	BACS12FA3K8		.SCREW		12
70	BACW10P63AL		.WASHER		AR
80	BRC500-8-3		.NUT SUPPLIER CODE: V52828 SPECIFICATION NUMBER: BACN10FX21 OPTIONAL PART: F49322-3-21 V15653 SL240-3-1 V97393 130061 V60119 A11330-8-3 V72962		9
ILLUSTRATION ITEMS NOT ON PARTS LIST ARE NOT APPLICABLE					

- ITEM NOT ILLUSTRATED

HXL

25-55-02-07

BOEING PROPRIETARY - Copyright © - Unpublished Work - See title page for details.

25-55-02
FIG. 07
PAGE 1
DEC 22/08

BOEING
767
PARTS CATALOG (MAINTENANCE)

FIG ITEM	PART NUMBER	1 2 3 4 5 6 7	NOMENCLATURE	EFFECT FROM TO	UNITS PER ASSY
7 85	BRC500-8-3	.	NUT SUPPLIER CODE: V52828 SPECIFICATION NUMBER: BACN10FX21 OPTIONAL PART: F49322-3-21 V15653 SL240-3-1 V97393 130061 V60119 A11330-8-3 V72962		14
133	MF51594-3-2BAC	.	NUTPLATE SUPPLIER CODE: V15653 SPECIFICATION NUMBER: BACN10YF32CD ATTACHING PARTS		118
- 134	BACR15BA3ADC	.	RIVET- SIZE DETERMINED ON INSTL. -----*-----		236
150	453T1851-10	.	SHROUD ASSY-DOOR AREA DUCT POSITION DATA: AFT		1
155	453T1883-92	.	PANEL ASSY		1
155	453T1883-98	.	PANEL ASSY-		1
160	69B40313-1	..	RING ASSY		1
165	453T1883-93	..	PANEL		1
165	453T1883-99	..	PANEL		1
170	453T1834-2	.	SHROUD-NET		1
175	453T1834-4	.	SHROUD-NET		1
185	453T1883-124	.	PANEL		1
195	453T1883-174	.	PANEL ASSY		1
215	69B40313-1	..	RING ASSY-		2
230	453T1883-175	..	PANEL		1
230	453T1883-177	..	PANEL		1
240	453T1883-101	.	PANEL-		1

ILLUSTRATION ITEMS NOT ON PARTS LIST ARE NOT APPLICABLE

- ITEM NOT ILLUSTRATED

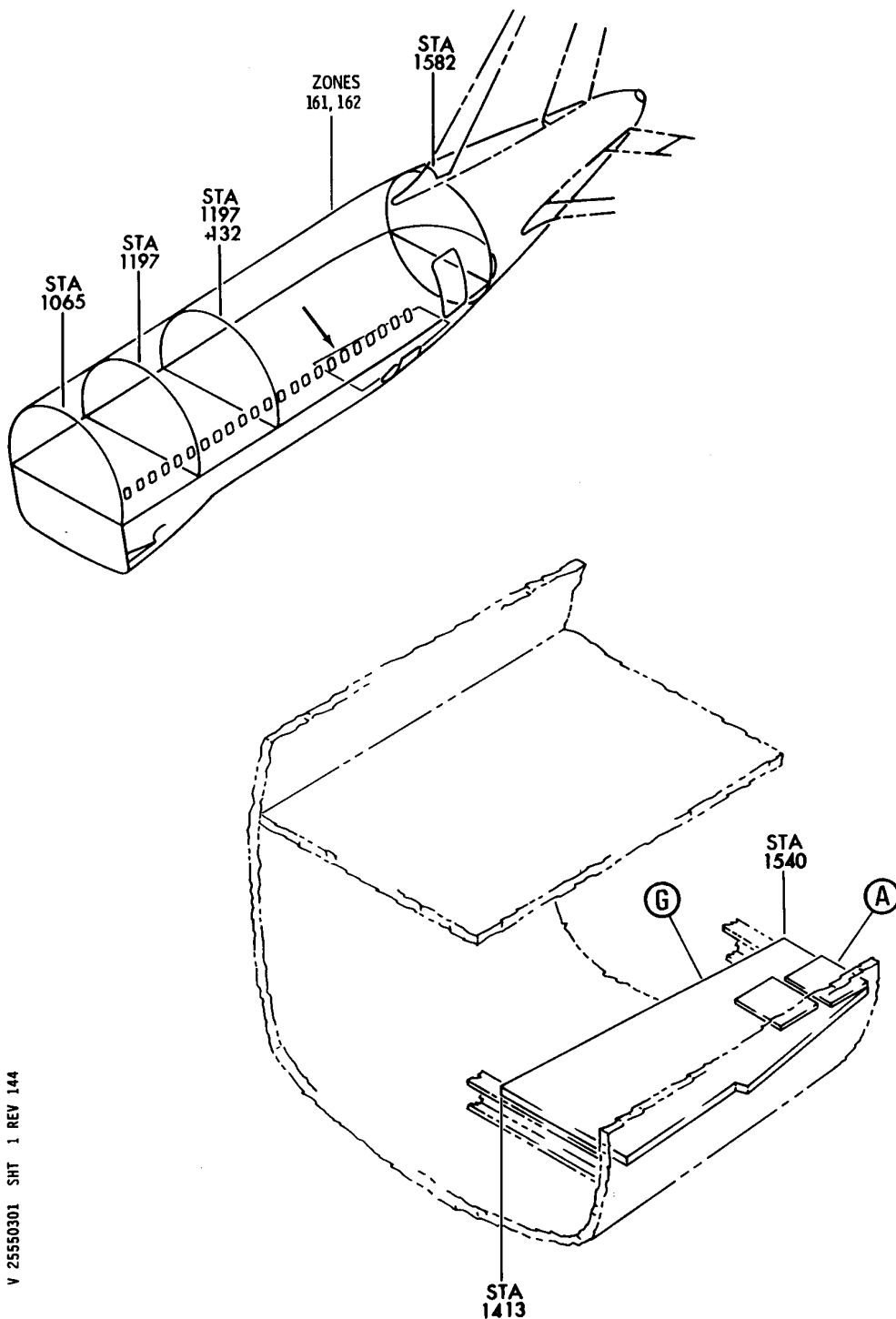
HXL

25-55-02-07

BOEING PROPRIETARY - Copyright © - Unpublished Work - See title page for details.

25-55-02
FIG. 07
PAGE 2
DEC 22/08

BOEING
767
PARTS CATALOG (MAINTENANCE)



V 25550301 SHT 1 REV 144

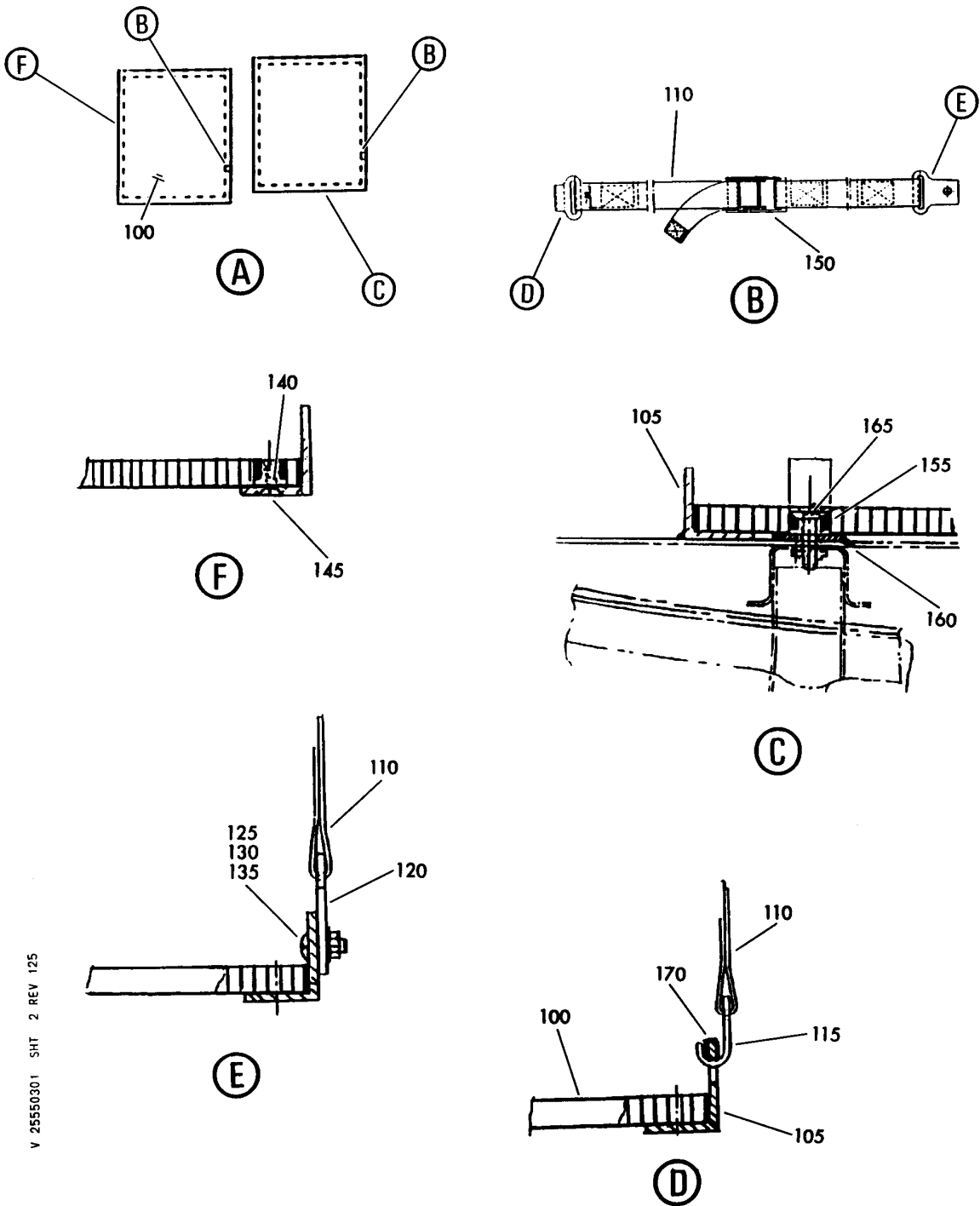
PANEL INSTL-SECT. 46 BULK CARGO COMPT FLOOR
FIGURE 1 (SHEET 1)

25-55-03-01

HXL
DEC 22/06

25-55-03-01
PAGE 0

BOEING
767
PARTS CATALOG (MAINTENANCE)



V 25550301 SHT 2 REV 125

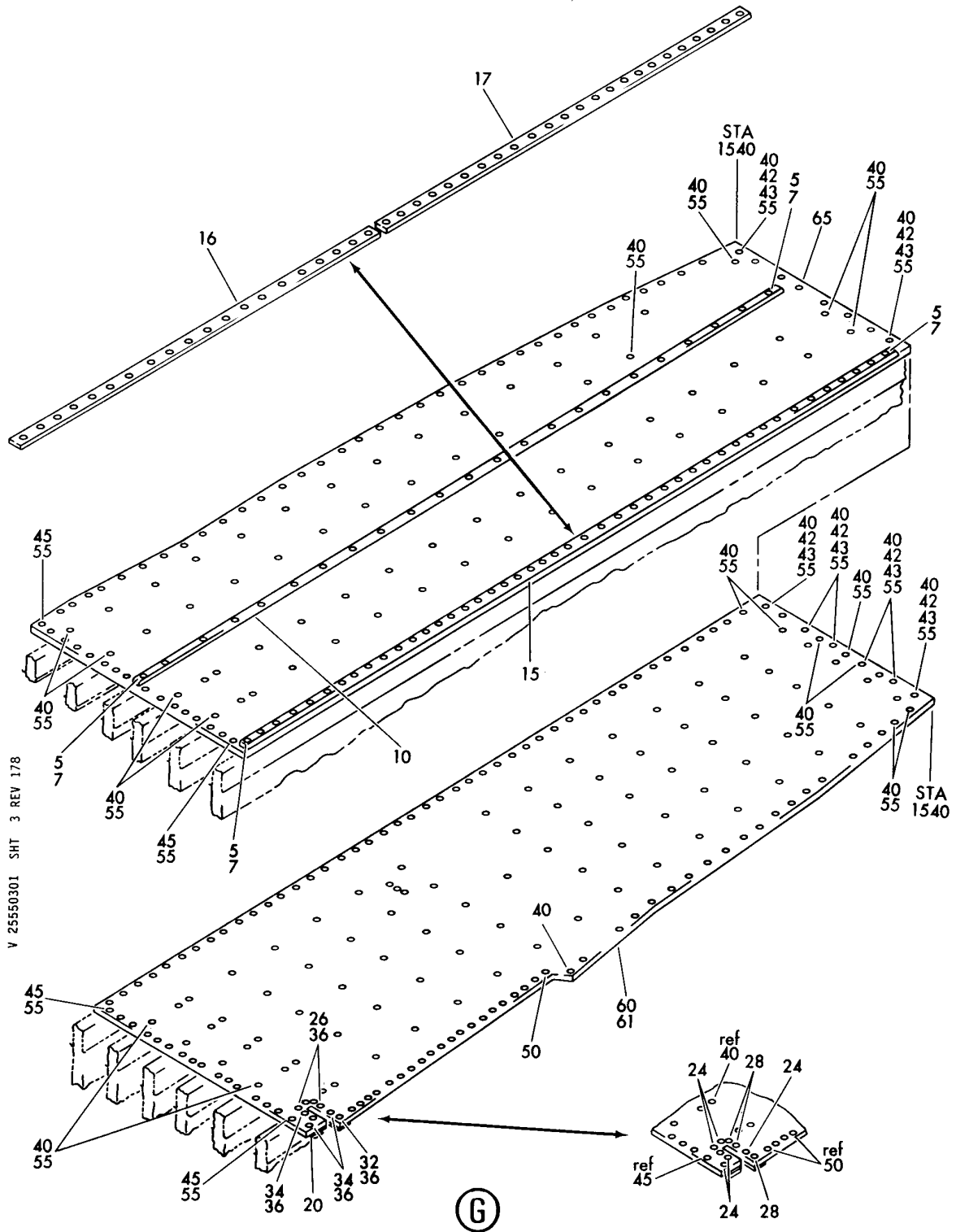
PANEL INSTL-SECT. 46 BULK CARGO COMPT FLOOR
FIGURE 1 (SHEET 2)

25-55-03-01

HXL
DEC 22/06

25-55-03-01
PAGE 0A


BOEING
 767
PARTS CATALOG (MAINTENANCE)



PANEL INSTL-SECT. 46 BULK CARGO COMPT FLOOR
 FIGURE 1 (SHEET 3)

25-55-03-01

HXL
DEC 22/06

25-55-03-01
PAGE 0B



767

PARTS CATALOG (MAINTENANCE)

FIG ITEM	PART NUMBER	1 2 3 4 5 6 7	NOMENCLATURE	EFFECT FROM TO	UNITS PER ASSY
1			PANEL INSTL-SECT. 46 BULK CARGO COMPT FLOOR		
- 2	453T1013-24		PANEL INSTL-BULK CARGO COMPT FLOOR POSITION DATA: SECT. 46 FOR NHA SEE: 53-60-00-08		RF
5	BACB30NN3K6		.BOLT-		AR
7	2499859-501		.WASHER- SUPPLIER CODE: V59789 OPTIONAL PART: BACW10DY3A		68
7	BACW10DY3A		.WASHER- OPTIONAL PART: 2499859-501 V59789		68
10	453T1553-7		.STRIP-SKID		1
16	453T1553-9		.STRIP-SKID		1
17	453T1553-10		.STRIP-SKID		1
20	453T1552-5		.BRACKET ASSY- OPTIONAL PART: 453T4552-7		1
20	453T1552-7		.BRACKET ASSY- OPTIONAL PART: 453T1552-5 ATTACHING PARTS		1
26	BACB30NN3K4		.BOLT		4
32	BACB30NN3K5		.BOLT -----*-----		1
40	BACB30NN3K3		.BOLT-		AR
45	BACB30NN3K4		.BOLT		AR
50	BACB30NN3K5		.BOLT		AR
55	2499859-501		.WASHER- SUPPLIER CODE: V59789 OPTIONAL PART: BACW10DY3A		AR
57	BACW10DY3A		.WASHER- OPTIONAL PART: 2499859-501 V59789		AR
61	453T1919-61		.PANEL-		1
65	453T1919-35		.PANEL-		1

ILLUSTRATION ITEMS NOT ON PARTS LIST ARE NOT APPLICABLE

- ITEM NOT ILLUSTRATED

25-55-03-01

25-55-03
FIG. 01
PAGE 1
DEC 22/07

HXL



767

PARTS CATALOG (MAINTENANCE)

FIG ITEM	PART NUMBER	1 2 3 4 5 6 7	NOMENCLATURE	EFFECT FROM TO	UNITS PER ASSY
1 100	782-030-01		.HONEYCOMB- SUPPLIER CODE: V1009B POST AIRLINE MOD: MTO-252321 VSAS		AR
105	104-105-01		.PROFILE- SUPPLIER CODE: V1009B POST AIRLINE MOD: MTO-252321 VSAS		AR
110	664-060-02		.STRAP- SUPPLIER CODE: V1009B POST AIRLINE MOD: MTO-252321 VSAS		AR
115	164-013-08		.BUCKLE- SUPPLIER CODE: V1009B MISCELLANEOUS DATA: (SEE DRW. 485267) POST AIRLINE MOD: MTO-252321 VSAS		AR
120	ST0484279B		.BUCKLE- SUPPLIER CODE: V1009B POST AIRLINE MOD: MTO-252321 VSAS		AR
125	NAS623-4-4		.SCREW- POST AIRLINE MOD: MTO-252321 VSAS		AR
130	MS21042-4		.NUT- POST AIRLINE MOD: MTO-252321 VSAS		AR
135	AN960PD10L		.WASHER- POST AIRLINE MOD: MTO-252321 VSAS		AR

ILLUSTRATION ITEMS NOT ON PARTS LIST ARE NOT APPLICABLE

- ITEM NOT ILLUSTRATED

HXL

25-55-03-01

BOEING PROPRIETARY - Copyright © - Unpublished Work - See title page for details.

25-55-03
FIG. 01
PAGE 2
DEC 22/07

 **BOEING**
767
PARTS CATALOG (MAINTENANCE)

FIG ITEM	PART NUMBER	1 2 3 4 5 6 7	NOMENCLATURE	EFFECT FROM TO	UNITS PER ASSY
1					
140	SL607-3-6S		. INSERT- SUPPLIER CODE: V97393 POST AIRLINE MOD: MTO-252321 VSAS		AR
145	MS24694S47		. SCREW- POST AIRLINE MOD: MTO-252321 VSAS		AR
150	41030-10		. BUCKLE- SUPPLIER CODE: V31272 POST AIRLINE MOD: MTO-252321 VSAS		AR
155	SL604-3-375A		. INSERT- SUPPLIER CODE: V97393 POST AIRLINE MOD: MTO-252321 VSAS		AR
160	782-001-04		. WASHER- SUPPLIER CODE: V1009B POST AIRLINE MOD: MTO-252321 VSAS		AR
165	MS24694S58		. SCREW- POST AIRLINE MOD: MTO-252321 VSAS		AR
170	664-060-01		. PROTECTION BAND- SUPPLIER CODE: V1009B POST AIRLINE MOD: MTO-252321 VSAS		AR
ILLUSTRATION ITEMS NOT ON PARTS LIST ARE NOT APPLICABLE					

- ITEM NOT ILLUSTRATED

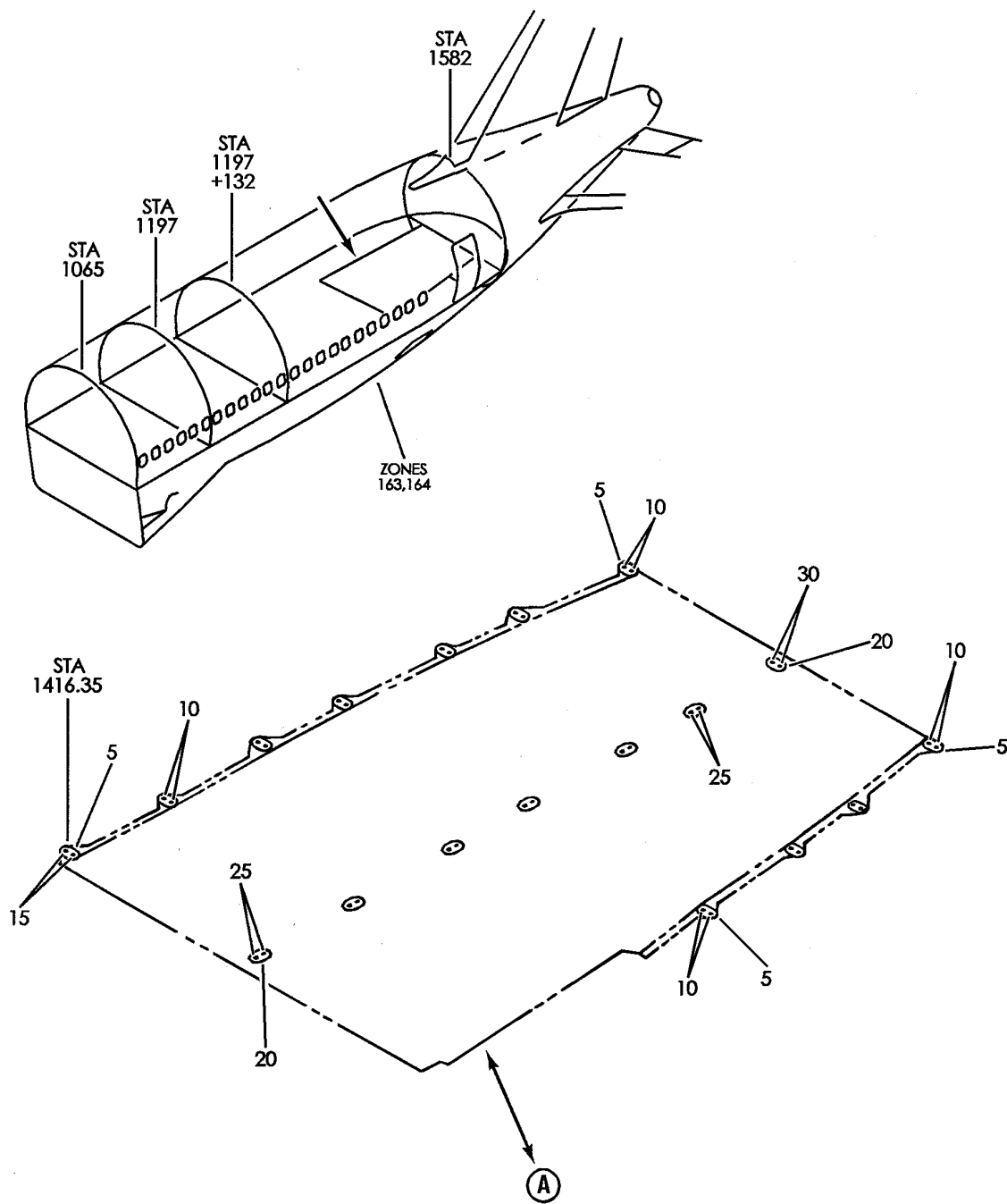
HXL

25-55-03-01

BOEING PROPRIETARY - Copyright © - Unpublished Work - See title page for details.

25-55-03
FIG. 01
PAGE 3
DEC 22/07

BOEING
767
PARTS CATALOG (MAINTENANCE)



V 25555101 SHT 1 REV 219

FITTING INSTL-SECT. 46 BULK CARGO COMPT RESTRAINT
FIGURE 1 (SHEET 1)

25-55-51-01

HXL
DEC 22/06

25-55-51-01
PAGE 0



767

PARTS CATALOG (MAINTENANCE)

FIG ITEM	PART NUMBER	1 2 3 4 5 6 7	NOMENCLATURE	EFFECT FROM TO	UNITS PER ASSY
1			FITTING INSTL-SECT. 46 BULK CARGO COMPT RESTRAINT		
- 1	452T3101-1		FITTING INSTL-BULK CARGO COMPT RESTRAINT		RF
			POSITION DATA: SECT. 46 FOR NHA SEE: 25-50-00-01		
5	41901-102		.PLATE-ANCHOR SUPPLIER CODE: V32707		11
			ATTACHING PARTS		
10	BACB30NN3K9		.BOLT		20
15	BACB30NN3K9		.BOLT		2
			-----*-----		
20	41901-102		.PLATE-ANCHOR SUPPLIER CODE: V32707		7
			ATTACHING PARTS		
25	BACB30NN3K6		.BOLT		12
30	BACB30NN3K9		.BOLT		2
			-----*-----		

ILLUSTRATION ITEMS NOT ON PARTS LIST ARE NOT APPLICABLE

- ITEM NOT ILLUSTRATED

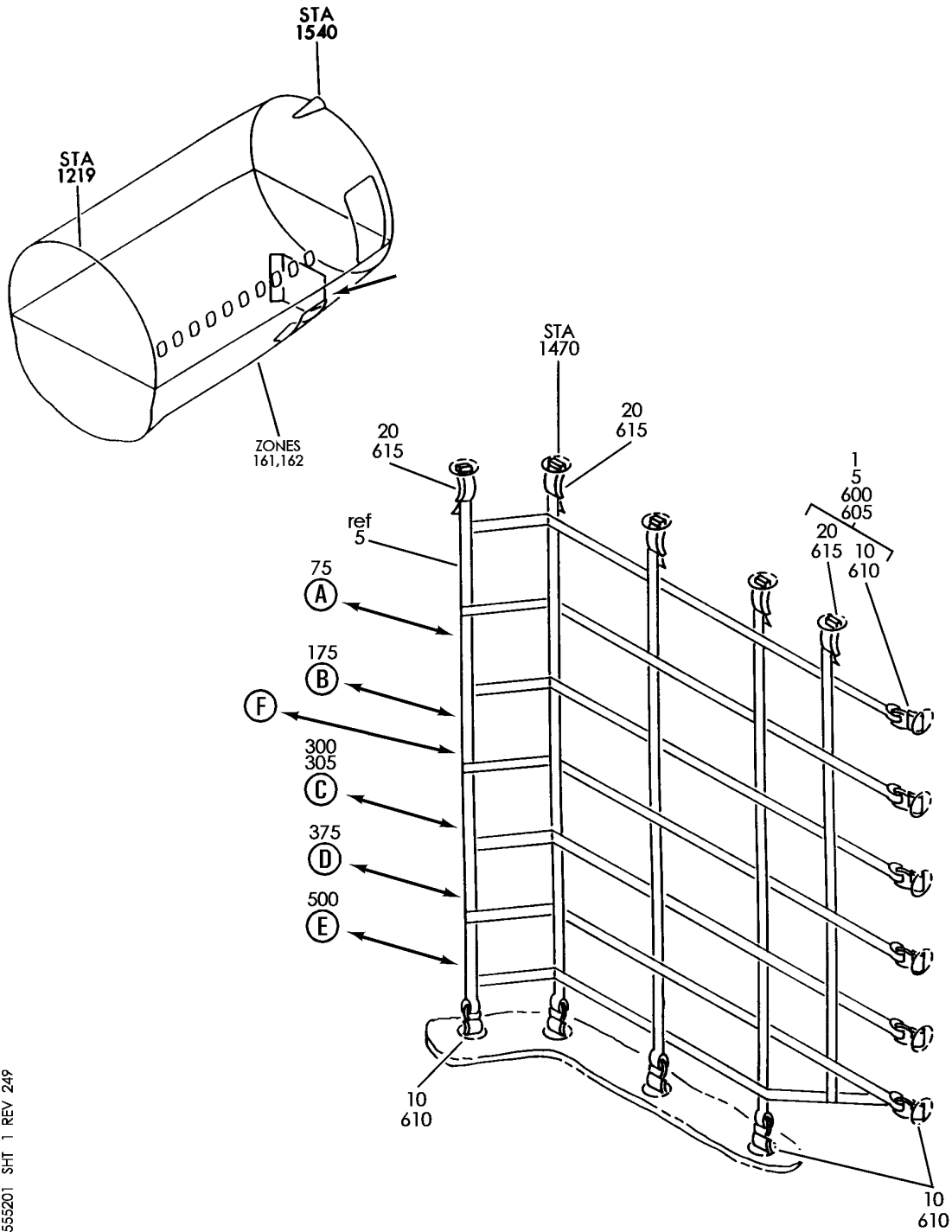
HXL

25-55-51-01

BOEING PROPRIETARY - Copyright © - Unpublished Work - See title page for details.

25-55-51
FIG. 01
PAGE 1
DEC 22/07

BOEING
767
PARTS CATALOG (MAINTENANCE)



V 25555201 SHT 1 REV 249

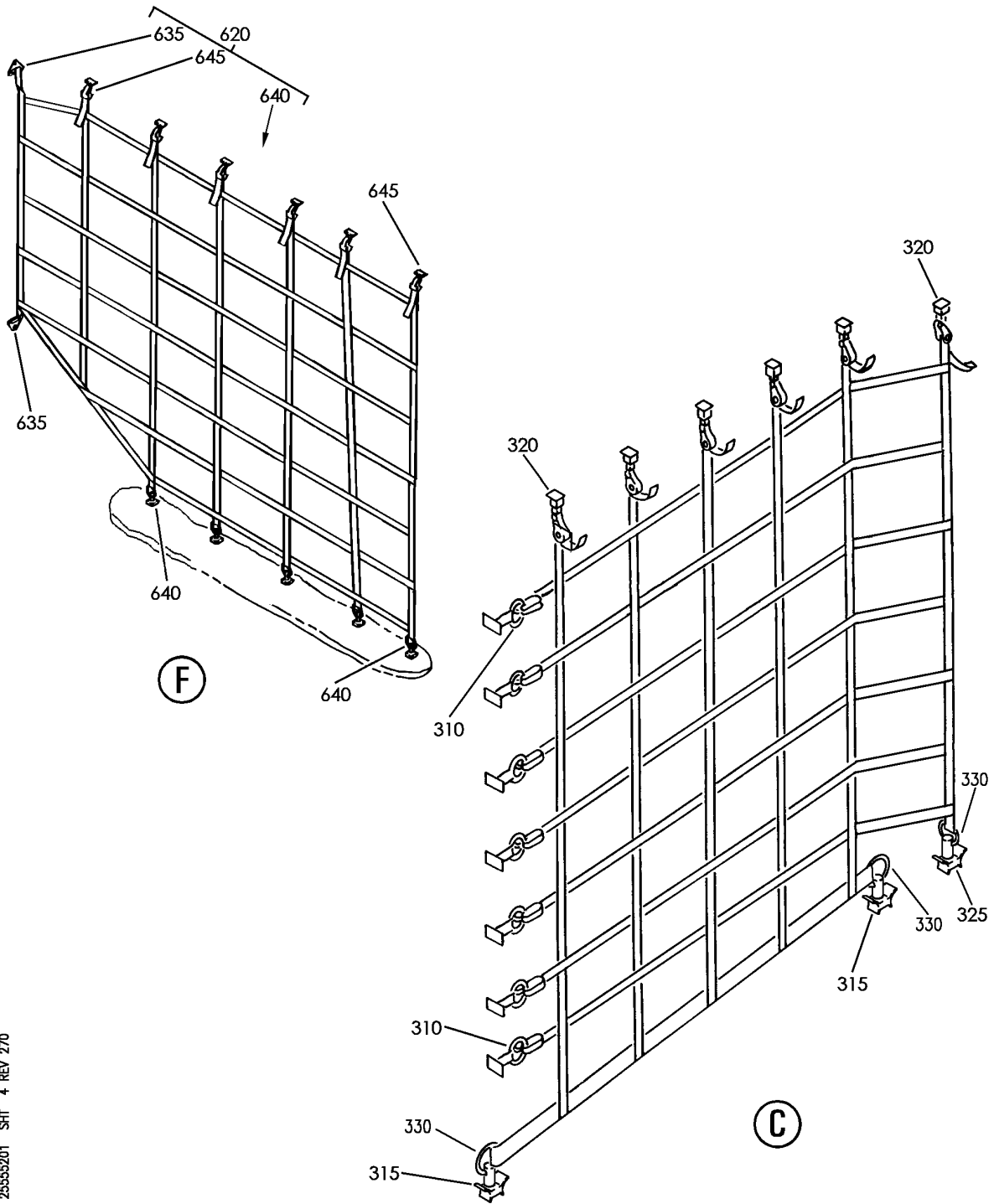
NET INSTL-SECT. 46 BULK CARGO COMPT DOOR
FIGURE 1 (SHEET 1)

25-55-52-01

HXL
DEC 22/06

25-55-52-01
PAGE 0

BOEING
767
PARTS CATALOG (MAINTENANCE)



V 25555201 SH1 4 REV 270

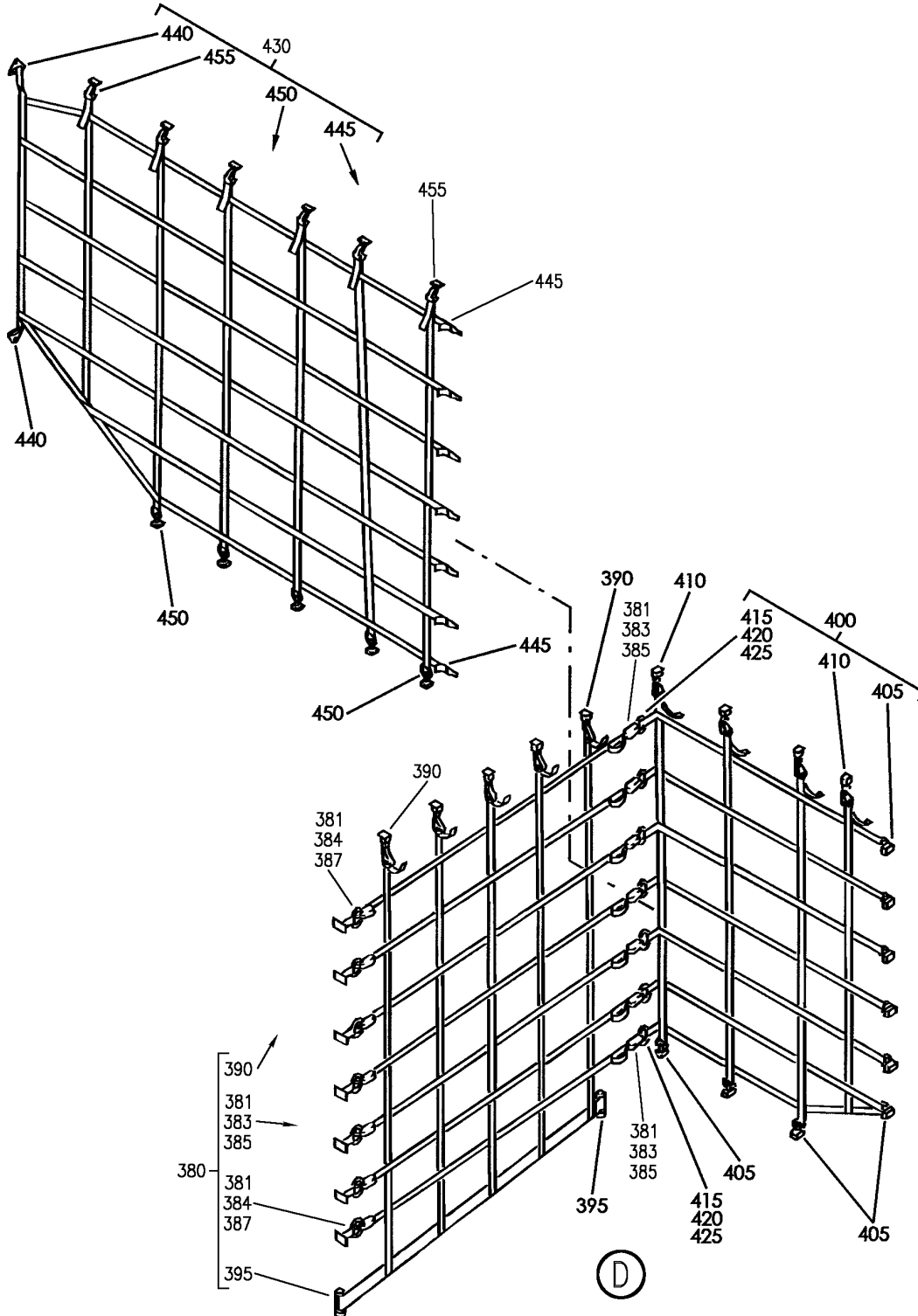
NET INSTL-SECT. 46 BULK CARGO COMPT DOOR
FIGURE 1 (SHEET 4)

25-55-52-01

HXL
DEC 22/06

25-55-52-01
PAGE 0C


BOEING
 767
PARTS CATALOG (MAINTENANCE)



V 25555201 SH1 5 REV 323

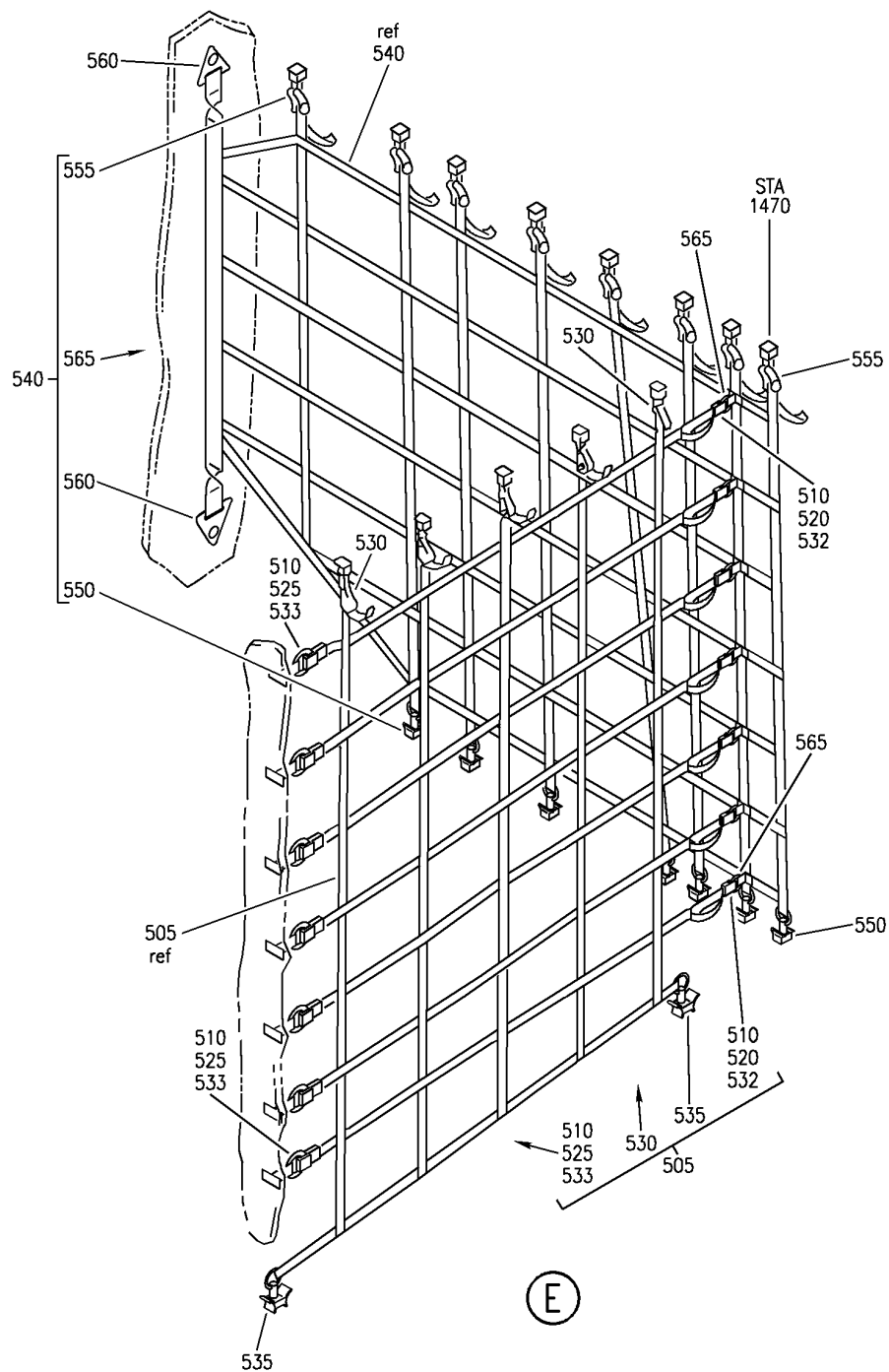
NET INSTL-SECT. 46 BULK CARGO COMPT DOOR
FIGURE 1 (SHEET 5)

25-55-52-01

HXL
DEC 22/07

25-55-52-01
PAGE 0D

BOEING
767
PARTS CATALOG (MAINTENANCE)



V 25555201 SHT 6 REV 323

NET INSTL-SECT. 46 BULK CARGO COMPT DOOR
FIGURE 1 (SHEET 6)

25-55-52-01

HXL
DEC 22/07

25-55-52-01
PAGE 0E



767

PARTS CATALOG (MAINTENANCE)

FIG ITEM	PART NUMBER	1 2 3 4 5 6 7	NOMENCLATURE	EFFECT FROM TO	UNITS PER ASSY
1			NET INSTL-SECT. 46 BULK CARGO COMPT DOOR		
175	452T3203-4		NET INSTL-BULK CARGO COMPT DOOR		RF
180	452T3217-15		POSITION DATA: SECT. 46 FOR NHA SEE: 25-50-00-01 .NET ASSY-DIVIDER COMPONENT MAINT MANUAL REF: 25-50-11		1
- 185	NAS623-3-4		ATTACHING PARTS .SCREW		2
190	10730		-----*----- ..FITTING-TIEDOWN SUPPLIER CODE: V32707		5
190	40340-10		..FITTING-TIEDOWN SUPPLIER CODE: V31272		5
195	24089-51		..FITTING-TRACK SUPPLIER CODE: V32707		6
195	40041-11		..FITTING-TRACK SUPPLIER CODE: V31272		6
200	452T3271-1		..FITTING-ATTACH		2
205	452T3213-1		.NET ASSY- COMPONENT MAINT MANUAL REF: 25-50-11		1
210	10730		..FITTING-TIEDOWN SUPPLIER CODE: V32707 OPTIONAL PART: 40340-10 V31272		10
210	40340-10		..FITTING-TIEDOWN SUPPLIER CODE: V31272 OPTIONAL PART: 10730 V32707		10
210	40340-20		..FITTING-TIEDOWN SUPPLIER CODE: V31272		10

ILLUSTRATION ITEMS NOT ON PARTS LIST ARE NOT APPLICABLE

- ITEM NOT ILLUSTRATED

HXL

25-55-52-01

BOEING PROPRIETARY - Copyright © - Unpublished Work - See title page for details.

25-55-52
FIG. 01
PAGE 1
DEC 22/08



767

PARTS CATALOG (MAINTENANCE)

FIG ITEM	PART NUMBER	1 2 3 4 5 6 7	NOMENCLATURE	EFFECT FROM TO	UNITS PER ASSY
1					
220	42302-103		.. FITTING-TRACK SUPPLIER CODE: V32707 OPTIONAL PART: 40041-16 V31272 CCI1009-1A V16880		5
220	40041-16		.. FITTING-TRACK SUPPLIER CODE: V31272 OPTIONAL PART: 42302-103 V32707 CCI1009-1A V16880		5
220	CCI1009-1A		.. FITTING-BREAKAWAY SUPPLIER CODE: V16880 OPTIONAL PART: 40041-16 V31272 42302-103 V32707		5

ILLUSTRATION ITEMS NOT ON PARTS LIST ARE NOT APPLICABLE

- ITEM NOT ILLUSTRATED

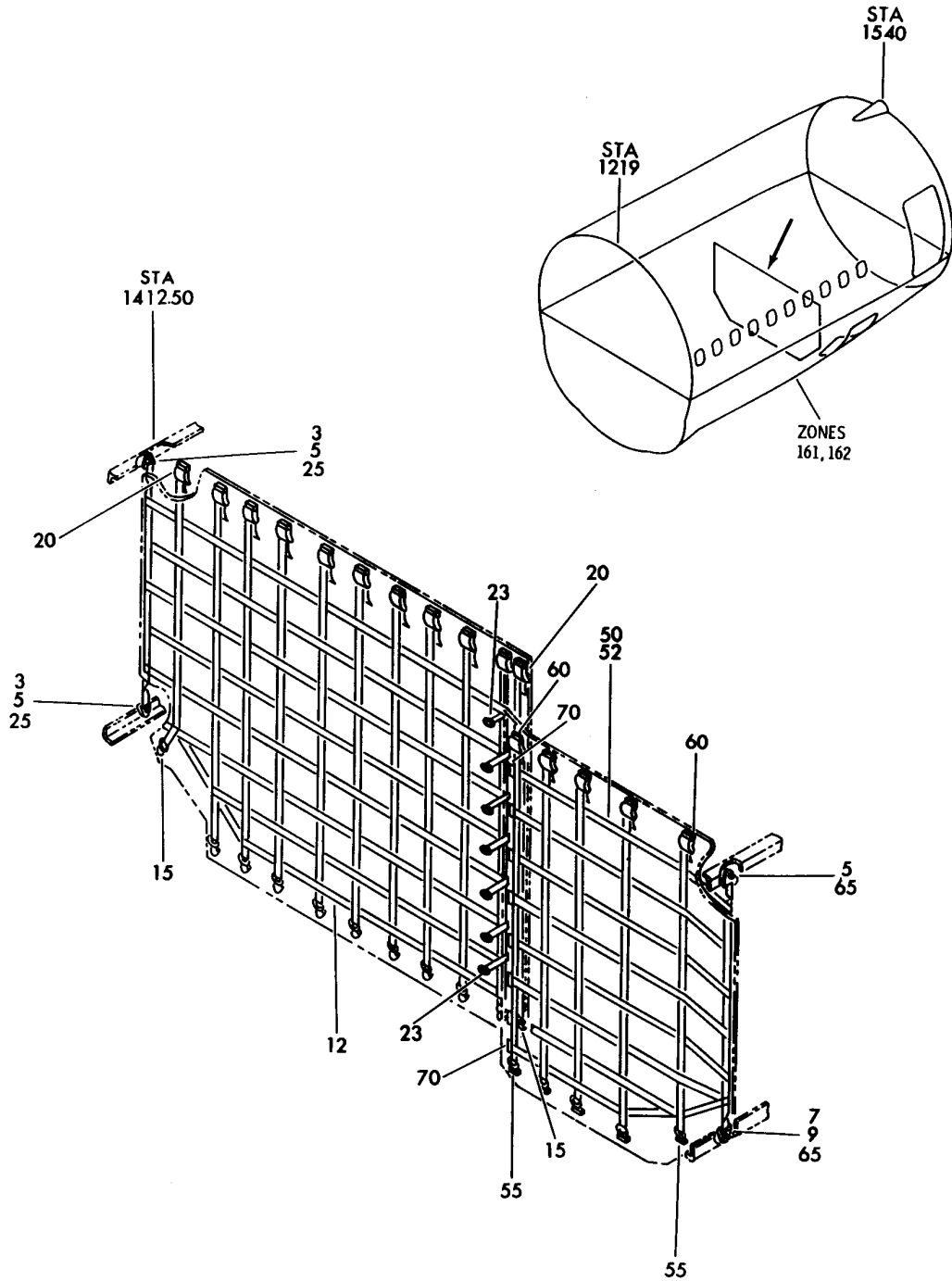
HXL

25-55-52-01

BOEING PROPRIETARY - Copyright © - Unpublished Work - See title page for details.

25-55-52
FIG. 01
PAGE 2
AUG 22/08

BOEING
767
PARTS CATALOG (MAINTENANCE)



V 25555205 REV 124

NET INSTL-SECT. 46 CARGO COMPT DIVIDER
FIGURE 5

25-55-52-05

HXL
DEC 22/06

25-55-52-05
PAGE 0

 **BOEING**
767
PARTS CATALOG (MAINTENANCE)

FIG ITEM	PART NUMBER	1 2 3 4 5 6 7	NOMENCLATURE	EFFECT FROM TO	UNITS PER ASSY
5			NET INSTL-SECT. 46 CARGO COMPT DIVIDER		
- 1	452T3201-7		NET INSTL-CARGO COMPT DIVIDER POSITION DATA: SECT. 46 FOR NHA SEE: 25-50-00-01		RF
5	NAS623-3-4		.SCREW		3
7	NAS623-3-5		.SCREW		1
9	AN970-3		.WASHER		1
12	452T3211-48		.NET ASSY- COMPONENT MAINT MANUAL REF: 25-50-11		1
15	44192-11		..HOOK ASSY- SUPPLIER CODE: V31272		11
15	44192-10		..HOOK ASSY- SUPPLIER CODE: V31272		11
20	42302-102		..FITTING-TRACK SUPPLIER CODE: V32707 OPTIONAL PART: 40041-15 V31272		11
20	40041-15		..FITTING-TRACK SUPPLIER CODE: V31272 OPTIONAL PART: 42302-102 V32707		11
20	40041-55		..FITTING-TRACK SUPPLIER CODE: V31272		11
23	22141W28-8TC2		..RING- SUPPLIER CODE: V32707 OPTIONAL PART: 40171W28-8 V31272		7
23	40171W28-8		..RING- SUPPLIER CODE: V31272 OPTIONAL PART: 22141W28-8TC2 V32707		7
25	452T3271-1		..FITTING-NET		2

ILLUSTRATION ITEMS NOT ON PARTS LIST ARE NOT APPLICABLE

- ITEM NOT ILLUSTRATED

HXL

25-55-52-05

BOEING PROPRIETARY - Copyright © - Unpublished Work - See title page for details.

25-55-52
FIG. 05
PAGE 1
APR 22/07



767

PARTS CATALOG (MAINTENANCE)

FIG ITEM	PART NUMBER	1 2 3 4 5 6 7	NOMENCLATURE	EFFECT FROM TO	UNITS PER ASSY
5					
52	452T3214-48		.NET ASSY- COMPONENT MAINT MANUAL REF: 25-50-11		1
55	10730		.. FITTING-TIEDOWN SUPPLIER CODE: V32707 OPTIONAL PART: 40340-10 V31272		5
55	40340-10		.. FITTING-TIEDOWN SUPPLIER CODE: V31272 OPTIONAL PART: 10730 V32707		5
55	40340-20		.. FITTING-TIEDOWN SUPPLIER CODE: V31272		5
55	42546-10		.. FITTING-RING SUPPLIER CODE: V31272		5
55	10730-513		.. FITTING-TIEDOWN SUPPLIER CODE: V95957		5
60	24089-51		.. FITTING-TRACK SUPPLIER CODE: V32707 OPTIONAL PART: 40041-11 V31272		5
60	40041-11		.. FITTING-TRACK SUPPLIER CODE: V31272 OPTIONAL PART: 24089-51 V32707		5
60	40041-12		.. FITTING-TRACK SUPPLIER CODE: V31272		5
60	40041-52		.. FITTING-TRACK SUPPLIER CODE: V31272		5
65	452T3271-1		.. FITTING-NET		2
70	44004-10		.. LATCH-TIEDOWN SUPPLIER CODE: V31272 OPTIONAL PART: 45387-11 V31272		8
ILLUSTRATION ITEMS NOT ON PARTS LIST ARE NOT APPLICABLE					

- ITEM NOT ILLUSTRATED

25-55-52-05

25-55-52
FIG. 05
PAGE 2
DEC 22/08

HXL



767
PARTS CATALOG (MAINTENANCE)

FIG ITEM	PART NUMBER	1 2 3 4 5 6 7	NOMENCLATURE	EFFECT FROM TO	UNITS PER ASSY
5 70	45387-11		. . LATCH-TIEDOWN SUPPLIER CODE: V31272 OPTIONAL PART: 44004-10 V31272		8

ILLUSTRATION ITEMS NOT ON PARTS LIST ARE NOT APPLICABLE

- ITEM NOT ILLUSTRATED

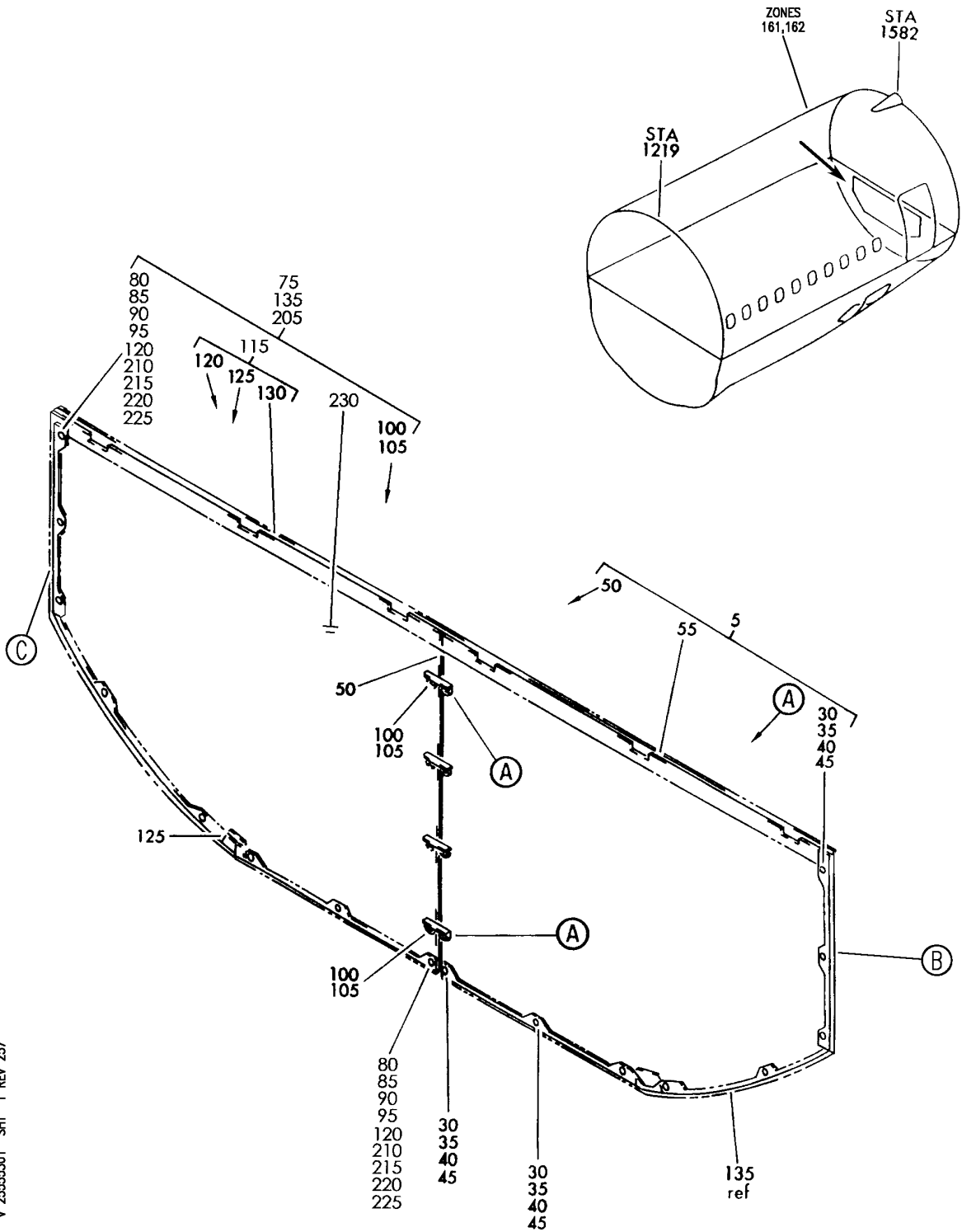
HXL

25-55-52-05

BOEING PROPRIETARY - Copyright © - Unpublished Work - See title page for details.

25-55-52
FIG. 05
PAGE 3
AUG 22/08

BOEING
767
PARTS CATALOG (MAINTENANCE)



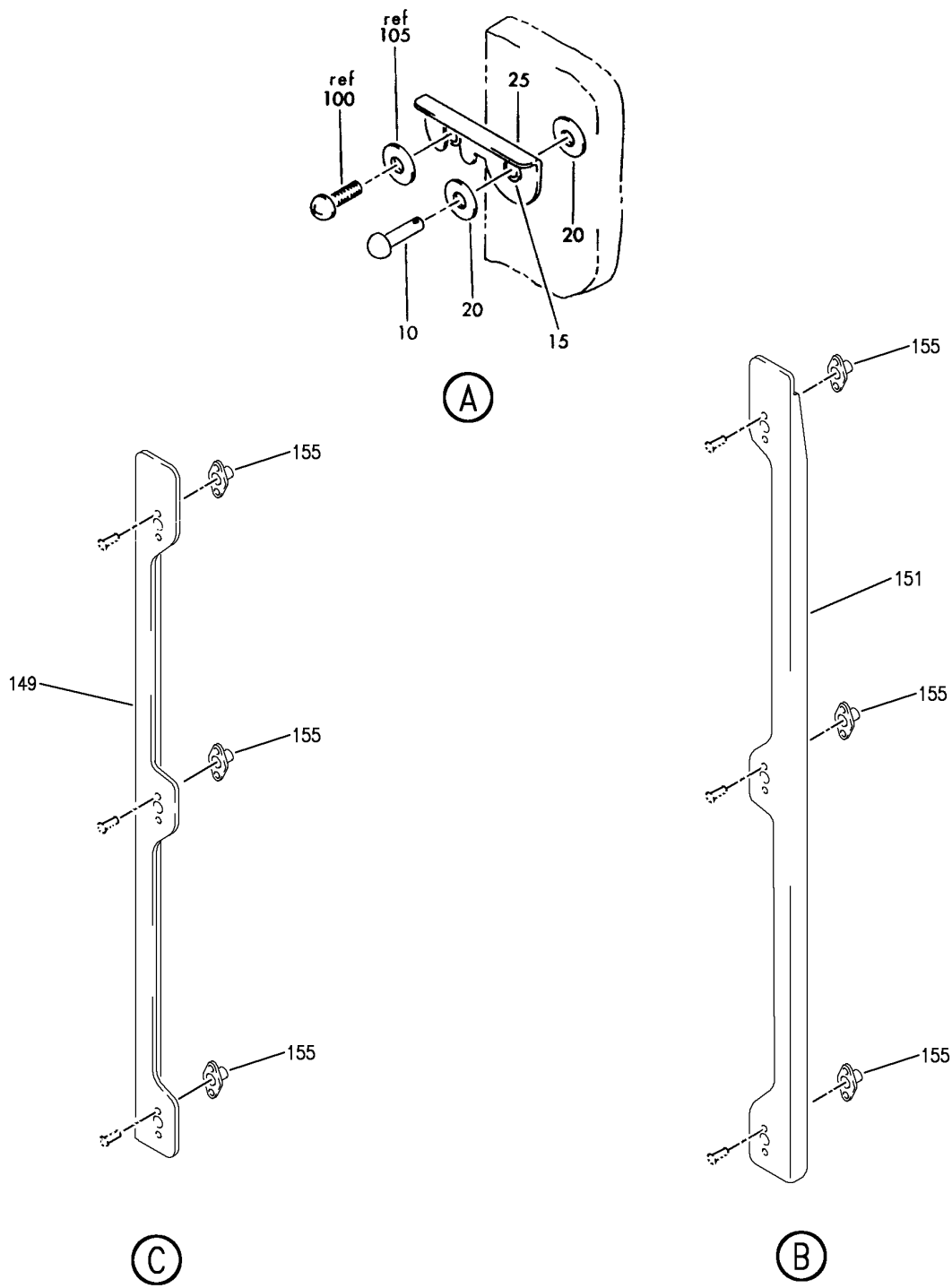
LINING INSTL-SECT. 46 STA 1540 BULK CARGO COMPT END
FIGURE 1 (SHEET 1)

25-55-53-01

HXL
DEC 22/06

25-55-53-01
PAGE 0

BOEING
767
PARTS CATALOG (MAINTENANCE)



V 25555301 SH1 2 REV 257

LINING INSTL-SECT. 46 STA 1540 BULK CARGO COMPT END
FIGURE 1 (SHEET 2)

25-55-53-01

HXL
DEC 22/06

25-55-53-01
PAGE 0A

BOEING PROPRIETARY - Copyright © - Unpublished Work - See title page for details.



767

PARTS CATALOG (MAINTENANCE)

FIG ITEM	PART NUMBER	1 2 3 4 5 6 7	NOMENCLATURE	EFFECT FROM TO	UNITS PER ASSY
1			LINING INSTL-SECT. 46 STA 1540 BULK CARGO COMPT END		
- 1	453T1305-2		LINING INSTL-BULK CARGO COMPT END POSITION DATA: SECT. 46 STA 1540 FOR NHA SEE: 25-50-00-01B		RF
5	453T1933-23		.PANEL ASSY- POSITION DATA: LH		1
10	MS20392-2C31		..PIN		4
15	SL5107A3-670		..INSERT- SUPPLIER CODE: V97393		4
20	AN970-3		..WASHER		8
30	40S5-29		..STUD ASSY- SUPPLIER CODE: VR1286 SPECIFICATION NUMBER: BACS21X29R		8
35	4002N		..GROMMET SUPPLIER CODE: V71286 SPECIFICATION NUMBER: BACG20X3 OPTIONAL PART: 1142901-2 V60119		8
40	1142703		..WASHER SUPPLIER CODE: V60119 SPECIFICATION NUMBER: BACW10X1 OPTIONAL PART: 4002SW V71286		8
45	BACR12X1		..RING		8
50	453T1933-21		..SEAL-		1
55	453T1933-25		..PANEL ASSY-PARTIAL POSITION DATA: L		1
60	453T1934-1		...LATCH		4
75	453T1933-22		.PANEL ASSY- POSITION DATA: RH		1
ILLUSTRATION ITEMS NOT ON PARTS LIST ARE NOT APPLICABLE					

- ITEM NOT ILLUSTRATED

25-55-53-01

25-55-53
FIG. 01
PAGE 1
DEC 22/07

HXL



767

PARTS CATALOG (MAINTENANCE)

FIG ITEM	PART NUMBER	1 2 3 4 5 6 7	NOMENCLATURE	EFFECT FROM TO	UNITS PER ASSY
1					
80	40S5-29	..	STUD ASSY- SUPPLIER CODE: VR1286 SPECIFICATION NUMBER: BACS21X29R		8
85	4002N	..	GROMMET SUPPLIER CODE: V71286 SPECIFICATION NUMBER: BACG20X3 OPTIONAL PART: 1142901-2 V60119		8
90	1142703	..	WASHER SUPPLIER CODE: V60119 SPECIFICATION NUMBER: BACW10X1 OPTIONAL PART: 4002SW V71286		8
95	BACR12X1	..	RING		8
100	BACS12FA3K8	..	SCREW-		4
105	AN970-3	..	WASHER		4
115	453T1933-24	..	PANEL ASSY-PARTIAL POSITION DATA: R USED ON: 453T1933-22		1
120	453T1934-2	...	WASHER		8
125	453T1934-4	...	PLATE-		1
130	453T1933-26	...	PANEL-		1

ILLUSTRATION ITEMS NOT ON PARTS LIST ARE NOT APPLICABLE

- ITEM NOT ILLUSTRATED

HXL

25-55-53-01

BOEING PROPRIETARY - Copyright © - Unpublished Work - See title page for details.

25-55-53
FIG. 01
PAGE 2
DEC 22/07