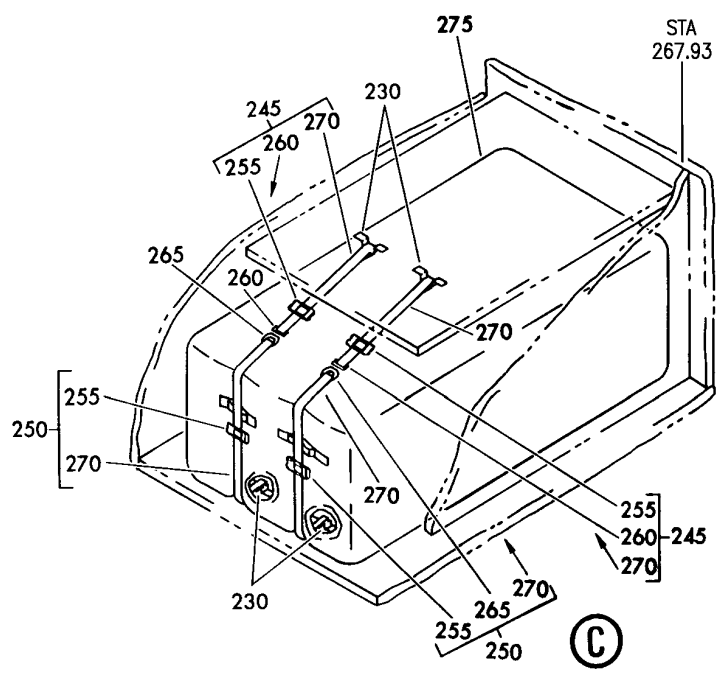
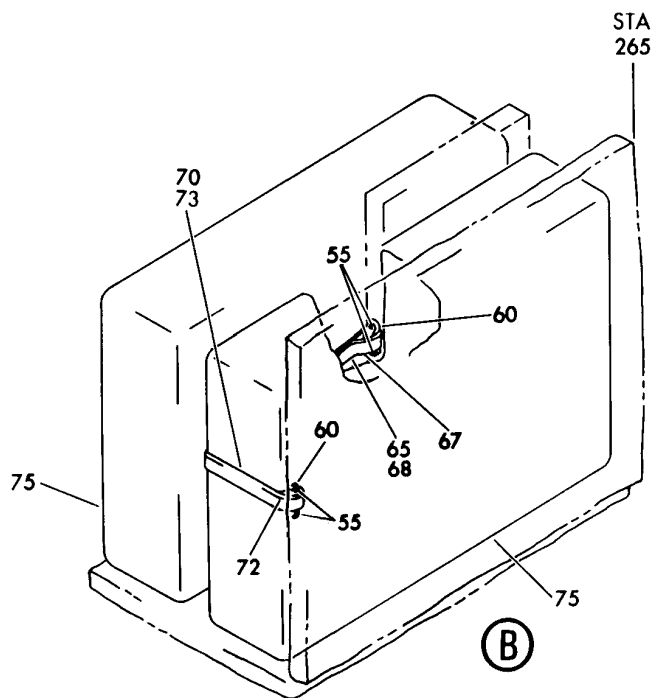


OVERWATER SURVIVAL EQUIPMENT

HXL
DEC 22/06

25-62-00
SECTION TITLE
PAGE 1

BOEING
767
PARTS CATALOG (MAINTENANCE)



V 25625103 SH1 2 REV 329

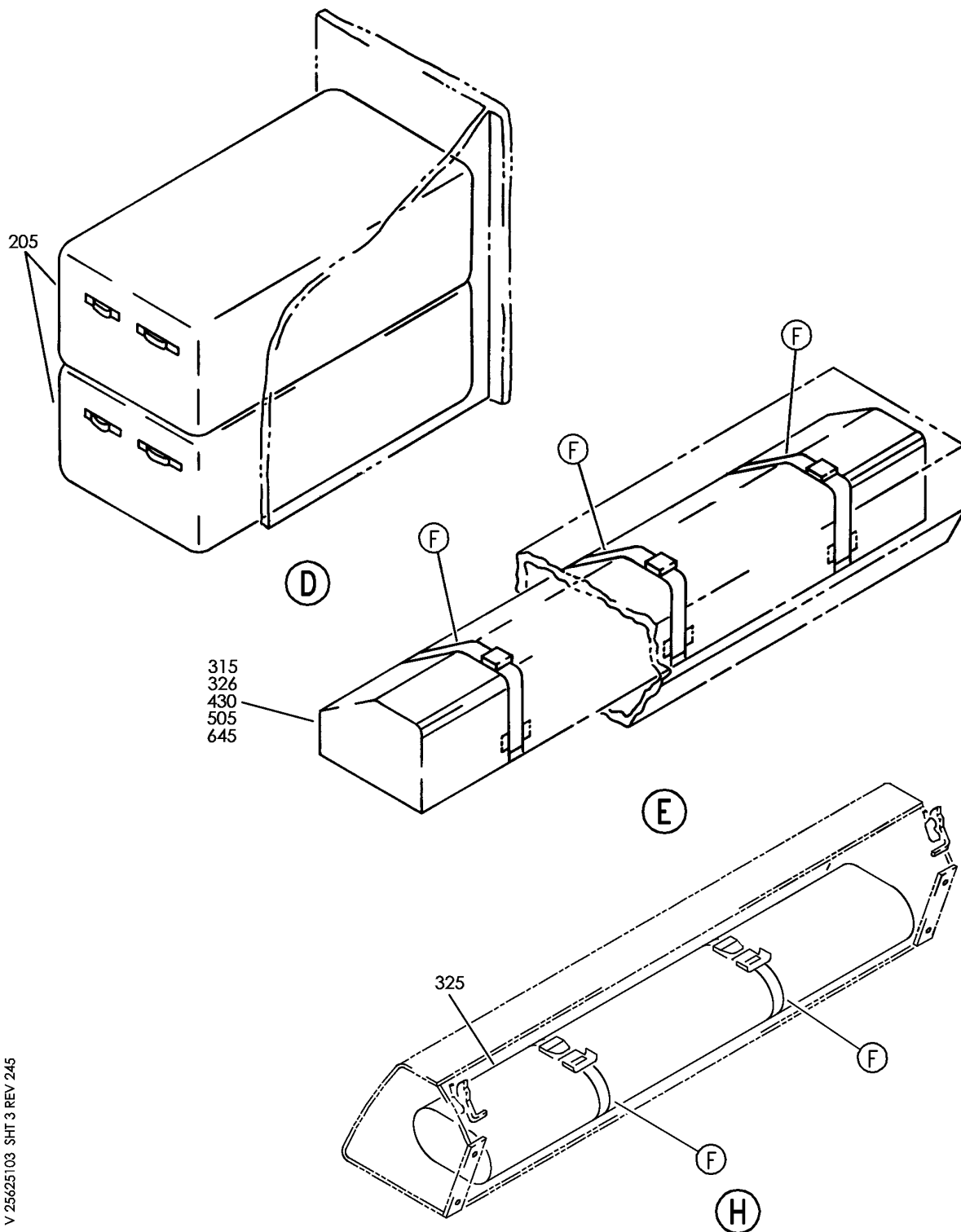
RAFT INSTL-LIFE
FIGURE 3 (SHEET 2)

25-62-51-03

HXL
AUG 22/08

25-62-51-03
PAGE 0A

BOEING
767
PARTS CATALOG (MAINTENANCE)



V 25625103 SHT 3 REV 245

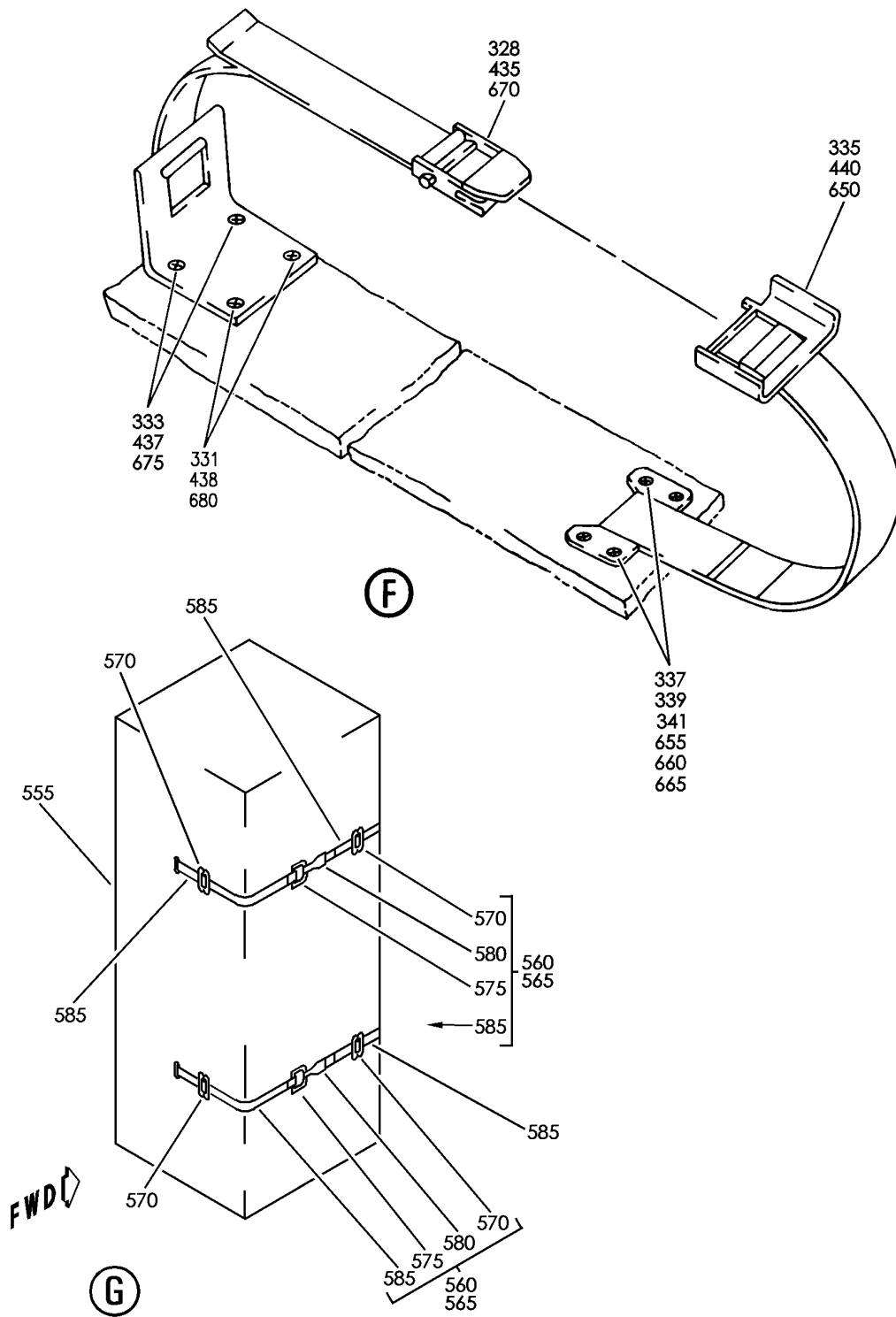
RAFT INSTL-LIFE
FIGURE 3 (SHEET 3)

25-62-51-03

HXL
DEC 22/06

25-62-51-03
PAGE 0B

BOEING
767
PARTS CATALOG (MAINTENANCE)



V 25625103 SHT 4 REV 323

RAFT INSTL-LIFE
FIGURE 3 (SHEET 4)

25-62-51-03

HXL
DEC 22/07

25-62-51-03
PAGE 0C



767

PARTS CATALOG (MAINTENANCE)

FIG ITEM	PART NUMBER	1 2 3 4 5 6 7	NOMENCLATURE	EFFECT FROM TO	UNITS PER ASSY
3			RAFT INSTL-LIFE	155162	
- 225	416T2840-8		RAFT INSTL-CL CLOSET LIFE POSITION DATA: STA 267 FORWARD STA 267 FOR NHA SEE: 25-20-00-16	155162	RF
230	416T2839-1		.FITTING-TIE DOWN STRAP ATTACHING PARTS	155162	4
- 235	NAS603-8P		.SCREW	155162	8
- 240	NAS620-10L		.WASHER	155162	8
			-----*-----		
245	416T2838-43		.STRAP ASSY	155162	2
250	416T2838-42		.STRAP ASSY	155162	2
255	02300-1		..SLIDE-STRAP SUPPLIER CODE: V76786 SPECIFICATION NUMBER: BACS10A3	155162	1
260	21510-51		..LATCH-SNAP SUPPLIER CODE: V95957 USED ON: 416T2838-43	155162	1
265	22340-52W6TC2		..RING- SUPPLIER CODE: V32707 OPTIONAL PART: 22340-52W9TC2 V32707 USED ON: 416T2838-43	155162	1
265	22340-52W18TC2		..RING- SUPPLIER CODE: V32707 OPTIONAL PART: 22340-52W9TC2 V32707 USED ON: 416T2838-42	155162	1
265	22340-52W9TC2		..RING- SUPPLIER CODE: V32707 OPTIONAL PART: 22340-52W6TC2 V32707 22340-52W18TC2 V32707 USED ON: 416T2838-42	155162	1

ILLUSTRATION ITEMS NOT ON PARTS LIST ARE NOT APPLICABLE

- ITEM NOT ILLUSTRATED

HXL

25-62-51-03

BOEING PROPRIETARY - Copyright © - Unpublished Work - See title page for details.

25-62-51
FIG. 03
PAGE 1
AUG 22/08



767

PARTS CATALOG (MAINTENANCE)

FIG ITEM	PART NUMBER	1 2 3 4 5 6 7	NOMENCLATURE	EFFECT FROM TO	UNITS PER ASSY
3					
270	416T2838-28		. . STRAP-NYLON	155162	1
275	D23940-137		. LIFE RAFT-46 PERSON (CUSTOMER FURNISHED) SUPPLIER CODE: V70167 COMPONENT MAINT MANUAL REF: 25-60-10	155162	1
275	63800-105		. RAFT-46 PERSON (CUSTOMER FURNISHED) SUPPLIER CODE: V70167	155162	1

ILLUSTRATION ITEMS NOT ON PARTS LIST ARE NOT APPLICABLE

- ITEM NOT ILLUSTRATED

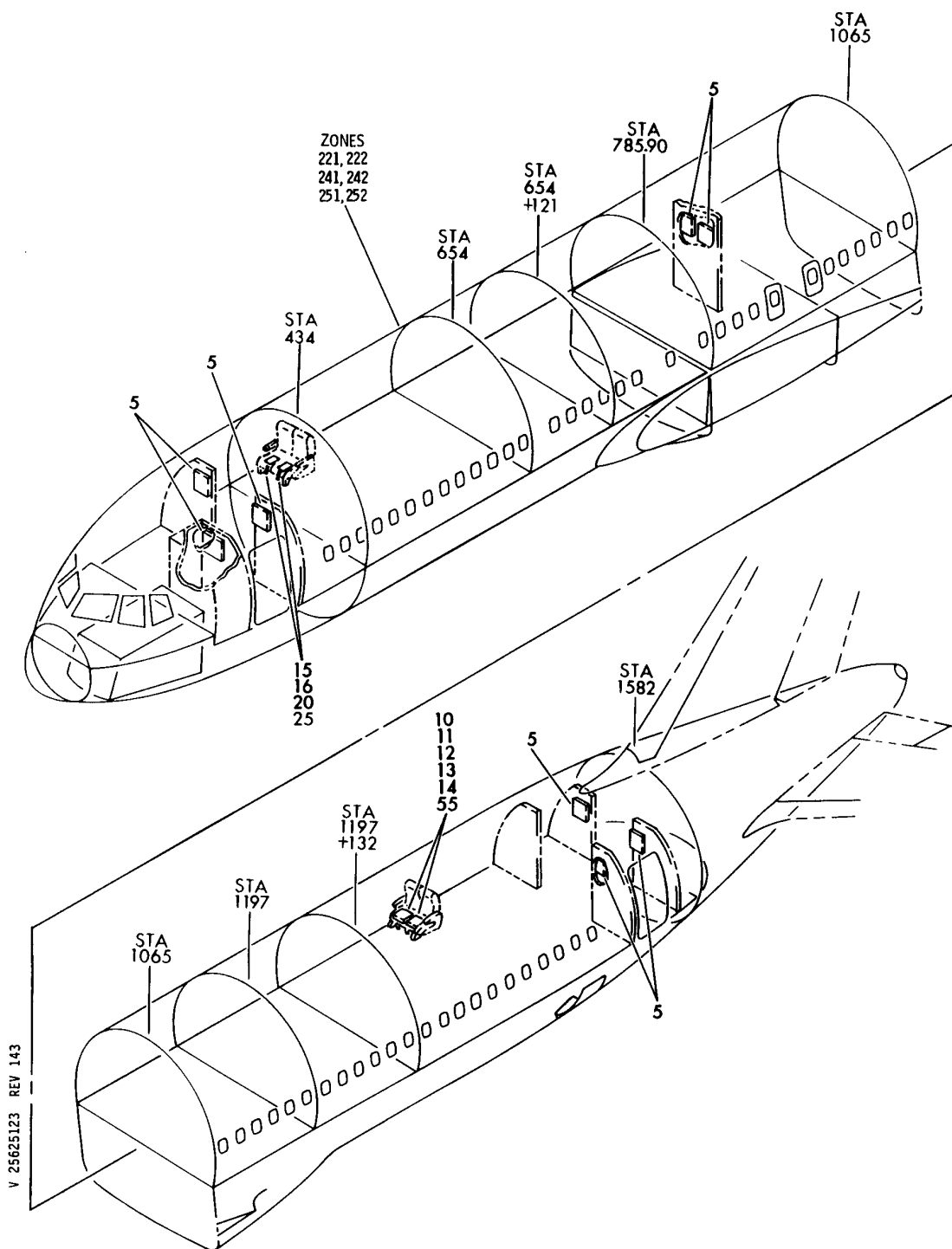
HXL

25-62-51-03

BOEING PROPRIETARY - Copyright © - Unpublished Work - See title page for details.

25-62-51
FIG. 03
PAGE 2
DEC 22/07

BOEING
767
PARTS CATALOG (MAINTENANCE)



V 25625123 REV 143

EQUIPMENT INSTL-SAS EMER (OVERWATER SURVIVAL EQUIPMENT ONLY)
FIGURE 23

25-62-51-23

HXL
DEC 22/06

25-62-51-23
PAGE 0



767

PARTS CATALOG (MAINTENANCE)

FIG ITEM	PART NUMBER	1 2 3 4 5 6 7	NOMENCLATURE	EFFECT FROM TO	UNITS PER ASSY
23			EQUIPMENT INSTL-SAS EMER (OVERWATER SURVIVAL EQUIPMENT ONLY)		
- 1	416T1000-196		EQUIPMENT INSTL-SAS EMER (OVERWATER SURVIVAL EQUIPMENT ONLY)	163999	RF
- 1	416T1000-253		FOR NHA/OTHER SYS DET SEE: 25-20-00-16 EQUIPMENT INSTL-SAS EMER (OVERWATER SURVIVAL EQUIPMENT ONLY)	155162	RF
5	S11851-2300		.LIFE VEST-(CUSTOMER FURNISHED) SUPPLIER CODE: V78673 OPTIONAL PART: S21850-7300 V78673		8
5	S21850-7300		.LIFE VEST-(CUSTOMER FURNISHED) SUPPLIER CODE: V78673 OPTIONAL PART: S11851-2300 V78673		8
12	S11851-1300		.LIFE VEST-(CUSTOMER FURNISHED) SUPPLIER CODE: V78673 OPTIONAL PART: S21850-6300 V78673	163999	202
12	S21850-6300		.LIFE VEST-(CUSTOMER FURNISHED) SUPPLIER CODE: V78673 OPTIONAL PART: S11850-1300 V78673	163999	202
13	S11851-1300		.LIFE VEST-(CUSTOMER FURNISHED) SUPPLIER CODE: V78673 OPTIONAL PART: S21850-6300 V78673	155162	226

ILLUSTRATION ITEMS NOT ON PARTS LIST ARE NOT APPLICABLE

- ITEM NOT ILLUSTRATED

HXL

25-62-51-23

BOEING PROPRIETARY - Copyright © - Unpublished Work - See title page for details.

25-62-51
FIG. 23
PAGE 1
DEC 22/07



767

PARTS CATALOG (MAINTENANCE)

FIG ITEM	PART NUMBER	1 2 3 4 5 6 7	NOMENCLATURE	EFFECT FROM TO	UNITS PER ASSY
23					
13	S21850-6300		.LIFE VEST-(CUSTOMER FURNISHED) SUPPLIER CODE: V78673 OPTIONAL PART: S11850-1300 V78673	155162	226
16	BIL5354		.STRAP-LIFE VEST (CUSTOMER FURNISHED) SUPPLIER CODE: VK3996 MISCELLANEOUS DATA: (ONE IN EACH TOURIST CLASS AND CREW REST SEAT) QUALIFIED I/W DATA: COMPLETELY I/W DEPENDING ON CUSTOMER PREFERENCE OPTIONAL PART: BIL5354-1 VK3996	163999	122
16	BIL5354-1		.STRAP-LIFE VEST (CUSTOMER FURNISHED) SUPPLIER CODE: VK3996 MISCELLANEOUS DATA: (ONE IN EACH TOURIST CLASS AND CREW REST SEAT) QUALIFIED I/W DATA: COMPLETELY I/W DEPENDING ON CUSTOMER PREFERENCE OPTIONAL PART: BIL5354 VK3996	163999	122
20	BIL5354		.STRAP-LIFE VEST (CUSTOMER FURNISHED) SUPPLIER CODE: VK3996 MISCELLANEOUS DATA: (ONE IN EACH TOURIST CLASS AND CREW REST SEAT) QUALIFIED I/W DATA: COMPLETELY I/W DEPENDING ON CUSTOMER PREFERENCE OPTIONAL PART: BIL5354-1 VK3996	155162	186
ILLUSTRATION ITEMS NOT ON PARTS LIST ARE NOT APPLICABLE					

- ITEM NOT ILLUSTRATED

25-62-51-23

25-62-51
FIG. 23
PAGE 2
DEC 22/07

HXL



767

PARTS CATALOG (MAINTENANCE)

FIG ITEM	PART NUMBER	1 2 3 4 5 6 7	NOMENCLATURE	EFFECT FROM TO	UNITS PER ASSY
23 20	BIL5354-1		. STRAP-LIFE VEST (CUSTOMER FURNISHED) SUPPLIER CODE: VK3996 MISCELLANEOUS DATA: (ONE IN EACH TOURIST CLASS AND CREW REST SEAT) QUALIFIED I/W DATA: COMPLETELY I/W DEPENDING ON CUSTOMER PREFERENCE OPTIONAL PART: BIL5354 VK3996	155162	186

ILLUSTRATION ITEMS NOT ON PARTS LIST ARE NOT APPLICABLE

- ITEM NOT ILLUSTRATED

HXL

25-62-51-23

BOEING PROPRIETARY - Copyright © - Unpublished Work - See title page for details.

25-62-51
FIG. 23
PAGE 3
DEC 22/06