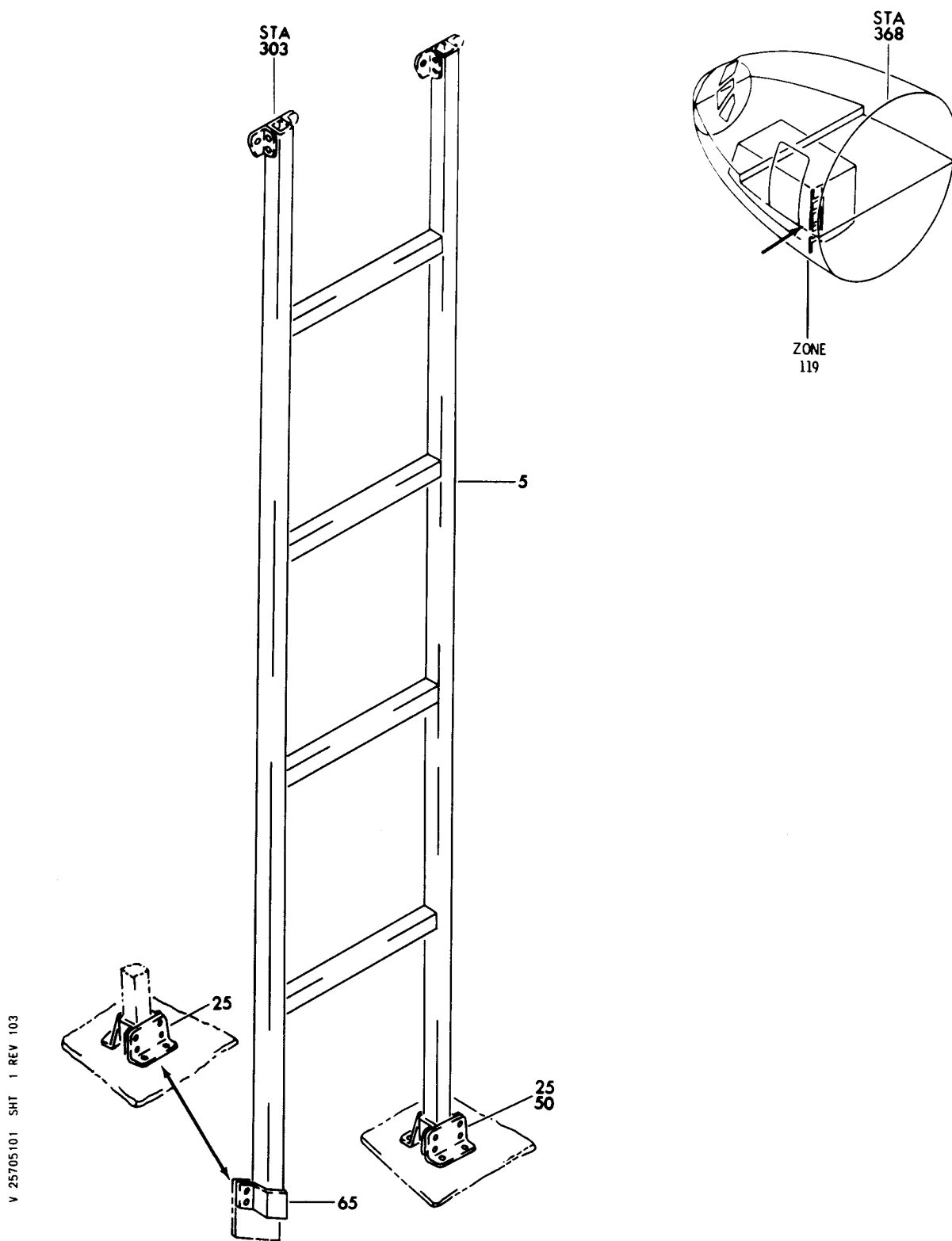


ACCESSORY COMPARTMENTS

HXL
DEC 22/06

25-70-00
SECTION TITLE
PAGE 1

BOEING
767
PARTS CATALOG (MAINTENANCE)



LADDER INSTL-IN FLIGHT MAIN EQPT CTR
FIGURE 1

25-70-51-01

HXL
DEC 22/06

25-70-51-01
PAGE 0



767

PARTS CATALOG (MAINTENANCE)

FIG ITEM	PART NUMBER	1 2 3 4 5 6 7	NOMENCLATURE	EFFECT FROM TO	UNITS PER ASSY
1			LADDER INSTL-IN FLIGHT MAIN EQPT CTR		
- 1	284T0042-2		LADDER INSTL-IN FLIGHT MAIN EQPT CTR FOR NHA SEE: 24-00-58-02		RF
5	284T0730-11		.LADDER ASSY ATTACHING PARTS		1
- 10	NAS6603-3		.BOLT		4
- 15	AN960PD10		.WASHER-		4
- 15	AN960JD10		.WASHER-		4
- 20	BRH10A3		.NUT		4
			SUPPLIER CODE: V52828 SPECIFICATION NUMBER: BACN10JC3 OPTIONAL PART: H10-3BAC V15653 NS202101-02 V80539 RMLH9075-3W V72962 VN303A02 V92215 96-02 V80539 T6S1032J V11815		
			-----*-----		
50	284T0729-1		.SUPPORT ASSY ATTACHING PARTS		1
- 55	NAS1801-3-6		.SCREW		4
- 60	AN960PD10		.WASHER-		4
- 60	AN960JD10		.WASHER-		4
			-----*-----		
65	284T1059-1		.SUPPORT ATTACHING PARTS		1
- 70	NAS6603-3		.BOLT		4
- 75	AN960PD10		.WASHER-		4
- 75	AN960JD10		.WASHER-		4

ILLUSTRATION ITEMS NOT ON PARTS LIST ARE NOT APPLICABLE

- ITEM NOT ILLUSTRATED

HXL

25-70-51-01

BOEING PROPRIETARY - Copyright © - Unpublished Work - See title page for details.

25-70-51
FIG. 01
PAGE 1
APR 22/09



767
PARTS CATALOG (MAINTENANCE)

FIG ITEM	PART NUMBER	1 2 3 4 5 6 7	NOMENCLATURE	EFFECT FROM TO	UNITS PER ASSY
1 - 80	BRH10A3		.NUT SUPPLIER CODE: V52828 SPECIFICATION NUMBER: BACN10JC3 OPTIONAL PART: H10-3BAC V15653 NS202101-02 V80539 RMLH9075-3W V72962 VN303A02 V92215 96-02 V80539 T6S1032J V11815 -----*-----		4

ILLUSTRATION ITEMS NOT ON PARTS LIST ARE NOT APPLICABLE

- ITEM NOT ILLUSTRATED

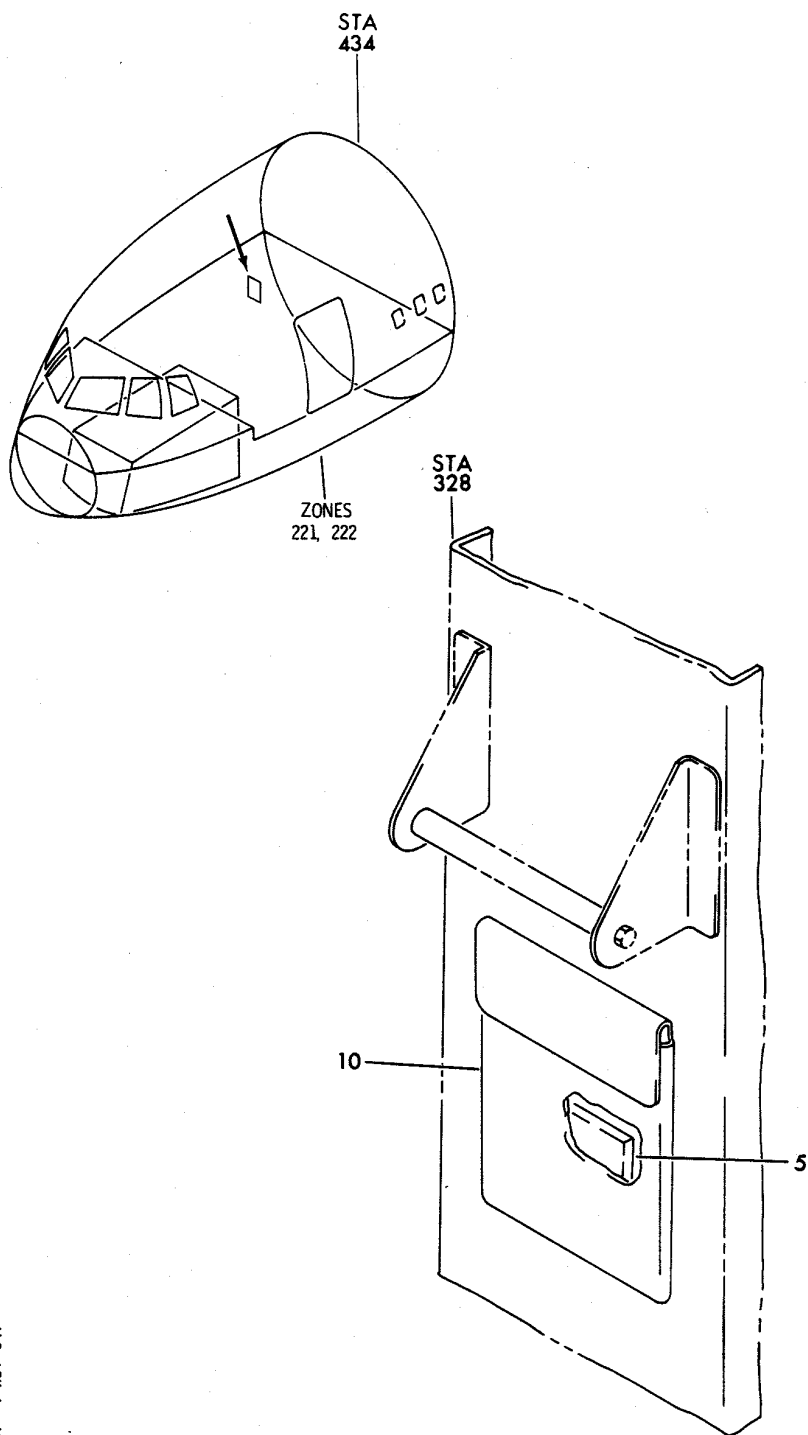
HXL

25-70-51-01

BOEING PROPRIETARY - Copyright © - Unpublished Work - See title page for details.

25-70-51
FIG. 01
PAGE 2
DEC 22/07

BOEING
767
PARTS CATALOG (MAINTENANCE)



V 25705305 SH1 1 REV 047

BAG INSTL-GROUNDING WRIST STRAP STOWAGE (EQUIPMENT/FURNISHINGS ONLY)
FIGURE 5

25-70-53-05

HXL
DEC 22/06

25-70-53-05
PAGE 0



767

PARTS CATALOG (MAINTENANCE)

FIG ITEM	PART NUMBER	1 2 3 4 5 6 7	NOMENCLATURE	EFFECT FROM TO	UNITS PER ASSY
5			BAG INSTL-GROUNDING WRIST STRAP STOWAGE (EQUIPMENT/FURNISHINGS ONLY)		
- 1	284T1185-1		BAG INSTL-GND WRIST STRAP STOWAGE (EQUIPMENT/FURNISHINGS ONLY) FOR NHA/OTHER SYS DET SEE: 24-00-58-01		RF
5	2066		.GUARD-STATIC CONT CHARGE SUPPLIER CODE: V20999 OPTIONAL PART: 2213 V20999 2214 V20999		1
5	2213		.GUARD-STATIC CONT CHARGE SUPPLIER CODE: V20999 OPTIONAL PART: 2066 V20999 2214 V20999		1
5	2214		.GUARD-STATIC CONT CHARGE SUPPLIER CODE: V76381 OPTIONAL PART: 2066 V20999 2213 V20999		1
10	284N1505-6		.BAG ASSY		1

ILLUSTRATION ITEMS NOT ON PARTS LIST ARE NOT APPLICABLE

- ITEM NOT ILLUSTRATED

HXL

25-70-53-05

BOEING PROPRIETARY - Copyright © - Unpublished Work - See title page for details.

25-70-53
FIG. 05
PAGE 1
DEC 22/06