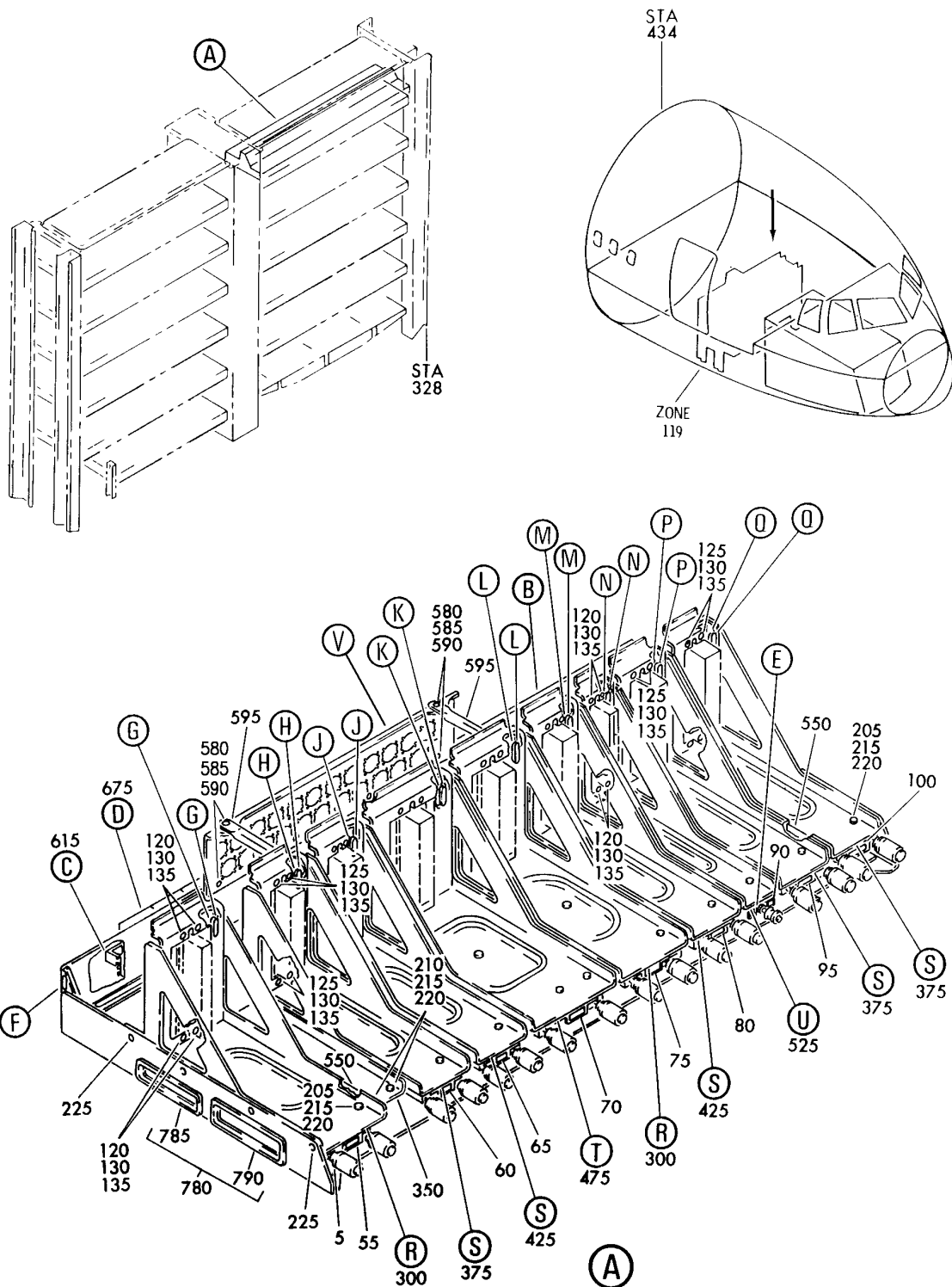


ELECTRICAL/ELECTRONIC EQUIPMENT CENTER

HXL
DEC 22/06

25-71-00
SECTION TITLE
PAGE 1

BOEING
767
PARTS CATALOG (MAINTENANCE)



V 25710101 SHT 1 REV 258

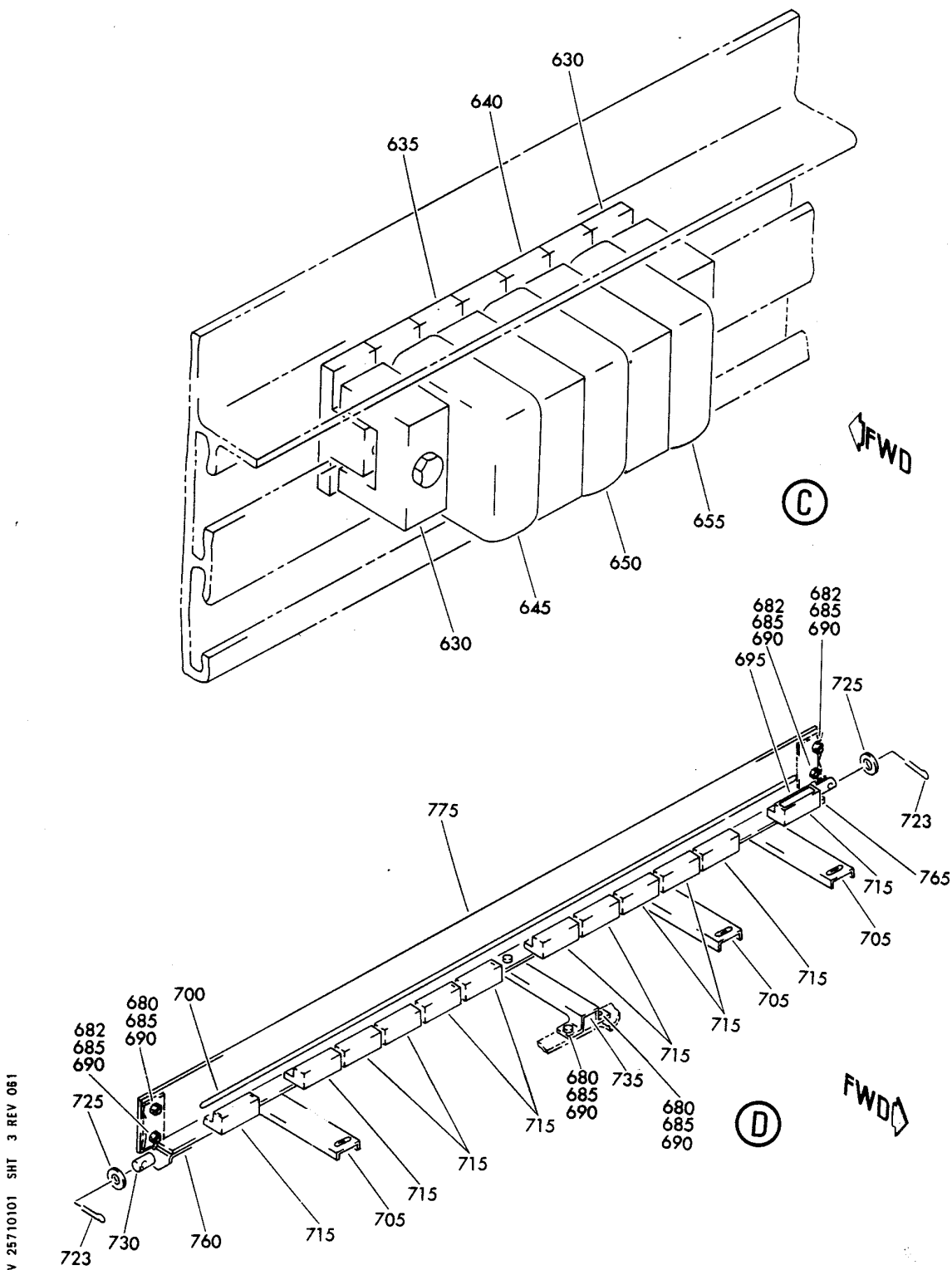
SHelf ASSY-ELECTRONIC EQPT CTR E1-1 (EQUIPMENT/ FURNISHINGS ONLY)
FIGURE 1 (SHEET 1)

25-71-01-01

HXL
DEC 22/06

25-71-01-01
PAGE 0

BOEING
767
PARTS CATALOG (MAINTENANCE)



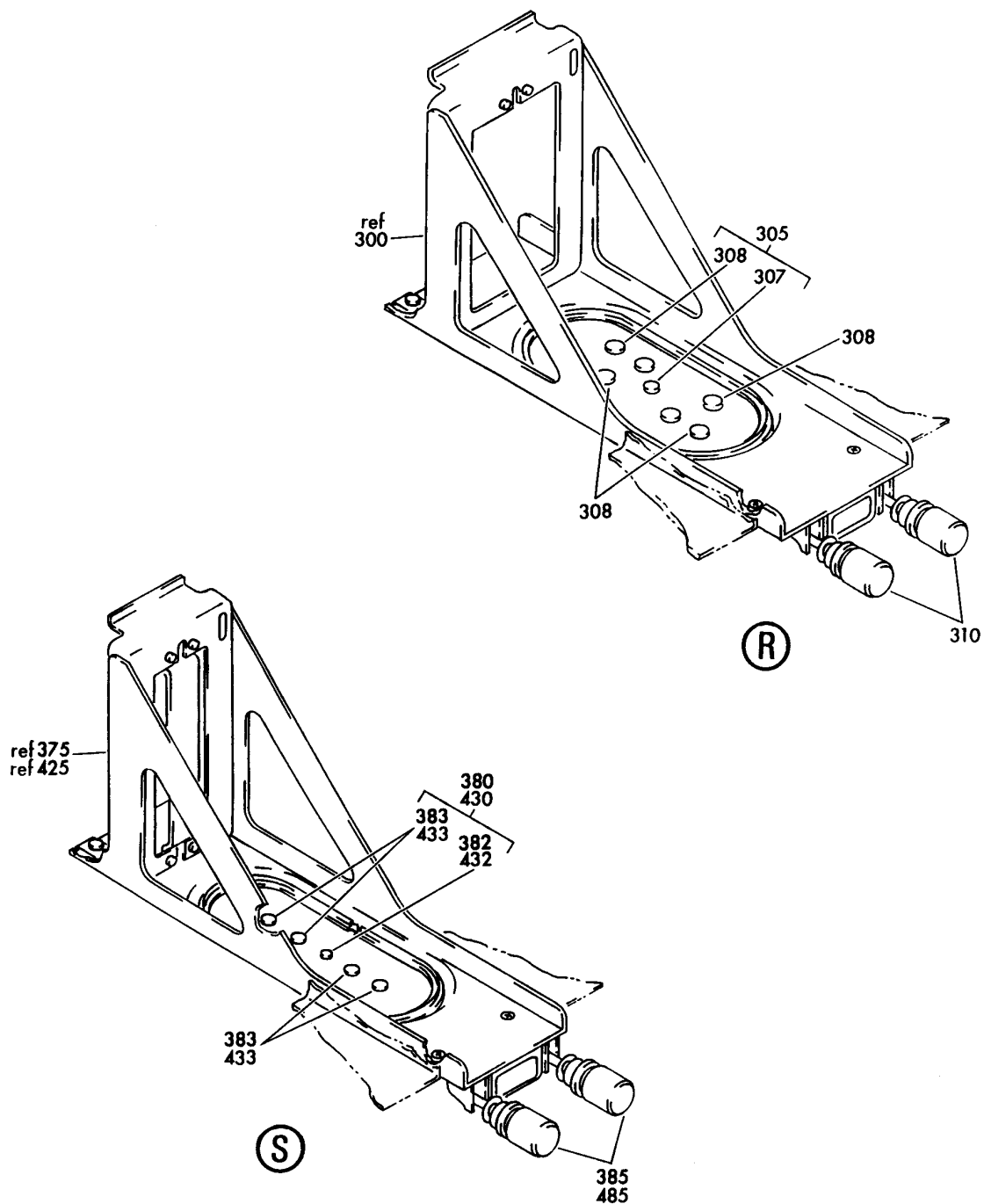
SHELF ASSY-ELECTRONIC EQPT CTR E1-1 (EQUIPMENT/ FURNISHINGS ONLY)
FIGURE 1 (SHEET 3)

25-71-01-01

HXL
DEC 22/06

25-71-01-01
PAGE 0B

BOEING
767
PARTS CATALOG (MAINTENANCE)



V 25710101 SHT 4 REV 151

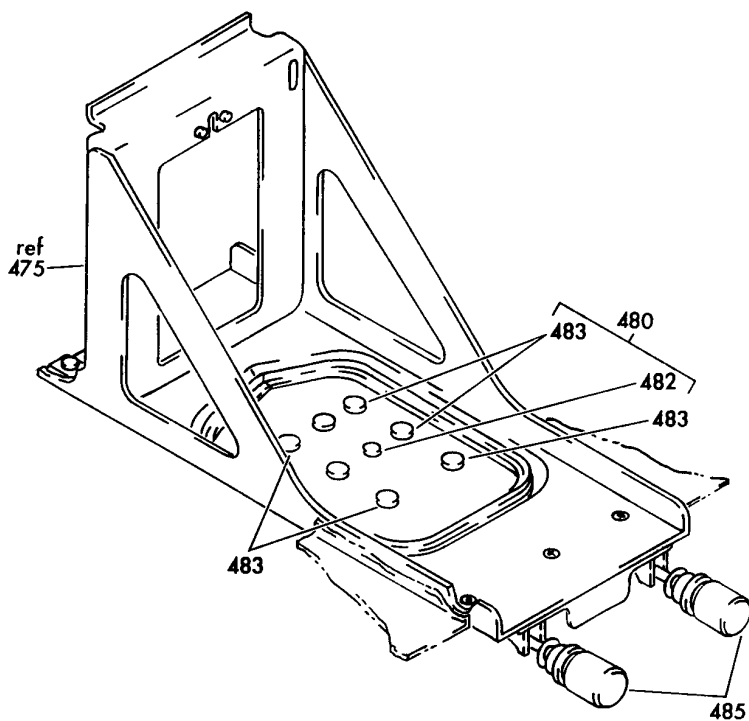
SHelf ASSY-ELECTRONIC EQPT CTR E1-1 (EQUIPMENT/ FURNISHINGS ONLY)
FIGURE 1 (SHEET 4)

25-71-01-01

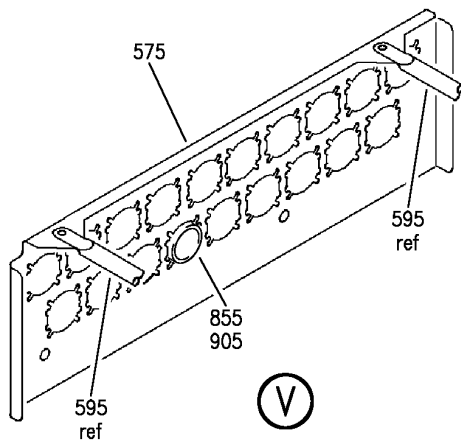
HXL
DEC 22/06

25-71-01-01
PAGE 0C

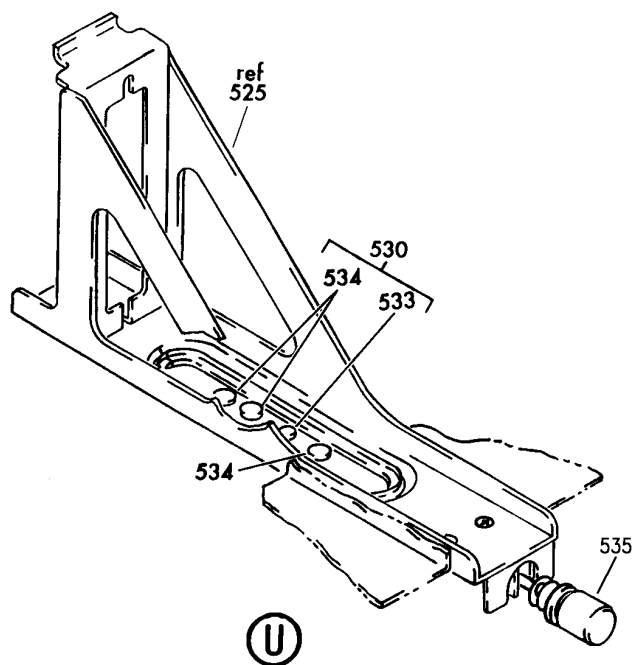
BOEING
767
PARTS CATALOG (MAINTENANCE)



(T)



(V)



(U)

V 25710101 SHT 5 REV 258

SHelf ASSY-ELECTRONIC EQPT CTR E1-1 (EQUIPMENT/ FURNISHINGS ONLY)
FIGURE 1 (SHEET 5)

HXL
DEC 22/06

25-71-01-01

25-71-01-01
PAGE 0D



767

PARTS CATALOG (MAINTENANCE)

FIG ITEM	PART NUMBER	1 2 3 4 5 6 7	NOMENCLATURE	EFFECT FROM TO	UNITS PER ASSY
1			SHELF ASSY-ELECTRONIC EQPT CTR E1-1 (EQUIPMENT/ FURNISHINGS ONLY)		
- 1	284T0111-20		SHELF ASSY-ELECTRONIC EQPT CTR E1-1 (EQUIPMENT/ FURNISHINGS ONLY) FOR NHA/OTHER SYS DET SEE: 53-11-64-01B		RF
5	BAC27TEX0567		.DECAL- PLACARD CONTENT: E1-1		1
55	BAC27TEX1786		.DECAL- PLACARD CONTENT: M102 ANTISKID/AUTO BRAKE CONT UNIT		RF
60	BAC27TEX1766		.DECAL- PLACARD CONTENT: M537 CSEU POWER SUPPLY MODULE 2 LEFT		RF
65	BAC27TEX1767		.DECAL- PLACARD CONTENT: M532 SPOILER CONT MODULE 3 LEFT		RF
70	BAC27TEX1768		.DECAL- PLACARD CONTENT: M522 YAW DAMP MODULE LEFT		RF
75	BAC27TEX1769		.DECAL- PLACARD CONTENT: M524 STAB TRIM/AILERON LOCKOUT MODULE LEFT		RF
80	BAC27TEX1770		.DECAL- PLACARD CONTENT: M531 SPOILER CONT MODULE 2 LEFT		RF
90	BAC27TEX1771		.DECAL- PLACARD CONTENT: RUD RATIO CHNG MDL L		RF
95	BAC27TEX1772		.DECAL- PLACARD CONTENT: M530 SPOILER CONT MODULE 1 LEFT		1
100	BAC27TEX1773		.DECAL- PLACARD CONTENT: M536 CSEU POWER SUPPLY MODULE 1 LEFT		RF
115	BAC27TEX3308		.DECALSET-INCLUDES DECALS IDENTIFIED ON THE ILLUSTRATION		1
ILLUSTRATION ITEMS NOT ON PARTS LIST ARE NOT APPLICABLE					

- ITEM NOT ILLUSTRATED

25-71-01-01

25-71-01
FIG. 01
PAGE 1
DEC 22/07

HXL



767

PARTS CATALOG (MAINTENANCE)

FIG ITEM	PART NUMBER	1 2 3 4 5 6 7	NOMENCLATURE	EFFECT FROM TO	UNITS PER ASSY
1					
120	NAS1801-06-11	.	SCREW		8
125	NAS1801-06-8	.	SCREW		28
135	MS21042L06	.	NUT		36
150	66-18178-1	.	STRAP-ELECTRONIC RACK BONDING ATTACHING PARTS		9
- 155	NAS1801-3-8	.	SCREW		9
- 160	AN960PD10L	.	WASHER-		9
- 160	AN960JD10L	.	WASHER-		9
- 165	MS21042L3	.	NUT-		9
			-----*-----		
175	NAS1801-3-8	.	SCREW		9
180	NAS1801-3-24	.	SCREW		3
185	AN960PD10L	.	WASHER-		12
185	AN960JD10L	.	WASHER-		12
190	NAS43DD3-64	.	SPACER		3
195	MS21042L3	.	NUT-		12
205	NAS514P832-7	.	SCREW		19
210	NAS1801-08-7	.	SCREW		2
215	AN960PD8L	.	WASHER-		21
215	AN960JD8L	.	WASHER-		21
220	MS21042L08	.	NUT-		21
225	BACR15BA3AD	.	RIVET-		8
			SIZE DETERMINED ON INSTL.		
300	284T0026-18	.	TRAY ASSY		2
305	281131-4	..	SEAL ASSY-		1
			SUPPLIER CODE: V0767B		
			OPTIONAL PART: 201-4 V0767B BCMP04-1 V09489		
305	201-4	..	SEAL ASSY-		1
			SUPPLIER CODE: V60299		
			OPTIONAL PART: 281131-4 V0767B BCMP04-1 V09489		
305	BCMP04-1	..	SEAL ASSY-		1
			SUPPLIER CODE: V09489		
			OPTIONAL PART: 281131-4 V0767B 201-4 V0767B		

ILLUSTRATION ITEMS NOT ON PARTS LIST ARE NOT APPLICABLE

- ITEM NOT ILLUSTRATED

HXL

25-71-01-01

BOEING PROPRIETARY - Copyright © - Unpublished Work - See title page for details.

25-71-01
FIG. 01
PAGE 2
DEC 22/07



767

PARTS CATALOG (MAINTENANCE)

FIG ITEM	PART NUMBER	1 2 3 4 5 6 7	NOMENCLATURE	EFFECT FROM TO	UNITS PER ASSY
1 307	82100-1		...PLUG- SUPPLIER CODE: V0767B USED ON: 281131-4		1
308	82100-2		...PLUG- SUPPLIER CODE: V0767B USED ON: 281131-4		6
310	CA12145-102		..HOLD DOWN- SUPPLIER CODE: V29372 OPTIONAL PART: CA12095-101 V29372 CA12095-102 V29372 BACC10HZ1		2
310	CA12095-102		..HOLD DOWN- SUPPLIER CODE: V29372 OPTIONAL PART: CA12095-101 V29372 CA12145-102 V29372 BACC10HZ1		2
310	CA12095-101		..HOLD DOWN- SUPPLIER CODE: V29372 OPTIONAL PART: CA12095-102 V29372 CA12145-102 V29372 BACC10HZ1		2

ILLUSTRATION ITEMS NOT ON PARTS LIST ARE NOT APPLICABLE

- ITEM NOT ILLUSTRATED

HXL

25-71-01-01

BOEING PROPRIETARY - Copyright © - Unpublished Work - See title page for details.

25-71-01
FIG. 01
PAGE 3
DEC 22/07



767

PARTS CATALOG (MAINTENANCE)

FIG ITEM	PART NUMBER	1 2 3 4 5 6 7	NOMENCLATURE	EFFECT FROM TO	UNITS PER ASSY
1 310	H3773-9		..HOLD DOWN- SUPPLIER CODE: V83014 SPECIFICATION NUMBER: BACC10HZ1 OPTIONAL PART: 5175-110-1 V30528 CA12145-102 VOCBU7 H3773-3 V83014 CA12095-101 V29372 CA12095-102 V29372 CA12145-102 V29372 ATTACHING PARTS		2
- 315	NAS514P632-5		..SCREW- -----*-----		4
350	284T0032-2		.COVER		1
375	284T0026-17		.TRAY ASSY		3
380	281131-3		..SEAL ASSY- SUPPLIER CODE: V0767B OPTIONAL PART: 201-3 V60299		1
380	BCMP03-1		..SEAL ASSY- SUPPLIER CODE: VL4858		1
380	201-3		..SEAL ASSY- SUPPLIER CODE: V60299 OPTIONAL PART: 281131-3 V0767B		1
382	82100-1		...PLUG- SUPPLIER CODE: V0767B USED ON: 281131-3		1
383	82100-2		...PLUG- SUPPLIER CODE: V0767B USED ON: 281131-3		4

ILLUSTRATION ITEMS NOT ON PARTS LIST ARE NOT APPLICABLE

- ITEM NOT ILLUSTRATED

HXL

25-71-01-01

BOEING PROPRIETARY - Copyright © - Unpublished Work - See title page for details.

25-71-01
FIG. 01
PAGE 4
DEC 22/08



767

PARTS CATALOG (MAINTENANCE)

FIG ITEM	PART NUMBER	1 2 3 4 5 6 7	NOMENCLATURE	EFFECT FROM TO	UNITS PER ASSY
1 385	CA12145-102		..HOLD DOWN- SUPPLIER CODE: V29372 OPTIONAL PART: CA12095-101 V29372 CA12095-102 V29372 BACC10HZ1		2
385	CA12095-102		..HOLD DOWN- SUPPLIER CODE: V29372 OPTIONAL PART: CA12095-101 V29372 CA12145-102 V29372 BACC10HZ1		2
385	CA12095-101		..HOLD DOWN- SUPPLIER CODE: V29372 OPTIONAL PART: CA12095-102 V29372 CA12145-102 V29372 BACC10HZ1		2
385	H3773-9		..HOLD DOWN- SUPPLIER CODE: V83014 SPECIFICATION NUMBER: BACC10HZ1 OPTIONAL PART: 5175-110-1 V30528 CA12145-102 VOCBU7 H3773-3 V83014 CA12145-102 V29372 CA12095-101 V29372 CA12095-102 V29372		2
- 390	NAS514P632-5		ATTACHING PARTS ..SCREW- -----*-----		4
425	284T0026-27		.TRAY ASSY		2

ILLUSTRATION ITEMS NOT ON PARTS LIST ARE NOT APPLICABLE

- ITEM NOT ILLUSTRATED

25-71-01-01

25-71-01
FIG. 01
PAGE 5
DEC 22/08

HXL



767

PARTS CATALOG (MAINTENANCE)

FIG ITEM	PART NUMBER	1 2 3 4 5 6 7	NOMENCLATURE	EFFECT FROM TO	UNITS PER ASSY
1					
430	BCMP03-1		..SEAL ASSY- SUPPLIER CODE: VL4858		1
432	82100-1		...PLUG- SUPPLIER CODE: V0767B USED ON: 281131-3		1
433	82100-2		...PLUG- SUPPLIER CODE: V0767B USED ON: 281131-3		4
435	CA12145-102		..HOLD DOWN- SUPPLIER CODE: V29372 OPTIONAL PART: CA12095-101 V29372 CA12095-102 V29372 BACC10HZ1		2
435	CA12095-102		..HOLD DOWN- SUPPLIER CODE: V29372 OPTIONAL PART: CA12095-101 V29372 CA12145-102 V29372 BACC10HZ1		2
435	CA12095-101		..HOLD DOWN- SUPPLIER CODE: V29372 OPTIONAL PART: CA12095-102 V29372 CA12145-102 V29372 BACC10HZ1		2

ILLUSTRATION ITEMS NOT ON PARTS LIST ARE NOT APPLICABLE

- ITEM NOT ILLUSTRATED

HXL

25-71-01-01

BOEING PROPRIETARY - Copyright © - Unpublished Work - See title page for details.

25-71-01
FIG. 01
PAGE 6
DEC 22/08

BOEING
767
PARTS CATALOG (MAINTENANCE)

FIG ITEM	PART NUMBER	1 2 3 4 5 6 7	NOMENCLATURE	EFFECT FROM TO	UNITS PER ASSY
1 435	H3773-9		..HOLD DOWN- SUPPLIER CODE: V83014 SPECIFICATION NUMBER: BACC10HZ1 OPTIONAL PART: 5175-110-1 V30528 CA12145-102 VOCBU7 H3773-3 V83014 CA12095-101 V29372 CA12095-102 V29372 CA12145-102 V29372 ATTACHING PARTS		2
- 440	NAS514P632-5		..SCREW- -----*-----		4
475	284T0026-23		.TRAY ASSY-5MCU		1
480	281131-5		..SEAL ASSY- SUPPLIER CODE: V0767B OPTIONAL PART: 201-5 V0767B BCMP05-1 V09489		1
480	201-5		..SEAL ASSY- SUPPLIER CODE: V0767B OPTIONAL PART: 281131-5 V0767B BCMP05-1 V09489		1
480	BCMP05-1		..SEAL ASSY- SUPPLIER CODE: V09489 OPTIONAL PART: 281131-5 V0767B 201-5 V0767B		1
480	281131-10		...SEAL ASSY- SUPPLIER CODE: V0767B		1

ILLUSTRATION ITEMS NOT ON PARTS LIST ARE NOT APPLICABLE

- ITEM NOT ILLUSTRATED

HXL

25-71-01-01

BOEING PROPRIETARY - Copyright © - Unpublished Work - See title page for details.

25-71-01
FIG. 01
PAGE 7
DEC 22/08



767

PARTS CATALOG (MAINTENANCE)

FIG ITEM	PART NUMBER	1 2 3 4 5 6 7	NOMENCLATURE	EFFECT FROM TO	UNITS PER ASSY
1					
480	201-10	...	SEAL ASSY- SUPPLIER CODE: V0767B		1
480	BCMP10-1	...	SEAL ASSY- SUPPLIER CODE: V09489		1
482	82100-1	...	PLUG- SUPPLIER CODE: V0767B USED ON: 281131-5		1
483	82100-2	...	PLUG- SUPPLIER CODE: V0767B USED ON: 281131-5		7
485	CA12145-102	..	HOLD DOWN- SUPPLIER CODE: V29372 OPTIONAL PART: CA12095-101 V29372 CA12095-102 V29372 BACC10HZ1		2
485	CA12095-102	..	HOLD DOWN- SUPPLIER CODE: V29372 OPTIONAL PART: CA12095-101 V29372 CA12145-102 V29372 BACC10HZ1		2
485	CA12095-101	..	HOLD DOWN- SUPPLIER CODE: V29372 OPTIONAL PART: CA12095-102 V29372 CA12145-102 V29372 BACC10HZ1		2

ILLUSTRATION ITEMS NOT ON PARTS LIST ARE NOT APPLICABLE

- ITEM NOT ILLUSTRATED

HXL

25-71-01-01

BOEING PROPRIETARY - Copyright © - Unpublished Work - See title page for details.

25-71-01
FIG. 01
PAGE 8
DEC 22/08



767

PARTS CATALOG (MAINTENANCE)

FIG ITEM	PART NUMBER	1 2 3 4 5 6 7	NOMENCLATURE	EFFECT FROM TO	UNITS PER ASSY
1 485	H3773-9		..HOLD DOWN- SUPPLIER CODE: V83014 SPECIFICATION NUMBER: BACC10HZ1 OPTIONAL PART: 5175-110-1 V30528 CA12145-102 V0CBU7 H3773-3 V83014 CA12095-101 V29372 CA12095-102 V29372 CA12145-102 V29372 ATTACHING PARTS		2
- 490	NAS514P632-5		..SCREW- -----*-----		4
525	284T0026-16		.TRAY ASSY		1
530	281131-2		..SEAL ASSY- SUPPLIER CODE: V0767B OPTIONAL PART: 201-2 V0767B BCMP02-1 V09489		1
530	201-2		..SEAL ASSY- SUPPLIER CODE: V0767B OPTIONAL PART: 281131-2 V0767B BCMP02-1 V09489		1
530	BCMP02-1		..SEAL ASSY- SUPPLIER CODE: V09489 OPTIONAL PART: 281131-2 V0767B 201-2 V0767B		1

ILLUSTRATION ITEMS NOT ON PARTS LIST ARE NOT APPLICABLE

- ITEM NOT ILLUSTRATED

HXL

25-71-01-01

BOEING PROPRIETARY - Copyright © - Unpublished Work - See title page for details.

25-71-01
 FIG. 01
 PAGE 9
 DEC 22/08



767

PARTS CATALOG (MAINTENANCE)

FIG ITEM	PART NUMBER	1 2 3 4 5 6 7	NOMENCLATURE	EFFECT FROM TO	UNITS PER ASSY
1 533	82100-1		... PLUG- SUPPLIER CODE: V0767B USED ON: 281131-2		1
534	82100-2		... PLUG- SUPPLIER CODE: V0767B USED ON: 281131-2		3
535	CA12145-102		.. HOLD DOWN- SUPPLIER CODE: V29372 OPTIONAL PART: CA12095-101 V29372 CA12095-102 V29372 BACC10HZ1		1
535	CA12095-102		.. HOLD DOWN- SUPPLIER CODE: V29372 OPTIONAL PART: CA12095-101 V29372 CA12145-102 V29372 BACC10HZ1		1
535	CA12095-101		.. HOLD DOWN- SUPPLIER CODE: V29372 OPTIONAL PART: CA12095-102 V29372 CA12145-102 V29372 BACC10HZ1		1

ILLUSTRATION ITEMS NOT ON PARTS LIST ARE NOT APPLICABLE

- ITEM NOT ILLUSTRATED

HXL

25-71-01-01

BOEING PROPRIETARY - Copyright © - Unpublished Work - See title page for details.

25-71-01
FIG. 01
PAGE 10
DEC 22/08

BOEING
767
PARTS CATALOG (MAINTENANCE)

FIG ITEM	PART NUMBER	1 2 3 4 5 6 7	NOMENCLATURE	EFFECT FROM TO	UNITS PER ASSY
1 535	H3773-9		..HOLD DOWN- SUPPLIER CODE: V83014 SPECIFICATION NUMBER: BACC10HZ1 OPTIONAL PART: 5175-110-1 V30528 CA12145-102 VOCBU7 H3773-3 V83014 CA12145-102 V29372 CA12095-102 V29372 CA12095-101 V29372 ATTACHING PARTS		1
- 540	NAS514P632-5		..SCREW- -----*-----		2
R R R R R R R	550 284T0383-3		.SEAL- MANUFACTURED FROM: SH RUBBER MIL-R-6130 GRADE A TYPE 2 SOFT 0.12 IN 0.7 IN 12.9 IN SPARES ORDER MATERIAL CODE: 5231253020		9
	575 284T0767-1		.BRACKET ASSY ATTACHING PARTS		1
	580 NAS1801-3-7		.SCREW		6
	585 AN960PD10L		.WASHER-		6
	585 AN960JD10L		.WASHER-		6
	590 MS21042L3		.NUT- -----*-----		2
	595 284T0785-1		.STRUT-DISC. BRKT SPRT ATTACHING PARTS		2
- 600	NAS1801-3-7		.SCREW		2
- 605	AN960PD10L		.WASHER-		2
- 605	AN960JD10L		.WASHER-		2
- 610	MS21042L3		.NUT- -----*-----		2
R	615 284T0116-2		.MODULE ASSY-TERM.		1
	630 BACC49A1		..CLAMP ASSY		AR

ILLUSTRATION ITEMS NOT ON PARTS LIST ARE NOT APPLICABLE

- ITEM NOT ILLUSTRATED

HXL

25-71-01-01

BOEING PROPRIETARY - Copyright © - Unpublished Work - See title page for details.

25-71-01
FIG. 01
PAGE 11
AUG 22/09

 **BOEING**
767
PARTS CATALOG (MAINTENANCE)

FIG ITEM	PART NUMBER	1 2 3 4 5 6 7	NOMENCLATURE	EFFECT FROM TO	UNITS PER ASSY
1					
635	H21-1	..	SPACER SUPPLIER CODE: V34941 SPECIFICATION NUMBER: BACS18AR1 OPTIONAL PART: FAB276A V15805 YHLZ1C2 V09922		AR
640	H21-6	..	SPACER SUPPLIER CODE: V34941 SPECIFICATION NUMBER: BACS18AR6 OPTIONAL PART: FAB276-0 V15805 YHLZ1C7 V09922		AR
645	YHLZ2	..	MODULE SUPPLIER CODE: V09922 SPECIFICATION NUMBER: BACM15C1A OPTIONAL PART: YHLZ22 V09922		AR
650	YHLZ4	..	MODULE SUPPLIER CODE: V09922 SPECIFICATION NUMBER: BACM15C1B OPTIONAL PART: YHLZ44 V09922		AR
655	YHLZ8	..	MODULE SUPPLIER CODE: V09922 SPECIFICATION NUMBER: BACM15C2A		AR
675	284T0384-17	.	SUPPORT ASSY-WIRE ATTACHING PARTS		1
680	NAS1801-3-5	.	SCREW		4
682	NAS514P1032-5	.	SCREW		2
685	AN960PD10L	.	WASHER-		6
685	AN960JD10L	.	WASHER-		6
690	MS21042L3	.	NUT-		6
			-----*-----		
ILLUSTRATION ITEMS NOT ON PARTS LIST ARE NOT APPLICABLE					

— ITEM NOT ILLUSTRATED

HXL

25-71-01-01

BOEING PROPRIETARY - Copyright © - Unpublished Work - See title page for details.

25-71-01
FIG. 01
PAGE 12
AUG 22/09

BOEING
767
PARTS CATALOG (MAINTENANCE)

FIG ITEM	PART NUMBER	1 2 3 4 5 6 7	NOMENCLATURE	EFFECT FROM TO	UNITS PER ASSY
1					
695	BAC27TEX1734	..	DECAL- PLACARD CONTENT: TOP POSITION 1, 2, 3-97 BOTTOM POSITION 101, 102, 103-197		1
705	284T0784-1	..	BRACKET ASSY ATTACHING PARTS		3
- 710	BACR15BB4AD	..	RIVET- SIZE DETERMINED ON INSTL. -----*-----		6
715	YHLZG16-1	..	BLOCK-TERM. SUPPLIER CODE: V09922 ATTACHING PARTS		12
- 720	BACR15BB4AD	..	RIVET- SIZE DETERMINED ON INSTL. -----*-----		42
723	MS24665-300	..	PIN		2
725	AN960PD616	..	WASHER		2
730	284T0384-5	..	TUBE		1
735	284T0385-8	..	SUPPORT ASSY-WIRE ATTACHING PARTS		1
- 740	NAS1801-3-4	..	SCREW		1
- 745	AN960PD10	..	WASHER		1
- 750	BRH10C3	..	NUT SUPPLIER CODE: V52828 SPECIFICATION NUMBER: BACN10JC3C OPTIONAL PART: T6C1032J V11815 97-02 V80539 101LH9075-3W V72962 VN303B02 V92215 NS202101S02 V80539 H31-3BAC V15653 -----*-----		1
760	284T0385-4	..	BRACKET		1
765	284T0385-5	..	BRACKET ATTACHING PARTS		1
- 770	BACR15BB4AD	..	RIVET- SIZE DETERMINED ON INSTL. -----*-----		4

ILLUSTRATION ITEMS NOT ON PARTS LIST ARE NOT APPLICABLE

- ITEM NOT ILLUSTRATED

HXL

25-71-01-01

BOEING PROPRIETARY - Copyright © - Unpublished Work - See title page for details.

25-71-01
FIG. 01
PAGE 13
AUG 22/09



767

PARTS CATALOG (MAINTENANCE)

FIG ITEM	PART NUMBER	1 2 3 4 5 6 7	NOMENCLATURE	EFFECT FROM TO	UNITS PER ASSY
1					
775	284T0574-6		..TRACK-TERM. BLOCK MODULE RACK ALTERED FROM PART NUMBER: AMY4100T11 V09922		1
780	284T0211-3		.SHELF ASSY-		1
785	284T0383-1		..SEAL		1
790	284T0383-2		..SEAL-		1
			MANUFACTURED FROM: SH RUBBER MIL-R-6130 GRADE A TYPE 2 SOFT 0.125 IN 2.3 IN 6.2 IN SPARES ORDER MATERIAL CODE: 5231253020		

R
R
R
R
R
R
R

ILLUSTRATION ITEMS NOT ON PARTS LIST ARE NOT APPLICABLE

- ITEM NOT ILLUSTRATED

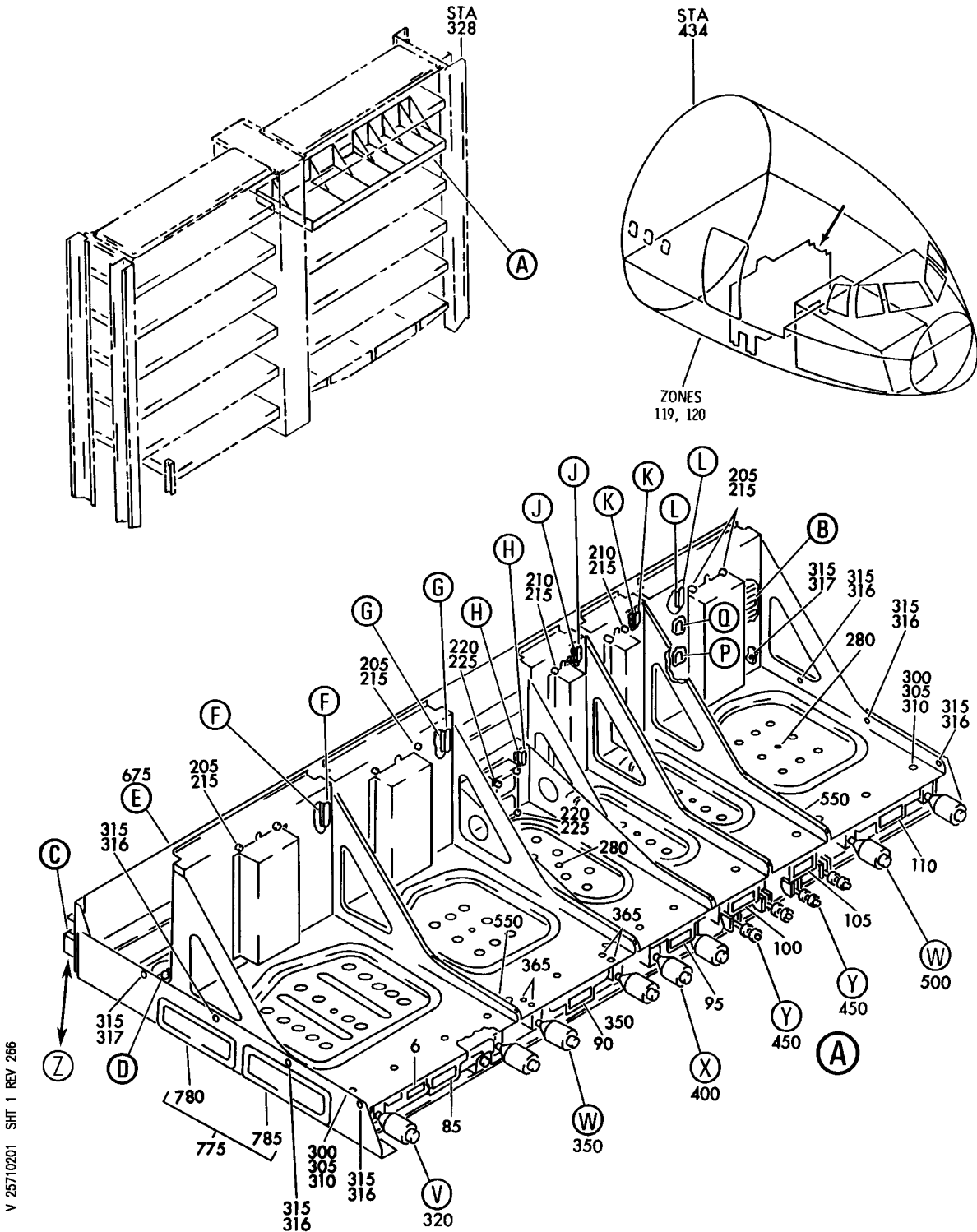
HXL

25-71-01-01

BOEING PROPRIETARY - Copyright © - Unpublished Work - See title page for details.

25-71-01
FIG. 01
PAGE 14
AUG 22/09

BOEING
767
PARTS CATALOG (MAINTENANCE)



V 25710201 SH1 1 REV 266

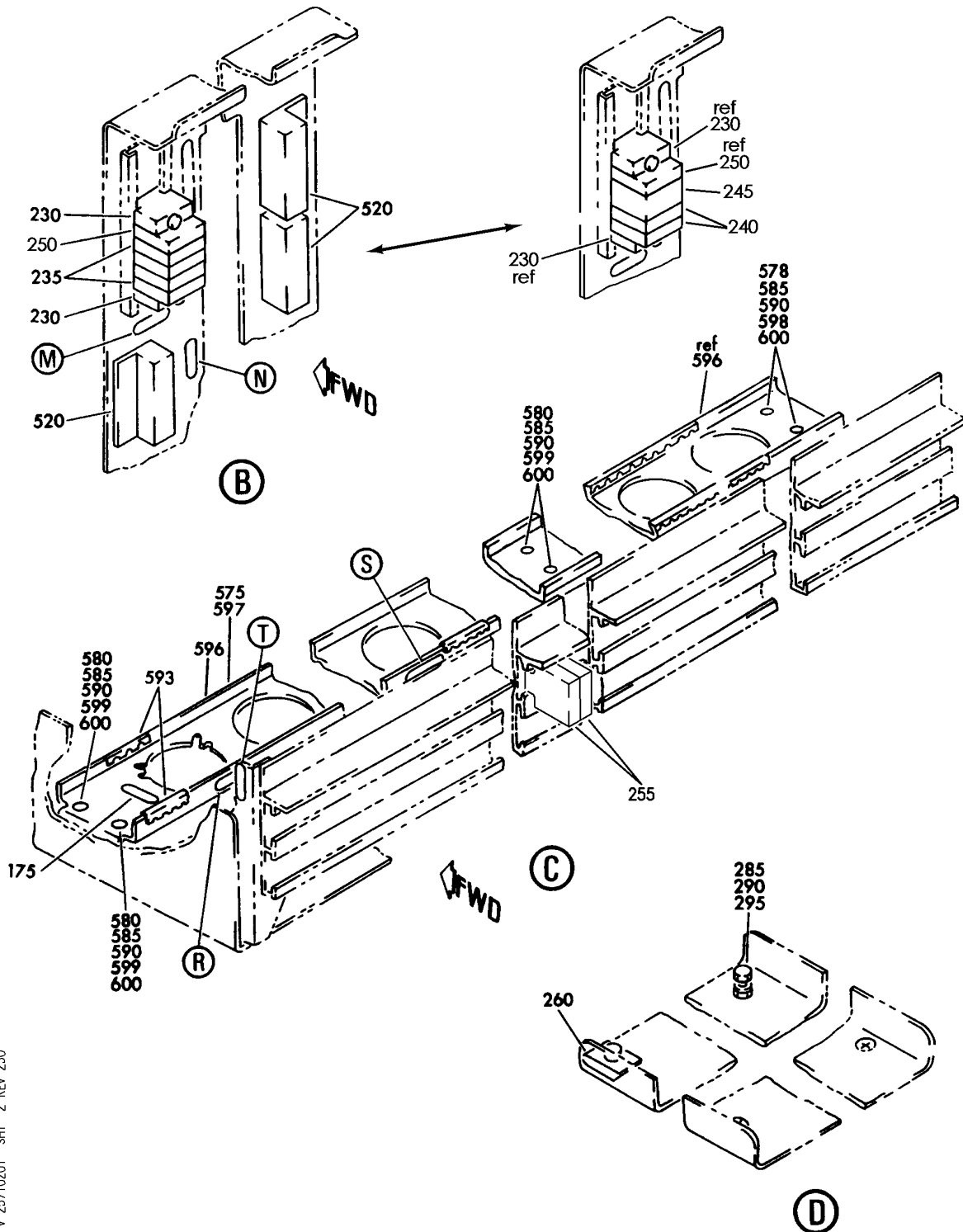
SHELF ASSY-ELECT. EQPT CTR E1-2 (EQUIPMENT/ FURNISHINGS ONLY)
FIGURE 1 (SHEET 1)

25-71-02-01

HXL
DEC 22/06

25-71-02-01
PAGE 0


BOEING
 767
PARTS CATALOG (MAINTENANCE)



V 25710201 SHT 2 REV 230

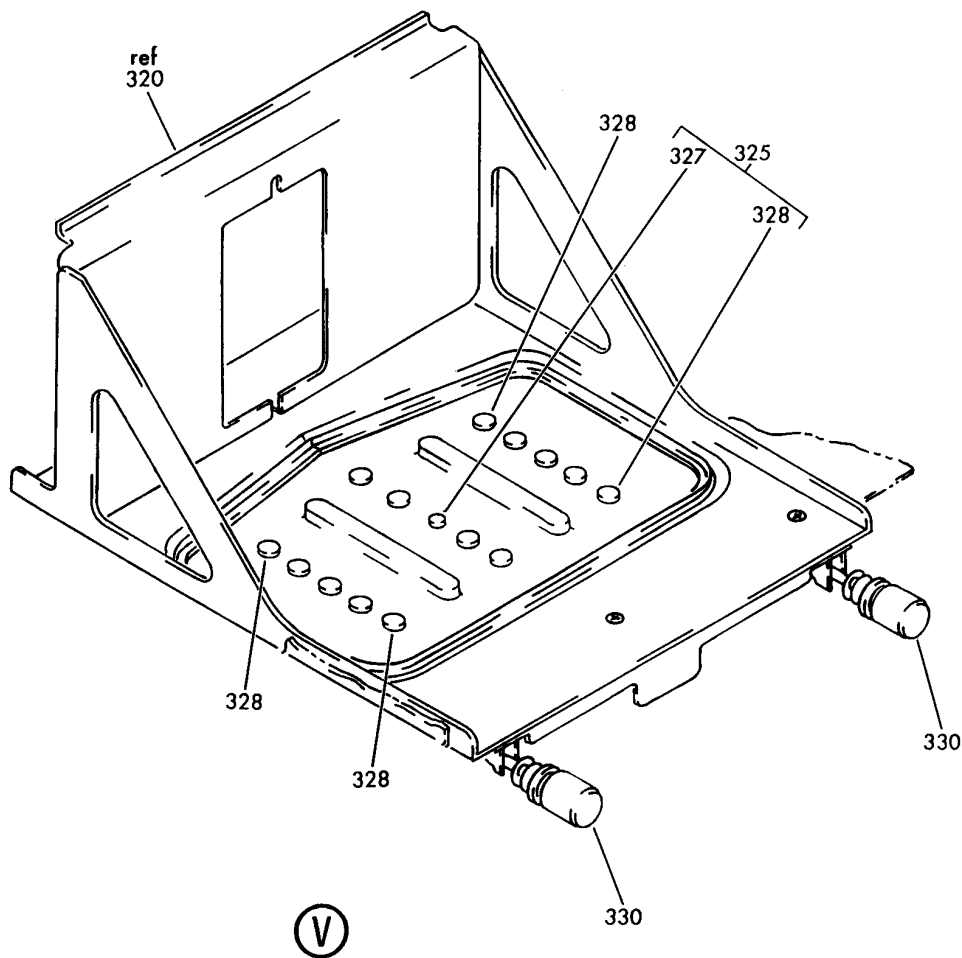
SHELF ASSY-ELECT. EQPT CTR E1-2 (EQUIPMENT/ FURNISHINGS ONLY)
 FIGURE 1 (SHEET 2)

25-71-02-01

HXL
DEC 22/06

25-71-02-01
 PAGE 0A

BOEING
767
PARTS CATALOG (MAINTENANCE)



V 25710201 SHT 4 REV 151

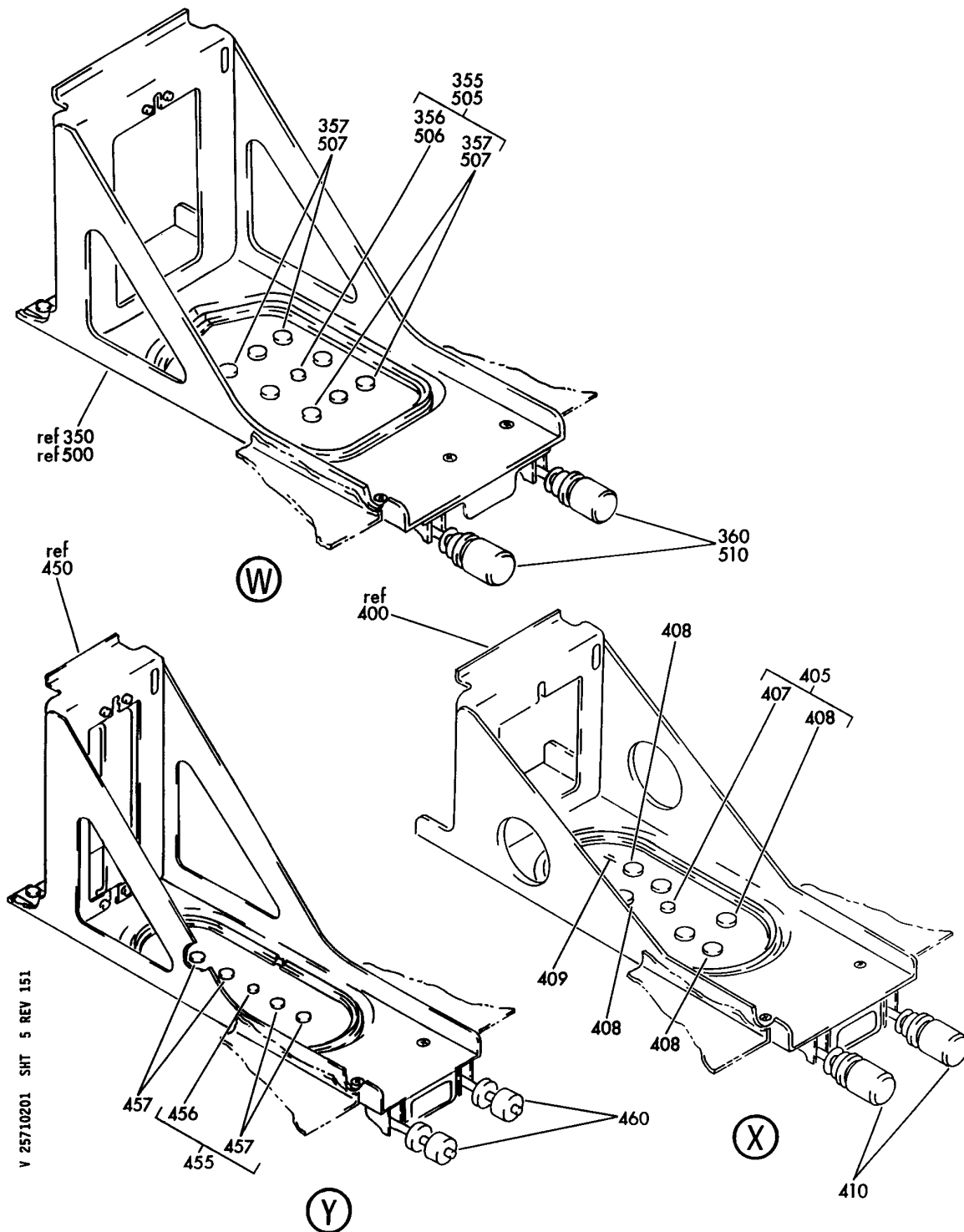
SHELF ASSY-ELECT. EQPT CTR E1-2 (EQUIPMENT/ FURNISHINGS ONLY)
FIGURE 1 (SHEET 4)

25-71-02-01

HXL
DEC 22/06

25-71-02-01
PAGE 0C

BOEING
767
PARTS CATALOG (MAINTENANCE)



V 25710201 SHT 5 REV 151

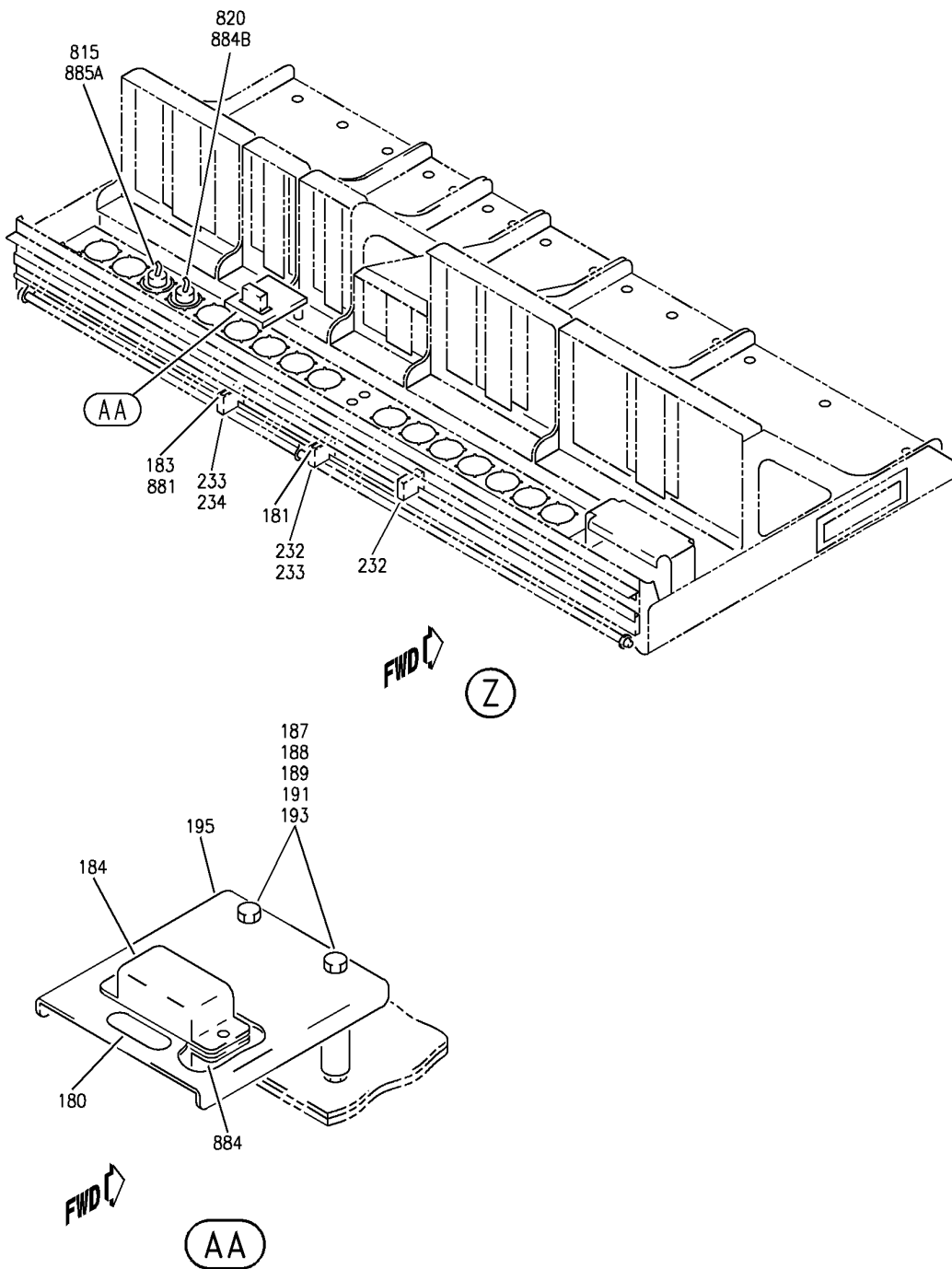
SHELF ASSY-ELECT. EQPT CTR E1-2 (EQUIPMENT/ FURNISHINGS ONLY)
FIGURE 1 (SHEET 5)

25-71-02-01

HXL
DEC 22/06

25-71-02-01
PAGE 0D

BOEING
767
PARTS CATALOG (MAINTENANCE)



V 25710201 SH1 6 REV 291

SHELF ASSY-ELECT. EQPT CTR E1-2 (EQUIPMENT/ FURNISHINGS ONLY)
FIGURE 1 (SHEET 6)

25-71-02-01

HXL
DEC 22/06

25-71-02-01
PAGE 0E



767

PARTS CATALOG (MAINTENANCE)

FIG ITEM	PART NUMBER	1 2 3 4 5 6 7	NOMENCLATURE	EFFECT FROM TO	UNITS PER ASSY
1			SHELF ASSY-ELECT. EQPT CTR E1-2 (EQUIPMENT/ FURNISHINGS ONLY)		
- 3	284T0112-78		SHELF ASSY-ELECT. EQPT CTR E1-2 (EQUIPMENT/ FURNISHINGS ONLY) FOR NHA/OTHER SYS DET SEE: 53-11-64-01B		RF
6	BAC27TEX0568		.DECAL- PLACARD CONTENT: E1-2		1
85	BAC27TEX1741		.DECAL- PLACARD CONTENT: M162 ELEX UNIT PROX SWITCH		1
90	BAC27TEX1742		.DECAL- PLACARD CONTENT: M168 MAINTENANCE CONTROL AND DISPLAY PNL		1
95	BAC27TEX1743		.DECAL- PLACARD CONTENT: M191 L FWD AND R SIDE WINDOW HEAT CONTROL UNIT		1
100	BAC27TEX1744		.DECAL- PLACARD CONTENT: M144 LEFT GEN CONT UNIT		1
105	BAC27TEX1745		.DECAL- PLACARD CONTENT: M118 AUTO. 1 CABIN PRESS CONT UNIT		1
110	BAC27TEX1935		.DECAL- PLACARD CONTENT: M148 L ELEX FLT INSTR SYS SYM GEN		1
116	BAC27TEX3278		.DECALSET-INCLUDES DECALS IDENTIFIED ON THE ILLUSTRATION		RF
121	BAC27TEX3278		.DECALSET-INCLUDES DECALS IDENTIFIED ON THE ILLUSTRATION MISCELLANEOUS DATA: (OPTIONAL LOCATION)		RF
175	BAC27TEX1554		.DECAL- PLACARD CONTENT: AE0313		1
205	NAS1801-06-8		.SCREW		12
210	NAS1801-06-11		.SCREW		8
215	MS21042L06		.NUT-		20
220	MS35190-223		.SCREW-		4
ILLUSTRATION ITEMS NOT ON PARTS LIST ARE NOT APPLICABLE					

- ITEM NOT ILLUSTRATED

25-71-02-01

25-71-02
FIG. 01
PAGE 1
DEC 22/07

HXL

BOEING
767
PARTS CATALOG (MAINTENANCE)

FIG ITEM	PART NUMBER	1 2 3 4 5 6 7	NOMENCLATURE	EFFECT FROM TO	UNITS PER ASSY
1					
R 225	MS21042L04		.NUT-		4
230	BACC49A1		.CLAMP ASSY		2
235	YHLZ4		.MODULE		AR
			SUPPLIER CODE: V09922		
			SPECIFICATION NUMBER: BACM15C1B		
			OPTIONAL PART: YHLZ44 V09922		
250	H21-1		.SPACER		1
			SUPPLIER CODE: V34941		
			SPECIFICATION NUMBER: BACS18AR1		
			OPTIONAL PART: FAB276A V15805 YHLZ1C2 V09922		
260	66-18178-1		.STRAP-ELECTRONIC RACK		6
			BONDING		
			ATTACHING PARTS		
- 265	NAS1801-3-8		.SCREW		6
- 270	AN960PD10L		.WASHER-		6
- 270	AN960JD10L		.WASHER-		6
- 275	MS21042L3		.NUT-		6
			-----*-----		
285	NAS1801-3-8		.SCREW		10
290	AN960PD10L		.WASHER-		10
290	AN960JD10L		.WASHER-		10
295	MS21042L3		.NUT-		10
300	NAS514P832-7		.SCREW		16
305	AN960PD8L		.WASHER-		16
305	AN960JD8L		.WASHER-		16
310	MS21042L08		.NUT-		16
315	BACR15BA3AD		.RIVET-		8
			SIZE DETERMINED ON INSTL.		
320	284T0026-36		.TRAY ASSY-		1
325	281131-10		..SEAL ASSY-		1
			SUPPLIER CODE: V0767B		
			OPTIONAL PART: 201-10 V0767B BCMP10-1 V0767B		
ILLUSTRATION ITEMS NOT ON PARTS LIST ARE NOT APPLICABLE					

- ITEM NOT ILLUSTRATED

HXL

25-71-02-01

BOEING PROPRIETARY - Copyright © - Unpublished Work - See title page for details.

25-71-02
FIG. 01
PAGE 2
AUG 22/09



767

PARTS CATALOG (MAINTENANCE)

FIG ITEM	PART NUMBER	1 2 3 4 5 6 7	NOMENCLATURE	EFFECT FROM TO	UNITS PER ASSY
1					
325	201-10		..SEAL ASSY- SUPPLIER CODE: V0767B OPTIONAL PART: 281131-10 V0767B BCMP10-1 V0767B		1
325	BCMP10-1		..SEAL ASSY- SUPPLIER CODE: V09489 OPTIONAL PART: 281131-10 V0767B 201-10 V0767B		1
325	201-5		..SEAL ASSY- SUPPLIER CODE: V0767B		1
325	281131-5		..SEAL ASSY- SUPPLIER CODE: V0767B		1
325	BCMP05-1		..SEAL ASSY- SUPPLIER CODE: V09489		1
327	82100-1		...PLUG- SUPPLIER CODE: V0767B USED ON: 281131-10		1
328	82100-2		...PLUG- SUPPLIER CODE: V0767B USED ON: 281131-10		14
330	CA12145-102		..HOLD DOWN- SUPPLIER CODE: V29372 OPTIONAL PART: CA12095-101 V29372 CA12095-102 V29372 BACC10HZ1		2

ILLUSTRATION ITEMS NOT ON PARTS LIST ARE NOT APPLICABLE

- ITEM NOT ILLUSTRATED

HXL

25-71-02-01

BOEING PROPRIETARY - Copyright © - Unpublished Work - See title page for details.

25-71-02
FIG. 01
PAGE 3
AUG 22/09



767

PARTS CATALOG (MAINTENANCE)

FIG ITEM	PART NUMBER	1 2 3 4 5 6 7	NOMENCLATURE	EFFECT FROM TO	UNITS PER ASSY
1 330	CA12095-102		..HOLD DOWN- SUPPLIER CODE: V29372 OPTIONAL PART: CA12095-101 V29372 V30528 CA12145-102 V29372 BACC10HZ1		2
330	CA12095-101		..HOLD DOWN- SUPPLIER CODE: V29372 OPTIONAL PART: V30528 CA12095-102 V29372 CA12145-102 V29372 BACC10HZ1		2
330	H3773-9		..HOLD DOWN- SUPPLIER CODE: V83014 SPECIFICATION NUMBER: BACC10HZ1 OPTIONAL PART: 5175-110-1 V30528 CA12145-102 VOCBU7 H3773-3 V83014 CA12145-102 V29372 CA12095-102 V29372 CA12095-101 V29372		2
- 335	NAS514P632-5		ATTACHING PARTS ..SCREW- -----*-----		4
350	284T0026-24		.TRAY ASSY-		1

ILLUSTRATION ITEMS NOT ON PARTS LIST ARE NOT APPLICABLE

- ITEM NOT ILLUSTRATED

HXL

25-71-02-01

BOEING PROPRIETARY - Copyright © - Unpublished Work - See title page for details.

25-71-02
FIG. 01
PAGE 4
AUG 22/09



767

PARTS CATALOG (MAINTENANCE)

FIG ITEM	PART NUMBER	1 2 3 4 5 6 7	NOMENCLATURE	EFFECT FROM TO	UNITS PER ASSY
1					
355	281131-6		..SEAL ASSY- SUPPLIER CODE: V0767B OPTIONAL PART: 201-6 V0767B BCMP06-1 V09489		1
355	201-6		..SEAL ASSY- SUPPLIER CODE: V0767B OPTIONAL PART: 281131-6 V0767B BCMP06-1 V09489		1
355	BCMP06-1		..SEAL ASSY- SUPPLIER CODE: V09489 OPTIONAL PART: 281131-6 V0767B 201-6 V0767B		1
355	281131-13		..SEAL ASSY- SUPPLIER CODE: V0767B		1
355	201-13		..SEAL ASSY- SUPPLIER CODE: V0767B		1
355	BCMP06-2		..SEAL ASSY- SUPPLIER CODE: V09489		1
356	82100-1		...PLUG- SUPPLIER CODE: V0767B USED ON: 281131-6		1
357	82100-2		...PLUG- SUPPLIER CODE: V0767B USED ON: 281131-6		8

ILLUSTRATION ITEMS NOT ON PARTS LIST ARE NOT APPLICABLE

- ITEM NOT ILLUSTRATED

HXL

25-71-02-01

BOEING PROPRIETARY - Copyright © - Unpublished Work - See title page for details.

25-71-02
FIG. 01
PAGE 5
AUG 22/09



767

PARTS CATALOG (MAINTENANCE)

FIG ITEM	PART NUMBER	1 2 3 4 5 6 7	NOMENCLATURE	EFFECT FROM TO	UNITS PER ASSY
1 360	CA12145-102		..HOLD DOWN- SUPPLIER CODE: V29372 OPTIONAL PART: CA12095-101 V29372 CA12095-102 V29372 BACC10HZ1		2
360	CA12095-102		..HOLD DOWN- SUPPLIER CODE: V29372 OPTIONAL PART: CA12095-101 V29372 V30528 CA12145-102 V29372 BACC10HZ1		2
360	CA12095-101		..HOLD DOWN- SUPPLIER CODE: V29372 OPTIONAL PART: V30528 CA12095-102 V29372 CA12145-102 V29372 BACC10HZ1		2
360	H3773-9		..HOLD DOWN- SUPPLIER CODE: V83014 SPECIFICATION NUMBER: BACC10HZ1 OPTIONAL PART: 5175-110-1 V30528 CA12145-102 VOCBU7 H3773-3 V83014 CA12145-102 V29372 CA12095-102 V29372 CA12095-101 V29372		2
365	NAS514P632-5		..SCREW-		4
400	284T0641-8		.TRAY ASSY-		1

ILLUSTRATION ITEMS NOT ON PARTS LIST ARE NOT APPLICABLE

- ITEM NOT ILLUSTRATED

HXL

25-71-02-01

BOEING PROPRIETARY - Copyright © - Unpublished Work - See title page for details.

25-71-02
FIG. 01
PAGE 6
DEC 22/07



767

PARTS CATALOG (MAINTENANCE)

FIG ITEM	PART NUMBER	1 2 3 4 5 6 7	NOMENCLATURE	EFFECT FROM TO	UNITS PER ASSY
1					
405	281131-4		..SEAL ASSY- SUPPLIER CODE: V0767B OPTIONAL PART: 201-4 V0767B BCMP04-1 V09489		1
407	82100-1		...PLUG- SUPPLIER CODE: V0767B		1
408	82100-2		...PLUG- SUPPLIER CODE: V0767B		6
409	201-4		..SEAL ASSY- SUPPLIER CODE: V60299 OPTIONAL PART: 281131-4 V0767B BCMP04-1 V09489		1
409	BCMP04-1		..SEAL ASSY- SUPPLIER CODE: V09489 OPTIONAL PART: 201-4 V0767B 281131-4 V0767B		1
410	CA12145-102		..HOLD DOWN- SUPPLIER CODE: V29372 OPTIONAL PART: CA12095-101 V29372 CA12095-102 V29372		2
410	CA12095-101		..HOLD DOWN- SUPPLIER CODE: V29372 OPTIONAL PART: CA12095-102 V29372 CA12145-102 V29372		2

ILLUSTRATION ITEMS NOT ON PARTS LIST ARE NOT APPLICABLE

- ITEM NOT ILLUSTRATED

HXL

25-71-02-01

BOEING PROPRIETARY - Copyright © - Unpublished Work - See title page for details.

25-71-02
FIG. 01
PAGE 7
DEC 22/07

BOEING
767
PARTS CATALOG (MAINTENANCE)

FIG ITEM	PART NUMBER	1 2 3 4 5 6 7	NOMENCLATURE	EFFECT FROM TO	UNITS PER ASSY
1 410	CA12095-102		..HOLD DOWN- SUPPLIER CODE: V29372 OPTIONAL PART: CA12095-101 V29372 CA12145-102 V29372 ATTACHING PARTS		2
- 415	NAS514P632-4		..SCREW -----*-----		4
450	284T0026-17		.TRAY ASSY-		2
455	281131-3		..SEAL ASSY- SUPPLIER CODE: V0767B OPTIONAL PART: 201-3 V60299		1
455	BCMP03-1		..SEAL ASSY- SUPPLIER CODE: VL4858		1
455	201-3		..SEAL ASSY- SUPPLIER CODE: V60299 OPTIONAL PART: 281131-3 V0767B		1
456	82100-1		...PLUG- SUPPLIER CODE: V0767B USED ON: 281131-3		1
457	82100-2		...PLUG- SUPPLIER CODE: V0767B USED ON: 281131-3		4
460	CA12145-102		..HOLD DOWN- SUPPLIER CODE: V29372 OPTIONAL PART: CA12095-101 V29372 CA12095-102 V29372 BACC10HZ1		2

ILLUSTRATION ITEMS NOT ON PARTS LIST ARE NOT APPLICABLE

- ITEM NOT ILLUSTRATED

HXL

25-71-02-01

BOEING PROPRIETARY - Copyright © - Unpublished Work - See title page for details.

25-71-02
FIG. 01
PAGE 8
DEC 22/08

 **BOEING**
767
PARTS CATALOG (MAINTENANCE)

FIG ITEM	PART NUMBER	1 2 3 4 5 6 7	NOMENCLATURE	EFFECT FROM TO	UNITS PER ASSY
1 460	CA12095-102		..HOLD DOWN- SUPPLIER CODE: V29372 OPTIONAL PART: CA12095-101 V29372 CA12145-102 V29372 BACC10HZ1		2
460	CA12095-101		..HOLD DOWN- SUPPLIER CODE: V29372 OPTIONAL PART: CA12095-102 V29372 CA12145-102 V29372 BACC10HZ1		2
460	H3773-9		..HOLD DOWN- SUPPLIER CODE: V83014 SPECIFICATION NUMBER: BACC10HZ1 OPTIONAL PART: 5175-110-1 V30528 CA12145-102 VOCBU7 H3773-3 V83014 CA12095-102 V29372 CA12145-102 V29372 CA12095-101 V29372		2
- 465	NAS514P632-5		.. SCREW-		4
500	284T0026-28		.TRAY ASSY-		1
505	281131-6		..SEAL ASSY- SUPPLIER CODE: V0767B OPTIONAL PART: 201-6 V0767B BCMP06-1 V09489		1
ILLUSTRATION ITEMS NOT ON PARTS LIST ARE NOT APPLICABLE					

- ITEM NOT ILLUSTRATED

HXL

25-71-02-01

BOEING PROPRIETARY - Copyright © - Unpublished Work - See title page for details.

25-71-02
FIG. 01
PAGE 9
DEC 22/08



767

PARTS CATALOG (MAINTENANCE)

FIG ITEM	PART NUMBER	1 2 3 4 5 6 7	NOMENCLATURE	EFFECT FROM TO	UNITS PER ASSY
1					
505	201-6		..SEAL ASSY- SUPPLIER CODE: V0767B OPTIONAL PART: 281131-6 V0767B BCMP06-1 V09489		1
505	BCMP06-1		..SEAL ASSY- SUPPLIER CODE: V09489 OPTIONAL PART: 281131-6 V0767B 201-6 V0767B		1
505	281131-13		..SEAL ASSY- SUPPLIER CODE: V0767B		1
505	201-13		..SEAL ASSY- SUPPLIER CODE: V0767B		1
505	BCMP06-2		..SEAL ASSY- SUPPLIER CODE: V09489		1
506	82100-1		...PLUG- SUPPLIER CODE: V0767B USED ON: 281131-6		1
507	82100-2		...PLUG- SUPPLIER CODE: V0767B USED ON: 281131-6		8
510	CA12145-102		..HOLD DOWN- SUPPLIER CODE: V29372 OPTIONAL PART: CA12095-101 V29372 CA12095-102 V29372 V30528 BACC10HZ1		2

ILLUSTRATION ITEMS NOT ON PARTS LIST ARE NOT APPLICABLE

- ITEM NOT ILLUSTRATED

HXL

25-71-02-01

BOEING PROPRIETARY - Copyright © - Unpublished Work - See title page for details.

25-71-02
FIG. 01
PAGE 10
DEC 22/08

 **BOEING**
767
PARTS CATALOG (MAINTENANCE)

FIG ITEM	PART NUMBER	1 2 3 4 5 6 7	NOMENCLATURE	EFFECT FROM TO	UNITS PER ASSY
1 510	CA12095-102		..HOLD DOWN- SUPPLIER CODE: V29372 OPTIONAL PART: CA12095-101 V29372 V30528 CA12145-102 V29372 BACC10HZ1		2
510	CA12095-101		..HOLD DOWN- SUPPLIER CODE: V29372 OPTIONAL PART: V30528 CA12095-102 V29372 CA12145-102 V29372 BACC10HZ1		2
510	H3773-9		..HOLD DOWN- SUPPLIER CODE: V83014 SPECIFICATION NUMBER: BACC10HZ1 OPTIONAL PART: 5175-110-1 V30528 CA12145-102 VOCBU7 H3773-3 V83014 CA12145-102 V29372 CA12095-101 V29372 CA12095-102 V29372		2
- 515	NAS514P632-5		ATTACHING PARTS ..SCREW- -----*-----		4
520	YHLZG16-1		..BLOCK- SUPPLIER CODE: V09922		3
- 525	BACR15FT5AD		ATTACHING PARTS ..RIVET- SIZE DETERMINED ON INSTL. -----*-----		12

ILLUSTRATION ITEMS NOT ON PARTS LIST ARE NOT APPLICABLE

- ITEM NOT ILLUSTRATED

HXL

25-71-02-01

BOEING PROPRIETARY - Copyright © - Unpublished Work - See title page for details.

25-71-02
FIG. 01
PAGE 11
DEC 22/08

BOEING
767
PARTS CATALOG (MAINTENANCE)

FIG ITEM	PART NUMBER	1 2 3 4 5 6 7	NOMENCLATURE	EFFECT FROM TO	UNITS PER ASSY
R R R R R R R	1 550	284T0383-3	.SEAL- MANUFACTURED FROM: SH RUBBER MIL-R-6130 GRADE A TYPE 2 SOFT 0.12 IN 0.7 IN 12.9 IN SPARES ORDER MATERIAL CODE: 5231253020 ATTACHING PARTS		5
	578	NAS1801-3-8	.SCREW-		2
	580	NAS1801-3-7	.SCREW-		4
	585	AN960PD10L	.WASHER-		6
	585	AN960JD10L	.WASHER-		6
	590	MS21042L3	.NUT-		6
			-----*-----		
	593	BACG20ZA4110	..GROMMET		2
	596	284T0385-12	..CHANNEL-		1
	597	284T0385-13	.SUPPORT-ZEE OPTIONAL PART: 284T0385-11 ATTACHING PARTS		1
R	598	NAS1801-3-8	.SCREW		2
	599	NAS1801-3-7	.SCREW		4
	600	AN960PD10L	.WASHER-		6
	605	MS21042L3	.NUT-		6
			-----*-----		
	610	284T0116-2	.MODULE ASSY-TERM.		1
	615	BACC49A1	..CLAMP ASSY		AR
	620	H21-1	..SPACER SUPPLIER CODE: V34941 SPECIFICATION NUMBER: BACS18AR1 OPTIONAL PART: FAB276A V15805 YHLZ1C2 V09922		AR
	625	H21-6	..SPACER SUPPLIER CODE: V34941 SPECIFICATION NUMBER: BACS18AR6 OPTIONAL PART: FAB276-0 V15805 YHLZ1C7 V09922		AR

ILLUSTRATION ITEMS NOT ON PARTS LIST ARE NOT APPLICABLE

- ITEM NOT ILLUSTRATED

HXL

25-71-02-01

BOEING PROPRIETARY - Copyright © - Unpublished Work - See title page for details.

25-71-02
FIG. 01
PAGE 12
AUG 22/09

BOEING
767
PARTS CATALOG (MAINTENANCE)

FIG ITEM	PART NUMBER	1 2 3 4 5 6 7	NOMENCLATURE	EFFECT FROM TO	UNITS PER ASSY
1 630	YHLZ2	..	MODULE SUPPLIER CODE: V09922 SPECIFICATION NUMBER: BACM15C1A OPTIONAL PART: YHLZ22 V09922		AR
635	YHLZ4	..	MODULE SUPPLIER CODE: V09922 SPECIFICATION NUMBER: BACM15C1B OPTIONAL PART: YHLZ44 V09922		AR
640	YHLZ8	..	MODULE SUPPLIER CODE: V09922 SPECIFICATION NUMBER: BACM15C2A		AR
675	284T0384-37	.	SUPPORT ASSY-WIRE ATTACHING PARTS		1
680	NAS1801-3-5	.	SCREW		4
682	NAS514P1032-5	.	SCREW		2
685	AN960PD10L	.	WASHER-		6
685	AN960JD10L	.	WASHER-		6
690	MS21042L3	.	NUT-		6
695	BAC27TEX2220	..	DECAL- PLACARD CONTENT: TOP POSN. 1, 2, 3-97 BOT. POSN. 101, 102, 103-197		1
700	YHLZG16-1	..	BLOCK-TERM. SUPPLIER CODE: V09922		15
705	YHLZG16-1	..	BLOCK-TERM. SUPPLIER CODE: V09922 ATTACHING PARTS		14
- 709	BACR15BB4AD	..	RIVET- SIZE DETERMINED ON INSTL.		60
- 710	BACR15BB4AD	..	RIVET- SIZE DETERMINED ON INSTL.		56
712	MS24665-300	..	PIN		2
715	AN960JD616	..	WASHER-		2
720	284T0384-5	..	TUBE		1

ILLUSTRATION ITEMS NOT ON PARTS LIST ARE NOT APPLICABLE

- ITEM NOT ILLUSTRATED

HXL

25-71-02-01

BOEING PROPRIETARY - Copyright © - Unpublished Work - See title page for details.

25-71-02
FIG. 01
PAGE 13
AUG 22/09

 **BOEING**
767
PARTS CATALOG (MAINTENANCE)

FIG ITEM	PART NUMBER	1 2 3 4 5 6 7	NOMENCLATURE	EFFECT FROM TO	UNITS PER ASSY
1					
725	284T0385-3		..BRACKET ATTACHING PARTS		1
- 730	NAS1801-3-4		..SCREW		1
- 735	AN960PD10		..WASHER		1
- 740	BRH10C3		..NUT SUPPLIER CODE: V52828 SPECIFICATION NUMBER: BACN10JC3C OPTIONAL PART: T6C1032J V11815 97-02 V80539 101LH9075-3W V72962 VN303B02 V92215 NS202101S02 V80539 H31-3BAC V15653 -----*-----		1
745	284T0385-4		..BRACKET		1
750	284T0385-5		..BRACKET ATTACHING PARTS		1
- 755	BACR15BB4AD		..RIVET- SIZE DETERMINED ON INSTL. -----*-----		4
760	284T0574-7		..TRACK-TERM. BLOCK MODULE ALTERED FROM PART NUMBER: AMY4100T11 V09922		1
775	284T0211-3		.SHELF ASSY-		1
780	284T0383-1		..SEAL		1
785	284T0383-2		..SEAL- MANUFACTURED FROM: SH RUBBER MIL-R-6130 GRADE A TYPE 2 SOFT 0.125 IN 2.3 IN 6.2 IN SPARES ORDER MATERIAL CODE: 5231253020		1
- 800	286T1090-120		WIRE BUNDLE ASSY- POST ALERT SB: 27A0140R2		RF

ILLUSTRATION ITEMS NOT ON PARTS LIST ARE NOT APPLICABLE

- ITEM NOT ILLUSTRATED

HXL

25-71-02-01

BOEING PROPRIETARY - Copyright © - Unpublished Work - See title page for details.

25-71-02
FIG. 01
PAGE 14
AUG 22/09



767

PARTS CATALOG (MAINTENANCE)

FIG ITEM	PART NUMBER	1 2 3 4 5 6 7	NOMENCLATURE	EFFECT FROM TO	UNITS PER ASSY
1					
- 805	BACC45FT18A31P		.CONNECTOR- ELECTRICAL EQUIP NUMBER: D05646P WIRING DIAGRAM REF: 291132 POST ALERT SB: 27A0140R2		1
- 810	YHLZ4		.MODULE- SUPPLIER CODE: V09922 SPECIFICATION NUMBER: BACM15C1B OPTIONAL PART: YHLZ44 V09922 POST ALERT SB: 27A0140R2		1
- 811	286T1090-11001		.TAPE-IDENT POST ALERT SB: 27A0140R2		RF
- 930	286T1092-120		WIRE BUNDLE ASSY- POST ALERT SB: 27A0140R2		RF
- 947	286T1092-11101		.TAPE-IDENT POST ALERT SB: 27A0140R2		RF
-947A	286T1092-11102		.TAPE-IDENT POST ALERT SB: 27A0140R2		RF
-947B	286T1092-11103		.TAPE-IDENT POST ALERT SB: 27A0140R2		RF
-947C	BACC45FT20A39P7		.CONNECTOR- ELECTRICAL EQUIP NUMBER: D05368P WIRING DIAGRAM REF: 275131 POST ALERT SB: 27A0140R2		1
-947D	BACC45FT16A24S7		.CONNECTOR- ELECTRICAL EQUIP NUMBER: D05544P WIRING DIAGRAM REF: 213111 POST ALERT SB: 27A0140R2		1

ILLUSTRATION ITEMS NOT ON PARTS LIST ARE NOT APPLICABLE

- ITEM NOT ILLUSTRATED

HXL

25-71-02-01

BOEING PROPRIETARY - Copyright © - Unpublished Work - See title page for details.

25-71-02
FIG. 01
PAGE 15
AUG 22/09



767

PARTS CATALOG (MAINTENANCE)

FIG ITEM	PART NUMBER	1 2 3 4 5 6 7	NOMENCLATURE	EFFECT FROM TO	UNITS PER ASSY
1 -947E	BACC45FT14A15S		.CONNECTOR- ELECTRICAL EQUIP NUMBER: D05281P WIRING DIAGRAM REF: 273211 POST ALERT SB: 27A0140R2		1
-947F	BCREF12289		.CONNECTOR- OVERLENGTH PART NUMBER: BACC66K31C71AA01 ELECTRICAL EQUIP NUMBER: D02166B WIRING DIAGRAM REF: 278811 POST ALERT SB: 27A0140R2		1

ILLUSTRATION ITEMS NOT ON PARTS LIST ARE NOT APPLICABLE

- ITEM NOT ILLUSTRATED

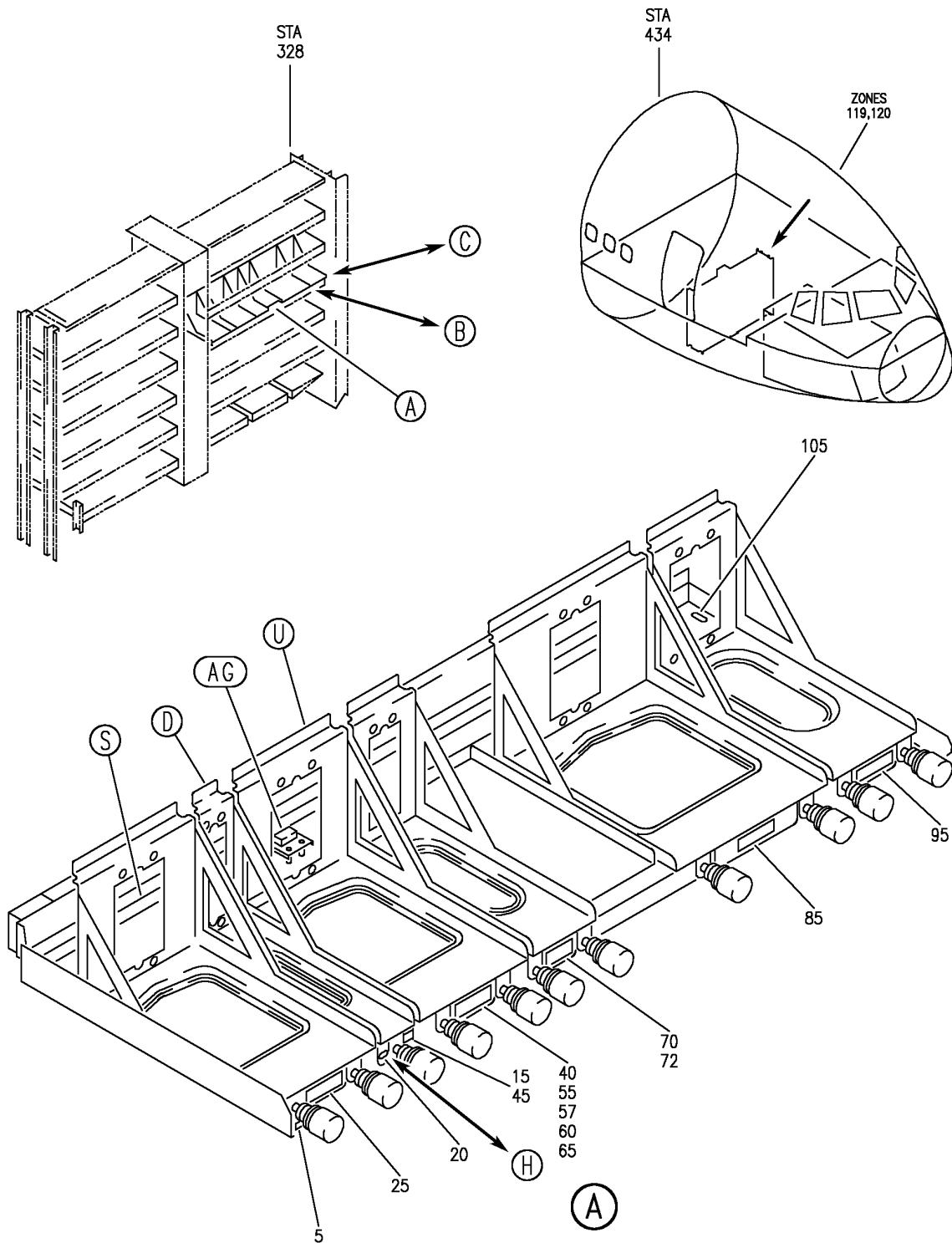
HXL

25-71-02-01

BOEING PROPRIETARY - Copyright © - Unpublished Work - See title page for details.

25-71-02
FIG. 01
PAGE 16
AUG 22/09

BOEING
767
PARTS CATALOG (MAINTENANCE)



V 25710303 SHT 1 REV 270

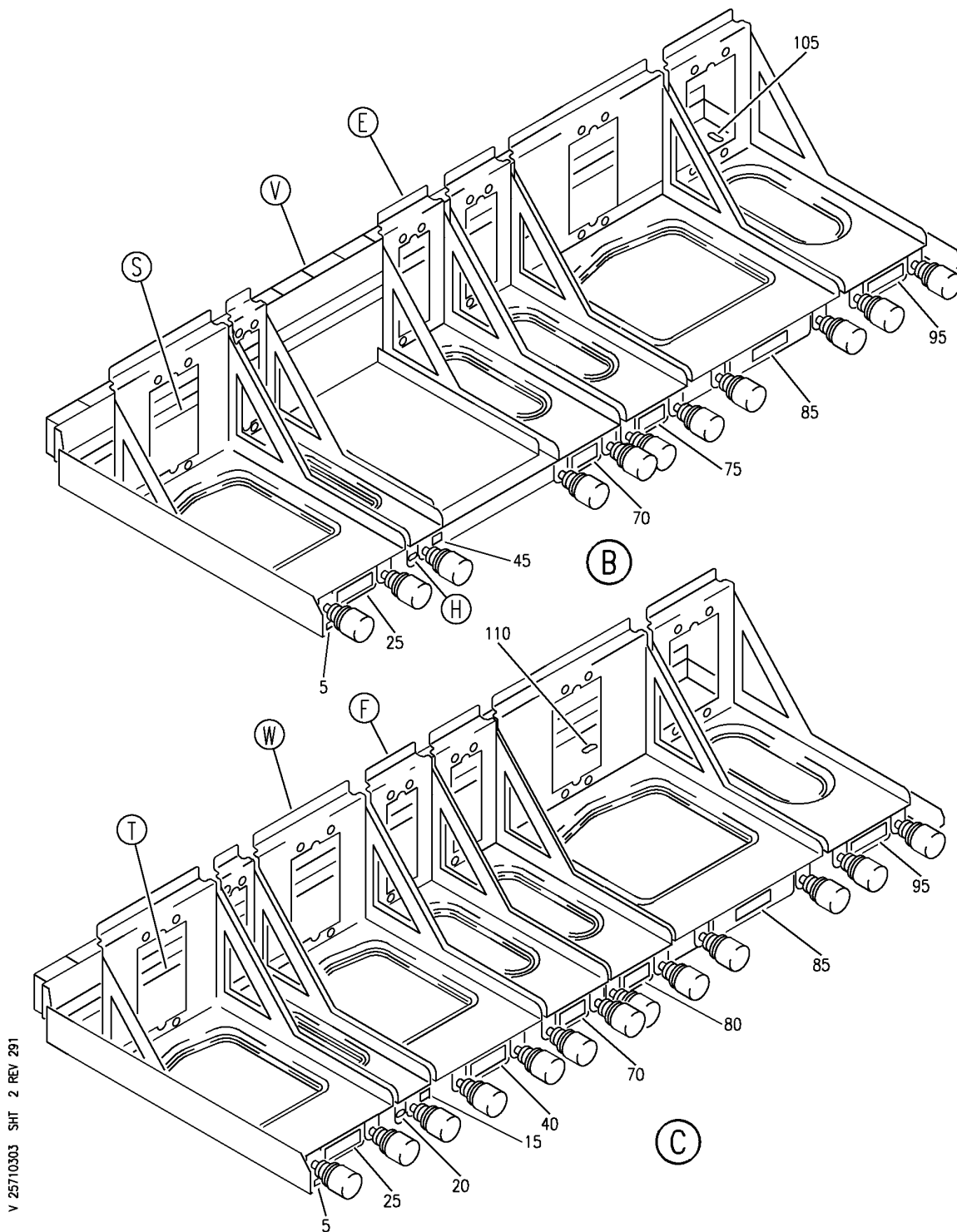
SHELF ASSY-ELECT. EQPT CTR E1-3 (EQUIPMENT/ FURNISHINGS ONLY)
FIGURE 3 (SHEET 1)

25-71-03-03

HXL
DEC 22/06

25-71-03-03
PAGE 0

BOEING
767
PARTS CATALOG (MAINTENANCE)



V 25710303 SHT 2 REV 291

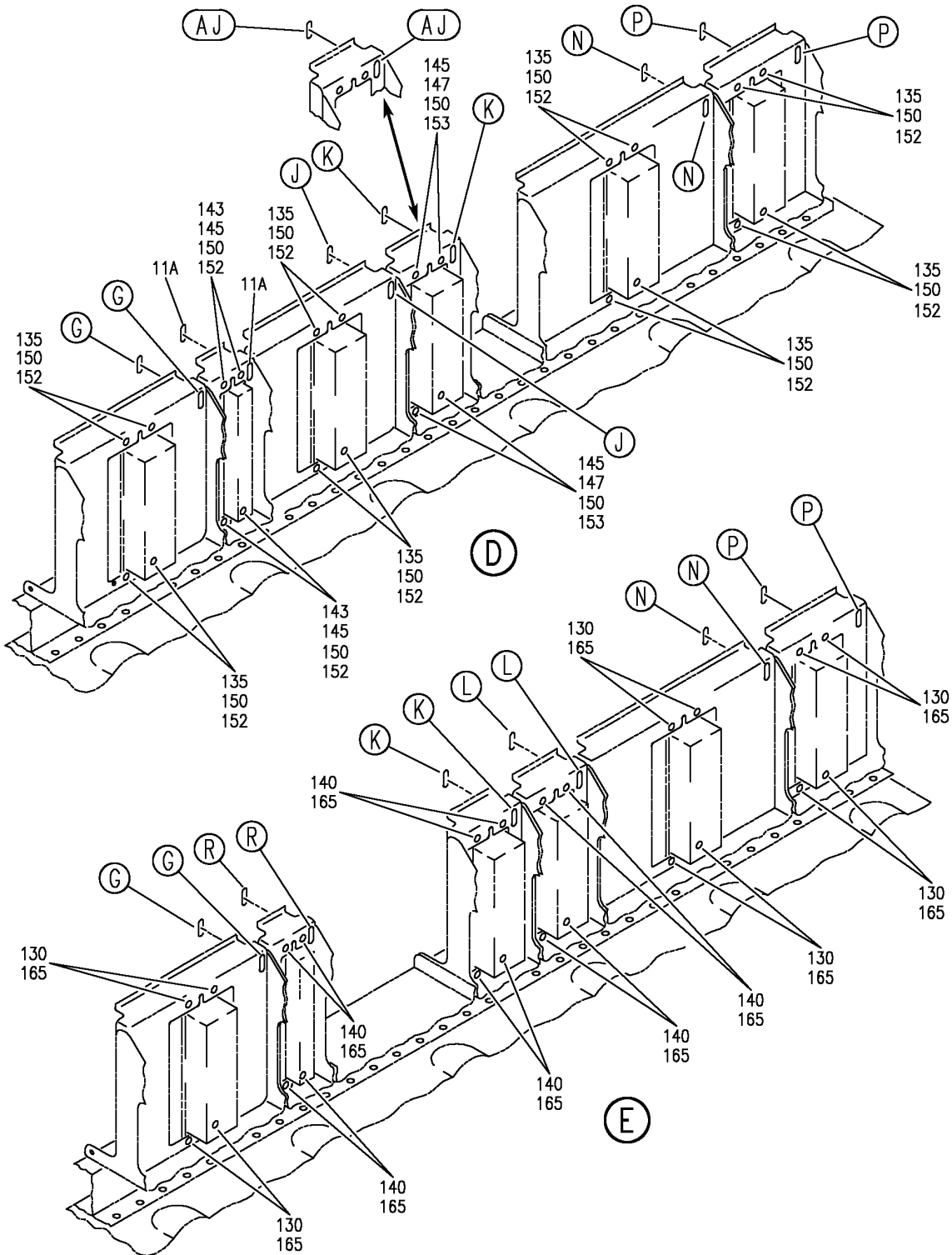
SHELF ASSY-ELECT. EQPT CTR E1-3 (EQUIPMENT/ FURNISHINGS ONLY)
FIGURE 3 (SHEET 2)

25-71-03-03

HXL
DEC 22/06

25-71-03-03
PAGE 0A

BOEING
767
PARTS CATALOG (MAINTENANCE)



V 25710303 SHT 3 REV 270

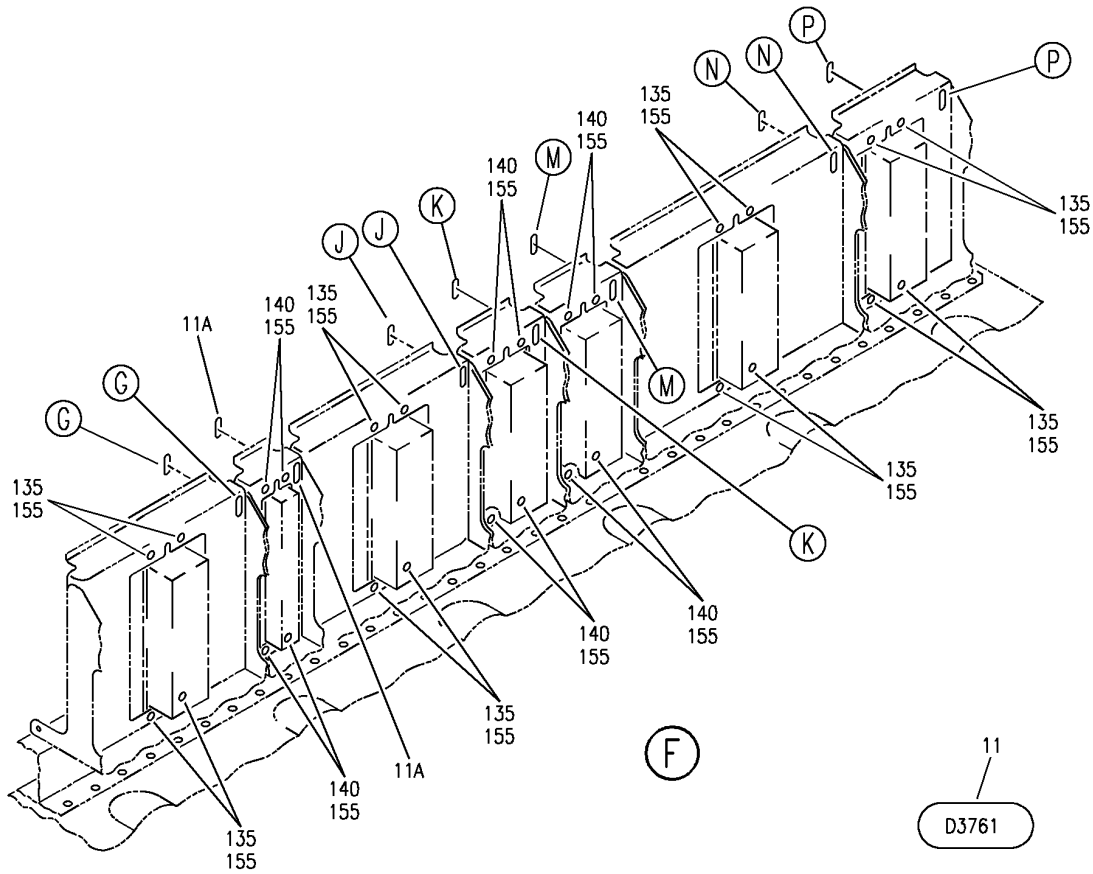
SHELF ASSY-ELECT. EQPT CTR E1-3 (EQUIPMENT/ FURNISHINGS ONLY)
FIGURE 3 (SHEET 3)

25-71-03-03

HXL
DEC 22/06

25-71-03-03
PAGE 0B

BOEING
767
PARTS CATALOG (MAINTENANCE)



- | | | | | |
|-----------------|-----------------|-----------------|------------------|--------------|
| 7
10
D427 | 7
10
M869 | 12
D2463 | 8
10
D429 | 13
D11478 |
| G | H | J | K | L |
| 14
D2115 | 7
10
D433 | 7
10
D423 | 7
10
D1369 | |
| M | N | P | R | |

V 25710303 SHT 4 REV 291

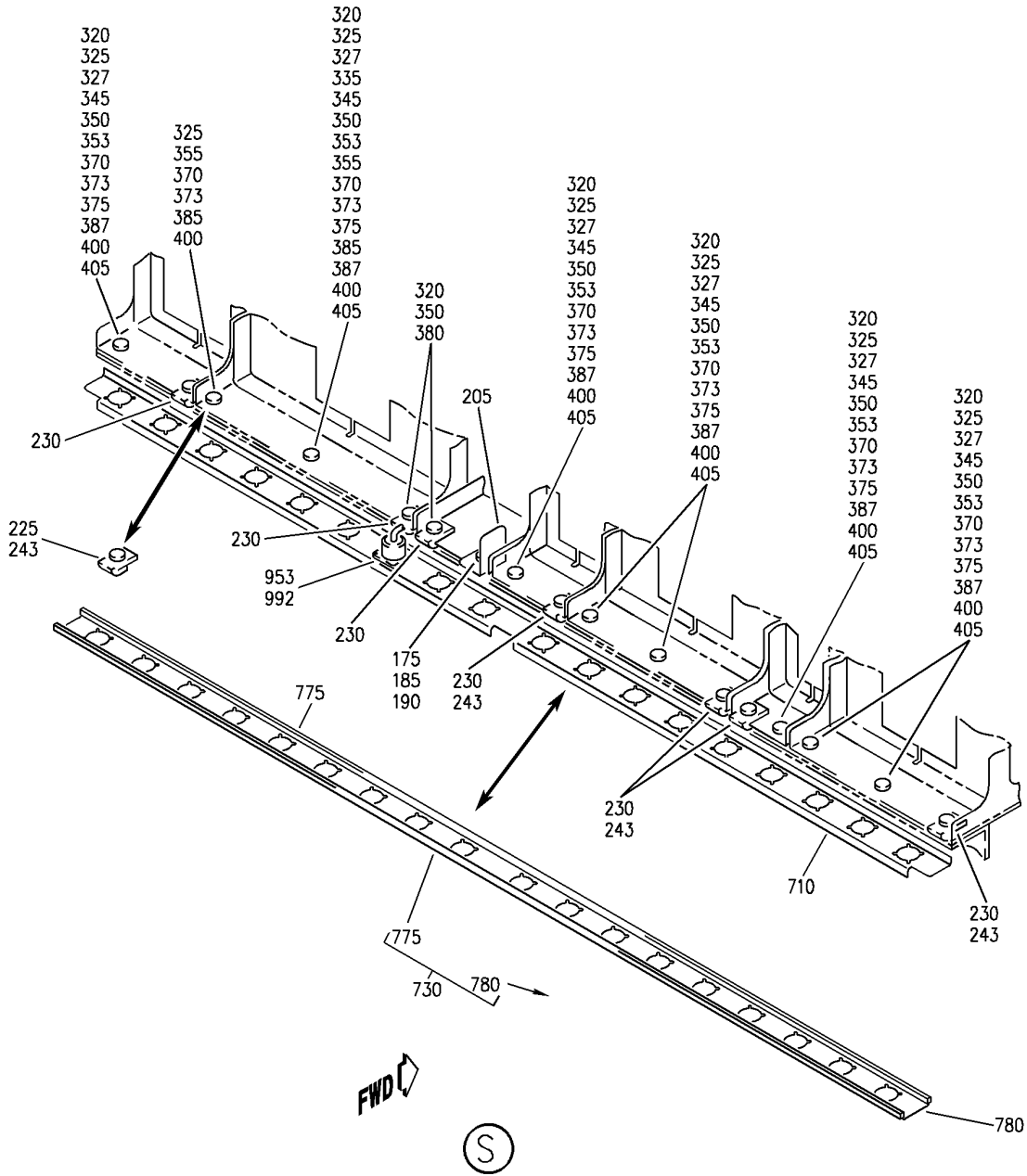
SHELF ASSY-ELECT. EQPT CTR E1-3 (EQUIPMENT/ FURNISHINGS ONLY)
FIGURE 3 (SHEET 4)

25-71-03-03

HXL
DEC 22/06

25-71-03-03
PAGE 0C


BOEING
 767
PARTS CATALOG (MAINTENANCE)



V 25710303 SHT 5 REV 283

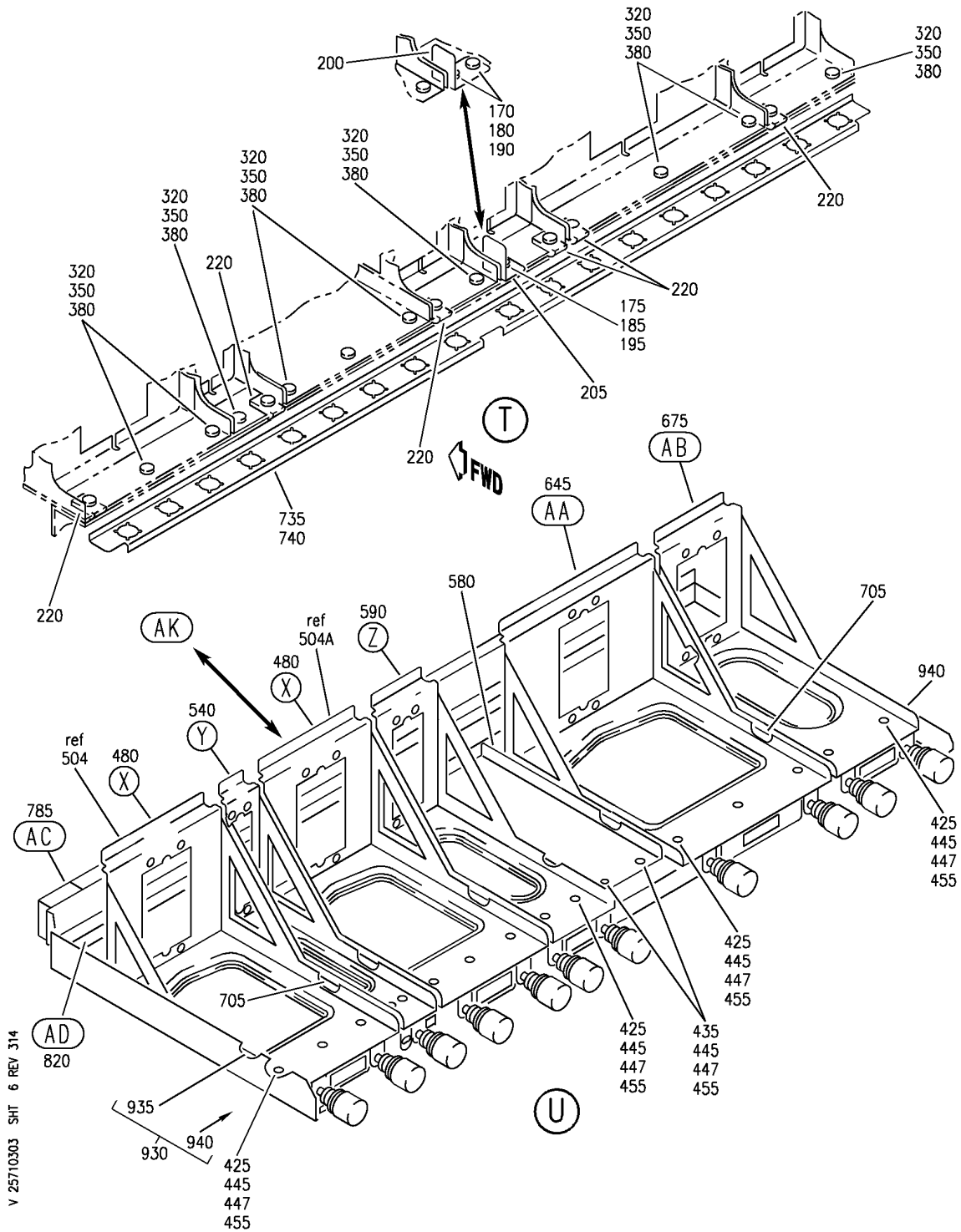
SHELF ASSY-ELECT. EQPT CTR E1-3 (EQUIPMENT/ FURNISHINGS ONLY)
 FIGURE 3 (SHEET 5)

25-71-03-03

HXL
 DEC 22/06

25-71-03-03
 PAGE 0D

BOEING
767
PARTS CATALOG (MAINTENANCE)



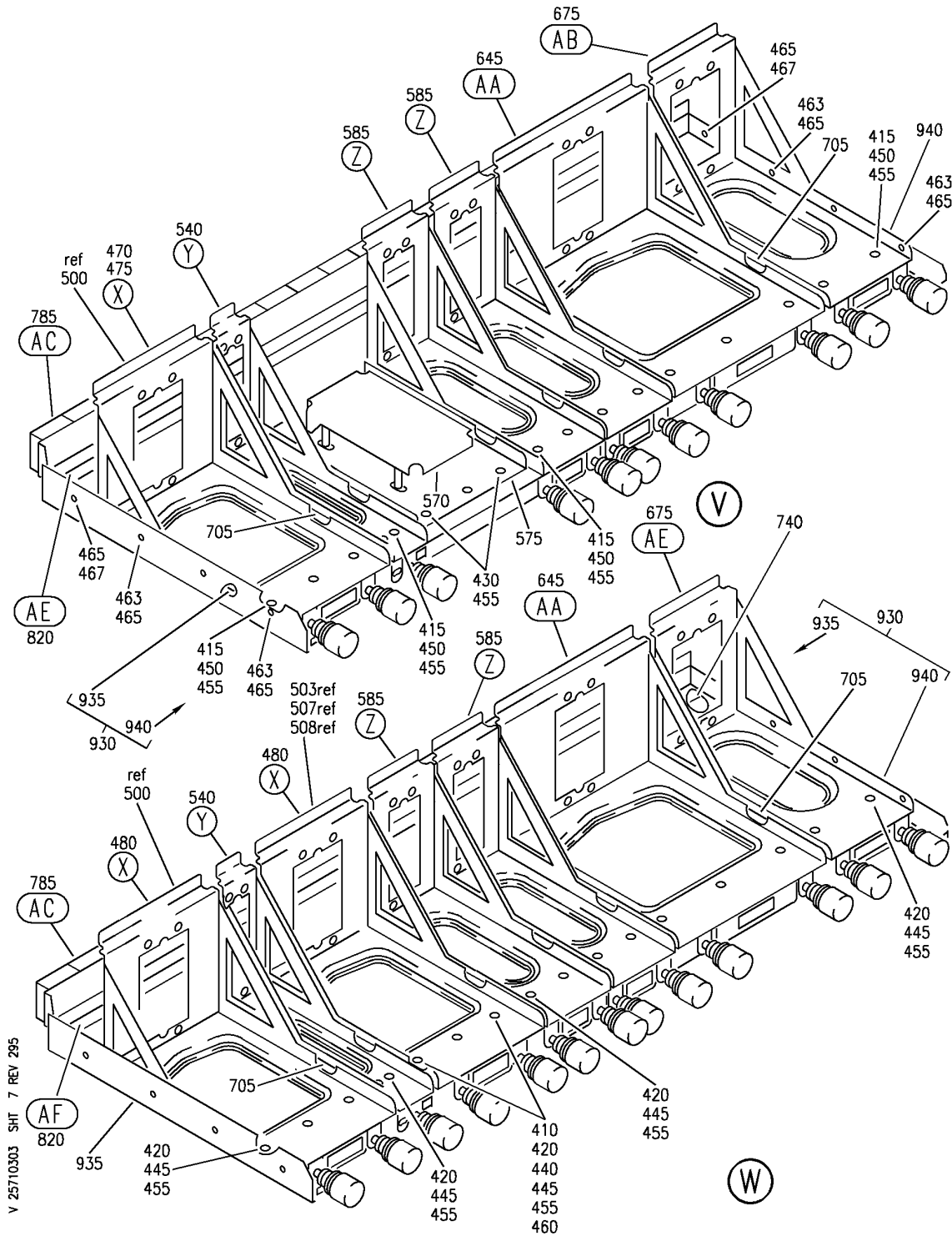
SHELF ASSY-ELECT. EQPT CTR E1-3 (EQUIPMENT/ FURNISHINGS ONLY)
FIGURE 3 (SHEET 6)

25-71-03-03

HXL
APR 22/07

25-71-03-03
PAGE 0E

BOEING
767
PARTS CATALOG (MAINTENANCE)



V 25710303 SH 7 REV 295

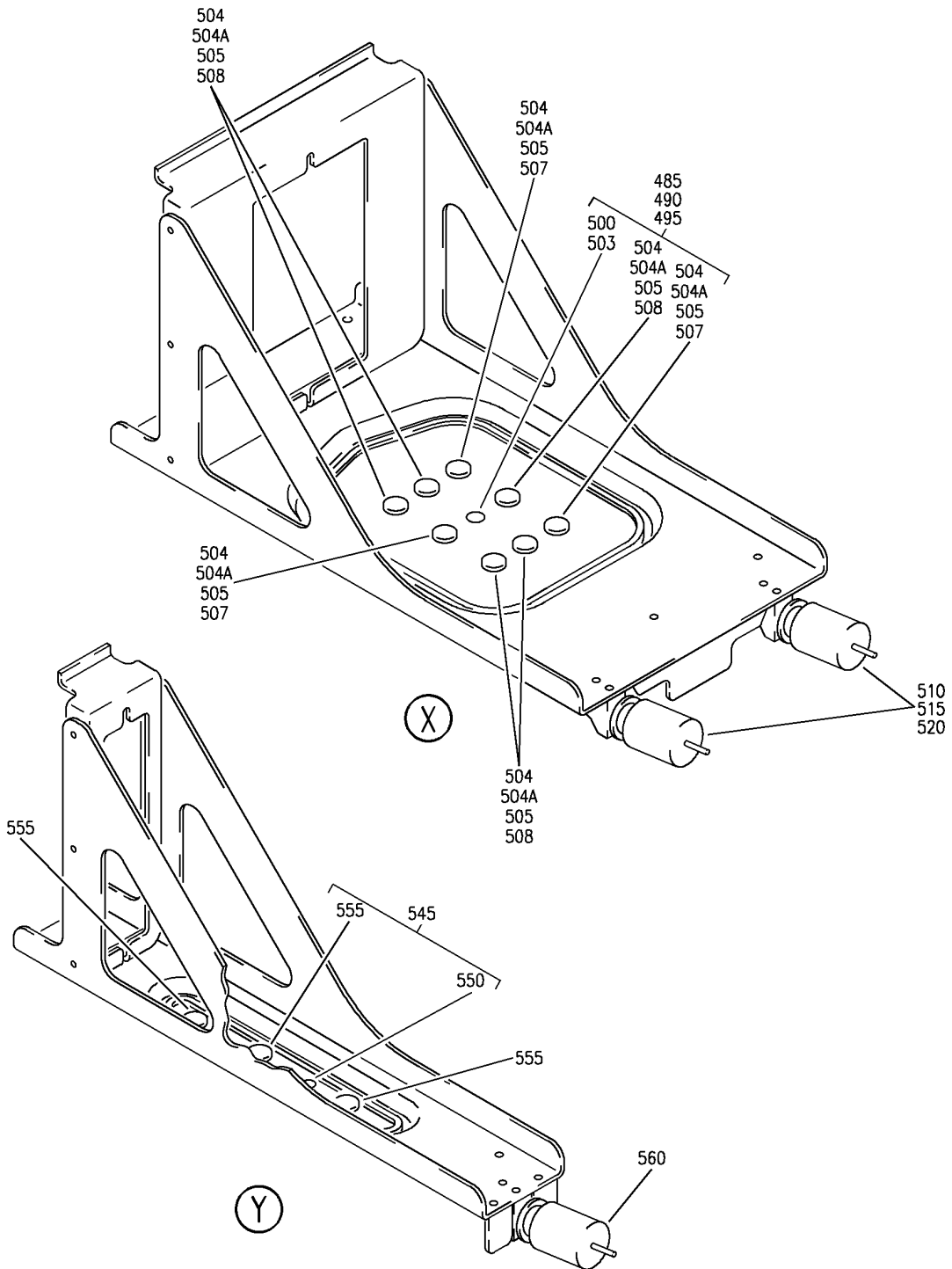
SHELF ASSY-ELECT. EQPT CTR E1-3 (EQUIPMENT/ FURNISHINGS ONLY)
FIGURE 3 (SHEET 7)

25-71-03-03

HXL
DEC 22/06

25-71-03-03
PAGE OF

BOEING
767
PARTS CATALOG (MAINTENANCE)



V 25710303 SHT 8 REV 314

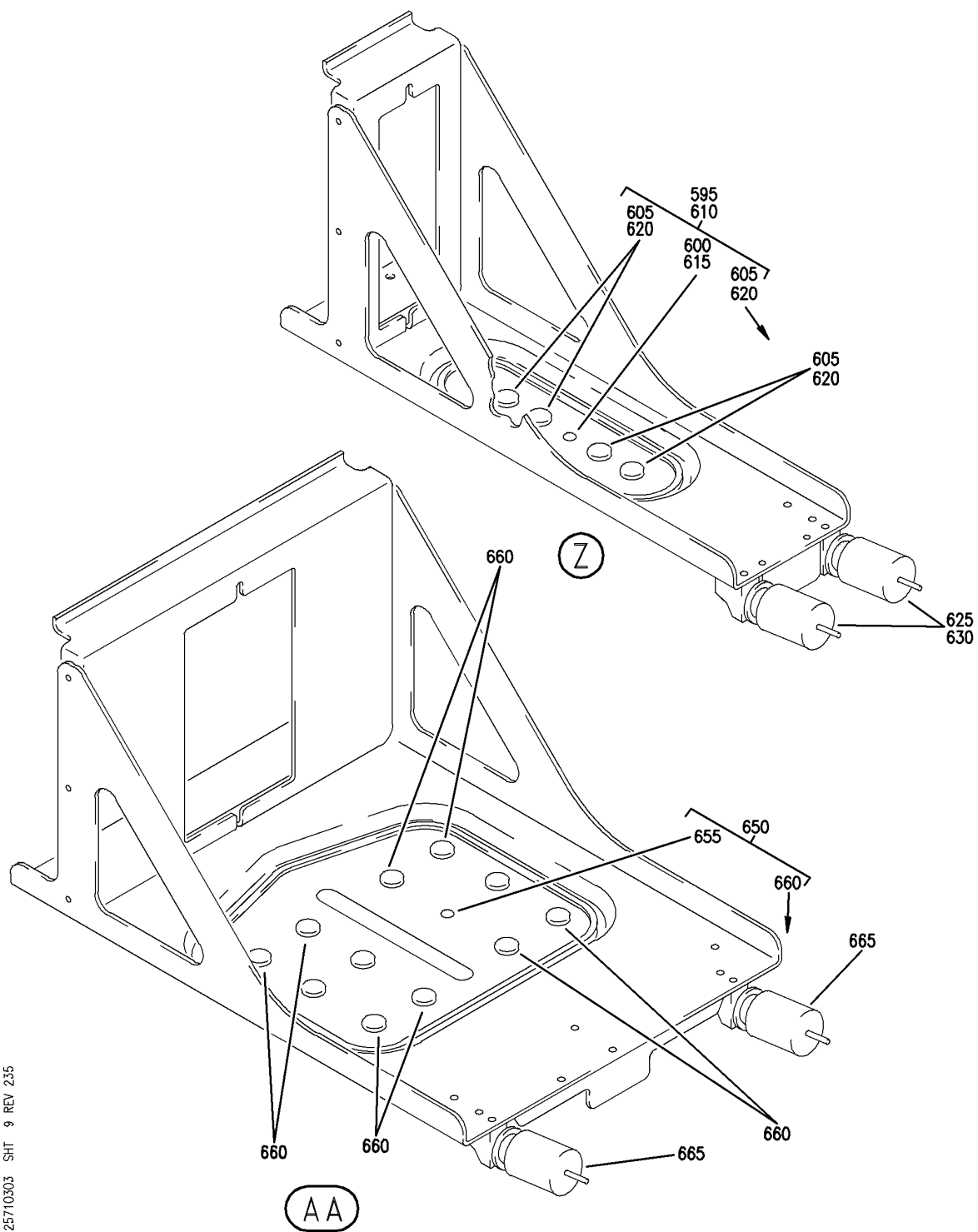
SHELF ASSY-ELECT. EQPT CTR E1-3 (EQUIPMENT/ FURNISHINGS ONLY)
FIGURE 3 (SHEET 8)

25-71-03-03

HXL
APR 22/07

25-71-03-03
PAGE 0G

BOEING
767
PARTS CATALOG (MAINTENANCE)



V 25710303 SH 9 REV 235

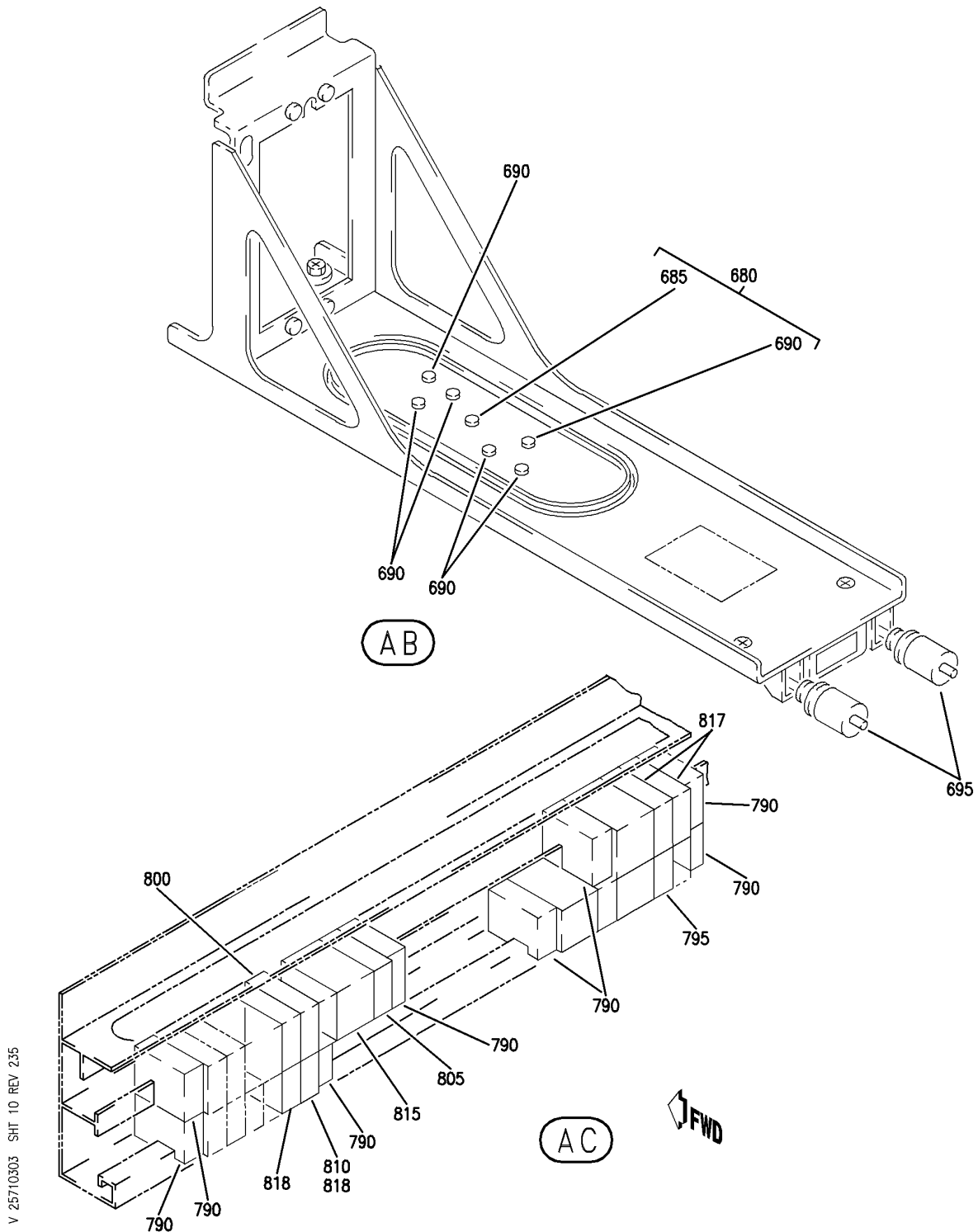
SHELF ASSY-ELECT. EQPT CTR E1-3 (EQUIPMENT/ FURNISHINGS ONLY)
FIGURE 3 (SHEET 9)

25-71-03-03

HXL
DEC 22/06

25-71-03-03
PAGE 0H

BOEING
767
PARTS CATALOG (MAINTENANCE)



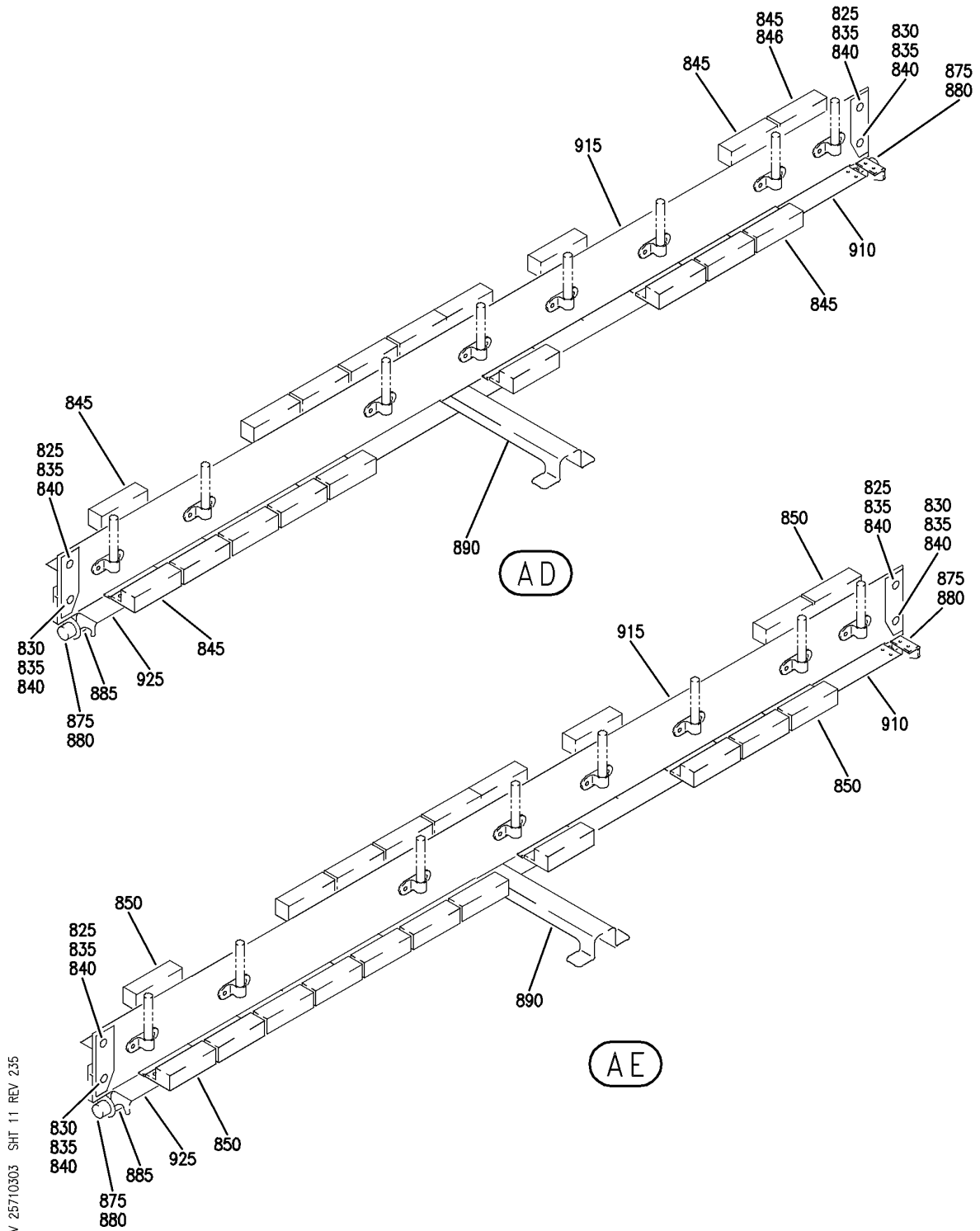
SHELF ASSY-ELECT. EQPT CTR E1-3 (EQUIPMENT/ FURNISHINGS ONLY)
FIGURE 3 (SHEET 10)

25-71-03-03

HXL
DEC 22/06

25-71-03-03
PAGE 01

BOEING
767
PARTS CATALOG (MAINTENANCE)



V 25710303 SH11 REV 235

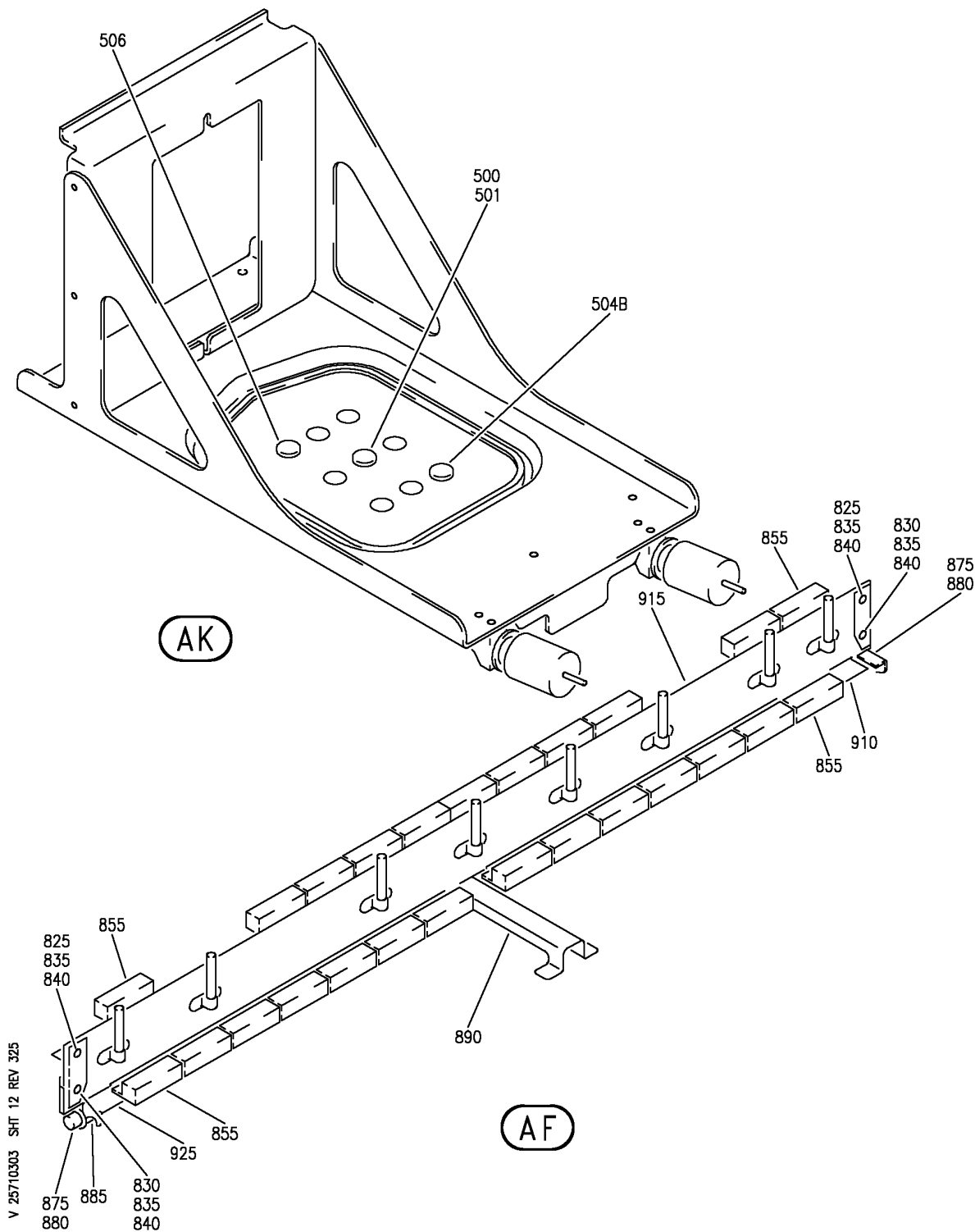
SHELF ASSY-ELECT. EQPT CTR E1-3 (EQUIPMENT/ FURNISHINGS ONLY)
FIGURE 3 (SHEET 11)

25-71-03-03

HXL
DEC 22/06

25-71-03-03
PAGE 0J

BOEING
767
PARTS CATALOG (MAINTENANCE)



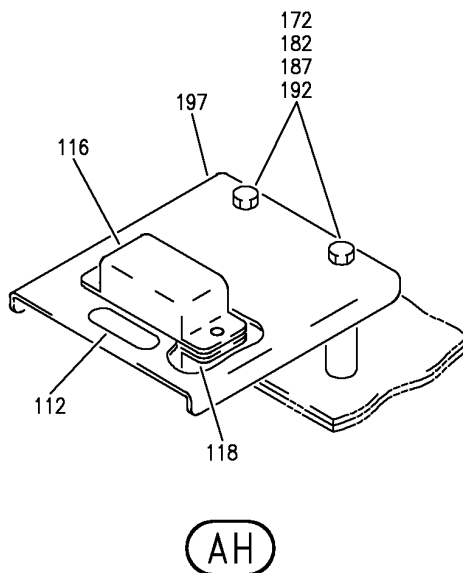
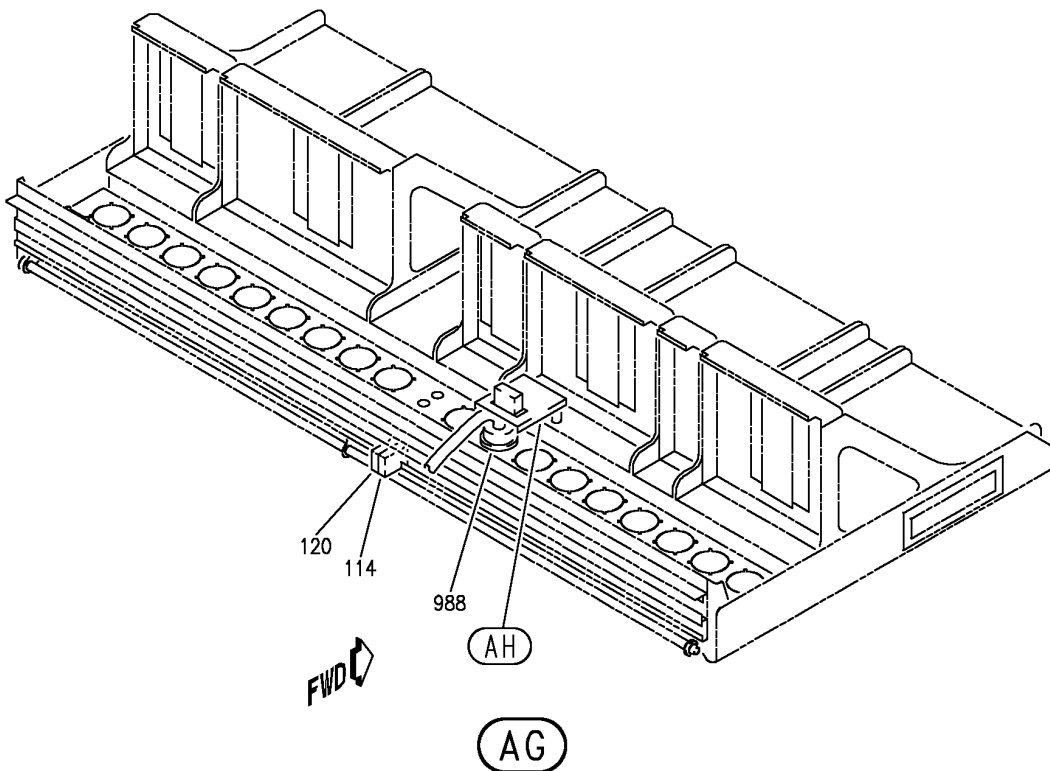
SHELF ASSY-ELECT. EQPT CTR E1-3 (EQUIPMENT/ FURNISHINGS ONLY)
FIGURE 3 (SHEET 12)

25-71-03-03

HXL
APR 22/08

25-71-03-03
PAGE OK

BOEING
767
PARTS CATALOG (MAINTENANCE)



V 25710303 SH-13 REV 270

SHELF ASSY-ELECT. EQPT CTR E1-3 (EQUIPMENT/ FURNISHINGS ONLY)
FIGURE 3 (SHEET 13)

25-71-03-03

HXL
DEC 22/06

25-71-03-03
PAGE 01

 **BOEING**
767
PARTS CATALOG (MAINTENANCE)

FIG ITEM	PART NUMBER	1 2 3 4 5 6 7	NOMENCLATURE	EFFECT FROM TO	UNITS PER ASSY
3			SHELF ASSY-ELECT. EQPT CTR E1-3 (EQUIPMENT/ FURNISHINGS ONLY)		
- 1	284T0113-45		SHELF ASSY-ELECT. EQPT CTR E1-3 (EQUIPMENT/ FURNISHINGS ONLY) FOR NHA/OTHER SYS DET SEE: 53-11-64-01B		RF
5	BAC27TEX0569		.DECAL- PLACARD CONTENT: E1-3		1
10	BAC27TEX3279		.DECALSET-INCLUDES DECALS IDENTIFIED ON THE ILLUSTRATION		1
11A	BAC27TEX3845		.DECAL- PLACARD CONTENT: D11786		2
12	BAC27TEX4255		.DECAL- PLACARD CONTENT: D2463		2
15	BAC27TEX3843		.DECAL- PLACARD CONTENT: P.I. M.U. L. ENG		1
20	BAC27TEX3844		.DECAL- PLACARD CONTENT: M1413		1
25	BAC27TEX3195		.DECAL- PLACARD CONTENT: M183 THRUST MANAGEMENT COMPUTER		1
55	BAC27TEX4256		.DECAL- PLACARD CONTENT: M1705 TRAFFIC AVOIDANCE SYSTEM		1
70	BAC27TEX1801		.DECAL- PLACARD CONTENT: M156 LEFT ILS RECEIVER		1
85	BAC27TEX1802		.DECAL- PLACARD CONTENT: M139 LEFT FLT CONT CMPTR		1
95	BAC27TEX1803		.DECAL- PLACARD CONTENT: M100 LEFT AIR DATA CMPTR		1
110	BAC27TEX1556		.DECAL- PLACARD CONTENT: AE0315		1
135	NAS1801-06-8		.SCREW		16
145	NAS1801-06-11		.SCREW		8
165	MS21042L06		.NUT		24
ILLUSTRATION ITEMS NOT ON PARTS LIST ARE NOT APPLICABLE					

- ITEM NOT ILLUSTRATED

HXL

25-71-03-03

BOEING PROPRIETARY - Copyright © - Unpublished Work - See title page for details.

25-71-03
FIG. 03
PAGE 1
DEC 22/07



767

PARTS CATALOG (MAINTENANCE)

FIG ITEM	PART NUMBER	1 2 3 4 5 6 7	NOMENCLATURE	EFFECT FROM TO	UNITS PER ASSY
3					
175	NAS1801-3-8	.	SCREW		1
185	AN960JD10L	.	WASHER		1
195	MS21042L3	.	NUT		1
205	284T1220-2	.	BRACKET-MTG		1
- 210	NAS600-6P	.	SCREW		8
- 215	MS21024L04	.	NUT		8
230	66-18178-1	.	STRAP-BONDING		7
			ATTACHING PARTS		
- 245	NAS1801-3-8	.	SCREW		7
- 270	AN960JD10L	.	WASHER		7
- 295	MS21042L3	.	NUT		7
			-----*-----		
320	NAS1801-3-8	.	SCREW		10
350	AN960JD10L	.	WASHER-		10
380	MS21042L3	.	NUT-		10
425	NAS514P832-7	.	SCREW		15
435	NAS1801-08-7	.	SCREW		2
445	AN960JD8L	.	WASHER-		17
455	MS21042L08	.	NUT-		17
465	BACR15BA3AD	.	RIVET-	155162	8
			SIZE DETERMINED ON INSTL.		
480	284T0026-24	.	TRAY ASSY-		2
495	281131-6	..	SEAL ASSY-		1
			SUPPLIER CODE:		
			V0767B		
			OPTIONAL PART:		
			201-6		
			V0767B		
			BCMP06-1		
			V09489		
495	201-6	..	SEAL ASSY-		1
			SUPPLIER CODE:		
			V0767B		
			OPTIONAL PART:		
			281131-6		
			V0767B		
			BCMP06-1		
			V09489		
495	BCMP06-1	..	SEAL ASSY-		1
			SUPPLIER CODE:		
			V09489		
			OPTIONAL PART:		
			281131-6		
			V0767B		
			201-6		
			V0767B		
495	281131-13	..	SEAL ASSY-		1
			SUPPLIER CODE:		
			V0767B		

ILLUSTRATION ITEMS NOT ON PARTS LIST ARE NOT APPLICABLE

- ITEM NOT ILLUSTRATED

HXL

25-71-03-03

BOEING PROPRIETARY - Copyright © - Unpublished Work - See title page for details.

25-71-03
FIG. 03
PAGE 2
DEC 22/07



767

PARTS CATALOG (MAINTENANCE)

FIG ITEM	PART NUMBER	1 2 3 4 5 6 7	NOMENCLATURE	EFFECT FROM TO	UNITS PER ASSY
3					
495	201-13	..	SEAL ASSY- SUPPLIER CODE: V0767B		1
495	BCMP06-2	..	SEAL ASSY- SUPPLIER CODE: V09489		1
500	82100-1	...	PLUG- SUPPLIER CODE: V0767B USED ON: 281131-6		1
503	82100-1	...	PLUG- SUPPLIER CODE: V0767B USED ON: 281131-6		1
505	82100-2	...	PLUG- SUPPLIER CODE: V0767B USED ON: 281131-6		8
520	CA12145-102	..	HOLD DOWN- SUPPLIER CODE: V29372 OPTIONAL PART: CA12095-101 V29372 CA12095-102 V29372 BACC10HZ1		2
520	CA12095-101	..	HOLD DOWN- SUPPLIER CODE: V29372 OPTIONAL PART: CA12145-102 V29372 CA12095-102 V29372 BACC10HZ1		2
520	CA12095-102	..	HOLD DOWN- SUPPLIER CODE: V29372 OPTIONAL PART: CA12145-102 V29372 CA12095-101 V29372 BACC10HZ1		2

ILLUSTRATION ITEMS NOT ON PARTS LIST ARE NOT APPLICABLE

- ITEM NOT ILLUSTRATED

HXL

25-71-03-03

BOEING PROPRIETARY - Copyright © - Unpublished Work - See title page for details.

25-71-03
FIG. 03
PAGE 3
DEC 22/07



767

PARTS CATALOG (MAINTENANCE)

FIG ITEM	PART NUMBER	1 2 3 4 5 6 7	NOMENCLATURE	EFFECT FROM TO	UNITS PER ASSY
3 520	H3773-9		..HOLD DOWN- SUPPLIER CODE: V83014 SPECIFICATION NUMBER: BACC10HZ1 OPTIONAL PART: 5175-110-1 V30528 CA12145-102 V0CBU7 H3773-3 V83014 CA12145-102 V29372 CA12095-102 V29372 CA12095-101 V29372 ATTACHING PARTS		2
- 535	NAS514P632-5		.. SCREW -----*-----		4
540	284T0026-16		.TRAY ASSY		1
545	281131-2		..SEAL ASSY- SUPPLIER CODE: V0767B OPTIONAL PART: 201-2 V0767B BCMP02-1 V09489		1
545	201-2		..SEAL ASSY- SUPPLIER CODE: V0767B OPTIONAL PART: 281131-2 V0767B BCMP02-1 V09489		1
545	BCMP02-1		..SEAL ASSY- SUPPLIER CODE: V09489 OPTIONAL PART: 281131-2 V0767B 201-2 V0767B		1

ILLUSTRATION ITEMS NOT ON PARTS LIST ARE NOT APPLICABLE

- ITEM NOT ILLUSTRATED

25-71-03-03

25-71-03
 FIG. 03
 PAGE 4
 DEC 22/07

HXL



767

PARTS CATALOG (MAINTENANCE)

FIG ITEM	PART NUMBER	1 2 3 4 5 6 7	NOMENCLATURE	EFFECT FROM TO	UNITS PER ASSY
3 550	82100-1	...	PLUG- SUPPLIER CODE: V0767B USED ON: 281131-2		1
555	82100-2	...	PLUG- SUPPLIER CODE: V0767B USED ON: 281131-2		3
560	CA12145-102	..	HOLD DOWN- SUPPLIER CODE: V29372 OPTIONAL PART: CA12095-101 V29372 CA12095-102 V29372 BACC10HZ1		1
560	CA12095-101	..	HOLD DOWN- SUPPLIER CODE: V29372 OPTIONAL PART: CA12145-102 V29372 CA12095-102 V29372 BACC10HZ1		1
560	CA12095-102	..	HOLD DOWN- SUPPLIER CODE: V29372 OPTIONAL PART: CA12145-102 V29372 CA12095-101 V29372 BACC10HZ1		1

ILLUSTRATION ITEMS NOT ON PARTS LIST ARE NOT APPLICABLE

- ITEM NOT ILLUSTRATED

HXL

25-71-03-03

BOEING PROPRIETARY - Copyright © - Unpublished Work - See title page for details.

25-71-03
FIG. 03
PAGE 5
DEC 22/07



767

PARTS CATALOG (MAINTENANCE)

FIG ITEM	PART NUMBER	1 2 3 4 5 6 7	NOMENCLATURE	EFFECT FROM TO	UNITS PER ASSY
3 560	H3773-9		..HOLD DOWN- SUPPLIER CODE: V83014 SPECIFICATION NUMBER: BACC10HZ1 OPTIONAL PART: 5175-110-1 V30528 CA12145-102 VOCBU7 H3773-3 V83014 CA12145-102 V29372 CA12095-102 V29372 CA12095-101 V29372 ATTACHING PARTS		1
- 565	NAS514P632-5		..SCREW -----*-----		2
580	284T0032-3		.COVER		1
590	284T0026-17		.TRAY ASSY		1
610	281131-3		..SEAL ASSY- SUPPLIER CODE: V0767B OPTIONAL PART: BCMP03-1 V09489		1
610	201-3		..SEAL ASSY- SUPPLIER CODE: V60299 OPTIONAL PART: BCMP03-1 V09489		1
610	BCMP03-1		..SEAL ASSY- SUPPLIER CODE: V09489		1
615	82100-1		...PLUG- SUPPLIER CODE: V0767B USED ON: 281131-3		1
620	82100-2		...PLUG- SUPPLIER CODE: V0767B USED ON: 281131-3		4

ILLUSTRATION ITEMS NOT ON PARTS LIST ARE NOT APPLICABLE

- ITEM NOT ILLUSTRATED

25-71-03-03

25-71-03
FIG. 03
PAGE 6
DEC 22/07

HXL



767

PARTS CATALOG (MAINTENANCE)

FIG ITEM	PART NUMBER	1 2 3 4 5 6 7	NOMENCLATURE	EFFECT FROM TO	UNITS PER ASSY
3 630	CA12145-102		..HOLD DOWN- SUPPLIER CODE: V29372 OPTIONAL PART: CA12095-101 V29372 CA12095-102 V29372 BACC10HZ1		2
630	CA12095-101		..HOLD DOWN- SUPPLIER CODE: V29372 OPTIONAL PART: CA12145-102 V29372 CA12095-102 V29372 BACC10HZ1		2
630	CA12095-102		..HOLD DOWN- SUPPLIER CODE: V29372 OPTIONAL PART: CA12145-102 V29372 CA12095-101 V29372 BACC10HZ1		2
630	H3773-9		..HOLD DOWN- SUPPLIER CODE: V83014 SPECIFICATION NUMBER: BACC10HZ1 OPTIONAL PART: 5175-110-1 V30528 CA12145-102 VOCBU7 H3773-3 V83014 CA12145-102 V29372 CA12095-102 V29372 CA12095-101 V29372		2
- 640	NAS514P632-5		ATTACHING PARTS ..SCREW -----*-----		4
645	284T0026-25		.TRAY ASSY		1

ILLUSTRATION ITEMS NOT ON PARTS LIST ARE NOT APPLICABLE

- ITEM NOT ILLUSTRATED

25-71-03-03

25-71-03
FIG. 03
PAGE 7
DEC 22/07

HXL



767

PARTS CATALOG (MAINTENANCE)

FIG ITEM	PART NUMBER	1 2 3 4 5 6 7	NOMENCLATURE	EFFECT FROM TO	UNITS PER ASSY
3					
650	281131-8		..SEAL ASSY- SUPPLIER CODE: V0767B OPTIONAL PART: 201-8 V0767B BCMP08-1 V09489		1
650	201-8		..SEAL ASSY- SUPPLIER CODE: V0767B OPTIONAL PART: 281131-8 V0767B BCMP08-1 V09489		1
650	BCMP08-1		..SEAL ASSY- SUPPLIER CODE: V09489 OPTIONAL PART: 201-8 V0767B 281131-8 V0767B		1
655	82100-1		...PLUG- SUPPLIER CODE: V0767B USED ON: 281131-8		1
660	82100-2		...PLUG- SUPPLIER CODE: V0767B USED ON: 281131-8		11
665	CA12145-102		..HOLD DOWN- SUPPLIER CODE: V29372 OPTIONAL PART: CA12095-101 V29372 CA12095-102 V29372 BACC10HZ1		2

ILLUSTRATION ITEMS NOT ON PARTS LIST ARE NOT APPLICABLE

- ITEM NOT ILLUSTRATED

HXL

25-71-03-03

BOEING PROPRIETARY - Copyright © - Unpublished Work - See title page for details.

25-71-03
FIG. 03
PAGE 8
DEC 22/07



767

PARTS CATALOG (MAINTENANCE)

FIG ITEM	PART NUMBER	1 2 3 4 5 6 7	NOMENCLATURE	EFFECT FROM TO	UNITS PER ASSY
3 665	CA12095-101		..HOLD DOWN- SUPPLIER CODE: V29372 OPTIONAL PART: CA12145-102 V29372 CA12095-102 V29372 BACC10HZ1		2
665	CA12095-102		..HOLD DOWN- SUPPLIER CODE: V29372 OPTIONAL PART: CA12145-102 V29372 CA12095-101 V29372 BACC10HZ1		2
665	H3773-9		..HOLD DOWN- SUPPLIER CODE: V83014 SPECIFICATION NUMBER: BACC10HZ1 OPTIONAL PART: 5175-110-1 V30528 CA12145-102 VOCBU7 H3773-3 V83014 CA12145-102 V29372 CA12095-102 V29372 CA12095-101 V29372		2
- 670	NAS514P632-5		ATTACHING PARTS ..SCREW -----*-----		4
675	284T0026-18		.TRAY ASSY-		1
680	281131-4		..SEAL ASSY- SUPPLIER CODE: V0767B OPTIONAL PART: 201-4 V0767B BCMP04-1 V09489		1

ILLUSTRATION ITEMS NOT ON PARTS LIST ARE NOT APPLICABLE

- ITEM NOT ILLUSTRATED

25-71-03-03

25-71-03
FIG. 03
PAGE 9
DEC 22/07

HXL



767

PARTS CATALOG (MAINTENANCE)

FIG ITEM	PART NUMBER	1 2 3 4 5 6 7	NOMENCLATURE	EFFECT FROM TO	UNITS PER ASSY
3 680	201-4		..SEAL ASSY- SUPPLIER CODE: V60299 OPTIONAL PART: 281131-4 V0767B BCMP04-1 V09489		1
680	BCMP04-1		..SEAL ASSY- SUPPLIER CODE: V09489 OPTIONAL PART: 281131-4 V0767B 201-4 V0767B		1
685	82100-1		...PLUG- SUPPLIER CODE: V0767B USED ON: 281131-4		1
690	82100-2		...PLUG- SUPPLIER CODE: V0767B USED ON: 281131-4		6
695	CA12145-102		..HOLD DOWN- SUPPLIER CODE: V29372 OPTIONAL PART: CA12095-101 V29372 CA12095-102 V29372 BACC10HZ1		2
695	CA12095-101		..HOLD DOWN- SUPPLIER CODE: V29372 OPTIONAL PART: CA12145-102 V29372 CA12095-102 V29372 BACC10HZ1		2

ILLUSTRATION ITEMS NOT ON PARTS LIST ARE NOT APPLICABLE

- ITEM NOT ILLUSTRATED

HXL

25-71-03-03

BOEING PROPRIETARY - Copyright © - Unpublished Work - See title page for details.

25-71-03
FIG. 03
PAGE 10
DEC 22/07

BOEING
767
PARTS CATALOG (MAINTENANCE)

FIG ITEM	PART NUMBER	1 2 3 4 5 6 7	NOMENCLATURE	EFFECT FROM TO	UNITS PER ASSY
3 695	CA12095-102		..HOLD DOWN- SUPPLIER CODE: V29372 OPTIONAL PART: CA12145-102 V29372 CA12095-101 V29372 BACC10HZ1		2
695	H3773-9		..HOLD DOWN- SUPPLIER CODE: V83014 SPECIFICATION NUMBER: BACC10HZ1 OPTIONAL PART: 5175-110-1 V30528 CA12145-102 VOCBU7 H3773-3 V83014 CA12145-102 V29372 CA12095-102 V29372 CA12095-101 V29372		2
- 700	NAS514P632-5		ATTACHING PARTS ..SCREW -----*-----		4
R R R R R R R	705 284T0383-3		.SEAL- MANUFACTURED FROM: SH RUBBER MIL-R-6130 GRADE A TYPE 2 SOFT 0.12 IN 0.7 IN 12.9 IN SPARES ORDER MATERIAL CODE: 5231253020		6
	710 284T0385-13		.SUPPORT-ZEE OPTIONAL PART: 284T0385-1 ATTACHING PARTS		1
- 715	NAS1801-3-7		.SCREW		6
- 720	AN960JD10L		.WASHER-		6
- 725	MS21042L3		.NUT- -----*-----		6
	730 284T0385-1		.CHANNEL ASSY- OPTIONAL PART: 284T0385-13		1

ILLUSTRATION ITEMS NOT ON PARTS LIST ARE NOT APPLICABLE

- ITEM NOT ILLUSTRATED

HXL

25-71-03-03

BOEING PROPRIETARY - Copyright © - Unpublished Work - See title page for details.

25-71-03
FIG. 03
PAGE 11
AUG 22/09

 **BOEING**
767
PARTS CATALOG (MAINTENANCE)

FIG ITEM	PART NUMBER	1 2 3 4 5 6 7	NOMENCLATURE	EFFECT FROM TO	UNITS PER ASSY
3			ATTACHING PARTS		
- 745	NAS1801-3-7	.	SCREW		6
- 755	AN960JD10L	.	WASHER-		6
- 765	MS21042L3	.	NUT-		6
			-----*-----		
775	BACG20ZA4110	..	GROMMET- USED ON: 284T0385-1		2
780	284T0385-10	..	CHANNEL- USED ON: 285T0385-1		1
785	284T0116-2	.	MODULE ASSY-TERM.		1
790	BACC49A1	..	CLAMP ASSY		AR
795	H21-1	..	SPACER SUPPLIER CODE: V34941 SPECIFICATION NUMBER: BACS18AR1 OPTIONAL PART: FAB276A V15805 YHLZ1C2 V09922		AR
800	H21-6	..	SPACER SUPPLIER CODE: V34941 SPECIFICATION NUMBER: BACS18AR6 OPTIONAL PART: FAB276-0 V15805 YHLZ1C7 V09922		AR
805	YHLZ2	..	MODULE SUPPLIER CODE: V09922 SPECIFICATION NUMBER: BACM15C1A OPTIONAL PART: YHLZ22 V09922		AR
810	YHLZ4	..	MODULE SUPPLIER CODE: V09922 SPECIFICATION NUMBER: BACM15C1B OPTIONAL PART: YHLZ44 V09922		AR

ILLUSTRATION ITEMS NOT ON PARTS LIST ARE NOT APPLICABLE

- ITEM NOT ILLUSTRATED

HXL

25-71-03-03

BOEING PROPRIETARY - Copyright © - Unpublished Work - See title page for details.

25-71-03
FIG. 03
PAGE 12
AUG 22/09

BOEING
767
PARTS CATALOG (MAINTENANCE)

FIG ITEM	PART NUMBER	1 2 3 4 5 6 7	NOMENCLATURE	EFFECT FROM TO	UNITS PER ASSY
3					
815	YHLZ8		..MODULE SUPPLIER CODE: V09922 SPECIFICATION NUMBER: BACM15C2A		AR
820	284T0384-54		.SUPPORT ASSY-WIRE ATTACHING PARTS		1
825	NAS1801-3-5		.SCREW		4
830	NAS514P1032-5		.SCREW		2
835	AN960JD10L		.WASHER-		6
840	MS21042L3		.NUT-		6
			-----*-----		
855	YHLZG16-1		..BLOCK-TERM. SUPPLIER CODE: V09922 ATTACHING PARTS		25
- 870	BACR15BB4AD		..RIVET- SIZE DETERMINED ON INSTL. -----*-----		100
			..PIN		2
875	MS24665-300		..WASHER-		2
880	AN960JD616		..TUBE-WIRE SUPPORT		1
885	284T0384-5		..BRACKET		1
890	284T0385-3		ATTACHING PARTS		
- 895	NAS1801-3-4		..SCREW		1
- 900	AN960PD10		..WASHER		1
- 905	BRH10C3		..NUT SUPPLIER CODE: V52828 SPECIFICATION NUMBER: BACN10JC3C OPTIONAL PART: T6C1032J V11815 97-02 V80539 101LH9075-3W V72962 VN303B02 V92215 NS202101S02 V80539 H31-3BAC V15653 -----*-----		1
910	284T0385-4		..BRACKET		1
915	284T0385-5		..BRACKET		1

ILLUSTRATION ITEMS NOT ON PARTS LIST ARE NOT APPLICABLE

- ITEM NOT ILLUSTRATED

HXL

25-71-03-03

BOEING PROPRIETARY - Copyright © - Unpublished Work - See title page for details.

25-71-03
FIG. 03
PAGE 13
AUG 22/09

BOEING
767
PARTS CATALOG (MAINTENANCE)

FIG ITEM	PART NUMBER	1 2 3 4 5 6 7	NOMENCLATURE	EFFECT FROM TO	UNITS PER ASSY
3			ATTACHING PARTS		
- 920	BACR15BB4AD		..RIVET- SIZE DETERMINED ON INSTL. -----*-----		4
925	284T0574-7		..TRACK-TERM. BLK MODULE ALTERED FROM PART NUMBER: AMY4100T11 V09922		1
930	284T0211-3		.SHELF ASSY-SUB		1
935	284T0383-1		..SEAL		1
940	284T0383-2		..SEAL- MANUFACTURED FROM: SH RUBBER MIL-R-6130 GRADE A TYPE 2 SOFT 0.125 IN 2.3 IN 6.2 IN SPARES ORDER MATERIAL CODE: 5231253020		1
ILLUSTRATION ITEMS NOT ON PARTS LIST ARE NOT APPLICABLE					

R
R
R
R
R
R
R

- ITEM NOT ILLUSTRATED

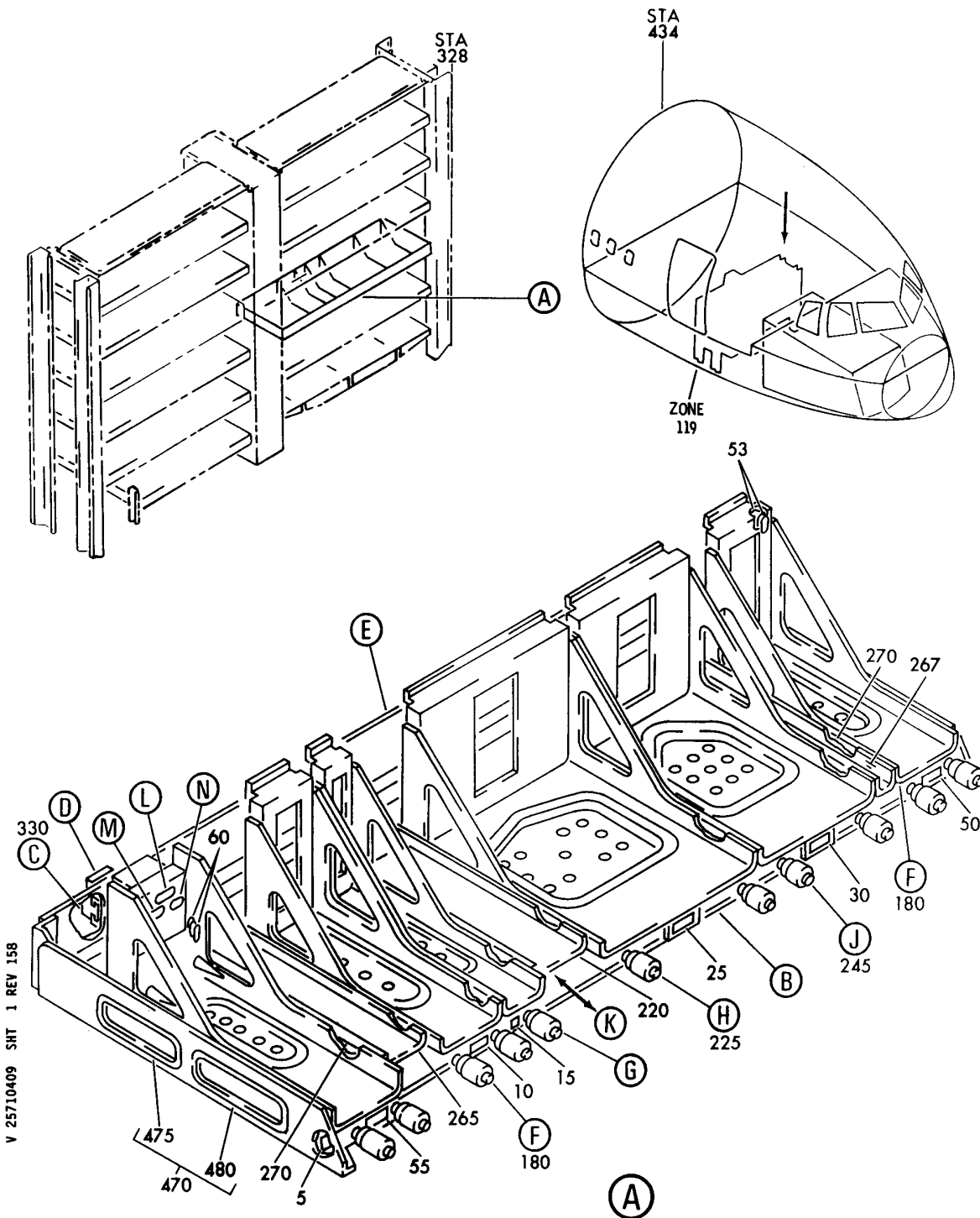
HXL

25-71-03-03

BOEING PROPRIETARY - Copyright © - Unpublished Work - See title page for details.

25-71-03
FIG. 03
PAGE 14
AUG 22/09

BOEING
767
PARTS CATALOG (MAINTENANCE)



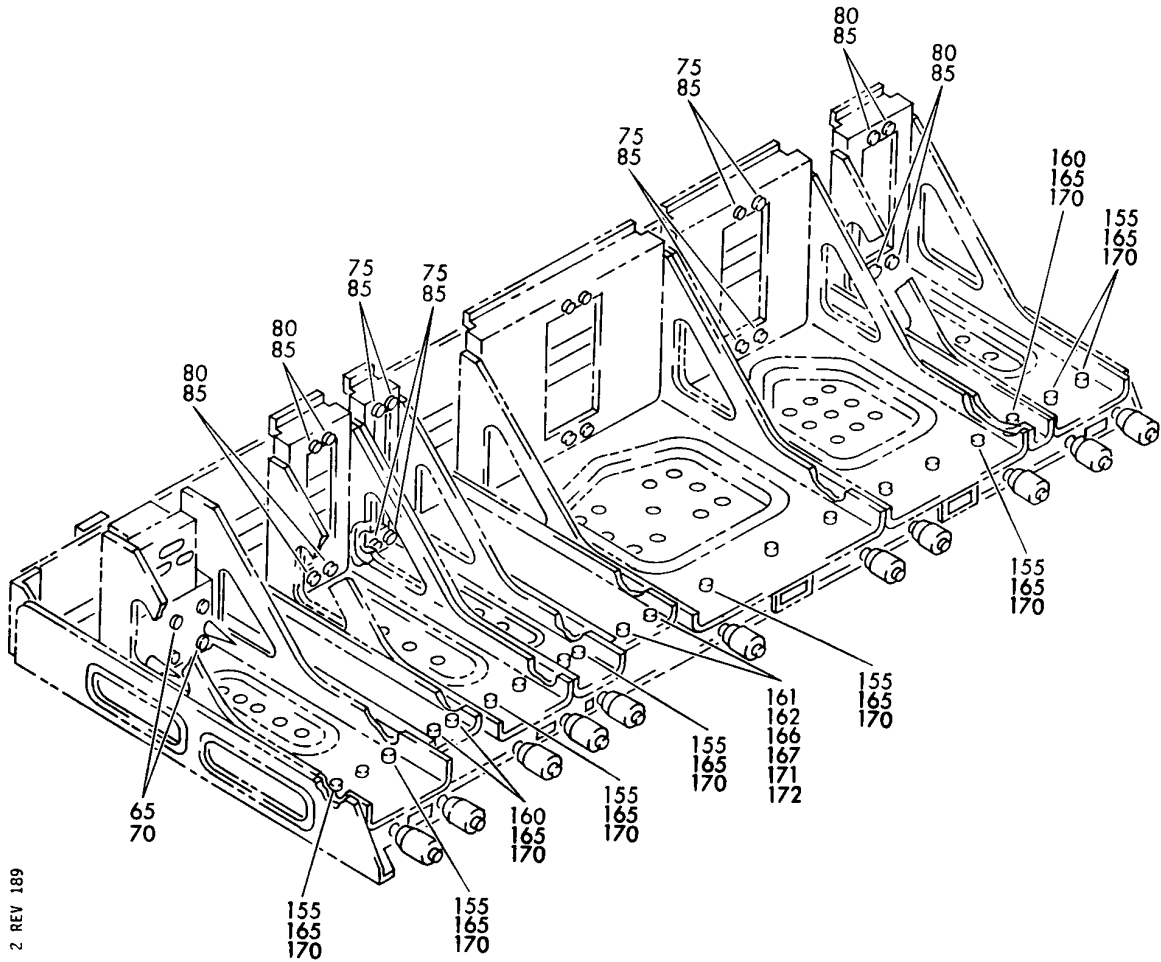
SHELF ASSY-ELECTRONIC EQPT CTR E1-4 (EQUIPMENT/ FURNISHINGS ONLY)
FIGURE 9 (SHEET 1)

25-71-04-09

HXL
DEC 22/06

25-71-04-09
PAGE 0

BOEING
767
PARTS CATALOG (MAINTENANCE)



V 25710409 SHT 2 REV 189

(B)

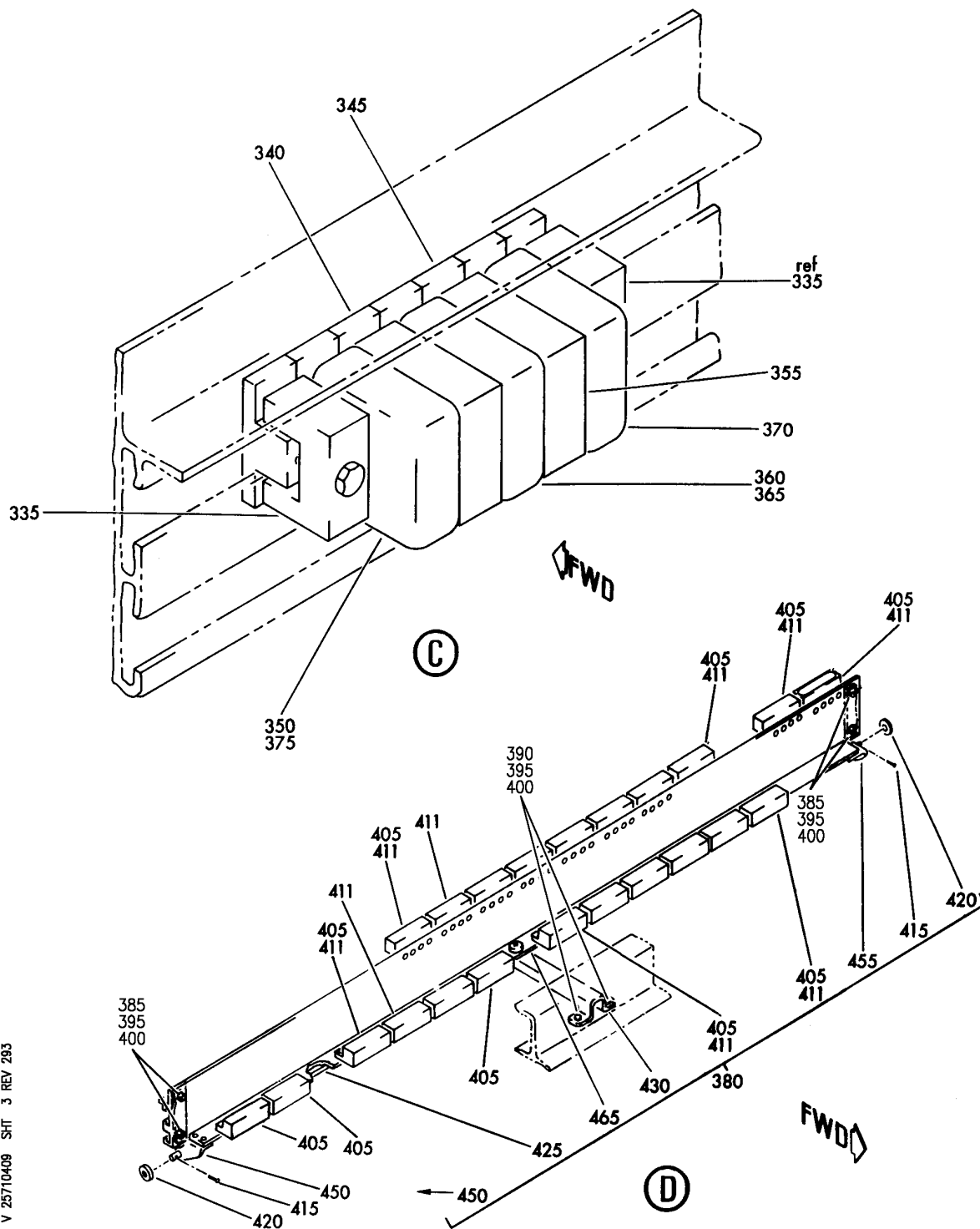
SHELF ASSY-ELECTRONIC EQPT CTR E1-4 (EQUIPMENT/ FURNISHINGS ONLY)
FIGURE 9 (SHEET 2)

HXL
DEC 22/06

25-71-04-09

25-71-04-09
PAGE 0A

BOEING
767
PARTS CATALOG (MAINTENANCE)



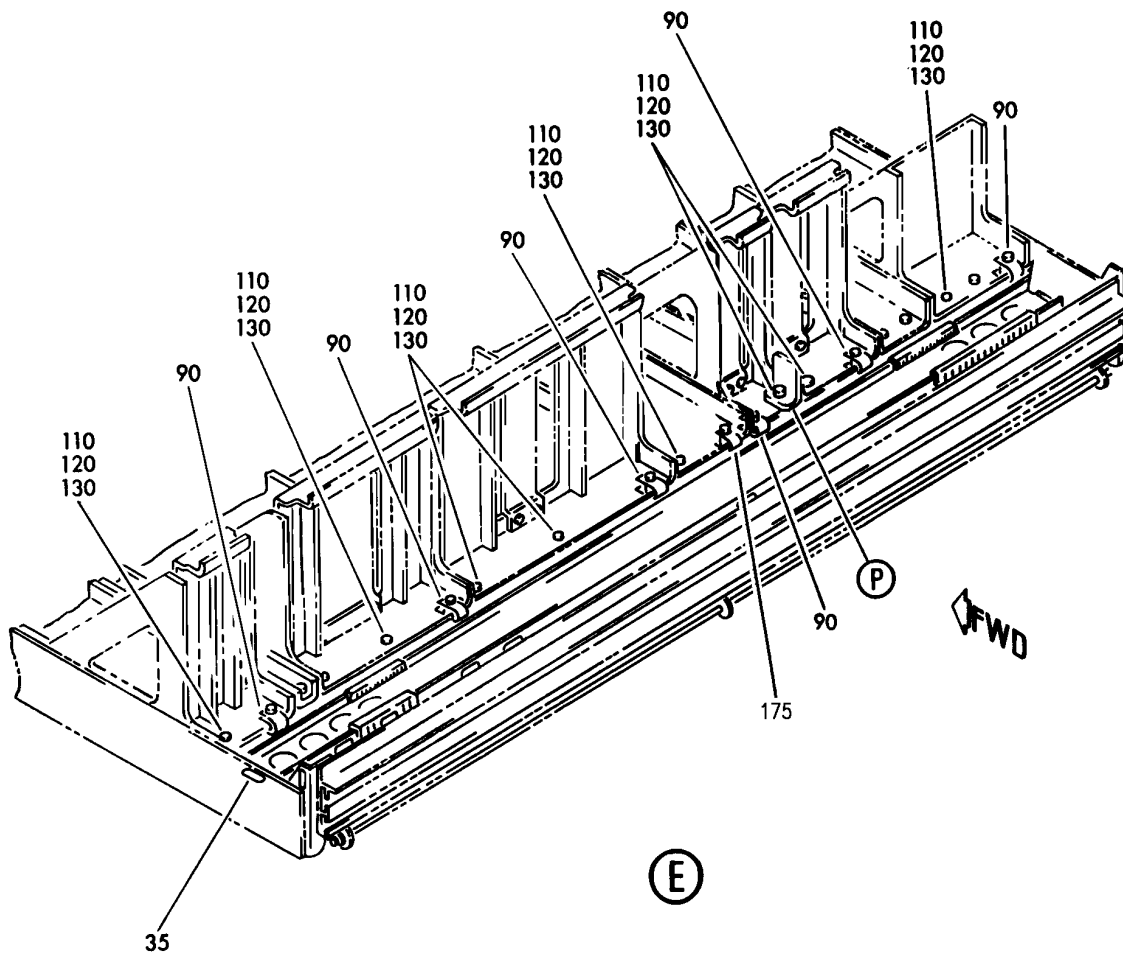
SHELF ASSY-ELECTRONIC EQPT CTR E1-4 (EQUIPMENT/ FURNISHINGS ONLY)
FIGURE 9 (SHEET 3)

25-71-04-09

HXL
DEC 22/06

25-71-04-09
PAGE 0B

BOEING
767
PARTS CATALOG (MAINTENANCE)



V 25710408 SH1 4 REV 293

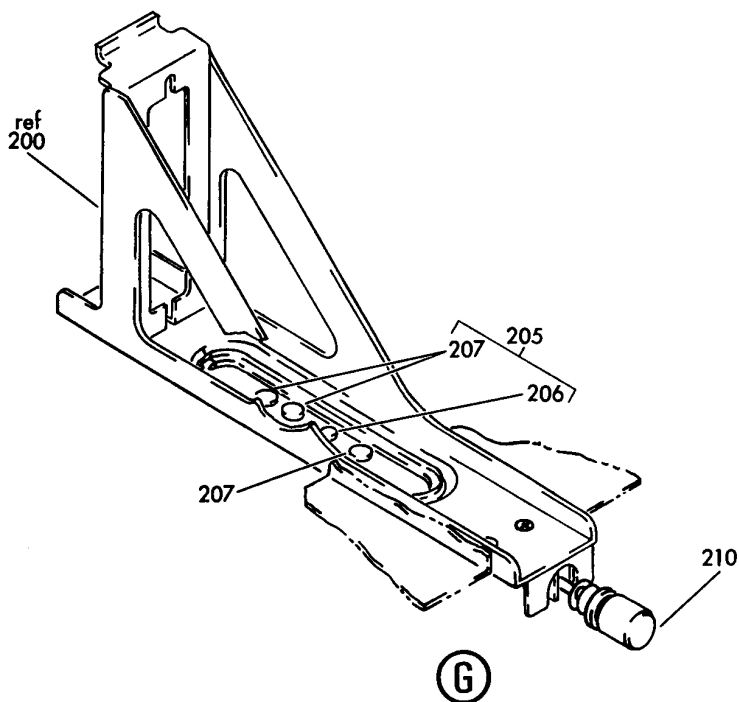
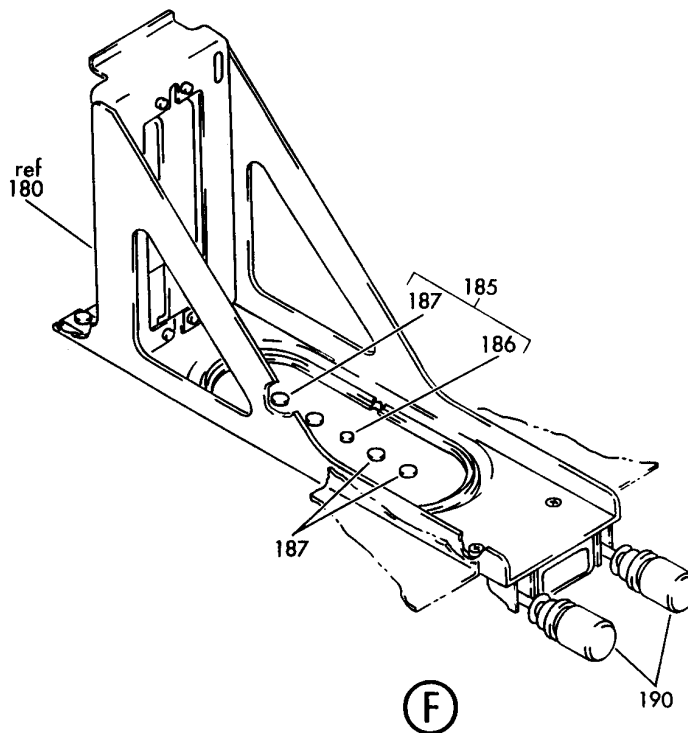
SHELF ASSY-ELECTRONIC EQPT CTR E1-4 (EQUIPMENT/ FURNISHINGS ONLY)
FIGURE 9 (SHEET 4)

25-71-04-09

HXL
DEC 22/06

25-71-04-09
PAGE 0C

BOEING
767
PARTS CATALOG (MAINTENANCE)



V 25710409 SHT 5 REV 158

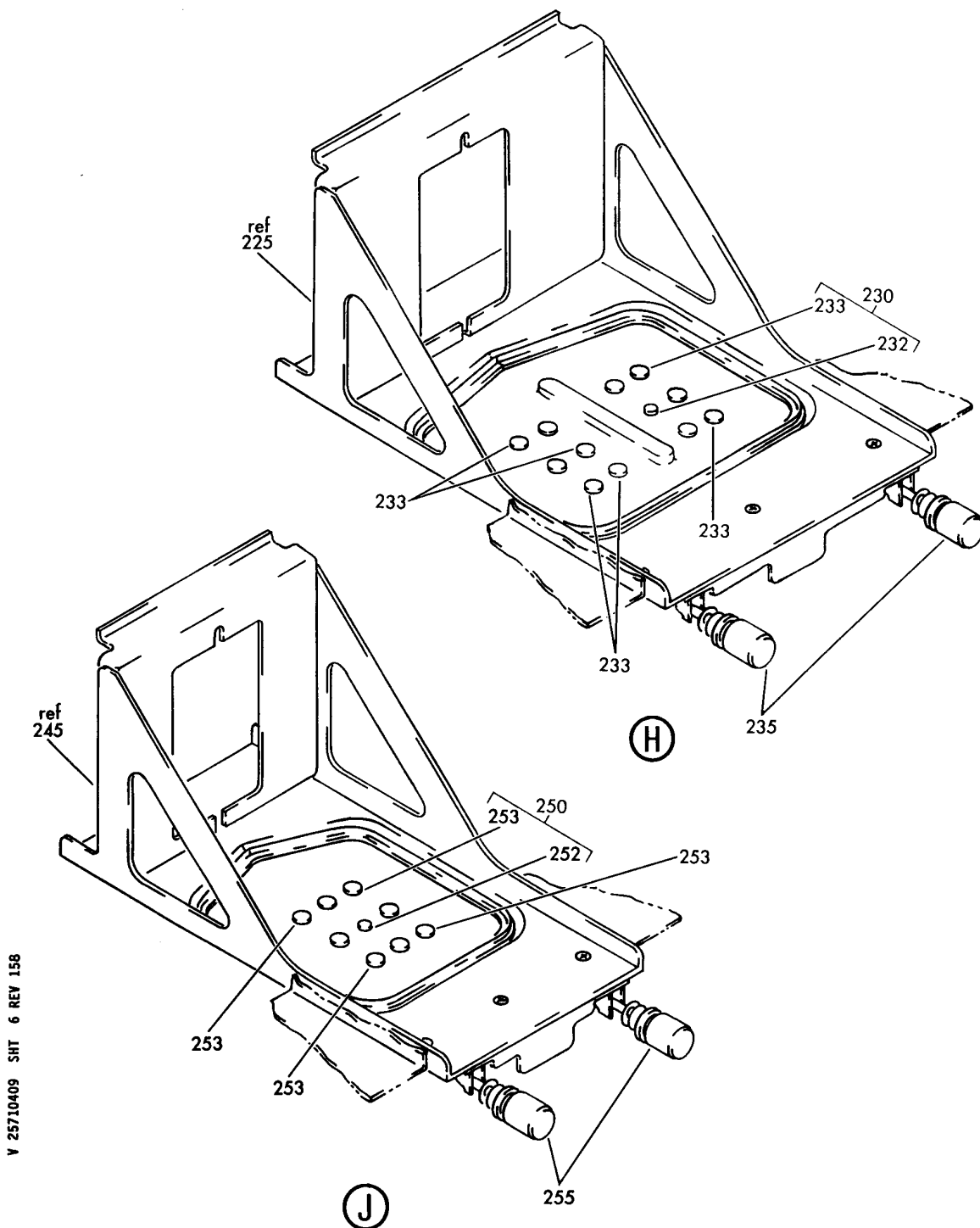
SHelf ASSY-ELECTRONIC EQPT CTR E1-4 (EQUIPMENT/ FURNISHINGS ONLY)
FIGURE 9 (SHEET 5)

25-71-04-09

HXL
DEC 22/06

25-71-04-09
PAGE 0D

BOEING
767
PARTS CATALOG (MAINTENANCE)



V 25710409 SHT 6 REV 158

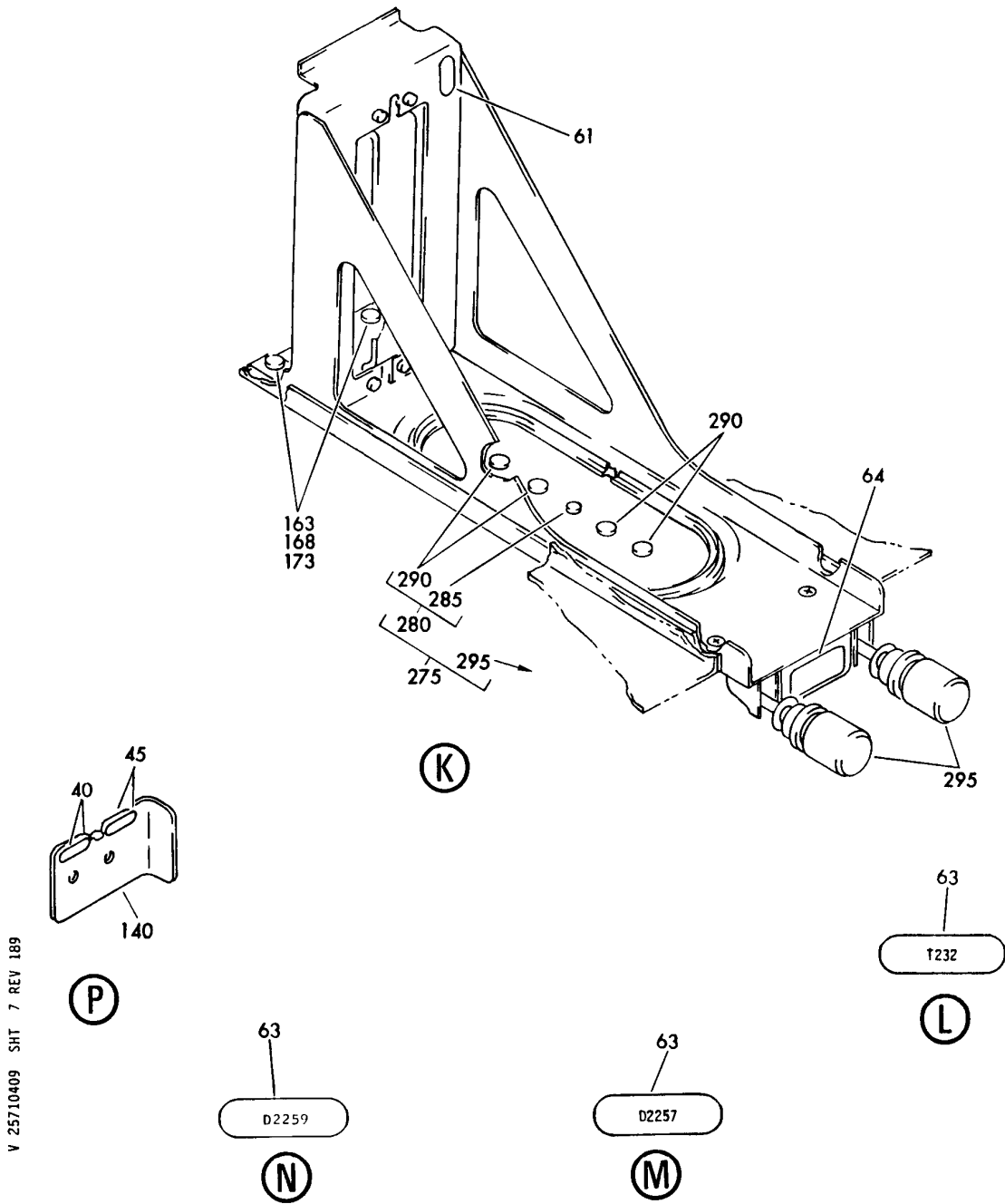
SHelf ASSY-ELECTRONIC EQPT CTR E1-4 (EQUIPMENT/ FURNISHINGS ONLY)
FIGURE 9 (SHEET 6)

25-71-04-09

HXL
DEC 22/06

25-71-04-09
PAGE 0E

BOEING
767
PARTS CATALOG (MAINTENANCE)



SHELF ASSY-ELECTRONIC EQPT CTR E1-4 (EQUIPMENT/ FURNISHINGS ONLY)
FIGURE 9 (SHEET 7)

25-71-04-09

HXL
DEC 22/06

25-71-04-09
PAGE OF



767

PARTS CATALOG (MAINTENANCE)

FIG ITEM	PART NUMBER	1 2 3 4 5 6 7	NOMENCLATURE	EFFECT FROM TO	UNITS PER ASSY
9			SHELF ASSY-ELECTRONIC EQPT CTR E1-4 (EQUIPMENT/ FURNISHINGS ONLY)		
- 1	284T0114-49		SHELF ASSY-ELECTRONIC EQPT CTR E1-4 (EQUIPMENT/ FURNISHINGS ONLY) FOR NHA/OTHER SYS DET SEE: 53-11-64-01B		RF
5	BAC27TEX0570		.DECAL- PLACARD CONTENT: E1-4		1
10	BAC27TEX1753		.DECAL- PLACARD CONTENT: M157 CENTER ILS RECEIVER		1
15	BAC27TEX1754		.DECAL- PLACARD CONTENT: M917 STATIC INV/		1
20	BAC27TEX1755		.DECAL- PLACARD CONTENT: ILS PRCS UNIT		1
25	BAC27TEX1756		.DECAL- PLACARD CONTENT: M140 CENTER FLT CONT COMPTR		1
30	BAC27TEX1757		.DECAL- PLACARD CONTENT: M149 C ELEX FLT INSTR SYS SYM GEN		1
35	BAC27TEX1558		.DECAL- PLACARD CONTENT: AE0321		1
40	BAC27TEX3936		.DECAL- PLACARD CONTENT: D4059		2
45	BAC27TEX3937		.DECAL- PLACARD CONTENT: D4057		2
50	BAC27TEX4211		.DECAL- PLACARD CONTENT: M1602 TIRE PRESS MONITOR		1
53	BAC27TEX4212		.DECAL- PLACARD CONTENT: D13366		2
55	BAC27TEX4213		.DECAL- PLACARD CONTENT: M1457 DIGITAL INTERFACE		1
60	BAC27TEX4214		.DECAL- PLACARD CONTENT: D1935		2

ILLUSTRATION ITEMS NOT ON PARTS LIST ARE NOT APPLICABLE

- ITEM NOT ILLUSTRATED

HXL

25-71-04-09

BOEING PROPRIETARY - Copyright © - Unpublished Work - See title page for details.

25-71-04
FIG. 09
PAGE 1
DEC 22/07

 **BOEING**
767
PARTS CATALOG (MAINTENANCE)

FIG ITEM	PART NUMBER	1 2 3 4 5 6 7	NOMENCLATURE	EFFECT FROM TO	UNITS PER ASSY
9					
61	BAC27TEX4976		.DECALSET-(INCLUDES DECALS IDENTIFIED ON THE ILLUSTRATION) POST SERVICE BULLETIN: 78-0062 ATTACHING PARTS		1
- 62	NAS1801-06-11		.SCREW		2
- 62A	MS21042L06		.NUT -----*-----		2
63	BAC27TEX4296		.DECALSET-INCLUDES DECALS IDENTIFIED ON THE ILLUSTRATION		1
64	BAC27TEX4999		.DECAL-M1987 THRUST REVERSER RELAY MODULE POST SERVICE BULLETIN: 78-0062 ATTACHING PARTS		1
- 64A	NAS1801-06-11		.SCREW		2
- 64B	MS21042L06		.NUT -----*-----		2
65	MS35190-223		.SCREW		4
70	MS21042L04		.NUT		4
75	NAS1801-06-8		.SCREW		12
80	NAS1801-06-11		.SCREW		8
85	MS21042L06		.NUT		20
90	66-18178-1		.STRAP-ELECTRONIC RACK BONDING ATTACHING PARTS		6
- 95	NAS1801-3-8		.SCREW		6
- 100	AN960JD10L		.WASHER		6
- 105	MS21042L3		.NUT -----*-----		6
110	NAS1801-3-8		.SCREW		10
120	AN960JD10L		.WASHER		10
130	MS21042L3		.NUT		10
140	284T1220-2		.BRACKET-MTG ATTACHING PARTS		1
- 145	NAS600-6P		.SCREW		8
- 150	MS21042L04		.NUT -----*-----		8
155	NAS514P832-7		.SCREW		15
160	NAS1801-08-7		.SCREW		3
162	NAS514P832-7		.SCREW- POST SERVICE BULLETIN: 78-0062		2
163	NAS1801-3-7		.SCREW- POST SERVICE BULLETIN: 78-0062		2
165	AN960JD8L		.WASHER		18

ILLUSTRATION ITEMS NOT ON PARTS LIST ARE NOT APPLICABLE

- ITEM NOT ILLUSTRATED

HXL

25-71-04-09

BOEING PROPRIETARY - Copyright © - Unpublished Work - See title page for details.

25-71-04
FIG. 09
PAGE 2
DEC 22/07



767

PARTS CATALOG (MAINTENANCE)

FIG ITEM	PART NUMBER	1 2 3 4 5 6 7	NOMENCLATURE	EFFECT FROM TO	UNITS PER ASSY
9					
167	AN960JD8L		.WASHER- POST SERVICE BULLETIN: 78-0062		2
168	AN960JD10L		.WASHER- POST SERVICE BULLETIN: 78-0062		2
170	MS21042L08		.NUT		18
172	MS21042L08		.NUT- POST SERVICE BULLETIN: 78-0062		2
173	MS21042L3		.NUT- POST SERVICE BULLETIN: 78-0062		2
175	66-18178-1		.STRAP-BONDING POST SERVICE BULLETIN: 78-0062R5		1
180	284T0026-17		.TRAY ASSY		2
185	281131-3		..SEAL ASSY- SUPPLIER CODE: V0767B OPTIONAL PART: 201-3 V0767B BCMP03-1 V09489		1
185	201-3		..SEAL ASSY- SUPPLIER CODE: V60299 OPTIONAL PART: 281131-3 V0767B BCMP03-1 V09489		1
185	BCMP03-1		..SEAL ASSY- SUPPLIER CODE: V09489 OPTIONAL PART: 201-3 V0767B 281131-3 V0767B		1
186	82100-1		...PLUG- SUPPLIER CODE: V0767B USED ON: 281131-3		1

ILLUSTRATION ITEMS NOT ON PARTS LIST ARE NOT APPLICABLE

- ITEM NOT ILLUSTRATED

25-71-04-09

25-71-04
FIG. 09
PAGE 3
DEC 22/07

HXL

BOEING PROPRIETARY - Copyright © - Unpublished Work - See title page for details.



767

PARTS CATALOG (MAINTENANCE)

FIG ITEM	PART NUMBER	1 2 3 4 5 6 7	NOMENCLATURE	EFFECT FROM TO	UNITS PER ASSY
9 187	82100-2		... PLUG- SUPPLIER CODE: V0767B USED ON: 281131-3		4
190	H3773-9		.. HOLD DOWN- SUPPLIER CODE: V83014 SPECIFICATION NUMBER: BACC10HZ1 OPTIONAL PART: 5175-110-1 V30528 CA12145-102 V0CBU7 H3773-3 V83014 CA12095-101 V29372 CA12095-102 V29372 CA12145-102 V29372		2
190	CA12145-102		.. HOLD DOWN- SUPPLIER CODE: V29372 OPTIONAL PART: CA12095-101 V29372 CA12095-102 V29372 BACC10HZ1		2
190	CA12095-102		.. HOLD DOWN- SUPPLIER CODE: V29372 OPTIONAL PART: CA12095-101 V29372 CA12145-102 V29372 BACC10HZ1		2

ILLUSTRATION ITEMS NOT ON PARTS LIST ARE NOT APPLICABLE

- ITEM NOT ILLUSTRATED

HXL

25-71-04-09

BOEING PROPRIETARY - Copyright © - Unpublished Work - See title page for details.

25-71-04
FIG. 09
PAGE 4
DEC 22/07



767

PARTS CATALOG (MAINTENANCE)

FIG ITEM	PART NUMBER	1 2 3 4 5 6 7	NOMENCLATURE	EFFECT FROM TO	UNITS PER ASSY
9 190	CA12095-101		..HOLD DOWN- SUPPLIER CODE: V29372 OPTIONAL PART: CA12095-102 V29372 CA12145-102 V29372 BACC10HZ1 ATTACHING PARTS		2
- 195	NAS514P632-5		..SCREW -----*-----		4
200	284T0026-29		.TRAY ASSY		1
205	281131-2		..SEAL ASSY- SUPPLIER CODE: V0767B OPTIONAL PART: 201-2 V0767B BCMP02-1 V09489		1
205	201-2		..SEAL ASSY- SUPPLIER CODE: V0767B OPTIONAL PART: 281131-2 V0767B BCMP02-1 V09489		1
205	BCMP02-1		..SEAL ASSY- SUPPLIER CODE: V09489 OPTIONAL PART: 201-2 V0767B 281131-2 V0767B		1
206	82100-1		...PLUG- SUPPLIER CODE: V0767B USED ON: 281131-2		1
207	82100-2		...PLUG- SUPPLIER CODE: V0767B USED ON: 281131-2		3

ILLUSTRATION ITEMS NOT ON PARTS LIST ARE NOT APPLICABLE

- ITEM NOT ILLUSTRATED

25-71-04-09

25-71-04
FIG. 09
PAGE 5
DEC 22/07

HXL

 **BOEING**
767
PARTS CATALOG (MAINTENANCE)

FIG ITEM	PART NUMBER	1 2 3 4 5 6 7	NOMENCLATURE	EFFECT FROM TO	UNITS PER ASSY
9 210	H3773-9		..HOLD DOWN- SUPPLIER CODE: V83014 SPECIFICATION NUMBER: BACC10HZ1 OPTIONAL PART: 5175-110-1 V30528 CA12145-102 VOCBU7 H3773-3 V83014 CA12095-101 V29372 CA12095-102 V29372 CA12145-102 V29372		1
210	CA12145-102		..HOLD DOWN- SUPPLIER CODE: V29372 OPTIONAL PART: CA12095-101 V29372 CA12095-102 V29372 BACC10HZ1		1
210	CA12095-102		..HOLD DOWN- SUPPLIER CODE: V29372 OPTIONAL PART: CA12095-101 V29372 CA12145-102 V29372 BACC10HZ1		1
210	CA12095-101		..HOLD DOWN- SUPPLIER CODE: V29372 OPTIONAL PART: CA12095-102 V29372 CA12145-102 V29372 BACC10HZ1		1
- 215	NAS514P632-5		ATTACHING PARTS ..SCREW -----*-----		2
225	284T0026-25		.TRAY ASSY		1

ILLUSTRATION ITEMS NOT ON PARTS LIST ARE NOT APPLICABLE

- ITEM NOT ILLUSTRATED

HXL

25-71-04-09

BOEING PROPRIETARY - Copyright © - Unpublished Work - See title page for details.

25-71-04
FIG. 09
PAGE 6
DEC 22/07



767

PARTS CATALOG (MAINTENANCE)

FIG ITEM	PART NUMBER	1 2 3 4 5 6 7	NOMENCLATURE	EFFECT FROM TO	UNITS PER ASSY
9					
230	281131-8		..SEAL ASSY- SUPPLIER CODE: V0767B OPTIONAL PART: 201-8 V0767B BCMP08-1 V09489		1
230	201-8		..SEAL ASSY- SUPPLIER CODE: V0767B OPTIONAL PART: 281131-8 V0767B BCMP08-1 V09489		1
230	BCMP08-1		..SEAL ASSY- SUPPLIER CODE: V09489 OPTIONAL PART: 201-8 V0767B 281131-8 V0767B		1
232	82100-1		...PLUG- SUPPLIER CODE: V0767B USED ON: 281131-8		1
233	82100-2		...PLUG- SUPPLIER CODE: V0767B USED ON: 281131-8		11

ILLUSTRATION ITEMS NOT ON PARTS LIST ARE NOT APPLICABLE

- ITEM NOT ILLUSTRATED

HXL

25-71-04-09

BOEING PROPRIETARY - Copyright © - Unpublished Work - See title page for details.

25-71-04
FIG. 09
PAGE 7
DEC 22/07

BOEING
767
PARTS CATALOG (MAINTENANCE)

FIG ITEM	PART NUMBER	1 2 3 4 5 6 7	NOMENCLATURE	EFFECT FROM TO	UNITS PER ASSY
9 235	H3773-9		..HOLD DOWN- SUPPLIER CODE: V83014 SPECIFICATION NUMBER: BACC10HZ1 OPTIONAL PART: 5175-110-1 V30528 CA12145-102 V0CBU7 H3773-3 V83014 CA12095-101 V29372 CA12095-102 V29372 CA12145-102 V29372		2
235	CA12145-102		..HOLD DOWN- SUPPLIER CODE: V29372 OPTIONAL PART: CA12095-101 V29372 CA12095-102 V29372 BACC10HZ1		2
235	CA12095-102		..HOLD DOWN- SUPPLIER CODE: V29372 OPTIONAL PART: CA12095-101 V29372 CA12145-102 V29372 BACC10HZ1		2
235	CA12095-101		..HOLD DOWN- SUPPLIER CODE: V29372 OPTIONAL PART: CA12095-102 V29372 CA12145-102 V29372 BACC10HZ1		2
- 240	NAS514P632-5		ATTACHING PARTS ..SCREW-		4
245	284T0026-28		-----*----- .TRAY ASSY		1

ILLUSTRATION ITEMS NOT ON PARTS LIST ARE NOT APPLICABLE

- ITEM NOT ILLUSTRATED

HXL

25-71-04-09

BOEING PROPRIETARY - Copyright © - Unpublished Work - See title page for details.

25-71-04
FIG. 09
PAGE 8
DEC 22/07



767

PARTS CATALOG (MAINTENANCE)

FIG ITEM	PART NUMBER	1 2 3 4 5 6 7	NOMENCLATURE	EFFECT FROM TO	UNITS PER ASSY
9					
250	281131-6		..SEAL ASSY- SUPPLIER CODE: V0767B OPTIONAL PART: 201-6 V0767B BCMP06-1 V09489		1
250	201-6		..SEAL ASSY- SUPPLIER CODE: V0767B OPTIONAL PART: 281131-6 V0767B BCMP06-1 V09489		1
250	BCMP06-1		..SEAL ASSY- SUPPLIER CODE: V09489 OPTIONAL PART: 201-6 V0767B 281131-6 V0767B		1
250	201-13		..SEAL ASSY- SUPPLIER CODE: V0767B		1
250	201-13		..SEAL ASSY- SUPPLIER CODE: V0767B		1
250	BCMP06-2		..SEAL ASSY- SUPPLIER CODE: V09489		1
252	82100-1		...PLUG- SUPPLIER CODE: V0767B USED ON: 281131-6		1
253	82100-2		...PLUG- SUPPLIER CODE: V0767B USED ON: 281131-6		8

ILLUSTRATION ITEMS NOT ON PARTS LIST ARE NOT APPLICABLE

- ITEM NOT ILLUSTRATED

HXL

25-71-04-09

BOEING PROPRIETARY - Copyright © - Unpublished Work - See title page for details.

25-71-04
FIG. 09
PAGE 9
DEC 22/07

 **BOEING**
767
PARTS CATALOG (MAINTENANCE)

FIG ITEM	PART NUMBER	1 2 3 4 5 6 7	NOMENCLATURE	EFFECT FROM TO	UNITS PER ASSY
9 255	H3773-9		..HOLD DOWN- SUPPLIER CODE: V83014 SPECIFICATION NUMBER: BACC10HZ1 OPTIONAL PART: 5175-110-1 V30528 CA12145-102 VOCBU7 H3773-3 V83014 CA12095-101 V29372 CA12095-102 V29372 CA12145-102 V29372		2
255	CA12145-102		..HOLD DOWN- SUPPLIER CODE: V29372 OPTIONAL PART: CA12095-101 V29372 CA12095-102 V29372 BACC10HZ1		2
255	CA12095-102		..HOLD DOWN- SUPPLIER CODE: V29372 OPTIONAL PART: CA12095-101 V29372 CA12145-102 V29372 BACC10HZ1		2
255	CA12095-101		..HOLD DOWN- SUPPLIER CODE: V29372 OPTIONAL PART: CA12095-102 V29372 CA12145-102 V29372 BACC10HZ1		2
- 260	NAS514P632-5		ATTACHING PARTS ..SCREW -----*-----		4
265	284T0032-2		.COVER		1

ILLUSTRATION ITEMS NOT ON PARTS LIST ARE NOT APPLICABLE

- ITEM NOT ILLUSTRATED

HXL

25-71-04-09

BOEING PROPRIETARY - Copyright © - Unpublished Work - See title page for details.

25-71-04
FIG. 09
PAGE 10
DEC 22/07

BOEING
767
PARTS CATALOG (MAINTENANCE)

FIG ITEM	PART NUMBER	1 2 3 4 5 6 7	NOMENCLATURE	EFFECT FROM TO	UNITS PER ASSY
9					
267	284T0032-1	.	COVER		1
270	284T0383-3	.	SEAL-		8
			MANUFACTURED FROM: SH RUBBER MIL-R-6130 GRADE A TYPE 2 SOFT 0.12 IN 0.7 IN 12.9 IN SPARES ORDER MATERIAL CODE: 5231253020		
275	284T0026-17	.	TRAY ASSY-		1
			POST SERVICE BULLETIN: 78-0062		
280	281131-3	..	SEAL ASSY-		1
			SUPPLIER CODE: V0767B OPTIONAL PART: 201-3 V0767B BCMP03-1 V09489		
280	201-3	..	SEAL ASSY-		1
			SUPPLIER CODE: V60299 OPTIONAL PART: 281131-3 V0767B BCMP03-1 V09489		
280	BCMP03-1	..	SEAL ASSY-		1
			SUPPLIER CODE: V09489 OPTIONAL PART: 281131-3 V0767B 201-3 V0767B		
285	82100-1	...	PLUG-		1
			SUPPLIER CODE: V0767B USED ON: 281131-3		
290	82100-2	...	PLUG-		4
			SUPPLIER CODE: V0767B USED ON: 281131-3		

ILLUSTRATION ITEMS NOT ON PARTS LIST ARE NOT APPLICABLE

— ITEM NOT ILLUSTRATED

HXL

25-71-04-09

BOEING PROPRIETARY - Copyright © - Unpublished Work - See title page for details.

25-71-04
FIG. 09
PAGE 11
AUG 22/09

 **BOEING**
767
PARTS CATALOG (MAINTENANCE)

FIG ITEM	PART NUMBER	1 2 3 4 5 6 7	NOMENCLATURE	EFFECT FROM TO	UNITS PER ASSY
9 295	H3773-9		..HOLD DOWN- SUPPLIER CODE: V83014 SPECIFICATION NUMBER: BACC10HZ1 OPTIONAL PART: 5175-110-1 V30528 CA12145-102 VOCBU7 H3773-3 V83014 CA12095-101 V29372 CA12095-102 V29372 CA12145-102 V29372		2
295	CA12145-102		..HOLD DOWN- SUPPLIER CODE: V29372 OPTIONAL PART: CA12095-101 V29372 CA12095-102 V29372 BACC10HZ1		2
295	CA12095-102		..HOLD DOWN- SUPPLIER CODE: V29372 OPTIONAL PART: CA12095-101 V29372 CA12145-102 V29372 BACC10HZ1		2
295	CA12095-101		..HOLD DOWN- SUPPLIER CODE: V29372 OPTIONAL PART: CA12095-102 V29372 CA12145-102 V29372 BACC10HZ1		2
- 300	NAS514P632-5		ATTACHING PARTS ..SCREW		4
305	284T0385-13		-----*----- .SUPPORT-ZEE		1

ILLUSTRATION ITEMS NOT ON PARTS LIST ARE NOT APPLICABLE

- ITEM NOT ILLUSTRATED

HXL

25-71-04-09

BOEING PROPRIETARY - Copyright © - Unpublished Work - See title page for details.

25-71-04
FIG. 09
PAGE 12
DEC 22/07



767

PARTS CATALOG (MAINTENANCE)

FIG ITEM	PART NUMBER	1 2 3 4 5 6 7	NOMENCLATURE	EFFECT FROM TO	UNITS PER ASSY
9			ATTACHING PARTS		
- 315	NAS1801-3-7	.	SCREW		6
- 320	AN960JD10L	.	WASHER		6
- 325	MS21042L3	.	NUT		6
			-----*-----		
330	284T0116-2	.	MODULE ASSY-TERM.		1
335	BACC49A1	..	CLAMP ASSY		AR
340	H21-1	..	SPACER		AR
			SUPPLIER CODE: V34941		
			SPECIFICATION NUMBER: BACS18AR1		
			OPTIONAL PART: FAB276A V15805 YHLZ1C2 V09922		
345	H21-6	..	SPACER		AR
			SUPPLIER CODE: V34941		
			SPECIFICATION NUMBER: BACS18AR6		
			OPTIONAL PART: FAB276-0 V15805 YHLZ1C7 V09922		
350	YHLZ2	..	MODULE		AR
			SUPPLIER CODE: V09922		
			SPECIFICATION NUMBER: BACM15C1A		
			OPTIONAL PART: YHLZ22 V09922		
355	YHLZ16-8	..	MODULE		AR
			SUPPLIER CODE: V09922		
			SPECIFICATION NUMBER: BACM15C3C		
			OPTIONAL PART: 421120-454 V58982 TBH120454 V58982		

ILLUSTRATION ITEMS NOT ON PARTS LIST ARE NOT APPLICABLE

- ITEM NOT ILLUSTRATED

HXL

25-71-04-09

BOEING PROPRIETARY - Copyright © - Unpublished Work - See title page for details.

25-71-04
FIG. 09
PAGE 13
AUG 22/09

 **BOEING**
767
PARTS CATALOG (MAINTENANCE)

FIG ITEM	PART NUMBER	1 2 3 4 5 6 7	NOMENCLATURE	EFFECT FROM TO	UNITS PER ASSY
9					
360	YHLZ4		..MODULE SUPPLIER CODE: V09922 SPECIFICATION NUMBER: BACM15C1B OPTIONAL PART: YHLZ44 V09922		AR
365	YHLZ16-4		..MODULE SUPPLIER CODE: V09922 SPECIFICATION NUMBER: BACM15C3B OPTIONAL PART: 421120-452 V58982 TBH120452 V58982		AR
370	YHLZ8		..MODULE SUPPLIER CODE: V09922 SPECIFICATION NUMBER: BACM15C2A		AR
375	YHLZ16-2		..MODULE SUPPLIER CODE: V09922 SPECIFICATION NUMBER: BACM15C3A OPTIONAL PART: TBH120450 V58982 421120-450 V58982		AR
380	284T0384-49		.SUPPORT ASSY-WIRE ATTACHING PARTS		1
385	NAS1801-3-5		.SCREW		4
390	NAS514P1032-5		.SCREW		2
			-----*-----		
395	AN960JD10L		.WASHER ATTACHING PARTS		6
400	MS21042L3		.NUT		6
			-----*-----		
405	YHLZG16-1		..BLOCK-GROUND SUPPLIER CODE: V09922 ATTACHING PARTS		22
- 410	BACR15BB4AD		..RIVET- SIZE DETERMINED ON INSTL. -----*-----		88
ILLUSTRATION ITEMS NOT ON PARTS LIST ARE NOT APPLICABLE					

- ITEM NOT ILLUSTRATED

HXL

25-71-04-09

BOEING PROPRIETARY - Copyright © - Unpublished Work - See title page for details.

25-71-04
FIG. 09
PAGE 14
AUG 22/09

BOEING
767
PARTS CATALOG (MAINTENANCE)

FIG ITEM	PART NUMBER	1 2 3 4 5 6 7	NOMENCLATURE	EFFECT FROM TO	UNITS PER ASSY
9					
415	MS24665-300	..	PIN		2
420	AN960PD616	..	WASHER		2
425	284T0384-5	..	TUBE-WIRE SUPPORT		1
430	284T0385-3	..	BRACKET-CHANNEL		1
			ATTACHING PARTS		
- 435	NAS1801-3-4	..	SCREW		1
- 440	AN960JD10	..	WASHER		1
- 445	MS21042L3	..	NUT		1
			-----*-----		
450	284T0385-4	..	BRACKET		1
455	284T0385-5	..	BRACKET		1
			ATTACHING PARTS		
- 460	BACR15BB4AD	..	RIVET-		4
			SIZE DETERMINED ON INSTL.		
			-----*-----		
465	284T0574-7	..	TRACK		1
470	284T0211-3	.	SHELF ASSY		1
475	284T0383-1	..	SEAL		1
480	284T0383-2	..	SEAL-		1
			MANUFACTURED FROM:		
			SH RUBBER MIL-R-6130		
			GRADE A TYPE 2 SOFT		
			0.125 IN 2.3 IN 6.2 IN		
			SPARES ORDER MATERIAL		
			CODE: 5231253020		
500	285T0708-3	.	MODULE ASSY-THRUST		RF
			REVERSER RELAY		
			SUPPLIER CODE:		
			V89954		
			ELECTRICAL EQUIP NUMBER:		
			M01987		
			COMPONENT MAINT MANUAL REF:		
			78-30-11		
			POST SERVICE BULLETIN:		
			78-0062R5		
			FOR BREAKDOWN SEE:		
			78-36-11-02		

R
R
R
R
R
R
R

ILLUSTRATION ITEMS NOT ON PARTS LIST ARE NOT APPLICABLE

- ITEM NOT ILLUSTRATED

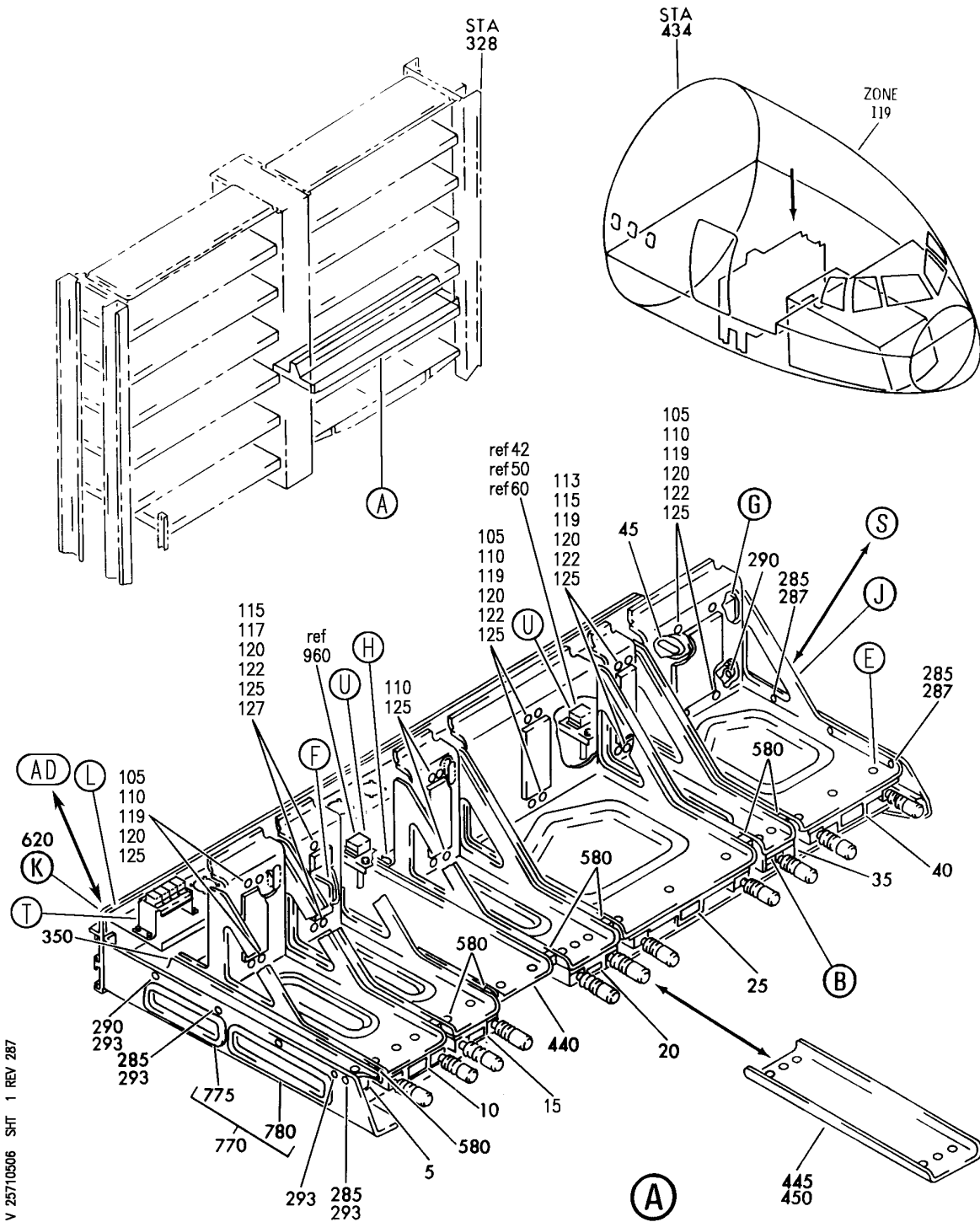
HXL

25-71-04-09

BOEING PROPRIETARY - Copyright © - Unpublished Work - See title page for details.

25-71-04
FIG. 09
PAGE 15
AUG 22/09

BOEING
767
PARTS CATALOG (MAINTENANCE)



V 25710506 SHT 1 REV 287

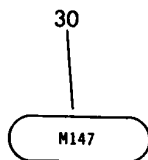
SHELF ASSY-ELECT. EQPT CTR E1-5 (EQUIPMENT/ FURNISHINGS ONLY)
FIGURE 6 (SHEET 1)

25-71-05-06

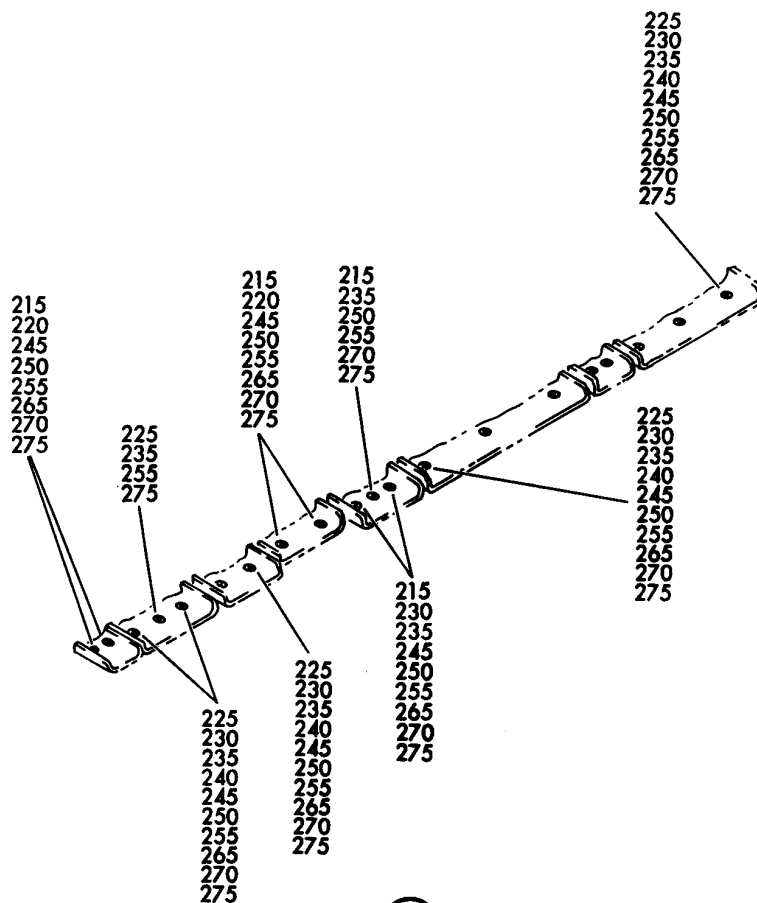
HXL
DEC 22/06

25-71-05-06
PAGE 0

BOEING
767
PARTS CATALOG (MAINTENANCE)



(B)



(E)

V 25710506 SHT 2 REV 160

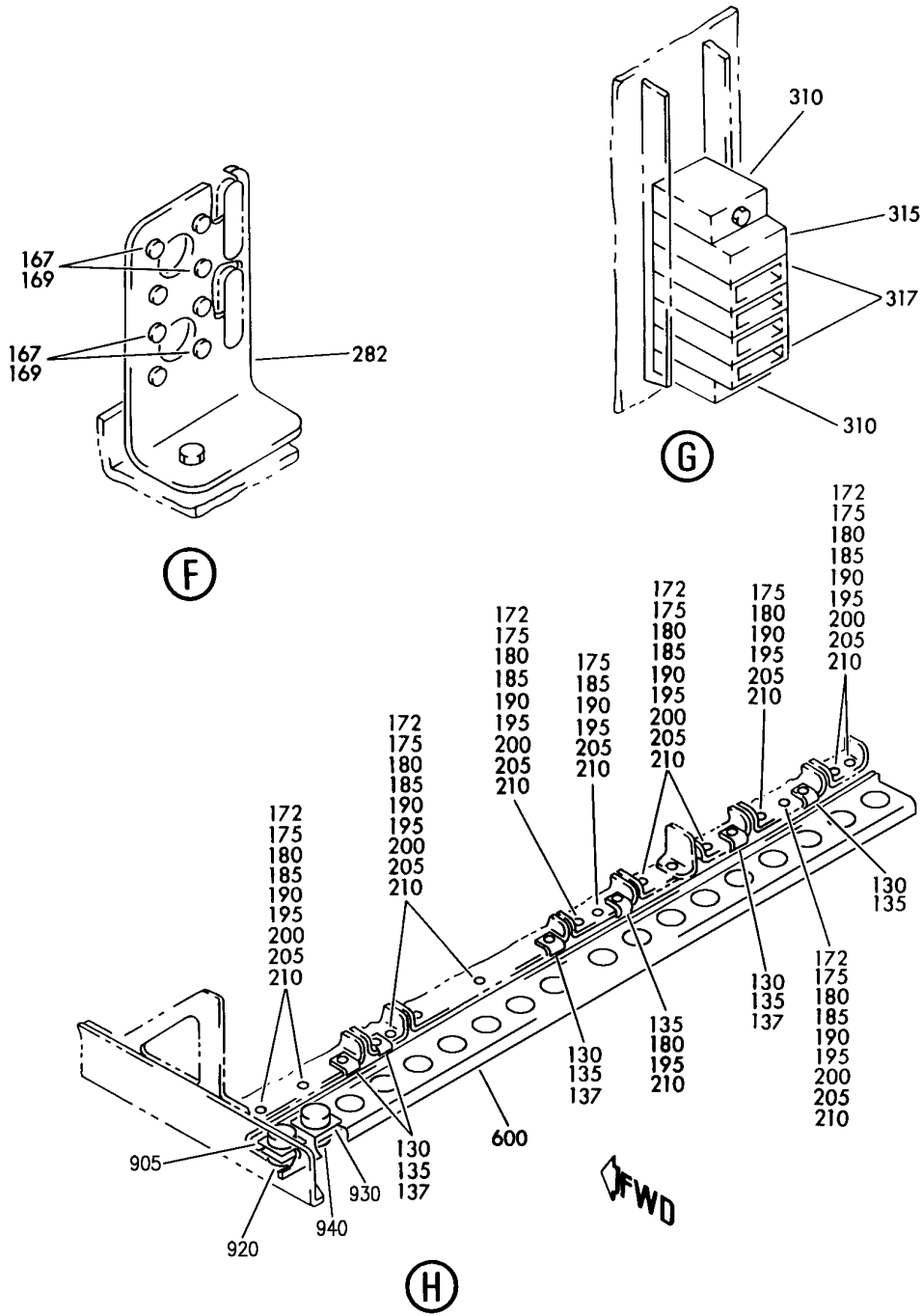
SHELF ASSY-ELECT. EQPT CTR E1-5 (EQUIPMENT/ FURNISHINGS ONLY)
FIGURE 6 (SHEET 2)

25-71-05-06

HXL
DEC 22/06

25-71-05-06
PAGE 0A

BOEING
767
PARTS CATALOG (MAINTENANCE)



V 25710506 SH-T 3 REV 283

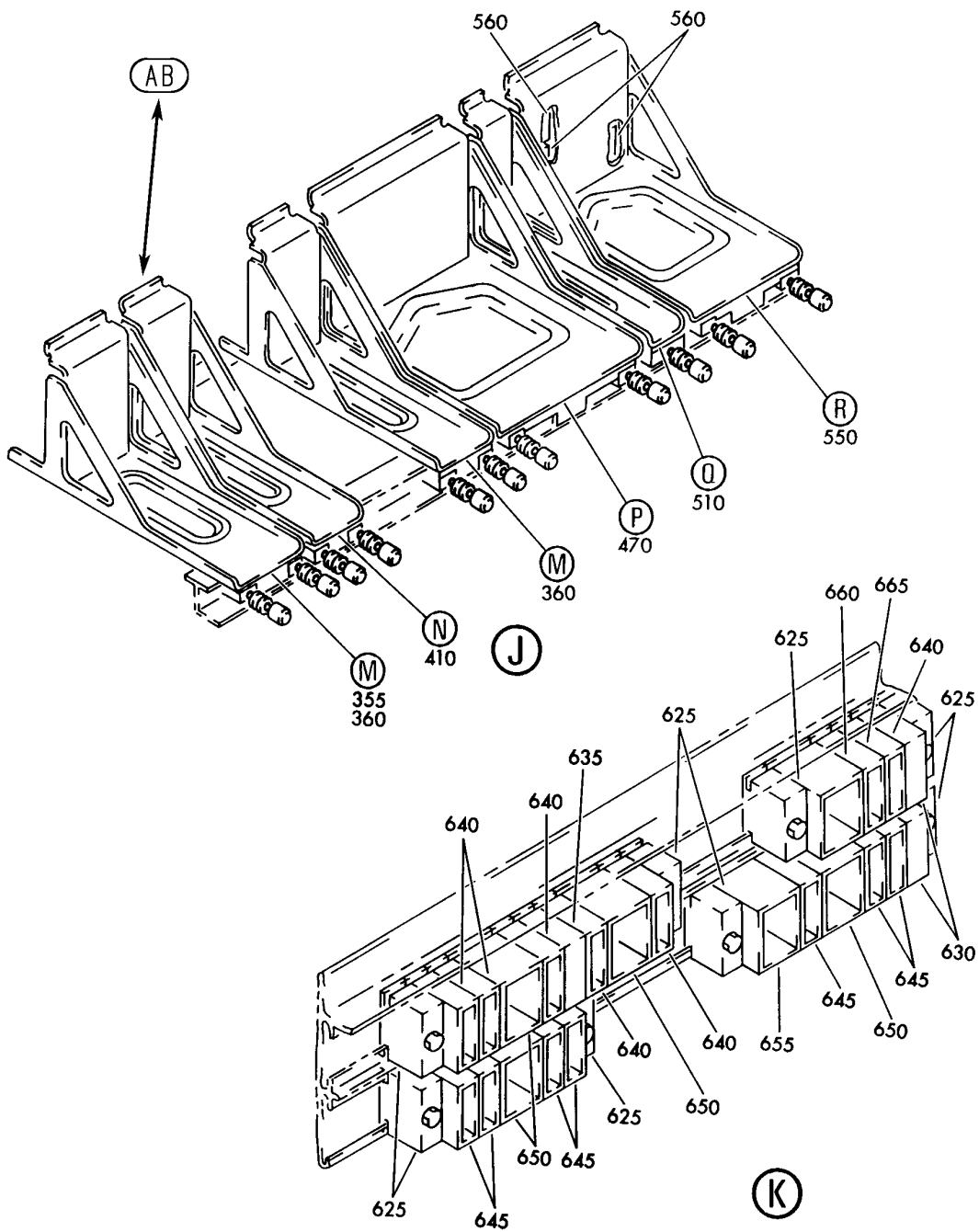
SHELF ASSY-ELECT. EQPT CTR E1-5 (EQUIPMENT/ FURNISHINGS ONLY)
FIGURE 6 (SHEET 3)

25-71-05-06

HXL
DEC 22/06

25-71-05-06
PAGE 0B

BOEING
767
PARTS CATALOG (MAINTENANCE)



V 25710506 SH- 4 REV 270

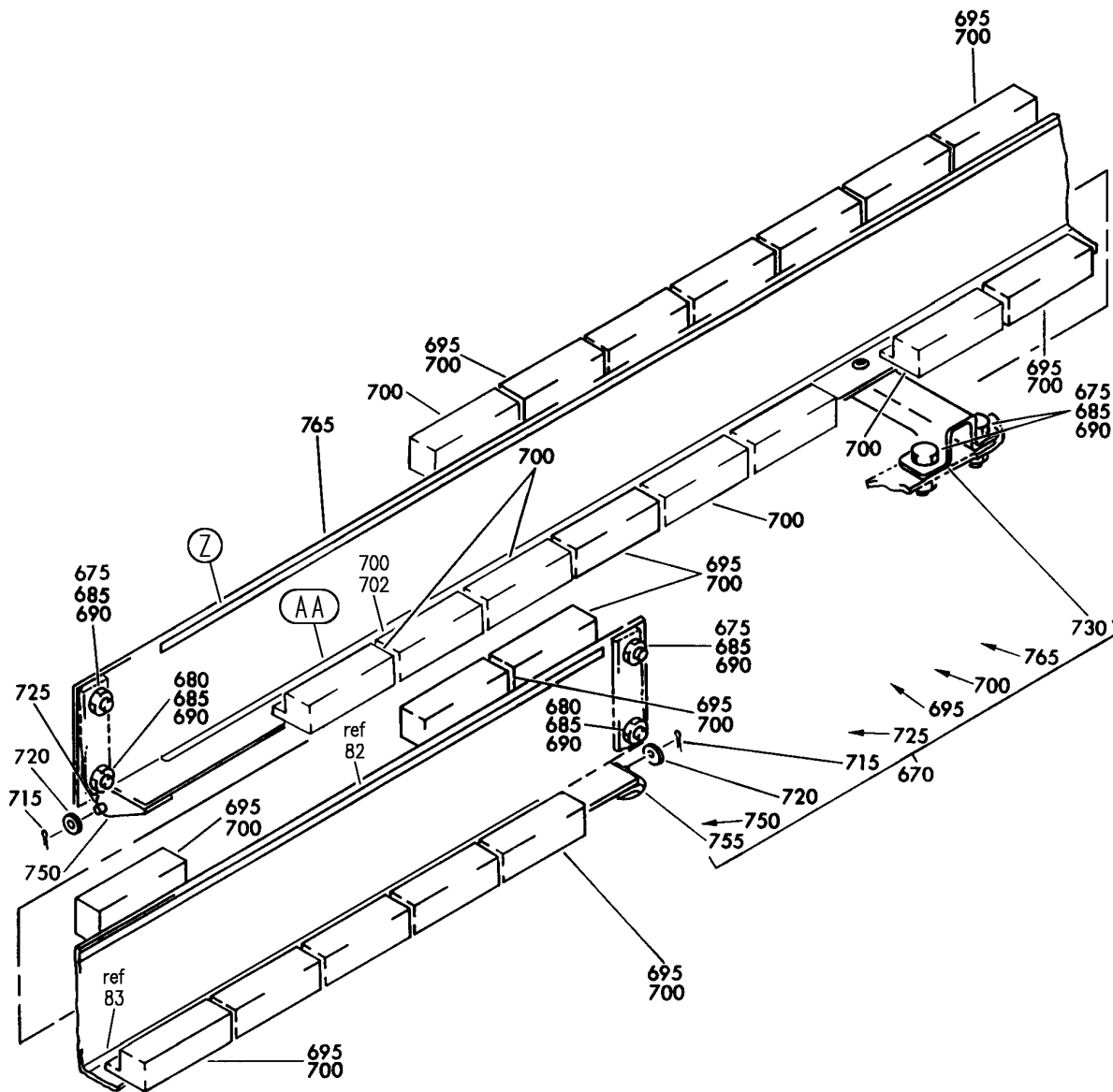
SHELF ASSY-ELECT. EQPT CTR E1-5 (EQUIPMENT/ FURNISHINGS ONLY)
FIGURE 6 (SHEET 4)

25-71-05-06

HXL
DEC 22/06

25-71-05-06
PAGE 0C

BOEING
767
PARTS CATALOG (MAINTENANCE)



(L)

V 25710506 SH-5 REV 331

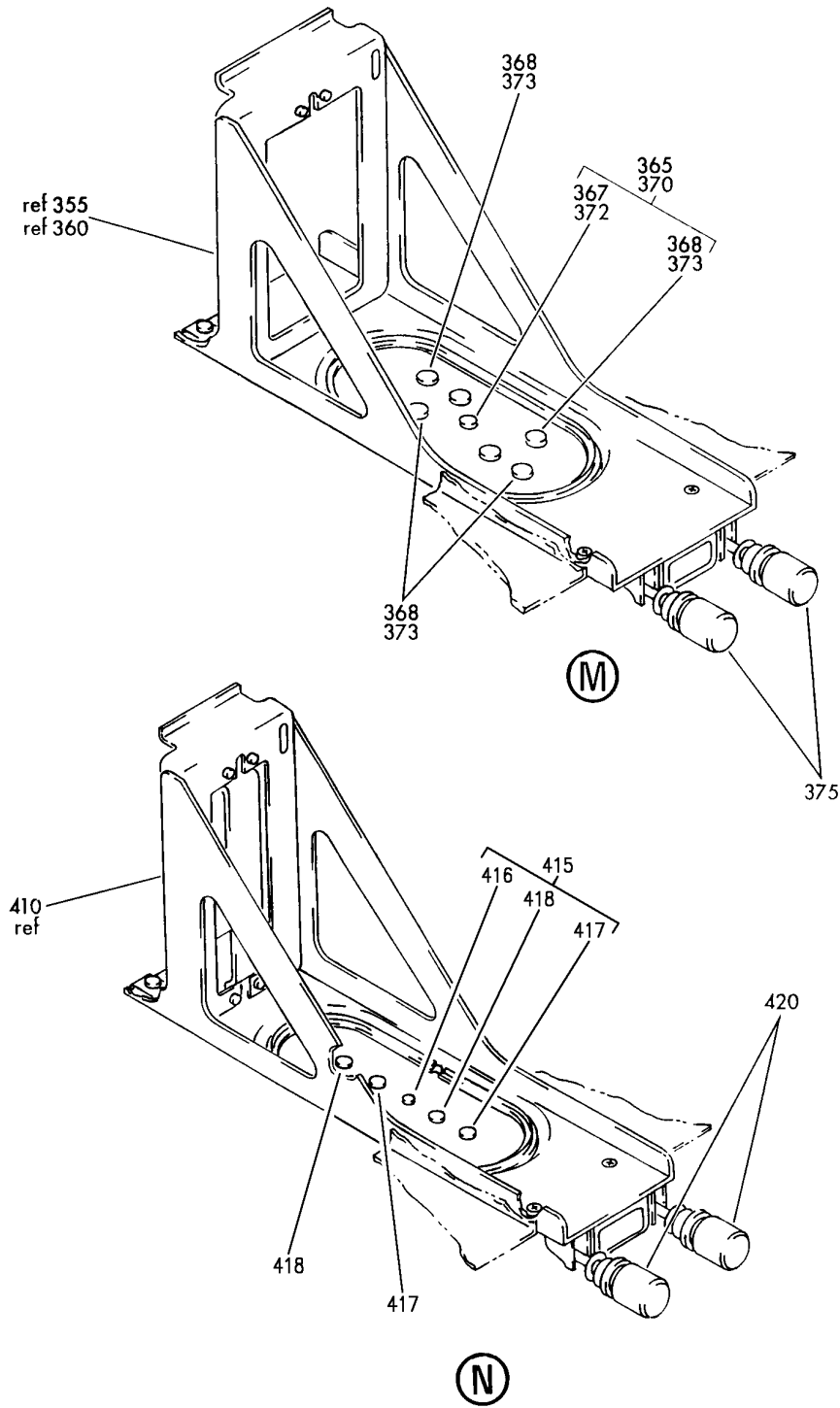
SHELF ASSY-ELECT. EQPT CTR E1-5 (EQUIPMENT/ FURNISHINGS ONLY)
FIGURE 6 (SHEET 5)

25-71-05-06

HXL
AUG 22/08

25-71-05-06
PAGE 0D

BOEING
767
PARTS CATALOG (MAINTENANCE)



V 25710506 SH-T 6 REV 308

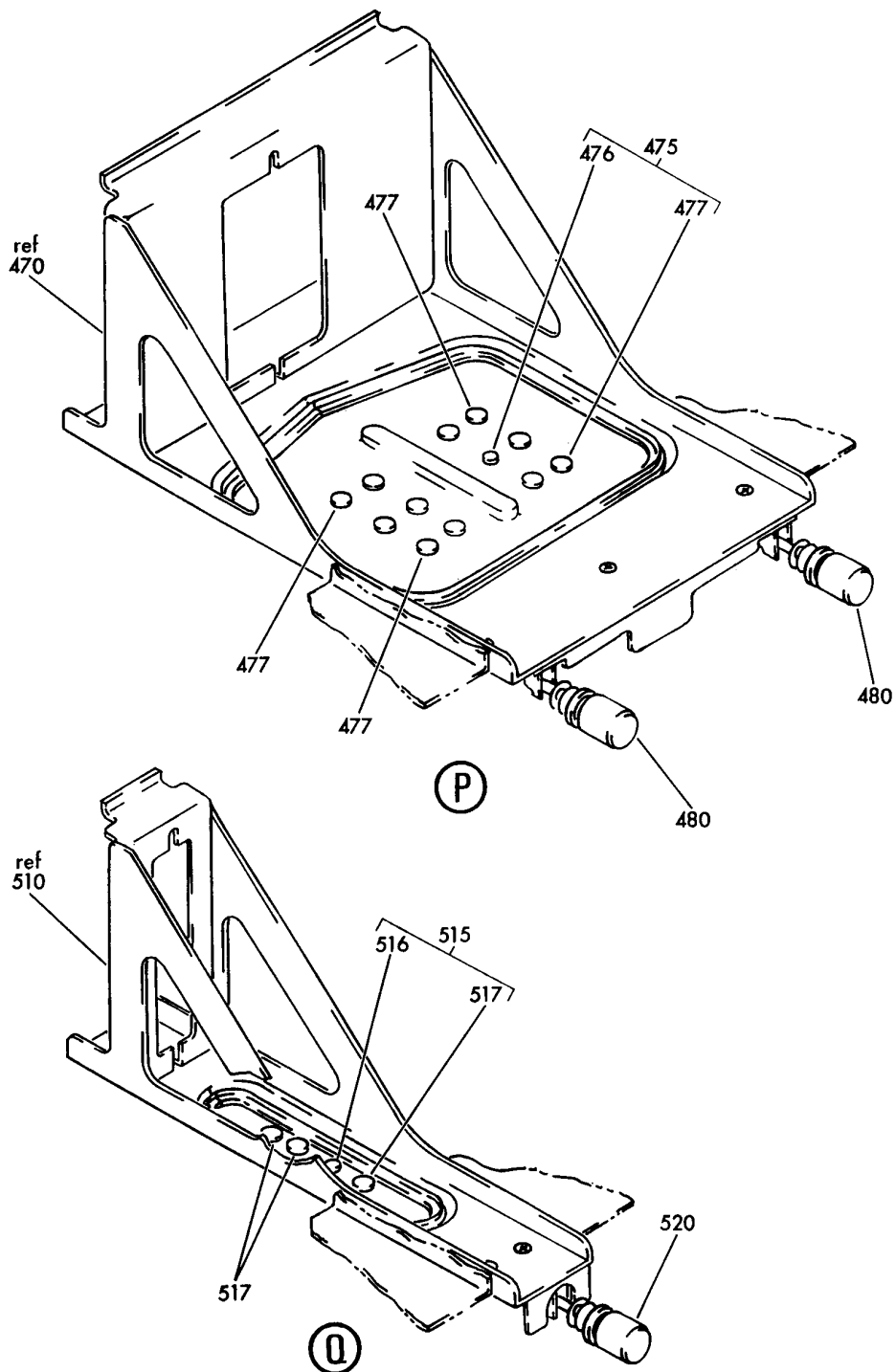
SHELF ASSY-ELECT. EQPT CTR E1-5 (EQUIPMENT/ FURNISHINGS ONLY)
FIGURE 6 (SHEET 6)

25-71-05-06

HXL
DEC 22/06

25-71-05-06
PAGE 0E

BOEING
767
PARTS CATALOG (MAINTENANCE)



V 25710506 SHT 7 REV 151

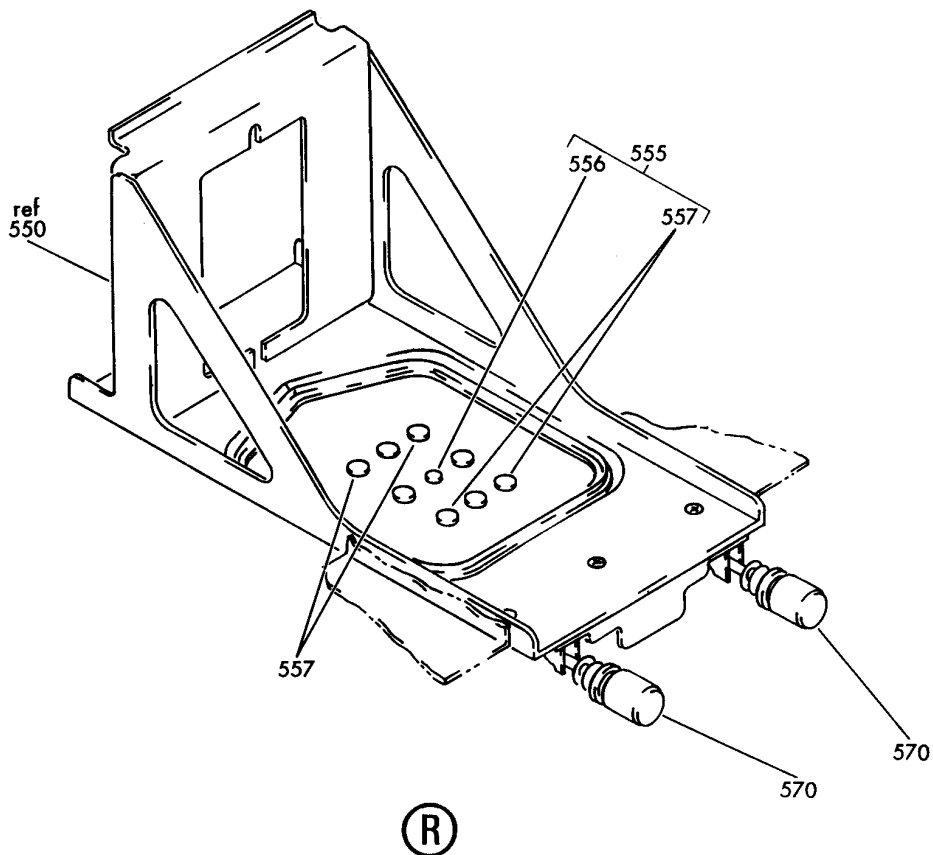
SHELF ASSY-ELECT. EQPT CTR E1-5 (EQUIPMENT/ FURNISHINGS ONLY)
FIGURE 6 (SHEET 7)

25-71-05-06

HXL
DEC 22/06

25-71-05-06
PAGE OF

BOEING
767
PARTS CATALOG (MAINTENANCE)



V 25710506 SHT 8 REV 151

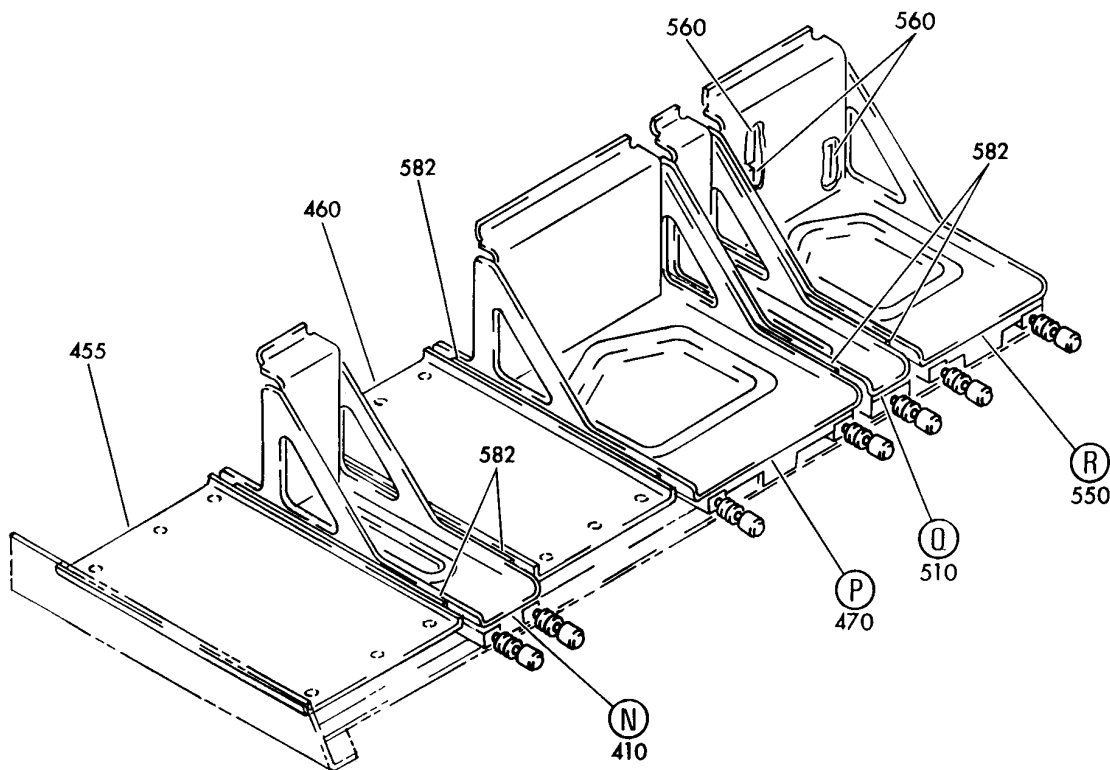
SHELF ASSY-ELECT. EQPT CTR E1-5 (EQUIPMENT/ FURNISHINGS ONLY)
FIGURE 6 (SHEET 8)

HXL
DEC 22/06

25-71-05-06

25-71-05-06
PAGE 06

BOEING
767
PARTS CATALOG (MAINTENANCE)



(S)

V 25710506 SHT 9 REV 176

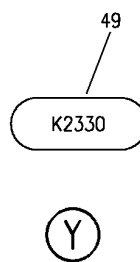
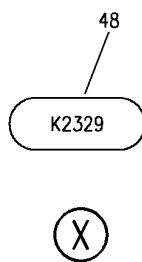
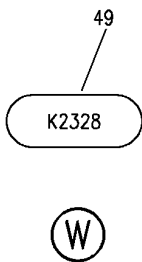
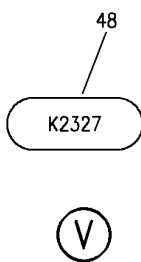
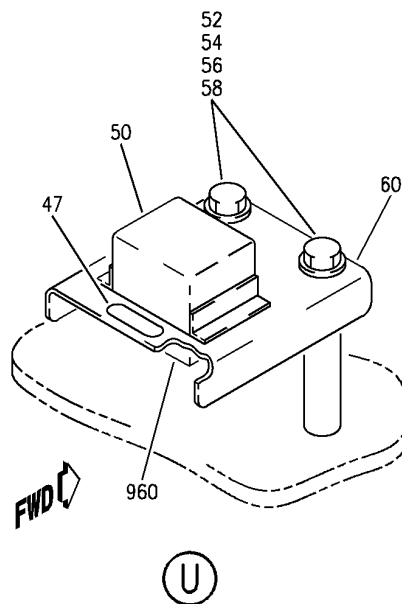
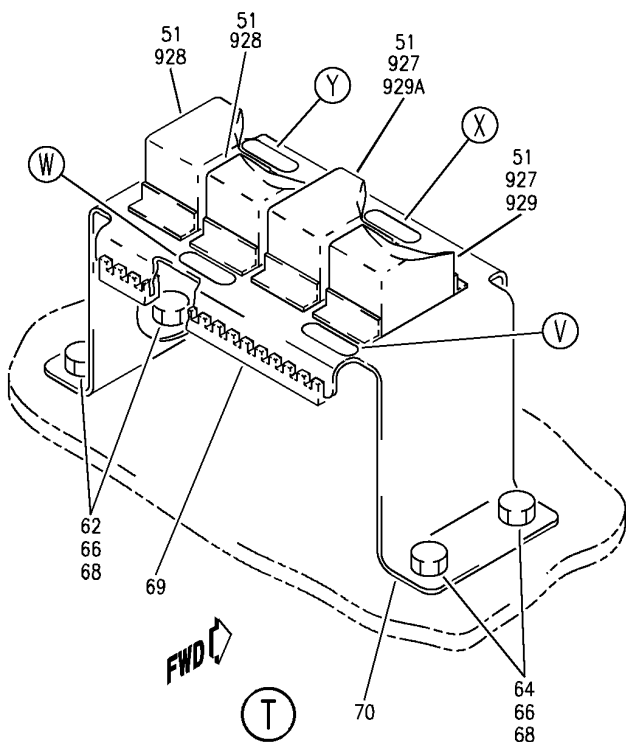
SHELF ASSY-ELECT. EQPT CTR E1-5 (EQUIPMENT/ FURNISHINGS ONLY)
FIGURE 6 (SHEET 9)

25-71-05-06

HXL
DEC 22/06

25-71-05-06
PAGE 0H


BOEING
 767
PARTS CATALOG (MAINTENANCE)



V 25710506 SHT 10 REV 287

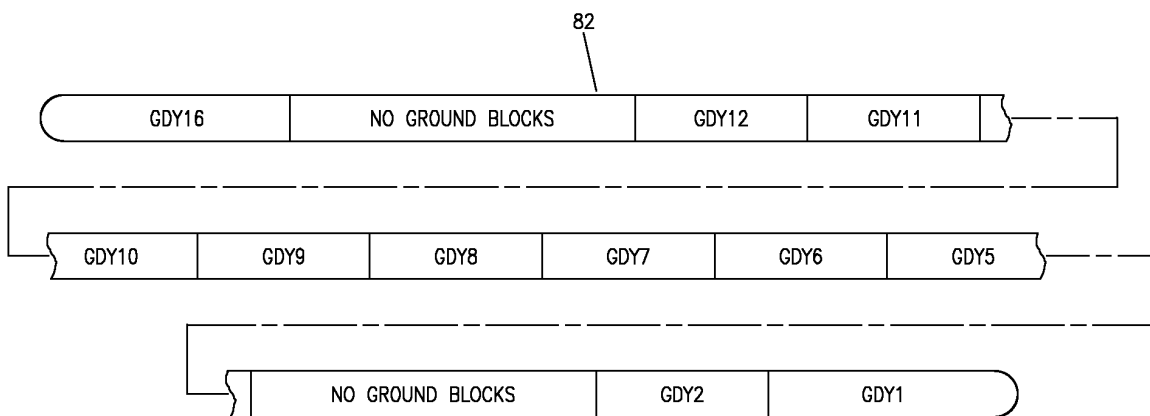
SHELF ASSY-ELECT. EQPT CTR E1-5 (EQUIPMENT/ FURNISHINGS ONLY)
 FIGURE 6 (SHEET 10)

25-71-05-06

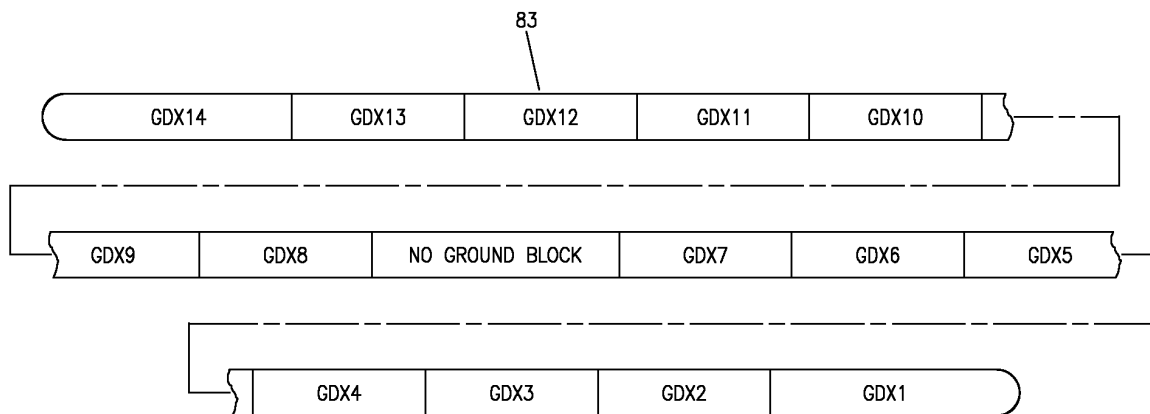
HXL
DEC 22/06

25-71-05-06
 PAGE 01

BOEING
767
PARTS CATALOG (MAINTENANCE)



(Z)



(AA)

V 25710506 SH11 REV 268

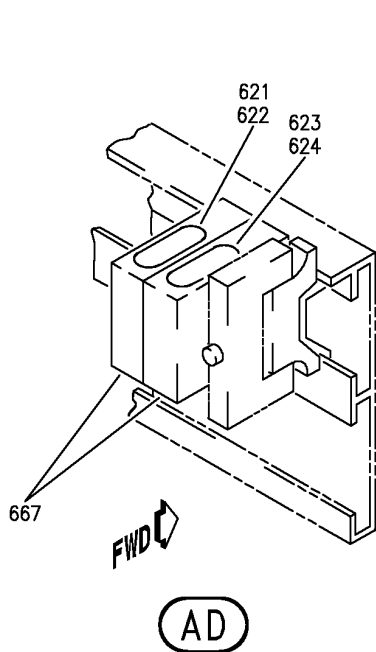
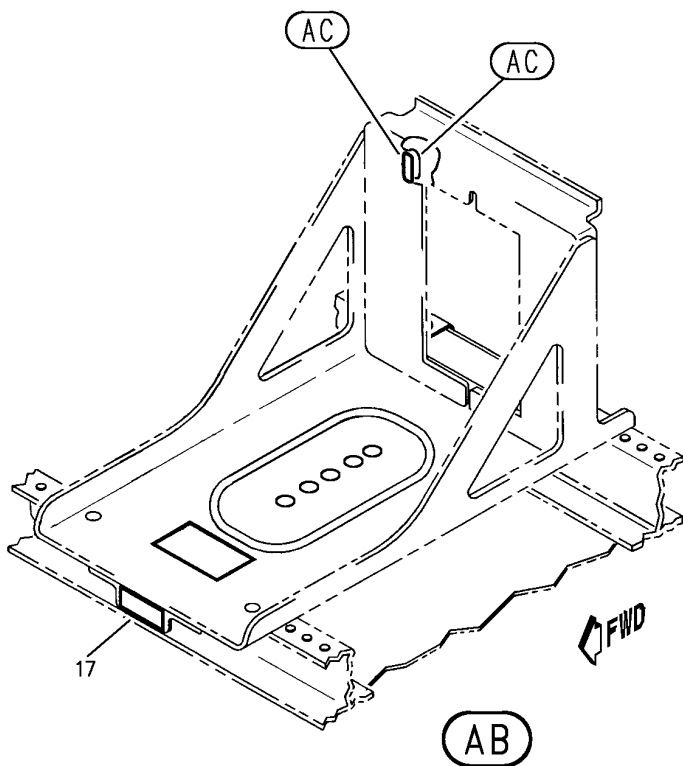
SHELF ASSY-ELECT. EQPT CTR E1-5 (EQUIPMENT/ FURNISHINGS ONLY)
FIGURE 6 (SHEET 11)

25-71-05-06

HXL
DEC 22/06

25-71-05-06
PAGE 0J

BOEING
767
PARTS CATALOG (MAINTENANCE)



V 25710506 SH1 12 REV 287

SHELF ASSY-ELECT. EQPT CTR E1-5 (EQUIPMENT/ FURNISHINGS ONLY)
FIGURE 6 (SHEET 12)

25-71-05-06

HXL
DEC 22/06

25-71-05-06
PAGE OK



767

PARTS CATALOG (MAINTENANCE)

FIG ITEM	PART NUMBER	1 2 3 4 5 6 7	NOMENCLATURE	EFFECT FROM TO	UNITS PER ASSY
6			SHELF ASSY-ELECT. EQPT CTR E1-5 (EQUIPMENT/ FURNISHINGS ONLY)		
- 1	284T0115-58		SHELF ASSY-ELECT. EQPT CTR E1-5 (EQUIPMENT/ FURNISHINGS ONLY) FOR NHA/OTHER SYS DET SEE: 53-11-64-01B		RF
5	BAC27TEX0571		.DECAL- PLACARD CONTENT: E1-5		1
10	BAC27TEX4193		.DECAL- PLACARD CONTENT: M1609 CONTROLLER AUX ZONE		1
15	BAC27TEX1748		.DECAL- PLACARD CONTENT: M158 RIGHT ILS RECEIVER		1
20	BAC27TEX4193		.DECAL- PLACARD CONTENT: M1610 CONTROLLER PACK FLOW		1
25	BAC27TEX1749		.DECAL- PLACARD CONTENT: M141 RIGHT FLT CONT COMPTR		1
30	BAC27TEX3281		.DECALSET-INCLUDES DECALS IDENTIFIED ON THE ILLUSTRATION		1
35	BAC27TEX1750		.DECAL- PLACARD CONTENT: GND PROX COMPTR		1
40	BAC27TEX1751		.DECAL- PLACARD CONTENT: M150 R ELEX FLT INSTR SYS SYM GEN		1
45	BAC27TEX1560		.DECAL- PLACARD CONTENT: AE0323		1
110	NAS1801-06-8		.SCREW		16
115	NAS1801-06-11		.SCREW		8
125	MS21042L06		.NUT		24
135	66-18178-1		.STRAP-RACK BONDING ATTACHING PARTS		6
- 145	NAS1801-3-8		.SCREW		6
- 155	AN960JD10L		.WASHER-		6
- 155	AN960PD10L		.WASHER		6
- 165	MS21042L3		.NUT		6
			-----*-----		
ILLUSTRATION ITEMS NOT ON PARTS LIST ARE NOT APPLICABLE					

- ITEM NOT ILLUSTRATED

25-71-05-06

25-71-05
FIG. 06
PAGE 1
DEC 22/07

HXL

 **BOEING**
767
PARTS CATALOG (MAINTENANCE)

FIG ITEM	PART NUMBER	1 2 3 4 5 6 7	NOMENCLATURE	EFFECT FROM TO	UNITS PER ASSY
6					
167	NAS600-6P	.	SCREW		8
169	MS21042L04	.	NUT		8
172	NAS1801-3-8	.	SCREW		12
185	AN960JD10L	.	WASHER-		12
185	AN960PD10L	.	WASHER		12
200	MS21042L3	.	NUT		12
220	NAS1801-08-7	.	SCREW		4
230	NAS514P832-7	.	SCREW		14
245	AN960JD8L	.	WASHER		18
265	MS21042L08	.	NUT		18
282	284T1220-2	.	BRACKET-MTG		1
285	BACR15BA3AD	.	RIVET-		6
			SIZE DETERMINED ON INSTL.		
290	BACR15BB3AD	.	RIVET-		2
			SIZE DETERMINED ON INSTL.		
R 310	BACC49A1	.	CLAMP ASSY		2
315	H21-1	.	SPACER		1
			SUPPLIER CODE: V34941		
			SPECIFICATION NUMBER: BACS18AR1		
			OPTIONAL PART: FAB276A		
			V15805		
			YHLZ1C2		
			V09922		
317	YHLZ4	.	MODULE		AR
			SUPPLIER CODE: V09922		
			SPECIFICATION NUMBER: BACM15C1B		
			OPTIONAL PART: YHLZ44		
			V09922		
350	284T0032-2	.	COVER		1
360	284T0026-18	.	TRAY ASSY		1
370	281131-4	..	SEAL ASSY-		1
			SUPPLIER CODE: V0767B		
			OPTIONAL PART: 201-4		
			V0767B		
			BCMP04-1		
			V09489		
ILLUSTRATION ITEMS NOT ON PARTS LIST ARE NOT APPLICABLE					

- ITEM NOT ILLUSTRATED

HXL

25-71-05-06

BOEING PROPRIETARY - Copyright © - Unpublished Work - See title page for details.

25-71-05
FIG. 06
PAGE 2
AUG 22/09



PARTS CATALOG (MAINTENANCE)

FIG ITEM	PART NUMBER	1 2 3 4 5 6 7	NOMENCLATURE	EFFECT FROM TO	UNITS PER ASSY
6 370	201-4		..SEAL ASSY- SUPPLIER CODE: V60299 OPTIONAL PART: 281131-4 V0767B BCMP04-1 V09489		1
370	BCMP04-1		..SEAL ASSY- SUPPLIER CODE: V09489 OPTIONAL PART: 281131-4 V0767B 201-4 V0767B		1
372	82100-1		...PLUG- SUPPLIER CODE: V0767B USED ON: 281131-4		1
373	82100-2		...PLUG- SUPPLIER CODE: V0767B USED ON: 281131-4		6
380	H3773-9		..HOLD DOWN- SUPPLIER CODE: V83014 SPECIFICATION NUMBER: BACC10HZ1 OPTIONAL PART: 5175-110-1 V30528 CA12145-102 VOCBU7 H3773-3 V83014 CA12095-101 V29372 CA12095-102 V29372 CA12145-102 V29372		2

ILLUSTRATION ITEMS NOT ON PARTS LIST ARE NOT APPLICABLE

- ITEM NOT ILLUSTRATED

HXL

25-71-05-06

BOEING PROPRIETARY - Copyright © - Unpublished Work - See title page for details.

25-71-05
FIG. 06
PAGE 3
AUG 22/09



767

PARTS CATALOG (MAINTENANCE)

FIG ITEM	PART NUMBER	1 2 3 4 5 6 7	NOMENCLATURE	EFFECT FROM TO	UNITS PER ASSY
6 380	CA12145-102		..HOLD DOWN- SUPPLIER CODE: V29372 OPTIONAL PART: CA12095-101 V29372 CA12095-102 V29372 BACC10HZ1		2
380	CA12095-101		..HOLD DOWN- SUPPLIER CODE: V29372 OPTIONAL PART: CA12095-102 V29372 CA12145-102 V29372 BACC10HZ1		2
380	CA12095-102		..HOLD DOWN- SUPPLIER CODE: V29372 OPTIONAL PART: CA12095-101 V29372 CA12145-102 V29372 BACC10HZ1		2
- 390	NAS514P632-5		ATTACHING PARTS ..SCREW -----*-----		4
410	284T0026-17		.TRAY ASSY		1
415	281131-3		..SEAL ASSY- SUPPLIER CODE: V0767B OPTIONAL PART: 201-3 V0767B BCMP03-1 V09489		1
415	201-3		..SEAL ASSY- SUPPLIER CODE: V60299 OPTIONAL PART: 281131-3 V0767B BCMP03-1 V09489		1

ILLUSTRATION ITEMS NOT ON PARTS LIST ARE NOT APPLICABLE

- ITEM NOT ILLUSTRATED

25-71-05-06

25-71-05
FIG. 06
PAGE 4
AUG 22/09

HXL



767

PARTS CATALOG (MAINTENANCE)

FIG ITEM	PART NUMBER	1 2 3 4 5 6 7	NOMENCLATURE	EFFECT FROM TO	UNITS PER ASSY
6 415	BCMP03-1		..SEAL ASSY- SUPPLIER CODE: V09489 OPTIONAL PART: 281131-3 V0767B 201-3 V0767B		1
416	82100-1		...PLUG- SUPPLIER CODE: V0767B USED ON: 281131-3		1
417	82100-2		...PLUG- SUPPLIER CODE: V0767B USED ON: 281131-3		2
418	82100-2		...PLUG- SUPPLIER CODE: V0767B USED ON: 281131-3		2
420	H3773-9		..HOLD DOWN- SUPPLIER CODE: V83014 SPECIFICATION NUMBER: BACC10HZ1 OPTIONAL PART: 5175-110-1 V30528 CA12145-102 VOCBU7 H3773-3 V83014 CA12095-101 V29372 CA12095-102 V29372 CA12145-102 V29372		2

ILLUSTRATION ITEMS NOT ON PARTS LIST ARE NOT APPLICABLE

- ITEM NOT ILLUSTRATED

HXL

25-71-05-06

BOEING PROPRIETARY - Copyright © - Unpublished Work - See title page for details.

25-71-05
FIG. 06
PAGE 5
AUG 22/09



767

PARTS CATALOG (MAINTENANCE)

FIG ITEM	PART NUMBER	1 2 3 4 5 6 7	NOMENCLATURE	EFFECT FROM TO	UNITS PER ASSY
6 420	CA12145-102		..HOLD DOWN- SUPPLIER CODE: V29372 OPTIONAL PART: CA12095-101 V29372 CA12095-102 V29372 BACC10HZ1		2
420	CA12095-101		..HOLD DOWN- SUPPLIER CODE: V29372 OPTIONAL PART: CA12095-102 V29372 CA12145-102 V29372 BACC10HZ1		2
420	CA12095-102		..HOLD DOWN- SUPPLIER CODE: V29372 OPTIONAL PART: CA12095-101 V29372 CA12145-102 V29372 BACC10HZ1		2
- 425	NAS514P632-5		..SCREW -----*-----		4
440	284T0032-3		.COVER-TRAY		1
470	284T0026-25		.TRAY ASSY		1
475	281131-8		..SEAL ASSY- SUPPLIER CODE: V0767B OPTIONAL PART: 201-8 V0767B BCMP08-1 V09489		1
475	201-8		..SEAL ASSY- SUPPLIER CODE: V0767B OPTIONAL PART: 281131-8 V0767B BCMP08-1 V09489		1

ILLUSTRATION ITEMS NOT ON PARTS LIST ARE NOT APPLICABLE

- ITEM NOT ILLUSTRATED

HXL

25-71-05-06

BOEING PROPRIETARY - Copyright © - Unpublished Work - See title page for details.

25-71-05
FIG. 06
PAGE 6
AUG 22/09



767

PARTS CATALOG (MAINTENANCE)

FIG ITEM	PART NUMBER	1 2 3 4 5 6 7	NOMENCLATURE	EFFECT FROM TO	UNITS PER ASSY
6 475	BCMP08-1		..SEAL ASSY- SUPPLIER CODE: V09489 OPTIONAL PART: 281131-8 V0767B 201-8 V0767B		1
476	82100-1		...PLUG- SUPPLIER CODE: V0767B		1
477	82100-2		...PLUG- SUPPLIER CODE: V0767B		11
480	H3773-9		..HOLD DOWN- SUPPLIER CODE: V83014 SPECIFICATION NUMBER: BACC10HZ1 OPTIONAL PART: 5175-110-1 V30528 CA12145-102 V0CBU7 H3773-3 V83014 CA12095-101 V29372 CA12095-102 V29372 CA12145-102 V29372		2
480	CA12145-102		..HOLD DOWN- SUPPLIER CODE: V29372 OPTIONAL PART: CA12095-101 V29372 CA12095-102 V29372 BACC10HZ1		2

ILLUSTRATION ITEMS NOT ON PARTS LIST ARE NOT APPLICABLE

- ITEM NOT ILLUSTRATED

HXL

25-71-05-06

BOEING PROPRIETARY - Copyright © - Unpublished Work - See title page for details.

25-71-05
FIG. 06
PAGE 7
AUG 22/09



767

PARTS CATALOG (MAINTENANCE)

FIG ITEM	PART NUMBER	1 2 3 4 5 6 7	NOMENCLATURE	EFFECT FROM TO	UNITS PER ASSY
6 480	CA12095-101		..HOLD DOWN- SUPPLIER CODE: V29372 OPTIONAL PART: CA12095-102 V29372 CA12145-102 V29372 BACC10HZ1		2
480	CA12095-102		..HOLD DOWN- SUPPLIER CODE: V29372 OPTIONAL PART: CA12095-101 V29372 CA12145-102 V29372 BACC10HZ1		2
485	NAS514P632-5		..SCREW		4
510	284T0026-16		.TRAY ASSY		1
515	281131-2		..SEAL ASSY- SUPPLIER CODE: V0767B OPTIONAL PART: 201-2 V0767B BCMP02-1 V09489		1
515	201-2		..SEAL ASSY- SUPPLIER CODE: V0767B OPTIONAL PART: 281131-2 V0767B BCMP02-1 V09489		1
515	BCMP02-1		..SEAL ASSY- SUPPLIER CODE: V09489 OPTIONAL PART: 281131-2 V0767B 201-2 V0767B		1
516	82100-1		...PLUG- SUPPLIER CODE: V0767B		1

ILLUSTRATION ITEMS NOT ON PARTS LIST ARE NOT APPLICABLE

- ITEM NOT ILLUSTRATED

25-71-05-06

25-71-05
FIG. 06
PAGE 8
AUG 22/09

HXL



767

PARTS CATALOG (MAINTENANCE)

FIG ITEM	PART NUMBER	1 2 3 4 5 6 7	NOMENCLATURE	EFFECT FROM TO	UNITS PER ASSY
6					
517	82100-2		...PLUG- SUPPLIER CODE: V0767B		3
520	H3773-9		..HOLD DOWN- SUPPLIER CODE: V83014 SPECIFICATION NUMBER: BACC10HZ1 OPTIONAL PART: 5175-110-1 V30528 CA12145-102 V0CBU7 H3773-3 V83014 CA12095-101 V29372 CA12095-102 V29372 CA12145-102 V29372		1
520	CA12145-102		..HOLD DOWN- SUPPLIER CODE: V29372 OPTIONAL PART: CA12095-101 V29372 CA12095-102 V29372 BACC10HZ1		1
520	CA12095-101		..HOLD DOWN- SUPPLIER CODE: V29372 OPTIONAL PART: CA12095-102 V29372 CA12145-102 V29372 BACC10HZ1		1
520	CA12095-102		..HOLD DOWN- SUPPLIER CODE: V29372 OPTIONAL PART: CA12095-101 V29372 CA12145-102 V29372 BACC10HZ1		1

ILLUSTRATION ITEMS NOT ON PARTS LIST ARE NOT APPLICABLE

- ITEM NOT ILLUSTRATED

HXL

25-71-05-06

BOEING PROPRIETARY - Copyright © - Unpublished Work - See title page for details.

25-71-05
FIG. 06
PAGE 9
AUG 22/09

 **BOEING**
767
PARTS CATALOG (MAINTENANCE)

FIG ITEM	PART NUMBER	1 2 3 4 5 6 7	NOMENCLATURE	EFFECT FROM TO	UNITS PER ASSY
6			ATTACHING PARTS		
- 525	NAS514P632-5	..	SCREW		2
		-----*			
550	284T0026-28	.TRAY	ASSY		1
555	281131-6	..SEAL	ASSY-		1
		SUPPLIER	CODE:		
		V0767B			
		OPTIONAL	PART:		
		201-6			
		V0767B			
		BCMP06-1			
		V09489			
555	201-6	..SEAL	ASSY-		1
		SUPPLIER	CODE:		
		V0767B			
		OPTIONAL	PART:		
		281131-6			
		V0767B			
		BCMP06-1			
		V09489			
555	BCMP06-1	..SEAL	ASSY-		1
		SUPPLIER	CODE:		
		V09489			
		OPTIONAL	PART:		
		281131-6			
		V0767B			
		201-6			
		V0767B			
555	281131-13	..SEAL	ASSY-		1
		SUPPLIER	CODE:		
		V0767B			
555	201-13	..SEAL	ASSY-		1
		SUPPLIER	CODE:		
		V0767B			
555	BCMP06-2	..SEAL	ASSY-		1
		SUPPLIER	CODE:		
		V09489			
556	82100-1	...PLUG-			1
		SUPPLIER	CODE:		
		V0767B			
557	82100-2	...PLUG-			8
		SUPPLIER	CODE:		
		V0767B			
560	YHLZG16-1	..BLOCK-			3
		SUPPLIER	CODE:		
		V09922			

ILLUSTRATION ITEMS NOT ON PARTS LIST ARE NOT APPLICABLE

- ITEM NOT ILLUSTRATED

HXL

25-71-05-06

BOEING PROPRIETARY - Copyright © - Unpublished Work - See title page for details.

25-71-05
FIG. 06
PAGE 10
AUG 22/09



767

PARTS CATALOG (MAINTENANCE)

FIG ITEM	PART NUMBER	1 2 3 4 5 6 7	NOMENCLATURE	EFFECT FROM TO	UNITS PER ASSY
6			ATTACHING PARTS		
- 565	BACR15BA4AD		..RIVET- SIZE DETERMINED ON INSTL. -----*-----		12
570	H3773-9		..HOLD DOWN- SUPPLIER CODE: V83014 SPECIFICATION NUMBER: BACC10HZ1 OPTIONAL PART: 5175-110-1 V30528 CA12145-102 VOCBU7 H3773-3 V83014 CA12095-101 V29372 CA12095-102 V29372 CA12145-102 V29372		2
570	CA12145-102		..HOLD DOWN- SUPPLIER CODE: V29372 OPTIONAL PART: CA12095-101 V29372 CA12095-102 V29372 BACC10HZ1		2
570	CA12095-101		..HOLD DOWN- SUPPLIER CODE: V29372 OPTIONAL PART: CA12095-102 V29372 CA12145-102 V29372 BACC10HZ1		2
570	CA12095-102		..HOLD DOWN- SUPPLIER CODE: V29372 OPTIONAL PART: CA12095-101 V29372 CA12145-102 V29372 BACC10HZ1		2

ILLUSTRATION ITEMS NOT ON PARTS LIST ARE NOT APPLICABLE

- ITEM NOT ILLUSTRATED

HXL

25-71-05-06

BOEING PROPRIETARY - Copyright © - Unpublished Work - See title page for details.

25-71-05
FIG. 06
PAGE 11
AUG 22/09



767

PARTS CATALOG (MAINTENANCE)

FIG ITEM	PART NUMBER	1 2 3 4 5 6 7	NOMENCLATURE	EFFECT FROM TO	UNITS PER ASSY
6			ATTACHING PARTS		
- 575	NAS514P632-5	..	SCREW-		4
			-----*-----		
R 580	284T0383-3	.SEAL-			7
R			MANUFACTURED FROM:		
R			SH RUBBER		
R			MIL-R-6130 GRADE A TYPE		
R			2 SOFT 0.12 IN 0.7 IN		
R			12.9 IN (5231253020)		
600	284T0385-13	.SUPPORT-ZEE			1
			ATTACHING PARTS		
- 605	NAS1801-3-7	.SCREW			6
- 610	AN960JD10L	.WASHER			6
- 615	MS21042L3	.NUT			6
			-----*-----		
R 620	284T0116-2	.MODULE ASSY-TERM.			1
R 625	BACC49A1	..CLAMP ASSY			AR
R 630	H21-1	..SPACER			AR
			SUPPLIER CODE:		
			V34941		
			SPECIFICATION NUMBER:		
			BACS18AR1		
			OPTIONAL PART:		
			FAB276A		
			V15805		
			YHLZ1C2		
			V09922		
635	H21-6	..SPACER			AR
			SUPPLIER CODE:		
			V34941		
			SPECIFICATION NUMBER:		
			BACS18AR6		
			OPTIONAL PART:		
			FAB276-0		
			V15805		
			YHLZ1C7		
			V09922		
640	YHLZ2	..MODULE			AR
			SUPPLIER CODE:		
			V09922		
			SPECIFICATION NUMBER:		
			BACM15C1A		
			OPTIONAL PART:		
			YHLZ22		
			V09922		

ILLUSTRATION ITEMS NOT ON PARTS LIST ARE NOT APPLICABLE

- ITEM NOT ILLUSTRATED

HXL

25-71-05-06

BOEING PROPRIETARY - Copyright © - Unpublished Work - See title page for details.

25-71-05
FIG. 06
PAGE 12
AUG 22/09



767

PARTS CATALOG (MAINTENANCE)

FIG ITEM	PART NUMBER	1 2 3 4 5 6 7	NOMENCLATURE	EFFECT FROM TO	UNITS PER ASSY
6					
645	YHLZ4	..	MODULE SUPPLIER CODE: V09922 SPECIFICATION NUMBER: BACM15C1B OPTIONAL PART: YHLZ44 V09922		AR
650	YHLZ8	..	MODULE SUPPLIER CODE: V09922 SPECIFICATION NUMBER: BACM15C2A		AR
655	YHLZ16-2	..	MODULE SUPPLIER CODE: V09922 SPECIFICATION NUMBER: BACM15C3A OPTIONAL PART: TBH120450 V58982 421120-450 V58982		AR
660	YHLZ16-4	..	MODULE SUPPLIER CODE: V09922 SPECIFICATION NUMBER: BACM15C3B OPTIONAL PART: 421120-452 V58982 TBH120452 V58982		AR
665	YHLZ16-8	..	MODULE SUPPLIER CODE: V09922 SPECIFICATION NUMBER: BACM15C3C OPTIONAL PART: 421120-454 V58982 TBH120454 V58982		AR
670	284T0384-21	.	SUPPORT ASSY-WIRE ATTACHING PARTS		1
675	NAS1801-3-5	.	SCREW		4
680	NAS514P1032-5	.	SCREW		2
685	AN960JD10L	.	WASHER-		6

ILLUSTRATION ITEMS NOT ON PARTS LIST ARE NOT APPLICABLE

- ITEM NOT ILLUSTRATED

25-71-05-06

25-71-05
FIG. 06
PAGE 13
AUG 22/09

HXL

BOEING
767
PARTS CATALOG (MAINTENANCE)

FIG ITEM	PART NUMBER	1 2 3 4 5 6 7	NOMENCLATURE	EFFECT FROM TO	UNITS PER ASSY
6					
690	MS21042L3	.	NUT		6
		-----*			
695	YHLZG16-1	..	BLOCK-TERM. SUPPLIER CODE: V09922 ATTACHING PARTS		16
- 705	BACR15BB4AD	..	RIVET- SIZE DETERMINED ON INSTL. -----*		64
		..	PIN		2
	715 MS24665-300	..	WASHER-		2
	720 AN960JD616	..	TUBE		1
	725 284T0384-5	..	BRACKET		1
	730 284T0385-3		ATTACHING PARTS		
- 735	NAS1801-3-7	..	SCREW-		1
- 740	AN960JD10	..	WASHER-		1
- 745	MS21042L3	..	NUT-		1
		-----*			
	750 284T0385-4	..	BRACKET		1
	755 284T0385-5	..	BRACKET		1
			ATTACHING PARTS		
- 760	BACR15BB4AD	..	RIVET- SIZE DETERMINED ON INSTL. -----*		4
		..	TRACK-TERM. BLK MODULE		1
	765 284T0574-7	.	SHELF ASSY		1
	770 284T0211-3	..	SEAL		1
	775 284T0383-1	..	SEAL-		1
	780 284T0383-2		MANUFACTURED FROM: SH RUBBER MIL-R-6130 GRADE A TYPE 2 SOFT 0.125 IN 2.3 IN 6.2 IN (5231253020)		

R
R
R
R
R
R

ILLUSTRATION ITEMS NOT ON PARTS LIST ARE NOT APPLICABLE

- ITEM NOT ILLUSTRATED

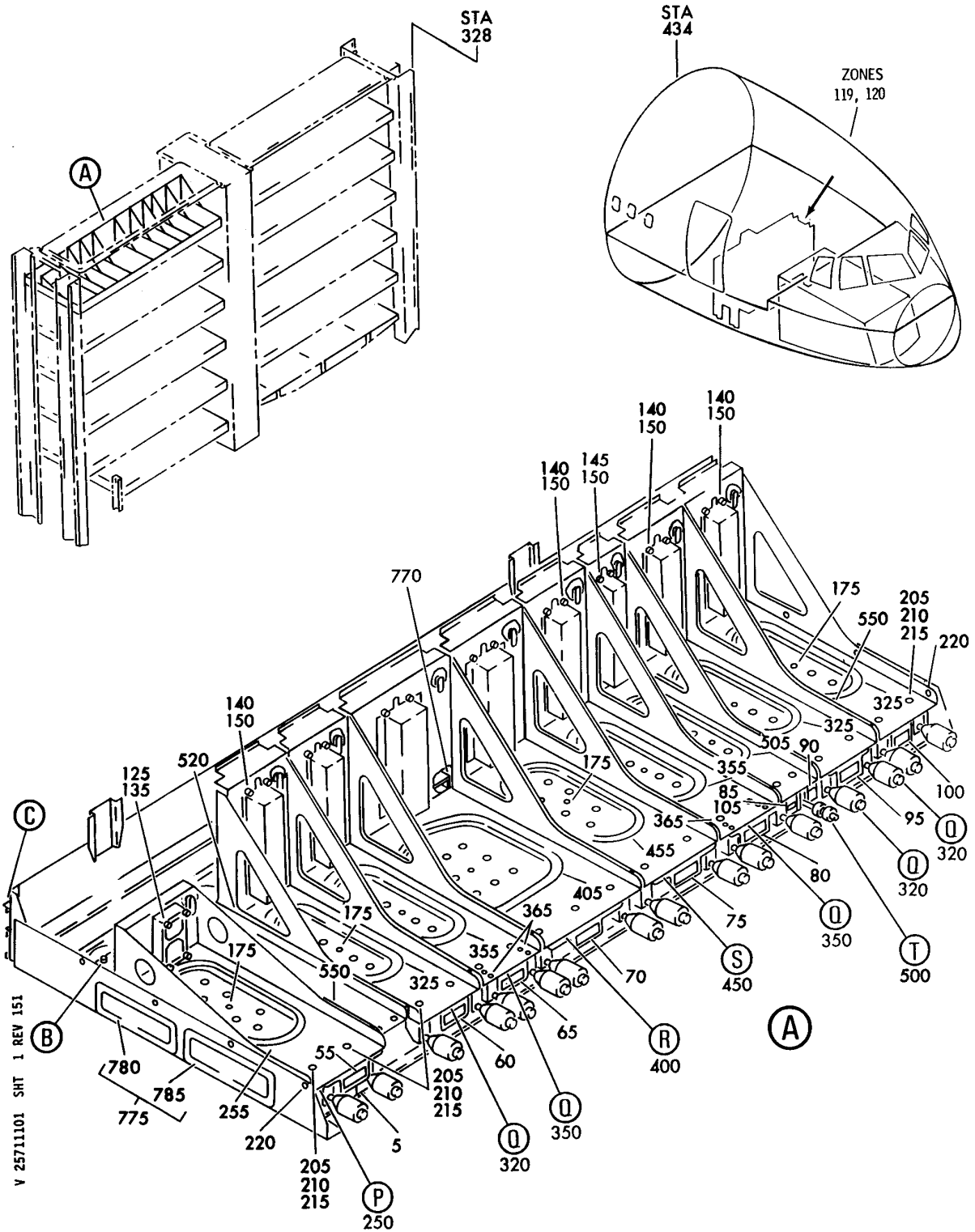
HXL

25-71-05-06

BOEING PROPRIETARY - Copyright © - Unpublished Work - See title page for details.

25-71-05
FIG. 06
PAGE 14
AUG 22/09

BOEING
767
PARTS CATALOG (MAINTENANCE)



V 25711101 SHT 1 REV 151

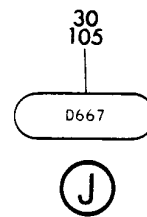
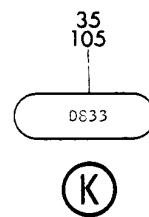
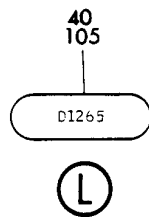
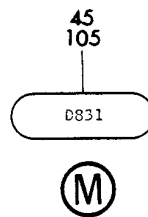
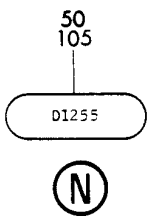
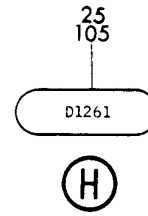
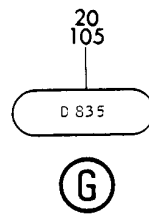
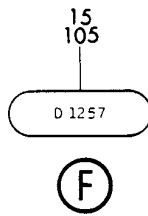
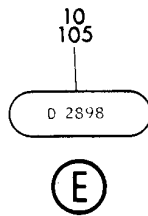
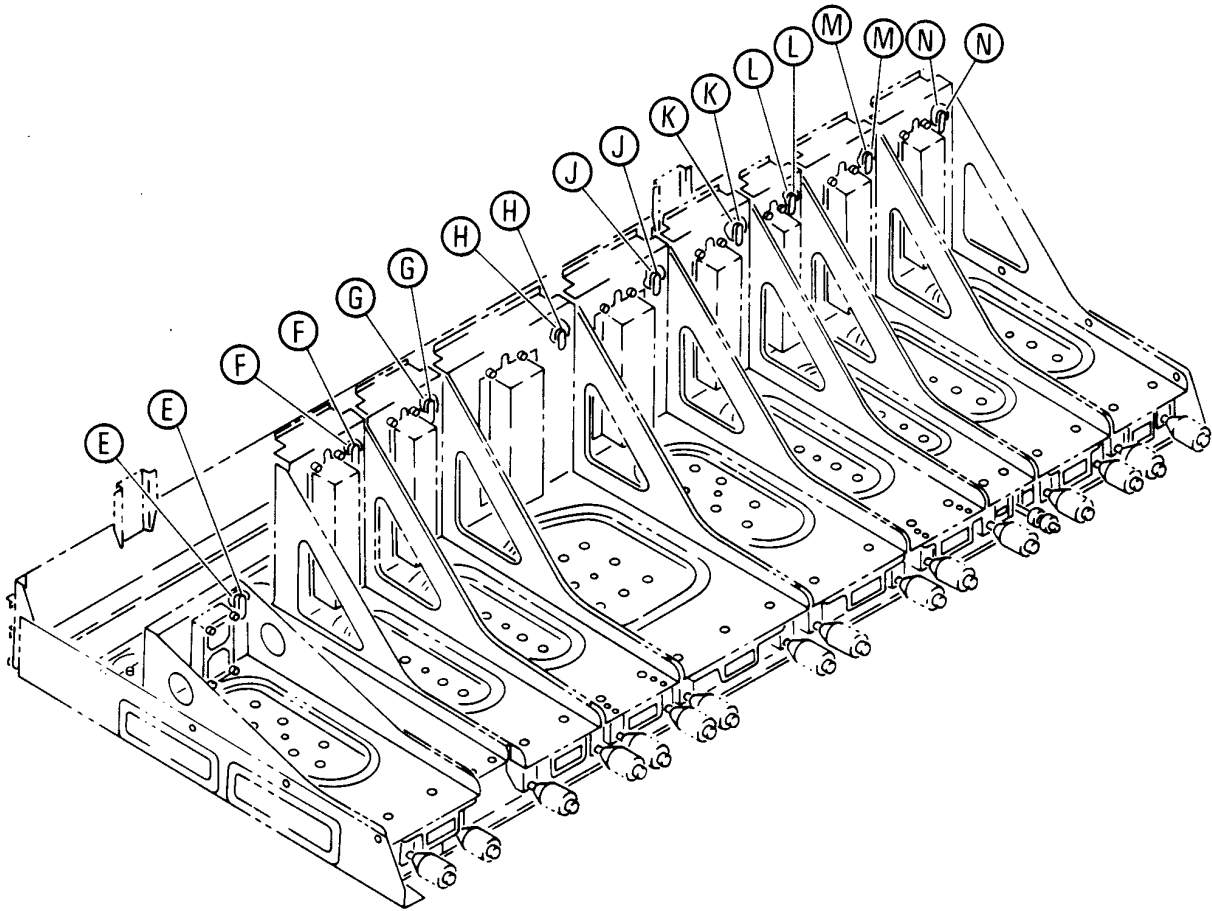
SHELF ASSY-ELECT. EQPT CTR E2-1 (EQUIPMENT/ FURNISHINGS ONLY)
FIGURE 1 (SHEET 1)

25-71-11-01

HXL
DEC 22/06

25-71-11-01
PAGE 0

BOEING
767
PARTS CATALOG (MAINTENANCE)

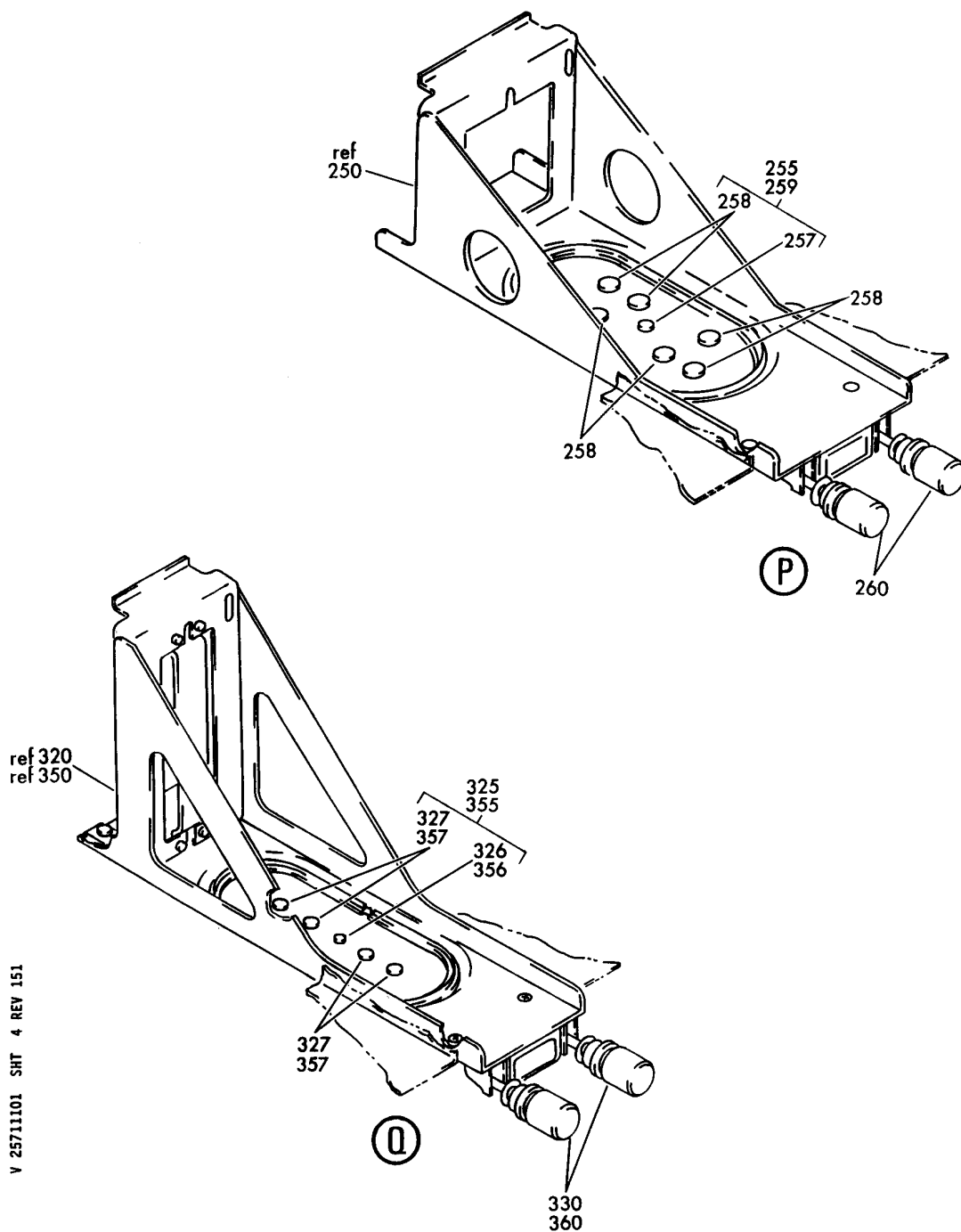


V 25711101 SHT 3 REV 070

SHELF ASSY-ELECT. EQPT CTR E2-1 (EQUIPMENT/ FURNISHINGS ONLY)
FIGURE 1 (SHEET 3)

25-71-11-01

BOEING
767
PARTS CATALOG (MAINTENANCE)



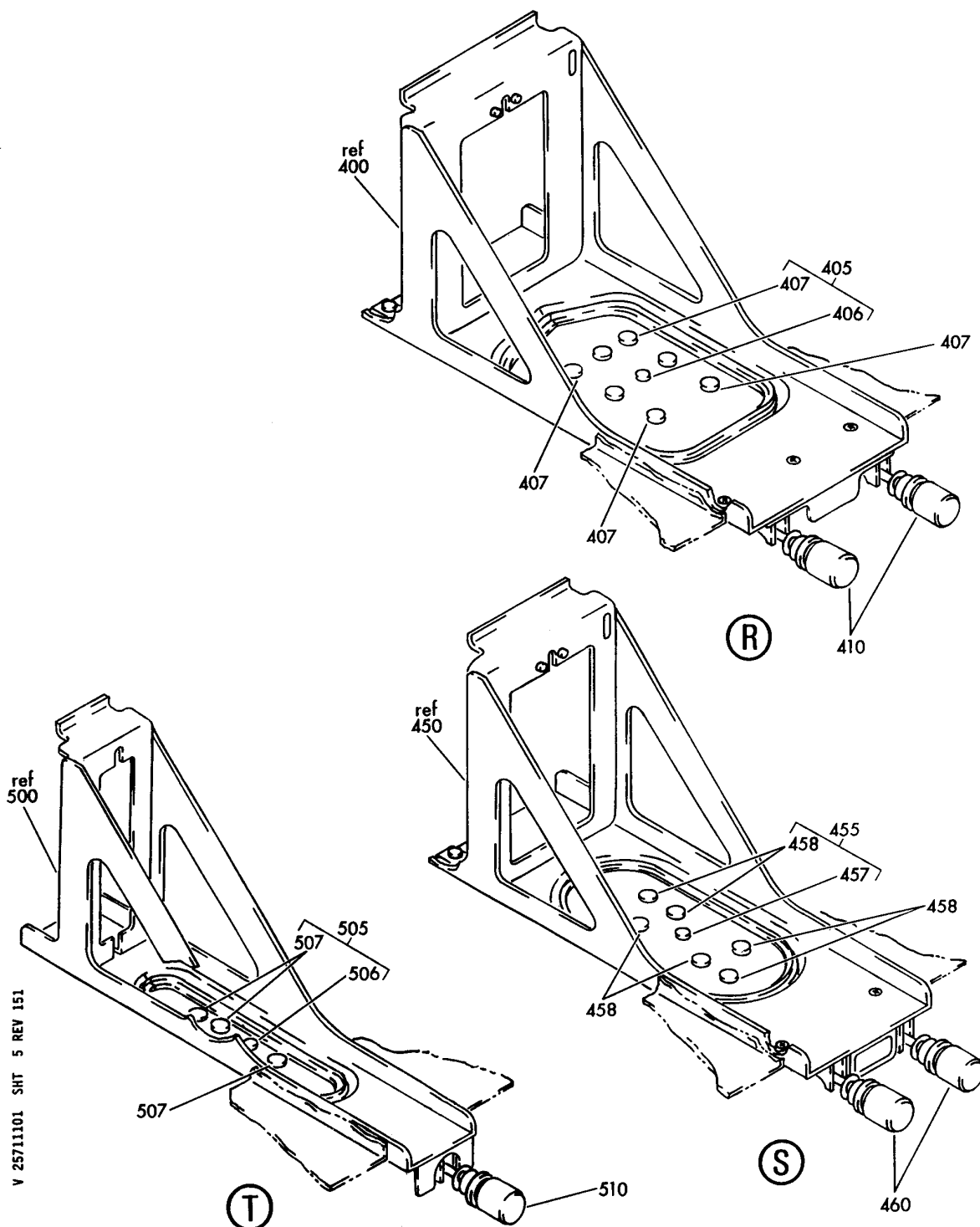
SHELF ASSY-ELECT. EQPT CTR E2-1 (EQUIPMENT/ FURNISHINGS ONLY)
FIGURE 1 (SHEET 4)

25-71-11-01

HXL
DEC 22/06

25-71-11-01
PAGE 0C

BOEING
767
PARTS CATALOG (MAINTENANCE)



V 25711101 SHT 5 REV 151

SHELF ASSY-ELECT. EQPT CTR E2-1 (EQUIPMENT/ FURNISHINGS ONLY)
FIGURE 1 (SHEET 5)

25-71-11-01

HXL
DEC 22/06

25-71-11-01
PAGE 0D



767

PARTS CATALOG (MAINTENANCE)

FIG ITEM	PART NUMBER	1 2 3 4 5 6 7	NOMENCLATURE	EFFECT FROM TO	UNITS PER ASSY
1			SHELF ASSY-ELECT. EQPT CTR E2-1 (EQUIPMENT/ FURNISHINGS ONLY)		
- 1	284T0121-18		SHELF ASSY-ELECT. EQPT CTR E2-1 (EQUIPMENT/ FURNISHINGS ONLY) FOR NHA/OTHER SYS DET SEE: 53-11-64-01B		RF
5	BAC27TEX0572		.DECAL- PLACARD CONTENT: E2-1		1
55	BAC27TEX1787		.DECAL- PLACARD CONTENT: M192 R FWD & L SIDE WINDOW HEAT CONTROL UNIT		1
60	BAC27TEX1776		.DECAL- PLACARD CONTENT: M539 CSEU POWER SUPPLY MODULE 2 RIGHT		1
65	BAC27TEX1777		.DECAL- PLACARD CONTENT: M535 SPOILER CONT MODULE 3 RIGHT		1
70	BAC27TEX1778		.DECAL- PLACARD CONTENT: M523 YAW DAMPER MODULE RIGHT		1
75	BAC27TEX1779		.DECAL- PLACARD CONTENT: M525 STAB TRIM/AILERON LOCKOUT MODULE RIGHT		1
80	BAC27TEX1780		.DECAL- PLACARD CONTENT: M534 SPOILER CONT MODULE 2 RIGHT		1
90	BAC27TEX1781		.DECAL- PLACARD CONTENT: RUD RATIO CHNG MDL R		1
95	BAC27TEX1782		.DECAL- PLACARD CONTENT: M533 SPOILER CONT MODULE 1 RIGHT		1
100	BAC27TEX1783		.DECAL- PLACARD CONTENT: M538 CSEU POWER SUPPLY MODULE 1 RIGHT		1
105	BAC27TEX3282		.DECALSET-INCLUDES DECALS IDENTIFIED ON THE ILLUSTRATION		1

ILLUSTRATION ITEMS NOT ON PARTS LIST ARE NOT APPLICABLE

- ITEM NOT ILLUSTRATED

25-71-11-01

25-71-11
FIG. 01
PAGE 1
DEC 22/07

HXL



767

PARTS CATALOG (MAINTENANCE)

FIG ITEM	PART NUMBER	1 2 3 4 5 6 7	NOMENCLATURE	EFFECT FROM TO	UNITS PER ASSY
1					
125	MS35190-223	.	SCREW-		4
135	BRH10A04	.	NUT		4
			SUPPLIER CODE: V52828		
			SPECIFICATION NUMBER: BACN10JCO4		
			OPTIONAL PART: NS202101-40		
			V80539		
			RMLH9075-40W		
			V72962		
			VN303A40		
			V92215		
			96-40		
			V80539		
			T6S440J		
			V11815		
			H10-04BAC		
			V15653		
140	NAS1801-06-8	.	SCREW		28
145	NAS1801-06-11	.	SCREW		4
150	BRH10A06	.	NUT		32
			SUPPLIER CODE: V52828		
			SPECIFICATION NUMBER: BACN10JCO6		
			OPTIONAL PART: H10-06BAC		
			V15653		
			RMLH9075-62W		
			V72962		
			VN303A62		
			V92215		
			96-62		
			V80539		
			NS202101-62		
			V80539		
			T6S632J		
			V11815		
157	66-18178-1	.	STRAP-ELECT. RACK		9
			BONDING		
			ATTACHING PARTS		
- 160	NAS1801-3-8	.	SCREW-		9
- 165	AN960PD10L	.	WASHER		9

ILLUSTRATION ITEMS NOT ON PARTS LIST ARE NOT APPLICABLE

- ITEM NOT ILLUSTRATED

HXL

25-71-11-01

BOEING PROPRIETARY - Copyright © - Unpublished Work - See title page for details.

25-71-11
FIG. 01
PAGE 2
DEC 22/07

 **BOEING**
767
PARTS CATALOG (MAINTENANCE)

FIG ITEM	PART NUMBER	1 2 3 4 5 6 7	NOMENCLATURE	EFFECT FROM TO	UNITS PER ASSY
1 - 170	BRH10A3		.NUT SUPPLIER CODE: V52828 SPECIFICATION NUMBER: BACN10JC3 OPTIONAL PART: H10-3BAC V15653 NS202101-02 V80539 RMLH9075-3W V72962 VN303A02 V92215 96-02 V80539 T6S1032J V11815		9
175	201-302		-----*----- .PLUG- SUPPLIER CODE: V0767B MISCELLANEOUS DATA: (USED WITH 201 SEAL ASSY)		3
180	NAS1801-3-6		.SCREW-		9
180	NAS1801-3-8		.SCREW-		9
185	NAS1801-3-24		.SCREW		3
190	AN960PD10L		.WASHER		12
195	NAS43DD3-64		.SPACER		3
200	BRH10A3		.NUT SUPPLIER CODE: V52828 SPECIFICATION NUMBER: BACN10JC3 OPTIONAL PART: H10-3BAC V15653 NS202101-02 V80539 RMLH9075-3W V72962 VN303A02 V92215 96-02 V80539 T6S1032J V11815		12
205	NAS514P832-7		.SCREW		19

ILLUSTRATION ITEMS NOT ON PARTS LIST ARE NOT APPLICABLE

- ITEM NOT ILLUSTRATED

HXL

25-71-11-01

BOEING PROPRIETARY - Copyright © - Unpublished Work - See title page for details.

25-71-11
FIG. 01
PAGE 3
DEC 22/07



767

PARTS CATALOG (MAINTENANCE)

FIG ITEM	PART NUMBER	1 2 3 4 5 6 7	NOMENCLATURE	EFFECT FROM TO	UNITS PER ASSY
1					
210	AN960PD8L	.	WASHER		19
215	BRH10A08	.	NUT		19
			SUPPLIER CODE: V52828		
			SPECIFICATION NUMBER: BACN10JCO8		
			OPTIONAL PART: H10-08BAC		
			V15653		
			NS202101-82		
			V80539		
			RMLH9075-82W		
			V72962		
			VN303A82		
			V92215		
			96-82		
			V80539		
			T6S832J		
			V11815		
220	BACR15BA3AD	.	RIVET-		8
			SIZE DETERMINED ON INSTL.		
250	284T0641-8	.	TRAY ASSY-		1
255	281131-4	..	SEAL ASSY-		1
			SUPPLIER CODE: V0767B		
			OPTIONAL PART: 201-4		
			V0767B		
			BCMP04-1		
			V0767B		
257	82100-1	...	PLUG-		1
			SUPPLIER CODE: V0767B		
258	82100-2	...	PLUG-		6
			SUPPLIER CODE: V0767B		
259	201-4	..	SEAL ASSY-		1
			SUPPLIER CODE: V60299		
			OPTIONAL PART: 281131-4		
			V0767B		
			BCMP04-1		
			V09489		

ILLUSTRATION ITEMS NOT ON PARTS LIST ARE NOT APPLICABLE

- ITEM NOT ILLUSTRATED

25-71-11-01

25-71-11
FIG. 01
PAGE 4
DEC 22/07

HXL

BOEING PROPRIETARY - Copyright © - Unpublished Work - See title page for details.



767

PARTS CATALOG (MAINTENANCE)

FIG ITEM	PART NUMBER	1 2 3 4 5 6 7	NOMENCLATURE	EFFECT FROM TO	UNITS PER ASSY
1 259	BCMP04-1		..SEAL ASSY- SUPPLIER CODE: V09489 OPTIONAL PART: 201-4 V0767B 281131-4 V0767B		1
259	281131-4		..SEAL ASSY- SUPPLIER CODE: V0767B OPTIONAL PART: 201-4 V0767B BCMP04-1 V09489		1
260	CA12145-102		..HOLD DOWN- SUPPLIER CODE: V29372 OPTIONAL PART: CA12095-101 V29372 CA12095-102 V29372		2
260	CA12095-101		..HOLD DOWN- SUPPLIER CODE: V29372 OPTIONAL PART: CA12095-102 V29372 CA12145-102 V29372		2
260	CA12095-102		..HOLD DOWN- SUPPLIER CODE: V29372 OPTIONAL PART: CA12095-101 V29372 CA12145-102 V29372		2
- 265	NAS514P632-4		ATTACHING PARTS ..SCREW -----*-----		4
320	284T0026-17		.TRAY ASSY-		3

ILLUSTRATION ITEMS NOT ON PARTS LIST ARE NOT APPLICABLE

- ITEM NOT ILLUSTRATED

HXL

25-71-11-01

BOEING PROPRIETARY - Copyright © - Unpublished Work - See title page for details.

25-71-11
FIG. 01
PAGE 5
DEC 22/07



767

PARTS CATALOG (MAINTENANCE)

FIG ITEM	PART NUMBER	1 2 3 4 5 6 7	NOMENCLATURE	EFFECT FROM TO	UNITS PER ASSY
1 325	281131-3		..SEAL ASSY- SUPPLIER CODE: V0767B OPTIONAL PART: 201-3 V0767B BCMP03-1 V09489		1
325	201-3		..SEAL ASSY- SUPPLIER CODE: V60299 OPTIONAL PART: 281131-3 V0767B BCMP03-1 V09489		1
325	BCMP03-1		..SEAL ASSY- SUPPLIER CODE: V09489 OPTIONAL PART: 201-3 V0767B 281131-3 V0767B		1
326	82100-1		...PLUG- SUPPLIER CODE: V0767B USED ON: 281131-3		1
327	82100-2		...PLUG- SUPPLIER CODE: V0767B USED ON: 281131-3		4
330	CA12145-102		..HOLD DOWN- SUPPLIER CODE: V29372 OPTIONAL PART: CA12095-101 V29372 CA12095-102 V29372 BACC10HZ1		2

ILLUSTRATION ITEMS NOT ON PARTS LIST ARE NOT APPLICABLE

- ITEM NOT ILLUSTRATED

HXL

25-71-11-01

BOEING PROPRIETARY - Copyright © - Unpublished Work - See title page for details.

25-71-11
FIG. 01
PAGE 6
DEC 22/07

BOEING
767
PARTS CATALOG (MAINTENANCE)

FIG ITEM	PART NUMBER	1 2 3 4 5 6 7	NOMENCLATURE	EFFECT FROM TO	UNITS PER ASSY
1 330	CA12095-102		..HOLD DOWN- SUPPLIER CODE: V29372 OPTIONAL PART: CA12095-101 V29372 CA12145-102 V29372 BACC10HZ1		2
330	CA12095-101		..HOLD DOWN- SUPPLIER CODE: V29372 OPTIONAL PART: CA12095-102 V29372 CA12145-102 V29372 BACC10HZ1		2
330	H3773-9		..HOLD DOWN- SUPPLIER CODE: V83014 SPECIFICATION NUMBER: BACC10HZ1 OPTIONAL PART: 5175-110-1 V30528 CA12145-102 VOCBU7 H3773-3 V83014 CA12145-102 V29372 CA12095-101 V29372 CA12095-102 V29372		2
- 335	NAS514P632-5		ATTACHING PARTS ..SCREW- -----*-----		4
350	284T0026-27		.TRAY ASSY-		2
355	281131-3		..SEAL ASSY- SUPPLIER CODE: V0767B OPTIONAL PART: BCMP03-1 V0767B		1

ILLUSTRATION ITEMS NOT ON PARTS LIST ARE NOT APPLICABLE

- ITEM NOT ILLUSTRATED

HXL

25-71-11-01

BOEING PROPRIETARY - Copyright © - Unpublished Work - See title page for details.

25-71-11
FIG. 01
PAGE 7
DEC 22/07



767

PARTS CATALOG (MAINTENANCE)

FIG ITEM	PART NUMBER	1 2 3 4 5 6 7	NOMENCLATURE	EFFECT FROM TO	UNITS PER ASSY
1 355	BCMP03-1		..SEAL ASSY- SUPPLIER CODE: V09489 OPTIONAL PART: 281131-3 V0767B		1
356	82100-1		...PLUG- SUPPLIER CODE: V0767B USED ON: 281131-3		1
357	82100-2		...PLUG- SUPPLIER CODE: V0767B USED ON: 281131-3		4
360	CA12095-102		..HOLD DOWN- SUPPLIER CODE: V29372 OPTIONAL PART: CA12095-101 V29372 CA12145-102 V29372 BACC10HZ1		2
360	CA12095-101		..HOLD DOWN- SUPPLIER CODE: V29372 OPTIONAL PART: CA12095-102 V29372 CA12145-102 V29372 BACC10HZ1		2

ILLUSTRATION ITEMS NOT ON PARTS LIST ARE NOT APPLICABLE

- ITEM NOT ILLUSTRATED

HXL

25-71-11-01

BOEING PROPRIETARY - Copyright © - Unpublished Work - See title page for details.

25-71-11
FIG. 01
PAGE 8
DEC 22/07



767

PARTS CATALOG (MAINTENANCE)

FIG ITEM	PART NUMBER	1 2 3 4 5 6 7	NOMENCLATURE	EFFECT FROM TO	UNITS PER ASSY
1 360	H3773-9		..HOLD DOWN- SUPPLIER CODE: V83014 SPECIFICATION NUMBER: BACC10HZ1 OPTIONAL PART: 5175-110-1 V30528 CA12145-102 VOCBU7 H3773-3 V83014 CA12145-102 V29372 CA12095-101 V29372 CA12095-102 V29372 ATTACHING PARTS		2
- 365	NAS514P632-5		..SCREW- -----*-----		4
400	284T0026-23		.TRAY ASSY-		1
405	BCMP05-1		..SEAL ASSY- SUPPLIER CODE: V09489 OPTIONAL PART: 201-5 V0767B 281131-5 V0767B		1
405	281131-5		..SEAL ASSY- SUPPLIER CODE: V0767B OPTIONAL PART: 201-5 V0767B BCMP05-1 V09489		1
405	201-5		..SEAL ASSY- SUPPLIER CODE: V0767B OPTIONAL PART: 281131-5 V0767B BCMP05-1 V09489		1
405	281131-10		..SEAL ASSY- SUPPLIER CODE: V0767B		1

ILLUSTRATION ITEMS NOT ON PARTS LIST ARE NOT APPLICABLE

- ITEM NOT ILLUSTRATED

HXL

25-71-11-01

BOEING PROPRIETARY - Copyright © - Unpublished Work - See title page for details.

25-71-11
FIG. 01
PAGE 9
DEC 22/07



767

PARTS CATALOG (MAINTENANCE)

FIG ITEM	PART NUMBER	1 2 3 4 5 6 7	NOMENCLATURE	EFFECT FROM TO	UNITS PER ASSY
1					
405	201-10	..	SEAL ASSY- SUPPLIER CODE: V0767B		1
405	BCMP10-1	..	SEAL ASSY- SUPPLIER CODE: V09489		1
406	82100-1	...	PLUG- SUPPLIER CODE: V0767B USED ON: 281131-5		1
407	82100-2	...	PLUG- SUPPLIER CODE: V0767B USED ON: 281131-5		7
410	CA12145-102	..	HOLD DOWN- SUPPLIER CODE: V29372 OPTIONAL PART: CA12095-101 V29372 CA12095-102 V29372 BACC10HZ1		2
410	CA12095-102	..	HOLD DOWN- SUPPLIER CODE: V29372 OPTIONAL PART: CA12095-101 V29372 CA12145-102 V29372 BACC10HZ1		2
410	CA12095-101	..	HOLD DOWN- SUPPLIER CODE: V29372 OPTIONAL PART: CA12095-102 V29372 CA12145-102 V29372 BACC10HZ1		2

ILLUSTRATION ITEMS NOT ON PARTS LIST ARE NOT APPLICABLE

- ITEM NOT ILLUSTRATED

HXL

25-71-11-01

BOEING PROPRIETARY - Copyright © - Unpublished Work - See title page for details.

25-71-11
FIG. 01
PAGE 10
DEC 22/07



767

PARTS CATALOG (MAINTENANCE)

FIG ITEM	PART NUMBER	1 2 3 4 5 6 7	NOMENCLATURE	EFFECT FROM TO	UNITS PER ASSY
1 410	H3773-9		..HOLD DOWN- SUPPLIER CODE: V83014 SPECIFICATION NUMBER: BACC10HZ1 OPTIONAL PART: 5175-110-1 V30528 CA12145-102 VOVCBU7 H3773-3 V83014 CA12145-102 V29372 CA12095-101 V29372 CA12095-102 V29372 ATTACHING PARTS		2
- 415	NAS514P632-5		.. SCREW -----*-----		4
450	284T0026-18		.TRAY ASSY-		1
455	BCMP04-1		..SEAL ASSY- SUPPLIER CODE: V09489 OPTIONAL PART: 201-4 V0767B 281131-4 V0767B		1
455	281131-4		..SEAL ASSY- SUPPLIER CODE: V0767B OPTIONAL PART: 201-4 V0767B BCMP04-1 V09489		1
455	201-4		..SEAL ASSY- SUPPLIER CODE: V60299 OPTIONAL PART: 281131-4 V0767B BCMP04-1 V09489		1

ILLUSTRATION ITEMS NOT ON PARTS LIST ARE NOT APPLICABLE

- ITEM NOT ILLUSTRATED

HXL

25-71-11-01

BOEING PROPRIETARY - Copyright © - Unpublished Work - See title page for details.

25-71-11
 FIG. 01
 PAGE 11
 DEC 22/07



767

PARTS CATALOG (MAINTENANCE)

FIG ITEM	PART NUMBER	1 2 3 4 5 6 7	NOMENCLATURE	EFFECT FROM TO	UNITS PER ASSY
1 457	82100-1		...PLUG- SUPPLIER CODE: V0767B USED ON: 281131-4		1
458	82100-2		...PLUG- SUPPLIER CODE: V0767B USED ON: 281131-4		6
460	CA12145-102		..HOLD DOWN- SUPPLIER CODE: V29372 OPTIONAL PART: CA12095-101 V29372 CA12095-102 V29372 BACC10HZ1		2
460	CA12095-102		..HOLD DOWN- SUPPLIER CODE: V29372 OPTIONAL PART: CA12095-101 V29372 CA12145-102 V29372 BACC10HZ1		2
460	CA12095-101		..HOLD DOWN- SUPPLIER CODE: V29372 OPTIONAL PART: CA12095-102 V29372 CA12145-102 V29372 BACC10HZ1		2

ILLUSTRATION ITEMS NOT ON PARTS LIST ARE NOT APPLICABLE

- ITEM NOT ILLUSTRATED

HXL

25-71-11-01

BOEING PROPRIETARY - Copyright © - Unpublished Work - See title page for details.

25-71-11
FIG. 01
PAGE 12
DEC 22/07



767

PARTS CATALOG (MAINTENANCE)

FIG ITEM	PART NUMBER	1 2 3 4 5 6 7	NOMENCLATURE	EFFECT FROM TO	UNITS PER ASSY
1 460	H3773-9		..HOLD DOWN- SUPPLIER CODE: V83014 SPECIFICATION NUMBER: BACC10HZ1 OPTIONAL PART: 5175-110-1 V30528 CA12145-102 VOVCBU7 H3773-3 V83014 CA12145-102 V29372 CA12095-101 V29372 CA12095-102 V29372 ATTACHING PARTS		2
- 465	NAS514P632-5		..SCREW- -----*-----		4
500	284T0026-16		.TRAY ASSY-		1
505	BCMP02-1		..SEAL ASSY- SUPPLIER CODE: V09489 OPTIONAL PART: 201-2 V0767B 281131-2 V0767B		1
505	281131-2		..SEAL ASSY- SUPPLIER CODE: V0767B OPTIONAL PART: 201-2 V0767B BCMP02-1 V09489		1
505	201-2		..SEAL ASSY- SUPPLIER CODE: V0767B OPTIONAL PART: 281131-2 V0767B BCMP02-1 V09489		1

ILLUSTRATION ITEMS NOT ON PARTS LIST ARE NOT APPLICABLE

- ITEM NOT ILLUSTRATED

HXL

25-71-11-01

BOEING PROPRIETARY - Copyright © - Unpublished Work - See title page for details.

25-71-11
 FIG. 01
 PAGE 13
 DEC 22/07



767

PARTS CATALOG (MAINTENANCE)

FIG ITEM	PART NUMBER	1 2 3 4 5 6 7	NOMENCLATURE	EFFECT FROM TO	UNITS PER ASSY
1 506	82100-1		... PLUG- SUPPLIER CODE: V0767B USED ON: 281131-2		1
507	82100-2		... PLUG- SUPPLIER CODE: V0767B USED ON: 281131-2		3
510	CA12145-102		.. HOLD DOWN- SUPPLIER CODE: V29372 OPTIONAL PART: CA12095-101 V29372 CA12095-102 V29372 BACC10HZ1		1
510	CA12095-102		.. HOLD DOWN- SUPPLIER CODE: V29372 OPTIONAL PART: CA12095-101 V29372 CA12145-102 V29372		1
510	CA12095-101		.. HOLD DOWN- SUPPLIER CODE: V29372 OPTIONAL PART: CA12095-102 V29372 CA12145-102 V29372 BACC10HZ1		1

ILLUSTRATION ITEMS NOT ON PARTS LIST ARE NOT APPLICABLE

- ITEM NOT ILLUSTRATED

HXL

25-71-11-01

BOEING PROPRIETARY - Copyright © - Unpublished Work - See title page for details.

25-71-11
FIG. 01
PAGE 14
DEC 22/07



767

PARTS CATALOG (MAINTENANCE)

FIG ITEM	PART NUMBER	1 2 3 4 5 6 7	NOMENCLATURE	EFFECT FROM TO	UNITS PER ASSY
1 510	H3773-9		..HOLD DOWN- SUPPLIER CODE: V83014 SPECIFICATION NUMBER: BACC10HZ1 OPTIONAL PART: 5175-110-1 V30528 CA12145-102 V0CBU7 H3773-3 V83014 CA12145-102 V29372 CA12095-101 V29372 CA12095-102 V29372 ATTACHING PARTS		1
- 515	NAS514P632-5		..SCREW- -----*-----		2
520	284T0032-2		.COVER-TRAY ATTACHING PARTS		1
- 525	NAS1801-08-7		.SCREW		4
- 530	AN960PD8L		.WASHER		4
- 535	BRH10A08		.NUT SUPPLIER CODE: V52828 SPECIFICATION NUMBER: BACN10JCO8 OPTIONAL PART: H10-08BAC V15653 NS202101-82 V80539 RMLH9075-82W V72962 VN303A82 V92215 96-82 V80539 T6S832J V11815 -----*-----		4

ILLUSTRATION ITEMS NOT ON PARTS LIST ARE NOT APPLICABLE

- ITEM NOT ILLUSTRATED

HXL

25-71-11-01

BOEING PROPRIETARY - Copyright © - Unpublished Work - See title page for details.

25-71-11
 FIG. 01
 PAGE 15
 DEC 22/07

 **BOEING**
767
PARTS CATALOG (MAINTENANCE)

FIG ITEM	PART NUMBER	1 2 3 4 5 6 7	NOMENCLATURE	EFFECT FROM TO	UNITS PER ASSY
R R R R R	1 550	284T0383-3	.SEAL- MANUFACTURED FROM: SH RUBBER MIL-R-6130 GRADE A TYPE 2 SOFT 0.12 IN 0.7 IN 12.9 IN (5231253020)		9
	575	284T0767-2	.BRACKET ASSY ATTACHING PARTS		1
	- 580	NAS1801-3-7	.SCREW		4
	- 585	AN960PD10L	.WASHER		4
	- 590	BRH10A3	.NUT		4
			SUPPLIER CODE: V52828 SPECIFICATION NUMBER: BACN10JC3 OPTIONAL PART: H10-3BAC V15653 NS202101-02 V80539 RMLH9075-3W V72962 VN303A02 V92215 96-02 V80539 T6S1032J V11815 -----*-----		
R	600	284T0116-1	.MODULE ASSY-TERM.		1
	615	BACC49A1	..CLAMP ASSY		AR
	620	H21-1	..SPACER		AR
			SUPPLIER CODE: V34941 SPECIFICATION NUMBER: BACS18AR1 OPTIONAL PART: FAB276A V15805 YHLZ1C2 V09922		
ILLUSTRATION ITEMS NOT ON PARTS LIST ARE NOT APPLICABLE					

- ITEM NOT ILLUSTRATED

HXL

25-71-11-01

BOEING PROPRIETARY - Copyright © - Unpublished Work - See title page for details.

25-71-11
FIG. 01
PAGE 16
AUG 22/09

 **BOEING**
767
PARTS CATALOG (MAINTENANCE)

FIG ITEM	PART NUMBER	1 2 3 4 5 6 7	NOMENCLATURE	EFFECT FROM TO	UNITS PER ASSY
1					
625	H21-6		.. SPACER SUPPLIER CODE: V34941 SPECIFICATION NUMBER: BACS18AR6 OPTIONAL PART: FAB276-0 V15805 YHLZ1C7 V09922		AR
630	YHLZ2		.. MODULE SUPPLIER CODE: V09922 SPECIFICATION NUMBER: BACM15C1A OPTIONAL PART: YHLZ22 V09922		AR
635	YHLZ4		.. MODULE SUPPLIER CODE: V09922 SPECIFICATION NUMBER: BACM15C1B OPTIONAL PART: YHLZ44 V09922		AR
640	YHLZ8		.. MODULE SUPPLIER CODE: V09922 SPECIFICATION NUMBER: BACM15C2A		AR
650	284T0785-1		. STRUT ATTACHING PARTS		2
- 655	NAS1801-3-7		. SCREW		2
- 660	AN960PD10L		. WASHER		2

ILLUSTRATION ITEMS NOT ON PARTS LIST ARE NOT APPLICABLE

- ITEM NOT ILLUSTRATED

HXL

25-71-11-01

BOEING PROPRIETARY - Copyright © - Unpublished Work - See title page for details.

25-71-11
FIG. 01
PAGE 17
AUG 22/09

BOEING
767
PARTS CATALOG (MAINTENANCE)

FIG ITEM	PART NUMBER	1 2 3 4 5 6 7	NOMENCLATURE	EFFECT FROM TO	UNITS PER ASSY
1 - 665	BRH10A3		.NUT SUPPLIER CODE: V52828 SPECIFICATION NUMBER: BACN10JC3 OPTIONAL PART: H10-3BAC V15653 NS202101-02 V80539 RMLH9075-3W V72962 VN303A02 V92215 96-02 V80539 T6S1032J V11815 -----*-----		2
675	284T0384-22		.SUPPORT ASSY-WIRE ATTACHING PARTS		1
680	NAS1801-3-5		.SCREW		4
682	NAS514P1032-5		.SCREW		2
685	AN960PD10L		.WASHER		6
690	BRH10A3		.NUT SUPPLIER CODE: V52828 SPECIFICATION NUMBER: BACN10JC3 OPTIONAL PART: H10-3BAC V15653 NS202101-02 V80539 RMLH9075-3W V72962 VN303A02 V92215 96-02 V80539 T6S1032J V11815 -----*-----		6
695	BAC27TEX1734		..DECAL- PLACARD CONTENT: TOP POSITION 1 2 3-97 BOTTOM POSITION 101 102 103-197		1
700	284T0784-1		..BRACKET ASSY		3

ILLUSTRATION ITEMS NOT ON PARTS LIST ARE NOT APPLICABLE

- ITEM NOT ILLUSTRATED

HXL

25-71-11-01

BOEING PROPRIETARY - Copyright © - Unpublished Work - See title page for details.

25-71-11
FIG. 01
PAGE 18
DEC 22/07

 **BOEING**
767
PARTS CATALOG (MAINTENANCE)

FIG ITEM	PART NUMBER	1 2 3 4 5 6 7	NOMENCLATURE	EFFECT FROM TO	UNITS PER ASSY
1			ATTACHING PARTS		
- 705	BACR15BB4AD	..	RIVET- SIZE DETERMINED ON INSTL. -----*-----		6
710	YHLZG16-1	..	BLOCK-TERM. SUPPLIER CODE: V09922		11
- 715	BACR15BB4AD	..	ATTACHING PARTS RIVET- SIZE DETERMINED ON INSTL. -----*-----		38
718	MS24665-300	..	PIN		2
720	AN960PD616	..	WASHER		2
725	284T0384-5	..	TUBE		1
730	284T0385-8	..	SUPPORT ASSY-WIRE		1
- 735	NAS1801-3-4	..	ATTACHING PARTS SCREW		1
- 740	AN960PD10	..	WASHER		1
- 745	BRH10C3	..	NUT SUPPLIER CODE: V52828 SPECIFICATION NUMBER: BACN10JC3C OPTIONAL PART: T6C1032J V11815 97-02 V80539 101LH9075-3W V72962 VN303B02 V92215 NS202101S02 V80539 H31-3BAC V15653 -----*-----		1
750	284T0385-4	..	BRACKET		1
755	284T0385-5	..	BRACKET		1
- 760	BACR15BB4AD	..	ATTACHING PARTS RIVET- SIZE DETERMINED ON INSTL. -----*-----		4
765	284T0574-6	..	TRACK-TERM. BLOCK MODULE ALTERED FROM PART NUMBER: AMY4100T11 V09922		1
770	284T0901-1	. .	BRACKET-SPRT		1
775	284T0211-4	. .	SHELF ASSY-		1

ILLUSTRATION ITEMS NOT ON PARTS LIST ARE NOT APPLICABLE

- ITEM NOT ILLUSTRATED

HXL

25-71-11-01

BOEING PROPRIETARY - Copyright © - Unpublished Work - See title page for details.

25-71-11
FIG. 01
PAGE 19
DEC 22/07



**767
PARTS CATALOG (MAINTENANCE)**

FIG ITEM	PART NUMBER	1 2 3 4 5 6 7	NOMENCLATURE	EFFECT FROM TO	UNITS PER ASSY
1	780		.. SEAL		1
	785		.. SEAL-		1
			MANUFACTURED FROM: SH RUBBER MIL-R-6130 GRADE A TYPE 2 SOFT 0.125 IN 2.3 IN 6.2 IN (5231253020)		
ILLUSTRATION ITEMS NOT ON PARTS LIST ARE NOT APPLICABLE					

R
R
R
R
R
R

- ITEM NOT ILLUSTRATED

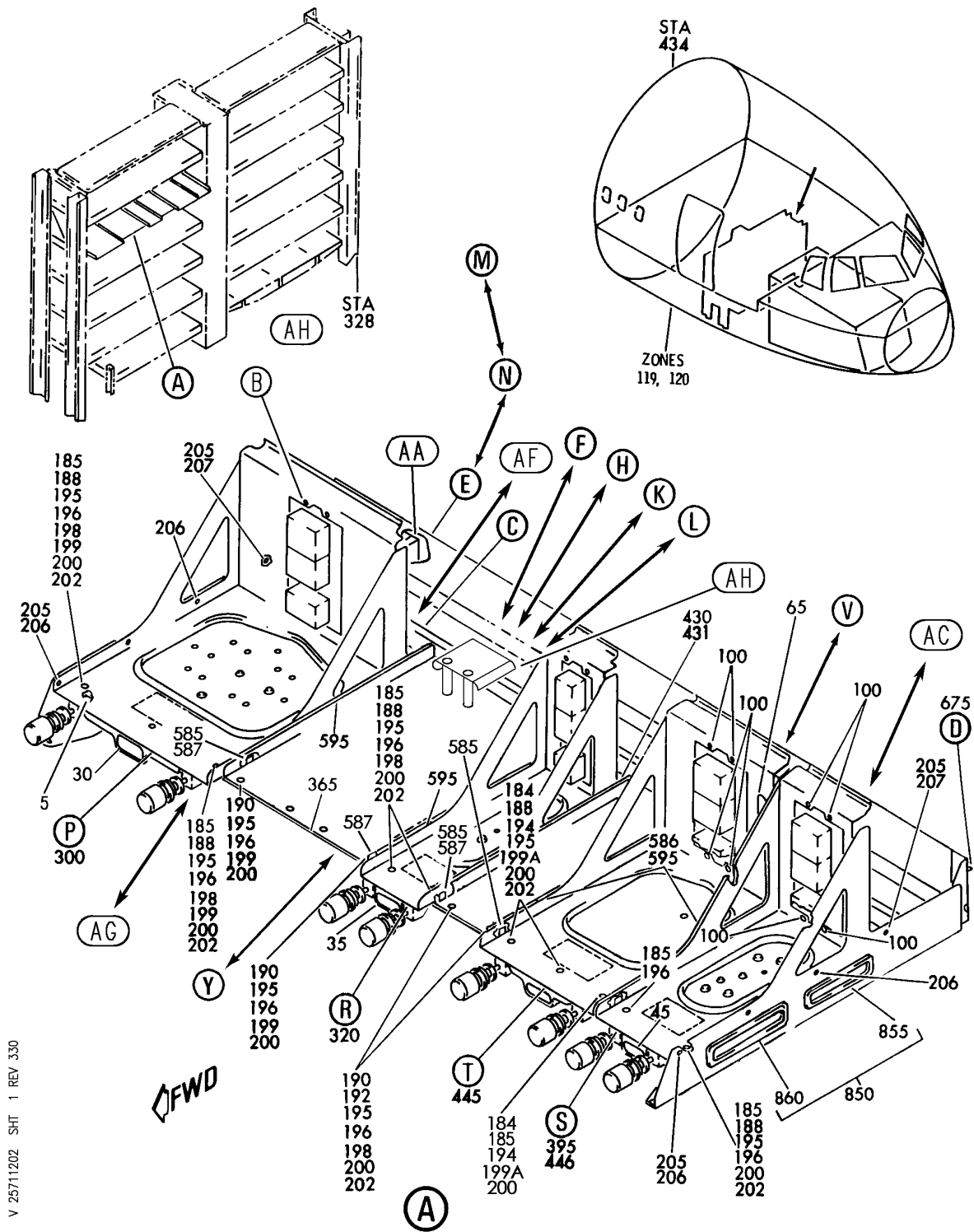
HXL

25-71-11-01

BOEING PROPRIETARY - Copyright © - Unpublished Work - See title page for details.

25-71-11
FIG. 01
PAGE 20
AUG 22/09

BOEING
767
PARTS CATALOG (MAINTENANCE)



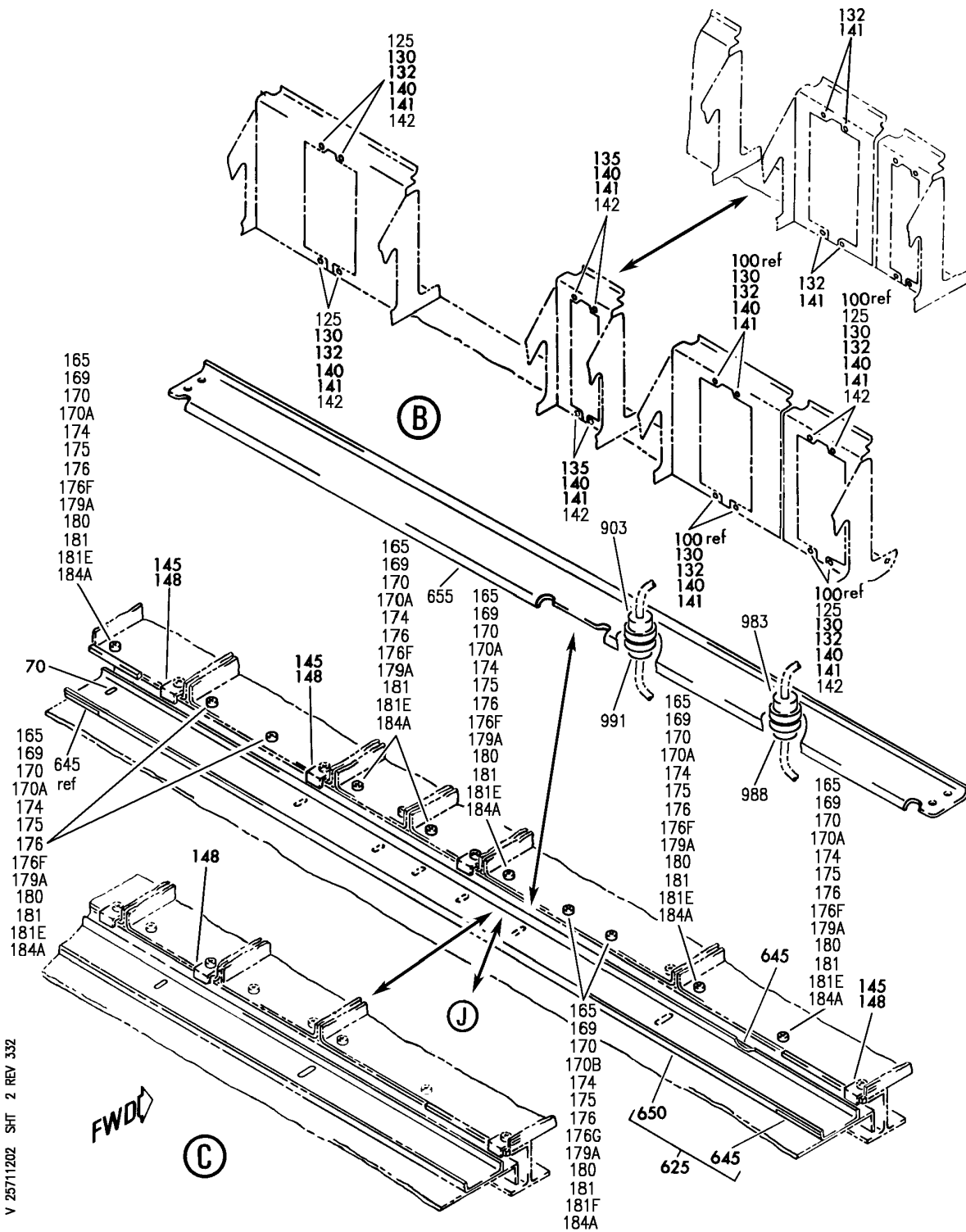
SHELF ASSY-ELECTRONIC EQPT CTR E2-2 (EQUIPMENT/ FURNISHINGS ONLY)
FIGURE 2 (SHEET 1)

HXL
AUG 22/08

25-71-12-02

25-71-12-02
PAGE 0

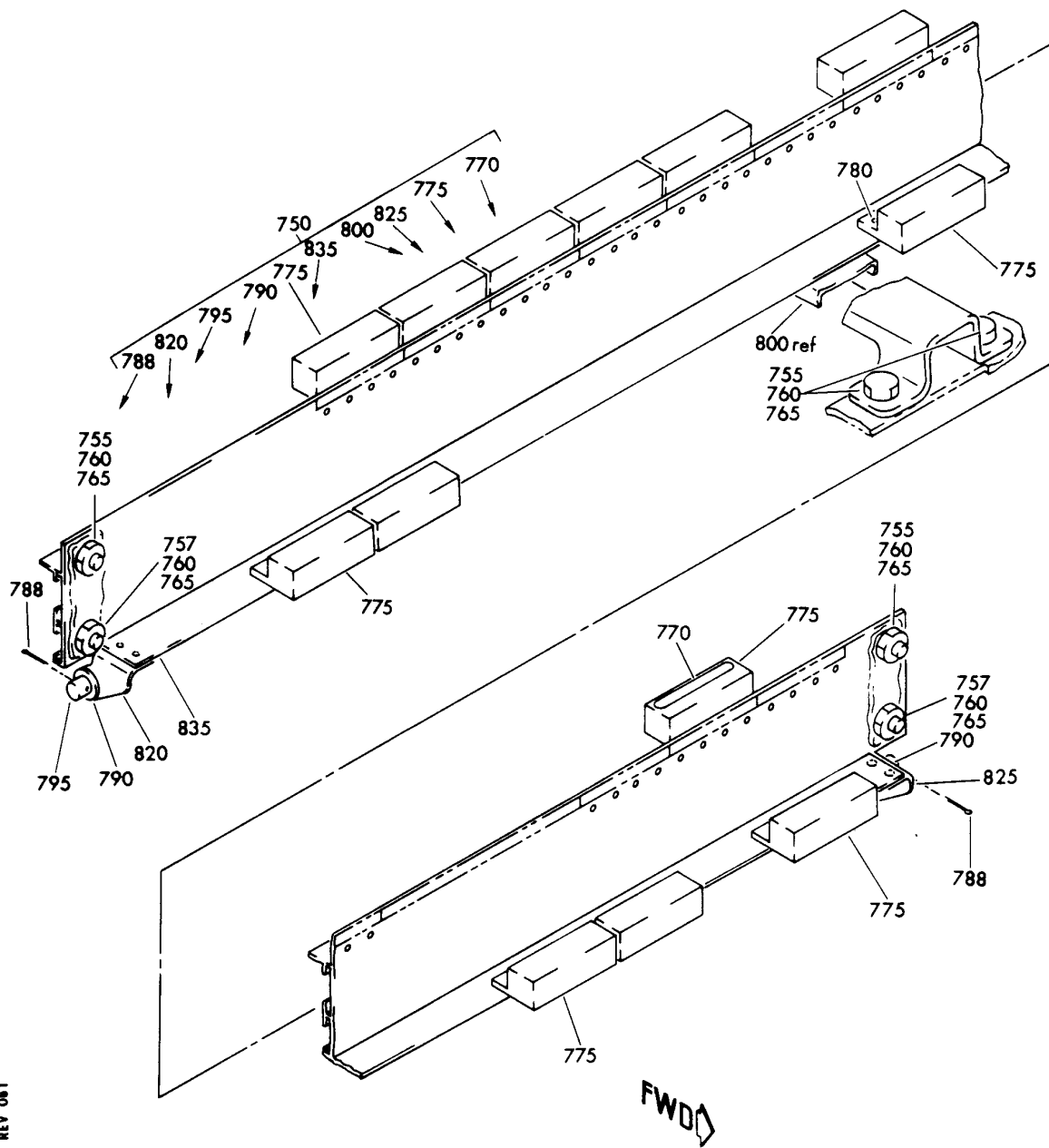

BOEING
 767
PARTS CATALOG (MAINTENANCE)



SHELF ASSY-ELECTRONIC EQPT CTR E2-2 (EQUIPMENT/ FURNISHINGS ONLY)
 FIGURE 2 (SHEET 2)

25-71-12-02

BOEING
767
PARTS CATALOG (MAINTENANCE)



V 25711202 SH1 4 REV 081

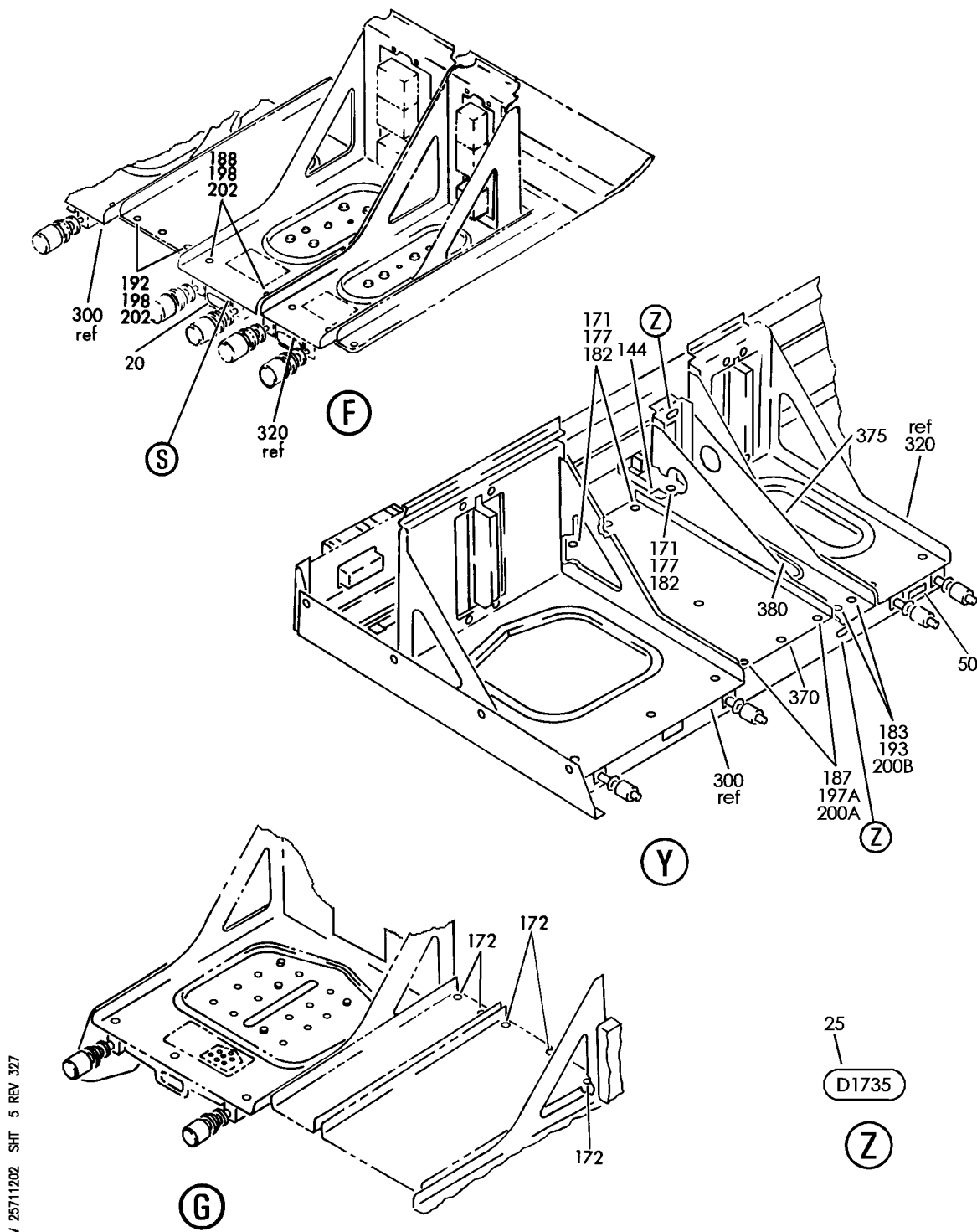
SHELF ASSY-ELECTRONIC EQPT CTR E2-2 (EQUIPMENT/ FURNISHINGS ONLY)
FIGURE 2 (SHEET 4)

25-71-12-02

HXL
DEC 22/07

25-71-12-02
PAGE 0C

BOEING
767
PARTS CATALOG (MAINTENANCE)



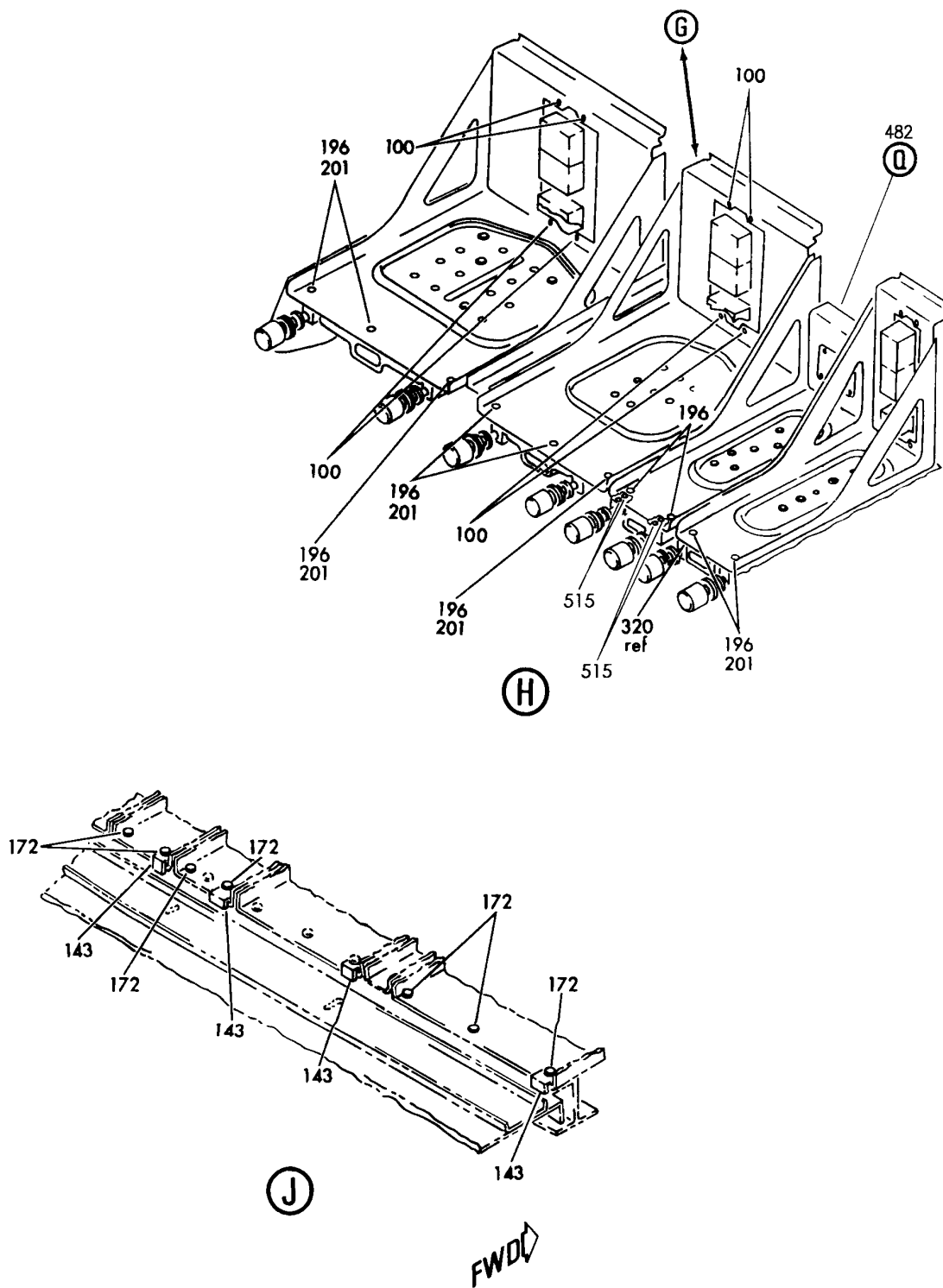
SHELF ASSY-ELECTRONIC EQPT CTR E2-2 (EQUIPMENT/ FURNISHINGS ONLY)
FIGURE 2 (SHEET 5)

25-71-12-02

HXL
APR 22/08

25-71-12-02
PAGE 0D

BOEING
767
PARTS CATALOG (MAINTENANCE)



V 25711202 SHT 6 REV 327

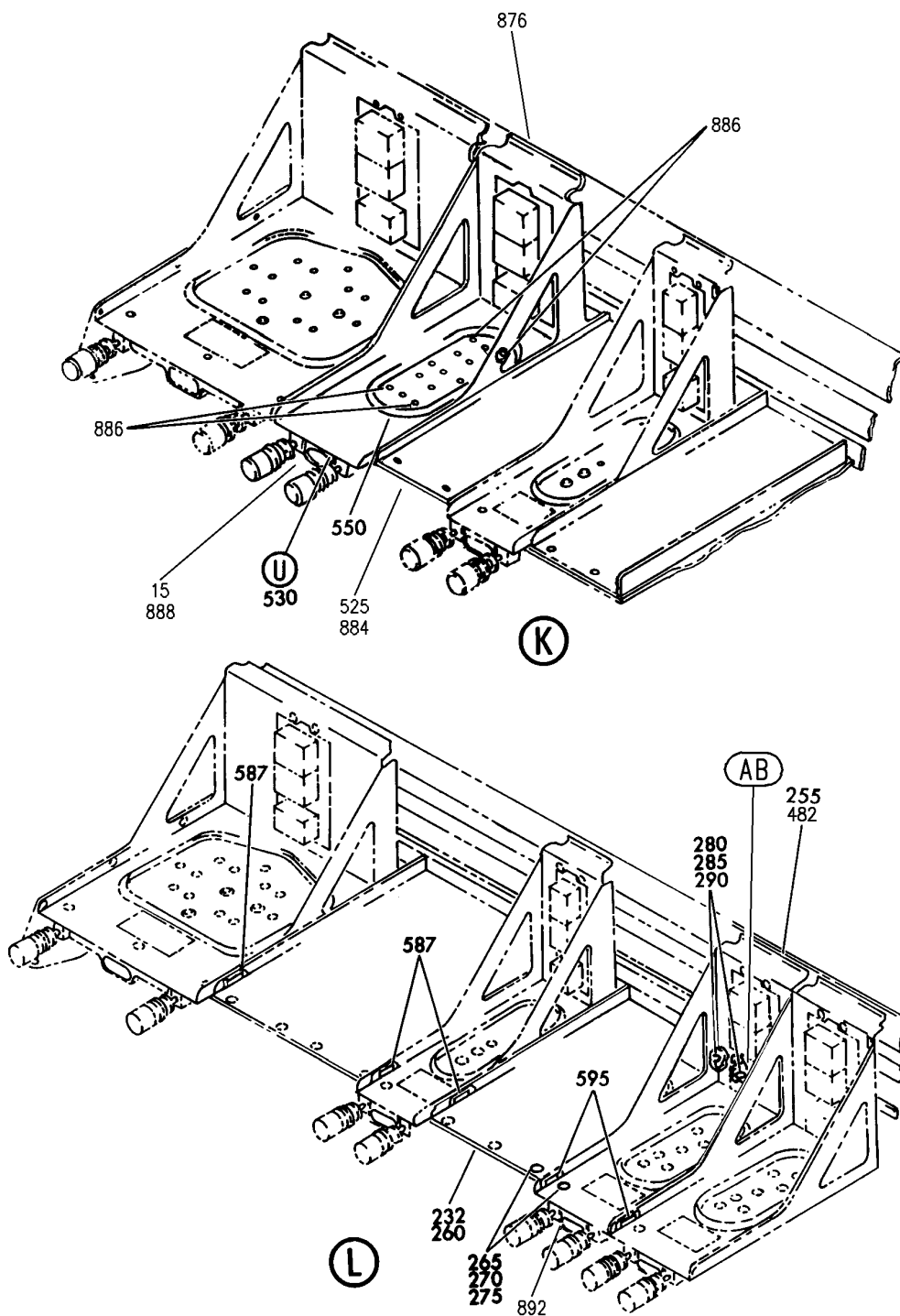
SHELF ASSY-ELECTRONIC EQPT CTR E2-2 (EQUIPMENT/ FURNISHINGS ONLY)
FIGURE 2 (SHEET 6)

25-71-12-02

HXL
APR 22/08

25-71-12-02
PAGE 0E

BOEING
767
PARTS CATALOG (MAINTENANCE)



V 25711202 SHT 7 REV 327

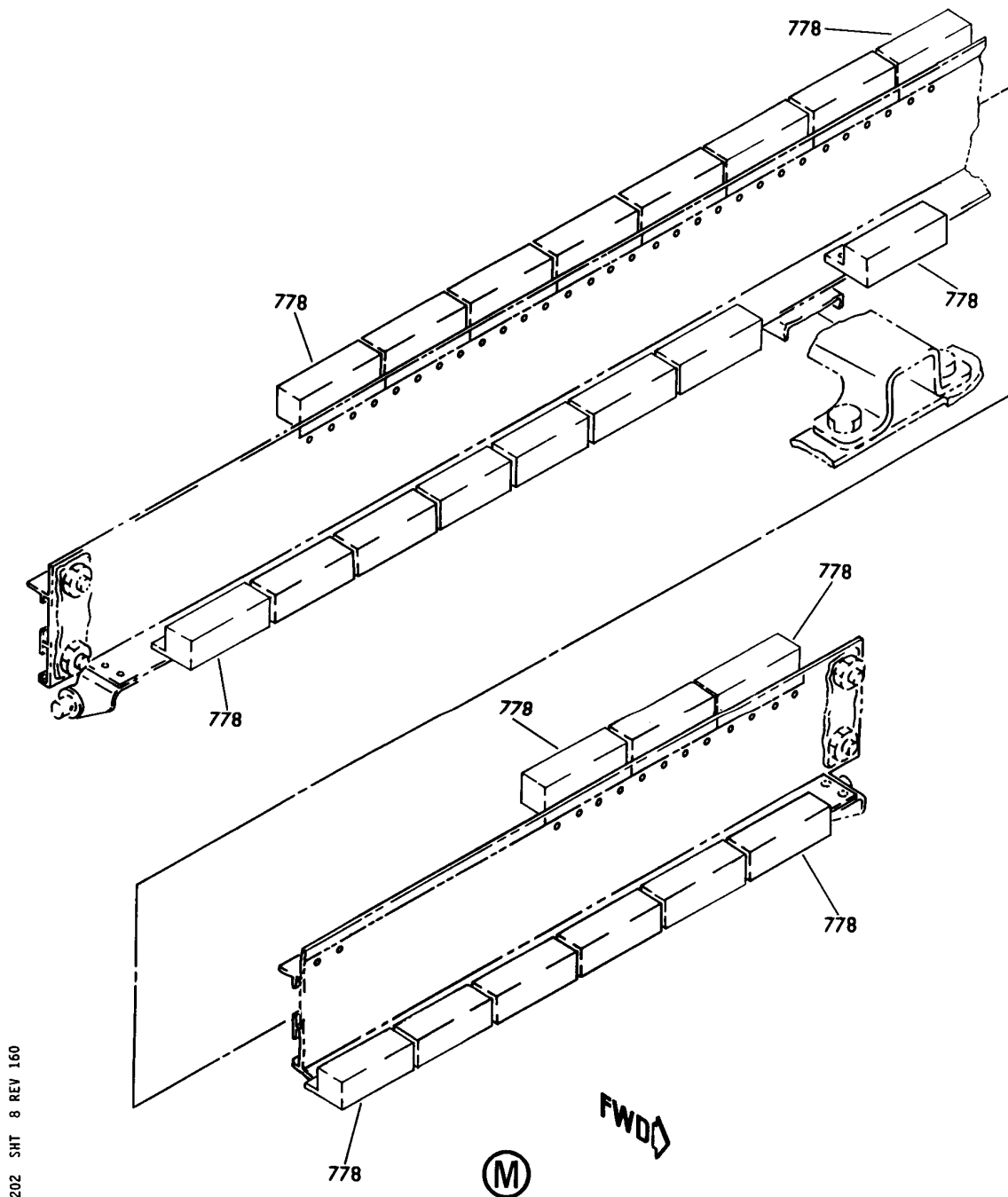
SHELF ASSY-ELECTRONIC EQPT CTR E2-2 (EQUIPMENT/ FURNISHINGS ONLY)
FIGURE 2 (SHEET 7)

25-71-12-02

HXL
APR 22/08

25-71-12-02
PAGE OF

BOEING
767
PARTS CATALOG (MAINTENANCE)



V 25711202 SHT 8 REV 160

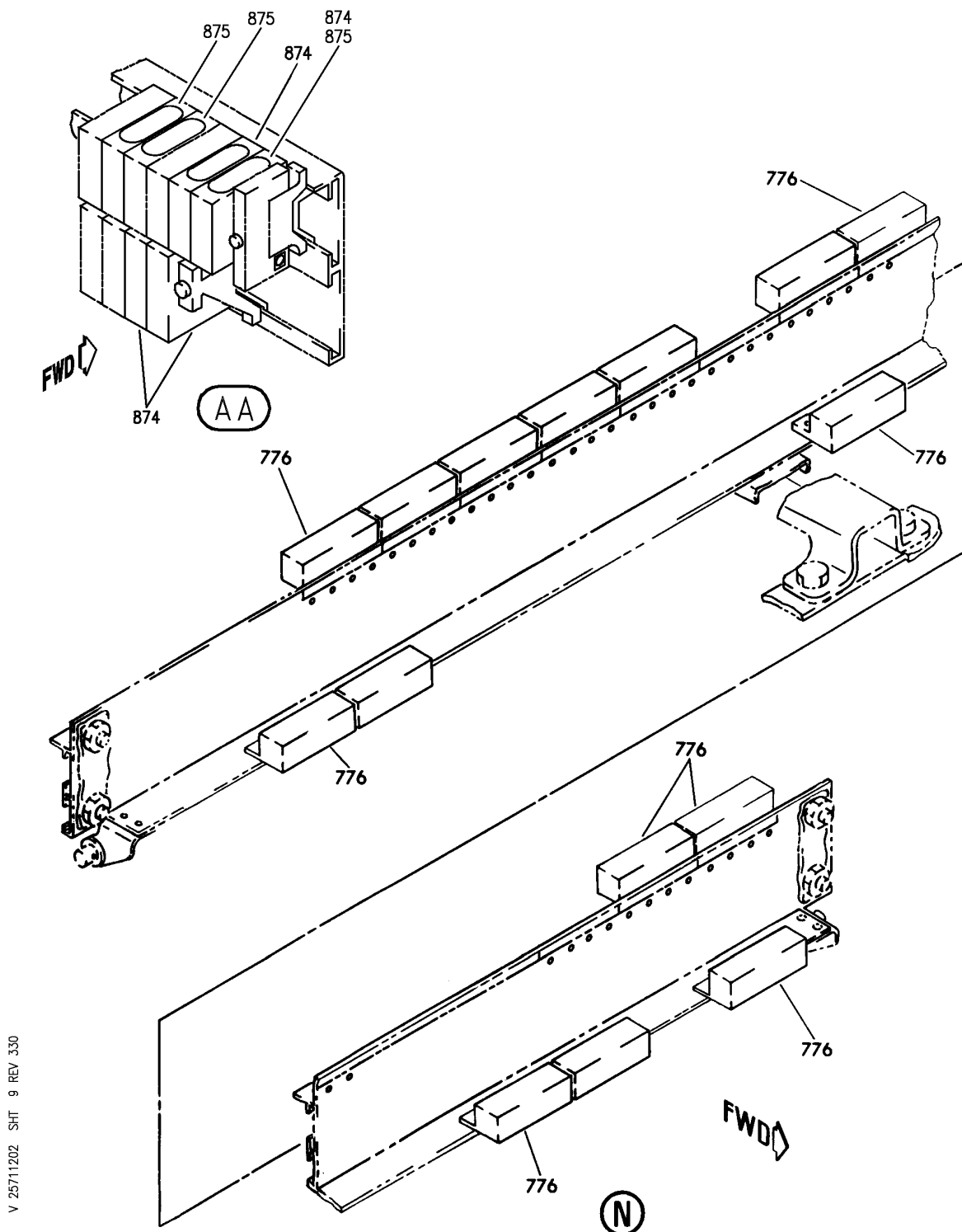
SHelf ASSY-ELECTRONIC EQPT CTR E2-2 (EQUIPMENT/ FURNISHINGS ONLY)
FIGURE 2 (SHEET 8)

HXL
DEC 22/07

25-71-12-02

25-71-12-02
PAGE 06

BOEING
767
PARTS CATALOG (MAINTENANCE)



V 25711202 SH1 9 REV 330

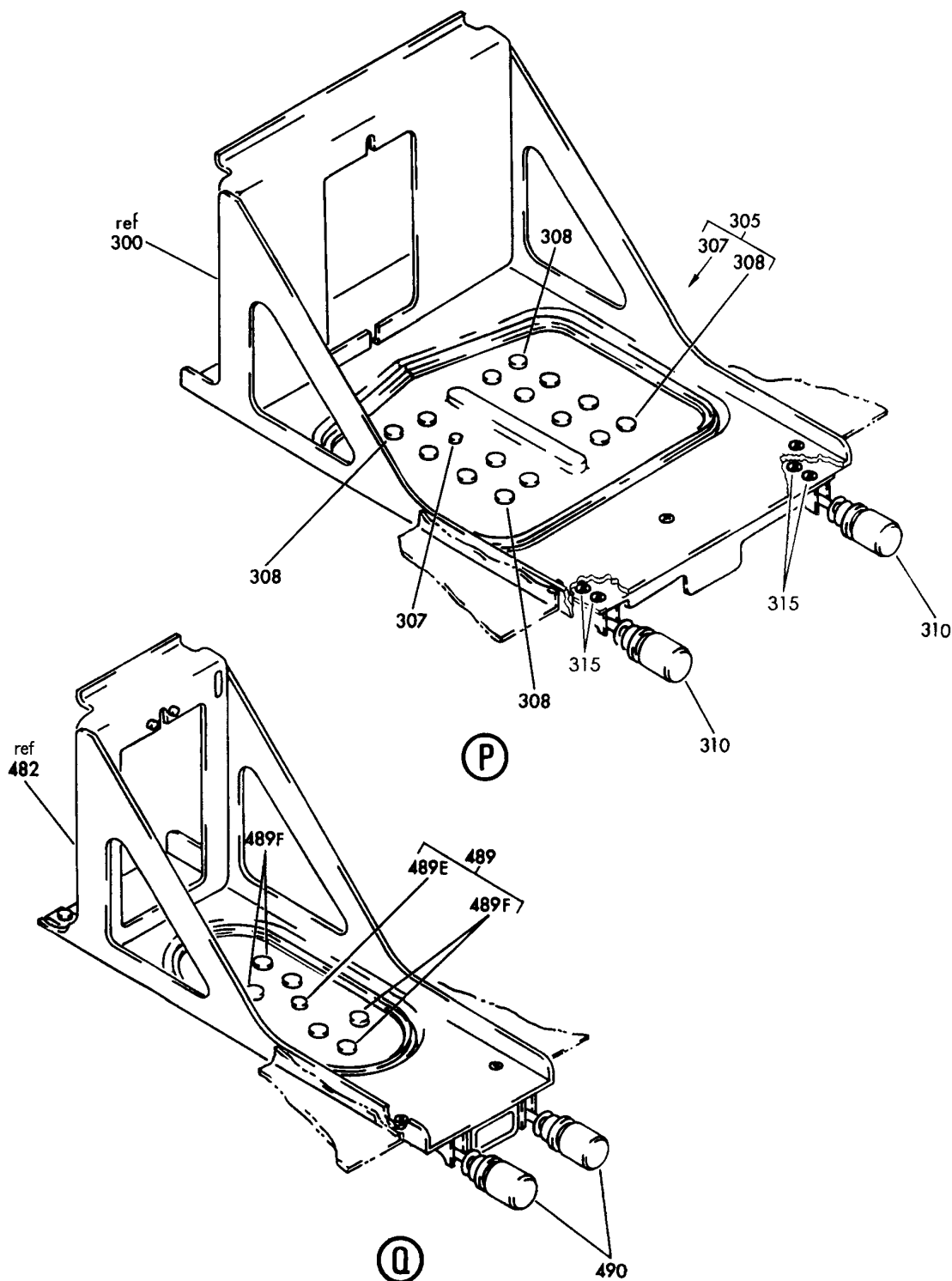
SHELF ASSY-ELECTRONIC EQPT CTR E2-2 (EQUIPMENT/ FURNISHINGS ONLY)
FIGURE 2 (SHEET 9)

HXL
AUG 22/08

25-71-12-02

25-71-12-02
PAGE 0H

BOEING
767
PARTS CATALOG (MAINTENANCE)



V 25711202 SHT 10 REV 327

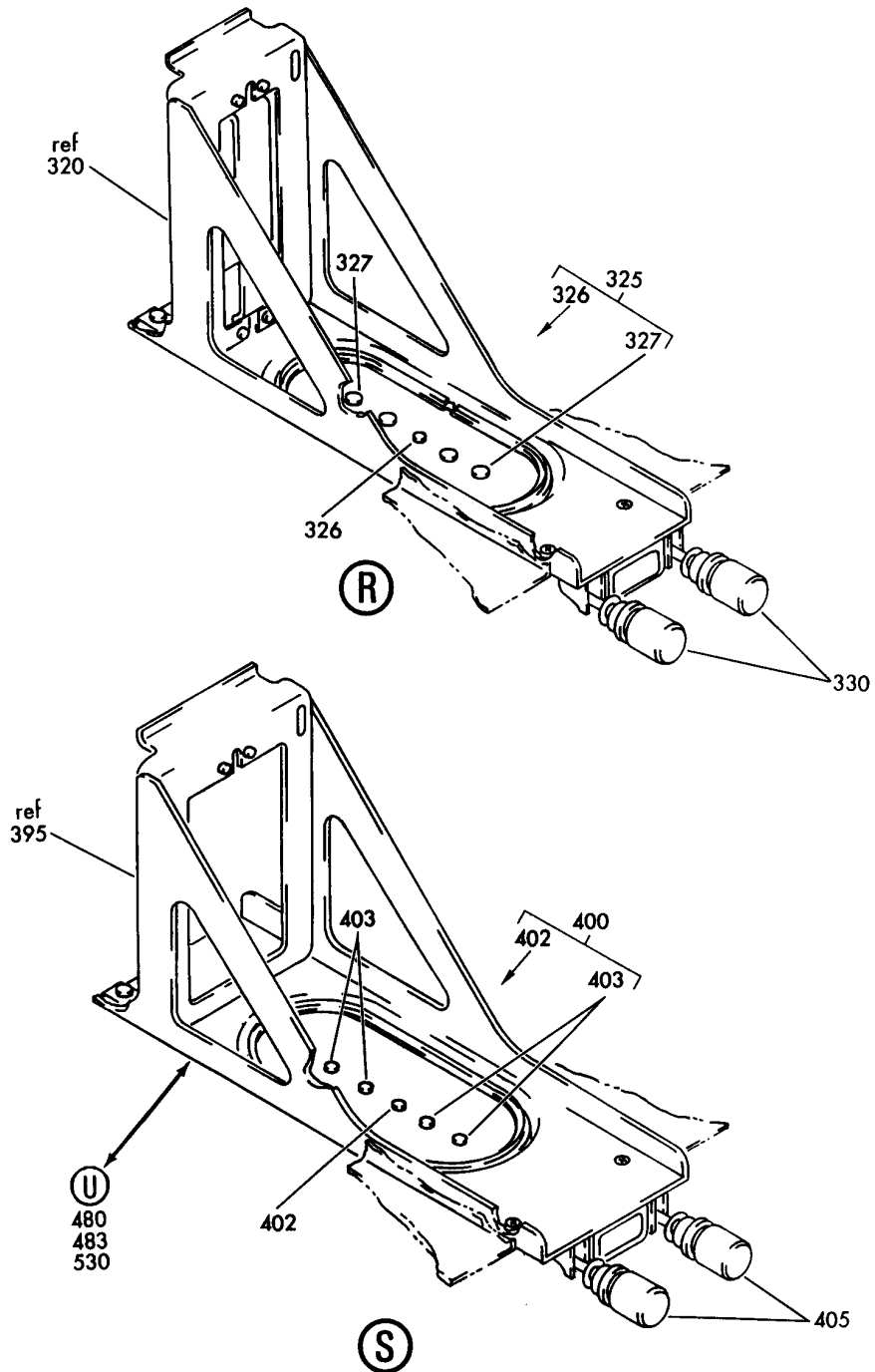
SHELF ASSY-ELECTRONIC EQPT CTR E2-2 (EQUIPMENT/ FURNISHINGS ONLY)
FIGURE 2 (SHEET 10)

25-71-12-02

HXL
APR 22/08

25-71-12-02
PAGE 01

BOEING
767
PARTS CATALOG (MAINTENANCE)



V 25711202 SHT 11 REV 160

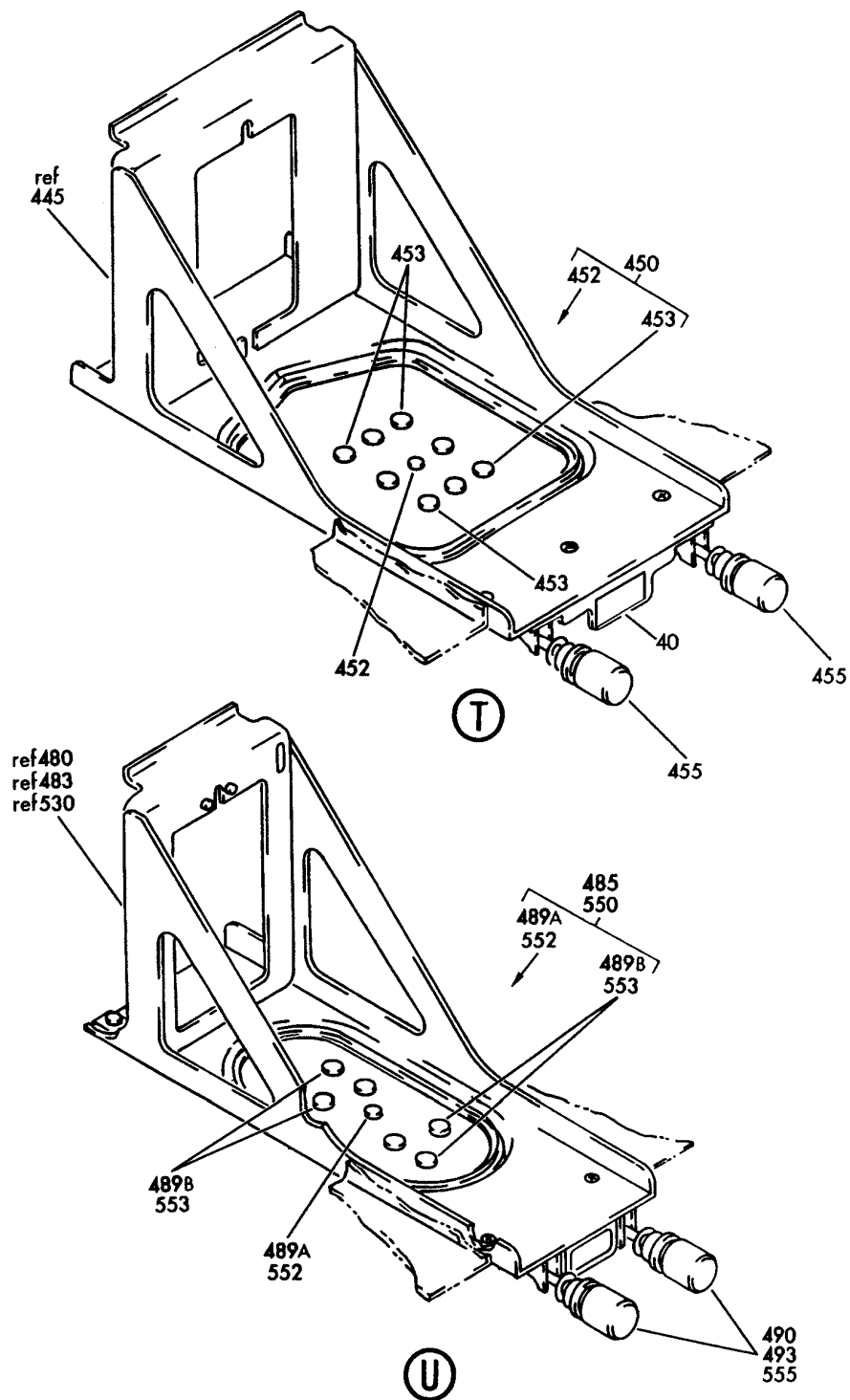
SHELF ASSY-ELECTRONIC EQPT CTR E2-2 (EQUIPMENT/ FURNISHINGS ONLY)
FIGURE 2 (SHEET 11)

25-71-12-02

HXL
DEC 22/07

25-71-12-02
PAGE 0J

BOEING
767
PARTS CATALOG (MAINTENANCE)



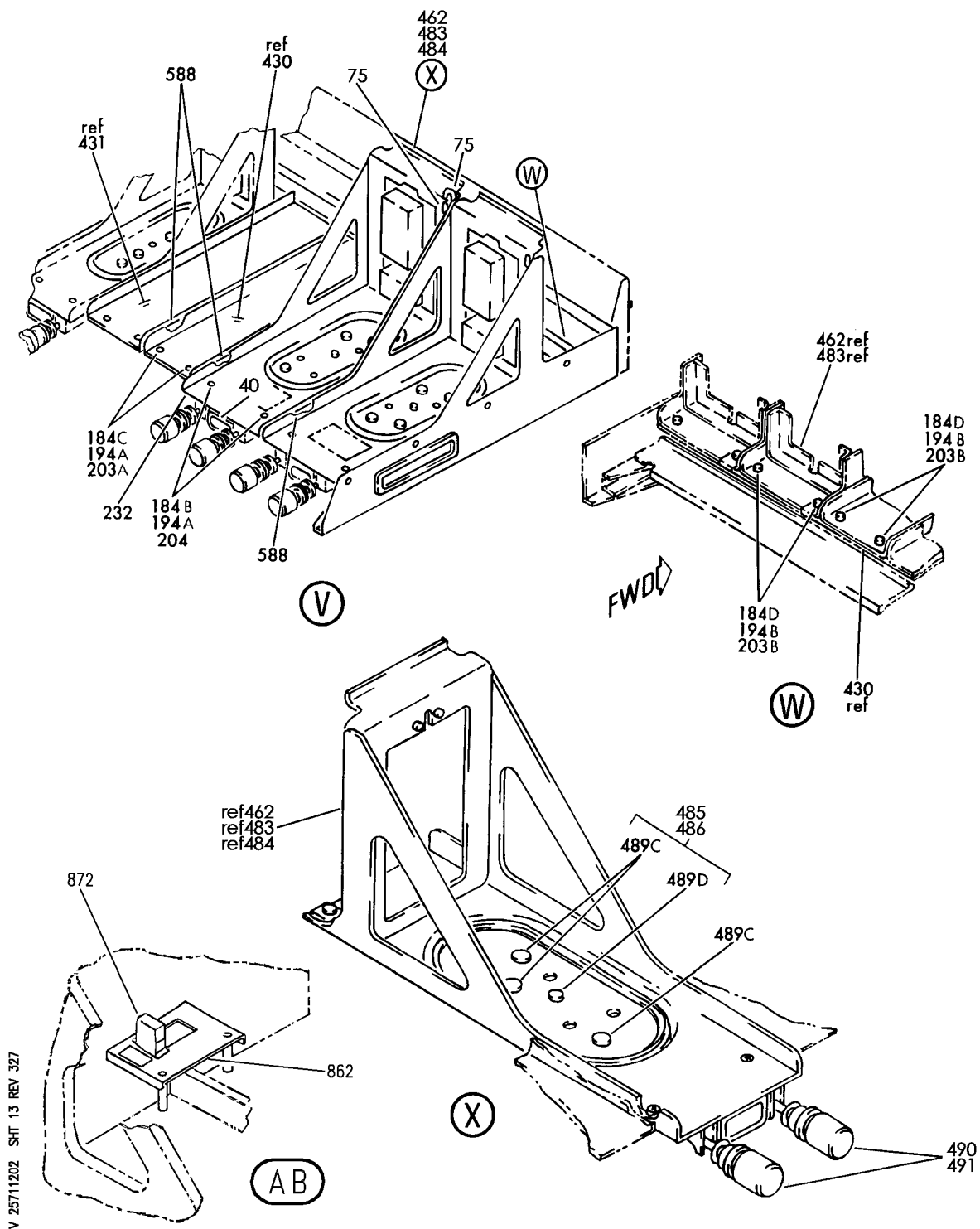
SHelf ASSY-ELECTRONIC EQPT CTR E2-2 (EQUIPMENT/ FURNISHINGS ONLY)
FIGURE 2 (SHEET 12)

25-71-12-02

HXL
APR 22/08

25-71-12-02
PAGE OK


BOEING
 767
PARTS CATALOG (MAINTENANCE)



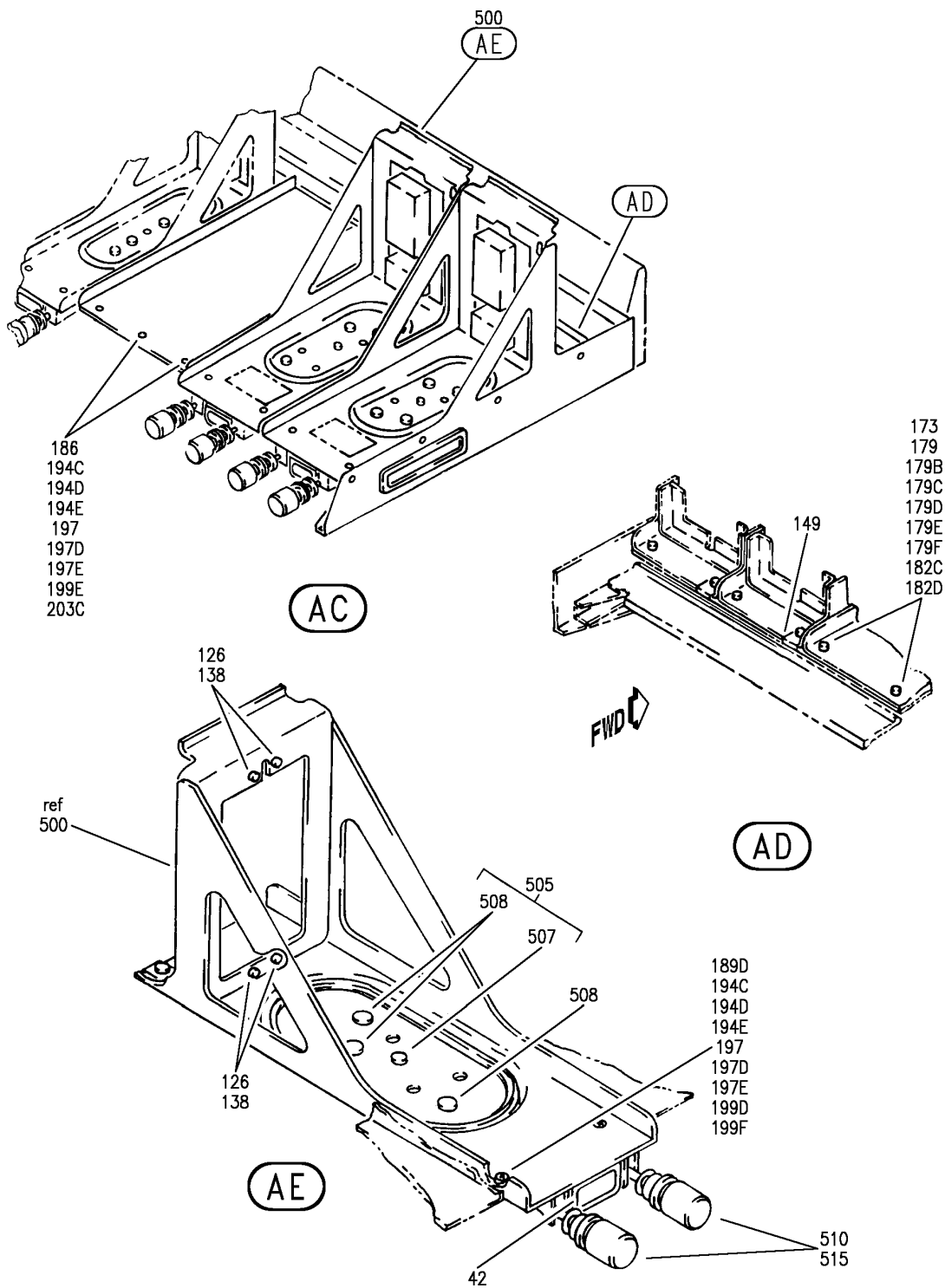
SHELF ASSY-ELECTRONIC EQPT CTR E2-2 (EQUIPMENT/ FURNISHINGS ONLY)
 FIGURE 2 (SHEET 13)

25-71-12-02

HXL
 APR 22/08

25-71-12-02
 PAGE 0L

BOEING
767
PARTS CATALOG (MAINTENANCE)



V 25711202 SH1 14 REV 327

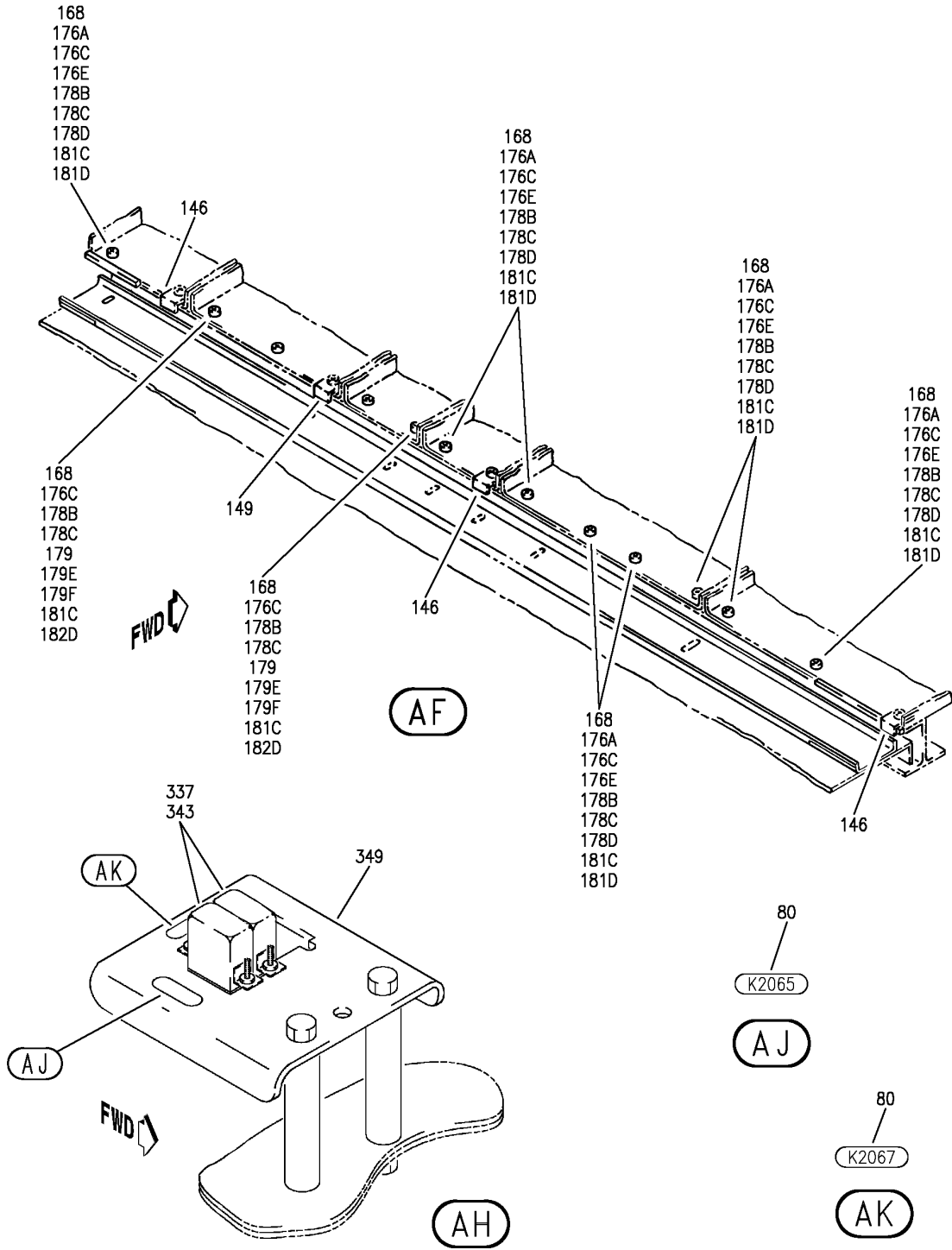
SHELF ASSY-ELECTRONIC EQPT CTR E2-2 (EQUIPMENT/ FURNISHINGS ONLY)
FIGURE 2 (SHEET 14)

25-71-12-02

HXL
APR 22/08

25-71-12-02
PAGE 0M

BOEING
767
PARTS CATALOG (MAINTENANCE)



V 25711202 SH1 15 REV 330

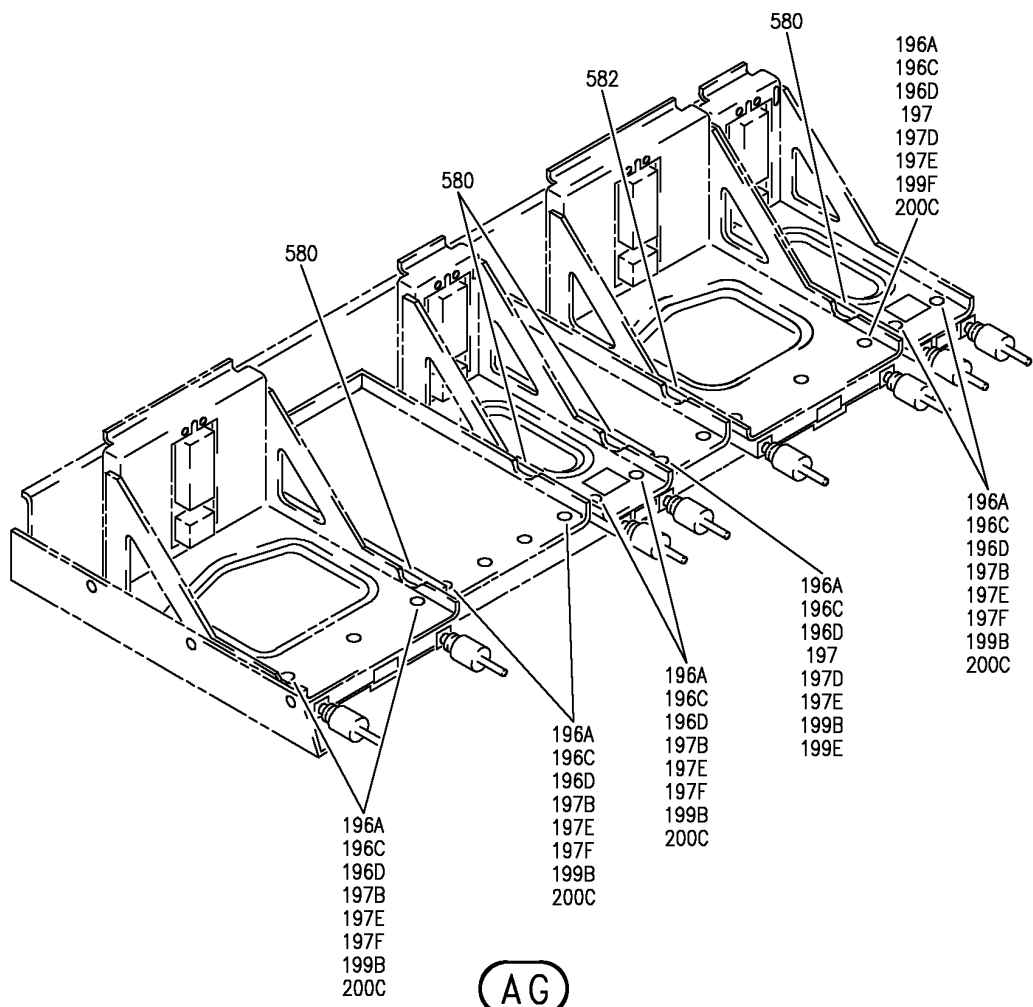
SHELF ASSY-ELECTRONIC EQPT CTR E2-2 (EQUIPMENT/ FURNISHINGS ONLY)
FIGURE 2 (SHEET 15)

25-71-12-02

HXL
AUG 22/08

25-71-12-02
PAGE ON

BOEING
767
PARTS CATALOG (MAINTENANCE)



V 25711202 SH1 16 REV 330

SHELF ASSY-ELECTRONIC EQPT CTR E2-2 (EQUIPMENT/ FURNISHINGS ONLY)
FIGURE 2 (SHEET 16)

25-71-12-02

HXL
AUG 22/08

25-71-12-02
PAGE 00



767
PARTS CATALOG (MAINTENANCE)

FIG ITEM	PART NUMBER	1 2 3 4 5 6 7	NOMENCLATURE	EFFECT FROM TO	UNITS PER ASSY
2 172	NAS1801-3-7		SHELF ASSY-ELECTRONIC EQPT CTR E2-2 (EQUIPMENT/ FURNISHINGS ONLY) .SCREW-		12

ILLUSTRATION ITEMS NOT ON PARTS LIST ARE NOT APPLICABLE

- ITEM NOT ILLUSTRATED

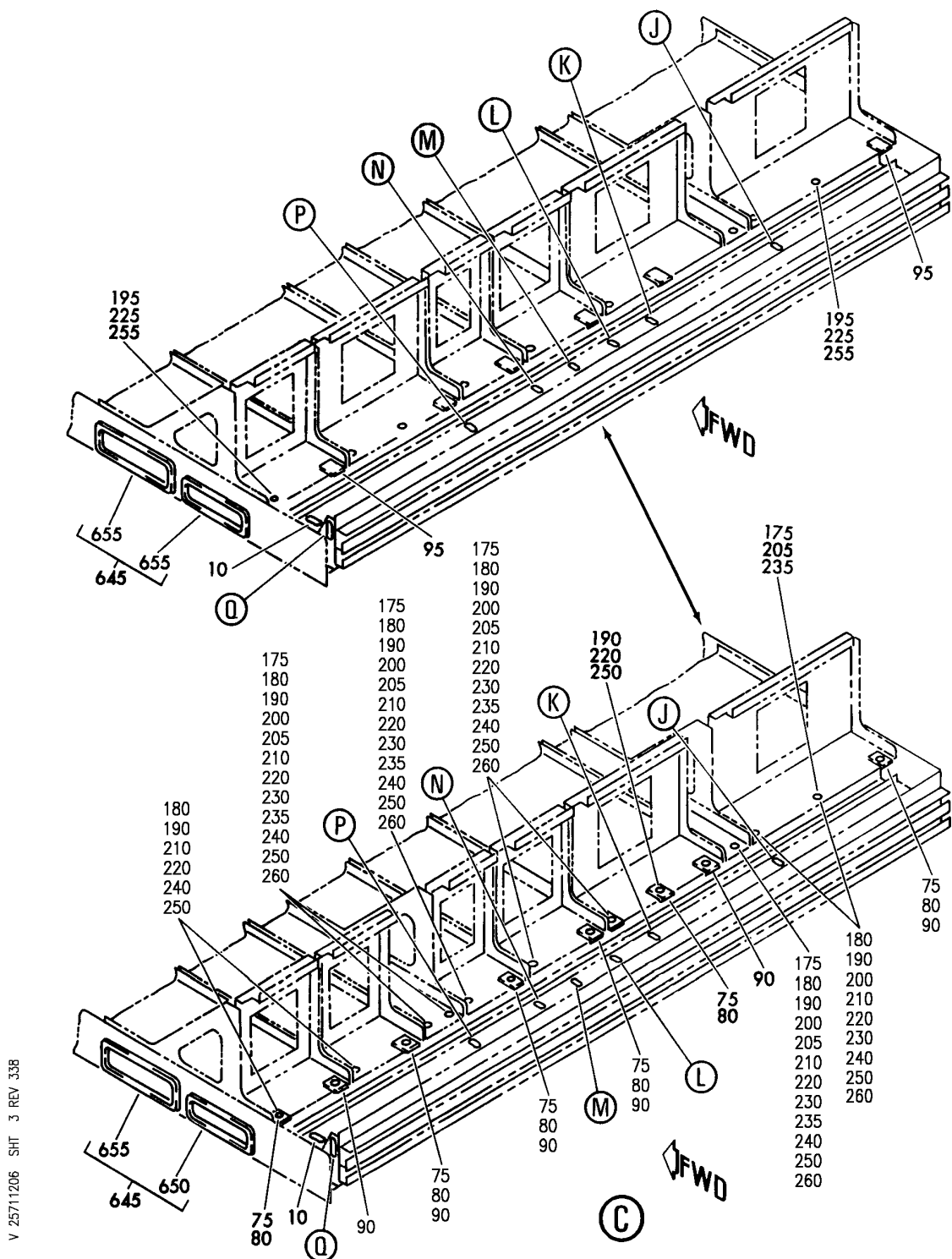
HXL

25-71-12-02

BOEING PROPRIETARY - Copyright © - Unpublished Work - See title page for details.

25-71-12
FIG. 02
PAGE 1
DEC 22/07

BOEING
767
PARTS CATALOG (MAINTENANCE)



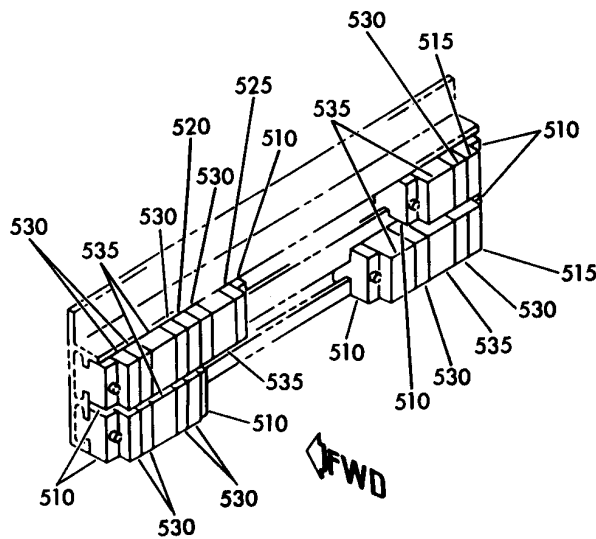
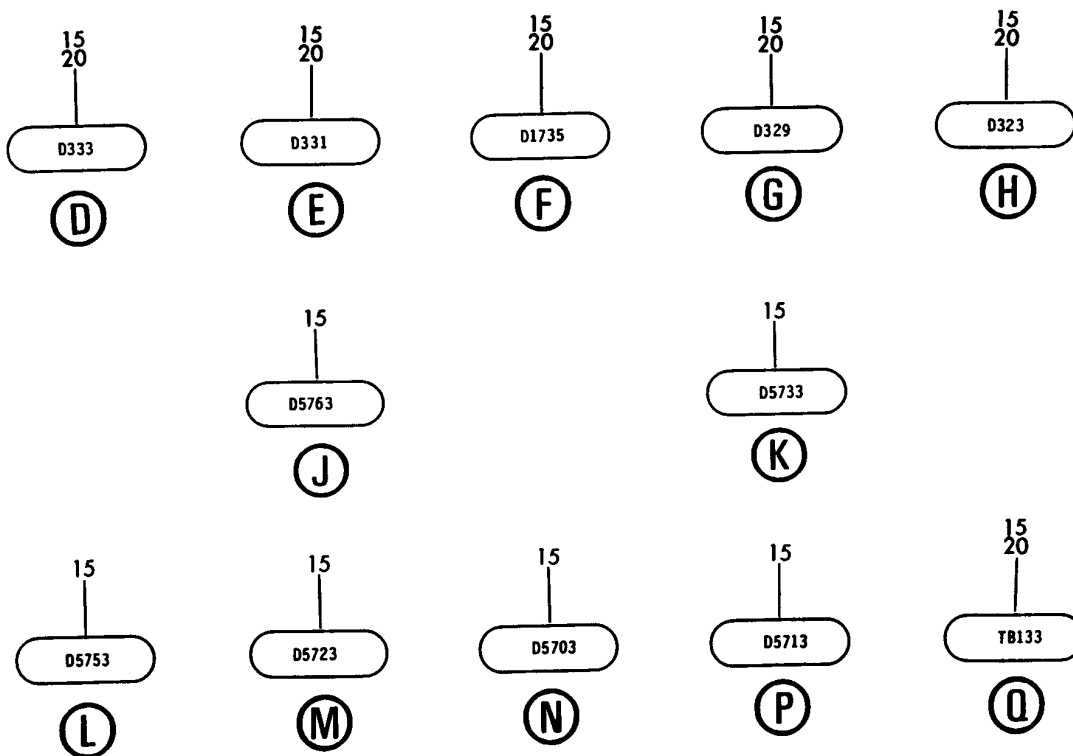
SHELF ASSY-ELECTRONIC EQPT CTR E2-2 (EQUIPMENT/ FURNISHINGS ONLY)
FIGURE 6 (SHEET 3)

25-71-12-06

HXL
APR 22/09

25-71-12-06
PAGE 0B

BOEING
767
PARTS CATALOG (MAINTENANCE)



(R)

V 25711206 SH1 4 REV 134

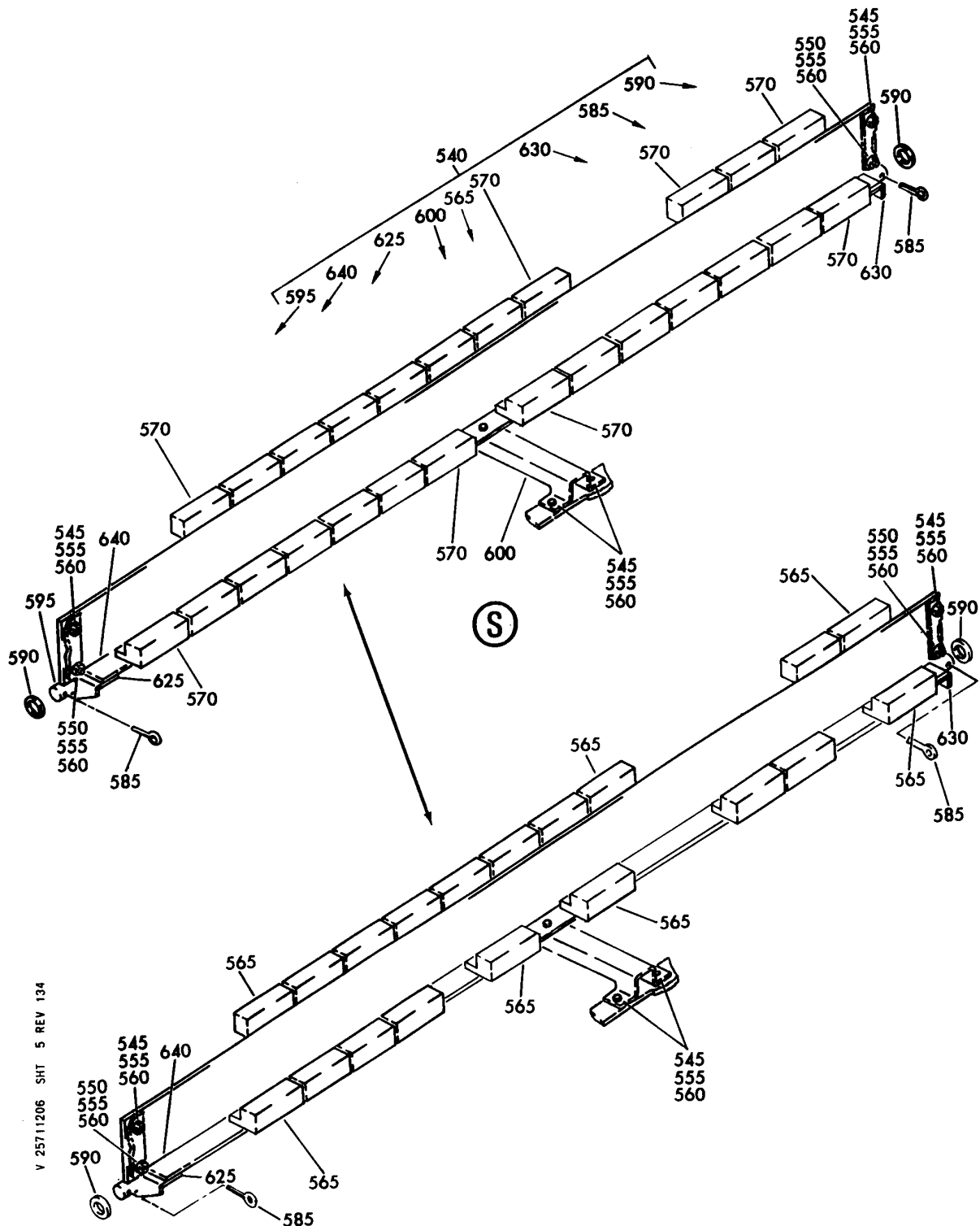
SHELF ASSY-ELECTRONIC EQPT CTR E2-2 (EQUIPMENT/ FURNISHINGS ONLY)
FIGURE 6 (SHEET 4)

25-71-12-06

HXL
DEC 22/06

25-71-12-06
PAGE 0C

BOEING
767
PARTS CATALOG (MAINTENANCE)



V 25711206 SHT 5 REV 134

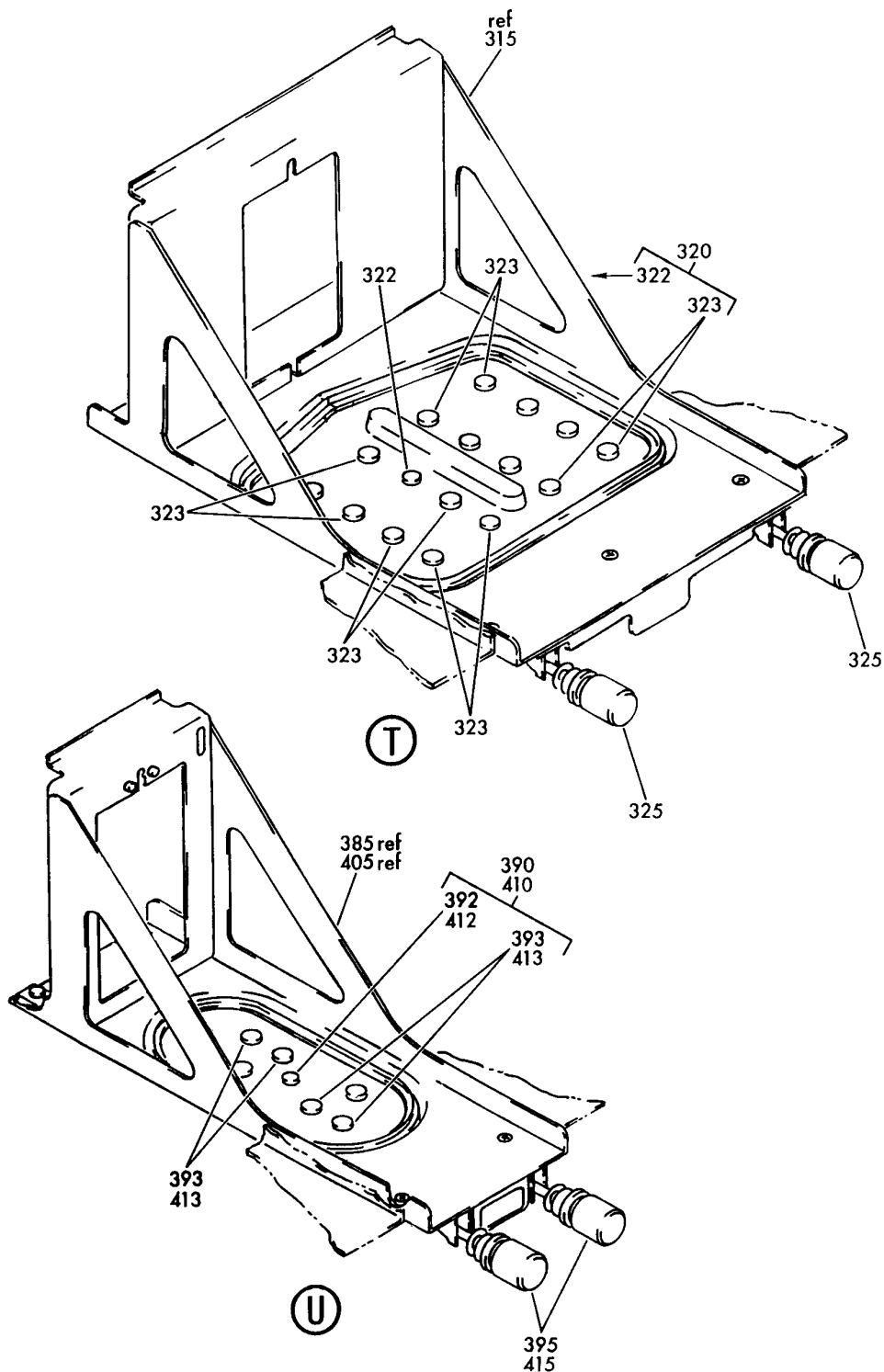
SHelf ASSY-ELECTRONIC EQPT CTR E2-2 (EQUIPMENT/ FURNISHINGS ONLY)
FIGURE 6 (SHEET 5)

25-71-12-06

HXL
DEC 22/06

25-71-12-06
PAGE 0D

BOEING
767
PARTS CATALOG (MAINTENANCE)



V 25711206 SHT 6 REV 150

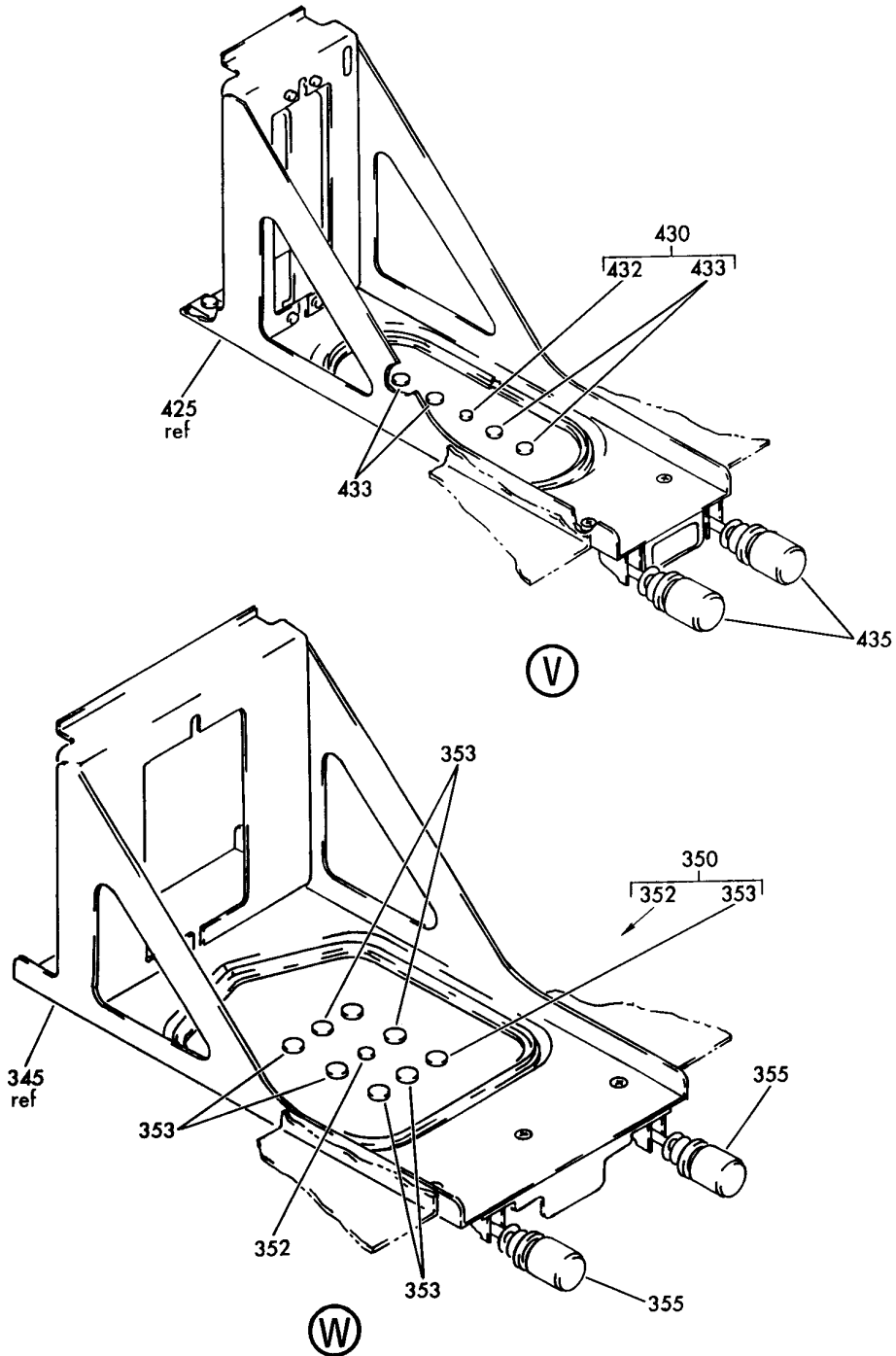
SHELF ASSY-ELECTRONIC EQPT CTR E2-2 (EQUIPMENT/ FURNISHINGS ONLY)
FIGURE 6 (SHEET 6)

25-71-12-06

HXL
DEC 22/06

25-71-12-06
PAGE 0E

BOEING
767
PARTS CATALOG (MAINTENANCE)



V 25711206 SMT 7 REV 150

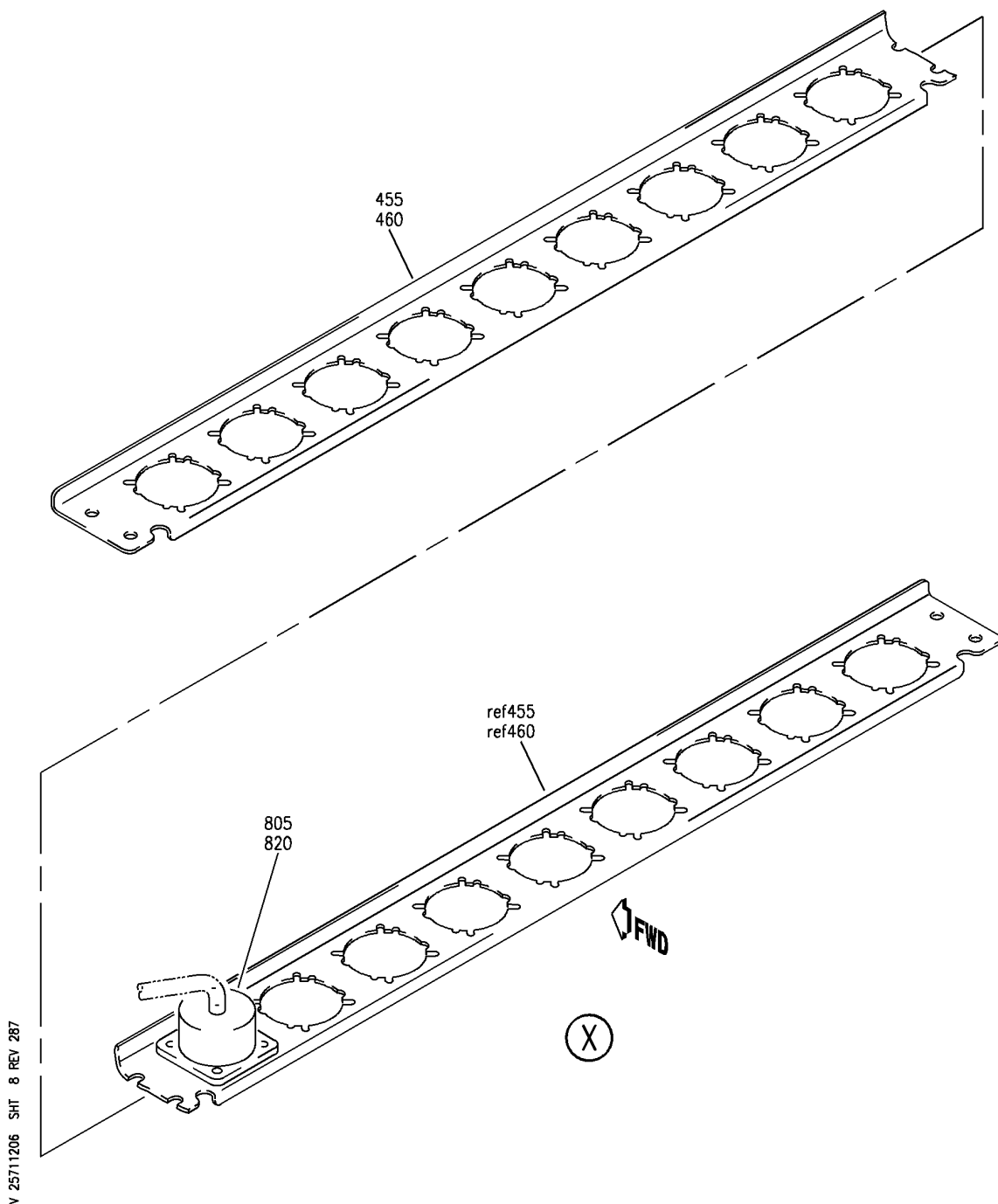
SHELF ASSY-ELECTRONIC EQPT CTR E2-2 (EQUIPMENT/ FURNISHINGS ONLY)
FIGURE 6 (SHEET 7)

25-71-12-06

HXL
DEC 22/06

25-71-12-06
PAGE OF

BOEING
767
PARTS CATALOG (MAINTENANCE)



SHELF ASSY-ELECTRONIC EQPT CTR E2-2 (EQUIPMENT/ FURNISHINGS ONLY)
FIGURE 6 (SHEET 8)

HXL
DEC 22/06

25-71-12-06

25-71-12-06
PAGE 06



767

PARTS CATALOG (MAINTENANCE)

FIG ITEM	PART NUMBER	1 2 3 4 5 6 7	NOMENCLATURE	EFFECT FROM TO	UNITS PER ASSY
6			SHELF ASSY-ELECTRONIC EQPT CTR E2-2 (EQUIPMENT/ FURNISHINGS ONLY)		
- 1	284T0122-35		SHELF ASSY-ELECTRONIC EQPT CTR E2-2 (EQUIPMENT/ FURNISHINGS ONLY) FOR NHA/OTHER SYS DET SEE: 53-11-64-01B		RF
5	BAC27TEX0573		.DECAL- PLACARD CONTENT: E2-2		1
10	BAC27TEX1553		.DECAL- PLACARD CONTENT: AE0314		1
15	BAC27TEX3283		.DECALSET-INCLUDES DECALS IDENTIFIED ON THE ILLUSTRATION		1
25	BAC27TEX3624		.DECAL- PLACARD CONTENT: D1769		2
30	BAC27TEX1793		.DECAL- PLACARD CONTENT: M134 LEFT FLT MANAGEMENT COMPUTER		1
35	BAC27TEX3625		.DECAL- PLACARD CONTENT: M1200 DATA MANAGEMENT UNIT		1
40	BAC27TEX3086		.DECAL- PLACARD CONTENT: M1134 QUICK ACCESS RECORDER		1
45	BAC27TEX2413		.DECAL- PLACARD CONTENT: M186 RECEIVER-VOR MKR, LEFT		1
50	BAC27TEX1795		.DECAL- PLACARD CONTENT: M112 LEFT ATC TRANSPONDER		1
55	BAC27TEX1796		.DECAL- PLACARD CONTENT: M123 LEFT DME INTERROGATOR		1
60	NAS1801-06-11		.SCREW		4
65	NAS1801-06-8		.SCREW		20
70	MS21042L06		.NUT		24
75	66-18178-1		.STRAP-ELECTRONIC RACK BONDING		6
ILLUSTRATION ITEMS NOT ON PARTS LIST ARE NOT APPLICABLE					

- ITEM NOT ILLUSTRATED

25-71-12-06

25-71-12
FIG. 06
PAGE 1
DEC 22/07

HXL



767

PARTS CATALOG (MAINTENANCE)

FIG ITEM	PART NUMBER	1 2 3 4 5 6 7	NOMENCLATURE	EFFECT FROM TO	UNITS PER ASSY
6			ATTACHING PARTS		
- 100	NAS1801-3-7	.	SCREW		6
- 125	AN960JD10L	.	WASHER		6
- 150	MS21042L3	.	NUT		6
		-----*			
180	NAS1801-3-7	.	SCREW		10
210	AN960JD10L	.	WASHER		10
240	MS21042L3	.	NUT		10
265	NAS514P832-7	.	SCREW		14
275	NAS1801-08-7	.	SCREW		3
285	AN960JD8L	.	WASHER		17
295	MS21042L08	.	NUT		17
305	BACR15BA3AD	.	RIVET-		6
			SIZE DETERMINED ON INSTL.		
310	BACR15BB3AD	.	RIVET-		2
			SIZE DETERMINED ON INSTL.		
315	284T0026-33	.	TRAY ASSY		1
320	281131-15	..	SEAL ASSY-		1
			SUPPLIER CODE:		
			V0767B		
			OPTIONAL PART:		
			201-15		
			V0767B		
			BCMP08-2		
			V09489		
320	201-15	..	SEAL ASSY-		1
			SUPPLIER CODE:		
			V0767B		
			OPTIONAL PART:		
			281131-15		
			V0767B		
			BCMP08-2		
			V09489		
320	BCMP08-2	..	SEAL ASSY-		1
			SUPPLIER CODE:		
			V09489		
			OPTIONAL PART:		
			201-15		
			V0767B		
			281131-15		
			V0767B		
322	82100-1	...	PLUG-		1
			SUPPLIER CODE:		
			V0767B		
323	82100-2	...	PLUG-		15
			SUPPLIER CODE:		
			V0767B		

ILLUSTRATION ITEMS NOT ON PARTS LIST ARE NOT APPLICABLE

- ITEM NOT ILLUSTRATED

HXL

25-71-12-06

BOEING PROPRIETARY - Copyright © - Unpublished Work - See title page for details.

25-71-12
FIG. 06
PAGE 2
DEC 22/07

 **BOEING**
767
PARTS CATALOG (MAINTENANCE)

FIG ITEM	PART NUMBER	1 2 3 4 5 6 7	NOMENCLATURE	EFFECT FROM TO	UNITS PER ASSY
6 325	H3773-9		..HOLD DOWN- SUPPLIER CODE: V83014 SPECIFICATION NUMBER: BACC10HZ1 OPTIONAL PART: 5175-110-1 V30528 CA12145-102 VOCBU7 H3773-3 V83014 CA12145-102 V29372 CA12095-102 V29372 CA12095-101 V29372		2
325	CA12095-101		..HOLD DOWN- SUPPLIER CODE: V29372 OPTIONAL PART: CA12095-102 V29372 CA12145-102 V29372 BACC10HZ1		2
325	CA12095-102		..HOLD DOWN- SUPPLIER CODE: V29372 OPTIONAL PART: CA12095-101 V29372 CA12145-102 V29372 BACC10HZ1		2
325	CA12145-102		..HOLD DOWN- SUPPLIER CODE: V29372 OPTIONAL PART: CA12095-101 V29372 CA12095-102 V29372 BACC10HZ1 ATTACHING PARTS		2
- 330	NAS514P632-5		..SCREW -----*-----		4
335	284T0032-1		.COVER		1

ILLUSTRATION ITEMS NOT ON PARTS LIST ARE NOT APPLICABLE

- ITEM NOT ILLUSTRATED

HXL

25-71-12-06

BOEING PROPRIETARY - Copyright © - Unpublished Work - See title page for details.

25-71-12
FIG. 06
PAGE 3
DEC 22/07



767

PARTS CATALOG (MAINTENANCE)

FIG ITEM	PART NUMBER	1 2 3 4 5 6 7	NOMENCLATURE	EFFECT FROM TO	UNITS PER ASSY
6					
340	284T0032-2	.	COVER		1
345	284T0026-24	.	TRAY ASSY		1
350	281131-6	..	SEAL ASSY- SUPPLIER CODE: V0767B OPTIONAL PART: 201-6 V0767B BCMP06-1 V09489		1
350	201-6	..	SEAL ASSY- SUPPLIER CODE: V0767B OPTIONAL PART: 281131-6 V0767B BCMP06-1 V09489		1
350	BCMP06-1	..	SEAL ASSY- SUPPLIER CODE: V09489 OPTIONAL PART: 201-6 V0767B 281131-6 V0767B		1
350	281131-13	..	SEAL ASSY- SUPPLIER CODE: V0767B		1
350	201-13	..	SEAL ASSY- SUPPLIER CODE: V0767B		1
350	BCMP06-2	..	SEAL ASSY- SUPPLIER CODE: V09489		1
352	82100-1	...	PLUG- SUPPLIER CODE: V0767B USED ON: 281131-6		1
353	82100-2	...	PLUG- SUPPLIER CODE: V0767B USED ON: 281131-6		8

ILLUSTRATION ITEMS NOT ON PARTS LIST ARE NOT APPLICABLE

- ITEM NOT ILLUSTRATED

25-71-12-06

25-71-12
FIG. 06
PAGE 4
DEC 22/07

HXL

BOEING PROPRIETARY - Copyright © - Unpublished Work - See title page for details.

 **BOEING**
767
PARTS CATALOG (MAINTENANCE)

FIG ITEM	PART NUMBER	1 2 3 4 5 6 7	NOMENCLATURE	EFFECT FROM TO	UNITS PER ASSY
6 355	H3773-9		..HOLD DOWN- SUPPLIER CODE: V83014 SPECIFICATION NUMBER: BACC10HZ1 OPTIONAL PART: 5175-110-1 V30528 CA12145-102 VOCBU7 H3773-3 V83014 CA12145-102 V29372 CA12095-102 V29372 CA12095-101 V29372		2
355	CA12095-101		..HOLD DOWN- SUPPLIER CODE: V29372 OPTIONAL PART: CA12095-102 V29372 CA12145-102 V29372 BACC10HZ1		2
355	CA12095-102		..HOLD DOWN- SUPPLIER CODE: V29372 OPTIONAL PART: CA12095-101 V29372 CA12145-102 V29372 BACC10HZ1		2
355	CA12145-102		..HOLD DOWN- SUPPLIER CODE: V29372 OPTIONAL PART: CA12095-101 V29372 CA12095-102 V29372 BACC10HZ1		2
- 360	NAS514P632-5		ATTACHING PARTS ..SCREW -----*-----		4
385	284T0026-18		.TRAY ASSY		3

ILLUSTRATION ITEMS NOT ON PARTS LIST ARE NOT APPLICABLE

- ITEM NOT ILLUSTRATED

HXL

25-71-12-06

BOEING PROPRIETARY - Copyright © - Unpublished Work - See title page for details.

25-71-12
FIG. 06
PAGE 5
DEC 22/07



767

PARTS CATALOG (MAINTENANCE)

FIG ITEM	PART NUMBER	1 2 3 4 5 6 7	NOMENCLATURE	EFFECT FROM TO	UNITS PER ASSY
6 390	281131-4		..SEAL ASSY- SUPPLIER CODE: V0767B OPTIONAL PART: 201-4 V0767B BCMP04-1 V09489		1
390	201-4		..SEAL ASSY- SUPPLIER CODE: V60299 OPTIONAL PART: 281131-4 V0767B BCMP04-1 V09489		1
390	BCMP04-1		..SEAL ASSY- SUPPLIER CODE: V09489 OPTIONAL PART: 201-4 V0767B 281131-4 V0767B		1
392	82100-1		...PLUG- SUPPLIER CODE: V0767B USED ON: 281131-4		1
393	82100-2		...PLUG- SUPPLIER CODE: V0767B USED ON: 281131-4		6

ILLUSTRATION ITEMS NOT ON PARTS LIST ARE NOT APPLICABLE

- ITEM NOT ILLUSTRATED

HXL

25-71-12-06

BOEING PROPRIETARY - Copyright © - Unpublished Work - See title page for details.

25-71-12
FIG. 06
PAGE 6
DEC 22/07

 **BOEING**
767
PARTS CATALOG (MAINTENANCE)

FIG ITEM	PART NUMBER	1 2 3 4 5 6 7	NOMENCLATURE	EFFECT FROM TO	UNITS PER ASSY
6 395	H3773-9		..HOLD DOWN- SUPPLIER CODE: V83014 SPECIFICATION NUMBER: BACC10HZ1 OPTIONAL PART: 5175-110-1 V30528 CA12145-102 VOCBU7 H3773-3 V83014 CA12145-102 V29372 CA12095-102 V29372 CA12095-101 V29372		2
395	CA12095-101		..HOLD DOWN- SUPPLIER CODE: V29372 OPTIONAL PART: CA12095-102 V29372 CA12145-102 V29372 BACC10HZ1		2
395	CA12095-102		..HOLD DOWN- SUPPLIER CODE: V29372 OPTIONAL PART: CA12095-101 V29372 CA12145-102 V29372 BACC10HZ1		2
395	CA12145-102		..HOLD DOWN- SUPPLIER CODE: V29372 OPTIONAL PART: CA12095-101 V29372 CA12095-102 V29372 BACC10HZ1		2
- 400	NAS514P632-5		ATTACHING PARTS ..SCREW -----*-----		4
425	284T0026-17		.TRAY ASSY		1

ILLUSTRATION ITEMS NOT ON PARTS LIST ARE NOT APPLICABLE

- ITEM NOT ILLUSTRATED

HXL

25-71-12-06

BOEING PROPRIETARY - Copyright © - Unpublished Work - See title page for details.

25-71-12
FIG. 06
PAGE 7
DEC 22/07



767

PARTS CATALOG (MAINTENANCE)

FIG ITEM	PART NUMBER	1 2 3 4 5 6 7	NOMENCLATURE	EFFECT FROM TO	UNITS PER ASSY
6 430	281131-3		..SEAL ASSY- SUPPLIER CODE: V0767B OPTIONAL PART: 201-3 V0767B BCMP03-1 V09489		1
430	201-3		..SEAL ASSY- SUPPLIER CODE: V60299 OPTIONAL PART: 281131-3 V0767B BCMP03-1 V09489		1
430	BCMP03-1		..SEAL ASSY- SUPPLIER CODE: V09489 OPTIONAL PART: 201-3 V0767B 281131-3 V0767B		1
432	82100-1		...PLUG- SUPPLIER CODE: V0767B USED ON: 281131-3		1
433	82100-2		...PLUG- SUPPLIER CODE: V0767B USED ON: 281131-3		4

ILLUSTRATION ITEMS NOT ON PARTS LIST ARE NOT APPLICABLE

- ITEM NOT ILLUSTRATED

HXL

25-71-12-06

BOEING PROPRIETARY - Copyright © - Unpublished Work - See title page for details.

25-71-12
FIG. 06
PAGE 8
DEC 22/07



767

PARTS CATALOG (MAINTENANCE)

FIG ITEM	PART NUMBER	1 2 3 4 5 6 7	NOMENCLATURE	EFFECT FROM TO	UNITS PER ASSY
6 435	H3773-9		..HOLD DOWN- SUPPLIER CODE: V83014 SPECIFICATION NUMBER: BACC10HZ1 OPTIONAL PART: 5175-110-1 V30528 CA12145-102 V0CBU7 H3773-3 V83014 CA12145-102 V29372 CA12095-102 V29372 CA12095-101 V29372		2
435	CA12095-101		..HOLD DOWN- SUPPLIER CODE: V29372 OPTIONAL PART: CA12095-102 V29372 CA12145-102 V29372 BACC10HZ1		2
435	CA12095-102		..HOLD DOWN- SUPPLIER CODE: V29372 OPTIONAL PART: CA12095-101 V29372 CA12145-102 V29372 BACC10HZ1		2
435	CA12145-102		..HOLD DOWN- SUPPLIER CODE: V29372 OPTIONAL PART: CA12095-101 V29372 CA12095-102 V29372 BACC10HZ1		2
- 440	NAS514P632-5		ATTACHING PARTS ..SCREW -----*-----		4

ILLUSTRATION ITEMS NOT ON PARTS LIST ARE NOT APPLICABLE

- ITEM NOT ILLUSTRATED

25-71-12-06

25-71-12
FIG. 06
PAGE 9
DEC 22/07

HXL



767

PARTS CATALOG (MAINTENANCE)

FIG ITEM	PART NUMBER	1 2 3 4 5 6 7	NOMENCLATURE	EFFECT FROM TO	UNITS PER ASSY
R R R R R R R	6 445	284T0383-3	.SEAL- MANUFACTURED FROM: SH RUBBER MIL-R-6130 GRADE A TYPE 2 SOFT 0.12 IN 0.7 IN 12.9 IN SPARES ORDER MATERIAL CODE: 5231253020		7
	460	284T0385-14	.SUPPORT ATTACHING PARTS		1
	470	NAS1801-3-7	.SCREW		6
	485	AN960JD10L	.WASHER		6
	495	MS21042L3	.NUT		6
R	505	284T0116-1	-----*----- .MODULE ASSY-TERM.		1
	510	BACC49A1	..CLAMP ASSY		AR
	515	H21-1	..SPACER SUPPLIER CODE: V34941 SPECIFICATION NUMBER: BACS18AR1 OPTIONAL PART: FAB276A V15805 YHLZ1C2 V09922		AR
	520	H21-6	..SPACER SUPPLIER CODE: V34941 SPECIFICATION NUMBER: BACS18AR6 OPTIONAL PART: FAB276-0 V15805 YHLZ1C7 V09922		AR
	525	YHLZ2	..MODULE SUPPLIER CODE: V09922 SPECIFICATION NUMBER: BACM15C1A OPTIONAL PART: YHLZ22 V09922		AR

ILLUSTRATION ITEMS NOT ON PARTS LIST ARE NOT APPLICABLE

- ITEM NOT ILLUSTRATED

HXL

25-71-12-06

BOEING PROPRIETARY - Copyright © - Unpublished Work - See title page for details.

25-71-12
FIG. 06
PAGE 10
AUG 22/09

BOEING
767
PARTS CATALOG (MAINTENANCE)

FIG ITEM	PART NUMBER	1 2 3 4 5 6 7	NOMENCLATURE	EFFECT FROM TO	UNITS PER ASSY
6					
530	YHLZ4	..	MODULE SUPPLIER CODE: V09922 SPECIFICATION NUMBER: BACM15C1B OPTIONAL PART: YHLZ44 V09922		AR
535	YHLZ8	..	MODULE SUPPLIER CODE: V09922 SPECIFICATION NUMBER: BACM15C2A		AR
540	284T0384-42	.	SUPPORT ASSY-WIRE ATTACHING PARTS		1
545	NAS1801-3-5	.	SCREW		4
550	NAS514P1032-5	.	SCREW		2
555	AN960JD10L	.	WASHER		6
560	MS21042L3	.	NUT		6
			-----*-----		
570	YHLZG16-1	..	BLOCK-TERM. SUPPLIER CODE: V09922 ATTACHING PARTS		25
- 580	BACR15BB4AD	..	RIVET- SIZE DETERMINED ON INSTL. -----*-----		100
585	MS24665-300	..	PIN		2
590	AN960PD616	..	WASHER		2
595	284T0384-5	..	TUBE		1
600	284T0385-3	..	BRACKET ATTACHING PARTS		1
- 605	NAS1801-3-7	..	SCREW		1
- 615	AN960JD10	..	WASHER		1
- 620	MS21042L3	..	NUT		1
			-----*-----		
625	284T0385-4	..	BRACKET		1
630	284T0385-5	..	BRACKET ATTACHING PARTS		1
- 635	BACR15BB4AD	..	RIVET- SIZE DETERMINED ON INSTL. -----*-----		4
640	284T0574-7	..	TRACK-TERM. BLK MODULE		1
645	284T0211-4	.	SHELF ASSY		1
650	284T0383-1	..	SEAL		1

ILLUSTRATION ITEMS NOT ON PARTS LIST ARE NOT APPLICABLE

- ITEM NOT ILLUSTRATED

HXL

25-71-12-06

BOEING PROPRIETARY - Copyright © - Unpublished Work - See title page for details.

25-71-12
FIG. 06
PAGE 11
AUG 22/09



767

PARTS CATALOG (MAINTENANCE)

FIG ITEM	PART NUMBER	1 2 3 4 5 6 7 NOMENCLATURE	EFFECT FROM TO	UNITS PER ASSY
<p>6 655</p> <p>R R R R R R</p>	<p>284T0383-2</p>	<p>..SEAL-</p> <p>MANUFACTURED FROM:</p> <p>SH RUBBER MIL-R-6130</p> <p>GRADE A TYPE 2 SOFT</p> <p>0.125 IN 2.3 IN 6.2 IN</p> <p>SPARES ORDER MATERIAL</p> <p>CODE: 5231253020</p>		<p>1</p>

ILLUSTRATION ITEMS NOT ON PARTS LIST ARE NOT APPLICABLE

- ITEM NOT ILLUSTRATED

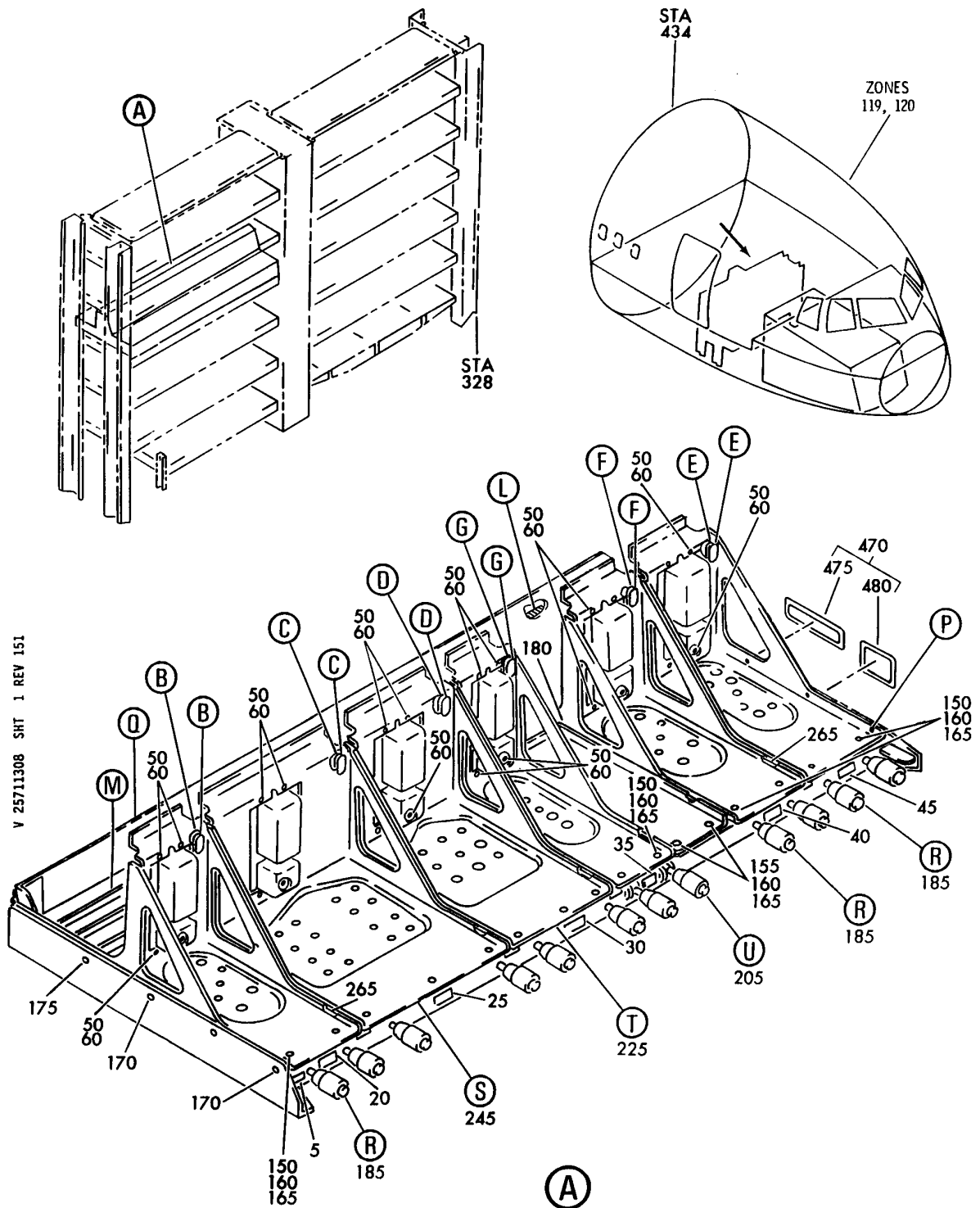
HXL

25-71-12-06

BOEING PROPRIETARY - Copyright © - Unpublished Work - See title page for details.

25-71-12
FIG. 06
PAGE 12
AUG 22/09

BOEING
767
PARTS CATALOG (MAINTENANCE)



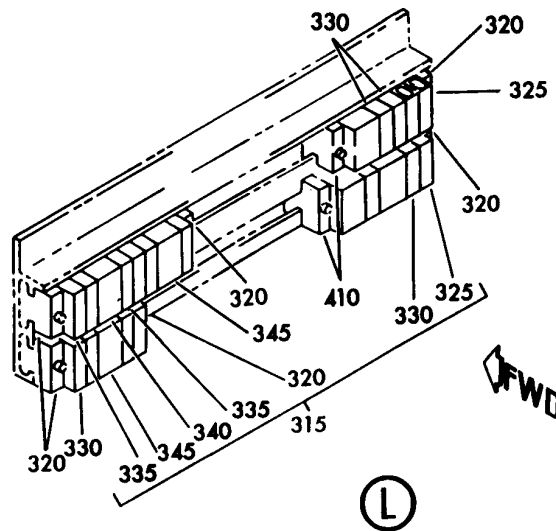
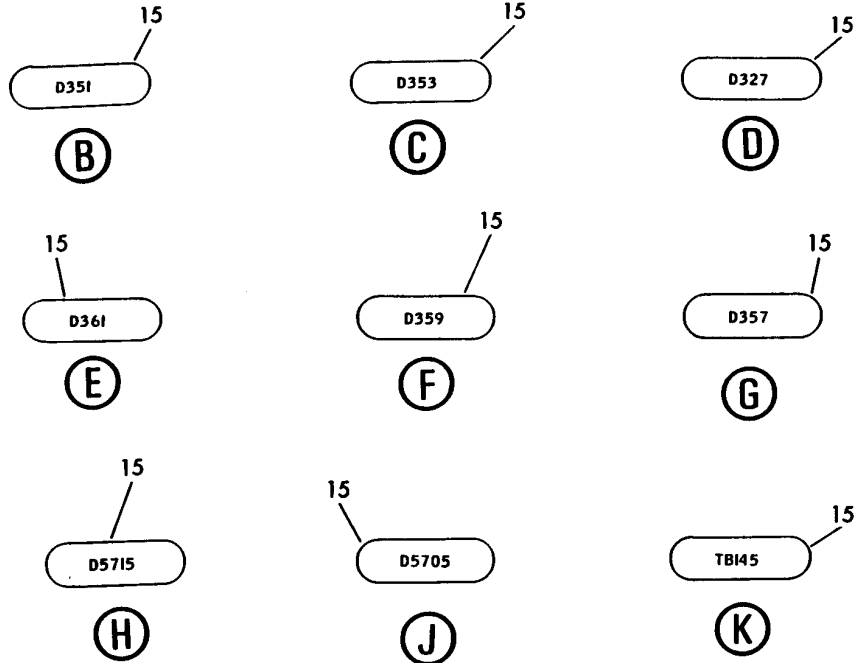
SHELF ASSY-ELECTRONIC EQPT CTR E2-3 (EQUIPMENT/ FURNISHINGS ONLY)
FIGURE 8 (SHEET 1)

25-71-13-08

HXL
DEC 22/06

25-71-13-08
PAGE 0

BOEING
767
PARTS CATALOG (MAINTENANCE)



V 25711308 SHT 2 REV 135

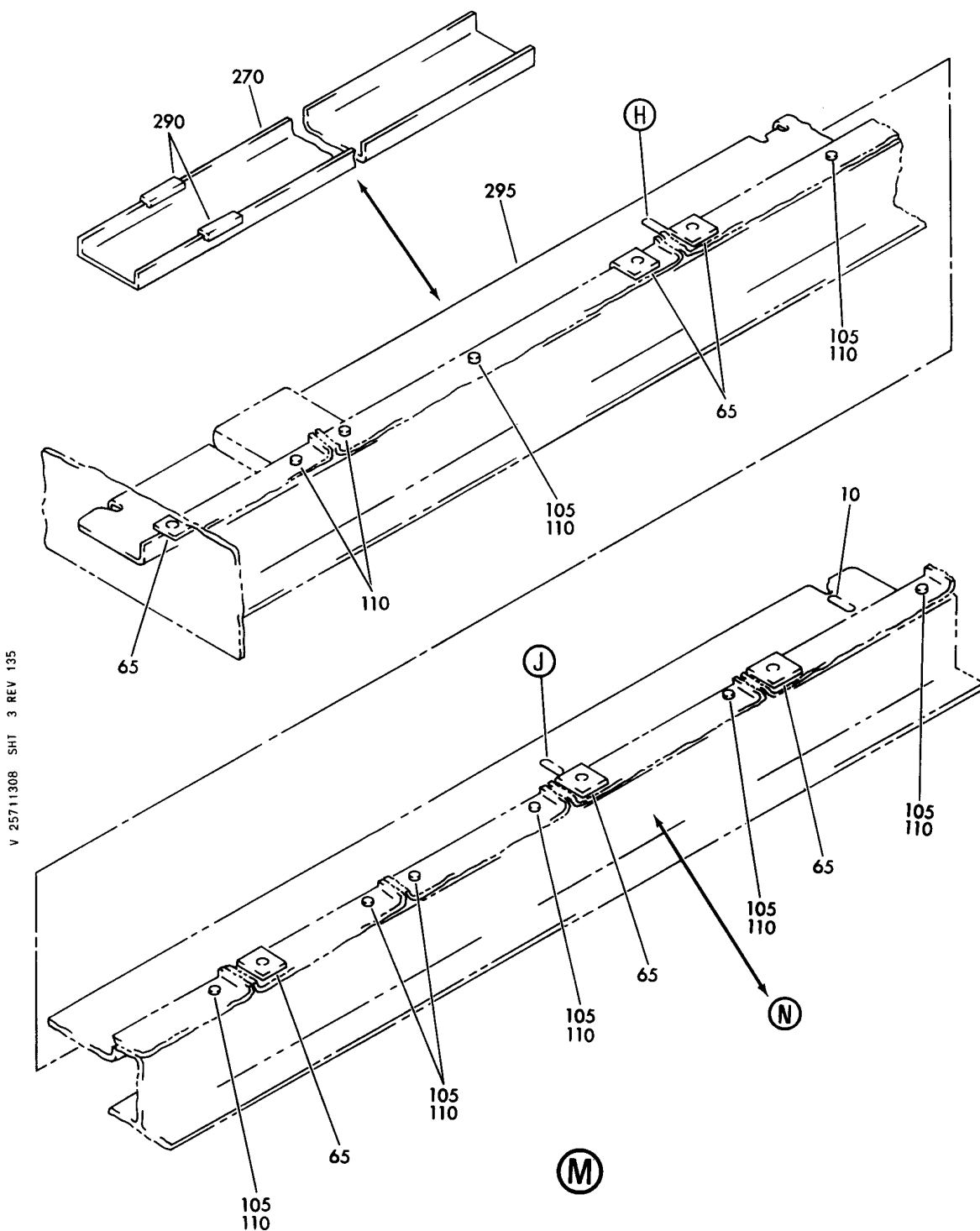
SHelf ASSY-ELECTRONIC EQPT CTR E2-3 (EQUIPMENT/ FURNISHINGS ONLY)
FIGURE 8 (SHEET 2)

25-71-13-08

HXL
DEC 22/06

25-71-13-08
PAGE 0A

BOEING
767
PARTS CATALOG (MAINTENANCE)



V 25711308 SHT 3 REV 135

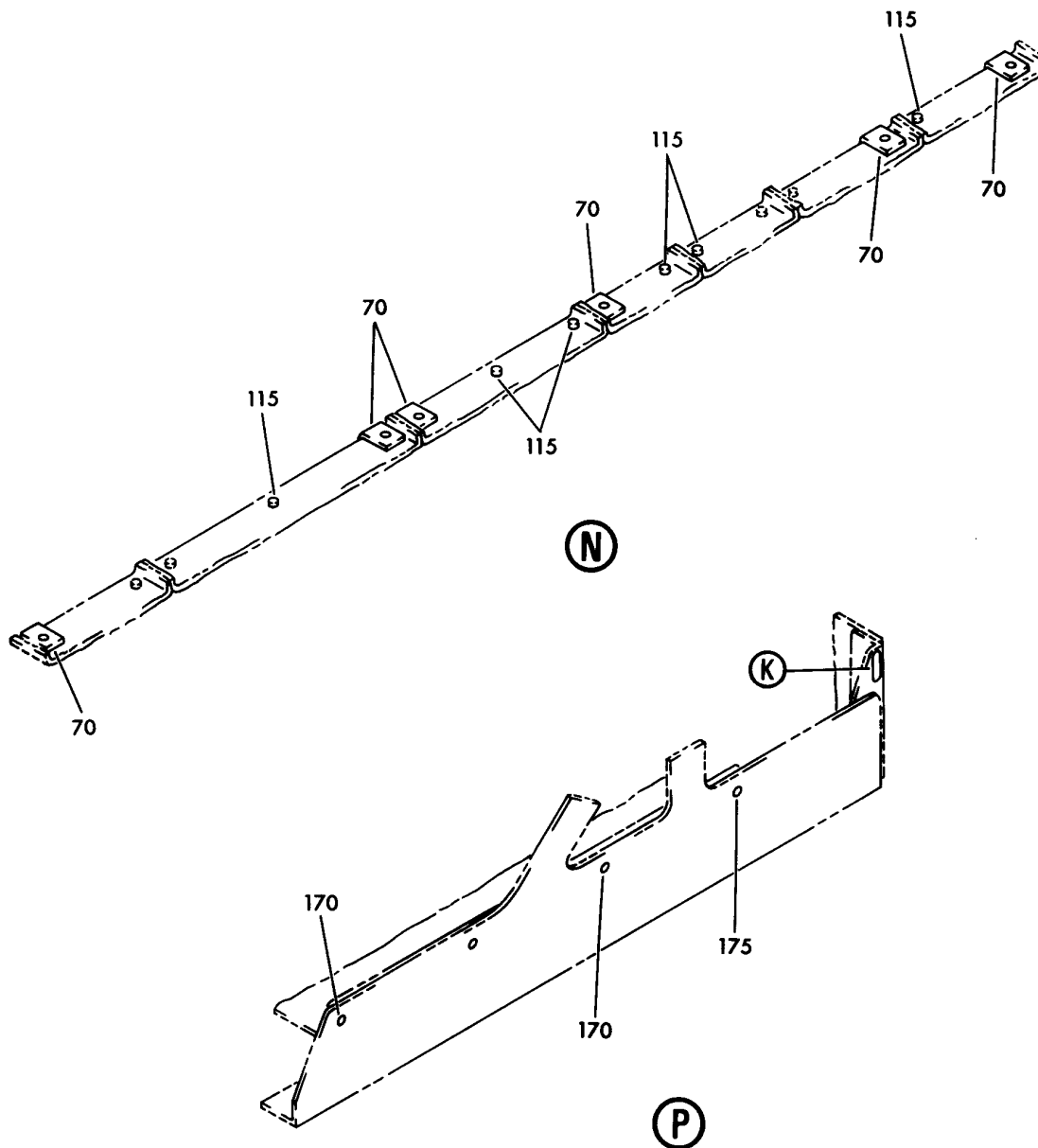
SHELF ASSY-ELECTRONIC EQPT CTR E2-3 (EQUIPMENT/ FURNISHINGS ONLY)
FIGURE 8 (SHEET 3)

25-71-13-08

HXL
DEC 22/06

25-71-13-08
PAGE 0B

BOEING
767
PARTS CATALOG (MAINTENANCE)



V 25711308 SH1 4 REV 135

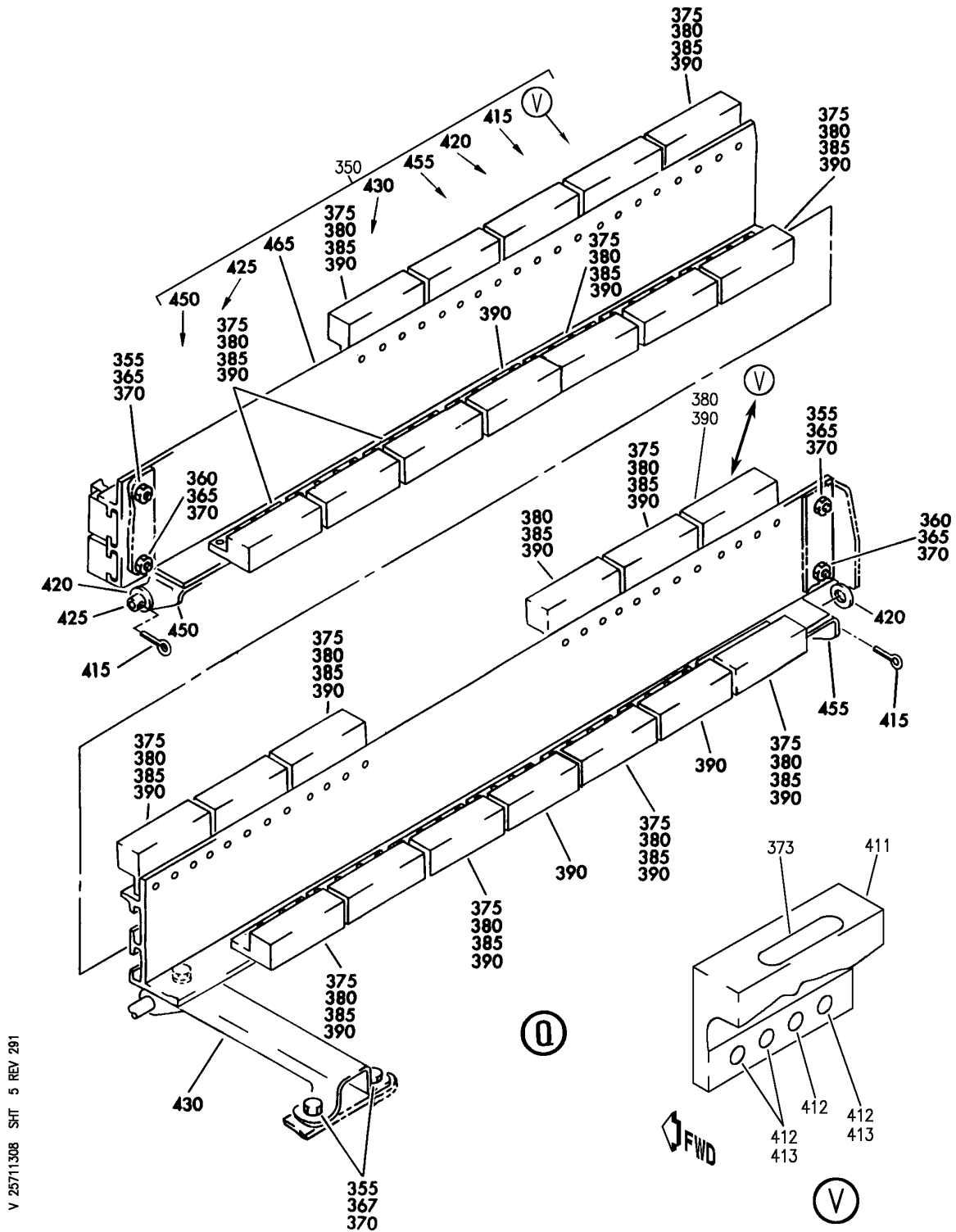
SHELF ASSY-ELECTRONIC EQPT CTR E2-3 (EQUIPMENT/ FURNISHINGS ONLY)
FIGURE 8 (SHEET 4)

25-71-13-08

HXL
DEC 22/06

25-71-13-08
PAGE 0C


BOEING
 767
PARTS CATALOG (MAINTENANCE)



V 25711308 SHT 5 REV 291

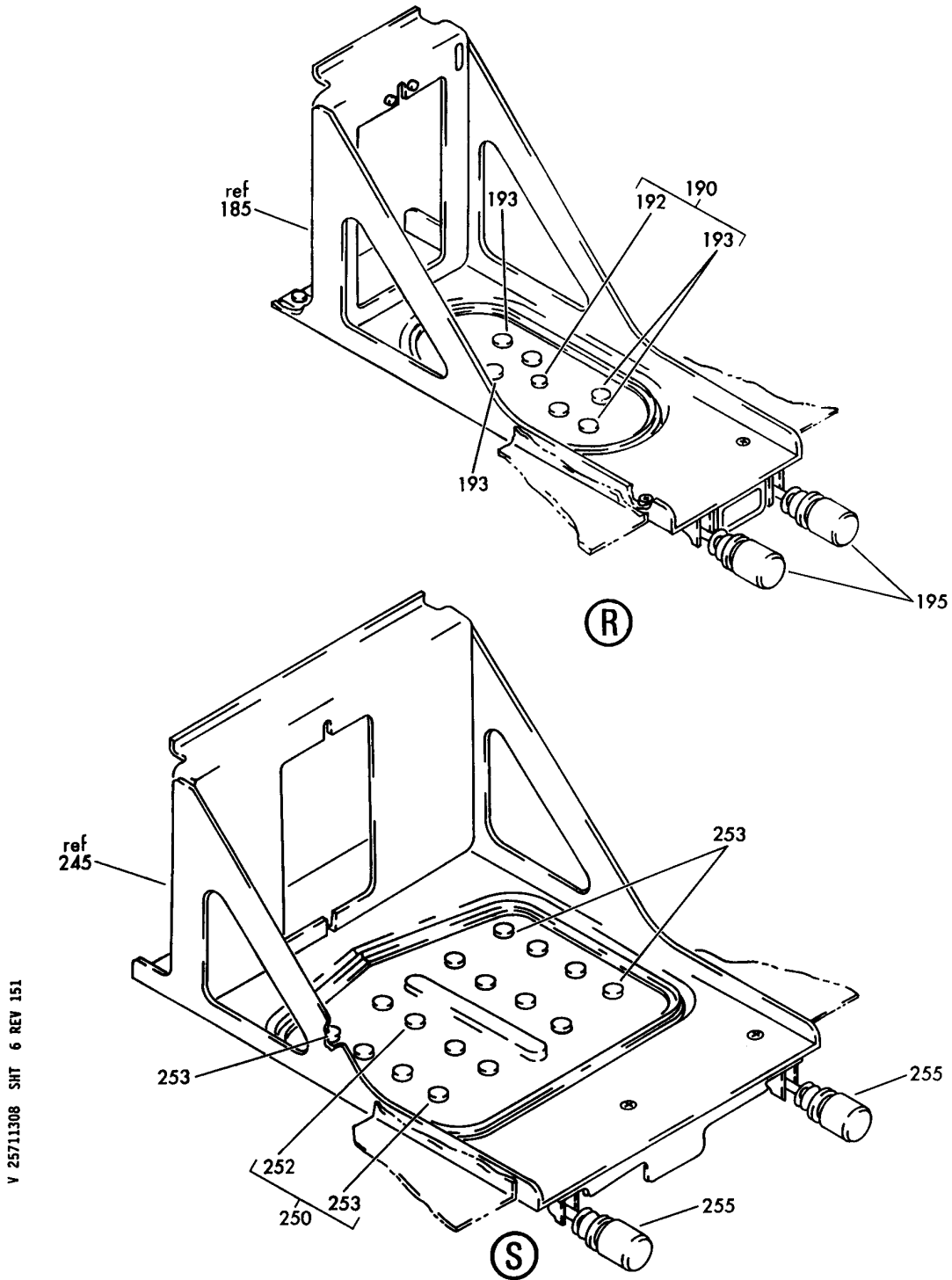
SHELF ASSY-ELECTRONIC EQPT CTR E2-3 (EQUIPMENT/ FURNISHINGS ONLY)
 FIGURE 8 (SHEET 5)

25-71-13-08

HXL
DEC 22/06

25-71-13-08
 PAGE 0D

BOEING
767
PARTS CATALOG (MAINTENANCE)



V 25711308 SHT 6 REV 151

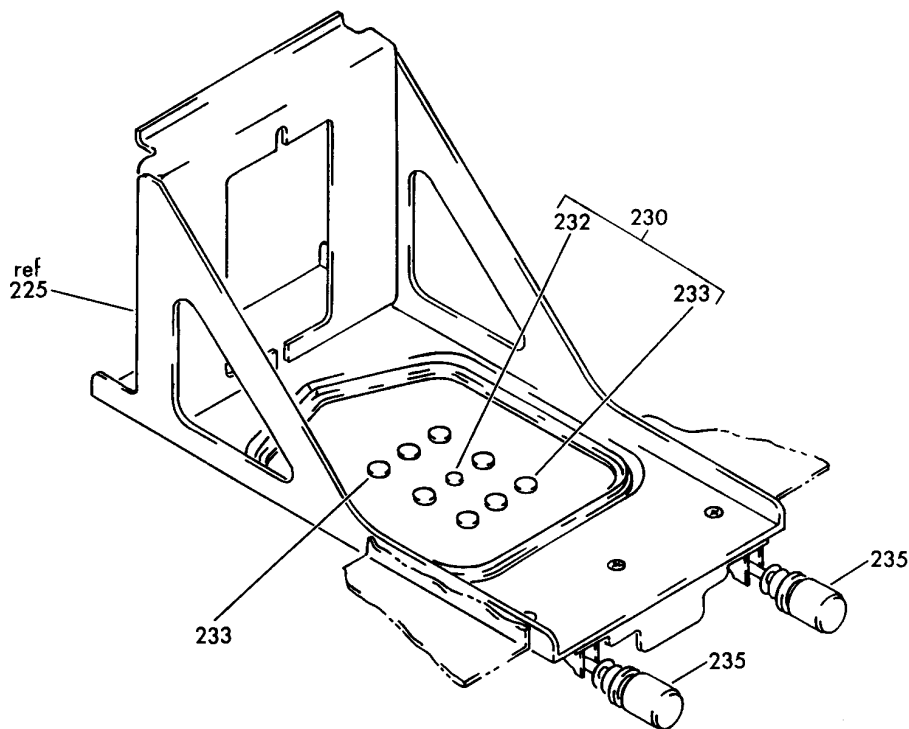
SHELF ASSY-ELECTRONIC EQPT CTR E2-3 (EQUIPMENT/ FURNISHINGS ONLY)
FIGURE 8 (SHEET 6)

25-71-13-08

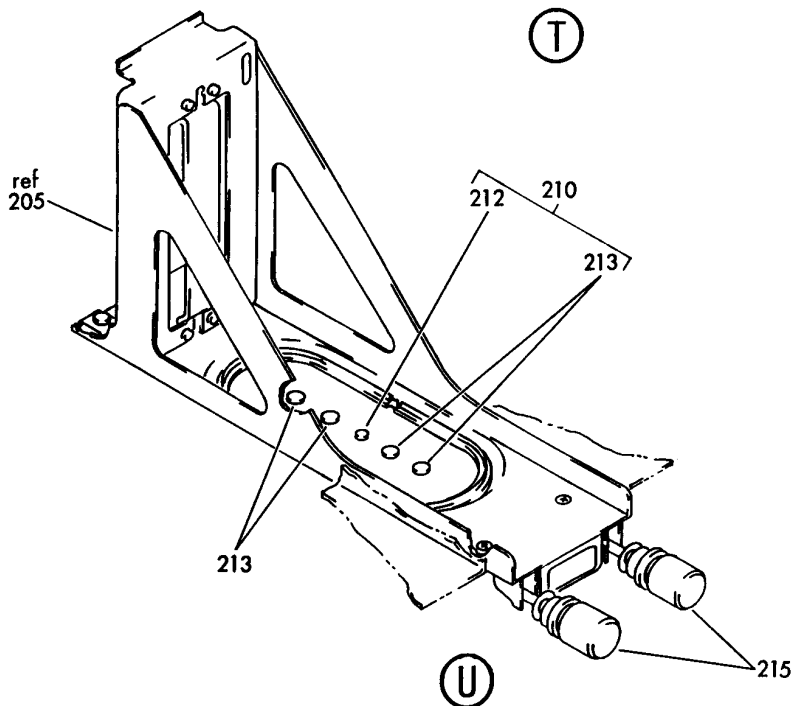
HXL
DEC 22/06

25-71-13-08
PAGE 0E

BOEING
767
PARTS CATALOG (MAINTENANCE)



(T)



(U)

V 25711308 SHT 7 REV 151

SHELF ASSY-ELECTRONIC EQPT CTR E2-3 (EQUIPMENT/ FURNISHINGS ONLY)
FIGURE 8 (SHEET 7)

25-71-13-08

HXL
DEC 22/06

25-71-13-08
PAGE OF



767

PARTS CATALOG (MAINTENANCE)

FIG ITEM	PART NUMBER	1 2 3 4 5 6 7	NOMENCLATURE	EFFECT FROM TO	UNITS PER ASSY
8			SHELF ASSY-ELECTRONIC EQPT CTR E2-3 (EQUIPMENT/ FURNISHINGS ONLY)		
- 1	284T0123-70		SHELF ASSY-ELECTRONIC EQPT CTR E2-3 (EQUIPMENT/ FURNISHINGS ONLY) FOR NHA/OTHER SYS DET SEE: 53-11-64-01B	163163	RF
- 1	284T0123-98		SHELF ASSY-ELECTRONIC EQPT CTR E2-3 (EQUIPMENT/ FURNISHINGS ONLY) FOR NHA/OTHER SYS DET SEE: 53-11-64-01B	155162 164999	RF
5	BAC27TEX0574		.DECAL- PLACARD CONTENT: E2-3		1
10	BAC27TEX1555		.DECAL- PLACARD CONTENT: AE0316		1
15	BAC27TEX3284		.DECALSET-INCLUDES DECALS IDENTIFIED ON THE ILLUSTRATION		1
20	BAC27TEX1824		.DECAL- PLACARD CONTENT: M101RIGHT AIR DATA CMPTR		1
25	BAC27TEX1825		.DECAL- PLACARD CONTENT: M135 RIGHT FLIGHT MGT CMPTR		1
30	BAC27TEX0535		.DECAL- PLACARD CONTENT: M138 DGTL FLIGHT DATA ACQ UNIT		1
35	BAC27TEX2419		.DECAL- PLACARD CONTENT: M187 RECEIVER VOR/MKR, RIGHT		1
40	BAC27TEX1827		.DECAL- PLACARD CONTENT: M113 RIGHT AIR TRFC CONT TRANSPONDER		1
45	BAC27TEX1828		.DECAL- PLACARD CONTENT: M124 RIGHT DME INTRG		1
50	NAS1801-06-8		.SCREW		20
55	NAS1801-06-11		.SCREW		4
60	MS21042L06		.NUT		24

ILLUSTRATION ITEMS NOT ON PARTS LIST ARE NOT APPLICABLE

- ITEM NOT ILLUSTRATED

25-71-13-08

25-71-13
FIG. 08
PAGE 1
DEC 22/07

HXL



767

PARTS CATALOG (MAINTENANCE)

FIG ITEM	PART NUMBER	1 2 3 4 5 6 7	NOMENCLATURE	EFFECT FROM TO	UNITS PER ASSY
8					
65	66-18178-1		. STRAP-ELECTRONIC RACK BONDING ATTACHING PARTS		6
- 75	NAS1801-3-7		. SCREW		6
- 85	AN960JD10L		. WASHER-		6
- 95	MS21042L3		. NUT		6
			-----*-----		
110	NAS1801-3-7		. SCREW		10
125	AN960JD10L		. WASHER		10
145	MS21042L3		. NUT		10
150	NAS514P832-7		. SCREW		14
155	NAS1801-08-7		. SCREW		2
160	AN960JD8L		. WASHER-		16
165	MS21042L08		. NUT		16
170	BACR15BA3AD		. RIVET- SIZE DETERMINED ON INSTL.		6
175	BACR15BB3AD		. RIVET- SIZE DETERMINED ON INSTL.		2
180	284T0032-3		. COVER		1
185	284T0026-18		. TRAY ASSY		3
190	281131-4		.. SEAL ASSY- SUPPLIER CODE: V0767B OPTIONAL PART: 201-4 V0767B BCMP04-1 V09489		1
190	BCMP04-1		.. SEAL ASSY- SUPPLIER CODE: V09489 OPTIONAL PART: 201-4 V0767B 281131-4 V0767B		1
190	201-4		.. SEAL ASSY- SUPPLIER CODE: V60299 OPTIONAL PART: 281131-4 V0767B BCMP04-1 V09489		1
192	82100-1		... PLUG- SUPPLIER CODE: V0767B USED ON: 281131-4		1

ILLUSTRATION ITEMS NOT ON PARTS LIST ARE NOT APPLICABLE

- ITEM NOT ILLUSTRATED

25-71-13-08

25-71-13
FIG. 08
PAGE 2
DEC 22/07

HXL



767

PARTS CATALOG (MAINTENANCE)

FIG ITEM	PART NUMBER	1 2 3 4 5 6 7	NOMENCLATURE	EFFECT FROM TO	UNITS PER ASSY
8 193	82100-2		... PLUG- SUPPLIER CODE: V0767B USED ON: 281131-4		6
195	CA12145-102		.. HOLD DOWN- SUPPLIER CODE: V29372 OPTIONAL PART: CA12095-101 V29372 CA12095-102 V29372 BACC10HZ1		2
195	CA12095-101		.. HOLD DOWN- SUPPLIER CODE: V29372 OPTIONAL PART: CA12095-102 V29372 CA12145-102 V29372 BACC10HZ1		2
195	CA12095-102		.. HOLD DOWN- SUPPLIER CODE: V29372 OPTIONAL PART: CA12095-101 V29372 CA12145-102 V29372 BACC10HZ1		2

ILLUSTRATION ITEMS NOT ON PARTS LIST ARE NOT APPLICABLE

- ITEM NOT ILLUSTRATED

HXL

25-71-13-08

BOEING PROPRIETARY - Copyright © - Unpublished Work - See title page for details.

25-71-13
FIG. 08
PAGE 3
DEC 22/07

 **BOEING**
767
PARTS CATALOG (MAINTENANCE)

FIG ITEM	PART NUMBER	1 2 3 4 5 6 7	NOMENCLATURE	EFFECT FROM TO	UNITS PER ASSY
8 195	H3773-9		..HOLD DOWN- SUPPLIER CODE: V83014 SPECIFICATION NUMBER: BACC10HZ1 OPTIONAL PART: 5175-110-1 V30528 CA12145-102 VOCBU7 H3773-3 V83014 CA12145-102 V29372 CA12095-102 V29372 CA12095-101 V29372 ATTACHING PARTS		2
- 200	NAS514P632-5		..SCREW -----*-----		4
205	284T0026-17		.TRAY ASSY		1
210	281131-3		..SEAL ASSY- SUPPLIER CODE: V0767B OPTIONAL PART: 201-3 V0767B BCMP03-1 V09489		1
210	BCMP03-1		..SEAL ASSY- SUPPLIER CODE: V09489 OPTIONAL PART: 201-3 V0767B 281131-3 V0767B		1
210	201-3		..SEAL ASSY- SUPPLIER CODE: V60299 OPTIONAL PART: 281131-3 V0767B BCMP03-1 V09489		1

ILLUSTRATION ITEMS NOT ON PARTS LIST ARE NOT APPLICABLE

- ITEM NOT ILLUSTRATED

HXL

25-71-13-08

BOEING PROPRIETARY - Copyright © - Unpublished Work - See title page for details.

25-71-13
FIG. 08
PAGE 4
DEC 22/07



767

PARTS CATALOG (MAINTENANCE)

FIG ITEM	PART NUMBER	1 2 3 4 5 6 7	NOMENCLATURE	EFFECT FROM TO	UNITS PER ASSY
8 212	82100-1	...	PLUG- SUPPLIER CODE: V0767B USED ON: 281131-3		1
213	82100-2	...	PLUG- SUPPLIER CODE: V0767B USED ON: 281131-3		4
215	CA12145-102	..	HOLD DOWN- SUPPLIER CODE: V29372 OPTIONAL PART: CA12095-101 V29372 CA12095-102 V29372 BACC10HZ1		2
215	CA12095-101	..	HOLD DOWN- SUPPLIER CODE: V29372 OPTIONAL PART: CA12095-102 V29372 CA12145-102 V29372 BACC10HZ1		2
215	CA12095-102	..	HOLD DOWN- SUPPLIER CODE: V29372 OPTIONAL PART: CA12095-101 V29372 CA12145-102 V29372 BACC10HZ1		2

ILLUSTRATION ITEMS NOT ON PARTS LIST ARE NOT APPLICABLE

- ITEM NOT ILLUSTRATED

HXL

25-71-13-08

BOEING PROPRIETARY - Copyright © - Unpublished Work - See title page for details.

25-71-13
FIG. 08
PAGE 5
DEC 22/07



767

PARTS CATALOG (MAINTENANCE)

FIG ITEM	PART NUMBER	1 2 3 4 5 6 7	NOMENCLATURE	EFFECT FROM TO	UNITS PER ASSY
8 215	H3773-9		..HOLD DOWN- SUPPLIER CODE: V83014 SPECIFICATION NUMBER: BACC10HZ1 OPTIONAL PART: 5175-110-1 V30528 CA12145-102 VOGBU7 H3773-3 V83014 CA12145-102 V29372 CA12095-102 V29372 CA12095-101 V29372 ATTACHING PARTS		2
- 220	NAS514P632-5		.. SCREW -----*-----		4
225	284T0026-24		.TRAY ASSY		1
230	281131-6		..SEAL ASSY- SUPPLIER CODE: V0767B OPTIONAL PART: 201-6 V0767B BCMP06-1 V09489		1
230	BCMP06-1		..SEAL ASSY- SUPPLIER CODE: V09489 OPTIONAL PART: 201-6 V0767B 281131-6 V0767B		1
230	201-6		..SEAL ASSY- SUPPLIER CODE: V0767B OPTIONAL PART: 281131-6 V0767B BCMP06-1 V09489		1
230	281131-13		..SEAL ASSY- SUPPLIER CODE: V0767B		1

ILLUSTRATION ITEMS NOT ON PARTS LIST ARE NOT APPLICABLE

- ITEM NOT ILLUSTRATED

25-71-13-08

25-71-13
 FIG. 08
 PAGE 6
 DEC 22/07

HXL



767

PARTS CATALOG (MAINTENANCE)

FIG ITEM	PART NUMBER	1 2 3 4 5 6 7	NOMENCLATURE	EFFECT FROM TO	UNITS PER ASSY
8					
230	201-13	..	SEAL ASSY- SUPPLIER CODE: V0767B		1
230	BCMP06-2	..	SEAL ASSY- SUPPLIER CODE: V09489		1
232	82100-1	...	PLUG- SUPPLIER CODE: V0767B USED ON: 281131-6		1
233	82100-2	...	PLUG- SUPPLIER CODE: V0767B USED ON: 281131-6		8
235	CA12145-102	..	HOLD DOWN- SUPPLIER CODE: V29372 OPTIONAL PART: CA12095-101 V29372 CA12095-102 V29372 BACC10HZ1		2
235	CA12095-101	..	HOLD DOWN- SUPPLIER CODE: V29372 OPTIONAL PART: CA12095-102 V29372 CA12145-102 V29372 BACC10HZ1		2
235	CA12095-102	..	HOLD DOWN- SUPPLIER CODE: V29372 OPTIONAL PART: CA12095-101 V29372 CA12145-102 V29372 BACC10HZ1		2

ILLUSTRATION ITEMS NOT ON PARTS LIST ARE NOT APPLICABLE

- ITEM NOT ILLUSTRATED

HXL

25-71-13-08

BOEING PROPRIETARY - Copyright © - Unpublished Work - See title page for details.

25-71-13
FIG. 08
PAGE 7
DEC 22/07

 **BOEING**
767
PARTS CATALOG (MAINTENANCE)

FIG ITEM	PART NUMBER	1 2 3 4 5 6 7	NOMENCLATURE	EFFECT FROM TO	UNITS PER ASSY
8 235	H3773-9		..HOLD DOWN- SUPPLIER CODE: V83014 SPECIFICATION NUMBER: BACC10HZ1 OPTIONAL PART: 5175-110-1 V30528 CA12145-102 VOCBU7 H3773-3 V83014 CA12145-102 V29372 CA12095-102 V29372 CA12095-101 V29372 ATTACHING PARTS		2
- 240	NAS514P632-5		..SCREW -----*-----		4
245	284T0026-33		.TRAY ASSY		1
250	281131-15		..SEAL ASSY- SUPPLIER CODE: V0767B OPTIONAL PART: 201-15 V0767B BCMP08-2 V09489		1
250	BCMP08-2		..SEAL ASSY- SUPPLIER CODE: V09489 OPTIONAL PART: 201-15 V0767B 281131-15 V0767B		1
250	201-15		..SEAL ASSY- SUPPLIER CODE: V0767B OPTIONAL PART: 281131-15 V0767B BCMP08-2 V09489		1

ILLUSTRATION ITEMS NOT ON PARTS LIST ARE NOT APPLICABLE

- ITEM NOT ILLUSTRATED

HXL

25-71-13-08

BOEING PROPRIETARY - Copyright © - Unpublished Work - See title page for details.

25-71-13
FIG. 08
PAGE 8
DEC 22/07



767

PARTS CATALOG (MAINTENANCE)

FIG ITEM	PART NUMBER	1 2 3 4 5 6 7	NOMENCLATURE	EFFECT FROM TO	UNITS PER ASSY
8 252	82100-1	...	PLUG- SUPPLIER CODE: V0767B USED ON: 281131-15		1
253	82100-2	...	PLUG- SUPPLIER CODE: V0767B USED ON: 281131-15		15
255	CA12145-102	..	HOLD DOWN- SUPPLIER CODE: V29372 OPTIONAL PART: CA12095-101 V29372 CA12095-102 V29372 BACC10HZ1		2
255	CA12095-101	..	HOLD DOWN- SUPPLIER CODE: V29372 OPTIONAL PART: 12095-102 V29372 CA12145-102 V29372 BACC10HZ1		2
255	CA12095-102	..	HOLD DOWN- SUPPLIER CODE: V29372 OPTIONAL PART: CA12095-101 V29372 CA12145-102 V29372 BACC10HZ1		2

ILLUSTRATION ITEMS NOT ON PARTS LIST ARE NOT APPLICABLE

- ITEM NOT ILLUSTRATED

HXL

25-71-13-08

BOEING PROPRIETARY - Copyright © - Unpublished Work - See title page for details.

25-71-13
FIG. 08
PAGE 9
DEC 22/07

BOEING
767
PARTS CATALOG (MAINTENANCE)

FIG ITEM	PART NUMBER	1 2 3 4 5 6 7	NOMENCLATURE	EFFECT FROM TO	UNITS PER ASSY
8 255	H3773-9		..HOLD DOWN- SUPPLIER CODE: V83014 SPECIFICATION NUMBER: BACC10HZ1 OPTIONAL PART: 5175-110-1 V30528 CA12145-102 VOCBU7 H3773-3 V83014 CA12145-102 V29372 CA12095-102 V29372 CA12095-101 V29372 ATTACHING PARTS		2
- 260	NAS514P632-5		..SCREW -----*-----		4
R R R R R R	265 284T0383-3		.SEAL- MANUFACTURED FROM: SH RUBBER MIL-R-6130 GRADE A TYPE 2 SOFT 0.12 IN 0.7 IN 12.9 IN (5231253020)		6
	295 284T0385-14		.SUPPORT-ZEE ATTACHING PARTS		1
- 300	NAS1801-3-7		.SCREW		6
- 305	AN960JD10L		.WASHER-		6
- 310	MS21042L3		.NUT -----*-----		6
R	315 284T0116-1		.MODULE ASSY-TERM.		1
	320 BACC49A1		..CLAMP ASSY		AR
	325 H21-1		..SPACER SUPPLIER CODE: V34941 SPECIFICATION NUMBER: BACS18AR1 OPTIONAL PART: FAB276A V15805 YHLZ1C2 V09922		AR

ILLUSTRATION ITEMS NOT ON PARTS LIST ARE NOT APPLICABLE

- ITEM NOT ILLUSTRATED

HXL

25-71-13-08

BOEING PROPRIETARY - Copyright © - Unpublished Work - See title page for details.

25-71-13
FIG. 08
PAGE 10
AUG 22/09

BOEING
767
PARTS CATALOG (MAINTENANCE)

FIG ITEM	PART NUMBER	1 2 3 4 5 6 7	NOMENCLATURE	EFFECT FROM TO	UNITS PER ASSY
8					
330	YHLZ2	..	MODULE SUPPLIER CODE: V09922 SPECIFICATION NUMBER: BACM15C1A OPTIONAL PART: YHLZ22 V09922		AR
335	YHLZ2	..	MODULE SUPPLIER CODE: V09922 SPECIFICATION NUMBER: BACM15C1A OPTIONAL PART: YHLZ22 V09922		AR
340	YHLZ4	..	MODULE SUPPLIER CODE: V09922 SPECIFICATION NUMBER: BACM15C1B OPTIONAL PART: YHLZ44 V09922		AR
345	YHLZ8	..	MODULE SUPPLIER CODE: V09922 SPECIFICATION NUMBER: BACM15C2A		AR
350	284T0384-43	.	SUPPORT ASSY-WIRE ATTACHING PARTS		1
355	NAS1801-3-5	.	SCREW		4
360	NAS514P1032-5	.	SCREW		2
365	AN960JD10L	.	WASHER		4
367	AN960PD10L	.	WASHER		2
370	MS21042L3	.	NUT		6
			-----*-----		
390	YHLZG16-1	..	BLOCK-TERM. SUPPLIER CODE: V09922 ATTACHING PARTS		25
- 410	BACR15BB4AD	..	RIVET- SIZE DETERMINED ON INSTL. -----*-----		100
415	MS24665-300	..	PIN		2
420	AN960JD616	..	WASHER		2
425	284T0384-5	..	TUBE		1
430	284T0385-3	..	BRACKET		1

ILLUSTRATION ITEMS NOT ON PARTS LIST ARE NOT APPLICABLE

- ITEM NOT ILLUSTRATED

HXL

25-71-13-08

BOEING PROPRIETARY - Copyright © - Unpublished Work - See title page for details.

25-71-13
FIG. 08
PAGE 11
AUG 22/09



767

PARTS CATALOG (MAINTENANCE)

FIG ITEM	PART NUMBER	1 2 3 4 5 6 7	NOMENCLATURE	EFFECT FROM TO	UNITS PER ASSY
8			ATTACHING PARTS		
- 435	NAS1801-3-7	..	SCREW		1
- 440	AN960JD10	..	WASHER		1
- 445	MS21042L3	..	NUT		1
			-----*-----		
450	284T0385-4	..	BRACKET		1
455	284T0385-5	..	BRACKET		1
			ATTACHING PARTS		
- 460	BACR15BB4AD	..	RIVET-		4
			SIZE DETERMINED ON INSTL.		
			-----*-----		
465	284T0574-7	..	TRACK-TERM. BLOCK MODULE		1
470	284T0211-4	.	SHELF ASSY		1
475	284T0383-1	..	SEAL		1
480	284T0383-2	..	SEAL-		1
			MANUFACTURED FROM:		
			SH RUBBER MIL-R-6130		
			GRADE A TYPE 2 SOFT		
			0.125 IN 2.3 IN 6.2 IN		
			(5231253020)		
- 500	286T0135-127		WIRE BUNDLE ASSY-		RF
			POST ALERT SB:		
			34A0332		

R
R
R
R
R
R

ILLUSTRATION ITEMS NOT ON PARTS LIST ARE NOT APPLICABLE

- ITEM NOT ILLUSTRATED

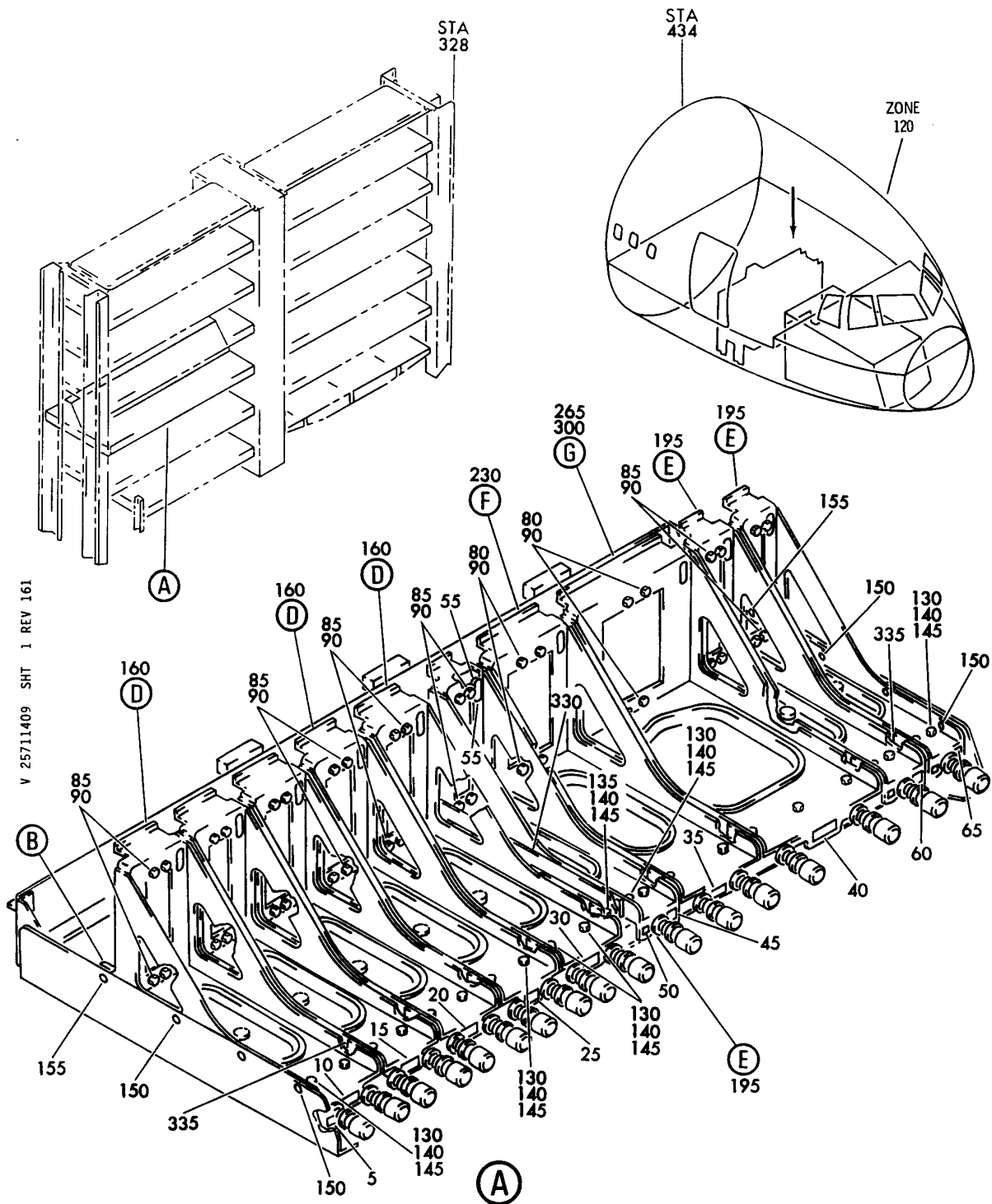
HXL

25-71-13-08

BOEING PROPRIETARY - Copyright © - Unpublished Work - See title page for details.

25-71-13
FIG. 08
PAGE 12
AUG 22/09

BOEING
767
PARTS CATALOG (MAINTENANCE)



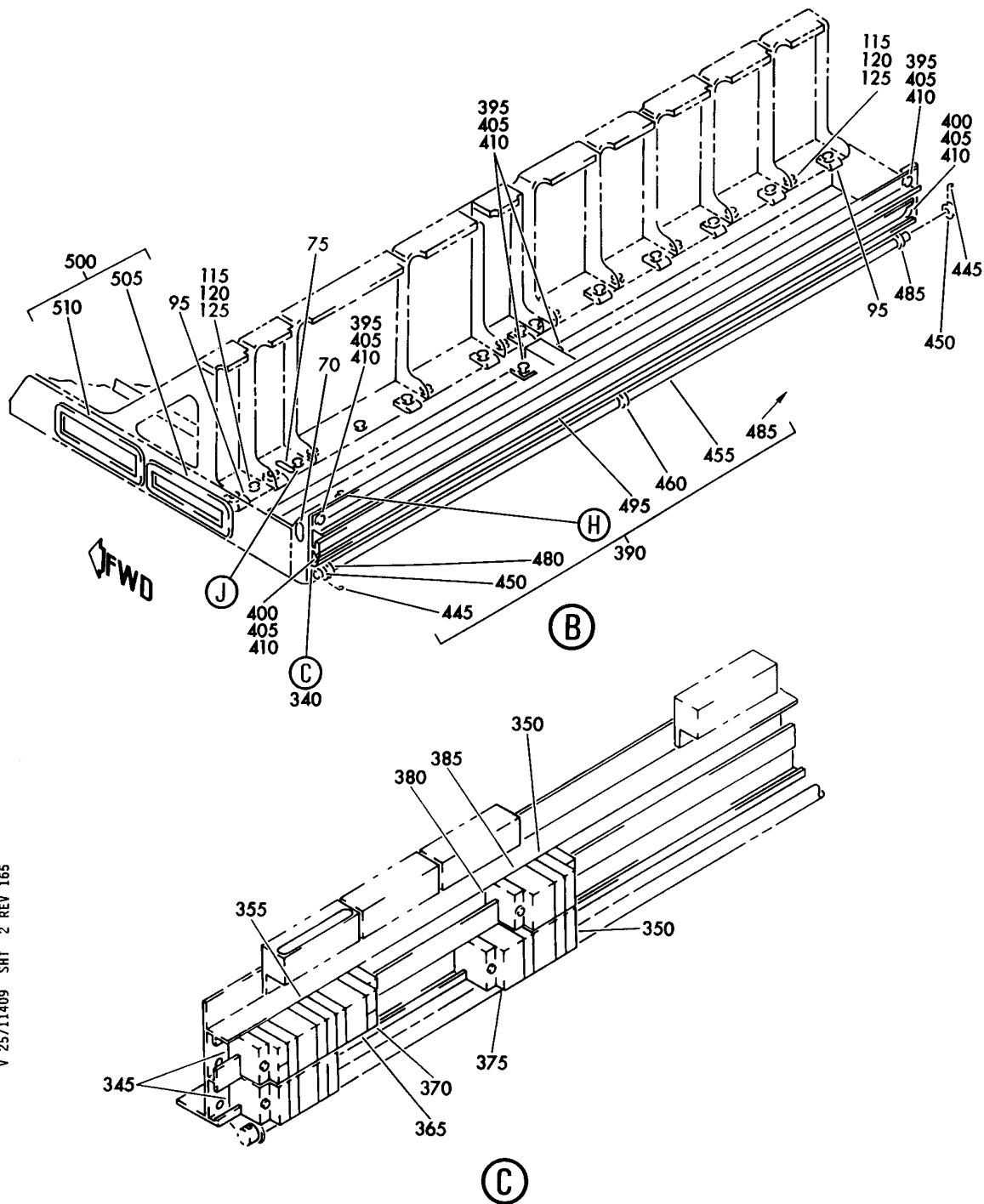
SHELF ASSY-ELECT. EQPT CTR E2-4 (EQUIPMENT/ FURNISHINGS ONLY)
FIGURE 9 (SHEET 1)

25-71-14-09

HXL
DEC 22/06

25-71-14-09
PAGE 0

BOEING
767
PARTS CATALOG (MAINTENANCE)



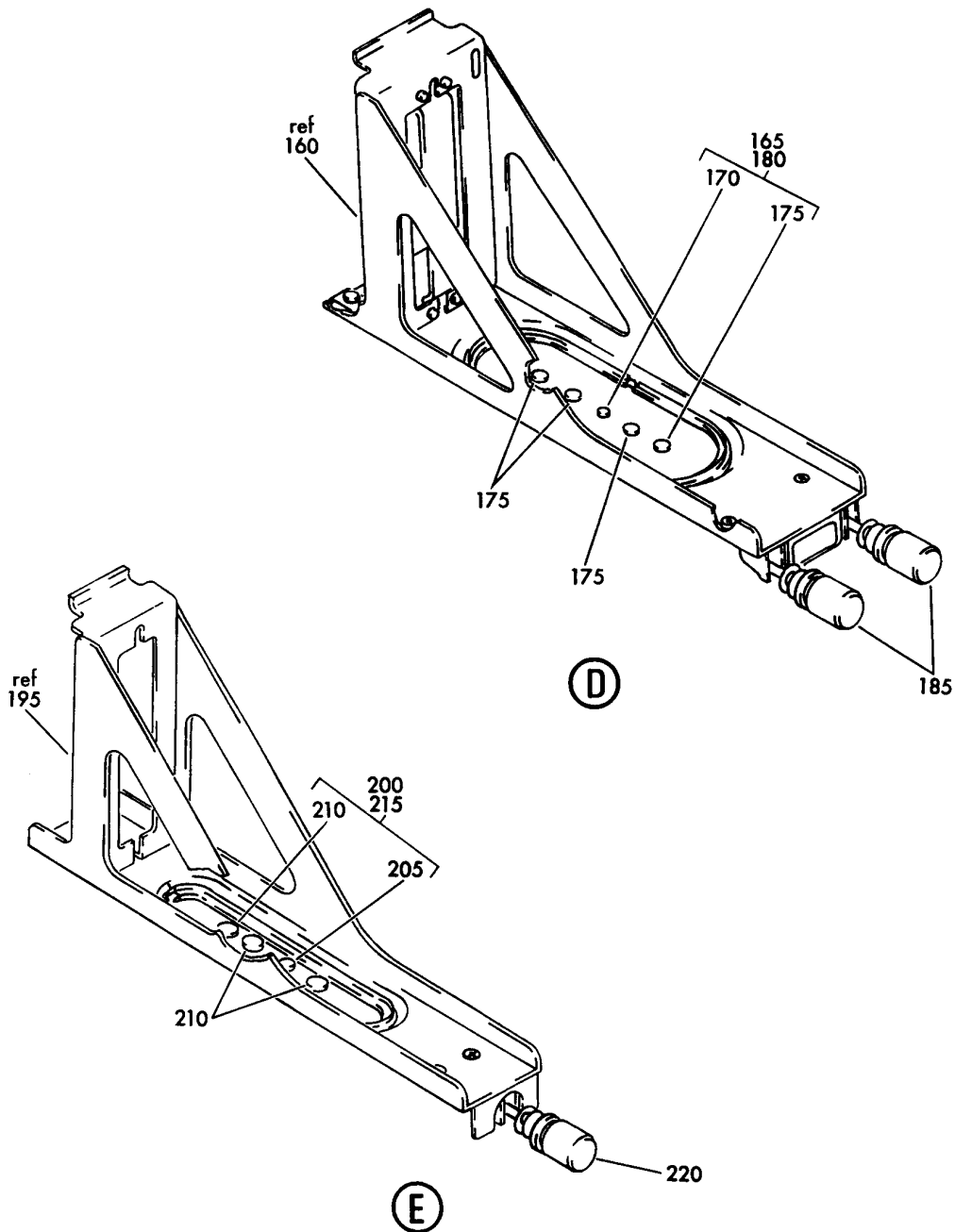
SHELF ASSY-ELECT. EQPT CTR E2-4 (EQUIPMENT/ FURNISHINGS ONLY)
FIGURE 9 (SHEET 2)

25-71-14-09

HXL
DEC 22/06

25-71-14-09
PAGE 0A

BOEING
767
PARTS CATALOG (MAINTENANCE)



V 25711409 SHT 3 REV 161

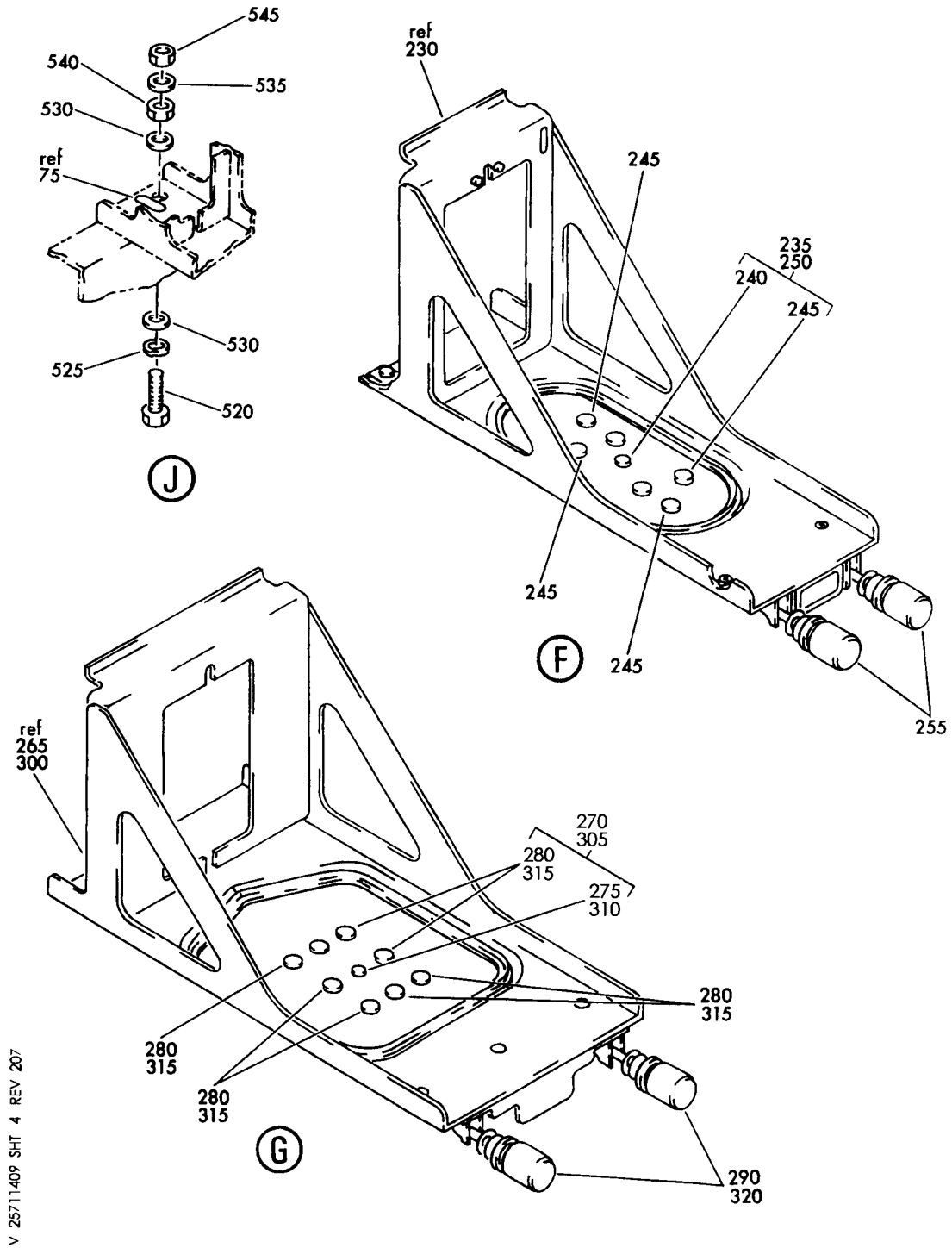
SHELF ASSY-ELECT. EQPT CTR E2-4 (EQUIPMENT/ FURNISHINGS ONLY)
FIGURE 9 (SHEET 3)

25-71-14-09

HXL
DEC 22/06

25-71-14-09
PAGE 08

BOEING
767
PARTS CATALOG (MAINTENANCE)



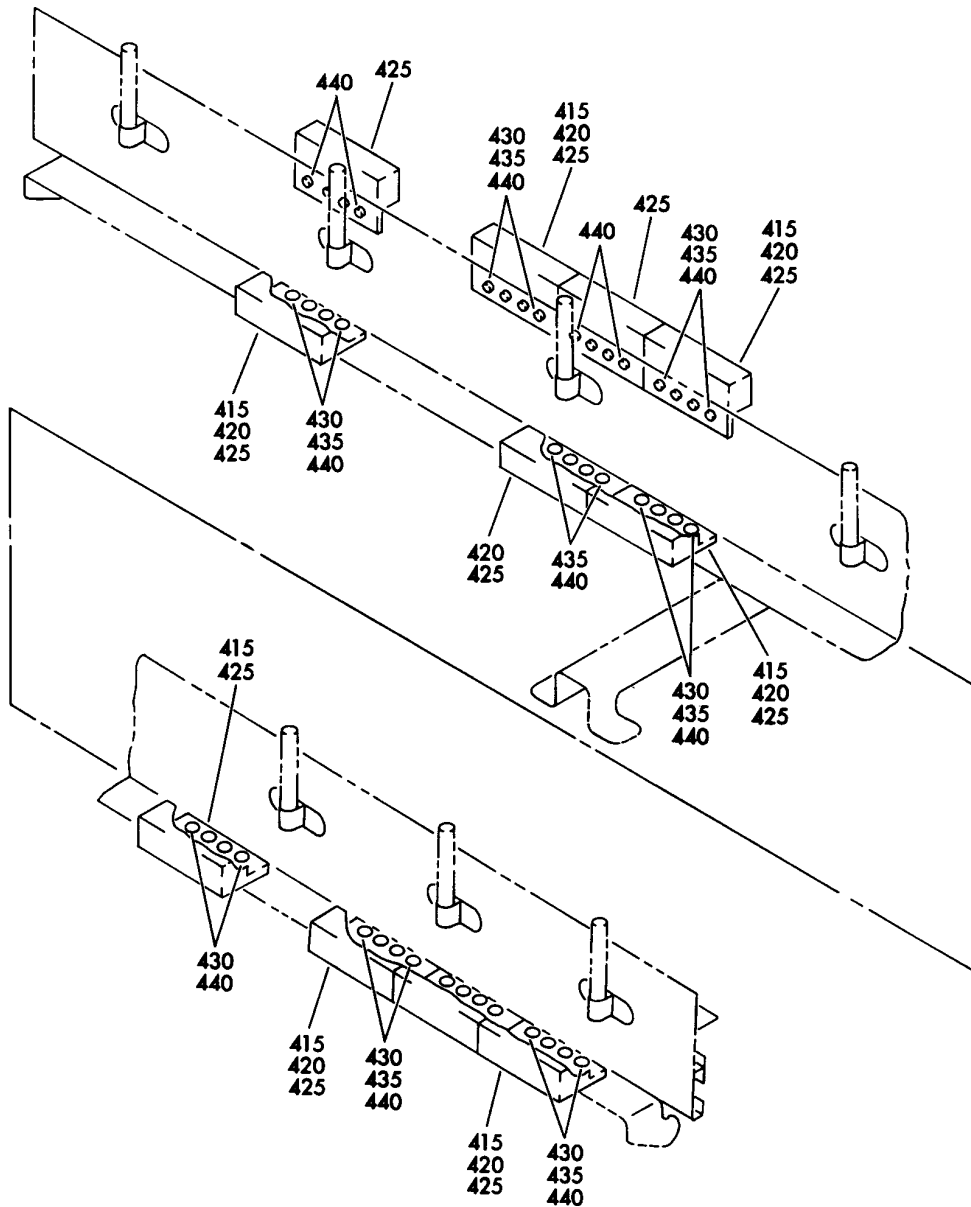
SHELF ASSY-ELECT. EQPT CTR E2-4 (EQUIPMENT/ FURNISHINGS ONLY)
FIGURE 9 (SHEET 4)

HXL
DEC 22/06

25-71-14-09

25-71-14-09
PAGE 0C

BOEING
767
PARTS CATALOG (MAINTENANCE)



V 25711409 SHT 5 REV 161

(H)

SHELF ASSY-ELECT. EQPT CTR E2-4 (EQUIPMENT/ FURNISHINGS ONLY)
FIGURE 9 (SHEET 5)

25-71-14-09

HXL
DEC 22/06

25-71-14-09
PAGE 0D



767

PARTS CATALOG (MAINTENANCE)

FIG ITEM	PART NUMBER	1 2 3 4 5 6 7	NOMENCLATURE	EFFECT FROM TO	UNITS PER ASSY
9			SHELF ASSY-ELECT. EQPT CTR E2-4 (EQUIPMENT/ FURNISHINGS ONLY)		
- 1	284T0124-68		SHELF ASSY-ELECT. EQPT CTR E2-4 (EQUIPMENT/ FURNISHINGS ONLY) FOR NHA/OTHER SYS DET SEE: 53-11-64-01B	155162	RF
- 1	284T0124-84		SHELF ASSY-ELECT. EQPT CTR E2-4 (EQUIPMENT/ FURNISHINGS ONLY) FOR NHA/OTHER SYS DET SEE: 53-11-64-01B	163999	RF
5	BAC27TEX0575		.DECAL- PLACARD CONTENT: E2-4		1
10	BAC27TEX0454		.DECAL- PLACARD CONTENT: M116 BUS PWR CONT UNIT		1
15	BAC27TEX1831		.DECAL- PLACARD CONTENT: M146 RIGHT GEN CONT UNIT		1
20	BAC27TEX1834		.DECAL- PLACARD CONTENT: M119 AUTO 2 CABIN PRESS CONT UNIT		1
25	BAC27TEX1832		.DECAL- PLACARD CONTENT: M143 APU GEN CONT UNIT		1
30	BAC27TEX1943		.DECAL- PLACARD CONTENT: M132 ENG VIB MON UNIT		1
35	BAC27TEX0458		.DECAL- PLACARD CONTENT: M121 FUEL QTY PRCS UNIT		1
40	BAC27TEX1833		.DECAL- PLACARD CONTENT: M545 FLAPS/SLATS ELEX UNIT		1
45	BAC27TEX3840		.DECAL- PLACARD CONTENT: P. I. M. U. R ENG		1
50	BAC27TEX3841		.DECAL- PLACARD CONTENT: M1414		1
55	BAC27TEX3842		.DECAL- PLACARD CONTENT: D11788		2

ILLUSTRATION ITEMS NOT ON PARTS LIST ARE NOT APPLICABLE

- ITEM NOT ILLUSTRATED

HXL

25-71-14-09

BOEING PROPRIETARY - Copyright © - Unpublished Work - See title page for details.

25-71-14
FIG. 09
PAGE 1
DEC 22/07

 **BOEING**
767
PARTS CATALOG (MAINTENANCE)

FIG ITEM	PART NUMBER	1 2 3 4 5 6 7	NOMENCLATURE	EFFECT FROM TO	UNITS PER ASSY
9					
60	BAC27TEX0460	.DECAL-	PLACARD CONTENT: HYD QTY MON UNIT		1
65	BAC27TEX1836	.DECAL-	PLACARD CONTENT: BRK TEMP MON UNIT		1
70	BAC27TEX3285	.DECALSET-	INCLUDES DECALS IDENTIFIED ON THE ILLUSTRATION		1
75	BAC27TEX5013	.DECAL-	PLACARD CONTENT: GDZ1 POST SERVICE BULLETIN: 29-0067		1
80	NAS1801-06-8	.SCREW			8
85	NAS1801-06-11	.SCREW			32
90	MS21042L06	.NUT			40
95	66-18178-1	.STRAP-RACK BONDING	ATTACHING PARTS		10
- 100	NAS1801-3-8	.SCREW			10
- 105	AN960JD10L	.WASHER			10
- 110	MS21042L3	.NUT			10
		-----*			
115	NAS1801-3-8	.SCREW			12
120	AN960JD10L	.WASHER			12
125	MS21042L3	.NUT			12
130	NAS514P832-7	.SCREW			21
135	NAS1801-08-7	.SCREW			1
140	AN960JD8L	.WASHER			22
145	MS21042L08	.NUT			22
150	BACR15BA3AD	.RIVET-	SIZE DETERMINED ON INSTL.		6
155	BACR15BB3AD	.RIVET-	SIZE DETERMINED ON INSTL.		2
160	284T0026-17	.TRAY ASSY			5
165	281131-3	..SEAL ASSY-	SUPPLIER CODE: V0767B OPTIONAL PART: 201-3 V0767B BCMP03-1 V09489		1

ILLUSTRATION ITEMS NOT ON PARTS LIST ARE NOT APPLICABLE

- ITEM NOT ILLUSTRATED

HXL

25-71-14-09

BOEING PROPRIETARY - Copyright © - Unpublished Work - See title page for details.

25-71-14
FIG. 09
PAGE 2
DEC 22/07



767

PARTS CATALOG (MAINTENANCE)

FIG ITEM	PART NUMBER	1 2 3 4 5 6 7	NOMENCLATURE	EFFECT FROM TO	UNITS PER ASSY
9 165	201-3		..SEAL ASSY- SUPPLIER CODE: V60299 OPTIONAL PART: 281131-3 V0767B BCMP03-1 V09489		1
165	BCMP03-1		..SEAL ASSY- SUPPLIER CODE: V09489 OPTIONAL PART: 281131-3 V0767B 201-3 V0767B		1
170	82100-1		...PLUG- SUPPLIER CODE: V0767B USED ON: 281131-3		1
175	82100-2		...PLUG- SUPPLIER CODE: V0767B USED ON: 281131-3		4
185	H3773-9		..HOLD DOWN- SUPPLIER CODE: V83014 SPECIFICATION NUMBER: BACC10HZ1 OPTIONAL PART: 5175-110-1 V30528 CA12145-102 V0CBU7 H3773-3 V83014 CA12095-101 V29372 CA12095-102 V29372 CA12145-102 V29372		2

ILLUSTRATION ITEMS NOT ON PARTS LIST ARE NOT APPLICABLE

- ITEM NOT ILLUSTRATED

HXL

25-71-14-09

BOEING PROPRIETARY - Copyright © - Unpublished Work - See title page for details.

25-71-14
FIG. 09
PAGE 3
DEC 22/07



767

PARTS CATALOG (MAINTENANCE)

FIG ITEM	PART NUMBER	1 2 3 4 5 6 7	NOMENCLATURE	EFFECT FROM TO	UNITS PER ASSY
9 185	CA12095-101		..HOLD DOWN- SUPPLIER CODE: V29372 OPTIONAL PART: CA12095-102 V29372 CA12145-102 V29372 BACC10HZ1		2
185	CA12095-102		..HOLD DOWN- SUPPLIER CODE: V29372 OPTIONAL PART: CA12095-101 V29372 CA12145-102 V29372 BACC10HZ1		2
185	CA12145-102		..HOLD DOWN- SUPPLIER CODE: V29372 OPTIONAL PART: CA12095-101 V29372 CA12095-102 V29372 BACC10HZ1		2
- 190	NAS514P632-5		ATTACHING PARTS ..SCREW -----*-----		4
195	284T0026-16		.TRAY ASSY		3
200	281131-2		..SEAL ASSY- SUPPLIER CODE: V0767B OPTIONAL PART: 201-2 V0767B BCMP02-1 V09489		1
200	201-2		..SEAL ASSY- SUPPLIER CODE: V0767B OPTIONAL PART: 281131-2 V0767B BCMP02-1 V09489		1

ILLUSTRATION ITEMS NOT ON PARTS LIST ARE NOT APPLICABLE

- ITEM NOT ILLUSTRATED

HXL

25-71-14-09

BOEING PROPRIETARY - Copyright © - Unpublished Work - See title page for details.

25-71-14
FIG. 09
PAGE 4
DEC 22/07



767

PARTS CATALOG (MAINTENANCE)

FIG ITEM	PART NUMBER	1 2 3 4 5 6 7	NOMENCLATURE	EFFECT FROM TO	UNITS PER ASSY
9 200	BCMP02-1		..SEAL ASSY- SUPPLIER CODE: V09489 OPTIONAL PART: 281131-2 V0767B 201-2 V0767B		1
205	82100-1		...PLUG- SUPPLIER CODE: V0767B USED ON: 281131-2		1
210	82100-2		...PLUG- SUPPLIER CODE: V0767B USED ON: 281131-2		3
220	H3773-9		..HOLD DOWN- SUPPLIER CODE: V83014 SPECIFICATION NUMBER: BACC10HZ1 OPTIONAL PART: 5175-110-1 V30528 CA12145-102 V0CBU7 H3773-3 V83014 CA12095-101 V29372 CA12095-102 V29372 CA12145-102 V29372		1
220	CA12095-101		..HOLD DOWN- SUPPLIER CODE: V29372 OPTIONAL PART: CA12095-102 V29372 CA12145-102 V29372 BACC10HZ1		1

ILLUSTRATION ITEMS NOT ON PARTS LIST ARE NOT APPLICABLE

- ITEM NOT ILLUSTRATED

HXL

25-71-14-09

BOEING PROPRIETARY - Copyright © - Unpublished Work - See title page for details.

25-71-14
FIG. 09
PAGE 5
DEC 22/07



767

PARTS CATALOG (MAINTENANCE)

FIG ITEM	PART NUMBER	1 2 3 4 5 6 7	NOMENCLATURE	EFFECT FROM TO	UNITS PER ASSY
9 220	CA12095-102		..HOLD DOWN- SUPPLIER CODE: V29372 OPTIONAL PART: CA12095-101 V29372 CA12145-102 V29372 BACC10HZ1		1
220	CA12145-102		..HOLD DOWN- SUPPLIER CODE: V29372 OPTIONAL PART: CA12095-101 V29372 CA12095-102 V29372 BACC10HZ1		1
- 225	NAS514P632-5		ATTACHING PARTS ..SCREW -----*-----		2
230	284T0026-18		.TRAY ASSY		1
235	281131-4		..SEAL ASSY- SUPPLIER CODE: V0767B OPTIONAL PART: 201-4 V0767B BCMP04-1 V09489		1
235	201-4		..SEAL ASSY- SUPPLIER CODE: V60299 OPTIONAL PART: 281131-4 V0767B BCMP04-1 V09489		1
235	BCMP01-4		..SEAL ASSY- SUPPLIER CODE: V09489 OPTIONAL PART: 281131-4 V0767B 201-4 V0767B		1

ILLUSTRATION ITEMS NOT ON PARTS LIST ARE NOT APPLICABLE

- ITEM NOT ILLUSTRATED

HXL

25-71-14-09

BOEING PROPRIETARY - Copyright © - Unpublished Work - See title page for details.

25-71-14
FIG. 09
PAGE 6
DEC 22/07



767

PARTS CATALOG (MAINTENANCE)

FIG ITEM	PART NUMBER	1 2 3 4 5 6 7	NOMENCLATURE	EFFECT FROM TO	UNITS PER ASSY
9 240	82100-1	...	PLUG- SUPPLIER CODE: V0767B USED ON: 281131-4		1
245	82100-2	...	PLUG- SUPPLIER CODE: V0767B USED ON: 281131-4		6
255	H3773-9	..	HOLD DOWN- SUPPLIER CODE: V83014 SPECIFICATION NUMBER: BACC10HZ1 OPTIONAL PART: 5175-110-1 V30528 CA12145-102 V0CBU7 H3773-3 V83014 CA12095-101 V29372 CA12095-102 V29372 CA12145-102 V29372		2
255	CA12095-101	..	HOLD DOWN- SUPPLIER CODE: V29372 OPTIONAL PART: CA12095-102 V29372 CA12145-102 V29372 BACC10HZ1		2
255	CA12095-102	..	HOLD DOWN- SUPPLIER CODE: V29372 OPTIONAL PART: CA12095-101 V29372 CA12145-102 V29372 BACC10HZ1		2

ILLUSTRATION ITEMS NOT ON PARTS LIST ARE NOT APPLICABLE

- ITEM NOT ILLUSTRATED

HXL

25-71-14-09

BOEING PROPRIETARY - Copyright © - Unpublished Work - See title page for details.

25-71-14
FIG. 09
PAGE 7
DEC 22/07

 **BOEING**
767
PARTS CATALOG (MAINTENANCE)

FIG ITEM	PART NUMBER	1 2 3 4 5 6 7	NOMENCLATURE	EFFECT FROM TO	UNITS PER ASSY
9 255	CA12145-102		..HOLD DOWN- SUPPLIER CODE: V29372 OPTIONAL PART: CA12095-101 V29372 CA12095-102 V29372 BACC10HZ1 ATTACHING PARTS		2
- 260	NAS514P632-5		..SCREW -----*-----		4
265	284T0026-24		.TRAY ASSY		1
270	281131-6		..SEAL ASSY- SUPPLIER CODE: V0767B OPTIONAL PART: 201-6 V0767B BCMP06-1 V09489		1
270	201-6		..SEAL ASSY- SUPPLIER CODE: V0767B OPTIONAL PART: 281131-6 V0767B BCMP06-1 V09489		1
270	BCMP06-1		..SEAL ASSY- SUPPLIER CODE: V09489 OPTIONAL PART: 281131-6 V0767B 201-6 V0767B		1
270	281131-13		..SEAL ASSY- SUPPLIER CODE: V0767B		1
270	201-13		..SEAL ASSY- SUPPLIER CODE: V0767B		1
270	BCMP06-2		..SEAL ASSY- SUPPLIER CODE: V09489		1

ILLUSTRATION ITEMS NOT ON PARTS LIST ARE NOT APPLICABLE

- ITEM NOT ILLUSTRATED

HXL

25-71-14-09

BOEING PROPRIETARY - Copyright © - Unpublished Work - See title page for details.

25-71-14
FIG. 09
PAGE 8
DEC 22/07



767

PARTS CATALOG (MAINTENANCE)

FIG ITEM	PART NUMBER	1 2 3 4 5 6 7	NOMENCLATURE	EFFECT FROM TO	UNITS PER ASSY
9 275	82100-1	...	PLUG- SUPPLIER CODE: V0767B USED ON: 281131-6		1
280	82100-2	...	PLUG- SUPPLIER CODE: V0767B USED ON: 281131-6		8
290	H3773-9	..	HOLD DOWN- SUPPLIER CODE: V83014 SPECIFICATION NUMBER: BACC10HZ1 OPTIONAL PART: 5175-110-1 V30528 CA12145-102 V0CBU7 H3773-3 V83014 CA12095-101 V29372 CA12095-102 V29372 CA12145-102 V29372		2
290	CA12095-101	..	HOLD DOWN- SUPPLIER CODE: V29372 OPTIONAL PART: CA12095-102 V29372 CA12145-102 V29372 BACC10HZ1		2
290	CA12095-102	..	HOLD DOWN- SUPPLIER CODE: V29372 OPTIONAL PART: CA12095-101 V29372 CA12145-102 V29372 BACC10HZ1		2

ILLUSTRATION ITEMS NOT ON PARTS LIST ARE NOT APPLICABLE

- ITEM NOT ILLUSTRATED

HXL

25-71-14-09

BOEING PROPRIETARY - Copyright © - Unpublished Work - See title page for details.

25-71-14
FIG. 09
PAGE 9
DEC 22/07

BOEING
767
PARTS CATALOG (MAINTENANCE)

FIG ITEM	PART NUMBER	1 2 3 4 5 6 7	NOMENCLATURE	EFFECT FROM TO	UNITS PER ASSY
9	CA12145-102		..HOLD DOWN- SUPPLIER CODE: V29372 OPTIONAL PART: CA12095-101 V29372 CA12095-102 V29372 BACC10HZ1 ATTACHING PARTS		2
-	295 NAS514P632-5		.. SCREW -----*-----		4
	330 284T0032-1		.COVER-TRAY		1
R	335 284T0383-3		.SEAL- MANUFACTURED FROM: SH RUBBER MIL-R-6130 GRADE A TYPE 2 SOFT 0.12 IN 0.7 IN 12.9 IN (5231253020)		10
R					
R					
R					
R					
R					
	340 284T0116-1		.MODULE ASSY-TERM.		1
R	345 BACC49A1		.. CLAMP ASSY-END		AR
	350 H21-1		.. SPACER SUPPLIER CODE: V34941 SPECIFICATION NUMBER: BACS18AR1 OPTIONAL PART: FAB276A V15805 YHLZ1C2 V09922		AR
	355 H21-6		.. SPACER SUPPLIER CODE: V34941 SPECIFICATION NUMBER: BACS18AR6 OPTIONAL PART: FAB276-0 V15805 YHLZ1C7 V09922		AR
	360 YHLZ4		.. MODULE SUPPLIER CODE: V09922 SPECIFICATION NUMBER: BACM15C1B OPTIONAL PART: YHLZ44 V09922		AR

ILLUSTRATION ITEMS NOT ON PARTS LIST ARE NOT APPLICABLE

- ITEM NOT ILLUSTRATED

HXL

25-71-14-09

BOEING PROPRIETARY - Copyright © - Unpublished Work - See title page for details.

25-71-14
FIG. 09
PAGE 10
AUG 22/09

 **BOEING**
767
PARTS CATALOG (MAINTENANCE)

FIG ITEM	PART NUMBER	1 2 3 4 5 6 7	NOMENCLATURE	EFFECT FROM TO	UNITS PER ASSY
9					
365	YHLZ8	..	MODULE SUPPLIER CODE: V09922 SPECIFICATION NUMBER: BACM15C2A		AR
370	YHLZ2	..	MODULE SUPPLIER CODE: V09922 SPECIFICATION NUMBER: BACM15C1A OPTIONAL PART: YHLZ22 V09922		AR
375	YHLZ16-2	..	MODULE SUPPLIER CODE: V09922 SPECIFICATION NUMBER: BACM15C3A OPTIONAL PART: TBH120450 V58982 421120-450 V58982		AR
380	YHLZ16-4	..	MODULE SUPPLIER CODE: V09922 SPECIFICATION NUMBER: BACM15C3B OPTIONAL PART: 421120-452 V58982 TBH120452 V58982		AR
385	YHLZ16-8	..	MODULE SUPPLIER CODE: V09922 SPECIFICATION NUMBER: BACM15C3C OPTIONAL PART: 421120-454 V58982 TBH120454 V58982		AR
390	284T0384-31	.	SUPPORT ASSY-WIRE	155162	1
390	284T0384-53	.	SUPPORT ASSY-WIRE ATTACHING PARTS	163999	1
395	NAS1801-3-5	.	SCREW		4
400	NAS514P1032-5	.	SCREW		2
405	AN960JD10L	.	WASHER		6
ILLUSTRATION ITEMS NOT ON PARTS LIST ARE NOT APPLICABLE					

- ITEM NOT ILLUSTRATED

HXL

25-71-14-09

BOEING PROPRIETARY - Copyright © - Unpublished Work - See title page for details.

25-71-14
FIG. 09
PAGE 11
AUG 22/09

BOEING
767
PARTS CATALOG (MAINTENANCE)

FIG ITEM	PART NUMBER	1 2 3 4 5 6 7	NOMENCLATURE	EFFECT FROM TO	UNITS PER ASSY
9					
410	MS21042L3	.	NUT		6
		-----*			
415	YHLZG16-1	..	BLOCK-GROUND SUPPLIER CODE: V09922	155162	8
425	YHLZG16-1	..	BLOCK-GROUND SUPPLIER CODE: V09922	163999	11
			ATTACHING PARTS		
430	BACR15BB4AD	..	RIVET- SIZE DETERMINED ON INSTL.	155162	32
440	BACR15BB4AD	..	RIVET- SIZE DETERMINED ON INSTL.	163999	44
		-----*			
445	MS24665-300	..	PIN		2
450	AN960JD616	..	WASHER		2
455	284T0384-5	..	TUBE		1
460	284T0385-3	..	BRACKET ATTACHING PARTS		1
- 465	NAS1801-3-7	..	SCREW		1
- 470	AN960JD10	..	WASHER		1
- 475	MS21042L3	..	NUT		1
		-----*			
480	284T0385-4	..	BRACKET		1
485	284T0385-5	..	BRACKET ATTACHING PARTS		1
- 490	BACR15BB4AD	..	RIVET- SIZE DETERMINED ON INSTL.		4
		-----*			
495	284T0574-7	..	TRACK-TERM. BLOCK MODULE ALTERED FROM PART NUMBER: AMY4100T11 V09922		1
500	284T0211-4	.	SHELF ASSY		1
505	284T0383-1	..	SEAL		1
510	284T0383-2	..	SEAL- MANUFACTURED FROM: SH RUBBER MIL-R-6130 GRADE A TYPE 2 SOFT 0.125 IN 2.3 IN 6.2 IN (5231253020)		1
520	NAS1801-3-10	.	SCREW- POST SERVICE BULLETIN: 29-0067		1
525	MS35338-43	.	WASHER- POST SERVICE BULLETIN: 29-0067		1

R
R
R
R
R
R

ILLUSTRATION ITEMS NOT ON PARTS LIST ARE NOT APPLICABLE

- ITEM NOT ILLUSTRATED

HXL

25-71-14-09

25-71-14
FIG. 09
PAGE 12
AUG 22/09



767

PARTS CATALOG (MAINTENANCE)

FIG ITEM	PART NUMBER	1 2 3 4 5 6 7	NOMENCLATURE	EFFECT FROM TO	UNITS PER ASSY
9					
530	AN960D10L		.WASHER- POST SERVICE BULLETIN: 29-0067		2
535	AN960-10		.WASHER- POST SERVICE BULLETIN: 29-0067		1
540	MS35650-305T		.NUT- POST SERVICE BULLETIN: 29-0067		1
545	MS21042L3		.NUT- POST SERVICE BULLETIN: 29-0067		1
ILLUSTRATION ITEMS NOT ON PARTS LIST ARE NOT APPLICABLE					

- ITEM NOT ILLUSTRATED

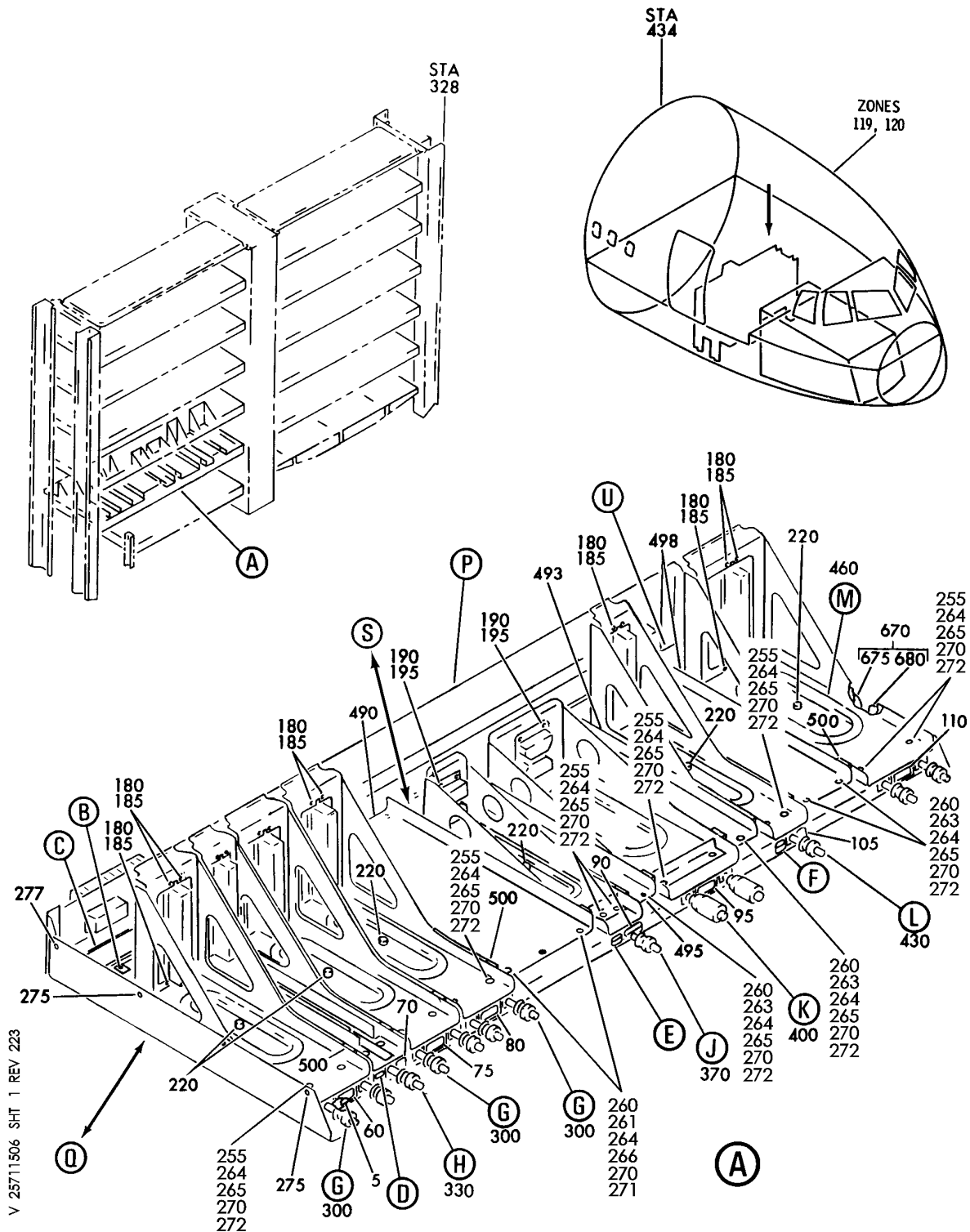
HXL

25-71-14-09

BOEING PROPRIETARY - Copyright © - Unpublished Work - See title page for details.

25-71-14
FIG. 09
PAGE 13
AUG 22/09

BOEING
767
PARTS CATALOG (MAINTENANCE)



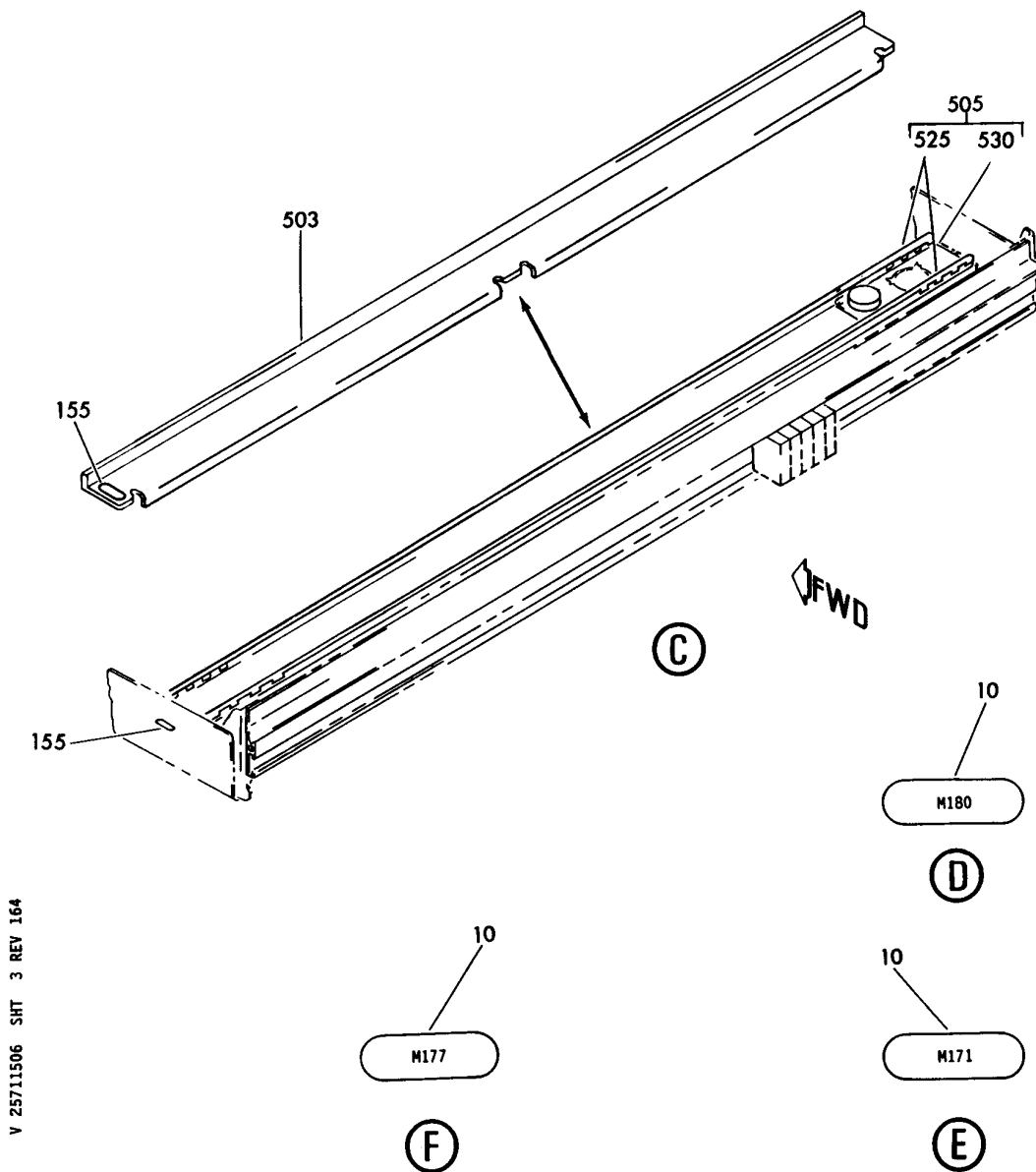
SHELF ASSY-ELECT. EQPT CTR E2-5 (EQUIPMENT/ FURNISHINGS ONLY)
FIGURE 6 (SHEET 1)

25-71-15-06

HXL
DEC 22/07

25-71-15-06
PAGE 0

BOEING
767
PARTS CATALOG (MAINTENANCE)



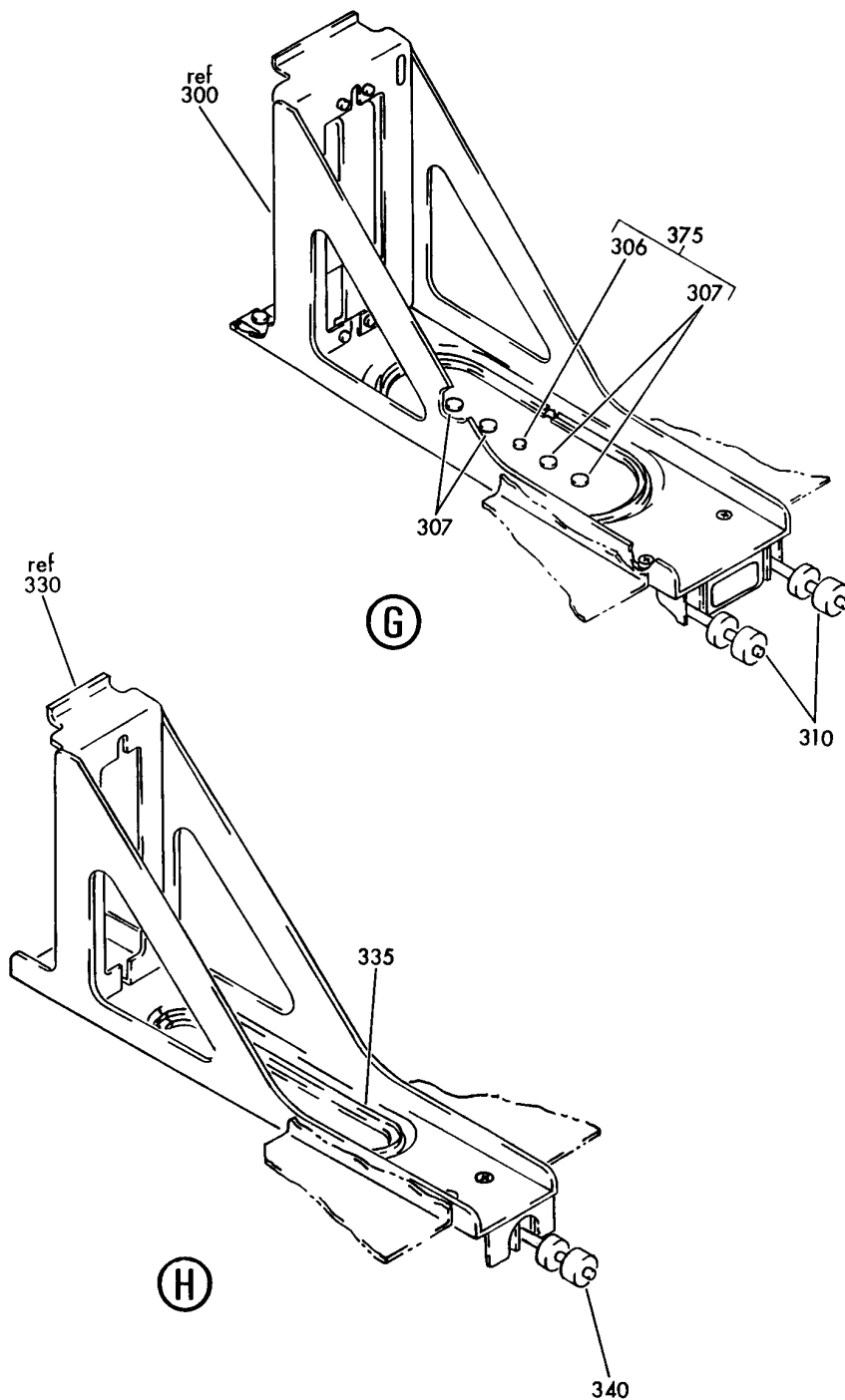
SHELF ASSY-ELECT. EQPT CTR E2-5 (EQUIPMENT/ FURNISHINGS ONLY)
FIGURE 6 (SHEET 3)

25-71-15-06

HXL
DEC 22/07

25-71-15-06
PAGE 0B

BOEING
767
PARTS CATALOG (MAINTENANCE)



V 25711506 SHT 4 REV 164

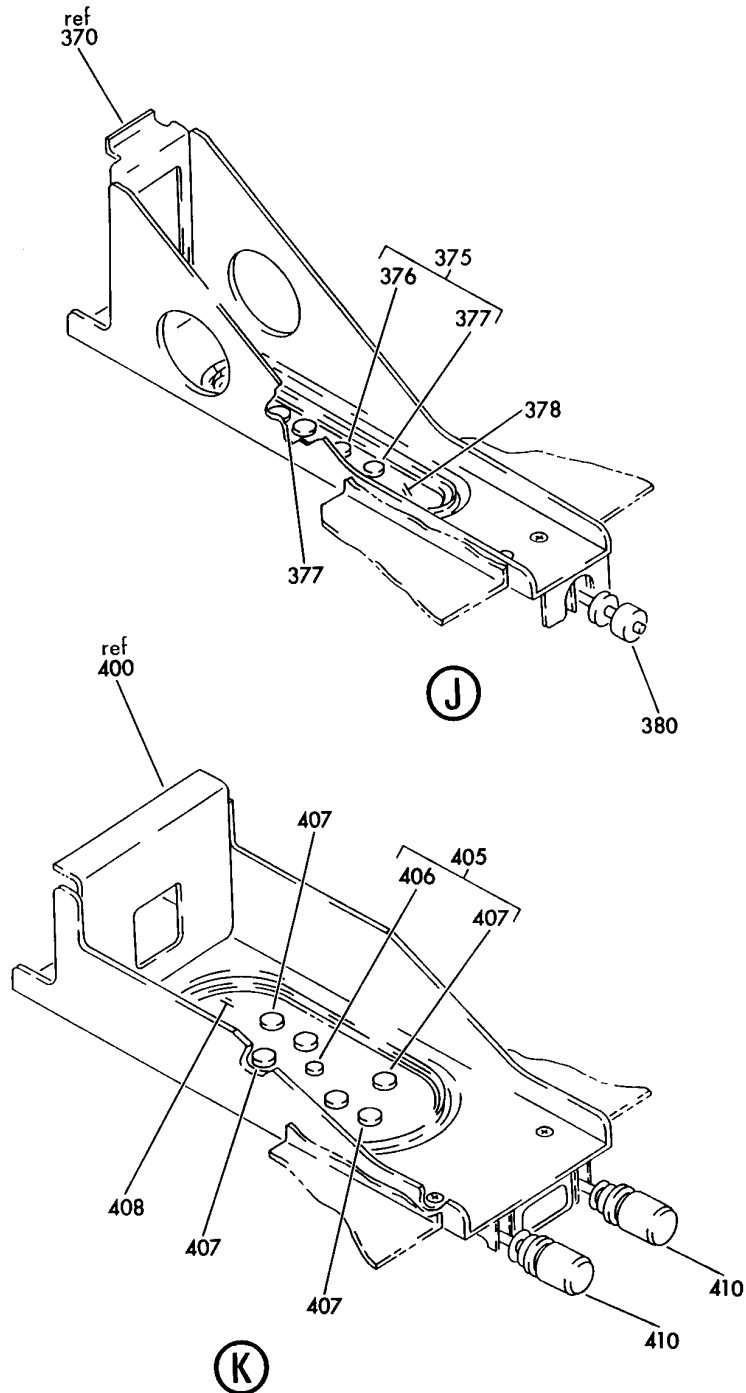
SHELF ASSY-ELECT. EQPT CTR E2-5 (EQUIPMENT/ FURNISHINGS ONLY)
FIGURE 6 (SHEET 4)

25-71-15-06

HXL
DEC 22/07

25-71-15-06
PAGE 0C

BOEING
767
PARTS CATALOG (MAINTENANCE)



V 25711506 SHT 5 REV 164

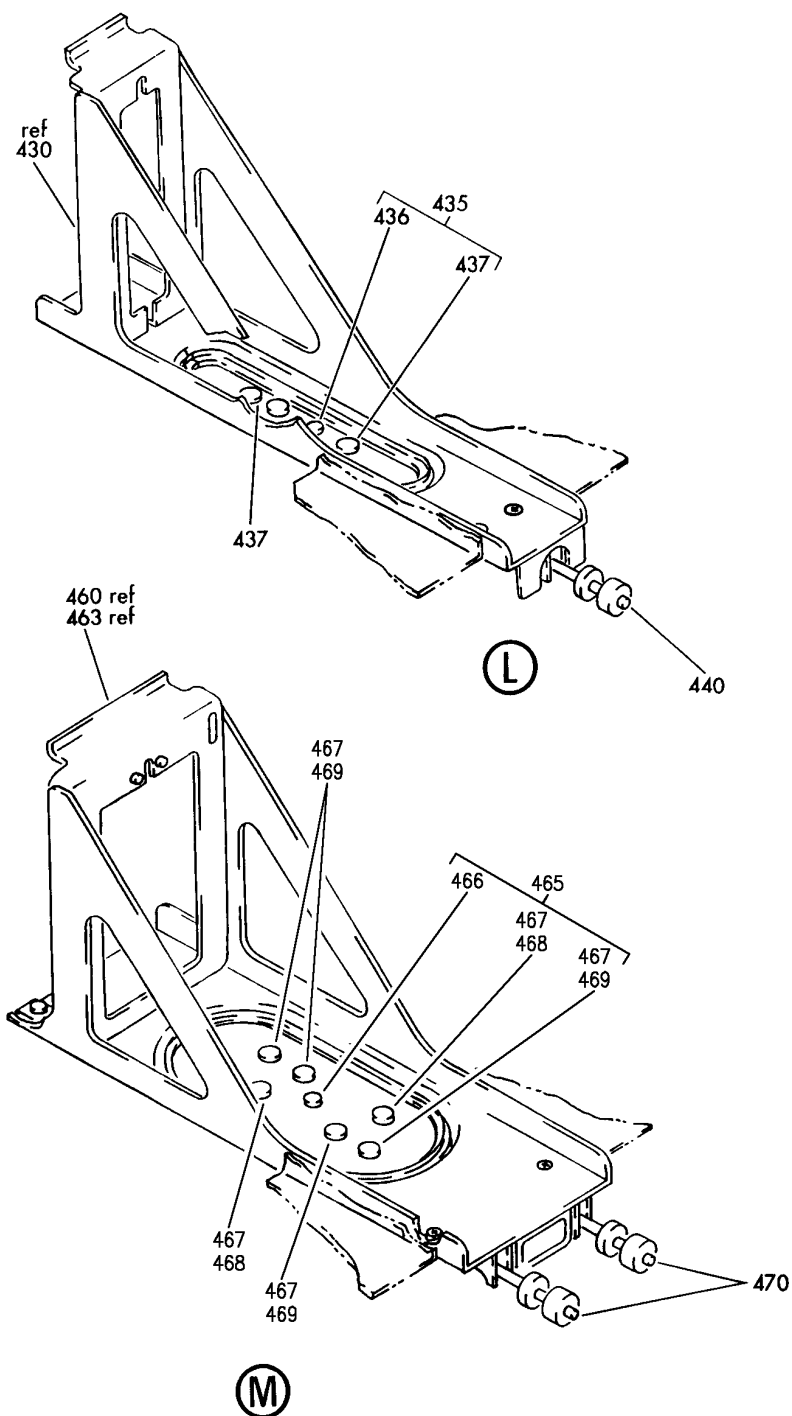
SHELF ASSY-ELECT. EQPT CTR E2-5 (EQUIPMENT/ FURNISHINGS ONLY)
FIGURE 6 (SHEET 5)

25-71-15-06

HXL
DEC 22/07

25-71-15-06
PAGE 0D

BOEING
767
PARTS CATALOG (MAINTENANCE)



V 25711506 SH-T 6 REV 303

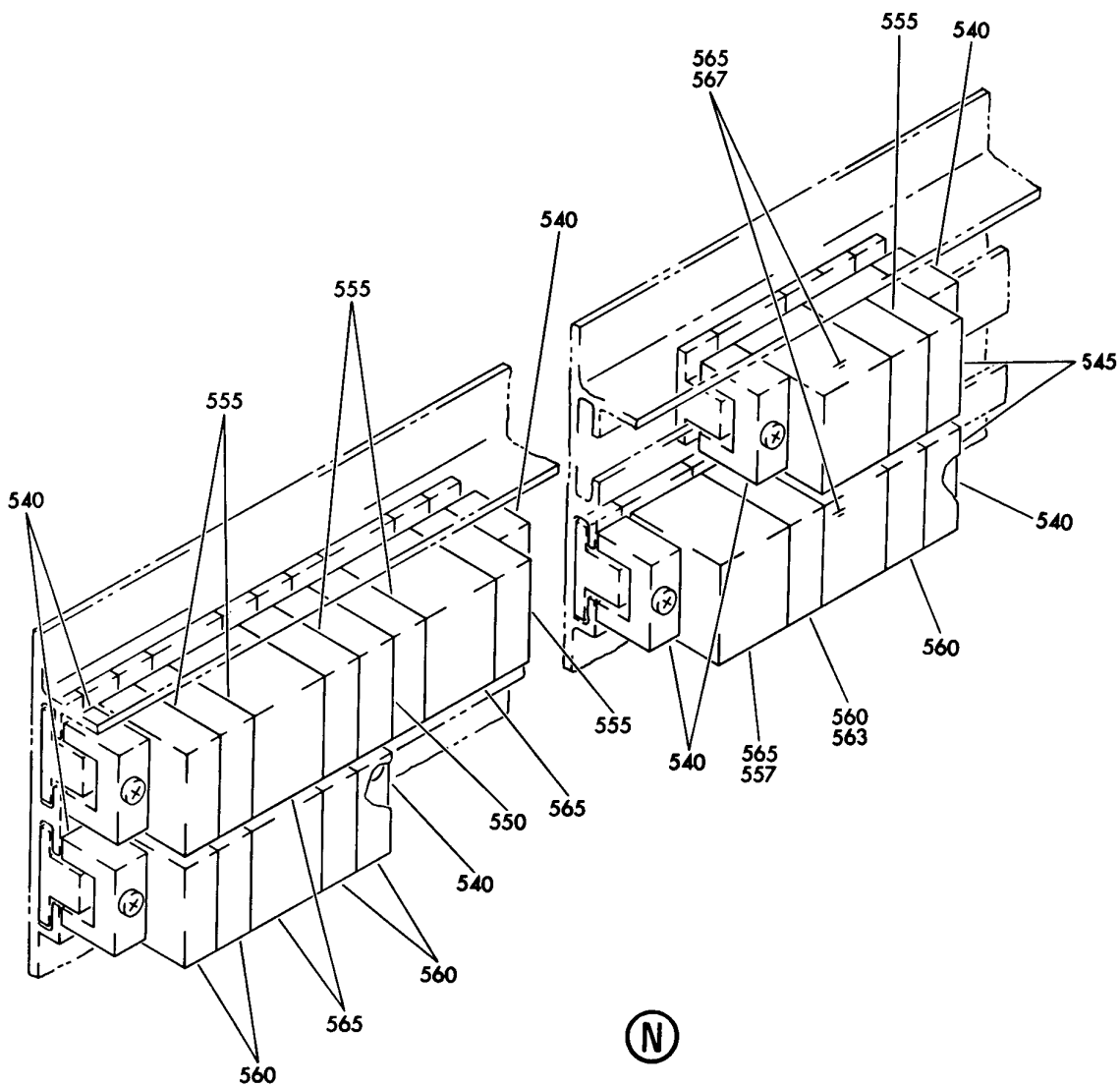
SHELF ASSY-ELECT. EQPT CTR E2-5 (EQUIPMENT/ FURNISHINGS ONLY)
FIGURE 6 (SHEET 6)

25-71-15-06

HXL
DEC 22/07

25-71-15-06
PAGE 0E

BOEING
767
PARTS CATALOG (MAINTENANCE)



V 25711506 SHT 7 REV 186

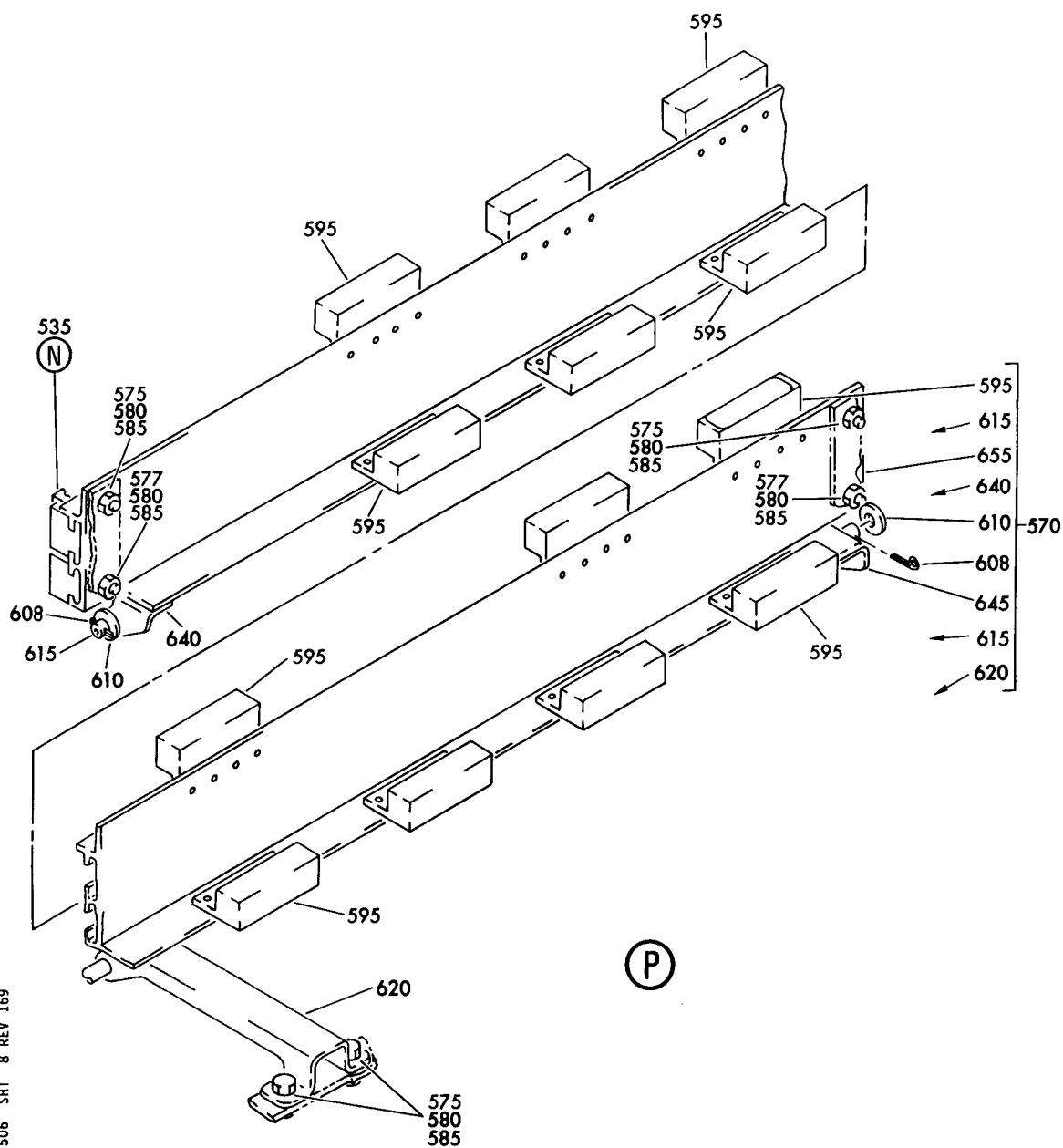
SHELF ASSY-ELECT. EQPT CTR E2-5 (EQUIPMENT/ FURNISHINGS ONLY)
FIGURE 6 (SHEET 7)

25-71-15-06

HXL
DEC 22/07

25-71-15-06
PAGE OF

BOEING
767
PARTS CATALOG (MAINTENANCE)



V 25711506 SHT 8 REV 169

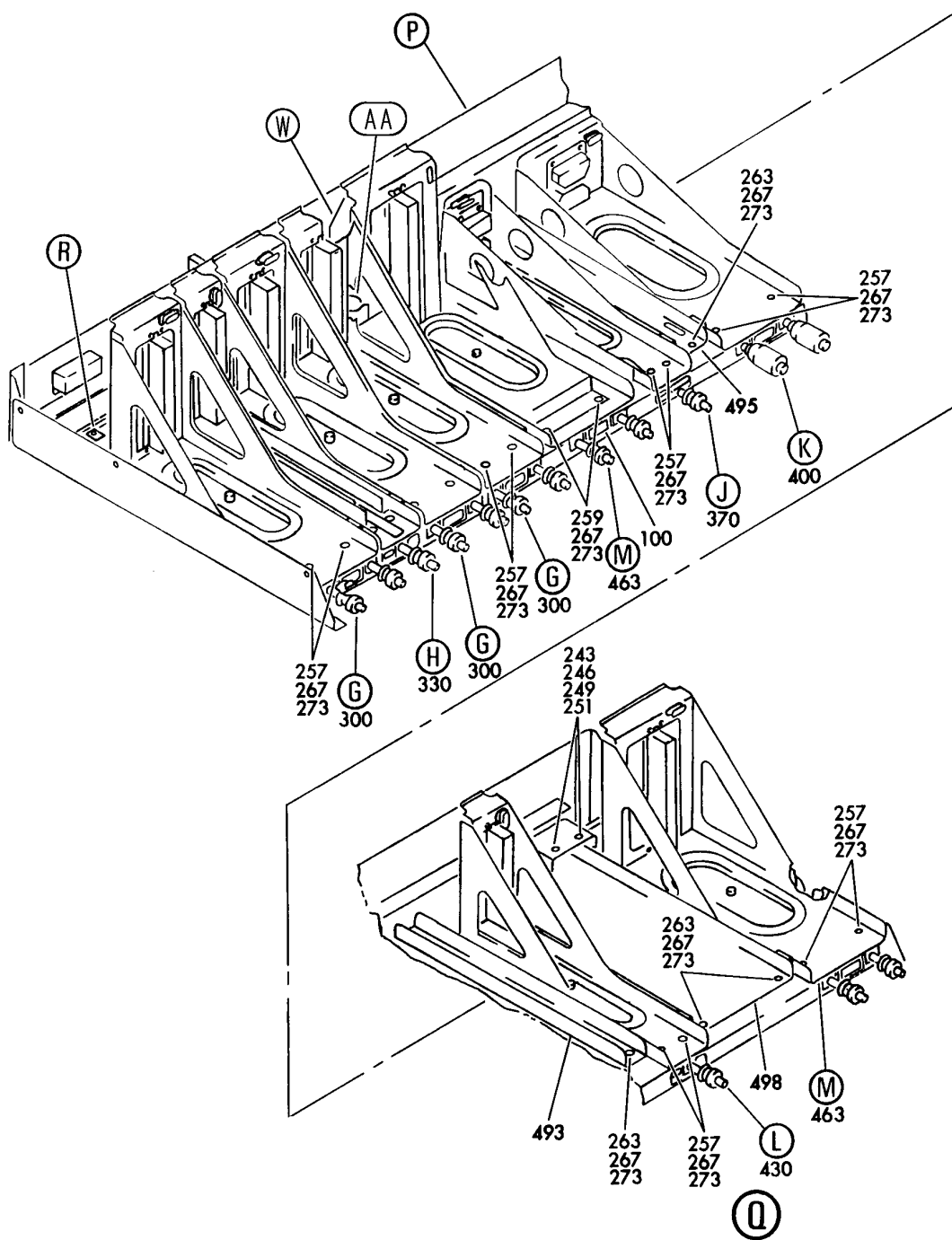
SHELF ASSY-ELECT. EQPT CTR E2-5 (EQUIPMENT/ FURNISHINGS ONLY)
FIGURE 6 (SHEET 8)

25-71-15-06

HXL
DEC 22/07

25-71-15-06
PAGE 06

BOEING
767
PARTS CATALOG (MAINTENANCE)



V 25711506 SH-T 9 REV 303

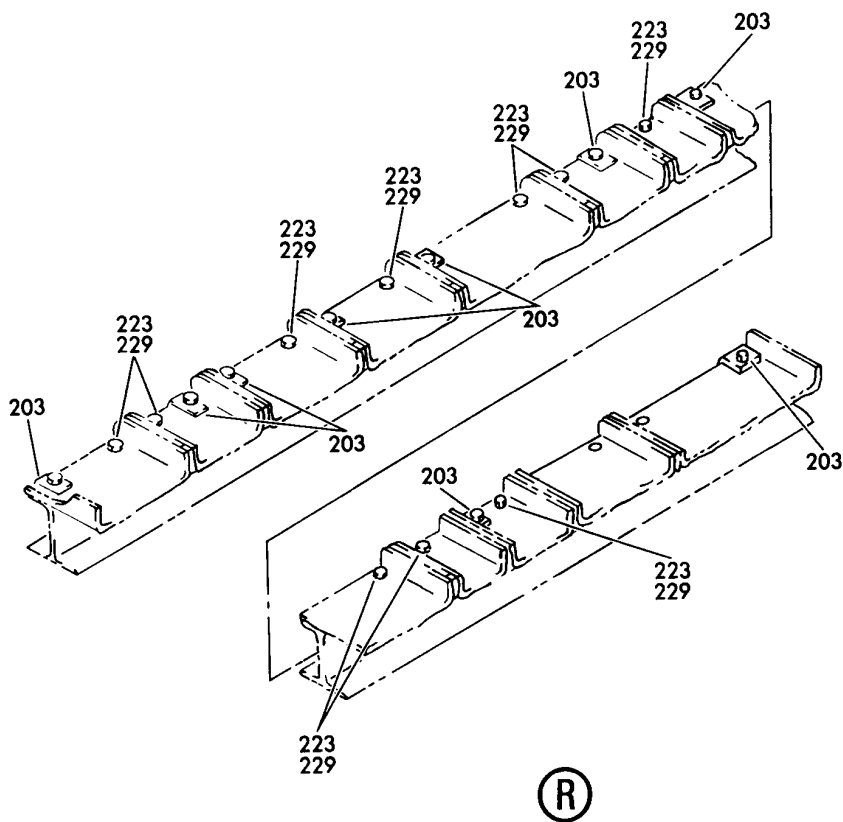
SHELF ASSY-ELECT. EQPT CTR E2-5 (EQUIPMENT/ FURNISHINGS ONLY)
FIGURE 6 (SHEET 9)

25-71-15-06

HXL
DEC 22/07

25-71-15-06
PAGE 0H

BOEING
767
PARTS CATALOG (MAINTENANCE)



V 25711506 SHT 10 REV 169

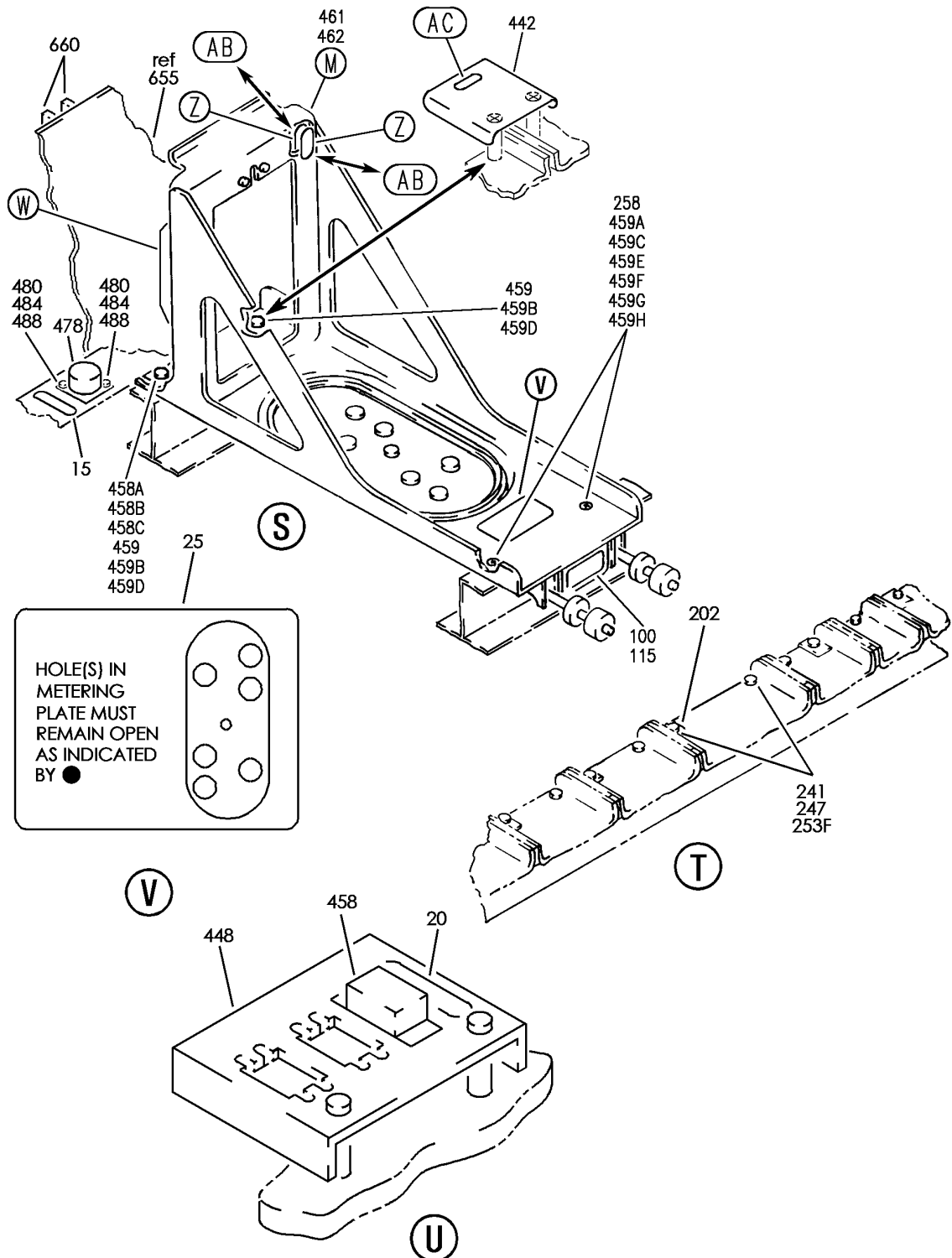
SHELF ASSY-ELECT. EQPT CTR E2-5 (EQUIPMENT/ FURNISHINGS ONLY)
FIGURE 6 (SHEET 10)

25-71-15-06

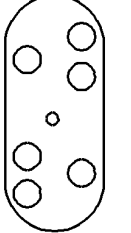
HXL
DEC 22/07

25-71-15-06
PAGE 01


BOEING
 767
PARTS CATALOG (MAINTENANCE)



HOLE(S) IN
 METERING
 PLATE MUST
 REMAIN OPEN
 AS INDICATED
 BY ●



V 25711506 SH-T 11 REV 307

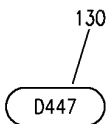
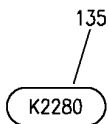
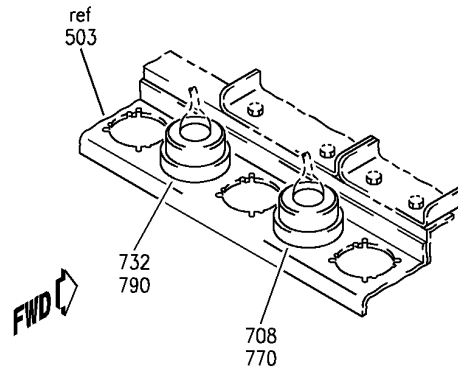
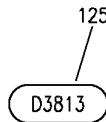
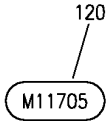
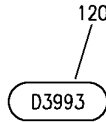
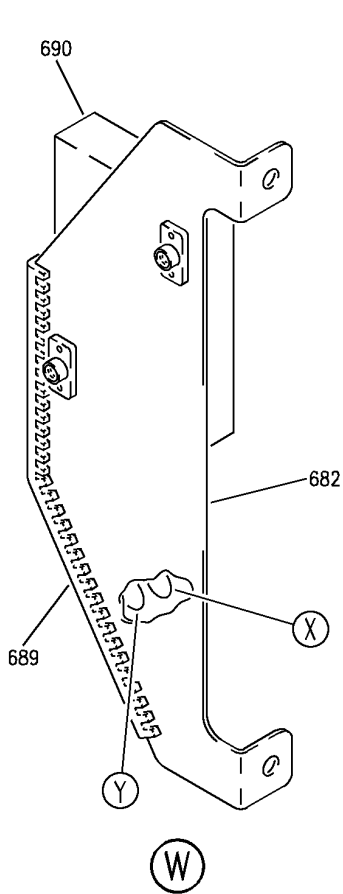
SHELF ASSY-ELECT. EQPT CTR E2-5 (EQUIPMENT/ FURNISHINGS ONLY)
 FIGURE 6 (SHEET 11)

25-71-15-06

HXL
 DEC 22/07

25-71-15-06
 PAGE 0J

BOEING
767
PARTS CATALOG (MAINTENANCE)



V 25711506 SHT 12 REV 307

SHELF ASSY-ELECT. EQPT CTR E2-5 (EQUIPMENT/ FURNISHINGS ONLY)
FIGURE 6 (SHEET 12)

25-71-15-06

HXL
DEC 22/07

25-71-15-06
PAGE OK



767
PARTS CATALOG (MAINTENANCE)

FIG ITEM	PART NUMBER	1 2 3 4 5 6 7	NOMENCLATURE	EFFECT FROM TO	UNITS PER ASSY
6 200	66-18178-1		SHELF ASSY-ELECT. EQPT CTR E2-5 (EQUIPMENT/ FURNISHINGS ONLY) .STRAP		8

ILLUSTRATION ITEMS NOT ON PARTS LIST ARE NOT APPLICABLE

- ITEM NOT ILLUSTRATED

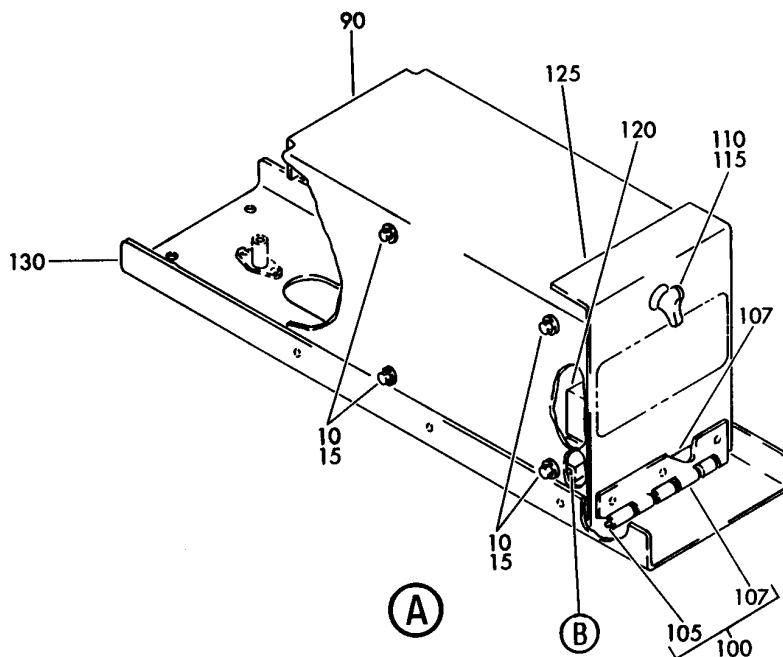
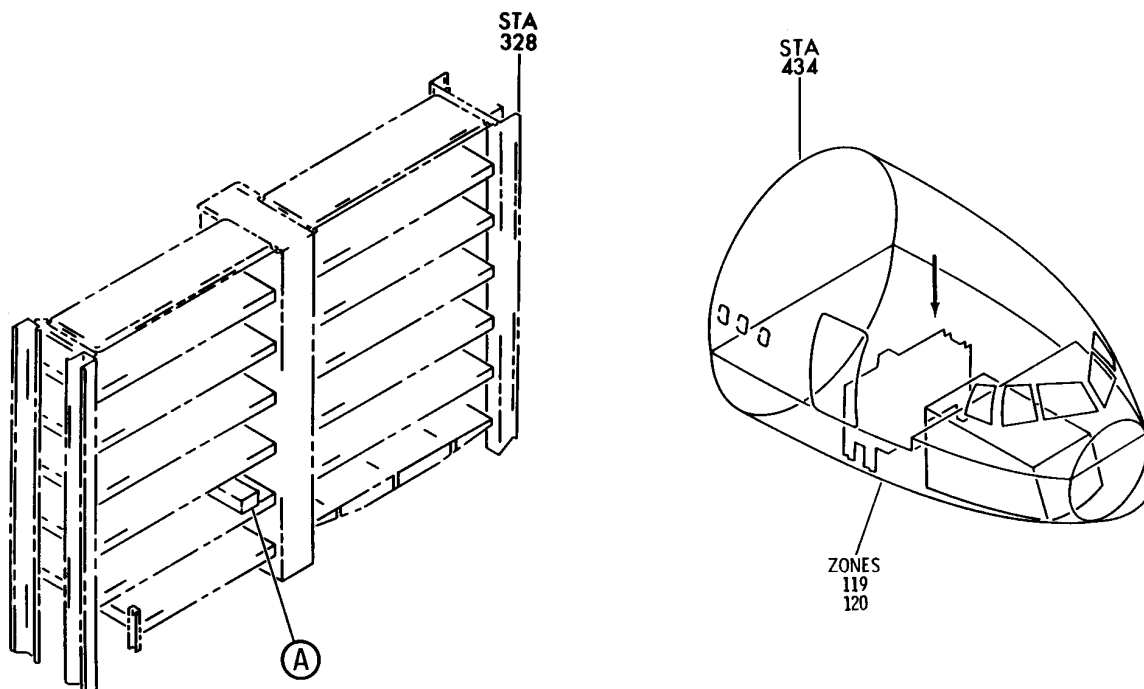
HXL

25-71-15-06

BOEING PROPRIETARY - Copyright © - Unpublished Work - See title page for details.

25-71-15
FIG. 06
PAGE 1
DEC 22/07

BOEING
767
PARTS CATALOG (MAINTENANCE)



V 25711515 SHT 1 REV 149

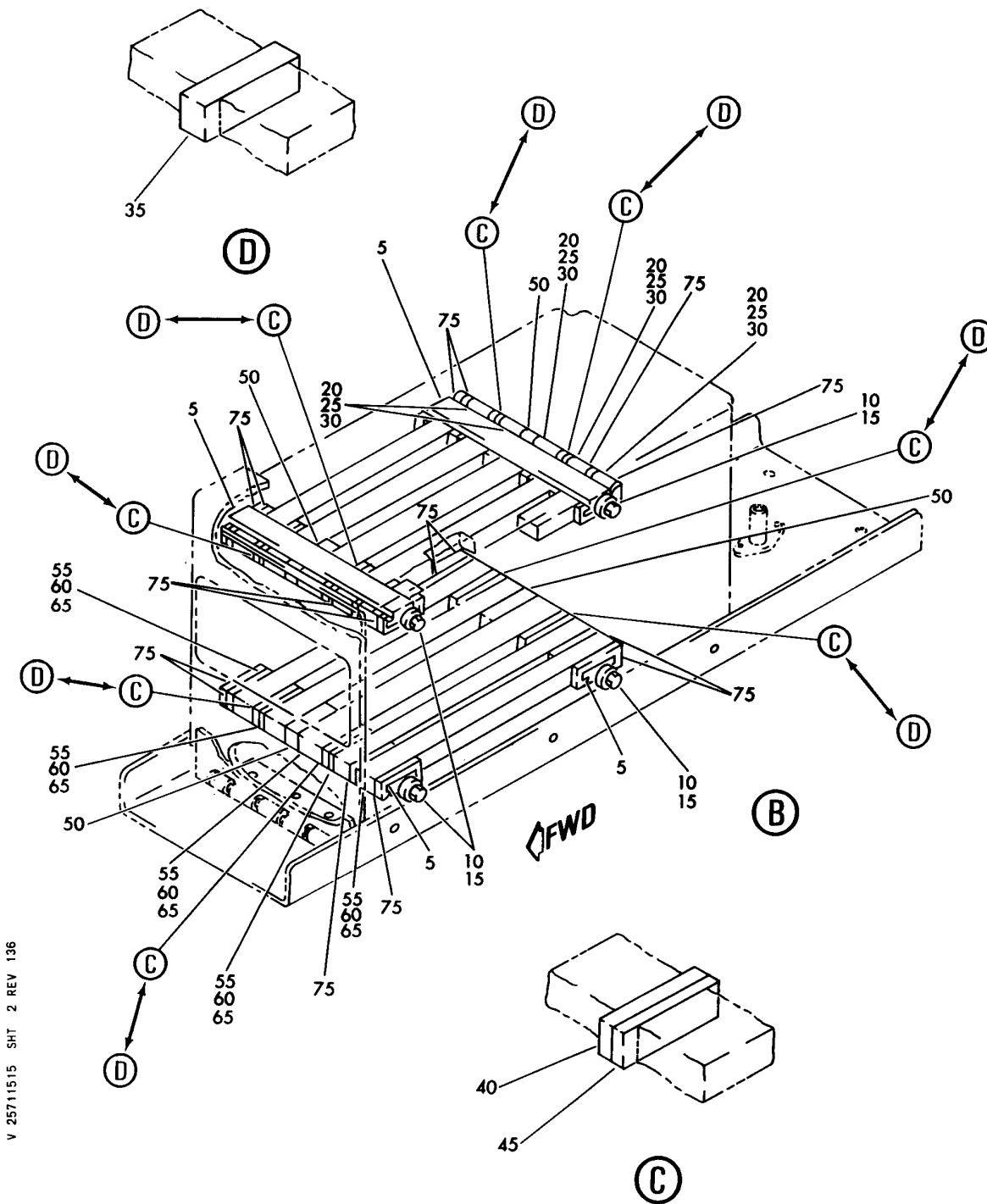
BOX ASSY-ELECTRONIC EQPT CTR E2-5 (EQUIPMENT/ FURNISHINGS ONLY)
FIGURE 15 (SHEET 1)

25-71-15-15

HXL
DEC 22/06

25-71-15-15
PAGE 0


BOEING
 767
PARTS CATALOG (MAINTENANCE)



V 25711515 SHT 2 REV 136

BOX ASSY-ELECTRONIC EQPT CTR E2-5 (EQUIPMENT/ FURNISHINGS ONLY)
 FIGURE 15 (SHEET 2)

25-71-15-15

HXL
DEC 22/06

25-71-15-15
PAGE 0A



767

PARTS CATALOG (MAINTENANCE)

FIG ITEM	PART NUMBER	1 2 3 4 5 6 7	NOMENCLATURE	EFFECT FROM TO	UNITS PER ASSY
15			BOX ASSY-ELECTRONIC EQPT CTR E2-5 (EQUIPMENT/ FURNISHINGS ONLY)		
- 1	65B47507-5		BOX ASSY-ELECTRONIC EQPT CTR E2-5 (EQUIPMENT/ FURNISHINGS ONLY) FOR NHA/OTHER SYS DET SEE: 25-71-15-18		RF
	5 T901-3-625		.BAR-SUPPORT SUPPLIER CODE: V18677 OPTIONAL PART: TS901-3-625 V18677		4
	5 TS901-3-625		.BAR-SUPPORT SUPPLIER CODE: V18677 OPTIONAL PART: T901-3-625 V18677		4
	10 BACS12CB06-8		ATTACHING PARTS .SCREW		8
	15 MS35338-41		.WASHER		8
	20 T311-51C		-----*----- .GUIDE- SUPPLIER CODE: V18677 OPTIONAL PART: 65B47507-13		5
- 23	65B47507-13		.SUBKIT ASSY- OPTIONAL PART: T311-51C V18677		5
	25 T301-51		..GUIDE- SUPPLIER CODE: V18677 USED ON: 65B47507-13		1
	30 T305C		..IN LINE FOOT- SUPPLIER CODE: V18677 USED ON: 65B47507-13		1
	35 T101-187		.SPACER- SUPPLIER CODE: V18677 OPTIONAL PART: 65B47507-11		8

ILLUSTRATION ITEMS NOT ON PARTS LIST ARE NOT APPLICABLE

- ITEM NOT ILLUSTRATED

HXL

25-71-15-15

BOEING PROPRIETARY - Copyright © - Unpublished Work - See title page for details.

25-71-15
FIG. 15
PAGE 1
DEC 22/07

 **BOEING**
767
PARTS CATALOG (MAINTENANCE)

FIG ITEM	PART NUMBER	1 2 3 4 5 6 7	NOMENCLATURE	EFFECT FROM TO	UNITS PER ASSY
15					
- 37	65B47507-11		.SUBKIT ASSY- OPTIONAL PART: T101-187 V18677		8
40	T101-125		..SPACER- SUPPLIER CODE: V18677 USED ON: 65B47507-11		1
45	T101-062		..SPACER- SUPPLIER CODE: V18677 USED ON: 65B47507-11		1
50	T101-250		.SPACER- SUPPLIER CODE: V18677		4
55	T311-51A		.GUIDE- SUPPLIER CODE: V18677 OPTIONAL PART: 65B47507-12		5
- 57	65B47507-12		.SUBKIT ASSY- OPTIONAL PART: T311-51A V18677		5
60	T301-51		..GUIDE- SUPPLIER CODE: V18677 USED ON: 65B47507-12		1
65	T305A		..IN LINE FOOT- SUPPLIER CODE: V18677 USED ON: 65B47507-12		1
75	T101-125		.SPACER- SUPPLIER CODE: V18677		16
90	69B47575-1		.COVER ASSY ATTACHING PARTS		1
- 95	BACR15BA3A		.RIVET- SIZE DETERMINED ON INSTL. -----*-----		6
100	65B47507-7		.HINGE ASSY ATTACHING PARTS		1
- 102	BACR15BA3A		.RIVET- SIZE DETERMINED ON INSTL. -----*-----		6
ILLUSTRATION ITEMS NOT ON PARTS LIST ARE NOT APPLICABLE					

- ITEM NOT ILLUSTRATED

HXL

25-71-15-15

BOEING PROPRIETARY - Copyright © - Unpublished Work - See title page for details.

25-71-15
FIG. 15
PAGE 2
DEC 22/07



767

PARTS CATALOG (MAINTENANCE)

FIG ITEM	PART NUMBER	1 2 3 4 5 6 7	NOMENCLATURE	EFFECT FROM TO	UNITS PER ASSY
15					
105	MS20253P2-325	. .	PIN		1
107	65B47507-6	. .	HINGE-HALF		2
110	BACS12Y4W	.STUD	ASSY		1
115	1127700	.WASHER			1
			SUPPLIER CODE: V60119		
			SPECIFICATION NUMBER: BACW10X4		
			OPTIONAL PART: 2600LW V71286		
120	65B47507-2	.PAD			1
125	69B47576-2	.PANEL-FRONT			1
			SUPPLIER CODE: V89954		
130	284T0032-3	.COVER-TRAY			1

ILLUSTRATION ITEMS NOT ON PARTS LIST ARE NOT APPLICABLE

- ITEM NOT ILLUSTRATED

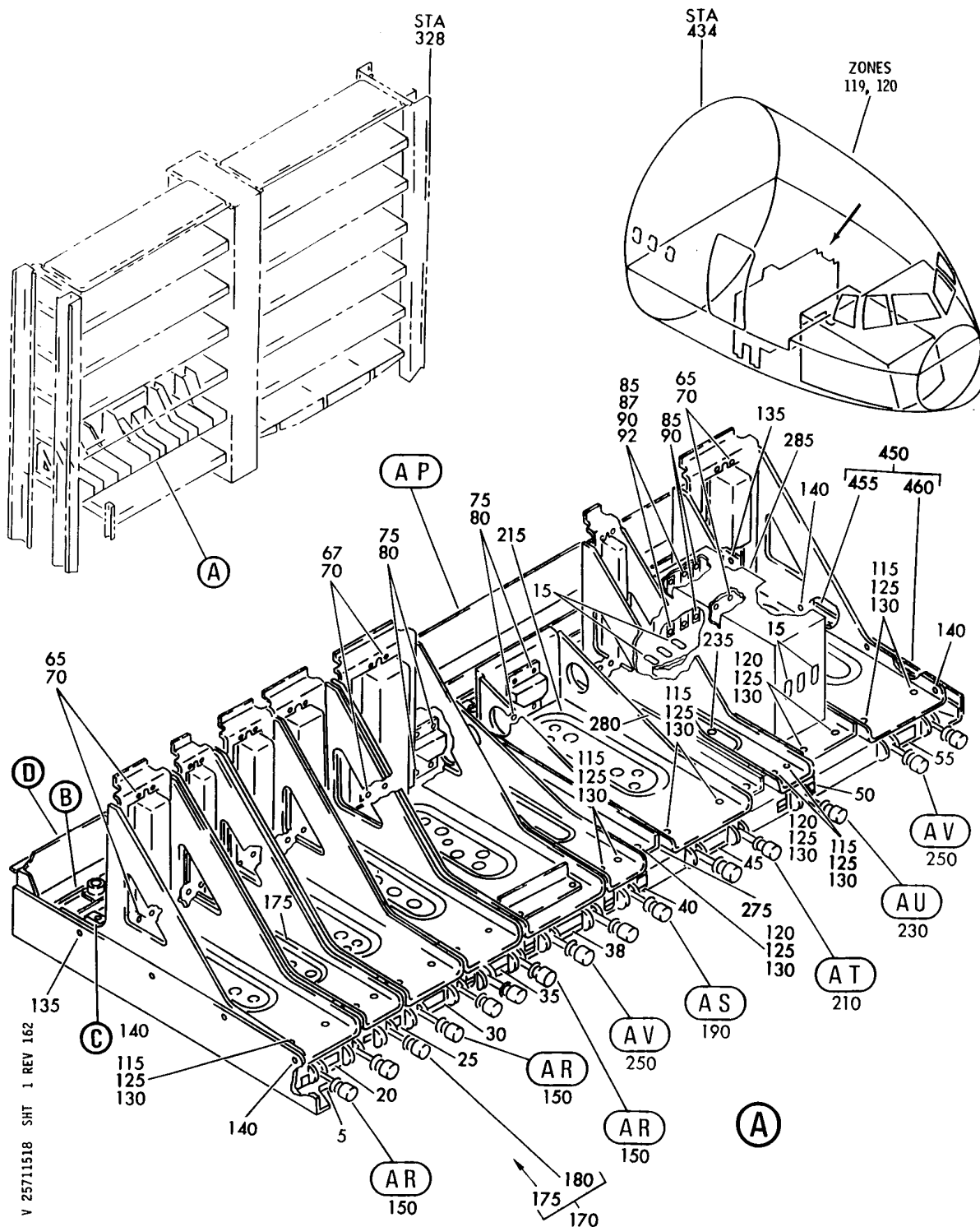
HXL

25-71-15-15

BOEING PROPRIETARY - Copyright © - Unpublished Work - See title page for details.

25-71-15
FIG. 15
PAGE 3
DEC 22/07

BOEING
767
PARTS CATALOG (MAINTENANCE)



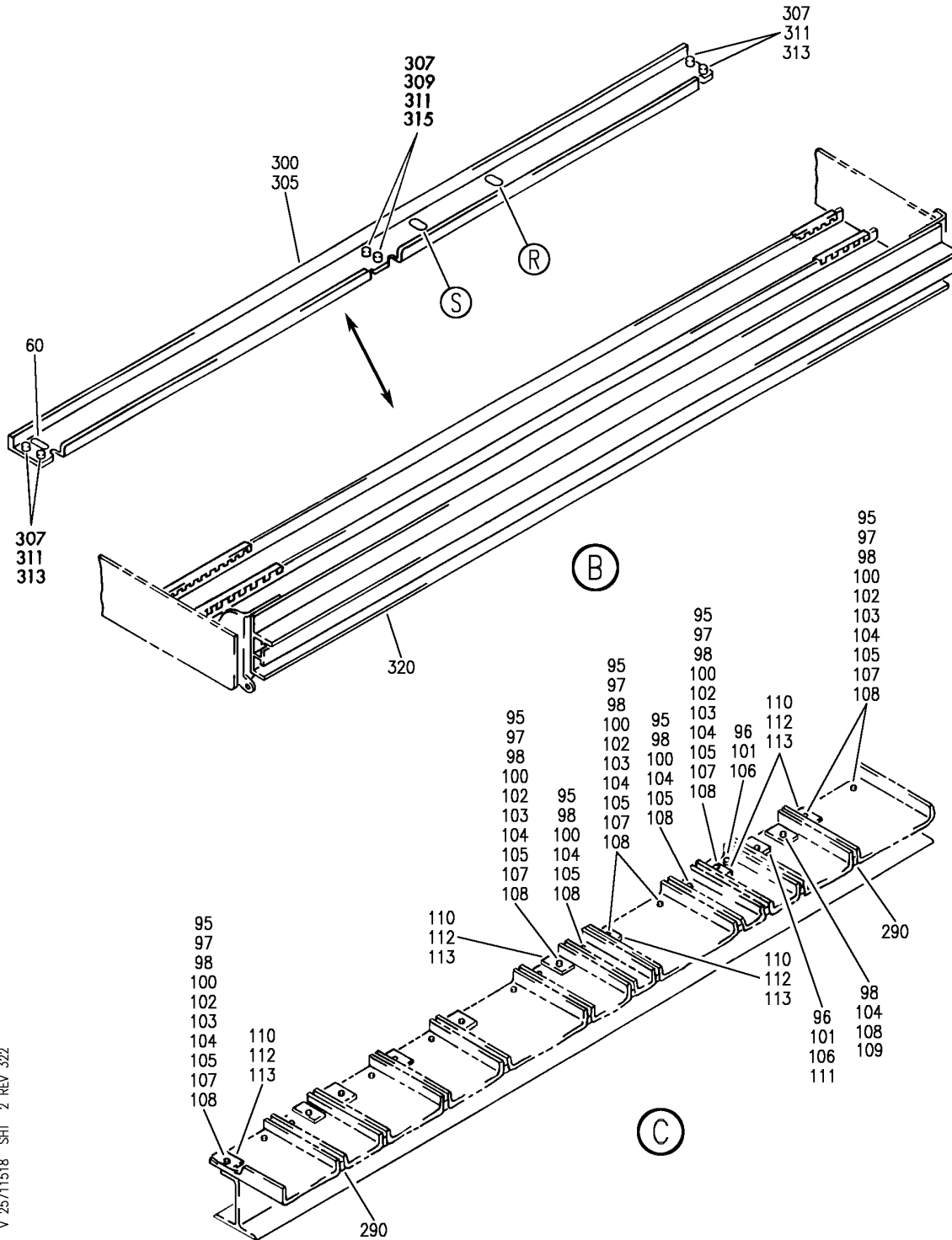
SHELF ASSY-ELECTRONIC EQPT CTR E2-5 (EQUIPMENT/ FURNISHINGS ONLY)
FIGURE 18 (SHEET 1)

25-71-15-18

HXL
DEC 22/06

25-71-15-18
PAGE 0

BOEING
767
PARTS CATALOG (MAINTENANCE)



V 25711518 SHT 2 REV 322

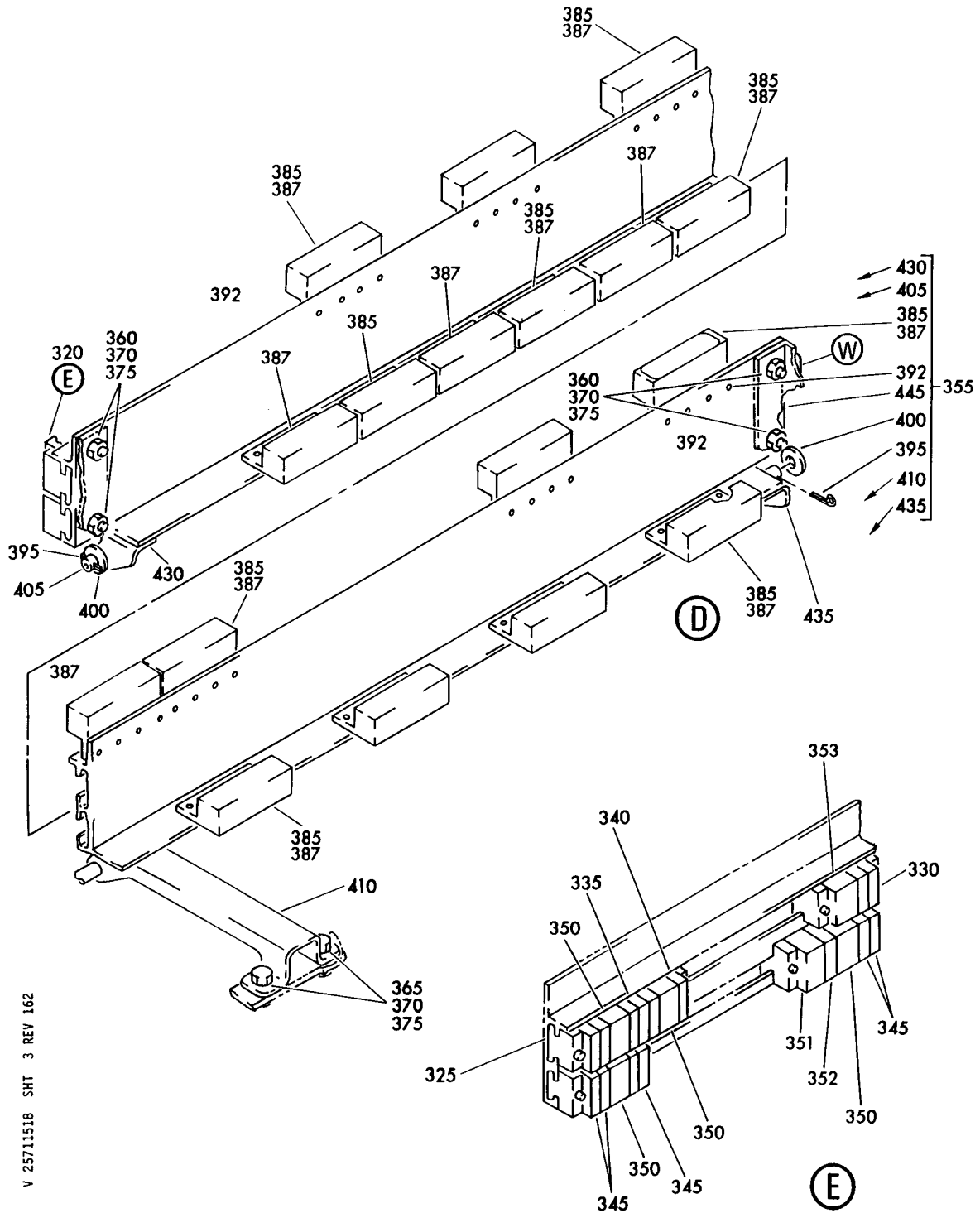
SHELF ASSY-ELECTRONIC EQPT CTR E2-5 (EQUIPMENT/ FURNISHINGS ONLY)
FIGURE 18 (SHEET 2)

25-71-15-18

HXL
DEC 22/07

25-71-15-18
PAGE 0A


BOEING
 767
PARTS CATALOG (MAINTENANCE)



V 25711518 SHT 3 REV 162

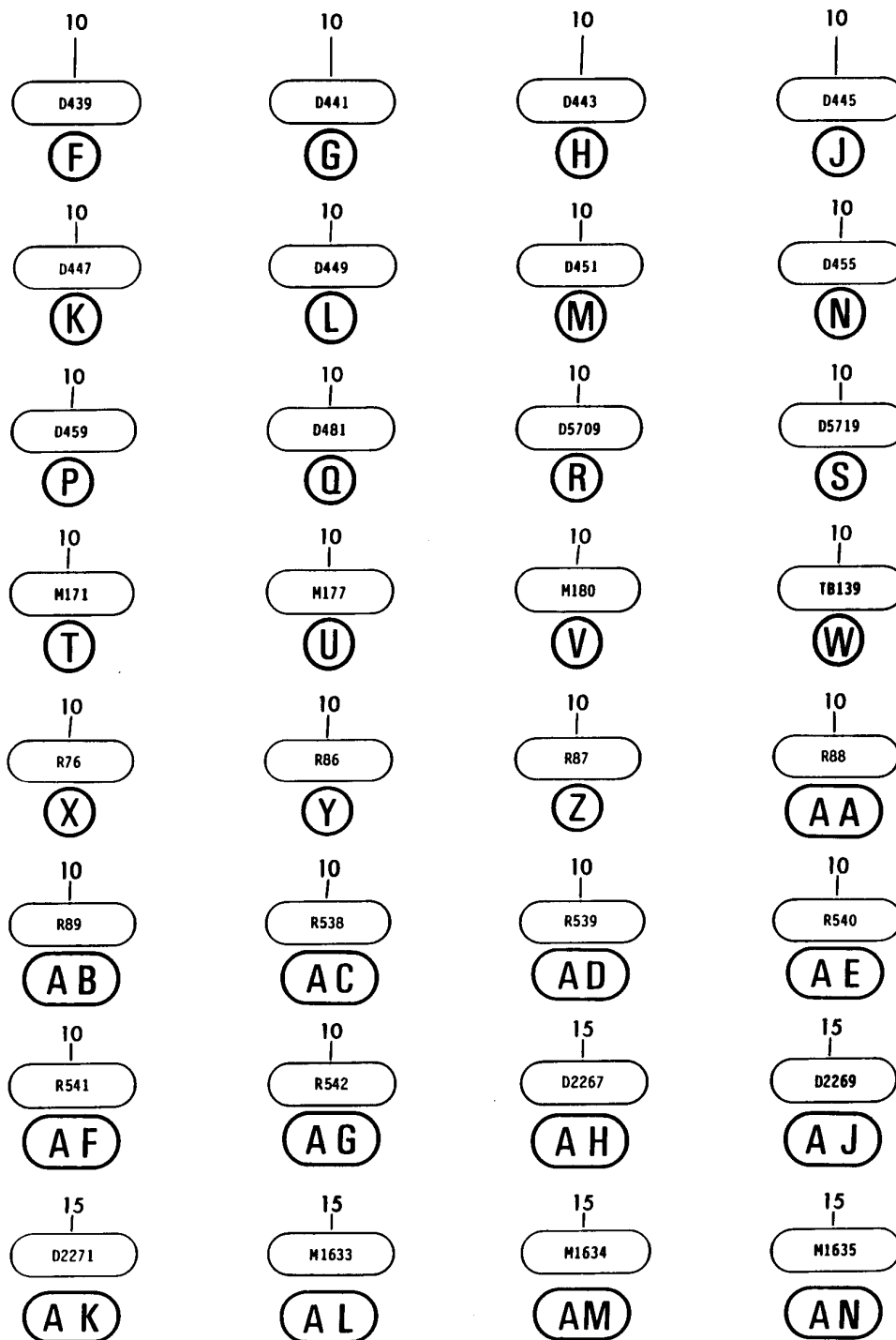
SHELF ASSY-ELECTRONIC EQPT CTR E2-5 (EQUIPMENT/ FURNISHINGS ONLY)
 FIGURE 18 (SHEET 3)

25-71-15-18

HXL
DEC 22/06

25-71-15-18
 PAGE 0B

BOEING
767
PARTS CATALOG (MAINTENANCE)



V 25711518 SHT 4 REV 135

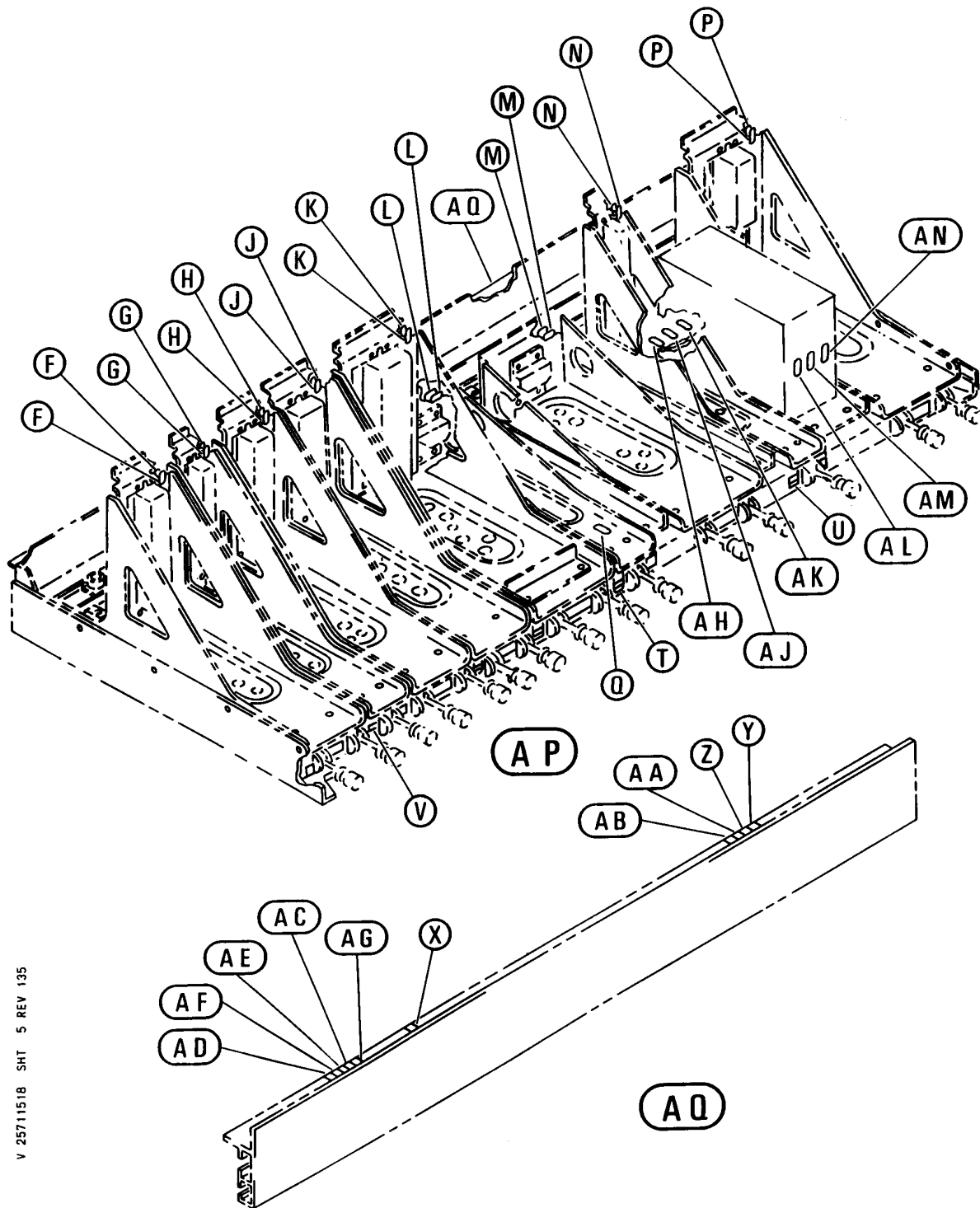
SHelf ASSY-ELECTRONIC EQPT CTR E2-5 (EQUIPMENT/ FURNISHINGS ONLY)
FIGURE 18 (SHEET 4)

25-71-15-18

HXL
DEC 22/06

25-71-15-18
PAGE 0C

BOEING
767
PARTS CATALOG (MAINTENANCE)



V 25711518 SHT 5 REV 135

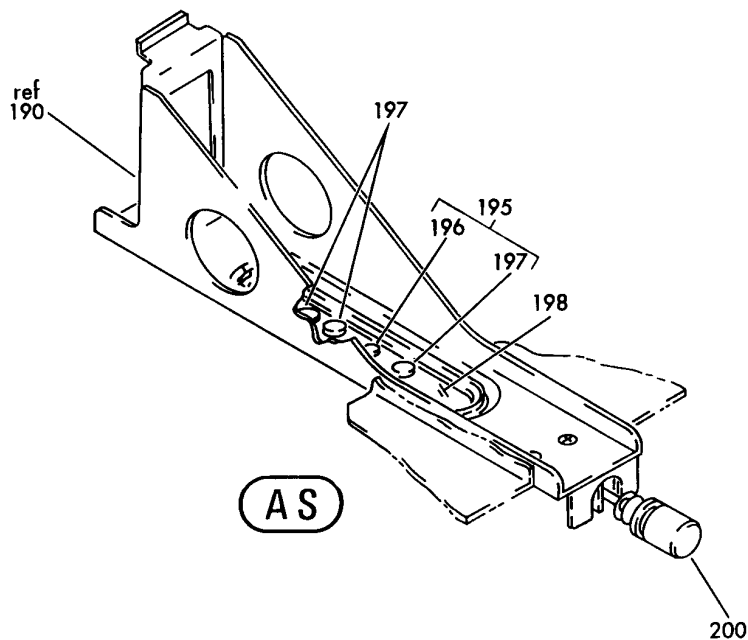
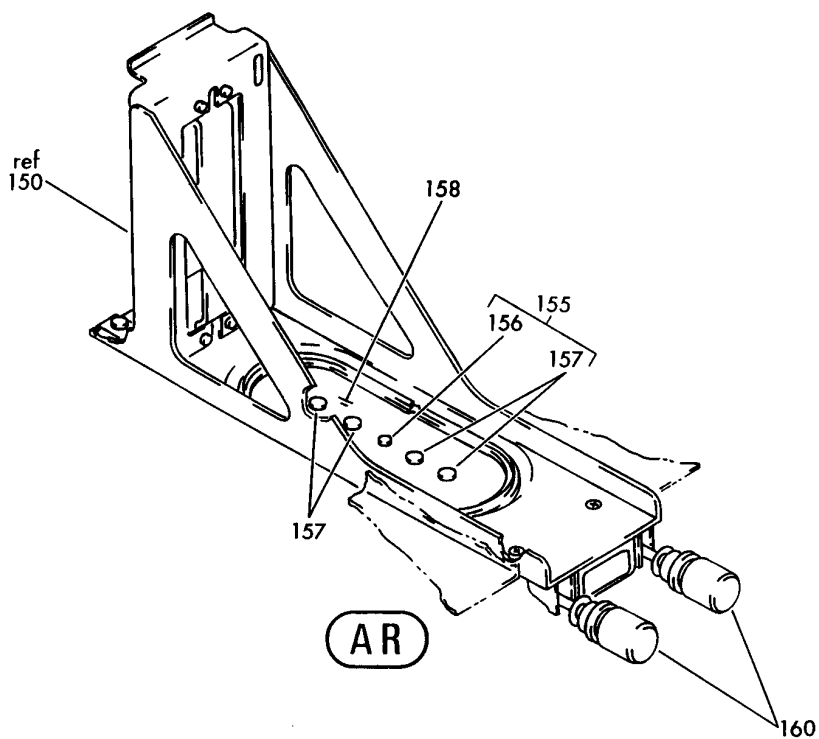
SHelf ASSY-ELECTRONIC EQPT CTR E2-5 (EQUIPMENT/ FURNISHINGS ONLY)
FIGURE 18 (SHEET 5)

25-71-15-18

HXL
DEC 22/06

25-71-15-18
PAGE 0D

BOEING
767
PARTS CATALOG (MAINTENANCE)



V 25711518 SHT 6 REV 151

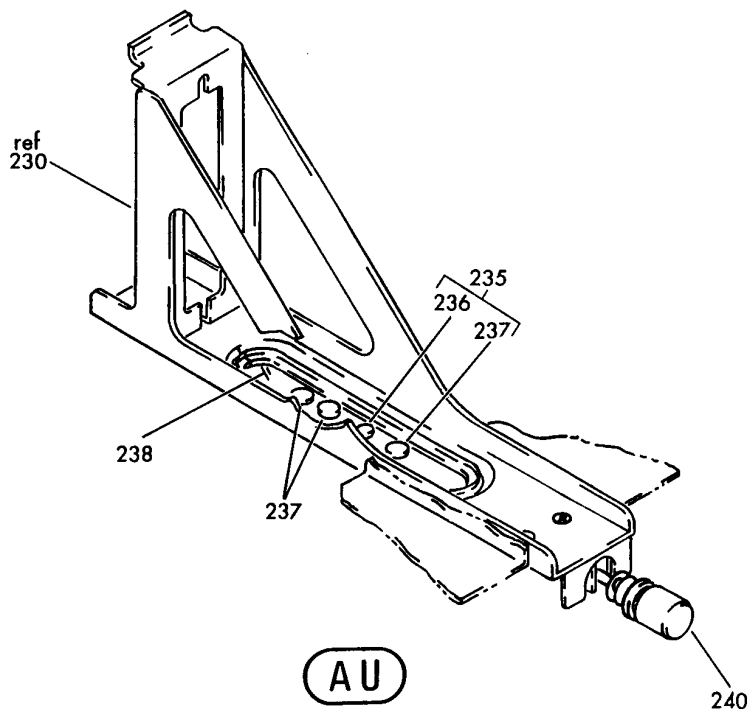
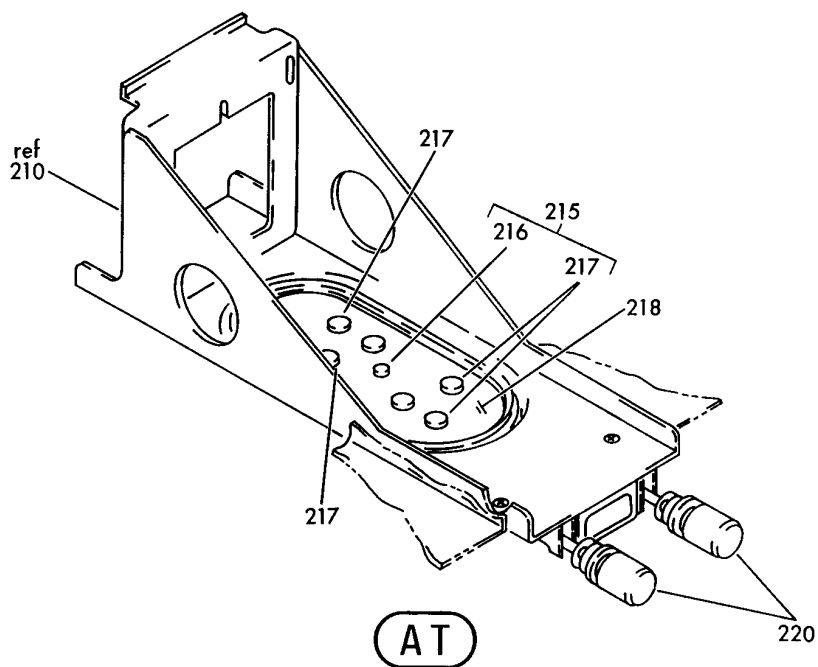
SHELF ASSY-ELECTRONIC EQPT CTR E2-5 (EQUIPMENT/ FURNISHINGS ONLY)
FIGURE 18 (SHEET 6)

25-71-15-18

HXL
DEC 22/06

25-71-15-18
PAGE 0E

BOEING
767
PARTS CATALOG (MAINTENANCE)



V 25711518 SHT 7 REV 151

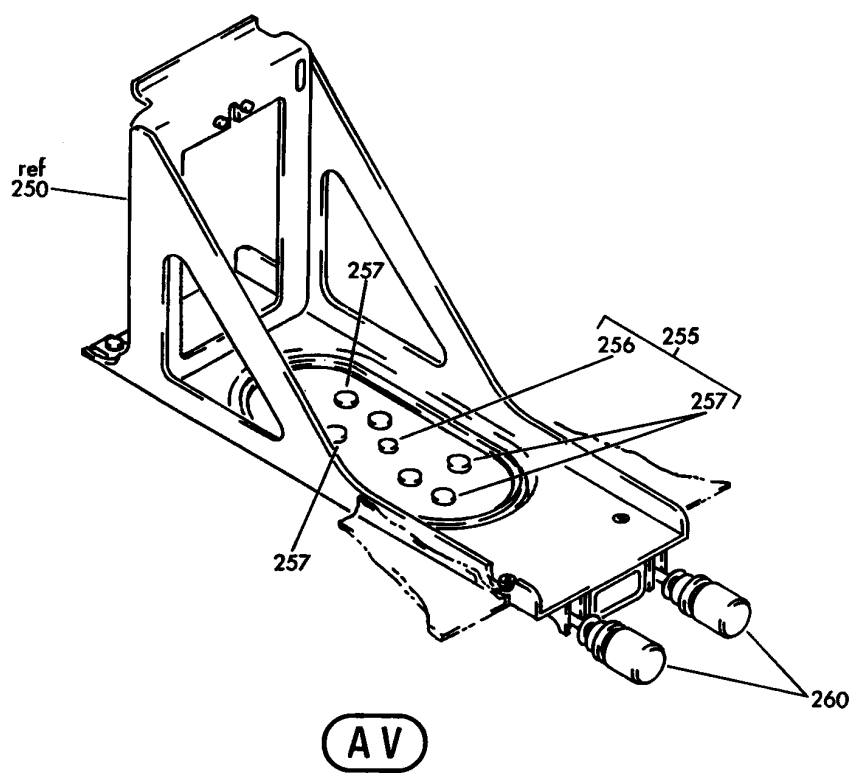
SHELF ASSY-ELECTRONIC EQPT CTR E2-5 (EQUIPMENT/ FURNISHINGS ONLY)
FIGURE 18 (SHEET 7)

25-71-15-18

HXL
DEC 22/06

25-71-15-18
PAGE OF

BOEING
767
PARTS CATALOG (MAINTENANCE)



V 25711518 SH 8 REV 213

SHELF ASSY-ELECTRONIC EQPT CTR E2-5 (EQUIPMENT/ FURNISHINGS ONLY)
FIGURE 18 (SHEET 8)

HXL
DEC 22/06

25-71-15-18

25-71-15-18
PAGE 08

 **BOEING**
767
PARTS CATALOG (MAINTENANCE)

FIG ITEM	PART NUMBER	1 2 3 4 5 6 7	NOMENCLATURE	EFFECT FROM TO	UNITS PER ASSY
18			SHELF ASSY-ELECTRONIC EQPT CTR E2-5 (EQUIPMENT/ FURNISHINGS ONLY)		
- 1	284T0125-113		SHELF ASSY-ELECTRONIC EQPT CTR E2-5 (EQUIPMENT/ FURNISHINGS ONLY) FOR NHA/OTHER SYS DET SEE: 53-11-64-01B	155162	RF
- 1	284T0125-116		SHELF ASSY-ELECTRONIC EQPT CTR E2-5 (EQUIPMENT/ FURNISHINGS ONLY) FOR NHA/OTHER SYS DET SEE: 53-11-64-01B	163999	RF
5	BAC27TEX0576		.DECAL- PLACARD CONTENT: E2-5		1
10	BAC27TEX3286		.DECALSET-INCLUDES DECALS IDENTIFIED ON THE ILLUSTRATION		RF
15	BAC27TEX4325		.DECALSET-INCLUDES DECALS IDENTIFIED ON THE ILLUSTRATION		1
20	BAC27TEX1812		.DECAL- PLACARD CONTENT: M188 LEFT VHF COMM XCVR		1
25	BAC27TEX1811		.DECAL- PLACARD CONTENT: SEL CAL DCDR		1
30	BAC27TEX1810		.DECAL- PLACARD CONTENT: M189 RIGHT VHF COMM XCVR		1
35	BAC27TEX1813		.DECAL- PLACARD CONTENT: M190 CTR VHF COMM XCVR		1
38	BAC27TEX0447		.DECAL- PLACARD CONTENT: M172 ACARS MGT UNIT		1
40	BAC27TEX0446		.DECAL- PLACARD CONTENT: MAIN MUX		1
45	BAC27TEX1809		.DECAL- PLACARD CONTENT: M170 ENT TAPE REPRODUCER		1
50	BAC27TEX1808		.DECAL- PLACARD CONTENT: PASS ADRS AMPL		1
55	BAC27TEX0441		.DECAL- PLACARD CONTENT: M108 AUDIO ACCESS UNIT		1
ILLUSTRATION ITEMS NOT ON PARTS LIST ARE NOT APPLICABLE					

- ITEM NOT ILLUSTRATED

HXL

25-71-15-18

BOEING PROPRIETARY - Copyright © - Unpublished Work - See title page for details.

25-71-15
FIG. 18
PAGE 1
DEC 22/07

BOEING
767
PARTS CATALOG (MAINTENANCE)

FIG ITEM	PART NUMBER	1 2 3 4 5 6 7	NOMENCLATURE	EFFECT FROM TO	UNITS PER ASSY
18					
60	BAC27TEX1559		.DECAL- PLACARD CONTENT: AE0324		1
65	NAS1801-06-11		.SCREW		24
67	NAS1801-06-8		.SCREW		4
70	MS21042L06		.NUT		28
75	MS35190-233		.SCREW		8
80	MS21042L04		.NUT		8
95	NAS1801-3-8		.SCREW	155162	22
96	NAS1801-3-8		.SCREW- PRE SERVICE BULLETIN: 24-0152	163999	2
98	NAS1801-3-8		.SCREW	163999	20
100	AN960JD10L		.WASHER	155162	22
101	AN960JD10L		.WASHER- PRE SERVICE BULLETIN: 24-0152	163999	2
104	AN960JD10L		.WASHER	163999	20
105	MS21042L3		.NUT	155162	22
106	MS21042L3		.NUT- PRE SERVICE BULLETIN: 24-0152	163999	2
108	MS21042L3		.NUT	163999	20
109	66-18178-1		.STRAP-BONDING POST SERVICE BULLETIN: 24-0152	163999	1
110	66-18178-1		.STRAP-BONDING	155162	10
111	66-18178-1		.STRAP-BONDING PRE SERVICE BULLETIN: 24-0152	163999	1
113	66-18178-1		.STRAP-BONDING	163999	9
115	NAS514P832-7		.SCREW		18
120	NAS1801-08-7		.SCREW		4
125	AN960JD8L		.WASHER		22
130	MS21042L08		.NUT		22
135	BACR15BB3AD		.RIVET- SIZE DETERMINED ON INSTL.		2
140	BACR15BA3AD		.RIVET- SIZE DETERMINED ON INSTL.		6
150	284T0026-17		.TRAY ASSY		3

ILLUSTRATION ITEMS NOT ON PARTS LIST ARE NOT APPLICABLE

— ITEM NOT ILLUSTRATED

HXL

25-71-15-18

BOEING PROPRIETARY - Copyright © - Unpublished Work - See title page for details.

25-71-15
FIG. 18
PAGE 2
DEC 22/07



767

PARTS CATALOG (MAINTENANCE)

FIG ITEM	PART NUMBER	1 2 3 4 5 6 7	NOMENCLATURE	EFFECT FROM TO	UNITS PER ASSY
18 155	281131-3		..SEAL ASSY- SUPPLIER CODE: V0767B QUALIFIED OPTIONAL DATA: (201-3 OPT TO 281131-3 UNTIL SUPPLY IS EXHAUSTED. HOWEVER UNDER NO CIRCUMSTANCES SHALL 201-3 BE USED AFTER 2-01-91 AND ANY SUPPLY OF 201-3 SHALL BE SCRAPPED OPTIONAL PART: 201-3 V0767B BCMP03-1 V09489		1
155	BCMP03-1		..SEAL ASSY- SUPPLIER CODE: V09489 OPTIONAL PART: 281131-3 V0767B 201-3 V0767B		1
156	82100-1		...PLUG- SUPPLIER CODE: V0767B USED ON: 281131-3		1
157	82100-2		...PLUG- SUPPLIER CODE: V0767B USED ON: 281131-3		4

ILLUSTRATION ITEMS NOT ON PARTS LIST ARE NOT APPLICABLE

- ITEM NOT ILLUSTRATED

HXL

25-71-15-18

BOEING PROPRIETARY - Copyright © - Unpublished Work - See title page for details.

25-71-15
 FIG. 18
 PAGE 3
 DEC 22/07



767

PARTS CATALOG (MAINTENANCE)

FIG ITEM	PART NUMBER	1 2 3 4 5 6 7	NOMENCLATURE	EFFECT FROM TO	UNITS PER ASSY
18 158	201-3		..SEAL ASSY- SUPPLIER CODE: V60299 QUALIFIED OPTIONAL DATA: (201-3 OPT TO 281131-3 UNTIL SUPPLY IS EXHAUSTED. HOWEVER UNDER NO CIRCUMSTANCES SHALL 201-3 BE USED AFTER 2-01-91 AND ANY SUPPLY OF 201-3 SHALL BE SCRAPPED OPTIONAL PART: 281131-3 V0767B BCMPO3-1 V09489		1
160	H3773-9		..HOLD DOWN- SUPPLIER CODE: V83014 SPECIFICATION NUMBER: BACC10HZ1 OPTIONAL PART: 5175-110-1 V30528 CA12145-102 V0CBU7 H3773-3 V83014 CA12145-102 V29372 CA12095-101 V29372 CA12095-102 V29372		2
160	CA12145-102		..HOLD DOWN- SUPPLIER CODE: V29372 OPTIONAL PART: CA12095-101 V29372 CA12095-102 V29372 BACC10HZ1		2

ILLUSTRATION ITEMS NOT ON PARTS LIST ARE NOT APPLICABLE

- ITEM NOT ILLUSTRATED

HXL

25-71-15-18

BOEING PROPRIETARY - Copyright © - Unpublished Work - See title page for details.

25-71-15
 FIG. 18
 PAGE 4
 DEC 22/07



767

PARTS CATALOG (MAINTENANCE)

FIG ITEM	PART NUMBER	1 2 3 4 5 6 7	NOMENCLATURE	EFFECT FROM TO	UNITS PER ASSY
18 160	CA12095-101		..HOLD DOWN- SUPPLIER CODE: V29372 OPTIONAL PART: CA12095-102 V29372 CA12145-102 V29372 BACC10HZ1		2
160	CA12095-102		..HOLD DOWN- SUPPLIER CODE: V29372 OPTIONAL PART: CA12095-101 V29372 CA12145-102 V29372 BACC10HZ1		2
- 165	NAS514P632-5		ATTACHING PARTS ..SCREW -----*-----		4
170	284T0026-19		.TRAY ASSY		1
175	281131-11		..SEAL ASSY- SUPPLIER CODE: V0767B QUALIFIED OPTIONAL DATA: (201-11 OPT TO 281131-11 UNTIL SUPPLY IS EXHAUSTED. HOWEVER UNDER NO CIRCUMSTANCES SHALL 201-11 BE USED AFTER 2-01-91 AND ANY SUPPLY OF 201-11 SHALL BE SCRAPPED OPTIONAL PART: 201-11 V0767B BCMP01-1 V09489		1

ILLUSTRATION ITEMS NOT ON PARTS LIST ARE NOT APPLICABLE

- ITEM NOT ILLUSTRATED

HXL

25-71-15-18

BOEING PROPRIETARY - Copyright © - Unpublished Work - See title page for details.

25-71-15
FIG. 18
PAGE 5
DEC 22/07



767

PARTS CATALOG (MAINTENANCE)

FIG ITEM	PART NUMBER	1 2 3 4 5 6 7	NOMENCLATURE	EFFECT FROM TO	UNITS PER ASSY
18 175	201-11		..SEAL ASSY- SUPPLIER CODE: V0767B QUALIFIED OPTIONAL DATA: (201-11 OPT TO 281131-11 UNTIL SUPPLY IS EXHAUSTED. HOWEVER UNDER NO CIRCUMSTANCES SHALL 201-11 BE USED AFTER 2-01-91 AND ANY SUPPLY OF 201-11 SHALL BE SCRAPPED OPTIONAL PART: 281131-11 V0767B BCMP01-1 V09489		1
175	BCMP01-1		..SEAL ASSY- SUPPLIER CODE: V09489 OPTIONAL PART: 281131-11 V0767B 201-11 V0767B		1
180	H3773-9		..HOLD DOWN- SUPPLIER CODE: V83014 SPECIFICATION NUMBER: BACC10HZ1 OPTIONAL PART: 5175-110-1 V30528 CA12145-102 V0CBU7 H3773-3 V83014 CA12145-102 V29372 CA12095-101 V29372 CA12095-102 V29372		1

ILLUSTRATION ITEMS NOT ON PARTS LIST ARE NOT APPLICABLE

- ITEM NOT ILLUSTRATED

HXL

25-71-15-18

BOEING PROPRIETARY - Copyright © - Unpublished Work - See title page for details.

25-71-15
 FIG. 18
 PAGE 6
 DEC 22/07



767

PARTS CATALOG (MAINTENANCE)

FIG ITEM	PART NUMBER	1 2 3 4 5 6 7	NOMENCLATURE	EFFECT FROM TO	UNITS PER ASSY
18 180	CA12145-102		..HOLD DOWN- SUPPLIER CODE: V29372 OPTIONAL PART: CA12095-101 V29372 CA12095-102 V29372 BACC10HZ1		1
180	CA12095-101		..HOLD DOWN- SUPPLIER CODE: V29372 OPTIONAL PART: CA12095-102 V29372 CA12145-102 V29372 BACC10HZ1		1
180	CA12095-102		..HOLD DOWN- SUPPLIER CODE: V29372 OPTIONAL PART: CA12095-101 V29372 CA12145-102 V29372 BACC10HZ1		1
- 185	NAS514P632-4		..SCREW-		2
- 185	NAS514P632-5		..SCREW-		2
			-----*-----		
190	284T0641-5		.TRAY ASSY		1
195	281131-2		..SEAL ASSY- SUPPLIER CODE: V0767B OPTIONAL PART: 201-2 V0767B BCMP02-1 V09489		1
195	BCMP02-1		..SEAL ASSY- SUPPLIER CODE: V09489 OPTIONAL PART: 201-2 V0767B 281131-2 V0767B		1

ILLUSTRATION ITEMS NOT ON PARTS LIST ARE NOT APPLICABLE

- ITEM NOT ILLUSTRATED

HXL

25-71-15-18

BOEING PROPRIETARY - Copyright © - Unpublished Work - See title page for details.

25-71-15
FIG. 18
PAGE 7
DEC 22/07



767

PARTS CATALOG (MAINTENANCE)

FIG ITEM	PART NUMBER	1 2 3 4 5 6 7	NOMENCLATURE	EFFECT FROM TO	UNITS PER ASSY
18 195	201-2		..SEAL ASSY- SUPPLIER CODE: V0767B OPTIONAL PART: 281131-2 V0767B BCMP02-1 V09489		1
196	82100-1		...PLUG- SUPPLIER CODE: V0767B USED ON: 281131-2		1
197	82100-2		...PLUG- SUPPLIER CODE: V0767B USED ON: 281131-2		3
200	CA12145-102		..HOLD DOWN- SUPPLIER CODE: V29372 OPTIONAL PART: CA12095-101 V29372 CA12095-102 V29372		1
200	CA12095-101		..HOLD DOWN- SUPPLIER CODE: V29372 OPTIONAL PART: CA12095-102 V29372 CA12145-102 V29372		1
200	CA12095-102		..HOLD DOWN- SUPPLIER CODE: V29372 OPTIONAL PART: CA12095-101 V29372 CA12145-102 V29372		1
- 205	NAS514P632-4		ATTACHING PARTS ..SCREW -----*-----		2
210	284T0641-10		.TRAY ASSY		1

ILLUSTRATION ITEMS NOT ON PARTS LIST ARE NOT APPLICABLE

- ITEM NOT ILLUSTRATED

HXL

25-71-15-18

BOEING PROPRIETARY - Copyright © - Unpublished Work - See title page for details.

25-71-15
FIG. 18
PAGE 8
DEC 22/07



767

PARTS CATALOG (MAINTENANCE)

FIG ITEM	PART NUMBER	1 2 3 4 5 6 7	NOMENCLATURE	EFFECT FROM TO	UNITS PER ASSY
18 215	281131-4		..SEAL ASSY- SUPPLIER CODE: V0767B OPTIONAL PART: 201-4 V0767B BCMP04-1 V09489		1
215	BCMP04-1		..SEAL ASSY- SUPPLIER CODE: V09489 OPTIONAL PART: 281131-4 V0767B 201-4 V0767B		1
216	82100-1		...PLUG- SUPPLIER CODE: V0767B USED ON: 281131-4		1
217	82100-2		...PLUG- SUPPLIER CODE: V0767B USED ON: 281131-4		6
218	201-4		..SEAL ASSY- SUPPLIER CODE: V60299 OPTIONAL PART: 281131-4 V0767B BCMP04-1 V09489		1
220	CA12095-102		..HOLD DOWN- SUPPLIER CODE: V29372 OPTIONAL PART: CA12095-101 V29372 CA12145-102 V29372		2

ILLUSTRATION ITEMS NOT ON PARTS LIST ARE NOT APPLICABLE

- ITEM NOT ILLUSTRATED

HXL

25-71-15-18

BOEING PROPRIETARY - Copyright © - Unpublished Work - See title page for details.

25-71-15
FIG. 18
PAGE 9
DEC 22/07



**767
PARTS CATALOG (MAINTENANCE)**

FIG ITEM	PART NUMBER	1 2 3 4 5 6 7	NOMENCLATURE	EFFECT FROM TO	UNITS PER ASSY
18 220	CA12095-101		..HOLD DOWN- SUPPLIER CODE: V29372 OPTIONAL PART: CA12095-102 V29372 CA12145-102 V29372		2
220	CA12145-102		..HOLD DOWN- SUPPLIER CODE: V29372 OPTIONAL PART: CA12095-101 V29372 CA12095-102 V29372		2
- 225	NAS514P632-4		ATTACHING PARTS ..SCREW -----*-----		4
230	284T0026-16		.TRAY ASSY		1
235	281131-2		..SEAL ASSY- SUPPLIER CODE: V0767B QUALIFIED OPTIONAL DATA: (201-2 OPT TO 281131-2 UNTIL SUPPLY IS EXHAUSTED. HOWEVER UNDER NO CIRCUMSTANCES SHALL 201-2 BE USED AFTER 2-01-91 AND ANY SUPPLY OF 201-2 SHALL BE SCRAPPED OPTIONAL PART: 201-2 V0767B BCMP02-1 V09489		1
235	BCMP02-1		..SEAL ASSY- SUPPLIER CODE: V09489 OPTIONAL PART: 281131-2 V0767B 201-2 V0767B		1

ILLUSTRATION ITEMS NOT ON PARTS LIST ARE NOT APPLICABLE

- ITEM NOT ILLUSTRATED

HXL

25-71-15-18

BOEING PROPRIETARY - Copyright © - Unpublished Work - See title page for details.

25-71-15
FIG. 18
PAGE 10
DEC 22/07



PARTS CATALOG (MAINTENANCE)

FIG ITEM	PART NUMBER	1 2 3 4 5 6 7	NOMENCLATURE	EFFECT FROM TO	UNITS PER ASSY
18 235	201-2		..SEAL ASSY- SUPPLIER CODE: V0767B QUALIFIED OPTIONAL DATA: (201-2 OPT TO 281131-2 UNTIL SUPPLY IS EXHAUSTED. HOWEVER UNDER NO CIRCUMSTANCES SHALL 201-2 BE USED AFTER 2-01-91 AND ANY SUPPLY OF 201-2 SHALL BE SCRAPPED) OPTIONAL PART: 281131-2 V0767B BCMP02-1 V09489		1
236	82100-1		...PLUG- SUPPLIER CODE: V0767B USED ON: 281131-2		1
237	82100-2		...PLUG- SUPPLIER CODE: V0767B USED ON: 281131-2		3
240	H3773-9		..HOLD DOWN- SUPPLIER CODE: V83014 SPECIFICATION NUMBER: BACC10HZ1 OPTIONAL PART: 5175-110-1 V30528 CA12145-102 V0CBU7 H3773-3 V83014 CA12145-102 V29372 CA12095-101 V29372 CA12095-102 V29372		1

ILLUSTRATION ITEMS NOT ON PARTS LIST ARE NOT APPLICABLE

- ITEM NOT ILLUSTRATED

HXL

25-71-15-18

BOEING PROPRIETARY - Copyright © - Unpublished Work - See title page for details.

25-71-15
 FIG. 18
 PAGE 11
 DEC 22/07



767

PARTS CATALOG (MAINTENANCE)

FIG ITEM	PART NUMBER	1 2 3 4 5 6 7	NOMENCLATURE	EFFECT FROM TO	UNITS PER ASSY
18 240	CA12145-102		..HOLD DOWN- SUPPLIER CODE: V29372 OPTIONAL PART: CA12095-101 V29372 CA12095-102 V29372 BACC10HZ1		1
240	CA12095-101		..HOLD DOWN- SUPPLIER CODE: V29372 OPTIONAL PART: CA12095-102 V29372 CA12145-102 V29372 BACC10HZ1		1
240	CA12095-102		..HOLD DOWN- SUPPLIER CODE: V29372 OPTIONAL PART: CA12095-101 V29372 CA12145-102 V29372 BACC10HZ1		1
- 245	NAS514P632-5		..SCREW -----*-----		2
250	284T0026-18		.TRAY ASSY		2
255	281131-4		..SEAL ASSY- SUPPLIER CODE: V0767B OPTIONAL PART: 201-4 V0767B BCMP04-1 V09489		1
255	BCMP04-1		..SEAL ASSY- SUPPLIER CODE: V09489 OPTIONAL PART: 281131-4 V0767B 201-4 V0767B		1

ILLUSTRATION ITEMS NOT ON PARTS LIST ARE NOT APPLICABLE

- ITEM NOT ILLUSTRATED

HXL

25-71-15-18

BOEING PROPRIETARY - Copyright © - Unpublished Work - See title page for details.

25-71-15
FIG. 18
PAGE 12
DEC 22/07



767

PARTS CATALOG (MAINTENANCE)

FIG ITEM	PART NUMBER	1 2 3 4 5 6 7	NOMENCLATURE	EFFECT FROM TO	UNITS PER ASSY
18 255	201-4		..SEAL ASSY- SUPPLIER CODE: V60299 OPTIONAL PART: 281131-4 V0767B BCMP04-1 V09489		1
256	82100-1		...PLUG- SUPPLIER CODE: V0767B USED ON: 281131-4		1
257	82100-2		...PLUG- SUPPLIER CODE: V0767B USED ON: 281131-4		6
260	H3773-9		..HOLD DOWN- SUPPLIER CODE: V83014 SPECIFICATION NUMBER: BACC10HZ1 OPTIONAL PART: 5175-110-1 V30528 CA12145-102 V0CBU7 H3773-3 V83014 CA12145-102 V29372 CA12095-101 V29372 CA12095-102 V29372		2
260	CA12145-102		..HOLD DOWN- SUPPLIER CODE: V29372 OPTIONAL PART: CA12095-101 V29372 CA12095-102 V29372 BACC10HZ1		2

ILLUSTRATION ITEMS NOT ON PARTS LIST ARE NOT APPLICABLE

- ITEM NOT ILLUSTRATED

HXL

25-71-15-18

BOEING PROPRIETARY - Copyright © - Unpublished Work - See title page for details.

25-71-15
FIG. 18
PAGE 13
DEC 22/07

BOEING
767
PARTS CATALOG (MAINTENANCE)

FIG ITEM	PART NUMBER	1 2 3 4 5 6 7	NOMENCLATURE	EFFECT FROM TO	UNITS PER ASSY
18 260	CA12095-101		..HOLD DOWN- SUPPLIER CODE: V29372 OPTIONAL PART: CA12095-102 V29372 CA12145-102 V29372 BACC10HZ1		2
260	CA12095-102		..HOLD DOWN- SUPPLIER CODE: V29372 OPTIONAL PART: CA12095-101 V29372 CA12145-102 V29372 BACC10HZ1		2
- 265	NAS514P632-5		..SCREW -----*-----		4
275	284T0032-12		.COVER		1
280	284T0032-1		.COVER		1
285	65B47507-5		.BOX ASSY-PASS. ADDRESS ACCESS. FUNCTIONAL REFERENCE: PLACARDS AND MARKINGS FOR DETAILS SEE 11-36-35-15 FOR DETAILS SEE: 25-71-15-15		1
R R R R R R R	290	284T0383-3	.SEAL- MANUFACTURED FROM: SH RUBBER MIL-R-6130 GRADE A TYPE 2 SOFT 0.12 IN 0.7 IN 12.9 IN SPARES ORDER MATERIAL CODE: 5231253020		11
	300	284T0385-14	.SUPPORT-ZEE	155162	1
	300	284T0385-21	.SUPPORT-ZEE ATTACHING PARTS	163999	1
-	302	NAS1801-3-7	.SCREW		6
-	303	AN960JD10L	.WASHER		6
-	304	MS21042L3	.NUT -----*-----		6
	320	284T0116-1	.MODULE ASSY-TERM.		1
R	325	BACC49A1	..CLAMP ASSY		AR

ILLUSTRATION ITEMS NOT ON PARTS LIST ARE NOT APPLICABLE

- ITEM NOT ILLUSTRATED

HXL

25-71-15-18

BOEING PROPRIETARY - Copyright © - Unpublished Work - See title page for details.

25-71-15
FIG. 18
PAGE 14
AUG 22/09

 **BOEING**
767
PARTS CATALOG (MAINTENANCE)

FIG ITEM	PART NUMBER	1 2 3 4 5 6 7	NOMENCLATURE	EFFECT FROM TO	UNITS PER ASSY
18 330	H21-1		.. SPACER SUPPLIER CODE: V34941 SPECIFICATION NUMBER: BACS18AR1 OPTIONAL PART: FAB276A V15805 YHLZ1C2 V09922		AR
335	H21-6		.. SPACER SUPPLIER CODE: V34941 SPECIFICATION NUMBER: BACS18AR6 OPTIONAL PART: FAB276-0 V15805 YHLZ1C7 V09922		AR
340	YHLZ2		.. MODULE SUPPLIER CODE: V09922 SPECIFICATION NUMBER: BACM15C1A OPTIONAL PART: YHLZ22 V09922		AR
345	YHLZ4		.. MODULE SUPPLIER CODE: V09922 SPECIFICATION NUMBER: BACM15C1B OPTIONAL PART: YHLZ44 V09922		AR
350	YHLZ8		.. MODULE SUPPLIER CODE: V09922 SPECIFICATION NUMBER: BACM15C2A		AR
355	284T0384-27		. SUPPORT ASSY-WIRE ATTACHING PARTS		1
360	NAS1801-3-5		. SCREW		4
365	NAS514P632-5		. SCREW		2
370	AN960JD10L		. WASHER		6
375	MS21042L3		. NUT		6
-----*-----					
ILLUSTRATION ITEMS NOT ON PARTS LIST ARE NOT APPLICABLE					

— ITEM NOT ILLUSTRATED

HXL

25-71-15-18

BOEING PROPRIETARY - Copyright © - Unpublished Work - See title page for details.

25-71-15
FIG. 18
PAGE 15
AUG 22/09

BOEING
767
PARTS CATALOG (MAINTENANCE)

FIG ITEM	PART NUMBER	1 2 3 4 5 6 7	NOMENCLATURE	EFFECT FROM TO	UNITS PER ASSY
18					
385	YHLZG16-1		..BLOCK-TERM. SUPPLIER CODE: V09922 ATTACHING PARTS		13
- 390	BACR15BB4AD		..RIVET- SIZE DETERMINED ON INSTL. -----*-----		52
395	MS24665-300		..PIN		2
400	AN960JD616		..WASHER		2
405	284T0384-5		..TUBE		1
410	284T0385-3		..BRACKET ATTACHING PARTS		1
- 415	NAS1801-3-7		..SCREW		1
- 420	AN960JD10		..WASHER		1
- 425	MS21042L3		..NUT -----*-----		1
430	284T0385-4		..BRACKET		1
435	284T0385-5		..BRACKET ATTACHING PARTS		1
- 440	BACR15BB4AD		..RIVET- SIZE DETERMINED ON INSTL. -----*-----		4
445	284T0574-7		..TRACK-TERM. BLOCK MODULE ALTERED FROM PART NUMBER: AMY4100T11 V09922		1
450	284T0211-4		.SHELF ASSY		1
455	284T0383-1		..SEAL		1
460	284T0383-2		..SEAL- MANUFACTURED FROM: SH RUBBER MIL-R-6130 GRADE A TYPE 2 SOFT 0.125 IN 2.3 IN 6.2 IN SPARES ORDER MATERIAL CODE: 5231253020		1

R
R
R
R
R
R
R

ILLUSTRATION ITEMS NOT ON PARTS LIST ARE NOT APPLICABLE

- ITEM NOT ILLUSTRATED

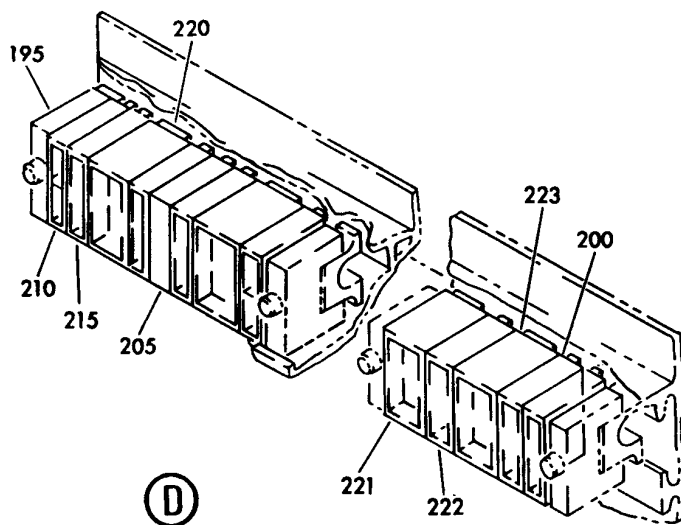
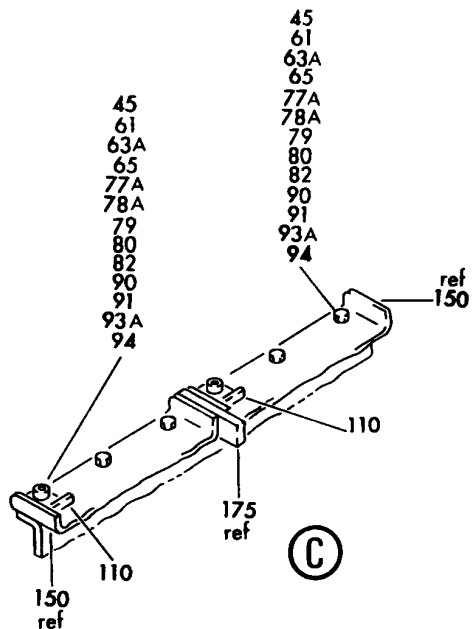
HXL

25-71-15-18

BOEING PROPRIETARY - Copyright © - Unpublished Work - See title page for details.

25-71-15
FIG. 18
PAGE 16
AUG 22/09

BOEING
767
PARTS CATALOG (MAINTENANCE)



V 25711601 SHT 2 REV 196

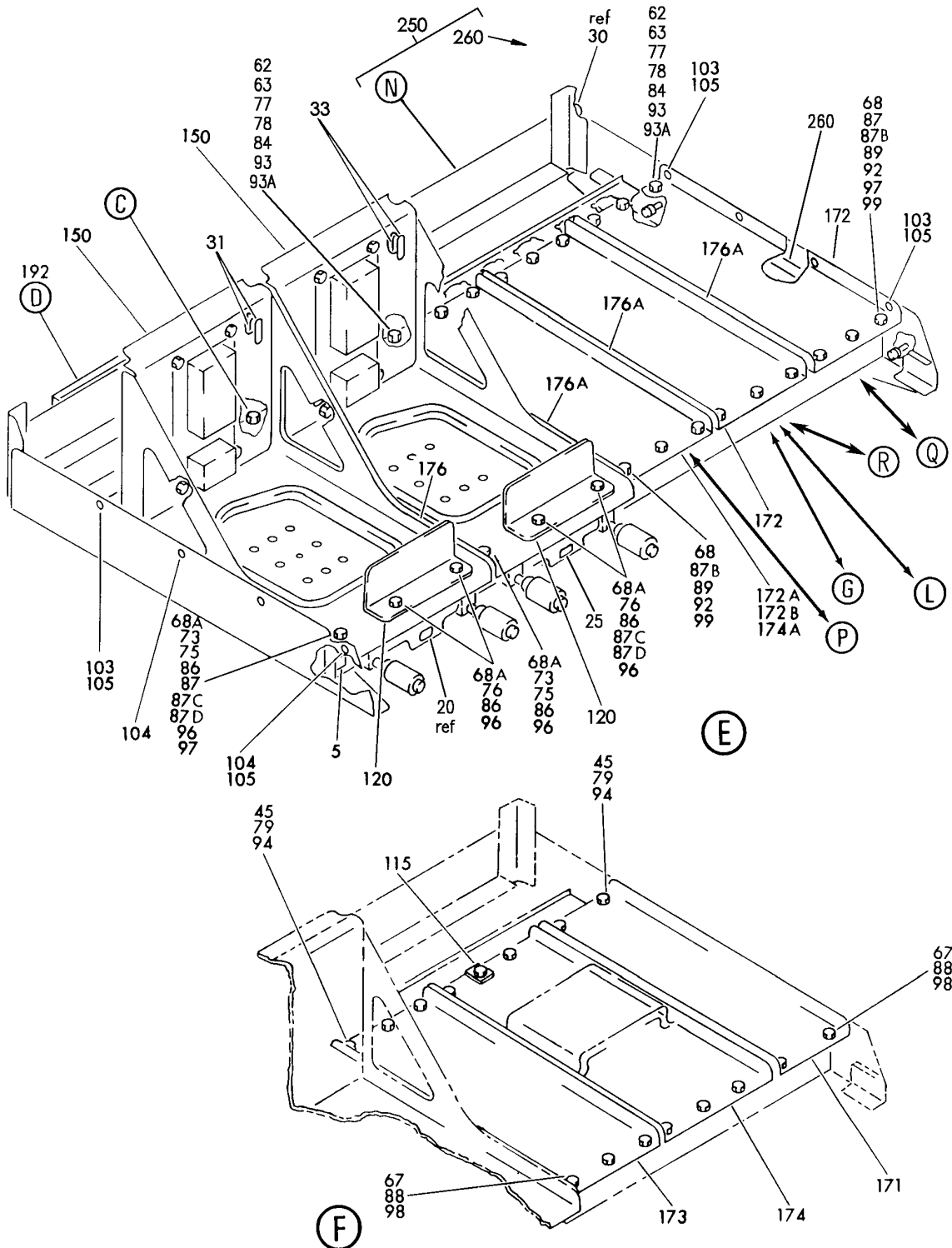
SHELF ASSY-ELECTRONIC EQPT CTR E2-6 (EQUIPMENT/ FURNISHINGS ONLY)
FIGURE 1 (SHEET 2)

25-71-16-01

HXL
DEC 22/06

25-71-16-01
PAGE 0A


BOEING
 767
PARTS CATALOG (MAINTENANCE)



V 25711601_SHT_3_REV_325

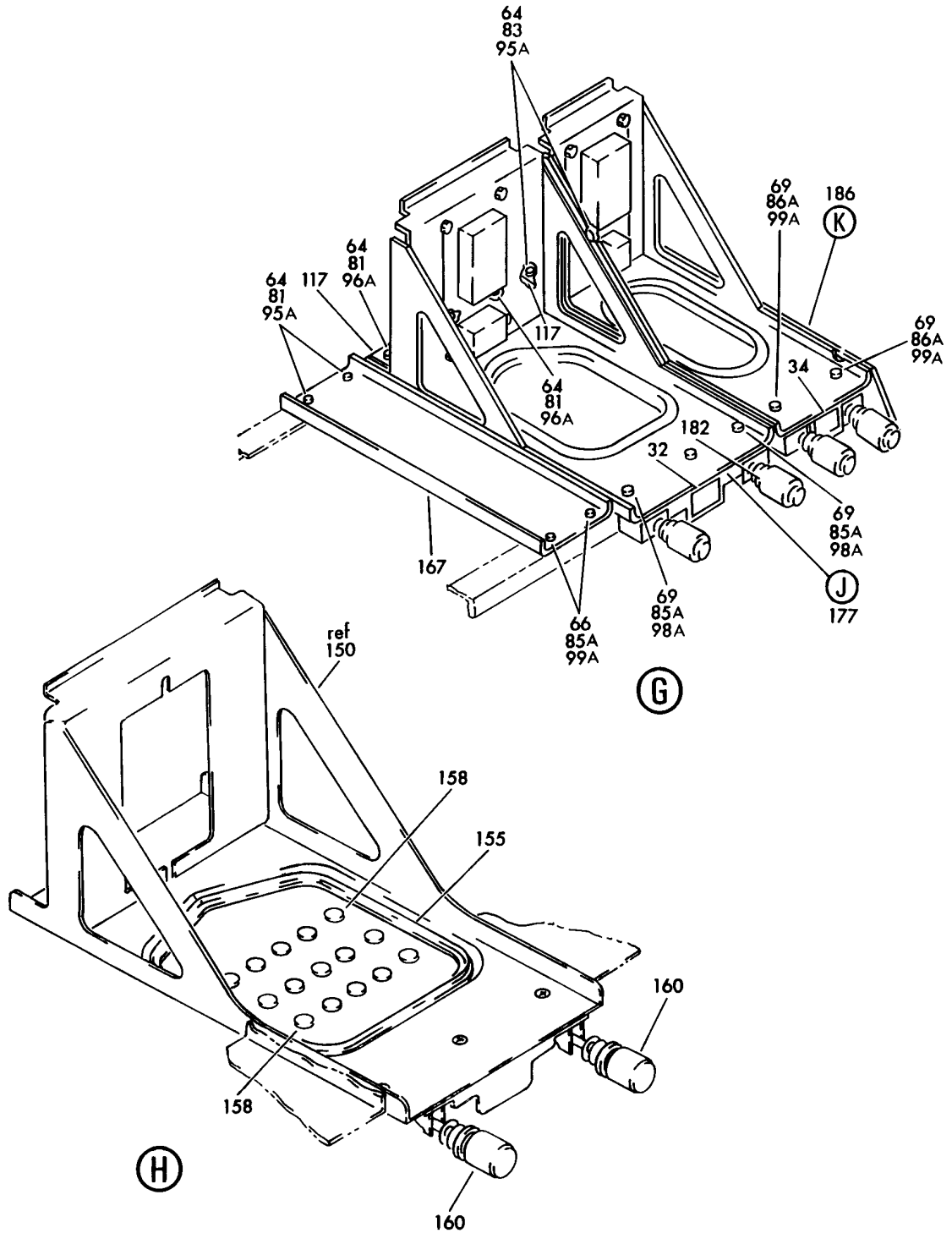
SHELF ASSY-ELECTRONIC EQPT CTR E2-6 (EQUIPMENT/ FURNISHINGS ONLY)
 FIGURE 1 (SHEET 3)

25-71-16-01

HXL
APR 22/08

25-71-16-01
 PAGE 0B

BOEING
767
PARTS CATALOG (MAINTENANCE)



V 25711601 SHT 4 REV 150

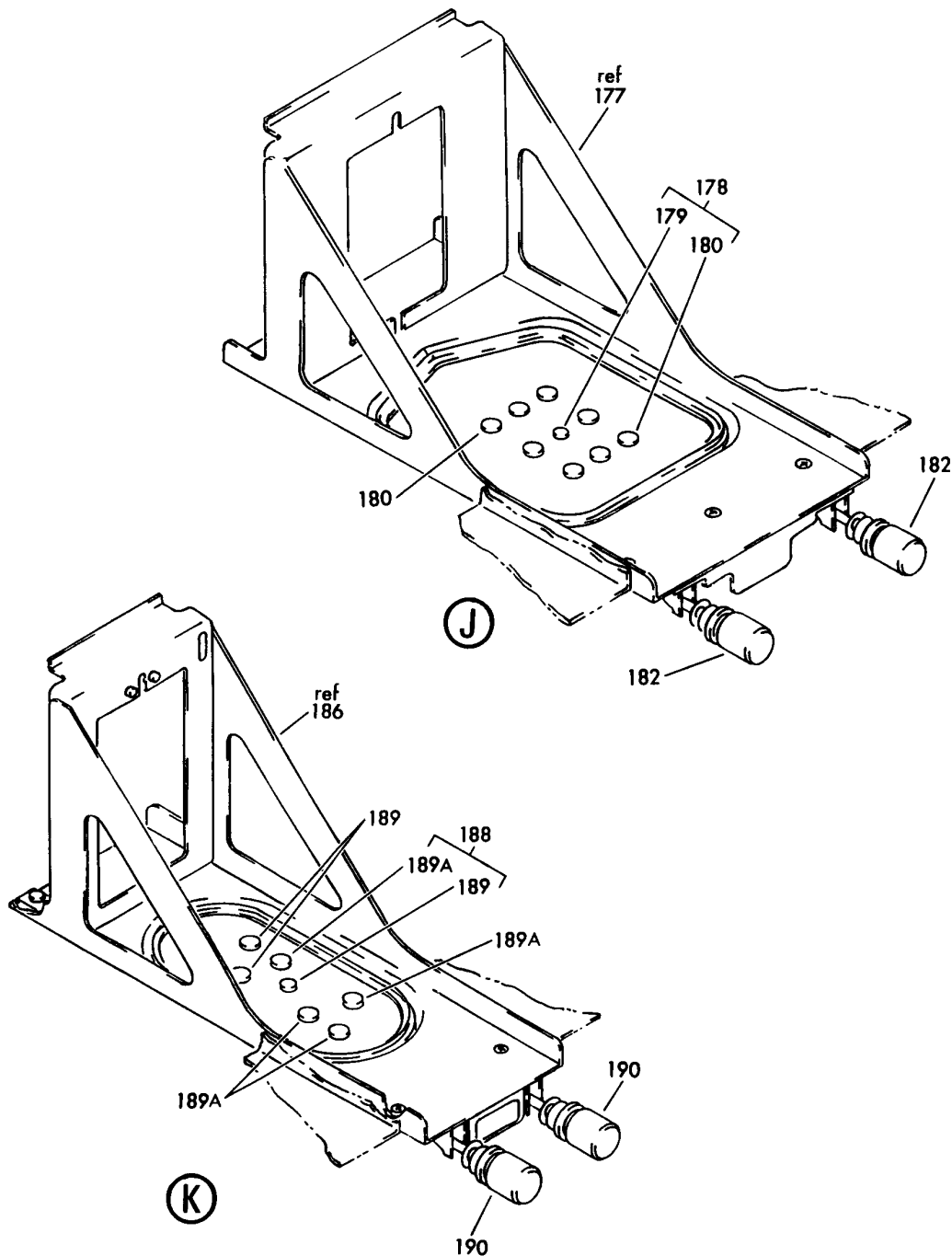
SHELF ASSY-ELECTRONIC EQPT CTR E2-6 (EQUIPMENT/ FURNISHINGS ONLY)
FIGURE 1 (SHEET 4)

25-71-16-01

HXL
DEC 22/06

25-71-16-01
PAGE 0C

BOEING
767
PARTS CATALOG (MAINTENANCE)



V 25711601 SHT 5 REV 150

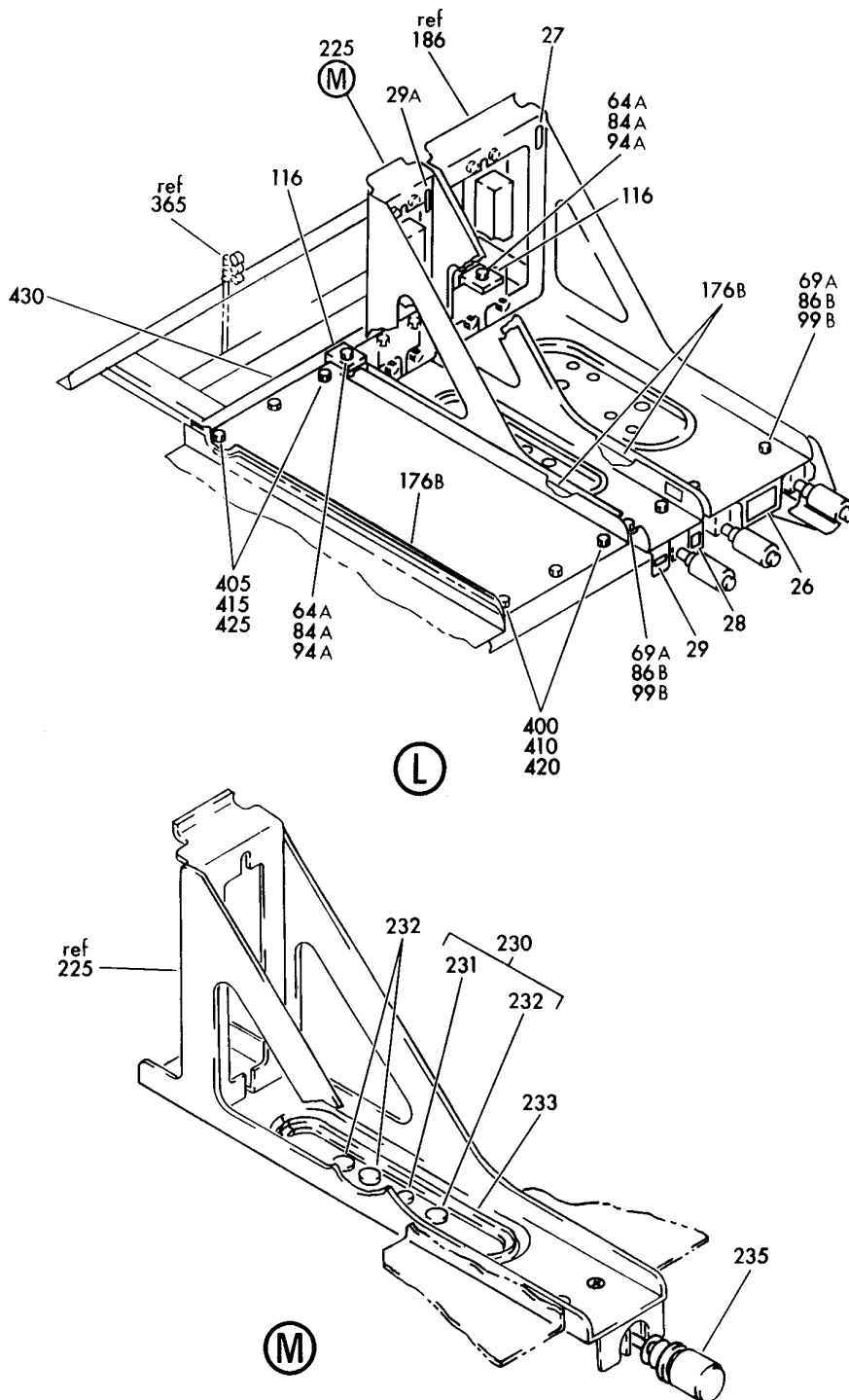
SHELF ASSY-ELECTRONIC EQPT CTR E2-6 (EQUIPMENT/ FURNISHINGS ONLY)
FIGURE 1 (SHEET 5)

25-71-16-01

HXL
DEC 22/06

25-71-16-01
PAGE 0D

BOEING
767
PARTS CATALOG (MAINTENANCE)



V 25711601 SHT 6 REV 166

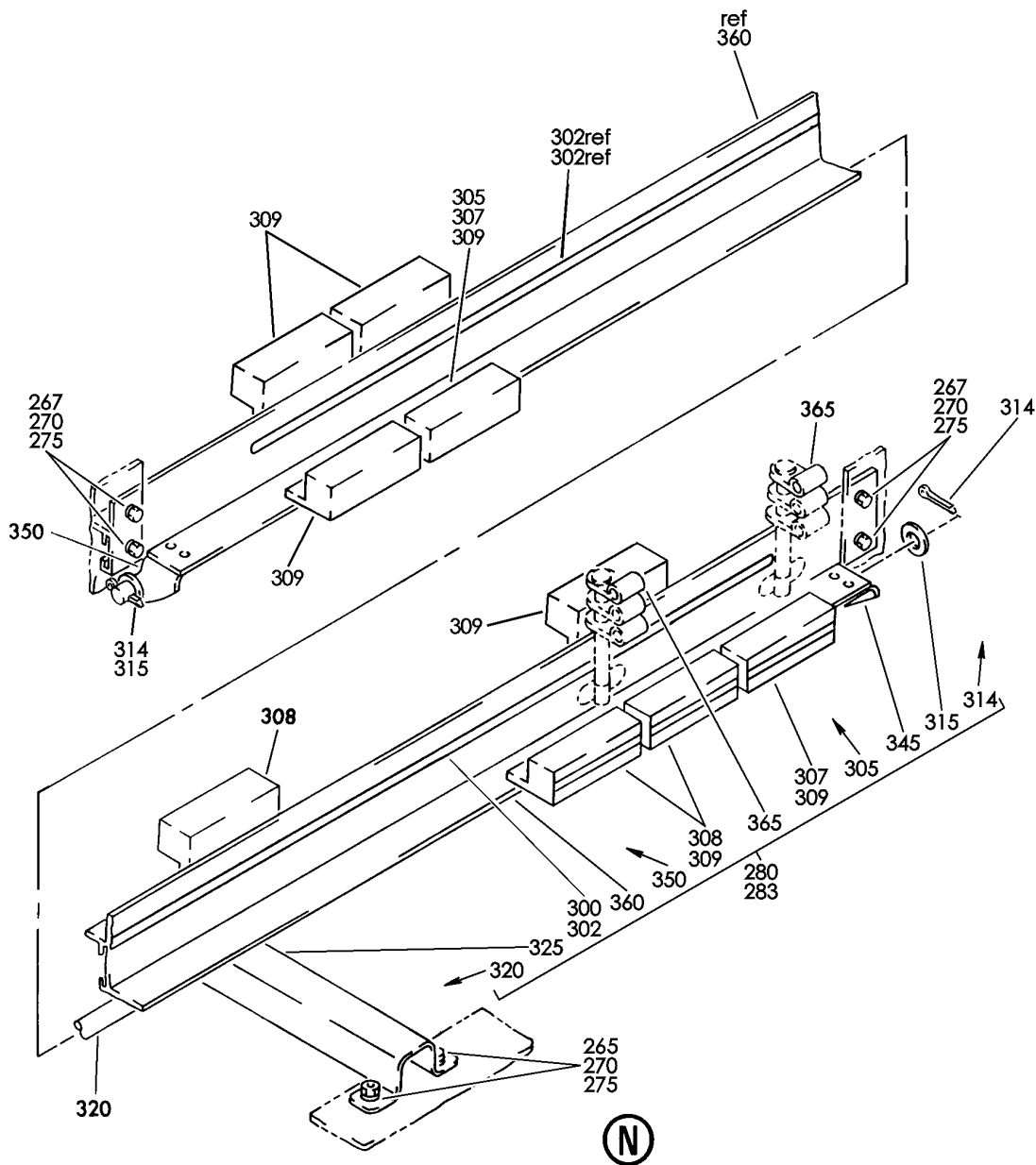
SHELF ASSY-ELECTRONIC EQPT CTR E2-6 (EQUIPMENT/ FURNISHINGS ONLY)
FIGURE 1 (SHEET 6)

25-71-16-01

HXL
DEC 22/06

25-71-16-01
PAGE 0E

BOEING
767
PARTS CATALOG (MAINTENANCE)



V 25711601 SHT 7 REV 236

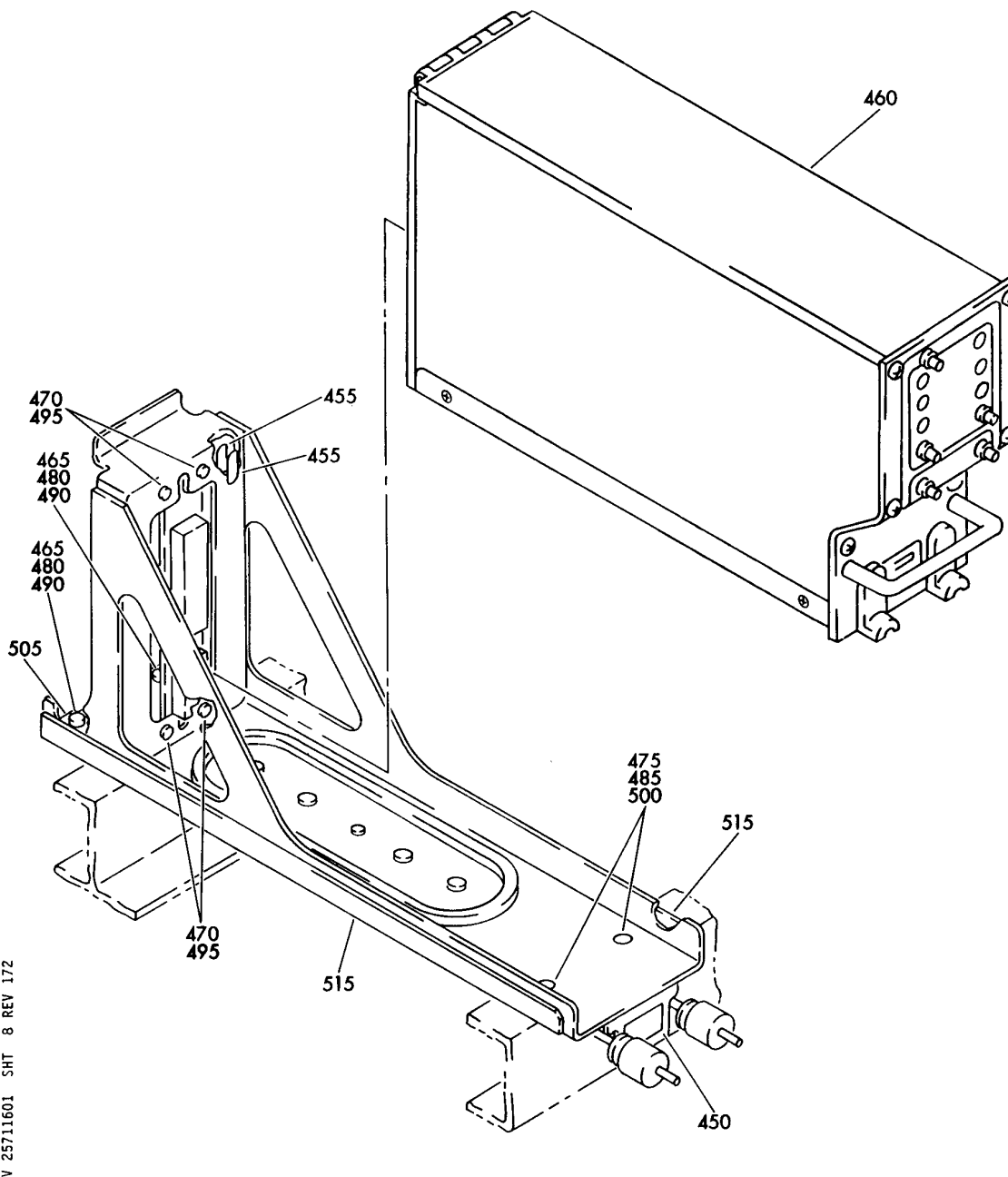
SHELF ASSY-ELECTRONIC EQPT CTR E2-6 (EQUIPMENT/ FURNISHINGS ONLY)
FIGURE 1 (SHEET 7)

25-71-16-01

HXL
DEC 22/06

25-71-16-01
PAGE OF

BOEING
767
PARTS CATALOG (MAINTENANCE)



V 25711601 SHT 8 REV 172

(P)

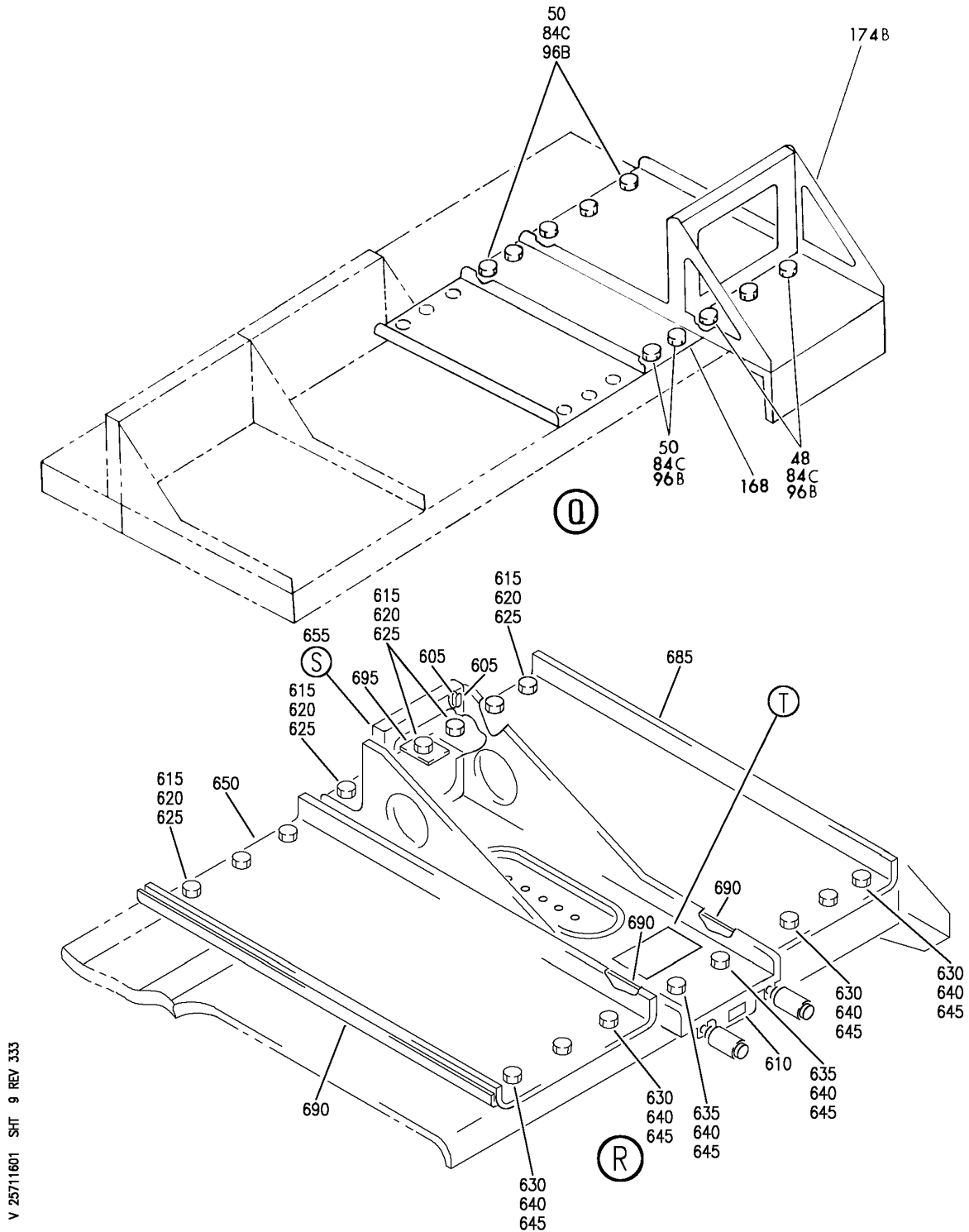
SHELF ASSY-ELECTRONIC EQPT CTR E2-6 (EQUIPMENT/ FURNISHINGS ONLY)
FIGURE 1 (SHEET 8)

25-71-16-01

HXL
DEC 22/06

25-71-16-01
PAGE 06

BOEING
767
PARTS CATALOG (MAINTENANCE)



V 25711601 SHT 9 REV 333

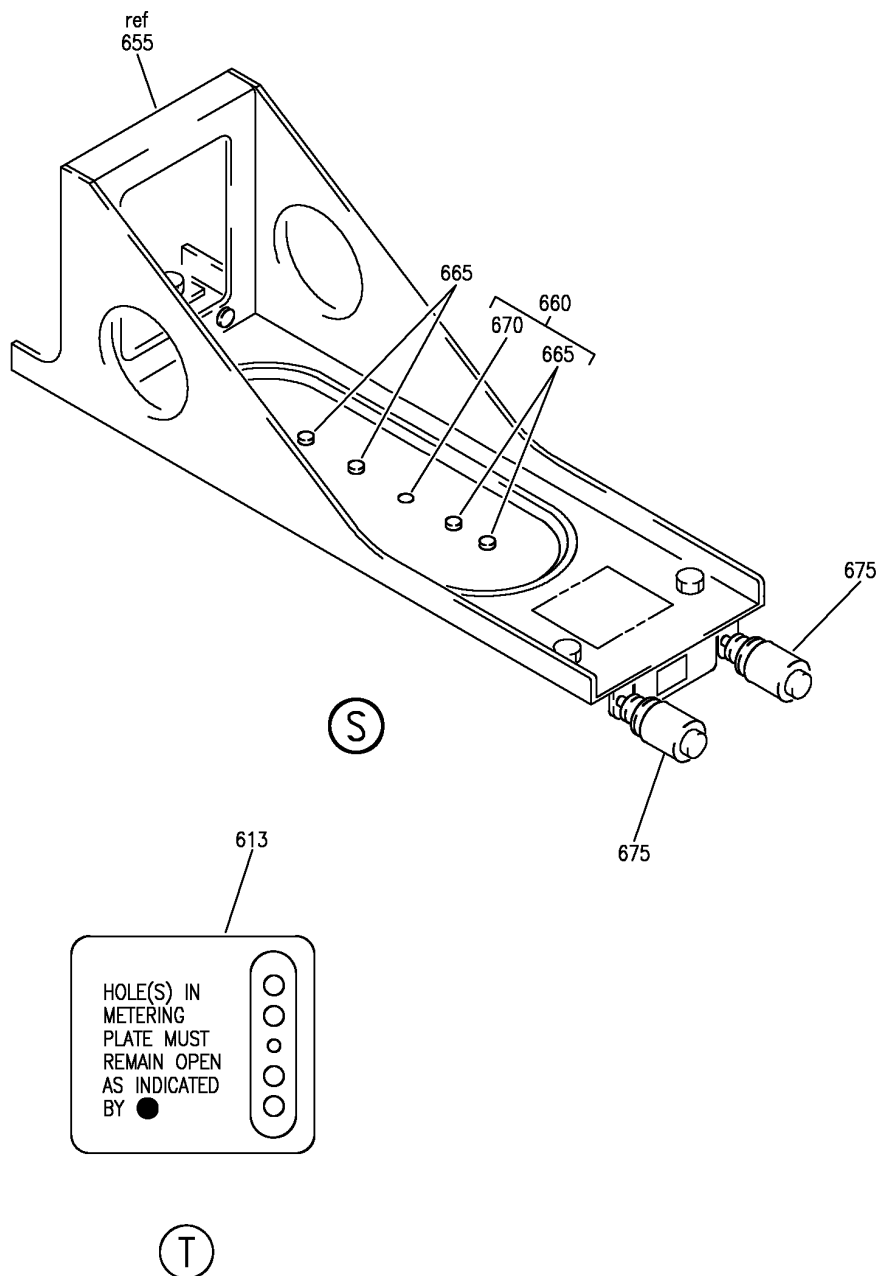
SHELF ASSY-ELECTRONIC EQPT CTR E2-6 (EQUIPMENT/ FURNISHINGS ONLY)
FIGURE 1 (SHEET 9)

25-71-16-01

HXL
DEC 22/08

25-71-16-01
PAGE 0H

BOEING
767
PARTS CATALOG (MAINTENANCE)



V 25711601 SH1 10 REV 333

SHELF ASSY-ELECTRONIC EQPT CTR E2-6 (EQUIPMENT/ FURNISHINGS ONLY)
FIGURE 1 (SHEET 10)

HXL
DEC 22/08

25-71-16-01

25-71-16-01
PAGE 01



767

PARTS CATALOG (MAINTENANCE)

FIG ITEM	PART NUMBER	1 2 3 4 5 6 7	NOMENCLATURE	EFFECT FROM TO	UNITS PER ASSY
1			SHELF ASSY-ELECTRONIC EQPT CTR E2-6 (EQUIPMENT/ FURNISHINGS ONLY)		
- 1	284T0126-16		SHELF ASSY-ELECTRONIC EQPT CTR E2-6 (EQUIPMENT/ FURNISHINGS ONLY) FOR NHA/OTHER SYS DET SEE: 53-11-64-01B		RF
5	BAC27TEX0639		.DECAL- PLACARD CONTENT: E2-6		1
20	BAC27TEX1788		.DECAL- PLACARD CONTENT: M152 LEFT HF COMM XCVR		1
25	BAC27TEX1789		.DECAL- PLACARD CONTENT: M153 RIGHT HF COMM XCVR		1
30	BAC27TEX1919		.DECAL- PLACARD CONTENT: TB163		1
31	BAC27TEX1547		.DECAL- PLACARD CONTENT: D641		2
33	BAC27TEX1548		.DECAL- PLACARD CONTENT: D643		2
35	NAS1801-06-8		.SCREW		8
40	MS21042L06		.NUT-		8
48	NAS514P832-7P		.SCREW- SB DATA FROM A CMM: POST SAS MTO-253497 POST AIRLINE MOD: SB25-04-95 VSAS		3
50	NAS1801-08-7		.SCREW- SB DATA FROM A CMM: POST SAS MTO-253497 POST AIRLINE MOD: SB25-04-95 VSAS		7
63	NAS1801-3-8		.SCREW		9
63A	NAS1801-3-8		.SCREW- PRE AIRLINE MOD: SB25-04-95 VSAS		6
68	NAS1801-08-7		.SCREW-		3

ILLUSTRATION ITEMS NOT ON PARTS LIST ARE NOT APPLICABLE

- ITEM NOT ILLUSTRATED

HXL

25-71-16-01

BOEING PROPRIETARY - Copyright © - Unpublished Work - See title page for details.

25-71-16
FIG. 01
PAGE 1
DEC 22/07

 **BOEING**
767
PARTS CATALOG (MAINTENANCE)

FIG ITEM	PART NUMBER	1 2 3 4 5 6 7	NOMENCLATURE	EFFECT FROM TO	UNITS PER ASSY
1					
68A	NAS1801-08-7	.SCREW-	PRE AIRLINE MOD: SB25-04-95 VSAS		6
75	NAS514P832-7	.SCREW			6
77	AN960JD10L	.WASHER			9
77A	AN960JD10L	.WASHER-	PRE AIRLINE MOD: SB25-04-95 VSAS		6
84C	AN960JD8L	.WASHER-	SB DATA FROM A CMM: POST SAS MTO-253497 POST AIRLINE MOD: SB25-04-95 VSAS		10
87B	AN960JD8L	.WASHER-			9
87D	AN960JD8L	.WASHER-	PRE AIRLINE MOD: SB25-04-95 VSAS		6
93A	MS21042L3	.NUT-			9
93B	MS21042L3	.NUT-	PRE AIRLINE MOD: SB25-04-95 VSAS		6
96B	MS21042L08	.NUT-	SB DATA FROM A CMM: POST SAS MTO-253497 POST AIRLINE MOD: SB25-04-95 VSAS		10
97	MS21042L08	.NUT-			15
103	BACR15BB3AD	.RIVET-	SIZE DETERMINED ON INSTL.		5
104	BACR15BA3AD	.RIVET-	SIZE DETERMINED ON INSTL.		3
110	66-18178-1	.STRAP			2
150	284T0026-30	.TRAY ASSY-			2
155	BCMP06-2	..SEAL ASSY-	SUPPLIER CODE: V09489 OPTIONAL PART: 201-13 V0767B 281131-13 V0767B		1
ILLUSTRATION ITEMS NOT ON PARTS LIST ARE NOT APPLICABLE					

- ITEM NOT ILLUSTRATED

HXL

25-71-16-01

BOEING PROPRIETARY - Copyright © - Unpublished Work - See title page for details.

25-71-16
FIG. 01
PAGE 2
DEC 22/07

 **BOEING**
767
PARTS CATALOG (MAINTENANCE)

FIG ITEM	PART NUMBER	1 2 3 4 5 6 7	NOMENCLATURE	EFFECT FROM TO	UNITS PER ASSY
1					
155	201-13		..SEAL ASSY- SUPPLIER CODE: V0767B OPTIONAL PART: 281131-13 V0767B BCMP06-2 V09489		1
155	281131-13		..SEAL ASSY- SUPPLIER CODE: V0767B OPTIONAL PART: 201-13 V0767B BCMP06-2 V09489		1
155	201-6		..SEAL ASSY- SUPPLIER CODE: V0767B		1
155	BCMP06-1		..SEAL ASSY- SUPPLIER CODE: V09489		1
155	281131-6		..SEAL ASSY- SUPPLIER CODE: V0767B		1
158	82100-2		...PLUG- SUPPLIER CODE: V0767B USED ON: 281131-13		15
160	2450-100-1T		..HOLDDOWN- SUPPLIER CODE: V30528 OPTIONAL PART: CA12095-101 V29372 CA12095-102 V29372 BACC10HZ1		2
160	CA12145-102		..HOLD DOWN- SUPPLIER CODE: V29372 OPTIONAL PART: CA12095-101 V29372 CA12095-102 V29372 BACC10HZ1		2

ILLUSTRATION ITEMS NOT ON PARTS LIST ARE NOT APPLICABLE

- ITEM NOT ILLUSTRATED

HXL

25-71-16-01

BOEING PROPRIETARY - Copyright © - Unpublished Work - See title page for details.

25-71-16
FIG. 01
PAGE 3
DEC 22/07



767

PARTS CATALOG (MAINTENANCE)

FIG ITEM	PART NUMBER	1 2 3 4 5 6 7	NOMENCLATURE	EFFECT FROM TO	UNITS PER ASSY
1 160	CA12095-102		..HOLD DOWN- SUPPLIER CODE: V29372 OPTIONAL PART: CA12095-101 V29372 V30528 CA12145-102 V29372 BACC10HZ1		2
160	CA12095-101		..HOLD DOWN- SUPPLIER CODE: V29372 OPTIONAL PART: V30528 CA12095-102 V29372 CA12145-102 V29372 BACC10HZ1		2
160	H3773-9		..HOLD DOWN- SUPPLIER CODE: V83014 SPECIFICATION NUMBER: BACC10HZ1 OPTIONAL PART: 5175-110-1 V30528 CA12145-102 VOCBU7 H3773-3 V83014 CA12095-101 V29372 CA12095-102 V29372 CA12145-102 V29372		2
- 165	NAS514P632-5		ATTACHING PARTS ..SCREW- -----*-----		4
168	DA300705-1		.COVER-TRAY SUPPLIER CODE: V1009B SB DATA FROM A CMM: POST SAS MTO-253497 POST AIRLINE MOD: SB25-04-95 VSAS		1

ILLUSTRATION ITEMS NOT ON PARTS LIST ARE NOT APPLICABLE

- ITEM NOT ILLUSTRATED

HXL

25-71-16-01

BOEING PROPRIETARY - Copyright © - Unpublished Work - See title page for details.

25-71-16
FIG. 01
PAGE 4
DEC 22/07



767

PARTS CATALOG (MAINTENANCE)

FIG ITEM	PART NUMBER	1 2 3 4 5 6 7	NOMENCLATURE	EFFECT FROM TO	UNITS PER ASSY
1 200	H21-1		.. SPACER SUPPLIER CODE: V34941 SPECIFICATION NUMBER: BACS18AR1 OPTIONAL PART: FAB276A V15805 YHLZ1C2 V09922		AR
205	H21-6		.. SPACER SUPPLIER CODE: V34941 SPECIFICATION NUMBER: BACS18AR6 OPTIONAL PART: FAB276-0 V15805 YHLZ1C7 V09922		AR
210	YHLZ2		.. MODULE SUPPLIER CODE: V09922 SPECIFICATION NUMBER: BACM15C1A OPTIONAL PART: YHLZ22 V09922		AR
215	YHLZ4		.. MODULE SUPPLIER CODE: V09922 SPECIFICATION NUMBER: BACM15C1B OPTIONAL PART: YHLZ44 V09922		AR
220	YHLZ8		.. MODULE SUPPLIER CODE: V09922 SPECIFICATION NUMBER: BACM15C2A		AR

ILLUSTRATION ITEMS NOT ON PARTS LIST ARE NOT APPLICABLE

- ITEM NOT ILLUSTRATED

HXL

25-71-16-01

BOEING PROPRIETARY - Copyright © - Unpublished Work - See title page for details.

25-71-16
FIG. 01
PAGE 6
DEC 22/07

 **BOEING**
767
PARTS CATALOG (MAINTENANCE)

FIG ITEM	PART NUMBER	1 2 3 4 5 6 7	NOMENCLATURE	EFFECT FROM TO	UNITS PER ASSY
1 221	YHLZ16-2		..MODULE SUPPLIER CODE: V09922 SPECIFICATION NUMBER: BACM15C3A OPTIONAL PART: TBH120450 V58982 421120-450 V58982		AR
222	YHLZ16-4		..MODULE SUPPLIER CODE: V09922 SPECIFICATION NUMBER: BACM15C3B OPTIONAL PART: 421120-452 V58982 TBH120452 V58982		AR
223	YHLZ16-8		..MODULE SUPPLIER CODE: V09922 SPECIFICATION NUMBER: BACM15C3C OPTIONAL PART: 421120-454 V58982 TBH120454 V58982		AR
250	284T0678-10		.SHELF ASSY-		1
260	284T0383-2		..SEAL- MANUFACTURED FROM: SH RUBBER MIL-R-6130 GRADE A TYPE 2 SOFT 0.125 IN 2.3 IN 6.2 IN SPARES ORDER MATERIAL CODE: 5231253020		1
265	NAS1801-3-5		..SCREW		2
267	NAS1801-3-6		..SCREW		4
270	AN960PD10L		..WASHER		6

R
R
R
R
R
R
R

ILLUSTRATION ITEMS NOT ON PARTS LIST ARE NOT APPLICABLE

- ITEM NOT ILLUSTRATED

HXL

25-71-16-01

BOEING PROPRIETARY - Copyright © - Unpublished Work - See title page for details.

25-71-16
FIG. 01
PAGE 7
AUG 22/09

 **BOEING**
767
PARTS CATALOG (MAINTENANCE)

FIG ITEM	PART NUMBER	1 2 3 4 5 6 7	NOMENCLATURE	EFFECT FROM TO	UNITS PER ASSY
1	275 BRH10A3		.. NUT SUPPLIER CODE: V52828 SPECIFICATION NUMBER: BACN10JC3 OPTIONAL PART: H10-3BAC V15653 NS202101-02 V80539 RMLH9075-3W V72962 VN303A02 V92215 96-02 V80539 T6S1032J V11815		6
283	284T0681-9		.. SUPPORT ASSY-WIRE		1
300	BAC27TEX1707		...DECAL- PLACARD CONTENT: GDX1 GDX2 GDX3 GDX4 GDX6 GDX7 GDX8 GDX9 GDX10		1
302	BAC27TEX1708		...DECAL- PLACARD CONTENT: GDY1 GDY2 GDY3 GDY4 GDY6 GDY7 GDY8 GDY9 GDY10 POST SERVICE BULLETIN: 23-0085		1
307	YHLZG16-1		...BLOCK-TERM. SUPPLIER CODE: V09922 ATTACHING PARTS		2
- 311	BACR15BB4AD		...RIVET- SIZE DETERMINED ON INSTL. -----*-----		8
314	MS24665-300		...PIN		2
315	AN960JD616		...WASHER-		2
320	284T0681-2		...TUBE		1
325	284T0385-3		...BRACKET ATTACHING PARTS		1
- 330	NAS1801-3-7		...SCREW-		1
- 335	AN960PD10		...WASHER-		1
- 335	AN960JD10		...WASHER-		1
- 340	MS21042L3		...NUT-		1

ILLUSTRATION ITEMS NOT ON PARTS LIST ARE NOT APPLICABLE

- ITEM NOT ILLUSTRATED

HXL

25-71-16-01

BOEING PROPRIETARY - Copyright © - Unpublished Work - See title page for details.

25-71-16
FIG. 01
PAGE 8
DEC 22/07



767

PARTS CATALOG (MAINTENANCE)

FIG ITEM	PART NUMBER	1 2 3 4 5 6 7	NOMENCLATURE	EFFECT FROM TO	UNITS PER ASSY
1 - 340	BRH10A3		...NUT- SUPPLIER CODE: V52828 SPECIFICATION NUMBER: BACN10JC3 OPTIONAL PART: H10-3BAC V15653 NS202101-02 V80539 RMLH9075-3W V72962 VN303A02 V92215 96-02 V80539 T6S1032J V11815 -----*-----		1
345	284T0385-5		...BRACKET		1
350	284T0385-4		...BRACKET		1
- 355	BACR15BB4AD		ATTACHING PARTS ...RIVET- SIZE DETERMINED ON INSTL. -----*-----		4
360	284T0617-1		...TRACK		1

ILLUSTRATION ITEMS NOT ON PARTS LIST ARE NOT APPLICABLE

- ITEM NOT ILLUSTRATED

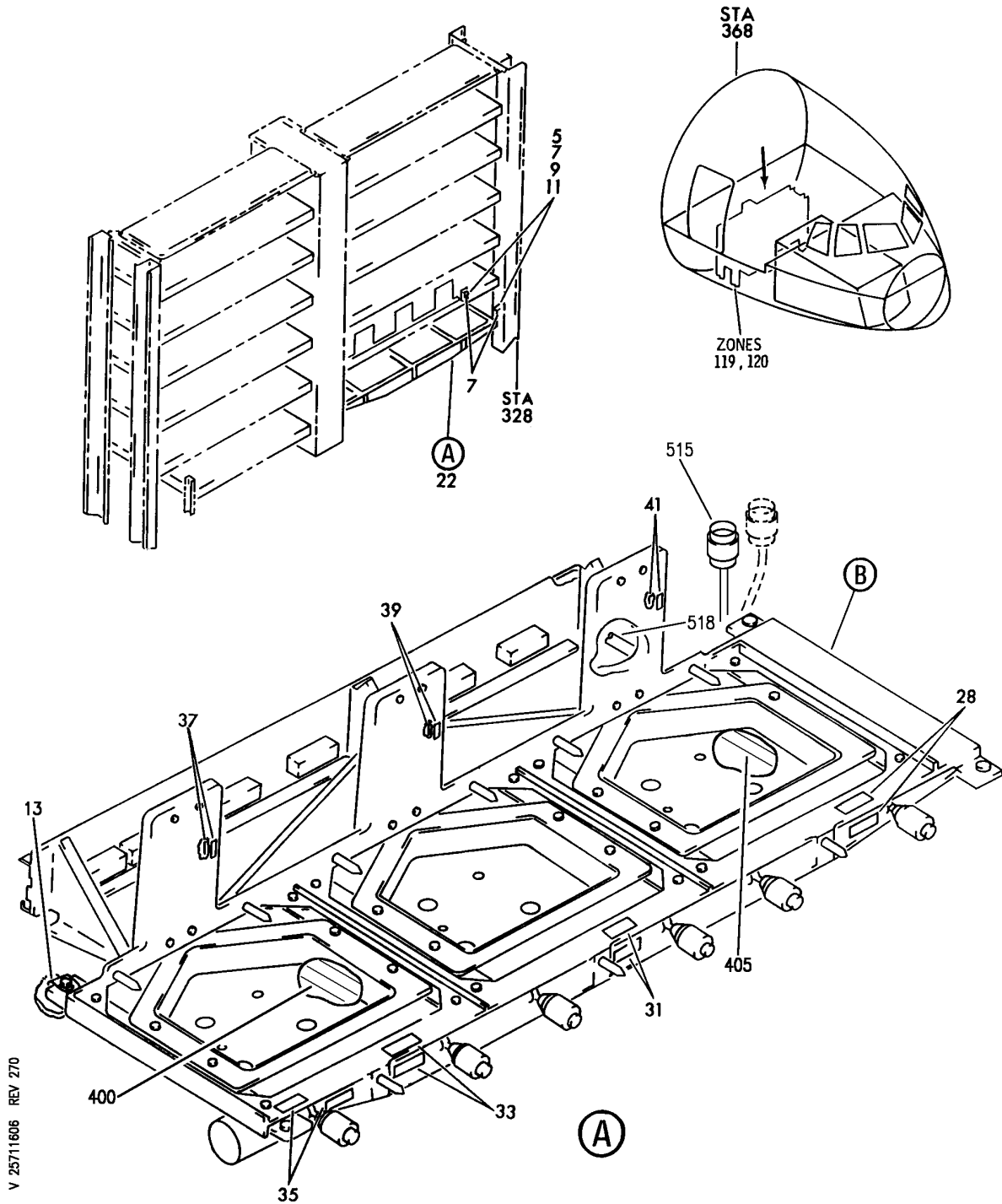
HXL

25-71-16-01

BOEING PROPRIETARY - Copyright © - Unpublished Work - See title page for details.

25-71-16
 FIG. 01
 PAGE 9
 DEC 22/07

BOEING
767
PARTS CATALOG (MAINTENANCE)



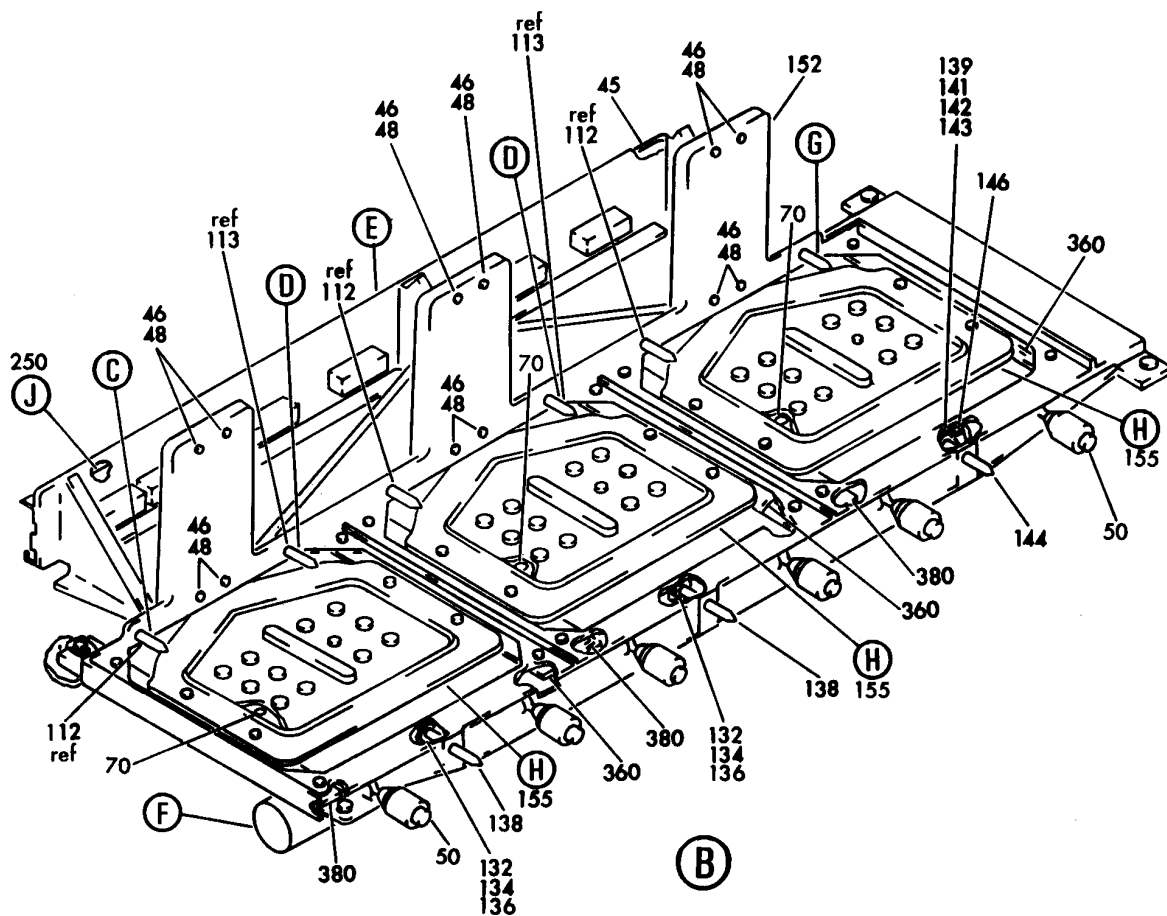
SHELF INSTL-INERTIAL REF UNIT MOUNT (E1-6)
FIGURE 6 (SHEET 1)

25-71-16-06

HXL
DEC 22/06

25-71-16-06
PAGE 0

BOEING
767
PARTS CATALOG (MAINTENANCE)



V 25711606 SHT 2 REV 189

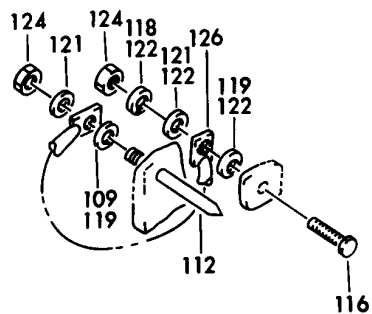
SHELF INSTL-INERTIAL REF UNIT MOUNT (E1-6)
FIGURE 6 (SHEET 2)

25-71-16-06

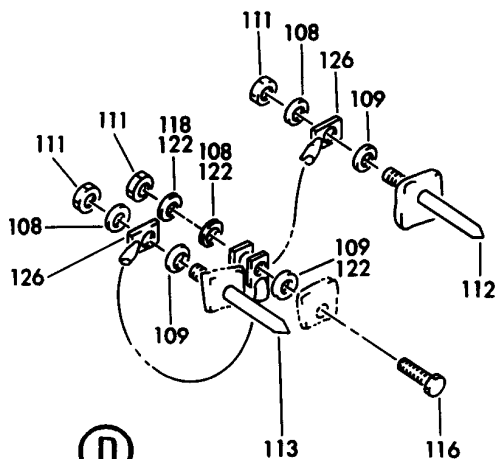
HXL
DEC 22/06

25-71-16-06
PAGE 0A

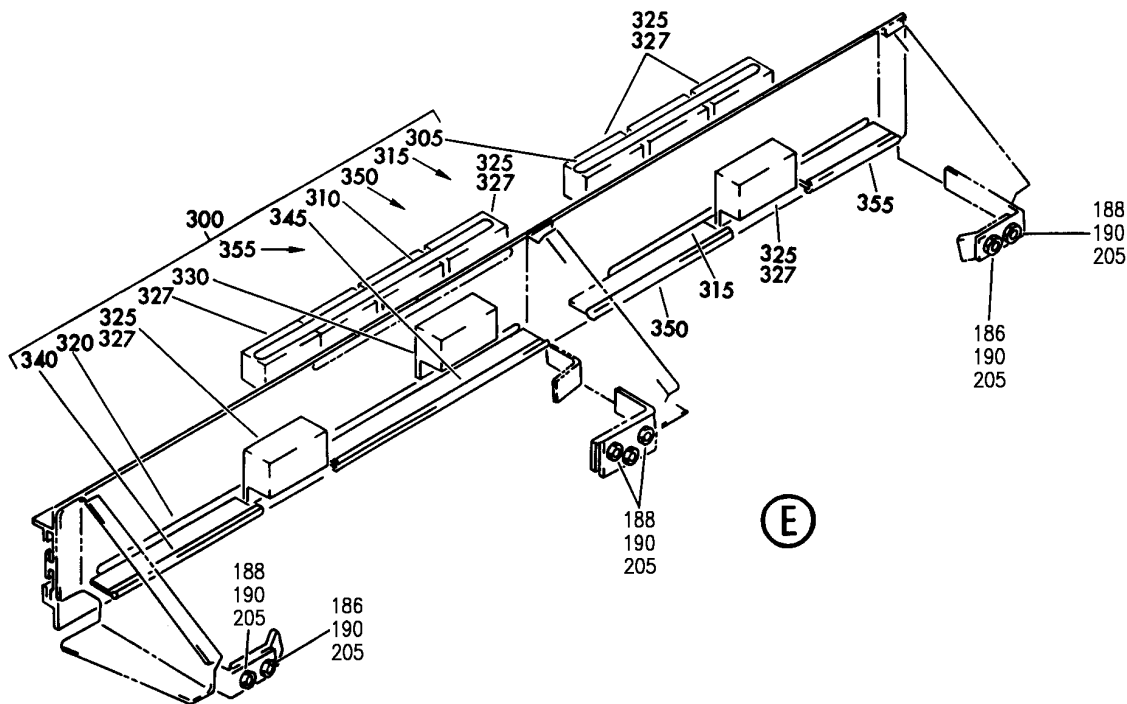
BOEING
767
PARTS CATALOG (MAINTENANCE)



(C)



(D)



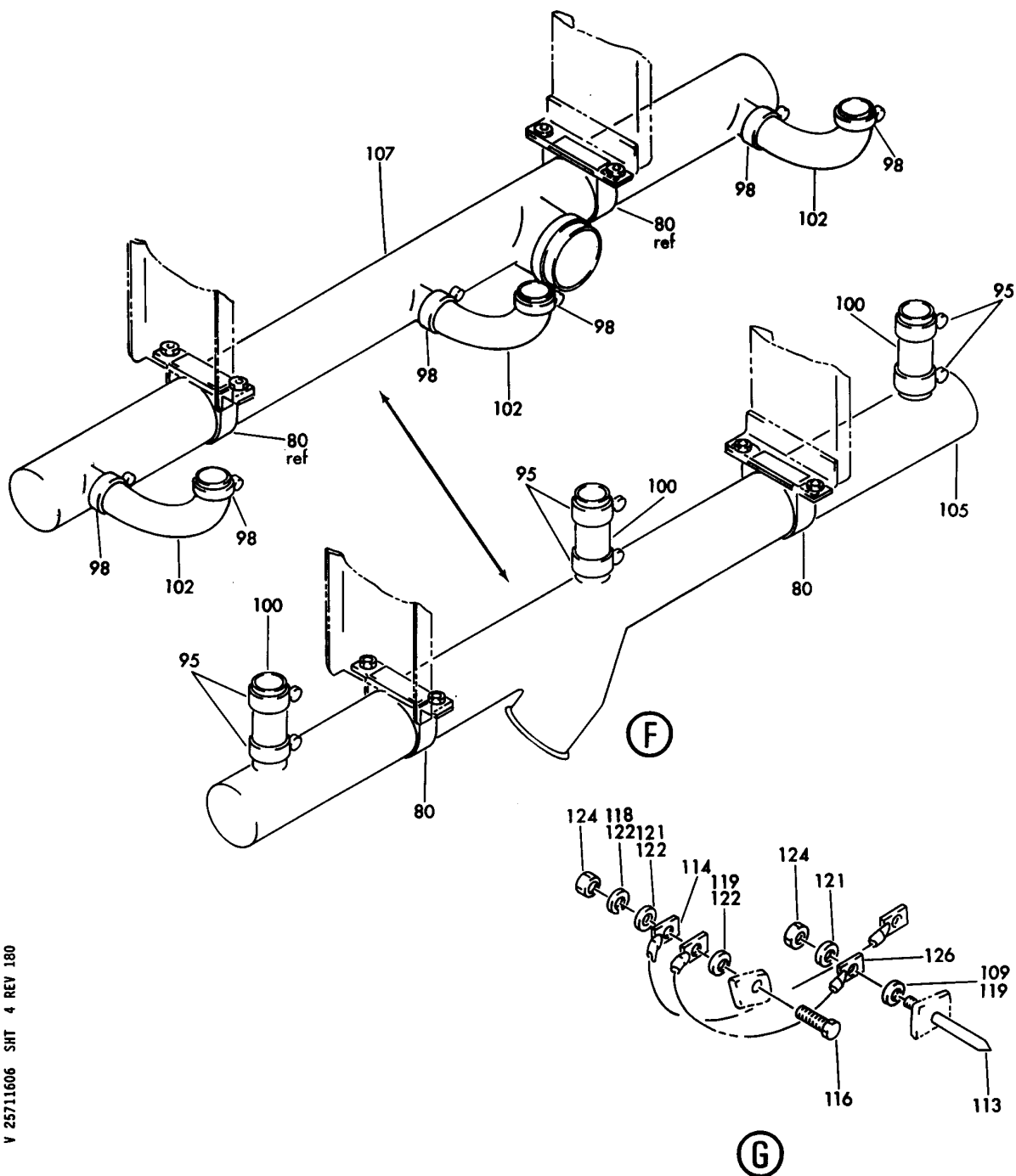
(E)

V 25711606 SHT 3 REV 267

SHELF INSTL-INERTIAL REF UNIT MOUNT (E1-6)
FIGURE 6 (SHEET 3)

25-71-16-06

BOEING
767
PARTS CATALOG (MAINTENANCE)



V 25711606 SHIT 4 REV 180

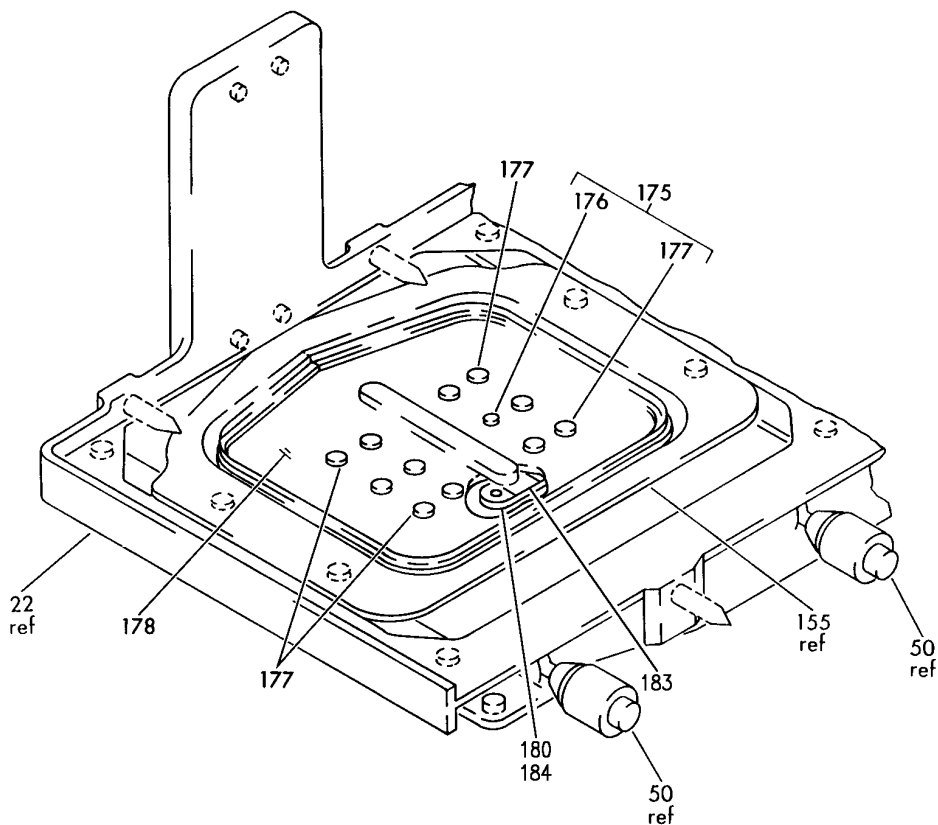
SHELF INSTL-INERTIAL REF UNIT MOUNT (E1-6)
FIGURE 6 (SHEET 4)

25-71-16-06

HXL
DEC 22/06

25-71-16-06
PAGE 0C

BOEING
767
PARTS CATALOG (MAINTENANCE)



(H)

V 25711606 SH- 5 REV 267

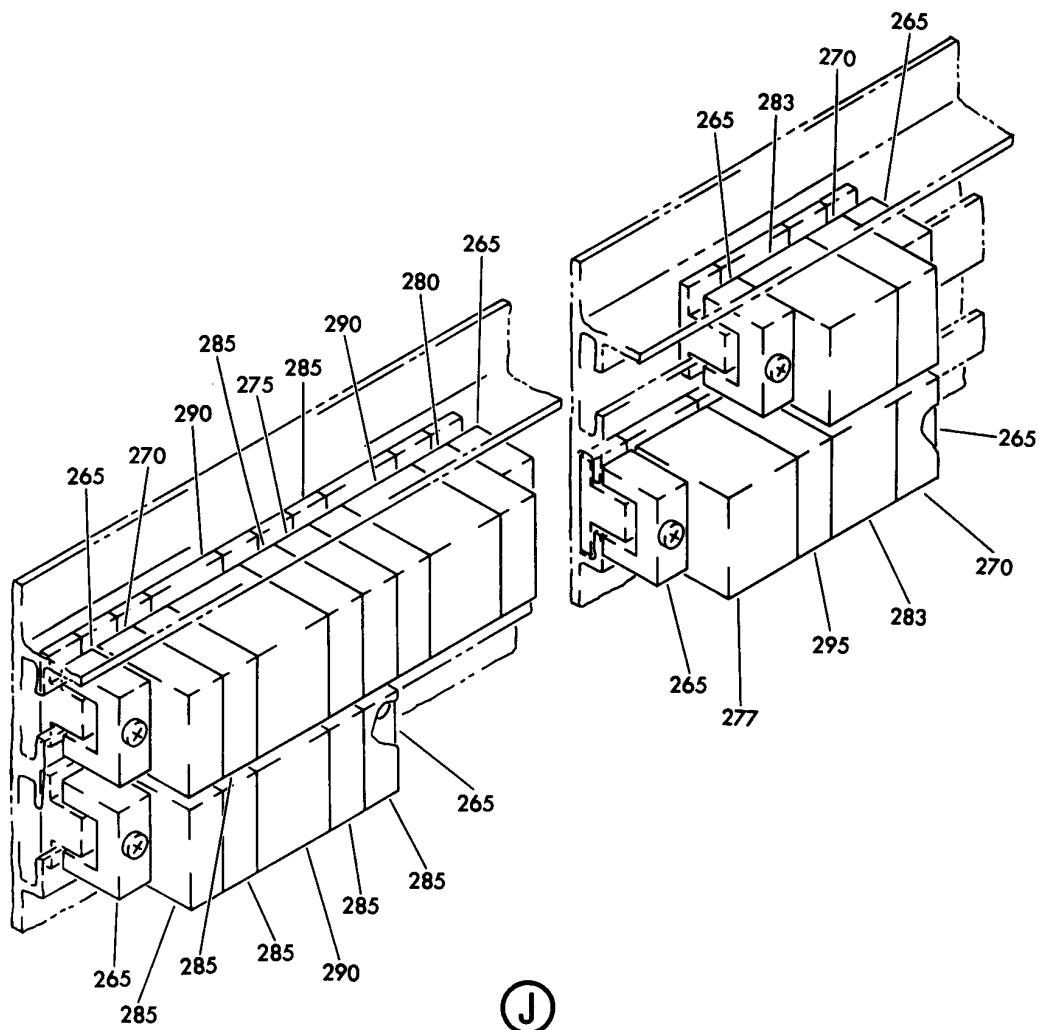
SHELF INSTL-INERTIAL REF UNIT MOUNT (E1-6)
FIGURE 6 (SHEET 5)

25-71-16-06

HXL
DEC 22/06

25-71-16-06
PAGE 0D

BOEING
767
PARTS CATALOG (MAINTENANCE)



V 25711606 SHT 6 REV 180

SHELF INSTL-INERTIAL REF UNIT MOUNT (E1-6)
FIGURE 6 (SHEET 6)

25-71-16-06

HXL
DEC 22/06

25-71-16-06
PAGE 0E

 **BOEING**
767
PARTS CATALOG (MAINTENANCE)

FIG ITEM	PART NUMBER	1 2 3 4 5 6 7	NOMENCLATURE	EFFECT FROM TO	UNITS PER ASSY
6			SHELF INSTL-INERTIAL REF UNIT MOUNT (E1-6)		
- 1	284T0339-5		SHELF INSTL-INERTIAL REF UNIT MOUNT FOR NHA SEE: 53-11-64-01B		RF
7	AN960D10		.WASHER-		4
9	AN960PD10		.WASHER-		2
11	BRH10A3		.NUT-		2
			SUPPLIER CODE: V52828 SPECIFICATION NUMBER: BACN10JC3 OPTIONAL PART: H10-3BAC V15653 NS202101-02 V80539 RMLH9075-3W V72962 VN303A02 V92215 96-02 V80539 T6S1032J V11815		
13	284T1088-1		.STRAP ATTACHING PARTS		1
- 17	BACW10P186C		.WASHER		2
- 19	BRH10A4		.NUT SUPPLIER CODE: V52828 SPECIFICATION NUMBER: BACN10JC4 OPTIONAL PART: T6S428J V11815 96-048 V80539 VN303A048 V92215 RMLH9075-4W V72962 NS202101-048 V80539 H10-4BAC V15653		1
			-----*----- ILLUSTRATION ITEMS NOT ON PARTS LIST ARE NOT APPLICABLE		

- ITEM NOT ILLUSTRATED

HXL

25-71-16-06

BOEING PROPRIETARY - Copyright © - Unpublished Work - See title page for details.

25-71-16
FIG. 06
PAGE 1
DEC 22/07

 **BOEING**
767
PARTS CATALOG (MAINTENANCE)

FIG ITEM	PART NUMBER	1 2 3 4 5 6 7	NOMENCLATURE	EFFECT FROM TO	UNITS PER ASSY
6					
22	284T0338-8		.SHELF ASSY-(FUSELAGE ONLY) FUNCTIONAL REFERENCE: PLACARDS AND MARKINGS FOR DETAILS SEE 11-36-26-01 ATTACHING PARTS		1
- 26	AN960PD416		.WASHER-		3
- 27	BRH10A4		.NUT SUPPLIER CODE: V52828 SPECIFICATION NUMBER: BACN10JC4 OPTIONAL PART: T6S428J V11815 96-048 V80539 VN303A048 V92215 RMLH9075-4W V72962 NS202101-048 V80539 H10-4BAC V15653 -----*-----		3
28	BAC27TEX1325		..DECAL- PLACARD CONTENT: M159 IRU LEFT		2
31	BAC27TEX1324		..DECAL- PLACARD CONTENT: M160 IRU CENTER		2
33	BAC27TEX1323		..DECAL- PLACARD CONTENT: M161 IRU RIGHT		2
35	BAC27TEX0638		..DECAL- PLACARD CONTENT: E1-6		2
37	BAC27TEX1326		..DECAL- PLACARD CONTENT: D371		2
39	BAC27TEX1327		..DECAL- PLACARD CONTENT: D369		2
41	BAC27TEX1328		..DECAL- PLACARD CONTENT: D367		2
ILLUSTRATION ITEMS NOT ON PARTS LIST ARE NOT APPLICABLE					

- ITEM NOT ILLUSTRATED

HXL

25-71-16-06

BOEING PROPRIETARY - Copyright © - Unpublished Work - See title page for details.

25-71-16
FIG. 06
PAGE 2
DEC 22/07



767

PARTS CATALOG (MAINTENANCE)

FIG ITEM	PART NUMBER	1 2 3 4 5 6 7	NOMENCLATURE	EFFECT FROM TO	UNITS PER ASSY
6					
45	BAC27TEX1476	..	DECAL- PLACARD CONTENT: TB161		1
46	NAS1801-06-7	..	SCREW		12
48	BRH10A06	..	NUT- SUPPLIER CODE: V52828 SPECIFICATION NUMBER: BACN10JCO6 OPTIONAL PART: H10-06BAC V15653 RMLH9075-62W V72962 VN303A62 V92215 96-62 V80539 NS202101-62 V80539 T6S632J V11815		12
50	2450-100-1Z	..	HOLDDOWN- SUPPLIER CODE: V30528 OPTIONAL PART: CA12096-101 V29372 CA12083-101 V29372		6
50	CA12083-101	..	HOLDDOWN- SUPPLIER CODE: V29372 OPTIONAL PART: CA12096-101 V29372 2450-100-1Z V30528		6
50	CA12096-101	..	HOLDDOWN- SUPPLIER CODE: V29372 OPTIONAL PART: 2450-100-1Z V30528 CA12083-101 V29372		6
- 55	AN960JD10L	..	ATTACHING PARTS WASHER-		6

ILLUSTRATION ITEMS NOT ON PARTS LIST ARE NOT APPLICABLE

- ITEM NOT ILLUSTRATED

HXL

25-71-16-06

BOEING PROPRIETARY - Copyright © - Unpublished Work - See title page for details.

25-71-16
FIG. 06
PAGE 3
DEC 22/07

BOEING
767
PARTS CATALOG (MAINTENANCE)

FIG ITEM	PART NUMBER	1 2 3 4 5 6 7	NOMENCLATURE	EFFECT FROM TO	UNITS PER ASSY
6					
- 60	MS21042L3	..	NUT-		6
			-----*-----		
70	201-302	..	PLUG-		3
			SUPPLIER CODE: V0767B USED WITH: 201		
80	421-32	..	CLAMP		2
			SUPPLIER CODE: V83930 SPECIFICATION NUMBER: BACC10CC32 OPTIONAL PART: JM45SC3D32T V22175 TA04C36-06 V84971 421A32 V83930		
			ATTACHING PARTS		
- 85	NAS1801-3-6	..	SCREW		4
- 90	BRH10A3	..	NUT-		4
			SUPPLIER CODE: V52828 SPECIFICATION NUMBER: BACN10JC3 OPTIONAL PART: H10-3BAC V15653 NS202101-02 V80539 RMLH9075-3W V72962 VN303A02 V92215 96-02 V80539 T6S1032J V11815		
			-----*-----		
ILLUSTRATION ITEMS NOT ON PARTS LIST ARE NOT APPLICABLE					

- ITEM NOT ILLUSTRATED

HXL

25-71-16-06

BOEING PROPRIETARY - Copyright © - Unpublished Work - See title page for details.

25-71-16
FIG. 06
PAGE 4
DEC 22/07



767

PARTS CATALOG (MAINTENANCE)

FIG ITEM	PART NUMBER	1 2 3 4 5 6 7	NOMENCLATURE	EFFECT FROM TO	UNITS PER ASSY
6					
98	16		.. CLAMP- SUPPLIER CODE: V7Z588 SPECIFICATION NUMBER: STBC10GG38-48 OPTIONAL PART: WWD38-48H V66295 SST4S V06383		6
98	PLT4SM		.. STRAP- SUPPLIER CODE: V06383 SPECIFICATION NUMBER: BACS38K2 OPTIONAL PART: T05L0 V53421 STBC10GC38-48		6
102	BCREF7975		.. DUCT- OVERLENGTH PART NUMBER: BACD40A4-33-5A12		3
107	284T0572-17		.. MANIFOLD ASSY-		1
108	AN960-10		.. WASHER		6
109	AN960D10		.. WASHER		6
111	BRH10A3		.. NUT SUPPLIER CODE: V52828 SPECIFICATION NUMBER: BACN10JC3 OPTIONAL PART: H10-3BAC V15653 NS202101-02 V80539 RMLH9075-3W V72962 VN303A02 V92215 96-02 V80539 T6S1032J V11815		6

ILLUSTRATION ITEMS NOT ON PARTS LIST ARE NOT APPLICABLE

- ITEM NOT ILLUSTRATED

HXL

25-71-16-06

BOEING PROPRIETARY - Copyright © - Unpublished Work - See title page for details.

25-71-16
FIG. 06
PAGE 5
DEC 22/07



767

PARTS CATALOG (MAINTENANCE)

FIG ITEM	PART NUMBER	1 2 3 4 5 6 7	NOMENCLATURE	EFFECT FROM TO	UNITS PER ASSY
6					
112	284T0041-6		..PIN-GUIDE QUALIFIED OPTIONAL DATA: (284T0041-1, 284T0041-2, 284T0041-3 AND 284T0012-1 ARE OPTIONAL TO 284T0041-4, 284T0041-5, 284T0041-6 AND 284T0012-2, UNTIL PARTS ARE DEPLETED)		3
112	284T0041-3		..PIN-GUIDE QUALIFIED OPTIONAL DATA: (284T0041-1, 284T0041-2, 284T0041-3 AND 284T0012-1 ARE OPTIONAL TO 284T0041-4, 284T0041-5, 284T0041-6 AND 284T0012-2, UNTIL PARTS ARE DEPLETED)		3
113	284T0041-5		..PIN-GUIDE QUALIFIED OPTIONAL DATA: (284T0041-1, 284T0041-2, 284T0041-3 AND 284T0012-1 ARE OPTIONAL TO 284T0041-4, 284T0041-5, 284T0041-6 AND 284T0012-2, UNTIL PARTS ARE DEPLETED)		3
113	284T0041-2		..PIN-GUIDE QUALIFIED OPTIONAL DATA: (284T0041-1, 284T0041-2, 284T0041-3 AND 284T0012-1 ARE OPTIONAL TO 284T0041-4, 284T0041-5, 284T0041-6 AND 284T0012-2, UNTIL PARTS ARE DEPLETED)		3
114	BACJ40A20-8		..JUMPER ASSY		1
116	NAS6603-5		..BOLT		4
118	MS35338-43		..WASHER		4
119	AN960D10		..WASHER		4
121	AN960-10		..WASHER		4

ILLUSTRATION ITEMS NOT ON PARTS LIST ARE NOT APPLICABLE

- ITEM NOT ILLUSTRATED

25-71-16-06

25-71-16
FIG. 06
PAGE 6
DEC 22/07

HXL

BOEING PROPRIETARY - Copyright © - Unpublished Work - See title page for details.



767

PARTS CATALOG (MAINTENANCE)

FIG ITEM	PART NUMBER	1 2 3 4 5 6 7	NOMENCLATURE	EFFECT FROM TO	UNITS PER ASSY
6 124	BRH10A3	..	NUT SUPPLIER CODE: V52828 SPECIFICATION NUMBER: BACN10JC3 OPTIONAL PART: H10-3BAC V15653 NS202101-02 V80539 RMLH9075-3W V72962 VN303A02 V92215 96-02 V80539 T6S1032J V11815		4
126	740A20-4	..	JUMPER ASSY SUPPLIER CODE: V91812 SPECIFICATION NUMBER: BACJ40A20-4 OPTIONAL PART: TJEJ40A20-4 V33483 RBEJ20-4 V1GK47		6
132	AN960PD10L	..	WASHER		2
134	AN960D416	..	WASHER		2
136	BRH10A3	..	NUT SUPPLIER CODE: V52828 SPECIFICATION NUMBER: BACN10JC3 OPTIONAL PART: H10-3BAC V15653 NS202101-02 V80539 RMLH9075-3W V72962 VN303A02 V92215 96-02 V80539 T6S1032J V11815		2

ILLUSTRATION ITEMS NOT ON PARTS LIST ARE NOT APPLICABLE

- ITEM NOT ILLUSTRATED

HXL

25-71-16-06

BOEING PROPRIETARY - Copyright © - Unpublished Work - See title page for details.

25-71-16
FIG. 06
PAGE 7
DEC 22/08



767

PARTS CATALOG (MAINTENANCE)

FIG ITEM	PART NUMBER	1 2 3 4 5 6 7	NOMENCLATURE	EFFECT FROM TO	UNITS PER ASSY
6 138	284T0041-4		..PIN-GUIDE QUALIFIED OPTIONAL DATA: (284T0041-1, 284T0041-2, 284T0041-3 AND 284T0012-1 ARE OPTIONAL TO 284T0041-4, 284T0041-5, 284T0041-6 AND 284T0012-2, UNTIL PARTS ARE DEPLETED)		2
138	284T0041-1		..PIN-GUIDE QUALIFIED OPTIONAL DATA: (284T0041-1, 284T0041-2, 284T0041-3 AND 284T0012-1 ARE OPTIONAL TO 284T0041-4, 284T0041-5, 284T0041-6 AND 284T0012-2, UNTIL PARTS ARE DEPLETED)		2
139	AN960PD10L		..WASHER		1
141	AN960D10		..WASHER		1
142	AN960D416		..WASHER		1
143	BRH10A3		..NUT SUPPLIER CODE: V52828 SPECIFICATION NUMBER: BACN10JC3 OPTIONAL PART: H10-3BAC V15653 NS202101-02 V80539 RMLH9075-3W V72962 VN303A02 V92215 96-02 V80539 T6S1032J V11815		1
144	284T0041-4		..PIN-GUIDE QUALIFIED OPTIONAL DATA: (284T0041-1, 284T0041-2, 284T0041-3 AND 284T0012-1 ARE OPTIONAL TO 284T0041-4, 284T0041-5, 284T0041-6 AND 284T0012-2, UNTIL PARTS ARE DEPLETED)		1

ILLUSTRATION ITEMS NOT ON PARTS LIST ARE NOT APPLICABLE

- ITEM NOT ILLUSTRATED

HXL

25-71-16-06

BOEING PROPRIETARY - Copyright © - Unpublished Work - See title page for details.

25-71-16
FIG. 06
PAGE 8
DEC 22/08



767

PARTS CATALOG (MAINTENANCE)

FIG ITEM	PART NUMBER	1 2 3 4 5 6 7	NOMENCLATURE	EFFECT FROM TO	UNITS PER ASSY
6					
144	284T0041-1		..PIN-GUIDE QUALIFIED OPTIONAL DATA: (284T0041-1, 284T0041-2, 284T0041-3 AND 284T0012-1 ARE OPTIONAL TO 284T0041-4, 284T0041-5, 284T0041-6 AND 284T0012-2, UNTIL PARTS ARE DEPLETED)		1
146	740A20-12		..JUMPER ASSY SUPPLIER CODE: V91812 SPECIFICATION NUMBER: BACJ40A20-12 OPTIONAL PART: TJEJ40A20-12 V33483 RBEJ20-12 V1GK47		1
152	284T0012-1		..PLATFORM- QUALIFIED OPTIONAL DATA: (284T0041-1, 284T0041-2, 284T0041-3, AND 284T0012-1 ARE OPTIONAL TO 284T0041-4, 284T0041-5, 284T0041-6, AND 284T0012-2, UNTIL PARTS ARE DEPLETED)		1
152	284T0012-2		..PLATFORM- QUALIFIED OPTIONAL DATA: (284T0041-1, 284T0041-2, 284T0041-3, AND 284T0012-1 ARE OPTIONAL TO 284T0041-4, 284T0041-5, 284T0041-6, AND 284T0012-2, UNTIL PARTS ARE DEPLETED)		1
155	284T0571-7		..PAN ASSY- ATTACHING PARTS		3
- 160	NAS1801-3-7		..SCREW		12
- 165	AN960PD10L		..WASHER-		12
ILLUSTRATION ITEMS NOT ON PARTS LIST ARE NOT APPLICABLE					

- ITEM NOT ILLUSTRATED

25-71-16-06

25-71-16
FIG. 06
PAGE 9
DEC 22/08

HXL

BOEING PROPRIETARY - Copyright © - Unpublished Work - See title page for details.

BOEING
767
PARTS CATALOG (MAINTENANCE)

FIG ITEM	PART NUMBER	1 2 3 4 5 6 7	NOMENCLATURE	EFFECT FROM TO	UNITS PER ASSY
6 - 170	BRH10A3		..NUT- SUPPLIER CODE: V52828 SPECIFICATION NUMBER: BACN10JC3 OPTIONAL PART: H10-3BAC V15653 NS202101-02 V80539 RMLH9075-3W V72962 VN303A02 V92215 96-02 V80539 T6S1032J V11815 -----*-----		12
175	281131-8		...SEAL ASSY- SUPPLIER CODE: V0767B OPTIONAL PART: 201-8 V0767B BCMP08-1 V09489		1
175	BCMP08-1		...SEAL ASSY- SUPPLIER CODE: V09489 OPTIONAL PART: 201-8 V0767B 281131-8 V0767B		1
176	82100-1	PLUG- SUPPLIER CODE: V0767B		1
177	82100-2	PLUG- SUPPLIER CODE: V0767B		11
178	201-8		...SEAL ASSY- SUPPLIER CODE: V0767B OPTIONAL PART: 281131-8 V0767B BCMP08-1 V09489		1

ILLUSTRATION ITEMS NOT ON PARTS LIST ARE NOT APPLICABLE

- ITEM NOT ILLUSTRATED

HXL

25-71-16-06

BOEING PROPRIETARY - Copyright © - Unpublished Work - See title page for details.

25-71-16
FIG. 06
PAGE 10
DEC 22/08

 **BOEING**
767
PARTS CATALOG (MAINTENANCE)

FIG ITEM	PART NUMBER	1 2 3 4 5 6 7	NOMENCLATURE	EFFECT FROM TO	UNITS PER ASSY
6					
180	217T1436-2	...	RETAINER ASSY ATTACHING PARTS		1
- 181	BACR15BB4ADC	...	RIVET- SIZE DETERMINED ON INSTL. OPTIONAL PART: BACR15GN4B6W		2
- 181	BACR15GN4B6W	...	RIVET- OPTIONAL PART: BACR15BB4ADC		2
- 182	NAS42DD4-4FC	...	SPACER -----*-----		2
183	BAC27TEC0160	DECAL- PLACARD CONTENT: TEST PORT		1
184	217T1435-2	...	PLUG		1
186	NAS6603-5	..	BOLT		2
188	NAS6603-4	..	BOLT		5
190	AN960PD10	..	WASHER-		7
205	BRH10A3	..	NUT- SUPPLIER CODE: V52828 SPECIFICATION NUMBER: BACN10JC3 OPTIONAL PART: H10-3BAC V15653 NS202101-02 V80539 RMLH9075-3W V72962 VN303A02 V92215 96-02 V80539 T6S1032J V11815		7
250	284T0116-3	..	MODULE ASSY-TERM.		1
265	BACC49A1	...	CLAMP ASSY		AR
270	H21-1	...	SPACER SUPPLIER CODE: V34941 SPECIFICATION NUMBER: BACS18AR1 OPTIONAL PART: FAB276A V15805 YHLZ1C2 V09922		AR
ILLUSTRATION ITEMS NOT ON PARTS LIST ARE NOT APPLICABLE					

- ITEM NOT ILLUSTRATED

HXL

25-71-16-06

BOEING PROPRIETARY - Copyright © - Unpublished Work - See title page for details.

25-71-16
FIG. 06
PAGE 11
AUG 22/09

 **BOEING**
767
PARTS CATALOG (MAINTENANCE)

FIG ITEM	PART NUMBER	1 2 3 4 5 6 7	NOMENCLATURE	EFFECT FROM TO	UNITS PER ASSY
6 275	H21-6		... SPACER SUPPLIER CODE: V34941 SPECIFICATION NUMBER: BACS18AR6 OPTIONAL PART: FAB276-0 V15805 YHLZ1C7 V09922		AR
277	YHLZ16-2		... MODULE SUPPLIER CODE: V09922 SPECIFICATION NUMBER: BACM15C3A OPTIONAL PART: TBH120450 V58982 421120-450 V58982		AR
280	YHLZ2		... MODULE SUPPLIER CODE: V09922 SPECIFICATION NUMBER: BACM15C1A OPTIONAL PART: YHLZ22 V09922		AR
283	YHLZ16-8		... MODULE SUPPLIER CODE: V09922 SPECIFICATION NUMBER: BACM15C3C OPTIONAL PART: 421120-454 V58982 TBH120454 V58982		AR
285	YHLZ4		... MODULE SUPPLIER CODE: V09922 SPECIFICATION NUMBER: BACM15C1B OPTIONAL PART: YHLZ44 V09922		AR

ILLUSTRATION ITEMS NOT ON PARTS LIST ARE NOT APPLICABLE

- ITEM NOT ILLUSTRATED

HXL

25-71-16-06

BOEING PROPRIETARY - Copyright © - Unpublished Work - See title page for details.

25-71-16
FIG. 06
PAGE 12
AUG 22/09



767

PARTS CATALOG (MAINTENANCE)

FIG ITEM	PART NUMBER	1 2 3 4 5 6 7	NOMENCLATURE	EFFECT FROM TO	UNITS PER ASSY
6 290	YHLZ8	...	MODULE SUPPLIER CODE: V09922 SPECIFICATION NUMBER: BACM15C2A		AR
295	YHLZ16-4	...	MODULE SUPPLIER CODE: V09922 SPECIFICATION NUMBER: BACM15C3B OPTIONAL PART: 421120-452 V58982 TBH120452 V58982		AR
300	284T0567-2	..	SUPPORT ASSY-WIRE		1
305	BAC27TEX1726	...	DECAL- PLACARD CONTENT: GDY1 THRU GDY3		1
310	BAC27TEX1727	...	DECAL- PLACARD CONTENT: GDY4 THRU GDY7		1
315	BAC27TEX1730	...	DECAL- PLACARD CONTENT: GDX1 THRU GDX5		1
320	BAC27TEX1731	...	DECAL- PLACARD CONTENT: GDX6 THRU GDX11		1
325	YHLZG16-1	...	BLOCK-TERM. SUPPLIER CODE: V09922		8
330	YHLZG16-2	...	BLOCK-TERM. SUPPLIER CODE: V09922		1
- 335	BACR15BB4AD	...	RIVET- SIZE DETERMINED ON INSTL. -----*-----		36
340	BACG20ZB000600	...	GROMMET-		1
345	BACG20ZB000834	...	GROMMET-		1
350	BACG20ZB000455	...	GROMMET-		1
355	BACG20ZB000522	...	GROMMET-		1
400	284T0570-5	..	ANGLE-		1
405	284T0570-6	..	ANGLE- ATTACHING PARTS		1
- 410	NAS1801-3-8	..	SCREW-		4
- 415	AN960PD10L	..	WASHER		4

ILLUSTRATION ITEMS NOT ON PARTS LIST ARE NOT APPLICABLE

- ITEM NOT ILLUSTRATED

25-71-16-06

25-71-16
FIG. 06
PAGE 13
AUG 22/09

HXL



767
PARTS CATALOG (MAINTENANCE)

FIG ITEM	PART NUMBER	1 2 3 4 5 6 7	NOMENCLATURE	EFFECT FROM TO	UNITS PER ASSY
6 - 420	BRH10A3		. . NUT SUPPLIER CODE: V52828 SPECIFICATION NUMBER: BACN10JC3 OPTIONAL PART: H10-3BAC V15653 NS202101-02 V80539 RMLH9075-3W V72962 VN303A02 V92215 96-02 V80539 T6S1032J V11815 -----*-----		4

ILLUSTRATION ITEMS NOT ON PARTS LIST ARE NOT APPLICABLE

- ITEM NOT ILLUSTRATED

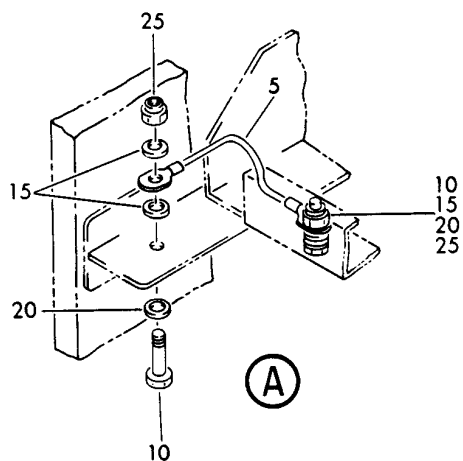
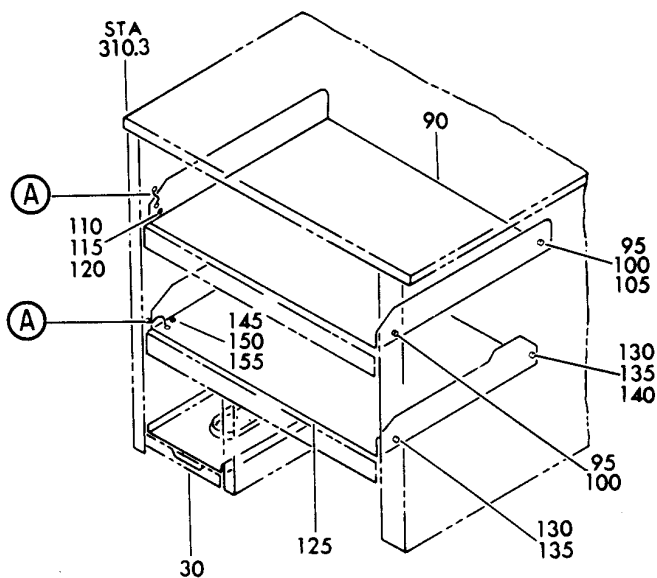
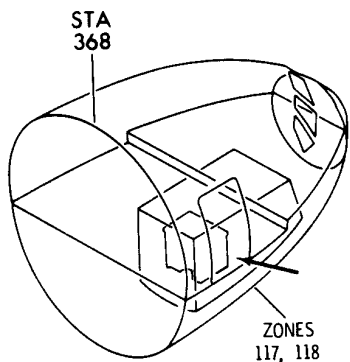
HXL

25-71-16-06

BOEING PROPRIETARY - Copyright © - Unpublished Work - See title page for details.

25-71-16
FIG. 06
PAGE 14
AUG 22/09

BOEING
767
PARTS CATALOG (MAINTENANCE)



V 25712001 SH1 1 REV 059

SHELF INSTL-ELEX EQPT CTR E3 RACK
FIGURE 1

25-71-20-01

HXL
DEC 22/06

25-71-20-01
PAGE 0



767

PARTS CATALOG (MAINTENANCE)

FIG ITEM	PART NUMBER	1 2 3 4 5 6 7	NOMENCLATURE	EFFECT FROM TO	UNITS PER ASSY
1			SHELF INSTL-ELEX EQPT CTR E3 RACK		
- 1	284T0134-1		SHELF INSTL-ELEX EQPT CTR E3 RACK VARIABLE DRAWING REF: 284T0134-5008 FOR NHA SEE: 24-00-58-01M		RF
5	740A20-5		. JUMPER ASSY SUPPLIER CODE: V91812 SPECIFICATION NUMBER: BACJ40A20-5 OPTIONAL PART: TJEJ40A20-5 V33483 RBEJ20-5 V1GK47		2
10	NAS6603-4		. ATTACHING PARTS . BOLT		4
15	AN960D10		. WASHER		8
20	AN960PD10		. WASHER		4
25	BRH10A3		. NUT SUPPLIER CODE: V52828 SPECIFICATION NUMBER: BACN10JC3 OPTIONAL PART: H10-3BAC V15653 NS202101-02 V80539 RMLH9075-3W V72962 VN303A02 V92215 96-02 V80539 T6S1032J V11815		4
30	284T0214-4		-----*----- . TRAY ASSY-BATTERY CHARGER FUNCTIONAL REFERENCE: PLACARDS AND MARKINGS FOR DETAILS SEE 11-36-03-05 FOR DETAILS SEE: 25-71-23-01		1
ILLUSTRATION ITEMS NOT ON PARTS LIST ARE NOT APPLICABLE					

- ITEM NOT ILLUSTRATED

HXL

25-71-20-01

BOEING PROPRIETARY - Copyright © - Unpublished Work - See title page for details.

25-71-20
FIG. 01
PAGE 1
DEC 22/08



767

PARTS CATALOG (MAINTENANCE)

FIG ITEM	PART NUMBER	1 2 3 4 5 6 7	NOMENCLATURE	EFFECT FROM TO	UNITS PER ASSY
1			ATTACHING PARTS		
- 35	NAS1801-3-7		.SCREW		4
- 40	AN960PD10L		.WASHER		4
- 45	BRH10A3		.NUT		4
			SUPPLIER CODE: V52828		
			SPECIFICATION NUMBER: BACN10JC3		
			OPTIONAL PART: H10-3BAC		
			V15653		
			NS202101-02		
			V80539		
			RMLH9075-3W		
			V72962		
			VN303A02		
			V92215		
			96-02		
			V80539		
			T6S1032J		
			V11815		
			-----*-----		
90	284T0131-7		.SHELF ASSY-E3-1		1
			ELECTRICAL EQUIP NUMBER: E003-01		
			FUNCTIONAL REFERENCE: AIR CONDITIONING		
			FOR DETAILS SEE 21-51-57-01		
			PLACARDS AND MARKINGS		
			FOR DETAILS SEE 11-36-03-02		
			FOR DETAILS SEE: 25-71-21-01		
			ATTACHING PARTS		
95	NAS6604-4		.BOLT		2
100	AN960PD416		.WASHER		2

ILLUSTRATION ITEMS NOT ON PARTS LIST ARE NOT APPLICABLE

- ITEM NOT ILLUSTRATED

HXL

25-71-20-01

BOEING PROPRIETARY - Copyright © - Unpublished Work - See title page for details.

25-71-20
FIG. 01
PAGE 2
DEC 22/08



767

PARTS CATALOG (MAINTENANCE)

FIG ITEM	PART NUMBER	1 2 3 4 5 6 7	NOMENCLATURE	EFFECT FROM TO	UNITS PER ASSY
1 105	BRH10A4	.NUT	SUPPLIER CODE: V52828 SPECIFICATION NUMBER: BACN10JC4 OPTIONAL PART: T6S428J V11815 96-048 V80539 VN303A048 V92215 RMLH9075-4W V72962 NS202101-048 V80539 H10-4BAC V15653		1
110	NAS1801-3-7	.SCREW			2
115	AN960PD10L	.WASHER			2
120	BRH10A3	.NUT	SUPPLIER CODE: V52828 SPECIFICATION NUMBER: BACN10JC3 OPTIONAL PART: H10-3BAC V15653 NS202101-02 V80539 RMLH9075-3W V72962 VN303A02 V92215 96-02 V80539 T6S1032J V11815		2
125	284T0132-6	-----*----- .SHELF ASSY-E3-2	ELECTRICAL EQUIP NUMBER: E003-02 FUNCTIONAL REFERENCE: PLACARDS AND MARKINGS FOR DETAILS SEE 11-36-03-04 FOR DETAILS SEE: 25-71-22-02		1

ILLUSTRATION ITEMS NOT ON PARTS LIST ARE NOT APPLICABLE

- ITEM NOT ILLUSTRATED

HXL

25-71-20-01

BOEING PROPRIETARY - Copyright © - Unpublished Work - See title page for details.

25-71-20
FIG. 01
PAGE 3
DEC 22/06



767

PARTS CATALOG (MAINTENANCE)

FIG ITEM	PART NUMBER	1 2 3 4 5 6 7	NOMENCLATURE	EFFECT FROM TO	UNITS PER ASSY
1			ATTACHING PARTS		
130	NAS6604-4	.	BOLT		2
135	AN960PD416	.	WASHER		2
140	BRH10A4	.	NUT		1
			SUPPLIER CODE: V52828		
			SPECIFICATION NUMBER: BACN10JC4		
			OPTIONAL PART: T6S428J		
			V11815		
			96-048		
			V80539		
			VN303A048		
			V92215		
			RMLH9075-4W		
			V72962		
			NS202101-048		
			V80539		
			H10-4BAC		
			V15653		
145	NAS1801-3-7	.	SCREW		2
150	AN960PD10L	.	WASHER		2
155	BRH10A3	.	NUT		2
			SUPPLIER CODE: V52828		
			SPECIFICATION NUMBER: BACN10JC3		
			OPTIONAL PART: H10-3BAC		
			V15653		
			NS202101-02		
			V80539		
			RMLH9075-3W		
			V72962		
			VN303A02		
			V92215		
			96-02		
			V80539		
			T6S1032J		
			V11815		
			-----*-----		
			ILLUSTRATION ITEMS NOT ON PARTS LIST ARE NOT APPLICABLE		

- ITEM NOT ILLUSTRATED

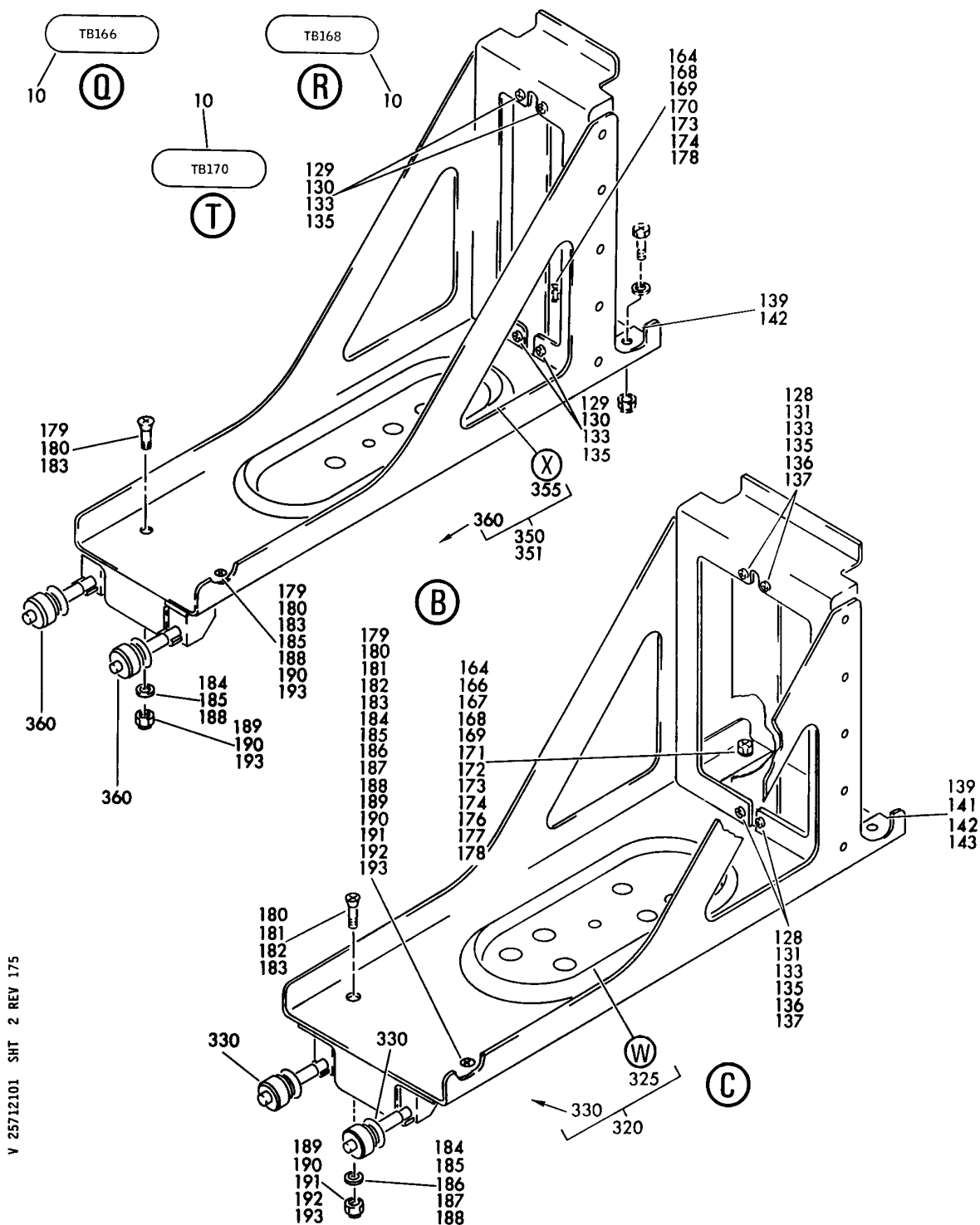
HXL

25-71-20-01

BOEING PROPRIETARY - Copyright © - Unpublished Work - See title page for details.

25-71-20
FIG. 01
PAGE 4
DEC 22/06

BOEING
767
PARTS CATALOG (MAINTENANCE)



V 25712101 SHT 2 REV 175

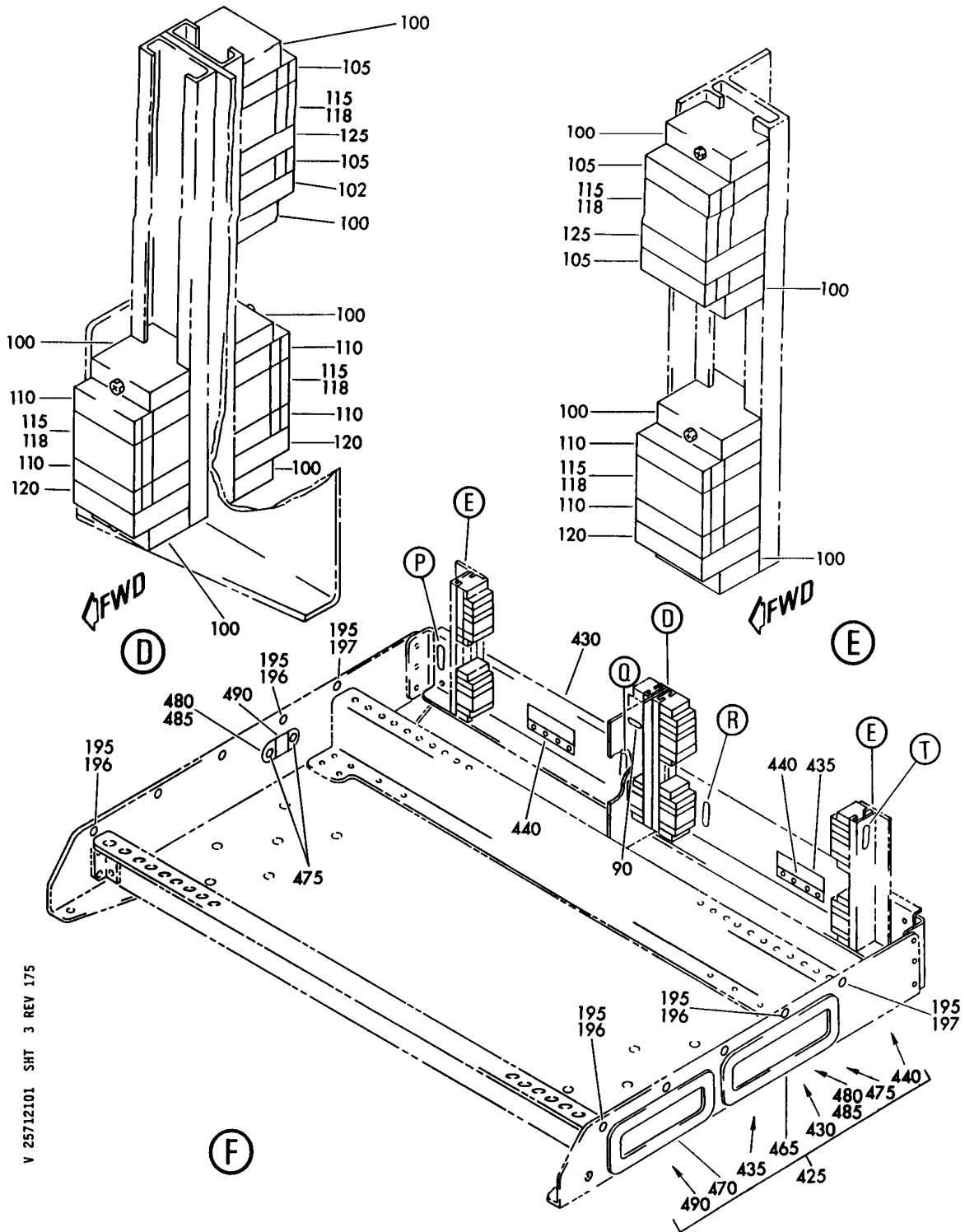
SHELF ASSY-MAIN EQPT CTR E3-1 (EQUIPMENT/ FURNISHINGS ONLY)
FIGURE 1 (SHEET 2)

25-71-21-01

HXL
DEC 22/06

25-71-21-01
PAGE 0A

BOEING
767
PARTS CATALOG (MAINTENANCE)



V 25712101 SHT 3 REV 175

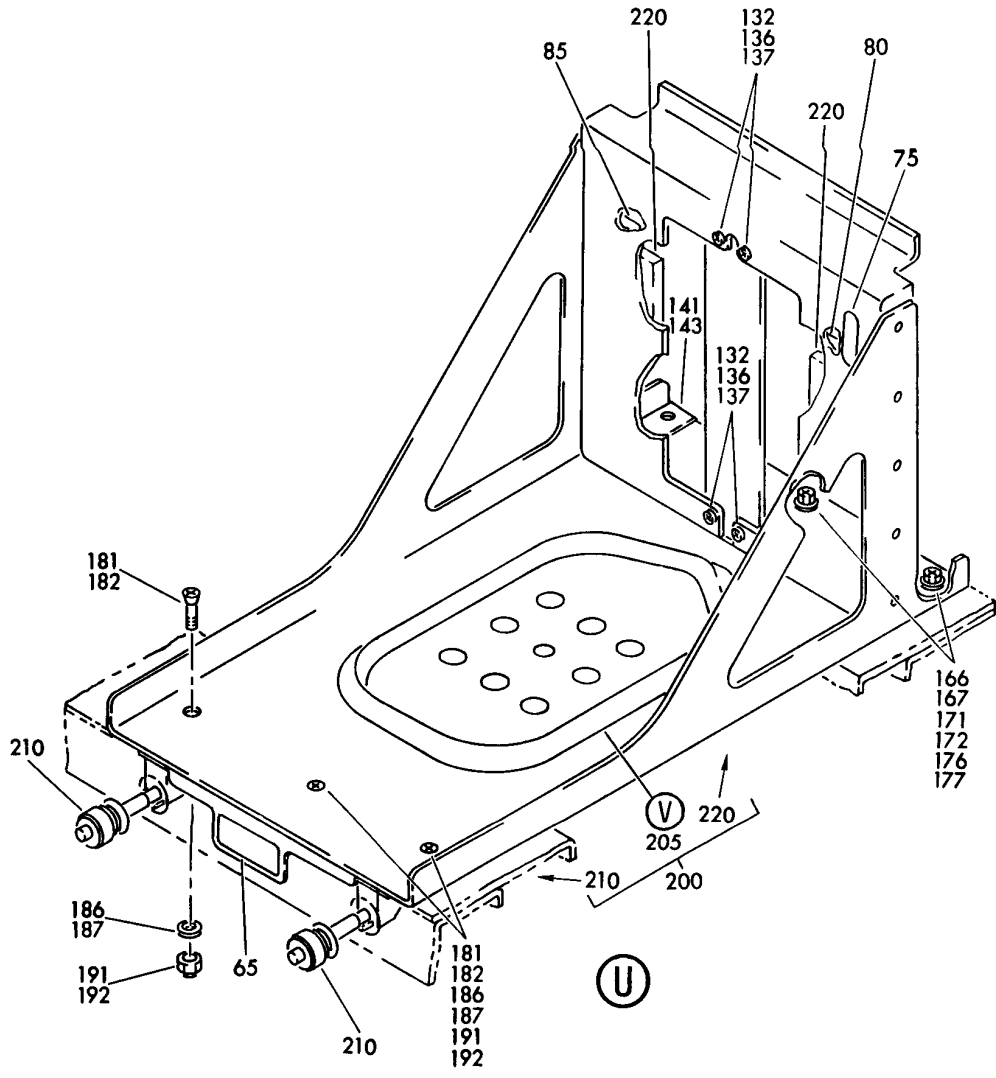
SHELF ASSY-MAIN EQPT CTR E3-1 (EQUIPMENT/ FURNISHINGS ONLY)
FIGURE 1 (SHEET 3)

25-71-21-01

HXL
DEC 22/06

25-71-21-01
PAGE 0B

BOEING
767
PARTS CATALOG (MAINTENANCE)



V 25712101 SHT 4 REV 175

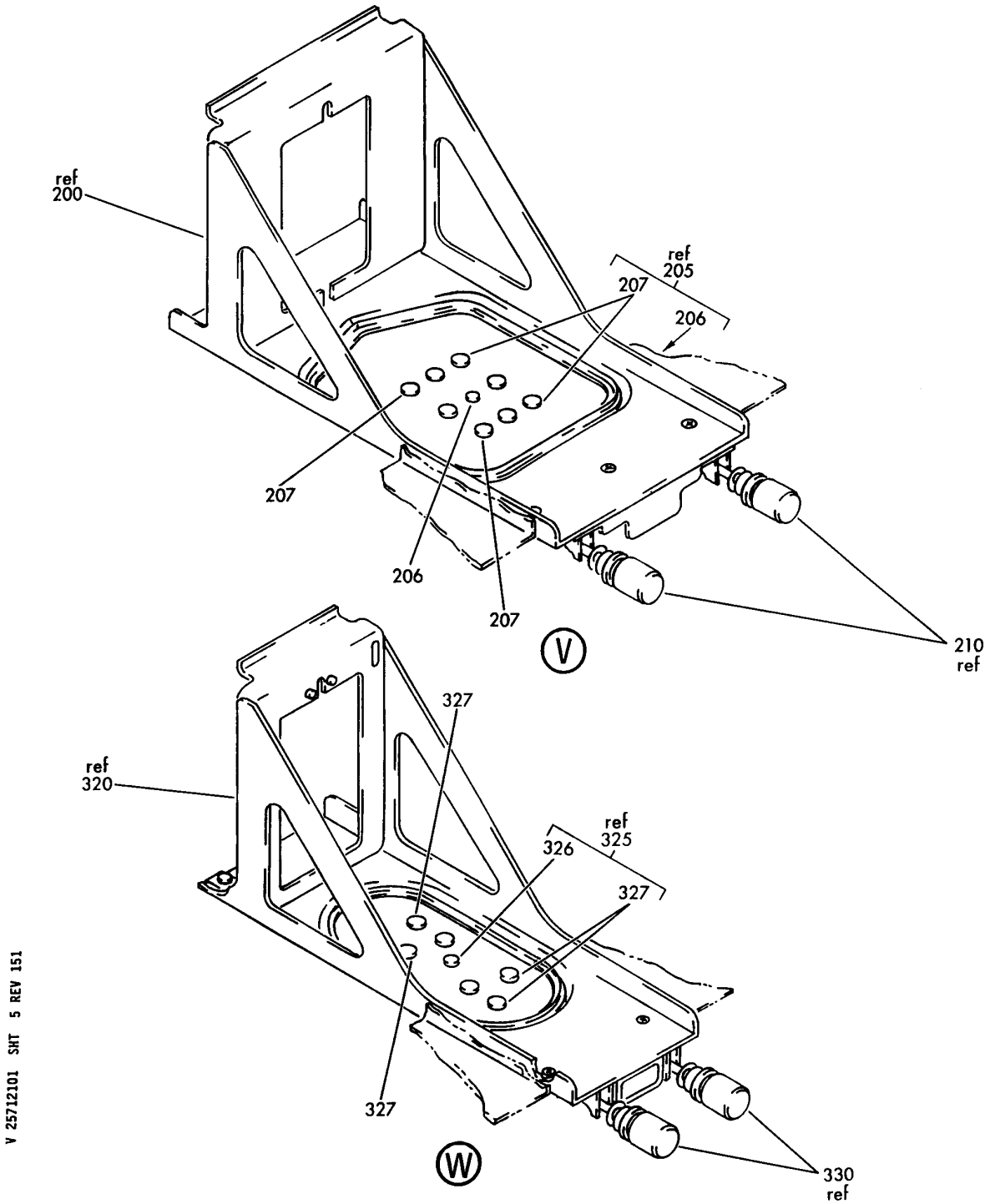
SHELF ASSY-MAIN EQPT CTR E3-1 (EQUIPMENT/ FURNISHINGS ONLY)
FIGURE 1 (SHEET 4)

25-71-21-01

HXL
DEC 22/06

25-71-21-01
PAGE 0C

BOEING
767
PARTS CATALOG (MAINTENANCE)



V 25712101 SHT 5 REV 151

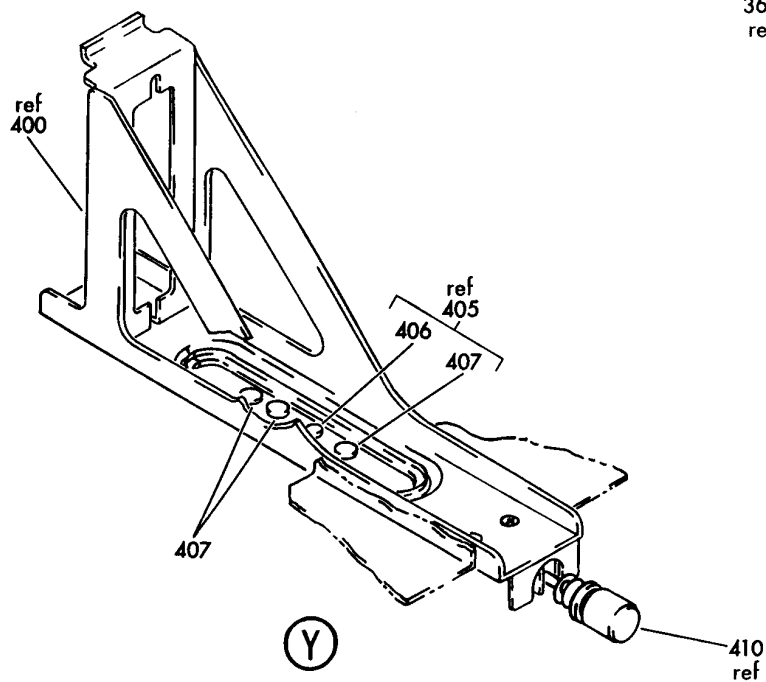
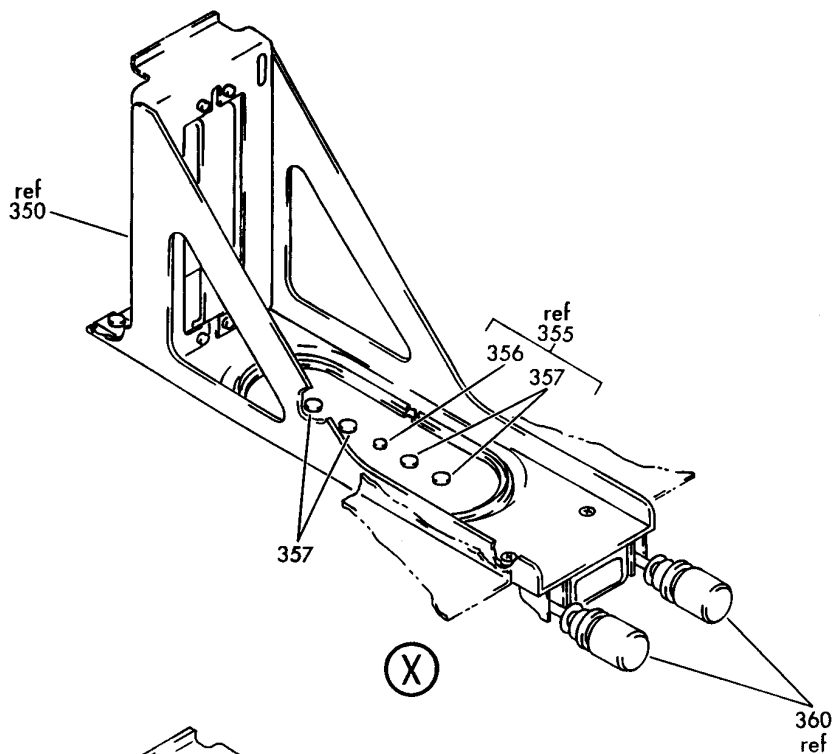
SHELF ASSY-MAIN EQPT CTR E3-1 (EQUIPMENT/ FURNISHINGS ONLY)
FIGURE 1 (SHEET 5)

25-71-21-01

HXL
DEC 22/06

25-71-21-01
PAGE 0D

BOEING
767
PARTS CATALOG (MAINTENANCE)



V 25712101 SHT 6 REV 151

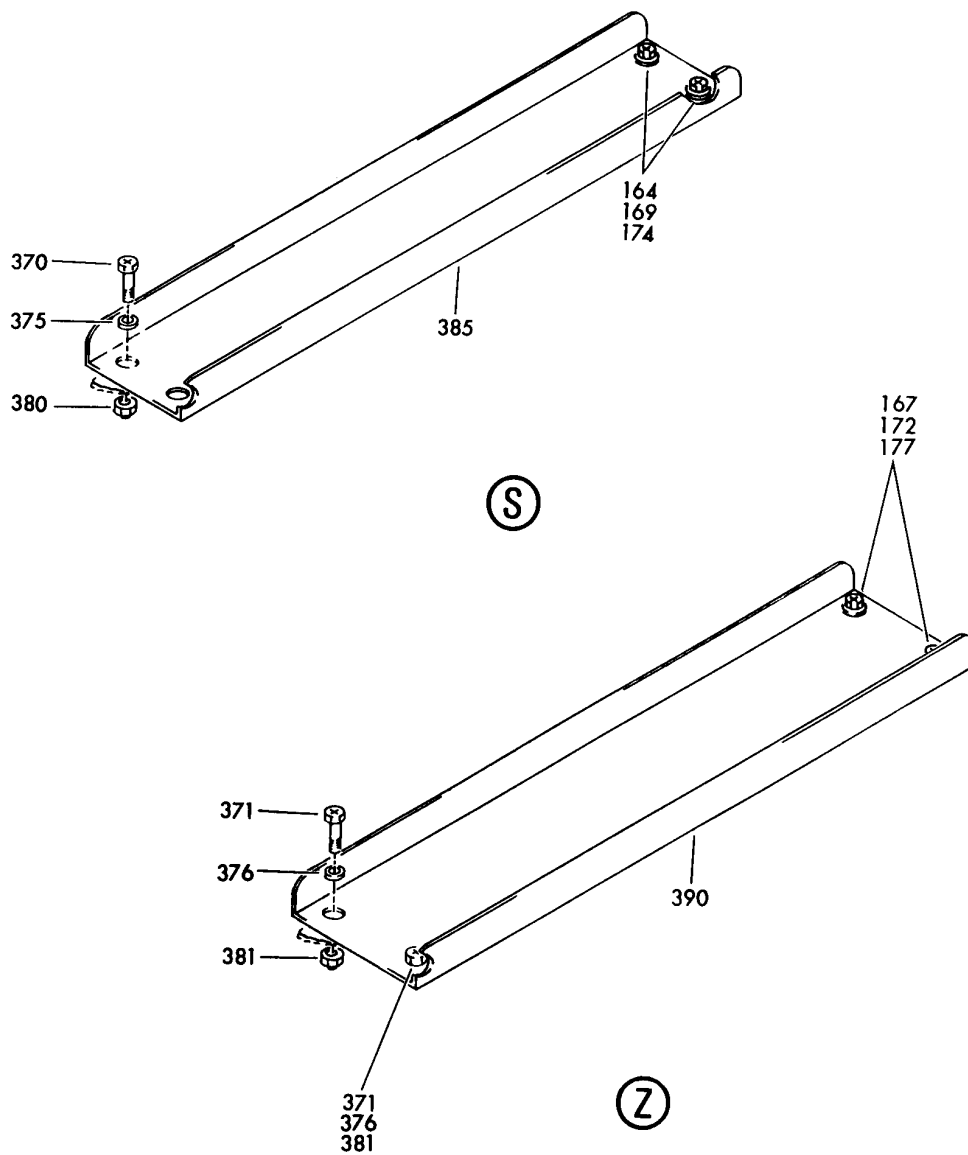
SHELF ASSY-MAIN EQPT CTR E3-1 (EQUIPMENT/ FURNISHINGS ONLY)
FIGURE 1 (SHEET 6)

25-71-21-01

HXL
DEC 22/06

25-71-21-01
PAGE 0E

BOEING
767
PARTS CATALOG (MAINTENANCE)



V 25712101 SHT 7 REV 175

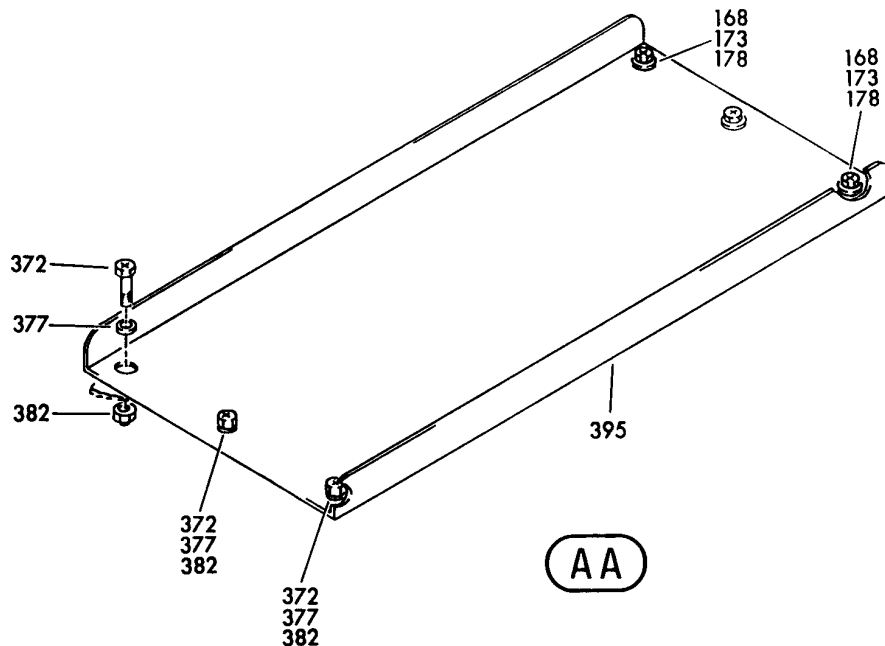
SHELF ASSY-MAIN EQPT CTR E3-1 (EQUIPMENT/ FURNISHINGS ONLY)
FIGURE 1 (SHEET 7)

25-71-21-01

HXL
DEC 22/06

25-71-21-01
PAGE OF

BOEING
767
PARTS CATALOG (MAINTENANCE)



V 25712101 SHT 8 REV 175

SHELF ASSY-MAIN EQPT CTR E3-1 (EQUIPMENT/ FURNISHINGS ONLY)
FIGURE 1 (SHEET 8)

25-71-21-01

HXL
DEC 22/06

25-71-21-01
PAGE 06

 **BOEING**
767
PARTS CATALOG (MAINTENANCE)

FIG ITEM	PART NUMBER	1 2 3 4 5 6 7	NOMENCLATURE	EFFECT FROM TO	UNITS PER ASSY
1			SHELF ASSY-MAIN EQPT CTR E3-1 (EQUIPMENT/ FURNISHINGS ONLY)		
- 1	284T0131-7		SHELF ASSY-MAIN EQPT CTR E3-1 (EQUIPMENT/ FURNISHINGS ONLY) FOR NHA/OTHER SYS DET SEE: 25-71-20-01		RF
	5 BAC27TEX1259		.DECAL- PLACARD CONTENT: E3-1		1
	10 BAC27TEX3396		.DECALSET-INCLUDES DECALS IDENTIFIED ON THE ILLUSTRATION		1
	40 BAC27TEX1260		.DECAL- PLACARD CONTENT: M195 ZONE TEMP CONT UNIT		1
	45 BAC27TEX1869		.DECAL- PLACARD CONTENT: M126 LEFT PACK TEMP CONT		1
	50 BAC27TEX1870		.DECAL- PLACARD CONTENT: M127 RIGHT PACK TEMP CONT		1
	55 BAC27TEX1871		.DECAL- PLACARD CONTENT: M129 AIR SUPPLY BITE MODULE		1
	70 BAC27TEX1266		.DECAL- PLACARD CONTENT: PACK FLOW PRSR		1
	90 BAC27TEX4482		.DECAL- PLACARD CONTENT: R446		1
R 100	BACC49A1		.CLAMP ASSY-END		AR
102	YHLZ16-4		.MODULE SUPPLIER CODE: V09922 SPECIFICATION NUMBER: BACM15C3B OPTIONAL PART: 421120-452 V58982 TBH120452 V58982		AR
ILLUSTRATION ITEMS NOT ON PARTS LIST ARE NOT APPLICABLE					

- ITEM NOT ILLUSTRATED

HXL

25-71-21-01

BOEING PROPRIETARY - Copyright © - Unpublished Work - See title page for details.

25-71-21
FIG. 01
PAGE 1
AUG 22/09

 **BOEING**
767
PARTS CATALOG (MAINTENANCE)

FIG ITEM	PART NUMBER	1 2 3 4 5 6 7	NOMENCLATURE	EFFECT FROM TO	UNITS PER ASSY
1 105	YHLZ2		.MODULE SUPPLIER CODE: V09922 SPECIFICATION NUMBER: BACM15C1A OPTIONAL PART: YHLZ2 V09922		AR
110	YHLZ4		.MODULE SUPPLIER CODE: V09922 SPECIFICATION NUMBER: BACM15C1B OPTIONAL PART: YHLZ4 V09922		AR
115	YHLZ8		.MODULE SUPPLIER CODE: V09922 SPECIFICATION NUMBER: BACM15C2A		AR
118	YHLZ16-2		.MODULE SUPPLIER CODE: V09922 SPECIFICATION NUMBER: BACM15C3A OPTIONAL PART: TBH120450 V58982 421120-450 V58982		AR
120	H21-1		.SPACER SUPPLIER CODE: V34941 SPECIFICATION NUMBER: BACS18AR1 OPTIONAL PART: FAB276A V15805 YHLZ1C2 V09922		AR

ILLUSTRATION ITEMS NOT ON PARTS LIST ARE NOT APPLICABLE

- ITEM NOT ILLUSTRATED

HXL

25-71-21-01

BOEING PROPRIETARY - Copyright © - Unpublished Work - See title page for details.

25-71-21
FIG. 01
PAGE 2
AUG 22/09

 **BOEING**
767
PARTS CATALOG (MAINTENANCE)

FIG ITEM	PART NUMBER	1 2 3 4 5 6 7	NOMENCLATURE	EFFECT FROM TO	UNITS PER ASSY
1					
125	H21-6		. SPACER SUPPLIER CODE: V34941 SPECIFICATION NUMBER: BACS18AR6 OPTIONAL PART: FAB276-0 V15805 YHLZ1C7 V09922		AR
130	NAS1801-06-11		. SCREW		4
131	NAS1801-06-11		. SCREW		16
135	MS21042L06		. NUT-		20
142	66-18178-1		. STRAP-ELECTRONIC RACK BONDING ATTACHING PARTS		5
- 145	NAS1801-3-8		. SCREW		5
- 152	AN960PD10L		. WASHER-		5
- 152	AN960JD10L		. WASHER-		5
- 155	MS21042L3		. NUT		5
			-----*-----		
164D	NAS1801-3-8		. SCREW		7
170	AN960PD10L		. WASHER-		7
170	AN960JD10L		. WASHER-		7
174D	MS21042L3		. NUT		7
180	NAS514P832-7		. SCREW		10
185	AN960PD8L		. WASHER-		10
185	AN960JD8L		. WASHER-		10
190	MS21042L08		. NUT		10
196	BACR15BA3AD		. RIVET- SIZE DETERMINED ON INSTL.		8
197	BACR15BB3AD		. RIVET- SIZE DETERMINED ON INSTL.		2
320	284T0026-18		. TRAY ASSY-		3
325	281131-4		. . SEAL ASSY- SUPPLIER CODE: V0767B OPTIONAL PART: 201-4 V0767B BCMP04-1 V09489		1
ILLUSTRATION ITEMS NOT ON PARTS LIST ARE NOT APPLICABLE					

- ITEM NOT ILLUSTRATED

HXL

25-71-21-01

BOEING PROPRIETARY - Copyright © - Unpublished Work - See title page for details.

25-71-21
FIG. 01
PAGE 3
AUG 22/09



767

PARTS CATALOG (MAINTENANCE)

FIG ITEM	PART NUMBER	1 2 3 4 5 6 7	NOMENCLATURE	EFFECT FROM TO	UNITS PER ASSY
1					
325	201-4		..SEAL ASSY- SUPPLIER CODE: V60299 OPTIONAL PART: 281131-4 V0767B BCMP04-1 V09489		1
325	BCMP04-1		..SEAL ASSY- SUPPLIER CODE: V09489 OPTIONAL PART: 201-4 V0767B 281131-4 V0767B		1
326	82100-1		...PLUG- SUPPLIER CODE: V0767B USED ON: 281131-4		1
327	82100-2		...PLUG- SUPPLIER CODE: V0767B USED ON: 281131-4		6
330	CA12145-102		..HOLD DOWN- SUPPLIER CODE: V29372 MISCELLANEOUS DATA: (DO NOT INTERMIX HOLDDOWN PART NUMBERS. SAME PART NUMBERS MUST BE USED ON SAME TRAY ASSY) OPTIONAL PART: BACC10HZ1 CA12095-101 V29372 CA12095-102 V29372		2

ILLUSTRATION ITEMS NOT ON PARTS LIST ARE NOT APPLICABLE

- ITEM NOT ILLUSTRATED

HXL

25-71-21-01

BOEING PROPRIETARY - Copyright © - Unpublished Work - See title page for details.

25-71-21
FIG. 01
PAGE 4
AUG 22/09



767

PARTS CATALOG (MAINTENANCE)

FIG ITEM	PART NUMBER	1 2 3 4 5 6 7	NOMENCLATURE	EFFECT FROM TO	UNITS PER ASSY
1 330	CA12095-102		..HOLD DOWN- SUPPLIER CODE: V29372 MISCELLANEOUS DATA: (DO NOT INTERMIX HOLDDOWN PART NUMBERS. SAME PART NUMBERS MUST BE USED ON SAME TRAY ASSY) OPTIONAL PART: BACC10HZ1 CA12095-101 V29372 CA12145-102 V29372		2
330	CA12095-101		..HOLD DOWN- SUPPLIER CODE: V29372 MISCELLANEOUS DATA: (DO NOT INTERMIX HOLDDOWN PART NUMBERS. SAME PART NUMBERS MUST BE USED ON SAME TRAY ASSY) OPTIONAL PART: BACC10HZ1 CA12095-102 V29372 CA12145-102 V29372		2

ILLUSTRATION ITEMS NOT ON PARTS LIST ARE NOT APPLICABLE

- ITEM NOT ILLUSTRATED

HXL

25-71-21-01

BOEING PROPRIETARY - Copyright © - Unpublished Work - See title page for details.

25-71-21
 FIG. 01
 PAGE 5
 DEC 22/07



767

PARTS CATALOG (MAINTENANCE)

FIG ITEM	PART NUMBER	1 2 3 4 5 6 7	NOMENCLATURE	EFFECT FROM TO	UNITS PER ASSY
1 330	H3773-9		..HOLD DOWN- SUPPLIER CODE: V83014 SPECIFICATION NUMBER: BACC10HZ1 OPTIONAL PART: 5175-110-1 V30528 CA12145-102 V0CBU7 H3773-3 V83014 MISCELLANEOUS DATA: (DO NOT INTERMIX HOLDDOWN PART NUMBERS. SAME PART NUMBERS MUST BE USED ON SAME TRAY ASSY) CA12145-102 V29372 CA12095-101 V29372 CA12095-102 V29372 ATTACHING PARTS		2
- 335	NAS514P632-5		..SCREW- -----*-----		4
351	284T0026-17		.TRAY ASSY		1
355	281131-3		..SEAL ASSY- SUPPLIER CODE: V0767B OPTIONAL PART: 201-3 V0767B BCMP03-1 V09489		1
355	201-3		..SEAL ASSY- SUPPLIER CODE: V60299 OPTIONAL PART: 281131-3 V0767B BCMP03-1 V09489		1

ILLUSTRATION ITEMS NOT ON PARTS LIST ARE NOT APPLICABLE

- ITEM NOT ILLUSTRATED

HXL

25-71-21-01

BOEING PROPRIETARY - Copyright © - Unpublished Work - See title page for details.

25-71-21
 FIG. 01
 PAGE 6
 DEC 22/07



767

PARTS CATALOG (MAINTENANCE)

FIG ITEM	PART NUMBER	1 2 3 4 5 6 7	NOMENCLATURE	EFFECT FROM TO	UNITS PER ASSY
1 355	BCMP03-1		..SEAL ASSY- SUPPLIER CODE: V09489 OPTIONAL PART: 201-3 V0767B 281131-3 V0767B		1
356	82100-1		...PLUG- SUPPLIER CODE: V0767B USED ON: 281131-3		1
357	82100-2		...PLUG- SUPPLIER CODE: V0767B USED ON: 281131-3		4
360	CA12145-102		..HOLD DOWN- SUPPLIER CODE: V29372 MISCELLANEOUS DATA: (DO NOT INTERMIX HOLDDOWN PART NUMBERS. SAME PART NUMBERS MUST BE USED ON SAME TRAY ASSY) OPTIONAL PART: BACC10HZ1 CA12095-101 V29372 CA12095-102 V29372		2
360	CA12095-102		..HOLD DOWN- SUPPLIER CODE: V29372 MISCELLANEOUS DATA: (DO NOT INTERMIX HOLDDOWN PART NUMBERS. SAME PART NUMBERS MUST BE USED ON SAME TRAY ASSY) OPTIONAL PART: BACC10HZ1 CA12095-101 V29372 CA12145-102 V29372		2

ILLUSTRATION ITEMS NOT ON PARTS LIST ARE NOT APPLICABLE

- ITEM NOT ILLUSTRATED

HXL

25-71-21-01

BOEING PROPRIETARY - Copyright © - Unpublished Work - See title page for details.

25-71-21
FIG. 01
PAGE 7
DEC 22/07

BOEING
767
PARTS CATALOG (MAINTENANCE)

FIG ITEM	PART NUMBER	1 2 3 4 5 6 7	NOMENCLATURE	EFFECT FROM TO	UNITS PER ASSY
1 360	CA12095-101		..HOLD DOWN- SUPPLIER CODE: V29372 MISCELLANEOUS DATA: (DO NOT INTERMIX HOLDDOWN PART NUMBERS. SAME PART NUMBERS MUST BE USED ON SAME TRAY ASSY) OPTIONAL PART: BACC10HZ1 CA12145-102 V29372 CA12095-102 V29372		2
360	H3773-9		..HOLD DOWN- SUPPLIER CODE: V83014 SPECIFICATION NUMBER: BACC10HZ1 OPTIONAL PART: 5175-110-1 V30528 CA12145-102 VOCBU7 H3773-3 V83014 MISCELLANEOUS DATA: (DO NOT INTERMIX HOLDDOWN PART NUMBERS. SAME PART NUMBERS MUST BE USED ON SAME TRAY ASSY) CA12145-102 V29372 CA12095-101 V29372 CA12095-102 V29372		2
- 365	NAS514P632-5		ATTACHING PARTS .. SCREW -----*-----		4
371	NAS1801-08-7		. SCREW-		2
376	AN960JD8L		. WASHER-		2
381	MS21042L08		. NUT-		2
385	284T0032-3		. COVER-		1
390	284T0032-3		. COVER-		1
400	284T0026-16		. TRAY ASSY-		1

ILLUSTRATION ITEMS NOT ON PARTS LIST ARE NOT APPLICABLE

- ITEM NOT ILLUSTRATED

HXL

25-71-21-01

BOEING PROPRIETARY - Copyright © - Unpublished Work - See title page for details.

25-71-21
FIG. 01
PAGE 8
DEC 22/07



767

PARTS CATALOG (MAINTENANCE)

FIG ITEM	PART NUMBER	1 2 3 4 5 6 7	NOMENCLATURE	EFFECT FROM TO	UNITS PER ASSY
1					
405	281131-2		..SEAL ASSY- SUPPLIER CODE: V0767B OPTIONAL PART: 201-2 V0767B BCMP02-1 V09489		1
405	201-2		..SEAL ASSY- SUPPLIER CODE: V0767B OPTIONAL PART: 281131-2 V0767B BCMP02-1 V09489		1
405	BCMP02-1		..SEAL ASSY- SUPPLIER CODE: V09489 OPTIONAL PART: 201-2 V0767B 281131-2 V0767B		1
406	82100-1		...PLUG- SUPPLIER CODE: V0767B USED ON: 281131-2		1
407	82100-2		...PLUG- SUPPLIER CODE: V0767B USED ON: 281131-2		3
410	CA12145-102		..HOLD DOWN- SUPPLIER CODE: V29372 OPTIONAL PART: BACC10HZ1 CA12095-101 V29372 CA12095-102 V29372		1

ILLUSTRATION ITEMS NOT ON PARTS LIST ARE NOT APPLICABLE

- ITEM NOT ILLUSTRATED

HXL

25-71-21-01

BOEING PROPRIETARY - Copyright © - Unpublished Work - See title page for details.

25-71-21
FIG. 01
PAGE 9
DEC 22/07

BOEING
767
PARTS CATALOG (MAINTENANCE)

FIG ITEM	PART NUMBER	1 2 3 4 5 6 7	NOMENCLATURE	EFFECT FROM TO	UNITS PER ASSY
1					
410	CA12095-102		..HOLD DOWN- SUPPLIER CODE: V29372 OPTIONAL PART: BACC10HZ1 CA12095-101 V29372 CA12145-102 V29372		1
410	CA12095-101		..HOLD DOWN- SUPPLIER CODE: V29372 OPTIONAL PART: BACC10HZ1 CA12095-102 V29372 CA12145-102 V29372		1
410	H3773-9		..HOLD DOWN- SUPPLIER CODE: V83014 SPECIFICATION NUMBER: BACC10HZ1 OPTIONAL PART: 5175-110-1 V30528 CA12145-102 VOCBU7 H3773-3 V83014 CA12145-102 V29372 CA12095-101 V29372 CA12095-102 V29372		1
- 415	NAS514P632-5		ATTACHING PARTS ..SCREW- -----*-----		2
420	284T0383-3		.SEAL- MANUFACTURED FROM: SH RUBBER MIL-R-6130 GRADE A TYPE 2 SOFT 0.12 IN 0.7 IN 12.9 IN SPARES ORDER MATERIAL CODE: 5231253020		5
425	284T0204-2		.SHELF ASSY-		1

ILLUSTRATION ITEMS NOT ON PARTS LIST ARE NOT APPLICABLE

- ITEM NOT ILLUSTRATED

R
R
R
R
R
R
R

HXL

25-71-21-01

BOEING PROPRIETARY - Copyright © - Unpublished Work - See title page for details.

25-71-21
FIG. 01
PAGE 10
AUG 22/09

BOEING
767
PARTS CATALOG (MAINTENANCE)

FIG ITEM	PART NUMBER	1 2 3 4 5 6 7	NOMENCLATURE	EFFECT FROM TO	UNITS PER ASSY
1					
430	BAC27TEX1928	..	DECAL- PLACARD CONTENT: GDX1		1
435	BAC27TEX1930	..	DECAL- PLACARD CONTENT: GDX3		1
440	YHLZG16-2	..	BLOCK-GND SUPPLIER CODE: V09922 ATTACHING PARTS		2
- 445	BACR15BA4AD	..	RIVET- SIZE DETERMINED ON INSTL. -----*-----		8
R	465	284T0383-2	..	SEAL- MANUFACTURED FROM: SH RUBBER MIL-R-6130 GRADE A TYPE 2 SOFT 0.125 IN 2.3 IN 6.2 IN SPARES ORDER MATERIAL CODE: 5231253020	1
R	470	284T0383-1	..	SEAL	1
R	475	BACR15BA4AD	...	RIVET- SIZE DETERMINED ON INSTL.	2
R	480	217T1435-2	...	PLUG	1
R	485	217T1436-2	...	RETAINER ASSY	1
R	490	BAC27TEC0160	DECAL	1
R					

ILLUSTRATION ITEMS NOT ON PARTS LIST ARE NOT APPLICABLE

- ITEM NOT ILLUSTRATED

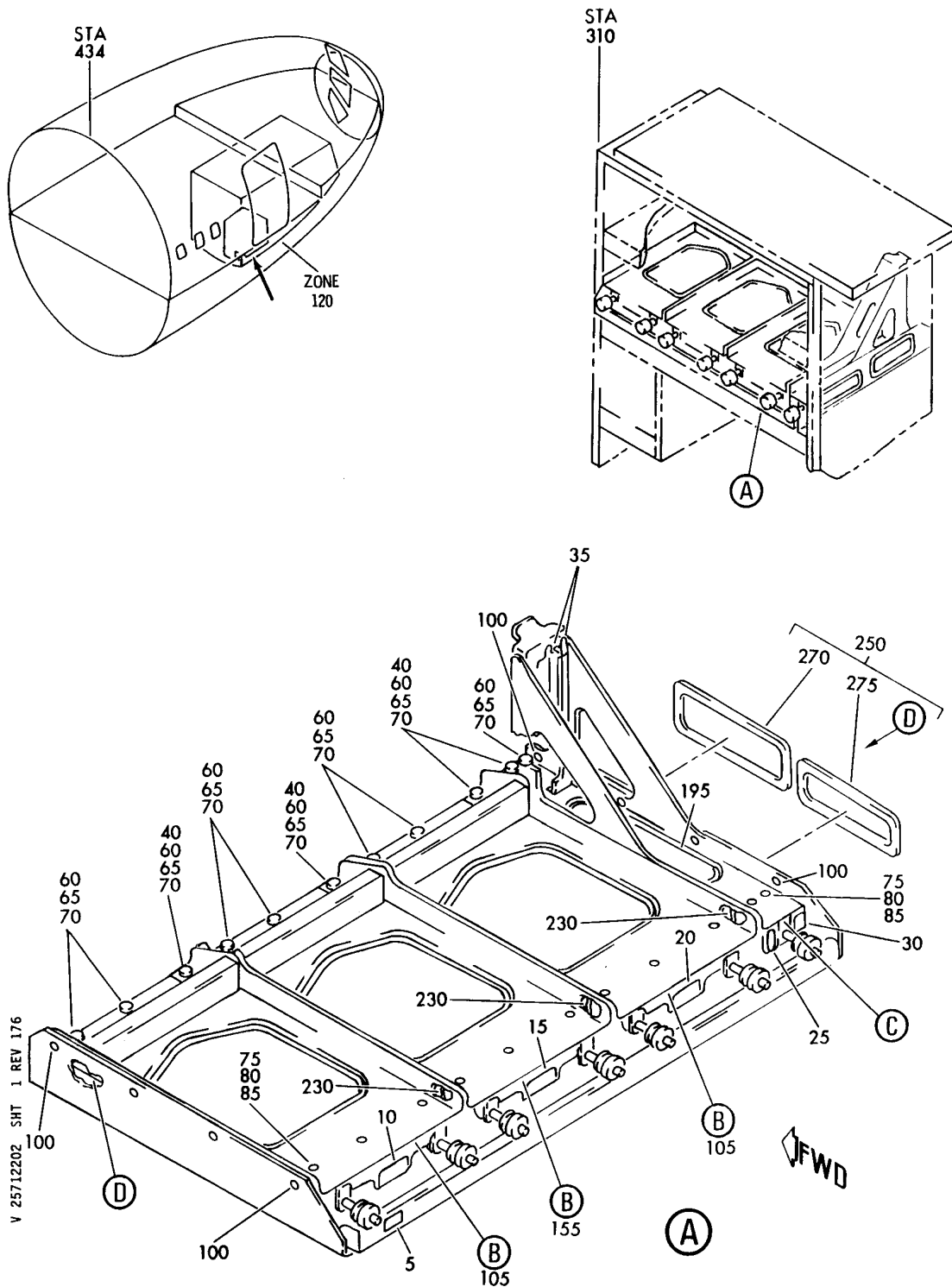
HXL

25-71-21-01

BOEING PROPRIETARY - Copyright © - Unpublished Work - See title page for details.

25-71-21
FIG. 01
PAGE 11
AUG 22/09


BOEING
 767
PARTS CATALOG (MAINTENANCE)



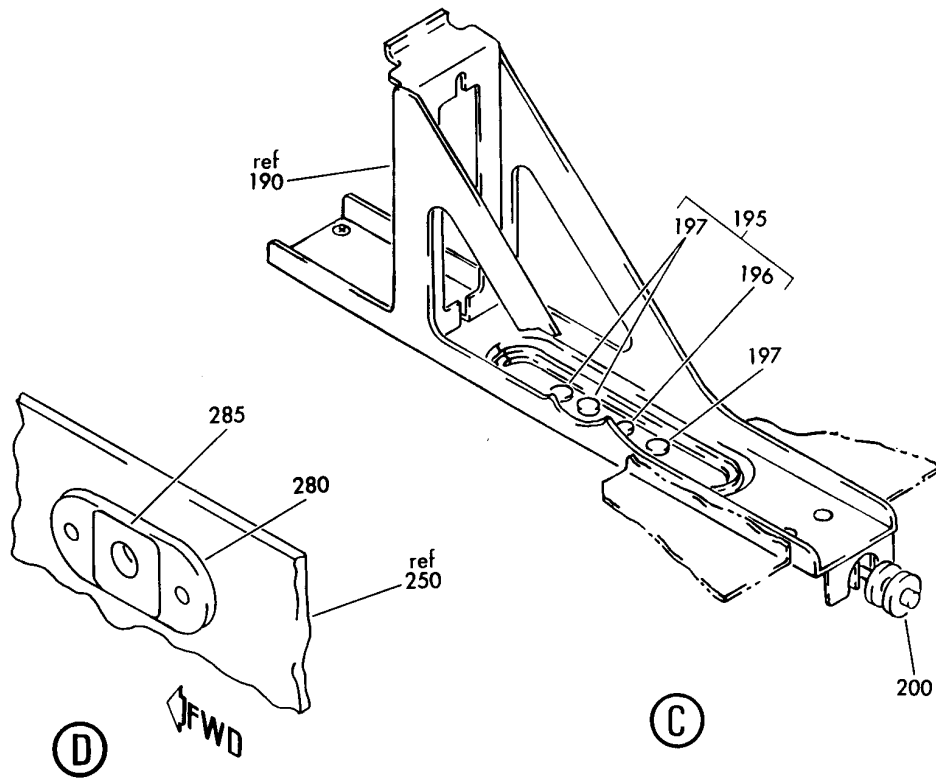
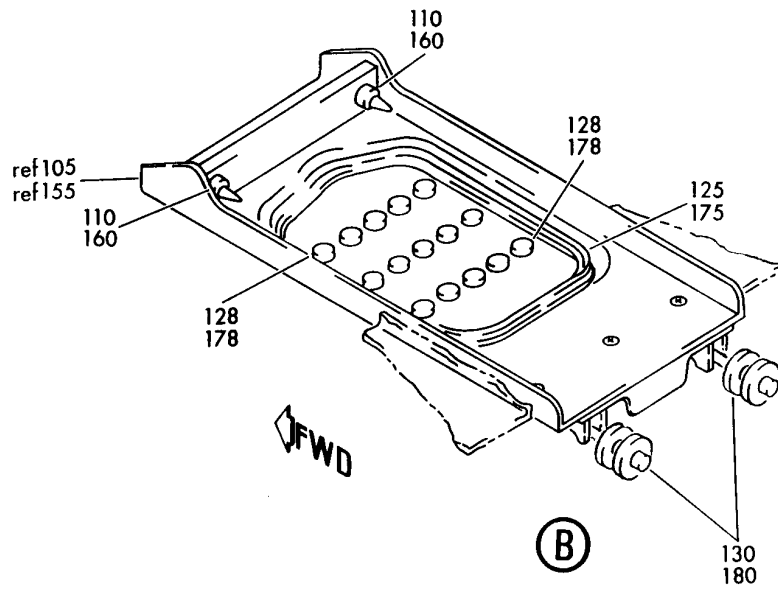
SHELF ASSY-ELECTRONIC EQPT CTR E3-2 (EQUIPMENT/ FURNISHINGS ONLY)
 FIGURE 2 (SHEET 1)

25-71-22-02

HXL
 DEC 22/06

25-71-22-02
 PAGE 0

BOEING
767
PARTS CATALOG (MAINTENANCE)



V 25712202 SHT 2 REV 176

SHELF ASSY-ELECTRONIC EQPT CTR E3-2 (EQUIPMENT/ FURNISHINGS ONLY)
FIGURE 2 (SHEET 2)

25-71-22-02

HXL
DEC 22/06

25-71-22-02
PAGE 0A



767

PARTS CATALOG (MAINTENANCE)

FIG ITEM	PART NUMBER	1 2 3 4 5 6 7	NOMENCLATURE	EFFECT FROM TO	UNITS PER ASSY
2			SHELF ASSY-ELECTRONIC EQPT CTR E3-2 (EQUIPMENT/ FURNISHINGS ONLY)		
- 1	284T0132-6		SHELF ASSY-ELECTRONIC EQPT CTR E3-2 (EQUIPMENT/ FURNISHINGS ONLY) FOR NHA/OTHER SYS DET SEE: 25-71-20-01		RF
	5 BAC27TEX1273		.DECAL- PLACARD CONTENT: E3-2		1
	10 BAC27TEX1274		.DECAL- PLACARD CONTENT: T101 TRU LEFT		1
	15 BAC27TEX1275		.DECAL- PLACARD CONTENT: M217 STATIC INVERTER		1
	20 BAC27TEX1276		.DECAL- PLACARD CONTENT: T102 TRU RIGHT		1
	25 BAC27TEX2596		.DECAL- PLACARD CONTENT: M10389		1
	30 BAC27TEX2597		.DECAL- PLACARD CONTENT: PACK STBY CONT		1
	35 BAC27TEX2595		.DECAL- PLACARD CONTENT: D10152		2
	40 66-18178-1		.STRAP-ELECTRONIC RACK BONDING ATTACHING PARTS		4
- 45	NAS1801-3-8		.SCREW		4
- 50	AN960PD10L		.WASHER		4

ILLUSTRATION ITEMS NOT ON PARTS LIST ARE NOT APPLICABLE

- ITEM NOT ILLUSTRATED

HXL

25-71-22-02

BOEING PROPRIETARY - Copyright © - Unpublished Work - See title page for details.

25-71-22
FIG. 02
PAGE 1
DEC 22/06



767

PARTS CATALOG (MAINTENANCE)

FIG ITEM	PART NUMBER	1 2 3 4 5 6 7	NOMENCLATURE	EFFECT FROM TO	UNITS PER ASSY
2 - 55	BRH10A3		.NUT SUPPLIER CODE: V52828 SPECIFICATION NUMBER: BACN10JC3 OPTIONAL PART: H10-3BAC V15653 NS202101-02 V80539 RMLH9075-3W V72962 VN303A02 V92215 96-02 V80539 T6S1032J V11815 -----*-----		4
60	NAS1801-3-8		.SCREW		7
65	AN960PD10L		.WASHER		7
70	BRH10A3		.NUT SUPPLIER CODE: V52828 SPECIFICATION NUMBER: BACN10JC3 OPTIONAL PART: H10-3BAC V15653 NS202101-02 V80539 RMLH9075-3W V72962 VN303A02 V92215 96-02 V80539 T6S1032J V11815		7
75	NAS514P832-7		.SCREW		11
80	AN960PD8L		.WASHER		11

ILLUSTRATION ITEMS NOT ON PARTS LIST ARE NOT APPLICABLE

- ITEM NOT ILLUSTRATED

HXL

25-71-22-02

BOEING PROPRIETARY - Copyright © - Unpublished Work - See title page for details.

25-71-22
FIG. 02
PAGE 2
DEC 22/06

BOEING
767
PARTS CATALOG (MAINTENANCE)

FIG ITEM	PART NUMBER	1 2 3 4 5 6 7	NOMENCLATURE	EFFECT FROM TO	UNITS PER ASSY
2					
85	BRH10A08	.NUT	SUPPLIER CODE: V52828 SPECIFICATION NUMBER: BACN10JC08 OPTIONAL PART: H10-08BAC V15653 NS202101-82 V80539 RMLH9075-82W V72962 VN303A82 V92215 96-82 V80539 T6S832J V11815		11
100	BACR15BA3AD	.RIVET-	SIZE DETERMINED ON INSTL.		8
105	284T0392-14	.TRAY ASSY			2
110	284T0587-2	..PIN-GUIDE			2
		ATTACHING PARTS			
- 115	NAS1149D0316H	..WASHER-			2
- 120	BRH10C3D	..NUT-	SUPPLIER CODE: V52828 SPECIFICATION NUMBER: BACN10JC3CD OPTIONAL PART: T6C1032JCD V11815 NS202486-02 V80539 102LH9075-3W V72962 H51650-3BAC V15653		2
		-----*-----			
125	281131-6	..SEAL ASSY-	SUPPLIER CODE: V0767B		1

ILLUSTRATION ITEMS NOT ON PARTS LIST ARE NOT APPLICABLE

- ITEM NOT ILLUSTRATED

HXL

25-71-22-02

BOEING PROPRIETARY - Copyright © - Unpublished Work - See title page for details.

25-71-22
FIG. 02
PAGE 3
DEC 22/06



767

PARTS CATALOG (MAINTENANCE)

FIG ITEM	PART NUMBER	1 2 3 4 5 6 7	NOMENCLATURE	EFFECT FROM TO	UNITS PER ASSY
2					
125	281131-13		..SEAL ASSY- SUPPLIER CODE: V0767B OPTIONAL PART: 201-13 V0767B BCMP06-2 V09489		1
125	201-13		..SEAL ASSY- SUPPLIER CODE: V0767B OPTIONAL PART: 281131-13 V0767B BCMP06-2 V09489		1
125	BCMP06-2		..SEAL ASSY- SUPPLIER CODE: V09489 OPTIONAL PART: 201-13 V0767B 281131-13 V0767B		1
125	BCMP06-1		..SEAL ASSY- SUPPLIER CODE: V09489		1
125	201-6		..SEAL ASSY- SUPPLIER CODE: V0767B		1
128	82100-2		...PLUG- SUPPLIER CODE: V0767B USED ON: 281131-13		15
130	CA12145-102		..HOLD DOWN- SUPPLIER CODE: V29372 MISCELLANEOUS DATA: (DO NOT INTERMIX HOLDDOWN PART NUMBERS. SAME PARTNUMBERS MUST BE USED ON SAME TRAY ASSY) OPTIONAL PART: CA12095-101 V29372 CA12095-102 V29372		2

ILLUSTRATION ITEMS NOT ON PARTS LIST ARE NOT APPLICABLE

- ITEM NOT ILLUSTRATED

25-71-22-02

25-71-22
FIG. 02
PAGE 4
DEC 22/06

HXL



PARTS CATALOG (MAINTENANCE)

FIG ITEM	PART NUMBER	1 2 3 4 5 6 7	NOMENCLATURE	EFFECT FROM TO	UNITS PER ASSY
2 130	CA12095-101		..HOLD DOWN- SUPPLIER CODE: V29372 MISCELLANEOUS DATA: (DO NOT INTERMIX HOLDDOWN PART NUMBERS. SAME PARTNUMBERS MUST BE USED ON SAME TRAY ASSY) OPTIONAL PART: CA12145-102 V29372 CA12095-102 V29372		2
130	CA12095-102		..HOLD DOWN- SUPPLIER CODE: V29372 MISCELLANEOUS DATA: (DO NOT INTERMIX HOLDDOWN PART NUMBERS. SAME PARTNUMBERS MUST BE USED ON SAME TRAY ASSY) OPTIONAL PART: CA12145-102 V29372 CA12095-101 V29372 ATTACHING PARTS		2
- 135	NAS514P632-4		.. SCREW -----*-----		4
155	284T0392-15		.TRAY ASSY		1
160	284T0587-3		..PIN-GUIDE ATTACHING PARTS		2
- 165	NAS1149D0316H		..WASHER-		2

ILLUSTRATION ITEMS NOT ON PARTS LIST ARE NOT APPLICABLE

- ITEM NOT ILLUSTRATED

HXL

25-71-22-02

BOEING PROPRIETARY - Copyright © - Unpublished Work - See title page for details.

25-71-22
 FIG. 02
 PAGE 5
 DEC 22/06

BOEING
767
PARTS CATALOG (MAINTENANCE)

FIG ITEM	PART NUMBER	1 2 3 4 5 6 7	NOMENCLATURE	EFFECT FROM TO	UNITS PER ASSY
2 - 170	BRH10C3D		..NUT- SUPPLIER CODE: V52828 SPECIFICATION NUMBER: BACN10JC3CD OPTIONAL PART: T6C1032JCD V11815 NS202486-02 V80539 102LH9075-3W V72962 H51650-3BAC V15653 -----*-----		2
175	201-6		..SEAL ASSY- SUPPLIER CODE: V0767B		1
175	281131-6		..SEAL ASSY- SUPPLIER CODE: V0767B		1
175	281131-13		..SEAL ASSY- SUPPLIER CODE: V0767B OPTIONAL PART: 201-13 V0767B BCMP06-2 V09489		1
175	201-13		..SEAL ASSY- SUPPLIER CODE: V0767B OPTIONAL PART: 281131-13 V0767B BCMP06-2 V09489		1
175	BCMP06-2		..SEAL ASSY- SUPPLIER CODE: V09489 OPTIONAL PART: 201-13 V0767B 281131-13 V0767B		1
175	BCMP06-1		..SEAL ASSY- SUPPLIER CODE: V09489		1

ILLUSTRATION ITEMS NOT ON PARTS LIST ARE NOT APPLICABLE

- ITEM NOT ILLUSTRATED

HXL

25-71-22-02

BOEING PROPRIETARY - Copyright © - Unpublished Work - See title page for details.

25-71-22
FIG. 02
PAGE 6
DEC 22/06



767

PARTS CATALOG (MAINTENANCE)

FIG ITEM	PART NUMBER	1 2 3 4 5 6 7	NOMENCLATURE	EFFECT FROM TO	UNITS PER ASSY
2 178	82100-2		...PLUG- SUPPLIER CODE: V0767B USED ON: 281131-13		30
180	CA12145-102		..HOLD DOWN- SUPPLIER CODE: V29372 MISCELLANEOUS DATA: (DO NOT INTERMIX HOLDDOWN PART NUMBERS. SAME PARTNUMBERS MUST BE USED ON SAME TRAY ASSY) OPTIONAL PART: CA12095-101 V29372 CA12095-102 V29372		2
180	CA12095-101		..HOLD DOWN- SUPPLIER CODE: V29372 MISCELLANEOUS DATA: (DO NOT INTERMIX HOLDDOWN PART NUMBERS. SAME PARTNUMBERS MUST BE USED ON SAME TRAY ASSY) OPTIONAL PART: CA12145-102 V29372 CA12095-102 V29372		2
180	CA12095-102		..HOLD DOWN- SUPPLIER CODE: V29372 MISCELLANEOUS DATA: (DO NOT INTERMIX HOLDDOWN PART NUMBERS. SAME PARTNUMBERS MUST BE USED ON SAME TRAY ASSY) OPTIONAL PART: CA12145-102 V29372 CA12095-101 V29372		2

ILLUSTRATION ITEMS NOT ON PARTS LIST ARE NOT APPLICABLE

- ITEM NOT ILLUSTRATED

HXL

25-71-22-02

BOEING PROPRIETARY - Copyright © - Unpublished Work - See title page for details.

25-71-22
FIG. 02
PAGE 7
DEC 22/06



767

PARTS CATALOG (MAINTENANCE)

FIG ITEM	PART NUMBER	1 2 3 4 5 6 7	NOMENCLATURE	EFFECT FROM TO	UNITS PER ASSY
2			ATTACHING PARTS		
- 185	NAS514P632-4	..	SCREW		4
		-----*			
190	284T0026-16	.TRAY	ASSY		1
195	BCMP02-1	..SEAL	ASSY-		1
		SUPPLIER	CODE:		
		V09489			
		OPTIONAL	PART:		
		201-2			
		V0767B			
		281131-2			
		V0767B			
195	281131-2	..SEAL	ASSY-		1
		SUPPLIER	CODE:		
		V0767B			
		OPTIONAL	PART:		
		201-2			
		V0767B			
		BCMP02-1			
		V09489			
195	201-2	..SEAL	ASSY-		1
		SUPPLIER	CODE:		
		V0767B			
		OPTIONAL	PART:		
		281131-2			
		V0767B			
		BCMP02-1			
		V09489			
196	82100-1	...PLUG-			1
		SUPPLIER	CODE:		
		V0767B			
		USED ON:			
		281131-2			
197	82100-2	...PLUG-			3
		SUPPLIER	CODE:		
		V0767B			
		USED ON:			
		281131-2			
200	CA12145-102	..HOLD	DOWN-		1
		SUPPLIER	CODE:		
		V29372			
		OPTIONAL	PART:		
		CA12095-101			
		V29372			
		CA12095-102			
		V29372			
		BACC10HZ1			

ILLUSTRATION ITEMS NOT ON PARTS LIST ARE NOT APPLICABLE

- ITEM NOT ILLUSTRATED

HXL

25-71-22-02

BOEING PROPRIETARY - Copyright © - Unpublished Work - See title page for details.

25-71-22
FIG. 02
PAGE 8
DEC 22/06

BOEING
767
PARTS CATALOG (MAINTENANCE)

FIG ITEM	PART NUMBER	1 2 3 4 5 6 7	NOMENCLATURE	EFFECT FROM TO	UNITS PER ASSY
2 200	CA12095-102		..HOLD DOWN- SUPPLIER CODE: V29372 OPTIONAL PART: CA12145-102 V29372 CA12095-101 V29372 BACC10HZ1		1
200	CA12095-101		..HOLD DOWN- SUPPLIER CODE: V29372 OPTIONAL PART: CA12145-102 V29372 BACC10HZ1 CA12195-102 V29372		1
200	H3773-9		..HOLD DOWN- SUPPLIER CODE: V83014 SPECIFICATION NUMBER: BACC10HZ1 OPTIONAL PART: 5175-110-1 V30528 CA12145-102 VOCBU7 H3773-3 V83014 CA12095-101 V29372 CA12095-102 V29372 CA12145-102 V29372		1
- 205	NAS514P632-5		ATTACHING PARTS ..SCREW -----*-----		2
R R R R R R R	230 284T0383-3		.SEAL- MANUFACTURED FROM: SH RUBBER MIL-R-6130 GRADE A TYPE 2 SOFT 0.12 IN 0.7 IN 12.9 IN SPARES ORDER MATERIAL CODE: 5231253020		3
250	284T0205-3		.SHELF ASSY-		1

ILLUSTRATION ITEMS NOT ON PARTS LIST ARE NOT APPLICABLE

- ITEM NOT ILLUSTRATED

HXL

25-71-22-02

BOEING PROPRIETARY - Copyright © - Unpublished Work - See title page for details.

25-71-22
FIG. 02
PAGE 9
AUG 22/09



767

PARTS CATALOG (MAINTENANCE)

FIG ITEM	PART NUMBER	1 2 3 4 5 6 7	NOMENCLATURE	EFFECT FROM TO	UNITS PER ASSY
R R R R R R	270	284T0383-2	..SEAL- MANUFACTURED FROM: SH RUBBER MIL-R-6130 GRADE A TYPE 2 SOFT 0.125 IN 2.3 IN 6.2 IN SPARES ORDER MATERIAL CODE: 5231253020		1
	275	284T0383-1	..SEAL		1
	280	217T1436-2	..RETAINER ASSY		1
	285	BAC27TEC0160	...DECAL-TEST PORT ATTACHING PARTS		1
	- 290	BACR15BA4AD	...RIVET- SIZE DETERMINED ON INSTL. -----*-----		2

ILLUSTRATION ITEMS NOT ON PARTS LIST ARE NOT APPLICABLE

- ITEM NOT ILLUSTRATED

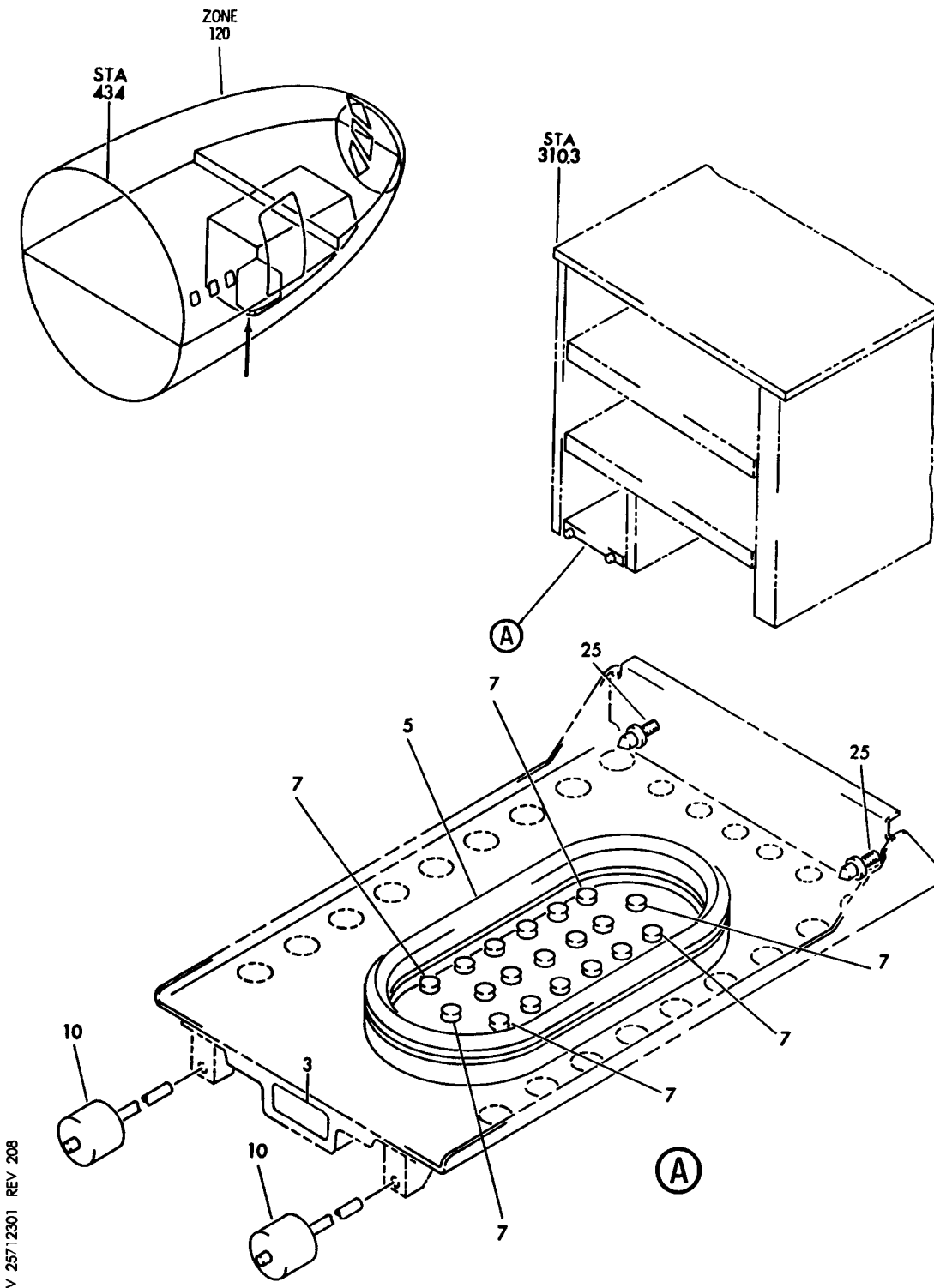
HXL

25-71-22-02

BOEING PROPRIETARY - Copyright © - Unpublished Work - See title page for details.

25-71-22
FIG. 02
PAGE 10
AUG 22/09

BOEING
767
PARTS CATALOG (MAINTENANCE)



V 25712301 REV 208

TRAY ASSY-E3 RACK BATTERY CHGR (EQUIPMENT/ FURNISHINGS ONLY)
FIGURE 1

25-71-23-01

HXL
DEC 22/06

25-71-23-01
PAGE 0



PARTS CATALOG (MAINTENANCE)

FIG ITEM	PART NUMBER	1 2 3 4 5 6 7	NOMENCLATURE	EFFECT FROM TO	UNITS PER ASSY
1			TRAY ASSY-E3 RACK BATTERY CHGR (EQUIPMENT/ FURNISHINGS ONLY)		
- 1	284T0214-4		TRAY ASSY-E3 RACK BATTERY CHGR (EQUIPMENT/ FURNISHINGS ONLY) FOR NHA/OTHER SYS DET SEE: 25-71-20-01		RF
3	BAC27TEX2565		.DECAL- PLACARD CONTENT: M218 MAIN BATTERY CHARGER		1
5	201-14		.SEAL ASSY- SUPPLIER CODE: V0767B OPTIONAL PART: 281131-14 V0767B BCMP04-2 V09489		1
5	281131-14		.SEAL ASSY- SUPPLIER CODE: V0767B OPTIONAL PART: 201-14 V0767B BCMP04-2 V09489		1
5	BCMP04-2		.SEAL ASSY- SUPPLIER CODE: V09489 OPTIONAL PART: 201-14 V0767B 281131-14 V0767B		1
7	82100-2		..PLUG- SUPPLIER CODE: V0767B USED ON: 281131-14		19
7	201-302		..PLUG- SUPPLIER CODE: V0767B USED ON: 201-14		19

ILLUSTRATION ITEMS NOT ON PARTS LIST ARE NOT APPLICABLE

- ITEM NOT ILLUSTRATED

HXL

25-71-23-01

BOEING PROPRIETARY - Copyright © - Unpublished Work - See title page for details.

25-71-23
FIG. 01
PAGE 1
APR 22/07



767

PARTS CATALOG (MAINTENANCE)

FIG ITEM	PART NUMBER	1 2 3 4 5 6 7	NOMENCLATURE	EFFECT FROM TO	UNITS PER ASSY
1 10	CA12052-101		.HOLDDOWN- SUPPLIER CODE: V29372 MISCELLANEOUS DATA: (DO NOT INTERMIX HOLDDOWN PART NUMBERS. SAME PART NUMBERS MUST BE USED ON SAME TRAY ASSY) QUALIFIED OPTIONAL DATA: (CA12052-101, CA12095-101 AND CA12095-102 OPTIONAL TO CA12145-102 UNTIL EXISTING SUPPLY IS EXHAUSTED)		2
10	CA12095-101		.HOLD DOWN- SUPPLIER CODE: V29372 MISCELLANEOUS DATA: (DO NOT INTERMIX HOLDDOWN PART NUMBERS. SAME PART NUMBERS MUST BE USED ON SAME TRAY ASSY) QUALIFIED OPTIONAL DATA: (CA12052-101, CA12095-101 AND CA12095-102 OPTIONAL TO CA12145-102 UNTIL EXISTING SUPPLY IS EXHAUSTED)		2
10	CA12095-102		.HOLD DOWN- SUPPLIER CODE: V29372 MISCELLANEOUS DATA: (DO NOT INTERMIX HOLDDOWN PART NUMBERS. SAME PART NUMBERS MUST BE USED ON SAME TRAY ASSY) QUALIFIED OPTIONAL DATA: (CA12052-101, CA12095-101 AND CA12095-102 OPTIONAL TO CA12145-102 UNTIL EXISTING SUPPLY IS EXHAUSTED)		2

ILLUSTRATION ITEMS NOT ON PARTS LIST ARE NOT APPLICABLE

- ITEM NOT ILLUSTRATED

HXL

25-71-23-01

BOEING PROPRIETARY - Copyright © - Unpublished Work - See title page for details.

25-71-23
FIG. 01
PAGE 2
DEC 22/06

BOEING
767
PARTS CATALOG (MAINTENANCE)

FIG ITEM	PART NUMBER	1 2 3 4 5 6 7	NOMENCLATURE	EFFECT FROM TO	UNITS PER ASSY
1 10	CA12145-102		.HOLD DOWN- SUPPLIER CODE: V29372 MISCELLANEOUS DATA: (DO NOT INTERMIX HOLDDOWN PART NUMBERS. SAME PART NUMBERS MUST BE USED ON SAME TRAY ASSY) QUALIFIED OPTIONAL DATA: (CA12052-101, CA12095-101 AND CA12095-102 OPTIONAL TO CA12145-102 UNTIL EXISTING SUPPLY IS EXHAUSTED) ATTACHING PARTS		2
- 15	NAS514P632-4		.SCREW -----*-----		4
25	284T0587-3		.PIN ATTACHING PARTS		2
- 30	AN960PD10L		.WASHER		2
- 35	BRH10A3		.NUT SUPPLIER CODE: V52828 SPECIFICATION NUMBER: BACN10JC3 OPTIONAL PART: H10-3BAC V15653 NS202101-02 V80539 RMLH9075-3W V72962 VN303A02 V92215 96-02 V80539 T6S1032J V11815 -----*-----		2
ILLUSTRATION ITEMS NOT ON PARTS LIST ARE NOT APPLICABLE					

- ITEM NOT ILLUSTRATED

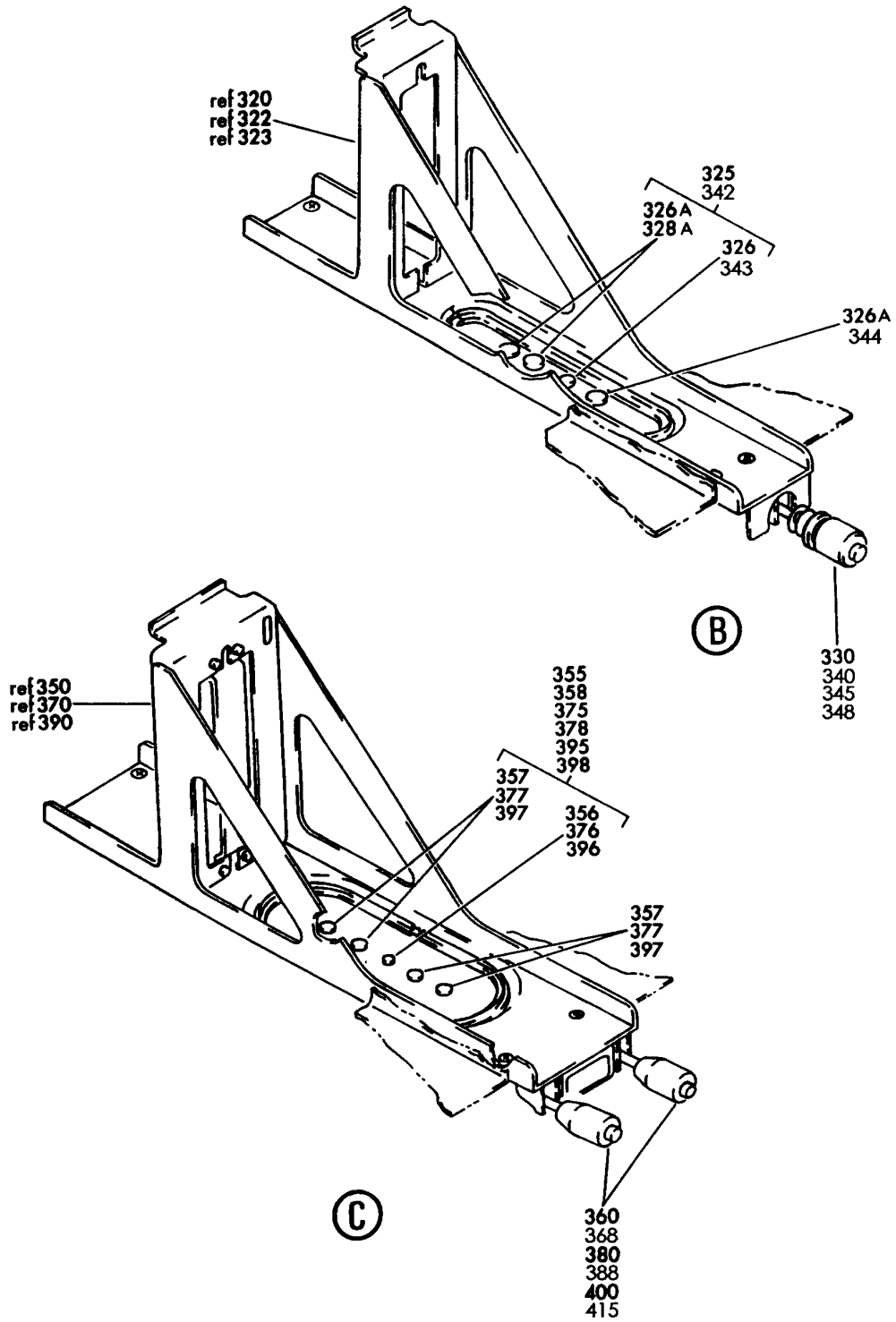
HXL

25-71-23-01

BOEING PROPRIETARY - Copyright © - Unpublished Work - See title page for details.

25-71-23
FIG. 01
PAGE 3
APR 22/07

BOEING
767
PARTS CATALOG (MAINTENANCE)



V 25712502 SHT 2 REV 211

SHELF ASSY-ELECTRONIC EQPT CTR E5-1 (EQUIPMENT/ FURNISHINGS ONLY)
FIGURE 2 (SHEET 2)

25-71-25-02

HXL
DEC 22/06

25-71-25-02
PAGE 0A



767

PARTS CATALOG (MAINTENANCE)

FIG ITEM	PART NUMBER	1 2 3 4 5 6 7	NOMENCLATURE	EFFECT FROM TO	UNITS PER ASSY
2			SHELF ASSY-ELECTRONIC EQPT CTR E5-1 (EQUIPMENT/ FURNISHINGS ONLY)		
- 1	284T0151-20		SHELF ASSY-ELECTRONIC EQPT CTR E5-1 (EQUIPMENT/ FURNISHINGS ONLY) FOR NHA/OTHER SYS DET SEE: 53-11-72-02		RF
5	BAC27TEX1863		.DECAL- PLACARD CONTENT: E5-1		1
10	BAC27TEX2078		.DECAL- PLACARD CONTENT: D1419		2
15	BAC27TEX1858		.DECAL- PLACARD CONTENT: D463		2
20	BAC27TEX1859		.DECAL- PLACARD CONTENT: D403		2
25	BAC27TEX1860		.DECAL- PLACARD CONTENT: D405		2
30	BAC27TEX1861		.DECAL- PLACARD CONTENT: D401		2
35	BAC27TEX2079		.DECAL- PLACARD CONTENT: M216 RIGHT ADF RCVR		1
40	BAC27TEX1854		.DECAL- PLACARD CONTENT: M215 LEFT ADF RCVR		1
45	BAC27TEX1855		.DECAL- PLACARD CONTENT: M203 RIGHT RADIO ALTM XMTR RECEIVER		1
50	BAC27TEX1856		.DECAL- PLACARD CONTENT: M204 CENTER RADIO ALTM XMTR RECEIVER		1
60	BAC27TEX1857		.DECAL- PLACARD CONTENT: M202 LEFT RADIO ALTM XMTR RECEIVER		1
65	BAC27TEX1930		.DECAL- PLACARD CONTENT: GDX3		1

ILLUSTRATION ITEMS NOT ON PARTS LIST ARE NOT APPLICABLE

- ITEM NOT ILLUSTRATED

HXL

25-71-25-02

BOEING PROPRIETARY - Copyright © - Unpublished Work - See title page for details.

25-71-25
FIG. 02
PAGE 1
DEC 22/06



767

PARTS CATALOG (MAINTENANCE)

FIG ITEM	PART NUMBER	1 2 3 4 5 6 7	NOMENCLATURE	EFFECT FROM TO	UNITS PER ASSY
2					
70	BAC27TEX1929	.DECAL-	PLACARD CONTENT: GDX2		1
75	BAC27TEX1928	.DECAL-	PLACARD CONTENT: GDX1		1
80	BAC27TEX1931	.DECAL-	PLACARD CONTENT: TB165		1
90	H49-2	.CLAMP ASSY-	SUPPLIER CODE: V34941 SPECIFICATION NUMBER: BACC49A2 OPTIONAL PART: MF104-2 V6E102 QUALIFIED OPTIONAL DATA: (BACC49A1 AND BACS18AR1 OPTIONAL TO BACC49A2)		AR
- 95	H21-6	.SPACER	SUPPLIER CODE: V34941 SPECIFICATION NUMBER: BACS18AR6 OPTIONAL PART: FAB276-0 V15805 YHLZ1C7 V09922		AR
100	NAS1801-06-8	.SCREW			12
105	NAS1801-06-12	.SCREW			8

ILLUSTRATION ITEMS NOT ON PARTS LIST ARE NOT APPLICABLE

- ITEM NOT ILLUSTRATED

HXL

25-71-25-02

BOEING PROPRIETARY - Copyright © - Unpublished Work - See title page for details.

25-71-25
FIG. 02
PAGE 2
DEC 22/06



767

PARTS CATALOG (MAINTENANCE)

FIG ITEM	PART NUMBER	1 2 3 4 5 6 7	NOMENCLATURE	EFFECT FROM TO	UNITS PER ASSY
2 115	BRH10A06	.NUT	SUPPLIER CODE: V52828 SPECIFICATION NUMBER: BACN10JC06 OPTIONAL PART: H10-06BAC V15653 RMLH9075-62W V72962 VN303A62 V92215 96-62 V80539 NS202101-62 V80539 T6S632J V11815		20
150	66-18178-1	.STRAP	ATTACHING PARTS		5
- 155	NAS1801-3-8	.SCREW			5
- 160	AN960PD10L	.WASHER			5
- 165	BRH10A3	.NUT	SUPPLIER CODE: V52828 SPECIFICATION NUMBER: BACN10JC3 OPTIONAL PART: H10-3BAC V15653 NS202101-02 V80539 RMLH9075-3W V72962 VN303A02 V92215 96-02 V80539 T6S1032J V11815		5
200	NAS1801-3-8	.SCREW			5
205	AN960PD10L	.WASHER			5

ILLUSTRATION ITEMS NOT ON PARTS LIST ARE NOT APPLICABLE

- ITEM NOT ILLUSTRATED

HXL

25-71-25-02

BOEING PROPRIETARY - Copyright © - Unpublished Work - See title page for details.

25-71-25
FIG. 02
PAGE 3
DEC 22/06



767

PARTS CATALOG (MAINTENANCE)

FIG ITEM	PART NUMBER	1 2 3 4 5 6 7	NOMENCLATURE	EFFECT FROM TO	UNITS PER ASSY
2 210	BRH10A3	.NUT	SUPPLIER CODE: V52828 SPECIFICATION NUMBER: BACN10JC3 OPTIONAL PART: H10-3BAC V15653 NS202101-02 V80539 RMLH9075-3W V72962 VN303A02 V92215 96-02 V80539 T6S1032J V11815		5
225	NAS514P832-7	.SCREW			10
230	AN960PD8L	.WASHER			10
235	BRH10A08	.NUT	SUPPLIER CODE: V52828 SPECIFICATION NUMBER: BACN10JC08 OPTIONAL PART: H10-08BAC V15653 NS202101-82 V80539 RMLH9075-82W V72962 VN303A82 V92215 96-82 V80539 T6S832J V11815		10
250	BACR15BA3AD	.RIVET-	SIZE DETERMINED ON INSTL.		6
255	BACR15BB3AD	.RIVET-	SIZE DETERMINED ON INSTL.		4
320	284T0586-4	.TRAY ASSY-			2
325	201-2	..SEAL ASSY-	SUPPLIER CODE: V0767B		1
325	281131-2	..SEAL ASSY-	SUPPLIER CODE: V0767B		1

ILLUSTRATION ITEMS NOT ON PARTS LIST ARE NOT APPLICABLE

- ITEM NOT ILLUSTRATED

25-71-25-02

25-71-25
FIG. 02
PAGE 4
DEC 22/06

HXL



767

PARTS CATALOG (MAINTENANCE)

FIG ITEM	PART NUMBER	1 2 3 4 5 6 7	NOMENCLATURE	EFFECT FROM TO	UNITS PER ASSY
2					
325	BCMP02-1		..SEAL ASSY- SUPPLIER CODE: V09489		1
326	82100-1		...PLUG- SUPPLIER CODE: V0767B USED ON: 201-2		1
326A	82100-2		...PLUG- SUPPLIER CODE: V0767B USED ON: 201-2		3
330	CA12145-102		..HOLD DOWN- SUPPLIER CODE: V29372 QUALIFIED OPTIONAL DATA: 284T0586-16 OPTIONAL TO CA12145-102 TOGETHER WITH ASSOCIATED ITEMS ATTACHING PARTS		1
- 335	NAS514P632-4		..SCREW -----*-----		2
- 338	284T0586-16		..SUB KIT ASSY- QUALIFIED OPTIONAL DATA: 284T0586-16 OPTIONAL TO CA12145-102 TOGETHER WITH ASSOCIATED ITEMS		1
340	CA12095-101		...HOLD DOWN- SUPPLIER CODE: V29372 OPTIONAL PART: CA12095-102 V29372		1
340	CA12095-102		...HOLD DOWN- SUPPLIER CODE: V29372 OPTIONAL PART: CA12095-101 V29372 ATTACHING PARTS		1
- 341	NAS514P632-4		...SCREW -----*-----		2
350	284T0586-5		.TRAY ASSY-		1

ILLUSTRATION ITEMS NOT ON PARTS LIST ARE NOT APPLICABLE

- ITEM NOT ILLUSTRATED

HXL

25-71-25-02

BOEING PROPRIETARY - Copyright © - Unpublished Work - See title page for details.

25-71-25
FIG. 02
PAGE 5
DEC 22/06

BOEING
767
PARTS CATALOG (MAINTENANCE)

FIG ITEM	PART NUMBER	1 2 3 4 5 6 7	NOMENCLATURE	EFFECT FROM TO	UNITS PER ASSY
2					
355	201-3		..SEAL ASSY- SUPPLIER CODE: V60299 OPTIONAL PART: 281131-3 V0767B BCMP03-1 V09489		1
355	281131-3		..SEAL ASSY- SUPPLIER CODE: V0767B OPTIONAL PART: 201-3 V0767B BCMP03-1 V09489		1
355	BCMP03-1		..SEAL ASSY- SUPPLIER CODE: V09489 OPTIONAL PART: 201-3 V0767B 281131-3 V0767B		1
356	82100-1		...PLUG- SUPPLIER CODE: V0767B USED ON: 201-3		1
357	82100-2		...PLUG- SUPPLIER CODE: V0767B USED ON: 201-3		4
360	CA12145-102		..HOLD DOWN- SUPPLIER CODE: V29372 QUALIFIED OPTIONAL DATA: 284T0586-16 OPTIONAL TO CA12145-102 TOGETHER WITH ASSOCIATED ITEMS ATTACHING PARTS		2
- 365	NAS514P632-4		..SCREW -----*-----		4
- 366	284T0586-16		..SUB KIT ASSY- QUALIFIED OPTIONAL DATA: 284T0586-16 OPTIONAL TO CA12145-102 TOGETHER WITH ASSOCIATED ITEMS		1

ILLUSTRATION ITEMS NOT ON PARTS LIST ARE NOT APPLICABLE

- ITEM NOT ILLUSTRATED

HXL

25-71-25-02

BOEING PROPRIETARY - Copyright © - Unpublished Work - See title page for details.

25-71-25
FIG. 02
PAGE 6
DEC 22/06

BOEING
767
PARTS CATALOG (MAINTENANCE)

FIG ITEM	PART NUMBER	1 2 3 4 5 6 7	NOMENCLATURE	EFFECT FROM TO	UNITS PER ASSY
2 368	CA12095-101		...HOLD DOWN- SUPPLIER CODE: V29372 OPTIONAL PART: CA12095-102 V29372		2
368	CA12095-102		...HOLD DOWN- SUPPLIER CODE: V29372 OPTIONAL PART: CA12095-101 V29372 ATTACHING PARTS		2
- 369	NAS514P632-4		...SCREW -----*-----		4
370	284T0586-7		.TRAY ASSY		1
375	201-3		..SEAL ASSY- SUPPLIER CODE: V60299 OPTIONAL PART: 281131-3 V0767B BCMP03-1 V09489		1
375	281131-3		..SEAL ASSY- SUPPLIER CODE: V0767B OPTIONAL PART: 201-3 V0767B BCMP03-1 V09489		1
375	BCMP03-1		..SEAL ASSY- SUPPLIER CODE: V09489 OPTIONAL PART: 201-3 V0767B 281131-3 V0767B		1
376	82100-1		...PLUG- SUPPLIER CODE: V0767B USED ON: 201-3		1

ILLUSTRATION ITEMS NOT ON PARTS LIST ARE NOT APPLICABLE

- ITEM NOT ILLUSTRATED

HXL

25-71-25-02

BOEING PROPRIETARY - Copyright © - Unpublished Work - See title page for details.

25-71-25
FIG. 02
PAGE 7
DEC 22/06

BOEING
767
PARTS CATALOG (MAINTENANCE)

FIG ITEM	PART NUMBER	1 2 3 4 5 6 7	NOMENCLATURE	EFFECT FROM TO	UNITS PER ASSY
2 377	82100-2		...PLUG- SUPPLIER CODE: V0767B USED ON: 201-3		4
380	CA12145-102		..HOLD DOWN- SUPPLIER CODE: V29372 QUALIFIED OPTIONAL DATA: 284T0586-16 OPTIONAL TO CA12145-102 TOGETHER WITH ASSOCIATED ITEMS ATTACHING PARTS		2
- 385	NAS514P632-4		..SCREW -----*-----		4
- 386	284T0586-16		..SUB KIT ASSY- QUALIFIED OPTIONAL DATA: 284T0586-16 OPTIONAL TO CA12145-102 TOGETHER WITH ASSOCIATED ITEMS		1
388	CA12095-101		...HOLD DOWN- SUPPLIER CODE: V29372 OPTIONAL PART: CA12095-102 V29372		2
388	CA12095-102		...HOLD DOWN- SUPPLIER CODE: V29372 OPTIONAL PART: CA12095-101 V29372 ATTACHING PARTS		2
- 389	NAS514P632-4		...SCREW -----*-----		4
390	284T0586-9		.TRAY ASSY		1
395	201-3		..SEAL ASSY- SUPPLIER CODE: V60299 OPTIONAL PART: 281131-3 V0767B BCMP03-1 V09489		1

ILLUSTRATION ITEMS NOT ON PARTS LIST ARE NOT APPLICABLE

- ITEM NOT ILLUSTRATED

HXL

25-71-25-02

BOEING PROPRIETARY - Copyright © - Unpublished Work - See title page for details.

25-71-25
FIG. 02
PAGE 8
DEC 22/06



767

PARTS CATALOG (MAINTENANCE)

FIG ITEM	PART NUMBER	1 2 3 4 5 6 7	NOMENCLATURE	EFFECT FROM TO	UNITS PER ASSY
2					
395	281131-3		..SEAL ASSY- SUPPLIER CODE: V0767B OPTIONAL PART: 201-3 V0767B BCMP03-1 V09489		1
395	BCMP03-1		..SEAL ASSY- SUPPLIER CODE: V09489 OPTIONAL PART: 201-3 V0767B 281131-3 V0767B		1
396	82100-1		...PLUG- SUPPLIER CODE: V0767B USED ON: 201-3		1
397	82100-2		...PLUG- SUPPLIER CODE: V0767B USED ON: 201-3		4
400	CA12145-102		..HOLD DOWN- SUPPLIER CODE: V29372 QUALIFIED OPTIONAL DATA: 284T0586-16 OPTIONAL TO CA12145-102 TOGETHER WITH ASSOCIATED ITEMS ATTACHING PARTS		2
- 405	NAS514P632-4		..SCREW -----*-----		4
- 410	284T0586-16		..SUB KIT ASSY- QUALIFIED OPTIONAL DATA: 284T0586-16 OPTIONAL TO CA12145-102 TOGETHER WITH ASSOCIATED ITEMS		1
415	CA12095-101		...HOLD DOWN- SUPPLIER CODE: V29372 OPTIONAL PART: CA12095-102 V29372		2

ILLUSTRATION ITEMS NOT ON PARTS LIST ARE NOT APPLICABLE

- ITEM NOT ILLUSTRATED

HXL

25-71-25-02

BOEING PROPRIETARY - Copyright © - Unpublished Work - See title page for details.

25-71-25
FIG. 02
PAGE 9
DEC 22/06

BOEING
767
PARTS CATALOG (MAINTENANCE)

FIG ITEM	PART NUMBER	1 2 3 4 5 6 7	NOMENCLATURE	EFFECT FROM TO	UNITS PER ASSY
2					
415	CA12095-102		...HOLD DOWN- SUPPLIER CODE: V29372 OPTIONAL PART: CA12095-101 V29372 ATTACHING PARTS		2
- 420	NAS514P632-4		...SCREW -----*-----		4
R	550	284T0383-4	.SEAL- MANUFACTURED FROM: SH RUBBER MIL-R-6130 GRADE A TYPE 2 SOFT 0.12 IN 0.7 IN 12.9 IN (5231253020)		4
R					
R					
R					
R	550	66-14144-1	.SEAL- MANUFACTURED FROM: SH RUBBER MIL-R-6/30 GRADE A TYPE 2 SOFT STOCK .6 X .3 X 18.1 FIN F-25.01 SPARES ORDER MATERIAL CODE: 5231253020		4
R					
R					
R					
R					
R	555	284T1097-1	.BRACKET ASSY ATTACHING PARTS		1
-	560	NAS1801-3-8	.SCREW		2
-	565	AN960PD10L	.WASHER -----*-----		2
	675	284T0591-4	.SUPPORT ASSY-WIRE ATTACHING PARTS		1
-	680	NAS1801-3-5	.SCREW		4
-	685	AN960PD10L	.WASHER		4

ILLUSTRATION ITEMS NOT ON PARTS LIST ARE NOT APPLICABLE

- ITEM NOT ILLUSTRATED

HXL

25-71-25-02

BOEING PROPRIETARY - Copyright © - Unpublished Work - See title page for details.

25-71-25
FIG. 02
PAGE 10
AUG 22/09

BOEING
767
PARTS CATALOG (MAINTENANCE)

FIG ITEM	PART NUMBER	1 2 3 4 5 6 7	NOMENCLATURE	EFFECT FROM TO	UNITS PER ASSY
2 - 690	BRH10A3		.NUT SUPPLIER CODE: V52828 SPECIFICATION NUMBER: BACN10JC3 OPTIONAL PART: H10-3BAC V15653 NS202101-02 V80539 RMLH9075-3W V72962 VN303A02 V92215 96-02 V80539 T6S1032J V11815 -----*-----		4
705	YHLZG16-2		..BLOCK-TERM. SUPPLIER CODE: V09922 ATTACHING PARTS		3
- 710	BACR15BB4AD		..RIVET- SIZE DETERMINED ON INSTL. -----*-----		12
712	MS24665-300		..PIN		2
715	AN960PD616		..WASHER		2
720	284T0591-2		..TUBE		1
745	284T0385-4		..BRACKET		1
750	284T0385-5		..BRACKET ATTACHING PARTS		1
- 755	BACR15BB4AD		..RIVET- SIZE DETERMINED ON INSTL. -----*-----		4
760	284T0584-1		..TRACK-TERM. BLOCK MODULE		1
775	284T0580-4		.SHELF ASSY-		1
780	284T0383-1		..SEAL		2
785	217T1436-2		..RETAINER ASSY ATTACHING PARTS		1
- 790	BACR15BB4A		..RIVET- SIZE DETERMINED ON INSTL.		2
- 790	BACR15GN4BW		..RIVET- SIZE DETERMINED ON INSTL.		2
- 795	NAS42DD4-4FC		..SPACER -----*-----		2
800	BAC27TEC0160		...DECAL- PLACARD CONTENT: TEST PORT		1

ILLUSTRATION ITEMS NOT ON PARTS LIST ARE NOT APPLICABLE

- ITEM NOT ILLUSTRATED

HXL

25-71-25-02

BOEING PROPRIETARY - Copyright © - Unpublished Work - See title page for details.

25-71-25
FIG. 02
PAGE 11
AUG 22/09



767

PARTS CATALOG (MAINTENANCE)

FIG ITEM	PART NUMBER	1 2 3 4 5 6 7	NOMENCLATURE	EFFECT FROM TO	UNITS PER ASSY
2					
805	217T1435-2		.. PLUG-SELF SEALING		1
810	284T0578-4		.. CLIP		1
815	284T0578-5		.. CLIP		1
			ATTACHING PARTS		
- 820	BACR15BA5AD		.. RIVET		6
			-----*-----		
ILLUSTRATION ITEMS NOT ON PARTS LIST ARE NOT APPLICABLE					

- ITEM NOT ILLUSTRATED

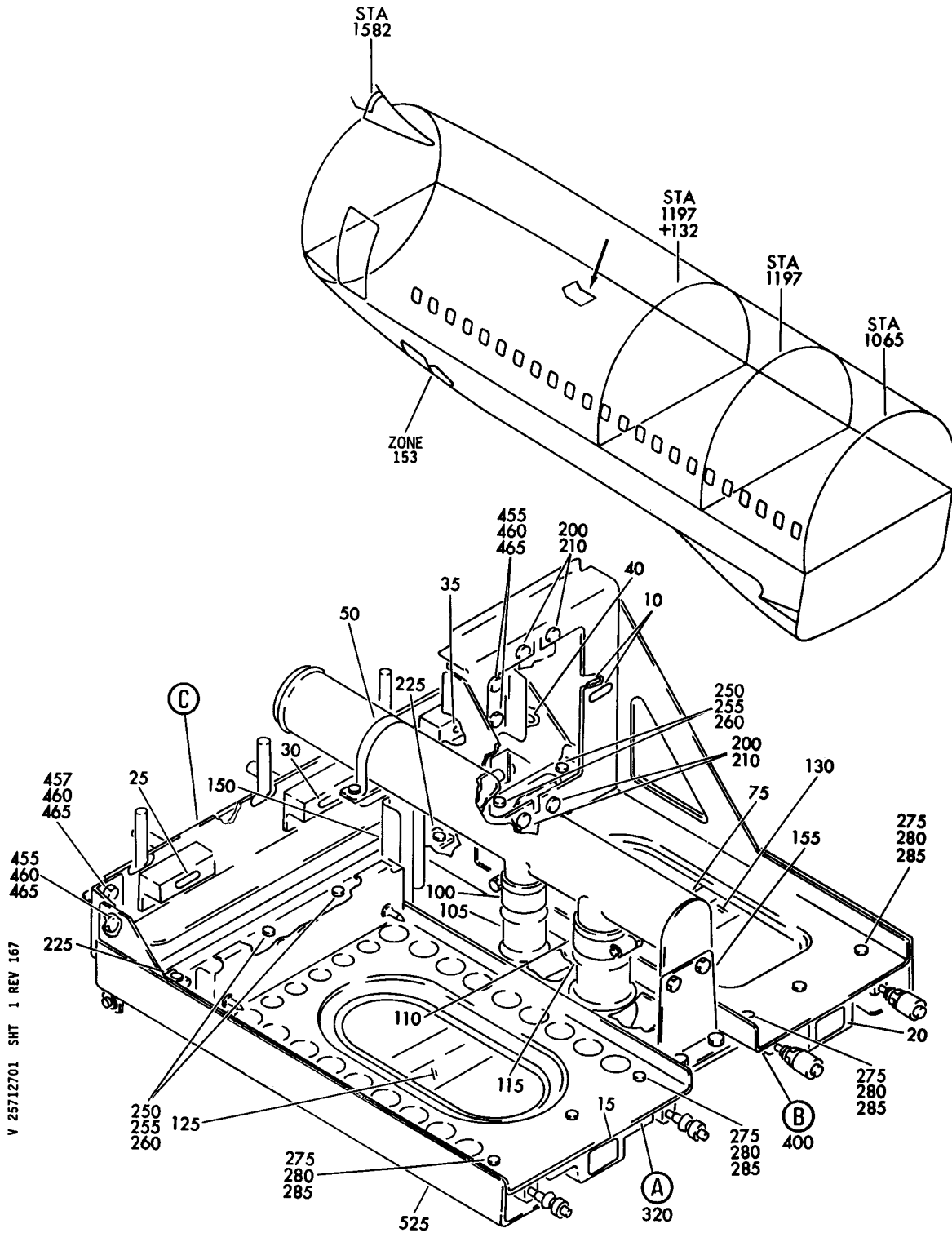
HXL

25-71-25-02

BOEING PROPRIETARY - Copyright © - Unpublished Work - See title page for details.

25-71-25
FIG. 02
PAGE 12
AUG 22/09

BOEING
767
PARTS CATALOG (MAINTENANCE)



V 25712701 SHT 1 REV 167

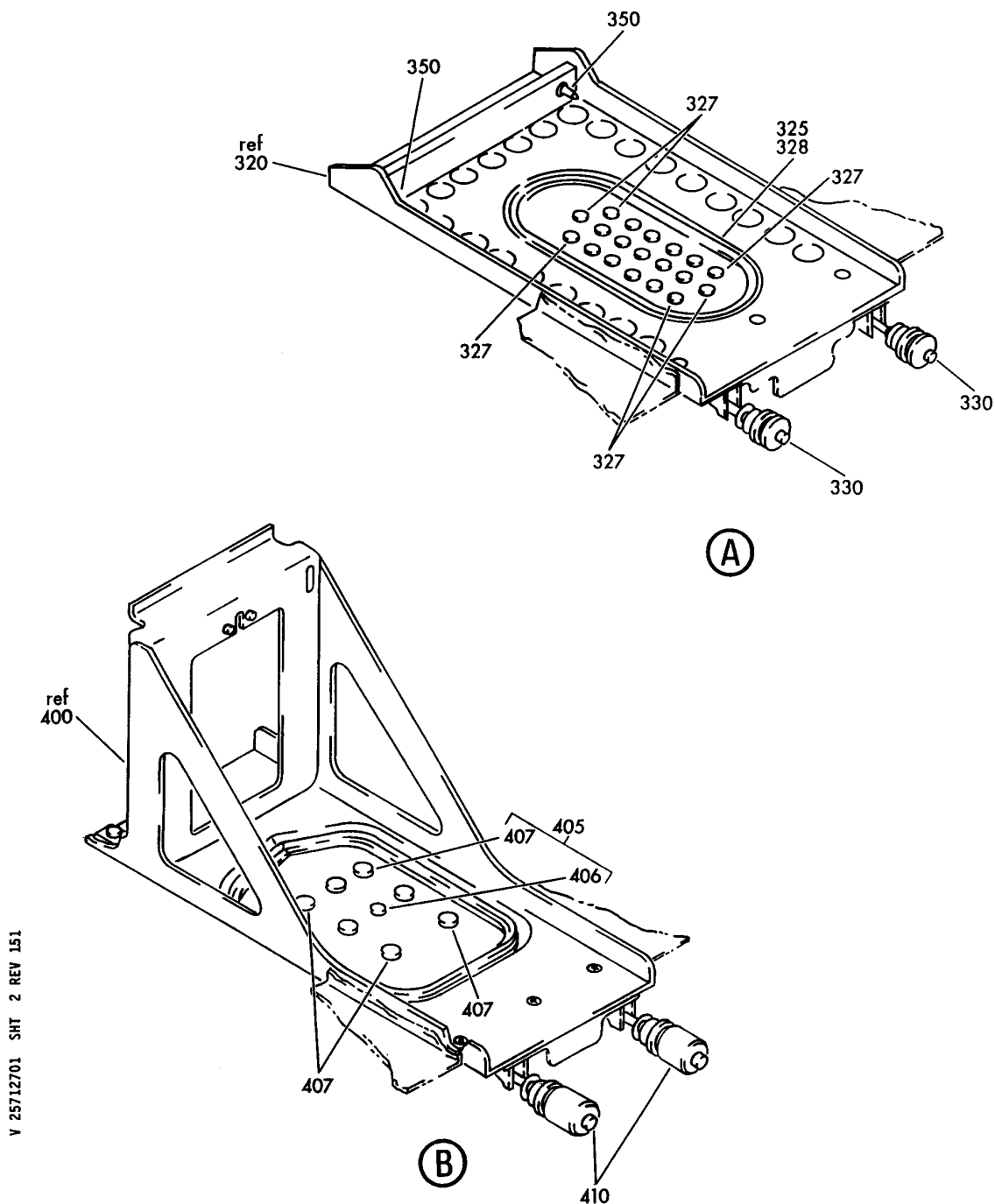
SHELF ASSY-ELECTRONIC EQPT CTR E6-1 (EQUIPMENT/ FURNISHINGS ONLY)
FIGURE 1 (SHEET 1)

25-71-27-01

HXL
DEC 22/06

25-71-27-01
PAGE 0

BOEING
767
PARTS CATALOG (MAINTENANCE)



V 25712701 SHT 2 REV 151

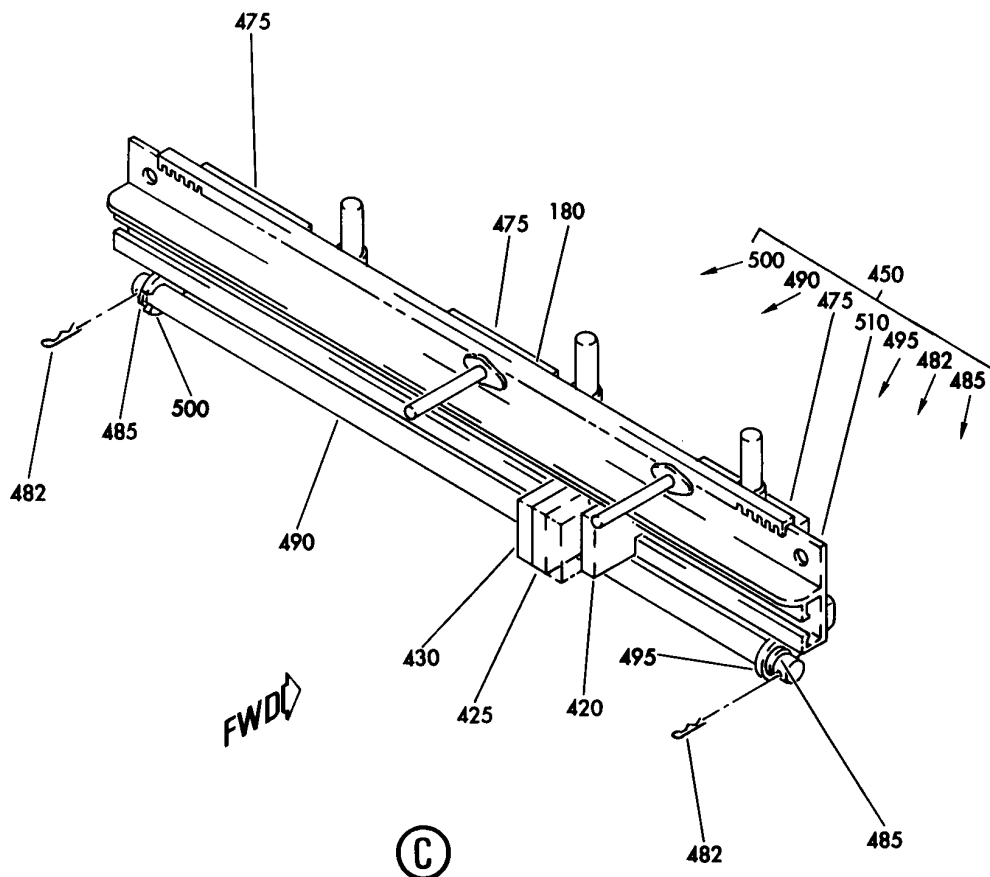
SHelf ASSY-ELECTRONIC EQPT CTR E6-1 (EQUIPMENT/ FURNISHINGS ONLY)
FIGURE 1 (SHEET 2)

25-71-27-01

HXL
DEC 22/06

25-71-27-01
PAGE 0A

BOEING
767
PARTS CATALOG (MAINTENANCE)



V 25712701 SHT 3 REV 167

SHELF ASSY-ELECTRONIC EQPT CTR E6-1 (EQUIPMENT/ FURNISHINGS ONLY)
FIGURE 1 (SHEET 3)

25-71-27-01

HXL
DEC 22/06

25-71-27-01
PAGE 0B



767

PARTS CATALOG (MAINTENANCE)

FIG ITEM	PART NUMBER	1 2 3 4 5 6 7	NOMENCLATURE	EFFECT FROM TO	UNITS PER ASSY
1			SHELF ASSY-ELECTRONIC EQPT CTR E6-1 (EQUIPMENT/ FURNISHINGS ONLY)		
- 1	284T0161-20		SHELF ASSY-ELECTRONIC EQPT CTR E6-1 (EQUIPMENT/ FURNISHINGS ONLY) FOR NHA/OTHER SYS DET SEE: 53-61-57-01	163999	RF
- 1	284T0161-22		SHELF ASSY-ELECTRONIC EQPT CTR E6-1 (EQUIPMENT/ FURNISHINGS ONLY) FOR NHA/OTHER SYS DET SEE: 53-61-57-01	155162	RF
10	BAC27TEX1819		.DECAL- PLACARD CONTENT: D408		2
15	BAC27TEX1817		.DECAL- PLACARD CONTENT: M207 APU BATTERY CHARGER		1
20	BAC27TEX1816		.DECAL- PLACARD CONTENT: M206 AUX POWER CONT UNIT		1
25	BAC27TEX1930		.DECAL- PLACARD CONTENT: GDX3		1
30	BAC27TEX1929		.DECAL- PLACARD CONTENT: GDX2		1
35	BAC27TEX1928		.DECAL- PLACARD CONTENT: GDX1		1
40	BAC27TEX1991		.DECAL- PLACARD CONTENT: TB26		1
50	421-28		.CLAMP SUPPLIER CODE: V83930 SPECIFICATION NUMBER: BACC10CC28 OPTIONAL PART: JM44SC15D28T V22175 TA04C36-05 V84971 421A28 V83930		1
- 55	NAS1801-3-8		ATTACHING PARTS .SCREW		2
- 60	AN960JD10L		.WASHER-		2

ILLUSTRATION ITEMS NOT ON PARTS LIST ARE NOT APPLICABLE

- ITEM NOT ILLUSTRATED

25-71-27-01

25-71-27
FIG. 01
PAGE 1
DEC 22/07

HXL



767

PARTS CATALOG (MAINTENANCE)

FIG ITEM	PART NUMBER	1 2 3 4 5 6 7	NOMENCLATURE	EFFECT FROM TO	UNITS PER ASSY
1					
- 65	MS21042L3		.NUT- -----*-----		2
75	284T0395-10		.WELD ASSY-DUCT ATTACHING PARTS		1
- 80	NAS1801-3-8		.SCREW		2
- 85	AN960JD10L		.WASHER-		2
- 90	MS21042L3		.NUT- -----*-----		2
100	16		.CLAMP- SUPPLIER CODE: V7Z588 SPECIFICATION NUMBER: STBC10GG38-48 OPTIONAL PART: WWD38-48H V66295 BACS38K1		2
100	T05R0		.STRAP- SUPPLIER CODE: V53421 SPECIFICATION NUMBER: BACS38K1 OPTIONAL PART: PLT2SM V06383 STBC10GG38-48		2
105	AS1506-04D32		.SLEEVE-		1
110	20		.CLAMP- SUPPLIER CODE: V7Z588 SPECIFICATION NUMBER: STBC10GG48-58 OPTIONAL PART: WWD48-58H V66295 BACS38K1		2
110	T05R0		.STRAP- SUPPLIER CODE: V53421 SPECIFICATION NUMBER: BACS38K1 OPTIONAL PART: PLT2SM V06383 STBC10GG48-58		2
115	AS1506-06D32		.SLEEVE-		1
125	284T0589-3		.PLENUM- POSITION DATA: LH		1

ILLUSTRATION ITEMS NOT ON PARTS LIST ARE NOT APPLICABLE

- ITEM NOT ILLUSTRATED

25-71-27-01

25-71-27
FIG. 01
PAGE 2
DEC 22/07

HXL

BOEING PROPRIETARY - Copyright © - Unpublished Work - See title page for details.

 **BOEING**
767
PARTS CATALOG (MAINTENANCE)

FIG ITEM	PART NUMBER	1 2 3 4 5 6 7	NOMENCLATURE	EFFECT FROM TO	UNITS PER ASSY
1					
130	284T0589-4		.PLENUM- POSITION DATA: RH		1
150	284T0577-4		.BRACKET-SPRT		1
155	284T0577-5		.ANGLE-SPRT ATTACHING PARTS		1
- 160	NAS1801-3-8		.SCREW		4
- 165	AN960JD10L		.WASHER-		4
- 170	MS21042L3		.NUT-		4
			-----*-----		
180	BACG20ZA1275		.GROMMET		1
200	NAS1801-06-8		.SCREW		4
210	MS21042L06		.NUT-		4
225	66-18178-1		.STRAP-ELECTRONIC RACK BONDING ATTACHING PARTS		2
- 230	NAS1801-3-8		.SCREW		2
- 235	AN960JD10L		.WASHER-		2
- 240	MS21042L3		.NUT-		2
			-----*-----		
250	NAS1801-3-8		.SCREW		4
255	AN960JD10L		.WASHER-		4
260	MS21042L3		.NUT-		4
275	NAS514P832-7		.SCREW		6
280	AN960JD8L		.WASHER-		6
285	MS21042L08		.NUT-		6
320	284T0392-16		.TRAY ASSY-		1
325	281131-14		..SEAL ASSY- SUPPLIER CODE: V0767B OPTIONAL PART: 201-14 V0767B BCMP04-2 V09489		1
327	82100-2		...PLUG- SUPPLIER CODE: V0767B		19
328	201-14		..SEAL ASSY- SUPPLIER CODE: V0767B OPTIONAL PART: 281131-14 V0767B BCMP04-2 V09489		1

ILLUSTRATION ITEMS NOT ON PARTS LIST ARE NOT APPLICABLE

- ITEM NOT ILLUSTRATED

HXL

25-71-27-01

BOEING PROPRIETARY - Copyright © - Unpublished Work - See title page for details.

25-71-27
FIG. 01
PAGE 3
DEC 22/07



767

PARTS CATALOG (MAINTENANCE)

FIG ITEM	PART NUMBER	1 2 3 4 5 6 7	NOMENCLATURE	EFFECT FROM TO	UNITS PER ASSY
1 328	BCMP04-2		..SEAL ASSY- SUPPLIER CODE: V09489 OPTIONAL PART: 281131-14 V0767B 201-14 V0767B		1
330	CA12145-102		..HOLD DOWN- SUPPLIER CODE: V29372 QUALIFIED OPTIONAL DATA: (CA12095-101 AND CA12095-102 OPTIONAL TO CA12145-102 UNTIL EXISTING SUPPLY IS EXHAUSTED)		2
330	CA12095-101		..HOLD DOWN- SUPPLIER CODE: V29372 QUALIFIED OPTIONAL DATA: (CA12095-101 AND CA12095-102 OPTIONAL TO CA12145-102 UNTIL EXISTING SUPPLY IS EXHAUSTED)		2
330	CA12095-102		..HOLD DOWN- SUPPLIER CODE: V29372 QUALIFIED OPTIONAL DATA: (CA12095-101 AND CA12095-102 OPTIONAL TO CA12145-102 UNTIL EXISTING SUPPLY IS EXHAUSTED)		2
- 335	NAS514P632-4		ATTACHING PARTS ..SCREW -----*-----		4
350	284T0587-3		..PIN-GUIDE ATTACHING PARTS		2
- 355	NAS1149D0316H		..WASHER-		2

ILLUSTRATION ITEMS NOT ON PARTS LIST ARE NOT APPLICABLE

- ITEM NOT ILLUSTRATED

25-71-27-01

25-71-27
FIG. 01
PAGE 4
DEC 22/07

HXL

 **BOEING**
767
PARTS CATALOG (MAINTENANCE)

FIG ITEM	PART NUMBER	1 2 3 4 5 6 7	NOMENCLATURE	EFFECT FROM TO	UNITS PER ASSY
1 - 360	BRH10C3D		..NUT- SUPPLIER CODE: V52828 SPECIFICATION NUMBER: BACN10JC3CD OPTIONAL PART: T6C1032JCD V11815 NS202486-02 V80539 102LH9075-3W V72962 H51650-3BAC V15653 -----*-----		2
400	284T0026-23		.TRAY ASSY-		1
405	BCMP05-1		..SEAL ASSY- SUPPLIER CODE: V09489 OPTIONAL PART: 201-5 V0767B 281131-5 V0767B		1
405	281131-5		..SEAL ASSY- SUPPLIER CODE: V0767B OPTIONAL PART: 201-5 V0767B BCMP05-1 V09489		1
405	201-5		..SEAL ASSY- SUPPLIER CODE: V0767B OPTIONAL PART: 281131-5 V0767B BCMP05-1 V09489		1
405	281131-10		...SEAL ASSY- SUPPLIER CODE: V0767B		1
405	201-10		...SEAL ASSY- SUPPLIER CODE: V0767B		1
405	BCMP10-1		...SEAL ASSY- SUPPLIER CODE: V09489		1

ILLUSTRATION ITEMS NOT ON PARTS LIST ARE NOT APPLICABLE

- ITEM NOT ILLUSTRATED

HXL

25-71-27-01

BOEING PROPRIETARY - Copyright © - Unpublished Work - See title page for details.

25-71-27
FIG. 01
PAGE 5
DEC 22/07



767

PARTS CATALOG (MAINTENANCE)

FIG ITEM	PART NUMBER	1 2 3 4 5 6 7	NOMENCLATURE	EFFECT FROM TO	UNITS PER ASSY
1 406	82100-1		...PLUG- SUPPLIER CODE: V0767B USED ON: 281131-5		1
407	82100-2		...PLUG- SUPPLIER CODE: V0767B USED ON: 281131-5		7
410	CA12145-102		..HOLD DOWN- SUPPLIER CODE: V29372 OPTIONAL PART: BACC10HZ1 CA12095-101 V29372 CA12095-102 V29372		2
410	CA12095-102		..HOLD DOWN- SUPPLIER CODE: V29372 OPTIONAL PART: BACC10HZ1 CA12095-101 V29372 CA12145-102 V27372		2
410	CA12095-101		..HOLD DOWN- SUPPLIER CODE: V29372 OPTIONAL PART: BACC10HZ1 CA12095-102 V29372 CA12145-102 V27372		2

ILLUSTRATION ITEMS NOT ON PARTS LIST ARE NOT APPLICABLE

- ITEM NOT ILLUSTRATED

HXL

25-71-27-01

BOEING PROPRIETARY - Copyright © - Unpublished Work - See title page for details.

25-71-27
FIG. 01
PAGE 6
DEC 22/07

BOEING
767
PARTS CATALOG (MAINTENANCE)

FIG ITEM	PART NUMBER	1 2 3 4 5 6 7	NOMENCLATURE	EFFECT FROM TO	UNITS PER ASSY
1 410	H3773-9		..HOLD DOWN- SUPPLIER CODE: V83014 SPECIFICATION NUMBER: BACC10HZ1 OPTIONAL PART: 5175-110-1 V30528 CA12145-102 VOCBU7 H3773-3 V83014 CA12095-101 V29372 CA12095-102 V29372 CA12145-102 V29372 ATTACHING PARTS		2
- 415	NAS514P632-5		..SCREW- -----*-----		4
420	H49-2		.CLAMP ASSY SUPPLIER CODE: V34941 SPECIFICATION NUMBER: BACC49A2 OPTIONAL PART: MF104-2 V6E102		1
425	YHLZ2		.MODULE SUPPLIER CODE: V09922 SPECIFICATION NUMBER: BACM15C1A OPTIONAL PART: YHLZ2 V09922		1
430	YHLZ4		.MODULE SUPPLIER CODE: V09922 SPECIFICATION NUMBER: BACM15C1B OPTIONAL PART: YHLZ4 V09922		1
450	284T0591-3		.SUPPORT ASSY-WIRE ATTACHING PARTS		1
455	NAS1801-3-8		.SCREW		3
457	NAS1801-3-10		.SCREW		1

ILLUSTRATION ITEMS NOT ON PARTS LIST ARE NOT APPLICABLE

- ITEM NOT ILLUSTRATED

HXL

25-71-27-01

BOEING PROPRIETARY - Copyright © - Unpublished Work - See title page for details.

25-71-27
FIG. 01
PAGE 7
DEC 22/07

 **BOEING**
767
PARTS CATALOG (MAINTENANCE)

FIG ITEM	PART NUMBER	1 2 3 4 5 6 7	NOMENCLATURE	EFFECT FROM TO	UNITS PER ASSY
1					
460	AN960JD10L		.WASHER-		4
465	MS21042L3		.NUT-		4
			-----*-----		
475	YHLZG16-2		..BLOCK-TERM. SUPPLIER CODE: V09922 ATTACHING PARTS		3
- 480	BACR15BB4AD		..RIVET- SIZE DETERMINED ON INSTL. -----*-----		12
482	MS24665-300		..PIN		2
485	AN960PD616		..WASHER		2
490	284T0591-2		..TUBE		1
495	284T0385-4		..BRACKET		1
500	284T0385-5		..BRACKET ATTACHING PARTS		1
- 505	BACR15BB4AD		..RIVET- SIZE DETERMINED ON INSTL. -----*-----		4
510	284T0584-1		..TRACK-TERM. BLK MODULE		1
525	284T0575-1		.SHELF ASSY-		1
- 600	286T0020-101		.WIRE BUNDLE ASSY- FUNCTIONAL REFERENCE: AIRBORNE AUXILIARY POWER FOR DETAILS SEE 49-61-05-01		1
- 610	286T1038-101		.WIRE BUNDLE ASSY- FUNCTIONAL REFERENCE: ELECTRICAL POWER FOR DETAILS SEE 24-31-04-01 24-31-05-01		1

ILLUSTRATION ITEMS NOT ON PARTS LIST ARE NOT APPLICABLE

- ITEM NOT ILLUSTRATED

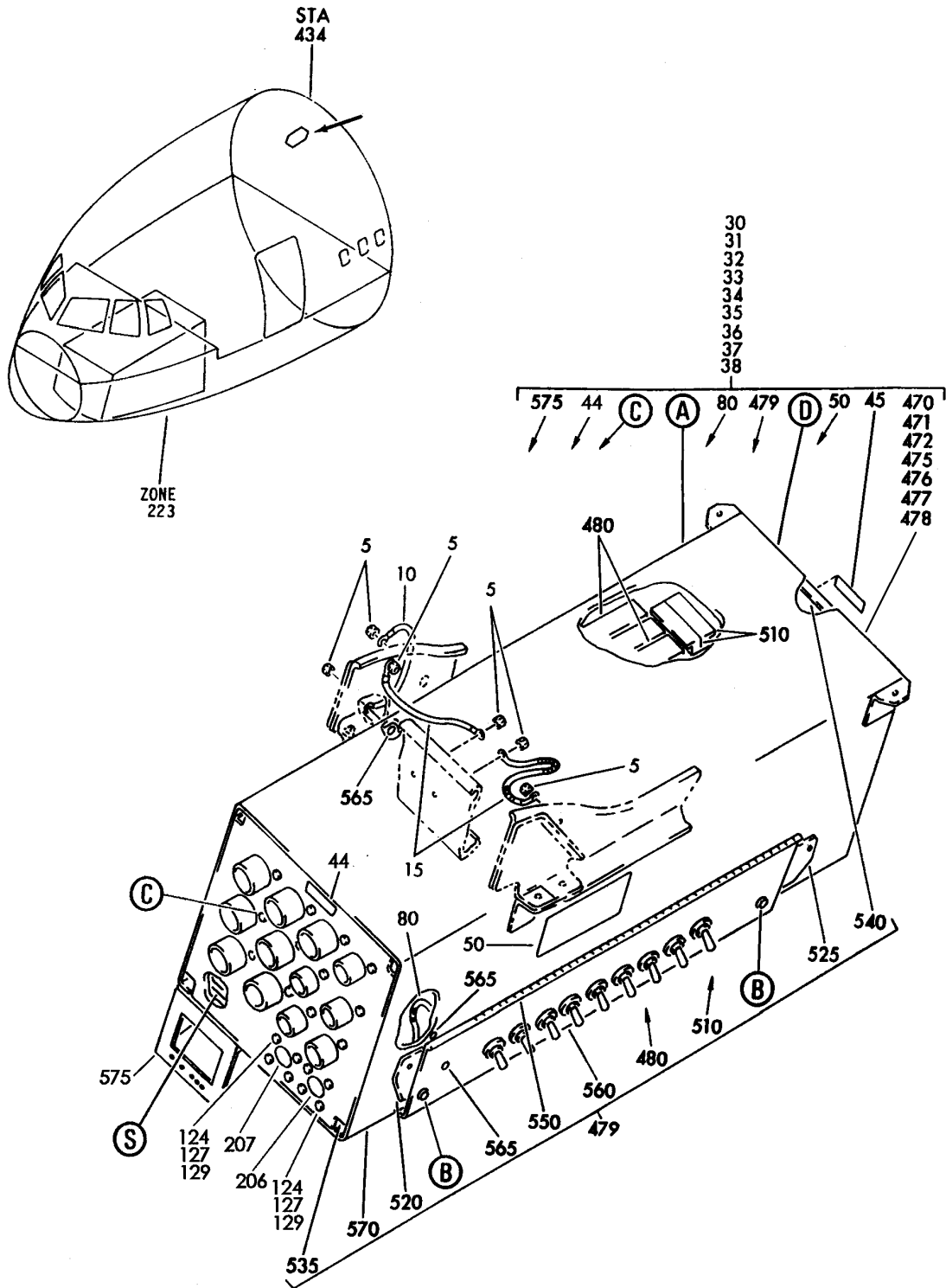
HXL

25-71-27-01

BOEING PROPRIETARY - Copyright © - Unpublished Work - See title page for details.

25-71-27
FIG. 01
PAGE 8
DEC 22/07

BOEING
767
PARTS CATALOG (MAINTENANCE)



V 25713301 SHT 1 REV 330

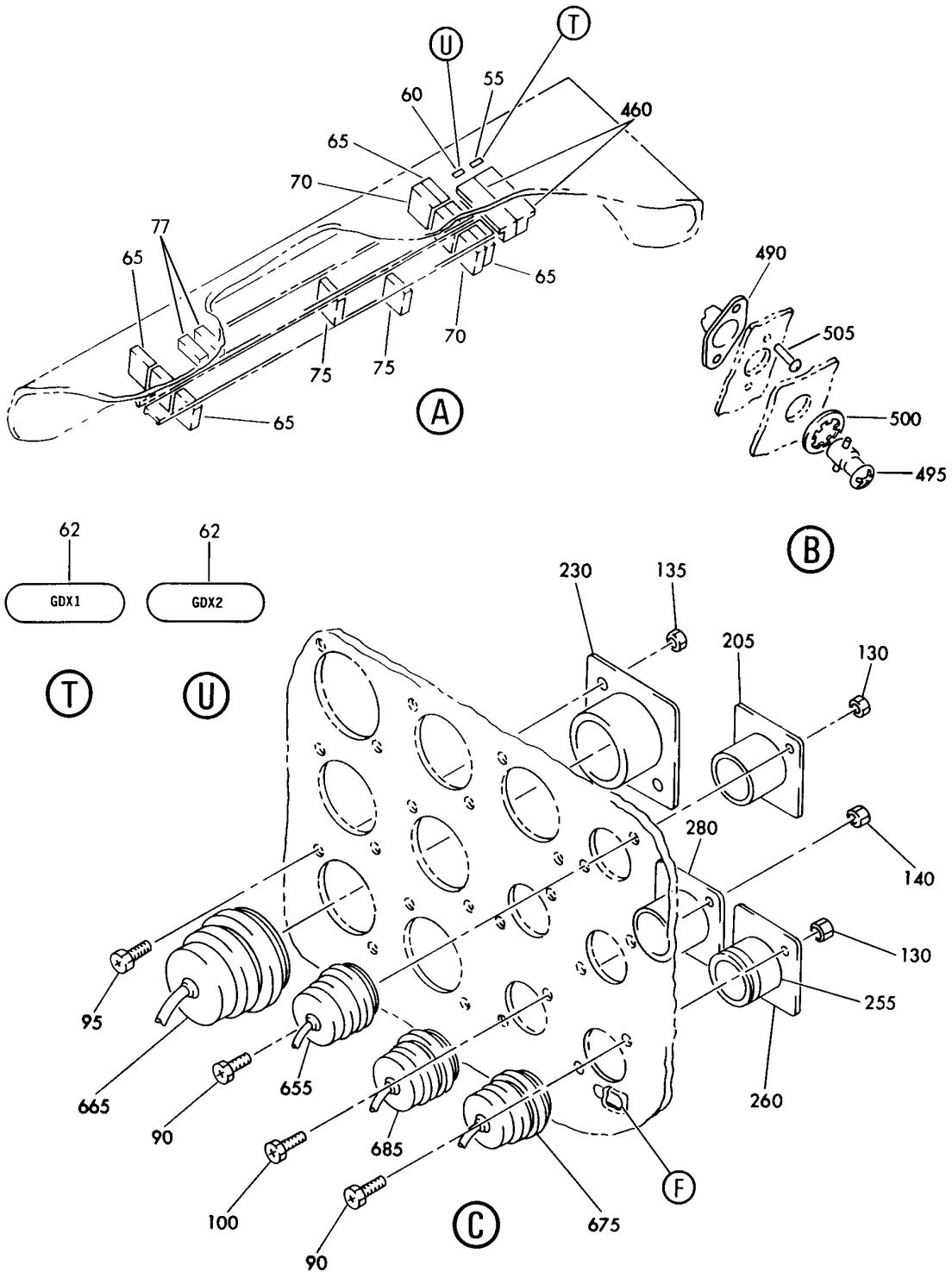
BOX INSTL-FWD LIGHTING PNL (P19) (ACCESSORY COMPARTMENTS ONLY)
FIGURE 1 (SHEET 1)

25-71-33-01

HXL
AUG 22/08

25-71-33-01
PAGE 0

BOEING
767
PARTS CATALOG (MAINTENANCE)



V 25713301 SHT 2 REV 318

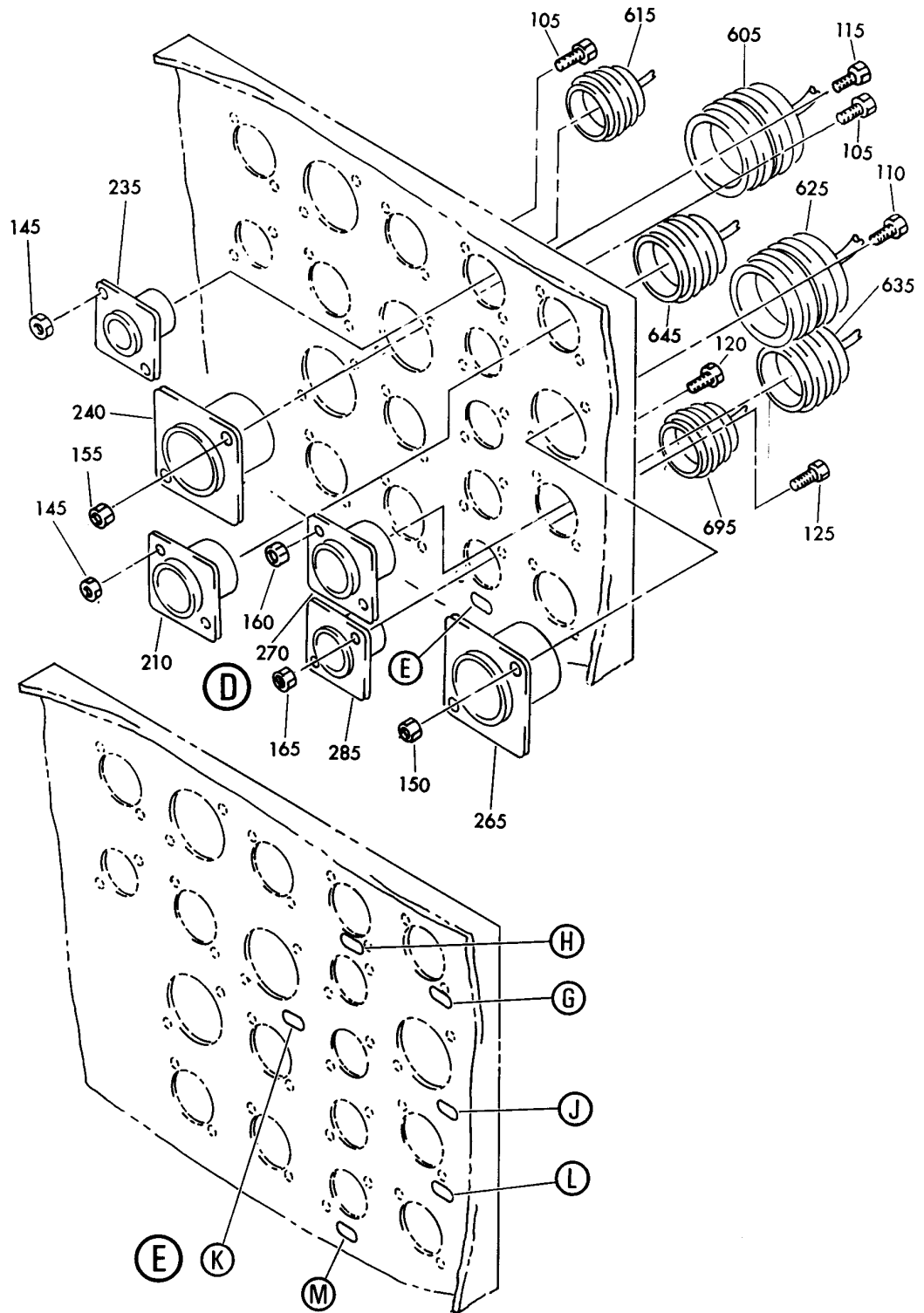
BOX INSTL-FWD LIGHTING PNL (P19) (ACCESSORY COMPARTMENTS ONLY)
FIGURE 1 (SHEET 2)

25-71-33-01

HXL
AUG 22/07

25-71-33-01
PAGE 0A

BOEING
767
PARTS CATALOG (MAINTENANCE)



V 25713301 SHT 3 REV 146

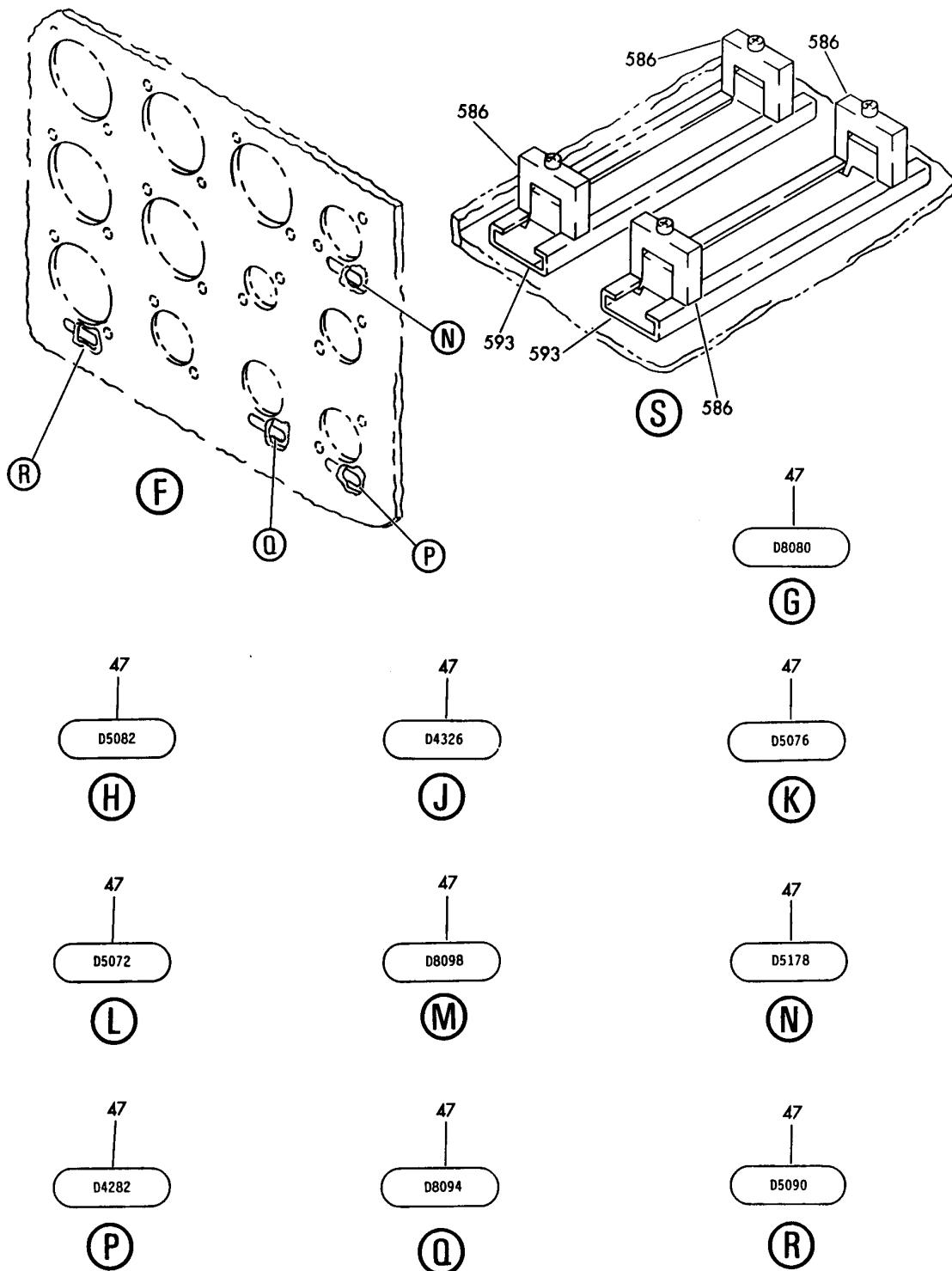
BOX INSTL-FWD LIGHTING PNL (P19) (ACCESSORY COMPARTMENTS ONLY)
FIGURE 1 (SHEET 3)

25-71-33-01

HXL
DEC 22/06

25-71-33-01
PAGE 0B

BOEING
767
PARTS CATALOG (MAINTENANCE)



V 25713301 SHT 4 REV 177

BOX INSTL-FWD LIGHTING PNL (P19) (ACCESSORY COMPARTMENTS ONLY)
FIGURE 1 (SHEET 4)

25-71-33-01

HXL
DEC 22/06

25-71-33-01
PAGE 0C



767

PARTS CATALOG (MAINTENANCE)

FIG ITEM	PART NUMBER	1 2 3 4 5 6 7	NOMENCLATURE	EFFECT FROM TO	UNITS PER ASSY
1			BOX INSTL-FWD LIGHTING PNL (P19) (ACCESSORY COMPARTMENTS ONLY)		
- 1	284T0186-1		BOX INSTL-LIGHTING PNL P19 (ACCESSORY COMPARTMENTS ONLY) POSITION DATA: FWD MISCELLANEOUS DATA: (CON'T AT ITEM 001K) VARIABLE DRAWING REF: 284T0186-5068 284T0186-5083		RF
- 1	284T0186-1		BOX INSTL-LIGHTING PANEL P19 (ACCESSORY COMPARTMENTS ONLY) POSITION DATA: FWD MISCELLANEOUS DATA: (CON'T FROM ITEM 001J) FOR NHA/OTHER SYS DET SEE: 24-00-58-01A		RF
5	BRH10A3		.NUT SUPPLIER CODE: V52828 SPECIFICATION NUMBER: BACN10JC3 OPTIONAL PART: H10-3BAC V15653 NS202101-02 V80539 RMLH9075-3W V72962 VN303A02 V92215 96-02 V80539 T6S1032J V11815		6

ILLUSTRATION ITEMS NOT ON PARTS LIST ARE NOT APPLICABLE

- ITEM NOT ILLUSTRATED

HXL

25-71-33-01

BOEING PROPRIETARY - Copyright © - Unpublished Work - See title page for details.

25-71-33
FIG. 01
PAGE 1
DEC 22/07



767

PARTS CATALOG (MAINTENANCE)

FIG ITEM	PART NUMBER	1 2 3 4 5 6 7	NOMENCLATURE	EFFECT FROM TO	UNITS PER ASSY
1	10 940CW20-6		. JUMPER ASSY SUPPLIER CODE: V91812 SPECIFICATION NUMBER: BACJ40AB20-6 OPTIONAL PART: 100220-6 V1FF12 RBEJ40AB20-6 V1GK47		1
	15 940CW20-8		. JUMPER ASSY SUPPLIER CODE: V91812 SPECIFICATION NUMBER: BACJ40AB20-8 OPTIONAL PART: 100220-8 V1FF12 RBEJ40AB20-8 V1GK47		2
	32 285T0019-73		. PANEL ASSY-DISTR VARIABLE DRAWING REF: 285T0019-5063 FOR OTHER SYS DETAILS SEE: 33-24-51-01 35-21-51-01 FUNCTIONAL REFERENCE: DOORS FOR DETAILS SEE 52-11-58-01 52-51-52-01 EQUIPMENT/FURNISHINGS FOR DETAILS SEE 25-65-75-01 LIGHTS FOR DETAILS SEE 33-21-55-02 33-21-55-12 33-22-55-02 33-25-11-02 33-26-53-01 33-27-51-02 33-51-53-01 PLACARDS AND MARKINGS FOR DETAILS SEE 11-35-11-02	155162	1
ILLUSTRATION ITEMS NOT ON PARTS LIST ARE NOT APPLICABLE					

- ITEM NOT ILLUSTRATED

HXL

25-71-33-01

BOEING PROPRIETARY - Copyright © - Unpublished Work - See title page for details.

25-71-33
FIG. 01
PAGE 2
DEC 22/06

BOEING
767
PARTS CATALOG (MAINTENANCE)

FIG ITEM	PART NUMBER	1 2 3 4 5 6 7	NOMENCLATURE	EFFECT FROM TO	UNITS PER ASSY
1 34	285T0019-88		.PANEL ASSY-DISTR VARIABLE DRAWING REF: 285T0019-5077 FOR OTHER SYS DETAILS SEE: 33-24-51-01 35-21-51-01 FUNCTIONAL REFERENCE: DOORS FOR DETAILS SEE 52-11-58-01 52-51-52-01 EQUIPMENT/FURNISHINGS FOR DETAILS SEE 25-65-75-01 LIGHTS FOR DETAILS SEE 33-21-55-02 33-21-55-12 33-22-55-02 33-25-11-02 33-26-53-01 33-27-51-02 33-51-53-01 PLACARDS AND MARKINGS FOR DETAILS SEE 11-35-11-02 ATTACHING PARTS	163999	1
- 43	NAS1801-3-8		.SCREW		4
44	BAC27TEX1551		..DECAL- PLACARD CONTENT: APO401		1
45	BAC27TEX1552		..DECAL- PLACARD CONTENT: APO403		1
47	BAC27TEX3749		..DECALSET-INCLUDES DECALS IDENTIFIED ON THE ILLUSTRATION	155162	RF
47	BAC27TEX4555		..DECALSET-INCLUDES DECALS IDENTIFIED ON THE ILLUSTRATION	163999	1
50	BAC27TEX0616		..MARKER-ALUMINUM FOIL PLACARD CONTENT: P19 LIGHTING DISTRIBUTION PANEL		1
55	BAC27TEX0882		..DECAL- PLACARD CONTENT: GDX1		1

ILLUSTRATION ITEMS NOT ON PARTS LIST ARE NOT APPLICABLE

- ITEM NOT ILLUSTRATED

HXL

25-71-33-01

BOEING PROPRIETARY - Copyright © - Unpublished Work - See title page for details.

25-71-33
FIG. 01
PAGE 3
DEC 22/07



767

PARTS CATALOG (MAINTENANCE)

FIG ITEM	PART NUMBER	1 2 3 4 5 6 7	NOMENCLATURE	EFFECT FROM TO	UNITS PER ASSY
1	60 BAC27TEX0883		..DECAL- PLACARD CONTENT: GDX2		1
	65 H49-2		..CLAMP ASSY- SUPPLIER CODE: V34941 SPECIFICATION NUMBER: BACC49A2 OPTIONAL PART: MF104-2 V6E102		6
	75 H21-6		..SPACER SUPPLIER CODE: V34941 SPECIFICATION NUMBER: BACS18AR6 OPTIONAL PART: FAB276-0 V15805 YHLZ1C7 V09922		AR
	80 740A20-4		..JUMPER ASSY- SUPPLIER CODE: V91812 SPECIFICATION NUMBER: BACJ40A20-4 OPTIONAL PART: TJEJ40A20-4 V33483 RBEJ20-4 V1GK47		1
-	83 AN960D10L		ATTACHING PARTS ..WASHER-		2

ILLUSTRATION ITEMS NOT ON PARTS LIST ARE NOT APPLICABLE

- ITEM NOT ILLUSTRATED

HXL

25-71-33-01

BOEING PROPRIETARY - Copyright © - Unpublished Work - See title page for details.

25-71-33
FIG. 01
PAGE 4
DEC 22/08

 **BOEING**
767
PARTS CATALOG (MAINTENANCE)

FIG ITEM	PART NUMBER	1 2 3 4 5 6 7	NOMENCLATURE	EFFECT FROM TO	UNITS PER ASSY
1					
- 86	BRH10A3	..	NUT- SUPPLIER CODE: V52828 SPECIFICATION NUMBER: BACN10JC3 OPTIONAL PART: H10-3BAC V15653 NS202101-02 V80539 RMLH9075-3W V72962 VN303A02 V92215 96-02 V80539 T6S1032J V11815		2
- 86	MS21042L3	..	NUT- -----*-----		2
90	NAS1801-04-6	..	SCREW		4
95	NAS1801-04-6	..	SCREW-		2
100	NAS1801-04-6	..	SCREW-		2
105	NAS1801-04-6	..	SCREW		4
110	NAS1801-04-6	..	SCREW-	155162	2
110	NAS1801-06-6	..	SCREW-	163999	2
115	NAS1801-04-6	..	SCREW-		2
120	NAS1801-04-6	..	SCREW		2
125	NAS1801-04-6	..	SCREW		2
130	MS21042L04	..	NUT-		4
135	MS21042L04	..	NUT-		2
140	MS21042L04	..	NUT		2
145	MS21042L04	..	NUT-		4
150	MS21042L04	..	NUT	155162	2
150	MS21042L06	..	NUT-	163999	2
155	MS21042L04	..	NUT-		2
160	MS21042L04	..	NUT		2
165	MS21042L04	..	NUT-		2
- 200	286T1058-300	..	WIRE BUNDLE ASSY-		1
205	BACC45FN18-31P6	...	CONNECTOR- ELECTRICAL EQUIP NUMBER: D05178J WIRING DIAGRAM REF: 215112		1
210	BACC45FN18-31S	...	CONNECTOR- ELECTRICAL EQUIP NUMBER: D08080J WIRING DIAGRAM REF: 215112		1

ILLUSTRATION ITEMS NOT ON PARTS LIST ARE NOT APPLICABLE

- ITEM NOT ILLUSTRATED

HXL

25-71-33-01

BOEING PROPRIETARY - Copyright © - Unpublished Work - See title page for details.

25-71-33
FIG. 01
PAGE 5
APR 22/09

 **BOEING**
767
PARTS CATALOG (MAINTENANCE)

FIG ITEM	PART NUMBER	1 2 3 4 5 6 7	NOMENCLATURE	EFFECT FROM TO	UNITS PER ASSY
1					
- 225	286T1060-300	..	WIRE BUNDLE ASSY-		1
230	BACC45FN22-55S7	...	RECEPTACLE- ELECTRICAL EQUIP NUMBER: D05090J WIRING DIAGRAM REF: 215122		1
235	BACC45FN18-31S7	...	CONNECTOR- ELECTRICAL EQUIP NUMBER: D05082J WIRING DIAGRAM REF: 215122		1
240	BACC45FN20-41S	...	RECEPTACLE- ELECTRICAL EQUIP NUMBER: D05076J WIRING DIAGRAM REF: 334111		1
- 250	286T1102-300	..	WIRE BUNDLE ASSY-		1
260	BACC45FN18-14P8	...	CONNECTOR- ELECTRICAL EQUIP NUMBER: D04282J WIRING DIAGRAM REF: 252411	163999	1
260	BACC45FN16-10P8	...	CONNECTOR- ELECTRICAL EQUIP NUMBER: D04282J WIRING DIAGRAM REF: 252411	155162	1
265	BACC45FN24-43S6	...	RECEPTACLE- ELECTRICAL EQUIP NUMBER: D04326J WIRING DIAGRAM REF: 252411		1
270	BACC45FN16-10S7	...	CONNECTOR- ELECTRICAL EQUIP NUMBER: D05072J WIRING DIAGRAM REF: 252411		1
- 275	286T1110-300	..	WIRE BUNDLE ASSY-		1
280	BACC45FN14-7P6	...	CONNECTOR- ELECTRICAL EQUIP NUMBER: D08094J WIRING DIAGRAM REF: 256311		1
285	BACC45FN14-7S6	...	CONNECTOR- ELECTRICAL EQUIP NUMBER: D08098J WIRING DIAGRAM REF: 256311		1

ILLUSTRATION ITEMS NOT ON PARTS LIST ARE NOT APPLICABLE

- ITEM NOT ILLUSTRATED

HXL

25-71-33-01

BOEING PROPRIETARY - Copyright © - Unpublished Work - See title page for details.

25-71-33
FIG. 01
PAGE 6
APR 22/09



767

PARTS CATALOG (MAINTENANCE)

FIG ITEM	PART NUMBER	1 2 3 4 5 6 7	NOMENCLATURE	EFFECT FROM TO	UNITS PER ASSY
1	460 YHLZG16-1		..BLOCK-GND SUPPLIER CODE: V09922 ATTACHING PARTS		2
- 465	BACR15BB4AD		..RIVET- SIZE DETERMINED ON INSTL. -----*-----		8
470	PAC1017-503		..ENCLOSURE ASSY- SUPPLIER CODE: V31967		1
- 600	286T0784-300		WIRE BUNDLE ASSY-		RF
605	BACC45FT20-41P		.PLUG- ELECTRICAL EQUIP NUMBER: D05076P WIRING DIAGRAM REF: 334111		1
- 610	286T0786-300		WIRE BUNDLE ASSY-		RF
615	BACC45FT18-31P7		.CONNECTOR- ELECTRICAL EQUIP NUMBER: D05082P WIRING DIAGRAM REF: 215122		1
- 620	286T0792-300		WIRE BUNDLE ASSY-		RF
625	BACC45FT24-43P6		.PLUG- ELECTRICAL EQUIP NUMBER: D04326P WIRING DIAGRAM REF: 332611		1
- 630	286T0794-300		WIRE BUNDLE ASSY		RF
635	BACC45FT16-10P7		.PLUG- ELECTRICAL EQUIP NUMBER: D05072P WIRING DIAGRAM REF: 252411		1
- 640	286T0798-300		WIRE BUNDLE ASSY-		RF
645	BACC45FT18-31P		.CONNECTOR- ELECTRICAL EQUIP NUMBER: D08080P WIRING DIAGRAM REF: 215112		1
- 650	286T1216-120		WIRE BUNDLE ASSY		RF
655	BACC45FT18-31S6		.CONNECTOR- ELECTRICAL EQUIP NUMBER: D05178P WIRING DIAGRAM REF: 332621		1
- 660	286T1226-120		WIRE BUNDLE ASSY		RF

ILLUSTRATION ITEMS NOT ON PARTS LIST ARE NOT APPLICABLE

- ITEM NOT ILLUSTRATED

25-71-33-01

25-71-33
FIG. 01
PAGE 7
DEC 22/08

HXL



767

PARTS CATALOG (MAINTENANCE)

FIG ITEM	PART NUMBER	1 2 3 4 5 6 7	NOMENCLATURE	EFFECT FROM TO	UNITS PER ASSY
1					
665	BACC45FT22-55P7		.CONNECTOR- ELECTRICAL EQUIP NUMBER: D05090P WIRING DIAGRAM REF: 332211		1
- 670	286T1232-300		WIRE BUNDLE ASSY-		RF
675	BACC45FT16-10S8		.CONNECTOR- ELECTRICAL EQUIP NUMBER: D04282P WIRING DIAGRAM REF: 381311	155162	1
675	BACC45FT18-14S8		.CONNECTOR- ELECTRICAL EQUIP NUMBER: D04282P WIRING DIAGRAM REF: 381311	163999	1
- 680	286T1248-300		WIRE BUNDLE ASSY-		RF
685	BACC45FT14-7S6		.CONNECTOR- ELECTRICAL EQUIP NUMBER: D08094P WIRING DIAGRAM REF: 256311		1
- 690	286T1252-300		WIRE BUNDLE ASSY-		RF
695	BACC45FT14-7P6		.CONNECTOR- ELECTRICAL EQUIP NUMBER: D08098P WIRING DIAGRAM REF: 256311		1

ILLUSTRATION ITEMS NOT ON PARTS LIST ARE NOT APPLICABLE

- ITEM NOT ILLUSTRATED

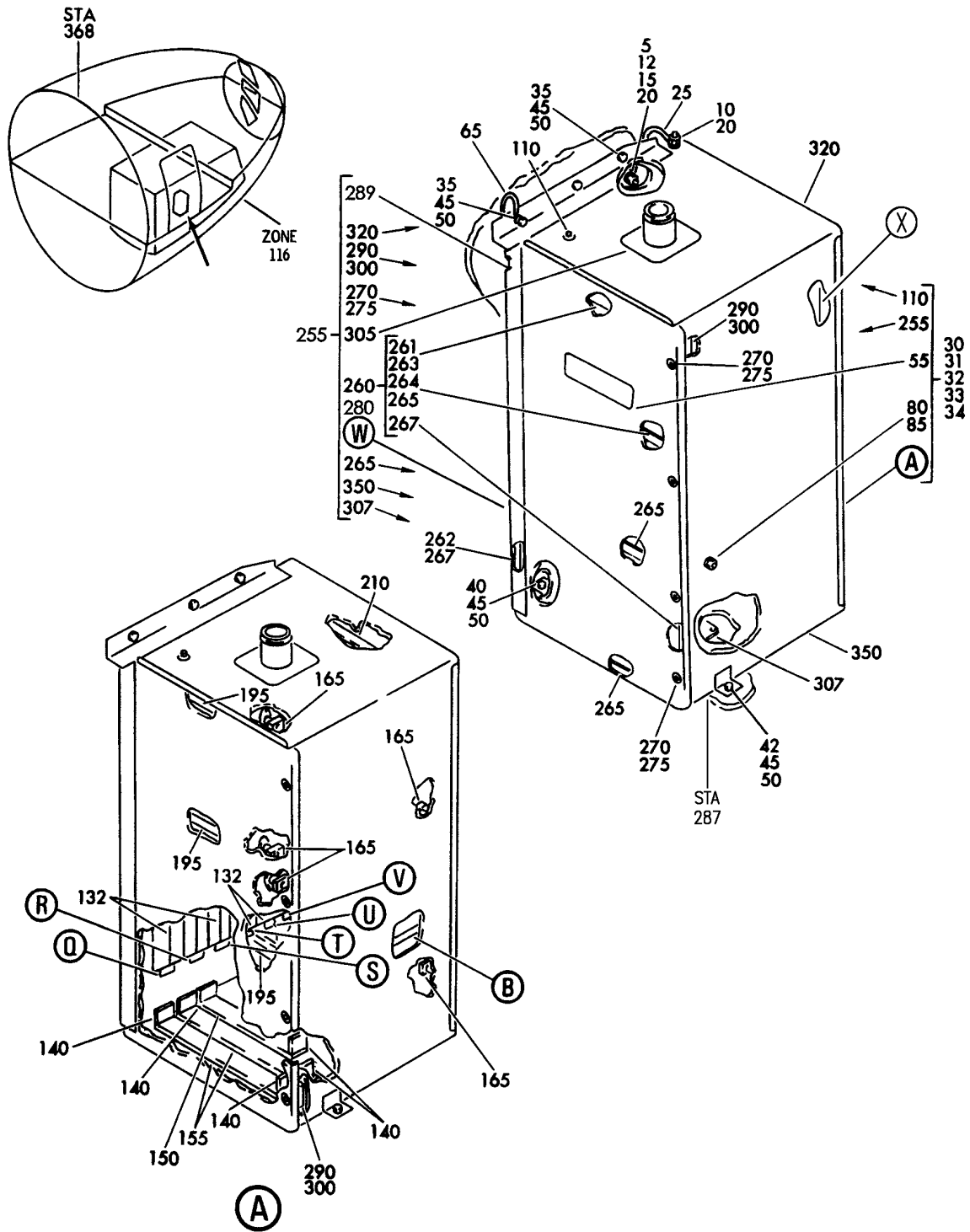
HXL

25-71-33-01

BOEING PROPRIETARY - Copyright © - Unpublished Work - See title page for details.

25-71-33
FIG. 01
PAGE 8
DEC 22/08

BOEING
767
PARTS CATALOG (MAINTENANCE)



V 25713401 SHT 1 REV 326

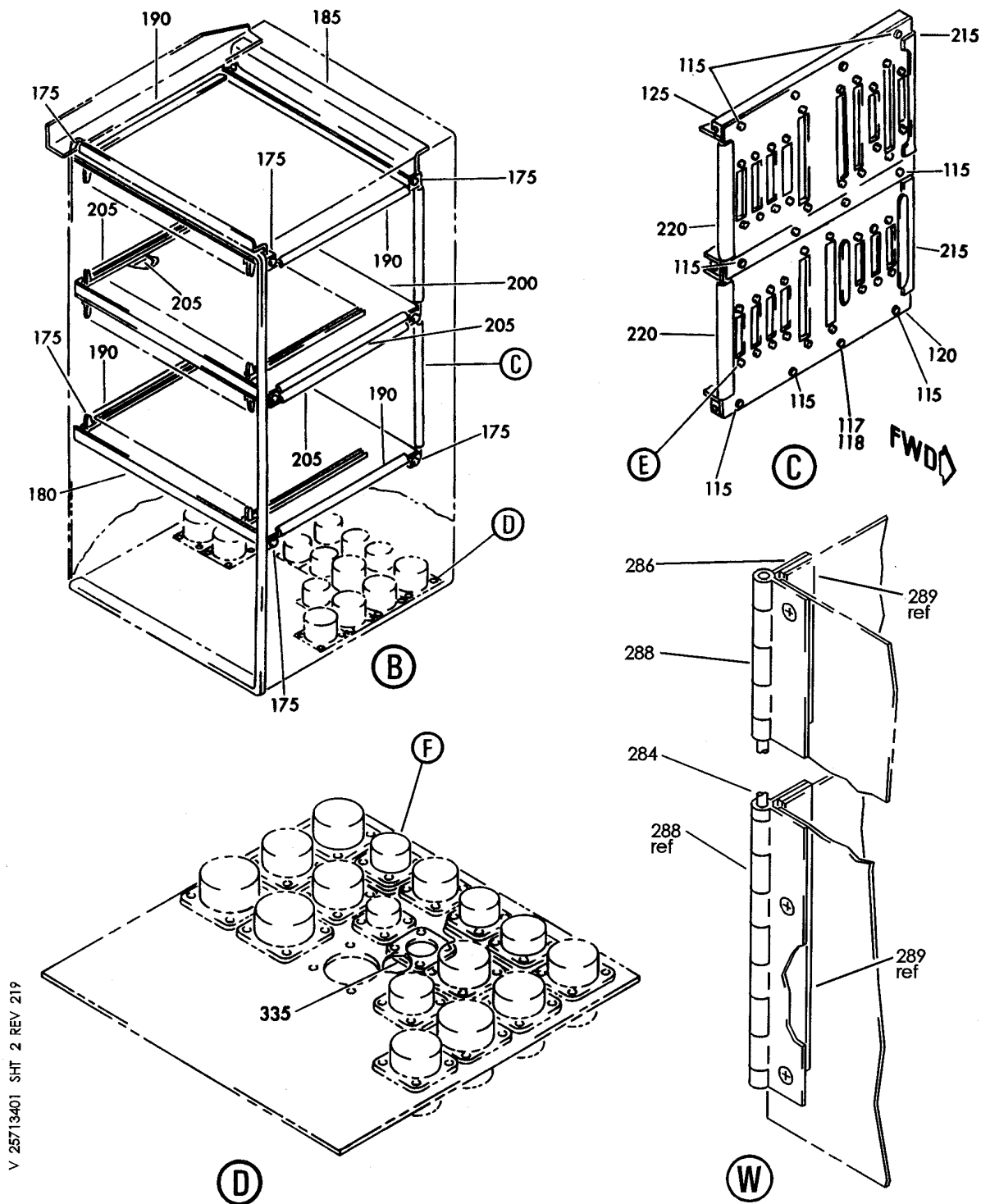
CARD FILE AND BOX INSTL-R FWD EQPT CTR (P50) (EQUIPMENT/FURNISHINGS ONLY)
FIGURE 1 (SHEET 1)

25-71-34-01

HXL
APR 22/08

25-71-34-01
PAGE 0

BOEING
767
PARTS CATALOG (MAINTENANCE)



V 25713401 SHT 2 REV 219

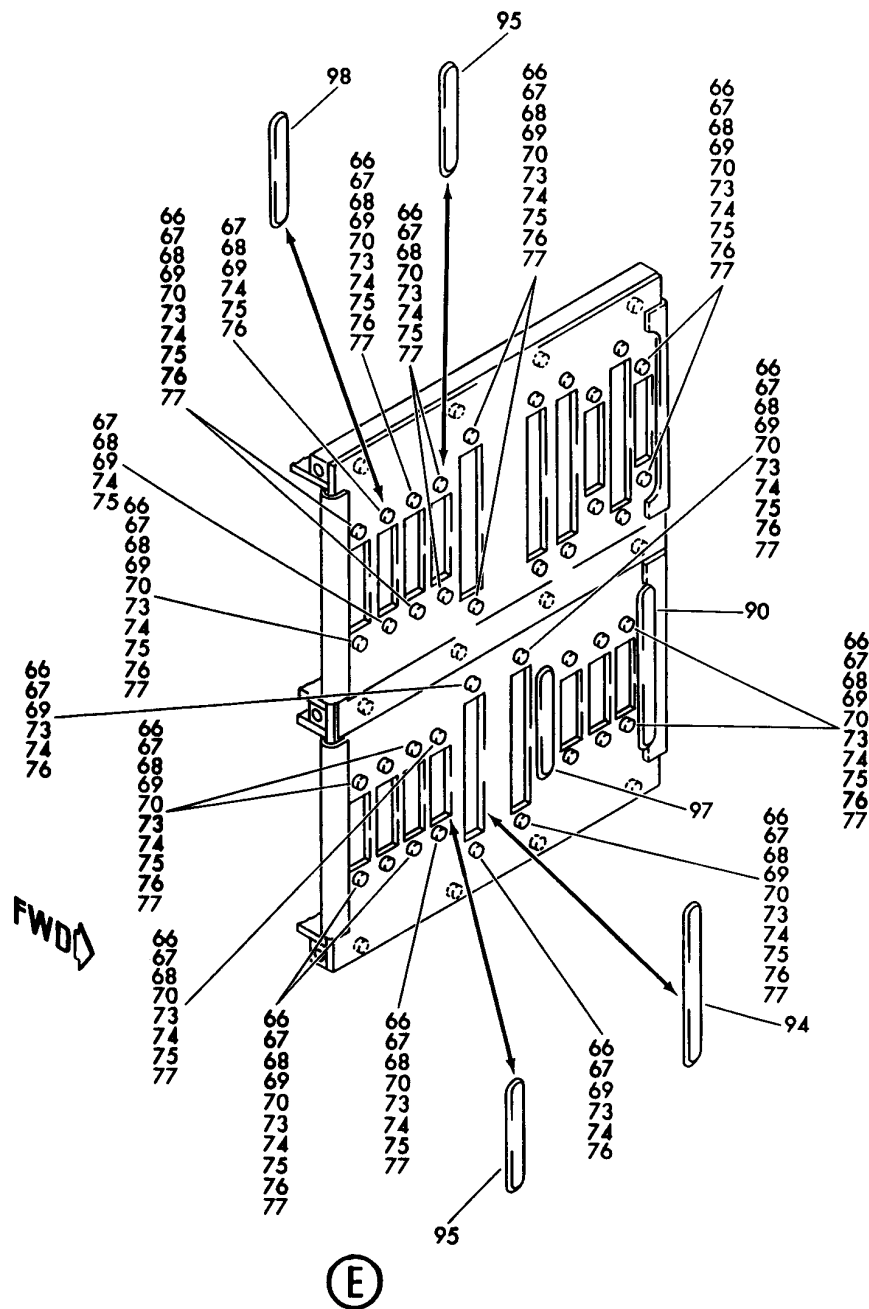
CARD FILE AND BOX INSTL-R FWD EQPT CTR (P50) (EQUIPMENT/FURNISHINGS ONLY)
FIGURE 1 (SHEET 2)

25-71-34-01

HXL
DEC 22/06

25-71-34-01
PAGE 0A

BOEING
767
PARTS CATALOG (MAINTENANCE)



V 25713401 SHT 3 REV 148

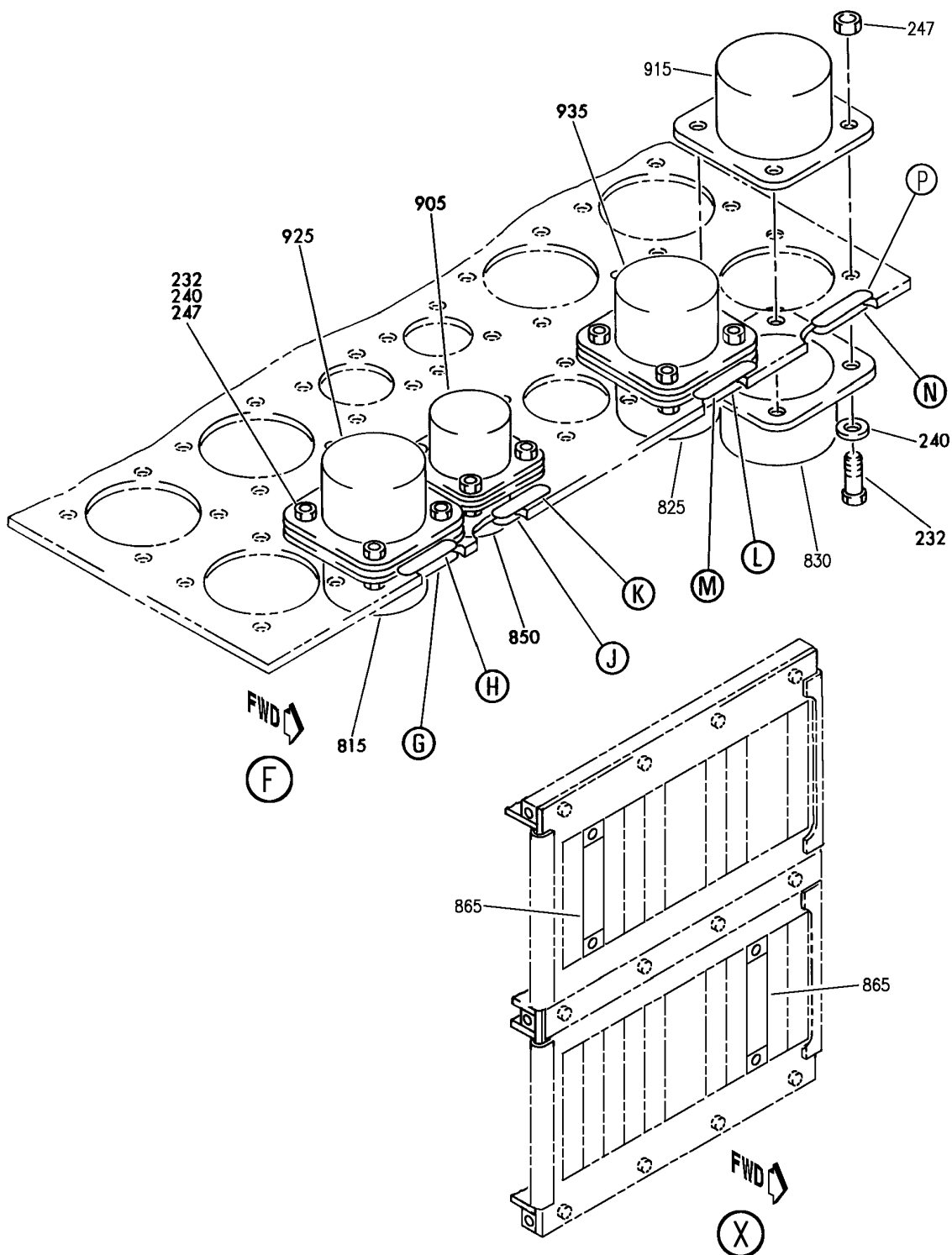
CARD FILE AND BOX INSTL-R FWD EQPT CTR (P50) (EQUIPMENT/FURNISHINGS ONLY)
FIGURE 1 (SHEET 3)

25-71-34-01

HXL
DEC 22/06

25-71-34-01
PAGE 0B

BOEING
767
PARTS CATALOG (MAINTENANCE)



V 25713401 SHT 4 REV 326

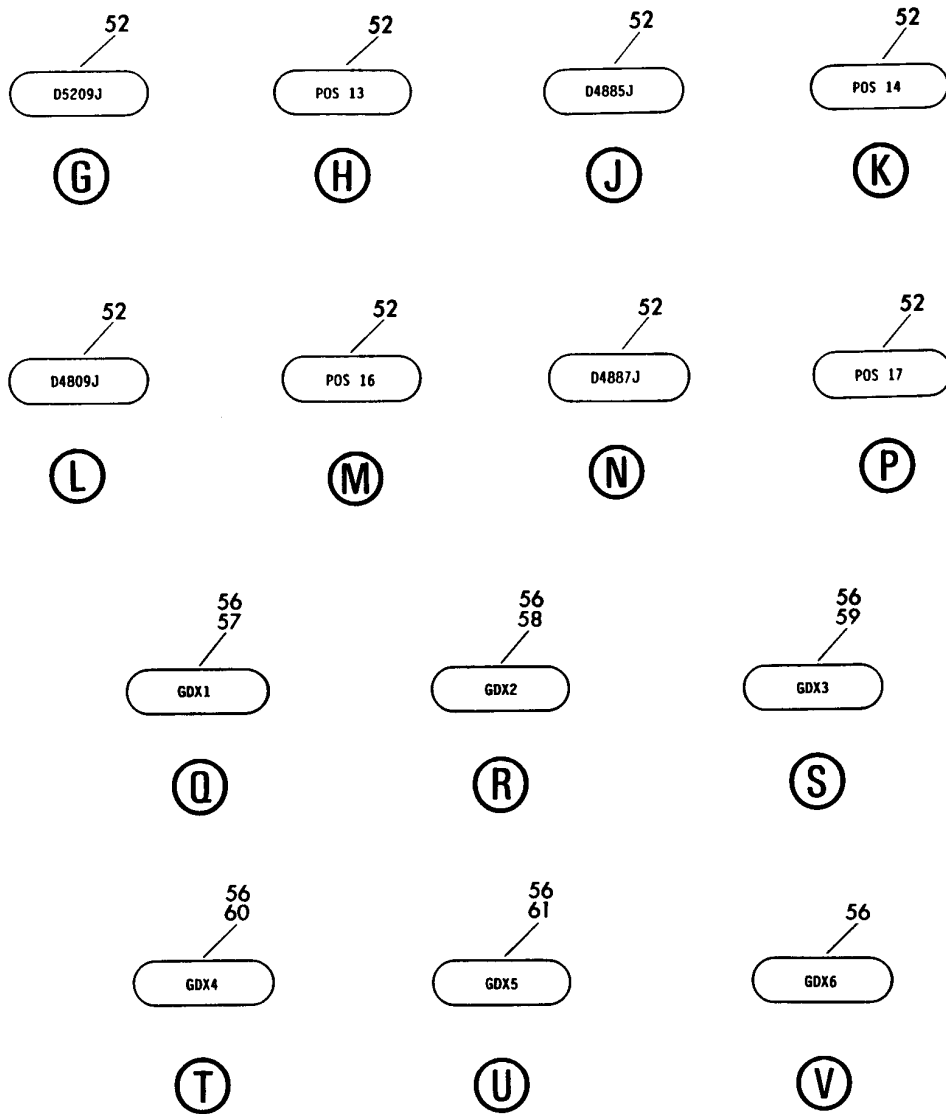
CARD FILE AND BOX INSTL-R FWD EQPT CTR (P50) (EQUIPMENT/FURNISHINGS ONLY)
FIGURE 1 (SHEET 4)

25-71-34-01

HXL
APR 22/08

25-71-34-01
PAGE 0C

BOEING
767
PARTS CATALOG (MAINTENANCE)



V 25713401 SHT 5 REV 141

CARD FILE AND BOX INSTL-R FWD EQPT CTR (P50) (EQUIPMENT/FURNISHINGS ONLY)
FIGURE 1 (SHEET 5)

25-71-34-01

HXL
DEC 22/06

25-71-34-01
PAGE 0D



767

PARTS CATALOG (MAINTENANCE)

FIG ITEM	PART NUMBER	1 2 3 4 5 6 7	NOMENCLATURE	EFFECT FROM TO	UNITS PER ASSY
1			CARD FILE AND BOX INSTL-R FWD EQPT CTR (P50) (EQUIPMENT/FURNISHINGS ONLY)		
- 1	284T0049-16		CARD FILE AND BOX INSTL- EQPT CTR P50 (EQUIPMENT/ FURNISHINGS ONLY) POSITION DATA: R FWD VARIABLE DRAWING REF: 284T0049-5224 284T0049-5311 FOR NHA/OTHER SYS DET SEE: 24-00-58-01E		RF
5	NAS6603-3		.BOLT		1
10	AN960D10		.WASHER		1
12	AN960D10L		.WASHER-		2
15	AN960-10		.WASHER-		1
20	BRH10A3		.NUT		2
			SUPPLIER CODE: V52828 SPECIFICATION NUMBER: BACN10JC3 OPTIONAL PART: H10-3BAC V15653 NS202101-02 V80539 RMLH9075-3W V72962 VN303A02 V92215 96-02 V80539 T6S1032J V11815		
25	740A20-5		.JUMPER ASSY SUPPLIER CODE: V91812 SPECIFICATION NUMBER: BACJ40A20-5 OPTIONAL PART: TJEJ40A20-5 V33483 RBEJ20-5 V1GK47		1

ILLUSTRATION ITEMS NOT ON PARTS LIST ARE NOT APPLICABLE

- ITEM NOT ILLUSTRATED

HXL

25-71-34-01

BOEING PROPRIETARY - Copyright © - Unpublished Work - See title page for details.

25-71-34
FIG. 01
PAGE 1
DEC 22/08



767

PARTS CATALOG (MAINTENANCE)

FIG ITEM	PART NUMBER	1 2 3 4 5 6 7	NOMENCLATURE	EFFECT FROM TO	UNITS PER ASSY
1					
31	285T0006-46		.FILE ASSY-ELECTRICAL SYS CARD ELECTRICAL EQUIP NUMBER: P050-00 FUNCTIONAL REFERENCE: PLACARDS AND MARKINGS FOR DETAILS SEE 11-36-15-02	163999	1
31	285T0006-60		.FILE ASSY-ELECTRICAL SYS CARD ELECTRICAL EQUIP NUMBER: P050-00 FUNCTIONAL REFERENCE: PLACARDS AND MARKINGS FOR DETAILS SEE 11-36-15-02 ATTACHING PARTS	155162	1
35	NAS1801-3-8		.SCREW-		3
40	NAS1801-3-7		.SCREW		1
42	NAS1801-3-7		.SCREW-		1
45	AN960D10L		.WASHER		5
50	BRH10A3		.NUT SUPPLIER CODE: V52828 SPECIFICATION NUMBER: BACN10JC3 OPTIONAL PART: H10-3BAC V15653 NS202101-02 V80539 RMLH9075-3W V72962 VN303A02 V92215 96-02 V80539 T6S1032J V11815 -----*-----		5
52	BAC27TEX3311		..DECALSET-INCLUDES DECALS IDENTIFIED ON THE ILLUSTRATION		RF
55	BAC27TEX2005		..MARKER-ALUMINUM FOIL- PLACARD CONTENT: P50 ELECTRICAL SYS-CARD FILE		1

ILLUSTRATION ITEMS NOT ON PARTS LIST ARE NOT APPLICABLE

- ITEM NOT ILLUSTRATED

HXL

25-71-34-01

BOEING PROPRIETARY - Copyright © - Unpublished Work - See title page for details.

25-71-34
FIG. 01
PAGE 2
DEC 22/08

 **BOEING**
767
PARTS CATALOG (MAINTENANCE)

FIG ITEM	PART NUMBER	1 2 3 4 5 6 7	NOMENCLATURE	EFFECT FROM TO	UNITS PER ASSY
1					
56	BAC27EEL22704	..	DECALSET-INCLUDES DECALS IDENTIFIED ON THE ILLUSTRATION OPTIONAL PART: BAC27TEX0882 BAC27TEX0883 BAC27TEX0884 BAC27TEX0885 BAC27TEX0886		1
57	BAC27TEX0882	..	DECAL- PLACARD CONTENT: GDX1 OPTIONAL PART: BAC27EEL22704		1
58	BAC27TEX0883	..	DECAL- PLACARD CONTENT: GDX2 OPTIONAL PART: BAC27EEL22704		1
59	BAC27TEX0884	..	DECAL- PLACARD CONTENT: GDX3 OPTIONAL PART: BAC27EEL22704		1
60	BAC27TEX0885	..	DECAL- PLACARD CONTENT: GDX4 OPTIONAL PART: BAC27EEL22704		1
61	BAC27TEX0886	..	DECAL- PLACARD CONTENT: GDX5 OPTIONAL PART: BAC27EEL22704		1
66	NAS1801-04-5	..	SCREW		36
73	MS35338-40	..	WASHER		36
80	108-0740-001	..	JACK-GND SUPPLIER CODE: V74970		1
85	MS35338-44	..	WASHER		1
90	285T0018-11	..	PLATE-COVER		1
97	285T0018-10	..	PLATE-COVER		1
98	285T0018-10	..	PLATE-COVER		1
			ATTACHING PARTS		
- 102	NAS1801-04-4	..	SCREW		6

ILLUSTRATION ITEMS NOT ON PARTS LIST ARE NOT APPLICABLE

- ITEM NOT ILLUSTRATED

HXL

25-71-34-01

BOEING PROPRIETARY - Copyright © - Unpublished Work - See title page for details.

25-71-34
FIG. 01
PAGE 3
DEC 22/08

 **BOEING**
767
PARTS CATALOG (MAINTENANCE)

FIG ITEM	PART NUMBER	1 2 3 4 5 6 7	NOMENCLATURE	EFFECT FROM TO	UNITS PER ASSY
1 - 107	BRH10A04		..NUT- SUPPLIER CODE: V52828 SPECIFICATION NUMBER: BACN10JCO4 OPTIONAL PART: NS202101-40 V80539 RMLH9075-40W V72962 VN303A40 V92215 96-40 V80539 T6S440J V11815 H10-04BAC V15653 -----*-----		6
110	VNS1924CA1-8		..STUD SUPPLIER CODE: V5M902 SPECIFICATION NUMBER: BACS53B1EA1 OPTIONAL PART: VNS1924CA3-1-8 V92215		1
115	NAS1801-06-5		..SCREW-		11
117	NAS1801-06-20		..SCREW-		1
118	AN960D6		..WASHER		1
120	285T0296-90		..PANEL-CONN.		1
125	285T0296-89		..PANEL-CONN.		1
132	YHLZG16-1		..BLOCK-GND SUPPLIER CODE: V09922 ELECTRICAL EQUIP NUMBER: GDX001 GDX002 GDX003 GDX004 GDX005 ATTACHING PARTS		5
- 137	BACR15BB4AD		..RIVET- SIZE DETERMINED ON INSTL. -----*-----		20
R 140	BACC49A1		..CLAMP ASSY-		6

ILLUSTRATION ITEMS NOT ON PARTS LIST ARE NOT APPLICABLE

- ITEM NOT ILLUSTRATED

HXL

25-71-34-01

BOEING PROPRIETARY - Copyright © - Unpublished Work - See title page for details.

25-71-34
FIG. 01
PAGE 4
AUG 22/09

 **BOEING**
767
PARTS CATALOG (MAINTENANCE)

FIG ITEM	PART NUMBER	1 2 3 4 5 6 7	NOMENCLATURE	EFFECT FROM TO	UNITS PER ASSY
1					
150	AMY0770T5	..	TRACK- SUPPLIER CODE: V09922 SPECIFICATION NUMBER: BACT44B0770U ELECTRICAL EQUIP NUMBER: TB0248		1
155	AMY0940T5	..	TRACK- SUPPLIER CODE: V09922 SPECIFICATION NUMBER: BACT44B0940U ELECTRICAL EQUIP NUMBER: TB0158 TB0182 ATTACHING PARTS		2
- 160	NAS1801-04-6	..	SCREW-		11
- 161	AN960JD4L	..	WASHER		11
- 162	MS21042L04	..	NUT		11
			-----*-----		
165	TM3S10	..	PLATE SUPPLIER CODE: V06383 SPECIFICATION NUMBER: STBP19M12 ATTACHING PARTS		5
- 170	NAS603-7P	..	SCREW -----*-----		5
175	NAS1801-06-5	..	SCREW		12
180	285T0296-45	..	PANEL ASSY-	163999	1
180	285T0296-92	..	PANEL ASSY-	155162	1
185	285T0296-51	..	PANEL ASSY-	163999	1
185	285T0296-93	..	PANEL ASSY-	155162	1
190	285T0222-4	...	SEAL- MANUFACTURED FROM: EXTRUDED RUBBER F7.10 BAC1521-262 X 7.0 IN. OPTIONAL PART: 285T0296-96		2
190	285T0296-96	...	SEAL- OPTIONAL PART: 285T0222-4		2
195	285T0006-5	..	SEAL- MANUFACTURED FROM: SH RUBBER BMS1-23 0.375 IN 0.5 IN 10.0 IN		3
200	285T0296-94	..	PANEL ASSY-	155162	1

ILLUSTRATION ITEMS NOT ON PARTS LIST ARE NOT APPLICABLE

- ITEM NOT ILLUSTRATED

HXL

25-71-34-01

25-71-34
FIG. 01
PAGE 5
AUG 22/09

BOEING
767
PARTS CATALOG (MAINTENANCE)

FIG ITEM	PART NUMBER	1 2 3 4 5 6 7	NOMENCLATURE	EFFECT FROM TO	UNITS PER ASSY
1					
200	285T0296-62	..	PANEL ASSY-	163999	1
205	285T0222-4	...	SEAL-		4
			MANUFACTURED FROM: EXTRUDED RUBBER F7.10 BAC1521-262 X 7.0 IN.		
210	285T0006-4	..	SEAL-		1
			MANUFACTURED FROM: SH RUBBER BMS1-23 F25.01 .25 IN. X .5 IN. X 10.0 IN.		
215	285T0018-6	..	SEAL		2
220	285T0018-7	..	SEAL		2
232	NAS1801-04-5	..	SCREW		16
240	NAS620A4L	..	WASHER		AR
247	BRH10A04	..	NUT		16
			SUPPLIER CODE: V52828 SPECIFICATION NUMBER: BACN10JCO4 OPTIONAL PART: NS202101-40 V80539 RMLH9075-40W V72962 VN303A40 V92215 96-40 V80539 T6S440J V11815 H10-04BAC V15653		
255	285T0006-38	..	ENCLOSURE ASSY-		1
			ATTACHING PARTS		
- 257	BACR15CE5D	..	RIVET-		9
			SIZE DETERMINED ON INSTL. -----*-----		
260	285T0296-72	...	DOOR ASSY-		1
263	285T0296-71	SEAL-		1
265	285T0296-41	SEAL		3
267	285T0296-42	SEAL		2

ILLUSTRATION ITEMS NOT ON PARTS LIST ARE NOT APPLICABLE

- ITEM NOT ILLUSTRATED

HXL

25-71-34-01

BOEING PROPRIETARY - Copyright © - Unpublished Work - See title page for details.

25-71-34
FIG. 01
PAGE 6
AUG 22/09

 **BOEING**
767
PARTS CATALOG (MAINTENANCE)

FIG ITEM	PART NUMBER	1 2 3 4 5 6 7	NOMENCLATURE	EFFECT FROM TO	UNITS PER ASSY
1					
270	1127700	WASHER SUPPLIER CODE: V60119 SPECIFICATION NUMBER: BACW10X4 OPTIONAL PART: 2600LW V71286		4
275	BACS21Y1R	STUD ASSY-		4
280	285T0296-77	...HINGE-	ATTACHING PARTS		1
- 282	BACR15BB5AD	...RIVET-	SIZE DETERMINED ON INSTL. -----*-----		9
284	MS20253P2-1950PIN-	USED ON: 285T0296-110		1
286	285T0296-83HINGE-HALF			1
288	285T0296-84HINGE-HALF	USED ON: 285T0296-110		1
289	285T0296-78	...SPACER-HINGE			1
290	BACR11Y1	...RECEPTACLE	ATTACHING PARTS		4
- 295	BACR15BB3AD	...RIVET-	SIZE DETERMINED ON INSTL. -----*-----		8
300	285T0018-9	...SPACER			AR
305	285T0155-3	...SPUD ASSY-	OPTIONAL PART: 285T0155-8		1
305	285T0155-8	...SPUD ASSY-	OPTIONAL PART: 285T0155-3		1
307	217T2113-1	...INLET ASSY-	ATTACHING PARTS		1
- 315	BACR15BB5AD	...RIVET-	SIZE DETERMINED ON INSTL. -----*-----		8
320	285T0296-6	...PANEL-REAR	ATTACHING PARTS		1
- 325	NAS1801-06-6	...SCREW	-----*-----		8
335	285T0296-65	...PLATE-COVER			1
350	285T0296-57	...BOX ASSY-			1

ILLUSTRATION ITEMS NOT ON PARTS LIST ARE NOT APPLICABLE

- ITEM NOT ILLUSTRATED

HXL

25-71-34-01

BOEING PROPRIETARY - Copyright © - Unpublished Work - See title page for details.

25-71-34
FIG. 01
PAGE 7
AUG 22/09

 **BOEING**
767
PARTS CATALOG (MAINTENANCE)

FIG ITEM	PART NUMBER	1 2 3 4 5 6 7	NOMENCLATURE	EFFECT FROM TO	UNITS PER ASSY
1					
- 355	YHLZ2		...MODULE SUPPLIER CODE: V09922 SPECIFICATION NUMBER: BACM15C1A OPTIONAL PART: YHLZ22 V09922		AR
- 360	YHLZ4		...MODULE SUPPLIER CODE: V09922 SPECIFICATION NUMBER: BACM15C1B OPTIONAL PART: YHLZ44 V09922		AR
- 365	YHLZ8		...MODULE SUPPLIER CODE: V09922 SPECIFICATION NUMBER: BACM15C2A		AR
- 370	YHLZ16-2		...MODULE SUPPLIER CODE: V09922 SPECIFICATION NUMBER: BACM15C3A OPTIONAL PART: TBH120450 V58982 421120-450 V58982		AR
- 375	YHLZ16-4		...MODULE SUPPLIER CODE: V09922 SPECIFICATION NUMBER: BACM15C3B OPTIONAL PART: 421120-452 V58982 TBH120452 V58982		AR

ILLUSTRATION ITEMS NOT ON PARTS LIST ARE NOT APPLICABLE

- ITEM NOT ILLUSTRATED

HXL

25-71-34-01

BOEING PROPRIETARY - Copyright © - Unpublished Work - See title page for details.

25-71-34
FIG. 01
PAGE 8
AUG 22/09



767

PARTS CATALOG (MAINTENANCE)

FIG ITEM	PART NUMBER	1 2 3 4 5 6 7	NOMENCLATURE	EFFECT FROM TO	UNITS PER ASSY
1					
- 380	YHLZ16-8		...MODULE SUPPLIER CODE: V09922 SPECIFICATION NUMBER: BACM15C3C OPTIONAL PART: 421120-454 V58982 TBH120454 V58982		AR
- 800	286T1078-140		..WIRE BUNDLE ASSY		1
815	BACC45FN16-24P7		...CONNECTOR- ELECTRICAL EQUIP NUMBER: D05209J WIRING DIAGRAM REF: 346113		1
- 820	286T1080-140		..WIRE BUNDLE ASSY		1
825	BACC45FN16-24P		...CONNECTOR- ELECTRICAL EQUIP NUMBER: D04809J WIRING DIAGRAM REF: 346123		1
830	BACC45FN20-41P6		...CONNECTOR- ELECTRICAL EQUIP NUMBER: D04887J WIRING DIAGRAM REF: 223212		1
- 840	286T1114-140		..WIRE BUNDLE ASSY		1
850	BACC45FN14-15P8		...CONNECTOR- ELECTRICAL EQUIP NUMBER: D04885J WIRING DIAGRAM REF: 221231		1
- 900	286T0411-120		WIRE BUNDLE ASSY		RF
905	BACC45FT14-15S8		.PLUG- ELECTRICAL EQUIP NUMBER: D04885P WIRING DIAGRAM REF: 221231		1
- 910	286T0413-120		WIRE BUNDLE ASSY		RF
915	BACC45FT20-41S6		.PLUG- ELECTRICAL EQUIP NUMBER: D04887P WIRING DIAGRAM REF: 222411		1
- 920	286T0451-120		WIRE BUNDLE ASSY		RF

ILLUSTRATION ITEMS NOT ON PARTS LIST ARE NOT APPLICABLE

- ITEM NOT ILLUSTRATED

HXL

25-71-34-01

BOEING PROPRIETARY - Copyright © - Unpublished Work - See title page for details.

25-71-34
FIG. 01
PAGE 9
DEC 22/07



767

PARTS CATALOG (MAINTENANCE)

FIG ITEM	PART NUMBER	1 2 3 4 5 6 7	NOMENCLATURE	EFFECT FROM TO	UNITS PER ASSY
1 925	BACC45FT16-24S7		.CONNECTOR-PLUG ELECTRICAL EQUIP NUMBER: D05209P WIRING DIAGRAM REF: 346113		1
- 930 935	286T0453-120 BACC45FT16-24S		WIRE BUNDLE ASSY- .CONNECTOR- ELECTRICAL EQUIP NUMBER: D04809P WIRING DIAGRAM REF: 346113		RF 1

ILLUSTRATION ITEMS NOT ON PARTS LIST ARE NOT APPLICABLE

- ITEM NOT ILLUSTRATED

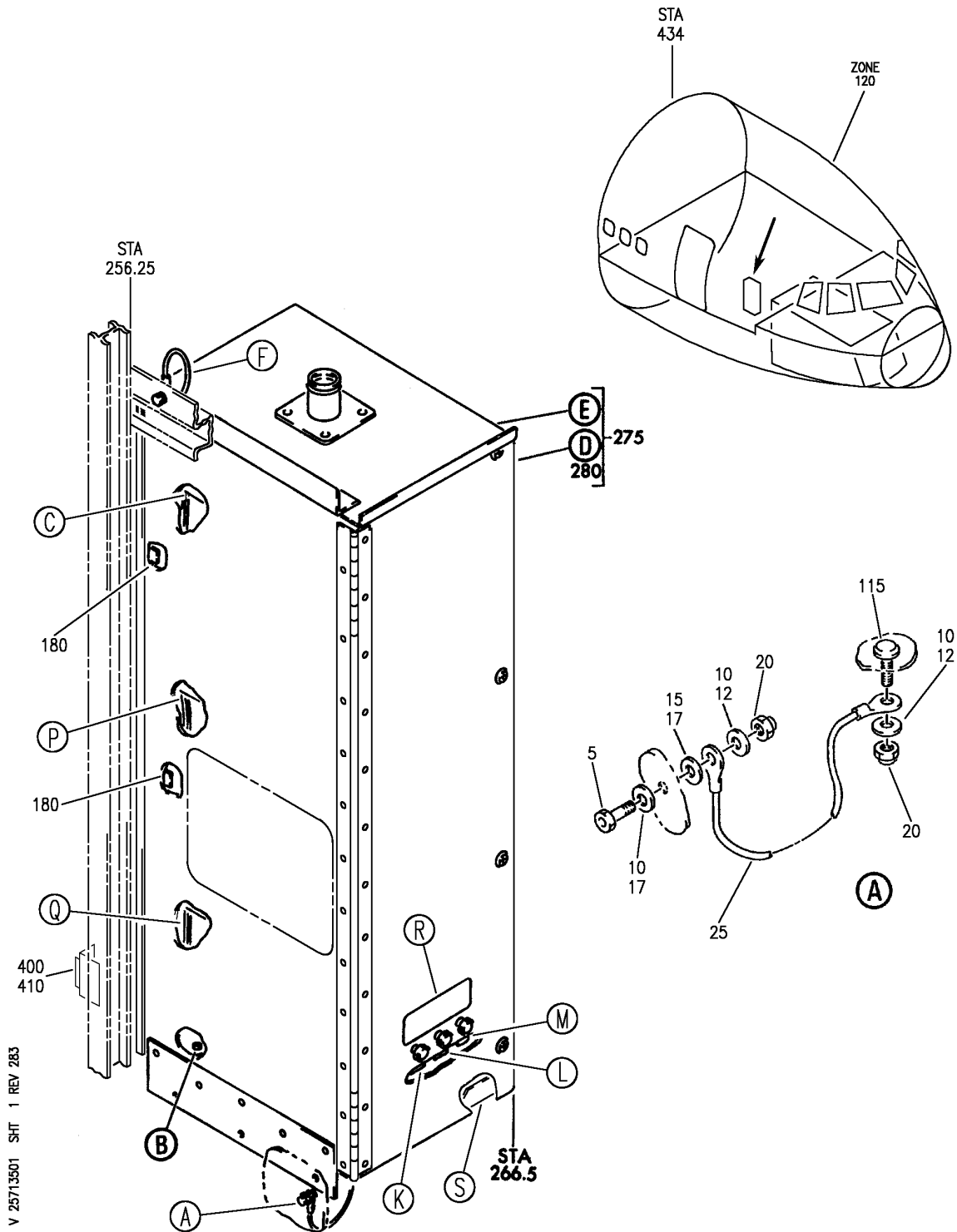
HXL

25-71-34-01

BOEING PROPRIETARY - Copyright © - Unpublished Work - See title page for details.

25-71-34
FIG. 01
PAGE 10
DEC 22/07

BOEING
767
PARTS CATALOG (MAINTENANCE)



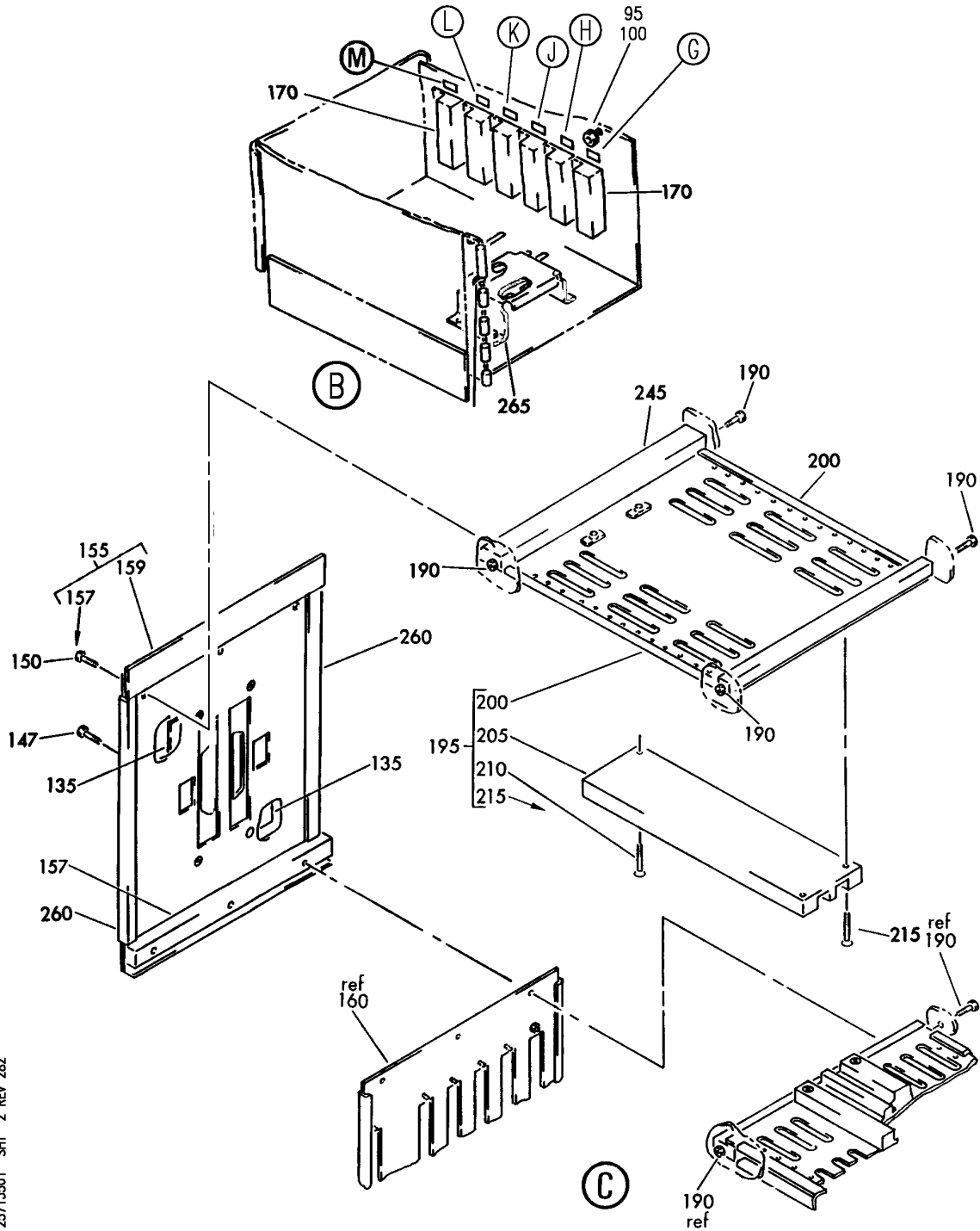
CARD FILE AND BOX INSTL-R FWD EQPT CTR (P51) (EQUIPMENT/FURNISHINGS ONLY)
FIGURE 1 (SHEET 1)

25-71-35-01

HXL
DEC 22/06

25-71-35-01
PAGE 0

BOEING
767
PARTS CATALOG (MAINTENANCE)



V 25713501 SHT 2 REV 282

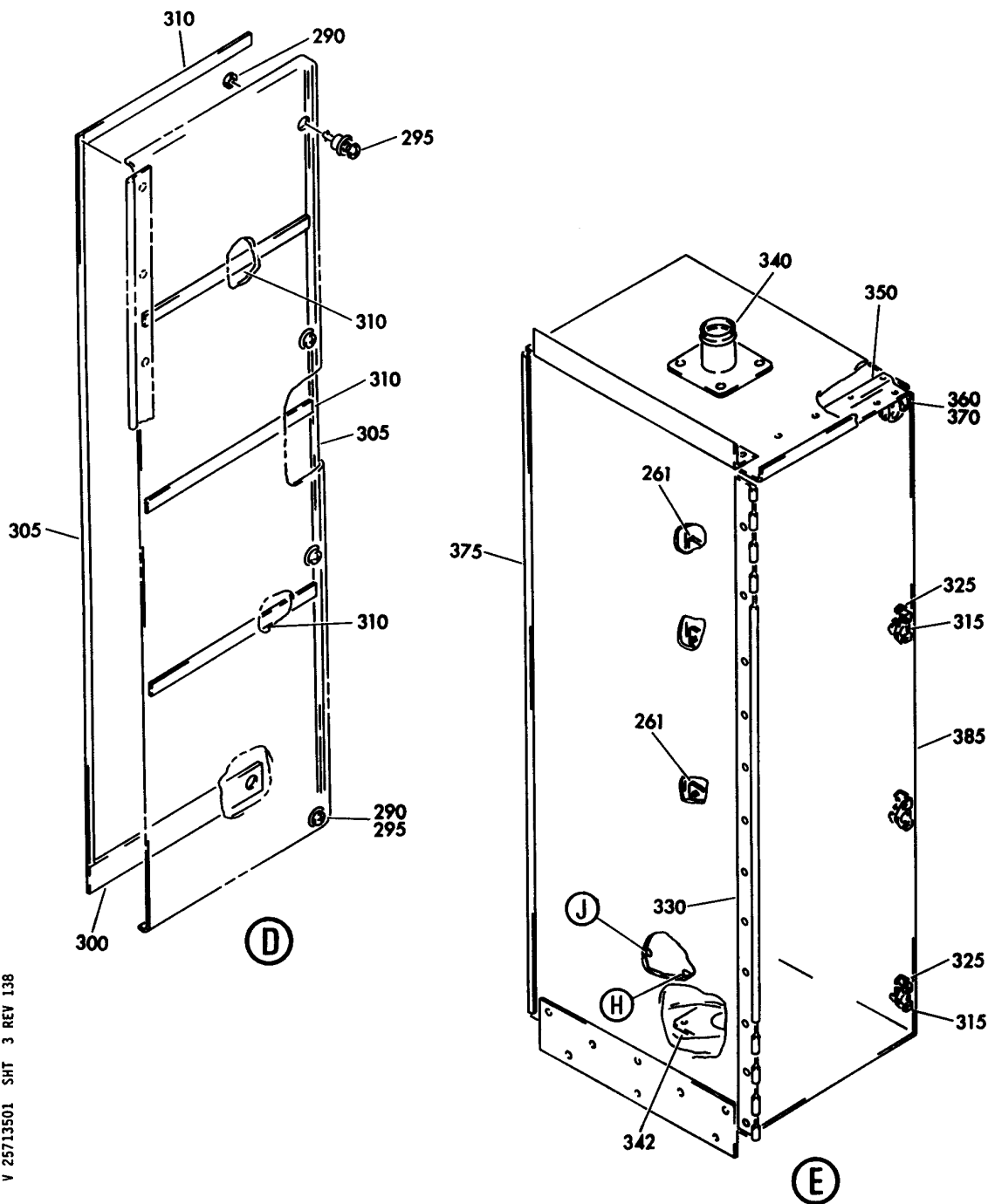
CARD FILE AND BOX INSTL-R FWD EQPT CTR (P51) (EQUIPMENT/FURNISHINGS ONLY)
FIGURE 1 (SHEET 2)

25-71-35-01

HXL
DEC 22/06

25-71-35-01
PAGE 0A

BOEING
767
PARTS CATALOG (MAINTENANCE)



V 25713501 SHT 3 REV 138

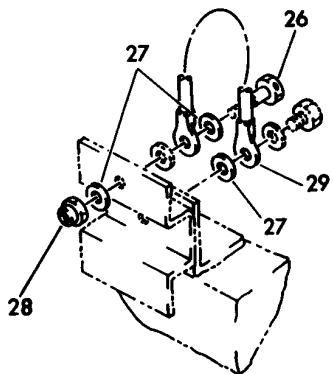
CARD FILE AND BOX INSTL-R FWD EQPT CTR (P51) (EQUIPMENT/FURNISHINGS ONLY)
FIGURE 1 (SHEET 3)

25-71-35-01

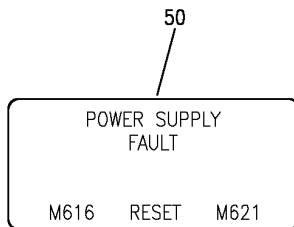
HXL
DEC 22/06

25-71-35-01
PAGE 0B

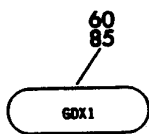
BOEING
767
PARTS CATALOG (MAINTENANCE)



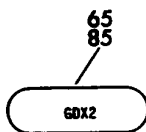
(F)



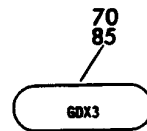
(R)



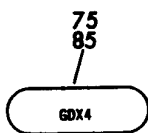
(G)



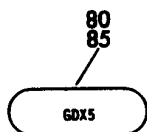
(H)



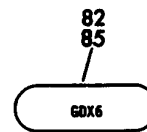
(J)



(K)



(L)



(M)

V 25713501 SH1 4 REV 256

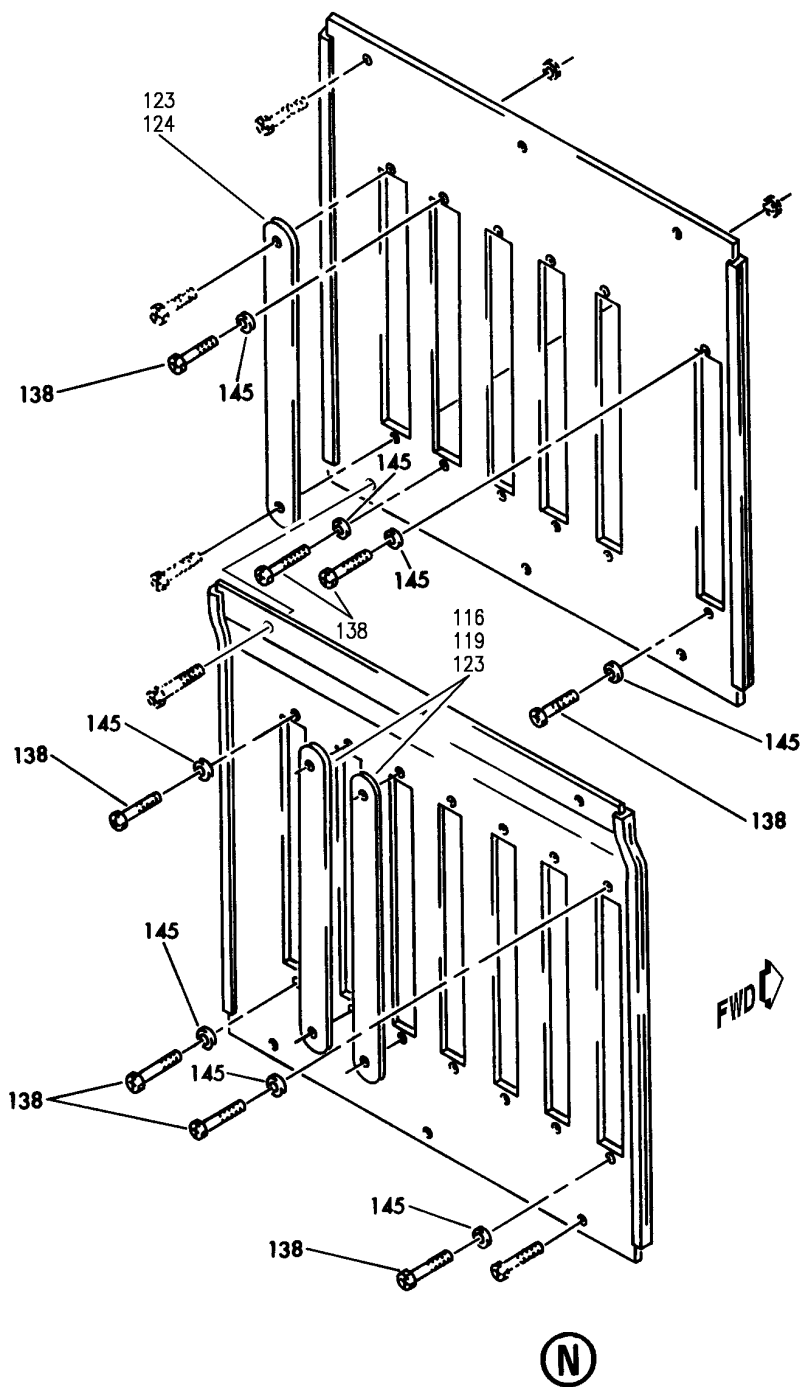
CARD FILE AND BOX INSTL-R FWD EQPT CTR (P51) (EQUIPMENT/FURNISHINGS ONLY)
FIGURE 1 (SHEET 4)

25-71-35-01

HXL
DEC 22/06

25-71-35-01
PAGE 0C

BOEING
767
PARTS CATALOG (MAINTENANCE)



V 25713501 SH1 5 REV 294

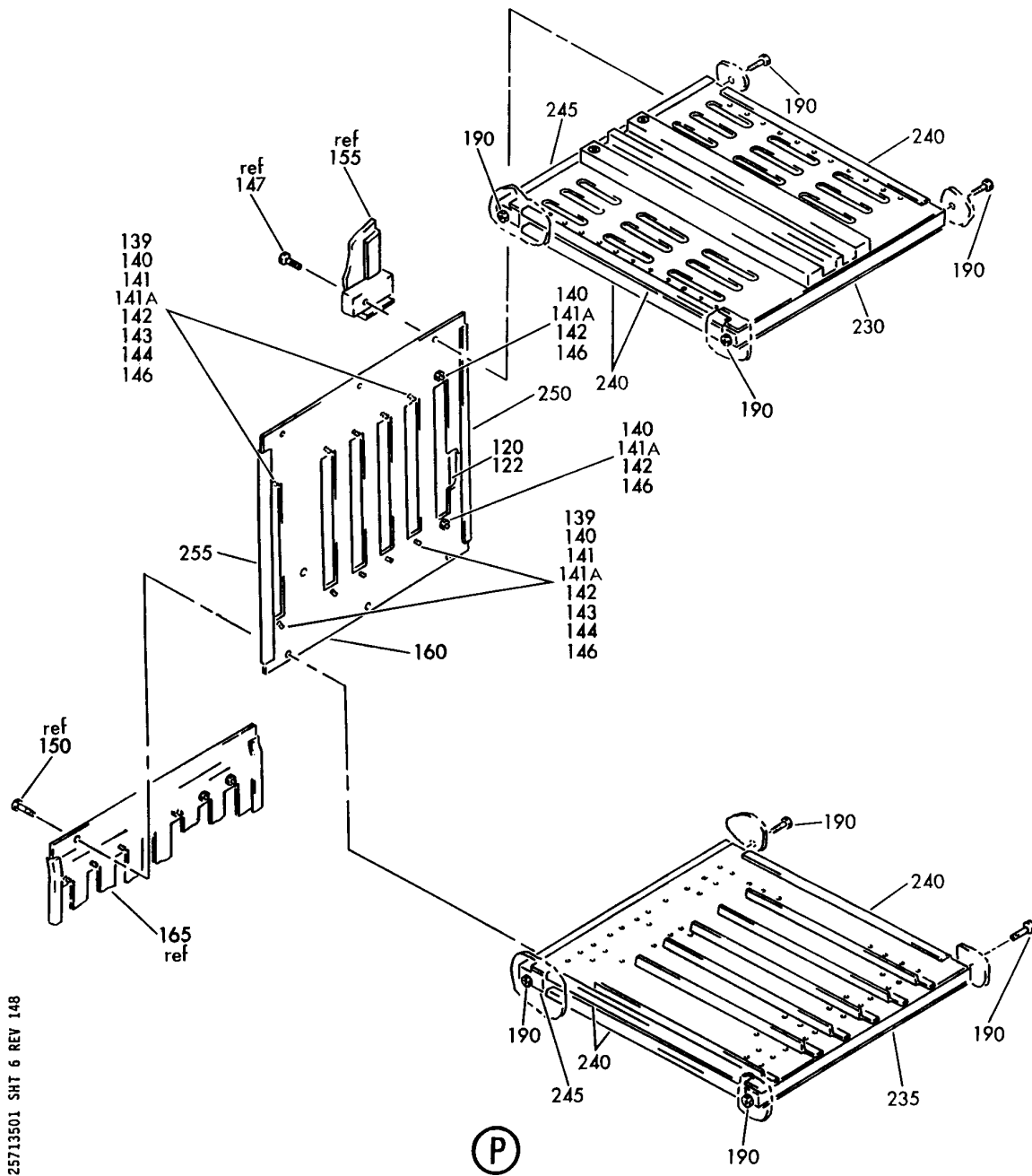
CARD FILE AND BOX INSTL-R FWD EQPT CTR (P51) (EQUIPMENT/FURNISHINGS ONLY)
FIGURE 1 (SHEET 5)

25-71-35-01

HXL
DEC 22/06

25-71-35-01
PAGE 0D

BOEING
767
PARTS CATALOG (MAINTENANCE)



V 25713501 SHT 6 REV 148

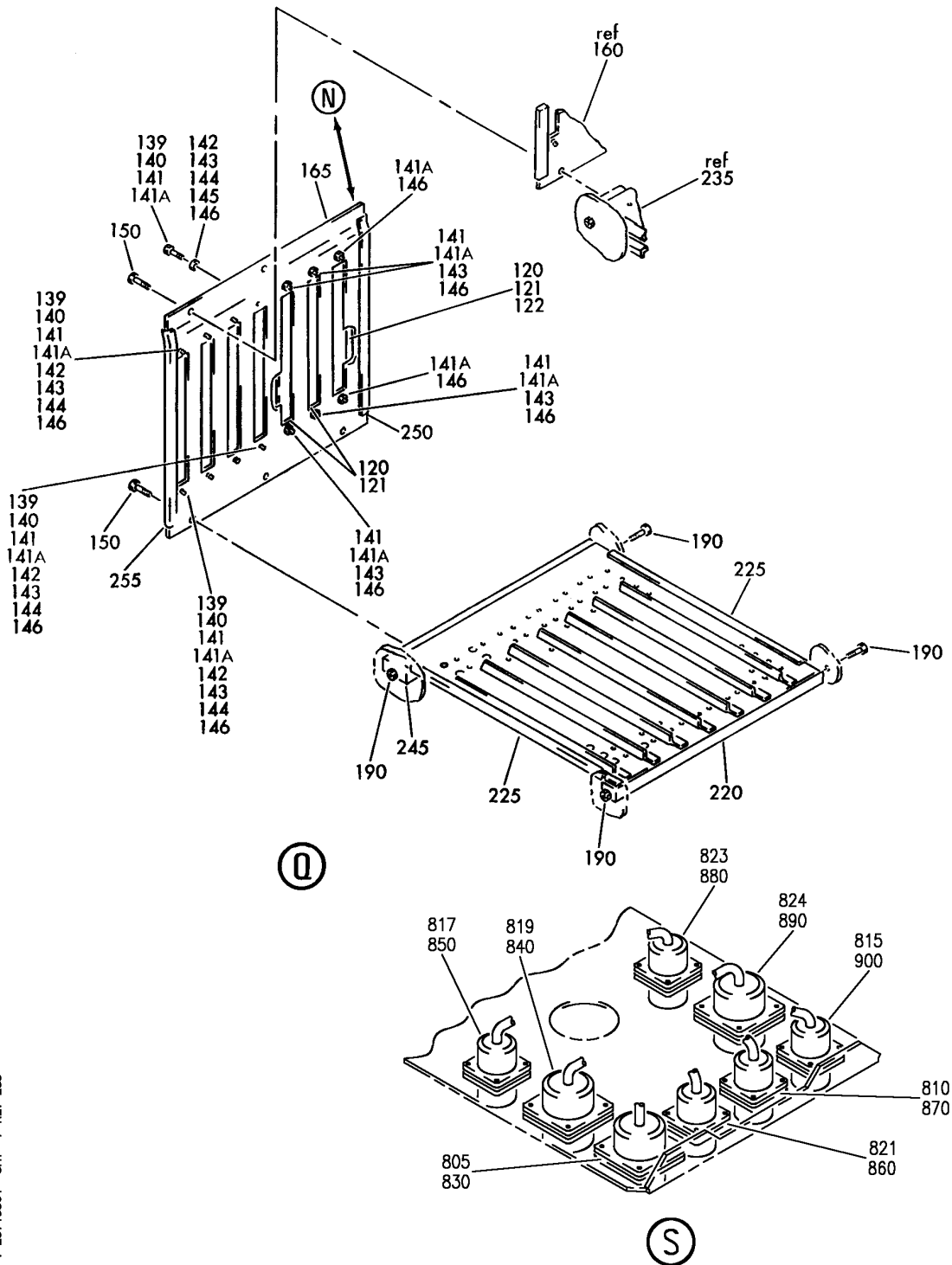
CARD FILE AND BOX INSTL-R FWD EQPT CTR (P51) (EQUIPMENT/FURNISHINGS ONLY)
FIGURE 1 (SHEET 6)

25-71-35-01

HXL
DEC 22/06

25-71-35-01
PAGE 0E

BOEING
767
PARTS CATALOG (MAINTENANCE)



V 25713501 SH-T 7 REV 283

CARD FILE AND BOX INSTL-R FWD EQPT CTR (P51) (EQUIPMENT/FURNISHINGS ONLY)
FIGURE 1 (SHEET 7)

25-71-35-01

HXL
DEC 22/06

25-71-35-01
PAGE OF



767

PARTS CATALOG (MAINTENANCE)

FIG ITEM	PART NUMBER	1 2 3 4 5 6 7	NOMENCLATURE	EFFECT FROM TO	UNITS PER ASSY
1			CARD FILE AND BOX INSTL-R FWD EQPT CTR (P51) (EQUIPMENT/FURNISHINGS ONLY)		
- 1	284T0049-13		CARD FILE AND BOX INSTL- EQPT CTR P51 (EQUIPMENT/ FURNISHINGS ONLY) POSITION DATA: R FWD VARIABLE DRAWING REF: 284T0049-5235 FOR NHA/OTHER SYS DET SEE: 24-00-58-01W		RF
5	NAS6603-3		.BOLT		1
10	AN960D10		.WASHER-		3
15	AN960PD10		.WASHER-		1
20	BRH10A3		.NUT-		2
			SUPPLIER CODE: V52828 SPECIFICATION NUMBER: BACN10JC3 OPTIONAL PART: H10-3BAC V15653 NS202101-02 V80539 RMLH9075-3W V72962 VN303A02 V92215 96-02 V80539 T6S1032J V11815		
25	740A20-4		.JUMPER ASSY SUPPLIER CODE: V91812 SPECIFICATION NUMBER: BACJ40A20-4 OPTIONAL PART: TJEJ40A20-4 V33483 RBEJ20-4 V1GK47		1

ILLUSTRATION ITEMS NOT ON PARTS LIST ARE NOT APPLICABLE

- ITEM NOT ILLUSTRATED

HXL

25-71-35-01

BOEING PROPRIETARY - Copyright © - Unpublished Work - See title page for details.

25-71-35
FIG. 01
PAGE 1
DEC 22/08



767

PARTS CATALOG (MAINTENANCE)

FIG ITEM	PART NUMBER	1 2 3 4 5 6 7	NOMENCLATURE	EFFECT FROM TO	UNITS PER ASSY
1					
- 30	285T0007-45		. CHASSIS ASSY-WARNING ELECTRONICS UNIT (EQUIPMENT/FURNISHINGS ONLY) FUNCTIONAL REFERENCE: PLACARDS AND MARKINGS FOR DETAILS SEE 11-36-16-02 ATTACHING PARTS		1
- 35	NAS1801-3-6		. SCREW-		6
- 40	AN960D10L		. WASHER-		6
			-----*-----		
60	BAC27TEX1929		.. DECAL- PLACARD CONTENT: GDX1 OPTIONAL PART: BAC27EEL22704		1
65	BAC27TEX1928		.. DECAL- PLACARD CONTENT: GDX2 OPTIONAL PART: BAC27EEL22704		1
70	BAC27TEX1930		.. DECAL- PLACARD CONTENT: GDX3 OPTIONAL PART: BAC27EEL22704		1
75	BAC27TEX0885		.. DECAL- PLACARD CONTENT: GDX4 OPTIONAL PART: BAC27EEL22704		1
80	BAC27TEX0886		.. DECAL- PLACARD CONTENT: GDX5 OPTIONAL PART: BAC27EEL22704		1
82	BAC27TEX0887		.. DECAL- PLACARD CONTENT: GDX6 OPTIONAL PART: BAC27EEL22704		1

ILLUSTRATION ITEMS NOT ON PARTS LIST ARE NOT APPLICABLE

- ITEM NOT ILLUSTRATED

HXL

25-71-35-01

BOEING PROPRIETARY - Copyright © - Unpublished Work - See title page for details.

25-71-35
FIG. 01
PAGE 2
DEC 22/08



767

PARTS CATALOG (MAINTENANCE)

FIG ITEM	PART NUMBER	1 2 3 4 5 6 7	NOMENCLATURE	EFFECT FROM TO	UNITS PER ASSY
1					
85	BAC27EEL22704		..DECALSET-INCLUDES DECALS IDENTIFIED ON THE ILLUSTRATION OPTIONAL PART: BAC27TEX0885 BAC27TEX0886 BAC27TEX0887 BAC27TEX1928 BAC27TEX1929 BAC27TEX1930		1
95	108-0740-001		..JACK-GND SUPPLIER CODE: V74970		1
100	MS35338-44		..WASHER		1
115	VNS1924CA1-8		..STUD SUPPLIER CODE: V5M902 SPECIFICATION NUMBER: BACS53B1EA1 OPTIONAL PART: VNS1924CA3-1-8 V92215		1
123	285T0018-11		..PLATE-COVER ATTACHING PARTS		3
- 126	NAS1801-04-6		..SCREW-		6
- 131	BRH10A04		..NUT- SUPPLIER CODE: V52828 SPECIFICATION NUMBER: BACN10JCO4 OPTIONAL PART: NS202101-40 V80539 RMLH9075-40W V72962 VN303A40 V92215 96-40 V80539 T6S440J V11815 H10-04BAC V15653 -----*-----		6
135	285T0297-1		..BACKPLATE ASSY- SUPPLIER CODE: V89954		2

ILLUSTRATION ITEMS NOT ON PARTS LIST ARE NOT APPLICABLE

- ITEM NOT ILLUSTRATED

HXL

25-71-35-01

BOEING PROPRIETARY - Copyright © - Unpublished Work - See title page for details.

25-71-35
FIG. 01
PAGE 3
DEC 22/08

 **BOEING**
767
PARTS CATALOG (MAINTENANCE)

FIG ITEM	PART NUMBER	1 2 3 4 5 6 7	NOMENCLATURE	EFFECT FROM TO	UNITS PER ASSY
1			ATTACHING PARTS		
- 137	NAS514P632-6	..	SCREW -----*-----		4
140	NAS1801-04-5	..	SCREW-		20
142	MS35338-40	..	WASHER-		20
147	NAS514P632-14P	..	SCREW-		3
150	NAS1801-06-6	..	SCREW-		9
155	285T0061-15	..	CONNECTOR ASSY-PNL		1
157	285T0061-17	...	SEAL-		1
159	285T0061-18	...	SEAL-		1
160	285T0062-12	..	PANEL-CONN.		1
165	285T0062-11	..	PANEL-CONN.		1
170	YHLZG16-1	..	BLOCK-GND SUPPLIER CODE: V09922 ELECTRICAL EQUIP NUMBER: GDX001 GDX002 GDX003 GDX004 GDX005 GDX006		6
- 175	BACR15BB2AD	..	RIVET- SIZE DETERMINED ON INSTL. -----*-----		24
180	TM3S10	..	PLATE SUPPLIER CODE: V06383 SPECIFICATION NUMBER: STBP19M12		2
- 185	NAS603-7P	..	SCREW -----*-----		2
190	NAS1801-06-6	..	SCREW		16
195	285T0298-11	..	PANEL ASSY-		1
200	285T0298-9	...	SEAL		2
205	285T0297-4	...	BRACKET-HOLDDOWN SUPPLIER CODE: V89954		1
210	NAS514P632-8	...	SCREW		2
215	NAS514P632-12	...	SCREW -----*-----		2
220	285T0298-13	..	PANEL ASSY-		1
225	285T0298-5	...	SEAL		2
230	285T0298-8	..	PANEL ASSY-		1
235	285T0298-7	..	PANEL ASSY-		1
240	285T0298-5	...	SEAL		4

ILLUSTRATION ITEMS NOT ON PARTS LIST ARE NOT APPLICABLE

- ITEM NOT ILLUSTRATED

HXL

25-71-35-01

BOEING PROPRIETARY - Copyright © - Unpublished Work - See title page for details.

25-71-35
FIG. 01
PAGE 4
DEC 22/08

BOEING
767
PARTS CATALOG (MAINTENANCE)

FIG ITEM	PART NUMBER	1 2 3 4 5 6 7	NOMENCLATURE	EFFECT FROM TO	UNITS PER ASSY
1					
245	285T0007-9	..	SEAL- MANUFACTURED FROM: SH RUBBER F7.10 .375 IN 0.5 IN 7.0 IN		4
250	285T0007-4	..	SEAL- MANUFACTURED FROM: EXTRUDED RUBBER F7.10 BAC1521-262 X 5.7 IN		2
255	285T0007-5	..	SEAL- MANUFACTURED FROM: EXTRUDED RUBBER F7.10 BAC1521-262 X 5.7 IN		2
260	285T0007-7	..	SEAL- MANUFACTURED FROM: EXTRUDED RUBBER F7.10 BAC1521-262 X 7.6 IN		2
261	TM3S10	..	PLATE SUPPLIER CODE: V06383 SPECIFICATION NUMBER: STBP19M12 ATTACHING PARTS		3
- 262	NAS623-3-2	..	SCREW		3
- 263	AN960JD10L	..	WASHER		3
- 264	MS21042L3	..	NUT		3
			-----*-----		
265	285T0400-1	..	BRACKET ASSY ATTACHING PARTS		1
- 270	NAS1801-04-5	..	SCREW-		4
			-----*-----		
275	285T0007-34	..	ENCLOSURE ASSY-		1
280	285T0061-36	...	DOOR ASSY- ATTACHING PARTS		1
- 285	BACR15FT5AD	...	RIVET- SIZE DETERMINED ON INSTL. -----*-----		12
290	1127700	WASHER SUPPLIER CODE: V60119 SPECIFICATION NUMBER: BACW10X4 OPTIONAL PART: 2600LW V71286		4
295	BACCS21Y4R	STUD		4

ILLUSTRATION ITEMS NOT ON PARTS LIST ARE NOT APPLICABLE

- ITEM NOT ILLUSTRATED

HXL

25-71-35-01

BOEING PROPRIETARY - Copyright © - Unpublished Work - See title page for details.

25-71-35
FIG. 01
PAGE 5
DEC 22/08

BOEING
767
PARTS CATALOG (MAINTENANCE)

FIG ITEM	PART NUMBER	1 2 3 4 5 6 7	NOMENCLATURE	EFFECT FROM TO	UNITS PER ASSY
1					
300	285T0061-19	SEAL		1
305	285T0061-20	SEAL		2
310	285T0061-21	SEAL		4
315	BACR11Y1	...	RECEPTACLE ATTACHING PARTS		3
- 320	BACR15BB3AD	...	RIVET- SIZE DETERMINED ON INSTL. -----*-----		6
325	285T0018-9	...	SPACER		3
330	285T0064-2	...	HINGE ASSY- ATTACHING PARTS		1
- 335	BACR15FT5AD	...	RIVET- SIZE DETERMINED ON INSTL. -----*-----		12
340	285T0155-3	...	SPUD ASSY-		1
342	217T2113-1	...	INLET ASSY- ATTACHING PARTS		1
- 345	BACR15BB5AD	...	RIVET- SIZE DETERMINED ON INSTL. -----*-----		8
350	285T0062-35	...	BRACKET ASSY- ATTACHING PARTS		1
- 355	BACR15BB4AD	...	RIVET- SIZE DETERMINED ON INSTL. -----*-----		5
360	BACR11Y1	RECEPTACLE ATTACHING PARTS		1
- 365	BACR15BB3AD	RIVET- SIZE DETERMINED ON INSTL. -----*-----		2
370	285T0018-9	SPACER		1
375	285T0061-6	...	PANEL-REAR ATTACHING PARTS		1
- 380	NAS1801-06-5	...	SCREW- -----*-----		8
385	285T0061-41	...	BOX ASSY-		1

ILLUSTRATION ITEMS NOT ON PARTS LIST ARE NOT APPLICABLE

- ITEM NOT ILLUSTRATED

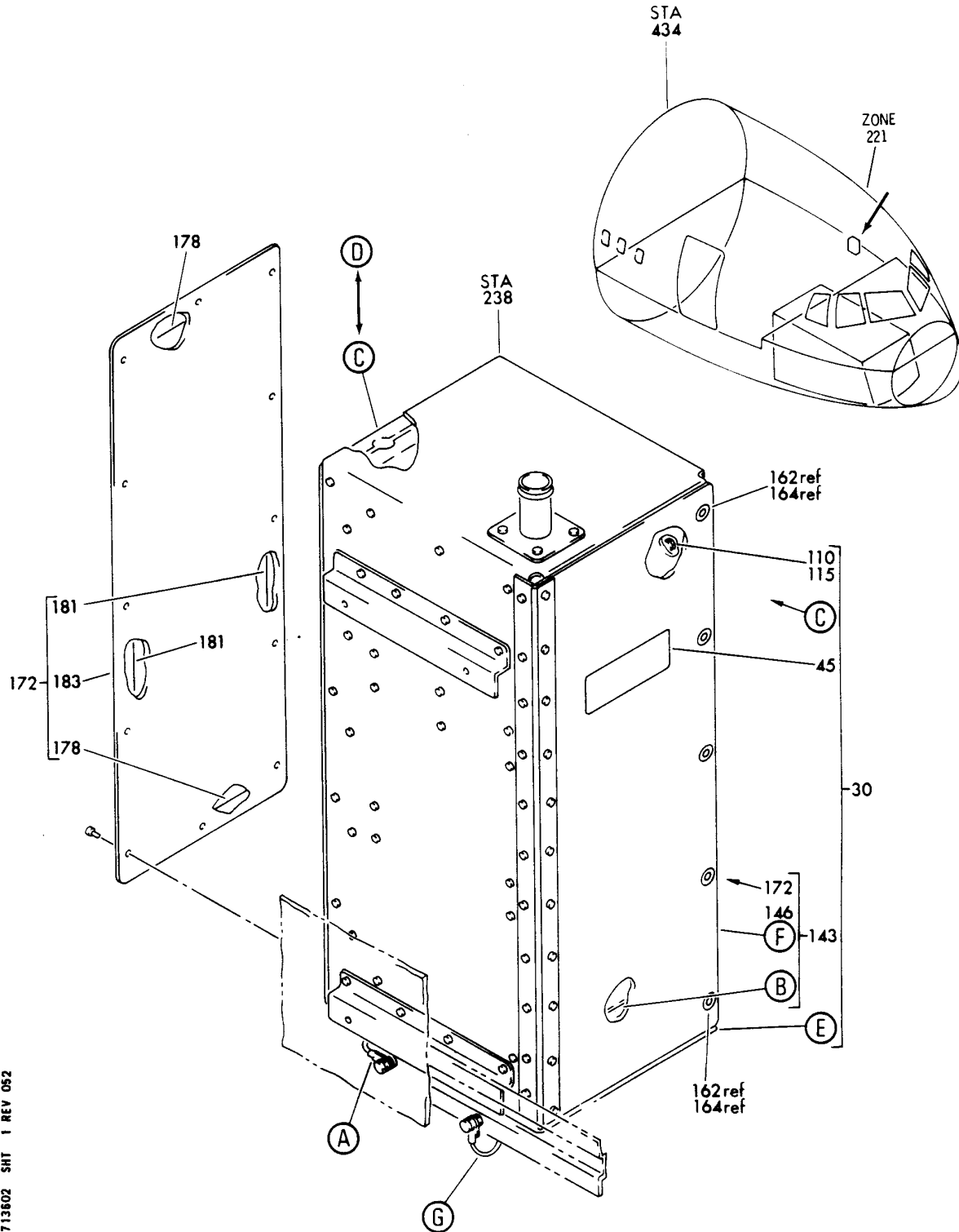
HXL

25-71-35-01

BOEING PROPRIETARY - Copyright © - Unpublished Work - See title page for details.

25-71-35
FIG. 01
PAGE 6
DEC 22/08

BOEING
767
PARTS CATALOG (MAINTENANCE)



V 25713502 SHIT 1 REV 052

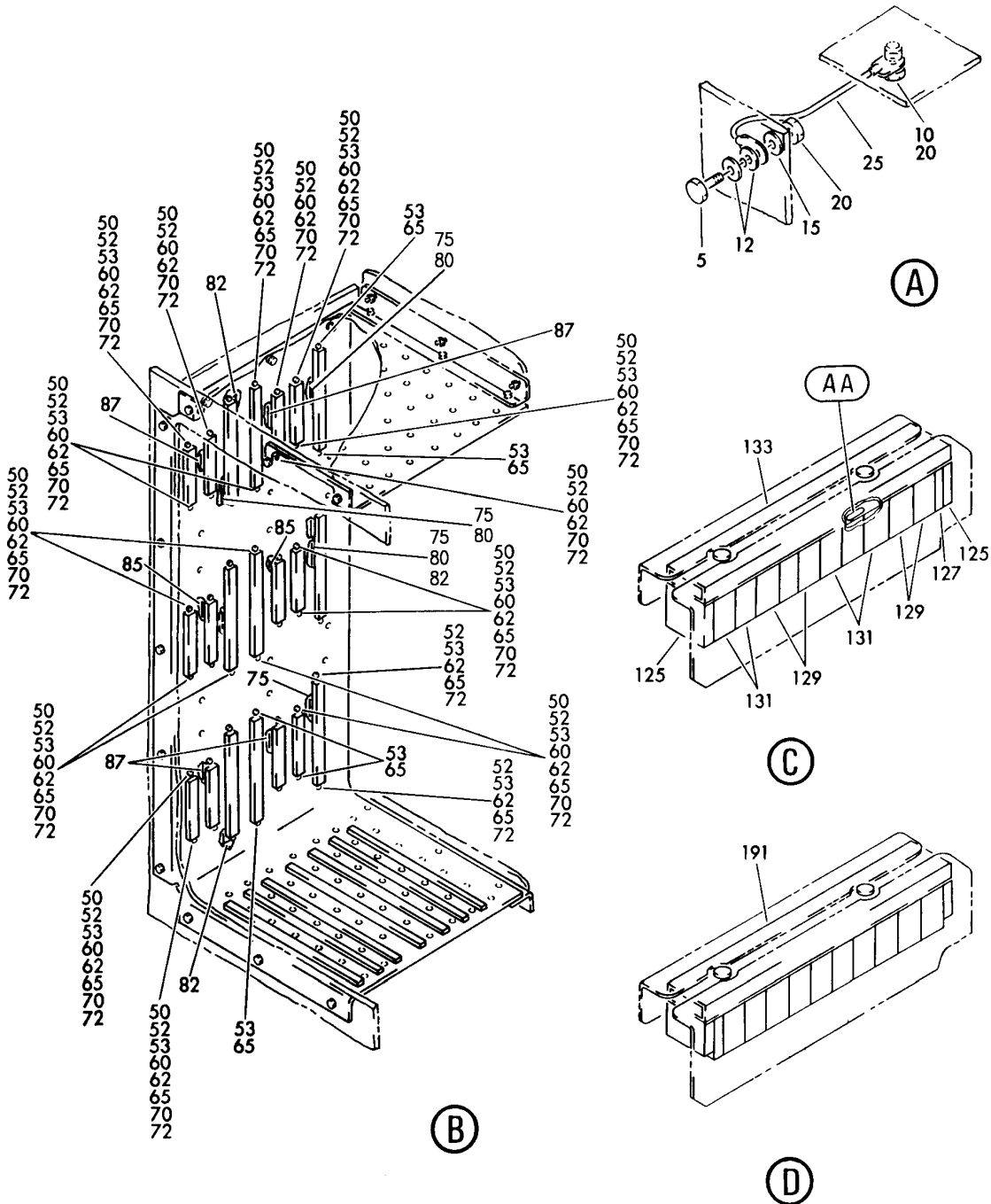
CARD FILE AND BOX INSTL-R FWD EQPT CTR (P54) (EQUIPMENT/FURNISHINGS ONLY)
FIGURE 2 (SHEET 1)

HXL
DEC 22/06

25-71-36-02

25-71-36-02
PAGE 0

BOEING
767
PARTS CATALOG (MAINTENANCE)



V 25713602 SHT 2 REV 330

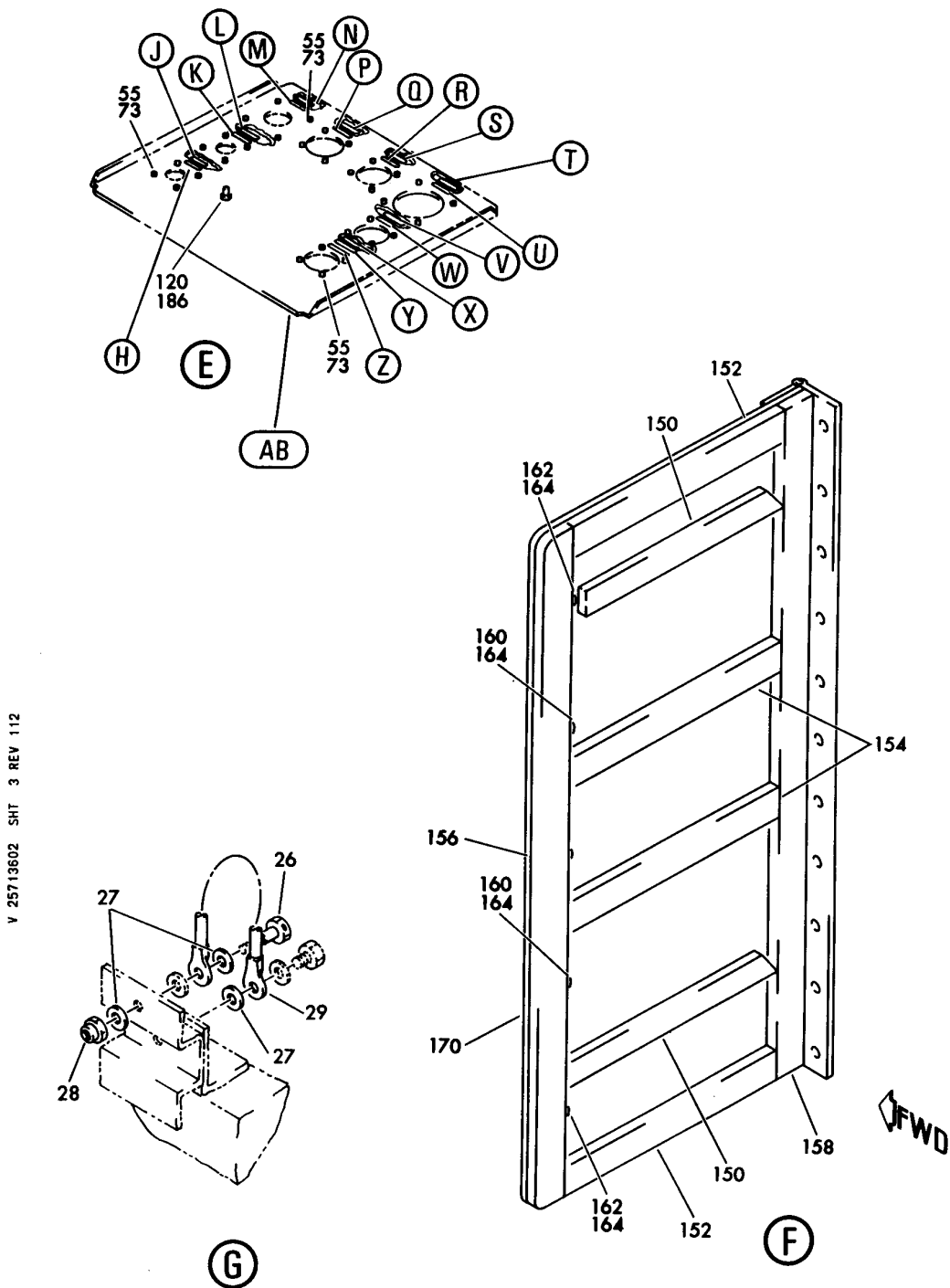
CARD FILE AND BOX INSTL-R FWD EQPT CTR (P54) (EQUIPMENT/FURNISHINGS ONLY)
FIGURE 2 (SHEET 2)

25-71-36-02

HXL
AUG 22/08

25-71-36-02
PAGE 0A

BOEING
767
PARTS CATALOG (MAINTENANCE)



V 25713602 SHT 3 REV 112

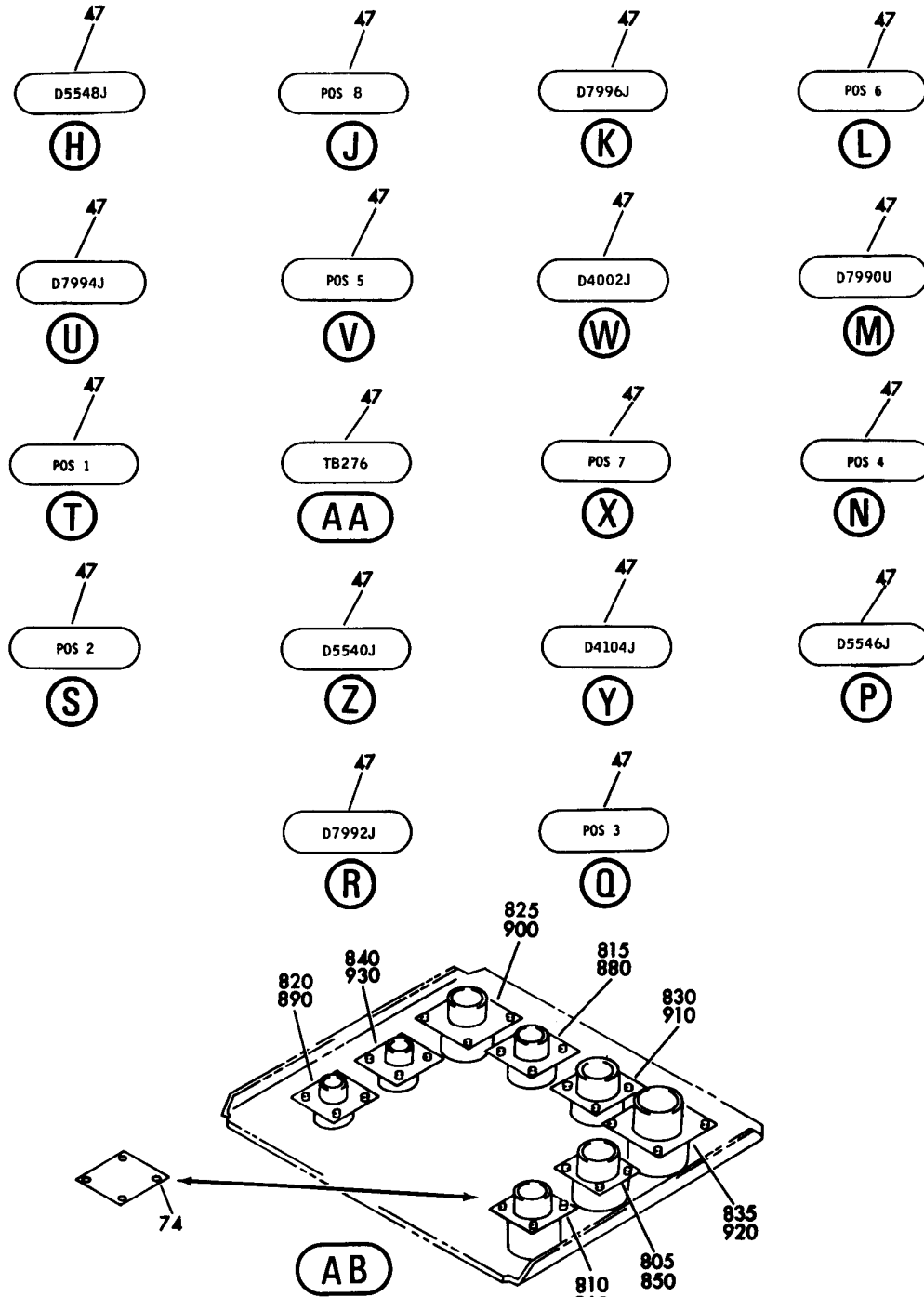
CARD FILE AND BOX INSTL-R FWD EQPT CTR (P54) (EQUIPMENT/FURNISHINGS ONLY)
FIGURE 2 (SHEET 3)

25-71-36-02

HXL
DEC 22/06

25-71-36-02
PAGE 0B

BOEING
767
PARTS CATALOG (MAINTENANCE)



V 25713602 SHT 4 REV 127

CARD FILE AND BOX INSTL-R FWD EQPT CTR (P54) (EQUIPMENT/FURNISHINGS ONLY)
FIGURE 2 (SHEET 4)

HXL
DEC 22/06

25-71-36-02

25-71-36-02
PAGE 0C



767

PARTS CATALOG (MAINTENANCE)

FIG ITEM	PART NUMBER	1 2 3 4 5 6 7	NOMENCLATURE	EFFECT FROM TO	UNITS PER ASSY
2			CARD FILE AND BOX INSTL-R FWD EQPT CTR (P54) (EQUIPMENT/FURNISHINGS ONLY)		
- 1	284T0049-6		CARD FILE AND BOX INSTL- EQPT CTR P54 (EQUIPMENT/FURNISHINGS ONLY) POSITION DATA: R FWD VARIABLE DRAWING REF: 284T0049-5130 FOR NHA/OTHER SYS DET SEE: 24-00-58-01E		RF
5	NAS6603-3		.BOLT		1
10	AN960D10		.WASHER		1
12	AN960D10L		.WASHER		2
15	AN960-10		.WASHER-		1
20	BRH10A3		.NUT		2
			SUPPLIER CODE: V52828 SPECIFICATION NUMBER: BACN10JC3 OPTIONAL PART: H10-3BAC V15653 NS202101-02 V80539 RMLH9075-3W V72962 VN303A02 V92215 96-02 V80539 T6S1032J V11815		
25	740A20-6		.CABLE SUPPLIER CODE: V91812 SPECIFICATION NUMBER: BACJ40A20-6 OPTIONAL PART: TJEJ40A20-6 V33483 RBEJ20-6 V1GK47		1
ILLUSTRATION ITEMS NOT ON PARTS LIST ARE NOT APPLICABLE					

- ITEM NOT ILLUSTRATED

HXL

25-71-36-02

BOEING PROPRIETARY - Copyright © - Unpublished Work - See title page for details.

25-71-36
FIG. 02
PAGE 1
DEC 22/08

BOEING
767
PARTS CATALOG (MAINTENANCE)

FIG ITEM	PART NUMBER	1 2 3 4 5 6 7	NOMENCLATURE	EFFECT FROM TO	UNITS PER ASSY
2 - 100	BRH10A04		..NUT SUPPLIER CODE: V52828 SPECIFICATION NUMBER: BACN10JCO4 OPTIONAL PART: NS202101-40 V80539 RMLH9075-40W V72962 VN303A40 V92215 96-40 V80539 T6S440J V11815 H10-04BAC V15653		12
R R R R R R R R R R R	- 103 BRH10C04D		..NUT- SUPPLIER CODE: V52828 SPECIFICATION NUMBER: BACN10JCO4CD OPTIONAL PART: H51650-04BAC V15653 102LH9075-40W V72962 NS202486-40 V80539 T6C440JCD V11815 -----*-----		14
	110 108-0740-001		..JACK- SUPPLIER CODE: V74970		1
	115 MS35338-44		..WASHER		1
R	125 BACC49A1		..CLAMP ASSY-		2
	127 H21-1		..SPACER SUPPLIER CODE: V34941 SPECIFICATION NUMBER: BACS18AR1 OPTIONAL PART: FAB276A V15805 YHLZ1C2 V09922		1

ILLUSTRATION ITEMS NOT ON PARTS LIST ARE NOT APPLICABLE

- ITEM NOT ILLUSTRATED

HXL

25-71-36-02

BOEING PROPRIETARY - Copyright © - Unpublished Work - See title page for details.

25-71-36
FIG. 02
PAGE 3
AUG 22/09

BOEING
767
PARTS CATALOG (MAINTENANCE)

FIG ITEM	PART NUMBER	1 2 3 4 5 6 7	NOMENCLATURE	EFFECT FROM TO	UNITS PER ASSY
2 129	YHLZ16-8	..	MODULE SUPPLIER CODE: V09922 SPECIFICATION NUMBER: BACM15C3C OPTIONAL PART: 421120-454 V58982 TBH120454 V58982		AR
131	YHLZ16-4	..	MODULE SUPPLIER CODE: V09922 SPECIFICATION NUMBER: BACM15C3B OPTIONAL PART: 421120-452 V58982 TBH120452 V58982		AR
143	285T0509-11	..	HOUSING ASSY-		1
146	285T0508-25	...	COVER ASSY-DOOR ATTACHING PARTS		1
- 148	BACR15BA5AD	...	RIVET- SIZE DETERMINED ON INSTL. -----*-----		11
150	285T0508-5	SEAL-		2
156	285T0508-7	SEAL		1
158	285T0508-8	SEAL		1
160	BACS21Y6R	STUD ASSY		3
162	BACS21Y7R	STUD ASSY		2
164	1127700	WASHER SUPPLIER CODE: V60119 SPECIFICATION NUMBER: BACW10X4 OPTIONAL PART: 2600LW V71286		5
166	285T0508-3	HINGE ATTACHING PARTS		1
- 168	BACR15BA4ADC	RIVET- POSITION DATA: FAR SIDE SIZE DETERMINED ON INSTL. -----*-----		11
170	285T0508-9	COVER		1
172	285T0508-10	...	COVER ASSY-		1

ILLUSTRATION ITEMS NOT ON PARTS LIST ARE NOT APPLICABLE

- ITEM NOT ILLUSTRATED

HXL

25-71-36-02

BOEING PROPRIETARY - Copyright © - Unpublished Work - See title page for details.

25-71-36
FIG. 02
PAGE 4
AUG 22/09



767

PARTS CATALOG (MAINTENANCE)

FIG ITEM	PART NUMBER	1 2 3 4 5 6 7	NOMENCLATURE	EFFECT FROM TO	UNITS PER ASSY
2			ATTACHING PARTS		
- 174	NAS1801-3-9	...	SCREW		12
- 176	NAS1149D0316J	...	WASHER-		12
		-----*	-----		
178	285T0508-18	SEAL		2
181	285T0508-19	SEAL		2
183	285T0508-17	COVER		1
186	VNS1924CA1-8	...	STUD-		1
			SUPPLIER CODE: V5M902		
			SPECIFICATION NUMBER: BACS53B1EA1		
			OPTIONAL PART: VNS1924CA3-1-8 V92215		
191	285T0509-6	...	TRACK-MODULE		1
			ATTACHING PARTS		
- 196	NAS1801-06-13	...	SCREW		2
- 201	AN960JD6L	...	WASHER-		2
- 201	AN960PD6L	...	WASHER-		2
- 206	NAS42DD5-28	...	SPACER-		2
- 211	BRH10A06	...	NUT		2
			SUPPLIER CODE: V52828		
			SPECIFICATION NUMBER: BACN10JCO6		
			OPTIONAL PART: H10-06BAC V15653 RMLH9075-62W V72962 VN303A62 V92215 96-62 V80539 NS202101-62 V80539 T6S632J V11815		
		-----*	-----		
- 800	286T1082-101	..	WIRE BUNDLE ASSY-		1
805	BACC45FN16-24P7	...	CONNECTOR-		1
			ELECTRICAL EQUIP NUMBER: D04002J		
			WIRING DIAGRAM REF: 261711		

ILLUSTRATION ITEMS NOT ON PARTS LIST ARE NOT APPLICABLE

- ITEM NOT ILLUSTRATED

HXL

25-71-36-02

BOEING PROPRIETARY - Copyright © - Unpublished Work - See title page for details.

25-71-36
FIG. 02
PAGE 5
AUG 22/09

 **BOEING**
767
PARTS CATALOG (MAINTENANCE)

FIG ITEM	PART NUMBER	1 2 3 4 5 6 7	NOMENCLATURE	EFFECT FROM TO	UNITS PER ASSY
2					
810	BACC45FN12-12S9	...	CONNECTOR- ELECTRICAL EQUIP NUMBER: D05540J WIRING DIAGRAM REF: 261711		1
815	BACC45FN14-15S7	...	CONNECTOR- ELECTRICAL EQUIP NUMBER: D05546J WIRING DIAGRAM REF: 261111		1
820	BACC45FN14-15S9	...	CONNECTOR- ELECTRICAL EQUIP NUMBER: D05548J WIRING DIAGRAM REF: 261111		1
825	BACC45FN22-55P8	...	CONNECTOR- ELECTRICAL EQUIP NUMBER: D07990J WIRING DIAGRAM REF: 261111		1
830	BACC45FN16-24P6	...	CONNECTOR- ELECTRICAL EQUIP NUMBER: D07992J WIRING DIAGRAM REF: 261111		1
835	BACC45FN22-55P	...	CONNECTOR- ELECTRICAL EQUIP NUMBER: D07994J WIRING DIAGRAM REF: 261121		1
840	BACC45FN16-24P	...	CONNECTOR- ELECTRICAL EQUIP NUMBER: D07996J WIRING DIAGRAM REF: 261121		1
- 845	286T0510-300		WIRE BUNDLE ASSY		RF
850	BACC45FT16-24S7	.	CONNECTOR-PLUG ELECTRICAL EQUIP NUMBER: D04002P WIRING DIAGRAM REF: 261711		1
- 855	286T0506-120		WIRE BUNDLE ASSY		RF
- 865	286T1704-120		WIRE BUNDLE ASSY		RF
870	BACC45FT12-12P9	.	CONNECTOR- ELECTRICAL EQUIP NUMBER: D05540P WIRING DIAGRAM REF: 261711		1
- 875	286T1718-120		WIRE BUNDLE ASSY		RF
ILLUSTRATION ITEMS NOT ON PARTS LIST ARE NOT APPLICABLE					

- ITEM NOT ILLUSTRATED

25-71-36-02

25-71-36
FIG. 02
PAGE 6
AUG 22/09

HXL



767

PARTS CATALOG (MAINTENANCE)

FIG ITEM	PART NUMBER	1 2 3 4 5 6 7	NOMENCLATURE	EFFECT FROM TO	UNITS PER ASSY
2 880	BACC45FT14-15P7		.CONNECTOR- ELECTRICAL EQUIP NUMBER: D05546P WIRING DIAGRAM REF: 261111		1
- 885	286T1720-120		WIRE BUNDLE ASSY		RF
890	BACC45FT14-15P9		.CONNECTOR- ELECTRICAL EQUIP NUMBER: D05548P WIRING DIAGRAM REF: 261111		1
- 895	286T0614-300		WIRE BUNDLE ASSY		RF
900	BACC45FT22-55S8		.CONNECTOR- ELECTRICAL EQUIP NUMBER: D07990P WIRING DIAGRAM REF: 261111		1
- 905	286T0596-300		WIRE BUNDLE ASSY		RF
910	BACC45FT16-24S6		.PLUG- ELECTRICAL EQUIP NUMBER: D07992P WIRING DIAGRAM REF: 261111		1
- 915	286T0606-350		WIRE BUNDLE ASSY		RF
920	BACC45FT22-55S		.CONNECTOR- ELECTRICAL EQUIP NUMBER: D07994P WIRING DIAGRAM REF: 261121		1
- 925	286T0598-300		WIRE BUNDLE ASSY		RF
930	BACC45FT16-24S		.CONNECTOR- ELECTRICAL EQUIP NUMBER: D07996P WIRING DIAGRAM REF: 261121		1

ILLUSTRATION ITEMS NOT ON PARTS LIST ARE NOT APPLICABLE

- ITEM NOT ILLUSTRATED

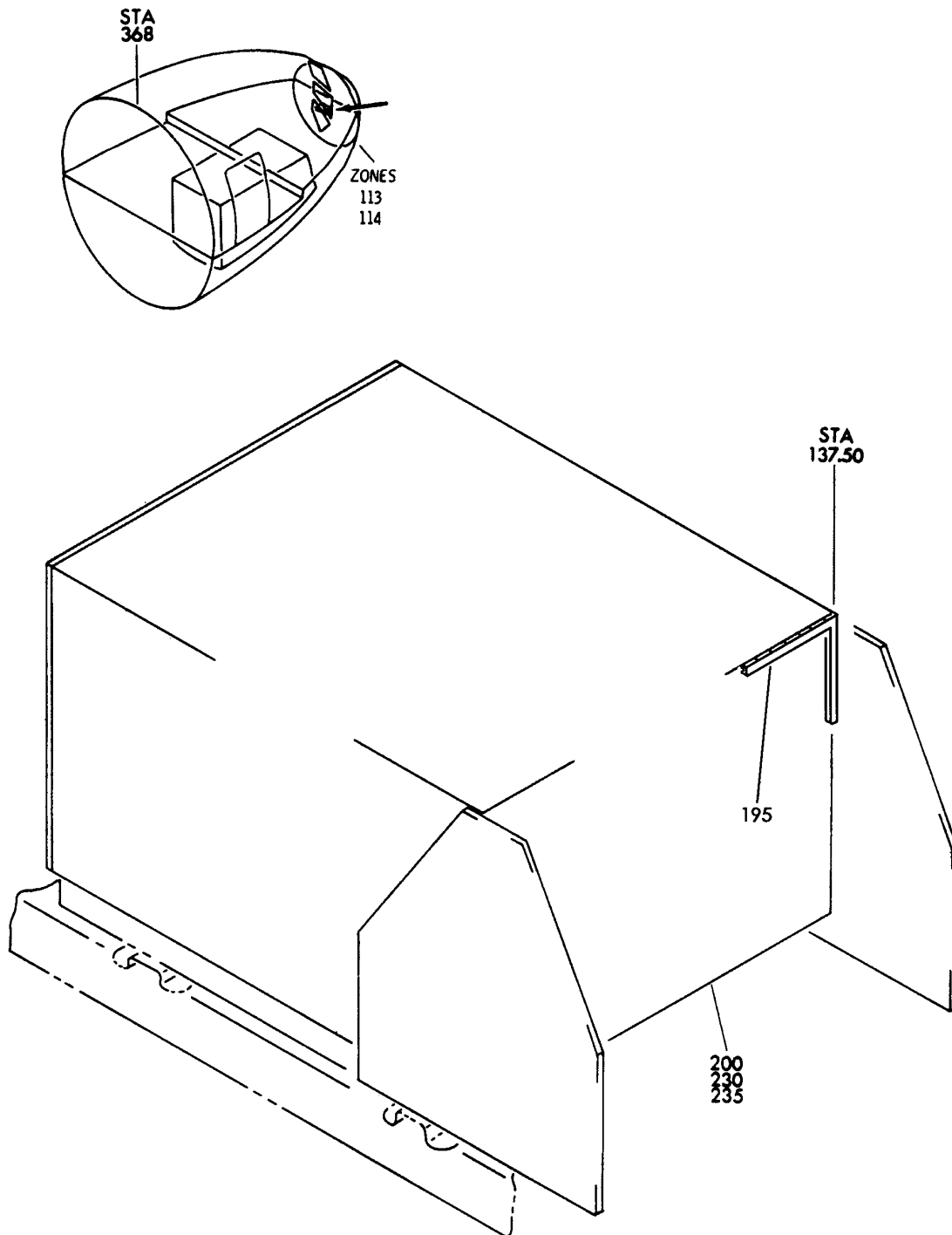
HXL

25-71-36-02

BOEING PROPRIETARY - Copyright © - Unpublished Work - See title page for details.

25-71-36
FIG. 02
PAGE 7
AUG 22/09

BOEING
767
PARTS CATALOG (MAINTENANCE)



V 25713701 REV 201

RADAR INSTL-L WEATHER (EQUIPMENT/FURNISHINGS ONLY)

FIGURE 1

25-71-37-01

HXL
DEC 22/06

25-71-37-01
PAGE 0

BOEING
767
PARTS CATALOG (MAINTENANCE)

FIG ITEM	PART NUMBER	1 2 3 4 5 6 7	NOMENCLATURE	EFFECT FROM TO	UNITS PER ASSY
1			RADAR INSTL-L WEATHER (EQUIPMENT/FURNISHINGS ONLY)		
- 1	284T0019-10		RADAR INSTL-WEATHER (EQUIPMENT/FURNISHINGS ONLY) POSITION DATA: L VARIABLE DRAWING REF: 284T0019-5054 FOR NHA/OTHER SYS DET SEE: 24-00-58-01Q		RF
195	BACG20ZB001275		.GROMMET		1
235	2041213-0405		.TRAY ASSY-MTG (CUSTOMER FURNISHED) SUPPLIER CODE: V97896 FUNCTIONAL DESCRIPTION: DESIGNED TO HOLD A SINGLE WEATHER RADAR RECEIVER-TRANSMITTER SPECIFICATION NUMBER: S220T109-601 COMPONENT MAINT MANUAL REF: 34-41-53 FOR DETAILS SEE: 25-71-37-50		1
- 240	BACB30LU2-11		ATTACHING PARTS .BOLT- -----*-----		4

ILLUSTRATION ITEMS NOT ON PARTS LIST ARE NOT APPLICABLE

- ITEM NOT ILLUSTRATED

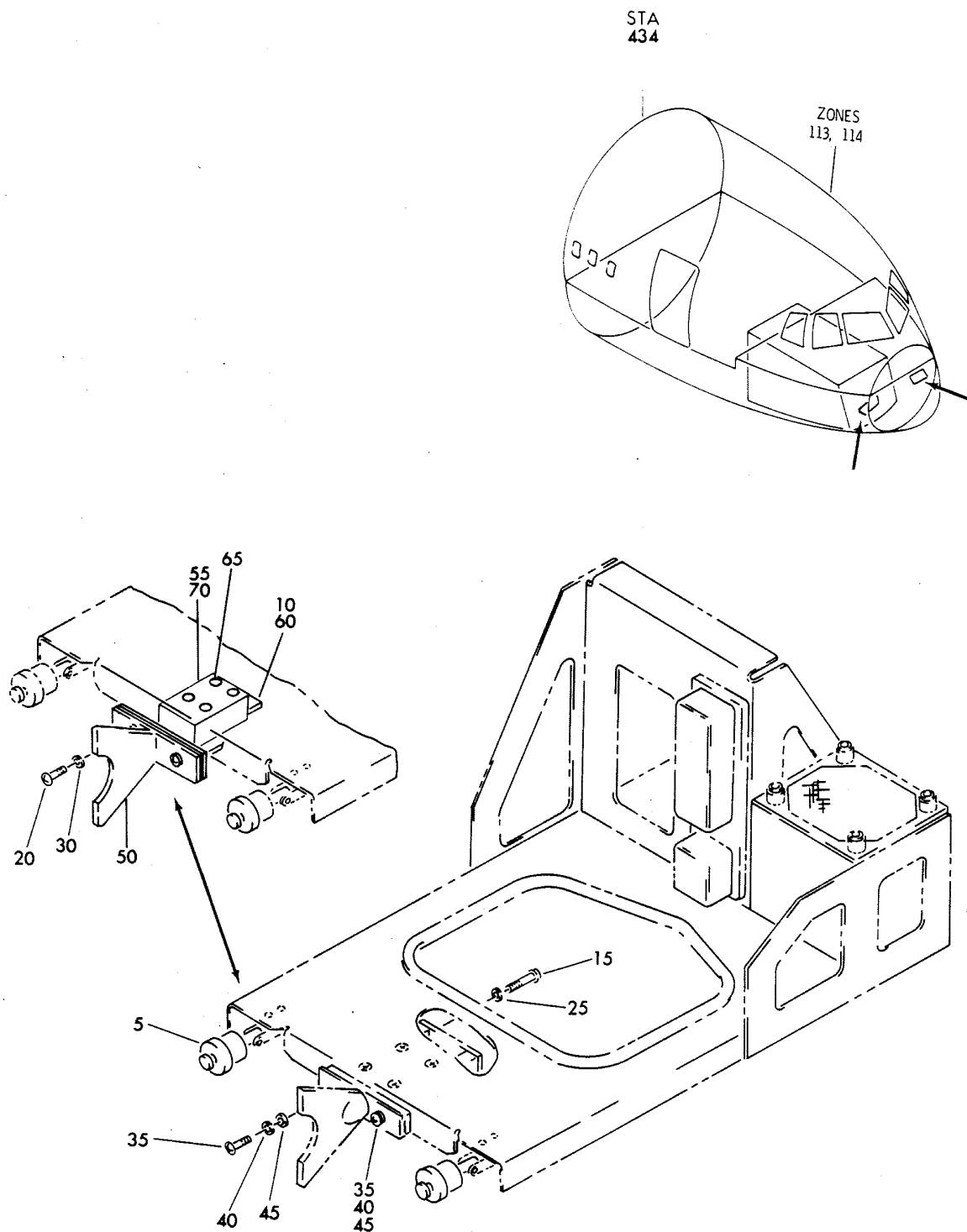
HXL

25-71-37-01

BOEING PROPRIETARY - Copyright © - Unpublished Work - See title page for details.

25-71-37
FIG. 01
PAGE 1
DEC 22/06

BOEING
767
PARTS CATALOG (MAINTENANCE)



V 25713750 SHT 1 REV 093

TRAY ASSY-MTG
FIGURE 50

25-71-37-50

HXL
DEC 22/06

25-71-37-50
PAGE 0

BOEING
767
PARTS CATALOG (MAINTENANCE)

FIG ITEM	PART NUMBER	1 2 3 4 5 6 7	NOMENCLATURE	EFFECT FROM TO	UNITS PER ASSY
50					
- 1	2041213-0405		TRAY ASSY-MTG TRAY ASSY-MTG (CUSTOMER FURNISHED) SUPPLIER CODE: V97896 FUNCTIONAL DESCRIPTION: DESIGNED TO HOLD A SINGLE WEATHER RADAR RECEIVER-TRANSMITTER SPECIFICATION NUMBER: S220T109-601 COMPONENT MAINT MANUAL REF: 34-41-53 FOR NHA SEE: 25-71-37-01 25-71-38-01		RF
5	33054-0001		.RETAINER- SUPPLIER CODE: V27914		1
10	2033670-0001		.BRACKET-GUIDE SUPPLIER CODE: V27914 ATTACHING PARTS		1
15	MS35216-23		.SCREW		2
20	MS35216-14		.SCREW		2
25	MS35338-79		.WASHER		2
30	MS35338-78		.WASHER		2
			-----*-----		
35	MS35216-14		.SCREW		2
40	MS35338-78		.WASHER		2
45	MS15795-803		.WASHER		2
50	2065271-0501		.EXTRACTOR- SUPPLIER CODE: V27914 OPTIONAL PART: 2040288-0501 V27914		1
50	2040288-0501		.EXTRACTOR- SUPPLIER CODE: V27914 OPTIONAL PART: 2065271-0501 V27914		1
55	2033673-0001		.BLOCK-SPRT SUPPLIER CODE: V27914		1
60	2033670-0001		.BRACKET-GUIDE SUPPLIER CODE: V27914		1
ILLUSTRATION ITEMS NOT ON PARTS LIST ARE NOT APPLICABLE					

- ITEM NOT ILLUSTRATED

HXL

25-71-37-50

BOEING PROPRIETARY - Copyright © - Unpublished Work - See title page for details.

25-71-37
FIG. 50
PAGE 1
DEC 22/06



767

PARTS CATALOG (MAINTENANCE)

FIG ITEM	PART NUMBER	1 2 3 4 5 6 7	NOMENCLATURE	EFFECT FROM TO	UNITS PER ASSY
50			ATTACHING PARTS		
65	AN505C440R8		.SCREW- OPTIONAL PART: AN505C4-9		4
65	AN505C4-9		.SCREW- OPTIONAL PART: AN505C440R8		4
70	2033673-0001		-----*----- .BLOCK-SPRT SUPPLIER CODE: V27914 OPTIONAL PART: 2040287-0501 V27914		1
70	2040287-0501		.BLOCK-SPRT SUPPLIER CODE: V27914 OPTIONAL PART: 2033637-0001 V27914		1

ILLUSTRATION ITEMS NOT ON PARTS LIST ARE NOT APPLICABLE

- ITEM NOT ILLUSTRATED

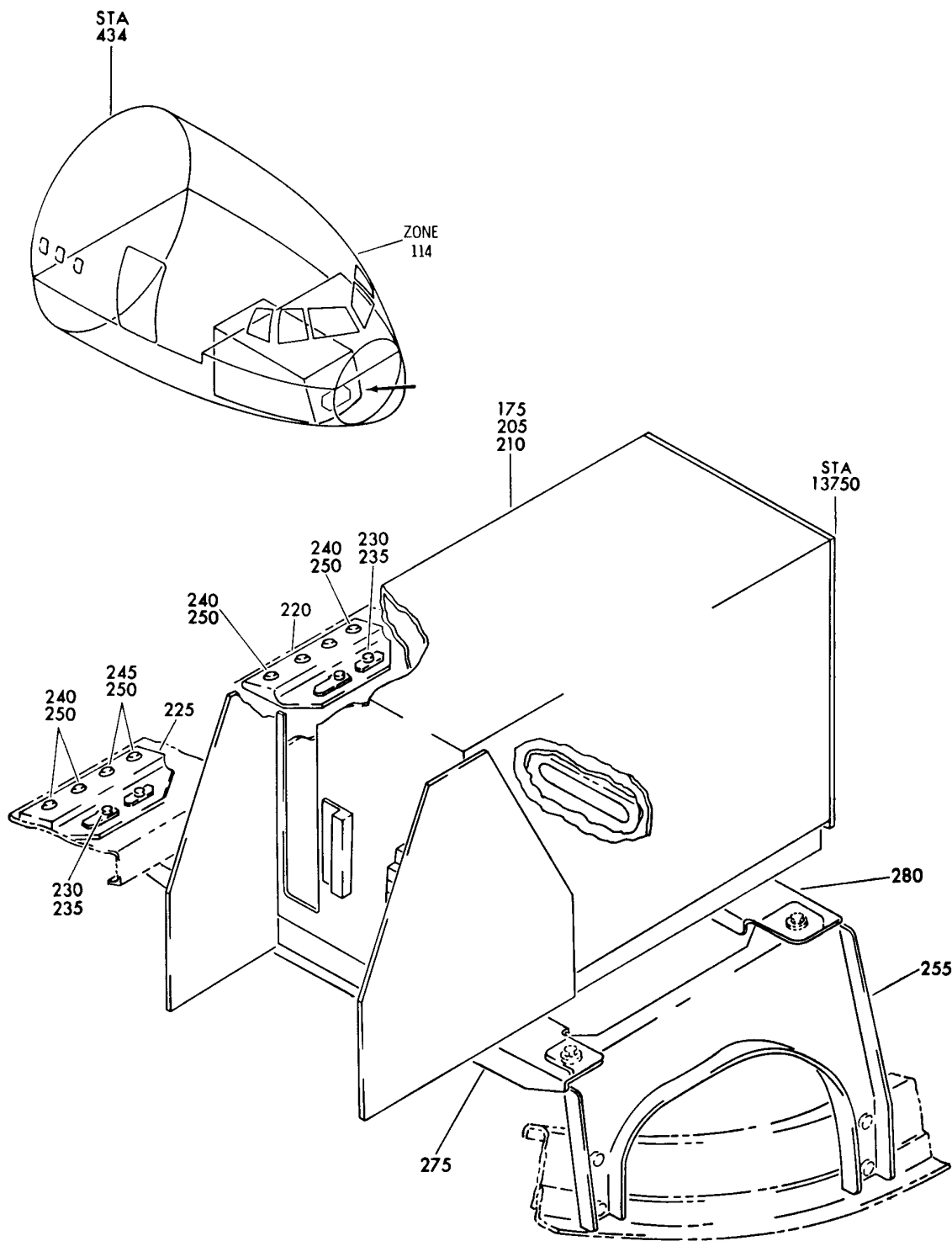
HXL

25-71-37-50

BOEING PROPRIETARY - Copyright © - Unpublished Work - See title page for details.

25-71-37
FIG. 50
PAGE 2
DEC 22/06

BOEING
767
PARTS CATALOG (MAINTENANCE)



V 25713801 REV 189

RADAR INSTL-R WEATHER (EQUIPMENT/FURNISHINGS ONLY)

FIGURE 1

25-71-38-01

HXL
DEC 22/06

25-71-38-01
PAGE 0



767

PARTS CATALOG (MAINTENANCE)

FIG ITEM	PART NUMBER	1 2 3 4 5 6 7	NOMENCLATURE	EFFECT FROM TO	UNITS PER ASSY
1			RADAR INSTL-R WEATHER (EQUIPMENT/FURNISHINGS ONLY)		
- 1	284T0020-5		RADAR INSTL-WEATHER (EQUIPMENT/FURNISHINGS ONLY) POSITION DATA: R VARIABLE DRAWING REF: 284T0020-5017 284T0020-5041 FOR NHA/OTHER SYS DET SEE: 24-00-58-01Q		RF
210	2041213-0405		.TRAY ASSY-MTG (CUSTOMER FURNISHED) SUPPLIER CODE: V97896 FUNCTIONAL DESCRIPTION: DESIGNED TO HOLD A SINGLE WEATHER RADAR RECEIVER-TRANSMITTER SPECIFICATION NUMBER: S220T109-601 COMPONENT MAINT MANUAL REF: 34-41-53 FOR DETAILS SEE: 25-71-37-50		1
- 215	BACB30LU2-11		ATTACHING PARTS .BOLT-		4
			-----*-----		
220	284T0024-1		.FITTING ASSY		1
225	284T0024-2		.FITTING ASSY ATTACHING PARTS		1
230	NAS6603-2		.BOLT		4
235	AN960PD10L		.WASHER		4

ILLUSTRATION ITEMS NOT ON PARTS LIST ARE NOT APPLICABLE

- ITEM NOT ILLUSTRATED

HXL

25-71-38-01

BOEING PROPRIETARY - Copyright © - Unpublished Work - See title page for details.

25-71-38
FIG. 01
PAGE 1
DEC 22/06



767

PARTS CATALOG (MAINTENANCE)

FIG ITEM	PART NUMBER	1 2 3 4 5 6 7 NOMENCLATURE	EFFECT FROM TO	UNITS PER ASSY
1 240	HL1012AZ6-5	.BOLT- SUPPLIER CODE: V97928 SPECIFICATION NUMBER: BACB30NX6K5 OPTIONAL PART: HL12VAZ6-5 V73197 HL12VAZ6-5 V92215 HL12VAZ6-5 V97928 L802-6K5 V06725 HL12VAZ6-5 V56878 HL1012AZ6-5 V0PTK6 HL1012AZ6-5 V06725 HL1012AZ6-5 V06950 HL1012AZ6-5 V17446 HL1012AZ6-5 V56878 HL1012AZ6-5 V60516 HL1012AZ6-5 V73197		6

ILLUSTRATION ITEMS NOT ON PARTS LIST ARE NOT APPLICABLE

- ITEM NOT ILLUSTRATED

HXL

25-71-38-01

BOEING PROPRIETARY - Copyright © - Unpublished Work - See title page for details.

25-71-38
 FIG. 01
 PAGE 2
 DEC 22/06

BOEING
767
PARTS CATALOG (MAINTENANCE)

FIG ITEM	PART NUMBER	1 2 3 4 5 6 7	NOMENCLATURE	EFFECT FROM TO	UNITS PER ASSY
1 245	HL1012AZ6-8		.BOLT- SUPPLIER CODE: V97928 SPECIFICATION NUMBER: BACB30NX6K8 OPTIONAL PART: HL12VAZ6-8 V73197 HL12VAZ6-8 V92215 HL12VAZ6-8 V97928 L802-6K8 V06725 HL12VAZ6-8 V56878 HL1012AZ6-8 VOPTK6 HL1012AZ6-8 V06725 HL1012AZ6-8 V06950 HL1012AZ6-8 V17446 HL1012AZ6-8 V56878 HL1012AZ6-8 V60516 HL1012AZ6-8 V73197		2
250	HL1187-6		.COLLAR- SUPPLIER CODE: V5M902 SPECIFICATION NUMBER: BACC30X6 OPTIONAL PART: HL87-6 V92215 HL87-6 V73197 HL1187-6 V56878 HL1187-6 V92215 HL87-6 V56878 HL1187-6 V73197 -----*-----		8
ILLUSTRATION ITEMS NOT ON PARTS LIST ARE NOT APPLICABLE					

— ITEM NOT ILLUSTRATED

HXL

25-71-38-01

BOEING PROPRIETARY - Copyright © - Unpublished Work - See title page for details.

25-71-38
FIG. 01
PAGE 3
DEC 22/06



767

PARTS CATALOG (MAINTENANCE)

FIG ITEM	PART NUMBER	1 2 3 4 5 6 7	NOMENCLATURE	EFFECT FROM TO	UNITS PER ASSY
1					
255	284T0022-18		.BRACKET ASSY ATTACHING PARTS		1
- 260	NAS1801-3-8		.SCREW		2
- 265	BACW10P43AL		.WASHER		2
- 270	NAS43DD3-5FC		.SPACER		2
			-----*-----		
275	284T0022-3		.CHANNEL AND BRACKET ASSY- SPRT		1
280	284T0022-4		.CHANNEL AND BRACKET ASSY- SPRT		1
ILLUSTRATION ITEMS NOT ON PARTS LIST ARE NOT APPLICABLE					

- ITEM NOT ILLUSTRATED

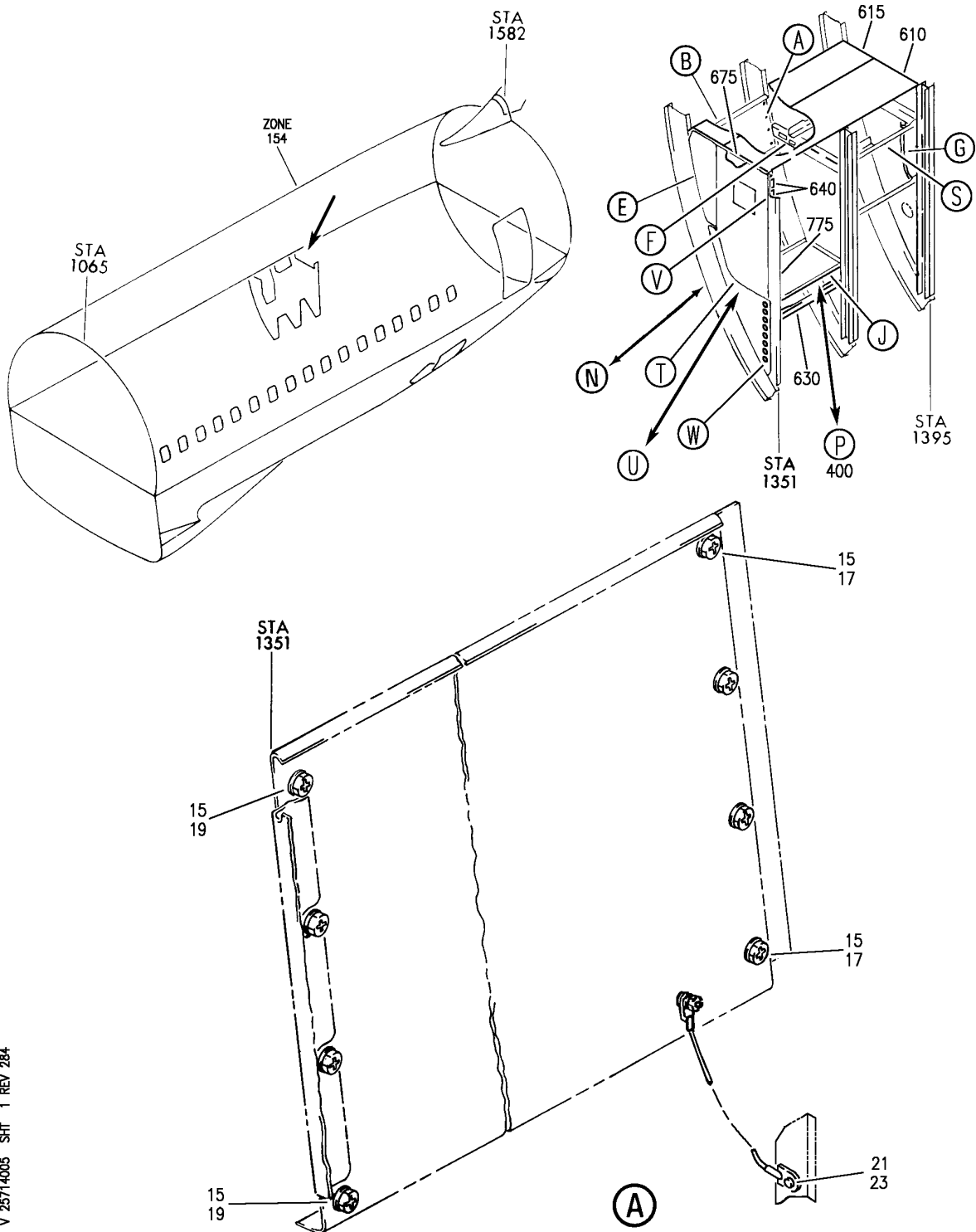
HXL

25-71-38-01

BOEING PROPRIETARY - Copyright © - Unpublished Work - See title page for details.

25-71-38
FIG. 01
PAGE 4
DEC 22/06

BOEING
767
PARTS CATALOG (MAINTENANCE)



V 2571-40-05 SHT 1 REV 284

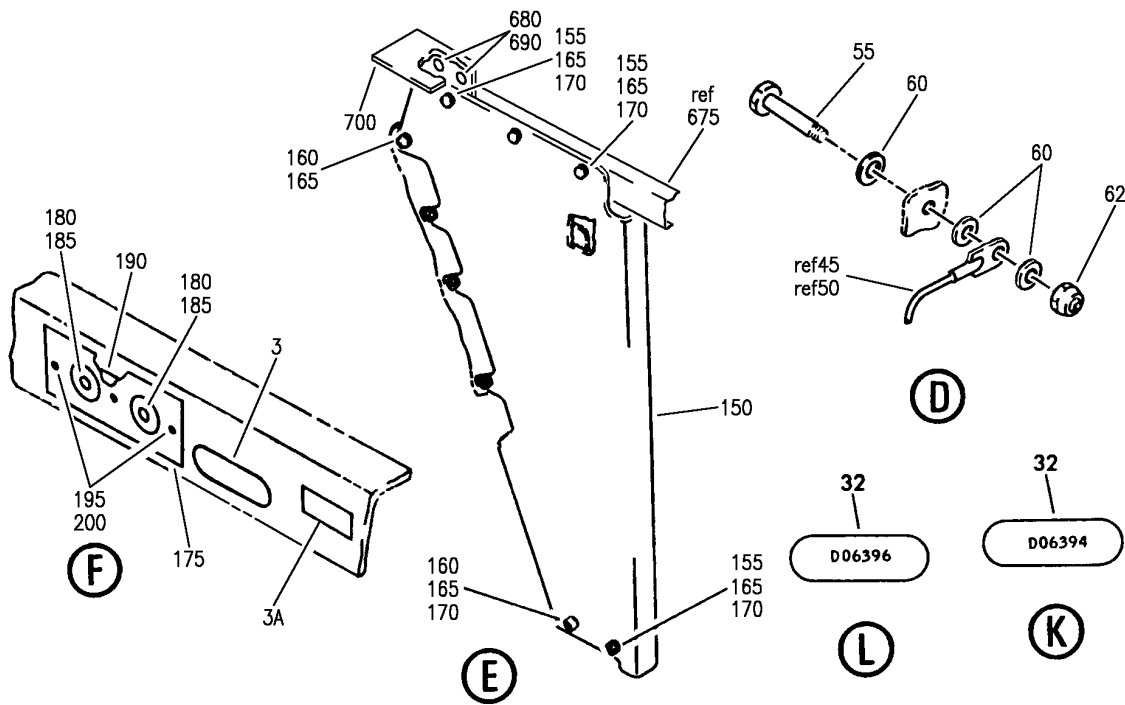
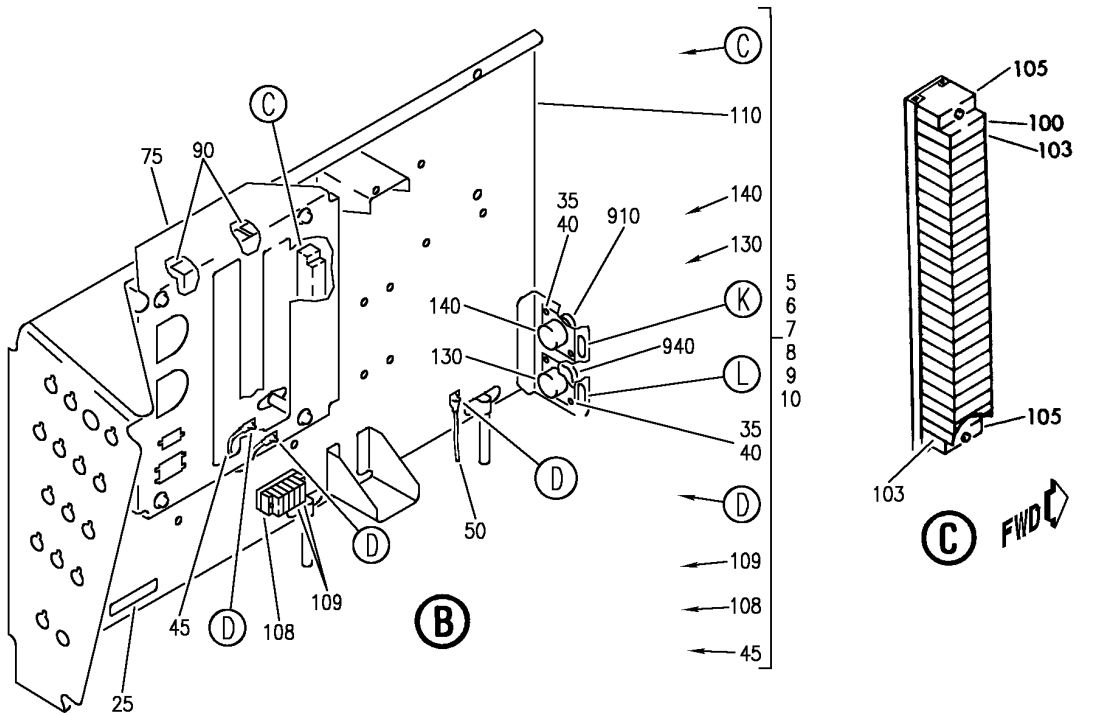
RACK INSTL-E6 EQPT CTR AFT (EQUIPMENT/FURNISHINGS ONLY)
FIGURE 5 (SHEET 1)

25-71-40-05

HXL
DEC 22/06

25-71-40-05
PAGE 0


BOEING
 767
PARTS CATALOG (MAINTENANCE)



V 2571-40-05 SHT 2 REV 303

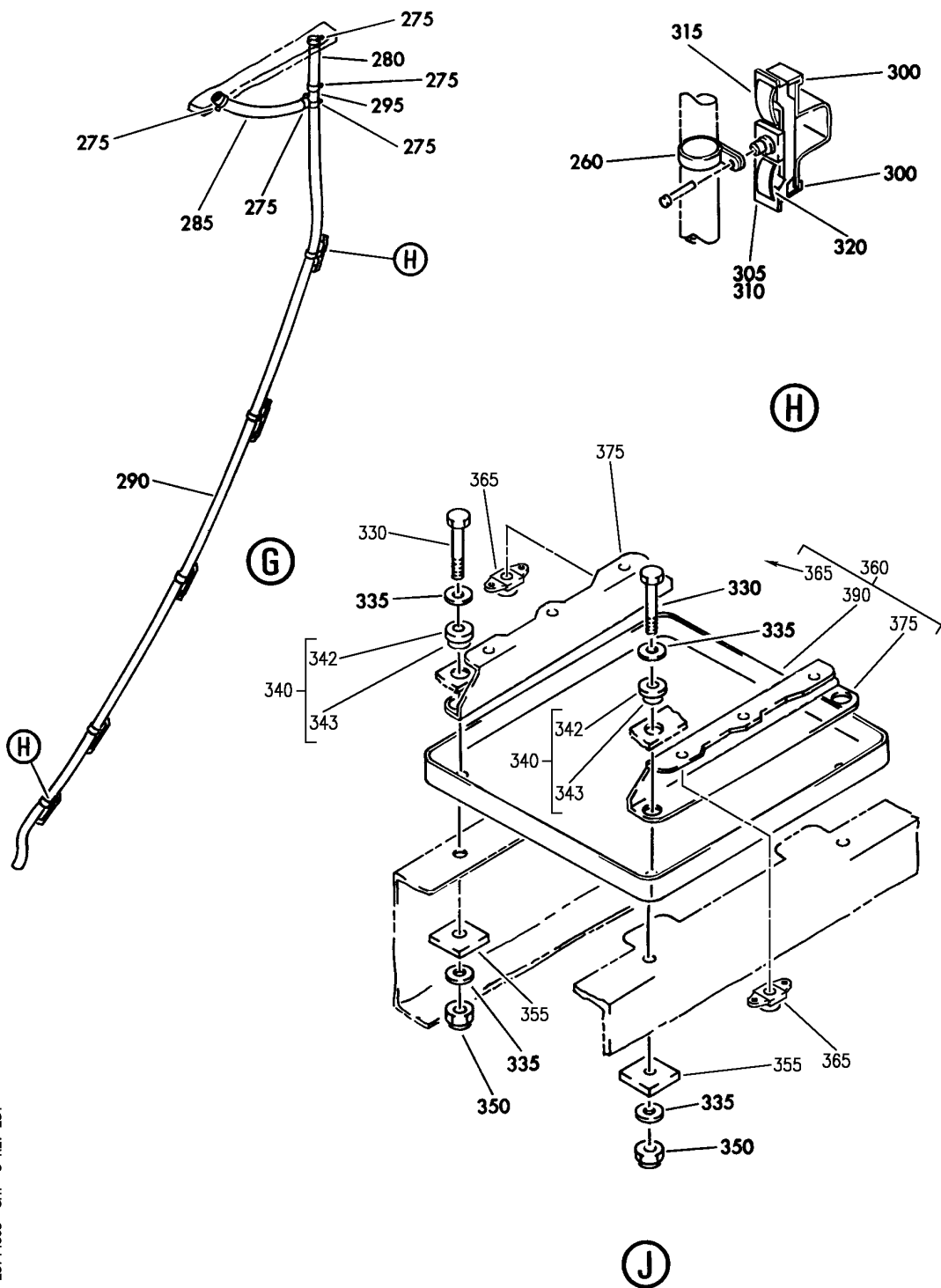
RACK INSTL-E6 EQPT CTR AFT (EQUIPMENT/FURNISHINGS ONLY)
 FIGURE 5 (SHEET 2)

25-71-40-05

HXL
DEC 22/06

25-71-40-05
 PAGE 0A

BOEING
767
PARTS CATALOG (MAINTENANCE)



V 2571-40-05 SHT 3 REV 284

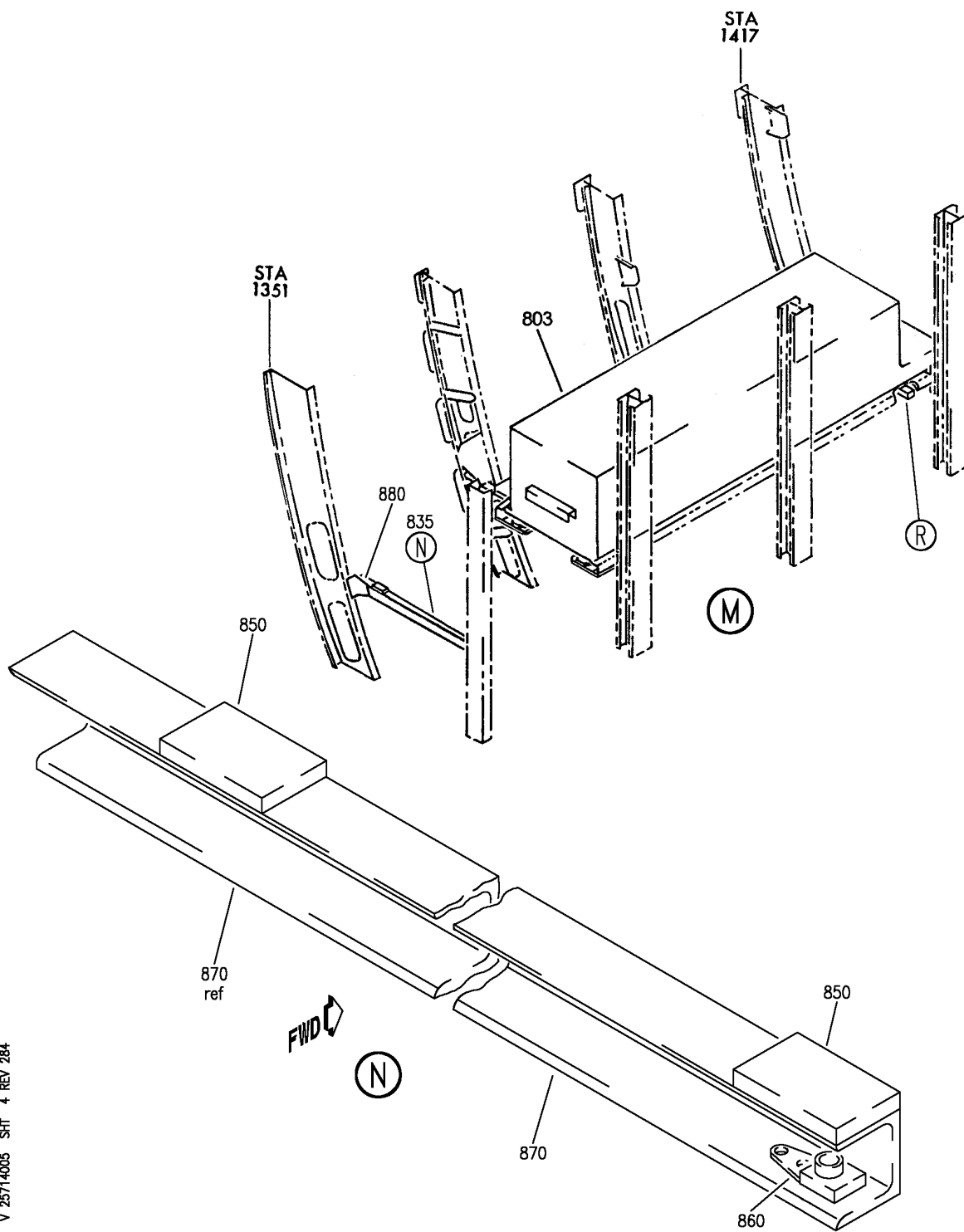
RACK INSTL-E6 EQPT CTR AFT (EQUIPMENT/FURNISHINGS ONLY)
FIGURE 5 (SHEET 3)

25-71-40-05

HXL
DEC 22/06

25-71-40-05
PAGE 0B

BOEING
767
PARTS CATALOG (MAINTENANCE)



V 25714005 SHT 4 REV 284

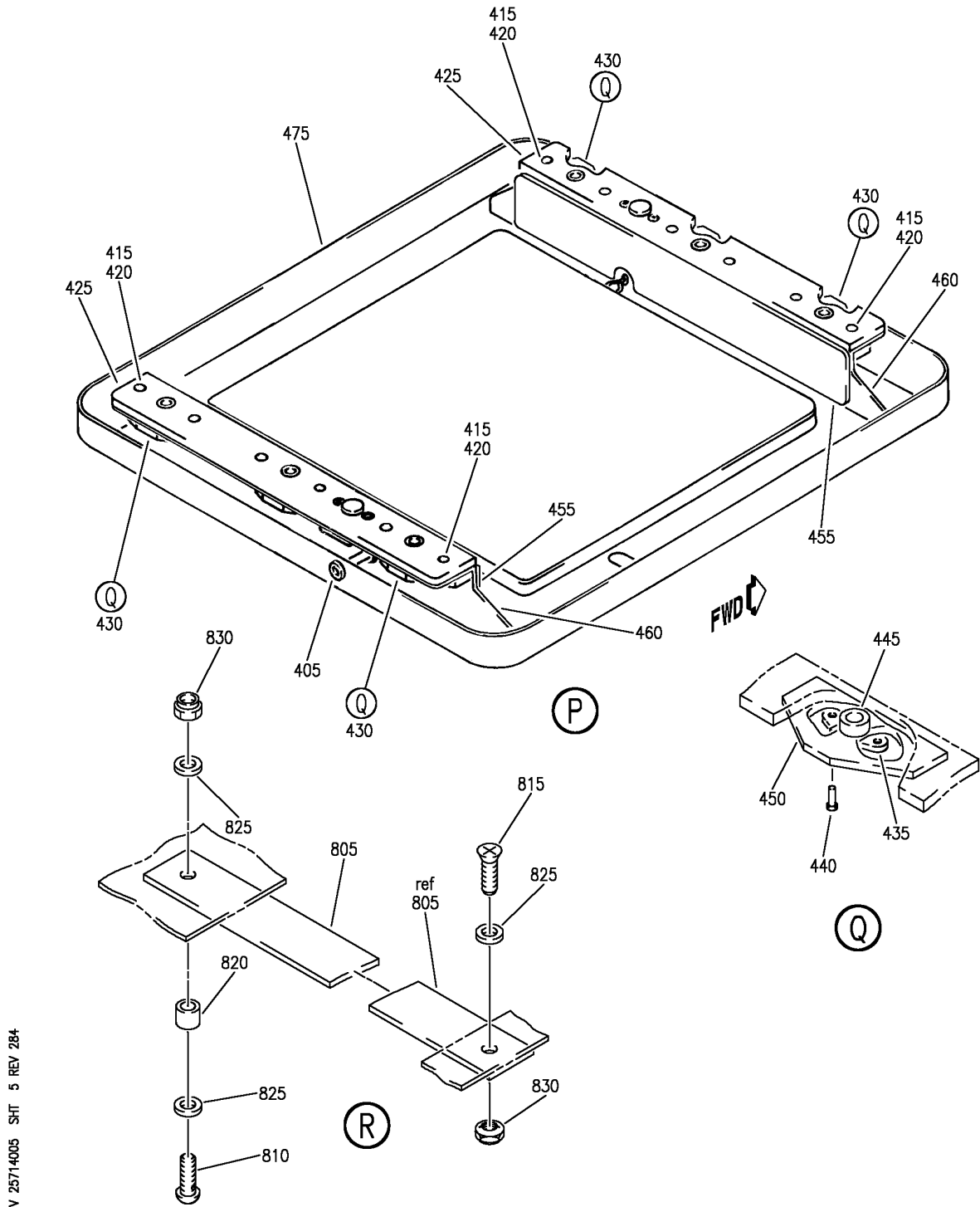
RACK INSTL-E6 EQPT CTR AFT (EQUIPMENT/FURNISHINGS ONLY)
FIGURE 5 (SHEET 4)

25-71-40-05

HXL
DEC 22/06

25-71-40-05
PAGE 0C

BOEING
767
PARTS CATALOG (MAINTENANCE)



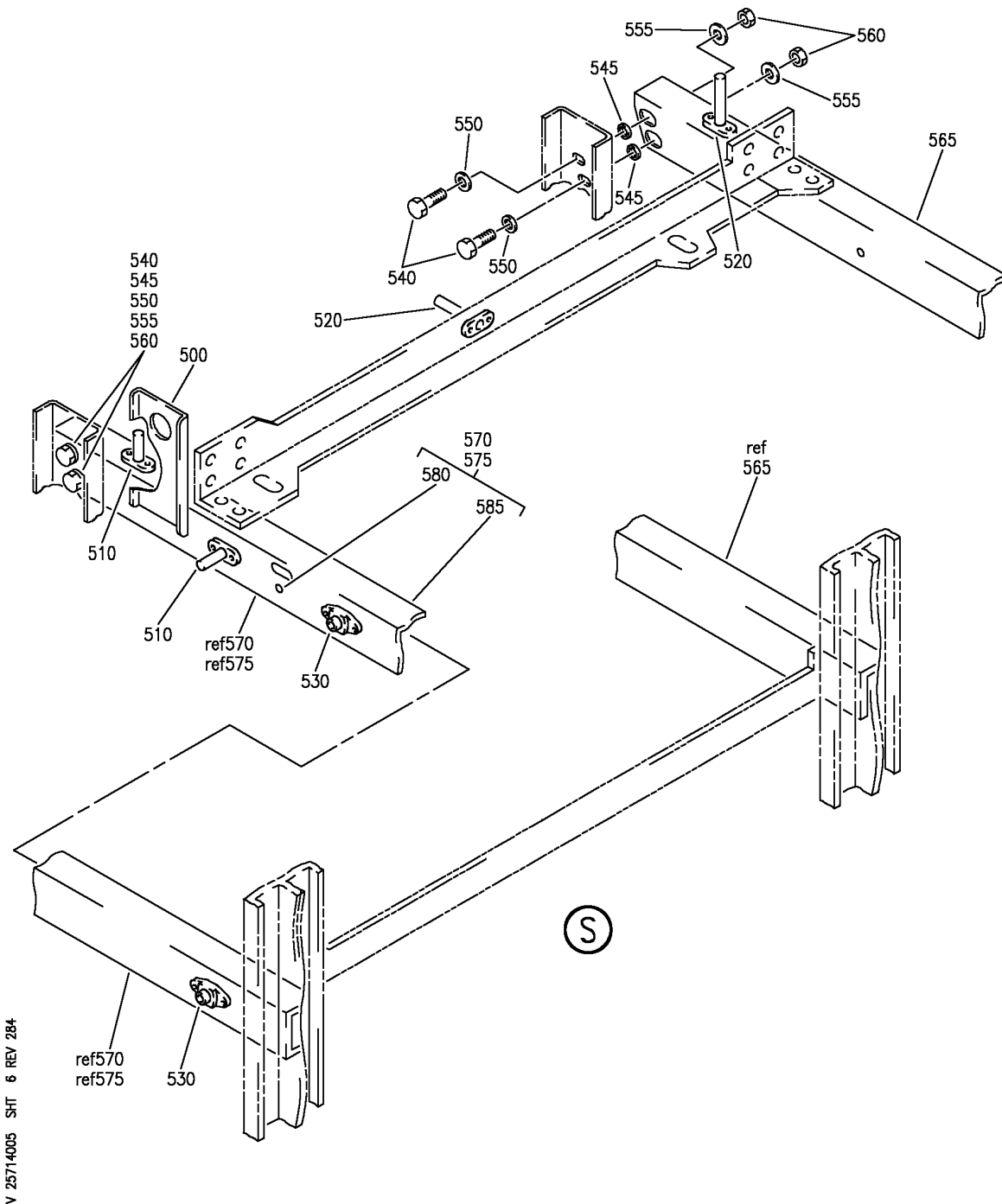
RACK INSTL-E6 EQPT CTR AFT (EQUIPMENT/FURNISHINGS ONLY)
FIGURE 5 (SHEET 5)

25-71-40-05

HXL
DEC 22/06

25-71-40-05
PAGE 0D

BOEING
767
PARTS CATALOG (MAINTENANCE)



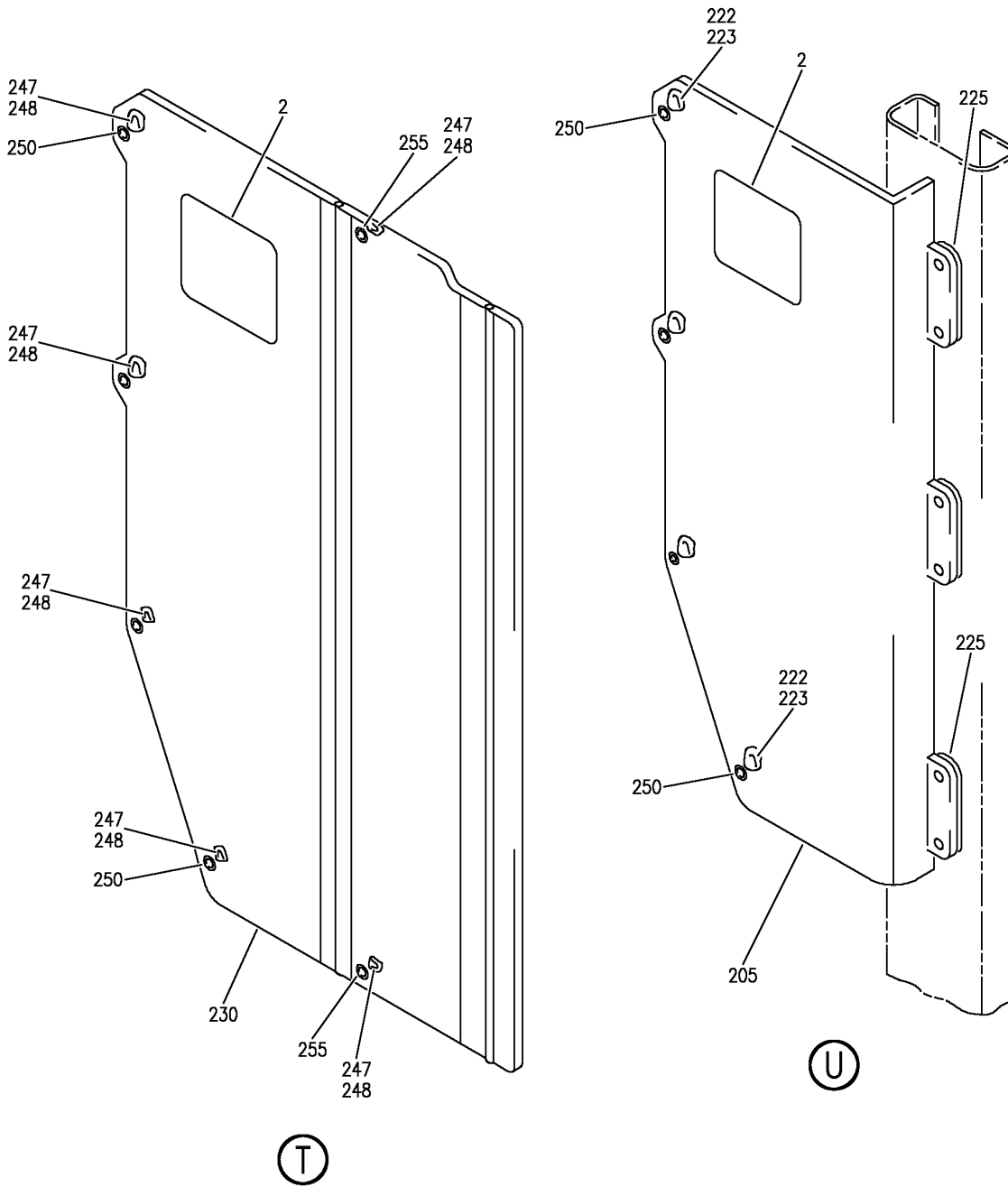
RACK INSTL-E6 EQPT CTR AFT (EQUIPMENT/FURNISHINGS ONLY)
FIGURE 5 (SHEET 6)

25-71-40-05

HXL
DEC 22/06

25-71-40-05
PAGE 0E


BOEING
 767
PARTS CATALOG (MAINTENANCE)



V 25714005 SH1 7 REV 284

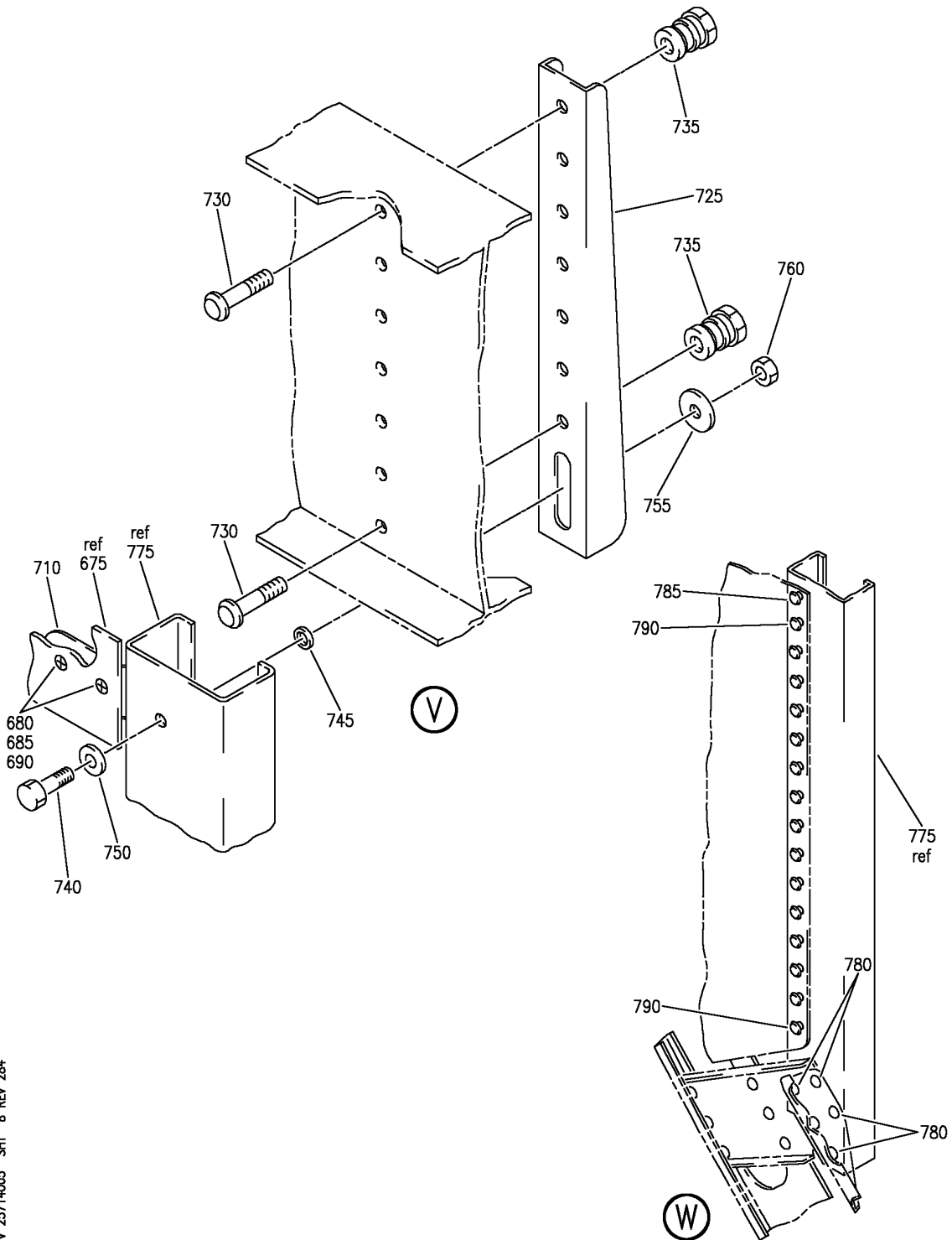
RACK INSTL-E6 EQPT CTR AFT (EQUIPMENT/FURNISHINGS ONLY)
 FIGURE 5 (SHEET 7)

25-71-40-05

HXL
DEC 22/06

25-71-40-05
 PAGE OF

BOEING
767
PARTS CATALOG (MAINTENANCE)



V 25714005 SH1 8 REV 284

RACK INSTL-E6 EQPT CTR AFT (EQUIPMENT/FURNISHINGS ONLY)
FIGURE 5 (SHEET 8)

25-71-40-05

HXL
DEC 22/06

25-71-40-05
PAGE 0G



767

PARTS CATALOG (MAINTENANCE)

FIG ITEM	PART NUMBER	1 2 3 4 5 6 7	NOMENCLATURE	EFFECT FROM TO	UNITS PER ASSY
5			RACK INSTL-E6 EQPT CTR AFT (EQUIPMENT/FURNISHINGS ONLY)		
- 1	284T0160-18		RACK INSTL-E6 EQPT CTR (EQUIPMENT/FURNISHINGS ONLY) POSITION DATA: AFT VARIABLE DRAWING REF: 284T0160-5061 FOR NHA/OTHER SYS DET SEE: 24-00-58-01D		RF
2	BAC27TEX2200		.DECAL- PLACARD CONTENT: E6 AFT EQUIPMENT CENTER		1
3A	BAC27TAP0003		.DECAL- PLACARD CONTENT: SEE BITE INSTRUCTIONS FOR APU CONTROL UNIT ECU ON BACK DOOR PANEL		1
5	284T1149-15		.EQUIPMENT ASSY- (EQUIPMENT/FURNISHINGS ONLY) ELECTRICAL EQUIP NUMBER: P049-00 FUNCTIONAL REFERENCE: AIR CONDITIONING FOR DETAILS SEE 21-44-55-05 AIRBORNE AUXILIARY POWER FOR DETAILS SEE 49-15-55-05 49-41-55-05 49-61-55-05 ELECTRICAL POWER FOR DETAILS SEE 24-31-55-05 24-51-72-02 PLACARDS AND MARKINGS FOR DETAILS SEE 11-36-13-03 PNEUMATIC FOR DETAILS SEE 36-11-55-05 WATER/WASTE FOR DETAILS SEE 38-15-55-05 38-32-57-05		1
ILLUSTRATION ITEMS NOT ON PARTS LIST ARE NOT APPLICABLE					

- ITEM NOT ILLUSTRATED

HXL

25-71-40-05

BOEING PROPRIETARY - Copyright © - Unpublished Work - See title page for details.

25-71-40
FIG. 05
PAGE 1
DEC 22/07



767

PARTS CATALOG (MAINTENANCE)

FIG ITEM	PART NUMBER	1 2 3 4 5 6 7	NOMENCLATURE	EFFECT FROM TO	UNITS PER ASSY
5			ATTACHING PARTS		
15	NAS1801-3-8	.	SCREW		8
17	AN910PD10	.	WASHER		4
19	AN960PD10	.	WASHER		4
21	AN960D416L	.	WASHER		1
23	BRH10A4	.	NUT		1
			SUPPLIER CODE: V52828		
			SPECIFICATION NUMBER: BACN10JC4		
			OPTIONAL PART: T6S428J V11815 96-048 V80539 VN303A048 V92215 RMLH9075-4W V72962 NS202101-048 V80539 H10-4BAC V15653		
			-----*-----		
25	BAC27TEX0686	..	DECAL- PLACARD CONTENT: P49 PNL-APU AUX		1
32	BAC27TEX3251	..	DECALSET-INCLUDES DECALS IDENTIFIED ON THE ILLUSTRATION		RF
35	NAS1801-04-5	..	SCREW		4
40	K19798-04	..	NUT SUPPLIER CODE: V15653 SPECIFICATION NUMBER: BACN10NW1 OPTIONAL PART: RMA4812-160-40 V72962 293162 V60119		4

ILLUSTRATION ITEMS NOT ON PARTS LIST ARE NOT APPLICABLE

- ITEM NOT ILLUSTRATED

HXL

25-71-40-05

BOEING PROPRIETARY - Copyright © - Unpublished Work - See title page for details.

25-71-40
FIG. 05
PAGE 2
DEC 22/08

BOEING
767
PARTS CATALOG (MAINTENANCE)

FIG ITEM	PART NUMBER	1 2 3 4 5 6 7	NOMENCLATURE	EFFECT FROM TO	UNITS PER ASSY
5					
45	740A20-6		.. CABLE SUPPLIER CODE: V91812 SPECIFICATION NUMBER: BACJ40A20-6 OPTIONAL PART: TJEJ40A20-6 V33483 RBEJ20-6 V1GK47		1
50	BACJ40A21-10		.. JUMPER ASSY ATTACHING PARTS		1
55	NAS6603-3		.. BOLT		3
60	AN960D10L		.. WASHER		9
62	BRH10A3		.. NUT SUPPLIER CODE: V52828 SPECIFICATION NUMBER: BACN10JC3 OPTIONAL PART: H10-3BAC V15653 NS202101-02 V80539 RMLH9075-3W V72962 VN303A02 V92215 96-02 V80539 T6S1032J V11815 -----*-----		3
75	284T1147-1		.. BRACKET ASSY-RELAY ATTACHING PARTS		1
- 80	NAS1801-3-9		.. SCREW-		4
- 85	AN960PD10L		.. WASHER -----*-----		4
90	YHLZG16-1		... BLOCK-TERM. SUPPLIER CODE: V09922 ATTACHING PARTS		2
- 95	BACR154AD		... RIVET- SIZE DETERMINED ON INSTL. -----*-----		8

ILLUSTRATION ITEMS NOT ON PARTS LIST ARE NOT APPLICABLE

- ITEM NOT ILLUSTRATED

HXL

25-71-40-05

BOEING PROPRIETARY - Copyright © - Unpublished Work - See title page for details.

25-71-40
FIG. 05
PAGE 3
DEC 22/08



767

PARTS CATALOG (MAINTENANCE)

FIG ITEM	PART NUMBER	1 2 3 4 5 6 7	NOMENCLATURE	EFFECT FROM TO	UNITS PER ASSY
5 100	H21-1		.. SPACER- SUPPLIER CODE: V34941 SPECIFICATION NUMBER: BACS18AR1 OPTIONAL PART: FAB276A V15805 YHLZ1C2 V09922 QUALIFIED OPTIONAL DATA: (BACC49A1 + BACS18AR1 OPT TO BACC49A2)		1
103	YHLZ2		.. MODULE- SUPPLIER CODE: V09922 SPECIFICATION NUMBER: BACM15C1A OPTIONAL PART: YHLZ22 V09922 BACM15C1B BACM15C2A BACM15C3A BACM15C3B BACM15C3C		AR
103	YHLZ4		.. MODULE- SUPPLIER CODE: V09922 SPECIFICATION NUMBER: BACM15C1B OPTIONAL PART: YHLZ44 V09922 BACM15C1A BACM15C2A BACM15C3A BACM15C3B BACM15C3C		AR

ILLUSTRATION ITEMS NOT ON PARTS LIST ARE NOT APPLICABLE

- ITEM NOT ILLUSTRATED

HXL

25-71-40-05

BOEING PROPRIETARY - Copyright © - Unpublished Work - See title page for details.

25-71-40
 FIG. 05
 PAGE 4
 DEC 22/08



**767
PARTS CATALOG (MAINTENANCE)**

FIG ITEM	PART NUMBER	1 2 3 4 5 6 7	NOMENCLATURE	EFFECT FROM TO	UNITS PER ASSY
5 103	YHLZ8		..MODULE- SUPPLIER CODE: V09922 SPECIFICATION NUMBER: BACM15C2A OPTIONAL PART: BACM15C1A BACM15C1B BACM15C3A BACM15C3B BACM15C3C		AR
103	YHLZ16-2		..MODULE- SUPPLIER CODE: V09922 SPECIFICATION NUMBER: BACM15C3A OPTIONAL PART: TBH120450 V58982 421120-450 V58982 BACM15C1A BACM15C1B BACM15C2A BACM15C3B BACM15C3C		AR
103	YHLZ16-4		..MODULE- SUPPLIER CODE: V09922 SPECIFICATION NUMBER: BACM15C3B OPTIONAL PART: 421120-452 V58982 TBH120452 V58982 BACM15C1A BACM15C1B BACM15C2A BACM15C3A BACM15C3C		AR

ILLUSTRATION ITEMS NOT ON PARTS LIST ARE NOT APPLICABLE

- ITEM NOT ILLUSTRATED

HXL

25-71-40-05

BOEING PROPRIETARY - Copyright © - Unpublished Work - See title page for details.

25-71-40
FIG. 05
PAGE 5
DEC 22/08

 **BOEING**
767
PARTS CATALOG (MAINTENANCE)

FIG ITEM	PART NUMBER	1 2 3 4 5 6 7	NOMENCLATURE	EFFECT FROM TO	UNITS PER ASSY
5					
103	YHLZ16-8		..MODULE- SUPPLIER CODE: V09922 SPECIFICATION NUMBER: BACM15C3C OPTIONAL PART: 421120-454 V58982 TBH120454 V58982 BACM15C1A BACM15C1B BACM15C2A BACM15C3A BACM15C3B		AR
105	BACC49A1		..CLAMP ASSY- QUALIFIED OPTIONAL DATA: (BACC49A1 + BACS18R1 OPT TO BACC49A2)		2
105	H49-2		..CLAMP ASSY- SUPPLIER CODE: V34941 SPECIFICATION NUMBER: BACC49A2 OPTIONAL PART: MF104-2 V6E102 QUALIFIED OPTIONAL DATA: (BACC49A1 + BACS18AR1 OPT TO BACC49A2)		2
110	284T1148-2		..PANEL ASSY-		1
- 125	286T1050-101		..WIRE BUNDLE ASSY		RF
130	BACC45FN20-39P7		...CONNECTOR-RECEPTACLE ELECTRICAL EQUIP NUMBER: D06396J WIRING DIAGRAM REF: 491511		1
- 135	286T0030-101		..WIRE BUNDLE ASSY		RF
140	BACC45FN20-39P		...CONNECTOR-RECEPTACLE ELECTRICAL EQUIP NUMBER: D06394J WIRING DIAGRAM REF: 361141		1
150	284T0397-6		.PANEL- ATTACHING PARTS		1
155	NAS514P1032-7		.SCREW		4
160	NAS1801-3-7		.SCREW		5
165	AN960PD10L		.WASHER		9
ILLUSTRATION ITEMS NOT ON PARTS LIST ARE NOT APPLICABLE					

- ITEM NOT ILLUSTRATED

HXL

25-71-40-05

BOEING PROPRIETARY - Copyright © - Unpublished Work - See title page for details.

25-71-40
FIG. 05
PAGE 6
DEC 22/08



767

PARTS CATALOG (MAINTENANCE)

FIG ITEM	PART NUMBER	1 2 3 4 5 6 7	NOMENCLATURE	EFFECT FROM TO	UNITS PER ASSY
5 170	BRH10A3		.NUT- SUPPLIER CODE: V52828 SPECIFICATION NUMBER: BACN10JC3 OPTIONAL PART: H10-3BAC V15653 NS202101-02 V80539 RMLH9075-3W V72962 VN303A02 V92215 96-02 V80539 T6S1032J V11815 -----*-----		5
230	RTB01381		.DOOR ASSY- SUPPLIER CODE: V07386 ATTACHING PARTS		1
- 235	NAS514P1032-6		.SCREW- POST SERVICE BULLETIN: 25-0050		7
- 240	AN960PD8L		.WASHER- POST SERVICE BULLETIN: 25-0050		7

ILLUSTRATION ITEMS NOT ON PARTS LIST ARE NOT APPLICABLE

- ITEM NOT ILLUSTRATED

HXL

25-71-40-05

BOEING PROPRIETARY - Copyright © - Unpublished Work - See title page for details.

25-71-40
FIG. 05
PAGE 7
DEC 22/07

 **BOEING**
767
PARTS CATALOG (MAINTENANCE)

FIG ITEM	PART NUMBER	1 2 3 4 5 6 7	NOMENCLATURE	EFFECT FROM TO	UNITS PER ASSY
5					
- 245	BRH10A08		.NUT- SUPPLIER CODE: V52828 SPECIFICATION NUMBER: BACN10JC08 OPTIONAL PART: H10-08BAC V15653 NS202101-82 V80539 RMLH9075-82W V72962 VN303A82 V92215 96-82 V80539 T6S832J V11815 POST SERVICE BULLETIN: 25-0050 -----*-----		7
247	BACS21Y9R		..STUD ASSY		6
248	1127722		..WASHER SUPPLIER CODE: V60119 SPECIFICATION NUMBER: BACW10X2 OPTIONAL PART: 2600SW V71286		6
250	BACR11Y2K		.RECEPTACLE ATTACHING PARTS		4
- 252	BACR15BA3AD		.RIVET- POSITION DATA: NEAR SIDE SIZE DETERMINED ON INSTL. -----*-----		8
255	BACR11Y2K		.RECEPTACLE ATTACHING PARTS		2
- 257	BACR15BA3AD		.RIVET- POSITION DATA: NEAR SIDE SIZE DETERMINED ON INSTL. -----*-----		4
260	BACC10DK16		.CLAMP ATTACHING PARTS		5
- 265	NAS1801-3-8		.SCREW		5
- 270	AN960PD10L		.WASHER -----*-----		5
ILLUSTRATION ITEMS NOT ON PARTS LIST ARE NOT APPLICABLE					

- ITEM NOT ILLUSTRATED

HXL

25-71-40-05

BOEING PROPRIETARY - Copyright © - Unpublished Work - See title page for details.

25-71-40
FIG. 05
PAGE 8
DEC 22/07



767

PARTS CATALOG (MAINTENANCE)

FIG ITEM	PART NUMBER	1 2 3 4 5 6 7	NOMENCLATURE	EFFECT FROM TO	UNITS PER ASSY
5					
280	284T0160-3		.TUBING-		1
285	284T0160-4		.TUBING-		1
290	284T0160-16		.TUBING		1
295	69-54213-4		.TEE ASSY		1
300	287T0012-2		.STRAP-		10
			QUALIFIED OPTIONAL DATA: (287T0012-3 OR (1) 287T0012-1 PLUS (2) 287T0012-2 OPT TO (1) BACS38J1 PLUS (1) BACS38J2)		
305	287T0012-3		.ATTACHMENT ASSY-SPRT		5
			QUALIFIED OPTIONAL DATA: (287T0012-3 OR (1) 287T0012-1 PLUS (2) 287T0012-2 OPT TO (1) BACS38J1 PLUS (1) BACS38J2)		
310	287T0012-1		.ATTACHMENT-SPRT		5
			QUALIFIED OPTIONAL DATA: (287T0012-3 OR (1) 287T0012-1 PLUS (2) 287T0012-2 OPT TO (1) BACS38J1 PLUS (1) BACS38J2)		
315	S38J1		.ATTACHMENT-		5
			SUPPLIER CODE: V59237 SPECIFICATION NUMBER: BACS38J1 OPTIONAL PART: 30187-2 V26835 QUALIFIED OPTIONAL DATA: (287T0012-3 OR (1) 287T0012-1 PLUS (2) 287T0012-2 OPT TO (1) BACS38J1 PLUS (1) BACS38J2)		
ILLUSTRATION ITEMS NOT ON PARTS LIST ARE NOT APPLICABLE					

- ITEM NOT ILLUSTRATED

HXL

25-71-40-05

BOEING PROPRIETARY - Copyright © - Unpublished Work - See title page for details.

25-71-40
 FIG. 05
 PAGE 9
 APR 22/08



767

PARTS CATALOG (MAINTENANCE)

FIG ITEM	PART NUMBER	1 2 3 4 5 6 7	NOMENCLATURE	EFFECT FROM TO	UNITS PER ASSY
5 320	S38J2		.STRAP- SUPPLIER CODE: V59237 SPECIFICATION NUMBER: BACS38J2 OPTIONAL PART: 30187-3 V26835 QUALIFIED OPTIONAL DATA: (287T0012-3 OR (1) 287T0012-1 PLUS (2) 287T0012-2 OPT TO (1) BACS38J1 PLUS (1) BACS38J2)		5
330	NAS6704-8		.BOLT		4
335	BACW10P186C		.WASHER ATTACHING PARTS		8
340	69B42075-3		.WASHER ASSY -----*-----		4
342	69B42075-8		..WASHER		1
343	69B42075-7		..TUBE		1
350	BRH10C4M		.NUT SUPPLIER CODE: V52828 SPECIFICATION NUMBER: BACN10JC4CM OPTIONAL PART: T6C428JM V11815 97E48 V80539 109LH9075-4W V72962 VN303D048 V92215 H01-4BAC V15653 NS202101SE048 V80539 ATTACHING PARTS		4
355	69B42075-9		.FILLER -----*-----		4
360	284T0415-1		.PAN ASSY-SUPPORT		1

ILLUSTRATION ITEMS NOT ON PARTS LIST ARE NOT APPLICABLE

- ITEM NOT ILLUSTRATED

25-71-40-05

25-71-40
FIG. 05
PAGE 10
DEC 22/07

HXL

 **BOEING**
767
PARTS CATALOG (MAINTENANCE)

FIG ITEM	PART NUMBER	1 2 3 4 5 6 7	NOMENCLATURE	EFFECT FROM TO	UNITS PER ASSY
5 365	BRF200C4M		..NUTPLATE SUPPLIER CODE: V52828 SPECIFICATION NUMBER: BACN10JR4CFM OPTIONAL PART: F5001-4BAC V15653 NS103203SE048 V80539 VN152D1-048 V92215 109F9201-4 V72962 T8092C428 V11815 ATTACHING PARTS		6
- 370	MS20427M3		..RIVET- POSITION DATA: NEAR SIDE SIZE DETERMINED ON INSTL. -----*-----		12
375	284T0416-1		..CHANNEL ATTACHING PARTS		2
- 380	MS20615-4M		..RIVET- POSITION DATA: FAR SIDE SIZE DETERMINED ON INSTL.		8
- 385	AN960C4		..WASHER -----*-----		8
390	284T0415-2		..PAN		1
510	WS1-4A6		.NUTPLATE SUPPLIER CODE: V04169 SPECIFICATION NUMBER: BACN10TL3A6 ATTACHING PARTS		2
- 515	BACR15BB4AD		.RIVET- SIZE DETERMINED ON INSTL. -----*-----		4
520	WSI4-18		.NUTPLATE SUPPLIER CODE: V04169 SPECIFICATION NUMBER: BACN10TL3-18 ATTACHING PARTS		2
- 525	BACR15BA3AD		.RIVET- SIZE DETERMINED ON INSTL. -----*-----		2

ILLUSTRATION ITEMS NOT ON PARTS LIST ARE NOT APPLICABLE

- ITEM NOT ILLUSTRATED

HXL

25-71-40-05

BOEING PROPRIETARY - Copyright © - Unpublished Work - See title page for details.

25-71-40
FIG. 05
PAGE 11
DEC 22/07

 **BOEING**
767
PARTS CATALOG (MAINTENANCE)

FIG ITEM	PART NUMBER	1 2 3 4 5 6 7	NOMENCLATURE	EFFECT FROM TO	UNITS PER ASSY
5					
530	BRFR220A4-1		.NUTPLATE- SUPPLIER CODE: V52828 SPECIFICATION NUMBER: BACN10KE4A OPTIONAL PART: RMF9212-4 V72962 F51750-4-1 V15653 NS103190-048 V80539 POSITION DATA: FAR SIDE ATTACHING PARTS		2
- 535	BACR15BA3AD		.RIVET- POSITION DATA: NEAR SIDE SIZE DETERMINED ON INSTL. -----*-----		4
540	NAS6603-3		.BOLT		4
545	NAS43DD3-4		.SPACER		4
550	AN960PD10		.WASHER		4
555	BACW10P43AL		.WASHER		4
560	BRH10A3		.NUT SUPPLIER CODE: V52828 SPECIFICATION NUMBER: BACN10JC3 OPTIONAL PART: H10-3BAC V15653 NS202101-02 V80539 RMLH9075-3W V72962 VN303A02 V92215 96-02 V80539 T6S1032J V11815		4
565	284T0401-2		.CHANNEL		1
570	284T0401-2		.CHANNEL		1
610	284T0412-3		.SHROUD ASSY-		1
615	284T0413-3		.SHROUD ASSY-		1
ILLUSTRATION ITEMS NOT ON PARTS LIST ARE NOT APPLICABLE					

- ITEM NOT ILLUSTRATED

HXL

25-71-40-05

BOEING PROPRIETARY - Copyright © - Unpublished Work - See title page for details.

25-71-40
FIG. 05
PAGE 12
APR 22/08



767

PARTS CATALOG (MAINTENANCE)

FIG ITEM	PART NUMBER	1 2 3 4 5 6 7	NOMENCLATURE	EFFECT FROM TO	UNITS PER ASSY
5			ATTACHING PARTS		
- 620	NAS1801-3-8		.SCREW- POSITION DATA: FAR SIDE		12
- 625	BACW10P43AL		.WASHER- POSITION DATA: FAR SIDE		12
			-----*-----		
630	284T0404-3		.ANGLE-SUPPORT ATTACHING PARTS		1
- 635	BACR15FT5AD		.RIVET- POSITION DATA: FAR SIDE SIZE DETERMINED ON INSTL.		4
			-----*-----		
640	BRFR220A4-1		.NUTPLATE- SUPPLIER CODE: V52828 SPECIFICATION NUMBER: BACN10KE4A OPTIONAL PART: RMF9212-4 V72962 F51750-4-1 V15653 NS103190-048 V80539 POSITION DATA: NEAR SIDE ATTACHING PARTS		2
- 645	BACR15A3AD		.RIVET- POSITION DATA: NEAR SIDE SIZE DETERMINED ON INSTL.		4
			-----*-----		
675	284T0418-5		.CHANNEL-SUPPORT ATTACHING PARTS		1
680	NAS513P1032-6		.SCREW- POSITION DATA: NEAR SIDE		4
685	AN960PD10L		.WASHER- POSITION DATA: NEAR SIDE		2

ILLUSTRATION ITEMS NOT ON PARTS LIST ARE NOT APPLICABLE

- ITEM NOT ILLUSTRATED

HXL

25-71-40-05

BOEING PROPRIETARY - Copyright © - Unpublished Work - See title page for details.

25-71-40
FIG. 05
PAGE 13
DEC 22/07



767

PARTS CATALOG (MAINTENANCE)

FIG ITEM	PART NUMBER	1 2 3 4 5 6 7	NOMENCLATURE	EFFECT FROM TO	UNITS PER ASSY
5 690	BRH10A3		.NUT- SUPPLIER CODE: V52828 SPECIFICATION NUMBER: BACN10JC3 OPTIONAL PART: H10-3BAC V15653 NS202101-02 V80539 RMLH9075-3W V72962 VN303A02 V92215 96-02 V80539 T6S1032J V11815 POSITION DATA: NEAR SIDE -----*-----		4
700	284T0418-9		.ANGLE-SUPPORT ATTACHING PARTS		1
- 705	BACR15FT5AD		.RIVET- SIZE DETERMINED ON INSTL. -----*-----		2
710	284T0418-8		.ANGLE-SUPPORT ATTACHING PARTS		1
- 715	BACR15FT6AD		.RIVET- SIZE DETERMINED ON INSTL. -----*-----		2
725	284T0404-1		.CHANNEL-SUPPORT ATTACHING PARTS		1
730	BACB30NX6K		.BOLT		7

ILLUSTRATION ITEMS NOT ON PARTS LIST ARE NOT APPLICABLE

- ITEM NOT ILLUSTRATED

HXL

25-71-40-05

BOEING PROPRIETARY - Copyright © - Unpublished Work - See title page for details.

25-71-40
FIG. 05
PAGE 14
DEC 22/07

 **BOEING**
767
PARTS CATALOG (MAINTENANCE)

FIG ITEM	PART NUMBER	1 2 3 4 5 6 7	NOMENCLATURE	EFFECT FROM TO	UNITS PER ASSY
5 735	HL1187-6		.COLLAR SUPPLIER CODE: V5M902 SPECIFICATION NUMBER: BACC30X6 OPTIONAL PART: HL87-6 V92215 HL87-6 V73197 HL1187-6 V56878 HL1187-6 V92215 HL87-6 V56878 HL1187-6 V73197		7
740	NAS6603-3		.BOLT		1
745	NAS43DD3-5		.SPACER		1
750	AN960PD10		.WASHER		1
755	BACW10PA3AL		.WASHER		1
760	BRH10A3		.NUT SUPPLIER CODE: V52828 SPECIFICATION NUMBER: BACN10JC3 OPTIONAL PART: H10-3BAC V15653 NS202101-02 V80539 RMLH9075-3W V72962 VN303A02 V92215 96-02 V80539 T6S1032J V11815		1
775	284T0401-1		-----*----- .CHANNEL ATTACHING PARTS		1
780	BACR15FT5AD		.RIVET- POSITION DATA: 284T0160		5

ILLUSTRATION ITEMS NOT ON PARTS LIST ARE NOT APPLICABLE

- ITEM NOT ILLUSTRATED

HXL

25-71-40-05

BOEING PROPRIETARY - Copyright © - Unpublished Work - See title page for details.

25-71-40
FIG. 05
PAGE 15
DEC 22/07



767

PARTS CATALOG (MAINTENANCE)

FIG ITEM	PART NUMBER	1 2 3 4 5 6 7	NOMENCLATURE	EFFECT FROM TO	UNITS PER ASSY
5 785	BACR15BA4AD		.RIVET- POSITION DATA: NEAR SIDE SIZE DETERMINED ON INSTL.		1
790	BACR15BB4AD		.RIVET- SIZE DETERMINED ON INSTL.		15
- 900	286T1038-101		WIRE BUNDLE ASSY		RF
910	BACC45FT20-39S		.CONNECTOR-PLUG ELECTRICAL EQUIP NUMBER: D06394P WIRING DIAGRAM REF: 243141		1
- 930	286T0020-101		WIRE BUNDLE ASSY		RF
940	BACC45FT20-39S7		.CONNECTOR-PLUG ELECTRICAL EQUIP NUMBER: D06396P WIRING DIAGRAM REF: 491511		1

ILLUSTRATION ITEMS NOT ON PARTS LIST ARE NOT APPLICABLE

- ITEM NOT ILLUSTRATED

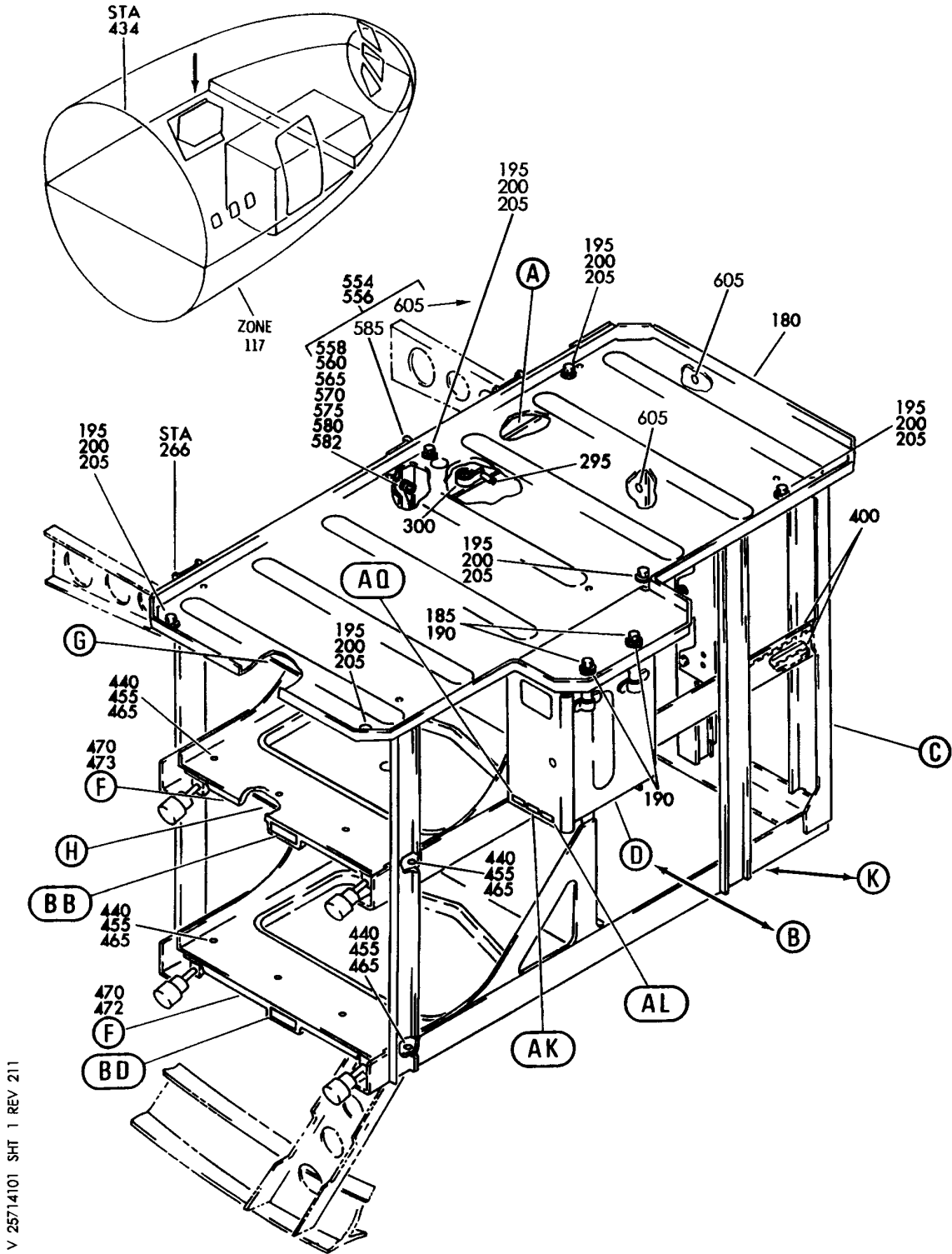
HXL

25-71-40-05

BOEING PROPRIETARY - Copyright © - Unpublished Work - See title page for details.

25-71-40
FIG. 05
PAGE 16
DEC 22/07

BOEING
767
PARTS CATALOG (MAINTENANCE)



V 25714101 SHT 1 REV 211

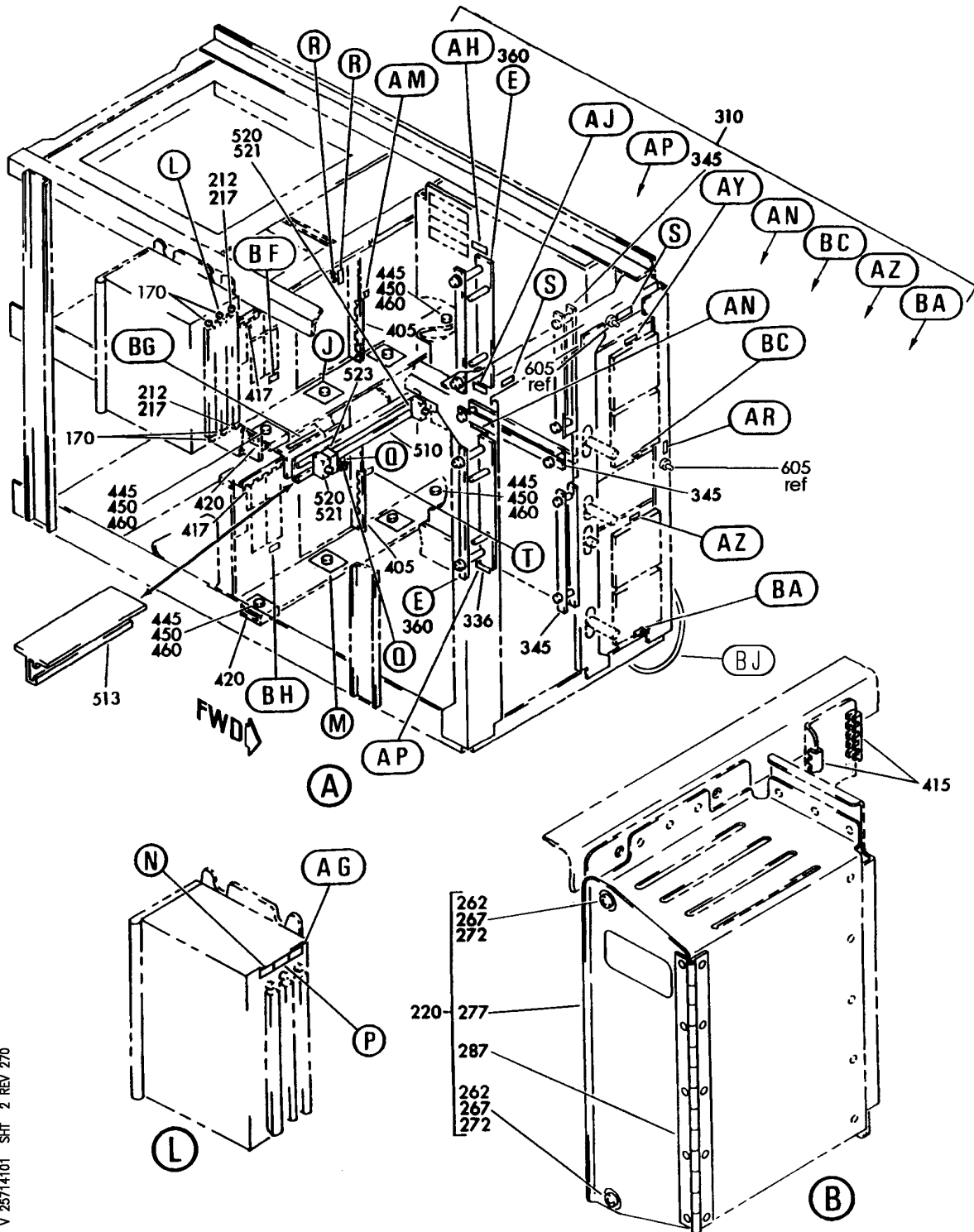
RACK ASSY-E8 MAIN (EQUIPMENT/FURNISHINGS ONLY)
FIGURE 1 (SHEET 1)

25-71-41-01

HXL
DEC 22/06

25-71-41-01
PAGE 0

BOEING
767
PARTS CATALOG (MAINTENANCE)



V 25714101 SHT. 2 REV 270

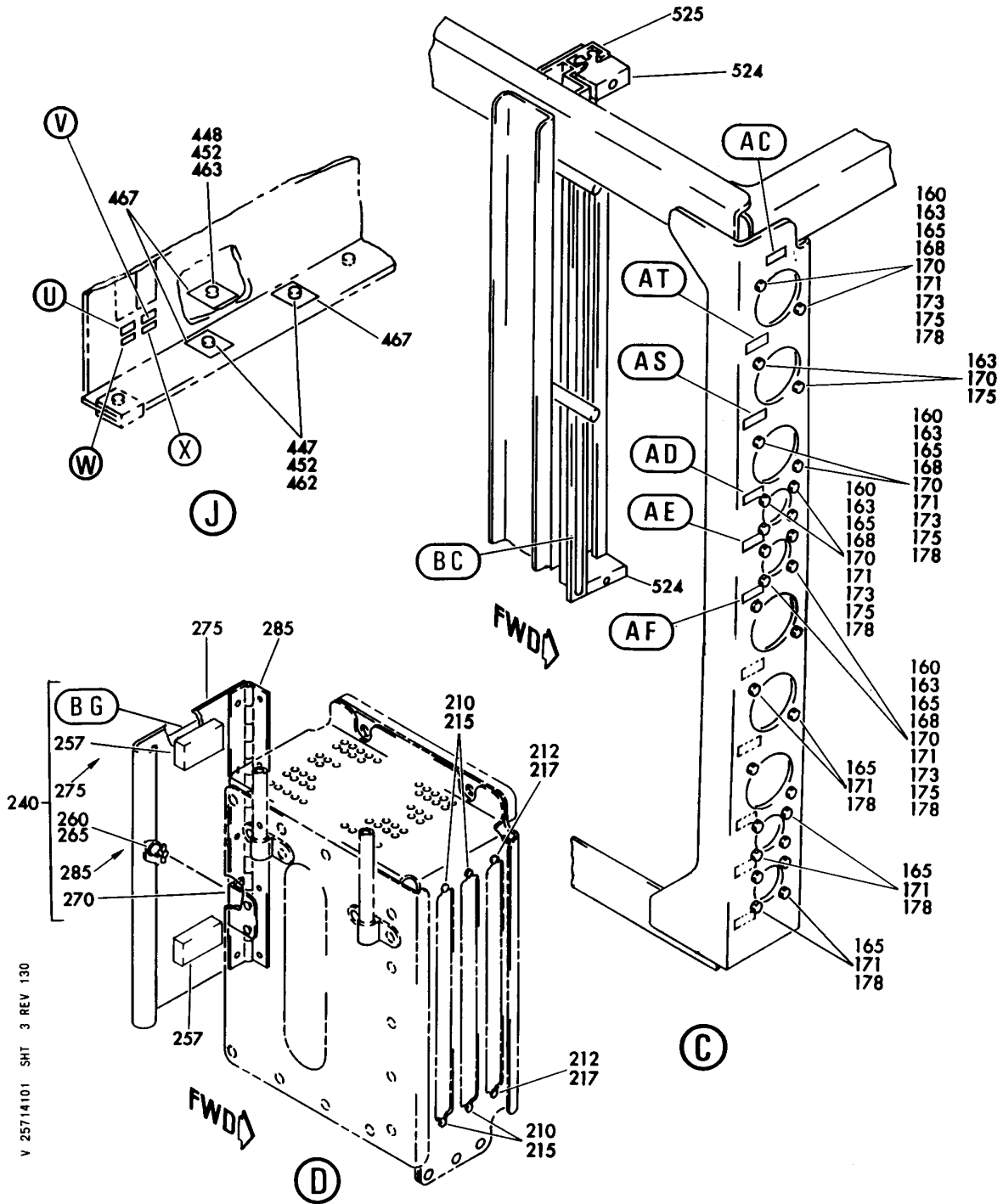
RACK ASSY-E8 MAIN (EQUIPMENT/FURNISHINGS ONLY)
FIGURE 1 (SHEET 2)

25-71-41-01

HXL
DEC 22/06

25-71-41-01
PAGE 0A

BOEING
767
PARTS CATALOG (MAINTENANCE)



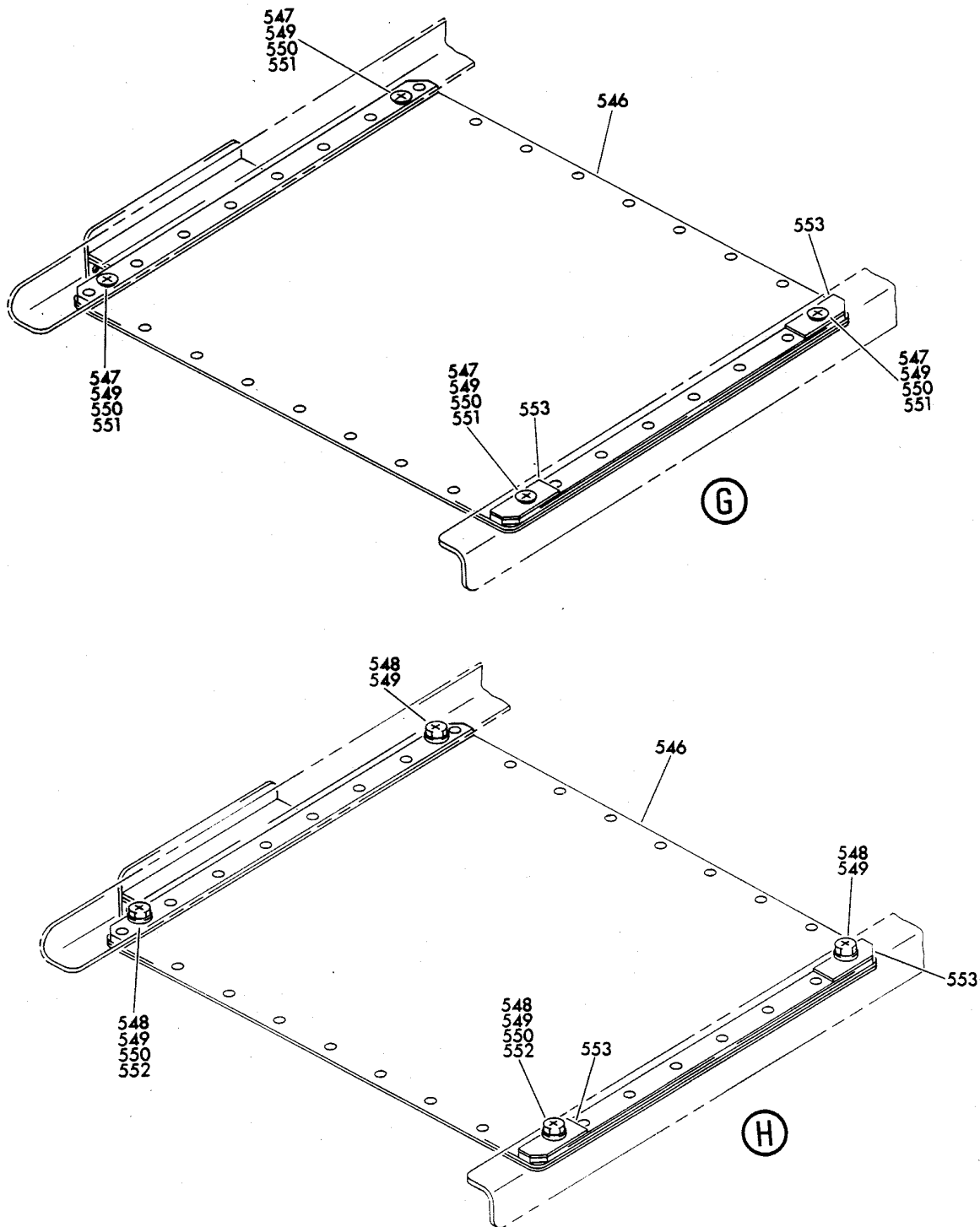
RACK ASSY-E8 MAIN (EQUIPMENT/FURNISHINGS ONLY)
FIGURE 1 (SHEET 3)

25-71-41-01

HXL
DEC 22/06

25-71-41-01
PAGE 0B

BOEING
767
PARTS CATALOG (MAINTENANCE)



V 25714101 SHT 5 REV 049

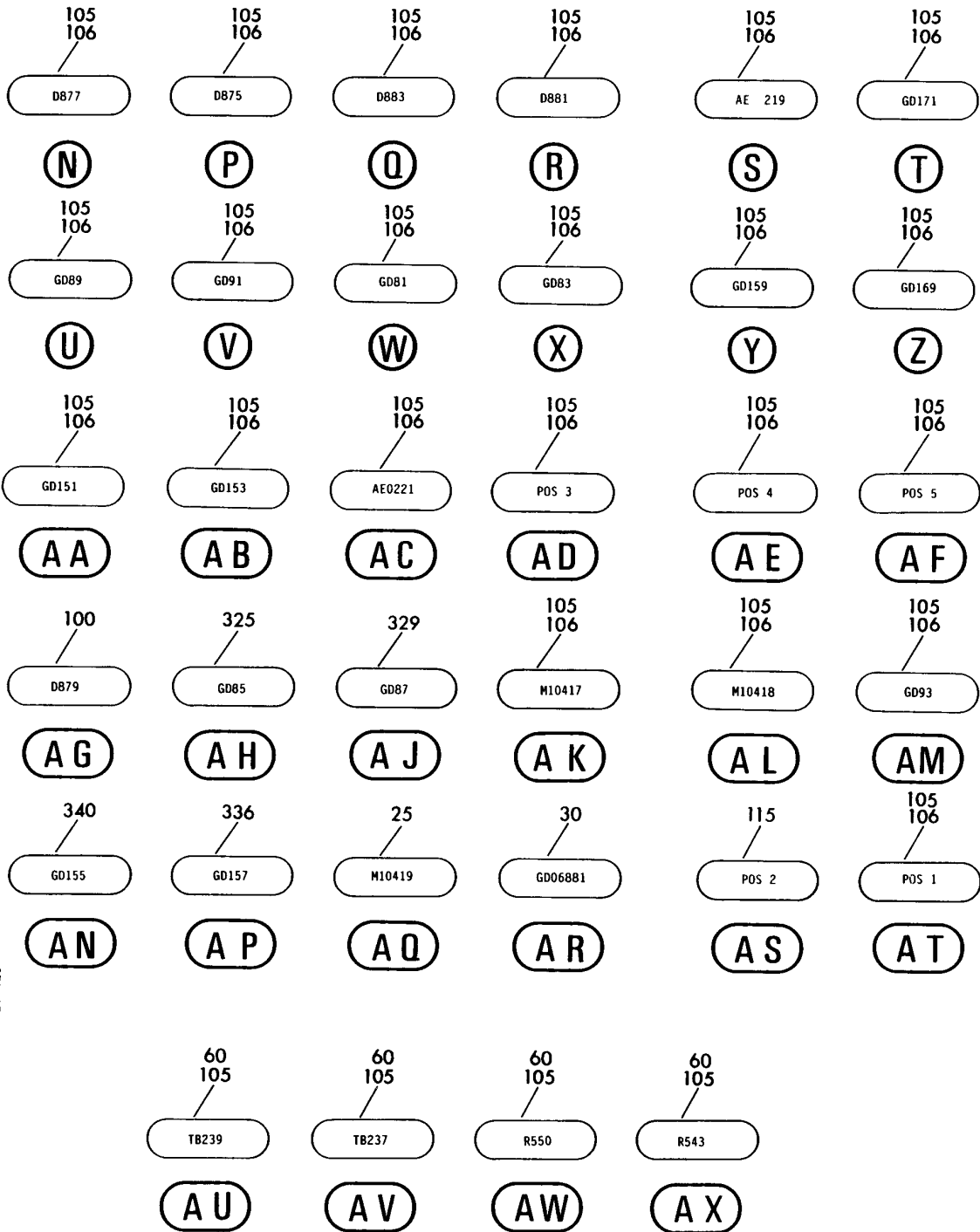
RACK ASSY-E8 MAIN (EQUIPMENT/FURNISHINGS ONLY)
FIGURE 1 (SHEET 5)

25-71-41-01

HXL
DEC 22/06

25-71-41-01
PAGE 0D

BOEING
767
PARTS CATALOG (MAINTENANCE)

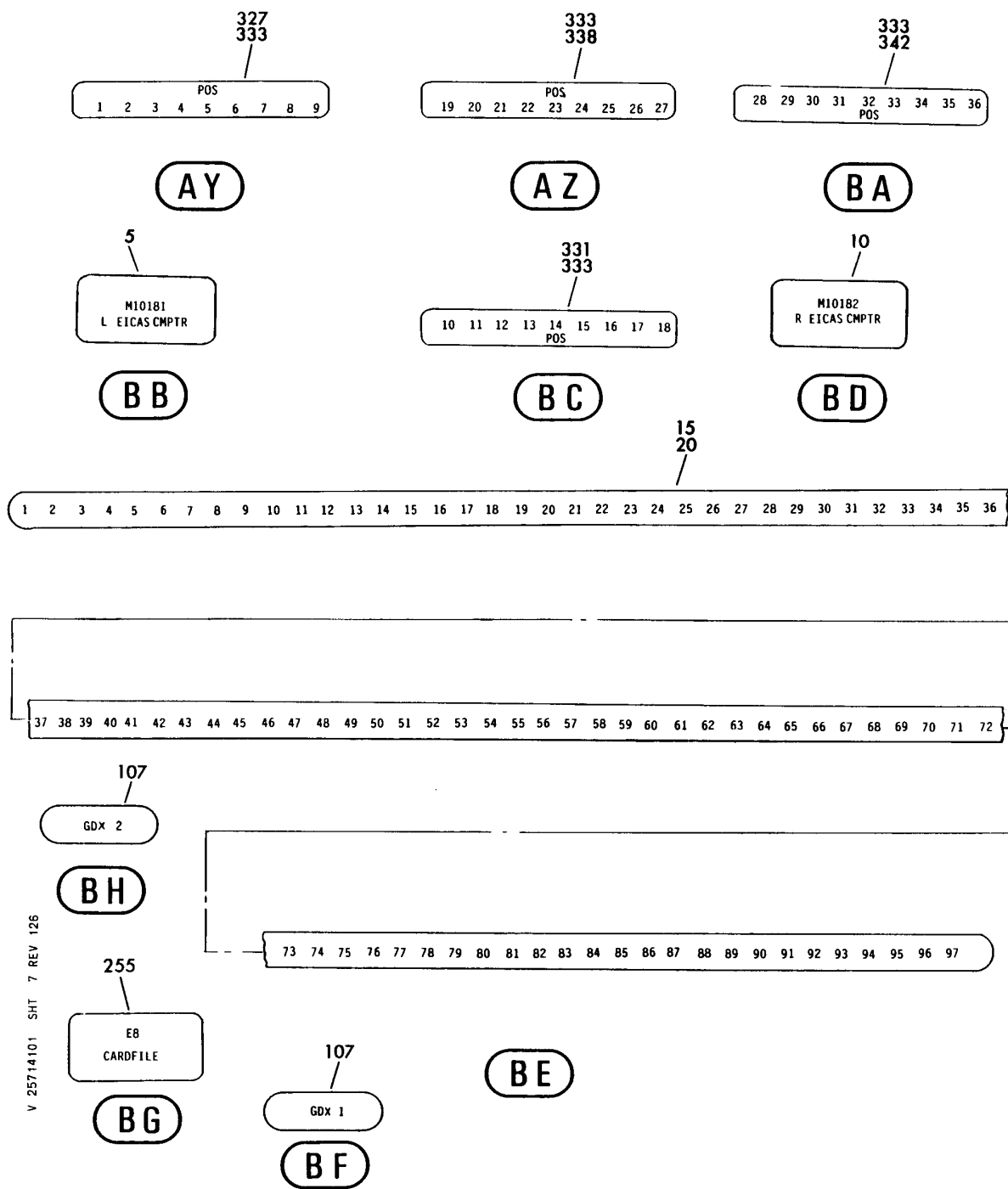


V 25714101 SHT 6 REV 126

RACK ASSY-E8 MAIN (EQUIPMENT/FURNISHINGS ONLY)
FIGURE 1 (SHEET 6)

25-71-41-01

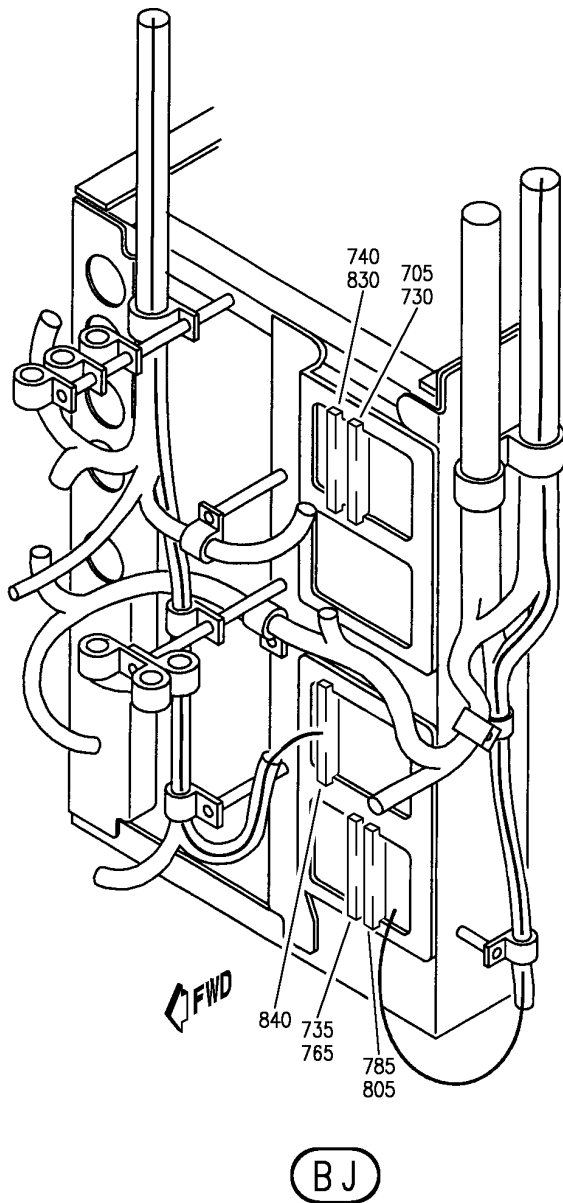
BOEING
767
PARTS CATALOG (MAINTENANCE)



RACK ASSY-E8 MAIN (EQUIPMENT/FURNISHINGS ONLY)
FIGURE 1 (SHEET 7)

25-71-41-01

BOEING
767
PARTS CATALOG (MAINTENANCE)



V 25714101 SH1 8 REV 294

RACK ASSY-E8 MAIN (EQUIPMENT/FURNISHINGS ONLY)
FIGURE 1 (SHEET 8)

25-71-41-01

HXL
DEC 22/06

25-71-41-01
PAGE 06



767

PARTS CATALOG (MAINTENANCE)

FIG ITEM	PART NUMBER	1 2 3 4 5 6 7	NOMENCLATURE	EFFECT FROM TO	UNITS PER ASSY
1			RACK ASSY-E8 MAIN (EQUIPMENT/FURNISHINGS ONLY)		
- 1	284T1067-7		RACK ASSY-E8 MAIN (EQUIPMENT/FURNISHINGS ONLY)	163999	RF
- 1	284T1067-15		FOR NHA/OTHER SYS DET SEE: 21-58-57-01 RACK ASSY-E8 MAIN (EQUIPMENT/FURNISHINGS ONLY)	155162	RF
	5 BAC27TEX2724		.DECAL- PLACARD CONTENT: M10181 L EICAS CMPTR		1
	10 BAC27TEX2723		.DECAL- PLACARD CONTENT: M10182 R EICAS CMPTR		1
	20 BAC27TEX1316		.DECAL- PLACARD CONTENT: 1 THRU 97		6
	105 BAC27TEX3320		.DECALSET-INCLUDES DECALS IDENTIFIED ON THE ILLUSTRATION	163999	1
	106 BAC27TEX4778		.DECALSET-INCLUDES DECALS IDENTIFIED ON THE ILLUSTRATION	155162	1
	107 BAC27TEX4698		.DECALSET-INCLUDES DECALS IDENTIFIED ON THE ILLUSTRATION	155162	1
	160 NAS1801-04-6		.SCREW	163999	12
	165 NAS1801-04-6		.SCREW	155162	24
	168 AN960JD4L		.WASHER	163999	12
	171 AN960JD4L		.WASHER	155162	24
	173 MS21042L04		.NUT	163999	12
	178 MS21042L04		.NUT-	155162	24
	180 284T1051-6		.SHROUD ASSY-MOISTURE ATTACHING PARTS		1
	195 NAS603-7		.SCREW-		6
	200 NAS1523-3Y		.PACKING-		6

ILLUSTRATION ITEMS NOT ON PARTS LIST ARE NOT APPLICABLE

- ITEM NOT ILLUSTRATED

HXL

25-71-41-01

25-71-41
FIG. 01
PAGE 1
DEC 22/07

 **BOEING**
767
PARTS CATALOG (MAINTENANCE)

FIG ITEM	PART NUMBER	1 2 3 4 5 6 7	NOMENCLATURE	EFFECT FROM TO	UNITS PER ASSY
1 205	BRH10A3		.NUT SUPPLIER CODE: V52828 SPECIFICATION NUMBER: BACN10JC3 OPTIONAL PART: H10-3BAC V15653 NS202101-02 V80539 RMLH9075-3W V72962 VN303A02 V92215 96-02 V80539 T6S1032J V11815 -----*-----		6
210	NAS1801-04-4		.SCREW		4
215	AN960JD4L		.WASHER		4
220	284T1027-23		.BOX ASSY- ATTACHING PARTS		1
- 245	NAS1801-3-6		.SCREW		4
- 250	AN960JD10L		.WASHER-		4
			-----*-----		
255	BAC27TEX2409		..DECAL- PLACARD CONTENT: E8 CARD FILE		1
262	BACS21Y2R		..STUD ASSY		2
267	1127700		..WASHER SUPPLIER CODE: V60119 SPECIFICATION NUMBER: BACW10X4 OPTIONAL PART: 2600LW V71286		2
272	BACR11Y1		..RECEPTACLE		2
277	284T1027-17		..DOOR- ATTACHING PARTS		1
- 280	BACR15BB3AD		..RIVET- SIZE DETERMINED ON INSTL. -----*-----		5
287	MS20257-2-725		..HINGE ASSY ATTACHING PARTS		1
- 290	BACR15BB3AD		..RIVET- SIZE DETERMINED ON INSTL. -----*-----		5
ILLUSTRATION ITEMS NOT ON PARTS LIST ARE NOT APPLICABLE					

- ITEM NOT ILLUSTRATED

HXL

25-71-41-01

BOEING PROPRIETARY - Copyright © - Unpublished Work - See title page for details.

25-71-41
FIG. 01
PAGE 2
DEC 22/06

BOEING
767
PARTS CATALOG (MAINTENANCE)

FIG ITEM	PART NUMBER	1 2 3 4 5 6 7	NOMENCLATURE	EFFECT FROM TO	UNITS PER ASSY
1					
295	NAS1801-3-8	.	SCREW		1
298	AN960PD10L	.	WASHER		1
300	BACC10DK16	.	CLAMP		1
303	MS35842-11	.	CLAMP		1
305	284T1067-3	.	HOSE		1
310	284T1068-3	.	PANEL ASSY-WIRE SPRT	163999	2
310	284T1068-4	.	PANEL ASSY-WIRE SPRT	155162	2
			ATTACHING PARTS		
- 315	NAS1801-3-6	.	SCREW		24
- 320	AN960PD10L	.	WASHER		24
- 324	BRH10A3	.	NUT		24
			SUPPLIER CODE: V52828		
			SPECIFICATION NUMBER: BACN10JC3		
			OPTIONAL PART: H10-3BAC		
			V15653		
			NS202101-02		
			V80539		
			RMLH9075-3W		
			V72962		
			VN303A02		
			V92215		
			96-02		
			V80539		
			T6S1032J		
			V11815		
			-----*-----		
325	BAC27TEX2387	..	DECAL- PLACARD CONTENT: GD85		1
327	BAC27TEX2376	..	DECAL- PLACARD CONTENT: 1 THRU 9	163999	1
329	BAC27TEX2388	..	DECAL- PLACARD CONTENT: GD87		1
331	BAC27TEX2377	..	DECAL- PLACARD CONTENT: 10 THRU 18	163999	1
333	BAC27TEX4780	..	DECALSET-	155162	1
336	BAC27TEX2396	..	DECAL- PLACARD CONTENT: GD157		1
338	BAC27TEX2378	..	DECAL- PLACARD CONTENT: 19 THRU 27	163999	1

ILLUSTRATION ITEMS NOT ON PARTS LIST ARE NOT APPLICABLE

- ITEM NOT ILLUSTRATED

HXL

25-71-41-01

25-71-41
FIG. 01
PAGE 3
DEC 22/07



767

PARTS CATALOG (MAINTENANCE)

FIG ITEM	PART NUMBER	1 2 3 4 5 6 7	NOMENCLATURE	EFFECT FROM TO	UNITS PER ASSY
1					
340	BAC27TEX2395	..	DECAL- PLACARD CONTENT: GD155		1
342	BAC27TEX2379	..	DECAL- PLACARD CONTENT: 28 THRU 36	163999	1
345	284T1048-12	..	HOLDDOWN ASSY ATTACHING PARTS		3
- 350	NAS1801-3-28	..	SCREW-		6
- 353	BRH10A3	..	NUT SUPPLIER CODE: V52828 SPECIFICATION NUMBER: BACN10JC3 OPTIONAL PART: H10-3BAC V15653 NS202101-02 V80539 RMLH9075-3W V72962 VN303A02 V92215 96-02 V80539 T6S1032J V11815 -----*-----		6
355	NAS43DD3-80	..	SPACER-		6
360	284T1048-16	..	HOLDDOWN ASSY-		2
365	284T1048-12	...	HOLDDOWN ASSY		1

ILLUSTRATION ITEMS NOT ON PARTS LIST ARE NOT APPLICABLE

- ITEM NOT ILLUSTRATED

HXL

25-71-41-01

BOEING PROPRIETARY - Copyright © - Unpublished Work - See title page for details.

25-71-41
FIG. 01
PAGE 4
DEC 22/07



767

PARTS CATALOG (MAINTENANCE)

FIG ITEM	PART NUMBER	1 2 3 4 5 6 7	NOMENCLATURE	EFFECT FROM TO	UNITS PER ASSY
1			ATTACHING PARTS		
370	BRH10A08	...	NUT SUPPLIER CODE: V52828 SPECIFICATION NUMBER: BACN10JCO8 OPTIONAL PART: H10-08BAC V15653 NS202101-82 V80539 RMLH9075-82W V72962 VN303A82 V92215 96-82 V80539 T6S832J V11815 -----*-----		2
375	284T1048-13	...	BASE		1
380	NAS1801-08-38	...	SCREW-		2
385	MS35338-42	...	WASHER		2
390	MS35649-284	...	NUT		2
392	NAS42DD5-17	...	SPACER-		2
395	MS20253P5-225	...	PIN		4
400	BACG20ZB425B	.	GROMMET-		2
415	BACG20ZA800	.	GROMMET		2
417	BACG20ZA1275	.	GROMMET		2
420	66-18178-1	.	STRAP-BONDING		2
			ATTACHING PARTS		
- 425	NAS1801-3-7	.	SCREW-		2
- 430	AN960PD10L	.	WASHER		2

ILLUSTRATION ITEMS NOT ON PARTS LIST ARE NOT APPLICABLE

- ITEM NOT ILLUSTRATED

HXL

25-71-41-01

BOEING PROPRIETARY - Copyright © - Unpublished Work - See title page for details.

25-71-41
FIG. 01
PAGE 5
DEC 22/06



767

PARTS CATALOG (MAINTENANCE)

FIG ITEM	PART NUMBER	1 2 3 4 5 6 7	NOMENCLATURE	EFFECT FROM TO	UNITS PER ASSY
1 - 435	BRH10A3		.NUT SUPPLIER CODE: V52828 SPECIFICATION NUMBER: BACN10JC3 OPTIONAL PART: H10-3BAC V15653 NS202101-02 V80539 RMLH9075-3W V72962 VN303A02 V92215 96-02 V80539 T6S1032J V11815 -----*-----		2
440	NAS514P832-7		.SCREW		8
445	NAS1801-3-7		.SCREW-		2
447	NAS1801-3-8		.SCREW-		4
448	NAS1801-3-7		.SCREW		2
450	AN960PD10L		.WASHER-		6
450	AN960JD10L		.WASHER-		6
452	AN960JD10L		.WASHER		6
455	AN960PD8L		.WASHER		8
460	BRH10A3		.NUT SUPPLIER CODE: V52828 SPECIFICATION NUMBER: BACN10JC3 OPTIONAL PART: H10-3BAC V15653 NS202101-02 V80539 RMLH9075-3W V72962 VN303A02 V92215 96-02 V80539 T6S1032J V11815		2
462	MS21042L3		.NUT-		4
463	MS21042L3		.NUT		2

ILLUSTRATION ITEMS NOT ON PARTS LIST ARE NOT APPLICABLE

- ITEM NOT ILLUSTRATED

HXL

25-71-41-01

BOEING PROPRIETARY - Copyright © - Unpublished Work - See title page for details.

25-71-41
FIG. 01
PAGE 6
DEC 22/06

 **BOEING**
767
PARTS CATALOG (MAINTENANCE)

FIG ITEM	PART NUMBER	1 2 3 4 5 6 7	NOMENCLATURE	EFFECT FROM TO	UNITS PER ASSY
1 465	BRH10A08		.NUT SUPPLIER CODE: V52828 SPECIFICATION NUMBER: BACN10JC08 OPTIONAL PART: H10-08BAC V15653 NS202101-82 V80539 RMLH9075-82W V72962 VN303A82 V92215 96-82 V80539 T6S832J V11815		8
467	STB19M12		.PLATE-MOUNTING		6
472	284T0026-34		.TRAY ASSY-10 MCU		1
473	284T0026-37		.TRAY ASSY-10 MCU		1
- 475	NAS1801-06-8		ATTACHING PARTS .SCREW		8
- 480	BRH10A06		.NUT SUPPLIER CODE: V52828 SPECIFICATION NUMBER: BACN10JC06 OPTIONAL PART: H10-06BAC V15653 RMLH9075-62W V72962 VN303A62 V92215 96-62 V80539 NS202101-62 V80539 T6S632J V11815		8
485	281131-10		-----*----- ..SEAL ASSY- SUPPLIER CODE: V0767B OPTIONAL PART: BCMP10-1 V09489		1
ILLUSTRATION ITEMS NOT ON PARTS LIST ARE NOT APPLICABLE					

- ITEM NOT ILLUSTRATED

HXL

25-71-41-01

BOEING PROPRIETARY - Copyright © - Unpublished Work - See title page for details.

25-71-41
FIG. 01
PAGE 7
DEC 22/06



767

PARTS CATALOG (MAINTENANCE)

FIG ITEM	PART NUMBER	1 2 3 4 5 6 7	NOMENCLATURE	EFFECT FROM TO	UNITS PER ASSY
1					
485	BCMP10-1		..SEAL ASSY- SUPPLIER CODE: V09489 OPTIONAL PART: 281131-10 V0767B 201-10 V0767B		1
485	201-10		..SEAL ASSY- SUPPLIER CODE: V0767B OPTIONAL PART: 281131-10 V0767B BCMP10-1 V09489		1
485	201-5		..SEAL ASSY- SUPPLIER CODE: V0767B		1
485	281131-5		..SEAL ASSY- SUPPLIER CODE: V0767B		1
485	BCMP05-1		..SEAL ASSY- SUPPLIER CODE: V09489		1
487	82100-1		...PLUG- SUPPLIER CODE: V0767B		1
488	82100-2		...PLUG- SUPPLIER CODE: V0767B		14
490	CA12145-102		..HOLD DOWN- SUPPLIER CODE: V29372 OPTIONAL PART: CA12095-101 V29372 CA12095-102 V29372 BACC10HZ1		2
490	CA12095-101		..HOLD DOWN- SUPPLIER CODE: V29372 OPTIONAL PART: CA12145-102 V29372 CA12095-102 V29372 BACC10HZ1		2

ILLUSTRATION ITEMS NOT ON PARTS LIST ARE NOT APPLICABLE

- ITEM NOT ILLUSTRATED

HXL

25-71-41-01

BOEING PROPRIETARY - Copyright © - Unpublished Work - See title page for details.

25-71-41
FIG. 01
PAGE 8
DEC 22/06

 **BOEING**
767
PARTS CATALOG (MAINTENANCE)

FIG ITEM	PART NUMBER	1 2 3 4 5 6 7	NOMENCLATURE	EFFECT FROM TO	UNITS PER ASSY
1 490	CA12095-102		..HOLD DOWN- SUPPLIER CODE: V29372 OPTIONAL PART: CA12095-101 V29372 CA12145-102 V29372 BACC10HZ1		2
490	H3773-9		..HOLD DOWN- SUPPLIER CODE: V83014 SPECIFICATION NUMBER: BACC10HZ1 OPTIONAL PART: 5175-110-1 V30528 CA12145-102 VOCBU7 H3773-3 V83014 CA1245-102 V29372 CA12095-101 V29372 CAL12095-102 V29372		2
- 495	NAS514P632-5		ATTACHING PARTS ..SCREW -----*-----		4
500	YHLZG16-1		..BLOCK- SUPPLIER CODE: V09922 ATTACHING PARTS		5
- 505	BACR15BA3AD		..RIVET- SIZE DETERMINED ON INSTL. -----*-----		20
510	284T1049-5		.TRACK-		1
513	284T1049-5		.TRACK- ATTACHING PARTS		1
- 515	NAS514P1032-6		.SCREW -----*-----		2

ILLUSTRATION ITEMS NOT ON PARTS LIST ARE NOT APPLICABLE

- ITEM NOT ILLUSTRATED

HXL

25-71-41-01

BOEING PROPRIETARY - Copyright © - Unpublished Work - See title page for details.

25-71-41
FIG. 01
PAGE 9
DEC 22/06



767

PARTS CATALOG (MAINTENANCE)

FIG ITEM	PART NUMBER	1 2 3 4 5 6 7	NOMENCLATURE	EFFECT FROM TO	UNITS PER ASSY
1 521	H49-2		.CLAMP ASSY SUPPLIER CODE: V34941 SPECIFICATION NUMBER: BACC49A2 OPTIONAL PART: MF104-2 V6E102		6
522	H21-1		.SPACER SUPPLIER CODE: V34941 SPECIFICATION NUMBER: BACS18AR1 OPTIONAL PART: FAB276A V15805 YHLZ1C2 V09922		2
527	284T1049-6		.TRACK- ATTACHING PARTS		1
- 530	NAS514P832-7		.SCREW		2
- 535	AN960PD8L		.WASHER		2
- 540	BRH10A08		.NUT SUPPLIER CODE: V52828 SPECIFICATION NUMBER: BACN10JC08 OPTIONAL PART: H10-08BAC V15653 NS202101-82 V80539 RMLH9075-82W V72962 VN303A82 V92215 96-82 V80539 T6S832J V11815 -----*-----		2
544	284T0972-7		.PLENUM ASSY-FRAME		1
546	284T1029-6		..PLENUM ASSY- ATTACHING PARTS		2
547	NAS514P1032-6		..SCREW-		4
548	NAS1801-3-6		..SCREW-		4
549	AN960PD10L		..WASHER		8

ILLUSTRATION ITEMS NOT ON PARTS LIST ARE NOT APPLICABLE

- ITEM NOT ILLUSTRATED

HXL

25-71-41-01

BOEING PROPRIETARY - Copyright © - Unpublished Work - See title page for details.

25-71-41
FIG. 01
PAGE 10
DEC 22/07



767

PARTS CATALOG (MAINTENANCE)

FIG ITEM	PART NUMBER	1 2 3 4 5 6 7	NOMENCLATURE	EFFECT FROM TO	UNITS PER ASSY
1 550	BRH10A3	..	NUT SUPPLIER CODE: V52828 SPECIFICATION NUMBER: BACN10JC3 OPTIONAL PART: H10-3BAC V15653 NS202101-02 V80539 RMLH9075-3W V72962 VN303A02 V92215 96-02 V80539 T6S1032J V11815		6
553	BACS40R7B15F	..	SHIM -----*-----		4
556	284T0972-6	..	FRAME ASSY-		1
558	NAS1801-4-12	...	SCREW		1
560	BACW10EC4S	...	WASHER-		1
565	NAS1149D0416H	...	WASHER-		2
570	NAS1149D0A63H	...	WASHER-		1
575	MS35650-3255	...	NUT		1
580	BRH10C4D	...	NUT- SUPPLIER CODE: V52828 SPECIFICATION NUMBER: BACN10JC4CD OPTIONAL PART: T6C428JCD V11815 NS202486-048 V80539 102LH9075-4W V72962 H51650-4BAC V15653		1
582	BACJ40A30-8	...	JUMPER ASSY		1
585	284T1032-31	...	ANGLE- ATTACHING PARTS		1
- 590	NAS1801-08-6	...	SCREW		4
- 595	AN960PD08	...	WASHER-		4
- 595	AN960PD8	...	WASHER-		4
- 600	MS21042L08	...	NUT- -----*-----		4

ILLUSTRATION ITEMS NOT ON PARTS LIST ARE NOT APPLICABLE

- ITEM NOT ILLUSTRATED

25-71-41-01

25-71-41
FIG. 01
PAGE 11
DEC 22/07

HXL



767
PARTS CATALOG (MAINTENANCE)

FIG ITEM	PART NUMBER	1 2 3 4 5 6 7	NOMENCLATURE	EFFECT FROM TO	UNITS PER ASSY
1 605	VNS1924CA1-8		. . . STUD SUPPLIER CODE: V5M902 SPECIFICATION NUMBER: BACS53B1EA1 OPTIONAL PART: VNS1924CA3-1-8 V92215		2

ILLUSTRATION ITEMS NOT ON PARTS LIST ARE NOT APPLICABLE

- ITEM NOT ILLUSTRATED

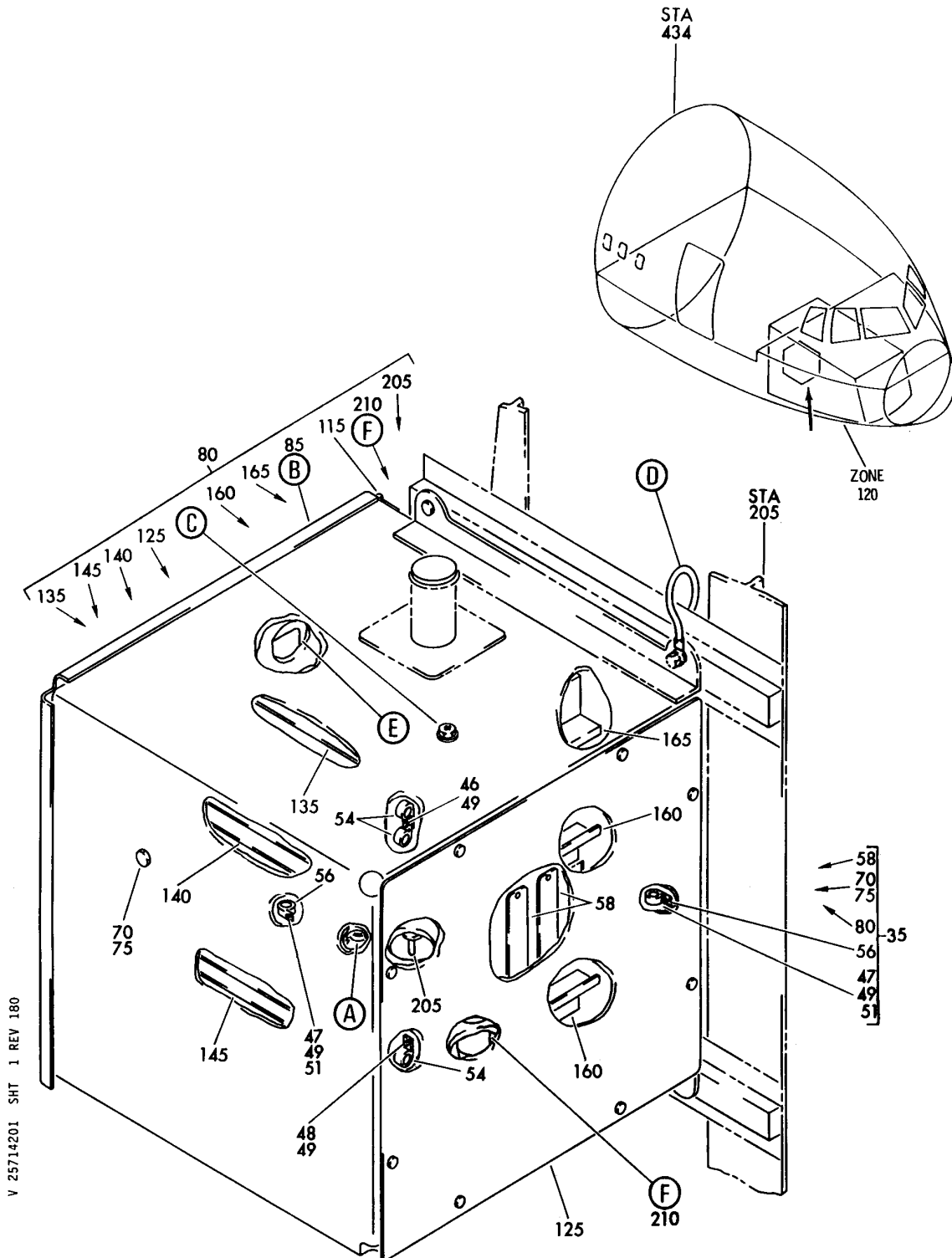
HXL

25-71-41-01

BOEING PROPRIETARY - Copyright © - Unpublished Work - See title page for details.

25-71-41
FIG. 01
PAGE 12
DEC 22/06

BOEING
767
PARTS CATALOG (MAINTENANCE)



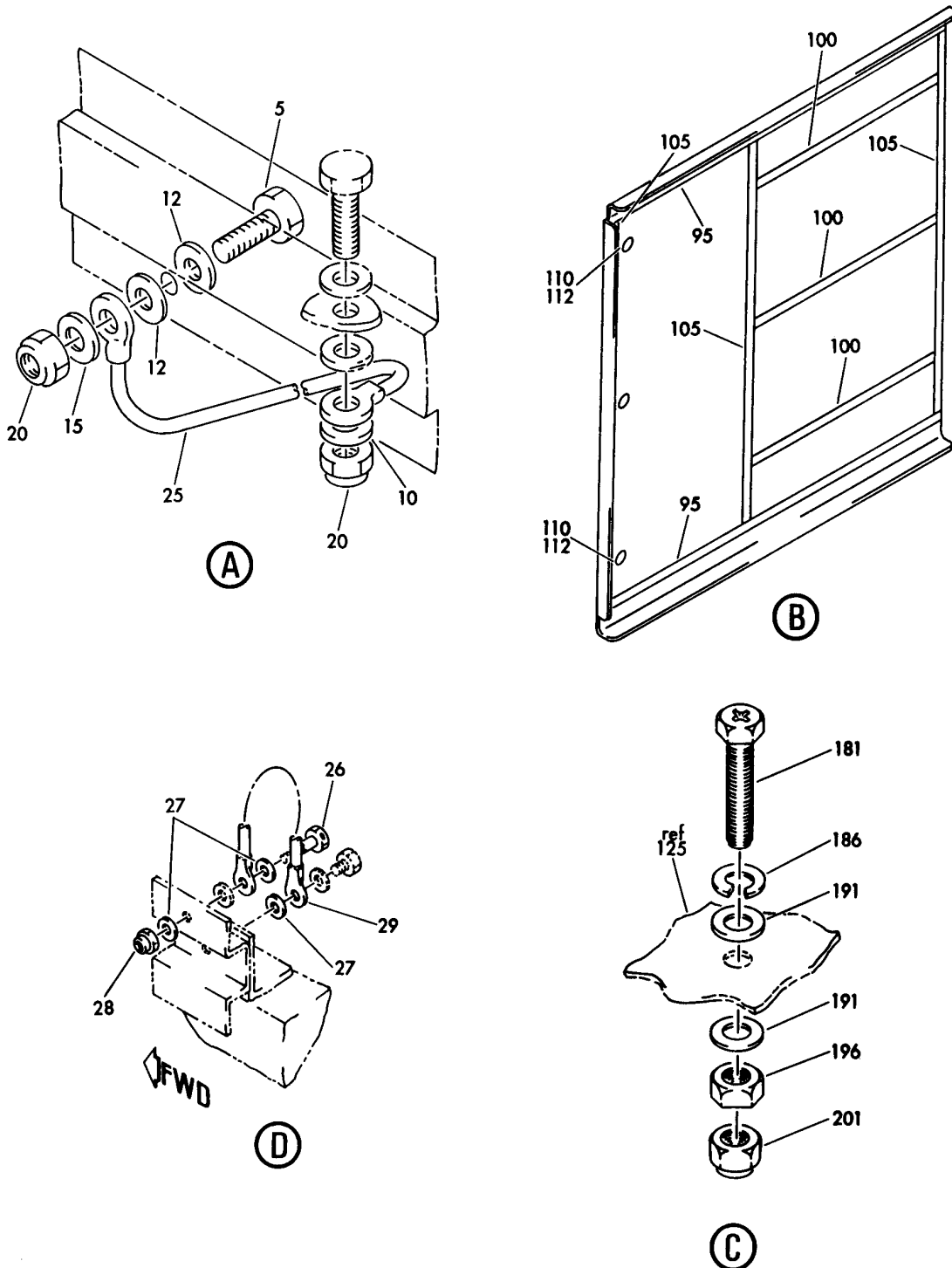
CARD FILE AND BOX INSTL-R FWD EQPT CTR (P29)
FIGURE 1 (SHEET 1)

25-71-42-01

HXL
DEC 22/06

25-71-42-01
PAGE 0


BOEING
 767
PARTS CATALOG (MAINTENANCE)



V 25714201 SHT 2 REV 180

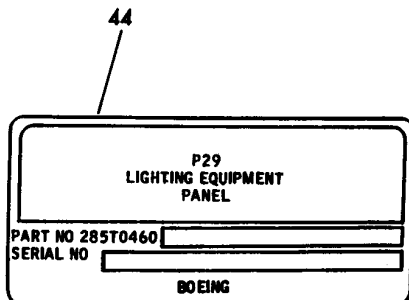
CARD FILE AND BOX INSTL-R FWD EQPT CTR (P29)
 FIGURE 1 (SHEET 2)

25-71-42-01

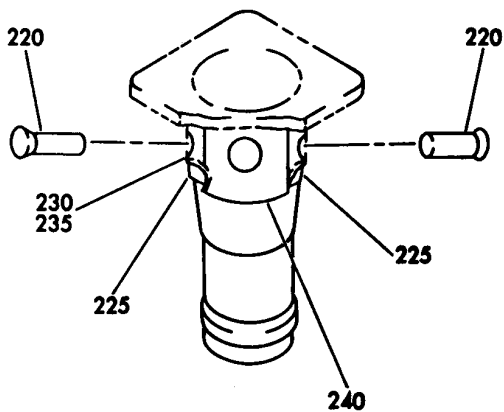
HXL
DEC 22/06

25-71-42-01
 PAGE 0A

BOEING
767
PARTS CATALOG (MAINTENANCE)



(E)



(F)

V 25714201 SHT 3 REV 180

CARD FILE AND BOX INSTL-R FWD EQPT CTR (P29)
FIGURE 1 (SHEET 3)

25-71-42-01

HXL
DEC 22/06

25-71-42-01
PAGE 0B



767

PARTS CATALOG (MAINTENANCE)

FIG ITEM	PART NUMBER	1 2 3 4 5 6 7	NOMENCLATURE	EFFECT FROM TO	UNITS PER ASSY
1			CARD FILE AND BOX INSTL-R FWD EQPT CTR (P29)		
- 1	284T0049-5		CARD FILE AND BOX INSTL- EQPT CTR P29 POSITION DATA: R FWD VARIABLE DRAWING REF: 284T0049-5123 FOR NHA SEE: 24-00-58-01W		RF
5	NAS6603-3		.BOLT		1
10	AN960D10		.WASHER		1
12	AN960D10L		.WASHER		2
15	AN960-10		.WASHER-		1
20	BRH10A3		.NUT		2
			SUPPLIER CODE: V52828 SPECIFICATION NUMBER: BACN10JC3 OPTIONAL PART: H10-3BAC V15653 NS202101-02 V80539 RMLH9075-3W V72962 VN303A02 V92215 96-02 V80539 T6S1032J V11815		
25	740A20-4		.JUMPER ASSY SUPPLIER CODE: V91812 SPECIFICATION NUMBER: BACJ40A20-4 OPTIONAL PART: TJEJ40A20-4 V33483 RBEJ20-4 V1GK47		1

ILLUSTRATION ITEMS NOT ON PARTS LIST ARE NOT APPLICABLE

- ITEM NOT ILLUSTRATED

HXL

25-71-42-01

BOEING PROPRIETARY - Copyright © - Unpublished Work - See title page for details.

25-71-42
FIG. 01
PAGE 1
DEC 22/08



767

PARTS CATALOG (MAINTENANCE)

FIG ITEM	PART NUMBER	1 2 3 4 5 6 7	NOMENCLATURE	EFFECT FROM TO	UNITS PER ASSY
1	35 285T0460-13		.PANEL ASSY-LIGHTING EQPT (EQUIPMENT/FURNISHINGS ONLY) SUPPLIER CODE: V89954 ELECTRICAL EQUIP NUMBER: P029-00 FUNCTIONAL REFERENCE: LIGHTS FOR DETAILS SEE 33-16-01-05 PLACARDS AND MARKINGS FOR DETAILS SEE 11-36-53-01 ATTACHING PARTS		1
-	40 NAS1801-3-8		.SCREW		4
-	42 AN960D10L		.WASHER		4
			-----*-----		
	44 BAC27TEX2428		.MARKER-ALUMINUM FOIL-		RF
	46 NAS1801-3-12		..SCREW-		1
	47 NAS1801-3-7		..SCREW-		2
	48 NAS1801-3-9		..SCREW-		1
			OPTIONAL PART: NAS1635-3-12		
	48 NAS1635-3-12		..SCREW-		1
			OPTIONAL PART: NAS1801-3-9		
	49 AN960-10L		..WASHER		4
	51 BRH10A3		..NUT		2
			SUPPLIER CODE: V52828 SPECIFICATION NUMBER: BACN10JC3 OPTIONAL PART: H10-3BAC V15653 NS202101-02 V80539 RMLH9075-3W V72962 VN303A02 V92215 96-02 V80539 T6S1032J V11815		
	54 BACC10DK7		..CLAMP		3
	56 BACC10DK5		..CLAMP		2
	58 285T0018-10		..PLATE-COVER		2

ILLUSTRATION ITEMS NOT ON PARTS LIST ARE NOT APPLICABLE

- ITEM NOT ILLUSTRATED

HXL

25-71-42-01

BOEING PROPRIETARY - Copyright © - Unpublished Work - See title page for details.

25-71-42
FIG. 01
PAGE 2
DEC 22/08

BOEING
767
PARTS CATALOG (MAINTENANCE)

FIG ITEM	PART NUMBER	1 2 3 4 5 6 7	NOMENCLATURE	EFFECT FROM TO	UNITS PER ASSY
1			ATTACHING PARTS		
- 61	NAS1801-04-5	..	SCREW- OPTIONAL PART: NAS1802-04-5		4
- 61	NAS1802-04-5	..	SCREW- OPTIONAL PART: NAS1801-04-5		4
- 63	AN960JD4L	..	WASHER		4
- 65	BRH10A04	..	NUT		4
			SUPPLIER CODE: V52828 SPECIFICATION NUMBER: BACN10JCO4 OPTIONAL PART: NS202101-40 V80539 RMLH9075-40W V72962 VN303A40 V92215 96-40 V80539 T6S440J V11815 H10-04BAC V15653 -----*-----		
70	108-0740-001	..	JACK-GND SUPPLIER CODE: V74970		1
75	MS35338-44	..	WASHER		1
80	285T0499-49	..	ENCLOSURE ASSY-		1
85	285T0499-51	...	DOOR ASSY- ATTACHING PARTS		1
- 90	BACR15BB4AD	...	RIVET- SIZE DETERMINED ON INSTL. -----*-----		6
95	285T0499-30	SEAL		2
100	285T0499-31	SEAL		3
105	285T0499-32	SEAL		3
110	BACS21Y5R	STUD ASSY		3
112	1127700	WASHER SUPPLIER CODE: V60119 SPECIFICATION NUMBER: BACW10X4 OPTIONAL PART: 2600LW V71286		3

ILLUSTRATION ITEMS NOT ON PARTS LIST ARE NOT APPLICABLE

- ITEM NOT ILLUSTRATED

HXL

25-71-42-01

BOEING PROPRIETARY - Copyright © - Unpublished Work - See title page for details.

25-71-42
FIG. 01
PAGE 3
DEC 22/08



767

PARTS CATALOG (MAINTENANCE)

FIG ITEM	PART NUMBER	1 2 3 4 5 6 7	NOMENCLATURE	EFFECT FROM TO	UNITS PER ASSY
1					
115	285T0499-19	...	HINGE ATTACHING PARTS		1
- 120	BACR15BB4AD	...	RIVET- SIZE DETERMINED ON INSTL. -----*-----		6
125	285T0499-12	...	COVER ASSY ATTACHING PARTS		1
- 130	NAS1801-3-8	...	SCREW -----*-----		8
135	285T0499-2	...	GUIDE ASSY-CARD		1
140	285T0499-3	...	GUIDE ASSY-CARD		1
145	285T0499-4	...	GUIDE ASSY-CARD ATTACHING PARTS		1
- 150	NAS1801-06-5	...	SCREW		6
- 155	AN960D6L	...	WASHER- -----*-----		6
160	285T0499-27	...	TRACK		2
165	285T0499-28	...	TRACK ATTACHING PARTS		1
- 170	NAS1801-06-5	...	SCREW		6
- 175	AN960D6L	...	WASHER- -----*-----		6
181	NAS1801-3-12	...	SCREW-		1
186	MS35338-43	...	WASHER-		1
191	AN960PD10L	...	WASHER-		2
196	MS35650-305T	...	NUT-		1
201	BRH10A3	...	NUT-		1
			SUPPLIER CODE: V52828 SPECIFICATION NUMBER: BACN10JC3 OPTIONAL PART: H10-3BAC V15653 NS202101-02 V80539 RMLH9075-3W V72962 VN303A02 V92215 96-02 V80539 T6S1032J V11815		
ILLUSTRATION ITEMS NOT ON PARTS LIST ARE NOT APPLICABLE					

- ITEM NOT ILLUSTRATED

HXL

25-71-42-01

BOEING PROPRIETARY - Copyright © - Unpublished Work - See title page for details.

25-71-42
FIG. 01
PAGE 4
DEC 22/08



767

PARTS CATALOG (MAINTENANCE)

FIG ITEM	PART NUMBER	1 2 3 4 5 6 7	NOMENCLATURE	EFFECT FROM TO	UNITS PER ASSY
1					
205	VNS1924CA1-8	...	STUD-GND SUPPLIER CODE: V5M902 SPECIFICATION NUMBER: BACS53B1EA1 OPTIONAL PART: VNS1924CA3-1-8 V92215		1
210	217T2113-1	...	INLET ASSY-COOLING TEST PORT PLENUM ATTACHING PARTS		1
- 215	BACR15BB4AD	...	RIVET- SIZE DETERMINED ON INSTL.		4
220	BACR15BB4A	RIVET- SIZE DETERMINED ON INSTL.		2
225	NAS42DD4-4	SPACER -----*-----		2
230	217T1435-2	PLUG		1
235	217T1436-1	RETAINER ASSY		1
240	BAC27TEC0160	DECAL		1

ILLUSTRATION ITEMS NOT ON PARTS LIST ARE NOT APPLICABLE

- ITEM NOT ILLUSTRATED

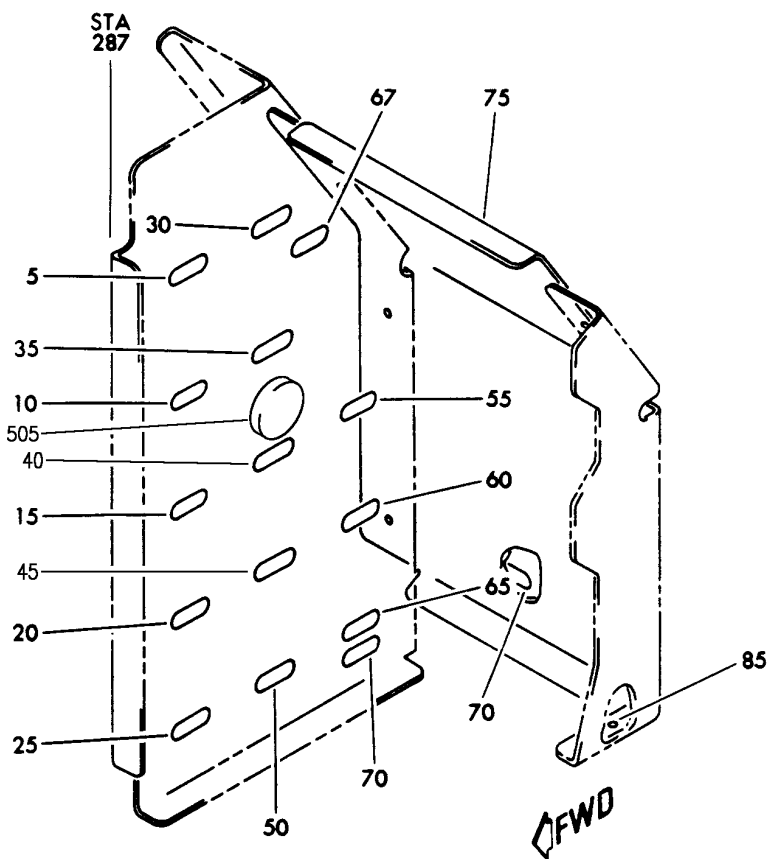
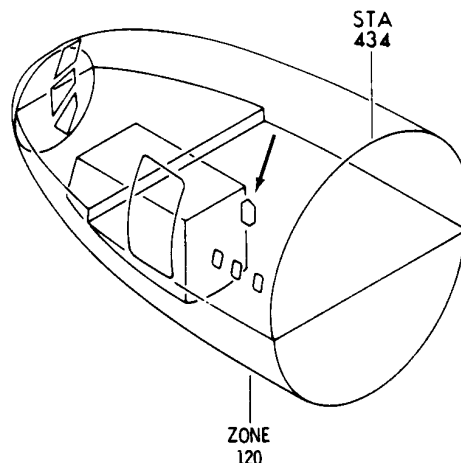
HXL

25-71-42-01

BOEING PROPRIETARY - Copyright © - Unpublished Work - See title page for details.

25-71-42
FIG. 01
PAGE 5
DEC 22/08

BOEING
767
PARTS CATALOG (MAINTENANCE)



V 25714401 REV 295

PANEL INSTL-E3 DISC. (EQUIPMENT/FURNISHINGS ONLY)
FIGURE 1

25-71-44-01

HXL
DEC 22/06

25-71-44-01
PAGE 0

 **BOEING**
767
PARTS CATALOG (MAINTENANCE)

FIG ITEM	PART NUMBER	1 2 3 4 5 6 7	NOMENCLATURE	EFFECT FROM TO	UNITS PER ASSY
1			PANEL INSTL-E3 DISC. (EQUIPMENT/FURNISHINGS ONLY)		
- 1	284T1073-1		PANEL INSTL-E3 DISC. (EQUIPMENT/FURNISHINGS ONLY) FOR NHA/OTHER SYS DET SEE: 24-00-58-01		RF
5	BAC27TEX2451		.DECAL- PLACARD CONTENT: D8052		1
10	BAC27TEX2443		.DECAL- PLACARD CONTENT: D5686		1
15	BAC27TEX2450		.DECAL- PLACARD CONTENT: D8050		1
20	BAC27TEX2442		.DECAL- PLACARD CONTENT: D4504		1
25	BAC27TEX2446		.DECAL- PLACARD CONTENT: D5802		1
30	BAC27TEX2449		.DECAL- PLACARD CONTENT: D8040		1
35	BAC27TEX2441		.DECAL- PLACARD CONTENT: D4502		1
40	BAC27TEX2452		.DECAL- PLACARD CONTENT: D8092		1
45	BAC27TEX2440		.DECAL- PLACARD CONTENT: D4500		1
50	BAC27TEX2445		.DECAL- PLACARD CONTENT: D5782		1
55	BAC27TEX2448		.DECAL- PLACARD CONTENT: D6264		1
60	BAC27TEX2447		.DECAL- PLACARD CONTENT: D6262		1
65	BAC27TEX2444		.DECAL- PLACARD CONTENT: D5738		1
ILLUSTRATION ITEMS NOT ON PARTS LIST ARE NOT APPLICABLE					

- ITEM NOT ILLUSTRATED

HXL

25-71-44-01

BOEING PROPRIETARY - Copyright © - Unpublished Work - See title page for details.

25-71-44
FIG. 01
PAGE 1
DEC 22/06



767

PARTS CATALOG (MAINTENANCE)

FIG ITEM	PART NUMBER	1 2 3 4 5 6 7	NOMENCLATURE	EFFECT FROM TO	UNITS PER ASSY
1	70 BAC27TEX2439		.DECAL- PLACARD CONTENT: AE0220		1
	75 284T1070-3		.COVER-KICK ATTACHING PARTS		1
-	80 NAS1801-3-7		.SCREW -----*-----		6

ILLUSTRATION ITEMS NOT ON PARTS LIST ARE NOT APPLICABLE

- ITEM NOT ILLUSTRATED

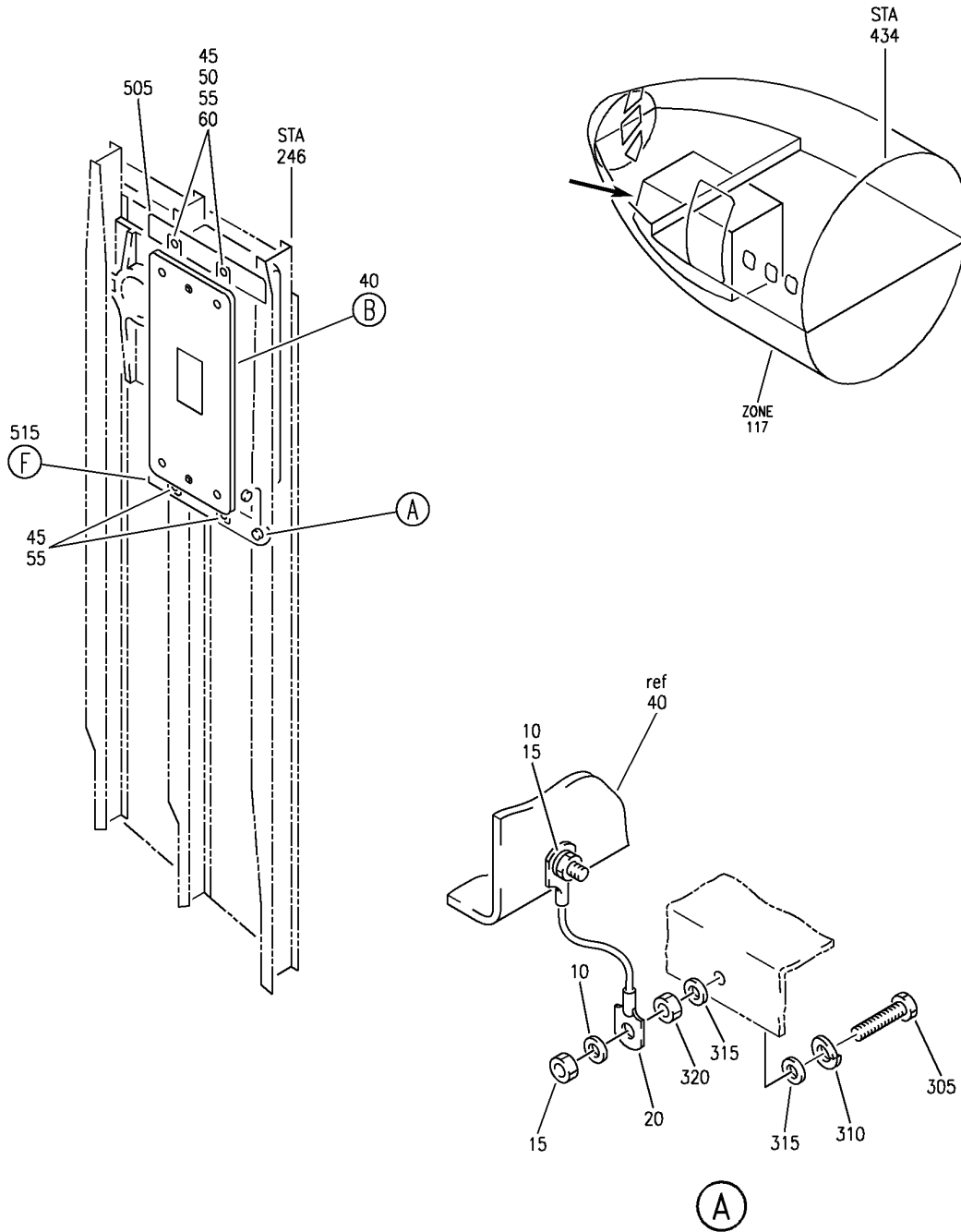
HXL

25-71-44-01

BOEING PROPRIETARY - Copyright © - Unpublished Work - See title page for details.

25-71-44
FIG. 01
PAGE 2
DEC 22/06

BOEING
767
PARTS CATALOG (MAINTENANCE)



V 25715541D SHT 1 REV 324

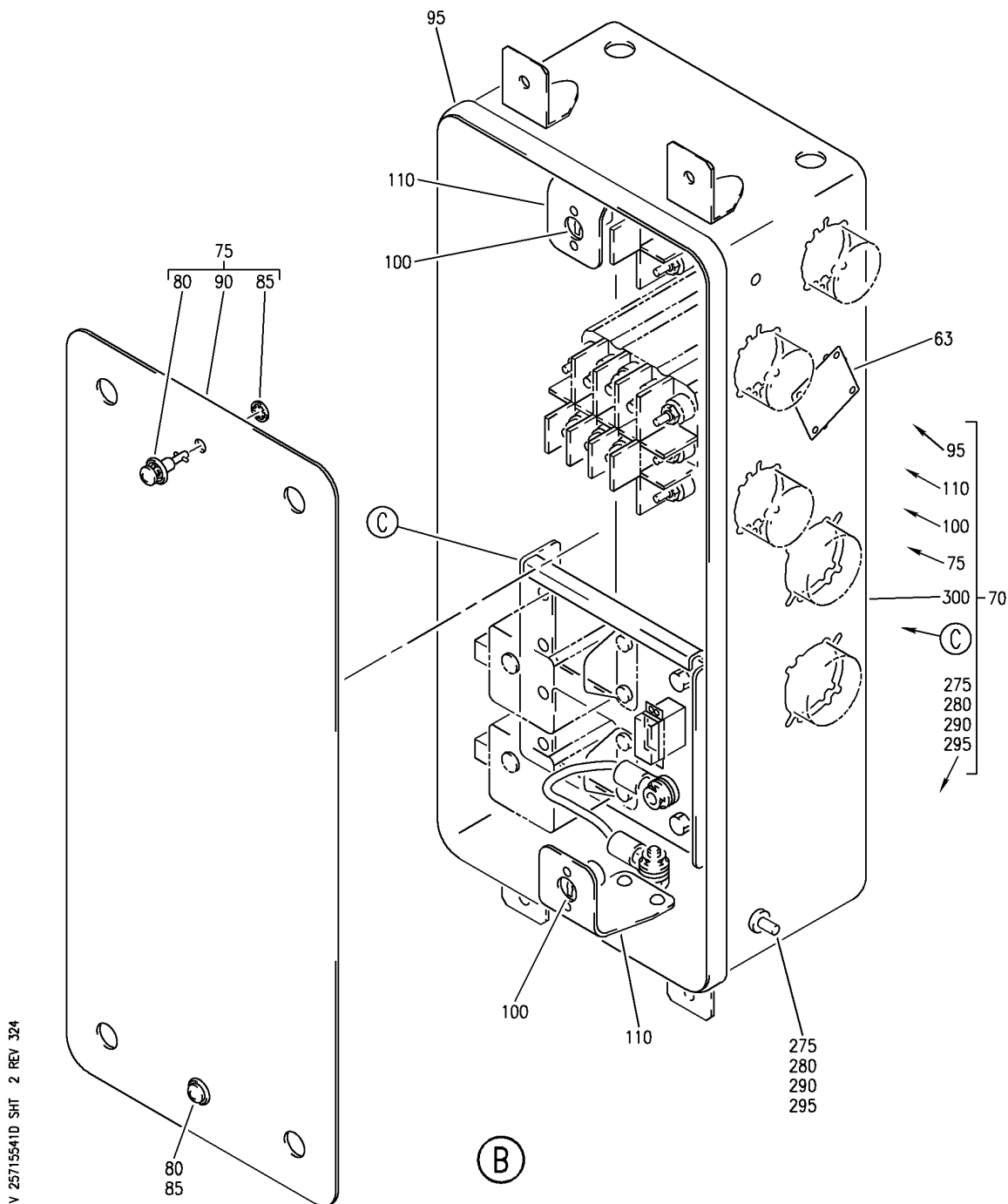
PANEL INSTL-P140 (EQUIPMENT/FURNISHINGS ONLY)
FIGURE 41D (SHEET 1)

25-71-55-41D

HXL
APR 22/08

25-71-55-41D
PAGE 0

BOEING
767
PARTS CATALOG (MAINTENANCE)



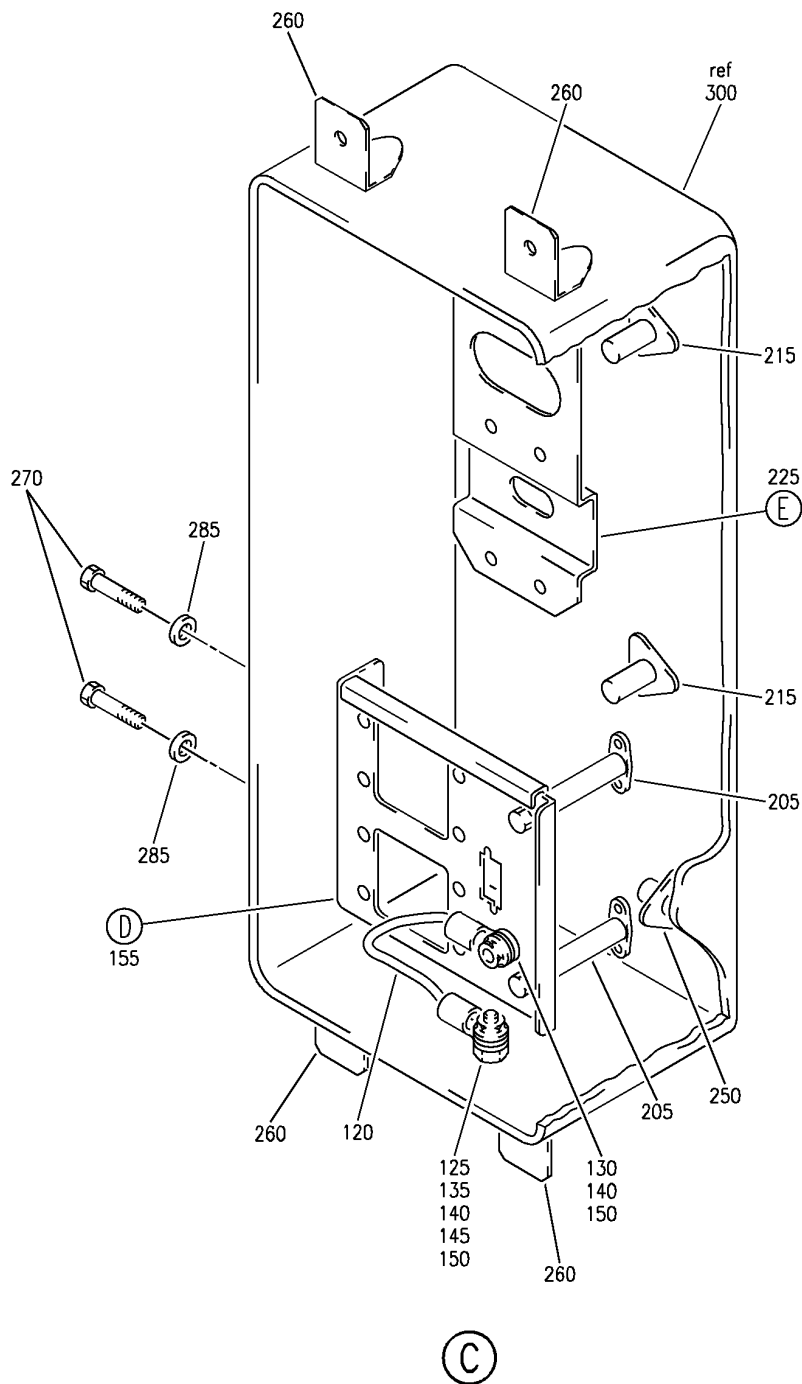
PANEL INSTL-P140 (EQUIPMENT/FURNISHINGS ONLY)
FIGURE 41D (SHEET 2)

25-71-55-41D

HXL
APR 22/08

25-71-55-41D
PAGE 0A

BOEING
767
PARTS CATALOG (MAINTENANCE)



V 25715541D SHT 3 REV 317

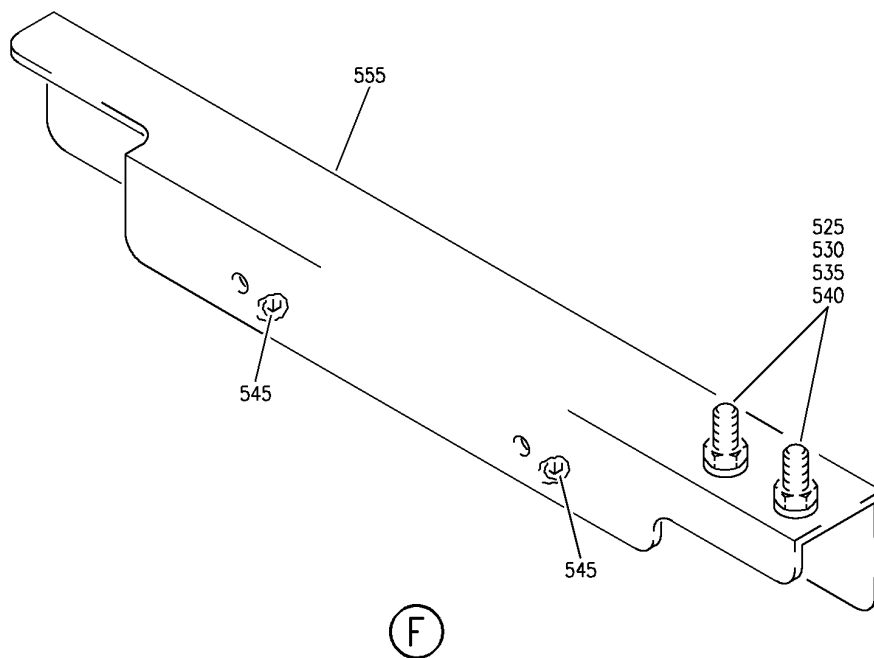
PANEL INSTL-P140 (EQUIPMENT/FURNISHINGS ONLY)
FIGURE 41D (SHEET 3)

25-71-55-41D

HXL
APR 22/08

25-71-55-41D
PAGE 0B

BOEING
767
PARTS CATALOG (MAINTENANCE)



V 25715541D SHT 5 REV 317

PANEL INSTL-P140 (EQUIPMENT/FURNISHINGS ONLY)
FIGURE 41D (SHEET 5)

25-71-55-41D

HXL
APR 22/08

25-71-55-41D
PAGE 0D

BOEING
767
PARTS CATALOG (MAINTENANCE)

FIG ITEM	PART NUMBER	1 2 3 4 5 6 7	NOMENCLATURE	EFFECT FROM TO	UNITS PER ASSY
41D			PANEL INSTL-P140 (EQUIPMENT/FURNISHINGS ONLY)		
- 3	015T1778-1		TOP KIT- SUPPLIER CODE: V81205 POST ALERT SB: 28A0085		1
10	NAS1149D0316H		.WASHER		2
15	MS35650-305T		.NUT		2
20	740A20-3		.JUMPER ASSY SUPPLIER CODE: V91812 SPECIFICATION NUMBER: BACJ40A20-3 OPTIONAL PART: TJEJ40A20-3 V33483 RBEJ20-3 V1GK47		1
40	284T3139-38		.PANEL ASSY ATTACHING PARTS		1
45	BACS12HN3-8		.BOLT		4
50	BACW10EC3S		.WASHER		2
55	NAS1149D0316J		.WASHER		4
60	293163G		.NUT-CLIP SUPPLIER CODE: V60119 SPECIFICATION NUMBER: BACN10FX5DG -----*-----		2
63	285T0296-116		..PLATE-COVER ATTACHING PARTS		1
- 65	BACS12HN04-4		..SCREW		2
- 67	PLH504CD		..NUT SUPPLIER CODE: VF0224 SPECIFICATION NUMBER: BACN10YR04CD OPTIONAL PART: H52732-04CD V15653 -----*-----		2
70	284T3139-29		..BOX ASSY		1
75	284T3139-27		...COVER ASSY		1
80	BACS21EE3R	STUD ASSY		2

ILLUSTRATION ITEMS NOT ON PARTS LIST ARE NOT APPLICABLE

- ITEM NOT ILLUSTRATED

HXL

25-71-55-41D

BOEING PROPRIETARY - Copyright © - Unpublished Work - See title page for details.

25-71-55
FIG. 41D
PAGE 1
DEC 22/08

 **BOEING**
767
PARTS CATALOG (MAINTENANCE)

FIG ITEM	PART NUMBER	1 2 3 4 5 6 7	NOMENCLATURE	EFFECT FROM TO	UNITS PER ASSY
41D 85	1127700	WASHER SUPPLIER CODE: V60119 SPECIFICATION NUMBER: BACW10X4 OPTIONAL PART: 2600LW V71286		2
90	284T3139-28	COVER		1
95	ZSP5-510-60-3	...GASKET-	SUPPLIER CODE: V98376		1
100	BACR11AW3A	...RECEPTACLE	ATTACHING PARTS		2
- 105	BACR15BA3ADC	...RIVET-	SIZE DETERMINED ON INSTL. -----*-----		4
110	284U4257-4	...ANGLE	ATTACHING PARTS		2
- 115	BACR15BB4ADC	...RIVET-	SIZE DETERMINED ON INSTL. -----*-----		4
120	740A20-3	...JUMPER ASSY	SUPPLIER CODE: V91812 SPECIFICATION NUMBER: BACJ40A20-3 OPTIONAL PART: TJEJ40A20-3 V33483 RBEJ20-3 V1GK47 ATTACHING PARTS		1
125	BACS12HN3-10	...SCREW			1
130	BACS12HN3-6	...SCREW			1
135	BACW10EC3S	...WASHER			1
140	NAS1149D0316H	...WASHER			6
145	MS35650-305T	...NUT			1
150	PLH53CD	...NUT	SUPPLIER CODE: VF0224 SPECIFICATION NUMBER: BACN10YR3CD OPTIONAL PART: H52732-3CD V15653 -----*-----		2
155	284T3139-23	...BRACKET ASSY-RELAY			1

ILLUSTRATION ITEMS NOT ON PARTS LIST ARE NOT APPLICABLE

- ITEM NOT ILLUSTRATED

HXL

25-71-55-41D

BOEING PROPRIETARY - Copyright © - Unpublished Work - See title page for details.

25-71-55
FIG. 41D
PAGE 2
DEC 22/08

BOEING
767
PARTS CATALOG (MAINTENANCE)

FIG ITEM	PART NUMBER	1 2 3 4 5 6 7	NOMENCLATURE	EFFECT FROM TO	UNITS PER ASSY
41D			ATTACHING PARTS		
- 160	BACS12HN3-7	...	SCREW		2
- 165	BACW10EC3S	...	WASHER		2
- 170	NAS1149D0316J	...	WASHER		2
			-----*-----		
175	BACG20ZM000400B	GROMMET		2
180	BRF200A08	NUTPLATE		8
			SUPPLIER CODE: V52828		
			SPECIFICATION NUMBER: BACN10JR08F		
			OPTIONAL PART: NS103203-82		
			V80539		
			RMF9201-82		
			V72962		
			VN152A1-82		
			V92215		
			T8091S832		
			V11815		
			F5000-08BAC		
			V15653		
			ATTACHING PARTS		
- 185	AF5141-3C	RIVET-		16
			SUPPLIER CODE: V53551		
			SPECIFICATION NUMBER: BACR15DR3AC		
			SIZE DETERMINED ON INSTL.		
			-----*-----		
190	NS103223SEH02	NUTPLATE		2
			SUPPLIER CODE: V80539		
			SPECIFICATION NUMBER: BACN10JY3CHM		
			OPTIONAL PART: 109HK9457-3		
			V72962		
			ATTACHING PARTS		
- 195	AF5141-3C	RIVET-		4
			SUPPLIER CODE: V53551		
			SPECIFICATION NUMBER: BACR15DR3AC		
			SIZE DETERMINED ON INSTL.		
			-----*-----		
200	284T3139-22	BRACKET		1

ILLUSTRATION ITEMS NOT ON PARTS LIST ARE NOT APPLICABLE

- ITEM NOT ILLUSTRATED

HXL

25-71-55-41D

BOEING PROPRIETARY - Copyright © - Unpublished Work - See title page for details.

25-71-55
FIG. 41D
PAGE 3
DEC 22/08

 **BOEING**
767
PARTS CATALOG (MAINTENANCE)

FIG ITEM	PART NUMBER	1 2 3 4 5 6 7	NOMENCLATURE	EFFECT FROM TO	UNITS PER ASSY
41D 205	WSI4-20		...STAND OFF SUPPLIER CODE: V04169 SPECIFICATION NUMBER: BACN10TL3-20 ATTACHING PARTS		2
- 210	BACR15BA3ADC		...RIVET- SIZE DETERMINED ON INSTL. -----*-----		4
215	WSI43-10		...NUTPLATE SUPPLIER CODE: V04169 SPECIFICATION NUMBER: BACN10YU3-10 ATTACHING PARTS		2
- 220	BACR15BA4ADC		...RIVET- SIZE DETERMINED ON INSTL. -----*-----		6
225	284T3139-25		...BRACKET ASSY-RELAY ATTACHING PARTS		1
- 230	BACR15BA6ADC		...RIVET- SIZE DETERMINED ON INSTL. -----*-----		4
235	MF53049-3	NUTPLATE SUPPLIER CODE: V15653 SPECIFICATION NUMBER: BACN10JN3 OPTIONAL PART: BRFM20A3 V52828 MF1000-3BAC V15653 NS103218-02 V80539 RMF9201M3 V72962 VN252A02 V92215 T8124S3S V11815 ATTACHING PARTS		8
- 240	AF5141-3C	RIVET- SUPPLIER CODE: V53551 SPECIFICATION NUMBER: BACR15DR3AC SIZE DETERMINED ON INSTL. -----*-----		16

ILLUSTRATION ITEMS NOT ON PARTS LIST ARE NOT APPLICABLE

- ITEM NOT ILLUSTRATED

HXL

25-71-55-41D

BOEING PROPRIETARY - Copyright © - Unpublished Work - See title page for details.

25-71-55
FIG. 41D
PAGE 4
DEC 22/08

BOEING
767
PARTS CATALOG (MAINTENANCE)

FIG ITEM	PART NUMBER	1 2 3 4 5 6 7	NOMENCLATURE	EFFECT FROM TO	UNITS PER ASSY
41D					
245	284T3139-24	BRACKET		1
250	WSI43-6	...	STANDOFF		1
			SUPPLIER CODE: V04169		
			SPECIFICATION NUMBER: BACN10YU3-6		
			ATTACHING PARTS		
- 255	BACR15BA4ADC	...	RIVET-		3
			SIZE DETERMINED ON INSTL. -----*-----		
260	284W8724-1	...	CLIP		4
			ATTACHING PARTS		
- 265	BACR15BB5ADC	...	RIVET-		12
			SIZE DETERMINED ON INSTL. -----*-----		
270	BACS12HN3-7	...	SCREW		2
275	BACS12HN3-10	...	SCREW		1
280	BACW10EC3S	...	WASHER		1
285	NAS1149D0316J	...	WASHER		2
290	NAS1149D0316H	...	WASHER		2
295	MS35650-305T	...	NUT		1
300	284T3139-26	...	BOX ASSY		1
305	BACS12HN3-10	.	SCREW		3
310	BACW10EC3S	.	WASHER		3
315	NAS1149D0316H	.	WASHER		6
320	PLH53CD	.	NUT		3
			SUPPLIER CODE: VF0224		
			SPECIFICATION NUMBER: BACN10YR3CD		
			OPTIONAL PART: H52732-3CD V15653		
- 503	015T1778-1	TOP KIT-			1
			SUPPLIER CODE: V81205		
			POST ALERT SB: 28A0085		
505	284T3139-36	.	BRACKET ASSY-SPRT		1
			ATTACHING PARTS		
- 510	BACR15BB4ADC	.	RIVET-		4
			SIZE DETERMINED ON INSTL. -----*-----		
515	284T3139-51	.	BRACKET ASSY-SPRT		1
			ATTACHING PARTS		
- 520	BACR15FT6KEC	.	RIVET-		4
			SIZE DETERMINED ON INSTL. -----*-----		
525	BACS12HN3-10	..	SCREW		3

ILLUSTRATION ITEMS NOT ON PARTS LIST ARE NOT APPLICABLE

- ITEM NOT ILLUSTRATED

HXL

25-71-55-41D

BOEING PROPRIETARY - Copyright © - Unpublished Work - See title page for details.

25-71-55
FIG. 41D
PAGE 5
DEC 22/08



767

PARTS CATALOG (MAINTENANCE)

FIG ITEM	PART NUMBER	1 2 3 4 5 6 7	NOMENCLATURE	EFFECT FROM TO	UNITS PER ASSY
41D					
530	BACW10EC3S	..	WASHER		3
535	NAS1149D0316H	..	WASHER		6
540	MS35650-305T	..	NUT		3
545	MF53049-3	..	NUTPLATE		2
			SUPPLIER CODE: V15653		
			SPECIFICATION NUMBER: BACN10JN3		
			OPTIONAL PART: BRFM20A3		
			V52828		
			MF1000-3BAC		
			V15653		
			NS103218-02		
			V80539		
			RMF9201M3		
			V72962		
			VN252A02		
			V92215		
			T8124S3S		
			V11815		
			ATTACHING PARTS		
- 550	BACR15BA3ADC	..	RIVET-		4
			SIZE DETERMINED ON INSTL.		
			-----*-----		
555	284T3139-50	..	BRACKET		1

ILLUSTRATION ITEMS NOT ON PARTS LIST ARE NOT APPLICABLE

- ITEM NOT ILLUSTRATED

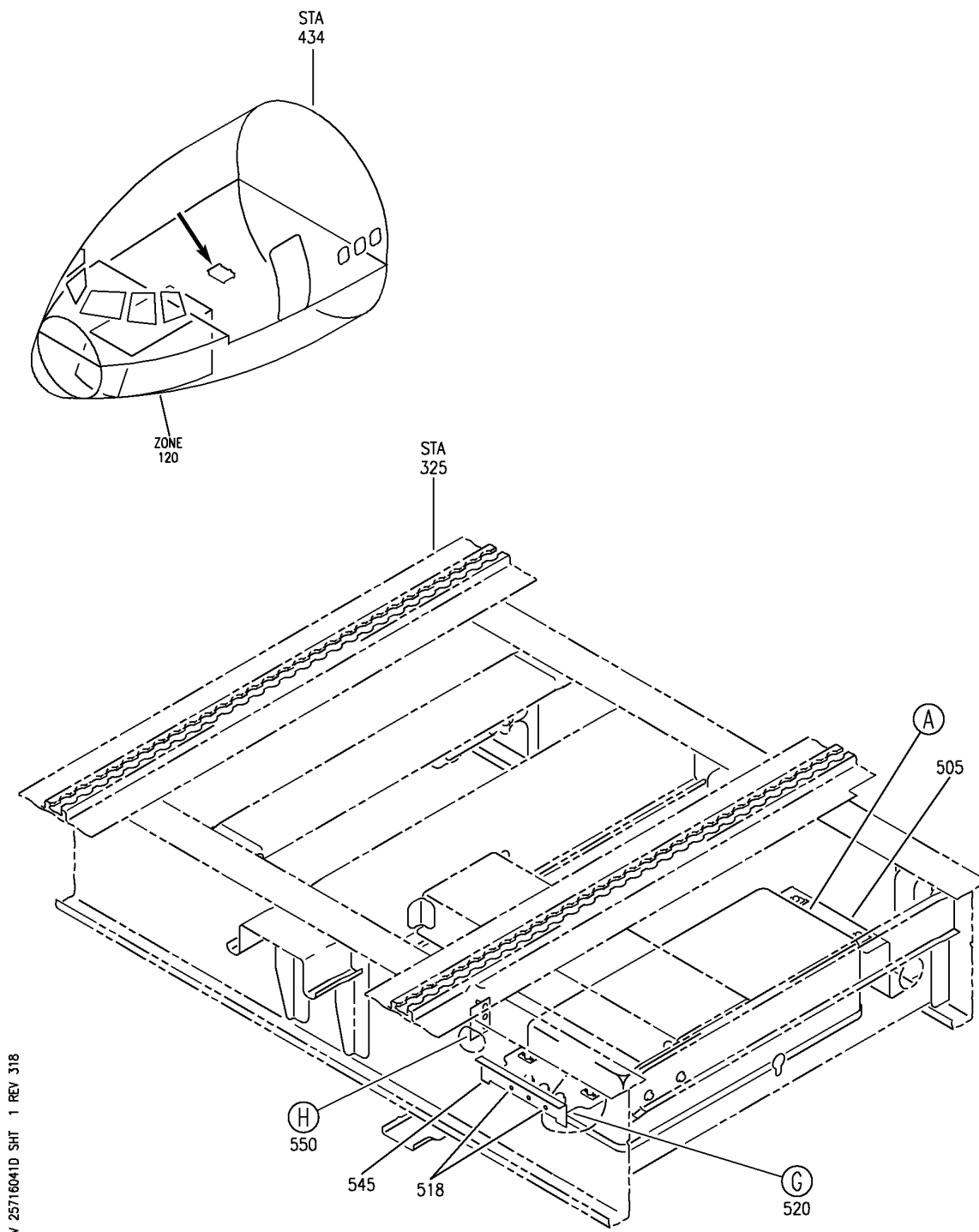
HXL

25-71-55-41D

BOEING PROPRIETARY - Copyright © - Unpublished Work - See title page for details.

25-71-55
FIG. 41D
PAGE 6
DEC 22/08

BOEING
767
PARTS CATALOG (MAINTENANCE)



V 25716041D SHT 1 REV 318

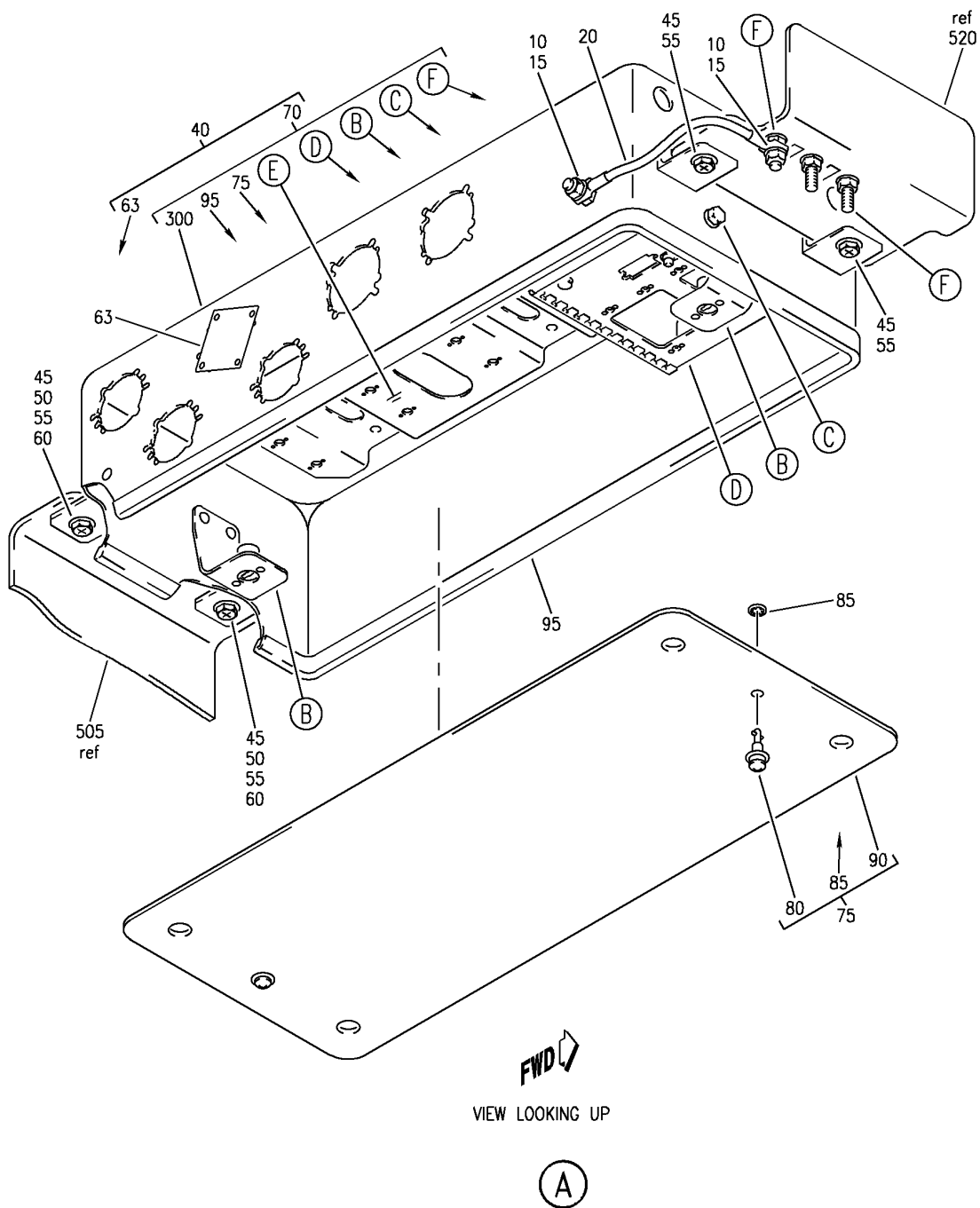
PANEL INSTL-P141 (EQUIPMENT/FURNISHINGS ONLY)
FIGURE 41D (SHEET 1)

25-71-60-41D

HXL
APR 22/08

25-71-60-41D
PAGE 0

BOEING
767
PARTS CATALOG (MAINTENANCE)



V 25716041D SHT 2 REV 324

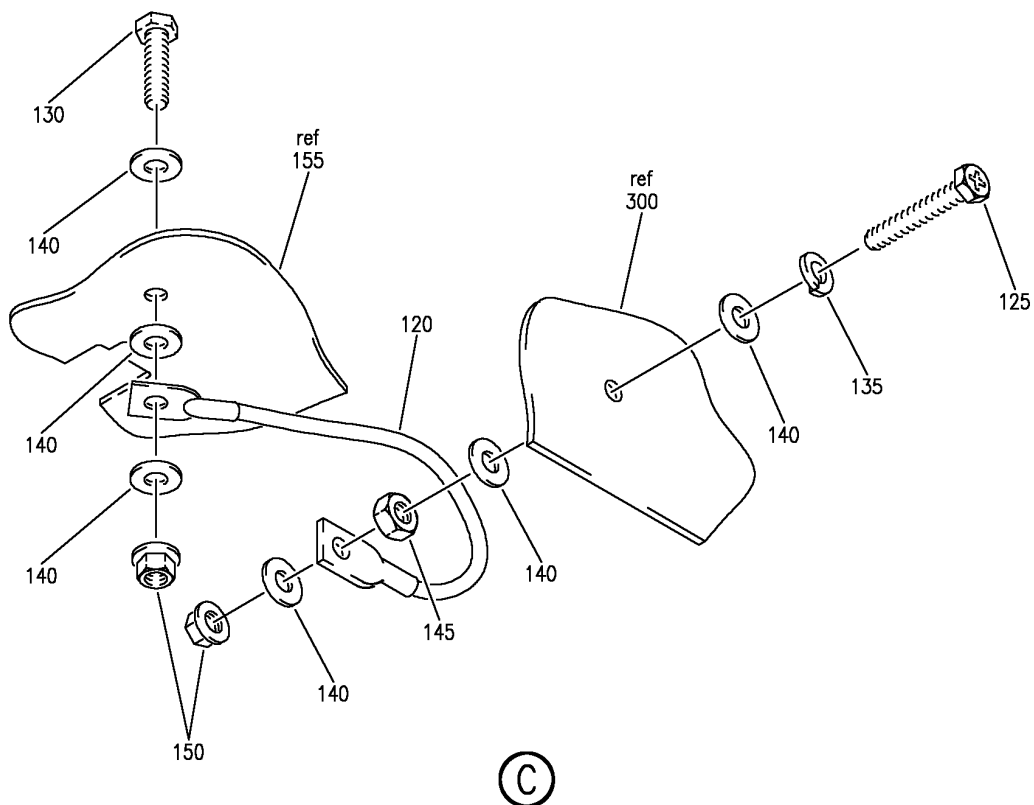
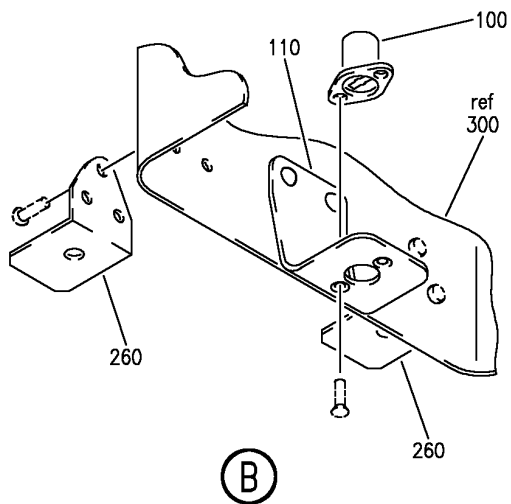
PANEL INSTL-P141 (EQUIPMENT/FURNISHINGS ONLY)
FIGURE 41D (SHEET 2)

25-71-60-41D

HXL
APR 22/08

25-71-60-41D
PAGE 0A

BOEING
767
PARTS CATALOG (MAINTENANCE)



V 25716041D SHT 3 REV 317

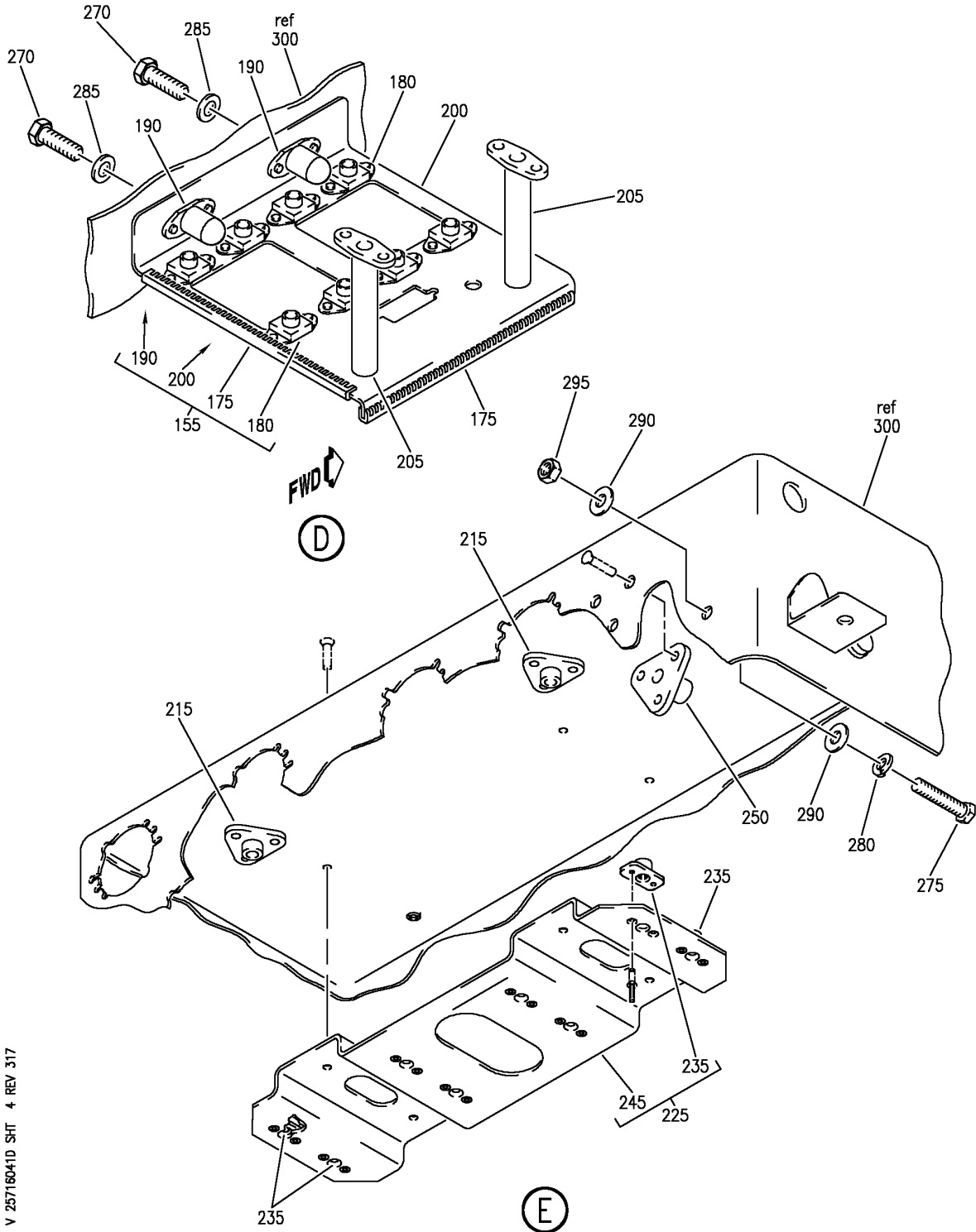
PANEL INSTL-P141 (EQUIPMENT/FURNISHINGS ONLY)
FIGURE 41D (SHEET 3)

25-71-60-41D

HXL
APR 22/08

25-71-60-41D
PAGE 0B

BOEING
767
PARTS CATALOG (MAINTENANCE)



V 25716041D SHT 4 REV 317

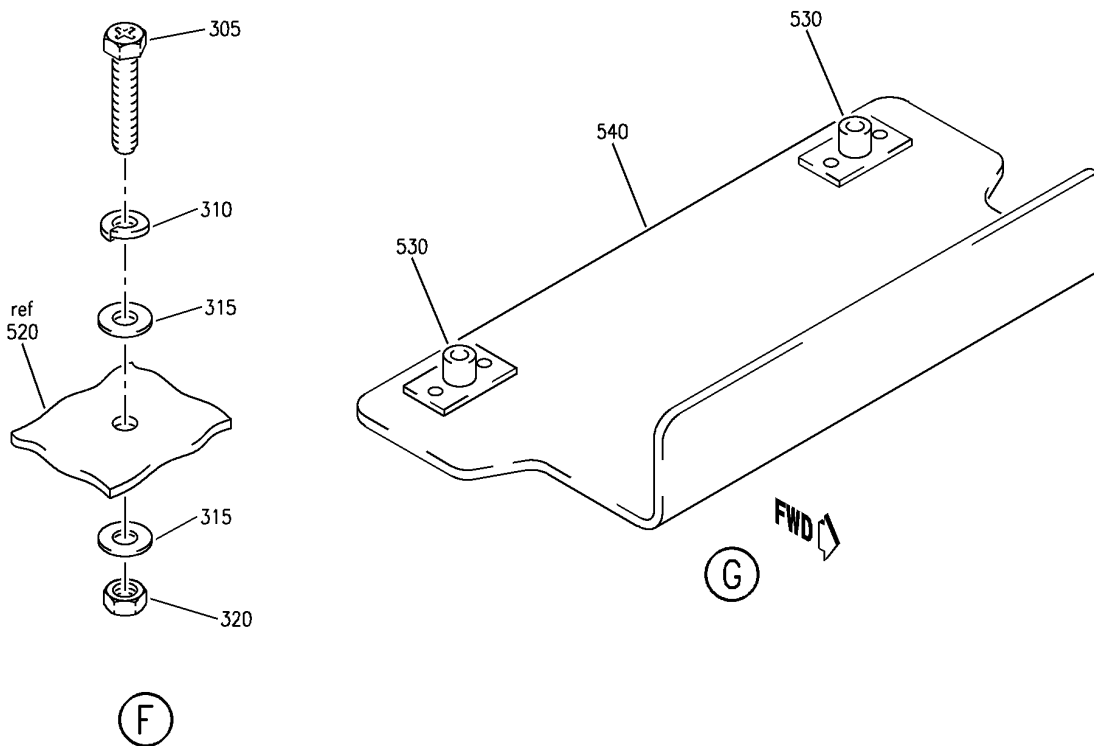
PANEL INSTL-P141 (EQUIPMENT/FURNISHINGS ONLY)
FIGURE 41D (SHEET 4)

25-71-60-41D

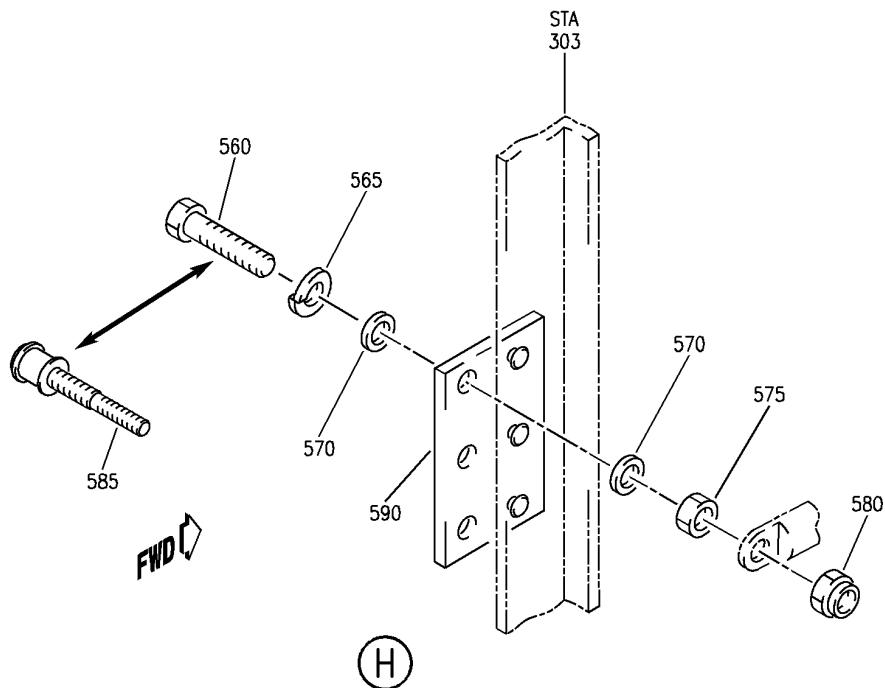
HXL
APR 22/08

25-71-60-41D
PAGE 0C

BOEING
767
PARTS CATALOG (MAINTENANCE)



(F)



(H)

V 25716041D SHT 5 REV 318

PANEL INSTL-P141 (EQUIPMENT/FURNISHINGS ONLY)
FIGURE 41D (SHEET 5)

25-71-60-41D

HXL
APR 22/08

25-71-60-41D
PAGE 0D

BOEING
767
PARTS CATALOG (MAINTENANCE)

FIG ITEM	PART NUMBER	1 2 3 4 5 6 7	NOMENCLATURE	EFFECT FROM TO	UNITS PER ASSY
41D			PANEL INSTL-P141 (EQUIPMENT/FURNISHINGS ONLY)		
- 3	015T1778-1		TOP KIT- SUPPLIER CODE: V81205 POST ALERT SB: 28A0085		1
10	NAS1149D0316H		.WASHER		2
15	PLH53CD		.NUT SUPPLIER CODE: VF0224 SPECIFICATION NUMBER: BACN10YR3CD OPTIONAL PART: H52732-3CD V15653		2
20	740A20-5		.JUMPER ASSY SUPPLIER CODE: V91812 SPECIFICATION NUMBER: BACJ40A20-5 OPTIONAL PART: TJEJ40A20-5 V33483 RBEJ20-5 V1GK47		1
40	284T3139-40		.PANEL ASSY-P141 ATTACHING PARTS		1
45	BACS12HN3-8		.BOLT		4
50	BACW10EC3S		.WASHER		2
55	NAS1149D0316J		.WASHER		4
60	293163G		.NUT-CLIP SUPPLIER CODE: V60119 SPECIFICATION NUMBER: BACN10FX5DG -----*-----		2
63	285T0296-116		..PLATE-COVER ATTACHING PARTS		1
- 65	BACS12HN04-4		..SCREW		2

ILLUSTRATION ITEMS NOT ON PARTS LIST ARE NOT APPLICABLE

- ITEM NOT ILLUSTRATED

HXL

25-71-60-41D

BOEING PROPRIETARY - Copyright © - Unpublished Work - See title page for details.

25-71-60
FIG. 41D
PAGE 1
DEC 22/08

 **BOEING**
767
PARTS CATALOG (MAINTENANCE)

FIG ITEM	PART NUMBER	1 2 3 4 5 6 7	NOMENCLATURE	EFFECT FROM TO	UNITS PER ASSY
41D - 67	PLH504CD	..	NUT SUPPLIER CODE: VFO224 SPECIFICATION NUMBER: BACN10YR04CD OPTIONAL PART: H52732-04CD V15653 -----*-----		2
70	284T3139-29	..	BOX ASSY-P140, P141		1
75	284T3139-27	...	COVER ASSY		1
80	BACS21EE3R	STUD ASSY		2
85	1127700	WASHER SUPPLIER CODE: V60119 SPECIFICATION NUMBER: BACW10X4 OPTIONAL PART: 2600LW V71286		2
90	284T3139-28	COVER		1
95	ZSP5-510-60-3	...	GASKET- SUPPLIER CODE: V98376		1
100	BACR11AW3A	...	RECEPTACLE ATTACHING PARTS		2
- 105	BACR15BA3ADC	...	RIVET- SIZE DETERMINED ON INSTL. -----*-----		4
110	284U4257-4	...	ANGLE ATTACHING PARTS		2
- 115	BACR15BB4ADC	...	RIVET- SIZE DETERMINED ON INSTL. -----*-----		4
120	740A20-3	...	JUMPER ASSY SUPPLIER CODE: V91812 SPECIFICATION NUMBER: BACJ40A20-3 OPTIONAL PART: TJEJ40A20-3 V33483 RBEJ20-3 V1GK47 ATTACHING PARTS		1
125	BACS12HN3-10	...	SCREW		1
130	BACS12HN3-6	...	SCREW		1
135	BACW10EC3S	...	WASHER		1
140	NAS1149D0316H	...	WASHER		6

ILLUSTRATION ITEMS NOT ON PARTS LIST ARE NOT APPLICABLE

- ITEM NOT ILLUSTRATED

HXL

25-71-60-41D

BOEING PROPRIETARY - Copyright © - Unpublished Work - See title page for details.

25-71-60
FIG. 41D
PAGE 2
DEC 22/08

 **BOEING**
767
PARTS CATALOG (MAINTENANCE)

FIG ITEM	PART NUMBER	1 2 3 4 5 6 7	NOMENCLATURE	EFFECT FROM TO	UNITS PER ASSY
41D					
145	MS35650-305T	...	NUT		1
150	PLH53CD	...	NUT		2
			SUPPLIER CODE: VF0224		
			SPECIFICATION NUMBER: BACN10YR3CD		
			OPTIONAL PART: H52732-3CD V15653		
			-----*-----		
155	284T3139-23	...	BRACKET ASSY-RELAY		1
			ATTACHING PARTS		
- 160	BACS12HN3-7	...	SCREW		2
- 165	BACW10EC3S	...	WASHER		2
- 170	NAS1149D0316J	...	WASHER		2
			-----*-----		
175	BACG20ZM000400B	GROMMET		2
180	BRF200A08	NUTPLATE		8
			SUPPLIER CODE: V52828		
			SPECIFICATION NUMBER: BACN10JR08F		
			OPTIONAL PART: NS103203-82 V80539 RMF9201-82 V72962 VN152A1-82 V92215 T8091S832 V11815 F5000-08BAC V15653		
			ATTACHING PARTS		
- 185	AF5141-3C	RIVET-		16
			SUPPLIER CODE: V53551		
			SPECIFICATION NUMBER: BACR15DR3AC		
			SIZE DETERMINED ON INSTL.		
			-----*-----		
190	NS103223SEH02	NUTPLATE		2
			SUPPLIER CODE: V80539		
			SPECIFICATION NUMBER: BACN10JY3CHM		
			OPTIONAL PART: 109HK9457-3 V72962		

ILLUSTRATION ITEMS NOT ON PARTS LIST ARE NOT APPLICABLE

- ITEM NOT ILLUSTRATED

HXL

25-71-60-41D

BOEING PROPRIETARY - Copyright © - Unpublished Work - See title page for details.

25-71-60
FIG. 41D
PAGE 3
DEC 22/08

BOEING
767
PARTS CATALOG (MAINTENANCE)

FIG ITEM	PART NUMBER	1 2 3 4 5 6 7	NOMENCLATURE	EFFECT FROM TO	UNITS PER ASSY
41D			ATTACHING PARTS		
- 195	AF5141-3C	RIVET- SUPPLIER CODE: V53551 SPECIFICATION NUMBER: BACR15DR3AC SIZE DETERMINED ON INSTL. -----*-----		4
200	284T3139-22	BRACKET		1
205	WSI4-20	...	STAND OFF SUPPLIER CODE: V04169 SPECIFICATION NUMBER: BACN10TL3-20		2
- 210	BACR15BA3ADC	...	ATTACHING PARTS RIVET- SIZE DETERMINED ON INSTL. -----*-----		4
215	WSI43-10	...	NUTPLATE SUPPLIER CODE: V04169 SPECIFICATION NUMBER: BACN10YU3-10		2
- 220	BACR15BA4ADC	...	ATTACHING PARTS RIVET- SIZE DETERMINED ON INSTL. -----*-----		6
225	284T3139-25	...	BRACKET ASSY-RELAY ATTACHING PARTS		1
- 230	BACR15BA6ADC	...	RIVET- SIZE DETERMINED ON INSTL. -----*-----		4

ILLUSTRATION ITEMS NOT ON PARTS LIST ARE NOT APPLICABLE

- ITEM NOT ILLUSTRATED

HXL

25-71-60-41D

BOEING PROPRIETARY - Copyright © - Unpublished Work - See title page for details.

25-71-60
FIG. 41D
PAGE 4
DEC 22/08

BOEING
767
PARTS CATALOG (MAINTENANCE)

FIG ITEM	PART NUMBER	1 2 3 4 5 6 7	NOMENCLATURE	EFFECT FROM TO	UNITS PER ASSY
41D 235	MF53049-3	NUTPLATE SUPPLIER CODE: V15653 SPECIFICATION NUMBER: BACN10JN3 OPTIONAL PART: BRFM20A3 V52828 MF1000-3BAC V15653 NS103218-02 V80539 RMF9201M3 V72962 VN252A02 V92215 T8124S3S V11815 ATTACHING PARTS		8
- 240	AF5141-3C	RIVET- SUPPLIER CODE: V53551 SPECIFICATION NUMBER: BACR15DR3AC SIZE DETERMINED ON INSTL. -----*-----		16
245	284T3139-24	BRACKET		1
250	WSI43-6		...STANDOFF SUPPLIER CODE: V04169 SPECIFICATION NUMBER: BACN10YU3-6 ATTACHING PARTS		1
- 255	BACR15BA4ADC		...RIVET- SIZE DETERMINED ON INSTL. -----*-----		3
260	284W8724-1		...CLIP ATTACHING PARTS		4
- 265	BACR15BB5ADC		...RIVET- SIZE DETERMINED ON INSTL. -----*-----		12
270	BACs12HN3-7		...SCREW		2
275	BACs12HN3-10		...SCREW		1
280	BACW10EC3S		...WASHER		1
285	NAS1149D0316J		...WASHER		2
290	NAS1149D0316H		...WASHER		2
295	MS35650-305T		...NUT		1
300	284T3139-26		...BOX ASSY		1
305	BACs12HN3-10		.SCREW		3

ILLUSTRATION ITEMS NOT ON PARTS LIST ARE NOT APPLICABLE

- ITEM NOT ILLUSTRATED

HXL

25-71-60-41D

BOEING PROPRIETARY - Copyright © - Unpublished Work - See title page for details.

25-71-60
FIG. 41D
PAGE 5
DEC 22/08

 **BOEING**
767
PARTS CATALOG (MAINTENANCE)

FIG ITEM	PART NUMBER	1 2 3 4 5 6 7	NOMENCLATURE	EFFECT FROM TO	UNITS PER ASSY
41D					
310	BACW10EC3S		.WASHER		3
315	NAS1149D0316H		.WASHER		6
320	MS35650-305T		.NUT		3
- 503	015T1778-1		TOP KIT-		1
			SUPPLIER CODE: V81205		
			POST ALERT SB: 28A0085		
505	284T3139-41		.BRACKET-SPRT		1
			ATTACHING PARTS		
- 510	BACB30VT6K		.BOLT-		3
			SIZE DETERMINED ON INSTL.		
R - 515	BACC30BL6		.COLLAR		3
			-----*-----		
518	BACR15BB6ADC		.RIVET-		3
			SIZE DETERMINED ON INSTL.		
520	284T3139-35		.BRACKET ASSY-SPRT		1
530	MF53049-3		..NUTPLATE		2
			SUPPLIER CODE: V15653		
			SPECIFICATION NUMBER: BACN10JN3		
			OPTIONAL PART: BRFM20A3		
			V52828		
			MF1000-3BAC		
			V15653		
			NS103218-02		
			V80539		
			RMF9201M3		
			V72962		
			VN252A02		
			V92215		
			T8124S3S		
			V11815		
			ATTACHING PARTS		
- 535	BACR15BA3ADC		..RIVET-		4
			SIZE DETERMINED ON INSTL.		
			-----*-----		
540	284T3139-34		..BRACKET		1
545	284T3139-46		.ANGLE-STIFFENER		1
550	61B74799-95		.BRACKET ASSY-GND		1
			ATTACHING PARTS		
- 555	BACR15BB5ADC		.RIVET-		3
			SIZE DETERMINED ON INSTL.		
			-----*-----		

ILLUSTRATION ITEMS NOT ON PARTS LIST ARE NOT APPLICABLE

- ITEM NOT ILLUSTRATED

HXL

25-71-60-41D

BOEING PROPRIETARY - Copyright © - Unpublished Work - See title page for details.

25-71-60
FIG. 41D
PAGE 6
AUG 22/09



767

PARTS CATALOG (MAINTENANCE)

FIG ITEM	PART NUMBER	1 2 3 4 5 6 7	NOMENCLATURE	EFFECT FROM TO	UNITS PER ASSY
41D 560	NAS1801-3-12		.. SCREW- QUALIFIED OPTIONAL DATA: NAS1801-3-12, MS35338-43, AN960D10L(2) OR NAS119710L(2), MS35650-305T AND BACN10JC3 TOGETHER ARE OPTIONAL TO BAC53B1EA1		3
565	MS35338-43		.. WASHER- QUALIFIED OPTIONAL DATA: NAS1801-3-12, MS35338-43, AN960D10L(2) OR NAS119710L(2), MS35650-305T AND BACN10JC3 TOGETHER ARE OPTIONAL TO BAC53B1EA1		3
570	NAS119710L		.. WASHER- QUALIFIED OPTIONAL DATA: NAS1801-3-12, MS35338-43, AN960D10L(2) OR NAS119710L(2), MS35650-305T AND BACN10JC3 TOGETHER ARE OPTIONAL TO BAC53B1EA1		6
570	AN960D10L		.. WASHER- QUALIFIED OPTIONAL DATA: NAS1801-3-12, MS35338-43, AN960D10L(2) OR NAS119710L(2), MS35650-305T AND BACN10JC3 TOGETHER ARE OPTIONAL TO BAC53B1EA1		6
575	MS35650-305T		.. NUT- QUALIFIED OPTIONAL DATA: NAS1801-3-12, MS35338-43, AN960D10L(2) OR NAS119710L(2), MS35650-305T AND BACN10JC3 TOGETHER ARE OPTIONAL TO BAC53B1EA1		3

ILLUSTRATION ITEMS NOT ON PARTS LIST ARE NOT APPLICABLE

- ITEM NOT ILLUSTRATED

HXL

25-71-60-41D

BOEING PROPRIETARY - Copyright © - Unpublished Work - See title page for details.

25-71-60
FIG. 41D
PAGE 7
AUG 22/09



767

PARTS CATALOG (MAINTENANCE)

FIG ITEM	PART NUMBER	1 2 3 4 5 6 7	NOMENCLATURE	EFFECT FROM TO	UNITS PER ASSY
41D 580	BRH10A3		..NUT- SUPPLIER CODE: V52828 SPECIFICATION NUMBER: BACN10JC3 OPTIONAL PART: H10-3BAC V15653 NS202101-02 V80539 RMLH9075-3W V72962 VN303A02 V92215 96-02 V80539 T6S1032J V11815 QUALIFIED OPTIONAL DATA: NAS1801-3-12, MS35338-43, AN960D10L(2) OR NAS119710L(2), MS35650-305T AND BACN10JC3 TOGETHER ARE OPTIONAL TO BAC53B1EA1		3
585	VNS1924CA1-8		..STUD- SUPPLIER CODE: V5M902 SPECIFICATION NUMBER: BACS53B1EA1 OPTIONAL PART: VNS1924CA3-1-8 V92215 QUALIFIED OPTIONAL DATA: NAS1801-3-12, MS35338-43, AN960D10L(2) OR NAS119710L(2), MS35650-305T AND BACN10JC3 TOGETHER ARE OPTIONAL TO BACS53B1EA1		3
590	65B70136-8		..CLIP		1

ILLUSTRATION ITEMS NOT ON PARTS LIST ARE NOT APPLICABLE

- ITEM NOT ILLUSTRATED

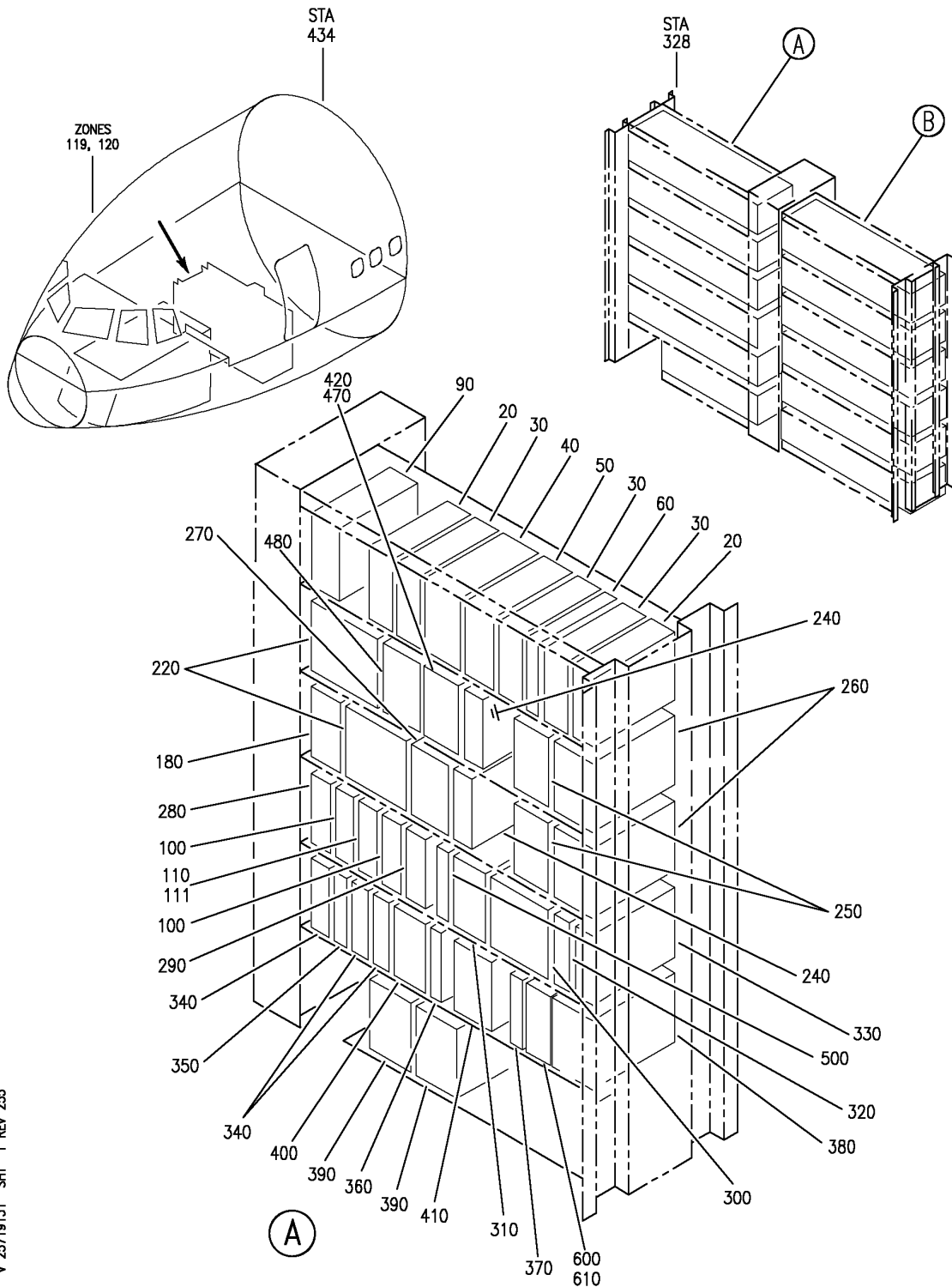
HXL

25-71-60-41D

BOEING PROPRIETARY - Copyright © - Unpublished Work - See title page for details.

25-71-60
 FIG. 41D
 PAGE 8
 AUG 22/09

BOEING
767
PARTS CATALOG (MAINTENANCE)



V 25719131 SHT 1 REV 255

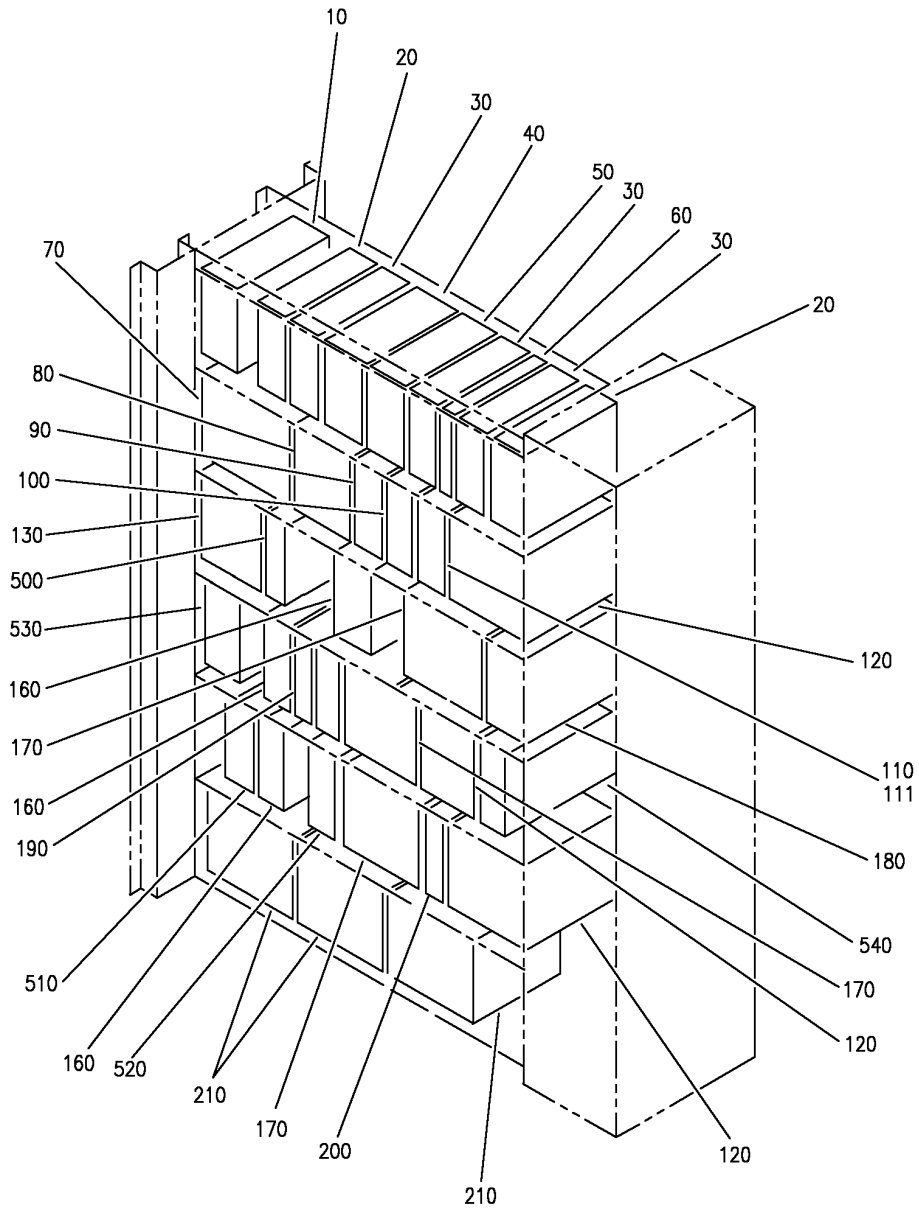
EQUIPMENT INSTL-ELECT. EQPT CTR E1/E2 RACK (EQUIPMENT/FURNISHINGS ONLY)
FIGURE 31 (SHEET 1)

25-71-91-31

HXL
DEC 22/06

25-71-91-31
PAGE 0

BOEING
767
PARTS CATALOG (MAINTENANCE)



(B)

V 25719131 SH1 2 REV 330

EQUIPMENT INSTL-ELECT. EQPT CTR E1/E2 RACK (EQUIPMENT/FURNISHINGS ONLY)
FIGURE 31 (SHEET 2)

25-71-91-31

HXL
AUG 22/08

25-71-91-31
PAGE 0A



767

PARTS CATALOG (MAINTENANCE)

FIG ITEM	PART NUMBER	1 2 3 4 5 6 7	NOMENCLATURE	EFFECT FROM TO	UNITS PER ASSY
31			EQUIPMENT INSTL-ELECT. EQPT CTR E1/E2 RACK (EQUIPMENT/FURNISHINGS ONLY)		
- 1	284T0400-618		EQUIPMENT INSTL-ELECT. EQPT CTR E1/E2 RACK (EQUIPMENT/FURNISHINGS ONLY)	155162	RF
- 1	284T0400-630		VARIABLE DRAWING REF: 284T0400-5284 FOR NHA/OTHER SYS DET SEE: 24-00-58-01J EQUIPMENT INSTL-ELECT. EQPT CTR E1/E2 RACK (EQUIPMENT/FURNISHINGS ONLY)	163999	RF
10	42-767-1		VARIABLE DRAWING REF: 284T0400-5349 284T0400-5357 FOR NHA/OTHER SYS DET SEE: 24-00-58-01J .UNIT ASSY-		RF
10	42-877-1		AUTOBRAKE/ANTISKID CONT SUPPLIER CODE: V81982 SPECIFICATION NUMBER: S283T001-25 ELECTRICAL EQUIP NUMBER: M00102 COMPONENT MAINT MANUAL REF: 32-42-20 FOR BREAKDOWN SEE: 32-42-01-11 .UNIT ASSY-		RF
			AUTOBRAKE/ANTISKID CONT SUPPLIER CODE: V81982 SPECIFICATION NUMBER: S283T001-23 ELECTRICAL EQUIP NUMBER: M00102 COMPONENT MAINT MANUAL REF: 32-42-20		

ILLUSTRATION ITEMS NOT ON PARTS LIST ARE NOT APPLICABLE

- ITEM NOT ILLUSTRATED

HXL

25-71-91-31

BOEING PROPRIETARY - Copyright © - Unpublished Work - See title page for details.

25-71-91
FIG. 31
PAGE 1
DEC 22/07



767

PARTS CATALOG (MAINTENANCE)

FIG ITEM	PART NUMBER	1 2 3 4 5 6 7 NOMENCLATURE	EFFECT FROM TO	UNITS PER ASSY
31 20	285T0017-201	<p>.MODULE ASSY-CONT SYS ELECTRONICS UNIT POWER SUPPLY STATIC SENSITIVE PART SUPPLIER CODE: V89954 POSITION DATA: L AND R, 1 AND 2 FUNCTIONAL DESCRIPTION: THE CONTROL SYSTEM ELECTRONIC POWER SUPPLY MODULE (PSM) CONSISTS OF LEFT AND RIGHT CSEU POWER SUPPLY SUB-SYSTEMS. EACH CONTAINS TWO CSEU POWER SUPPLY MODULES. MISCELLANEOUS DATA: MOD LEVEL NO MOD, MOD A. ASSY -201 WITH -5004 INSTALLED IS THE NO MOD CONFIGURATION. ASSY -201 WITH -5005 INSTALLED IS THE MOD A CONFIGURATION. PARTMARK BY OBSCURING MOD LEVEL LETTER(S) ON THE NAMEPLATE/DECAL WITH A CONTRASTING PERMANENT INK PER BAC5307 OR PART MARK PER D6-35610-1. MARK ASSY -201 WITH -5005 INSTALLED AS MOD A BY OBSCURING THE MOD LEVEL LETTER A. ELECTRICAL EQUIP NUMBER: M00536 M00537 M00538 M00539 COMPONENT MAINT MANUAL REF: 27-09-58 FOR BREAKDOWN SEE: 27-09-01-02</p>		RF

ILLUSTRATION ITEMS NOT ON PARTS LIST ARE NOT APPLICABLE

- ITEM NOT ILLUSTRATED

HXL

25-71-91-31

BOEING PROPRIETARY - Copyright © - Unpublished Work - See title page for details.

25-71-91
FIG. 31
PAGE 2
APR 22/09



767

PARTS CATALOG (MAINTENANCE)

FIG ITEM	PART NUMBER	1 2 3 4 5 6 7	NOMENCLATURE	EFFECT FROM TO	UNITS PER ASSY
31 20	285T0017-102		.MODULE ASSY-CONT SYS ELECTRONICS UNIT POWER SUPPLY STATIC SENSITIVE PART SUPPLIER CODE: V89954 POSITION DATA: L AND R, 1 AND 2 ELECTRICAL EQUIP NUMBER: M00536 M00537 M00538 M00539 COMPONENT MAINT MANUAL REF: 27-09-56 FOR BREAKDOWN SEE: 27-09-01-02		RF
20	285T0017-103		.MODULE ASSY-CONT SYS ELECTRONICS UNIT POWER SUPPLY STATIC SENSITIVE PART SUPPLIER CODE: V89954 POSITION DATA: L AND R, 1 AND 2 ELECTRICAL EQUIP NUMBER: M00536 M00537 M00538 M00539 COMPONENT MAINT MANUAL REF: 27-09-56 FOR BREAKDOWN SEE: 27-09-01-02		RF

ILLUSTRATION ITEMS NOT ON PARTS LIST ARE NOT APPLICABLE

- ITEM NOT ILLUSTRATED

HXL

25-71-91-31

BOEING PROPRIETARY - Copyright © - Unpublished Work - See title page for details.

25-71-91
FIG. 31
PAGE 3
DEC 22/07



767

PARTS CATALOG (MAINTENANCE)

FIG ITEM	PART NUMBER	1 2 3 4 5 6 7	NOMENCLATURE	EFFECT FROM TO	UNITS PER ASSY
31 20	285T0017-104		.MODULE ASSY-CONT SYS ELECTRONICS UNIT POWER SUPPLY STATIC SENSITIVE PART SUPPLIER CODE: V89954 POSITION DATA: L AND R, 1 AND 2 MISCELLANEOUS DATA: ASSEMBLY -104 BUILT AFTER 11-5-90 WILL HAVE -5002 INSTALLED AND BE IDENTIFIED AS -104 MOD A BY OBLITERATING THE LETTER A ON THE MOD LEVEL DECAL. ASSEMBLY -104 BUILT BETWEEN 4-23-91 AND 4-10-92 WILL HAVE -5003 INSTALLED, INCORPORATE MOD A AND B, AND BE IDENTIFIED AS -104 MOD B BY OBLITERATING THE LETTER B ON THE MOD LEVEL DECAL. ASSEMBLY -104 BUILT AFTER 4-10-92 WILL HAVE -5003 INSTALLED, INCORPORATE MOD A AND B AND BE IDENTIFIED AS -104 MOD A AND B BY OBLITERATING THE LETTERS A AND B ON THE MOD LEVEL DECAL ELECTRICAL EQUIP NUMBER: M00536 M00537 M00538 M00539 COMPONENT MAINT MANUAL REF: 27-09-57 FOR BREAKDOWN SEE: 27-09-01-02		RF
30	285T0012-115		.MODULE ASSY-SPOILER CONT STATIC SENSITIVE PART SUPPLIER CODE: V89954 POSITION DATA: L AND R, 1, 2 AND 3 MISCELLANEOUS DATA:		RF

ILLUSTRATION ITEMS NOT ON PARTS LIST ARE NOT APPLICABLE

- ITEM NOT ILLUSTRATED

25-71-91-31

25-71-91
FIG. 31
PAGE 4
DEC 22/07

HXL



767

PARTS CATALOG (MAINTENANCE)

FIG ITEM	PART NUMBER	1 2 3 4 5 6 7 NOMENCLATURE	EFFECT FROM TO	UNITS PER ASSY
31 30		<p>ASSY -115 WITH -5010 INSTALLED IS MOD A. ASSY -115 WITH -5012 INSTALLED IS MOD B. ASSY -115 WITH -5013 INSTALLED IS MOD C. ASSY -115 BUILT BETWEEN 6-27-1989 AND 6-22-1990 SHALL HAVE -5010 OR -5012 INSTALLED. ASSY -115 BUILT AFTER 6-22-1990 SHALL HAVE -5013 INSTALLED. THE MOD LEVEL LIMITED PARTS -5009 THROUGH -5013 ARE INTERCHANGEABLE WITH PREFERED OPTION LISTED IN THE ON NOTE OF SAID LIMITED PART ELECTRICAL EQUIP NUMBER: M00530 M00531 M00532 M00533 M00534 M00535 COMPONENT MAINT MANUAL REF: 27-61-52 QUALIFIED I/W DATA: AFTER COMPLETION OF WIRING CHANGES PER S/B 767-27-0059 AND 767-27-0026, 285T0012-115 MUST BE INSTALLED AT INBOARD SPOILER, SHELF POSITIONS 2R AND 3R. AFTER WIRING CHANGES NOTED ABOVE OR PRODUCTION EQUIVALENT, 285T0012-115 OR -113 MAY BE INSTALLED INTERCHANGEABLY AT OUTBOARD SPOILER, SHELF POSITIONS 1L, 2L, 3L, AND 1R. 285T0012-115, 285T0012-116, 285T0012-201 ARE FULLY INTERCHANGEABLE AFTER</p>		

ILLUSTRATION ITEMS NOT ON PARTS LIST ARE NOT APPLICABLE

- ITEM NOT ILLUSTRATED

HXL

25-71-91-31

BOEING PROPRIETARY - Copyright © - Unpublished Work - See title page for details.

25-71-91
 FIG. 31
 PAGE 5
 DEC 22/07



767

PARTS CATALOG (MAINTENANCE)

FIG ITEM	PART NUMBER	1 2 3 4 5 6 7 NOMENCLATURE	EFFECT FROM TO	UNITS PER ASSY
31 30		L/N 100 AND ON. PRIOR TO L/N 100 SERVICE BULLETIN 767-27-0026 MUST BE INCORPORATED OPTIONAL PART: 285T0012-116 V89954 FOR BREAKDOWN SEE: 27-09-01-02		
30	285T0012-116	.MODULE ASSY-SPOILER CONT STATIC SENSITIVE PART SUPPLIER CODE: V89954 POSITION DATA: L AND R, 1, 2 AND 3 MISCELLANEOUS DATA: ASSY -116 WITH -5015 INSTALLED IS MOD C. ASSY -116 BUILT AFTER 4-15-92 SHALL HAVE -5015 INSTALLED. THIS MODIFICATION WAS ORIGINALLY IDENTIFIED AS MOD A, EFFECTIVE 6-22-1990, AND REIDENTIFIED AS MOD C PRIOR TO THE FABRICATION OF PRODUCTION UNITS. MOD LETTERS A AND B HAVE BEEN INTENTIONALLY BYPASSED, AND SHALL NOT BE USED TO IDENTIFY FUTURE MOD LEVEL CHANGES. TO IDENTIFY ASSY -116 WITH -5015 INSTALLED OBSCURE MOD -C- WITH PERMANENT BLACK INK ON METAL MARKER BAC27TEX4423. DO NOT OBSCURE MOD -A-, OR -B-. ELECTRICAL EQUIP NUMBER: M00530 M00531 M00532 M00533 M00534 M00535 COMPONENT MAINT MANUAL REF: 27-61-52 ILLUSTRATION ITEMS NOT ON PARTS LIST ARE NOT APPLICABLE		RF

- ITEM NOT ILLUSTRATED

HXL

25-71-91-31

BOEING PROPRIETARY - Copyright © - Unpublished Work - See title page for details.

25-71-91
 FIG. 31
 PAGE 6
 DEC 22/07



767

PARTS CATALOG (MAINTENANCE)

FIG ITEM	PART NUMBER	1 2 3 4 5 6 7 NOMENCLATURE	EFFECT FROM TO	UNITS PER ASSY
31		<p>QUALIFIED I/W DATA: AFTER COMPLETION OF WIRING CHANGES PER S/B 767-27-0059 AND 767-27-0026, 285T0012-116 MUST BE INSTALLED AT INBOARD SPOILER, SHELF POSITIONS 2R AND 3R. AFTER WIRING CHANGES NOTED ABOVE OR PRODUCTION EQUIVALENT, 285T0012-116 OR -110 MAY BE INSTALLED INTERCHANGEABLY AT OUTBOARD SPOILER, SHELF POSITIONS 1L, 2L, 3L, AND 1R. 285T0012-115, 285T0012-116, 285T0012-201 ARE FULLY INTERCHANGEABLE AFTER L/N 100 AND ON. PRIOR TO L/N 100 SERVICE BULLETIN 767-27-0026 MUST BE INCORPORATED OPTIONAL PART: 285T0012-115 V89954 FOR BREAKDOWN SEE: 27-09-01-02</p>		
40	285T0013-126	<p>.MODULE ASSY-YAW DAMPER STATIC SENSITIVE PART SUPPLIER CODE: V89954 POSITION DATA: L AND R MISCELLANEOUS DATA: ASSY -126 WITH -5026 INSTALLED IS A NO MOD CONFIGURATION. ASSY -126 WITH -5027 INSTALLED IS A MOD A CONFIGURATION AND SHALL BE LABELED BY OBLITERATING THE LETTER A ON THE MOD LEVEL DECAL. UNITS BUILT AFTER 8/25/98 WILL HAVE -5027 INSTALLED. SPARES INFO COMPONENT</p>		RF

ILLUSTRATION ITEMS NOT ON PARTS LIST ARE NOT APPLICABLE

- ITEM NOT ILLUSTRATED

HXL

25-71-91-31

BOEING PROPRIETARY - Copyright © - Unpublished Work - See title page for details.

25-71-91
 FIG. 31
 PAGE 7
 DEC 22/07



767

PARTS CATALOG (MAINTENANCE)

FIG ITEM	PART NUMBER	1 2 3 4 5 6 7 NOMENCLATURE	EFFECT FROM TO	UNITS PER ASSY
31 40		<p>SERVICE BULLETIN 285T0013-22-11 OR 285T0013-22-13 FOR ASSY -126, 285T0013-22-12 FOR OSSY -126 MOD A. ELECTRICAL EQUIP NUMBER: M00522 M00523 COMPONENT MAINT MANUAL REF: 22-21-31 QUALIFIED I/W DATA: 285T0013-107, -109, -122 -123, -124, -125, -126 ARE ALL INTERCHANGEABLE AND INTERMIXABLE FOR 767-200 ACFT HOWEVER -109, -123, -124, -125 OR -126 (INTERMIXABLE) MUST BE INSTALLED ON 767-300 ACFT. 285T0013-107, -109, -122 -123, -124, -125, -126 ARE ALL INTERCHANGEABLE AND INTERMIXABLE FOR 767-200 ACFT HOWEVER -109, -123, -124, -125, OR -126 (INTERMIXABLE) MUST BE INSTALLED ON 767-300 ACFT. FOR BREAKDOWN SEE: 22-21-04-02</p>		

ILLUSTRATION ITEMS NOT ON PARTS LIST ARE NOT APPLICABLE

- ITEM NOT ILLUSTRATED

HXL

25-71-91-31

BOEING PROPRIETARY - Copyright © - Unpublished Work - See title page for details.

25-71-91
 FIG. 31
 PAGE 8
 DEC 22/07



767

PARTS CATALOG (MAINTENANCE)

FIG ITEM	PART NUMBER	1 2 3 4 5 6 7 NOMENCLATURE	EFFECT FROM TO	UNITS PER ASSY
31 40	285T0013-125	<p>.MODULE ASSY-YAW DAMPER STATIC SENSITIVE PART SUPPLIER CODE: V89954 POSITION DATA: L AND R MISCELLANEOUS DATA: ASSY -125 WITH -5022, -5023 OR -5024 INSTALLED ARE NO MOD CONFIGURATION. ASSY -125 WITH -5025 INSTALLED ARE MOD LEVEL A. ALL ASSEMBLIES BUILT AFTER 08/05/94 (767) AND 08/08/94 (757) WILL HAVE -5025 INSTALLED, AND SHALL BE MARKED BY OBLITERATING MOD LEVEL LETTER A ON THE NAMEPLATE DECAL. ELECTRICAL EQUIP NUMBER: M00522 M00523 COMPONENT MAINT MANUAL REF: 22-21-31 QUALIFIED I/W DATA: 285T0013-107, -109, -122 -123, -124, -125, -126 ARE ALL INTERCHANGEABLE AND INTERMIXABLE FOR 767-200 ACFT HOWEVER -109, -123, -124, -125, OR -126 (INTERMIXABLE) MUST BE INSTALLED ON 767-300 ACFT. POST SERVICE BULLETIN: 22-0062 FOR BREAKDOWN SEE: 22-21-04-02</p>		RF

ILLUSTRATION ITEMS NOT ON PARTS LIST ARE NOT APPLICABLE

- ITEM NOT ILLUSTRATED

HXL

25-71-91-31

BOEING PROPRIETARY - Copyright © - Unpublished Work - See title page for details.

25-71-91
 FIG. 31
 PAGE 9
 AUG 22/09



767

PARTS CATALOG (MAINTENANCE)

FIG ITEM	PART NUMBER	1 2 3 4 5 6 7	NOMENCLATURE	EFFECT FROM TO	UNITS PER ASSY
31 50	285T0015-117		.MODULE ASSY-STAB. TRIM AND AIL. LOCKOUT STATIC SENSITIVE PART SUPPLIER CODE: V89954 POSITION DATA: L AND R MISCELLANEOUS DATA: NO MOD A OR MOD B EXISTS FOR THIS ASSEMBLY MOD C IS OBTAINED BY REWORK PER COMPONENT KIT SERVICE BULLETIN 285T0015-27-05 ONLY MOD D IS OBTAINED BY REWORK PER COMPONENT KIT SERVICE BULLETIN 285T0015-27-06 ONLY MOD E IS OBTAINED BY REWORK PER COMPONENT KIT SERVICE BULLETIN 285T0015-27-07 ONLY ELECTRICAL EQUIP NUMBER: M00524 M00525 COMPONENT MAINT MANUAL REF: 27-41-51 QUALIFIED I/W DATA: 285T0015-113 I/W -116 OR -117 ON 767-200 HOWEVER THE -116 OR -117 ARE REQUIRED ON 767-300 FOR BREAKDOWN SEE: 27-41-05-11		RF
50	285T0015-116		.MODULE ASSY-STAB. TRIM AND AIL. LOCKOUT STATIC SENSITIVE PART SUPPLIER CODE: V89954 POSITION DATA: L AND R MISCELLANEOUS DATA: ASSY -116 WITH -5007 OR -5009, AND -5013 INSTALLED IS THE NO MOD CONFIGURATION. ASSY -116 WITH -5008 OR -5010, AND -5013 INSTALLED IS MOD A AND SHALL BE MARKED WITH		RF

ILLUSTRATION ITEMS NOT ON PARTS LIST ARE NOT APPLICABLE

- ITEM NOT ILLUSTRATED

HXL

25-71-91-31

BOEING PROPRIETARY - Copyright © - Unpublished Work - See title page for details.

25-71-91
FIG. 31
PAGE 10
AUG 22/09



767

PARTS CATALOG (MAINTENANCE)

FIG ITEM	PART NUMBER	1 2 3 4 5 6 7 NOMENCLATURE	EFFECT FROM TO	UNITS PER ASSY
31 50		<p>MOD LEVEL LETTER A ON THE NAMEPLATE DECAL. ALL ASSEMBLIES BUILT AFTER 9-14-89 WILL HAVE -5010 INSTALLED. ASSY -116 WITH -5018 AND -5014 INSTALLED IS MOD B AND ALSO MOD A, AND SHALL BE MARKED WITH MOD LEVEL LETTERS A AND B ON THE NAMEPLATE DECAL. ALL ASSEMBLIES BUILT AFTER 6-11-90 (757) AND 6-6-90 (767) WILL HAVE -5014 INSTALLED. ASSY -116 WITH -5015 AND -5014 INSTALLED IS MOD C AND ALSO MODS A AND B, AND SHALL BE MARKED WITH MOD LEVEL LETTERS A, B AND C ON THE NAMEPLATE DECAL. ALL ASSEMBLIES BUILT AFTER 3-13-91 (757) AND 3-18-91 (767) WILL HAVE -5014 INSTALLED. ASSY -116 WITH -5015 AND -5017 INSTALLED IS MOD D AND ALSO MODS A, B AND C, AND SHALL BE MARKED WITH MOD LEVEL LETTERS A, B, C AND D ON THE NAMEPLATE DECAL. ALL ASSEMBLIES BUILT AFTER 2-26-92 (757) AND 2-26-92 (767) WILL HAVE -5017 INSTALLED. ASSY -116 WITH -5019 AND -5017 INSTALLED IS MOD E AND ALSO MODS A, B, C, D, AND SHALL BE MARKED WITH MOD LEVEL LETTERS A, B, C, D, AND E, ON THE NAMEPLATE DECAL. ALL ASSEMBLIES BUILT AFTER 4-28-95 (757 AND 767) SHALL HAVE -5019 INSTALLED.</p> <p>ELECTRICAL EQUIP NUMBER:</p> <p>ILLUSTRATION ITEMS NOT ON PARTS LIST ARE NOT APPLICABLE</p>		

- ITEM NOT ILLUSTRATED

HXL

25-71-91-31

BOEING PROPRIETARY - Copyright © - Unpublished Work - See title page for details.

25-71-91
FIG. 31
PAGE 11
AUG 22/09



767

PARTS CATALOG (MAINTENANCE)

FIG ITEM	PART NUMBER	1 2 3 4 5 6 7 NOMENCLATURE	EFFECT FROM TO	UNITS PER ASSY
31 50		M00524 M00525 COMPONENT MAINT MANUAL REF: 27-41-51 QUALIFIED I/W DATA: 285T0015-114 I/W -116 OR -117 ON 767-200 HOWEVER THE -116 OR -117 ARE REQUIRED ON 767-300 285T0015-113 I/W -116 OR -117 ON 767-200 HOWEVER THE -116 OR -117 ARE REQUIRED ON 767-300 FOR BREAKDOWN SEE: 27-41-05-11		
60	285T0014-104	.MODULE ASSY-RUD RATIO CHANGER STATIC SENSITIVE PART SUPPLIER CODE: V89954 POSITION DATA: L AND R MISCELLANEOUS DATA: ASSY -104 WITH -5014 INSTALLED ARE MOD A. ASSYS BUILT AFTER 8/15/88 WILL HAVE -5014 INSTALLED, AND SHALL BE MARKED WITH MOD LETTER A. ASSY -104 WITH -5014 AND EITHER -5011 OR -5012 INSTALLED ARE MOD D (ALSO MOD A). ASSYS BUILT AFTER 7/5/89 WILL HAVE -5014 WITH -5012 INSTALLED, AND SHALL BE MARKED WITH MOD LETTERS A AND D. ASSY -104 WITH -5014 AND EITHER -5017 OR -5018 INSTALLED ARE MOD E (ALSO MOD A AND D). ASSYS BUILT AFTER 3/12/93 (757) AND 3/16/93 (767) WILL HAVE -5014 AND -5018 INSTALLED, AND SHALL BE MARKED WITH MOD LETTERS A, D AND E. SOME -104		RF

ILLUSTRATION ITEMS NOT ON PARTS LIST ARE NOT APPLICABLE

- ITEM NOT ILLUSTRATED

HXL

25-71-91-31

BOEING PROPRIETARY - Copyright © - Unpublished Work - See title page for details.

25-71-91
 FIG. 31
 PAGE 12
 AUG 22/09



767

PARTS CATALOG (MAINTENANCE)

FIG ITEM	PART NUMBER	1 2 3 4 5 6 7 NOMENCLATURE	EFFECT FROM TO	UNITS PER ASSY
<p>31 60</p> <p>60</p>	<p>285T0014-102</p>	<p>ASSYS MAY HAVE MOD A OR D INSTALLED AND NOT BE SO MARKED. IF NOT, MARK ACCORDINGLY. IF A MODULE IS MARKED MOD B OR C, IT IS EQUIVALENT TO A MOD D AND SHOULD BE MARKED AS MOD D. MODULES BUILT BEFORE 5-1-90 BUT AFTER 7-5-89 HAVE BOTH MOD A AND D INSTALLED BUT ARE ONLY MARKED MOD D. ALL MODULES BUILT AFTER 5-1-90 WILL HAVE MOD A AND MOD D OBLITERATED ON DECAL ELECTRICAL EQUIP NUMBER: M00528 M00529 COMPONENT MAINT MANUAL REF: 27-21-30 .MODULE ASSY-RUD RATIO CHANGER STATIC SENSITIVE PART SUPPLIER CODE: V89954 POSITION DATA: L AND R ELECTRICAL EQUIP NUMBER: M00528 M00529 COMPONENT MAINT MANUAL REF: 27-21-30 FOR BREAKDOWN SEE: 27-09-01-02</p>		<p>RF</p>

ILLUSTRATION ITEMS NOT ON PARTS LIST ARE NOT APPLICABLE

- ITEM NOT ILLUSTRATED

HXL

25-71-91-31

BOEING PROPRIETARY - Copyright © - Unpublished Work - See title page for details.

25-71-91
FIG. 31
PAGE 13
AUG 22/09



767

PARTS CATALOG (MAINTENANCE)

FIG ITEM	PART NUMBER	1 2 3 4 5 6 7 NOMENCLATURE	EFFECT FROM TO	UNITS PER ASSY
31 60	285T0014-103	<p>.MODULE ASSY-RUD RATIO CHANGER STATIC SENSITIVE PART SUPPLIER CODE: V89954 POSITION DATA: L AND R MISCELLANEOUS DATA: ASSY -103 WITH -5004 INSTALLED IS NO MOD CONFIGURATION. ASSY -103 WITH -5005 INSTALLED IS MOD A ONLY. MOD A IS OBTAINED BY INCORPORATION OF SERVICE BULLETIN 285T0014-27-03 INTO A -103 UNIT. REWORKED UNITS WILL HAVE MOD LEVEL LETTER - A - OBLITERATED ON THE NAMEPLATE DECAL. ASSY -103 WITH -5016 INSTALLED IS BOTH MOD A AND B. MOD A AND B IS OBTAINED BY INCORPORATION OF SERVICE BULLETIN 285T0014-27-04 INTO A -103 MOD A UNIT. REWORKED UNITS WILL HAVE MOD LEVEL LETTERS - A - AND - B - OBLITERATED ON THE NAMEPLATE DECAL. ELECTRICAL EQUIP NUMBER: M00528 M00529 COMPONENT MAINT MANUAL REF: 27-21-30</p>		RF

ILLUSTRATION ITEMS NOT ON PARTS LIST ARE NOT APPLICABLE

- ITEM NOT ILLUSTRATED

HXL

25-71-91-31

BOEING PROPRIETARY - Copyright © - Unpublished Work - See title page for details.

25-71-91
FIG. 31
PAGE 14
AUG 22/09



767

PARTS CATALOG (MAINTENANCE)

FIG ITEM	PART NUMBER	1 2 3 4 5 6 7	NOMENCLATURE	EFFECT FROM TO	UNITS PER ASSY
31 70	8-497-04		.UNIT ASSY-PROXIMITY SWITCH ELECTRONICS SUPPLIER CODE: V08748 FUNCTIONAL DESCRIPTION: PROVIDES POSITION & CONTROL INFO FOR DOORS, THRUST REVERSERS, LE SLATS & LANDING GEAR SYSTEMS. SPECIFICATION NUMBER: S283T006-26 ELECTRICAL EQUIP NUMBER: M00162 COMPONENT MAINT MANUAL REF: 32-09-16 FOR BREAKDOWN SEE: 32-09-04-02		RF
80	622-4593-507		.PANEL ASSY-MAINT CONT AND DISPLAY SUPPLIER CODE: V4V792 SPECIFICATION NUMBER: S241T100-305 ELECTRICAL EQUIP NUMBER: M00168 COMPONENT MAINT MANUAL REF: 22-41-70 QUALIFIED I/W DATA: 622-4593-507 IS INTERCHANGEABLE WITH 622-4593-508 ONLY FOR ACFT WHERE THE FCC INTERMIX DISABLE PROGRAM PIN IS NOT GROUNDED. SEE 767-SL-22-031 FOR DETAILS. 622-4593-507 IS INTERCHANGEABLE WITH 622-4593-509 ONLY FOR 767-200/-300 ACFT WHERE THE FCC INTERMIX DISABLE PROGRAM PIN IS NOT GROUNDED. SEE 767-SL-22-033 FOR DETAILS. FOR BREAKDOWN SEE: 22-41-01-02		RF

ILLUSTRATION ITEMS NOT ON PARTS LIST ARE NOT APPLICABLE

- ITEM NOT ILLUSTRATED

HXL

25-71-91-31

BOEING PROPRIETARY - Copyright © - Unpublished Work - See title page for details.

25-71-91
FIG. 31
PAGE 15
AUG 22/09



767

PARTS CATALOG (MAINTENANCE)

FIG ITEM	PART NUMBER	1 2 3 4 5 6 7	NOMENCLATURE	EFFECT FROM TO	UNITS PER ASSY
31 80	622-4593-506		.PANEL ASSY-MAINT CONT AND DISPLAY SUPPLIER CODE: V4V792 SPECIFICATION NUMBER: S241T100-304 ELECTRICAL EQUIP NUMBER: M00168 COMPONENT MAINT MANUAL REF: 22-41-70 FOR BREAKDOWN SEE: 22-41-01-02		RF
80	622-4593-508		.PANEL ASSY-MAINT CONT AND DISPLAY SUPPLIER CODE: V4V792 SPECIFICATION NUMBER: S241T100-306 ELECTRICAL EQUIP NUMBER: M00168 COMPONENT MAINT MANUAL REF: 22-41-70 QUALIFIED I/W DATA: 622-4593-507 IS INTERCHANGEABLE WITH 622-4593-508 ONLY FOR ACFT WHERE THE FCC INTERMIX DISABLE PROGRAM PIN IS NOT GROUNDED. SEE 767-SL-22-031 FOR DETAILS. FOR BREAKDOWN SEE: 22-41-01-02		RF

ILLUSTRATION ITEMS NOT ON PARTS LIST ARE NOT APPLICABLE

- ITEM NOT ILLUSTRATED

HXL

25-71-91-31

BOEING PROPRIETARY - Copyright © - Unpublished Work - See title page for details.

25-71-91
FIG. 31
PAGE 16
AUG 22/09



767

PARTS CATALOG (MAINTENANCE)

FIG ITEM	PART NUMBER	1 2 3 4 5 6 7	NOMENCLATURE	EFFECT FROM TO	UNITS PER ASSY
31 80	622-4593-509		.PANEL ASSY-MAINT CONT AND DISPLAY SUPPLIER CODE: V4V792 SPECIFICATION NUMBER: S241T100-307 ELECTRICAL EQUIP NUMBER: M00168 COMPONENT MAINT MANUAL REF: 22-41-70 QUALIFIED I/W DATA: 622-4593-507 IS INTERCHANGEABLE WITH 622-4593-509 ONLY FOR 767-200/-300 ACFT WHERE THE FCC INTERMIX DISABLE PROGRAM PIN IS NOT GROUNDED. SEE 767-SL-22-033 FOR DETAILS. FOR BREAKDOWN SEE: 22-41-01-02		RF
90	624066-5		.UNIT ASSY-WINDOW HEAT CONT SUPPLIER CODE: V07217 POSITION DATA: FWD AND SIDE, L AND R FUNCTIONAL DESCRIPTION: MONITORS THE STATUS OF THE CONTROL UNIT, WINDOW SENSORS & WINDOW HEATERS SPECIFICATION NUMBER: S283T007-5 ELECTRICAL EQUIP NUMBER: M00191 M00192 COMPONENT MAINT MANUAL REF: 30-41-07 OPTIONAL PART: 624066-4 V07217		RF

ILLUSTRATION ITEMS NOT ON PARTS LIST ARE NOT APPLICABLE

- ITEM NOT ILLUSTRATED

HXL

25-71-91-31

BOEING PROPRIETARY - Copyright © - Unpublished Work - See title page for details.

25-71-91
FIG. 31
PAGE 17
AUG 22/09



767

PARTS CATALOG (MAINTENANCE)

FIG ITEM	PART NUMBER	1 2 3 4 5 6 7	NOMENCLATURE	EFFECT FROM TO	UNITS PER ASSY
31 90	624066-2		.UNIT ASSY-WINDOW HEAT CONT SUPPLIER CODE: V07217 POSITION DATA: FWD AND SIDE, L AND R SPECIFICATION NUMBER: S283T007-2 ELECTRICAL EQUIP NUMBER: M00191 M00192 COMPONENT MAINT MANUAL REF: 30-41-07		RF
90	624066-3		.UNIT ASSY-WINDOW HEAT CONT SUPPLIER CODE: V07217 POSITION DATA: FWD AND SIDE, L AND R SPECIFICATION NUMBER: S283T007-3 ELECTRICAL EQUIP NUMBER: M00191 M00192 COMPONENT MAINT MANUAL REF: 30-41-07		RF
90	624066-4		.UNIT ASSY-WINDOW HEAT CONT SUPPLIER CODE: V07217 POSITION DATA: FWD AND SIDE, L AND R SPECIFICATION NUMBER: S283T007-4 ELECTRICAL EQUIP NUMBER: M00191 M00192 COMPONENT MAINT MANUAL REF: 30-41-07 OPTIONAL PART: 624066-5 V07217		RF

ILLUSTRATION ITEMS NOT ON PARTS LIST ARE NOT APPLICABLE

- ITEM NOT ILLUSTRATED

HXL

25-71-91-31

BOEING PROPRIETARY - Copyright © - Unpublished Work - See title page for details.

25-71-91
FIG. 31
PAGE 18
AUG 22/09



767

PARTS CATALOG (MAINTENANCE)

FIG ITEM	PART NUMBER	1 2 3 4 5 6 7	NOMENCLATURE	EFFECT FROM TO	UNITS PER ASSY
31 100	734284F		.UNIT ASSY-GEN CONT SUPPLIER CODE: V99167 POSITION DATA: L, R AND APU SPECIFICATION NUMBER: S281T001-40 MISCELLANEOUS DATA: PER SB 767-24-0080 AND SUNSTRAND SB 734284-24-14 GCU P/N M734284AF IS CONSIDERED INTERCHANGEABLE WITH P/N 734284F. ELECTRICAL EQUIP NUMBER: M00143 M00144 M00146 COMPONENT MAINT MANUAL REF: 24-23-03		RF
100	734284C		.UNIT ASSY-GEN CONT SUPPLIER CODE: V99167 POSITION DATA: L, R AND APU SPECIFICATION NUMBER: S281T001-24 ELECTRICAL EQUIP NUMBER: M00143 M00144 M00146 COMPONENT MAINT MANUAL REF: 24-23-03 QUALIFIED I/W DATA: 734284 OR 734284A IS FULLY INTERCHANGEABLE WITH 734284C EXCEPT FOR PW4000 ENGINE 734284C MUST BE USED.		RF

ILLUSTRATION ITEMS NOT ON PARTS LIST ARE NOT APPLICABLE

- ITEM NOT ILLUSTRATED

HXL

25-71-91-31

BOEING PROPRIETARY - Copyright © - Unpublished Work - See title page for details.

25-71-91
FIG. 31
PAGE 19
AUG 22/09



767

PARTS CATALOG (MAINTENANCE)

FIG ITEM	PART NUMBER	1 2 3 4 5 6 7	NOMENCLATURE	EFFECT FROM TO	UNITS PER ASSY
31 100	734284D		.UNIT ASSY-GEN CONT SUPPLIER CODE: V99167 POSITION DATA: L, R AND APU SPECIFICATION NUMBER: S281T001-31 ELECTRICAL EQUIP NUMBER: M00143 M00144 M00146 COMPONENT MAINT MANUAL REF: 24-23-03		RF
100	734284E		.UNIT ASSY-GEN CONT SUPPLIER CODE: V99167 POSITION DATA: L, R AND APU SPECIFICATION NUMBER: S281T001-32 ELECTRICAL EQUIP NUMBER: M00143 M00144 M00146 COMPONENT MAINT MANUAL REF: 24-23-03		RF

ILLUSTRATION ITEMS NOT ON PARTS LIST ARE NOT APPLICABLE

- ITEM NOT ILLUSTRATED

HXL

25-71-91-31

BOEING PROPRIETARY - Copyright © - Unpublished Work - See title page for details.

25-71-91
FIG. 31
PAGE 20
AUG 22/09



767

PARTS CATALOG (MAINTENANCE)

FIG ITEM	PART NUMBER	1 2 3 4 5 6 7	NOMENCLATURE	EFFECT FROM TO	UNITS PER ASSY
31 110	2117388-15		.UNIT ASSY-AUTO CAB. PRESSURE CONT (STATIC SENSITIVE PART) SUPPLIER CODE: V64547 FUNCTIONAL DESCRIPTION: CONTROLS CABIN PRESSURE BY COMMANDING A CABIN AIR OUTFLOW VALVE TO OPEN OR CLOSE TO DECREASE OR INCREASE CABIN PRESSURE SPECIFICATION NUMBER: S210T160-133 ELECTRICAL EQUIP NUMBER: M00118 M00119 COMPONENT MAINT MANUAL REF: 21-31-48 POST SERVICE BULLETIN: 21-0166 POST SERVICE BULLETIN: 2117388-21-4109R1 V70210 FOR BREAKDOWN SEE: 21-31-02-03		RF

ILLUSTRATION ITEMS NOT ON PARTS LIST ARE NOT APPLICABLE

- ITEM NOT ILLUSTRATED

HXL

25-71-91-31

BOEING PROPRIETARY - Copyright © - Unpublished Work - See title page for details.

25-71-91
FIG. 31
PAGE 21
AUG 22/09



767

PARTS CATALOG (MAINTENANCE)

FIG ITEM	PART NUMBER	1 2 3 4 5 6 7 NOMENCLATURE	EFFECT FROM TO	UNITS PER ASSY
31 120	622-8000-006	.GENERATOR ASSY-ELECTRONIC FLIGHT INSTR SYS SYMBOL SUPPLIER CODE: V4V792 POSITION DATA: L, CTR AND R SPECIFICATION NUMBER: S242T404-414 ELECTRICAL EQUIP NUMBER: M00148 M00149 M00150 COMPONENT MAINT MANUAL REF: 34-22-65 QUALIFIED I/W DATA: S242T404-414/ 622-8000-006 IS INTERCHANGEABLE WITH S242T404-413/ 622-8000-005 EXCEPT S242T404-414/ 622-8000-006 REQUIRED FOR THE CAPABILITY TO DISPLAY THE ILS FLAGS WHEN ILS FREQUENCY IS INVALID. S242T404-420/ 622-9436-100 IS INTERCHANGEABLE WITH S242T404-414/ 622-8000-006 EXCEPT S242T404-420/ 622-9436-100 REQUIRED FOR TCAS-RA ON EADI (SPLIT CUE) INSTALLATION. INVALID. FOR BREAKDOWN SEE: 34-22-01-02		RF

ILLUSTRATION ITEMS NOT ON PARTS LIST ARE NOT APPLICABLE

- ITEM NOT ILLUSTRATED

HXL

25-71-91-31

BOEING PROPRIETARY - Copyright © - Unpublished Work - See title page for details.

25-71-91
 FIG. 31
 PAGE 22
 AUG 22/09



767

PARTS CATALOG (MAINTENANCE)

FIG ITEM	PART NUMBER	1 2 3 4 5 6 7	NOMENCLATURE	EFFECT FROM TO	UNITS PER ASSY
31 120	622-8000-005		.GENERATOR ASSY-ELECTRONIC FLIGHT INSTR SYS SYMBOL SUPPLIER CODE: V4V792 POSITION DATA: L, CTR AND R SPECIFICATION NUMBER: S242T404-413 ELECTRICAL EQUIP NUMBER: M00148 M00149 M00150 COMPONENT MAINT MANUAL REF: 34-22-65 QUALIFIED I/W DATA: 622-5045-201 IS INTERCHANGEABLE AND INTERMIXABLE WITH 622-8000-003 -004 OR -005 EXCEPT UPN ACFT CONTAINING VARIABLE WXR GAIN OR WINDSHEAR OR OTHER CUSTOMER CHOSEN AIRPLANIE SPECIFIC OPTIONS 622-8000-003 -004 OR -005 ARE ALL INTERCHANGEABLE AND INTERMIXABLE EXCEPT AIRCRAFT WITH VARIABLE WXR GAIN AND DEDICATED BENDIX WER INDICATOR REQUIRE -005 S242T404-414/ 622-8000-006 IS INTERCHANGEABLE WITH S242T404-413/ 622-8000-005 EXCEPT S242T404-414/ 622-8000-006 REQUIRED FOR THE CAPABILITY TO DISPLAY THE ILS FLAGS WHEN ILS FREQUENCY IS INVALID. FOR BREAKDOWN SEE: 34-22-01-02		RF
130	937E205G3		.COMPUTER ASSY-THRUST MANAGEMENT SUPPLIER CODE: ILLUSTRATION ITEMS NOT ON PARTS LIST ARE NOT APPLICABLE		RF

- ITEM NOT ILLUSTRATED

25-71-91-31

25-71-91
FIG. 31
PAGE 23
AUG 22/09

HXL



767

PARTS CATALOG (MAINTENANCE)

FIG ITEM	PART NUMBER	1 2 3 4 5 6 7 NOMENCLATURE	EFFECT FROM TO	UNITS PER ASSY
31 130		<p>V89954 POSITION DATA: L SPECIFICATION NUMBER: S241T200-1205 COMPONENT MAINT MANUAL REF: 22-32-02 QUALIFIED I/W DATA: 105E7206G3/S241T200-1206 CAN REPLACE S241T200-1205 UNCONDITIONALLY. S241T200-1205 CAN REPLACE 105E7206G3 IF ENGINES ARE NOT PW4062 AND WITH ENGINE-OUT AUTOLAND OPTION INACTIVE. S241T200-1204 OR S241T200-1205 CAN REPLACE S241T200-1202 UNCONDITIONALLY. S241T200-1202 CAN REPLACE S241T200-1204 OR S241T200-1205 ON 767-200 OR -200ER AIRPLANES EQUIPPED WITH JT9D-7R4D OR JT9D-7R4E ENGINES AND WITH AUTOMATIC TRANSITION TO CLIMB FUNCTION INACTIVE. S241T200-1205 CAN REPLACE S241T200-1204 UNCONDITIONALLY. S241T200-1204 CAN REPLACE S241T200-1205 ON 767-200, -200ER OR -300 AIRPLANES EQUIPPED WITH JT9D-7R4D, JT9D-7R4E, OR JT9D-7R4E4 ENGINES. POST ALERT SB: 22A0097 POST SERVICE BULLETIN: 767/TMS/937E205G2-22-06 V07482 FOR BREAKDOWN SEE: 22-31-01-02</p>		

ILLUSTRATION ITEMS NOT ON PARTS LIST ARE NOT APPLICABLE

- ITEM NOT ILLUSTRATED

HXL

25-71-91-31

BOEING PROPRIETARY - Copyright © - Unpublished Work - See title page for details.

25-71-91
 FIG. 31
 PAGE 24
 AUG 22/09



767

PARTS CATALOG (MAINTENANCE)

FIG ITEM	PART NUMBER	1 2 3 4 5 6 7 NOMENCLATURE	EFFECT FROM TO	UNITS PER ASSY
31 160	2041230-3517	.RECEIVER ASSY-INSTR LDG SYS SUPPLIER CODE: V97896 POSITION DATA: L, CTR AND R SPECIFICATION NUMBER: S220T103-108 ELECTRICAL EQUIP NUMBER: M00156 M00157 M00158 COMPONENT MAINT MANUAL REF: 34-36-31 QUALIFIED I/W DATA: 2041230-3514 -3515 -3517 ARE ALL INTERCHANGEABLE EXCEPT SUBJECT TO CUSTOMER PREFERENCE SUBJECT TO CUSTOMER PREFERENCE, 2041230-3531 PROVIDES FM IMMUNITY 2041230-3516 AND 204-1230-3517 ARE FULLY INTERCHANGEABLE PROVIDED AIRPLANE CONFIGURATION DOES NOT POSSESS FM IMMUNITY		RF

ILLUSTRATION ITEMS NOT ON PARTS LIST ARE NOT APPLICABLE

- ITEM NOT ILLUSTRATED

HXL

25-71-91-31

BOEING PROPRIETARY - Copyright © - Unpublished Work - See title page for details.

25-71-91
 FIG. 31
 PAGE 25
 AUG 22/09



767

PARTS CATALOG (MAINTENANCE)

FIG ITEM	PART NUMBER	1 2 3 4 5 6 7 NOMENCLATURE	EFFECT FROM TO	UNITS PER ASSY
31 170	622-8757-103	.COMPUTER ASSY-FLIGHT CONT SUPPLIER CODE: V4V792 POSITION DATA: L, CTR AND R SPECIFICATION NUMBER: S241T100-133 MISCELLANEOUS DATA: INSTALLED ELECTRICAL EQUIP NUMBER: M00139 M00140 M00141 COMPONENT MAINT MANUAL REF: 22-11-85 QUALIFIED I/W DATA: 622-8757-103 622-8757-104 I/W 622-4591-512 FOR ACFT WITH CUSTOMER OPTION CODE 3 ACTIVATED. FOR ACFT WITH CUSTOMER OPTION 6 ACTIVATED, 622-8757-103, 622-8757-104 MUST BE INSTALLED 622-8757-103 I/W 622-8757-102 EXCEPT FOR ACFT WITH CUSTOMER OPTION CODE 6 ACTIVATED WHERE 622-8757-103 MUST BE INSTALLED		RF

ILLUSTRATION ITEMS NOT ON PARTS LIST ARE NOT APPLICABLE

- ITEM NOT ILLUSTRATED

HXL

25-71-91-31

BOEING PROPRIETARY - Copyright © - Unpublished Work - See title page for details.

25-71-91
 FIG. 31
 PAGE 27
 AUG 22/09



767

PARTS CATALOG (MAINTENANCE)

FIG ITEM	PART NUMBER	1 2 3 4 5 6 7 NOMENCLATURE	EFFECT FROM TO	UNITS PER ASSY
31 170	622-8757-104	<p>.COMPUTER ASSY-FLIGHT CONT SUPPLIER CODE: V4V792 POSITION DATA: L, CTR AND R SPECIFICATION NUMBER: S241T100-134 ELECTRICAL EQUIP NUMBER: M00139 M00140 M00141 COMPONENT MAINT MANUAL REF: 22-11-85 QUALIFIED I/W DATA: 622-8757-104 IS I/W 622-8757-106, EXCEPT CUSTOMERS WITH GLIDESLOPE CAPTURE INHIBIT ACTIVATED MUST HAVE THE 622-8757-106 622-8757-104 I/W 622-4591-512 FOR ACFT W/ OPTION CODE 3 ACTIVATED. FOR ACFT WITH CUSTOMER OPTION CODE 6 ACTIVATED, 622-8757-104 MUST BE INSTALLED. -2 WAY INTERCHANGEABLE WHEN NONE OF THE FOLLOWING ARE WIRED: INTERLOCK PINS 1 & 2 (SIMULTANEOUSLY), INTERLOCK PIN 3, THE AWACS AIRPLANE CONFIGURATION, THE GLIDE SLOPE CAPTURE INHIBIT OPTION, AND THE INTERMIX DISABLE OPTION.</p>		RF

ILLUSTRATION ITEMS NOT ON PARTS LIST ARE NOT APPLICABLE

- ITEM NOT ILLUSTRATED

HXL

25-71-91-31

BOEING PROPRIETARY - Copyright © - Unpublished Work - See title page for details.

25-71-91
 FIG. 31
 PAGE 28
 AUG 22/09



767

PARTS CATALOG (MAINTENANCE)

FIG ITEM	PART NUMBER	1 2 3 4 5 6 7 NOMENCLATURE	EFFECT FROM TO	UNITS PER ASSY
31 170	622-8757-105	<p>.COMPUTER ASSY-FLIGHT CONT SUPPLIER CODE: V4V792 POSITION DATA: L, CTR AND R SPECIFICATION NUMBER: S241T100-135 ELECTRICAL EQUIP NUMBER: M00139 M00140 M00141 COMPONENT MAINT MANUAL REF: 22-11-85 QUALIFIED I/W DATA: 622-8757-106 IS I/W 622-8757-105 EXCEPT AWACS CONFIGURATION ACFT MUST HAVE 622-8757-106. 622-8757-105 I/W 622-4591-512 FOR ACFT W/ OPTION CODE 3 ACTIVATED. FOR ACFT WITH CUSTOMER OPTION CODE 6 ACTIVATED, 622-8757-105 MUST BE INSTALLED. -2 WAY INTERCHANGEABLE EXCEPT WHEN THE AWACS AIRPLANE CONFIGURATION, THE INTERMIX DISABLE OPTION OR INTERLOCK PIN 3 IS WIRED.</p>		RF

ILLUSTRATION ITEMS NOT ON PARTS LIST ARE NOT APPLICABLE

- ITEM NOT ILLUSTRATED

HXL

25-71-91-31

BOEING PROPRIETARY - Copyright © - Unpublished Work - See title page for details.

25-71-91
 FIG. 31
 PAGE 30
 APR 22/09



767

PARTS CATALOG (MAINTENANCE)

FIG ITEM	PART NUMBER	1 2 3 4 5 6 7	NOMENCLATURE	EFFECT FROM TO	UNITS PER ASSY
31 180	4040800-906		.COMPUTER ASSY-AIR DATA SUPPLIER CODE: V58960 POSITION DATA: L AND R SPECIFICATION NUMBER: S242T210-206 MISCELLANEOUS DATA: S242T210-204/4040800-904 S242T210-206/4040800-906 S242T210-207/4040800-907 S242T210-208/4040800-908 S242T210-211/4040800-911 S242T210-212/4040800-912 ARE FULLY INTER- CHANGEABLE FOR MODEL 767 AIRPLANES VA001-VF180, VF191-VJ999, VK001-VW999 ACCORDING TO I/W DWG 242T0902. ELECTRICAL EQUIP NUMBER: M00100 M00101 COMPONENT MAINT MANUAL REF: 34-12-14		RF
180	4040800-904		.COMPUTER ASSY-AIR DATA SUPPLIER CODE: V58960 POSITION DATA: L AND R SPECIFICATION NUMBER: S242T210-204 ELECTRICAL EQUIP NUMBER: M00100 M00101 COMPONENT MAINT MANUAL REF: 34-12-14 QUALIFIED I/W DATA: 4040800-902 I/W 4040800-904 FOR 767-200 ACFT. 4040800-904 MUST BE INSTALLED ON 767-300 ACFT		RF

ILLUSTRATION ITEMS NOT ON PARTS LIST ARE NOT APPLICABLE

- ITEM NOT ILLUSTRATED

HXL

25-71-91-31

BOEING PROPRIETARY - Copyright © - Unpublished Work - See title page for details.

25-71-91
FIG. 31
PAGE 31
APR 22/09



PARTS CATALOG (MAINTENANCE)

FIG ITEM	PART NUMBER	1 2 3 4 5 6 7	NOMENCLATURE	EFFECT FROM TO	UNITS PER ASSY
31 180	4040800-911		.COMPUTER ASSY-AIR DATA SUPPLIER CODE: V58960 POSITION DATA: L AND R SPECIFICATION NUMBER: S242T210-211 MISCELLANEOUS DATA: S242T210-204/4040800-904 S242T210-206/4040800-906 S242T210-207/4040800-907 S242T210-208/4040800-908 S242T210-211/4040800-911 S242T210-212/4040800-912 ARE FULLY INTERCHANGEABLE FOR MODEL 767 AIRPLANES VA001-VF180, VF191-VJ999, VK001-VW999 ACCORDING TO I/W DWG 242T0902 ELECTRICAL EQUIP NUMBER: M00100 M00101 COMPONENT MAINT MANUAL REF: 34-12-18		RF
190	B254ADM1		.UNIT ASSY-STATIC INVERTER INSTR LDG SYS PROCESSOR STATIC SENSITIVE PART SUPPLIER CODE: VF6306 FUNCTIONAL DESCRIPTION: PROVIDE GYRO POWER AND ILS POINTER AND FLAG DRIVE VOLTAGE TO THE STANDBY ATTITUDE INDICATOR SPECIFICATION NUMBER: S231T110-103 ELECTRICAL EQUIP NUMBER: M00917 COMPONENT MAINT MANUAL REF: 34-23-79		RF

ILLUSTRATION ITEMS NOT ON PARTS LIST ARE NOT APPLICABLE

- ITEM NOT ILLUSTRATED

HXL

25-71-91-31

BOEING PROPRIETARY - Copyright © - Unpublished Work - See title page for details.

25-71-91
FIG. 31
PAGE 32
APR 22/09



767

PARTS CATALOG (MAINTENANCE)

FIG ITEM	PART NUMBER	1 2 3 4 5 6 7	NOMENCLATURE	EFFECT FROM TO	UNITS PER ASSY
31 200	965-0648-006		.COMPUTER ASSY-GND PROXIMITY WARNING STATIC SENSITIVE PART SUPPLIER CODE: V97896 SPECIFICATION NUMBER: S220T102-207 ELECTRICAL EQUIP NUMBER: M00147 COMPONENT MAINT MANUAL REF: 34-45-25 POST SERVICE BULLETIN: 965-0648-003-34-3 V55820 POST SERVICE LETTER: 34-72		RF
210	HG1050AC11		.UNIT ASSY-INERTIAL REF SUPPLIER CODE: V65507 POSITION DATA: L, CTR AND R SPECIFICATION NUMBER: S242T101-116 ELECTRICAL EQUIP NUMBER: M00159 M00160 M00161 COMPONENT MAINT MANUAL REF: 34-27-06 SERVICE BULLETIN OPT DATA: HG1050AD11 V65507 HG1050AE11 V65507 POST SERVICE BULLETIN: 34-0411		RF

ILLUSTRATION ITEMS NOT ON PARTS LIST ARE NOT APPLICABLE

- ITEM NOT ILLUSTRATED

HXL

25-71-91-31

BOEING PROPRIETARY - Copyright © - Unpublished Work - See title page for details.

25-71-91
FIG. 31
PAGE 33
APR 22/09



767

PARTS CATALOG (MAINTENANCE)

FIG ITEM	PART NUMBER	1 2 3 4 5 6 7 NOMENCLATURE	EFFECT FROM TO	UNITS PER ASSY
31 210	HG1050AD11	.UNIT ASSY-INERTIAL REF SUPPLIER CODE: V65507 POSITION DATA: L, CTR AND R SPECIFICATION NUMBER: S242T101-117 ELECTRICAL EQUIP NUMBER: M00159 M00160 M00161 COMPONENT MAINT MANUAL REF: 34-27-05 SERVICE BULLETIN OPT DATA: HG1050AC11 V65507 HG1050AE11 V65507 POST SERVICE BULLETIN: 34-0411		RF

ILLUSTRATION ITEMS NOT ON PARTS LIST ARE NOT APPLICABLE

- ITEM NOT ILLUSTRATED

HXL

25-71-91-31

BOEING PROPRIETARY - Copyright © - Unpublished Work - See title page for details.

25-71-91
FIG. 31
PAGE 34
APR 22/09



767

PARTS CATALOG (MAINTENANCE)

FIG ITEM	PART NUMBER	1 2 3 4 5 6 7 NOMENCLATURE	EFFECT FROM TO	UNITS PER ASSY
31 210	HG1050AE11	.UNIT ASSY-INERTIAL REF SUPPLIER CODE: V65507 POSITION DATA: L, CTR AND R SPECIFICATION NUMBER: S242T101-118 ELECTRICAL EQUIP NUMBER: M00159 M00160 M00161 COMPONENT MAINT MANUAL REF: 34-26-95 QUALIFIED I/W DATA: THE S242T101-111/HG1050AD09, S242T101-112/HG1050AE09, S242T101-114/HG1050AD10, S242T101-115/HG1050AE10, S242T101-118/HG1050AE11 IRU'S ARE INTERCHANGEABLE AND INTERMIXABLE PROVIDED THAT THE 1995 MAGVAR IS ACTIVATED. SEE ATTACHMENT II 767-SL-34-151 AND 767-SB-34-0411 FOR MORE CONDITIONAL INFORMATION SERVICE BULLETIN OPT DATA: HG1050AC11 V65507 HG1050AD11 V65507 POST SERVICE BULLETIN: 34-0411		RF

ILLUSTRATION ITEMS NOT ON PARTS LIST ARE NOT APPLICABLE

- ITEM NOT ILLUSTRATED

HXL

25-71-91-31

BOEING PROPRIETARY - Copyright © - Unpublished Work - See title page for details.

25-71-91
 FIG. 31
 PAGE 35
 APR 22/09



767

PARTS CATALOG (MAINTENANCE)

FIG ITEM	PART NUMBER	1 2 3 4 5 6 7	NOMENCLATURE	EFFECT FROM TO	UNITS PER ASSY
31 220	4052506-941		.COMPUTER ASSY-FLIGHT MANAGEMENT SUPPLIER CODE: V58960 POSITION DATA: L AND R SPECIFICATION NUMBER: S242T102-451 ELECTRICAL EQUIP NUMBER: M00134 M00135 COMPONENT MAINT MANUAL REF: 34-61-39 QUALIFIED I/W DATA: 4052506-940 I/W 4052506-941 UNTIL PIP PROGRAM IS INCORPORATED AT WHICH TIME THE 4052506-941 MUST BE INSTALLED FOR BREAKDOWN SEE: 34-61-01-02	155162 164999	RF
220	4052506-940		.COMPUTER ASSY-FLIGHT MANAGEMENT SUPPLIER CODE: V58960 POSITION DATA: L AND R SPECIFICATION NUMBER: S242T102-450 ELECTRICAL EQUIP NUMBER: M00134 M00135 COMPONENT MAINT MANUAL REF: 34-61-39 QUALIFIED I/W DATA: 4052500-937 I/W 4052506-940 TOGETHER WITH PS4052970-941 SOFTWARE SUBJECT TO CUSTOMER PREFERENCE 4052506-940 I/W 4052506-941 UNTIL PIP PROGRAM IS INCORPORATED AT WHICH TIME THE 4052506-941 MUST BE INSTALLED FOR BREAKDOWN SEE: 34-61-01-02	163163	RF

ILLUSTRATION ITEMS NOT ON PARTS LIST ARE NOT APPLICABLE

- ITEM NOT ILLUSTRATED

HXL

25-71-91-31

BOEING PROPRIETARY - Copyright © - Unpublished Work - See title page for details.

25-71-91
FIG. 31
PAGE 36
APR 22/09



767

PARTS CATALOG (MAINTENANCE)

FIG ITEM	PART NUMBER	1 2 3 4 5 6 7	NOMENCLATURE	EFFECT FROM TO	UNITS PER ASSY
31 240	2041231-3609		.RECEIVER ASSY-VHF OMNIDIRECTIONAL RANGING MARKER BEACON SUPPLIER CODE: V97896 POSITION DATA: L AND R SPECIFICATION NUMBER: S220T104-104 MISCELLANEOUS DATA: 2041231-3609 DOES NOT MEET ICAO ANNEX 10 FM IMMUNITY STANDARDS ELECTRICAL EQUIP NUMBER: M00186 M00187 COMPONENT MAINT MANUAL REF: 34-55-31 QUALIFIED I/W DATA: 2041231-3606 I/W 2041231-3609 EXCEPT PER CUSTOMER PREFERENCE FOR BREAKDOWN SEE: 34-51-01-02		RF
240	2041231-3608		.RECEIVER ASSY-VHF OMNIDIRECTIONAL RANGING MARKER BEACON SUPPLIER CODE: V97896 POSITION DATA: L AND R MISCELLANEOUS DATA: 2041231-3608 DOES NOT MEET ICAO ANNEX 10 FM IMMUNITY STANDARDS ELECTRICAL EQUIP NUMBER: M00186 M00187 COMPONENT MAINT MANUAL REF: 34-55-31 QUALIFIED I/W DATA: P/N 2041231-3608 IS I/W P/N 066-50012-0101 IF COMPLIANCE TO ICAO ANNEX 10FM IMMUNITY STANDARD IS NOT REQUIRED. FOR BREAKDOWN SEE: 34-51-01-02		RF

ILLUSTRATION ITEMS NOT ON PARTS LIST ARE NOT APPLICABLE

- ITEM NOT ILLUSTRATED

HXL

25-71-91-31

BOEING PROPRIETARY - Copyright © - Unpublished Work - See title page for details.

25-71-91
FIG. 31
PAGE 37
APR 22/09



767

PARTS CATALOG (MAINTENANCE)

FIG ITEM	PART NUMBER	1 2 3 4 5 6 7	NOMENCLATURE	EFFECT FROM TO	UNITS PER ASSY
31 240	2041231-3617		.RECEIVER ASSY-VHF OMNIDIRECTIONAL RANGE MARKER BEACON CUSTOMER FURNISHED SUPPLIER CODE: V97896 POSITION DATA: L AND R ELECTRICAL EQUIP NUMBER: M00186 M00187 COMPONENT MAINT MANUAL REF: 34-55-31 FOR BREAKDOWN SEE: 34-51-01-02		RF
240	2041231-3618		.RECEIVER ASSY-VHF OMNIDIRECTIONAL RANGING MARKER BEACON SUPPLIER CODE: V97896 POSITION DATA: L AND R ELECTRICAL EQUIP NUMBER: M00186 M00187 COMPONENT MAINT MANUAL REF: 34-55-31 FOR BREAKDOWN SEE: 34-51-01-02		RF
250	622-7878-120		.TRANSPONDER ASSY-AIR TRAFFIC CONT CUSTOMER FURNISHED SUPPLIER CODE: V4V792 POSITION DATA: L AND R ELECTRICAL EQUIP NUMBER: M00112 M00113 COMPONENT MAINT MANUAL REF: 34-50-75		RF

ILLUSTRATION ITEMS NOT ON PARTS LIST ARE NOT APPLICABLE

- ITEM NOT ILLUSTRATED

HXL

25-71-91-31

BOEING PROPRIETARY - Copyright © - Unpublished Work - See title page for details.

25-71-91
FIG. 31
PAGE 38
APR 22/09



767

PARTS CATALOG (MAINTENANCE)

FIG ITEM	PART NUMBER	1 2 3 4 5 6 7	NOMENCLATURE	EFFECT FROM TO	UNITS PER ASSY
31 260	622-4540-001		. INTERROGATOR ASSY-DME (CUSTOMER FURNISHED) SUPPLIER CODE: V4V792 POSITION DATA: L AND R ELECTRICAL EQUIP NUMBER: M00123 M00124 COMPONENT MAINT MANUAL REF: 34-52-70 QUALIFIED I/W DATA: 622-4540-001 I/W -120 EXCEPT SUBJECT TO CUSTOMER PREFERENCE FOR BREAKDOWN SEE: 34-55-01-02		RF
260	622-4540-122		. INTERROGATOR ASSY-DME (CUSTOMER FURNISHED) SUPPLIER CODE: V4V792 POSITION DATA: L AND R ELECTRICAL EQUIP NUMBER: M00123 M00124 COMPONENT MAINT MANUAL REF: 34-52-73 FOR BREAKDOWN SEE: 34-55-01-02		RF
260	822-0329-001		. INTERROGATOR ASSY-DME (CUSTOMER FURNISHED) SUPPLIER CODE: V4V792 POSITION DATA: L AND R FUNCTIONAL DESCRIPTION: COMPUTES THE SLANT-RANGE DISTANCE TO THE TUNED GROUND STATION USING TRANSMITTED AND RECEIVED RF SIGNALS. ELECTRICAL EQUIP NUMBER: M00123 M00124 COMPONENT MAINT MANUAL REF: 34-52-91 FOR BREAKDOWN SEE: 34-55-01-02		RF

ILLUSTRATION ITEMS NOT ON PARTS LIST ARE NOT APPLICABLE

- ITEM NOT ILLUSTRATED

HXL

25-71-91-31

BOEING PROPRIETARY - Copyright © - Unpublished Work - See title page for details.

25-71-91
FIG. 31
PAGE 39
APR 22/09



767

PARTS CATALOG (MAINTENANCE)

FIG ITEM	PART NUMBER	1 2 3 4 5 6 7	NOMENCLATURE	EFFECT FROM TO	UNITS PER ASSY
31 260	2041167-3706	.	INTERROGATOR ASSY-DME (CUSTOMER FURNISHED) SUPPLIER CODE: V97896 POSITION DATA: L AND R ELECTRICAL EQUIP NUMBER: M00123 M00124 COMPONENT MAINT MANUAL REF: 34-51-34 FOR BREAKDOWN SEE: 34-55-01-02		RF
260	066-50013-0101	.	INTERROGATOR ASSY-DME (CUSTOMER FURNISHED) SUPPLIER CODE: V97896 POSITION DATA: L AND R FUNCTIONAL DESCRIPTION: COMPUTES THE SLANT-RANGE DISTANCE TO THE TUNED GROUND STATION USING TRANSMITTED AND RECEIVED RF SIGNALS ELECTRICAL EQUIP NUMBER: M00123 M00124 COMPONENT MAINT MANUAL REF: 34-51-35 FOR BREAKDOWN SEE: 34-55-01-02		RF
260	2041167-3703	.	INTERROGATOR ASSY-DME (CUSTOMER FURNISHED) SUPPLIER CODE: V97896 POSITION DATA: L AND R ELECTRICAL EQUIP NUMBER: M00123 M00124 COMPONENT MAINT MANUAL REF: 34-51-33 FOR BREAKDOWN SEE: 34-55-01-02		RF

ILLUSTRATION ITEMS NOT ON PARTS LIST ARE NOT APPLICABLE

- ITEM NOT ILLUSTRATED

HXL

25-71-91-31

BOEING PROPRIETARY - Copyright © - Unpublished Work - See title page for details.

25-71-91
FIG. 31
PAGE 40
APR 22/09



767

PARTS CATALOG (MAINTENANCE)

FIG ITEM	PART NUMBER	1 2 3 4 5 6 7	NOMENCLATURE	EFFECT FROM TO	UNITS PER ASSY
31 260	2041167-3704		.INTERROGATOR ASSY-DME (CUSTOMER FURNISHED) SUPPLIER CODE: V97896 POSITION DATA: L AND R SPECIFICATION NUMBER: S220T105-102 ELECTRICAL EQUIP NUMBER: M00123 M00124 COMPONENT MAINT MANUAL REF: 34-51-33 QUALIFIED I/W DATA: 2041167-3702 I/W 2041167-3704 EXCEPT SUBJECT TO CUSTOMER PREFERENCE FOR BREAKDOWN SEE: 34-55-01-02		RF
270	2227000-59A		.UNIT ASSY-DIGITAL FLIGHT DATA CUSTOMER FURNISHED SUPPLIER CODE: V98571 ELECTRICAL EQUIP NUMBER: M00138 COMPONENT MAINT MANUAL REF: 31-32-56 FOR BREAKDOWN SEE: 31-31-03-02		RF
280	734285E		.UNIT ASSY-BUS PWR CONT SUPPLIER CODE: V99167 SPECIFICATION NUMBER: S281T001-41 ELECTRICAL EQUIP NUMBER: M00116 COMPONENT MAINT MANUAL REF: 24-41-01 OPTIONAL PART: 734285D V99167		RF

ILLUSTRATION ITEMS NOT ON PARTS LIST ARE NOT APPLICABLE

- ITEM NOT ILLUSTRATED

HXL

25-71-91-31

BOEING PROPRIETARY - Copyright © - Unpublished Work - See title page for details.

25-71-91
FIG. 31
PAGE 41
APR 22/09



767

PARTS CATALOG (MAINTENANCE)

FIG ITEM	PART NUMBER	1 2 3 4 5 6 7	NOMENCLATURE	EFFECT FROM TO	UNITS PER ASSY
31 280	734285D		.UNIT ASSY-BUS PWR CONT SUPPLIER CODE: V99167 SPECIFICATION NUMBER: S281T001-41 ELECTRICAL EQUIP NUMBER: M00116 COMPONENT MAINT MANUAL REF: 24-41-01 OPTIONAL PART: 734285E V99167		RF
280	734285C		.UNIT ASSY-BUS PWR CONT SUPPLIER CODE: V99167 SPECIFICATION NUMBER: S281T001-23 ELECTRICAL EQUIP NUMBER: M00116 COMPONENT MAINT MANUAL REF: 24-41-01		RF
280	734285		.UNIT ASSY-BUS PWR CONT SUPPLIER CODE: V99167 SPECIFICATION NUMBER: S281T001-15 ELECTRICAL EQUIP NUMBER: M00116 COMPONENT MAINT MANUAL REF: 24-41-01		RF
290	241-251-000-121		.UNIT ASSY-AIRBORNE ENG VIBRATION MONITORING SIGNAL CONDITIONER STATIC SENSITIVE PART SUPPLIER CODE: VS3960 SPECIFICATION NUMBER: S360N021-750 ELECTRICAL EQUIP NUMBER: M00132 COMPONENT MAINT MANUAL REF: 77-31-62 FOR BREAKDOWN SEE: 77-31-03-02		RF

ILLUSTRATION ITEMS NOT ON PARTS LIST ARE NOT APPLICABLE

- ITEM NOT ILLUSTRATED

HXL

25-71-91-31

BOEING PROPRIETARY - Copyright © - Unpublished Work - See title page for details.

25-71-91
FIG. 31
PAGE 42
APR 22/09



767

PARTS CATALOG (MAINTENANCE)

FIG ITEM	PART NUMBER	1 2 3 4 5 6 7	NOMENCLATURE	EFFECT FROM TO	UNITS PER ASSY
31 290	241-251-000-031		.UNIT ASSY-AIRBORNE ENG VIBRATION MONITORING SIGNAL CONDITIONER SUPPLIER CODE: VS3960 SPECIFICATION NUMBER: S360N021-700 ELECTRICAL EQUIP NUMBER: M00132 COMPONENT MAINT MANUAL REF: 77-31-56 QUALIFIED I/W DATA: 241-251-000-031 I/W 6672M802 OR 6672M850 SUBJECT TO CUSTOMER PREFERENCE.		RF
300	285T0049-53		.UNIT ASSY-FLAP/SLAT ELECTRONICS STATIC SENSITIVE PART SUPPLIER CODE: V89954 ELECTRICAL EQUIP NUMBER: M00545 COMPONENT MAINT MANUAL REF: 27-51-61 QUALIFIED I/W DATA: 285T0049-53 AND 285T0049-63 ARE FULLY INTERCHANGEABLE ON ALL 767-200/-300 AIRPLANES PRIOR TO PRODUCTION LINE NUMBER 799 ONLY. AFTER LINE NUMBER 799, 285T0049-63 MUST BE USED. POST SERVICE BULLETIN: 27-0108 FOR BREAKDOWN SEE: 27-51-01-02		RF

ILLUSTRATION ITEMS NOT ON PARTS LIST ARE NOT APPLICABLE

- ITEM NOT ILLUSTRATED

HXL

25-71-91-31

BOEING PROPRIETARY - Copyright © - Unpublished Work - See title page for details.

25-71-91
FIG. 31
PAGE 43
APR 22/09



767

PARTS CATALOG (MAINTENANCE)

FIG ITEM	PART NUMBER	1 2 3 4 5 6 7	NOMENCLATURE	EFFECT FROM TO	UNITS PER ASSY
31 300	285T0049-50		.UNIT ASSY-FLAP/SLAT ELECTRONICS STATIC SENSITIVE PART SUPPLIER CODE: V89954 ELECTRICAL EQUIP NUMBER: M00545 COMPONENT MAINT MANUAL REF: 27-51-61 QUALIFIED I/W DATA: 285T0049-39 -46 AND -50 ARE ALL INTERCHANGEABLE EXCEPT ACFT WITH -300ER WING REQUIRE -46 OR -50 FOR BREAKDOWN SEE: 27-51-01-02		RF
310	HG1057LR01		.UNIT ASSY-FUEL QTY PROCESSOR STATIC SENSITIVE PART SUPPLIER CODE: V58960 SPECIFICATION NUMBER: S345T002-60 ELECTRICAL EQUIP NUMBER: M00121 COMPONENT MAINT MANUAL REF: 28-41-41 PRE SERVICE BULLETIN: 28-0044 PRE SERVICE BULLETIN: HG1057LR-28-110 V94580 FOR BREAKDOWN SEE: 28-41-08-02		RF

ILLUSTRATION ITEMS NOT ON PARTS LIST ARE NOT APPLICABLE

- ITEM NOT ILLUSTRATED

HXL

25-71-91-31

BOEING PROPRIETARY - Copyright © - Unpublished Work - See title page for details.

25-71-91
FIG. 31
PAGE 44
APR 22/09



767

PARTS CATALOG (MAINTENANCE)

FIG ITEM	PART NUMBER	1 2 3 4 5 6 7	NOMENCLATURE	EFFECT FROM TO	UNITS PER ASSY
31 310	HG1057LR02		.UNIT ASSY-3 TANK SYS FUEL QTY SUPPLIER CODE: V58960 SPECIFICATION NUMBER: S345T002-61 ELECTRICAL EQUIP NUMBER: M00121 COMPONENT MAINT MANUAL REF: 28-41-41 POST SERVICE BULLETIN: 28-0044 POST SERVICE BULLETIN: HG1057LR-28-110 V94580		RF
320	367-027-006		.UNIT ASSY-HYDR QTY MON SUPPLIER CODE: V26055 SPECIFICATION NUMBER: S271T455-16 ELECTRICAL EQUIP NUMBER: M00132 COMPONENT MAINT MANUAL REF: 29-33-24 FOR BREAKDOWN SEE: 29-33-01-02		RF
320	367-027-020		.UNIT ASSY-HYDR QTY MON SUPPLIER CODE: V26055 FUNCTIONAL DESCRIPTION: CHANGES THE SIGNAL FROM THE QUANTITY TRANSMITTERS INTO VOLTAGE SIGNALS TO THE EICAS COMPUTER SPECIFICATION NUMBER: S271T455-20 ELECTRICAL EQUIP NUMBER: M00132 COMPONENT MAINT MANUAL REF: 29-33-30 FOR BREAKDOWN SEE: 29-33-01-02		RF

ILLUSTRATION ITEMS NOT ON PARTS LIST ARE NOT APPLICABLE

- ITEM NOT ILLUSTRATED

HXL

25-71-91-31

BOEING PROPRIETARY - Copyright © - Unpublished Work - See title page for details.

25-71-91
FIG. 31
PAGE 45
APR 22/09



767

PARTS CATALOG (MAINTENANCE)

FIG ITEM	PART NUMBER	1 2 3 4 5 6 7	NOMENCLATURE	EFFECT FROM TO	UNITS PER ASSY
31 320	367-027-004		.UNIT ASSY-HYDR QTY SUPPLIER CODE: V26055 SPECIFICATION NUMBER: S271T455-14 ELECTRICAL EQUIP NUMBER: M00122 COMPONENT MAINT MANUAL REF: 29-33-24		RF
320	367-027-003		.UNIT ASSY-HYDR QTY SUPPLIER CODE: V26055 SPECIFICATION NUMBER: S271T455-12 ELECTRICAL EQUIP NUMBER: M00122 COMPONENT MAINT MANUAL REF: 29-33-24		RF
330	3100051		.UNIT ASSY-BRAKE TEMP MON SUPPLIER CODE: V60678 FUNCTIONAL DESCRIPTION: PRODUCES OUTPUTS WHICH ACTIVATE BRAKE COOLING EQUIPMENT & TEMPERATURE DEVICES SPECIFICATION NUMBER: S283T002-9 ELECTRICAL EQUIP NUMBER: M00115 COMPONENT MAINT MANUAL REF: 32-46-10 FOR BREAKDOWN SEE: 32-46-03-01		RF

ILLUSTRATION ITEMS NOT ON PARTS LIST ARE NOT APPLICABLE

- ITEM NOT ILLUSTRATED

HXL

25-71-91-31

BOEING PROPRIETARY - Copyright © - Unpublished Work - See title page for details.

25-71-91
FIG. 31
PAGE 46
APR 22/09



PARTS CATALOG (MAINTENANCE)

FIG ITEM	PART NUMBER	1 2 3 4 5 6 7 NOMENCLATURE	EFFECT FROM TO	UNITS PER ASSY
31 340	622-5219-004	<p>.TRANSCIVER ASSY-VHF COMM CUSTOMER FURNISHED SUPPLIER CODE: V4V792 POSITION DATA: L, CTR AND R FUNCTIONAL DESCRIPTION: PROVIDES HIGH QUALITY VOICE AND DATA COMMUNICATION WITH GROUND STATIONS OR OTHER AIRPLANES AT SHORT TO MEDIUM RANGE. ELECTRICAL EQUIP NUMBER: M00188 M00189 M00190 COMPONENT MAINT MANUAL REF: 23-12-74 QUALIFIED I/W DATA: 622-5219-004 AND -005 I/W -120 SUBJECT TO CUSTOMER PREFERENCE SUBJECT TO CUSTOMER PREFERENCE, SHIP WIRING MUST BE CONFIGURED TO GROUND TRANSMIT TIMER FOR PROPER OPERATION OF 822-0323-001 FOR A/P DELIVERED WITH -700 UNITS, SHIP WIRING MUST BE CONFIGURED TO GROUND THE TRANSMIT TIMER FOR PROPER OPERATION OF 822-0323-002 622-5219-004 REPLACED BY ONE WAY FORWARD 822-1250-001 IN SHIPSETS AND DISABLE THE KEYLINE TIMER VIA A PROGRAM PIN FOR 757 AND 767 MODELS ONLY FOR BREAKDOWN SEE: 23-12-01-02</p>		RF

ILLUSTRATION ITEMS NOT ON PARTS LIST ARE NOT APPLICABLE

- ITEM NOT ILLUSTRATED

HXL

25-71-91-31

BOEING PROPRIETARY - Copyright © - Unpublished Work - See title page for details.

25-71-91
FIG. 31
PAGE 47
APR 22/09



767

PARTS CATALOG (MAINTENANCE)

FIG ITEM	PART NUMBER	1 2 3 4 5 6 7	NOMENCLATURE	EFFECT FROM TO	UNITS PER ASSY
31 340	BREFX006		.TRANSCIVER ASSY-VHF COMM SUPPLIER CODE: V4V792 POSITION DATA: L, R AND CTR OVERLENGTH PART NUMBER: XA622-5219-001SEEIPC PART MODIFICATION LEVEL: SB 1,2,3,5,7 REQD ELECTRICAL EQUIP NUMBER: M00188 M00189 M00190 COMPONENT MAINT MANUAL REF: 23-12-70 FOR BREAKDOWN SEE: 23-12-01-02		RF
340	822-0693-004		.TRANSCIVER ASSY-VHF COMM (CUSTOMER FURNISHED) SUPPLIER CODE: V4V792 POSITION DATA: L, R AND CTR FUNCTIONAL DESCRIPTION: PROVIDES HIGH QUALITY VOICE AND DATA COMMUNICATION WITH GROUND STATIONS OR OTHER AIRPLANES AT SHORT TO MEDIUM RANGE. ELECTRICAL EQUIP NUMBER: M00188 M00189 M00190 COMPONENT MAINT MANUAL REF: 23-12-74 FOR BREAKDOWN SEE: 23-12-01-02		RF

ILLUSTRATION ITEMS NOT ON PARTS LIST ARE NOT APPLICABLE

- ITEM NOT ILLUSTRATED

HXL

25-71-91-31

BOEING PROPRIETARY - Copyright © - Unpublished Work - See title page for details.

25-71-91
FIG. 31
PAGE 48
APR 22/09



767

PARTS CATALOG (MAINTENANCE)

FIG ITEM	PART NUMBER	1 2 3 4 5 6 7	NOMENCLATURE	EFFECT FROM TO	UNITS PER ASSY
31 340	822-0693-120		.TRANSCEIVER ASSY-VHF COMM SUPPLIER CODE: V4V792 POSITION DATA: L, R AND CTR ELECTRICAL EQUIP NUMBER: M00188 M00189 M00190 COMPONENT MAINT MANUAL REF: 23-12-76 FOR BREAKDOWN SEE: 23-12-01-02		RF
340	622-5219-120		.TRANSCEIVER ASSY-VHF COMM (CUSTOMER FURNISHED) SUPPLIER CODE: V4V792 POSITION DATA: L, R AND CTR FUNCTIONAL DESCRIPTION: PROVIDES HIGH QUALITY VOICE AND DATA COMMUNICATION WITH GROUND STATIONS OR OTHER AIRPLANES AT SHORT TO MEDIUM RANGE. ELECTRICAL EQUIP NUMBER: M00188 M00189 M00190 COMPONENT MAINT MANUAL REF: 23-12-76 QUALIFIED I/W DATA: 622-5219-004 AND -005 I/W -120 SUBJECT TO CUSTOMER PREFERENCE SUBJECT TO CUSTOMER PREFERENCE, SHIP WIRING MUST BE CONFIGURED TO GROUND TRANSMIT TIMER FOR PROPER OPERATION OF 822-0323-001 FOR BREAKDOWN SEE: 23-12-01-02		RF

ILLUSTRATION ITEMS NOT ON PARTS LIST ARE NOT APPLICABLE

- ITEM NOT ILLUSTRATED

HXL

25-71-91-31

BOEING PROPRIETARY - Copyright © - Unpublished Work - See title page for details.

25-71-91
FIG. 31
PAGE 49
APR 22/09



767

PARTS CATALOG (MAINTENANCE)

FIG ITEM	PART NUMBER	1 2 3 4 5 6 7	NOMENCLATURE	EFFECT FROM TO	UNITS PER ASSY
31 340	622-5219-001		.TRANSCIVER ASSY-VHF COMM (CUSTOMER FURNISHED) SUPPLIER CODE: V4V792 POSITION DATA: L, R AND CTR ELECTRICAL EQUIP NUMBER: M00188 M00189 M00190 COMPONENT MAINT MANUAL REF: 23-12-70 FOR BREAKDOWN SEE: 23-12-01-02		RF
350	NA138-714B		.DECODER ASSY-SELECTIVE CALLING CUSTOMER FURNISHED SUPPLIER CODE: V30242 FUNCTIONAL DESCRIPTION: PROCESSES INPUT FROM EACH OF THE HF AND VHF COMMUNICATION UNITS TO ENABLE ANNUNCIATION TO THE FLIGHT CREW THAT A GROUND PARTY IS AWAITING VOICE COMMUNICATION. ELECTRICAL EQUIP NUMBER: M00180 COMPONENT MAINT MANUAL REF: 23-20-10 QUALIFIED I/W DATA: P/N NA138-71B I/W P/N SC2253AD01 EXCEPT SUBJECT TO CUSTOMER PREFERENCE POST RAPID REVISION: RRB41033-14 FOR BREAKDOWN SEE: 23-21-01-01		RF

ILLUSTRATION ITEMS NOT ON PARTS LIST ARE NOT APPLICABLE

- ITEM NOT ILLUSTRATED

HXL

25-71-91-31

BOEING PROPRIETARY - Copyright © - Unpublished Work - See title page for details.

25-71-91
FIG. 31
PAGE 50
APR 22/09



767

PARTS CATALOG (MAINTENANCE)

FIG ITEM	PART NUMBER	1 2 3 4 5 6 7	NOMENCLATURE	EFFECT FROM TO	UNITS PER ASSY
31 350	1200008-000		.DECODER ASSY-SELECTIVE CALLING CUSTOMER FURNISHED SUPPLIER CODE: V30242 FUNCTIONAL DESCRIPTION: PROCESSES INPUT FROM EACH OF THE HF AND VHF COMMUNICATION UNITS TO ENABLE ANNUNCIATION TO THE FLIGHT CREW THAT A GROUND PARTY IS AWAITING VOICE COMMUNICATION. ELECTRICAL EQUIP NUMBER: M00180 COMPONENT MAINT MANUAL REF: 23-20-24 FOR BREAKDOWN SEE: 23-21-01-01		RF
350	SL3924AA01		.DECODER ASSY-SELECTIVE CALLING (CUSTOMER FURNISHED) SUPPLIER CODE: VF6168 FUNCTIONAL DESCRIPTION: PROCESSES INPUT FROM EACH OF THE HF AND VHF COMMUNICATION UNITS TO ENABLE ANNUNCIATION TO THE FLIGHT CREW THAT A GROUND PARTY IS AWAITING VOICE COMMUNICATION. ELECTRICAL EQUIP NUMBER: M00180 FOR BREAKDOWN SEE: 23-21-01-01		RF

ILLUSTRATION ITEMS NOT ON PARTS LIST ARE NOT APPLICABLE

- ITEM NOT ILLUSTRATED

HXL

25-71-91-31

BOEING PROPRIETARY - Copyright © - Unpublished Work - See title page for details.

25-71-91
FIG. 31
PAGE 51
APR 22/09



767

PARTS CATALOG (MAINTENANCE)

FIG ITEM	PART NUMBER	1 2 3 4 5 6 7 NOMENCLATURE	EFFECT FROM TO	UNITS PER ASSY
31 350	SC2253AD01	.DECODER ASSY-SELECTIVE CALLING (CUSTOMER FURNISHED) SUPPLIER CODE: VF6168 FUNCTIONAL DESCRIPTION: PROCESSES INPUT FROM EACH OF THE HF AND VHF COMMUNICATION UNITS TO ENABLE ANNUNCIATION TO THE FLIGHT CREW THAT A GROUND PARTY IS AWAITING VOICE COMMUNICATION. ELECTRICAL EQUIP NUMBER: M00180 COMPONENT MAINT MANUAL REF: 23-22-34 QUALIFIED I/W DATA: P/N NA138-714B INTERCHANGEABLE WITH P/N SC2253AD01 EXCEPT SUBJECT TO CUSTOMER PREFERENCE. FOR BREAKDOWN SEE: 23-21-01-01		RF
350	NA138-714C	.DECODER ASSY-SELECTIVE CALLING (CUSTOMER FURNISHED) SUPPLIER CODE: V30242 FUNCTIONAL DESCRIPTION: PROCESSES INPUT FROM EACH OF THE HF AND VHF COMMUNICATION UNITS TO ENABLE ANNUNCIATION TO THE FLIGHT CREW THAT A GROUND PARTY IS AWAITING VOICE COMMUNICATION. ELECTRICAL EQUIP NUMBER: M00180 FOR BREAKDOWN SEE: 23-21-01-01		RF

ILLUSTRATION ITEMS NOT ON PARTS LIST ARE NOT APPLICABLE

- ITEM NOT ILLUSTRATED

HXL

25-71-91-31

BOEING PROPRIETARY - Copyright © - Unpublished Work - See title page for details.

25-71-91
 FIG. 31
 PAGE 52
 APR 22/09



767

PARTS CATALOG (MAINTENANCE)

FIG ITEM	PART NUMBER	1 2 3 4 5 6 7	NOMENCLATURE	EFFECT FROM TO	UNITS PER ASSY
31 360	RDAX1001A		.UNIT ASSY-MAIN MULTIPLEXER SUPPLIER CODE: V54473 SPECIFICATION NUMBER: S220T111-101 ELECTRICAL EQUIP NUMBER: M00171 COMPONENT MAINT MANUAL REF: 23-34-01 FOR BREAKDOWN SEE: 23-34-03-02		RF
370	622-5342-101		.AMPLIFIER ASSY-PASS. ADDRESS CUSTOMER FURNISHED SUPPLIER CODE: V4V792 ELECTRICAL EQUIP NUMBER: M00177 COMPONENT MAINT MANUAL REF: 23-32-70 FOR BREAKDOWN SEE: 23-31-01-01		RF
370	622-5342-001		.AMPLIFIER ASSY-PASS. ADDRESS CUSTOMER FURNISHED SUPPLIER CODE: V4V792 ELECTRICAL EQUIP NUMBER: M00177 COMPONENT MAINT MANUAL REF: 23-32-70 QUALIFIED I/W DATA: 256-1 256-3 OR 256-4 I/W 622-5342-001 OR 622-5342-101 EXCEPT SUBJECT TO CUSTOMER PREFERENCE FOR BREAKDOWN SEE: 23-31-01-01		RF
380	285T0001-69		.UNIT ASSY-AUDIO ACCESS. (STATIC SENSITIVE PART) SUPPLIER CODE: V89954 MISCELLANEOUS DATA: ASSY -69 WITH -5018 INSTALLED IS MOD A. ALL -69 ASSEMBLIES BUILT AFTER 3/10/88 WILL HAVE -5018 INSTALLED AND		RF

ILLUSTRATION ITEMS NOT ON PARTS LIST ARE NOT APPLICABLE

- ITEM NOT ILLUSTRATED

HXL

25-71-91-31

BOEING PROPRIETARY - Copyright © - Unpublished Work - See title page for details.

25-71-91
FIG. 31
PAGE 53
APR 22/09



767

PARTS CATALOG (MAINTENANCE)

FIG ITEM	PART NUMBER	1 2 3 4 5 6 7 NOMENCLATURE	EFFECT FROM TO	UNITS PER ASSY
31 380		<p>SHALL BE MARKED WITH MOD LEVEL LETTER A ON THE NAMEPLATE DECAL. ASSY -69 WITH -5022 INSTALLED IS MOD B, AND ALSO MOD A. ALL -69 ASSEMBLIES BUILT AFTER 5/17/89 WILL HAVE -5022 INSTALLED AND SHALL BE MARKED WITH MOD LEVEL LETTERS A AND B ON THE NAMEPLATE DECAL ASSY -69 WITH -5033 INSTALLED IS MOD C, AND ALSO MODS A AND B. ALL -69 ASSEMBLIES BUILT AFTER 1/21/91 WILL HAVE -5033 INSTALLED AND SHALL BE MARKED WITH MOD LEVEL LETTERS A, B AND C ON THE NAMEPLATE DECAL. ASSY -69 WITH -5055 INSTALLED IS MOD D, AND ALSO MODS A, B, AND C. ALL -69 SHIPPED AFTER 11/02/95 WILL HAVE -5055 INSTALLED AND SHALL BE MARKED WITH MOD LEVELS A, B, C, AND D ON THE NAMEPLATE DECAL.</p> <p>ELECTRICAL EQUIP NUMBER: M00108</p> <p>COMPONENT MAINT MANUAL REF: 23-42-61</p> <p>QUALIFIED I/W DATA: 285T0001-55 I/W -46 OR -69 OR-201 ON 767-200 ACFT HOWEVER -46 OR -69 OR -201 REQUIRED ON 3 767-300 ACFT PER CUSTOMER PREFERENCE 285T0001-69 I/W -70 EXCEPT SUBJECT TO CUSTOMER PREFERENCE</p> <p>FOR BREAKDOWN SEE: 23-42-01-02</p>		

ILLUSTRATION ITEMS NOT ON PARTS LIST ARE NOT APPLICABLE

- ITEM NOT ILLUSTRATED

HXL

25-71-91-31

BOEING PROPRIETARY - Copyright © - Unpublished Work - See title page for details.

25-71-91
FIG. 31
PAGE 54
APR 22/09



767

PARTS CATALOG (MAINTENANCE)

FIG ITEM	PART NUMBER	1 2 3 4 5 6 7 NOMENCLATURE	EFFECT FROM TO	UNITS PER ASSY
31 380	285T0001-46	.UNIT ASSY-AUDIO ACCESS. (STATIC SENSITIVE PART) SUPPLIER CODE: V89954 MISCELLANEOUS DATA: 285T0001-46 MOD -A- IS REWORKED FROM 285T0001-46 IN ACCORDANCE WITH COMPONENT KIT SERVICE BULLETIN 285T0001-23-05, REF. 285T1120-5, MLCCR87-018 285T0001-46 MOD B IS REWORKED FROM 285T0001-46 AND ALL MOD LEVELS IN ACCORDANCE WITH COMPONENT KIT SERVICE BULLETIN 285T0001-23-06 REF 285T1120-8 MLCCR88-034 285T0001-46 MOD C IS REWORKED FROM -46 AND ALL MOD LEVELS IN ACCORDANCE WITH COMPONENT KIT SERVICE BULLETIN 285T0001-23-07 REF 285T1120-10 MLCCR90-083 ELECTRICAL EQUIP NUMBER: M00108 COMPONENT MAINT MANUAL REF: 23-42-52 QUALIFIED I/W DATA: 285T0001-55 I/W -46 OR -69 OR-201 ON 767-200 ACFT HOWEVER -46 OR -69 OR -201 REQUIRED ON 767-300 ACFT PER CUSTOMER PREFERENCE FOR BREAKDOWN SEE: 23-42-01-02		RF

ILLUSTRATION ITEMS NOT ON PARTS LIST ARE NOT APPLICABLE

- ITEM NOT ILLUSTRATED

HXL

25-71-91-31

BOEING PROPRIETARY - Copyright © - Unpublished Work - See title page for details.

25-71-91
 FIG. 31
 PAGE 55
 APR 22/09



767

PARTS CATALOG (MAINTENANCE)

FIG ITEM	PART NUMBER	1 2 3 4 5 6 7	NOMENCLATURE	EFFECT FROM TO	UNITS PER ASSY
31 380	285T0001-201		.MODULE ASSY-AUDIO ACCESS. UNIT (STATIC SENSITIVE PART) SUPPLIER CODE: V89954 MISCELLANEOUS DATA: MOD LEVEL NO MOD. ASSY -201 WITH -5057 INSTALLED IS THE NO MOD CONFIGURATION ELECTRICAL EQUIP NUMBER: M00108 COMPONENT MAINT MANUAL REF: 23-42-68 FOR BREAKDOWN SEE: 23-42-01-02		RF
380	285T0001-205		.MODULE ASSY-AUDIO ACCESS. UNIT (STATIC SENSITIVE PART) SUPPLIER CODE: V89954 MISCELLANEOUS DATA: ASSY 285T0001-205 WITH 285T0001-5061 INSTALLED IS THE NO MOD CONFIGURATION. ASSY 285T0001-205 WITH 285T0001-5067 INSTALLED IS THE MOD A CONFIGURATION. ELECTRICAL EQUIP NUMBER: M00108 COMPONENT MAINT MANUAL REF: 23-42-68 FOR BREAKDOWN SEE: 23-42-01-02		RF

ILLUSTRATION ITEMS NOT ON PARTS LIST ARE NOT APPLICABLE

- ITEM NOT ILLUSTRATED

HXL

25-71-91-31

BOEING PROPRIETARY - Copyright © - Unpublished Work - See title page for details.

25-71-91
FIG. 31
PAGE 56
APR 22/09



767

PARTS CATALOG (MAINTENANCE)

FIG ITEM	PART NUMBER	1 2 3 4 5 6 7	NOMENCLATURE	EFFECT FROM TO	UNITS PER ASSY
31 380	285T0001-210		.MODULE ASSY-AUDIO ACCESS. UNIT (STATIC SENSITIVE PART) SUPPLIER CODE: V89954 MISCELLANEOUS DATA: ASSEMBLY 285T0001-210 WITH 285T0001-5071 INSTALLED IS THE NO MOD CONFIGURATION. ELECTRICAL EQUIP NUMBER: M00108 COMPONENT MAINT MANUAL REF: 23-42-68 FOR BREAKDOWN SEE: 23-42-01-02		RF

ILLUSTRATION ITEMS NOT ON PARTS LIST ARE NOT APPLICABLE

- ITEM NOT ILLUSTRATED

HXL

25-71-91-31

BOEING PROPRIETARY - Copyright © - Unpublished Work - See title page for details.

25-71-91
FIG. 31
PAGE 57
APR 22/09



767

PARTS CATALOG (MAINTENANCE)

FIG ITEM	PART NUMBER	1 2 3 4 5 6 7 NOMENCLATURE	EFFECT FROM TO	UNITS PER ASSY
31 380	285T0001-55	.UNIT ASSY-AAU UNIT (STATIC SENSITIVE PART) SUPPLIER CODE: V89954 MISCELLANEOUS DATA: 285T0001-55 MOD -A- IS REWORKED FROM 285T0001-55 IN ACCORDANCE WITH COMPONENT KIT SERVICE BULLETIN 285T0001-23-05, REF 285T1120-1, MLCCR87-018 285T0001-55 MOD B IS REWORKED FROM 285T0001-55 AND ALL MOD LEVELS IN ACCORDANCE WITH COMPONENT KIT SERVICE BULLETIN 285T0001-23-06 REF 285T1120-8 MLCCR90-034 285T0001-55 MOD C IS REWORKED FROM 285T0001-55 AND ALL MOD LEVELS IN ACCORDANCE WITH COMPONENT KIT SERVICE BULLETIN 285T0001-23-07 REF 285T1120-10 MLCCR90-083 ELECTRICAL EQUIP NUMBER: M00108 COMPONENT MAINT MANUAL REF: 23-42-52 QUALIFIED I/W DATA: 285T0001-55 I/W -46 OR -69 OR-201 ON 767-200 ACFT HOWEVER -46 OR -69 OR -201 REQUIRED ON 767-300 ACFT PER CUSTOMER PREFERENCE FOR BREAKDOWN SEE: 23-42-01-02		RF

ILLUSTRATION ITEMS NOT ON PARTS LIST ARE NOT APPLICABLE

- ITEM NOT ILLUSTRATED

HXL

25-71-91-31

BOEING PROPRIETARY - Copyright © - Unpublished Work - See title page for details.

25-71-91
 FIG. 31
 PAGE 58
 APR 22/09



767

PARTS CATALOG (MAINTENANCE)

FIG ITEM	PART NUMBER	1 2 3 4 5 6 7	NOMENCLATURE	EFFECT FROM TO	UNITS PER ASSY
31 380	285T0001-23		.UNIT ASSY-AAU UNIT (STATIC SENSITIVE PART) SUPPLIER CODE: V89954 ELECTRICAL EQUIP NUMBER: M00108 COMPONENT MAINT MANUAL REF: 23-42-52		RF
380	285T0001-37		.UNIT ASSY-AAU UNIT (STATIC SENSITIVE PART) SUPPLIER CODE: V89954 ELECTRICAL EQUIP NUMBER: M00108 COMPONENT MAINT MANUAL REF: 23-42-52		RF
390	622-5272-001		.TRANSCEIVER ASSY-HF COMM CUSTOMER FURNISHED SUPPLIER CODE: V4V792 POSITION DATA: L AND R FUNCTIONAL DESCRIPTION: PROVIDES LONG RANGE TWO-WAY VOICE COMMUNICATION WITH GROUND STATIONS OR OTHER AIRPLANES. ELECTRICAL EQUIP NUMBER: M00152 M00153 COMPONENT MAINT MANUAL REF: 23-10-70 QUALIFIED I/W DATA: 622-5272-001 I/W -120 EXCEPT SUBJECT TO CUSTOMER PREFERENCE 622-5272--120 RB 822- 0330-001 SUBJECT TO CUSTOMER PREFERENCE. FOR BREAKDOWN SEE: 23-11-03-02		RF

ILLUSTRATION ITEMS NOT ON PARTS LIST ARE NOT APPLICABLE

- ITEM NOT ILLUSTRATED

HXL

25-71-91-31

BOEING PROPRIETARY - Copyright © - Unpublished Work - See title page for details.

25-71-91
FIG. 31
PAGE 59
APR 22/09



767

PARTS CATALOG (MAINTENANCE)

FIG ITEM	PART NUMBER	1 2 3 4 5 6 7	NOMENCLATURE	EFFECT FROM TO	UNITS PER ASSY
31 410	RDAX7002-01		.REPRODUCER ASSY- ENTERTAINMENT TAPE CUSTOMER FURNISHED SUPPLIER CODE: V54473 FUNCTIONAL DESCRIPTION: PLAYS AUDIO TAPES FOR PASSENGER ENTERTAINMENT ELECTRICAL EQUIP NUMBER: M00170 COMPONENT MAINT MANUAL REF: 23-34-75 QUALIFIED I/W DATA: RDAX7001-01 980-9600-001 980-9800-001 I/W RDAX7002-01 EXCEPT SUBJECT TO CUSTOMER PREFERENCE		RF
420	D51434-1		.RECORDER ASSY-QUICK ACCESS (CUSTOMER FURNISHED) SUPPLIER CODE: VK1474 FUNCTIONAL DESCRIPTION: PROVIDES EXPANDED DATA AND REPORT STORAGE CAPABILITY USING A MAGNETIC TAPE MEDIA. ELECTRICAL EQUIP NUMBER: M01134 COMPONENT MAINT MANUAL REF: 31-32-56 QUALIFIED I/W DATA: 2248000-60 QAR T/W 2232130-1 OPTICAL DISK IS I/W D51434-1 QAR T/W DC600A TAPE CASSETTE FOR BREAKDOWN SEE: 31-35-01-01		RF

ILLUSTRATION ITEMS NOT ON PARTS LIST ARE NOT APPLICABLE

- ITEM NOT ILLUSTRATED

HXL

25-71-91-31

BOEING PROPRIETARY - Copyright © - Unpublished Work - See title page for details.

25-71-91
FIG. 31
PAGE 60
APR 22/09



767

PARTS CATALOG (MAINTENANCE)

FIG ITEM	PART NUMBER	1 2 3 4 5 6 7	NOMENCLATURE	EFFECT FROM TO	UNITS PER ASSY
31 420	D52000-62000		.RECORDER ASSY-QUICK ACCESS (CUSTOMER FURNISHED) SUPPLIER CODE: VK1474 FUNCTIONAL DESCRIPTION: PROVIDES EXPANDED DATA AND REPORT STORAGE AS PART OF THE AIMS AIRPLANE CONDITION MONITORING SYSTEM USING AN OPTICAL DISKETTE MEDIA. ELECTRICAL EQUIP NUMBER: M01134 COMPONENT MAINT MANUAL REF: 31-34-00 FOR BREAKDOWN SEE: 31-35-01-01		RF
470	DC600A		.CASSETTE-QUICK ACCESS RECORDER CUSTOMER FURNISHED SUPPLIER CODE: VK1474 ELECTRICAL EQUIP NUMBER: YE0B001 QUALIFIED I/W DATA: 224800-60 OAR T/W 2232130-1 OPTICAL DISK IS I/W D51464-1 OAR T/W DC600A TAPE CASSETTE		RF
470	D51443		.CASSETTE-QUICK ACCESS RECORDER CUSTOMER FURNISHED SUPPLIER CODE: VK1474 ELECTRICAL EQUIP NUMBER: YE0B001		RF
470	DC6250		.CASSETTE-QUICK ACCESS RECORDER CUSTOMER FURNISHED SUPPLIER CODE: V5F555 ELECTRICAL EQUIP NUMBER: YE0B001		RF

ILLUSTRATION ITEMS NOT ON PARTS LIST ARE NOT APPLICABLE

- ITEM NOT ILLUSTRATED

HXL

25-71-91-31

BOEING PROPRIETARY - Copyright © - Unpublished Work - See title page for details.

25-71-91
FIG. 31
PAGE 61
APR 22/09



767

PARTS CATALOG (MAINTENANCE)

FIG ITEM	PART NUMBER	1 2 3 4 5 6 7	NOMENCLATURE	EFFECT FROM TO	UNITS PER ASSY
31 470	D50760		.CASSETTE-QUICK ACCESS RECORDER CUSTOMER FURNISHED SUPPLIER CODE: VK1474 ELECTRICAL EQUIP NUMBER: YE0B001		RF
480	2232000-02A		.UNIT ASSY-DATA MANAGEMENT CUSTOMER FURNISHED SUPPLIER CODE: V98571 ELECTRICAL EQUIP NUMBER: M01200 COMPONENT MAINT MANUAL REF: 31-31-37 QUALIFIED I/W DATA: 2232000-02B T/W FLY2232TBCOX109 MAY REPLACE 2232000-02A T/W FLY2232TBCOX107		RF
500	285T0607-15		.MODULE ASSY-PROPULSION INTERFACE MON UNIT STATIC SENSITIVE PART SUPPLIER CODE: V89954 ELECTRICAL EQUIP NUMBER: M01413 M01414 COMPONENT MAINT MANUAL REF: 77-35-20 FOR BREAKDOWN SEE: 77-35-00-02		RF
500	285T0607-9		.MODULE ASSY-PROPULSION INTERFACE MON UNIT STATIC SENSITIVE PART SUPPLIER CODE: V89954 ELECTRICAL EQUIP NUMBER: M01413 M01414 COMPONENT MAINT MANUAL REF: 77-35-20 FOR BREAKDOWN SEE: 77-35-00-02		RF

ILLUSTRATION ITEMS NOT ON PARTS LIST ARE NOT APPLICABLE

- ITEM NOT ILLUSTRATED

HXL

25-71-91-31

BOEING PROPRIETARY - Copyright © - Unpublished Work - See title page for details.

25-71-91
FIG. 31
PAGE 62
APR 22/09



767

PARTS CATALOG (MAINTENANCE)

FIG ITEM	PART NUMBER	1 2 3 4 5 6 7	NOMENCLATURE	EFFECT FROM TO	UNITS PER ASSY
31 510	1150406-1		.CONTROLLER ASSY-AUX ZONE TEMP (STATIC SENSITIVE PART) SUPPLIER CODE: V07217 SPECIFICATION NUMBER: S210T130-72 ELECTRICAL EQUIP NUMBER: M01609 COMPONENT MAINT MANUAL REF: 21-61-10 FOR BREAKDOWN SEE: 21-61-12-01		RF
510	1151870-1		.CONTROLLER ASSY-AUX ZONE TEMP (STATIC SENSITIVE PART) SUPPLIER CODE: V07217 SPECIFICATION NUMBER: S210T130-80 ELECTRICAL EQUIP NUMBER: M01609 COMPONENT MAINT MANUAL REF: 21-61-21 FOR BREAKDOWN SEE: 21-61-12-01		RF
520	285T1150-3		.MODULE ASSY-CARGO AIR CONDITIONING CONTROLLER PACK FLOW STATIC SENSITIVE PART SUPPLIER CODE: V89954 ELECTRICAL EQUIP NUMBER: M01610 COMPONENT MAINT MANUAL REF: 21-51-54 POST SERVICE BULLETIN: 21-0138		RF

ILLUSTRATION ITEMS NOT ON PARTS LIST ARE NOT APPLICABLE

- ITEM NOT ILLUSTRATED

HXL

25-71-91-31

BOEING PROPRIETARY - Copyright © - Unpublished Work - See title page for details.

25-71-91
FIG. 31
PAGE 63
APR 22/09



767

PARTS CATALOG (MAINTENANCE)

FIG ITEM	PART NUMBER	1 2 3 4 5 6 7	NOMENCLATURE	EFFECT FROM TO	UNITS PER ASSY
31 530	921000		.UNIT ASSY-DIGITAL INTERFACE AIRSHOW (CUSTOMER FURNISHED) SUPPLIER CODE: V70093 FUNCTIONAL DESCRIPTION: SUPPORTS DISPLAY OF AIRSHOW PASSENGER IN-FLIGHT INFORMATION SYSTEM. ELECTRICAL EQUIP NUMBER: M01457 FOR BREAKDOWN SEE: 23-32-03-01		1
540	4305790030		.UNIT ASSY-TIRE PRESSURE MON SUPPLIER CODE: VF0217 SPECIFICATION NUMBER: S283T024-1 ELECTRICAL EQUIP NUMBER: M01602 COMPONENT MAINT MANUAL REF: 32-48-11 FOR BREAKDOWN SEE: 32-45-10-03		RF
600	65B47524-10		.PRINTED CIRCUIT ASSY-VOL LEVEL IND SUPPLIER CODE: V89954 ELECTRICAL EQUIP NUMBER: M01633 COMPONENT MAINT MANUAL REF: 23-31-13 FOR BREAKDOWN SEE: 23-31-01-01		RF
610	69B47616-5		.PRINTED CIRCUIT ASSY-RELAY SUPPLIER CODE: V89954 POSITION DATA: L AND R ELECTRICAL EQUIP NUMBER: M01634 M01635 COMPONENT MAINT MANUAL REF: 22-11-05 FOR BREAKDOWN SEE: 23-31-01-01		RF

ILLUSTRATION ITEMS NOT ON PARTS LIST ARE NOT APPLICABLE

- ITEM NOT ILLUSTRATED

HXL

25-71-91-31

BOEING PROPRIETARY - Copyright © - Unpublished Work - See title page for details.

25-71-91
FIG. 31
PAGE 64
APR 22/09