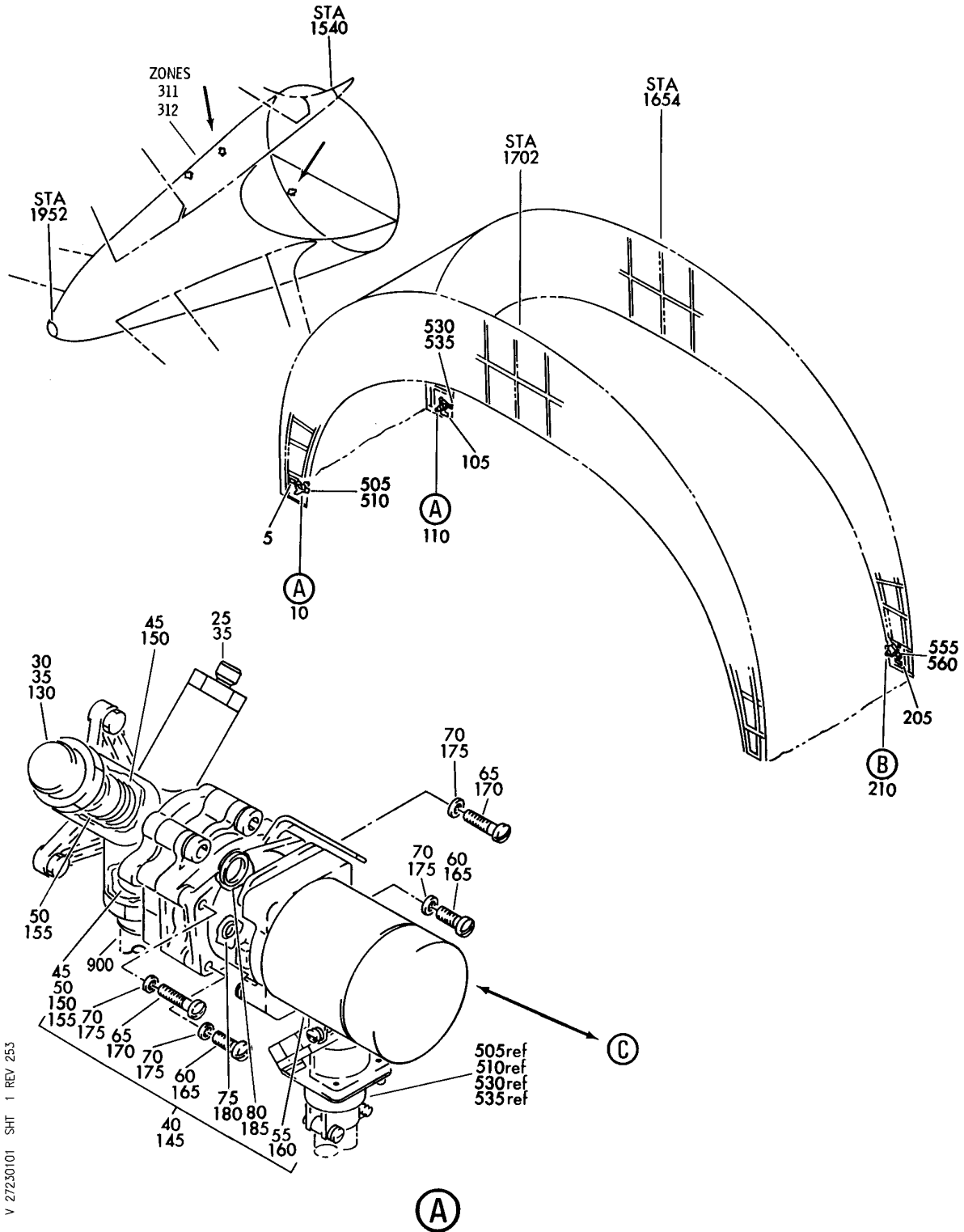


RUDDER AND ELEVATOR SHUTOFF VALVES

HXL
DEC 22/06

27-23-00
SECTION TITLE
PAGE 1


BOEING
 767
PARTS CATALOG (MAINTENANCE)



V 27230101 SHT 1 REV 253

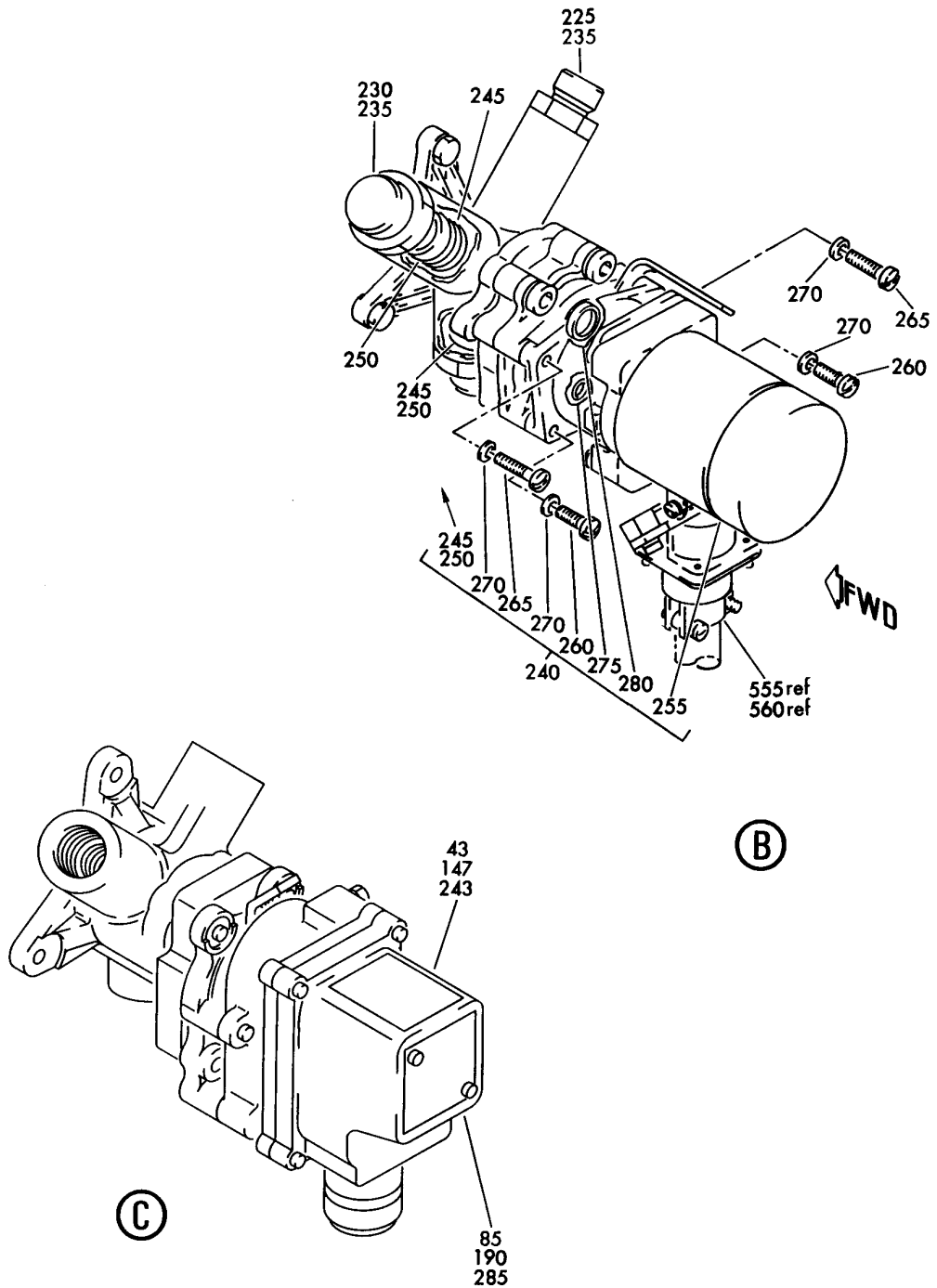
VALVE INSTL-SECT. 48 SYS EMPENNAGE DC MOTOR SHUT-OFF
 FIGURE 1 (SHEET 1)

27-23-01-01

HXL
DEC 22/06

27-23-01-01
 PAGE 0

BOEING
767
PARTS CATALOG (MAINTENANCE)



V 27230101 SHT 2 REV 192

VALVE INSTL-SECT. 48 SYS EMPENNAGE DC MOTOR SHUT-OFF
FIGURE 1 (SHEET 2)

27-23-01-01

HXL
DEC 22/06

27-23-01-01
PAGE 0A



767

PARTS CATALOG (MAINTENANCE)

FIG ITEM	PART NUMBER	1 2 3 4 5 6 7	NOMENCLATURE	EFFECT FROM TO	UNITS PER ASSY
1			VALVE INSTL-SECT. 48 SYS EMPENNAGE DC MOTOR SHUT-OFF		
- 1	271T4810-8		VALVE INSTL-SYS EMPENNAGE DC MOTOR SHUT-OFF POSITION DATA: SECT. 48 STA 1702 LH FOR NHA SEE: 27-23-51-01		RF
	5 BAC27THY0112		.MARKER- PLACARD CONTENT: V101 SHUTOFF VALVE EMPENNAGE, L		1
	10 271T4810-17		.VALVE ASSY-		1
	10 271T4810-6		.VALVE ASSY- USED ON: 271T4810-1		1
	10 271T4810-11		.VALVE ASSY- USED ON: 271T4810-8		1
	10 271T4810-22		.VALVE ASSY- ATTACHING PARTS		1
- 15	NAS6604-7		.BOLT-		3
- 20	AN960PD416		.WASHER- -----*-----		3
	25 MS21916D10-4		..REDUCER		1
	30 BACU24K10		..UNION		2
	35 NAS1612-10		..PACKING-		3
	40 340015-1		..VALVE ASSY-SHUTOFF CONT SUPPLIER CODE: V79318 FUNCTIONAL DESCRIPTION: PROVIDES ON-OFF CONTROL OF HYDRAULIC FLUID FLOW TO AC MOTOR DRIVEN PUMP SPECIFICATION NUMBER: S270T002-2 MISCELLANEOUS DATA: FOR COMPLETE INTERCHANGEABILITY REGARDING SPECIFIC USAGE, PLEASE REFER TO DRAWING 270T2001 SHEET 1 ELECTRICAL EQUIP NUMBER: V00101 COMPONENT MAINT MANUAL REF: 27-13-01 USED ON: 271T4810-6		1
ILLUSTRATION ITEMS NOT ON PARTS LIST ARE NOT APPLICABLE					

- ITEM NOT ILLUSTRATED

27-23-01-01

27-23-01
FIG. 01
PAGE 1
APR 22/08

HXL



767

PARTS CATALOG (MAINTENANCE)

FIG ITEM	PART NUMBER	1 2 3 4 5 6 7	NOMENCLATURE	EFFECT FROM TO	UNITS PER ASSY
1 40	340545		.. VALVE ASSY-SHUTOFF CONT SUPPLIER CODE: V79318 FUNCTIONAL DESCRIPTION: PROVIDES ON-OFF CONTROL OF HYDRAULIC FLUID FLOW TO AC MOTOR DRIVEN PUMP SPECIFICATION NUMBER: S270T002-3 MISCELLANEOUS DATA: FOR COMPLETE INTERCHANGEABILITY REGARDING SPECIFIC USAGE, PLEASE REFER TO DRAWING 270T2001 SHEET 1 ELECTRICAL EQUIP NUMBER: V00101 COMPONENT MAINT MANUAL REF: 27-13-03 USED ON: 271T4810-11		1
43	340545		.. VALVE ASSY-SHUTOFF CONY SUPPLIER CODE: V79318 FUNCTIONAL DESCRIPTION: PROVIDES ON-OFF CONTROL OF HYDRAULIC FLUID FLOW TO AC MOTOR DRIVEN PUMP SPECIFICATION NUMBER: S270T002-3 MISCELLANEOUS DATA: FOR COMPLETE INTERCHANGEABILITY REGARDING SPECIFIC USAGE, PLEASE REFER TO DRAWING 270T2001 SHEET 1 COMPONENT MAINT MANUAL REF: 27-13-03 POST AIRLINE MOD: 220399I VSAS TEMPORARY BREAKDOWN FOR: EM91-80-1 EM91-80-3 EM91-80-4 EM91-80-5		1

ILLUSTRATION ITEMS NOT ON PARTS LIST ARE NOT APPLICABLE

- ITEM NOT ILLUSTRATED

HXL

27-23-01-01

BOEING PROPRIETARY - Copyright © - Unpublished Work - See title page for details.

27-23-01
 FIG. 01
 PAGE 2
 APR 22/08



767

PARTS CATALOG (MAINTENANCE)

FIG ITEM	PART NUMBER	1 2 3 4 5 6 7	NOMENCLATURE	EFFECT FROM TO	UNITS PER ASSY
1					
45	145549		... SPRING-CPRSN SUPPLIER CODE: V79318 USED ON: 340015-1		2
50	145561		... RETAINER-SCREW SUPPLIER CODE: V79318		2
55	157720-2		... ACTUATOR ASSY- SUPPLIER CODE: V79318 COMPONENT MAINT MANUAL REF: 27-13-02 USED ON: 340015-1 340545 ATTACHING PARTS		1
60	NAS1351-3-20P		... SCREW		2
65	NAS1351-3-28P		... SCREW		2
70	100168-168		... WASHER-FLAT SUPPLIER CODE: V79318 -----*-----		4
75	NAS1611-009		... PACKING-		1
80	145572		... RING-RETAINING SUPPLIER CODE: V79318		1
- 100	271T4810-9		VALVE INSTL-SYS EMPENNAGE DC MOTOR SHUT-OFF POSITION DATA: SECT. 48 STA 1654.50 CENTER FOR NHA SEE: 27-23-51-01		RF
105	BAC27THY0114		. MARKER- PLACARD CONTENT: V103 SHUTOFF VALVE EMPENNAGE, C USED ON: 271T4810-2 271T4810-9 271T4810-14		1
110	271T4810-6		. VALVE ASSY- USED ON: 271T4810-2		1
110	271T4810-11		. VALVE ASSY- USED ON: 271T4810-9		1
110	271T4810-22		. VALVE ASSY-		1

ILLUSTRATION ITEMS NOT ON PARTS LIST ARE NOT APPLICABLE

- ITEM NOT ILLUSTRATED

27-23-01-01

27-23-01
FIG. 01
PAGE 3
DEC 22/07

HXL

BOEING PROPRIETARY - Copyright © - Unpublished Work - See title page for details.



767

PARTS CATALOG (MAINTENANCE)

FIG ITEM	PART NUMBER	1 2 3 4 5 6 7	NOMENCLATURE	EFFECT FROM TO	UNITS PER ASSY
1					
110	271T4810-17		.VALVE ASSY- ATTACHING PARTS		1
- 115	NAS6604-7		.BOLT-		3
- 120	AN960PD416		.WASHER-		3
			-----*-----		
125	MS21916D10-4		..REDUCER		1
130	BACU24K10		..UNION		2
135	NAS1612-10		..PACKING-		3
145	340015-1		..VALVE ASSY-SHUTOFF CONT SUPPLIER CODE: V79318 FUNCTIONAL DESCRIPTION: PROVIDES ON-OFF CONTROL OF HYDRAULIC FLUID FLOW TO AC MOTOR DRIVEN PUMP SPECIFICATION NUMBER: S270T002-2 MISCELLANEOUS DATA: FOR COMPLETE INTERCHANGEABILITY REGARDING SPECIFIC USAGE, PLEASE REFER TO DRAWING 270T2001 SHEET 1 ELECTRICAL EQUIP NUMBER: V00103 COMPONENT MAINT MANUAL REF: 27-13-01 USED ON: 271T4810-6		1
145	340545		..VALVE ASSY-SHUTOFF CONT SUPPLIER CODE: V79318 FUNCTIONAL DESCRIPTION: PROVIDES ON-OFF CONTROL OF HYDRAULIC FLUID FLOW TO AC MOTOR DRIVEN PUMP SPECIFICATION NUMBER: S270T002-3 MISCELLANEOUS DATA: FOR COMPLETE INTERCHANGEABILITY REGARDING SPECIFIC USAGE, PLEASE REFER TO DRAWING 270T2001 SHEET 1 ELECTRICAL EQUIP NUMBER: V00103 COMPONENT MAINT MANUAL REF: 27-13-03		1

ILLUSTRATION ITEMS NOT ON PARTS LIST ARE NOT APPLICABLE

- ITEM NOT ILLUSTRATED

HXL

27-23-01-01

BOEING PROPRIETARY - Copyright © - Unpublished Work - See title page for details.

27-23-01
FIG. 01
PAGE 4
APR 22/08



767

PARTS CATALOG (MAINTENANCE)

FIG ITEM	PART NUMBER	1 2 3 4 5 6 7	NOMENCLATURE	EFFECT FROM TO	UNITS PER ASSY
1 147	EM91-80		.. VALVE ASSY-SHUTOFF CONT SUPPLIER CODE: V91816 FUNCTIONAL DESCRIPTION: PROVIDES ON-OFF CONTROL OF HYDRAULIC FLUID FLOW TO AC MOTOR DRIVEN PUMP SPECIFICATION NUMBER: S270T010-1 MISCELLANEOUS DATA: FOR COMPLETE INTERCHANGEABILITY REGARDING SPECIFIC USAGE, PLEASE REFER TO DRAWING 270T2001 SHEET 1 ELECTRICAL EQUIP NUMBER: V00103 COMPONENT MAINT MANUAL REF: 27-13-01 USED ON: 271T4810-16		1
147	EM91-80-1		.. VALVE ASSY-SHUTOFF CONT SUPPLIER CODE: V91816 FUNCTIONAL DESCRIPTION: PROVIDES ON-OFF CONTROL OF HYDRAULIC FLUID FLOW TO AC MOTOR DRIVEN PUMP SPECIFICATION NUMBER: S270T010-4 MISCELLANEOUS DATA: FOR COMPLETE INTERCHANGEABILITY REGARDING SPECIFIC USAGE, PLEASE REFER TO DRAWING 270T2001 SHEET 1 ELECTRICAL EQUIP NUMBER: V00103 COMPONENT MAINT MANUAL REF: 27-13-01		1

ILLUSTRATION ITEMS NOT ON PARTS LIST ARE NOT APPLICABLE

- ITEM NOT ILLUSTRATED

HXL

27-23-01-01

BOEING PROPRIETARY - Copyright © - Unpublished Work - See title page for details.

27-23-01
 FIG. 01
 PAGE 5
 APR 22/08



767

PARTS CATALOG (MAINTENANCE)

FIG ITEM	PART NUMBER	1 2 3 4 5 6 7	NOMENCLATURE	EFFECT FROM TO	UNITS PER ASSY
1 147	EM91-80-5		.. VALVE ASSY-SHUTOFF CONT SUPPLIER CODE: V91816 FUNCTIONAL DESCRIPTION: PROVIDES ON-OFF CONTROL OF HYDRAULIC FLUID FLOW TO AC MOTOR DRIVEN PUMP SPECIFICATION NUMBER: S270T010-13 MISCELLANEOUS DATA: FOR COMPLETE INTERCHANGEABILITY REGARDING SPECIFIC USAGE, PLEASE REFER TO DRAWING 270T2001 SHEET 1 COMPONENT MAINT MANUAL REF: 27-13-01 TEMPORARY BREAKDOWN FOR: EM91-80-1 EM91-80-3 EM91-80-4 EM91-80-5		1
150	145549		... SPRING-CPRSN SUPPLIER CODE: V79318 USED ON: 340015-1		2
155	145561		... RETAINER-SCREW SUPPLIER CODE: V79318		2
160	157720-2		... ACTUATOR ASSY- SUPPLIER CODE: V79318 COMPONENT MAINT MANUAL REF: 27-13-02 USED ON: 340015-1 340545 ATTACHING PARTS		1
165	NAS1351-3-20P		... SCREW		2
170	NAS1351-3-28P		... SCREW		2
175	100168-168		... WASHER-FLAT SUPPLIER CODE: V79318 -----*-----		4
180	NAS1611-009		... PACKING-		1

ILLUSTRATION ITEMS NOT ON PARTS LIST ARE NOT APPLICABLE

- ITEM NOT ILLUSTRATED

27-23-01-01

27-23-01
 FIG. 01
 PAGE 6
 APR 22/08

HXL

BOEING
767
PARTS CATALOG (MAINTENANCE)

FIG ITEM	PART NUMBER	1 2 3 4 5 6 7	NOMENCLATURE	EFFECT FROM TO	UNITS PER ASSY
1	145572		...RING-RETAINING SUPPLIER CODE: V79318		1
R	190	P2350-0075	...ACTUATOR-MOTOR SUPPLIER CODE: V91816 COMPONENT MAINT MANUAL REF: 27-13-02 USED ON: EM91-80		1
R	- 200	271T4810-10	VALVE INSTL-SYS EMPENNAGE DC MOTOR SHUT-OFF POSITION DATA: SECT. 48 STA 1654.50 RH FOR NHA SEE: 27-23-51-01		RF
R	205	BAC27THY0113	.MARKER- PLACARD CONTENT: V102 SHUTOFF VALVE EMPENNAGE, R		1
R	210	271T4810-12	.VALVE ASSY-		1
R	210	271T4810-16	.VALVE ASSY- ATTACHING PARTS		1
R	- 215	NAS6604-7	.BOLT-		3
R	- 220	AN960PD416	.WASHER- -----*-----		3
	225	MS21902D10	..REDUCER		1
	230	BACU24K10	..UNION		2
	235	NAS1612-10	..PACKING-		3

ILLUSTRATION ITEMS NOT ON PARTS LIST ARE NOT APPLICABLE

- ITEM NOT ILLUSTRATED

HXL

27-23-01-01

BOEING PROPRIETARY - Copyright © - Unpublished Work - See title page for details.

27-23-01
FIG. 01
PAGE 7
AUG 22/09



767

PARTS CATALOG (MAINTENANCE)

FIG ITEM	PART NUMBER	1 2 3 4 5 6 7	NOMENCLATURE	EFFECT FROM TO	UNITS PER ASSY
1 240	340545		.. VALVE ASSY-SHUTOFF CONT SUPPLIER CODE: V79318 FUNCTIONAL DESCRIPTION: PROVIDES ON-OFF CONTROL OF HYDRAULIC FLUID FLOW TO AC MOTOR DRIVEN PUMP SPECIFICATION NUMBER: S270T002-3 MISCELLANEOUS DATA: FOR COMPLETE INTERCHANGEABILITY REGARDING SPECIFIC USAGE, PLEASE REFER TO DRAWING 270T2001 SHEET 1 ELECTRICAL EQUIP NUMBER: V00102 COMPONENT MAINT MANUAL REF: 27-13-03 USED ON: 271T4810-12		1
240	340015-1		.. VALVE ASSY-SHUTOFF CONT SUPPLIER CODE: V79318 FUNCTIONAL DESCRIPTION: PROVIDES ON-OFF CONTROL OF HYDRAULIC FLUID FLOW TO AC MOTOR DRIVEN PUMP SPECIFICATION NUMBER: S270T002-2 MISCELLANEOUS DATA: FOR COMPLETE INTERCHANGEABILITY REGARDING SPECIFIC USAGE, PLEASE REFER TO DRAWING 270T2001 SHEET 1 ELECTRICAL EQUIP NUMBER: V00102 COMPONENT MAINT MANUAL REF: 27-13-01 USED ON: 271T4810-7		1

ILLUSTRATION ITEMS NOT ON PARTS LIST ARE NOT APPLICABLE

- ITEM NOT ILLUSTRATED

HXL

27-23-01-01

BOEING PROPRIETARY - Copyright © - Unpublished Work - See title page for details.

27-23-01
 FIG. 01
 PAGE 8
 APR 22/08



767

PARTS CATALOG (MAINTENANCE)

FIG ITEM	PART NUMBER	1 2 3 4 5 6 7	NOMENCLATURE	EFFECT FROM TO	UNITS PER ASSY
1 243	EM91-80		.. VALVE ASSY-SHUTOFF CONT SUPPLIER CODE: V91816 FUNCTIONAL DESCRIPTION: PROVIDES ON-OFF CONTROL OF HYDRAULIC FLUID FLOW TO AC MOTOR DRIVEN PUMP SPECIFICATION NUMBER: S270T010-1 MISCELLANEOUS DATA: FOR COMPLETE INTERCHANGEABILITY REGARDING SPECIFIC USAGE, PLEASE REFER TO DRAWING 270T2001 SHEET 1 ELECTRICAL EQUIP NUMBER: V00102 COMPONENT MAINT MANUAL REF: 27-13-01 USED ON: 271T4810-17		1
243	EM91-80-5		.. VALVE ASSY-SHUTOFF CONT SUPPLIER CODE: V91816 FUNCTIONAL DESCRIPTION: PROVIDES ON-OFF CONTROL OF HYDRAULIC FLUID FLOW TO AC MOTOR DRIVEN PUMP SPECIFICATION NUMBER: S270T010-13 MISCELLANEOUS DATA: FOR COMPLETE INTERCHANGEABILITY REGARDING SPECIFIC USAGE, PLEASE REFER TO DRAWING 270T2001 SHEET 1 COMPONENT MAINT MANUAL REF: 27-13-01 TEMPORARY BREAKDOWN FOR: EM91-80-1 EM91-80-3 EM91-80-4 EM91-80-5		1
245	145549		... SPRING-CPRSN SUPPLIER CODE: V79318		2

ILLUSTRATION ITEMS NOT ON PARTS LIST ARE NOT APPLICABLE

- ITEM NOT ILLUSTRATED

HXL

27-23-01-01

BOEING PROPRIETARY - Copyright © - Unpublished Work - See title page for details.

27-23-01
 FIG. 01
 PAGE 9
 APR 22/08

BOEING
767
PARTS CATALOG (MAINTENANCE)

FIG ITEM	PART NUMBER	1 2 3 4 5 6 7	NOMENCLATURE	EFFECT FROM TO	UNITS PER ASSY
1					
250	145561		...RETAINER-SCREW SUPPLIER CODE: V79318		2
255	157720-2		...ACTUATOR ASSY- SUPPLIER CODE: V79318 COMPONENT MAINT MANUAL REF: 27-13-02 ATTACHING PARTS		1
260	NAS1351-3-20P		...SCREW		2
265	NAS1351-3-28P		...SCREW		2
270	100168-168		...WASHER-FLAT SUPPLIER CODE: V79318 -----*-----		4
275	NAS1611-009		...PACKING-		1
280	145572		...RING-RETAINING SUPPLIER CODE: V79318		1
285	P2350-0075		...ACTUATOR-MOTOR SUPPLIER CODE: V91816 COMPONENT MAINT MANUAL REF: 27-13-02 USED ON: EM91-80		1
- 500	286T0502-101		WIRE BUNDLE ASSY- POSITION DATA: LH		RF
505	620AA028NF16L		.CLAMP- SUPPLIER CODE: V06324 SPECIFICATION NUMBER: BACC10KE16 OPTIONAL PART: S3820-16-65 V07418 ELECTRICAL EQUIP NUMBER: D01888T WIRING DIAGRAM REF: 272311		1

ILLUSTRATION ITEMS NOT ON PARTS LIST ARE NOT APPLICABLE

- ITEM NOT ILLUSTRATED

HXL

27-23-01-01

BOEING PROPRIETARY - Copyright © - Unpublished Work - See title page for details.

27-23-01
FIG. 01
PAGE 10
DEC 22/07



767

PARTS CATALOG (MAINTENANCE)

FIG ITEM	PART NUMBER	1 2 3 4 5 6 7	NOMENCLATURE	EFFECT FROM TO	UNITS PER ASSY
1 510	CN096616R10SNL		.CONNECTOR- SUPPLIER CODE: V13556 SPECIFICATION NUMBER: BCREF5954 OPTIONAL PART: ZZY16R10SNL V49367 48-06R16R10SNL V02660 OVERLENGTH PART NUMBER: BACC63BP16R10SNL ELECTRICAL EQUIP NUMBER: D01888 WIRING DIAGRAM REF: 272311		1
- 525	286T0512-300		WIRE BUNDLE ASSY- POSITION DATA: CTR		RF
530	S3819-16-65		.CLAMP- SUPPLIER CODE: V07418 SPECIFICATION NUMBER: BACC10KD16 OPTIONAL PART: 620AS028NF16L V06324 ELECTRICAL EQUIP NUMBER: D01890T WIRING DIAGRAM REF: 272311		1
535	CN096616R10SNL		.CONNECTOR- SUPPLIER CODE: V13556 SPECIFICATION NUMBER: BCREF5954 OPTIONAL PART: ZZY16R10SNL V49367 48-06R16R10SNL V02660 OVERLENGTH PART NUMBER: BACC63BP16R10SNL ELECTRICAL EQUIP NUMBER: D01890 WIRING DIAGRAM REF: 272311		1

ILLUSTRATION ITEMS NOT ON PARTS LIST ARE NOT APPLICABLE

- ITEM NOT ILLUSTRATED

HXL

27-23-01-01

BOEING PROPRIETARY - Copyright © - Unpublished Work - See title page for details.

27-23-01
FIG. 01
PAGE 11
DEC 22/07



767

PARTS CATALOG (MAINTENANCE)

FIG ITEM	PART NUMBER	1 2 3 4 5 6 7	NOMENCLATURE	EFFECT FROM TO	UNITS PER ASSY
1					
- 550	286T0504-001		WIRE BUNDLE ASSY- POSITION DATA: RH		RF
555	S3819-16-65		.CLAMP- SUPPLIER CODE: V07418 SPECIFICATION NUMBER: BACC10KD16 OPTIONAL PART: 620AS028NF16L V06324 ELECTRICAL EQUIP NUMBER: D01866T WIRING DIAGRAM REF: 272311		1
560	CN096616R10SNL		.CONNECTOR- SUPPLIER CODE: V13556 SPECIFICATION NUMBER: BCREF5954 OPTIONAL PART: ZZY16R10SNL V49367 48-06R16R10SNL V02660 OVERLENGTH PART NUMBER: BACC63BP16R10SNL ELECTRICAL EQUIP NUMBER: D01866 WIRING DIAGRAM REF: 272311		1
ILLUSTRATION ITEMS NOT ON PARTS LIST ARE NOT APPLICABLE					

- ITEM NOT ILLUSTRATED

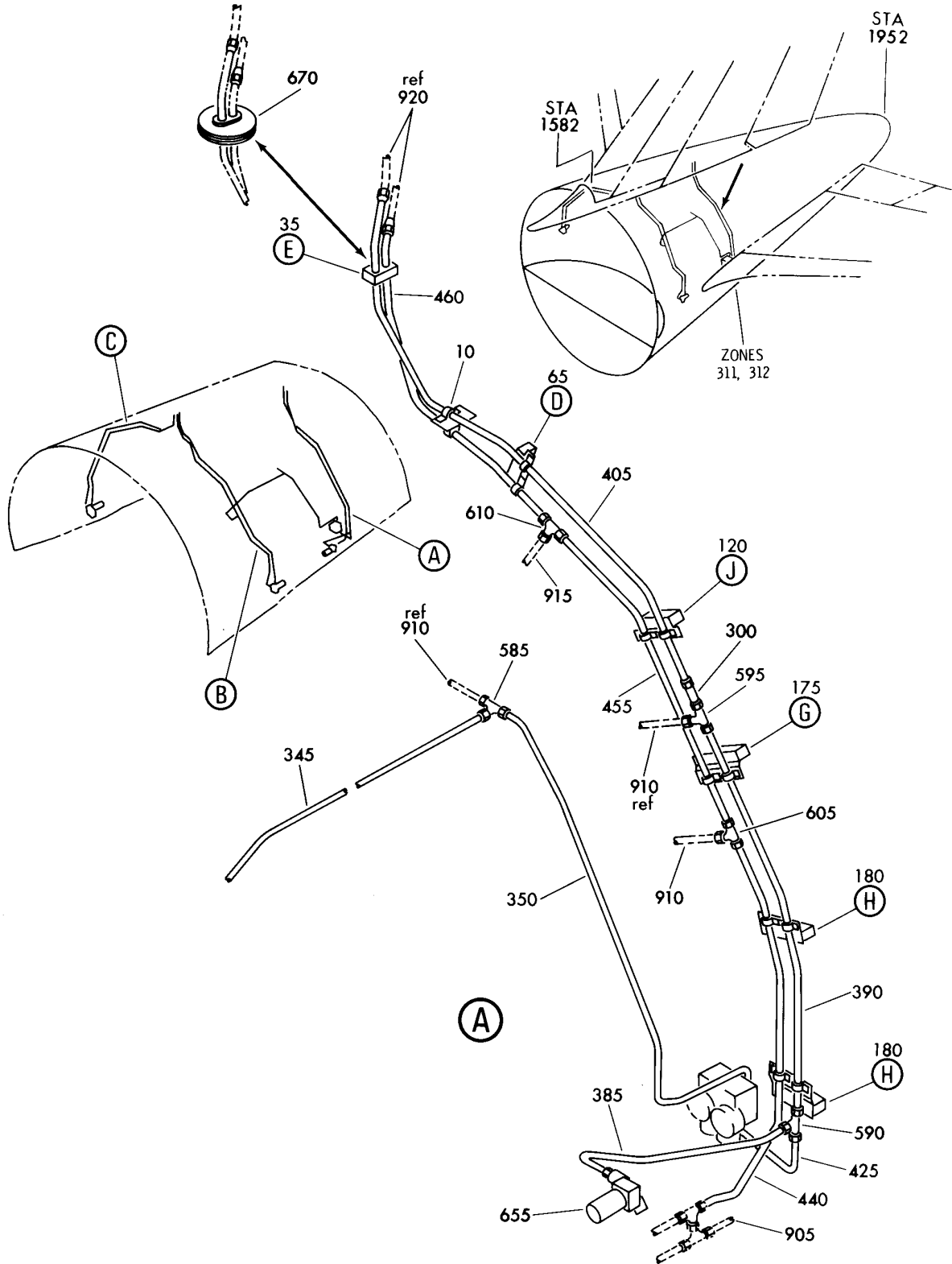
HXL

27-23-01-01

BOEING PROPRIETARY - Copyright © - Unpublished Work - See title page for details.

27-23-01
FIG. 01
PAGE 12
DEC 22/07

BOEING
767
PARTS CATALOG (MAINTENANCE)



V 27235101 SHT 1 REV 104

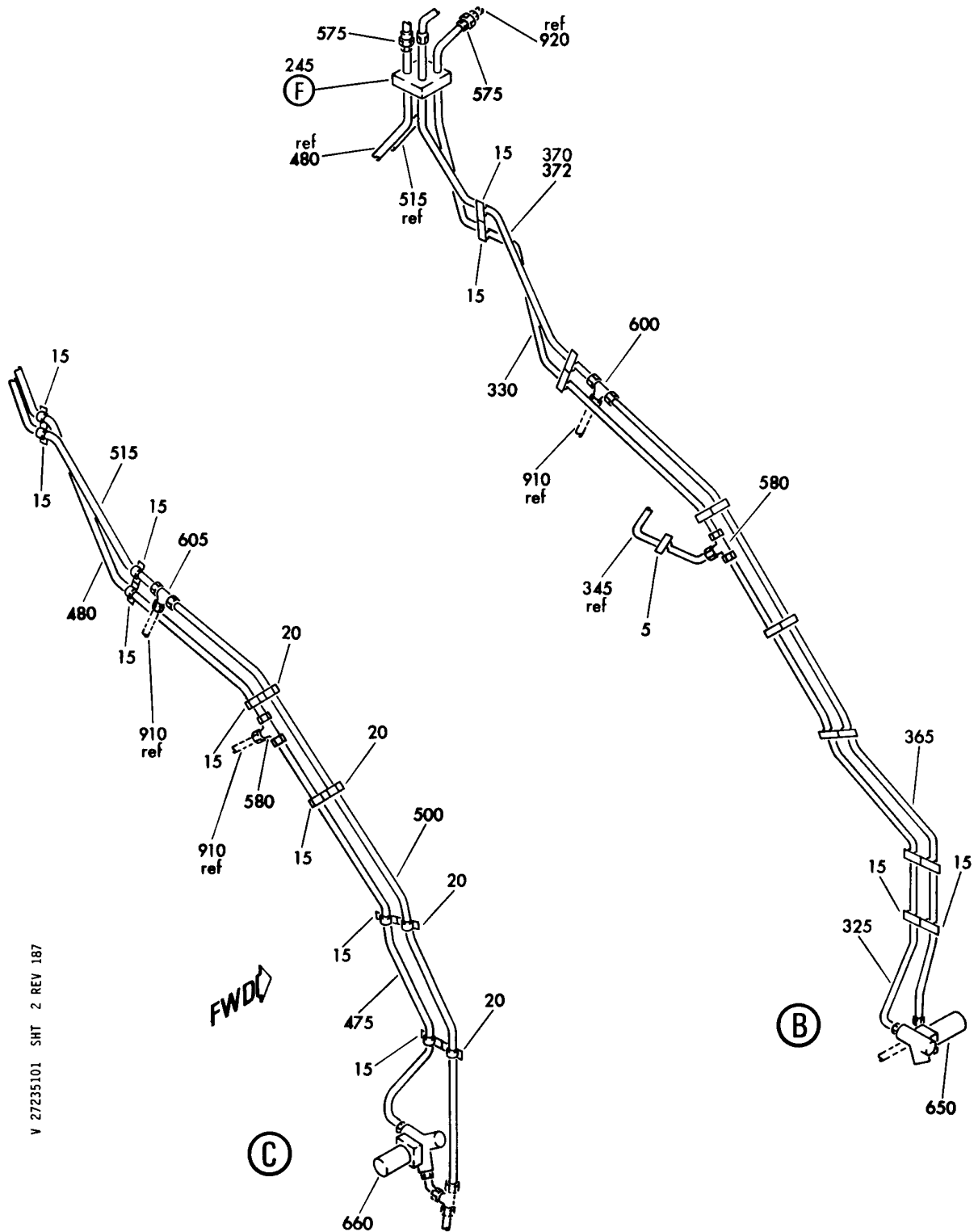
HYDRAULIC INSTL-SECT. 48 BODY AFT (RUDDER ONLY)
FIGURE 1 (SHEET 1)

27-23-51-01

HXL
DEC 22/06

27-23-51-01
PAGE 0

BOEING
767
PARTS CATALOG (MAINTENANCE)



V 27235101 SHT 2 REV 187

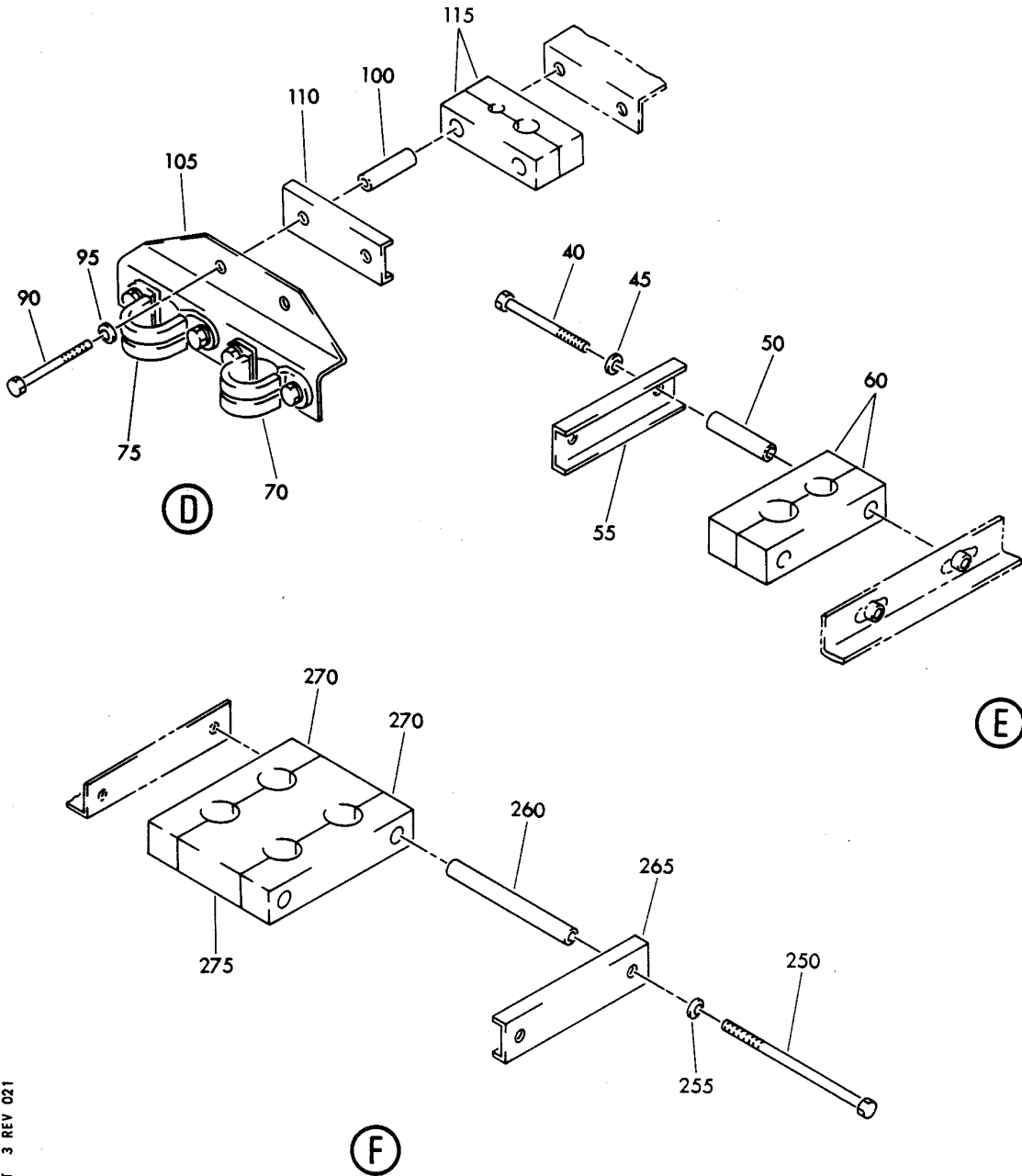
HYDRAULIC INSTL-SECT. 48 BODY AFT (RUDDER ONLY)
FIGURE 1 (SHEET 2)

27-23-51-01

HXL
DEC 22/06

27-23-51-01
PAGE 0A

BOEING
767
PARTS CATALOG (MAINTENANCE)



V 27235101 SH1 3 REV 021

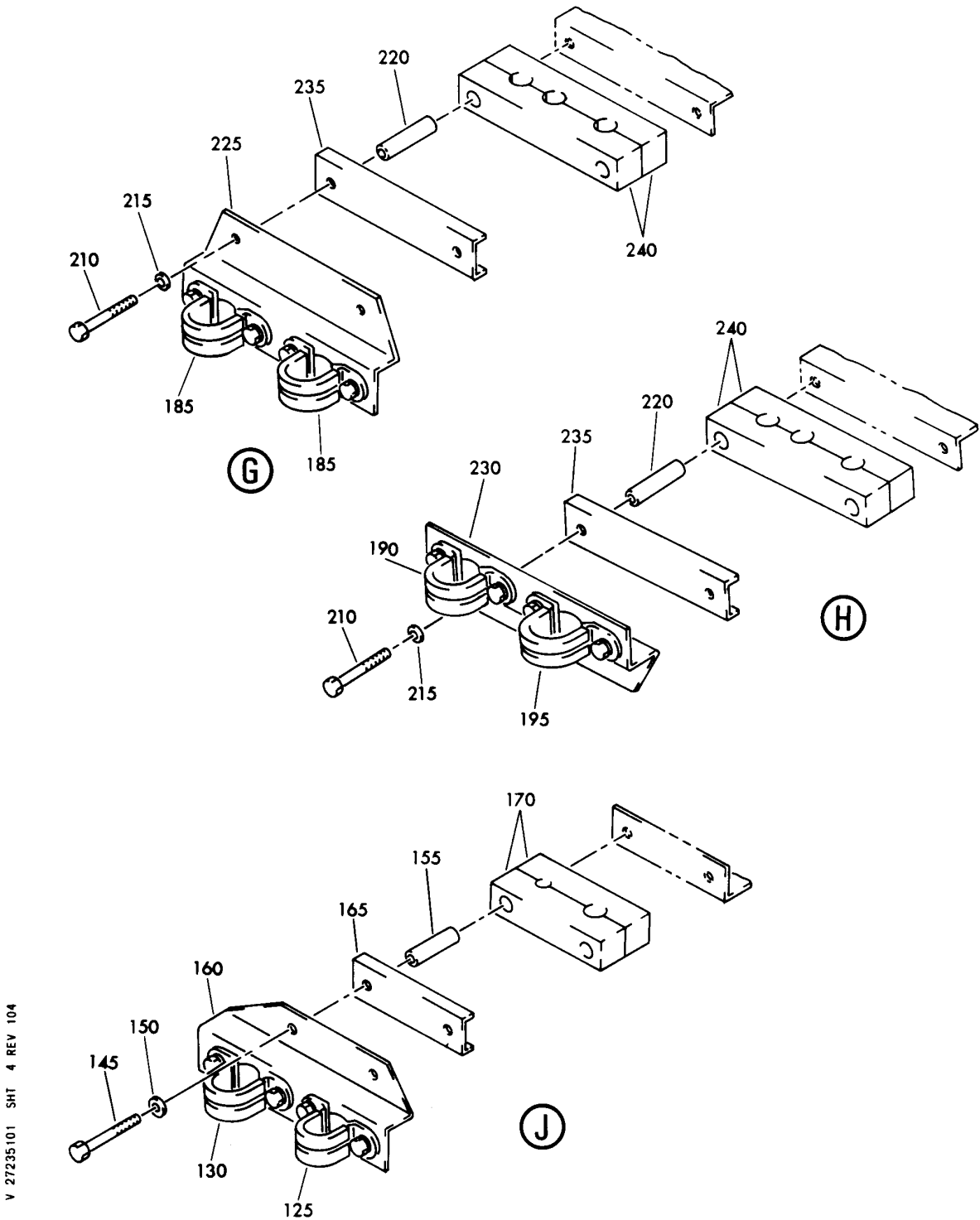
HYDRAULIC INSTL-SECT. 48 BODY AFT (RUDDER ONLY)
FIGURE 1 (SHEET 3)

27-23-51-01

HXL
DEC 22/06

27-23-51-01
PAGE 0B


BOEING
 767
PARTS CATALOG (MAINTENANCE)



V 27235101 SHT 4 REV 104

HYDRAULIC INSTL-SECT. 48 BODY AFT (RUDDER ONLY)
FIGURE 1 (SHEET 4)

27-23-51-01

HXL
DEC 22/06

27-23-51-01
PAGE 0C

BOEING
767
PARTS CATALOG (MAINTENANCE)

FIG ITEM	PART NUMBER	1 2 3 4 5 6 7	NOMENCLATURE	EFFECT FROM TO	UNITS PER ASSY
1			HYDRAULIC INSTL-SECT. 48 BODY AFT (RUDDER ONLY)		
- 1	272T4800-3		HYDRAULIC INSTL-BODY (RUDDER ONLY) POSITION DATA: SECT. 48 AFT VARIABLE DRAWING REF: 272T4800-5070 272T4800-5082 272T4800-5087 272T4800-7002 FOR NHA/OTHER SYS DET SEE: 29-00-00-02		RF
	5 TA0910004H106		.CLAMP SUPPLIER CODE: V84971 SPECIFICATION NUMBER: BACC10HB06C		1
	10 TA0910004H108		.CLAMP SUPPLIER CODE: V84971 SPECIFICATION NUMBER: BACC10HB08C		1
	15 TA0910004H110		.CLAMP SUPPLIER CODE: V84971 SPECIFICATION NUMBER: BACC10HB10C		22
	20 TA0910004H112		.CLAMP SUPPLIER CODE: V84971 SPECIFICATION NUMBER: BACC10HB12C		4
- 25	NAS1801-3-9		ATTACHING PARTS .SCREW		56
- 30	AN960PD10L		.WASHER -----*-----		56
	35 270T0005-223		.BLOCK ASSY-SPRT		1
	40 NAS1801-3-28		..SCREW		2
	45 AN960PD10L		..WASHER		2
	50 NAS43DD3-77		..SPACER		2
	55 65B80254-202		..CHANNEL		1
	60 65B80254-230		..BLOCK-CLAMP		2
	65 270T0005-466		.BLOCK ASSY-SPRT		1
	70 TA0910004H108		..CLAMP SUPPLIER CODE: V84971 SPECIFICATION NUMBER: BACC10HB08C		1

ILLUSTRATION ITEMS NOT ON PARTS LIST ARE NOT APPLICABLE

- ITEM NOT ILLUSTRATED

HXL

27-23-51-01

BOEING PROPRIETARY - Copyright © - Unpublished Work - See title page for details.

27-23-51
FIG. 01
PAGE 1
DEC 22/07

BOEING
767
PARTS CATALOG (MAINTENANCE)

FIG ITEM	PART NUMBER	1 2 3 4 5 6 7	NOMENCLATURE	EFFECT FROM TO	UNITS PER ASSY
1	75 TA0910004H110		.. CLAMP SUPPLIER CODE: V84971 SPECIFICATION NUMBER: BACC10HB10C ATTACHING PARTS		1
- 80	NAS1801-3-9		.. SCREW		4
- 85	AN960PD10L		.. WASHER -----*-----		4
	90 NAS1801-3-24		.. SCREW		2
	95 AN960PD10L		.. WASHER		2
	100 NAS43DD3-59		.. SPACER		2
	105 272T4839-7		.. BRACKET ASSY		1
	110 270T0004-1		.. CHANNEL		1
	115 270T0004-201		.. BLOCK-CLAMP		2
	120 270T0005-465		.BLOCK ASSY-SPRT		1
	125 TA0910004H108		.. CLAMP SUPPLIER CODE: V84971 SPECIFICATION NUMBER: BACC10HB08C		1
	130 TA0910004H110		.. CLAMP SUPPLIER CODE: V84971 SPECIFICATION NUMBER: BACC10HB10C ATTACHING PARTS		1
- 135	NAS1801-3-9		.. SCREW		4
- 140	AN960PD10L		.. WASHER -----*-----		4
	145 NAS1801-3-24		.. SCREW		2
	150 AN960PD10L		.. WASHER		2
	155 NAS43DD3-59		.. SPACER		2
	160 272T4839-5		.. BRACKET ASSY		1
	165 270T0004-3		.. CHANNEL		1
	170 270T0004-261		.. BLOCK-CLAMP		2
	175 270T0005-520		.BLOCK ASSY-SPRT		1
	180 270T0005-519		.BLOCK ASSY-SPRT		2
	185 TA0910004H110		.. CLAMP- SUPPLIER CODE: V84971 SPECIFICATION NUMBER: BACC10HB10C USED ON: 270T0005-520		2

ILLUSTRATION ITEMS NOT ON PARTS LIST ARE NOT APPLICABLE

- ITEM NOT ILLUSTRATED

HXL

27-23-51-01

BOEING PROPRIETARY - Copyright © - Unpublished Work - See title page for details.

27-23-51
FIG. 01
PAGE 2
DEC 22/07

 **BOEING**
767
PARTS CATALOG (MAINTENANCE)

FIG ITEM	PART NUMBER	1 2 3 4 5 6 7	NOMENCLATURE	EFFECT FROM TO	UNITS PER ASSY
1					
190	TA0910004H110	..	CLAMP- SUPPLIER CODE: V84971 SPECIFICATION NUMBER: BACC10HB10C USED ON: 270T0005-519		1
195	TA0910004H112	..	CLAMP- SUPPLIER CODE: V84971 SPECIFICATION NUMBER: BACC10HB12C USED ON: 270T0005-519 ATTACHING PARTS		1
- 200	NAS1801-3-9	..	SCREW		4
- 205	AN960PD10L	..	WASHER -----*-----		4
210	NAS1801-3-28	..	SCREW		2
215	AN960PD10L	..	WASHER		2
220	NAS43DD3-73	..	SPACER		2
225	272T4839-3	..	BRACKET ASSY- USED ON: 270T0005-520		1
230	272T4839-1	..	BRACKET ASSY- USED ON: 270T0005-519		1
235	65B80254-151	..	CHANNEL		1
240	65B80254-200	..	BLOCK-CLAMP		2
245	270T0005-426	.	BLOCK ASSY-SPRT		1
250	NAS1801-4-49	..	SCREW		2
255	AN960PD416L	..	WASHER		2
260	NAS43DD4-164	..	SPACER-		2
265	270T0004-87	..	CHANNEL		1
270	270T0004-251	..	BLOCK-CLAMP		2
275	270T0004-468	..	BLOCK-CLAMP		1
300	2-7679-1	.	FUSE- SUPPLIER CODE: V97415 SPECIFICATION NUMBER: S272U860-6 COMPONENT MAINT MANUAL REF: 27-23-01 OPTIONAL PART: 2-7679-2 V97415		1
ILLUSTRATION ITEMS NOT ON PARTS LIST ARE NOT APPLICABLE					

- ITEM NOT ILLUSTRATED

HXL

27-23-51-01

BOEING PROPRIETARY - Copyright © - Unpublished Work - See title page for details.

27-23-51
FIG. 01
PAGE 3
DEC 22/07



767

PARTS CATALOG (MAINTENANCE)

FIG ITEM	PART NUMBER	1 2 3 4 5 6 7	NOMENCLATURE	EFFECT FROM TO	UNITS PER ASSY
1 300	2-7679-2	.	FUSE- SUPPLIER CODE: V97415 SPECIFICATION NUMBER: S272U860-6 COMPONENT MAINT MANUAL REF: 27-32-01 OPTIONAL PART: 2-7679-1 V97415		1
325	272T4800-125	.	TUBE ASSY-FLIGHT CONT PRESSURE SYS POSITION DATA: CTR TUBING MATERIAL: .625 IN. OD .032 IN. WALL 64.00 IN. LG TITANIUM		1
330	272T4800-140	.	TUBE ASSY-FLIGHT CONT PRESSURE SYS POSITION DATA: CTR TUBING MATERIAL: .625 IN. OD .032 IN. WALL 62.00 IN. LG TITANIUM		1
- 335	AS1581T10	..	SLEEVE		2
- 340	BACN10YA10	..	NUT- OPTIONAL PART: BACN10NR10 USED ON: 272T4800-125		2

ILLUSTRATION ITEMS NOT ON PARTS LIST ARE NOT APPLICABLE

- ITEM NOT ILLUSTRATED

HXL

27-23-51-01

BOEING PROPRIETARY - Copyright © - Unpublished Work - See title page for details.

27-23-51
FIG. 01
PAGE 4
DEC 22/07



767

PARTS CATALOG (MAINTENANCE)

FIG ITEM	PART NUMBER	1 2 3 4 5 6 7	NOMENCLATURE	EFFECT FROM TO	UNITS PER ASSY
1					
- 340	AFP107-10		..NUT- SUPPLIER CODE: V30974 SPECIFICATION NUMBER: BACN10NR10 OPTIONAL PART: AP1028T10 V01673 BC921T10 V50948 DBON10NR10 V14798 ER01921-10T V88334 FER8928-10 V14397 F11-10 V73197 2-03005T10 V11328 31783-10 V14397 BACN10YA10 USED ON: 272T4800-125		2
- 340	BACN10YA10N		..NUT- USED ON: 272T4800-140		2
345	272T4800-127		.TUBE ASSY-FLIGHT CONT PRESSURE SYS POSITION DATA: CTR TUBING MATERIAL: .375 IN. OD .019 IN. WALL 63.00 IN. LG TITANIUM		1
350	272T4800-128		.TUBE ASSY-FLIGHT CONT PRESSURE SYS POSITION DATA: CTR TUBING MATERIAL: .375 IN. OD .019 IN. WALL 82.00 IN. LG TITANIUM		1
- 355	AS1581T06		..SLEEVE		2
- 360	BACN10YA6		..NUT- OPTIONAL PART: BACN10NR6		2

ILLUSTRATION ITEMS NOT ON PARTS LIST ARE NOT APPLICABLE

- ITEM NOT ILLUSTRATED

27-23-51-01

27-23-51
FIG. 01
PAGE 5
DEC 22/06

HXL



767

PARTS CATALOG (MAINTENANCE)

FIG ITEM	PART NUMBER	1 2 3 4 5 6 7	NOMENCLATURE	EFFECT FROM TO	UNITS PER ASSY
1 - 360	AFP107-6		..NUT- SUPPLIER CODE: V30974 SPECIFICATION NUMBER: BACN10NR6 OPTIONAL PART: AP1028T6 V01673 BC921T6 V50948 DBON10NR6 V14798 ER01921-6T V88334 FER8928-6 V14397 F11-6 V73197 2-03005T6 V11328 31783-6 V14397 35068-06 V08199 BACN10YA6		2
365	272T4800-323		.TUBE ASSY-RETURN SYS POSITION DATA: CTR TUBING MATERIAL: .625 IN. OD .035 IN. WALL 87.00 IN LG AL		1
372	272T4800-338		.TUBE ASSY-RETURN SYS TUBING MATERIAL: .625 IN. OD .035 IN. WALL 42.00 IN. LG AL		1
- 375	AP2097HP10		..SLEEVE SUPPLIER CODE: V01673 SPECIFICATION NUMBER: BACS13BX10HP OPTIONAL PART: 2-02903-10HP V11328 35235VN10 V08199 AFP175V10P V30974 DBOS13BX10HP V14798		2

ILLUSTRATION ITEMS NOT ON PARTS LIST ARE NOT APPLICABLE

- ITEM NOT ILLUSTRATED

27-23-51-01

27-23-51
 FIG. 01
 PAGE 6
 DEC 22/08

HXL

BOEING PROPRIETARY - Copyright © - Unpublished Work - See title page for details.



767

PARTS CATALOG (MAINTENANCE)

FIG ITEM	PART NUMBER	1 2 3 4 5 6 7	NOMENCLATURE	EFFECT FROM TO	UNITS PER ASSY
1					
- 380	BACN10YL10		..NUT-		2
385	272T4800-104		.TUBE ASSY-FLIGHT CONT PRESSURE SYS POSITION DATA: L TUBING MATERIAL: .625 IN. OD .032 IN. WALL 28.00 IN. LG TITANIUM		1
390	272T4800-110		.TUBE ASSY-FLIGHT CONT PRESSURE SYS POSITION DATA: L TUBING MATERIAL: .625 IN. OD .032 IN. WALL 40.06 IN. LG TITANIUM		1
- 395	AS1581T10		..SLEEVE		2
- 400	BACN10YA10		..NUT- OPTIONAL PART: BACN10NR10		2
- 400	AFP107-10		..NUT- SUPPLIER CODE: V30974 SPECIFICATION NUMBER: BACN10NR10 OPTIONAL PART: AP1028T10 V01673 BC921T10 V50948 DBON10NR10 V14798 ER01921-10T V88334 FER8928-10 V14397 F11-10 V73197 2-03005T10 V11328 31783-10 V14397 BACN10YA10		2

ILLUSTRATION ITEMS NOT ON PARTS LIST ARE NOT APPLICABLE

- ITEM NOT ILLUSTRATED

HXL

27-23-51-01

BOEING PROPRIETARY - Copyright © - Unpublished Work - See title page for details.

27-23-51
FIG. 01
PAGE 7
DEC 22/08



767

PARTS CATALOG (MAINTENANCE)

FIG ITEM	PART NUMBER	1 2 3 4 5 6 7	NOMENCLATURE	EFFECT FROM TO	UNITS PER ASSY
1					
405	272T4800-111		.TUBE ASSY-FLIGHT CONT PRESSURE SYS POSITION DATA: L TUBING MATERIAL: .500 IN. OD 0.26 IN. WALL 65.00 IN. LG TITANIUM		1
405	272T4800-117		.TUBE ASSY-FLIGHT CONT PRESSURE SYS POSITION DATA: L TUBING MATERIAL: .500 IN. OD .026 IN. WALL 59.00 IN. LG TITANIUM		1
- 410	AS1581T08		..SLEEVE		1
- 415	BACN10YA8		..NUT- OPTIONAL PART: BACN10NR8		1
- 415	AFP107-8		..NUT- SUPPLIER CODE: V30974 SPECIFICATION NUMBER: BACN10NR8 OPTIONAL PART: AP1028T8 V01673 BC921T8 V50948 DBON10NR8 V14798 ER01921-8T V88334 FER8928-8 V14397 F11-8 V73197 2-03005T8 V11328 31783-8 V14397 BACN10YA8		1
- 415	BACN10YA8N		..NUT-		1
- 420	AS1582T08		..UNION		1

ILLUSTRATION ITEMS NOT ON PARTS LIST ARE NOT APPLICABLE

- ITEM NOT ILLUSTRATED

HXL

27-23-51-01

BOEING PROPRIETARY - Copyright © - Unpublished Work - See title page for details.

27-23-51
FIG. 01
PAGE 8
DEC 22/06

BOEING
767
PARTS CATALOG (MAINTENANCE)

FIG ITEM	PART NUMBER	1 2 3 4 5 6 7	NOMENCLATURE	EFFECT FROM TO	UNITS PER ASSY
1 425	272T4800-105		.TUBE ASSY-FLIGHT CONT PRESSURE SYS POSITION DATA: L TUBING MATERIAL: .375 IN. OD .019 IN. WALL 16.00 IN. LG TITANIUM		1
- 430	AS1581T06		..SLEEVE		2
- 435	BACN10YA6		..NUT-		2
			OPTIONAL PART: BACN10NR6		
- 435	AFP107-6		..NUT-		2
			SUPPLIER CODE: V30974 SPECIFICATION NUMBER: BACN10NR6 OPTIONAL PART: AP1028T6 V01673 BC921T6 V50948 DBON10NR6 V14798 ER01921-6T V88334 FER8928-6 V14397 F11-6 V73197 2-03005T6 V11328 31783-6 V14397 35068-06 V08199 BACN10YA6		
440	272T4800-307		.TUBE ASSY-RETURN L SYS POSITION DATA: L TUBING MATERIAL: .750 IN. OD .035 IN. WALL 51.00 IN. LG AL		1

ILLUSTRATION ITEMS NOT ON PARTS LIST ARE NOT APPLICABLE

- ITEM NOT ILLUSTRATED

HXL

27-23-51-01

BOEING PROPRIETARY - Copyright © - Unpublished Work - See title page for details.

27-23-51
FIG. 01
PAGE 9
DEC 22/08



767

PARTS CATALOG (MAINTENANCE)

FIG ITEM	PART NUMBER	1 2 3 4 5 6 7	NOMENCLATURE	EFFECT FROM TO	UNITS PER ASSY
1					
- 445	AP2097HP12	..	SLEEVE SUPPLIER CODE: V01673 SPECIFICATION NUMBER: BACS13BX12HP OPTIONAL PART: 2-02903-12HP V11328 35235VN12 V08199 AFP175V12P V30974 DBOS13BX12HP V14798		2
- 450	BACN10YL12	..	NUT-		2
455	272T4800-317	.TUBE ASSY-RETURN SYS	TUBING MATERIAL: L .625 IN. OD .035 IN. WALL 24.00 IN. LG ALUMINUM		1
460	272T4800-318	.TUBE ASSY-RETURN SYS	POSITION DATA: L TUBING MATERIAL: .625 IN. OD .035 IN. WALL 38.00 IN. LG ALUMINUM		1
- 465	AP2097HP10	..	SLEEVE SUPPLIER CODE: V01673 SPECIFICATION NUMBER: BACS13BX10HP OPTIONAL PART: 2-02903-10HP V11328 35235VN10 V08199 AFP175V10P V30974 DBOS13BX10HP V14798		2
- 470	BACN10YL10	..	NUT-		2

ILLUSTRATION ITEMS NOT ON PARTS LIST ARE NOT APPLICABLE

- ITEM NOT ILLUSTRATED

HXL

27-23-51-01

BOEING PROPRIETARY - Copyright © - Unpublished Work - See title page for details.

27-23-51
FIG. 01
PAGE 10
DEC 22/07



767

PARTS CATALOG (MAINTENANCE)

FIG ITEM	PART NUMBER	1 2 3 4 5 6 7	NOMENCLATURE	EFFECT FROM TO	UNITS PER ASSY
1					
- 472	35056GV10		..UNION- SUPPLIER CODE: V08199 SPECIFICATION NUMBER: BACU24AB10W OPTIONAL PART: 4671097W10 V50948 2-01027-10W V11328 31875-10W V14397 AP1004W10 V01673 AFP941W10 V30974 DBOU24AB10W V14798 USED ON: 272T4800-318		1
475	272T4800-142		.TUBE ASSY-FLIGHT CONT PRESSURE SYS POSITION DATA: R TUBING MATERIAL: .625 IN. OD .032 IN. WALL 63.00 IN. LG TITANIUM		1
480	272T4800-153		.TUBE ASSY-FLIGHT CONT PRESSURE SYS POSITION DATA: R TUBING MATERIAL: .625 IN. OD .032 IN. WALL 64.00 IN. LG TITANIUM		1
- 485	AS1581T10		..SLEEVE		2
- 490	BACN10YA10		..NUT- OPTIONAL PART: BACN10NR10 USED ON: 272T4800-142		2

ILLUSTRATION ITEMS NOT ON PARTS LIST ARE NOT APPLICABLE

- ITEM NOT ILLUSTRATED

HXL

27-23-51-01

BOEING PROPRIETARY - Copyright © - Unpublished Work - See title page for details.

27-23-51
FIG. 01
PAGE 11
DEC 22/06

BOEING
767
PARTS CATALOG (MAINTENANCE)

FIG ITEM	PART NUMBER	1 2 3 4 5 6 7	NOMENCLATURE	EFFECT FROM TO	UNITS PER ASSY
1 - 490	AFP107-10		..NUT- SUPPLIER CODE: V30974 SPECIFICATION NUMBER: BACN10NR10 OPTIONAL PART: AP1028T10 V01673 BC921T10 V50948 DBON10NR10 V14798 ER01921-10T V88334 FER8928-10 V14397 F11-10 V73197 2-03005T10 V11328 31783-10 V14397 BACN10YA10 USED ON: 272T4800-142		2
- 495	BACN10YA10N		..NUT- USED ON: 272T4800-153		2
500	272T4800-349		.TUBE ASSY-RETURN SYS POSITION DATA: R TUBING MATERIAL: .750 IN. OD .035 IN. WALL 87.00 IN. LG AL		1
- 505	AP2097HP12		..SLEEVE SUPPLIER CODE: V01673 SPECIFICATION NUMBER: BACS13BX12HP OPTIONAL PART: 2-02903-12HP V11328 35235VN12 V08199 AFP175V12P V30974 DBOS13BX12HP V14798		2
- 510	BACN10YL12		..NUT-		2

ILLUSTRATION ITEMS NOT ON PARTS LIST ARE NOT APPLICABLE

- ITEM NOT ILLUSTRATED

HXL

27-23-51-01

BOEING PROPRIETARY - Copyright © - Unpublished Work - See title page for details.

27-23-51
FIG. 01
PAGE 12
DEC 22/06



767

PARTS CATALOG (MAINTENANCE)

FIG ITEM	PART NUMBER	1 2 3 4 5 6 7	NOMENCLATURE	EFFECT FROM TO	UNITS PER ASSY
1	515 272T4800-354		.TUBE ASSY-RETURN SYS POSITION DATA: R TUBING MATERIAL: .625 IN. OD .035 IN. WALL 44.00 IN. LG ALUMINUM		1
- 520	AP2097HP10		..SLEEVE SUPPLIER CODE: V01673 SPECIFICATION NUMBER: BACS13BX10HP OPTIONAL PART: 2-02903-10HP V11328 35235VN10 V08199 AFP175V10P V30974 DBOS13BX10HP V14798		2
- 525	BACN10YL10		..NUT-		2
575	AP1027T10		.REDUCER- SUPPLIER CODE: V01673 SPECIFICATION NUMBER: BACR17E10 OPTIONAL PART: AP102710 V01673 DBOR17E10 V14798 US211410 V50808 2-01075T10 V11328 3177810 V14397 AFP23210 V30974		2
580	BACT16BL101006J		.TEE		2
585	BACT16BL060606J		.TEE		1
590	BACT16BL100610J		.TEE		1
595	BACT16BL100806J		.TEE		1
600	MS21905D10		.TEE-		1
600	BACT16BL101010J		.TEE-		1

ILLUSTRATION ITEMS NOT ON PARTS LIST ARE NOT APPLICABLE

- ITEM NOT ILLUSTRATED

27-23-51-01

27-23-51
FIG. 01
PAGE 13
DEC 22/06

HXL

 **BOEING**
767
PARTS CATALOG (MAINTENANCE)

FIG ITEM	PART NUMBER	1 2 3 4 5 6 7	NOMENCLATURE	EFFECT FROM TO	UNITS PER ASSY
1 605	APX824D121008	. TEE-	SUPPLIER CODE: V01673 SPECIFICATION NUMBER: BACT16AS121008D OPTIONAL PART: APX824-121008D V01673 DBOT16AS121008D V14798 ER824-121008D V50948 FER1571-121008D V14397 LER824-121008D V11328 NAF1824-121008D V52930 US1925-121008D V50808 AFP325-121008D V30974		2
605	BACT16BL121008J	. TEE-			2
610	APX824D101008	. TEE-	SUPPLIER CODE: V01673 SPECIFICATION NUMBER: BACT16AS101008D OPTIONAL PART: APX824-101008D V01673 DBOT16AS101008D V14798 ER824-101008D V50948 FER1571-101008D V14397 LER824-101008D V11328 NAF1824-101008D V52930 US1925-101008D V50808 AFP325-101008D V30974		1
610	BACT16BL101008J	. TEE-			1
610	BACT16BR101008P	. TEE-			1

ILLUSTRATION ITEMS NOT ON PARTS LIST ARE NOT APPLICABLE

- ITEM NOT ILLUSTRATED

HXL

27-23-51-01

BOEING PROPRIETARY - Copyright © - Unpublished Work - See title page for details.

27-23-51
FIG. 01
PAGE 14
DEC 22/06



767

PARTS CATALOG (MAINTENANCE)

FIG ITEM	PART NUMBER	1 2 3 4 5 6 7	NOMENCLATURE	EFFECT FROM TO	UNITS PER ASSY
1 650	271T4810-8		.VALVE INSTL-SYS EMPENNAGE DC MOTOR SHUTOFF POSITION DATA: SECT. 48 STA 1702 LH FOR DETAILS SEE: 27-23-01-01		1
655	271T4810-9		.VALVE INSTL-EMPENNAGE DC MOTOR SHUTOFF POSITION DATA: STA 1654 LH FOR DETAILS SEE: 27-23-01-01		1
660	271T4810-10		.VALVE INSTL-EMPENNAGE DC MOTOR SHUTOFF POSITION DATA: RH FOR DETAILS SEE: 27-23-01-01		1
670	272T4843-1		.SEAL INSTL-PRESSURE FOR DETAILS SEE: 27-23-55-01		1
900			ILLUSTRATION REFERENCE: COMPUTER INSTL-ELEV FEEL 27-31-19-01		RF
905			ILLUSTRATION REFERENCE: HYDRAULIC INSTL-SECT. 48 BODY AFT (HYDRAULIC POWER ONLY) 29-11-80-01		RF
910			ILLUSTRATION REFERENCE: HYDRAULIC INSTL-SECT. 48 BODY AFT (AUTOFLIGHT ONLY) 22-12-51-01		RF
915			ILLUSTRATION REFERENCE: HYDRAULIC INSTL- SECT. 48 BODY AFT (HORIZONTAL STABILIZER ONLY) 27-41-65-01		RF
920			ILLUSTRATION REFERENCE: HYDRAULIC INSTL-SECT. 72 VERT. FIN (RUDDER AND ELEVATOR SHUTOFF VALVES ONLY) 27-23-52-01		RF

ILLUSTRATION ITEMS NOT ON PARTS LIST ARE NOT APPLICABLE

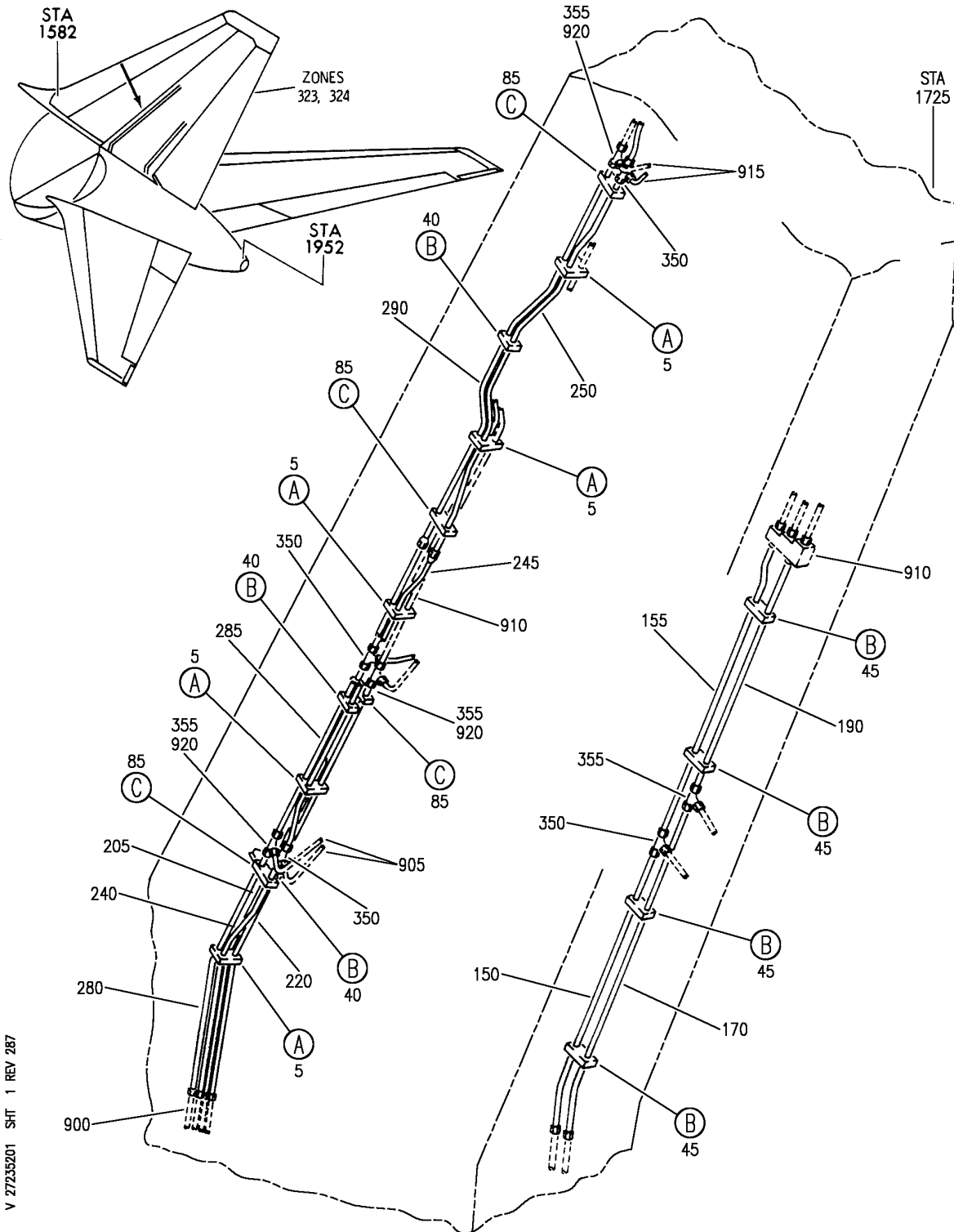
- ITEM NOT ILLUSTRATED

HXL

27-23-51-01

27-23-51
FIG. 01
PAGE 15
DEC 22/07

BOEING
767
PARTS CATALOG (MAINTENANCE)



V 27235201 SHT 1 REV 287

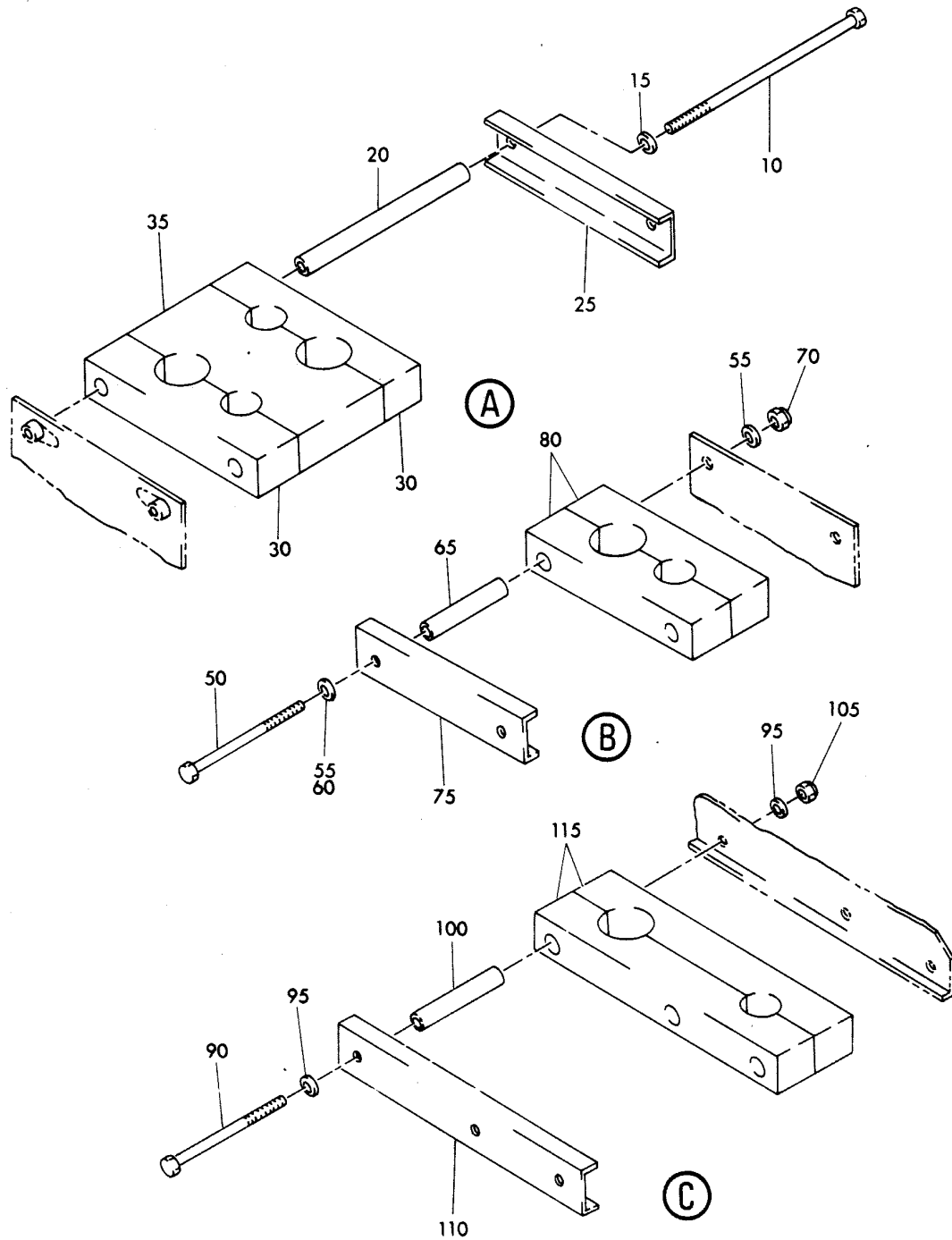
HYDRAULIC INSTL-SECT. 72 VERT. FIN (RUDDER AND ELEVATOR SHUTOFF VALVES ONLY)
FIGURE 1 (SHEET 1)

27-23-52-01

HXL
DEC 22/06

27-23-52-01
PAGE 0

BOEING
767
PARTS CATALOG (MAINTENANCE)



V 27235201 SHIT 2 REV 022

HYDRAULIC INSTL-SECT. 72 VERT. FIN (RUDDER AND ELEVATOR SHUTOFF VALVES ONLY)
FIGURE 1 (SHEET 2)

27-23-52-01

HXL
DEC 22/06

27-23-52-01
PAGE 0A



767

PARTS CATALOG (MAINTENANCE)

FIG ITEM	PART NUMBER	1 2 3 4 5 6 7	NOMENCLATURE	EFFECT FROM TO	UNITS PER ASSY
1			HYDRAULIC INSTL-SECT. 72 VERT. FIN (RUDDER AND ELEVATOR SHUTOFF VALVES ONLY)		
- 1	272T7200-3		HYDRAULIC INSTL-VERT. FIN (RUDDER AND ELEVATOR SHUTOFF VALVES ONLY) POSITION DATA: SECT. 72 VARIABLE DRAWING REF: 272T7200-5022 272T7200-5025 272T7200-7002 FOR NHA/OTHER SYS DET SEE: 29-00-00-02		RF
5	270T0005-405		.BLOCK ASSY-SPRT		5
10	NAS1801-4-50		.. SCREW		2
15	AN960PD416L		.. WASHER		2
20	NAS43DD4-164		.. SPACER		2
25	270T0004-86		.. CHANNEL		1
30	270T0004-250		.. BLOCK-CLAMP		2
35	270T0004-467		.. BLOCK-CLAMP		1
40	270T0005-219		.BLOCK ASSY-SPRT		3
45	270T0005-223		.BLOCK ASSY-SPRT		4
50	NAS1801-3-28		.. SCREW		2
55	AN960PD10L		.. WASHER- USED ON: 270T0005-219		4
60	AN960PD10L		.. WASHER- USED ON: 270T0005-223		2
65	NAS43DD3-77		.. SPACER		2

ILLUSTRATION ITEMS NOT ON PARTS LIST ARE NOT APPLICABLE

- ITEM NOT ILLUSTRATED

HXL

27-23-52-01

BOEING PROPRIETARY - Copyright © - Unpublished Work - See title page for details.

27-23-52
FIG. 01
PAGE 1
DEC 22/07

 **BOEING**
767
PARTS CATALOG (MAINTENANCE)

FIG ITEM	PART NUMBER	1 2 3 4 5 6 7	NOMENCLATURE	EFFECT FROM TO	UNITS PER ASSY
1					
70	BRH10A3		.. NUT- SUPPLIER CODE: V52828 SPECIFICATION NUMBER: BACN10JC3 OPTIONAL PART: H10-3BAC V15653 NS202101-02 V80539 RMLH9075-3W V72962 VN303A02 V92215 96-02 V80539 T6S1032J V11815 USED ON: 270T0005-219		2
75	65B80254-202		.. CHANNEL		1
80	65B80254-230		.. BLOCK-CLAMP		2
85	270T0005-213		. BLOCK ASSY-SPRT		4
90	NAS1801-3-28		.. SCREW		3
95	AN960PD10L		.. WASHER		6
100	NAS43DD3-77		.. SPACER		3
105	BRH10A3		.. NUT SUPPLIER CODE: V52828 SPECIFICATION NUMBER: BACN10JC3 OPTIONAL PART: H10-3BAC V15653 NS202101-02 V80539 RMLH9075-3W V72962 VN303A02 V92215 96-02 V80539 T6S1032J V11815		3
110	270T0004-2		.. CHANNEL		1
115	270T0004-202		.. BLOCK-CLAMP		2

ILLUSTRATION ITEMS NOT ON PARTS LIST ARE NOT APPLICABLE

— ITEM NOT ILLUSTRATED

HXL

27-23-52-01

BOEING PROPRIETARY - Copyright © - Unpublished Work - See title page for details.

27-23-52
FIG. 01
PAGE 2
DEC 22/06



767

PARTS CATALOG (MAINTENANCE)

FIG ITEM	PART NUMBER	1 2 3 4 5 6 7	NOMENCLATURE	EFFECT FROM TO	UNITS PER ASSY
1					
150	272T7200-139		.TUBE ASSY-FLIGHT CONT PRESSURE SYS POSITION DATA: L TUBING MATERIAL: .500 IN. OD .026 IN. WALL 37.80 IN. LG TITANIUM		1
- 152	AS1581T08		..SLEEVE		2
- 153	BACN10YA8N		..NUT		2
155	272T7200-103		.TUBE ASSY-FLIGHT CONT PRESSURE SYS POSITION DATA: L TUBING MATERIAL: .500 IN. OD .026 IN. WALL 46.00 IN. LG TITANIUM		1
- 160	AS1581T08		..SLEEVE		2
- 165	BACN10YA8		..NUT- OPTIONAL PART: BACN10NR8		2
- 165	AFP107-8		..NUT- SUPPLIER CODE: V30974 SPECIFICATION NUMBER: BACN10NR8 OPTIONAL PART: AP1028T8 V01673 BC921T8 V50948 DBON10NR8 V14798 ER01921-8T V88334 FER8928-8 V14397 F11-8 V73197 2-03005T8 V11328 31783-8 V14397 BACN10YA8		2
ILLUSTRATION ITEMS NOT ON PARTS LIST ARE NOT APPLICABLE					

- ITEM NOT ILLUSTRATED

27-23-52-01

27-23-52
FIG. 01
PAGE 3
APR 22/07

HXL

BOEING
767
PARTS CATALOG (MAINTENANCE)

FIG ITEM	PART NUMBER	1 2 3 4 5 6 7	NOMENCLATURE	EFFECT FROM TO	UNITS PER ASSY
1	170 272T7200-400		.TUBE ASSY-RETURN SYS POSITION DATA: L TUBING MATERIAL: .625 IN. OD .035 IN. WALL 51.00 IN. LG AL		1
- 175	AP2097HP10		..SLEEVE SUPPLIER CODE: V01673 SPECIFICATION NUMBER: BACS13BX10HP OPTIONAL PART: 2-02903-10HP V11328 35235VN10 V08199 AFP175V10P V30974 DBOS13BX10HP V14798		1
- 180	BACN10YL10		..NUT		1
- 185	35056GV10		..UNION SUPPLIER CODE: V08199 SPECIFICATION NUMBER: BACU24AB10W OPTIONAL PART: 4671097W10 V50948 2-01027-10W V11328 31875-10W V14397 AP1004W10 V01673 AFP941W10 V30974 DBOU24AB10W V14798		1
190	272T7200-403		.TUBE ASSY-RETURN SYS POSITION DATA: L TUBING MATERIAL: .625 IN. OD .035 IN. WALL 41.00 IN. LG AL		1

ILLUSTRATION ITEMS NOT ON PARTS LIST ARE NOT APPLICABLE

- ITEM NOT ILLUSTRATED

HXL

27-23-52-01

BOEING PROPRIETARY - Copyright © - Unpublished Work - See title page for details.

27-23-52
FIG. 01
PAGE 4
APR 22/07



767

PARTS CATALOG (MAINTENANCE)

FIG ITEM	PART NUMBER	1 2 3 4 5 6 7	NOMENCLATURE	EFFECT FROM TO	UNITS PER ASSY
1					
- 195	AP2097HP10	..	SLEEVE SUPPLIER CODE: V01673 SPECIFICATION NUMBER: BACS13BX10HP OPTIONAL PART: 2-02903-10HP V11328 35235VN10 V08199 AFP175V10P V30974 DBOS13BX10HP V14798		2
- 200	BACN10YL10	..	NUT		2
205	272T7200-138	.TUBE	ASSY-FLIGHT CONT PRESSURE SYS POSITION DATA: R TUBING MATERIAL: .500 IN. OD .026 IN. WALL 62.00 IN. LG TITANIUM		1
- 210	AS1581T08	..	SLEEVE		2
- 215	BACN10YA8	..	NUT		2
220	272T7200-433	.TUBE	ASSY-RETURN SYS POSITION DATA: R TUBING MATERIAL: .625 IN. OD .035 IN. WALL 62.00 IN. LG ALUMINUM		1
- 225	AP2097HP10	..	SLEEVE SUPPLIER CODE: V01673 SPECIFICATION NUMBER: BACS13BX10HP OPTIONAL PART: 2-02903-10HP V11328 35235VN10 V08199 AFP175V10P V30974 DBOS13BX10HP V14798		1
- 230	BACN10YL10	..	NUT		1

ILLUSTRATION ITEMS NOT ON PARTS LIST ARE NOT APPLICABLE

- ITEM NOT ILLUSTRATED

HXL

27-23-52-01

BOEING PROPRIETARY - Copyright © - Unpublished Work - See title page for details.

27-23-52
FIG. 01
PAGE 5
DEC 22/06



767

PARTS CATALOG (MAINTENANCE)

FIG ITEM	PART NUMBER	1 2 3 4 5 6 7	NOMENCLATURE	EFFECT FROM TO	UNITS PER ASSY
1					
- 235	35056GV10		..UNION SUPPLIER CODE: V08199 SPECIFICATION NUMBER: BACU24AB10W OPTIONAL PART: 4671097W10 V50948 2-01027-10W V11328 31875-10W V14397 AP1004W10 V01673 AFP941W10 V30974 DBOU24AB10W V14798		1
240	272T7200-137		.TUBE ASSY-FLIGHT CONT PRESSURE CTR SYS TUBING MATERIAL: .500 IN. OD .026 IN. WALL 36.00 IN. LG TITANIUM		1
- 242	AS1581T08		..SLEEVE		2
- 243	BACN10YA8N		..NUT		2
245	272T7200-114		.TUBE ASSY-FLIGHT CONT PRESSURE CTR SYS TUBING MATERIAL: .500 IN. OD .026 IN. WALL 46.00 IN. LG TITANIUM		1
- 246	AS1581T08		..SLEEVE		1
- 247	BACN10YA8		..NUT- OPTIONAL PART: BACN10NR8		1

ILLUSTRATION ITEMS NOT ON PARTS LIST ARE NOT APPLICABLE

- ITEM NOT ILLUSTRATED

HXL

27-23-52-01

BOEING PROPRIETARY - Copyright © - Unpublished Work - See title page for details.

27-23-52
FIG. 01
PAGE 6
DEC 22/06

BOEING
767
PARTS CATALOG (MAINTENANCE)

FIG ITEM	PART NUMBER	1 2 3 4 5 6 7	NOMENCLATURE	EFFECT FROM TO	UNITS PER ASSY
1					
- 247	AFP107-8		..NUT- SUPPLIER CODE: V30974 SPECIFICATION NUMBER: BACN10NR8 OPTIONAL PART: AP1028T8 V01673 BC921T8 V50948 DBON10NR8 V14798 ER01921-8T V88334 FER8928-8 V14397 F11-8 V73197 2-03005T8 V11328 31783-8 V14397 BACN10YA8		1
- 248	AS1582T08		..UNION		1
250	272T7200-115		.TUBE ASSY-FLIGHT CONT PRESSURE CTR SYS TUBING MATERIAL: .500 IN. OD .026 IN. WALL 60.00 IN. LG TITANIUM		1
- 255	AS1581T08		..SLEEVE		2
- 265	BACN10YA8		..NUT- OPTIONAL PART: BACN10NR8		2

ILLUSTRATION ITEMS NOT ON PARTS LIST ARE NOT APPLICABLE

- ITEM NOT ILLUSTRATED

HXL

27-23-52-01

BOEING PROPRIETARY - Copyright © - Unpublished Work - See title page for details.

27-23-52
FIG. 01
PAGE 7
DEC 22/06

 **BOEING**
767
PARTS CATALOG (MAINTENANCE)

FIG ITEM	PART NUMBER	1 2 3 4 5 6 7	NOMENCLATURE	EFFECT FROM TO	UNITS PER ASSY
1 - 265	AFP107-8		. . NUT- SUPPLIER CODE: V30974 SPECIFICATION NUMBER: BACN10NR8 OPTIONAL PART: AP1028T8 V01673 BC921T8 V50948 DBON10NR8 V14798 ER01921-8T V88334 FER8928-8 V14397 F11-8 V73197 2-03005T8 V11328 31783-8 V14397 BACN10YA8		2
280	272T7200-432		. TUBE ASSY-RETURN CTR SYS TUBING MATERIAL: .625 IN. OD .035 IN. WALL 39.00 IN. LG ALUMINUM		1
285	272T7200-414		. TUBE ASSY-RETURN CTR SYS TUBING MATERIAL: .625 IN. OD .035 IN. WALL 48.00 IN. LG ALUMINUM		1
290	272T7200-415		. TUBE ASSY-RETURN CTR SYS TUBING MATERIAL: .625 IN. OD .035 IN. WALL 61.00 IN. LG ALUMINUM		1

ILLUSTRATION ITEMS NOT ON PARTS LIST ARE NOT APPLICABLE

- ITEM NOT ILLUSTRATED

HXL

27-23-52-01

BOEING PROPRIETARY - Copyright © - Unpublished Work - See title page for details.

27-23-52
FIG. 01
PAGE 8
DEC 22/06



767

PARTS CATALOG (MAINTENANCE)

FIG ITEM	PART NUMBER	1 2 3 4 5 6 7	NOMENCLATURE	EFFECT FROM TO	UNITS PER ASSY
1					
- 295	AP2097HP10		.. SLEEVE- SUPPLIER CODE: V01673 SPECIFICATION NUMBER: BACS13BX10HP OPTIONAL PART: 2-02903-10HP V11328 35235VN10 V08199 AFP175V10P V30974 DBOS13BX10HP V14798 USED ON: 272T7200-410 272T7200-415		1
- 300	AP2097HP10		.. SLEEVE- SUPPLIER CODE: V01673 SPECIFICATION NUMBER: BACS13BX10HP OPTIONAL PART: 2-02903-10HP V11328 35235VN10 V08199 AFP175V10P V30974 DBOS13BX10HP V14798 USED ON: 272T7200-414		2
- 305	BACN10YL10		.. NUT- USED ON: 272T7200-410 272T7200-415		1
- 310	BACN10YL10		.. NUT- USED ON: 272T7200-414		2

ILLUSTRATION ITEMS NOT ON PARTS LIST ARE NOT APPLICABLE

- ITEM NOT ILLUSTRATED

HXL

27-23-52-01

BOEING PROPRIETARY - Copyright © - Unpublished Work - See title page for details.

27-23-52
 FIG. 01
 PAGE 9
 DEC 22/06



767

PARTS CATALOG (MAINTENANCE)

FIG ITEM	PART NUMBER	1 2 3 4 5 6 7	NOMENCLATURE	EFFECT FROM TO	UNITS PER ASSY
1 - 315	35056GV10		..UNION- SUPPLIER CODE: V08199 SPECIFICATION NUMBER: BACU24AB10W OPTIONAL PART: 4671097W10 V50948 2-01027-10W V11328 31875-10W V14397 AP1004W10 V01673 AFP941W10 V30974 DBOU24AB10W V14798 USED ON: 272T7200-410 272T7200-415		1
350	BACT16BL080804J	.TEE			4
355	APX824D101006	.TEE-	SUPPLIER CODE: V01673 SPECIFICATION NUMBER: BACT16AS101006D OPTIONAL PART: APX824-101006D V01673 DBOT16AS101006D V14798 ER824-101006D V50948 FER1571-101006D V14397 LER824-101006D V11328 NAF1824-101006D V52930 US1925-101006D V50808 AFP325-101006D V30974		4
355 900	BACT16BL101006J	.TEE-	ILLUSTRATION REFERENCE: HYDRAULIC INSTL-SECT. 48 BODY AFT (RUDDER ONLY) 27-23-51-01		4 RF
ILLUSTRATION ITEMS NOT ON PARTS LIST ARE NOT APPLICABLE					

- ITEM NOT ILLUSTRATED

27-23-52-01

27-23-52
FIG. 01
PAGE 10
DEC 22/06

HXL



767

PARTS CATALOG (MAINTENANCE)

FIG ITEM	PART NUMBER	1 2 3 4 5 6 7	NOMENCLATURE	EFFECT FROM TO	UNITS PER ASSY
1 905			ILLUSTRATION REFERENCE: HYDRAULIC INSTL-SECT. 72 VERT. FIN (AUTOPILOT ONLY) 22-13-51-01		RF
910			ILLUSTRATION REFERENCE: HYDRAULIC INSTL-SECT. 72 VERT. FIN (RUDDER AND RUDDER TRIM CONTROL SYSTEM ONLY) 27-21-59-01		RF
915			ILLUSTRATION REFERENCE: HYDRAULIC INSTL-SECT. 72 VERT. FIN (SPEED ATTITUDE ONLY) 22-21-51-01		RF
ILLUSTRATION ITEMS NOT ON PARTS LIST ARE NOT APPLICABLE					

- ITEM NOT ILLUSTRATED

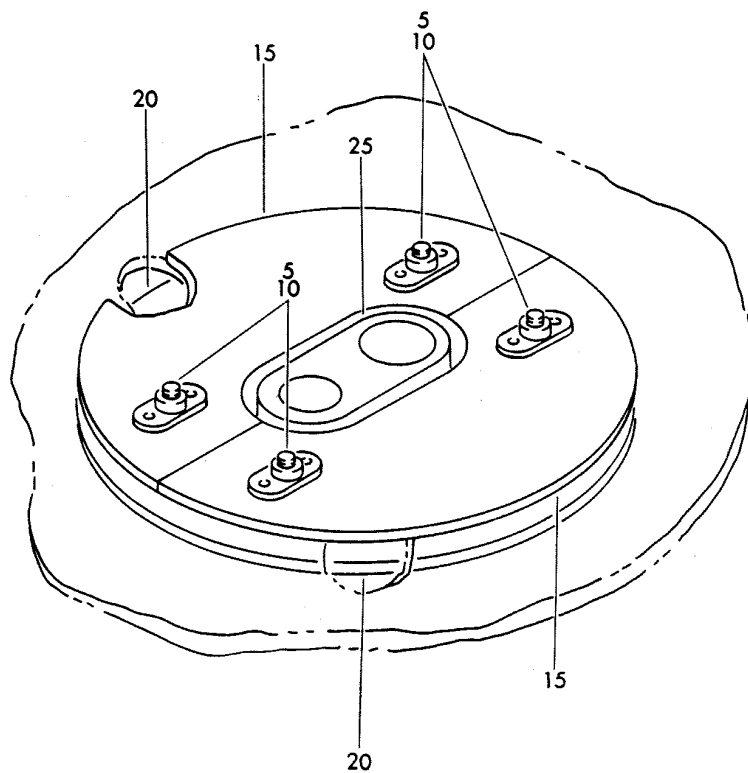
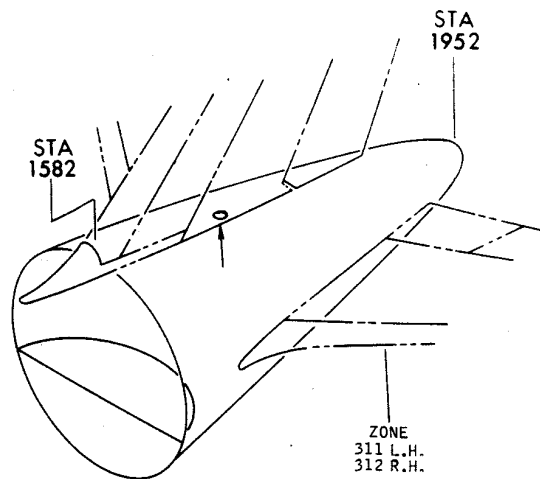
HXL

27-23-52-01

BOEING PROPRIETARY - Copyright © - Unpublished Work - See title page for details.

27-23-52
FIG. 01
PAGE 11
DEC 22/06

BOEING
767
PARTS CATALOG (MAINTENANCE)



V 27235501 SHT 1 REV 078

SEAL INSTL-SECT. 48 HYDR PRESSURE
FIGURE 1

27-23-55-01

HXL
DEC 22/06

27-23-55-01
PAGE 0



767

PARTS CATALOG (MAINTENANCE)

FIG ITEM	PART NUMBER	1 2 3 4 5 6 7	NOMENCLATURE	EFFECT FROM TO	UNITS PER ASSY
1			SEAL INSTL-SECT. 48 HYDR PRESSURE		
- 1	272T4843-1		SEAL INSTL-HYDR PRESSURE POSITION DATA: SECT. 48 FOR NHA SEE: 27-23-51-01		RF
5	NAS6603-6		.BOLT		4
10	AN960JD10L		.WASHER		4
15	272T4844-1		.PLATE ASSY		2
20	272T4844-2		.PLATE		2
25	270T0004-1118		.SEAL		1
ILLUSTRATION ITEMS NOT ON PARTS LIST ARE NOT APPLICABLE					

- ITEM NOT ILLUSTRATED

HXL

27-23-55-01

BOEING PROPRIETARY - Copyright © - Unpublished Work - See title page for details.

27-23-55
FIG. 01
PAGE 1
DEC 22/06