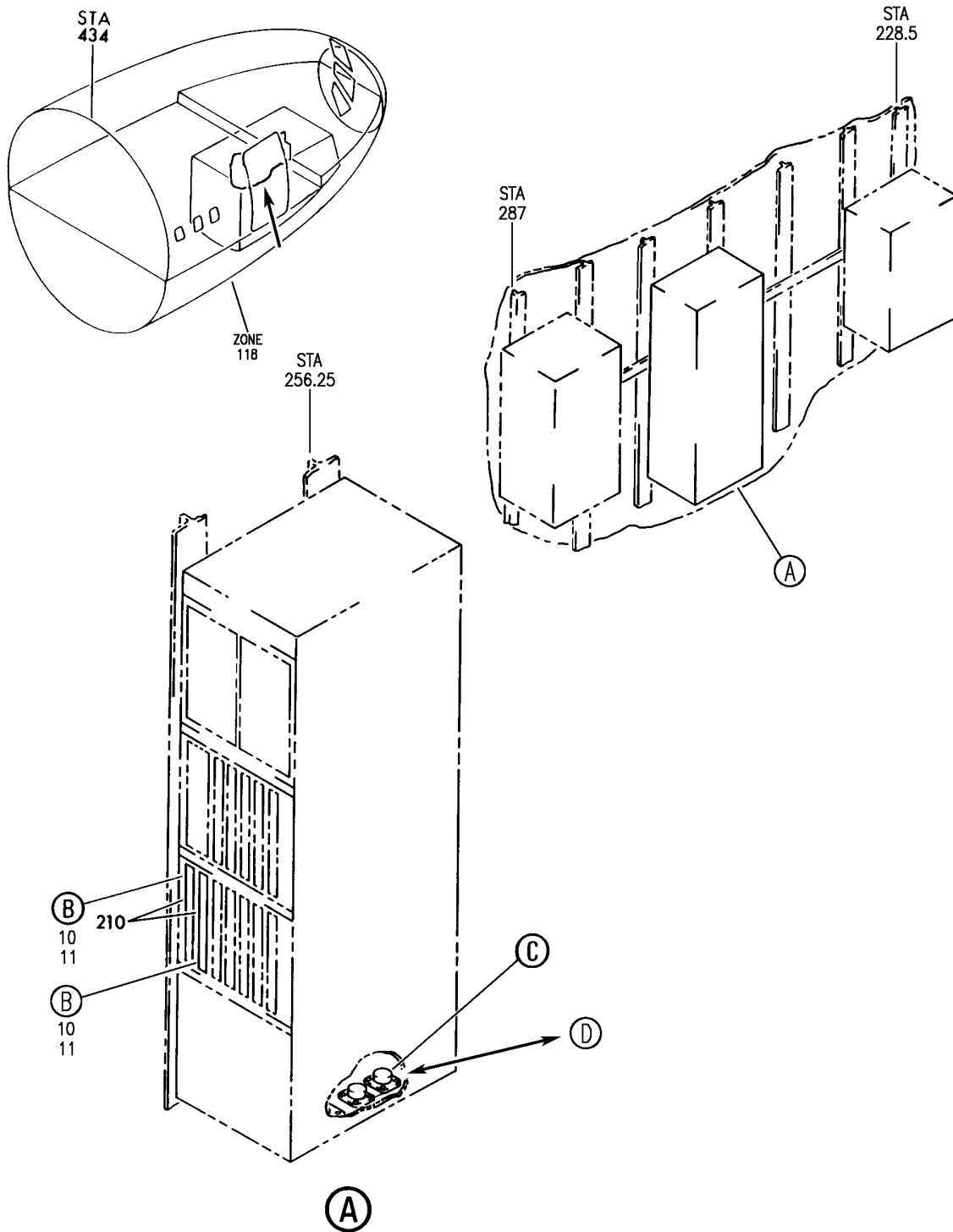


STALL WARNING SYSTEM

HXL
DEC 22/06

27-32-00
SECTION TITLE
PAGE 1


BOEING
 767
PARTS CATALOG (MAINTENANCE)



V 27320101 SH 1 REV 270

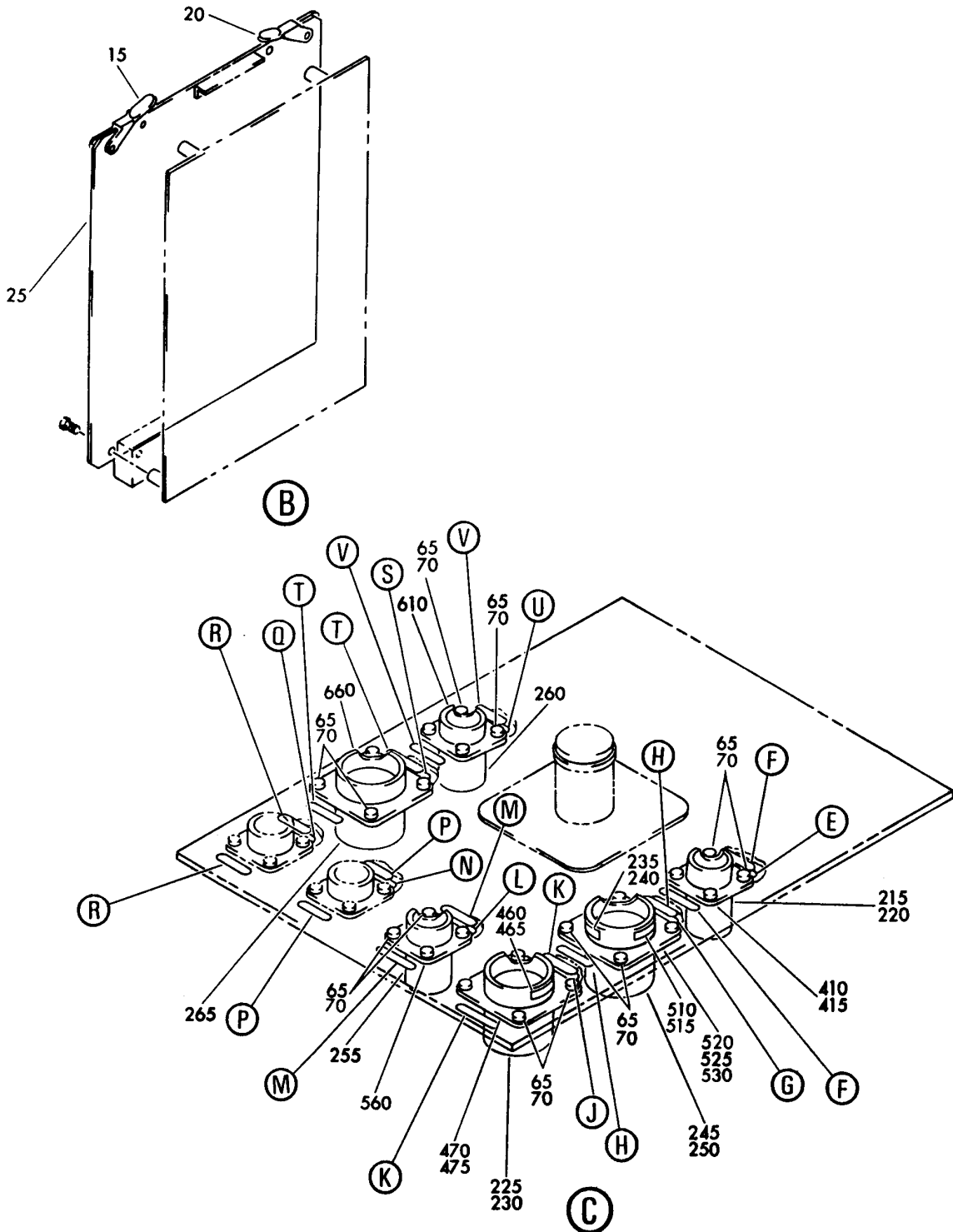
CARD FILE AND BOX INSTL-R FWD EQPT CTR (P51) (FLIGHT CONTROLS ONLY)
 FIGURE 1 (SHEET 1)

27-32-01-01

HXL
DEC 22/06

27-32-01-01
 PAGE 0

BOEING
767
PARTS CATALOG (MAINTENANCE)



V 27320101 SHT 2 REV 190

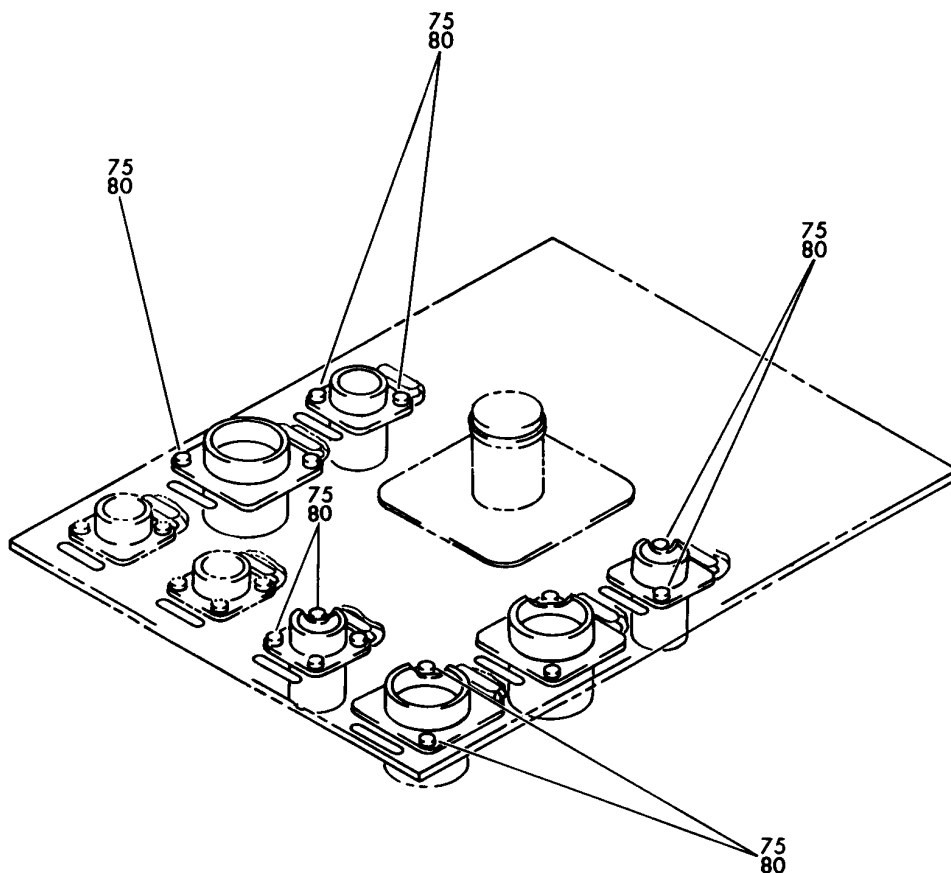
CARD FILE AND BOX INSTL-R FWD EQPT CTR (P51) (FLIGHT CONTROLS ONLY)
FIGURE 1 (SHEET 2)

27-32-01-01

HXL
DEC 22/06

27-32-01-01
PAGE 0A

BOEING
767
PARTS CATALOG (MAINTENANCE)



Ⓚ

V 27320101 SHT 3 REV 138

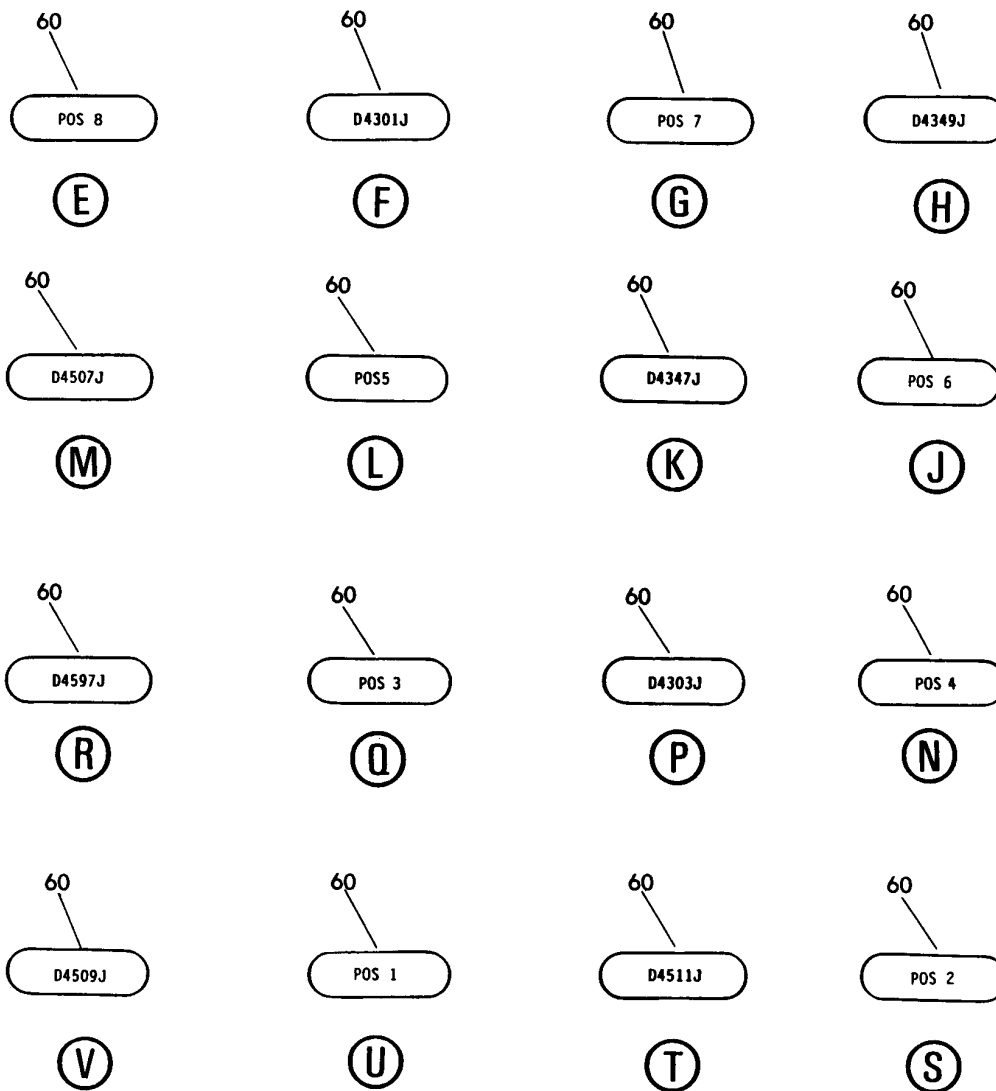
CARD FILE AND BOX INSTL-R FWD EQPT CTR (P51) (FLIGHT CONTROLS ONLY)
FIGURE 1 (SHEET 3)

27-32-01-01

HXL
DEC 22/06

27-32-01-01
PAGE 0B

BOEING
767
PARTS CATALOG (MAINTENANCE)



V 27320101 SH 4 REV 138

CARD FILE AND BOX INSTL-R FWD EQPT CTR (P51) (FLIGHT CONTROLS ONLY)
FIGURE 1 (SHEET 4)

27-32-01-01

HXL
DEC 22/06

27-32-01-01
PAGE 0C



767

PARTS CATALOG (MAINTENANCE)

FIG ITEM	PART NUMBER	1 2 3 4 5 6 7	NOMENCLATURE	EFFECT FROM TO	UNITS PER ASSY
1			CARD FILE AND BOX INSTL-R FWD EQPT CTR (P51) (FLIGHT CONTROLS ONLY)		
- 1	284T0049-13		CARD FILE AND BOX INSTL- EQPT CTR P51 (FLIGHT CONTROLS ONLY) POSITION DATA: R FWD VARIABLE DRAWING REF: 284T0049-5235 FOR NHA/OTHER SYS DET SEE: 24-00-58-01W		RF
11	285T1104-17		.PRINTED CIRCUIT ASSY- WARNING ELECTRONICS UNIT STALL WARNING (STATIC SENSITIVE PART) SUPPLIER CODE: V89954 MISCELLANEOUS DATA: ASSY -17 WITH -5001 AND -5003 INSTALLED IS -17 (NO MOD). ASSY -17 WITH -5002 AND -5003 INSTALLED IS MOD B. -17 ASSEMBLIES BUILT AFTER DEC 13, 1990 WILL HAVE -5002 INSTALLED. ASSY -17 WITH -5004 AND -5002 INSTALLED IS MOD BC. ALL -17 BUILT AFTER JAN 15, 1992 WILL HAVE -5004 AND -5002 INSTALLED. PART MARK MOD BC PER BAC 5307. ASSY -17 WITH -5004 AND -5001 INSTALLED IS MOD C. -5004 CAN BE USED TO REWORK ASSY -17 (NO MOD) TO A -17 MOD C. REPART MARK MOD C PER BAC 5307. ASSY -17 MOD C PER COMPONENT SERVICE BULLETIN 285T1104-27-04 ONLY. ASS -17 MOD B REPLACES -17 MOD A. ALL EXISTING -17 MOD A ASSEMBLIES WERE DISPOSITIONED AS SCRAP PER R/T 756116B.		2
ILLUSTRATION ITEMS NOT ON PARTS LIST ARE NOT APPLICABLE					

- ITEM NOT ILLUSTRATED

HXL

27-32-01-01

BOEING PROPRIETARY - Copyright © - Unpublished Work - See title page for details.

27-32-01
FIG. 01
PAGE 1
APR 22/09



767

PARTS CATALOG (MAINTENANCE)

FIG ITEM	PART NUMBER	1 2 3 4 5 6 7 NOMENCLATURE	EFFECT FROM TO	UNITS PER ASSY
1		<p>ELECTRICAL EQUIP NUMBER: M00615 M00938 COMPONENT MAINT MANUAL REF: 27-32-52 QUALIFIED I/W DATA: FOR FAA: WITH SPEED TAPE OPTION IS NOT ENABLED, THE 285T1104-9, -10, -17, -18, -19 ARE INTERCHANGEABLE ON 767-200ER. AND WITH SPEED TAPE OPTION IS ENABLED ONLY 285T1104-17, -18, -19 ARE INTERCHANGEABLE ON 767-200ER. FOR CAA, 285T1104-17 IS NOT INTERCHANGEABLE WITH -9, -10, -18, -19. FOR FAA: WITH SPEED TAPE OPTION IS NOT ENABLED OR WITH SPEED TAPE OPTION IS ENABLED, 285T1104-17 AND 285T1104-19 ARE INTERCHANGEABLE FOR 767-200/-200ER 767-300/300ER. FOR CAA, 285T1104-17 IS NOT INTERCHANGEABLE WITH 285T1104-19. FOR 767-300ER WITH ROLLS ROYCE ENGINES, 285T1104-19 MUST BE USED. FOR FAA: WITH SPEED OPTION IS NOT ENABLED OR WITH SPEED TAPE OPTION IS ENABLED (MTOGW400K) 285T1104-15 AND 285T1105-17 ARE INTERCHANGEABLE FOR 767-300ER. FOR SPEED TAPE OPTION IS ENABLED (MTOGW400K) 285T1104-17 MUST BE USED ON 767-300ER. FUNCTIONAL REFERENCE: 11-36-16-12</p> <p>ILLUSTRATION ITEMS NOT ON PARTS LIST ARE NOT APPLICABLE</p>		

- ITEM NOT ILLUSTRATED

27-32-01-01

27-32-01
FIG. 01
PAGE 2
APR 22/09

HXL

 **BOEING**
767
PARTS CATALOG (MAINTENANCE)

FIG ITEM	PART NUMBER	1 2 3 4 5 6 7	NOMENCLATURE	EFFECT FROM TO	UNITS PER ASSY
1					
15	71-2RA	..	EJECTOR- SUPPLIER CODE: V18915		1
20	71-2LA	..	EJECTOR- SUPPLIER CODE: V18915		1
25	HS1-3182-8	..	CIRCUIT-INTEGRATED (STATIC SENSITIVE PART) SUPPLIER CODE: V34371		1
- 50	285T0007-45	.	CHASSIS ASSY-WARNING ELECTRONICS UNIT		RF
60	BAC27TEX3312	..	DECALSET-INCLUDES DECALS IDENTIFIED ON THE ILLUSTRATION		RF
65	NAS1801-04-6	..	SCREW		24
70	BRH10A04	..	NUT SUPPLIER CODE: V52828 SPECIFICATION NUMBER: BACN10JCO4 OPTIONAL PART: NS202101-40 V80539 RMLH9075-40W V72962 VN303A40 V92215 96-40 V80539 T6S440J V11815 H10-04BAC V15653		24
- 200	286T0045-101		WIRE BUNDLE ASSY-(FLIGHT CONTROLS ONLY)		RF

ILLUSTRATION ITEMS NOT ON PARTS LIST ARE NOT APPLICABLE

- ITEM NOT ILLUSTRATED

HXL

27-32-01-01

BOEING PROPRIETARY - Copyright © - Unpublished Work - See title page for details.

27-32-01
FIG. 01
PAGE 3
APR 22/09



767

PARTS CATALOG (MAINTENANCE)

FIG ITEM	PART NUMBER	1 2 3 4 5 6 7	NOMENCLATURE	EFFECT FROM TO	UNITS PER ASSY
1 - 205	141-1775-01		.CONTACT CAVITY- SUPPLIER CODE: V26742 SPECIFICATION NUMBER: BACC47EM1 OPTIONAL PART: 96S2222 V03877 290381-01 V16512 200080-001 V03877 ELECTRICAL EQUIP NUMBER: D00823U D01381U WIRING DIAGRAM REF: 273211 273221		4
210	300052-001		.CONNECTOR- SUPPLIER CODE: V0D9V3 SPECIFICATION NUMBER: BACC65L66 OPTIONAL PART: 200620-01 V16512 300052-001 V03877 192-366-0010 V26742 S1009-00833 V03877 ELECTRICAL EQUIP NUMBER: D00823 D01381 WIRING DIAGRAM REF: 273211 273221		2
215	BACC45FN1624P7		.CONNECTOR- ELECTRICAL EQUIP NUMBER: D04301J WIRING DIAGRAM REF: 273211		1
230	BACC45FN2461P		.CONNECTOR- ELECTRICAL EQUIP NUMBER: D04347J WIRING DIAGRAM REF: 273211		1

ILLUSTRATION ITEMS NOT ON PARTS LIST ARE NOT APPLICABLE

- ITEM NOT ILLUSTRATED

27-32-01-01

27-32-01
FIG. 01
PAGE 4
DEC 22/07

HXL



767

PARTS CATALOG (MAINTENANCE)

FIG ITEM	PART NUMBER	1 2 3 4 5 6 7	NOMENCLATURE	EFFECT FROM TO	UNITS PER ASSY
1					
250	BACC45FN2461P6	.	CONNECTOR- ELECTRICAL EQUIP NUMBER: D04349J WIRING DIAGRAM REF: 273211		1
255	BACC45FN1212P9	.	CONNECTOR- ELECTRICAL EQUIP NUMBER: D04507J WIRING DIAGRAM REF: 273211		1
260	BACC45FN1415P	.	CONNECTOR- ELECTRICAL EQUIP NUMBER: D04509J WIRING DIAGRAM REF: 273211		1
265	BACC45FN1831P6	.	CONNECTOR- ELECTRICAL EQUIP NUMBER: D04511J WIRING DIAGRAM REF: 273211		1
- 400	286T0409-120		WIRE BUNDLE ASSY-(P51 TO E1 SHELF ONLY)		RF
410	BACC45FT1624S7	.	PLUG- ELECTRICAL EQUIP NUMBER: D04301P WIRING DIAGRAM REF: 273211		1
- 500	286T0453-120		WIRE BUNDLE ASSY-(CAUTION AND WARNING PANEL TO SHELVES ONLY)		RF
530	BACC45FT24A61S6	.	PLUG- ELECTRICAL EQUIP NUMBER: D04349P WIRING DIAGRAM REF: 273211		1
- 550	286T1311-120		WIRE BUNDLE ASSY-(ALTITUDE ALERT AND GWPS FORWARD PANEL'S TO SHELVES ONLY)		RF
560	BACC45FT12-12S9	.	CONNECTOR- ELECTRICAL EQUIP NUMBER: D04507P WIRING DIAGRAM REF: 315121		1
- 600	286T1271-120		WIRE BUNDLE ASSY-(CAUTION AND WARNING-SHELF TO FORWARD PANELS ONLY)		RF

ILLUSTRATION ITEMS NOT ON PARTS LIST ARE NOT APPLICABLE

- ITEM NOT ILLUSTRATED

HXL

27-32-01-01

BOEING PROPRIETARY - Copyright © - Unpublished Work - See title page for details.

27-32-01
FIG. 01
PAGE 5
DEC 22/07



767

PARTS CATALOG (MAINTENANCE)

FIG ITEM	PART NUMBER	1 2 3 4 5 6 7	NOMENCLATURE	EFFECT FROM TO	UNITS PER ASSY
1 610	BACC45FT1415S		.PLUG- ELECTRICAL EQUIP NUMBER: D04507P WIRING DIAGRAM REF: 273211		1
- 650	286T1287-120		WIRE BUNDLE ASSY- (CONFIGURATION WARNING P51 TO SHELVES ONLY)		RF
660	BACC45FT1831S6		.PLUG- ELECTRICAL EQUIP NUMBER: D04511P WIRING DIAGRAM REF: 273211		1

ILLUSTRATION ITEMS NOT ON PARTS LIST ARE NOT APPLICABLE

- ITEM NOT ILLUSTRATED

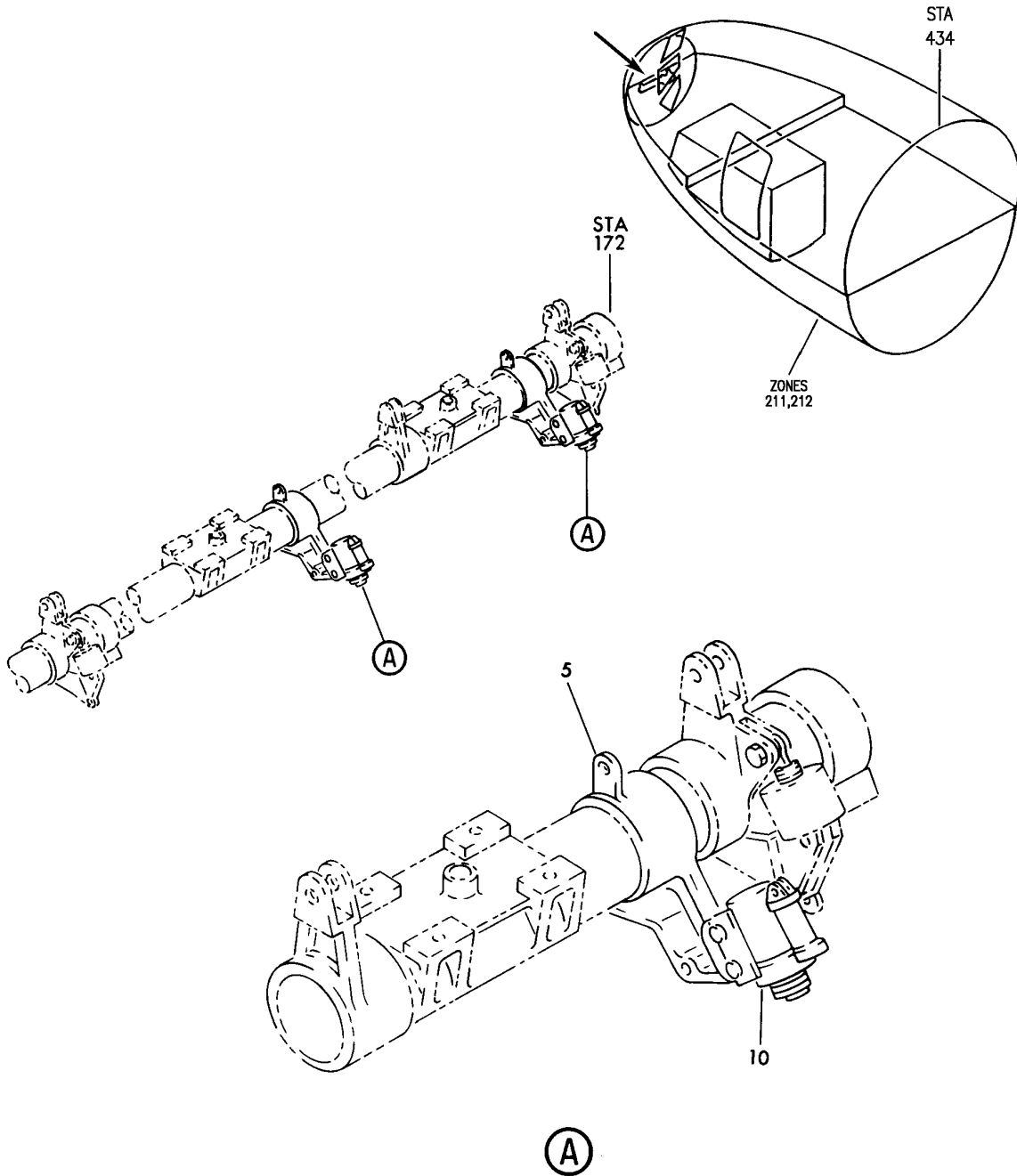
HXL

27-32-01-01

BOEING PROPRIETARY - Copyright © - Unpublished Work - See title page for details.

27-32-01
FIG. 01
PAGE 6
DEC 22/07

BOEING
767
PARTS CATALOG (MAINTENANCE)



V 27320502 REV 337

TUBE ASSY-TORQUE ELEVATOR CONTROL COLUMN
FIGURE 2

27-32-05-02

HXL
APR 22/09

27-32-05-02
PAGE 0

 **BOEING**
767
PARTS CATALOG (MAINTENANCE)

FIG ITEM	PART NUMBER	1 2 3 4 5 6 7	NOMENCLATURE	EFFECT FROM TO	UNITS PER ASSY
2			TUBE ASSY-TORQUE ELEVATOR CONTROL COLUMN		
- 1	253T2127-11		TUBE ASSY-(CONTROL COLUMN SHAKER ONLY) POSITION DATA: LH SIDE COMPONENT MAINT MANUAL REF: 27-31-37 FOR NHA/OTHER SYS DET SEE: 27-31-10-10		RF
- 1	253T2127-15		TUBE ASSY-(CONTROL COLUMN SHAKER ONLY) POSITION DATA: LH SIDE COMPONENT MAINT MANUAL REF: 27-31-37 FOR NHA/OTHER SYS DET SEE: 27-31-10-10		RF
- 1	253T2127-19		TUBE ASSY-(CONTROL) COLUMN SHAKER ONLY) POSITION DATA: LH SIDE COMPONENT MAINT MANUAL REF: 27-31-37 FOR NHA/OTHER SYS DET SEE: 27-31-10-10		RF
- 5	253T2127-12		TUBE ASSY-(CONTROL COLUMN SHAKER ONLY) POSITION DATA: RH SIDE COMPONENT MAINT MANUAL REF: 27-31-37 FOR NHA/OTHER SYS DET SEE: 27-31-10-10		RF
- 5	253T2127-16		TUBE ASSY-(CONTROL COLUMN SHAKER ONLY) POSITION DATA: RH SIDE COMPONENT MAINT MANUAL REF: 27-31-37 FOR NHA/OTHER SYS DET SEE: 27-31-10-10		RF
10	C07202-3		.SHAKER-STICK SUPPLIER CODE: V83326 COMPONENT MAINT MANUAL REF: 34-18-04 ATTACHING PARTS		1
- 15	NAS6603-16		.BOLT		2
- 20	NAS1149D0363J		.WASHER-		2
ILLUSTRATION ITEMS NOT ON PARTS LIST ARE NOT APPLICABLE					

- ITEM NOT ILLUSTRATED

HXL

27-32-05-02

BOEING PROPRIETARY - Copyright © - Unpublished Work - See title page for details.

27-32-05
FIG. 02
PAGE 1
AUG 22/08



767

PARTS CATALOG (MAINTENANCE)

FIG ITEM	PART NUMBER	1 2 3 4 5 6 7 NOMENCLATURE	EFFECT FROM TO	UNITS PER ASSY
2 - 25	BRH10A3	.NUT SUPPLIER CODE: V52828 SPECIFICATION NUMBER: BACN10JC3 OPTIONAL PART: H10-3BAC V15653 NS202101-02 V80539 RMLH9075-3W V72962 VN303A02 V92215 96-02 V80539 T6S1032J V11815 -----*-----		2

ILLUSTRATION ITEMS NOT ON PARTS LIST ARE NOT APPLICABLE

- ITEM NOT ILLUSTRATED

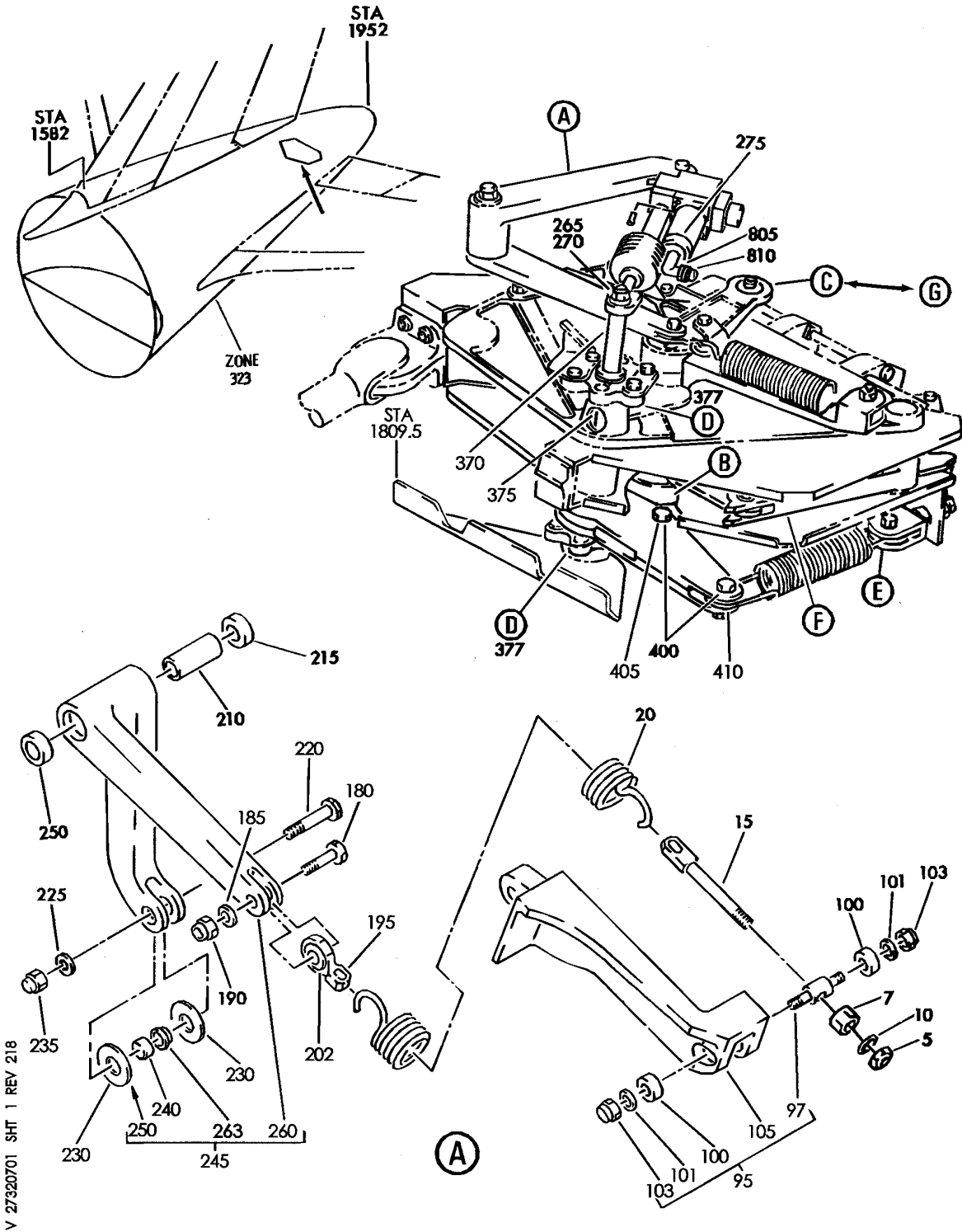
HXL

27-32-05-02

BOEING PROPRIETARY - Copyright © - Unpublished Work - See title page for details.

27-32-05
 FIG. 02
 PAGE 2
 AUG 22/08

BOEING
767
PARTS CATALOG (MAINTENANCE)



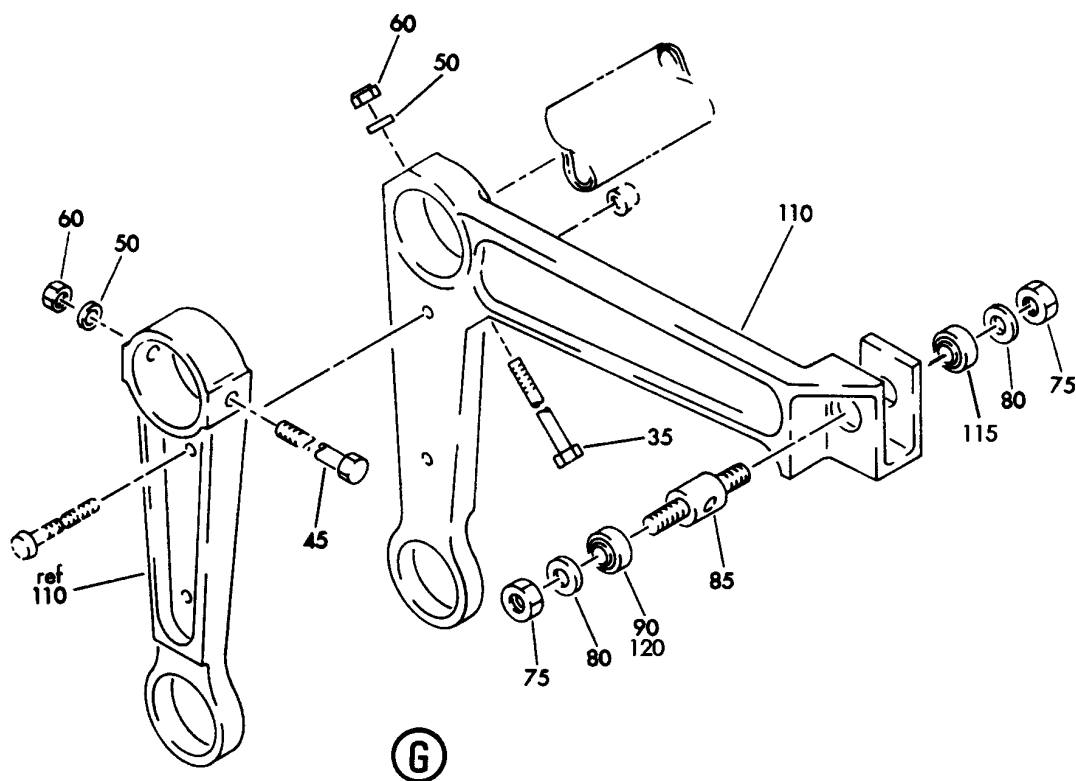
FEEL UNIT ASSY--(STALL WARNING SYSTEM ONLY)
FIGURE 1 (SHEET 1)

27-32-07-01

HXL
DEC 22/06

27-32-07-01
PAGE 0

BOEING
767
PARTS CATALOG (MAINTENANCE)



V 27320701 SHT 3 REV 202

FEEL UNIT ASSY-(STALL WARNING SYSTEM ONLY)
FIGURE 1 (SHEET 3)

27-32-07-01

HXL
DEC 22/06

27-32-07-01
PAGE 0B



767

PARTS CATALOG (MAINTENANCE)

FIG ITEM	PART NUMBER	1 2 3 4 5 6 7	NOMENCLATURE	EFFECT FROM TO	UNITS PER ASSY
1			FEEL UNIT ASSY-(STALL WARNING SYSTEM ONLY)		
- 1	251T2210-11		FEEL UNIT ASSY-REWORK (STALL WARNING SYSTEM ONLY) COMPONENT MAINT MANUAL REF: 27-31-09 FOR NHA/OTHER SYS DET SEE: 27-31-17-01		RF
- 1	251T2245-8		FEEL UNIT ASSY- FOR NHA SEE: 27-31-17-01		RF
- 1	251T2210-12		FEEL UNIT ASSY-REWORK (STALL WARNING SYSTEM ONLY) MISCELLANEOUS DATA: USES 251T2245-20 CENTERING UNIT ASSEMBLY WHICH IS THE SAME AS 251T2245-6 EXCEPT DELETED PARTS ON PARTS LIST. 251T2245-20 HAS A 251T2247-12 HOUSING WHICH IS THE SAME AS 251T2247-9 EXCEPT DELETE 251T2268-1 AND 251T2289-1 AS NOTED ON 251T2245-6 PARTS LIST. COMPONENT MAINT MANUAL REF: 27-31-09 OPTIONAL PART: 251T2210-11 FOR NHA/OTHER SYS DET SEE: 27-31-17-01		RF
- 1	251T2245-9		FEEL UNIT ASSY- OPTIONAL PART: 251T2245-10 251T2245-11 FOR NHA SEE: 27-31-17-01		RF
- 1	251T2245-10		FEEL UNIT ASSY- OPTIONAL PART: 251T2245-9 251T2245-11 FOR NHA SEE: 27-31-17-01		RF

ILLUSTRATION ITEMS NOT ON PARTS LIST ARE NOT APPLICABLE

- ITEM NOT ILLUSTRATED

HXL

27-32-07-01

BOEING PROPRIETARY - Copyright © - Unpublished Work - See title page for details.

27-32-07
FIG. 01
PAGE 1
AUG 22/07



767

PARTS CATALOG (MAINTENANCE)

FIG ITEM	PART NUMBER	1 2 3 4 5 6 7	NOMENCLATURE	EFFECT FROM TO	UNITS PER ASSY
1					
- 1	251T2245-11		FEEL UNIT ASSY- OPTIONAL PART: 251T2245-9 251T2245-10 FOR NHA SEE: 27-31-17-01		RF
- 1	251T2245-12		FEEL UNIT ASSY- FOR NHA SEE: 27-31-17-01		RF
5	BRH10A4		.NUT- SUPPLIER CODE: V52828 SPECIFICATION NUMBER: BACN10JC4 OPTIONAL PART: T6S428J V11815 96-048 V80539 VN303A048 V92215 RMLH9075-4W V72962 NS202101-048 V80539 H10-4BAC V15653 USED ON: 251T2210-11 251T2210-12 251T2245-5 251T2245-6 251T2245-8 251T2245-9		1
5	BACN11AG4		.NUT- USED ON: 251T2245-12 USED ON: 251T2245-10 251T2245-11		1
7	NAS42DD8-20FC		.NUT- USED ON: 251T2245-12 USED ON: 251T2245-10 251T2245-11		1
10	AN960JD416		.WASHER- USED ON: 251T2245-10		1

ILLUSTRATION ITEMS NOT ON PARTS LIST ARE NOT APPLICABLE

- ITEM NOT ILLUSTRATED

27-32-07-01

27-32-07
FIG. 01
PAGE 2
AUG 22/07

HXL

BOEING
767
PARTS CATALOG (MAINTENANCE)

FIG ITEM	PART NUMBER	1 2 3 4 5 6 7	NOMENCLATURE	EFFECT FROM TO	UNITS PER ASSY
R R R R R R R R R R	10	AN960PD416	.WASHER- USED ON: 251T2210-11 251T2210-12 251T2245-5 251T2245-6 251T2245-8 251T2245-9		1
	10	NAS1149D0463J	.WASHER- USED ON: 251T2245-11 251T2245-12		1
	15	69B83099-2	.LINK		1
	20	251T2152-1	.SPRING- USED ON: 251T2210-8 251T2210-11 251T2210-12 251T2245-8 251T2245-9 251T2245-10 251T2245-11		1
	20	251T2152-2	.SPRING-		1
	35	BACB30LM4-46	.BOLT- USED ON: 251T2245-8 USED ON: 251T2210-12 251T2245-9 251T2245-10		1
	35	BACB30LH4-45	.BOLT- USED ON: 251T2210-12 251T2245-8 251T2245-9 251T2245-10 251T2245-11 251T2245-12 251T2245-13		1
	40	BACB30LM4-35	.BOLT- QUALIFIED OPTIONAL DATA: (251T2255-1 OPTIONAL TO 251T2255-3. USE NAS6604-35 WITH -1. USE NAS6604-33 WITH -3) USED ON: 251T2245-5 251T2245-6		4
	ILLUSTRATION ITEMS NOT ON PARTS LIST ARE NOT APPLICABLE				

- ITEM NOT ILLUSTRATED

HXL

27-32-07-01

BOEING PROPRIETARY - Copyright © - Unpublished Work - See title page for details.

27-32-07
FIG. 01
PAGE 3
AUG 22/09



767

PARTS CATALOG (MAINTENANCE)

FIG ITEM	PART NUMBER	1 2 3 4 5 6 7	NOMENCLATURE	EFFECT FROM TO	UNITS PER ASSY
1					
40	BACB30LM4-33		.BOLT- QUALIFIED OPTIONAL DATA: (251T2255-1 OPTIONAL TO 251T2255-3. USE NAS6604-35 WITH -1. USE NAS6604-33 WITH -3) USED ON: 251T2245-5 251T2245-6		4
45	BACB30LM4-35		.BOLT- QUALIFIED OPTIONAL DATA: (251T2255-1 OPTIONAL TO 251T2255-3. USE NAS6604-35 WITH -1. USE NAS6604-33 WITH -3) USED ON: 251T2245-8 251T2245-12 USED ON: 251T2245-9 251T2245-10 251T2245-11 251T2210-12		3
45	BACB30LM4-33		.BOLT- QUALIFIED OPTIONAL DATA: (251T2255-1 OPTIONAL TO 251T2255-3. USE NAS6604-35 WITH -1. USE NAS6604-33 WITH -3) USED ON: 251T2245-8 251T2245-12 USED ON: 251T2245-9 251T2245-10 251T2245-11 251T2210-12		3
50	AN960PD416		.WASHER- USED ON: 251T2210-12 251T2210-12 251T2245-8 251T2245-9		4
50	AN960JD416		.WASHER- USED ON: 251T2245-10		4

ILLUSTRATION ITEMS NOT ON PARTS LIST ARE NOT APPLICABLE

- ITEM NOT ILLUSTRATED

HXL

27-32-07-01

BOEING PROPRIETARY - Copyright © - Unpublished Work - See title page for details.

27-32-07
FIG. 01
PAGE 4
AUG 22/09



767

PARTS CATALOG (MAINTENANCE)

FIG ITEM	PART NUMBER	1 2 3 4 5 6 7	NOMENCLATURE	EFFECT FROM TO	UNITS PER ASSY
1	50 NAS1149D0463J		.WASHER- USED ON: 251T2245-11 251T2245-12		4
	55 AN960PD416		.WASHER- USED ON: 251T2245-5 251T2245-6		4
	60 BRH10A4		.NUT- SUPPLIER CODE: V52828 SPECIFICATION NUMBER: BACN10JC4 OPTIONAL PART: T6S428J V11815 96-048 V80539 VN303A048 V92215 RMLH9075-4W V72962 NS202101-048 V80539 H10-4BAC V15653 USED ON: 251T2210-12 251T2245-8 251T2245-9		4
	60 BACN11AG4		.NUT- USED ON: 251T2245-12 USED ON: 251T2245-10 251T2245-11		4

ILLUSTRATION ITEMS NOT ON PARTS LIST ARE NOT APPLICABLE

- ITEM NOT ILLUSTRATED

HXL

27-32-07-01

BOEING PROPRIETARY - Copyright © - Unpublished Work - See title page for details.

27-32-07
FIG. 01
PAGE 5
AUG 22/09



**767
PARTS CATALOG (MAINTENANCE)**

FIG ITEM	PART NUMBER	1 2 3 4 5 6 7	NOMENCLATURE	EFFECT FROM TO	UNITS PER ASSY
1 65	BRH10A4		.NUT- SUPPLIER CODE: V52828 SPECIFICATION NUMBER: BACN10JC4 OPTIONAL PART: T6S428J V11815 96-048 V80539 VN303A048 V92215 RMLH9075-4W V72962 NS202101-048 V80539 H10-4BAC V15653 USED ON: 251T2245-5 251T2245-6		4
75	BRH10A4		.NUT- SUPPLIER CODE: V52828 SPECIFICATION NUMBER: BACN10JC4 OPTIONAL PART: T6S428J V11815 96-048 V80539 VN303A048 V92215 RMLH9075-4W V72962 NS202101-048 V80539 H10-4BAC V15653 USED ON: 251T2210-12 251T2245-8 251T2245-9		2
75	BACN11AG4		.NUT- USED ON: 251T2245-12 USED ON: 251T2245-10 251T2245-11		2

ILLUSTRATION ITEMS NOT ON PARTS LIST ARE NOT APPLICABLE

- ITEM NOT ILLUSTRATED

HXL

27-32-07-01

BOEING PROPRIETARY - Copyright © - Unpublished Work - See title page for details.

27-32-07
FIG. 01
PAGE 6
DEC 22/06

 **BOEING**
767
PARTS CATALOG (MAINTENANCE)

FIG ITEM	PART NUMBER	1 2 3 4 5 6 7	NOMENCLATURE	EFFECT FROM TO	UNITS PER ASSY
1					
80	AN960PD416		.WASHER- USED ON: 251T2210-12 251T2245-8 251T2245-9		2
80	AN960JD416		.WASHER- USED ON: 251T2245-10		2
80	NAS1149D0463J		.WASHER- USED ON: 251T2245-11 251T2245-12		2
85	69B83099-1		.LINK- USED ON: 251T2245-8 251T2245-9 251T2245-10 251T2245-11 251T2245-12		1
90	SSMKP04ASD705		.BEARING- SUPPLIER CODE: V83086 SPECIFICATION NUMBER: BACB10FS04 OPTIONAL PART: PACMKP04AA3908 V21335 PACMKP04AFS428 V21335 SSMKP04AP V21760 USED ON: 251T2245-8 251T2245-12 USED ON: 251T2245-9 251T2245-10 251T2245-11 251T2210-12		1
95	251T2149-1		.ARM ASSY-SPRING USED ON: 251T2245-5 251T2245-6		1
97	69B83099-1		..LINK		1
ILLUSTRATION ITEMS NOT ON PARTS LIST ARE NOT APPLICABLE					

- ITEM NOT ILLUSTRATED

HXL

27-32-07-01

BOEING PROPRIETARY - Copyright © - Unpublished Work - See title page for details.

27-32-07
FIG. 01
PAGE 7
AUG 22/08



767

PARTS CATALOG (MAINTENANCE)

FIG ITEM	PART NUMBER	1 2 3 4 5 6 7	NOMENCLATURE	EFFECT FROM TO	UNITS PER ASSY
1 100	KP4AFS428		.. BEARING SUPPLIER CODE: V06144 SPECIFICATION NUMBER: BACB10BX4 OPTIONAL PART: KP4AFS428 V21335 KP4A2TS V43991 LLKP4A V38443 KP4AG27 V30163 KP4A V38443 KP4ALY196 V40920 KP4ASD610 V83086 CS204E VK8455 KP4A V21760 KP4ANJC V06144		2
101	AN960P416		.. WASHER		2
103	BRH10A4		.. NUT SUPPLIER CODE: V52828 SPECIFICATION NUMBER: BACN10JC4 OPTIONAL PART: T6S428J V11815 96-048 V80539 VN303A048 V92215 RMLH9075-4W V72962 NS202101-048 V80539 H10-4BAC V15653		2
105	251T2149-2		.. ARM		1

ILLUSTRATION ITEMS NOT ON PARTS LIST ARE NOT APPLICABLE

- ITEM NOT ILLUSTRATED

HXL

27-32-07-01

BOEING PROPRIETARY - Copyright © - Unpublished Work - See title page for details.

27-32-07
 FIG. 01
 PAGE 8
 DEC 22/08



767

PARTS CATALOG (MAINTENANCE)

FIG ITEM	PART NUMBER	1 2 3 4 5 6 7	NOMENCLATURE	EFFECT FROM TO	UNITS PER ASSY
1 110	251T2156-1		.ARM ASSY-CRANK USED ON: 251T2245-8 251T2245-9 251T2245-10 251T2245-11 251T2245-12		1
115	MKSP6SD610		..BEARING SUPPLIER CODE: V83086 SPECIFICATION NUMBER: BACB10AR6 OPTIONAL PART: HHMKSP6 V38443 MKSP6-2TS V43991 MKSP6E9440A V21335 MKSP6FS428 V21335 MKSP63TT V43991 MKSP6G20 V38443 MKSP6 V38443		1

ILLUSTRATION ITEMS NOT ON PARTS LIST ARE NOT APPLICABLE

- ITEM NOT ILLUSTRATED

HXL

27-32-07-01

BOEING PROPRIETARY - Copyright © - Unpublished Work - See title page for details.

27-32-07
FIG. 01
PAGE 9
DEC 22/06



767

PARTS CATALOG (MAINTENANCE)

FIG ITEM	PART NUMBER	1 2 3 4 5 6 7	NOMENCLATURE	EFFECT FROM TO	UNITS PER ASSY
1 120	KP4AFS428		.. BEARING SUPPLIER CODE: V06144 SPECIFICATION NUMBER: BACB10BX4 OPTIONAL PART: KP4AFS428 V21335 KP4A2TS V43991 LLKP4A V38443 KP4AG27 V30163 KP4A V38443 KP4ALY196 V40920 KP4ASD610 V83086 CS204E VK8455 KP4A V21760 KP4ANJC V06144		1
150	251T2255-1		.ARM ASSY- OPTIONAL PART: 251T2255-3 USED ON: 251T2245-8 251T2245-9 251T2245-10 251T2245-11 251T2245-12		1
150	251T2255-3		.ARM ASSY- OPTIONAL PART: 251T2255-1 USED ON: 251T2245-8 251T2245-9 251T2245-10 251T2245-11 251T2245-12		1

ILLUSTRATION ITEMS NOT ON PARTS LIST ARE NOT APPLICABLE

- ITEM NOT ILLUSTRATED

HXL

27-32-07-01

BOEING PROPRIETARY - Copyright © - Unpublished Work - See title page for details.

27-32-07
 FIG. 01
 PAGE 10
 DEC 22/08



767

PARTS CATALOG (MAINTENANCE)

FIG ITEM	PART NUMBER	1 2 3 4 5 6 7	NOMENCLATURE	EFFECT FROM TO	UNITS PER ASSY
1 151	MKSP6SD610		.. BEARING SUPPLIER CODE: V83086 SPECIFICATION NUMBER: BACB10AR6 OPTIONAL PART: HHMKSP6 V38443 MKSP6-2TS V43991 MKSP6E9440A V21335 MKSP6FS428 V21335 MKSP63TT V43991 MKSP6G20 V38443 MKSP6 V38443		1
155	251T2255-1		.ARM ASSY- OPTIONAL PART: 251T2255-3 USED ON: 251T2245-5 251T2245-6		2
155	251T2255-3		.ARM ASSY- OPTIONAL PART: 251T2255-1 USED ON: 251T2245-5 251T2245-6		2

ILLUSTRATION ITEMS NOT ON PARTS LIST ARE NOT APPLICABLE

- ITEM NOT ILLUSTRATED

HXL

27-32-07-01

BOEING PROPRIETARY - Copyright © - Unpublished Work - See title page for details.

27-32-07
 FIG. 01
 PAGE 11
 DEC 22/06



767

PARTS CATALOG (MAINTENANCE)

FIG ITEM	PART NUMBER	1 2 3 4 5 6 7	NOMENCLATURE	EFFECT FROM TO	UNITS PER ASSY
1 160	MKSP6SD610		.. BEARING SUPPLIER CODE: V83086 SPECIFICATION NUMBER: BACB10AR6 OPTIONAL PART: HHMKSP6 V38443 MKSP6-2TS V43991 MKSP6E9440A V21335 MKSP6FS428 V21335 MKSP63TT V43991 MKSP6G20 V38443 MKSP6 V38443		1
180	BACB30LJ4-9		. BOLT-		1
185	AN960PD416		. WASHER- USED ON: 251T2210-11 251T2245-5 251T2245-6 251T2245-10		1
185	AN960JD416		. WASHER- USED ON: 251T2210-11 251T2245-5 251T2245-6 251T2245-10		1
185	NAS1149D0463J		. WASHER- USED ON: 251T2245-11 251T2245-12		1

ILLUSTRATION ITEMS NOT ON PARTS LIST ARE NOT APPLICABLE

- ITEM NOT ILLUSTRATED

HXL

27-32-07-01

BOEING PROPRIETARY - Copyright © - Unpublished Work - See title page for details.

27-32-07
FIG. 01
PAGE 12
DEC 22/06



767

PARTS CATALOG (MAINTENANCE)

FIG ITEM	PART NUMBER	1 2 3 4 5 6 7	NOMENCLATURE	EFFECT FROM TO	UNITS PER ASSY
1 190	BRH10A4		.NUT- SUPPLIER CODE: V52828 SPECIFICATION NUMBER: BACN10JC4 OPTIONAL PART: T6S428J V11815 96-048 V80539 VN303A048 V92215 RMLH9075-4W V72962 NS202101-048 V80539 H10-4BAC V15653 USED ON: 251T2210-11 251T2210-12 251T2245-5 251T2245-6		1
190	BACN11AG4		.NUT-		1
195	69B83132-3		.LINK ASSY		1

ILLUSTRATION ITEMS NOT ON PARTS LIST ARE NOT APPLICABLE

- ITEM NOT ILLUSTRATED

HXL

27-32-07-01

BOEING PROPRIETARY - Copyright © - Unpublished Work - See title page for details.

27-32-07
FIG. 01
PAGE 13
DEC 22/06



767

PARTS CATALOG (MAINTENANCE)

FIG ITEM	PART NUMBER	1 2 3 4 5 6 7	NOMENCLATURE	EFFECT FROM TO	UNITS PER ASSY
1 202	KP4AFS428		.. BEARING- SUPPLIER CODE: V06144 SPECIFICATION NUMBER: BACB10BX4 OPTIONAL PART: KP4AFS428 V21335 KP4A2TS V43991 LLKP4A V38443 KP4AG27 V30163 KP4A V38443 KP4ALY196 V40920 KP4ASD610 V83086 CS204E VK8455 KP4A V21760 KP4ANJC V06144 MS27641-4G BACB10A661		1
202	BACB10A661		.. BEARING- OPTIONAL PART: MS27641-4G BACB10BX4		1
202	MS27641-4G		.. BEARING- OPTIONAL PART: BACB10BX4 BACB10A661		1
210	NAS73-8E200		. SPACER		1
215	PACMKP8AFS428		. BEARING- SUPPLIER CODE: V21335 SPECIFICATION NUMBER: BACB10FS08J OPTIONAL PART: SSMKP8ASD536 V50294		1
220	BACB30LJ4-12		. BOLT-		1

ILLUSTRATION ITEMS NOT ON PARTS LIST ARE NOT APPLICABLE

- ITEM NOT ILLUSTRATED

27-32-07-01

27-32-07
 FIG. 01
 PAGE 14
 DEC 22/08

HXL



767

PARTS CATALOG (MAINTENANCE)

FIG ITEM	PART NUMBER	1 2 3 4 5 6 7	NOMENCLATURE	EFFECT FROM TO	UNITS PER ASSY
1					
225	AN960PD416		.WASHER- USED ON: 251T2210-11 251T2245-5 251T2245-6 251T2245-10		1
225	AN960JD416		.WASHER- USED ON: 251T2210-11 USED ON: 251T2221-11 251T2245-5 251T2245-6 251T2245-10		1
225	NAS1149D0463J		.WASHER- USED ON: 251T2245-11 251T2245-12		1
230	BACW10P280TF		.WASHER		2
235	BRH10A4		.NUT- SUPPLIER CODE: V52828 SPECIFICATION NUMBER: BACN10JC4 OPTIONAL PART: T6S428J V11815 96-048 V80539 VN303A048 V92215 RMLH9075-4W V72962 NS202101-048 V80539 H10-4BAC V15653 USED ON: 251T2210-11 251T2210-12 251T2245-5 251T2245-6		1
235	BACN11AG4		.NUT-		1
240	BACB28AK04-015		.BUSHING- USED ON: 251T2210-11 251T2210-12 251T2245-5 251T2245-6		1
ILLUSTRATION ITEMS NOT ON PARTS LIST ARE NOT APPLICABLE					

- ITEM NOT ILLUSTRATED

27-32-07-01

27-32-07
FIG. 01
PAGE 15
DEC 22/06

HXL



767

PARTS CATALOG (MAINTENANCE)

FIG ITEM	PART NUMBER	1 2 3 4 5 6 7	NOMENCLATURE	EFFECT FROM TO	UNITS PER ASSY
1					
240	BACB28AK04-025		.BUSHING- USED ON: 251T2245-8 251T2245-9 251T2245-10 251T2245-11 251T2245-12 251T2245-13		1
245	251T2148-1		.CRANK ASSY- OPTIONAL PART: 251T2148-3 USED ON: 251T2210-7 251T2210-8 251T2210-11 251T2210-12 251T2245-5 251T2245-6 251T2245-8 251T2245-9 251T2245-10 251T2245-11 251T2245-12 251T2245-13		1
245	251T2148-3		.CRANK ASSY- OPTIONAL PART: 251T2148-1 USED ON: 251T2210-11 251T2210-12 251T2245-8 251T2245-9 251T2245-10 251T2245-11 251T2245-12		1

ILLUSTRATION ITEMS NOT ON PARTS LIST ARE NOT APPLICABLE

- ITEM NOT ILLUSTRATED

HXL

27-32-07-01

BOEING PROPRIETARY - Copyright © - Unpublished Work - See title page for details.

27-32-07
FIG. 01
PAGE 16
DEC 22/06



767

PARTS CATALOG (MAINTENANCE)

FIG ITEM	PART NUMBER	1 2 3 4 5 6 7	NOMENCLATURE	EFFECT FROM TO	UNITS PER ASSY
1 250	KP8AFS428		.. BEARING SUPPLIER CODE: V06144 SPECIFICATION NUMBER: BACB10BX8 OPTIONAL PART: KP8AFS428 V21335 KP8A2TS V43991 LLKP8A V38443 KP8AG27 V30163 KP8A V38443 KP8BSD610 V83086 CS208E VK8455 KP8A V21760 KP8ANJC V06144 KP8ALY196 V40920		1
260	251T2148-2		.. CRANK- USED ON: 251T2148-1		1
260	251T2148-4		.. CRANK- USED ON: 251T2148-3		1
263	BACB28X4C013		.. BUSHING		1

ILLUSTRATION ITEMS NOT ON PARTS LIST ARE NOT APPLICABLE

- ITEM NOT ILLUSTRATED

HXL

27-32-07-01

BOEING PROPRIETARY - Copyright © - Unpublished Work - See title page for details.

27-32-07
 FIG. 01
 PAGE 17
 APR 22/09

 **BOEING**
767
PARTS CATALOG (MAINTENANCE)

FIG ITEM	PART NUMBER	1 2 3 4 5 6 7	NOMENCLATURE	EFFECT FROM TO	UNITS PER ASSY
1 265	BRH10A4		.NUT- SUPPLIER CODE: V52828 SPECIFICATION NUMBER: BACN10JC4 OPTIONAL PART: T6S428J V11815 96-048 V80539 VN303A048 V92215 RMLH9075-4W V72962 NS202101-048 V80539 H10-4BAC V15653 USED ON: 251T2210-11 251T2210-12 251T2245-5 251T2245-6		1
265	BACN11AG4		.NUT-		1
270	AN970-4		.WASHER		1
275	R584M54		.ACTUATOR ASSY- SUPPLIER CODE: V81039 ELECTRICAL EQUIP NUMBER: M01139 COMPONENT MAINT MANUAL REF: 27-30-01		1
370	251T2146-1		.SHAFT		1
375	251T2270-2		.SHAFT		1
377	251T2244-1		.HOUSING ASSY-BRG		2
378	BACB30LU2-8		..BOLT		2
379	AN960PD8L		..WASHER		2

ILLUSTRATION ITEMS NOT ON PARTS LIST ARE NOT APPLICABLE

- ITEM NOT ILLUSTRATED

HXL

27-32-07-01

BOEING PROPRIETARY - Copyright © - Unpublished Work - See title page for details.

27-32-07
FIG. 01
PAGE 18
DEC 22/06

 **BOEING**
767
PARTS CATALOG (MAINTENANCE)

FIG ITEM	PART NUMBER	1 2 3 4 5 6 7	NOMENCLATURE	EFFECT FROM TO	UNITS PER ASSY
1	380 BRH10A08		..NUT SUPPLIER CODE: V52828 SPECIFICATION NUMBER: BACN10JC08 OPTIONAL PART: H10-08BAC V15653 NS202101-82 V80539 RMLH9075-82W V72962 VN303A82 V92215 96-82 V80539 T6S832J V11815		2
381	251T2284-1		..PLATE		1
382	MKP16BSFS428		..BEARING SUPPLIER CODE: V06144 SPECIFICATION NUMBER: BACB10AW16 OPTIONAL PART: MKP16BSE9273 V21335 MKP16BSTT V43991 MKP16BS2TS V43991 LLMKP16BS V38443 MKP16BSG20 V38443 MKP16BSSD610 V83086 MKP16BS007M V40920 MKP16BS V06144 MKP16BSFS428 V21335 MKP16BSNJC V06144		1
383	251T2260-1		..HOUSING ASSY		1
400	251T2246-1		.BOLT ASSY		2

ILLUSTRATION ITEMS NOT ON PARTS LIST ARE NOT APPLICABLE

— ITEM NOT ILLUSTRATED

HXL

27-32-07-01

BOEING PROPRIETARY - Copyright © - Unpublished Work - See title page for details.

27-32-07
FIG. 01
PAGE 19
APR 22/09



767

PARTS CATALOG (MAINTENANCE)

FIG ITEM	PART NUMBER	1 2 3 4 5 6 7	NOMENCLATURE	EFFECT FROM TO	UNITS PER ASSY
1 405	ATF6		.BEARING- SUPPLIER CODE: V60380 SPECIFICATION NUMBER: BACB10ET06 OPTIONAL PART: 6AFC817 V92563 YAF06B V07484 USED ON: 251T2245-5 251T2245-6 251T2245-8 251T2245-9 251T2245-10 251T2245-11 251T2245-12		1
410	BACB28Y6C068		.BEARING- USED ON: 251T2245-5 251T2245-6 251T2245-8 251T2245-9 251T2245-10 251T2245-11 251T2245-12 251T2245-13		1
480	BACB28Y12D116		.SPACER		2
485	BACB30LM3-24		.BOLT-		1
490	AN960PD10		.WASHER- USED ON: 251T2210-11 251T2245-5 251T2245-6 251T2245-10		1
490	AN960JD10		.WASHER- USED ON: 251T2210-11 251T2245-5 251T2245-6 251T2245-10		1
490	NAS1149D0363J		.WASHER- USED ON: 251T2245-11 251T2245-12		1

ILLUSTRATION ITEMS NOT ON PARTS LIST ARE NOT APPLICABLE

- ITEM NOT ILLUSTRATED

27-32-07-01

27-32-07
FIG. 01
PAGE 20
DEC 22/06

HXL

BOEING PROPRIETARY - Copyright © - Unpublished Work - See title page for details.

 **BOEING**
767
PARTS CATALOG (MAINTENANCE)

FIG ITEM	PART NUMBER	1 2 3 4 5 6 7	NOMENCLATURE	EFFECT FROM TO	UNITS PER ASSY
1 495	BRH10A3		.NUT- SUPPLIER CODE: V52828 SPECIFICATION NUMBER: BACN10JC3 OPTIONAL PART: H10-3BAC V15653 NS202101-02 V80539 RMLH9075-3W V72962 VN303A02 V92215 96-02 V80539 T6S1032J V11815 USED ON: 251T2210-11 251T2210-12 251T2245-5 251T2245-6		1
495	H55338-3		.NUT- SUPPLIER CODE: V15653 SPECIFICATION NUMBER: BACN11AG3		1
500	251T2252-7		.CAM ASSY-		1
545	251T2287-11		.BOLT-HOLLOW		3
550	251T2287-1		.BOLT-HOLLOW		3
655	251T2128-1		.CLEVIS ASSY		1
660	251T2246-2		..BOLT ASSY		1
665	BACB30LJ4C22		...BOLT		1
670	251T2287-4		...BOLT-HOLLOW		1
675	AN960C416		..WASHER		1

ILLUSTRATION ITEMS NOT ON PARTS LIST ARE NOT APPLICABLE

- ITEM NOT ILLUSTRATED

HXL

27-32-07-01

BOEING PROPRIETARY - Copyright © - Unpublished Work - See title page for details.

27-32-07
FIG. 01
PAGE 21
DEC 22/08

 **BOEING**
767
PARTS CATALOG (MAINTENANCE)

FIG ITEM	PART NUMBER	1 2 3 4 5 6 7	NOMENCLATURE	EFFECT FROM TO	UNITS PER ASSY
1 680	BRH10C4M		..NUT SUPPLIER CODE: V52828 SPECIFICATION NUMBER: BACN10JC4CM OPTIONAL PART: T6C428JM V11815 97E48 V80539 109LH9075-4W V72962 VN303D048 V92215 H01-4BAC V15653 NS202101SE048 V80539		1
685	AN960C616		..WASHER		1
690	BRH10C6M		..NUT SUPPLIER CODE: V52828 SPECIFICATION NUMBER: BACN10JC6CM OPTIONAL PART: 97E064 V80539 102LH9075-6 V72962 H01-6BAC V15653		1
695	BACB28Y6E044		..BUSHING		1
700	251T2274-1		..RETAINER		1
705	251T2123-1		..CLEVIS- POSITION DATA: INNER		1
710	251T2124-1		..CLEVIS- POSITION DATA: OUTER		1
715	251T2283-1		.SPRING- USED ON: 251T2245-5 251T2245-6 251T2245-8		1

ILLUSTRATION ITEMS NOT ON PARTS LIST ARE NOT APPLICABLE

— ITEM NOT ILLUSTRATED

HXL

27-32-07-01

BOEING PROPRIETARY - Copyright © - Unpublished Work - See title page for details.

27-32-07
FIG. 01
PAGE 22
DEC 22/06



767

PARTS CATALOG (MAINTENANCE)

FIG ITEM	PART NUMBER	1 2 3 4 5 6 7	NOMENCLATURE	EFFECT FROM TO	UNITS PER ASSY
1					
715	251T2342-1		.SPRING- USED ON: 251T2245-9 251T2245-10 251T2245-11 251T2245-12		1
720	251T2282-1		.SPRING- USED ON: 251T2245-5 251T2245-6 251T2245-8		1
720	251T2343-1		.SPRING- USED ON: 251T2245-9 251T2245-10 251T2245-11		1
720	251T2343-2		.SPRING- USED ON: 251T2245-12		1
725	251T2120-1		.SPACER		1
- 800	286T0591		WIRE BUNDLE ASSY-(STALL WARNING SYSTEM ONLY)		RF
805	GS3418-14CD		.CLAMP- SUPPLIER CODE: V06324 SPECIFICATION NUMBER: BACC10HG14 OPTIONAL PART: S2126-14-8 V07418 ELECTRICAL EQUIP NUMBER: D01721T WIRING DIAGRAM REF: 273231		1
810	R071014R7SNL		.CONNECTOR- SUPPLIER CODE: V41118 SPECIFICATION NUMBER: BACC63BP14R7SNL MISCELLANEOUS DATA: OPTIONAL PART NUMBERS: BACC63BP14R7SN (81205) BACC63BP14A7SN (81205) BACC63BP14A7SNL (81205) ELECTRICAL EQUIP NUMBER: D01721 WIRING DIAGRAM REF: 273231		1

ILLUSTRATION ITEMS NOT ON PARTS LIST ARE NOT APPLICABLE

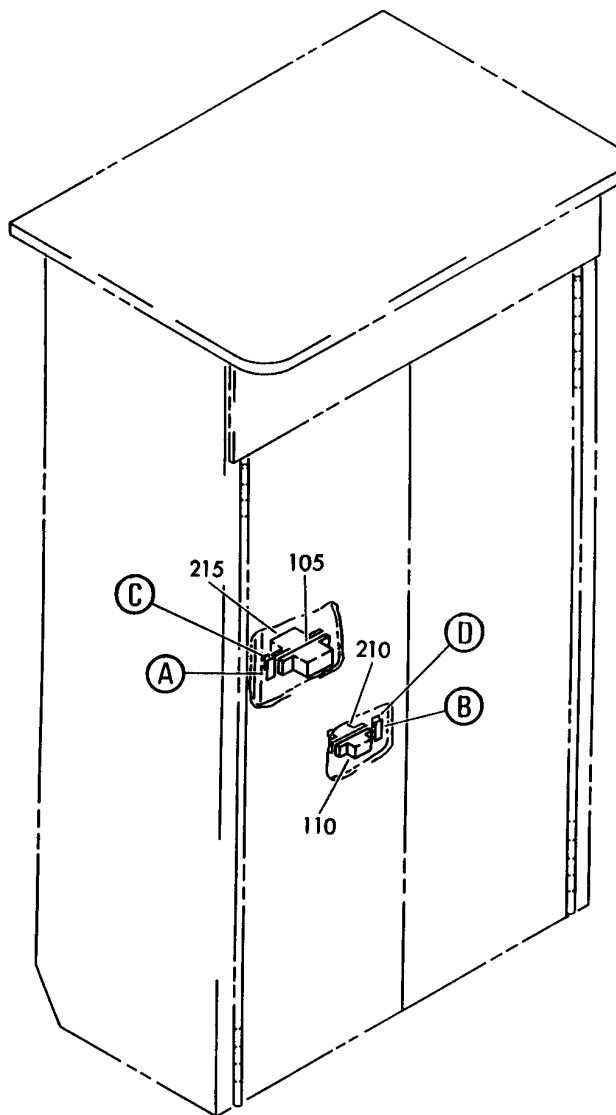
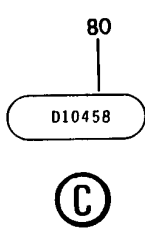
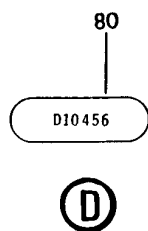
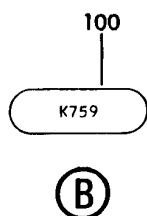
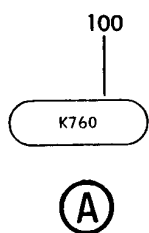
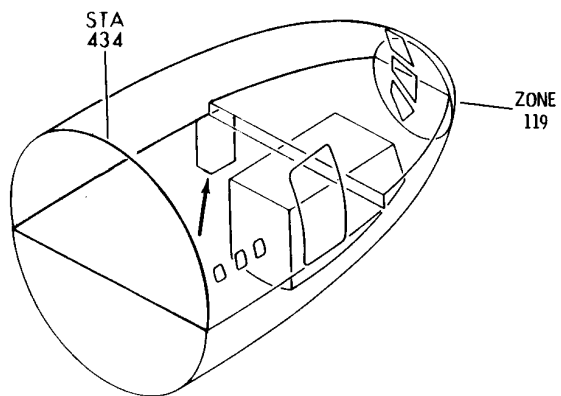
- ITEM NOT ILLUSTRATED

27-32-07-01

27-32-07
FIG. 01
PAGE 23
DEC 22/06

HXL

BOEING
767
PARTS CATALOG (MAINTENANCE)



V 27325501 REV 148

EQUIPMENT ASSY-P36 MISC ELEC PNL L (STALL WARNING SYSTEM ONLY)

FIGURE 1

27-32-55-01

HXL
DEC 22/06

27-32-55-01
PAGE 0



767

PARTS CATALOG (MAINTENANCE)

FIG ITEM	PART NUMBER	1 2 3 4 5 6 7	NOMENCLATURE	EFFECT FROM TO	UNITS PER ASSY
1			EQUIPMENT ASSY-P36 MISC ELEC PNL L (STALL WARNING SYSTEM ONLY)		
- 10	284T0187-167		EQUIPMENT ASSY-P36 MISC ELEC PNL (STALL WARNING SYSTEM ONLY) POSITION DATA: L FOR NHA/OTHER SYS DET SEE: 53-11-70-03	155162	RF
- 12	284T0187-205		EQUIPMENT ASSY-P36 MISC ELEC PNL (STALL WARNING SYSTEM ONLY) POSITION DATA: L FOR NHA/OTHER SYS DET SEE: 53-11-70-03	163163	RF
- 13	284T0187-212		EQUIPMENT ASSY-P36 MISC ELEC PNL (STALL WARNING SYSTEM ONLY) POSITION DATA: L FOR NHA/OTHER SYS DET SEE: 53-11-70-03	164999	RF
80	BAC27TEX4187		.DECALSET-INCLUDES DECALS IDENTIFIED ON THE ILLUSTRATION		RF
100	BAC27TEX4180		.DECALSET-INCLUDES DECALS IDENTIFIED ON THE ILLUSTRATION		RF

ILLUSTRATION ITEMS NOT ON PARTS LIST ARE NOT APPLICABLE

- ITEM NOT ILLUSTRATED

HXL

27-32-55-01

BOEING PROPRIETARY - Copyright © - Unpublished Work - See title page for details.

27-32-55
FIG. 01
PAGE 1
DEC 22/07



767

PARTS CATALOG (MAINTENANCE)

FIG ITEM	PART NUMBER	1 2 3 4 5 6 7	NOMENCLATURE	EFFECT FROM TO	UNITS PER ASSY
1 105	ES210-1632		.RELAY- SUPPLIER CODE: V99699 SPECIFICATION NUMBER: BACR13CF2AB OPTIONAL PART: JD4L018 V35344 JD4L031 V35344 BR246S0111 V56623 BR64S105 V56623 FCA210-71 V78290 61GB2319-1A320 V98927 ELECTRICAL EQUIP NUMBER: K00760		1
110	XD4N		.RELAY- SUPPLIER CODE: V58657 ELECTRICAL EQUIP NUMBER: K00759		1
- 200 210	286T0176-300 SO-1064-007		.WIRE BUNDLE ASSY ..SOCKET- SUPPLIER CODE: V58657 ELECTRICAL EQUIP NUMBER: D10456 WIRING DIAGRAM REF: 273231		RF 1
215	RSF116200		..SOCKET- SUPPLIER CODE: V58982 SPECIFICATION NUMBER: BACS16X1A OPTIONAL PART: 102-006-1 V09922 000300-1538 V05574 ELECTRICAL EQUIP NUMBER: D10458 WIRING DIAGRAM REF: 273231		1

ILLUSTRATION ITEMS NOT ON PARTS LIST ARE NOT APPLICABLE

- ITEM NOT ILLUSTRATED

HXL

27-32-55-01

BOEING PROPRIETARY - Copyright © - Unpublished Work - See title page for details.

27-32-55
FIG. 01
PAGE 2
DEC 22/07