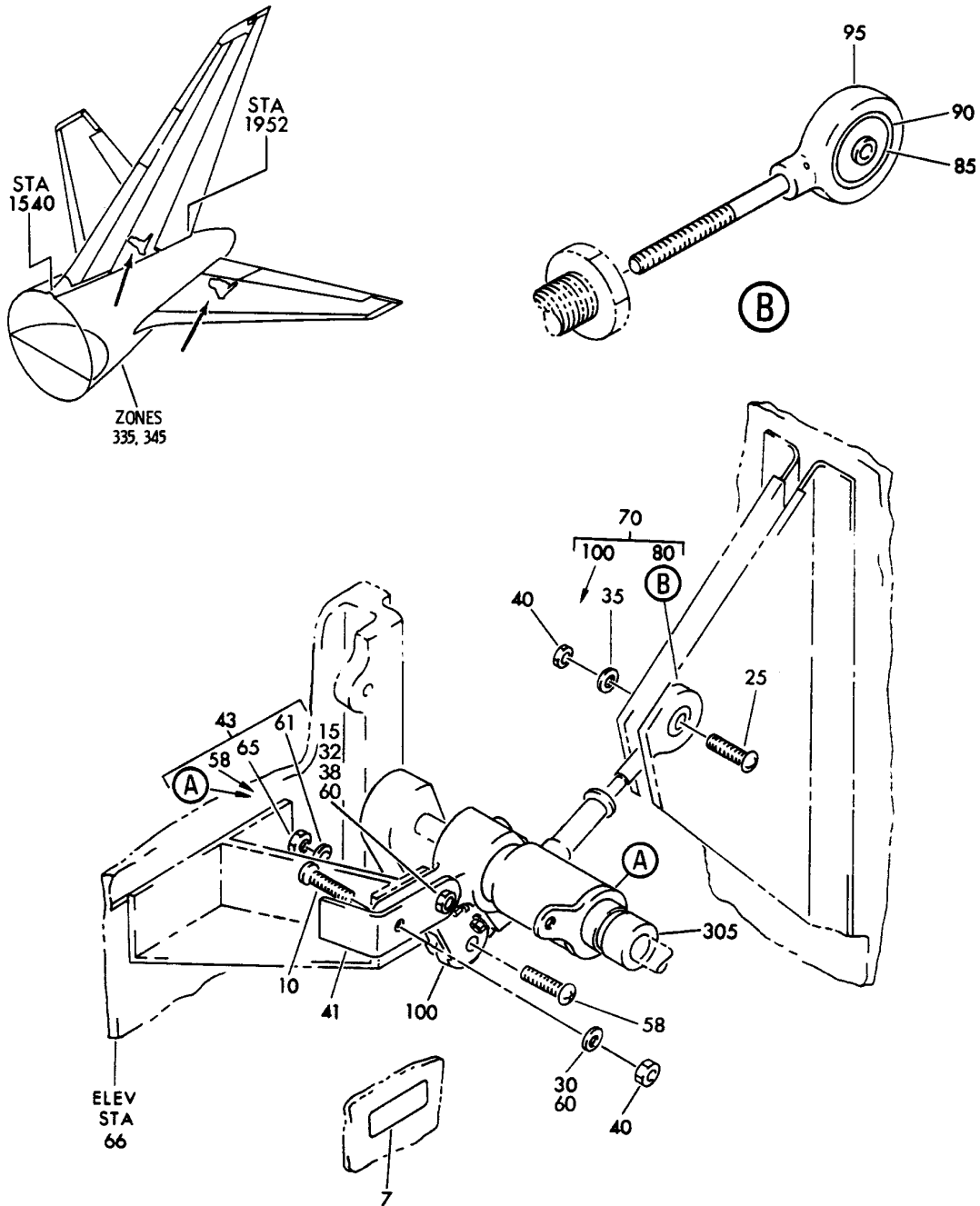


ELEVATOR POSITION INDICATING SYSTEM

HXL
DEC 22/06

27-38-00
SECTION TITLE
PAGE 1

BOEING
767
PARTS CATALOG (MAINTENANCE)



V 27380101 SHF 1 REV 202

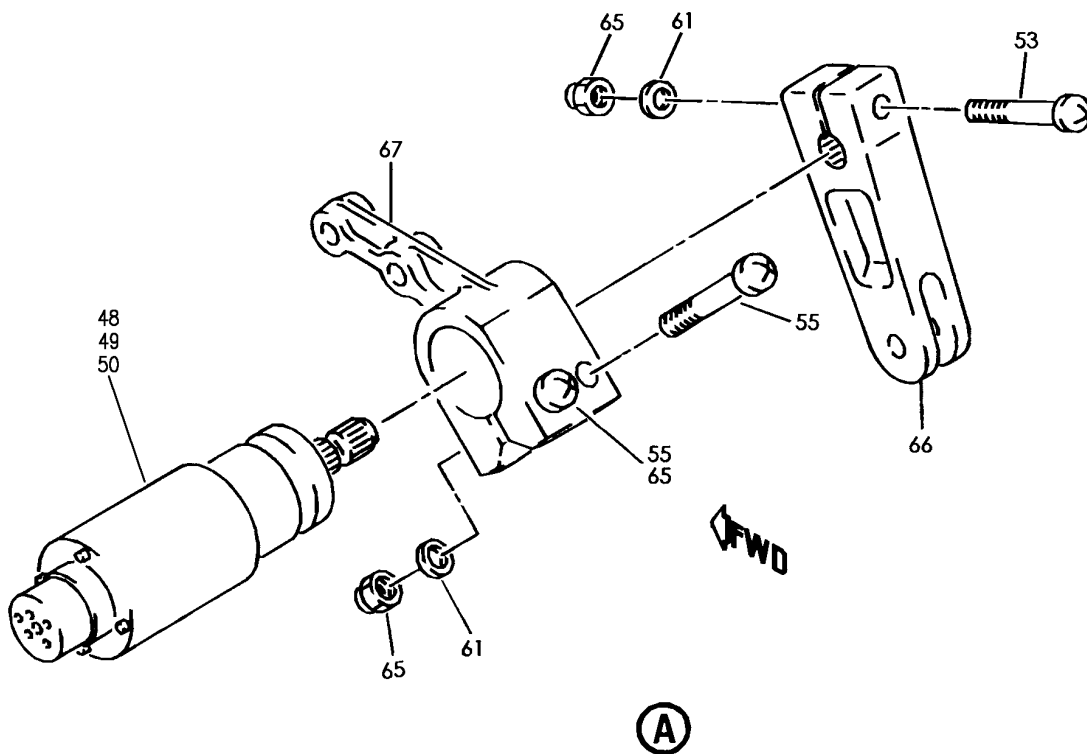
TRANSMITTER INSTL-ELEV CONT POSITION
FIGURE 1 (SHEET 1)

27-38-01-01

HXL
DEC 22/06

27-38-01-01
PAGE 0

BOEING
767
PARTS CATALOG (MAINTENANCE)



V 27380101 SH1 2 REV 295

TRANSMITTER INSTL-ELEV CONT POSITION
FIGURE 1 (SHEET 2)

27-38-01-01

HXL
DEC 22/06

27-38-01-01
PAGE 0A



767

PARTS CATALOG (MAINTENANCE)

FIG ITEM	PART NUMBER	1 2 3 4 5 6 7	NOMENCLATURE	EFFECT FROM TO	UNITS PER ASSY
1			TRANSMITTER INSTL-ELEV CONT POSITION		
- 1	251T2010-1		TRANSMITTER INSTL-ELEV CONT POSITION POSITION DATA: LH VARIABLE DRAWING REF: 251T2010-5005 251T2010-5007		RF
- 5	251T2010-2		TRANSMITTER INSTL-ELEV CONT POSITION POSITION DATA: RH VARIABLE DRAWING REF: 251T2010-5006 251T2010-5008 FOR NHA SEE: 27-31-62-01		RF
7	BAC27TCT0261		.MARKER-ALUMINUM FOIL POSITION DATA: LH SIDE PLACARD CONTENT: M517		1
- 8	BAC27TCT0262		.MARKER-ALUMINUM FOIL POSITION DATA: RH SIDE PLACARD CONTENT: M518		1
10	NAS623-3-11		.SCREW-		1
15	NAS623-4-11		.SCREW-		1
25	NAS623-3-10		.SCREW-		1
			QUALIFIED OPTIONAL DATA: (ASSY -7 OPTIONAL TO ASSY -3. ASSY -8 OPTIONAL TO ASSY -4. ASSY -9 OPTIONAL TO ASSY -5. ASSY -10 OPTIONAL TO ASSY -6. USE NAS623-3-8 WITH ASSY -7, -8, -9, -10. USE NAS623-3-10 WITH ASSY -3, -4, -5, -6)		
30	AN960PD10		.WASHER-		2
32	AN960PD416		.WASHER-		1
35	AN960-10		.WASHER-		1

ILLUSTRATION ITEMS NOT ON PARTS LIST ARE NOT APPLICABLE

- ITEM NOT ILLUSTRATED

HXL

27-38-01-01

BOEING PROPRIETARY - Copyright © - Unpublished Work - See title page for details.

27-38-01
FIG. 01
PAGE 1
AUG 22/08



767

PARTS CATALOG (MAINTENANCE)

FIG ITEM	PART NUMBER	1 2 3 4 5 6 7	NOMENCLATURE	EFFECT FROM TO	UNITS PER ASSY
1 38	BRH10A4		.NUT- SUPPLIER CODE: V52828 SPECIFICATION NUMBER: BACN10JC4 OPTIONAL PART: T6S428J V11815 96-048 V80539 VN303A048 V92215 RMLH9075-4W V72962 NS202101-048 V80539 H10-4BAC V15653		1
40	MS21042L3		.NUT-		2
41	69B70338-3		.ANGLE ASSY-		1
43	251T2010-3		.TRANSMITTER ASSY- POSITION DATA: LH SIDE COMPONENT MAINT MANUAL REF: 27-38-11 QUALIFIED OPTIONAL DATA: (OPT 251T2010-7 USED WITH NAS623-3-10)		1
43	251T2010-5		.TRANSMITTER ASSY- POSITION DATA: LH SIDE COMPONENT MAINT MANUAL REF: 27-38-11 QUALIFIED OPTIONAL DATA: (OPT 251T2010-9 USED WITH NAS623-3-10)		1
43	251T2010-7		.TRANSMITTER ASSY- POSITION DATA: LH SIDE COMPONENT MAINT MANUAL REF: 27-38-11 QUALIFIED OPTIONAL DATA: (OPT 251T2010-3 USED WITH NAS623-3-8)		1

ILLUSTRATION ITEMS NOT ON PARTS LIST ARE NOT APPLICABLE

- ITEM NOT ILLUSTRATED

HXL

27-38-01-01

BOEING PROPRIETARY - Copyright © - Unpublished Work - See title page for details.

27-38-01
FIG. 01
PAGE 2
DEC 22/06



767

PARTS CATALOG (MAINTENANCE)

FIG ITEM	PART NUMBER	1 2 3 4 5 6 7	NOMENCLATURE	EFFECT FROM TO	UNITS PER ASSY
1	43 251T2010-9		.TRANSMITTER ASSY- POSITION DATA: LH SIDE COMPONENT MAINT MANUAL REF: 27-38-11 QUALIFIED OPTIONAL DATA: (OPT 251T2010-5 USED WITH NAS623-3-8)		1
	43 251T2010-11		.TRANSMITTER ASSY- POSITION DATA: LH SIDE COMPONENT MAINT MANUAL REF: 27-38-11 OPTIONAL PART: 251T2010-13		1
	43 251T2010-13		.TRANSMITTER ASSY- POSITION DATA: LH SIDE COMPONENT MAINT MANUAL REF: 27-38-11 OPTIONAL PART: 251T2010-11		1
-	44 251T2010-4		.TRANSMITTER ASSY- POSITION DATA: RH SIDE COMPONENT MAINT MANUAL REF: 27-38-11 QUALIFIED OPTIONAL DATA: (OPT 251T2010-8 USED WITH NAS623-3-10)		1
-	44 251T2010-6		.TRANSMITTER ASSY- POSITION DATA: RH SIDE COMPONENT MAINT MANUAL REF: 27-38-11 QUALIFIED OPTIONAL DATA: (OPT 251T2010-10 USED WITH NAS623-3-10)		1
-	44 251T2010-8		.TRANSMITTER ASSY- POSITION DATA: RH SIDE COMPONENT MAINT MANUAL REF: 27-38-11 QUALIFIED OPTIONAL DATA: (OPT 251T2010-4 USED WITH NAS623-3-8)		1

ILLUSTRATION ITEMS NOT ON PARTS LIST ARE NOT APPLICABLE

- ITEM NOT ILLUSTRATED

27-38-01-01

27-38-01
FIG. 01
PAGE 3
DEC 22/06

HXL



767

PARTS CATALOG (MAINTENANCE)

FIG ITEM	PART NUMBER	1 2 3 4 5 6 7	NOMENCLATURE	EFFECT FROM TO	UNITS PER ASSY
1					
- 44	251T2010-10		.TRANSMITTER ASSY- POSITION DATA: RH SIDE COMPONENT MAINT MANUAL REF: 27-38-11 QUALIFIED OPTIONAL DATA: (OPT 251T2010-6 USED WITH NAS623-3-8)		1
- 44	251T2010-12		.TRANSMITTER ASSY- POSITION DATA: RH SIDE COMPONENT MAINT MANUAL REF: 27-38-11 OPTIONAL PART: 251T2010-14		1
- 44	251T2010-14		.TRANSMITTER ASSY- POSITION DATA: RH SIDE COMPONENT MAINT MANUAL REF: 27-38-11 OPTIONAL PART: 251T2010-12		1
48	ZR1A		..TRANSMITTER ASSY-POSITION CONT SUPPLIER CODE: V51761 FUNCTIONAL DESCRIPTION: PROVIDES ELECTRICAL SIGNALS CORRESPONDING TO CONTROL SURFACE MOVEMENT SPECIFICATION NUMBER: S250N104-4 ELECTRICAL EQUIP NUMBER: M00517 M00518 COMPONENT MAINT MANUAL REF: 27-09-07 OPTIONAL PART: H505B V33463 USED ON: 251T2010-13 251T2010-14		1
ILLUSTRATION ITEMS NOT ON PARTS LIST ARE NOT APPLICABLE					

- ITEM NOT ILLUSTRATED

HXL

27-38-01-01

BOEING PROPRIETARY - Copyright © - Unpublished Work - See title page for details.

27-38-01
FIG. 01
PAGE 4
DEC 22/06

BOEING
767
PARTS CATALOG (MAINTENANCE)

FIG ITEM	PART NUMBER	1 2 3 4 5 6 7	NOMENCLATURE	EFFECT FROM TO	UNITS PER ASSY
1 49	13TX0115A		.. TRANSMITTER ASSY-CONT SURF. POSITION SUPPLIER CODE: V51761 SPECIFICATION NUMBER: 60B40042-3 ELECTRICAL EQUIP NUMBER: M00517 M00518 COMPONENT MAINT MANUAL REF: 27-09-02 OPTIONAL PART: 7977-18-01 V1K426 OPTIONAL PART: 13TX0615A V51761 USED ON: 251T2010-3 251T2010-4		1
49	13TX0615A		.. TRANSMITTER ASSY-CONT SURF. SUPPLIER CODE: V51761 SPECIFICATION NUMBER: 60B40042-7 ELECTRICAL EQUIP NUMBER: M00517 M00518 COMPONENT MAINT MANUAL REF: 27-09-02 OPTIONAL PART: 13TX0115A V51761 7977-18-01 V1K426 USED ON: 251T2010-3 251T2010-4		1

ILLUSTRATION ITEMS NOT ON PARTS LIST ARE NOT APPLICABLE

- ITEM NOT ILLUSTRATED

HXL

27-38-01-01

BOEING PROPRIETARY - Copyright © - Unpublished Work - See title page for details.

27-38-01
FIG. 01
PAGE 5
DEC 22/06



767

PARTS CATALOG (MAINTENANCE)

FIG ITEM	PART NUMBER	1 2 3 4 5 6 7	NOMENCLATURE	EFFECT FROM TO	UNITS PER ASSY
1	49 7977-18-01		.. TRANSMITTER ASSY-CONT SURF. POSITION SUPPLIER CODE: V1K426 SPECIFICATION NUMBER: 60B40042-3 ELECTRICAL EQUIP NUMBER: M00517 M00518 COMPONENT MAINT MANUAL REF: 27-09-01 OPTIONAL PART: 13TX0115A V51761 OPTIONAL PART: 13TX0615A V51761 USED ON: 251T2010-3 251T2010-4		1
	49 13TX0615A		.. TRANSMITTER ASSY-CONT SURF. SUPPLIER CODE: V51761 SPECIFICATION NUMBER: 60B40042-7 ELECTRICAL EQUIP NUMBER: M00517 M00518 COMPONENT MAINT MANUAL REF: 27-09-02 OPTIONAL PART: 13TX0115A V51761 7977-18-01 V1K426 USED ON: 251T2010-7 251T2010-8		1

ILLUSTRATION ITEMS NOT ON PARTS LIST ARE NOT APPLICABLE

- ITEM NOT ILLUSTRATED

HXL

27-38-01-01

BOEING PROPRIETARY - Copyright © - Unpublished Work - See title page for details.

27-38-01
 FIG. 01
 PAGE 6
 DEC 22/06



767

PARTS CATALOG (MAINTENANCE)

FIG ITEM	PART NUMBER	1 2 3 4 5 6 7	NOMENCLATURE	EFFECT FROM TO	UNITS PER ASSY
1	49 13TX0115A		.. TRANSMITTER ASSY-CONT SURF. POSITION SUPPLIER CODE: V51761 SPECIFICATION NUMBER: 60B40042-3 ELECTRICAL EQUIP NUMBER: M00517 M00518 COMPONENT MAINT MANUAL REF: 27-09-02 OPTIONAL PART: 7977-18-01 V1K426 OPTIONAL PART: 13TX0615A V51761 USED ON: 251T2010-7 251T2010-8		1
	49 7977-18-01		.. TRANSMITTER ASSY-CONT SURF. POSITION SUPPLIER CODE: V1K426 SPECIFICATION NUMBER: 60B40042-3 ELECTRICAL EQUIP NUMBER: M00517 M00518 COMPONENT MAINT MANUAL REF: 27-09-01 OPTIONAL PART: 13TX0115A V51761 OPTIONAL PART: 13TX0615A V51761 USED ON: 251T2010-7 251T2010-8		1

ILLUSTRATION ITEMS NOT ON PARTS LIST ARE NOT APPLICABLE

- ITEM NOT ILLUSTRATED

HXL

27-38-01-01

BOEING PROPRIETARY - Copyright © - Unpublished Work - See title page for details.

27-38-01
 FIG. 01
 PAGE 7
 DEC 22/06



767

PARTS CATALOG (MAINTENANCE)

FIG ITEM	PART NUMBER	1 2 3 4 5 6 7 NOMENCLATURE	EFFECT FROM TO	UNITS PER ASSY
1 49	H509B	.. TRANSMITTER ASSY-POSITION CONT SUPPLIER CODE: V33463 FUNCTIONAL DESCRIPTION: CONVERTS A MECHANICAL ANGULAR DISPLACEMENT INTO THREE ELECTRICAL SIGNALS. SPECIFICATION NUMBER: S250N104-6 ELECTRICAL EQUIP NUMBER: M00517 M00518 COMPONENT MAINT MANUAL REF: 27-01-06 OPTIONAL PART: ZR3A V51761 USED ON: 251T2010-3 251T2010-4 251T2010-7 251T2010-8		1

ILLUSTRATION ITEMS NOT ON PARTS LIST ARE NOT APPLICABLE

- ITEM NOT ILLUSTRATED

HXL

27-38-01-01

BOEING PROPRIETARY - Copyright © - Unpublished Work - See title page for details.

27-38-01
 FIG. 01
 PAGE 8
 APR 22/09



767

PARTS CATALOG (MAINTENANCE)

FIG ITEM	PART NUMBER	1 2 3 4 5 6 7	NOMENCLATURE	EFFECT FROM TO	UNITS PER ASSY
1 49	ZR3A		.. TRANSMITTER ASSY-POSITION CONT SUPPLIER CODE: V51761 FUNCTIONAL DESCRIPTION: PROVIDES AN ELECTRICAL SIGNAL PROPORTIONAL TO THE POSITION OF A CONTROL SURFACE (AILERON, SPOILER, RUDDER OR ELEVATOR) SPECIFICATION NUMBER: S250N104-6 ELECTRICAL EQUIP NUMBER: M00517 M00518 COMPONENT MAINT MANUAL REF: 27-09-07 OPTIONAL PART: H509B V33463 USED ON: 251T2010-3 251T2010-4 251T2010-7 251T2010-8		1
49	H505A		.. TRANSMITTER ASSY-POSITION CONT SUPPLIER CODE: V33463 SPECIFICATION NUMBER: S250N104-1 ELECTRICAL EQUIP NUMBER: M00517 M00518 COMPONENT MAINT MANUAL REF: 27-01-01 USED ON: 251T2010-3 251T2010-4 251T2010-7 251T2010-8		1

ILLUSTRATION ITEMS NOT ON PARTS LIST ARE NOT APPLICABLE

- ITEM NOT ILLUSTRATED

HXL

27-38-01-01

BOEING PROPRIETARY - Copyright © - Unpublished Work - See title page for details.

27-38-01
 FIG. 01
 PAGE 9
 APR 22/09



767

PARTS CATALOG (MAINTENANCE)

FIG ITEM	PART NUMBER	1 2 3 4 5 6 7	NOMENCLATURE	EFFECT FROM TO	UNITS PER ASSY
1	49 H505B		.. TRANSMITTER ASSY-POSITION CONT SUPPLIER CODE: V33463 FUNCTIONAL DESCRIPTION: PROVIDES ELECTRICAL SIGNALS CORRESPONDING TO CONTROL SURFACE MOVEMENT SPECIFICATION NUMBER: S250N104-4 ELECTRICAL EQUIP NUMBER: M00517 M00518 COMPONENT MAINT MANUAL REF: 27-01-07 OPTIONAL PART: ZR1A V51761 USED ON: 251T2010-3 251T2010-4 251T2010-7 251T2010-8		1
	49 ZR1A		.. TRANSMITTER ASSY-POSITION CONT SUPPLIER CODE: V51761 FUNCTIONAL DESCRIPTION: PROVIDES ELECTRICAL SIGNALS CORRESPONDING TO CONTROL SURFACE MOVEMENT SPECIFICATION NUMBER: S250N104-4 ELECTRICAL EQUIP NUMBER: M00517 M00518 COMPONENT MAINT MANUAL REF: 27-09-07 OPTIONAL PART: H505B V33463 USED ON: 251T2010-3 251T2010-4 251T2010-7 251T2010-8		1

ILLUSTRATION ITEMS NOT ON PARTS LIST ARE NOT APPLICABLE

- ITEM NOT ILLUSTRATED

HXL

27-38-01-01

BOEING PROPRIETARY - Copyright © - Unpublished Work - See title page for details.

27-38-01
 FIG. 01
 PAGE 10
 APR 22/09



767

PARTS CATALOG (MAINTENANCE)

FIG ITEM	PART NUMBER	1 2 3 4 5 6 7	NOMENCLATURE	EFFECT FROM TO	UNITS PER ASSY
1 49	ZR3A		.. TRANSMITTER ASSY-POSITION CONT SUPPLIER CODE: V51761 FUNCTIONAL DESCRIPTION: PROVIDES AN ELECTRICAL SIGNAL PROPORTIONAL TO THE POSITION OF A CONTROL SURFACE (AILERON, SPOILER, RUDDER OR ELEVATOR) SPECIFICATION NUMBER: S250N104-6 ELECTRICAL EQUIP NUMBER: M00517 M00518 COMPONENT MAINT MANUAL REF: 27-09-07 OPTIONAL PART: H509B V33463 USED ON: 251T2010-13 251T2010-14		1
49	H509B		.. TRANSMITTER ASSY-POSITION CONT SUPPLIER CODE: V33463 FUNCTIONAL DESCRIPTION: CONVERTS A MECHANICAL ANGULAR DISPLACEMENT INTO THREE ELECTRICAL SIGNALS. SPECIFICATION NUMBER: S250N104-6 ELECTRICAL EQUIP NUMBER: M00517 M00518 COMPONENT MAINT MANUAL REF: 27-01-06 OPTIONAL PART: ZR3A V51761 USED ON: 251T2010-13 251T2010-14		1

ILLUSTRATION ITEMS NOT ON PARTS LIST ARE NOT APPLICABLE

- ITEM NOT ILLUSTRATED

HXL

27-38-01-01

BOEING PROPRIETARY - Copyright © - Unpublished Work - See title page for details.

27-38-01
 FIG. 01
 PAGE 11
 APR 22/09



767

PARTS CATALOG (MAINTENANCE)

FIG ITEM	PART NUMBER	1 2 3 4 5 6 7	NOMENCLATURE	EFFECT FROM TO	UNITS PER ASSY
1 49	H505A		..TRANSMITTER ASSY-POSITION CONT SUPPLIER CODE: V33463 SPECIFICATION NUMBER: S250N104-1 ELECTRICAL EQUIP NUMBER: M00517 M00518 COMPONENT MAINT MANUAL REF: 27-01-01 USED ON: 251T2010-13 251T2010-14		1
49	H505B		..TRANSMITTER ASSY-POSITION CONT SUPPLIER CODE: V33463 FUNCTIONAL DESCRIPTION: PROVIDES ELECTRICAL SIGNALS CORRESPONDING TO CONTROL SURFACE MOVEMENT SPECIFICATION NUMBER: S250N104-4 ELECTRICAL EQUIP NUMBER: M00517 M00518 COMPONENT MAINT MANUAL REF: 27-01-07 OPTIONAL PART: ZR1A V51761 USED ON: 251T2010-13 251T2010-14		1
49	13TX0615A		..TRANSMITTER ASSY-CONT SURF. SUPPLIER CODE: V51761 SPECIFICATION NUMBER: 60B40042-7 ELECTRICAL EQUIP NUMBER: M00517 M00518 COMPONENT MAINT MANUAL REF: 27-09-02 USED ON: 251T2010-13 251T2010-14		1

ILLUSTRATION ITEMS NOT ON PARTS LIST ARE NOT APPLICABLE

- ITEM NOT ILLUSTRATED

HXL

27-38-01-01

BOEING PROPRIETARY - Copyright © - Unpublished Work - See title page for details.

27-38-01
FIG. 01
PAGE 12
APR 22/09



767

PARTS CATALOG (MAINTENANCE)

FIG ITEM	PART NUMBER	1 2 3 4 5 6 7	NOMENCLATURE	EFFECT FROM TO	UNITS PER ASSY
1	49 13TX0115A		.. TRANSMITTER ASSY-CONT SURF. POSITION SUPPLIER CODE: V51761 SPECIFICATION NUMBER: 60B40042-3 ELECTRICAL EQUIP NUMBER: M00517 M00518 COMPONENT MAINT MANUAL REF: 27-09-02 OPTIONAL PART: 7977-18-01 V1K426 USED ON: 251T2010-13 251T2010-14		1
50	7977-18-01		.. TRANSMITTER ASSY-CONT SURF. POSITION SUPPLIER CODE: V1K426 SPECIFICATION NUMBER: 60B40042-3 ELECTRICAL EQUIP NUMBER: M00517 M00518 COMPONENT MAINT MANUAL REF: 27-09-01 OPTIONAL PART: 13TX0115A V51761 OPTIONAL PART: 13TX0615A V51761 H505B V33463 H509B V33463 ZR3A V51761 USED ON: 251T2010-11 251T2010-12		1

ILLUSTRATION ITEMS NOT ON PARTS LIST ARE NOT APPLICABLE

- ITEM NOT ILLUSTRATED

HXL

27-38-01-01

BOEING PROPRIETARY - Copyright © - Unpublished Work - See title page for details.

27-38-01
 FIG. 01
 PAGE 13
 DEC 22/06



767

PARTS CATALOG (MAINTENANCE)

FIG ITEM	PART NUMBER	1 2 3 4 5 6 7 NOMENCLATURE	EFFECT FROM TO	UNITS PER ASSY
1 50	13TX0115A	.. TRANSMITTER ASSY-CONT SURF. POSITION SUPPLIER CODE: V51761 SPECIFICATION NUMBER: 60B40042-3 ELECTRICAL EQUIP NUMBER: M00517 M00518 COMPONENT MAINT MANUAL REF: 27-09-02 OPTIONAL PART: 7977-18-01 V1K426 OPTIONAL PART: 13TX0615A V51761 H505B V33463 H509B V33463 ZR1A V51761 ZR3A V51761 USED ON: 251T2010-11 251T2010-12		1

ILLUSTRATION ITEMS NOT ON PARTS LIST ARE NOT APPLICABLE

- ITEM NOT ILLUSTRATED

HXL

27-38-01-01

BOEING PROPRIETARY - Copyright © - Unpublished Work - See title page for details.

27-38-01
 FIG. 01
 PAGE 14
 DEC 22/06



767

PARTS CATALOG (MAINTENANCE)

FIG ITEM	PART NUMBER	1 2 3 4 5 6 7	NOMENCLATURE	EFFECT FROM TO	UNITS PER ASSY
1 50	13TX0615A		.. TRANSMITTER ASSY-CONT SURF. SUPPLIER CODE: V51761 SPECIFICATION NUMBER: 60B40042-7 ELECTRICAL EQUIP NUMBER: M00517 M00518 COMPONENT MAINT MANUAL REF: 27-09-02 OPTIONAL PART: 7977-18-01 V86197 H505B V33463 H509B V33463 13TX0115A V51761 ZR3A V51761 ZR1A V51761 USED ON: 251T2010-11 251T2010-12		1
50	H505A		.. TRANSMITTER ASSY-POSITION CONT SUPPLIER CODE: V33463 SPECIFICATION NUMBER: S250N104-1 ELECTRICAL EQUIP NUMBER: M00517 M00518 COMPONENT MAINT MANUAL REF: 27-01-01 USED ON: 251T2010-11 251T2010-12		1

ILLUSTRATION ITEMS NOT ON PARTS LIST ARE NOT APPLICABLE

- ITEM NOT ILLUSTRATED

HXL

27-38-01-01

BOEING PROPRIETARY - Copyright © - Unpublished Work - See title page for details.

27-38-01
 FIG. 01
 PAGE 15
 DEC 22/06



767

PARTS CATALOG (MAINTENANCE)

FIG ITEM	PART NUMBER	1 2 3 4 5 6 7 NOMENCLATURE	EFFECT FROM TO	UNITS PER ASSY
1 50	H505B	.. TRANSMITTER ASSY-POSITION CONT SUPPLIER CODE: V33463 FUNCTIONAL DESCRIPTION: PROVIDES ELECTRICAL SIGNALS CORRESPONDING TO CONTROL SURFACE MOVEMENT SPECIFICATION NUMBER: S250N104-4 ELECTRICAL EQUIP NUMBER: M00517 M00518 COMPONENT MAINT MANUAL REF: 27-01-07 OPTIONAL PART: ZR1A V51761 OPTIONAL PART: 13TX0615A V51761 7977-18-01 V86197 13TX0115A V51761 H509B V33463 ZR1A V51761 ZR3A V51761 USED ON: 251T2010-11 251T2010-12		1

ILLUSTRATION ITEMS NOT ON PARTS LIST ARE NOT APPLICABLE

- ITEM NOT ILLUSTRATED

HXL

27-38-01-01

BOEING PROPRIETARY - Copyright © - Unpublished Work - See title page for details.

27-38-01
 FIG. 01
 PAGE 16
 DEC 22/06



767

PARTS CATALOG (MAINTENANCE)

FIG ITEM	PART NUMBER	1 2 3 4 5 6 7 NOMENCLATURE	EFFECT FROM TO	UNITS PER ASSY
1 50	H509B	.. TRANSMITTER ASSY-POSITION CONT SUPPLIER CODE: V33463 FUNCTIONAL DESCRIPTION: CONVERTS A MECHANICAL ANGULAR DISPLACEMENT INTO THREE ELECTRICAL SIGNALS. SPECIFICATION NUMBER: S250N104-6 ELECTRICAL EQUIP NUMBER: M00517 M00518 COMPONENT MAINT MANUAL REF: 27-01-06 OPTIONAL PART: ZR3A V51761 OPTIONAL PART: 13TX0615A V51761 7977-18-01 V86197 13TX0115A V51761 H505B V33463 ZR1A V51761 ZR3A V51761 USED ON: 251T2010-11 251T2010-12		1

ILLUSTRATION ITEMS NOT ON PARTS LIST ARE NOT APPLICABLE

- ITEM NOT ILLUSTRATED

HXL

27-38-01-01

BOEING PROPRIETARY - Copyright © - Unpublished Work - See title page for details.

27-38-01
 FIG. 01
 PAGE 17
 APR 22/09



767

PARTS CATALOG (MAINTENANCE)

FIG ITEM	PART NUMBER	1 2 3 4 5 6 7 NOMENCLATURE	EFFECT FROM TO	UNITS PER ASSY
1 50	ZR1A	.. TRANSMITTER ASSY-POSITION CONT SUPPLIER CODE: V51761 FUNCTIONAL DESCRIPTION: PROVIDES ELECTRICAL SIGNALS CORRESPONDING TO CONTROL SURFACE MOVEMENT SPECIFICATION NUMBER: S250N104-4 ELECTRICAL EQUIP NUMBER: M00517 M00518 COMPONENT MAINT MANUAL REF: 27-09-07 OPTIONAL PART: H505B V33463 OPTIONAL PART: 13TX0615A V51761 13TX0115A V51761 H509B V33463 ZR3A V51761 7977-18-01 V1K426 USED ON: 251T2010-11 251T2010-12		1

ILLUSTRATION ITEMS NOT ON PARTS LIST ARE NOT APPLICABLE

- ITEM NOT ILLUSTRATED

HXL

27-38-01-01

BOEING PROPRIETARY - Copyright © - Unpublished Work - See title page for details.

27-38-01
 FIG. 01
 PAGE 18
 DEC 22/06



767

PARTS CATALOG (MAINTENANCE)

FIG ITEM	PART NUMBER	1 2 3 4 5 6 7 NOMENCLATURE	EFFECT FROM TO	UNITS PER ASSY
1 50	ZR3A	.. TRANSMITTER ASSY-POSITION CONT SUPPLIER CODE: V51761 FUNCTIONAL DESCRIPTION: PROVIDES AN ELECTRICAL SIGNAL PROPORTIONAL TO THE POSITION OF A CONTROL SURFACE (AILERON, SPOILER, RUDDER OR ELEVATOR) SPECIFICATION NUMBER: S250N104-6 ELECTRICAL EQUIP NUMBER: M00517 M00518 COMPONENT MAINT MANUAL REF: 27-09-07 OPTIONAL PART: H509B V33463 OPTIONAL PART: 13TX0115A V51761 7977-18-01 V1K426 13TX0615A V51761 ZR1A V51761 H505B V33463 USED ON: 251T2010-11 251T2010-12		1

ILLUSTRATION ITEMS NOT ON PARTS LIST ARE NOT APPLICABLE

- ITEM NOT ILLUSTRATED

HXL

27-38-01-01

BOEING PROPRIETARY - Copyright © - Unpublished Work - See title page for details.

27-38-01
 FIG. 01
 PAGE 19
 DEC 22/06



PARTS CATALOG (MAINTENANCE)

FIG ITEM	PART NUMBER	1 2 3 4 5 6 7	NOMENCLATURE	EFFECT FROM TO	UNITS PER ASSY
1 50	13TX0615A		.. TRANSMITTER ASSY-CONT SURF. SUPPLIER CODE: V51761 SPECIFICATION NUMBER: 60B40042-7 ELECTRICAL EQUIP NUMBER: M00517 M00518 COMPONENT MAINT MANUAL REF: 27-09-02 OPTIONAL PART: H505A V33463 USED ON: 251T2010-5 251T2010-6 251T2010-9 251T2010-10		1
50	H505A		.. TRANSMITTER ASSY-POSITION CONT SUPPLIER CODE: V33463 SPECIFICATION NUMBER: S250N104-1 ELECTRICAL EQUIP NUMBER: M00517 M00518 COMPONENT MAINT MANUAL REF: 27-01-01 OPTIONAL PART: 13TX0615A V51761 USED ON: 251T2010-5 251T2010-6 251T2010-9 251T2010-10		1

ILLUSTRATION ITEMS NOT ON PARTS LIST ARE NOT APPLICABLE

- ITEM NOT ILLUSTRATED

HXL

27-38-01-01

BOEING PROPRIETARY - Copyright © - Unpublished Work - See title page for details.

27-38-01
 FIG. 01
 PAGE 20
 DEC 22/06



PARTS CATALOG (MAINTENANCE)

FIG ITEM	PART NUMBER	1 2 3 4 5 6 7	NOMENCLATURE	EFFECT FROM TO	UNITS PER ASSY
1 50	H509B		.. TRANSMITTER ASSY-POSITION CONT SUPPLIER CODE: V33463 SPECIFICATION NUMBER: S250N104-6 ELECTRICAL EQUIP NUMBER: M00517 M00518 COMPONENT MAINT MANUAL REF: 27-01-06 OPTIONAL PART: ZR3A V51761 USED ON: 251T2010-5 251T2010-6 251T2010-9 251T2010-10		1
50	ZR3A		.. TRANSMITTER ASSY-POSITION CONT SUPPLIER CODE: V51761 FUNCTIONAL DESCRIPTION: PROVIDES AN ELECTRICAL SIGNAL PROPORTIONAL TO THE POSITION OF A CONTROL SURFACE (AILERON, SPOILER, RUDDER OR ELEVATOR) SPECIFICATION NUMBER: S250N104-6 ELECTRICAL EQUIP NUMBER: M00517 M00518 COMPONENT MAINT MANUAL REF: 27-09-07 OPTIONAL PART: H509B V33463 USED ON: 251T2010-5 251T2010-6 251T2010-9 251T2010-10		1

ILLUSTRATION ITEMS NOT ON PARTS LIST ARE NOT APPLICABLE

- ITEM NOT ILLUSTRATED

HXL

27-38-01-01

BOEING PROPRIETARY - Copyright © - Unpublished Work - See title page for details.

27-38-01
 FIG. 01
 PAGE 21
 DEC 22/06



767

PARTS CATALOG (MAINTENANCE)

FIG ITEM	PART NUMBER	1 2 3 4 5 6 7	NOMENCLATURE	EFFECT FROM TO	UNITS PER ASSY
1	50 H505B		.. TRANSMITTER ASSY-POSITION CONT SUPPLIER CODE: V33463 FUNCTIONAL DESCRIPTION: PROVIDES ELECTRICAL SIGNALS CORRESPONDING TO CONTROL SURFACE MOVEMENT SPECIFICATION NUMBER: S250N104-4 ELECTRICAL EQUIP NUMBER: M00517 M00518 COMPONENT MAINT MANUAL REF: 27-01-07 OPTIONAL PART: ZR1A V51761 USED ON: 251T2010-5 251T2010-6 251T2010-9 251T2010-10		1
	50 ZR1A		.. TRANSMITTER ASSY-POSITION CONT SUPPLIER CODE: V51761 FUNCTIONAL DESCRIPTION: PROVIDES ELECTRICAL SIGNALS CORRESPONDING TO CONTROL SURFACE MOVEMENT SPECIFICATION NUMBER: S250N104-4 ELECTRICAL EQUIP NUMBER: M00517 M00518 COMPONENT MAINT MANUAL REF: 27-09-07 OPTIONAL PART: H505B V33463 USED ON: 251T2010-5 251T2010-6 251T2010-9 251T2010-10		1

ILLUSTRATION ITEMS NOT ON PARTS LIST ARE NOT APPLICABLE

- ITEM NOT ILLUSTRATED

HXL

27-38-01-01

BOEING PROPRIETARY - Copyright © - Unpublished Work - See title page for details.

27-38-01
 FIG. 01
 PAGE 22
 DEC 22/06



767

PARTS CATALOG (MAINTENANCE)

FIG ITEM	PART NUMBER	1 2 3 4 5 6 7	NOMENCLATURE	EFFECT FROM TO	UNITS PER ASSY
1 50	13TX0115A		.. TRANSMITTER ASSY-CONT SURF. POSITION SUPPLIER CODE: V51761 SPECIFICATION NUMBER: 60B40042-3 ELECTRICAL EQUIP NUMBER: M00517 M00518 COMPONENT MAINT MANUAL REF: 27-09-02 OPTIONAL PART: 7977-18-01 V1K426 USED ON: 251T2010-5 251T2010-6 251T2010-9 251T2010-10		1
- 51	NAS623-3-12		.. SCREW- QUALIFIED OPTIONAL DATA: (69-71007-3 WITH NAS623-3-8 AND NAS623-3-12 OR 69-15812-2 WITH NAS623-3-10 AND NAS623-3-16 OPTIONAL TO 69-15812-1 WITH NAS623-3-10 AND NAS623-3-16) USED ON: 251T2010-3 251T2010-4 251T2010-5 251T2010-6 251T2010-7 251T2010-8 251T2010-9 251T2010-10 251T2010-11 251T2010-12		1

ILLUSTRATION ITEMS NOT ON PARTS LIST ARE NOT APPLICABLE

- ITEM NOT ILLUSTRATED

HXL

27-38-01-01

BOEING PROPRIETARY - Copyright © - Unpublished Work - See title page for details.

27-38-01
 FIG. 01
 PAGE 23
 DEC 22/06



767

PARTS CATALOG (MAINTENANCE)

FIG ITEM	PART NUMBER	1 2 3 4 5 6 7	NOMENCLATURE	EFFECT FROM TO	UNITS PER ASSY
1	53 NAS623-3-16		.. SCREW- QUALIFIED OPTIONAL DATA: (69-71007-3 WITH NAS623-3-8 AND NAS623-3-12 OR 69-15812-2 WITH NAS623-3-10 AND NAS623-3-16 OPTIONAL TO 69-15812-1 WITH NAS623-3-10 AND NAS623-3-16) USED ON: 251T2010-11 251T2010-12 251T2010-13 251T2010-14		1
-	55 NAS623-3-20		.. SCREW		2
-	57 NAS623-3-8		.. SCREW- QUALIFIED OPTIONAL DATA: (69-71007-3 WITH NAS623-3-8 AND NAS623-3-12 OR 69-15812-2 WITH NAS623-3-10 AND NAS623-3-16 OPTIONAL TO 69-15812-1 WITH NAS623-3-10 AND NAS623-3-16) USED ON: 251T2010-11 251T2010-12		1
	58 NAS623-3-10		.. SCREW- QUALIFIED OPTIONAL DATA: (69-71007-3 WITH NAS623-3-8 AND NAS623-3-12 OR 69-15812-2 WITH NAS623-3-10 AND NAS623-3-16 OPTIONAL TO 69-15812-1 WITH NAS623-3-10 AND NAS623-3-16) USED ON: 251T2010-3 251T2010-4 251T2010-5 251T2010-6 251T2010-11 251T2010-12		1

ILLUSTRATION ITEMS NOT ON PARTS LIST ARE NOT APPLICABLE

- ITEM NOT ILLUSTRATED

HXL

27-38-01-01

BOEING PROPRIETARY - Copyright © - Unpublished Work - See title page for details.

27-38-01
 FIG. 01
 PAGE 24
 DEC 22/06

 **BOEING**
767
PARTS CATALOG (MAINTENANCE)

FIG ITEM	PART NUMBER	1 2 3 4 5 6 7	NOMENCLATURE	EFFECT FROM TO	UNITS PER ASSY
1 60	AN960JD10		.. WASHER- USED ON: 251T2010-3 251T2010-4 251T2010-5 251T2010-6 251T2010-7 251T2010-8 251T2010-9 251T2010-10 251T2010-11 251T2010-12		2
61	NAS1149D0363J		.. WASHER- USED ON: 251T2010-13 251T2010-14		3
65	MS21042L3		.. NUT- USED ON: 251T2010-3 251T2010-5 251T2010-7 251T2010-9 251T2010-4 251T2010-6 251T2010-8 251T2010-10 251T2010-11 251T2010-12		4
65	BRH10C3D		.. NUT- SUPPLIER CODE: V52828 SPECIFICATION NUMBER: BACN10JC3CD OPTIONAL PART: T6C1032JCD V11815 NS202486-02 V80539 102LH9075-3W V72962 H51650-3BAC V15653 USED ON: 251T2010-13 251T2010-14		4

ILLUSTRATION ITEMS NOT ON PARTS LIST ARE NOT APPLICABLE

- ITEM NOT ILLUSTRATED

HXL

27-38-01-01

BOEING PROPRIETARY - Copyright © - Unpublished Work - See title page for details.

27-38-01
FIG. 01
PAGE 25
DEC 22/06



767

PARTS CATALOG (MAINTENANCE)

FIG ITEM	PART NUMBER	1 2 3 4 5 6 7	NOMENCLATURE	EFFECT FROM TO	UNITS PER ASSY
1	66 69-15812-1		.. CRANK- QUALIFIED OPTIONAL DATA: (69-71007-3 WITH NAS623-3-8 AND NAS623-3-12 OR 69-15812-2 WITH NAS623-3-10 AND NAS623-16 OPTIONAL TO 69-15812-1 WITH NAS623-3-10 AND NAS623-3-16) USED ON: 251T2010-11 251T2010-12		1
	66 69-71007-3		.. CRANK- QUALIFIED OPTIONAL DATA: (69-71007-3 WITH NAS623-3-8 AND NAS623-3-12 OR 69-15812-2 WITH NAS623-3-10 AND NAS623-3-16 OPTIONAL TO 69-15812-1 WITH NAS623-3-10 AND NAS623-3-16) USED ON: 251T2010-3 251T2010-4 251T2010-5 251T2010-6 251T2010-7 251T2010-8 251T2010-9 251T2010-10 251T2010-11 251T2010-12		1

ILLUSTRATION ITEMS NOT ON PARTS LIST ARE NOT APPLICABLE

- ITEM NOT ILLUSTRATED

HXL

27-38-01-01

BOEING PROPRIETARY - Copyright © - Unpublished Work - See title page for details.

27-38-01
 FIG. 01
 PAGE 26
 DEC 22/06



767

PARTS CATALOG (MAINTENANCE)

FIG ITEM	PART NUMBER	1 2 3 4 5 6 7	NOMENCLATURE	EFFECT FROM TO	UNITS PER ASSY
1					
66	69-15812-2		.. CRANK- QUALIFIED OPTIONAL DATA: (69-71007-3 WITH NAS623-3-8 AND NAS623-3-12 OR 69-15812-2 WITH NAS623-3-10 AND NAS623-3-16 OPTIONAL TO 69-15812-1 WITH NAS623-3-10 AND NAS623-3-16) USED ON: 251T2010-11 251T2010-12 251T2010-13 251T2010-14		1
67	65B80863-13		.. BRACKET ASSY- POSITION DATA: LH SIDE		1
- 68	65B80863-12		.. BRACKET ASSY- POSITION DATA: RH SIDE		1
70	65B81011-308		. ROD ASSY- COMPONENT MAINT MANUAL REF: 27-00-13		1
80	69B81024-9		.. END ASSY-ROD		1
85	KSP3LFS428		... BEARING SUPPLIER CODE: V21335 SPECIFICATION NUMBER: BACB10AC3L OPTIONAL PART: HHKSP3L V38443 KSP3LE9440A V21335 KSP3L2TS V43991 KSP3LG27 V30163		1
90	69B81026-1		... SLEEVE		1
95	69B81024-10		... END		1
100	69-43491-1		.. END ASSY-ROD		1
- 300	286T0514-101		WIRE BUNDLE ASSY		RF

ILLUSTRATION ITEMS NOT ON PARTS LIST ARE NOT APPLICABLE

- ITEM NOT ILLUSTRATED

HXL

27-38-01-01

BOEING PROPRIETARY - Copyright © - Unpublished Work - See title page for details.

27-38-01
FIG. 01
PAGE 27
DEC 22/06



767

PARTS CATALOG (MAINTENANCE)

FIG ITEM	PART NUMBER	1 2 3 4 5 6 7	NOMENCLATURE	EFFECT FROM TO	UNITS PER ASSY
1 305	C0909A10C05SN		.CONNECTOR- SUPPLIER CODE: V13556 SPECIFICATION NUMBER: BACC63BN10C5S OPTIONAL PART: 48-63N10C5S V02660 R071210C5S V41118 ELECTRICAL EQUIP NUMBER: D01858 D01860 WIRING DIAGRAM REF: 273811		2

ILLUSTRATION ITEMS NOT ON PARTS LIST ARE NOT APPLICABLE

- ITEM NOT ILLUSTRATED

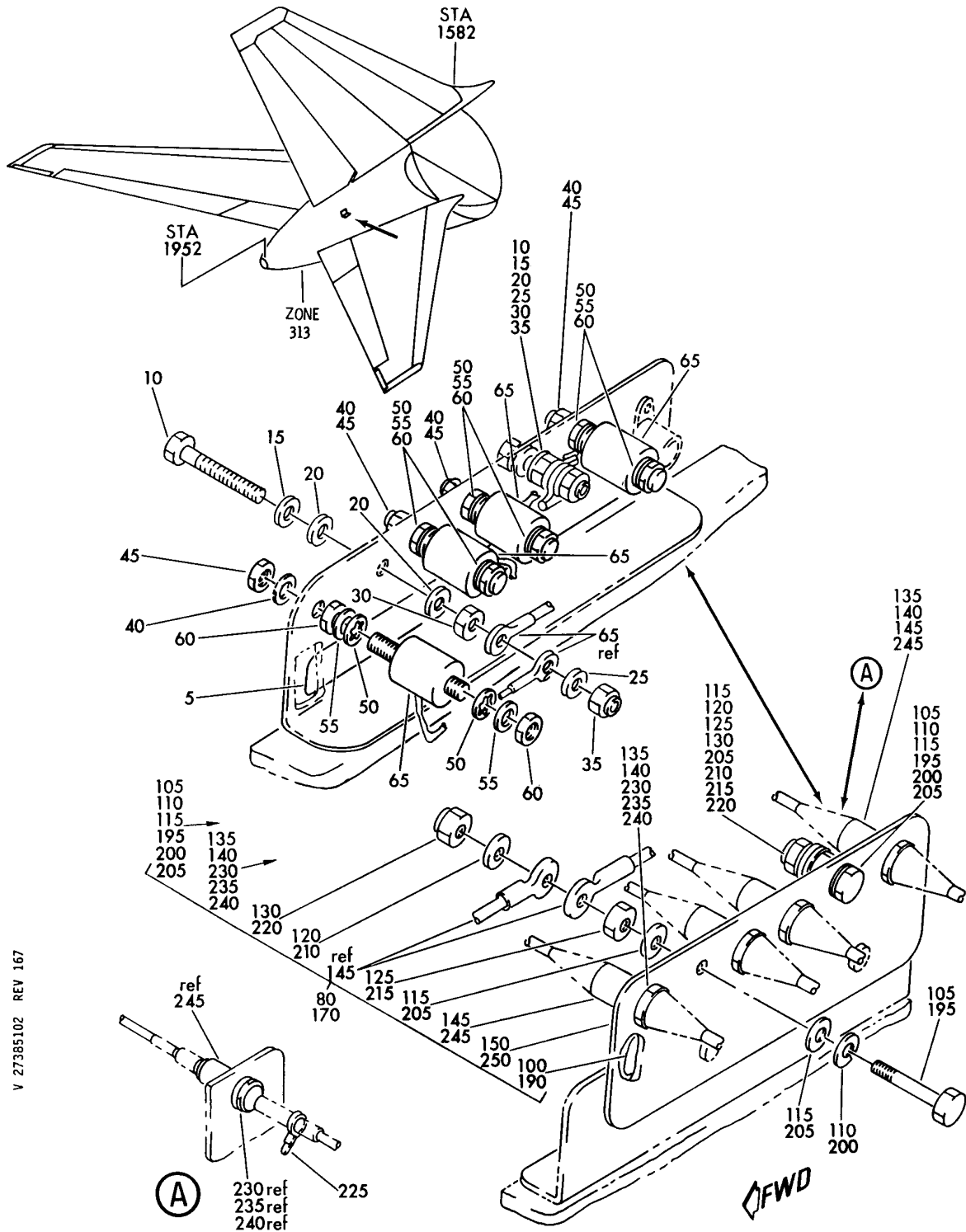
HXL

27-38-01-01

BOEING PROPRIETARY - Copyright © - Unpublished Work - See title page for details.

27-38-01
FIG. 01
PAGE 28
DEC 22/06

BOEING
767
PARTS CATALOG (MAINTENANCE)



V 27385102 REV 167

FILTER INSTL-JACK SCREW BAY
FIGURE 2

27-38-51-02

HXL
DEC 22/06

27-38-51-02
PAGE 0



767

PARTS CATALOG (MAINTENANCE)

FIG ITEM	PART NUMBER	1 2 3 4 5 6 7	NOMENCLATURE	EFFECT FROM TO	UNITS PER ASSY
2					
- 1	284T0804-1		FILTER INSTL-JACK SCREW BAY FILTER INSTL-JACK SCREW BAY VARIABLE DRAWING REF: 284T0804-5003		1
80	284T0869-1		.FILTER ASSY- OPTIONAL PART: 284T0869-3		1
80	284T0869-3		.FILTER ASSY- OPTIONAL PART: 284T0869-1		1
- 85	NAS1801-3-8		ATTACHING PARTS .SCREW-		2
- 90	AN960PD10L		.WASHER-		2
- 95	BRH10A3		.NUT- SUPPLIER CODE: V52828 SPECIFICATION NUMBER: BACN10JC3 OPTIONAL PART: H10-3BAC V15653 NS202101-02 V80539 RMLH9075-3W V72962 VN303A02 V92215 96-02 V80539 T6S1032J V11815		2
100	BAC27TEX3054		-----*----- ..MARKER-ALUMINUM FOIL- PLACARD CONTENT: M1144 M1145 M1146 M1147		1
105	NAS1801-3-10		..SCREW		2
110	MS35338-43		..WASHER		2
115	AN960D10L		..WASHER		4
120	AN960-10L		..WASHER		2
125	MS35650-305T		..NUT		2

ILLUSTRATION ITEMS NOT ON PARTS LIST ARE NOT APPLICABLE

- ITEM NOT ILLUSTRATED

27-38-51-02

27-38-51
FIG. 02
PAGE 1
AUG 22/08

HXL



767

PARTS CATALOG (MAINTENANCE)

FIG ITEM	PART NUMBER	1 2 3 4 5 6 7	NOMENCLATURE	EFFECT FROM TO	UNITS PER ASSY
2 130	BRH10A3		..NUT- SUPPLIER CODE: V52828 SPECIFICATION NUMBER: BACN10JC3 OPTIONAL PART: H10-3BAC V15653 NS202101-02 V80539 RMLH9075-3W V72962 VN303A02 V92215 96-02 V80539 T6S1032J V11815 USED ON: 284T0869-1		2
130	MS21042L3		..NUT- USED ON: 284T0869-3		2
135	AN960PD416L		..WASHER- USED ON: 284T0869-1		4
135	AN960KD416L		..WASHER- USED ON: 284T0869-3		4
140	NAS1423-4		..NUT		4
145	CSK21201		..FILTER- SUPPLIER CODE: V12294 ELECTRICAL EQUIP NUMBER: M01144 M01145 M01146 M01147 OPTIONAL PART: TRN01-010099-01 V72982 USED ON: 284T0869-1		4

ILLUSTRATION ITEMS NOT ON PARTS LIST ARE NOT APPLICABLE

- ITEM NOT ILLUSTRATED

HXL

27-38-51-02

BOEING PROPRIETARY - Copyright © - Unpublished Work - See title page for details.

27-38-51
 FIG. 02
 PAGE 2
 DEC 22/07



767

PARTS CATALOG (MAINTENANCE)

FIG ITEM	PART NUMBER	1 2 3 4 5 6 7	NOMENCLATURE	EFFECT FROM TO	UNITS PER ASSY
2 145	TRN01-010099-01		.. FILTER- SUPPLIER CODE: V72982 ELECTRICAL EQUIP NUMBER: M01144 M01145 M01146 M01147 OPTIONAL PART: CSK21201 V12294		4
150	284T0869-2		.. PLATE		1

ILLUSTRATION ITEMS NOT ON PARTS LIST ARE NOT APPLICABLE

- ITEM NOT ILLUSTRATED

HXL

27-38-51-02

BOEING PROPRIETARY - Copyright © - Unpublished Work - See title page for details.

27-38-51
FIG. 02
PAGE 3
DEC 22/07