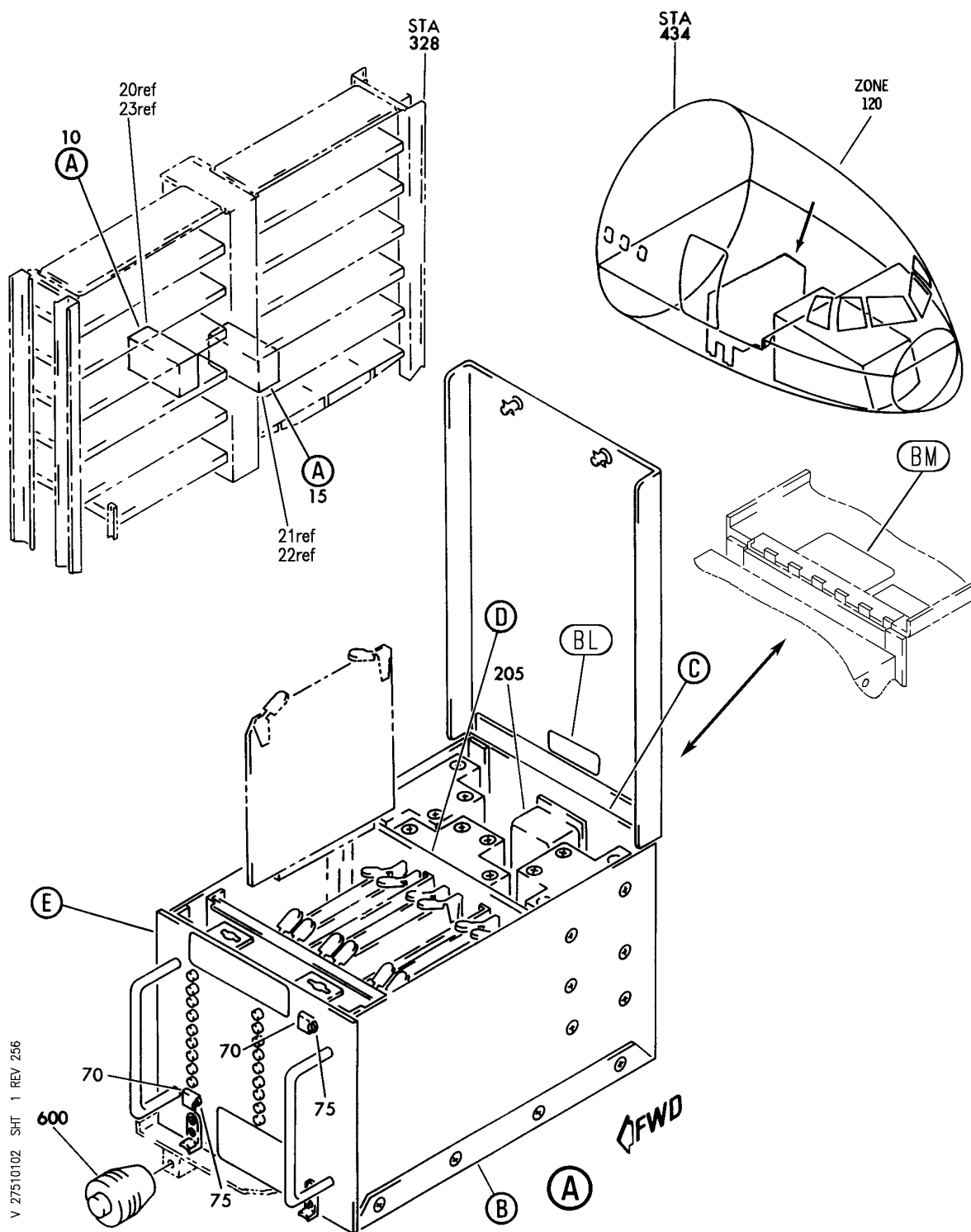


## TRAILING EDGE FLAP SYSTEM

HXL  
DEC 22/06

27-51-00  
SECTION TITLE  
PAGE 1

**BOEING**  
767  
PARTS CATALOG (MAINTENANCE)



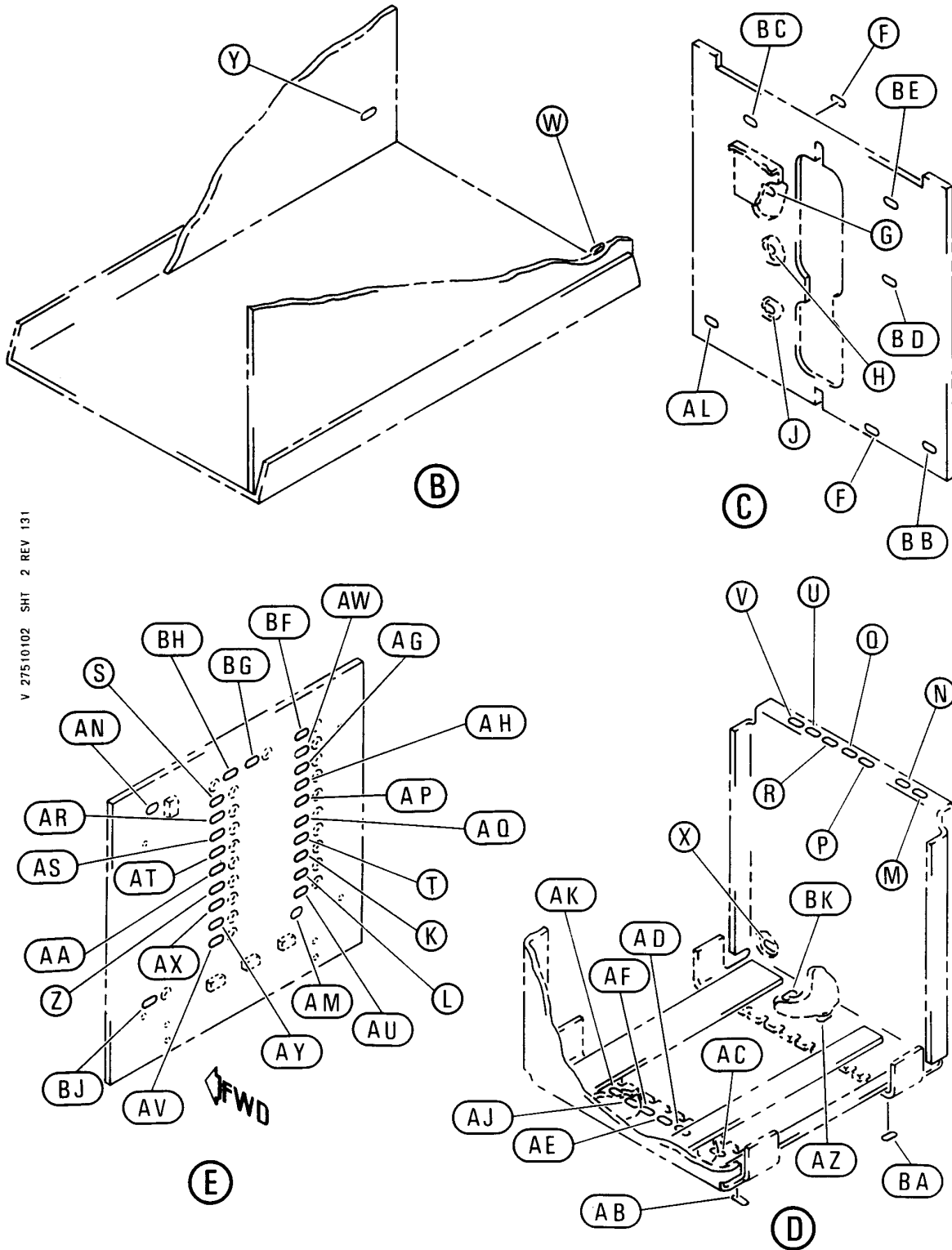
EQUIPMENT INSTL-ELECTRONIC EQPT CTR E1/E2 RACK (TRAILING EDGE FLAP SYSTEM ONLY)  
FIGURE 2 (SHEET 1)

**27-51-01-02**

HXL  
DEC 22/06

27-51-01-02  
PAGE 0

**BOEING**  
767  
PARTS CATALOG (MAINTENANCE)



V 27510102 SHT 2 REV 131

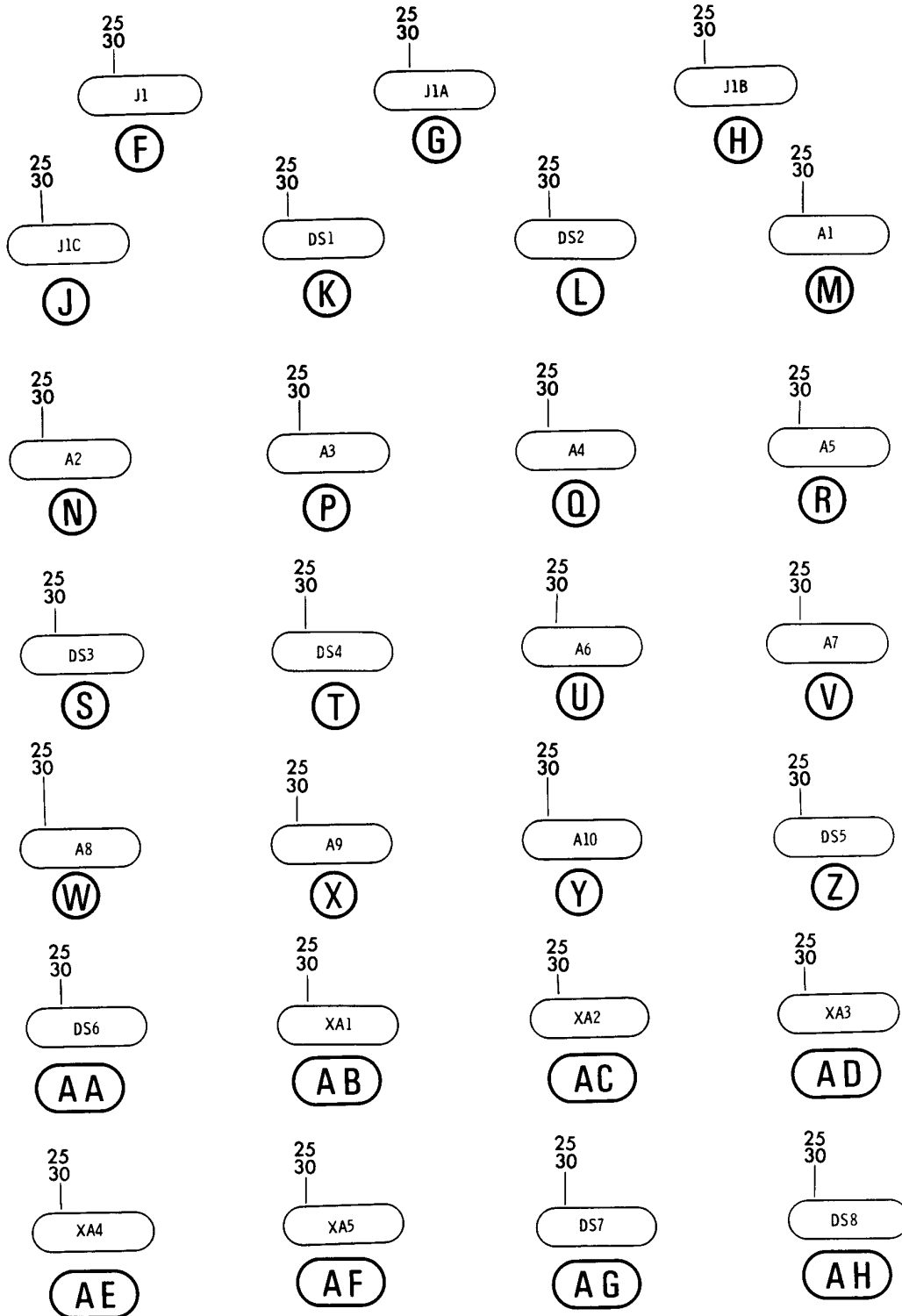
EQUIPMENT INSTL-ELECTRONIC EQPT CTR E1/E2 RACK (TRAILING EDGE FLAP SYSTEM ONLY)  
FIGURE 2 (SHEET 2)

**27-51-01-02**

HXL  
DEC 22/06

27-51-01-02  
PAGE 0A

**BOEING**  
767  
PARTS CATALOG (MAINTENANCE)



V 27510102 SH1 3 REV 131

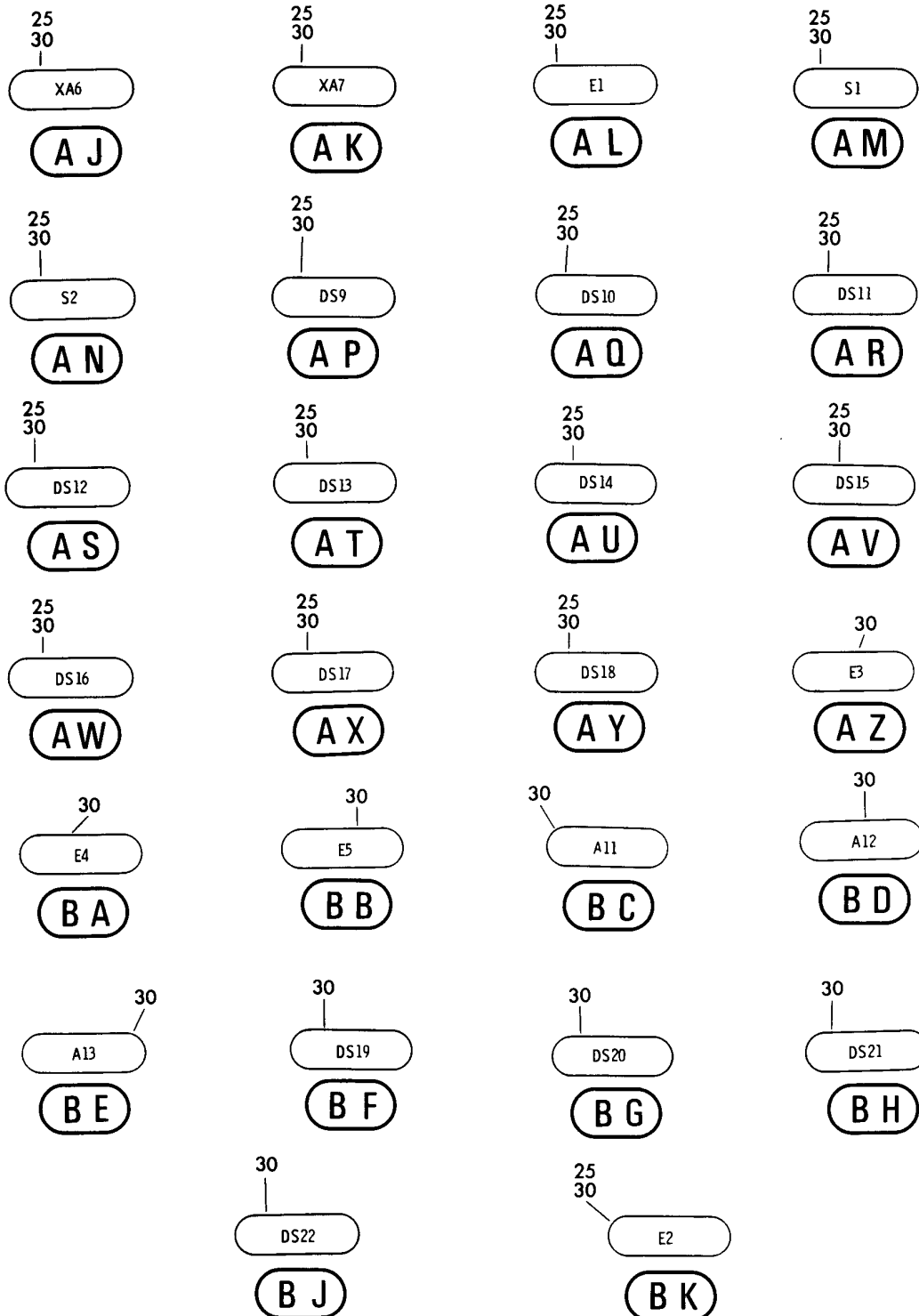
EQUIPMENT INSTL-ELECTRONIC EQPT CTR E1/E2 RACK (TRAILING EDGE FLAP SYSTEM ONLY)  
FIGURE 2 (SHEET 3)

**27-51-01-02**

HXL  
DEC 22/06

27-51-01-02  
PAGE 0B

**BOEING**  
767  
PARTS CATALOG (MAINTENANCE)



V 27510102 SH1 4 REV 131

EQUIPMENT INSTL-ELECTRONIC EQPT CTR E1/E2 RACK (TRAILING EDGE FLAP SYSTEM ONLY)  
FIGURE 2 (SHEET 4)

**27-51-01-02**

HXL  
DEC 22/06

27-51-01-02  
PAGE 0C

**BOEING**  
767  
**PARTS CATALOG (MAINTENANCE)**

20  
21

FLAP/SLAT ELECTRONIC UNIT SPARE	
A1	285T0283-29
A2	285T0284
SPARE	
A3	285T0283-30
A4	285T0284
A5	285T0285
A6	285T0283-31
A7	285T0284
SPARE	
SPARE	
A8	285T0286
A9	285T0286
A10	285T0286

BL

22  
23

FLAP/SLAT ELECTRONIC UNIT SPARE	
A1	285T0283-
A2	285T0284
SPARE	
A3	285T0283-
A4	285T0284
A5	285T0285
A6	285T0283-
A7	285T0284
SPARE	
SPARE	
A8	285T0286
A9	285T0286
A10	285T0286

BM

V 27510102 SH1 5 REV 256

EQUIPMENT INSTL-ELECTRONIC EQPT CTR E1/E2 RACK (TRAILING EDGE FLAP SYSTEM ONLY)  
FIGURE 2 (SHEET 5)

HXL  
DEC 22/06

**27-51-01-02**

27-51-01-02  
PAGE 0D



767

PARTS CATALOG (MAINTENANCE)

FIG ITEM	PART NUMBER	1 2 3 4 5 6 7	NOMENCLATURE	EFFECT FROM TO	UNITS PER ASSY
2			EQUIPMENT INSTL-ELECTRONIC EQPT CTR E1/E2 RACK (TRAILING EDGE FLAP SYSTEM ONLY)		
- 2	284T0400-618		EQUIPMENT INSTL-ELECTRONIC EQPT CTR E1/E2 RACK (TRAILING EDGE FLAP SYSTEM ONLY) VARIABLE DRAWING REF: 284T0400-5284 FOR NHA/OTHER SYS DET SEE: 24-00-58-01J	155162	RF
- 2	284T0400-630		EQUIPMENT INSTL-ELECTRONIC EQPT CTR E1/E2 RACK (TRAILING EDGE FLAP SYSTEM ONLY) VARIABLE DRAWING REF: 284T0400-5349 284T0400-5357 FOR NHA/OTHER SYS DET SEE: 24-00-58-01J	163999	RF
10	285T0049-53		.UNIT ASSY-ELECTRONICS UNIT SUPPLIER CODE: V89954 ELECTRICAL EQUIP NUMBER: M00545 COMPONENT MAINT MANUAL REF: 27-51-61 QUALIFIED I/W DATA: 285T0049-53 AND 285T0049-63 ARE FULLY INTERCHANGEABLE ON ALL 767-200/-300 AIRPLANES PRIOR TO PRODUCTION LINE NUMBER 799 ONLY. AFTER LINE NUMBER 799, 285T0049-63 MUST BE USED. POST SERVICE BULLETIN: 27-0108		1
22	BAC27TEX3537		..DECAL-		1
23	BAC27TEX3537		..DECAL-		1
30	BAC27TEX3588		..DECALSET-INCLUDES DECALS IDENTIFIED ON THE ILLUSTRATION SUPPLIER CODE: V89954		2
ILLUSTRATION ITEMS NOT ON PARTS LIST ARE NOT APPLICABLE					

- ITEM NOT ILLUSTRATED

27-51-01-02

27-51-01  
FIG. 02  
PAGE 1  
APR 22/09

HXL



767

PARTS CATALOG (MAINTENANCE)

FIG ITEM	PART NUMBER	1 2 3 4 5 6 7	NOMENCLATURE	EFFECT FROM TO	UNITS PER ASSY
2	70 7527-1		..CAP-SWITCH SUPPLIER CODE: V09353 OPTIONAL PART: 752701000 V09353		2
	70 752701000		..CAP-PUSHBUTTON SUPPLIER CODE: V09353 OPTIONAL PART: 7527-1 V09353		2
	75 8321SWITCH		..SWITCH- SUPPLIER CODE: V09353		2
- 200	286T0014-120		WIRE BUNDLE ASSY-(TRAILING EDGE FLAP SYSTEM ONLY)		RF

ILLUSTRATION ITEMS NOT ON PARTS LIST ARE NOT APPLICABLE

- ITEM NOT ILLUSTRATED

HXL

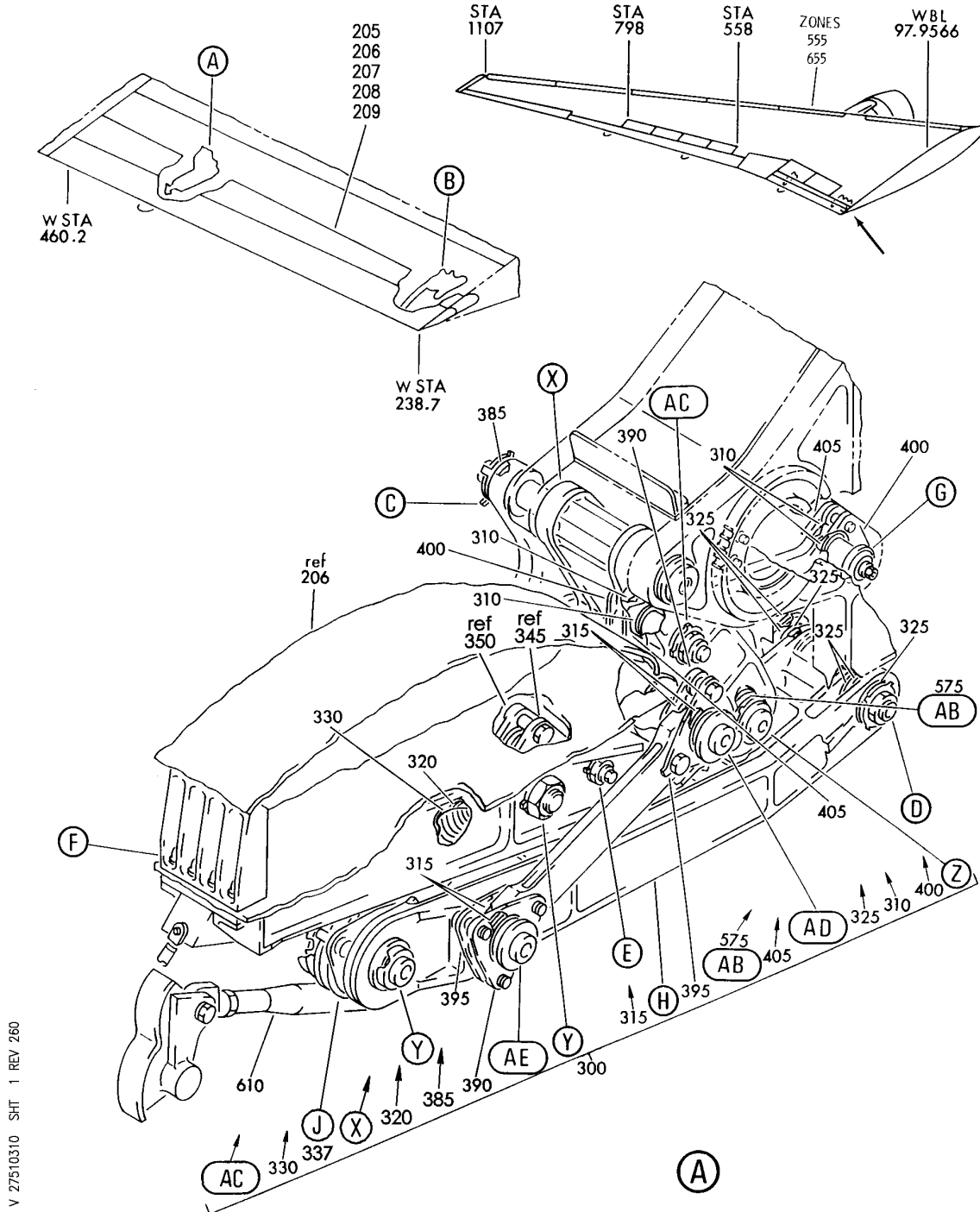
27-51-01-02

BOEING PROPRIETARY - Copyright © - Unpublished Work - See title page for details.

27-51-01  
FIG. 02  
PAGE 2  
APR 22/09



**BOEING**  
767  
PARTS CATALOG (MAINTENANCE)

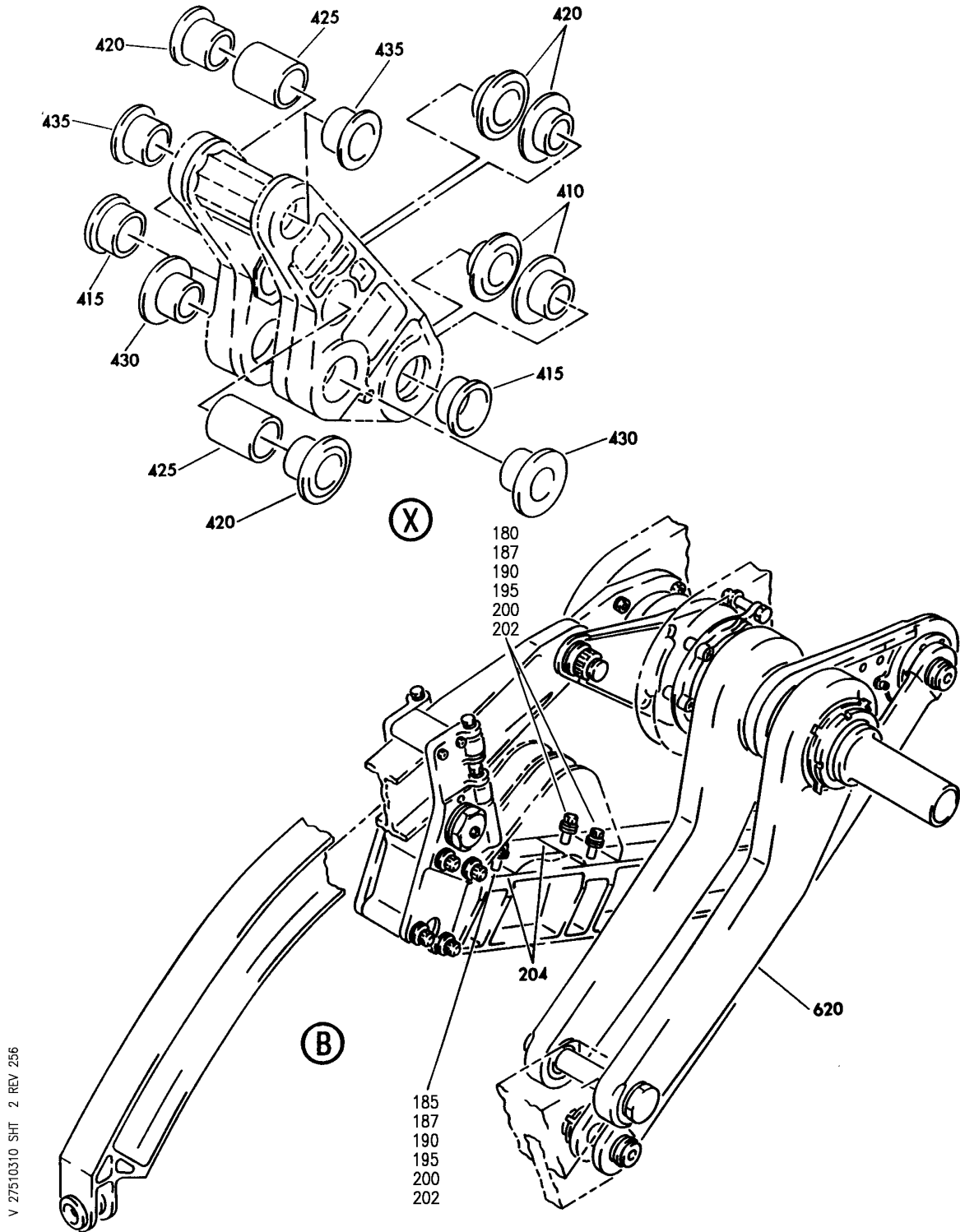


V 27510310 SHT 1 REV 260

FLAP INSTL-INBD TE FLAP  
FIGURE 10 (SHEET 1)

**27-51-03-10**

**BOEING**  
767  
PARTS CATALOG (MAINTENANCE)



V 27510310 SHT 2 REV 256

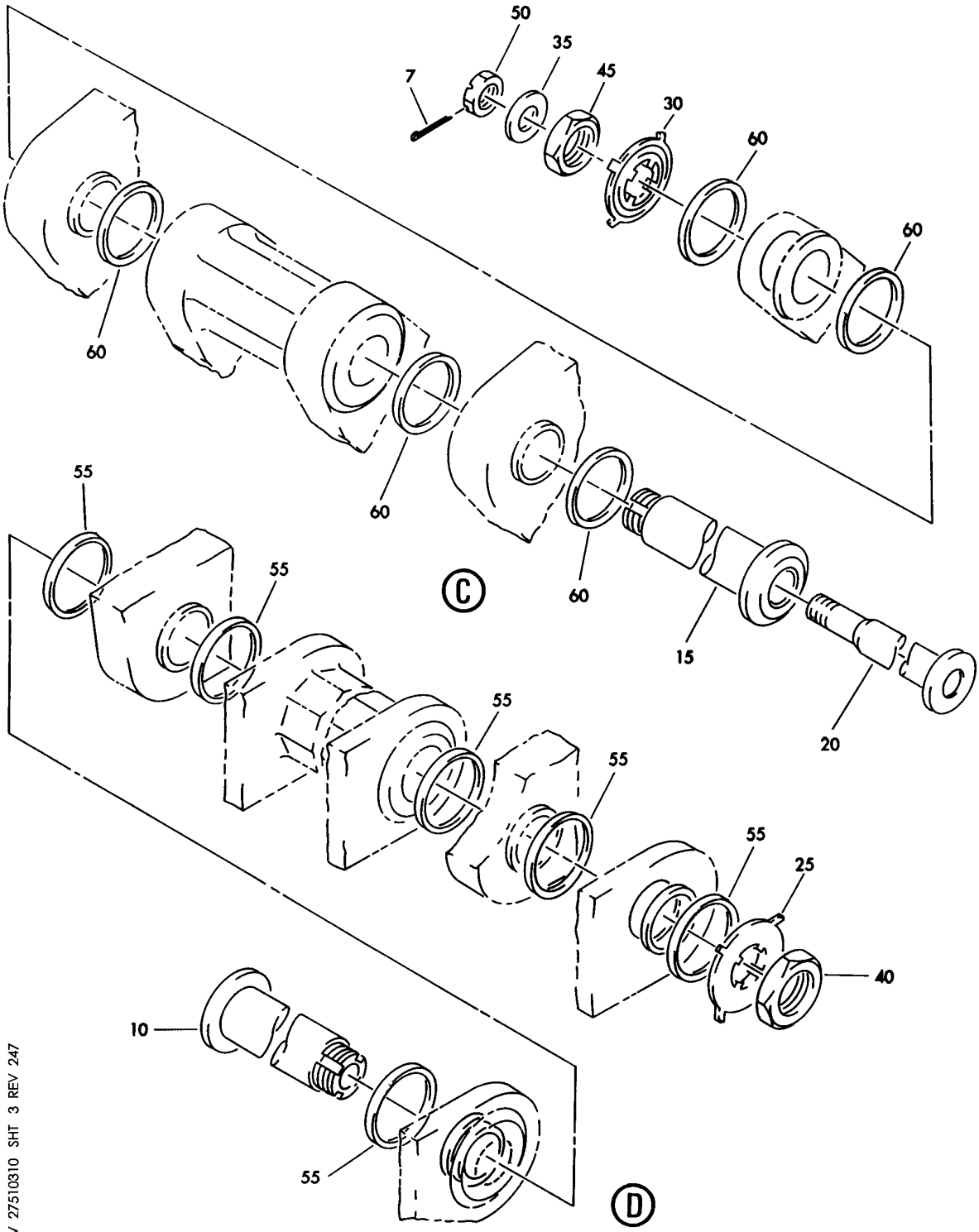
FLAP INSTL-INBD TE FLAP  
FIGURE 10 (SHEET 2)

**27-51-03-10**

HXL  
DEC 22/06

27-51-03-10  
PAGE 0A

**BOEING**  
767  
PARTS CATALOG (MAINTENANCE)



V 27510310 SHT 3 REV 247

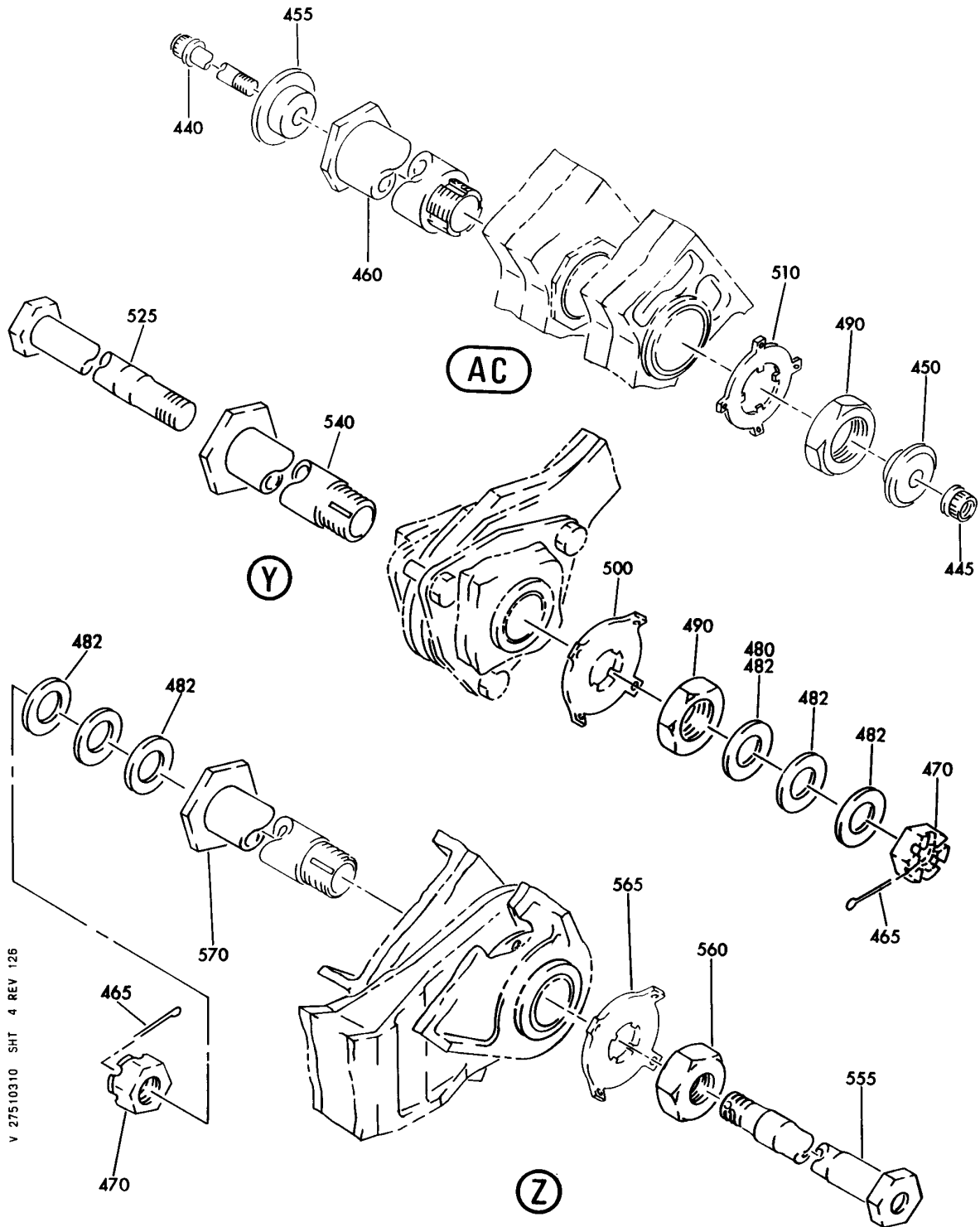
FLAP INSTL-INBD TE FLAP  
FIGURE 10 (SHEET 3)

**27-51-03-10**

HXL  
DEC 22/06

27-51-03-10  
PAGE 0B

**BOEING**  
767  
PARTS CATALOG (MAINTENANCE)



V 27510310 SHT 4 REV 126

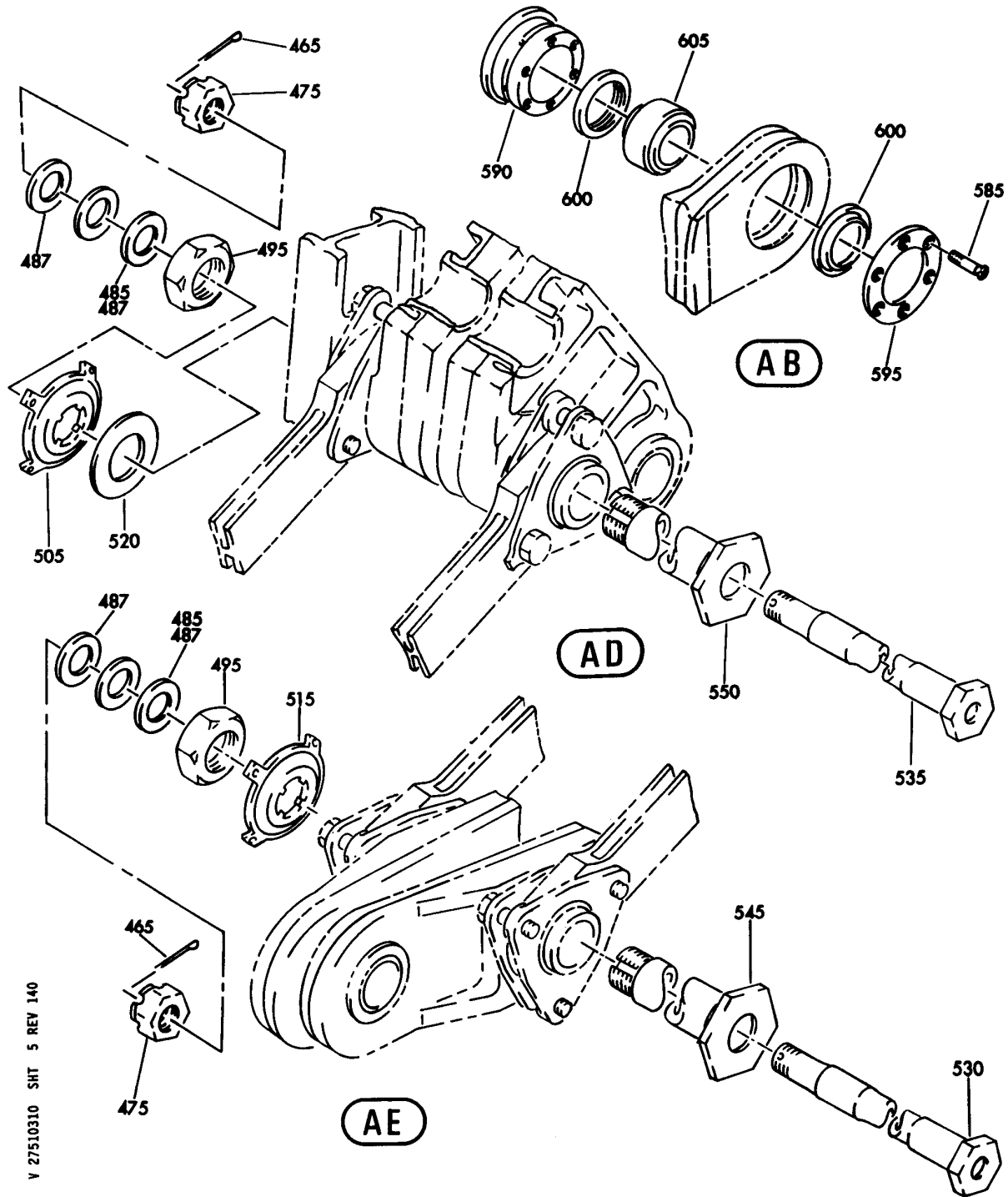
FLAP INSTL-INBD TE FLAP  
FIGURE 10 (SHEET 4)

**27-51-03-10**

HXL  
DEC 22/06

27-51-03-10  
PAGE 0C

**BOEING**  
767  
PARTS CATALOG (MAINTENANCE)



V 27510310 SHT 5 REV 140

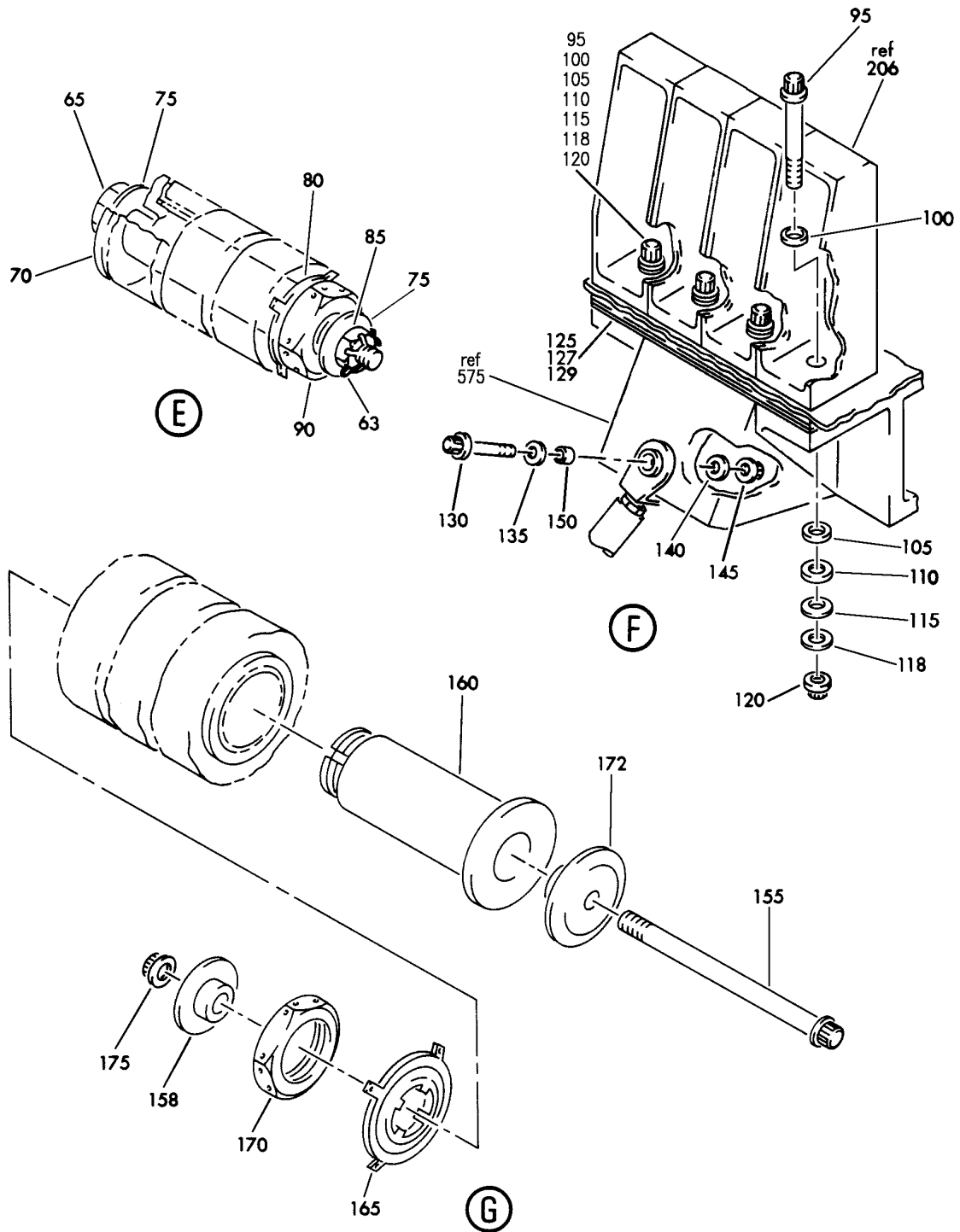
FLAP INSTL-INBD TE FLAP  
FIGURE 10 (SHEET 5)

**27-51-03-10**

HXL  
DEC 22/06

27-51-03-10  
PAGE 0D

**BOEING**  
767  
PARTS CATALOG (MAINTENANCE)



V 27510310 SH1 6 REV 277

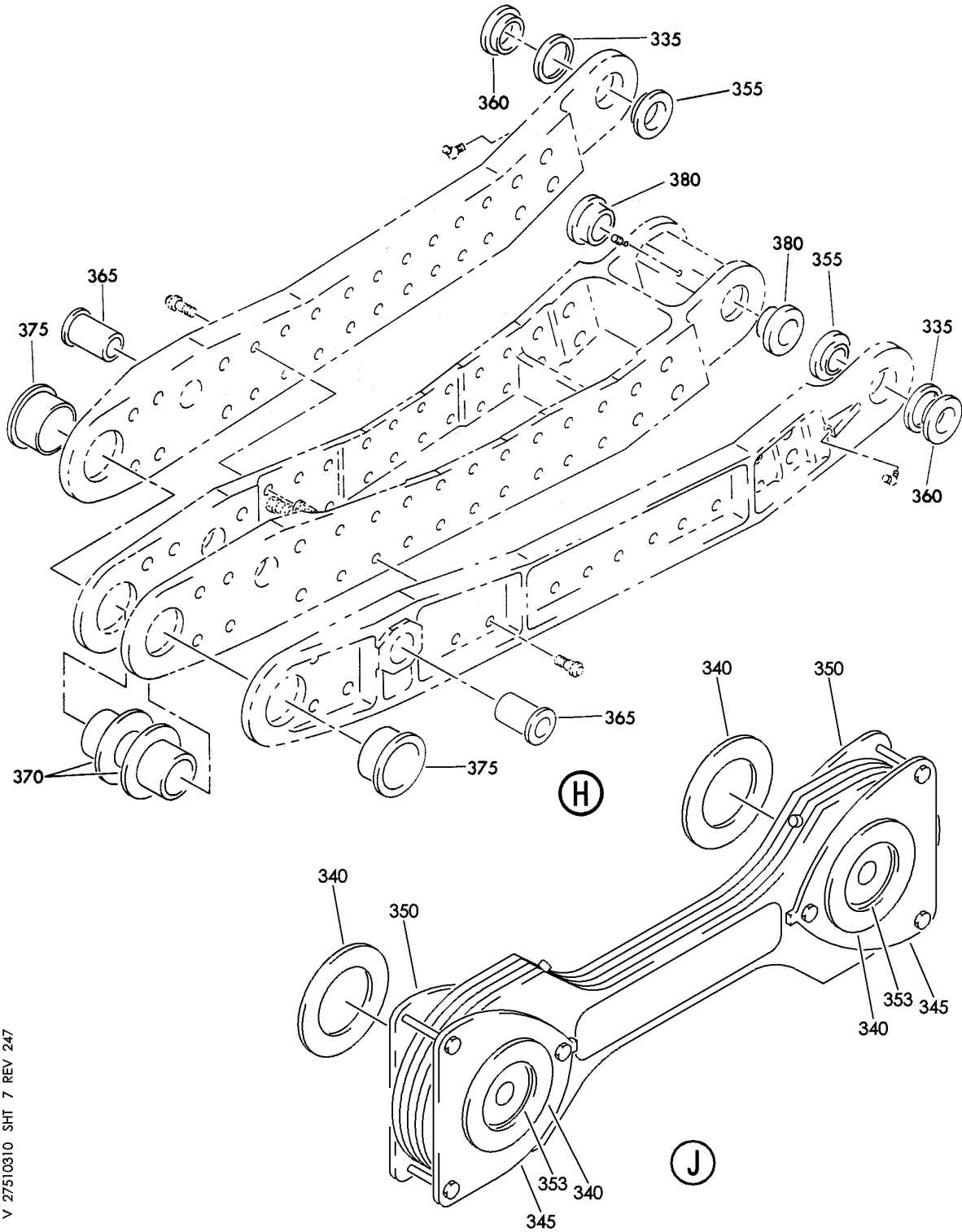
FLAP INSTL-INBD TE FLAP  
FIGURE 10 (SHEET 6)

**27-51-03-10**

HXL  
DEC 22/06

27-51-03-10  
PAGE 0E

**BOEING**  
 767  
 PARTS CATALOG (MAINTENANCE)



V 27510310 SHT 7 REV 247

FLAP INSTL-INBD TE FLAP  
 FIGURE 10 (SHEET 7)

**27-51-03-10**

HXL  
 DEC 22/06

27-51-03-10  
 PAGE OF



767

PARTS CATALOG (MAINTENANCE)

FIG ITEM	PART NUMBER	1 2 3 4 5 6 7	NOMENCLATURE	EFFECT FROM TO	UNITS PER ASSY
10					
- 1	113T2000-81		FLAP INSTL-INBD TE FLAP FLAP INSTL-TE FLAP POSITION DATA: INBD LH VARIABLE DRAWING REF: 113T2000-5067 FOR NHA SEE: 57-00-00-01A		RF
- 5	113T2000-82		FLAP INSTL-TE FLAP POSITION DATA: INBD RH VARIABLE DRAWING REF: 113T2000-5068 FOR NHA SEE: 57-00-00-01A		RF
7	MS24665-376		.PIN		1
10	113T1263-1		.PIN- POSITION DATA: OUTBD		1
10	113T1263-26		.PIN- POSITION DATA: OUTER		1
15	113T1263-24		.PIN- POSITION DATA: OUTER		1
20	113T1264-5		.PIN- POSITION DATA: INNER OPTIONAL PART: 113T1264-40		1
20	113T1264-40		.PIN- POSITION DATA: INNER OPTIONAL PART: 113T1264-5		1
25	113T1254-2		.WASHER		1
30	113T1254-51		.WASHER-		1
35	113T1254-13		.WASHER		1
40	113T1262-1		.NUT		1
45	113T1262-3		.NUT		1
50	BACN10JD112ASU		.NUT		1
55	113T1256-27		.SEAL- OPTIONAL PART: 113T1256-49		6
55	113T1256-49		.SEAL- OPTIONAL PART: 113T1256-27		6

ILLUSTRATION ITEMS NOT ON PARTS LIST ARE NOT APPLICABLE

- ITEM NOT ILLUSTRATED

27-51-03-10

27-51-03  
FIG. 10  
PAGE 1  
DEC 22/07

HXL

BOEING PROPRIETARY - Copyright © - Unpublished Work - See title page for details.



 **BOEING**  
767  
**PARTS CATALOG (MAINTENANCE)**

FIG ITEM	PART NUMBER	1 2 3 4 5 6 7	NOMENCLATURE	EFFECT FROM TO	UNITS PER ASSY
10					
60	113T1256-23	.SEAL-	OPTIONAL PART: 113T1256-48		5
60	113T1256-48	.SEAL-	OPTIONAL PART: 113T1256-23		5
63	MS24665-304	.PIN-			1
65	BACB30LJ5DU84	.BOLT-	OPTIONAL PART: BACB30NR5DK84		1
65	BACB30NR5DK84	.BOLT-	OPTIONAL PART: BACB30LJ5DU84		1
70	113T1263-11	.PIN-	POSITION DATA: OUTER		1
75	113T1254-10	.WASHER-			2
80	113T1254-8	.WASHER-			1
85	BACN10JD105AU	.NUT-			1
90	113T1262-7	.NUT-			1
95	BACB30LE6K	.BOLT-	SIZE DETERMINED ON INSTL. SERVICE BULLETIN OPT DATA: BACB30US6K POST ALERT SB: 27A0176R1		4
95	BACB30US6K	.BOLT-	SIZE DETERMINED ON INSTL. SERVICE BULLETIN OPT DATA: BACB30LE6K POST ALERT SB: 27A0176R1		4
100	BACW10BP6CD	.WASHER-	POSITION DATA: UNDER BOLT HEAD		4
105	BACW10BP6DP	.WASHER-	POSITION DATA: UNDER NUT		4

ILLUSTRATION ITEMS NOT ON PARTS LIST ARE NOT APPLICABLE

— ITEM NOT ILLUSTRATED

HXL

# 27-51-03-10

BOEING PROPRIETARY - Copyright © - Unpublished Work - See title page for details.

27-51-03  
FIG. 10  
PAGE 2  
DEC 22/07



767

PARTS CATALOG (MAINTENANCE)

FIG ITEM	PART NUMBER	1 2 3 4 5 6 7	NOMENCLATURE	EFFECT FROM TO	UNITS PER ASSY
10 110	K29913-6		.WASHER- SUPPLIER CODE: V15653 SPECIFICATION NUMBER: BACW10CA6CC OPTIONAL PART: 70191-6 V56878 922008-6 V60119 942008-6 V60119 POSITION DATA: UNDER NUT		4
115	K29646-6		.WASHER- SUPPLIER CODE: V15653 SPECIFICATION NUMBER: BACW10CA6CV OPTIONAL PART: 70188-6 V56878 922007-6 V60119 942007-6 V60119 POSITION DATA: UNDER NUT		4

ILLUSTRATION ITEMS NOT ON PARTS LIST ARE NOT APPLICABLE

- ITEM NOT ILLUSTRATED

HXL

27-51-03-10

BOEING PROPRIETARY - Copyright © - Unpublished Work - See title page for details.

27-51-03  
FIG. 10  
PAGE 3  
DEC 22/07





767

PARTS CATALOG (MAINTENANCE)

FIG ITEM	PART NUMBER	1 2 3 4 5 6 7	NOMENCLATURE	EFFECT FROM TO	UNITS PER ASSY	
10						
170	113T1262-4	.NUT			1	
172	113T1258-2	.CAP-END			1	
175	BH003026	.NUT			1	
		SUPPLIER CODE: V27238 SPECIFICATION NUMBER: BACN10HR6 OPTIONAL PART: BMNN10HR6 V97928 H966 V15653 RMLH226 V72962 VAL280096 V06710 678326 V56878 H96-6 V15653 RMLH22-6 V72962 SL7058S624 V11815 67832-624 V56878 BH00302-6 V27238 CR5906-6 VF0224				
187	BACB30LE8K	.BOLT-			4	
		SIZE DETERMINED ON INSTL. SERVICE BULLETIN OPT DATA: BACB30US8K POST ALERT SB: 27A0176R1				
187	BACB30US8K	.BOLT-			4	
		SIZE DETERMINED ON INSTL. SERVICE BULLETIN OPT DATA: BACB30LE8K POST ALERT SB: 27A0176R1				
190	BACW10BP8CD	.WASHER-			4	
		POSITION DATA: UNDER BOLT HEAD				
ILLUSTRATION ITEMS NOT ON PARTS LIST ARE NOT APPLICABLE						

- ITEM NOT ILLUSTRATED

27-51-03-10

27-51-03  
 FIG. 10  
 PAGE 5  
 AUG 22/09

HXL



767

PARTS CATALOG (MAINTENANCE)

FIG ITEM	PART NUMBER	1 2 3 4 5 6 7	NOMENCLATURE	EFFECT FROM TO	UNITS PER ASSY
10 195	K29913-8		.WASHER- SUPPLIER CODE: V15653 SPECIFICATION NUMBER: BACW10CA8CC OPTIONAL PART: 70191-8 V56878 922008-8 V60119 942008-8 V60119 POSITION DATA: UNDER NUT		4
200	K29646-8		.WASHER- SUPPLIER CODE: V15653 SPECIFICATION NUMBER: BACW10CA8CV OPTIONAL PART: 70188-8 V56878 922007-8 V60119 942007-8 V60119 POSITION DATA: UNDER NUT		4

ILLUSTRATION ITEMS NOT ON PARTS LIST ARE NOT APPLICABLE

- ITEM NOT ILLUSTRATED

HXL

27-51-03-10

BOEING PROPRIETARY - Copyright © - Unpublished Work - See title page for details.

27-51-03  
FIG. 10  
PAGE 6  
DEC 22/07



767

PARTS CATALOG (MAINTENANCE)

FIG ITEM	PART NUMBER	1 2 3 4 5 6 7	NOMENCLATURE	EFFECT FROM TO	UNITS PER ASSY
10 202	BMN10HRCWD3-8		.NUT- SUPPLIER CODE: V97928 SPECIFICATION NUMBER: BACN10HR8CD OPTIONAL PART: H51560-8 V15653 67832CD820 V56878 102LH9031-8 V72962 BH00303CM8 V27238 BMN5024CWD38 V97928 SL7108C8 V11815 VCU0005D8 V06710 102LH90318 V72962 67832CD8 V56878 CR6030-8 VF0224 POST ALERT SB: 27A0176R1		4
204	113T2000-23		.SHIM		10
206	113T2101-27		.FLAP ASSY- POSITION DATA: LH SIDE COMPONENT MAINT MANUAL REF: 57-53-21 QUALIFIED I/W DATA: -23 OR -13 AFTER INCORP OF S/B767-57-25 IS 1/W -27 OR -31. 113T2101-27 INTERCHANGEABLE WITH 113T2101-33 SUBJECT TO CUSTOMER COLOR PREFERENCE FOR DETAILS SEE: 27-51-03-15		1

ILLUSTRATION ITEMS NOT ON PARTS LIST ARE NOT APPLICABLE

- ITEM NOT ILLUSTRATED

HXL

27-51-03-10

BOEING PROPRIETARY - Copyright © - Unpublished Work - See title page for details.

27-51-03  
FIG. 10  
PAGE 7  
DEC 22/08



767

PARTS CATALOG (MAINTENANCE)

FIG ITEM	PART NUMBER	1 2 3 4 5 6 7	NOMENCLATURE	EFFECT FROM TO	UNITS PER ASSY
10 206	113T2101-31		. FLAP ASSY- POSITION DATA: LH SIDE COMPONENT MAINT MANUAL REF: 57-53-21 QUALIFIED I/W DATA: -23 OR -13 AFTER INCORP OF S/B767-57-25 IS I/W -27 OR -31 FOR DETAILS SEE: 27-51-03-15		1
207	113T2101-39		. FLAP ASSY- POSITION DATA: LH SIDE COMPONENT MAINT MANUAL REF: 57-53-21 QUALIFIED I/W DATA: -13 OR -23 AFTER INCORP OF S/B767-57-25 MAY BE REPLACED BY -49SP 113T2101-39 INTERCHANGEABLE WITH 113T2101-47 SUBJECT TO CUSTOMER COLOR PREFERENCE FOR DETAILS SEE: 27-51-03-15		1
207	113T2101-49SP		. FLAP ASSY- POSITION DATA: LH SIDE COMPONENT MAINT MANUAL REF: 57-53-21 QUALIFIED I/W DATA: -13 OR -23 AFTER INCORP OF S/B767-57-25 MAY BE REPLACED BY -49SP. INTERCHANGEABLE SUBJECT TO COLOR PREFERENCE. FOR DETAILS SEE: 27-51-03-15		1

ILLUSTRATION ITEMS NOT ON PARTS LIST ARE NOT APPLICABLE

- ITEM NOT ILLUSTRATED

HXL

27-51-03-10

BOEING PROPRIETARY - Copyright © - Unpublished Work - See title page for details.

27-51-03  
FIG. 10  
PAGE 8  
DEC 22/07



767

PARTS CATALOG (MAINTENANCE)

FIG ITEM	PART NUMBER	1 2 3 4 5 6 7	NOMENCLATURE	EFFECT FROM TO	UNITS PER ASSY
10 207	113T2101-51SP		.FLAP ASSY- POSITION DATA: LH SIDE COMPONENT MAINT MANUAL REF: 57-53-21 QUALIFIED I/W DATA: -13 OR -23 AFTER INCORP OF S/B767-57-25 MAY BE REPLACED BY -51SP. FOR DETAILS SEE: 27-51-03-15		1
207	113T2101-53SP		.FLAP ASSY- POSITION DATA: LH SIDE COMPONENT MAINT MANUAL REF: 57-53-21 QUALIFIED I/W DATA: -13 OR -23 AFTER INCORP OF S/B767-57-25 MAY BE REPLACED BY -53SP. FOR DETAILS SEE: 27-51-03-15		1
207	113T2101-57SP		.FLAP ASSY- POSITION DATA: LH SIDE COMPONENT MAINT MANUAL REF: 57-53-21 FOR DETAILS SEE: 27-51-03-15		1
208	113T2101-59SP		.FLAP ASSY- POSITION DATA: LH SIDE COMPONENT MAINT MANUAL REF: 57-53-21 FOR DETAILS SEE: 27-51-03-15		1
208	113T2101-63SP		.FLAP ASSY- POSITION DATA: LH SIDE COMPONENT MAINT MANUAL REF: 57-53-21 FOR DETAILS SEE: 27-51-03-15		1

ILLUSTRATION ITEMS NOT ON PARTS LIST ARE NOT APPLICABLE

- ITEM NOT ILLUSTRATED

HXL

**27-51-03-10**

BOEING PROPRIETARY - Copyright © - Unpublished Work - See title page for details.

27-51-03  
FIG. 10  
PAGE 9  
DEC 22/06





767

PARTS CATALOG (MAINTENANCE)

FIG ITEM	PART NUMBER	1 2 3 4 5 6 7	NOMENCLATURE	EFFECT FROM TO	UNITS PER ASSY
10 208	113T2101-67SP		.FLAP ASSY- POSITION DATA: LH SIDE COMPONENT MAINT MANUAL REF: 57-53-21 FOR DETAILS SEE: 27-51-03-15		1
208	113T2101-69SP		.FLAP ASSY- POSITION DATA: LH SIDE COMPONENT MAINT MANUAL REF: 57-53-21 FOR DETAILS SEE: 27-51-03-15		1
208	113T2101-71SP		.FLAP ASSY- POSITION DATA: LH SIDE COMPONENT MAINT MANUAL REF: 57-53-21 FOR DETAILS SEE: 27-51-03-15		1
208	113T2101-61SP		.FLAP ASSY- POSITION DATA: LH SIDE COMPONENT MAINT MANUAL REF: 57-53-21 FOR DETAILS SEE: 27-51-03-15		1
208	113T2101-65SP		.FLAP ASSY- POSITION DATA: LH SIDE COMPONENT MAINT MANUAL REF: 57-53-21 FOR DETAILS SEE: 27-51-03-15		1
208	113T2101-73SP		.FLAP ASSY- POSITION DATA: LH SIDE COMPONENT MAINT MANUAL REF: 57-53-21 FOR DETAILS SEE: 27-51-03-15		1
208	113T2101-75SP		.FLAP ASSY- POSITION DATA: LH SIDE COMPONENT MAINT MANUAL REF: 57-53-21 FOR DETAILS SEE: 27-51-03-15		1

ILLUSTRATION ITEMS NOT ON PARTS LIST ARE NOT APPLICABLE

- ITEM NOT ILLUSTRATED

HXL

27-51-03-10

BOEING PROPRIETARY - Copyright © - Unpublished Work - See title page for details.

27-51-03  
FIG. 10  
PAGE 10  
DEC 22/06



767

PARTS CATALOG (MAINTENANCE)

FIG ITEM	PART NUMBER	1 2 3 4 5 6 7	NOMENCLATURE	EFFECT FROM TO	UNITS PER ASSY
10 209	113T2101-77SP		.FLAP ASSY- POSITION DATA: LH SIDE COMPONENT MAINT MANUAL REF: 57-53-21 FOR DETAILS SEE: 27-51-03-15		1
209	113T2101-79SP		.FLAP ASSY- POSITION DATA: LH SIDE COMPONENT MAINT MANUAL REF: 57-53-21 FOR DETAILS SEE: 27-51-03-15		1
- 220	113T2101-28		.FLAP ASSY- POSITION DATA: RH SIDE COMPONENT MAINT MANUAL REF: 57-53-21 QUALIFIED I/W DATA: -24 OR -14 AFTER INCORP OF S/B767-57-25 IS I/W -28 OR -32 113T2101-28 INTERCHANGEABLE WITH 113T2101-34 SUBJECT TO CUSTOMER COLOR PREFERENCE FOR DETAILS SEE: 27-51-03-15		1
- 220	113T2101-32		.FLAP ASSY- POSITION DATA: RH SIDE COMPONENT MAINT MANUAL REF: 57-53-21 QUALIFIED I/W DATA: -24 OR -14 AFTER INCORP OF S/B767-57-25 IS I/W -28 OR -32 FOR DETAILS SEE: 27-51-03-15		1

ILLUSTRATION ITEMS NOT ON PARTS LIST ARE NOT APPLICABLE

- ITEM NOT ILLUSTRATED

HXL

27-51-03-10

BOEING PROPRIETARY - Copyright © - Unpublished Work - See title page for details.

27-51-03  
FIG. 10  
PAGE 11  
DEC 22/07



767

PARTS CATALOG (MAINTENANCE)

FIG ITEM	PART NUMBER	1 2 3 4 5 6 7	NOMENCLATURE	EFFECT FROM TO	UNITS PER ASSY
10 - 220	113T2101-40		. FLAP ASSY- POSITION DATA: RH SIDE COMPONENT MAINT MANUAL REF: 57-53-21 QUALIFIED I/W DATA: -14 OR -24 AFTER INCORP OF S/B767-57-25 MAY BE REPLACED BY -50SP 113T2101-40 INTERCHANGEABLE WITH 113T2101-48 SUBJECT TO CUSTOMER COLOR PREFERENCE FOR DETAILS SEE: 27-51-03-15		1
- 221	113T2101-50SP		. FLAP ASSY- POSITION DATA: RH SIDE COMPONENT MAINT MANUAL REF: 57-53-21 QUALIFIED I/W DATA: -14 OR -24 AFTER INCORP OF S/B767-57-25 MAY BE REPLACED BY -50SP. INTERCHANGEABLE SUBJECT TO COLOR PREFERENCE. FOR DETAILS SEE: 27-51-03-15		1
- 221	113T2101-52SP		. FLAP ASSY- POSITION DATA: RH SIDE COMPONENT MAINT MANUAL REF: 57-53-21 QUALIFIED I/W DATA: -14 OR -24 AFTER INCORP OF S/B767-57-25 MAY BE REPLACED BY -52SP. FOR DETAILS SEE: 27-51-03-15		1

ILLUSTRATION ITEMS NOT ON PARTS LIST ARE NOT APPLICABLE

- ITEM NOT ILLUSTRATED

HXL

27-51-03-10

BOEING PROPRIETARY - Copyright © - Unpublished Work - See title page for details.

27-51-03  
FIG. 10  
PAGE 12  
DEC 22/06



767

PARTS CATALOG (MAINTENANCE)

FIG ITEM	PART NUMBER	1 2 3 4 5 6 7	NOMENCLATURE	EFFECT FROM TO	UNITS PER ASSY
10					
- 222	113T2101-54SP		.FLAP ASSY- POSITION DATA: RH SIDE COMPONENT MAINT MANUAL REF: 57-53-21 QUALIFIED I/W DATA: -14 OR -24 AFTER INCORP OF S/B767-57-25 MAY BE REPLACED BY -54SP. FOR DETAILS SEE: 27-51-03-15		1
- 222	113T2101-58SP		.FLAP ASSY- POSITION DATA: RH SIDE COMPONENT MAINT MANUAL REF: 57-53-21 QUALIFIED I/W DATA: -24 OR -14 AFTER INCORPORATION OF S/B 767-57-25 MAYN BE REPLACED BY -58SP. FOR DETAILS SEE: 27-51-03-15		1
- 222	113T2101-60SP		.FLAP ASSY- POSITION DATA: RH SIDE COMPONENT MAINT MANUAL REF: 57-53-21 FOR DETAILS SEE: 27-51-03-15		1
- 222	113T2101-64SP		.FLAP ASSY- POSITION DATA: RH SIDE COMPONENT MAINT MANUAL REF: 57-53-21 FOR DETAILS SEE: 27-51-03-15		1
- 222	113T2101-68SP		.FLAP ASSY- POSITION DATA: RH SIDE COMPONENT MAINT MANUAL REF: 57-53-21 FOR DETAILS SEE: 27-51-03-15		1
ILLUSTRATION ITEMS NOT ON PARTS LIST ARE NOT APPLICABLE					

- ITEM NOT ILLUSTRATED

27-51-03-10

27-51-03  
FIG. 10  
PAGE 13  
DEC 22/06

HXL



767

PARTS CATALOG (MAINTENANCE)

FIG ITEM	PART NUMBER	1 2 3 4 5 6 7	NOMENCLATURE	EFFECT FROM TO	UNITS PER ASSY
10					
- 222	113T2101-70SP		.FLAP ASSY- POSITION DATA: RH SIDE COMPONENT MAINT MANUAL REF: 57-53-21 FOR DETAILS SEE: 27-51-03-15		1
- 222	113T2101-72SP		.FLAP ASSY- POSITION DATA: RH SIDE COMPONENT MAINT MANUAL REF: 57-53-21 FOR DETAILS SEE: 27-51-03-15		1
- 222	113T2101-62SP		.FLAP ASSY- POSITION DATA: RH SIDE COMPONENT MAINT MANUAL REF: 57-53-21 QUALIFIED I/W DATA: INTERCHANGEABLE SUBJECT TO COLOR PREFERENCE. FOR DETAILS SEE: 27-51-03-15		1
- 222	113T2101-66SP		.FLAP ASSY- POSITION DATA: RH SIDE COMPONENT MAINT MANUAL REF: 57-53-21 FOR DETAILS SEE: 27-51-03-15		1
- 222	113T2101-74SP		.FLAP ASSY- POSITION DATA: RH SIDE COMPONENT MAINT MANUAL REF: 57-53-21 FOR DETAILS SEE: 27-51-03-15		1
- 222	113T2101-76SP		.FLAP ASSY- POSITION DATA: RH SIDE COMPONENT MAINT MANUAL REF: 57-53-21 FOR DETAILS SEE: 27-51-03-15		1
ILLUSTRATION ITEMS NOT ON PARTS LIST ARE NOT APPLICABLE					

- ITEM NOT ILLUSTRATED

**27-51-03-10**

27-51-03  
FIG. 10  
PAGE 14  
DEC 22/06

HXL



767

PARTS CATALOG (MAINTENANCE)

FIG ITEM	PART NUMBER	1 2 3 4 5 6 7	NOMENCLATURE	EFFECT FROM TO	UNITS PER ASSY
10					
- 222	113T2101-78SP		.FLAP ASSY- POSITION DATA: RH SIDE COMPONENT MAINT MANUAL REF: 57-53-21 FOR DETAILS SEE: 27-51-03-15		1
- 222	113T2101-80SP		.FLAP ASSY- POSITION DATA: RH SIDE COMPONENT MAINT MANUAL REF: 57-53-21 FOR DETAILS SEE: 27-51-03-15		1
300	113T2000-203		.LINKAGE ASSY- POSITION DATA: LH SIDE COMPONENT MAINT MANUAL REF: 27-51-86		1
300	113T2000-85		.LINKAGE ASSY- POSITION DATA: LH SIDE COMPONENT MAINT MANUAL REF: 27-51-86		1
300	113T2000-131		.LINKAGE ASSY- POSITION DATA: LH SIDE COMPONENT MAINT MANUAL REF: 27-51-86		1
300	113T2000-153		.LINKAGE ASSY- POSITION DATA: LH SIDE COMPONENT MAINT MANUAL REF: 27-51-86		1
300	113T2000-195		.LINKAGE ASSY- POSITION DATA: LH SIDE COMPONENT MAINT MANUAL REF: 27-51-86		1
301	113T2000-241		.LINKAGE ASSY- POSITION DATA: LH SIDE COMPONENT MAINT MANUAL REF: 27-51-86		1
301	113T2000-239		.LINKAGE ASSY- POSITION DATA: LH SIDE COMPONENT MAINT MANUAL REF: 27-51-86		1

ILLUSTRATION ITEMS NOT ON PARTS LIST ARE NOT APPLICABLE

- ITEM NOT ILLUSTRATED

HXL

27-51-03-10

BOEING PROPRIETARY - Copyright © - Unpublished Work - See title page for details.

27-51-03  
FIG. 10  
PAGE 15  
DEC 22/06

 **BOEING**  
767  
**PARTS CATALOG (MAINTENANCE)**

FIG ITEM	PART NUMBER	1 2 3 4 5 6 7	NOMENCLATURE	EFFECT FROM TO	UNITS PER ASSY
10					
301	113T2000-297		.LINKAGE ASSY- POSITION DATA: LH SIDE COMPONENT MAINT MANUAL REF: 27-51-86		1
- 305	113T2000-204		.LINKAGE ASSY- POSITION DATA: RH SIDE COMPONENT MAINT MANUAL REF: 27-51-86		1
- 305	113T2000-86		.LINKAGE ASSY- POSITION DATA: RH SIDE COMPONENT MAINT MANUAL REF: 27-51-86		1
- 305	113T2000-132		.LINKAGE ASSY- POSITION DATA: RH SIDE COMPONENT MAINT MANUAL REF: 27-51-86		1
- 305	113T2000-154		.LINKAGE ASSY- POSITION DATA: RH SIDE COMPONENT MAINT MANUAL REF: 27-51-86		1
- 305	113T2000-196		.LINKAGE ASSY- POSITION DATA: RH SIDE COMPONENT MAINT MANUAL REF: 27-51-86		1
- 306	113T2000-242		.LINKAGE ASSY- POSITION DATA: RH SIDE COMPONENT MAINT MANUAL REF: 27-51-86		1
- 306	113T2000-240		.LINKAGE ASSY- POSITION DATA: RH SIDE COMPONENT MAINT MANUAL REF: 27-51-86		1
- 306	113T2000-298		.LINKAGE ASSY- POSITION DATA: RH SIDE COMPONENT MAINT MANUAL REF: 27-51-86		1
310	113T1256-20		..SEAL		4
315	113T1256-22		..SEAL		4
320	113T1256-41		..SEAL-		1
320	113T1256-54		..SEAL-		1
ILLUSTRATION ITEMS NOT ON PARTS LIST ARE NOT APPLICABLE					

- ITEM NOT ILLUSTRATED

HXL

# 27-51-03-10

BOEING PROPRIETARY - Copyright © - Unpublished Work - See title page for details.

27-51-03  
FIG. 10  
PAGE 16  
APR 22/08



767

PARTS CATALOG (MAINTENANCE)

FIG ITEM	PART NUMBER	1 2 3 4 5 6 7	NOMENCLATURE	EFFECT FROM TO	UNITS PER ASSY
10					
325	113T1256-27	..	SEAL- OPTIONAL PART: 113T1256-49		6
325	113T1256-49	..	SEAL- OPTIONAL PART: 113T1256-27		6
330	113T1731-1	..	SPRING ASSY-		1
330	113T1731-5	..	SPRING ASSY-		1
335	113T1347-64	..	SPACER		2
337	113T1223-1	..	LINK ASSY- REWORKED BY SB: 27-0196 REWORKED BY ALERT SB: 27A0167		1
337	113T1223-47	..	LINK ASSY- POST SERVICE BULLETIN: 27-0196		1
340	113T1256-25	...	SEAL		4
345	113T1267-16	...	PLATE-RTNR OPTIONAL PART: 113T1267-1 113T1267-22		2
345	113T1267-1	...	PLATE-RTNR OPTIONAL PART: 113T1267-16 113T1267-22		2
345	113T1267-22	...	PLATE-RTNR OPTIONAL PART: 113T1267-16 113T1267-1		2
350	113T1267-15	...	RETAINER-BRG OPTIONAL PART: 113T1267-2 113T1267-21		2
350	113T1267-2	...	RETAINER-BRG OPTIONAL PART: 113T1267-15 113T1267-21		2
350	113T1267-21	...	RETAINER-BRG OPTIONAL PART: 113T1267-15 113T1267-2		2
353	60B00180-241	...	BEARING- PRE SERVICE BULLETIN: 27-0196		2

ILLUSTRATION ITEMS NOT ON PARTS LIST ARE NOT APPLICABLE

- ITEM NOT ILLUSTRATED

HXL

27-51-03-10

BOEING PROPRIETARY - Copyright © - Unpublished Work - See title page for details.

27-51-03  
FIG. 10  
PAGE 17  
AUG 22/08





767

PARTS CATALOG (MAINTENANCE)

FIG ITEM	PART NUMBER	1 2 3 4 5 6 7	NOMENCLATURE	EFFECT FROM TO	UNITS PER ASSY
10					
353	BCREF49872		... BEARING- OVERLENGTH PART NUMBER: BACB10JA28ABNJ01 POST SERVICE BULLETIN: 27-0196		2
355	113T1347-40		.. BUSHING		2
360	113T1347-55		.. BUSHING		2
365	113T1347-42		.. BUSHING		2
370	113T1347-43		.. BUSHING		2
375	113T1347-44		.. BUSHING		2
380	113T1347-41		.. BUSHING		2
385	113T1347-63		.. SPACER		1
390	113T1267-17		.. RETAINER-BRG OPTIONAL PART: 113T1267-3 113T1267-23		2
390	113T1267-3		.. RETAINER-BRG OPTIONAL PART: 113T1267-17 113T1267-23		2
390	113T1267-23		.. RETAINER-BRG OPTIONAL PART: 113T1267-17 113T1267-3		2
395	113T1267-18		.. PLATE-RTNR OPTIONAL PART: 113T1267-4 113T1267-24		2
395	113T1267-4		.. PLATE-RTNR OPTIONAL PART: 113T1267-18 113T1267-24		2
395	113T1267-24		.. PLATE-RTNR OPTIONAL PART: 113T1267-4 113T1267-18		2
400	113T1267-20		.. PLATE-RTNR OPTIONAL PART: 113T1267-5 113T1267-26		2
400	113T1267-5		.. PLATE-RTNR OPTIONAL PART: 113T1267-20 113T1267-26		2
400	113T1267-26		.. PLATE-RTNR OPTIONAL PART: 113T1267-20 113T1267-5		2

ILLUSTRATION ITEMS NOT ON PARTS LIST ARE NOT APPLICABLE

- ITEM NOT ILLUSTRATED

27-51-03-10

27-51-03  
FIG. 10  
PAGE 18  
APR 22/08

HXL

BOEING PROPRIETARY - Copyright © - Unpublished Work - See title page for details.

 **BOEING**  
767  
**PARTS CATALOG (MAINTENANCE)**

FIG ITEM	PART NUMBER	1 2 3 4 5 6 7	NOMENCLATURE	EFFECT FROM TO	UNITS PER ASSY
10					
405	113T1267-19	..	RETAINER-BRG OPTIONAL PART: 113T1267-6 113T1267-25		2
405	113T1267-6	..	RETAINER-BRG OPTIONAL PART: 113T1267-19 113T1267-25		2
405	113T1267-25	..	RETAINER-BRG OPTIONAL PART: 113T1267-19 113T1267-6		2
410	113T1347-49	..	BUSHING		2
415	113T1347-50	..	BUSHING- OPTIONAL PART: 113T1347-112		2
415	113T1347-112	..	BUSHING- OPTIONAL PART: 113T1347-50		2
420	113T1347-46	..	BUSHING		4
425	113T1347-47	..	BUSHING		2
430	113T1347-48	..	BUSHING		2
435	113T1347-45	..	BUSHING- OPTIONAL PART: 113T1347-111		2
435	113T1347-111	..	BUSHING- OPTIONAL PART: 113T1347-45		2
440	BACB30LE6-111	..	BOLT- OPTIONAL PART: BACB30MR6K111		1
440	BACB30MR6K111	..	BOLT- OPTIONAL PART: BACB30LE6-111		1
445	NAS1805-6	..	NUT		1
450	113T1258-1	..	CAP-END		1
455	113T1258-2	..	CAP-END		1
460	113T1263-5	..	PIN- POSITION DATA: OUTER		1
465	MS24665-376	..	PIN		5
470	BACN10JD114AU	..	NUT		3
475	BACN10JD112AU	..	NUT		2
480	113T1254-11	..	WASHER-SPECIAL MAXIMUM 3 PER LOCATION		AR
482	113T1254-11	..	WASHER-SPECIAL		9
485	113T1254-13	..	WASHER-SPECIAL		2
487	113T1254-13	..	WASHER-SPECIAL		6

ILLUSTRATION ITEMS NOT ON PARTS LIST ARE NOT APPLICABLE

— ITEM NOT ILLUSTRATED

HXL

# 27-51-03-10

BOEING PROPRIETARY - Copyright © - Unpublished Work - See title page for details.

27-51-03  
FIG. 10  
PAGE 19  
APR 22/08



767

PARTS CATALOG (MAINTENANCE)

FIG ITEM	PART NUMBER	1 2 3 4 5 6 7	NOMENCLATURE	EFFECT FROM TO	UNITS PER ASSY
10					
490	113T1262-4	..	NUT-SPECIAL		3
495	113T1262-3	..	NUT-SPECIAL		2
500	113T1254-4	..	WASHER-SPECIAL		2
505	113T1254-3	..	WASHER-SPECIAL		1
510	113T1254-46	..	WASHER-SPECIAL		1
515	113T1254-9	..	WASHER-SPECIAL		1
520	113T1105-9	..	WASHER-SPECIAL		AR
525	113T1264-6	..	PIN- POSITION DATA: INNER OPTIONAL PART: 113T1264-41		2
525	113T1264-41	..	PIN- POSITION DATA: INNER OPTIONAL PART: 113T1264-6		2
530	113T1264-2	..	PIN- POSITION DATA: INNER OPTIONAL PART: 113T1264-37		1
530	113T1264-37	..	PIN- POSITION DATA: INNER OPTIONAL PART: 113T1264-2		1
535	113T1264-3	..	PIN- POSITION DATA: INNER OPTIONAL PART: 113T1264-38		1
535	113T1264-38	..	PIN- POSITION DATA: INNER OPTIONAL PART: 113T1264-3		1
540	113T1263-8	..	PIN- POSITION DATA: OUTER		2
545	113T1263-2	..	PIN- POSITION DATA: OUTER		1
550	113T1263-6	..	PIN- POSITION DATA: OUTER		1

ILLUSTRATION ITEMS NOT ON PARTS LIST ARE NOT APPLICABLE

- ITEM NOT ILLUSTRATED

27-51-03-10

27-51-03  
FIG. 10  
PAGE 20  
APR 22/08

HXL

BOEING PROPRIETARY - Copyright © - Unpublished Work - See title page for details.

 **BOEING**  
767  
**PARTS CATALOG (MAINTENANCE)**

FIG ITEM	PART NUMBER	1 2 3 4 5 6 7	NOMENCLATURE	EFFECT FROM TO	UNITS PER ASSY
10					
555	113T1264-7	..	PIN- POSITION DATA: INNER OPTIONAL PART: 113T1264-42		1
555	113T1264-42	..	PIN- POSITION DATA: INNER OPTIONAL PART: 113T1264-7		1
560	113T1262-6	..	NUT-SPECIAL		1
565	113T1254-6	..	WASHER-SPECIAL		1
570	113T1263-7	..	PIN- POSITION DATA: OUTER		1
575	113T1226-31	..	BEAM ASSY-NO. 3 9-10 POSITION DATA: LH SIDE		1
575	113T1226-33	..	BEAM ASSY-NO. 3 9-10 POSITION DATA: LH SIDE		1
575	113T1226-35	..	BEAM ASSY-NO. 3 9-10 POSITION DATA: LH SIDE		1
575	113T1226-43	..	BEAM ASSY-NO. 3 9-10 POSITION DATA: LH SIDE		1
575	113T1226-59	..	BEAM ASSY-NO. 3 9-10 POSITION DATA: LH SIDE		1
- 580	113T1226-32	..	BEAM ASSY-NO. 3 9-10 POSITION DATA: RH SIDE		1
- 580	113T1226-34	..	BEAM ASSY-NO. 3 9-10 POSITION DATA: RH SIDE		1
- 580	113T1226-36	..	BEAM ASSY-NO. 3 9-10 POSITION DATA: RH SIDE		1
- 580	113T1226-44	..	BEAM ASSY-NO. 3 9-10 POSITION DATA: RH SIDE		1
- 580	113T1226-60	..	BEAM ASSY-NO. 3 9-10 POSITION DATA: RH SIDE		1
585	BACB30LR3P20	...	BOLT-		6
590	113T1267-8	...	RETAINER-BEARING		1
595	113T1267-7	...	PLATE-BRG RTNR		1
600	113T1256-21	...	SEAL		2
ILLUSTRATION ITEMS NOT ON PARTS LIST ARE NOT APPLICABLE					

- ITEM NOT ILLUSTRATED

HXL

**27-51-03-10**

BOEING PROPRIETARY - Copyright © - Unpublished Work - See title page for details.

27-51-03  
FIG. 10  
PAGE 21  
APR 22/08



767

PARTS CATALOG (MAINTENANCE)

FIG ITEM	PART NUMBER	1 2 3 4 5 6 7	NOMENCLATURE	EFFECT FROM TO	UNITS PER ASSY
10 605	LHCB26BAD		. . . BEARING- SUPPLIER CODE: V73134 SPECIFICATION NUMBER: 60B00180-237		1
610	113T2000-123		. DRIVE INSTL- POSITION DATA: AFT LH SIDE FOR DETAILS SEE: 27-51-07-01		1
- 615	113T2000-124		. DRIVE INSTL- POSITION DATA: RH SIDE FOR DETAILS SEE: 27-51-07-01		1
620	113T2000-87		. LINK INSTL-MOVABLE POSITION DATA: LH SIDE FOR DETAILS SEE: 27-51-04-01		1
- 625	113T2000-88		. LINK INSTL-MOVABLE POSITION DATA: RH SIDE FOR DETAILS SEE: 27-51-04-01		1

ILLUSTRATION ITEMS NOT ON PARTS LIST ARE NOT APPLICABLE

- ITEM NOT ILLUSTRATED

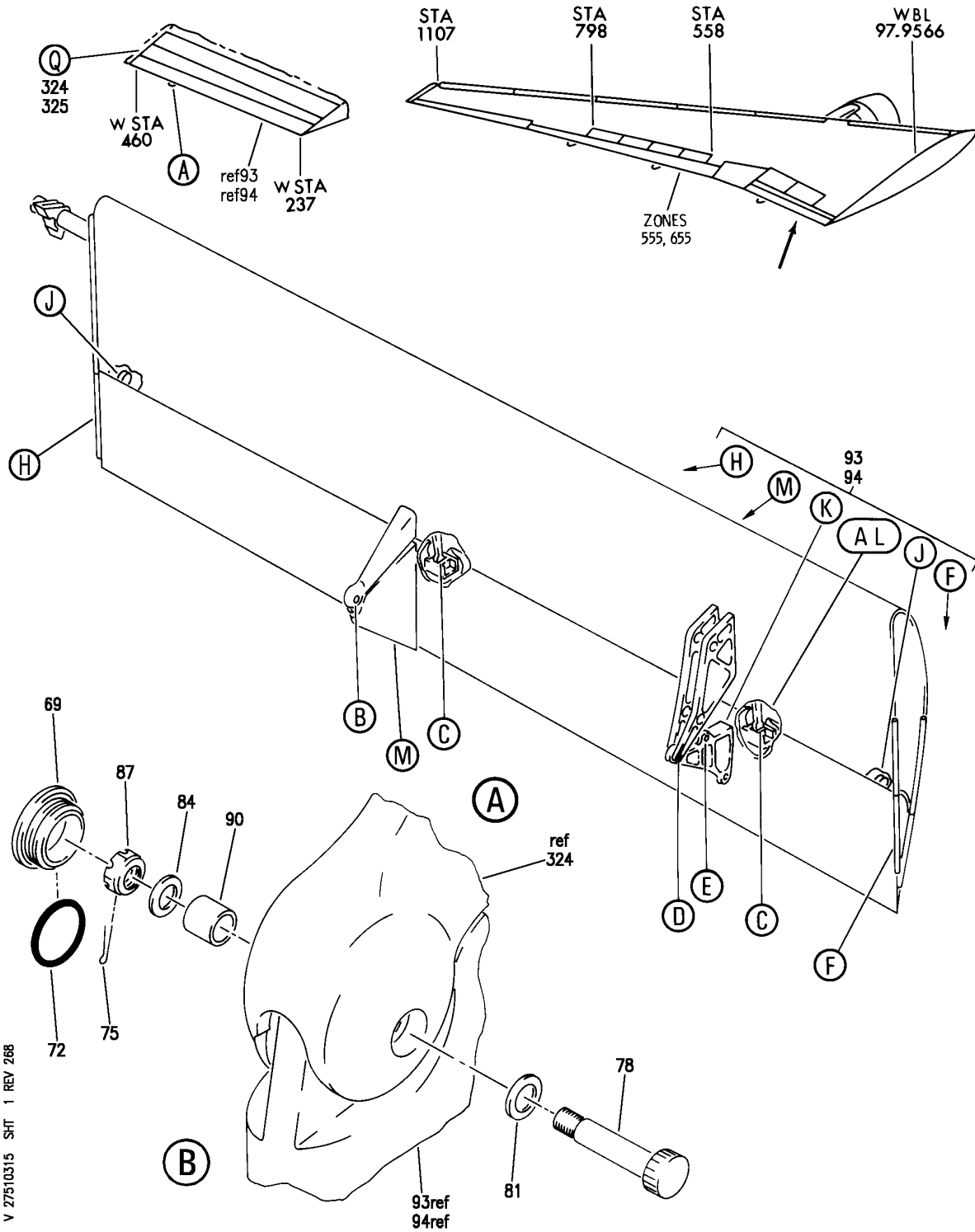
HXL

27-51-03-10

BOEING PROPRIETARY - Copyright © - Unpublished Work - See title page for details.

27-51-03  
FIG. 10  
PAGE 22  
APR 22/08

**BOEING**  
767  
PARTS CATALOG (MAINTENANCE)



V 27510315 SHT 1 REV 268

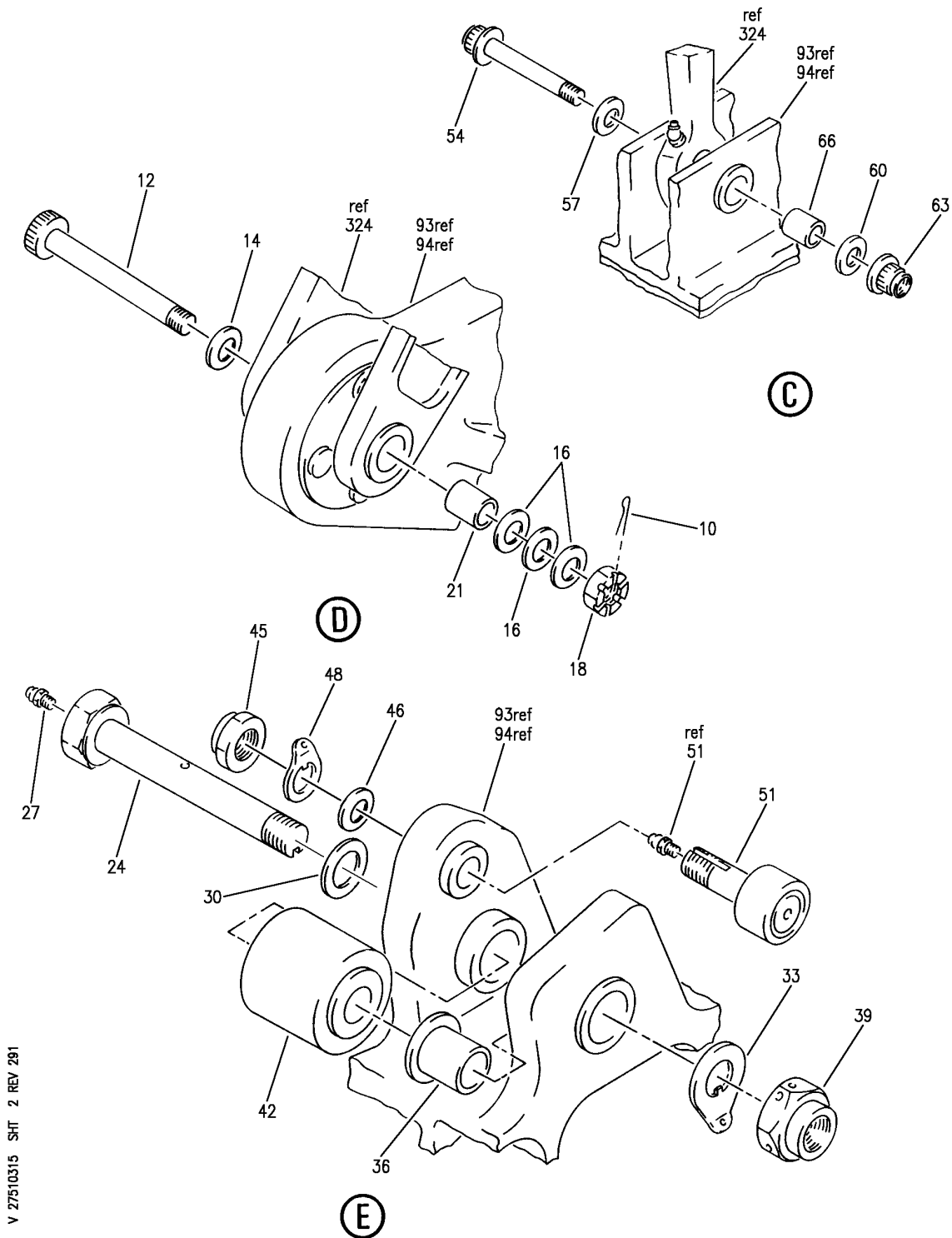
FLAP ASSY-INBD TE FLAP  
FIGURE 15 (SHEET 1)

**27-51-03-15**

HXL  
DEC 22/06

27-51-03-15  
PAGE 0

**BOEING**  
767  
PARTS CATALOG (MAINTENANCE)



V 27510315 SH1 2 REV 291

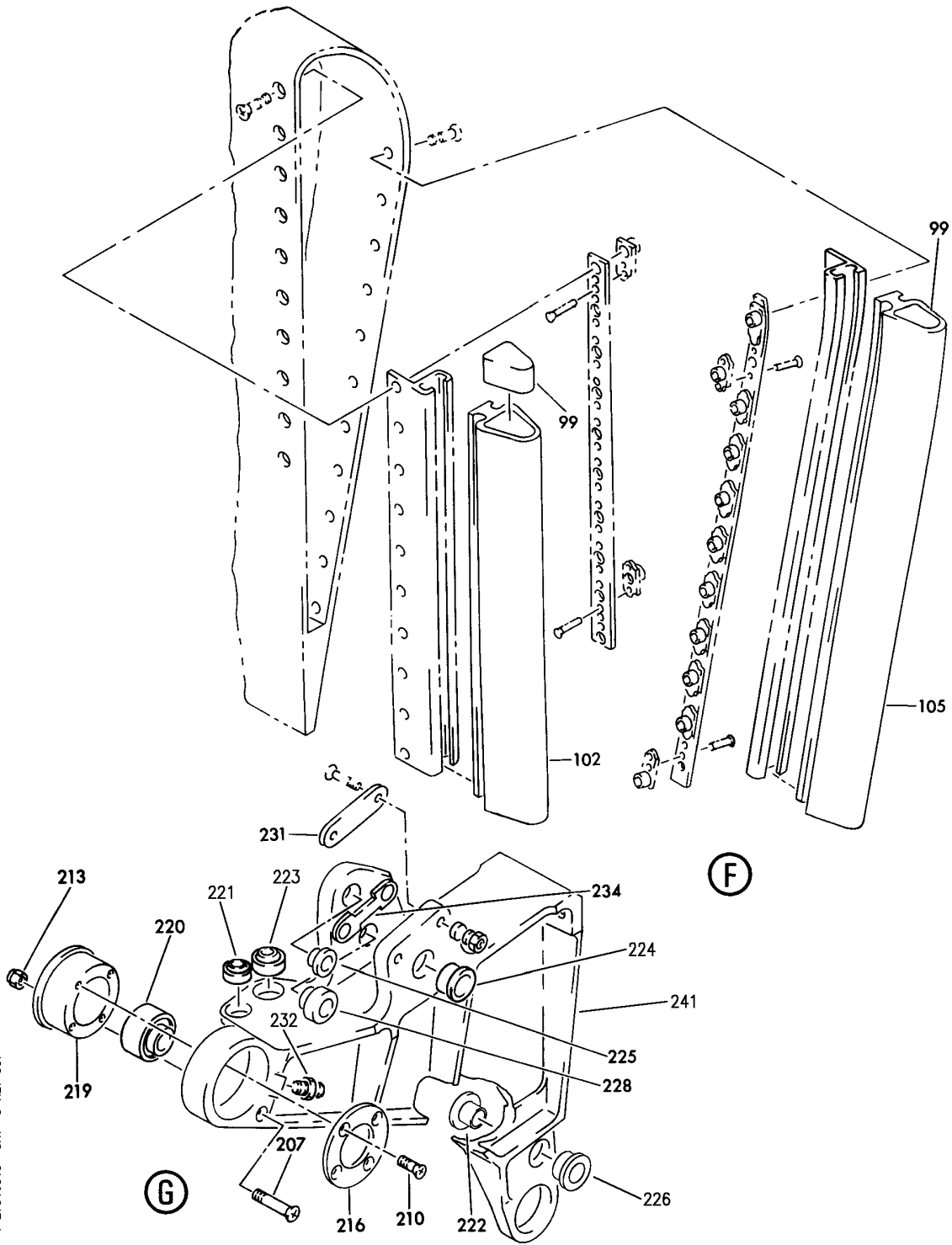
FLAP ASSY-INBD TE FLAP  
FIGURE 15 (SHEET 2)

**27-51-03-15**

HXL  
DEC 22/06

27-51-03-15  
PAGE 0A

**BOEING**  
767  
PARTS CATALOG (MAINTENANCE)



FLAP ASSY-INBD TE FLAP  
FIGURE 15 (SHEET 3)

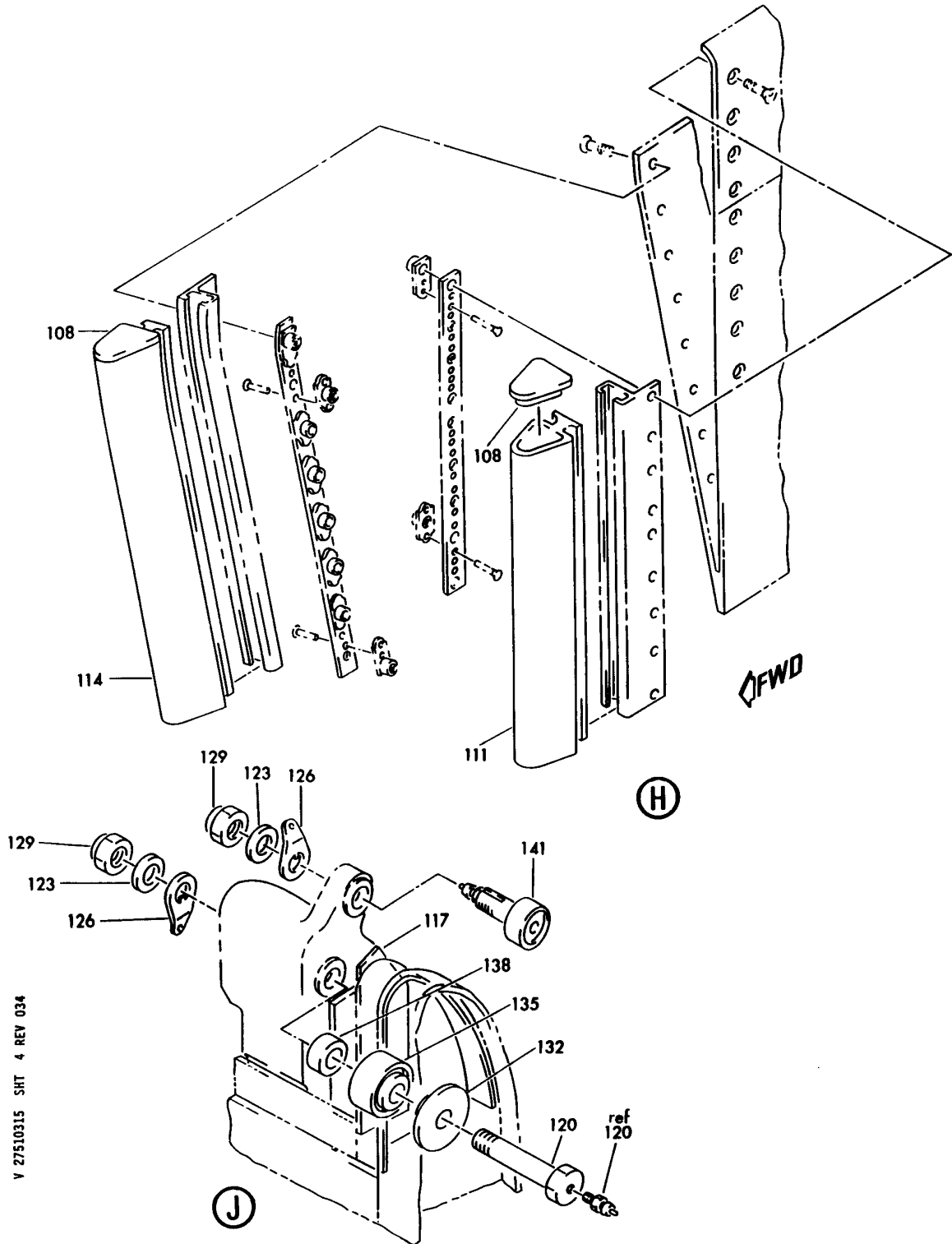
**27-51-03-15**

HXL  
APR 22/09

27-51-03-15  
PAGE 0B



**BOEING**  
767  
PARTS CATALOG (MAINTENANCE)



V 27510315 SHT 4 REV 034

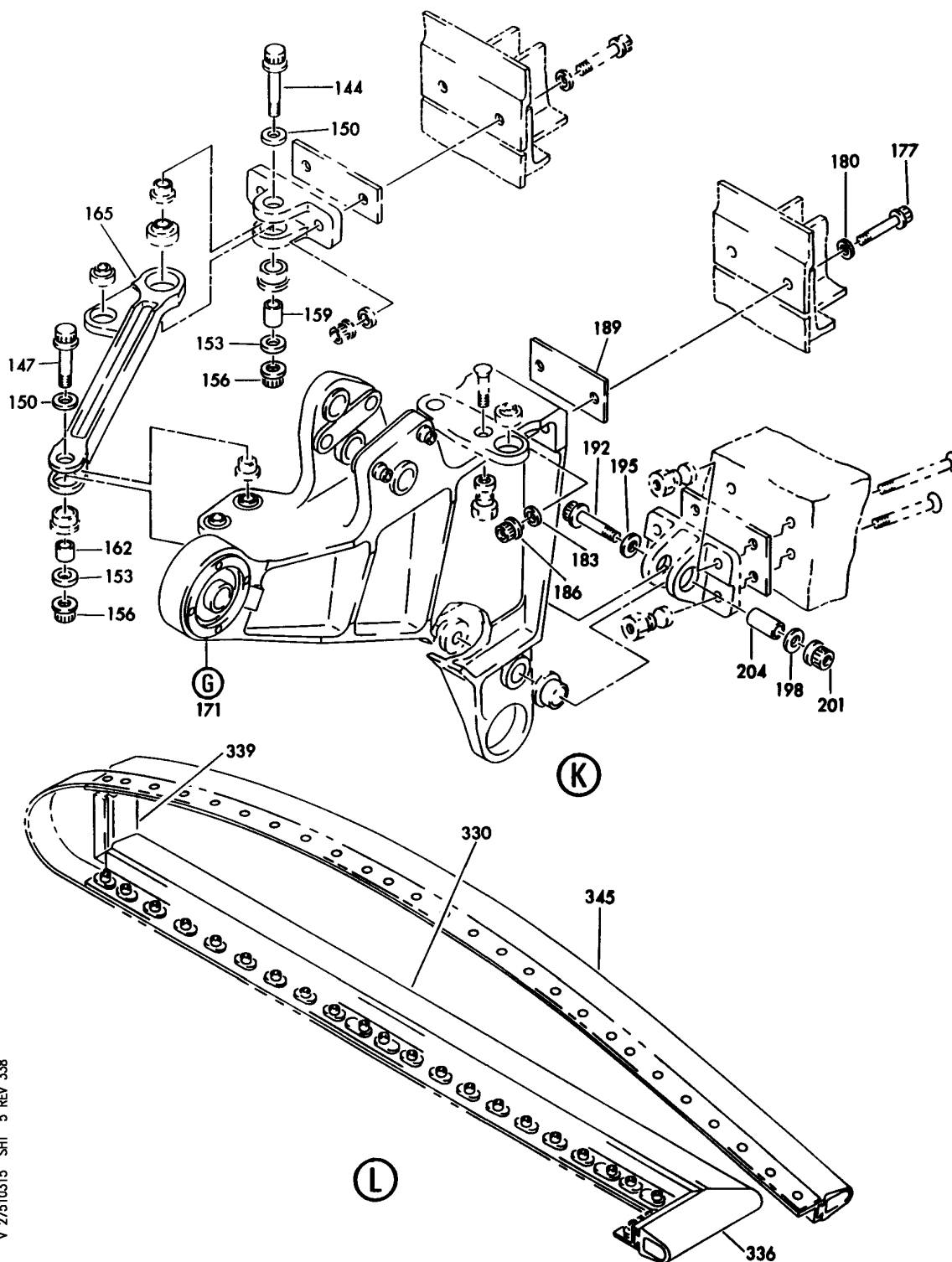
FLAP ASSY-INBD TE FLAP  
FIGURE 15 (SHEET 4)

**27-51-03-15**

HXL  
DEC 22/06

27-51-03-15  
PAGE 0C

**BOEING**  
767  
PARTS CATALOG (MAINTENANCE)



V 27510315 SHT 5 REV 338

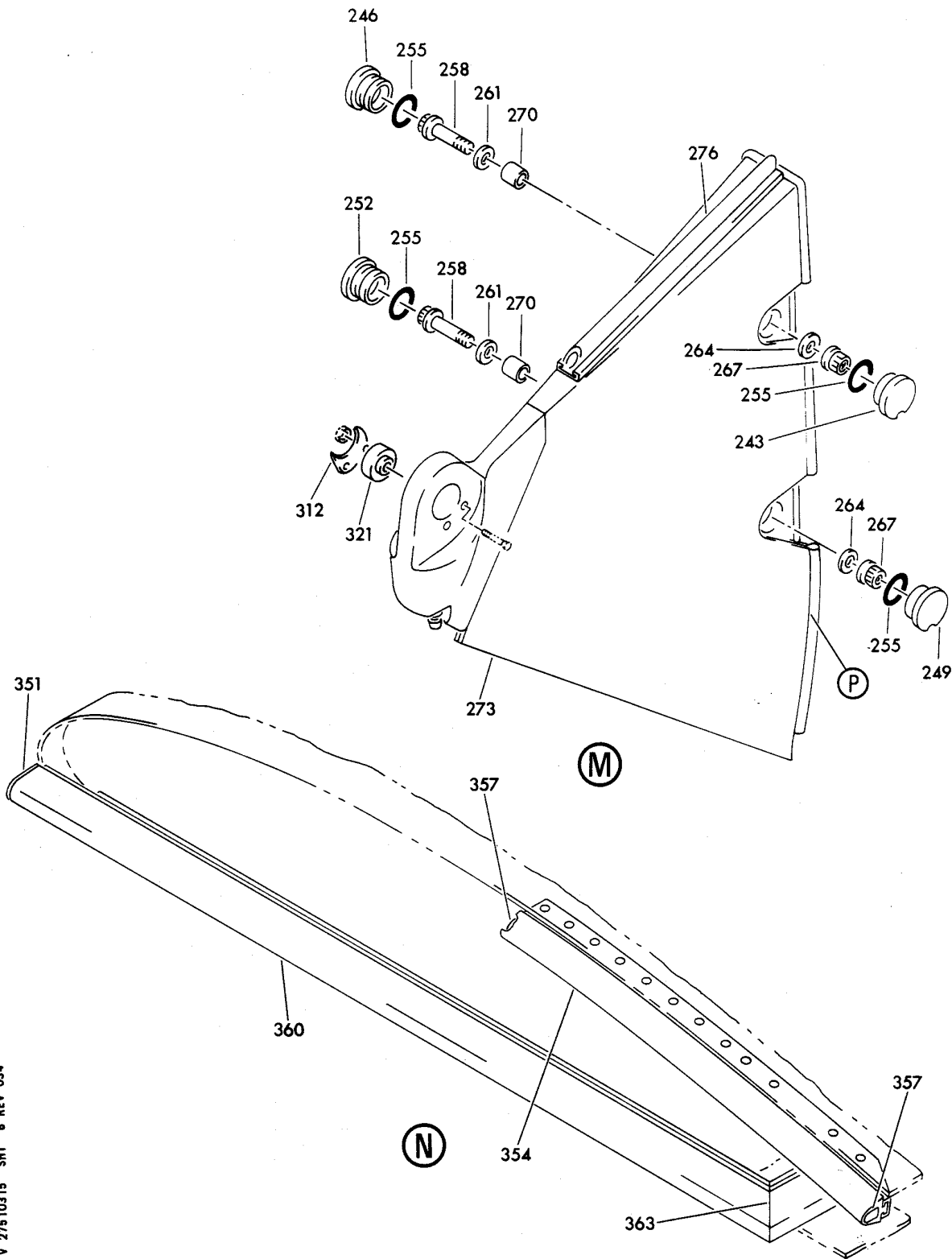
FLAP ASSY-INBD TE FLAP  
FIGURE 15 (SHEET 5)

**27-51-03-15**

HXL  
APR 22/09

27-51-03-15  
PAGE 0D

**BOEING**  
767  
PARTS CATALOG (MAINTENANCE)



V 27510315 SHT 6 REV 034

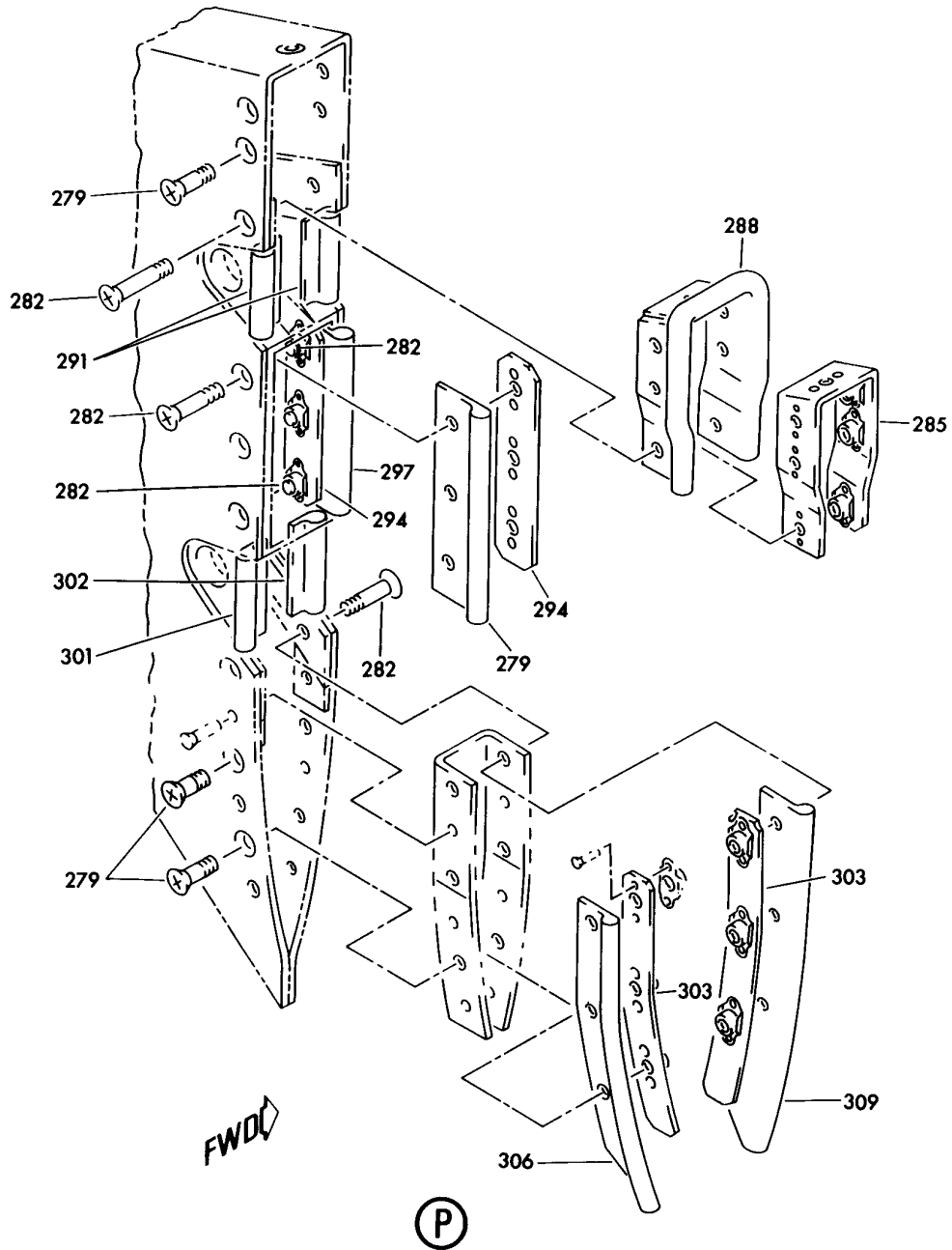
FLAP ASSY-INBD TE FLAP  
FIGURE 15 (SHEET 6)

**27-51-03-15**

HXL  
DEC 22/06

27-51-03-15  
PAGE 0E

**BOEING**  
767  
PARTS CATALOG (MAINTENANCE)



V 27510315 SHT 7 REV 112

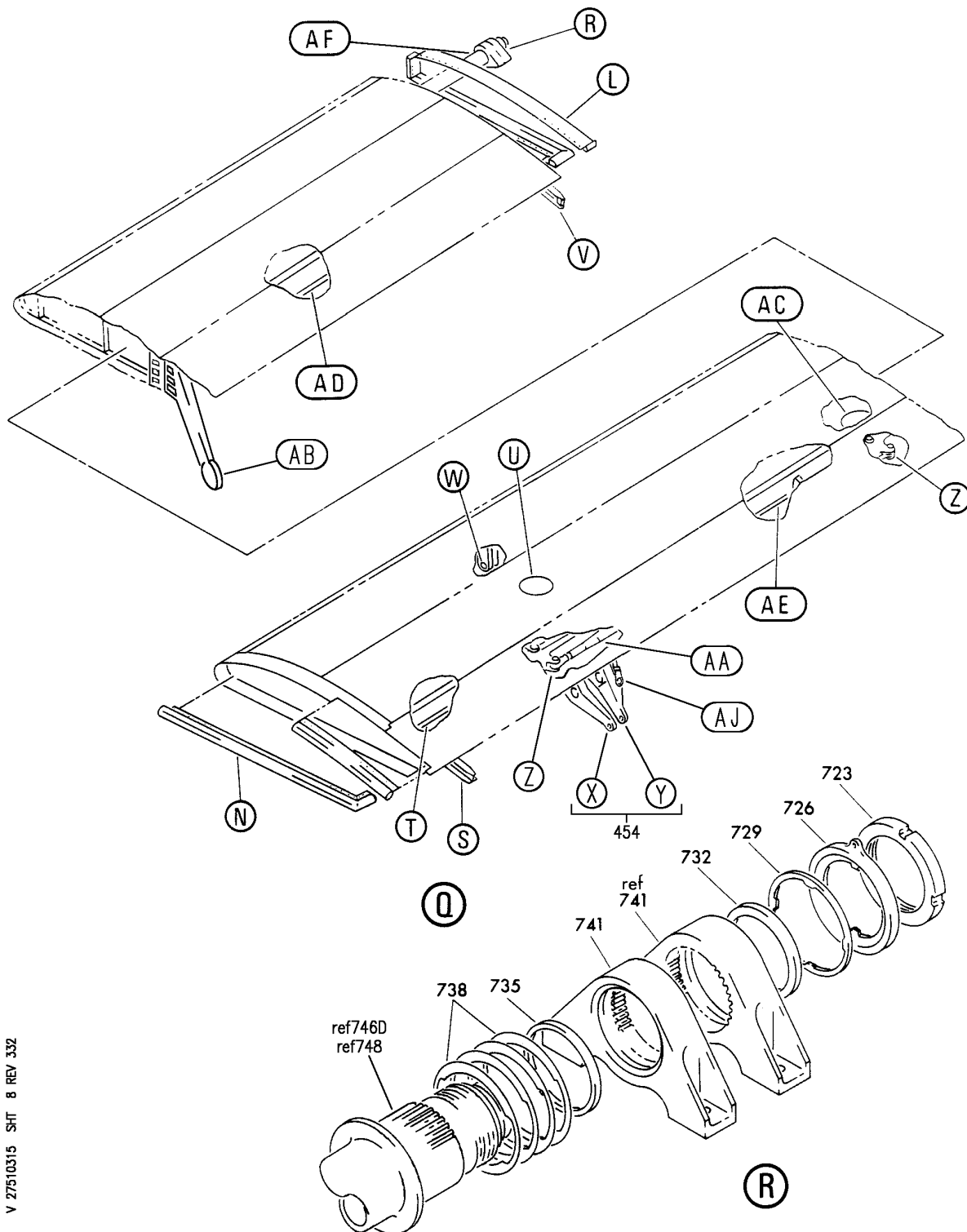
FLAP ASSY-INBD TE FLAP  
FIGURE 15 (SHEET 7)

**27-51-03-15**

HXL  
DEC 22/06

27-51-03-15  
PAGE OF

**BOEING**  
767  
PARTS CATALOG (MAINTENANCE)



V 27510315 SHT 8 REV 332

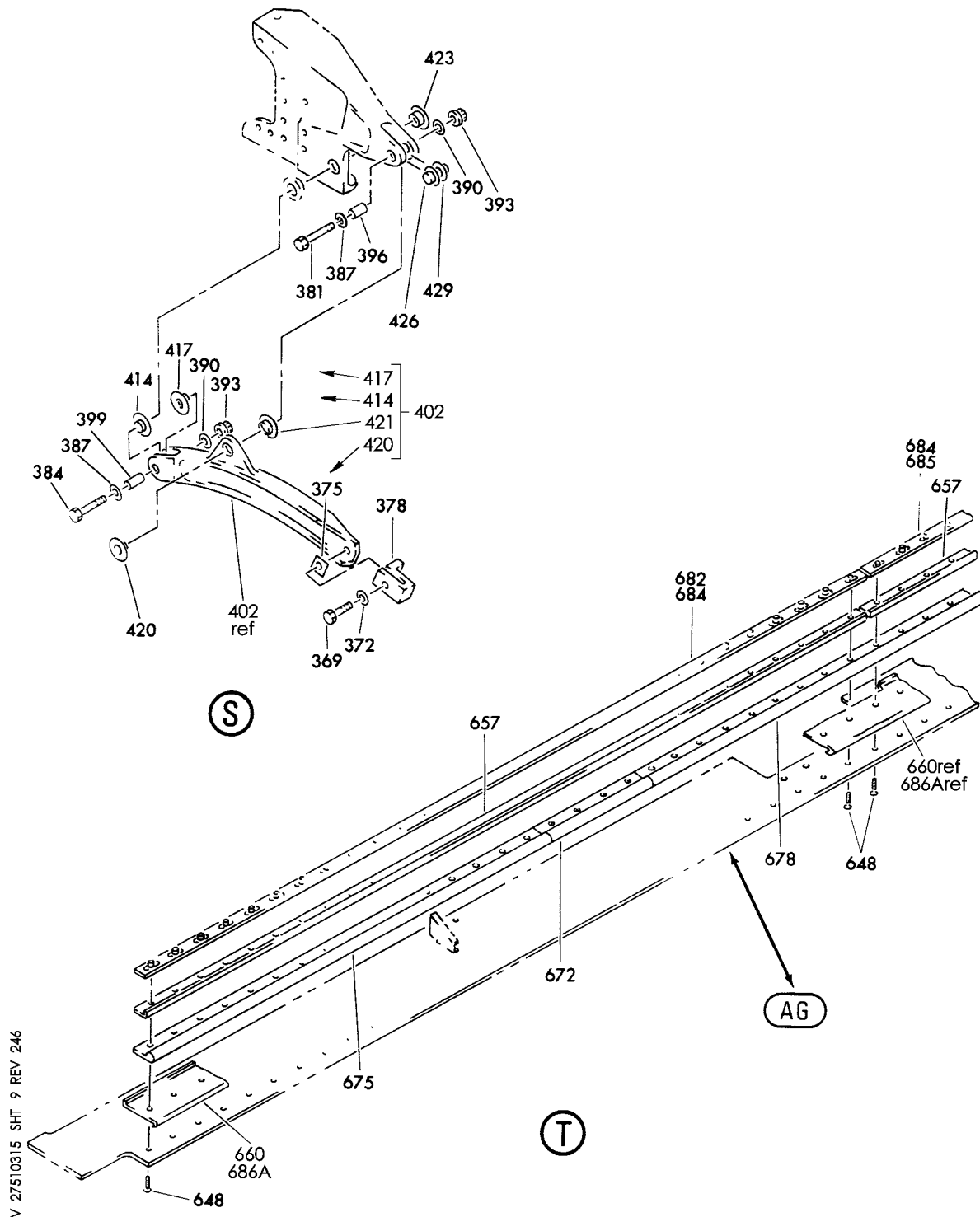
FLAP ASSY-INBD TE FLAP  
FIGURE 15 (SHEET 8)

**27-51-03-15**

HXL  
DEC 22/08

27-51-03-15  
PAGE 0G

**BOEING**  
767  
PARTS CATALOG (MAINTENANCE)



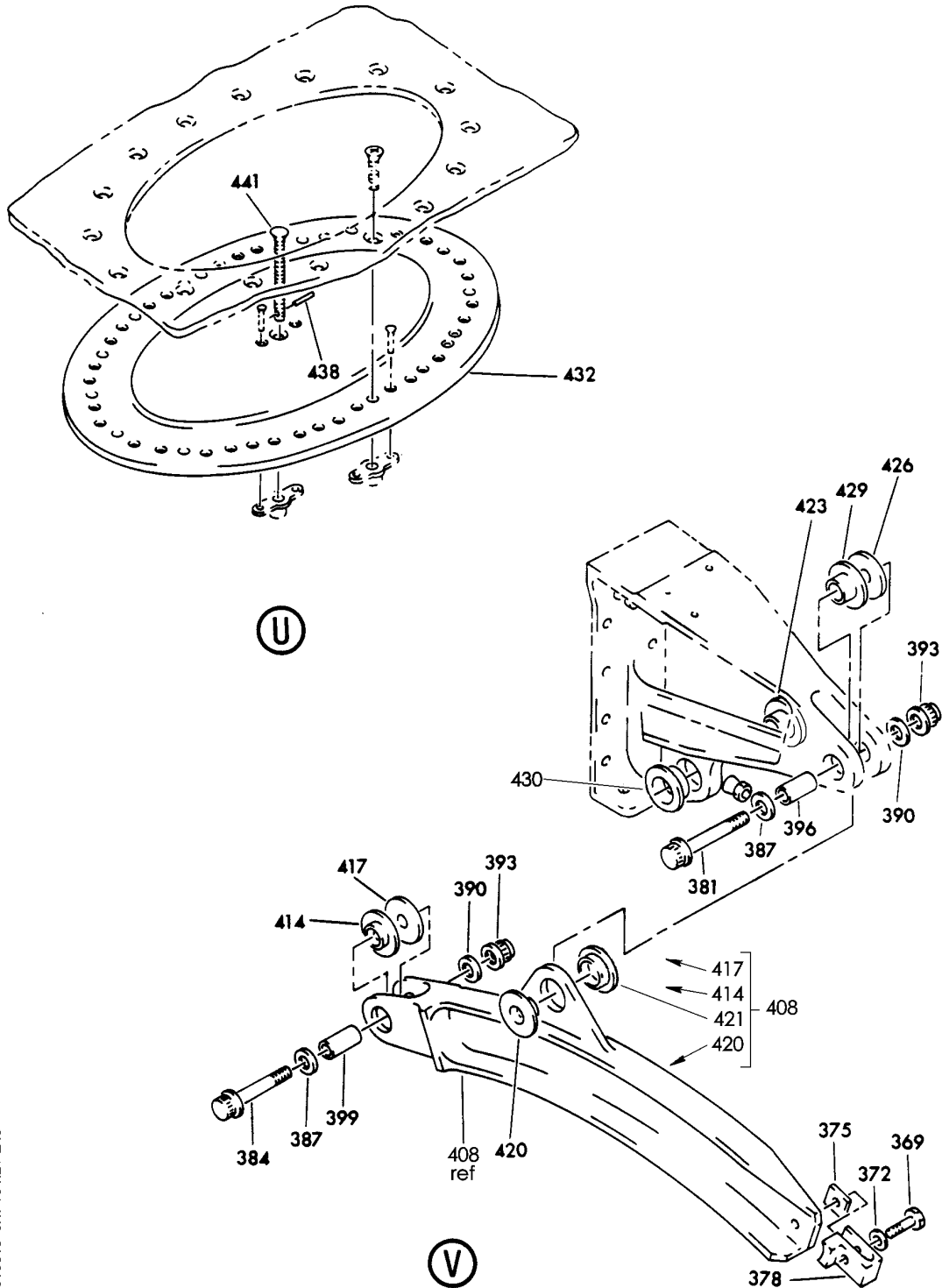
FLAP ASSY-INBD TE FLAP  
FIGURE 15 (SHEET 9)

**27-51-03-15**

HXL  
DEC 22/06

27-51-03-15  
PAGE 0H

**BOEING**  
767  
PARTS CATALOG (MAINTENANCE)



V 27510315 SHT 10 REV 246

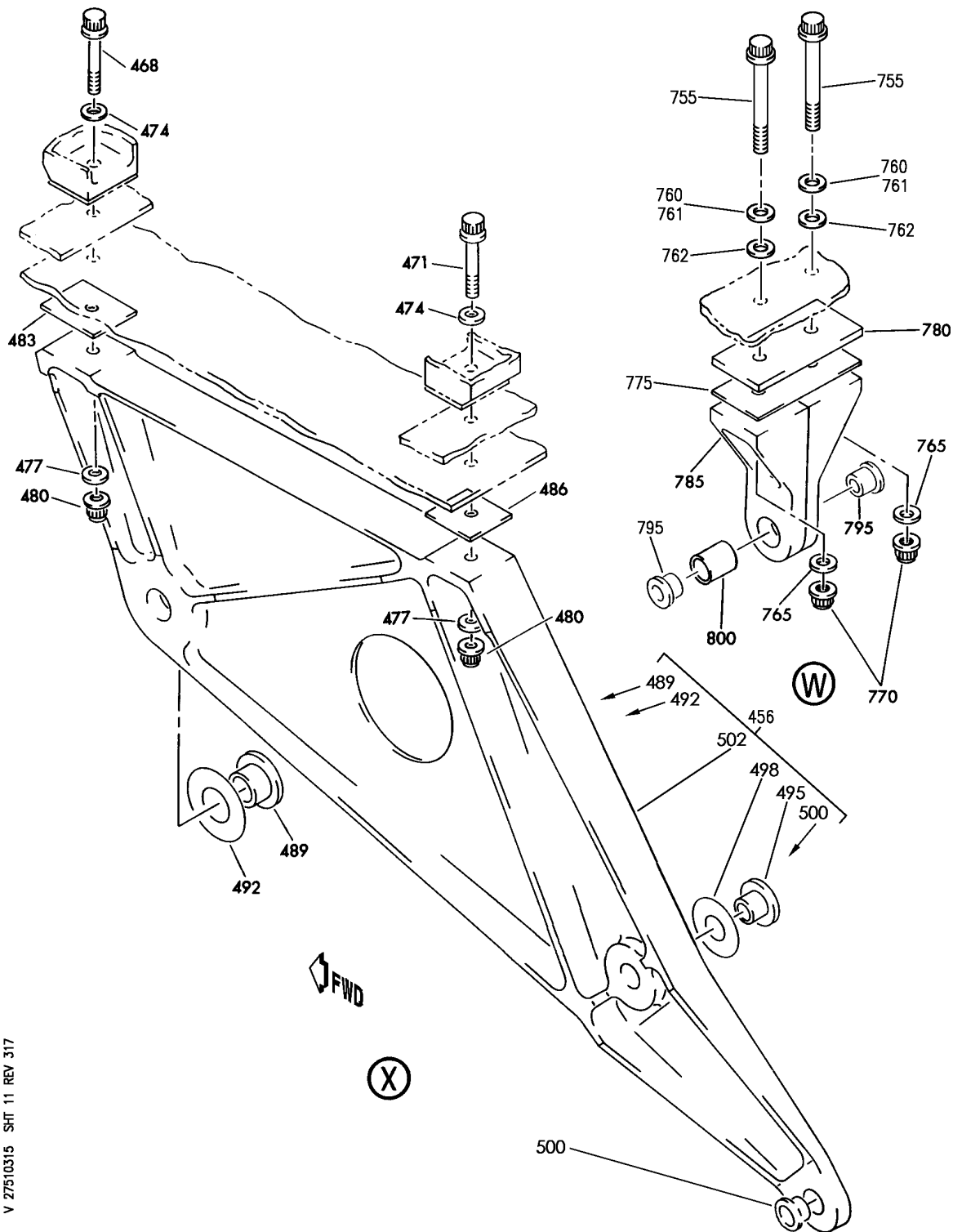
FLAP ASSY-INBD TE FLAP  
FIGURE 15 (SHEET 10)

**27-51-03-15**

HXL  
DEC 22/06

27-51-03-15  
PAGE 01

**BOEING**  
767  
PARTS CATALOG (MAINTENANCE)



V 27510315 SHT 11 REV 317

FLAP ASSY-INBD TE FLAP  
FIGURE 15 (SHEET 11)

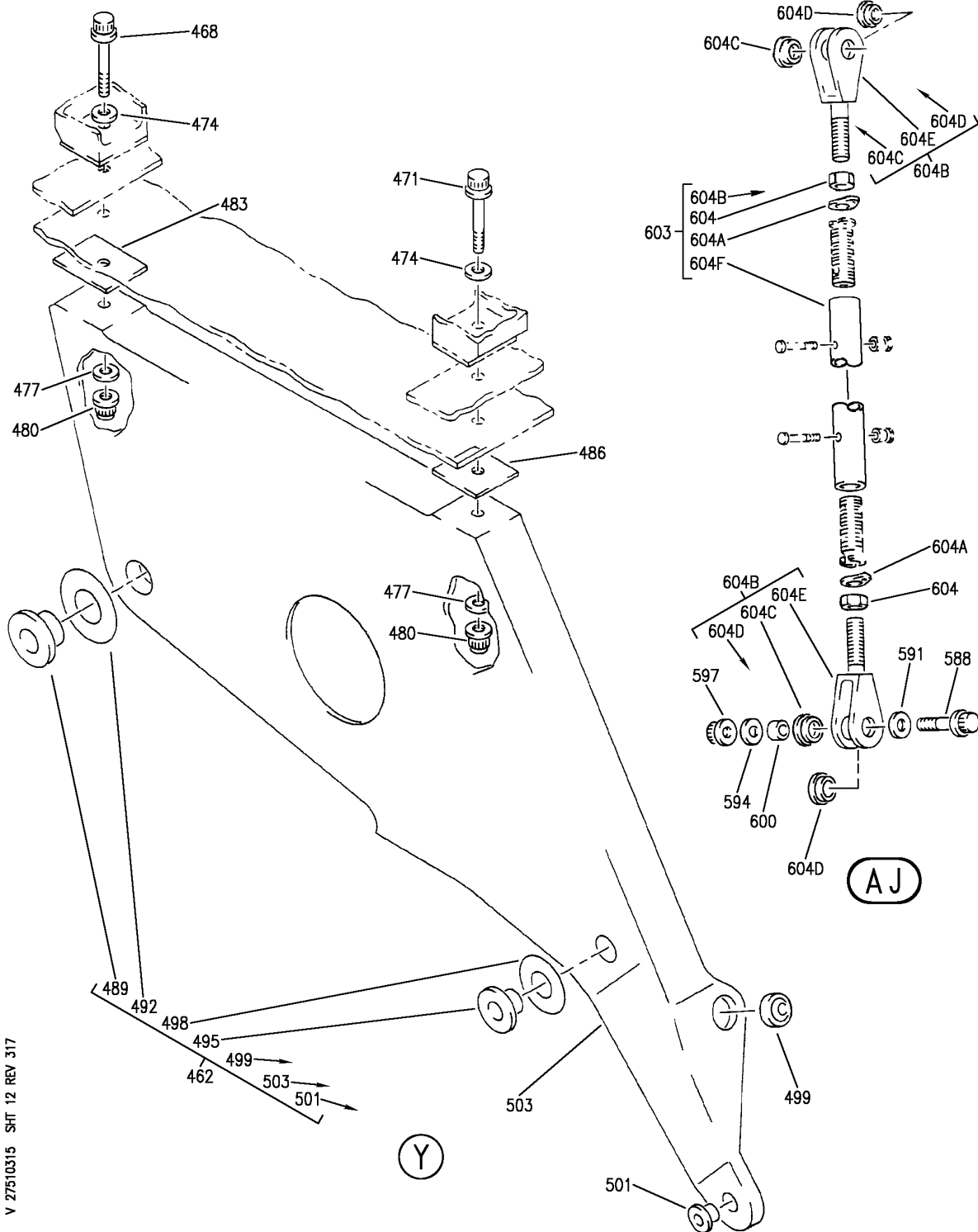
**27-51-03-15**

HXL  
AUG 22/07

27-51-03-15  
PAGE 0J




**BOEING**  
 767  
**PARTS CATALOG (MAINTENANCE)**



V 27510315 SHT 12 REV 317

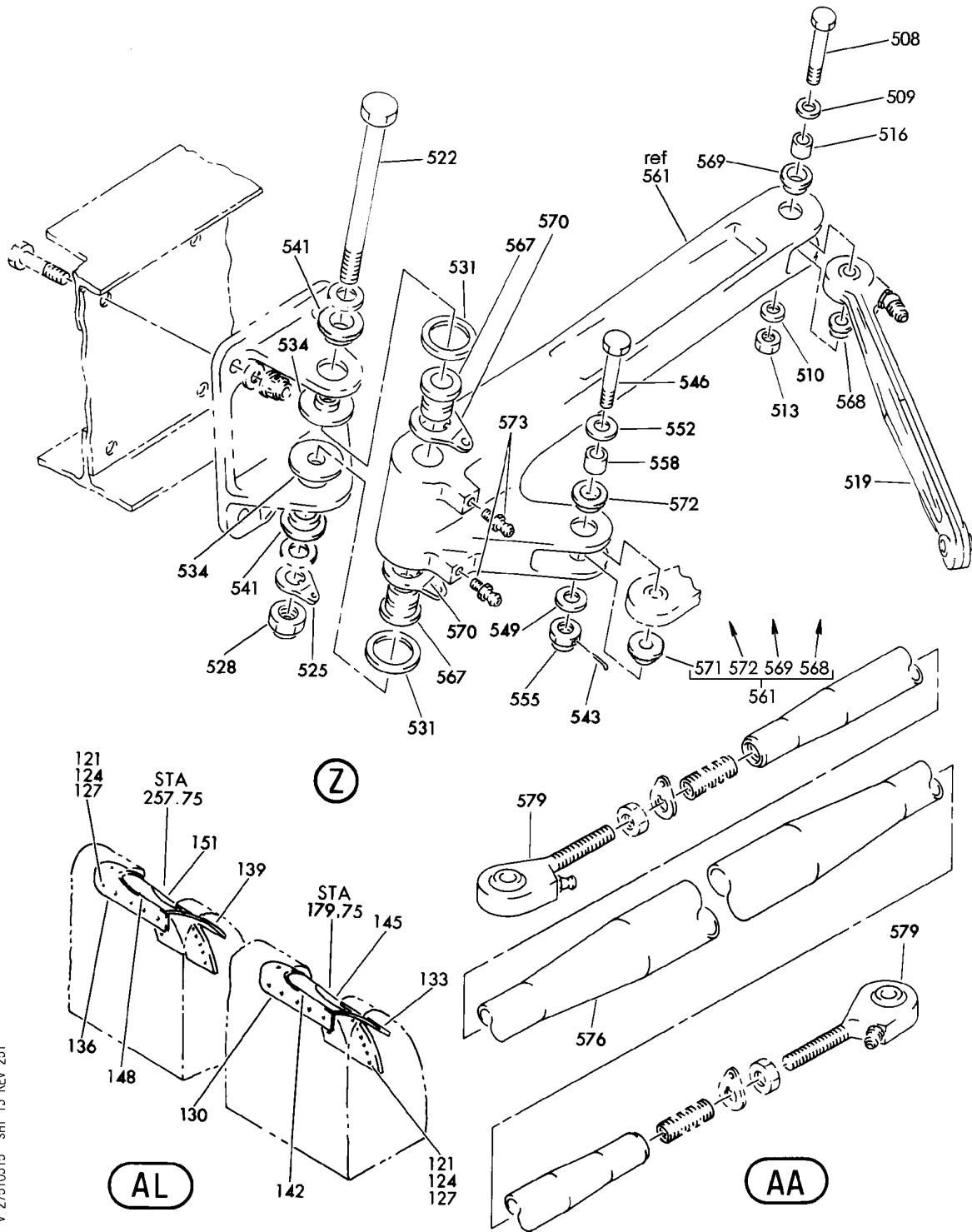
FLAP ASSY-INBD TE FLAP  
 FIGURE 15 (SHEET 12)

**27-51-03-15**

HXL  
AUG 22/07

27-51-03-15  
 PAGE 0K

**BOEING**  
767  
PARTS CATALOG (MAINTENANCE)



V 27510315 SH1 13 REV 251

FLAP ASSY-INBD TE FLAP  
FIGURE 15 (SHEET 13)

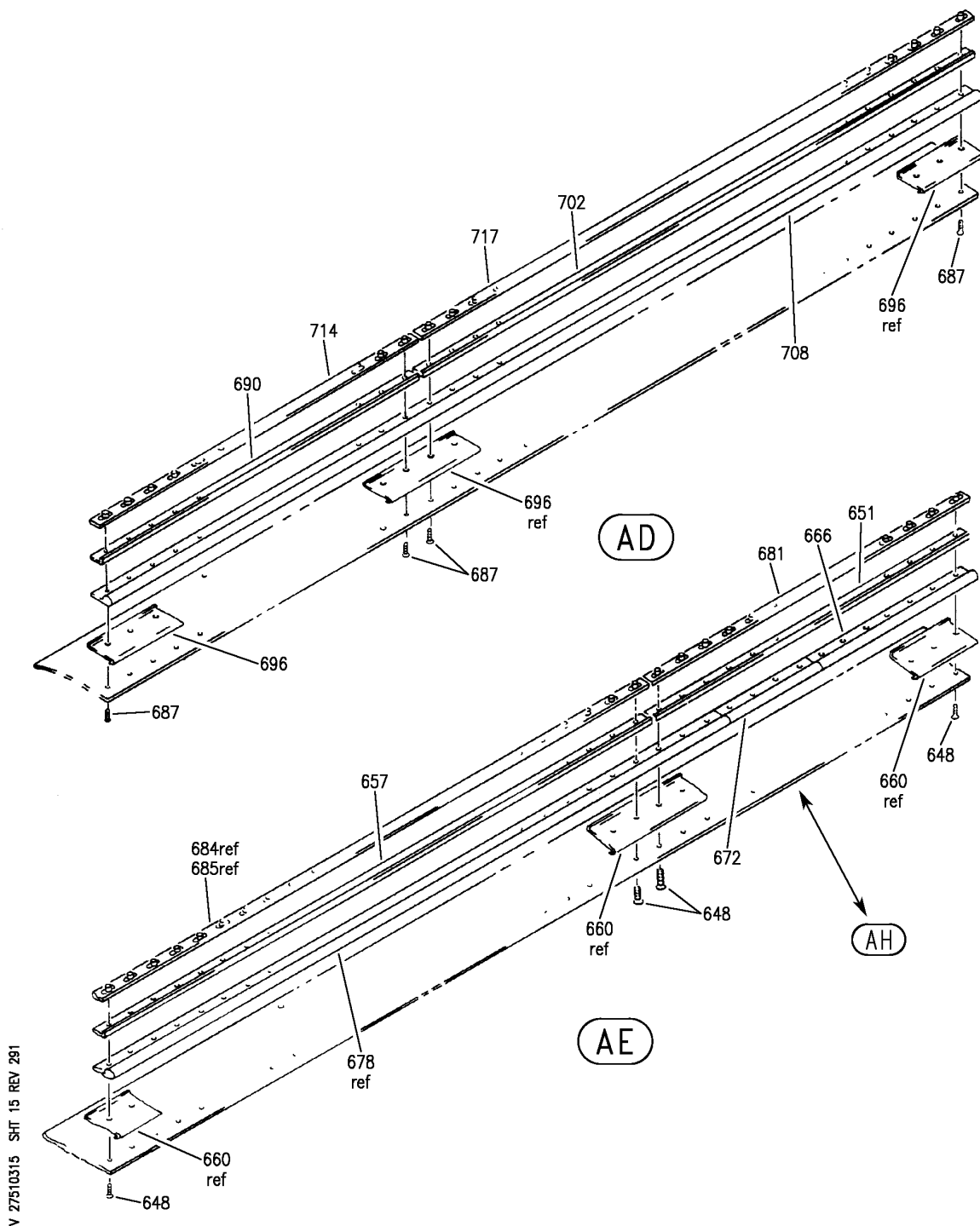
**27-51-03-15**

HXL  
DEC 22/06

27-51-03-15  
PAGE 01



**BOEING**  
767  
PARTS CATALOG (MAINTENANCE)



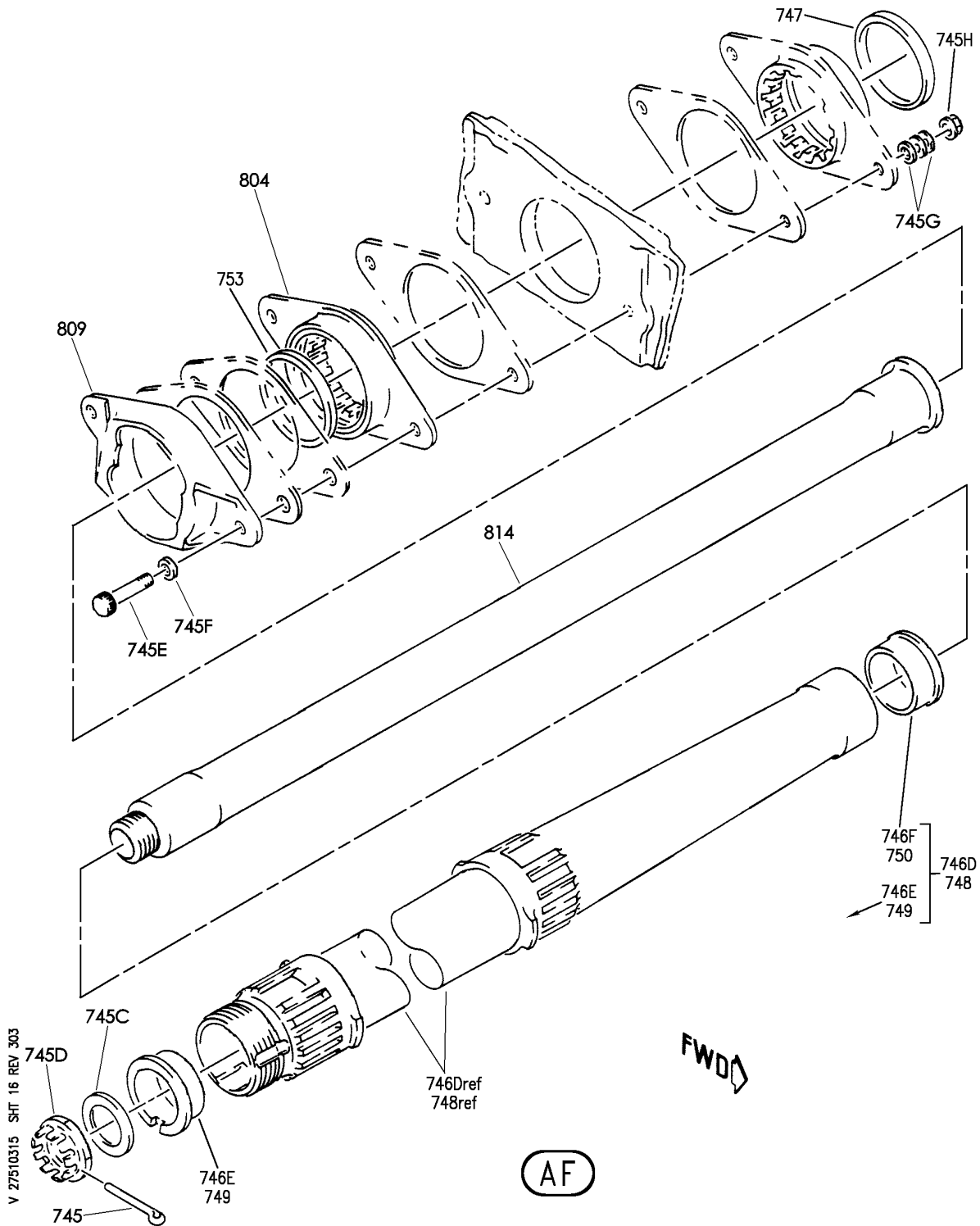
FLAP ASSY-INBD TE FLAP  
FIGURE 15 (SHEET 15)

**27-51-03-15**

HXL  
DEC 22/06

27-51-03-15  
PAGE ON

**BOEING**  
767  
PARTS CATALOG (MAINTENANCE)



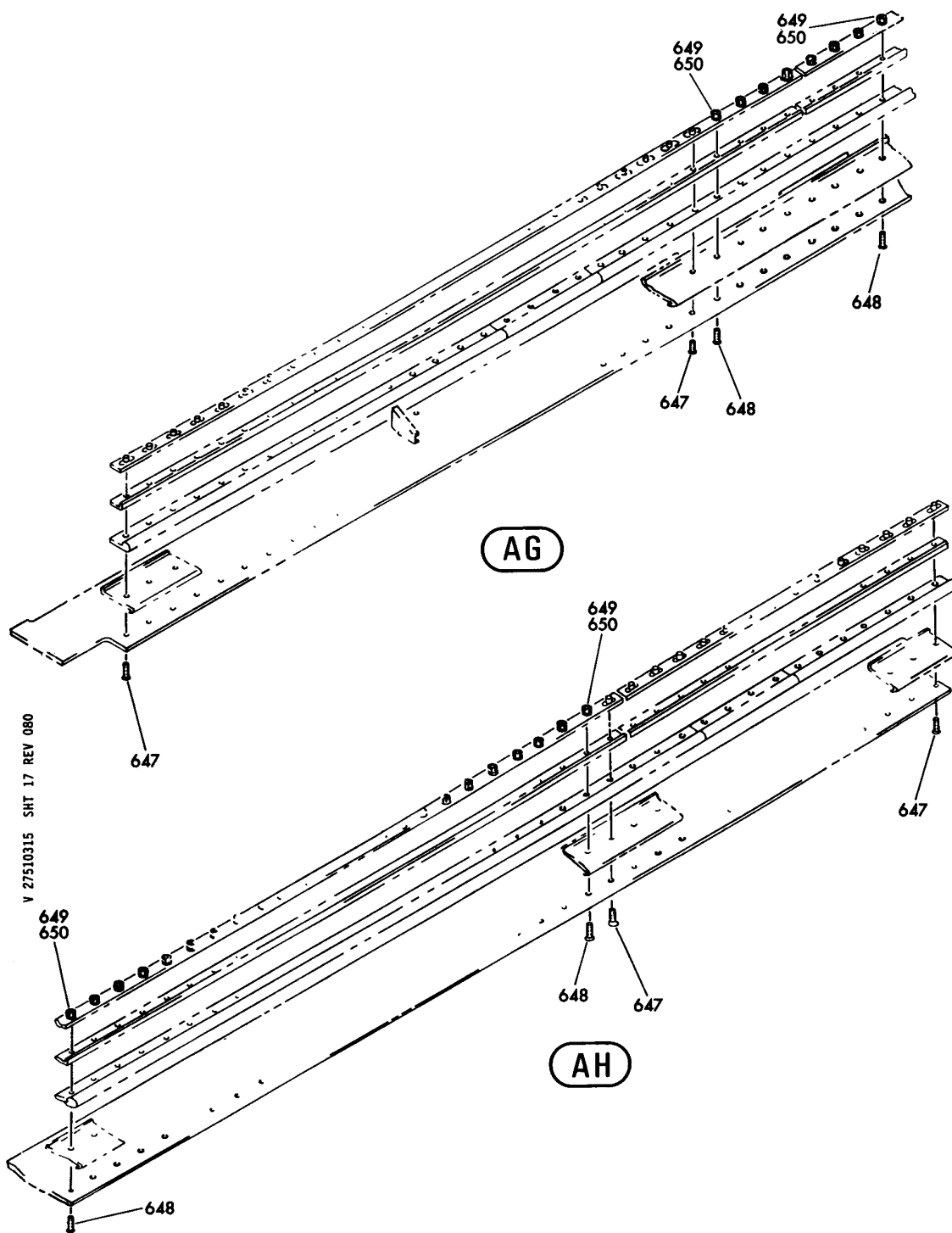
FLAP ASSY-INBD TE FLAP  
FIGURE 15 (SHEET 16)

**27-51-03-15**

HXL  
DEC 22/06

27-51-03-15  
PAGE 00

**BOEING**  
767  
PARTS CATALOG (MAINTENANCE)



FLAP ASSY-INBD TE FLAP  
FIGURE 15 (SHEET 17)

**27-51-03-15**

HXL  
DEC 22/06

27-51-03-15  
PAGE 0P



767

PARTS CATALOG (MAINTENANCE)

FIG ITEM	PART NUMBER	1 2 3 4 5 6 7	NOMENCLATURE	EFFECT FROM TO	UNITS PER ASSY
15					
- 3	113T2101-27		FLAP ASSY-INBD TE FLAP FLAP ASSY-TE FLAP POSITION DATA: INBD LH COMPONENT MAINT MANUAL REF: 57-53-21 QUALIFIED I/W DATA: -23 OR -13 AFTER INCORP OF S/B767-57-25 IS I/W -27 OR -31. 113T2101-27 INTERCHANGEABLE WITH 113T2101-33 SUBJECT TO CUSTOMER COLOR PREFERENCE FOR NHA SEE: 27-51-03-10		RF
- 3	113T2101-61SP		FLAP ASSY- POSITION DATA: INBD LH COMPONENT MAINT MANUAL REF: 57-53-21 FOR NHA SEE: 27-51-03-10		RF
- 3	113T2101-31		FLAP ASSY-TE FLAP POSITION DATA: INBD LH COMPONENT MAINT MANUAL REF: 57-53-21 QUALIFIED I/W DATA: -23 OR -13 AFTER INCORP OF S/B767-57-25 IS I/W -27 OR -31. FOR NHA SEE: 27-51-03-10		RF
- 3	113T2101-77SP		FLAP ASSY- POSITION DATA: INBD LH COMPONENT MAINT MANUAL REF: 57-53-21 FOR NHA SEE: 27-51-03-10		RF
- 3	113T2101-79SP		FLAP ASSY- POSITION DATA: INBD LH COMPONENT MAINT MANUAL REF: 57-53-21 FOR NHA SEE: 27-51-03-10		RF
ILLUSTRATION ITEMS NOT ON PARTS LIST ARE NOT APPLICABLE					

- ITEM NOT ILLUSTRATED

**27-51-03-15**

27-51-03  
FIG. 15  
PAGE 1  
DEC 22/07

HXL



767

PARTS CATALOG (MAINTENANCE)

FIG ITEM	PART NUMBER	1 2 3 4 5 6 7	NOMENCLATURE	EFFECT FROM TO	UNITS PER ASSY
15 - 3	113T2101-39		FLAP ASSY-TE FLAP POSITION DATA: INBD LH COMPONENT MAINT MANUAL REF: 57-53-21 QUALIFIED I/W DATA: -13 OR -23 AFTER INCORP OF S/B767-57-25 MAY BE REPLACED BY -39. 113T2101-39 INTERCHANGEABLE WITH 113T2101-47 SUBJECT TO CUSTOMER COLOR PREFERENCE FOR NHA SEE: 27-51-03-10		RF
- 3	113T2101-73SP		FLAP ASSY- POSITION DATA: INBD LH COMPONENT MAINT MANUAL REF: 57-53-21 FOR NHA SEE: 27-51-03-10		RF
- 3	113T2101-71SP		FLAP ASSY-TE FLAP VAR POSITION DATA: INBD LH COMPONENT MAINT MANUAL REF: 57-53-21 FOR NHA SEE: 27-51-03-10		RF
- 3	113T2101-67SP		FLAP ASSY-TE FLAP VAR POSITION DATA: INBD LH COMPONENT MAINT MANUAL REF: 57-53-21 FOR NHA SEE: 27-51-03-10		RF
- 3	113T2101-63SP		FLAP ASSY-TE FLAP VAR POSITION DATA: INBD LH COMPONENT MAINT MANUAL REF: 57-53-21 FOR NHA SEE: 27-51-03-10		RF

ILLUSTRATION ITEMS NOT ON PARTS LIST ARE NOT APPLICABLE

- ITEM NOT ILLUSTRATED

27-51-03-15

27-51-03  
FIG. 15  
PAGE 2  
AUG 22/07

HXL





767

PARTS CATALOG (MAINTENANCE)

FIG ITEM	PART NUMBER	1 2 3 4 5 6 7	NOMENCLATURE	EFFECT FROM TO	UNITS PER ASSY
15 - 3	113T2101-59SP		FLAP ASSY-TE FLAP VAR POSITION DATA: INBD LH COMPONENT MAINT MANUAL REF: 57-53-21 FOR NHA SEE: 27-51-03-10		RF
- 3	113T2101-57SP		FLAP ASSY-TE FLAP VAR POSITION DATA: INBD LH COMPONENT MAINT MANUAL REF: 57-53-21 FOR NHA SEE: 27-51-03-10		RF
- 3	113T2101-53SP		FLAP ASSY-TE FLAP VAR POSITION DATA: INBD LH COMPONENT MAINT MANUAL REF: 57-53-21 QUALIFIED I/W DATA: -13 OR -23 AFTER INCORP OF S/B767-57-25 MAY BE REPLACED BY -53SP. FOR NHA SEE: 27-51-03-10		RF
- 3	113T2101-51SP		FLAP ASSY-TE FLAP VAR POSITION DATA: INBD LH COMPONENT MAINT MANUAL REF: 57-53-21 QUALIFIED I/W DATA: -13 OR -23 AFTER INCORP OF S/B767-57-25 MAY BE REPLACED BY -51SP. FOR NHA SEE: 27-51-03-10		RF
- 3	113T2101-49SP		FLAP ASSY-TE FLAP VAR POSITION DATA: INBD LH COMPONENT MAINT MANUAL REF: 57-53-21 QUALIFIED I/W DATA: -13 OR -23 AFTER INCORP OF S/B767-57-25 MAY BE REPLACED BY -49SP. FOR NHA SEE: 27-51-03-10		RF

ILLUSTRATION ITEMS NOT ON PARTS LIST ARE NOT APPLICABLE

- ITEM NOT ILLUSTRATED

27-51-03-15

27-51-03  
FIG. 15  
PAGE 3  
AUG 22/07

HXL



767

PARTS CATALOG (MAINTENANCE)

FIG ITEM	PART NUMBER	1 2 3 4 5 6 7	NOMENCLATURE	EFFECT FROM TO	UNITS PER ASSY
- 15 3	113T2101-65SP		FLAP ASSY- POSITION DATA: INBD LH COMPONENT MAINT MANUAL REF: 57-53-21 FOR NHA SEE: 27-51-03-10		RF
- 4	113T2101-69SP		FLAP ASSY-TE FLAP VAR POSITION DATA: INBD LH COMPONENT MAINT MANUAL REF: 57-53-21 FOR NHA SEE: 27-51-03-10		RF
- 4	113T2101-75SP		FLAP ASSY- POSITION DATA: INBD LH COMPONENT MAINT MANUAL REF: 57-53-21 FOR NHA SEE: 27-51-03-10		RF
- 6	113T2101-28		FLAP ASSY-TE FLAP POSITION DATA: INBD RH COMPONENT MAINT MANUAL REF: 57-53-21 QUALIFIED I/W DATA: -24 OR -14 AFTER INCORP OF S/B767-57-25 IS I/W -28 OR -32. 113T2101-28 INTERCHANGEABLE WITH 113T2101-34 SUBJECT TO CUSTOMER COLOR PREFERENCE FOR NHA SEE: 27-51-03-10		RF
- 6	113T2101-32		FLAP ASSY-TE FLAP POSITION DATA: INBD RH COMPONENT MAINT MANUAL REF: 57-53-21 QUALIFIED I/W DATA: -24 OR -14 AFTER INCORP OF S/B767-57-25 IS I/W -28 OR -32. FOR NHA SEE: 27-51-03-10		RF

ILLUSTRATION ITEMS NOT ON PARTS LIST ARE NOT APPLICABLE

- ITEM NOT ILLUSTRATED

HXL

27-51-03-15

BOEING PROPRIETARY - Copyright © - Unpublished Work - See title page for details.

27-51-03  
FIG. 15  
PAGE 4  
DEC 22/07



767

PARTS CATALOG (MAINTENANCE)

FIG ITEM	PART NUMBER	1 2 3 4 5 6 7	NOMENCLATURE	EFFECT FROM TO	UNITS PER ASSY
15 - 6	113T2101-40		FLAP ASSY-TE FLAP POSITION DATA: INBD RH COMPONENT MAINT MANUAL REF: 57-53-21 QUALIFIED I/W DATA: 113T2101-40 INTERCHANGEABLE WITH 113T2101-48 SUBJECT TO CUSTOMER COLOR PREFERENCE -14 OR -24 AFTER INCORP OF S/B767-57-25 MAY BE REPLACED BY -40. FOR NHA SEE: 27-51-03-10		RF
- 6	113T2101-72SP		FLAP ASSY-TE FLAP POSITION DATA: INBD RH COMPONENT MAINT MANUAL REF: 57-53-21 FOR NHA SEE: 27-51-03-10		RF
- 6	113T2101-70SP		FLAP ASSY-TE FLAP POSITION DATA: INBD RH COMPONENT MAINT MANUAL REF: 57-53-21 FOR NHA SEE: 27-51-03-10		RF
- 6	113T2101-68SP		FLAP ASSY-TE FLAP POSITION DATA: INBD RH COMPONENT MAINT MANUAL REF: 57-53-21 FOR NHA SEE: 27-51-03-10		RF
- 7	113T2101-64SP		FLAP ASSY-TE FLAP POSITION DATA: INBD RH COMPONENT MAINT MANUAL REF: 57-53-21 FOR NHA SEE: 27-51-03-10		RF

ILLUSTRATION ITEMS NOT ON PARTS LIST ARE NOT APPLICABLE

- ITEM NOT ILLUSTRATED

HXL

27-51-03-15

BOEING PROPRIETARY - Copyright © - Unpublished Work - See title page for details.

27-51-03  
FIG. 15  
PAGE 5  
AUG 22/07



767

PARTS CATALOG (MAINTENANCE)

FIG ITEM	PART NUMBER	1 2 3 4 5 6 7	NOMENCLATURE	EFFECT FROM TO	UNITS PER ASSY
15 - 7	113T2101-60SP		FLAP ASSY-TE FLAP POSITION DATA: INBD RH COMPONENT MAINT MANUAL REF: 57-53-21 FOR NHA SEE: 27-51-03-10		RF
- 7	113T2101-58SP		FLAP ASSY-TE FLAP POSITION DATA: INBD RH COMPONENT MAINT MANUAL REF: 57-53-21 FOR NHA SEE: 27-51-03-10		RF
- 7	113T2101-54SP		FLAP ASSY-TE FLAP POSITION DATA: INBD RH COMPONENT MAINT MANUAL REF: 57-53-21 QUALIFIED I/W DATA: -14 OR -24 AFTER INCORP OF S/B767-57-25 MAY BE REPLACED BY -54SP. FOR NHA SEE: 27-51-03-10		RF
- 7	113T2101-52SP		FLAP ASSY-TE FLAP POSITION DATA: INBD RH COMPONENT MAINT MANUAL REF: 57-53-21 QUALIFIED I/W DATA: -14 OR -24 AFTER INCORP OF S/B767-57-25 MAY BE REPLACED BY -52SP. FOR NHA SEE: 27-51-03-10		RF
- 7	113T2101-50SP		FLAP ASSY-TE FLAP POSITION DATA: INBD RH COMPONENT MAINT MANUAL REF: 57-53-21 QUALIFIED I/W DATA: -14 OR -24 AFTER INCORP OF S/B767-57-25 MAY BE REPLACED BY -50SP. FOR NHA SEE: 27-51-03-10		RF

ILLUSTRATION ITEMS NOT ON PARTS LIST ARE NOT APPLICABLE

- ITEM NOT ILLUSTRATED

HXL

27-51-03-15

BOEING PROPRIETARY - Copyright © - Unpublished Work - See title page for details.

27-51-03  
FIG. 15  
PAGE 6  
AUG 22/07



767

PARTS CATALOG (MAINTENANCE)

FIG ITEM	PART NUMBER	1 2 3 4 5 6 7	NOMENCLATURE	EFFECT FROM TO	UNITS PER ASSY
- 15 7	113T2101-62SP		FLAP ASSY- POSITION DATA: INBD RH COMPONENT MAINT MANUAL REF: 57-53-21 FOR NHA SEE: 27-51-03-10		RF
- 8	113T2101-66SP		FLAP ASSY- POSITION DATA: INBD RH COMPONENT MAINT MANUAL REF: 57-53-21 FOR NHA SEE: 27-51-03-10		RF
- 8	113T2101-74SP		FLAP ASSY- POSITION DATA: INBD RH COMPONENT MAINT MANUAL REF: 57-53-21 FOR NHA SEE: 27-51-03-10		RF
- 8	113T2101-76SP		FLAP ASSY- POSITION DATA: INBD RH COMPONENT MAINT MANUAL REF: 57-53-21 FOR NHA SEE: 27-51-03-10		RF
- 9	113T2101-78SP		FLAP ASSY- POSITION DATA: INBD RH COMPONENT MAINT MANUAL REF: 57-53-21 FOR NHA SEE: 27-51-03-10		RF
- 9	113T2101-80SP		FLAP ASSY- POSITION DATA: INBD RH COMPONENT MAINT MANUAL REF: 57-53-21 FOR NHA SEE: 27-51-03-10		RF
10	MS24665-302	.PIN			1
12	BACB30LT6DU40	.BOLT			1
14	BACW10BP6CD	.WASHER			1
16	BACW10BP6APU	.WASHER			AR
18	BACN10JD6ASU	.NUT			1
ILLUSTRATION ITEMS NOT ON PARTS LIST ARE NOT APPLICABLE					

- ITEM NOT ILLUSTRATED

# 27-51-03-15

27-51-03  
FIG. 15  
PAGE 7  
AUG 22/07

HXL



767

PARTS CATALOG (MAINTENANCE)

FIG ITEM	PART NUMBER	1 2 3 4 5 6 7	NOMENCLATURE	EFFECT FROM TO	UNITS PER ASSY
15					
21	BACB28AK06-053	.BUSHING-	OPTIONAL PART: BACB28AK06-057 BACB28AK06-061		AR
21	BACB28AK06-057	.BUSHING-	OPTIONAL PART: BACB28AK06-053 BACB28AK06-061		AR
21	BACB28AK06-061	.BUSHING-	OPTIONAL PART: BACB28AK06-053 BACB28AK06-057		AR
24	113T2108-1	.BOLT ASSY			1
27	MS15001-1	.. FITTING			1
30	BACW10BP10CD	.WASHER			1
33	113T2106-3	.WASHER-			1
33	113T2106-16	.WASHER-SPECIAL			1
36	113T2104-23	.BUSHING			1
39	113T2106-1	.NUT-			1
42	YAT10B	.BEARING	SUPPLIER CODE: V07484 SPECIFICATION NUMBER: BACB10EU10 OPTIONAL PART: 10AL2426 V92563 ATL10 V60380		1
45	113T2106-2	.NUT-			1
48	113T2106-4	.WASHER-SPECIAL			1
48	113T2106-15	.WASHER-SPECIAL			1
51	CC55133	.BEARING-ROLLER	SUPPLIER CODE: V60380 SPECIFICATION NUMBER: 60B00178-651 OPTIONAL PART: CR1XBC189 V07484 CF2582 V92563		1
51	CR1XBC189	.BEARING-ROLLER	SUPPLIER CODE: V07484 SPECIFICATION NUMBER: 60B00178-651		1

ILLUSTRATION ITEMS NOT ON PARTS LIST ARE NOT APPLICABLE

- ITEM NOT ILLUSTRATED

HXL

27-51-03-15

BOEING PROPRIETARY - Copyright © - Unpublished Work - See title page for details.

27-51-03  
FIG. 15  
PAGE 8  
DEC 22/07





767

PARTS CATALOG (MAINTENANCE)

FIG ITEM	PART NUMBER	1 2 3 4 5 6 7	NOMENCLATURE	EFFECT FROM TO	UNITS PER ASSY
15					
72	2-22S383-70		.PACKING SUPPLIER CODE: V02697 SPECIFICATION NUMBER: BACP11J22 OPTIONAL PART: AS568-22S32 V11314 S7E183-22 V95272 13-06-22 V07096 S424-7-2-22 V02697 A330-22 V95272 R1131-22 V57268		1
75	MS24665-302		.PIN		1
78	BACB30LT6DU25		.BOLT		1
81	BACW10BP6CD		.WASHER		1
84	AN960C616L		.WASHER		1
87	BACN10JD106ASU		.NUT		1
90	BACB28AK06-052		.BUSHING		1
93	015T1415-69		.FLAP ASSY- POSITION DATA: AFT LH SIDE POST SERVICE BULLETIN: 57-0043R3		1
93	015T1415-85		.FLAP ASSY- POSITION DATA: AFT LH SIDE POST SERVICE BULLETIN: 57-0043		1
- 96	015T1415-70		.FLAP ASSY- POSITION DATA: AFT RH SIDE POST SERVICE BULLETIN: 57-0043R3		1
- 96	015T1415-86		.FLAP ASSY- POSITION DATA: AFT RH SIDE POST SERVICE BULLETIN: 57-0043		1
99	113T2203-25		..PLUG-END POSITION DATA: OUTBD		2

ILLUSTRATION ITEMS NOT ON PARTS LIST ARE NOT APPLICABLE

- ITEM NOT ILLUSTRATED

27-51-03-15

27-51-03  
FIG. 15  
PAGE 10  
DEC 22/07

HXL

BOEING PROPRIETARY - Copyright © - Unpublished Work - See title page for details.





767

PARTS CATALOG (MAINTENANCE)

FIG ITEM	PART NUMBER	1 2 3 4 5 6 7	NOMENCLATURE	EFFECT FROM TO	UNITS PER ASSY
15 102	113T2203-5		..SEAL-PNL POSITION DATA: LWR MANUFACTURED FROM: EXTR RUBBER F25.01 10-60754-288 15.50 IN.		1
105	113T2203-6		..SEAL-PNL POSITION DATA: UPR MANUFACTURED FROM: EXTR RUBBER F25.01 10-60754-288 15.50 IN. EXTR RUBBER F25.01 5287002880 15.50 IN.		1
108	CG3824		..PLUG-END SUPPLIER CODE: V25099 POSITION DATA: INBD SPECIFICATION NUMBER: 10-60754-322 OPTIONAL PART: 5673-322 V11960		2
111	113T2203-15		..SEAL-PNL POSITION DATA: LWR MANUFACTURED FROM: EXTR RUBBER F25.01 10-60754-321 12.50 IN.		1
111	113T2203-53		..SEAL-PNL POSITION DATA: LWR MANUFACTURED FROM: EXTR RUBBER F25.01 10-60754-93 12.50 IN.		1
114	113T2203-37		..SEAL-PNL POSITION DATA: UPR MANUFACTURED FROM: EXTR RUBBER F25.01 10-60754-321 13.70 IN		1

ILLUSTRATION ITEMS NOT ON PARTS LIST ARE NOT APPLICABLE

- ITEM NOT ILLUSTRATED

HXL

27-51-03-15

BOEING PROPRIETARY - Copyright © - Unpublished Work - See title page for details.

27-51-03  
FIG. 15  
PAGE 11  
DEC 22/07



767

PARTS CATALOG (MAINTENANCE)

FIG ITEM	PART NUMBER	1 2 3 4 5 6 7	NOMENCLATURE	EFFECT FROM TO	UNITS PER ASSY
15					
114	113T2203-54	..	SEAL-PNL POSITION DATA: UPR MANUFACTURED FROM: EXTR RUBBER F25.01 10-60754-321 13.70 IN		1
117	113T2319-1	..	STRIP-RUB MANUFACTURED FROM: SH PHENOLIC MIL-P-15035 TYPE FBG 0.031 IN. 2.00 IN. 5.20 IN.		2
120	113T2108-3	..	BOLT ASSY-SPECIAL		2
121	BACB30VF3K4	..	BOLT-		41
123	BACW10BP8DP	..	WASHER		4
124	AN960JD10LL	..	WASHER-		41
126	113T2106-4	..	WASHER-SPECIAL		4
126	113T2106-15	..	WASHER-SPECIAL		4
127	PLH53CD	..	NUT- SUPPLIER CODE: VFO224 SPECIFICATION NUMBER: BACN10YR3CD OPTIONAL PART: H52732-3CD V15653		41
129	113T2106-2	..	NUT-SPECIAL		4
129	BMN4122C1D2-8	..	NUT-SPECIAL SUPPLIER CODE: V97928 SPECIFICATION NUMBER: BACN10JC8CM OPTIONAL PART: BMN4122C1D2-8 V85495 H01-8BAC V15653 109LH9074-8 V72962 69235-820CM V56878		4
130	113T2311-29	..	RETAINER- POSITION DATA: LH SIDE		1
- 131	113T2311-30	..	RETAINER- POSITION DATA: RH SIDE		1
132	113T2316-1	..	GUIDE-TRACK		2

ILLUSTRATION ITEMS NOT ON PARTS LIST ARE NOT APPLICABLE

- ITEM NOT ILLUSTRATED

HXL

27-51-03-15

BOEING PROPRIETARY - Copyright © - Unpublished Work - See title page for details.

27-51-03  
FIG. 15  
PAGE 12  
DEC 22/08

 **BOEING**  
767  
**PARTS CATALOG (MAINTENANCE)**

FIG ITEM	PART NUMBER	1 2 3 4 5 6 7	NOMENCLATURE	EFFECT FROM TO	UNITS PER ASSY
15					
133	113T2311-31		..RETAINER- POSITION DATA: LH SIDE		1
- 134	113T2311-32		..RETAINER- POSITION DATA: RH SIDE		1
135	ATF8		..BEARING SUPPLIER CODE: V60380 SPECIFICATION NUMBER: BACB10ET08 OPTIONAL PART: 8AFC1021 V92563 YAF08B V07484		2
136	113T2311-33		..RETAINER- POSITION DATA: LH SIDE		1
- 137	113T2311-34		..RETAINER- POSITION DATA: RH SIDE		1
138	113T2347-1		..SPACER		2
139	113T2311-35		..RETAINER- POSITION DATA: LH SIDE		1
- 140	113T2311-36		..RETAINER- POSITION DATA: RH SIDE		1
141	CC55133		..BEARING-ROLLER SUPPLIER CODE: V60380 SPECIFICATION NUMBER: 60B00178-651 OPTIONAL PART: CR1XBC189 V07484 CF2582 V92563		2
141	CR1XBC189		..BEARING-ROLLER SUPPLIER CODE: V07484 SPECIFICATION NUMBER: 60B00178-651		1

ILLUSTRATION ITEMS NOT ON PARTS LIST ARE NOT APPLICABLE

- ITEM NOT ILLUSTRATED

HXL

# 27-51-03-15

BOEING PROPRIETARY - Copyright © - Unpublished Work - See title page for details.

27-51-03  
FIG. 15  
PAGE 13  
DEC 22/07



767

PARTS CATALOG (MAINTENANCE)

FIG ITEM	PART NUMBER	1 2 3 4 5 6 7	NOMENCLATURE	EFFECT FROM TO	UNITS PER ASSY
15					
141	CF2582		.. BEARING-ROLLER SUPPLIER CODE: V92563 SPECIFICATION NUMBER: 60B00178-651 OPTIONAL PART: CC55133 V60380		2
142	5673-777		.. SEAL- SUPPLIER CODE: V11960 POSITION DATA: LH SIDE SPECIFICATION NUMBER: 10-60754-777		1
142	113T2302-1		.. SEAL- POSITION DATA: LH SIDE		1
- 143	5673-778		.. SEAL- SUPPLIER CODE: V11960 POSITION DATA: RH SIDE SPECIFICATION NUMBER: 10-60754-778		1
- 143	113T2302-2		.. SEAL- POSITION DATA: RH SIDE		1
144	BACB30LE5U22		.. BOLT		1
145	800-779		.. SEAL- SUPPLIER CODE: V07096 POSITION DATA: LH SIDE SPECIFICATION NUMBER: 10-60754-779 OPTIONAL PART: 5673-779 V11960		1
145	113T2302-3		.. SEAL- POSITION DATA: LH SIDE		1

ILLUSTRATION ITEMS NOT ON PARTS LIST ARE NOT APPLICABLE

- ITEM NOT ILLUSTRATED

27-51-03-15

27-51-03  
FIG. 15  
PAGE 14  
DEC 22/07

HXL



767

PARTS CATALOG (MAINTENANCE)

FIG ITEM	PART NUMBER	1 2 3 4 5 6 7	NOMENCLATURE	EFFECT FROM TO	UNITS PER ASSY
15					
- 146	800-780		..SEAL- SUPPLIER CODE: V07096 POSITION DATA: RH SIDE SPECIFICATION NUMBER: 10-60754-780 OPTIONAL PART: 5673-780 V11960		1
- 146	113T2302-4		..SEAL- POSITION DATA: RH SIDE		1
147	BACB30LE5U17		..BOLT		1
148	SF15-103-787		..SEAL- SUPPLIER CODE: V50744 POSITION DATA: LH SIDE SPECIFICATION NUMBER: 10-60754-787 OPTIONAL PART: 5673-787 V11960		1
148	113T2302-5		..SEAL- POSITION DATA: LH SIDE		1
- 149	SF15-103-788		..SEAL- SUPPLIER CODE: V50744 POSITION DATA: RH SIDE SPECIFICATION NUMBER: 10-60754-788 OPTIONAL PART: 5673-788 V11960		1
- 149	113T2302-6		..SEAL- POSITION DATA: RH SIDE		1
150	BACW10BP5CD		..WASHER		2

ILLUSTRATION ITEMS NOT ON PARTS LIST ARE NOT APPLICABLE

- ITEM NOT ILLUSTRATED

27-51-03-15

27-51-03  
FIG. 15  
PAGE 15  
DEC 22/07

HXL

BOEING PROPRIETARY - Copyright © - Unpublished Work - See title page for details.



767

PARTS CATALOG (MAINTENANCE)

FIG ITEM	PART NUMBER	1 2 3 4 5 6 7	NOMENCLATURE	EFFECT FROM TO	UNITS PER ASSY
15 151	5673-789		..SEAL- SUPPLIER CODE: V11960 POSITION DATA: LH SIDE SPECIFICATION NUMBER: 10-60754-789 OPTIONAL PART: SF15-103-789 V50744		1
151	113T2302-7		..SEAL- POSITION DATA: LH SIDE		1
- 152	SF15-103-790		..SEAL- SUPPLIER CODE: V50744 POSITION DATA: RH SIDE SPECIFICATION NUMBER: 10-60754-790 OPTIONAL PART: 5673-790 V11960		1
- 152	113T2302-8		..SEAL- POSITION DATA: RH SIDE		1
153	BACW10BP5APU		..WASHER		2

ILLUSTRATION ITEMS NOT ON PARTS LIST ARE NOT APPLICABLE

- ITEM NOT ILLUSTRATED

HXL

27-51-03-15

BOEING PROPRIETARY - Copyright © - Unpublished Work - See title page for details.

27-51-03  
FIG. 15  
PAGE 16  
DEC 22/07

**BOEING**  
767  
**PARTS CATALOG (MAINTENANCE)**

FIG ITEM	PART NUMBER	1 2 3 4 5 6 7	NOMENCLATURE	EFFECT FROM TO	UNITS PER ASSY
15					
R R	156	BH00303-5	..NUT SUPPLIER CODE: V27238 SPECIFICATION NUMBER: BACN10HR5CS OPTIONAL PART: H39953-5 V15653 109LH9031-5 V72962 67832AS524 V56878 SL7059C524 V11815 BMN5024CPD35 V97928 SL705095 V11815 109LH90315 V72962 67832AS5 V56878 CR5908-5 VF0224 BMN10HRCPD3-5 V97928		2
	159	BACB28AK05-047	..BUSHING		1
	162	BACB28AK05-030	..BUSHING- OPTIONAL PART: BACB28AK05-028		AR
	162	BACB28AK05-028	..BUSHING- OPTIONAL PART: BACB28AK05-030		AR
	165	113T2345-1	..STRUT ASSY-SIDE POSITION DATA: LH SIDE		1
-	168	113T2345-2	..STRUT ASSY-SIDE POSITION DATA: RH SIDE		1
	171	113T2342-1	..HINGE ASSY- POSITION DATA: OUTBD LH SIDE		1
	171	113T2342-9	..HINGE ASSY- POSITION DATA: OUTBD LH SIDE		1
	171	113T2342-11	..HINGE ASSY- POSITION DATA: OUTBD LH SIDE		1

ILLUSTRATION ITEMS NOT ON PARTS LIST ARE NOT APPLICABLE

- ITEM NOT ILLUSTRATED

# 27-51-03-15

27-51-03  
FIG. 15  
PAGE 17  
AUG 22/09

HXL







767

PARTS CATALOG (MAINTENANCE)

FIG ITEM	PART NUMBER	1 2 3 4 5 6 7	NOMENCLATURE	EFFECT FROM TO	UNITS PER ASSY
15 213	BRH10A3	...	NUT SUPPLIER CODE: V52828 SPECIFICATION NUMBER: BACN10JC3 OPTIONAL PART: H10-3BAC V15653 NS202101-02 V80539 RMLH9075-3W V72962 VN303A02 V92215 96-02 V80539 T6S1032J V11815		1
216	113T2105-2	...	RETAINER		1
219	113T2105-3	...	RETAINER		1
220	DAS6-25C1-502	...	BEARING SUPPLIER CODE: V77896 SPECIFICATION NUMBER: BACB10CH6 OPTIONAL PART: ASRD6H30A VS0352 DAS6-25C4 V77896 DAS6-25C51 V77896 ASRD6-30A VS0352		1

ILLUSTRATION ITEMS NOT ON PARTS LIST ARE NOT APPLICABLE

- ITEM NOT ILLUSTRATED

HXL

27-51-03-15

BOEING PROPRIETARY - Copyright © - Unpublished Work - See title page for details.

27-51-03  
FIG. 15  
PAGE 19  
AUG 22/09

 **BOEING**  
767  
**PARTS CATALOG (MAINTENANCE)**

FIG ITEM	PART NUMBER	1 2 3 4 5 6 7	NOMENCLATURE	EFFECT FROM TO	UNITS PER ASSY
15 221	ADW04V301NC	...	BEARING SUPPLIER CODE: V15860 SPECIFICATION NUMBER: BACB10FA04GC OPTIONAL PART: SWKRS04-350SC V81376 KSC152200BZ04GC V50632 KWDB04-35 V97613 WES04FAGC V73134 WHTFA04VC VS0352		1
222	113T2104-14	...	BUSHING		1
223	ADW05V301NC	...	BEARING SUPPLIER CODE: V15860 SPECIFICATION NUMBER: BACB10FA05GC OPTIONAL PART: SWKRS05-350SC V81376 KSC152200BZ05GC V50632 KWDB05-35 V97613 WES05FAGC V73134 WHTFA05VC VS0352		1
225	113T2104-15	...	BUSHING		1
226	BACB28AP09P041	...	BUSHING		1
228	113T2104-16	...	BUSHING		1
231	113T2346-1	...	STRIP-RUB		1
232	MS15001-1	...	FITTING- USED ON: 113T2342-1 113T2342-2 113T2342-9 113T2342-10		1
232	MS15001-3	...	FITTING- USED ON: 113T2342-11 113T2342-12		1
234	113T2346-2	...	STRIP-RUB		1

ILLUSTRATION ITEMS NOT ON PARTS LIST ARE NOT APPLICABLE

— ITEM NOT ILLUSTRATED

HXL

# 27-51-03-15

BOEING PROPRIETARY - Copyright © - Unpublished Work - See title page for details.

27-51-03  
FIG. 15  
PAGE 20  
APR 22/09

**BOEING**  
767  
**PARTS CATALOG (MAINTENANCE)**

FIG ITEM	PART NUMBER	1 2 3 4 5 6 7	NOMENCLATURE	EFFECT FROM TO	UNITS PER ASSY
15			ATTACHING PARTS		
- 237	BACB30NW6K	...	BOLT- SIZE DETERMINED ON INSTL.		4
- 240	HL79-6	...	COLLAR SUPPLIER CODE: V5M902 SPECIFICATION NUMBER: BACC30M6 OPTIONAL PART: HL79-6 V73197 HL79-6 V92215 66014-6 V56878 HL79-6 V56878 -----*-----		4
241	113T2342-3	...	FITTING- USED ON: 113T2342-1		1
241	113T2342-7	...	FITTING- USED ON: 113T2342-9 113T2342-11		1
- 242	113T2342-4	...	FITTING- USED ON: 113T2342-2		1
- 242	113T2342-8	...	FITTING- USED ON: 113T2342-10 113T2342-12		1
243	113T2340-1	..	PLUG		1
246	113T2340-2	..	PLUG		1
249	113T2340-3	..	PLUG		1
252	113T2340-4	..	PLUG		1
ILLUSTRATION ITEMS NOT ON PARTS LIST ARE NOT APPLICABLE					

- ITEM NOT ILLUSTRATED

HXL

27-51-03-15

BOEING PROPRIETARY - Copyright © - Unpublished Work - See title page for details.

27-51-03  
FIG. 15  
PAGE 21  
APR 22/09



**BOEING**  
767  
**PARTS CATALOG (MAINTENANCE)**

FIG ITEM	PART NUMBER	1 2 3 4 5 6 7	NOMENCLATURE	EFFECT FROM TO	UNITS PER ASSY
15					
270	BACB28AK04-035	..	BUSHING		2
273	113T2339-11	..	HINGE ASSY- POSITION DATA: INBD		1
273	113T2339-18	..	HINGE ASSY- POSITION DATA: INBD		1
276	113T2206-6	...	SEAL- MANUFACTURED FROM: EXTR RUBBER 10-60754-31 9.20 IN. SPARES ORDER MATERIAL CODE: 5287000310		1
279	BACB30NN3K4	...	BOLT		9
282	BACB30NN3K6	...	BOLT		10
285	113T2339-8	...	RETAINER		1
288	113T2339-2	...	SEAL- MANUFACTURED FROM: EXTR RUBBER BAC1521-670 5.50 IN		1
291	113T2339-7	...	SEAL- MANUFACTURED FROM: EXTR RUBBER BAC1521-670 3.00 IN		2
294	113T2339-9	...	RETAINER		2
297	113T2339-3	...	SEAL- MANUFACTURED FROM: EXTR RUBBER BAC1521-670 5.50 IN		2
301	113T2339-4	...	SEAL		1
302	113T2339-17	...	SEAL		1
303	113T2339-10	...	RETAINER		1
306	113T2339-5	...	SEAL- MANUFACTURED FROM: EXTR RUBBER BAC1521-670 8.00 IN		1
309	113T2339-6	...	SEAL- MANUFACTURED FROM: EXTR RUBBER BAC1521-670 8.00 IN		1
312	113T2105-1	...	RETAINER		1
- 315	BACB30NN3K9	...	BOLT- ATTACHING PARTS		2

R  
R  
R  
R  
R  
R

ILLUSTRATION ITEMS NOT ON PARTS LIST ARE NOT APPLICABLE

- ITEM NOT ILLUSTRATED

HXL

27-51-03-15

BOEING PROPRIETARY - Copyright © - Unpublished Work - See title page for details.

27-51-03  
FIG. 15  
PAGE 23  
AUG 22/09



767

PARTS CATALOG (MAINTENANCE)

FIG ITEM	PART NUMBER	1 2 3 4 5 6 7	NOMENCLATURE	EFFECT FROM TO	UNITS PER ASSY
15 - 318	BRH10A3		...NUT SUPPLIER CODE: V52828 SPECIFICATION NUMBER: BACN10JC3 OPTIONAL PART: H10-3BAC V15653 NS202101-02 V80539 RMLH9075-3W V72962 VN303A02 V92215 96-02 V80539 T6S1032J V11815 -----*-----		2
321	ASR6-30		...BEARING SUPPLIER CODE: VS0352 SPECIFICATION NUMBER: BACB10CK6 OPTIONAL PART: SA6-23A4 V77896 SA6-23A55 V77896		1
325	113T2201-23A		.FLAP ASSY-MAIN POSITION DATA: LH SIDE COMPONENT MAINT MANUAL REF: 57-53-27 VARIABLE DRAWING REF: 113T2201-5019 QUALIFIED I/W DATA: 113T2201-23SP INTERCHANGEABLE WITH 113T2101-27 SUBJECT TO CUSTOMER COLOR PREFERENCE		1

ILLUSTRATION ITEMS NOT ON PARTS LIST ARE NOT APPLICABLE

- ITEM NOT ILLUSTRATED

HXL

27-51-03-15

BOEING PROPRIETARY - Copyright © - Unpublished Work - See title page for details.

27-51-03  
 FIG. 15  
 PAGE 24  
 AUG 22/09



767

PARTS CATALOG (MAINTENANCE)

FIG ITEM	PART NUMBER	1 2 3 4 5 6 7	NOMENCLATURE	EFFECT FROM TO	UNITS PER ASSY
15 325	113T2201-29A		. FLAP ASSY-MAIN POSITION DATA: LH SIDE COMPONENT MAINT MANUAL REF: 57-53-27 QUALIFIED I/W DATA: 113T2201-21 INTERCHANGEABLE WITH 113T2201-29SP SUBJECT TO CUSTOMER COLOR PREFERENCE		1
325	113T2201-37G		. FLAP ASSY-MAIN POSITION DATA: LH SIDE COMPONENT MAINT MANUAL REF: 57-53-27 QUALIFIED I/W DATA: 113T2201-35 INTERCHANGEABLE WITH 113T2201-37SP SUBJECT TO CUSTOMER COLOR PREFERENCE		1
325	113T2201-39G		. FLAP ASSY-MAIN POSITION DATA: LH SIDE COMPONENT MAINT MANUAL REF: 57-53-27		1
325	113T2201-41G		. FLAP ASSY-MAIN POSITION DATA: LH SIDE COMPONENT MAINT MANUAL REF: 57-53-27		1
325	113T2201-45G		. FLAP ASSY-MAIN POSITION DATA: LH SIDE COMPONENT MAINT MANUAL REF: 57-53-27		1
325	113T2201-47G		. FLAP ASSY-MAIN VAR POSITION DATA: LH SIDE COMPONENT MAINT MANUAL REF: 57-53-27		1
325	113T2201-49G		. FLAP ASSY-MAIN TE POSITION DATA: INBD LH COMPONENT MAINT MANUAL REF: 57-53-27		1

ILLUSTRATION ITEMS NOT ON PARTS LIST ARE NOT APPLICABLE

- ITEM NOT ILLUSTRATED

27-51-03-15

27-51-03  
FIG. 15  
PAGE 25  
AUG 22/09

HXL



767

PARTS CATALOG (MAINTENANCE)

FIG ITEM	PART NUMBER	1 2 3 4 5 6 7	NOMENCLATURE	EFFECT FROM TO	UNITS PER ASSY
15					
- 328	113T2201-24A		. FLAP ASSY-MAIN POSITION DATA: RH SIDE COMPONENT MAINT MANUAL REF: 57-53-27 VARIABLE DRAWING REF: 113T2201-5020 QUALIFIED I/W DATA: 113T2101-24SP INTERCHANGEABLE WITH 113T2101-28 SUBJECT TO CUSTOMER COLOR PREFERENCE		1
- 328	113T2201-30A		. FLAP ASSY-MAIN POSITION DATA: RH SIDE COMPONENT MAINT MANUAL REF: 57-53-27 QUALIFIED I/W DATA: 113T2201-22 INTERCHANGEABLE WITH 113T2201-30SP SUBJECT TO CUSTOMER COLOR PREFERENCE		1
- 328	113T2201-38G		. FLAP ASSY-MAIN POSITION DATA: RH SIDE COMPONENT MAINT MANUAL REF: 57-53-27 QUALIFIED I/W DATA: 113T2201-36 INTERCHANGEABLE WITH 113T2201-38SP SUBJECT TO CUSTOMER COLOR PREFERENCE		1
- 328	113T2201-40G		. FLAP ASSY-MAIN POSITION DATA: RH SIDE COMPONENT MAINT MANUAL REF: 57-53-27		1
- 328	113T2201-42G		. FLAP ASSY-MAIN POSITION DATA: RH SIDE COMPONENT MAINT MANUAL REF: 57-53-27		1
ILLUSTRATION ITEMS NOT ON PARTS LIST ARE NOT APPLICABLE					

- ITEM NOT ILLUSTRATED

27-51-03-15

27-51-03  
FIG. 15  
PAGE 26  
AUG 22/09

HXL





767

PARTS CATALOG (MAINTENANCE)

FIG ITEM	PART NUMBER	1 2 3 4 5 6 7	NOMENCLATURE	EFFECT FROM TO	UNITS PER ASSY
15 - 328	113T2201-46G		. FLAP ASSY-MAIN VAR POSITION DATA: RH SIDE COMPONENT MAINT MANUAL REF: 57-53-27 QUALIFIED I/W DATA: INTERCHANGEABLE SUBJECT TO COLOR PREFERENCE		1
- 328	113T2201-48G		. FLAP ASSY-MAIN VAR POSITION DATA: RH SIDE COMPONENT MAINT MANUAL REF: 57-53-27 QUALIFIED I/W DATA: INTERCHANGEABLE SUBJECT TO COLOR PREFERENCE		1
- 328	113T2201-50G		. FLAP ASSY-MAIN VAR POSITION DATA: RH SIDE COMPONENT MAINT MANUAL REF: 57-53-27 QUALIFIED I/W DATA: INTERCHANGEABLE SUBJECT TO COLOR PREFERENCE		1
R R	330		.. SEAL- POSITION DATA: LWR LH SIDE MANUFACTURED FROM: EXTR RUBBER F25.01 10-60754-321 33.50 IN. SPARES ORDER MATERIAL CODE: 5287002880 QUALIFIED I/W DATA: 113T2202-55 MAY REPLACE BUT MAY NOT BE REPLACED BY 113T2202-11, EXCEPT FOR 113T2202-53, -57 WHERE 113T2202-11 MUST BE USED. OPTIONAL PART: 113T2202-55 FOR SPARES PROCURE: 10-60754-321		1

ILLUSTRATION ITEMS NOT ON PARTS LIST ARE NOT APPLICABLE

- ITEM NOT ILLUSTRATED

27-51-03-15

27-51-03  
FIG. 15  
PAGE 27  
AUG 22/09

HXL



767

PARTS CATALOG (MAINTENANCE)

FIG ITEM	PART NUMBER	1 2 3 4 5 6 7	NOMENCLATURE	EFFECT FROM TO	UNITS PER ASSY
R R R R R R R R R R R R	15 330		<p>..SEAL-</p> <p>POSITION DATA: LWR LH SIDE</p> <p>MANUFACTURED FROM: EXTR RUBBER F25.01 10-60754-93 33.50 IN. SPARES ORDER MATERIAL CODE: 5287000930</p> <p>QUALIFIED I/W DATA: 113T2202-55 MAY REPLACE BUT MAY NOT BE REPLACED BY 113T2202-11, EXCEPT FOR 113T2202-53, -57 WHERE 113T2202-11 MUST BE USED.</p>		1
	- 333	113T2202-12	<p>..SEAL-</p> <p>POSITION DATA: LWR RH SIDE</p> <p>MANUFACTURED FROM: EXTR RUBBER F25.01 10-60754-321 33.50 IN.</p> <p>QUALIFIED I/W DATA: 113T2202-56 MAY REPLACE BUT MAY NOT BE REPLACED BY 113T2202-12, EXCEPT FOR 113T2202-54, -58 WHERE 113T2202-12 MUST BE USED.</p> <p>OPTIONAL PART: 113T2202-56</p> <p>FOR SPARES PROCURE: 10-60754-321</p>		1

ILLUSTRATION ITEMS NOT ON PARTS LIST ARE NOT APPLICABLE

- ITEM NOT ILLUSTRATED

HXL

27-51-03-15

BOEING PROPRIETARY - Copyright © - Unpublished Work - See title page for details.

27-51-03  
FIG. 15  
PAGE 28  
AUG 22/09

**BOEING**  
767  
**PARTS CATALOG (MAINTENANCE)**

FIG ITEM	PART NUMBER	1 2 3 4 5 6 7	NOMENCLATURE	EFFECT FROM TO	UNITS PER ASSY
R R R R R R R R R R R R	15 - 333	113T2202-56	..SEAL- POSITION DATA: LWR RH SIDE MANUFACTURED FROM: EXTR RUBBER F25.01 10-60754-93 33.50 IN. SPARES ORDER MATERIAL CODE: 5287000930 QUALIFIED I/W DATA: 113T2202-56 MAY REPLACE BUT MAY NOT BE REPLACED BY 113T2202-12, EXCEPT FOR 113T2202-54, -58 WHERE 113T2202-12 MUST BE USED. OPTIONAL PART: 113T2202-12		1
	336	113T2202-17	..SEAL- MANUFACTURED FROM: EXTR RUBBER F25.01 10-60754-321 5.00 IN. OPTIONAL PART: 113T2202-71 FOR SPARES PROCURE: 10-60754-321		1
	336	113T2202-65	..SEAL- MANUFACTURED FROM: EXTR RUBBER F25.01 10-60754-93 5.00 IN. SPARES ORDER MATERIAL CODE: 5287000930		1
	336	113T2202-71	..SEAL- OPTIONAL PART: 113T2202-17		1
R R R R R R	339	113T2202-59	..SEAL- POSITION DATA: LH SIDE MANUFACTURED FROM: EXTR RUBBER F25.01 10-60754-321 4.50 IN. FOR SPARES PROCURE: 10-60754-321		1

ILLUSTRATION ITEMS NOT ON PARTS LIST ARE NOT APPLICABLE

- ITEM NOT ILLUSTRATED

HXL

27-51-03-15

BOEING PROPRIETARY - Copyright © - Unpublished Work - See title page for details.

27-51-03  
FIG. 15  
PAGE 29  
AUG 22/09

 **BOEING**  
767  
**PARTS CATALOG (MAINTENANCE)**

FIG ITEM	PART NUMBER	1 2 3 4 5 6 7	NOMENCLATURE	EFFECT FROM TO	UNITS PER ASSY
15 - 342	113T2202-60		..SEAL- POSITION DATA: RH SIDE MANUFACTURED FROM: EXTR RUBBER F25.01 10-60754-321 4.50 IN. FOR SPARES PROCURE: 10-60754-321		1
345	113T2202-61		..SEAL- POSITION DATA: UPR LH SIDE MANUFACTURED FROM: EXTR RUBBER F25.01 10-60754-321 37.00 IN. FOR SPARES PROCURE: 10-60754-321		1
- 348	113T2202-62		..SEAL- POSITION DATA: UPR RH SIDE MANUFACTURED FROM: EXTR RUBBER F25.01 10-60754-321 37.00 IN. FOR SPARES PROCURE: 10-60754-321		1
351	CG3824		..PLUG-END SUPPLIER CODE: V25099 SPECIFICATION NUMBER: 10-60754-322 OPTIONAL PART: 5673-322 V11960		1
354	113T2202-27		..SEAL- POSITION DATA: UPR MANUFACTURED FROM: EXTR RUBBER F25.01 10-60754-288 20.00 IN. SPARES ORDER MATERIAL CODE: 5287002880 FOR SPARES PROCURE: 113T2202Y27		1
357	113T2202-28		..PLUG-END		2

ILLUSTRATION ITEMS NOT ON PARTS LIST ARE NOT APPLICABLE

- ITEM NOT ILLUSTRATED

HXL

27-51-03-15

BOEING PROPRIETARY - Copyright © - Unpublished Work - See title page for details.

27-51-03  
FIG. 15  
PAGE 30  
AUG 22/09

 **BOEING**  
767  
**PARTS CATALOG (MAINTENANCE)**

FIG ITEM	PART NUMBER	1 2 3 4 5 6 7	NOMENCLATURE	EFFECT FROM TO	UNITS PER ASSY
R R R R R R R R R R	15 360	113T2202-33	..SEAL- POSITION DATA: LWR MANUFACTURED FROM: EXTR RUBBER F25.01 10-60754-321 38.50 IN. FOR SPARES PROCURE: 113T2202Y33		1
	363	113T2202-34	..SEAL- POSITION DATA: LWR MANUFACTURED FROM: EXTR RUBBER F25.01 10-60754-321 4.80 IN. FOR SPARES PROCURE: 10-60754-321		1
	369	BACB30LJ4H5	..BOLT		2
	372	BACW10BP4APU	..WASHER		2
	375	113T2201-3	..SHIM		2
	378	113T2279-1	..STOP-OVER TRAVEL		2
	381	BACB30LE5U19	..BOLT		2
	384	BACB30LE5U18	..BOLT		2
	387	BACW10BP5ACU	..WASHER		4
	390	BACW10BP5DP	..WASHER		4

ILLUSTRATION ITEMS NOT ON PARTS LIST ARE NOT APPLICABLE

— ITEM NOT ILLUSTRATED

HXL

# 27-51-03-15

BOEING PROPRIETARY - Copyright © - Unpublished Work - See title page for details.

27-51-03  
FIG. 15  
PAGE 31  
AUG 22/09

 **BOEING**  
767  
**PARTS CATALOG (MAINTENANCE)**

FIG ITEM	PART NUMBER	1 2 3 4 5 6 7	NOMENCLATURE	EFFECT FROM TO	UNITS PER ASSY
15					
R	393	BH00303-5	..NUT		4
R			SUPPLIER CODE:		
R			V27238		
R			SPECIFICATION NUMBER:		
R			BACN10HR5CS		
R			OPTIONAL PART:		
R			H39953-5		
R			V15653		
R			109LH9031-5		
R			V72962		
R			67832AS524		
R			V56878		
R			SL7059C524		
R			V11815		
R			BMN5024CPD35		
R			V97928		
R			SL705095		
R			V11815		
R			109LH90315		
R			V72962		
R			67832AS5		
R			V56878		
R			CR5908-5		
R			VF0224		
R			BMN10HRCPD3-5		
R			V97928		
	396	BACB28AK05-075	..BUSHING		2
	399	BACB28AK05-079	..BUSHING		2
	402	113T2276-5	..TRACK ASSY-		1
			POSITION DATA:		
			OUTBD LH SIDE		
-	405	113T2276-6	..TRACK ASSY-		1
			POSITION DATA:		
			OUTBD RH SIDE		
	408	113T2272-5	..TRACK ASSY-		1
			POSITION DATA:		
			INBD LH SIDE		
-	411	113T2272-6	..TRACK ASSY-		1
			POSITION DATA:		
			INBD RH SIDE		
	414	113T2104-1	...BUSHING		1
	417	113T2104-3	...BUSHING		1
	420	113T2104-5	...BUSHING		1
	421	BACB28AP09P018	...BUSHING		1
	423	113T2104-2	..BUSHING		2
	426	113T2104-4	..BUSHING		2
	429	113T2104-6	..BUSHING		2
	430	BACB28AP09P038	..BUSHING		2
	432	113T3144-5	..DOOR ASSY-ACCESS		1

ILLUSTRATION ITEMS NOT ON PARTS LIST ARE NOT APPLICABLE

- ITEM NOT ILLUSTRATED

HXL

# 27-51-03-15

BOEING PROPRIETARY - Copyright © - Unpublished Work - See title page for details.

27-51-03  
FIG. 15  
PAGE 32  
AUG 22/09

 **BOEING**  
767  
**PARTS CATALOG (MAINTENANCE)**

FIG ITEM	PART NUMBER	1 2 3 4 5 6 7	NOMENCLATURE	EFFECT FROM TO	UNITS PER ASSY
15			ATTACHING PARTS		
- 435	BACB30NN3K5	..	BOLT-		16
		-----*			
438	MS16562-5	...	PIN		1
441	113T3144-21	...	SCREW		1
444	113T3144-7	..	DOOR ASSY-ACCESS		2
			ATTACHING PARTS		
- 447	BACB30NN3K5	..	BOLT		32
		-----*			
450	MS16562-5	...	PIN		1
453	113T3144-21	...	SCREW		1
454	113T2271-43	..	FITTING ASSY-HINGE		1
			POSITION DATA:		
			LH SIDE		
			SERVICE BULLETIN OPT DATA:		
			113T2271Y43		
			POST ALERT SB:		
			57A0076		
454	113T2271Y43	..	FITTING ASSY-HINGE		1
			POSITION DATA:		
			LH SIDE		
			SERVICE BULLETIN OPT DATA:		
			113T2271-43		
			POST ALERT SB:		
			57A0076R2		
- 455	113T2271-44	..	FITTING ASSY-HINGE		1
			POSITION DATA:		
			RH SIDE		
			SERVICE BULLETIN OPT DATA:		
			113T2271Y44		
			POST ALERT SB:		
			57A0076		
- 455	113T2271Y44	..	FITTING ASSY-HINGE		1
			POSITION DATA:		
			RH SIDE		
			SERVICE BULLETIN OPT DATA:		
			113T2271-44		
			POST ALERT SB:		
			57A0076R2		
456	113T2271-39	...	FITTING ASSY-HINGE		1
			POSITION DATA:		
			LH SIDE		
			POST ALERT SB:		
			57A0076		
- 459	113T2271-40	...	FITTING ASSY-HINGE		1
			POSITION DATA:		
			RH SIDE		
			POST ALERT SB:		
			57A0076		

ILLUSTRATION ITEMS NOT ON PARTS LIST ARE NOT APPLICABLE

- ITEM NOT ILLUSTRATED

HXL

27-51-03-15

BOEING PROPRIETARY - Copyright © - Unpublished Work - See title page for details.

27-51-03  
FIG. 15  
PAGE 33  
AUG 22/09



767

PARTS CATALOG (MAINTENANCE)

FIG ITEM	PART NUMBER	1 2 3 4 5 6 7	NOMENCLATURE	EFFECT FROM TO	UNITS PER ASSY
15 462	113T2271-41		...FITTING ASSY-HINGE POSITION DATA: LH SIDE POST ALERT SB: 57A0076		1
- 465	113T2271-42		...FITTING ASSY-HINGE POSITION DATA: RH SIDE POST ALERT SB: 57A0076		1
468	BACB30LE5K20		ATTACHING PARTS ...BOLT- SERVICE BULLETIN OPT DATA: BACB30LE5K20X POST ALERT SB: 57A0076		2
468	BACB30LE5K20X		...BOLT- SERVICE BULLETIN OPT DATA: BACB30LE5K20 POST ALERT SB: 57A0076		2
471	BACB30LE5K19		...BOLT- SERVICE BULLETIN OPT DATA: BACB30LE5K19X POST ALERT SB: 57A0076		2
471	BACB30LE5K19X		...BOLT- SERVICE BULLETIN OPT DATA: BACB30LE5K19 POST ALERT SB: 57A0076		2
474	BACW10BP5CD		...WASHER- SERVICE BULLETIN OPT DATA: BACW10BP51CD REFERENCE SERVICE BULLETIN: 57A0076R1		4
474	BACW10BP51CD		...WASHER- SERVICE BULLETIN OPT DATA: BACW10BP5CD POST ALERT SB: 57A0076		4
477	BACW10BP5DP		...WASHER- SERVICE BULLETIN OPT DATA: BACW10BP51DP REFERENCE SERVICE BULLETIN: 57A0076R1		4

ILLUSTRATION ITEMS NOT ON PARTS LIST ARE NOT APPLICABLE

- ITEM NOT ILLUSTRATED

27-51-03-15

27-51-03  
FIG. 15  
PAGE 34  
AUG 22/09

HXL





767

PARTS CATALOG (MAINTENANCE)

FIG ITEM	PART NUMBER	1 2 3 4 5 6 7	NOMENCLATURE	EFFECT FROM TO	UNITS PER ASSY
15 477	BACW10BP51DP	...	WASHER- SERVICE BULLETIN OPT DATA: BACW10BP5DP POST ALERT SB: 57A0076		4
480	NAS1805-5L	...	NUT- POST ALERT SB: 57A0076		4
483	BACS40R015D017F	...	SHIM- POST ALERT SB: 57A0076		2
486	BACS40R015D015F	...	SHIM- POST ALERT SB: 57A0076		2
499	ADW05V301NC	.....	BEARING- SUPPLIER CODE: V15860 SPECIFICATION NUMBER: BACB10FA05GC OPTIONAL PART: SWKRS05-350SC V81376 KSC152200BZ05GC V50632 KWDB05-35 V97613 WES05FAGC V73134 WHTFA05VC VS0352 USED ON: 113T2271-41 113T2271-42 POST ALERT SB: 57A0076		1
500	BACB28AM09B036A	.....	BUSHING- USED ON: 113T2271-39 113T2271-40 POST ALERT SB: 57A0076		1
501	113T2104-21	.....	BUSHING- USED ON: 113T2271-41 113T2271-42 POST ALERT SB: 57A0076		1

ILLUSTRATION ITEMS NOT ON PARTS LIST ARE NOT APPLICABLE

- ITEM NOT ILLUSTRATED

27-51-03-15

27-51-03  
FIG. 15  
PAGE 35  
AUG 22/09

HXL

 **BOEING**  
767  
**PARTS CATALOG (MAINTENANCE)**

FIG ITEM	PART NUMBER	1 2 3 4 5 6 7	NOMENCLATURE	EFFECT FROM TO	UNITS PER ASSY
15 502	113T2271-35	.....	FITTING- POSITION DATA: LH SIDE USED ON: 113T2271-39 POST ALERT SB: 57A0076		1
503	113T2271-37	.....	FITTING- POSITION DATA: LH SIDE USED ON: 113T2271-41 POST ALERT SB: 57A0076		1
- 505	113T2271-36	.....	FITTING- POSITION DATA: RH SIDE USED ON: 113T2271-40 POST ALERT SB: 57A0076		1
- 506	113T2271-38	.....	FITTING- POSITION DATA: RH SIDE USED ON: 113T2271-42 POST ALERT SB: 57A0076		1
508	BACB30LJ4U21	..	BOLT		2
509	AN960C416	..	WASHER		2
510	AN960-416	..	WASHER		2
513	NAS1805-4	..	NUT		2
516	BACB28AK04-037	..	BUSHING		2
519	SDR4-135A1-501	..	LINK ASSY- SUPPLIER CODE: V77896 SPECIFICATION NUMBER: S012T236-200		2
519	SDR4-135A1-502	..	LINK ASSY- SUPPLIER CODE: V77896 SPECIFICATION NUMBER: S012T236-205		2
522	113T2108-7	..	BOLT-		2
525	113T2106-11	..	WASHER		2
528	113T2106-9	..	NUT		2
531	113T1256-34	..	SEAL- OPTIONAL PART: 113T1256-50		4
ILLUSTRATION ITEMS NOT ON PARTS LIST ARE NOT APPLICABLE					

- ITEM NOT ILLUSTRATED

HXL

# 27-51-03-15

BOEING PROPRIETARY - Copyright © - Unpublished Work - See title page for details.

27-51-03  
FIG. 15  
PAGE 36  
AUG 22/09

 **BOEING**  
767  
**PARTS CATALOG (MAINTENANCE)**

FIG ITEM	PART NUMBER	1 2 3 4 5 6 7	NOMENCLATURE	EFFECT FROM TO	UNITS PER ASSY
15					
531	113T1256-50	..	SEAL- OPTIONAL PART: 113T1256-34		4
534	113T2104-7	..	BUSHING- POSITION DATA: LH SIDE		2
534	113T2104-25	..	BUSHING- POSITION DATA: LH SIDE		2
- 537	113T2104-7	..	BUSHING- POSITION DATA: RH SIDE		1
- 540	113T2104-25	..	BUSHING- POSITION DATA: RH SIDE		1
541	BACB28AP10P018	..	BUSHING		2
543	MS24665-153	..	PIN		2
546	BACB30LJ5DU19	..	BOLT		2
549	AN960-516	..	WASHER- POSITION DATA: UNDER HEAD		2
552	AN960C516	..	WASHER- POSITION DATA: UNDER NUT		2
555	BACN10JD5ASU	..	NUT-		2
558	BACB28AK05-034	..	BUSHING		2
561	113T2403-7	..	BELLCRANK ASSY- POSITION DATA: LH SIDE		2
- 564	113T2403-8	..	BELLCRANK ASSY- POSITION DATA: RH SIDE		2
567	113T2104-17	...	BUSHING		2
568	BACB28AP04P018	...	BUSHING		1
569	BACB28AM06B018	...	BUSHING		1
570	113T2106-12	...	WASHER-SPECIAL		2
571	BACB28AP05P016	...	BUSHING		1
572	BACB28AM07B016	...	BUSHING		1
573	MS15001-1	...	FITTING		2
576	113T2401-5	..	ROD ASSY-PUSH		1
579	SM5-6C1-502	...	BEARING- SUPPLIER CODE: V77896 SPECIFICATION NUMBER: S012T236-7 ATTACHING PARTS		2
- 582	NAS513-6	...	WASHER		2
- 585	NAS509-6C	...	NUT		2
			-----*-----		
ILLUSTRATION ITEMS NOT ON PARTS LIST ARE NOT APPLICABLE					

- ITEM NOT ILLUSTRATED

HXL

# 27-51-03-15

BOEING PROPRIETARY - Copyright © - Unpublished Work - See title page for details.

27-51-03  
FIG. 15  
PAGE 37  
AUG 22/09

 **BOEING**  
767  
**PARTS CATALOG (MAINTENANCE)**

FIG ITEM	PART NUMBER	1 2 3 4 5 6 7	NOMENCLATURE	EFFECT FROM TO	UNITS PER ASSY
15					
588	BACB30LE5U15	..	BOLT		1
591	BACW10BP5CD	..	WASHER		1
594	BACW10BP5APU	..	WASHER		1
597	BH00303-5	..	NUT		1
			SUPPLIER CODE: V27238		
			SPECIFICATION NUMBER: BACN10HR5CS		
			OPTIONAL PART: H39953-5		
			V15653		
			109LH9031-5		
			V72962		
			67832AS524		
			V56878		
			SL7059C524		
			V11815		
			BMN5024CPD35		
			V97928		
			SL705095		
			V11815		
			109LH90315		
			V72962		
			67832AS5		
			V56878		
			CR5908-5		
			VF0224		
			BMN10HRCPD3-5		
			V97928		
600	BACB28AK05-020	..	BUSHING-		AR
			OPTIONAL PART: BACB28AK05-022		
			BACB28AK05-025		
600	BACB28AK05-022	..	BUSHING-		AR
			OPTIONAL PART: BACB28AK05-020		
			BACB28AK05-025		
600	BACB28AK05-025	..	BUSHING-		AR
			OPTIONAL PART: BACB28AK05-020		
			BACB28AK05-022		
603	113T2278-1	..	STRUT ASSY-SIDE		1
604	NAS509-6	...	NUT		2
604A	NAS513-6	...	WASHER		2
604B	113T2280-1	...	FITTING ASSY		2
604C	BACB28AM07B008A	....	BUSHING		1
604D	BACB28AP05P008	....	BUSHING		1
604E	113T2280-2	....	FITTING		1
604F	113T2278-2	...	TUBE ASSY		1

ILLUSTRATION ITEMS NOT ON PARTS LIST ARE NOT APPLICABLE

- ITEM NOT ILLUSTRATED

HXL

**27-51-03-15**

BOEING PROPRIETARY - Copyright © - Unpublished Work - See title page for details.

27-51-03  
FIG. 15  
PAGE 38  
AUG 22/09



767

PARTS CATALOG (MAINTENANCE)

FIG ITEM	PART NUMBER	1 2 3 4 5 6 7	NOMENCLATURE	EFFECT FROM TO	UNITS PER ASSY
15					
606	BACB30MR5K24	..	BOLT		1
609	BACB30MR5K27	..	BOLT		2
612	BACB30MR5K29	..	BOLT		1
615	K29646-5	..	WASHER		4
			SUPPLIER CODE: V15653		
			SPECIFICATION NUMBER: BACW10CA5CV		
			OPTIONAL PART: 70188-5		
			V56878		
			922007-5		
			V60119		
			942007-5		
			V60119		
618	K29913-5	..	WASHER		4
			SUPPLIER CODE: V15653		
			SPECIFICATION NUMBER: BACW10CA5CC		
			OPTIONAL PART: 70191-5		
			V56878		
			922008-5		
			V60119		
			942008-5		
			V60119		
621	NAS1804-5	..	NUT		4
624	113T2289-4	..	FILLER-RADIUS		4
627	BACB30MR7K30	..	BOLT		1
630	BACB30MR7K31	..	BOLT		1
633	K29646-7	..	WASHER		2
			SUPPLIER CODE: V15653		
			SPECIFICATION NUMBER: BACW10CA7CV		
			OPTIONAL PART: 70188-7		
			V56878		
			922007-7		
			V60119		
			942007-7		
			V60119		

ILLUSTRATION ITEMS NOT ON PARTS LIST ARE NOT APPLICABLE

- ITEM NOT ILLUSTRATED

27-51-03-15

27-51-03  
FIG. 15  
PAGE 39  
AUG 22/09

HXL

BOEING PROPRIETARY - Copyright © - Unpublished Work - See title page for details.

 **BOEING**  
767  
**PARTS CATALOG (MAINTENANCE)**

FIG ITEM	PART NUMBER	1 2 3 4 5 6 7	NOMENCLATURE	EFFECT FROM TO	UNITS PER ASSY
15 636	K29913-7		.. WASHER SUPPLIER CODE: V15653 SPECIFICATION NUMBER: BACW10CA7CC OPTIONAL PART: 70191-7 V56878 922008-7 V60119 942008-7 V60119		2
639	NAS1804-7		.. NUT		2
642	113T2289-5		.. FILLER-RADIUS		2
643	113T2270-1		.. FITTING ASSY-		1
643	113T2270-10		.. FITTING ASSY-		1
643	113T2270-11		.. FITTING ASSY-		1
645	113T2104-13		... BUSHING		1
646	BACB28AM09B027A		... BUSHING		1
647	BACB30NN3K6		.. BOLT		42
648	BACB30NN3K4		.. BOLT-		34
649	AN960-10L		.. WASHER-		34
650	BRH10A3		.. NUT- SUPPLIER CODE: V52828 SPECIFICATION NUMBER: BACN10JC3 OPTIONAL PART: H10-3BAC V15653 NS202101-02 V80539 RMLH9075-3W V72962 VN303A02 V92215 96-02 V80539 T6S1032J V11815		34
651	113T2261-11		.. RETAINER-SEAL POSITION DATA: OUTBD LH SIDE		1
- 654	113T2261-12		.. RETAINER-SEAL POSITION DATA: OUTBD RH SIDE		1
657	113T2261-19		.. RETAINER-SEAL POSITION DATA: OUTBD		1

ILLUSTRATION ITEMS NOT ON PARTS LIST ARE NOT APPLICABLE

- ITEM NOT ILLUSTRATED

HXL

27-51-03-15

BOEING PROPRIETARY - Copyright © - Unpublished Work - See title page for details.

27-51-03  
FIG. 15  
PAGE 40  
AUG 22/09





767

PARTS CATALOG (MAINTENANCE)

FIG ITEM	PART NUMBER	1 2 3 4 5 6 7	NOMENCLATURE	EFFECT FROM TO	UNITS PER ASSY
R R	15 672		113T2261-49 ..SEAL- POSITION DATA: OUTBD MANUFACTURED FROM: EXTR RUBBER F25.01 10-60754-83 8.00 IN. SPARES ORDER MATERIAL CODE: 5287000830 QUALIFIED I/W DATA: QTY OF 2 113T2261-49 TOGETHER WITH 1 EACH 113T2261-45 113T2261-46 AND 113T2261-47 MAY REPLACE 113T2261-9 QTY OF 2 113T2261-49 TOGETHER WITH 1 EACH 113T2261-45 113T2261-46 AND 113T2261-48 MAY REPLACE 113T2261-10		2
	675		113T2261-45 ..SEAL- POSITION DATA: OUTBD ALTERED FROM PART NUMBER: ARM5286 VK1406 NE496R MANUFACTURED FROM: EXTR RUBBER F25.01 10-60754-130 24.30 IN. SPARES ORDER MATERIAL CODE: 5287001300 QUALIFIED I/W DATA: 113T2261-45 TOGETHER WITH 113T2261-46 113T2261-47 AND QTY OF 2 113T2261-49 MAY REPLACE 113T2261-9 113T2261-45 TOGETHER WITH 113T2261-46 113T2261-48 AND QTY OF 2 113T2261-49 MAY REPLACE 113T2261-10		1

ILLUSTRATION ITEMS NOT ON PARTS LIST ARE NOT APPLICABLE

- ITEM NOT ILLUSTRATED

27-51-03-15

27-51-03  
FIG. 15  
PAGE 42  
AUG 22/09

HXL



**BOEING**  
767  
**PARTS CATALOG (MAINTENANCE)**

FIG ITEM	PART NUMBER	1 2 3 4 5 6 7	NOMENCLATURE	EFFECT FROM TO	UNITS PER ASSY
R R R R R R R R R R R R	15 678	113T2261-46	..SEAL- POSITION DATA: OUTBD ALTERED FROM PART NUMBER: ARM5286 VK1406 NE496R MANUFACTURED FROM: EXTR RUBBER F25.01 10-60754-130 65.00 IN. SPARES ORDER MATERIAL CODE: 5287001300 QUALIFIED I/W DATA: 113T2261-46 TOGETHER WITH 113T2261-45 113T2261-47 AND QTY OF 2 113T2261-49 MAY REPLACE 113T2261-9 113T2261-46 TOGETHER WITH 113T2261-45 113T2261-48 AND QTY OF 2 113T2261-49 MAY REPLACE 113T2261-10		1
	681	113T2261-13	..RETAINER ASSY-NUTPLATE POSITION DATA: OUTBD		1
	682	113T2261-65	..RETAINER ASSY-NUTPLATE POSITION DATA: OUTBD LH SIDE		1
	- 683	113T2261-66	..RETAINER ASSY-NUTPLATE POSITION DATA: OUTBD RH SIDE		1
	685	113T2261-67	..RETAINER ASSY-NUTPLATE POSITION DATA: OUTBD LH SIDE		1
	- 686	113T2261-68	..RETAINER ASSY-NUTPLATE POSITION DATA: OUTBD RH SIDE		1
	686A	113T2261-91	..FILLER- POSITION DATA: LH SIDE		1
	-686B	113T2261-92	...FILLER- POSITION DATA: RH SIDE		1
	687	BACB30NN3K6	..BOLT		46
	690	113T2261-17	..RETAINER-SEAL POSITION DATA: INBD LH SIDE		1

ILLUSTRATION ITEMS NOT ON PARTS LIST ARE NOT APPLICABLE

- ITEM NOT ILLUSTRATED

# 27-51-03-15

27-51-03  
FIG. 15  
PAGE 43  
AUG 22/09

HXL





767

PARTS CATALOG (MAINTENANCE)

FIG ITEM	PART NUMBER	1 2 3 4 5 6 7	NOMENCLATURE	EFFECT FROM TO	UNITS PER ASSY
15					
723	113T2106-6	..	NUT-COLLAR FTG		1
726	113T2106-8	..	WASHER-COLLAR FTG		1
729	113T2106-7	..	WASHER-COLLAR FTG		1
732	113T1256-35	..	SEAL-COLLAR FTG		1
			OPTIONAL PART: 113T1256-45		
732	113T1256-45	..	SEAL-		1
			OPTIONAL PART: 113T1256-35		
735	113T1256-36	..	SEAL-COLLAR FTG		1
			OPTIONAL PART: 113T1256-47		
735	113T1256-47	..	SEAL-		1
			OPTIONAL PART: 113T1256-36		
738	113T2106-5	..	WASHER-COLLAR FTG		AR
741	113T2252-5	..	FITTING ASSY-COLLAR		1
			POSITION DATA: LH SIDE POST ALERT SB: 57A0066R3		
741	113T2252-13	..	FITTING ASSY-COLLAR		1
			POSITION DATA: LH SIDE SERVICE BULLETIN OPT DATA: 113T2252-401 POST ALERT SB: 57A0066R3		
741	113T2252-401	..	FITTING ASSY-COLLAR		1
			POSITION DATA: LH SIDE SERVICE BULLETIN OPT DATA: 113T2252-13 POST ALERT SB: 57A0066R3		
- 744	113T2252-6	..	FITTING ASSY-COLLAR		1
			POSITION DATA: RH SIDE POST ALERT SB: 57A0066R3		
- 744	113T2252-14	..	FITTING ASSY-COLLAR		1
			POSITION DATA: RH SIDE SERVICE BULLETIN OPT DATA: 113T2252-402 POST ALERT SB: 57A0066R3		

ILLUSTRATION ITEMS NOT ON PARTS LIST ARE NOT APPLICABLE

- ITEM NOT ILLUSTRATED

27-51-03-15

27-51-03  
FIG. 15  
PAGE 45  
AUG 22/09

HXL

BOEING PROPRIETARY - Copyright © - Unpublished Work - See title page for details.



767

PARTS CATALOG (MAINTENANCE)

FIG ITEM	PART NUMBER	1 2 3 4 5 6 7	NOMENCLATURE	EFFECT FROM TO	UNITS PER ASSY
15 744	113T2252-402		..FITTING ASSY-COLLAR POSITION DATA: RH SIDE SERVICE BULLETIN OPT DATA: 113T2252-14 POST ALERT SB: 57A0066R3		1
745	MS24665-448		..PIN		1
745C	113T2106-10		..WASHER		1
745D	MS21025-32		..NUT		1
745E	BACB30LT10K31		..BOLT		2
745F	BACW10BP10C		..WASHER		2
745G	BACW10BP10P		..WASHER		6
745H	BMN4122AD3-10		..NUT SUPPLIER CODE: V97928 SPECIFICATION NUMBER: BACN10JC10 OPTIONAL PART: BMN4122A10 V85495 H10-10BAC V15653 RMLH9074-10 V72962 48FT1018 V56878		2
747	113T1256-35		..SEAL-COLLAR FTG OPTIONAL PART: 113T1256-45		1
747	113T1256-45		..SEAL- OPTIONAL PART: 113T1256-35		1
748	113T2250-1		..TUBE ASSY- SERVICE BULLETIN OPT DATA: 113T2250-5 113T2250-7 113T2250-401 POST ALERT SB: 57A0066R3		1
748	113T2250-5		..TUBE ASSY- SERVICE BULLETIN OPT DATA: 113T2250-1 113T2250-7 113T2250-401 POST ALERT SB: 57A0066R3		1

ILLUSTRATION ITEMS NOT ON PARTS LIST ARE NOT APPLICABLE

- ITEM NOT ILLUSTRATED

27-51-03-15

27-51-03  
FIG. 15  
PAGE 46  
AUG 22/09

HXL

BOEING PROPRIETARY - Copyright © - Unpublished Work - See title page for details.



767

PARTS CATALOG (MAINTENANCE)

FIG ITEM	PART NUMBER	1 2 3 4 5 6 7	NOMENCLATURE	EFFECT FROM TO	UNITS PER ASSY
15 748	113T2250-7		..TUBE ASSY- SERVICE BULLETIN OPT DATA: 113T2250-1 113T2250-5 113T2250-401 POST ALERT SB: 57A0066R3		1
748	113T2250-401		..TUBE ASSY- SERVICE BULLETIN OPT DATA: 113T2250-1 113T2250-5 113T2250-7 POST ALERT SB: 57A0066R3		1
749	113T2231-1		...BUSHING		1
750	113T2231-2		...BUSHING		1
753	113T1256-36		..SEAL-COLLAR FTG OPTIONAL PART: 113T1256-47		1
753	113T1256-47		..SEAL- OPTIONAL PART: 113T1256-36		1
755	BACB30LE8K		..BOLT- SIZE DETERMINED ON INSTL. SERVICE BULLETIN OPT DATA: BACB30US8K POST ALERT SB: 27A0176R1		2
755	BACB30US8K		..BOLT- SIZE DETERMINED ON INSTL. SERVICE BULLETIN OPT DATA: BACB30LE8K POST ALERT SB: 27A0176R1		2

ILLUSTRATION ITEMS NOT ON PARTS LIST ARE NOT APPLICABLE

- ITEM NOT ILLUSTRATED

HXL

27-51-03-15

BOEING PROPRIETARY - Copyright © - Unpublished Work - See title page for details.

27-51-03  
FIG. 15  
PAGE 47  
AUG 22/09

 **BOEING**  
767  
**PARTS CATALOG (MAINTENANCE)**

FIG ITEM	PART NUMBER	1 2 3 4 5 6 7	NOMENCLATURE	EFFECT FROM TO	UNITS PER ASSY
15 761	K29913-8		.. WASHER- SUPPLIER CODE: V15653 SPECIFICATION NUMBER: BACW10CA8CC OPTIONAL PART: 70191-8 V56878 922008-8 V60119 942008-8 V60119 POSITION DATA: UNDER HEAD MISCELLANEOUS DATA: POST AD 2002-16-05 POST ALERT SB: 27A0176R1		2
762	K29646-8		.. WASHER- SUPPLIER CODE: V15653 SPECIFICATION NUMBER: BACW10CA8CV OPTIONAL PART: 70188-8 V56878 922007-8 V60119 942007-8 V60119 POSITION DATA: UNDER HEAD MISCELLANEOUS DATA: POST AD 2002-16-05 POST ALERT SB: 27A0176R1		2
765	BACW10BP8DP		.. WASHER- POSITION DATA: UNDER NUT		2
- 766	BACW10BP8APU		.. WASHER- POST ALERT SB: 27A0176R1		AR
- 767	NAS1149E0832R		.. WASHER- POST ALERT SB: 27A0176R1		AR
- 768	NAS1149E0863R		.. WASHER- POST ALERT SB: 27A0176R1		AR
ILLUSTRATION ITEMS NOT ON PARTS LIST ARE NOT APPLICABLE					

- ITEM NOT ILLUSTRATED

HXL

27-51-03-15

BOEING PROPRIETARY - Copyright © - Unpublished Work - See title page for details.

27-51-03  
FIG. 15  
PAGE 48  
AUG 22/09



767

PARTS CATALOG (MAINTENANCE)

FIG ITEM	PART NUMBER	1 2 3 4 5 6 7	NOMENCLATURE	EFFECT FROM TO	UNITS PER ASSY
15 770	BMN10HRCWD3-8	..	NUT- SUPPLIER CODE: V97928 SPECIFICATION NUMBER: BACN10HR8CD OPTIONAL PART: H51560-8 V15653 67832CD820 V56878 102LH9031-8 V72962 BH00303CM8 V27238 BMN5024CWD38 V97928 SL7108C8 V11815 VCU0005D8 V06710 102LH90318 V72962 67832CD8 V56878 CR6030-8 VF0224 POST ALERT SB: 27A0176R1		2
775	113T2207-9	..	SHIM		1
780	113T2207-10	..	SHIM		1
785	113T2255-1	..	FITTING ASSY-BEAM 9-10		1
785	113T2255-9	..	FITTING ASSY-BEAM 9-10		1
- 790	113T2255-2	..	FITTING ASSY-BEAM 9-10		1
- 790	113T2255-10	..	FITTING ASSY-BEAM 9-10		1
795	113T2104-22	...	BUSHING		2
800	113T2104-24	...	BUSHING		1
804	113T2253-3	..	BUSHING-		1
809	113T2254-3	..	FITTING-		1
809	113T2254-5	..	FITTING-		1
814	113T2251-3	..	TUBE-		1

ILLUSTRATION ITEMS NOT ON PARTS LIST ARE NOT APPLICABLE

- ITEM NOT ILLUSTRATED

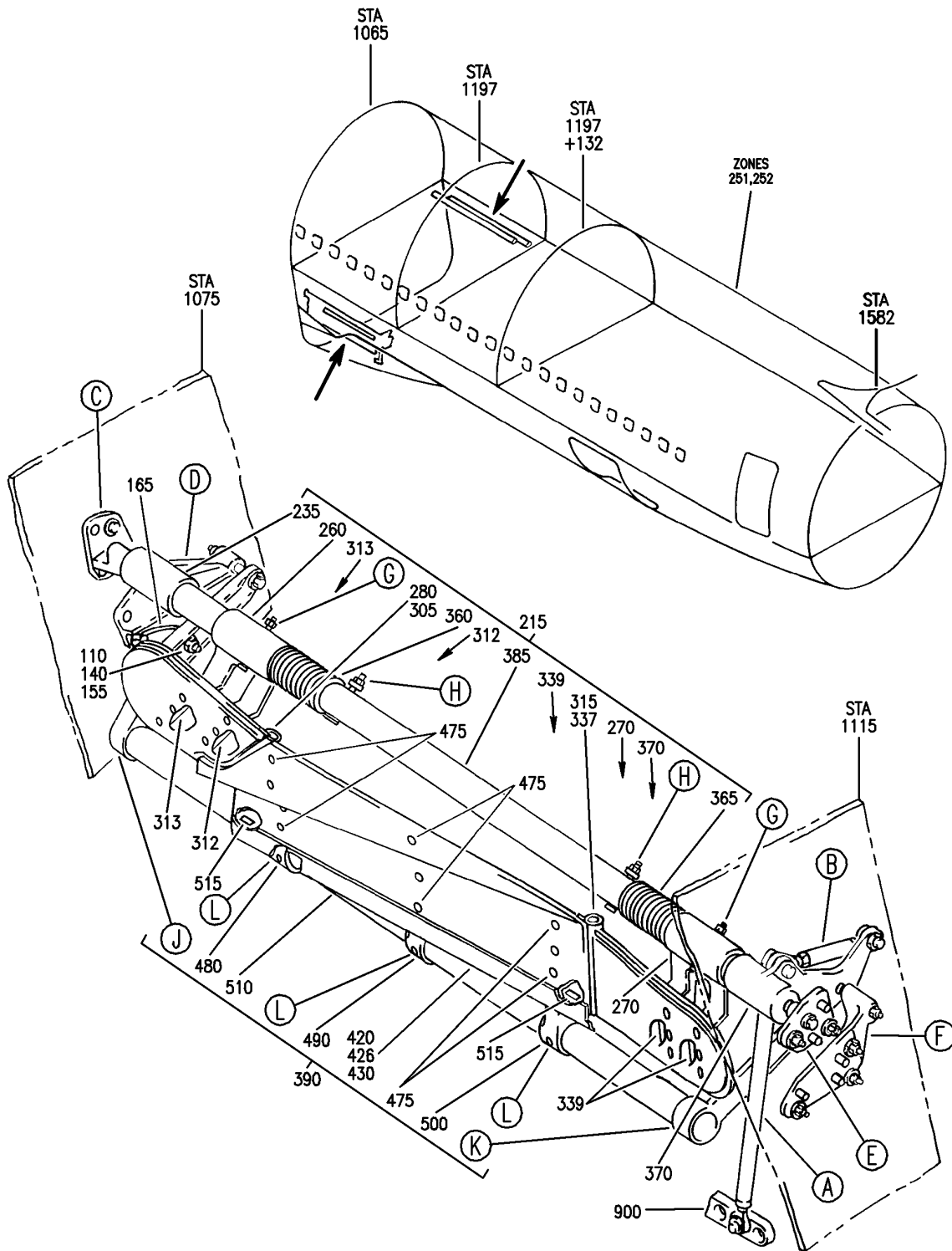
27-51-03-15

27-51-03  
FIG. 15  
PAGE 49  
AUG 22/09

HXL

BOEING PROPRIETARY - Copyright © - Unpublished Work - See title page for details.

**BOEING**  
767  
PARTS CATALOG (MAINTENANCE)



V 27510320 SHT 1 REV 287

DOOR INSTL-S.O.B.  
FIGURE 20 (SHEET 1)

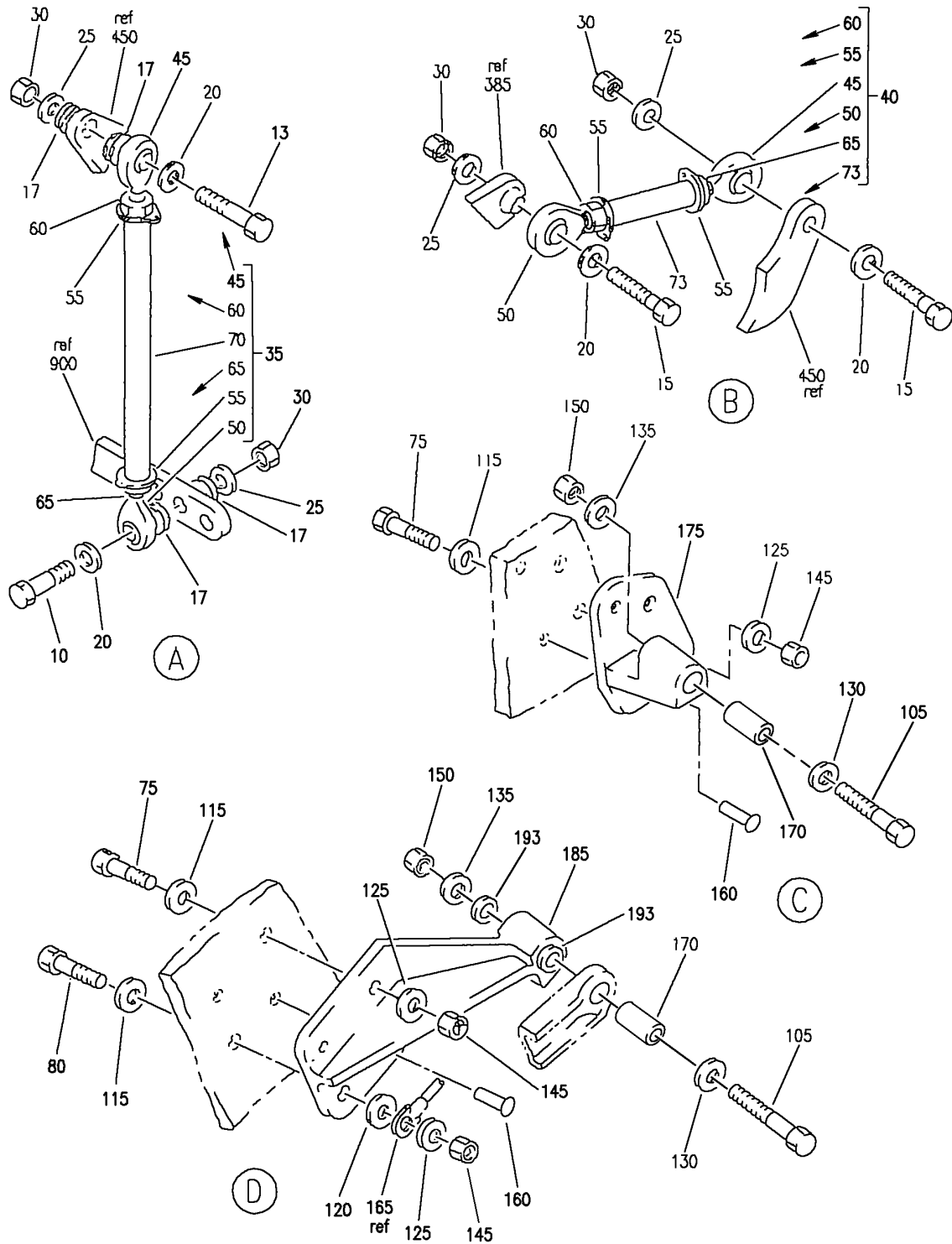
**27-51-03-20**

HXL  
DEC 22/06

27-51-03-20  
PAGE 0




**BOEING**  
 767  
**PARTS CATALOG (MAINTENANCE)**



V 27510320 SHT 2 REV 255

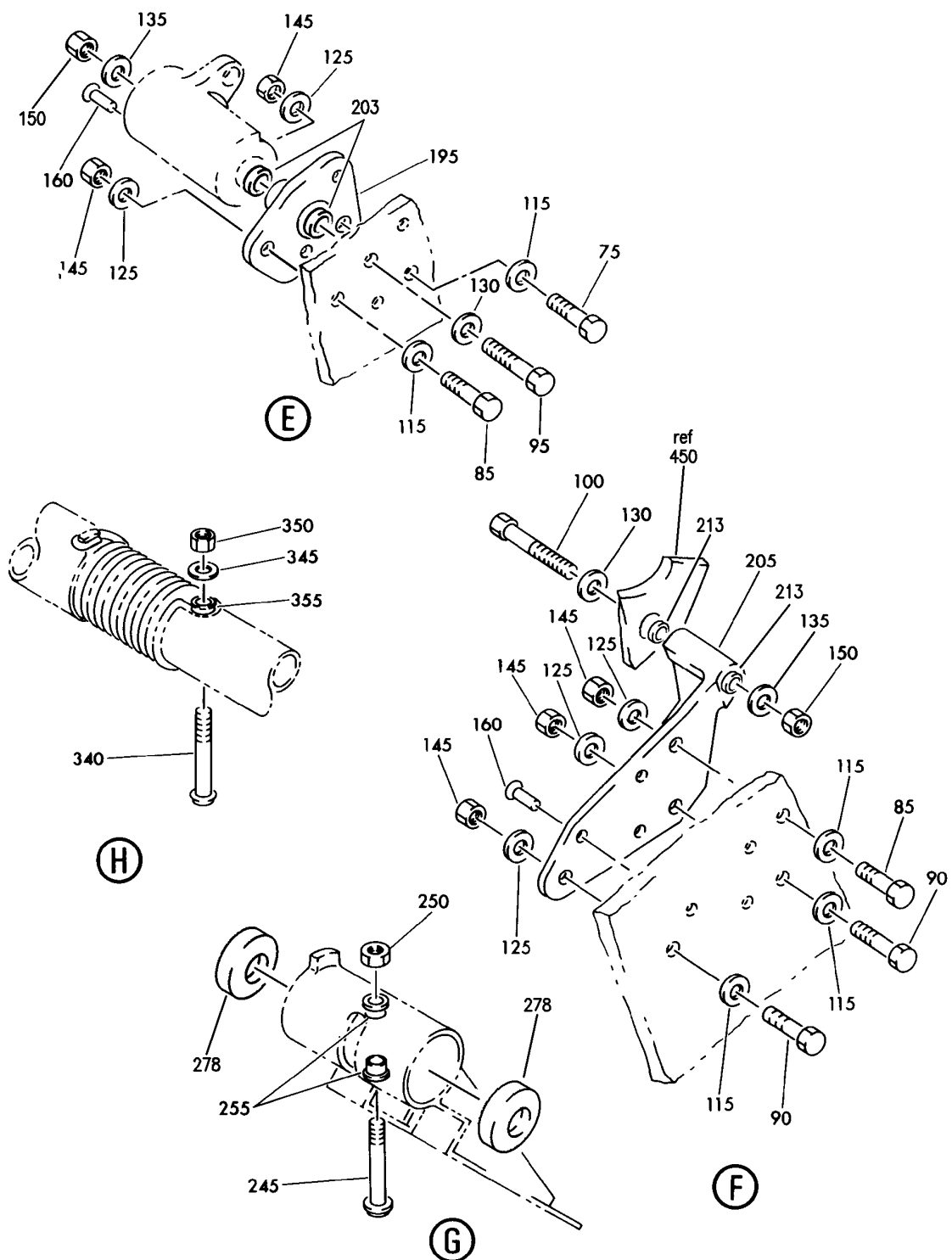
DOOR INSTL-S.O.B.  
FIGURE 20 (SHEET 2)

**27-51-03-20**

HXL  
DEC 22/06

27-51-03-20  
PAGE 0A

**BOEING**  
767  
PARTS CATALOG (MAINTENANCE)



V 27510320 SHT 3 REV 250

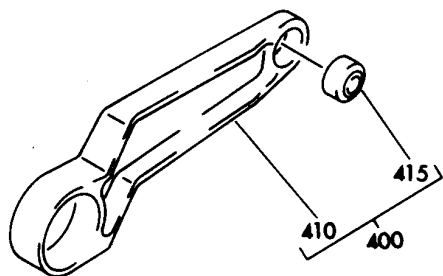
DOOR INSTL-S.O.B.  
FIGURE 20 (SHEET 3)

**27-51-03-20**

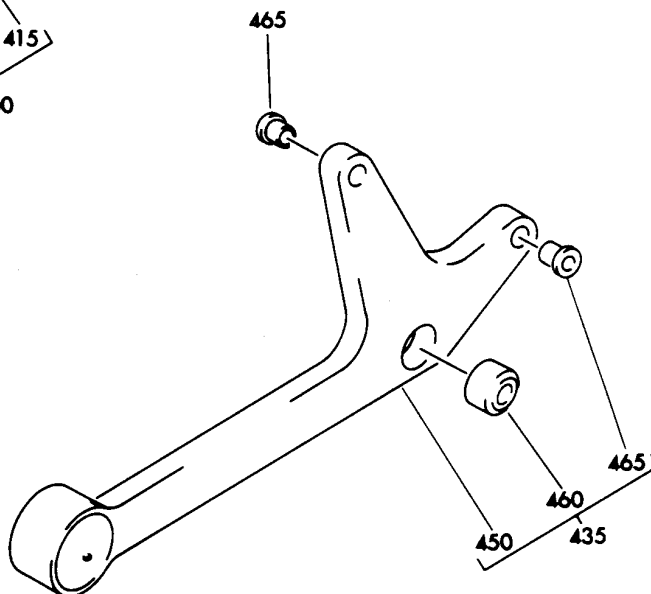
HXL  
DEC 22/06

27-51-03-20  
PAGE 0B

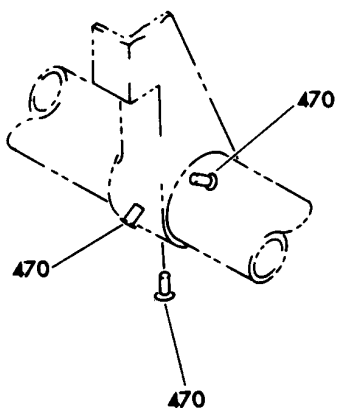
**BOEING**  
767  
PARTS CATALOG (MAINTENANCE)



(J)



(K)



(L)

V 27510320 SHT. 4 REV 049

DOOR INSTL-S.O.B.  
FIGURE 20 (SHEET 4)

**27-51-03-20**

HXL  
DEC 22/06

27-51-03-20  
PAGE 0C



767

PARTS CATALOG (MAINTENANCE)

FIG ITEM	PART NUMBER	1 2 3 4 5 6 7	NOMENCLATURE	EFFECT FROM TO	UNITS PER ASSY
20					
- 1	113T2031-5		DOOR INSTL-S.O.B. DOOR INSTL-S.O.B. POSITION DATA: LH FOR NHA SEE: 53-00-54-01		RF
- 5	113T2031-6		DOOR INSTL-S.O.B. POSITION DATA: RH FOR NHA SEE: 53-00-54-01		RF
10	BACB30NR4K14		.BOLT-		1
13	BACB30NR4K15		.BOLT-		1
15	BACB30NR4K15		.BOLT-		2
20	BACW10BP4C		.WASHER- POSITION DATA: UNDER HEAD		4
25	BACW10BP4P		.WASHER- POSITION DATA: UNDER NUT		4
30	MS21042L4		.NUT-		4
35	113T1293-5		.LINK ASSY-		1
35	113T1293-9		.LINK ASSY-		1
40	113T1293-7		.LINK ASSY-		1
40	113T1293-10		.LINK ASSY-		1
45	ADNE4-334NWO		..BEARING-ROD END SUPPLIER CODE: V15860 SPECIFICATION NUMBER: S012T235-104-70 OPTIONAL PART: ARNM4-101KC VS0352		1
50	ARNM4-101KLC		..BEARING-ROD END SUPPLIER CODE: VS0352 SPECIFICATION NUMBER: BCREF7978 OPTIONAL PART: ADNEL4-334NWO V15860 ADNEL4-334WO V15860		1

ILLUSTRATION ITEMS NOT ON PARTS LIST ARE NOT APPLICABLE

- ITEM NOT ILLUSTRATED

HXL

27-51-03-20

BOEING PROPRIETARY - Copyright © - Unpublished Work - See title page for details.

27-51-03  
FIG. 20  
PAGE 1  
DEC 22/06



767

PARTS CATALOG (MAINTENANCE)

FIG ITEM	PART NUMBER	1 2 3 4 5 6 7	NOMENCLATURE	EFFECT FROM TO	UNITS PER ASSY
20					
50	ADNEL4-334W0		.. BEARING-ROD END SUPPLIER CODE: V15860 SPECIFICATION NUMBER: BCREF7978 OPTIONAL PART: ADNEL4-334NWO V15860 ARNM4-101KLC VS0352		1
55	NAS513-6		.. WASHER		2
60	NAS509L6		.. NUT		1
65	NAS509-6		.. NUT		1
70	113T1293-6		.. LINK- USED ON: 113T1293-5 113T1293-9		1
73	113T1293-8		.. LINK- USED ON: 113T1293-7 113T1293-10		1
75	BACB30NR4K7		.BOLT		4
80	BACB30LJ4-9		.BOLT		1
85	BACB30NR4K8		.BOLT		2
90	BACB30NR4K9		.BOLT		2
95	BACB30NR5K21		.BOLT-		1
100	BACB30NR5K32		.BOLT-		1
105	BACB30NR5K30		.BOLT-		2
110	NAS623-3-5		.SCREW-		1
115	BACW10BP4C		.WASHER- POSITION DATA: UNDER HEAD		9
120	BACW10BP4P		.WASHER		1
125	113T2031-3		.WASHER- POSITION DATA: UNDER NUT		9
130	BACW10BP5C		.WASHER- POSITION DATA: UNDER HEAD		4
135	AN960-516		.WASHER-		4
137	AN960-516		.WASHER- OPTIONAL PART: AN960-516L		AR
137	AN960-516L		.WASHER- OPTIONAL PART: AN960-516		AR
140	AN960-10		.WASHER-		1
145	MS21042L4		.NUT		9
150	MS21042L5		.NUT-		4

ILLUSTRATION ITEMS NOT ON PARTS LIST ARE NOT APPLICABLE

- ITEM NOT ILLUSTRATED

27-51-03-20

27-51-03  
FIG. 20  
PAGE 2  
DEC 22/06

HXL

BOEING PROPRIETARY - Copyright © - Unpublished Work - See title page for details.



767

PARTS CATALOG (MAINTENANCE)

FIG ITEM	PART NUMBER	1 2 3 4 5 6 7	NOMENCLATURE	EFFECT FROM TO	UNITS PER ASSY
20					
155	MS21042L3		.NUT-		1
160	BACR15BB6AD		.RIVET-		9
			SIZE DETERMINED ON INSTL. OPTIONAL PART: NAS1398D6-5		
160	NAS1398D6-5		.RIVET-		9
			OPTIONAL PART: BACR15BB6AD		
165	940CW21-8		.JUMPER ASSY		1
			SUPPLIER CODE: V91812 SPECIFICATION NUMBER: BACJ40AB21-8 OPTIONAL PART: 100221-8 V1FF12 RBEJ40AB21-8 V1GK47		
170	BACB28AK05-140		.BUSHING-		2
175	113T2004-1		.FITTING ASSY-ATTACH		1
			POSITION DATA: LH SIDE		
175	113T2004-5		.FITTING ASSY-ATTACH		1
			POSITION DATA: LH SIDE		
- 180	113T2004-2		.FITTING ASSY-ATTACH		1
			POSITION DATA: RH SIDE		
- 180	113T2004-6		.FITTING ASSY-ATTACH		1
			POSITION DATA: RH SIDE		
185	113T2005-1		.FITTING ASSY-ATTACH		1
			POSITION DATA: LH SIDE		
- 190	113T2005-2		.FITTING ASSY-ATTACH		1
			POSITION DATA: RH SIDE		
193	BACB28AM07B030A		..BUSHING		2
195	113T2009-1		.FITTING ASSY-SPRT		1
			POSITION DATA: LH SIDE		
- 200	113T2009-2		.FITTING ASSY-SPRT		1
			POSITION DATA: RH SIDE		
203	BACB28AP05P028		..BUSHING		2
205	113T2008-1		.FITTING ASSY-ATTACH		1
			POSITION DATA: LH SIDE		

ILLUSTRATION ITEMS NOT ON PARTS LIST ARE NOT APPLICABLE

- ITEM NOT ILLUSTRATED

27-51-03-20

27-51-03  
FIG. 20  
PAGE 3  
DEC 22/06

HXL

 **BOEING**  
767  
**PARTS CATALOG (MAINTENANCE)**

FIG ITEM	PART NUMBER	1 2 3 4 5 6 7	NOMENCLATURE	EFFECT FROM TO	UNITS PER ASSY
20					
- 210	113T2008-2		.FITTING ASSY-ATTACH POSITION DATA: RH SIDE		1
213	BACB28AP05P025		..BUSHING		2
215	113T2029-5		.DOOR ASSY- POSITION DATA: FWD AFT LH SIDE		1
- 220	113T2029-6		.DOOR ASSY- POSITION DATA: FWD AFT RH SIDE		1
- 230	BACR15BA6AD		ATTACHING PARTS .RIVET- SIZE DETERMINED ON INSTL. -----*-----		4
235	113T2010-3		..CRANK ATTACHING PARTS		1
- 240	BACR15BB6AD		..RIVET- SIZE DETERMINED ON INSTL. -----*-----		4
245	L8008K34		..BOLT- SUPPLIER CODE: V06725 SPECIFICATION NUMBER: BACB30MY8K34		2
250	MS21042L4		..NUT		2
255	BACB28AK04-030		..BUSHING		4
260	113T2016-1		..ARM ASSY-PIVOT POSITION DATA: LH SIDE		1
- 265	113T2016-2		..ARM ASSY-PIVOT POSITION DATA: RH SIDE		1
270	113T2015-1		..ARM ASSY-PIVOT POSITION DATA: LH SIDE		1
- 275	113T2015-2		..ARM ASSY-PIVOT POSITION DATA: RH SIDE		1
278	113T1347-108		...BUSHING		2
280	113T2022-31		..DOOR ASSY- POSITION DATA: LH SIDE		1
- 285	113T2022-32		..DOOR ASSY- POSITION DATA: RH SIDE ATTACHING PARTS		1
- 290	BACB30NN3K5		..BOLT		4
- 295	AN960JD10L		..WASHER		4

ILLUSTRATION ITEMS NOT ON PARTS LIST ARE NOT APPLICABLE

- ITEM NOT ILLUSTRATED

HXL

# 27-51-03-20

BOEING PROPRIETARY - Copyright © - Unpublished Work - See title page for details.

27-51-03  
FIG. 20  
PAGE 4  
APR 22/08

 **BOEING**  
767  
**PARTS CATALOG (MAINTENANCE)**

FIG ITEM	PART NUMBER	1 2 3 4 5 6 7	NOMENCLATURE	EFFECT FROM TO	UNITS PER ASSY
20					
- 300	MS21042L3	..	NUT		4
		-----*			
R	305	113T2022-21	...SEAL-		1
R			POSITION DATA:		
R			LH SIDE		
R			MANUFACTURED FROM:		
R			MAKE FROM 10-60754-36		
R			4.10 IN LONG SPARES		
R			ORDER MATERIAL CODE:		
R			5287000360		
R	- 310	113T2022-22	...SEAL-		1
R			POSITION DATA:		
R			RH SIDE		
R			MANUFACTURED FROM:		
R			MAKE FROM 10-60754-36		
R			4.10 IN LONG SPARES		
R			ORDER MATERIAL CODE:		
R			5287000360		
	312	BACS40R009B027F	..SHIM		1
	313	BACS40R009B036F	..SHIM		1
	315	113T2022-35	..DOOR ASSY-		1
			POSITION DATA:		
			LH SIDE		
	- 320	113T2022-36	..DOOR ASSY-		1
			POSITION DATA:		
			RH SIDE		
			ATTACHING PARTS		
	- 325	BACB30NN3K5	..BOLT		4
	- 330	AN960JD10L	..WASHER		4
	- 335	MS21042L3	..NUT		4
			-----*		
R	337	113T2022-39	...SEAL-		1
R			POSITION DATA:		
R			LH SIDE		
R			MANUFACTURED FROM:		
R			MAKE FROM 10-60754-36		
R			4.10 IN LONG SPARES		
R			ORDER MATERIAL CODE:		
R			5287000360		
R	- 338	113T2022-40	...SEAL-		1
R			POSITION DATA:		
R			RH SIDE		
R			MANUFACTURED FROM:		
R			MAKE FROM 10-60754-36		
R			4.10 IN LONG SPARES		
R			ORDER MATERIAL CODE:		
R			5287000360		
	339	BACS40R009B040F	..SHIM		2
	340	BACB30MY8K27	..BOLT-		2

ILLUSTRATION ITEMS NOT ON PARTS LIST ARE NOT APPLICABLE

- ITEM NOT ILLUSTRATED

HXL

27-51-03-20

BOEING PROPRIETARY - Copyright © - Unpublished Work - See title page for details.

27-51-03  
FIG. 20  
PAGE 5  
AUG 22/09





767

PARTS CATALOG (MAINTENANCE)

FIG ITEM	PART NUMBER	1 2 3 4 5 6 7	NOMENCLATURE	EFFECT FROM TO	UNITS PER ASSY
20					
345	BACW10P250S	..	WASHER-		2
350	MS21042L4	..	NUT		2
355	BACB28AK04-015	..	BUSHING		2
360	113T2014-1	..	SPRING		1
365	113T2014-2	..	SPRING		1
370	113T2010-1	..	CRANK-		1
			POSITION DATA: LH SIDE		
- 375	113T2010-2	..	CRANK-		1
			POSITION DATA: RH SIDE		
			ATTACHING PARTS		
- 380	BACR15BB6AD	..	RIVET-		4
			SIZE DETERMINED ON INSTL. -----*-----		
385	113T2018-3	..	TUBE-DRIVE		1
390	113T2030-5	.D	DOOR ASSY-		1
			POSITION DATA: MID LH SIDE		
- 395	113T2030-6	.D	DOOR ASSY-		1
			POSITION DATA: MID RH SIDE		
			ACCESS PANEL NUMBER: 196HR		
400	113T2012-1	..	ARM ASSY-		1
			POSITION DATA: FWD		
			ATTACHING PARTS		
- 405	BACR15BB6AD	..	RIVET-		4
			SIZE DETERMINED ON INSTL. -----*-----		
410	113T2012-2	...	ARM		1
415	ADB05V301NC	...	BEARING		1
			SUPPLIER CODE: V15860		
			SPECIFICATION NUMBER: BACB10FB05GC		
			OPTIONAL PART: KNDB05-62		
			V97613		
			KSC145700BZ05G		
			V50632		
			NES05FBG		
			V73134		
			HTFB05V		
			VS0352		
420	113T2022-45	..	DOOR ASSY-		1
			POSITION DATA: LH SIDE		

ILLUSTRATION ITEMS NOT ON PARTS LIST ARE NOT APPLICABLE

- ITEM NOT ILLUSTRATED

27-51-03-20

27-51-03  
FIG. 20  
PAGE 6  
AUG 22/09

HXL

BOEING PROPRIETARY - Copyright © - Unpublished Work - See title page for details.

**BOEING**  
767  
**PARTS CATALOG (MAINTENANCE)**

FIG ITEM	PART NUMBER	1 2 3 4 5 6 7	NOMENCLATURE	EFFECT FROM TO	UNITS PER ASSY
20					
- 425	113T2022-46	..	DOOR ASSY- POSITION DATA: RH SIDE ACCESS PANEL NUMBER: 196HR		1
426	113T2022-47	...	SEAL-METAL POSITION DATA: LH SIDE USED ON: 113T2022-45		1
- 427	113T2022-48	...	SEAL-METAL POSITION DATA: RH SIDE USED ON: 113T2022-46 ATTACHING PARTS		1
- 428	BACR30FN5A4	...	BOLT		19
- 429	HL82-5APBW	...	COLLAR SUPPLIER CODE: V73197 SPECIFICATION NUMBER: BACC30AG5 OPTIONAL PART: HL82-5APBW V56878 -----*-----		19
435	113T2013-1	..	ARM ASSY- POSITION DATA: AFT LH SIDE		1
- 440	113T2013-2	..	ARM ASSY- POSITION DATA: AFT RH SIDE ATTACHING PARTS		1
- 445	BACR15BB6AD	..	RIVET- SIZE DETERMINED ON INSTL. -----*-----		3
450	113T2013-3	...	ARM- POSITION DATA: LH SIDE		1
- 455	113T2013-4	...	ARM- POSITION DATA: RH SIDE		1

ILLUSTRATION ITEMS NOT ON PARTS LIST ARE NOT APPLICABLE

- ITEM NOT ILLUSTRATED

HXL

**27-51-03-20**

BOEING PROPRIETARY - Copyright © - Unpublished Work - See title page for details.

27-51-03  
FIG. 20  
PAGE 7  
AUG 22/09



767

PARTS CATALOG (MAINTENANCE)

FIG ITEM	PART NUMBER	1 2 3 4 5 6 7	NOMENCLATURE	EFFECT FROM TO	UNITS PER ASSY
20 460	ADB05V301NC	...	BEARING SUPPLIER CODE: V15860 SPECIFICATION NUMBER: BACB10FB05GC OPTIONAL PART: KNDB05-62 V97613 KSC145700BZ05G V50632 NES05FBG V73134 HTFB05V VS0352		1
465	BACB28AP04P047	...	BUSHING		2
470	NAS1398B6-4	..	RIVET-		9
475	BACR15BA6AD	..	RIVET- SIZE DETERMINED ON INSTL.		10
480	113T2019-1	..	FITTING-RIB SPRT POSITION DATA: FWD LH SIDE		1
- 485	113T2019-2	..	FITTING-RIB SPRT POSITION DATA: FWD RH SIDE		1
490	113T2020-1	..	FITTING-RIB SPRT POSITION DATA: MID LH SIDE		1
- 495	113T2020-2	..	FITTING-RIB SPRT POSITION DATA: MID RH SIDE		1
500	113T2021-1	..	FITTING-RIB SPRT POSITION DATA: AFT LH SIDE		1
- 505	113T2021-2	..	FITTING-RIB SPRT POSITION DATA: AFT RH SIDE		1
510	113T2018-4	..	TUBE-		1
515	DA400534	.	STOP-FAIRING DOOR SUPPLIER CODE: V71468 POST AIRLINE MOD: MTO-270511 VSAS		2
900			ILLUSTRATION REFERENCE: SUPPORT ASSY- 27-51-07-06		RF

ILLUSTRATION ITEMS NOT ON PARTS LIST ARE NOT APPLICABLE

- ITEM NOT ILLUSTRATED

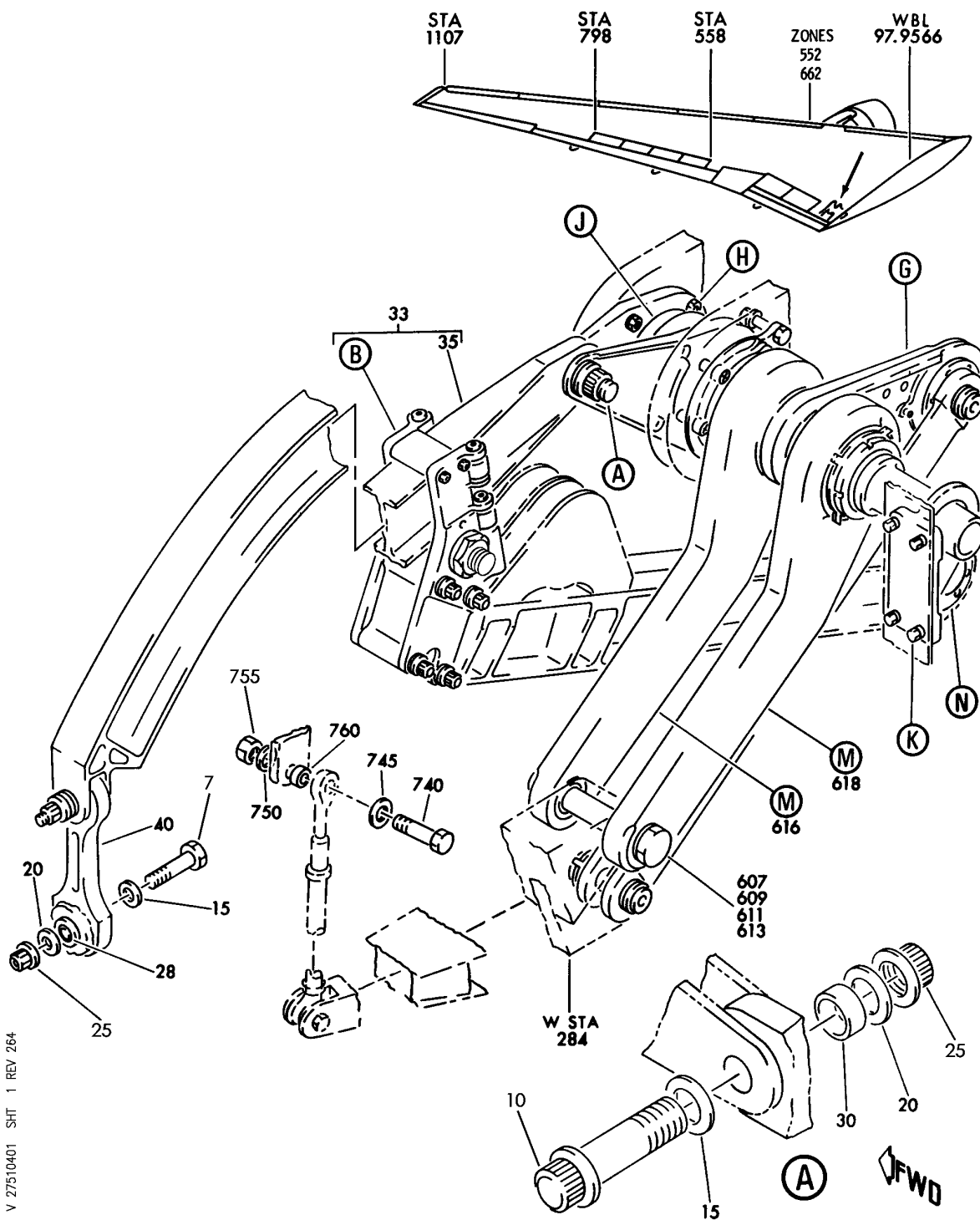
HXL

27-51-03-20

BOEING PROPRIETARY - Copyright © - Unpublished Work - See title page for details.

27-51-03  
FIG. 20  
PAGE 8  
AUG 22/09

**BOEING**  
767  
PARTS CATALOG (MAINTENANCE)



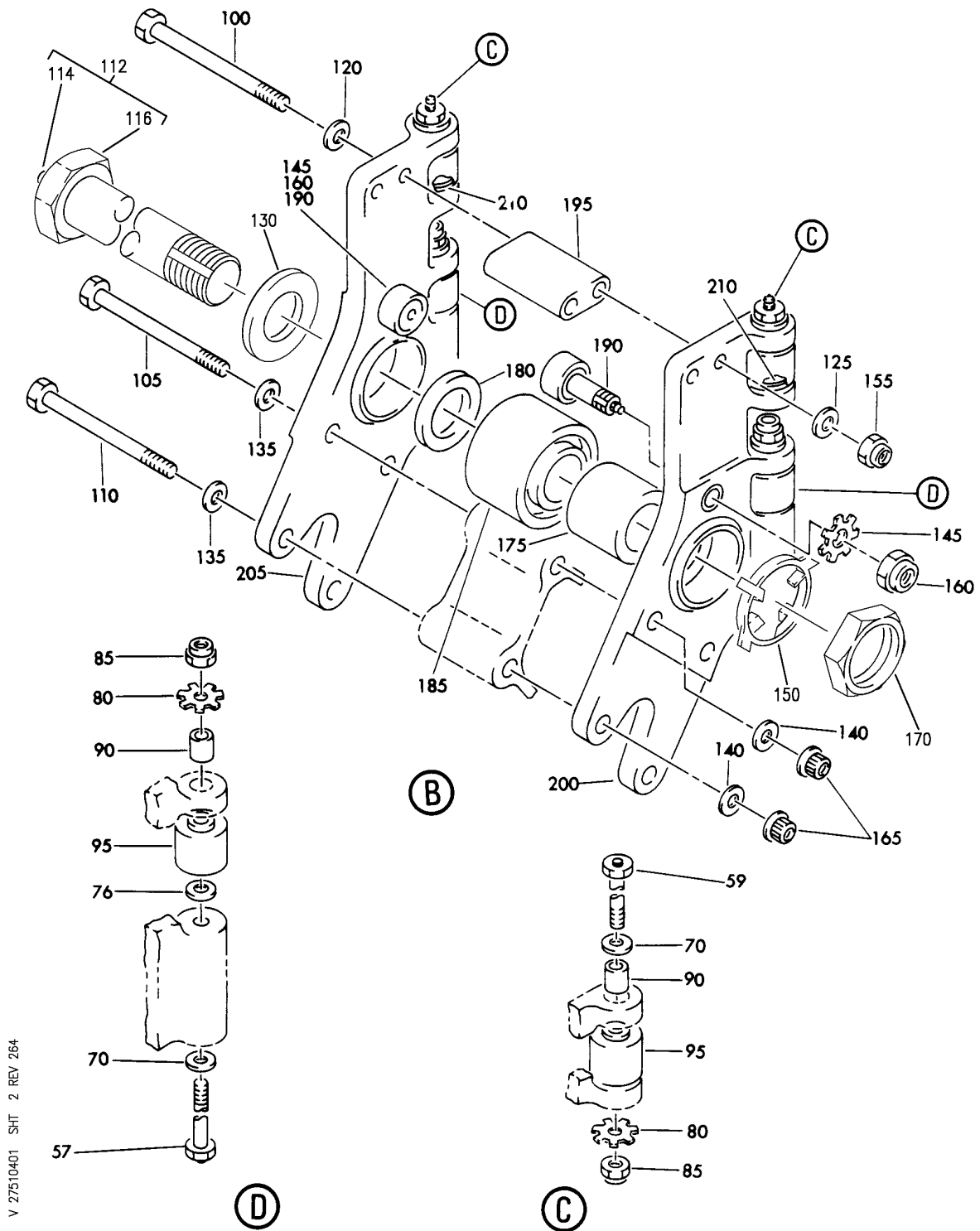
LINK INSTL-T.E. FLAP MOVEABLE  
FIGURE 1 (SHEET 1)

**27-51-04-01**

HXL  
DEC 22/06

27-51-04-01  
PAGE 0

**BOEING**  
767  
PARTS CATALOG (MAINTENANCE)



V 27510401 SHT 2 REV 264

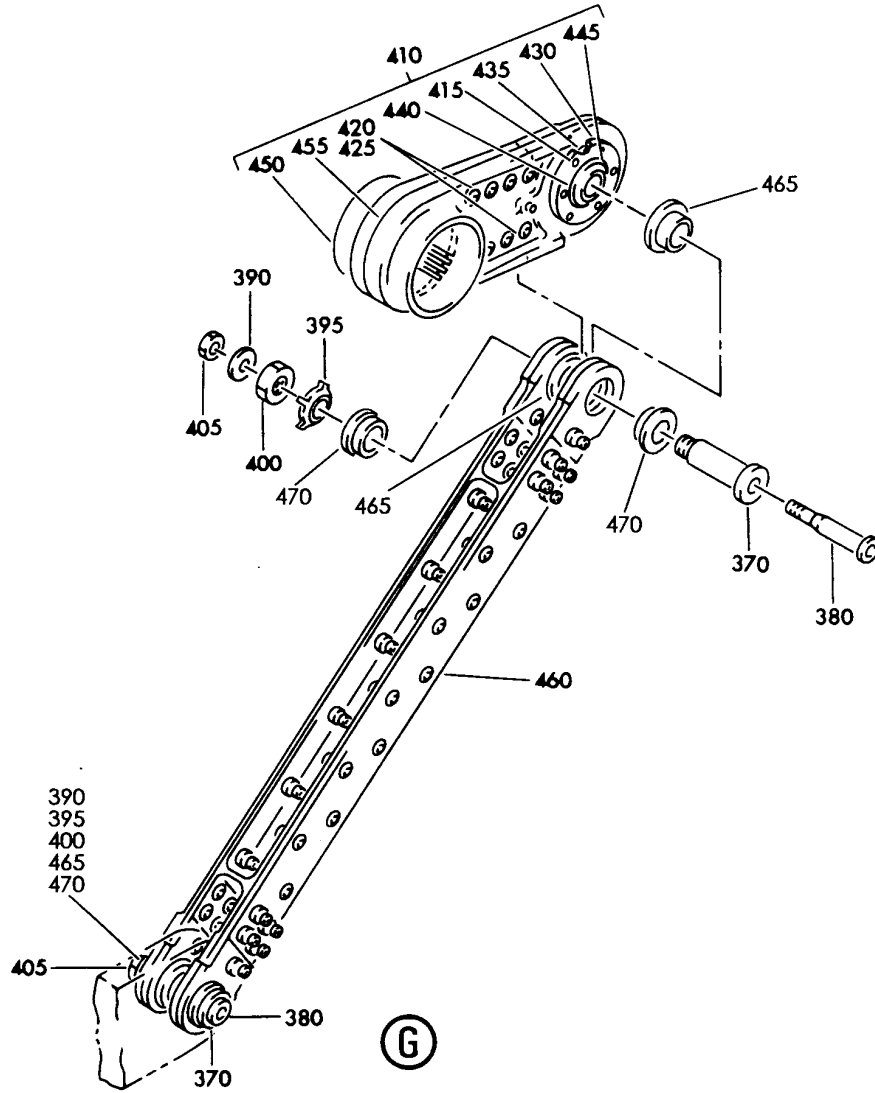
LINK INSTL-T.E. FLAP MOVEABLE  
FIGURE 1 (SHEET 2)

**27-51-04-01**

HXL  
DEC 22/06

27-51-04-01  
PAGE 0A

**BOEING**  
767  
PARTS CATALOG (MAINTENANCE)



V 27510401 SHT 3 REV 196

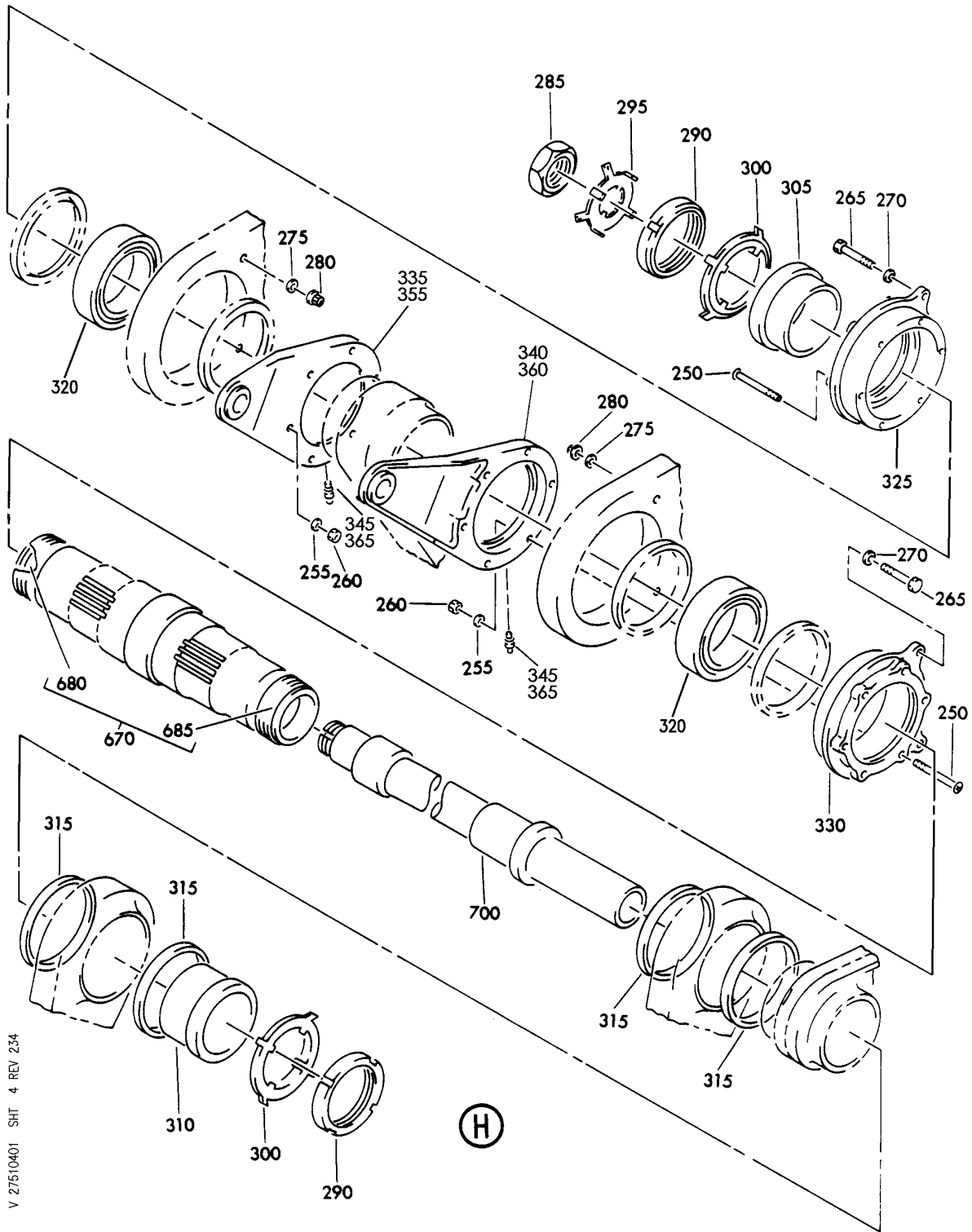
LINK INSTL-T.E. FLAP MOVEABLE  
FIGURE 1 (SHEET 3)

**27-51-04-01**

HXL  
DEC 22/06

27-51-04-01  
PAGE 0B

**BOEING**  
767  
PARTS CATALOG (MAINTENANCE)



V 27510401 SHT 4 REV 234

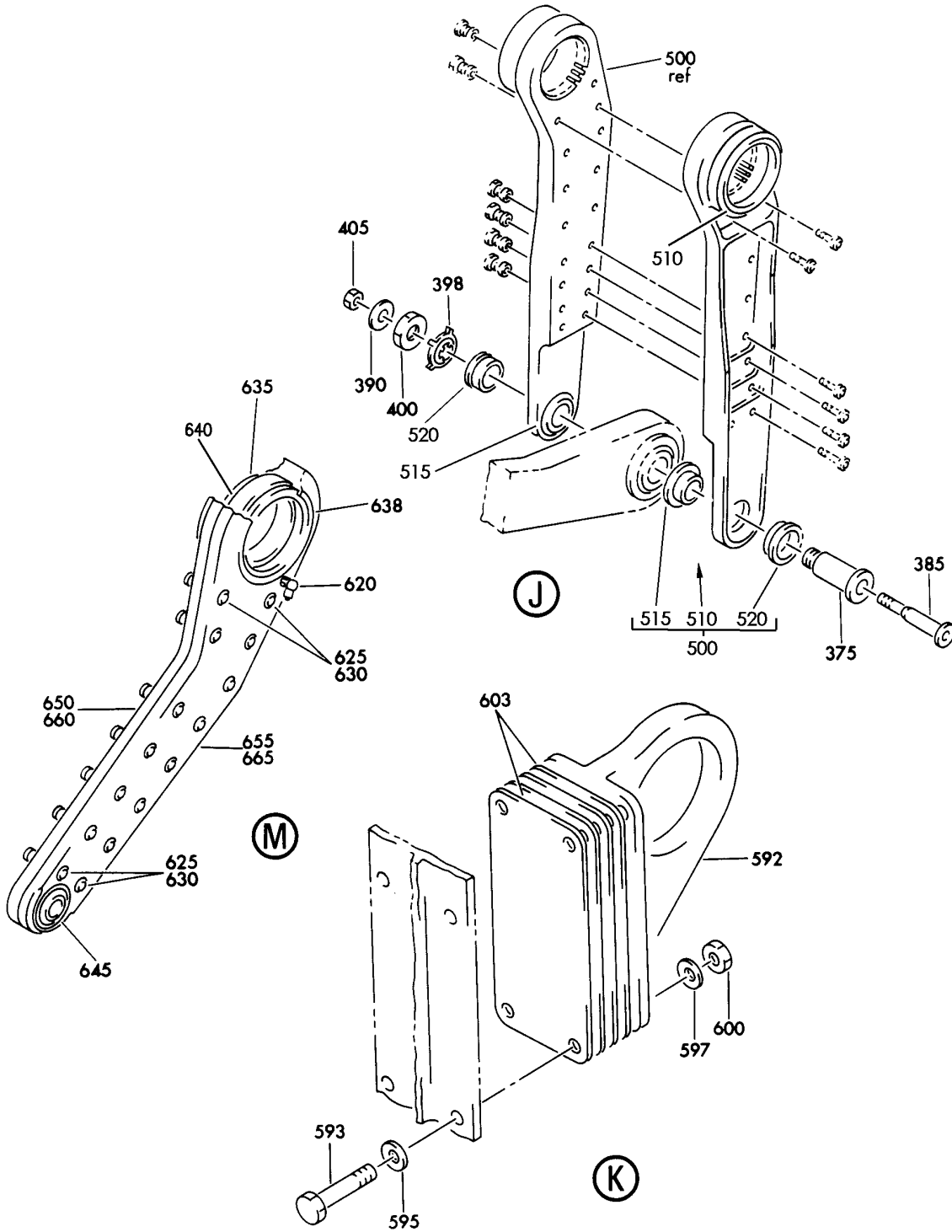
LINK INSTL-T.E. FLAP MOVEABLE  
FIGURE 1 (SHEET 4)

**27-51-04-01**

HXL  
DEC 22/06

27-51-04-01  
PAGE 0C

**BOEING**  
767  
PARTS CATALOG (MAINTENANCE)



V 27510401 SHT 5 REV 234

LINK INSTL-T.E. FLAP MOVEABLE  
FIGURE 1 (SHEET 5)

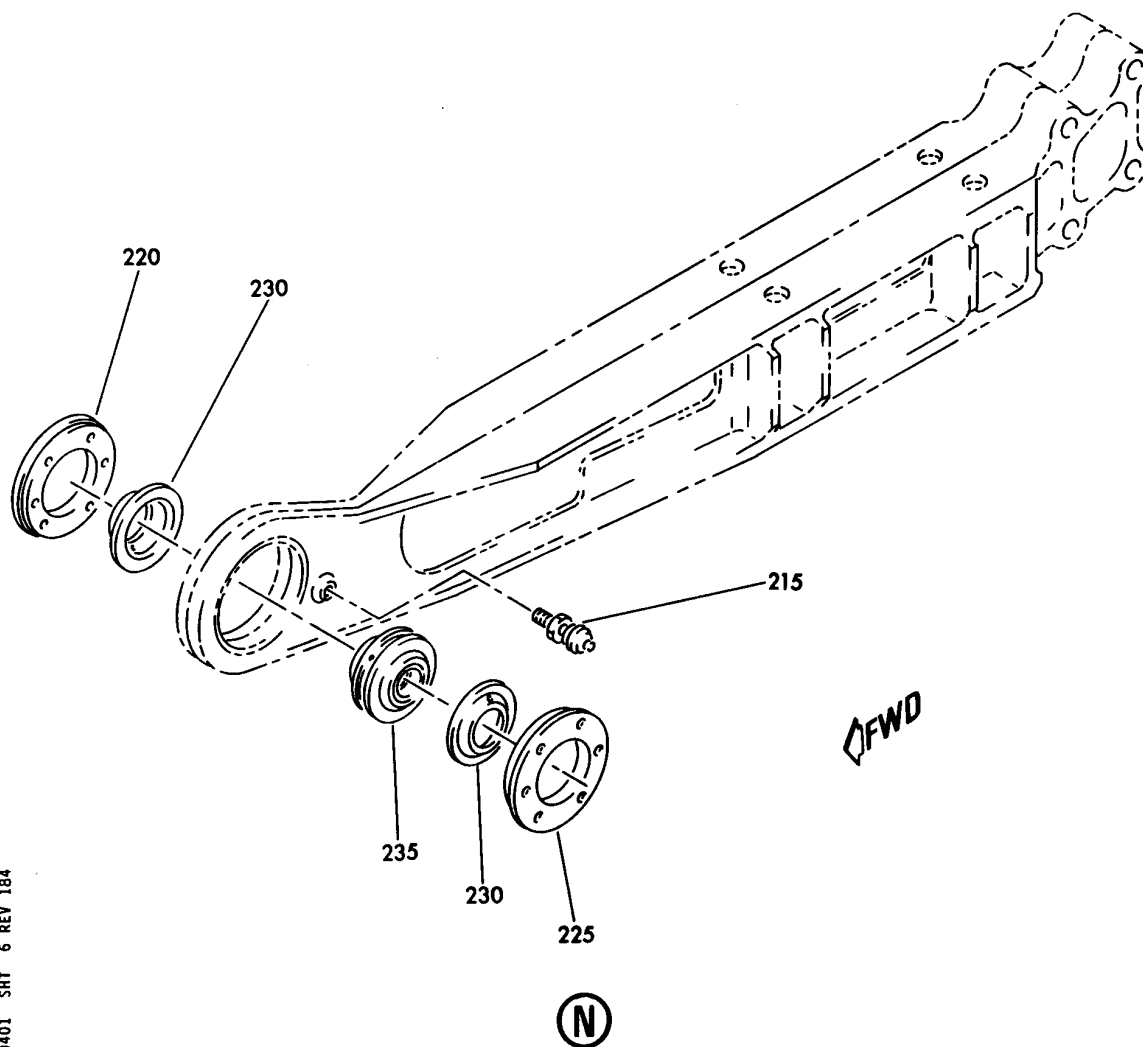
**27-51-04-01**

HXL  
DEC 22/06

27-51-04-01  
PAGE 0D



**BOEING**  
767  
PARTS CATALOG (MAINTENANCE)



V 27510401 SHT 6 REV 184

LINK INSTL-T.E. FLAP MOVEABLE  
FIGURE 1 (SHEET 6)

**27-51-04-01**

HXL  
DEC 22/06

27-51-04-01  
PAGE 0E

**BOEING**  
767  
**PARTS CATALOG (MAINTENANCE)**

FIG ITEM	PART NUMBER	1 2 3 4 5 6 7	NOMENCLATURE	EFFECT FROM TO	UNITS PER ASSY
1			LINK INSTL-T.E. FLAP MOVEABLE		
- 1	113T2000-87		LINK INSTL-T.E. FLAP MOVEABLE POSITION DATA: INBD LH FOR NHA SEE: 27-51-03-10		RF
- 5	113T2000-88		LINK INSTL-T.E. FLAP MOVEABLE POSITION DATA: INBD RH FOR NHA SEE: 27-51-03-10		RF
	7 113T1264-27		.BOLT-		1
	10 113T1264-28		.BOLT-		1
	15 BACW10BP14CD		.WASHER		2
	20 BACW10BP14DP		.WASHER		2
	25 NAS1804-14		.NUT		2
	28 BACB28AK14-069		.BUSHING		1
	30 BACB28AK14-051		.BUSHING		1
R	33 113T2000-61		.TRACK ASSY-BEAM COMPONENT MAINT MANUAL REF: 27-51-98		1
R					
R	33 113T2000-71		.TRACK ASSY-BEAM COMPONENT MAINT MANUAL REF: 27-51-98		1
R					
R	33 113T2000-89		.TRACK ASSY-BEAM COMPONENT MAINT MANUAL REF: 27-51-98		1
R					
R	33 113T2000-90		.TRACK ASSY-BEAM COMPONENT MAINT MANUAL REF: 27-51-98		1
R					
R	33 113T2000-103		.TRACK ASSY-BEAM COMPONENT MAINT MANUAL REF: 27-51-98		1
R					
R	35 113T1230-1		..TRACK ASSY-		1
R	35 113T1230-3		..TRACK ASSY-		1
R	35 113T1230-5		..TRACK ASSY-		1
R	40 113T1294-1		..LINK ASSY		1
	57 113T1264-35		..BOLT ASSY-		2
	59 113T1264-33		..BOLT ASSY-		2
	70 BACW10BP6CD		..WASHER		4
	76 BACW10BP6AP		..WASHER		2
	80 MS27111-3		..WASHER		4

ILLUSTRATION ITEMS NOT ON PARTS LIST ARE NOT APPLICABLE

- ITEM NOT ILLUSTRATED

HXL

# 27-51-04-01

BOEING PROPRIETARY - Copyright © - Unpublished Work - See title page for details.

27-51-04  
FIG. 01  
PAGE 1  
AUG 22/09

**BOEING**  
767  
**PARTS CATALOG (MAINTENANCE)**

FIG ITEM	PART NUMBER	1 2 3 4 5 6 7	NOMENCLATURE	EFFECT FROM TO	UNITS PER ASSY
1					
85	BRH10C6D	..	NUT- SUPPLIER CODE: V52828 SPECIFICATION NUMBER: BACN10JC6CD OPTIONAL PART: H51650-6BAC V15653		4
90	BACB28AK06-057	..	BUSHING		4
95	YAT06B	..	BEARING SUPPLIER CODE: V07484 SPECIFICATION NUMBER: BACB10EU06 OPTIONAL PART: 6AL1618 V92563 ATL6 V60380		4
100	BACB30NM5K54	..	BOLT-		2
105	BACB30NM7K59	..	BOLT		2
110	BACB30NM7K53	..	BOLT		2
112	113T1264-21	..	BOLT ASSY		1
114	1684B	...	FITTING-LUB SUPPLIER CODE: V95879		1
116	113T1264-22	...	BOLT		1
120	BACW10BP5CD	..	WASHER		2
125	BACW10BP5DP	..	WASHER		2
130	BACW10BP20CD	..	WASHER		1
135	BACW10BP7AC	..	WASHER-		4
140	BACW10BP7AP	..	WASHER-		4
145	MS27111-5	..	WASHER		2
150	113T1254-34	..	WASHER		1
155	BRH10A5	..	NUT SUPPLIER CODE: V52828 SPECIFICATION NUMBER: BACN10JC5 OPTIONAL PART: T6S524J V11815 96-054 V80539 RMLH9075-5W V72962 H10-5BAC V15653		2
ILLUSTRATION ITEMS NOT ON PARTS LIST ARE NOT APPLICABLE					

R  
R  
R  
R  
R  
R  
R  
R  
R  
R  
R  
R  
R

- ITEM NOT ILLUSTRATED

# 27-51-04-01

27-51-04  
FIG. 01  
PAGE 2  
AUG 22/09

HXL

 **BOEING**  
767  
**PARTS CATALOG (MAINTENANCE)**

FIG ITEM	PART NUMBER	1 2 3 4 5 6 7	NOMENCLATURE	EFFECT FROM TO	UNITS PER ASSY
1 160	BMN4122AD3-8	..	NUT SUPPLIER CODE: V97928 SPECIFICATION NUMBER: BACN10JC8 OPTIONAL PART: BMN4122A8 V85495 H10-8BAC V15653 RMLH9074-8 V72962 48FT820 V56878		2
165	NAS1804-7	..	NUT		4
170	113T1262-16	..	NUT		1
175	BACB28AK20-145	..	BUSHING		1
180	BACB28AK20-031	..	BUSHING		1
185	ATF20	..	BEARING SUPPLIER CODE: V60380 SPECIFICATION NUMBER: BACB10ET20 OPTIONAL PART: 20AFC2040 V92563 YAF20B V07484		1
190	CC55133	..	BEARING-ROLLER SUPPLIER CODE: V60380 SPECIFICATION NUMBER: 60B00178-651 OPTIONAL PART: CR1XBC189 V07484 CF2582 V92563		2
190	CF2582	..	BEARING-ROLLER SUPPLIER CODE: V92563 SPECIFICATION NUMBER: 60B00178-651 OPTIONAL PART: CC55133 V60380		2

ILLUSTRATION ITEMS NOT ON PARTS LIST ARE NOT APPLICABLE

- ITEM NOT ILLUSTRATED

HXL

27-51-04-01

BOEING PROPRIETARY - Copyright © - Unpublished Work - See title page for details.

27-51-04  
FIG. 01  
PAGE 3  
AUG 22/09



767

PARTS CATALOG (MAINTENANCE)

FIG ITEM	PART NUMBER	1 2 3 4 5 6 7	NOMENCLATURE	EFFECT FROM TO	UNITS PER ASSY
1					
190	CR1XBC189		.. BEARING-ROLLER SUPPLIER CODE: V07484 SPECIFICATION NUMBER: 60B00178-651		2
195	113T1213-11		.. BRIDGE-		1
200	113T1213-7		.. PLATE ASSY-		1
205	113T1213-8		.. PLATE ASSY-		1
210	113T1347-107		... BUSHING		1
215	MS15001-1		.. FITTING		1
220	113T1267-11		.. RETAINER		1
225	113T1267-12		.. RETAINER		1
230	113T1256-28		.. SEAL		2
235	BLP16F243		.. BEARING- SUPPLIER CODE: V16746 SPECIFICATION NUMBER: 60B00180-243 OPTIONAL PART: ABS16-101 VS0352 BLN16-2021 V81376 LHCB16BA V73134		1
250	BACB30LH4SU37		. BOLT- OPTIONAL PART: BACB30NN4K37		12
250	BACB30NN4K37		. BOLT- OPTIONAL PART: BACB30LH4SU37		12
255	BACW10BP4DP		. WASHER		12

ILLUSTRATION ITEMS NOT ON PARTS LIST ARE NOT APPLICABLE

- ITEM NOT ILLUSTRATED

HXL

27-51-04-01

BOEING PROPRIETARY - Copyright © - Unpublished Work - See title page for details.

27-51-04  
FIG. 01  
PAGE 4  
AUG 22/09

 **BOEING**  
767  
**PARTS CATALOG (MAINTENANCE)**

FIG ITEM	PART NUMBER	1 2 3 4 5 6 7	NOMENCLATURE	EFFECT FROM TO	UNITS PER ASSY
1 260	BRH10A4	.	NUT SUPPLIER CODE: V52828 SPECIFICATION NUMBER: BACN10JC4 OPTIONAL PART: T6S428J V11815 96-048 V80539 VN303A048 V92215 RMLH9075-4W V72962 NS202101-048 V80539 H10-4BAC V15653		12
265	BACB30NM6K23	.	BOLT		4
270	BACW10BP6CD	.	WASHER		4
275	BACW10BP6DP	.	WASHER		4
280	NAS1804-6	.	NUT		4
285	113T1262-15	.	NUT		1
290	113T1311-3	.	NUT		2
295	113T1254-33	.	WASHER		1
300	113T1254-49	.	WASHER-		2
305	113T1312-10	.	BUSHING		1
310	113T1312-8	.	BUSHING		1
315	113T1256-32	.	SEAL- OPTIONAL PART: 113T1256-44		4
315	113T1256-44	.	SEAL- OPTIONAL PART: 113T1256-32		4
320	SB1134	.	BEARING- SUPPLIER CODE: V92563 SPECIFICATION NUMBER: 60B00178-25 OPTIONAL PART: DAT56-76A1-503 V77896 B8941CK V80657		2

ILLUSTRATION ITEMS NOT ON PARTS LIST ARE NOT APPLICABLE

- ITEM NOT ILLUSTRATED

HXL

# 27-51-04-01

BOEING PROPRIETARY - Copyright © - Unpublished Work - See title page for details.

27-51-04  
FIG. 01  
PAGE 5  
AUG 22/09



767

PARTS CATALOG (MAINTENANCE)

FIG ITEM	PART NUMBER	1 2 3 4 5 6 7	NOMENCLATURE	EFFECT FROM TO	UNITS PER ASSY
1 320	B8941CK		.BEARING- SUPPLIER CODE: V60380 SPECIFICATION NUMBER: 60B00178-25 OPTIONAL PART: DAT56-76A1-503 V77896		2
325	113T1220-1		.RETAINER		1
330	113T1220-2		.RETAINER		1
- 350	113T2000-199		.SUBSTITUTE KIT- OPTIONAL PART: 113T2000-223 113T2000-224		1
- 350	113T2000-223		.SUBSTITUTE KIT- OPTIONAL PART: 113T2000-199 113T2000-224		1
- 350	113T2000-224		.SUBSTITUTE KIT- OPTIONAL PART: 113T2000-199 113T2000-223		1
355	113T1219-1		..FITTING ASSY- COMPONENT MAINT MANUAL REF: 27-51-84 USED ON: 113T2000-199		1
355	113T1219-5		..FITTING ASSY- COMPONENT MAINT MANUAL REF: 27-51-84 QUALIFIED I/W DATA: 113T1219-5 T/W 113T1219-6 AS MATCHED SET I/W 113T3184-1 T/W 113T3184-2 AS MATCHED SET USED ON: 113T2000-223		1
355	113T3184-1		..FITTING ASSY- QUALIFIED I/W DATA: 113T1219-5 T/W 113T1219-6 AS MATCHED SET I/W 113T3184-1 T/W 113T3184-2 AS MATCHED SET USED ON: 113T2000-224		1

ILLUSTRATION ITEMS NOT ON PARTS LIST ARE NOT APPLICABLE

- ITEM NOT ILLUSTRATED

27-51-04-01

27-51-04  
FIG. 01  
PAGE 6  
AUG 22/09

HXL

 **BOEING**  
767  
**PARTS CATALOG (MAINTENANCE)**

FIG ITEM	PART NUMBER	1 2 3 4 5 6 7	NOMENCLATURE	EFFECT FROM TO	UNITS PER ASSY
1					
360	113T1219-2		.. FITTING ASSY- COMPONENT MAINT MANUAL REF: 27-51-84 USED ON: 113T2000-199		1
360	113T1219-6		.. FITTING ASSY- COMPONENT MAINT MANUAL REF: 27-51-84 QUALIFIED I/W DATA: 113T1219-5 T/W 113T1219-6 AS MATCHED SET I/W 113T3184-1 T/W 113T3184-2 AS MATCHED SET USED ON: 113T2000-223		1
360	113T3184-2		.. FITTING ASSY- QUALIFIED I/W DATA: 113T1219-5 T/W 113T1219-6 AS MATCHED SET I/W 113T3184-1 T/W 113T3184-2 AS MATCHED SET USED ON: 113T2000-224		1
365	MS15004-1		... FITTING		1
370	113T1263-22		.PIN		2
375	113T1263-21		.PIN		1
380	113T1264-20		.PIN- OPTIONAL PART: 113T1264-52		2
380	113T1264-52		.PIN- OPTIONAL PART: 113T1264-20		2
385	113T1264-19		.PIN- OPTIONAL PART: 113T1264-51		1
385	113T1264-51		.PIN- OPTIONAL PART: 113T1264-19		1
390	113T1254-30		.WASHER		3
395	113T1254-29		.WASHER		2
398	113T1254-48		.WASHER		1
400	113T1262-14		.NUT		3
410	113T1214-4		.ARM ASSY-		1
415	BACB30LR3P8		.. BOLT		6

ILLUSTRATION ITEMS NOT ON PARTS LIST ARE NOT APPLICABLE

- ITEM NOT ILLUSTRATED

HXL

# 27-51-04-01

BOEING PROPRIETARY - Copyright © - Unpublished Work - See title page for details.

27-51-04  
FIG. 01  
PAGE 7  
AUG 22/09





767

PARTS CATALOG (MAINTENANCE)

FIG ITEM	PART NUMBER	1 2 3 4 5 6 7	NOMENCLATURE	EFFECT FROM TO	UNITS PER ASSY
1 420	HL448UC8-4		.. BOLT- SUPPLIER CODE: V56878 SPECIFICATION NUMBER: BACB30MB8A4 OPTIONAL PART: HL448UC8-4 V73197 HL448UC8-4 V92215 HL448UC8-4 V97928 69308-8A4 V56878 HL448UC8-4 V80539 HL448UC8-4 V08524 HL448UC8-4 V9N513 WC4488-4 V60516		8
425	HL1187-8		.. COLLAR SUPPLIER CODE: V5M902 SPECIFICATION NUMBER: BACC30X8 OPTIONAL PART: HL87-8 V92215 HL87-8 V73197 HL1187-8 V56878 HL1187-8 V92215 HL87-8 V56878 HL1187-8 V73197		8
430	113T1267-11		.. RETAINER		1
435	113T1267-12		.. RETAINER		1
440	113T1256-28		.. SEAL		2

ILLUSTRATION ITEMS NOT ON PARTS LIST ARE NOT APPLICABLE

- ITEM NOT ILLUSTRATED

HXL

27-51-04-01

BOEING PROPRIETARY - Copyright © - Unpublished Work - See title page for details.

27-51-04  
 FIG. 01  
 PAGE 8  
 AUG 22/09



767

PARTS CATALOG (MAINTENANCE)

FIG ITEM	PART NUMBER	1 2 3 4 5 6 7	NOMENCLATURE	EFFECT FROM TO	UNITS PER ASSY
1					
445	BLP16F243		.. BEARING- SUPPLIER CODE: V16746 SPECIFICATION NUMBER: 60B00180-243 OPTIONAL PART: ABS16-101 VS0352 BLN16-2021 V81376 LHCB16BA V73134		1
450	113T1214-6		.. ARM-HALF OPTIONAL PART: 113T1214-10		1
450	113T1214-10		.. ARM-HALF MANUFACTURED FROM: 113T1274-2 OPTIONAL PART: 113T1214-6		1
455	113T1214-5		.. ARM-HALF OPTIONAL PART: 113T1214-9		1
455	113T1214-9		.. ARM-HALF MANUFACTURED FROM: 113T1274-2 OPTIONAL PART: 113T1214-5		1
460	113T1218-1		. LINK ASSY- COMPONENT MAINT MANUAL REF: 27-51-84		1
460	113T1218-5		. LINK ASSY- COMPONENT MAINT MANUAL REF: 27-51-84		1
465	113T1347-93		.. BUSHING		4
470	113T1347-94		.. BUSHING		4
500	113T1211-13		. ARM ASSY- POSITION DATA: LH SIDE COMPONENT MAINT MANUAL REF: 27-51-84		1
- 505	113T1211-14		. ARM ASSY- POSITION DATA: RH SIDE COMPONENT MAINT MANUAL REF: 27-51-84		1
510	113T1312-9		.. BUSHING		1
515	113T1347-95		.. BUSHING		2
520	113T1347-96		.. BUSHING		2

ILLUSTRATION ITEMS NOT ON PARTS LIST ARE NOT APPLICABLE

- ITEM NOT ILLUSTRATED

27-51-04-01

27-51-04  
FIG. 01  
PAGE 9  
AUG 22/09

HXL



767

PARTS CATALOG (MAINTENANCE)

FIG ITEM	PART NUMBER	1 2 3 4 5 6 7	NOMENCLATURE	EFFECT FROM TO	UNITS PER ASSY
1					
592	113T1297-2		.FITTING-FAIL SAFE		1
592	113T1297-3		.FITTING-FAIL SAFE		1
			ATTACHING PARTS		
593	BACB30NM4K16		.BOLT		4
595	BACW10BP4CD		.WASHER		4
597	BACW10BP4DP		.WASHER		4
600	BRH10A4		.NUT		4
			SUPPLIER CODE: V52828		
			SPECIFICATION NUMBER: BACN10JC4		
			OPTIONAL PART: T6S428J		
			V11815		
			96-048		
			V80539		
			VN303A048		
			V92215		
			RMLH9075-4W		
			V72962		
			NS202101-048		
			V80539		
			H10-4BAC		
			V15653		
			-----*-----		
603	113T2000-19		.SHIM		AR
607	NAS6718U98		.BOLT-		1
			OPTIONAL PART: BACB30NM18K98		
607	BACB30NM18K98		.BOLT-		1
			OPTIONAL PART: NAS6718U98		
609	BACW10BP18CD		.WASHER		1
611	BACW10BP18DP		.WASHER		1
613	BMN4122AD3-18		.NUT		1
			SUPPLIER CODE: V97928		
			SPECIFICATION NUMBER: BACN10JC18		
			OPTIONAL PART: H10-18BAC		
			V15653		
			BMN4122A18		
			V85495		
			RMLH9074-18		
			V72962		
			48FT1812		
			V56878		
			ILLUSTRATION ITEMS NOT ON PARTS LIST ARE NOT APPLICABLE		

- ITEM NOT ILLUSTRATED

27-51-04-01

27-51-04  
FIG. 01  
PAGE 10  
AUG 22/09

HXL



767

PARTS CATALOG (MAINTENANCE)

FIG ITEM	PART NUMBER	1 2 3 4 5 6 7	NOMENCLATURE	EFFECT FROM TO	UNITS PER ASSY
1					
616	113T1232-13		.LINK ASSY- OPTIONAL PART: 113T1241-1		1
616	113T1241-1		.LINK ASSY- OPTIONAL PART: 113T1232-13		1
618	113T1232-14		.LINK ASSY-		1
618	113T1241-2		.LINK ASSY-		1
620	MS15001-4		..FITTING		1
625	L8008K20		..BOLT SUPPLIER CODE: V06725 SPECIFICATION NUMBER: BACB30MY8K20		15
630	HL79-8		..COLLAR SUPPLIER CODE: V5M902 SPECIFICATION NUMBER: BACC30M8 OPTIONAL PART: HL79-8 V73197 HL79-8 V92215 66014-8 V56878 HL79-8 V56878		15
635	113T1256-32		..SEAL- OPTIONAL PART: 113T1256-44		1
635	113T1256-44		..SEAL- OPTIONAL PART: 113T1256-32		1
638	113T1256-62		..SEAL- OPTIONAL PART: 113T1256-64		1
638	113T1256-64		..SEAL- OPTIONAL PART: 113T1256-62		1

ILLUSTRATION ITEMS NOT ON PARTS LIST ARE NOT APPLICABLE

- ITEM NOT ILLUSTRATED

HXL

27-51-04-01

BOEING PROPRIETARY - Copyright © - Unpublished Work - See title page for details.

27-51-04  
FIG. 01  
PAGE 11  
AUG 22/09

 **BOEING**  
767  
**PARTS CATALOG (MAINTENANCE)**

FIG ITEM	PART NUMBER	1 2 3 4 5 6 7	NOMENCLATURE	EFFECT FROM TO	UNITS PER ASSY
1					
640	SB1134		.. BEARING- SUPPLIER CODE: V92563 SPECIFICATION NUMBER: 60B00178-25 OPTIONAL PART: DAT56-76A1-503 V77896 B8941CK V80657		1
640	B8941CK		.. BEARING- SUPPLIER CODE: V60380 SPECIFICATION NUMBER: 60B00178-25 OPTIONAL PART: DAT56-76A1-503 V77896		1
645	ADB18-301NC		.. BEARING SUPPLIER CODE: V15860 SPECIFICATION NUMBER: BACB10FB18C OPTIONAL PART: KNDB18-69 V97613 KSC145700BZ18C V50632 NES18FBC V73134 HTFB18V VS0352		1
650	113T1232-9		.. LINK- MANUFACTURED FROM: 113T1295-1 USED ON: 113T1232-13		1
650	113T1241-5		.. LINK- USED ON: 113T1241-1		1
655	113T1232-5		.. LINK- MANUFACTURED FROM: 113T1295-2 USED ON: 113T1232-13		1
655	113T1241-3		.. LINK- USED ON: 113T1241-1		1
ILLUSTRATION ITEMS NOT ON PARTS LIST ARE NOT APPLICABLE					

- ITEM NOT ILLUSTRATED

HXL

27-51-04-01

BOEING PROPRIETARY - Copyright © - Unpublished Work - See title page for details.

27-51-04  
FIG. 01  
PAGE 12  
AUG 22/09



767

PARTS CATALOG (MAINTENANCE)

FIG ITEM	PART NUMBER	1 2 3 4 5 6 7	NOMENCLATURE	EFFECT FROM TO	UNITS PER ASSY
1					
660	113T1232-10	..	LINK- MANUFACTURED FROM: 113T1295-2 USED ON: 113T1232-14		1
660	113T1241-6	..	LINK- USED ON: 113T1241-2		1
665	113T1232-6	..	LINK- MANUFACTURED FROM: 113T1295-1 USED ON: 113T1232-14		1
665	113T1241-4	..	LINK- USED ON: 113T1241-2		1
670	113T1216-1	.	SHAFT ASSY- POSITION DATA: LH SIDE COMPONENT MAINT MANUAL REF: 27-51-84		1
- 675	113T1216-2	.	SHAFT ASSY- POSITION DATA: RH SIDE COMPONENT MAINT MANUAL REF: 27-51-84		1
680	113T1312-11	..	BUSHING		1
685	113T1312-12	..	BUSHING		1
700	113T1217-1	.	SHAFT		1
745	BACW10BP4CD	.	WASHER-		1
750	BACW10BP4DP	.	WASHER-		1
755	NAS1804-4	.	NUT-		1

ILLUSTRATION ITEMS NOT ON PARTS LIST ARE NOT APPLICABLE

- ITEM NOT ILLUSTRATED

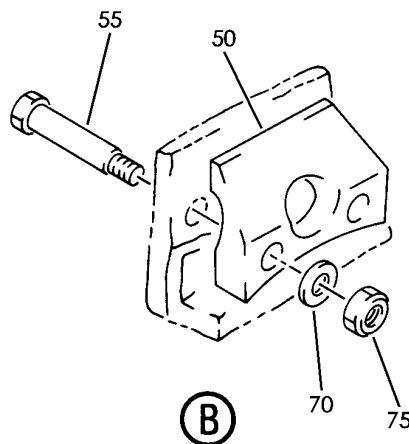
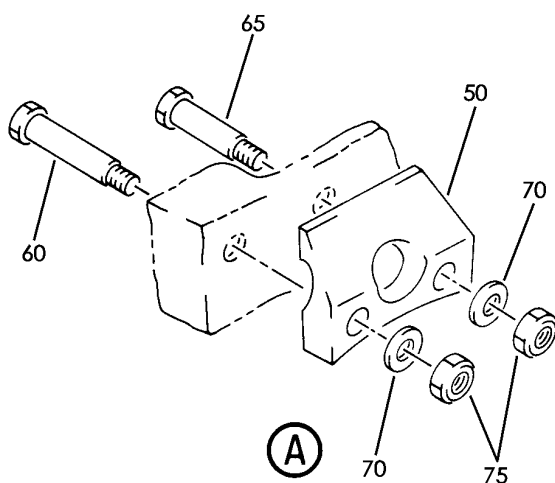
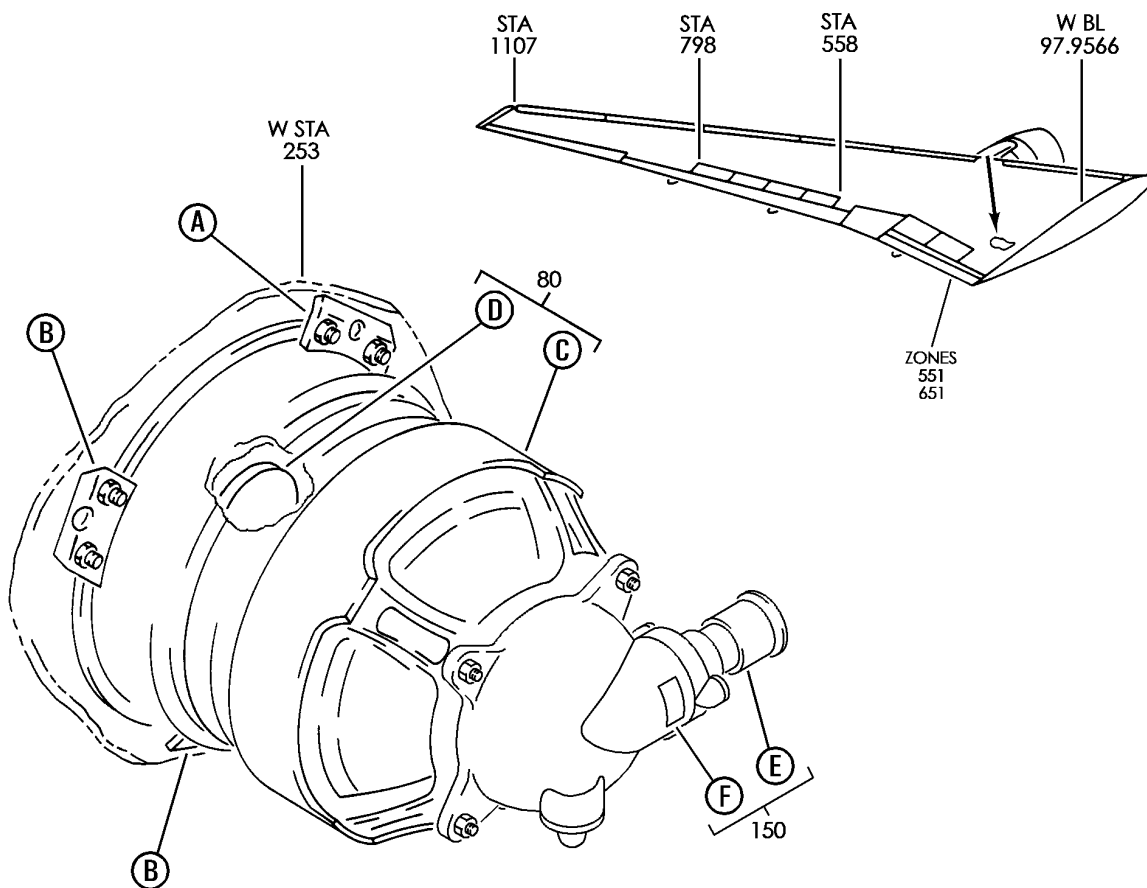
HXL

27-51-04-01

BOEING PROPRIETARY - Copyright © - Unpublished Work - See title page for details.

27-51-04  
FIG. 01  
PAGE 13  
AUG 22/09

**BOEING**  
767  
PARTS CATALOG (MAINTENANCE)



V 27510501 SHT 1 REV 241

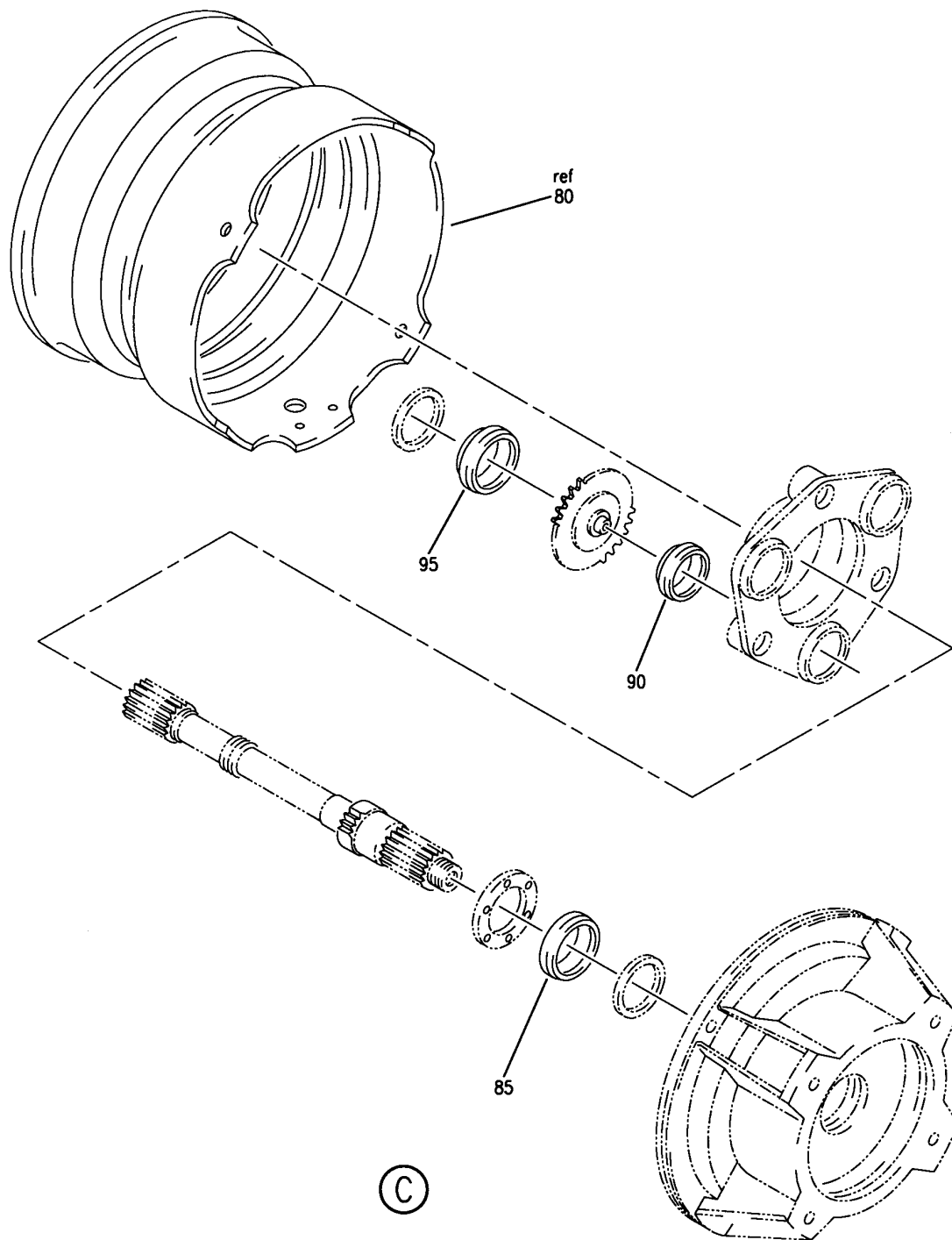
ACTUATOR INSTL-TE FLAP DRIVE POSITION NO. 4 AND 5  
FIGURE 1 (SHEET 1)

**27-51-05-01**

HXL  
DEC 22/06

27-51-05-01  
PAGE 0

**BOEING**  
767  
PARTS CATALOG (MAINTENANCE)



V 27510501 SHT 2 REV 210

ACTUATOR INSTL-TE FLAP DRIVE POSITION NO. 4 AND 5  
FIGURE 1 (SHEET 2)

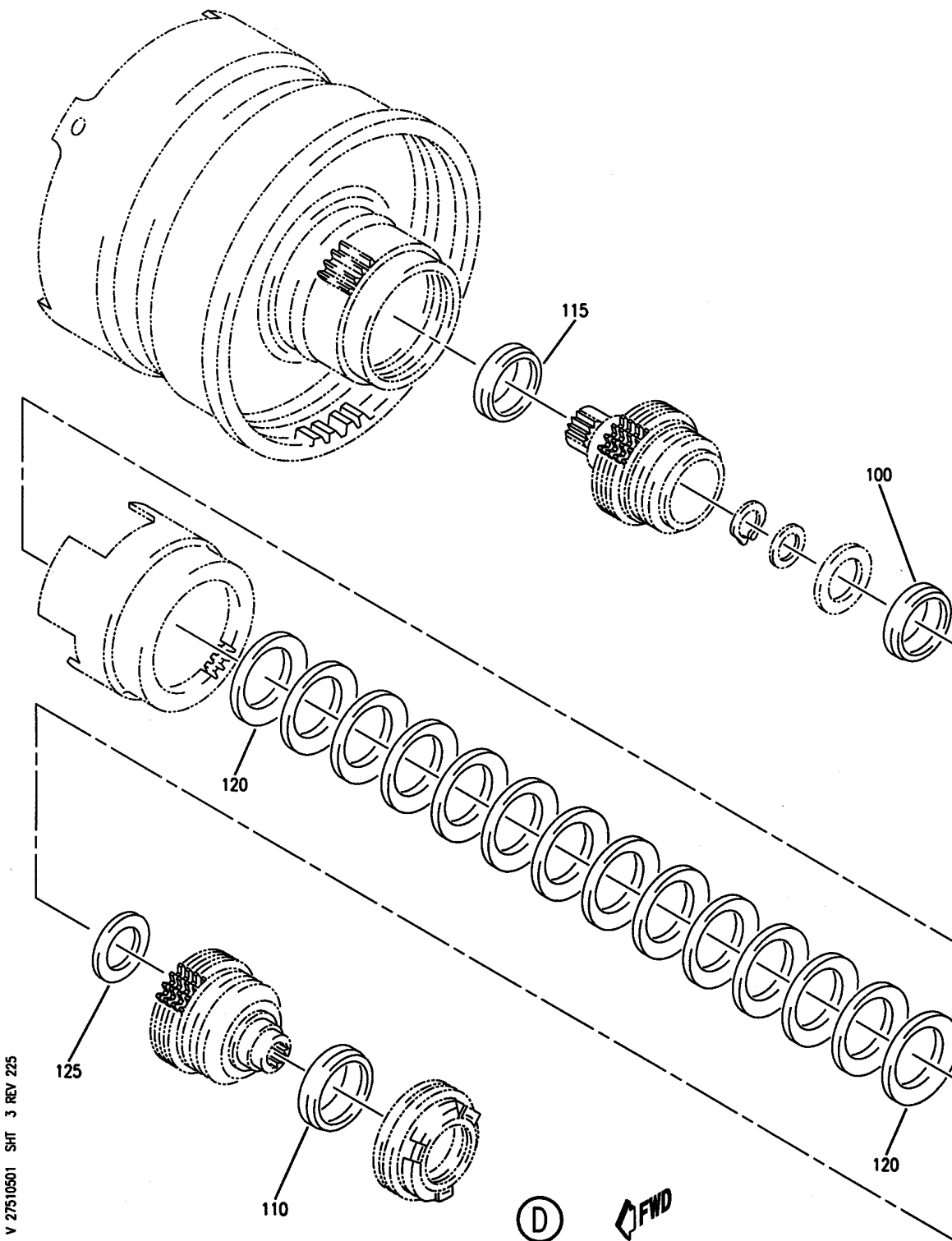
**27-51-05-01**

HXL  
DEC 22/06

27-51-05-01  
PAGE 0A



**BOEING**  
767  
PARTS CATALOG (MAINTENANCE)



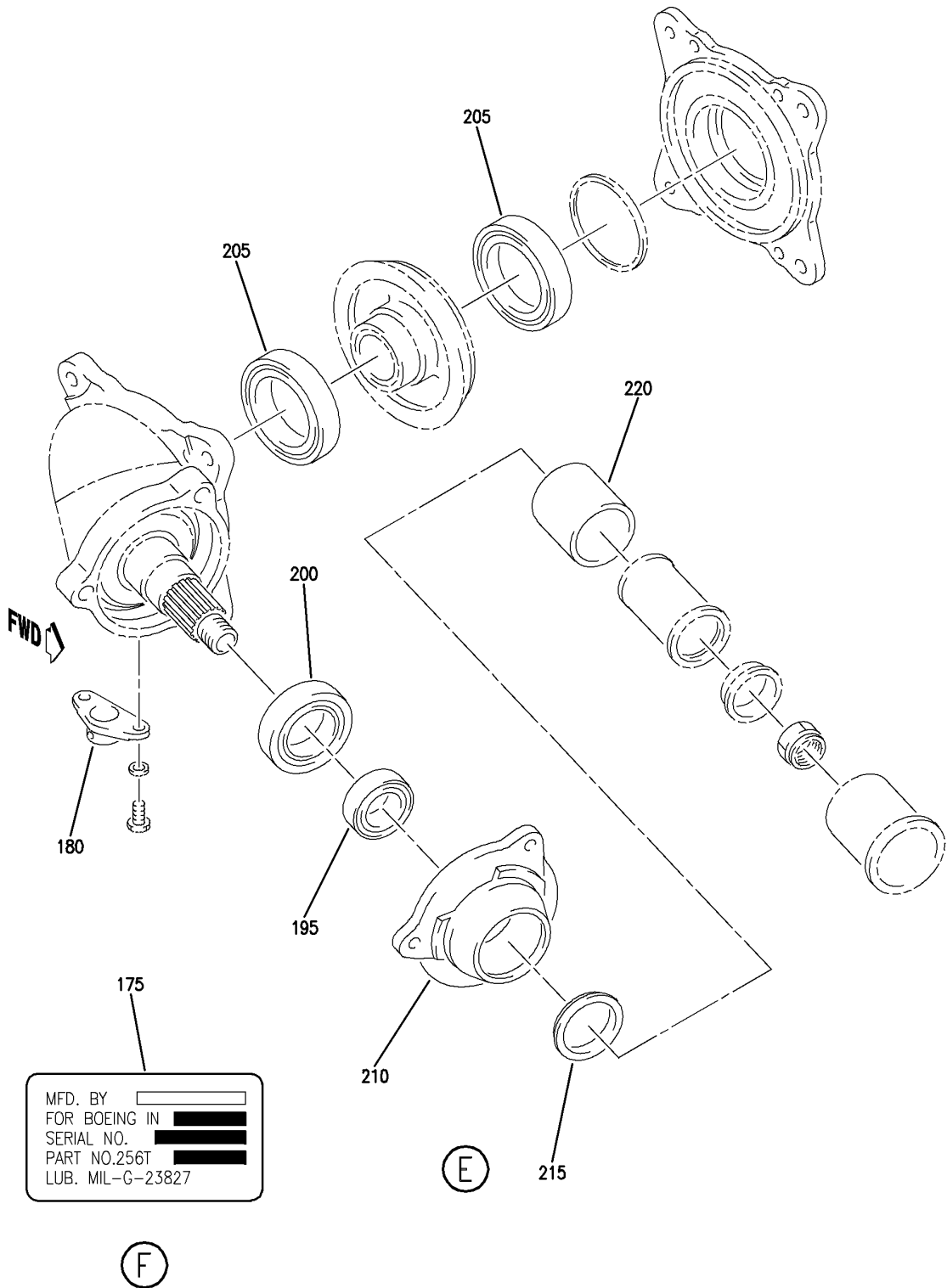
ACTUATOR INSTL-TE FLAP DRIVE POSITION NO. 4 AND 5  
FIGURE 1 (SHEET 3)

**27-51-05-01**

HXL  
DEC 22/06

27-51-05-01  
PAGE 0B

**BOEING**  
767  
PARTS CATALOG (MAINTENANCE)



V 27510501 SH1 4 REV 241

ACTUATOR INSTL-TE FLAP DRIVE POSITION NO. 4 AND 5  
FIGURE 1 (SHEET 4)

**27-51-05-01**

HXL  
DEC 22/06

27-51-05-01  
PAGE 0C

**BOEING**  
767  
**PARTS CATALOG (MAINTENANCE)**

FIG ITEM	PART NUMBER	1 2 3 4 5 6 7	NOMENCLATURE	EFFECT FROM TO	UNITS PER ASSY
1			ACTUATOR INSTL-TE FLAP DRIVE POSITION NO. 4 AND 5		
- 1	256T3290-1		ACTUATOR INSTL-TE FLAP DRIVE POSITION NO. 4 AND 5 POSITION DATA: LH FOR NHA SEE: 27-51-41-01		RF
- 5	256T3290-2		ACTUATOR INSTL-TE FLAP DRIVE POSITION NO. 4 AND 5 POSITION DATA: RH FOR NHA SEE: 27-51-41-01		RF
50	65B84045-1		.CLAMP ATTACHING PARTS		3
55	BACB30NR5K26		.BOLT		4
60	BACB30NR5K32		.BOLT-		1
65	BACB30NR5K19		.BOLT		1
70	AN960PD516L		.WASHER-		6
70	AN960JD516L		.WASHER-		6
75	BRH10C5D		.NUT-  SUPPLIER CODE: V52828 SPECIFICATION NUMBER: BACN10JC5CD OPTIONAL PART: T6C524JCD V11815 102LH9075-5W V72962 H51650-5BAC V15653  -----*-----		6
80	256T3250-4		.ACTUATOR ASSY- COMPONENT MAINT MANUAL REF: 27-51-10 POST SERVICE BULLETIN: 27-0115		1

ILLUSTRATION ITEMS NOT ON PARTS LIST ARE NOT APPLICABLE

- ITEM NOT ILLUSTRATED

HXL

27-51-05-01

BOEING PROPRIETARY - Copyright © - Unpublished Work - See title page for details.

27-51-05  
FIG. 01  
PAGE 1  
DEC 22/07

 **BOEING**  
767  
**PARTS CATALOG (MAINTENANCE)**

FIG ITEM	PART NUMBER	1 2 3 4 5 6 7	NOMENCLATURE	EFFECT FROM TO	UNITS PER ASSY
1	85 R9306PPPRBA4298		.. BEARING- SUPPLIER CODE: V21335 SPECIFICATION NUMBER: BACB10BB30PP OPTIONAL PART: PKTLL006P1 V78118 C006RRPOZZ V40920 C006RRPP1P28LY1 V40920 9306PPPRBFS428 V21335 R9306PPPRBA4298 V9V013 9306NPPFS428 V21335		1
	85 9306NPPFS428		.. BEARING- SUPPLIER CODE: V21335 OPTIONAL PART: BACB10BB30PP		1
	90 R9304PPPRBA4298		.. BEARING- SUPPLIER CODE: V21335 SPECIFICATION NUMBER: BACB10BB20PP OPTIONAL PART: 9304PPPRBFS428 V21335 PKTLL004P1 V78118 C004RRPOZZ V40920 R9304PPPRBA4298 V9V013 1904LLT1C1-01 V21760 1904LLT1C1-01 V21760 1904SZZ V38443		3

ILLUSTRATION ITEMS NOT ON PARTS LIST ARE NOT APPLICABLE

- ITEM NOT ILLUSTRATED

HXL

27-51-05-01

BOEING PROPRIETARY - Copyright © - Unpublished Work - See title page for details.

27-51-05  
FIG. 01  
PAGE 2  
APR 22/09



767

PARTS CATALOG (MAINTENANCE)

FIG ITEM	PART NUMBER	1 2 3 4 5 6 7	NOMENCLATURE	EFFECT FROM TO	UNITS PER ASSY
1	90 1904LLT1C1-01		.. BEARING- SUPPLIER CODE: V21760 OPTIONAL PART: 1904SZZ V38443 BACB10BB20PP		3
	90 1904SZZ		.. BEARING- SUPPLIER CODE: V38443 OPTIONAL PART: BACB10BB20PP 1904LLT1C1-01 V21760		3
	95 R9306PPPRBA4298		.. BEARING- SUPPLIER CODE: V21335 SPECIFICATION NUMBER: BACB10BB30PP OPTIONAL PART: PKTLL006P1 V78118 C006RRP0ZZ V40920 C006RRPP1P28LY1 V40920 9306PPPRBFS428 V21335 R9306PPPRBA4298 V9V013 9306NPPFS428 V21335 1906SZZ V38443		3
	95 9306NPPFS428		.. BEARING- SUPPLIER CODE: V21335 OPTIONAL PART: 1906SZZ V38443 BACB10BB30PP		3
	95 1906SZZ		.. BEARING- SUPPLIER CODE: V38443 OPTIONAL PART: BACB10BB30PP 9306NPPFS428 V21335		3

ILLUSTRATION ITEMS NOT ON PARTS LIST ARE NOT APPLICABLE

- ITEM NOT ILLUSTRATED

HXL

27-51-05-01

BOEING PROPRIETARY - Copyright © - Unpublished Work - See title page for details.

27-51-05  
FIG. 01  
PAGE 3  
AUG 22/08



767

PARTS CATALOG (MAINTENANCE)

FIG ITEM	PART NUMBER	1 2 3 4 5 6 7	NOMENCLATURE	EFFECT FROM TO	UNITS PER ASSY
1 100	R9306PPRBA4298		.. BEARING- SUPPLIER CODE: V21335 SPECIFICATION NUMBER: BACB10BB30PP OPTIONAL PART: PKTLL006P1 V78118 C006RRPOZZ V40920 C006RRPP1P28LY1 V40920 9306PPRBFS428 V21335 R9306PPRBA4298 V9V013 9306NPPFS428 V21335		1
105	9306NPPFS428		.. BEARING- SUPPLIER CODE: V21335 OPTIONAL PART: BACB10BB30PP		1
110	R9307PPRBA4298		.. BEARING- SUPPLIER CODE: V21335 SPECIFICATION NUMBER: BACB10BB35PP OPTIONAL PART: 9307PPRBFS428 V21335 PKTLL007P1 V78118 C007RRPOZZ V40920 C007RPP1P28LY19 V40920 R9307PPRBA4298 V9V013 1907RRT1C1-01 V21760 1907RRT1C1-01 V21760		1
110	1907RRT1C1-01		.. BEARING- SUPPLIER CODE: V21760 OPTIONAL PART: BACB10BB35PP		1

ILLUSTRATION ITEMS NOT ON PARTS LIST ARE NOT APPLICABLE

- ITEM NOT ILLUSTRATED

27-51-05-01

27-51-05  
FIG. 01  
PAGE 4  
AUG 22/08

HXL

 **BOEING**  
767  
**PARTS CATALOG (MAINTENANCE)**

FIG ITEM	PART NUMBER	1 2 3 4 5 6 7	NOMENCLATURE	EFFECT FROM TO	UNITS PER ASSY
1					
115	R9308PPPRBA4298	..	BEARING- SUPPLIER CODE: V21335 SPECIFICATION NUMBER: BACB10BB40PP OPTIONAL PART: 9308PPPRBFS428 V21335 PKTLL008P1 V78118 C008RRPOZZ V40920 C008RRPP1P28LY1 V40920 R9308PPPRBA4298 V9V013 1908LLT1C1-01 V21760 1908LLT1C1-01 V21760		1
115	1908LLT1C1-01	..	BEARING- SUPPLIER CODE: V21760 OPTIONAL PART: BACB10BB40PP		1
120	256T3848-1	..	SPRING- POST SERVICE BULLETIN: 27-0115R1		14
125	256T3809-2	..	CHAFE WASHER- POST SERVICE BULLETIN: 27-0115R1		1
150	256T3510-3	.	GEARBOX ASSY- POSITION DATA: LH SIDE COMPONENT MAINT MANUAL REF: 27-51-40 OPTIONAL PART: 256T3510-7		1
150	256T3510-7	.	GEARBOX ASSY- POSITION DATA: LH SIDE COMPONENT MAINT MANUAL REF: 27-51-40 OPTIONAL PART: 256T3510-3		1
ILLUSTRATION ITEMS NOT ON PARTS LIST ARE NOT APPLICABLE					

- ITEM NOT ILLUSTRATED

HXL

# 27-51-05-01

BOEING PROPRIETARY - Copyright © - Unpublished Work - See title page for details.

27-51-05  
FIG. 01  
PAGE 5  
AUG 22/08

 **BOEING**  
767  
**PARTS CATALOG (MAINTENANCE)**

FIG ITEM	PART NUMBER	1 2 3 4 5 6 7	NOMENCLATURE	EFFECT FROM TO	UNITS PER ASSY
1					
- 155	256T3510-4		.GEARBOX ASSY- POSITION DATA: RH SIDE COMPONENT MAINT MANUAL REF: 27-51-40 OPTIONAL PART: 256T3510-8		1
- 155	256T3510-8		.GEARBOX ASSY- POSITION DATA: RH SIDE COMPONENT MAINT MANUAL REF: 27-51-40 OPTIONAL PART: 256T3510-4		1
- 160	BACB30NR4K18		ATTACHING PARTS .BOLT- USED ON: 256T3510-3 256T3510-4		4
- 165	AN960PD416L		.WASHER-		4
- 170	BRH10C4D		.NUT- SUPPLIER CODE: V52828 SPECIFICATION NUMBER: BACN10JC4CD OPTIONAL PART: T6C428JCD V11815 NS202486-048 V80539 102LH9075-4W V72962 H51650-4BAC V15653		4
			-----*-----		
175	256T3320-1		..NAMEPLATE		1
180	256T3343-3		..DRAIN- OPTIONAL PART: 256T3343-1		1
180	256T3343-1		..DRAIN- OPTIONAL PART: 256T3343-3		1
- 185	NAS6603-2		ATTACHING PARTS ..BOLT		2
- 190	AN960PD10L		..WASHER- USED ON: 256T3510-3 256T3510-4		2
ILLUSTRATION ITEMS NOT ON PARTS LIST ARE NOT APPLICABLE					

- ITEM NOT ILLUSTRATED

HXL

# 27-51-05-01

BOEING PROPRIETARY - Copyright © - Unpublished Work - See title page for details.

27-51-05  
FIG. 01  
PAGE 6  
AUG 22/08





767

PARTS CATALOG (MAINTENANCE)

FIG ITEM	PART NUMBER	1 2 3 4 5 6 7	NOMENCLATURE	EFFECT FROM TO	UNITS PER ASSY
1					
- 190	NAS1149D0316J		.. WASHER- USED ON: 256T3510-7 256T3510-8 -----*-----		2
195	R9105PPA4298		.. BEARING SUPPLIER CODE: V21335 SPECIFICATION NUMBER: BACB10BA25PP OPTIONAL PART: 9105NPPFS428 V21335 PKTLL105P1 V78118 LL105KS V38443 6005TT V43991 9105LLT1C1-01 V21760 993L05 V29337 C105RRP0ZZ V40920 R9105PPA4298 V9V013		1

ILLUSTRATION ITEMS NOT ON PARTS LIST ARE NOT APPLICABLE

- ITEM NOT ILLUSTRATED

HXL

27-51-05-01

BOEING PROPRIETARY - Copyright © - Unpublished Work - See title page for details.

27-51-05  
FIG. 01  
PAGE 7  
APR 22/09



767

PARTS CATALOG (MAINTENANCE)

FIG ITEM	PART NUMBER	1 2 3 4 5 6 7	NOMENCLATURE	EFFECT FROM TO	UNITS PER ASSY
1 200	R9107PPA4298		.. BEARING SUPPLIER CODE: V21335 SPECIFICATION NUMBER: BACB10BA35PP OPTIONAL PART: LL107KSG20 V38443 LL107KS V38443 6007TT V43991 9107LLT1C1-01 V21760 9107NPPFS4281 V21335 993L07 V29337 PKTLL107P1 V78118 C107RRPOZZ V40920 R9107PPA4298 V9V013		1
205	R9109PPA4298		.. BEARING SUPPLIER CODE: V21335 SPECIFICATION NUMBER: BACB10BA45PP OPTIONAL PART: 6009FTT V43991 9109RRT1C1-01 V21760 PKTLL109P1 V78118 C109RRPOZZ V40920 R9109PPA4298 V9V013 9109PPFS428 V21335		2
210	256T3342-3		.. COVER- OPTIONAL PART: 256T3342-1		1
210	256T3342-1		.. COVER- OPTIONAL PART: 256T3342-3		1
215	256T3316-3		.. SHIELD-		1

ILLUSTRATION ITEMS NOT ON PARTS LIST ARE NOT APPLICABLE

- ITEM NOT ILLUSTRATED

27-51-05-01

27-51-05  
 FIG. 01  
 PAGE 8  
 APR 22/09

HXL

BOEING PROPRIETARY - Copyright © - Unpublished Work - See title page for details.



767  
PARTS CATALOG (MAINTENANCE)

FIG ITEM	PART NUMBER	1 2 3 4 5 6 7	NOMENCLATURE	EFFECT FROM TO	UNITS PER ASSY
1					
215	256T3316-1		.. SHIELD-		1
220	65B84033-18		.. SLEEVE		1

ILLUSTRATION ITEMS NOT ON PARTS LIST ARE NOT APPLICABLE

- ITEM NOT ILLUSTRATED

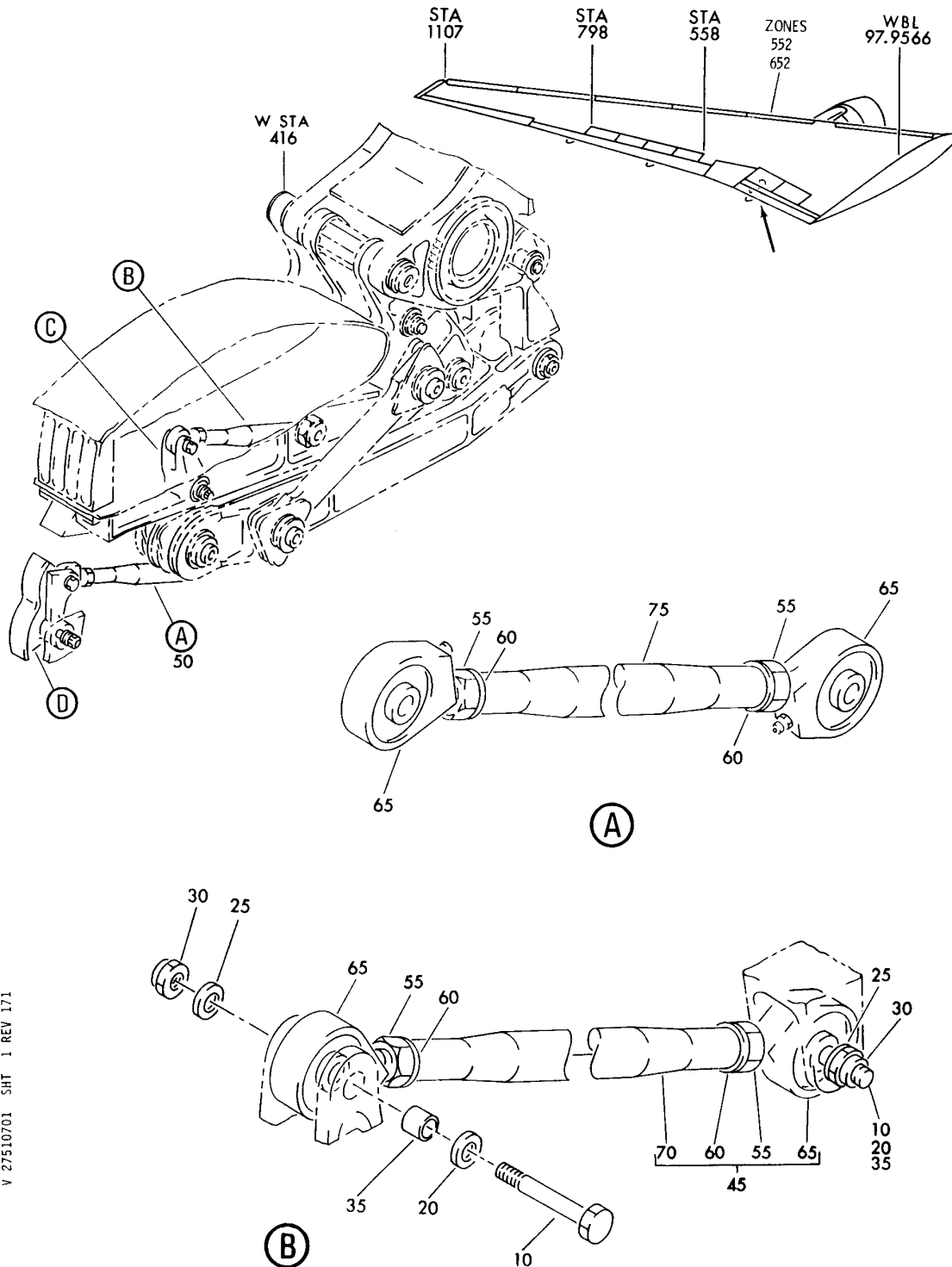
HXL

27-51-05-01

BOEING PROPRIETARY - Copyright © - Unpublished Work - See title page for details.

27-51-05  
FIG. 01  
PAGE 9  
APR 22/09

**BOEING**  
767  
PARTS CATALOG (MAINTENANCE)



V 27510701 SHT 1 REV 171

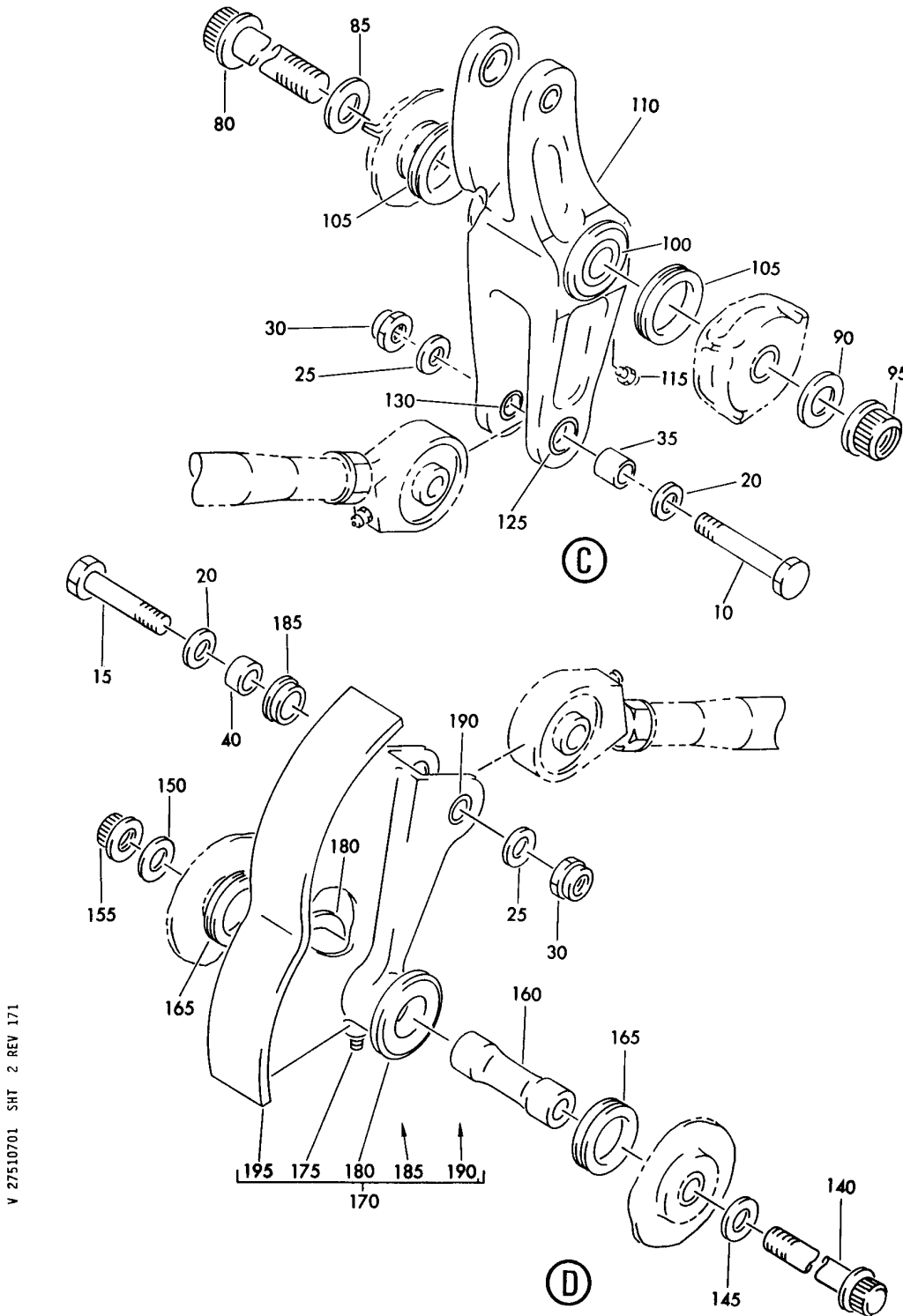
DRIVE INSTL-INBD AFT FLAP  
FIGURE 1 (SHEET 1)

**27-51-07-01**

HXL  
DEC 22/06

27-51-07-01  
PAGE 0

**BOEING**  
767  
PARTS CATALOG (MAINTENANCE)



DRIVE INSTL-INBD AFT FLAP  
FIGURE 1 (SHEET 2)

**27-51-07-01**

 **BOEING**  
767  
**PARTS CATALOG (MAINTENANCE)**

FIG ITEM	PART NUMBER	1 2 3 4 5 6 7	NOMENCLATURE	EFFECT FROM TO	UNITS PER ASSY
1			DRIVE INSTL-INBD AFT FLAP		
- 1	113T2000-123		DRIVE INSTL-FLAP POSITION DATA: INBD AFT LH FOR NHA SEE: 27-51-03-10		RF
- 5	113T2000-124		DRIVE INSTL-FLAP POSITION DATA: INBD AFT RH FOR NHA SEE: 27-51-03-10		RF
10	BACB30LJ8U34		.BOLT- OPTIONAL PART: BACB30NR8K34		3
10	BACB30NR8K34		.BOLT- OPTIONAL PART: BACB30LJ8U34		3
15	BACB30LJ8U28		.BOLT- OPTIONAL PART: BACB30NR8K28		1
15	BACB30NR8K28		.BOLT- OPTIONAL PART: BACB30LJ8U28		1
20	BACW10BP8CD		.WASHER-		4
25	BACW10BP8DP		.WASHER-		4
30	BMN4122C1D2-8		.NUT- SUPPLIER CODE: V97928 SPECIFICATION NUMBER: BACN10JC8CM OPTIONAL PART: BMN4122C1D2-8 V85495 H01-8BAC V15653 109LH9074-8 V72962 69235-820CM V56878		4
35	BACB28AK08-058		.BUSHING-		3
40	BACB28AK08-040		.BUSHING		1
45	113T1249-6		.ROD ASSY-		1
50	113T1249-5		.ROD ASSY-		1
55	NAS509-10		..NUT		2
60	NAS513-10		..WASHER		2

ILLUSTRATION ITEMS NOT ON PARTS LIST ARE NOT APPLICABLE

- ITEM NOT ILLUSTRATED

HXL

# 27-51-07-01

BOEING PROPRIETARY - Copyright © - Unpublished Work - See title page for details.

27-51-07  
FIG. 01  
PAGE 1  
DEC 22/06



767

PARTS CATALOG (MAINTENANCE)

FIG ITEM	PART NUMBER	1 2 3 4 5 6 7	NOMENCLATURE	EFFECT FROM TO	UNITS PER ASSY
1					
65	SM8-10A1-501		.. BEARING-FLAP DRIVE ROD END SUPPLIER CODE: V77896 POSITION DATA: AFT SPECIFICATION NUMBER: S012T236-8		2
70	113T1249-8		.. TUBE- USED ON: 113T1249-6		1
75	113T1249-7		.. TUBE- USED ON: 113T1249-5		1
80	BACB30LT12U72		. BOLT-		1
85	BACW10BP12CD		. WASHER-		1
90	BACW10BP12DP		. WASHER-		1
95	BMN4122C1D2-12		. NUT- SUPPLIER CODE: V97928 SPECIFICATION NUMBER: BACN10JC12CM OPTIONAL PART: H01-12BAC V15653 109LH9074-12 V72962 69235-1216CM V56878 POST ALERT SB: 27A0064		1
95	69235-1216CD		. NUT- SUPPLIER CODE: V92215 SPECIFICATION NUMBER: BACN10JC12CD OPTIONAL PART: 102LH9074-12 V72962 BMN4122CPD8-12 V97928 H51650-12BAC V15653 BACN10JC12CM POST ALERT SB: 27A0064		1
100	113T1246-1		. BUSHING		1

ILLUSTRATION ITEMS NOT ON PARTS LIST ARE NOT APPLICABLE

- ITEM NOT ILLUSTRATED

HXL

27-51-07-01

BOEING PROPRIETARY - Copyright © - Unpublished Work - See title page for details.

27-51-07  
FIG. 01  
PAGE 2  
DEC 22/06







767

PARTS CATALOG (MAINTENANCE)

FIG ITEM	PART NUMBER	1 2 3 4 5 6 7	NOMENCLATURE	EFFECT FROM TO	UNITS PER ASSY
1					
165	113T1256-52	.	SEAL-		2
			OPTIONAL PART: 113T1256-38		
170	113T1250-9	.	CAM ASSY-		1
175	MS15001-1	..	FITTING		1
180	113T1347-34	..	BUSHING		2
185	BACB28AM11B018A	..	BUSHING		1
190	BACB28AP08P018	..	BUSHING		1
195	113T1250-4	..	CAM-		1
			OPTIONAL PART: 113T1250-10		
195	113T1250-10	..	CAM-		1
			OPTIONAL PART: 113T1250-4		

ILLUSTRATION ITEMS NOT ON PARTS LIST ARE NOT APPLICABLE

- ITEM NOT ILLUSTRATED

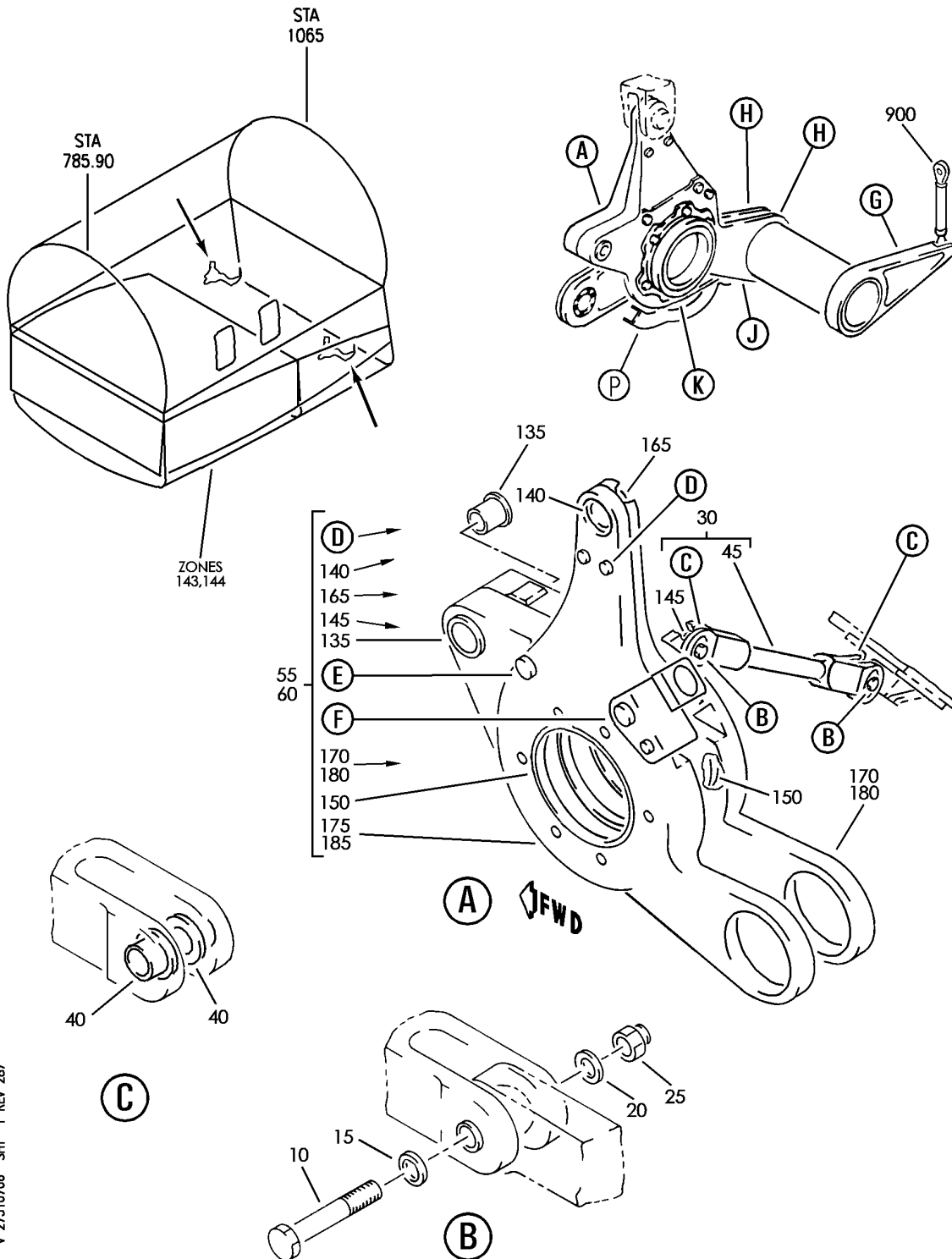
HXL

27-51-07-01

BOEING PROPRIETARY - Copyright © - Unpublished Work - See title page for details.

27-51-07  
FIG. 01  
PAGE 4  
AUG 22/09

**BOEING**  
767  
PARTS CATALOG (MAINTENANCE)



V 27510706 SHT 1 REV 287

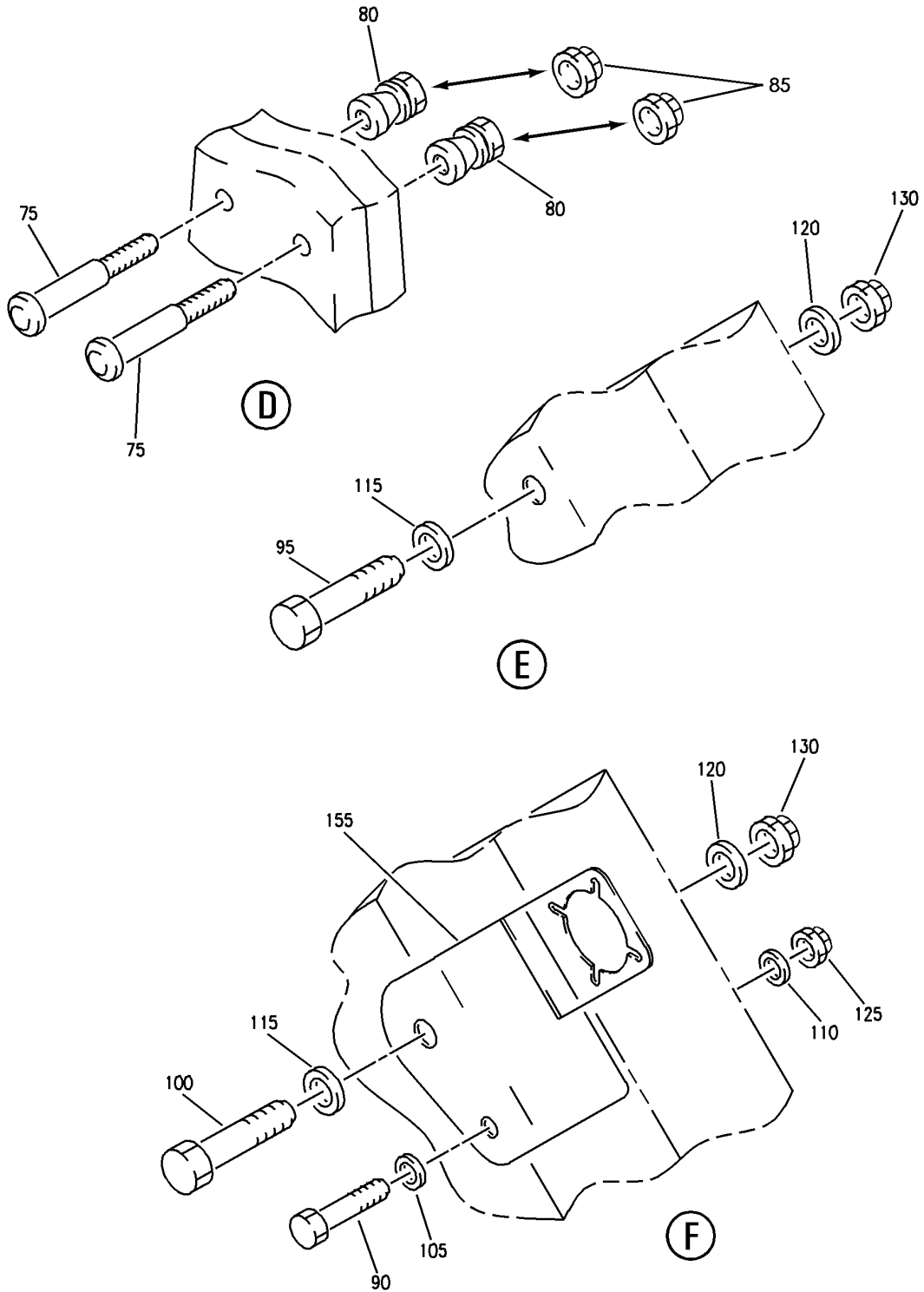
SUPPORT ASSY-  
FIGURE 6 (SHEET 1)

**27-51-07-06**

HXL  
DEC 22/06

27-51-07-06  
PAGE 0

**BOEING**  
767  
PARTS CATALOG (MAINTENANCE)



V 27510706 SHT 2 REV 221

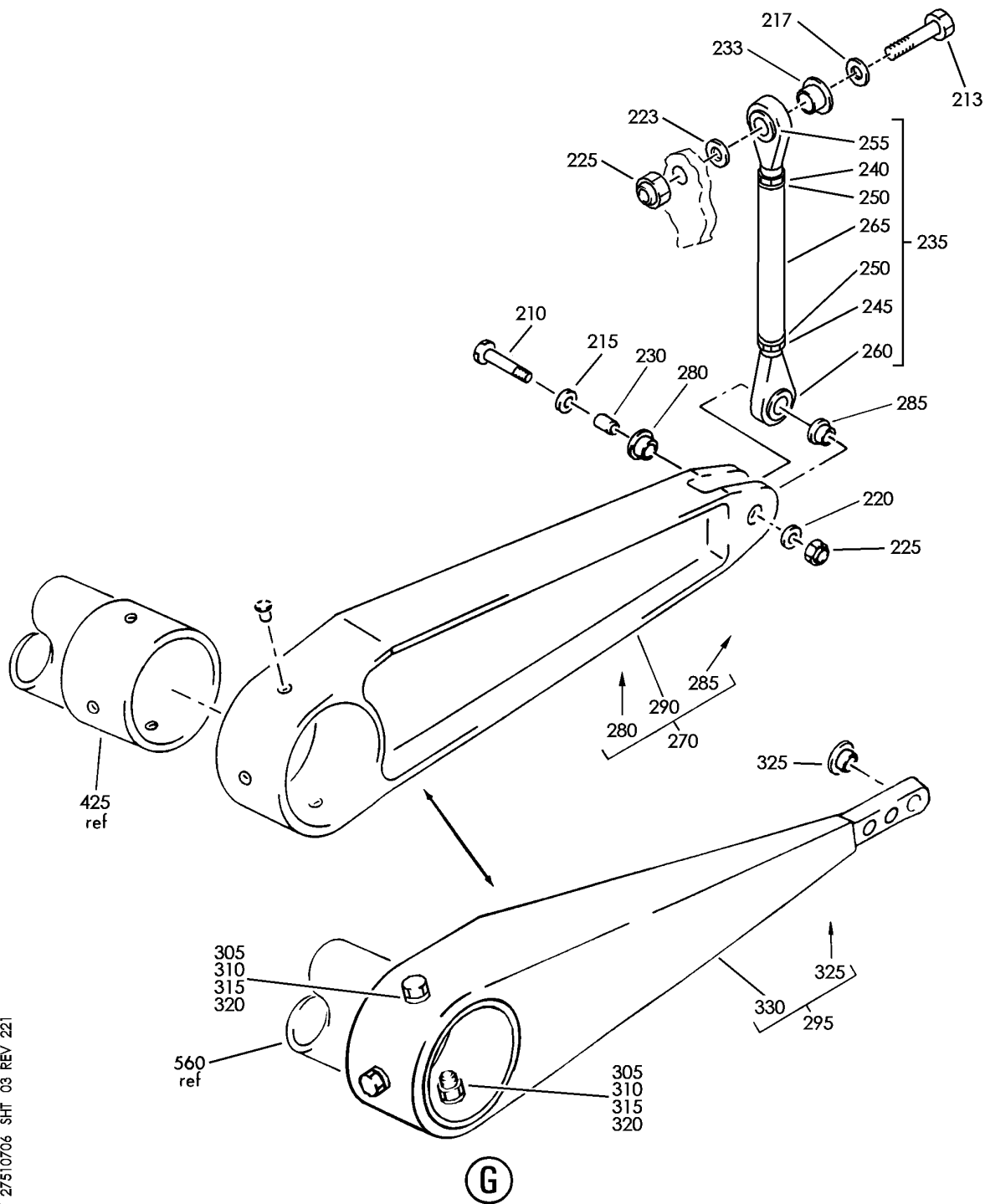
SUPPORT ASSY-  
FIGURE 6 (SHEET 2)

**27-51-07-06**

HXL  
DEC 22/06

27-51-07-06  
PAGE 0A

**BOEING**  
767  
PARTS CATALOG (MAINTENANCE)



V 27510706 SHT 03 REV 221

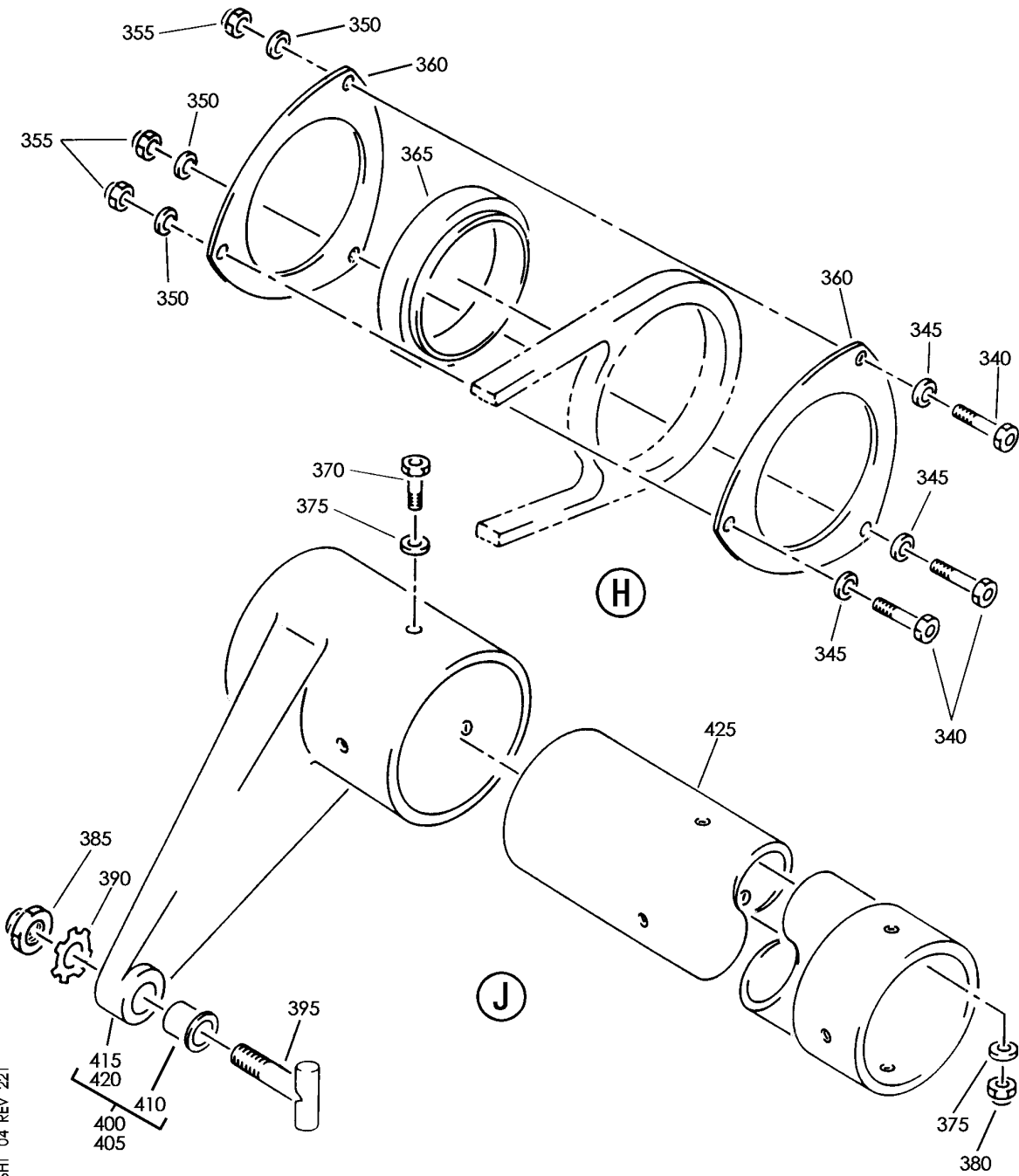
SUPPORT ASSY-  
FIGURE 6 (SHEET 3)

**27-51-07-06**

HXL  
DEC 22/06

27-51-07-06  
PAGE 0B

**BOEING**  
767  
PARTS CATALOG (MAINTENANCE)



V 27510706 SH1 04 REV 221

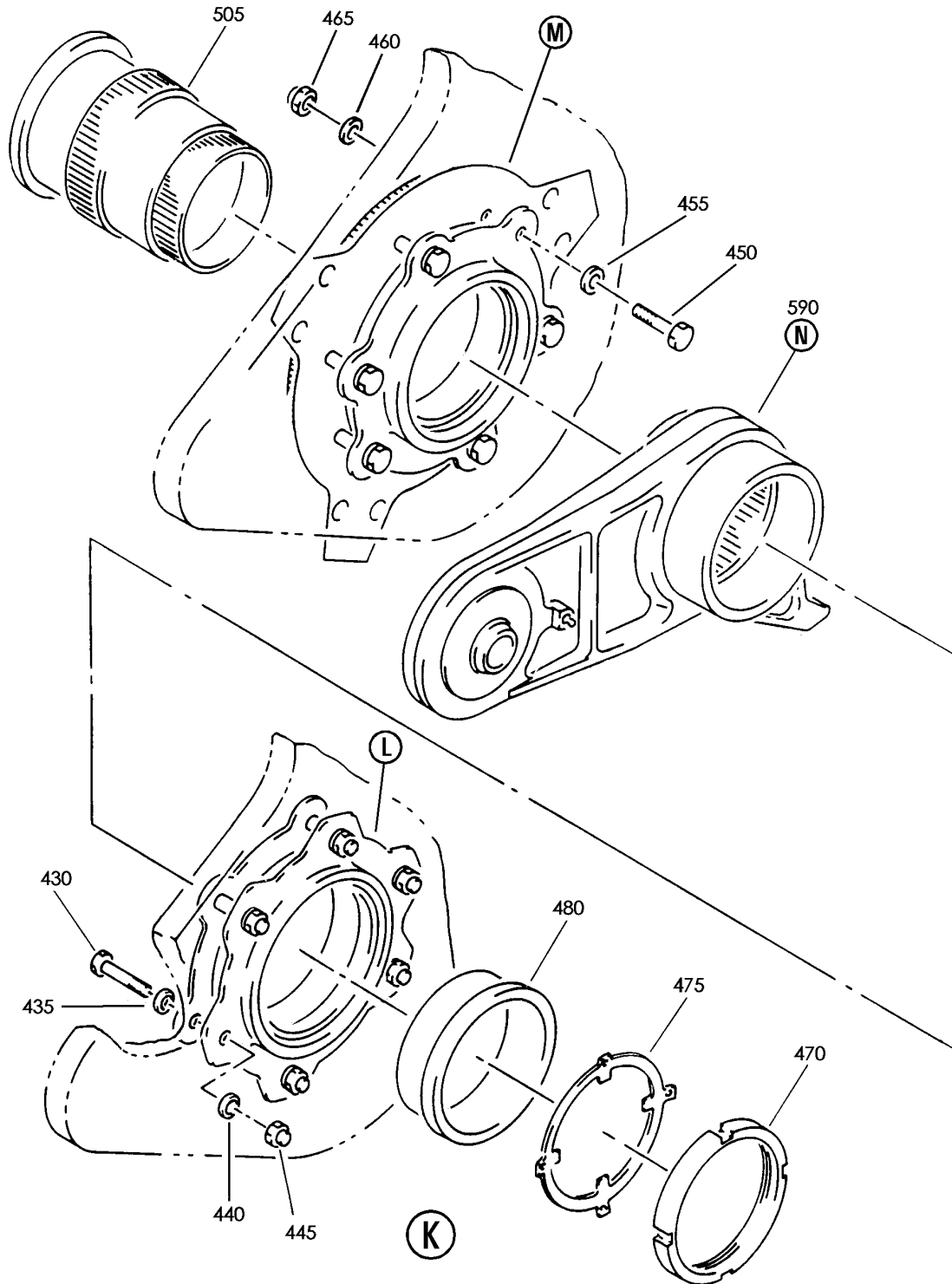
SUPPORT ASSY-  
FIGURE 6 (SHEET 4)

**27-51-07-06**

HXL  
DEC 22/06

27-51-07-06  
PAGE 0C

**BOEING**  
767  
PARTS CATALOG (MAINTENANCE)



V 27510706 SHT 5 REV 221

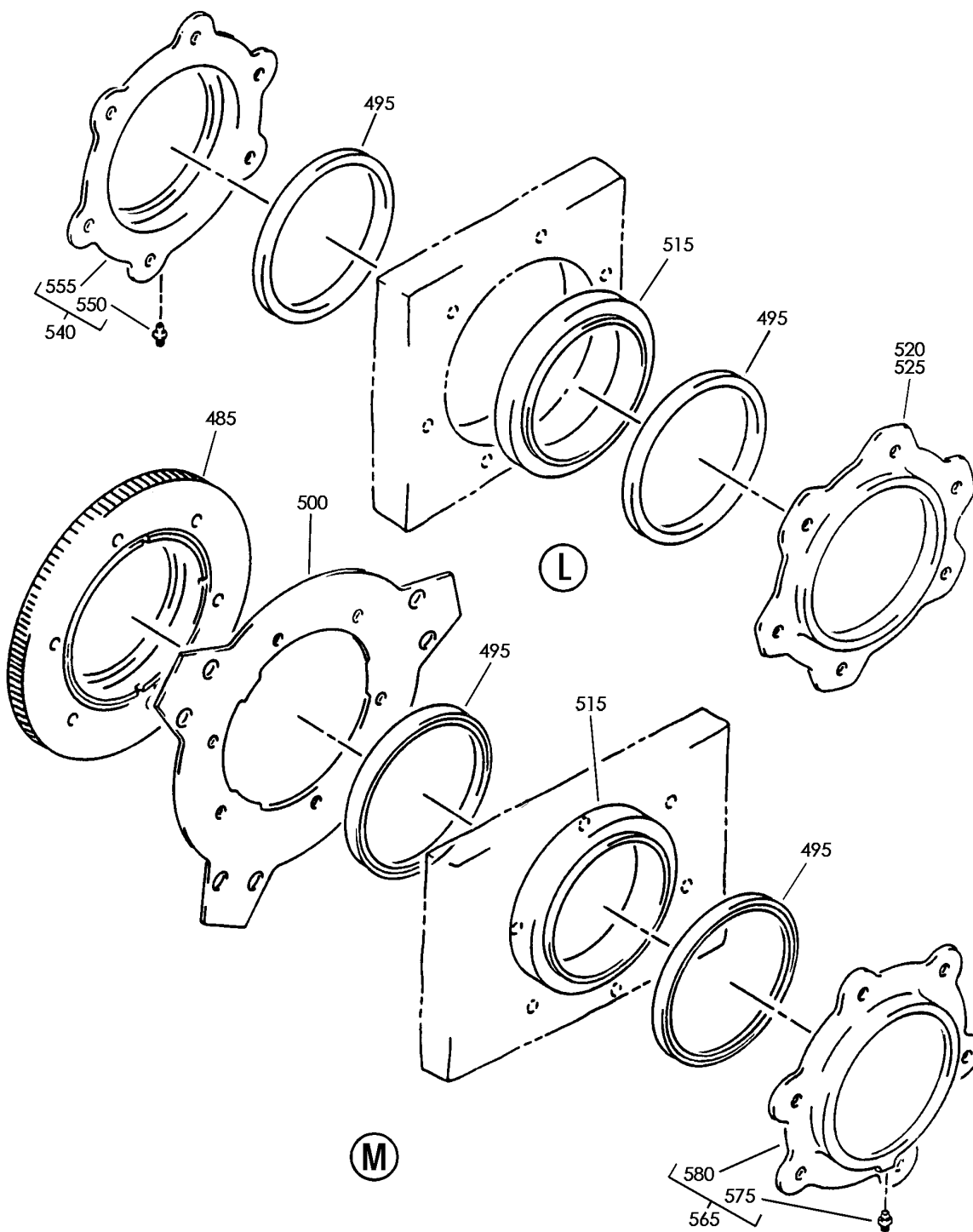
SUPPORT ASSY-  
FIGURE 6 (SHEET 5)

**27-51-07-06**

HXL  
DEC 22/06

27-51-07-06  
PAGE 0D

**BOEING**  
767  
PARTS CATALOG (MAINTENANCE)



V 27510706 SHT 6 REV 221

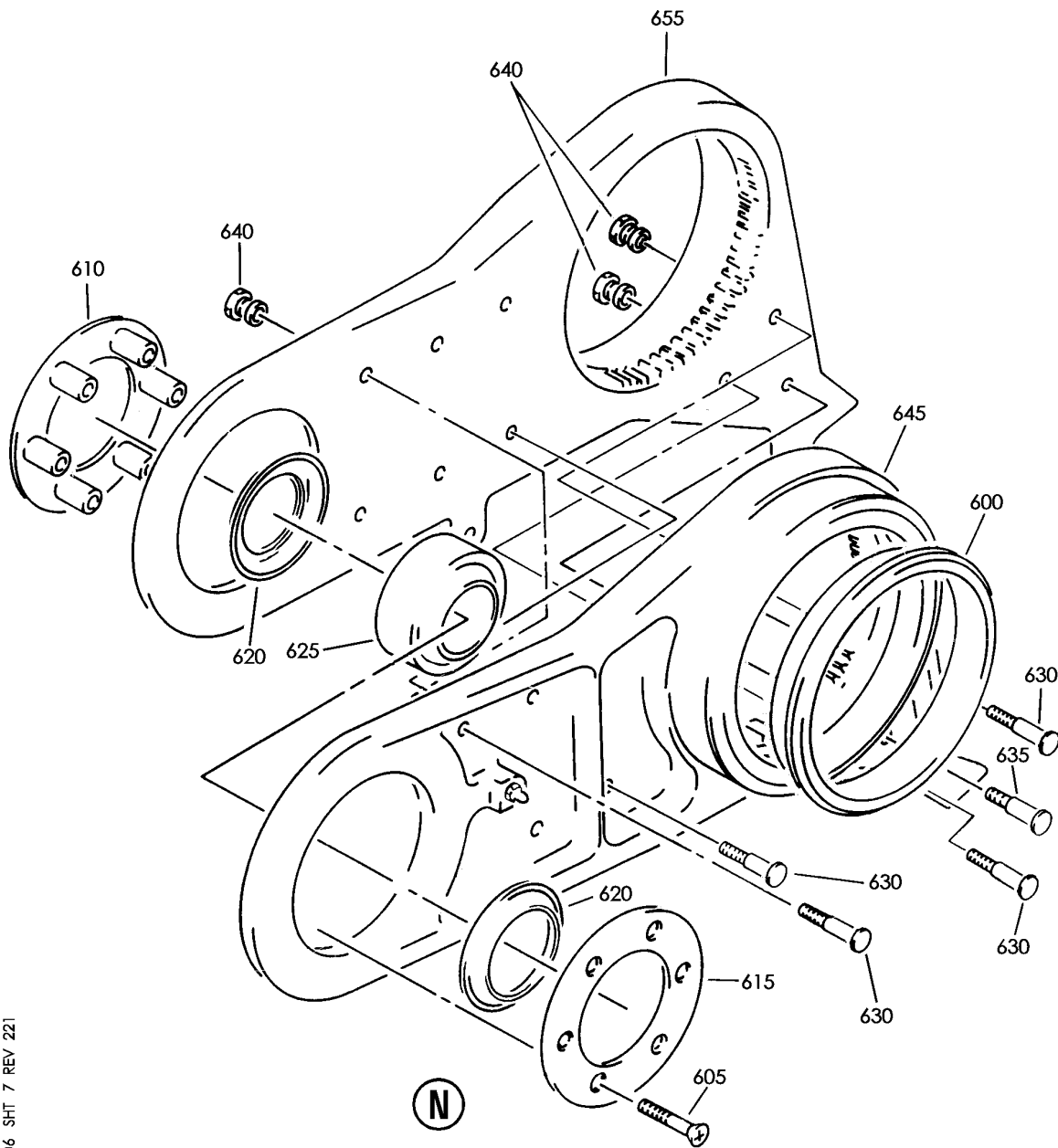
SUPPORT ASSY-  
FIGURE 6 (SHEET 6)

**27-51-07-06**

HXL  
DEC 22/06

27-51-07-06  
PAGE 0E

**BOEING**  
767  
PARTS CATALOG (MAINTENANCE)



V 27510706 SHT 7 REV 221

SUPPORT ASSY-  
FIGURE 6 (SHEET 7)

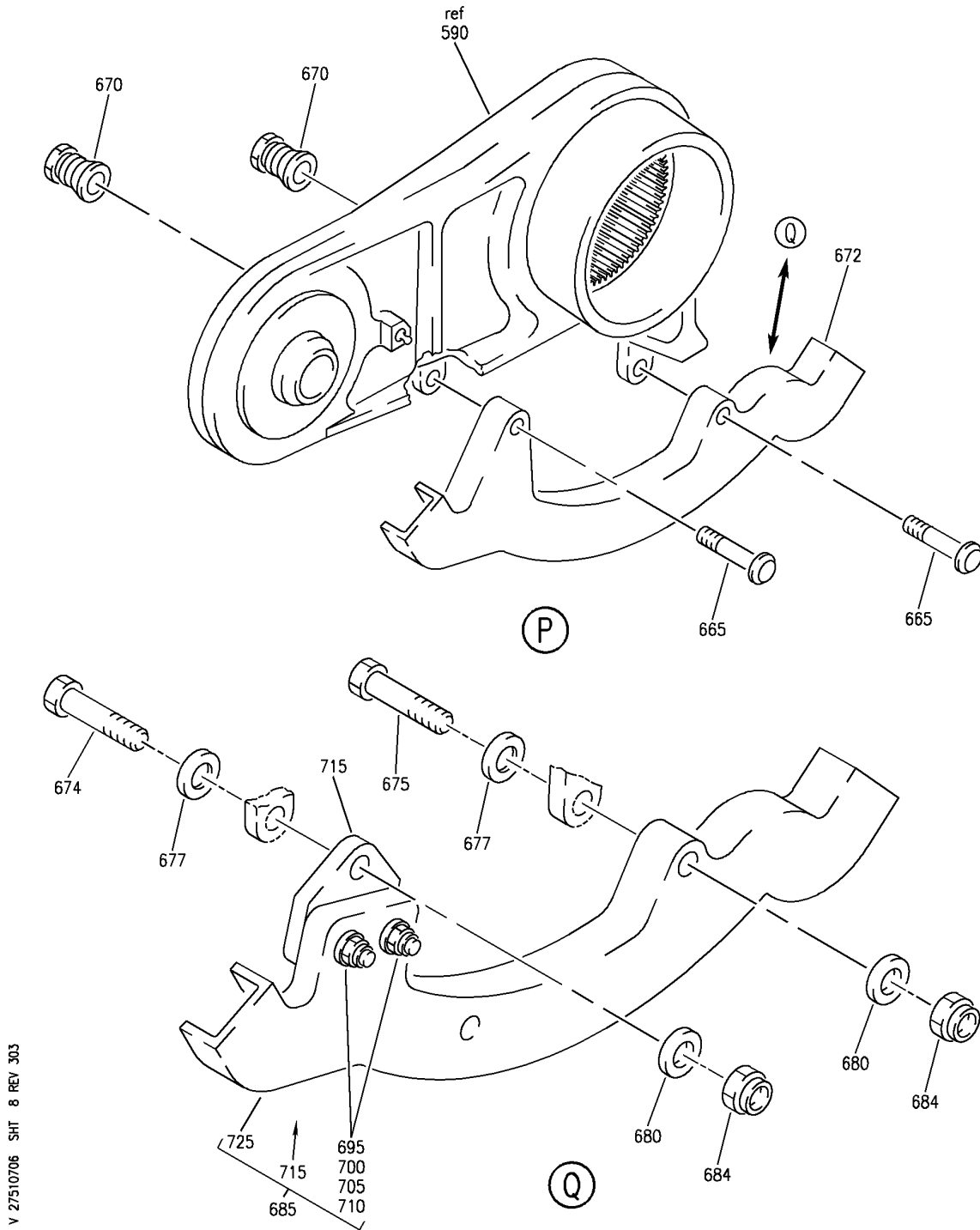
**27-51-07-06**

HXL  
DEC 22/06

27-51-07-06  
PAGE OF



**BOEING**  
767  
PARTS CATALOG (MAINTENANCE)



SUPPORT ASSY-  
FIGURE 6 (SHEET 8)

**27-51-07-06**



767

PARTS CATALOG (MAINTENANCE)

FIG ITEM	PART NUMBER	1 2 3 4 5 6 7	NOMENCLATURE	EFFECT FROM TO	UNITS PER ASSY
6					
- 1	113T1200-55		SUPPORT ASSY- SUPPORT ASSY- POSITION DATA: LH COMPONENT MAINT MANUAL REF: 57-53-31 FOR NHA SEE: 57-51-67-01		RF
- 1	113T1200-97		SUPPORT ASSY- POSITION DATA: LH SIDE COMPONENT MAINT MANUAL REF: 57-53-31 FOR NHA SEE: 57-51-67-01		RF
- 5	113T1200-56		SUPPORT ASSY- POSITION DATA: RH COMPONENT MAINT MANUAL REF: 57-53-31 FOR NHA SEE: 57-51-67-01		RF
- 5	113T1200-98		SUPPORT ASSY- POSITION DATA: RH SIDE COMPONENT MAINT MANUAL REF: 57-53-31 FOR NHA SEE: 57-51-67-01		RF
10	BACB30NR6K18		.BOLT- OPTIONAL PART: BACB30LJ6SU18		2
10	BACB30LJ6SU18		.BOLT- OPTIONAL PART: BACB30NR6K18		2
15	BACW10BP6AC		.WASHER		2
20	BACW10BP6AP		.WASHER		2
25	NAS1804-6		.NUT		2
30	113T1234-3		.LINK ASSY- POSITION DATA: LH SIDE		1
- 35	113T1234-1		.LINK ASSY- POSITION DATA: RH SIDE		1
40	BACB28AP06P020		..BUSHING		4
45	113T1234-4		..LINK- POSITION DATA: LH SIDE		1
ILLUSTRATION ITEMS NOT ON PARTS LIST ARE NOT APPLICABLE					

- ITEM NOT ILLUSTRATED

27-51-07-06

27-51-07  
FIG. 06  
PAGE 1  
DEC 22/06

HXL



767

PARTS CATALOG (MAINTENANCE)

FIG ITEM	PART NUMBER	1 2 3 4 5 6 7	NOMENCLATURE	EFFECT FROM TO	UNITS PER ASSY
6					
- 50	113T1234-2		..LINK- POSITION DATA: RH SIDE		1
55	113T1231-9		.FITTING ASSY- POSITION DATA: LH SIDE USED ON: 113T1200-17		1
60	113T1253-1		.FITTING ASSY- POSITION DATA: LH SIDE USED ON: 113T1200-17		1
- 65	113T1231-10		.FITTING ASSY- POSITION DATA: RH SIDE USED ON: 113T1200-18		1
- 70	113T1253-2		.FITTING ASSY- POSITION DATA: RH SIDE USED ON: 113T1200-18		1

ILLUSTRATION ITEMS NOT ON PARTS LIST ARE NOT APPLICABLE

- ITEM NOT ILLUSTRATED

HXL

27-51-07-06

BOEING PROPRIETARY - Copyright © - Unpublished Work - See title page for details.

27-51-07  
FIG. 06  
PAGE 2  
AUG 22/08

**BOEING**  
767  
**PARTS CATALOG (MAINTENANCE)**

FIG ITEM	PART NUMBER	1 2 3 4 5 6 7	NOMENCLATURE	EFFECT FROM TO	UNITS PER ASSY
6	75 HL1012AZ10-21		.. BOLT SUPPLIER CODE: VOPTK6 SPECIFICATION NUMBER: BACB30NX10K21 OPTIONAL PART: HL12VAZ10-21 V73197 HL12VAZ10-21 V92215 HL12VAZ10-21 V97928 L802-10K21 V06725 HL12VAZ10-21 V56878 HL1012AZ10-21 V06725 HL1012AZ10-21 V06950 HL1012AZ10-21 V17446 HL1012AZ10-21 V56878 HL1012AZ10-21 V60516 HL1012AZ10-21 V73197 HL1012AZ10-21 V97928		2
R R R R R R R R R R R R R	80 HL1087DU10		.. COLLAR- SUPPLIER CODE: V9N513 SPECIFICATION NUMBER: BACC30BH10S OPTIONAL PART: HL1087DU10 V92215 HL1087DU10 V73197 HL1087DU10 V56878 USED ON: 113T1231-1 113T1231-2 113T1231-7 113T1231-8		2
ILLUSTRATION ITEMS NOT ON PARTS LIST ARE NOT APPLICABLE					

- ITEM NOT ILLUSTRATED

HXL

27-51-07-06

BOEING PROPRIETARY - Copyright © - Unpublished Work - See title page for details.

27-51-07  
FIG. 06  
PAGE 3  
AUG 22/09



767

### PARTS CATALOG (MAINTENANCE)

FIG ITEM	PART NUMBER	1 2 3 4 5 6 7	NOMENCLATURE	EFFECT FROM TO	UNITS PER ASSY
6	85	BACN10YT10	..NUT- USED ON: 113T1253-1 113T1253-2		2
R	90	BACB30NM6K79	..BOLT		1
	95	BACB30NM8K79	..BOLT		1
	100	BACB30NM8K79	..BOLT		1
	105	BACW10BP6CD	..WASHER		1
	110	BACW10BP6DP	..WASHER		1
	115	BACW10BP8CD	..WASHER		2
	120	BACW10BP8DP	..WASHER		2
	125	NAS1804-5	..NUT- USED ON: 113T1231-1 113T1231-2 113T1231-7 113T1231-8		1
	125	BACN11Z6CD	..NUT- USED ON: 113T1231-9 113T1231-10		1
	125	NAS1805-6L	..NUT- USED ON: 113T1253-1 113T1253-2		1
	130	NAS1804-8	..NUT- USED ON: 113T1231-1 113T1231-2 113T1231-7 113T1231-8		2
	130	BACN11Z8CD	..NUT- USED ON: 113T1231-9 113T1231-10		2
	130	NAS1805-8L	..NUT- USED ON: 113T1253-1 113T1253-2		2
135	BACB28AP18P150	..BUSHING		2	

ILLUSTRATION ITEMS NOT ON PARTS LIST ARE NOT APPLICABLE

- ITEM NOT ILLUSTRATED

# 27-51-07-06

HXL

BOEING PROPRIETARY - Copyright © - Unpublished Work - See title page for details.

27-51-07  
FIG. 06  
PAGE 4  
AUG 22/09



767

PARTS CATALOG (MAINTENANCE)

FIG ITEM	PART NUMBER	1 2 3 4 5 6 7	NOMENCLATURE	EFFECT FROM TO	UNITS PER ASSY
6 140	ADW12-301NC		.. BEARING SUPPLIER CODE: V15860 SPECIFICATION NUMBER: BACB10FA12C OPTIONAL PART: KSC152200BZ12C V50632 KWDB12-34 V97613 SWKRS12-350C V81376 WES12FAC V73134 WHTFA12C VS0352		1
145	ADW06V301NC		.. BEARING SUPPLIER CODE: V15860 SPECIFICATION NUMBER: BACB10FA06GC OPTIONAL PART: SWKRS06-350SC V81376 KSC152200BZ06GC V50632 KWDB06-35 V97613 WES06FAGC V73134 WHTFA06VC VS0352		1
150	113T1312-5		.. BUSHING		2
155	287T4904-7		.. BRACKET ASSY- POSITION DATA: LH SIDE		1
- 160	287T4904-8		.. BRACKET ASSY- POSITION DATA: RH SIDE		1
165	113T1253-9		.. SHIM- USED ON: 113T1253-1 113T1253-2		1

ILLUSTRATION ITEMS NOT ON PARTS LIST ARE NOT APPLICABLE

- ITEM NOT ILLUSTRATED

27-51-07-06

27-51-07  
FIG. 06  
PAGE 5  
AUG 22/09

HXL

BOEING PROPRIETARY - Copyright © - Unpublished Work - See title page for details.



767

PARTS CATALOG (MAINTENANCE)

FIG ITEM	PART NUMBER	1 2 3 4 5 6 7	NOMENCLATURE	EFFECT FROM TO	UNITS PER ASSY
6					
170	113T1231-11	..	FITTING HALF- POSITION DATA: LH SIDE OPTIONAL PART: 113T1231-15 USED ON: 113T1231-9		1
170	113T1231-15	..	FITTING HALF- POSITION DATA: LH SIDE OPTIONAL PART: 113T1231-11 USED ON: 113T1231-9		1
175	113T1231-13	..	FITTING HALF- POSITION DATA: LH SIDE OPTIONAL PART: 113T1231-17 USED ON: 113T1231-9		1
175	113T1231-17	..	FITTING HALF- POSITION DATA: LH SIDE OPTIONAL PART: 113T1231-13 USED ON: 113T1231-9		1
180	113T1253-3	..	FITTING HALF- POSITION DATA: LH SIDE USED ON: 113T1253-1		1
185	113T1253-5	..	FITTING HALF- POSITION DATA: LH SIDE USED ON: 113T1253-1		1
- 190	113T1231-12	..	FITTING HALF- POSITION DATA: RH SIDE OPTIONAL PART: 113T1231-16 USED ON: 113T1231-10		1

ILLUSTRATION ITEMS NOT ON PARTS LIST ARE NOT APPLICABLE

- ITEM NOT ILLUSTRATED

27-51-07-06

27-51-07  
FIG. 06  
PAGE 6  
AUG 22/09

HXL

BOEING PROPRIETARY - Copyright © - Unpublished Work - See title page for details.



767

PARTS CATALOG (MAINTENANCE)

FIG ITEM	PART NUMBER	1 2 3 4 5 6 7	NOMENCLATURE	EFFECT FROM TO	UNITS PER ASSY
6					
- 190	113T1231-16	..	FITTING HALF- POSITION DATA: RH SIDE OPTIONAL PART: 113T1231-12 USED ON: 113T1231-10		1
- 195	113T1231-14	..	FITTING HALF- POSITION DATA: RH SIDE OPTIONAL PART: 113T1231-18 USED ON: 113T1231-10		1
- 195	113T1231-18	..	FITTING HALF- POSITION DATA: RH SIDE OPTIONAL PART: 113T1231-14 USED ON: 113T1231-10		1
- 200	113T1253-4	..	FITTING HALF- POSITION DATA: RH SIDE USED ON: 113T1253-2		1
- 205	113T1253-6	..	FITTING HALF- POSITION DATA: RH SIDE USED ON: 113T1253-2		1
295	113T2027-1	.CRANK ASSY-DOOR DRIVE SHELL POSITION DATA: LH OUTER			1
- 300	113T2027-2	.CRANK ASSY-DOOR DRIVE SHELL POSITION DATA: RH OUTER			1
305	BACB30NM4K7	.BOLT- POST SERVICE BULLETIN: 27-0154R1			3
310	BACW10BP4AC	.WASHER- POSITION DATA: UNDER HEAD POST SERVICE BULLETIN: 27-0154R1			3

ILLUSTRATION ITEMS NOT ON PARTS LIST ARE NOT APPLICABLE

- ITEM NOT ILLUSTRATED

27-51-07-06

27-51-07  
FIG. 06  
PAGE 7  
AUG 22/09

HXL

BOEING PROPRIETARY - Copyright © - Unpublished Work - See title page for details.





767

PARTS CATALOG (MAINTENANCE)

FIG ITEM	PART NUMBER	1 2 3 4 5 6 7	NOMENCLATURE	EFFECT FROM TO	UNITS PER ASSY
6					
315	BACW10BP4AP	.	WASHER- POSITION DATA: UNDER NUT POST SERVICE BULLETIN: 27-0154R1		3
320	BRH10C4D	.	NUT- SUPPLIER CODE: V52828 SPECIFICATION NUMBER: BACN10JC4CD OPTIONAL PART: T6C428JCD V11815 NS202486-048 V80539 102LH9075-4W V72962 H51650-4BAC V15653 POSITION DATA: UNDER NUT POST SERVICE BULLETIN: 27-0154R1		3
325	BACB28AP04P037	..	BUSHING		3
330	113T2027-3	..	FITTING- POSITION DATA: LH SIDE		1
- 335	113T2027-4	..	FITTING- POSITION DATA: RH SIDE		1
337	113T2000-200	.	FILLER- POST SERVICE BULLETIN: 27-0154R1		3
340	BACB30NM4K14	.	BOLT		6
345	BACW10BP4AC	.	WASHER- POSITION DATA: UNDER HEAD		6
350	BACW10BP4AP	.	WASHER- POSITION DATA: UNDER NUT		6

ILLUSTRATION ITEMS NOT ON PARTS LIST ARE NOT APPLICABLE

- ITEM NOT ILLUSTRATED

HXL

27-51-07-06

BOEING PROPRIETARY - Copyright © - Unpublished Work - See title page for details.

27-51-07  
FIG. 06  
PAGE 8  
AUG 22/09



767

PARTS CATALOG (MAINTENANCE)

FIG ITEM	PART NUMBER	1 2 3 4 5 6 7	NOMENCLATURE	EFFECT FROM TO	UNITS PER ASSY
6 355	BRH10C4D		.NUT- SUPPLIER CODE: V52828 SPECIFICATION NUMBER: BACN10JC4CD OPTIONAL PART: T6C428JCD V11815 NS202486-048 V80539 102LH9075-4W V72962 H51650-4BAC V15653 POSITION DATA: UNDER NUT		6
360	113T1268-1		.RETAINER-BRG		4
365	SB1137		.BEARING- SUPPLIER CODE: V92563 SPECIFICATION NUMBER: 60B00178-22		2
370	BACB30NM4K5		.BOLT		3
375	NAS1149D0463J		.WASHER		6
380	BRH10C4D		.NUT SUPPLIER CODE: V52828 SPECIFICATION NUMBER: BACN10JC4CD OPTIONAL PART: T6C428JCD V11815 NS202486-048 V80539 102LH9075-4W V72962 H51650-4BAC V15653		3

ILLUSTRATION ITEMS NOT ON PARTS LIST ARE NOT APPLICABLE

- ITEM NOT ILLUSTRATED

HXL

27-51-07-06

BOEING PROPRIETARY - Copyright © - Unpublished Work - See title page for details.

27-51-07  
FIG. 06  
PAGE 9  
AUG 22/09



767

PARTS CATALOG (MAINTENANCE)

FIG ITEM	PART NUMBER	1 2 3 4 5 6 7	NOMENCLATURE	EFFECT FROM TO	UNITS PER ASSY
6 385	69235-820CD	.	NUT SUPPLIER CODE: V92215 SPECIFICATION NUMBER: BACN10JC8CD OPTIONAL PART: 102LH9074-8 V72962 BMN4122CPD8-8 V97928 H51650-8BAC V15653		1
390	MS27111-5	.	WASHER-		1
395	CF2582	.	BEARING-ROLLER SUPPLIER CODE: V92563 SPECIFICATION NUMBER: 60B00178-651 OPTIONAL PART: CC55133 V60380		1
395	CC55133	.	BEARING-ROLLER SUPPLIER CODE: V60380 SPECIFICATION NUMBER: 60B00178-651 OPTIONAL PART: CR1XBC189 V07484 CF2582 V92563		1
395	CR1XBC189	.	BEARING-ROLLER SUPPLIER CODE: V07484 SPECIFICATION NUMBER: 60B00178-651		1
400	113T1257-1	.	CRANK ASSY-DOOR DRIVE BELL POSITION DATA: INNER OPTIONAL PART: 113T2026-1		1
405	113T2026-1	.	CRANK ASSY-DOOR DRIVE BELL POSITION DATA: INNER OPTIONAL PART: 113T1257-1		1
410	BACB28AP08P056	..	BUSHING		1

ILLUSTRATION ITEMS NOT ON PARTS LIST ARE NOT APPLICABLE

- ITEM NOT ILLUSTRATED

27-51-07-06

27-51-07  
FIG. 06  
PAGE 10  
AUG 22/08

HXL

BOEING PROPRIETARY - Copyright © - Unpublished Work - See title page for details.

 **BOEING**  
767  
**PARTS CATALOG (MAINTENANCE)**

FIG ITEM	PART NUMBER	1 2 3 4 5 6 7	NOMENCLATURE	EFFECT FROM TO	UNITS PER ASSY
6					
415	113T1257-2	..	BELLCRANK- USED ON: 113T1257-1		1
420	113T2026-2	..	BELLCRANK- USED ON: 113T2026-1		1
425	113T1292-1	.	SHAFT-DOOR DRIVE		1
430	BACB30NM6K12	.	BOLT		6
435	BACW10BP6AC	.	WASHER- POSITION DATA: UNDER HEAD		6
440	BACW10BP6AP	.	WASHER- POSITION DATA: UNDER NUT		6
445	BRH10C6D	.	NUT SUPPLIER CODE: V52828 SPECIFICATION NUMBER: BACN10JC6CD OPTIONAL PART: H51650-6BAC V15653		6
450	BACB30NM7K12	.	BOLT		6
455	BACW10BP7AC	.	WASHER- POSITION DATA: UNDER NUT		6
460	BACW10BP7AP	.	WASHER- POSITION DATA: UNDER NUT		6
465	BACN10JC7CD	.	NUT		6
470	113T1311-1	.	NUT		1
475	113T1254-31	.	WASHER		1
480	113T1312-7	.	BUSHING		1
485	113T1269-3	.	RING-REACTION POSITION DATA: LH SIDE		1
- 490	113T1269-4	.	RING-REACTION POSITION DATA: RH SIDE		1
495	113T1256-31	.	SEAL		4
500	113T1361-4	.	SHIM		1
505	113T1210-1	.	SHAFT- POSITION DATA: LH SIDE		1
- 510	113T1210-2	.	SHAFT- POSITION DATA: RH SIDE		1

ILLUSTRATION ITEMS NOT ON PARTS LIST ARE NOT APPLICABLE

- ITEM NOT ILLUSTRATED

HXL

**27-51-07-06**

BOEING PROPRIETARY - Copyright © - Unpublished Work - See title page for details.

27-51-07  
FIG. 06  
PAGE 11  
AUG 22/08

 **BOEING**  
767  
**PARTS CATALOG (MAINTENANCE)**

FIG ITEM	PART NUMBER	1 2 3 4 5 6 7	NOMENCLATURE	EFFECT FROM TO	UNITS PER ASSY
6					
515	DAT72-90A1-501		.BEARING- SUPPLIER CODE: V77896 SPECIFICATION NUMBER: 60B00178-23		2
520	113T1343-1		.RETAINER-BRG POSITION DATA: LH SIDE		1
- 530	113T1343-2		.RETAINER-BRG POSITION DATA: RH SIDE		1
540	113T1343-5		.RETAINER ASSY-RING POSITION DATA: LH SIDE OPTIONAL PART: 113T1783-3		1
540	113T1783-3		.RETAINER ASSY-RING POSITION DATA: LH SIDE OPTIONAL PART: 113T1343-5		1
- 545	113T1343-6		.RETAINER ASSY-RING POSITION DATA: RH SIDE OPTIONAL PART: 113T1783-3		1
- 545	113T1783-3		.RETAINER ASSY-RING POSITION DATA: RH SIDE OPTIONAL PART: 113T1343-6		1
550	MS15001-1		..FITTING		1
555	113T1343-3		..RETAINER-BRG POSITION DATA: LH SIDE USED ON: 113T1343-5		1
555	113T1783-8		..RETAINER-BRG POSITION DATA: LH SIDE USED ON: 113T1783-3 USED ON: 113T1783-3		1
- 560	113T1343-4		..RETAINER-BRG POSITION DATA: RH SIDE USED ON: 113T1343-6		1
ILLUSTRATION ITEMS NOT ON PARTS LIST ARE NOT APPLICABLE					

- ITEM NOT ILLUSTRATED

HXL

27-51-07-06

BOEING PROPRIETARY - Copyright © - Unpublished Work - See title page for details.

27-51-07  
FIG. 06  
PAGE 12  
DEC 22/08

 **BOEING**  
767  
**PARTS CATALOG (MAINTENANCE)**

FIG ITEM	PART NUMBER	1 2 3 4 5 6 7	NOMENCLATURE	EFFECT FROM TO	UNITS PER ASSY
6					
- 560	113T1783-8		.. RETAINER-BRG POSITION DATA: RH SIDE USED ON: 113T1783-3 USED ON: 113T1783-3		1
565	113T1343-8		. RETAINER ASSY-RING POSITION DATA: LH SIDE OPTIONAL PART: 113T1783-11		1
565	113T1783-11		. RETAINER ASSY-RING POSITION DATA: LH SIDE OPTIONAL PART: 113T1343-8		1
- 570	113T1343-7		. RETAINER ASSY-RING POSITION DATA: RH SIDE OPTIONAL PART: 113T1783-11		1
- 570	113T1783-11		. RETAINER ASSY-RING POSITION DATA: RH SIDE OPTIONAL PART: 113T1343-7		1
575	MS15001-1		.. FITTING		1
580	113T1343-10		.. RETAINER-BRG POSITION DATA: LH SIDE USED ON: 113T1343-8		1
580	113T1783-12		.. RETAINER-BRG POSITION DATA: LH SIDE USED ON: 113T1783-11 USED ON: 113T1783-11		1
- 585	113T1343-9		.. RETAINER-BRG POSITION DATA: RH SIDE USED ON: 113T1343-7		1

ILLUSTRATION ITEMS NOT ON PARTS LIST ARE NOT APPLICABLE

- ITEM NOT ILLUSTRATED

HXL

**27-51-07-06**

BOEING PROPRIETARY - Copyright © - Unpublished Work - See title page for details.

27-51-07  
FIG. 06  
PAGE 13  
DEC 22/08



767

PARTS CATALOG (MAINTENANCE)

FIG ITEM	PART NUMBER	1 2 3 4 5 6 7	NOMENCLATURE	EFFECT FROM TO	UNITS PER ASSY
6					
- 585	113T1783-12		..RETAINER-BRG POSITION DATA: RH SIDE USED ON: 113T1783-11 USED ON: 113T1783-11		1
590	113T1215-13		.ARM ASSY- POSITION DATA: LH SIDE		1
- 595	113T1215-14		.ARM ASSY- POSITION DATA: RH SIDE		1
600	113T1312-6		..BUSHING		1
605	BACB30LR3P8		..BOLT- OPTIONAL PART: BACB30LH3P8		6
605	BACB30LH3P8		..BOLT- OPTIONAL PART: BACB30LR3P8		6
610	113T1267-11		..RETAINER		1
615	113T1267-12		..RETAINER		1
620	113T1256-28		..SEAL		2
625	BLP16F243		..BEARING- SUPPLIER CODE: V16746 SPECIFICATION NUMBER: 60B00180-243 OPTIONAL PART: ABS16-101 VS0352 BLN16-2021 V81376 LHCB16BA V73134		1

ILLUSTRATION ITEMS NOT ON PARTS LIST ARE NOT APPLICABLE

- ITEM NOT ILLUSTRATED

HXL

27-51-07-06

BOEING PROPRIETARY - Copyright © - Unpublished Work - See title page for details.

27-51-07  
FIG. 06  
PAGE 14  
DEC 22/08



767

PARTS CATALOG (MAINTENANCE)

FIG ITEM	PART NUMBER	1 2 3 4 5 6 7	NOMENCLATURE	EFFECT FROM TO	UNITS PER ASSY
6 630	HL448UC8-4		.. BOLT SUPPLIER CODE: V56878 SPECIFICATION NUMBER: BACB30MB8A4 OPTIONAL PART: HL448UC8-4 V73197 HL448UC8-4 V92215 HL448UC8-4 V97928 69308-8A4 V56878 HL448UC8-4 V80539 HL448UC8-4 V08524 HL448UC8-4 V9N513 WC4488-4 V60516		8
635	HL448UC8-6		.. BOLT SUPPLIER CODE: V56878 SPECIFICATION NUMBER: BACB30MB8A6 OPTIONAL PART: HL448UC8-6 V73197 HL448UC8-6 V92215 HL448UC8-6 V97928 69308-8A6 V56878 HL448UC8-6 V80539 HL448UC8-6 V08524 HL448UC8-6 V9N513 WC4488-6 V60516		1

ILLUSTRATION ITEMS NOT ON PARTS LIST ARE NOT APPLICABLE

- ITEM NOT ILLUSTRATED

HXL

27-51-07-06

BOEING PROPRIETARY - Copyright © - Unpublished Work - See title page for details.

27-51-07  
 FIG. 06  
 PAGE 15  
 AUG 22/08



**BOEING**  
767  
**PARTS CATALOG (MAINTENANCE)**

FIG ITEM	PART NUMBER	1 2 3 4 5 6 7	NOMENCLATURE	EFFECT FROM TO	UNITS PER ASSY
6 640	HL1187-8		.. COLLAR- SUPPLIER CODE: V5M902 SPECIFICATION NUMBER: BACC30X8 OPTIONAL PART: HL87-8 V92215 HL87-8 V73197 HL1187-8 V56878 HL1187-8 V92215 HL87-8 V56878 HL1187-8 V73197 BACC30H8		9
640	BACC30H8		.. COLLAR- OPTIONAL PART: BACC30X8		9
645	113T1215-15		.. FITTING-ARM POSITION DATA: LH SIDE OPTIONAL PART: 113T1215-27		1
645	113T1215-27		.. FITTING-ARM POSITION DATA: LH SIDE OPTIONAL PART: 113T1215-15		1
- 650	113T1215-16		.. FITTING-ARM POSITION DATA: RH SIDE OPTIONAL PART: 113T1215-28		1
- 650	113T1215-28		.. FITTING-ARM POSITION DATA: RH SIDE OPTIONAL PART: 113T1215-16		1
655	113T1215-17		.. FITTING-ARM POSITION DATA: LH SIDE OPTIONAL PART: 113T1215-29		1

ILLUSTRATION ITEMS NOT ON PARTS LIST ARE NOT APPLICABLE

- ITEM NOT ILLUSTRATED

HXL

**27-51-07-06**

BOEING PROPRIETARY - Copyright © - Unpublished Work - See title page for details.

27-51-07  
FIG. 06  
PAGE 16  
AUG 22/08

 **BOEING**  
767  
**PARTS CATALOG (MAINTENANCE)**

FIG ITEM	PART NUMBER	1 2 3 4 5 6 7	NOMENCLATURE	EFFECT FROM TO	UNITS PER ASSY
6					
655	113T1215-29	..	FITTING-ARM POSITION DATA: LH SIDE OPTIONAL PART: 113T1215-17		1
- 660	113T1215-18	..	FITTING-ARM POSITION DATA: RH SIDE OPTIONAL PART: 113T1215-30		1
- 660	113T1215-30	..	FITTING-ARM POSITION DATA: RH SIDE OPTIONAL PART: 113T1215-18		1
665	L80010K21	.BOLT-	SUPPLIER CODE: V06725 SPECIFICATION NUMBER: BACB30MY10K21		2
670	HL79-10	.COLLAR-	SUPPLIER CODE: V5M902 SPECIFICATION NUMBER: BACC30M10 OPTIONAL PART: HL79-10 V73197 HL79-10 V92215 66014-10 V56878 HL79-10 V56878		2
672	113T2025-1	.CAM-DOOR DRIVE	POSITION DATA: LH SIDE		1
- 673	113T2025-2	.CAM-DOOR DRIVE	POSITION DATA: RH SIDE		1
674	BACB30NR6K14	.BOLT-			1
675	BACB30NR6K23	.BOLT-			1
677	BACW10BP6AC	.WASHER-			2
680	BACW10BP6AP	.WASHER-			2

ILLUSTRATION ITEMS NOT ON PARTS LIST ARE NOT APPLICABLE

- ITEM NOT ILLUSTRATED

HXL

# 27-51-07-06

BOEING PROPRIETARY - Copyright © - Unpublished Work - See title page for details.

27-51-07  
FIG. 06  
PAGE 17  
AUG 22/08

 **BOEING**  
767  
**PARTS CATALOG (MAINTENANCE)**

FIG ITEM	PART NUMBER	1 2 3 4 5 6 7	NOMENCLATURE	EFFECT FROM TO	UNITS PER ASSY
6					
684	BRH10C6D	.NUT-	SUPPLIER CODE: V52828 SPECIFICATION NUMBER: BACN10JC6CD OPTIONAL PART: H51650-6BAC V15653		2
685	113T2025-3	.CAM ASSY-DOOR DRIVE	POSITION DATA: LH SIDE		1
690	113T2025-4	.CAM ASSY-DOOR DRIVE	POSITION DATA: RH SIDE		1
695	BACB30LJ3K17	..BOLT			2
700	BACW10BP3AC	..WASHER			2
705	BACW10BP3AP	..WASHER			2
710	BRH10C3D	..NUT	SUPPLIER CODE: V52828 SPECIFICATION NUMBER: BACN10JC3CD OPTIONAL PART: T6C1032JCD V11815 NS202486-02 V80539 102LH9075-3W V72962 H51650-3BAC V15653		2
715	113T2025-7	..FITTING-	POSITION DATA: LH SIDE		1
- 720	113T2025-8	..FITTING-	POSITION DATA: RH SIDE		1
725	113T2025-5	..CAM-	POSITION DATA: LH SIDE		1
- 730	113T2025-6	..CAM-	POSITION DATA: RH SIDE		1
900			ILLUSTRATION REFERENCE: DOOR INSTL-S.O.B. 27-51-03-20		RF

ILLUSTRATION ITEMS NOT ON PARTS LIST ARE NOT APPLICABLE

- ITEM NOT ILLUSTRATED

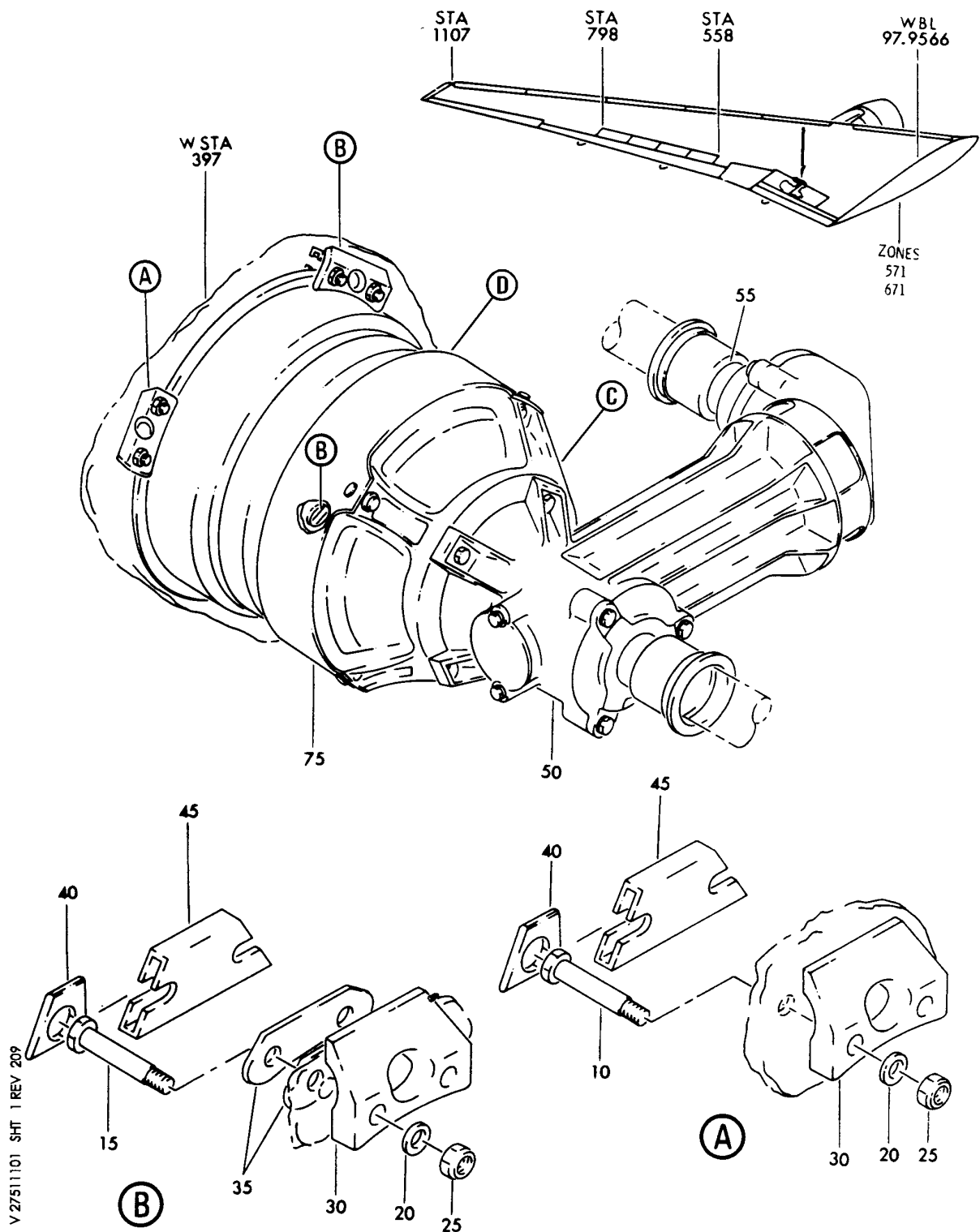
HXL

27-51-07-06

BOEING PROPRIETARY - Copyright © - Unpublished Work - See title page for details.

27-51-07  
FIG. 06  
PAGE 18  
AUG 22/08

**BOEING**  
767  
PARTS CATALOG (MAINTENANCE)



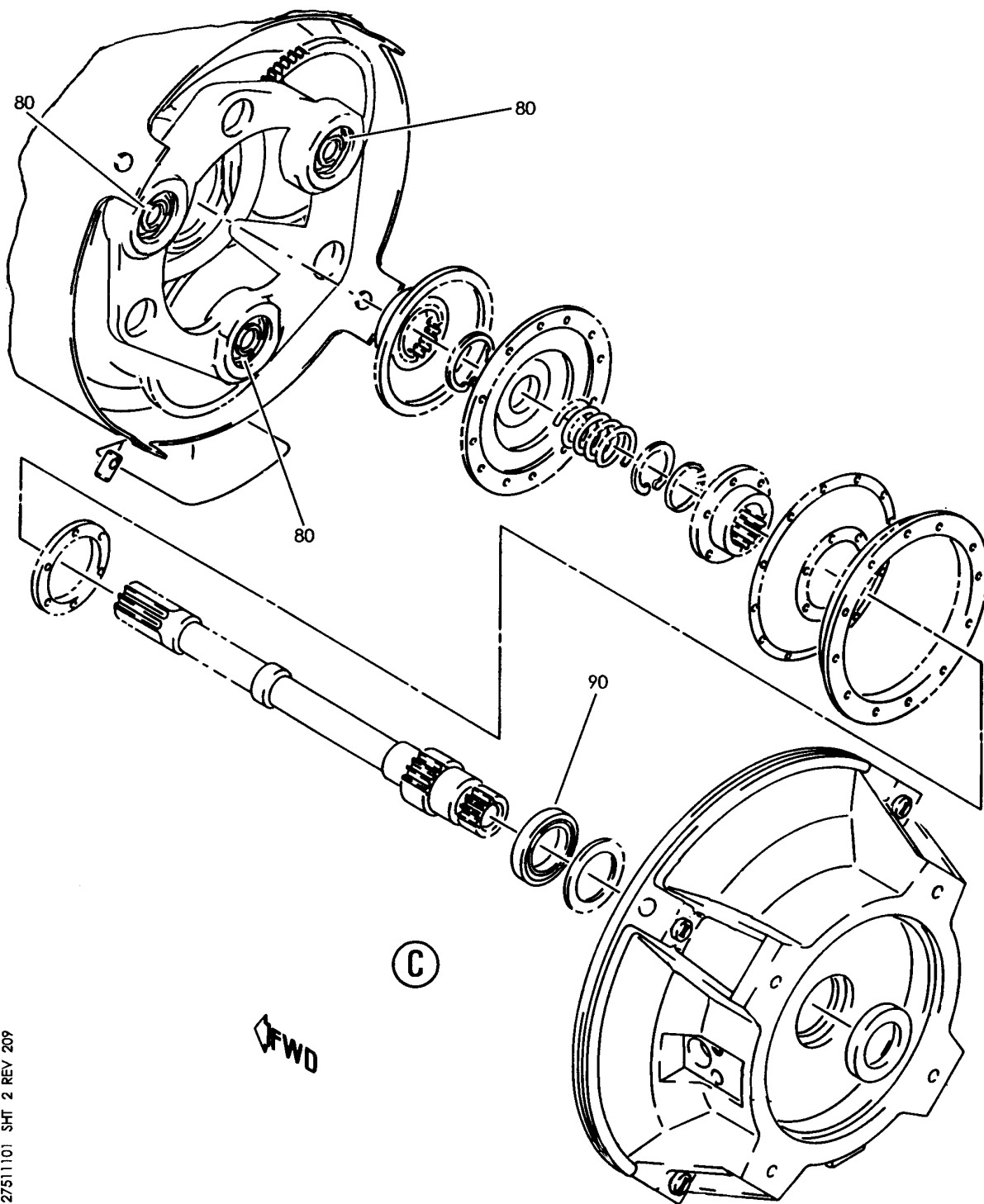
ACTUATOR INSTL-POSITION NO. 3 AND 6 TE FLAP DRIVE  
FIGURE 1 (SHEET 1)

**27-51-11-01**

HXL  
DEC 22/06

27-51-11-01  
PAGE 0

**BOEING**  
767  
PARTS CATALOG (MAINTENANCE)



V 27511101 SHT 2 REV 209

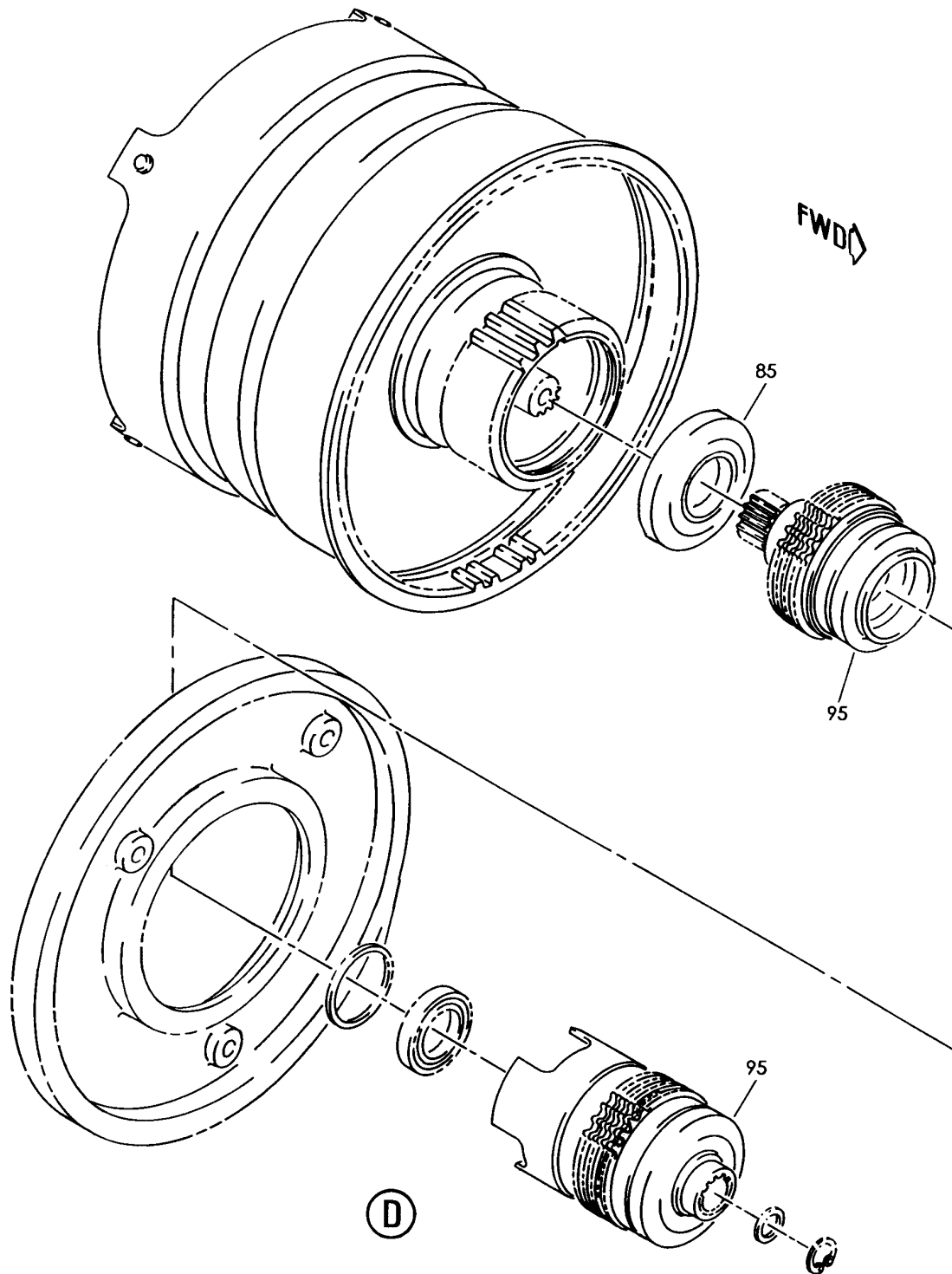
ACTUATOR INSTL-POSITION NO. 3 AND 6 TE FLAP DRIVE  
FIGURE 1 (SHEET 2)

**27-51-11-01**

HXL  
DEC 22/06

27-51-11-01  
PAGE 0A

**BOEING**  
767  
PARTS CATALOG (MAINTENANCE)



V 27511101 SHT 3 REV 209

ACTUATOR INSTL-POSITION NO. 3 AND 6 TE FLAP DRIVE  
FIGURE 1 (SHEET 3)

**27-51-11-01**

HXL  
DEC 22/06

27-51-11-01  
PAGE 08



767

PARTS CATALOG (MAINTENANCE)

FIG ITEM	PART NUMBER	1 2 3 4 5 6 7	NOMENCLATURE	EFFECT FROM TO	UNITS PER ASSY
1			ACTUATOR INSTL-POSITION NO. 3 AND 6 TE FLAP DRIVE		
- 1	256T3200-1		ACTUATOR INSTL-POSITION NO. 3 AND 6 TE FLAP DRIVE POSITION DATA: LH FOR NHA SEE: 27-51-41-01		RF
- 5	256T3200-2		ACTUATOR INSTL-POSITION NO. 3 AND 6 TE FLAP DRIVE POSITION DATA: RH FOR NHA SEE: 27-51-41-01		RF
10	BACB30NR5K33		.BOLT-		2
15	BACB30NR5K34		.BOLT		4
20	AN960PD516L		.WASHER-		6
25	BRH10C5D		.NUT-		6
			SUPPLIER CODE: V52828 SPECIFICATION NUMBER: BACN10JC5CD OPTIONAL PART: T6C524JCD V11815 102LH9075-5W V72962 H51650-5BAC V15653		
30	65B84045-1		.CLAMP		3
35	256T3204-2		.SPACER		4
40	256T3204-1		.INSERT		6
45	256T3203-1		.CHANNEL-		3
50	256T3540-7		.GEARBOX ASSY- POSITION DATA: LH SIDE OPTIONAL PART: 256T3540-3		1
50	256T3540-3		.GEARBOX ASSY- POSITION DATA: LH SIDE COMPONENT MAINT MANUAL REF: 27-51-22 OPTIONAL PART: 256T3540-7		1

ILLUSTRATION ITEMS NOT ON PARTS LIST ARE NOT APPLICABLE

- ITEM NOT ILLUSTRATED

27-51-11-01

27-51-11  
FIG. 01  
PAGE 1  
DEC 22/06

HXL



767

PARTS CATALOG (MAINTENANCE)

FIG ITEM	PART NUMBER	1 2 3 4 5 6 7	NOMENCLATURE	EFFECT FROM TO	UNITS PER ASSY
1					
- 55	256T3540-8		. GEARBOX ASSY- POSITION DATA: RH SIDE OPTIONAL PART: 256T3540-4		1
- 55	256T3540-4		. GEARBOX ASSY- POSITION DATA: RH SIDE COMPONENT MAINT MANUAL REF: 27-51-22 OPTIONAL PART: 256T3540-8 ATTACHING PARTS		1
- 60	BACB30NR5K14		. BOLT		4
- 65	AN960PD516L		. WASHER-		4
- 70	BRH10C5D		. NUT- SUPPLIER CODE: V52828 SPECIFICATION NUMBER: BACN10JC5CD OPTIONAL PART: T6C524JCD V11815 102LH9075-5W V72962 H51650-5BAC V15653		4
			-----*-----		
72	65B84033-18		. . SLEEVE-MOLDED		2
75	256T3210-4		. ACTUATOR ASSY- COMPONENT MAINT MANUAL REF: 27-51-08 OPTIONAL PART: 256T3210-2		1
75	256T3210-2		. ACTUATOR ASSY- COMPONENT MAINT MANUAL REF: 27-51-08 OPTIONAL PART: 256T3210-4		1

ILLUSTRATION ITEMS NOT ON PARTS LIST ARE NOT APPLICABLE

- ITEM NOT ILLUSTRATED

HXL

27-51-11-01

BOEING PROPRIETARY - Copyright © - Unpublished Work - See title page for details.

27-51-11  
FIG. 01  
PAGE 2  
DEC 22/06



**BOEING**  
767  
**PARTS CATALOG (MAINTENANCE)**

FIG ITEM	PART NUMBER	1 2 3 4 5 6 7	NOMENCLATURE	EFFECT FROM TO	UNITS PER ASSY
R R	1 80	R9304PPPRBA4298	.. BEARING- SUPPLIER CODE: V21335 SPECIFICATION NUMBER: BACB10BB20PP OPTIONAL PART: 9304PPPRBFS428 V21335 PKTLL004P1 V78118 C004RRPOZZ V40920 R9304PPPRBA4298 V9V013 1904LLT1C1-01 V21760 1904LLT1C1-01 V21760 1904SZZ V38443		3
	80	1904LLT1C1-01	.. BEARING- SUPPLIER CODE: V21760 OPTIONAL PART: BACB10BB20PP V21760 1904SZZ V38443		3
	80	1904SZZ	.. BEARING- SUPPLIER CODE: V38443 OPTIONAL PART: BACB10BB20PP V21760 1904LLT1C1-01 V21760		3

ILLUSTRATION ITEMS NOT ON PARTS LIST ARE NOT APPLICABLE

— ITEM NOT ILLUSTRATED

HXL

**27-51-11-01**

BOEING PROPRIETARY - Copyright © - Unpublished Work - See title page for details.

27-51-11  
FIG. 01  
PAGE 3  
AUG 22/09

**BOEING**  
767  
**PARTS CATALOG (MAINTENANCE)**

FIG ITEM	PART NUMBER	1 2 3 4 5 6 7	NOMENCLATURE	EFFECT FROM TO	UNITS PER ASSY
R R R R R R R R R R R R	1 85	R9306PPRBA4298	.. BEARING- SUPPLIER CODE: V21335 SPECIFICATION NUMBER: BACB10BB30PP OPTIONAL PART: PKTLL006P1 V78118 C006RRPOZZ V40920 C006RRPP1P28LY1 V40920 9306PPRBFS428 V21335 R9306PPRBA4298 V9V013 9306NPPFS428 V21335		2
	85	9306NPPFS428	.. BEARING- SUPPLIER CODE: V21335 OPTIONAL PART: BACB10BB30PP V21335		2
	90	R9308PPRBA4298	.. BEARING- SUPPLIER CODE: V21335 SPECIFICATION NUMBER: BACB10BB40PP OPTIONAL PART: 9308PPRBFS428 V21335 PKTLL008P1 V78118 C008RRPOZZ V40920 C008RRPP1P28LY1 V40920 R9308PPRBA4298 V9V013 1908LLT1C1-01 V21760 1908LLT1C1-01 V21760		1
	90	1908LLT1C1-01	.. BEARING- SUPPLIER CODE: V21760 OPTIONAL PART: BACB10BB40PP		1
	ILLUSTRATION ITEMS NOT ON PARTS LIST ARE NOT APPLICABLE				

- ITEM NOT ILLUSTRATED

# 27-51-11-01

27-51-11  
FIG. 01  
PAGE 4  
AUG 22/09

HXL



767

PARTS CATALOG (MAINTENANCE)

FIG ITEM	PART NUMBER	1 2 3 4 5 6 7	NOMENCLATURE	EFFECT FROM TO	UNITS PER ASSY
1	95 9306NPPFS428		.. BEARING- SUPPLIER CODE: V21335 OPTIONAL PART: BACB10BB30PP		1
	95 R9306PPPRBA4298		.. BEARING- SUPPLIER CODE: V21335 SPECIFICATION NUMBER: BACB10BB30PP OPTIONAL PART: PKTLL006P1 V78118 C006RRPOZZ V40920 C006RRPP1P28LY1 V40920 9306PPPRBFS428 V21335 R9306PPPRBA4298 V9V013 9306NPPFS428 V21335		1

ILLUSTRATION ITEMS NOT ON PARTS LIST ARE NOT APPLICABLE

- ITEM NOT ILLUSTRATED

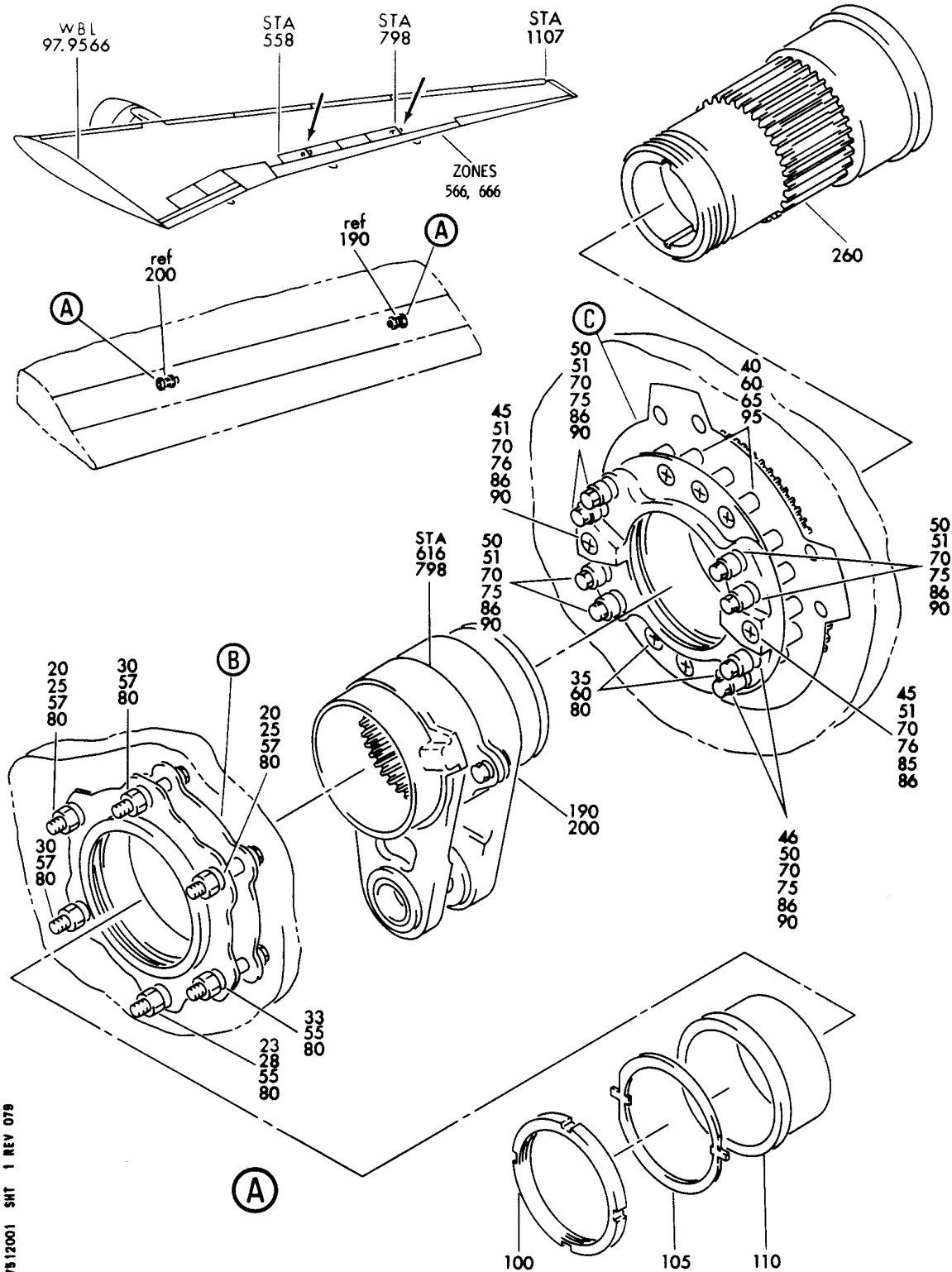
HXL

**27-51-11-01**

BOEING PROPRIETARY - Copyright © - Unpublished Work - See title page for details.

27-51-11  
FIG. 01  
PAGE 5  
AUG 22/09

**BOEING**  
767  
PARTS CATALOG (MAINTENANCE)



V 27512001 SHT 1 REV 079

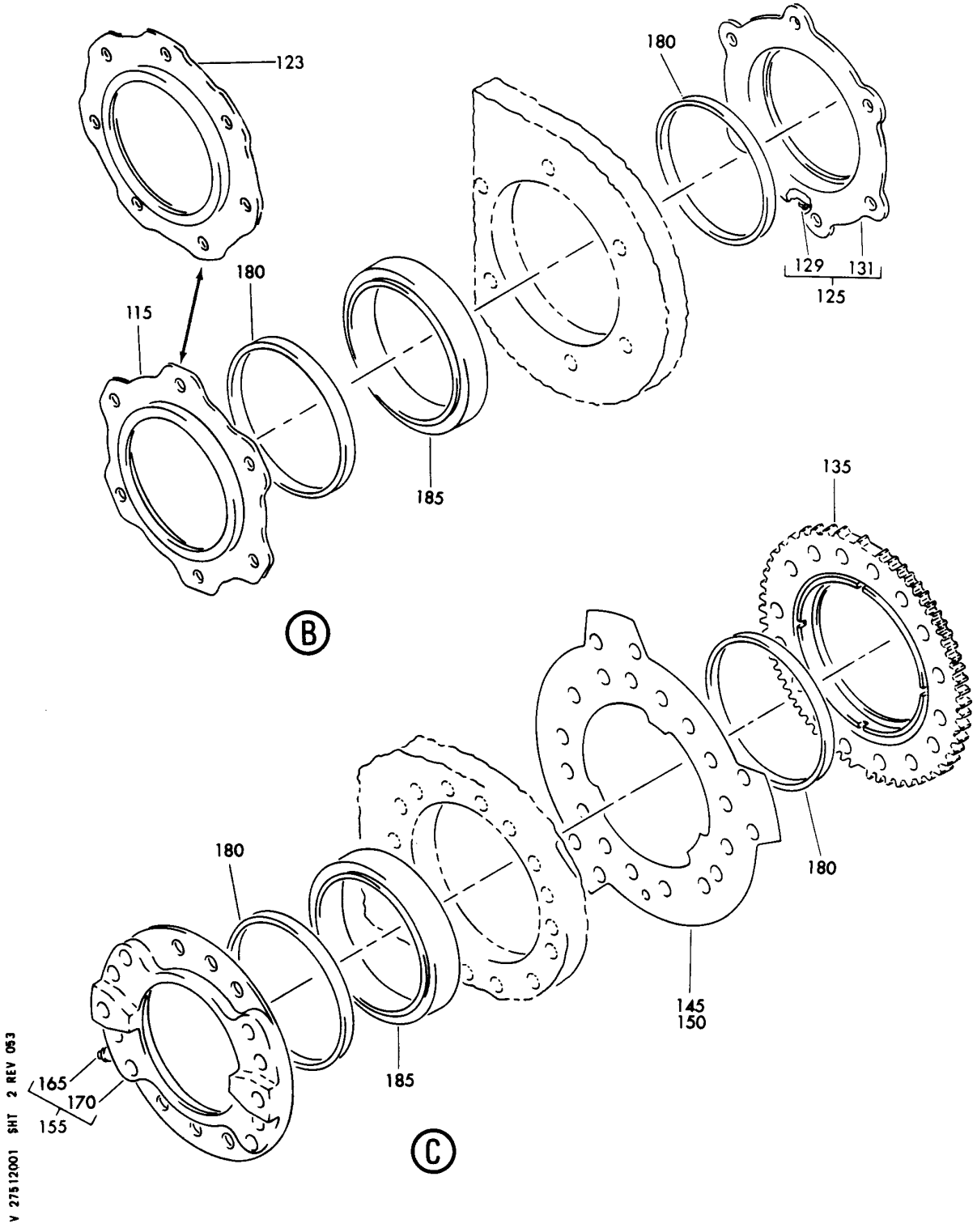
ARM INSTL-OUTBD TE FLAP DRIVE  
FIGURE 1 (SHEET 1)

**27-51-20-01**

HXL  
DEC 22/06

27-51-20-01  
PAGE 0

**BOEING**  
767  
PARTS CATALOG (MAINTENANCE)



V 27512001 SHT 2 REV 053

ARM INSTL-OUTBD TE FLAP DRIVE  
FIGURE 1 (SHEET 2)

**27-51-20-01**

HXL  
DEC 22/06

27-51-20-01  
PAGE 0A



767

PARTS CATALOG (MAINTENANCE)

FIG ITEM	PART NUMBER	1 2 3 4 5 6 7	NOMENCLATURE	EFFECT FROM TO	UNITS PER ASSY
1			ARM INSTL-OUTBD TE FLAP DRIVE		
- 1	113T3000-51		ARM INSTL-TE FLAP DRIVE POSITION DATA: OUTBD STA 798.2 LH VARIABLE DRAWING REF: 113T3000-5039 FOR NHA SEE: 57-52-01-01		RF
- 5	113T3000-52		ARM INSTL-TE FLAP DRIVE POSITION DATA: OUTBD STA 798.2 RH VARIABLE DRAWING REF: 113T3000-5040 FOR NHA SEE: 57-52-01-01		RF
- 10	113T3000-53		ARM INSTL-TE FLAP DRIVE POSITION DATA: OUTBD STA 616.2 LH VARIABLE DRAWING REF: 113T3000-5041 FOR NHA SEE: 57-52-01-01		RF
- 15	113T3000-54		ARM INSTL-TE FLAP DRIVE POSITION DATA: OUTBD STA 616.2 RH VARIABLE DRAWING REF: 113T3000-5042 FOR NHA SEE: 57-52-01-01		RF
20	BACB30MR6K24		.BOLT- USED ON: 113T3000-19 113T3000-20 113T3000-51 113T3000-52		2
23	BACB30NN6K24		.BOLT- USED ON: 113T3000-19 113T3000-20 113T3000-51 113T3000-52		1
25	BACB30MR6K24		.BOLT- USED ON: 113T3000-53 113T3000-54		2

ILLUSTRATION ITEMS NOT ON PARTS LIST ARE NOT APPLICABLE

- ITEM NOT ILLUSTRATED

27-51-20-01

27-51-20  
FIG. 01  
PAGE 1  
DEC 22/06

HXL



767

PARTS CATALOG (MAINTENANCE)

FIG ITEM	PART NUMBER	1 2 3 4 5 6 7	NOMENCLATURE	EFFECT FROM TO	UNITS PER ASSY
1					
28	BACB30NN6K24		.BOLT- USED ON: 113T3000-53 113T3000-54		1
35	BACB30NN6K21		.BOLT-		3
40	BACB30MR6K21		.BOLT-		3
46	BACB30MR7K27		.BOLT-		2
51	BACB30MR7K21		.BOLT		8
55	AN960PD616		.WASHER		2
57	MS20002C6		.WASHER-		8
60	BACW10BP6P		.WASHER		6
65	BACW10BP6C		.WASHER		3
70	BACW10BP7P		.WASHER		10
75	BACW10BP7C		.WASHER		8
76	BACW10BP7C		.WASHER		2
80	NAS1805-6L		.NUT-		9
85	NAS1805-7L		.NUT-		2
86	NAS1805-7L		.NUT-		10
95	NAS1805-6		.NUT-		3
100	113T1311-1		.NUT		1
105	113T1311-4		.WASHER-		1
110	113T1312-4		.BUSHING		1
- 120	113T1343-2		.RETAINER- OPTIONAL PART: 113T1783-2		1
123	113T1783-2		.RETAINER- OPTIONAL PART: 113T1783-6		1
125	113T1343-11		.RETAINER ASSY- OPTIONAL PART: 113T1783-5 USED ON: 113T3000-19 113T3000-21 113T3000-51 113T3000-53		1
125	113T1783-5		.RETAINER ASSY- OPTIONAL PART: 113T1343-11 USED ON: 113T3000-19 113T3000-21 113T3000-51 113T3000-53		1

ILLUSTRATION ITEMS NOT ON PARTS LIST ARE NOT APPLICABLE

- ITEM NOT ILLUSTRATED

HXL

27-51-20-01

BOEING PROPRIETARY - Copyright © - Unpublished Work - See title page for details.

27-51-20  
FIG. 01  
PAGE 2  
DEC 22/06



767

PARTS CATALOG (MAINTENANCE)

FIG ITEM	PART NUMBER	1 2 3 4 5 6 7	NOMENCLATURE	EFFECT FROM TO	UNITS PER ASSY
1					
- 127	113T1343-12		.RETAINER ASSY- OPTIONAL PART: 113T1783-6 USED ON: 113T3000-20 113T3000-22		1
- 127	113T1783-6		.RETAINER ASSY- OPTIONAL PART: 113T1783-2 USED ON: 113T3000-20 113T3000-22		1
129	MS15001-1		..FITTING		1
131	113T1343-13		..RETAINER- USED ON: 113T1343-11		1
131	113T1783-9		..RETAINER- USED ON: 113T1783-5		1
- 133	113T1343-14		..RETAINER- USED ON: 113T1343-12		1
- 133	113T1783-10		..RETAINER- USED ON: 113T1783-6		1
135	113T1342-1		.RING- USED ON: 113T3000-19 113T3000-21 113T3000-51 113T3000-53		1
- 140	113T1342-2		.RING- USED ON: 113T3000-20 113T3000-22 113T3000-52 113T3000-54		1
145	113T1361-5		.SHIM- USED ON: 113T3000-19 113T3000-20 113T3000-51 113T3000-52		1
150	113T1361-2		.SHIM- USED ON: 113T3000-21 113T3000-22 113T3000-53 113T3000-54		1

ILLUSTRATION ITEMS NOT ON PARTS LIST ARE NOT APPLICABLE

- ITEM NOT ILLUSTRATED

27-51-20-01

27-51-20  
FIG. 01  
PAGE 3  
DEC 22/06

HXL



 **BOEING**  
767  
**PARTS CATALOG (MAINTENANCE)**

FIG ITEM	PART NUMBER	1 2 3 4 5 6 7	NOMENCLATURE	EFFECT FROM TO	UNITS PER ASSY
1					
155	113T1583-1		.RETAINER ASSY- USED ON: 113T3000-51 113T3000-53		1
- 160	113T1583-2		.RETAINER ASSY- USED ON: 113T3000-52 113T3000-54		1
165	MS15001-1		..FITTING		1
170	113T1583-3		..RETAINER- USED ON: 113T1583-1		1
- 175	113T1583-4		..RETAINER- USED ON: 113T1583-2		1
180	113T1256-31		.SEAL		4
185	DAT72-90A1-501		.BEARING-ROLLER SUPPLIER CODE: V77896 SPECIFICATION NUMBER: 60B00178-23		2
190	113T1339-13		.ARM ASSY- POSITION DATA: LH SIDE COMPONENT MAINT MANUAL REF: 27-51-96 USED ON: 113T3000-51		1
- 195	113T1339-14		.ARM ASSY- POSITION DATA: RH SIDE COMPONENT MAINT MANUAL REF: 27-51-96 USED ON: 113T3000-52		1
200	113T1359-13		.ARM ASSY- POSITION DATA: LH SIDE COMPONENT MAINT MANUAL REF: 27-51-96 USED ON: 113T3000-53		1
200	113T1359-27		.ARM ASSY- POSITION DATA: LH SIDE COMPONENT MAINT MANUAL REF: 27-51-96		1
ILLUSTRATION ITEMS NOT ON PARTS LIST ARE NOT APPLICABLE					

- ITEM NOT ILLUSTRATED

HXL

# 27-51-20-01

BOEING PROPRIETARY - Copyright © - Unpublished Work - See title page for details.

27-51-20  
FIG. 01  
PAGE 4  
DEC 22/06



767

PARTS CATALOG (MAINTENANCE)

FIG ITEM	PART NUMBER	1 2 3 4 5 6 7	NOMENCLATURE	EFFECT FROM TO	UNITS PER ASSY
1					
- 205	113T1359-14		.ARM ASSY- POSITION DATA: RH SIDE COMPONENT MAINT MANUAL REF: 27-51-96 USED ON: 113T3000-54		1
- 205	113T1359-28		.ARM ASSY- POSITION DATA: RH SIDE COMPONENT MAINT MANUAL REF: 27-51-96		1
260	113T1341-3		.SHAFT- USED ON: 113T3000-19 113T3000-21 113T3000-51 113T3000-53		1
- 265	113T1341-4		.SHAFT- USED ON: 113T3000-20 113T3000-22 113T3000-52 113T3000-54		1

ILLUSTRATION ITEMS NOT ON PARTS LIST ARE NOT APPLICABLE

- ITEM NOT ILLUSTRATED

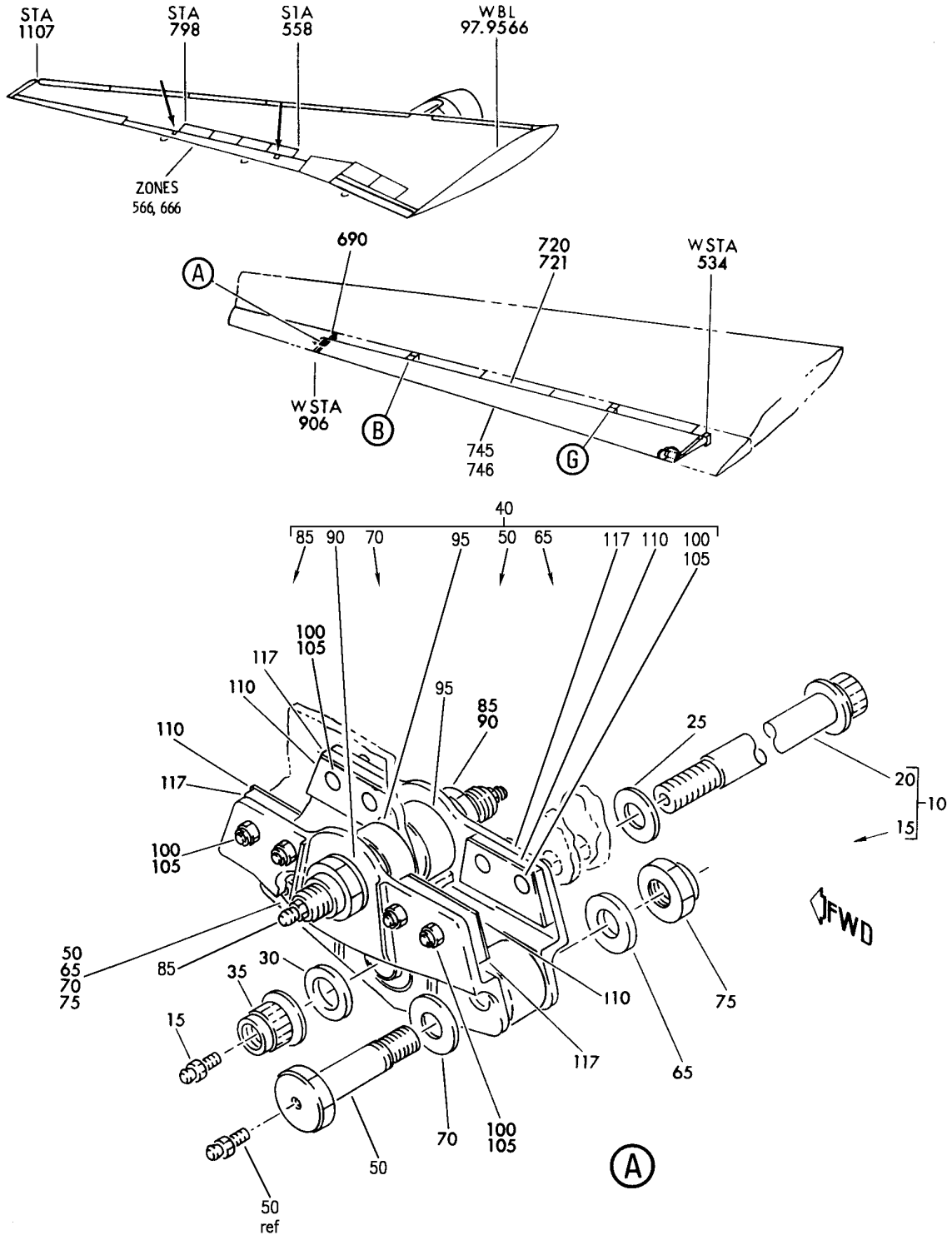
HXL

27-51-20-01

BOEING PROPRIETARY - Copyright © - Unpublished Work - See title page for details.

27-51-20  
FIG. 01  
PAGE 5  
DEC 22/06

**BOEING**  
767  
PARTS CATALOG (MAINTENANCE)



V 27512101 SHT 1 REV 296

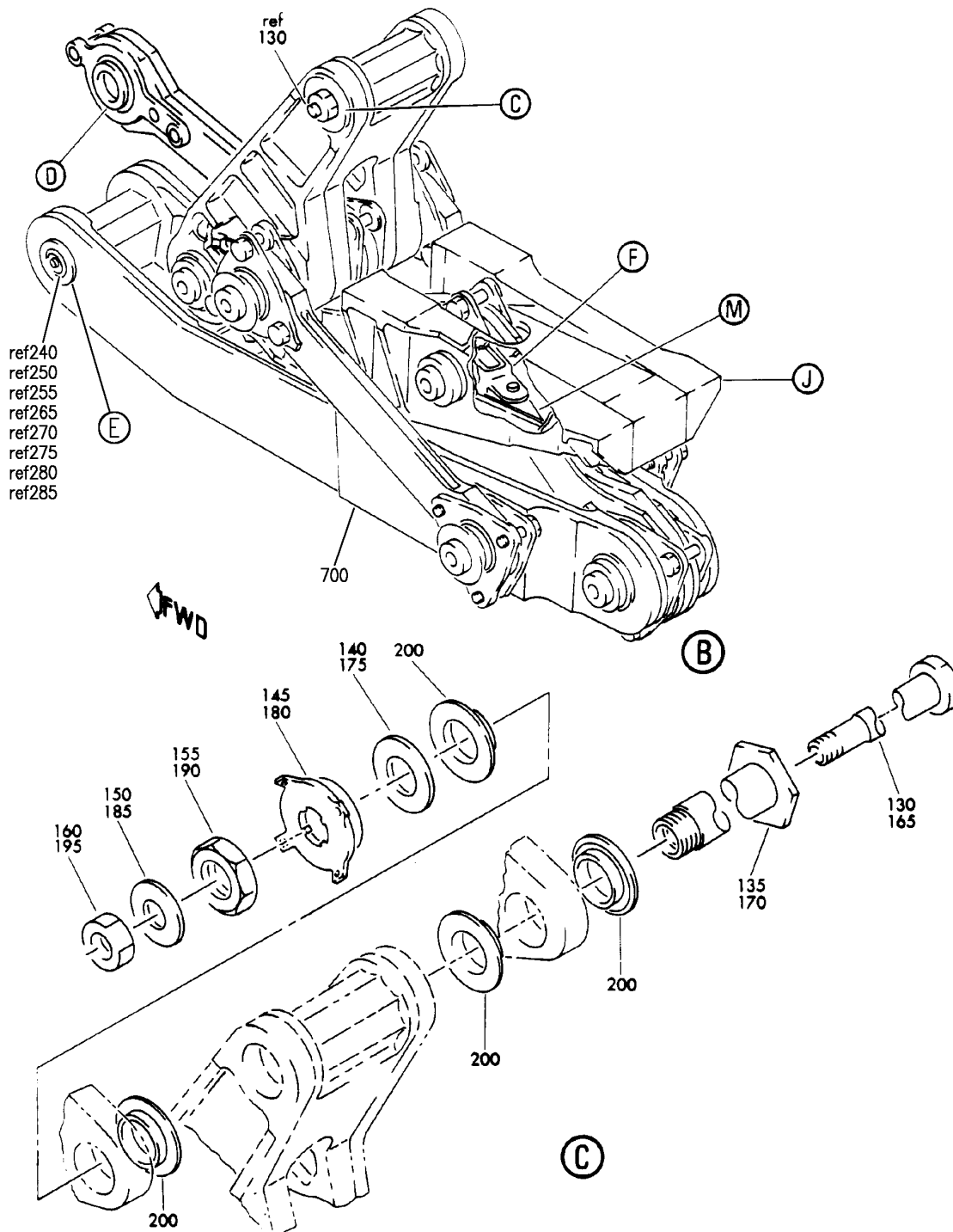
FLAP INSTL-OUTBD TE  
FIGURE 1 (SHEET 1)

**27-51-21-01**

HXL  
DEC 22/06

27-51-21-01  
PAGE 0

**BOEING**  
767  
PARTS CATALOG (MAINTENANCE)



V 27512101 SH1 2 REV 280

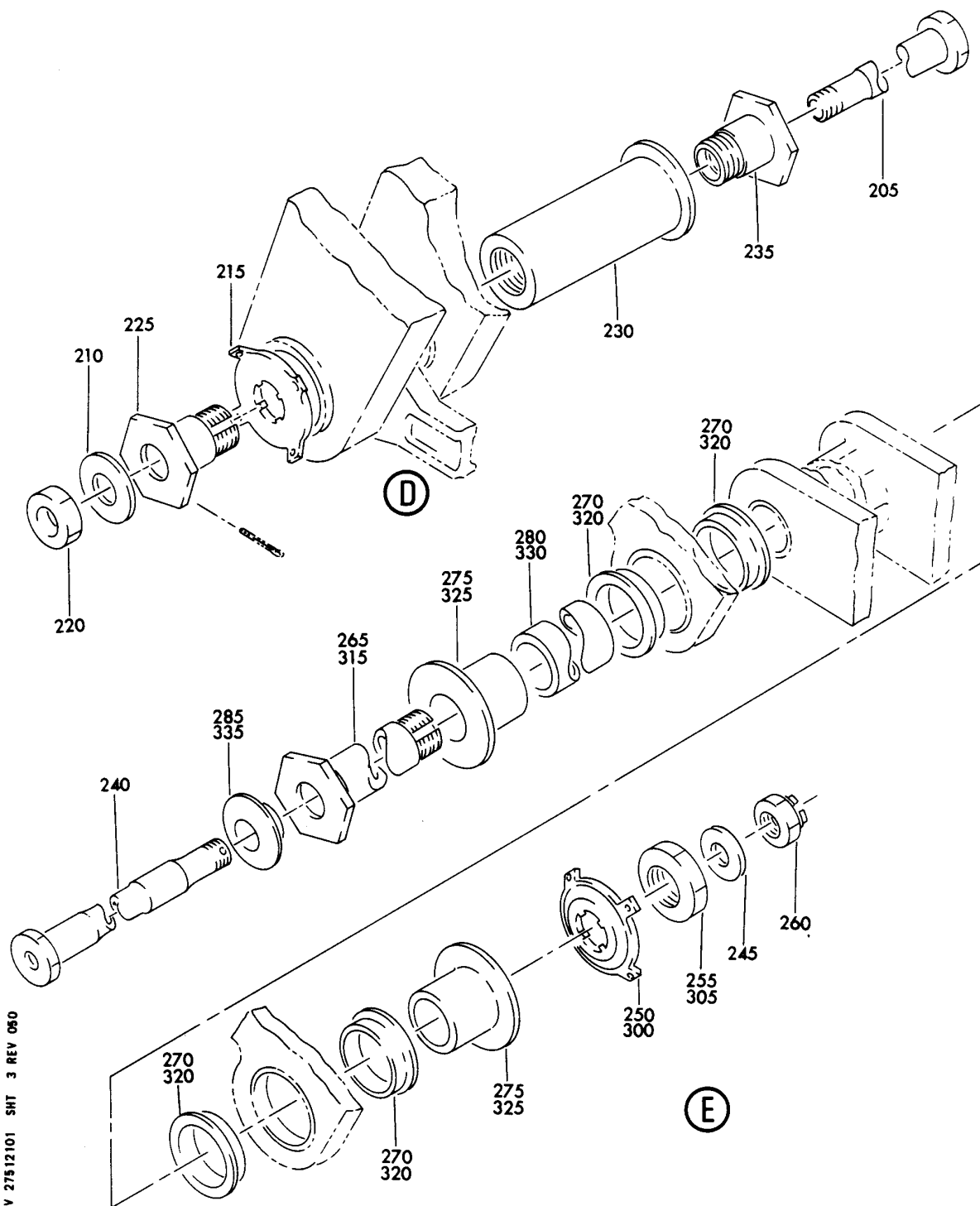
FLAP INSTL-OUTBD TE  
FIGURE 1 (SHEET 2)

**27-51-21-01**

HXL  
DEC 22/06

27-51-21-01  
PAGE 0A

**BOEING**  
767  
PARTS CATALOG (MAINTENANCE)



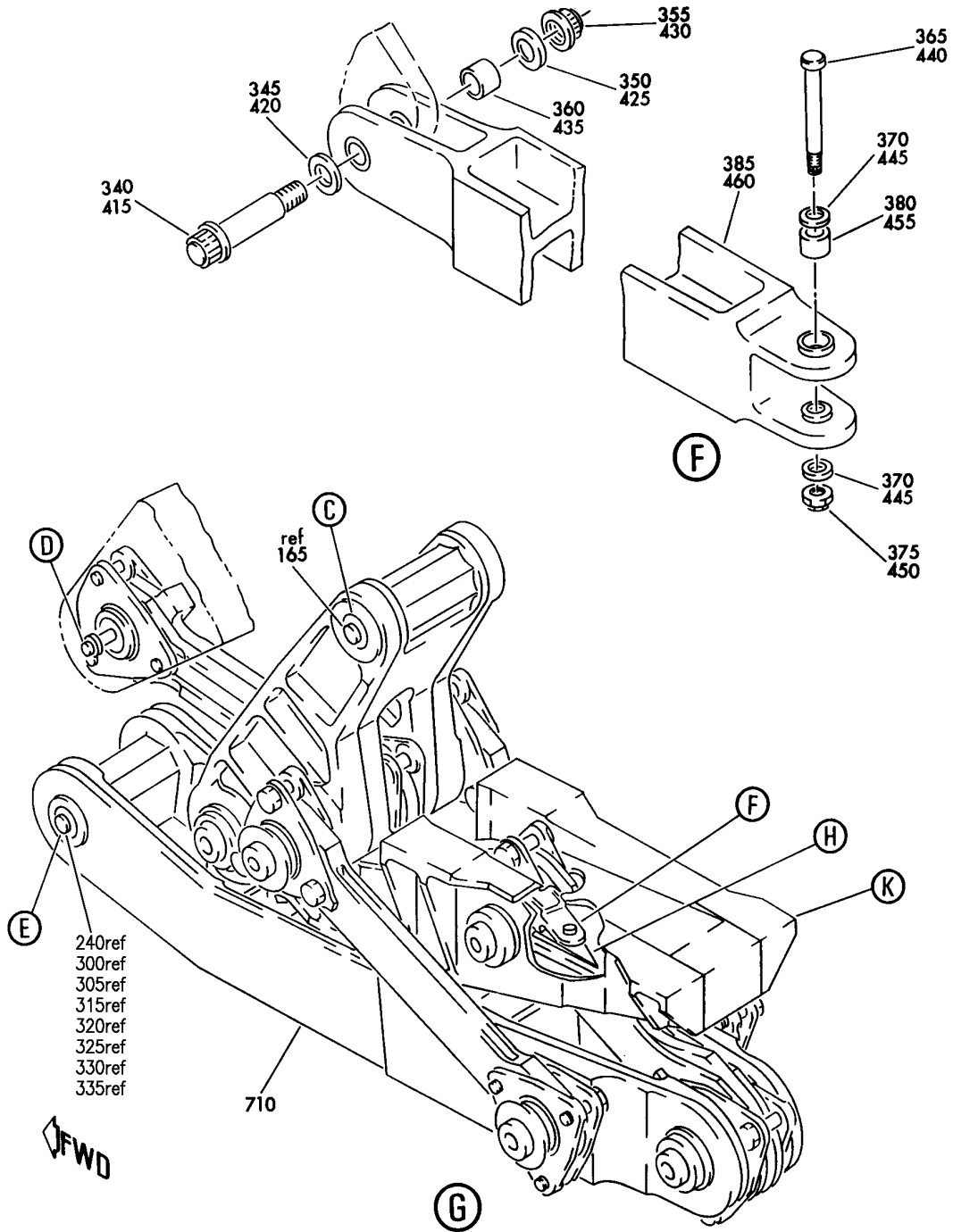
FLAP INSTL-OUTBD TE  
FIGURE 1 (SHEET 3)

**27-51-21-01**

HXL  
DEC 22/06

27-51-21-01  
PAGE 0B

**BOEING**  
767  
PARTS CATALOG (MAINTENANCE)



V 27512101 SH- 4 REV 280

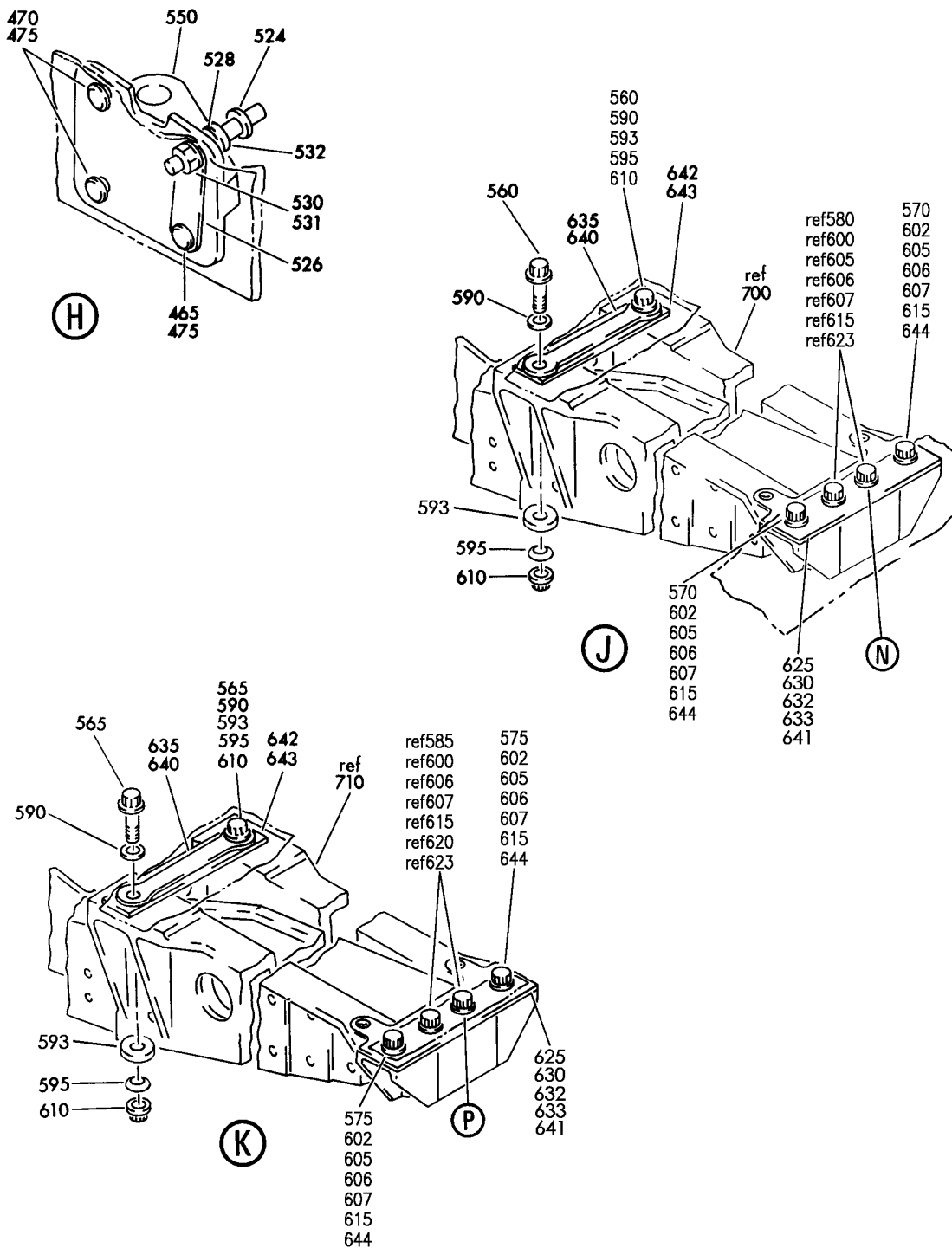
FLAP INSTL-OUTBD TE  
FIGURE 1 (SHEET 4)

**27-51-21-01**

HXL  
DEC 22/06

27-51-21-01  
PAGE 0C


**BOEING**  
 767  
**PARTS CATALOG (MAINTENANCE)**



V 27512101 SH-T 5 REV 277

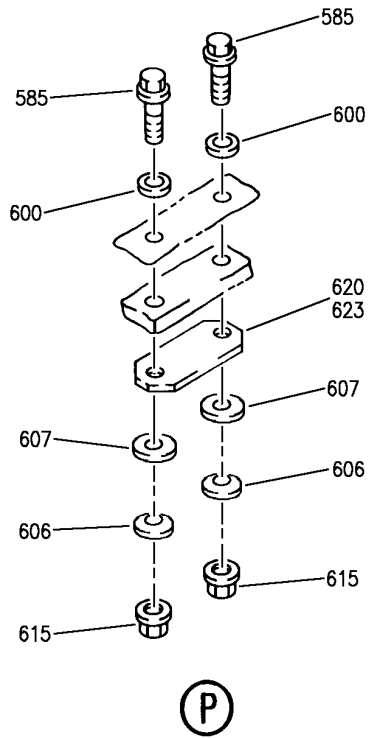
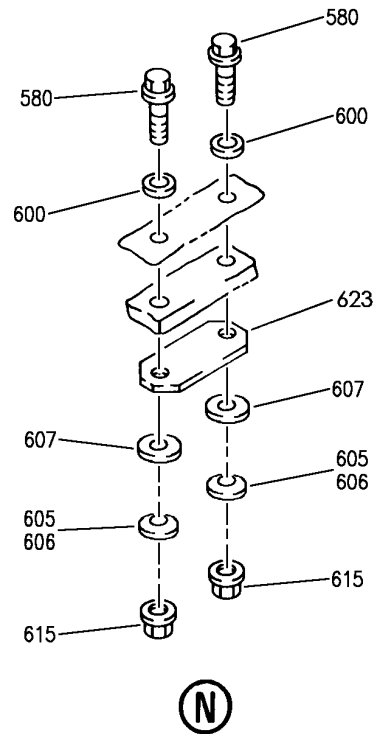
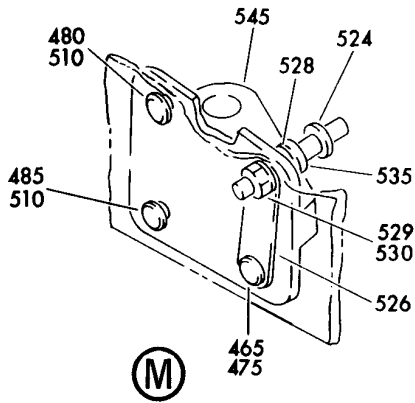
FLAP INSTL-OUTBD TE  
 FIGURE 1 (SHEET 5)

**27-51-21-01**

HXL  
DEC 22/06

27-51-21-01  
 PAGE 0D

**BOEING**  
767  
PARTS CATALOG (MAINTENANCE)



V 27512101 SH1 6 REV 272

FLAP INSTL-OUTBD TE  
FIGURE 1 (SHEET 6)

**27-51-21-01**

HXL  
DEC 22/06

27-51-21-01  
PAGE 0E



**BOEING**  
767  
**PARTS CATALOG (MAINTENANCE)**

FIG ITEM	PART NUMBER	1 2 3 4 5 6 7	NOMENCLATURE	EFFECT FROM TO	UNITS PER ASSY
1			FLAP INSTL-OUTBD TE		
- 1	113T3000-55		FLAP INSTL-TE POSITION DATA: OUTBD LH VARIABLE DRAWING REF: 113T3000-5071 FOR NHA SEE: 57-00-00-01A		RF
- 5	113T3000-56		FLAP INSTL-TE POSITION DATA: OUTBD RH VARIABLE DRAWING REF: 113T3000-5072 FOR NHA SEE: 57-00-00-01A		RF
10	113T1318-1		.BOLT ASSY-		1
15	MS15004-1		..FITTING		1
20	113T1318-3		..BOLT-		1
25	BACW10BP8ACU		.WASHER		1
30	113T1356-3		.WASHER		1
35	NAS1805-8		.NUT		1
40	113T1358-2		.CARRIAGE ASSY- COMPONENT MAINT MANUAL REF: 27-51-20		1
40	113T1358-3		.CARRIAGE ASSY- COMPONENT MAINT MANUAL REF: 27-51-20		1
40	113T1358-5		.CARRIAGE ASSY- COMPONENT MAINT MANUAL REF: 27-51-20		1
50	113T1318-2		..BOLT ASSY		2
65	BACW10CT16C		..WASHER		2
70	113T1356-1		..WASHER		2
75	BACN10JC7CM		..NUT		2

ILLUSTRATION ITEMS NOT ON PARTS LIST ARE NOT APPLICABLE

- ITEM NOT ILLUSTRATED

HXL

# 27-51-21-01

BOEING PROPRIETARY - Copyright © - Unpublished Work - See title page for details.

27-51-21  
FIG. 01  
PAGE 1  
DEC 22/07



767

PARTS CATALOG (MAINTENANCE)

FIG ITEM	PART NUMBER	1 2 3 4 5 6 7	NOMENCLATURE	EFFECT FROM TO	UNITS PER ASSY
1					
85	BMN4122AD3-8		..NUT- SUPPLIER CODE: V97928 SPECIFICATION NUMBER: BACN10JC8 OPTIONAL PART: BMN4122A8 V85495 H10-8BAC V15653 RMLH9074-8 V72962 48FT820 V56878 USED ON: 113T1358-2 113T1358-3		2
85	69235-820CD		..NUT- SUPPLIER CODE: V92215 SPECIFICATION NUMBER: BACN10JC8CD OPTIONAL PART: 102LH9074-8 V72962 BMN4122CPD8-8 V97928 H51650-8BAC V15653 USED ON: 113T1358-5		2
90	113T1356-2		..WASHER		2
95	CF2586		..BEARING-ROLLER SUPPLIER CODE: V92563 SPECIFICATION NUMBER: 60B00178-652 USED ON: 113T1358-2 113T1358-3		2
95	KRP151008VT		..BEARING ASSY-ROLLER SUPPLIER CODE: V50632 USED ON: 113T1358-5		2

ILLUSTRATION ITEMS NOT ON PARTS LIST ARE NOT APPLICABLE

- ITEM NOT ILLUSTRATED

27-51-21-01

27-51-21  
 FIG. 01  
 PAGE 2  
 DEC 22/06

HXL



767

PARTS CATALOG (MAINTENANCE)

FIG ITEM	PART NUMBER	1 2 3 4 5 6 7	NOMENCLATURE	EFFECT FROM TO	UNITS PER ASSY
1 100	HL11VAZ5-3		..BOLT- SUPPLIER CODE: V60516 SPECIFICATION NUMBER: BACB30NW5K3 OPTIONAL PART: B30NW5K3 V97928 HL11VAZ5-3 V73197 HL11VAZ5-3 V92215 HL11VAZ5-3 V97928 L803-5K3 V06725 HL11VAZ5-3 V0PTK6 HL11VAZ5-3 V56878		8
105	BRH10C08M		..NUT- SUPPLIER CODE: V52828 SPECIFICATION NUMBER: BACN10JC08CM OPTIONAL PART: T6C832JM V11815 97E82 V80539 109LH9075-82W V72962 VN303D82 V92215 NS202101SE82 V80539 H01-08BAC V15653 USED ON: 113T1358-5		8

ILLUSTRATION ITEMS NOT ON PARTS LIST ARE NOT APPLICABLE

- ITEM NOT ILLUSTRATED

HXL

27-51-21-01

BOEING PROPRIETARY - Copyright © - Unpublished Work - See title page for details.

27-51-21  
 FIG. 01  
 PAGE 3  
 DEC 22/06

 **BOEING**  
767  
**PARTS CATALOG (MAINTENANCE)**

FIG ITEM	PART NUMBER	1 2 3 4 5 6 7	NOMENCLATURE	EFFECT FROM TO	UNITS PER ASSY
1 105	BRH10A08		..NUT- SUPPLIER CODE: V52828 SPECIFICATION NUMBER: BACN10JC08 OPTIONAL PART: H10-08BAC V15653 NS202101-82 V80539 RMLH9075-82W V72962 VN303A82 V92215 96-82 V80539 T6S832J V11815 USED ON: 113T1358-2 113T1358-3		8
110	113T1366-3		..BLOCK		4
117	113T1366-4		..SHIM- MANUFACTURED FROM: SH AL BAC1534-33 F18.06 0.033 IN X 1.00 IN X 1.60 SPARES ORDER MATERIAL CODE: 1120340330 USED ON: 113T1358-2 113T1358-3		4
117	113T1366-5		..SHIM- USED ON: 113T1358-5		4
130	113T1264-45		.PIN-		1
135	113T1263-15		.PIN		1
140	113T1105-8		.WASHER		AR
145	113T1254-50		.WASHER-		1
150	113T1254-23		.WASHER		AR
155	113T1262-2		.NUT		1
160	BACN10JD108ASU		.NUT		1
165	113T1264-49		.PIN-		1
170	113T1263-19		.PIN		1
175	113T1105-9		.WASHER		1
180	113T1254-45		.WASHER-		1
185	113T1254-13		.WASHER		AR
190	113T1262-3		.NUT		1
195	BACN10JD112ASU		.NUT		1

ILLUSTRATION ITEMS NOT ON PARTS LIST ARE NOT APPLICABLE

- ITEM NOT ILLUSTRATED

HXL

27-51-21-01

BOEING PROPRIETARY - Copyright © - Unpublished Work - See title page for details.

27-51-21  
FIG. 01  
PAGE 4  
AUG 22/09



767

PARTS CATALOG (MAINTENANCE)

FIG ITEM	PART NUMBER	1 2 3 4 5 6 7	NOMENCLATURE	EFFECT FROM TO	UNITS PER ASSY
1					
200	113T1256-48	.	SEAL-		8
205	BACB30NR6DS64	.	BOLT		2
210	113T1254-30	.	WASHER		2
215	113T1254-44	.	WASHER-		2
220	BACN10JD106ASU	.	NUT		2
225	113T1264-30	.	PIN-		2
230	113T1263-13	.	PIN		2
235	113T1258-7	.	CAP-END		2
240	BACB30NM4DK155	.	BOLT-		2
245	113T1254-37	.	WASHER		2
250	113T1254-27	.	WASHER-		1
			POSITION DATA:		
			OUTBD		
255	113T1262-13	.	NUT-		1
			POSITION DATA:		
			OUTBD		
260	BACN10JD4ASU	.	NUT-		2
265	113T1351-6	.	PIN-		1
			POSITION DATA:		
			OUTBD		
270	113T1256-37	.	SEAL-		4
			POSITION DATA:		
			OUTBD		
275	113T1347-103	.	BUSHING-		2
			POSITION DATA:		
			OUTBD		
280	113T1347-104	.	BUSHING-		1
			POSITION DATA:		
			OUTBD		
285	113T1258-8	.	CAP-END		1
			POSITION DATA:		
			OUTBD		
300	113T1254-28	.	WASHER-		1
			POSITION DATA:		
			INBD		
305	113T1262-12	.	NUT-		1
			POSITION DATA:		
			INBD		

ILLUSTRATION ITEMS NOT ON PARTS LIST ARE NOT APPLICABLE

- ITEM NOT ILLUSTRATED

HXL

27-51-21-01

BOEING PROPRIETARY - Copyright © - Unpublished Work - See title page for details.

27-51-21  
FIG. 01  
PAGE 5  
AUG 22/09



767

PARTS CATALOG (MAINTENANCE)

FIG ITEM	PART NUMBER	1 2 3 4 5 6 7	NOMENCLATURE	EFFECT FROM TO	UNITS PER ASSY
1					
315	113T1351-2		.PIN- POSITION DATA: INBD QUALIFIED I/W DATA: 113T1351-2 T/W 113T1258-9, 113T1254-37, BACB30NM4DK155, BACN10JD4ASU & MS24665-134 CAN BE REPLACED BY 113T1351-8 T/W (2) NAS1149C0363R, (1) BACP18BC02C06P, (1) BACN10JD3ASU & (1) BACB30NM3DK15.		1
315	113T1351-8		.PIN- POSITION DATA: INBD QUALIFIED I/W DATA: 113T1351-2 T/W 113T1258-9, 113T1254-37, BACB30NM4DK155, BACN10JD4ASU & MS24665-134 CAN BE REPLACED BY 113T1351-8 T/W (2) NAS1149C0363R, (1) BACP18BC02C06P, (1) BACN10JD3ASU & (1) BACB30NM3DK15.		1
320	113T1256-41		.SEAL- POSITION DATA: INBD		4
320	113T1256-54		.SEAL- POSITION DATA: INBD		4
325	113T1347-106		.BUSHING- POSITION DATA: INBD		2
330	113T1347-92		.BUSHING- POSITION DATA: INBD		1
335	113T1258-9		.CAP-END POSITION DATA: INBD		1
340	BACB30MR10K27		.BOLT		1
345	BACW10BP10C		.WASHER		1
350	BACW10BP10P		.WASHER		1
355	NAS1805-10		.NUT		1
360	BACB28AK10-050		.BUSHING		1
365	113T1351-3		.PIN		1

ILLUSTRATION ITEMS NOT ON PARTS LIST ARE NOT APPLICABLE

- ITEM NOT ILLUSTRATED

27-51-21-01

27-51-21  
FIG. 01  
PAGE 6  
APR 22/08

HXL

BOEING PROPRIETARY - Copyright © - Unpublished Work - See title page for details.

 **BOEING**  
767  
**PARTS CATALOG (MAINTENANCE)**

FIG ITEM	PART NUMBER	1 2 3 4 5 6 7	NOMENCLATURE	EFFECT FROM TO	UNITS PER ASSY
1					
370	AN960XC616		.WASHER		2
375	BACN10JD106ASU		.NUT		1
380	BACB28AK06-056		.BUSHING		1
385	113T1363-1		.LINK ASSY-		1
			COMPONENT MAINT MANUAL REF: 27-51-96		
385	113T1363-4		.LINK ASSY-		1
			COMPONENT MAINT MANUAL REF: 27-51-96		
415	BACB30MR12K35		.BOLT		1
420	BACW10BP12C		.WASHER		1
425	BACW10BP12P		.WASHER		1
430	NAS1805-12		.NUT		1
435	BACB28AK12-080		.BUSHING		1
440	113T1351-5		.PIN-		1
445	AN960XC816L		.WASHER-		2
450	BACN10JD108ASU		.NUT		1
455	BACB28AK08-070		.BUSHING		1
460	113T1364-1		.LINK ASSY-		1
			COMPONENT MAINT MANUAL REF: 27-51-96		
460	113T1364-4		.LINK ASSY-		1
			COMPONENT MAINT MANUAL REF: 27-51-96		

ILLUSTRATION ITEMS NOT ON PARTS LIST ARE NOT APPLICABLE

- ITEM NOT ILLUSTRATED

HXL

27-51-21-01

BOEING PROPRIETARY - Copyright © - Unpublished Work - See title page for details.

27-51-21  
FIG. 01  
PAGE 7  
APR 22/08



767

PARTS CATALOG (MAINTENANCE)

FIG ITEM	PART NUMBER	1 2 3 4 5 6 7 NOMENCLATURE	EFFECT FROM TO	UNITS PER ASSY
1 465	HL1012AZ12-20	.BOLT SUPPLIER CODE: VOPTK6 SPECIFICATION NUMBER: BACB30NX12K20 OPTIONAL PART: HL12VAZ12-20 V73197 HL12VAZ12-20 V92215 HL12VAZ12-20 V97928 L802-12K20 V06725 HL12VAZ12-20 V56878 HL1012AZ12-20 V06725 HL1012AZ12-20 V06950 HL1012AZ12-20 V17446 HL1012AZ12-20 V56878 HL1012AZ12-20 V60516 HL1012AZ12-20 V73197 HL1012AZ12-20 V97928		2

ILLUSTRATION ITEMS NOT ON PARTS LIST ARE NOT APPLICABLE

- ITEM NOT ILLUSTRATED

HXL

**27-51-21-01**

BOEING PROPRIETARY - Copyright © - Unpublished Work - See title page for details.

27-51-21  
 FIG. 01  
 PAGE 8  
 DEC 22/06





767

PARTS CATALOG (MAINTENANCE)

FIG ITEM	PART NUMBER	1 2 3 4 5 6 7	NOMENCLATURE	EFFECT FROM TO	UNITS PER ASSY
1 470	HL1012AZ12-19		.BOLT SUPPLIER CODE: VOPTK6 SPECIFICATION NUMBER: BACB30NX12K19 OPTIONAL PART: HL12VAZ12-19 V73197 HL12VAZ12-19 V92215 HL12VAZ12-19 V97928 L802-12K19 V06725 HL12VAZ12-19 V56878 HL1012AZ12-19 V06725 HL1012AZ12-19 V06950 HL1012AZ12-19 V17446 HL1012AZ12-19 V56878 HL1012AZ12-19 V60516 HL1012AZ12-19 V73197 HL1012AZ12-19 V97928		2
R R R R R R R R R R	475 HL1187-12		.COLLAR SUPPLIER CODE: V5M902 SPECIFICATION NUMBER: BACC30X12 OPTIONAL PART: HL1187-12 V73197 HL1187-12 V56878 HL1187-12 V92215		4
480	L80012K15		.BOLT SUPPLIER CODE: V06725 SPECIFICATION NUMBER: BACB30MY12K15		1

ILLUSTRATION ITEMS NOT ON PARTS LIST ARE NOT APPLICABLE

- ITEM NOT ILLUSTRATED

HXL

27-51-21-01

BOEING PROPRIETARY - Copyright © - Unpublished Work - See title page for details.

27-51-21  
FIG. 01  
PAGE 9  
AUG 22/09



767

PARTS CATALOG (MAINTENANCE)

FIG ITEM	PART NUMBER	1 2 3 4 5 6 7	NOMENCLATURE	EFFECT FROM TO	UNITS PER ASSY
1 485	HL11VAZ12-15		.BOLT SUPPLIER CODE: V60516 SPECIFICATION NUMBER: BACB30NW12K15 OPTIONAL PART: B30NW12K15 V97928 HL11VAZ12-15 V73197 HL11VAZ12-15 V92215 HL11VAZ12-15 V97928 L803-12K15 V06725 HL11VAZ12-15 VOPTK6 HL11VAZ12-15 V56878		1
510	HL79-12		.COLLAR SUPPLIER CODE: V5M902 SPECIFICATION NUMBER: BACC30M12 OPTIONAL PART: HL79-12 V73197 HL79-12 V92215 66014-12 V56878 HL79-12 V56878		2
524	113T1829-3		.FITTING-STUD		2
526	113T1829-4		.WASHER		2
528	BACW10BP5ACU		.WASHER		2

ILLUSTRATION ITEMS NOT ON PARTS LIST ARE NOT APPLICABLE

- ITEM NOT ILLUSTRATED

HXL

27-51-21-01

BOEING PROPRIETARY - Copyright © - Unpublished Work - See title page for details.

27-51-21  
FIG. 01  
PAGE 10  
AUG 22/09



767

PARTS CATALOG (MAINTENANCE)

FIG ITEM	PART NUMBER	1 2 3 4 5 6 7	NOMENCLATURE	EFFECT FROM TO	UNITS PER ASSY
1 529	BRH10A5		.NUT SUPPLIER CODE: V52828 SPECIFICATION NUMBER: BACN10JC5 OPTIONAL PART: T6S524J V11815 96-054 V80539 RMLH9075-5W V72962 H10-5BAC V15653		1
531	MS21042L5		.NUT-		1
532	BACB28AP05P117		.BUSHING-		1
535	BACB28AP05P121		.BUSHING		1
545	113T1337-7		.FITTING ASSY- COMPONENT MAINT MANUAL REF: 27-51-96		1
550	113T1337-8		.FITTING ASSY- COMPONENT MAINT MANUAL REF: 27-51-96 QUALIFIED I/W DATA: 113T1337-8 IS ONE WAY FORWARD INTERCHANGEABLE WITH -16 L.H. WING AND -15 ON R.H. WING		1
560	BACB30LE8K22		.BOLT- SERVICE BULLETIN OPT DATA: BACB30US8K22 POST ALERT SB: 27A0155R2 27A0155IN2		2
560	BACB30US8K22		.BOLT- SERVICE BULLETIN OPT DATA: BACB30LE8K22 POST ALERT SB: 27A0155R2 27A0155IN2		2
560	BACB30LE8K25		.BOLT- SERVICE BULLETIN OPT DATA: BACB30US8K25 POST ALERT SB: 27A0155R2 27A0155IN2		2

ILLUSTRATION ITEMS NOT ON PARTS LIST ARE NOT APPLICABLE

- ITEM NOT ILLUSTRATED

27-51-21-01

27-51-21  
FIG. 01  
PAGE 11  
DEC 22/07

HXL



767

PARTS CATALOG (MAINTENANCE)

FIG ITEM	PART NUMBER	1 2 3 4 5 6 7	NOMENCLATURE	EFFECT FROM TO	UNITS PER ASSY
1 560	BACB30US8K25	.BOLT-	SERVICE BULLETIN OPT DATA: BACB30LE8K25 POST ALERT SB: 27A0155R2 27A0155IN2		2
560	BACB30LE8K28	.BOLT-	SERVICE BULLETIN OPT DATA: BACB30US8K28 POST ALERT SB: 27A0155R2 27A0155IN2		2
560	BACB30US8K28	.BOLT-	SERVICE BULLETIN OPT DATA: BACB30LE8K28 POST ALERT SB: 27A0155R2 27A0155IN2		2
565	BACB30LE8K22	.BOLT-		155162	2
565	BACB30LE8K20	.BOLT-	SERVICE BULLETIN OPT DATA: BACB30US8K20 POST ALERT SB: 27A0155R2 27A0155IN2		2
565	BACB30US8K20	.BOLT-	SERVICE BULLETIN OPT DATA: BACB30LE8K20 POST ALERT SB: 27A0155R2 27A0155IN2		2
565	BACB30LE8K23	.BOLT-	SERVICE BULLETIN OPT DATA: BACB30US8K23 POST ALERT SB: 27A0155R2		2
565	BACB30US8K23	.BOLT-	SERVICE BULLETIN OPT DATA: BACB30LE8K23 POST ALERT SB: 27A0155R2		2
565	BACB30LE8K26	.BOLT-	SERVICE BULLETIN OPT DATA: BACB30US8K26 POST ALERT SB: 27A0155R2 27A0155IN2		2

ILLUSTRATION ITEMS NOT ON PARTS LIST ARE NOT APPLICABLE

- ITEM NOT ILLUSTRATED

HXL

27-51-21-01

BOEING PROPRIETARY - Copyright © - Unpublished Work - See title page for details.

27-51-21  
FIG. 01  
PAGE 12  
DEC 22/07



767

PARTS CATALOG (MAINTENANCE)

FIG ITEM	PART NUMBER	1 2 3 4 5 6 7	NOMENCLATURE	EFFECT FROM TO	UNITS PER ASSY
1					
565	BACB30US8K26	.BOLT-	SERVICE BULLETIN OPT DATA: BACB30LE8K26 POST ALERT SB: 27A0155R2 27A0155IN2		2
570	BACB30LE7K34	.BOLT-	SERVICE BULLETIN OPT DATA: BACB30US7K34 POST ALERT SB: 27A0155IN1 27A0155R2 27A0155IN2		2
570	BACB30US7K34	.BOLT-	SERVICE BULLETIN OPT DATA: BACB30LE7K34 POST ALERT SB: 27A0155R1 27A0155IN1 27A0155IN2		2
570	BACB30LE7K28	.BOLT-	SERVICE BULLETIN OPT DATA: BACB30US7K28 POST ALERT SB: 27A0155R2 27A0155IN2		2
570	BACB30US7K28	.BOLT-	SERVICE BULLETIN OPT DATA: BACB30LE7K28 POST ALERT SB: 27A0155R2 27A0155R2		2
570	BACB30LE7K31	.BOLT-	SERVICE BULLETIN OPT DATA: BACB30US7K31 POST ALERT SB: 27A0155R2 27A0155IN2		2
570	BACB30US7K31	.BOLT-	SERVICE BULLETIN OPT DATA: BACB30LE7K31 POST ALERT SB: 27A0155R2 27A0155IN2		2

ILLUSTRATION ITEMS NOT ON PARTS LIST ARE NOT APPLICABLE

- ITEM NOT ILLUSTRATED

27-51-21-01

27-51-21  
FIG. 01  
PAGE 13  
DEC 22/07

HXL



767

PARTS CATALOG (MAINTENANCE)

FIG ITEM	PART NUMBER	1 2 3 4 5 6 7	NOMENCLATURE	EFFECT FROM TO	UNITS PER ASSY
1					
575	BACB30LE7K27	.BOLT-	SERVICE BULLETIN OPT DATA: BACB30US7K27 POST ALERT SB: 27A0155R2 27A0155IN2		2
575	BACB30US7K27	.BOLT-	SERVICE BULLETIN OPT DATA: BACB30LE7K27 POST ALERT SB: 27A0155R2 27A0155IN2		2
575	BACB30LE7K30	.BOLT-	SERVICE BULLETIN OPT DATA: BACB30US7K30 POST ALERT SB: 27A0155R2 27A0155IN2		2
575	BACB30US7K30	.BOLT-	SERVICE BULLETIN OPT DATA: BACB30LE7K30 POST ALERT SB: 27A0155R2 27A0155IN2		2
575	BACB30LE7K33	.BOLT-	SERVICE BULLETIN OPT DATA: BACB30US7K33 POST ALERT SB: 27A0155R2 27A0155IN2		2
575	BACB30US7K33	.BOLT-	SERVICE BULLETIN OPT DATA: BACB30LE7K33 POST ALERT SB: 27A0155R2		2
580	BACB30LE7K31	.BOLT-	SERVICE BULLETIN OPT DATA: BACB30US7K31 POST ALERT SB: 27A0155R2 27A0155IN2		2
580	BACB30US7K31	.BOLT-	SERVICE BULLETIN OPT DATA: BACB30LE7K31 POST ALERT SB: 27A0155R2 27A0155IN2		2

ILLUSTRATION ITEMS NOT ON PARTS LIST ARE NOT APPLICABLE

- ITEM NOT ILLUSTRATED

27-51-21-01

27-51-21  
FIG. 01  
PAGE 14  
DEC 22/07

HXL



767

PARTS CATALOG (MAINTENANCE)

FIG ITEM	PART NUMBER	1 2 3 4 5 6 7	NOMENCLATURE	EFFECT FROM TO	UNITS PER ASSY
1					
580	BACB30LE7K34	.BOLT-	SERVICE BULLETIN OPT DATA: BACB30US7K34 POST ALERT SB: 27A0155R2 27A0155IN2		2
580	BACB30US7K34	.BOLT-	SERVICE BULLETIN OPT DATA: BACB30LE7K34 POST ALERT SB: 27A0155R2 27A0155IN2		2
580	BACB30LE7K37	.BOLT-	SERVICE BULLETIN OPT DATA: BACB30US7K37 POST ALERT SB: 27A0155R2 27A0155IN2		2
580	BACB30US7K37	.BOLT-	SERVICE BULLETIN OPT DATA: BACB30LE7K37 POST ALERT SB: 27A0155R2 27A0155IN2		2
585	BACB30LE7K30	.BOLT-	SERVICE BULLETIN OPT DATA: BACB30US7K30 POST ALERT SB: 27A0155R2		2
585	BACB30US7K30	.BOLT-	SERVICE BULLETIN OPT DATA: BACB30LE7K30 POST ALERT SB: 27A0155R2		2
585	BACB30LE7K33	.BOLT-	SERVICE BULLETIN OPT DATA: BACB30US7K33 POST ALERT SB: 27A0155R2		2
585	BACB30US7K33	.BOLT-	SERVICE BULLETIN OPT DATA: BACB30LE7K33 POST ALERT SB: 27A0155R2		2

ILLUSTRATION ITEMS NOT ON PARTS LIST ARE NOT APPLICABLE

- ITEM NOT ILLUSTRATED

HXL

27-51-21-01

BOEING PROPRIETARY - Copyright © - Unpublished Work - See title page for details.

27-51-21  
FIG. 01  
PAGE 15  
DEC 22/07



767

PARTS CATALOG (MAINTENANCE)

FIG ITEM	PART NUMBER	1 2 3 4 5 6 7	NOMENCLATURE	EFFECT FROM TO	UNITS PER ASSY
1 585	BACB30US7K36		.BOLT- SERVICE BULLETIN OPT DATA: BACB30LE7K36 POST ALERT SB: 27A0155R2 27A0155IN2		2
585	BACB30LE7K36		.BOLT- SERVICE BULLETIN OPT DATA: BACB30US7K36 POST ALERT SB: 27A0155R2 27A0155IN2		2
590	BACW10BP8CD		.WASHER- POSITION DATA: UNDER HEAD SERVICE BULLETIN OPT DATA: BACW10BP8APU POST ALERT SB: 27A0155R1 27A0155IN1 27A0155R2 27A0155IN2		4
590	BACW10BP8APU		.WASHER- POSITION DATA: UNDER HEAD SERVICE BULLETIN OPT DATA: BACW10BP8CD POST ALERT SB: 27A0155R1 27A0155IN1 27A0155IN2		4
593	70191-8U		.WASHER- SUPPLIER CODE: V56878 POSITION DATA: UNDER CONVEX WASHER SERVICE BULLETIN OPT DATA: 922010-8 V60119 942010-8 V60119 POST ALERT SB: 27A0155R2		4

ILLUSTRATION ITEMS NOT ON PARTS LIST ARE NOT APPLICABLE

- ITEM NOT ILLUSTRATED

HXL

27-51-21-01

BOEING PROPRIETARY - Copyright © - Unpublished Work - See title page for details.

27-51-21  
FIG. 01  
PAGE 16  
DEC 22/07





767

PARTS CATALOG (MAINTENANCE)

FIG ITEM	PART NUMBER	1 2 3 4 5 6 7	NOMENCLATURE	EFFECT FROM TO	UNITS PER ASSY
1 593	922010-8		.WASHER- SUPPLIER CODE: V60119 POSITION DATA: UNDER CONVEX WASHER SERVICE BULLETIN OPT DATA: 70191-8U V56878 942010-8 V60119 POST ALERT SB: 27A0155R2		4
593	942010-8		.WASHER- SUPPLIER CODE: V60119 POSITION DATA: UNDER CONVEX WASHER SERVICE BULLETIN OPT DATA: 70191-8U V56878 922010-8 V60119 POST ALERT SB: 27A0155R2		4
593	K29913-8NF		.WASHER- SUPPLIER CODE: V15653 POSITION DATA: UNDER CONVEX WASHER SERVICE BULLETIN OPT DATA: 70191-8U V56878 922010-8 V60119 942010-8 V60119 POST ALERT SB: 27A0155R2 27A0155IN2		4

ILLUSTRATION ITEMS NOT ON PARTS LIST ARE NOT APPLICABLE

- ITEM NOT ILLUSTRATED

HXL

27-51-21-01

BOEING PROPRIETARY - Copyright © - Unpublished Work - See title page for details.

27-51-21  
FIG. 01  
PAGE 17  
DEC 22/07



767

PARTS CATALOG (MAINTENANCE)

FIG ITEM	PART NUMBER	1 2 3 4 5 6 7	NOMENCLATURE	EFFECT FROM TO	UNITS PER ASSY
1 595	70188-8U		.WASHER- SUPPLIER CODE: V56878 POSITION DATA: UNDER NUT SERVICE BULLETIN OPT DATA: 922009-8 V60119 942009-8 V60119 POST ALERT SB: 27A0155R2		4
595	922009-8		.WASHER- SUPPLIER CODE: V60119 POSITION DATA: UNDER NUT SERVICE BULLETIN OPT DATA: 70188-8U V56878 942009-8 V60119 POST ALERT SB: 27A0155R2		4
595	942009-8		.WASHER- SUPPLIER CODE: V60119 POSITION DATA: UNDER NUT SERVICE BULLETIN OPT DATA: 70188-8U V56878 922009-8 V60119 POST ALERT SB: 27A0155R2		4

ILLUSTRATION ITEMS NOT ON PARTS LIST ARE NOT APPLICABLE

- ITEM NOT ILLUSTRATED

HXL

27-51-21-01

BOEING PROPRIETARY - Copyright © - Unpublished Work - See title page for details.

27-51-21  
FIG. 01  
PAGE 18  
DEC 22/07

 **BOEING**  
767  
**PARTS CATALOG (MAINTENANCE)**

FIG ITEM	PART NUMBER	1 2 3 4 5 6 7	NOMENCLATURE	EFFECT FROM TO	UNITS PER ASSY
1 595	K29646-8NF		.WASHER- SUPPLIER CODE: V15653 POSITION DATA: UNDER NUT SERVICE BULLETIN OPT DATA: 70188-8U V56878 922009-8 V60119 942009-8 V60119 POST ALERT SB: 27A0155R2 27A0155IN2		4
600	BACW10BP7CD		.WASHER- POSITION DATA: UNDER BOLT HEAD SERVICE BULLETIN OPT DATA: BACW10BP7APU POST ALERT SB: 27A0155R1 27A0155IN1 27A0155IN2		4
600	BACW10BP7APU		.WASHER- POSITION DATA: UNDER HEAD SERVICE BULLETIN OPT DATA: BACW10BP7CD POST ALERT SB: 27A0155R1 27A0155IN1 27A0155IN2		4
602	BACW10BP7CD		.WASHER- POSITION DATA: UNDER BOLT HEAD SERVICE BULLETIN OPT DATA: BACW10BP7APU		4

R  
R  
R  
R  
R

ILLUSTRATION ITEMS NOT ON PARTS LIST ARE NOT APPLICABLE

- ITEM NOT ILLUSTRATED

HXL

27-51-21-01

BOEING PROPRIETARY - Copyright © - Unpublished Work - See title page for details.

27-51-21  
FIG. 01  
PAGE 19  
AUG 22/09



767

PARTS CATALOG (MAINTENANCE)

FIG ITEM	PART NUMBER	1 2 3 4 5 6 7	NOMENCLATURE	EFFECT FROM TO	UNITS PER ASSY
1 606	70188-7U		. WASHER- SUPPLIER CODE: V56878 SPECIFICATION NUMBER: BACW10CA7CVU OPTIONAL PART: K29646-7NF V15653 922009-7 V60119 942009-7 V60119 POSITION DATA: UNDER NUT POST ALERT SB: 27A0155R2		8
607	922010-7		. WASHER- SUPPLIER CODE: V60119 POSITION DATA: UNDER CONVEX WASHER SERVICE BULLETIN OPT DATA: 942010-7 V60119 K29913-7NF V15653 POST ALERT SB: 27A0155R2		8
607	942010-7		. WASHER- SUPPLIER CODE: V60119 POSITION DATA: UNDER CONVEX WASHER SERVICE BULLETIN OPT DATA: 922010-7 V60119 K29913-7NF V15653 POST ALERT SB: 27A0155R2		8

ILLUSTRATION ITEMS NOT ON PARTS LIST ARE NOT APPLICABLE

- ITEM NOT ILLUSTRATED

HXL

27-51-21-01

BOEING PROPRIETARY - Copyright © - Unpublished Work - See title page for details.

27-51-21  
FIG. 01  
PAGE 20  
AUG 22/09

 **BOEING**  
767  
**PARTS CATALOG (MAINTENANCE)**

FIG ITEM	PART NUMBER	1 2 3 4 5 6 7	NOMENCLATURE	EFFECT FROM TO	UNITS PER ASSY
1 607	K29913-7NF		.WASHER- SUPPLIER CODE: V15653 POSITION DATA: UNDER CONVEX WASHER SERVICE BULLETIN OPT DATA: 922010-7 V60119 942010-7 V60119 POST ALERT SB: 27A0155R2		8
R R R R R R R R R R R R	607 70191-7U		.WASHER- SUPPLIER CODE: V56878 POSITION DATA: UNDER CONVEX WASHER SERVICE BULLETIN OPT DATA: 922010-7 V60119 942010-7 V60119 K29913-7NF V15653 POST ALERT SB: 27A0155R2 27A0155IN2		8
	610 NAS1805-8		.NUT- POST ALERT SB: 27A0155R1 27A0155IN1 27A0155IN2		4
	615 NAS1805-7		.NUT- POST ALERT SB: 27A0155R1 27A0155IN1 27A0155IN2		8
	623 113T1367-15		.SHIM- POSITION DATA: UNDER CONCAVE WASHER POST ALERT SB: 27A0155R1 27A0155IN1 27A0155R2 27A0155IN2		2
	625 113T1367-1		.FILLER-		AR
	630 113T1367-2		.FILLER-		AR
	632 113T1367-6		.FILLER-		1
	633 113T1367-7		.FILLER-		1
ILLUSTRATION ITEMS NOT ON PARTS LIST ARE NOT APPLICABLE					

- ITEM NOT ILLUSTRATED

HXL

# 27-51-21-01

BOEING PROPRIETARY - Copyright © - Unpublished Work - See title page for details.

27-51-21  
FIG. 01  
PAGE 21  
AUG 22/09

**BOEING**  
767  
**PARTS CATALOG (MAINTENANCE)**

FIG ITEM	PART NUMBER	1 2 3 4 5 6 7	NOMENCLATURE	EFFECT FROM TO	UNITS PER ASSY
1					
635	113T1367-3		. FILLER-		AR
640	113T1367-4		. FILLER-		AR
641	113T1367-11		. SHIM-		1
642	113T1367-8		. SHIM-		1
643	113T1367-9		. SHIM-		1
644	113T1367-14		. SHIM-		4
			POSITION DATA: UNDER CONCAVE WASHER POST ALERT SB: 27A0155R1 27A0155IN1 27A0155IN2		
- 645	BACB30NW6K		. BOLT-		8
			SIZE DETERMINED ON INSTL.		
- 650	HL97DU6		. COLLAR		8
			SUPPLIER CODE: V73197 SPECIFICATION NUMBER: BACC30AB6S OPTIONAL PART: HL97DU6 V56878 HL97DU6 V5M902		
			-----*-----		
690	113T1346-9		. TRACK INSTL-DEFLECTION CONT		1
			POSITION DATA: LH SIDE FOR DETAILS SEE: 27-51-23-01		
690	113T1346-15		. TRACK INSTL-DEFLECTION CONT		1
			POSITION DATA: LH SIDE FOR DETAILS SEE: 27-51-23-01		
- 695	113T1346-10		. TRACK INSTL-DEFLECTION CONT		1
			POSITION DATA: RH SIDE FOR DETAILS SEE: 27-51-23-01		
ILLUSTRATION ITEMS NOT ON PARTS LIST ARE NOT APPLICABLE					

- ITEM NOT ILLUSTRATED

HXL

# 27-51-21-01

BOEING PROPRIETARY - Copyright © - Unpublished Work - See title page for details.

27-51-21  
FIG. 01  
PAGE 22  
AUG 22/09

 **BOEING**  
767  
**PARTS CATALOG (MAINTENANCE)**

FIG ITEM	PART NUMBER	1 2 3 4 5 6 7	NOMENCLATURE	EFFECT FROM TO	UNITS PER ASSY
1					
- 695	113T1346-16		.TRACK INSTL-DEFLECTION CONT POSITION DATA: RH SIDE FOR DETAILS SEE: 27-51-23-01		1
700	113T3000-59		.LINKAGE ASSY- POSITION DATA: LH SIDE OUTBD COMPONENT MAINT MANUAL REF: 27-51-97 FOR DETAILS SEE: 27-51-21-05		1
700	113T3000-63		.LINKAGE ASSY- POSITION DATA: LH SIDE OUTBD COMPONENT MAINT MANUAL REF: 27-51-97 FOR DETAILS SEE: 27-51-21-05		1
700	113T3000-135		.LINKAGE ASSY- POSITION DATA: LH SIDE OUTBD COMPONENT MAINT MANUAL REF: 27-51-97 FOR DETAILS SEE: 27-51-21-05		1
- 705	113T3000-60		.LINKAGE ASSY- POSITION DATA: RH SIDE OUTBD COMPONENT MAINT MANUAL REF: 27-51-97 FOR DETAILS SEE: 27-51-21-05		1
- 705	113T3000-64		.LINKAGE ASSY- POSITION DATA: RH SIDE OUTBD COMPONENT MAINT MANUAL REF: 27-51-97 FOR DETAILS SEE: 27-51-21-05		1
- 705	113T3000-136		.LINKAGE ASSY- POSITION DATA: RH SIDE OUTBD COMPONENT MAINT MANUAL REF: 27-51-97 FOR DETAILS SEE: 27-51-21-05		1
ILLUSTRATION ITEMS NOT ON PARTS LIST ARE NOT APPLICABLE					

- ITEM NOT ILLUSTRATED

HXL

# 27-51-21-01

BOEING PROPRIETARY - Copyright © - Unpublished Work - See title page for details.

27-51-21  
FIG. 01  
PAGE 23  
AUG 22/09



767

PARTS CATALOG (MAINTENANCE)

FIG ITEM	PART NUMBER	1 2 3 4 5 6 7	NOMENCLATURE	EFFECT FROM TO	UNITS PER ASSY
1 710	113T3000-57		.LINKAGE ASSY- POSITION DATA: LH SIDE INBD COMPONENT MAINT MANUAL REF: 27-51-97 FOR DETAILS SEE: 27-51-21-05		1
710	113T3000-61		.LINKAGE ASSY- POSITION DATA: LH SIDE INBD COMPONENT MAINT MANUAL REF: 27-51-97 FOR DETAILS SEE: 27-51-21-05		1
710	113T3000-139		.LINKAGE ASSY- POSITION DATA: INBD LH SIDE COMPONENT MAINT MANUAL REF: 27-51-97 FOR DETAILS SEE: 27-51-21-05		1
- 715	113T3000-58		.LINKAGE ASSY- POSITION DATA: RH SIDE INBD COMPONENT MAINT MANUAL REF: 27-51-97 FOR DETAILS SEE: 27-51-21-05		1
- 715	113T3000-62		.LINKAGE ASSY- POSITION DATA: RH SIDE INBD COMPONENT MAINT MANUAL REF: 27-51-97 FOR DETAILS SEE: 27-51-21-05		1
- 715	113T3000-140		.LINKAGE ASSY- POSITION DATA: INBD RH SIDE COMPONENT MAINT MANUAL REF: 27-51-97 FOR DETAILS SEE: 27-51-21-05		1
720	113T3100-75		.FLAP ASSY-VARIABLE POSITION DATA: LH SIDE COMPONENT MAINT MANUAL REF: 57-53-51 FOR DETAILS SEE: 57-25-01-05		1

ILLUSTRATION ITEMS NOT ON PARTS LIST ARE NOT APPLICABLE

- ITEM NOT ILLUSTRATED

**27-51-21-01**

27-51-21  
FIG. 01  
PAGE 24  
AUG 22/09

HXL





767

PARTS CATALOG (MAINTENANCE)

FIG ITEM	PART NUMBER	1 2 3 4 5 6 7	NOMENCLATURE	EFFECT FROM TO	UNITS PER ASSY
1 720	113T3100-81		.FLAP ASSY-VARIABLE POSITION DATA: LH SIDE COMPONENT MAINT MANUAL REF: 57-53-51 FOR DETAILS SEE: 57-25-01-05		1
720	113T3100-77		.FLAP ASSY-VARIABLE POSITION DATA: LH SIDE COMPONENT MAINT MANUAL REF: 57-53-51 QUALIFIED I/W DATA: -77 INTERCHANGEABLE WITH -83 SUBJECT TO COLOR PREFERENCE 113T3100-85 I/W 113T3100-77 SUBJECT TOCUSTOMER PREFERENCE FOR DETAILS SEE: 57-25-01-05		1
721	113T3100-89		.FLAP ASSY-VARIABLE POSITION DATA: LH SIDE COMPONENT MAINT MANUAL REF: 57-53-51 FOR DETAILS SEE: 57-25-01-05		1
721	113T3100-69A		.FLAP ASSY- POSITION DATA: LH SIDE COMPONENT MAINT MANUAL REF: 57-53-51 FOR DETAILS SEE: 57-25-01-05		1
721	113T3100-73SP		.FLAP ASSY-VARIABLE POSITION DATA: LH SIDE COMPONENT MAINT MANUAL REF: 57-53-51 FOR DETAILS SEE: 57-25-01-05		1

ILLUSTRATION ITEMS NOT ON PARTS LIST ARE NOT APPLICABLE

- ITEM NOT ILLUSTRATED

HXL

27-51-21-01

BOEING PROPRIETARY - Copyright © - Unpublished Work - See title page for details.

27-51-21  
FIG. 01  
PAGE 25  
AUG 22/09

 **BOEING**  
767  
**PARTS CATALOG (MAINTENANCE)**

FIG ITEM	PART NUMBER	1 2 3 4 5 6 7	NOMENCLATURE	EFFECT FROM TO	UNITS PER ASSY
1					
721	113T3100-79SP		. FLAP ASSY-VARIABLE POSITION DATA: LH SIDE COMPONENT MAINT MANUAL REF: 57-53-51 OPTIONAL PART: 113T3100-73SP FOR DETAILS SEE: 57-25-01-05		1
722	113T3100-91SP		. FLAP ASSY-VARIABLE POSITION DATA: LH SIDE COMPONENT MAINT MANUAL REF: 57-53-51 FOR DETAILS SEE: 57-25-01-05		1
722	113T3100-451SP		. FLAP ASSY- POSITION DATA: LH SIDE COMPONENT MAINT MANUAL REF: 57-53-51 FOR DETAILS SEE: 57-25-01-05		1
722	113T3100-99SP		. FLAP ASSY- POSITION DATA: LH SIDE COMPONENT MAINT MANUAL REF: 57-53-51 FOR DETAILS SEE: 57-25-01-05		1
722	113T3100-97SP		. FLAP ASSY- POSITION DATA: LH SIDE COMPONENT MAINT MANUAL REF: 57-53-51 FOR DETAILS SEE: 57-25-01-05		1
722	113T3100-95SP		. FLAP ASSY- POSITION DATA: LH SIDE COMPONENT MAINT MANUAL REF: 57-53-51 FOR DETAILS SEE: 57-25-01-05		1
ILLUSTRATION ITEMS NOT ON PARTS LIST ARE NOT APPLICABLE					

- ITEM NOT ILLUSTRATED

HXL

# 27-51-21-01

BOEING PROPRIETARY - Copyright © - Unpublished Work - See title page for details.

27-51-21  
FIG. 01  
PAGE 26  
AUG 22/09

 **BOEING**  
767  
**PARTS CATALOG (MAINTENANCE)**

FIG ITEM	PART NUMBER	1 2 3 4 5 6 7	NOMENCLATURE	EFFECT FROM TO	UNITS PER ASSY
1 722	113T3100-93SP		.FLAP ASSY- POSITION DATA: LH SIDE COMPONENT MAINT MANUAL REF: 57-53-51 FOR DETAILS SEE: 57-25-01-05		1
722	113T3100-101SP		.FLAP ASSY- POSITION DATA: LH SIDE COMPONENT MAINT MANUAL REF: 57-53-51 FOR DETAILS SEE: 57-25-01-05		1
- 725	113T3100-96SP		.FLAP ASSY- POSITION DATA: RH SIDE COMPONENT MAINT MANUAL REF: 57-53-51 FOR DETAILS SEE: 57-25-01-05		1
- 725	113T3100-94SP		.FLAP ASSY- POSITION DATA: RH SIDE COMPONENT MAINT MANUAL REF: 57-53-51 FOR DETAILS SEE: 57-25-01-05		1
- 725	113T3100-78		.FLAP ASSY-VARIABLE POSITION DATA: RH SIDE COMPONENT MAINT MANUAL REF: 57-53-51 QUALIFIED I/W DATA: -78 INTERCHANGEABLE WITH -84 SUBJECT TO COLOR PREFERENCE 113T3100-86 I/W 113T3100-78 SUBJECT TOCUSTOMER PREFERENCE FOR DETAILS SEE: 57-25-01-05		1
- 726	113T3100-90		.FLAP ASSY-VARIABLE POSITION DATA: RH SIDE COMPONENT MAINT MANUAL REF: 57-53-51 FOR DETAILS SEE: 57-25-01-05		1

ILLUSTRATION ITEMS NOT ON PARTS LIST ARE NOT APPLICABLE

- ITEM NOT ILLUSTRATED

HXL

27-51-21-01

BOEING PROPRIETARY - Copyright © - Unpublished Work - See title page for details.

27-51-21  
FIG. 01  
PAGE 27  
AUG 22/09



767

PARTS CATALOG (MAINTENANCE)

FIG ITEM	PART NUMBER	1 2 3 4 5 6 7	NOMENCLATURE	EFFECT FROM TO	UNITS PER ASSY
1					
- 726	113T3100-70SP		. FLAP ASSY- POSITION DATA: RH SIDE COMPONENT MAINT MANUAL REF: 57-53-51 FOR DETAILS SEE: 57-25-01-05		1
- 726	113T3100-102SP		. FLAP ASSY- POSITION DATA: RH SIDE FOR DETAILS SEE: 57-25-01-05		1

ILLUSTRATION ITEMS NOT ON PARTS LIST ARE NOT APPLICABLE

- ITEM NOT ILLUSTRATED

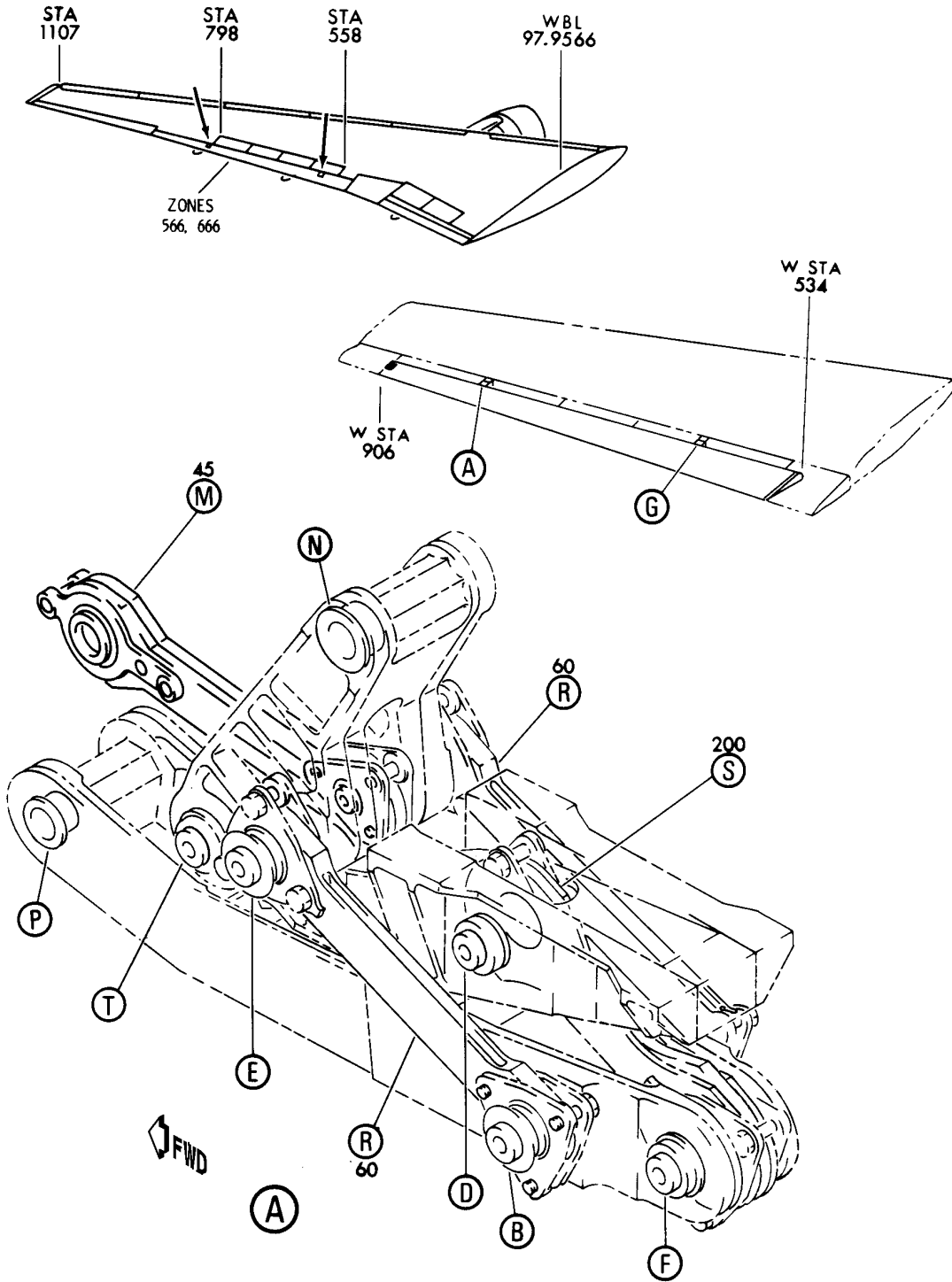
HXL

27-51-21-01

BOEING PROPRIETARY - Copyright © - Unpublished Work - See title page for details.

27-51-21  
FIG. 01  
PAGE 28  
AUG 22/09

**BOEING**  
767  
PARTS CATALOG (MAINTENANCE)



V 27512105 SHT 1 REV 306

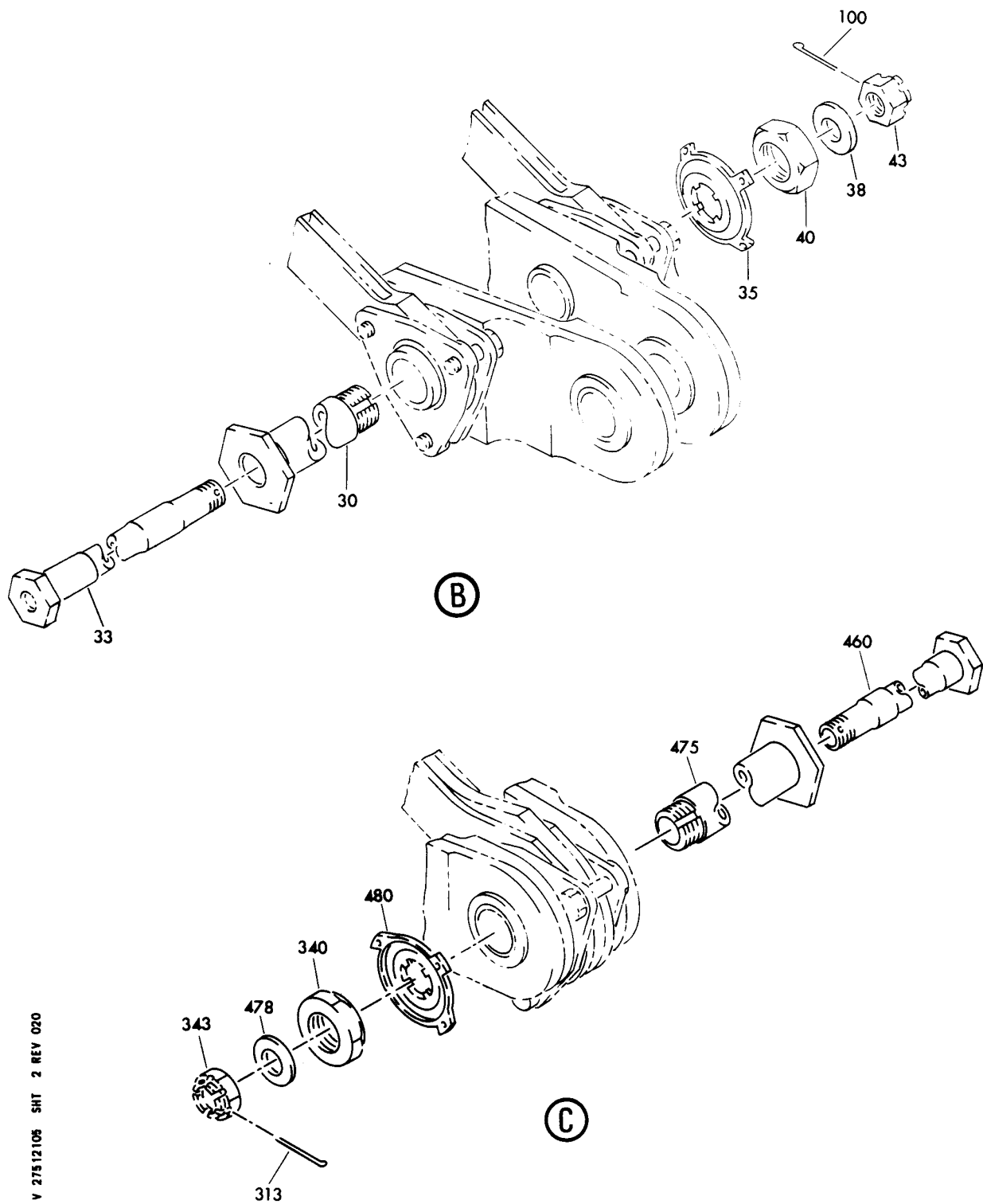
LINKAGE ASSY-OUTBD TE FLAP  
FIGURE 5 (SHEET 1)

**27-51-21-05**

HXL  
DEC 22/06

27-51-21-05  
PAGE 0

**BOEING**  
767  
PARTS CATALOG (MAINTENANCE)



V 27512105 SHT 2 REV 020

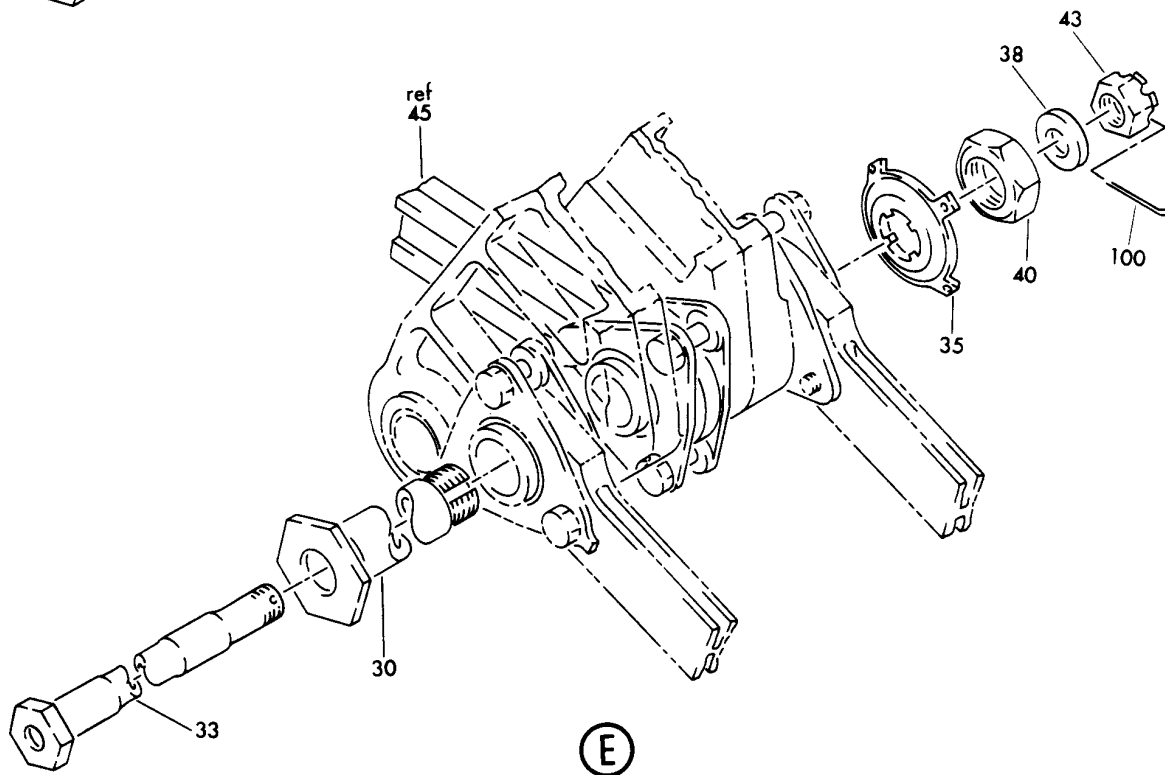
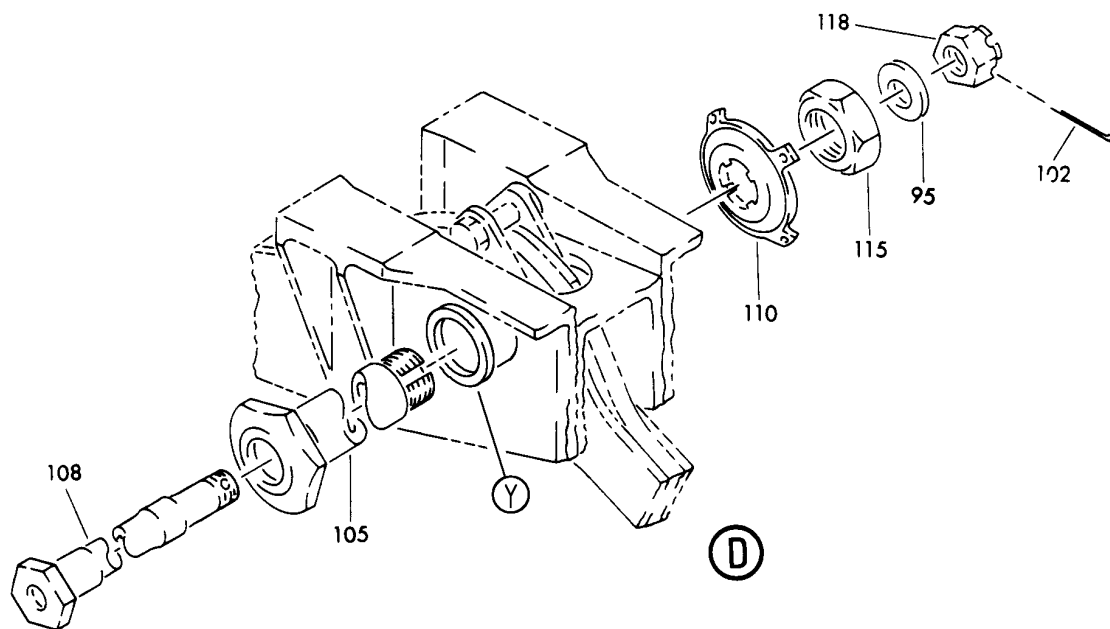
LINKAGE ASSY-OUTBD TE FLAP  
FIGURE 5 (SHEET 2)

**27-51-21-05**

HXL  
DEC 22/06

27-51-21-05  
PAGE 0A

**BOEING**  
767  
PARTS CATALOG (MAINTENANCE)



V 27512105 SHT 3 REV 257

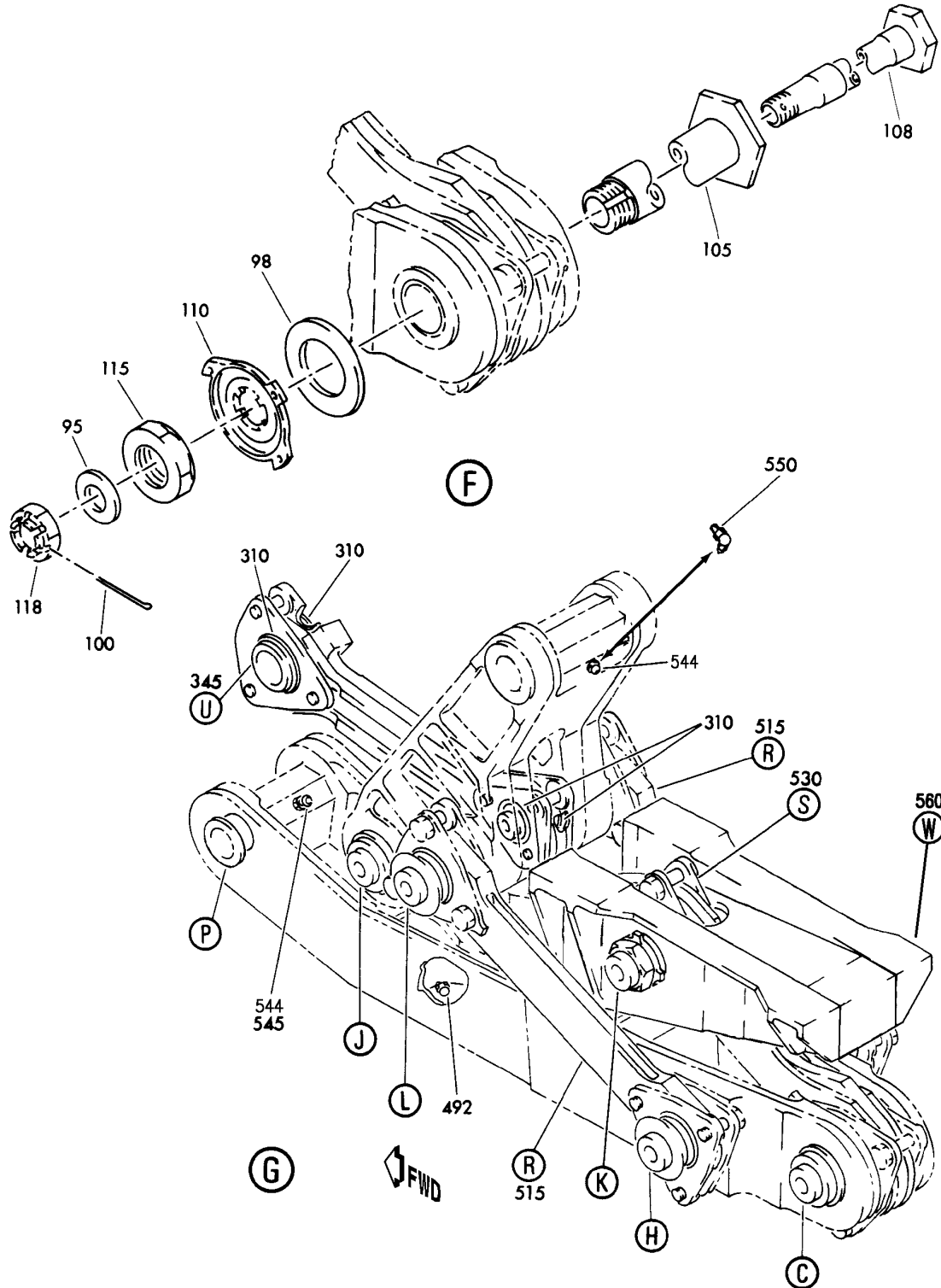
LINKAGE ASSY-OUTBD TE FLAP  
FIGURE 5 (SHEET 3)

**27-51-21-05**

HXL  
DEC 22/06

27-51-21-05  
PAGE 08

**BOEING**  
767  
PARTS CATALOG (MAINTENANCE)



V 27512105 SHT 4 REV 306

LINKAGE ASSY-OUTBD TE FLAP  
FIGURE 5 (SHEET 4)

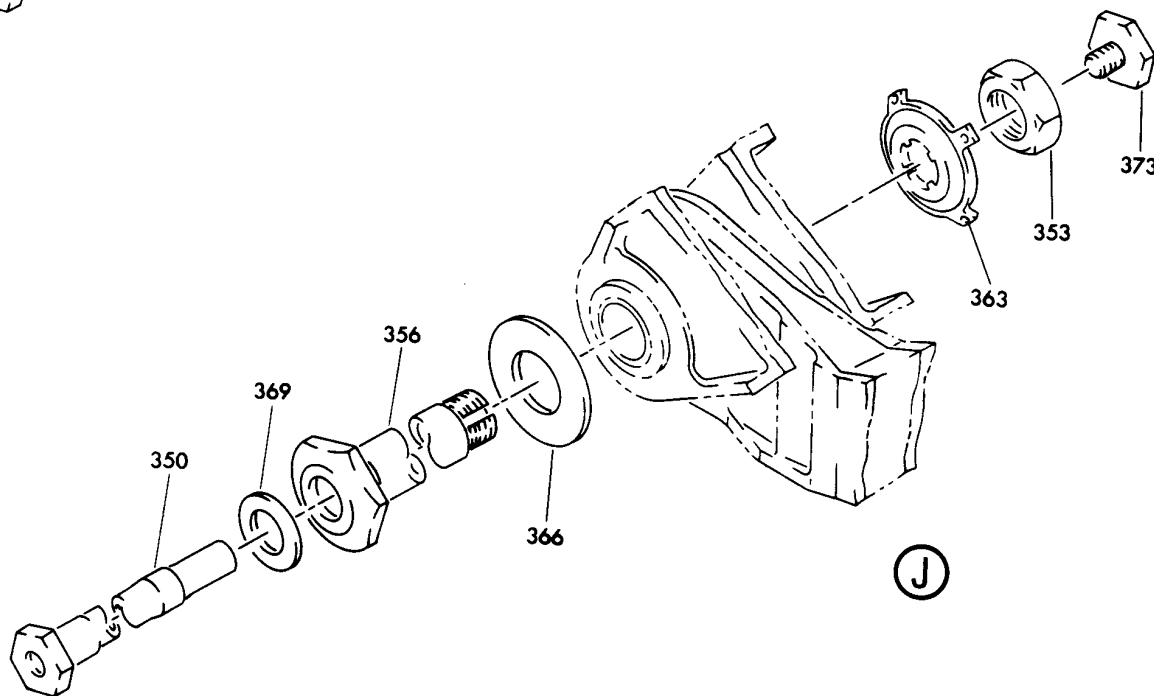
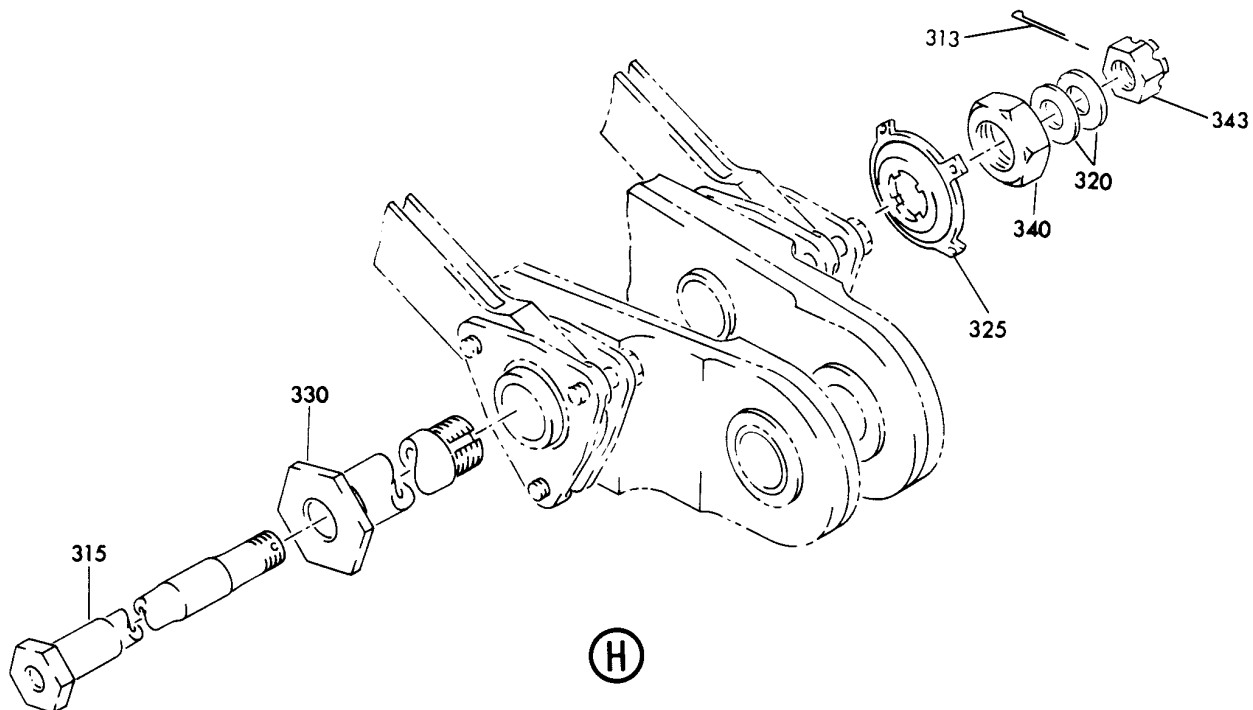
**27-51-21-05**

HXL  
DEC 22/06

27-51-21-05  
PAGE 0C



**BOEING**  
767  
PARTS CATALOG (MAINTENANCE)



V 27512105 SHT 5 REV 020

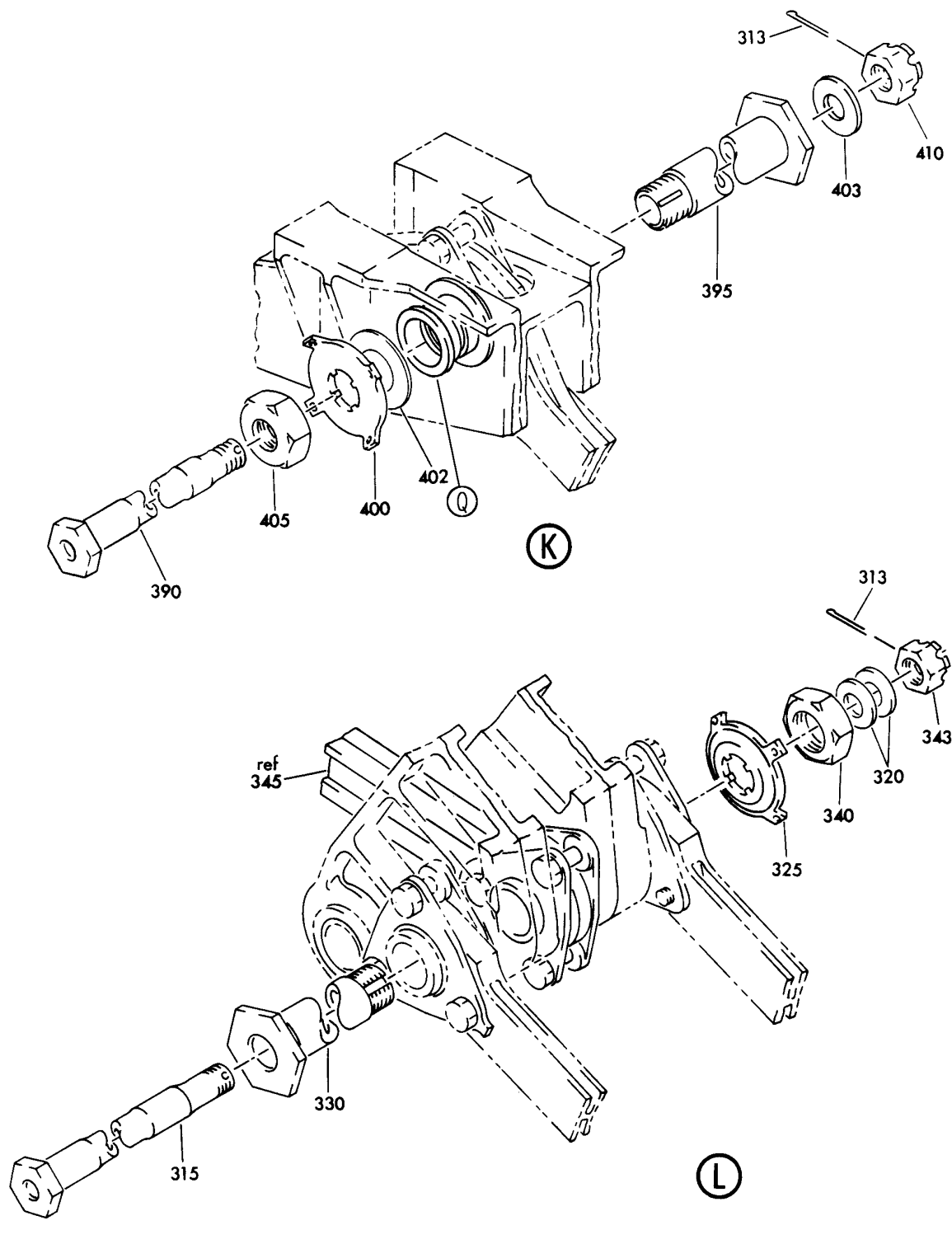
LINKAGE ASSY-OUTBD TE FLAP  
FIGURE 5 (SHEET 5)

**27-51-21-05**

HXL  
DEC 22/06

27-51-21-05  
PAGE 0D

**BOEING**  
767  
PARTS CATALOG (MAINTENANCE)



V 27512105 SHT 6 REV 257

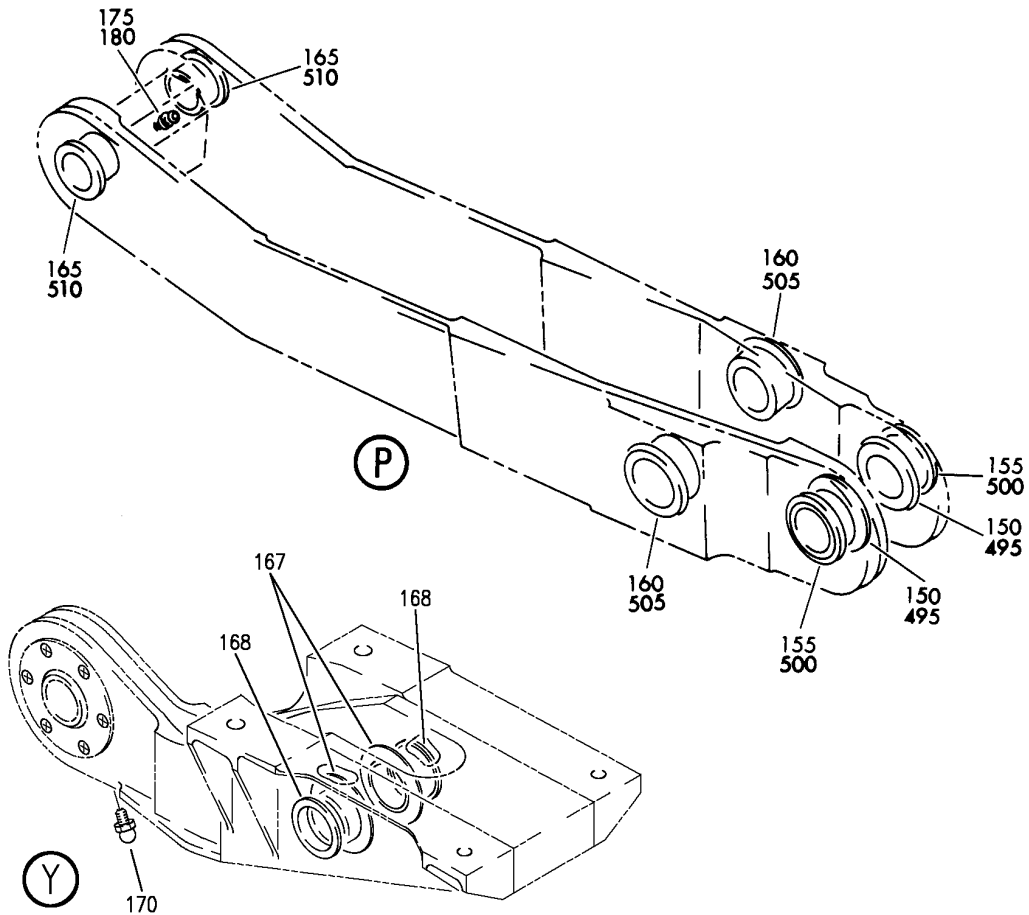
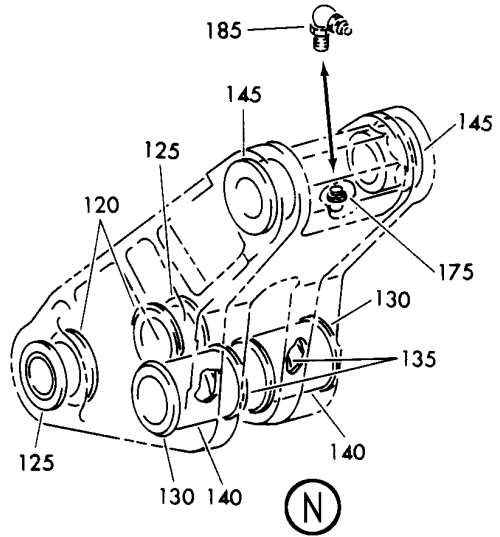
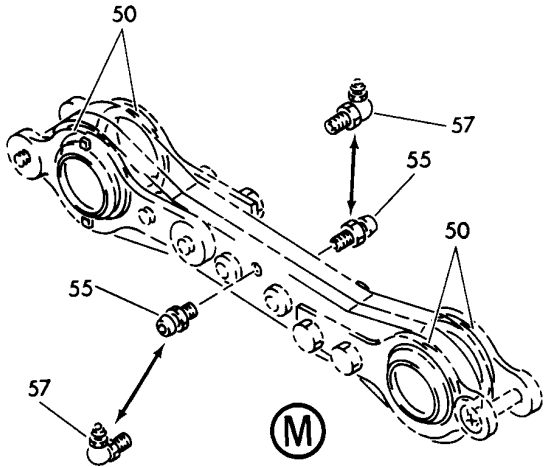
LINKAGE ASSY-OUTBD TE FLAP  
FIGURE 5 (SHEET 6)

**27-51-21-05**

HXL  
DEC 22/06

27-51-21-05  
PAGE 0E


**BOEING**  
 767  
**PARTS CATALOG (MAINTENANCE)**



V 27512105 SH-T 7 REV 320

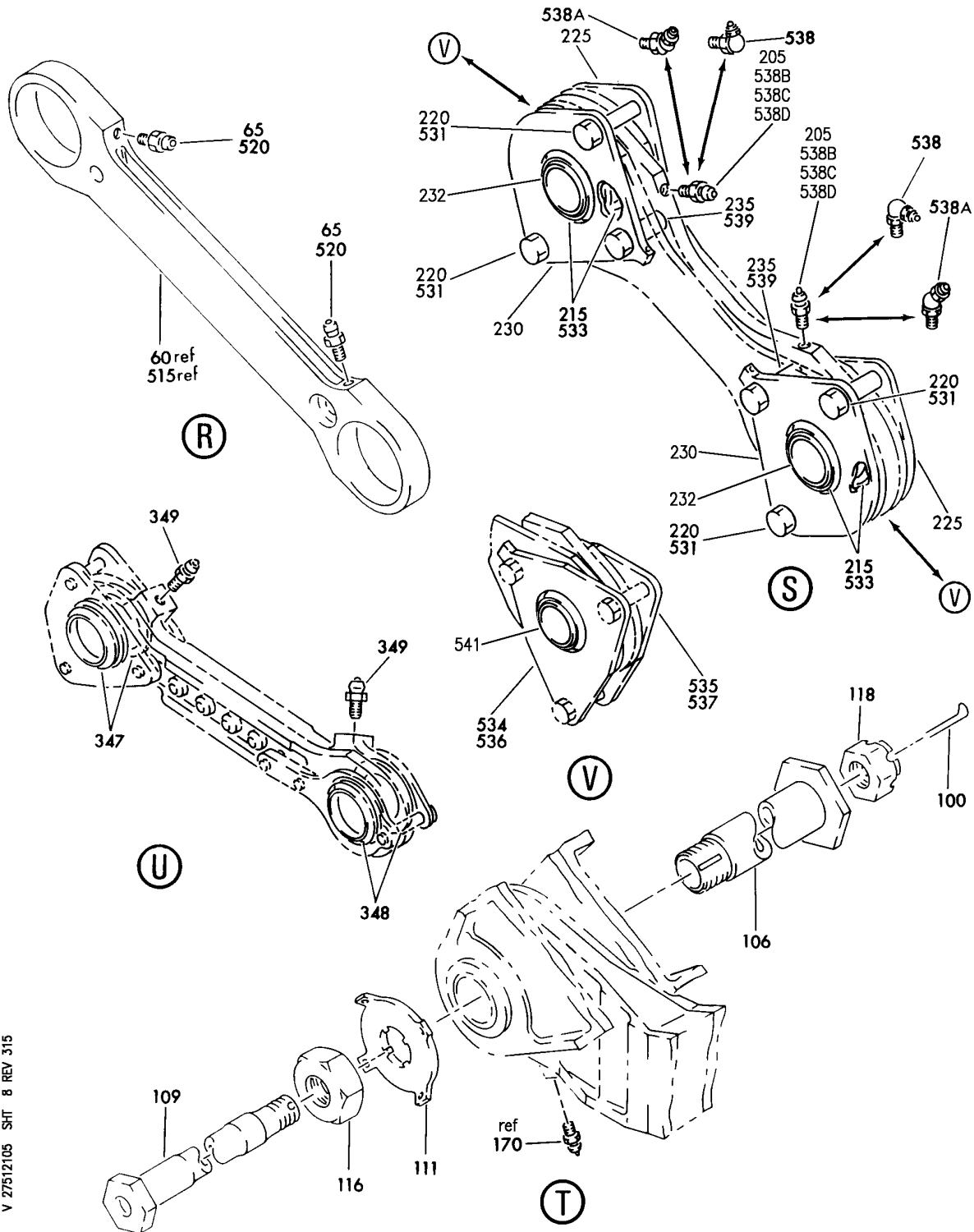
LINKAGE ASSY-OUTBD TE FLAP  
FIGURE 5 (SHEET 7)

**27-51-21-05**

HXL  
DEC 22/07

27-51-21-05  
PAGE OF

**BOEING**  
767  
PARTS CATALOG (MAINTENANCE)



V 27512105 SHT 8 REV 315

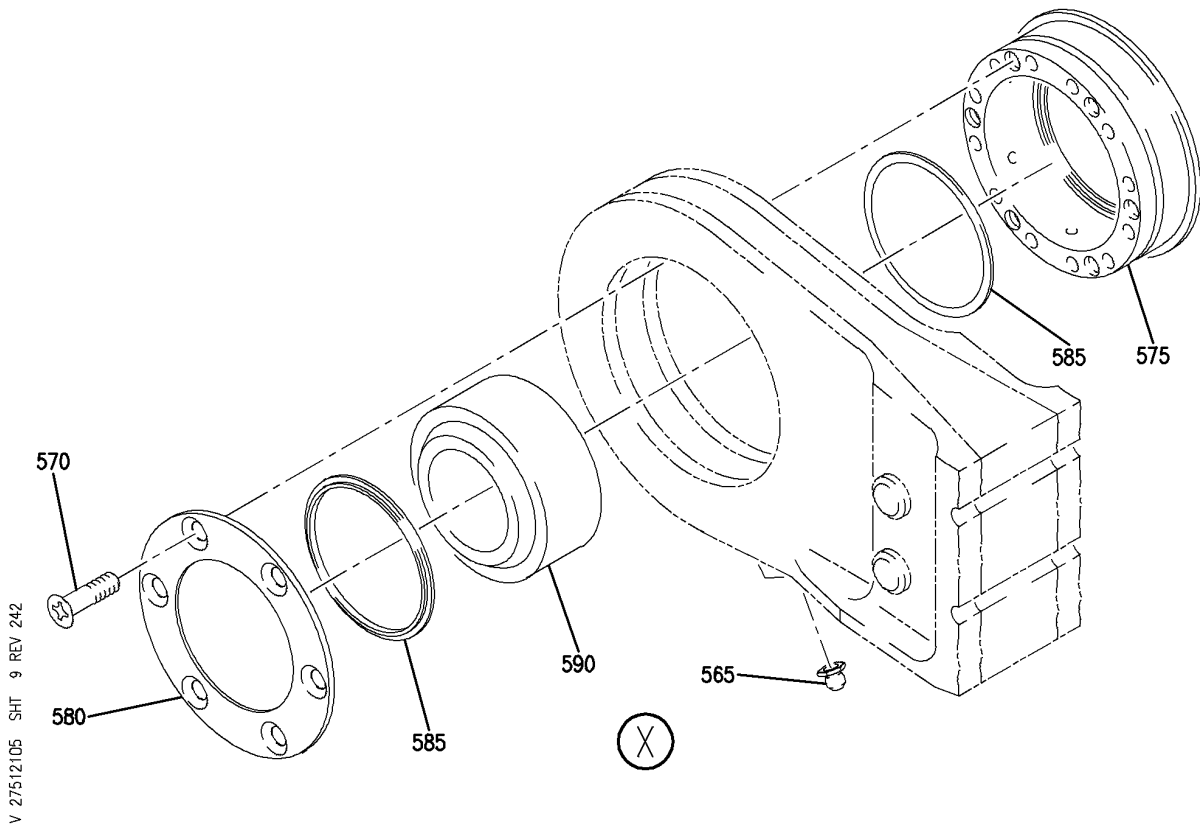
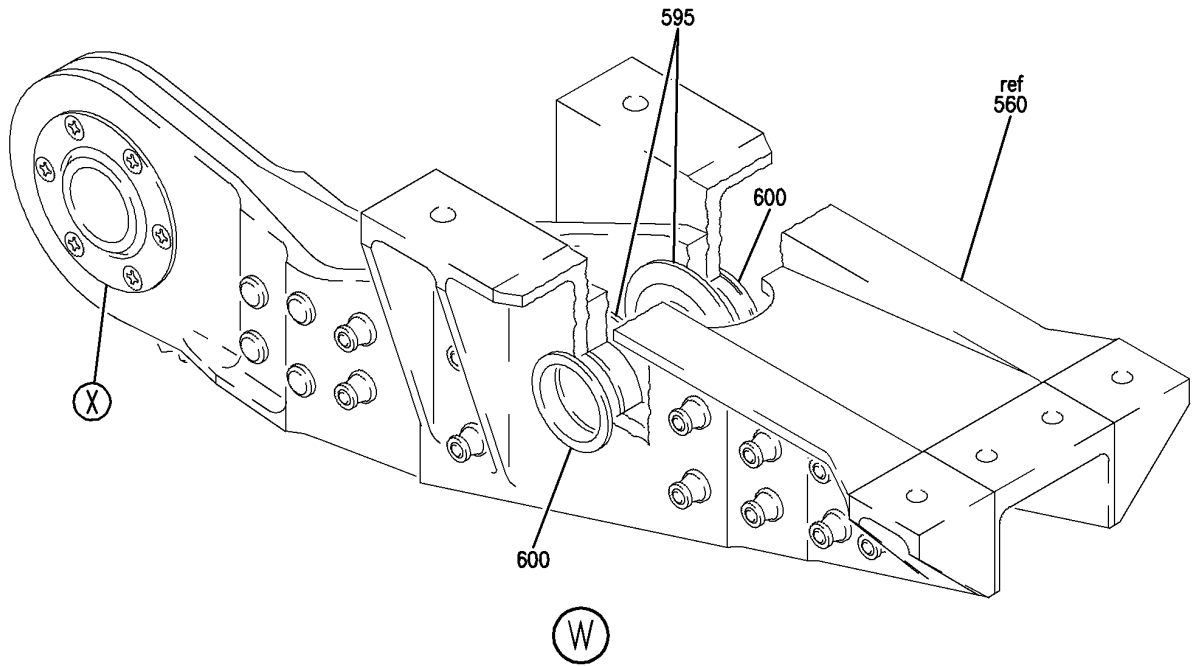
LINKAGE ASSY-OUTBD TE FLAP  
FIGURE 5 (SHEET 8)

**27-51-21-05**

HXL  
APR 22/07

27-51-21-05  
PAGE 0G

**BOEING**  
 767  
 PARTS CATALOG (MAINTENANCE)



V 27512105 SHT 9 REV 242

LINKAGE ASSY-OUTBD TE FLAP  
 FIGURE 5 (SHEET 9)

**27-51-21-05**

HXL  
 DEC 22/06

27-51-21-05  
 PAGE 0H

 **BOEING**  
767  
**PARTS CATALOG (MAINTENANCE)**

FIG ITEM	PART NUMBER	1 2 3 4 5 6 7	NOMENCLATURE	EFFECT FROM TO	UNITS PER ASSY
5					
- 1	113T3000-59		LINKAGE ASSY-OUTBD TE FLAP LINKAGE ASSY-TE FLAP POSITION DATA: OUTBD LH COMPONENT MAINT MANUAL REF: 27-51-97 FOR NHA SEE: 27-51-21-01		RF
- 1	113T3000-63		LINKAGE ASSY-TE FLAP POSITION DATA: OUTBD LH COMPONENT MAINT MANUAL REF: 27-51-97 FOR NHA SEE: 27-51-21-01		RF
- 1	113T3000-135		LINKAGE ASSY-TE FLAP POSITION DATA: OUTBD LH COMPONENT MAINT MANUAL REF: 27-51-97 FOR NHA SEE: 27-51-21-01		RF
- 5	113T3000-60		LINKAGE ASSY-TE FLAP POSITION DATA: OUTBD RH COMPONENT MAINT MANUAL REF: 27-51-97 FOR NHA SEE: 27-51-21-01		RF
- 5	113T3000-64		LINKAGE ASSY-TE FLAP POSITION DATA: OUTBD RH COMPONENT MAINT MANUAL REF: 27-51-97 FOR NHA SEE: 27-51-21-01		RF
- 5	113T3000-136		LINKAGE ASSY-TE FLAP POSITION DATA: OUTBD RH COMPONENT MAINT MANUAL REF: 27-51-97 FOR NHA SEE: 27-51-21-01		RF
30	113T1263-16		.PIN		2
33	113T1264-46		.PIN- OPTIONAL PART: 113T1264-12		2
35	113T1254-9		.WASHER-SPECIAL		2
38	113T1254-13		.WASHER		2
ILLUSTRATION ITEMS NOT ON PARTS LIST ARE NOT APPLICABLE					

- ITEM NOT ILLUSTRATED

HXL

# 27-51-21-05

BOEING PROPRIETARY - Copyright © - Unpublished Work - See title page for details.

27-51-21  
FIG. 05  
PAGE 1  
DEC 22/07

 **BOEING**  
767  
**PARTS CATALOG (MAINTENANCE)**

FIG ITEM	PART NUMBER	1 2 3 4 5 6 7	NOMENCLATURE	EFFECT FROM TO	UNITS PER ASSY
5					
40	113T1262-3	.NUT			2
43	BACN10JD112ASU	.NUT			2
45	113T1335-9	.LINK ASSY-5-8 SPRT NO. 1			1
45	113T1335-13	.LINK ASSY-5-8 SPRT NO. 1			1
		OPTIONAL PART:			
		113T1335-9			
50	113T1256-6	..SEAL			4
57	MS15001-4	..FITTING-			2
		USED ON:			
		113T1335-7			
		113T1335-9			
		113T1335-12			
		113T1335-13			
60	113T1319-3	.LINK ASSY-2-8			2
65	MS15004-1	..FITTING			2
95	113T1254-24	.WASHER-SPECIAL			2
98	BACW10BP22PTU	.WASHER			1
100	MS24665-374	.PIN			4
102	MS24665-376	.PIN			1
105	113T1263-12	.PIN			2
106	113T1263-23	.PIN			1
108	113T1264-43	.PIN-			2
		OPTIONAL PART:			
		113T1264-8			
109	113T1264-44	.PIN-			1
		OPTIONAL PART:			
		113T1264-10			
110	113T1254-18	.WASHER-SPECIAL			2
111	113T1254-53	.WASHER-SPECIAL			1
115	113T1262-2	.NUT			2
116	113T1262-21	.NUT			1
118	BACN10JD110ASU	.NUT			3
120	113T1347-1	.BUSHING			2
125	113T1347-2	.BUSHING			2
130	113T1347-3	.BUSHING			2
135	113T1347-4	.BUSHING			2
140	113T1347-5	.BUSHING			2
145	113T1347-6	.BUSHING			2
150	113T1347-17	.BUSHING			2
155	113T1347-18	.BUSHING			2
160	113T1347-19	.BUSHING			2
165	113T1347-20	.BUSHING			2
167	113T1347-7	.BUSHING			2
168	113T1347-16	.BUSHING			2
170	MS15004-1	.FITTING			1
180	MS15001-1	.FITTING			1
185	MS15001-3	.FITTING			1
200	113T1321-1	.LINK ASSY-3-10 SPRT NO. 1			1

ILLUSTRATION ITEMS NOT ON PARTS LIST ARE NOT APPLICABLE

— ITEM NOT ILLUSTRATED

HXL

# 27-51-21-05

BOEING PROPRIETARY - Copyright © - Unpublished Work - See title page for details.

27-51-21  
FIG. 05  
PAGE 2  
DEC 22/07

 **BOEING**  
767  
**PARTS CATALOG (MAINTENANCE)**

FIG ITEM	PART NUMBER	1 2 3 4 5 6 7	NOMENCLATURE	EFFECT FROM TO	UNITS PER ASSY
5					
200	113T1321-8		.LINK ASSY-3-10 SPRT NO. 1 OPTIONAL PART: 113T1321-12 REWORKED BY SB: 27-0196 REWORKED BY ALERT SB: 27A0167		1
200	113T1321-12		.LINK ASSY-3-10 SPRT NO. 1 OPTIONAL PART: 113T1321-8 REWORKED BY SB: 27-0196		1
200	113T1321-13		.LINK ASSY-3-10 SPRT NO. 1		1
205	MS15001-1		..FITTING- USED ON: 113T1321-1 113T1321-8		2
205	AS15004-1		..FITTING- OPTIONAL PART: MS15004-1 USED ON: 113T1321-12 113T1321-13		2
205	MS15004-1		..FITTING- OPTIONAL PART: AS15004-1 USED ON: 113T1321-12 113T1321-13		2
215	113T1256-4		..SEAL		4
220	BACB30LJ4H20		..BOLT- USED ON: 113T1321-1 113T1321-8		6
220	BACB30LJ4HSU20		..BOLT- USED ON: 113T1321-12 113T1321-13		6
225	113T1362-5		..RETAINER-BRG USED ON: 113T1321-1 113T1321-8		2
225	113T1362-37		..FLAP- USED ON: 113T1321-12 113T1321-13		2
ILLUSTRATION ITEMS NOT ON PARTS LIST ARE NOT APPLICABLE					

- ITEM NOT ILLUSTRATED

HXL

# 27-51-21-05

BOEING PROPRIETARY - Copyright © - Unpublished Work - See title page for details.

27-51-21  
FIG. 05  
PAGE 3  
AUG 22/08





767

PARTS CATALOG (MAINTENANCE)

FIG ITEM	PART NUMBER	1 2 3 4 5 6 7	NOMENCLATURE	EFFECT FROM TO	UNITS PER ASSY
5					
230	113T1362-6		..RETAINER-BRG USED ON: 113T1321-1 113T1321-8		2
230	113T1362-38		..FLAP- USED ON: 113T1321-12 113T1321-13		2
232	BCREF49870		..BEARING- OVERLENGTH PART NUMBER: BACB10JA22ABCJ01 USED ON: 113T1321-13 POST SERVICE BULLETIN: 27-0196		2
232	NC22-1		..BEARING- SUPPLIER CODE: V56644 SPECIFICATION NUMBER: 60B00180-231 OPTIONAL PART: ASB22-101 VS0352 LHCB22BA V73134 BLN22-2021 V81376 BLP22F231 V16746 HSP22-109 V02758 USED ON: 113T1321-1 113T1321-8 113T1321-12 PRE SERVICE BULLETIN: 27-0196		2
235	BACB28U4C111		..BUSHING- USED ON: 113T1321-8 113T1321-1		2
- 300	113T3000-57		LINKAGE ASSY-TE FLAP POSITION DATA: INBD LH COMPONENT MAINT MANUAL REF: 27-51-97 FOR NHA SEE: 27-51-21-01		RF
ILLUSTRATION ITEMS NOT ON PARTS LIST ARE NOT APPLICABLE					

- ITEM NOT ILLUSTRATED

27-51-21-05

27-51-21  
FIG. 05  
PAGE 4  
AUG 22/08

HXL



767

PARTS CATALOG (MAINTENANCE)

FIG ITEM	PART NUMBER	1 2 3 4 5 6 7	NOMENCLATURE	EFFECT FROM TO	UNITS PER ASSY
5					
- 300	113T3000-61		LINKAGE ASSY-TE FLAP POSITION DATA: INBD LH COMPONENT MAINT MANUAL REF: 27-51-97 FOR NHA SEE: 27-51-21-01		RF
- 300	113T3000-139		LINKAGE ASSY-TE FLAP POSITION DATA: INBD LH COMPONENT MAINT MANUAL REF: 27-51-97 FOR NHA SEE: 27-51-21-01		RF
- 305	113T3000-58		LINKAGE ASSY-TE FLAP POSITION DATA: INBD RH COMPONENT MAINT MANUAL REF: 27-51-97 FOR NHA SEE: 27-51-21-01		RF
- 305	113T3000-62		LINKAGE ASSY-TE FLAP POSITION DATA: INBD RH COMPONENT MAINT MANUAL REF: 27-51-97 FOR NHA SEE: 27-51-21-01		RF
- 305	113T3000-140		LINKAGE ASSY-TE FLAP POSITION DATA: INBD RH COMPONENT MAINT MANUAL REF: 27-51-97 FOR NHA SEE: 27-51-21-01		RF
310	113T1256-3		.SEAL		4
313	MS24665-376		.PIN		4
315	113T1264-14		.PIN-		2
			OPTIONAL PART: 113T1264-48		
315	113T1264-48		.PIN-		2
			OPTIONAL PART: 113T1264-14		
320	113T1254-25		.WASHER-SPECIAL		4
325	113T1254-41		.WASHER-SPECIAL		2
330	113T1263-18		.PIN		2
340	113T1262-9		.NUT		3
343	BACN10JD112ASU		.NUT		3
345	113T1336-7		.LINK ASSY-5-8 SPRT NO. 2		1

ILLUSTRATION ITEMS NOT ON PARTS LIST ARE NOT APPLICABLE

- ITEM NOT ILLUSTRATED

27-51-21-05

27-51-21  
FIG. 05  
PAGE 5  
AUG 22/08

HXL



767

PARTS CATALOG (MAINTENANCE)

FIG ITEM	PART NUMBER	1 2 3 4 5 6 7	NOMENCLATURE	EFFECT FROM TO	UNITS PER ASSY
5					
345	113T1336-11		.LINK ASSY-5-8 SPRT NO. 2 OPTIONAL PART: 113T1336-7		1
347	113T1256-6		..SEAL		2
348	113T1256-3		..SEAL		2
349	MS15004-1		..FITTING-		2
350	113T1264-13		.PIN- OPTIONAL PART: 113T1264-47		1
350	113T1264-47		.PIN- OPTIONAL PART: 113T1264-13		1
353	113T1262-20		.NUT-SPECIAL		1
356	113T1263-25		.PIN		1
363	113T1254-52		.WASHER-SPECIAL		1
366	113T1105-9		.WASHER		1
369	BACW10BP16ACU		.WASHER		1
373	113T1264-18		.PIN		1
390	113T1264-7		.PIN- OPTIONAL PART: 113T1264-42		1
390	113T1264-42		.PIN- OPTIONAL PART: 113T1264-7		1
395	113T1263-7		.PIN		1
400	113T1254-6		.WASHER-SPECIAL		1
402	AN960C2616		.WASHER		1
403	BACW10BP14PTU		.WASHER		1
405	113T1262-6		.NUT		1
410	BACN10JD114ASU		.NUT		1
460	113T1264-16		.PIN-		1
460	113T1264-50		.PIN-		1
475	113T1263-20		.PIN		1
478	113T1254-13		.WASHER		1
480	113T1254-26		.WASHER-SPECIAL		1
495	113T1347-26		.BUSHING		2
500	113T1347-27		.BUSHING		2
505	113T1347-28		.BUSHING		2
510	113T1347-29		.BUSHING		2
515	113T1320-1		.LINK ASSY-2-8		2
520	MS15004-1		..FITTING-		2
530	113T1322-1		.LINK ASSY-3-10 SPRT NO. 2 REWORKED BY ALERT SB: 27A0167		1
530	113T1322-5		.LINK ASSY-3-10 SPRT NO. 2 REWORKED BY ALERT SB: 27A0167		1

ILLUSTRATION ITEMS NOT ON PARTS LIST ARE NOT APPLICABLE

- ITEM NOT ILLUSTRATED

27-51-21-05

27-51-21  
FIG. 05  
PAGE 6  
DEC 22/08

HXL

BOEING PROPRIETARY - Copyright © - Unpublished Work - See title page for details.



767

PARTS CATALOG (MAINTENANCE)

FIG ITEM	PART NUMBER	1 2 3 4 5 6 7	NOMENCLATURE	EFFECT FROM TO	UNITS PER ASSY
5					
530	113T1322-7		.LINK ASSY-3-10 SPRT NO. 2 REWORKED BY ALERT SB: 27A0167		1
530	113T1322-9		.LINK ASSY-3-10 SPRT NO. 2 OPTIONAL PART: 113T1322-7		1
530	113T1322-12		.LINK ASSY-3-10 SPRT NO. 2		1
531	BACB30LJ4H17		..BOLT- USED ON: 113T1322-1 113T1322-5		6
531	BACB30LJ4HSU17		..BOLT- USED ON: 113T1322-7 113T1322-9 113T1322-12		6
533	113T1256-5		..SEAL		4
534	113T1362-12		..RETAINER-BRG QUALIFIED OPTIONAL DATA: (113T1362-12 WITH 113T1362-13 OPTIONAL TO 113T1362-25 WITH 113T1362-26) USED ON: 113T1322-1 113T1322-5		2
535	113T1362-13		..RETAINER-BRG QUALIFIED OPTIONAL DATA: (113T1362-12 WITH 113T1362-13 OPTIONAL TO 113T1362-25 WITH 113T1362-26) USED ON: 113T1322-1 113T1322-5		2
536	113T1362-25		..RETAINER-BRG QUALIFIED OPTIONAL DATA: (113T1362-12 WITH 113T1362-13 OPTIONAL TO 113T1362-25 WITH 113T1362-26) USED ON: 113T1322-1 113T1322-5		2
536	113T1362-25		..RETAINER-BRG USED ON: 113T1322-7 113T1322-9 113T1322-12		2

ILLUSTRATION ITEMS NOT ON PARTS LIST ARE NOT APPLICABLE

- ITEM NOT ILLUSTRATED

27-51-21-05

27-51-21  
FIG. 05  
PAGE 7  
DEC 22/08

HXL

BOEING PROPRIETARY - Copyright © - Unpublished Work - See title page for details.

 **BOEING**  
767  
**PARTS CATALOG (MAINTENANCE)**

FIG ITEM	PART NUMBER	1 2 3 4 5 6 7	NOMENCLATURE	EFFECT FROM TO	UNITS PER ASSY
5					
537	113T1362-26		..RETAINER-BRG QUALIFIED OPTIONAL DATA: (113T1362-12 WITH 113T1362-13 OPTIONAL TO 113T1362-25 WITH 113T1362-26) USED ON: 113T1322-1 113T1322-5		2
537	113T1362-26		..RETAINER-BRG USED ON: 113T1322-7 113T1322-9 113T1322-12		2
538	MS15001-4		..FITTING- USED ON: 113T1322-5		2
538A	MS15004-3		..FITTING- USED ON: 113T1322-7		2
538B	MS15001-1		..FITTING- USED ON: 113T1322-1		2
538C	MS15004-1		..FITTING- OPTIONAL PART: AS15004-3 USED ON: 113T1322-9 113T1322-12		2
538D	AS15004-3		..FITTING- OPTIONAL PART: MS15004-1 USED ON: 113T1322-9 113T1322-12		2
539	BACB28U4C104		..BUSHING- USED ON: 113T1322-1 113T1322-5		2
539	BACB28U4G104		..BUSHING- USED ON: 113T1322-7 113T1322-9 113T1322-12		2

ILLUSTRATION ITEMS NOT ON PARTS LIST ARE NOT APPLICABLE

— ITEM NOT ILLUSTRATED

HXL

# 27-51-21-05

BOEING PROPRIETARY - Copyright © - Unpublished Work - See title page for details.

27-51-21  
FIG. 05  
PAGE 8  
DEC 22/08



767

PARTS CATALOG (MAINTENANCE)

FIG ITEM	PART NUMBER	1 2 3 4 5 6 7	NOMENCLATURE	EFFECT FROM TO	UNITS PER ASSY
5					
541	60B00180-235	..	BEARING- USED ON: 113T1322-1 113T1322-5 113T1322-7 113T1322-9 PRE SERVICE BULLETIN: 27-0196		2
541	BCREF49871	..	BEARING- OVERLENGTH PART NUMBER: BACB10JA26ABNJ01 USED ON: 113T1322-12 POST SERVICE BULLETIN: 27-0196		2
550	MS15001-3	.	FITTING-		1
560	113T1302-10	.	BEAM ASSY-9-10		1
565	MS15004-1	..	FITTING		1
570	BACB30LR3P13	..	BOLT		6
575	113T1362-3	..	RETAINER		1
580	113T1362-4	..	RETAINER		1
585	113T1256-2	..	SEAL		2
590	NC24-3	..	BEARING- SUPPLIER CODE: V56644 SPECIFICATION NUMBER: 60B00180-236 OPTIONAL PART: ASB24-103 VS0352 BLP24F236 V16746 HSP24-136 V02758 LHCB24BAD V73134		1
595	113T1347-14	..	BUSHING		2
600	113T1347-15	..	BUSHING		2

ILLUSTRATION ITEMS NOT ON PARTS LIST ARE NOT APPLICABLE

- ITEM NOT ILLUSTRATED

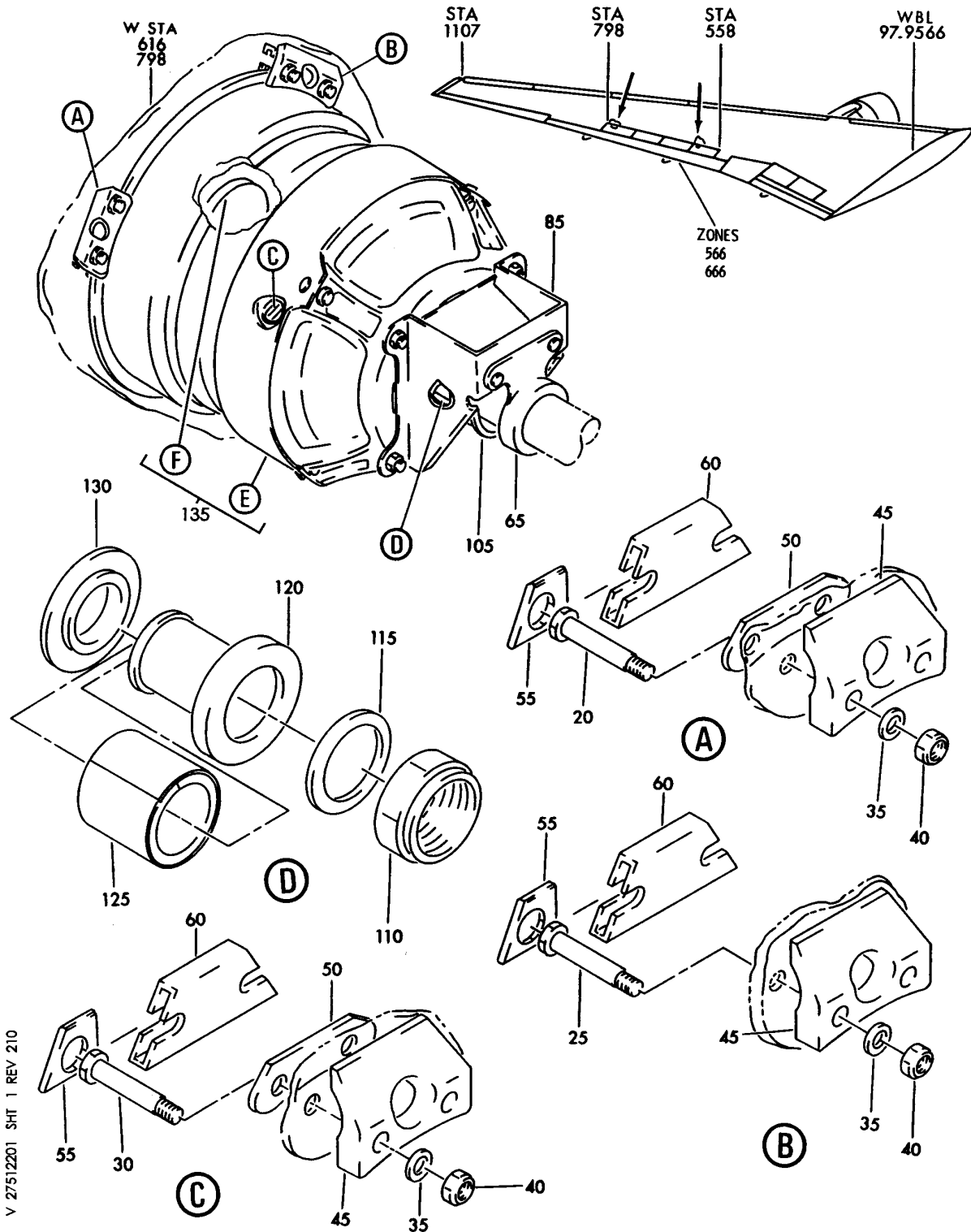
HXL

27-51-21-05

BOEING PROPRIETARY - Copyright © - Unpublished Work - See title page for details.

27-51-21  
FIG. 05  
PAGE 9  
AUG 22/08

**BOEING**  
767  
PARTS CATALOG (MAINTENANCE)



V 27512201 SHT 1 REV 210

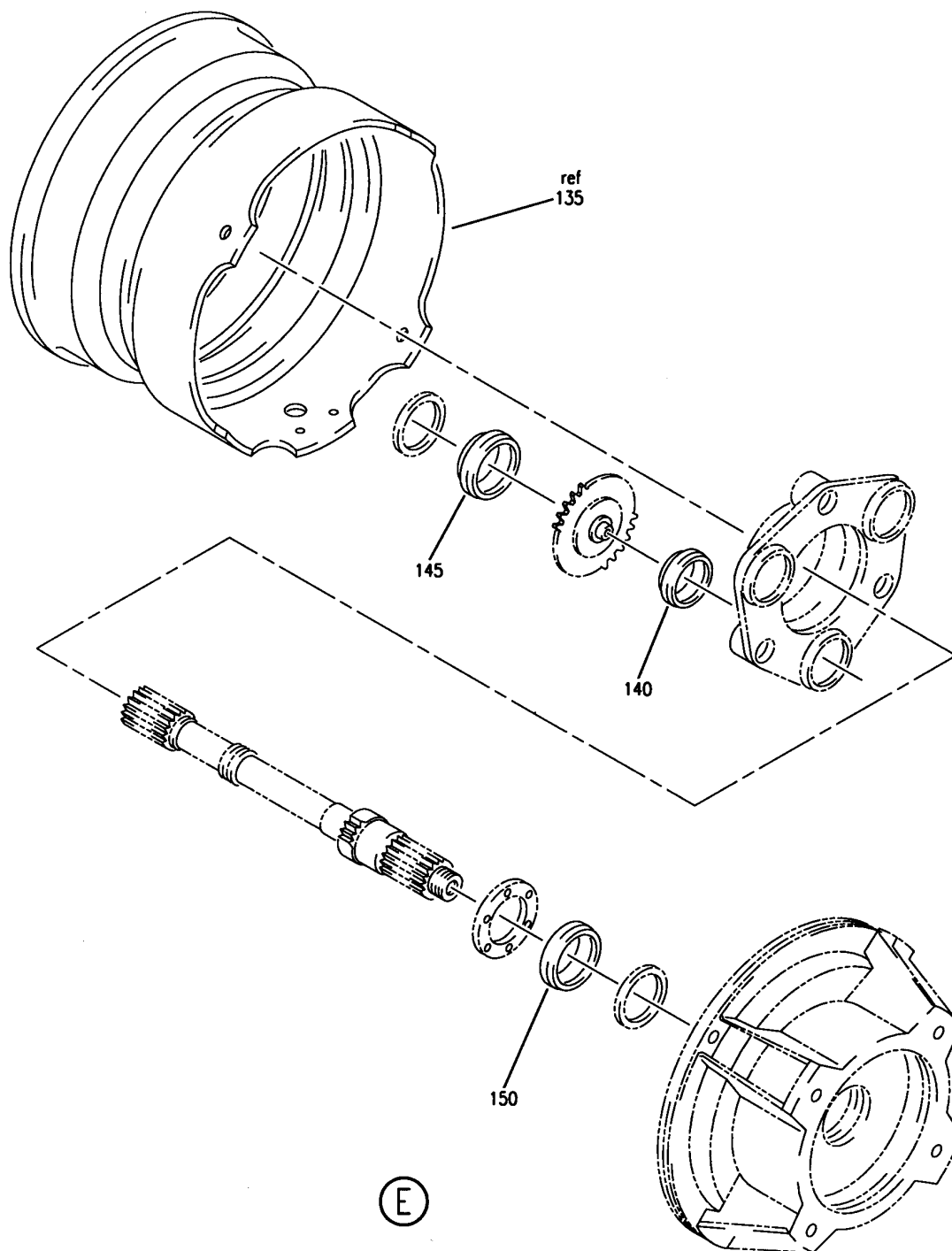
ACTUATOR INSTL-POSITION NO. 2 AND 7 TE FLAP DRIVE  
FIGURE 1 (SHEET 1)

**27-51-22-01**

HXL  
DEC 22/06

27-51-22-01  
PAGE 0

**BOEING**  
767  
PARTS CATALOG (MAINTENANCE)



V 27512201 SHT 2 REV 210

ACTUATOR INSTL-POSITION NO. 2 AND 7 TE FLAP DRIVE  
FIGURE 1 (SHEET 2)

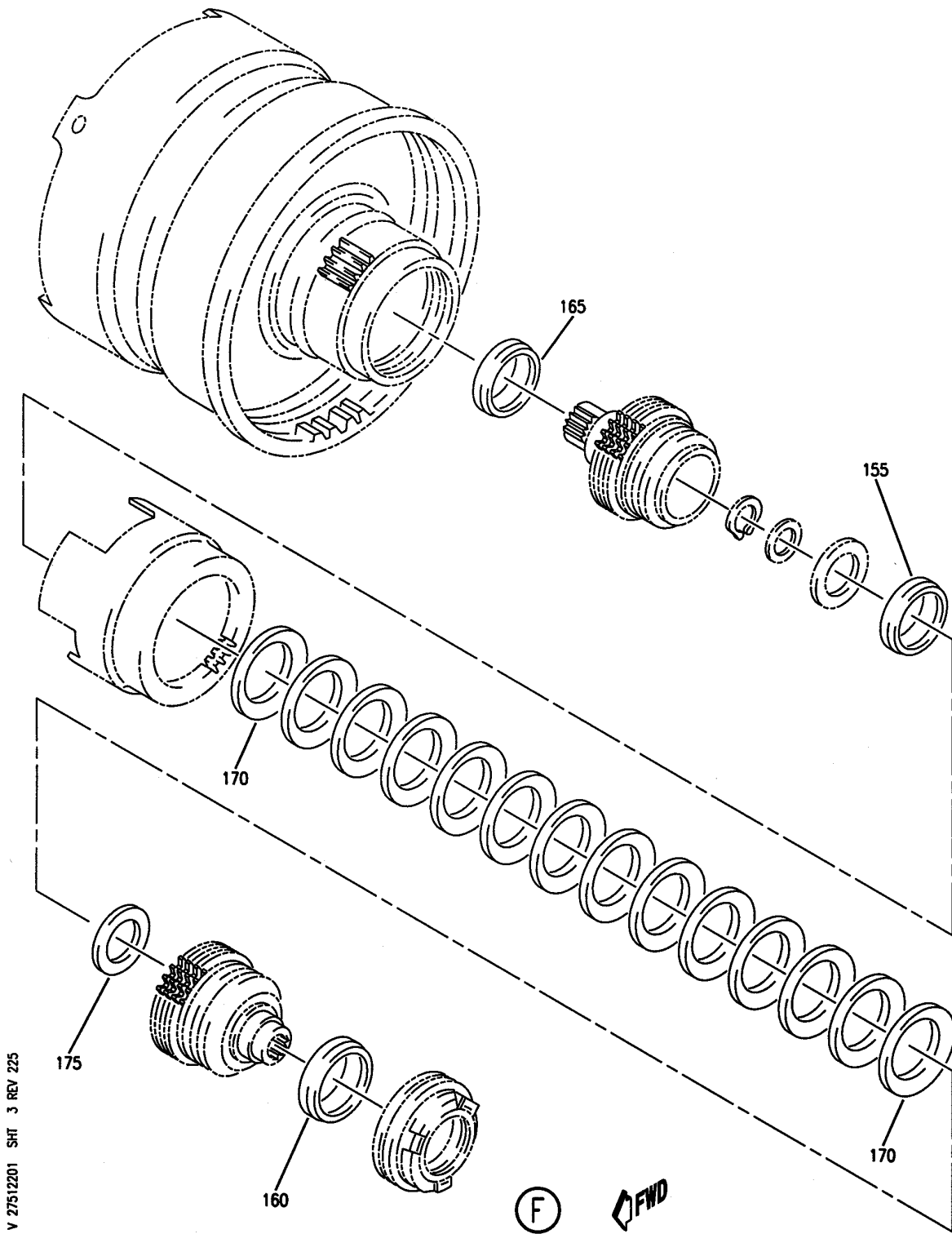
**27-51-22-01**

HXL  
DEC 22/06

27-51-22-01  
PAGE 0A



**BOEING**  
767  
PARTS CATALOG (MAINTENANCE)



ACTUATOR INSTL-POSITION NO. 2 AND 7 TE FLAP DRIVE  
FIGURE 1 (SHEET 3)

**27-51-22-01**

HXL  
DEC 22/06

27-51-22-01  
PAGE 0B



767

PARTS CATALOG (MAINTENANCE)

FIG ITEM	PART NUMBER	1 2 3 4 5 6 7	NOMENCLATURE	EFFECT FROM TO	UNITS PER ASSY
1			ACTUATOR INSTL-POSITION NO. 2 AND 7 TE FLAP DRIVE		
- 1	256T3280-3		ACTUATOR INSTL-POSITION NO. 2 AND 7 TE FLAP DRIVE POSITION DATA: LH FOR NHA SEE: 27-51-41-01		RF
- 5	256T3280-4		ACTUATOR INSTL-POSITION NO. 2 AND 7 TE FLAP DRIVE POSITION DATA: RH FOR NHA SEE: 27-51-41-01		RF
20	BACB30NR5K24		.BOLT-		2
25	BACB30NR5K28		.BOLT-		2
30	BACB30NR5K27		.BOLT-		2
40	BRH10C5D		.NUT- SUPPLIER CODE: V52828 SPECIFICATION NUMBER: BACN10JC5CD OPTIONAL PART: T6C524JCD V11815 102LH9075-5W V72962 H51650-5BAC V15653		6
45	65B84045-1		.CLAMP		3
50	256T3204-2		.SPACER		2
55	256T3204-1		.INSERT		6
60	256T3203-1		.CHANNEL-		3
65	65B81992-1		.GUARD- ATTACHING PARTS		1
- 70	BACB30NM3K3		.BOLT		2
- 75	AN960JD10		.WASHER		2

ILLUSTRATION ITEMS NOT ON PARTS LIST ARE NOT APPLICABLE

- ITEM NOT ILLUSTRATED

HXL

27-51-22-01

BOEING PROPRIETARY - Copyright © - Unpublished Work - See title page for details.

27-51-22  
FIG. 01  
PAGE 1  
AUG 22/08

 **BOEING**  
767  
**PARTS CATALOG (MAINTENANCE)**

FIG ITEM	PART NUMBER	1 2 3 4 5 6 7	NOMENCLATURE	EFFECT FROM TO	UNITS PER ASSY
1					
- 80	BRH10C3D		.NUT SUPPLIER CODE: V52828 SPECIFICATION NUMBER: BACN10JC3CD OPTIONAL PART: T6C1032JCD V11815 NS202486-02 V80539 102LH9075-3W V72962 H51650-3BAC V15653 -----*-----		2
85	256T3021-8		.BRACKET ASSY- ATTACHING PARTS		1
- 90	BACB30NR4K8		.BOLT		4
- 95	AN960JD416		.WASHER-		4
- 100	BRH10C4D		.NUT SUPPLIER CODE: V52828 SPECIFICATION NUMBER: BACN10JC4CD OPTIONAL PART: T6C428JCD V11815 NS202486-048 V80539 102LH9075-4W V72962 H51650-4BAC V15653 -----*-----		4
105	65B84034-3		.SLEEVE		1
110	BMN4122AD3-12		.NUT- SUPPLIER CODE: V97928 SPECIFICATION NUMBER: BACN10JC12 OPTIONAL PART: H10-12BAC V15653 RMLH9074-12 V72962 48FT1216 V56878		1
120	256T3749-1		.COUPLING-HALF		1
125	65B84033-18		.SLEEVE		1
ILLUSTRATION ITEMS NOT ON PARTS LIST ARE NOT APPLICABLE					

- ITEM NOT ILLUSTRATED

HXL

# 27-51-22-01

BOEING PROPRIETARY - Copyright © - Unpublished Work - See title page for details.

27-51-22  
FIG. 01  
PAGE 2  
AUG 22/08



767

PARTS CATALOG (MAINTENANCE)

FIG ITEM	PART NUMBER	1 2 3 4 5 6 7	NOMENCLATURE	EFFECT FROM TO	UNITS PER ASSY
1					
130	256T3205-1	.	SPACER		1
135	256T3250-4	.	ACTUATOR ASSY-		1
			COMPONENT MAINT MANUAL REF: 27-51-10		
			POST SERVICE BULLETIN: 27-0115		
170	256T3848-1	..	SPRING-		14
			POST SERVICE BULLETIN: 27-0115R1		
175	256T3809-2	..	CHAFE WASHER-		1
			POST SERVICE BULLETIN: 27-0115R1		

ILLUSTRATION ITEMS NOT ON PARTS LIST ARE NOT APPLICABLE

- ITEM NOT ILLUSTRATED

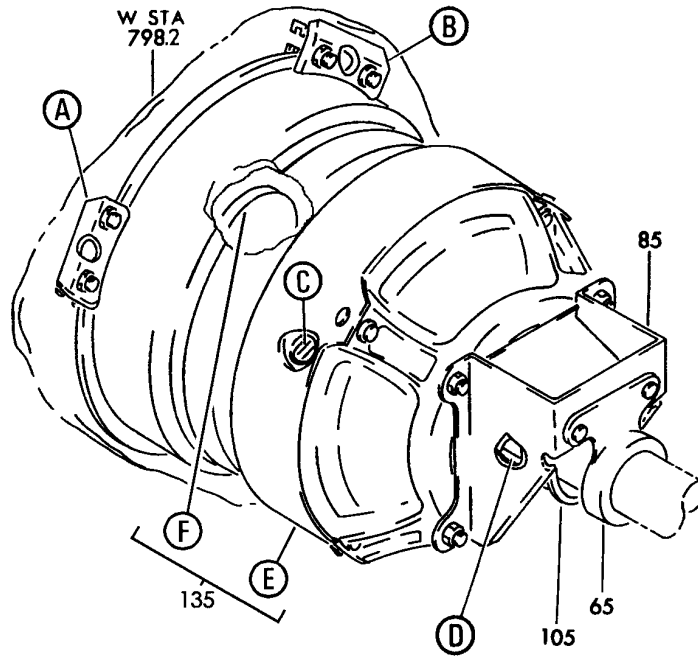
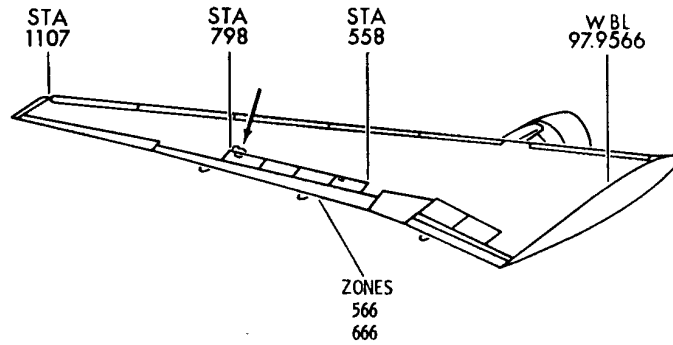
HXL

**27-51-22-01**

BOEING PROPRIETARY - Copyright © - Unpublished Work - See title page for details.

27-51-22  
FIG. 01  
PAGE 3  
AUG 22/08

**BOEING**  
767  
PARTS CATALOG (MAINTENANCE)



V 27512202 SHT 1 REV 211

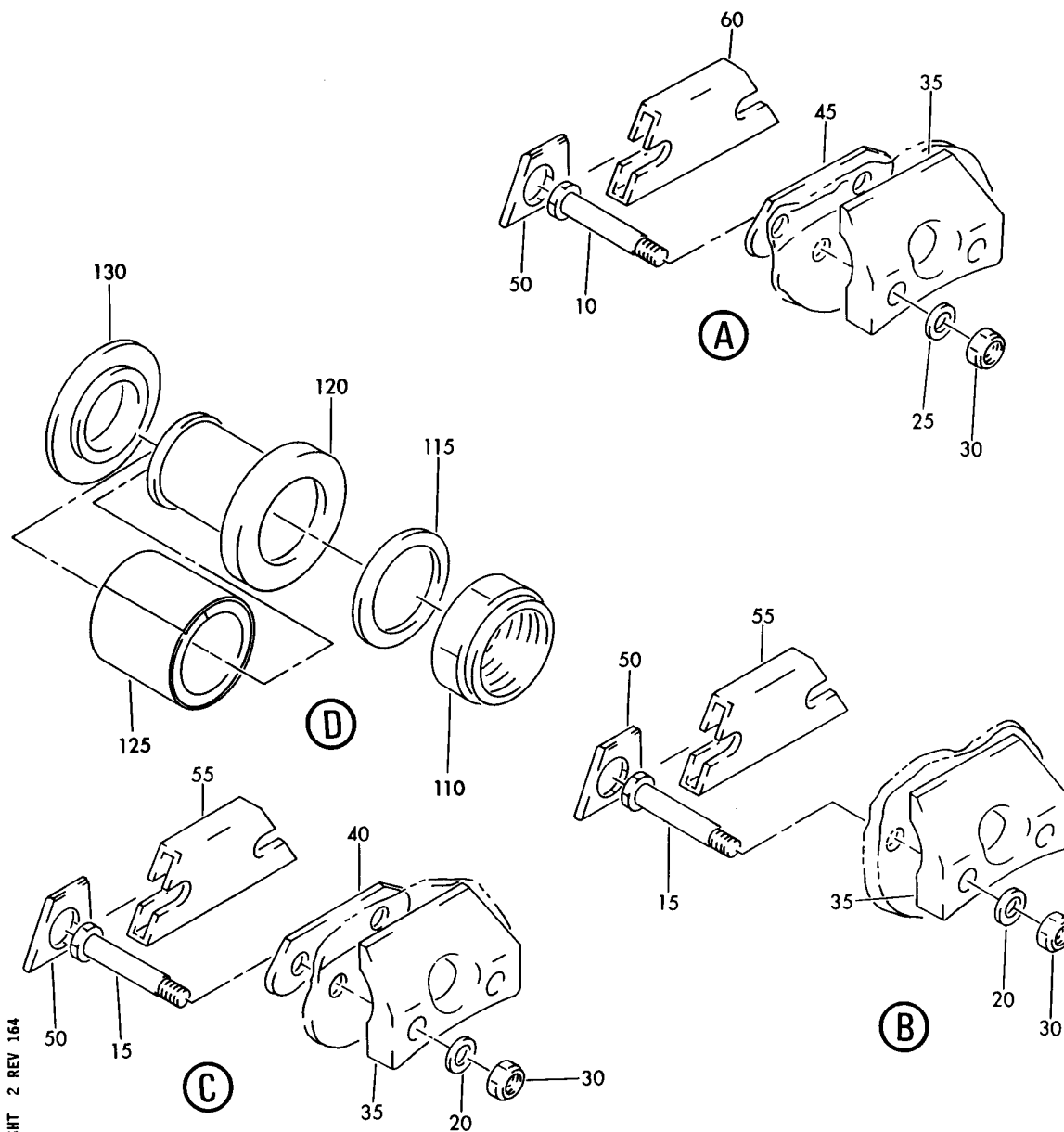
ACTUATOR INSTL-POSITION NO. 1 AND 8 TE FLAP DRIVE  
FIGURE 2 (SHEET 1)

**27-51-22-02**

HXL  
DEC 22/06

27-51-22-02  
PAGE 0

**BOEING**  
767  
PARTS CATALOG (MAINTENANCE)



V 27512202 SHT 2 REV 164

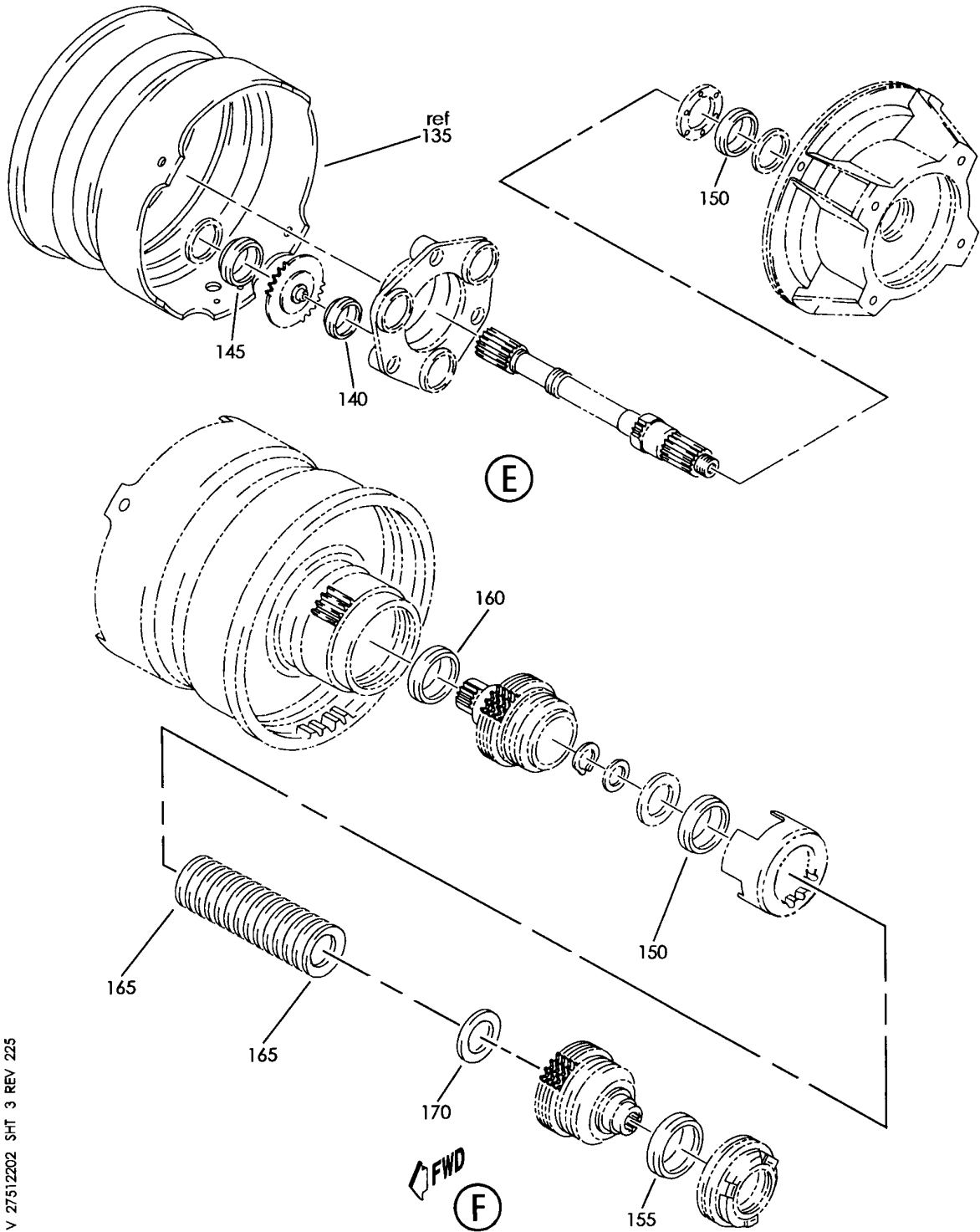
ACTUATOR INSTL-POSITION NO. 1 AND 8 TE FLAP DRIVE  
FIGURE 2 (SHEET 2)

**27-51-22-02**

HXL  
DEC 22/06

27-51-22-02  
PAGE 0A

**BOEING**  
767  
PARTS CATALOG (MAINTENANCE)



V 27512202 SHT 3 REV 225

ACTUATOR INSTL-POSITION NO. 1 AND 8 TE FLAP DRIVE  
FIGURE 2 (SHEET 3)

**27-51-22-02**

HXL  
DEC 22/06

27-51-22-02  
PAGE 0B



767

PARTS CATALOG (MAINTENANCE)

FIG ITEM	PART NUMBER	1 2 3 4 5 6 7	NOMENCLATURE	EFFECT FROM TO	UNITS PER ASSY
2			ACTUATOR INSTL-POSITION NO. 1 AND 8 TE FLAP DRIVE		
- 1	256T3240-3		ACTUATOR INSTL-POSITION NO. 1 AND 8 TE FLAP DRIVE POSITION DATA: LH FOR NHA SEE: 27-51-41-01		RF
- 5	256T3240-4		ACTUATOR INSTL-POSITION NO. 1 AND 8 TE FLAP DRIVE POSITION DATA: RH FOR NHA SEE: 27-51-41-01		RF
10	BACB30NR5K24		.BOLT		2
15	BACB30NR5K27		.BOLT		4
20	AN960JD516L		.WASHER		4
25	AN960JD516		.WASHER		2
30	BRH10C5D		.NUT		6
			SUPPLIER CODE: V52828 SPECIFICATION NUMBER: BACN10JC5CD OPTIONAL PART: T6C524JCD V11815 102LH9075-5W V72962 H51650-5BAC V15653		
35	65B84045-1		.CLAMP		3
40	256T3204-2		.SPACER		1
40	256T3204-3		.SPACER		1
45	256T3204-3		.SPACER		1
50	256T3204-1		.INSERT		6
55	256T3203-1		.CHANNEL-		2
55	256T3203-2		.CHANNEL-		2
60	256T3203-2		.CHANNEL		1
65	65B81992-1		.GUARD		1
			ATTACHING PARTS		
- 70	BACB30NM3K3		.BOLT		2
- 75	AN960JD10		.WASHER		2
			-----*-----		
85	256T3021-8		.BRACKET ASSY ATTACHING PARTS		1
- 90	BACB30NR4K8		.BOLT		4
- 95	AN960JD416		.WASHER		4

ILLUSTRATION ITEMS NOT ON PARTS LIST ARE NOT APPLICABLE

- ITEM NOT ILLUSTRATED

27-51-22-02

27-51-22  
FIG. 02  
PAGE 1  
APR 22/09

HXL



 **BOEING**  
767  
**PARTS CATALOG (MAINTENANCE)**

FIG ITEM	PART NUMBER	1 2 3 4 5 6 7	NOMENCLATURE	EFFECT FROM TO	UNITS PER ASSY
2 - 100	BRH10C4D	.NUT	SUPPLIER CODE: V52828 SPECIFICATION NUMBER: BACN10JC4CD OPTIONAL PART: T6C428JCD V11815 NS202486-048 V80539 102LH9075-4W V72962 H51650-4BAC V15653 -----*-----		4
105	65B84034-3	.SLEEVE			1
110	BMN4122AD3-12	.NUT	SUPPLIER CODE: V97928 SPECIFICATION NUMBER: BACN10JC12 OPTIONAL PART: H10-12BAC V15653 RMLH9074-12 V72962 48FT1216 V56878		1
115	AN960JD1216	.WASHER			1
120	256T3749-1	.COUPLING-HALF			1
125	65B84033-18	.SLEEVE			1
130	256T3205-1	.SPACER			1
135	256T3250-4	.ACTUATOR ASSY-	COMPONENT MAINT MANUAL REF: 27-51-10 POST SERVICE BULLETIN: 27-0115		1
165	256T3848-1	..SPRING-	POST SERVICE BULLETIN: 27-0115R1		14
170	256T3809-2	..CHAFE WASHER-	POST SERVICE BULLETIN: 27-0115R1		1

ILLUSTRATION ITEMS NOT ON PARTS LIST ARE NOT APPLICABLE

- ITEM NOT ILLUSTRATED

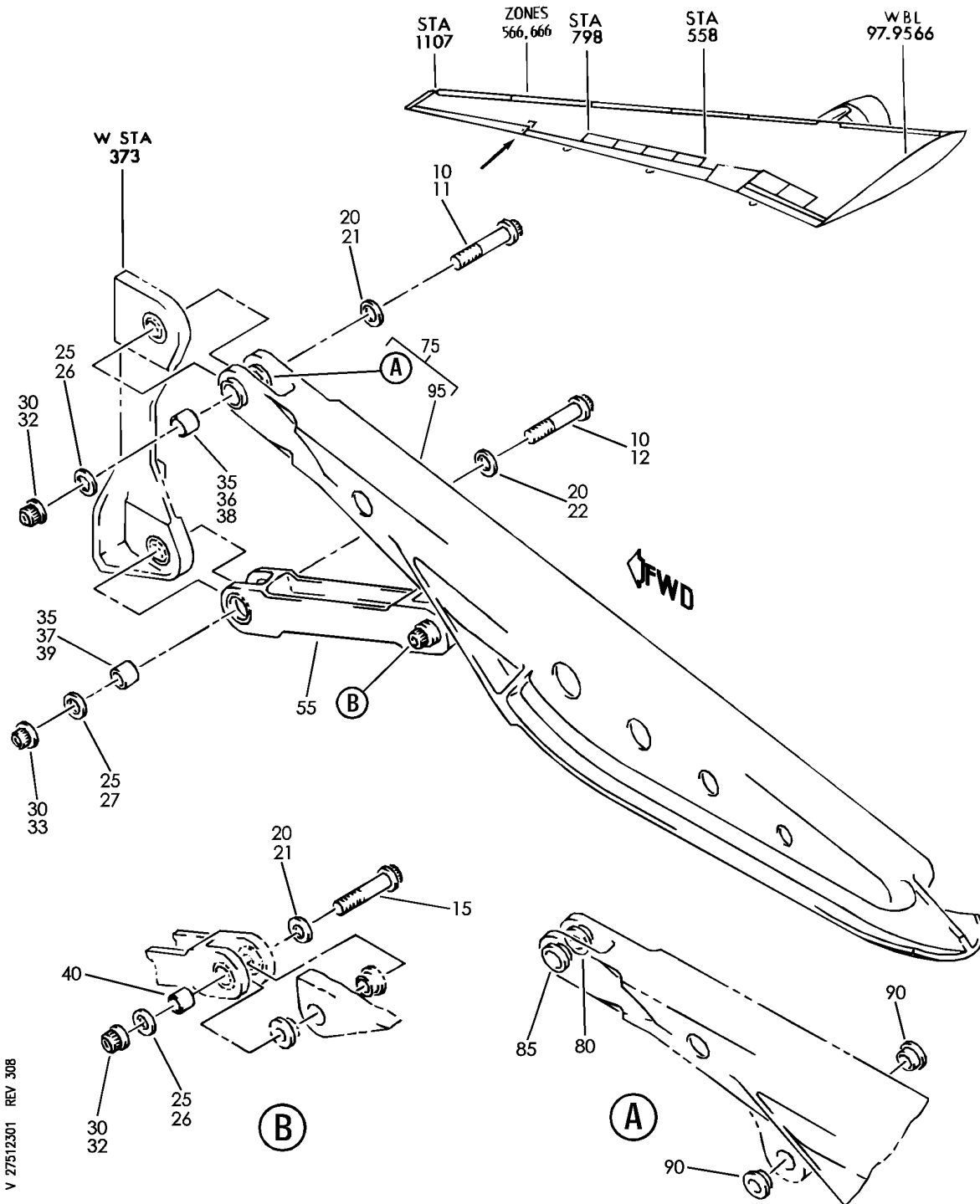
HXL

27-51-22-02

BOEING PROPRIETARY - Copyright © - Unpublished Work - See title page for details.

27-51-22  
FIG. 02  
PAGE 2  
DEC 22/07

**BOEING**  
767  
PARTS CATALOG (MAINTENANCE)



TRACK INSTL-TE OUTBD FLAP DEFLECTION CONT  
FIGURE 1

**27-51-23-01**

HXL  
DEC 22/06

27-51-23-01  
PAGE 0

 **BOEING**  
767  
**PARTS CATALOG (MAINTENANCE)**

FIG ITEM	PART NUMBER	1 2 3 4 5 6 7	NOMENCLATURE	EFFECT FROM TO	UNITS PER ASSY
1			TRACK INSTL-TE OUTBD FLAP DEFLECTION CONT		
- 1	113T1346-15		TRACK INSTL-TE FLAP DEFLECTION CONT POSITION DATA: OUTBD LH FOR NHA SEE: 27-51-21-01		RF
- 5	113T1346-16		TRACK INSTL-TE FLAP DEFLECTION CONT POSITION DATA: OUTBD RH FOR NHA SEE: 27-51-21-01		RF
11	BACB30MR8HK25		.BOLT-		1
11	BACB30UU8K24		.BOLT- POST SERVICE BULLETIN: 57-0069R1	155162	1
12	BACB30MR8HK23		.BOLT-		1
12	BACB30UU9K27		.BOLT- POST SERVICE BULLETIN: 57-0069R1	155162	1
15	BACB30MR8HK19		.BOLT-		1
15	BACB30UU8K21		.BOLT- POST SERVICE BULLETIN: 57-0069R1	155162	1
20	BACW10BP8ACU		.WASHER- POSITION DATA: UNDER HEAD		3
21	BACW10BP8ACU		.WASHER- POSITION DATA: UNDER HEAD POST SERVICE BULLETIN: 57-0069R1	155162	2
22	BACW10BP9ACU		.WASHER- POSITION DATA: UNDER HEAD POST SERVICE BULLETIN: 57-0069R1	155162	1
25	BACW10BP8APU		.WASHER- POSITION DATA: UNDER NUT		3
26	BACW10BP8APU		.WASHER- POSITION DATA: UNDER NUT POST SERVICE BULLETIN: 57-0069R1	155162	2

ILLUSTRATION ITEMS NOT ON PARTS LIST ARE NOT APPLICABLE

- ITEM NOT ILLUSTRATED

HXL

27-51-23-01

27-51-23  
FIG. 01  
PAGE 1  
DEC 22/06



767

PARTS CATALOG (MAINTENANCE)

FIG ITEM	PART NUMBER	1 2 3 4 5 6 7	NOMENCLATURE	EFFECT FROM TO	UNITS PER ASSY
1					
27	BACW10BP9APU		.WASHER- POSITION DATA: UNDER NUT POST SERVICE BULLETIN: 57-0069R1	155162	1
30	NAS1805-8		.NUT-		3
32	BMN4122C1D2-8		.NUT- SUPPLIER CODE: V97928 SPECIFICATION NUMBER: BACN10JC8CM OPTIONAL PART: BMN4122C1D2-8 V85495 H01-8BAC V15653 109LH9074-8 V72962 69235-820CM V56878 POST SERVICE BULLETIN: 57-0069R1	155162	2
33	BMN4122C1D2-9		.NUT- SUPPLIER CODE: V97928 SPECIFICATION NUMBER: BACN10JC9CM OPTIONAL PART: 102LH9074-9 V72962 109LH9074-9 V72962 69235-918CM V56878 BMN4122C1D2-9 V85495 H01-9BAC V15653 POST SERVICE BULLETIN: 57-0069R1	155162	1
36	BACB28AK08-045		.BUSHING-		1
37	BACB28AK08-041		.BUSHING-		1
38	BACB28AK08-043		.BUSHING- POST SERVICE BULLETIN: 57-0069R1	155162	1
39	BACB28AK09-047		.BUSHING- POST SERVICE BULLETIN: 57-0069R1	155162	1
40	BACB28AK08-036		.BUSHING-		1

ILLUSTRATION ITEMS NOT ON PARTS LIST ARE NOT APPLICABLE

- ITEM NOT ILLUSTRATED

27-51-23-01

27-51-23  
FIG. 01  
PAGE 2  
DEC 22/06

HXL

BOEING PROPRIETARY - Copyright © - Unpublished Work - See title page for details.



767

PARTS CATALOG (MAINTENANCE)

FIG ITEM	PART NUMBER	1 2 3 4 5 6 7	NOMENCLATURE	EFFECT FROM TO	UNITS PER ASSY
1					
40	BACB28AK08-044		.BUSHING- POST SERVICE BULLETIN: 57-0069R1	155162	1
55	113T1015-1		.LINK ASSY- COMPONENT MAINT MANUAL REF: 27-51-96	163999	1
55	113T1015-3		.LINK ASSY- COMPONENT MAINT MANUAL REF: 27-51-96 POST SERVICE BULLETIN: 57-0069R1	155162	1
55	113T1015-5		.LINK ASSY-	155162	1
75	113T8333-1		.TRACK ASSY- QUALIFIED I/W DATA: -3 OR -7 CAN REPLACE THE -1 IW=1 ONLY UPON INCORPORATION OF SB 767-57-0069 113T8333-9 CAN RPLACE 113T8333-5 OR 113T8333-1 IF SERVICE BULLETIN 767-57-0069 IS INCORPORATED, OR IF 113T8333-9 TOGETHER WITH 015T1079-1 IS USED. OPTIONAL PART: 113T8335-1		1
75	113T8335-1		.TRACK ASSY- OPTIONAL PART: 113T8333-1 113T8333-5		1

ILLUSTRATION ITEMS NOT ON PARTS LIST ARE NOT APPLICABLE

- ITEM NOT ILLUSTRATED

HXL

27-51-23-01

BOEING PROPRIETARY - Copyright © - Unpublished Work - See title page for details.

27-51-23  
FIG. 01  
PAGE 3  
DEC 22/06



767

PARTS CATALOG (MAINTENANCE)

FIG ITEM	PART NUMBER	1 2 3 4 5 6 7	NOMENCLATURE	EFFECT FROM TO	UNITS PER ASSY
1	75 113T8333-5		.TRACK ASSY- QUALIFIED I/W DATA: 113T8333-5 CAN BE REPLACED BY 113T8333-3 OR 113T8333 -7 IF SERVICE BULLETIN 767-57-0069 IS INCORPORATED OR IF 113T8333-7 TOGETHER WITH 015T1079-1 IS USED 113T8333-9 CAN REPLACE 113T8333-5 OR 113T8333-1 IF SERVICE BULLETIN 767-57-0069 IS INCORPORATED, OR IF 113T8333-9 TOGETHER WITH 015T1079-1 IS USED. OPTIONAL PART: 113T8335-1		1
	75 113T8333-7		.TRACK ASSY- QUALIFIED I/W DATA: 113T8333-7 CAN REPLACE 113T8333-5 OR 113T8333-1 IF SERVICE BULLETIN 767-57-0069 IS INCORPORATED OR IF 113T8333-7 TOGETHER WITH 015T1079-1 IS USED		1
	75 113T8333-3		.TRACK ASSY- QUALIFIED I/W DATA: 113T8333-5 CAN BE REPLACED BY 113T8333-3 OR 113T8333 -7 IF SERVICE BULLETIN 767-57-0069 IS INCORPORATED OR IF 113T8333-7 TOGETHER WITH 015T1079-1 IS USED -3 CAN REPLACE -5 OR -1 IW-1 ONLY UPON INCORPORATION OF SB 767-57-69.		1

ILLUSTRATION ITEMS NOT ON PARTS LIST ARE NOT APPLICABLE

- ITEM NOT ILLUSTRATED

HXL

27-51-23-01

BOEING PROPRIETARY - Copyright © - Unpublished Work - See title page for details.

27-51-23  
FIG. 01  
PAGE 4  
DEC 22/06

 **BOEING**  
767  
**PARTS CATALOG (MAINTENANCE)**

FIG ITEM	PART NUMBER	1 2 3 4 5 6 7	NOMENCLATURE	EFFECT FROM TO	UNITS PER ASSY
1					
75	113T8333-9		.TRACK ASSY- QUALIFIED I/W DATA: 113T8333-9 CAN REPLACE 113T8333-5 OR 113T8333-1 IF SERVICE BULLETIN 767-57-0069 IS INCORPORATED, OR IF 113T8333-9 TOGETHER WITH 015T1079-1 IS USED.		1
80	BACB28AP08-024		..BUSHING-		1
85	BACB28AT11B024A		..BUSHING-		1
90	BACB28AP08-015		..BUSHING- USED ON: 113T8335-1		2
90	BACB28AP08-017		..BUSHING- USED ON: 113T8333-1 113T8333-5		2
90	BACB28AP08-022		..BUSHING- USED ON: 113T8333-3 113T8333-7 113T8333-9		2
95	113T8333-2		..TRACK- USED ON: 113T8333-1		1
95	113T8335-4		..TRACK- USED ON: 113T8335-1		1
95	113T8333-6		..TRACK- USED ON: 113T8333-5		1
95	113T8333-4		..TRACK- USED ON: 113T8333-3		1
95	113T8333-8		..TRACK- USED ON: 113T8333-7		1
95	113T8333-10		..TRACK- USED ON: 113T8333-9		1
ILLUSTRATION ITEMS NOT ON PARTS LIST ARE NOT APPLICABLE					

- ITEM NOT ILLUSTRATED

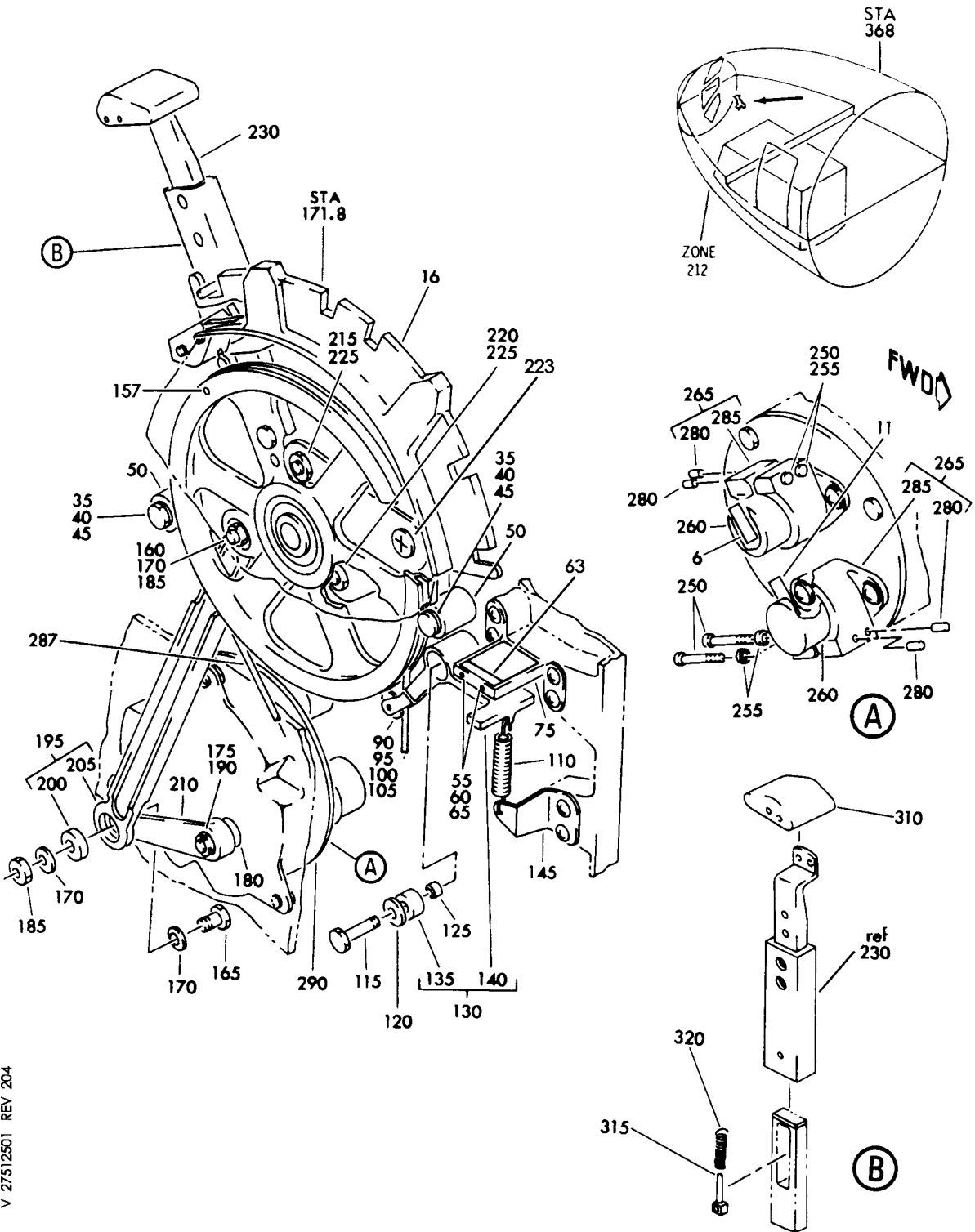
HXL

# 27-51-23-01

BOEING PROPRIETARY - Copyright © - Unpublished Work - See title page for details.

27-51-23  
FIG. 01  
PAGE 5  
DEC 22/06

**BOEING**  
767  
PARTS CATALOG (MAINTENANCE)



V 27512501 REV 204

CONTROL INSTL-CONT STAND FLAP  
FIGURE 1

**27-51-25-01**

HXL  
DEC 22/06

27-51-25-01  
PAGE 0



**BOEING**  
767  
**PARTS CATALOG (MAINTENANCE)**

FIG ITEM	PART NUMBER	1 2 3 4 5 6 7	NOMENCLATURE	EFFECT FROM TO	UNITS PER ASSY
1			CONTROL INSTL-CONT STAND FLAP		
- 1	253T5700-3		CONTROL INSTL-CONT STAND FLAP		RF
			FOR NHA SEE: 25-13-58-01		
6	BAC27TCT0064		.DECAL- PLACARD CONTENT: M603		1
11	BAC27TCT0065		.DECAL- PLACARD CONTENT: M604		1
16	253T5714-3		.PLATE-DETENT OPTIONAL PART: 253T5714-6		1
16	253T5714-6		.PLATE-DETENT OPTIONAL PART: 253T5714-3		1
- 21	NAS514P1032-8		ATTACHING PARTS .SCREW- -----*-----		2
35	BACB30LH3-26		.BOLT		2
40	AN960D10L		.WASHER		2
45	BRH10A3		.NUT- SUPPLIER CODE: V52828 SPECIFICATION NUMBER: BACN10JC3 OPTIONAL PART: H10-3BAC V15653 NS202101-02 V80539 RMLH9075-3W V72962 VN303A02 V92215 96-02 V80539 T6S1032J V11815		2
45	MS21042L3		.NUT-		2
50	253T5735-1		.GUARD		2
55	NAS1352C02-26P		.SCREW		2
60	AN960D3L		.WASHER-		4
63	69B82747-1		.SPACER		1

ILLUSTRATION ITEMS NOT ON PARTS LIST ARE NOT APPLICABLE

- ITEM NOT ILLUSTRATED

HXL

# 27-51-25-01

BOEING PROPRIETARY - Copyright © - Unpublished Work - See title page for details.

27-51-25  
FIG. 01  
PAGE 1  
DEC 22/07



767

PARTS CATALOG (MAINTENANCE)

FIG ITEM	PART NUMBER	1 2 3 4 5 6 7	NOMENCLATURE	EFFECT FROM TO	UNITS PER ASSY
1					
65	92-1660-256		.NUT SUPPLIER CODE: V15653 SPECIFICATION NUMBER: BACN10DN26 OPTIONAL PART: 92-1660-26 V72962		2
75	253T5717-1		.BRACKET ASSY ATTACHING PARTS		1
- 80	NAS1801-3-8		.SCREW-		4
- 85	AN960D10L		.WASHER		4
			-----*-----		
90	NAS6603-5		.BOLT		1
95	AN960D10L		.WASHER		2
100	BRH10A3		.NUT- SUPPLIER CODE: V52828 SPECIFICATION NUMBER: BACN10JC3 OPTIONAL PART: H10-3BAC V15653 NS202101-02 V80539 RMLH9075-3W V72962 VN303A02 V92215 96-02 V80539 T6S1032J V11815		1
100	MS21042L3		.NUT-		1

ILLUSTRATION ITEMS NOT ON PARTS LIST ARE NOT APPLICABLE

- ITEM NOT ILLUSTRATED

HXL

27-51-25-01

BOEING PROPRIETARY - Copyright © - Unpublished Work - See title page for details.

27-51-25  
FIG. 01  
PAGE 2  
DEC 22/07



767

PARTS CATALOG (MAINTENANCE)

FIG ITEM	PART NUMBER	1 2 3 4 5 6 7	NOMENCLATURE	EFFECT FROM TO	UNITS PER ASSY
1 105	KP3ALP		.BEARING SUPPLIER CODE: V21760 SPECIFICATION NUMBER: BACB10BG1M OPTIONAL PART: KP3ALE6531 V21335 KP3ALFS428 V21335 KP3ALTT V43991 KP3ALT1C1-01 V21760 LLKP3AL V38443 KP3ALG20 V38443 CS203AE VK8455 KP3ALSD610 V83086 KP3ALE V21760 KP3AL V38443		2
110	MS24586C114		.SPRING		1
115	NAS6603-12		.BOLT		1
120	AN960D10L		.WASHER		1
125	253T4006-7		.SPACER		1
130	253T5712-1		.ARM ASSY		1

ILLUSTRATION ITEMS NOT ON PARTS LIST ARE NOT APPLICABLE

- ITEM NOT ILLUSTRATED

HXL

27-51-25-01

BOEING PROPRIETARY - Copyright © - Unpublished Work - See title page for details.

27-51-25  
FIG. 01  
PAGE 3  
DEC 22/06

 **BOEING**  
767  
**PARTS CATALOG (MAINTENANCE)**

FIG ITEM	PART NUMBER	1 2 3 4 5 6 7	NOMENCLATURE	EFFECT FROM TO	UNITS PER ASSY
1 135	KP3ALP		.. BEARING SUPPLIER CODE: V21760 SPECIFICATION NUMBER: BACB10BG1M OPTIONAL PART: KP3ALE6531 V21335 KP3ALFS428 V21335 KP3ALTT V43991 KP3ALT1C1-01 V21760 LLKP3AL V38443 KP3ALG20 V38443 CS203AE VK8455 KP3ALSD610 V83086 KP3ALE V21760 KP3AL V38443		1
140	253T5712-2		.. ARM		1
145	253T5733-1		.BRACKET		1
			ATTACHING PARTS		
- 150	BACS12CK3-6		.SCREW		2
- 155	AN960D10L		.WASHER		2
			-----*-----		
157	MS24665-134		.PIN-COTTER		2
160	BACB30LH3-6		.BOLT		1
165	NAS6603-5		.BOLT		1
170	AN960D10L		.WASHER		3
175	AN960D616		.WASHER		1
180	253T4006-10		.SPACER		1

ILLUSTRATION ITEMS NOT ON PARTS LIST ARE NOT APPLICABLE

- ITEM NOT ILLUSTRATED

HXL

# 27-51-25-01

BOEING PROPRIETARY - Copyright © - Unpublished Work - See title page for details.

27-51-25  
FIG. 01  
PAGE 4  
DEC 22/06

 **BOEING**  
767  
**PARTS CATALOG (MAINTENANCE)**

FIG ITEM	PART NUMBER	1 2 3 4 5 6 7	NOMENCLATURE	EFFECT FROM TO	UNITS PER ASSY
1					
185	BRH10A3		.NUT- SUPPLIER CODE: V52828 SPECIFICATION NUMBER: BACN10JC3 OPTIONAL PART: H10-3BAC V15653 NS202101-02 V80539 RMLH9075-3W V72962 VN303A02 V92215 96-02 V80539 T6S1032J V11815		2
185	MS21042L3		.NUT-		2
190	BRH10A6		.NUT- SUPPLIER CODE: V52828 SPECIFICATION NUMBER: BACN10JC6 OPTIONAL PART: 96-064 V80539 RMLH9075-6 V72962 H10-6BAC V15653		1
190	MS21042L6		.NUT-		1
195	253T5728-1		.LINK ASSY		1
200	KSP3LFS428		..BEARING SUPPLIER CODE: V21335 SPECIFICATION NUMBER: BACB10AC3L OPTIONAL PART: HHKSP3L V38443 KSP3LE9440A V21335 KSP3L2TS V43991 KSP3LG27 V30163		1
205	253T5728-2		..LINK		1
210	253T5713-1		.LEVER		1
ILLUSTRATION ITEMS NOT ON PARTS LIST ARE NOT APPLICABLE					

- ITEM NOT ILLUSTRATED

HXL

# 27-51-25-01

BOEING PROPRIETARY - Copyright © - Unpublished Work - See title page for details.

27-51-25  
FIG. 01  
PAGE 5  
DEC 22/07



767

PARTS CATALOG (MAINTENANCE)

FIG ITEM	PART NUMBER	1 2 3 4 5 6 7	NOMENCLATURE	EFFECT FROM TO	UNITS PER ASSY
1					
215	BACB30NR4K2	.BOLT			1
220	BACB30NR4K7	.BOLT			1
223	BACB30NN4K7	.BOLT			1
225	AN960D416L	.WASHER			2
230	253T5710-1	.LEVER ASSY-			1
		COMPONENT MAINT MANUAL REF:			
		27-51-80			
230	253T5710-2	.LEVER ASSY-			1
		COMPONENT MAINT MANUAL REF:			
		27-51-80			
250	NAS1351C3-20P	.SCREW			4
255	NAS620A10L	.WASHER			4
260	R20A	.TRANSFORMER-ROTARY VAR			2
		SUPPLIER CODE:			
		V19710			
		SPECIFICATION NUMBER:			
		S256T002-2			
		OPTIONAL PART:			
		Y35A			
		V19710			
		R22A			
		V19710			
260	R22A	.TRANSFORMER-ROTARY VAR			2
		SUPPLIER CODE:			
		V19710			
		SPECIFICATION NUMBER:			
		S256T002-4			
		OPTIONAL PART:			
		Y35A			
		V19710			
		R20A			
		V19710			
260	Y35A	.TRANSFORMER-ROTARY VAR			2
		SUPPLIER CODE:			
		V19710			
		SPECIFICATION NUMBER:			
		S256T002-6			
		MISCELLANEOUS DATA:			
		MPC S/B 32C-R21A-01			
		MODIFIES S256T002-6/Y35A			
		TO S256T002-3/R21A AND			
		MPC S/B 32C-Y35A-01 DOES			
		THE OPPOSITE			
		OPTIONAL PART:			
		R20A			
		V19710			
		R22A			
		V19710			
265	253T5734-1	.CLAMP ASSY			2

ILLUSTRATION ITEMS NOT ON PARTS LIST ARE NOT APPLICABLE

- ITEM NOT ILLUSTRATED

27-51-25-01

27-51-25  
FIG. 01  
PAGE 6  
AUG 22/09

HXL

**BOEING**  
767  
**PARTS CATALOG (MAINTENANCE)**

FIG ITEM	PART NUMBER	1 2 3 4 5 6 7	NOMENCLATURE	EFFECT FROM TO	UNITS PER ASSY
1			ATTACHING PARTS		
- 270	NAS1351C3-6P	.	SCREW		4
- 275	AN960D10	.	WASHER		4
		-----*			
280	MS21209F1-15	..	INSERT		2
285	253T5734-2	..	CLAMP		1
287	251T2050-48	.	CABLE ASSY-		1
287	251T2050-85	.	CABLE ASSY-		1
287	251T2050-109	.	CABLE ASSY-		1
- 288	BA3-3	..	TERMINAL		1
			SUPPLIER CODE: V65196		
			SPECIFICATION NUMBER: BACT14B3		
			OPTIONAL PART: HT200-3		
			V83014		
			RA2487-3		
			V80523		
			HI2487-3		
			V26590		
			8-04056-3		
			V11328		
			BM2487-3		
			V22277		
- 289	MS21260L3RH	..	TERMINAL		2
290	253T5723-2	.	GEARBOX ASSY-		1
			COMPONENT MAINT MANUAL REF: 27-51-26		
			ATTACHING PARTS		
- 295	NAS6603-3	.	BOLT		3
- 300	AN960D10	.	WASHER		3
		-----*			
310	65C14183-45	..	KNOB		1
315	66-14222-3	..	SPRING		1
320	66-21426-1	..	STOP		1

ILLUSTRATION ITEMS NOT ON PARTS LIST ARE NOT APPLICABLE

- ITEM NOT ILLUSTRATED

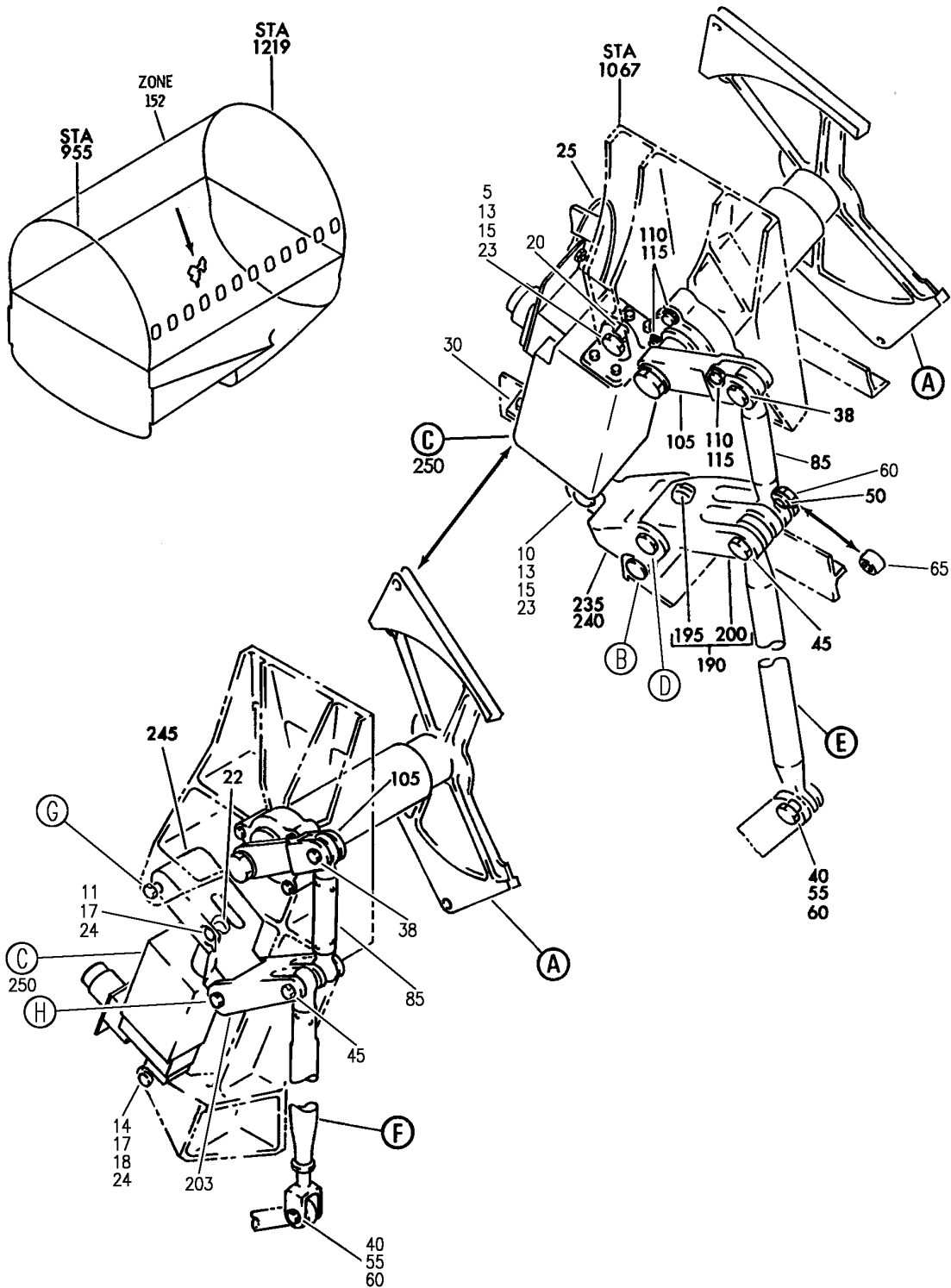
HXL

27-51-25-01

BOEING PROPRIETARY - Copyright © - Unpublished Work - See title page for details.

27-51-25  
FIG. 01  
PAGE 7  
AUG 22/09

**BOEING**  
767  
PARTS CATALOG (MAINTENANCE)



V 27513001 SHT 1 REV 306

CONTROL INSTL-TE FLAP QUADRANT AND LOAD ALLEVIATION  
FIGURE 1 (SHEET 1)

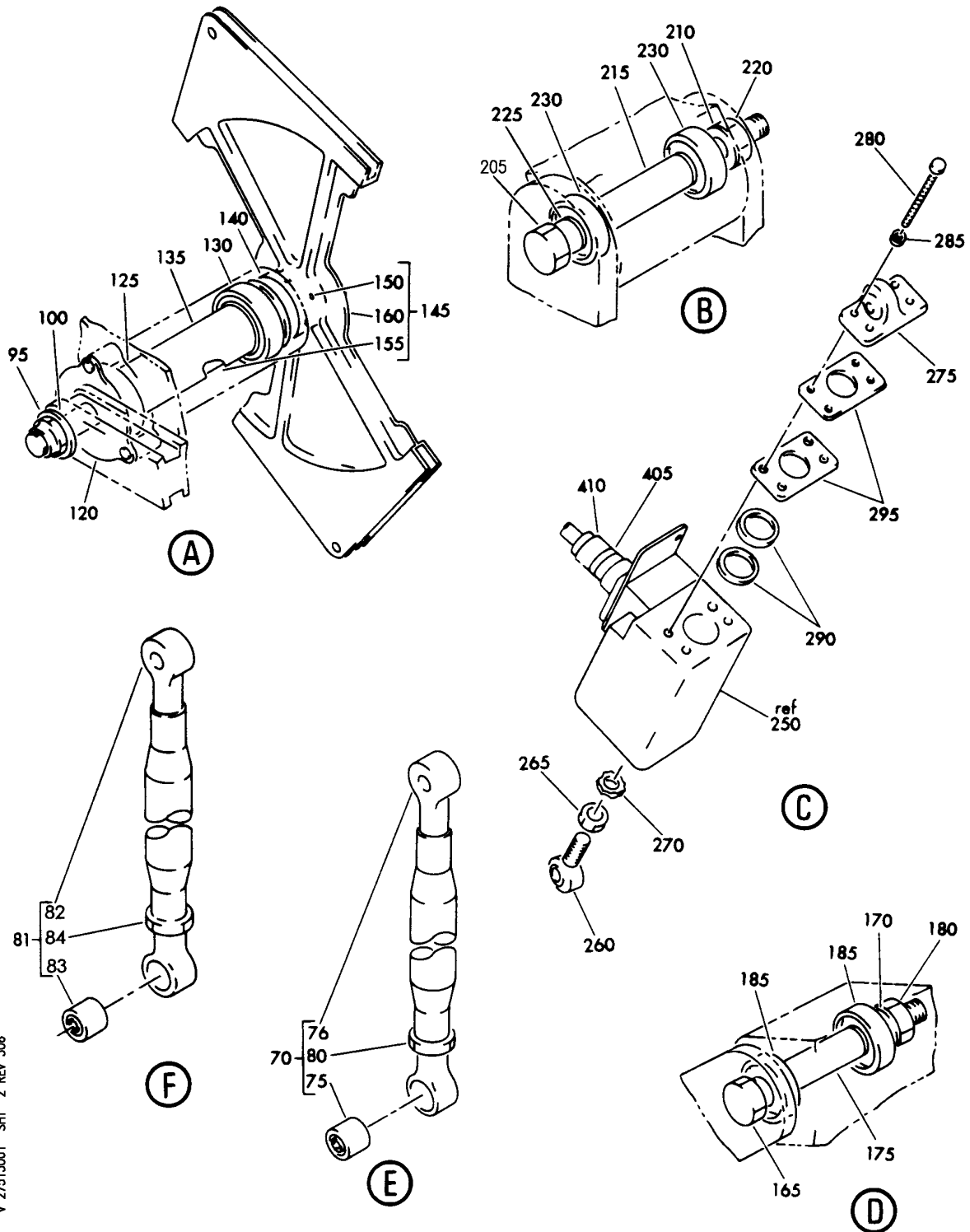
**27-51-30-01**

HXL  
DEC 22/06

27-51-30-01  
PAGE 0



**BOEING**  
767  
PARTS CATALOG (MAINTENANCE)



V 27513001 SHT 2 REV 306

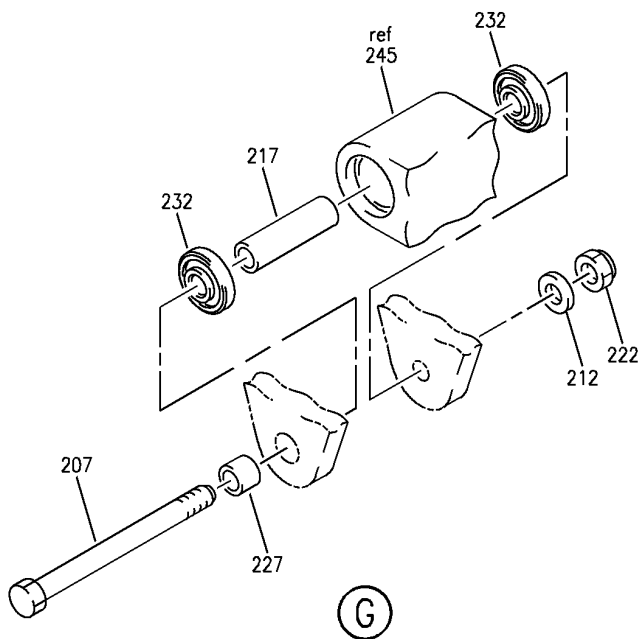
CONTROL INSTL-TE FLAP QUADRANT AND LOAD ALLEVIATION  
FIGURE 1 (SHEET 2)

**27-51-30-01**

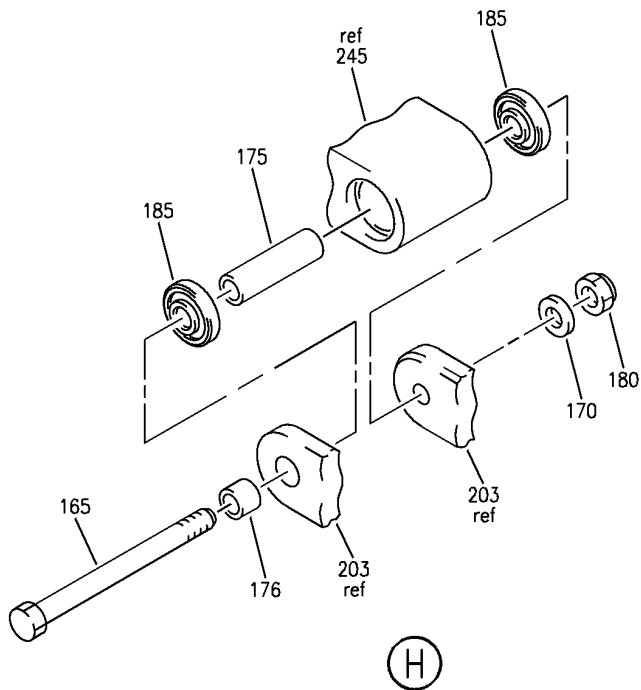
HXL  
DEC 22/06

27-51-30-01  
PAGE 0A

**BOEING**  
767  
PARTS CATALOG (MAINTENANCE)



(G)



(H)

V 27513001 SHT 3 REV 306

CONTROL INSTL-TE FLAP QUADRANT AND LOAD ALLEVIATION  
FIGURE 1 (SHEET 3)

**27-51-30-01**

HXL  
DEC 22/06

27-51-30-01  
PAGE 0B

BOEING PROPRIETARY - Copyright © - Unpublished Work - See title page for details.

 **BOEING**  
767  
**PARTS CATALOG (MAINTENANCE)**

FIG ITEM	PART NUMBER	1 2 3 4 5 6 7	NOMENCLATURE	EFFECT FROM TO	UNITS PER ASSY
1			CONTROL INSTL-TE FLAP QUADRANT AND LOAD ALLEVIATION		
- 1	256T1300-2		CONTROL INSTL-TE FLAP QUADRANT AND LOAD ALLEVIATION VARIABLE DRAWING REF: 256T1300-6 FOR NHA SEE: 27-51-60-01		RF
5	BACB30NR4K11	.BOLT-			1
10	BACB30NR4K9	.BOLT-			1
11	BACB30NR4K18	.BOLT-			1
14	BACB30NR4K13	.BOLT-			1
15	NAS1149D0416J	.WASHER-			2
18	NAS75-4-009	.BUSHING-			1
22	NAS75-4-016	.BUSHING-			1
23	BRH10A4	.NUT-			2
			SUPPLIER CODE: V52828 SPECIFICATION NUMBER: BACN10JC4 OPTIONAL PART: T6S428J V11815 96-048 V80539 VN303A048 V92215 RMLH9075-4W V72962 NS202101-048 V80539 H10-4BAC V15653		
25	740A20-5	.JUMPER ASSY-			1
			SUPPLIER CODE: V91812 SPECIFICATION NUMBER: BACJ40A20-5 OPTIONAL PART: TJEJ40A20-5 V33483 RBEJ20-5 V1GK47 USED ON: 256T1300-2 256T1300-3		
ILLUSTRATION ITEMS NOT ON PARTS LIST ARE NOT APPLICABLE					

- ITEM NOT ILLUSTRATED

HXL

# 27-51-30-01

BOEING PROPRIETARY - Copyright © - Unpublished Work - See title page for details.

27-51-30  
FIG. 01  
PAGE 1  
DEC 22/08

**BOEING**  
767  
**PARTS CATALOG (MAINTENANCE)**

FIG ITEM	PART NUMBER	1 2 3 4 5 6 7	NOMENCLATURE	EFFECT FROM TO	UNITS PER ASSY
1			ATTACHING PARTS		
- 26	NAS6603-4		.BOLT		2
- 27	NAS1149D0363J		.WASHER-		4
- 28	NAS1149D0316H		.WASHER-		2
- 29	BRH10A3		.NUT		2
			SUPPLIER CODE: V52828		
			SPECIFICATION NUMBER: BACN10JC3		
			OPTIONAL PART: H10-3BAC		
			V15653		
			NS202101-02		
			V80539		
			RMLH9075-3W		
			V72962		
			VN303A02		
			V92215		
			96-02		
			V80539		
			T6S1032J		
			V11815		
			-----*-----		
30	BACB2D007C1C1TX		.BRACKET		1
38	BACB30NR4K15		.BOLT		1
40	BACB30NR4K14		.BOLT		1
45	BACB30NR4K34		.BOLT-		1
50	NAS1149D0463J		.WASHER-		1
55	NAS1149D0416J		.WASHER-		1
60	BRH10A4		.NUT-		2
			SUPPLIER CODE: V52828		
			SPECIFICATION NUMBER: BACN10JC4		
			OPTIONAL PART: T6S428J		
			V11815		
			96-048		
			V80539		
			VN303A048		
			V92215		
			RMLH9075-4W		
			V72962		
			NS202101-048		
			V80539		
			H10-4BAC		
			V15653		
			ILLUSTRATION ITEMS NOT ON PARTS LIST ARE NOT APPLICABLE		

- ITEM NOT ILLUSTRATED

HXL

**27-51-30-01**

BOEING PROPRIETARY - Copyright © - Unpublished Work - See title page for details.

27-51-30  
FIG. 01  
PAGE 2  
DEC 22/08



767

PARTS CATALOG (MAINTENANCE)

FIG ITEM	PART NUMBER	1 2 3 4 5 6 7	NOMENCLATURE	EFFECT FROM TO	UNITS PER ASSY
1					
81	251T0100-237	.ROD ASSY-	COMPONENT MAINT MANUAL REF: 27-00-11		1
81	251T0100-241	.ROD ASSY-	COMPONENT MAINT MANUAL REF: 27-00-11		1
82	REP4H6FS436	..BEARING	SUPPLIER CODE: V73134 SPECIFICATION NUMBER: BACB10AE9A OPTIONAL PART: HHRE4H6-1 V38443 REP4H6-2 V38443 REP4H6E9171A V21335 ABR4H106 VS0352 REP4H6FS436 V21335 REB4HE6-19 V92563 DBH4-10C1-501 V73134 DBH4-10C1-501 V77896 ABR4H106B V15860 REP4HE6-009AJ V73134		1
83	256T3193-1	..BEARING-			1
84	AN316-6L	..NUT			1
85	251T0100-120	.ROD ASSY-	COMPONENT MAINT MANUAL REF: 27-00-11		1
85	251T0100-150	.ROD ASSY-	COMPONENT MAINT MANUAL REF: 27-00-11		1

ILLUSTRATION ITEMS NOT ON PARTS LIST ARE NOT APPLICABLE

- ITEM NOT ILLUSTRATED

HXL

27-51-30-01

BOEING PROPRIETARY - Copyright © - Unpublished Work - See title page for details.

27-51-30  
FIG. 01  
PAGE 3  
APR 22/09



767

PARTS CATALOG (MAINTENANCE)

FIG ITEM	PART NUMBER	1 2 3 4 5 6 7	NOMENCLATURE	EFFECT FROM TO	UNITS PER ASSY
1					
95	BMN4122AD3-10	.	NUT SUPPLIER CODE: V97928 SPECIFICATION NUMBER: BACN10JC10 OPTIONAL PART: BMN4122A10 V85495 H10-10BAC V15653 RMLH9074-10 V72962 48FT1018 V56878		1
100	NAS1149D1063J	.	WASHER-		1
105	256T1101-4	.	CRANK- OPTIONAL PART: 256T1101-5 256T1101-6		1
105	256T1101-5	.	CRANK- OPTIONAL PART: 256T1101-4 256T1101-6		1
105	256T1101-6	.	CRANK- OPTIONAL PART: 256T1101-4 256T1101-5		1
110	NAS1802-3-5	.	SCREW-		3
115	NAS1149D0332J	.	WASHER-		3
120	256T1308-1	.	RETAINER		1

ILLUSTRATION ITEMS NOT ON PARTS LIST ARE NOT APPLICABLE

- ITEM NOT ILLUSTRATED

HXL

27-51-30-01

BOEING PROPRIETARY - Copyright © - Unpublished Work - See title page for details.

27-51-30  
FIG. 01  
PAGE 4  
DEC 22/08



767

PARTS CATALOG (MAINTENANCE)

FIG ITEM	PART NUMBER	1 2 3 4 5 6 7 NOMENCLATURE	EFFECT FROM TO	UNITS PER ASSY
1 125	KP16AFS428	.BEARING SUPPLIER CODE: V21335 SPECIFICATION NUMBER: BACB10BX16 OPTIONAL PART: KP16A2TS V43991 LLKP16A V38443 KP16AG27 V30163 KP16A V38443 KP16ALY196 V40920 KP16ASD610 V83086 CS216E VK8455 KP16AP V21760 KP16AE V21760 KP16A V21760 KP16ANCJ V06144 KP16AFS428 V06144		1

ILLUSTRATION ITEMS NOT ON PARTS LIST ARE NOT APPLICABLE

- ITEM NOT ILLUSTRATED

HXL

**27-51-30-01**

BOEING PROPRIETARY - Copyright © - Unpublished Work - See title page for details.

27-51-30  
 FIG. 01  
 PAGE 5  
 APR 22/09



767

PARTS CATALOG (MAINTENANCE)

FIG ITEM	PART NUMBER	1 2 3 4 5 6 7	NOMENCLATURE	EFFECT FROM TO	UNITS PER ASSY
1 130	KP16BSD610	.	BEARING SUPPLIER CODE: V83086 SPECIFICATION NUMBER: BACB10BW16 OPTIONAL PART: KP16B2TS V43991 KP16B V38443 LLKP16B V38443 KP16BG27 V30163 KP16BFS428 V21335 KP16BLY196 V40920 KP16B V06144 KP16BFS428 V06144 KP16BNJC V06144		1
135	256T1302-1	.	SPACER		1
140	AR10401-223WC	.	SEAL- SUPPLIER CODE: V05939		1
145	256T1305-3	.	QUADRANT ASSY-		1
150	NAS1398MW5-4	..	RIVET		6
155	256T1307-3	..	SHAFT-		1
160	256T1306-3	..	QUADRANT- OPTIONAL PART: 256T1306-4		1
160	256T1306-4	..	QUADRANT- OPTIONAL PART: 256T1306-3		1
165	BACB30NR4K36	.	BOLT-		1
170	NAS1149D0416J	.	WASHER-		1
175	NAS43DD4-74	.	SPACER		1
176	NAS75-4-012	.	BUSHING-		1

ILLUSTRATION ITEMS NOT ON PARTS LIST ARE NOT APPLICABLE

- ITEM NOT ILLUSTRATED

27-51-30-01

27-51-30  
FIG. 01  
PAGE 6  
APR 22/09

HXL

BOEING PROPRIETARY - Copyright © - Unpublished Work - See title page for details.





767

PARTS CATALOG (MAINTENANCE)

FIG ITEM	PART NUMBER	1 2 3 4 5 6 7	NOMENCLATURE	EFFECT FROM TO	UNITS PER ASSY
1 180	BRH10A4	.NUT	SUPPLIER CODE: V52828 SPECIFICATION NUMBER: BACN10JC4 OPTIONAL PART: T6S428J V11815 96-048 V80539 VN303A048 V92215 RMLH9075-4W V72962 NS202101-048 V80539 H10-4BAC V15653		1
185	KP4AFS428	.BEARING	SUPPLIER CODE: V06144 SPECIFICATION NUMBER: BACB10BX4 OPTIONAL PART: KP4AFS428 V21335 KP4A2TS V43991 LLKP4A V38443 KP4AG27 V30163 KP4A V38443 KP4ALY196 V40920 KP4ASD610 V83086 CS204E VK8455 KP4A V21760 KP4ANJC V06144		2
203	256T1313-1	.LINK-			1
207	BACB30NR4K42	.BOLT-			1
210	NAS1149D0416J	.WASHER-			1
215	NAS43DD4-92	.SPACER-			1

ILLUSTRATION ITEMS NOT ON PARTS LIST ARE NOT APPLICABLE

- ITEM NOT ILLUSTRATED

27-51-30-01

27-51-30  
FIG. 01  
PAGE 7  
APR 22/09

HXL

BOEING PROPRIETARY - Copyright © - Unpublished Work - See title page for details.

 **BOEING**  
767  
**PARTS CATALOG (MAINTENANCE)**

FIG ITEM	PART NUMBER	1 2 3 4 5 6 7	NOMENCLATURE	EFFECT FROM TO	UNITS PER ASSY
1 220	BRH10A4		.NUT- SUPPLIER CODE: V52828 SPECIFICATION NUMBER: BACN10JC4 OPTIONAL PART: T6S428J V11815 96-048 V80539 VN303A048 V92215 RMLH9075-4W V72962 NS202101-048 V80539 H10-4BAC V15653		1
225 230	NAS75-4-009 KP4AFS428		.BUSHING- .BEARING- SUPPLIER CODE: V06144 SPECIFICATION NUMBER: BACB10BX4 OPTIONAL PART: KP4AFS428 V21335 KP4A2TS V43991 LLKP4A V38443 KP4AG27 V30163 KP4A V38443 KP4ALY196 V40920 KP4ASD610 V83086 CS204E VK8455 KP4A V21760 KP4ANJC V06144		1 2
235 245	256T1301-6 256T1316-1		.BELLCRANK- .BELLCRANK-		1 1

ILLUSTRATION ITEMS NOT ON PARTS LIST ARE NOT APPLICABLE

- ITEM NOT ILLUSTRATED

HXL

# 27-51-30-01

BOEING PROPRIETARY - Copyright © - Unpublished Work - See title page for details.

27-51-30  
FIG. 01  
PAGE 8  
APR 22/09



767

PARTS CATALOG (MAINTENANCE)

FIG ITEM	PART NUMBER	1 2 3 4 5 6 7	NOMENCLATURE	EFFECT FROM TO	UNITS PER ASSY
1 250	5500500-301		.ACTUATOR ASSY-FLAP LOAD RELIEF LINEAR SUPPLIER CODE: VS4980 SPECIFICATION NUMBER: 60B80032-3 ELECTRICAL EQUIP NUMBER: M00576 COMPONENT MAINT MANUAL REF: 27-50-04 QUALIFIED I/W DATA: 5500500-305 (60B80032-4) TOGETHER WITH (1EA) BACJ40A20-5 BONDING JUMPER CAN REPLACE OR BE REPLACED BY 5500500-301/ 5500500-101/ 5500500-103/ 5500500-303 (60B80032-3) OPTIONAL PART: 5500500-101 VS4980 5500500-303 VS4980 5500500-103 VS4980 OPTIONAL PART: 5500500-305 VS4980		1
250	5500500-305		.ACTUATOR ASSY-FLAP LOAD RELIEF LINEAR SUPPLIER CODE: VS4980 FUNCTIONAL DESCRIPTION: AUTOMATICALLY RETRACTS THE TE FLAPS IF FLAP POSITION AND AIRSPEED RESULT IN EXCESSIVE LOADS SPECIFICATION NUMBER: 60B80032-4 ELECTRICAL EQUIP NUMBER: M00576 COMPONENT MAINT MANUAL REF: 27-50-04 QUALIFIED I/W DATA: 5500500-305 (60B80032-4) TOGETHER WITH (1EA) BACJ40A20-5 BONDING		1

ILLUSTRATION ITEMS NOT ON PARTS LIST ARE NOT APPLICABLE

- ITEM NOT ILLUSTRATED

HXL

27-51-30-01

BOEING PROPRIETARY - Copyright © - Unpublished Work - See title page for details.

27-51-30  
FIG. 01  
PAGE 9  
DEC 22/08



767

PARTS CATALOG (MAINTENANCE)

FIG ITEM	PART NUMBER	1 2 3 4 5 6 7 NOMENCLATURE	EFFECT FROM TO	UNITS PER ASSY
1 250		<p>JUMPER CAN REPLACE OR BE REPLACED BY DL1326M99 (60B80032-1) 5500500-305 (60B80032-4) TOGETHER WITH (1EA) BACJ40A20-5 BONDING JUMPER CAN REPLACE OR BE REPLACED BY DL1326M99-2 (60B80032-2) 5500500-305 (60B80032-4) TOGETHER WITH (1EA) BACJ40A20-5 BONDING JUMPER CAN REPLACE OR BE REPLACED BY 5500500-301/ 5500500-101/ 5500500-103/ 5500500-303 (60B80032-3) OPTIONAL PART: DL1326M99-2 V12511 DL1326M99 V12511 5500500-301 VS4980 5500500-101 VS4980 5500500-103 VS4980 5500500-303 VS4980</p>		
250	DL1326M99	<p>.ACTUATOR ASSY-FLAP LOAD RELIEF LINEAR SUPPLIER CODE: V12511 SPECIFICATION NUMBER: 60B80032-1 ELECTRICAL EQUIP NUMBER: M00576 QUALIFIED I/W DATA: 5500500-305 (60B80032-4) TOGETHER WITH (1EA) BACJ40A20-5 BONDING JUMPER CAN REPLACE OR BE REPLACED BY DL1326M99 (60B80032-1) OPTIONAL PART: 5500500-305 VS4980</p>		1

ILLUSTRATION ITEMS NOT ON PARTS LIST ARE NOT APPLICABLE

- ITEM NOT ILLUSTRATED

HXL

27-51-30-01

BOEING PROPRIETARY - Copyright © - Unpublished Work - See title page for details.

27-51-30  
FIG. 01  
PAGE 10  
DEC 22/08

 **BOEING**  
767  
**PARTS CATALOG (MAINTENANCE)**

FIG ITEM	PART NUMBER	1 2 3 4 5 6 7	NOMENCLATURE	EFFECT FROM TO	UNITS PER ASSY
1 250	DL1326M99-2		.ACTUATOR ASSY-FLAP LOAD RELIEF LINEAR SUPPLIER CODE: V12511 SPECIFICATION NUMBER: 60B80032-2 ELECTRICAL EQUIP NUMBER: M00576 QUALIFIED I/W DATA: 5500500-305 (60B80032-4) TOGETHER WITH (1EA) BACJ40A20-5 BONDING JUMPER CAN REPLACE OR BE REPLACED BY DL1326M99-2 (60B80032-2) OPTIONAL PART: 5500500-305 VS4980  TEMPORARY BREAKDOWN FOR: 5500500-101 5500500-103		1
260	ART4E133		..BEARING-ROD END SUPPLIER CODE: VS0352 SPECIFICATION NUMBER: 10-60779-157 OPTIONAL PART: DREM4-137 V81376 MSSKR45-11BAC V97613 V73134 REMS8ATC10-2 V15860 V21335 TFM104N V77896 TFM104W V77896 77260 V09455 ADNE4-209 KBDE4-40A ASMK4T18 V56644		1
265	AN316-5R		..NUT		1
270	MS27111-2		..WASHER		1
ILLUSTRATION ITEMS NOT ON PARTS LIST ARE NOT APPLICABLE					

- ITEM NOT ILLUSTRATED

HXL

# 27-51-30-01

BOEING PROPRIETARY - Copyright © - Unpublished Work - See title page for details.

27-51-30  
FIG. 01  
PAGE 11  
DEC 22/08

**BOEING**  
767  
**PARTS CATALOG (MAINTENANCE)**

FIG ITEM	PART NUMBER	1 2 3 4 5 6 7	NOMENCLATURE	EFFECT FROM TO	UNITS PER ASSY
1					
275	5500550		.. HEAD END ASSY- SUPPLIER CODE: VS4980 ATTACHING PARTS		1
280	MS35265-69		.. SCREW		4
285	NAS620-10L		.. WASHER		4
			-----*-----		
290	5500514-1		.. SHIM- SUPPLIER CODE: VS4980 OPTIONAL PART: 5500514-3 VS4980 5500514-17 VS4980		AR
290	5500514-3		.. SHIM- SUPPLIER CODE: VS4980 OPTIONAL PART: 5500514-1 VS4980 5500514-17 VS4980		AR
290	5500514-17		.. SHIM- SUPPLIER CODE: VS4980 OPTIONAL PART: 5500514-1 VS4980 5500514-3 VS4980		AR
295	5500514-9		.. SHIM- SUPPLIER CODE: VS4980 OPTIONAL PART: 5500514-11 VS4980		AR
295	5500514-11		.. SHIM- SUPPLIER CODE: VS4980 OPTIONAL PART: 5500514-9 VS4980		AR
- 400	286T0778-001		WIRE BUNDLE ASSY		RF

ILLUSTRATION ITEMS NOT ON PARTS LIST ARE NOT APPLICABLE

- ITEM NOT ILLUSTRATED

HXL

# 27-51-30-01

BOEING PROPRIETARY - Copyright © - Unpublished Work - See title page for details.

27-51-30  
FIG. 01  
PAGE 12  
DEC 22/08



767

PARTS CATALOG (MAINTENANCE)

FIG ITEM	PART NUMBER	1 2 3 4 5 6 7	NOMENCLATURE	EFFECT FROM TO	UNITS PER ASSY
1 405	BCREF6379		. ADAPTER- SUPPLIER CODE: V06324 OVERLENGTH PART NUMBER: 710EA012M14-12-62A ELECTRICAL EQUIP NUMBER: D02306T WIRING DIAGRAM REF: 275151		1
410	C0909A14-07SN		. CONNECTOR- SUPPLIER CODE: V13556 SPECIFICATION NUMBER: BACC63BN14-7S OPTIONAL PART: 48-63N14-7S V02660 R071214-7S V41118 ELECTRICAL EQUIP NUMBER: D02306 WIRING DIAGRAM REF: 275151		1

ILLUSTRATION ITEMS NOT ON PARTS LIST ARE NOT APPLICABLE

- ITEM NOT ILLUSTRATED

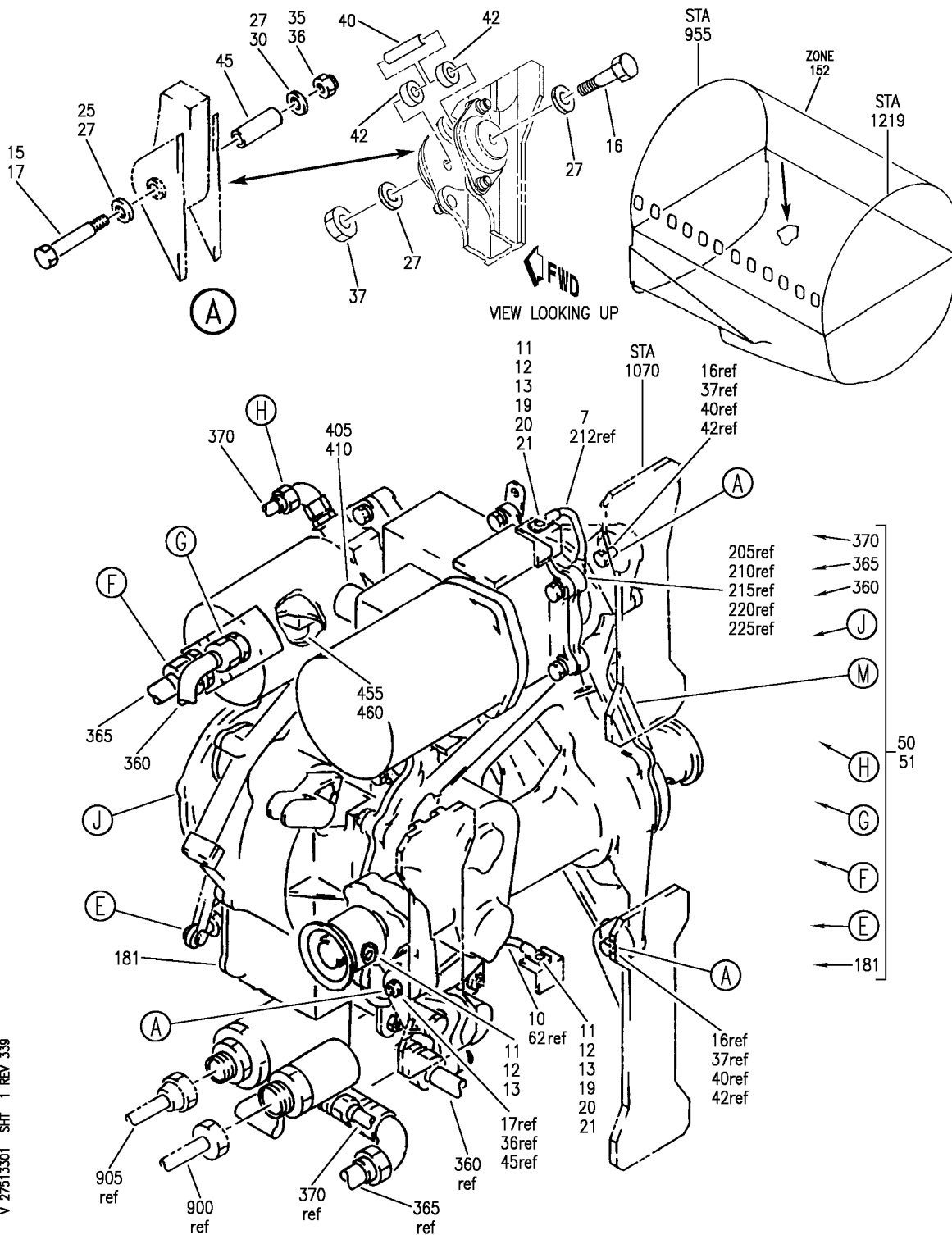
HXL

27-51-30-01

BOEING PROPRIETARY - Copyright © - Unpublished Work - See title page for details.

27-51-30  
FIG. 01  
PAGE 13  
DEC 22/08

**BOEING**  
767  
PARTS CATALOG (MAINTENANCE)



V 27513301 SHT 1 REV 339

UNIT INSTL-TE FLAP PWR DRIVE  
FIGURE 1 (SHEET 1)

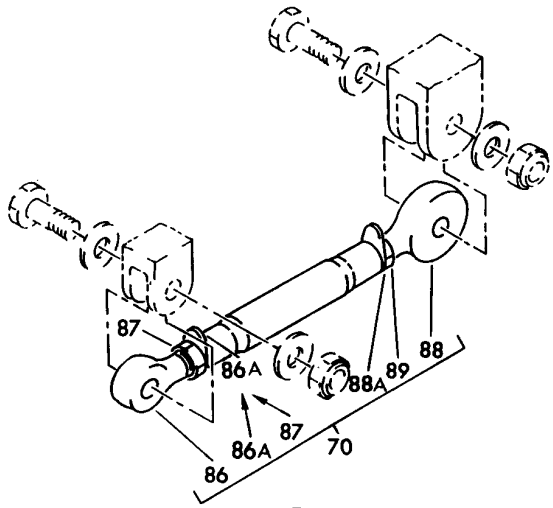
# 27-51-33-01

HXL  
APR 22/09

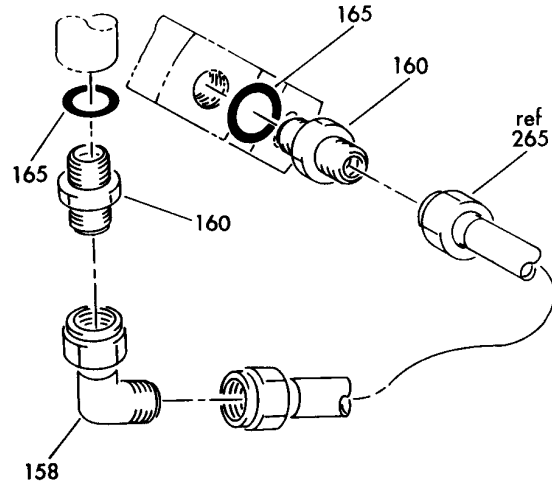
27-51-33-01  
PAGE 0



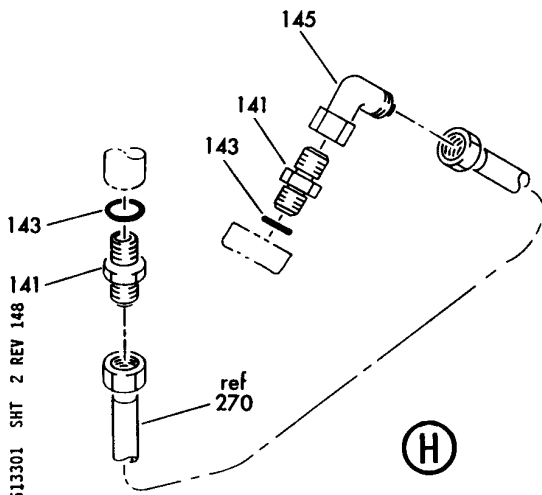

**BOEING**  
 767  
**PARTS CATALOG (MAINTENANCE)**



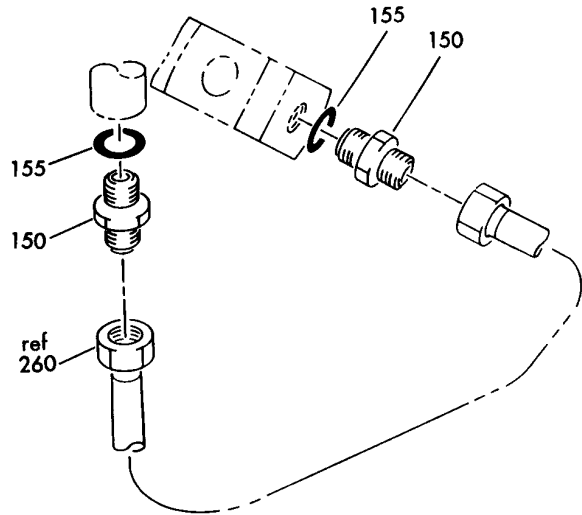
**(E)**



**(F)**



**(H)**



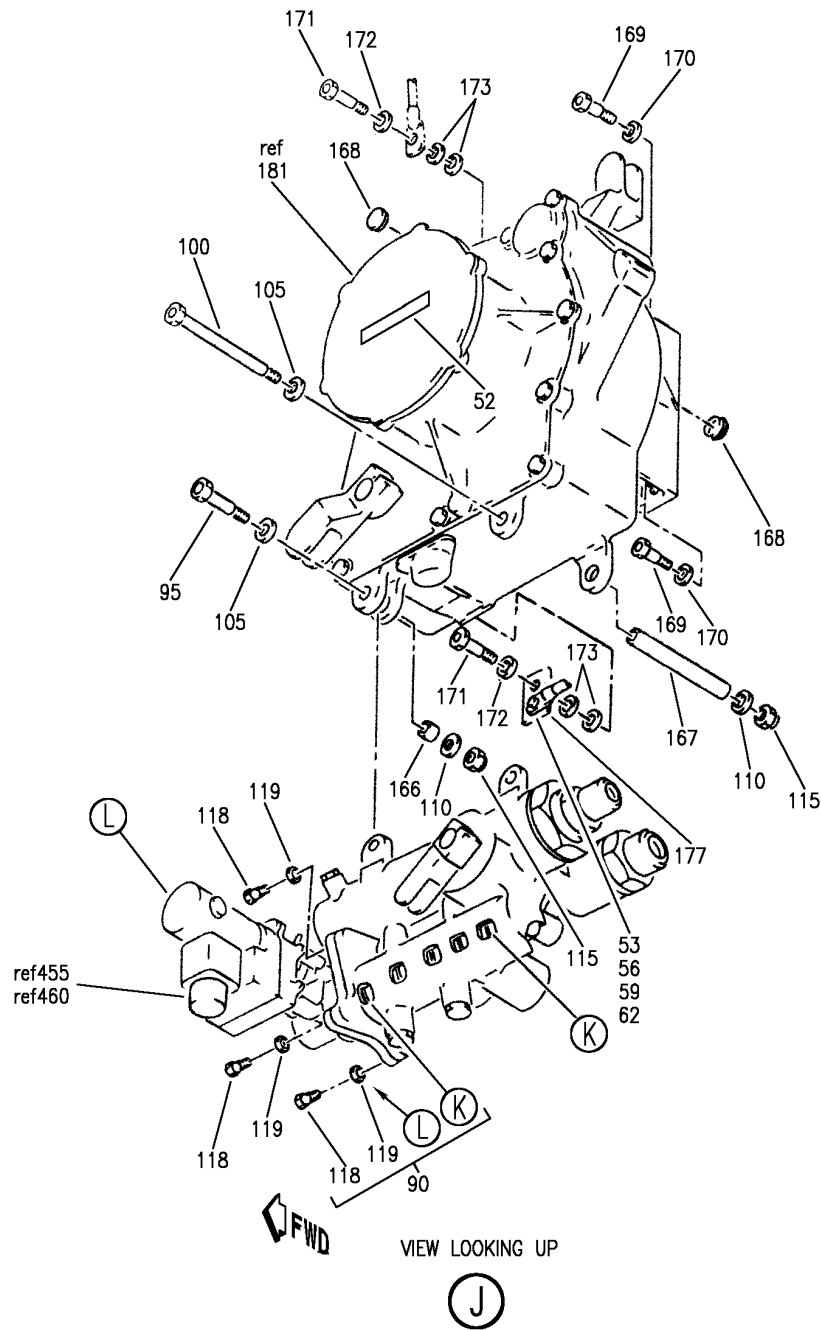
**(G)**

V 27513301 SHT 2 REV 148

UNIT INSTL-TE FLAP PWR DRIVE  
FIGURE 1 (SHEET 2)

**27-51-33-01**

**BOEING**  
**767**  
**PARTS CATALOG (MAINTENANCE)**



V 27513301 SH1 3 REV 334

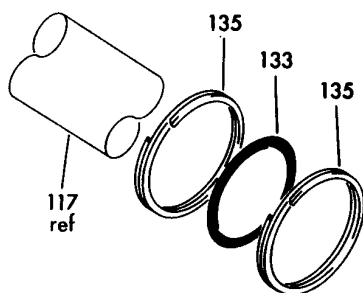
UNIT INSTL-TE FLAP PWR DRIVE  
 FIGURE 1 (SHEET 3)

**27-51-33-01**

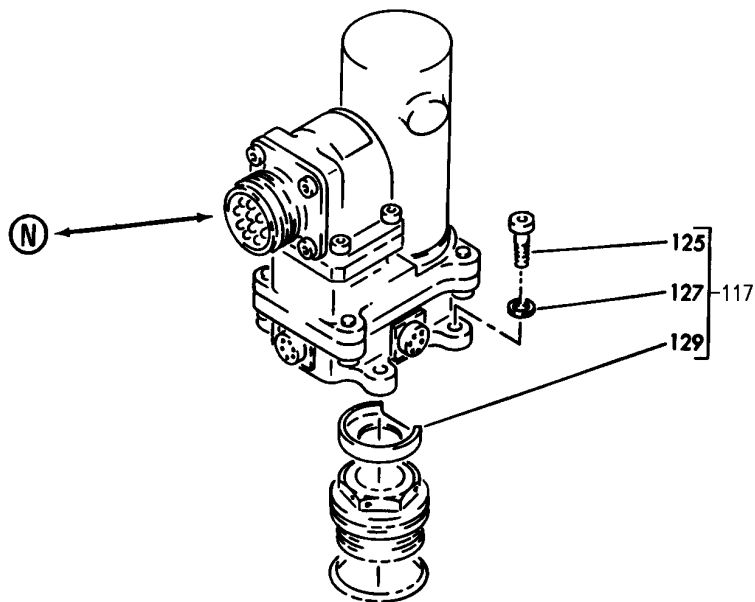
HXL  
 DEC 22/08

27-51-33-01  
 PAGE 0B

**BOEING**  
767  
PARTS CATALOG (MAINTENANCE)



(K)



(L)

V 27513301 SH1 4 REV 303

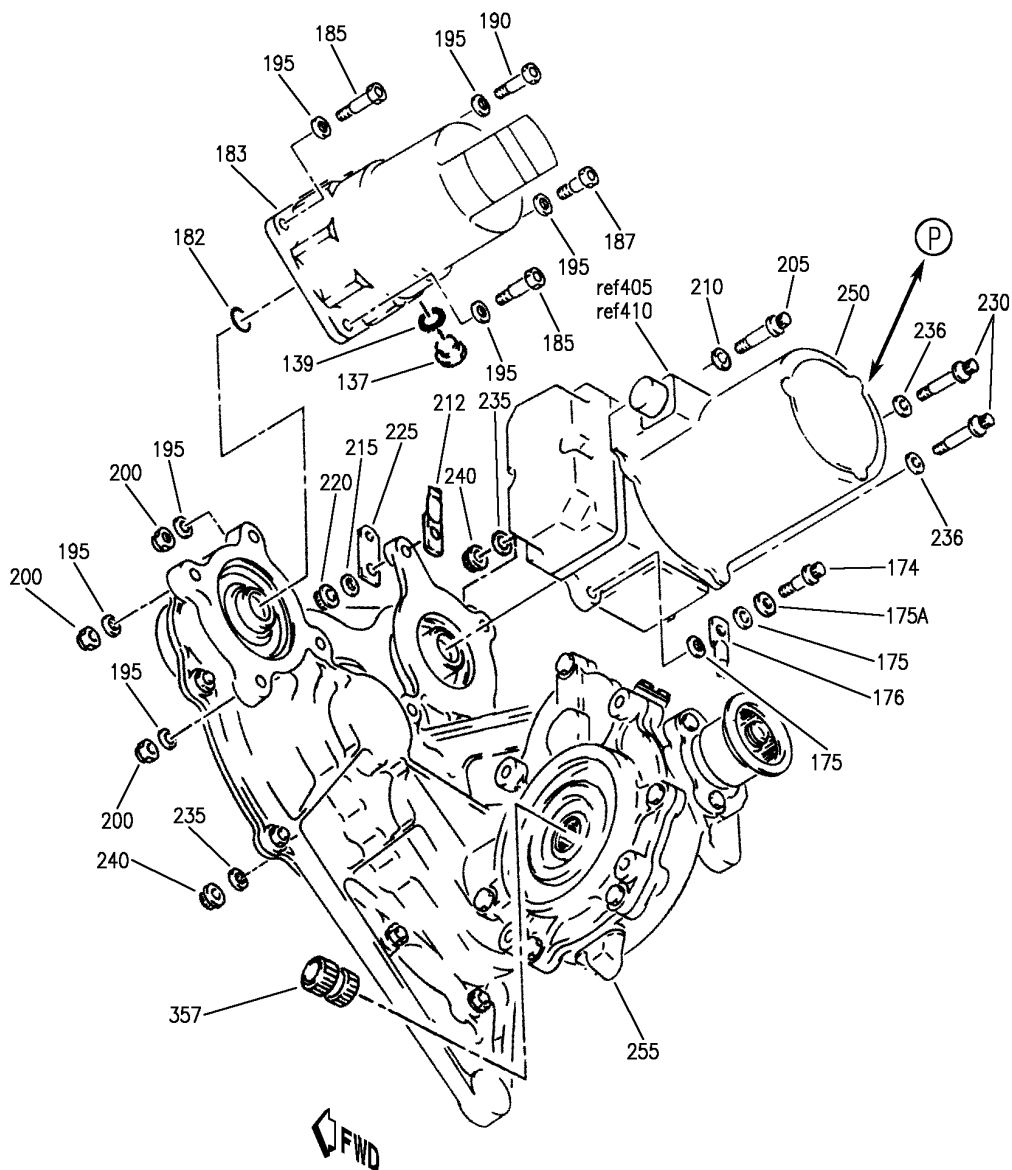
UNIT INSTL-TE FLAP PWR DRIVE  
FIGURE 1 (SHEET 4)

**27-51-33-01**

HXL  
DEC 22/06

27-51-33-01  
PAGE 0C

**BOEING**  
767  
PARTS CATALOG (MAINTENANCE)



V 27513301 SHT 5 REV 339

VIEW LOOKING UP

(M)

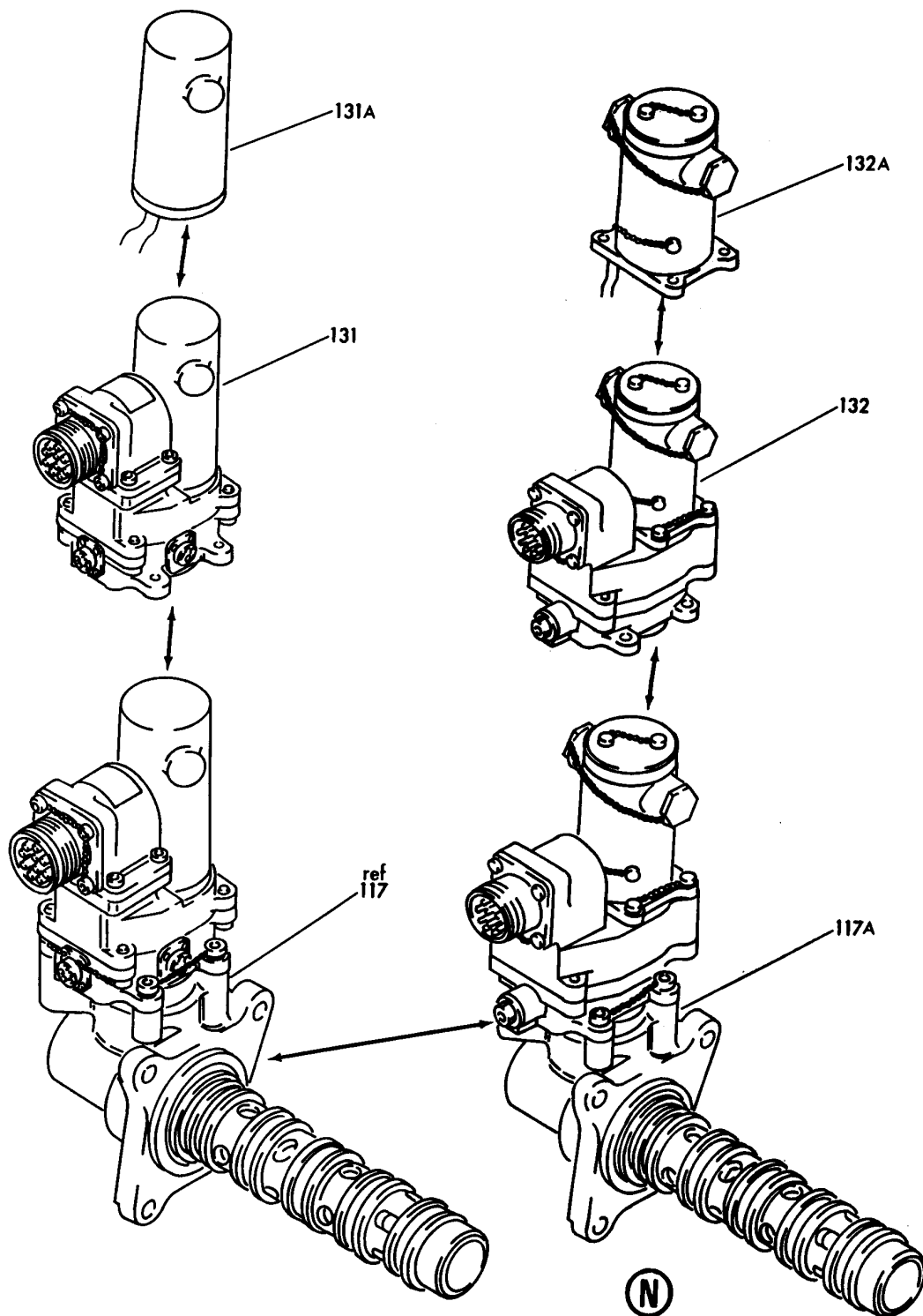
UNIT INSTL-TE FLAP PWR DRIVE  
FIGURE 1 (SHEET 5)

**27-51-33-01**

HXL  
APR 22/09

27-51-33-01  
PAGE 0D

**BOEING**  
767  
PARTS CATALOG (MAINTENANCE)



V 27513301 SHT 6 REV 180

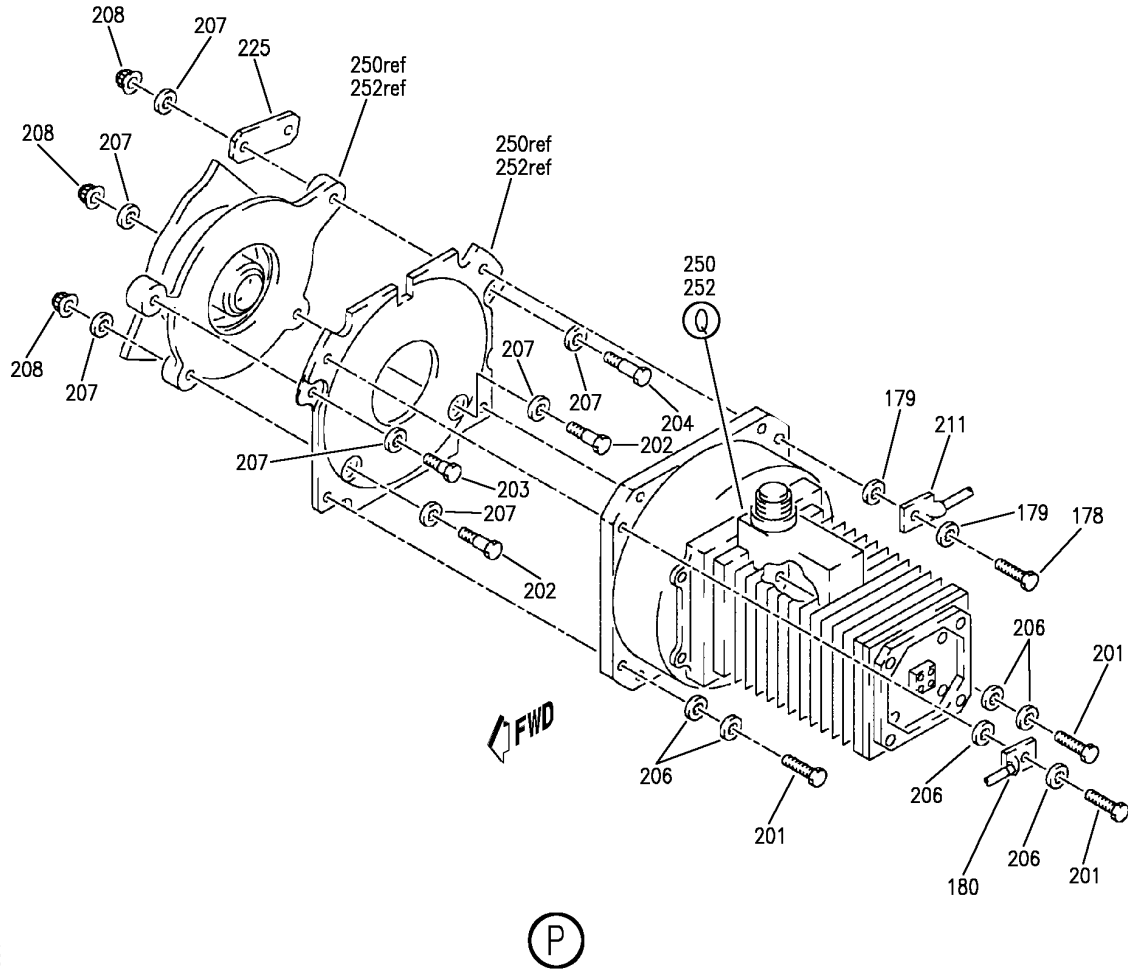
UNIT INSTL-TE FLAP PWR DRIVE  
FIGURE 1 (SHEET 6)

**27-51-33-01**

HXL  
DEC 22/06

27-51-33-01  
PAGE 0E

**BOEING**  
767  
PARTS CATALOG (MAINTENANCE)



V 27513301 SH1 7 REV 334

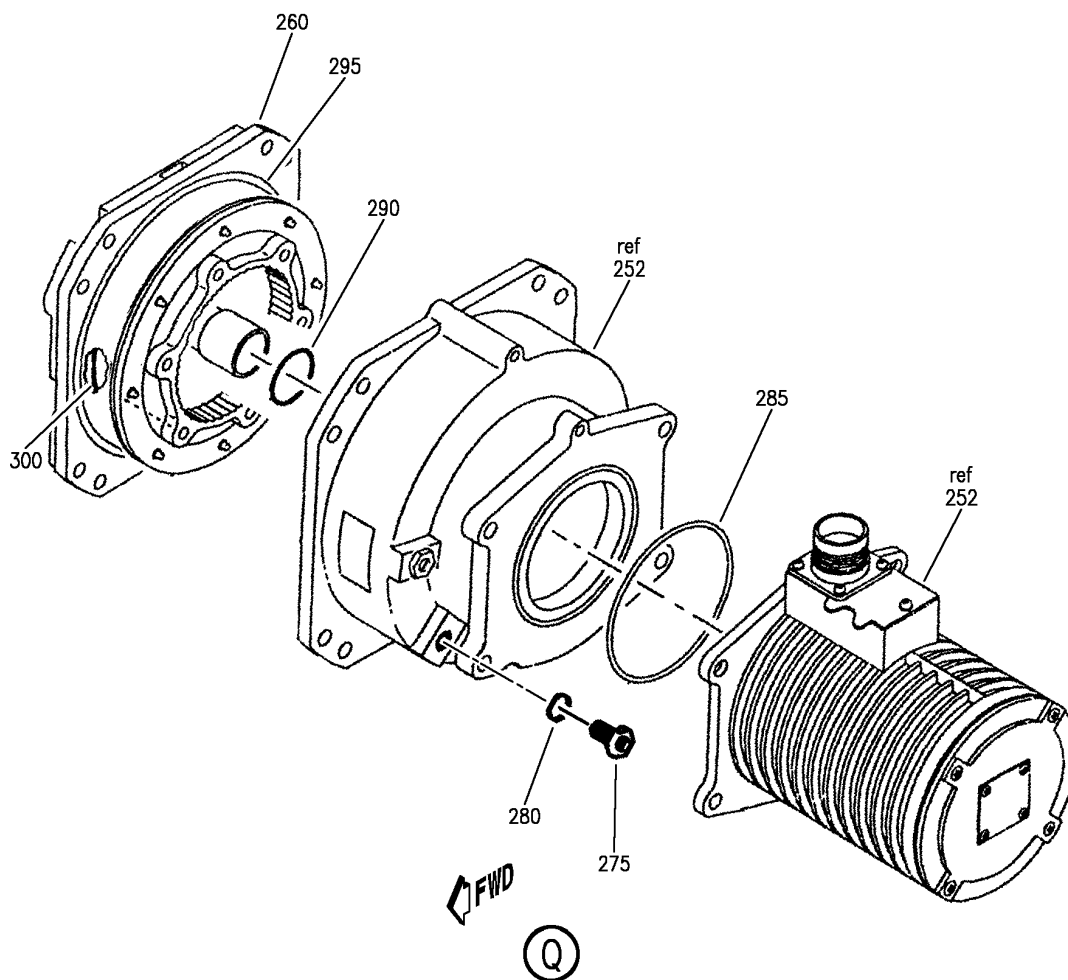
UNIT INSTL-TE FLAP PWR DRIVE  
FIGURE 1 (SHEET 7)

**27-51-33-01**

HXL  
DEC 22/08

27-51-33-01  
PAGE OF

**BOEING**  
767  
PARTS CATALOG (MAINTENANCE)



V 27513301 SH1 8 REV 334

UNIT INSTL-TE FLAP PWR DRIVE  
FIGURE 1 (SHEET 8)

**27-51-33-01**

HXL  
DEC 22/08

27-51-33-01  
PAGE 06



767

PARTS CATALOG (MAINTENANCE)

FIG ITEM	PART NUMBER	1 2 3 4 5 6 7	NOMENCLATURE	EFFECT FROM TO	UNITS PER ASSY
1			UNIT INSTL-TE FLAP PWR DRIVE		
- 1	256T3100-10		UNIT INSTL-TE FLAP PWR DRIVE VARIABLE FOR NHA SEE: 27-51-41-01		RF
7	BACJ40A22-9		.JUMPER ASSY-		1
10	BACJ40A20-8		.JUMPER ASSY- ATTACHING PARTS		1
11	NAS1801-3-8		.SCREW-		3
12	AN960D10L		.WASHER-		9
13	BRH10A3		.NUT- SUPPLIER CODE: V52828 SPECIFICATION NUMBER: BACN10JC3 OPTIONAL PART: H10-3BAC V15653 NS202101-02 V80539 RMLH9075-3W V72962 VN303A02 V92215 96-02 V80539 T6S1032J V11815		3
16	BACB30NR5K39		-----*----- .BOLT- POST SERVICE BULLETIN: 27-0146		2
17	BACB30NR5K44		.BOLT- POST SERVICE BULLETIN: 27-0146		1
27	NAS1149F0532P		.WASHER- POST SERVICE BULLETIN: 27-0146		6
35	PLH55CD		.NUT- SUPPLIER CODE: VF0224 SPECIFICATION NUMBER: BACN10YR5CD OPTIONAL PART: H52732-5CD V15653 POST SERVICE BULLETIN: 27-0146		3

ILLUSTRATION ITEMS NOT ON PARTS LIST ARE NOT APPLICABLE

- ITEM NOT ILLUSTRATED

27-51-33-01

27-51-33  
FIG. 01  
PAGE 1  
DEC 22/08

HXL





767

PARTS CATALOG (MAINTENANCE)

FIG ITEM	PART NUMBER	1 2 3 4 5 6 7	NOMENCLATURE	EFFECT FROM TO	UNITS PER ASSY
1					
40	BACB28AK05-118		.BUSHING- POST SERVICE BULLETIN: 27-0146		2
42	BACB28AK07-024		.BUSHING- POST SERVICE BULLETIN: 27-0146		4
50	256T3110-7		.UNIT ASSY-PWR DRIVE VARIABLE COMPONENT MAINT MANUAL REF: 27-51-14		1
50	256T3110-9		.POWER DRIVE UNIT ASSY- VARIABLE COMPONENT MAINT MANUAL REF: 27-51-14		1
50	256T3110-12		.POWER DRIVE UNIT ASSY- VARIABLE COMPONENT MAINT MANUAL REF: 27-51-14		1
50	256T3110-17		.POWER DRIVE UNIT ASSY- COMPONENT MAINT MANUAL REF: 27-51-14 QUALIFIED I/W DATA: 256T3110-19 CAN REPLACE BUT NOT BE REPLACED BY 256T3110-17 FOR AIRCRAFT LINE NUMBERS PRIOR TO 945		1
52	BAC27TCT0174		..MARKER-ALUMINUM FOIL		1
53	NAS1801-3-8		..SCREW- USED ON: 256T3110-11 256T3110-12 256T3110-13 256T3110-16 256T3110-17		1
56	AN960D10L		..WASHER- USED ON: 256T3110-11 256T3110-12 256T3110-13 256T3110-16 256T3110-17		3

ILLUSTRATION ITEMS NOT ON PARTS LIST ARE NOT APPLICABLE

- ITEM NOT ILLUSTRATED

HXL

27-51-33-01

BOEING PROPRIETARY - Copyright © - Unpublished Work - See title page for details.

27-51-33  
FIG. 01  
PAGE 2  
DEC 22/08



767

PARTS CATALOG (MAINTENANCE)

FIG ITEM	PART NUMBER	1 2 3 4 5 6 7	NOMENCLATURE	EFFECT FROM TO	UNITS PER ASSY
1	59 BRH10A3		..NUT- SUPPLIER CODE: V52828 SPECIFICATION NUMBER: BACN10JC3 OPTIONAL PART: H10-3BAC V15653 NS202101-02 V80539 RMLH9075-3W V72962 VN303A02 V92215 96-02 V80539 T6S1032J V11815 USED ON: 256T3110-11 256T3110-12 256T3110-13		1
	59 PLH53CD		..NUT- SUPPLIER CODE: VF0224 SPECIFICATION NUMBER: BACN10YR3CD OPTIONAL PART: H52732-3CD V15653 USED ON: 256T3110-16 256T3110-17		1
	62 BACJ40A20-8		..JUMPER ASSY- USED ON: 256T3110-11 256T3110-12 256T3110-13 256T3110-16 256T3110-17		1
	70 251T0100-306		..ROD ASSY- COMPONENT MAINT MANUAL REF: 27-00-11 ATTACHING PARTS		1
-	75 NAS6704-13		..BOLT-		2
-	80 AN960PD416L		..WASHER-		4
-	80 AN960JD416L		..WASHER-		4

ILLUSTRATION ITEMS NOT ON PARTS LIST ARE NOT APPLICABLE

- ITEM NOT ILLUSTRATED

27-51-33-01

27-51-33  
 FIG. 01  
 PAGE 3  
 DEC 22/08

HXL

**BOEING**  
767  
**PARTS CATALOG (MAINTENANCE)**

FIG ITEM	PART NUMBER	1 2 3 4 5 6 7	NOMENCLATURE	EFFECT FROM TO	UNITS PER ASSY
1					
- 85	PLH54CD		..NUT- SUPPLIER CODE: VF0224 SPECIFICATION NUMBER: BACN10YR4CD OPTIONAL PART: H52732-4CD V15653 USED ON: 256T3110-16 256T3110-17		2
- 85	BRH10C4D		..NUT- SUPPLIER CODE: V52828 SPECIFICATION NUMBER: BACN10JC4CD OPTIONAL PART: T6C428JCD V11815 NS202486-048 V80539 102LH9075-4W V72962 H51650-4BAC V15653 USED ON: 256T3110-2 256T3110-3 256T3110-4 256T3110-5 256T3110-6 256T3110-7 256T3110-8 256T3110-9 256T3110-10 256T3110-11 256T3110-12 256T3110-13		2
			-----*-----		
86	SM4-6J12		...BEARING- SUPPLIER CODE: V77896		1
86A	NAS513-6		...WASHER		1
87	NAS509-6		...NUT		1
88	SM4-7A1-501		...BEARING- SUPPLIER CODE: V77896		1
88A	NAS513-7		...WASHER		1
89	NAS509-7		...NUT		1
ILLUSTRATION ITEMS NOT ON PARTS LIST ARE NOT APPLICABLE					

- ITEM NOT ILLUSTRATED

HXL

# 27-51-33-01

BOEING PROPRIETARY - Copyright © - Unpublished Work - See title page for details.

27-51-33  
FIG. 01  
PAGE 4  
DEC 22/08



767

PARTS CATALOG (MAINTENANCE)

FIG ITEM	PART NUMBER	1 2 3 4 5 6 7 NOMENCLATURE	EFFECT FROM TO	UNITS PER ASSY
1 90	732-18550-07	..MODULE ASSY-TE FLAP 13.0 WITH HOGOUT BODY CONT VALVE SUPPLIER CODE: VS4096 SPECIFICATION NUMBER: S256T005-11 COMPONENT MAINT MANUAL REF: 27-50-01 OPTIONAL PART: 732-18550-08 VS4096 732-18550-13 VS4096 USED ON: 256T3110-2 256T3110-3 256T3110-4 256T3110-5 256T3110-6 256T3110-7 256T3110-8 256T3110-9 256T3110-10 256T3110-11 256T3110-12 256T3110-13 256T3110-16 256T3110-17 POST SERVICE BULLETIN: 27-0096 POST SERVICE BULLETIN: 732-18550-27-3 VS4096		1

ILLUSTRATION ITEMS NOT ON PARTS LIST ARE NOT APPLICABLE

- ITEM NOT ILLUSTRATED

HXL

**27-51-33-01**

BOEING PROPRIETARY - Copyright © - Unpublished Work - See title page for details.

27-51-33  
 FIG. 01  
 PAGE 5  
 DEC 22/08



767

PARTS CATALOG (MAINTENANCE)

FIG ITEM	PART NUMBER	1 2 3 4 5 6 7 NOMENCLATURE	EFFECT FROM TO	UNITS PER ASSY
1 90	732-18550-08	<p>..MODULE ASSY-TE FLAP 13.0            WITH HOGOUT BODY CONT            VALVE            SUPPLIER CODE:            VS4096            FUNCTIONAL DESCRIPTION:            RECEIVES INPUT POSITION            COMMAND FROM INPUT            LEVER AND CONTROLS FLOW            RATE AND DIRECTION OF            HYDRAULIC MOTOR T            GENERATE HYDRAULIC POWER            SPECIFICATION NUMBER:            S256T005-11            COMPONENT MAINT MANUAL REF:            27-50-01            OPTIONAL PART:            732-18550-07            VS4096            732-18550-13            VS4096            USED ON:            256T3110-2            256T3110-3            256T3110-4            256T3110-5            256T3110-6            256T3110-7            256T3110-8            256T3110-9            256T3110-10            256T3110-11            256T3110-12            256T3110-13            256T3110-16            256T3110-17            POST SERVICE BULLETIN:            27-0096            POST SERVICE BULLETIN:            732-18550-27-3            VS4096</p>		1

ILLUSTRATION ITEMS NOT ON PARTS LIST ARE NOT APPLICABLE

- ITEM NOT ILLUSTRATED

HXL

**27-51-33-01**

BOEING PROPRIETARY - Copyright © - Unpublished Work - See title page for details.

27-51-33  
 FIG. 01  
 PAGE 6  
 DEC 22/08

 **BOEING**  
767  
**PARTS CATALOG (MAINTENANCE)**

FIG ITEM	PART NUMBER	1 2 3 4 5 6 7	NOMENCLATURE	EFFECT FROM TO	UNITS PER ASSY
1 90	732-18550-13		..MODULE ASSY-CONT VALVE SUPPLIER CODE: VS4096 FUNCTIONAL DESCRIPTION: RECEIVES INPUT POSITION COMMAND FROM INPUT LEVER AND CONTROLS FLOW RATE AND DIRECTION OF HYDRAULIC FLUID TO THE HYDRAULIC MOTORS TO GENERATE A HYDRAULIC POWER SPECIFICATION NUMBER: S256T005-11 COMPONENT MAINT MANUAL REF: 27-50-01 OPTIONAL PART: 732-18550-07 VS4096 732-18550-08 VS4096 USED ON: 256T3110-16 256T3110-17 POST SERVICE BULLETIN: 27-0096 POST SERVICE BULLETIN: 732-18550-27-3 VS4096 ATTACHING PARTS		1
95	BACB30NR4K17		..BOLT-		1
100	BACB30NR4K64		..BOLT- OPTIONAL PART: NAS6704-64		1
100	NAS6704-64		..BOLT- OPTIONAL PART: BACB30NR4K64		1
105	AN960PD416L		..WASHER-		2
105	AN960JD416L		..WASHER-		2
110	AN960-416L		..WASHER-		2

ILLUSTRATION ITEMS NOT ON PARTS LIST ARE NOT APPLICABLE

- ITEM NOT ILLUSTRATED

HXL

27-51-33-01

BOEING PROPRIETARY - Copyright © - Unpublished Work - See title page for details.

27-51-33  
FIG. 01  
PAGE 7  
DEC 22/08



767

PARTS CATALOG (MAINTENANCE)

FIG ITEM	PART NUMBER	1 2 3 4 5 6 7	NOMENCLATURE	EFFECT FROM TO	UNITS PER ASSY
1 115	BRH10C4D		..NUT- SUPPLIER CODE: V52828 SPECIFICATION NUMBER: BACN10JC4CD OPTIONAL PART: T6C428JCD V11815 NS202486-048 V80539 102LH9075-4W V72962 H51650-4BAC V15653 USED ON: 256T3110-2 256T3110-3 256T3110-4 256T3110-5 256T3110-6 256T3110-7 256T3110-8 256T3110-9 256T3110-10 256T3110-11 256T3110-12 256T3110-13 -----*-----		2
115	PLH54CD		..NUT- SUPPLIER CODE: VF0224 SPECIFICATION NUMBER: BACN10YR4CD OPTIONAL PART: H52732-4CD V15653 USED ON: 256T3110-16 256T3110-17		2

ILLUSTRATION ITEMS NOT ON PARTS LIST ARE NOT APPLICABLE

- ITEM NOT ILLUSTRATED

HXL

27-51-33-01

BOEING PROPRIETARY - Copyright © - Unpublished Work - See title page for details.

27-51-33  
 FIG. 01  
 PAGE 8  
 DEC 22/08



767

PARTS CATALOG (MAINTENANCE)

FIG ITEM	PART NUMBER	1 2 3 4 5 6 7	NOMENCLATURE	EFFECT FROM TO	UNITS PER ASSY
1 117A	732-18600-02		...VALVE ASSY-MOTOR OPERATED BYPASS SUPPLIER CODE: VS4096 SPECIFICATION NUMBER: S256T005-8 COMPONENT MAINT MANUAL REF: 27-50-03 USED ON: 732-18550-07 732-18550-08 732-18550-13 POST SERVICE BULLETIN: 27-0096 POST SERVICE BULLETIN: 732-18600-27-1 VS4096 732-18550-27-3 VS4096 ATTACHING PARTS		1
118	NAS6604H6		...BOLT		4
119	AN960-416		...WASHER- -----*-----		4
125	NAS1352-08H8P		....SCREW		4
127	733-75203-26		....WASHER-SPECIAL SUPPLIER CODE: VS4096		4
129	732-15147		....LOCK-PIN SUPPLIER CODE: VS4096		1
132	734-15290-01		....ACTUATOR ASSY-ROTARY SUPPLIER CODE: VS4096 USED ON: 732-18600-02 POST SERVICE BULLETIN: 27-0096 POST SERVICE BULLETIN: 732-18600-27-1 VS4096		1
R R R 132F	734-15239-01		.....MOTOR-DC SUPPLIER CODE: VS4096		1
133	NAS1601-216		...PACKING		5
135	MS28782-21		...RETAINER		10

ILLUSTRATION ITEMS NOT ON PARTS LIST ARE NOT APPLICABLE

- ITEM NOT ILLUSTRATED

27-51-33-01

27-51-33  
FIG. 01  
PAGE 9  
AUG 22/09

HXL



 **BOEING**  
767  
**PARTS CATALOG (MAINTENANCE)**

FIG ITEM	PART NUMBER	1 2 3 4 5 6 7	NOMENCLATURE	EFFECT FROM TO	UNITS PER ASSY
1					
137	AN814-4DL		.. PLUG AND BLEEDER- USED ON: 256T3110-7 256T3110-9 256T3110-12 256T3110-17		1
139	NAS1612-4		.. PACKING- USED ON: 256T3110-7 256T3110-9 256T3110-12 256T3110-17		1
141	BACU24K6		.. UNION-		2
143	NAS1612-6		.. PACKING-		2
145	NAS1762D0606		.. ELBOW- OPTIONAL PART: BACE21AW0606L		1
145	AP1010L0606		.. ELBOW- SUPPLIER CODE: V01673 SPECIFICATION NUMBER: BACE21AW0606L OPTIONAL PART: AP1010-0606L V01673 DBOE21AW0606L V14798 ER10633L0606 V88334 FER1569-0606L V14397 W30833-0606L V11328 4671114-0606L V50948 AFP334-0606L V30974 DBOE21AW0606L V61498 US2109-0606L V50808 AFP344-0606L V30974 NAS1762D0606		1
150	BACU24K10		.. UNION		2
155	NAS1612-10		.. PACKING-		2
158	NAS1762T1212		.. ELBOW- OPTIONAL PART: BACE21AW1212M		1
ILLUSTRATION ITEMS NOT ON PARTS LIST ARE NOT APPLICABLE					

- ITEM NOT ILLUSTRATED

HXL

# 27-51-33-01

BOEING PROPRIETARY - Copyright © - Unpublished Work - See title page for details.

27-51-33  
FIG. 01  
PAGE 10  
DEC 22/08

 **BOEING**  
767  
**PARTS CATALOG (MAINTENANCE)**

FIG ITEM	PART NUMBER	1 2 3 4 5 6 7	NOMENCLATURE	EFFECT FROM TO	UNITS PER ASSY
1 158	AP1010M1212		.. ELBOW- SUPPLIER CODE: V01673 SPECIFICATION NUMBER: BACE21AW1212M OPTIONAL PART: AP1010-1212M V01673 DBOE21AW1212M V14798 ER10633M1212 V88334 FER1569-1212M V14397 W30833-1212M V11328 4671114-1212M V50948 AFP334-1212M V30974 DBOE21AW1212M V61498 US2109-1212M V50808 AFP344-1212M V30974 NAS1762T1212		1
160	BACU24K12		.. UNION		2
165	NAS1612-12		.. PACKING-		2
166	BACB28AK04-041		.. BUSHING-		1
167	BACB28AK04-335		.. BUSHING-		1
168	D2587PB		.. PLUG SUPPLIER CODE: V57771 SPECIFICATION NUMBER: BACP20B65		2
169	NAS6704H15		.. BOLT-		2
170	AN960PD416		.. WASHER-		2
170	AN960JD416		.. WASHER-		2
171	NAS6704H17		.. BOLT-		2
172	AN960D416L		.. WASHER		2
173	AN960D416		.. WASHER		4

ILLUSTRATION ITEMS NOT ON PARTS LIST ARE NOT APPLICABLE

- ITEM NOT ILLUSTRATED

HXL

27-51-33-01

BOEING PROPRIETARY - Copyright © - Unpublished Work - See title page for details.

27-51-33  
FIG. 01  
PAGE 11  
DEC 22/08



767

PARTS CATALOG (MAINTENANCE)

FIG ITEM	PART NUMBER	1 2 3 4 5 6 7	NOMENCLATURE	EFFECT FROM TO	UNITS PER ASSY
1 174	BACB30MR5K10		.. BOLT- USED ON: 256T3110-2 256T3110-3 256T3110-4 256T3110-5 256T3110-6 256T3110-7 256T3110-8 256T3110-9 256T3110-10 256T3110-11 256T3110-12 256T3110-13		1
175	AN960PD516		.. WASHER- USED ON: 256T3110-2 256T3110-3 256T3110-4 256T3110-5 256T3110-6 256T3110-7 256T3110-8 256T3110-9 256T3110-10 256T3110-11 256T3110-12 256T3110-13		1
175A	MS20002C5		.. WASHER- POSITION DATA: UNDER BOLT USED ON: 256T3110-2 256T3110-3 256T3110-4 256T3110-5 256T3110-6 256T3110-7 256T3110-8 256T3110-9 256T3110-10 256T3110-11 256T3110-12 256T3110-13		1

ILLUSTRATION ITEMS NOT ON PARTS LIST ARE NOT APPLICABLE

- ITEM NOT ILLUSTRATED

HXL

27-51-33-01

BOEING PROPRIETARY - Copyright © - Unpublished Work - See title page for details.

27-51-33  
 FIG. 01  
 PAGE 12  
 DEC 22/07



767

PARTS CATALOG (MAINTENANCE)

FIG ITEM	PART NUMBER	1 2 3 4 5 6 7	NOMENCLATURE	EFFECT FROM TO	UNITS PER ASSY
1					
176	BACJ40A31-6		.. JUMPER ASSY- USED ON: 256T3110-2 256T3110-3 256T3110-4 256T3110-5 256T3110-6 256T3110-7 256T3110-8 256T3110-9 256T3110-10 256T3110-11 256T3110-12 256T3110-13		1
177	69B82604-15		.. SUPPORT		1
178	NAS1801-4-16		.. SCREW- USED ON: 256T3110-16 256T3110-17		1
179	NAS1149D0432H		.. WASHER- USED ON: 256T3110-16 256T3110-17		2
180	BACJ40A30-6		.. JUMPER ASSY- USED ON: 256T3110-16 256T3110-17		1
181	256T3160-5		.. UNIT ASSY-CONT COMPONENT MAINT MANUAL REF: 27-51-16		1
182	NAS1611-019		.. PACKING- USED ON: 256T3110-16 256T3110-17 256T3110-7 256T3110-9 256T3110-12		1

ILLUSTRATION ITEMS NOT ON PARTS LIST ARE NOT APPLICABLE

- ITEM NOT ILLUSTRATED

HXL

27-51-33-01

BOEING PROPRIETARY - Copyright © - Unpublished Work - See title page for details.

27-51-33  
FIG. 01  
PAGE 13  
DEC 22/08



767

PARTS CATALOG (MAINTENANCE)

FIG ITEM	PART NUMBER	1 2 3 4 5 6 7	NOMENCLATURE	EFFECT FROM TO	UNITS PER ASSY
1 183	4100362-1		<p>..MOTOR ASSY-HYDR            SUPPLIER CODE:            V1SR57            FUNCTIONAL DESCRIPTION:            PROVIDES POWER FOR            EXTENSION AND RETRACTION            OF THE TRAILING EDGE            FLAPS AND OUTBD LEADING            EDGE SLATS            SPECIFICATION NUMBER:            S256T003-1            COMPONENT MAINT MANUAL REF:            27-81-01            ATTACHING PARTS</p>		1
185	NAS6705-13		..BOLT		2
187	NAS6705H13		..BOLT		1
190	NAS6705-6		..BOLT		1
195	AN960PD516		..WASHER-		7
195	AN960JD516		..WASHER-		7
200	BRH10C5D		<p>..NUT-            SUPPLIER CODE:            V52828            SPECIFICATION NUMBER:            BACN10JC5CD            OPTIONAL PART:            T6C524JCD            V11815            102LH9075-5W            V72962            H51650-5BAC            V15653            USED ON:            256T3110-2            256T3110-3            256T3110-4            256T3110-5            256T3110-6            256T3110-7            256T3110-8            256T3110-9            256T3110-10            256T3110-11            256T3110-12            256T3110-13</p>		3

ILLUSTRATION ITEMS NOT ON PARTS LIST ARE NOT APPLICABLE

- ITEM NOT ILLUSTRATED

HXL

27-51-33-01

BOEING PROPRIETARY - Copyright © - Unpublished Work - See title page for details.

27-51-33  
 FIG. 01  
 PAGE 14  
 DEC 22/08

 **BOEING**  
767  
**PARTS CATALOG (MAINTENANCE)**

FIG ITEM	PART NUMBER	1 2 3 4 5 6 7	NOMENCLATURE	EFFECT FROM TO	UNITS PER ASSY
1 200	PLH55CD		..NUT- SUPPLIER CODE: VF0224 SPECIFICATION NUMBER: BACN10YR5CD OPTIONAL PART: H52732-5CD V15653 USED ON: 256T3110-16 256T3110-17 -----*-----		3
201	NAS1801-4-16		..SCREW- USED ON: 256T3110-16 256T3110-17		3
202	BACB30NR5K10		..BOLT- USED ON: 256T3110-16 256T3110-17		2
203	BACB30NR5K3		..BOLT- USED ON: 256T3110-16 256T3110-17		1
204	BACB30NR5K11		..BOLT- USED ON: 256T3110-16 256T3110-17		1
205	BACB30MR5C15		..BOLT- USED ON: 256T3110-2 256T3110-3 256T3110-4 256T3110-5 256T3110-6 256T3110-7 256T3110-8 256T3110-9 256T3110-10 256T3110-11		1
205	BACB30MR5K18		..BOLT- USED ON: 256T3110-12 256T3110-13		1
206	NAS1149D0432H		..WASHER- USED ON: 256T3110-16 256T3110-17		6

ILLUSTRATION ITEMS NOT ON PARTS LIST ARE NOT APPLICABLE

- ITEM NOT ILLUSTRATED

HXL

27-51-33-01

BOEING PROPRIETARY - Copyright © - Unpublished Work - See title page for details.

27-51-33  
FIG. 01  
PAGE 15  
DEC 22/08



767

PARTS CATALOG (MAINTENANCE)

FIG ITEM	PART NUMBER	1 2 3 4 5 6 7	NOMENCLATURE	EFFECT FROM TO	UNITS PER ASSY
1					
207	AN960JD516		.. WASHER- USED ON: 256T3110-16 256T3110-17		7
208	NAS1804-5		.. NUT- USED ON: 256T3110-16 256T3110-17		3
210	MS20002C5		.. WASHER- POSITION DATA: UNDER BOLT USED ON: 256T3110-2 256T3110-3 256T3110-4 256T3110-5 256T3110-6 256T3110-7 256T3110-8 256T3110-9 256T3110-10 256T3110-11 256T3110-12 256T3110-13		1
211	BACJ40A21-9		.. JUMPER ASSY- USED ON: 256T3110-16 256T3110-17		1
212	BACJ40A22-9		.. JUMPER ASSY- USED ON: 256T3110-11 256T3110-12 256T3110-13		1
215	AN960PD516L		.. WASHER- USED ON: 256T3110-2 256T3110-3 256T3110-4 256T3110-5 256T3110-6 256T3110-7 256T3110-8 256T3110-9 256T3110-10 256T3110-11 256T3110-12 256T3110-13		1

ILLUSTRATION ITEMS NOT ON PARTS LIST ARE NOT APPLICABLE

- ITEM NOT ILLUSTRATED

HXL

27-51-33-01

BOEING PROPRIETARY - Copyright © - Unpublished Work - See title page for details.

27-51-33  
FIG. 01  
PAGE 16  
DEC 22/08



767

PARTS CATALOG (MAINTENANCE)

FIG ITEM	PART NUMBER	1 2 3 4 5 6 7	NOMENCLATURE	EFFECT FROM TO	UNITS PER ASSY
1 220	NAS1804-5		..NUT- USED ON: 256T3110-2 256T3110-3 256T3110-4 256T3110-5 256T3110-6 256T3110-7 256T3110-8 256T3110-9 256T3110-10 256T3110-11 256T3110-12 256T3110-13		1
225 230	69B82604-17 BACB30MR5C14		..SUPPORT ..BOLT- USED ON: 256T3110-2 256T3110-3 256T3110-4 256T3110-5 256T3110-6 256T3110-7 256T3110-8 256T3110-9 256T3110-10 256T3110-11 256T3110-12 256T3110-13		1 2
235	AN960PD516L		..WASHER- USED ON: 256T3110-2 256T3110-3 256T3110-4 256T3110-5 256T3110-6 256T3110-7 256T3110-8 256T3110-9 256T3110-10 256T3110-11 256T3110-12 256T3110-13		2

ILLUSTRATION ITEMS NOT ON PARTS LIST ARE NOT APPLICABLE

- ITEM NOT ILLUSTRATED

HXL

27-51-33-01

BOEING PROPRIETARY - Copyright © - Unpublished Work - See title page for details.

27-51-33  
 FIG. 01  
 PAGE 17  
 DEC 22/08





767

PARTS CATALOG (MAINTENANCE)

FIG ITEM	PART NUMBER	1 2 3 4 5 6 7	NOMENCLATURE	EFFECT FROM TO	UNITS PER ASSY
1 236	MS20002C5		.. WASHER- POSITION DATA: UNDER BOLT USED ON: 256T3110-2 256T3110-3 256T3110-4 256T3110-5 256T3110-6 256T3110-7 256T3110-8 256T3110-9 256T3110-10 256T3110-11 256T3110-12 256T3110-13		2
240	NAS1804-5		.. NUT- USED ON: 256T3110-2 256T3110-3 256T3110-4 256T3110-5 256T3110-6 256T3110-7 256T3110-8 256T3110-9 256T3110-10 256T3110-11 256T3110-12 256T3110-13		2
250	1823T100-1		.. MOTOR ASSY-TE ELEC ALTERNATE SUPPLIER CODE: V98889 SPECIFICATION NUMBER: S256T004-1 ELECTRICAL EQUIP NUMBER: M00547 COMPONENT MAINT MANUAL REF: 27-51-01 OPTIONAL PART: 1823T100-3 V98889 2473T100-1 V98889		1

ILLUSTRATION ITEMS NOT ON PARTS LIST ARE NOT APPLICABLE

- ITEM NOT ILLUSTRATED

HXL

27-51-33-01

BOEING PROPRIETARY - Copyright © - Unpublished Work - See title page for details.

27-51-33  
FIG. 01  
PAGE 18  
DEC 22/08



767

PARTS CATALOG (MAINTENANCE)

FIG ITEM	PART NUMBER	1 2 3 4 5 6 7	NOMENCLATURE	EFFECT FROM TO	UNITS PER ASSY
1 250	1823T100-3		..MOTOR ASSY-TE ELEC ALTERNATE SUPPLIER CODE: V98889 SPECIFICATION NUMBER: S256T004-8 ELECTRICAL EQUIP NUMBER: M00547 COMPONENT MAINT MANUAL REF: 27-51-01 OPTIONAL PART: 2473T100-1 V98889		1
250	2473T100-1		..MOTOR ASSY-TE ELEC ALTERNATE SUPPLIER CODE: V98889 SPECIFICATION NUMBER: S256T004-11 ELECTRICAL EQUIP NUMBER: M00547 COMPONENT MAINT MANUAL REF: 27-51-01		1

ILLUSTRATION ITEMS NOT ON PARTS LIST ARE NOT APPLICABLE

- ITEM NOT ILLUSTRATED

HXL

**27-51-33-01**

BOEING PROPRIETARY - Copyright © - Unpublished Work - See title page for details.

27-51-33  
FIG. 01  
PAGE 19  
DEC 22/08



767

PARTS CATALOG (MAINTENANCE)

FIG ITEM	PART NUMBER	1 2 3 4 5 6 7	NOMENCLATURE	EFFECT FROM TO	UNITS PER ASSY
1 252	4087T100-3		<p>..MOTOR ASSY-TE ELEC            ALTERNATE            SUPPLIER CODE:            V98889            FUNCTIONAL DESCRIPTION:            PROVIDES BACKUP POWER            FOR THE HYDRAULIC MOTOR            SPECIFICATION NUMBER:            S256T011-1            MISCELLANEOUS DATA:            ATTACHING HARDWARE AND            INSTALLATION PROCEDURES            ARE DIFFERENT FOR            2473T100-1 AND            S256T011-1. 2473T100-1            BOLTED DIRECTLY TO THE            AIRCRAFT. THE FOLLOWING            PROCEDURES APPLY FOR THE            S256T011-1: 1. TAKE OFF            BACKPLATE. 2. BOLT            BACKPLATE TO THE            AIRCRAFT. 3. BOLT MOTOR            2. BOLT BACKPLATE TO THE            AIRCRAFT. 3. BOLT MOTOR            AND BACKPLATE TOGETHER.            ELECTRICAL EQUIP NUMBER:            M00547            COMPONENT MAINT MANUAL REF:            27-52-01            OPTIONAL PART:            4087T100-1            V98889            SERVICE BULLETIN OPT DATA:            V98889            V98889            V98889</p>		1
260	4087180-1		<p>...PLATE-INTERFACE            SUPPLIER CODE:            V98889</p>		1
275	AN814-4DL		...PLUG AND BLEEDER		2
280	M25988-1-012		...PACKING-		2
285	M25988-1-037		...PACKING-		1
290	M25988-1-016		...PACKING-		1
295	M25988-1-050		...PACKING-		1
300	M25988-1-047		...PACKING-		1
305	M25988-1-006		...PACKING-		1
355	256T3130-5		<p>..GEARBOX ASSY-            COMPONENT MAINT MANUAL REF:            27-51-50</p>		1

ILLUSTRATION ITEMS NOT ON PARTS LIST ARE NOT APPLICABLE

- ITEM NOT ILLUSTRATED

HXL

27-51-33-01

BOEING PROPRIETARY - Copyright © - Unpublished Work - See title page for details.

27-51-33  
 FIG. 01  
 PAGE 20  
 DEC 22/07



**BOEING**  
767  
**PARTS CATALOG (MAINTENANCE)**

FIG ITEM	PART NUMBER	1 2 3 4 5 6 7	NOMENCLATURE	EFFECT FROM TO	UNITS PER ASSY
R R R R R R R R R	1 370	256T3110-101	..TUBE ASSY- TUBING MATERIAL: TITANIUM 3AL-2.5V SEAMLESS TUBING AMS4944B OPT BMS7-234 GRADE 1 .375 O.D X .019 IN W X 034.0 LG F-25.01 SPARES ORDER MATERIAL CODE: 1265024350 OPTIONAL PART: 256T3110-104		1
	- 400 405	286T0776-001 BCREF5970	WIRE BUNDLE ASSY .ADAPTER- SUPPLIER CODE: V06324 OVERLENGTH PART NUMBER: 710AA011M18-16-62A ELECTRICAL EQUIP NUMBER: D02312T WIRING DIAGRAM REF: 275111		RF 1
	410	R071018R8SNL	.CONNECTOR- SUPPLIER CODE: V41118 SPECIFICATION NUMBER: BACC63BP18R8SNL ELECTRICAL EQUIP NUMBER: D02312 WIRING DIAGRAM REF: 275111		1
	- 450 455	286T0774-001 BCREF10763	WIRE BUNDLE ASSY .ADAPTER- SUPPLIER CODE: V06324 OVERLENGTH PART NUMBER: 710AA011M16-12-62A ELECTRICAL EQUIP NUMBER: D02310T WIRING DIAGRAM REF: 275111		RF 1

ILLUSTRATION ITEMS NOT ON PARTS LIST ARE NOT APPLICABLE

- ITEM NOT ILLUSTRATED

HXL

# 27-51-33-01

BOEING PROPRIETARY - Copyright © - Unpublished Work - See title page for details.

27-51-33  
FIG. 01  
PAGE 22  
AUG 22/09



767

PARTS CATALOG (MAINTENANCE)

FIG ITEM	PART NUMBER	1 2 3 4 5 6 7	NOMENCLATURE	EFFECT FROM TO	UNITS PER ASSY
1 460	CN096616R10SNL		.CONNECTOR- SUPPLIER CODE: V13556 SPECIFICATION NUMBER: BCREF5954 OPTIONAL PART: ZZY16R10SNL V49367 48-06R16R10SNL V02660 OVERLENGTH PART NUMBER: BACC63BP16R10SNL ELECTRICAL EQUIP NUMBER: D02310 WIRING DIAGRAM REF: 275111		1
900			ILLUSTRATION REFERENCE: HYDRAULIC INSTL-SECT. 45 (MAIN HYDRAULIC SYSTEM ONLY) 29-11-76-04		RF
905			ILLUSTRATION REFERENCE: HYDRAULIC INSTL-SECT. 45 (FLAPS ONLY) 27-51-63-01		RF

ILLUSTRATION ITEMS NOT ON PARTS LIST ARE NOT APPLICABLE

- ITEM NOT ILLUSTRATED

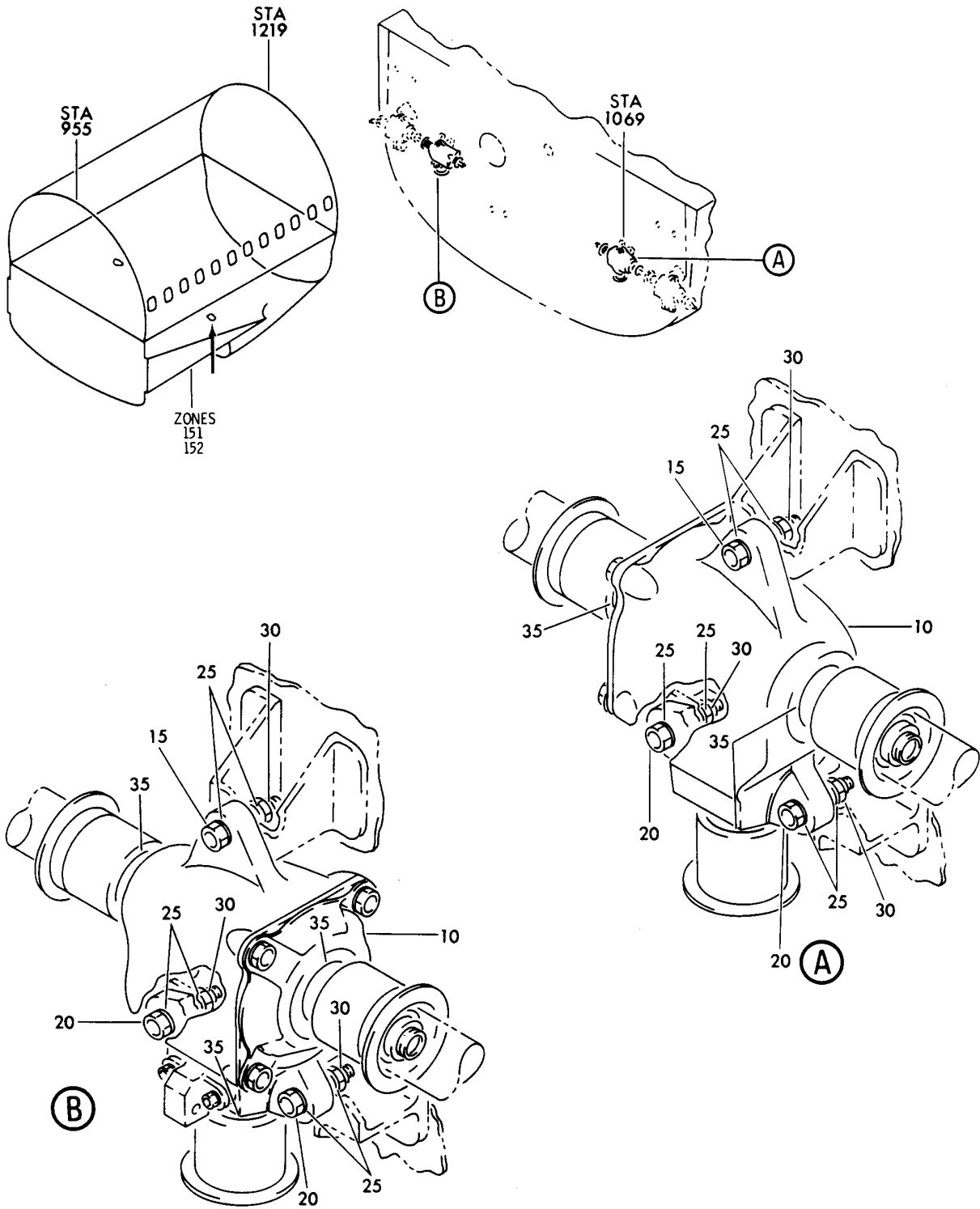
HXL

**27-51-33-01**

BOEING PROPRIETARY - Copyright © - Unpublished Work - See title page for details.

27-51-33  
FIG. 01  
PAGE 23  
AUG 22/09

**BOEING**  
767  
PARTS CATALOG (MAINTENANCE)



V 27513501 SHIT 1 REV 027

GEARBOX INSTL-BHD TE FLAP DRIVE TEE  
FIGURE 1

**27-51-35-01**

HXL  
DEC 22/06

27-51-35-01  
PAGE 0



767

PARTS CATALOG (MAINTENANCE)

FIG ITEM	PART NUMBER	1 2 3 4 5 6 7	NOMENCLATURE	EFFECT FROM TO	UNITS PER ASSY
1			GEARBOX INSTL-BHD TE FLAP DRIVE TEE		
- 1	256T3300-1		GEARBOX INSTL-BHD TE FLAP DRIVE TEE POSITION DATA: LH FOR NHA SEE: 27-51-41-01		RF
- 5	256T3300-2		GEARBOX INSTL-BHD TE FLAP DRIVE TEE POSITION DATA: RH FOR NHA SEE: 27-51-41-01		RF
10	256T3310-3		.GEARBOX ASSY- OPTIONAL PART: 256T3310-2		1
10	256T3310-2		.GEARBOX ASSY- COMPONENT MAINT MANUAL REF: 27-51-25 OPTIONAL PART: 256T3310-3		1
15	BACB30NR5K13		.BOLT		1
20	BACB30NR5K15		.BOLT		2
25	AN960PD516		.WASHER		6
30	BRH10C5D		.NUT		3
			SUPPLIER CODE: V52828 SPECIFICATION NUMBER: BACN10JC5CD OPTIONAL PART: T6C524JCD V11815 102LH9075-5W V72962 H51650-5BAC V15653		
35	65B84033-18		-----*----- . . SLEEVE-MOLDED		3

ILLUSTRATION ITEMS NOT ON PARTS LIST ARE NOT APPLICABLE

- ITEM NOT ILLUSTRATED

HXL

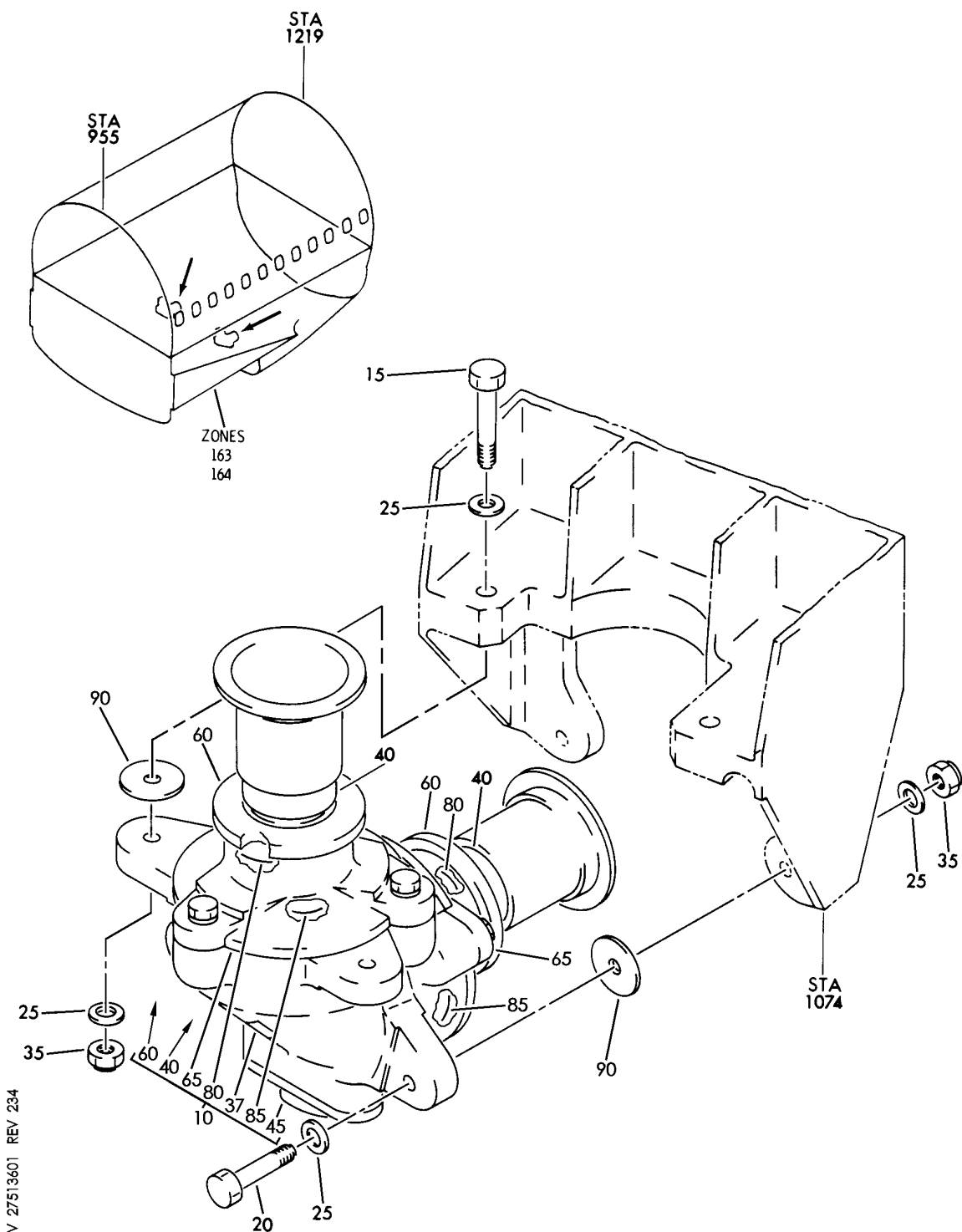
27-51-35-01

BOEING PROPRIETARY - Copyright © - Unpublished Work - See title page for details.

27-51-35  
FIG. 01  
PAGE 1  
DEC 22/06



**BOEING**  
767  
PARTS CATALOG (MAINTENANCE)



V 27513601 REV 234

GEARBOX INSTL-BHD TE FLAP DRIVE  
FIGURE 1

**27-51-36-01**

HXL  
DEC 22/06

27-51-36-01  
PAGE 0

 **BOEING**  
767  
**PARTS CATALOG (MAINTENANCE)**

FIG ITEM	PART NUMBER	1 2 3 4 5 6 7	NOMENCLATURE	EFFECT FROM TO	UNITS PER ASSY
1			GEARBOX INSTL-BHD TE FLAP DRIVE		
- 1	256T3330-1		GEARBOX INSTL-BHD TE FLAP DRIVE POSITION DATA: LH FOR NHA SEE: 27-51-41-01		RF
- 5	256T3330-2		GEARBOX INSTL-BHD TE FLAP DRIVE POSITION DATA: RH FOR NHA SEE: 27-51-41-01		RF
10	256T3340-3		.GEARBOX ASSY- COMPONENT MAINT MANUAL REF: 27-51-34 OPTIONAL PART: 256T3340-2		1
10	256T3340-2		.GEARBOX ASSY- COMPONENT MAINT MANUAL REF: 27-51-34 OPTIONAL PART: 256T3340-3		1
15	BACB30NR5K20		ATTACHING PARTS .BOLT		2
20	BACB30NR5K17		.BOLT		2
25	AN960PD516L		.WASHER		8
35	BRH10A5		.NUT SUPPLIER CODE: V52828 SPECIFICATION NUMBER: BACN10JC5 OPTIONAL PART: T6S524J V11815 96-054 V80539 RMLH9075-5W V72962 H10-5BAC V15653		4
37	256T3320-1		-----*----- ..NAMEPLATE		1
40	65B84033-18		..SLEEVE-MOLDED		2
45	256T3343-3		..DRAIN- OPTIONAL PART: 256T3343-1		1
ILLUSTRATION ITEMS NOT ON PARTS LIST ARE NOT APPLICABLE					

- ITEM NOT ILLUSTRATED

HXL

# 27-51-36-01

BOEING PROPRIETARY - Copyright © - Unpublished Work - See title page for details.

27-51-36  
FIG. 01  
PAGE 1  
DEC 22/07



767

PARTS CATALOG (MAINTENANCE)

FIG ITEM	PART NUMBER	1 2 3 4 5 6 7	NOMENCLATURE	EFFECT FROM TO	UNITS PER ASSY
1					
45	256T3343-1		.. DRAIN- OPTIONAL PART: 256T3343-3 ATTACHING PARTS		1
- 50	NAS6603-2		.. BOLT		2
- 55	AN960PD10L		.. WASHER- USED ON: 256T3340-2		2
- 55	NAS1149D0316J		.. WASHER- USED ON: 256T3340-3 -----*-----		2
60	256T3345-2		.. SHIELD- OPTIONAL PART: 256T3345-1		2
60	256T3345-1		.. SHIELD- OPTIONAL PART: 256T3345-2		2
65	256T3342-3		.. COVER- OPTIONAL PART: 256T3342-1		2
65	256T3342-1		.. COVER- OPTIONAL PART: 256T3342-3 ATTACHING PARTS		2
- 70	NAS6604H6		.. BOLT		6
- 75	AN960PD416L		.. WASHER- USED ON: 256T3340-2		6
- 75	NAS1149D0416J		.. WASHER- USED ON: 256T3340-3 -----*-----		6

ILLUSTRATION ITEMS NOT ON PARTS LIST ARE NOT APPLICABLE

- ITEM NOT ILLUSTRATED

HXL

27-51-36-01

BOEING PROPRIETARY - Copyright © - Unpublished Work - See title page for details.

27-51-36  
FIG. 01  
PAGE 2  
DEC 22/07

**BOEING**  
767  
**PARTS CATALOG (MAINTENANCE)**

FIG ITEM	PART NUMBER	1 2 3 4 5 6 7	NOMENCLATURE	EFFECT FROM TO	UNITS PER ASSY
1 80	R9105PPA4298		.. BEARING SUPPLIER CODE: V21335 SPECIFICATION NUMBER: BACB10BA25PP OPTIONAL PART: 9105NPPFS428 V21335 PKTLL105P1 V78118 LL105KS V38443 6005TT V43991 9105LLT1C1-01 V21760 993L05 V29337 C105RRPOZZ V40920 R9105PPA4298 V9V013		2
	85	R9107PPA4298	.. BEARING SUPPLIER CODE: V21335 SPECIFICATION NUMBER: BACB10BA35PP OPTIONAL PART: LL107KSG20 V38443 LL107KS V38443 6007TT V43991 9107LLT1C1-01 V21760 9107NPPFS4281 V21335 993L07 V29337 PKTLL107P1 V78118 C107RRPOZZ V40920 R9107PPA4298 V9V013		2

ILLUSTRATION ITEMS NOT ON PARTS LIST ARE NOT APPLICABLE

- ITEM NOT ILLUSTRATED

HXL

27-51-36-01

BOEING PROPRIETARY - Copyright © - Unpublished Work - See title page for details.

27-51-36  
FIG. 01  
PAGE 3  
AUG 22/09



767

PARTS CATALOG (MAINTENANCE)

FIG ITEM	PART NUMBER	1 2 3 4 5 6 7	NOMENCLATURE	EFFECT FROM TO	UNITS PER ASSY
1 90	256T3332-1		. SHIM- MANUFACTURED FROM: AL LAMINATED SHIM STOCK BAC1534-92 X 48 IN. SPARES ORDER MATERIAL CODE: 1120340920		4

R  
R  
R  
R  
R  
R  
R

ILLUSTRATION ITEMS NOT ON PARTS LIST ARE NOT APPLICABLE

- ITEM NOT ILLUSTRATED

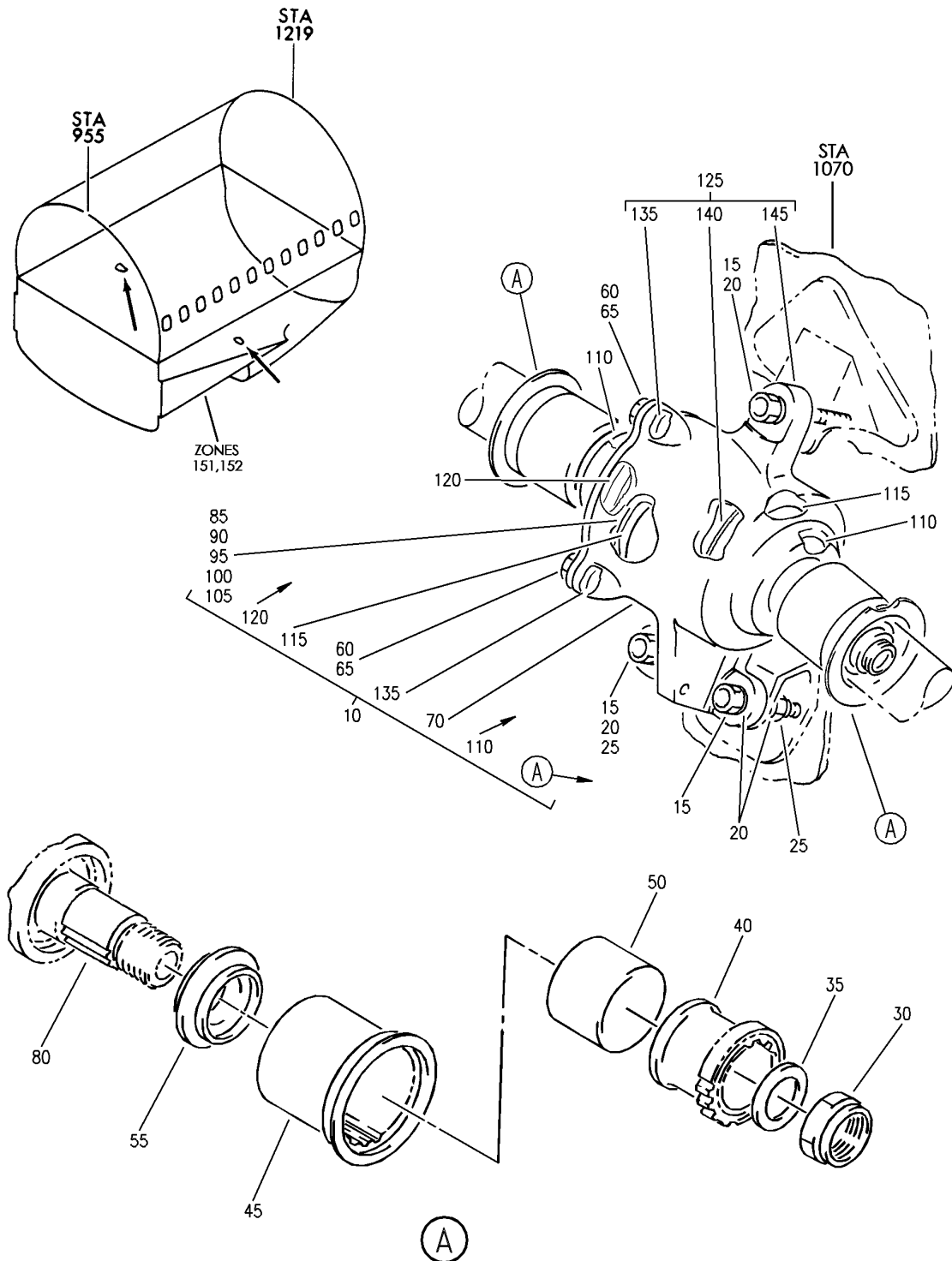
HXL

**27-51-36-01**

BOEING PROPRIETARY - Copyright © - Unpublished Work - See title page for details.

27-51-36  
FIG. 01  
PAGE 4  
AUG 22/09

**BOEING**  
767  
PARTS CATALOG (MAINTENANCE)



V 27513701 REV 240

GEARBOX INSTL-SIDE OF BODY TE FLAP DRIVE ANGLE  
FIGURE 1

**27-51-37-01**

HXL  
DEC 22/06

27-51-37-01  
PAGE 0

**BOEING**  
767  
**PARTS CATALOG (MAINTENANCE)**

FIG ITEM	PART NUMBER	1 2 3 4 5 6 7	NOMENCLATURE	EFFECT FROM TO	UNITS PER ASSY
1			GEARBOX INSTL-SIDE OF BODY TE FLAP DRIVE ANGLE		
- 1	256T3400-1		GEARBOX INSTL-SIDE OF BODY TE FLAP DRIVE ANGLE POSITION DATA: LH FOR NHA SEE: 27-51-41-01		RF
- 5	256T3400-2		GEARBOX INSTL-SIDE OF BODY TE FLAP DRIVE ANGLE POSITION DATA: RH FOR NHA SEE: 27-51-41-01		RF
10	256T3410-2		.GEARBOX ASSY- COMPONENT MAINT MANUAL REF: 27-51-35 OPTIONAL PART: 256T3410-4		1
10	256T3410-4		.GEARBOX ASSY- COMPONENT MAINT MANUAL REF: 27-51-35 OPTIONAL PART: 256T3410-2		1
15	BACB30NR5K10		ATTACHING PARTS .BOLT		3
20	AN960PD516L		.WASHER		3
25	BRH10C5D		.NUT  SUPPLIER CODE: V52828 SPECIFICATION NUMBER: BACN10JC5CD OPTIONAL PART: T6C524JCD V11815 102LH9075-5W V72962 H51650-5BAC V15653  -----*-----		2
ILLUSTRATION ITEMS NOT ON PARTS LIST ARE NOT APPLICABLE					

- ITEM NOT ILLUSTRATED

HXL

# 27-51-37-01

BOEING PROPRIETARY - Copyright © - Unpublished Work - See title page for details.

27-51-37  
FIG. 01  
PAGE 1  
DEC 22/06

**BOEING**  
767  
**PARTS CATALOG (MAINTENANCE)**

FIG ITEM	PART NUMBER	1 2 3 4 5 6 7	NOMENCLATURE	EFFECT FROM TO	UNITS PER ASSY
1					
30	BMN4122AD3-12	..	NUT SUPPLIER CODE: V97928 SPECIFICATION NUMBER: BACN10JC12 OPTIONAL PART: H10-12BAC V15653 RMLH9074-12 V72962 48FT1216 V56878		2
35	AN960-1216	..	WASHER		2
40	256T3749-1	..	COUPLING-HALF		2
45	65B84034-3	..	SLEEVE-COUPLING		2
50	65B84033-18	..	SLEEVE		2
55	256T3414-1	..	SHIELD		2
60	NAS6604H8	..	BOLT- OPTIONAL PART: NAS6604H7		3
60	NAS6604H7	..	BOLT- OPTIONAL PART: NAS6604H8		3
65	AN960PD416	..	WASHER		3
70	256T3412-3	..	COVER- USED ON: 256T3410-2		1
- 75	256T3412-1	..	COVER- USED ON: 256T3410-4		1
80	256T3413-1	..	GEAR-BEVEL		2
85	256T3415-1	..	SHIM		AR
90	256T3415-2	..	SHIM		AR
95	256T3415-3	..	SHIM		AR
100	256T3415-4	..	SHIM		AR
105	256T3415-5	..	SHIM		AR

ILLUSTRATION ITEMS NOT ON PARTS LIST ARE NOT APPLICABLE

- ITEM NOT ILLUSTRATED

HXL

# 27-51-37-01

BOEING PROPRIETARY - Copyright © - Unpublished Work - See title page for details.

27-51-37  
FIG. 01  
PAGE 2  
DEC 22/06



**BOEING**  
767  
**PARTS CATALOG (MAINTENANCE)**

FIG ITEM	PART NUMBER	1 2 3 4 5 6 7	NOMENCLATURE	EFFECT FROM TO	UNITS PER ASSY	
R R R R R R R R R R R	1 110	R9105PPA4298	.. BEARING SUPPLIER CODE: V21335 SPECIFICATION NUMBER: BACB10BA25PP OPTIONAL PART: 9105NPPFS428 V21335 PKTLL105P1 V78118 LL105KS V38443 6005TT V43991 9105LLT1C1-01 V21760 993L05 V29337 C105RRPOZZ V40920 R9105PPA4298 V9V013		2	
	115	1206LLT1C1-01	.. BEARING SUPPLIER CODE: V21760 SPECIFICATION NUMBER: BACB10AZ30PP OPTIONAL PART: 206FTT V43991 99206 V29337 LL206S V38443 R206PPA4298 V9V013 R206PPA4298 V21335		2	
	120	256T3416-1	.. PLATE-IDENTIFICATION		1	
	125	256T3411-4	.. HOUSING ASSY- USED ON: 256T3410-2		1	
	- 130	256T3411-1	.. HOUSING ASSY- USED ON: 256T3410-4		1	
	135	MS21209F4-15P	... INSERT		3	
	140	256T3411-6	... SHIM- USED ON: 256T3411-4		1	
	ILLUSTRATION ITEMS NOT ON PARTS LIST ARE NOT APPLICABLE					

- ITEM NOT ILLUSTRATED

# 27-51-37-01

27-51-37  
FIG. 01  
PAGE 3  
AUG 22/09

HXL



767

PARTS CATALOG (MAINTENANCE)

FIG ITEM	PART NUMBER	1 2 3 4 5 6 7	NOMENCLATURE	EFFECT FROM TO	UNITS PER ASSY
1 145	256T3411-5		...HOUSING- USED ON: 256T3411-4		1
- 150	256T3411-2		...HOUSING- USED ON: 256T3411-1		1

ILLUSTRATION ITEMS NOT ON PARTS LIST ARE NOT APPLICABLE

- ITEM NOT ILLUSTRATED

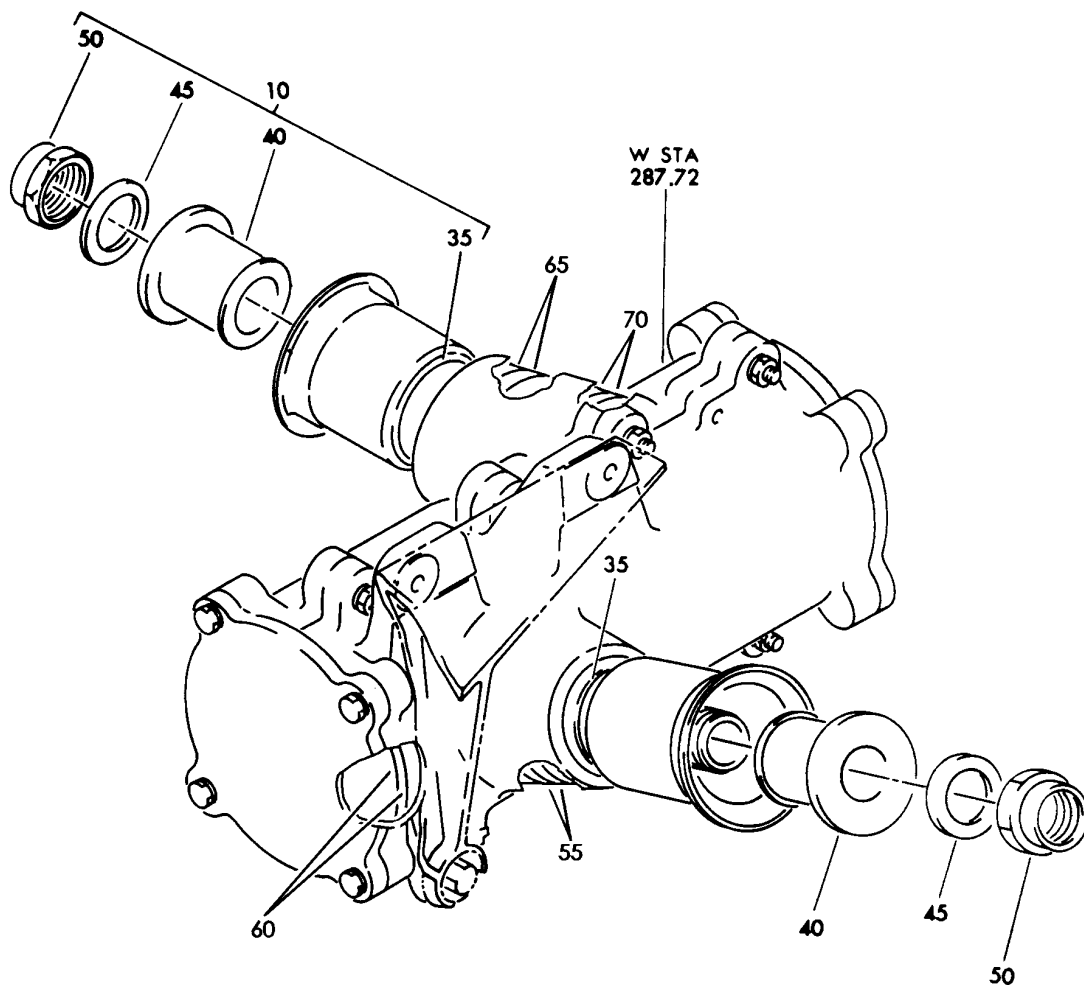
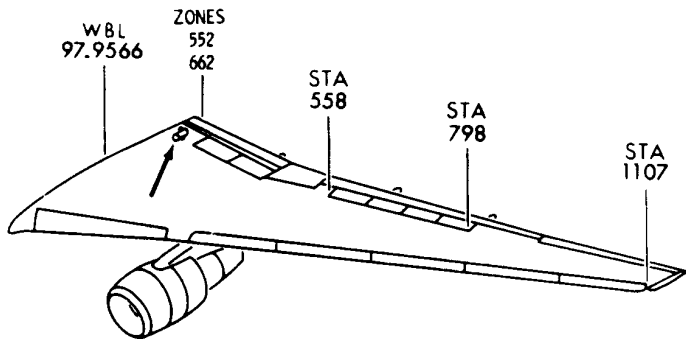
HXL

**27-51-37-01**

BOEING PROPRIETARY - Copyright © - Unpublished Work - See title page for details.

27-51-37  
FIG. 01  
PAGE 4  
AUG 22/09

**BOEING**  
767  
PARTS CATALOG (MAINTENANCE)



V 27513801 REV 198

GEARBOX INSTL-TE FLAP DRIVE WING BL 120 OFFSET  
FIGURE 1

**27-51-38-01**

HXL  
DEC 22/06

27-51-38-01  
PAGE 0



767

PARTS CATALOG (MAINTENANCE)

FIG ITEM	PART NUMBER	1 2 3 4 5 6 7	NOMENCLATURE	EFFECT FROM TO	UNITS PER ASSY
1			GEARBOX INSTL-TE FLAP DRIVE WING BL 120 OFFSET		
- 1	256T3560-1		GEARBOX INSTL-TE FLAP DRIVE OFFSET POSITION DATA: WING BL 120 LH FOR NHA SEE: 27-51-41-01		RF
- 5	256T3560-3		GEARBOX INSTL-TE FLAP DRIVE OFFSET POSITION DATA: WING BL 120 RH FOR NHA SEE: 27-51-41-01		RF
10	256T3570-3		.GEARBOX ASSY- POSITION DATA: LH SIDE COMPONENT MAINT MANUAL REF: 27-51-44		1
- 15	256T3570-5		.GEARBOX ASSY- POSITION DATA: RH SIDE COMPONENT MAINT MANUAL REF: 27-51-44		1
- 20	BACB30NR5K12		ATTACHING PARTS .BOLT-		3
- 25	NAS1149D0563J		.WASHER-		AR
- 30	PLH55CD		.NUT- SUPPLIER CODE: VF0224 SPECIFICATION NUMBER: BACN10YR5CD OPTIONAL PART: H52732-5CD V15653		3
35	65B84033-18		-----*----- ..SLEEVE-MOLDED		2
40	256T3749-1		..COUPLING-HALF		2
45	AN960-1216		..WASHER		2

ILLUSTRATION ITEMS NOT ON PARTS LIST ARE NOT APPLICABLE

- ITEM NOT ILLUSTRATED

HXL

27-51-38-01

BOEING PROPRIETARY - Copyright © - Unpublished Work - See title page for details.

27-51-38  
FIG. 01  
PAGE 1  
DEC 22/08



767

PARTS CATALOG (MAINTENANCE)

FIG ITEM	PART NUMBER	1 2 3 4 5 6 7	NOMENCLATURE	EFFECT FROM TO	UNITS PER ASSY
1					
50	BMN4122AD3-12	..	NUT SUPPLIER CODE: V97928 SPECIFICATION NUMBER: BACN10JC12 OPTIONAL PART: H10-12BAC V15653 RMLH9074-12 V72962 48FT1216 V56878		2
55	256T3414-1	..	SHIELD		2
60	R9106PPA4298	..	BEARING SUPPLIER CODE: V21335 SPECIFICATION NUMBER: BACB10BA30PP OPTIONAL PART: LL106KSG20 V38443 LL106KS V38443 6006TT V43991 9106LLT1C1-01 V21760 9106NPPFS428 V21335 993L06 V29337 PKTLL106P1 V78118 C106RRPOZZ V40920 R9106PPA4298 V9V013		2

ILLUSTRATION ITEMS NOT ON PARTS LIST ARE NOT APPLICABLE

- ITEM NOT ILLUSTRATED

HXL

27-51-38-01

BOEING PROPRIETARY - Copyright © - Unpublished Work - See title page for details.

27-51-38  
FIG. 01  
PAGE 2  
APR 22/09



767

PARTS CATALOG (MAINTENANCE)

FIG ITEM	PART NUMBER	1 2 3 4 5 6 7	NOMENCLATURE	EFFECT FROM TO	UNITS PER ASSY
1 65	R9105PPA4298		.. BEARING SUPPLIER CODE: V21335 SPECIFICATION NUMBER: BACB10BA25PP OPTIONAL PART: 9105NPPFS428 V21335 PKTLL105P1 V78118 LL105KS V38443 6005TT V43991 9105LLT1C1-01 V21760 993L05 V29337 C105RRPOZZ V40920 R9105PPA4298 V9V013		2
70	1206LLT1C1-01		.. BEARING SUPPLIER CODE: V21760 SPECIFICATION NUMBER: BACB10AZ30PP OPTIONAL PART: 206FTT V43991 99206 V29337 LL206S V38443 R206PPA4298 V9V013 R206PPA4298 V21335		2

ILLUSTRATION ITEMS NOT ON PARTS LIST ARE NOT APPLICABLE

- ITEM NOT ILLUSTRATED

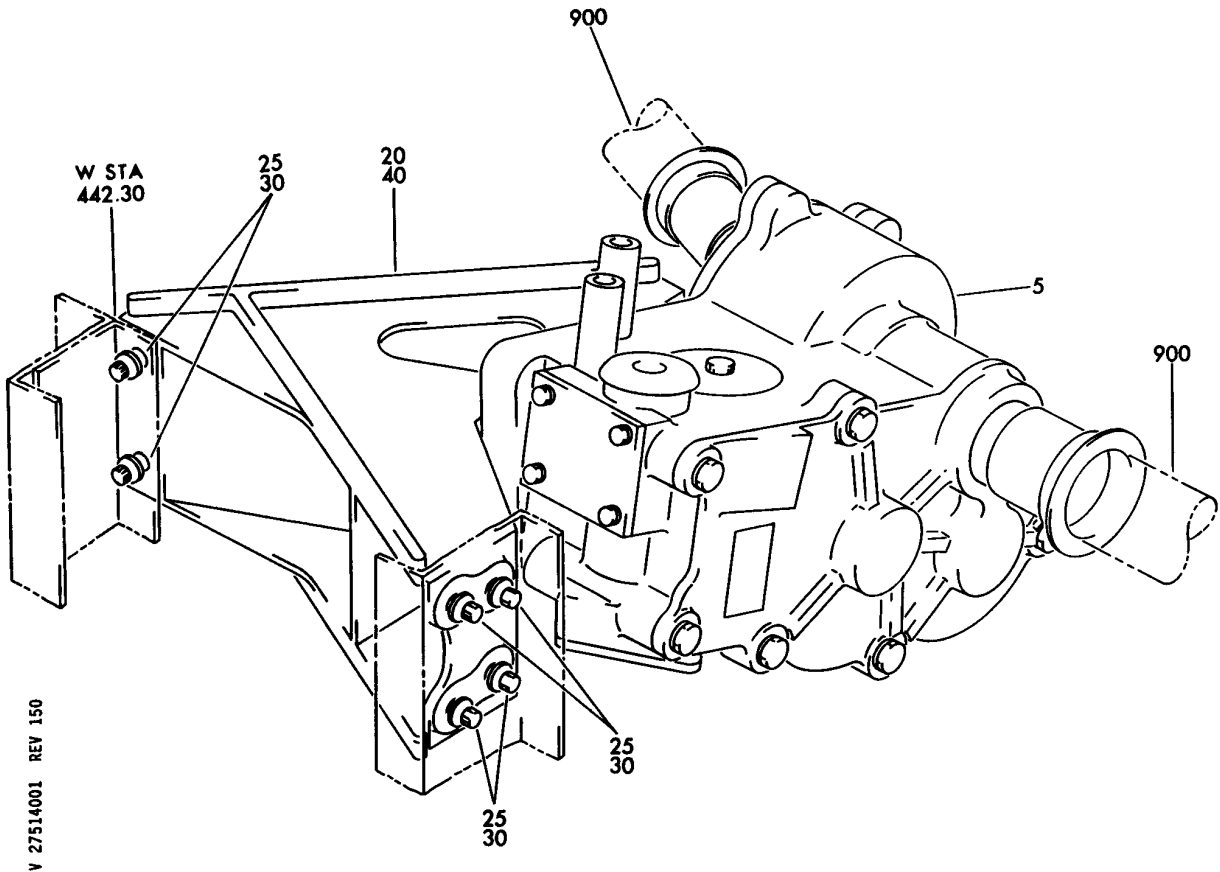
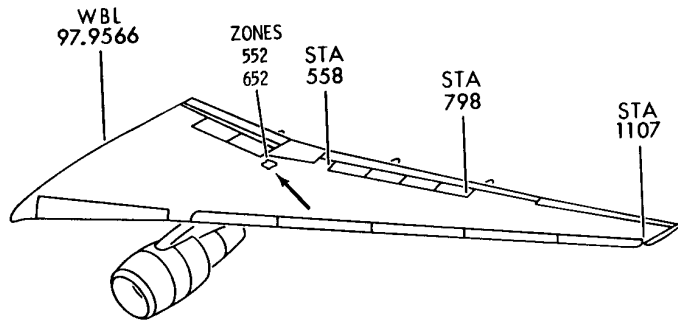
HXL

27-51-38-01

BOEING PROPRIETARY - Copyright © - Unpublished Work - See title page for details.

27-51-38  
 FIG. 01  
 PAGE 3  
 APR 22/09

**BOEING**  
767  
PARTS CATALOG (MAINTENANCE)



V 27514001 REV 150

GEARBOX INSTL-TE FLAP DRIVE AIL. DROOP ANGLE (LH)  
FIGURE 1

**27-51-40-01**

HXL  
DEC 22/06

27-51-40-01  
PAGE 0



767

PARTS CATALOG (MAINTENANCE)

FIG ITEM	PART NUMBER	1 2 3 4 5 6 7	NOMENCLATURE	EFFECT FROM TO	UNITS PER ASSY
1			GEARBOX INSTL-TE FLAP DRIVE AIL. DROOP ANGLE (LH)		
- 1	256T3420-2		GEARBOX INSTL-TE FLAP DRIVE AIL. DROOP ANGLE POSITION DATA: LH FOR NHA SEE: 27-51-41-01		RF
5	256T3430-3		.GEARBOX ASSY- COMPONENT MAINT MANUAL REF: 27-51-37 ATTACHING PARTS		1
- 10	NAS6604H6		.BOLT		3
- 15	AN960PD416L		.WASHER		3
- 25	BACB30NR4K6		.BOLT		6
- 30	AN960PD416		.WASHER		6
900			-----*----- ILLUSTRATION REFERENCE: DRIVE INSTL-TE FLAP (FLIGHT CONTROLS ONLY) 27-51-41-01		RF

ILLUSTRATION ITEMS NOT ON PARTS LIST ARE NOT APPLICABLE

- ITEM NOT ILLUSTRATED

HXL

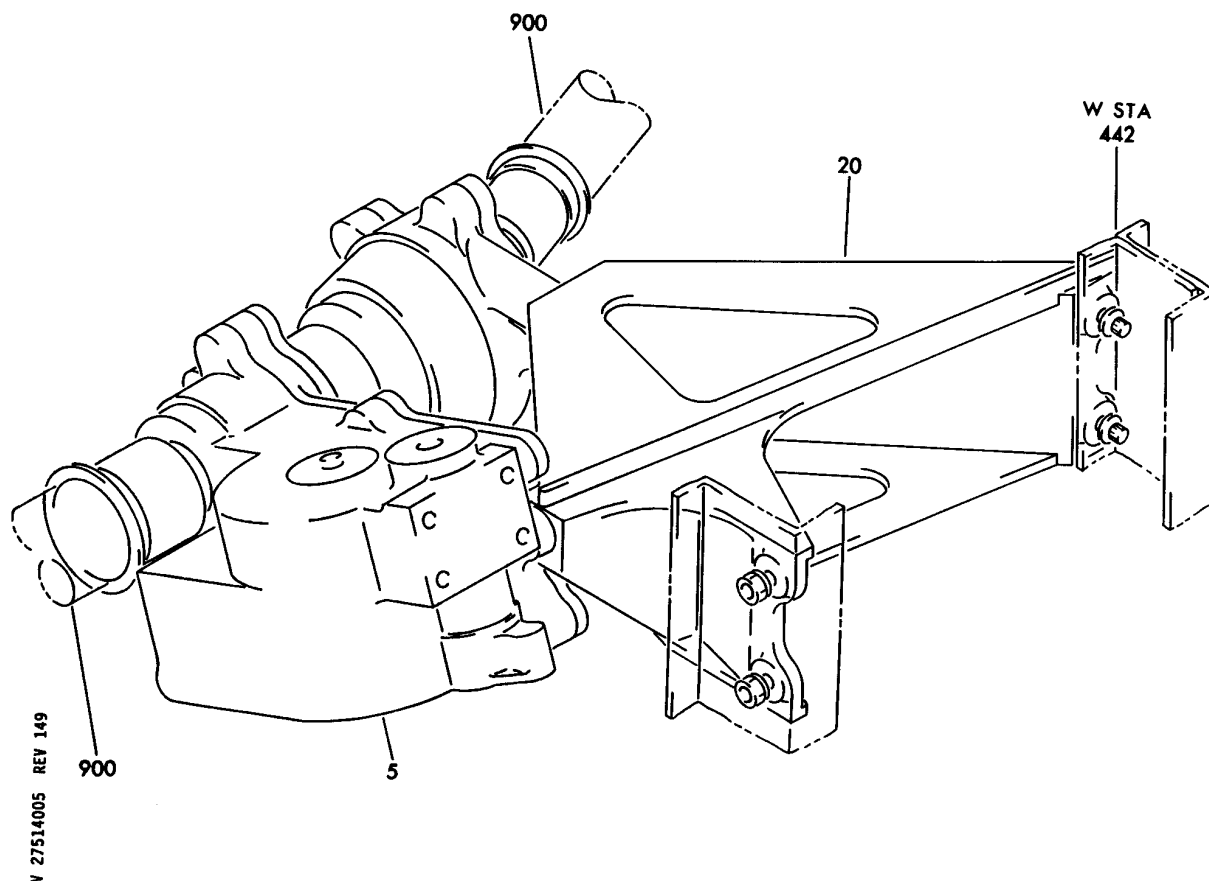
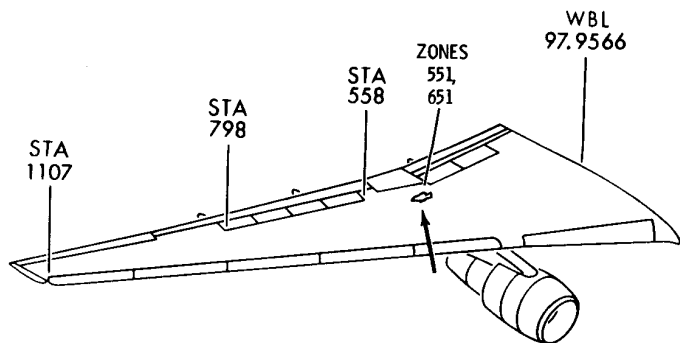
27-51-40-01

BOEING PROPRIETARY - Copyright © - Unpublished Work - See title page for details.

27-51-40  
FIG. 01  
PAGE 1  
DEC 22/06



**BOEING**  
767  
PARTS CATALOG (MAINTENANCE)



V 27514005 REV 149

GEARBOX INSTL-TE FLAP DRIVE AIL. DROOP ANGLE RH  
FIGURE 5

**27-51-40-05**

HXL  
DEC 22/06

27-51-40-05  
PAGE 0



767

PARTS CATALOG (MAINTENANCE)

FIG ITEM	PART NUMBER	1 2 3 4 5 6 7	NOMENCLATURE	EFFECT FROM TO	UNITS PER ASSY
5			GEARBOX INSTL-TE FLAP DRIVE AIL. DROOP ANGLE RH		
- 1	256T3421-2		GEARBOX INSTL-TE FLAP DRIVE AIL. DROOP ANGLE POSITION DATA: RH FOR NHA SEE: 27-51-41-01		RF
5	256T3430-4		.GEARBOX ASSY- COMPONENT MAINT MANUAL REF: 27-51-37 ATTACHING PARTS		1
- 10	NAS6604H6		.BOLT		3
- 15	AN960PD416		.WASHER		3
			-----*-----		
20	256T3423-4		.BRACKET ASSY- ATTACHING PARTS		1
- 25	BACB30NR4K6		.BOLT		4
- 30	AN960PD416		.WASHER		4
			-----*-----		
900			ILLUSTRATION REFERENCE: DRIVE INSTL-TE FLAP (FLIGHT CONTROLS ONLY) 27-51-41-01		RF

ILLUSTRATION ITEMS NOT ON PARTS LIST ARE NOT APPLICABLE

- ITEM NOT ILLUSTRATED

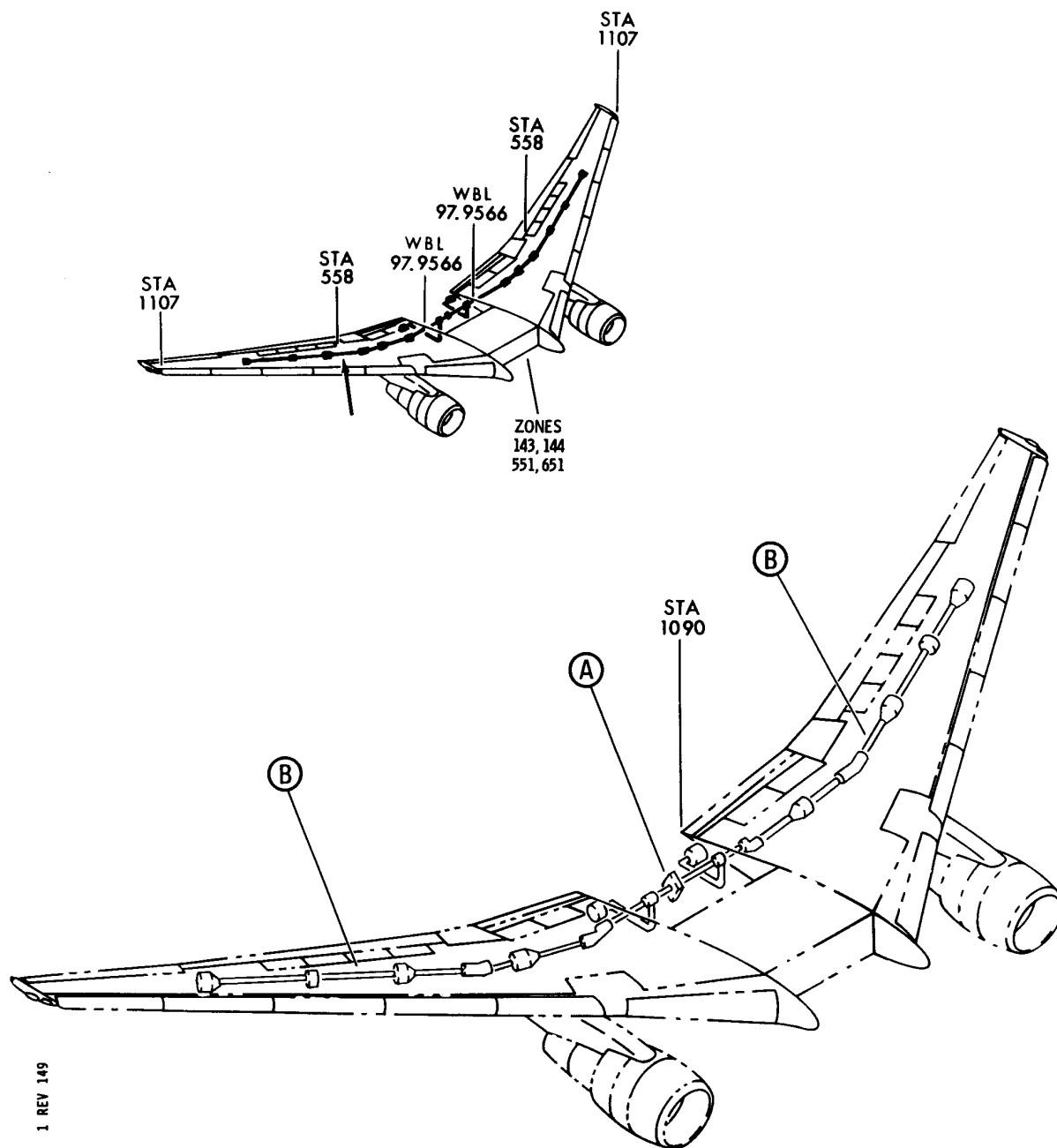
HXL

27-51-40-05

BOEING PROPRIETARY - Copyright © - Unpublished Work - See title page for details.

27-51-40  
FIG. 05  
PAGE 1  
DEC 22/06

**BOEING**  
767  
PARTS CATALOG (MAINTENANCE)



V 27514101 SHT 1 REV 149

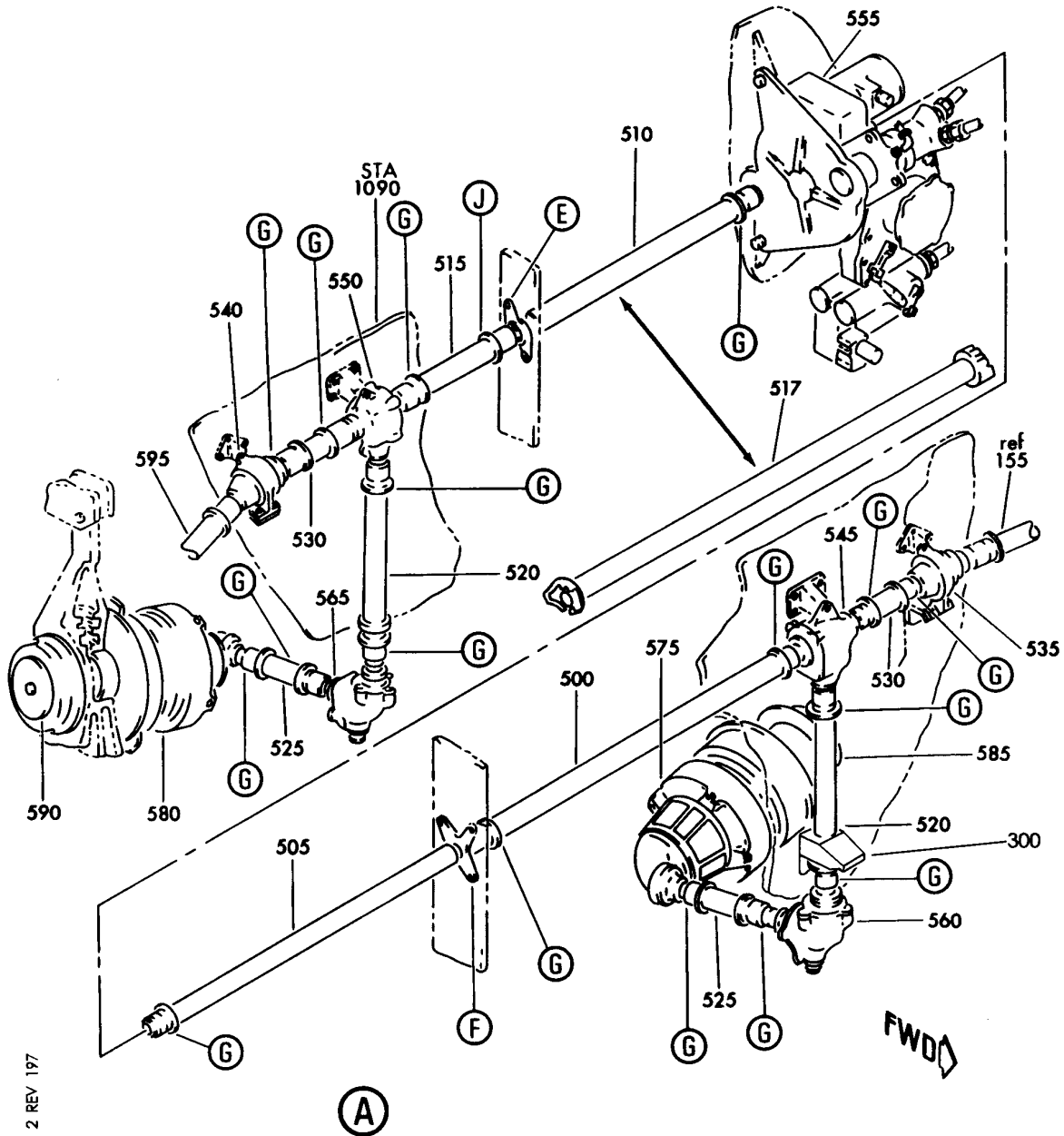
DRIVE INSTL-TE FLAP (FLIGHT CONTROLS ONLY)  
FIGURE 1 (SHEET 1)

**27-51-41-01**

HXL  
DEC 22/06

27-51-41-01  
PAGE 0

**BOEING**  
767  
PARTS CATALOG (MAINTENANCE)



V 27514101 SHT 2 REV 197

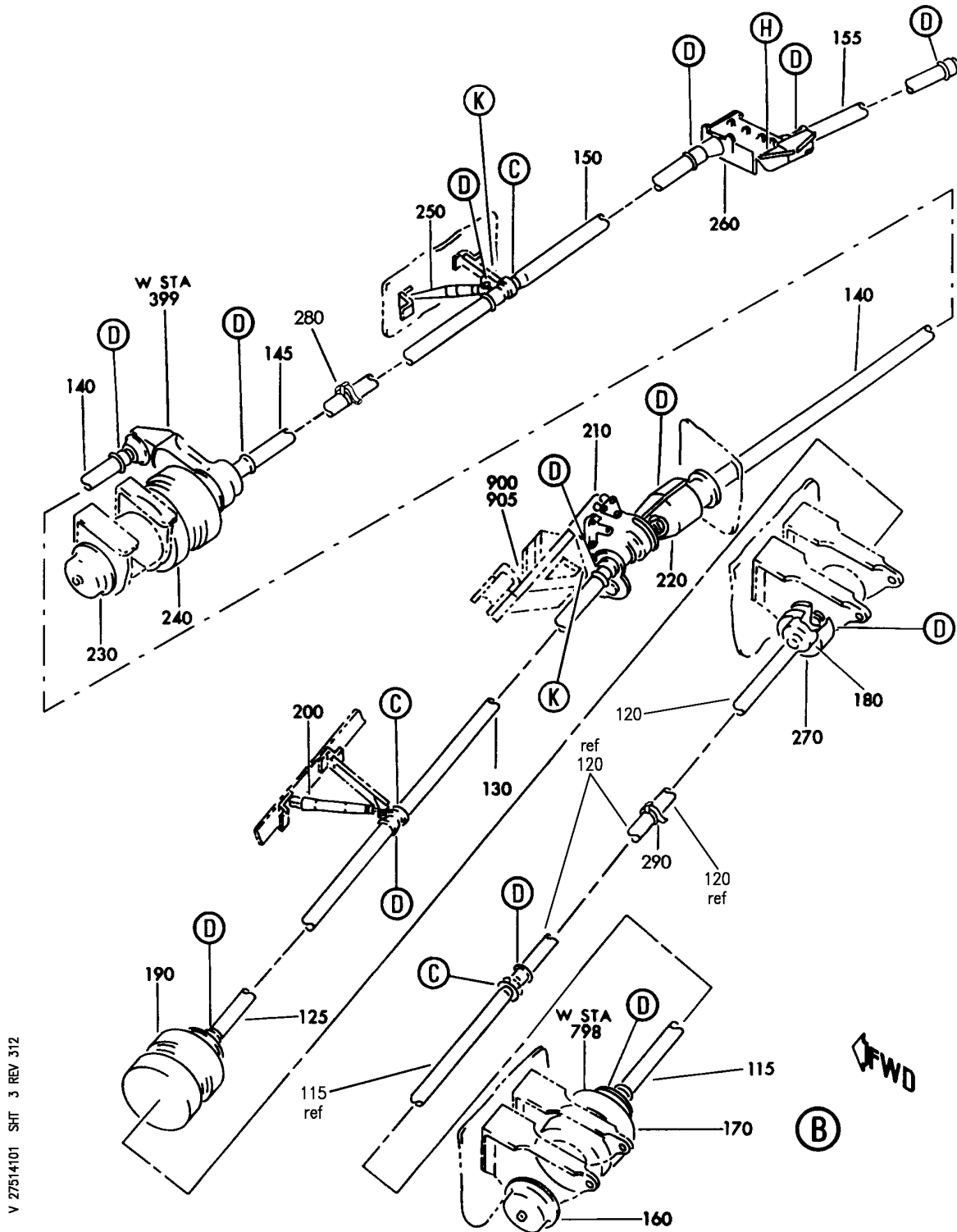
DRIVE INSTL-TE FLAP (FLIGHT CONTROLS ONLY)  
FIGURE 1 (SHEET 2)

**27-51-41-01**

HXL  
DEC 22/06

27-51-41-01  
PAGE 0A

**BOEING**  
767  
PARTS CATALOG (MAINTENANCE)



V 27514101 SHT. 3 REV 312

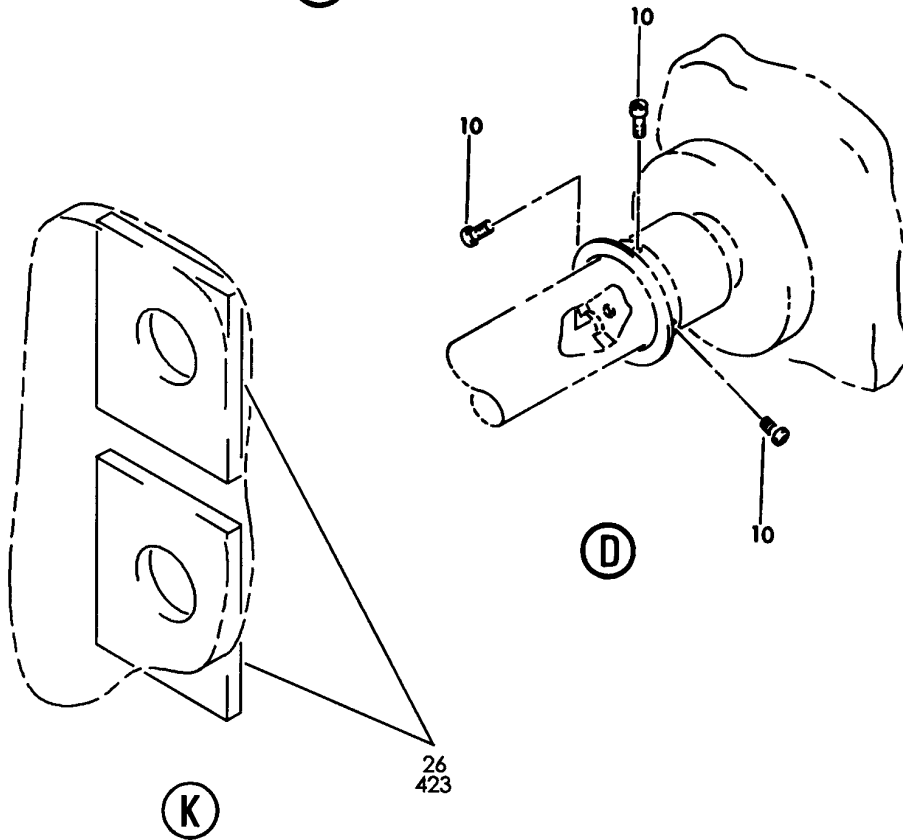
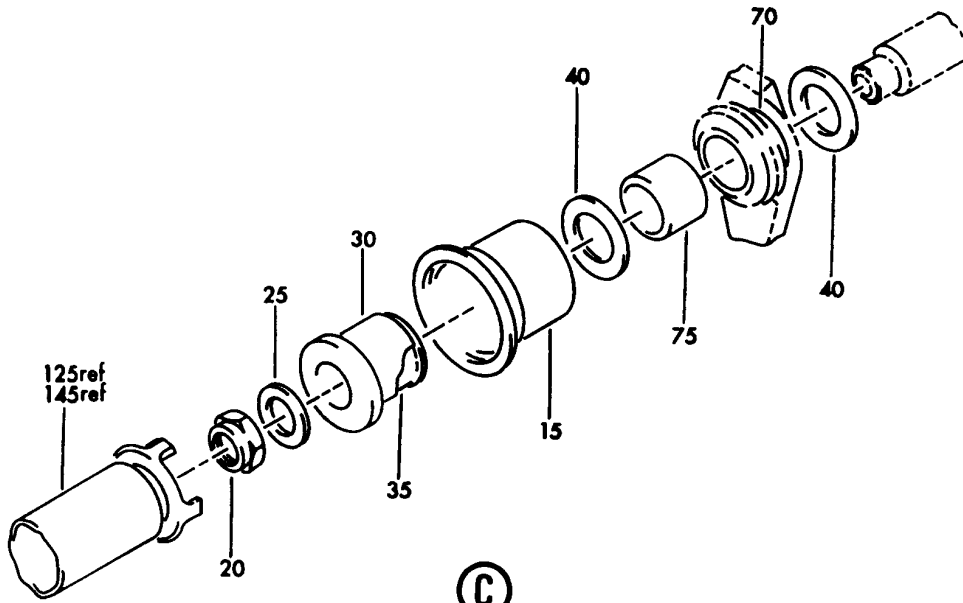
DRIVE INSTL-TE FLAP (FLIGHT CONTROLS ONLY)  
FIGURE 1 (SHEET 3)

**27-51-41-01**

HXL  
APR 22/07

27-51-41-01  
PAGE 0B

**BOEING**  
767  
PARTS CATALOG (MAINTENANCE)



V 27514101 SHT 4 REV 208

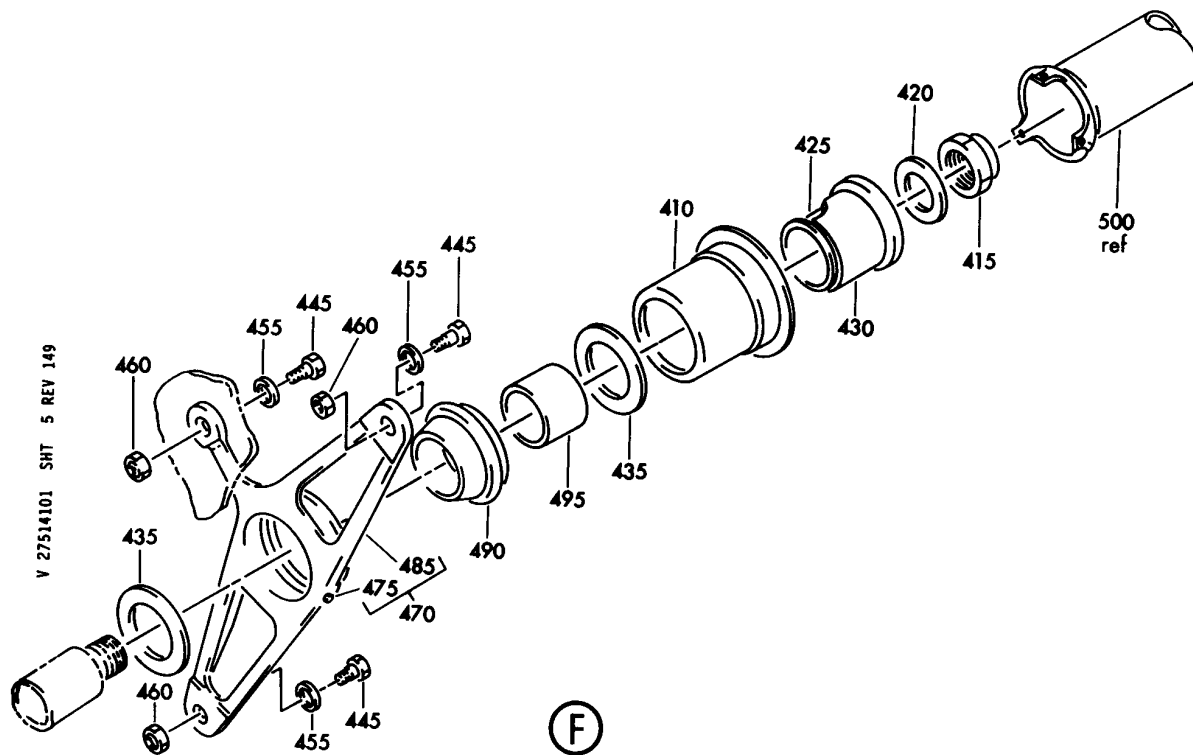
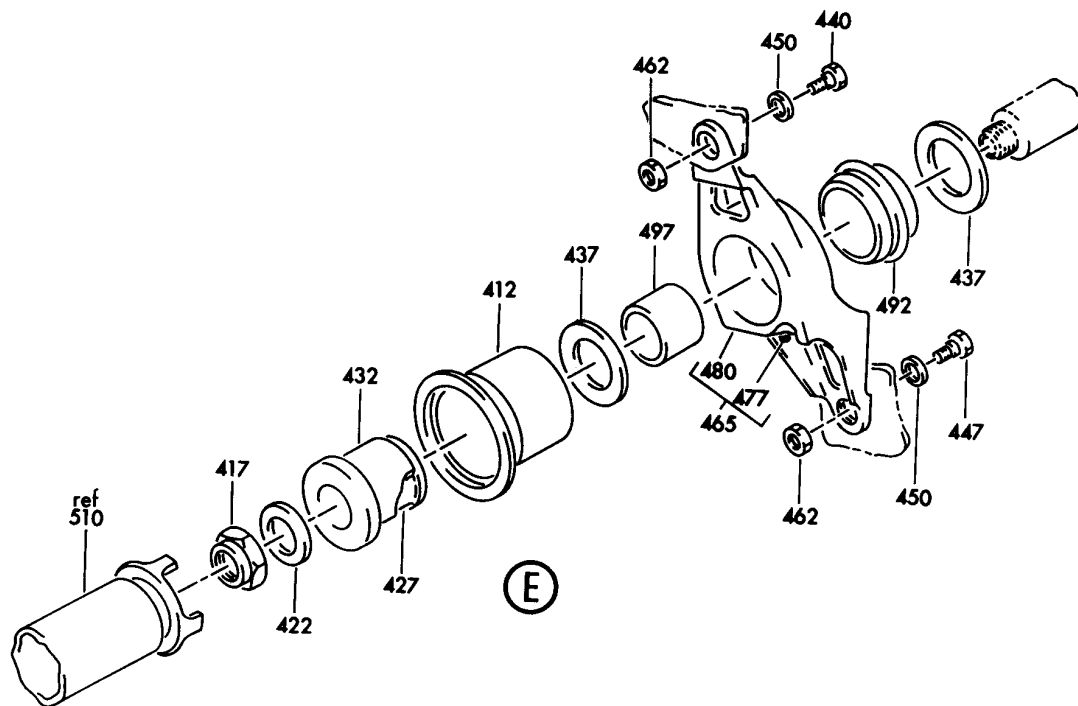
DRIVE INSTL-TE FLAP (FLIGHT CONTROLS ONLY)  
FIGURE 1 (SHEET 4)

**27-51-41-01**

HXL  
DEC 22/06

27-51-41-01  
PAGE 0C

**BOEING**  
767  
PARTS CATALOG (MAINTENANCE)



V 27514101 SHT 5 REV 149

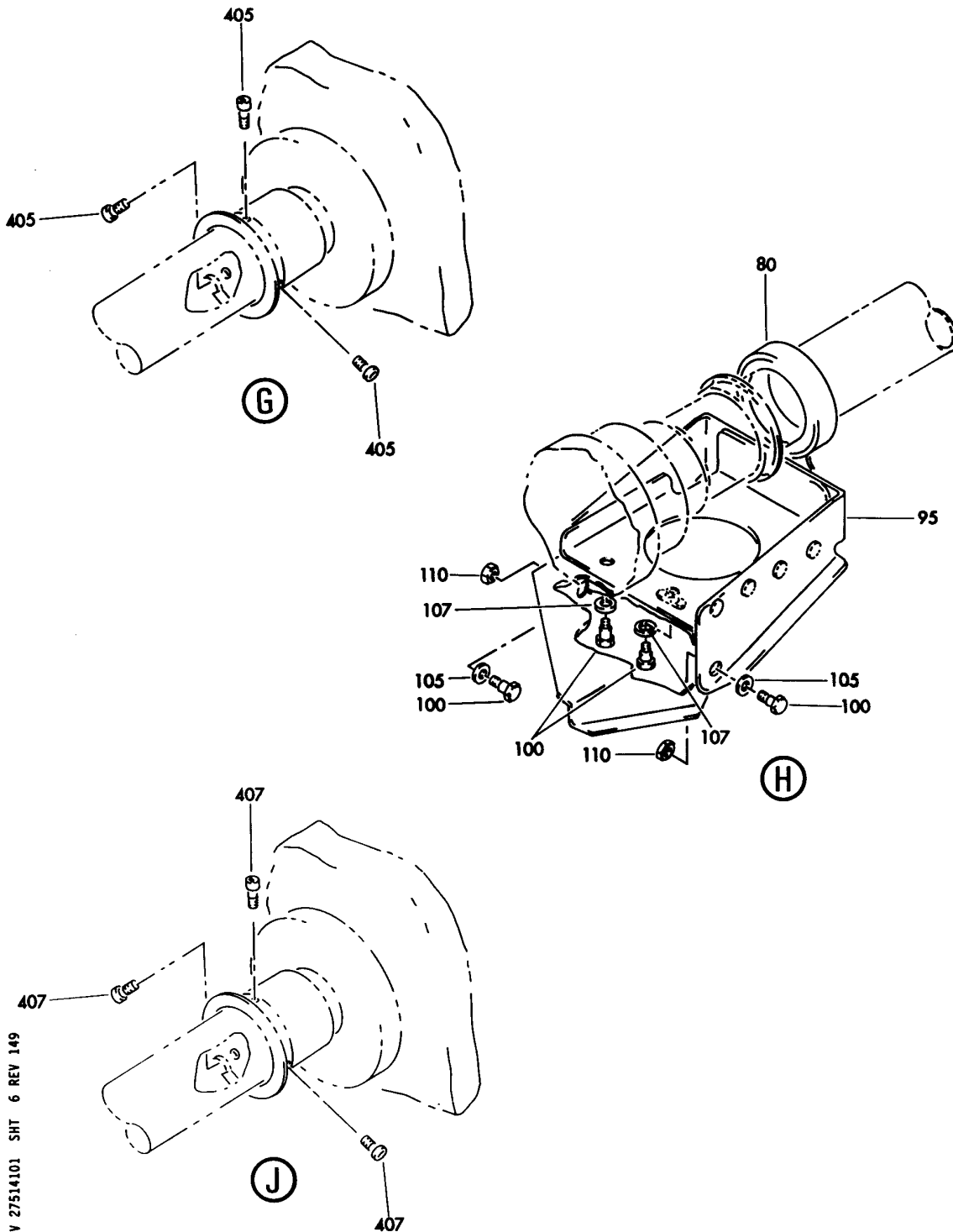
DRIVE INSTL-TE FLAP (FLIGHT CONTROLS ONLY)  
FIGURE 1 (SHEET 5)

**27-51-41-01**

HXL  
DEC 22/06

27-51-41-01  
PAGE 0D

**BOEING**  
767  
PARTS CATALOG (MAINTENANCE)



V 27514101 SHT 6 REV 149

DRIVE INSTL-TE FLAP (FLIGHT CONTROLS ONLY)  
FIGURE 1 (SHEET 6)

**27-51-41-01**

HXL  
DEC 22/06

27-51-41-01  
PAGE 0E



 **BOEING**  
767  
**PARTS CATALOG (MAINTENANCE)**

FIG ITEM	PART NUMBER	1 2 3 4 5 6 7	NOMENCLATURE	EFFECT FROM TO	UNITS PER ASSY
1			DRIVE INSTL-TE FLAP (FLIGHT CONTROLS ONLY)		
- 1	256T3000-14		DRIVE INSTL-TE FLAP (FLIGHT CONTROLS ONLY) POSITION DATA: LH VARIABLE DRAWING REF: 256T3000-5039 FOR NHA SEE: 27-00-01-01C		RF
- 5	256T3000-8		DRIVE INSTL-TE FLAP (FLIGHT CONTROLS ONLY) POSITION DATA: RH VARIABLE DRAWING REF: 256T3000-5041 FOR NHA SEE: 27-00-01-01C		RF
10	AN502-10-6		.SCREW-		39
15	65B84034-3		.SLEEVE-CPLG		3
20	BMN4122AD3-12		.NUT  SUPPLIER CODE: V97928 SPECIFICATION NUMBER: BACN10JC12 OPTIONAL PART: H10-12BAC V15653 RMLH9074-12 V72962 48FT1216 V56878		3
25	AN960PD1216		.WASHER		3
30	256T3749-1		.COUPLING-HALF CROWNED		3
35	65B84033-18		.SLEEVE-MOLDED		3
40	69B83573-1		.WASHER-TORQUE TUBE IDLER THRUST		6
70	65B84042-1		.BEARING-TORQUE TUBE IDLER BAIL		3
75	69B83572-1		.SLEEVE-TORQUE TUBE IDLER		3
80	65B81992-2		.GUARD-TORQUE TUBE ATTACHING PARTS		1
- 85	BACB30NM3K3		.BOLT		2
- 90	AN960PD10		.WASHER  -----*-----		2
95	256T3021-3		.BRACKET ASSY-SAFETY STRAP POSITION DATA: LH SIDE		1

ILLUSTRATION ITEMS NOT ON PARTS LIST ARE NOT APPLICABLE

- ITEM NOT ILLUSTRATED

HXL

# 27-51-41-01

BOEING PROPRIETARY - Copyright © - Unpublished Work - See title page for details.

27-51-41  
FIG. 01  
PAGE 1  
DEC 22/07



767

PARTS CATALOG (MAINTENANCE)

FIG ITEM	PART NUMBER	1 2 3 4 5 6 7	NOMENCLATURE	EFFECT FROM TO	UNITS PER ASSY
1					
- 97	256T3021-7		.BRACKET ASSY-SAFETY STRAP POSITION DATA: RH SIDE ATTACHING PARTS		1
100	BACB30NM3K2		.BOLT		4
105	AN960PD10L		.WASHER		2
107	AN960PD10		.WASHER		2
110	BRH10C3D		.NUT SUPPLIER CODE: V52828 SPECIFICATION NUMBER: BACN10JC3CD OPTIONAL PART: T6C1032JCD V11815 NS202486-02 V80539 102LH9075-3W V72962 H51650-3BAC V15653		2
			-----*-----		
115	256T3700-30		.SHAFT ASSY- COMPONENT MAINT MANUAL REF: 27-51-03		1
120	256T3700-31		.SHAFT ASSY- COMPONENT MAINT MANUAL REF: 27-51-03		1
125	256T3700-3		.SHAFT ASSY- COMPONENT MAINT MANUAL REF: 27-51-03		1
130	256T3700-4		.SHAFT ASSY- POSITION DATA: LH SIDE COMPONENT MAINT MANUAL REF: 27-51-03		1
- 135	256T3700-27		.SHAFT ASSY- POSITION DATA: RH SIDE COMPONENT MAINT MANUAL REF: 27-51-03		1
140	256T3700-5		.SHAFT ASSY- COMPONENT MAINT MANUAL REF: 27-51-03		1
145	256T3700-6		.SHAFT ASSY- COMPONENT MAINT MANUAL REF: 27-51-03		1

ILLUSTRATION ITEMS NOT ON PARTS LIST ARE NOT APPLICABLE

- ITEM NOT ILLUSTRATED

27-51-41-01

27-51-41  
FIG. 01  
PAGE 2  
DEC 22/07

HXL

 **BOEING**  
767  
**PARTS CATALOG (MAINTENANCE)**

FIG ITEM	PART NUMBER	1 2 3 4 5 6 7	NOMENCLATURE	EFFECT FROM TO	UNITS PER ASSY
1					
150	256T3700-7		.SHAFT ASSY- COMPONENT MAINT MANUAL REF: 27-51-03		1
155	256T3700-8		.SHAFT ASSY- COMPONENT MAINT MANUAL REF: 27-51-03		1
160	256T3650-47		.TRANSMITTER INSTL-POSITION NO. 1 POSITION DATA: LH SIDE FOR DETAILS SEE: 27-51-45-05		1
- 165	256T3650-42		.TRANSMITTER INSTL-POSITION NO. 8 POSITION DATA: RH SIDE FOR DETAILS SEE: 27-51-45-05		1
170	256T3240-3		.ACTUATOR INSTL-POSITION NO. 1 POSITION DATA: LH SIDE FOR DETAILS SEE: 27-51-22-02		1
- 175	256T3240-4		.ACTUATOR INSTL-POSITION NO. 8 POSITION DATA: RH SIDE FOR DETAILS SEE: 27-51-22-02		1
190	256T3280-3		.ACTUATOR INSTL-POSITION NO. 2 POSITION DATA: LH SIDE FOR DETAILS SEE: 27-51-22-01		1
- 195	256T3280-4		.ACTUATOR INSTL-POSITION NO. 7 POSITION DATA: RH SIDE FOR DETAILS SEE: 27-51-22-01		1
200	256T3600-1		.SUPPORT INSTL-BRG POSITION DATA: LH SIDE FOR DETAILS SEE: 27-51-56-01		1
ILLUSTRATION ITEMS NOT ON PARTS LIST ARE NOT APPLICABLE					

- ITEM NOT ILLUSTRATED

HXL

# 27-51-41-01

BOEING PROPRIETARY - Copyright © - Unpublished Work - See title page for details.

27-51-41  
FIG. 01  
PAGE 3  
DEC 22/07



767

PARTS CATALOG (MAINTENANCE)

FIG ITEM	PART NUMBER	1 2 3 4 5 6 7	NOMENCLATURE	EFFECT FROM TO	UNITS PER ASSY
1					
- 205	256T3600-2		.SUPPORT INSTL-BRG POSITION DATA: RH SIDE FOR DETAILS SEE: 27-51-56-01		1
210	256T3420-2		.GEARBOX INSTL-AIL. DROOP ANGLE POSITION DATA: LH SIDE FOR DETAILS SEE: 27-51-40-01		1
- 215	256T3421-2		.GEARBOX INSTL-AIL. DROOP ANGLE POSITION DATA: RH SIDE FOR DETAILS SEE: 27-51-40-05		1
220	256T3026-1		.SEAL INSTL-TORQUE TUBE VAPOR (LH SIDE) POSITION DATA: LH SIDE FOR DETAILS SEE: 27-51-59-01		1
- 225	256T3026-2		.SEAL INSTL-TORQUE TUBE VAPOR POSITION DATA: RH SIDE FOR DETAILS SEE: 27-51-59-01		1
230	256T3650-46		.TRANSMITTER INSTL-POSITION NO. 3 POSITION DATA: LH SIDE FOR DETAILS SEE: 27-51-45-05		1
- 237	256T3650-37		.TRANSMITTER INSTL-POSITION NO. 6 POSITION DATA: RH SIDE FOR DETAILS SEE: 27-51-45-05		1
240	256T3200-1		.ACTUATOR INSTL-POSITION NO. 3 POSITION DATA: LH SIDE FOR DETAILS SEE: 27-51-11-01		1

ILLUSTRATION ITEMS NOT ON PARTS LIST ARE NOT APPLICABLE

- ITEM NOT ILLUSTRATED

27-51-41-01

27-51-41  
FIG. 01  
PAGE 4  
DEC 22/07

HXL



767

PARTS CATALOG (MAINTENANCE)

FIG ITEM	PART NUMBER	1 2 3 4 5 6 7	NOMENCLATURE	EFFECT FROM TO	UNITS PER ASSY
1					
- 245	256T3200-2		.ACTUATOR INSTL-POSITION NO. 6 POSITION DATA: RH SIDE FOR DETAILS SEE: 27-51-11-01		1
250	256T3600-3		.SUPPORT INSTL-BRG LH SIDE FOR DETAILS SEE: 27-51-56-01		1
- 255	256T3600-4		.SUPPORT INSTL-BRG POSITION DATA: RH SIDE FOR DETAILS SEE: 27-51-56-01		1
260	256T3560-1		.GEARBOX INSTL-OFFSET POSITION DATA: WBL 120 LH SIDE FOR DETAILS SEE: 27-51-38-01		1
- 265	256T3560-3		.GEARBOX INSTL-OFFSET POSITION DATA: WBL 120 RH SIDE FOR DETAILS SEE: 27-51-38-01		1
270	256T3750-3		.GEARBOX INSTL- POSITION DATA: LH SIDE FOR DETAILS SEE: 27-51-45-02		1
- 275	256T3750-4		.GEARBOX INSTL- POSITION DATA: RH SIDE FOR DETAILS SEE: 27-51-45-02		1
280	256T3023-1		.STRAP INSTL-WING T.E. FLAP DRIVE SAFETY POSITION DATA: STA 688.0 LH SIDE FOR DETAILS SEE: 27-51-49-01		1
- 285	256T3023-2		.STRAP INSTL-WING T.E. FLAP DRIVE SAFETY POSITION DATA: STA 688.0 RH SIDE FOR DETAILS SEE: 27-51-49-01		1

ILLUSTRATION ITEMS NOT ON PARTS LIST ARE NOT APPLICABLE

- ITEM NOT ILLUSTRATED

HXL

27-51-41-01

BOEING PROPRIETARY - Copyright © - Unpublished Work - See title page for details.

27-51-41  
FIG. 01  
PAGE 5  
DEC 22/07



767

PARTS CATALOG (MAINTENANCE)

FIG ITEM	PART NUMBER	1 2 3 4 5 6 7	NOMENCLATURE	EFFECT FROM TO	UNITS PER ASSY
1 290	256T3024-1		.STRAP INSTL-SPOILER BEAM T.E. FLAP DRIVE SAFETY POSITION DATA: LH SIDE FOR DETAILS SEE: 27-51-49-01A		1
- 295	256T3024-2		.STRAP INSTL-SPOILER BEAM T.E. FLAP DRIVE SAFETY POSITION DATA: RH SIDE FOR DETAILS SEE: 27-51-49-01A		1
300	256T3025-1		.STRAP INSTL-GEARBOX T.E. FLAP DRIVE SAFETY POSITION DATA: LWR BODY LH SIDE FOR DETAILS SEE: 27-51-49-01B		1
- 305	256T3025-2		.STRAP INSTL-GEARBOX T.E. FLAP DRIVE SAFETY POSITION DATA: LWR BODY RH SIDE FOR DETAILS SEE: 27-51-49-01B		1
- 400	256T3000-15		DRIVE INSTL-TE FLAP (FLIGHT CONTROLS ONLY) VARIABLE DRAWING REF: 256T3000-5047 FOR NHA/OTHER SYS DET SEE: 27-00-01-01C		RF
405	AN502-10-6		.SCREW- OPTIONAL PART: NAS1801-3D6		51
405	NAS1801-3D6		.SCREW- OPTIONAL PART: AN502-10-6		51
410	65B84034-3		.SLEEVE-CPLG POSITION DATA: OUTBD		1

ILLUSTRATION ITEMS NOT ON PARTS LIST ARE NOT APPLICABLE

- ITEM NOT ILLUSTRATED

HXL

27-51-41-01

BOEING PROPRIETARY - Copyright © - Unpublished Work - See title page for details.

27-51-41  
FIG. 01  
PAGE 6  
DEC 22/07



767

PARTS CATALOG (MAINTENANCE)

FIG ITEM	PART NUMBER	1 2 3 4 5 6 7	NOMENCLATURE	EFFECT FROM TO	UNITS PER ASSY
1					
415	BMN4122AD3-12	.NUT	SUPPLIER CODE: V97928 SPECIFICATION NUMBER: BACN10JC12 OPTIONAL PART: H10-12BAC V15653 RMLH9074-12 V72962 48FT1216 V56878		1
420	AN960PD1216	.WASHER-			1
425	256T3749-1	.COUPLING-HALF CROWNED			1
430	65B84033-18	.SLEEVE-MOLDED			1
435	69B83573-1	.WASHER-TORQUE TUBE IDLER THRUST			2
445	BACB30NR4K6	.BOLT			3
455	AN960PD416L	.WASHER			3
460	BRH10C4D	.NUT	SUPPLIER CODE: V52828 SPECIFICATION NUMBER: BACN10JC4CD OPTIONAL PART: T6C428JCD V11815 NS202486-048 V80539 102LH9075-4W V72962 H51650-4BAC V15653		3
470	256T3612-1	.HOUSING ASSY-IDLER BRG			1
475	NAS516-1A	..FITTING-	USED ON: 256T3609-1 256T3612-1		1
485	256T3612-2	..HOUSING-	USED ON: 256T3612-1		1
490	65B84042-1	.BEARING-TORQUE TUBE IDLER BALL			1
495	69B83572-1	.SLEEVE-TORQUE TUBE IDLER			1
500	256T3700-10	.SHAFT ASSY-	COMPONENT MAINT MANUAL REF: 27-51-03		1

ILLUSTRATION ITEMS NOT ON PARTS LIST ARE NOT APPLICABLE

- ITEM NOT ILLUSTRATED

HXL

27-51-41-01

BOEING PROPRIETARY - Copyright © - Unpublished Work - See title page for details.

27-51-41  
FIG. 01  
PAGE 7  
DEC 22/07



767

PARTS CATALOG (MAINTENANCE)

FIG ITEM	PART NUMBER	1 2 3 4 5 6 7	NOMENCLATURE	EFFECT FROM TO	UNITS PER ASSY
1					
500	256T3700-37		.SHAFT ASSY- COMPONENT MAINT MANUAL REF: 27-51-03		1
505	256T3700-11		.SHAFT ASSY- COMPONENT MAINT MANUAL REF: 27-51-03		1
505	256T3700-38		.SHAFT ASSY- COMPONENT MAINT MANUAL REF: 27-51-03		1
517	256T3700-34		.SHAFT ASSY- COMPONENT MAINT MANUAL REF: 27-51-03 QUALIFIED I/W DATA: 256T3700-34 OR -39 IS INTERCHANGEABLE WITH 1 EA 256T3700-12 TOGETHER WITH 1 EA 256T3700-13 AND 1 EA 256T3610-1		1
520	256T3700-9		.SHAFT ASSY- COMPONENT MAINT MANUAL REF: 27-51-03		2
520	256T3700-36		.SHAFT ASSY- COMPONENT MAINT MANUAL REF: 27-51-03		2
525	256T3746-1		.SHAFT-		2
525	256T3746-3		.SHAFT-		2
530	256T3746-2		.SHAFT-		2
530	256T3746-4		.SHAFT-		2
535	256T3400-1		.GEARBOX INSTL-SIDE OF BODY ANGLE FOR DETAILS SEE: 27-51-37-01		1
540	256T3400-2		.GEARBOX INSTL-SIDE OF BODY ANGLE FOR DETAILS SEE: 27-51-37-01		1
545	256T3300-1		.GEARBOX INSTL-BHD TE FLAP DRIVE TEE POSITION DATA: LH SIDE FOR DETAILS SEE: 27-51-35-01		1
550	256T3300-2		.GEARBOX INSTL-BHD TE FLAP DRIVE TEE (RH SIDE) POSITION DATA: RH SIDE FOR DETAILS SEE: 27-51-35-01		1

ILLUSTRATION ITEMS NOT ON PARTS LIST ARE NOT APPLICABLE

- ITEM NOT ILLUSTRATED

27-51-41-01

27-51-41  
FIG. 01  
PAGE 8  
DEC 22/07

HXL

BOEING PROPRIETARY - Copyright © - Unpublished Work - See title page for details.



**BOEING**  
767  
**PARTS CATALOG (MAINTENANCE)**

FIG ITEM	PART NUMBER	1 2 3 4 5 6 7	NOMENCLATURE	EFFECT FROM TO	UNITS PER ASSY
1					
555	256T3100-10		.UNIT INSTL-TE FLAP PWR DRIVE VARIABLE FOR DETAILS SEE: 27-51-33-01		1
560	256T3330-1		.GEARBOX INSTL-BHD ANGLE FOR DETAILS SEE: 27-51-36-01		1
565	256T3330-2		.GEARBOX INSTL-BHD ANGLE FOR DETAILS SEE: 27-51-36-01		1
575	256T3290-1		.ACTUATOR INSTL-POSITION NO. 4 FOR DETAILS SEE: 27-51-05-01		1
580	256T3290-2		.ACTUATOR INSTL-POSITION NO. 5 FOR DETAILS SEE: 27-51-05-01		1
585	256T3650-45		.TRANSMITTER INSTL-POSITION NO. 4 POSITION DATA: LH SIDE FOR DETAILS SEE: 27-51-45-05		1
590	256T3650-44		.TRANSMITTER INSTL-POSITION NO. 5 POSITION DATA: RH SIDE FOR DETAILS SEE: 27-51-45-05		1
595	256T3700-8		.SHAFT ASSY- COMPONENT MAINT MANUAL REF: 27-51-03		1
900			ILLUSTRATION REFERENCE: GEARBOX INSTL-TE FLAP DRIVE AIL. DROOP ANGLE RH 27-51-40-05		RF
905			ILLUSTRATION REFERENCE: GEARBOX INSTL-TE FLAP DRIVE AIL. DROOP ANGLE (LH) 27-51-40-01		RF
ILLUSTRATION ITEMS NOT ON PARTS LIST ARE NOT APPLICABLE					

- ITEM NOT ILLUSTRATED

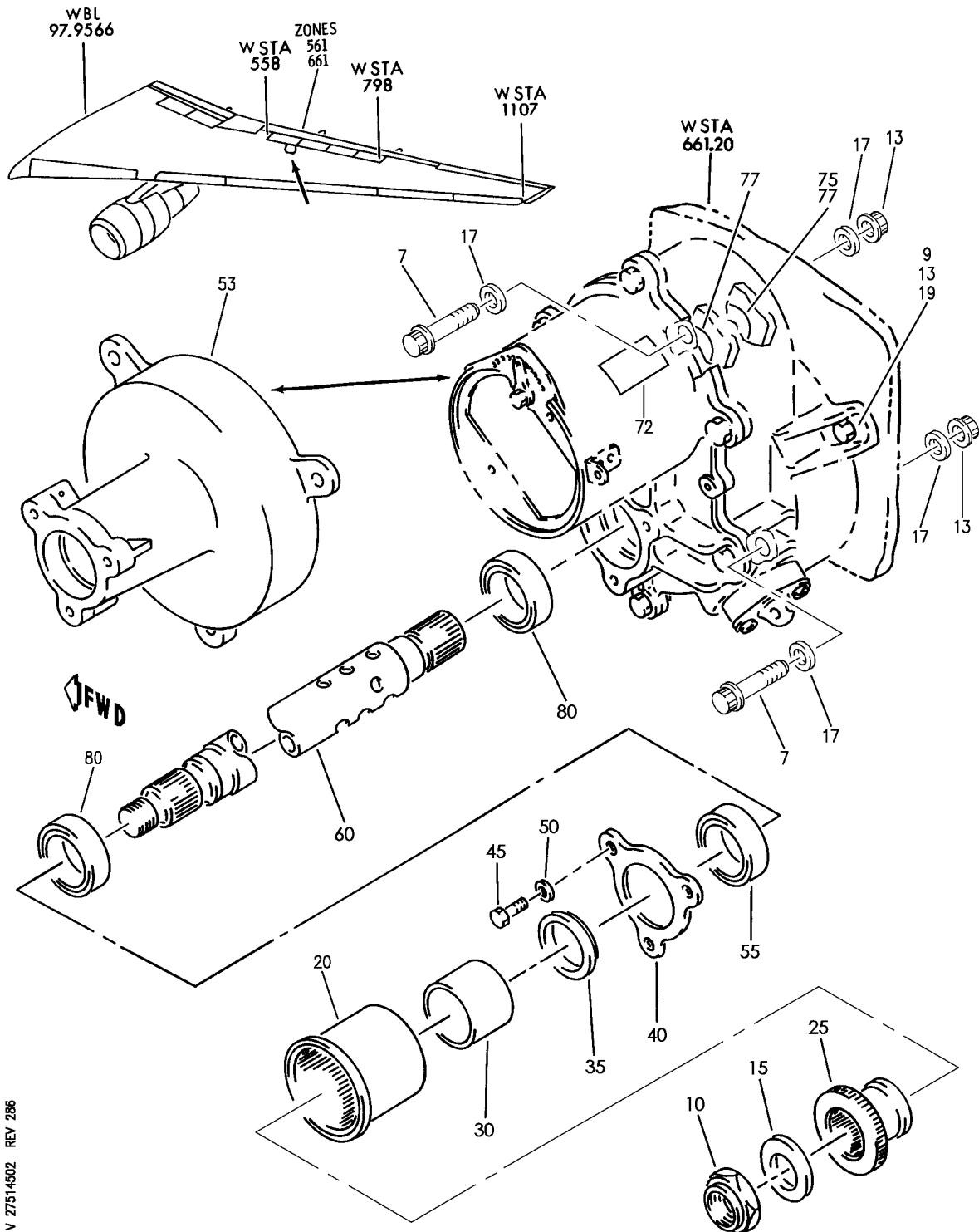
HXL

# 27-51-41-01

BOEING PROPRIETARY - Copyright © - Unpublished Work - See title page for details.

27-51-41  
FIG. 01  
PAGE 9  
DEC 22/07

**BOEING**  
767  
PARTS CATALOG (MAINTENANCE)



V 27514502 REV 286

GEARBOX INSTL-TE FLAP DRIVE POSITION XMTR  
FIGURE 2

**27-51-45-02**

HXL  
DEC 22/06

27-51-45-02  
PAGE 0



767

PARTS CATALOG (MAINTENANCE)

FIG ITEM	PART NUMBER	1 2 3 4 5 6 7	NOMENCLATURE	EFFECT FROM TO	UNITS PER ASSY
2			GEARBOX INSTL-TE FLAP DRIVE POSITION XMTR		
- 1	256T3750-3		GEARBOX INSTL-TE FLAP DRIVE POSITION XMTR POSITION DATA: LH FOR NHA SEE: 27-51-41-01		RF
- 5	256T3750-4		GEARBOX INSTL-TE FLAP DRIVE POSITION XMTR POSITION DATA: RH FOR NHA SEE: 27-51-41-01		RF
10	BMN4122AD3-12		.NUT- SUPPLIER CODE: V97928 SPECIFICATION NUMBER: BACN10JC12 OPTIONAL PART: H10-12BAC V15653 RMLH9074-12 V72962 48FT1216 V56878		1
15	AN960PD1216		.WASHER-		1
20	65B84034-3		.SLEEVE		1
25	256T3749-1		.COUPLING-HALF		1
30	65B84033-18		.SLEEVE		1
35	256T3773-1		.SHIELD-BRG		1
40	256T3771-1		.RETAINER-BRG ATTACHING PARTS		1
45	NAS6603H1		.BOLT-		3
50	AN960PD10L		.WASHER- -----*-----		3
53	256T3767-1		.HOUSING ASSY-SHAFT BRG SPRT		1

ILLUSTRATION ITEMS NOT ON PARTS LIST ARE NOT APPLICABLE

- ITEM NOT ILLUSTRATED

HXL

27-51-45-02

BOEING PROPRIETARY - Copyright © - Unpublished Work - See title page for details.

27-51-45  
FIG. 02  
PAGE 1  
DEC 22/06



767

PARTS CATALOG (MAINTENANCE)

FIG ITEM	PART NUMBER	1 2 3 4 5 6 7	NOMENCLATURE	EFFECT FROM TO	UNITS PER ASSY
2 55	R9105PPA4298	.	BEARING SUPPLIER CODE: V21335 SPECIFICATION NUMBER: BACB10BA25PP OPTIONAL PART: 9105NPPFS428 V21335 PKTLL105P1 V78118 LL105KS V38443 6005TT V43991 9105LLT1C1-01 V21760 993L05 V29337 C105RRP0ZZ V40920 R9105PPA4298 V9V013		1
60	256T3751-1	.	SHAFT ASSY- COMPONENT MAINT MANUAL REF: 27-58-11		1

ILLUSTRATION ITEMS NOT ON PARTS LIST ARE NOT APPLICABLE

- ITEM NOT ILLUSTRATED

HXL

27-51-45-02

BOEING PROPRIETARY - Copyright © - Unpublished Work - See title page for details.

27-51-45  
FIG. 02  
PAGE 2  
APR 22/09



767

PARTS CATALOG (MAINTENANCE)

FIG ITEM	PART NUMBER	1 2 3 4 5 6 7 NOMENCLATURE	EFFECT FROM TO	UNITS PER ASSY
2 80	MB545DDFS428	.. BEARING SUPPLIER CODE: V06144 SPECIFICATION NUMBER: BACB10AS33 OPTIONAL PART: LLMB545 V38443 MB545-2TS V43991 MB545DDFS428 V21335 MB545TT V43991 MB545DDG20 V38443 MT345E VK8455 MB545DDL196 V40920 MB545DD V06144 MB545DDNJC V06144 MB515DDSD610 V83086		2

ILLUSTRATION ITEMS NOT ON PARTS LIST ARE NOT APPLICABLE

- ITEM NOT ILLUSTRATED

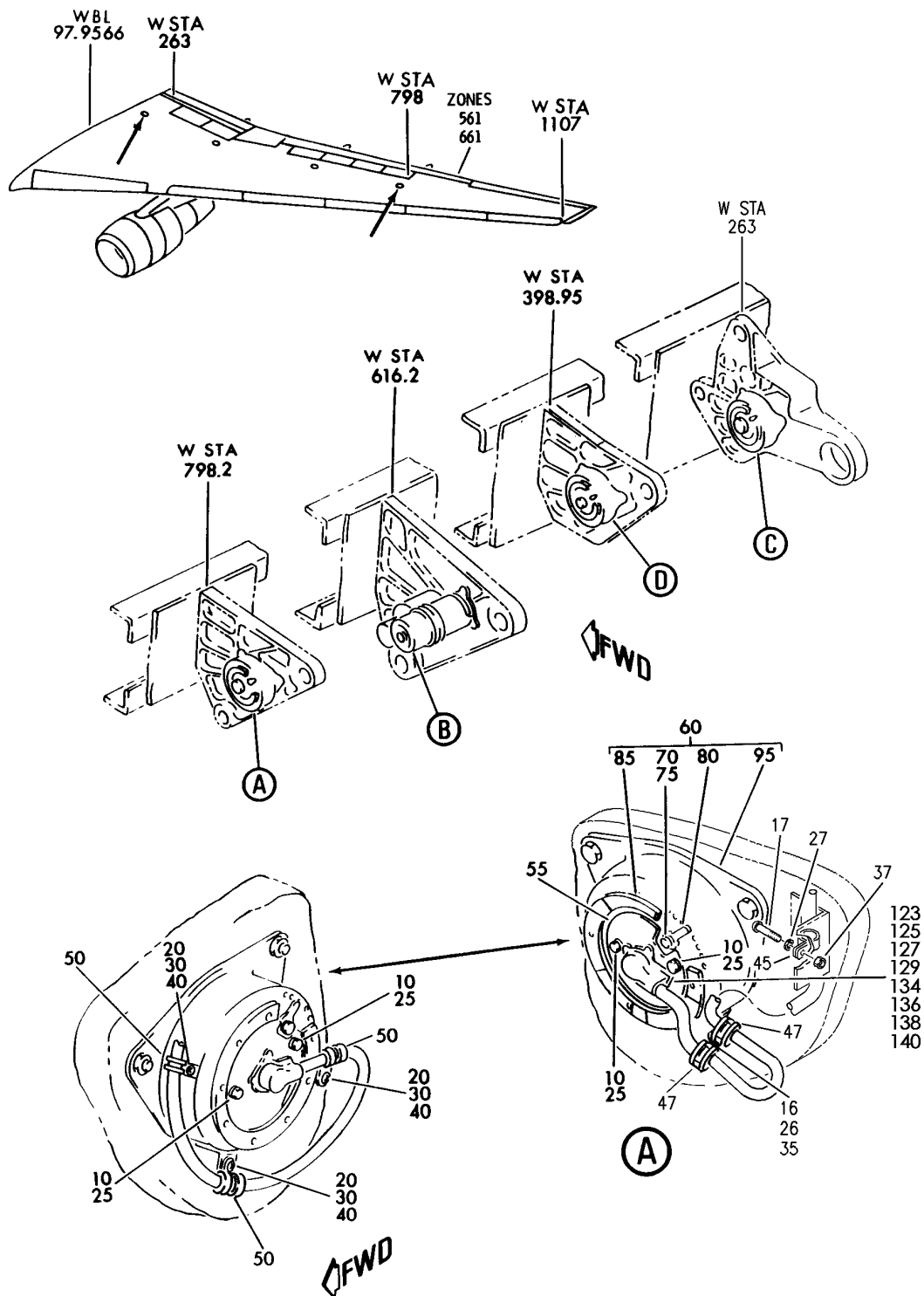
HXL

**27-51-45-02**

BOEING PROPRIETARY - Copyright © - Unpublished Work - See title page for details.

27-51-45  
 FIG. 02  
 PAGE 3  
 APR 22/09

**BOEING**  
767  
PARTS CATALOG (MAINTENANCE)



V 27514505 SH1 1 REV 230

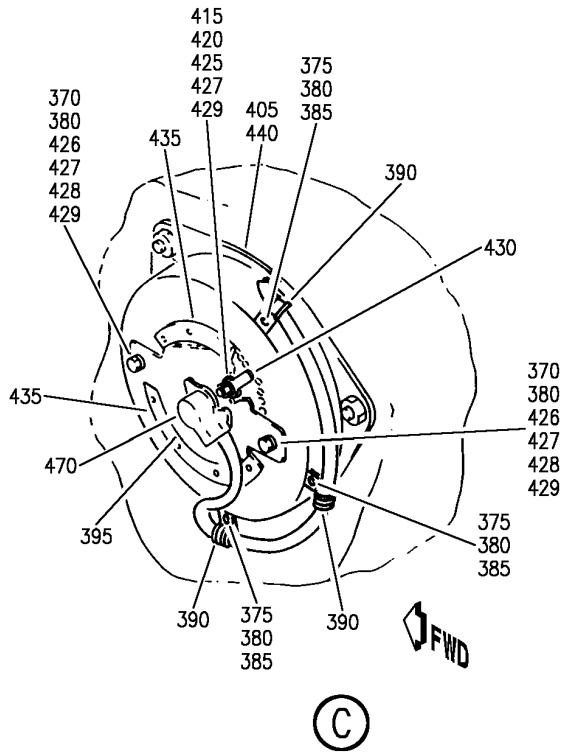
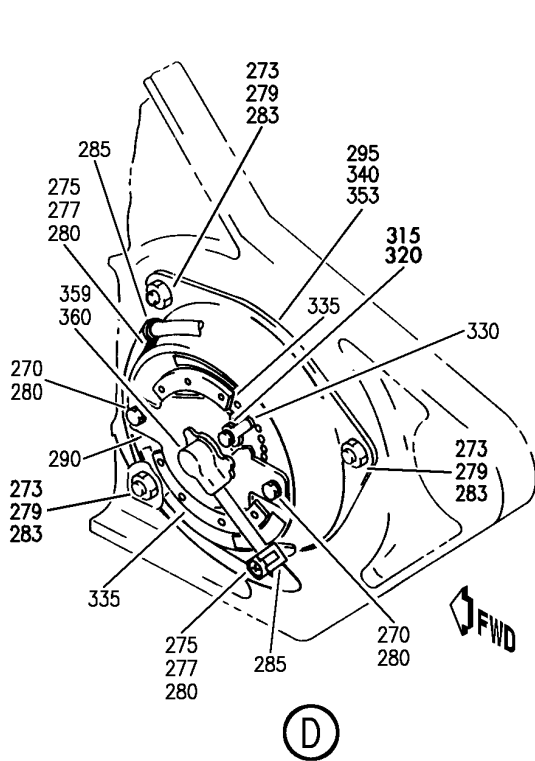
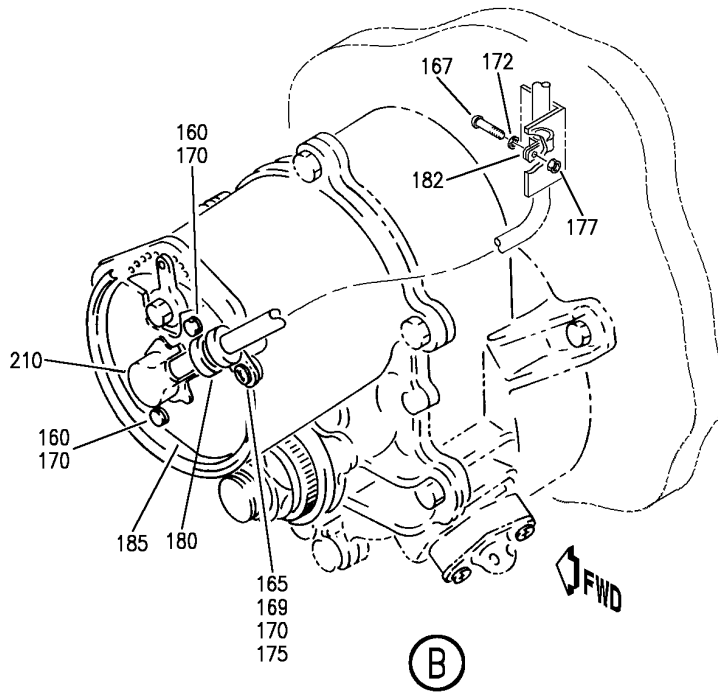
TRANSMITTER INSTL-TE FLAP DRIVE POSITION  
FIGURE 5 (SHEET 1)

**27-51-45-05**

HXL  
DEC 22/06

27-51-45-05  
PAGE 0

**BOEING**  
767  
**PARTS CATALOG (MAINTENANCE)**



V 27514505 SHT 2 REV 335

TRANSMITTER INSTL-TE FLAP DRIVE POSITION  
FIGURE 5 (SHEET 2)

**27-51-45-05**

HXL  
DEC 22/08

27-51-45-05  
PAGE 0A

**BOEING**  
767  
**PARTS CATALOG (MAINTENANCE)**

FIG ITEM	PART NUMBER	1 2 3 4 5 6 7	NOMENCLATURE	EFFECT FROM TO	UNITS PER ASSY
5			TRANSMITTER INSTL-TE FLAP DRIVE POSITION		
- 1	256T3650-47		TRANSMITTER INSTL-TE FLAP DRIVE POSITION NO. 1 POSITION DATA: LH FOR NHA SEE: 27-51-41-01		RF
- 5	256T3650-42		TRANSMITTER INSTL-TE FLAP DRIVE POSITION NO. 8 POSITION DATA: RH FOR NHA SEE: 27-51-41-01		RF
10	NAS6603-3		.BOLT-		2
16	NAS623-3-3		.SCREW- POSITION DATA: LH SIDE		1
17	NAS623-3-3		.SCREW- POSITION DATA: LH SIDE		1
20	NAS623-3-2		.SCREW- POSITION DATA: RH SIDE		3
25	NAS1149D0332J		.WASHER-		2
26	NAS1149D0332J		.WASHER- POSITION DATA: LH SIDE		1
27	NAS1149D0332J		.WASHER- POSITION DATA: LH SIDE		1
30	NAS1149D0332J		.WASHER- POSITION DATA: RH SIDE		3

ILLUSTRATION ITEMS NOT ON PARTS LIST ARE NOT APPLICABLE

- ITEM NOT ILLUSTRATED

HXL

# 27-51-45-05

BOEING PROPRIETARY - Copyright © - Unpublished Work - See title page for details.

27-51-45  
FIG. 05  
PAGE 1  
DEC 22/06





767

PARTS CATALOG (MAINTENANCE)

FIG ITEM	PART NUMBER	1 2 3 4 5 6 7	NOMENCLATURE	EFFECT FROM TO	UNITS PER ASSY
5	35 BRH10C3D		.NUT- SUPPLIER CODE: V52828 SPECIFICATION NUMBER: BACN10JC3CD OPTIONAL PART: T6C1032JCD V11815 NS202486-02 V80539 102LH9075-3W V72962 H51650-3BAC V15653 POSITION DATA: LH SIDE		1
	37 BRH10C3D		.NUT- SUPPLIER CODE: V52828 SPECIFICATION NUMBER: BACN10JC3CD OPTIONAL PART: T6C1032JCD V11815 NS202486-02 V80539 102LH9075-3W V72962 H51650-3BAC V15653 POSITION DATA: LH SIDE		1
	40 BRH10C3D		.NUT- SUPPLIER CODE: V52828 SPECIFICATION NUMBER: BACN10JC3CD OPTIONAL PART: T6C1032JCD V11815 NS202486-02 V80539 102LH9075-3W V72962 H51650-3BAC V15653 POSITION DATA: RH SIDE		3

ILLUSTRATION ITEMS NOT ON PARTS LIST ARE NOT APPLICABLE

- ITEM NOT ILLUSTRATED

HXL

27-51-45-05

BOEING PROPRIETARY - Copyright © - Unpublished Work - See title page for details.

27-51-45  
FIG. 05  
PAGE 2  
DEC 22/06



767

PARTS CATALOG (MAINTENANCE)

FIG ITEM	PART NUMBER	1 2 3 4 5 6 7	NOMENCLATURE	EFFECT FROM TO	UNITS PER ASSY
5 45	S717-101		.CLAMP- SUPPLIER CODE: V18076 SPECIFICATION NUMBER: BACC10GU101 OPTIONAL PART: 534CS101 V83930 JM44LC39S101RG V22175 POSITION DATA: LH SIDE		1
47	S717-101		.CLAMP- SUPPLIER CODE: V18076 SPECIFICATION NUMBER: BACC10GU101 OPTIONAL PART: 534CS101 V83930 JM44LC39S101RG V22175 POSITION DATA: LH SIDE		2
50	S717-101		.CLAMP- SUPPLIER CODE: V18076 SPECIFICATION NUMBER: BACC10GU101 OPTIONAL PART: 534CS101 V83930 JM44LC39S101RG V22175 POSITION DATA: LH SIDE		3
55	18-1958-17		.TRANSMITTER-FLAP POSITION SUPPLIER CODE: V96774 FUNCTIONAL DESCRIPTION: PROVIDES A FLAP POSITION SIGNAL TO THE FLAP STABILIZER MODULE SPECIFICATION NUMBER: S256T007-17 ELECTRICAL EQUIP NUMBER: M00473 M00489		1

ILLUSTRATION ITEMS NOT ON PARTS LIST ARE NOT APPLICABLE

- ITEM NOT ILLUSTRATED

HXL

27-51-45-05

BOEING PROPRIETARY - Copyright © - Unpublished Work - See title page for details.

27-51-45  
FIG. 05  
PAGE 3  
DEC 22/06

 **BOEING**  
767  
**PARTS CATALOG (MAINTENANCE)**

FIG ITEM	PART NUMBER	1 2 3 4 5 6 7	NOMENCLATURE	EFFECT FROM TO	UNITS PER ASSY
5					
60	256T3651-9		.SUPPORT ASSY-VARIABLE (FLIGHT CONTROLS ONLY) POSITION DATA: LH SIDE FUNCTIONAL REFERENCE: PLACARDS AND MARKINGS FOR DETAILS SEE 11-24-50-01		1
- 65	256T3651-10		.SUPPORT ASSY-VARIABLE (FLIGHT CONTROLS ONLY) POSITION DATA: RH SIDE FUNCTIONAL REFERENCE: PLACARDS AND MARKINGS FOR DETAILS SEE 11-24-50-01		1
70	NAS6603-3		..BOLT-		1
75	AN960PD10L		..WASHER-		1
80	69B83592-2		..FITTING		1
85	69B83590-1		..RING		1
- 90	BACR15BB3AD		ATTACHING PARTS ..RIVET- SIZE DETERMINED ON INSTL. -----*-----		8
95	256T3651-11		..SUPPORT- POSITION DATA: LH SIDE		1
- 100	256T3651-12		..SUPPORT- POSITION DATA: RH SIDE		1
- 120	286T0446-101		WIRE BUNDLE ASSY- POSITION DATA: LH		RF
123	BACC45FM18C14S		.CONNECTOR- ELECTRICAL EQUIP NUMBER: D01630 WIRING DIAGRAM REF: 275141		1
- 132	286T0464-101		WIRE BUNDLE ASSY- POSITION DATA: RH		RF
134	BACC45FM18C14S		.CONNECTOR- ELECTRICAL EQUIP NUMBER: D01632 WIRING DIAGRAM REF: 275141		1

ILLUSTRATION ITEMS NOT ON PARTS LIST ARE NOT APPLICABLE

- ITEM NOT ILLUSTRATED

HXL

27-51-45-05

BOEING PROPRIETARY - Copyright © - Unpublished Work - See title page for details.

27-51-45  
FIG. 05  
PAGE 4  
DEC 22/06



767

PARTS CATALOG (MAINTENANCE)

FIG ITEM	PART NUMBER	1 2 3 4 5 6 7	NOMENCLATURE	EFFECT FROM TO	UNITS PER ASSY
5					
- 250	256T3650-46		TRANSMITTER INSTL-TE FLAP DRIVE POSITION NO. 3 POSITION DATA: LH FOR NHA SEE: 27-51-41-01		RF
- 265	256T3650-37		TRANSMITTER INSTL-TE FLAP DRIVE POSITION NO. 6 POSITION DATA: RH FOR NHA SEE: 27-51-41-01		RF
270	NAS6603-3		.BOLT- POSITION DATA: LH SIDE		2
275	NAS623-3-2		.SCREW- POSITION DATA: LH SIDE		2
277	BRH10A3		.NUT- SUPPLIER CODE: V52828 SPECIFICATION NUMBER: BACN10JC3 OPTIONAL PART: H10-3BAC V15653 NS202101-02 V80539 RMLH9075-3W V72962 VN303A02 V92215 96-02 V80539 T6S1032J V11815 POSITION DATA: LH SIDE		2
280	AN960PD10L		.WASHER- POSITION DATA: LH SIDE		4

ILLUSTRATION ITEMS NOT ON PARTS LIST ARE NOT APPLICABLE

- ITEM NOT ILLUSTRATED

HXL

27-51-45-05

BOEING PROPRIETARY - Copyright © - Unpublished Work - See title page for details.

27-51-45  
FIG. 05  
PAGE 5  
DEC 22/06

 **BOEING**  
767  
**PARTS CATALOG (MAINTENANCE)**

FIG ITEM	PART NUMBER	1 2 3 4 5 6 7	NOMENCLATURE	EFFECT FROM TO	UNITS PER ASSY
5 285	S717-101		.CLAMP- SUPPLIER CODE: V18076 SPECIFICATION NUMBER: BACC10GU101 OPTIONAL PART: 534CS101 V83930 JM44LC39S101RG V22175 POSITION DATA: LH SIDE		2
290	18-1958-20		.TRANSMITTER ASSY-FLAP POSITION SUPPLIER CODE: V96774 POSITION DATA: LH SIDE FUNCTIONAL DESCRIPTION: PROVIDES A FLAP POSITION SIGNAL TO THE FLAP STABILIZER MODULE SPECIFICATION NUMBER: S256T007-20 ELECTRICAL EQUIP NUMBER: M00475 COMPONENT MAINT MANUAL REF: 27-50-15		1
295	256T3653-12		.SUPPORT ASSY-(FLIGHT CONTROLS ONLY) POSITION DATA: LH SIDE FUNCTIONAL REFERENCE: PLACARDS AND MARKINGS FOR DETAILS SEE 11-24-50-01		1
315	NAS6603-3		..BOLT- POSITION DATA: LH SIDE		1
320	AN960PD10L		..WASHER- POSITION DATA: LH SIDE		1
330	69B83592-2		..FITTING- POSITION DATA: LH SIDE		1
335	256T3652-1		..RING- POSITION DATA: LH SIDE		2
ILLUSTRATION ITEMS NOT ON PARTS LIST ARE NOT APPLICABLE					

- ITEM NOT ILLUSTRATED

HXL

27-51-45-05

BOEING PROPRIETARY - Copyright © - Unpublished Work - See title page for details.

27-51-45  
FIG. 05  
PAGE 6  
DEC 22/06



767

PARTS CATALOG (MAINTENANCE)

FIG ITEM	PART NUMBER	1 2 3 4 5 6 7	NOMENCLATURE	EFFECT FROM TO	UNITS PER ASSY
5					
340	256T3653-13		. . SUPPORT- POSITION DATA: LH SIDE		1
- 354	256T3653-9		. SUPPORT ASSY- POSITION DATA: RH SIDE		1
- 356	286T0446-101		WIRE BUNDLE ASSY- POSITION DATA: LH		RF
359	BACC45FM18C14S		. CONNECTOR- POSITION DATA: LH ONLY ELECTRICAL EQUIP NUMBER: D01578 WIRING DIAGRAM REF: 275141		1
- 363	256T3650-45		TRANSMITTER INSTL-TE FLAP DRIVE POSITION NO. 4 POSITION DATA: LH FOR NHA SEE: 27-51-41-01		RF
- 365	256T3650-44		TRANSMITTER INSTL-TE FLAP DRIVE POSITION NO. 5 POSITION DATA: RH FOR NHA SEE: 27-51-41-01		RF
370	NAS6603-3		. BOLT		2
375	BACB30LK3-2		. BOLT-		3
380	NAS1149D0316J		. WASHER-		5
385	BRH10C3D		. NUT- SUPPLIER CODE: V52828 SPECIFICATION NUMBER: BACN10JC3CD OPTIONAL PART: T6C1032JCD V11815 NS202486-02 V80539 102LH9075-3W V72962 H51650-3BAC V15653		3
390	MS21919WDG6		. CLAMP-		3

ILLUSTRATION ITEMS NOT ON PARTS LIST ARE NOT APPLICABLE

- ITEM NOT ILLUSTRATED

HXL

27-51-45-05

BOEING PROPRIETARY - Copyright © - Unpublished Work - See title page for details.

27-51-45  
FIG. 05  
PAGE 7  
DEC 22/08

 **BOEING**  
767  
**PARTS CATALOG (MAINTENANCE)**

FIG ITEM	PART NUMBER	1 2 3 4 5 6 7	NOMENCLATURE	EFFECT FROM TO	UNITS PER ASSY
5 395	18-1958-20		.TRANSMITTER ASSY-FLAP POSITION SUPPLIER CODE: V96774 POSITION DATA: LH SIDE FUNCTIONAL DESCRIPTION: PROVIDES A FLAP POSITION SIGNAL TO THE FLAP STABILIZER MODULE SPECIFICATION NUMBER: S256T007-20 ELECTRICAL EQUIP NUMBER: M00476 COMPONENT MAINT MANUAL REF: 27-50-15		1
- 400	18-1958-20		.TRANSMITTER ASSY-FLAP POSITION SUPPLIER CODE: V96774 POSITION DATA: RH SIDE FUNCTIONAL DESCRIPTION: PROVIDES A FLAP POSITION SIGNAL TO THE FLAP STABILIZER MODULE SPECIFICATION NUMBER: S256T007-20 ELECTRICAL EQUIP NUMBER: M00492 COMPONENT MAINT MANUAL REF: 27-50-15		1
405	256T3654-13		.SUPPORT ASSY-(FLIGHT CONTROLS ONLY) POSITION DATA: LH SIDE FUNCTIONAL REFERENCE: PLACARDS AND MARKINGS FOR DETAILS SEE 11-24-50-01		1
- 410	256T3654-12		.SUPPORT ASSY-(FLIGHT CONTROLS ONLY) POSITION DATA: RH SIDE FUNCTIONAL REFERENCE: PLACARDS AND MARKINGS FOR DETAILS SEE 11-24-50-01		1
415	NAS6603-2		..BOLT		1

ILLUSTRATION ITEMS NOT ON PARTS LIST ARE NOT APPLICABLE

- ITEM NOT ILLUSTRATED

HXL

27-51-45-05

BOEING PROPRIETARY - Copyright © - Unpublished Work - See title page for details.

27-51-45  
FIG. 05  
PAGE 8  
DEC 22/06



767

PARTS CATALOG (MAINTENANCE)

FIG ITEM	PART NUMBER	1 2 3 4 5 6 7	NOMENCLATURE	EFFECT FROM TO	UNITS PER ASSY
5					
420	AN960PD10L	..	WASHER		1
430	69B83592-2	..	FITTING		1
435	256T3652-1	..	RING		2
440	256T3654-15	..	SUPPORT-		1
			POSITION DATA:		
			LH SIDE		
- 445	256T3654-14	..	SUPPORT-		1
			POSITION DATA:		
			RH SIDE		
- 450	286T0264-301		WIRE BUNDLE ASSY-		RF
			POSITION DATA:		
			LH		
- 455	286T0768-300		WIRE BUNDLE ASSY-		RF
			POSITION DATA:		
			RH		
- 460	GS3417-18C	.	CLAMP-		1
			SUPPLIER CODE:		
			V06324		
			SPECIFICATION NUMBER:		
			BACC10HF18		
			OPTIONAL PART:		
			S2125-18-8		
			V07418		
			POSITION DATA:		
			RH SIDE		
			ELECTRICAL EQUIP NUMBER:		
			D01548T		
			WIRING DIAGRAM REF:		
			275141		
- 465	BACC45FM18C14S	.	CONNECTOR-		1
			POSITION DATA:		
			RH ONLY		
			ELECTRICAL EQUIP NUMBER:		
			D01548		
			WIRING DIAGRAM REF:		
			275141		
470	BACC45FM18C14S	.	CONNECTOR-		1
			POSITION DATA:		
			LH SIDE		
			ELECTRICAL EQUIP NUMBER:		
			D01546		
			WIRING DIAGRAM REF:		
			275821		

ILLUSTRATION ITEMS NOT ON PARTS LIST ARE NOT APPLICABLE

- ITEM NOT ILLUSTRATED

27-51-45-05

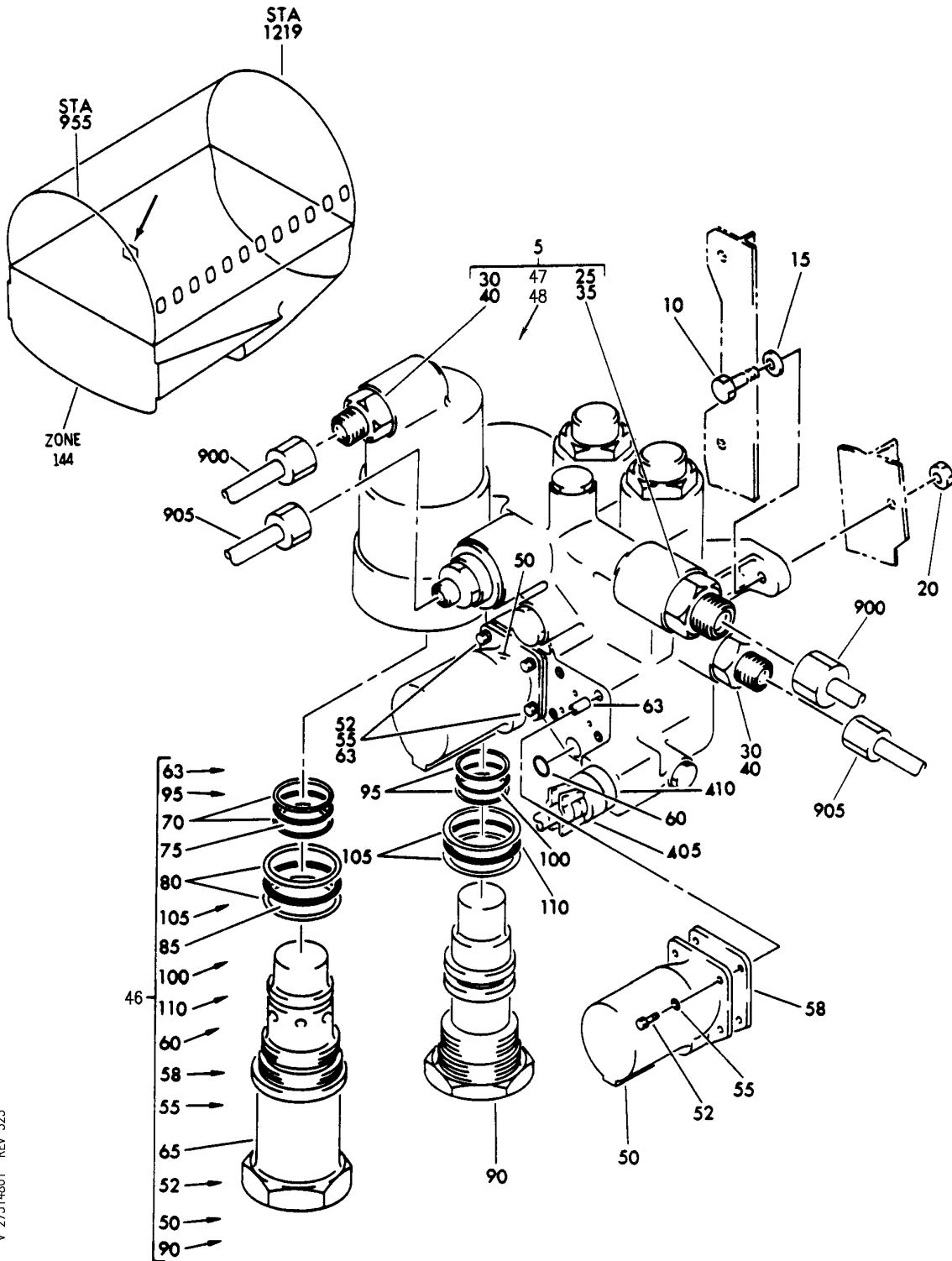
27-51-45  
FIG. 05  
PAGE 9  
DEC 22/07

HXL

BOEING PROPRIETARY - Copyright © - Unpublished Work - See title page for details.



**BOEING**  
767  
PARTS CATALOG (MAINTENANCE)



V 27514801 REV 325

MODULE INSTL-FLAP AND SLAT HYDR SHUTOFF VALVE  
FIGURE 1

**27-51-48-01**

HXL  
APR 22/08

27-51-48-01  
PAGE 0



767

PARTS CATALOG (MAINTENANCE)

FIG ITEM	PART NUMBER	1 2 3 4 5 6 7	NOMENCLATURE	EFFECT FROM TO	UNITS PER ASSY
1			MODULE INSTL-FLAP AND SLAT HYDR SHUTOFF VALVE		
- 1	256T1400-15		MODULE INSTL-FLAP AND SLAT HYDR SHUTOFF VALVE		RF
			FOR NHA SEE: 27-51-60-01		
5	256T1400-16		.MODULE ASSY- USED ON: 256T1400-15 256T1400-17		1
			ATTACHING PARTS		
10	BACB30NR4K7		.BOLT-		3
15	NAS1149D0416J		.WASHER-		3
			-----*-----		
25	BACU24K12		..UNION-		1
25	MS21902-12T		..UNION		1
30	BACU24K10		..UNION-		2
30	MS21902-10T		..UNION		2
35	NAS1612-12		..PACKING-		1
40	NAS1612-10		..PACKING-		2

ILLUSTRATION ITEMS NOT ON PARTS LIST ARE NOT APPLICABLE

- ITEM NOT ILLUSTRATED

HXL

27-51-48-01

BOEING PROPRIETARY - Copyright © - Unpublished Work - See title page for details.

27-51-48  
FIG. 01  
PAGE 1  
AUG 22/08



767

PARTS CATALOG (MAINTENANCE)

FIG ITEM	PART NUMBER	1 2 3 4 5 6 7 NOMENCLATURE	EFFECT FROM TO	UNITS PER ASSY
1 46	732-18700-09	<p>..MODULE ASSY-            SUPPLIER CODE:            VS4096            SPECIFICATION NUMBER:            S256T006-7            ELECTRICAL EQUIP NUMBER:            V00104            COMPONENT MAINT MANUAL REF:            27-51-03            QUALIFIED I/W DATA:            S256T006-6(732-18700-07/            732-18700-08),            S256T006-7(732-18700-09/            732-18700-10),            S256T006-8(732-18700-11/            732-18700-12), OR            S256T006-9(732-18700-13/            732-18700-14) ARE            INTERCHANGEABLE WITH THE            INCORPORATION OF SB            767-27-0046 AND MAY BE            REPLACED BY S256T006-10            (732-18700-15/-16/-17/            -18/-19) OR S256T006-11            (732-18700-20/-21) WITH            THE INCORPORATION OF            SB 767-27-0046.            OPTIONAL PART:            732-18700-10            VS4096            USED ON:            256T1400-10</p>		1

ILLUSTRATION ITEMS NOT ON PARTS LIST ARE NOT APPLICABLE

- ITEM NOT ILLUSTRATED

HXL

**27-51-48-01**

BOEING PROPRIETARY - Copyright © - Unpublished Work - See title page for details.

27-51-48  
 FIG. 01  
 PAGE 2  
 APR 22/08



767

PARTS CATALOG (MAINTENANCE)

FIG ITEM	PART NUMBER	1 2 3 4 5 6 7 NOMENCLATURE	EFFECT FROM TO	UNITS PER ASSY
1 46	732-18700-10	<p>..MODULE ASSY-            SUPPLIER CODE:            VS4096            SPECIFICATION NUMBER:            S256T006-7            ELECTRICAL EQUIP NUMBER:            V00104            COMPONENT MAINT MANUAL REF:            27-51-03            QUALIFIED I/W DATA:            S256T006-6(732-18700-07/            732-18700-08),            S256T006-7(732-18700-09/            732-18700-10),            S256T006-8(732-18700-11/            732-18700-12), OR            S256T006-9(732-18700-13/            732-18700-14) ARE            INTERCHANGEABLE WITH THE            INCORPORATION OF SB            767-27-0046 AND MAY BE            REPLACED BY S256T006-10            (732-18700-15/-16/-17/            -18/-19) OR S256T006-11            (732-18700-20/-21) WITH            THE INCORPORATION OF            SB 767-27-0046.            OPTIONAL PART:            732-18700-09            VS4096            USED ON:            256T1400-10</p>		1

ILLUSTRATION ITEMS NOT ON PARTS LIST ARE NOT APPLICABLE

- ITEM NOT ILLUSTRATED

HXL

**27-51-48-01**

BOEING PROPRIETARY - Copyright © - Unpublished Work - See title page for details.

27-51-48  
 FIG. 01  
 PAGE 3  
 APR 22/08



767

PARTS CATALOG (MAINTENANCE)

FIG ITEM	PART NUMBER	1 2 3 4 5 6 7 NOMENCLATURE	EFFECT FROM TO	UNITS PER ASSY
1 46	732-18700-11	<p>..MODULE ASSY-            SUPPLIER CODE:            VS4096            SPECIFICATION NUMBER:            S256T006-8            ELECTRICAL EQUIP NUMBER:            V00104            COMPONENT MAINT MANUAL REF:            27-51-03            QUALIFIED I/W DATA:            S256T006-6(732-18700-07/            732-18700-08),            S256T006-7(732-18700-09/            732-18700-10),            S256T006-8(732-18700-11/            732-18700-12), OR            S256T006-9(732-18700-13/            732-18700-14) ARE            INTERCHANGEABLE WITH THE            INCORPORATION OF SB            767-27-0046 AND MAY BE            REPLACED BY S256T006-10            (732-18700-15/-16/-17/            -18/-19) OR S256T006-11            (732-18700-20/-21) WITH            THE INCORPORATION OF            SB 767-27-0046.            OPTIONAL PART:            732-18700-12            VS4096            USED ON:            256T1400-12</p>		1

ILLUSTRATION ITEMS NOT ON PARTS LIST ARE NOT APPLICABLE

- ITEM NOT ILLUSTRATED

HXL

**27-51-48-01**

BOEING PROPRIETARY - Copyright © - Unpublished Work - See title page for details.

27-51-48  
 FIG. 01  
 PAGE 4  
 APR 22/08



767

PARTS CATALOG (MAINTENANCE)

FIG ITEM	PART NUMBER	1 2 3 4 5 6 7 NOMENCLATURE	EFFECT FROM TO	UNITS PER ASSY
1 46	732-18700-12	<p>..MODULE ASSY-            SUPPLIER CODE:            VS4096            SPECIFICATION NUMBER:            S256T006-8            ELECTRICAL EQUIP NUMBER:            V00104            COMPONENT MAINT MANUAL REF:            27-51-03            QUALIFIED I/W DATA:            S256T006-6(732-18700-07/            732-18700-08),            S256T006-7(732-18700-09/            732-18700-10),            S256T006-8(732-18700-11/            732-18700-12), OR            S256T006-9(732-18700-13/            732-18700-14) ARE            INTERCHANGEABLE WITH THE            INCORPORATION OF SB            767-27-0046 AND MAY BE            REPLACED BY S256T006-10            (732-18700-15/-16/-17/            -18/-19) OR S256T006-11            (732-18700-20/-21) WITH            THE INCORPORATION OF            SB 767-27-0046.            OPTIONAL PART:            732-18700-11            VS4096            USED ON:            256T1400-12</p>		1

ILLUSTRATION ITEMS NOT ON PARTS LIST ARE NOT APPLICABLE

- ITEM NOT ILLUSTRATED

HXL

**27-51-48-01**

BOEING PROPRIETARY - Copyright © - Unpublished Work - See title page for details.

27-51-48  
 FIG. 01  
 PAGE 5  
 APR 22/08













767

PARTS CATALOG (MAINTENANCE)

FIG ITEM	PART NUMBER	1 2 3 4 5 6 7 NOMENCLATURE	EFFECT FROM TO	UNITS PER ASSY
1 46	732-18700-19	<p>..MODULE ASSY-            SUPPLIER CODE:            VS4096            FUNCTIONAL DESCRIPTION:            SHUTS OFF AND            DEPRESSURIZE THE TE FLAP            AND LE SLAT DRIVE UNIT            SUPPLY LINES            SPECIFICATION NUMBER:            S256T006-10            ELECTRICAL EQUIP NUMBER:            V00104            COMPONENT MAINT MANUAL REF:            27-51-03            QUALIFIED I/W DATA:            S256T006-6(732-18700-07/            732-18700-08),            S256T006-7(732-18700-09/            732-18700-10),            S256T006-8(732-18700-11/            732-18700-12), OR            S256T006-9(732-18700-13/            732-18700-14) ARE            INTERCHANGEABLE WITH THE            INCORPORATION OF SB            767-27-0046 AND MAY BE            REPLACED BY S256T006-10            (732-18700-15/-16/-17/            -18/-19) OR S256T006-11            (732-18700-20/-21) WITH            THE INCORPORATION OF            SB 767-27-0046.            OPTIONAL PART:            732-18700-15            VS4096            732-18700-16            VS4096            732-18700-17            VS4096            732-18700-18            VS4096</p>		1

ILLUSTRATION ITEMS NOT ON PARTS LIST ARE NOT APPLICABLE

- ITEM NOT ILLUSTRATED

HXL

27-51-48-01

BOEING PROPRIETARY - Copyright © - Unpublished Work - See title page for details.

27-51-48  
 FIG. 01  
 PAGE 10  
 APR 22/08



767

PARTS CATALOG (MAINTENANCE)

FIG ITEM	PART NUMBER	1 2 3 4 5 6 7 NOMENCLATURE	EFFECT FROM TO	UNITS PER ASSY
1 46	732-18700-20	<p>..MODULE ASSY-            SUPPLIER CODE:            VS4096            FUNCTIONAL DESCRIPTION:            SHUTS OFF AND            DEPRESSURIZE THE TE FLAP            AND LE SLAT DRIVE UNIT            SUPPLY LINES            SPECIFICATION NUMBER:            S256T006-11            COMPONENT MAINT MANUAL REF:            27-51-03            QUALIFIED I/W DATA:            S256T006-6(732-18700-07/            732-18700-08),            S256T006-7(732-18700-09/            732-18700-10),            S256T006-8(732-18700-11/            732-18700-12), OR            S256T006-9(732-18700-13/            732-18700-14) ARE            INTERCHANGEABLE WITH THE            INCORPORATION OF SB            767-27-0046 AND MAY BE            REPLACED BY S256T006-10            (732-18700-15/-16/-17/            -18/-19) OR S256T006-11            (732-18700-20/-21) WITH            THE INCORPORATION OF            SB 767-27-0046.            OPTIONAL PART:            732-18700-21            VS4096</p>		1

ILLUSTRATION ITEMS NOT ON PARTS LIST ARE NOT APPLICABLE

- ITEM NOT ILLUSTRATED

HXL

27-51-48-01

BOEING PROPRIETARY - Copyright © - Unpublished Work - See title page for details.

27-51-48  
 FIG. 01  
 PAGE 11  
 APR 22/08



767

PARTS CATALOG (MAINTENANCE)

FIG ITEM	PART NUMBER	1 2 3 4 5 6 7 NOMENCLATURE	EFFECT FROM TO	UNITS PER ASSY
1 46	732-18700-21	<p>..MODULE ASSY-            SUPPLIER CODE:            VS4096            FUNCTIONAL DESCRIPTION:            SHUTS OFF AND            DEPRESSURIZE THE TE FLAP            AND LE SLAT DRIVE UNIT            SUPPLY LINES            SPECIFICATION NUMBER:            S256T006-11            COMPONENT MAINT MANUAL REF:            27-51-03            QUALIFIED I/W DATA:            S256T006-6(732-18700-07/            732-18700-08),            S256T006-7(732-18700-09/            732-18700-10),            S256T006-8(732-18700-11/            732-18700-12), OR            S256T006-9(732-18700-13/            732-18700-14) ARE            INTERCHANGEABLE WITH THE            INCORPORATION OF SB            767-27-0046 AND MAY BE            REPLACED BY S256T006-10            (732-18700-15/-16/-17/            -18/-19) OR S256T006-11            (732-18700-20/-21) WITH            THE INCORPORATION OF            SB 767-27-0046.            OPTIONAL PART:            732-18700-20            VS4096            -----*-----</p>		1

ILLUSTRATION ITEMS NOT ON PARTS LIST ARE NOT APPLICABLE

- ITEM NOT ILLUSTRATED

HXL

27-51-48-01

BOEING PROPRIETARY - Copyright © - Unpublished Work - See title page for details.

27-51-48  
 FIG. 01  
 PAGE 12  
 APR 22/08



767

PARTS CATALOG (MAINTENANCE)

FIG ITEM	PART NUMBER	1 2 3 4 5 6 7	NOMENCLATURE	EFFECT FROM TO	UNITS PER ASSY
1	50 59600-5011		...VALVE ASSY-SOL. SUPPLIER CODE: V92003 SPECIFICATION NUMBER: 10-60811-9 COMPONENT MAINT MANUAL REF: 29-10-02 OPTIONAL PART: 59600-5007 V92003 45080 V99643 45080-1 V99643 881600-1001 V92003 USED ON: 732-18700-07 732-18700-08 732-18700-09 732-18700-10		2
	50 59600-5007		...VALVE ASSY-SOL. SUPPLIER CODE: V92003 SPECIFICATION NUMBER: 10-60811-3 COMPONENT MAINT MANUAL REF: 29-10-02 OPTIONAL PART: 45080 V99643 OPTIONAL PART: 45080-1 V99643 59600-5011 V92003 881600-1001 V92003 USED ON: 732-18700-07 732-18700-08 732-18700-09 732-18700-10		2

ILLUSTRATION ITEMS NOT ON PARTS LIST ARE NOT APPLICABLE

- ITEM NOT ILLUSTRATED

HXL

27-51-48-01

BOEING PROPRIETARY - Copyright © - Unpublished Work - See title page for details.

27-51-48  
 FIG. 01  
 PAGE 13  
 APR 22/08



767

PARTS CATALOG (MAINTENANCE)

FIG ITEM	PART NUMBER	1 2 3 4 5 6 7 NOMENCLATURE	EFFECT FROM TO	UNITS PER ASSY
1 50	45080-1	...VALVE ASSY-SOL. SUPPLIER CODE: V99643 FUNCTIONAL DESCRIPTION: ELECTRICALLY OPERATED VALVE PROVIDES HYDRAULIC PRESSURE SPECIFICATION NUMBER: 10-60811-8 COMPONENT MAINT MANUAL REF: 29-09-05 OPTIONAL PART: 45080 V99643 59600-5007 V92003 59600-5011 V92003 881600-1001 V92003 USED ON: 732-18700-07 732-18700-08 732-18700-09 732-18700-10		2

ILLUSTRATION ITEMS NOT ON PARTS LIST ARE NOT APPLICABLE

- ITEM NOT ILLUSTRATED

HXL

**27-51-48-01**

BOEING PROPRIETARY - Copyright © - Unpublished Work - See title page for details.

27-51-48  
 FIG. 01  
 PAGE 14  
 APR 22/08



**PARTS CATALOG (MAINTENANCE)**

FIG ITEM	PART NUMBER	1 2 3 4 5 6 7	NOMENCLATURE	EFFECT FROM TO	UNITS PER ASSY
1 50	45080-1		...VALVE ASSY-SOL. SUPPLIER CODE: V99643 FUNCTIONAL DESCRIPTION: ELECTRICALLY OPERATED VALVE PROVIDES HYDRAULIC PRESSURE SPECIFICATION NUMBER: 10-60811-8 COMPONENT MAINT MANUAL REF: 29-09-05 OPTIONAL PART: 59600-5011 V92003 881600-1001 V92003 USED ON: 732-18700-15 732-18700-16 732-18700-17 732-18700-18 732-18700-11 732-18700-12 732-18700-13 732-18700-14 732-18700-20 732-18700-21		2
50	881600-1001		...VALVE ASSY-SOL. SUPPLIER CODE: V92003 SPECIFICATION NUMBER: 10-60811-13 COMPONENT MAINT MANUAL REF: 27-09-03 OPTIONAL PART: 59600-5007 V92003 45080 V99643 45080-1 V99643 59600-5011 V92003 USED ON: 732-18700-07 732-18700-08 732-18700-09 732-18700-10		2

ILLUSTRATION ITEMS NOT ON PARTS LIST ARE NOT APPLICABLE

- ITEM NOT ILLUSTRATED

HXL

**27-51-48-01**

BOEING PROPRIETARY - Copyright © - Unpublished Work - See title page for details.

27-51-48  
 FIG. 01  
 PAGE 15  
 APR 22/08





**PARTS CATALOG (MAINTENANCE)**

FIG ITEM	PART NUMBER	1 2 3 4 5 6 7	NOMENCLATURE	EFFECT FROM TO	UNITS PER ASSY
1 50	45080		...VALVE ASSY-SOL. SUPPLIER CODE: V99643 SPECIFICATION NUMBER: 10-60811-3 COMPONENT MAINT MANUAL REF: 29-09-05 OPTIONAL PART: 59600-5007 V92003 OPTIONAL PART: 59600-5011 V92003 45080-1 V99643 881600-1001 V92003 USED ON: 732-18700-07 732-18700-08 732-18700-09 732-18700-10		2
50	59600-5011		...VALVE ASSY-SOL. SUPPLIER CODE: V92003 SPECIFICATION NUMBER: 10-60811-9 COMPONENT MAINT MANUAL REF: 29-10-02 OPTIONAL PART: 45080-1 V99643 881600-1001 V92003 USED ON: 732-18700-11 732-18700-12 732-18700-13 732-18700-14 732-18700-15 732-18700-16 732-18700-17 732-18700-18 732-18700-20 732-18700-21		2

ILLUSTRATION ITEMS NOT ON PARTS LIST ARE NOT APPLICABLE

- ITEM NOT ILLUSTRATED

HXL

**27-51-48-01**

BOEING PROPRIETARY - Copyright © - Unpublished Work - See title page for details.

27-51-48  
 FIG. 01  
 PAGE 16  
 APR 22/08



767

PARTS CATALOG (MAINTENANCE)

FIG ITEM	PART NUMBER	1 2 3 4 5 6 7	NOMENCLATURE	EFFECT FROM TO	UNITS PER ASSY
1 50	881600-1001		... VALVE ASSY-SOL. SUPPLIER CODE: V92003 SPECIFICATION NUMBER: 10-60811-13 COMPONENT MAINT MANUAL REF: 27-09-03 OPTIONAL PART: 45080-1 V99643 59600-5011 V92003 USED ON: 732-18700-11 732-18700-12 732-18700-13 732-18700-14 732-18700-15 732-18700-16 732-18700-17 732-18700-18 732-18700-20 732-18700-21 ATTACHING PARTS		2
52	NAS1351-4H10P		... SCREW-		8
55	733-75209-41		... WASHER- SUPPLIER CODE: VS4096 USED ON: 732-18700-07 732-18700-08 732-18700-09 732-18700-10		8
55	733-75209-53		... WASHER- SUPPLIER CODE: VS4096 USED ON: 732-18700-09 732-18700-10 732-18700-11 732-18700-12 732-18700-13 732-18700-14		8

ILLUSTRATION ITEMS NOT ON PARTS LIST ARE NOT APPLICABLE

- ITEM NOT ILLUSTRATED

HXL

27-51-48-01

BOEING PROPRIETARY - Copyright © - Unpublished Work - See title page for details.

27-51-48  
 FIG. 01  
 PAGE 17  
 APR 22/08



767

PARTS CATALOG (MAINTENANCE)

FIG ITEM	PART NUMBER	1 2 3 4 5 6 7	NOMENCLATURE	EFFECT FROM TO	UNITS PER ASSY
1					
55	733-75209-53		...WASHER- SUPPLIER CODE: VS4096 USED ON: 732-18700-15 732-18700-16 732-18700-17 732-18700-18 732-18700-20 732-18700-21		8
58	069000197-1		-----*----- ...PLATE-GSKT SUPPLIER CODE: V05939 SPECIFICATION NUMBER: 69-20184-1 OPTIONAL PART: BA1837 V95272 071261 V83259 071261-1 V83259 828108-1 V83259		2
60	NAS1611-112		...PACKING- OPTIONAL PART: NAS16111-112A		2
60	NAS1611-112A		...PACKING- OPTIONAL PART: NAS1611-112		2
63	MS21209F4-15L		...INSERT- USED ON: 732-18700-07 732-18700-08 732-18700-09 732-18700-10		8
63	MS21209F4-15P		...INSERT- USED ON: 732-18700-09 732-18700-10 732-18700-11 732-18700-12 732-18700-13 732-18700-14		8

ILLUSTRATION ITEMS NOT ON PARTS LIST ARE NOT APPLICABLE

- ITEM NOT ILLUSTRATED

HXL

27-51-48-01

BOEING PROPRIETARY - Copyright © - Unpublished Work - See title page for details.

27-51-48  
FIG. 01  
PAGE 18  
APR 22/08

 **BOEING**  
767  
**PARTS CATALOG (MAINTENANCE)**

FIG ITEM	PART NUMBER	1 2 3 4 5 6 7	NOMENCLATURE	EFFECT FROM TO	UNITS PER ASSY
1					
63	MS21209F4-15P		...INSERT- USED ON: 732-18700-15 732-18700-16 732-18700-17 732-18700-18 732-18700-20 732-18700-21		8
65	4626-1		...VALVE-SHUTOFF SUPPLIER CODE: V06177 SPECIFICATION NUMBER: S256T006-4 COMPONENT MAINT MANUAL REF: 27-51-14		1
70	MS28782-25		...RING-		2
75	NAS1611-220		...PACKING- OPTIONAL PART: NAS1611-220A		1
75	NAS1611-220A		...PACKING- OPTIONAL PART: NAS1611-220		1
80	C11236-225B		...RING- SUPPLIER CODE: V26879 SPECIFICATION NUMBER: BACR12BM225 OPTIONAL PART: RMR12BM225 V94878 STF800-225 V02107 S30294-225-1 V97820 TF450-225A V07128 2100-225 V26303		2
85	NAS1611-225		...PACKING- OPTIONAL PART: NAS1611-225A		1
85	NAS1611-225A		...PACKING- OPTIONAL PART: NAS1611-225		1

ILLUSTRATION ITEMS NOT ON PARTS LIST ARE NOT APPLICABLE

— ITEM NOT ILLUSTRATED

HXL

# 27-51-48-01

BOEING PROPRIETARY - Copyright © - Unpublished Work - See title page for details.

27-51-48  
FIG. 01  
PAGE 19  
APR 22/08

 **BOEING**  
767  
**PARTS CATALOG (MAINTENANCE)**

FIG ITEM	PART NUMBER	1 2 3 4 5 6 7	NOMENCLATURE	EFFECT FROM TO	UNITS PER ASSY
R R R R R R R R R	1 90	6268-10	...VALVE-FLOW REGULATOR SUPPLIER CODE: V06177 SPECIFICATION NUMBER: S256T008-4 SB DATA FROM A CMM: POST SB 732-18700-27-3 USED ON: 732-18700-15 732-18700-16 732-18700-17 732-18700-18		1
	90	6268-12	...VALVE-FLOW REGULATOR SUPPLIER CODE: V06177 SPECIFICATION NUMBER: S256T008-5 USED ON: 732-18700-20 732-18700-21		1
	95	MS28782-25	...RING-		2
	100	NAS1611-220	...PACKING- OPTIONAL PART: NAS1611-224		1
	100	NAS1611-220A	...PACKING- OPTIONAL PART: NAS1611-220		1
	105	C11236-224B	...RING- SUPPLIER CODE: V26879 SPECIFICATION NUMBER: BACR12BM224 OPTIONAL PART: RMR12BM224 V94878 STF800-224 V02107 S30294-224-1 V97820 TF450-224A V07128 2100-224 V26303		2
	110	NAS1611-224	...PACKING- OPTIONAL PART: NAS1611-224A		1

ILLUSTRATION ITEMS NOT ON PARTS LIST ARE NOT APPLICABLE

- ITEM NOT ILLUSTRATED

HXL

27-51-48-01

BOEING PROPRIETARY - Copyright © - Unpublished Work - See title page for details.

27-51-48  
FIG. 01  
PAGE 20  
AUG 22/09



767

PARTS CATALOG (MAINTENANCE)

FIG ITEM	PART NUMBER	1 2 3 4 5 6 7	NOMENCLATURE	EFFECT FROM TO	UNITS PER ASSY
1	NAS1611-224A		...PACKING- OPTIONAL PART: NAS1611-224		1
- 400	286T0778-001		WIRE BUNDLE ASSY		RF
405	BCREF5969		.ADAPTER- SUPPLIER CODE: V06324 OVERLENGTH PART NUMBER: 710AA011M14-12-62A ELECTRICAL EQUIP NUMBER: D02304T WIRING DIAGRAM REF: 275131		1
410	R071014R7SNL		.CONNECTOR- SUPPLIER CODE: V41118 SPECIFICATION NUMBER: BACC63BP14R7SNL MISCELLANEOUS DATA: OPTIONAL PART NUMBERS: BACC63BP14R7SN (81205) BACC63BP14A7SN (81205) BACC63BP14A7SNL (81205) ELECTRICAL EQUIP NUMBER: D02304 WIRING DIAGRAM REF: 275131		1
905			ILLUSTRATION REFERENCE: HYDRAULIC INSTL-SECT. 45 (FLAPS ONLY) 27-51-63-01		RF

ILLUSTRATION ITEMS NOT ON PARTS LIST ARE NOT APPLICABLE

- ITEM NOT ILLUSTRATED

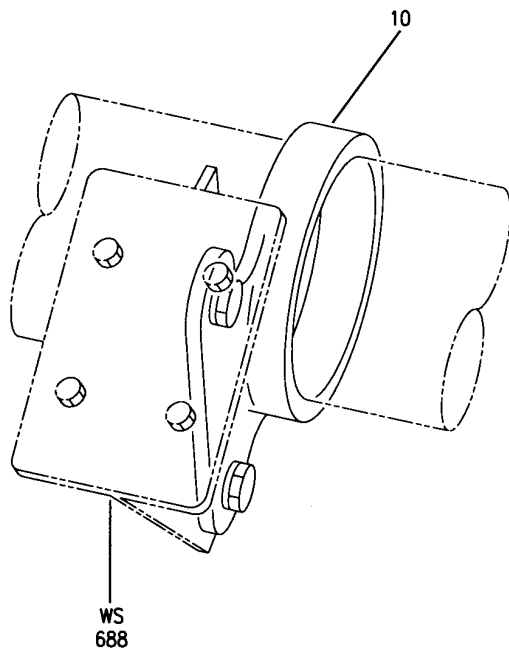
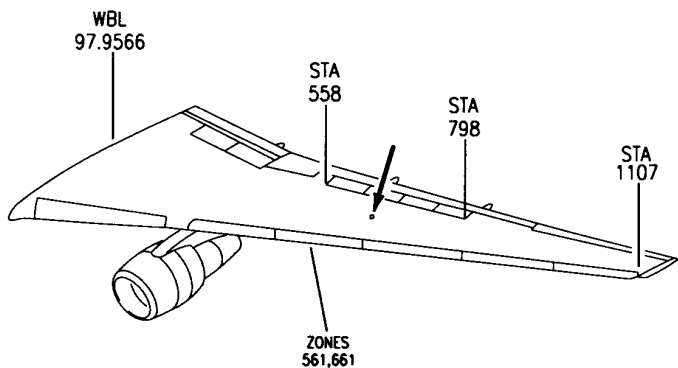
HXL

27-51-48-01

BOEING PROPRIETARY - Copyright © - Unpublished Work - See title page for details.

27-51-48  
FIG. 01  
PAGE 21  
APR 22/08

**BOEING**  
767  
PARTS CATALOG (MAINTENANCE)



V 27514901 REV 196

STRAP INSTL-WING STA 688.0 T.E. FLAP DRIVE SAFETY  
FIGURE 1

HXL  
DEC 22/06

**27-51-49-01**

27-51-49-01  
PAGE 0



767

PARTS CATALOG (MAINTENANCE)

FIG ITEM	PART NUMBER	1 2 3 4 5 6 7	NOMENCLATURE	EFFECT FROM TO	UNITS PER ASSY
1			STRAP INSTL-WING STA 688.0 T.E. FLAP DRIVE SAFETY		
- 1	256T3023-1		STRAP INSTL-WING T.E. FLAP DRIVE SAFETY POSITION DATA: STA 688.0 LH SIDE FOR NHA SEE: 27-51-41-01		RF
- 5	256T3023-2		STRAP INSTL-WING T.E. FLAP DRIVE SAFETY POSITION DATA: STA 688.0 RH SIDE FOR NHA SEE: 27-51-41-01		RF
10	65B81992-2		.GUARD ATTACHING PARTS		1
- 15	BACB30NM3K3		.BOLT		2
- 20	AN960PD10		.WASHER		2
- 25	BRH10C3D		.NUT		2
			SUPPLIER CODE: V52828 SPECIFICATION NUMBER: BACN10JC3CD OPTIONAL PART: T6C1032JCD V11815 NS202486-02 V80539 102LH9075-3W V72962 H51650-3BAC V15653 -----*-----		

ILLUSTRATION ITEMS NOT ON PARTS LIST ARE NOT APPLICABLE

- ITEM NOT ILLUSTRATED

HXL

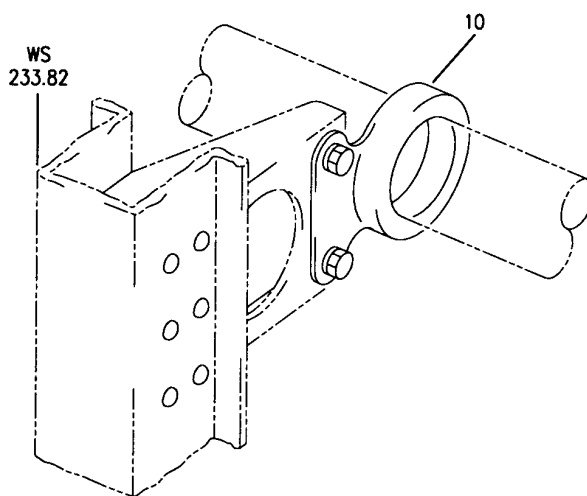
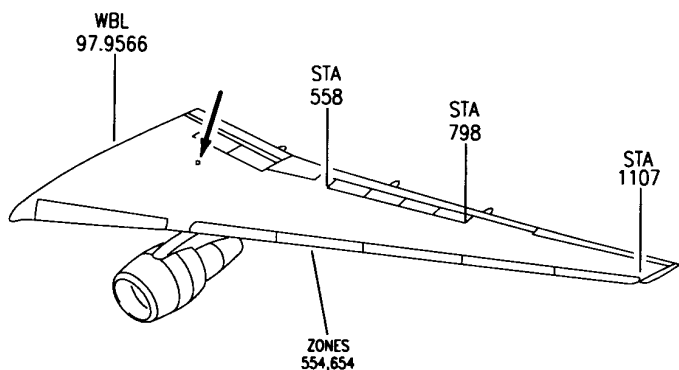
27-51-49-01

BOEING PROPRIETARY - Copyright © - Unpublished Work - See title page for details.

27-51-49  
FIG. 01  
PAGE 1  
DEC 22/06



**BOEING**  
767  
PARTS CATALOG (MAINTENANCE)



V 27514901A REV 196

STRAP INSTL-SPOILER BEAM T.E. FLAP DRIVE SAFETY  
FIGURE 1A

**27-51-49-01A**

HXL  
DEC 22/06

27-51-49-01A  
PAGE 0

**BOEING**  
767  
**PARTS CATALOG (MAINTENANCE)**

FIG ITEM	PART NUMBER	1 2 3 4 5 6 7	NOMENCLATURE	EFFECT FROM TO	UNITS PER ASSY
1 A					
- 1	256T3024-1		STRAP INSTL-SPOILER BEAM T.E. FLAP DRIVE SAFETY		RF
- 5	256T3024-2		STRAP INSTL-SPOILER BEAM T.E. FLAP DRIVE SAFETY POSITION DATA: LH SIDE FOR NHA SEE: 27-51-41-01		RF
10	65B81992-2		.GUARD ATTACHING PARTS		1
- 15	BACB30NM3K3		.BOLT		2
- 20	AN960PD10		.WASHER		2
- 25	BRH10C3D		.NUT		2
			SUPPLIER CODE: V52828 SPECIFICATION NUMBER: BACN10JC3CD OPTIONAL PART: T6C1032JCD V11815 NS202486-02 V80539 102LH9075-3W V72962 H51650-3BAC V15653 -----*-----		

ILLUSTRATION ITEMS NOT ON PARTS LIST ARE NOT APPLICABLE

- ITEM NOT ILLUSTRATED

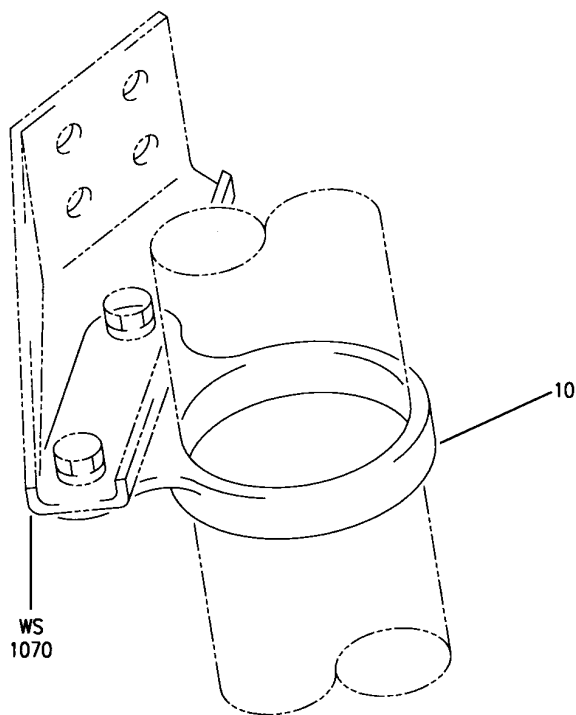
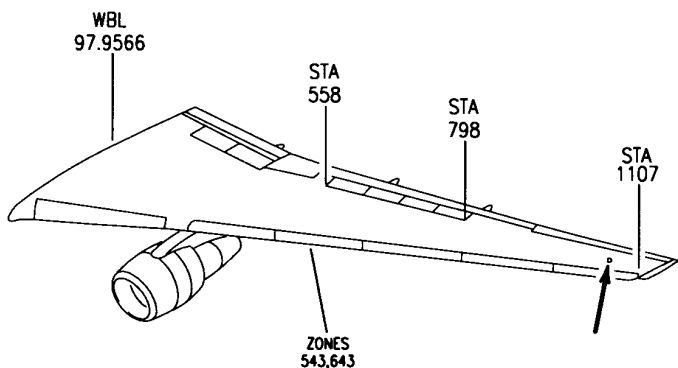
HXL

27-51-49-01A

BOEING PROPRIETARY - Copyright © - Unpublished Work - See title page for details.

27-51-49  
FIG. 01A  
PAGE 1  
DEC 22/06

**BOEING**  
767  
PARTS CATALOG (MAINTENANCE)



V 27514901B REV 196

STRAP INSTL-LOWER BODY GEARBOX T.E. FLAP DRIVE SAFETY  
FIGURE 1B

**27-51-49-01B**

HXL  
DEC 22/06

27-51-49-01B  
PAGE 0



767

PARTS CATALOG (MAINTENANCE)

FIG ITEM	PART NUMBER	1 2 3 4 5 6 7	NOMENCLATURE	EFFECT FROM TO	UNITS PER ASSY
1B			STRAP INSTL-LOWER BODY GEARBOX T.E. FLAP DRIVE SAFETY		
- 1	256T3025-1		STRAP INSTL-GEARBOX T.E. FLAP DRIVE SAFETY POSITION DATA: LWR BODY LH SIDE FOR NHA SEE: 27-51-41-01		RF
- 5	256T3025-2		STRAP INSTL-GEARBOX T.E. FLAP DRIVE SAFETY POSITION DATA: LWR BODY RH SIDE FOR NHA SEE: 27-51-41-01		RF
10	65B81992-2		.GUARD ATTACHING PARTS		1
- 15	BACB30NM3K3		.BOLT		2
- 20	AN960PD10		.WASHER		2
- 25	BRH10C3D		.NUT		2
			SUPPLIER CODE: V52828 SPECIFICATION NUMBER: BACN10JC3CD OPTIONAL PART: T6C1032JCD V11815 NS202486-02 V80539 102LH9075-3W V72962 H51650-3BAC V15653 -----*-----		

ILLUSTRATION ITEMS NOT ON PARTS LIST ARE NOT APPLICABLE

- ITEM NOT ILLUSTRATED

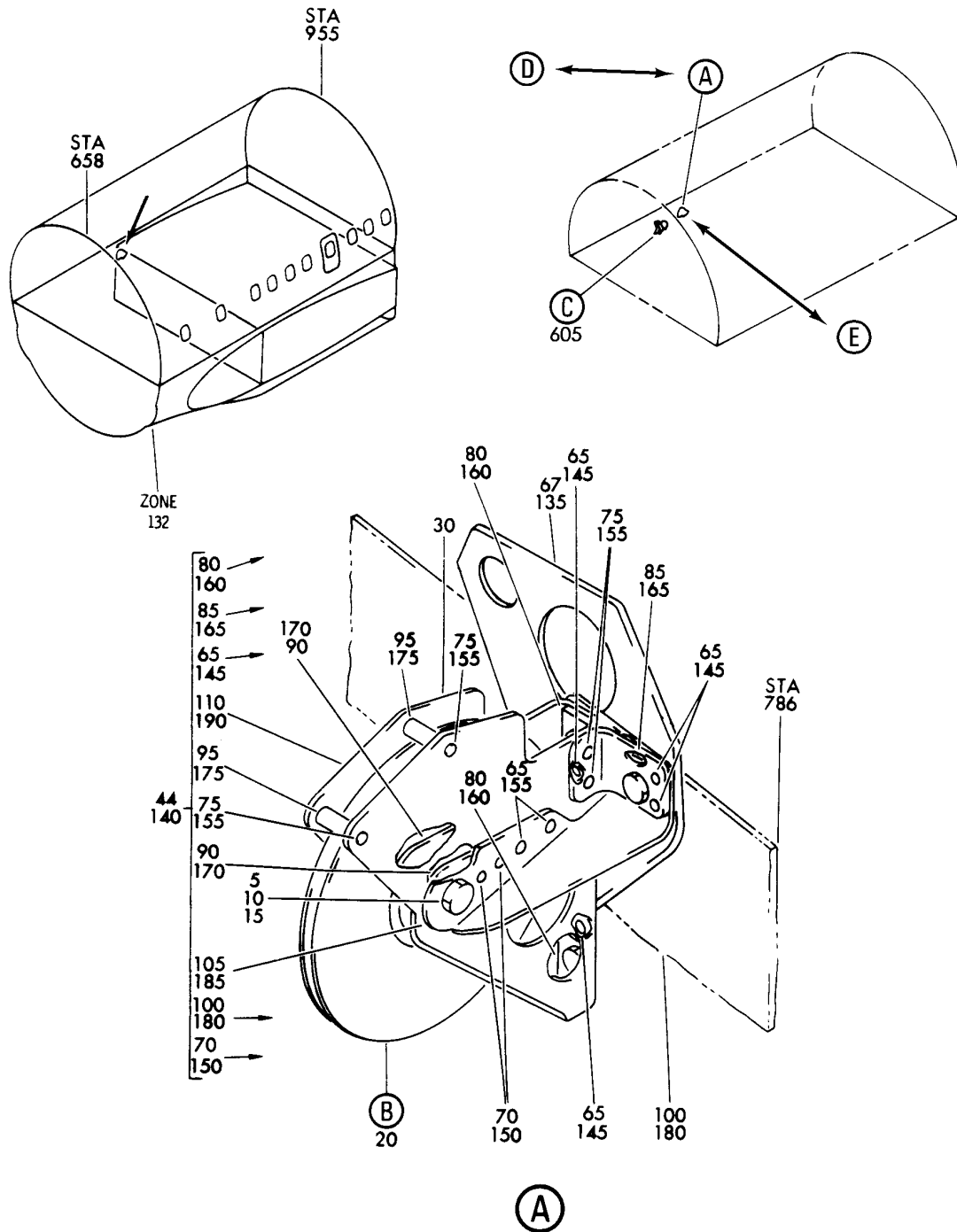
HXL

27-51-49-01B

BOEING PROPRIETARY - Copyright © - Unpublished Work - See title page for details.

27-51-49  
FIG. 01B  
PAGE 1  
DEC 22/06

**BOEING**  
767  
PARTS CATALOG (MAINTENANCE)



V 27515101 - SHT 1 REV 223

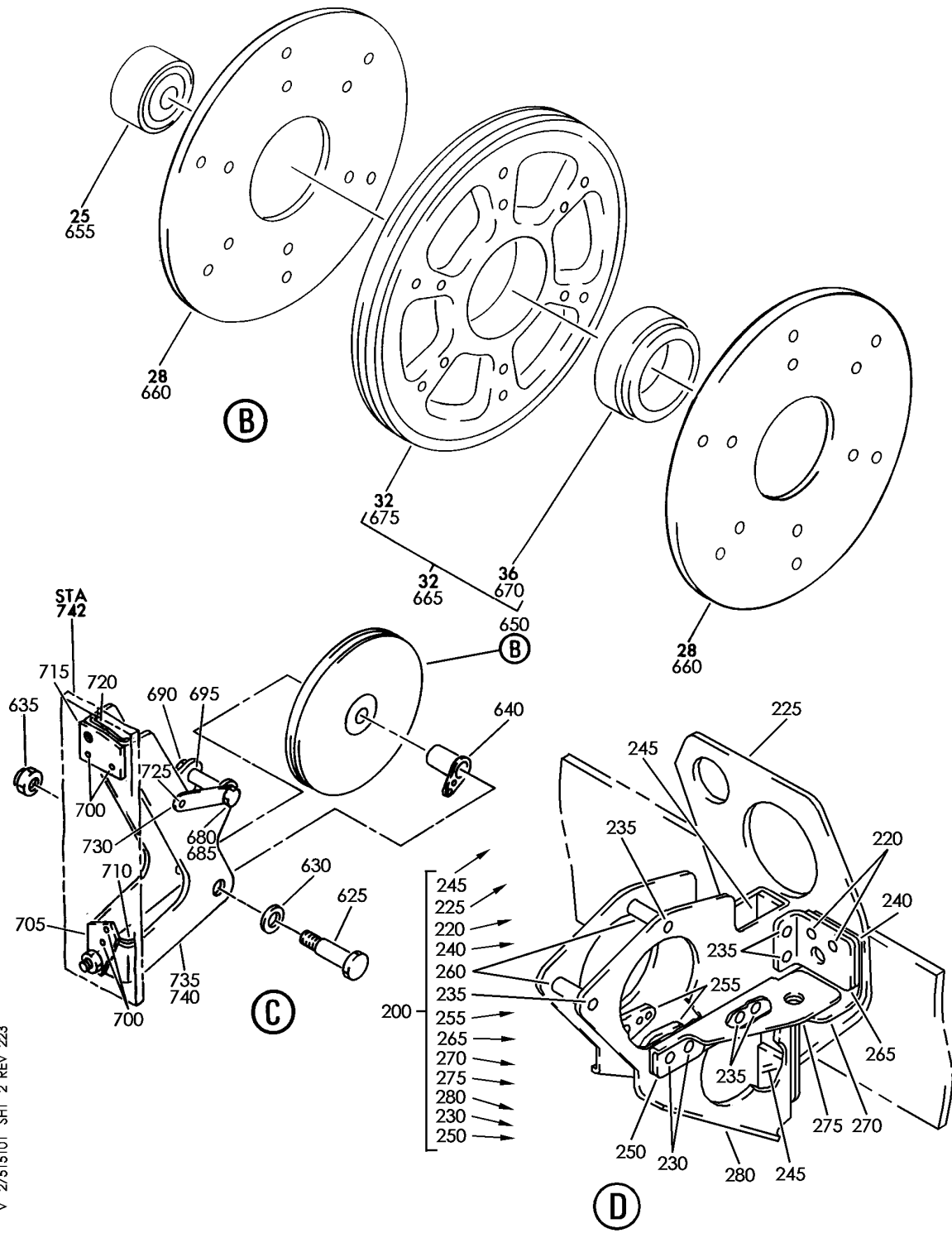
BRACKET INSTL-WING FLAP CABLE PULLEY R SIDE  
FIGURE 1 (SHEET 1)

**27-51-51-01**

HXL  
DEC 22/06

27-51-51-01  
PAGE 0

**BOEING**  
767  
**PARTS CATALOG (MAINTENANCE)**



V 27515101 SHT 2 REV 223

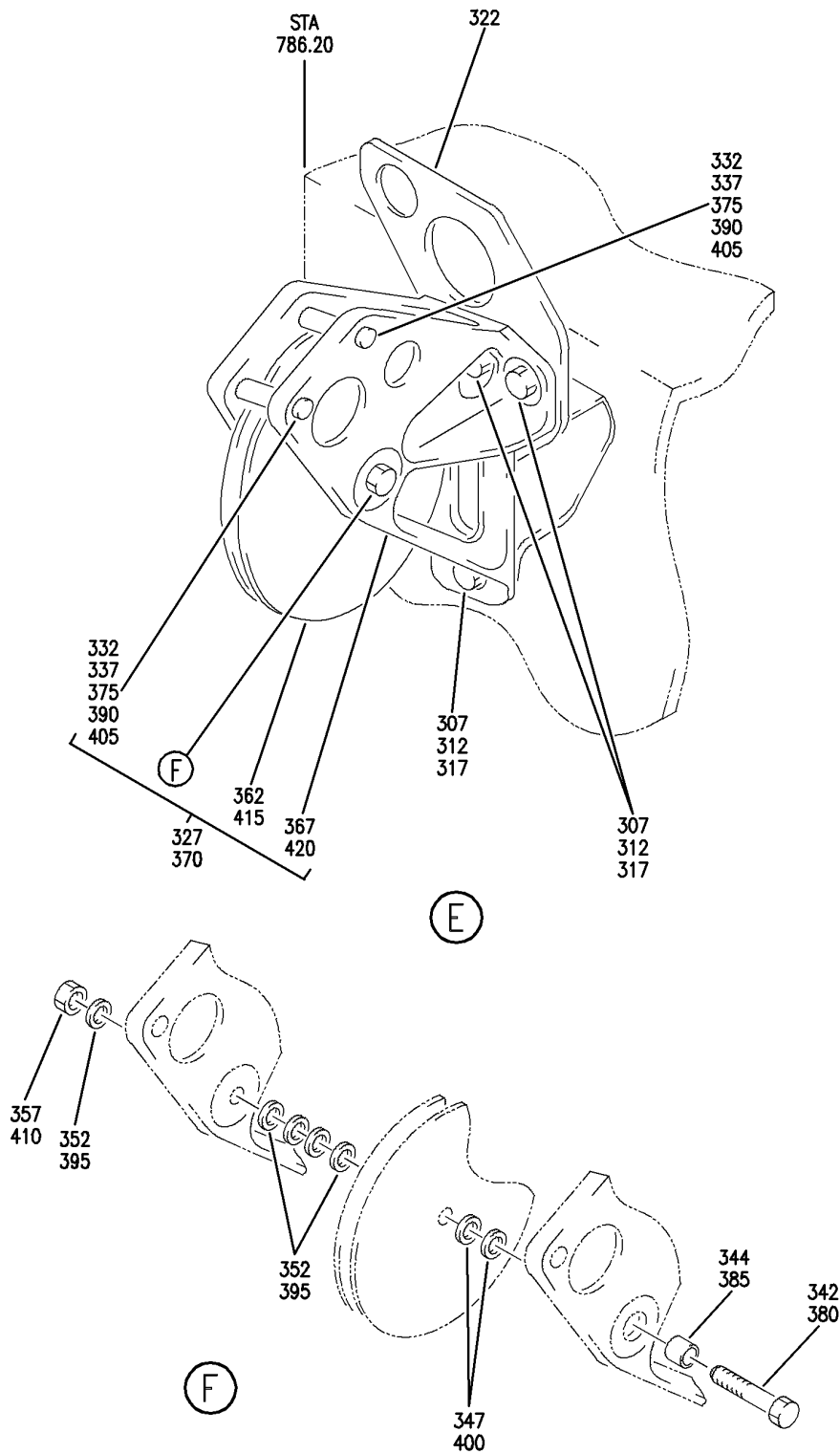
BRACKET INSTL-WING FLAP CABLE PULLEY R SIDE  
FIGURE 1 (SHEET 2)

**27-51-51-01**

HXL  
DEC 22/06

27-51-51-01  
PAGE 0A

**BOEING**  
767  
PARTS CATALOG (MAINTENANCE)



V 27515101 SH1 3 REV 241

BRACKET INSTL-WING FLAP CABLE PULLEY R SIDE  
FIGURE 1 (SHEET 3)

**27-51-51-01**

HXL  
DEC 22/06

27-51-51-01  
PAGE 0B



767

PARTS CATALOG (MAINTENANCE)

FIG ITEM	PART NUMBER	1 2 3 4 5 6 7	NOMENCLATURE	EFFECT FROM TO	UNITS PER ASSY
1			BRACKET INSTL-WING FLAP CABLE PULLEY R SIDE		
- 1	255T4522-2		BRACKET INSTL-WING FLAP CABLE PULLEY POSITION DATA: STA 786 R SIDE VARIABLE DRAWING REF: 255T4522-5001 FOR NHA SEE: 27-51-60-01		RF
5	BACB30NR4K16		.BOLT-		1
10	AN960PD416		.WASHER		1
15	BRH10A4		.NUT		1
			SUPPLIER CODE: V52828 SPECIFICATION NUMBER: BACN10JC4 OPTIONAL PART: T6S428J V11815 96-048 V80539 VN303A048 V92215 RMLH9075-4W V72962 NS202101-048 V80539 H10-4BAC V15653		
20	65B80977-1		.PULLEY ASSY-4 IN. DIA 3/32 IN. CABLE FOR SPARES PROCURE: BACP30M4		1

ILLUSTRATION ITEMS NOT ON PARTS LIST ARE NOT APPLICABLE

- ITEM NOT ILLUSTRATED

HXL

27-51-51-01

BOEING PROPRIETARY - Copyright © - Unpublished Work - See title page for details.

27-51-51  
FIG. 01  
PAGE 1  
DEC 22/06





767

PARTS CATALOG (MAINTENANCE)

FIG ITEM	PART NUMBER	1 2 3 4 5 6 7	NOMENCLATURE	EFFECT FROM TO	UNITS PER ASSY
1	25	JMKP4P25LY196	.. BEARING- SUPPLIER CODE: V40920 SPECIFICATION NUMBER: BACB10AN4 OPTIONAL PART: MKP4FS428 V21335 MKP4G20 V38443 LLMKP4 V38443 MKP4 V38443 MKP4-2TS V43991 MKP4E6531 V21335 MKP4TT V43991 MKP4SD610 V83086		1
	28	69B81979-1	.. SHIELD		2
	32	65B80978-1	.. SHEAVE ASSY		1
	36	69B81362-2	... INSERT		1
	41	65B81441-2	... SHEAVE		1
	44	255T4542-2	. BRACKET ASSY- ATTACHING PARTS		1
-	48	BACB30NR4K6	. BOLT-		3
-	52	AN960PD416	. WASHER		3
-	60	BRH10A4	. NUT		3
			SUPPLIER CODE: V52828 SPECIFICATION NUMBER: BACN10JC4 OPTIONAL PART: T6S428J V11815 96-048 V80539 VN303A048 V92215 RMLH9075-4W V72962 NS202101-048 V80539 H10-4BAC V15653 -----*-----		
ILLUSTRATION ITEMS NOT ON PARTS LIST ARE NOT APPLICABLE					

- ITEM NOT ILLUSTRATED

27-51-51-01

27-51-51  
 FIG. 01  
 PAGE 2  
 DEC 22/06

HXL

**BOEING**  
767  
**PARTS CATALOG (MAINTENANCE)**

FIG ITEM	PART NUMBER	1 2 3 4 5 6 7	NOMENCLATURE	EFFECT FROM TO	UNITS PER ASSY
1					
65	BACR15BA4AD	..	RIVET- SIZE DETERMINED ON INSTL.		4
67	255T4586-1	..	DEFLECTOR-		1
70	BACR15BA3AD	..	RIVET- SIZE DETERMINED ON INSTL.		2
75	BACR15BB4AD	..	RIVET- SIZE DETERMINED ON INSTL.		6
80	50-3361-8042	..	FILLER-RADIUS		2
85	50-3361-8131	..	FILLER-RADIUS		1
90	NAS463TKD416H	..	SPACER		2
95	NAS42DD4-42	..	SPACER		2
100	255T4570-3	..	CLIP		1
105	255T4570-2	..	BRACE		1
110	255T4570-1	..	BRACKET		1
- 600	255T4316-3		BRACKET INSTL-FLAP AND ENG THRUST CONT PULLEY (FLAPS ONLY) POSITION DATA: STA 742.00 RH FOR NHA SEE: 76-11-56-03		RF
605	255T4328-7	.BRACKET ASSY-	ATTACHING PARTS		1
- 610	NAS623-3-5	.SCREW			2
- 615	AN960PD10	.WASHER			2
- 620	BRH10A3	.NUT			2
		SUPPLIER CODE:	V52828		
		SPECIFICATION NUMBER:	BACN10JC3		
		OPTIONAL PART:	H10-3BAC V15653 NS202101-02 V80539 RMLH9075-3W V72962 VN303A02 V92215 96-02 V80539 T6S1032J V11815		
		-----*-----			
625	BACB30NR4K20	..	BOLT		1
630	AN960D416	..	WASHER		1

ILLUSTRATION ITEMS NOT ON PARTS LIST ARE NOT APPLICABLE

- ITEM NOT ILLUSTRATED

HXL

27-51-51-01

BOEING PROPRIETARY - Copyright © - Unpublished Work - See title page for details.

27-51-51  
FIG. 01  
PAGE 3  
AUG 22/08

**BOEING**  
767  
**PARTS CATALOG (MAINTENANCE)**

FIG ITEM	PART NUMBER	1 2 3 4 5 6 7	NOMENCLATURE	EFFECT FROM TO	UNITS PER ASSY
1 635	BRH10A4		..NUT SUPPLIER CODE: V52828 SPECIFICATION NUMBER: BACN10JC4 OPTIONAL PART: T6S428J V11815 96-048 V80539 VN303A048 V92215 RMLH9075-4W V72962 NS202101-048 V80539 H10-4BAC V15653		1
640	BACS18S66B		..SPACER ATTACHING PARTS		1
- 645	BACR15BA3AD		..RIVET- SIZE DETERMINED ON INSTL. -----*-----		2
650	65B80977-1		..PULLEY ASSY-4 IN. DIA 3/32 IN. CABLE FOR SPARES PROCURE: BACP30M4		1
655	JMKP4P25LY196		...BEARING SUPPLIER CODE: V40920 SPECIFICATION NUMBER: BACB10AN4 OPTIONAL PART: MKP4FS428 V21335 MKP4G20 V38443 LLMKP4 V38443 MKP4 V38443 MKP4-2TS V43991 MKP4E6531 V21335 MKP4TT V43991 MKP4SD610 V83086		1

ILLUSTRATION ITEMS NOT ON PARTS LIST ARE NOT APPLICABLE

- ITEM NOT ILLUSTRATED

HXL

27-51-51-01

BOEING PROPRIETARY - Copyright © - Unpublished Work - See title page for details.

27-51-51  
FIG. 01  
PAGE 4  
DEC 22/06



767

PARTS CATALOG (MAINTENANCE)

FIG ITEM	PART NUMBER	1 2 3 4 5 6 7	NOMENCLATURE	EFFECT FROM TO	UNITS PER ASSY
1					
660	69B81979-1	...	SHIELD		2
665	65B80978-1	...	SHEAVE ASSY		1
670	69B81362-2	....	INSERT		1
675	65B80978-2	....	SHEAVE		1
680	NAS623-3-20	..	SCREW		1
685	AN960PD10	..	WASHER		1
690	BRH10A3	..	NUT		1
			SUPPLIER CODE: V52828		
			SPECIFICATION NUMBER: BACN10JC3		
			OPTIONAL PART: H10-3BAC		
			V15653		
			NS202101-02		
			V80539		
			RMLH9075-3W		
			V72962		
			VN303A02		
			V92215		
			96-02		
			V80539		
			T6S1032J		
			V11815		
695	NAS42DD6-73	..	SPACER		1
700	BACR15BA4AD	..	RIVET-		4
			SIZE DETERMINED ON INSTL.		
705	255T4333-3	..	FILLER		1
710	50-3361-8054	..	FILLER-RADIUS		1
715	255T4333-4	..	FILLER		1
720	255T4333-9	..	FILLER-		1
740	255T4329-5	..	BRACKET-		1
			USED ON: 255T4328-7		
ILLUSTRATION ITEMS NOT ON PARTS LIST ARE NOT APPLICABLE					

- ITEM NOT ILLUSTRATED

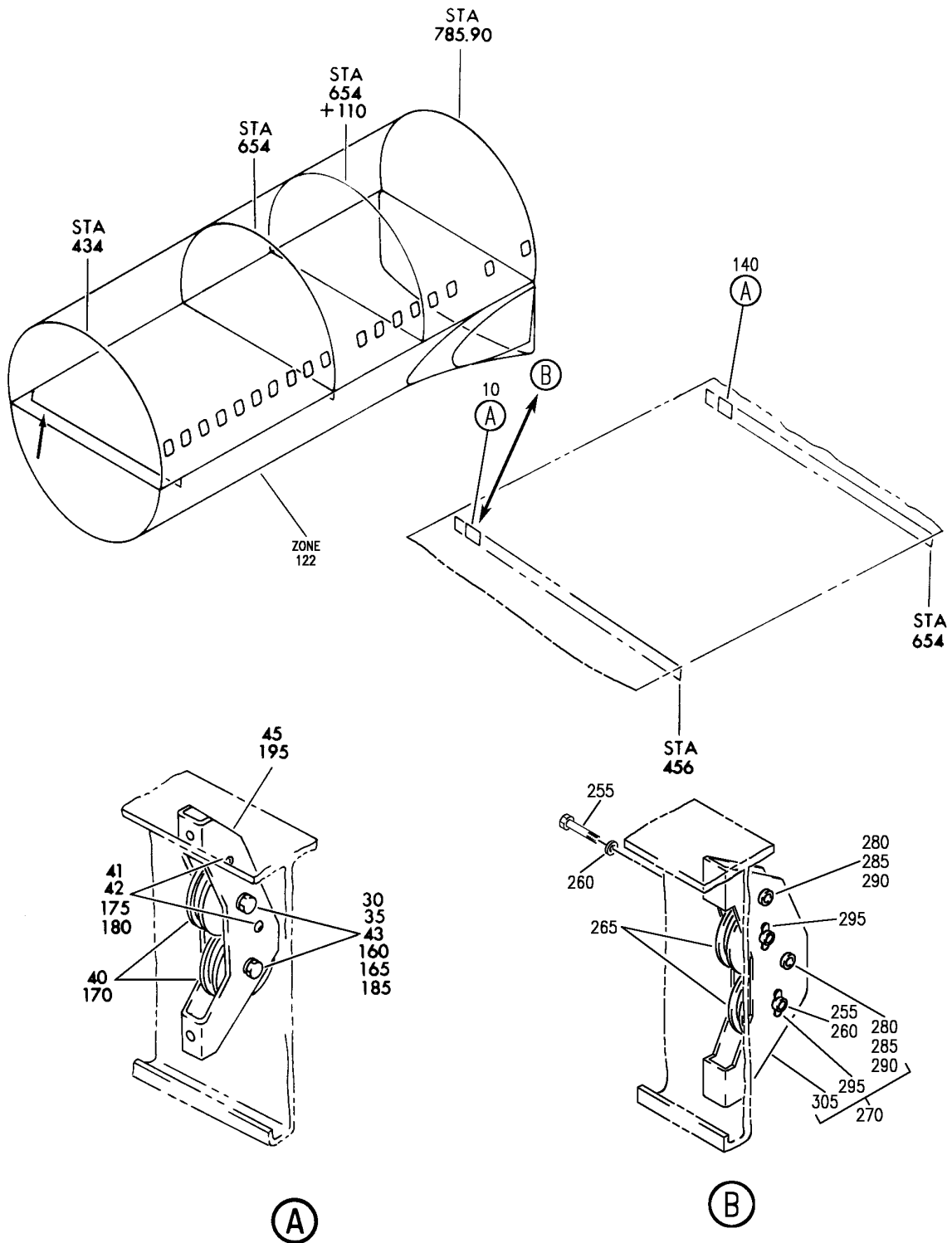
HXL

27-51-51-01

BOEING PROPRIETARY - Copyright © - Unpublished Work - See title page for details.

27-51-51  
FIG. 01  
PAGE 5  
DEC 22/06

**BOEING**  
767  
PARTS CATALOG (MAINTENANCE)



V 27515201 REV 275

BRACKET INSTL-IDLER PULLEYS (WING FLAP SYSTEM ONLY)  
FIGURE 1

**27-51-52-01**

HXL  
DEC 22/06

27-51-52-01  
PAGE 0



767

PARTS CATALOG (MAINTENANCE)

FIG ITEM	PART NUMBER	1 2 3 4 5 6 7	NOMENCLATURE	EFFECT FROM TO	UNITS PER ASSY
1			BRACKET INSTL-IDLER PULLEYS (WING FLAP SYSTEM ONLY)		
- 5	255T4310-6		BRACKET INSTL-IDLER PULLEYS (WING FLAP SYSTEM ONLY) POSITION DATA: STA 456 FOR NHA/OTHER SYS DET SEE: 27-11-67-02		RF
10	255T4323-2		.BRACKET ASSY ATTACHING PARTS		1
- 25	BACR15FT5AD		.RIVET- SIZE DETERMINED ON INSTL. -----*-----		2
30	NAS6603-10		..BOLT		2
35	NAS1149D0316H		..WASHER-		2
40	SR750-99NPS2		..PULLEY SUPPLIER CODE: V60380 SPECIFICATION NUMBER: BACP30G7 OPTIONAL PART: FL3C6-4FS428 V21335 750-99NPS V60380 SR750-99NPS V60380 SR750-99NPS1 V60380 6800-1 V34941		2
41	BACR15BB4AD12		..RIVET		2
42	NAS42DD4-32FC		..SPACER-		2

ILLUSTRATION ITEMS NOT ON PARTS LIST ARE NOT APPLICABLE

- ITEM NOT ILLUSTRATED

HXL

27-51-52-01

BOEING PROPRIETARY - Copyright © - Unpublished Work - See title page for details.

27-51-52  
FIG. 01  
PAGE 1  
DEC 22/06

 **BOEING**  
767  
**PARTS CATALOG (MAINTENANCE)**

FIG ITEM	PART NUMBER	1 2 3 4 5 6 7	NOMENCLATURE	EFFECT FROM TO	UNITS PER ASSY
1	43 T8076S1032		..NUTPLATE- SUPPLIER CODE: V11815 SPECIFICATION NUMBER: BACN10JP3A OPTIONAL PART: MK1000-3BAC V15653 NS103197-02 V80539 RMA9201M3 V72962 VN202A1-02 V92215 BRM200A3 V52828 BACN10JP3AR		2
	43 T8076S1032BC		..NUTPLATE- SUPPLIER CODE: V11815 SPECIFICATION NUMBER: BACN10JP3AR OPTIONAL PART: MK1000-3BCBAC V15653 NS103197-02BC V80539 RMA9201M3BC V72962 VN202A2-02 V92215 BRM200A3K V52828 BACN10JP3A		2
-	44 BACR15BA3AD		ATTACHING PARTS ..RIVET- SIZE DETERMINED ON INSTL. -----*-----		4
	45 255T4338-1		..BRACKET		1
-	135 255T4311-6		BRACKET INSTL-IDLER PULLEYS (WING FLAP SYSTEM ONLY) POSITION DATA: STA 654 FOR NHA/OTHER SYS DET SEE: 27-11-67-02		RF
	140 255T4323-1		.BRACKET ASSY		1

ILLUSTRATION ITEMS NOT ON PARTS LIST ARE NOT APPLICABLE

- ITEM NOT ILLUSTRATED

HXL

# 27-51-52-01

BOEING PROPRIETARY - Copyright © - Unpublished Work - See title page for details.

27-51-52  
FIG. 01  
PAGE 2  
DEC 22/06

 **BOEING**  
767  
**PARTS CATALOG (MAINTENANCE)**

FIG ITEM	PART NUMBER	1 2 3 4 5 6 7	NOMENCLATURE	EFFECT FROM TO	UNITS PER ASSY
1			ATTACHING PARTS		
- 155	BACR15FT5AD		.RIVET- SIZE DETERMINED ON INSTL. -----*-----		2
160	NAS6603-10		..BOLT		2
165	NAS1149D0316H		..WASHER-		2
170	SR750-99NPS2		..PULLEY SUPPLIER CODE: V60380 SPECIFICATION NUMBER: BACP30G7 OPTIONAL PART: FL3C6-4FS428 V21335 750-99NPS V60380 SR750-99NPS V60380 SR750-99NPS1 V60380 6800-1 V34941		2
175	BACR15BB4AD12		..RIVET		2
180	NAS42DD4-32FC		..SPACER-		2
185	T8076S1032		..NUTPLATE- SUPPLIER CODE: V11815 SPECIFICATION NUMBER: BACN10JP3A OPTIONAL PART: MK1000-3BAC V15653 NS103197-02 V80539 RMA9201M3 V72962 VN202A1-02 V92215 BRM200A3 V52828 BACN10JP3AR		2
ILLUSTRATION ITEMS NOT ON PARTS LIST ARE NOT APPLICABLE					

- ITEM NOT ILLUSTRATED

HXL

# 27-51-52-01

BOEING PROPRIETARY - Copyright © - Unpublished Work - See title page for details.

27-51-52  
FIG. 01  
PAGE 3  
DEC 22/06





767

PARTS CATALOG (MAINTENANCE)

FIG ITEM	PART NUMBER	1 2 3 4 5 6 7	NOMENCLATURE	EFFECT FROM TO	UNITS PER ASSY
1 185	T8076S1032BC		..NUTPLATE- SUPPLIER CODE: V11815 SPECIFICATION NUMBER: BACN10JP3AR OPTIONAL PART: MK1000-3BCBAC V15653 NS103197-02BC V80539 RMA9201M3BC V72962 VN202A2-02 V92215 BRM200A3K V52828 BACN10JP3A ATTACHING PARTS		2
- 190	BACR15BA3AD		..RIVET- SIZE DETERMINED ON INSTL. -----*-----		4
195	255T4338-1		..BRACKET		1

ILLUSTRATION ITEMS NOT ON PARTS LIST ARE NOT APPLICABLE

- ITEM NOT ILLUSTRATED

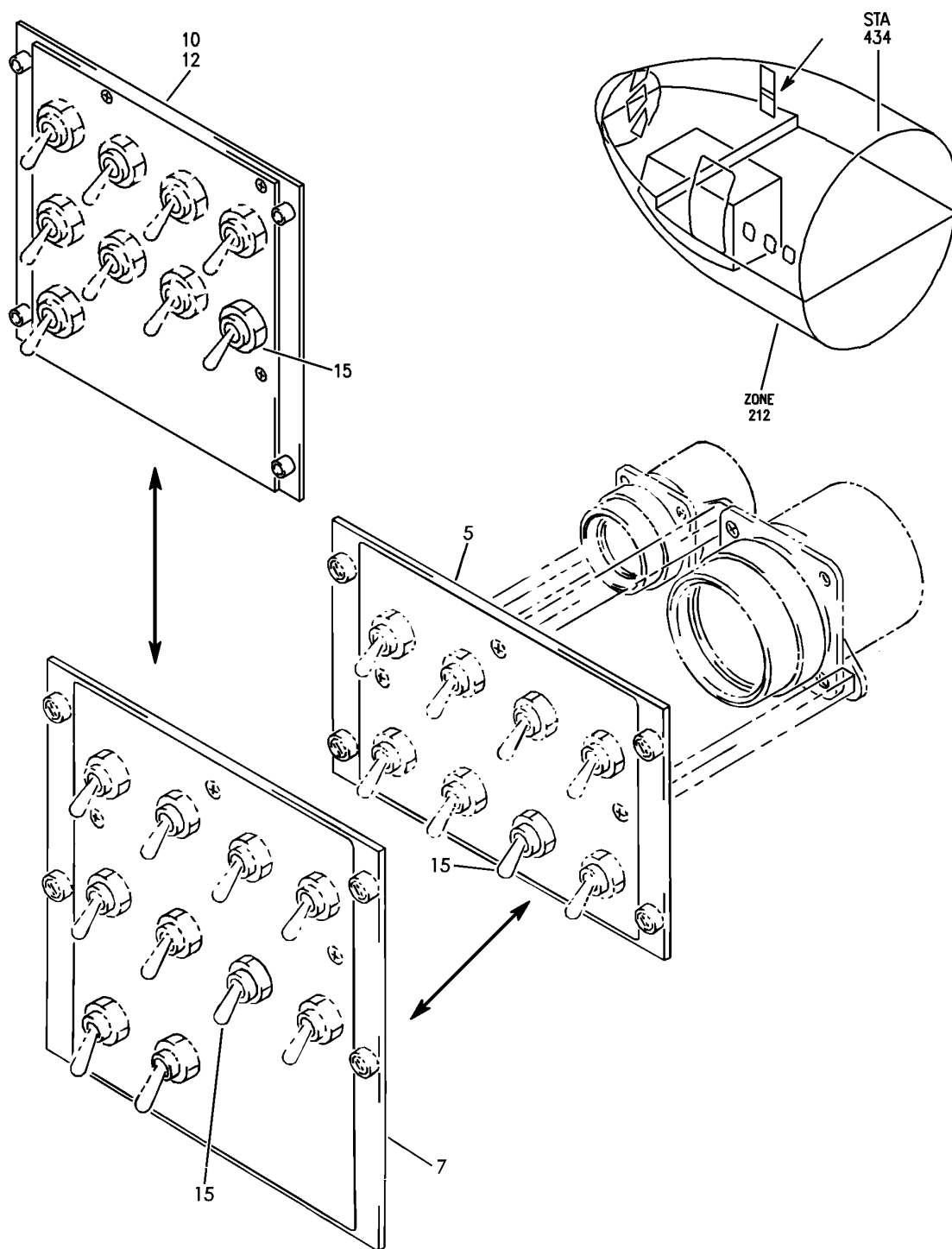
HXL

27-51-52-01

BOEING PROPRIETARY - Copyright © - Unpublished Work - See title page for details.

27-51-52  
 FIG. 01  
 PAGE 4  
 DEC 22/06

**BOEING**  
767  
PARTS CATALOG (MAINTENANCE)



W 22215202 REV 229

BRACKET INSTL-STA 654+110 IDLER PULLEYS (WING FLAP SYSTEM ONLY)  
FIGURE 2

**27-51-52-02**

HXL  
DEC 22/06

27-51-52-02  
PAGE 0



767

PARTS CATALOG (MAINTENANCE)

FIG ITEM	PART NUMBER	1 2 3 4 5 6 7	NOMENCLATURE	EFFECT FROM TO	UNITS PER ASSY
2			BRACKET INSTL-STA 654+110 IDLER PULLEYS (WING FLAP SYSTEM ONLY)		
- 1	255T4367-8		BRACKET INSTL-IDLER PULLEYS (WING FLAP SYSTEM ONLY) POSITION DATA: STA 654+110 FOR NHA/OTHER SYS DET SEE: 27-11-67-02		RF
5	255T4323-1		.BRACKET ASSY ATTACHING PARTS		1
- 10	HST10AG5-4		.BOLT- SUPPLIER CODE: VOPTK6 SPECIFICATION NUMBER: BACB30VT5K4 OPTIONAL PART: HST10AG5-4 V06725 HST10AG5-4 V56878 HST10AG5-4 V73197		2
- 11	BACC30BL5		.COLLAR- -----*-----		2
15	NAS6603-10		..BOLT		2
20	NAS1149D0316H		..WASHER-		2
25	T8076S1032		..NUTPLATE- SUPPLIER CODE: V11815 SPECIFICATION NUMBER: BACN10JP3A OPTIONAL PART: MK1000-3BAC V15653 NS103197-02 V80539 RMA9201M3 V72962 VN202A1-02 V92215 BRM200A3 V52828 BACN10JP3AR		2
ILLUSTRATION ITEMS NOT ON PARTS LIST ARE NOT APPLICABLE					

- ITEM NOT ILLUSTRATED

HXL

27-51-52-02

BOEING PROPRIETARY - Copyright © - Unpublished Work - See title page for details.

27-51-52  
FIG. 02  
PAGE 1  
APR 22/09

 **BOEING**  
767  
**PARTS CATALOG (MAINTENANCE)**

FIG ITEM	PART NUMBER	1 2 3 4 5 6 7	NOMENCLATURE	EFFECT FROM TO	UNITS PER ASSY
2	25 T8076S1032BC		..NUTPLATE- SUPPLIER CODE: V11815 SPECIFICATION NUMBER: BACN10JP3AR OPTIONAL PART: MK1000-3BCBAC V15653 NS103197-02BC V80539 RMA9201M3BC V72962 VN202A2-02 V92215 BRM200A3K V52828 BACN10JP3A ATTACHING PARTS		2
- 27	BACR15BA3AD		..RIVET- SIZE DETERMINED ON INSTL. -----*-----		4
30	SR750-99NPS2		..PULLEY SUPPLIER CODE: V60380 SPECIFICATION NUMBER: BACP30G7 OPTIONAL PART: FL3C6-4FS428 V21335 750-99NPS V60380 SR750-99NPS V60380 SR750-99NPS1 V60380 6800-1 V34941		2
35	BACR15BB4AD12		..RIVET		2
40	NAS42DD4-32FC		..SPACER-		2
45	255T4338-1		..BRACKET		1

ILLUSTRATION ITEMS NOT ON PARTS LIST ARE NOT APPLICABLE

- ITEM NOT ILLUSTRATED

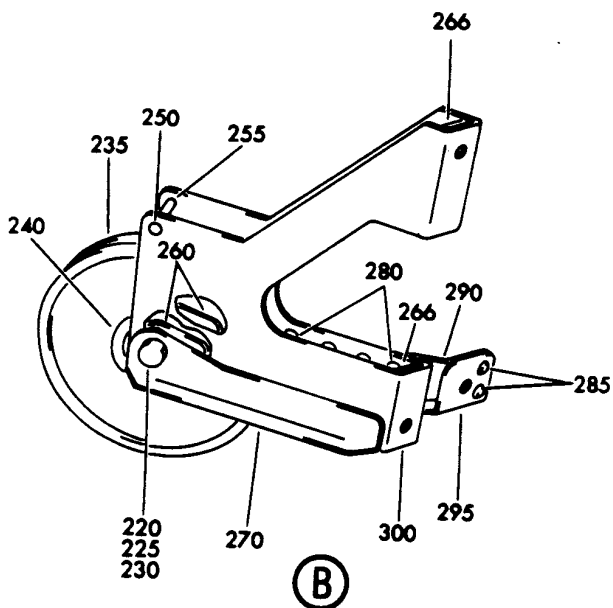
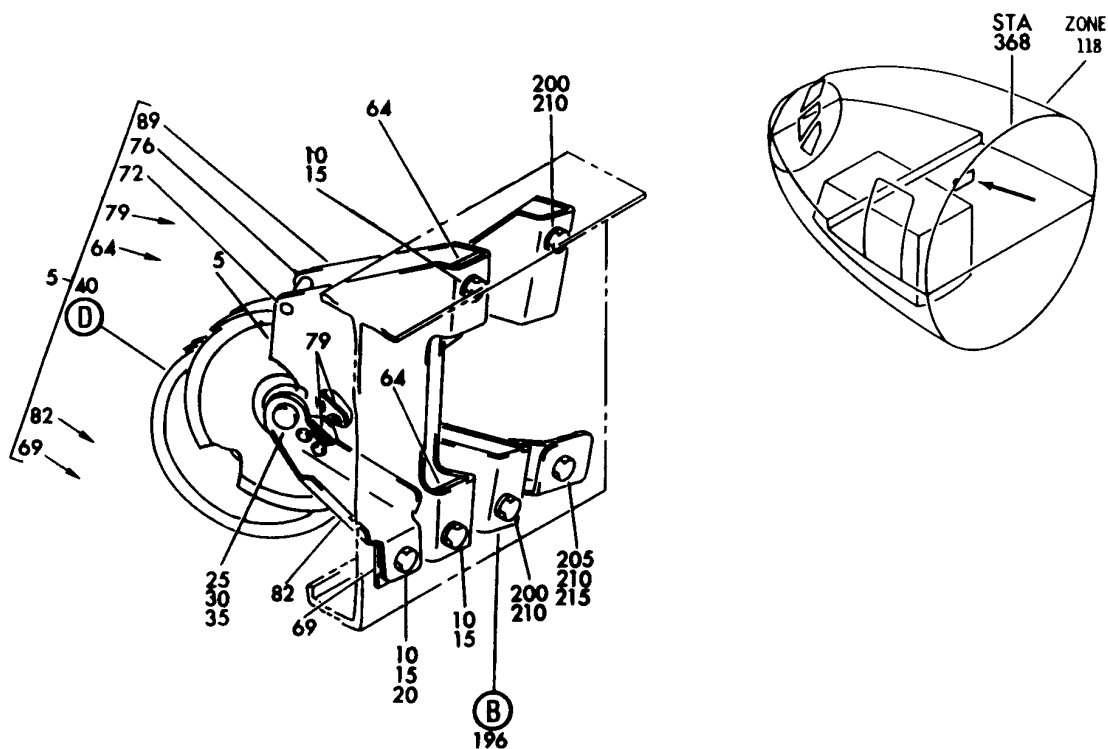
HXL

27-51-52-02

BOEING PROPRIETARY - Copyright © - Unpublished Work - See title page for details.

27-51-52  
FIG. 02  
PAGE 2  
APR 22/09

**BOEING**  
767  
PARTS CATALOG (MAINTENANCE)



V 27515301 SHT 1 REV 200

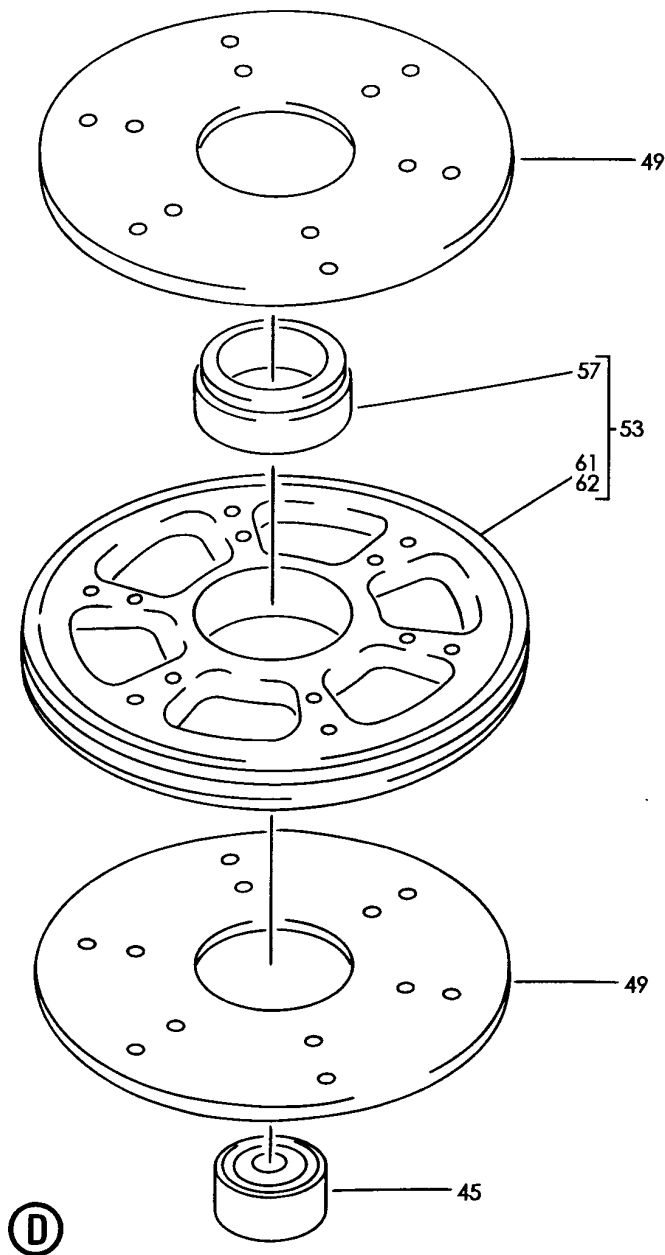
BRACKET INSTL-STA 266.5 WFA AND WFB PULLEY (FLIGHT CONTROLS ONLY)  
FIGURE 1 (SHEET 1)

**27-51-53-01**

HXL  
DEC 22/06

27-51-53-01  
PAGE 0

**BOEING**  
767  
PARTS CATALOG (MAINTENANCE)



V 27515301 SHT 2 REV 200

BRACKET INSTL-STA 266.5 WFA AND WFB PULLEY (FLIGHT CONTROLS ONLY)  
FIGURE 1 (SHEET 2)

**27-51-53-01**

HXL  
DEC 22/06

27-51-53-01  
PAGE 0A



767

PARTS CATALOG (MAINTENANCE)

FIG ITEM	PART NUMBER	1 2 3 4 5 6 7	NOMENCLATURE	EFFECT FROM TO	UNITS PER ASSY
1			BRACKET INSTL-STA 266.5 WFA AND WFB PULLEY (FLIGHT CONTROLS ONLY)		
- 1	255T4119-2		BRACKET INSTL-WFA AND WFB PULLEY (FLIGHT CONTROLS ONLY) POSITION DATA: STA 266.5 VARIABLE DRAWING REF: 255T4119-5001 FOR NHA SEE: 53-10-54-01D		RF
5	255T4182-9		.BRACKET ASSY- ATTACHING PARTS		1
10	BACB30NR4K4		.BOLT		3
15	AN960PD416		.WASHER-		3
15	AN960JD416		.WASHER-		3
20	PLH54CD		.NUT- SUPPLIER CODE: VF0224 SPECIFICATION NUMBER: BACN10YR4CD OPTIONAL PART: H52732-4CD V15653		1
			-----*-----		
25	BACB30NR4K13		..BOLT		1
30	AN960PD416		..WASHER-		1
30	AN960JD416		..WASHER-		1
35	BRH10A4		..NUT- SUPPLIER CODE: V52828 SPECIFICATION NUMBER: BACN10JC4 OPTIONAL PART: T6S428J V11815 96-048 V80539 VN303A048 V92215 RMLH9075-4W V72962 NS202101-048 V80539 H10-4BAC V15653		1
ILLUSTRATION ITEMS NOT ON PARTS LIST ARE NOT APPLICABLE					

- ITEM NOT ILLUSTRATED

HXL

27-51-53-01

BOEING PROPRIETARY - Copyright © - Unpublished Work - See title page for details.

27-51-53  
FIG. 01  
PAGE 1  
DEC 22/08

 **BOEING**  
767  
**PARTS CATALOG (MAINTENANCE)**

FIG ITEM	PART NUMBER	1 2 3 4 5 6 7	NOMENCLATURE	EFFECT FROM TO	UNITS PER ASSY
1					
40	65B80977-1	..	PULLEY ASSY-4 IN. DIA 3/32 IN. CABLE FOR SPARES PROCURE: BACP30M4		1
45	JMKP4P25LY196	...	BEARING- SUPPLIER CODE: V40920 SPECIFICATION NUMBER: BACB10AN4 OPTIONAL PART: MKP4FS428 V21335 MKP4G20 V38443 LLMKP4 V38443 MKP4 V38443 MKP4-2TS V43991 MKP4E6531 V21335 MKP4TT V43991 MKP4SD610 V83086		1
49	69B81979-1	...	SHIELD		2
53	65B80978-1	...	SHEAVE ASSY		1
57	69B81362-2	....	INSERT		1
61	65B80978-2	....	SHEAVE		1
62	AVS4M	..	PULLEY- SUPPLIER CODE: V29965 SPECIFICATION NUMBER: BACP30M4 OPTIONAL PART: R30M4 V25337 BMP30M4 V22277		1
64	50-3361-8687	..	FILLER-RADIUS		2
69	50-3361-8164	..	FILLER-RADIUS		1
72	BACR15BB4AD	..	RIVET- SIZE DETERMINED ON INSTL.		1
76	NAS42DD4-42	..	SPACER		1
79	NAS463TKD416H	..	SPACER		2
82	255T4179-16	..	BRACE		1
ILLUSTRATION ITEMS NOT ON PARTS LIST ARE NOT APPLICABLE					

- ITEM NOT ILLUSTRATED

HXL

# 27-51-53-01

BOEING PROPRIETARY - Copyright © - Unpublished Work - See title page for details.

27-51-53  
FIG. 01  
PAGE 2  
DEC 22/07





767

PARTS CATALOG (MAINTENANCE)

FIG ITEM	PART NUMBER	1 2 3 4 5 6 7	NOMENCLATURE	EFFECT FROM TO	UNITS PER ASSY
1			ATTACHING PARTS		
- 86	BACR15FT5AD		..RIVET- SIZE DETERMINED ON INSTL. -----*-----		2
89	255T4179-20		..BRACKET-		1
196	255T4182-8		.BRACKET ASSY		1
200	BACB30NR4K4		ATTACHING PARTS		
205	BACB30NR4K3		.BOLT		2
210	AN960PD416		.BOLT		1
210	AN960JD416		.WASHER-		3
215	PLH54CD		.WASHER-		3
			.NUT-		1
			SUPPLIER CODE: VF0224		
			SPECIFICATION NUMBER: BACN10YR4CD		
			OPTIONAL PART: H52732-4CD V15653		
			-----*-----		
220	BACB30NR4K14		..BOLT		1
225	AN960PD416		..WASHER		1
230	BRH10A4		..NUT		1
			SUPPLIER CODE: V52828		
			SPECIFICATION NUMBER: BACN10JC4		
			OPTIONAL PART: T6S428J V11815 96-048 V80539 VN303A048 V92215 RMLH9075-4W V72962 NS202101-048 V80539 H10-4BAC V15653		
235	65B80977-1		..PULLEY ASSY-4 IN. DIA 3/32 IN. CABLE FOR SPARES PROCURE: BACP30M4		1

ILLUSTRATION ITEMS NOT ON PARTS LIST ARE NOT APPLICABLE

- ITEM NOT ILLUSTRATED

HXL

27-51-53-01

BOEING PROPRIETARY - Copyright © - Unpublished Work - See title page for details.

27-51-53  
FIG. 01  
PAGE 3  
DEC 22/08

 **BOEING**  
767  
**PARTS CATALOG (MAINTENANCE)**

FIG ITEM	PART NUMBER	1 2 3 4 5 6 7	NOMENCLATURE	EFFECT FROM TO	UNITS PER ASSY
1					
240	JMKP4P25LY196		... BEARING- SUPPLIER CODE: V40920 SPECIFICATION NUMBER: BACB10AN4 OPTIONAL PART: MKP4FS428 V21335 MKP4G20 V38443 LLMKP4 V38443 MKP4 V38443 MKP4-2TS V43991 MKP4E6531 V21335 MKP4TT V43991 MKP4SD610 V83086		1
249	69B81979-1		... SHIELD		2
254	65B80978-1		... SHEAVE ASSY		1
259	69B81362-2		.... INSERT		1
264	65B80978-2		.... SHEAVE		1
266	50-3361-8182		.. FILLER-RADIUS		2
267	BACR15BB4AD		.. RIVET- SIZE DETERMINED ON INSTL.		1
269	NAS42DD4-42		.. SPACER		1
271	NAS463TKD416H		.. SPACER ATTACHING PARTS		2
- 274	BACR15BA3AD		.. RIVET- SIZE DETERMINED ON INSTL. -----*-----		4
276	255T4179-11		.. ANGLE ATTACHING PARTS		1
- 278	BACR15FT5AD		.. RIVET- SIZE DETERMINED ON INSTL. -----*-----		3
280	BACR15FT5KE		.. RIVET- SIZE DETERMINED ON INSTL.		4
285	BACR15BA3AD		.. RIVET- SIZE DETERMINED ON INSTL.		2
290	255T4179-17		.. CLIP		1
295	255T4179-19		.. BRACE		1
300	255T4179-18		.. BRACKET		1
ILLUSTRATION ITEMS NOT ON PARTS LIST ARE NOT APPLICABLE					

- ITEM NOT ILLUSTRATED

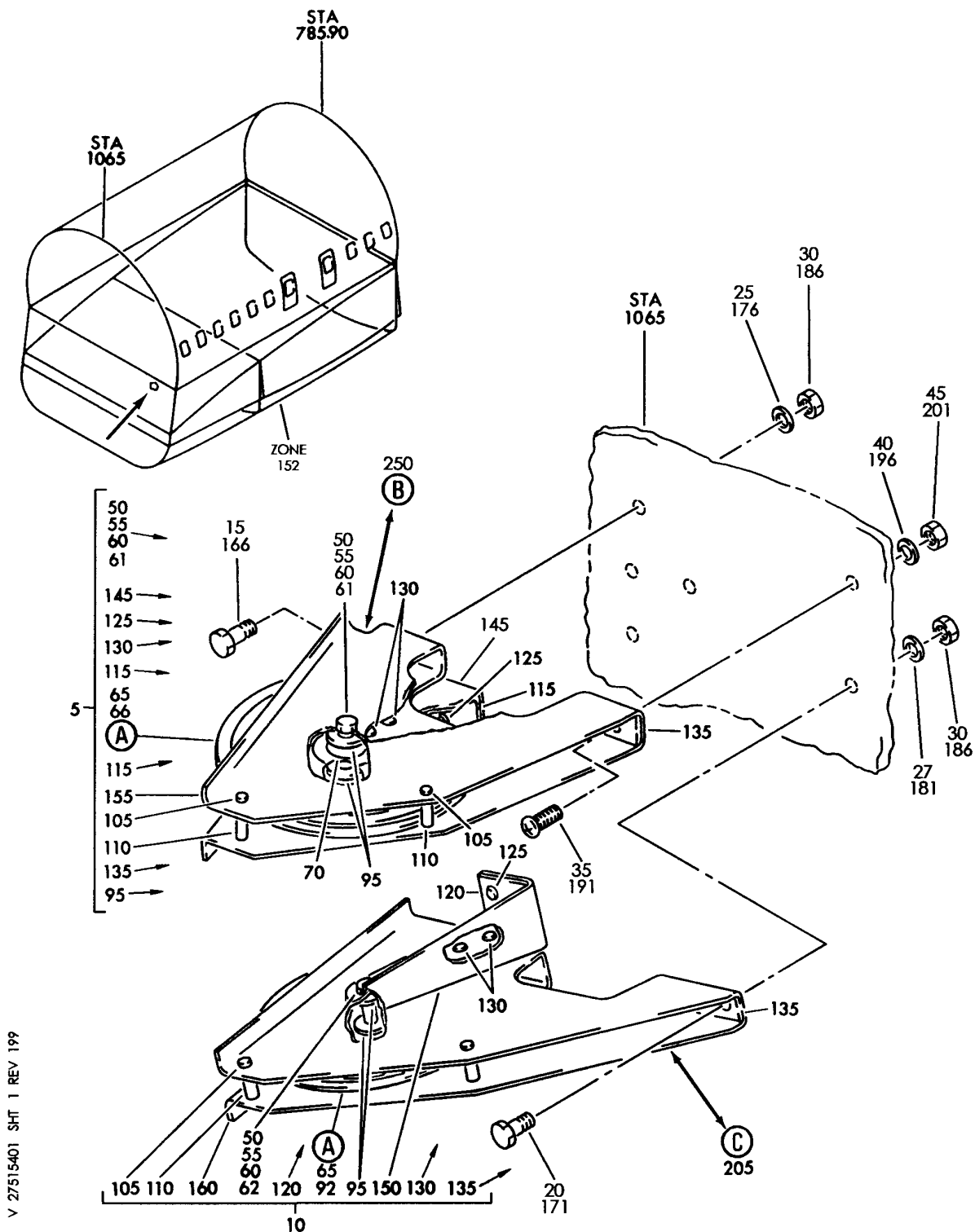
# 27-51-53-01

27-51-53  
FIG. 01  
PAGE 4  
DEC 22/07

HXL

BOEING PROPRIETARY - Copyright © - Unpublished Work - See title page for details.

**BOEING**  
767  
PARTS CATALOG (MAINTENANCE)



V 27515401 SHT 1 REV 199

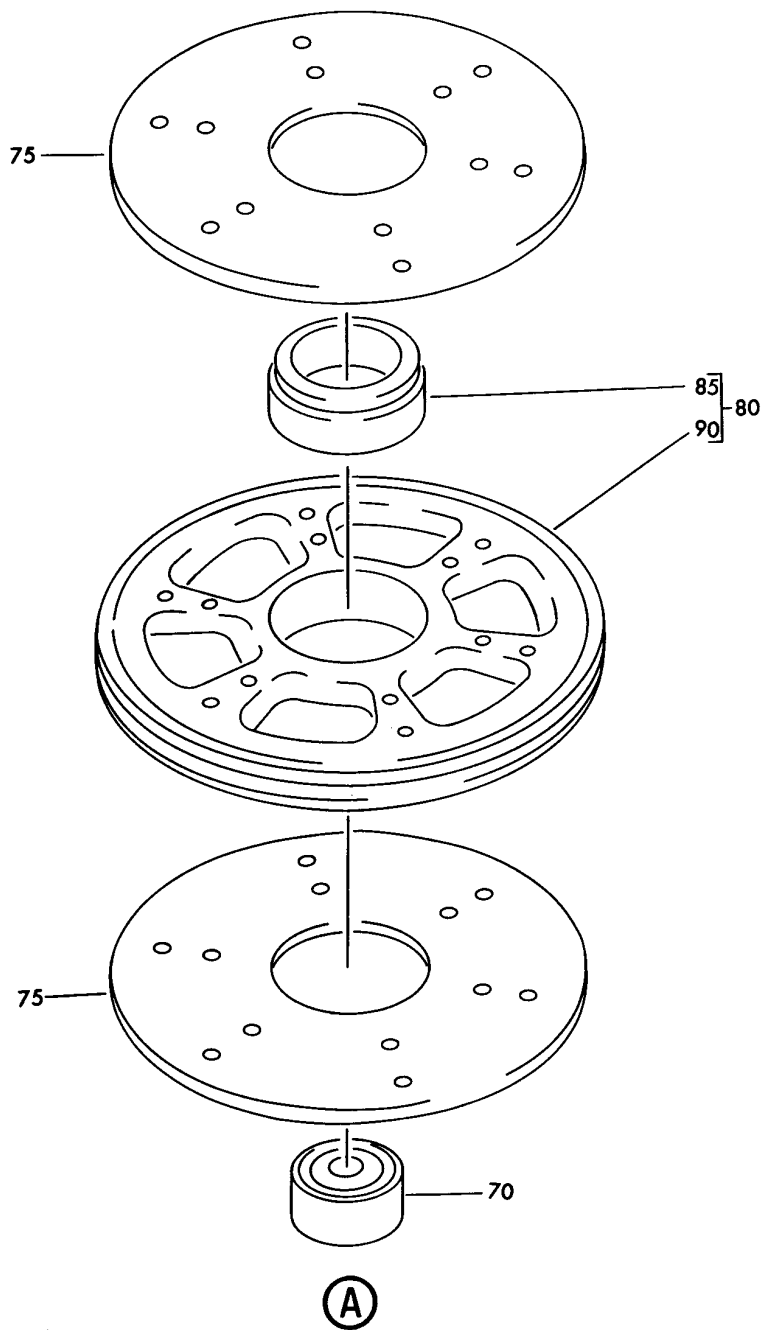
BRACKET INSTL-STA 1065 WFA AND WFB PULLEY  
FIGURE 1 (SHEET 1)

**27-51-54-01**

HXL  
DEC 22/06

27-51-54-01  
PAGE 0

**BOEING**  
767  
PARTS CATALOG (MAINTENANCE)



V 27515401 SH1 2 REV 150

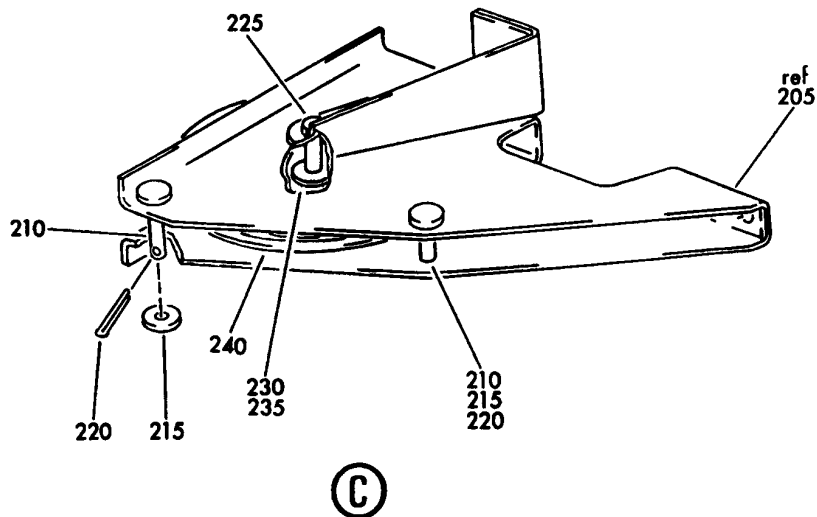
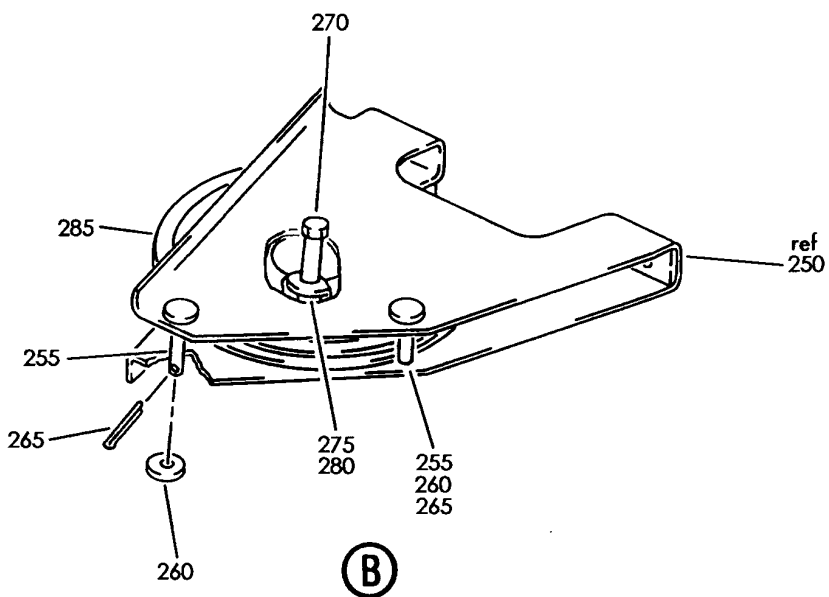
BRACKET INSTL-STA 1065 WFA AND WFB PULLEY  
FIGURE 1 (SHEET 2)

**27-51-54-01**

HXL  
DEC 22/06

27-51-54-01  
PAGE 0A

**BOEING**  
767  
PARTS CATALOG (MAINTENANCE)



V 27515401 SHT 3 REV 199

BRACKET INSTL-STA 1065 WFA AND WFB PULLEY  
FIGURE 1 (SHEET 3)

**27-51-54-01**

HXL  
DEC 22/06

27-51-54-01  
PAGE 0B



767

PARTS CATALOG (MAINTENANCE)

FIG ITEM	PART NUMBER	1 2 3 4 5 6 7	NOMENCLATURE	EFFECT FROM TO	UNITS PER ASSY
1			BRACKET INSTL-STA 1065 WFA AND WFB PULLEY		
- 1	255T4523-2		BRACKET INSTL-WFA AND WFB PULLEY POSITION DATA: STA 1065 VARIABLE DRAWING REF: 255T4523-5003 255T4523-5004 FOR NHA SEE: 27-51-60-01		RF
5	255T4551-3		.BRACKET ASSY-		1
10	255T4551-4		.BRACKET ASSY-	163163	1
10	255T4551-5		.BRACKET ASSY-	155162 164999	1
			ATTACHING PARTS		
15	BACB30NR4K3		.BOLT		4
20	BACB30NR4K7		.BOLT		1
25	NAS1149D0463J		.WASHER-		4
27	NAS1149D0416J		.WASHER-		1
30	PLH54CD		.NUT-		5
			SUPPLIER CODE: VF0224 SPECIFICATION NUMBER: BACN10YR4CD OPTIONAL PART: H52732-4CD V15653		
35	NAS623-3-7		.SCREW		1
40	NAS1149D0332J		.WASHER-		1
45	PLH53CD		.NUT-		1
			SUPPLIER CODE: VF0224 SPECIFICATION NUMBER: BACN10YR3CD OPTIONAL PART: H52732-3CD V15653		
			-----*-----		
50	BACB30NR4K15		..BOLT		1
55	AN960D416		..WASHER		1

ILLUSTRATION ITEMS NOT ON PARTS LIST ARE NOT APPLICABLE

- ITEM NOT ILLUSTRATED

HXL

27-51-54-01

BOEING PROPRIETARY - Copyright © - Unpublished Work - See title page for details.

27-51-54  
FIG. 01  
PAGE 1  
DEC 22/08



767

PARTS CATALOG (MAINTENANCE)

FIG ITEM	PART NUMBER	1 2 3 4 5 6 7	NOMENCLATURE	EFFECT FROM TO	UNITS PER ASSY
1 60	BRH10A4	..	NUT- SUPPLIER CODE: V52828 SPECIFICATION NUMBER: BACN10JC4 OPTIONAL PART: T6S428J V11815 96-048 V80539 VN303A048 V92215 RMLH9075-4W V72962 NS202101-048 V80539 H10-4BAC V15653	163163	1
61	BRH10A4	..	NUT- SUPPLIER CODE: V52828 SPECIFICATION NUMBER: BACN10JC4 OPTIONAL PART: T6S428J V11815 96-048 V80539 VN303A048 V92215 RMLH9075-4W V72962 NS202101-048 V80539 H10-4BAC V15653 USED ON: 255T4551-3	155162 164999	1
62	MS21042L4	..	NUT- USED ON: 255T4551-4 255T4551-5		1
65	65B80977-1	..	PULLEY ASSY-4 IN. DIA 3/32 IN. CABLE FOR SPARES PROCURE: BACP30M4	163163	1

ILLUSTRATION ITEMS NOT ON PARTS LIST ARE NOT APPLICABLE

- ITEM NOT ILLUSTRATED

27-51-54-01

27-51-54  
FIG. 01  
PAGE 2  
DEC 22/07

HXL



767

PARTS CATALOG (MAINTENANCE)

FIG ITEM	PART NUMBER	1 2 3 4 5 6 7	NOMENCLATURE	EFFECT FROM TO	UNITS PER ASSY
1	66 65B80977-1		..PULLEY ASSY-4 IN. DIA 3/32 IN. CABLE USED ON: 255T4551-3 FOR SPARES PROCURE: BACP30M4	155162 164999	1
	70 JMKP4P25LY196		...BEARING- SUPPLIER CODE: V40920 SPECIFICATION NUMBER: BACB10AN4 OPTIONAL PART: MKP4FS428 V21335 MKP4G20 V38443 LLMKP4 V38443 MKP4 V38443 MKP4-2TS V43991 MKP4E6531 V21335 MKP4TT V43991 MKP4SD610 V83086	163163	1

ILLUSTRATION ITEMS NOT ON PARTS LIST ARE NOT APPLICABLE

- ITEM NOT ILLUSTRATED

HXL

27-51-54-01

BOEING PROPRIETARY - Copyright © - Unpublished Work - See title page for details.

27-51-54  
FIG. 01  
PAGE 3  
DEC 22/07



**BOEING**  
767  
**PARTS CATALOG (MAINTENANCE)**

FIG ITEM	PART NUMBER	1 2 3 4 5 6 7	NOMENCLATURE	EFFECT FROM TO	UNITS PER ASSY
1	70 JMKP4P25LY196		... BEARING- SUPPLIER CODE: V40920 SPECIFICATION NUMBER: BACB10AN4 OPTIONAL PART: MKP4FS428 V21335 MKP4G20 V38443 LLMKP4 V38443 MKP4 V38443 MKP4-2TS V43991 MKP4E6531 V21335 MKP4TT V43991 MKP4SD610 V83086	155162 164999	1
	75 69B81979-1		... SHIELD	163163	2
	75 69B81979-1		... SHIELD	155162 164999	2
	80 65B80978-1		... SHEAVE ASSY	163163	1
	80 65B80978-1		... SHEAVE ASSY	155162 164999	1
	85 69B81362-2		.... INSERT	163163	1
	85 69B81362-2		.... INSERT	155162 164999	1
	90 65B80978-2		.... SHEAVE	163163	1
	90 65B80978-2		.... SHEAVE	155162 164999	1
	92 AVS4M		.. PULLEY- SUPPLIER CODE: V29965 SPECIFICATION NUMBER: BACP30M4 OPTIONAL PART: R30M4 V25337 BMP30M4 V22277 USED ON: 255T4551-4 255T4551-5		1

ILLUSTRATION ITEMS NOT ON PARTS LIST ARE NOT APPLICABLE

— ITEM NOT ILLUSTRATED

HXL

# 27-51-54-01

BOEING PROPRIETARY - Copyright © - Unpublished Work - See title page for details.

27-51-54  
FIG. 01  
PAGE 4  
DEC 22/07

 **BOEING**  
767  
**PARTS CATALOG (MAINTENANCE)**

FIG ITEM	PART NUMBER	1 2 3 4 5 6 7	NOMENCLATURE	EFFECT FROM TO	UNITS PER ASSY
1	95 295928-16B		.. SPACER SUPPLIER CODE: V60119 SPECIFICATION NUMBER: BACS18S16B ATTACHING PARTS		2
- 100	BACR15BB3AD		.. RIVET- SIZE DETERMINED ON INSTL. -----*-----		4
105	BACR15BB4AD		.. RIVET- SIZE DETERMINED ON INSTL.		2
110	NAS42DD4-51		.. SPACER		2
115	255T4552-6		.. CLIP- USED ON: 255T4551-3		1
120	255T4552-5		.. CLIP- USED ON: 255T4551-4	163163	1
120	255T4552-9		.. CLIP- USED ON: 255T4551-5 ATTACHING PARTS	155162 164999	1
125	BACR15BA3AD		.. RIVET- SIZE DETERMINED ON INSTL.		1
130	BACR15BB4AD		.. RIVET- SIZE DETERMINED ON INSTL. -----*-----		2
135	50-3361-8677		.. FILLER-RADIUS USED ON: 255T4551-4		1
135	50-3361-8678		.. FILLER-RADIUS USED ON: 255T4551-3 ATTACHING PARTS		1
- 140	BACR15BA3AD		.. RIVET- SIZE DETERMINED ON INSTL. -----*-----		1
145	255T4552-3		.. BRACE- USED ON: 255T4551-3		1
150	255T4552-4		.. BRACE- USED ON: 255T4551-4	163163	1
150	255T4552-8		.. BRACE- USED ON: 255T4551-5	155162 164999	1
155	255T4552-1		.. BRACKET- USED ON: 255T4551-3		1

ILLUSTRATION ITEMS NOT ON PARTS LIST ARE NOT APPLICABLE

- ITEM NOT ILLUSTRATED

HXL

# 27-51-54-01

BOEING PROPRIETARY - Copyright © - Unpublished Work - See title page for details.

27-51-54  
FIG. 01  
PAGE 5  
DEC 22/07



767

PARTS CATALOG (MAINTENANCE)

FIG ITEM	PART NUMBER	1 2 3 4 5 6 7	NOMENCLATURE	EFFECT FROM TO	UNITS PER ASSY
1 160	255T4552-2		.. BRACKET- USED ON: 255T4551-4	163163	1
160	255T4552-7		.. BRACKET- USED ON: 255T4551-5	155162 164999	1

ILLUSTRATION ITEMS NOT ON PARTS LIST ARE NOT APPLICABLE

- ITEM NOT ILLUSTRATED

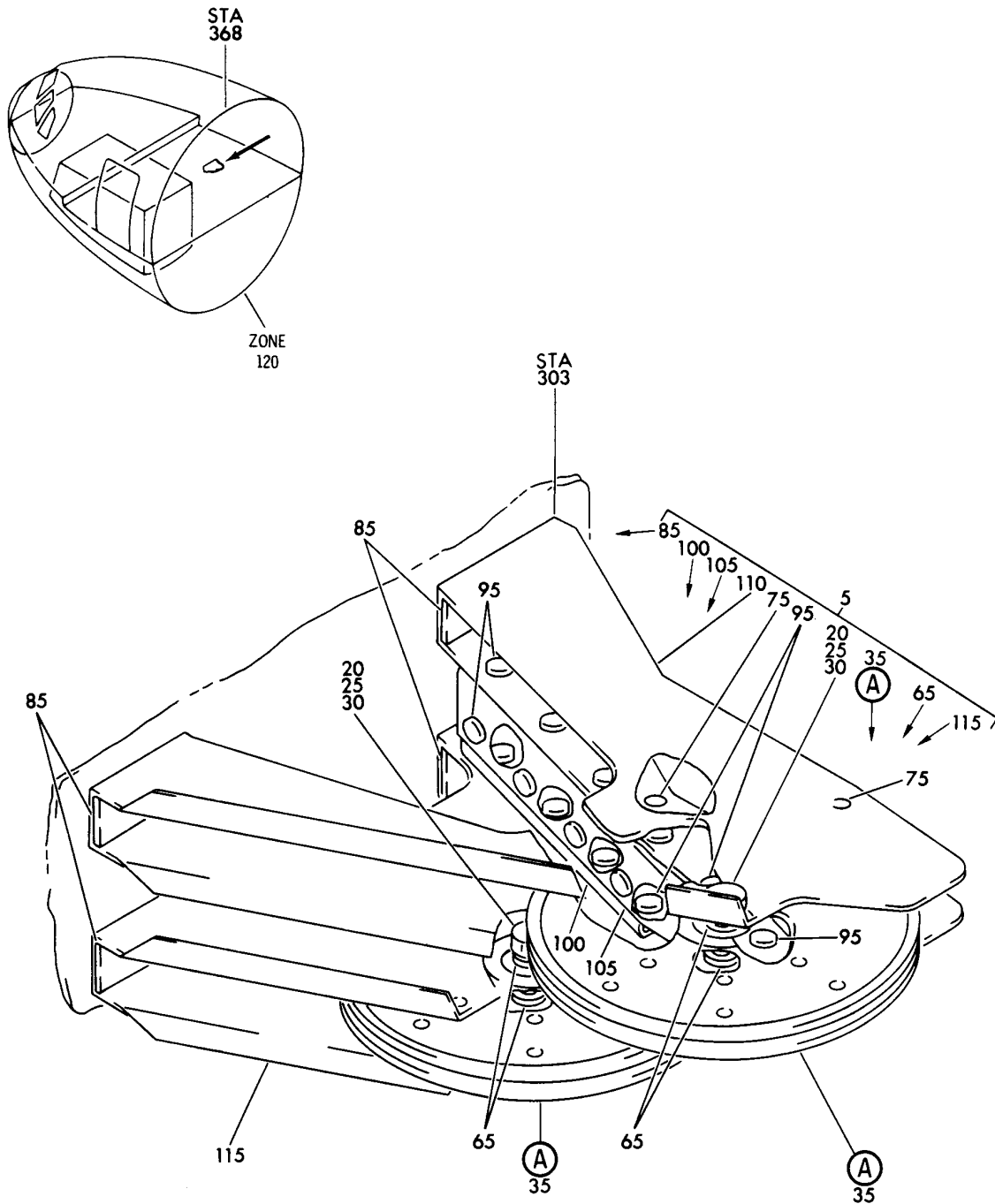
HXL

**27-51-54-01**

BOEING PROPRIETARY - Copyright © - Unpublished Work - See title page for details.

27-51-54  
FIG. 01  
PAGE 6  
DEC 22/07

**BOEING**  
767  
PARTS CATALOG (MAINTENANCE)



V 27515501 SHT 1 REV 000

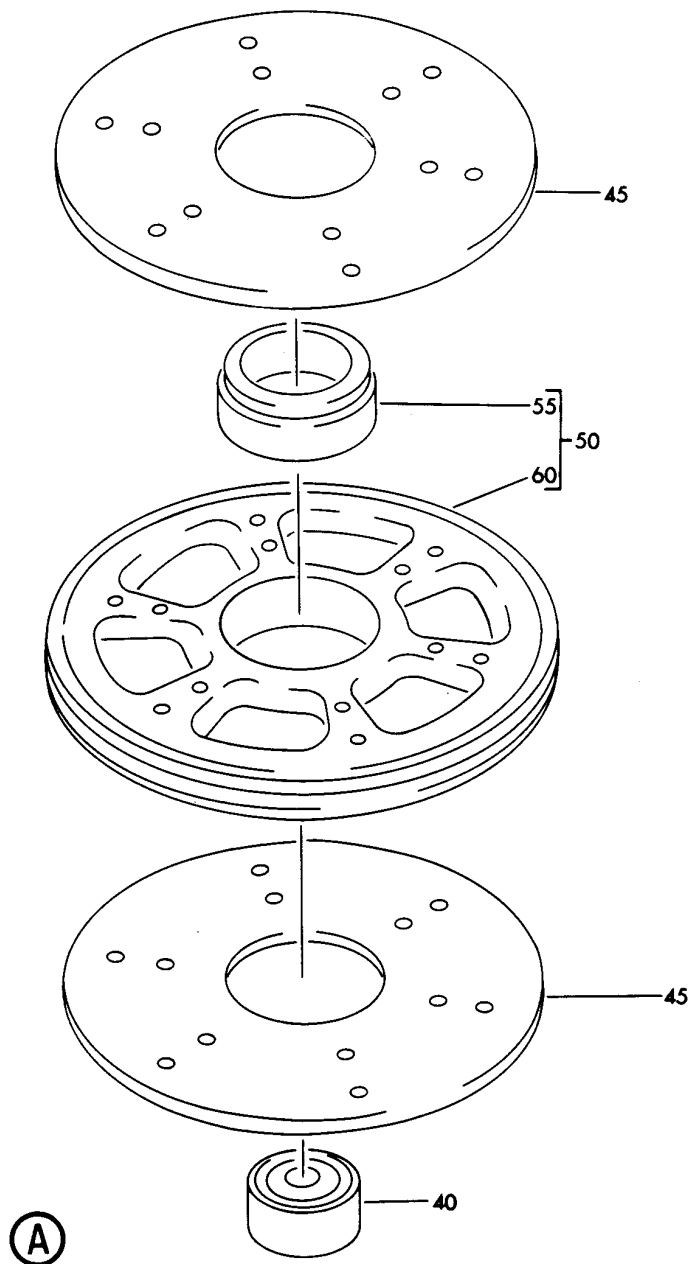
BRACKET INSTL-STA 303 WFA AND WFB PULLEY  
FIGURE 1 (SHEET 1)

**27-51-55-01**

HXL  
DEC 22/06

27-51-55-01  
PAGE 0

**BOEING**  
767  
PARTS CATALOG (MAINTENANCE)



V 27515501 SH1 2 REV 000

BRACKET INSTL-STA 303 WFA AND WFB PULLEY  
FIGURE 1 (SHEET 2)

**27-51-55-01**

HXL  
DEC 22/06

27-51-55-01  
PAGE 0A



767

PARTS CATALOG (MAINTENANCE)

FIG ITEM	PART NUMBER	1 2 3 4 5 6 7	NOMENCLATURE	EFFECT FROM TO	UNITS PER ASSY
1			BRACKET INSTL-STA 303 WFA AND WFB PULLEY		
- 1	255T4125-1		BRACKET INSTL-WFA AND WFB PULLEY POSITION DATA: STA 303 FOR NHA SEE: 53-10-54-01D		RF
5	255T4195-1		.BRACKET ASSY ATTACHING PARTS		1
- 10	BACB30NR4K6		.BOLT		4
- 15	AN960PD416		.WASHER		4
			-----*-----		
20	BACB30NR4K13		..BOLT		2
25	AN960PD416		..WASHER		2
30	BRH10A4		..NUT		2
			SUPPLIER CODE: V52828 SPECIFICATION NUMBER: BACN10JC4 OPTIONAL PART: T6S428J V11815 96-048 V80539 VN303A048 V92215 RMLH9075-4W V72962 NS202101-048 V80539 H10-4BAC V15653		
35	65B80977-1		..PULLEY ASSY-4 IN. DIA 3/32 IN. CABLE FOR SPARES PROCURE: BACP30M4		2

ILLUSTRATION ITEMS NOT ON PARTS LIST ARE NOT APPLICABLE

- ITEM NOT ILLUSTRATED

HXL

27-51-55-01

BOEING PROPRIETARY - Copyright © - Unpublished Work - See title page for details.

27-51-55  
FIG. 01  
PAGE 1  
DEC 22/06

**BOEING**  
767  
**PARTS CATALOG (MAINTENANCE)**

FIG ITEM	PART NUMBER	1 2 3 4 5 6 7	NOMENCLATURE	EFFECT FROM TO	UNITS PER ASSY
1	40	JMKP4P25LY196	... BEARING- SUPPLIER CODE: V40920 SPECIFICATION NUMBER: BACB10AN4 OPTIONAL PART: MKP4FS428 V21335 MKP4G20 V38443 LLMKP4 V38443 MKP4 V38443 MKP4-2TS V43991 MKP4E6531 V21335 MKP4TT V43991 MKP4SD610 V83086		1
	45	69B81979-1	... SHIELD		2
	50	65B80978-1	... SHEAVE ASSY		1
	55	69B81362-2	.... INSERT		1
	60	65B80978-2	.... SHEAVE		1
	65	NAS463TKD416H	.. SPACER ATTACHING PARTS		4
-	70	BACR15BA3AD	.. RIVET- SIZE DETERMINED ON INSTL. -----*-----		8
	75	NAS42DD4-43	.. SPACER ATTACHING PARTS		2
-	80	BACR15BB4AD	.. RIVET- SIZE DETERMINED ON INSTL. -----*-----		2
	85	50-3361-8085	.. FILLER ATTACHING PARTS		4
-	90	BACR15BA3AD	.. RIVET- SIZE DETERMINED ON INSTL. -----*-----		8
	95	BACR15FT5AD	.. RIVET- SIZE DETERMINED ON INSTL.		14
	100	255T4196-3	.. ANGLE		1
	105	255T4196-4	.. ANGLE		1
	110	255T4196-1	.. BRACKET		1
	115	255T4196-2	.. BRACKET		1

ILLUSTRATION ITEMS NOT ON PARTS LIST ARE NOT APPLICABLE

- ITEM NOT ILLUSTRATED

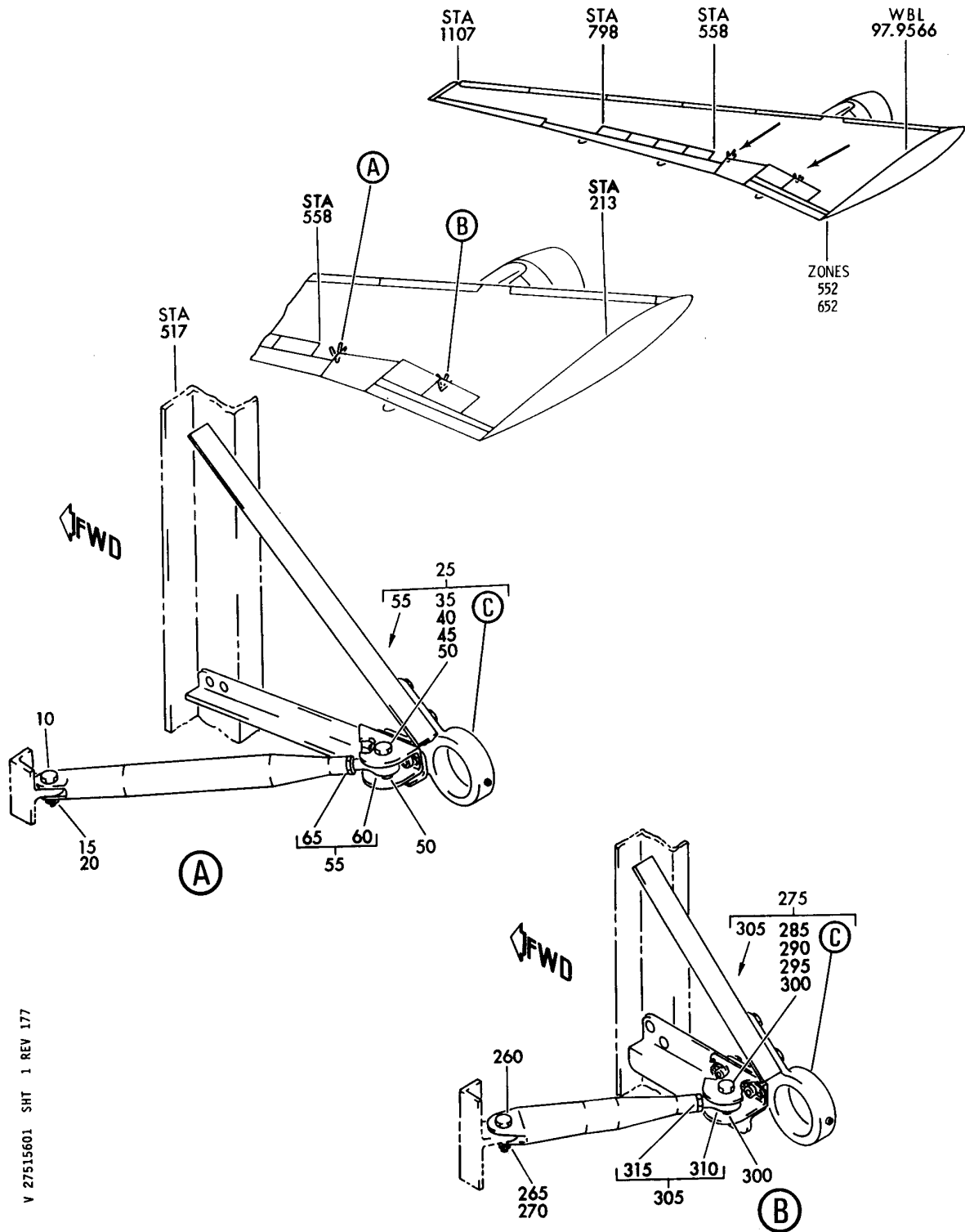
HXL

27-51-55-01

BOEING PROPRIETARY - Copyright © - Unpublished Work - See title page for details.

27-51-55  
FIG. 01  
PAGE 2  
DEC 22/06

**BOEING**  
767  
PARTS CATALOG (MAINTENANCE)



V 27515601 SHT 1 REV 177

SUPPORT INSTL-TE FLAP DRIVE BRG  
FIGURE 1 (SHEET 1)

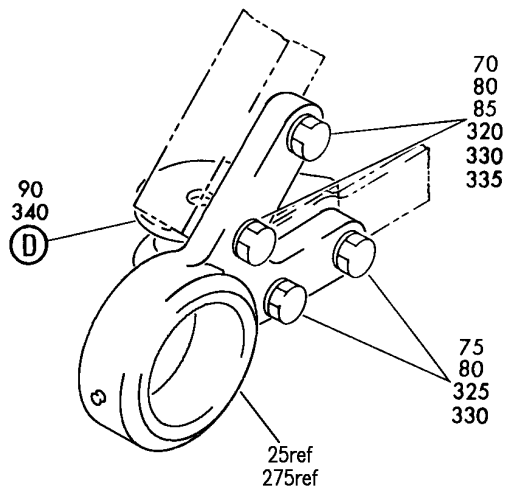
**27-51-56-01**

HXL  
DEC 22/06

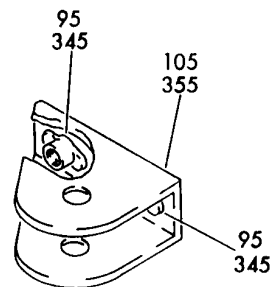
27-51-56-01  
PAGE 0



**BOEING**  
767  
PARTS CATALOG (MAINTENANCE)



(C)



(D)

V 27515601 SH1 2 REV 284

SUPPORT INSTL-TE FLAP DRIVE BRG  
FIGURE 1 (SHEET 2)

**27-51-56-01**

HXL  
DEC 22/06

27-51-56-01  
PAGE 0A



767

PARTS CATALOG (MAINTENANCE)

FIG ITEM	PART NUMBER	1 2 3 4 5 6 7	NOMENCLATURE	EFFECT FROM TO	UNITS PER ASSY
1			SUPPORT INSTL-TE FLAP DRIVE BRG		
- 1	256T3600-1		SUPPORT INSTL-TE FLAP DRIVE BRG POSITION DATA: LH FOR NHA SEE: 27-51-41-01		RF
- 5	256T3600-2		SUPPORT INSTL-TE FLAP DRIVE BRG POSITION DATA: RH FOR NHA SEE: 27-51-41-01		RF
10	BACB30NR4K6		.BOLT		1
15	AN960PD416L		.WASHER		1
20	BRH10A4		.NUT		1
			SUPPLIER CODE: V52828 SPECIFICATION NUMBER: BACN10JC4 OPTIONAL PART: T6S428J V11815 96-048 V80539 VN303A048 V92215 RMLH9075-4W V72962 NS202101-048 V80539 H10-4BAC V15653		
25	256T3600-5		.SUPPORT ASSY- POSITION DATA: LH SIDE COMPONENT MAINT MANUAL REF: 27-51-83		1
- 30	256T3600-6		.SUPPORT ASSY- POSITION DATA: RH SIDE COMPONENT MAINT MANUAL REF: 27-51-83		1
35	BACB30NR4K13		..BOLT		1
40	AN960PD416L		..WASHER		1

ILLUSTRATION ITEMS NOT ON PARTS LIST ARE NOT APPLICABLE

- ITEM NOT ILLUSTRATED

27-51-56-01

27-51-56  
FIG. 01  
PAGE 1  
DEC 22/06

HXL

 **BOEING**  
767  
**PARTS CATALOG (MAINTENANCE)**

FIG ITEM	PART NUMBER	1 2 3 4 5 6 7	NOMENCLATURE	EFFECT FROM TO	UNITS PER ASSY
1 45	BRH10A4	..	NUT SUPPLIER CODE: V52828 SPECIFICATION NUMBER: BACN10JC4 OPTIONAL PART: T6S428J V11815 96-048 V80539 VN303A048 V92215 RMLH9075-4W V72962 NS202101-048 V80539 H10-4BAC V15653		1
50	BACB28AK04-019	..	BUSHING		2
55	251T0100-504	..	ROD ASSY- COMPONENT MAINT MANUAL REF: 27-00-11		1
60	10E4-116M	...	BEARING SUPPLIER CODE: V16746 SPECIFICATION NUMBER: BACB10Y4M OPTIONAL PART: BRES4-2236M1 V81376 HB4E212KM V02758 KBE4-150WD5 V97613 MSSK4AS1 V73134 51588-041DD V09455 ASMK4-1DM V56644 AR4E7W13 VS0352 ARB4E60MW V15860		1
65	NAS1423-5	...	NUT- OPTIONAL PART: AN316-5R		1

ILLUSTRATION ITEMS NOT ON PARTS LIST ARE NOT APPLICABLE

- ITEM NOT ILLUSTRATED

HXL

27-51-56-01

BOEING PROPRIETARY - Copyright © - Unpublished Work - See title page for details.

27-51-56  
FIG. 01  
PAGE 2  
DEC 22/06



767

PARTS CATALOG (MAINTENANCE)

FIG ITEM	PART NUMBER	1 2 3 4 5 6 7	NOMENCLATURE	EFFECT FROM TO	UNITS PER ASSY
1					
65	AN316-5R	...	NUT- OPTIONAL PART: NAS1423-5		1
70	BACB30NR4K6	..	BOLT		2
75	BACB30NR4K8	..	BOLT		2
80	AN960PD416L	..	WASHER		4
85	BRH10A4	..	NUT SUPPLIER CODE: V52828 SPECIFICATION NUMBER: BACN10JC4 OPTIONAL PART: T6S428J V11815 96-048 V80539 VN303A048 V92215 RMLH9075-4W V72962 NS202101-048 V80539 H10-4BAC V15653		2
90	256T3604-1	..	CLEVIS ASSY		1
95	T8076S428	...	NUTPLATE SUPPLIER CODE: V11815 SPECIFICATION NUMBER: BACN10JP4A OPTIONAL PART: MK1000-4BAC V15653 NS103197-048 V80539 RMA9201M4 V72962 VN202A1-048 V92215 BRM200A4 V52828		2
- 100	BACR15BA3AD	...	RIVET- SIZE DETERMINED ON INSTL. -----*-----		4
105	256T3604-2	...	CLEVIS		1
260	BACB30NR4K6	.	BOLT		1
265	AN960PD416L	.	WASHER		1

ILLUSTRATION ITEMS NOT ON PARTS LIST ARE NOT APPLICABLE

- ITEM NOT ILLUSTRATED

27-51-56-01

27-51-56  
FIG. 01  
PAGE 3  
DEC 22/06

HXL



767

PARTS CATALOG (MAINTENANCE)

FIG ITEM	PART NUMBER	1 2 3 4 5 6 7	NOMENCLATURE	EFFECT FROM TO	UNITS PER ASSY
1 270	BRH10A4	.NUT	SUPPLIER CODE: V52828 SPECIFICATION NUMBER: BACN10JC4 OPTIONAL PART: T6S428J V11815 96-048 V80539 VN303A048 V92215 RMLH9075-4W V72962 NS202101-048 V80539 H10-4BAC V15653		1
275	256T3600-7	.SUPPORT ASSY-	POSITION DATA: LH SIDE COMPONENT MAINT MANUAL REF: 27-51-83		1
- 280	256T3600-8	.SUPPORT ASSY-	POSITION DATA: RH SIDE COMPONENT MAINT MANUAL REF: 27-51-83		1
285	BACB30NR4K13	..BOLT			1
290	AN960PD416L	..WASHER			1
295	BRH10A4	..NUT	SUPPLIER CODE: V52828 SPECIFICATION NUMBER: BACN10JC4 OPTIONAL PART: T6S428J V11815 96-048 V80539 VN303A048 V92215 RMLH9075-4W V72962 NS202101-048 V80539 H10-4BAC V15653		1
300	BACB28AK04-019	..BUSHING			2

ILLUSTRATION ITEMS NOT ON PARTS LIST ARE NOT APPLICABLE

- ITEM NOT ILLUSTRATED

27-51-56-01

27-51-56  
FIG. 01  
PAGE 4  
DEC 22/06

HXL



767

PARTS CATALOG (MAINTENANCE)

FIG ITEM	PART NUMBER	1 2 3 4 5 6 7	NOMENCLATURE	EFFECT FROM TO	UNITS PER ASSY
1					
305	251T0100-503	..	ROD ASSY- COMPONENT MAINT MANUAL REF: 27-00-11		1
310	10E4-116M	...	BEARING SUPPLIER CODE: V16746 SPECIFICATION NUMBER: BACB10Y4M OPTIONAL PART: BRES4-2236M1 V81376 HB4E212KM V02758 KBE4-150WD5 V97613 MSSK4AS1 V73134 51588-041DD V09455 ASMK4-1DM V56644 AR4E7W13 VS0352 ARB4E60MW V15860		1
315	NAS1423-5	...	NUT- OPTIONAL PART: AN316-5R		1
315	AN316-5R	...	NUT- OPTIONAL PART: NAS1423-5		1
320	BACB30NR4K6	..	BOLT		2
325	BACB30NR4K8	..	BOLT		2
330	AN960PD416L	..	WASHER		4

ILLUSTRATION ITEMS NOT ON PARTS LIST ARE NOT APPLICABLE

- ITEM NOT ILLUSTRATED

HXL

27-51-56-01

BOEING PROPRIETARY - Copyright © - Unpublished Work - See title page for details.

27-51-56  
FIG. 01  
PAGE 5  
DEC 22/06

 **BOEING**  
767  
**PARTS CATALOG (MAINTENANCE)**

FIG ITEM	PART NUMBER	1 2 3 4 5 6 7	NOMENCLATURE	EFFECT FROM TO	UNITS PER ASSY
1 335	BRH10A4		..NUT SUPPLIER CODE: V52828 SPECIFICATION NUMBER: BACN10JC4 OPTIONAL PART: T6S428J V11815 96-048 V80539 VN303A048 V92215 RMLH9075-4W V72962 NS202101-048 V80539 H10-4BAC V15653		2
340	256T3604-1		..CLEVIS ASSY		1
345	T8076S428		...NUTPLATE SUPPLIER CODE: V11815 SPECIFICATION NUMBER: BACN10JP4A OPTIONAL PART: MK1000-4BAC V15653 NS103197-048 V80539 RMA9201M4 V72962 VN202A1-048 V92215 BRM200A4 V52828		2
- 350	BACR15BA3AD		ATTACHING PARTS ...RIVET- SIZE DETERMINED ON INSTL. -----*-----		4
355	256T3604-2		...CLEVIS		1

ILLUSTRATION ITEMS NOT ON PARTS LIST ARE NOT APPLICABLE

- ITEM NOT ILLUSTRATED

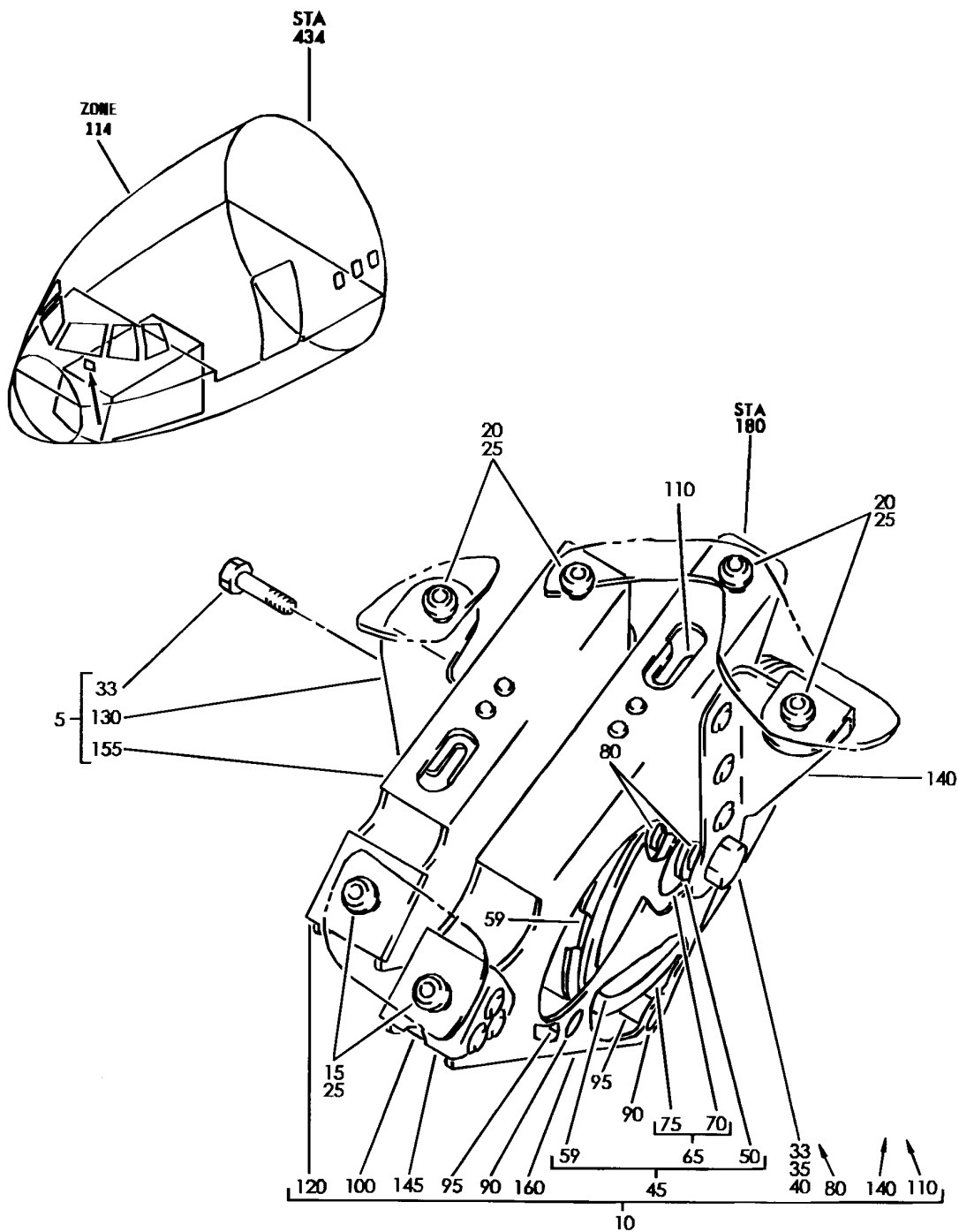
HXL

# 27-51-56-01

BOEING PROPRIETARY - Copyright © - Unpublished Work - See title page for details.

27-51-56  
FIG. 01  
PAGE 6  
DEC 22/06

**BOEING**  
767  
PARTS CATALOG (MAINTENANCE)



V 27515701 REV 207

BRACKET INSTL-STA 180.5 WFAP2 AND WFBP2 PULLEY  
FIGURE 1

**27-51-57-01**

HXL  
DEC 22/06

27-51-57-01  
PAGE 0





767

PARTS CATALOG (MAINTENANCE)

FIG ITEM	PART NUMBER	1 2 3 4 5 6 7	NOMENCLATURE	EFFECT FROM TO	UNITS PER ASSY
1			BRACKET INSTL-STA 180.5 WFAP2 AND WFBP2 PULLEY		
- 1	255T4130-1		BRACKET INSTL-WFAP2 AND WFBP2 PULLEY POSITION DATA: STA 180.5 FOR NHA SEE: 53-13-03-01		RF
5	255T4207-3		.BRACKET ASSY-		1
10	255T4207-4		.BRACKET ASSY-		1
15	HL1012AZ6-5		.ATTACHING PARTS .BOLT SUPPLIER CODE: V97928 SPECIFICATION NUMBER: BACB30NX6K5 OPTIONAL PART: HL12VAZ6-5 V73197 HL12VAZ6-5 V92215 HL12VAZ6-5 V97928 L802-6K5 V06725 HL12VAZ6-5 V56878 HL1012AZ6-5 VOPTK6 HL1012AZ6-5 V06725 HL1012AZ6-5 V06950 HL1012AZ6-5 V17446 HL1012AZ6-5 V56878 HL1012AZ6-5 V60516 HL1012AZ6-5 V73197		2
ILLUSTRATION ITEMS NOT ON PARTS LIST ARE NOT APPLICABLE					

- ITEM NOT ILLUSTRATED

HXL

27-51-57-01

BOEING PROPRIETARY - Copyright © - Unpublished Work - See title page for details.

27-51-57  
FIG. 01  
PAGE 1  
DEC 22/06



767

PARTS CATALOG (MAINTENANCE)

FIG ITEM	PART NUMBER	1 2 3 4 5 6 7	NOMENCLATURE	EFFECT FROM TO	UNITS PER ASSY
1 20	HL1012AZ6-2		.BOLT SUPPLIER CODE: V97928 SPECIFICATION NUMBER: BACB30NX6K2 OPTIONAL PART: HL12VAZ6-2 V73197 HL12VAZ6-2 V92215 HL12VAZ6-2 V97928 L802-6K2 V06725 HL12VAZ6-2 V56878 HL1012AZ6-2 VOPTK6 HL1012AZ6-2 V06725 HL1012AZ6-2 V06950 HL1012AZ6-2 V17446 HL1012AZ6-2 V56878 HL1012AZ6-2 V60516 HL1012AZ6-2 V73197		4
25	HL1187-6		.COLLAR SUPPLIER CODE: V5M902 SPECIFICATION NUMBER: BACC30X6 OPTIONAL PART: HL87-6 V92215 HL87-6 V73197 HL1187-6 V56878 HL1187-6 V92215 HL87-6 V56878 HL1187-6 V73197 -----*-----		6

ILLUSTRATION ITEMS NOT ON PARTS LIST ARE NOT APPLICABLE

- ITEM NOT ILLUSTRATED

HXL

27-51-57-01

BOEING PROPRIETARY - Copyright © - Unpublished Work - See title page for details.

27-51-57  
FIG. 01  
PAGE 2  
DEC 22/06

**BOEING**  
767  
**PARTS CATALOG (MAINTENANCE)**

FIG ITEM	PART NUMBER	1 2 3 4 5 6 7	NOMENCLATURE	EFFECT FROM TO	UNITS PER ASSY
1					
33	BACB30NR4K13	..	BOLT- POSITION DATA: BOLT HEAD FAR SIDE		1
35	NAS1149D0463J	..	WASHER-		1
40	BRH10C4D	..	NUT- SUPPLIER CODE: V52828 SPECIFICATION NUMBER: BACN10JC4CD OPTIONAL PART: T6C428JCD V11815 NS202486-048 V80539 102LH9075-4W V72962 H51650-4BAC V15653		1
45	65B80977-1	..	PULLEY ASSY-4 IN. DIA 3/32 IN. CABLE FOR SPARES PROCURE: BACP30M4		1
50	JMKP4P25LY196	...	BEARING- SUPPLIER CODE: V40920 SPECIFICATION NUMBER: BACB10AN4 OPTIONAL PART: MKP4FS428 V21335 MKP4G20 V38443 LLMKP4 V38443 MKP4 V38443 MKP4-2TS V43991 MKP4E6531 V21335 MKP4TT V43991 MKP4SD610 V83086		1
59	69B81979-1	...	SHIELD		2
65	65B80978-1	...	SHEAVE ASSY		1
70	69B81362-2	....	INSERT		1
75	65B80978-2	....	SHEAVE		1
80	NAS463TKDD416H	..	SPACER-		2
ILLUSTRATION ITEMS NOT ON PARTS LIST ARE NOT APPLICABLE					

- ITEM NOT ILLUSTRATED

HXL

# 27-51-57-01

BOEING PROPRIETARY - Copyright © - Unpublished Work - See title page for details.

27-51-57  
FIG. 01  
PAGE 3  
DEC 22/06



767

PARTS CATALOG (MAINTENANCE)

FIG ITEM	PART NUMBER	1 2 3 4 5 6 7	NOMENCLATURE	EFFECT FROM TO	UNITS PER ASSY
1			ATTACHING PARTS		
- 85	BACR15BA3AD	..	RIVET- SIZE DETERMINED ON INSTL. -----*-----		4
90	BACR15BB4AD	..	RIVET- SIZE DETERMINED ON INSTL.		2
95	NAS42DD4-43FC	..	SPACER-		2
100	50-3361-8138	..	FILLER-RADIUS		1
			ATTACHING PARTS		
- 105	BACR15BA3AD	..	RIVET- SIZE DETERMINED ON INSTL. -----*-----		2
110	255T4290-1	..	STRIP-RUB		1
			ATTACHING PARTS		
- 115	BACR15BA3A	..	RIVET- SIZE DETERMINED ON INSTL. -----*-----		2
120	255T4259-9	..	CLIP-		1
			ATTACHING PARTS		
- 125	BACR15FT5AD	..	RIVET- SIZE DETERMINED ON INSTL. -----*-----		3
130	255T4259-4	..	BRACE- USED ON: 255T4207-3		1
			ATTACHING PARTS		
- 135	BACR15FT5AD	..	RIVET- SIZE DETERMINED ON INSTL. -----*-----		2
140	255T4259-5	..	BRACE- USED ON: 255T4207-4		1
145	255T4259-6	..	STIFFENER- USED ON: 255T4207-4		1
			ATTACHING PARTS		
- 150	BACR15FT5AD	..	RIVET- SIZE DETERMINED ON INSTL. -----*-----		6
155	255T4259-7	..	BRACKET- USED ON: 255T4207-3		1
160	255T4259-8	..	BRACKET- USED ON: 255T4207-4		1

ILLUSTRATION ITEMS NOT ON PARTS LIST ARE NOT APPLICABLE

- ITEM NOT ILLUSTRATED

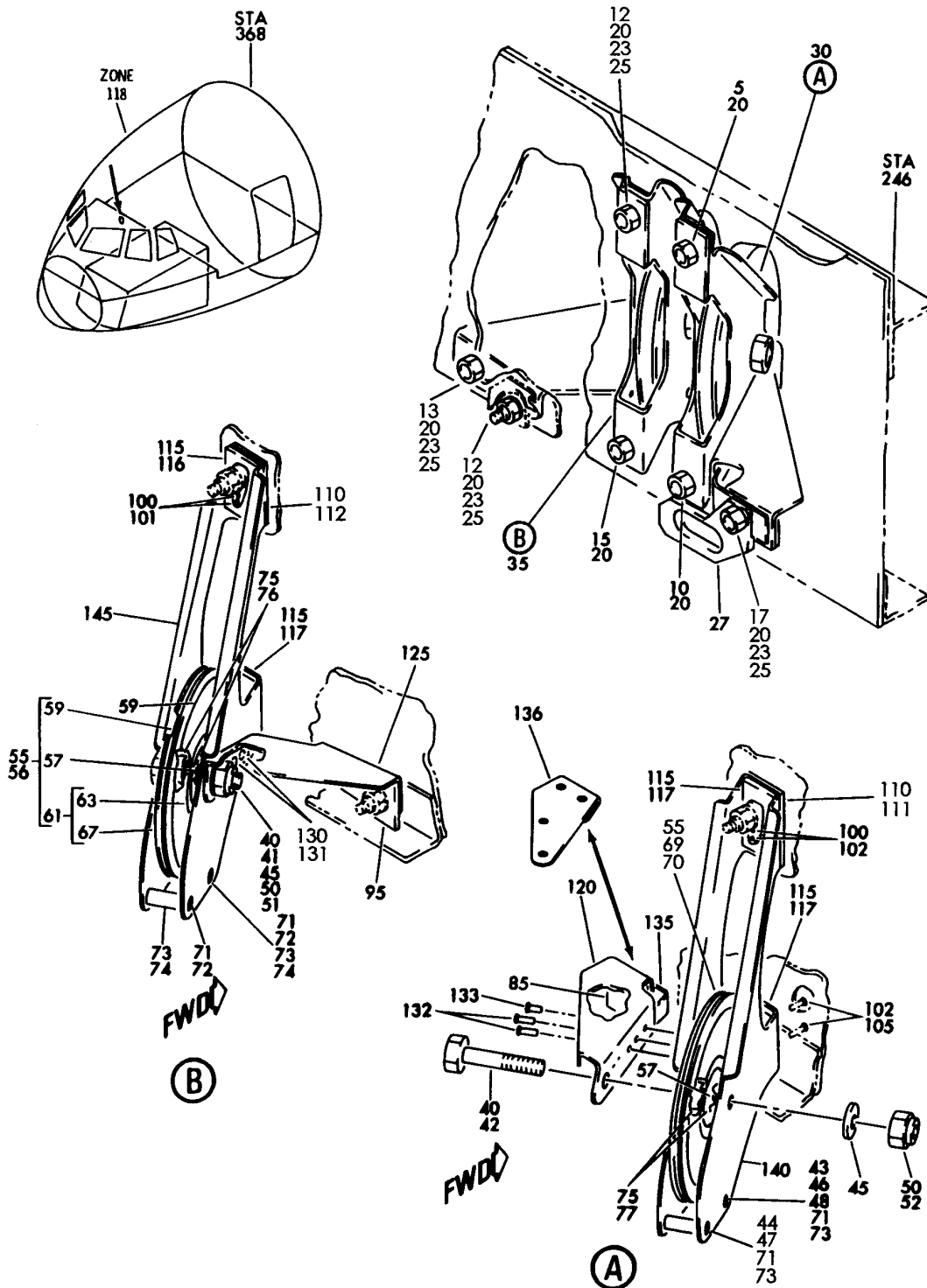
27-51-57-01

27-51-57  
FIG. 01  
PAGE 4  
DEC 22/06

HXL

BOEING PROPRIETARY - Copyright © - Unpublished Work - See title page for details.

**BOEING**  
767  
PARTS CATALOG (MAINTENANCE)



V 27515801 REV 197

BRACKET INSTL (FLIGHT CONTROLS ONLY)  
FIGURE 1

**27-51-58-01**

HXL  
DEC 22/06

27-51-58-01  
PAGE 0



767

PARTS CATALOG (MAINTENANCE)

FIG ITEM	PART NUMBER	1 2 3 4 5 6 7	NOMENCLATURE	EFFECT FROM TO	UNITS PER ASSY
1			BRACKET INSTL (FLIGHT CONTROLS ONLY)		
- 1	255T4118-2		BRACKET INSTL-WFA AND WFB PULLEY (FLIGHT CONTROLS ONLY) POSITION DATA: STA 246.0 VARIABLE DRAWING REF: 255T4118-5001 FOR NHA SEE: 76-11-56-03		RF
5	BACB30NR4K3		.BOLT-		1
10	BACB30NR4K3		.BOLT-		1
12	BACB30NR4K3		.BOLT-		2
13	BACB30NR4K9		.BOLT-		1
15	BACB30NR4K3		.BOLT-		1
17	BACB30NR4K6		.BOLT-		1
20	BACW10CT8J		.WASHER-		7
23	NAS1149D0463J		.WASHER- POSITION DATA: UNDER NUT		4
25	PLH54CD		.NUT- SUPPLIER CODE: VF0224 SPECIFICATION NUMBER: BACN10YR4CD OPTIONAL PART: H52732-4CD V15653		4
27	253T4016-4		.FAIRLEAD-		1
30	255T4174-1		.BRACKET ASSY-		1
35	255T4174-2		.BRACKET ASSY-		1
40	BACB30NR4K13		..BOLT-		1
45	NAS1149D0463J		..WASHER-		1

ILLUSTRATION ITEMS NOT ON PARTS LIST ARE NOT APPLICABLE

- ITEM NOT ILLUSTRATED

HXL

27-51-58-01

BOEING PROPRIETARY - Copyright © - Unpublished Work - See title page for details.

27-51-58  
FIG. 01  
PAGE 1  
DEC 22/08

 **BOEING**  
767  
**PARTS CATALOG (MAINTENANCE)**

FIG ITEM	PART NUMBER	1 2 3 4 5 6 7	NOMENCLATURE	EFFECT FROM TO	UNITS PER ASSY
1 50	BRH10A4		..NUT- SUPPLIER CODE: V52828 SPECIFICATION NUMBER: BACN10JC4 OPTIONAL PART: T6S428J V11815 96-048 V80539 VN303A048 V92215 RMLH9075-4W V72962 NS202101-048 V80539 H10-4BAC V15653		1
55	65B80977-1		..PULLEY ASSY-4 IN. DIA 3/32 IN. CABLE FOR SPARES PROCURE: BACP30M4		1
57	JMKP4P25LY196		...BEARING- SUPPLIER CODE: V40920 SPECIFICATION NUMBER: BACB10AN4 OPTIONAL PART: MKP4FS428 V21335 MKP4G20 V38443 LLMKP4 V38443 MKP4 V38443 MKP4-2TS V43991 MKP4E6531 V21335 MKP4TT V43991 MKP4SD610 V83086		1
59	69B81979-1		...SHIELD		2
61	65B80978-1		...SHEAVE ASSY		1
63	69B81362-2		....INSERT		1
67	65B80978-2		....SHEAVE		1

ILLUSTRATION ITEMS NOT ON PARTS LIST ARE NOT APPLICABLE

— ITEM NOT ILLUSTRATED

HXL

# 27-51-58-01

BOEING PROPRIETARY - Copyright © - Unpublished Work - See title page for details.

27-51-58  
FIG. 01  
PAGE 2  
DEC 22/07

 **BOEING**  
767  
**PARTS CATALOG (MAINTENANCE)**

FIG ITEM	PART NUMBER	1 2 3 4 5 6 7	NOMENCLATURE	EFFECT FROM TO	UNITS PER ASSY
1					
71	BACR15BB4AD	..	RIVET- SIZE DETERMINED ON INSTL.		2
73	NAS42DD4-42	..	SPACER		2
75	NAS463TKD416H	..	SPACER- ATTACHING PARTS		2
- 80	BACR15BA3AD	..	RIVET- SIZE DETERMINED ON INSTL. -----*-----		4
85	50-3361-8192	..	FILLER-RADIUS USED ON: 255T4174-1 ATTACHING PARTS		1
- 90	BACR15BA3AD	..	RIVET- SIZE DETERMINED ON INSTL. -----*-----		1
95	255T4174-5	..	FILLER-RADIUS USED ON: 255T4174-2 255T4174-7		1
100	BACR15BA3AD	..	RIVET- SIZE DETERMINED ON INSTL.		2
105	BACR15BA3AD	..	RIVET- SIZE DETERMINED ON INSTL. USED ON: 255T4174-1		2
110	BACF3F008D014NG	..	FILLER-		1
115	50-3361-8083	..	FILLER-RADIUS		2
120	255T4175-2	..	BRACE- USED ON: 255T4174-1		1
125	255T4175-14	..	BRACE- USED ON: 255T4174-2 ATTACHING PARTS		1
130	BACR15FT5AD	..	RIVET- SIZE DETERMINED ON INSTL. -----*-----		2
135	255T4175-13	..	CLIP- USED ON: 255T4174-1 ATTACHING PARTS		1
- 137	BACR15FT5AD	..	RIVET- SIZE DETERMINED ON INSTL. USED ON: 255T4174-1 -----*-----		2
140	255T4175-17	..	BRACKET- USED ON: 255T4174-1		1

ILLUSTRATION ITEMS NOT ON PARTS LIST ARE NOT APPLICABLE

- ITEM NOT ILLUSTRATED

HXL

27-51-58-01

BOEING PROPRIETARY - Copyright © - Unpublished Work - See title page for details.

27-51-58  
FIG. 01  
PAGE 3  
DEC 22/07





767  
PARTS CATALOG (MAINTENANCE)

FIG ITEM	PART NUMBER	1 2 3 4 5 6 7	NOMENCLATURE	EFFECT FROM TO	UNITS PER ASSY
1 145	255T4175-16		.. BRACKET- USED ON: 255T4174-2 255T4174-7		1

ILLUSTRATION ITEMS NOT ON PARTS LIST ARE NOT APPLICABLE

- ITEM NOT ILLUSTRATED

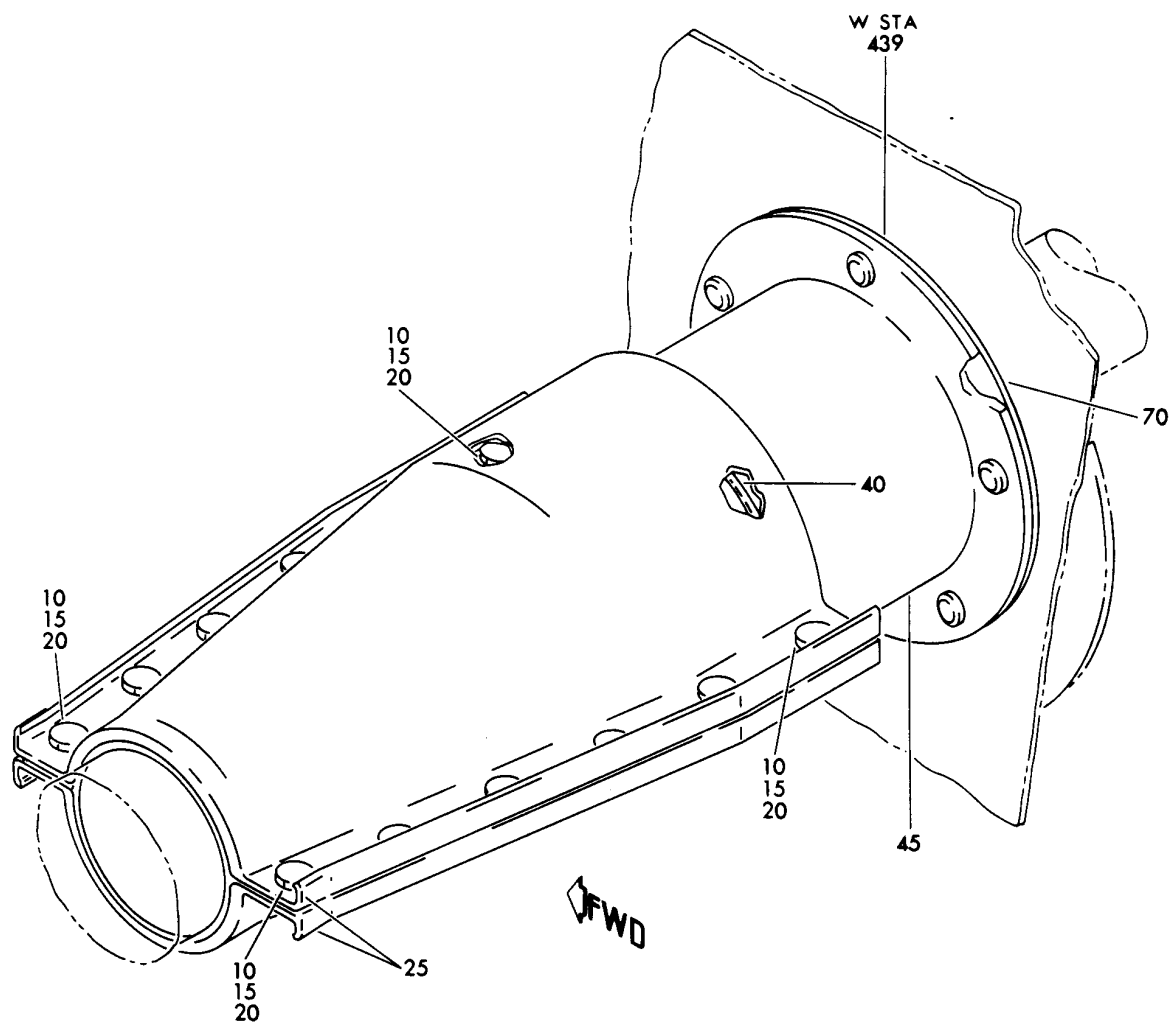
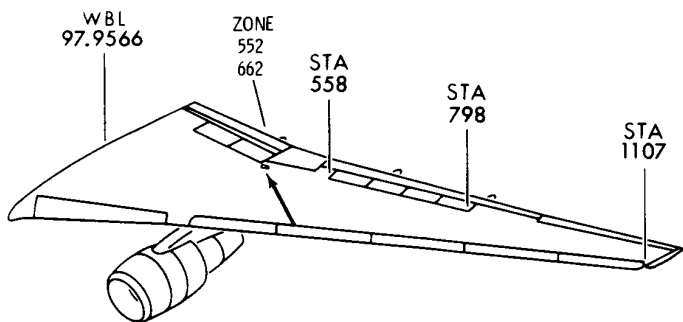
HXL

27-51-58-01

BOEING PROPRIETARY - Copyright © - Unpublished Work - See title page for details.

27-51-58  
FIG. 01  
PAGE 4  
DEC 22/07

**BOEING**  
767  
PARTS CATALOG (MAINTENANCE)



V 27515901 SHIT 1 REV 075

SEAL INSTL-TE FLAP DRIVE TORQUE TUBE VAPOR  
FIGURE 1

**27-51-59-01**

HXL  
DEC 22/06

27-51-59-01  
PAGE 0

 **BOEING**  
767  
**PARTS CATALOG (MAINTENANCE)**

FIG ITEM	PART NUMBER	1 2 3 4 5 6 7	NOMENCLATURE	EFFECT FROM TO	UNITS PER ASSY
1			SEAL INSTL-TE FLAP DRIVE TORQUE TUBE VAPOR		
- 1	256T3026-1		SEAL INSTL-TE FLAP DRIVE TORQUE TUBE VAPOR POSITION DATA: LH FOR NHA SEE: 27-51-41-01		RF
- 5	256T3026-2		SEAL INSTL-TE FLAP DRIVE TORQUE TUBE VAPOR POSITION DATA: RH FOR NHA SEE: 27-51-41-01		RF
10	BACB30NM3K3		.BOLT		12
15	AN960PD10L		.WASHER		12
20	BRH10A3		.NUT		12
			SUPPLIER CODE: V52828 SPECIFICATION NUMBER: BACN10JC3 OPTIONAL PART: H10-3BAC V15653 NS202101-02 V80539 RMLH9075-3W V72962 VN303A02 V92215 96-02 V80539 T6S1032J V11815		
25	256T3027-1		.COVER ASSY-HALF		2
40	NAS1611-240		.PACKING-		1
45	256T3031-3		.SUPPORT- POSITION DATA: LH SIDE		1
- 50	256T3031-4		.SUPPORT- POSITION DATA: RH SIDE		1
- 55	NAS623-3-5		ATTACHING PARTS .SCREW		5
- 60	AN960PD10L		.WASHER		5

ILLUSTRATION ITEMS NOT ON PARTS LIST ARE NOT APPLICABLE

- ITEM NOT ILLUSTRATED

HXL

# 27-51-59-01

BOEING PROPRIETARY - Copyright © - Unpublished Work - See title page for details.

27-51-59  
FIG. 01  
PAGE 1  
DEC 22/07



767

PARTS CATALOG (MAINTENANCE)

FIG ITEM	PART NUMBER	1 2 3 4 5 6 7	NOMENCLATURE	EFFECT FROM TO	UNITS PER ASSY
1 - 65	BRH10A3		.NUT SUPPLIER CODE: V52828 SPECIFICATION NUMBER: BACN10JC3 OPTIONAL PART: H10-3BAC V15653 NS202101-02 V80539 RMLH9075-3W V72962 VN303A02 V92215 96-02 V80539 T6S1032J V11815 -----*-----		5
70	256T3030-2		.GASKET		1

ILLUSTRATION ITEMS NOT ON PARTS LIST ARE NOT APPLICABLE

- ITEM NOT ILLUSTRATED

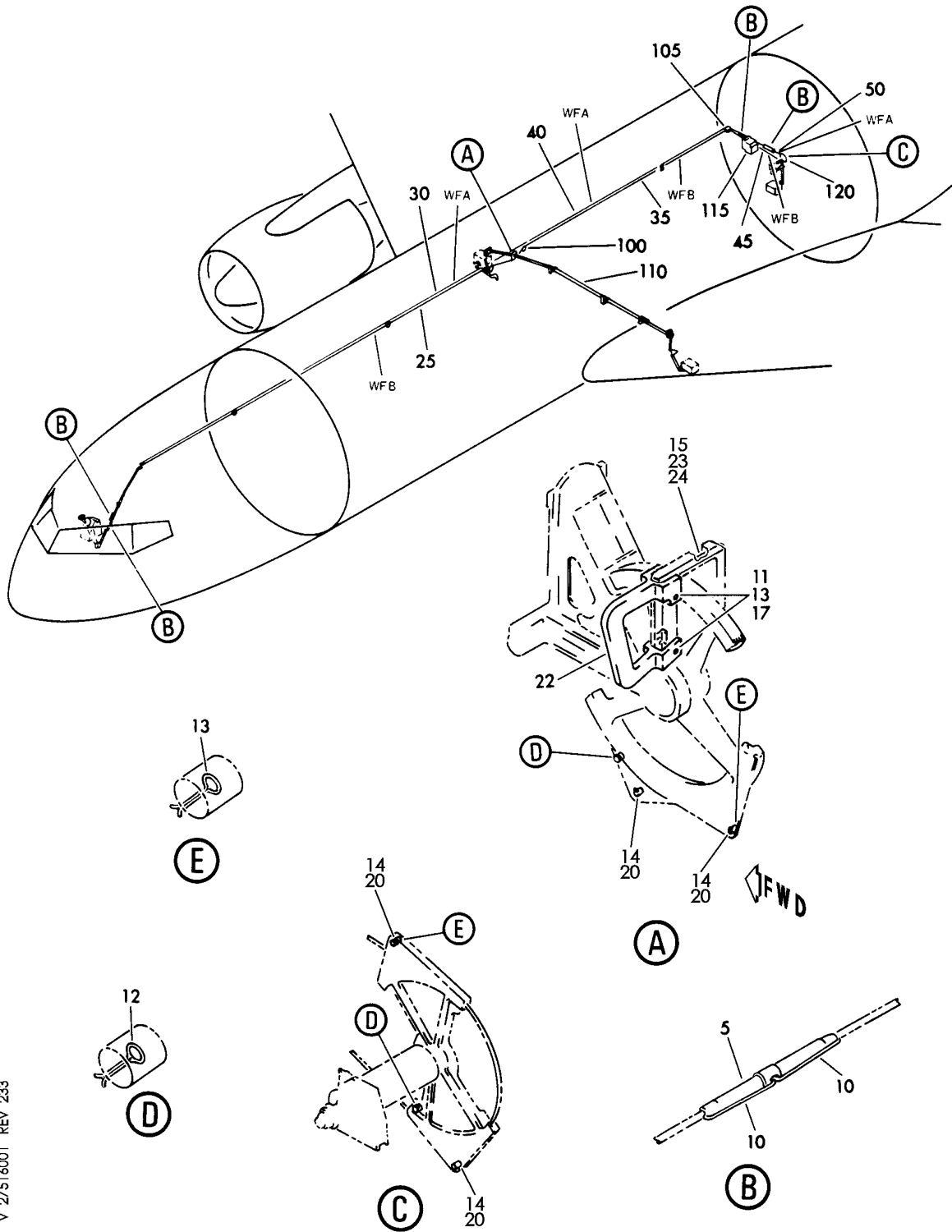
HXL

27-51-59-01

BOEING PROPRIETARY - Copyright © - Unpublished Work - See title page for details.

27-51-59  
FIG. 01  
PAGE 2  
DEC 22/06

**BOEING**  
767  
PARTS CATALOG (MAINTENANCE)



V 27516001 REV 233

CONTROL AND CABLE INSTL-HIGH LIFT SYS  
FIGURE 1

**27-51-60-01**

HXL  
DEC 22/06

27-51-60-01  
PAGE 0



767

PARTS CATALOG (MAINTENANCE)

FIG ITEM	PART NUMBER	1 2 3 4 5 6 7	NOMENCLATURE	EFFECT FROM TO	UNITS PER ASSY
1			CONTROL AND CABLE INSTL-HIGH LIFT SYS		
- 1	256T1000-1		CONTROL INSTL-HIGH LIFT SYS VARIABLE DRAWING REF: 256T1000-5014 FOR NHA SEE: 27-00-01-01C		RF
- 1	256T1000-7		CONTROL INSTL-HIGH LIFT SYS		RF
5	MS21251B3L		.TURNBUCKLE BODY		4
10	BACC15AJ2		.CLIP-		8
11	AN960PD4L		.WASHER		2
12	MS24665-300		.PIN-		6
13	MS24665-132		.PIN		6
15	MS20392-2C95		.PIN-		1
17	MS20392-1C41		.PIN-		2
20	MS20392-2C11		.PIN-		4
22	256T1130-2		.FAIRLEAD-		1
25	BACC2C3D06694EG		.CABLE ASSY-WFB-2		1
30	BACC2C3D06892EG		.CABLE ASSY-WFA-2		1
35	BACC2C3D03232FG		.CABLE ASSY-WFB-3		1
40	BACC2C3D03454FG		.CABLE ASSY-WFA-3		1
45	BACC2C3D00461EG		.CABLE ASSY-WFB-4		1
50	BACC2C3D00200EG		.CABLE ASSY-WFA-4		1
100	255T4522-2		.BRACKET INSTL-WING FLAP CABLE PULLEY POSITION DATA: STA 786 R SIDE VARIABLE DRAWING REF: 255T4522-5001 FOR DETAILS SEE: 27-51-51-01		1
105	255T4523-2		.BRACKET INSTL-WFA AND WFB PULLEY POSITION DATA: STA 1065 VARIABLE DRAWING REF: 255T4523-5003 255T4523-5004 FOR DETAILS SEE: 27-51-54-01		1
110	256T1100-5		.CONTROL INSTL-LE SLAT QUADRANT POSITION DATA: AFT FOR DETAILS SEE: 27-81-05-01		1

ILLUSTRATION ITEMS NOT ON PARTS LIST ARE NOT APPLICABLE

- ITEM NOT ILLUSTRATED

HXL

27-51-60-01

BOEING PROPRIETARY - Copyright © - Unpublished Work - See title page for details.

27-51-60  
FIG. 01  
PAGE 1  
APR 22/09



767

PARTS CATALOG (MAINTENANCE)

FIG ITEM	PART NUMBER	1 2 3 4 5 6 7	NOMENCLATURE	EFFECT FROM TO	UNITS PER ASSY
1 115	256T1400-15		.MODULE INSTL-FLAP AND SLAT HYDR SHUTOFF VALVE FOR DETAILS SEE: 27-51-48-01		1
120	256T1300-2		.CONTROL INSTL-TE FLAP QUADRANT AND LOAD ALLEVIATION VARIABLE DRAWING REF: 256T1300-6 FOR DETAILS SEE: 27-51-30-01		1

ILLUSTRATION ITEMS NOT ON PARTS LIST ARE NOT APPLICABLE

- ITEM NOT ILLUSTRATED

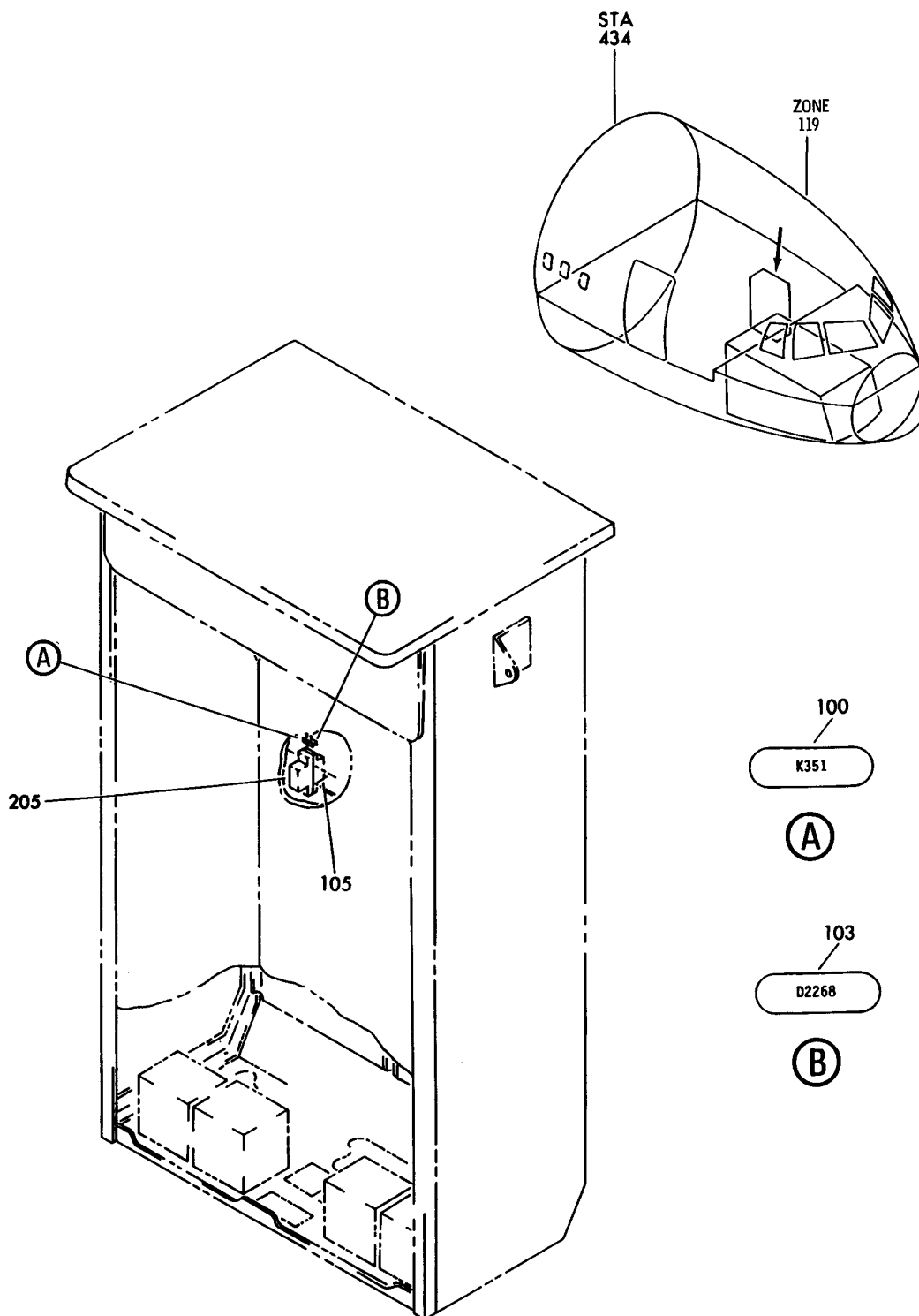
HXL

# 27-51-60-01

BOEING PROPRIETARY - Copyright © - Unpublished Work - See title page for details.

27-51-60  
FIG. 01  
PAGE 2  
APR 22/09

**BOEING**  
767  
PARTS CATALOG (MAINTENANCE)



V 27516101 REV 147

EQUIPMENT ASSY-P36 MISC ELEC PNL L (TRAILING EDGE FLAP SYSTEM ONLY)

FIGURE 1

**27-51-61-01**

HXL  
DEC 22/06

27-51-61-01  
PAGE 0





767

PARTS CATALOG (MAINTENANCE)

FIG ITEM	PART NUMBER	1 2 3 4 5 6 7	NOMENCLATURE	EFFECT FROM TO	UNITS PER ASSY
1			EQUIPMENT ASSY-P36 MISC ELEC PNL L (TRAILING EDGE FLAP SYSTEM ONLY)		
- 10	284T0187-167		EQUIPMENT ASSY-P36 MISC ELEC PNL (TRAILING EDGE FLAP SYSTEM ONLY) POSITION DATA: L FOR NHA/OTHER SYS DET SEE: 53-11-70-03	155162	RF
- 12	284T0187-205		EQUIPMENT ASSY-P36 MISC ELEC PNL (TRAILING EDGE FLAP SYSTEM ONLY) POSITION DATA: L FOR NHA/OTHER SYS DET SEE: 53-11-70-03	163163	RF
- 13	284T0187-212		EQUIPMENT ASSY-P36 MISC ELEC PNL (TRAILING EDGE FLAP SYSTEM ONLY) POSITION DATA: L FOR NHA/OTHER SYS DET SEE: 53-11-70-03	164999	RF
100	BAC27TEX4180		.DECALSET-INCLUDES DECALS IDENTIFIED ON THE ILLUSTRATION		RF
103	BAC27TEX3726		.DECALSET-INCLUDES DECALS IDENTIFIED ON THE ILLUSTRATION		RF
103	BAC27TEX4186		.DECALSET-INCLUDES DECALS IDENTIFIED ON THE ILLUSTRATION		RF

ILLUSTRATION ITEMS NOT ON PARTS LIST ARE NOT APPLICABLE

- ITEM NOT ILLUSTRATED

HXL

27-51-61-01

BOEING PROPRIETARY - Copyright © - Unpublished Work - See title page for details.

27-51-61  
FIG. 01  
PAGE 1  
DEC 22/07



**767  
PARTS CATALOG (MAINTENANCE)**

FIG ITEM	PART NUMBER	1 2 3 4 5 6 7	NOMENCLATURE	EFFECT FROM TO	UNITS PER ASSY
1 105	E210-1631		.RELAY- SUPPLIER CODE: V99699 SPECIFICATION NUMBER: BACR13CF2A OPTIONAL PART: BR246S0112 V56623 FCA210-70 V78290 E215-1050 V99699 JD4A017 V35344 BR64S104 V56623 61GB19-1A320 V98927 ELECTRICAL EQUIP NUMBER: K00351		1
- 200 205	286T0176-300 RSF116200		.WIRE BUNDLE ASSY ..SOCKET- SUPPLIER CODE: V58982 SPECIFICATION NUMBER: BACS16X1A OPTIONAL PART: 102-006-1 V09922 000300-1538 V05574 ELECTRICAL EQUIP NUMBER: D02268 WIRING DIAGRAM REF: 275131		RF 1

ILLUSTRATION ITEMS NOT ON PARTS LIST ARE NOT APPLICABLE

- ITEM NOT ILLUSTRATED

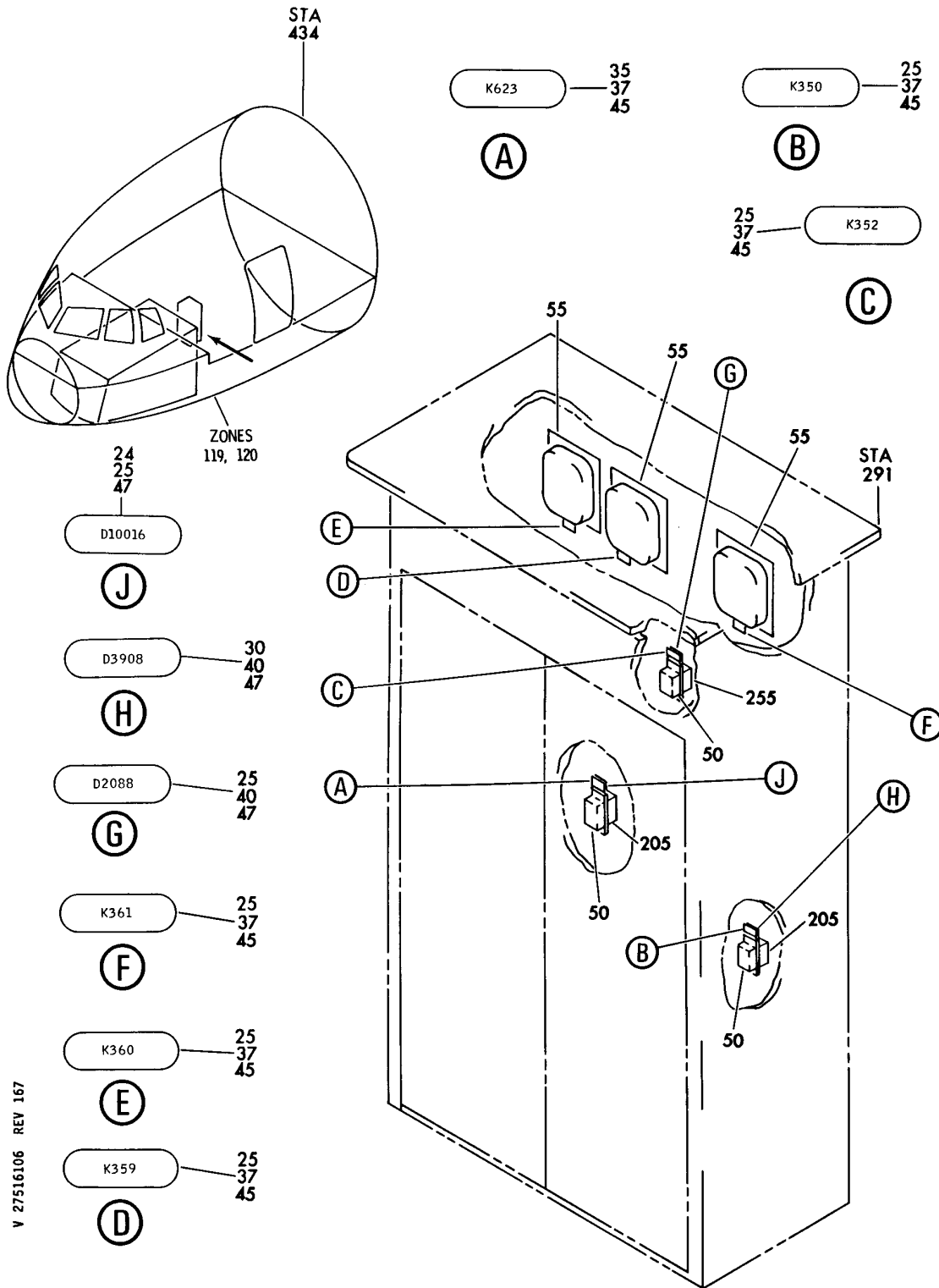
HXL

# 27-51-61-01

BOEING PROPRIETARY - Copyright © - Unpublished Work - See title page for details.

27-51-61  
FIG. 01  
PAGE 2  
DEC 22/07

**BOEING**  
767  
PARTS CATALOG (MAINTENANCE)



V 27516106 REV 167

EQUIPMENT ASSY-P33 MISC ELEC PNL FWD (TRAILING EDGE FLAP SYSTEM ONLY)  
FIGURE 6

**27-51-61-06**

HXL  
DEC 22/06

27-51-61-06  
PAGE 0



767

PARTS CATALOG (MAINTENANCE)

FIG ITEM	PART NUMBER	1 2 3 4 5 6 7	NOMENCLATURE	EFFECT FROM TO	UNITS PER ASSY
6			EQUIPMENT ASSY-P33 MISC ELEC PNL FWD (TRAILING EDGE FLAP SYSTEM ONLY)		
- 9	284T0189-155		EQUIPMENT ASSY-P33 MISC ELEC PNL (TRAILING EDGE FLAP SYSTEM ONLY) POSITION DATA: FWD FOR NHA/OTHER SYS DET SEE: 25-50-51-01	163999	RF
- 11	284T0189-183		EQUIPMENT ASSY-P33 MISC ELEC PNL (TRAILING EDGE FLAP SYSTEM ONLY) POSITION DATA: FWD FOR NHA/OTHER SYS DET SEE: 25-50-51-01	155162	RF
24	BAC27TEX4206		.DECALSET-INCLUDES DECALS IDENTIFIED ON THE ILLUSTRATION		RF
37	BAC27TEX4201		.DECALSET-INCLUDES DECALS IDENTIFIED ON THE ILLUSTRATION		RF
50	E210-1631		.RELAY- SUPPLIER CODE: V99699 SPECIFICATION NUMBER: BACR13CF2A OPTIONAL PART: BR246S0112 V56623 FCA210-70 V78290 E215-1050 V99699 JD4A017 V35344 BR64S104 V56623 61GB19-1A320 V98927 ELECTRICAL EQUIP NUMBER: K00350 K00352 K00623		3
ILLUSTRATION ITEMS NOT ON PARTS LIST ARE NOT APPLICABLE					

- ITEM NOT ILLUSTRATED

HXL

27-51-61-06

BOEING PROPRIETARY - Copyright © - Unpublished Work - See title page for details.

27-51-61  
FIG. 06  
PAGE 1  
DEC 22/07

**BOEING**  
767  
**PARTS CATALOG (MAINTENANCE)**

FIG ITEM	PART NUMBER	1 2 3 4 5 6 7	NOMENCLATURE	EFFECT FROM TO	UNITS PER ASSY
6					
55	9131-8506		.RELAY-A 3PST 28V DC SUPPLIER CODE: V35344 SPECIFICATION NUMBER: 10-61445-21 ELECTRICAL EQUIP NUMBER: K00359 K00360 K00361 COMPONENT MAINT MANUAL REF: 24-09-07 OPTIONAL PART: BH316A V74063		3
55	BH316A		.RELAY-A 3PST 28V DC SUPPLIER CODE: V74063 FUNCTIONAL DESCRIPTION: A SEALED REPAIRABLE ELECTROMAGNETIC DEVICE FOR REMOTE ACTUATION OF 28V, 50 AMP ELECTRICAL CONTACT. SPECIFICATION NUMBER: 10-61445-21 ELECTRICAL EQUIP NUMBER: K00359 K00360 K00361 COMPONENT MAINT MANUAL REF: 24-09-36 OPTIONAL PART: 9131-8506 V35344		3
- 60	NAS1801-3-7		ATTACHING PARTS .SCREW- -----*-----		12
- 200	286T0142-300		WIRE BUNDLE ASSY		RF
- 200	286T0142-301		WIRE BUNDLE ASSY		RF

ILLUSTRATION ITEMS NOT ON PARTS LIST ARE NOT APPLICABLE

- ITEM NOT ILLUSTRATED

HXL

27-51-61-06

BOEING PROPRIETARY - Copyright © - Unpublished Work - See title page for details.

27-51-61  
FIG. 06  
PAGE 2  
APR 22/09



767

PARTS CATALOG (MAINTENANCE)

FIG ITEM	PART NUMBER	1 2 3 4 5 6 7	NOMENCLATURE	EFFECT FROM TO	UNITS PER ASSY
6 205	RSF116200		.SOCKET- SUPPLIER CODE: V58982 SPECIFICATION NUMBER: BACS16X1A OPTIONAL PART: 102-006-1 V09922 000300-1538 V05574 ELECTRICAL EQUIP NUMBER: D03908 D10016 WIRING DIAGRAM REF: 275111		2
- 210	318-1620-802		.CONTACT- SUPPLIER CODE: V55104 SPECIFICATION NUMBER: BACC47DJ1 OPTIONAL PART: 101-016-1DJ5 V09922 019-0249-000 V05574 WIRING DIAGRAM REF: 275111 POST SERVICE BULLETIN: 27-0133		1
- 250	286T0144-300		WIRE BUNDLE ASSY		RF
- 250	286T0144-301		WIRE BUNDLE ASSY		RF
255	RSF116200		.SOCKET- SUPPLIER CODE: V58982 SPECIFICATION NUMBER: BACS16X1A OPTIONAL PART: 102-006-1 V09922 000300-1538 V05574 ELECTRICAL EQUIP NUMBER: D02088 WIRING DIAGRAM REF: 275151		1

ILLUSTRATION ITEMS NOT ON PARTS LIST ARE NOT APPLICABLE

- ITEM NOT ILLUSTRATED

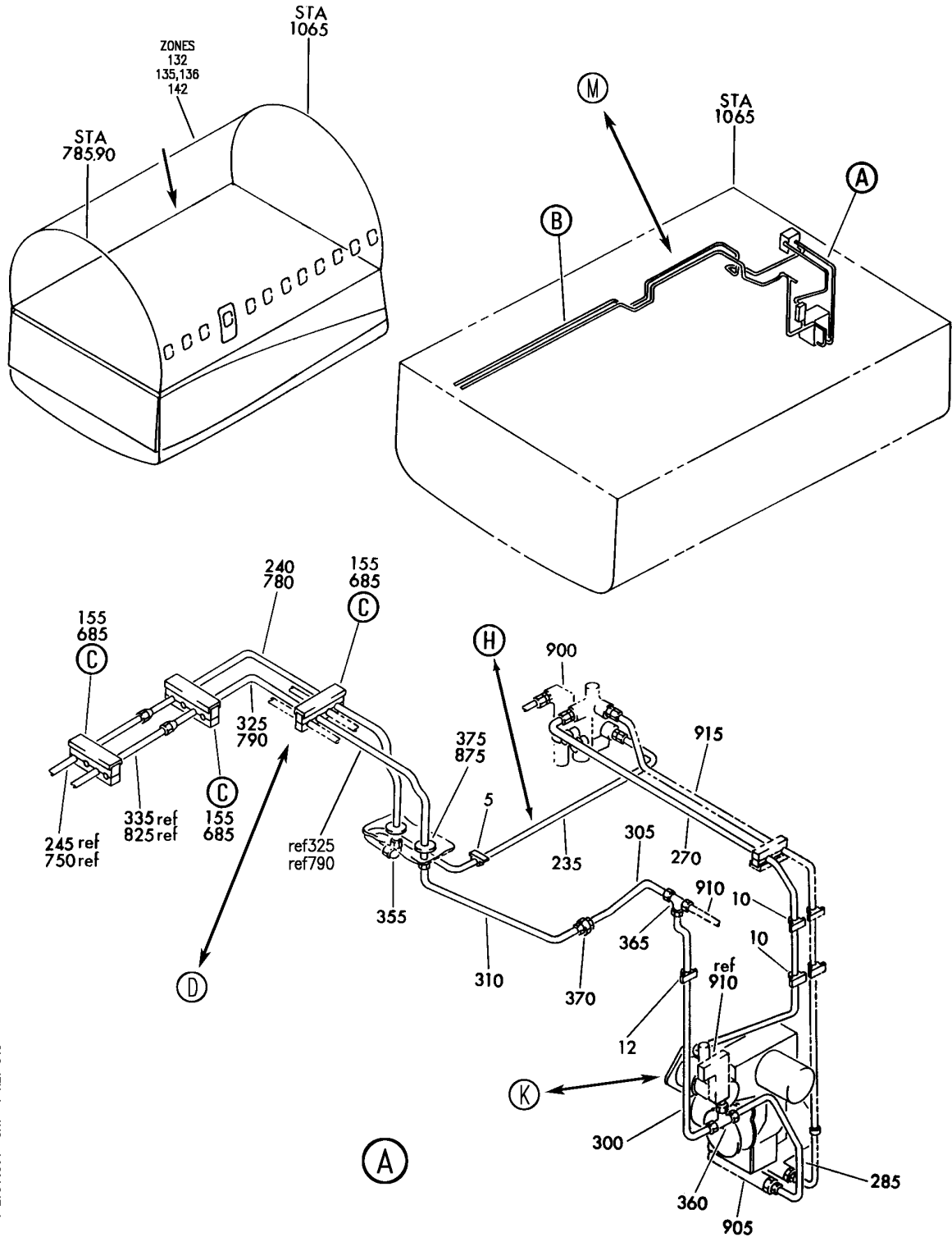
HXL

27-51-61-06

BOEING PROPRIETARY - Copyright © - Unpublished Work - See title page for details.

27-51-61  
FIG. 06  
PAGE 3  
APR 22/09

**BOEING**  
767  
PARTS CATALOG (MAINTENANCE)



V 27516301 SHT 1 REV 315

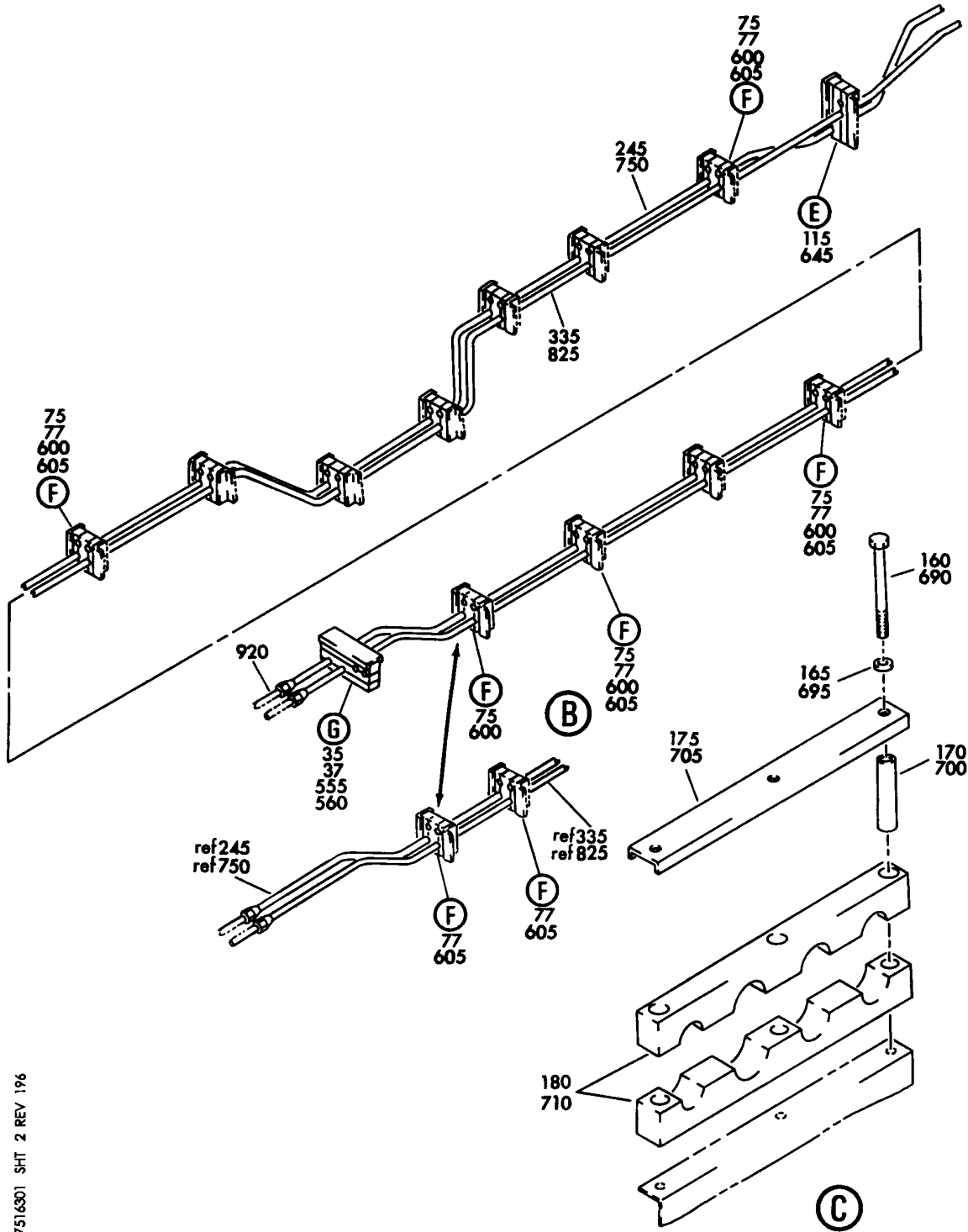
HYDRAULIC INSTL-SECT. 45 (FLAPS ONLY)  
FIGURE 1 (SHEET 1)

**27-51-63-01**

HXL  
APR 22/07

27-51-63-01  
PAGE 0

**BOEING**  
767  
PARTS CATALOG (MAINTENANCE)



V 27516301 SHT 2 REV 196

HYDRAULIC INSTL-SECT. 45 (FLAPS ONLY)  
FIGURE 1 (SHEET 2)

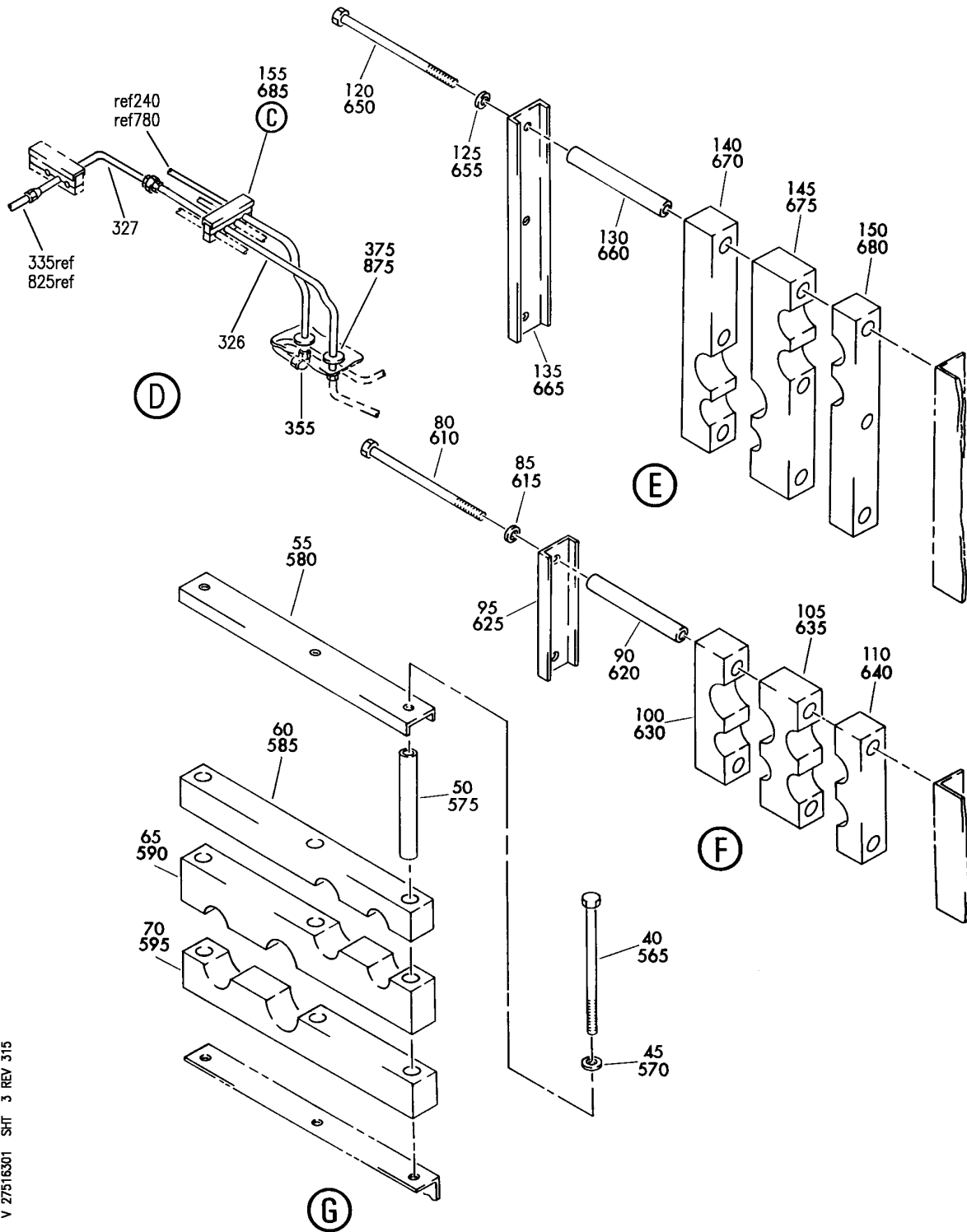
**27-51-63-01**

HXL  
DEC 22/06

27-51-63-01  
PAGE 0A




**BOEING**  
 767  
**PARTS CATALOG (MAINTENANCE)**



V 27516301 SHT 3 REV 315

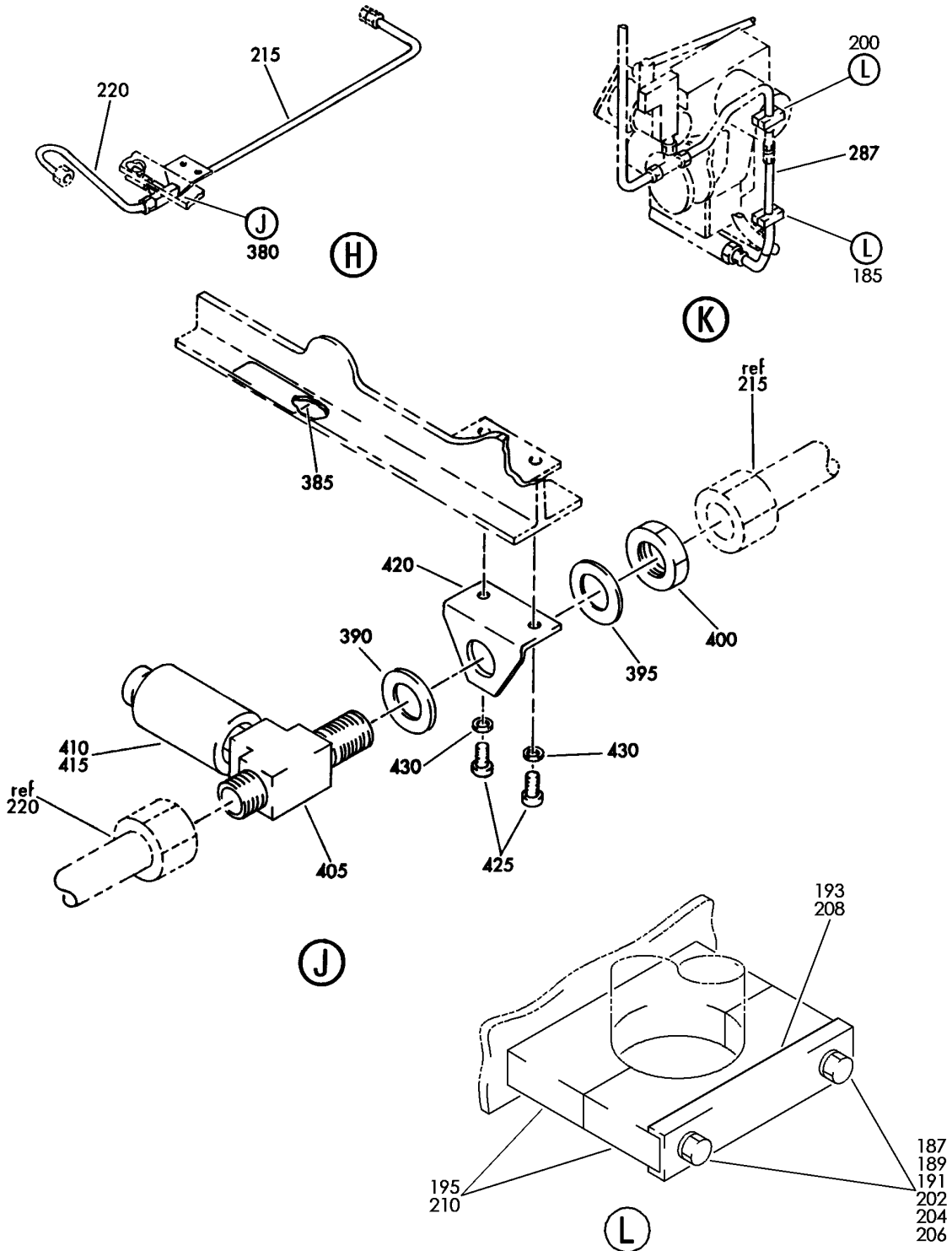
HYDRAULIC INSTL-SECT. 45 (FLAPS ONLY)  
 FIGURE 1 (SHEET 3)

**27-51-63-01**

HXL  
APR 22/07

27-51-63-01  
 PAGE 0B

**BOEING**  
767  
PARTS CATALOG (MAINTENANCE)



V 27516301 SHT 4 REV 233

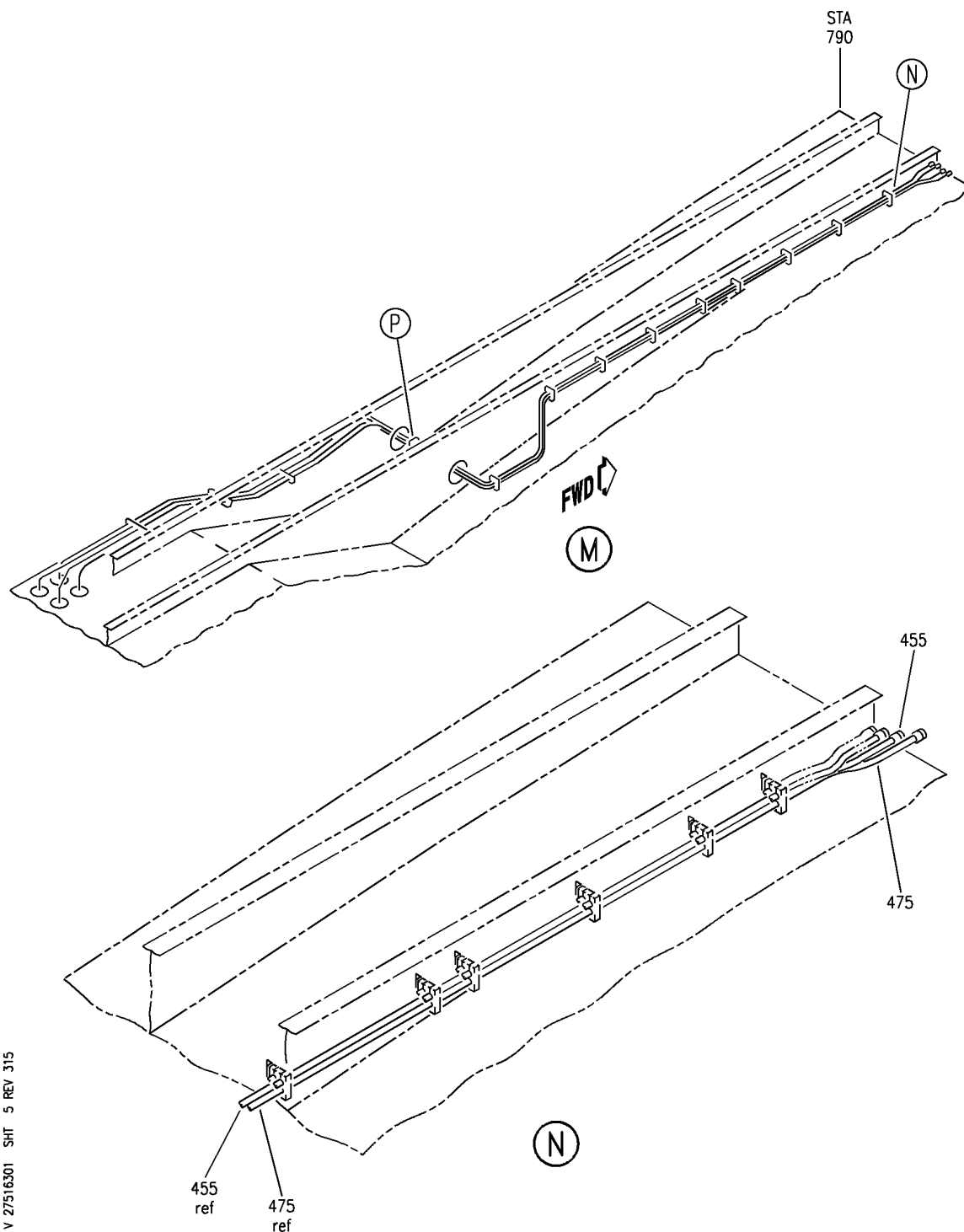
HYDRAULIC INSTL-SECT. 45 (FLAPS ONLY)  
FIGURE 1 (SHEET 4)

**27-51-63-01**

HXL  
DEC 22/06

27-51-63-01  
PAGE 0C

**BOEING**  
767  
PARTS CATALOG (MAINTENANCE)



V 27516301 SHT 5 REV 315

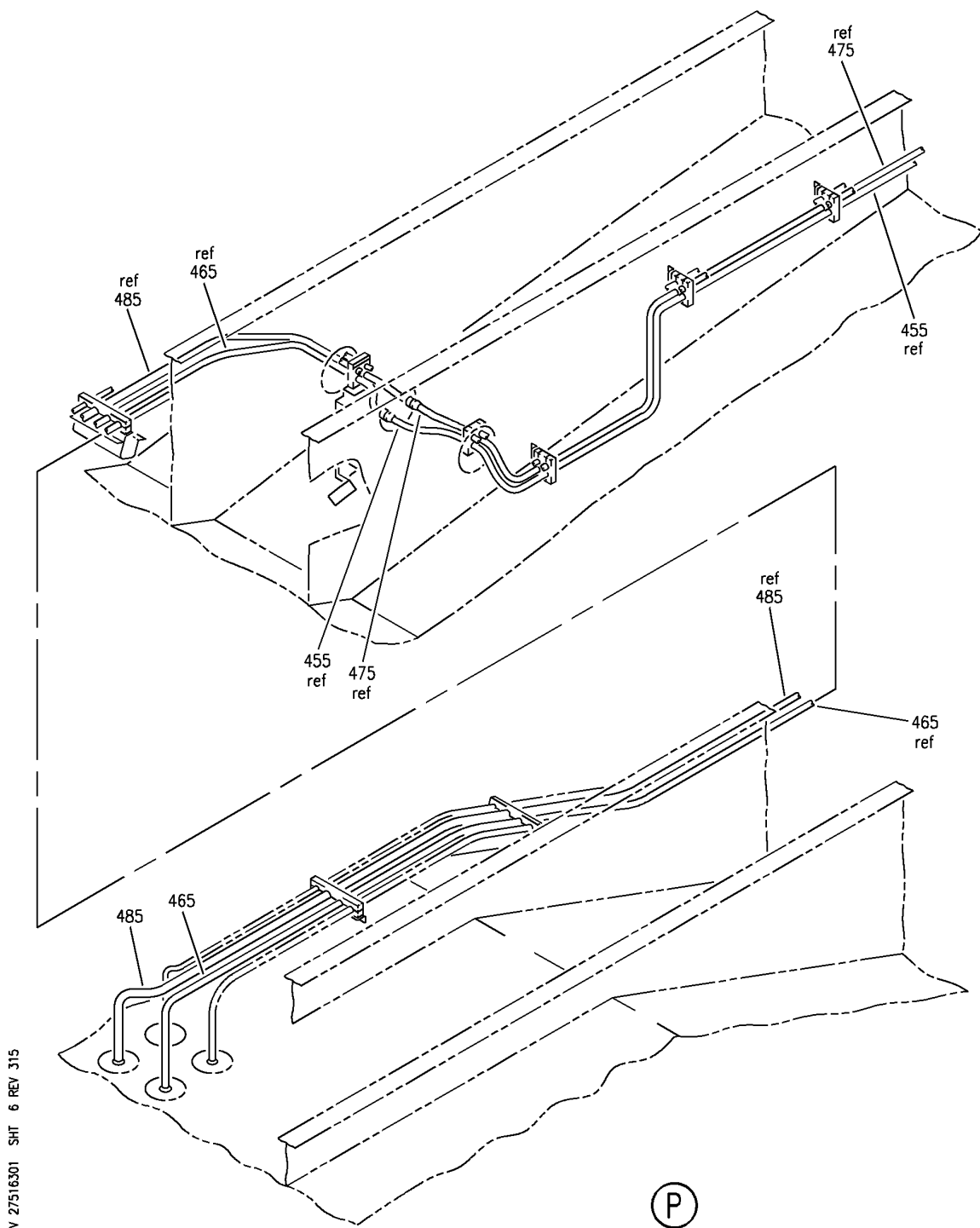
HYDRAULIC INSTL-SECT. 45 (FLAPS ONLY)  
FIGURE 1 (SHEET 5)

**27-51-63-01**

HXL  
APR 22/07

27-51-63-01  
PAGE 0D

**BOEING**  
767  
PARTS CATALOG (MAINTENANCE)



V 27516301 SHT 6 REV 315

HYDRAULIC INSTL-SECT. 45 (FLAPS ONLY)  
FIGURE 1 (SHEET 6)

**27-51-63-01**

HXL  
APR 22/07

27-51-63-01  
PAGE 0E

**BOEING**  
767  
**PARTS CATALOG (MAINTENANCE)**

FIG ITEM	PART NUMBER	1 2 3 4 5 6 7	NOMENCLATURE	EFFECT FROM TO	UNITS PER ASSY
1			HYDRAULIC INSTL-SECT. 45 (FLAPS ONLY)		
- 2	272T4500-3		HYDRAULIC INSTL- (FLAPS ONLY) POSITION DATA: SECT. 45 MISCELLANEOUS DATA: (CONT AT ITEM 002J) VARIABLE DRAWING REF: 272T4500-5191 272T4500-7002		RF
- 2	272T4500-3		HYDRAULIC INSTL- (FLAPS ONLY) POSITION DATA: SECT. 45 VARIABLE DRAWING REF: 272T4500-5274 272T4500-5278 272T4500-7002 FOR NHA/OTHER SYS DET SEE: 29-00-00-06		RF
10	TA0910004H106		.CLAMP SUPPLIER CODE: V84971 SPECIFICATION NUMBER: BACC10HB06C		2
12	TA0910004H112		.CLAMP SUPPLIER CODE: V84971 SPECIFICATION NUMBER: BACC10HB12C		1
- 20	NAS1801-3-9		ATTACHING PARTS .SCREW		6
- 25	AN960PD10L		.WASHER		6
- 26	AN960PD10L		.WASHER-		2
			-----*-----		
35	270T0005-479		.BLOCK ASSY-SPRT		1
40	NAS1801-3-43		..SCREW		3
45	AN960PD10L		..WASHER		3
50	NAS43DD3-140		..SPACER		3
55	270T0004-2051		..CHANNEL		1
60	270T0004-256		..BLOCK-CLAMP		1
65	270T0004-472		..BLOCK-CLAMP		1
70	270T0004-257		..BLOCK-CLAMP		1
77	270T0005-477		.BLOCK ASSY-SPRT		12
80	NAS1801-3-43		..SCREW		2
85	AN960PD10L		..WASHER		2
90	NAS43DD3-140		..SPACER		2
95	270T0004-2082		..CHANNEL		1

ILLUSTRATION ITEMS NOT ON PARTS LIST ARE NOT APPLICABLE

- ITEM NOT ILLUSTRATED

HXL

**27-51-63-01**

BOEING PROPRIETARY - Copyright © - Unpublished Work - See title page for details.

27-51-63  
FIG. 01  
PAGE 1  
DEC 22/07

 **BOEING**  
767  
**PARTS CATALOG (MAINTENANCE)**

FIG ITEM	PART NUMBER	1 2 3 4 5 6 7	NOMENCLATURE	EFFECT FROM TO	UNITS PER ASSY
1					
100	270T0004-254	..	BLOCK-CLAMP		1
105	270T0004-471	..	BLOCK-CLAMP		1
110	270T0004-255	..	BLOCK-CLAMP		1
115	270T0005-442	.BLOCK	ASSY-SPRT		1
120	NAS1801-4-43	..	SCREW		3
125	AN960PD416L	..	WASHER		3
130	NAS43DD3-140	..	SPACER		3
135	270T0004-2034	..	CHANNEL		1
140	270T0004-252	..	BLOCK-CLAMP		1
145	270T0004-469	..	BLOCK-CLAMP		1
150	270T0004-253	..	BLOCK-CLAMP		1
155	270T0005-475	.BLOCK	ASSY-SPRT		3
160	NAS1801-3-30	..	SCREW		3
165	AN960PD10L	..	WASHER		3
170	NAS43DD3-85	..	SPACER		3
175	270T0004-2081	..	CHANNEL		1
180	270T0004-470	..	BLOCK-CLAMP		2
- 236	AS1581T10	..	SLEEVE		2
- 237	BACN10YA10	..	NUT-		2
			OPTIONAL PART: BACN10NR10		
- 237	AFP107-10	..	NUT		2
			SUPPLIER CODE: V30974		
			SPECIFICATION NUMBER: BACN10NR10		
			OPTIONAL PART: AP1028T10		
			V01673		
			BC921T10		
			V50948		
			DBON10NR10		
			V14798		
			ER01921-10T		
			V88334		
			FER8928-10		
			V14397		
			F11-10		
			V73197		
			2-03005T10		
			V11328		
			31783-10		
			V14397		
240	272T4500-309	.TUBE	ASSY-SLAT PRESSURE CTR SYS		1
			TUBING MATERIAL: .625 IN. OD .032 IN. WALL 54.00 IN. LG TITANIUM		
ILLUSTRATION ITEMS NOT ON PARTS LIST ARE NOT APPLICABLE					

- ITEM NOT ILLUSTRATED

HXL

# 27-51-63-01

BOEING PROPRIETARY - Copyright © - Unpublished Work - See title page for details.

27-51-63  
FIG. 01  
PAGE 2  
DEC 22/07

 **BOEING**  
767  
**PARTS CATALOG (MAINTENANCE)**

FIG ITEM	PART NUMBER	1 2 3 4 5 6 7	NOMENCLATURE	EFFECT FROM TO	UNITS PER ASSY
1					
- 242	AS1582T10		..UNION		2
245	272T4500-1406		.TUBE ASSY-SLAT PRESSURE CTR SYS		1
- 260	AS1580T10		..RING		1
- 262	AS1581T10		..SLEEVE		2
- 264	BACN10YA10		..NUT		2
- 266	272T4500-2012		..TUBE ASSY- TUBING MATERIAL: .625 IN. OD X .032 IN. WALL X 140.1 IN. LG TITANIUM BMS 7-234		1
- 267	272T4500-2013		..TUBE ASSY- TUBING MATERIAL: .625 IN. OD X .032 IN. WALL X 98.9 IN. LG TITANIUM BMS 7-234		1
270	272T4500-735		.TUBE ASSY-RETURN CTR SYS TUBING MATERIAL: .375 IN. OD .035 IN. WALL 75.00 IN. LG AL		1
- 275	AP2097HP06		..SLEEVE SUPPLIER CODE: V01673 SPECIFICATION NUMBER: BACS13BX06HP OPTIONAL PART: 2-02903-06HP V11328 35235VN06 V08199 AFP175V06P V30974 DBOS13BX06HP V14798		2
- 280	BACN10YL06		..NUT-		2
285	272T4500-759		.TUBE ASSY- TUBING MATERIAL: .625 IN. OD .035 IN. WALL 23.00 IN. LG ALUMINIUM		1
287	AS116-10K0134		.HOSE ASSY- POST SERVICE BULLETIN: 27-0079		1

ILLUSTRATION ITEMS NOT ON PARTS LIST ARE NOT APPLICABLE

- ITEM NOT ILLUSTRATED

HXL

# 27-51-63-01

BOEING PROPRIETARY - Copyright © - Unpublished Work - See title page for details.

27-51-63  
FIG. 01  
PAGE 3  
DEC 22/07

**BOEING**  
767  
**PARTS CATALOG (MAINTENANCE)**

FIG ITEM	PART NUMBER	1 2 3 4 5 6 7	NOMENCLATURE	EFFECT FROM TO	UNITS PER ASSY
1					
- 292	AP2097HP10		.. SLEEVE- SUPPLIER CODE: V01673 SPECIFICATION NUMBER: BACS13BX10HP OPTIONAL PART: 2-02903-10HP V11328 35235VN10 V08199 AFP175V10P V30974 DBOS13BX10HP V14798		1
- 297	BACN10YL10		.. NUT-		1
- 299	35056GV10		.. UNION- SUPPLIER CODE: V08199 SPECIFICATION NUMBER: BACU24AB10W OPTIONAL PART: 4671097W10 V50948 2-01027-10W V11328 31875-10W V14397 AP1004W10 V01673 AFP941W10 V30974 DBOU24AB10W V14798		1
300	272T4500-603		.TUBE ASSY-RETURN CTR SYS TUBING MATERIAL: .750 IN. OD .035 IN. WALL 35.00 IN. LG AL		1
305	272T4500-602		.TUBE ASSY-SLAT RETURN CTR SYS TUBING MATERIAL: .750 IN. OD .035 IN. WALL 19.00 IN. LG AL		1
310	272T4500-601		.TUBE ASSY-SLAT RETURN CTR SYS TUBING MATERIAL: .750 IN. OD .035 IN. WALL 22.50 IN. LG TITANIUM		1
ILLUSTRATION ITEMS NOT ON PARTS LIST ARE NOT APPLICABLE					

- ITEM NOT ILLUSTRATED

HXL

# 27-51-63-01

BOEING PROPRIETARY - Copyright © - Unpublished Work - See title page for details.

27-51-63  
FIG. 01  
PAGE 4  
DEC 22/07





767

PARTS CATALOG (MAINTENANCE)

FIG ITEM	PART NUMBER	1 2 3 4 5 6 7	NOMENCLATURE	EFFECT FROM TO	UNITS PER ASSY
1					
- 315	AP2097HP12	..	SLEEVE SUPPLIER CODE: V01673 SPECIFICATION NUMBER: BACS13BX12HP OPTIONAL PART: 2-02903-12HP V11328 35235VN12 V08199 AFP175V12P V30974 DBOS13BX12HP V14798		2
- 320	BACN10YL12	..	NUT-		2
326	272T4500-765	.TUBE ASSY-	TUBING MATERIAL: .750 IN. OD .039 IN. WALL 17.00 IN. LG TITANIUM	155163	1
327	272T4500-764	.TUBE ASSY-	TUBING MATERIAL: .750 IN. OD .039 IN. WALL 32.00 IN. LG TITANIUM	155163	1
- 331	AS1582T12	..	UNION- USED ON: 272T4500-764	155163	1
- 332	AS1581T12	..	SLEEVE- USED ON: 272T4500-764	155163	1
- 334	BACN10YA12N	..	NUT- USED ON: 272T4500-764	155163	1
335	272T4500-1609	.TUBE ASSY-	SLAT RETURN CTR SYS		1
- 338	272T4500-2014	..	TUBE ASSY-		1
- 341	272T4500-2015	..	TUBE ASSY-		1
- 344	AS1581T12	...	SLEEVE		1
- 347	BACN10YA12	...	NUT		1
- 350	AS1580T12	..	RING		1
355	NAS1762T1010	.ELBOW-			1
355	AP1042P1010	.ELBOW-	SUPPLIER CODE: V01673 SPECIFICATION NUMBER: BACE21BT1010P		1
360	NAS1764D121016	.TEE			1
365	MS21905D12	.TEE			1

ILLUSTRATION ITEMS NOT ON PARTS LIST ARE NOT APPLICABLE

- ITEM NOT ILLUSTRATED

27-51-63-01

27-51-63  
FIG. 01  
PAGE 5  
DEC 22/07

HXL

**BOEING**  
767  
**PARTS CATALOG (MAINTENANCE)**

FIG ITEM	PART NUMBER	1 2 3 4 5 6 7	NOMENCLATURE	EFFECT FROM TO	UNITS PER ASSY
1	370 1C1296		. VALVE- SUPPLIER CODE: V99240 SPECIFICATION NUMBER: S270T252-16 ATTACHING PARTS		1
- 372	NAS1801-4-8		. SCREW		1
- 373	AN960PD416L		. WASHER		1
			-----*-----		
	375 272T4505-1		. SEAL INSTL-MAIN WHL WELL PRESSURE DECK FOR DETAILS SEE: 53-53-58-01		1
	380 272T0238-1		. SWITCH INSTL-FLAP/SLAT SHUTOFF POST SERVICE BULLETIN: 27-0108 ATTACHING PARTS		1
- 382	NAS6603-2		. BOLT		2
- 383	AN960JD10L		. WASHER		2
			-----*-----		
	385 BAC27THY0195		.. MARKER-ALUMINUM FOIL PLACARD CONTENT: S846 SOV FLAP/SLAT HYDR PRESS, C		1
	390 AN960JD1416		.. WASHER		1
	395 AN960JD1416L		.. WASHER		1
	400 AN924-10D		.. NUT		1

ILLUSTRATION ITEMS NOT ON PARTS LIST ARE NOT APPLICABLE

- ITEM NOT ILLUSTRATED

HXL

27-51-63-01

BOEING PROPRIETARY - Copyright © - Unpublished Work - See title page for details.

27-51-63  
FIG. 01  
PAGE 6  
DEC 22/07



767

PARTS CATALOG (MAINTENANCE)

FIG ITEM	PART NUMBER	1 2 3 4 5 6 7	NOMENCLATURE	EFFECT FROM TO	UNITS PER ASSY
1 405	APX783J101006	..	TEE SUPPLIER CODE: V01673 SPECIFICATION NUMBER: BACT16AT101006J OPTIONAL PART: APX783-101006J V01673 FER1530-101006J V14397 NAF1837-101006J V52930 US1926-101006J V50808 DBOT16AT101006J V14798 ER783-101006J V50948 ER783-101006J V88334 LER783-101006J V11328 AFP326-101006J V30974		1
410	211C223-301	..	SWITCH-HYDR PRESSURE SUPPLIER CODE: V02750 FUNCTIONAL DESCRIPTION: CLOSSES AN ELECTRICAL CIRCUIT WHEN HYDRAULIC PRESSURE IS SENSED. SPECIFICATION NUMBER: S271T452-1 ELECTRICAL EQUIP NUMBER: S00846 COMPONENT MAINT MANUAL REF: 29-09-01 OPTIONAL PART: 211C223-534 V02750 211C223-175 V02750 SERVICE BULLETIN OPT DATA: 211C223-175		1

ILLUSTRATION ITEMS NOT ON PARTS LIST ARE NOT APPLICABLE

- ITEM NOT ILLUSTRATED

HXL

27-51-63-01

BOEING PROPRIETARY - Copyright © - Unpublished Work - See title page for details.

27-51-63  
 FIG. 01  
 PAGE 7  
 DEC 22/07

**BOEING**  
767  
**PARTS CATALOG (MAINTENANCE)**

FIG ITEM	PART NUMBER	1 2 3 4 5 6 7	NOMENCLATURE	EFFECT FROM TO	UNITS PER ASSY
1 410	211C223-534		.. SWITCH ASSY-HYDR PRESSURE SUPPLIER CODE: V02750 FUNCTIONAL DESCRIPTION: CLOSES AN ELECTRICAL CIRCUIT WHEN HYDRAULIC PRESSURE IS SENSED. SPECIFICATION NUMBER: S271T452-1 ELECTRICAL EQUIP NUMBER: S00846 COMPONENT MAINT MANUAL REF: 29-09-04 OPTIONAL PART: 211C223-301 V02750		1
415	NAS1612-6		.. PACKING-		1
420	272T0237-1		.. BRACKET ATTACHING PARTS		1
- 425	NAS6603-2		.. BOLT		2
- 430	AN960JD10L		.. WASHER		2
900			-----*----- ILLUSTRATION REFERENCE: MODULE INSTL-FLAP AND SLAT HYDR SHUTOFF VALVE 27-51-48-01		RF
905			ILLUSTRATION REFERENCE: UNIT INSTL-TE FLAP PWR DRIVE 27-51-33-01		RF
910			ILLUSTRATION REFERENCE: HYDRAULIC INSTL-SECT. 45 (AILERON AND SPOILER HYDRAULIC SHUTOFF VALVE ONLY) 27-13-53-02		RF
915			ILLUSTRATION REFERENCE: HYDRAULIC INSTL-SECT. 45 (MAIN HYDRAULIC SYSTEMS ONLY) 29-11-76-06		RF
920			ILLUSTRATION REFERENCE: HYDRAULIC INSTL-SECT. 43 (FLIGHT CONTROL ONLY) 27-81-58-01		RF

ILLUSTRATION ITEMS NOT ON PARTS LIST ARE NOT APPLICABLE

- ITEM NOT ILLUSTRATED

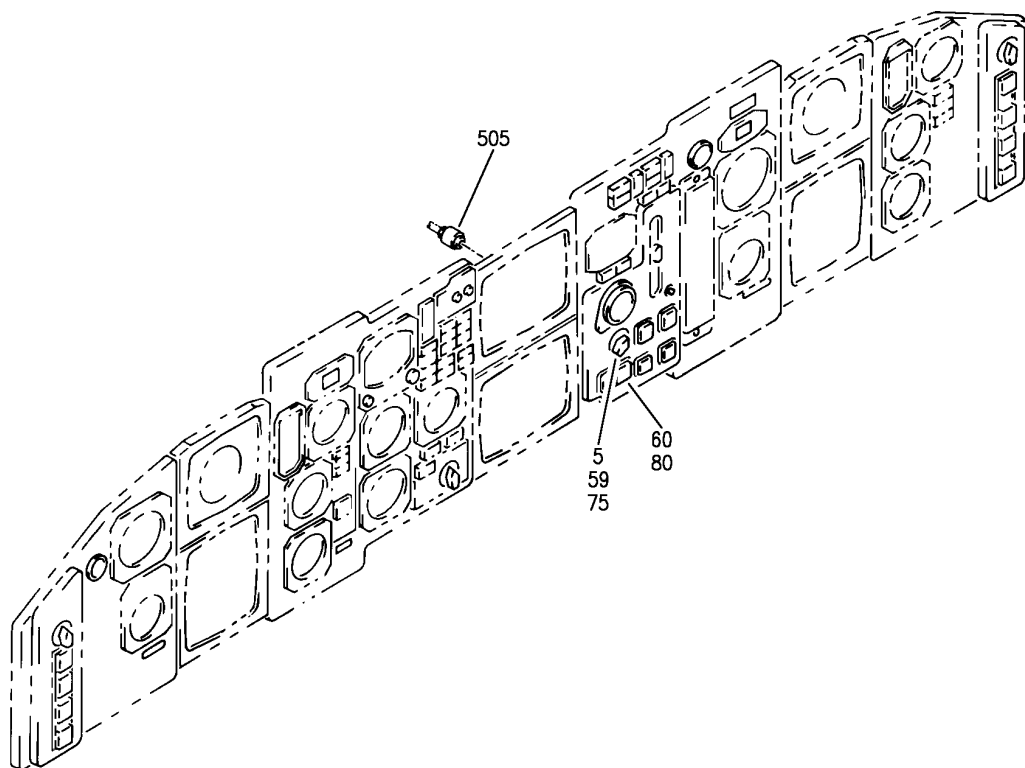
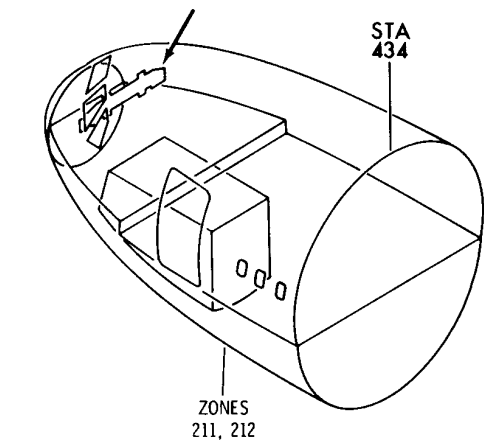
HXL

# 27-51-63-01

BOEING PROPRIETARY - Copyright © - Unpublished Work - See title page for details.

27-51-63  
FIG. 01  
PAGE 8  
DEC 22/08

**BOEING**  
767  
PARTS CATALOG (MAINTENANCE)



V 27516501 REV 306

PANEL INSTL-PILOTS MAIN (TE FLAP SYSTEM ONLY)

FIGURE 1

**27-51-65-01**

HXL  
DEC 22/06

27-51-65-01  
PAGE 0



767

PARTS CATALOG (MAINTENANCE)

FIG ITEM	PART NUMBER	1 2 3 4 5 6 7	NOMENCLATURE	EFFECT FROM TO	UNITS PER ASSY
1			PANEL INSTL-PILOTS MAIN (TE FLAP SYSTEM ONLY)		
- 1	233T2100-1		PANEL INSTL-PILOTS MAIN (TE FLAP SYSTEM ONLY) VARIABLE DRAWING REF: 233T2100-5048 FOR NHA/OTHER SYS DET SEE: 25-10-00-03		RF
5	BP248-110		.KN0B- SUPPLIER CODE: V81590 SPECIFICATION NUMBER: 452-016-9001 OPTIONAL PART: BP248-127 V81590		1
5	BP248-127		.KN0B- SUPPLIER CODE: V81590 OPTIONAL PART: BP248-110 V81590		1
- 54	233T2223-120		.PANEL ASSY-2 CREW CONT P3-1 PRE ALERT SB: 33A0087		RF
- 57	233T2223-1120		.PANEL ASSY-2 CREW CONT P3-1 POST ALERT SB: 33A0087		RF
59	AC45-0031		..SWITCH-ROTARY SUPPLIER CODE: V91812 ELECTRICAL EQUIP NUMBER: S00598		1
60	851-30768-3001		..SWITCH ASSY-LIGHTED PUSH BUTTON IND ALTN SUPPLIER CODE: V96182 SPECIFICATION NUMBER: S231T290-3001 ELECTRICAL EQUIP NUMBER: S00601 OPTIONAL PART: S231T290-5001 V96182 FOR DETAILS SEE: 33-13-75-24		1

ILLUSTRATION ITEMS NOT ON PARTS LIST ARE NOT APPLICABLE

- ITEM NOT ILLUSTRATED

HXL

27-51-65-01

BOEING PROPRIETARY - Copyright © - Unpublished Work - See title page for details.

27-51-65  
FIG. 01  
PAGE 1  
APR 22/09



767

PARTS CATALOG (MAINTENANCE)

FIG ITEM	PART NUMBER	1 2 3 4 5 6 7	NOMENCLATURE	EFFECT FROM TO	UNITS PER ASSY
1 60	BCREF7679		<p>..SWITCH ASSY-LIGHTED PUSH            BUTTON IND ALTN            SUPPLIER CODE:            V81590            OVERLENGTH PART NUMBER:            433-673-1001-1001            SPECIFICATION NUMBER:            S231T290-1001            MISCELLANEOUS DATA:            WHEN REPLACING THE            PUSHBUTTON SWITCH ASSY            OR THE MASTER MODULE            WITHIN, VERIFY THAT A            CONFIG D MASTER MODULE            P/N 13206-001 IS            INSTALLED IN LIEU OF ANY            EARLIER CONFIGURATION            MASTER MODULES.            ELECTRICAL EQUIP NUMBER:            S00601            REWORKED BY ALERT SB:            33A0087            FOR DETAILS SEE:            33-13-75-14</p>		1
60	851-30768-2001		<p>..SWITCH ASSY-LIGHTED PUSH            BUTTON IND ALTN            SUPPLIER CODE:            V96182            SPECIFICATION NUMBER:            S231T290-2001            ELECTRICAL EQUIP NUMBER:            S00601            FOR DETAILS SEE:            33-13-75-04</p>		1

ILLUSTRATION ITEMS NOT ON PARTS LIST ARE NOT APPLICABLE

- ITEM NOT ILLUSTRATED

HXL

**27-51-65-01**

BOEING PROPRIETARY - Copyright © - Unpublished Work - See title page for details.

27-51-65  
 FIG. 01  
 PAGE 2  
 DEC 22/07



767

PARTS CATALOG (MAINTENANCE)

FIG ITEM	PART NUMBER	1 2 3 4 5 6 7	NOMENCLATURE	EFFECT FROM TO	UNITS PER ASSY
1 60	BCREFA0501		..SWITCH ASSY-LIGHTED PUSH BUTTON IND SUPPLIER CODE: V81590 OVERLENGTH PART NUMBER: 433-673-1004-4001 SPECIFICATION NUMBER: S231T290-4001 MISCELLANEOUS DATA: WHEN REPLACING THE PUSHBUTTON SWITCH ASSY OR THE MASTER MODULE WITHIN, VERIFY THAT A CONFIG D MASTER MODULE P/N 13206-001 IS INSTALLED IN LIEU OF ANY EARLIER CONFIGURATION MASTER MODULES. ELECTRICAL EQUIP NUMBER: S00601 OPTIONAL PART: S231T290-5001 V96182 REWORKED BY ALERT SB: 33A0087 FOR DETAILS SEE: 33-13-75-31		1
60	S231T290-5001		..SWITCH ASSY-LIGHTED PUSH BUTTON IND SUPPLIER CODE: V96182 ELECTRICAL EQUIP NUMBER: S00601 OPTIONAL PART: BCREFA0501 V81590		1
60	851-30768-2001		..SWITCH ASSY-LIGHTED PUSH BUTTON IND ALTN SUPPLIER CODE: V96182 SPECIFICATION NUMBER: S231T290-2001 ELECTRICAL EQUIP NUMBER: S00601 FOR DETAILS SEE: 33-13-75-04		1
- 500	286T0031-107		WIRE BUNDLE ASSY		RF

ILLUSTRATION ITEMS NOT ON PARTS LIST ARE NOT APPLICABLE

- ITEM NOT ILLUSTRATED

HXL

27-51-65-01

BOEING PROPRIETARY - Copyright © - Unpublished Work - See title page for details.

27-51-65  
 FIG. 01  
 PAGE 3  
 AUG 22/08





767  
PARTS CATALOG (MAINTENANCE)

FIG ITEM	PART NUMBER	1 2 3 4 5 6 7	NOMENCLATURE	EFFECT FROM TO	UNITS PER ASSY
1 505	BACC45FT16A24S		.CONNECTOR- ELECTRICAL EQUIP NUMBER: D10032 WIRING DIAGRAM REF: 275111		1

ILLUSTRATION ITEMS NOT ON PARTS LIST ARE NOT APPLICABLE

- ITEM NOT ILLUSTRATED

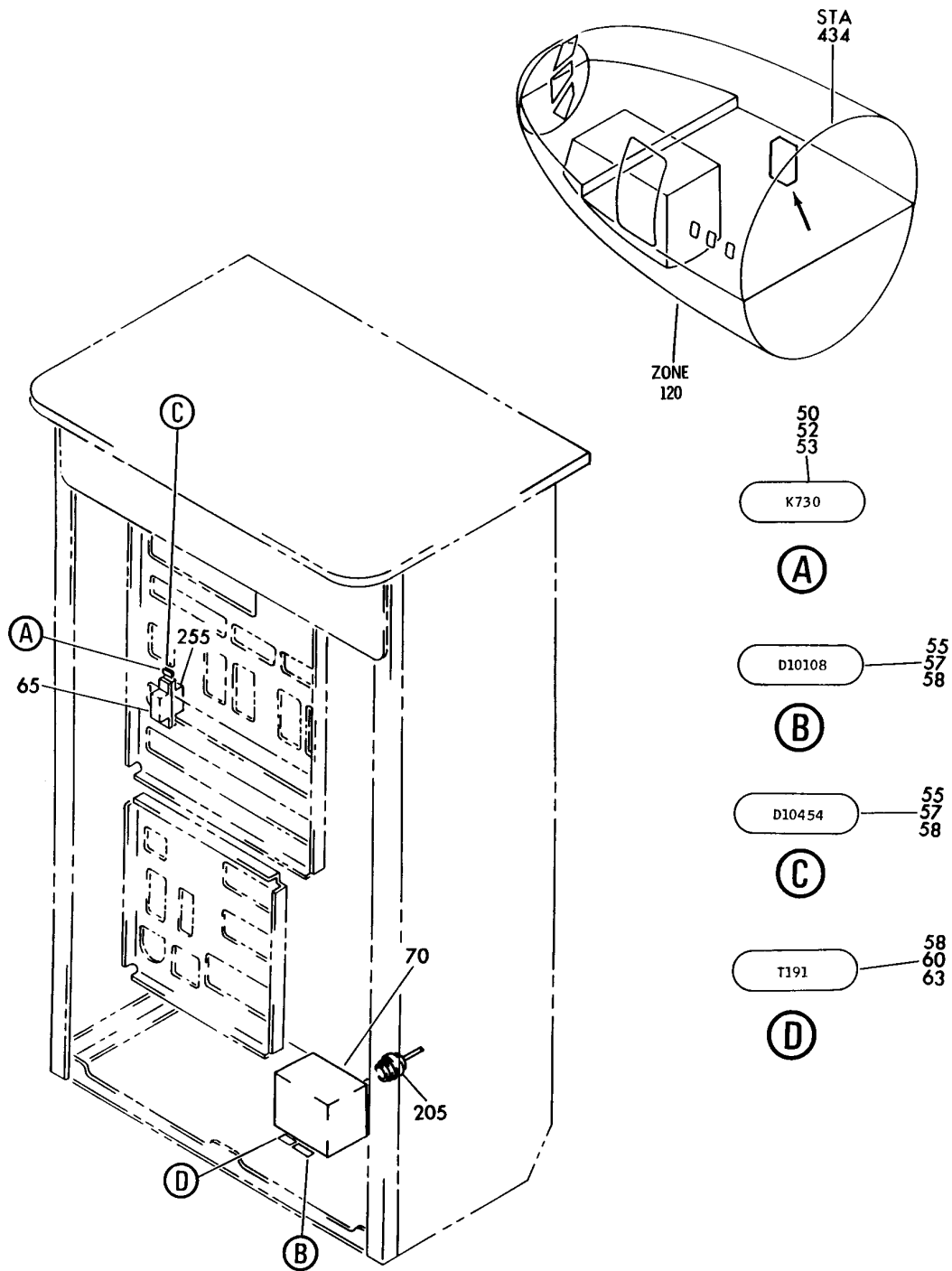
HXL

27-51-65-01

BOEING PROPRIETARY - Copyright © - Unpublished Work - See title page for details.

27-51-65  
FIG. 01  
PAGE 4  
DEC 22/06

**BOEING**  
767  
PARTS CATALOG (MAINTENANCE)



V 27517001 REV 145

EQUIPMENT ASSY-P37 MISC ELEC PNL R (TRAILING EDGE FLAP SYSTEM ONLY)  
FIGURE 1

**27-51-70-01**

HXL  
DEC 22/06

27-51-70-01  
PAGE 0



767

PARTS CATALOG (MAINTENANCE)

FIG ITEM	PART NUMBER	1 2 3 4 5 6 7	NOMENCLATURE	EFFECT FROM TO	UNITS PER ASSY
1			EQUIPMENT ASSY-P37 MISC ELEC PNL R (TRAILING EDGE FLAP SYSTEM ONLY)		
- 9	284T0188-157		EQUIPMENT ASSY-P37 MISC ELEC PNL (TRAILING EDGE FLAP SYSTEM ONLY) POSITION DATA: R FOR NHA/OTHER SYS DET SEE: 53-11-70-05	155162	RF
- 10	284T0188-172		EQUIPMENT ASSY-P37 MISC ELEC PNL (TRAILING EDGE FLAP SYSTEM ONLY) POSITION DATA: R FOR NHA/OTHER SYS DET SEE: 53-11-70-05	163163	RF
- 11	284T0188-194		EQUIPMENT ASSY-P37 MISC ELEC PNL (TRAILING EDGE FLAP SYSTEM ONLY) POSITION DATA: R FOR NHA/OTHER SYS DET SEE: 53-11-70-05	164999	RF
52	BAC27TEX4184		.DECALSET-INCLUDES DECALS IDENTIFIED ON THE ILLUSTRATION		RF
57	BAC27TEX4190		.DECALSET-INCLUDES DECALS IDENTIFIED ON THE ILLUSTRATION		RF
63	BAC27TEX4185		.DECALSET-INCLUDES DECALS IDENTIFIED ON THE ILLUSTRATION		RF
65	JAD9F007		.RELAY- SUPPLIER CODE: V58657 SPECIFICATION NUMBER: BACR13CJ2 ELECTRICAL EQUIP NUMBER: K00730		1
70	FT1007		.AUTOTRANSFORMER- SUPPLIER CODE: V14752 SPECIFICATION NUMBER: 60B40026-19 ELECTRICAL EQUIP NUMBER: T00191		1
ILLUSTRATION ITEMS NOT ON PARTS LIST ARE NOT APPLICABLE					

- ITEM NOT ILLUSTRATED

# 27-51-70-01

27-51-70  
FIG. 01  
PAGE 1  
DEC 22/07

HXL



767

PARTS CATALOG (MAINTENANCE)

FIG ITEM	PART NUMBER	1 2 3 4 5 6 7	NOMENCLATURE	EFFECT FROM TO	UNITS PER ASSY
1			ATTACHING PARTS		
- 75	NAS1801-08-7		.SCREW		4
			-----*-----		
- 200	286T0198-300		.WIRE BUNDLE ASSY		RF
205	BACC45FT14-7S		..CONNECTOR-		1
			ELECTRICAL EQUIP NUMBER:		
			D10108		
			WIRING DIAGRAM REF:		
			275161		
- 250	286T0192-300		.WIRE BUNDLE ASSY		RF
255	RSF116208		..SOCKET-		1
			SUPPLIER CODE:		
			V58982		
			SPECIFICATION NUMBER:		
			BACS16X3A		
			OPTIONAL PART:		
			102-005-1		
			V09922		
			000300-1541		
			V05574		
			ELECTRICAL EQUIP NUMBER:		
			D10454		
			WIRING DIAGRAM REF:		
			275161		

ILLUSTRATION ITEMS NOT ON PARTS LIST ARE NOT APPLICABLE

- ITEM NOT ILLUSTRATED

HXL

27-51-70-01

BOEING PROPRIETARY - Copyright © - Unpublished Work - See title page for details.

27-51-70  
FIG. 01  
PAGE 2  
DEC 22/07