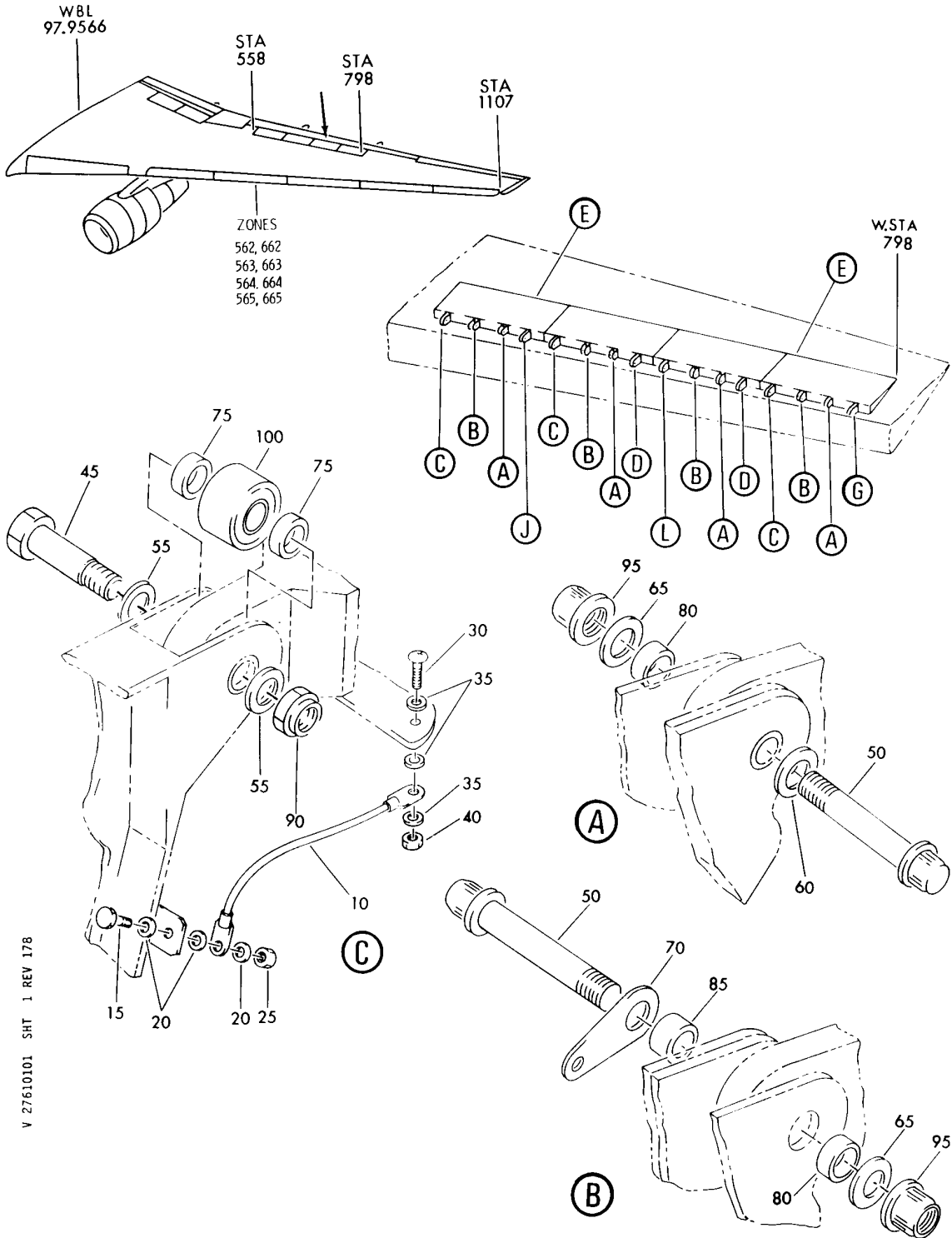


SPOILER/SPEEDBRAKE CONTROL SYSTEM

HXL
DEC 22/06

27-61-00
SECTION TITLE
PAGE 1

BOEING
767
PARTS CATALOG (MAINTENANCE)



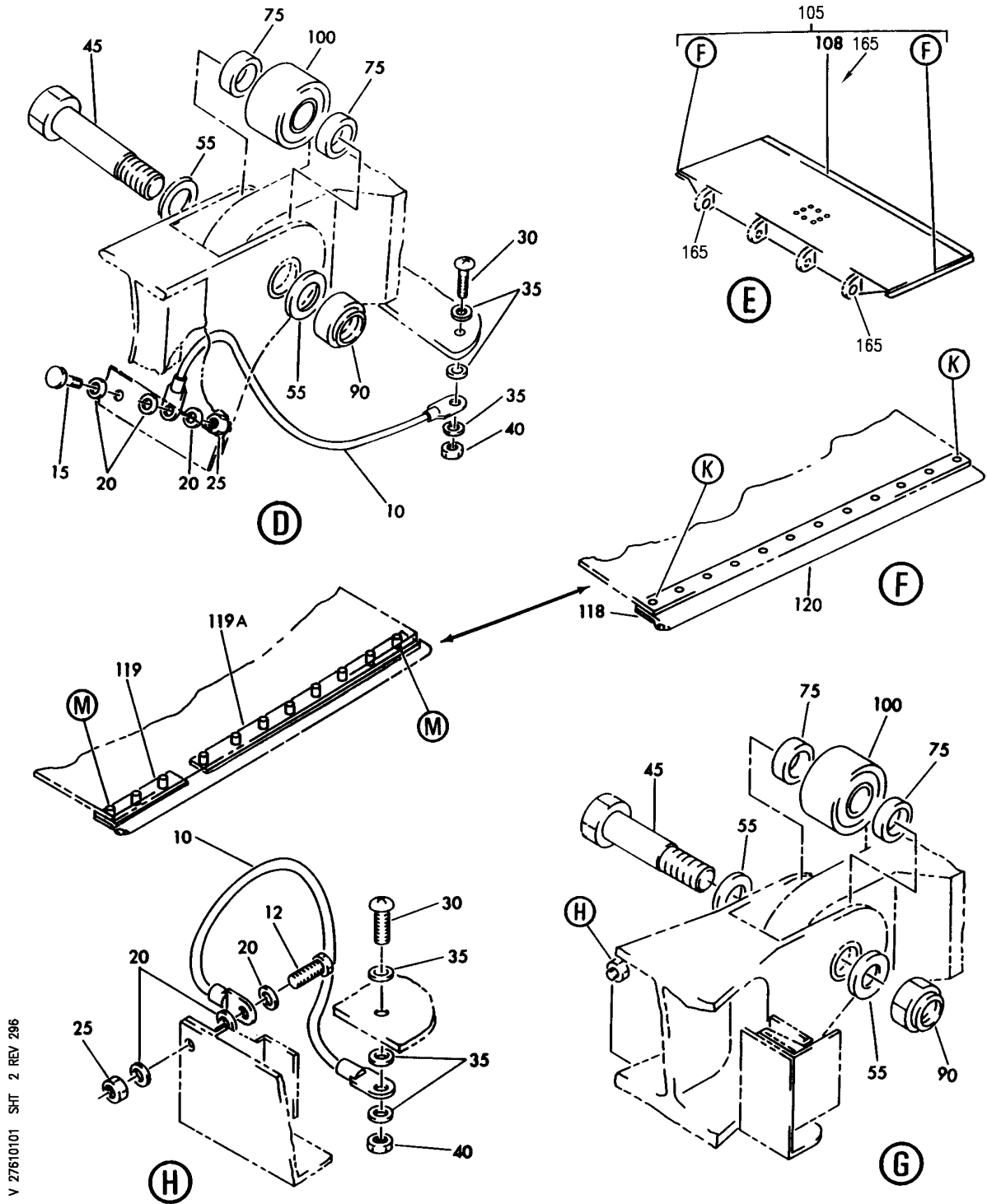
SPOILER INSTL-OUTBD
FIGURE 1 (SHEET 1)

27-61-01-01

HXL
DEC 22/06

27-61-01-01
PAGE 0

BOEING
767
PARTS CATALOG (MAINTENANCE)



V 27610101 SHT 2 REV 296

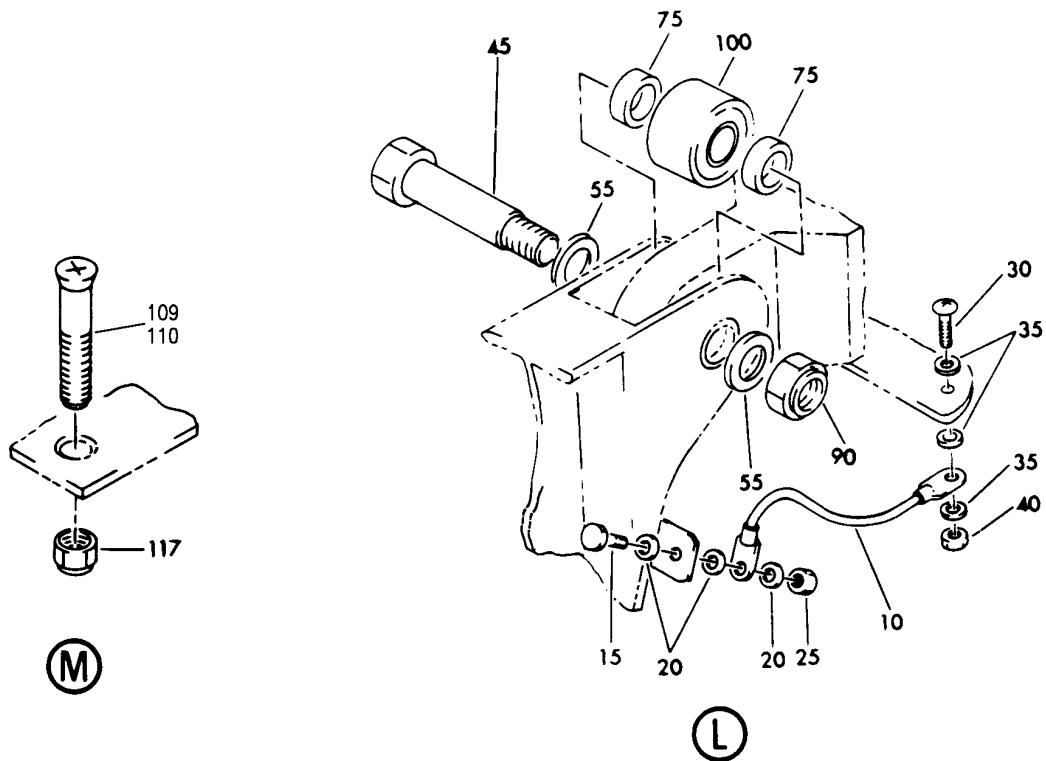
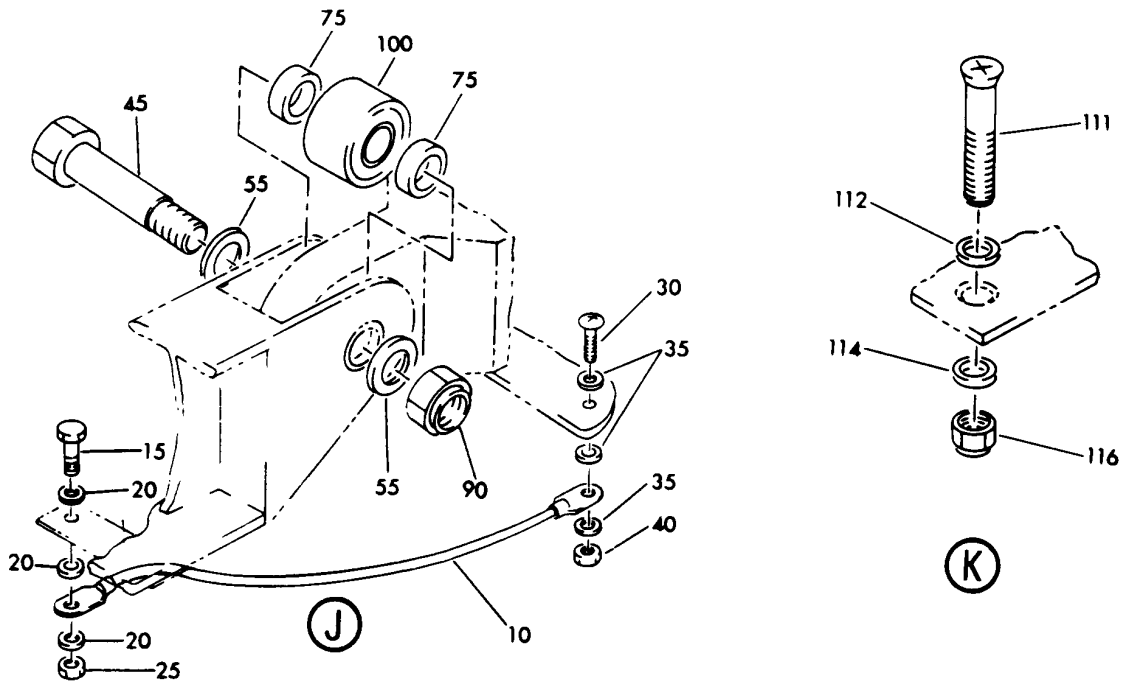
SPOILER INSTL-OUTBD
FIGURE 1 (SHEET 2)

27-61-01-01

HXL
DEC 22/06

27-61-01-01
PAGE 0A


BOEING
 767
PARTS CATALOG (MAINTENANCE)



V 27610101 SHT 3 REV 296

SPOILER INSTL-OUTBD
FIGURE 1 (SHEET 3)

27-61-01-01

HXL
DEC 22/06

27-61-01-01
PAGE 0B



767

PARTS CATALOG (MAINTENANCE)

FIG ITEM	PART NUMBER	1 2 3 4 5 6 7	NOMENCLATURE	EFFECT FROM TO	UNITS PER ASSY
1			SPOILER INSTL-OUTBD		
- 1	113T5000-11		SPOILER INSTL- POSITION DATA: OUTBD LH FOR NHA SEE: 57-00-00-01A		RF
- 5	113T5000-12		SPOILER INSTL- POSITION DATA: OUTBD RH FOR NHA SEE: 57-00-00-01A		RF
10	RBEJ40K5A5A10		.JUMPER ASSY- SUPPLIER CODE: V1GK47 SPECIFICATION NUMBER: BACJ40K5A5A10 ATTACHING PARTS		8
12	BACB30LJ3-5		.BOLT-		1
15	BACB30LJ3-4		.BOLT-		7
20	BACW10BP3APU		.WASHER-		24
25	BRH10A3		.NUT- SUPPLIER CODE: V52828 SPECIFICATION NUMBER: BACN10JC3 OPTIONAL PART: H10-3BAC V15653 NS202101-02 V80539 RMLH9075-3W V72962 VN303A02 V92215 96-02 V80539 T6S1032J V11815		8
30	BACs12CK3U11		.SCREW-		8
35	BACW10BP3APU		.WASHER-		24

ILLUSTRATION ITEMS NOT ON PARTS LIST ARE NOT APPLICABLE

- ITEM NOT ILLUSTRATED

HXL

27-61-01-01

BOEING PROPRIETARY - Copyright © - Unpublished Work - See title page for details.

27-61-01
FIG. 01
PAGE 1
DEC 22/06

 **BOEING**
767
PARTS CATALOG (MAINTENANCE)

FIG ITEM	PART NUMBER	1 2 3 4 5 6 7	NOMENCLATURE	EFFECT FROM TO	UNITS PER ASSY
1 40	BRH10C3		.NUT- SUPPLIER CODE: V52828 SPECIFICATION NUMBER: BACN10JC3C OPTIONAL PART: T6C1032J V11815 97-02 V80539 101LH9075-3W V72962 VN303B02 V92215 NS202101S02 V80539 H31-3BAC V15653 -----*-----		8
45	69B12267-3		.BOLT-		8
50	BACB30LE12-32		.BOLT- QUALIFIED OPTIONAL DATA: (OPT BACB30LE12K32 USED WITH BACN10HR12CS) (OPT BACB30MR12K32 USED WITH NAS1805-12) USED WITH: BACN10HR12CS		8
50	BACB30LE12K32		.BOLT- QUALIFIED OPTIONAL DATA: (OPT BACB30LE12-32 USED WITH BACN10HR12CS) (OPT BACB30MR12K32 USED WITH NAS1805-12) USED WITH: BACN10HR12CS		8
50	BACB30MR12K32		.BOLT- QUALIFIED OPTIONAL DATA: (OPT BACB30LE12-32 USED WITH BACN10HR12CS) (OPT BACB30LE12K32 USED WITH BACN10HR12CS) USED WITH: NAS1805-12		8
55	AN960-816		.WASHER-		16
60	BACW10BN12UC		.WASHER-		4
65	BACW10BN12UP		.WASHER-		8
70	113T5001-1		.PLATE-		4
75	113T5002-1		.SPACER-		16
ILLUSTRATION ITEMS NOT ON PARTS LIST ARE NOT APPLICABLE					

- ITEM NOT ILLUSTRATED

27-61-01-01

27-61-01
FIG. 01
PAGE 2
DEC 22/06

HXL

BOEING PROPRIETARY - Copyright © - Unpublished Work - See title page for details.

BOEING
767
PARTS CATALOG (MAINTENANCE)

FIG ITEM	PART NUMBER	1 2 3 4 5 6 7	NOMENCLATURE	EFFECT FROM TO	UNITS PER ASSY
1	95 NAS1805-12		.NUT- QUALIFIED OPTIONAL DATA: (OPT BACN10HR12CS USED WITH BACB30LE12-32, BACB30LE12K32) USED WITH: BACB30MR12K32		8
	100 ATF8		.BEARING- SUPPLIER CODE: V60380 SPECIFICATION NUMBER: BACB10ET08 OPTIONAL PART: 8AFC1021 V92563 YAF08B V07484		8
	105 113T5102-1SP		.SPOILER ASSY- COMPONENT MAINT MANUAL REF: 57-70-51 QUALIFIED I/W DATA: 113T5102-9 MAY REPLACE -1SP FOR TBL VB251VB280 ONLY		4
	105 113T5102-14		.SPOILER ASSY-VARIABLE (FLIGHT CONTROLS ONLY) COMPONENT MAINT MANUAL REF: 57-70-51 FUNCTIONAL REFERENCE: PLACARDS AND MARKINGS FOR DETAILS SEE 11-24-51-01		4
	105 113T5102-10SP		.SPOILER ASSY- COMPONENT MAINT MANUAL REF: 57-70-51 QUALIFIED I/W DATA: -19 OR -20 OR -21 INTERCHANGEABLE WITH -10SP SUBJECT TO CUSTOMER COLOR PREFERENCE FUNCTIONAL REFERENCE: PLACARDS AND MARKINGS FOR DETAILS SEE 11-24-51-01		4
ILLUSTRATION ITEMS NOT ON PARTS LIST ARE NOT APPLICABLE					

R
R
R
R
R
R
R
R
R
R
R

- ITEM NOT ILLUSTRATED

HXL

27-61-01-01

BOEING PROPRIETARY - Copyright © - Unpublished Work - See title page for details.

27-61-01
FIG. 01
PAGE 4
AUG 22/09



767

PARTS CATALOG (MAINTENANCE)

FIG ITEM	PART NUMBER	1 2 3 4 5 6 7	NOMENCLATURE	EFFECT FROM TO	UNITS PER ASSY
1					
105	113T5102-18		. SPOILER ASSY-VARIABLE (FLIGHT CONTROLS ONLY) COMPONENT MAINT MANUAL REF: 57-70-51 FUNCTIONAL REFERENCE: PLACARDS AND MARKINGS FOR DETAILS SEE 11-24-51-01		4
105	113T5102-15		. SPOILER ASSY-VARIABLE COMPONENT MAINT MANUAL REF: 57-70-51		4
105	113T5102-13		. SPOILER ASSY-VARIABLE (FLIGHT CONTROLS ONLY) COMPONENT MAINT MANUAL REF: 57-70-51 VARIABLE DRAWING REF: 113T5102-16 FUNCTIONAL REFERENCE: PLACARDS AND MARKINGS FOR DETAILS SEE 11-24-51-01		4
105	113T5102-22G		. SPOILER ASSY- COMPONENT MAINT MANUAL REF: 57-70-51 QUALIFIED I/W DATA: -21 INTERCHANGEABLE WITH -22SP SUBJECT TO CUSTOMER COLOR PREFERENCE		4
105	113T5102-23G		. SPOILER ASSY- (FLIGHT CONTROLS ONLY) COMPONENT MAINT MANUAL REF: 57-70-51 FUNCTIONAL REFERENCE: PLACARDS AND MARKINGS FOR DETAILS SEE 11-24-51-01		4
108	113T5102-5		.. STRIP-RUB VARIABLE DRAWING REF: 113T5102-5001 113T5102-5002		1

ILLUSTRATION ITEMS NOT ON PARTS LIST ARE NOT APPLICABLE

- ITEM NOT ILLUSTRATED

HXL

27-61-01-01

BOEING PROPRIETARY - Copyright © - Unpublished Work - See title page for details.

27-61-01
FIG. 01
PAGE 5
DEC 22/06

 **BOEING**
767
PARTS CATALOG (MAINTENANCE)

FIG ITEM	PART NUMBER	1 2 3 4 5 6 7	NOMENCLATURE	EFFECT FROM TO	UNITS PER ASSY
1 109	BACB30NN3K2		..BOLT- USED ON: RRB41043-63-42 113T5102-10SP 113T5102-17 113T5102-18 113T5102-19 113T5102-20 113T5102-21 113T5102-22G 113T5102-23G		11
110	BACB30NN3K3		..BOLT- USED ON: RRB41043-63-42 113T5102-10SP 113T5102-17 113T5102-18 113T5102-19 113T5102-20 113T5102-21 113T5102-22G 113T5102-23G		11
111	BACB30NN3K3		..BOLT- VARIABLE DRAWING REF: 113T5102-5001 113T5102-5002 USED ON: 113T5102-1SP 113T5102-9 113T5102-13 113T5102-14 113T5102-15		24
112	BACW10BP3APU		..WASHER- VARIABLE DRAWING REF: 113T5102-5001 113T5102-5002 USED ON: 113T5102-1SP 113T5102-9 113T5102-13 113T5102-14 113T5102-15 USED WITH: 113T5102-7		24

ILLUSTRATION ITEMS NOT ON PARTS LIST ARE NOT APPLICABLE

- ITEM NOT ILLUSTRATED

HXL

27-61-01-01

BOEING PROPRIETARY - Copyright © - Unpublished Work - See title page for details.

27-61-01
FIG. 01
PAGE 6
DEC 22/06



767

PARTS CATALOG (MAINTENANCE)

FIG ITEM	PART NUMBER	1 2 3 4 5 6 7	NOMENCLATURE	EFFECT FROM TO	UNITS PER ASSY
1 114	113T5102-7		<p>.. WASHER-</p> <p>VARIABLE DRAWING REF: 113T5102-5001 113T5102-5002</p> <p>QUALIFIED I/W DATA: 113T5102-8 CAN REPLACE OR BE REPLACED BY 113T5102-7 TOGETHER WITH BACW10BP3APU</p> <p>OPTIONAL PART: 113T5102-8</p> <p>USED ON: 113T5102-1SP 113T5102-9 113T5102-13 113T5102-14 113T5102-15</p> <p>USED WITH: BACW10BP3APU</p>		24
116	BRH10C3M		<p>.. NUT-</p> <p>SUPPLIER CODE: V52828</p> <p>SPECIFICATION NUMBER: BACN10JC3CM</p> <p>OPTIONAL PART: T6C1032JM V11815 97E02 V80539 109LH9075-3W V72962 VN303D02 V92215 NS202101SE02 V80539 H01-3BAC V15653</p> <p>VARIABLE DRAWING REF: 113T5102-5001 113T5102-5002</p> <p>USED ON: 113T5102-1SP 113T5102-9 113T5102-13 113T5102-14 113T5102-15</p>		24

ILLUSTRATION ITEMS NOT ON PARTS LIST ARE NOT APPLICABLE

- ITEM NOT ILLUSTRATED

HXL

27-61-01-01

BOEING PROPRIETARY - Copyright © - Unpublished Work - See title page for details.

27-61-01
FIG. 01
PAGE 7
DEC 22/06



767

PARTS CATALOG (MAINTENANCE)

FIG ITEM	PART NUMBER	1 2 3 4 5 6 7	NOMENCLATURE	EFFECT FROM TO	UNITS PER ASSY
1 117	BRH10C3M		..NUT- SUPPLIER CODE: V52828 SPECIFICATION NUMBER: BACN10JC3CM OPTIONAL PART: T6C1032JM V11815 97E02 V80539 109LH9075-3W V72962 VN303D02 V92215 NS202101SE02 V80539 H01-3BAC V15653 USED ON: RRB41043-63-42 113T5102-10SP 113T5102-17 113T5102-18 113T5102-19 113T5102-20 113T5102-21 113T5102-22G 113T5102-23G		22
118	113T5102-8		..RETAINER- VARIABLE DRAWING REF: 113T5102-5001 113T5102-5002 QUALIFIED I/W DATA: 113T5102-8 CAN REPLACE OR BE REPLACED BY 113T5102-7 TOGETHER WITH BACW10BP3APU QUALIFIED OPTIONAL DATA: (OPT 113T5102-7 USED WITH BACW10BP3AP) USED ON: 113T5102-1SP 113T5102-9 113T5102-13 113T5102-14 113T5102-15		2

ILLUSTRATION ITEMS NOT ON PARTS LIST ARE NOT APPLICABLE

- ITEM NOT ILLUSTRATED

HXL

27-61-01-01

BOEING PROPRIETARY - Copyright © - Unpublished Work - See title page for details.

27-61-01
 FIG. 01
 PAGE 8
 DEC 22/06

BOEING
767
PARTS CATALOG (MAINTENANCE)

FIG ITEM	PART NUMBER	1 2 3 4 5 6 7	NOMENCLATURE	EFFECT FROM TO	UNITS PER ASSY
1	119 113T5102-12		..RETAINER- USED ON: RRB41043-63-42 113T5102-10SP 113T5102-17 113T5102-18 113T5102-19 113T5102-20 113T5102-21 113T5102-22G 113T5102-23G		2
	119A 113T5102-11		..RETAINER- USED ON: RRB41043-63-42 113T5102-10SP 113T5102-17 113T5102-18 113T5102-19 113T5102-20 113T5102-21 113T5102-22G 113T5102-23G		2
R R R R R R R R R	120 113T5102-4		..SEAL- VARIABLE DRAWING REF: 113T5102-5001 113T5102-5002 MANUFACTURED FROM: EXTRUSION RUBBER 10-60754-83 23.00 IN. SPARES ORDER MATERIAL CODE: 5287000830		2
	165 69B00630-1		..LINER- VARIABLE DRAWING REF: 113T5102-5001 113T5102-5002		2

ILLUSTRATION ITEMS NOT ON PARTS LIST ARE NOT APPLICABLE

- ITEM NOT ILLUSTRATED

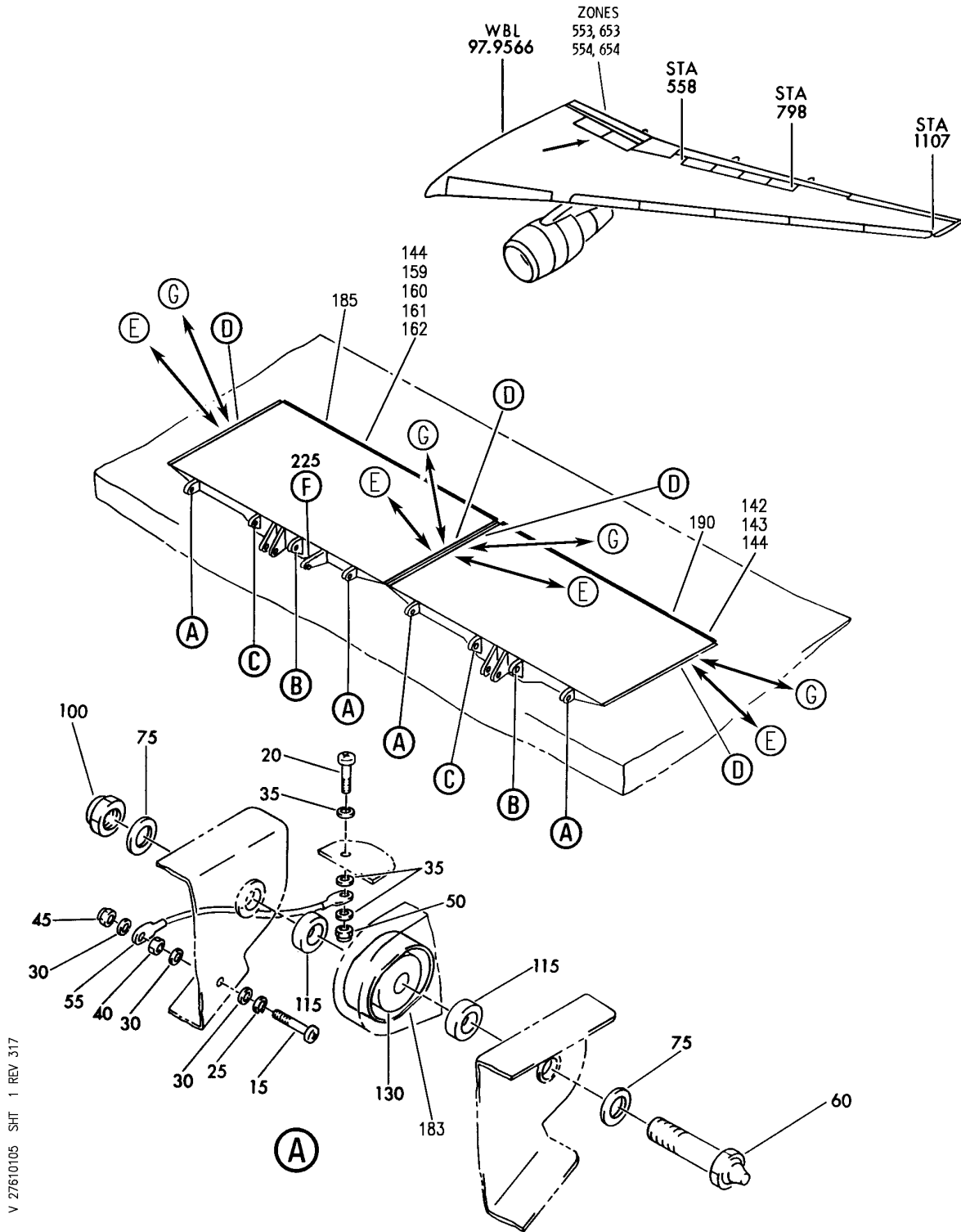
HXL

27-61-01-01

BOEING PROPRIETARY - Copyright © - Unpublished Work - See title page for details.

27-61-01
FIG. 01
PAGE 9
AUG 22/09

BOEING
767
PARTS CATALOG (MAINTENANCE)



V 27610105 SHT 1 REV 317

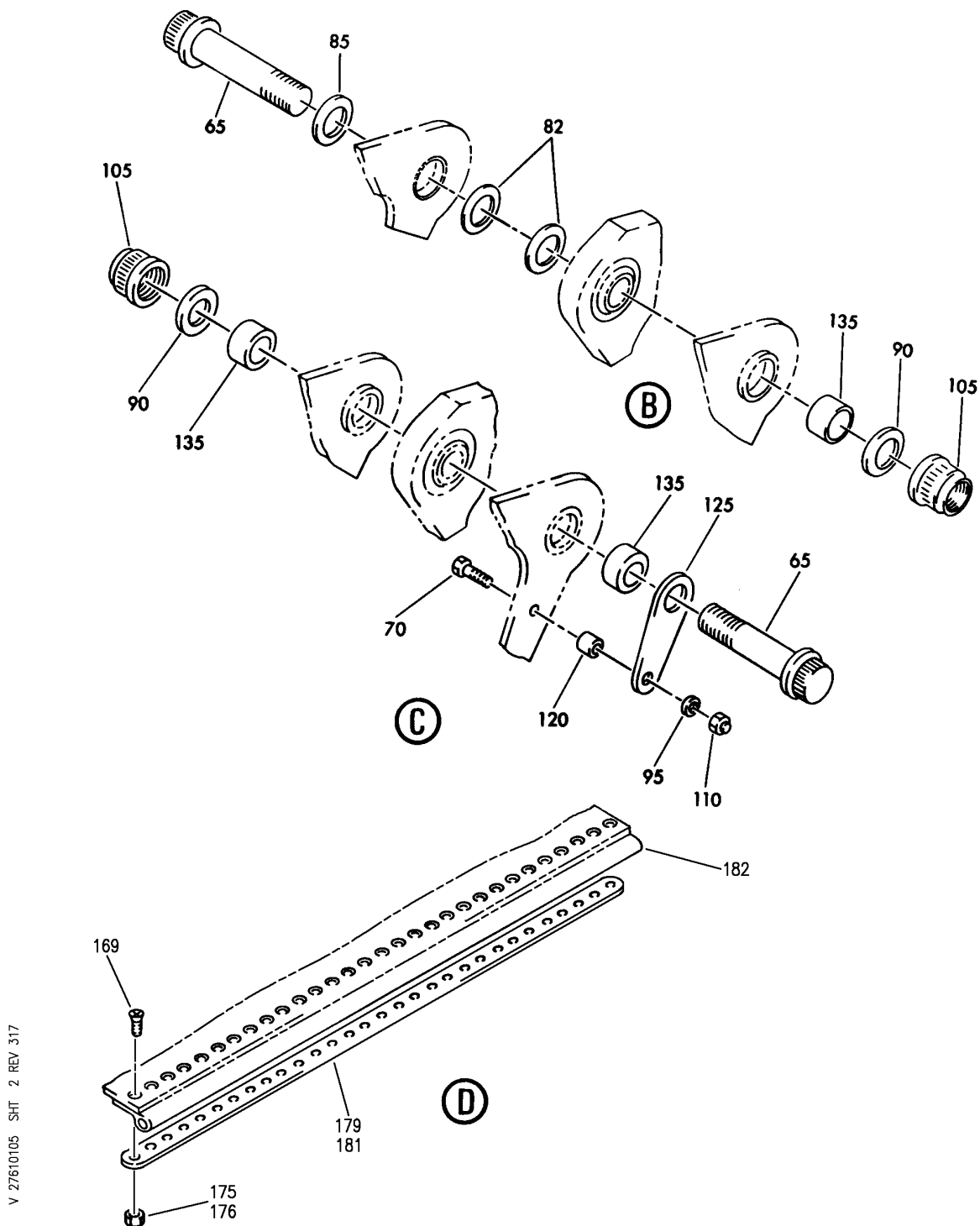
SPOILER INSTL-INBD
FIGURE 5 (SHEET 1)

27-61-01-05

HXL
AUG 22/07

27-61-01-05
PAGE 0

BOEING
767
PARTS CATALOG (MAINTENANCE)



V 27610105 SHT 2 REV 317

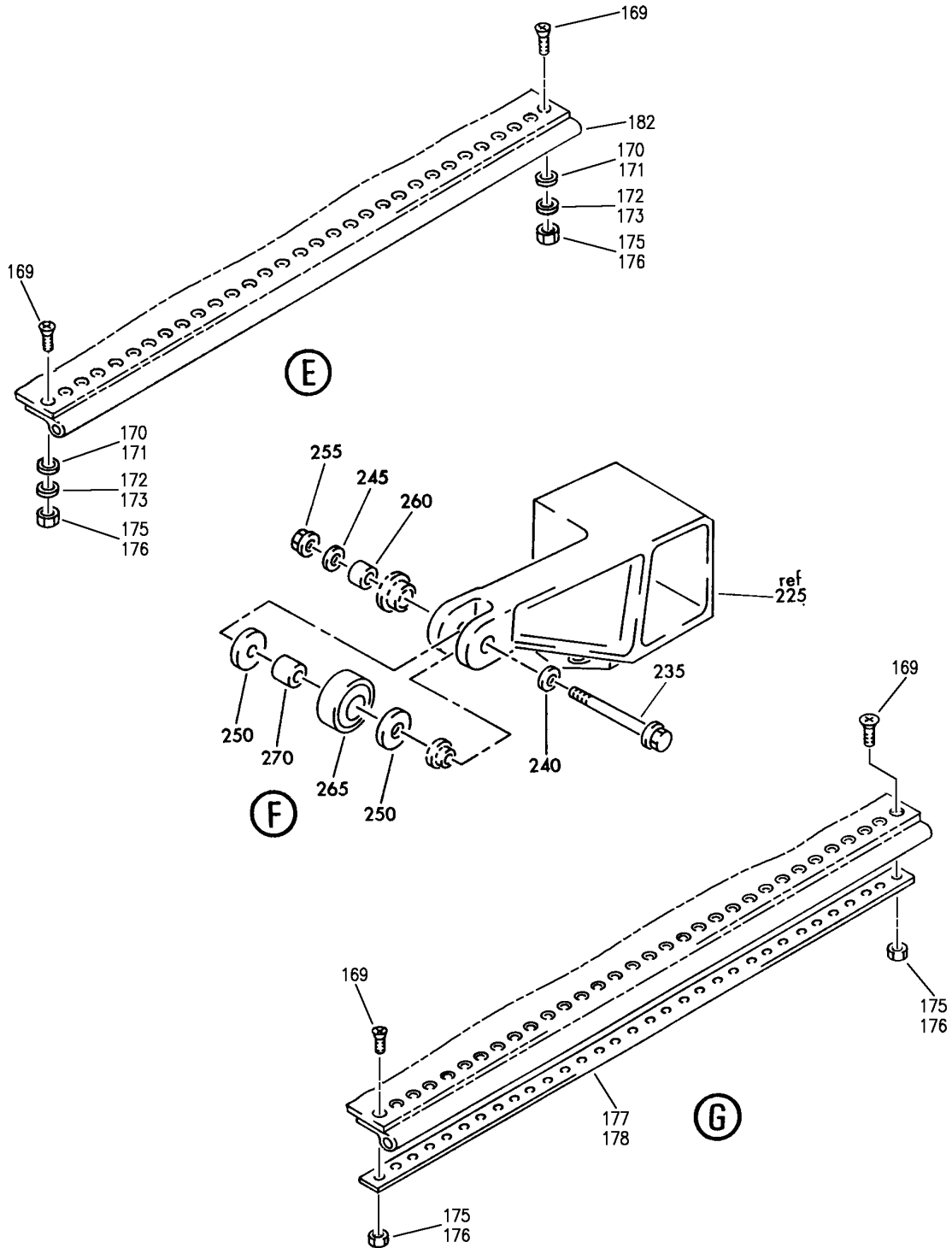
SPOILER INSTL-INBD
FIGURE 5 (SHEET 2)

27-61-01-05

HXL
AUG 22/07

27-61-01-05
PAGE 0A

BOEING
767
PARTS CATALOG (MAINTENANCE)



V 27610105 SHT 3 REV 317

SPOILER INSTL-INBD
FIGURE 5 (SHEET 3)

27-61-01-05

HXL
AUG 22/07

27-61-01-05
PAGE 0B



767

PARTS CATALOG (MAINTENANCE)

FIG ITEM	PART NUMBER	1 2 3 4 5 6 7	NOMENCLATURE	EFFECT FROM TO	UNITS PER ASSY
5					
- 5	113T4000-9		SPOILER INSTL-INBD SPOILER INSTL- POSITION DATA: INBD LH VARIABLE DRAWING REF: 113T4000-5031 FOR NHA SEE: 57-00-00-01A		RF
- 10	113T4000-10		SPOILER INSTL- POSITION DATA: INBD RH VARIABLE DRAWING REF: 113T4000-5032 FOR NHA SEE: 57-00-00-01A		RF
15	BACS12CK3-12		.SCREW-		4
20	BACS12CK3U11		.SCREW-		4
25	MS35338-43		.WASHER-		4
30	AN960D10		.WASHER-		12
35	BACW10BP3APU		.WASHER-		12
40	MS35650-302		.NUT-		4
45	BRH10A3		.NUT-		4
			SUPPLIER CODE: V52828 SPECIFICATION NUMBER: BACN10JC3 OPTIONAL PART: H10-3BAC V15653 NS202101-02 V80539 RMLH9075-3W V72962 VN303A02 V92215 96-02 V80539 T6S1032J V11815		
ILLUSTRATION ITEMS NOT ON PARTS LIST ARE NOT APPLICABLE					

- ITEM NOT ILLUSTRATED

HXL

27-61-01-05

BOEING PROPRIETARY - Copyright © - Unpublished Work - See title page for details.

27-61-01
FIG. 05
PAGE 1
DEC 22/07



767

PARTS CATALOG (MAINTENANCE)

FIG ITEM	PART NUMBER	1 2 3 4 5 6 7	NOMENCLATURE	EFFECT FROM TO	UNITS PER ASSY
5					
50	BRH10C3	.NUT-	SUPPLIER CODE: V52828 SPECIFICATION NUMBER: BACN10JC3C OPTIONAL PART: T6C1032J V11815 97-02 V80539 101LH9075-3W V72962 VN303B02 V92215 NS202101S02 V80539 H31-3BAC V15653		4
55	940CW20-9	.JUMPER-	SUPPLIER CODE: V91812 SPECIFICATION NUMBER: BACJ40AB20-9 OPTIONAL PART: 100220-9 V1FF12 RBEJ40AB20-9 V1GK47		4
60	69B12267-3	.BOLT-			4
65	BACB30LE12U31	.BOLT-	OPTIONAL PART: BACB30MR12K31		4
65	BACB30MR12K31	.BOLT-	OPTIONAL PART: BACB30LE12U31		4
70	BACB30NM3K10	.BOLT-			2
75	AN960-816	.WASHER-			8
82	BACW10BP12DP	.WASHER-			2
85	BACW10BN12UC	.WASHER-			2
90	BACW10BN12UP	.WASHER-			4
95	AN960C10L	.WASHER-			2

ILLUSTRATION ITEMS NOT ON PARTS LIST ARE NOT APPLICABLE

- ITEM NOT ILLUSTRATED

27-61-01-05

27-61-01
FIG. 05
PAGE 2
DEC 22/07

HXL

BOEING PROPRIETARY - Copyright © - Unpublished Work - See title page for details.



767

PARTS CATALOG (MAINTENANCE)

FIG ITEM	PART NUMBER	1 2 3 4 5 6 7	NOMENCLATURE	EFFECT FROM TO	UNITS PER ASSY
5 100	BMN4122AD3-8	.NUT-	SUPPLIER CODE: V97928 SPECIFICATION NUMBER: BACN10JC8 OPTIONAL PART: BMN4122A8 V85495 H10-8BAC V15653 RMLH9074-8 V72962 48FT820 V56878		4
105	NAS1805-12	.NUT-			4
110	BRH10A3	.NUT-	SUPPLIER CODE: V52828 SPECIFICATION NUMBER: BACN10JC3 OPTIONAL PART: H10-3BAC V15653 NS202101-02 V80539 RMLH9075-3W V72962 VN303A02 V92215 96-02 V80539 T6S1032J V11815		2
115	113T5002-1	.SPACER-			8
120	NAS43HT3-24	.SPACER-			2
125	113T4002-1	.PLATE-			2
130	ATF8	.BEARING-	SUPPLIER CODE: V60380 SPECIFICATION NUMBER: BACB10ET08 OPTIONAL PART: 8AFC1021 V92563 YAF08B V07484		4
135	BACB28AK12-056	.BUSHING-			6

ILLUSTRATION ITEMS NOT ON PARTS LIST ARE NOT APPLICABLE

- ITEM NOT ILLUSTRATED

HXL

27-61-01-05

BOEING PROPRIETARY - Copyright © - Unpublished Work - See title page for details.

27-61-01
FIG. 05
PAGE 3
DEC 22/07



767

PARTS CATALOG (MAINTENANCE)

FIG ITEM	PART NUMBER	1 2 3 4 5 6 7	NOMENCLATURE	EFFECT FROM TO	UNITS PER ASSY
5					
142	113T4100-55SP	.	SPOILER ASSY-NO. 5 POSITION DATA: LH SIDE COMPONENT MAINT MANUAL REF: 57-70-11		1
142	113T4100-95	.	SPOILER ASSY-NO. 5 POSITION DATA: LH SIDE COMPONENT MAINT MANUAL REF: 57-70-11		1
- 147	113T4100-56SP	.	SPOILER ASSY-NO. 8 POSITION DATA: RH SIDE COMPONENT MAINT MANUAL REF: 57-70-11		1
- 147	113T4100-96	.	SPOILER ASSY-NO. 8 POSITION DATA: RH SIDE COMPONENT MAINT MANUAL REF: 57-70-11		1
159	113T4100-69	.	SPOILER ASSY-NO. 6 POSITION DATA: LH SIDE COMPONENT MAINT MANUAL REF: 57-70-11	163999	1
159	113T4100-53	.	SPOILER ASSY-NO. 6 VARIABLE POSITION DATA: LH SIDE MISCELLANEOUS DATA: VARIABLE. FOR SPARES PROCURE 113T4100-109 BASIC COLOR 707 GRAY. COMPONENT MAINT MANUAL REF: 57-70-11 FOR SPARES PROCURE: 113T4100-109	163999	1

ILLUSTRATION ITEMS NOT ON PARTS LIST ARE NOT APPLICABLE

- ITEM NOT ILLUSTRATED

HXL

27-61-01-05

BOEING PROPRIETARY - Copyright © - Unpublished Work - See title page for details.

27-61-01
FIG. 05
PAGE 4
DEC 22/08

 **BOEING**
767
PARTS CATALOG (MAINTENANCE)

FIG ITEM	PART NUMBER	1 2 3 4 5 6 7	NOMENCLATURE	EFFECT FROM TO	UNITS PER ASSY
5 159	113T4100-61		.SPOILER ASSY-NO. 6 VARIABLE POSITION DATA: LH SIDE MISCELLANEOUS DATA: VARIABLE. FOR SPARES PROCURE 113T4100-109 BASIC COLOR 707 GRAY. COMPONENT MAINT MANUAL REF: 57-70-11 FOR SPARES PROCURE: 113T4100-109 FUNCTIONAL REFERENCE: PLACARDS AND MARKINGS FOR DETAILS SEE 11-24-51-01	163999	1
160	113T4100-99		.SPOILER ASSY-NO. 6 POSITION DATA: LH SIDE COMPONENT MAINT MANUAL REF: 57-70-11	163999	1
161	015T1415-15		.SPOILER ASSY-NO. 6 POSITION DATA: LH SIDE COMPONENT MAINT MANUAL REF: 57-70-11 POST SERVICE BULLETIN: 57-0043R3		1
- 163	113T4100-70		.SPOILER ASSY-NO. 7 POSITION DATA: RH SIDE COMPONENT MAINT MANUAL REF: 57-70-11	163999	1
- 163	113T4100-54		.SPOILER ASSY-NO. 7 VARIABLE POSITION DATA: RH SIDE MISCELLANEOUS DATA: VARIABLE. FOR SPARES PROCURE 113T4100-110 BASIC COLOR 707 GRAY. COMPONENT MAINT MANUAL REF: 57-70-11 FOR SPARES PROCURE: 113T4100-110	163999	1

ILLUSTRATION ITEMS NOT ON PARTS LIST ARE NOT APPLICABLE

- ITEM NOT ILLUSTRATED

HXL

27-61-01-05

BOEING PROPRIETARY - Copyright © - Unpublished Work - See title page for details.

27-61-01
FIG. 05
PAGE 5
DEC 22/08



767

PARTS CATALOG (MAINTENANCE)

FIG ITEM	PART NUMBER	1 2 3 4 5 6 7	NOMENCLATURE	EFFECT FROM TO	UNITS PER ASSY
5 - 163	113T4100-62		.SPOILER ASSY-NO. 7 VARIABLE POSITION DATA: RH SIDE MISCELLANEOUS DATA: VARIABLE. FOR SPARES PROCURE 113T4100-110 BASIC COLOR 707 GRAY. COMPONENT MAINT MANUAL REF: 57-70-11 FOR SPARES PROCURE: 113T4100-110 FUNCTIONAL REFERENCE: PLACARDS AND MARKINGS FOR DETAILS SEE 11-24-51-01	163999	1
- 164	113T4100-100		.SPOILER ASSY-NO. 7 POSITION DATA: RH SIDE COMPONENT MAINT MANUAL REF: 57-70-11	163999	1
- 165	015T1415-16		.SPOILER ASSY-NO. 7 POSITION DATA: RH SIDE COMPONENT MAINT MANUAL REF: 57-70-11 POST SERVICE BULLETIN: 57-0043R3		1
169	BACB30NN3K3		..BOLT		32
170	BACW10BP3APU		..WASHER- POSITION DATA: SPOILER POS 5 AND 8 QUALIFIED OPTIONAL DATA: (BACW10BP3APU PLUS -9 OPTIONAL TO -10)		62
171	BACW10BP3APU		..WASHER- POSITION DATA: SPOILER POS 6 AND 7 QUALIFIED OPTIONAL DATA: (BACW10BP3APU PLUS -9 OPTIONAL TO -10)	163999	62
172	113T4100-9		..WASHER- POSITION DATA: SPOILER POS 5 AND 8 QUALIFIED OPTIONAL DATA: (BACW10BP3APU PLUS -9 OPTIONAL TO -10)		62

ILLUSTRATION ITEMS NOT ON PARTS LIST ARE NOT APPLICABLE

- ITEM NOT ILLUSTRATED

27-61-01-05

27-61-01
FIG. 05
PAGE 6
DEC 22/08

HXL



767

PARTS CATALOG (MAINTENANCE)

FIG ITEM	PART NUMBER	1 2 3 4 5 6 7	NOMENCLATURE	EFFECT FROM TO	UNITS PER ASSY
5 173	113T4100-9		..WASHER- POSITION DATA: SPOILER POS 6 AND 7 QUALIFIED OPTIONAL DATA: (BACW10BP3APU PLUS -9 OPTIONAL TO -10)	163999	62
175	F22K1-02		..NUT- SUPPLIER CODE: V72962 SPECIFICATION NUMBER: BACN10R10L OPTIONAL PART: 22K1-02 V72962 26CL02 V80539 POSITION DATA: SPOILER POS 5 AND 8		32
175	BRH10C3M		..NUT- SUPPLIER CODE: V52828 SPECIFICATION NUMBER: BACN10JC3CM OPTIONAL PART: T6C1032JM V11815 97E02 V80539 109LH9075-3W V72962 VN303D02 V92215 NS202101SE02 V80539 H01-3BAC V15653 POSITION DATA: SPOILER POS 5 AND 8		32

ILLUSTRATION ITEMS NOT ON PARTS LIST ARE NOT APPLICABLE

- ITEM NOT ILLUSTRATED

HXL

27-61-01-05

BOEING PROPRIETARY - Copyright © - Unpublished Work - See title page for details.

27-61-01
FIG. 05
PAGE 7
DEC 22/08



767

PARTS CATALOG (MAINTENANCE)

FIG ITEM	PART NUMBER	1 2 3 4 5 6 7	NOMENCLATURE	EFFECT FROM TO	UNITS PER ASSY
5 176	F22K1-02		..NUT- SUPPLIER CODE: V72962 SPECIFICATION NUMBER: BACN10R10L OPTIONAL PART: 22K1-02 V72962 26CLO2 V80539 POSITION DATA: SPOILER POS 6 AND 7 POST SERVICE BULLETIN: 57-0043R3	163999	32
176	BRH10C3M		..NUT- SUPPLIER CODE: V52828 SPECIFICATION NUMBER: BACN10JC3CM OPTIONAL PART: T6C1032JM V11815 97E02 V80539 109LH9075-3W V72962 VN303D02 V92215 NS202101SE02 V80539 H01-3BAC V15653 POSITION DATA: SPOILER POS 6 AND 7	163999	32
177	113T4100-10		..RETAINER- POSITION DATA: SPOILER POS 6 AND 7 QUALIFIED OPTIONAL DATA: (BACW10BP3APU PLUS -9 OPTIONAL TO -10)	163999	2
178	113T4100-10		..RETAINER- POSITION DATA: SPOILER POS 5 AND 8 QUALIFIED OPTIONAL DATA: (BACW10BP3APU PLUS -9 OPTIONAL TO -10)		2
179	113T4100-89		..RETAINER- POSITION DATA: SPOILER POS 5 AND 8		2

ILLUSTRATION ITEMS NOT ON PARTS LIST ARE NOT APPLICABLE

- ITEM NOT ILLUSTRATED

27-61-01-05

27-61-01
 FIG. 05
 PAGE 8
 DEC 22/08

HXL



767

PARTS CATALOG (MAINTENANCE)

FIG ITEM	PART NUMBER	1 2 3 4 5 6 7	NOMENCLATURE	EFFECT FROM TO	UNITS PER ASSY
5					
181	113T4100-89		..RETAINER- POSITION DATA: SPOILER POS 6 AND 7	163999	2
181	015T1415-129		..RETAINER- POSITION DATA: SPOILER 6 AND 7 POST SERVICE BULLETIN: 57-0043R3		2
182	113T4100-8		..SEAL- MANUFACTURED FROM: EXTR RUBBER F25.01 10-60754-83 31.00 IN. SPARES ORDER MATERIAL CODE: 5287000830		2
183	69B00630-1		..LINER-		1
185	113T4130-21		..EXTENSION STRIP ASSY- POSITION DATA: SPOILER POS 6 LH SIDE QUALIFIED I/W DATA: 113T4130-13 R/B ONE WAY FORWARD 113T4130-21 ON LEFT HAND SIDE AND 113T4130-22 ON RIGHT HAND SIDE USED ON: 015T0683-33SP 015T0683-53 015T0683-57SP 015T1415-41 113T4100-33SP 113T4100-53 113T4100-57SP 113T4100-61 113T4100-69 113T4100-74 113T4100-99 PRE SERVICE BULLETIN: 57-0043R3	163999	1
ILLUSTRATION ITEMS NOT ON PARTS LIST ARE NOT APPLICABLE					

R
R
R
R
R
R
R

- ITEM NOT ILLUSTRATED

HXL

27-61-01-05

BOEING PROPRIETARY - Copyright © - Unpublished Work - See title page for details.

27-61-01
FIG. 05
PAGE 9
AUG 22/09

 **BOEING**
767
PARTS CATALOG (MAINTENANCE)

FIG ITEM	PART NUMBER	1 2 3 4 5 6 7	NOMENCLATURE	EFFECT FROM TO	UNITS PER ASSY
5 185	015T1415-119		..EXTENSION STRIP ASSY- POSITION DATA: SPOILER POS 6 LH SIDE USED ON: 015T1415-9 015T1415-11 015T1415-15 015T1415-31 015T1415-33 015T1415-39 POST SERVICE BULLETIN: 57-0043R3		1
- 187	113T4130-22		..EXTENSION STRIP ASSY- POSITION DATA: SPOILER POS 7 RH SIDE QUALIFIED I/W DATA: 113T4130-13 R/B ONE WAY FORWARD 113T4130-21 ON LEFT HAND SIDE AND 113T4130-22 ON RIGHT HAND SIDE USED ON: 015T0683-34SP 015T0683-54 015T0683-58SP 015T1415-42 113T4100-34SP 113T4100-54 113T4100-58SP 113T4100-62 113T4100-70 113T4100-75 113T4100-100	163999	1
- 187	015T1415-120		..EXTENSION STRIP ASSY- POSITION DATA: SPOILER POS 7 RH SIDE USED ON: 015T1415-10 015T1415-12 015T1415-16 015T1415-32 015T1415-34 015T1415-40 POST SERVICE BULLETIN: 57-0043R3		1

ILLUSTRATION ITEMS NOT ON PARTS LIST ARE NOT APPLICABLE

- ITEM NOT ILLUSTRATED

HXL

27-61-01-05

BOEING PROPRIETARY - Copyright © - Unpublished Work - See title page for details.

27-61-01
FIG. 05
PAGE 10
AUG 22/09



767

PARTS CATALOG (MAINTENANCE)

FIG ITEM	PART NUMBER	1 2 3 4 5 6 7	NOMENCLATURE	EFFECT FROM TO	UNITS PER ASSY
5 190	113T4130-13		..RUBSTRIP- POSITION DATA: SPOILER POS 5 LH SIDE QUALIFIED I/W DATA: 113T4130-13 R/B ONE WAY FORWARD 113T4130-21 ON LEFT HAND SIDE AND 113T4130-22 ON RIGHT HAND SIDE USED ON: 113T4100-31SP 113T4100-51 113T4100-55SP 113T4100-59 113T4100-72		1
190	113T4130-21		..EXTENSION STRIP ASSY- POSITION DATA: SPOILER POS 5 LH SIDE QUALIFIED I/W DATA: 113T4130-13 R/B ONE WAY FORWARD 113T4130-21 ON LEFT HAND SIDE AND 113T4130-22 ON RIGHT HAND SIDE USED ON: 113T4100-59 113T4100-72 113T4100-95		1
- 193	113T4130-13		..RUBSTRIP- POSITION DATA: SPOILER POS 8 RH SIDE QUALIFIED I/W DATA: 113T4130-13 R/B ONE WAY FORWARD 113T4130-21 ON LEFT HAND SIDE AND 113T4130-22 ON RIGHT HAND SIDE USED ON: 113T4100-32SP 113T4100-52 113T4100-56SP 113T4100-60 113T4100-73		1

ILLUSTRATION ITEMS NOT ON PARTS LIST ARE NOT APPLICABLE

- ITEM NOT ILLUSTRATED

HXL

27-61-01-05

BOEING PROPRIETARY - Copyright © - Unpublished Work - See title page for details.

27-61-01
 FIG. 05
 PAGE 11
 AUG 22/09



767

PARTS CATALOG (MAINTENANCE)

FIG ITEM	PART NUMBER	1 2 3 4 5 6 7	NOMENCLATURE	EFFECT FROM TO	UNITS PER ASSY
5					
- 193	113T4130-22		..EXTENSION STRIP ASSY- POSITION DATA: SPOILER POS 8 RH SIDE QUALIFIED I/W DATA: 113T4130-13 R/B ONE WAY FORWARD 113T4130-21 ON LEFT HAND SIDE AND 113T4130-22 ON RIGHT HAND SIDE USED ON: 113T4100-60 113T4100-73 113T4100-96		1
- 195	BACR15GA5-5		ATTACHING PARTS ..RIVET- POSITION DATA: SPOILER POS 5 LH SIDE USED ON: 113T4100-31SP 113T4100-51 113T4100-55SP 113T4100-59 113T4100-72 113T4100-95		28
- 200	BACR15GA5-5		..RIVET- POSITION DATA: SPOILER POS 8 RH SIDE USED ON: 113T4100-32SP 113T4100-52 113T4100-56SP 113T4100-60 113T4100-73 113T4100-96		28

ILLUSTRATION ITEMS NOT ON PARTS LIST ARE NOT APPLICABLE

- ITEM NOT ILLUSTRATED

HXL

27-61-01-05

BOEING PROPRIETARY - Copyright © - Unpublished Work - See title page for details.

27-61-01
 FIG. 05
 PAGE 12
 AUG 22/09

 **BOEING**
767
PARTS CATALOG (MAINTENANCE)

FIG ITEM	PART NUMBER	1 2 3 4 5 6 7	NOMENCLATURE	EFFECT FROM TO	UNITS PER ASSY
5 - 205	BACR15GA5-5		..RIVET- POSITION DATA: SPOILER POS 6 LH SIDE USED ON: 015T0683-33SP 015T0683-41 015T0683-45 015T0683-57SP 015T1415-9 015T1415-11 015T1415-15 015T1415-31 015T1415-33 015T1415-39 015T1415-41 113T4100-33SP 113T4100-53 113T4100-57SP 113T4100-61 113T4100-69 113T4100-70 113T4100-74 113T4100-99	163999	28
- 210	BACR15GA5-5		..RIVET- POSITION DATA: SPOILER POS 7 RH SIDE USED ON: 015T0683-34SP 015T0683-42 015T0683-46 015T0683-58SP 015T1415-10 015T1415-12 015T1415-16 015T1415-32 015T1415-34 015T1415-40 015T1415-42 113T4100-34SP 113T4100-54 113T4100-58SP 113T4100-62 113T4100-70 113T4100-75 113T4100-100	163999	28
R R R 225	113T4128-21		-----*----- ..FITTING ASSY-THRUSTER POSITION DATA: SPOILER POS 6 LH SIDE ILLUSTRATION ITEMS NOT ON PARTS LIST ARE NOT APPLICABLE	163999	1

- ITEM NOT ILLUSTRATED

HXL

27-61-01-05

BOEING PROPRIETARY - Copyright © - Unpublished Work - See title page for details.

27-61-01
FIG. 05
PAGE 13
AUG 22/09

BOEING
767
PARTS CATALOG (MAINTENANCE)

FIG ITEM	PART NUMBER	1 2 3 4 5 6 7	NOMENCLATURE	EFFECT FROM TO	UNITS PER ASSY
R R R R R R R R R R R R R R R R R R R R	5 230		113T4100-58SP 113T4100-62 113T4100-64 113T4100-66 113T4100-68 113T4100-70 113T4100-75 113T4100-94 113T4100-100 113T4100-110 113T4100-112 113T4100-118 113T4100-248 113T4100-252G 113T4100-252SP 113T4100-256G 113T4100-256SP 113T4100-260G 113T4100-260SP 113T4100-264G 113T4100-264SP 113T4100-266G 113T4100-266SP		
	235	BACB30LE6U29	...BOLT	163999	1
	240	BACW10BP6CD	...WASHER	163999	1
	245	BACW10BP6DP	...WASHER	163999	1
	250	BACW10P124S	...WASHER	163999	2
	255	NAS1804-6	...NUT	163999	1
	260	BACB28AK06-060	...BUSHING	163999	1
	265	ATF8	...BEARING	163999	1
			SUPPLIER CODE: V60380		
			SPECIFICATION NUMBER: BACB10ET08		
			OPTIONAL PART: 8AFC1021 V92563 YAF08B V07484		
	270	113T4129-1	...SLEEVE	163999	1

ILLUSTRATION ITEMS NOT ON PARTS LIST ARE NOT APPLICABLE

— ITEM NOT ILLUSTRATED

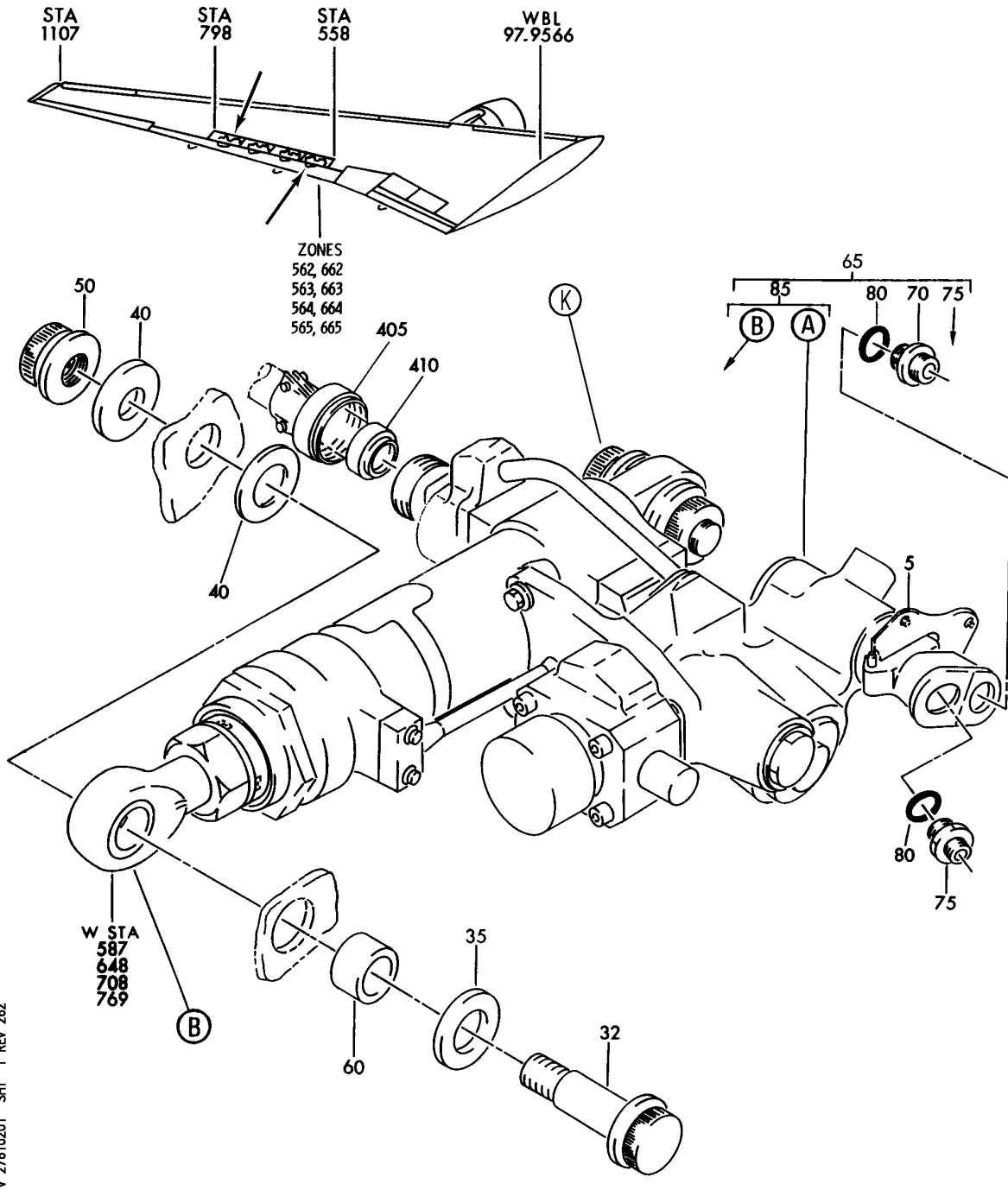
HXL

27-61-01-05

BOEING PROPRIETARY - Copyright © - Unpublished Work - See title page for details.

27-61-01
FIG. 05
PAGE 16
AUG 22/09


BOEING
 767
PARTS CATALOG (MAINTENANCE)



V 27610201 SHT 1 REV 262

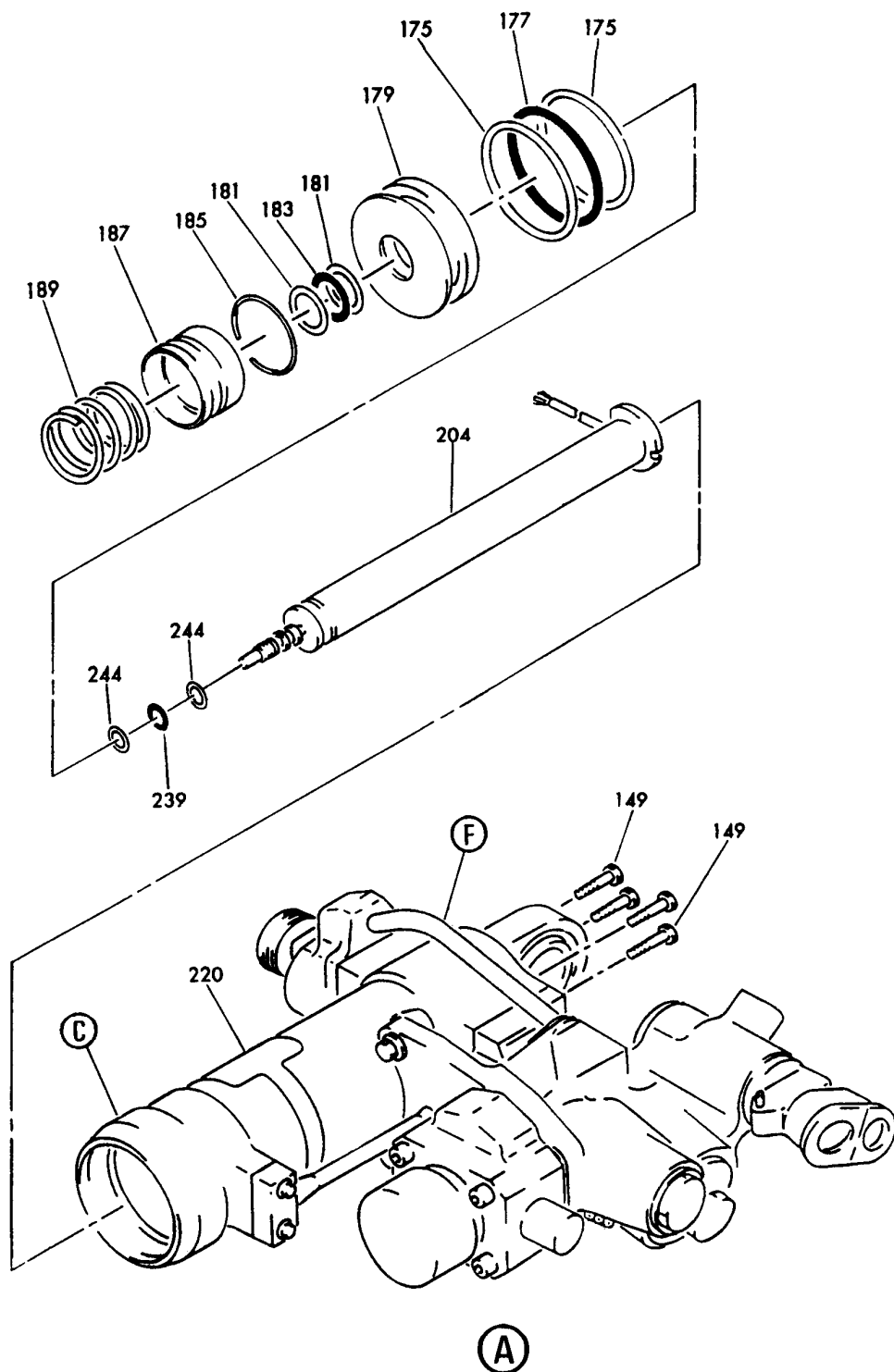
ACTUATOR INSTL-OUTBD SPOILER
FIGURE 1 (SHEET 1)

27-61-02-01

HXL
DEC 22/06

27-61-02-01
PAGE 0

BOEING
767
PARTS CATALOG (MAINTENANCE)



V 27610201 SH1 2 REV 268

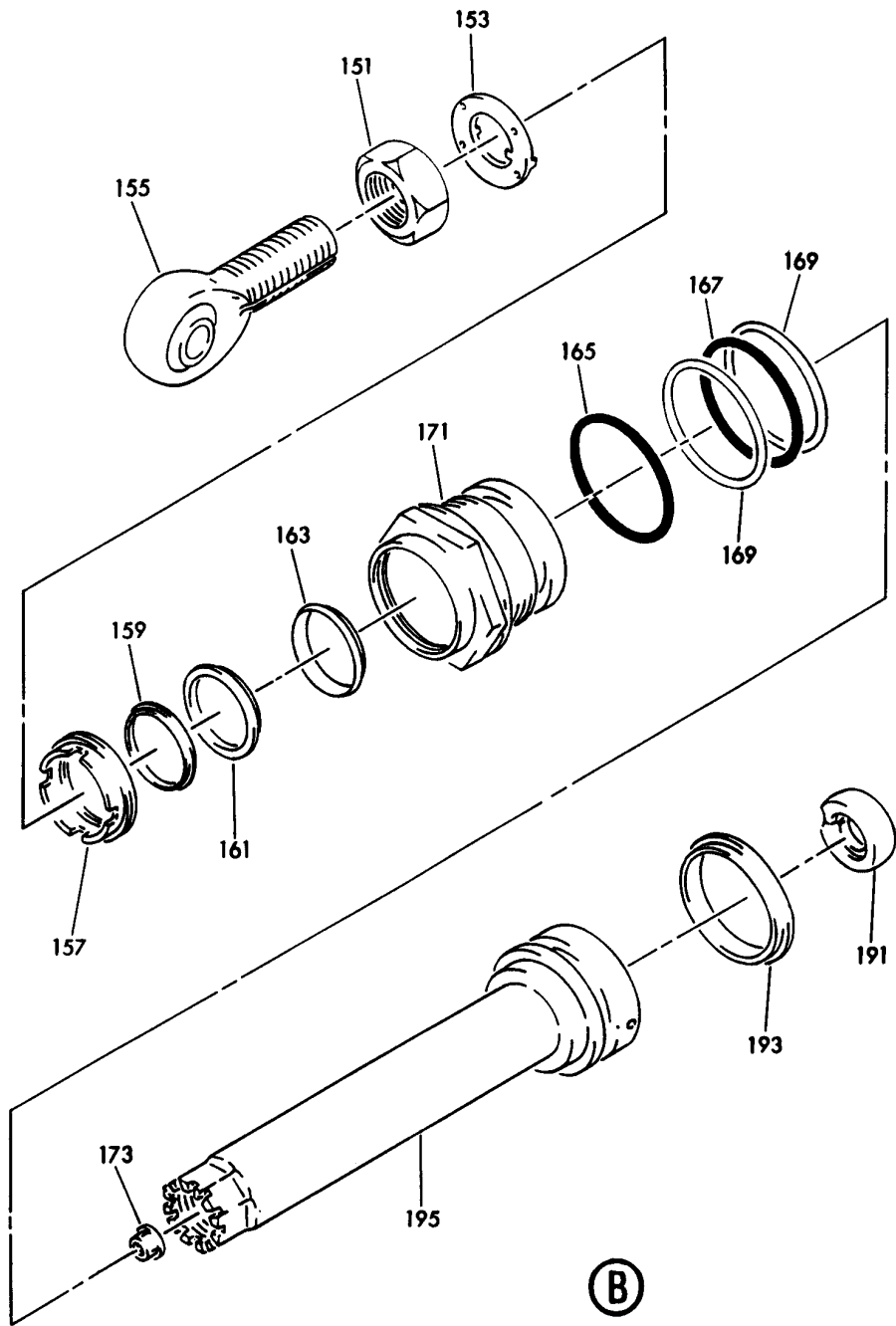
ACTUATOR INSTL-OUTBD SPOILER
FIGURE 1 (SHEET 2)

27-61-02-01

HXL
DEC 22/06

27-61-02-01
PAGE 0A

BOEING
767
PARTS CATALOG (MAINTENANCE)



V 27610201 SHT 3 REV 139

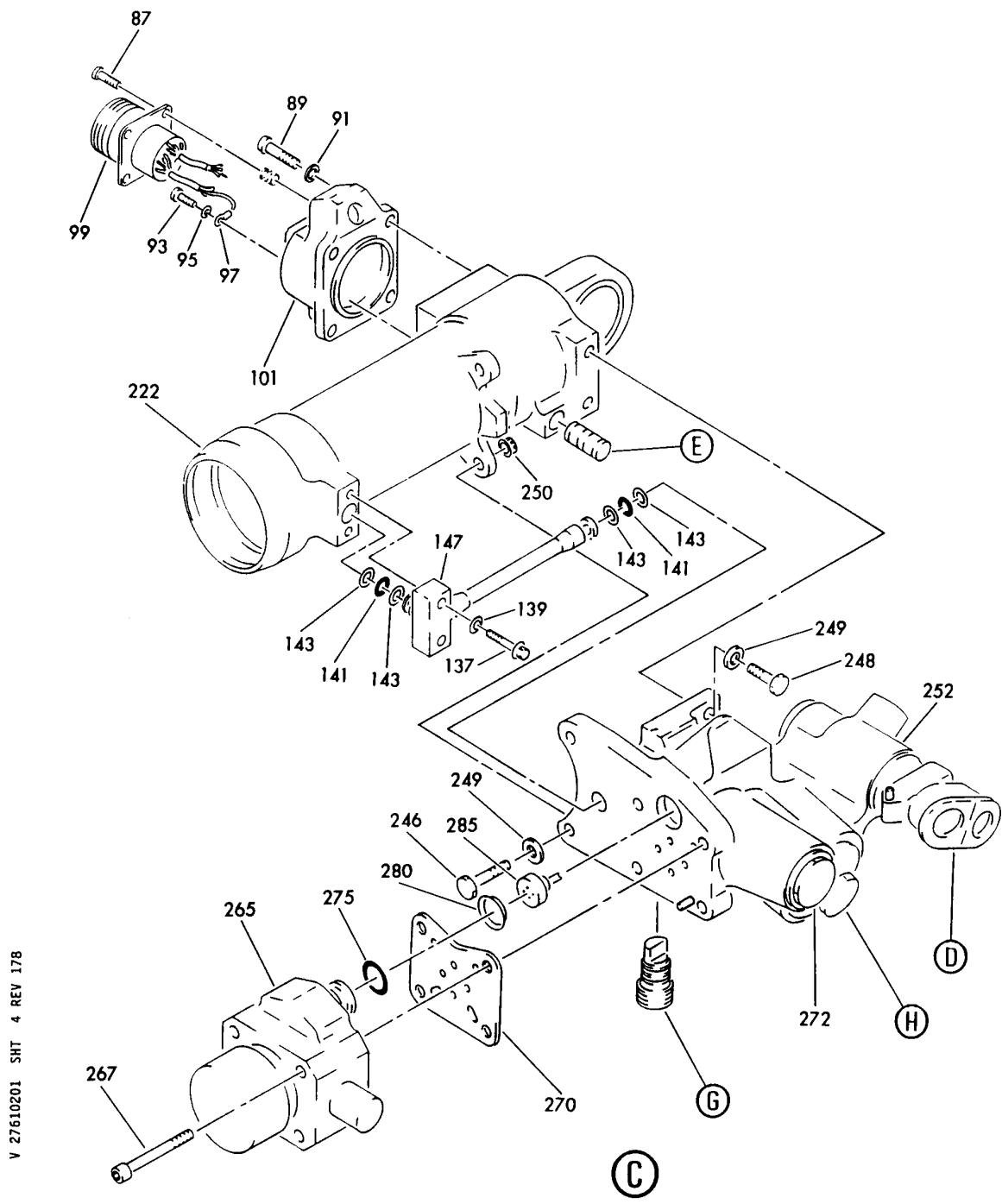
ACTUATOR INSTL-OUTBD SPOILER
FIGURE 1 (SHEET 3)

27-61-02-01

HXL
DEC 22/06

27-61-02-01
PAGE 0B

BOEING
767
PARTS CATALOG (MAINTENANCE)



V 27610201 SHT 4 REV 178

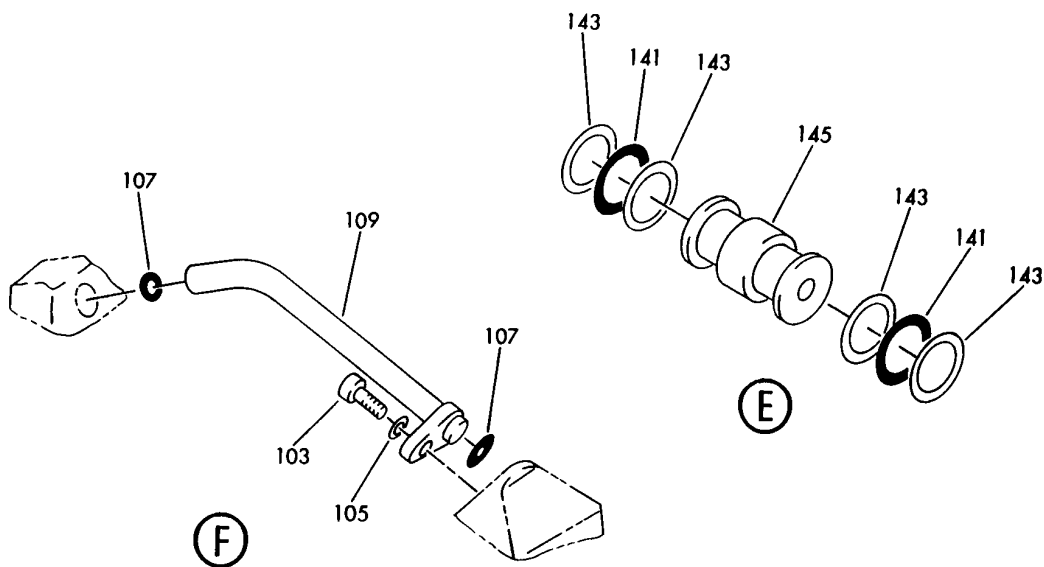
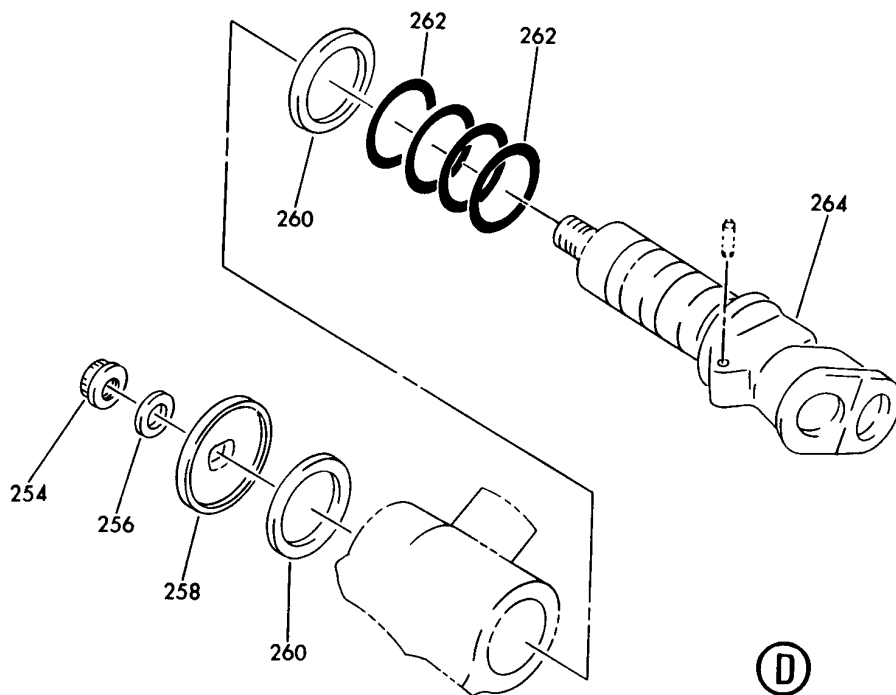
ACTUATOR INSTL-OUTBD SPOILER
FIGURE 1 (SHEET 4)

27-61-02-01

HXL
DEC 22/06

27-61-02-01
PAGE 0C

BOEING
767
PARTS CATALOG (MAINTENANCE)



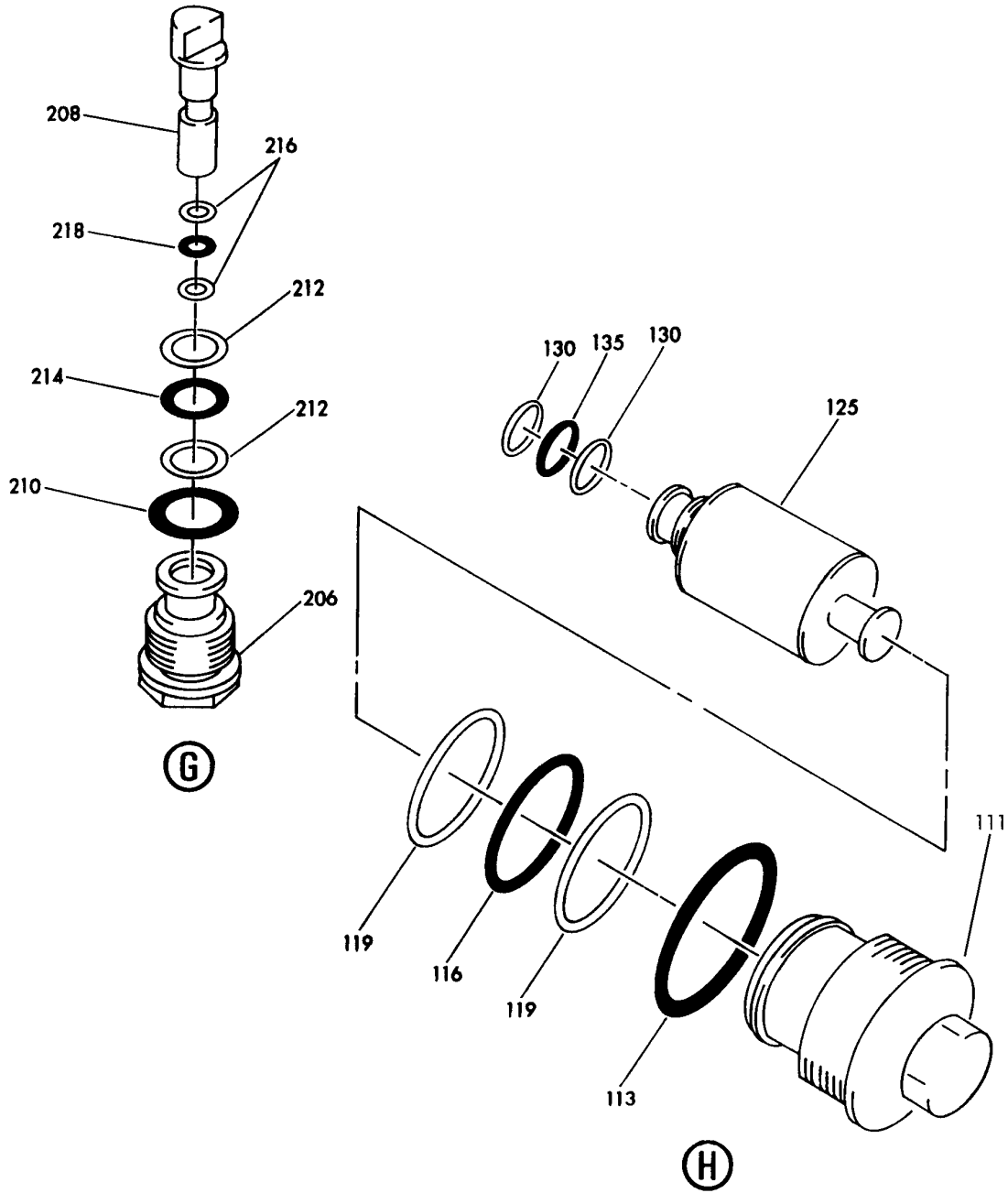
V 27610201 SHT 5 REV 178

ACTUATOR INSTL-OUTBD SPOILER
FIGURE 1 (SHEET 5)

27-61-02-01

HXL
DEC 22/06

27-61-02-01
PAGE 0D



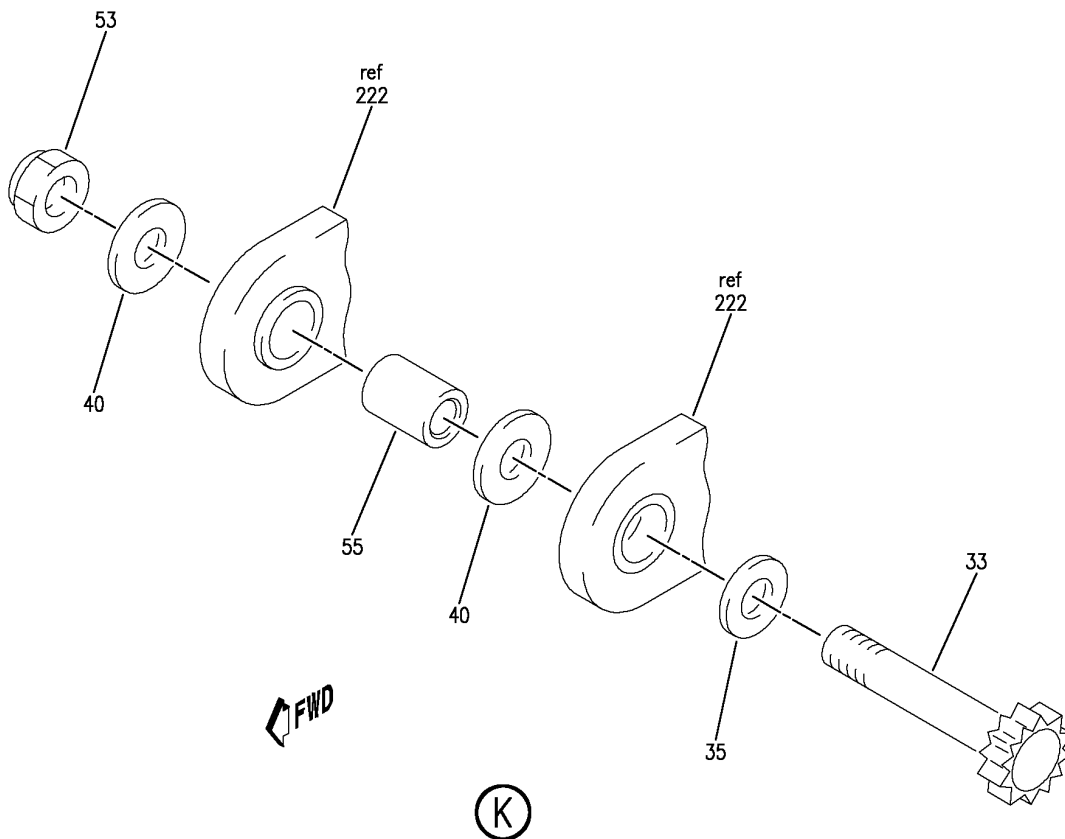
V 27610201 SH1 6 REV 268

ACTUATOR INSTL-OUTBD SPOILER
FIGURE 1 (SHEET 6)

27-61-02-01

HXL
DEC 22/06

27-61-02-01
PAGE 0E



V 27610201 SH1 7 REV 262

ACTUATOR INSTL-OUTBD SPOILER
FIGURE 1 (SHEET 7)

27-61-02-01

HXL
DEC 22/06

27-61-02-01
PAGE OF

 **BOEING**
767
PARTS CATALOG (MAINTENANCE)

FIG ITEM	PART NUMBER	1 2 3 4 5 6 7	NOMENCLATURE	EFFECT FROM TO	UNITS PER ASSY
1			ACTUATOR INSTL-OUTBD SPOILER		
- 1	252T1400-6		ACTUATOR INSTL-SPOILER POSITION DATA: OUTBD VARIABLE DRAWING REF: 252T1400-5001 FOR NHA SEE: 27-11-67-01		RF
	5 252T1455-1		.PLATE- ATTACHING PARTS		1
- 10	NAS6604-6		.BOLT-		2
- 15	BACW10BP4CD		.WASHER-		2
- 20	AN960-416		.WASHER-		2
- 25	BRH10A4		.NUT- SUPPLIER CODE: V52828 SPECIFICATION NUMBER: BACN10JC4 OPTIONAL PART: T6S428J V11815 96-048 V80539 VN303A048 V92215 RMLH9075-4W V72962 NS202101-048 V80539 H10-4BAC V15653		2
- 25	MS21042L4		.NUT- -----*-----		2
	32 BACB30LE12-30		.BOLT- QUALIFIED OPTIONAL DATA: (OPT BACB30LT12-30 USED WITH BACN10JC12CM) USED WITH: BACN10HR12CS		1
	33 BACB30LT12-30		.BOLT-		1
	35 BACW10BP12CD		.WASHER-		2
	40 BACW10BP12DP		.WASHER-		4

ILLUSTRATION ITEMS NOT ON PARTS LIST ARE NOT APPLICABLE

- ITEM NOT ILLUSTRATED

HXL

27-61-02-01

BOEING PROPRIETARY - Copyright © - Unpublished Work - See title page for details.

27-61-02
FIG. 01
PAGE 1
DEC 22/07

BOEING
767
PARTS CATALOG (MAINTENANCE)

FIG ITEM	PART NUMBER	1 2 3 4 5 6 7	NOMENCLATURE	EFFECT FROM TO	UNITS PER ASSY
R R	1 50	BMN5024CPD312	.NUT- SUPPLIER CODE: V97928 SPECIFICATION NUMBER: BACN10HR12CS OPTIONAL PART: H39953-12 V15653 109LH9031-12 V72962 67832AS1216 V56878 BH00303-12 V27238 BMN10HRCPD3-12 V97928 SL7050912 V11815 109LH903112 V72962 67832AS12 V56878 USED WITH: BACB30LE12-30		1
	53	BMN4122C1D2-12	.NUT- SUPPLIER CODE: V97928 SPECIFICATION NUMBER: BACN10JC12CM OPTIONAL PART: H01-12BAC V15653 109LH9074-12 V72962 69235-1216CM V56878		1
	55	BACB28AK12-069	.BUSHING-		1
	60	BACB28AK12-065	.BUSHING-		1
	65	252T1400-2	.ACTUATOR ASSY- MISCELLANEOUS DATA: 252T1400-2 IS EQUIVALENT TO 252T1401-1 OR -2 TOGETHER WITH BACR17E6-4 REDUCER, BACU24K6 UNION AND NAS1612-6 O-RING.		1
ILLUSTRATION ITEMS NOT ON PARTS LIST ARE NOT APPLICABLE					

- ITEM NOT ILLUSTRATED

HXL

27-61-02-01

BOEING PROPRIETARY - Copyright © - Unpublished Work - See title page for details.

27-61-02
FIG. 01
PAGE 2
AUG 22/09



767

PARTS CATALOG (MAINTENANCE)

FIG ITEM	PART NUMBER	1 2 3 4 5 6 7	NOMENCLATURE	EFFECT FROM TO	UNITS PER ASSY
1					
65	252T1400-7		.ACTUATOR ASSY- OPTIONAL PART: 1542600-1 VS4980		1
65	1542600-5		.ACTUATOR ASSY- SUPPLIER CODE: VOFRZ6 FUNCTIONAL DESCRIPTION: ELECTRO-HYDRAULIC SERVO USED TO POSITION THE OUTBOARD SPOILERS SPECIFICATION NUMBER: S252T304-1 COMPONENT MAINT MANUAL REF: 27-61-52 OPTIONAL PART: 1542600-1 VOFRZ6 1542600-9 VS4980 1542600-13 VS4980 1542600-17 VS4980 OPTIONAL PART: 252T1400-7 FOR DETAILS SEE: 27-61-02-51		1
ILLUSTRATION ITEMS NOT ON PARTS LIST ARE NOT APPLICABLE					

- ITEM NOT ILLUSTRATED

HXL

27-61-02-01

BOEING PROPRIETARY - Copyright © - Unpublished Work - See title page for details.

27-61-02
FIG. 01
PAGE 3
APR 22/07



767

PARTS CATALOG (MAINTENANCE)

FIG ITEM	PART NUMBER	1 2 3 4 5 6 7	NOMENCLATURE	EFFECT FROM TO	UNITS PER ASSY
1 65	1542600-1		.ACTUATOR ASSY- SUPPLIER CODE: VOFRZ6 SPECIFICATION NUMBER: S252T304-1 COMPONENT MAINT MANUAL REF: 27-61-52 OPTIONAL PART: 1542600-5 VOFRZ6 1542600-9 VS4980 1542600-13 VS4980 1542600-17 VS4980 OPTIONAL PART: 252T1400-7 FOR DETAILS SEE: 27-61-02-51		1
65	1542600-3		.ACTUATOR ASSY- SUPPLIER CODE: VOFRZ6 SPECIFICATION NUMBER: S252T304-2 COMPONENT MAINT MANUAL REF: 27-61-52 OPTIONAL PART: 1542600-7 VOFRZ6 1542600-11 VS4980 1542600-15 VS4980 1542600-19 VS4980 FOR DETAILS SEE: 27-61-02-51		1

ILLUSTRATION ITEMS NOT ON PARTS LIST ARE NOT APPLICABLE

- ITEM NOT ILLUSTRATED

HXL

27-61-02-01

BOEING PROPRIETARY - Copyright © - Unpublished Work - See title page for details.

27-61-02
FIG. 01
PAGE 4
APR 22/07



767

PARTS CATALOG (MAINTENANCE)

FIG ITEM	PART NUMBER	1 2 3 4 5 6 7	NOMENCLATURE	EFFECT FROM TO	UNITS PER ASSY
1	65 1542600-7		.ACTUATOR ASSY- SUPPLIER CODE: VOFRZ6 SPECIFICATION NUMBER: S252T304-2 COMPONENT MAINT MANUAL REF: 27-61-52 OPTIONAL PART: 1542600-3 VOFRZ6 1542600-11 VS4980 1542600-15 VS4980 1542600-19 VS4980 FOR DETAILS SEE: 27-61-02-51		1
	65 1542600-9		.ACTUATOR ASSY- SUPPLIER CODE: VS4980 FUNCTIONAL DESCRIPTION: ELECTRO-HYDRAULIC SERVO USED TO POSITION THE OUTBOARD SPOILERS SPECIFICATION NUMBER: S252T304-1 COMPONENT MAINT MANUAL REF: 27-61-52 OPTIONAL PART: 1542600-1 VOFRZ6 1542600-5 VOFRZ6 1542600-13 VS4980 1542600-17 VS4980 FOR DETAILS SEE: 27-61-02-51		1

ILLUSTRATION ITEMS NOT ON PARTS LIST ARE NOT APPLICABLE

- ITEM NOT ILLUSTRATED

HXL

27-61-02-01

BOEING PROPRIETARY - Copyright © - Unpublished Work - See title page for details.

27-61-02
FIG. 01
PAGE 5
APR 22/07



767

PARTS CATALOG (MAINTENANCE)

FIG ITEM	PART NUMBER	1 2 3 4 5 6 7	NOMENCLATURE	EFFECT FROM TO	UNITS PER ASSY
1 65	1542600-11		.ACTUATOR ASSY- SUPPLIER CODE: VS4980 SPECIFICATION NUMBER: S252T304-2 COMPONENT MAINT MANUAL REF: 27-61-52 OPTIONAL PART: 1542600-3 VOFRZ6 1542600-7 VOFRZ6 1542600-15 VS4980 1542600-19 VS4980 FOR DETAILS SEE: 27-61-02-51		1
65	1542600-13		.ACTUATOR ASSY- SUPPLIER CODE: VS4980 FUNCTIONAL DESCRIPTION: ELECTRO-HYDRAULIC SERVO USED TO POSITION THE OUTBOARD SPOILERS SPECIFICATION NUMBER: S252T304-1 COMPONENT MAINT MANUAL REF: 27-61-52 OPTIONAL PART: 1542600-1 VOFRZ6 1542600-5 VOFRZ6 1542600-9 VS4980 1542600-17 VS4980 FOR DETAILS SEE: 27-61-02-51		1

ILLUSTRATION ITEMS NOT ON PARTS LIST ARE NOT APPLICABLE

- ITEM NOT ILLUSTRATED

HXL

27-61-02-01

BOEING PROPRIETARY - Copyright © - Unpublished Work - See title page for details.

27-61-02
FIG. 01
PAGE 6
APR 22/07



767

PARTS CATALOG (MAINTENANCE)

FIG ITEM	PART NUMBER	1 2 3 4 5 6 7	NOMENCLATURE	EFFECT FROM TO	UNITS PER ASSY
1 65	1542600-15		.ACTUATOR ASSY- SUPPLIER CODE: VS4980 SPECIFICATION NUMBER: S252T304-2 COMPONENT MAINT MANUAL REF: 27-61-52 OPTIONAL PART: 1542600-3 VOFRZ6 1542600-7 VOFRZ6 1542600-11 VS4980 1542600-19 VS4980 FOR DETAILS SEE: 27-61-02-51		1
65	1542600-19		.ACTUATOR ASSY- SUPPLIER CODE: VS4980 SPECIFICATION NUMBER: S252T304-2 OPTIONAL PART: 1542600-3 VOFRZ6 1542600-7 VOFRZ6 1542600-11 VS4980 1542600-15 VS4980 FOR DETAILS SEE: 27-61-02-51		1

ILLUSTRATION ITEMS NOT ON PARTS LIST ARE NOT APPLICABLE

- ITEM NOT ILLUSTRATED

HXL

27-61-02-01

BOEING PROPRIETARY - Copyright © - Unpublished Work - See title page for details.

27-61-02
FIG. 01
PAGE 7
APR 22/07



767

PARTS CATALOG (MAINTENANCE)

FIG ITEM	PART NUMBER	1 2 3 4 5 6 7	NOMENCLATURE	EFFECT FROM TO	UNITS PER ASSY
1 65	1542600-17		.ACTUATOR ASSY- SUPPLIER CODE: VS4980 FUNCTIONAL DESCRIPTION: ELECTRO-HYDRAULIC SERVO USED TO POSITION THE OUTBOARD SPOILERS SPECIFICATION NUMBER: S252T304-1 OPTIONAL PART: 1542600-1 V0FRZ6 1542600-5 V0FRZ6 1542600-9 VS4980 1542600-13 VS4980 FOR DETAILS SEE: 27-61-02-51		1
70	BACU24K6		..UNION- USED ON: 252T1400-2 USED ON: 252T1400-7		1

ILLUSTRATION ITEMS NOT ON PARTS LIST ARE NOT APPLICABLE

- ITEM NOT ILLUSTRATED

HXL

27-61-02-01

BOEING PROPRIETARY - Copyright © - Unpublished Work - See title page for details.

27-61-02
FIG. 01
PAGE 8
APR 22/07

 **BOEING**
767
PARTS CATALOG (MAINTENANCE)

FIG ITEM	PART NUMBER	1 2 3 4 5 6 7	NOMENCLATURE	EFFECT FROM TO	UNITS PER ASSY
1 75	AFP2326-4		..REDUCER- SUPPLIER CODE: V30974 SPECIFICATION NUMBER: BACR17E6-4 OPTIONAL PART: AP10276-4 V01673 BC916T6-4 V50948 DBOR17E6-4 V14798 ER21916T6-4 V88334 ER31916-6-4 V88334 F23-6-4 V73197 2-01075T6-4 V11328 31778-6-4 V14397 US2114-6-4 V50808 AP1027T6-4 V01673 US21146-4 V50808 317786-4 V14397 USED ON: 252T1400-2 USED ON: 252T1400-7		1
80	NAS1612-6		..PACKING- USED ON: 252T1400-2 USED ON: 252T1400-7		2
85	252T1401-1		..ACTUATOR ASSY- COMPONENT MAINT MANUAL REF: 27-61-51 OPTIONAL PART: 252T1401-2 USED ON: 252T1400-2		1

ILLUSTRATION ITEMS NOT ON PARTS LIST ARE NOT APPLICABLE

- ITEM NOT ILLUSTRATED

HXL

27-61-02-01

BOEING PROPRIETARY - Copyright © - Unpublished Work - See title page for details.

27-61-02
FIG. 01
PAGE 9
DEC 22/08

 **BOEING**
767
PARTS CATALOG (MAINTENANCE)

FIG ITEM	PART NUMBER	1 2 3 4 5 6 7	NOMENCLATURE	EFFECT FROM TO	UNITS PER ASSY
1					
85	252T1401-2		..ACTUATOR ASSY- COMPONENT MAINT MANUAL REF: 27-61-51 OPTIONAL PART: 252T1401-1 USED ON: 252T1400-2		1
85	252T1401-3		..ACTUATOR ASSY- COMPONENT MAINT MANUAL REF: 27-61-51 USED ON: 252T1400-7		1
87	NAS1352-04H6P		...SCREW		4
89	NAS1351C3H10P		...SCREW		4
91	NAS620-10L		...WASHER		4
93	NAS1351-3-6P		...SCREW		1
95	NAS620-10L		...WASHER		1
97	AA821-10		...TERMINAL SUPPLIER CODE: V98410 SPECIFICATION NUMBER: BACT12AC3 OPTIONAL PART: R1891SN V14726 36153 V00779		1
99	BACC45FM16-10P		...TERMINAL		1
101	252T1438-1		...COVER ASSY- OPTIONAL PART: 252T1494-1		1
101	252T1494-1		...COVER ASSY- OPTIONAL PART: 252T1438-1		1
103	NAS1351C3H10P		...SCREW		1
105	NAS620-10L		...WASHER		1
107	NAS1611-012		...PACKING-		2
109	252T1423-1		...CONDUIT ASSY		1
111	252T1405-1		...CAP-FILTER OPTIONAL PART: 252T1405-2		1
111	252T1405-2		...CAP-FILTER OPTIONAL PART: 252T1405-1		1
113	NAS1611-125		...PACKING-		1
116	NAS1611-216		...PACKING-		1
119	MS28782-21		...RETAINER- OPTIONAL PART: BACR12BM216		2
ILLUSTRATION ITEMS NOT ON PARTS LIST ARE NOT APPLICABLE					

- ITEM NOT ILLUSTRATED

HXL

27-61-02-01

BOEING PROPRIETARY - Copyright © - Unpublished Work - See title page for details.

27-61-02
FIG. 01
PAGE 10
DEC 22/08



767

PARTS CATALOG (MAINTENANCE)

FIG ITEM	PART NUMBER	1 2 3 4 5 6 7	NOMENCLATURE	EFFECT FROM TO	UNITS PER ASSY
1 119	C11236-216B		...RING- SUPPLIER CODE: V26879 SPECIFICATION NUMBER: BACR12BM216 OPTIONAL PART: RMR12BM216 V94878 STF800-216 V02107 S30294-216-1 V97820 TF450-216A V07128 2100-216 V26303 MS28782-21		2
125	11-10106		...FILTER- SUPPLIER CODE: V14818 SPECIFICATION NUMBER: 60B80034-1 OPTIONAL PART: 4228-634 V05CK7 7553574 V05228 AC8818E1 V18350		1
130	MS28782-7		...RETAINER- OPTIONAL PART: BACR12BM012		2
130	C11236-012B		...RING- SUPPLIER CODE: V26879 SPECIFICATION NUMBER: BACR12BM012 OPTIONAL PART: RMR12BM012 V94878 STF800-012 V02107 S30294-012-1 V97820 TF450-012A V07128 2100-012 V26303 MS28782-7		2

ILLUSTRATION ITEMS NOT ON PARTS LIST ARE NOT APPLICABLE

- ITEM NOT ILLUSTRATED

HXL

27-61-02-01

BOEING PROPRIETARY - Copyright © - Unpublished Work - See title page for details.

27-61-02
 FIG. 01
 PAGE 11
 APR 22/07



767

PARTS CATALOG (MAINTENANCE)

FIG ITEM	PART NUMBER	1 2 3 4 5 6 7	NOMENCLATURE	EFFECT FROM TO	UNITS PER ASSY
1					
135	NAS1611-012	...	PACKING-		1
137	BACB130MT3HT6	...	BOLT		2
139	BACW10BP3C	...	WASHER		2
141	NAS1611-010	...	PACKING-		4
143	MS28782-5	...	RETAINER-		8
			OPTIONAL PART: BACR12BM010		
143	C11236-010B	...	RING-		8
			SUPPLIER CODE: V26879		
			SPECIFICATION NUMBER: BACR12BM010		
			OPTIONAL PART: RMR12BM010		
			V94878		
			STF800-010		
			V02107		
			S30294-010-1		
			V97820		
			TF450-010A		
			V07128		
			2100-010		
			V26303		
			MS28782-5		
145	252T1416-1	...	TUBE-QUILL		1
147	252T1411-1	...	TUBE-TRANSFER		1
149	NAS6603H4	...	BOLT		4
151	NAS509-14C	...	NUT		1
153	252T1421-1	...	WASHER-ROD END LOCK		1
155	252T1420-1	...	ROD END ASSY		1
157	252T1415-1	...	RETAINER-SCRAPER		1

ILLUSTRATION ITEMS NOT ON PARTS LIST ARE NOT APPLICABLE

- ITEM NOT ILLUSTRATED

HXL

27-61-02-01

BOEING PROPRIETARY - Copyright © - Unpublished Work - See title page for details.

27-61-02
FIG. 01
PAGE 12
APR 22/07



767

PARTS CATALOG (MAINTENANCE)

FIG ITEM	PART NUMBER	1 2 3 4 5 6 7	NOMENCLATURE	EFFECT FROM TO	UNITS PER ASSY
1 159	CWR76-13B		...SCRAPER SUPPLIER CODE: V26879 SPECIFICATION NUMBER: BACS34A13A OPTIONAL PART: TF005-13A V07128 2140-13A V26303 DW96801-13A V02886 RMS34A13A V94878 S1106513A V09257 S3038813-1 V09257 S3038813-5 V09257 CWR76-13A V26879		1
161	252T1414-1		...RETAINER-SEAL		1
163	S33555-218H5		...HATSEAL- SUPPLIER CODE: V09257		1
165	NAS1611-135		...PACKING-		1
167	NAS1611-224		...PACKING-		1
169	MS28783-2		...RING- OPTIONAL PART: BACR12BM224		2
169	C11236-224B		...RING- SUPPLIER CODE: V26879 SPECIFICATION NUMBER: BACR12BM224 OPTIONAL PART: RMR12BM224 V94878 STF800-224 V02107 S30294-224-1 V97820 TF450-224A V07128 2100-224 V26303 MS28783-2		2
171	252T1413-1		...GLAND-PISTON		1

ILLUSTRATION ITEMS NOT ON PARTS LIST ARE NOT APPLICABLE

- ITEM NOT ILLUSTRATED

HXL

27-61-02-01

BOEING PROPRIETARY - Copyright © - Unpublished Work - See title page for details.

27-61-02
 FIG. 01
 PAGE 13
 APR 22/07



767

PARTS CATALOG (MAINTENANCE)

FIG ITEM	PART NUMBER	1 2 3 4 5 6 7	NOMENCLATURE	EFFECT FROM TO	UNITS PER ASSY
1 173	BRH10C4	...	NUT SUPPLIER CODE: V52828 SPECIFICATION NUMBER: BACN10JC4C OPTIONAL PART: T6C428J V11815 97-048 V80539 101LH9075-4W V72962 VN303B048 V92215 NS202101S048 V80539 H31-4BAC V15653		1
175	MS28783-2	...	RING- OPTIONAL PART: BACR12BM224		2
175	C11236-224B	...	RING- SUPPLIER CODE: V26879 SPECIFICATION NUMBER: BACR12BM224 OPTIONAL PART: RMR12BM224 V94878 STF800-224 V02107 S30294-224-1 V97820 TF450-224A V07128 2100-224 V26303 MS28783-2		2
177	NAS1611-224	...	PACKING-		1
179	252T1412-1	...	RETAINER ASSY-TRANSDUCER		1
181	MS28782-13	...	RING- OPTIONAL PART: BACR12BM116		2

ILLUSTRATION ITEMS NOT ON PARTS LIST ARE NOT APPLICABLE

- ITEM NOT ILLUSTRATED

HXL

27-61-02-01

BOEING PROPRIETARY - Copyright © - Unpublished Work - See title page for details.

27-61-02
FIG. 01
PAGE 14
APR 22/07

 **BOEING**
767
PARTS CATALOG (MAINTENANCE)

FIG ITEM	PART NUMBER	1 2 3 4 5 6 7	NOMENCLATURE	EFFECT FROM TO	UNITS PER ASSY
1					
181	C11236-116B		...RING- SUPPLIER CODE: V26879 SPECIFICATION NUMBER: BACR12BM116 OPTIONAL PART: RMR12BM116 V94878 STF800-116 V02107 S30294-116-1 V97820 TF450-116A V07128 2100-116 V26303 MS28782-14		2
183	NAS1611-116		...PACKING-		1
185	252T1316-2		...RING-LOCK USED ON: 252T4101-1		1
187	252T1408-1		...PLUNGER-SNUBBER USED ON: 252T4101-1		1
189	252T1408-1		...PLUNGER-SNUBBER USED ON: 252T4101-1		1
191	252T1331-2		...GUIDE-TRANSDUCER		1
193	7326MS952T		...RING-GT SUPPLIER CODE: V5F573		1
195	252T1407-1		...PISTON-LOCK OPTIONAL PART: 252T1407-2 252T1407-3		1
195	252T1407-2		...PISTON-LOCK OPTIONAL PART: 252T1407-1 252T1407-3		1
195	252T1407-3		...PISTON-LOCK OPTIONAL PART: 252T1407-1 252T1407-2		1
204	GM6850		...TRANSDUCER ASSY-LINEAR SUPPLIER CODE: V22863 SPECIFICATION NUMBER: S252T003-1		1
206	252T1309-1		...RETAINER-CAM		1

ILLUSTRATION ITEMS NOT ON PARTS LIST ARE NOT APPLICABLE

— ITEM NOT ILLUSTRATED

HXL

27-61-02-01

BOEING PROPRIETARY - Copyright © - Unpublished Work - See title page for details.

27-61-02
FIG. 01
PAGE 15
APR 22/07



767

PARTS CATALOG (MAINTENANCE)

FIG ITEM	PART NUMBER	1 2 3 4 5 6 7	NOMENCLATURE	EFFECT FROM TO	UNITS PER ASSY
1					
208	252T1308-1	...	CAM-RELEASE		1
210	NAS1611-113	...	PACKING-		1
212	MS28782-9	...	RETAINER-		2
			OPTIONAL PART: BACR12BM111		
212	C11236-111B	...	RING-		2
			SUPPLIER CODE: V26879		
			SPECIFICATION NUMBER: BACR12BM111		
			OPTIONAL PART: RMR12BM111		
			V94878		
			STF800-111		
			V02107		
			S30294-111-1		
			V97820		
			TF450-111A		
			V07128		
			2100-111		
			V26303		
			MS28782-9		
214	NAS1611-111	...	PACKING-		1
216	MS28782-4	...	RETAINER-		2
			OPTIONAL PART: BACR12BM009		
216	C11236-009B	...	RING-		2
			SUPPLIER CODE: V26879		
			SPECIFICATION NUMBER: BACR12BM009		
			OPTIONAL PART: RMR12BM009		
			V94878		
			STF800-009		
			V02107		
			S30294-009-1		
			V97820		
			TF450-009A		
			V07128		
			2100-009		
			V26303		
			MS28782-4		
218	NAS1611-009	...	PACKING-		1
220	252T1332-1	...	NAMEPLATE		1
222	252T1406-1	...	CYLINDER ASSY		1
239	NAS1611-009	...	PACKING-		1

ILLUSTRATION ITEMS NOT ON PARTS LIST ARE NOT APPLICABLE

- ITEM NOT ILLUSTRATED

27-61-02-01

27-61-02
FIG. 01
PAGE 16
APR 22/07

HXL



767

PARTS CATALOG (MAINTENANCE)

FIG ITEM	PART NUMBER	1 2 3 4 5 6 7	NOMENCLATURE	EFFECT FROM TO	UNITS PER ASSY
1					
244	MS28782-4	...	RETAINER- OPTIONAL PART: BACR12BM009		2
244	C11236-009B	...	RING- SUPPLIER CODE: V26879 SPECIFICATION NUMBER: BACR12BM009 OPTIONAL PART: RMR12BM009 V94878 STF800-009 V02107 S30294-009-1 V97820 TF450-009A V07128 2100-009 V26303 MS28782-4		2
246	NAS6604-8	...	BOLT		2
248	NAS6604H4	...	BOLT		2
249	AN960-416L	...	WASHER		4
250	BRH10C4	...	NUT SUPPLIER CODE: V52828 SPECIFICATION NUMBER: BACN10JC4C OPTIONAL PART: T6C428J V11815 97-048 V80539 101LH9075-4W V72962 VN303B048 V92215 NS202101S048 V80539 H31-4BAC V15653		2
252	252T1402-1	...	MANIFOLD ASSY		1

ILLUSTRATION ITEMS NOT ON PARTS LIST ARE NOT APPLICABLE

- ITEM NOT ILLUSTRATED

HXL

27-61-02-01

BOEING PROPRIETARY - Copyright © - Unpublished Work - See title page for details.

27-61-02
FIG. 01
PAGE 17
APR 22/07



767

PARTS CATALOG (MAINTENANCE)

FIG ITEM	PART NUMBER	1 2 3 4 5 6 7	NOMENCLATURE	EFFECT FROM TO	UNITS PER ASSY
1 254	BRH10C6		...NUT SUPPLIER CODE: V52828 SPECIFICATION NUMBER: BACN10JC6C OPTIONAL PART: 97-064 V80539 H31-6BAC V15653		1
256	AN960C616L		...WASHER		1
258	252T1404-1		...WASHER-SWIVEL		1
260	252T1306-1		...WASHER-SWIVEL		2
262	S30775-116H5		...SEAL-PLUS II SUPPLIER CODE: V09257		4
264	252T1403-1		...SHAFT ASSY-SWIVEL		1
265	72181		...SERVOVALVE- ELECTROHYDRAULIC SUPPLIER CODE: V49695 SPECIFICATION NUMBER: S252T001-2 COMPONENT MAINT MANUAL REF: 27-61-01 OPTIONAL PART: 22280730-001 V81873 22280730 V81873 A38103-1 V94697 A38103-2 V94697 A38103-3 V94697 A38103-4 V94697		1

ILLUSTRATION ITEMS NOT ON PARTS LIST ARE NOT APPLICABLE

- ITEM NOT ILLUSTRATED

HXL

27-61-02-01

BOEING PROPRIETARY - Copyright © - Unpublished Work - See title page for details.

27-61-02
FIG. 01
PAGE 18
APR 22/07



767

PARTS CATALOG (MAINTENANCE)

FIG ITEM	PART NUMBER	1 2 3 4 5 6 7	NOMENCLATURE	EFFECT FROM TO	UNITS PER ASSY
1 265	A38103-1		...SERVOVALVE-ELECTRO HYDR SUPPLIER CODE: V94697 FUNCTIONAL DESCRIPTION: CONTROLS THE FLOW OF HYDRAULIC FLUID TO THE SPOILER POWER DRIVE UNIT (PDU) IN RESPONSE TO ELECTRICAL COMMANDS SPECIFICATION NUMBER: S252T001-6 COMPONENT MAINT MANUAL REF: 27-60-05 OPTIONAL PART: A38103-2 V94697 A38103-3 V94697 A38103-4 V94697 OPTIONAL PART: 22280730-001 V81873 22280730 V81873 72181 V93835		1
265	22280730-001		...VALVE-ELECTRO HYDR SERVO SUPPLIER CODE: V81873 SPECIFICATION NUMBER: S252T001-1 COMPONENT MAINT MANUAL REF: 27-60-01 OPTIONAL PART: 22280730 V81873 OPTIONAL PART: A38103-1 V94697 A38103-2 V94697 A38103-3 V94697 72181 V93835 A38103-4 V94697		1

ILLUSTRATION ITEMS NOT ON PARTS LIST ARE NOT APPLICABLE

- ITEM NOT ILLUSTRATED

HXL

27-61-02-01

BOEING PROPRIETARY - Copyright © - Unpublished Work - See title page for details.

27-61-02
 FIG. 01
 PAGE 19
 APR 22/07

BOEING
767
PARTS CATALOG (MAINTENANCE)

FIG ITEM	PART NUMBER	1 2 3 4 5 6 7	NOMENCLATURE	EFFECT FROM TO	UNITS PER ASSY
1 265	22280730		...VALVE-ELECTRO HYDR SERVO SUPPLIER CODE: V81873 SPECIFICATION NUMBER: S252T001-1 COMPONENT MAINT MANUAL REF: 27-60-01 OPTIONAL PART: 22280730-001 V81873 OPTIONAL PART: A38103-1 V94697 A38103-2 V94697 A38103-3 V94697 72181 V93835 A38103-4 V94697		1
265	A38103-2		...SERVOVALVE-ELECTRO HYDR SUPPLIER CODE: V94697 FUNCTIONAL DESCRIPTION: CONTROLS THE FLOW OF HYDRAULIC FLUID TO THE SPOILER POWER DRIVE UNIT (PDU) IN RESPONSE TO ELECTRICAL COMMANDS SPECIFICATION NUMBER: S252T001-6 COMPONENT MAINT MANUAL REF: 27-60-05 OPTIONAL PART: A38103-1 V94697 A38103-3 V94697 A38103-4 V94697 OPTIONAL PART: 22280730-001 V81873 22280730 V81873 72181 V93835		1

ILLUSTRATION ITEMS NOT ON PARTS LIST ARE NOT APPLICABLE

— ITEM NOT ILLUSTRATED

HXL

27-61-02-01

BOEING PROPRIETARY - Copyright © - Unpublished Work - See title page for details.

27-61-02
FIG. 01
PAGE 20
APR 22/07



767

PARTS CATALOG (MAINTENANCE)

FIG ITEM	PART NUMBER	1 2 3 4 5 6 7 NOMENCLATURE	EFFECT FROM TO	UNITS PER ASSY
1 265	A38103-3	... SERVOVALVE-ELECTRO HYDR SUPPLIER CODE: V94697 FUNCTIONAL DESCRIPTION: CONTROLS THE FLOW OF HYDRAULIC FLUID TO THE SPOILER POWER DRIVE UNIT (PDU) IN RESPONSE TO ELECTRICAL COMMANDS SPECIFICATION NUMBER: S252T001-6 COMPONENT MAINT MANUAL REF: 27-60-05 OPTIONAL PART: A38103-1 V94697 A38103-2 V94697 A38103-4 V94697 OPTIONAL PART: 22280730-001 V81873 22280730 V81873 72181 V93835		1

ILLUSTRATION ITEMS NOT ON PARTS LIST ARE NOT APPLICABLE

- ITEM NOT ILLUSTRATED

HXL

27-61-02-01

BOEING PROPRIETARY - Copyright © - Unpublished Work - See title page for details.

27-61-02
 FIG. 01
 PAGE 21
 APR 22/07

BOEING
767
PARTS CATALOG (MAINTENANCE)

FIG ITEM	PART NUMBER	1 2 3 4 5 6 7	NOMENCLATURE	EFFECT FROM TO	UNITS PER ASSY
1 265	A38103-4		<p>...SERVOVALVE-ELECTRO HYDR SUPPLIER CODE: V94697 FUNCTIONAL DESCRIPTION: CONTROLS THE FLOW OF HYDRAULIC FLUID TO THE SPOILER POWER DRIVE UNIT (PDU) IN RESPONSE TO ELECTRICAL COMMANDS. SPECIFICATION NUMBER: S252T001-6 COMPONENT MAINT MANUAL REF: 27-60-05 OPTIONAL PART: A38103-1 V94697 A38103-2 V94697 A38103-3 V94697 OPTIONAL PART: 22280730-001 V81873 22280730 V81873 72181 V49695 ATTACHING PARTS</p>		1
267	NAS1351-4H28P		<p>...SCREW- -----*-----</p>		4
270	069000198-3		<p>...PLATE-GASKET SUPPLIER CODE: V05939 SPECIFICATION NUMBER: 69-20185-3 OPTIONAL PART: 828109-3 V83259</p>		1
272	252T1320-1		<p>...SHAFT ASSY-EXTENDED CHK AND THRM RELIEF</p>		1
275	NAS1611-112		<p>...PACKING-</p>		1
280	252T1329-1		<p>...RETAINER-CONN.</p>		1
285	000100-0113		<p>...CONNECTOR- SUPPLIER CODE: V05574</p>		1
- 400	286T1349-001		<p>WIRE BUNDLE ASSY</p>		RF

ILLUSTRATION ITEMS NOT ON PARTS LIST ARE NOT APPLICABLE

- ITEM NOT ILLUSTRATED

HXL

27-61-02-01

BOEING PROPRIETARY - Copyright © - Unpublished Work - See title page for details.

27-61-02
FIG. 01
PAGE 22
AUG 22/07



767

PARTS CATALOG (MAINTENANCE)

FIG ITEM	PART NUMBER	1 2 3 4 5 6 7	NOMENCLATURE	EFFECT FROM TO	UNITS PER ASSY
1 405	GS3417-16C		.CLAMP- SUPPLIER CODE: V06324 SPECIFICATION NUMBER: BACC10HF16 OPTIONAL PART: S2125-16-8 V07418 ELECTRICAL EQUIP NUMBER: D00161T WIRING DIAGRAM REF: 276113		8
410	CN096616R10SNL		.CONNECTOR- SUPPLIER CODE: V13556 SPECIFICATION NUMBER: BCREF5954 OPTIONAL PART: ZZY16R10SNL V49367 48-06R16R10SNL V02660 OVERLENGTH PART NUMBER: BACC63BP16R10SNL ELECTRICAL EQUIP NUMBER: D00161 WIRING DIAGRAM REF: 276113		8

ILLUSTRATION ITEMS NOT ON PARTS LIST ARE NOT APPLICABLE

- ITEM NOT ILLUSTRATED

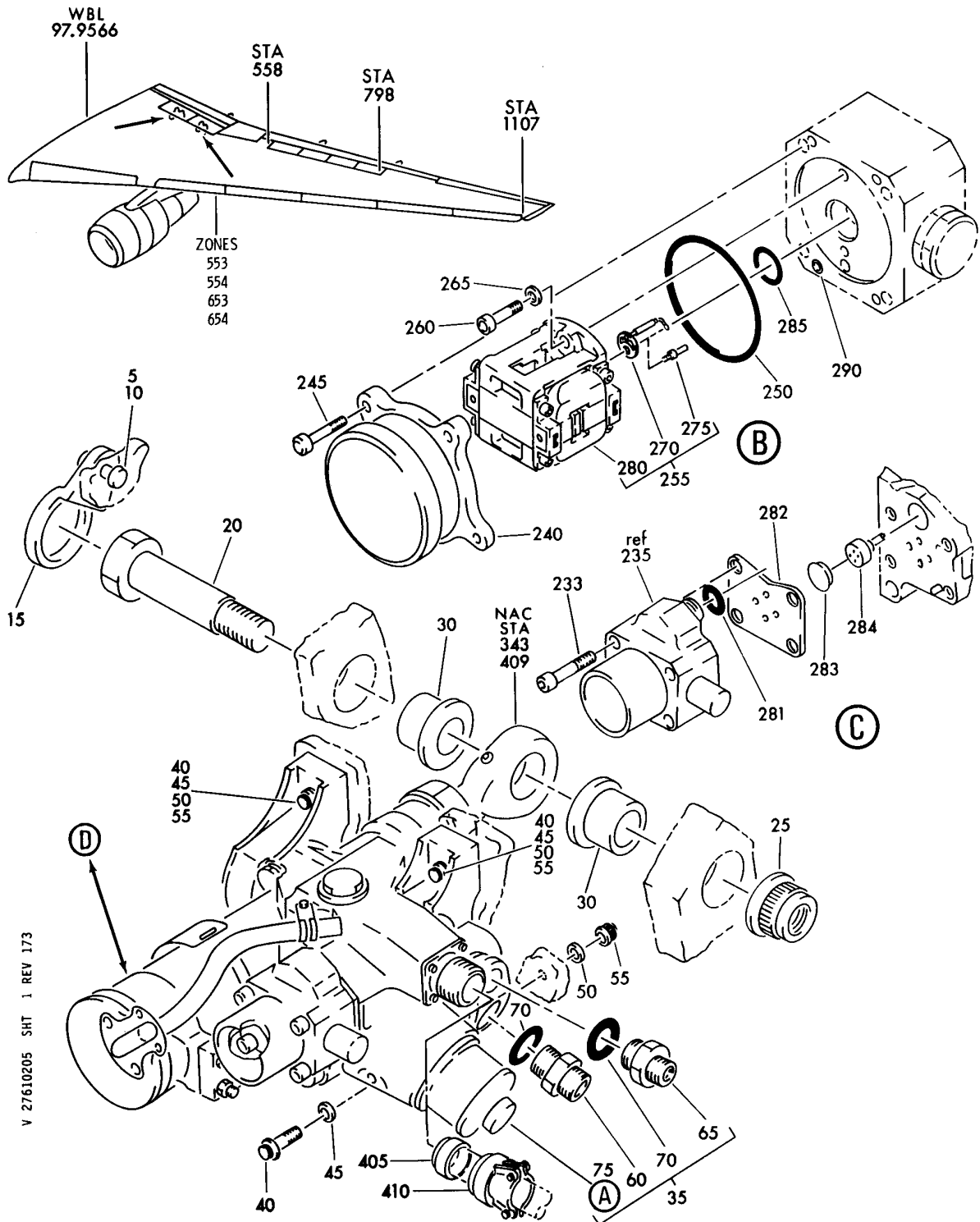
HXL

27-61-02-01

BOEING PROPRIETARY - Copyright © - Unpublished Work - See title page for details.

27-61-02
FIG. 01
PAGE 23
APR 22/07

BOEING
767
PARTS CATALOG (MAINTENANCE)

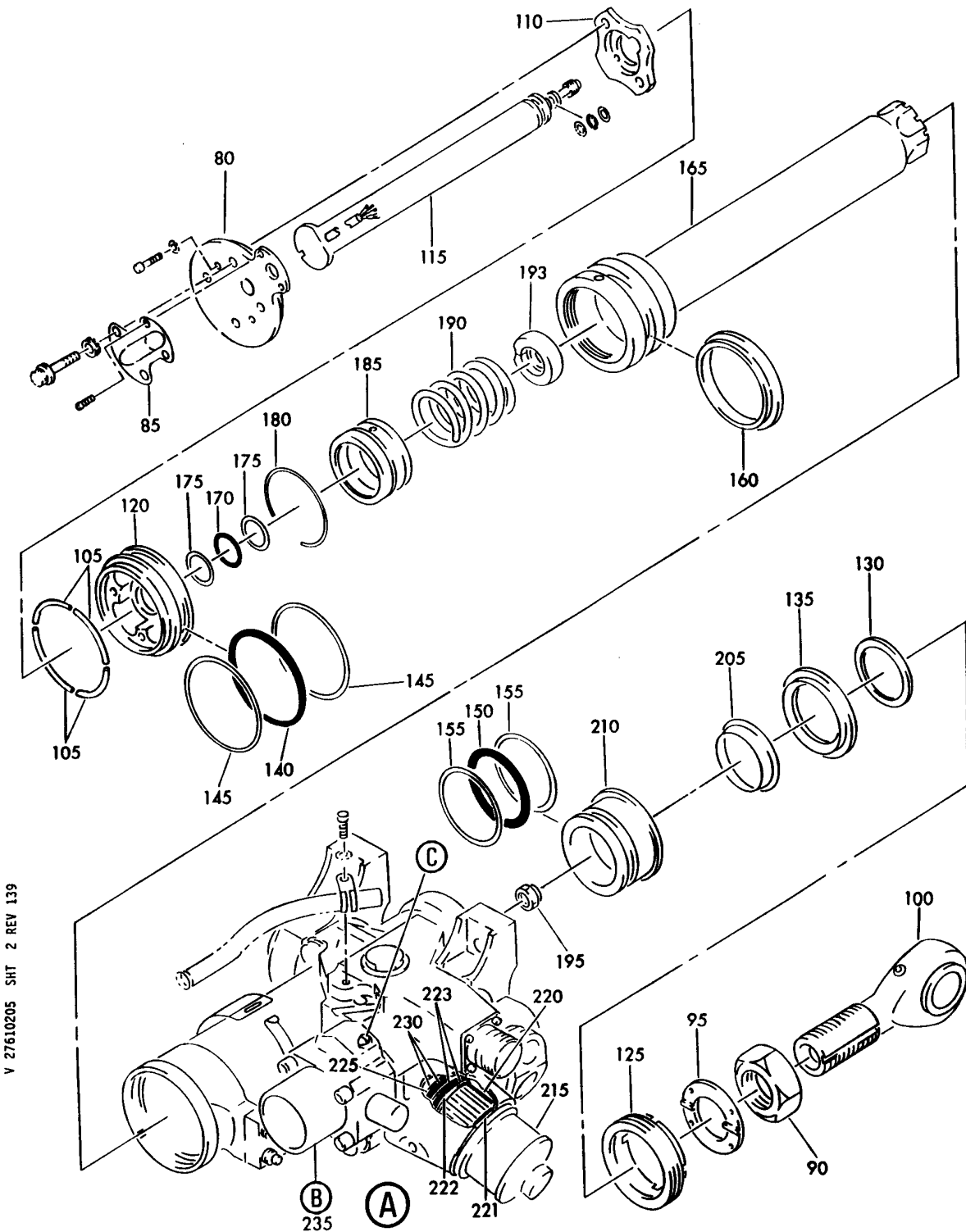


V 27610205 SHT 1 REV 173

ACTUATOR INSTL-INBD SPOILER
FIGURE 5 (SHEET 1)

27-61-02-05

BOEING
767
PARTS CATALOG (MAINTENANCE)



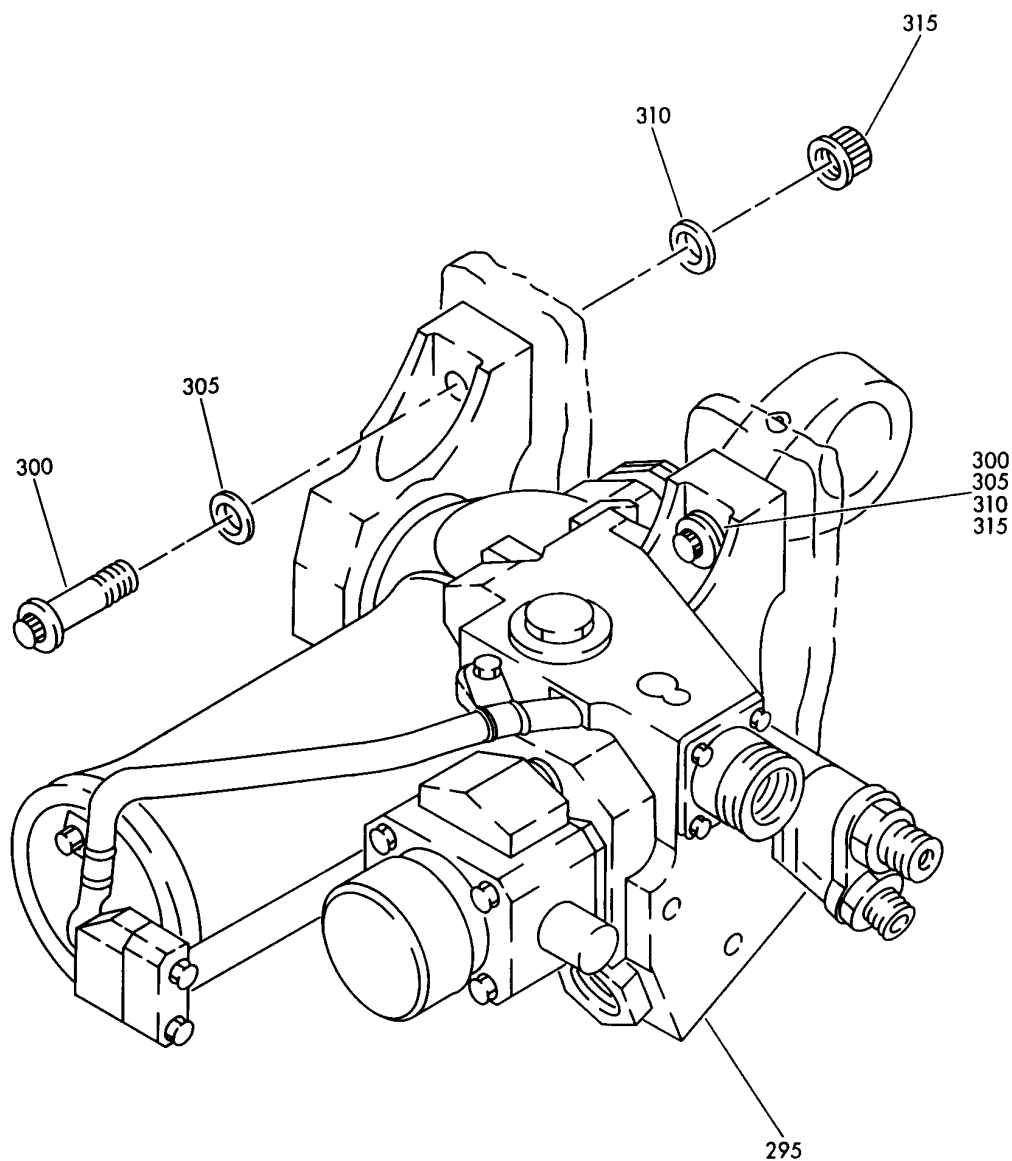
ACTUATOR INSTL-INBD SPOILER
FIGURE 5 (SHEET 2)

27-61-02-05

HXL
DEC 22/06

27-61-02-05
PAGE 0A

BOEING
767
PARTS CATALOG (MAINTENANCE)



V 27610205 SHT 3 REV 173

ⓓ

ACTUATOR INSTL-INBD SPOILER
FIGURE 5 (SHEET 3)

27-61-02-05

HXL
DEC 22/06

27-61-02-05
PAGE 0B

BOEING
767
PARTS CATALOG (MAINTENANCE)

FIG ITEM	PART NUMBER	1 2 3 4 5 6 7	NOMENCLATURE	EFFECT FROM TO	UNITS PER ASSY
5			ACTUATOR INSTL-INBD SPOILER		
- 1	252T1300-6		ACTUATOR INSTL-SPOILER POSITION DATA: INBD VARIABLE DRAWING REF: 252T1300-5001 FOR NHA SEE: 27-11-67-01		RF
R	5		.BOLT-		1
R			SUPPLIER CODE: V97928		
R			SPECIFICATION NUMBER: BACB30FM8A10U		
R			OPTIONAL PART: 67067-8A10U		
R			V56878		
R			HL40-8-10		
R			V56878		
R			HL40-8-10		
R			V73197		
R			HL40-8-10		
R			V80539		
R			HL40-8-10		
R			V92215		
R			HL40-8-10		
R			V08524		
R	10		.COLLAR-		1
			SUPPLIER CODE: V5M902		
			SPECIFICATION NUMBER: BACC30M8		
			OPTIONAL PART: HL79-8		
			V73197		
			HL79-8		
			V92215		
			66014-8		
			V56878		
			HL79-8		
			V56878		
15	252T1370-1		.CLIP-		1
20	NAS6714-42		.BOLT-		1
25	NAS1805-14		.NUT-		1
30	252T1371-1		.BUSHING-		2

ILLUSTRATION ITEMS NOT ON PARTS LIST ARE NOT APPLICABLE

- ITEM NOT ILLUSTRATED

HXL

27-61-02-05

BOEING PROPRIETARY - Copyright © - Unpublished Work - See title page for details.

27-61-02
FIG. 05
PAGE 1
AUG 22/09



767

PARTS CATALOG (MAINTENANCE)

FIG ITEM	PART NUMBER	1 2 3 4 5 6 7	NOMENCLATURE	EFFECT FROM TO	UNITS PER ASSY
5					
35	252T1300-2		.ACTUATOR ASSY- MISCELLANEOUS DATA: 252T1300-2 IS EQUIVALENT TO 252T1301-1 OR -2 TOGETHER WITH BACR17E6-4 REDUCER, BACU24K6 UNION AND NAS1612-6 O-RING.		1
35	252T1300-7		.ACTUATOR ASSY- OPTIONAL PART: 1542500-1 VS4980 ATTACHING PARTS		1
40	BACB30LE7-18		.BOLT-		4
45	BACW10BP7C		.WASHER-		4
50	BACW10BP7DP		.WASHER-		4
55	BH003027		.NUT- SUPPLIER CODE: V27238 SPECIFICATION NUMBER: BACN10HR7 OPTIONAL PART: BMNN10HR7 V97928 H967 V15653 RMLH227 V72962 VAL280097 V06710 678327 V56878 H96-7 V15653 RMLH22-7 V72962 67832-720 V56878 BMNN10HR7 V97928 BH00302-7 V27238 CR5906-7 VF0224 -----*-----		4
60	BACU24K6		..UNION		1

ILLUSTRATION ITEMS NOT ON PARTS LIST ARE NOT APPLICABLE

- ITEM NOT ILLUSTRATED

HXL

27-61-02-05

BOEING PROPRIETARY - Copyright © - Unpublished Work - See title page for details.

27-61-02
FIG. 05
PAGE 2
DEC 22/08



767

PARTS CATALOG (MAINTENANCE)

FIG ITEM	PART NUMBER	1 2 3 4 5 6 7	NOMENCLATURE	EFFECT FROM TO	UNITS PER ASSY
5 65	AFP2326-4		..REDUCER SUPPLIER CODE: V30974 SPECIFICATION NUMBER: BACR17E6-4 OPTIONAL PART: AP10276-4 V01673 BC916T6-4 V50948 DBOR17E6-4 V14798 ER21916T6-4 V88334 ER31916-6-4 V88334 F23-6-4 V73197 2-01075T6-4 V11328 31778-6-4 V14397 US2114-6-4 V50808 AP1027T6-4 V01673 US21146-4 V50808 317786-4 V14397		1
70 75	NAS1612-6 252T1301-1		..PACKING- ..ACTUATOR ASSY- ELECTRICAL EQUIP NUMBER: M00310 M00311 M00312 M00313 COMPONENT MAINT MANUAL REF: 27-61-01 OPTIONAL PART: 252T1301-2		2 1

ILLUSTRATION ITEMS NOT ON PARTS LIST ARE NOT APPLICABLE

- ITEM NOT ILLUSTRATED

HXL

27-61-02-05

BOEING PROPRIETARY - Copyright © - Unpublished Work - See title page for details.

27-61-02
 FIG. 05
 PAGE 3
 DEC 22/08

 **BOEING**
767
PARTS CATALOG (MAINTENANCE)

FIG ITEM	PART NUMBER	1 2 3 4 5 6 7	NOMENCLATURE	EFFECT FROM TO	UNITS PER ASSY
5					
75	252T1301-2		..ACTUATOR ASSY- ELECTRICAL EQUIP NUMBER: M00310 M00311 M00312 M00313 COMPONENT MAINT MANUAL REF: 27-61-01 OPTIONAL PART: 252T1301-1		1
75	252T1301-3		..ACTUATOR ASSY- ELECTRICAL EQUIP NUMBER: M00310 M00311 M00312 M00313 COMPONENT MAINT MANUAL REF: 27-61-01		1
80	252T1317-1		...PLATE ASSY-END		1
85	252T1319-1		...COVER-WIRE		1
90	NAS509-17C		...NUT		1
95	252T1333-1		...WASHER-ROD END LOCK		1
100	252T1321-1		...END ASSY-ROD		1
105	252T1327-1		...RING-SHEAR		4
110	252T1323-1		...PLATE-SPRT		1
115	GM6850		...TRANSDUCER ASSY-LINEAR SUPPLIER CODE: V22863 SPECIFICATION NUMBER: S252T003-1		1
120	252T1322-1		...RETAINER		1
125	252T1326-1		...NUT-END		1
130	CWR76-17B		...RING SUPPLIER CODE: V26879 SPECIFICATION NUMBER: BACS34A17A OPTIONAL PART: TF005-17A V07128 2140-17A V26303 DW96801-17A V02886 RMS34A17A V94878		1
135	252T1325-1		...RETAINER-SEAL		1
140	NAS1611-227		...PACKING-		1

ILLUSTRATION ITEMS NOT ON PARTS LIST ARE NOT APPLICABLE

- ITEM NOT ILLUSTRATED

HXL

27-61-02-05

BOEING PROPRIETARY - Copyright © - Unpublished Work - See title page for details.

27-61-02
FIG. 05
PAGE 4
DEC 22/08

 **BOEING**
767
PARTS CATALOG (MAINTENANCE)

FIG ITEM	PART NUMBER	1 2 3 4 5 6 7	NOMENCLATURE	EFFECT FROM TO	UNITS PER ASSY
5					
145	MS28783-5	...	RING- OPTIONAL PART: BACR12BM227		2
145	C11236-227B	...	RING SUPPLIER CODE: V26879 SPECIFICATION NUMBER: BACR12BM227 OPTIONAL PART: RMR12BM227 V94878 STF800-227 V02107 S30294-227-1 V97820 TF450-227A V07128 2100-227 V26303		2
150	NAS1611-225	...	PACKING-		1
155	MS28783-3	...	RING- OPTIONAL PART: BACR12BM225		2
155	C11236-225B	...	RING SUPPLIER CODE: V26879 SPECIFICATION NUMBER: BACR12BM225 OPTIONAL PART: RMR12BM225 V94878 STF800-225 V02107 S30294-225-1 V97820 TF450-225A V07128 2100-225 V26303		2
160	7329MS952T	...	RING- SUPPLIER CODE: V5F573		1
165	252T1313-1	...	PISTON- USED ON: 252T1301-1		1
ILLUSTRATION ITEMS NOT ON PARTS LIST ARE NOT APPLICABLE					

- ITEM NOT ILLUSTRATED

HXL

27-61-02-05

BOEING PROPRIETARY - Copyright © - Unpublished Work - See title page for details.

27-61-02
FIG. 05
PAGE 5
DEC 22/08



767

PARTS CATALOG (MAINTENANCE)

FIG ITEM	PART NUMBER	1 2 3 4 5 6 7	NOMENCLATURE	EFFECT FROM TO	UNITS PER ASSY
5					
165	252T1313-1	...	PISTON- OPTIONAL PART: 252T1313-2 USED ON: 252T1301-2		1
165	252T1313-2	...	PISTON- OPTIONAL PART: 252T1313-1 USED ON: 252T1301-2		1
170	NAS1611-116	...	PACKING-		1
175	MS28782-14	...	RETAINER- OPTIONAL PART: BACR12BM116		2
175	C11236-116B	...	RING SUPPLIER CODE: V26879 SPECIFICATION NUMBER: BACR12BM116 OPTIONAL PART: RMR12BM116 V94878 STF800-116 V02107 S30294-116-1 V97820 TF450-116A V07128 2100-116 V26303		2
180	252T1316-1	...	RING-LOCK USED ON: 252T1301-1		1
185	252T1314-1	...	PLUNGER- USED ON: 252T1301-1		1
190	252T1315-1	...	SPRING-SNUBBER USED ON: 252T1301-1		1
193	252T1331-1	...	GUIDE-LVDT		1

ILLUSTRATION ITEMS NOT ON PARTS LIST ARE NOT APPLICABLE

- ITEM NOT ILLUSTRATED

HXL

27-61-02-05

BOEING PROPRIETARY - Copyright © - Unpublished Work - See title page for details.

27-61-02
FIG. 05
PAGE 6
DEC 22/08



767

PARTS CATALOG (MAINTENANCE)

FIG ITEM	PART NUMBER	1 2 3 4 5 6 7	NOMENCLATURE	EFFECT FROM TO	UNITS PER ASSY
5 195	BRH10C4	...	NUT SUPPLIER CODE: V52828 SPECIFICATION NUMBER: BACN10JC4C OPTIONAL PART: T6C428J V11815 97-048 V80539 101LH9075-4W V72962 VN303B048 V92215 NS202101S048 V80539 H31-4BAC V15653		1
205	S33555-325H5	...	HATSEAL- SUPPLIER CODE: V09257		1
210	252T1324-1	...	BEARING		1
215	252T1307-1	...	CAP-FILTER OPTIONAL PART: 252T1307-2		1
215	252T1307-2	...	CAP-FILTER OPTIONAL PART: 252T1307-1		1
220	7553575	...	FILTER- SUPPLIER CODE: V05228 SPECIFICATION NUMBER: 60B80034-2 OPTIONAL PART: AC8818E2 V18350 4228-633 V21550		1
221	NAS1611-132	...	PACKING-		1
222	NAS1611-222	...	PACKING-		1
223	MS28782-27	...	RING-		2
225	NAS1611-116	...	PACKING-		1
230	MS28782-14	...	RETAINER- OPTIONAL PART: BACR12BM116		2

ILLUSTRATION ITEMS NOT ON PARTS LIST ARE NOT APPLICABLE

- ITEM NOT ILLUSTRATED

27-61-02-05

27-61-02
FIG. 05
PAGE 7
DEC 22/06

HXL

BOEING PROPRIETARY - Copyright © - Unpublished Work - See title page for details.



767

PARTS CATALOG (MAINTENANCE)

FIG ITEM	PART NUMBER	1 2 3 4 5 6 7	NOMENCLATURE	EFFECT FROM TO	UNITS PER ASSY
5 230	C11236-116B		...RING SUPPLIER CODE: V26879 SPECIFICATION NUMBER: BACR12BM116 OPTIONAL PART: RMR12BM116 V94878 STF800-116 V02107 S30294-116-1 V97820 TF450-116A V07128 2100-116 V26303		2
233	NAS1351-4H28P		...SCREW-		4
235	22280730-001		...VALVE-ELECTRO HYDR SERVO SUPPLIER CODE: V81873 SPECIFICATION NUMBER: S252T001-1 COMPONENT MAINT MANUAL REF: 27-60-01 OPTIONAL PART: 22280730 V81873 OPTIONAL PART: A38103-1 V94697 A38103-2 V94697 A38103-3 V94697 A38103-4 V94697 72181 V49695		1

ILLUSTRATION ITEMS NOT ON PARTS LIST ARE NOT APPLICABLE

- ITEM NOT ILLUSTRATED

HXL

27-61-02-05

BOEING PROPRIETARY - Copyright © - Unpublished Work - See title page for details.

27-61-02
 FIG. 05
 PAGE 8
 DEC 22/06



767

PARTS CATALOG (MAINTENANCE)

FIG ITEM	PART NUMBER	1 2 3 4 5 6 7	NOMENCLATURE	EFFECT FROM TO	UNITS PER ASSY
5 235	22280730		...VALVE-ELECTRO HYDR SERVO SUPPLIER CODE: V81873 SPECIFICATION NUMBER: S252T001-1 COMPONENT MAINT MANUAL REF: 27-60-01 OPTIONAL PART: 22280730-001 V81873 OPTIONAL PART: A38103-1 V94697 A38103-2 V94697 A38103-3 V94697 A38103-4 V94697 72181 V49695		1
235	72181		...SERVOVALVE-FLOW CONT ELECTRO HYDR SUPPLIER CODE: V49695 SPECIFICATION NUMBER: S252T001-2 COMPONENT MAINT MANUAL REF: 27-61-01 OPTIONAL PART: 22280730-001 V81873 22280730 V81873 A38103-1 V94697 A38103-2 V94697 A38103-3 V94697 A38103-4 V94697		1

ILLUSTRATION ITEMS NOT ON PARTS LIST ARE NOT APPLICABLE

- ITEM NOT ILLUSTRATED

HXL

27-61-02-05

BOEING PROPRIETARY - Copyright © - Unpublished Work - See title page for details.

27-61-02
 FIG. 05
 PAGE 9
 DEC 22/06



767

PARTS CATALOG (MAINTENANCE)

FIG ITEM	PART NUMBER	1 2 3 4 5 6 7 NOMENCLATURE	EFFECT FROM TO	UNITS PER ASSY
5 235	A38103-1	... SERVOVALVE-ELECTRO HYDR SUPPLIER CODE: V94697 FUNCTIONAL DESCRIPTION: CONTROLS THE FLOW OF HYDRAULIC FLUID TO THE SPOILER POWER DRIVE UNIT (PDU) IN RESPONSE TO ELECTRICAL COMMANDS. SPECIFICATION NUMBER: S252T001-6 COMPONENT MAINT MANUAL REF: 27-60-05 OPTIONAL PART: A38103-2 V94697 A38103-3 V94697 A38103-4 V94697 OPTIONAL PART: 22280730-001 V81873 22280730 V81873 72181 V93835		1

ILLUSTRATION ITEMS NOT ON PARTS LIST ARE NOT APPLICABLE

- ITEM NOT ILLUSTRATED

HXL

27-61-02-05

BOEING PROPRIETARY - Copyright © - Unpublished Work - See title page for details.

27-61-02
 FIG. 05
 PAGE 10
 DEC 22/06



767

PARTS CATALOG (MAINTENANCE)

FIG ITEM	PART NUMBER	1 2 3 4 5 6 7 NOMENCLATURE	EFFECT FROM TO	UNITS PER ASSY
5 235	A38103-2	...SERVOVALVE-ELECTRO HYDR SUPPLIER CODE: V94697 FUNCTIONAL DESCRIPTION: CONTROLS THE FLOW OF HYDRAULIC FLUID TO THE SPOILER POWER DRIVE UNIT (PDU) IN RESPONSE TO ELECTRICAL COMMANDS. SPECIFICATION NUMBER: S252T001-6 COMPONENT MAINT MANUAL REF: 27-60-05 OPTIONAL PART: A38103-1 V94697 A38103-3 V94697 A38103-4 V94697 OPTIONAL PART: 22280730-001 V81873 22280730 V81873 72181 V93835		1

ILLUSTRATION ITEMS NOT ON PARTS LIST ARE NOT APPLICABLE

- ITEM NOT ILLUSTRATED

HXL

27-61-02-05

BOEING PROPRIETARY - Copyright © - Unpublished Work - See title page for details.

27-61-02
 FIG. 05
 PAGE 11
 DEC 22/06



767

PARTS CATALOG (MAINTENANCE)

FIG ITEM	PART NUMBER	1 2 3 4 5 6 7 NOMENCLATURE	EFFECT FROM TO	UNITS PER ASSY
5 235	A38103-3	...SERVOVALVE-ELECTRO HYDR SUPPLIER CODE: V94697 FUNCTIONAL DESCRIPTION: CONTROLS THE FLOW OF HYDRAULIC FLUID TO THE SPOILER POWER DRIVE UNIT (PDU) IN RESPONSE TO ELECTRICAL COMMANDS. SPECIFICATION NUMBER: S252T001-6 COMPONENT MAINT MANUAL REF: 27-60-05 OPTIONAL PART: A38103-1 V94697 A38103-2 V94697 A38103-4 V94697 OPTIONAL PART: 22280730-001 V81873 22280730 V81873 72181 V93835		1

ILLUSTRATION ITEMS NOT ON PARTS LIST ARE NOT APPLICABLE

- ITEM NOT ILLUSTRATED

HXL

27-61-02-05

BOEING PROPRIETARY - Copyright © - Unpublished Work - See title page for details.

27-61-02
 FIG. 05
 PAGE 12
 DEC 22/06

BOEING
767
PARTS CATALOG (MAINTENANCE)

FIG ITEM	PART NUMBER	1 2 3 4 5 6 7	NOMENCLATURE	EFFECT FROM TO	UNITS PER ASSY
5 235	A38103-4		<p>...SERVOVALVE-ELECTRO HYDR SUPPLIER CODE: V94697 FUNCTIONAL DESCRIPTION: CONTROLS THE FLOW OF HYDRAULIC FLUID TO THE SPOILER POWER DRIVE UNIT (PDU) IN RESPONSE TO ELECTRICAL COMMANDS. SPECIFICATION NUMBER: S252T001-6 COMPONENT MAINT MANUAL REF: 27-60-05 OPTIONAL PART: A38103-1 V94697 A38103-2 V94697 A38103-3 V94697 OPTIONAL PART: 22280730-001 V81873 22280730 V81873 72181 V93835</p>		1
240	28004244		<p>.....COVER- SUPPLIER CODE: V81873 USED ON: 22280730 22280730-001 ATTACHING PARTS</p>		1
245	28004493		<p>.....SCREW- SUPPLIER CODE: V81873 -----*-----</p>		4
250	82005531-034		<p>.....PACKING-PREFORMED SUPPLIER CODE: V81873 USED ON: 22280730 22280730-001</p>		1

ILLUSTRATION ITEMS NOT ON PARTS LIST ARE NOT APPLICABLE

— ITEM NOT ILLUSTRATED

HXL

27-61-02-05

BOEING PROPRIETARY - Copyright © - Unpublished Work - See title page for details.

27-61-02
FIG. 05
PAGE 13
DEC 22/06



767

PARTS CATALOG (MAINTENANCE)

FIG ITEM	PART NUMBER	1 2 3 4 5 6 7	NOMENCLATURE	EFFECT FROM TO	UNITS PER ASSY
5					
255	28004539-002	TORQUE MOTOR AND- FEEDBACK WIRE ASSY- SUPPLIER CODE: V81873 USED ON: 22280730-001 ATTACHING PARTS		1
260	NAS1352-06LL7P	SCREW		2
265	NAS620C6	WASHER -----*-----		2
270	28004422-001	WIRE ASSY- SUPPLIER CODE: V81873		1
275	28004227-004	JET- SUPPLIER CODE: V81873		1
280	28004538-001	MOTOR ASSY- SUPPLIER CODE: V81873 USED ON: 28004539-002		1
281	NAS1611-112	...	PACKING-		1
282	069000198-3	...	PLATE-GASKET SUPPLIER CODE: V05939 SPECIFICATION NUMBER: 69-20185-3 OPTIONAL PART: 828109-3 V83259		1
283	252T1329-1	...	RETAINER-CONN.		1
284	000100-0113	...	CONNECTOR- SUPPLIER CODE: V05574		1
285	82005516-034	...	PACKING-PREFORMED SUPPLIER CODE: V81873		1
290	82005510-034	...	PACKING-PREFORMED SUPPLIER CODE: V81873		1

ILLUSTRATION ITEMS NOT ON PARTS LIST ARE NOT APPLICABLE

- ITEM NOT ILLUSTRATED

27-61-02-05

27-61-02
FIG. 05
PAGE 14
DEC 22/06

HXL

BOEING PROPRIETARY - Copyright © - Unpublished Work - See title page for details.



767

PARTS CATALOG (MAINTENANCE)

FIG ITEM	PART NUMBER	1 2 3 4 5 6 7	NOMENCLATURE	EFFECT FROM TO	UNITS PER ASSY
5 295	1542500-5		.ACTUATOR ASSY- SUPPLIER CODE: VS4980 FUNCTIONAL DESCRIPTION: ELECTRO HYDRAULIC SERVO USED TO POSITION THE INBOARD SPOILERS SPECIFICATION NUMBER: S252T303-1 COMPONENT MAINT MANUAL REF: 27-61-02 OPTIONAL PART: 1542500-1 VS4980 1542500-9 VS4980 1542500-13 VS4980 FOR DETAILS SEE: 27-61-02-50		1
295	1542500-1		.ACTUATOR ASSY- SUPPLIER CODE: VS4980 SPECIFICATION NUMBER: S252T303-1 COMPONENT MAINT MANUAL REF: 27-61-02 OPTIONAL PART: 1542500-5 VS4980 1542500-9 VS4980 1542500-13 VS4980 OPTIONAL PART: 252T1300-7 FOR DETAILS SEE: 27-61-02-50		1

ILLUSTRATION ITEMS NOT ON PARTS LIST ARE NOT APPLICABLE

- ITEM NOT ILLUSTRATED

HXL

27-61-02-05

BOEING PROPRIETARY - Copyright © - Unpublished Work - See title page for details.

27-61-02
FIG. 05
PAGE 15
DEC 22/06



767

PARTS CATALOG (MAINTENANCE)

FIG ITEM	PART NUMBER	1 2 3 4 5 6 7	NOMENCLATURE	EFFECT FROM TO	UNITS PER ASSY
5 295	1542500-7		.ACTUATOR ASSY- SUPPLIER CODE: VS4980 SPECIFICATION NUMBER: S252T303-2 COMPONENT MAINT MANUAL REF: 27-61-02 OPTIONAL PART: 1542500-3 VS4980 1542500-11 VS4980 1542500-15 VS4980 FOR DETAILS SEE: 27-61-02-50		1
295	1542500-3		.ACTUATOR ASSY- SUPPLIER CODE: VS4980 SPECIFICATION NUMBER: S252T303-2 COMPONENT MAINT MANUAL REF: 27-61-02 OPTIONAL PART: 1542500-7 VS4980 1542500-11 VS4980 1542500-15 VS4980 FOR DETAILS SEE: 27-61-02-50		1

ILLUSTRATION ITEMS NOT ON PARTS LIST ARE NOT APPLICABLE

- ITEM NOT ILLUSTRATED

HXL

27-61-02-05

BOEING PROPRIETARY - Copyright © - Unpublished Work - See title page for details.

27-61-02
FIG. 05
PAGE 16
DEC 22/06



767

PARTS CATALOG (MAINTENANCE)

FIG ITEM	PART NUMBER	1 2 3 4 5 6 7	NOMENCLATURE	EFFECT FROM TO	UNITS PER ASSY
5 295	1542500-9		.ACTUATOR ASSY- SUPPLIER CODE: VS4980 FUNCTIONAL DESCRIPTION: ELECTRO HYDRAULIC SERVO USED TO POSITION THE INBOARD SPOILERS SPECIFICATION NUMBER: S252T303-1 COMPONENT MAINT MANUAL REF: 27-61-02 OPTIONAL PART: 1542500-1 VS4980 1542500-5 VS4980 1542500-13 VS4980 FOR DETAILS SEE: 27-61-02-50		1
295	1542500-11		.ACTUATOR ASSY- SUPPLIER CODE: VS4980 SPECIFICATION NUMBER: S252T303-2 COMPONENT MAINT MANUAL REF: 27-61-02 OPTIONAL PART: 1542500-3 VS4980 1542500-7 VS4980 1542500-15 VS4980 FOR DETAILS SEE: 27-61-02-50		1

ILLUSTRATION ITEMS NOT ON PARTS LIST ARE NOT APPLICABLE

- ITEM NOT ILLUSTRATED

HXL

27-61-02-05

BOEING PROPRIETARY - Copyright © - Unpublished Work - See title page for details.

27-61-02
FIG. 05
PAGE 17
DEC 22/06



767

PARTS CATALOG (MAINTENANCE)

FIG ITEM	PART NUMBER	1 2 3 4 5 6 7	NOMENCLATURE	EFFECT FROM TO	UNITS PER ASSY
5 295	1542500-13		.ACTUATOR ASSY- SUPPLIER CODE: VS4980 FUNCTIONAL DESCRIPTION: ELECTRO HYDRAULIC SERVO USED TO POSITION THE INBOARD SPOILERS SPECIFICATION NUMBER: S252T303-1 COMPONENT MAINT MANUAL REF: 27-61-02 OPTIONAL PART: 1542500-1 VS4980 1542500-5 VS4980 1542500-9 VS4980 FOR DETAILS SEE: 27-61-02-50		1
295	1542500-15		.ACTUATOR ASSY- SUPPLIER CODE: VS4980 SPECIFICATION NUMBER: S252T303-2 COMPONENT MAINT MANUAL REF: 27-61-02 OPTIONAL PART: 1542500-3 VS4980 1542500-7 VS4980 1542500-11 VS4980 FOR DETAILS SEE: 27-61-02-50		1
300	BACB30LE7-18		.ATTACHING PARTS .BOLT-		4
305	BACW10BP7C		.WASHER-		4
310	BACW10BP7DP		.WASHER-		4

ILLUSTRATION ITEMS NOT ON PARTS LIST ARE NOT APPLICABLE

- ITEM NOT ILLUSTRATED

27-61-02-05

27-61-02
FIG. 05
PAGE 18
DEC 22/06

HXL



767

PARTS CATALOG (MAINTENANCE)

FIG ITEM	PART NUMBER	1 2 3 4 5 6 7	NOMENCLATURE	EFFECT FROM TO	UNITS PER ASSY
5 315	BH003027		.NUT- SUPPLIER CODE: V27238 SPECIFICATION NUMBER: BACN10HR7 OPTIONAL PART: BMNN10HR7 V97928 H967 V15653 RMLH227 V72962 VAL280097 V06710 678327 V56878 H96-7 V15653 RMLH22-7 V72962 67832-720 V56878 BMNN10HR7 V97928 BH00302-7 V27238 CR5906-7 VF0224		4
- 400 405	286T1349-001 GS3417-16C		-----*----- WIRE BUNDLE ASSY- .CLAMP- SUPPLIER CODE: V06324 SPECIFICATION NUMBER: BACC10HF16 OPTIONAL PART: S2125-16-8 V07418 ELECTRICAL EQUIP NUMBER: D00161T WIRING DIAGRAM REF: 276113		RF 4

ILLUSTRATION ITEMS NOT ON PARTS LIST ARE NOT APPLICABLE

- ITEM NOT ILLUSTRATED

HXL

27-61-02-05

BOEING PROPRIETARY - Copyright © - Unpublished Work - See title page for details.

27-61-02
FIG. 05
PAGE 19
DEC 22/08



767

PARTS CATALOG (MAINTENANCE)

FIG ITEM	PART NUMBER	1 2 3 4 5 6 7	NOMENCLATURE	EFFECT FROM TO	UNITS PER ASSY
5 410	CN096616R10SNL		.CONNECTOR- SUPPLIER CODE: V13556 SPECIFICATION NUMBER: BCREF5954 OPTIONAL PART: ZZY16R10SNL V49367 48-06R16R10SNL V02660 OVERLENGTH PART NUMBER: BACC63BP16R10SNL ELECTRICAL EQUIP NUMBER: D00161 WIRING DIAGRAM REF: 276113		4

ILLUSTRATION ITEMS NOT ON PARTS LIST ARE NOT APPLICABLE

- ITEM NOT ILLUSTRATED

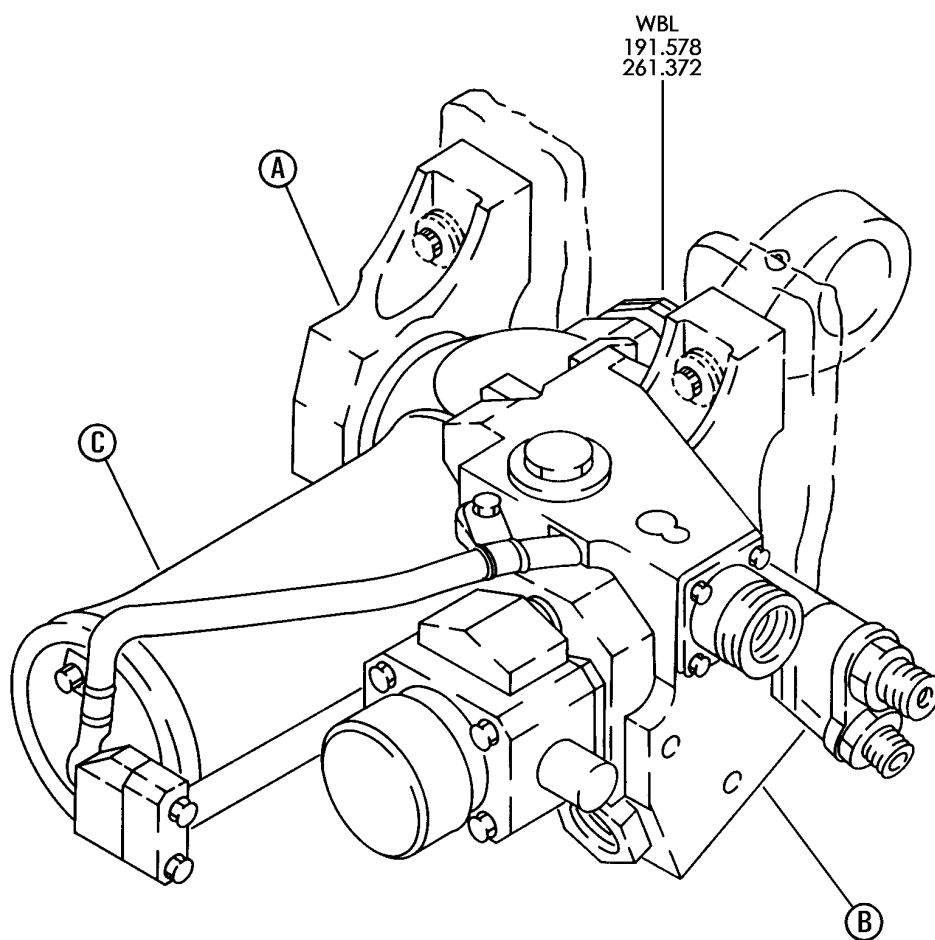
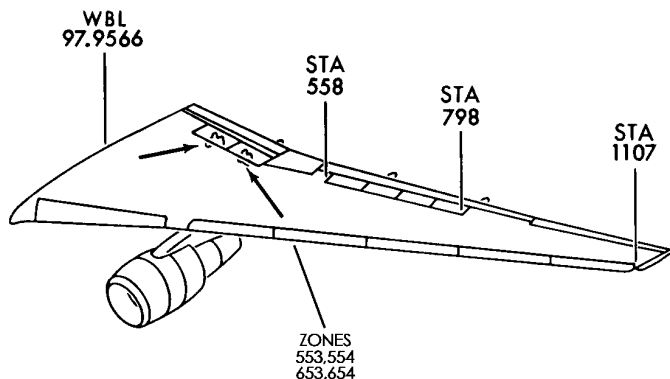
HXL

27-61-02-05

BOEING PROPRIETARY - Copyright © - Unpublished Work - See title page for details.

27-61-02
FIG. 05
PAGE 20
DEC 22/06

BOEING
767
PARTS CATALOG (MAINTENANCE)



V 27610250 SHT 1 REV 231

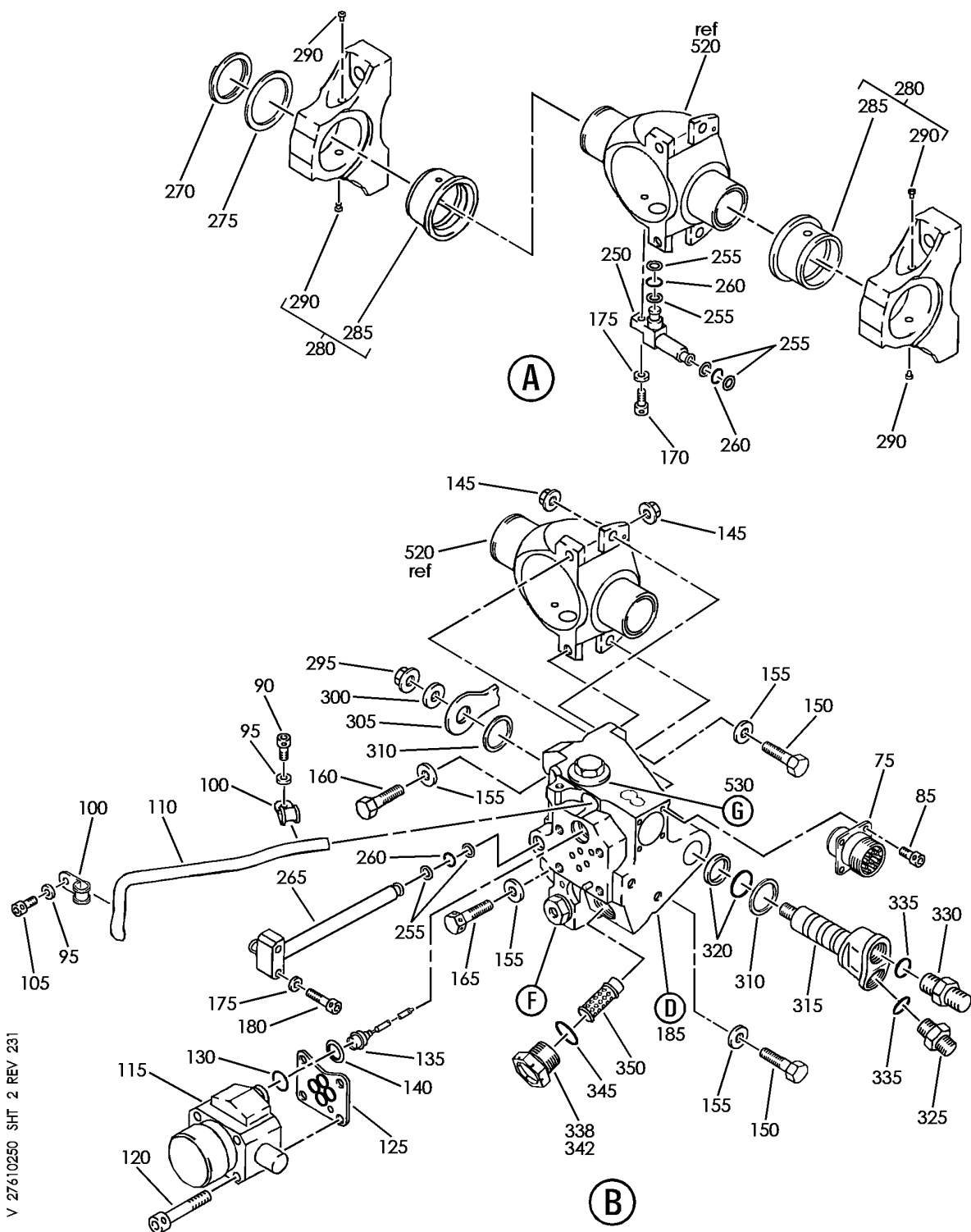
ACTUATOR ASSY-INBD SPOILER
FIGURE 50 (SHEET 1)

27-61-02-50

HXL
DEC 22/06

27-61-02-50
PAGE 0

BOEING
767
PARTS CATALOG (MAINTENANCE)



V 27610250 SHT 2 REV 231

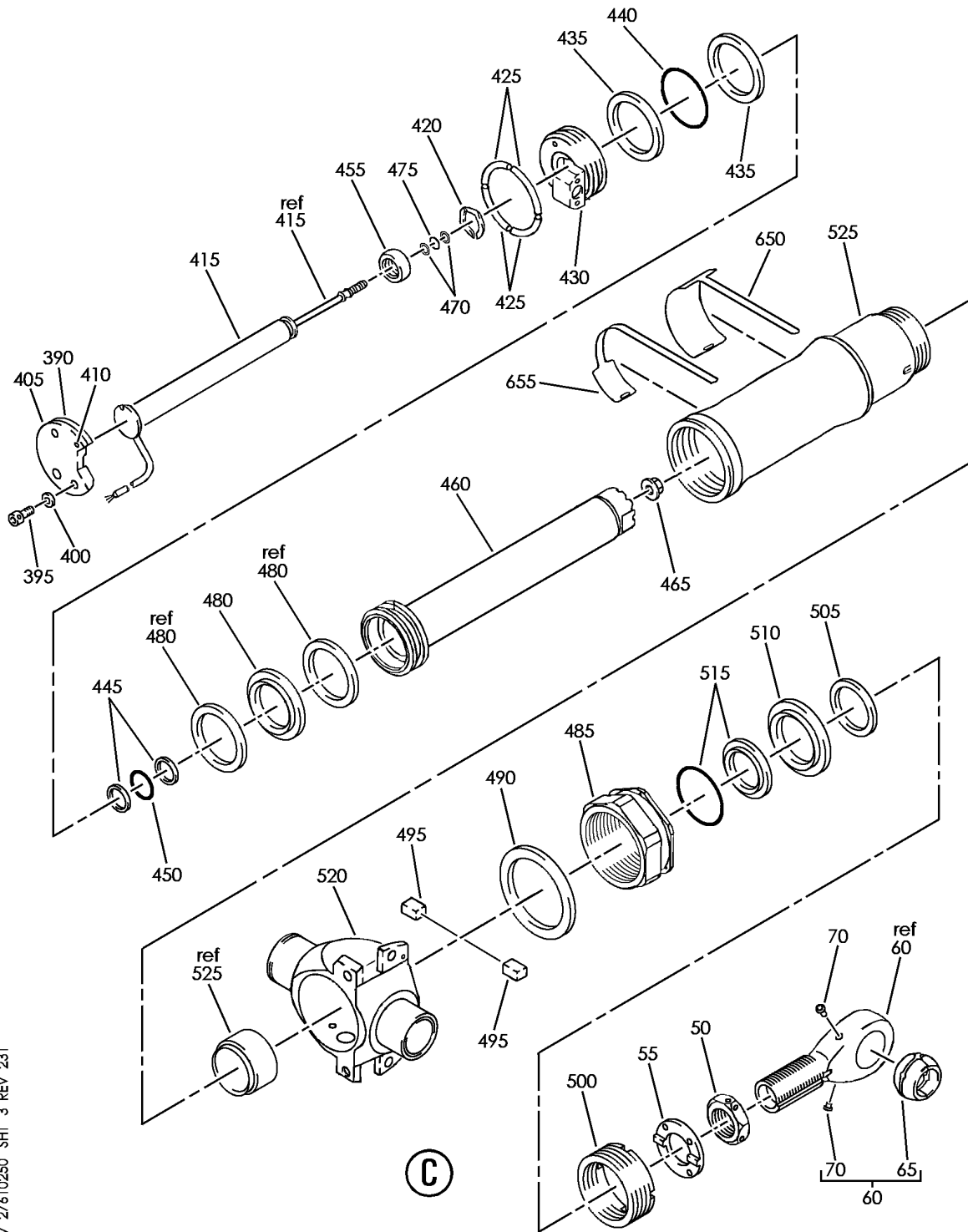
ACTUATOR ASSY-INBD SPOILER
FIGURE 50 (SHEET 2)

27-61-02-50

HXL
DEC 22/06

27-61-02-50
PAGE 0A

BOEING
767
PARTS CATALOG (MAINTENANCE)



V 27610250 SHT 3 REV 231

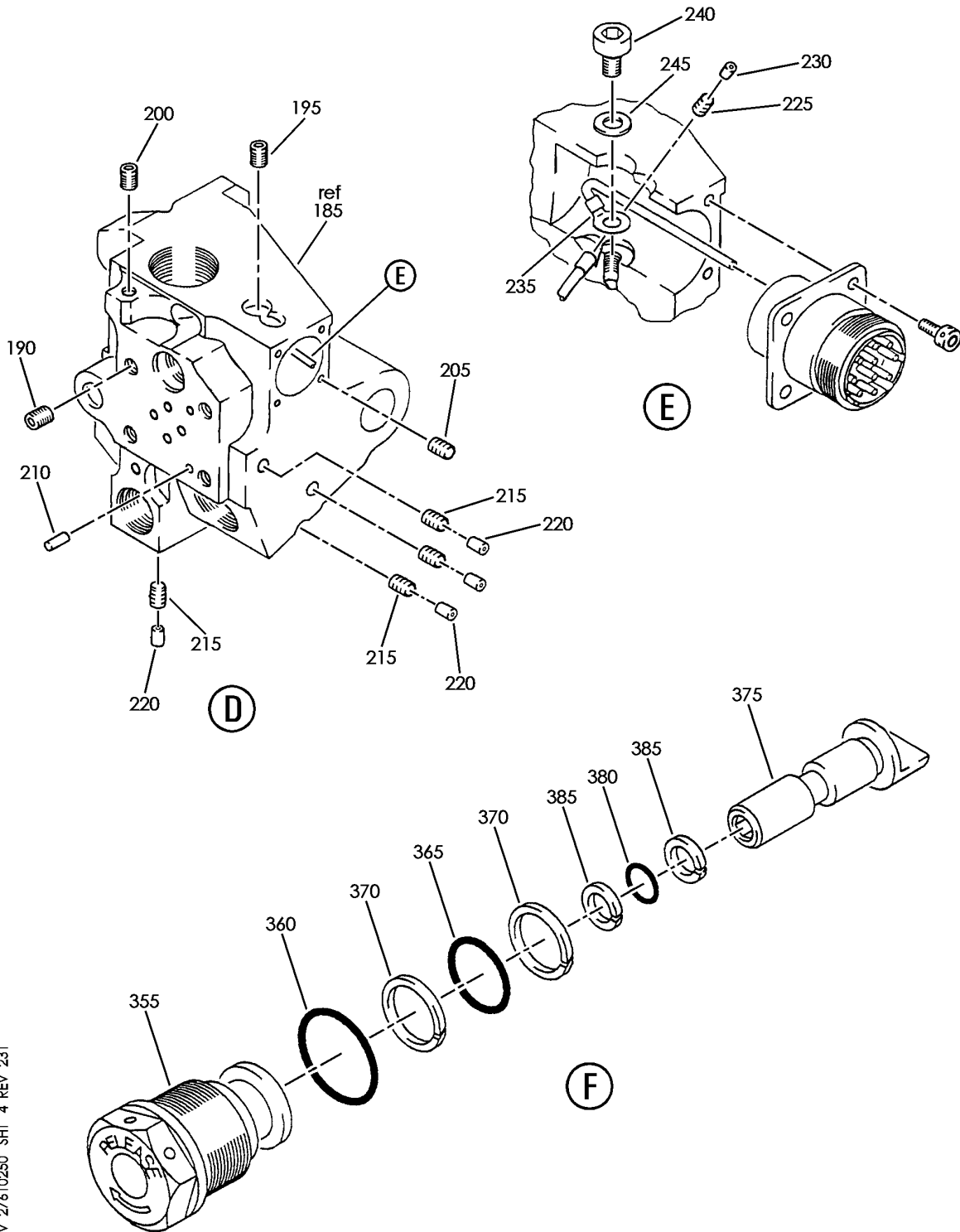
ACTUATOR ASSY-INBD SPOILER
FIGURE 50 (SHEET 3)

27-61-02-50

HXL
DEC 22/06

27-61-02-50
PAGE 0B

BOEING
767
PARTS CATALOG (MAINTENANCE)



V 27610250 SHT 4 REV 231

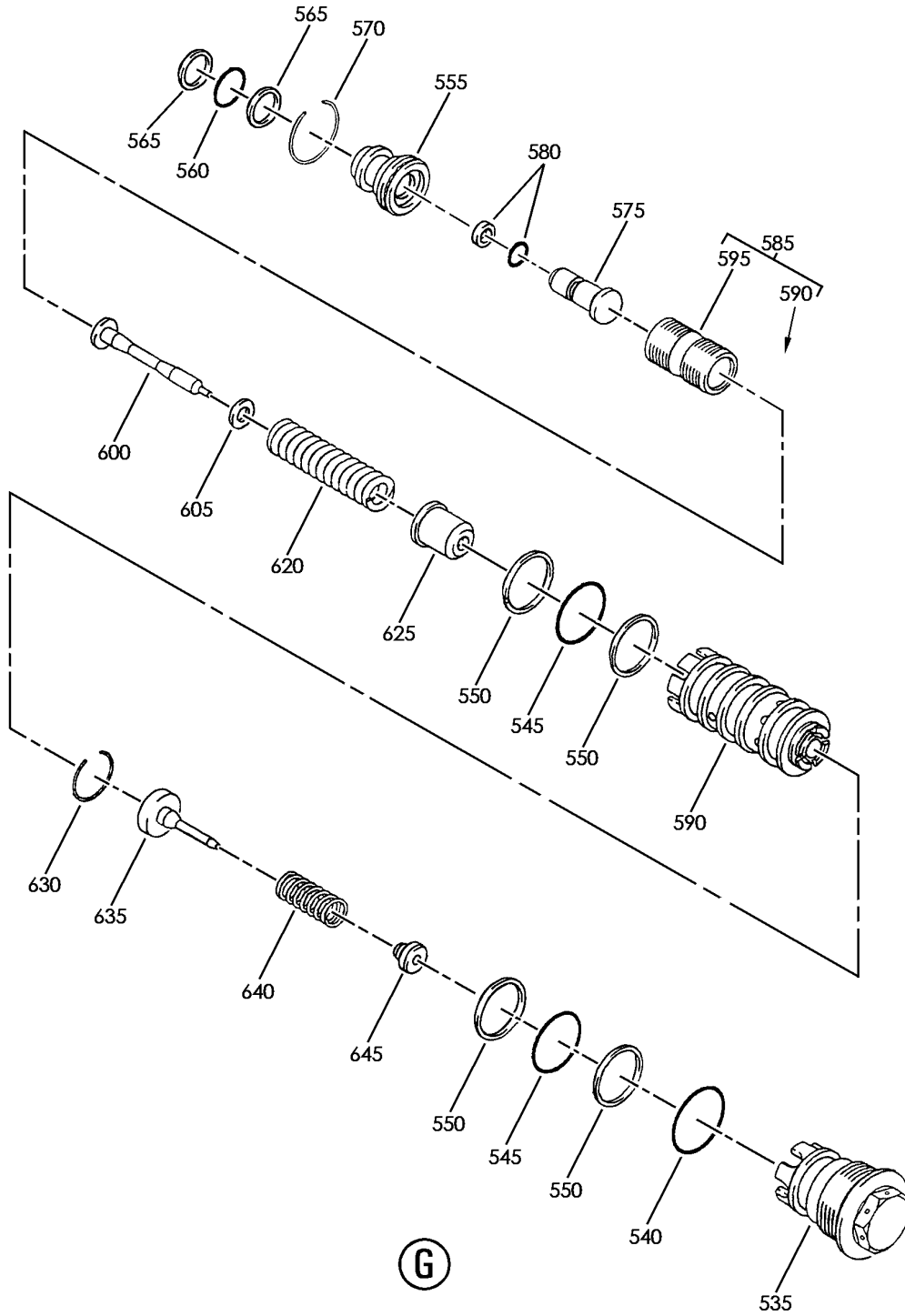
ACTUATOR ASSY-INBD SPOILER
FIGURE 50 (SHEET 4)

27-61-02-50

HXL
DEC 22/06

27-61-02-50
PAGE 0C

BOEING
767
PARTS CATALOG (MAINTENANCE)



V 27610250 SHT 5 REV 231

ACTUATOR ASSY-INBD SPOILER
FIGURE 50 (SHEET 5)

27-61-02-50

HXL
DEC 22/06

27-61-02-50
PAGE 0D



767

PARTS CATALOG (MAINTENANCE)

FIG ITEM	PART NUMBER	1 2 3 4 5 6 7	NOMENCLATURE	EFFECT FROM TO	UNITS PER ASSY
50					
- 1	1542500-1		ACTUATOR ASSY-INBD SPOILER ACTUATOR ASSY-SPOILER SUPPLIER CODE: VS4980 POSITION DATA: INBD SPECIFICATION NUMBER: S252T303-1 COMPONENT MAINT MANUAL REF: 27-61-02 OPTIONAL PART: 1542500-5 VS4980 1542500-9 VS4980 1542500-13 VS4980 FOR NHA SEE: 27-61-02-05		RF
- 1	1542500-3		ACTUATOR ASSY-SPOILER SUPPLIER CODE: VS4980 POSITION DATA: INBD SPECIFICATION NUMBER: S252T303-2 COMPONENT MAINT MANUAL REF: 27-61-02 OPTIONAL PART: 1542500-7 VS4980 1542500-11 VS4980 1542500-15 VS4980 FOR NHA SEE: 27-61-02-05		RF

ILLUSTRATION ITEMS NOT ON PARTS LIST ARE NOT APPLICABLE

- ITEM NOT ILLUSTRATED

HXL

27-61-02-50

BOEING PROPRIETARY - Copyright © - Unpublished Work - See title page for details.

27-61-02
 FIG. 50
 PAGE 1
 DEC 22/06



767

PARTS CATALOG (MAINTENANCE)

FIG ITEM	PART NUMBER	1 2 3 4 5 6 7	NOMENCLATURE	EFFECT FROM TO	UNITS PER ASSY
50 - 1	1542500-5		ACTUATOR ASSY-SPOILER SUPPLIER CODE: VS4980 POSITION DATA: INBD FUNCTIONAL DESCRIPTION: ELECTRO HYDRAULIC SERVO USED TO POSITION THE INBOARD SPOILERS SPECIFICATION NUMBER: S252T303-1 COMPONENT MAINT MANUAL REF: 27-61-02 OPTIONAL PART: 1542500-1 VS4980 1542500-9 VS4980 1542500-13 VS4980 FOR NHA SEE: 27-61-02-05		RF
- 1	1542500-7		ACTUATOR ASSY-SPOILER SUPPLIER CODE: VS4980 POSITION DATA: INBD SPECIFICATION NUMBER: S252T303-2 COMPONENT MAINT MANUAL REF: 27-61-02 OPTIONAL PART: 1542500-3 VS4980 1542500-11 VS4980 1542500-15 VS4980 FOR NHA SEE: 27-61-02-05		RF

ILLUSTRATION ITEMS NOT ON PARTS LIST ARE NOT APPLICABLE

- ITEM NOT ILLUSTRATED

HXL

27-61-02-50

BOEING PROPRIETARY - Copyright © - Unpublished Work - See title page for details.

27-61-02
 FIG. 50
 PAGE 2
 DEC 22/06



767

PARTS CATALOG (MAINTENANCE)

FIG ITEM	PART NUMBER	1 2 3 4 5 6 7	NOMENCLATURE	EFFECT FROM TO	UNITS PER ASSY
50 - 1	1542500-9		ACTUATOR ASSY-SPOILER SUPPLIER CODE: VS4980 POSITION DATA: INBD FUNCTIONAL DESCRIPTION: ELECTRO HYDRAULIC SERVO USED TO POSITION THE INBOARD SPOILERS SPECIFICATION NUMBER: S252T303-1 COMPONENT MAINT MANUAL REF: 27-61-02 OPTIONAL PART: 1542500-1 VS4980 1542500-5 VS4980 1542500-13 VS4980 FOR NHA SEE: 27-61-02-05		RF
- 1	1542500-11		ACTUATOR ASSY-SPOILER SUPPLIER CODE: VS4980 POSITION DATA: INBD SPECIFICATION NUMBER: S252T303-2 COMPONENT MAINT MANUAL REF: 27-61-02 OPTIONAL PART: 1542500-3 VS4980 1542500-7 VS4980 1542500-15 VS4980 FOR NHA SEE: 27-61-02-05		RF

ILLUSTRATION ITEMS NOT ON PARTS LIST ARE NOT APPLICABLE

- ITEM NOT ILLUSTRATED

HXL

27-61-02-50

BOEING PROPRIETARY - Copyright © - Unpublished Work - See title page for details.

27-61-02
 FIG. 50
 PAGE 3
 DEC 22/06



767

PARTS CATALOG (MAINTENANCE)

FIG ITEM	PART NUMBER	1 2 3 4 5 6 7	NOMENCLATURE	EFFECT FROM TO	UNITS PER ASSY
50 - 1	1542500-13		ACTUATOR ASSY-SPOILER SUPPLIER CODE: VS4980 POSITION DATA: INBD FUNCTIONAL DESCRIPTION: ELECTRO HYDRAULIC SERVO USED TO POSITION THE INBOARD SPOILERS SPECIFICATION NUMBER: S252T303-1 COMPONENT MAINT MANUAL REF: 27-61-02 OPTIONAL PART: 1542500-1 VS4980 1542500-5 VS4980 1542500-9 VS4980 FOR NHA SEE: 27-61-02-05		RF
- 1	1542500-15		ACTUATOR ASSY-SPOILER SUPPLIER CODE: VS4980 POSITION DATA: INBD SPECIFICATION NUMBER: S252T303-2 COMPONENT MAINT MANUAL REF: 27-61-02 OPTIONAL PART: 1542500-3 VS4980 1542500-7 VS4980 1542500-11 VS4980 FOR NHA SEE: 27-61-02-05 TEMPORARY BREAKDOWN FOR: 1542500-9 1542500-11 1542500-13 1542500-15		RF
50	NAS1423C16		.NUT		1

ILLUSTRATION ITEMS NOT ON PARTS LIST ARE NOT APPLICABLE

- ITEM NOT ILLUSTRATED

HXL

27-61-02-50

BOEING PROPRIETARY - Copyright © - Unpublished Work - See title page for details.

27-61-02
FIG. 50
PAGE 4
APR 22/07



767

PARTS CATALOG (MAINTENANCE)

FIG ITEM	PART NUMBER	1 2 3 4 5 6 7	NOMENCLATURE	EFFECT FROM TO	UNITS PER ASSY
50					
55	1542535		.WASHER- SUPPLIER CODE: VS4980		1
60	1542532-1		.ROD END ASSY- SUPPLIER CODE: VS4980		1
65	1542652-1		..BALL SET-SPLIT SUPPLIER CODE: VS4980		1
70	NAS516M1		..FITTING		1
75	BACC45FM16-10P		.TERMINAL		1
- 80	BACC47CN2A		..PIN		10
85	NAS1352N04H6P		.SCREW- OPTIONAL PART: NAS1352-04H6P		4
85	NAS1352-04H6P		.SCREW- OPTIONAL PART: NAS1352N04H6P		4
90	NAS1351N3H6P		.SCREW- OPTIONAL PART: NAS1351-3H6P		1
90	NAS1351-3H6P		.SCREW- OPTIONAL PART: NAS1351N3H6P		1
95	NAS620-10L		.WASHER		1
100	S258DT6		.CLAMP SUPPLIER CODE: V18076 SPECIFICATION NUMBER: BACC10DW6D OPTIONAL PART: TA4C44D6T V84971 475-6 V83930 8084D6T V72285 475A6 V83930		2
105	NAS1351N3H12P		.SCREW- OPTIONAL PART: NAS1351-3H12P		1
105	NAS1351-3H12P		.SCREW- OPTIONAL PART: NAS1351N3H12P		1
110	1542515		.CONDUIT-WIRE SUPPLIER CODE: VS4980		1

ILLUSTRATION ITEMS NOT ON PARTS LIST ARE NOT APPLICABLE

- ITEM NOT ILLUSTRATED

27-61-02-50

27-61-02
FIG. 50
PAGE 5
DEC 22/07

HXL

BOEING PROPRIETARY - Copyright © - Unpublished Work - See title page for details.



767

PARTS CATALOG (MAINTENANCE)

FIG ITEM	PART NUMBER	1 2 3 4 5 6 7	NOMENCLATURE	EFFECT FROM TO	UNITS PER ASSY
50 115	A38103-1		.SERVOVALVE- SUPPLIER CODE: V94697 SPECIFICATION NUMBER: S252T001-6 COMPONENT MAINT MANUAL REF: 27-60-05 OPTIONAL PART: A38103-2 V94697 A38103-3 V94697 A38103-4 V94697 OPTIONAL PART: 72181 V93835		1
115	22280730-001		.VALVE- SUPPLIER CODE: V81873 SPECIFICATION NUMBER: S252T001-1 COMPONENT MAINT MANUAL REF: 27-60-01 OPTIONAL PART: 22280730 V81873 OPTIONAL PART: 72181 V93835		1
115	72181		.SERVOVALVE- SUPPLIER CODE: V49695 SPECIFICATION NUMBER: S252T001-2 COMPONENT MAINT MANUAL REF: 27-61-01 OPTIONAL PART: A38103-1 V94697 22280730-001 V81873		1
120	NAS1351N4H28P		.SCREW- OPTIONAL PART: NAS1351-4H28P		4
120	NAS1351-4H28P		.SCREW- OPTIONAL PART: NAS1351N4H28P		4

ILLUSTRATION ITEMS NOT ON PARTS LIST ARE NOT APPLICABLE

- ITEM NOT ILLUSTRATED

27-61-02-50

27-61-02
FIG. 50
PAGE 6
DEC 22/07

HXL



767

PARTS CATALOG (MAINTENANCE)

FIG ITEM	PART NUMBER	1 2 3 4 5 6 7	NOMENCLATURE	EFFECT FROM TO	UNITS PER ASSY
50					
125	069000198-3		.PLATE- SUPPLIER CODE: V05939 SPECIFICATION NUMBER: 69-20185-3 OPTIONAL PART: 828109-3 V83259		1
130	NAS1601-112		.PACKING- OPTIONAL PART: NAS1611-112 NAS1611-112A		1
130	NAS1611-112		.PACKING- OPTIONAL PART: NAS1601-112 NAS1611-112A		1
130	NAS1611-112A		.PACKING- OPTIONAL PART: NAS1601-112 NAS1611-112		1
135	1542544-1		.CONNECTOR ASSY- SUPPLIER CODE: VS4980		1
140	1542638		.RETAINER- SUPPLIER CODE: VS4980		1
145	BRH10C5		.NUT SUPPLIER CODE: V52828 SPECIFICATION NUMBER: BACN10JC5C OPTIONAL PART: T6C524J V11815 97-054 V80539 101LH9075-5W V72962 H31-5BAC V15653		3
150	NAS6605-8		.BOLT		2
155	AN960-516L		.WASHER		4
160	NAS6605-14		.BOLT		1
165	NAS6605H10		.BOLT		1
170	NAS6603H3		.BOLT		1
175	AN960-10L		.WASHER		3
180	NAS6603H10		.BOLT		2

ILLUSTRATION ITEMS NOT ON PARTS LIST ARE NOT APPLICABLE

- ITEM NOT ILLUSTRATED

27-61-02-50

27-61-02
FIG. 50
PAGE 7
DEC 22/08

HXL

BOEING PROPRIETARY - Copyright © - Unpublished Work - See title page for details.



767

PARTS CATALOG (MAINTENANCE)

FIG ITEM	PART NUMBER	1 2 3 4 5 6 7	NOMENCLATURE	EFFECT FROM TO	UNITS PER ASSY
50					
185	1542510-1		.MANIFOLD ASSY- SUPPLIER CODE: VS4980		1
190	MS21209F4-15P		..INSERT		4
195	MS21209F1-10P		..INSERT		1
200	MS21209F1-15P		..INSERT		1
205	MS21209C0415P		..INSERT		4
210	MS16562-228		..PIN		1
215	BACP20AX21D		..PLUG		4
220	BACP20AX21DP		..PIN		4
225	BACP20AX12D		..PLUG		1
230	BACP20AX12DP		..PLUG		1
235	AA821-10		..TERMINAL SUPPLIER CODE: V98410 SPECIFICATION NUMBER: BACT12AC3 OPTIONAL PART: R1891SN V14726 36153 V00779		1
240	NAS1351N3H6P		..SCREW- OPTIONAL PART: NAS1351-3H6P		1
240	NAS1351-3H6P		..SCREW- OPTIONAL PART: NAS1351N3H6P		1
245	NAS620-10L		..WASHER		1
250	1542513		.TUBE-TRANSFER SUPPLIER CODE: VS4980		1
255	MS28782-6		.RING- OPTIONAL PART: BACR12BM011		8

ILLUSTRATION ITEMS NOT ON PARTS LIST ARE NOT APPLICABLE

- ITEM NOT ILLUSTRATED

HXL

27-61-02-50

BOEING PROPRIETARY - Copyright © - Unpublished Work - See title page for details.

27-61-02
FIG. 50
PAGE 8
DEC 22/08



767

PARTS CATALOG (MAINTENANCE)

FIG ITEM	PART NUMBER	1 2 3 4 5 6 7	NOMENCLATURE	EFFECT FROM TO	UNITS PER ASSY
50 255	C11236-011B		.RING- SUPPLIER CODE: V26879 SPECIFICATION NUMBER: BACR12BM011 OPTIONAL PART: RMR12BM011 V94878 STF800-011 V02107 S30294-011-1 V97820 TF450-011A V07128 2100-011 V26303 MS28782-6		8
260	NAS1601-011		.PACKING- OPTIONAL PART: NAS1611-011 NAS1611-011A		4
260	NAS1611-011		.PACKING- OPTIONAL PART: NAS1601-011 NAS1611-001A		4
260	NAS1611-011A		.PACKING- OPTIONAL PART: NAS1601-011 NAS1611-011		4
265	1542512		.TUBE-TRANSFER SUPPLIER CODE: VS4980		1
270	RST143C		.RING- SUPPLIER CODE: V80756		1
275	1542531		.WASHER- SUPPLIER CODE: VS4980		1
280	1542540-1		.BRACKET ASSY- SUPPLIER CODE: VS4980		2
285	1542541		..BUSHING- SUPPLIER CODE: VS4980		1
290	NAS516M1		..FITTING		2

ILLUSTRATION ITEMS NOT ON PARTS LIST ARE NOT APPLICABLE

- ITEM NOT ILLUSTRATED

HXL

27-61-02-50

BOEING PROPRIETARY - Copyright © - Unpublished Work - See title page for details.

27-61-02
FIG. 50
PAGE 9
DEC 22/08



767

PARTS CATALOG (MAINTENANCE)

FIG ITEM	PART NUMBER	1 2 3 4 5 6 7	NOMENCLATURE	EFFECT FROM TO	UNITS PER ASSY
50 295	BRH10C6	.	NUT SUPPLIER CODE: V52828 SPECIFICATION NUMBER: BACN10JC6C OPTIONAL PART: 97-064 V80539 H31-6BAC V15653		1
300	1542519	.	RETAINER-SWIVEL SUPPLIER CODE: VS4980		1
305	1542518	.	PLATE- SUPPLIER CODE: VS4980		1
310	1542637	.	WASHER- SUPPLIER CODE: VS4980		2
315	1542517	.	SHAFT-SWIVEL SUPPLIER CODE: VS4980		1
320	S30775-116H5	.	SEAL- SUPPLIER CODE: V09257		4
325	MS21902-6T	.	UNION		1

ILLUSTRATION ITEMS NOT ON PARTS LIST ARE NOT APPLICABLE

- ITEM NOT ILLUSTRATED

HXL

27-61-02-50

BOEING PROPRIETARY - Copyright © - Unpublished Work - See title page for details.

27-61-02
FIG. 50
PAGE 10
DEC 22/08



767

PARTS CATALOG (MAINTENANCE)

FIG ITEM	PART NUMBER	1 2 3 4 5 6 7	NOMENCLATURE	EFFECT FROM TO	UNITS PER ASSY
50 330	AFP2326-4	.	REDUCER SUPPLIER CODE: V30974 SPECIFICATION NUMBER: BACR17E6-4 OPTIONAL PART: AP10276-4 V01673 BC916T6-4 V50948 DB0R17E6-4 V14798 ER21916T6-4 V88334 ER31916-6-4 V88334 F23-6-4 V73197 2-01075T6-4 V11328 31778-6-4 V14397 US2114-6-4 V50808 AP1027T6-4 V01673 US21146-4 V50808 317786-4 V14397		1
335	NAS1602-906	.	PACKING- OPTIONAL PART: NAS1612-6 NAS1612-6A		2
335	NAS1612-6	.	PACKING- OPTIONAL PART: NAS1602-906 NAS1612-6A		2
335	NAS1612-6A	.	PACKING- OPTIONAL PART: NAS1602-906 NAS1612-6		2

ILLUSTRATION ITEMS NOT ON PARTS LIST ARE NOT APPLICABLE

- ITEM NOT ILLUSTRATED

HXL

27-61-02-50

BOEING PROPRIETARY - Copyright © - Unpublished Work - See title page for details.

27-61-02
FIG. 50
PAGE 11
DEC 22/08



767

PARTS CATALOG (MAINTENANCE)

FIG ITEM	PART NUMBER	1 2 3 4 5 6 7	NOMENCLATURE	EFFECT FROM TO	UNITS PER ASSY
50 338	1542661		. FILTER-CAP SUPPLIER CODE: VS4980 SB DATA FROM A CMM: SB 1542500-27-01 OPTIONAL PART: 1542615 VS4980 USED ON: 1542500-1 1542500-3		1
338	1542615		. FILTER-CAP SUPPLIER CODE: VS4980 OPTIONAL PART: 1542661 VS4980 USED ON: 1542500-1 1542500-3		1
342	1542661		. FILTER-CAP SUPPLIER CODE: VS4980 SB DATA FROM A CMM: SB 1542500-27-01 USED ON: 1542500-5 1542500-7 1542500-9 1542500-11		1
345	NAS1602-910		. PACKING- OPTIONAL PART: NAS1612-10 NAS1612-10A		1
345	NAS1612-10		. PACKING- OPTIONAL PART: NAS1602-910 NAS1612-10A		1
345	NAS1612-10A		. PACKING- OPTIONAL PART: NAS1602-910 NAS1612-10		1
350 355	S252T002-3 1542611		. FILTER ELEMENT- . RETAINER- SUPPLIER CODE: VS4980		1 1

ILLUSTRATION ITEMS NOT ON PARTS LIST ARE NOT APPLICABLE

- ITEM NOT ILLUSTRATED

27-61-02-50

27-61-02
FIG. 50
PAGE 12
DEC 22/08

HXL

BOEING PROPRIETARY - Copyright © - Unpublished Work - See title page for details.



767

PARTS CATALOG (MAINTENANCE)

FIG ITEM	PART NUMBER	1 2 3 4 5 6 7	NOMENCLATURE	EFFECT FROM TO	UNITS PER ASSY
50					
360	NAS1601-113		.PACKING- OPTIONAL PART: NAS1611-113 NAS1611-113A		1
360	NAS1611-113		.PACKING- OPTIONAL PART: NAS1601-113 NAS1611-113A		1
360	NAS1611-113A		.PACKING- OPTIONAL PART: NAS1601-113 NAS1611-113		1
365	NAS1601-111		.PACKING- OPTIONAL PART: NAS1611-111 NAS1611-111A		1
365	NAS1611-111		.PACKING- OPTIONAL PART: NAS1601-111 NAS1611-111A		1
365	NAS1611-111A		.PACKING- OPTIONAL PART: NAS1601-111 NAS1611-111		1
370	MS28782-9		.RETAINER- OPTIONAL PART: BACR12BM111		2
370	C11236-111B		.RING- SUPPLIER CODE: V26879 SPECIFICATION NUMBER: BACR12BM111 OPTIONAL PART: RMR12BM111 V94878 STF800-111 V02107 S30294-111-1 V97820 TF450-111A V07128 2100-111 V26303 MS28782-9		2
375	1542612		.CAM-RELEASE SUPPLIER CODE: VS4980		1

ILLUSTRATION ITEMS NOT ON PARTS LIST ARE NOT APPLICABLE

- ITEM NOT ILLUSTRATED

HXL

27-61-02-50

BOEING PROPRIETARY - Copyright © - Unpublished Work - See title page for details.

27-61-02
FIG. 50
PAGE 13
DEC 22/08



767

PARTS CATALOG (MAINTENANCE)

FIG ITEM	PART NUMBER	1 2 3 4 5 6 7	NOMENCLATURE	EFFECT FROM TO	UNITS PER ASSY
50					
380	NAS1601-009		.PACKING- OPTIONAL PART: NAS1611-009 NAS1611-009A		1
380	NAS1611-009		.PACKING- OPTIONAL PART: NAS1601-009 NAS1611-009A		1
380	NAS1611-009A		.PACKING- OPTIONAL PART: NAS1601-009 NAS1611-009		1
385	MS28782-4		.RETAINER- OPTIONAL PART: BACR12BM009		2
385	C11236-009B		.RING- SUPPLIER CODE: V26879 SPECIFICATION NUMBER: BACR12BM009 OPTIONAL PART: RMR12BM009 V94878 STF800-009 V02107 S30294-009-1 V97820 TF450-009A V07128 2100-009 V26303 MS28782-4		2
390	1542530-1		.PLATE ASSY- SUPPLIER CODE: VS4980		1
395	NAS1351N3H12P		.SCREW- OPTIONAL PART: NAS1351-3H12P		1
395	NAS1351-3H12P		.SCREW- OPTIONAL PART: NAS1351N3H12P		1
400	NAS620-10L		.WASHER		1
405	1542506		.PLATE-END SUPPLIER CODE: VS4980		1
410	MS16562-201		.PIN		1

ILLUSTRATION ITEMS NOT ON PARTS LIST ARE NOT APPLICABLE

- ITEM NOT ILLUSTRATED

27-61-02-50

27-61-02
FIG. 50
PAGE 14
DEC 22/08

HXL

BOEING PROPRIETARY - Copyright © - Unpublished Work - See title page for details.

 **BOEING**
767
PARTS CATALOG (MAINTENANCE)

FIG ITEM	PART NUMBER	1 2 3 4 5 6 7	NOMENCLATURE	EFFECT FROM TO	UNITS PER ASSY
50					
415	GM6850		.TRANSDUCER ASSY- SUPPLIER CODE: V22863 SPECIFICATION NUMBER: S252T003-1		1
420	1542608		.WASHER-WAVE SUPPLIER CODE: VS4980		1
425	1542534		.RING-SHEAR SUPPLIER CODE: VS4980		4
430	1542505		.RETAINER- SUPPLIER CODE: VS4980		1
435	MS28783-5		.RING- OPTIONAL PART: BACR12BM227		2
435	C11236-227B		.RING- SUPPLIER CODE: V26879 SPECIFICATION NUMBER: BACR12BM227 OPTIONAL PART: RMR12BM227 V94878 STF800-227 V02107 S30294-227-1 V97820 TF450-227A V07128 2100-227 V26303 MS28783-5		2
440	NAS1601-227		.PACKING- OPTIONAL PART: NAS1611-227 NAS1611-227A		1
440	NAS1611-227		.PACKING- OPTIONAL PART: NAS1601-227 NAS1611-227A		1
440	NAS1611-227A		.PACKING- OPTIONAL PART: NAS1601-227 NAS1611-227		1
445	MS28782-14		.RETAINER- OPTIONAL PART: BACR12BM116		2

ILLUSTRATION ITEMS NOT ON PARTS LIST ARE NOT APPLICABLE

- ITEM NOT ILLUSTRATED

HXL

27-61-02-50

BOEING PROPRIETARY - Copyright © - Unpublished Work - See title page for details.

27-61-02
FIG. 50
PAGE 15
DEC 22/08



767

PARTS CATALOG (MAINTENANCE)

FIG ITEM	PART NUMBER	1 2 3 4 5 6 7	NOMENCLATURE	EFFECT FROM TO	UNITS PER ASSY
50 445	C11236-116B		.RING- SUPPLIER CODE: V26879 SPECIFICATION NUMBER: BACR12BM116 OPTIONAL PART: RMR12BM116 V94878 STF800-116 V02107 S30294-116-1 V97820 TF450-116A V07128 2100-116 V26303 MS28782-14		2
450	NAS1601-116		.PACKING- OPTIONAL PART: NAS1611-116 NAS1611-116A		1
450	NAS1611-116		.PACKING- OPTIONAL PART: NAS1601-116 NAS1611-116A		1
450	NAS1611-116A		.PACKING- OPTIONAL PART: NAS1601-116 NAS1611-116		1
455	1542639-1		.GUIDE-LVDT SUPPLIER CODE: VS4980		1
460	1542507		.PISTON- SUPPLIER CODE: VS4980		1

ILLUSTRATION ITEMS NOT ON PARTS LIST ARE NOT APPLICABLE

- ITEM NOT ILLUSTRATED

HXL

27-61-02-50

BOEING PROPRIETARY - Copyright © - Unpublished Work - See title page for details.

27-61-02
FIG. 50
PAGE 16
DEC 22/08

 **BOEING**
767
PARTS CATALOG (MAINTENANCE)

FIG ITEM	PART NUMBER	1 2 3 4 5 6 7	NOMENCLATURE	EFFECT FROM TO	UNITS PER ASSY
50 465	BRH10C4	.	NUT SUPPLIER CODE: V52828 SPECIFICATION NUMBER: BACN10JC4C OPTIONAL PART: T6C428J V11815 97-048 V80539 101LH9075-4W V72962 VN303B048 V92215 NS202101S048 V80539 H31-4BAC V15653		1
470	MS28782-4	.	RETAINER- OPTIONAL PART: BACR12BM009		2
470	C11236-009B	.	RING- SUPPLIER CODE: V26879 SPECIFICATION NUMBER: BACR12BM009 OPTIONAL PART: RMR12BM009 V94878 STF800-009 V02107 S30294-009-1 V97820 TF450-009A V07128 2100-009 V26303 MS28782-4		2
475	NAS1601-009	.	PACKING- OPTIONAL PART: NAS1611-009 NAS1611-009A		1
475	NAS1611-009	.	PACKING- OPTIONAL PART: NAS1601-009 NAS1611-009A		1

ILLUSTRATION ITEMS NOT ON PARTS LIST ARE NOT APPLICABLE

- ITEM NOT ILLUSTRATED

HXL

27-61-02-50

BOEING PROPRIETARY - Copyright © - Unpublished Work - See title page for details.

27-61-02
FIG. 50
PAGE 17
DEC 22/08

 **BOEING**
767
PARTS CATALOG (MAINTENANCE)

FIG ITEM	PART NUMBER	1 2 3 4 5 6 7	NOMENCLATURE	EFFECT FROM TO	UNITS PER ASSY
50					
475	NAS1611-009A		.PACKING- OPTIONAL PART: NAS1601-009 NAS1611-009		1
480	S34701-329H1		.T SEAL SET- SUPPLIER CODE: V09257 OPTIONAL PART: 7329MS952T V5F573		1
480	7329MS952T		.RING- SUPPLIER CODE: V5F573 OPTIONAL PART: S34701-329H1 V09257		1
485	1542509		.NUT- SUPPLIER CODE: VS4980		1
490	1542516		.WASHER- SUPPLIER CODE: VS4980		1
495	MS20066-200		.KEY		2
500	1542504		.NUT- SUPPLIER CODE: VS4980		1
505	CWR76-17B		.RING SUPPLIER CODE: V26879 SPECIFICATION NUMBER: BACS34A17A OPTIONAL PART: TF005-17A V07128 2140-17A V26303 DW96801-17A V02886 RMS34A17A V94878		1
510	1542533		.RETAINER-SEAL SUPPLIER CODE: VS4980		1
515	S33555-325H5		.HATSEAL- SUPPLIER CODE: V09257		1
520	1542511		.TRUNNION- SUPPLIER CODE: VS4980		1

ILLUSTRATION ITEMS NOT ON PARTS LIST ARE NOT APPLICABLE

— ITEM NOT ILLUSTRATED

HXL

27-61-02-50

BOEING PROPRIETARY - Copyright © - Unpublished Work - See title page for details.

27-61-02
FIG. 50
PAGE 18
DEC 22/08



767

PARTS CATALOG (MAINTENANCE)

FIG ITEM	PART NUMBER	1 2 3 4 5 6 7	NOMENCLATURE	EFFECT FROM TO	UNITS PER ASSY
50					
525	1542520-1		.BARREL- SUPPLIER CODE: VS4980		1
530	1542650-1		.VALVE ASSY-EXTENSION CHECK AND THERMAL RELIEF SUPPLIER CODE: VS4980 OPTIONAL PART: 1542664-1 1542670-1		1
530	1542664-1		.VALVE ASSY-EXTENSION CHECK AND THERMAL RELIEF SUPPLIER CODE: VS4980 OPTIONAL PART: 1542650-1 1542670-1		1
530	1542670-1		.VALVE ASSY-EXTENSION CHECK AND THERMAL RELIEF SUPPLIER CODE: VS4980 OPTIONAL PART: 1542650-1 1542664-1		1
535	1542626		..CAP- SUPPLIER CODE: VS4980 USED ON: 1542650-1 1542664-1		1
535	1542671-1		..CAP- SUPPLIER CODE: VS4980 USED ON: 1542670-1		1
540	NAS1601-118		..PACKING- OPTIONAL PART: NAS1611-118 NAS1611-118A		1
540	NAS1611-118		..PACKING- OPTIONAL PART: NAS1601-118 NAS1611-118A		1
540	NAS1611-118A		..PACKING- OPTIONAL PART: NAS1601-118 NAS1611-118		1

ILLUSTRATION ITEMS NOT ON PARTS LIST ARE NOT APPLICABLE

- ITEM NOT ILLUSTRATED

HXL

27-61-02-50

BOEING PROPRIETARY - Copyright © - Unpublished Work - See title page for details.

27-61-02
FIG. 50
PAGE 19
DEC 22/08



767

PARTS CATALOG (MAINTENANCE)

FIG ITEM	PART NUMBER	1 2 3 4 5 6 7	NOMENCLATURE	EFFECT FROM TO	UNITS PER ASSY
50					
545	NAS1601-116	..	PACKING- OPTIONAL PART: NAS1611-116 NAS1611-116A		4
545	NAS1611-116	..	PACKING- OPTIONAL PART: NAS1601-116 NAS1611-116A		4
545	NAS1611-116A	..	PACKING- OPTIONAL PART: NAS1601-116 NAS1611-116		4
550	MS28782-14	..	RETAINER- OPTIONAL PART: BACR12BM116		8
550	C11236-116B	..	RING- SUPPLIER CODE: V26879 SPECIFICATION NUMBER: BACR12BM116 OPTIONAL PART: RMR12BM116 V94878 STF800-116 V02107 S30294-116-1 V97820 TF450-116A V07128 2100-116 V26303 MS28782-14		8
555	1542641	..	RETAINER- SUPPLIER CODE: VS4980		1
560	NAS1601-111	..	PACKING- OPTIONAL PART: NAS1611-111 NAS1611-111A		1
560	NAS1611-111	..	PACKING- OPTIONAL PART: NAS1601-111 NAS1611-111A		1
560	NAS1611-111A	..	PACKING- OPTIONAL PART: NAS1601-111 NAS1611-111		1

ILLUSTRATION ITEMS NOT ON PARTS LIST ARE NOT APPLICABLE

- ITEM NOT ILLUSTRATED

HXL

27-61-02-50

BOEING PROPRIETARY - Copyright © - Unpublished Work - See title page for details.

27-61-02
FIG. 50
PAGE 20
DEC 22/08

BOEING
767
PARTS CATALOG (MAINTENANCE)

FIG ITEM	PART NUMBER	1 2 3 4 5 6 7	NOMENCLATURE	EFFECT FROM TO	UNITS PER ASSY
50					
565	MS28782-9	..	RETAINER- OPTIONAL PART: BACR12BM111		2
565	C11236-111B	..	RING- SUPPLIER CODE: V26879 SPECIFICATION NUMBER: BACR12BM111 OPTIONAL PART: RMR12BM111 V94878 STF800-111 V02107 S30294-111-1 V97820 TF450-111A V07128 2100-111 V26303 MS28782-9		2
570	1542625-5	..	RING-LOCK SUPPLIER CODE: VS4980		1
575	1542643	..	PLUNGER- SUPPLIER CODE: VS4980		1
580	S30772-009H5	..	SEAL- SUPPLIER CODE: V09257		1
585	1542648-1	..	SLIDER ASSY- SUPPLIER CODE: VS4980 USED ON: 1542650-1		1
585	1542663-1	..	SLIDER ASSY- SUPPLIER CODE: VS4980 USED ON: 1542664-1 1542670-1		1
590	1542646	...	SLEEVE- SUPPLIER CODE: VS4980		1
595	1542647	...	SLIDER- SUPPLIER CODE: VS4980 USED ON: 1542648-1		1
ILLUSTRATION ITEMS NOT ON PARTS LIST ARE NOT APPLICABLE					

- ITEM NOT ILLUSTRATED

HXL

27-61-02-50

BOEING PROPRIETARY - Copyright © - Unpublished Work - See title page for details.

27-61-02
FIG. 50
PAGE 21
DEC 22/08



767

PARTS CATALOG (MAINTENANCE)

FIG ITEM	PART NUMBER	1 2 3 4 5 6 7	NOMENCLATURE	EFFECT FROM TO	UNITS PER ASSY
50					
595	1542662	...	SLIDER- SUPPLIER CODE: VS4980 USED ON: 1542663-1		1
600	1542642	..	ROD- SUPPLIER CODE: VS4980		1
605	1542651-1	..	SHIM- SUPPLIER CODE: VS4980		AR
- 610	1542651-3	..	SHIM- SUPPLIER CODE: VS4980		AR
- 615	1542651-5	..	SHIM- SUPPLIER CODE: VS4980		AR
620	1542627	..	SPRING- SUPPLIER CODE: VS4980		1
625	1542645	..	GUIDE-SPRING SUPPLIER CODE: VS4980		1
630	1542625-7	..	RING-LOCK SUPPLIER CODE: VS4980		1
635	1542644	..	POPPET- SUPPLIER CODE: VS4980		1
640	1542628	..	SPRING- SUPPLIER CODE: VS4980		1
645	1542629	..	GUIDE-POPPET SUPPLIER CODE: VS4980		1
650	1542656-1	.	NAMEPLATE- SUPPLIER CODE: VS4980 OPTIONAL PART: 1542659-1 VS4980		1
650	1542659-1	.	NAMEPLATE- SUPPLIER CODE: VS4980 OPTIONAL PART: 1542656-1 VS4980		1

ILLUSTRATION ITEMS NOT ON PARTS LIST ARE NOT APPLICABLE

- ITEM NOT ILLUSTRATED

HXL

27-61-02-50

BOEING PROPRIETARY - Copyright © - Unpublished Work - See title page for details.

27-61-02
FIG. 50
PAGE 22
DEC 22/08



767
PARTS CATALOG (MAINTENANCE)

FIG ITEM	PART NUMBER	1 2 3 4 5 6 7	NOMENCLATURE	EFFECT FROM TO	UNITS PER ASSY
50 655	1542658-1		.PLATE-MODIFICATION SUPPLIER CODE: VS4980		1

ILLUSTRATION ITEMS NOT ON PARTS LIST ARE NOT APPLICABLE

- ITEM NOT ILLUSTRATED

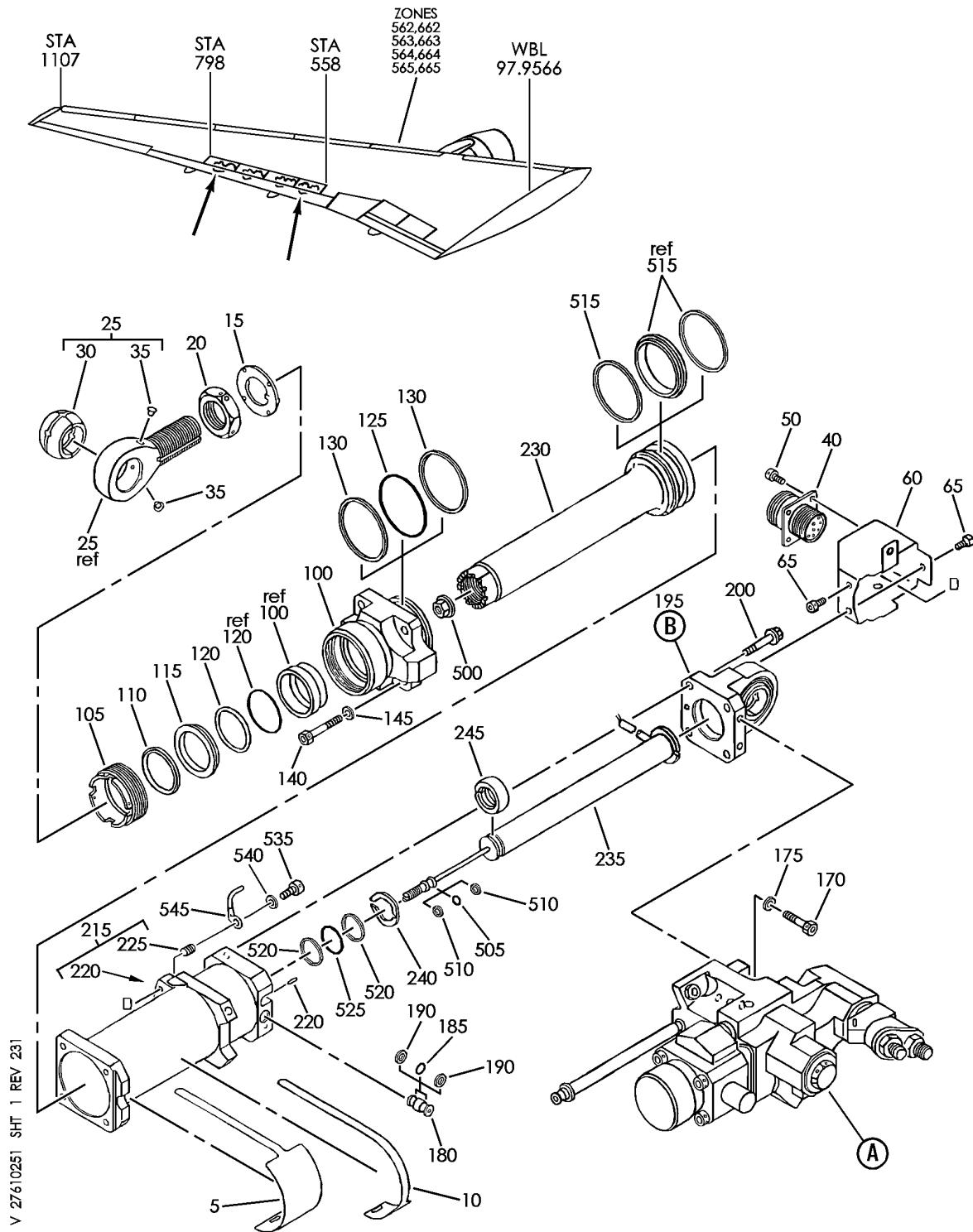
HXL

27-61-02-50

BOEING PROPRIETARY - Copyright © - Unpublished Work - See title page for details.

27-61-02
FIG. 50
PAGE 23
DEC 22/08


BOEING
 767
PARTS CATALOG (MAINTENANCE)



V 27610251 SHT 1 REV 231

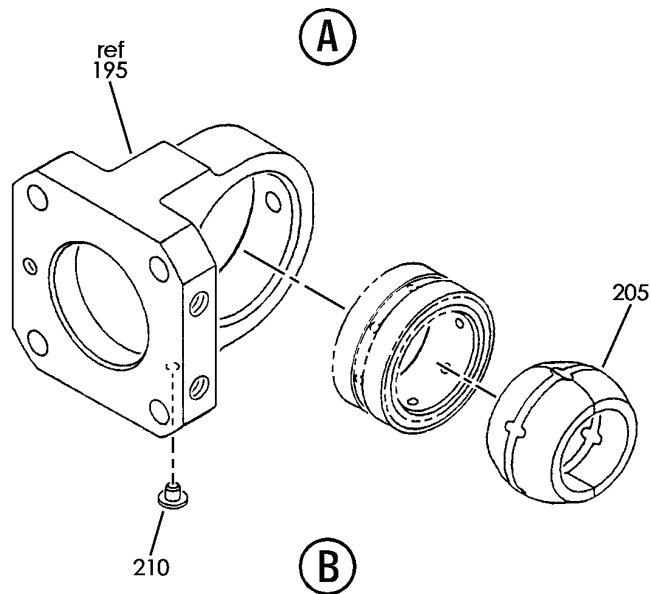
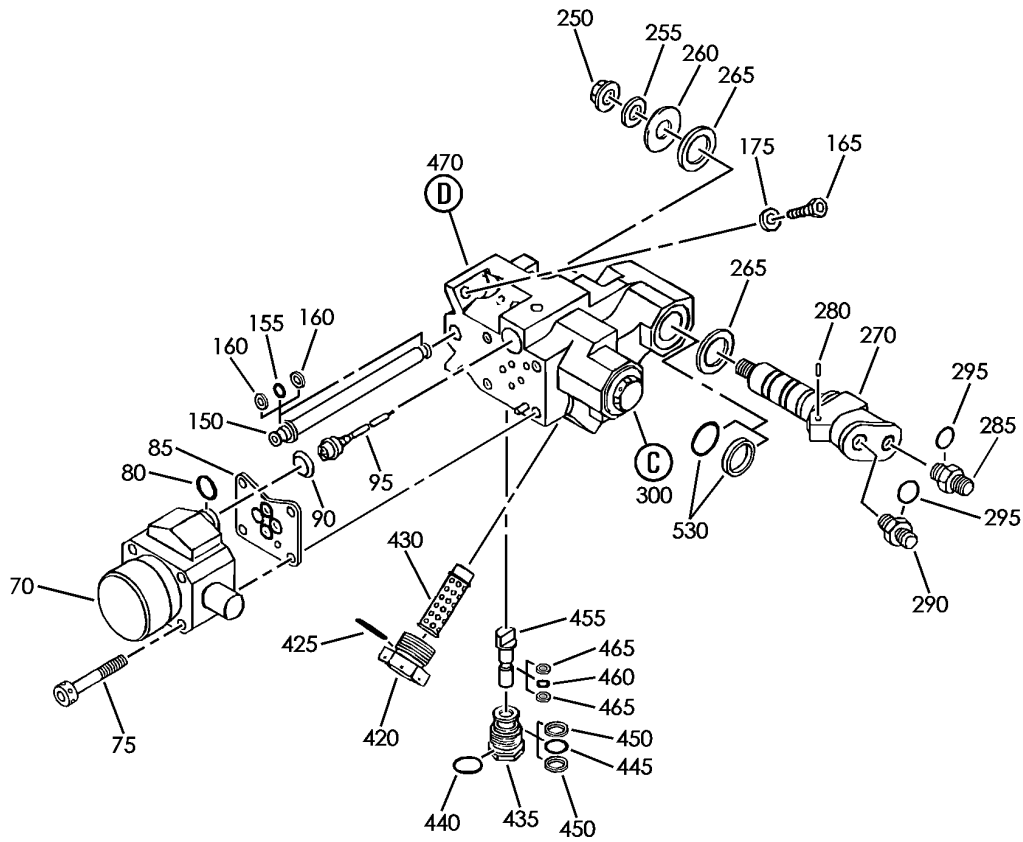
ACTUATOR ASSY-OUTBD SPOILER
FIGURE 51 (SHEET 1)

27-61-02-51

HXL
DEC 22/06

27-61-02-51
PAGE 0

BOEING
767
PARTS CATALOG (MAINTENANCE)



V 27610251 SHT 2 REV 231

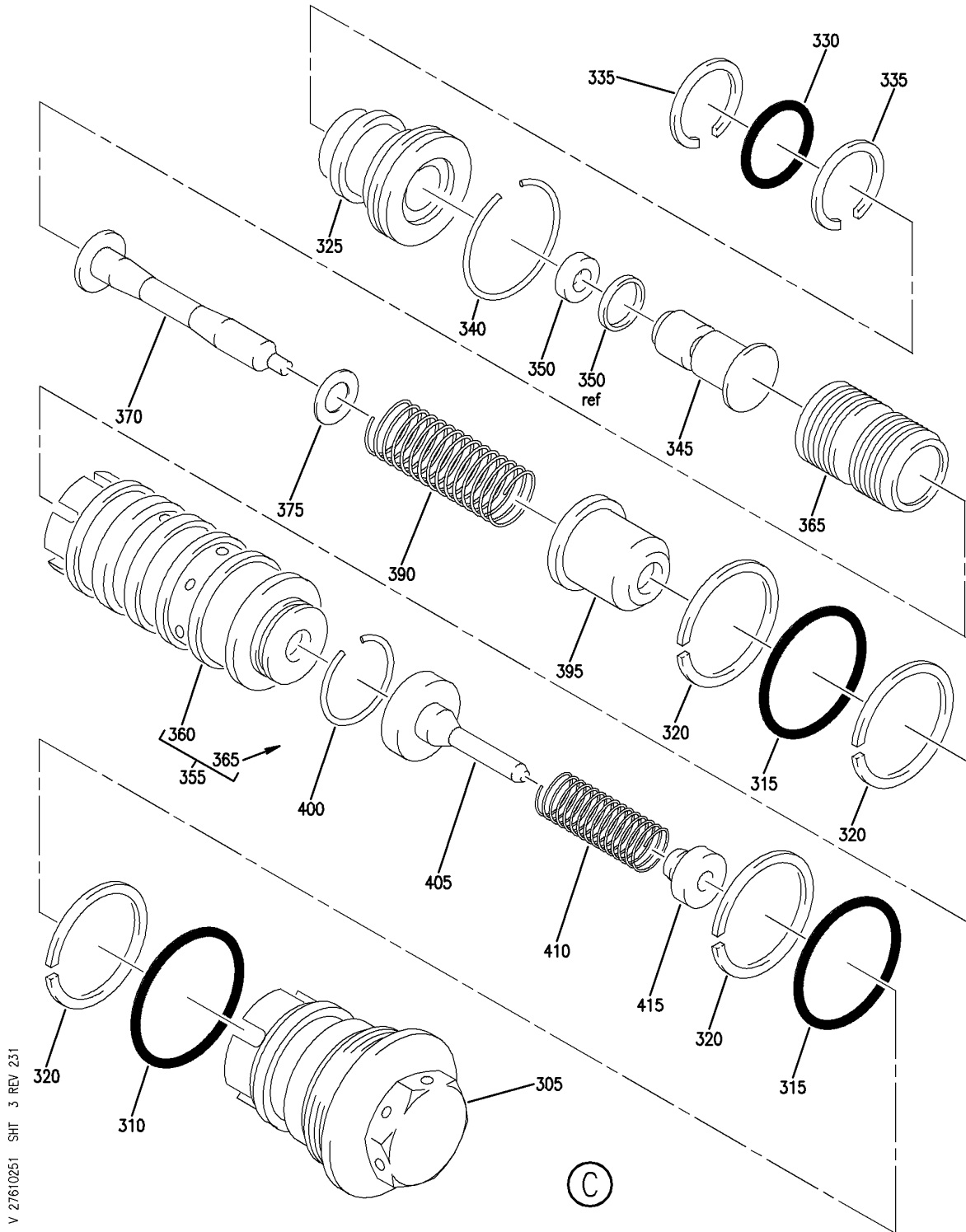
ACTUATOR ASSY-OUTBD SPOILER
FIGURE 51 (SHEET 2)

27-61-02-51

HXL
DEC 22/06

27-61-02-51
PAGE 0A

BOEING
767
PARTS CATALOG (MAINTENANCE)



V 27610251 SHT 3 REV 231

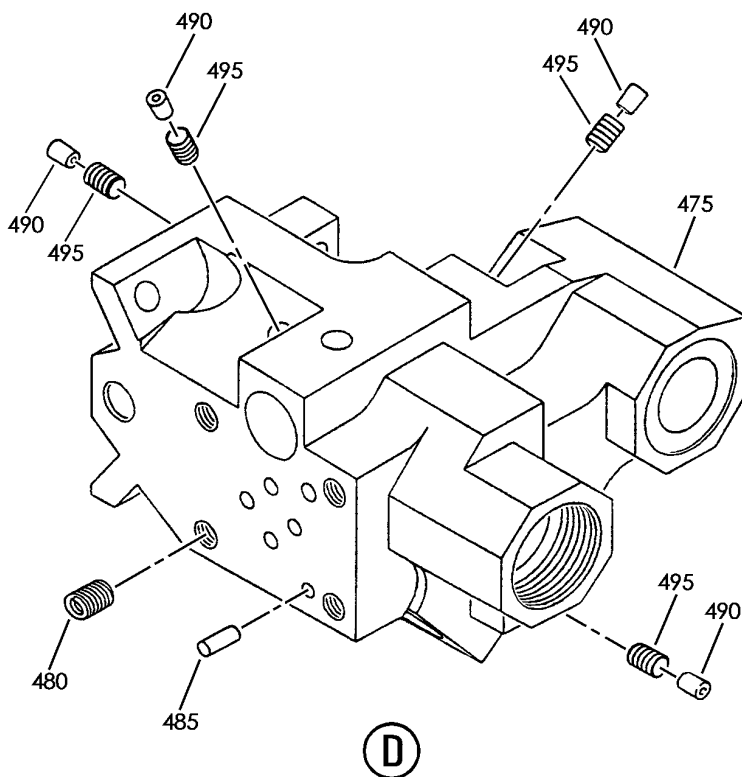
ACTUATOR ASSY-OUTBD SPOILER
FIGURE 51 (SHEET 3)

27-61-02-51

HXL
DEC 22/06

27-61-02-51
PAGE 0B

BOEING
767
PARTS CATALOG (MAINTENANCE)



V 27610251 SHT 4 REV 231

ACTUATOR ASSY-OUTBD SPOILER
FIGURE 51 (SHEET 4)

27-61-02-51

HXL
DEC 22/06

27-61-02-51
PAGE 0C



767

PARTS CATALOG (MAINTENANCE)

FIG ITEM	PART NUMBER	1 2 3 4 5 6 7	NOMENCLATURE	EFFECT FROM TO	UNITS PER ASSY
51					
- 1	1542600-1		ACTUATOR ASSY-OUTBD SPOILER ACTUATOR ASSY-SPOILER SUPPLIER CODE: VOFRZ6 POSITION DATA: OUTBD SPECIFICATION NUMBER: S252T304-1 COMPONENT MAINT MANUAL REF: 27-61-52 OPTIONAL PART: 1542600-5 VOFRZ6 1542600-9 VS4980 1542600-13 VS4980 1542600-17 VS4980 OPTIONAL PART: 252T1400-7 FOR NHA SEE: 27-61-02-01		RF
- 1	1542600-3		ACTUATOR ASSY-SPOILER SUPPLIER CODE: VOFRZ6 POSITION DATA: OUTBD SPECIFICATION NUMBER: S252T304-2 COMPONENT MAINT MANUAL REF: 27-61-52 OPTIONAL PART: 1542600-7 VOFRZ6 1542600-11 VS4980 1542600-15 VS4980 1542600-19 VS4980 FOR NHA SEE: 27-61-02-01		RF
ILLUSTRATION ITEMS NOT ON PARTS LIST ARE NOT APPLICABLE					

- ITEM NOT ILLUSTRATED

27-61-02-51

27-61-02
 FIG. 51
 PAGE 1
 DEC 22/06

HXL



767

PARTS CATALOG (MAINTENANCE)

FIG ITEM	PART NUMBER	1 2 3 4 5 6 7	NOMENCLATURE	EFFECT FROM TO	UNITS PER ASSY
51 - 1	1542600-5		ACTUATOR ASSY-SPOILER SUPPLIER CODE: VOFRZ6 POSITION DATA: OUTBD FUNCTIONAL DESCRIPTION: ELECTRO-HYDRAULIC SERVO USED TO POSITION THE OUTBOARD SPOILERS SPECIFICATION NUMBER: S252T304-1 COMPONENT MAINT MANUAL REF: 27-61-52 OPTIONAL PART: 1542600-1 VOFRZ6 1542600-9 VS4980 1542600-13 VS4980 1542600-17 VS4980 OPTIONAL PART: 252T1400-7 FOR NHA SEE: 27-61-02-01		RF
- 1	1542600-7		ACTUATOR ASSY-SPOILER SUPPLIER CODE: VOFRZ6 POSITION DATA: OUTBD SPECIFICATION NUMBER: S252T304-2 COMPONENT MAINT MANUAL REF: 27-61-52 OPTIONAL PART: 1542600-3 VOFRZ6 1542600-11 VS4980 1542600-15 VS4980 1542600-19 VS4980 FOR NHA SEE: 27-61-02-01		RF

ILLUSTRATION ITEMS NOT ON PARTS LIST ARE NOT APPLICABLE

- ITEM NOT ILLUSTRATED

HXL

27-61-02-51

BOEING PROPRIETARY - Copyright © - Unpublished Work - See title page for details.

27-61-02
 FIG. 51
 PAGE 2
 DEC 22/06



767

PARTS CATALOG (MAINTENANCE)

FIG ITEM	PART NUMBER	1 2 3 4 5 6 7	NOMENCLATURE	EFFECT FROM TO	UNITS PER ASSY
51 - 1	1542600-9		ACTUATOR ASSY-SPOILER SUPPLIER CODE: VS4980 POSITION DATA: OUTBD FUNCTIONAL DESCRIPTION: ELECTRO-HYDRAULIC SERVO USED TO POSITION THE OUTBOARD SPOILERS SPECIFICATION NUMBER: S252T304-1 COMPONENT MAINT MANUAL REF: 27-61-52 OPTIONAL PART: 1542600-1 VOFRZ6 1542600-5 VOFRZ6 1542600-13 VS4980 1542600-17 VS4980 FOR NHA SEE: 27-61-02-01		RF
- 1	1542600-11		ACTUATOR ASSY-SPOILER SUPPLIER CODE: VS4980 POSITION DATA: OUTBD SPECIFICATION NUMBER: S252T304-2 COMPONENT MAINT MANUAL REF: 27-61-52 OPTIONAL PART: 1542600-3 VOFRZ6 1542600-7 VOFRZ6 1542600-15 VS4980 1542600-19 VS4980 FOR NHA SEE: 27-61-02-01		RF

ILLUSTRATION ITEMS NOT ON PARTS LIST ARE NOT APPLICABLE

- ITEM NOT ILLUSTRATED

HXL

27-61-02-51

BOEING PROPRIETARY - Copyright © - Unpublished Work - See title page for details.

27-61-02
 FIG. 51
 PAGE 3
 DEC 22/06



767

PARTS CATALOG (MAINTENANCE)

FIG ITEM	PART NUMBER	1 2 3 4 5 6 7	NOMENCLATURE	EFFECT FROM TO	UNITS PER ASSY
51 - 1	1542600-13		ACTUATOR ASSY-SPOILER SUPPLIER CODE: VS4980 POSITION DATA: OUTBD FUNCTIONAL DESCRIPTION: ELECTRO-HYDRAULIC SERVO USED TO POSITION THE OUTBOARD SPOILERS SPECIFICATION NUMBER: S252T304-1 COMPONENT MAINT MANUAL REF: 27-61-52 OPTIONAL PART: 1542600-1 VOFRZ6 1542600-5 VOFRZ6 1542600-9 VS4980 1542600-17 VS4980 FOR NHA SEE: 27-61-02-01		RF
- 1	1542600-15		ACTUATOR ASSY-SPOILER SUPPLIER CODE: VS4980 POSITION DATA: OUTBD SPECIFICATION NUMBER: S252T304-2 COMPONENT MAINT MANUAL REF: 27-61-52 OPTIONAL PART: 1542600-3 VOFRZ6 1542600-7 VOFRZ6 1542600-11 VS4980 1542600-19 VS4980 FOR NHA SEE: 27-61-02-01		RF

ILLUSTRATION ITEMS NOT ON PARTS LIST ARE NOT APPLICABLE

- ITEM NOT ILLUSTRATED

HXL

27-61-02-51

BOEING PROPRIETARY - Copyright © - Unpublished Work - See title page for details.

27-61-02
 FIG. 51
 PAGE 4
 DEC 22/06

BOEING
767
PARTS CATALOG (MAINTENANCE)

FIG ITEM	PART NUMBER	1 2 3 4 5 6 7	NOMENCLATURE	EFFECT FROM TO	UNITS PER ASSY
51 -	1 1542600-19		ACTUATOR ASSY-SPOILER SUPPLIER CODE: VS4980 SPECIFICATION NUMBER: S252T304-2 OPTIONAL PART: 1542600-3 VOFRZ6 1542600-7 VOFRZ6 1542600-11 VS4980 1542600-15 VS4980 FOR NHA SEE: 27-61-02-01		RF
-	1 1542600-17		ACTUATOR ASSY-SPOLIER SUPPLIER CODE: VS4980 FUNCTIONAL DESCRIPTION: ELECTRO-HYDRAULIC SERVO USED TO POSITION THE OUTBOARD SPOILERS SPECIFICATION NUMBER: S252T304-1 OPTIONAL PART: 1542600-1 VOFRZ6 1542600-5 VOFRZ6 1542600-9 VS4980 1542600-13 VS4980 FOR NHA SEE: 27-61-02-01		RF
	5 1542656-3		.NAMEPLATE- SUPPLIER CODE: VOFRZ6 OPTIONAL PART: 1542659-3 VOFRZ6		1
	5 1542659-3		.NAMEPLATE- SUPPLIER CODE: VOFRZ6 OPTIONAL PART: 1542656-3 VOFRZ6		1

ILLUSTRATION ITEMS NOT ON PARTS LIST ARE NOT APPLICABLE

- ITEM NOT ILLUSTRATED

HXL

27-61-02-51

BOEING PROPRIETARY - Copyright © - Unpublished Work - See title page for details.

27-61-02
FIG. 51
PAGE 5
DEC 22/08



767

PARTS CATALOG (MAINTENANCE)

FIG ITEM	PART NUMBER	1 2 3 4 5 6 7	NOMENCLATURE	EFFECT FROM TO	UNITS PER ASSY
51					
10	1542658-3		.PLATE-MOD SUPPLIER CODE: VOFRZ6		1
15	1542636		.WASHER-LOCK ROD END SUPPLIER CODE: VOFRZ6		1
20	NAS1423C14		.NUT		1
25	1542635-1		.ROD END ASSY- SUPPLIER CODE: VOFRZ6		1
30	1542652-3		..BALL SET-SPLIT SUPPLIER CODE: VOFRZ6		1
35	NAS516M1		.FITTING		2
40	BACC45FM16-10P		.TERMINAL		1
- 45	BACC47CN2A		..PIN		10
50	NAS1352N04H6P		.SCREW- OPTIONAL PART: NAS1352-04H6P		4
50	NAS1352-04H6P		.SCREW- OPTIONAL PART: NAS1352N04H6P		4
60	1542607-1		.COVER- SUPPLIER CODE: VOFRZ6		1
65	NAS1352N08H6P		ATTACHING PARTS .SCREW- OPTIONAL PART: NAS1352-08H6P		3
65	NAS1352-08H6P		.SCREW- OPTIONAL PART: NAS1352N08H6P -----*-----		3

ILLUSTRATION ITEMS NOT ON PARTS LIST ARE NOT APPLICABLE

- ITEM NOT ILLUSTRATED

HXL

27-61-02-51

BOEING PROPRIETARY - Copyright © - Unpublished Work - See title page for details.

27-61-02
FIG. 51
PAGE 6
DEC 22/08



767

PARTS CATALOG (MAINTENANCE)

FIG ITEM	PART NUMBER	1 2 3 4 5 6 7 NOMENCLATURE	EFFECT FROM TO	UNITS PER ASSY
51 70	A38103-1	.SERVOVALVE- SUPPLIER CODE: V94697 FUNCTIONAL DESCRIPTION: CONTROLS THE FLOW OF HYDRAULIC FLUID TO THE SPOILER POWER DRIVE UNIT (PDU) IN RESPONSE TO ELECTRICAL COMMANDS SPECIFICATION NUMBER: S252T001-6 COMPONENT MAINT MANUAL REF: 27-60-05 OPTIONAL PART: A38103-2 V94697 A38103-3 V94697 A38103-4 V94697 OPTIONAL PART: 72181 V93835 22280730 V81873 22280730-001 V81873		1

ILLUSTRATION ITEMS NOT ON PARTS LIST ARE NOT APPLICABLE

- ITEM NOT ILLUSTRATED

HXL

27-61-02-51

BOEING PROPRIETARY - Copyright © - Unpublished Work - See title page for details.

27-61-02
 FIG. 51
 PAGE 7
 DEC 22/06



767

PARTS CATALOG (MAINTENANCE)

FIG ITEM	PART NUMBER	1 2 3 4 5 6 7 NOMENCLATURE	EFFECT FROM TO	UNITS PER ASSY
51 70	A38103-2	.SERVOVALVE- SUPPLIER CODE: V94697 FUNCTIONAL DESCRIPTION: CONTROLS THE FLOW OF HYDRAULIC FLUID TO THE SPOILER POWER DRIVE UNIT (PDU) IN RESPONSE TO ELECTRICAL COMMANDS SPECIFICATION NUMBER: S252T001-6 COMPONENT MAINT MANUAL REF: 27-60-05 OPTIONAL PART: A38103-1 V94697 A38103-3 V94697 A38103-4 V94697 OPTIONAL PART: 72181 V93835 22280730 V81873 22280730-001 V81873		1

ILLUSTRATION ITEMS NOT ON PARTS LIST ARE NOT APPLICABLE

- ITEM NOT ILLUSTRATED

HXL

27-61-02-51

BOEING PROPRIETARY - Copyright © - Unpublished Work - See title page for details.

27-61-02
 FIG. 51
 PAGE 8
 DEC 22/06



767

PARTS CATALOG (MAINTENANCE)

FIG ITEM	PART NUMBER	1 2 3 4 5 6 7	NOMENCLATURE	EFFECT FROM TO	UNITS PER ASSY
51 70	A38103-3		.SERVOVALVE- SUPPLIER CODE: V94697 FUNCTIONAL DESCRIPTION: CONTROLS THE FLOW OF HYDRAULIC FLUID TO THE SPOILER POWER DRIVE UNIT (PDU) IN RESPONSE TO ELECTRICAL COMMANDS SPECIFICATION NUMBER: S252T001-6 COMPONENT MAINT MANUAL REF: 27-60-05 OPTIONAL PART: A38103-1 V94697 A38103-2 V94697 A38103-4 V94697 OPTIONAL PART: 72181 V93835 22280730 V81873 22280730-001 V81873		1
70	22280730		.VALVE- SUPPLIER CODE: V81873 SPECIFICATION NUMBER: S252T001-1 COMPONENT MAINT MANUAL REF: 27-60-01 OPTIONAL PART: 22280730-001 V81873 OPTIONAL PART: 72181 V93835 A38103-1 V94697 A38103-2 V94697 A38103-3 V94697 A38103-4 V94697		1

ILLUSTRATION ITEMS NOT ON PARTS LIST ARE NOT APPLICABLE

- ITEM NOT ILLUSTRATED

HXL

27-61-02-51

BOEING PROPRIETARY - Copyright © - Unpublished Work - See title page for details.

27-61-02
FIG. 51
PAGE 9
DEC 22/06



767

PARTS CATALOG (MAINTENANCE)

FIG ITEM	PART NUMBER	1 2 3 4 5 6 7	NOMENCLATURE	EFFECT FROM TO	UNITS PER ASSY
51	70 22280730-001		. VALVE- SUPPLIER CODE: V81873 SPECIFICATION NUMBER: S252T001-1 COMPONENT MAINT MANUAL REF: 27-60-01 OPTIONAL PART: 22280730 V81873 OPTIONAL PART: 72181 V93835 A38103-1 V94697 A38103-2 V94697 A38103-3 V94697 A38103-4 V94697		1
70	72181		. SERVOVALVE- SUPPLIER CODE: V49695 SPECIFICATION NUMBER: S252T001-2 COMPONENT MAINT MANUAL REF: 27-61-01 OPTIONAL PART: A38103-1 V94697 A38103-2 V94697 A38103-3 V94697 22280730 V81873 22280730-001 V81873 A38103-4 V94697		1

ILLUSTRATION ITEMS NOT ON PARTS LIST ARE NOT APPLICABLE

- ITEM NOT ILLUSTRATED

HXL

27-61-02-51

BOEING PROPRIETARY - Copyright © - Unpublished Work - See title page for details.

27-61-02
FIG. 51
PAGE 10
DEC 22/06

 **BOEING**
767
PARTS CATALOG (MAINTENANCE)

FIG ITEM	PART NUMBER	1 2 3 4 5 6 7	NOMENCLATURE	EFFECT FROM TO	UNITS PER ASSY
51 70	A38103-4		.SERVOVALVE-ELECTRO HYDR SUPPLIER CODE: V94697 FUNCTIONAL DESCRIPTION: CONTROLS THE FLOW OF HYDRAULIC FLUID TO THE SPOILER POWER DRIVE UNIT (PDU) IN RESPONSE TO ELECTRICAL COMMANDS. SPECIFICATION NUMBER: S252T001-6 COMPONENT MAINT MANUAL REF: 27-60-05 OPTIONAL PART: A38103-1 V94697 A38103-2 V94697 A38103-3 V94697 OPTIONAL PART: 22280730 V81873 22280730-001 V81873 72181 V49695 ATTACHING PARTS		1
75	NAS1351N4H28P		.SCREW- OPTIONAL PART: NAS1351-4H28P		4
75	NAS1351-4H28P		.SCREW- OPTIONAL PART: NAS1351N4H28P -----*-----		4
80	NAS1601-112		.PACKING- OPTIONAL PART: NAS1611-112		1
80	NAS1611-112		.PACKING- OPTIONAL PART: NAS1601-112		1
85	069000198-3		.PLATE-GASKET SUPPLIER CODE: V05939 SPECIFICATION NUMBER: 69-20185-3 OPTIONAL PART: 828109-3 V83259		1
ILLUSTRATION ITEMS NOT ON PARTS LIST ARE NOT APPLICABLE					

— ITEM NOT ILLUSTRATED

HXL

27-61-02-51

BOEING PROPRIETARY - Copyright © - Unpublished Work - See title page for details.

27-61-02
FIG. 51
PAGE 11
DEC 22/06



767

PARTS CATALOG (MAINTENANCE)

FIG ITEM	PART NUMBER	1 2 3 4 5 6 7	NOMENCLATURE	EFFECT FROM TO	UNITS PER ASSY
51					
90	1542638		.RETAINER-CONN SUPPLIER CODE: VOFRZ6		1
95	1542657-1		.CONNECTOR- SUPPLIER CODE: VOFRZ6		1
100	1642630-1		.CAP ASSY-CYLINDER SUPPLIER CODE: VOFRZ6		1
105	1542609		.NUT- SUPPLIER CODE: VOFRZ6		1
110	CWR76-13B		.SCRAPER SUPPLIER CODE: V26879 SPECIFICATION NUMBER: BACS34A13A OPTIONAL PART: TF005-13A V07128 2140-13A V26303 DW96801-13A V02886 RMS34A13A V94878 S1106513A V09257 S3038813-1 V09257 S3038813-5 V09257 CWR76-13A V26879		1
115	1542633		.RETAINER-SEAL SUPPLIER CODE: VOFRZ6		1
120	S33555-218H5		.HATSEAL-II SUPPLIER CODE: V09257		1
125	NAS1601-224		.PACKING- OPTIONAL PART: NAS1611-224		1
125	NAS1611-224		.PACKING- OPTIONAL PART: NAS1601-224		1
130	MS28783-2		.RING- OPTIONAL PART: BACR12BM224		2
ILLUSTRATION ITEMS NOT ON PARTS LIST ARE NOT APPLICABLE					

- ITEM NOT ILLUSTRATED

27-61-02-51

27-61-02
FIG. 51
PAGE 12
DEC 22/06

HXL

BOEING PROPRIETARY - Copyright © - Unpublished Work - See title page for details.



767

PARTS CATALOG (MAINTENANCE)

FIG ITEM	PART NUMBER	1 2 3 4 5 6 7	NOMENCLATURE	EFFECT FROM TO	UNITS PER ASSY
51 130	C11236-224B		.RING- SUPPLIER CODE: V26879 SPECIFICATION NUMBER: BACR12BM224 OPTIONAL PART: RMR12BM224 V94878 STF800-224 V02107 S30294-224-1 V97820 TF450-224A V07128 2100-224 V26303 MS28783-2		2
140	NAS6604H7		.BOLT-		4
145	AN960-416L		.WASHER-		4
150	1542613		.TUBE-TRANSFER SUPPLIER CODE: VOFRZ6		1
155	NAS1601-010		.PACKING- OPTIONAL PART: NAS1611-010		2
155	NAS1611-010		.PACKING- OPTIONAL PART: NAS1601-010		2
160	MS28782-5		.RETAINER- OPTIONAL PART: BACR12BM010		4
160	C11236-010B		.RING- SUPPLIER CODE: V26879 SPECIFICATION NUMBER: BACR12BM010 OPTIONAL PART: RMR12BM010 V94878 STF800-010 V02107 S30294-010-1 V97820 TF450-010A V07128 2100-010 V26303 MS28782-5		4
165	NAS6604H3		.BOLT		2

ILLUSTRATION ITEMS NOT ON PARTS LIST ARE NOT APPLICABLE

- ITEM NOT ILLUSTRATED

27-61-02-51

27-61-02
FIG. 51
PAGE 13
APR 22/08

HXL

BOEING PROPRIETARY - Copyright © - Unpublished Work - See title page for details.



767

PARTS CATALOG (MAINTENANCE)

FIG ITEM	PART NUMBER	1 2 3 4 5 6 7	NOMENCLATURE	EFFECT FROM TO	UNITS PER ASSY
51					
170	NAS6604H5	.	SCREW		2
175	AN960-416L	.	WASHER		4
180	1542634	.	TUBE-QUILL		1
			SUPPLIER CODE: VOFRZ6		
185	NAS1601-010	.	PACKING-		2
			OPTIONAL PART: NAS1611-010		
185	NAS1611-010	.	PACKING-		2
			OPTIONAL PART: NAS1601-010		
190	MS28782-5	.	RETAINER-		4
			OPTIONAL PART: BACR12BM010		
190	C11236-010B	.	RING-		4
			SUPPLIER CODE: V26879		
			SPECIFICATION NUMBER: BACR12BM010		
			OPTIONAL PART: RMR12BM010		
			V94878		
			STF800-010		
			V02107		
			S30294-010-1		
			V97820		
			TF450-010A		
			V07128		
			2100-010		
			V26303		
			MS28782-5		
195	1542640-1	.	CYLINDER HEAD ASSY-		1
			SUPPLIER CODE: VOFRZ6		
			ATTACHING PARTS		
200	BACB30US4P5H	.	BOLT		4
			-----*-----		
205	1542652-3	..	BALL SET-QUILL		1
			SUPPLIER CODE: VOFRZ6		
210	NAS516M1	..	FITTING		1
215	1542620-1	.	BARREL ASSY-		1
			SUPPLIER CODE: VOFRZ6		
220	MS16562-201	..	PIN		1
225	MS21209F1-10P	..	INSERT		1
230	1542606	.	PISTON-		1
			SUPPLIER CODE: VOFRZ6		

ILLUSTRATION ITEMS NOT ON PARTS LIST ARE NOT APPLICABLE

- ITEM NOT ILLUSTRATED

27-61-02-51

27-61-02
FIG. 51
PAGE 14
DEC 22/06

HXL



767

PARTS CATALOG (MAINTENANCE)

FIG ITEM	PART NUMBER	1 2 3 4 5 6 7	NOMENCLATURE	EFFECT FROM TO	UNITS PER ASSY
51					
235	1542660-1		.LVDT-MATCHED SET SUPPLIER CODE: VOFRZ6		1
240	1542608		.WASHER-WAVE SUPPLIER CODE: VOFRZ6		1
245	1542639-3		.GUIDE-LVDT SUPPLIER CODE: VOFRZ6		1
250	BRH10C6		.NUT SUPPLIER CODE: V52828 SPECIFICATION NUMBER: BACN10JC6C OPTIONAL PART: 97-064 V80539 H31-6BAC V15653		1
255	AN960C616L		.WASHER		1
260	1542632		.WASHER-SWIVEL SUPPLIER CODE: VOFRZ6		1
265	1542637		.WASHER-SWIVEL SUPPLIER CODE: VOFRZ6		2
270	1542631-1		.SHAFT ASSY-SWIVEL SUPPLIER CODE: VOFRZ6		1
280	MS16562-228		..PIN		1
285	MS21902-6T		.UNION		1

ILLUSTRATION ITEMS NOT ON PARTS LIST ARE NOT APPLICABLE

- ITEM NOT ILLUSTRATED

HXL

27-61-02-51

BOEING PROPRIETARY - Copyright © - Unpublished Work - See title page for details.

27-61-02
FIG. 51
PAGE 15
DEC 22/06



767

PARTS CATALOG (MAINTENANCE)

FIG ITEM	PART NUMBER	1 2 3 4 5 6 7	NOMENCLATURE	EFFECT FROM TO	UNITS PER ASSY
51 290	AFP2326-4	.	REDUCER SUPPLIER CODE: V30974 SPECIFICATION NUMBER: BACR17E6-4 OPTIONAL PART: AP10276-4 V01673 BC916T6-4 V50948 DB0R17E6-4 V14798 ER21916T6-4 V88334 ER31916-6-4 V88334 F23-6-4 V73197 2-01075T6-4 V11328 31778-6-4 V14397 US2114-6-4 V50808 AP1027T6-4 V01673 US21146-4 V50808 317786-4 V14397		1
295	NAS1602-906	.	PACKING- OPTIONAL PART: NAS1612-6		2
295	NAS1612-6	.	PACKING- OPTIONAL PART: NAS1602-906		2
300	1542650-1	.	VALVE ASSY-EXTENSION CHK AND THERM. RELIEF SUPPLIER CODE: VOFRZ6		1
305	1542626	..	CAP- SUPPLIER CODE: VOFRZ6		1
310	NAS1601-118	..	PACKING- OPTIONAL PART: NAS1611-118		1
310	NAS1611-118	..	PACKING- OPTIONAL PART: NAS1601-118		1

ILLUSTRATION ITEMS NOT ON PARTS LIST ARE NOT APPLICABLE

- ITEM NOT ILLUSTRATED

27-61-02-51

27-61-02
FIG. 51
PAGE 16
DEC 22/08

HXL

 **BOEING**
767
PARTS CATALOG (MAINTENANCE)

FIG ITEM	PART NUMBER	1 2 3 4 5 6 7	NOMENCLATURE	EFFECT FROM TO	UNITS PER ASSY
51					
315	NAS1601-116	..	PACKING- OPTIONAL PART: NAS1611-116		4
315	NAS1611-116	..	PACKING- OPTIONAL PART: NAS1601-116		4
320	MS28782-14	..	RETAINER- OPTIONAL PART: BACR12BM116		8
320	C11236-116B	..	RING- SUPPLIER CODE: V26879 SPECIFICATION NUMBER: BACR12BM116 OPTIONAL PART: RMR12BM116 V94878 STF800-116 V02107 S30294-116-1 V97820 TF450-116A V07128 2100-116 V26303 MS28782-14		8
325	1542641	..	RETAINER- SUPPLIER CODE: VOFRZ6		1
330	NAS1601-111	..	PACKING- OPTIONAL PART: NAS1611-111		1
330	NAS1611-111	..	PACKING- OPTIONAL PART: NAS1601-111		1
335	MS28782-9	..	RETAINER- OPTIONAL PART: BACR12BM111		2

ILLUSTRATION ITEMS NOT ON PARTS LIST ARE NOT APPLICABLE

— ITEM NOT ILLUSTRATED

HXL

27-61-02-51

BOEING PROPRIETARY - Copyright © - Unpublished Work - See title page for details.

27-61-02
FIG. 51
PAGE 17
DEC 22/08



767

PARTS CATALOG (MAINTENANCE)

FIG ITEM	PART NUMBER	1 2 3 4 5 6 7	NOMENCLATURE	EFFECT FROM TO	UNITS PER ASSY
51 335	C11236-111B		..RING- SUPPLIER CODE: V26879 SPECIFICATION NUMBER: BACR12BM111 OPTIONAL PART: RMR12BM111 V94878 STF800-111 V02107 S30294-111-1 V97820 TF450-111A V07128 2100-111 V26303 MS28782-9		2
340	1542625-5		..RING-LOCK SUPPLIER CODE: VOFRZ6		1
345	1542643		..PLUNGER- SUPPLIER CODE: VOFRZ6		1
350	S30772-009H5		..SEAL-PLUS SUPPLIER CODE: V09257		1
355	1542648-1		..SLIDER ASSY- SUPPLIER CODE: VOFRZ6		1
360	1542646		...SLEEVE- SUPPLIER CODE: VOFRZ6		1
365	1542647		...SLIDER- SUPPLIER CODE: VOFRZ6		1
370	1542642		..ROD- SUPPLIER CODE: VOFRZ6		1
375	1542651-1		..SHIM- SUPPLIER CODE: VOFRZ6		AR
380	1542651-3		..SHIM- SUPPLIER CODE: VOFRZ6		AR
385	1542651-5		..SHIM- SUPPLIER CODE: VOFRZ6		AR

ILLUSTRATION ITEMS NOT ON PARTS LIST ARE NOT APPLICABLE

- ITEM NOT ILLUSTRATED

27-61-02-51

27-61-02
FIG. 51
PAGE 18
DEC 22/08

HXL

BOEING PROPRIETARY - Copyright © - Unpublished Work - See title page for details.

BOEING
767
PARTS CATALOG (MAINTENANCE)

FIG ITEM	PART NUMBER	1 2 3 4 5 6 7	NOMENCLATURE	EFFECT FROM TO	UNITS PER ASSY
51					
390	1542627	..	SPRING- SUPPLIER CODE: VOFRZ6		1
395	1542645	..	GUIDE-SPR SUPPLIER CODE: VOFRZ6		1
400	1542625-7	..	RING-LOCK SUPPLIER CODE: VOFRZ6		1
405	1542644	..	POPPET- SUPPLIER CODE: VOFRZ6		1
410	1542628	..	SPRING- SUPPLIER CODE: VOFRZ6		1
415	1542629	.	GUIDE-POPPET SUPPLIER CODE: VOFRZ6		1
420	1542615	.	FILTER-CAP SUPPLIER CODE: VOFRZ6 OPTIONAL PART: 1542661 VOFRZ6 USED ON: 1542600-1 1542600-3		1
420	1542661	.	FILTER-CAP PREFERRED SUPPLIER CODE: VOFRZ6 OPTIONAL PART: 1542615 VOFRZ6 POST SERVICE BULLETIN: 1542500-27-01 VS4980		1
425	NAS1602-910	.	PACKING- OPTIONAL PART: NAS1612-10		1
425	NAS1612-10	.	PACKING- OPTIONAL PART: NAS1602-910		1
430	S252T002-3	.	FILTER ELEMENT-FILTER		1
435	1542611	.	RETAINER-CAM SUPPLIER CODE: VOFRZ6		1
440	NAS1601-113	.	PACKING- OPTIONAL PART: NAS1611-113		1

ILLUSTRATION ITEMS NOT ON PARTS LIST ARE NOT APPLICABLE

— ITEM NOT ILLUSTRATED

HXL

27-61-02-51

BOEING PROPRIETARY - Copyright © - Unpublished Work - See title page for details.

27-61-02
FIG. 51
PAGE 19
DEC 22/08



767

PARTS CATALOG (MAINTENANCE)

FIG ITEM	PART NUMBER	1 2 3 4 5 6 7	NOMENCLATURE	EFFECT FROM TO	UNITS PER ASSY
51					
440	NAS1611-113	.	PACKING- OPTIONAL PART: NAS1601-113		1
445	NAS1601-111	.	PACKING- OPTIONAL PART: NAS1611-111		1
445	NAS1611-111	.	PACKING- OPTIONAL PART: NAS1601-111		1
450	MS28782-9	.	RETAINER- OPTIONAL PART: BACR12BM111		2
450	C11236-111B	.	RING- SUPPLIER CODE: V26879 SPECIFICATION NUMBER: BACR12BM111 OPTIONAL PART: RMR12BM111 V94878 STF800-111 V02107 S30294-111-1 V97820 TF450-111A V07128 2100-111 V26303 MS28782-9		2
455	1542612	.	CAM-RELEASE SUPPLIER CODE: VOFRZ6		1
460	NAS1601-009	.	PACKING- OPTIONAL PART: NAS1611-009		1
460	NAS1611-009	.	PACKING- OPTIONAL PART: NAS1601-009		1
465	MS28782-4	.	RETAINER- OPTIONAL PART: BACR12BM009		2

ILLUSTRATION ITEMS NOT ON PARTS LIST ARE NOT APPLICABLE

- ITEM NOT ILLUSTRATED

HXL

27-61-02-51

BOEING PROPRIETARY - Copyright © - Unpublished Work - See title page for details.

27-61-02
FIG. 51
PAGE 20
DEC 22/08

 **BOEING**
767
PARTS CATALOG (MAINTENANCE)

FIG ITEM	PART NUMBER	1 2 3 4 5 6 7	NOMENCLATURE	EFFECT FROM TO	UNITS PER ASSY
51 465	C11236-009B		.RING- SUPPLIER CODE: V26879 SPECIFICATION NUMBER: BACR12BM009 OPTIONAL PART: RMR12BM009 V94878 STF800-009 V02107 S30294-009-1 V97820 TF450-009A V07128 2100-009 V26303 MS28782-4		2
470	1542610-1		.MANIFOLD ASSY- SUPPLIER CODE: VOFRZ6		1
475	1542601		..MANIFOLD- SUPPLIER CODE: VOFRZ6		1
480	MS21209F4-15P		..INSERT		4
485	MS16562-228		..PIN		1
490	BACP20AX18DP		..PIN		4
495	BACP20AX18D		..PLUG		4
500	BRH10C4		.NUT SUPPLIER CODE: V52828 SPECIFICATION NUMBER: BACN10JC4C OPTIONAL PART: T6C428J V11815 97-048 V80539 101LH9075-4W V72962 VN303B048 V92215 NS202101S048 V80539 H31-4BAC V15653		1
505	NAS1601-009		.PACKING- OPTIONAL PART: NAS1611-009		1

ILLUSTRATION ITEMS NOT ON PARTS LIST ARE NOT APPLICABLE

- ITEM NOT ILLUSTRATED

HXL

27-61-02-51

BOEING PROPRIETARY - Copyright © - Unpublished Work - See title page for details.

27-61-02
FIG. 51
PAGE 21
DEC 22/08

BOEING
767
PARTS CATALOG (MAINTENANCE)

FIG ITEM	PART NUMBER	1 2 3 4 5 6 7	NOMENCLATURE	EFFECT FROM TO	UNITS PER ASSY
51					
505	NAS1611-009		.PACKING- OPTIONAL PART: NAS1601-009		1
510	MS28782-4		.RETAINER- OPTIONAL PART: BACR12BM009		2
510	C11236-009B		.RING- SUPPLIER CODE: V26879 SPECIFICATION NUMBER: BACR12BM009 OPTIONAL PART: RMR12BM009 V94878 STF800-009 V02107 S30294-009-1 V97820 TF450-009A V07128 2100-009 V26303 MS28782-4		2
515	S34701-326H1		.T SEAL SET- SUPPLIER CODE: V09257 OPTIONAL PART: 7326MS952T V5F573		1
515	7326MS952T		.RING- SUPPLIER CODE: V5F573 OPTIONAL PART: S34701-326H1 V09257		1
520	MS28782-14		.RETAINER- OPTIONAL PART: BACR12BM116		2
ILLUSTRATION ITEMS NOT ON PARTS LIST ARE NOT APPLICABLE					

- ITEM NOT ILLUSTRATED

HXL

27-61-02-51

BOEING PROPRIETARY - Copyright © - Unpublished Work - See title page for details.

27-61-02
FIG. 51
PAGE 22
DEC 22/08



767

PARTS CATALOG (MAINTENANCE)

FIG ITEM	PART NUMBER	1 2 3 4 5 6 7	NOMENCLATURE	EFFECT FROM TO	UNITS PER ASSY
51 520	C11236-116B		.RING- SUPPLIER CODE: V26879 SPECIFICATION NUMBER: BACR12BM116 OPTIONAL PART: RMR12BM116 V94878 STF800-116 V02107 S30294-116-1 V97820 TF450-116A V07128 2100-116 V26303 MS28782-14		2
525	NAS1601-116		.PACKING- OPTIONAL PART: NAS1611-116		1
525	NAS1611-116		.PACKING- OPTIONAL PART: NAS1601-116		1
530	S30775-116H5		.SEAL-PLUS II SET SUPPLIER CODE: V09257		4
535	NAS1351N3H6P		.SCREW- OPTIONAL PART: NAS1351-3H6P		1
535	NAS1351-3H6P		.SCREW- OPTIONAL PART: NAS1351N3H6P		1
540	NAS620-10L		.WASHER		1
545	AA821-10		.TERMINAL SUPPLIER CODE: V98410 SPECIFICATION NUMBER: BACT12AC3 OPTIONAL PART: R1891SN V14726 36153 V00779		1

ILLUSTRATION ITEMS NOT ON PARTS LIST ARE NOT APPLICABLE

- ITEM NOT ILLUSTRATED

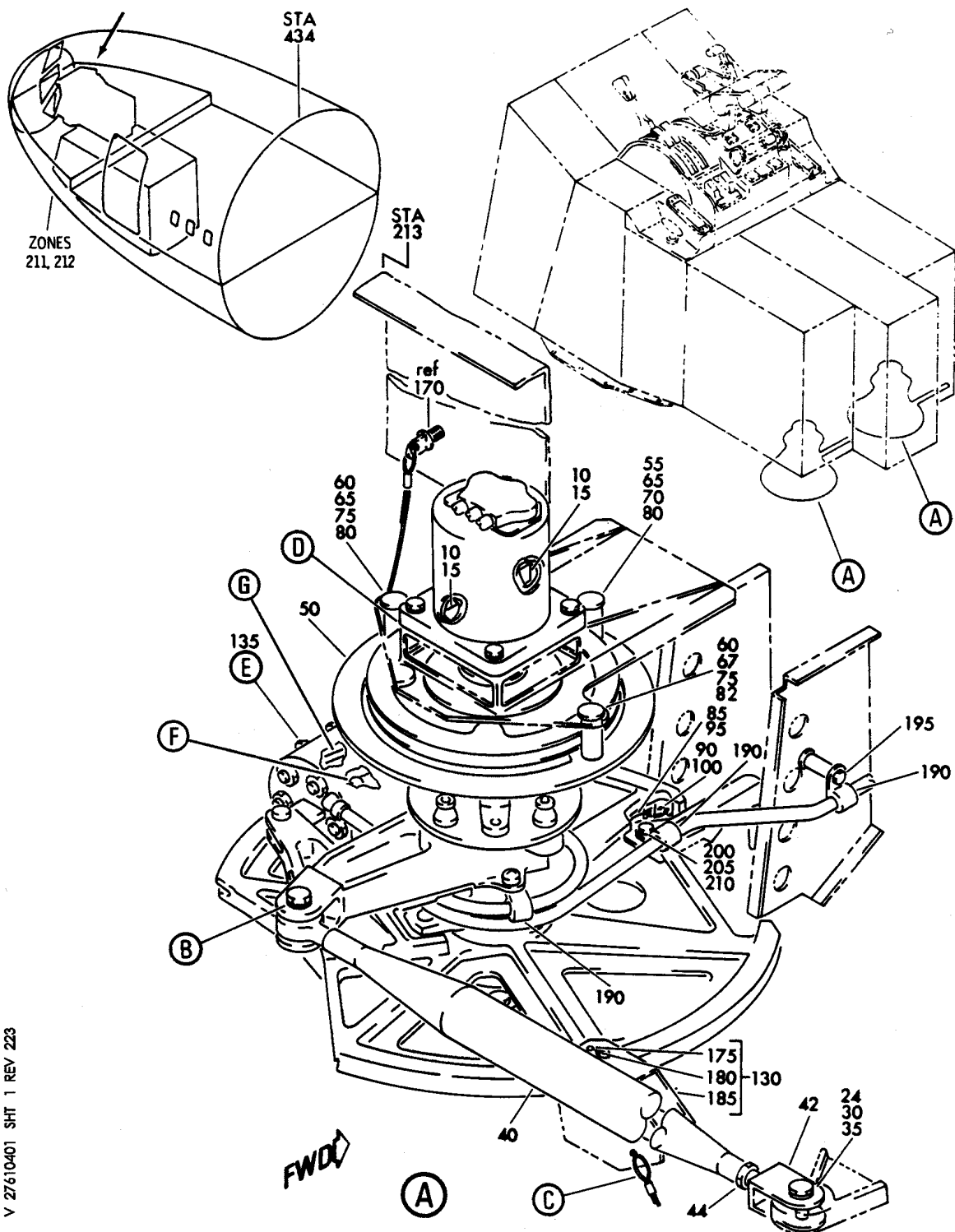
HXL

27-61-02-51

BOEING PROPRIETARY - Copyright © - Unpublished Work - See title page for details.

27-61-02
FIG. 51
PAGE 23
DEC 22/08

BOEING
767
PARTS CATALOG (MAINTENANCE)



V 27610401 SHT 1 REV 223

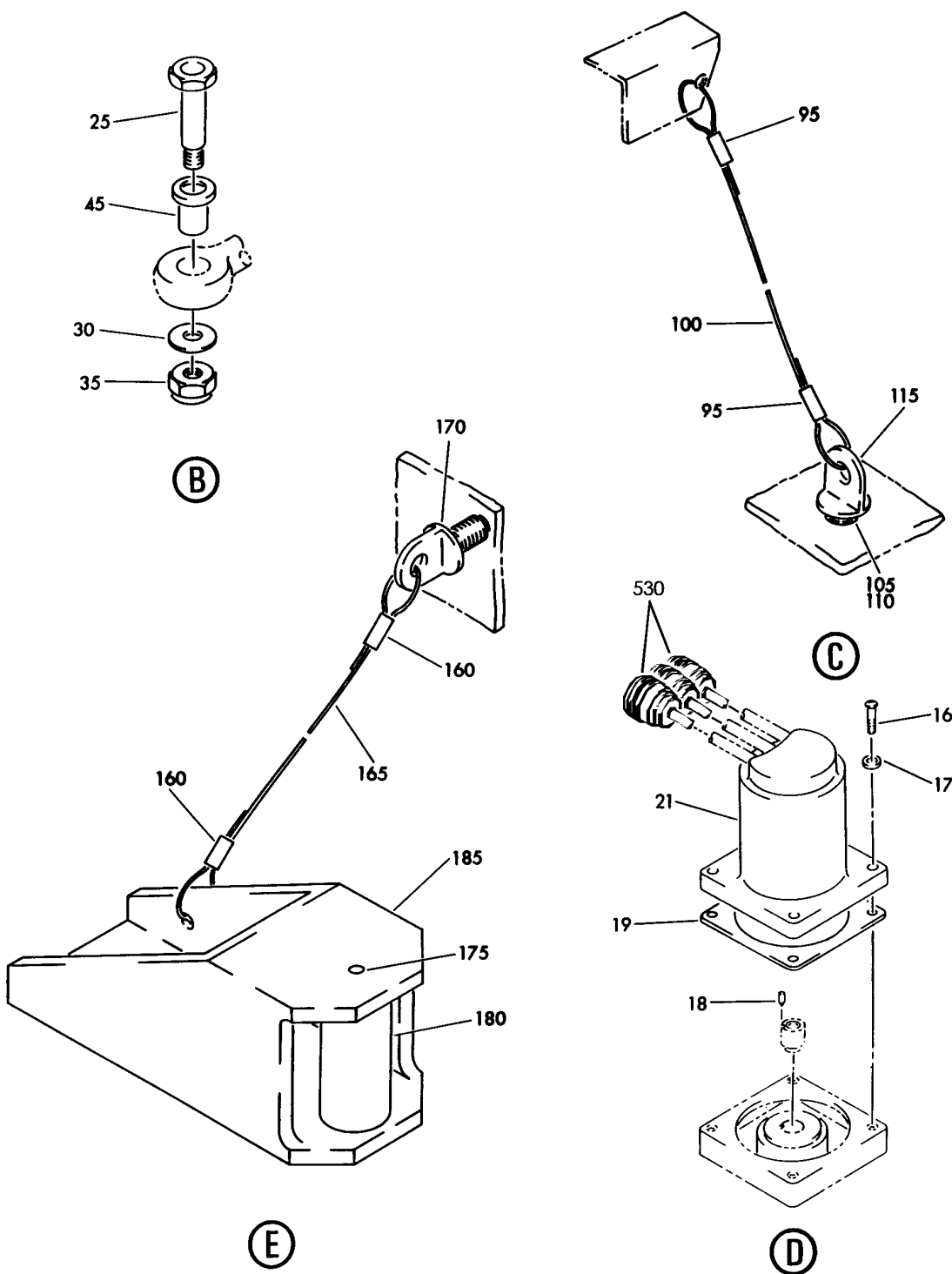
MECHANISM INSTL-AIL. CONT (SPOILER/SPEEDBRAKE CONTROL SYSTEM ONLY)
FIGURE 1 (SHEET 1)

27-61-04-01

HXL
DEC 22/06

27-61-04-01
PAGE 0

BOEING
767
PARTS CATALOG (MAINTENANCE)



V 27610401 SHT 2 REV 218

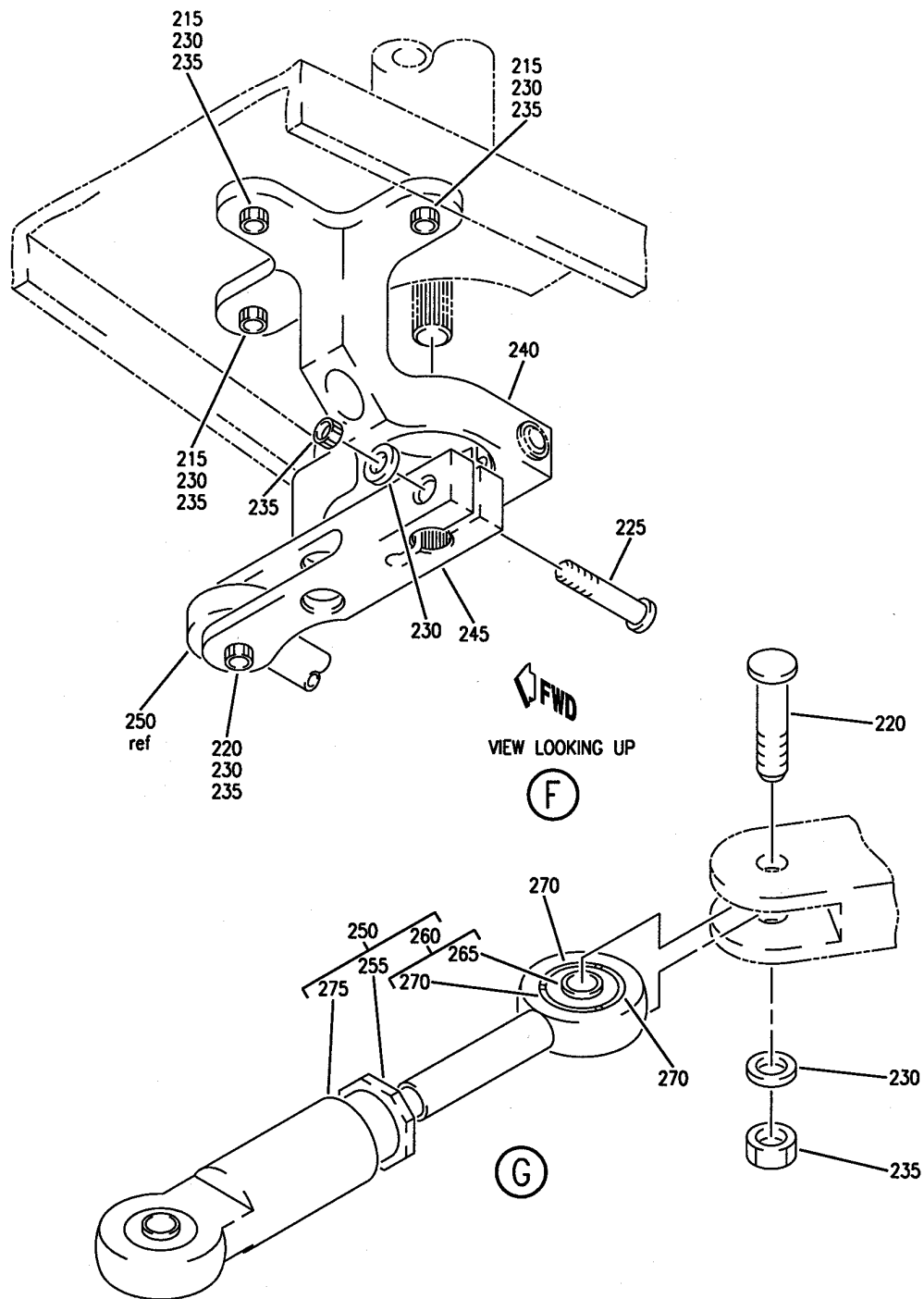
MECHANISM INSTL-AIL. CONT (SPOILER/SPEEDBRAKE CONTROL SYSTEM ONLY)
FIGURE 1 (SHEET 2)

27-61-04-01

HXL
DEC 22/06

27-61-04-01
PAGE 0A

BOEING
767
PARTS CATALOG (MAINTENANCE)



V 27610401 SH1 3 REV 223

MECHANISM INSTL-AIL. CONT (SPOILER/SPEEDBRAKE CONTROL SYSTEM ONLY)
FIGURE 1 (SHEET 3)

27-61-04-01

HXL
DEC 22/06

27-61-04-01
PAGE 0B



767

PARTS CATALOG (MAINTENANCE)

FIG ITEM	PART NUMBER	1 2 3 4 5 6 7	NOMENCLATURE	EFFECT FROM TO	UNITS PER ASSY
1			MECHANISM INSTL-AIL. CONT (SPOILER/SPEEDBRAKE CONTROL SYSTEM ONLY)		
- 1	253T1100-8		MECHANISM INSTL-AIL. CONT (SPOILER/SPEEDBRAKE CONTROL SYSTEM ONLY) POSITION DATA: LH VARIABLE DRAWING REF: 253T1100-5014 253T1100-5015 FOR NHA/OTHER SYS DET SEE: 27-11-67-02		RF
- 3	253T1100-4		MECHANISM INSTL-AIL. CONT (SPOILER/SPEEDBRAKE CONTROL SYSTEM ONLY) POSITION DATA: RH VARIABLE DRAWING REF: 253T1100-5013		RF
10	BAC27TCT0299		.DECAL- POSITION DATA: LH SIDE PLACARD CONTENT: TS5081		2
15	BAC27TCT0300		.DECAL- POSITION DATA: RH SIDE PLACARD CONTENT: TS5082		2
16	NAS623-3-6		.SCREW-		4
17	NAS1149D0332J		.WASHER-		4

ILLUSTRATION ITEMS NOT ON PARTS LIST ARE NOT APPLICABLE

- ITEM NOT ILLUSTRATED

HXL

27-61-04-01

BOEING PROPRIETARY - Copyright © - Unpublished Work - See title page for details.

27-61-04
FIG. 01
PAGE 1
APR 22/09

 **BOEING**
767
PARTS CATALOG (MAINTENANCE)

FIG ITEM	PART NUMBER	1 2 3 4 5 6 7	NOMENCLATURE	EFFECT FROM TO	UNITS PER ASSY
1					
21	18-1968-31		.TRANSDUCER-WHL COMMAND SUPPLIER CODE: V96774 FUNCTIONAL DESCRIPTION: CONVERTS A MECHANICAL SIGNAL TO A PROPORTIONAL ELECTRICAL SIGNAL FOR WHEEL COMMAND. SPECIFICATION NUMBER: S251N119-31 ELECTRICAL EQUIP NUMBER: TS5081 TS5082 WIRING DIAGRAM REF: 276114 276113 COMPONENT MAINT MANUAL REF: 27-60-01		1
24	BACB30NR4K11		.BOLT- POSITION DATA: LH SIDE		1
25	BACB30NR4K17		.BOLT- POSITION DATA: LH SIDE		1
30	NAS1149D0416J		.WASHER- POSITION DATA: LH SIDE		2
35	BRH10C4D		.NUT- SUPPLIER CODE: V52828 SPECIFICATION NUMBER: BACN10JC4CD OPTIONAL PART: T6C428JCD V11815 NS202486-048 V80539 102LH9075-4W V72962 H51650-4BAC V15653 POSITION DATA: LH SIDE		2
ILLUSTRATION ITEMS NOT ON PARTS LIST ARE NOT APPLICABLE					

- ITEM NOT ILLUSTRATED

HXL

27-61-04-01

BOEING PROPRIETARY - Copyright © - Unpublished Work - See title page for details.

27-61-04
FIG. 01
PAGE 2
APR 22/09

 **BOEING**
767
PARTS CATALOG (MAINTENANCE)

FIG ITEM	PART NUMBER	1 2 3 4 5 6 7	NOMENCLATURE	EFFECT FROM TO	UNITS PER ASSY
1					
40	251T0100-228	.ROD ASSY-	POSITION DATA: LH SIDE COMPONENT MAINT MANUAL REF: 27-00-11 OPTIONAL PART: 251T0100-242		1
40	251T0100-242	.ROD ASSY-	POSITION DATA: LH SIDE COMPONENT MAINT MANUAL REF: 27-00-11 OPTIONAL PART: 251T0100-228		1
42	253T1147-2	..CLEVIS-	USED ON: 251T0100-242		1
42	253T1147-1	..CLEVIS-	USED ON: 251T0100-228		1
44	AN316-6R	..NUT			1
45	251T3742-1	.BUSHING-	POSITION DATA: LH SIDE		1
50	253T1116-27	.SUPPORT-GUARD	POSITION DATA: LH SIDE		1
50	253T1116-28	.SUPPORT-GUARD	POSITION DATA: RH SIDE ATTACHING PARTS		1
55	BACB30NR4K18	.BOLT-			1
60	BACB30NR4K20	.BOLT-			2
65	NAS1149D0416J	.WASHER-			2
75	NAS42DD8-68	.SPACER-			2

ILLUSTRATION ITEMS NOT ON PARTS LIST ARE NOT APPLICABLE

— ITEM NOT ILLUSTRATED

HXL

27-61-04-01

BOEING PROPRIETARY - Copyright © - Unpublished Work - See title page for details.

27-61-04
FIG. 01
PAGE 3
APR 22/09



767

PARTS CATALOG (MAINTENANCE)

FIG ITEM	PART NUMBER	1 2 3 4 5 6 7	NOMENCLATURE	EFFECT FROM TO	UNITS PER ASSY
1 80	BRH10C4D		.NUT- SUPPLIER CODE: V52828 SPECIFICATION NUMBER: BACN10JC4CD OPTIONAL PART: T6C428JCD V11815 NS202486-048 V80539 102LH9075-4W V72962 H51650-4BAC V15653 USED ON: 253T1100-3 253T1100-4 253T1100-8		2
82	BRH10C4D		.NUT- SUPPLIER CODE: V52828 SPECIFICATION NUMBER: BACN10JC4CD OPTIONAL PART: T6C428JCD V11815 NS202486-048 V80539 102LH9075-4W V72962 H51650-4BAC V15653 USED WITH: 253T1116-11		1
85	CL4F		-----*----- .FERRULE- SUPPLIER CODE: V99862 SPECIFICATION NUMBER: BACF22U2 OPTIONAL PART: 325167 V00779 POSITION DATA: LH SIDE		2

ILLUSTRATION ITEMS NOT ON PARTS LIST ARE NOT APPLICABLE

- ITEM NOT ILLUSTRATED

HXL

27-61-04-01

BOEING PROPRIETARY - Copyright © - Unpublished Work - See title page for details.

27-61-04
FIG. 01
PAGE 4
APR 22/09



767

PARTS CATALOG (MAINTENANCE)

FIG ITEM	PART NUMBER	1 2 3 4 5 6 7	NOMENCLATURE	EFFECT FROM TO	UNITS PER ASSY
1	90 CL100-3A77		.CABLE- SUPPLIER CODE: V99862 SPECIFICATION NUMBER: BACC13Y3A77 POSITION DATA: LH SIDE		1
	95 CL4F		.FERRULE- SUPPLIER CODE: V99862 SPECIFICATION NUMBER: BACF22U2 OPTIONAL PART: 325167 V00779 POSITION DATA: RH SIDE		2
	100 CL100-3A52		.CABLE- SUPPLIER CODE: V99862 SPECIFICATION NUMBER: BACC13Y3A52 POSITION DATA: RH SIDE		1
	105 BRH10C3D		.NUT- SUPPLIER CODE: V52828 SPECIFICATION NUMBER: BACN10JC3CD OPTIONAL PART: T6C1032JCD V11815 NS202486-02 V80539 102LH9075-3W V72962 H51650-3BAC V15653 POSITION DATA: RH SIDE		1
	110 NAS1149D0332J		.WASHER- POSITION DATA: RH SIDE		1
	115 AN42B3A		.BOLT- POSITION DATA: RH SIDE		1

ILLUSTRATION ITEMS NOT ON PARTS LIST ARE NOT APPLICABLE

- ITEM NOT ILLUSTRATED

27-61-04-01

27-61-04
FIG. 01
PAGE 5
APR 22/09

HXL

 **BOEING**
767
PARTS CATALOG (MAINTENANCE)

FIG ITEM	PART NUMBER	1 2 3 4 5 6 7	NOMENCLATURE	EFFECT FROM TO	UNITS PER ASSY
1 120	BRH10C3D		.NUT- SUPPLIER CODE: V52828 SPECIFICATION NUMBER: BACN10JC3CD OPTIONAL PART: T6C1032JCD V11815 NS202486-02 V80539 102LH9075-3W V72962 H51650-3BAC V15653 POSITION DATA: LH SIDE		1
125	NAS1149D0332J		.WASHER- POSITION DATA: LH SIDE		1
130	253T1133-4		.GUARD ASSY		1
135	253T1133-12		.GUARD ASSY- POSITION DATA: LH SIDE		1
- 140	253T1133-4		.GUARD ASSY- POSITION DATA: RH SIDE		1
- 145	NAS623-3-3		ATTACHING PARTS .SCREW		4
- 150	NAS1149D0332J		.WASHER-		4
- 155	BRH10C3D		.NUT- SUPPLIER CODE: V52828 SPECIFICATION NUMBER: BACN10JC3CD OPTIONAL PART: T6C1032JCD V11815 NS202486-02 V80539 102LH9075-3W V72962 H51650-3BAC V15653 USED ON: 253T1100-3 253T1100-4 253T1100-8 -----*-----		4
ILLUSTRATION ITEMS NOT ON PARTS LIST ARE NOT APPLICABLE					

- ITEM NOT ILLUSTRATED

HXL

27-61-04-01

BOEING PROPRIETARY - Copyright © - Unpublished Work - See title page for details.

27-61-04
FIG. 01
PAGE 6
APR 22/09

 **BOEING**
767
PARTS CATALOG (MAINTENANCE)

FIG ITEM	PART NUMBER	1 2 3 4 5 6 7	NOMENCLATURE	EFFECT FROM TO	UNITS PER ASSY
1					
160	CL4F		.. FERRULE- SUPPLIER CODE: V99862 SPECIFICATION NUMBER: BACF22U2 OPTIONAL PART: 325167 V00779 USED ON: 253T1133-12		2
165	CL100-3A75		.. CABLE- SUPPLIER CODE: V99862 SPECIFICATION NUMBER: BACC13Y3A75 USED ON: 253T1133-12		1
170	AN42B4A		.. EYEBOLT- USED ON: 253T1133-12		1
175	BACR15CE6D		.. RIVET- SIZE DETERMINED ON INSTL.		1
180	NAS42DD6-53		.. SPACER- OPTIONAL PART: NAS42DD6-54		1
180	NAS42DD6-54		.. SPACER- OPTIONAL PART: NAS42DD6-53		1
185	253T1114-13		.. GUARD		1
190	BACC10DK6		. CLAMP- POSITION DATA: LH SIDE ATTACHING PARTS		2
195	NAS623-3-2		. SCREW		1
200	NAS623-3-4		. SCREW		1
205	NAS1149D0332J		. WASHER-		2

ILLUSTRATION ITEMS NOT ON PARTS LIST ARE NOT APPLICABLE

- ITEM NOT ILLUSTRATED

HXL

27-61-04-01

BOEING PROPRIETARY - Copyright © - Unpublished Work - See title page for details.

27-61-04
FIG. 01
PAGE 7
APR 22/09

BOEING
767
PARTS CATALOG (MAINTENANCE)

FIG ITEM	PART NUMBER	1 2 3 4 5 6 7	NOMENCLATURE	EFFECT FROM TO	UNITS PER ASSY
1 210	BRH10C3D		.NUT- SUPPLIER CODE: V52828 SPECIFICATION NUMBER: BACN10JC3CD OPTIONAL PART: T6C1032JCD V11815 NS202486-02 V80539 102LH9075-3W V72962 H51650-3BAC V15653 -----*-----		1
- 500	286T1281-120		WIRE BUNDLE ASSY- POSITION DATA: LH		1
- 505	286T1283-120		WIRE BUNDLE ASSY- POSITION DATA: LH		1
- 510	286T1285-120		WIRE BUNDLE ASSY- POSITION DATA: LH		1
- 515	286T1291-120		WIRE BUNDLE ASSY- POSITION DATA: RH		1
- 520	286T1293-120		WIRE BUNDLE ASSY- POSITION DATA: RH		1
- 525	286T1295-120		WIRE BUNDLE ASSY- POSITION DATA: RH		1
530	BACC45FN12-12S		.CONNECTOR- ELECTRICAL EQUIP NUMBER: D00589 D00591 D00593 D00595 D00597 D00599 WIRING DIAGRAM REF: 276113 276114 276115 276116 276117 276118		1

ILLUSTRATION ITEMS NOT ON PARTS LIST ARE NOT APPLICABLE

- ITEM NOT ILLUSTRATED

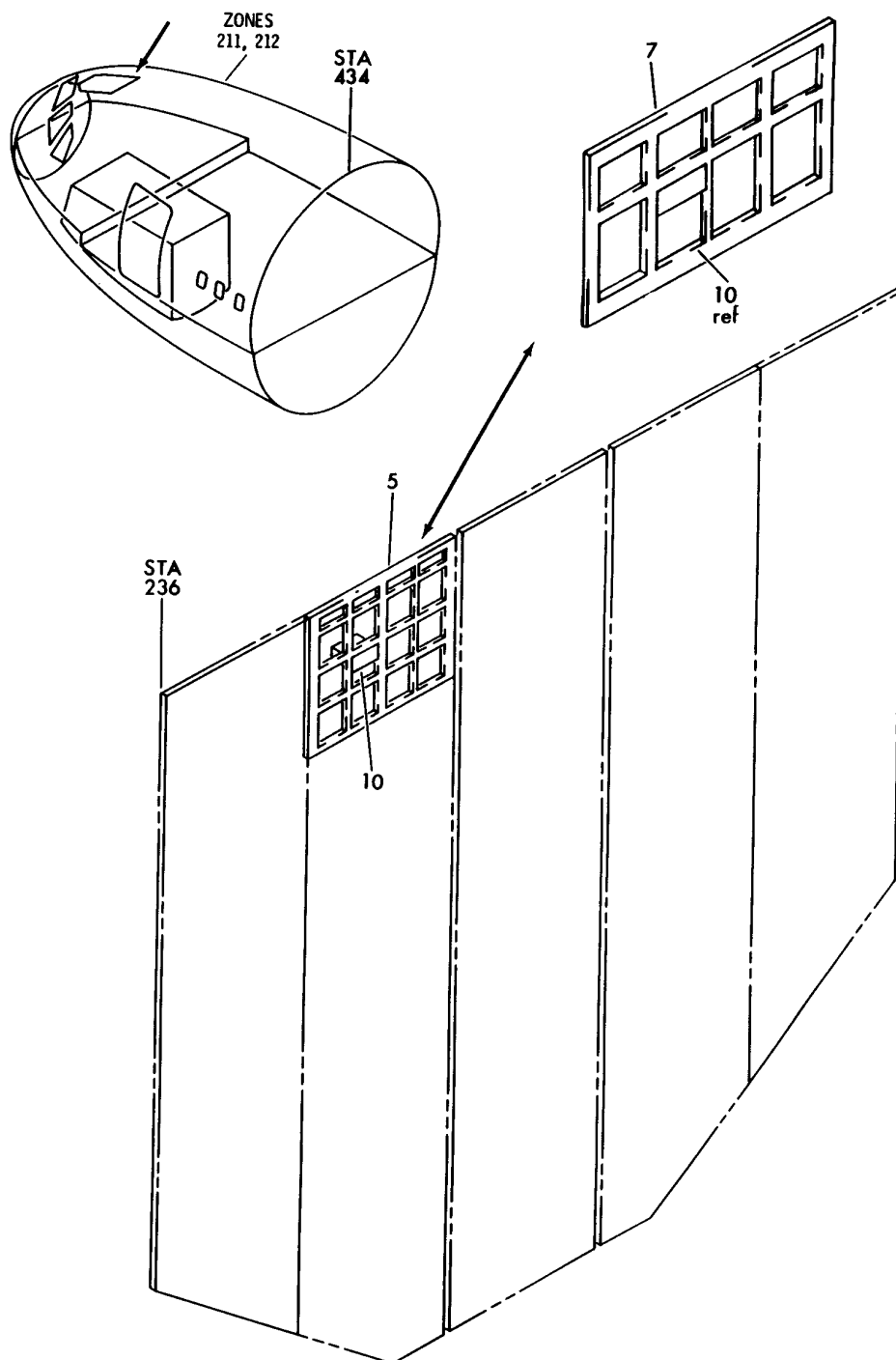
HXL

27-61-04-01

BOEING PROPRIETARY - Copyright © - Unpublished Work - See title page for details.

27-61-04
FIG. 01
PAGE 8
APR 22/09

BOEING
767
PARTS CATALOG (MAINTENANCE)



V 27615102 REV 135

PANEL INSTL-OVHD (SPOILER/SPEEDBRAKE CONTROL SYSTEM ONLY)

FIGURE 2

27-61-51-02

HXL
DEC 22/07

27-61-51-02
PAGE 0



767

PARTS CATALOG (MAINTENANCE)

FIG ITEM	PART NUMBER	1 2 3 4 5 6 7	NOMENCLATURE	EFFECT FROM TO	UNITS PER ASSY
2			PANEL INSTL-OVHD (SPOILER/SPEEDBRAKE CONTROL SYSTEM ONLY)		
- 1	233T3100-1		PANEL INSTL-OVHD (SPOILER/SPEEDBRAKE CONTROL SYSTEM ONLY) VARIABLE DRAWING REF: 233T3100-5048 FOR NHA/OTHER SYS DET SEE: 25-10-00-03		RF
5	233T3233-14		.PANEL ASSY-MISC ANN SUPPLIER CODE: V89954 ELECTRICAL EQUIP NUMBER: M10394 COMPONENT MAINT MANUAL REF: 33-16-52		RF
7	233T3233-35		.PANEL ASSY-MISC ANN SUPPLIER CODE: V89954 ELECTRICAL EQUIP NUMBER: M10394 COMPONENT MAINT MANUAL REF: 33-16-52 POST AIRLINE MOD: MTO-310236 VSAS		RF
10	BCREF6146		..LIGHT ASSY-SPOILERS IND SUPPLIER CODE: V81590 OVERLENGTH PART NUMBER: 434-674-1005-1110 SPECIFICATION NUMBER: S231T300-1110 OPTIONAL PART: BCREF8547 V81590 FOR DETAILS SEE: 33-16-02-02		1
ILLUSTRATION ITEMS NOT ON PARTS LIST ARE NOT APPLICABLE					

- ITEM NOT ILLUSTRATED

HXL

27-61-51-02

BOEING PROPRIETARY - Copyright © - Unpublished Work - See title page for details.

27-61-51
FIG. 02
PAGE 1
DEC 22/07



767

PARTS CATALOG (MAINTENANCE)

FIG ITEM	PART NUMBER	1 2 3 4 5 6 7	NOMENCLATURE	EFFECT FROM TO	UNITS PER ASSY
2 10	BCREF8547		..LIGHT ASSY-SPOILERS IND SUPPLIER CODE: V81590 OVERLENGTH PART NUMBER: 434-674-1031-2110 SPECIFICATION NUMBER: S231T300-2110 OPTIONAL PART: BCREF6146 V81590 FOR DETAILS SEE: 33-16-02-03		1

ILLUSTRATION ITEMS NOT ON PARTS LIST ARE NOT APPLICABLE

- ITEM NOT ILLUSTRATED

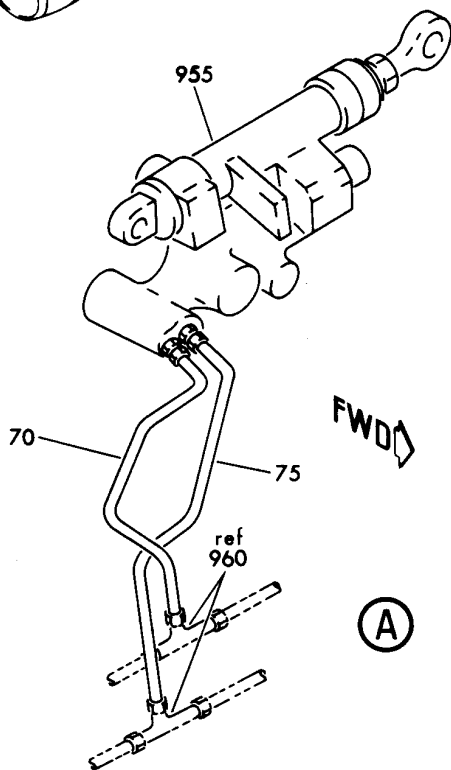
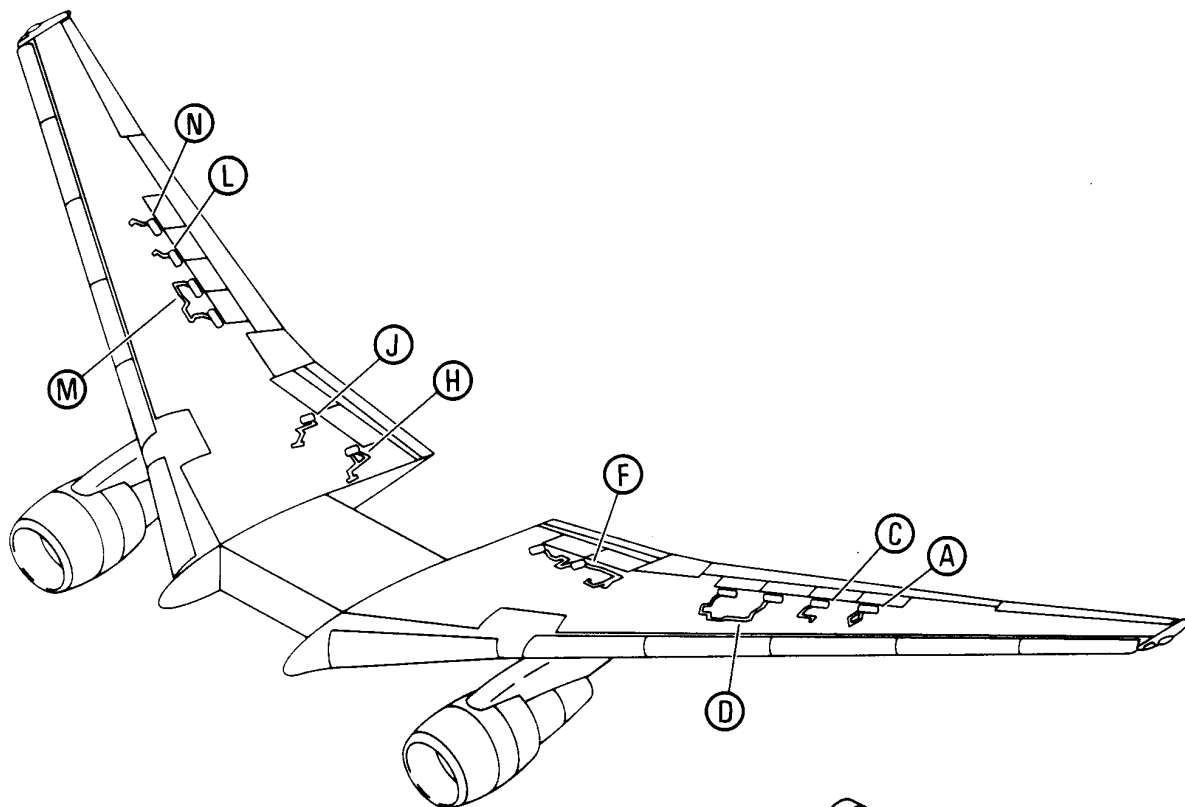
HXL

27-61-51-02

BOEING PROPRIETARY - Copyright © - Unpublished Work - See title page for details.

27-61-51
FIG. 02
PAGE 2
DEC 22/06

BOEING
767
PARTS CATALOG (MAINTENANCE)



V 27815201 SHT 1 REV 024

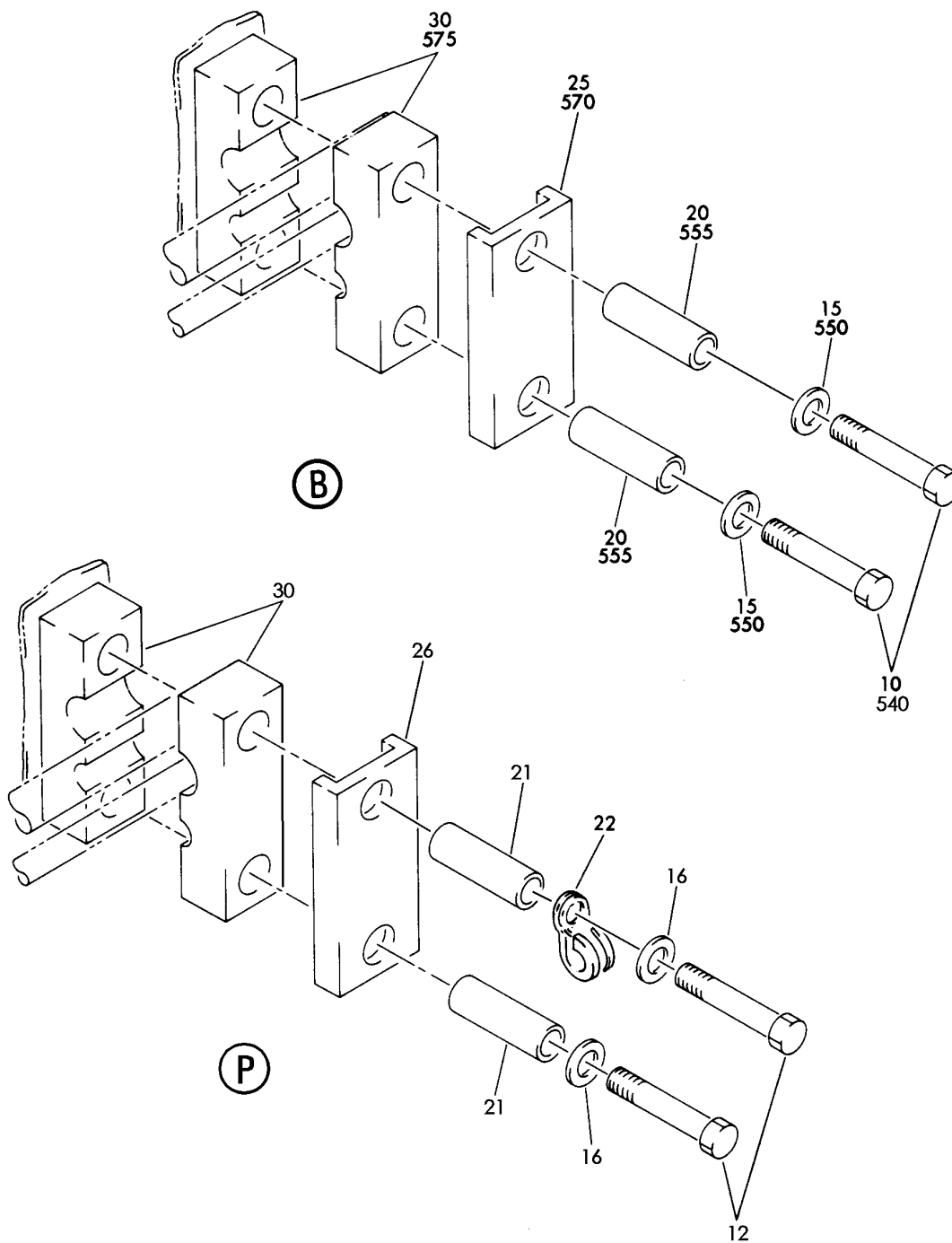
HYDRAULIC INSTL-SECT. 12 (SPOILER AND DRAG DEVICES ONLY)
FIGURE 1 (SHEET 1)

27-61-52-01

HXL
DEC 22/06

27-61-52-01
PAGE 0

BOEING
767
PARTS CATALOG (MAINTENANCE)



V 27615201 SHT 2 REV 221

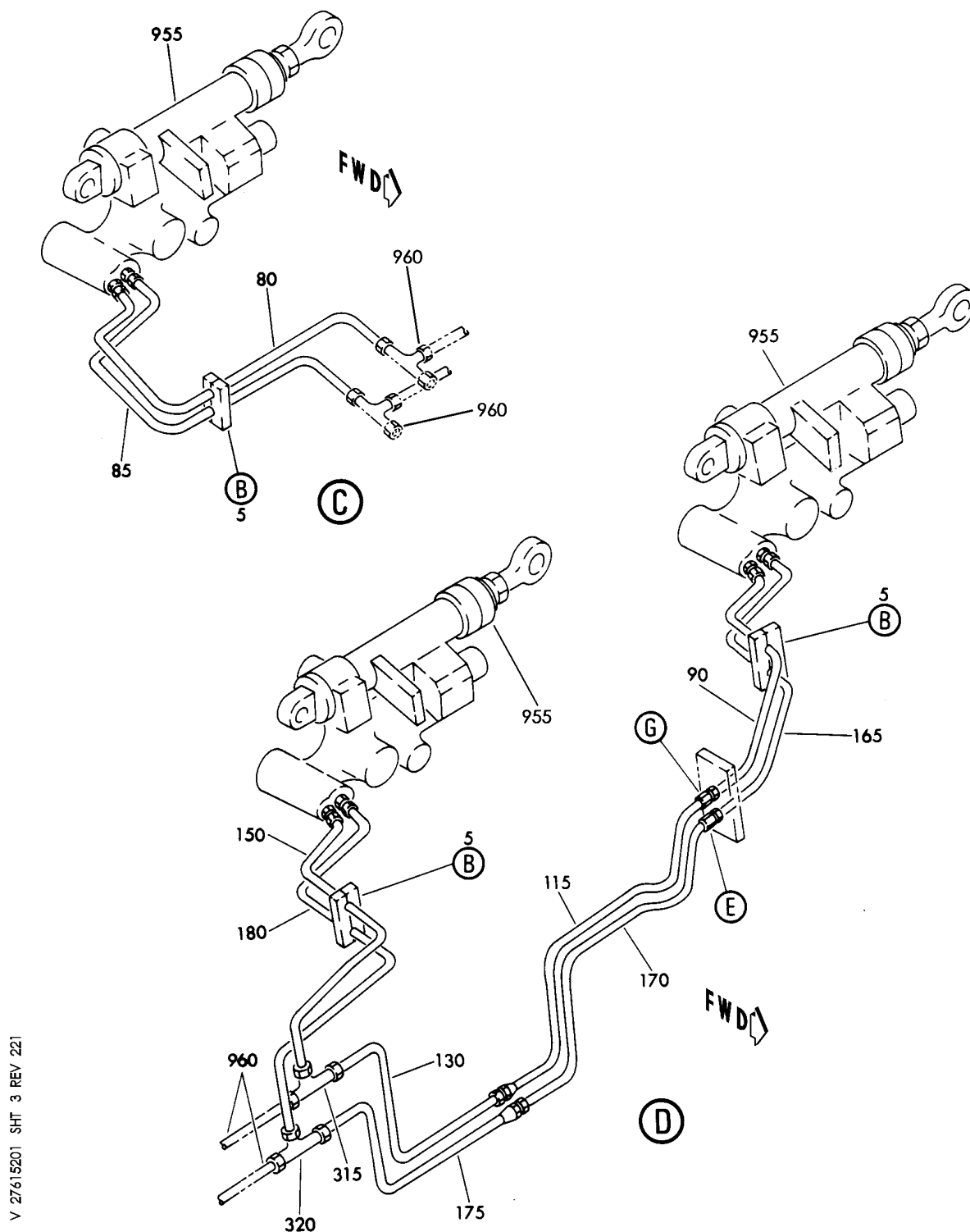
HYDRAULIC INSTL-SECT. 12 (SPOILER AND DRAG DEVICES ONLY)
FIGURE 1 (SHEET 2)

27-61-52-01

HXL
DEC 22/06

27-61-52-01
PAGE 0A

BOEING
767
PARTS CATALOG (MAINTENANCE)



V 27615201 SHT 3 REV 221

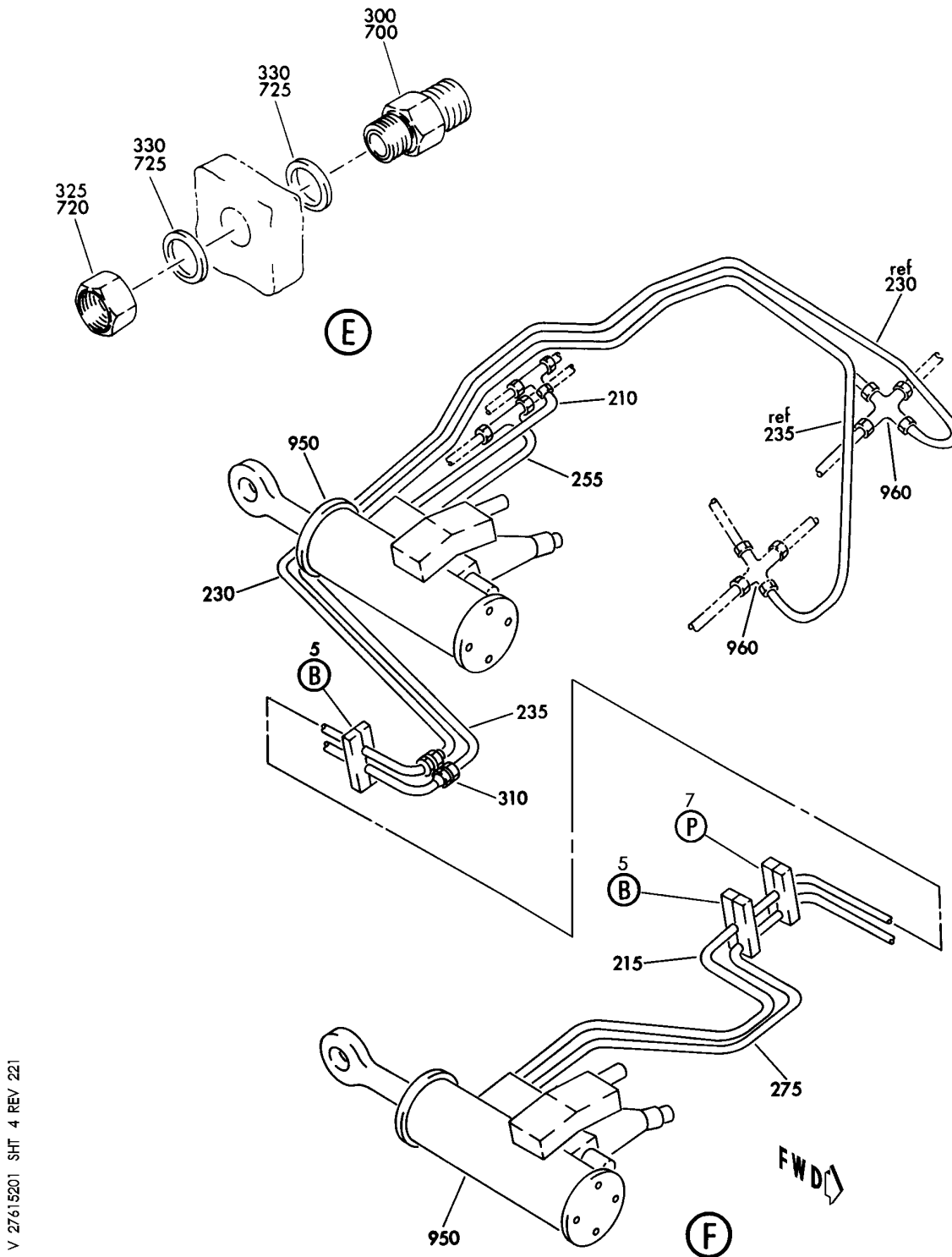
HYDRAULIC INSTL-SECT. 12 (SPOILER AND DRAG DEVICES ONLY)
FIGURE 1 (SHEET 3)

27-61-52-01

HXL
DEC 22/06

27-61-52-01
PAGE 0B

BOEING
767
PARTS CATALOG (MAINTENANCE)



V 27615201 SHT 4 REV 221

HYDRAULIC INSTL-SECT. 12 (SPOILER AND DRAG DEVICES ONLY)
FIGURE 1 (SHEET 4)

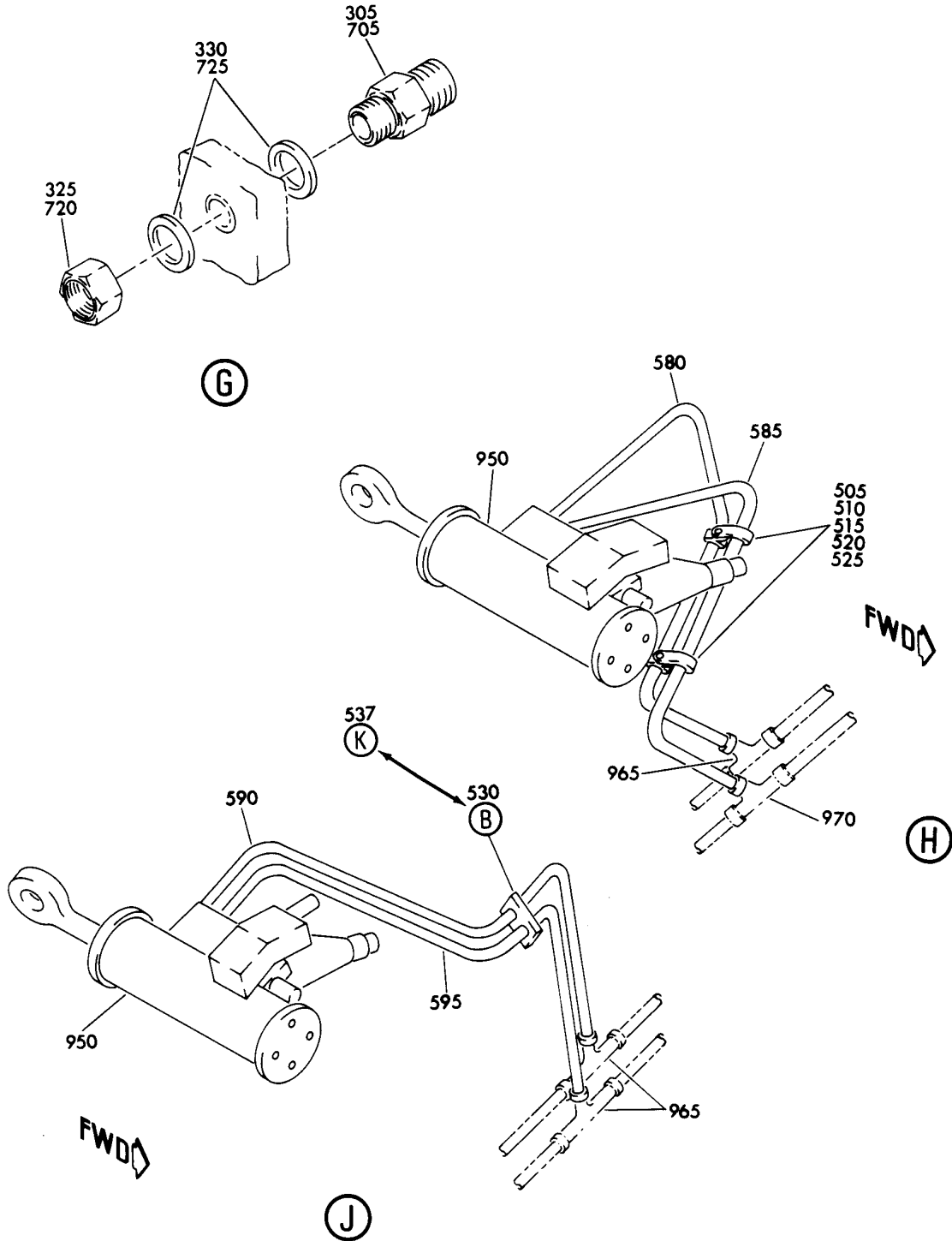
27-61-52-01

HXL
DEC 22/06

27-61-52-01
PAGE 0C

BOEING PROPRIETARY - Copyright © - Unpublished Work - See title page for details.

BOEING
767
PARTS CATALOG (MAINTENANCE)



V 27615201 SH1 5 REV 024

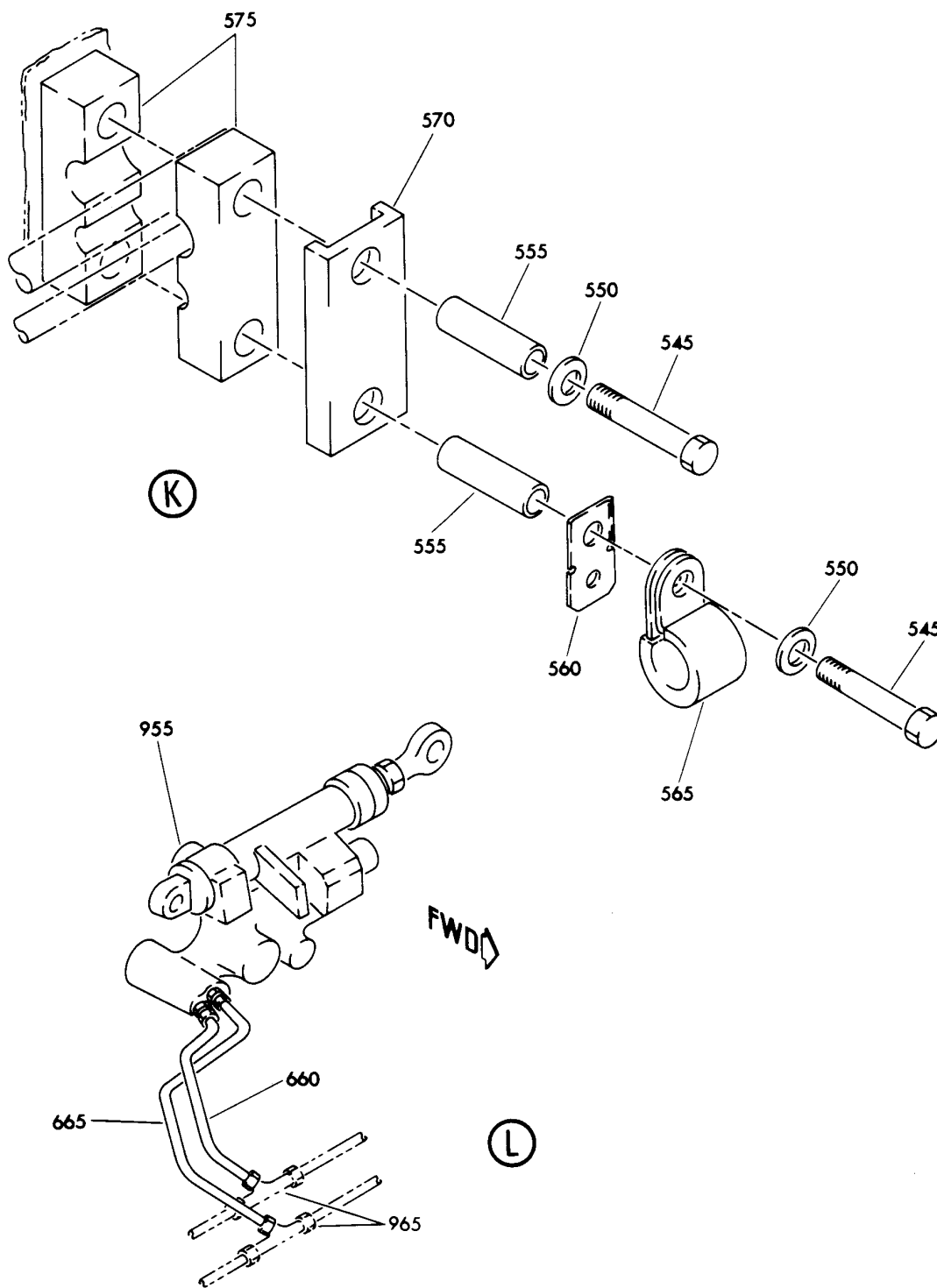
HYDRAULIC INSTL-SECT. 12 (SPOILER AND DRAG DEVICES ONLY)
FIGURE 1 (SHEET 5)

27-61-52-01

HXL
DEC 22/06

27-61-52-01
PAGE 0D

BOEING
767
PARTS CATALOG (MAINTENANCE)



V 27815201 SHT 6 REV 024

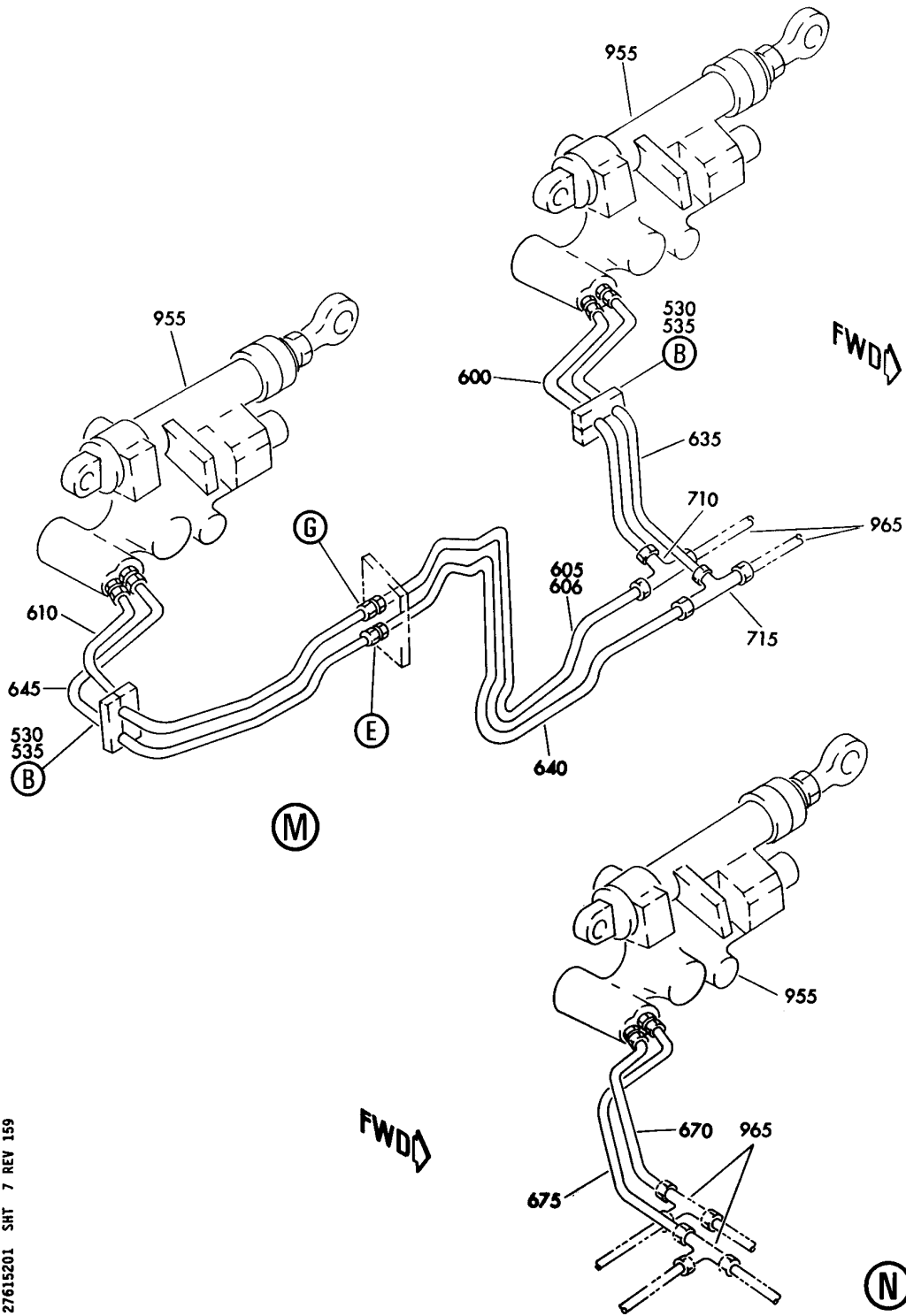
HYDRAULIC INSTL-SECT. 12 (SPOILER AND DRAG DEVICES ONLY)
FIGURE 1 (SHEET 6)

27-61-52-01

HXL
DEC 22/06

27-61-52-01
PAGE 0E

BOEING
767
PARTS CATALOG (MAINTENANCE)



V 27615201 SHT 7 REV 159

HYDRAULIC INSTL-SECT. 12 (SPOILER AND DRAG DEVICES ONLY)
FIGURE 1 (SHEET 7)

27-61-52-01

HXL
DEC 22/06

27-61-52-01
PAGE OF



767

PARTS CATALOG (MAINTENANCE)

FIG ITEM	PART NUMBER	1 2 3 4 5 6 7	NOMENCLATURE	EFFECT FROM TO	UNITS PER ASSY
1			HYDRAULIC INSTL-SECT. 12 (SPOILER AND DRAG DEVICES ONLY)		
- 1	272T1200-5		HYDRAULIC INSTL-(SPOILER AND DRAG DEVICES ONLY) POSITION DATA: SECT. 12 LH VARIABLE DRAWING REF: 272T1200-5239 272T1200-7003 FOR NHA/OTHER SYS DET SEE: 29-00-00-02		RF
5	270T0005-222		.BLOCK ASSY-SPRT		5
7	270T0005-306		.BLOCK ASSY-SPRT		1
10	NAS1801-3-23		..SCREW- USED ON: 270T0005-222		2
12	NAS1801-3-25		..SCREW- USED ON: 270T0005-306		2
15	AN960PD10L		..WASHER		2
16	AN960PD10L		..WASHER		2
20	NAS43DD3-59		..SPACER		2
21	NAS43DD3-59		..SPACER		2
22	M85052-2-4		..CLAMP		1
25	270T0004-1		..CHANNEL		1
26	270T0004-1		..CHANNEL		1
30	270T0004-201		..BLOCK-CLAMP		2
70	272T1200-171		.TUBE ASSY-FLIGHT CONT PRESSURE SYS POSITION DATA: L TUBING MATERIAL: .250 IN. OD .016 IN. WALL 16.00 IN. LG TITANIUM		1
75	272T1200-713		.TUBE ASSY-RETURN SYS POSITION DATA: L	163163	1
80	272T1200-113		.TUBE ASSY-FLIGHT CONT PRESSURE SYS POSITION DATA: R TUBING MATERIAL: .250 IN. OD .016 IN. WALL 28.50 IN. LG TITANIUM		1

ILLUSTRATION ITEMS NOT ON PARTS LIST ARE NOT APPLICABLE

- ITEM NOT ILLUSTRATED

HXL

27-61-52-01

BOEING PROPRIETARY - Copyright © - Unpublished Work - See title page for details.

27-61-52
FIG. 01
PAGE 1
DEC 22/07



767

PARTS CATALOG (MAINTENANCE)

FIG ITEM	PART NUMBER	1 2 3 4 5 6 7	NOMENCLATURE	EFFECT FROM TO	UNITS PER ASSY
1	85 272T1200-413		.TUBE ASSY-RETURN SYS POSITION DATA: R TUBING MATERIAL: .375 IN. OD .035 IN. WALL 25.00 IN. LG AL		1
	90 272T1200-225		.TUBE ASSY-FLIGHT CONT PRESSURE CTR SYS TUBING MATERIAL: .250 IN. OD .016 IN. WALL 24.50 IN. LG TITANIUM		1
-	95 AS1581T04		..SLEEVE- USED ON: 272T1200-113 272T1200-171 272T1200-225		2
-	100 AP2097HP06		..SLEEVE- SUPPLIER CODE: V01673 SPECIFICATION NUMBER: BACS13BX06HP OPTIONAL PART: 2-02903-06HP V11328 35235VN06 V08199 AFP175V06P V30974 DBOS13BX06HP V14798 USED ON: 272T1200-413 272T1200-461		2
-	105 BACN10YA4		..NUT- OPTIONAL PART: BACN10NR4 USED ON: 272T1200-113 272T1200-171 272T1200-225		2

ILLUSTRATION ITEMS NOT ON PARTS LIST ARE NOT APPLICABLE

- ITEM NOT ILLUSTRATED

HXL

27-61-52-01

BOEING PROPRIETARY - Copyright © - Unpublished Work - See title page for details.

27-61-52
FIG. 01
PAGE 2
DEC 22/07

BOEING
767
PARTS CATALOG (MAINTENANCE)

FIG ITEM	PART NUMBER	1 2 3 4 5 6 7	NOMENCLATURE	EFFECT FROM TO	UNITS PER ASSY
1 - 105	AFP107-4		..NUT- SUPPLIER CODE: V30974 SPECIFICATION NUMBER: BACN10NR4 OPTIONAL PART: AP1028T4 V01673 BC921T4 V50948 DBON10NR4 V14798 ER01921-4T V88334 FER8928-4 V14397 F11-4 V73197 2-03005T4 V11328 31783-4 V14397 BACN10YA4 USED ON: 272T1200-113 272T1200-171 272T1200-225		2
- 110	BACN10YLO6		..NUT- USED ON: 272T1200-413 272T1200-461		2
115	272T1200-227		.TUBE ASSY-FLIGHT CONT PRESSURE CTR SYS TUBING MATERIAL: .375 IN. OD .019 IN. WALL 50.50 IN. LG TITANIUM		1
- 120	AS1581T06		..SLEEVE		2
- 125	BACN10YA6		..NUT- OPTIONAL PART: BACN10NR6		2

ILLUSTRATION ITEMS NOT ON PARTS LIST ARE NOT APPLICABLE

- ITEM NOT ILLUSTRATED

HXL

27-61-52-01

BOEING PROPRIETARY - Copyright © - Unpublished Work - See title page for details.

27-61-52
FIG. 01
PAGE 3
DEC 22/07



767

PARTS CATALOG (MAINTENANCE)

FIG ITEM	PART NUMBER	1 2 3 4 5 6 7	NOMENCLATURE	EFFECT FROM TO	UNITS PER ASSY
1 - 125	AFP107-6		..NUT- SUPPLIER CODE: V30974 SPECIFICATION NUMBER: BACN10NR6 OPTIONAL PART: AP1028T6 V01673 BC921T6 V50948 DBON10NR6 V14798 ER01921-6T V88334 FER8928-6 V14397 F11-6 V73197 2-03005T6 V11328 31783-6 V14397 35068-06 V08199 BACN10YA6		2
130	272T1200-229		.TUBE ASSY-FLIGHT CONT PRESSURE CTR SYS TUBING MATERIAL: .375 IN. OD .019 IN. WALL 29.50 IN. LG TITANIUM		1
- 135	AS1581T06		..SLEEVE		1
- 140	BACN10YA6		..NUT- OPTIONAL PART: BACN10NR6		1

ILLUSTRATION ITEMS NOT ON PARTS LIST ARE NOT APPLICABLE

- ITEM NOT ILLUSTRATED

HXL

27-61-52-01

BOEING PROPRIETARY - Copyright © - Unpublished Work - See title page for details.

27-61-52
 FIG. 01
 PAGE 4
 DEC 22/08



767

PARTS CATALOG (MAINTENANCE)

FIG ITEM	PART NUMBER	1 2 3 4 5 6 7	NOMENCLATURE	EFFECT FROM TO	UNITS PER ASSY
1					
- 140	AFP107-6		..NUT- SUPPLIER CODE: V30974 SPECIFICATION NUMBER: BACN10NR6 OPTIONAL PART: AP1028T6 V01673 BC921T6 V50948 DBON10NR6 V14798 ER01921-6T V88334 FER8928-6 V14397 F11-6 V73197 2-03005T6 V11328 31783-6 V14397 35068-06 V08199 BACN10YA6		1
- 145	AS1582T06		..UNION		1
150	272T1200-231		.TUBE ASSY-FLIGHT CONT PRESSURE CTR SYS TUBING MATERIAL: .250 IN. OD .016 IN. WALL 25.00 IN. LG TITANIUM		1
- 155	AS1581T04		..SLEEVE		2
- 160	BACN10YA4		..NUT- OPTIONAL PART: BACN10NR4		2

ILLUSTRATION ITEMS NOT ON PARTS LIST ARE NOT APPLICABLE

- ITEM NOT ILLUSTRATED

HXL

27-61-52-01

BOEING PROPRIETARY - Copyright © - Unpublished Work - See title page for details.

27-61-52
 FIG. 01
 PAGE 5
 DEC 22/08



767

PARTS CATALOG (MAINTENANCE)

FIG ITEM	PART NUMBER	1 2 3 4 5 6 7	NOMENCLATURE	EFFECT FROM TO	UNITS PER ASSY
1 - 160	AFP107-4		. . NUT- SUPPLIER CODE: V30974 SPECIFICATION NUMBER: BACN10NR4 OPTIONAL PART: AP1028T4 V01673 BC921T4 V50948 DBON10NR4 V14798 ERO1921-4T V88334 FER8928-4 V14397 F11-4 V73197 2-03005T4 V11328 31783-4 V14397 BACN10YA4		2
165	272T1200-525		.TUBE ASSY-RETURN CTR SYS TUBING MATERIAL: .375 IN. OD .035 IN. WALL 25.00 IN. LG AL		1
170	272T1200-527		.TUBE ASSY-RETURN CTR SYS TUBING MATERIAL: .375 IN. OD .035 IN. WALL 49.00 IN. LG AL		1
175	272T1200-529		.TUBE ASSY-RETURN CTR SYS TUBING MATERIAL: .375 IN. OD .035 IN. WALL 29.00 IN. LG AL		1
180	272T1200-531		.TUBE ASSY-RETURN CTR SYS TUBING MATERIAL: .375 IN. OD .035 IN. WALL 29.00 IN. LG AL		1

ILLUSTRATION ITEMS NOT ON PARTS LIST ARE NOT APPLICABLE

- ITEM NOT ILLUSTRATED

HXL

27-61-52-01

BOEING PROPRIETARY - Copyright © - Unpublished Work - See title page for details.

27-61-52
FIG. 01
PAGE 6
DEC 22/07



767

PARTS CATALOG (MAINTENANCE)

FIG ITEM	PART NUMBER	1 2 3 4 5 6 7	NOMENCLATURE	EFFECT FROM TO	UNITS PER ASSY
1 - 185	AP2097HP06		.. SLEEVE- SUPPLIER CODE: V01673 SPECIFICATION NUMBER: BACS13BX06HP OPTIONAL PART: 2-02903-06HP V11328 35235VN06 V08199 AFP175V06P V30974 DBOS13BX06HP V14798 USED ON: 272T1200-525 272T1200-531		2
- 186	AP2097HP06		.. SLEEVE- SUPPLIER CODE: V01673 SPECIFICATION NUMBER: BACS13BX06HP OPTIONAL PART: 2-02903-06HP V11328 35235VN06 V08199 AFP175V06P V30974 DBOS13BX06HP V14798 USED ON: 272T1200-529		2

ILLUSTRATION ITEMS NOT ON PARTS LIST ARE NOT APPLICABLE

- ITEM NOT ILLUSTRATED

HXL

27-61-52-01

BOEING PROPRIETARY - Copyright © - Unpublished Work - See title page for details.

27-61-52
 FIG. 01
 PAGE 7
 DEC 22/07



767

PARTS CATALOG (MAINTENANCE)

FIG ITEM	PART NUMBER	1 2 3 4 5 6 7	NOMENCLATURE	EFFECT FROM TO	UNITS PER ASSY
1					
- 190	AP2097HP06		.. SLEEVE- SUPPLIER CODE: V01673 SPECIFICATION NUMBER: BACS13BX06HP OPTIONAL PART: 2-02903-06HP V11328 35235VN06 V08199 AFP175V06P V30974 DBOS13BX06HP V14798 USED ON: 272T1200-527 272T1200-737		1
- 195	BACN10YLO6		.. NUT- USED ON: 272T1200-525 272T1200-531		2
- 196	BACN10YLO6		.. NUT- USED ON: 272T1200-529		2
- 200	BACN10YLO6		.. NUT- USED ON: 272T1200-527 272T1200-737		1
- 205	35056GV06		.. UNION- SUPPLIER CODE: V08199 SPECIFICATION NUMBER: BACU24AB6W OPTIONAL PART: 2-01027-6W V11328 31875-6W V14397 4671097W6 V50948 AP1004W06 V01673 AFP941W6 V30974 DBOU24AB6W V14798 USED ON: 272T1200-527 272T1200-737		1

ILLUSTRATION ITEMS NOT ON PARTS LIST ARE NOT APPLICABLE

- ITEM NOT ILLUSTRATED

27-61-52-01

27-61-52
 FIG. 01
 PAGE 8
 DEC 22/07

HXL



767

PARTS CATALOG (MAINTENANCE)

FIG ITEM	PART NUMBER	1 2 3 4 5 6 7	NOMENCLATURE	EFFECT FROM TO	UNITS PER ASSY
1					
210	272T1200-243		.TUBE ASSY-FLIGHT CONT PRESSURE CTR SYS TUBING MATERIAL: .250 IN. OD .016 IN. WALL 15.00 IN. LG TITANIUM		1
215	272T1200-349		.TUBE ASSY-FLIGHT CONT PRESSURE SYS POSITION DATA: L TUBING MATERIAL: .250 IN. OD .016 IN. WALL 66.00 IN. LG TITANIUM		1
- 220	AS1581T04		..SLEEVE		2
- 225	BACN10YA4		..NUT- OPTIONAL PART: BACN10NR4 USED ON: 272T1200-243		2
- 225	AFP107-4		..NUT- SUPPLIER CODE: V30974 SPECIFICATION NUMBER: BACN10NR4 OPTIONAL PART: AP1028T4 V01673 BC921T4 V50948 DBON10NR4 V14798 ER01921-4T V88334 FER8928-4 V14397 F11-4 V73197 2-03005T4 V11328 31783-4 V14397 BACN10YA4 USED ON: 272T1200-243		2
- 228	BACN10YA4		..NUT- USED ON: 272T1200-349		2

ILLUSTRATION ITEMS NOT ON PARTS LIST ARE NOT APPLICABLE

- ITEM NOT ILLUSTRATED

HXL

27-61-52-01

BOEING PROPRIETARY - Copyright © - Unpublished Work - See title page for details.

27-61-52
FIG. 01
PAGE 9
DEC 22/07



767

PARTS CATALOG (MAINTENANCE)

FIG ITEM	PART NUMBER	1 2 3 4 5 6 7	NOMENCLATURE	EFFECT FROM TO	UNITS PER ASSY
1					
230	272T1200-187		.TUBE ASSY-FLIGHT CONT PRESSURE SYS POSITION DATA: L TUBING MATERIAL: .375 IN. OD .019 IN. WALL 92.00 IN. LG TITANIUM		1
235	272T1200-479		.TUBE ASSY-RETURN SYS POSITION DATA: L TUBING MATERIAL: .375 IN. OD .019 IN. WALL 97.00 IN. LG TITANIUM		1
- 245	AS1581T06		..SLEEVE		2
- 250	BACN10YA6		..NUT- OPTIONAL PART: BACN10NR6 USED ON: 272T1200-187 272T1200-479		2

ILLUSTRATION ITEMS NOT ON PARTS LIST ARE NOT APPLICABLE

- ITEM NOT ILLUSTRATED

HXL

27-61-52-01

BOEING PROPRIETARY - Copyright © - Unpublished Work - See title page for details.

27-61-52
FIG. 01
PAGE 10
DEC 22/08



767

PARTS CATALOG (MAINTENANCE)

FIG ITEM	PART NUMBER	1 2 3 4 5 6 7	NOMENCLATURE	EFFECT FROM TO	UNITS PER ASSY
1 - 250	AFP107-6		..NUT- SUPPLIER CODE: V30974 SPECIFICATION NUMBER: BACN10NR6 OPTIONAL PART: AP1028T6 V01673 BC921T6 V50948 DBON10NR6 V14798 ER01921-6T V88334 FER8928-6 V14397 F11-6 V73197 2-03005T6 V11328 31783-6 V14397 35068-06 V08199 BACN10YA6 USED ON: 272T1200-187 272T1200-479		2
255	272T1200-543		.TUBE ASSY-RETURN CTR SYS TUBING MATERIAL: .375 IN. OD .019 IN. WALL 17.00 IN. LG TITANIUM		1
- 260	AS1581T06		..SLEEVE		2
- 265	BACN10YA6		..NUT- OPTIONAL PART: BACN10NR6		2

ILLUSTRATION ITEMS NOT ON PARTS LIST ARE NOT APPLICABLE

- ITEM NOT ILLUSTRATED

HXL

27-61-52-01

BOEING PROPRIETARY - Copyright © - Unpublished Work - See title page for details.

27-61-52
 FIG. 01
 PAGE 11
 DEC 22/08



767

PARTS CATALOG (MAINTENANCE)

FIG ITEM	PART NUMBER	1 2 3 4 5 6 7	NOMENCLATURE	EFFECT FROM TO	UNITS PER ASSY
1					
- 265	AFP107-6		..NUT- SUPPLIER CODE: V30974 SPECIFICATION NUMBER: BACN10NR6 OPTIONAL PART: AP1028T6 V01673 BC921T6 V50948 DBON10NR6 V14798 ER01921-6T V88334 FER8928-6 V14397 F11-6 V73197 2-03005T6 V11328 31783-6 V14397 35068-06 V08199 BACN10YA6		2
275	272T1200-561		.TUBE ASSY-RETURN SYS POSITION DATA: L TUBING MATERIAL: .375 IN. OD .019 IN. WALL 71.00 IN. LG TITANIUM		1
- 280	AS1581T06		..SLEEVE		1
- 285	BACN10YA6		..NUT		1
- 290	AS1582T06		..UNION		1
300	MS21924D6		.UNION		1

ILLUSTRATION ITEMS NOT ON PARTS LIST ARE NOT APPLICABLE

- ITEM NOT ILLUSTRATED

HXL

27-61-52-01

BOEING PROPRIETARY - Copyright © - Unpublished Work - See title page for details.

27-61-52
 FIG. 01
 PAGE 12
 DEC 22/08



767

PARTS CATALOG (MAINTENANCE)

FIG ITEM	PART NUMBER	1 2 3 4 5 6 7 NOMENCLATURE	EFFECT FROM TO	UNITS PER ASSY
1 305	APX832T0604	.UNION SUPPLIER CODE: V01673 SPECIFICATION NUMBER: BACU24AA0604T OPTIONAL PART: ER832-0604T V50948 2-010890604T V11328 AFP238-0604T V30974 APX832-0604T V01673 DB0U24AA0604T V61498 FER1579-0604T V14397 US2113-0604T V50808 2-01089T0604 V11328 ILLUSTRATION ITEMS NOT ON PARTS LIST ARE NOT APPLICABLE		1

- ITEM NOT ILLUSTRATED

HXL

27-61-52-01

BOEING PROPRIETARY - Copyright © - Unpublished Work - See title page for details.

27-61-52
 FIG. 01
 PAGE 13
 DEC 22/08



767

PARTS CATALOG (MAINTENANCE)

FIG ITEM	PART NUMBER	1 2 3 4 5 6 7	NOMENCLATURE	EFFECT FROM TO	UNITS PER ASSY
1 310	AFP2326-4		.REDUCER SUPPLIER CODE: V30974 SPECIFICATION NUMBER: BACR17E6-4 OPTIONAL PART: AP10276-4 V01673 BC916T6-4 V50948 DB0R17E6-4 V14798 ER21916T6-4 V88334 ER31916-6-4 V88334 F23-6-4 V73197 2-01075T6-4 V11328 31778-6-4 V14397 US2114-6-4 V50808 AP1027T6-4 V01673 US21146-4 V50808 317786-4 V14397		1
315	BACT16BL060604J		.TEE		1

ILLUSTRATION ITEMS NOT ON PARTS LIST ARE NOT APPLICABLE

- ITEM NOT ILLUSTRATED

HXL

27-61-52-01

BOEING PROPRIETARY - Copyright © - Unpublished Work - See title page for details.

27-61-52
FIG. 01
PAGE 14
DEC 22/08



767

PARTS CATALOG (MAINTENANCE)

FIG ITEM	PART NUMBER	1 2 3 4 5 6 7	NOMENCLATURE	EFFECT FROM TO	UNITS PER ASSY
1 320	APX824D080606	. TEE-	SUPPLIER CODE: V01673 SPECIFICATION NUMBER: BACT16AS080606D OPTIONAL PART: APX824-080606D V01673 DB0T16AS080606D V14798 ER824-080606D V50948 FER1571-080606D V14397 LER824-080606D V11328 NAF1824-080606D V52930 US1925-080606D V50808 AFP325-080606D V30974		1
320	BACT16BL080606J	. TEE-			1
325	AN924-6D	. NUT			2
330	AN960PD916L	. WASHER			4
- 500	272T1200-6	HYDRAULIC INSTL-(SPOILER AND DRAG DEVICES ONLY) POSITION DATA: SECT. 12 RH VARIABLE DRAWING REF: 272T1200-5204 272T1200-5248 272T1200-7004 FOR NHA/OTHER SYS DET SEE: 29-00-00-02			RF
505	NAS1801-3-7	. SCREW			2
510	AN960PD10L	. WASHER			2

ILLUSTRATION ITEMS NOT ON PARTS LIST ARE NOT APPLICABLE

- ITEM NOT ILLUSTRATED

HXL

27-61-52-01

BOEING PROPRIETARY - Copyright © - Unpublished Work - See title page for details.

27-61-52
FIG. 01
PAGE 15
DEC 22/08



767

PARTS CATALOG (MAINTENANCE)

FIG ITEM	PART NUMBER	1 2 3 4 5 6 7	NOMENCLATURE	EFFECT FROM TO	UNITS PER ASSY
1 515	BRH10A3	.	NUT SUPPLIER CODE: V52828 SPECIFICATION NUMBER: BACN10JC3 OPTIONAL PART: H10-3BAC V15653 NS202101-02 V80539 RMLH9075-3W V72962 VN303A02 V92215 96-02 V80539 T6S1032J V11815		2
520	M85052-2-4	.	CLAMP		2
525	M85052-2-6	.	CLAMP		2
530	270T0005-222	.	BLOCK ASSY-SPRT		3
540	NAS1801-3-23	..	SCREW-		2
550	AN960PD10L	..	WASHER		2
555	NAS43DD3-59	..	SPACER		2
570	270T0004-1	..	CHANNEL		1
575	270T0004-201	..	BLOCK-CLAMP		2
580	272T1200-176	.	TUBE ASSY-FLIGHT CONT PRESSURE SYS POSITION DATA: R TUBING MATERIAL: .250 IN. OD .016 IN. WALL 19.00 IN. LG TITANIUM		1
- 582	AS1581T04	..	SLEEVE		2
- 583	BACN10YA4	..	NUT- OPTIONAL PART: BACN10NR4		2

ILLUSTRATION ITEMS NOT ON PARTS LIST ARE NOT APPLICABLE

- ITEM NOT ILLUSTRATED

HXL

27-61-52-01

BOEING PROPRIETARY - Copyright © - Unpublished Work - See title page for details.

27-61-52
FIG. 01
PAGE 16
DEC 22/08



767

PARTS CATALOG (MAINTENANCE)

FIG ITEM	PART NUMBER	1 2 3 4 5 6 7	NOMENCLATURE	EFFECT FROM TO	UNITS PER ASSY
1					
- 583	AFP107-4		..NUT- SUPPLIER CODE: V30974 SPECIFICATION NUMBER: BACN10NR4 OPTIONAL PART: AP1028T4 V01673 BC921T4 V50948 DBON10NR4 V14798 ER01921-4T V88334 FER8928-4 V14397 F11-4 V73197 2-03005T4 V11328 31783-4 V14397 BACN10YA4		2
585	272T1200-492		.TUBE ASSY-RETURN SYS POSITION DATA: R TUBING MATERIAL: .375 IN. OD .019 IN. WALL 14.50 IN. LG TITANIUM		1
- 587	AS1581T06		..SLEEVE		2
- 588	BACN10YA6		..NUT- OPTIONAL PART: BACN10NR6		2

ILLUSTRATION ITEMS NOT ON PARTS LIST ARE NOT APPLICABLE

- ITEM NOT ILLUSTRATED

HXL

27-61-52-01

BOEING PROPRIETARY - Copyright © - Unpublished Work - See title page for details.

27-61-52
 FIG. 01
 PAGE 17
 DEC 22/08

 **BOEING**
767
PARTS CATALOG (MAINTENANCE)

FIG ITEM	PART NUMBER	1 2 3 4 5 6 7	NOMENCLATURE	EFFECT FROM TO	UNITS PER ASSY
1 - 588	AFP107-6		..NUT- SUPPLIER CODE: V30974 SPECIFICATION NUMBER: BACN10NR6 OPTIONAL PART: AP1028T6 V01673 BC921T6 V50948 DBON10NR6 V14798 ER01921-6T V88334 FER8928-6 V14397 F11-6 V73197 2-03005T6 V11328 31783-6 V14397 35068-06 V08199 BACN10YA6		2
590	272T1200-608		.TUBE ASSY-FLIGHT CONT PRESSURE CTR SYS TUBING MATERIAL: .250 IN. OD .016 IN. WALL 37.00 IN. LG TITANIUM		1
- 592	AS1581T04		..SLEEVE		2
- 593	BACN10YA4		..NUT		2
595	272T1200-542		.TUBE ASSY-RETURN CTR SYS TUBING MATERIAL: .375 IN. OD .019 IN. WALL 39.00 IN. LG TITANIUM		1
- 597	AS1581T06		..SLEEVE		2
- 598	BACN10YA6		..NUT- OPTIONAL PART: BACN10NR6		2

ILLUSTRATION ITEMS NOT ON PARTS LIST ARE NOT APPLICABLE

- ITEM NOT ILLUSTRATED

HXL

27-61-52-01

BOEING PROPRIETARY - Copyright © - Unpublished Work - See title page for details.

27-61-52
FIG. 01
PAGE 18
DEC 22/08

BOEING
767
PARTS CATALOG (MAINTENANCE)

FIG ITEM	PART NUMBER	1 2 3 4 5 6 7	NOMENCLATURE	EFFECT FROM TO	UNITS PER ASSY
1 - 598	AFP107-6		..NUT- SUPPLIER CODE: V30974 SPECIFICATION NUMBER: BACN10NR6 OPTIONAL PART: AP1028T6 V01673 BC921T6 V50948 DBON10NR6 V14798 ER01921-6T V88334 FER8928-6 V14397 F11-6 V73197 2-03005T6 V11328 31783-6 V14397 35068-06 V08199 BACN10YA6		2
600	272T1200-256		.TUBE ASSY-FLIGHT CONT PRESSURE CTR SYS TUBING MATERIAL: .250 IN. OD .016 IN. WALL 21.00 IN. LG TITANIUM		1
- 602	AS1581T04		..SLEEVE		2
- 603	BACN10YA4		..NUT- OPTIONAL PART: BACN10NR4		2

ILLUSTRATION ITEMS NOT ON PARTS LIST ARE NOT APPLICABLE

- ITEM NOT ILLUSTRATED

HXL

27-61-52-01

BOEING PROPRIETARY - Copyright © - Unpublished Work - See title page for details.

27-61-52
FIG. 01
PAGE 19
DEC 22/08

 **BOEING**
767
PARTS CATALOG (MAINTENANCE)

FIG ITEM	PART NUMBER	1 2 3 4 5 6 7	NOMENCLATURE	EFFECT FROM TO	UNITS PER ASSY
1 - 603	AFP107-4		..NUT- SUPPLIER CODE: V30974 SPECIFICATION NUMBER: BACN10NR4 OPTIONAL PART: AP1028T4 V01673 BC921T4 V50948 DBON10NR4 V14798 ER01921-4T V88334 FER8928-4 V14397 F11-4 V73197 2-03005T4 V11328 31783-4 V14397 BACN10YA4		2
605	272T1200-254		.TUBE ASSY-FLIGHT CONT PRESSURE CTR SYS TUBING MATERIAL: .375 IN. OD .019 IN. WALL 45.532 IN. LG TITANIUM ALLOY		1
- 607	AS1581T06		..SLEEVE		2
- 608	BACN10YA6N		..NUT		2
610	272T1200-606		.TUBE ASSY-FLIGHT CONT PRESSURE CTR SYS TUBING MATERIAL: .250 IN. OD .016 IN. WALL 44.00 IN. LG TITANIUM		1
- 615	AS1581T04		..SLEEVE		2
- 625	BACN10YA4		..NUT		2
635	272T1200-530		.TUBE ASSY-RETURN CTR SYS TUBING MATERIAL: .375 IN. OD .035 IN. WALL 20.00 IN. LG AL		1

ILLUSTRATION ITEMS NOT ON PARTS LIST ARE NOT APPLICABLE

- ITEM NOT ILLUSTRATED

HXL

27-61-52-01

BOEING PROPRIETARY - Copyright © - Unpublished Work - See title page for details.

27-61-52
FIG. 01
PAGE 20
DEC 22/08



767

PARTS CATALOG (MAINTENANCE)

FIG ITEM	PART NUMBER	1 2 3 4 5 6 7	NOMENCLATURE	EFFECT FROM TO	UNITS PER ASSY
1					
- 637	AP2097HP06	..	SLEEVE SUPPLIER CODE: V01673 SPECIFICATION NUMBER: BACS13BX06HP OPTIONAL PART: 2-02903-06HP V11328 35235VN06 V08199 AFP175V06P V30974 DBOS13BX06HP V14798		2
- 638	BACN10YL06	..	NUT		2
640	272T1200-528	.TUBE	ASSY-RETURN CTR SYS TUBING MATERIAL: .375 IN. OD .035 IN. WALL 49.00 IN. LG AL		1
645	272T1200-526	.TUBE	ASSY-RETURN CTR SYS TUBING MATERIAL: .375 IN. OD .035 IN. WALL 45.00 IN. LG AL		1
- 650	AP2097HP06	..	SLEEVE SUPPLIER CODE: V01673 SPECIFICATION NUMBER: BACS13BX06HP OPTIONAL PART: 2-02903-06HP V11328 35235VN06 V08199 AFP175V06P V30974 DBOS13BX06HP V14798		2
- 655	BACN10YL06	..	NUT-		2
660	272T1200-604	.TUBE	ASSY-FLIGHT CONT PRESSURE SYS POSITION DATA: R TUBING MATERIAL: .250 IN. OD .016 IN. WALL 12.00 IN. LG TITANIUM		1
- 662	AS1581T04	..	SLEEVE		2
- 663	BACN10YA4	..	NUT		2

ILLUSTRATION ITEMS NOT ON PARTS LIST ARE NOT APPLICABLE

- ITEM NOT ILLUSTRATED

27-61-52-01

27-61-52
FIG. 01
PAGE 21
DEC 22/08

HXL



767

PARTS CATALOG (MAINTENANCE)

FIG ITEM	PART NUMBER	1 2 3 4 5 6 7	NOMENCLATURE	EFFECT FROM TO	UNITS PER ASSY
1 665	272T1200-596		.TUBE ASSY-RETURN SYS POSITION DATA: R TUBING MATERIAL: .375 IN. OD .035 IN. WALL 13.00 IN. LG AL		1
- 667	AP2097HP06		..SLEEVE SUPPLIER CODE: V01673 SPECIFICATION NUMBER: BACS13BX06HP OPTIONAL PART: 2-02903-06HP V11328 35235VN06 V08199 AFP175V06P V30974 DBOS13BX06HP V14798		2
- 668	BACN10YL06		..NUT		2
670	272T1200-382		.TUBE ASSY-FLIGHT CONT PRESSURE SYS POSITION DATA: L TUBING MATERIAL: .250 IN. OD .016 IN. WALL 9.00 IN. LG TITANIUM		1
- 672	AS1581T04		..SLEEVE		2
- 673	BACN10YA4		..NUT		2
675	272T1200-584		.TUBE ASSY-RETURN SYS POSITION DATA: L TUBING MATERIAL: .375 IN. OD .035 IN. WALL 12.00 IN. LG AL		1

ILLUSTRATION ITEMS NOT ON PARTS LIST ARE NOT APPLICABLE

- ITEM NOT ILLUSTRATED

HXL

27-61-52-01

BOEING PROPRIETARY - Copyright © - Unpublished Work - See title page for details.

27-61-52
FIG. 01
PAGE 22
DEC 22/08



767

PARTS CATALOG (MAINTENANCE)

FIG ITEM	PART NUMBER	1 2 3 4 5 6 7	NOMENCLATURE	EFFECT FROM TO	UNITS PER ASSY
1					
- 687	AP2097HP06		.. SLEEVE SUPPLIER CODE: V01673 SPECIFICATION NUMBER: BACS13BX06HP OPTIONAL PART: 2-02903-06HP V11328 35235VN06 V08199 AFP175V06P V30974 DBOS13BX06HP V14798		2
- 695	BACN10YL06		.. NUT		2
700	MS21924D6		.UNION-		1
705	APX832T0604		.UNION SUPPLIER CODE: V01673 SPECIFICATION NUMBER: BACU24AA0604T OPTIONAL PART: ER832-0604T V50948 2-010890604T V11328 AFP238-0604T V30974 APX832-0604T V01673 DBOU24AA0604T V61498 FER1579-0604T V14397 US2113-0604T V50808 2-01089T0604 V11328		1
710	BACT16BL060604J		.TEE		1

ILLUSTRATION ITEMS NOT ON PARTS LIST ARE NOT APPLICABLE

- ITEM NOT ILLUSTRATED

HXL

27-61-52-01

BOEING PROPRIETARY - Copyright © - Unpublished Work - See title page for details.

27-61-52
 FIG. 01
 PAGE 23
 DEC 22/08



767

PARTS CATALOG (MAINTENANCE)

FIG ITEM	PART NUMBER	1 2 3 4 5 6 7	NOMENCLATURE	EFFECT FROM TO	UNITS PER ASSY
1 715	APX824D080606	. TEE	SUPPLIER CODE: V01673 SPECIFICATION NUMBER: BACT16AS080606D OPTIONAL PART: APX824-080606D V01673 DB0T16AS080606D V14798 ER824-080606D V50948 FER1571-080606D V14397 LER824-080606D V11328 NAF1824-080606D V52930 US1925-080606D V50808 AFP325-080606D V30974		1
715	BACT16BL080606J	. TEE-			1
715	BACT16BR080606P	. TEE			1
720	AN924-6D	. NUT			2
725	AN960PD916L	. WASHER			4
950		ILLUSTRATION REFERENCE: ACTUATOR INSTL-INBD SPOILER 27-61-02-05			RF
955		ILLUSTRATION REFERENCE: ACTUATOR INSTL-OUTBD SPOILER 27-61-02-01			RF
960		ILLUSTRATION REFERENCE: HYDRAULIC INSTL-SECT. 12 (AILERON AND SPOILER HYDRAULIC SHUTOFF VALVES ONLY) 27-13-54-02			RF
970		ILLUSTRATION REFERENCE: HYDRAULIC INSTL-SECT. 12 (HYDRAULIC BRAKE SYSTEM ONLY) 32-41-65-01			RF

ILLUSTRATION ITEMS NOT ON PARTS LIST ARE NOT APPLICABLE

- ITEM NOT ILLUSTRATED

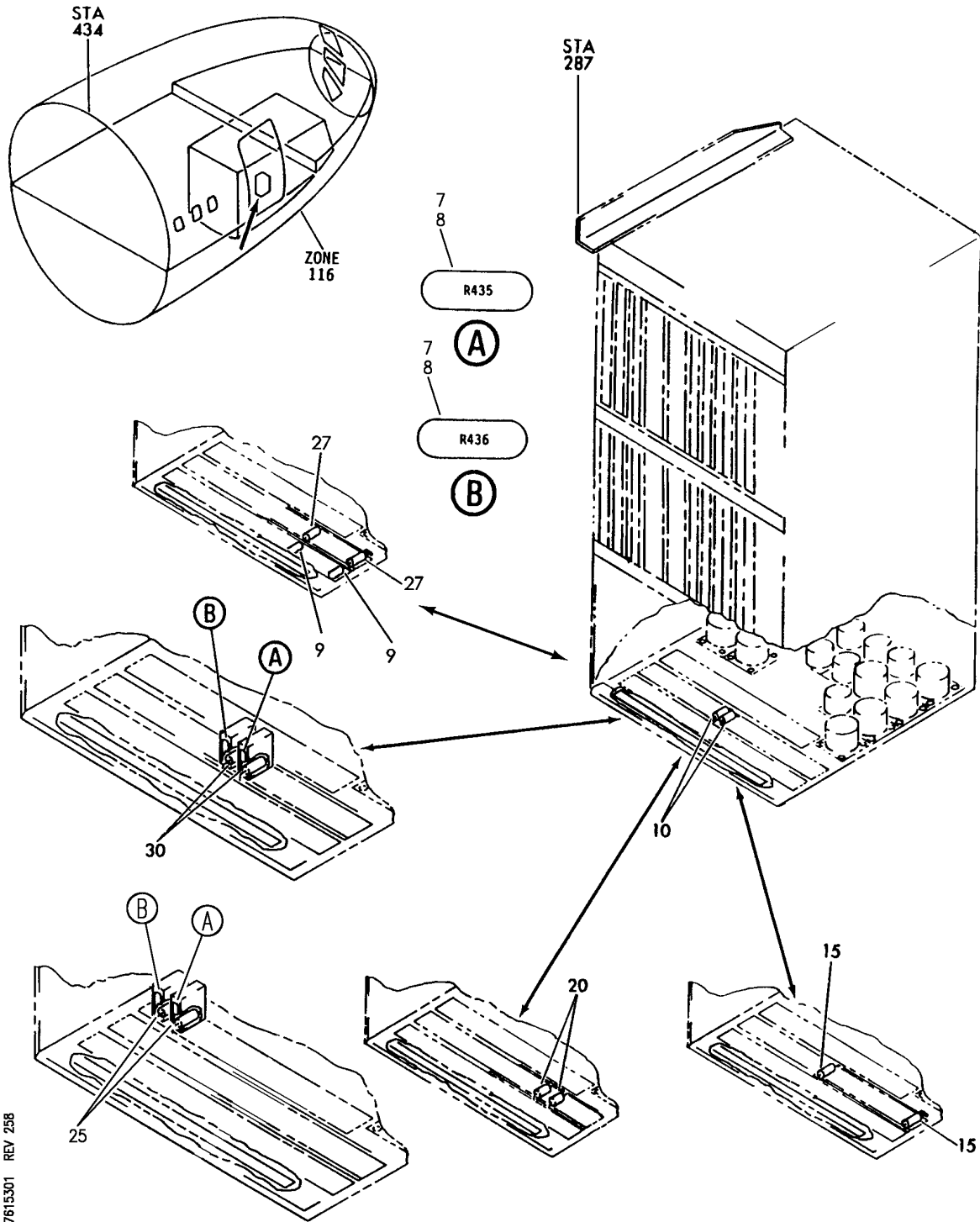
HXL

27-61-52-01

BOEING PROPRIETARY - Copyright © - Unpublished Work - See title page for details.

27-61-52
FIG. 01
PAGE 24
APR 22/09

BOEING
767
PARTS CATALOG (MAINTENANCE)



V 27615301 REV 258

CARD FILE AND BOX INSTL-R FWD EQPT CTR (P50) (SPOILERS AND DRAG DEVICES ONLY)
FIGURE 1

27-61-53-01

HXL
DEC 22/06

27-61-53-01
PAGE 0



767

PARTS CATALOG (MAINTENANCE)

FIG ITEM	PART NUMBER	1 2 3 4 5 6 7	NOMENCLATURE	EFFECT FROM TO	UNITS PER ASSY
1			CARD FILE AND BOX INSTL-R FWD EQPT CTR (P50) (SPOILERS AND DRAG DEVICES ONLY)		
- 1	284T0049-16		CARD FILE AND BOX INSTL- EQPT CTR P50 (SPOILERS AND DRAG DEVICES ONLY) POSITION DATA: R FWD VARIABLE DRAWING REF: 284T0049-5224 284T0049-5311 FOR NHA/OTHER SYS DET SEE: 24-00-58-01E		RF
- 5	285T0006-46		.FILE ASSY-ELECTRICAL SYS CARD	163999	RF
- 5	285T0006-60		.FILE ASSY-ELECTRICAL SYS CARD	155162	RF
10	YHLZD33		..DIODE- SUPPLIER CODE: V09922 ELECTRICAL EQUIP NUMBER: R00435 R00436		2

ILLUSTRATION ITEMS NOT ON PARTS LIST ARE NOT APPLICABLE

- ITEM NOT ILLUSTRATED

HXL

27-61-53-01

BOEING PROPRIETARY - Copyright © - Unpublished Work - See title page for details.

27-61-53
FIG. 01
PAGE 1
DEC 22/07