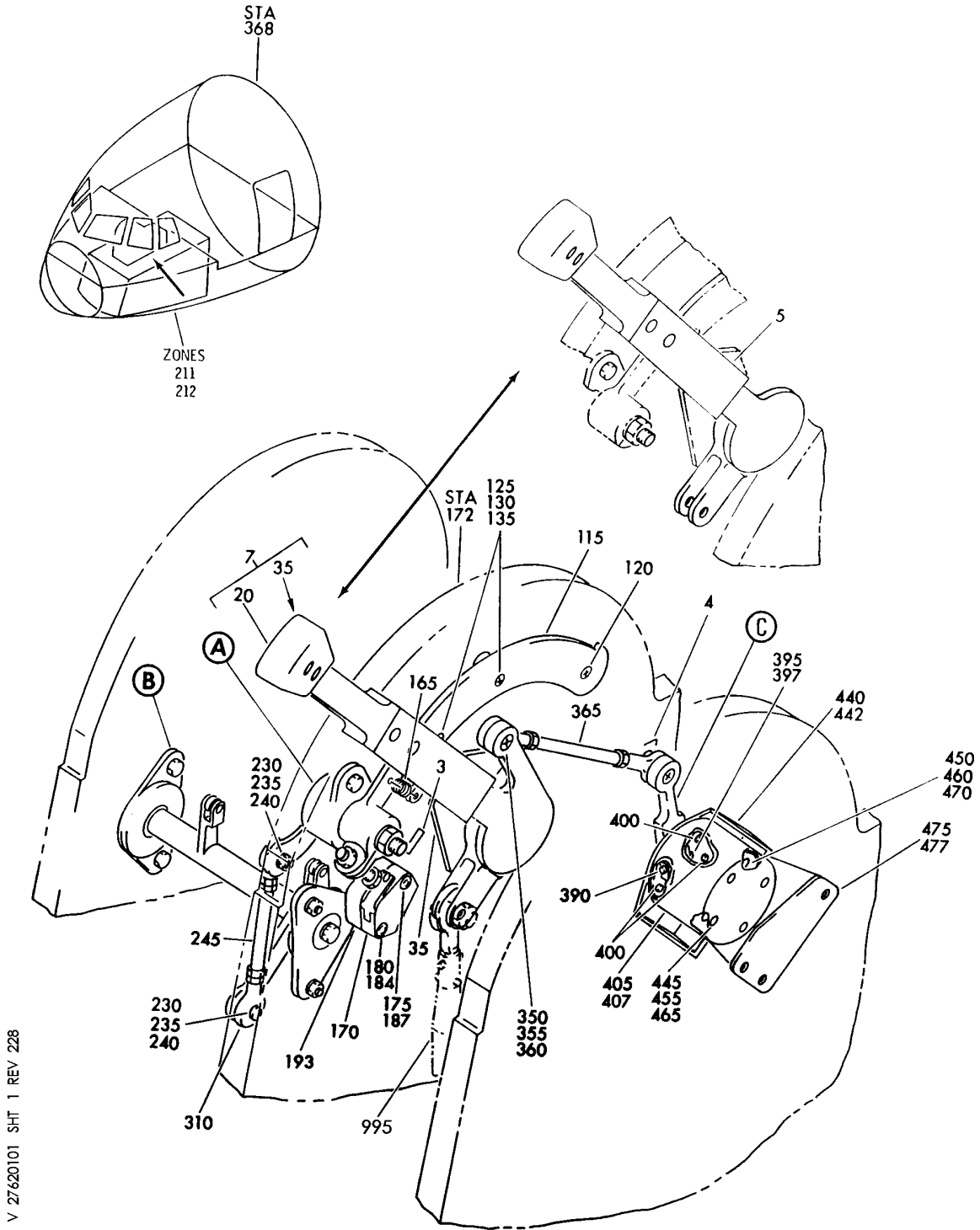


AUTO-SPEEDBRAKE CONTROL SYSTEM

HXL
DEC 22/06

27-62-00
SECTION TITLE
PAGE 1

BOEING
767
PARTS CATALOG (MAINTENANCE)



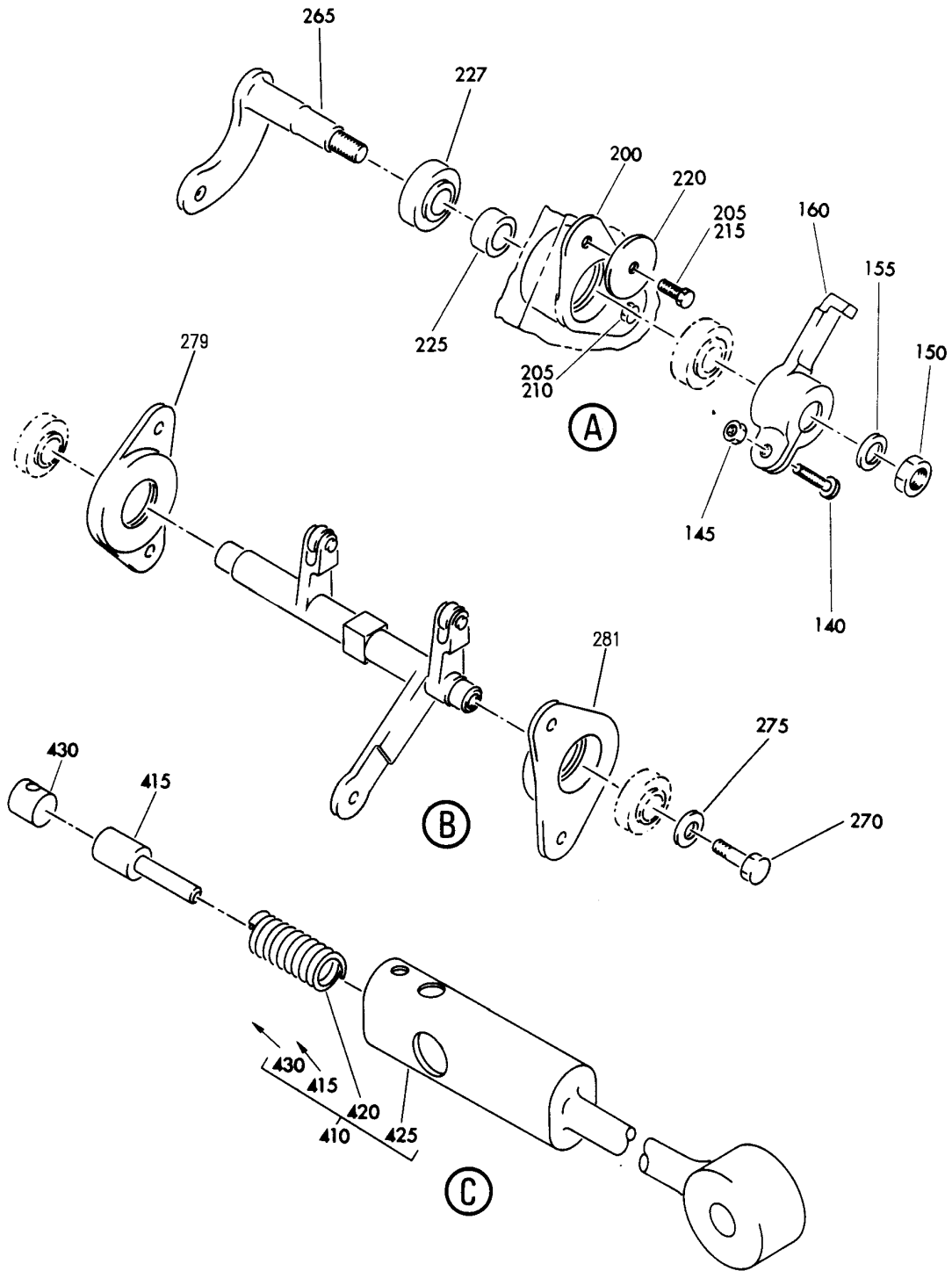
LEVER INSTL-CONT STAND SPEED BRAKE
FIGURE 1 (SHEET 1)

27-62-01-01

HXL
DEC 22/06

27-62-01-01
PAGE 0

BOEING
767
PARTS CATALOG (MAINTENANCE)



V 27620101 SH1 2 REV 332

LEVER INSTL-CONT STAND SPEED BRAKE
FIGURE 1 (SHEET 2)

27-62-01-01

HXL
DEC 22/08

27-62-01-01
PAGE 0A

 **BOEING**
767
PARTS CATALOG (MAINTENANCE)

FIG ITEM	PART NUMBER	1 2 3 4 5 6 7	NOMENCLATURE	EFFECT FROM TO	UNITS PER ASSY
1			LEVER INSTL-CONT STAND SPEED BRAKE		
- 1	253T5600-3		LEVER INSTL-CONT STAND SPEED BRAKE FOR NHA SEE: 25-13-58-01		RF
	3 BAC27TCT0063		.DECAL- PLACARD CONTENT: S374		1
	5 253T5623-1		.LEVER ASSY- COMPONENT MAINT MANUAL REF: 27-62-32		1
- 10	NAS6703-2		ATTACHING PARTS .BOLT		3
- 15	AN960PD10		.WASHER-		3
	20 65C14183-43		-----*----- ..KNOB ATTACHING PARTS		1
- 25	BACB30LU3-2		..BOLT -----*-----		2
	35 253T5422-2		..SHAFT ASSY		1
115	253T5615-1		.PLATE ATTACHING PARTS		1
120	NAS514P1032-14		.SCREW-		1
125	NAS514P1032-14		.SCREW		2
130	AN960PD10		.WASHER-		2
135	MS21042L3		.NUT-		2
135	BRH10A3		.NUT-		2
			SUPPLIER CODE: V52828 SPECIFICATION NUMBER: BACN10JC3 OPTIONAL PART: H10-3BAC V15653 NS202101-02 V80539 RMLH9075-3W V72962 VN303A02 V92215 96-02 V80539 T6S1032J V11815 -----*-----		
140	NAS428K3-7		.BOLT-		1

ILLUSTRATION ITEMS NOT ON PARTS LIST ARE NOT APPLICABLE

- ITEM NOT ILLUSTRATED

HXL

27-62-01-01

BOEING PROPRIETARY - Copyright © - Unpublished Work - See title page for details.

27-62-01
FIG. 01
PAGE 1
DEC 22/07

 **BOEING**
767
PARTS CATALOG (MAINTENANCE)

FIG ITEM	PART NUMBER	1 2 3 4 5 6 7	NOMENCLATURE	EFFECT FROM TO	UNITS PER ASSY
1			ATTACHING PARTS		
145	MS21042L3		.NUT-		1
			-----*-----		
145	BRH10A3		.NUT-		1
			SUPPLIER CODE: V52828		
			SPECIFICATION NUMBER: BACN10JC3		
			OPTIONAL PART: H10-3BAC		
			V15653		
			NS202101-02		
			V80539		
			RMLH9075-3W		
			V72962		
			VN303A02		
			V92215		
			96-02		
			V80539		
			T6S1032J		
			V11815		
			ATTACHING PARTS		
150	MS21042L4		.NUT-		1
			-----*-----		
150	BRH10A4		.NUT-		1
			SUPPLIER CODE: V52828		
			SPECIFICATION NUMBER: BACN10JC4		
			OPTIONAL PART: T6S428J		
			V11815		
			96-048		
			V80539		
			VN303A048		
			V92215		
			RMLH9075-4W		
			V72962		
			NS202101-048		
			V80539		
			H10-4BAC		
			V15653		
155	AN960PD416		.WASHER-		1
160	253T5613-1		.LEVER ASSY		1
162	MS21209F1-10		.. INSERT		1
163	253T5613-3		.. LEVER		1
165	MS24586-96		.SPRING		1

ILLUSTRATION ITEMS NOT ON PARTS LIST ARE NOT APPLICABLE

- ITEM NOT ILLUSTRATED

HXL

27-62-01-01

BOEING PROPRIETARY - Copyright © - Unpublished Work - See title page for details.

27-62-01
FIG. 01
PAGE 2
DEC 22/07



767

PARTS CATALOG (MAINTENANCE)

FIG ITEM	PART NUMBER	1 2 3 4 5 6 7	NOMENCLATURE	EFFECT FROM TO	UNITS PER ASSY
1					
170	10AT96-2		. SWITCH-MICRO SUPPLIER CODE: V82647		1
170	63750-1		. SWITCH-MICRO SUPPLIER CODE: V82647		1
170	63750-2		. SWITCH-MICRO SUPPLIER CODE: V82647		1
175	NAS601-21P		. SCREW		1
180	NAS601-20P		. SCREW		1
187	BRH10A06		. NUT- SUPPLIER CODE: V52828 SPECIFICATION NUMBER: BACN10JC06 OPTIONAL PART: H10-06BAC V15653 RMLH9075-62W V72962 VN303A62 V92215 96-62 V80539 NS202101-62 V80539 T6S632J V11815		1
187	MS21042L06		. NUT- -----*-----		1
193	253T5732-2		. SHIM		1
200	253T5616-1		. HOUSING ASSY-BRG COMPONENT MAINT MANUAL REF: 27-62-41 ATTACHING PARTS		1
210	NAS623-3-1		. SCREW		1
215	NAS623-3-4		. SCREW-		1
220	254N1700-1		. WASHER -----*-----		1
225	253T4006-6		. SPACER		1

ILLUSTRATION ITEMS NOT ON PARTS LIST ARE NOT APPLICABLE

- ITEM NOT ILLUSTRATED

HXL

27-62-01-01

BOEING PROPRIETARY - Copyright © - Unpublished Work - See title page for details.

27-62-01
FIG. 01
PAGE 3
DEC 22/07



767

PARTS CATALOG (MAINTENANCE)

FIG ITEM	PART NUMBER	1 2 3 4 5 6 7	NOMENCLATURE	EFFECT FROM TO	UNITS PER ASSY
1 240	BRH10A3		.NUT- SUPPLIER CODE: V52828 SPECIFICATION NUMBER: BACN10JC3 OPTIONAL PART: H10-3BAC V15653 NS202101-02 V80539 RMLH9075-3W V72962 VN303A02 V92215 96-02 V80539 T6S1032J V11815		2
245	69B82839-13		.ROD ASSY- COMPONENT MAINT MANUAL REF: 27-62-41		1
245	69B82839-19		.ROD ASSY- COMPONENT MAINT MANUAL REF: 27-62-41		1
265	253T5624-1		.SHAFT		1
270	NAS6603-2		.BOLT		1
275	AN960PD10		.WASHER-		1
279	69B82756-3		.HOUSING ASSY-BRG COMPONENT MAINT MANUAL REF: 27-62-41		1
281	69B82756-5		.HOUSING ASSY-BRG COMPONENT MAINT MANUAL REF: 27-62-41		1
- 285	BACB30LH3-3		.BOLT -----*-----		4
310	253T5611-5		.SHAFT ASSY- COMPONENT MAINT MANUAL REF: 27-62-41		1
995			ILLUSTRATION REFERENCE: ACTUATOR AND MECHANISM INSTL-SPEED BRAKE CONT STAND 27-62-02-01		RF

ILLUSTRATION ITEMS NOT ON PARTS LIST ARE NOT APPLICABLE

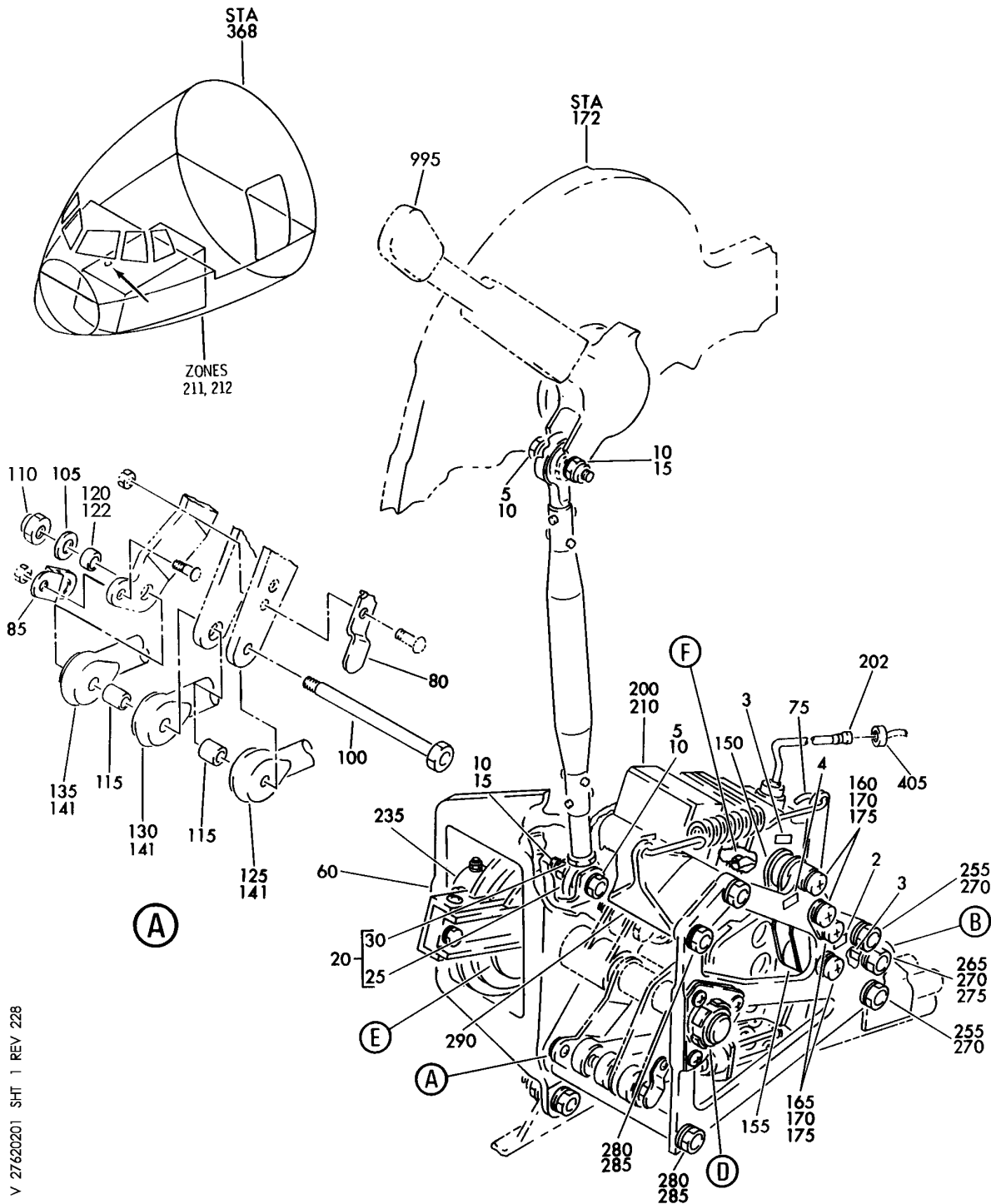
- ITEM NOT ILLUSTRATED

27-62-01-01

27-62-01
FIG. 01
PAGE 5
DEC 22/07

HXL

BOEING
767
PARTS CATALOG (MAINTENANCE)



V 27620201 SHT 1 REV 228

ACTUATOR AND MECHANISM INSTL-SPEED BRAKE CONT STAND
FIGURE 1 (SHEET 1)

27-62-02-01

HXL
DEC 22/06

27-62-02-01
PAGE 0



**767
PARTS CATALOG (MAINTENANCE)**

FIG ITEM	PART NUMBER	1 2 3 4 5 6 7	NOMENCLATURE	EFFECT FROM TO	UNITS PER ASSY
1			ACTUATOR AND MECHANISM INSTL-SPEED BRAKE CONT STAND		
- 1	253T1200-4		ACTUATOR AND MECHANISM- INSTL-SPEED BRAKE CONT STAND FOR NHA SEE: 25-13-58-01		RF
2	BAC27TCT0060		.DECAL- PLACARD CONTENT: S493		1
3	BAC27TCT0061		.DECAL- PLACARD CONTENT: M577		2
4	BAC27TCT0062		.DECAL- PLACARD CONTENT: S371		1
5	BACB30NR4K7		.BOLT		2
10	NAS1149D0463J		.WASHER-		4
15	BRH10C4D		.NUT- SUPPLIER CODE: V52828 SPECIFICATION NUMBER: BACN10JC4CD OPTIONAL PART: T6C428JCD V11815 NS202486-048 V80539 102LH9075-4W V72962 H51650-4BAC V15653		2
20	251T0100-124		.ROD ASSY- COMPONENT MAINT MANUAL REF: 27-00-11		1
25	REP4F5-8FS428		..ROD END- SUPPLIER CODE: V21335		1
30	AN316-5R		..NUT		1
60	253T1200-5		.MECHANISM ASSY- COMPONENT MAINT MANUAL REF: 27-62-23		1
60	253T1200-3		.MECHANISM ASSY- COMPONENT MAINT MANUAL REF: 27-62-23		1
- 65	BACB30NR4K9		ATTACHING PARTS .BOLT		3

ILLUSTRATION ITEMS NOT ON PARTS LIST ARE NOT APPLICABLE

- ITEM NOT ILLUSTRATED

HXL

27-62-02-01

BOEING PROPRIETARY - Copyright © - Unpublished Work - See title page for details.

27-62-02
FIG. 01
PAGE 1
DEC 22/07

 **BOEING**
767
PARTS CATALOG (MAINTENANCE)

FIG ITEM	PART NUMBER	1 2 3 4 5 6 7	NOMENCLATURE	EFFECT FROM TO	UNITS PER ASSY
1					
- 70	NAS1149D0416J		. WASHER- -----*-----		3
75	253T1226-1		.. SPRING		1
80	253T1215-1		.. CLIP-RTNR		1
85	253T1215-2		.. CLIP-RTNR		1
			ATTACHING PARTS		
- 90	BACS12CK04-5		.. SCREW		2
- 95	BRH10A04		.. NUT- SUPPLIER CODE: V52828 SPECIFICATION NUMBER: BACN10JCO4 OPTIONAL PART: NS202101-40 V80539 RMLH9075-40W V72962 VN303A40 V92215 96-40 V80539 T6S440J V11815 H10-04BAC V15653		2
R R R R R R R R R R R	- 95 BRH10C04D		.. NUT- SUPPLIER CODE: V52828 SPECIFICATION NUMBER: BACN10JCO4CD OPTIONAL PART: H51650-04BAC V15653 102LH9075-40W V72962 NS202486-40 V80539 T6C440JCD V11815 -----*-----		2
100	NAS6603-35		.. BOLT		1
103	NAS6603-33		.. BOLT		1
105	AN960PD10L		.. WASHER- OPTIONAL PART: NAS1149D0316J USED ON: 253T1200-3 253T1200-5		3
ILLUSTRATION ITEMS NOT ON PARTS LIST ARE NOT APPLICABLE					

- ITEM NOT ILLUSTRATED

HXL

27-62-02-01

BOEING PROPRIETARY - Copyright © - Unpublished Work - See title page for details.

27-62-02
FIG. 01
PAGE 2
AUG 22/09



767

PARTS CATALOG (MAINTENANCE)

FIG ITEM	PART NUMBER	1 2 3 4 5 6 7	NOMENCLATURE	EFFECT FROM TO	UNITS PER ASSY
1					
105	NAS1149D0316J	..	WASHER- OPTIONAL PART: AN960PD10L USED ON: 253T1200-5		3
107	BACW10P273L	..	WASHER		AR
108	AN960PD10	..	WASHER- USED ON: 253T1200-3		1
108	NAS1149D0363J	..	WASHER- USED ON: 253T1200-5		1
110	BRH10A3	..	NUT- SUPPLIER CODE: V52828 SPECIFICATION NUMBER: BACN10JC3 OPTIONAL PART: H10-3BAC V15653 NS202101-02 V80539 RMLH9075-3W V72962 VN303A02 V92215 96-02 V80539 T6S1032J V11815 USED ON: 253T1200-3		2
110	BRH10C3D	..	NUT- SUPPLIER CODE: V52828 SPECIFICATION NUMBER: BACN10JC3CD OPTIONAL PART: T6C1032JCD V11815 NS202486-02 V80539 102LH9075-3W V72962 H51650-3BAC V15653 USED ON: 253T1200-5		2
115	BACB28Y3D032	..	BUSHING		2

ILLUSTRATION ITEMS NOT ON PARTS LIST ARE NOT APPLICABLE

- ITEM NOT ILLUSTRATED

HXL

27-62-02-01

BOEING PROPRIETARY - Copyright © - Unpublished Work - See title page for details.

27-62-02
FIG. 01
PAGE 3
AUG 22/09



767

PARTS CATALOG (MAINTENANCE)

FIG ITEM	PART NUMBER	1 2 3 4 5 6 7	NOMENCLATURE	EFFECT FROM TO	UNITS PER ASSY
1					
117	BACB28Y3D049	..	BUSHING		2
118	BACB28Y3D020	..	BUSHING- USED ON: 253T1200-3		1
120	BACB28Y3D022	..	BUSHING- USED ON: 253T1200-3		1
122	BACB28Y3D020	..	BUSHING- USED ON: 253T1200-5		2
125	253T1217-4	..	TRANSDUCER ASSY- OPTIONAL PART: 253T1217-7		1
125	253T1217-7	..	TRANSDUCER ASSY- OPTIONAL PART: 253T1217-4		1
130	253T1217-5	..	TRANSDUCER ASSY- OPTIONAL PART: 253T1217-8		1
130	253T1217-8	..	TRANSDUCER ASSY- OPTIONAL PART: 253T1217-5		1
135	253T1217-6	..	TRANSDUCER ASSY- OPTIONAL PART: 253T1217-9		1
135	253T1217-9	..	TRANSDUCER ASSY- OPTIONAL PART: 253T1217-6		1
141	03560411-000	...	TRANSDUCER- SUPPLIER CODE: V93190 SPECIFICATION NUMBER: S253T404-2 USED ON: 253T1217-4 253T1217-5 253T1217-6		1
141	03560411-001	...	TRANSDUCER- SUPPLIER CODE: V93190 SPECIFICATION NUMBER: S253T404-4 OPTIONAL PART: H913A V33463 USED ON: 253T1217-7 253T1217-8 253T1217-9		1

ILLUSTRATION ITEMS NOT ON PARTS LIST ARE NOT APPLICABLE

- ITEM NOT ILLUSTRATED

HXL

27-62-02-01

BOEING PROPRIETARY - Copyright © - Unpublished Work - See title page for details.

27-62-02
FIG. 01
PAGE 4
AUG 22/09



**767
PARTS CATALOG (MAINTENANCE)**

FIG ITEM	PART NUMBER	1 2 3 4 5 6 7	NOMENCLATURE	EFFECT FROM TO	UNITS PER ASSY
1 141	H913A		... TRANSDUCER- SUPPLIER CODE: V33463 SPECIFICATION NUMBER: S253T404-5 OPTIONAL PART: 03560411-001 V93190 USED ON: 253T1217-7 253T1217-8 253T1217-9		1
150	10AT97-3		.. SWITCH-SINGLE ROLLER SUPPLIER CODE: V82647 OPTIONAL PART: 63746-1 V02005		1
150	63746-1		.. SWITCH-SINGLE ROLLER SUPPLIER CODE: V02005 OPTIONAL PART: 10AT97-3 V82647		1
155	10AT304-1		.. SWITCH-DOUBLE ROLLER SUPPLIER CODE: V82647 OPTIONAL PART: 63753-1 V02005		1
155	63753-1		.. SWITCH-DOUBLE ROLLER SUPPLIER CODE: V02005 OPTIONAL PART: 10AT304-1 V82647		1
160	BACS12CK06-19		ATTACHING PARTS .. SCREW		2
165	BACS12CK06-20		.. SCREW		2
170	AN960PD6L		.. WASHER- USED ON: 253T1200-3		4
170	NAS1149DN616J		.. WASHER- USED ON: 253T1200-5		4

ILLUSTRATION ITEMS NOT ON PARTS LIST ARE NOT APPLICABLE

- ITEM NOT ILLUSTRATED

27-62-02-01

27-62-02
FIG. 01
PAGE 5
AUG 22/09

HXL

BOEING PROPRIETARY - Copyright © - Unpublished Work - See title page for details.

BOEING
767
PARTS CATALOG (MAINTENANCE)

FIG ITEM	PART NUMBER	1 2 3 4 5 6 7	NOMENCLATURE	EFFECT FROM TO	UNITS PER ASSY
1 175	BRH10A06		..NUT- SUPPLIER CODE: V52828 SPECIFICATION NUMBER: BACN10JC06 OPTIONAL PART: H10-06BAC V15653 RMLH9075-62W V72962 VN303A62 V92215 96-62 V80539 NS202101-62 V80539 T6S632J V11815		4
175	BRH10C06D		..NUT- SUPPLIER CODE: V52828 SPECIFICATION NUMBER: BACN10JC06CD OPTIONAL PART: T6C632JCD V11815 NS202486-62 V80539 102LH9075-62W V72962 H51650-06BAC V15653		4
200	684D100-1		-----*----- ..ACTUATOR ASSY- SUPPLIER CODE: V72121 SPECIFICATION NUMBER: S253T402-1 ELECTRICAL EQUIP NUMBER: M00577 COMPONENT MAINT MANUAL REF: 27-62-01 USED ON: 253T1200-3		1

ILLUSTRATION ITEMS NOT ON PARTS LIST ARE NOT APPLICABLE

- ITEM NOT ILLUSTRATED

HXL

27-62-02-01

BOEING PROPRIETARY - Copyright © - Unpublished Work - See title page for details.

27-62-02
FIG. 01
PAGE 6
AUG 22/09



767

PARTS CATALOG (MAINTENANCE)

FIG ITEM	PART NUMBER	1 2 3 4 5 6 7	NOMENCLATURE	EFFECT FROM TO	UNITS PER ASSY
1 200	684D100-7		..ACTUATOR ASSY- SUPPLIER CODE: V72121 SPECIFICATION NUMBER: S253T402-3 ELECTRICAL EQUIP NUMBER: M00577 COMPONENT MAINT MANUAL REF: 27-62-01 OPTIONAL PART: 684D100-15 V72121 USED ON: 253T1200-5		1
200	684D100-11		..ACTUATOR ASSY- SUPPLIER CODE: V72121 SPECIFICATION NUMBER: S253T402-4 ELECTRICAL EQUIP NUMBER: M00577 COMPONENT MAINT MANUAL REF: 27-62-01 OPTIONAL PART: 684D100-15 V72121 OPTIONAL PART: 684D100-7 V72121 USED ON: 253T1200-5		1
200	684D100-15		..ACTUATOR ASSY- SUPPLIER CODE: V72121 SPECIFICATION NUMBER: S253T402-4 ELECTRICAL EQUIP NUMBER: M00577 COMPONENT MAINT MANUAL REF: 27-62-01 OPTIONAL PART: 684D100-11 V72121 OPTIONAL PART: 684D100-7 V72121 USED ON: 253T1200-5		1

ILLUSTRATION ITEMS NOT ON PARTS LIST ARE NOT APPLICABLE

- ITEM NOT ILLUSTRATED

HXL

27-62-02-01

BOEING PROPRIETARY - Copyright © - Unpublished Work - See title page for details.

27-62-02
FIG. 01
PAGE 7
AUG 22/09

BOEING
767
PARTS CATALOG (MAINTENANCE)

FIG ITEM	PART NUMBER	1 2 3 4 5 6 7	NOMENCLATURE	EFFECT FROM TO	UNITS PER ASSY
1			TEMPORARY BREAKDOWN FOR: 684D100-15		
202	684C167-1		...CABLE ASSY- SUPPLIER CODE: V72121		1
- 203	NAS514P440-4		ATTACHING PARTS ...SCREW		4
235	53078-3		-----*----- ..BACK ASSY-SPEED BRAKE MECH NO SUPPLIER CODE: V80477		1
240	82631-1018		SPECIFICATION NUMBER: S253T403-2 COMPONENT MAINT MANUAL REF: 27-62-01 ..NUT SUPPLIER CODE: V56878		2
245	253T4006-5		SPECIFICATION NUMBER: BACN10RF10 OPTIONAL PART: BR9080-10 V72962 SL2822-10 V97393 ..SPACER		2

ILLUSTRATION ITEMS NOT ON PARTS LIST ARE NOT APPLICABLE

- ITEM NOT ILLUSTRATED

HXL

27-62-02-01

BOEING PROPRIETARY - Copyright © - Unpublished Work - See title page for details.

27-62-02
FIG. 01
PAGE 8
AUG 22/09

 **BOEING**
767
PARTS CATALOG (MAINTENANCE)

FIG ITEM	PART NUMBER	1 2 3 4 5 6 7	NOMENCLATURE	EFFECT FROM TO	UNITS PER ASSY
1 250	MB538DDFS428		.. BEARING- SUPPLIER CODE: V06144 SPECIFICATION NUMBER: BACB10AS10 OPTIONAL PART: MB538-2TS V43991 MB538DDFS428 V21335 MB538TT V43991 MT338E VK8455 MB538DDLY196 V40920 MB538DD V06144 MB538DDNJC V06144 MB538DDSD610 V83086 SSMB538DDSD629 USED ON: 253T1200-3 253T1200-5		2
250	SSMB538DDSD629		.. BEARING- SUPPLIER CODE: V83086 SPECIFICATION NUMBER: BACB10FU10RJ OPTIONAL PART: ACMB538DDFS428 V21335 AMB538DDRJC V06144 ACMB538DDFS428 V06144 MB538DDNJC USED ON: 253T1200-5		2
255	NAS6603-5		.. BOLT		2
260	NAS6603-34		.. BOLT		1
265	NAS6603-55		.. BOLT		1

ILLUSTRATION ITEMS NOT ON PARTS LIST ARE NOT APPLICABLE

- ITEM NOT ILLUSTRATED

HXL

27-62-02-01

BOEING PROPRIETARY - Copyright © - Unpublished Work - See title page for details.

27-62-02
FIG. 01
PAGE 9
AUG 22/09

 **BOEING**
767
PARTS CATALOG (MAINTENANCE)

FIG ITEM	PART NUMBER	1 2 3 4 5 6 7	NOMENCLATURE	EFFECT FROM TO	UNITS PER ASSY
1	270 AN960PD10L		.. WASHER- OPTIONAL PART: NAS1149D0316J USED ON: 253T1200-3 253T1200-5		5
	270 NAS1149D0316J		.. WASHER- OPTIONAL PART: AN960PD10L USED ON: 253T1200-5		5
	275 BRH10A3		.. NUT SUPPLIER CODE: V52828 SPECIFICATION NUMBER: BACN10JC3 OPTIONAL PART: H10-3BAC V15653 NS202101-02 V80539 RMLH9075-3W V72962 VN303A02 V92215 96-02 V80539 T6S1032J V11815		1
	280 BACB30NM4K62		.. BOLT		2
	285 AN960PD416L		.. WASHER		2
	290 253T1216-3		.. BRACKET-SPR SPRT		1
	295 BACB30LJ4C13		.. BOLT		2
	300 AN960PD416		.. WASHER- USED ON: 253T1200-3		2
	300 NAS1149D0463J		.. WASHER- USED ON: 253T1200-5		2

ILLUSTRATION ITEMS NOT ON PARTS LIST ARE NOT APPLICABLE

- ITEM NOT ILLUSTRATED

HXL

27-62-02-01

BOEING PROPRIETARY - Copyright © - Unpublished Work - See title page for details.

27-62-02
FIG. 01
PAGE 10
AUG 22/09

 **BOEING**
767
PARTS CATALOG (MAINTENANCE)

FIG ITEM	PART NUMBER	1 2 3 4 5 6 7	NOMENCLATURE	EFFECT FROM TO	UNITS PER ASSY
1 305	BRH10A4	..	NUT SUPPLIER CODE: V52828 SPECIFICATION NUMBER: BACN10JC4 OPTIONAL PART: T6S428J V11815 96-048 V80539 VN303A048 V92215 RMLH9075-4W V72962 NS202101-048 V80539 H10-4BAC V15653		2
310	253T1213-4	..	BRACKET ASSY		1
315	NAS6603-13	..	BOLT		2
320	AN960PD10	..	WASHER- USED ON: 253T1200-3		2
320	NAS1149D0363J	..	WASHER- USED ON: 253T1200-5		2
325	BRH10A3	..	NUT SUPPLIER CODE: V52828 SPECIFICATION NUMBER: BACN10JC3 OPTIONAL PART: H10-3BAC V15653 NS202101-02 V80539 RMLH9075-3W V72962 VN303A02 V92215 96-02 V80539 T6S1032J V11815		2
- 400	286T5150-101		WIRE BUNDLE ASSY		RF

ILLUSTRATION ITEMS NOT ON PARTS LIST ARE NOT APPLICABLE

- ITEM NOT ILLUSTRATED

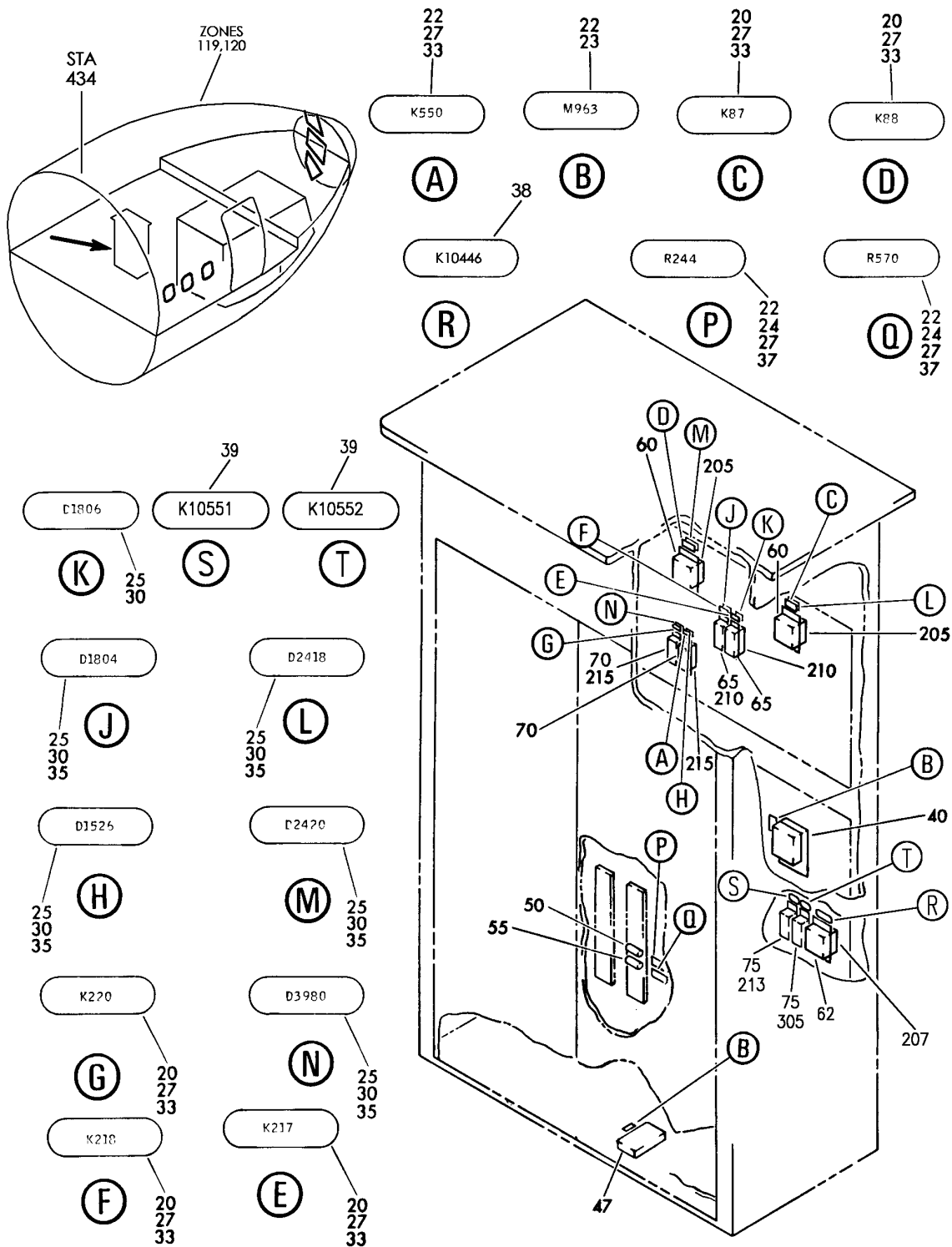
HXL

27-62-02-01

BOEING PROPRIETARY - Copyright © - Unpublished Work - See title page for details.

27-62-02
FIG. 01
PAGE 11
AUG 22/09

BOEING
767
PARTS CATALOG (MAINTENANCE)



V 27625202 REV 267

EQUIPMENT ASSY-P33 MISC ELEC PNL FWD (AUTO-SPEEDBRAKE CONTROL SYSTEM ONLY)
FIGURE 2

27-62-52-02

HXL
DEC 22/06

27-62-52-02
PAGE 0



767

PARTS CATALOG (MAINTENANCE)

FIG ITEM	PART NUMBER	1 2 3 4 5 6 7	NOMENCLATURE	EFFECT FROM TO	UNITS PER ASSY
2			EQUIPMENT ASSY-P33 MISC ELEC PNL FWD (AUTO-SPEEDBRAKE CONTROL SYSTEM ONLY)		
- 9	284T0189-155		EQUIPMENT ASSY-P33 MISC ELEC PNL (AUTO-SPEEDBRAKE CONTROL SYSTEM ONLY) POSITION DATA: FWD FOR NHA/OTHER SYS DET SEE: 25-50-51-01	163999	RF
- 11	284T0189-183		EQUIPMENT ASSY-P33 MISC ELEC PNL (AUTO-SPEEDBRAKE CONTROL SYSTEM ONLY) POSITION DATA: FWD FOR NHA/OTHER SYS DET SEE: 25-50-51-01	155162	RF
20	BAC27TEX3735		.DECALSET-INCLUDES DECALS IDENTIFIED ON THE ILLUSTRATION		RF
22	BAC27TEX3736		.DECALSET-INCLUDES DECALS IDENTIFIED ON THE ILLUSTRATION		RF
25	BAC27TEX4203		.DECALSET-INCLUDES DECALS IDENTIFIED ON THE ILLUSTRATION		RF
27	BAC27TEX4201		.DECALSET-INCLUDES DECALS IDENTIFIED ON THE ILLUSTRATION		RF
30	BAC27TEX3734		.DECALSET-INCLUDES DECALS IDENTIFIED ON THE ILLUSTRATION		RF
38	BAC27TEX6562		.DECALSET-INCLUDES DECALS IDENTIFIED ON THE ILLUSTRATION POST ALERT SB: 27A0160		1
47	10167-3001BT		.MODULE-TIME DELAY SUPPLIER CODE: V08719 ELECTRICAL EQUIP NUMBER: M00963 OPTIONAL PART: 10167-3BT V08719		1

ILLUSTRATION ITEMS NOT ON PARTS LIST ARE NOT APPLICABLE

- ITEM NOT ILLUSTRATED

27-62-52-02

27-62-52
FIG. 02
PAGE 1
AUG 22/08

HXL



767

PARTS CATALOG (MAINTENANCE)

FIG ITEM	PART NUMBER	1 2 3 4 5 6 7	NOMENCLATURE	EFFECT FROM TO	UNITS PER ASSY
2					
47	TD1767-3001		.MODULE-TIME DELAY SUPPLIER CODE: V08719 ELECTRICAL EQUIP NUMBER: M00963 OPTIONAL PART: 10167-3BT V08719		1
47	10167-3BT		.MODULE-TIME DELAY SUPPLIER CODE: V08719 ELECTRICAL EQUIP NUMBER: M00963 OPTIONAL PART: 10167-3001BT V08719 TD1767-3001 V08719		1
47	530740-3001		.MODULE-TIME DELAY SUPPLIER CODE: V08719 ELECTRICAL EQUIP NUMBER: M00963		1
- 48	NAS1801-06-13		ATTACHING PARTS .SCREW -----*-----		2
50	YHLZD30		.DIODE- SUPPLIER CODE: V09922 ELECTRICAL EQUIP NUMBER: R00244 OPTIONAL PART: YHLZD9 V09922		1
50	YHLZD9		.DIODE- SUPPLIER CODE: V09922 ELECTRICAL EQUIP NUMBER: R00244 OPTIONAL PART: YHLZD30 V09922		1
55	YHLZR17		.DIODE- SUPPLIER CODE: V09922 ELECTRICAL EQUIP NUMBER: R00570		1

ILLUSTRATION ITEMS NOT ON PARTS LIST ARE NOT APPLICABLE

- ITEM NOT ILLUSTRATED

HXL

27-62-52-02

BOEING PROPRIETARY - Copyright © - Unpublished Work - See title page for details.

27-62-52
FIG. 02
PAGE 2
AUG 22/08



767

PARTS CATALOG (MAINTENANCE)

FIG ITEM	PART NUMBER	1 2 3 4 5 6 7	NOMENCLATURE	EFFECT FROM TO	UNITS PER ASSY
2 60	E410-1537		.RELAY- SUPPLIER CODE: V99699 SPECIFICATION NUMBER: BACR13CG2A OPTIONAL PART: E415-1078 V99699 BR230S0116 V56623 KD4A017 V58687 FCA410-62 V78290 ELECTRICAL EQUIP NUMBER: K00087 K00088		2
62	E410-1537		.RELAY- SUPPLIER CODE: V99699 SPECIFICATION NUMBER: BACR13CG2A OPTIONAL PART: E415-1078 V99699 BR230S0116 V56623 KD4A017 V58687 FCA410-62 V78290 ELECTRICAL EQUIP NUMBER: K10446 POST ALERT SB: 27A0160		1

ILLUSTRATION ITEMS NOT ON PARTS LIST ARE NOT APPLICABLE

- ITEM NOT ILLUSTRATED

HXL

27-62-52-02

BOEING PROPRIETARY - Copyright © - Unpublished Work - See title page for details.

27-62-52
FIG. 02
PAGE 3
DEC 22/07



767

PARTS CATALOG (MAINTENANCE)

FIG ITEM	PART NUMBER	1 2 3 4 5 6 7	NOMENCLATURE	EFFECT FROM TO	UNITS PER ASSY
2 65	E210-1631		.RELAY- SUPPLIER CODE: V99699 SPECIFICATION NUMBER: BACR13CF2A OPTIONAL PART: BR246S0112 V56623 FCA210-70 V78290 E215-1050 V99699 JD4A017 V35344 BR64S104 V56623 61GB19-1A320 V98927 ELECTRICAL EQUIP NUMBER: K00217 K00218		2
70	W260F4AM11		.RELAY- SUPPLIER CODE: VF0219 SPECIFICATION NUMBER: BACR13CD2 OPTIONAL PART: BR16S233 V09026 EE4AA005 V35344 3SAV1338A2 V01526 HFW1206K03 V58614 HFW1204K01 V71482 ELECTRICAL EQUIP NUMBER: K00220 K00550		2
- 200	286T0144-300		WIRE BUNDLE ASSY		RF
- 201	289T1065-10202		.TAPE-IDENT PLACARD CONTENT: D23138 M/W K10446 POST ALERT SB: 27A0160 27A0160R1		1

ILLUSTRATION ITEMS NOT ON PARTS LIST ARE NOT APPLICABLE

- ITEM NOT ILLUSTRATED

27-62-52-02

27-62-52
FIG. 02
PAGE 4
AUG 22/07

HXL



767

PARTS CATALOG (MAINTENANCE)

FIG ITEM	PART NUMBER	1 2 3 4 5 6 7	NOMENCLATURE	EFFECT FROM TO	UNITS PER ASSY
2					
- 202	289T1065-10204	. TAPE-IDENT	PLACARD CONTENT: D1526 M/W K00550 POST ALERT SB: 27A0160 27A0160R1		1
-202B	289T1065-10203	. TAPE-IDENT	PLACARD CONTENT: D1268 M/W K00552 POST ALERT SB: 27A0160R1		1
205	BACS16W1	. SOCKET-	ELECTRICAL EQUIP NUMBER: D02418 D02420 WIRING DIAGRAM REF: 276211		2
207	RSF116400	. SOCKET-	SUPPLIER CODE: V58982 SPECIFICATION NUMBER: BACS16W1A OPTIONAL PART: 102-009-1 V09922 000300-1539 V05574 ELECTRICAL EQUIP NUMBER: D23138 WIRING DIAGRAM REF: 276211 POST ALERT SB: 27A0160 27A0160R1		1
210	RSF116200	. SOCKET-	SUPPLIER CODE: V58982 SPECIFICATION NUMBER: BACS16X1A OPTIONAL PART: 102-006-1 V09922 000300-1538 V05574 ELECTRICAL EQUIP NUMBER: D01804 D01806 WIRING DIAGRAM REF: 276211		2

ILLUSTRATION ITEMS NOT ON PARTS LIST ARE NOT APPLICABLE

- ITEM NOT ILLUSTRATED

HXL

27-62-52-02

BOEING PROPRIETARY - Copyright © - Unpublished Work - See title page for details.

27-62-52
FIG. 02
PAGE 5
APR 22/08



767
PARTS CATALOG (MAINTENANCE)

FIG ITEM	PART NUMBER	1 2 3 4 5 6 7	NOMENCLATURE	EFFECT FROM TO	UNITS PER ASSY
2 215	RSE120026		. SOCKET- SUPPLIER CODE: V58982 SPECIFICATION NUMBER: BACS16AG1 OPTIONAL PART: 451120-026 V58982 ELECTRICAL EQUIP NUMBER: D01526 D03980 WIRING DIAGRAM REF: 276211		2

ILLUSTRATION ITEMS NOT ON PARTS LIST ARE NOT APPLICABLE

- ITEM NOT ILLUSTRATED

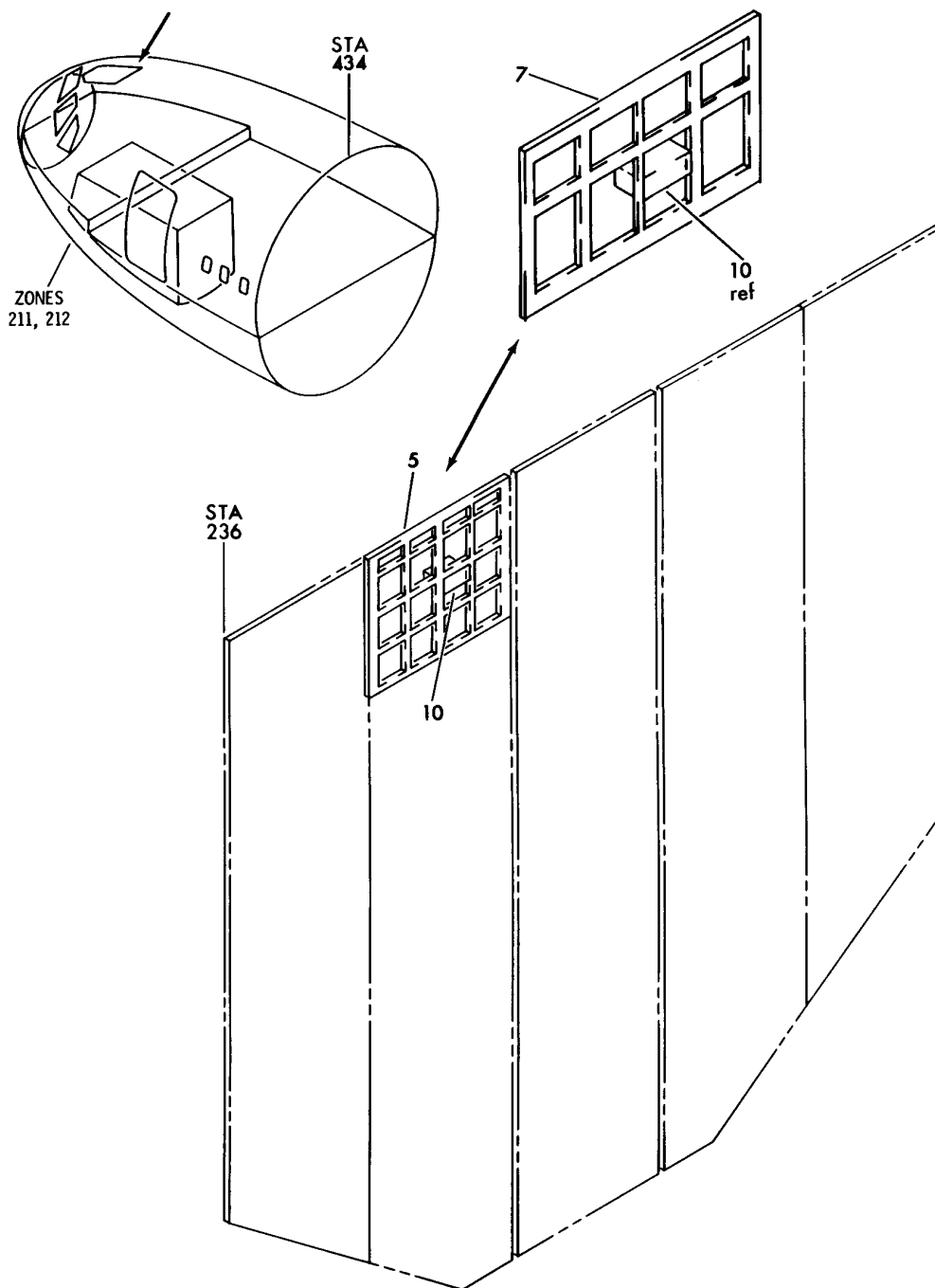
HXL

27-62-52-02

BOEING PROPRIETARY - Copyright © - Unpublished Work - See title page for details.

27-62-52
FIG. 02
PAGE 6
APR 22/08

BOEING
767
PARTS CATALOG (MAINTENANCE)



V 27625302 REV 118

PANEL INSTL-OVHD (AUTO-SPEEDBRAKE CONTROL SYSTEM ONLY)

FIGURE 2

27-62-53-02

HXL
DEC 22/07

27-62-53-02
PAGE 0



767

PARTS CATALOG (MAINTENANCE)

FIG ITEM	PART NUMBER	1 2 3 4 5 6 7	NOMENCLATURE	EFFECT FROM TO	UNITS PER ASSY
2			PANEL INSTL-OVHD (AUTO-SPEEDBRAKE CONTROL SYSTEM ONLY)		
- 1	233T3100-1		PANEL INSTL-OVHD (AUTO-SPEEDBRAKE CONTROL SYSTEM ONLY) VARIABLE DRAWING REF: 233T3100-5048 FOR NHA/OTHER SYS DET SEE: 25-10-00-03		RF
5	233T3233-14		.PANEL ASSY-MISC ANN SUPPLIER CODE: V89954 ELECTRICAL EQUIP NUMBER: M10394 COMPONENT MAINT MANUAL REF: 33-16-52		RF
7	233T3233-35		.PANEL ASSY-MISC ANN SUPPLIER CODE: V89954 ELECTRICAL EQUIP NUMBER: M10394 COMPONENT MAINT MANUAL REF: 33-16-52 POST AIRLINE MOD: MTO-310236 VSAS		RF
10	BCREF6138		..LIGHT ASSY-AUTO SPDBRK IND SUPPLIER CODE: V81590 OVERLENGTH PART NUMBER: 434-674-1005-1012 SPECIFICATION NUMBER: S231T300-1012 OPTIONAL PART: BCREF8527 V81590 FOR DETAILS SEE: 33-16-02-02		1
ILLUSTRATION ITEMS NOT ON PARTS LIST ARE NOT APPLICABLE					

- ITEM NOT ILLUSTRATED

HXL

27-62-53-02

BOEING PROPRIETARY - Copyright © - Unpublished Work - See title page for details.

27-62-53
FIG. 02
PAGE 1
DEC 22/07



767
PARTS CATALOG (MAINTENANCE)

FIG ITEM	PART NUMBER	1 2 3 4 5 6 7	NOMENCLATURE	EFFECT FROM TO	UNITS PER ASSY
2 10	BCREF8527		..LIGHT ASSY-AUTO SPDBRK IND SUPPLIER CODE: V81590 OVERLENGTH PART NUMBER: 434-674-1031-2012 SPECIFICATION NUMBER: S231T300-2012 OPTIONAL PART: BCREF6138 V81590 FOR DETAILS SEE: 33-16-02-03		1

ILLUSTRATION ITEMS NOT ON PARTS LIST ARE NOT APPLICABLE

- ITEM NOT ILLUSTRATED

HXL

27-62-53-02

BOEING PROPRIETARY - Copyright © - Unpublished Work - See title page for details.

27-62-53
FIG. 02
PAGE 2
DEC 22/06