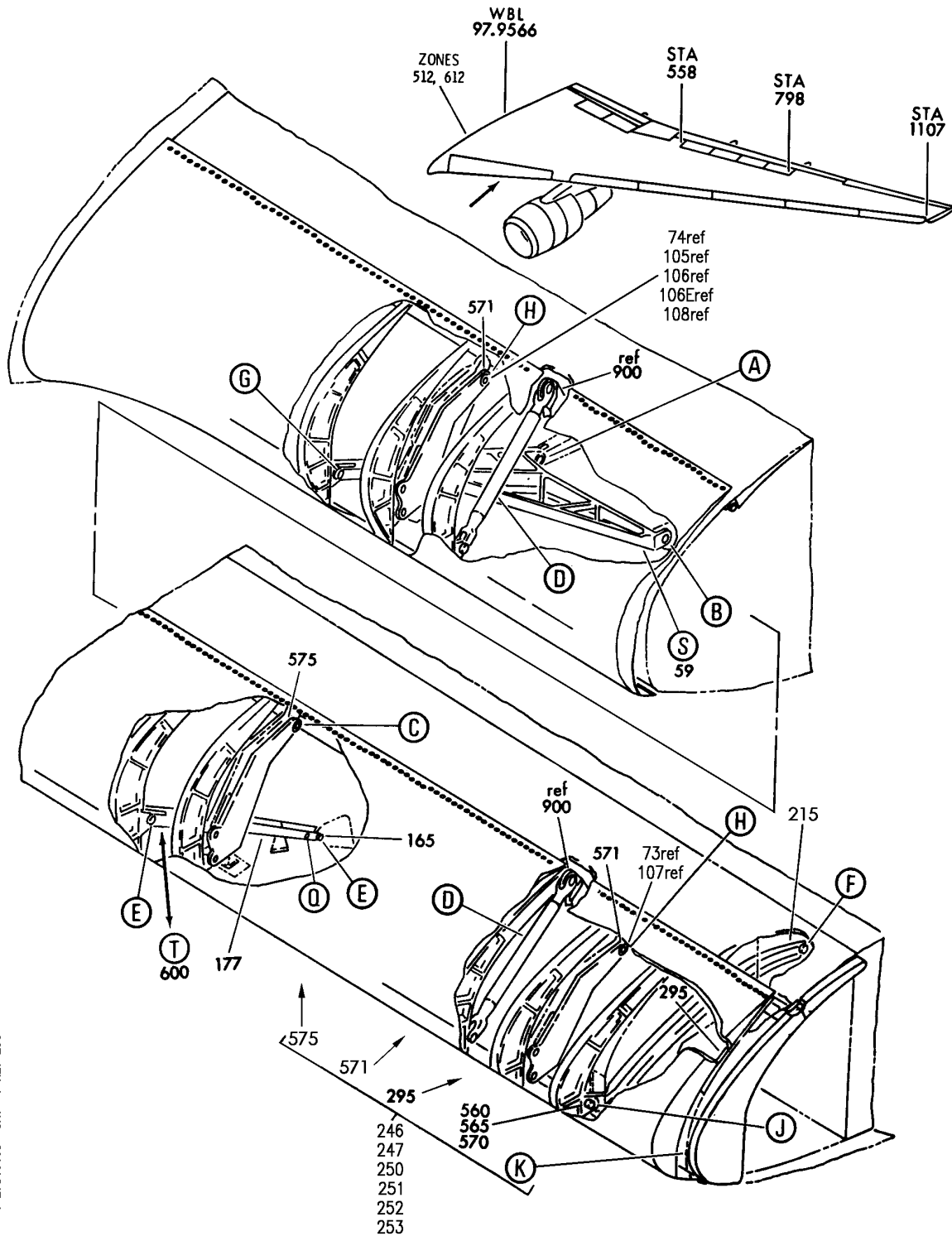


LEADING EDGE SLAT SYSTEM

HXL
DEC 22/06

27-81-00
SECTION TITLE
PAGE 1

BOEING
767
PARTS CATALOG (MAINTENANCE)



V 27810105 SHT 1 REV 296

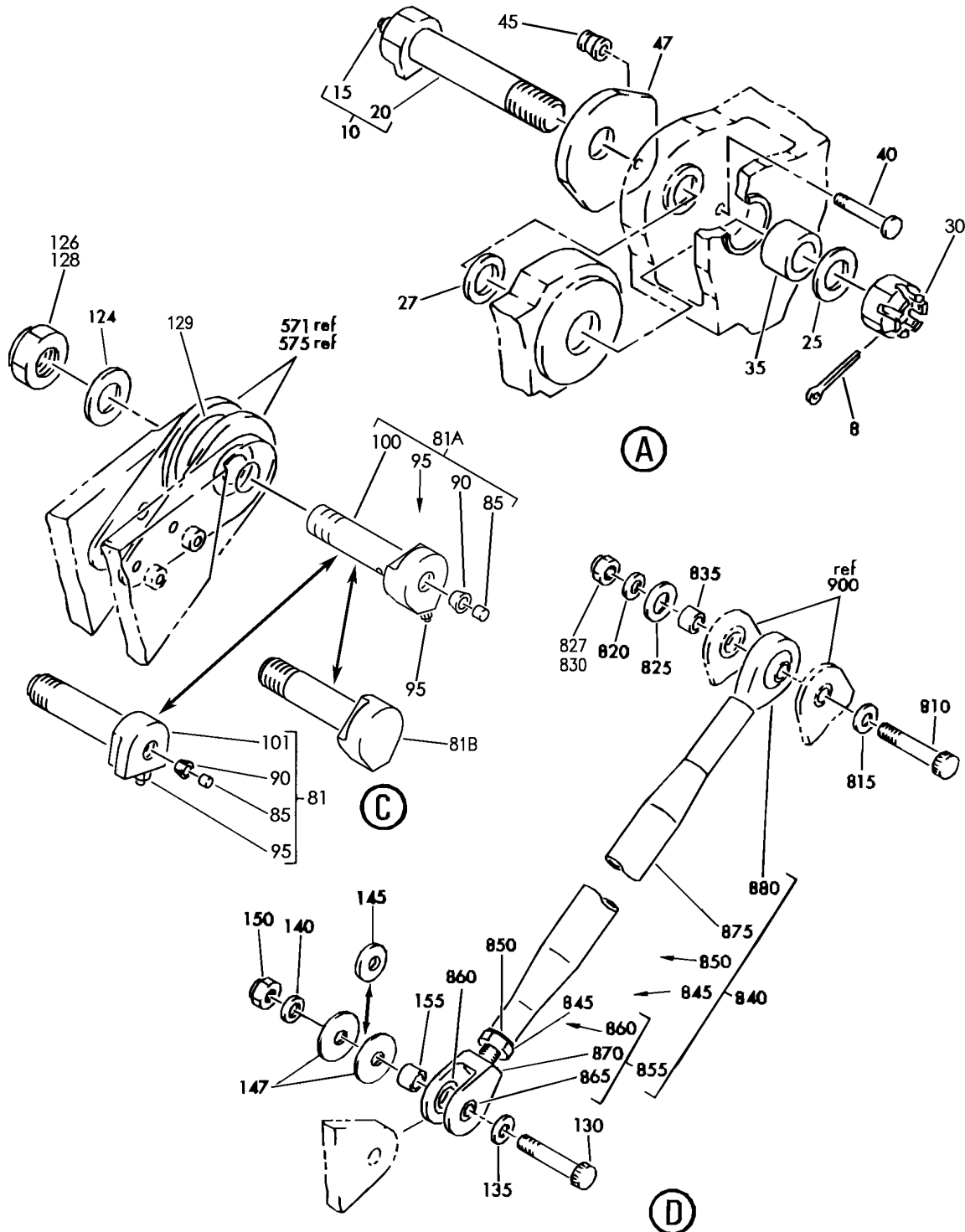
SLAT INSTL-WING LE INBD
FIGURE 5 (SHEET 1)

27-81-01-05

HXL
DEC 22/06

27-81-01-05
PAGE 0

BOEING
767
PARTS CATALOG (MAINTENANCE)



V 27810105 SHT 2 REV 292

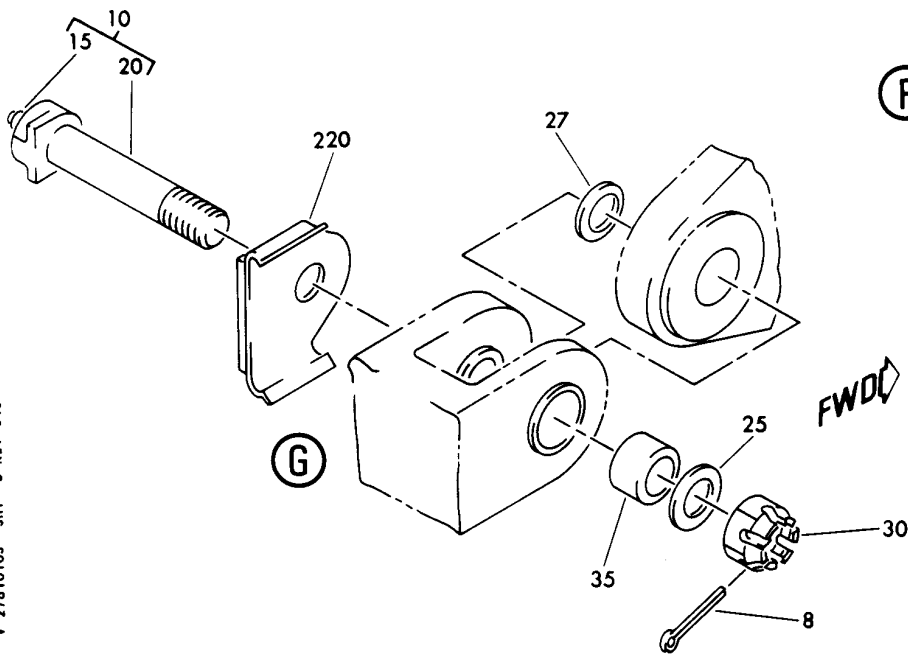
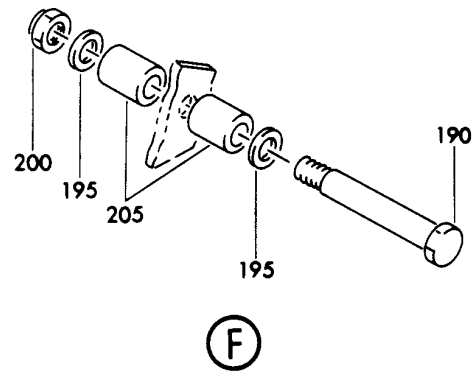
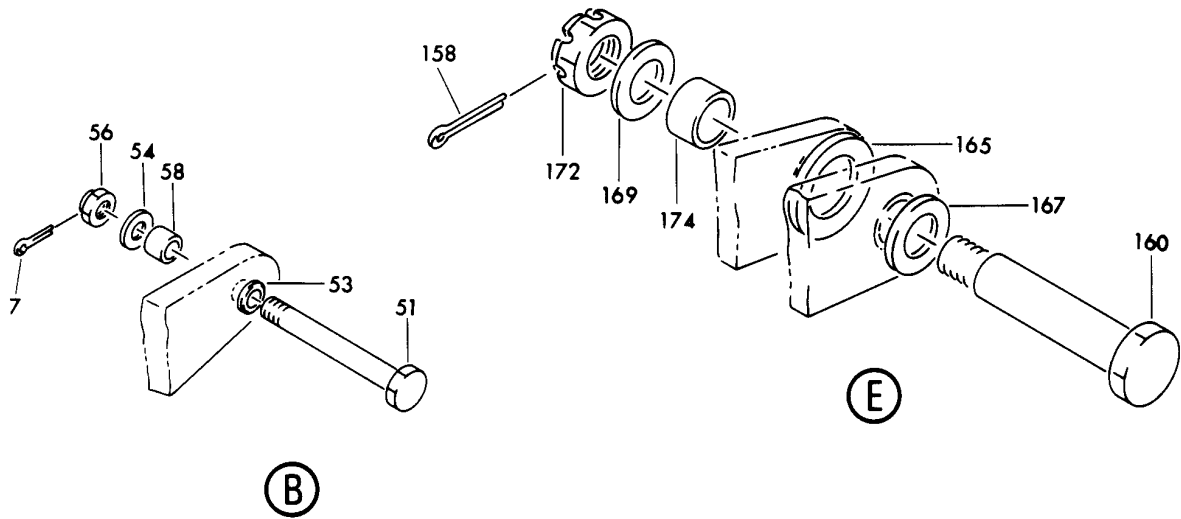
SLAT INSTL-WING LE INBD
FIGURE 5 (SHEET 2)

27-81-01-05

HXL
DEC 22/06

27-81-01-05
PAGE 0A

BOEING
767
PARTS CATALOG (MAINTENANCE)



V 27810105 SHT 3 REV 046

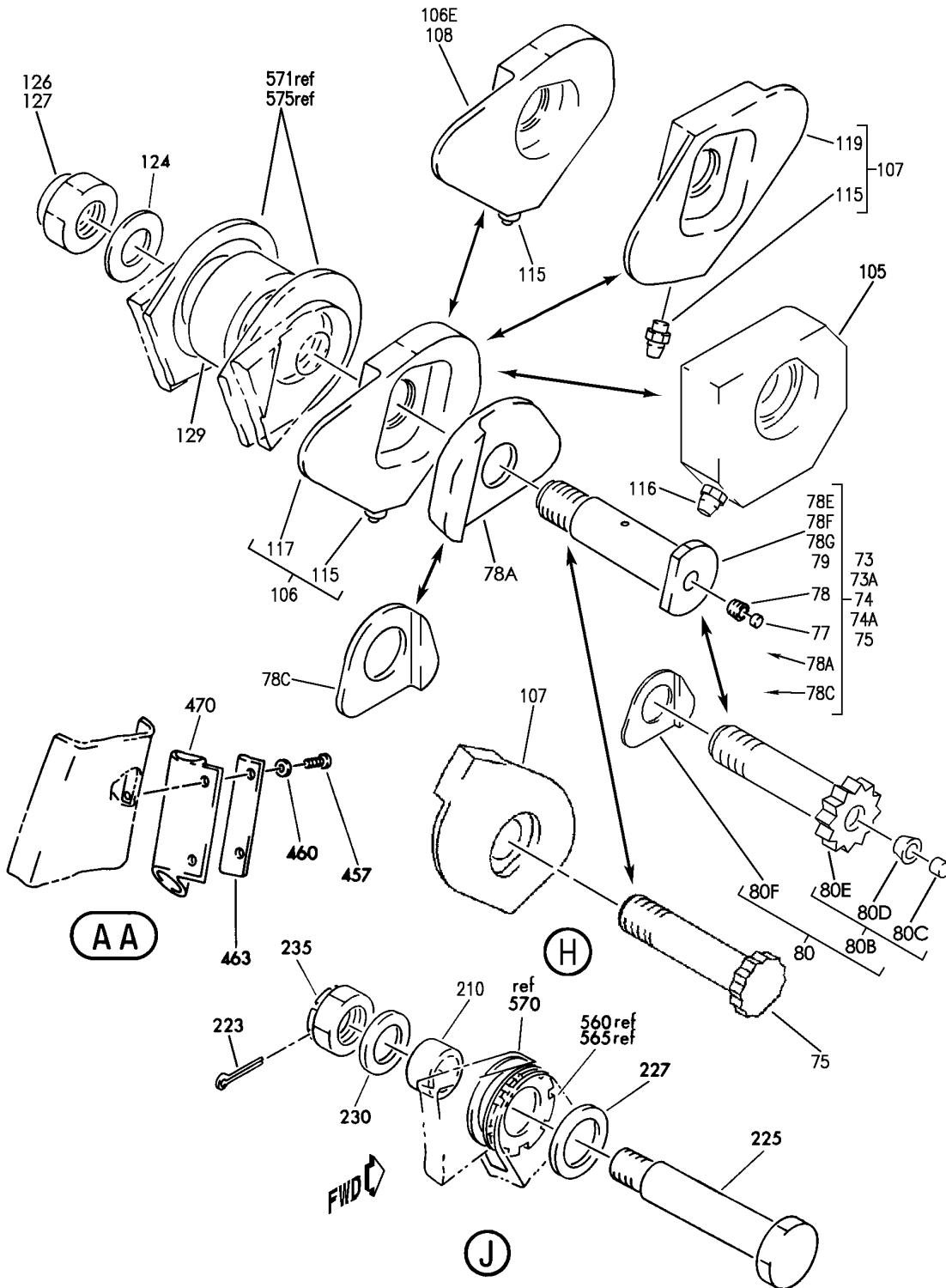
SLAT INSTL-WING LE INBD
FIGURE 5 (SHEET 3)

27-81-01-05

HXL
DEC 22/06

27-81-01-05
PAGE 0B

BOEING
767
PARTS CATALOG (MAINTENANCE)



V 27810105 SH1 4 REV 302

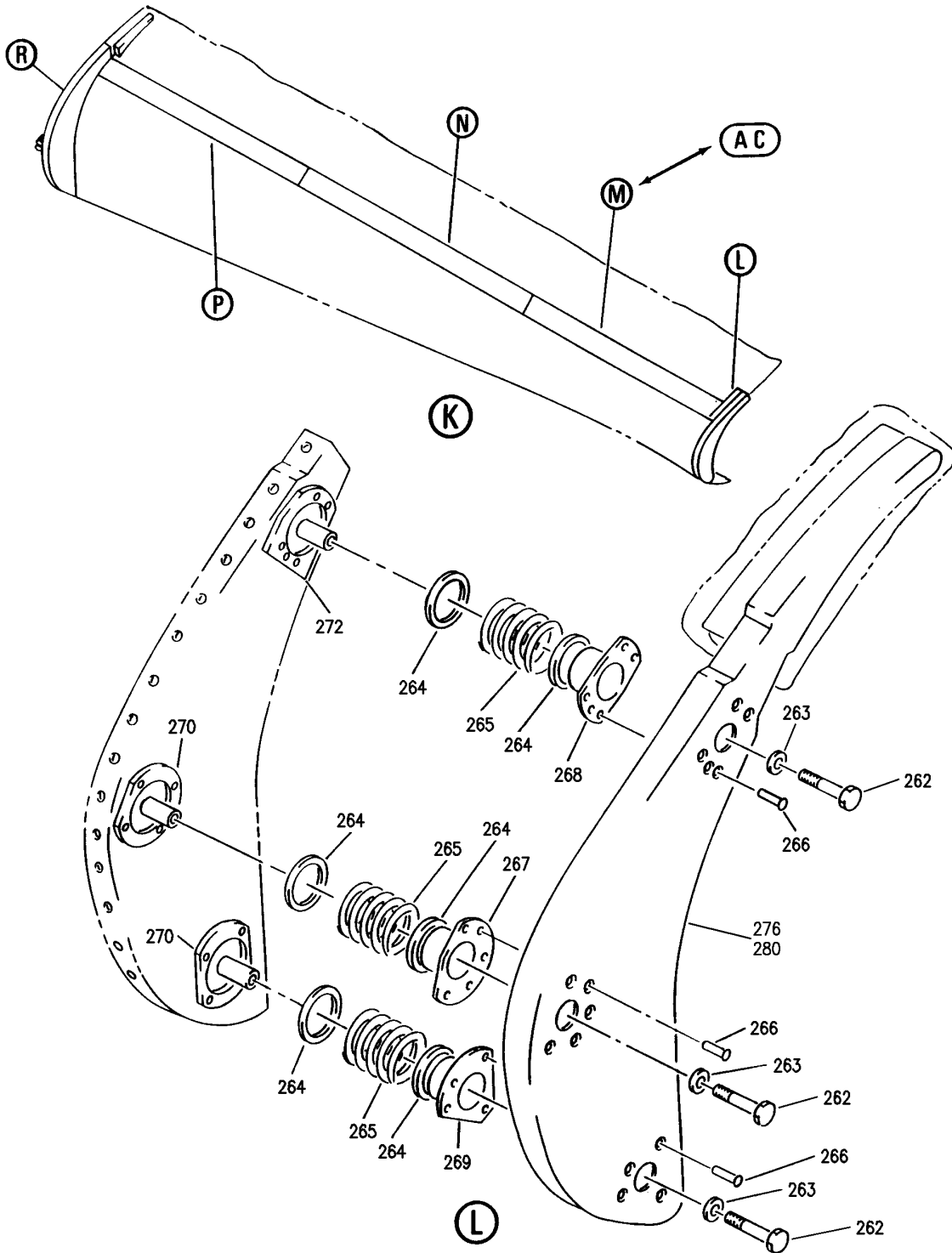
SLAT INSTL-WING LE INBD
FIGURE 5 (SHEET 4)

27-81-01-05

HXL
DEC 22/06

27-81-01-05
PAGE 0C

BOEING
767
PARTS CATALOG (MAINTENANCE)



V 27810105 SHT 5 REV 279

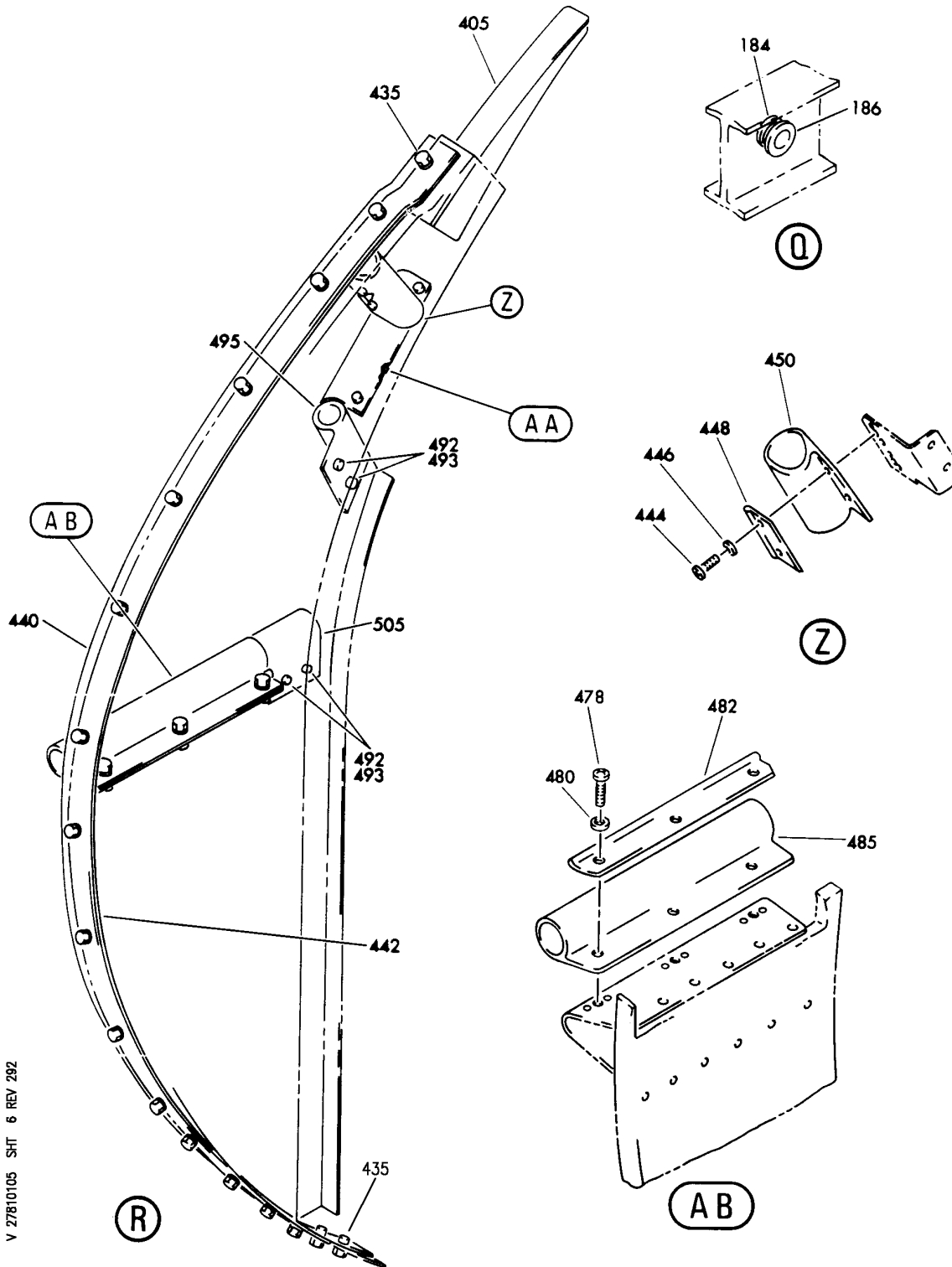
SLAT INSTL-WING LE INBD
FIGURE 5 (SHEET 5)

27-81-01-05

HXL
DEC 22/06

27-81-01-05
PAGE 0D

BOEING
767
PARTS CATALOG (MAINTENANCE)



V 27810105 SHT 6 REV 292

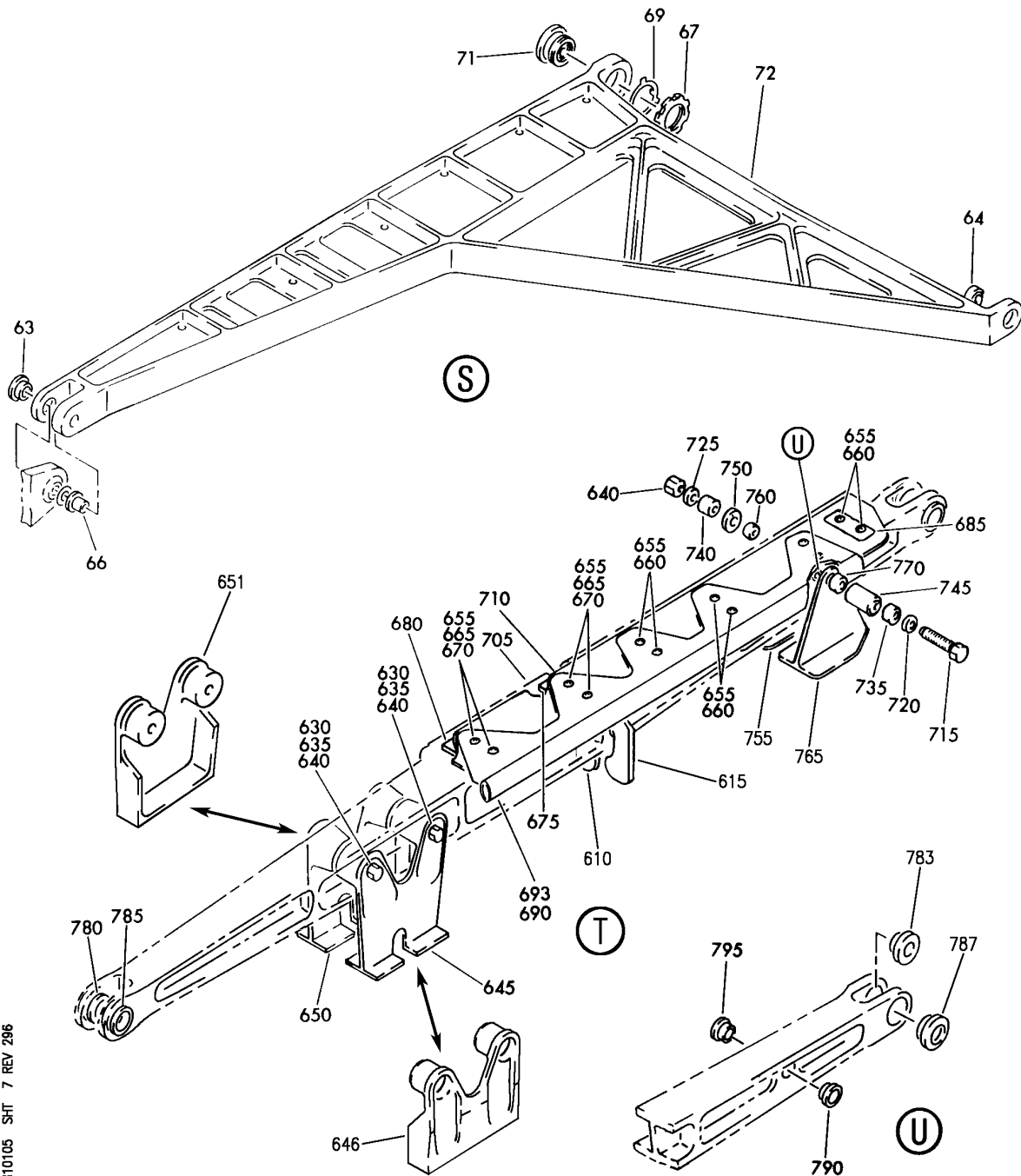
SLAT INSTL-WING LE INBD
FIGURE 5 (SHEET 6)

27-81-01-05

HXL
DEC 22/06

27-81-01-05
PAGE 0E

BOEING
767
PARTS CATALOG (MAINTENANCE)



V 27810105 SH-T 7 REV 296

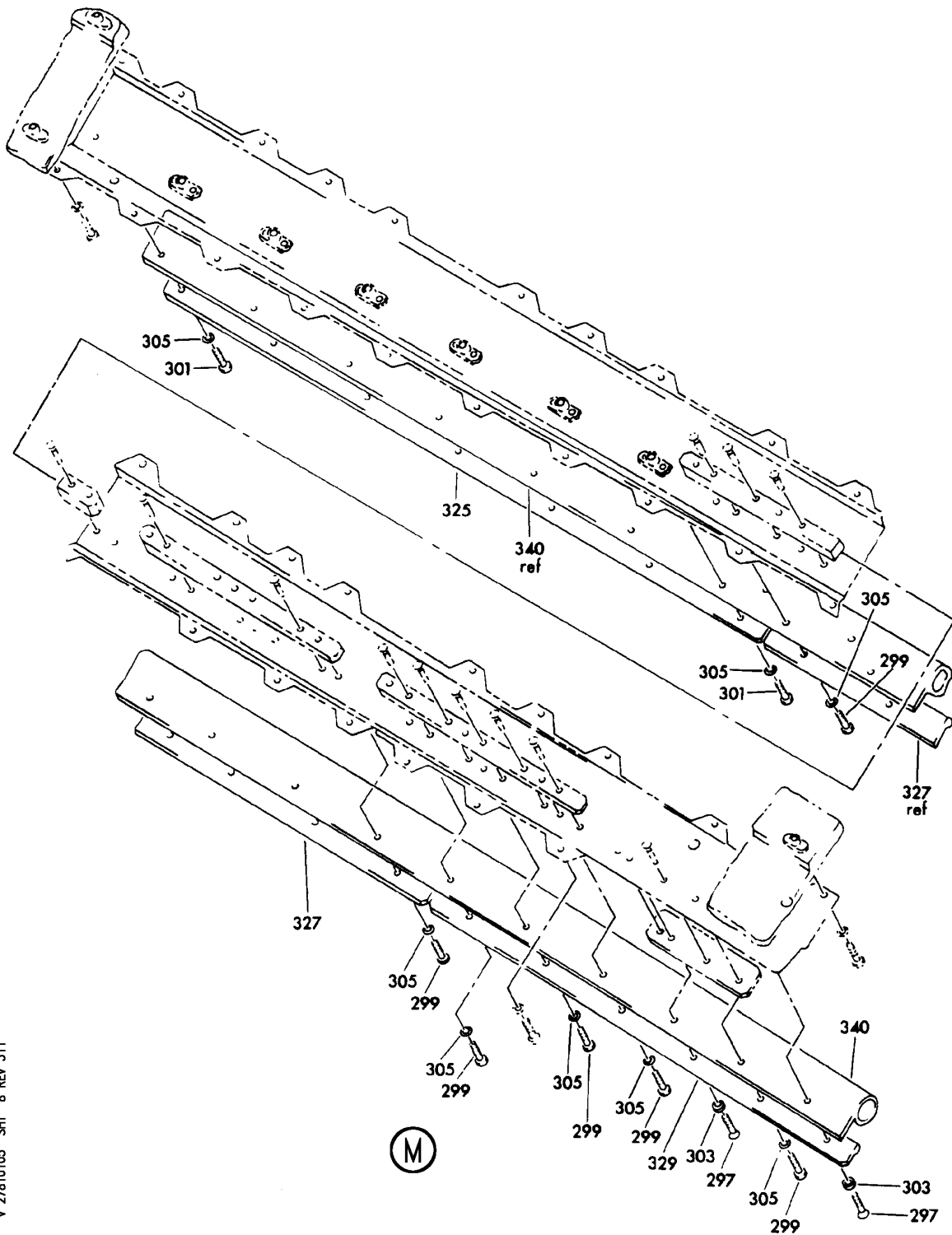
SLAT INSTL-WING LE INBD
FIGURE 5 (SHEET 7)

27-81-01-05

HXL
DEC 22/06

27-81-01-05
PAGE OF

BOEING
767
PARTS CATALOG (MAINTENANCE)



V 27810105 SHT 8 REV 311



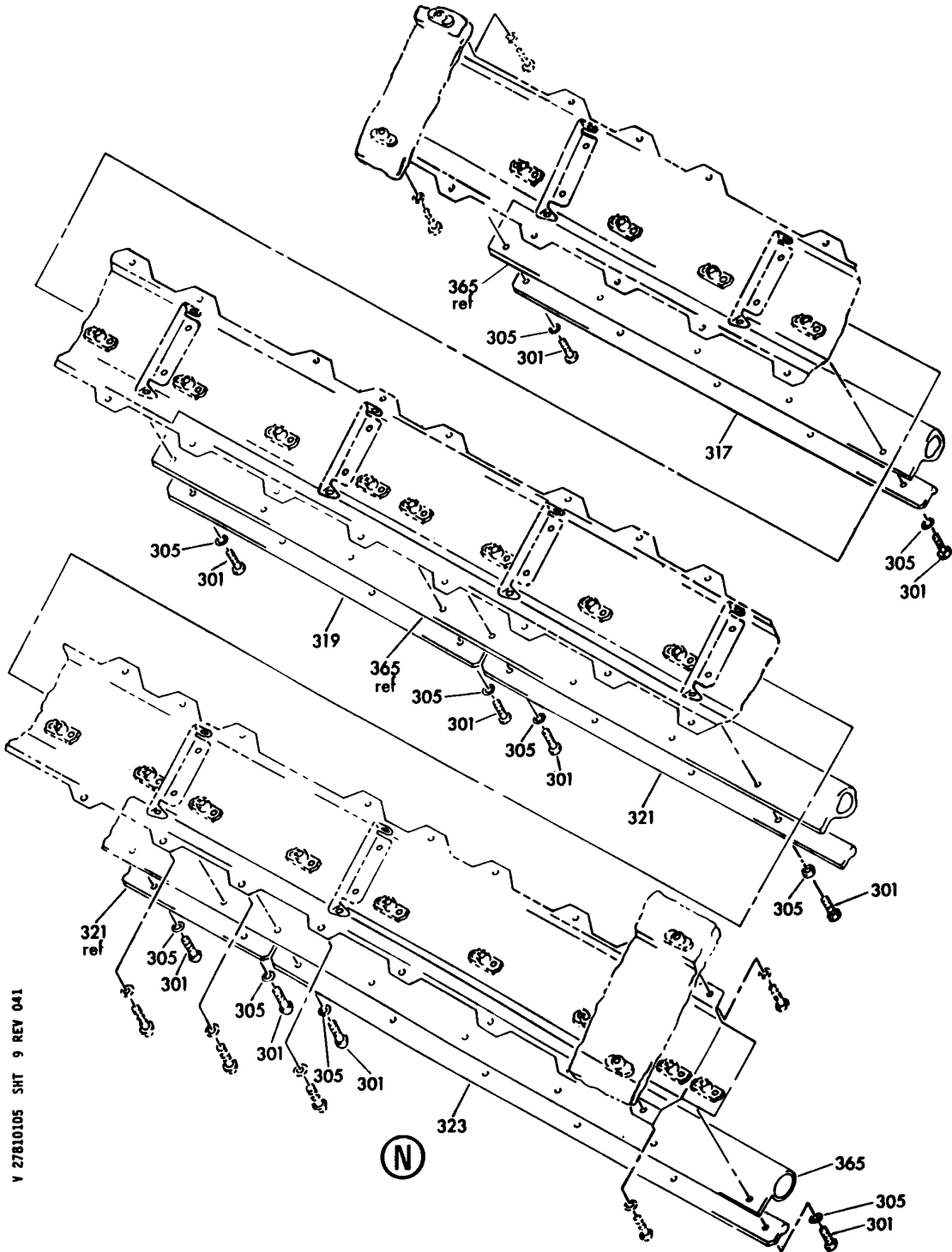
SLAT INSTL-WING LE INBD
FIGURE 5 (SHEET 8)

27-81-01-05

HXL
DEC 22/06

27-81-01-05
PAGE 06

BOEING
767
PARTS CATALOG (MAINTENANCE)



V 27810105 SHT 9 REV 041

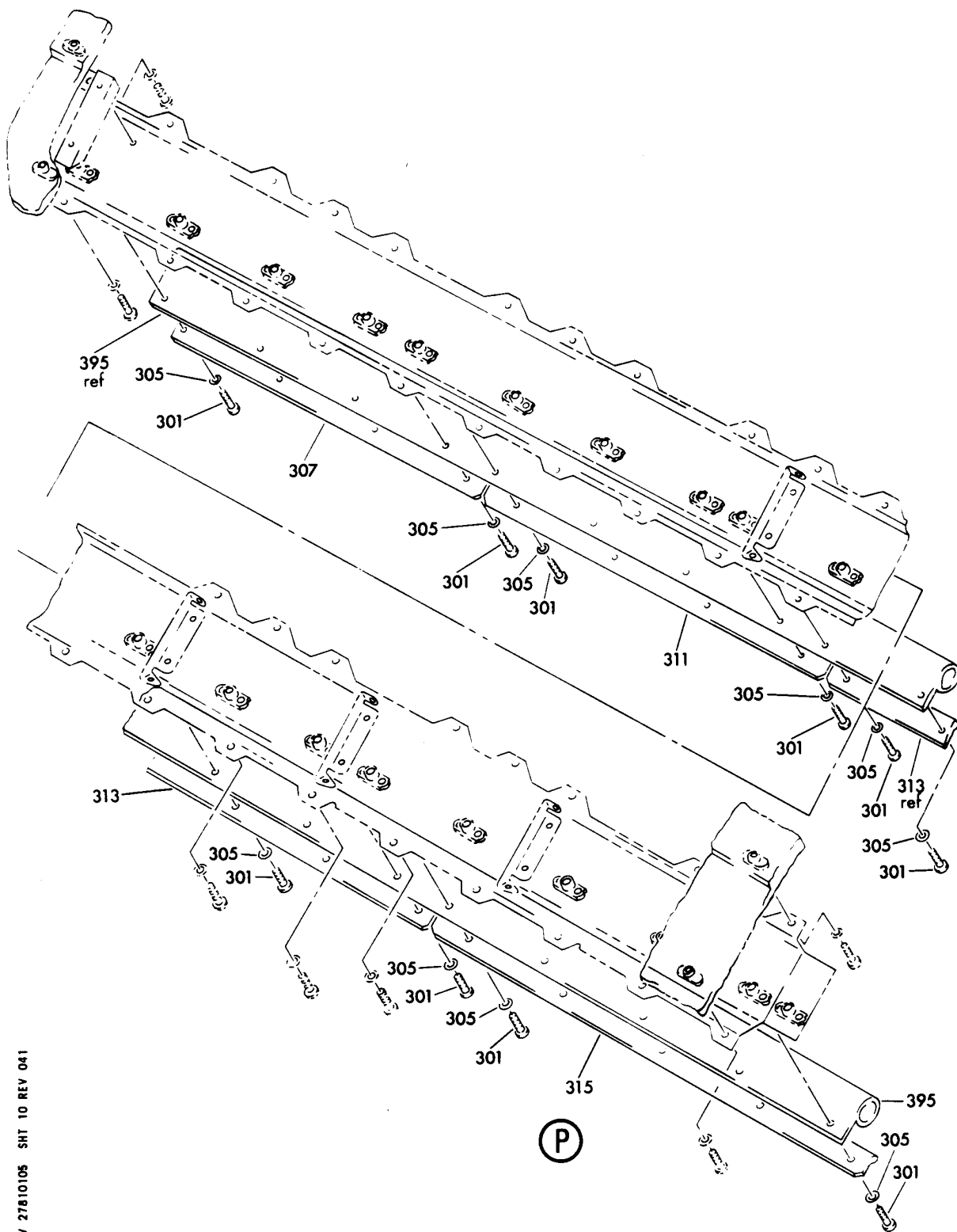
SLAT INSTL-WING LE INBD
FIGURE 5 (SHEET 9)

27-81-01-05

HXL
DEC 22/06

27-81-01-05
PAGE 0H

BOEING
767
PARTS CATALOG (MAINTENANCE)



V 27810105 SH1 TO REV 041

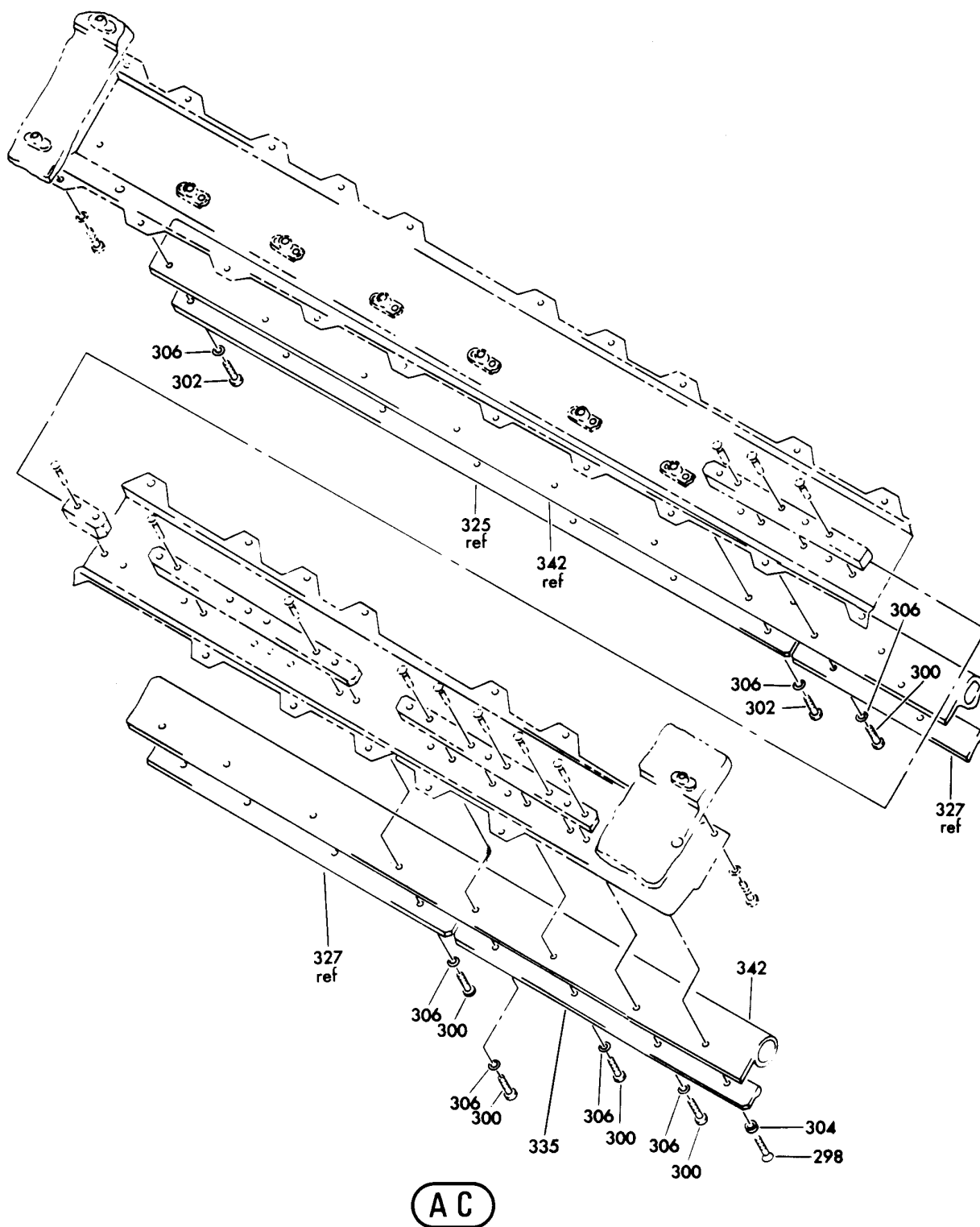
SLAT INSTL-WING LE INBD
FIGURE 5 (SHEET 10)

27-81-01-05

HXL
DEC 22/06

27-81-01-05
PAGE 01

BOEING
767
PARTS CATALOG (MAINTENANCE)



V 27810105 SHT 11 REV 064

SLAT INSTL-WING LE INBD
FIGURE 5 (SHEET 11)

27-81-01-05

HXL
DEC 22/06

27-81-01-05
PAGE 0J



767

PARTS CATALOG (MAINTENANCE)

FIG ITEM	PART NUMBER	1 2 3 4 5 6 7	NOMENCLATURE	EFFECT FROM TO	UNITS PER ASSY
5			SLAT INSTL-WING LE INBD		
- 1	114T3000-19		SLAT INSTL-WING LE POSITION DATA: INBD LH VARIABLE DRAWING REF: 114T3000-5011 FOR NHA SEE: 57-00-00-01A		RF
- 5	114T3000-20		SLAT INSTL-WING LE POSITION DATA: INBD RH VARIABLE DRAWING REF: 114T3000-5012 FOR NHA SEE: 57-00-00-01A		RF
7	MS24665-136		.PIN		1
8	MS24665-287		.PIN-		2
8	BACP18BC03C10P		.PIN- POST ALERT SB: 57A0058R2		2
10	114T3051-1		.BOLT ASSY-SIDE BRACE LINK POST ALERT SB: 57A0058R2		2
15	MS15001-1		..FITTING		1
20	114T3051-2		..BOLT		1
25	BACW10BP8DP		.WASHER- POST ALERT SB: 57A0058R2		2
27	114T3000-15		.WASHER-		2
30	BACN10JD8ASU		.NUT- POST ALERT SB: 57A0058R2		2
35	BACB28AK08-057		.BUSHING- POST ALERT SB: 57A0058R2		2
40	L8006K11		.BOLT- SUPPLIER CODE: V06725 SPECIFICATION NUMBER: BACB30MY6K11 PRE ALERT SB: 57A0058R2		1

ILLUSTRATION ITEMS NOT ON PARTS LIST ARE NOT APPLICABLE

- ITEM NOT ILLUSTRATED

HXL

27-81-01-05

BOEING PROPRIETARY - Copyright © - Unpublished Work - See title page for details.

27-81-01
FIG. 05
PAGE 1
APR 22/08



767

PARTS CATALOG (MAINTENANCE)

FIG ITEM	PART NUMBER	1 2 3 4 5 6 7	NOMENCLATURE	EFFECT FROM TO	UNITS PER ASSY
5	40	HST10AG6-11	.BOLT- SUPPLIER CODE: VOPTK6 SPECIFICATION NUMBER: BACB30VT6K11 OPTIONAL PART: HST10AG6-11 V06725 HST10AG6-11 V56878 HST10AG6-11 V73197 WC10K6-11 V60516 POST ALERT SB: 57A0058R2		1
	45	HL79-6	.COLLAR- SUPPLIER CODE: V5M902 SPECIFICATION NUMBER: BACC30M6 OPTIONAL PART: HL79-6 V73197 HL79-6 V92215 66014-6 V56878 HL79-6 V56878 PRE ALERT SB: 57A0058R2		1
	45	BACC30BL6	.COLLAR- POST ALERT SB: 57A0058R2		1
	47	114T3003-1	.RETAINER ASSY-MAIN TRIPOD POSITION DATA: LH SIDE POST ALERT SB: 57A0058R2		1
	49	114T3003-2	.RETAINER ASSY-MAIN TRIPOD POSITION DATA: RH SIDE POST ALERT SB: 57A0058R2		1
	51	NAS6705D17	.BOLT		1
	53	BACW10BP5DP	.WASHER		1
	54	BACW10BP5CD	.WASHER		1
	56	BACN10JD5ASU	.NUT		1
	ILLUSTRATION ITEMS NOT ON PARTS LIST ARE NOT APPLICABLE				

R
R
R

- ITEM NOT ILLUSTRATED

27-81-01-05

27-81-01
FIG. 05
PAGE 2
AUG 22/09

HXL



767

PARTS CATALOG (MAINTENANCE)

FIG ITEM	PART NUMBER	1 2 3 4 5 6 7	NOMENCLATURE	EFFECT FROM TO	UNITS PER ASSY
5					
58	BACB28AK05-033	.	BUSHING		1
59	114T3300-9	.	LINK ASSY-		1
			POSITION DATA:		
			LH SIDE		
- 61	114T3300-10	.	LINK ASSY-		1
			POSITION DATA:		
			RH SIDE		
63	BACB28AM11B025A	..	BUSHING		1
64	ADW05V301NC	..	BEARING		1
			SUPPLIER CODE:		
			V15860		
			SPECIFICATION NUMBER:		
			BACB10FA05GC		
			OPTIONAL PART:		
			SWKRS05-350SC		
			V81376		
			KSC152200BZ05GC		
			V50632		
			KWDB05-35		
			V97613		
			WES05FAGC		
			V73134		
			WHTFA05VC		
			VS0352		
66	114T0126-2	..	BUSHING		1
67	114T3152-1	..	NUT		1
69	114T3154-1	..	WASHER		1
71	114T3155-1	..	BEARING ASSY		1
72	114T3300-7	..	LINK-		1
			POSITION DATA:		
			LH SIDE		
- 72A	114T3300-8	..	LINK-		1
			POSITION DATA:		
			RH SIDE		

ILLUSTRATION ITEMS NOT ON PARTS LIST ARE NOT APPLICABLE

- ITEM NOT ILLUSTRATED

HXL

27-81-01-05

BOEING PROPRIETARY - Copyright © - Unpublished Work - See title page for details.

27-81-01
FIG. 05
PAGE 3
AUG 22/09

 **BOEING**
767
PARTS CATALOG (MAINTENANCE)

FIG ITEM	PART NUMBER	1 2 3 4 5 6 7	NOMENCLATURE	EFFECT FROM TO	UNITS PER ASSY
5 75	114T3007-1		.BOLT ASSY- POSITION DATA: LH SIDE QUALIFIED I/W DATA: 114T300-55 T/W 114T300-51 OR -53 MAY REPLACE 114T3007-1 T/W 114T3006-1 OR -3 114T3000-56 T/W 114T3000-52 OR -54 MAY REPLACE 114T3007-1 T/W 114T3006-2 OR -4 114T3007-3 T/W 114T3006-21 OR -22 OR -23 OR -24 MAY REPLACE 114T3007-1 T/W 114T3006-1 OR -2 OR -3 OR -4		2
- 76	114T3007-1		.BOLT ASSY- POSITION DATA: RH SIDE QUALIFIED I/W DATA: 114T3000-55 T/W 114T3000-51 OR -53 MAY REPLACE 114T3007-1 T/W 114T3006-1 OR -3 114T3000-56 T/W 114T3000-52 OR -54 MAY REPLACE 114T3007-1 T/W 114T3006-2 OR -4 114T3007-3 T/W 114T3006-21 OR -22 OR -23 OR -24 MAY REPLACE 114T3007-1 T/W 114T3006-1 OR -2 OR -3 -4		2
77	PLGA1874020		..PIN- SUPPLIER CODE: V92555 SPECIFICATION NUMBER: BACP20AX15AP USED ON: 015T1492-9 015T1492-10 114T3000-55 114T3000-56 114T3007-1 114T3007-3 114T3007-5		1

ILLUSTRATION ITEMS NOT ON PARTS LIST ARE NOT APPLICABLE

- ITEM NOT ILLUSTRATED

HXL

27-81-01-05

BOEING PROPRIETARY - Copyright © - Unpublished Work - See title page for details.

27-81-01
FIG. 05
PAGE 4
DEC 22/07

 **BOEING**
767
PARTS CATALOG (MAINTENANCE)

FIG ITEM	PART NUMBER	1 2 3 4 5 6 7	NOMENCLATURE	EFFECT FROM TO	UNITS PER ASSY
5					
78	BACP20AX15A		.. PLUG- USED ON: 015T1492-9 015T1492-10 114T3000-55 114T3000-56 114T3007-1 114T3007-3 114T3007-5		1
79	114T3007-2		.. BOLT- USED ON: 015T1492-9 015T1492-10 114T3000-55 114T3000-56 114T3007-1		1
81	114T3001-5		.BOLT ASSY-AUX TRACK ARM ROLLER POSITION DATA: LH SIDE		1
81A	114T3001-9		.BOLT ASSY-AUX TRACK ARM ROLLER POSITION DATA: LH SIDE		1
81B	114T3001-13		.BOLT- POSITION DATA: LH SIDE		1
- 82	114T3001-10		.BOLT ASSY-AUX TRACK ARM ROLLER POSITION DATA: RH SIDE		1
- 83	114T3001-6		.BOLT ASSY-AUX TRACK ARM ROLLER POSITION DATA: RH SIDE		1
85	BACP20AX09AP		.. PIN- POSITION DATA: LH SIDE USED ON: 114T3001-5 114T3001-9		1
- 87	BACP20AX09AP		.. PIN- POSITION DATA: RH SIDE USED ON: 114T3001-6 114T3001-10		1

ILLUSTRATION ITEMS NOT ON PARTS LIST ARE NOT APPLICABLE

- ITEM NOT ILLUSTRATED

HXL

27-81-01-05

BOEING PROPRIETARY - Copyright © - Unpublished Work - See title page for details.

27-81-01
FIG. 05
PAGE 5
DEC 22/07



767

PARTS CATALOG (MAINTENANCE)

FIG ITEM	PART NUMBER	1 2 3 4 5 6 7	NOMENCLATURE	EFFECT FROM TO	UNITS PER ASSY
5	90 BACP20AX09A		.. PLUG- POSITION DATA: LH SIDE USED ON: 114T3001-5 114T3001-9		1
- 93	BACP20AX09A		.. PLUG- POSITION DATA: RH SIDE USED ON: 114T3001-6 114T3001-10		1
95	MS15001-1		.. FITTING- POSITION DATA: LH SIDE USED ON: 114T3001-5 114T3001-9		1
- 97	MS15001-1		.. FITTING- POSITION DATA: RH SIDE USED ON: 114T3001-6 114T3001-10		1
100	114T3001-11		.. BOLT- POSITION DATA: LH SIDE USED ON: 114T3001-9		1
101	114T3001-7		.. BOLT- POSITION DATA: LH SIDE USED ON: 114T3001-5		1
- 103	114T3001-12		.. BOLT- POSITION DATA: RH SIDE USED ON: 114T3001-10		1
- 104	114T3001-8		.. BOLT- POSITION DATA: RH SIDE USED ON: 114T3001-6		1

ILLUSTRATION ITEMS NOT ON PARTS LIST ARE NOT APPLICABLE

- ITEM NOT ILLUSTRATED

HXL

27-81-01-05

BOEING PROPRIETARY - Copyright © - Unpublished Work - See title page for details.

27-81-01
FIG. 05
PAGE 6
DEC 22/07



767

PARTS CATALOG (MAINTENANCE)

FIG ITEM	PART NUMBER	1 2 3 4 5 6 7	NOMENCLATURE	EFFECT FROM TO	UNITS PER ASSY
5 106	114T3006-1		.WASHER ASSY- POSITION DATA: LH SIDE QUALIFIED I/W DATA: 114T3000-51 T/W 114T3000-55 MAY REPLACE 114T3006-1 T/W 114T3007-1 114T3006-21 T/W 114T3007-3 MAY REPLACE 114T3006-1 T/W 114T3007-1 114T3006-33 T/W 114T3007-3 MAY REPLACE 114T3006-1 T/W 114T3007-1 114T3006-45 TOGETHER WITH 114T3007-3 MAY REPLACE 114T3006-1 TOGETHER WITH 114T3007-1		1
107	114T3006-3		.WASHER ASSY- POSITION DATA: LH SIDE QUALIFIED I/W DATA: 114T3000-53 T/W 114T3000-55 MAY REPLACE 114T3006-3 114T3007-1 114T3006-23 T/W 114T3007-3 MAY REPLACE 114T3006-3 T/W 114T3007-1 114T3006-43 TOGETHER WITH 114T3007-3 MAY REPLACE 114T3006-3 TOGETHER WITH 114T3007-1		1

ILLUSTRATION ITEMS NOT ON PARTS LIST ARE NOT APPLICABLE

- ITEM NOT ILLUSTRATED

HXL

27-81-01-05

BOEING PROPRIETARY - Copyright © - Unpublished Work - See title page for details.

27-81-01
FIG. 05
PAGE 7
DEC 22/07



767

PARTS CATALOG (MAINTENANCE)

FIG ITEM	PART NUMBER	1 2 3 4 5 6 7	NOMENCLATURE	EFFECT FROM TO	UNITS PER ASSY
5 - 109	114T3006-2		.WASHER ASSY- POSITION DATA: RH SIDE QUALIFIED I/W DATA: 114T3000-52 T/W 114T3000-56 MAY REPLACE 114T3006-2 T/W 114T3007-1 114T3006-22 T/W 114T3007-3 MAY REPLACE 114T3006-2 T/W 114T3007-1 114T3006-34 T/W 114T3007-3 MAY REPLACE 114T3006-2 T/W 114T3007-1		1
- 112	114T3006-4		.WASHER ASSY- POSITION DATA: RH SIDE MISCELLANEOUS DATA: USED ON 114T3000-5002 114T3000-5004 114T3000-5006 114T3000-5010 114T3000-5012 114T3000-5014 114T3000-5016 QUALIFIED I/W DATA: 114T3000-54 T/W 114T3000-56 MAY REPLACE 114T3006-4 T/W 114T3007-1 114T3006-24 T/W 114T3007-3 MAY REPLACE 114T3006-4 T/W 114T3007-1		1

ILLUSTRATION ITEMS NOT ON PARTS LIST ARE NOT APPLICABLE

- ITEM NOT ILLUSTRATED

HXL

27-81-01-05

BOEING PROPRIETARY - Copyright © - Unpublished Work - See title page for details.

27-81-01
FIG. 05
PAGE 8
DEC 22/07

 **BOEING**
767
PARTS CATALOG (MAINTENANCE)

FIG ITEM	PART NUMBER	1 2 3 4 5 6 7	NOMENCLATURE	EFFECT FROM TO	UNITS PER ASSY
5					
115	MS15001-1		.. FITTING- USED ON: 114T3000-51 114T3000-52 114T3000-53 114T3000-54 114T3006-1 114T3006-2 114T3006-3 114T3006-4 114T3006-21 114T3006-22 114T3006-23 114T3006-24 114T3006-33 114T3006-34		1
117	114T3006-5		.. WASHER- POSITION DATA: LH SIDE USED ON: 114T3000-51 114T3006-1		1
- 118	114T3006-6		.. WASHER- POSITION DATA: RH SIDE USED ON: 114T3000-52 114T3006-2		1
119	114T3006-7		.. WASHER- POSITION DATA: LH SIDE USED ON: 114T3000-53 114T3006-3		1
- 122	114T3006-8		.. WASHER- POSITION DATA: RH SIDE USED ON: 114T3000-54 114T3006-4		1
124	BACW10BP8DP		. WASHER-		3

ILLUSTRATION ITEMS NOT ON PARTS LIST ARE NOT APPLICABLE

- ITEM NOT ILLUSTRATED

HXL

27-81-01-05

BOEING PROPRIETARY - Copyright © - Unpublished Work - See title page for details.

27-81-01
FIG. 05
PAGE 9
DEC 22/07



767

PARTS CATALOG (MAINTENANCE)

FIG ITEM	PART NUMBER	1 2 3 4 5 6 7	NOMENCLATURE	EFFECT FROM TO	UNITS PER ASSY
5 126	BMN4122AD3-8	.NUT-	SUPPLIER CODE: V97928 SPECIFICATION NUMBER: BACN10JC8 OPTIONAL PART: BMN4122A8 V85495 H10-8BAC V15653 RMLH9074-8 V72962 48FT820 V56878		3
129	ATF8	.BEARING-	SUPPLIER CODE: V60380 SPECIFICATION NUMBER: BACB10ET08 OPTIONAL PART: 8AFC1021 V92563 YAF08B V07484		3
130	BACB30LT7-17	.BOLT-			2
135	BACW10BP7CD	.WASHER-			2
140	BACW10BP7DP	.WASHER-			2
147	114T3000-21	.WASHER-	QUALIFIED I/W DATA: AN960-1016L R/B I/W QTY 2 OF 114T3000-21		4
150	BRH10A7	.NUT-	SUPPLIER CODE: V52828 SPECIFICATION NUMBER: BACN10JC7 OPTIONAL PART: H10-7BAC V15653 RMLH9075-7 V72962 96-070 V80539		2
155	BACB28AK07-027	.BUSHING-			2
158	MS24665-287	.PIN-			2
160	NAS6708D23	.BOLT-			2
165	114T3002-2	.WASHER			1
167	BACW10BP8CD	.WASHER-			2
169	BACW10BP8DP	.WASHER-			2

ILLUSTRATION ITEMS NOT ON PARTS LIST ARE NOT APPLICABLE

- ITEM NOT ILLUSTRATED

27-81-01-05

27-81-01
FIG. 05
PAGE 10
DEC 22/07

HXL



767

PARTS CATALOG (MAINTENANCE)

FIG ITEM	PART NUMBER	1 2 3 4 5 6 7	NOMENCLATURE	EFFECT FROM TO	UNITS PER ASSY
5					
172	BACN10JD8ASU	.	NUT-		2
174	BACB28AK08-046	.	BUSHING-		2
190	BACB30LJ4-17	.	BOLT		1
195	AN960PD416	.	WASHER		2
200	BRH10A4	.	NUT-		1
			SUPPLIER CODE: V52828		
			SPECIFICATION NUMBER: BACN10JC4		
			OPTIONAL PART: T6S428J		
			V11815		
			96-048		
			V80539		
			VN303A048		
			V92215		
			RMLH9075-4W		
			V72962		
			NS202101-048		
			V80539		
			H10-4BAC		
			V15653		
205	114T4132-1	.	BUSHING-DOWNSTOP		2
210	BACB28AK08-037	.	BUSHING-		1
215	114T3302-1	.	TRACK ASSY-		1
			COMPONENT MAINT MANUAL REF: 27-81-28		
220	114T3052-1	.	RETAINER ASSY-		1
223	MS24665-287	.	PIN-		1
225	NAS6708D20	.	BOLT-		1
227	BACW10BP8CD	.	WASHER-		1
230	BACW10BP8DP	.	WASHER-		1
235	BACN10JD8ASU	.	NUT-		1
250	015T1507-657	.	SLAT ASSY-NO. 6	163999	1
			POSITION DATA: LH SIDE		
			COMPONENT MAINT MANUAL REF: 57-43-37		
			SERVICE BULLETIN OPT DATA: 015T1507-617		
			POST ALERT SB: 57A0057R2		

ILLUSTRATION ITEMS NOT ON PARTS LIST ARE NOT APPLICABLE

- ITEM NOT ILLUSTRATED

HXL

27-81-01-05

BOEING PROPRIETARY - Copyright © - Unpublished Work - See title page for details.

27-81-01
FIG. 05
PAGE 11
DEC 22/07



767

PARTS CATALOG (MAINTENANCE)

FIG ITEM	PART NUMBER	1 2 3 4 5 6 7	NOMENCLATURE	EFFECT FROM TO	UNITS PER ASSY
5 252	015T1507-617	.	SLAT ASSY-NO. 6 POSITION DATA: LH SIDE COMPONENT MAINT MANUAL REF: 57-43-37 SERVICE BULLETIN OPT DATA: 015T1507-657 POST ALERT SB: 57A0057R2	163999	1
- 255	015T1507-618	.	SLAT ASSY-NO. 7 POSITION DATA: RH SIDE COMPONENT MAINT MANUAL REF: 57-43-37 SERVICE BULLETIN OPT DATA: 015T1507-658 POST ALERT SB: 57A0057R2	163999	1
- 257	015T1507-658	.	SLAT ASSY-NO. 7 POSITION DATA: RH SIDE COMPONENT MAINT MANUAL REF: 57-43-37 SERVICE BULLETIN OPT DATA: 015T1507-618 POST ALERT SB: 57A0057R2	163999	1
600	114T3301-5	.	LINK ASSY- POSITION DATA: LH SIDE COMPONENT MAINT MANUAL REF: 27-81-29 QUALIFIED I/W DATA: 114T3301-5 MAY REPLACE 114T3301-3 ON LEFT SIDE		1
- 605	114T3301-6	.	LINK ASSY- POSITION DATA: RH SIDE COMPONENT MAINT MANUAL REF: 27-81-29 QUALIFIED I/W DATA: 114T3301-6 MAY REPLACE 114T3301-3 ON RIGHT SIDE		1
610	114T3308-25	..	PLATE		1
615	114T3308-26	..	PLATE		1

ILLUSTRATION ITEMS NOT ON PARTS LIST ARE NOT APPLICABLE

- ITEM NOT ILLUSTRATED

27-81-01-05

27-81-01
FIG. 05
PAGE 12
APR 22/08

HXL



767

PARTS CATALOG (MAINTENANCE)

FIG ITEM	PART NUMBER	1 2 3 4 5 6 7	NOMENCLATURE	EFFECT FROM TO	UNITS PER ASSY
5			ATTACHING PARTS		
- 620	HL441UC6-3		..BOLT- SUPPLIER CODE: V60516 SPECIFICATION NUMBER: BACB30FM6A3 OPTIONAL PART: HL440UC6-3 V73197 HL440UC6-3 V92215 HL440UC6-3 V97928 HL440UC6-3 V80539 67067-6A3 V56878 HL440UC6-3 V08524 HL440UC6-3 V56878		2
- 625	HL79-6		..COLLAR SUPPLIER CODE: V5M902 SPECIFICATION NUMBER: BACC30M6 OPTIONAL PART: HL79-6 V73197 HL79-6 V92215 66014-6 V56878 HL79-6 V56878		2
630	BACB30NR4K10		..BOLT		2
635	AN960PD416L		..WASHER		2
-----*-----					
ILLUSTRATION ITEMS NOT ON PARTS LIST ARE NOT APPLICABLE					

- ITEM NOT ILLUSTRATED

HXL

27-81-01-05

BOEING PROPRIETARY - Copyright © - Unpublished Work - See title page for details.

27-81-01
FIG. 05
PAGE 13
APR 22/08

 **BOEING**
767
PARTS CATALOG (MAINTENANCE)

FIG ITEM	PART NUMBER	1 2 3 4 5 6 7	NOMENCLATURE	EFFECT FROM TO	UNITS PER ASSY
5 640	BRH10A4		.. NUT SUPPLIER CODE: V52828 SPECIFICATION NUMBER: BACN10JC4 OPTIONAL PART: T6S428J V11815 96-048 V80539 VN303A048 V92215 RMLH9075-4W V72962 NS202101-048 V80539 H10-4BAC V15653		3
645	114T0132-1		.. SUPPORT ASSY- POSITION DATA: FWD LH SIDE OPTIONAL PART: 114T0236-1 USED ON: 114T3301-5 114T3301-17 114T3301-23		1
645	114T0236-1		.. SUPPORT ASSY- POSITION DATA: FWD LH SIDE OPTIONAL PART: 114T0132-1 USED ON: 114T3301-5 114T3301-17 114T3301-23		1
- 648	114T0132-2		.. SUPPORT ASSY- POSITION DATA: FWD RH SIDE OPTIONAL PART: 114T0236-2 USED ON: 114T3301-6 114T3301-18 114T3301-24		1

ILLUSTRATION ITEMS NOT ON PARTS LIST ARE NOT APPLICABLE

- ITEM NOT ILLUSTRATED

HXL

27-81-01-05

BOEING PROPRIETARY - Copyright © - Unpublished Work - See title page for details.

27-81-01
FIG. 05
PAGE 14
APR 22/08



767

PARTS CATALOG (MAINTENANCE)

FIG ITEM	PART NUMBER	1 2 3 4 5 6 7	NOMENCLATURE	EFFECT FROM TO	UNITS PER ASSY
5 - 648	114T0236-2		.. SUPPORT ASSY- POSITION DATA: FWD RH SIDE OPTIONAL PART: 114T0132-2 USED ON: 114T3301-6 114T3301-18 114T3301-24		1
650	114T0132-3		.. SUPPORT ASSY- POSITION DATA: FWD LH SIDE OPTIONAL PART: 114T0065-1 USED ON: 114T3301-5 114T3301-17 114T3301-23		1
650	114T0065-1		.. SUPPORT ASSY- POSITION DATA: FWD LH SIDE OPTIONAL PART: 114T0132-3 USED ON: 114T3301-5 114T3301-17 114T3301-23		1
- 653	114T0132-4		.. SUPPORT ASSY- POSITION DATA: FWD RH SIDE OPTIONAL PART: 114T0065-2 USED ON: 114T3301-6 114T3301-18 114T3301-24		1
- 653	114T0065-2		.. SUPPORT ASSY- POSITION DATA: FWD RH SIDE OPTIONAL PART: 114T0132-4 USED ON: 114T3301-6 114T3301-18 114T3301-24		1
655	BACB30NT3K8		.. BOLT		12
660	AN960PD10		.. WASHER		8

ILLUSTRATION ITEMS NOT ON PARTS LIST ARE NOT APPLICABLE

- ITEM NOT ILLUSTRATED

27-81-01-05

27-81-01
FIG. 05
PAGE 15
APR 22/08

HXL

 **BOEING**
767
PARTS CATALOG (MAINTENANCE)

FIG ITEM	PART NUMBER	1 2 3 4 5 6 7	NOMENCLATURE	EFFECT FROM TO	UNITS PER ASSY
5					
665	K29646-3S		.. WASHER- SUPPLIER CODE: V15653 SPECIFICATION NUMBER: BACW10CA3CVS OPTIONAL PART: 70186-3S V56878 922005-3 V60119 942005-3 V60119		4
670	K29913-3S		.. WASHER SUPPLIER CODE: V15653 SPECIFICATION NUMBER: BACW10CA3CCS OPTIONAL PART: 70189-3S V56878 922006-3 V60119 942006-3 V60119		4
675	BACF3T02B8-17		.. FILLER- USED ON: 114T3301-5 114T3301-6 114T3301-17 114T3301-18 114T3301-23 114T3301-24		1
680	BACF3T12H8-17		.. FILLER- USED ON: 114T3301-5 114T3301-6 114T3301-17 114T3301-18 114T3301-23 114T3301-24		1
685	114T3301-13		.. PLATE		1
693	114T3308-23		.. SEAL- POSITION DATA: LH SIDE MANUFACTURED FROM: EXT RUBBER 10-60754-418 X 15.8 IN SPARES ORDER MATERIAL CODE: 5287004180		1

R
R
R
R
R
R
R
R

ILLUSTRATION ITEMS NOT ON PARTS LIST ARE NOT APPLICABLE

- ITEM NOT ILLUSTRATED

HXL

27-81-01-05

BOEING PROPRIETARY - Copyright © - Unpublished Work - See title page for details.

27-81-01
FIG. 05
PAGE 16
AUG 22/09

 **BOEING**
767
PARTS CATALOG (MAINTENANCE)

FIG ITEM	PART NUMBER	1 2 3 4 5 6 7	NOMENCLATURE	EFFECT FROM TO	UNITS PER ASSY
5 - R R R R R R R R R R R R R R	698	114T3308-24	..SEAL- POSITION DATA: RH SIDE MANUFACTURED FROM: EXT RUBBER 10-60754-418 X 15.8 IN SPARES ORDER MATERIAL CODE: 5287004180		1
	705	114T3308-14	..SEAL- MANUFACTURED FROM: EXTR RUBBER 10-60754-418 X 13.0 IN SPARES ORDER MATERIAL CODE: 5287004180		1
	710	114T3308-16	..SEAL- MANUFACTURED FROM: EXTR RUBBER 10-60754-418 X 6.1 IN SPARES ORDER MATERIAL CODE: 5287004180		1
	715	BACB30NR4K35	..BOLT		1
	720	AN960PD416	..WASHER		1
	725	AN960XC416L	..WASHER		1
	735	BACB28Y6F055	..BUSHING		1
	740	BACB28Y6F049	..BUSHING		1
	745	114T6409-6	..BUSHING		1
	750	AN960XC616	..WASHER		1
	755	114T0134-1	..SUPPORT ASSY- POSITION DATA: AFT LH SIDE		1
	- 758	114T0134-2	..SUPPORT ASSY- POSITION DATA: AFT RH SIDE		1
	760	BACB28X6M009	...BUSHING		1
	765	114T0134-5	..SUPPORT ASSY- POSITION DATA: AFT LH SIDE		1
	- 768	114T0134-6	..SUPPORT ASSY- POSITION DATA: AFT RH SIDE		1
770	BACB28X4C009	...BUSHING		1	
780	BACB28AP08P024	..BUSHING- USED ON: 114T3301-5 114T3301-6 114T3301-23 114T3301-24		1	

ILLUSTRATION ITEMS NOT ON PARTS LIST ARE NOT APPLICABLE

- ITEM NOT ILLUSTRATED

HXL

27-81-01-05

BOEING PROPRIETARY - Copyright © - Unpublished Work - See title page for details.

27-81-01
FIG. 05
PAGE 17
AUG 22/09



767

PARTS CATALOG (MAINTENANCE)

FIG ITEM	PART NUMBER	1 2 3 4 5 6 7	NOMENCLATURE	EFFECT FROM TO	UNITS PER ASSY
5					
783	BACB28AP08P024	..	BUSHING- USED ON: 114T3301-5 114T3301-6		1
785	BACB28AM11B024A	..	BUSHING- USED ON: 114T3301-5 114T3301-6		1
787	BACB28AM11B024A	..	BUSHING- USED ON: 114T3301-5 114T3301-6		1
790	114T0143-1	..	BUSHING		1
795	114T0143-2	..	BUSHING		1
- 800	114T0100-1		LEADING EDGE INSTL-WING FXD (FLIGHT CONTROLS ONLY) POSITION DATA: INBD LH VARIABLE DRAWING REF: 114T0100-5003 FOR NHA/OTHER SYS DET SEE: 57-11-52-01		RF
- 805	114T0100-2		LEADING EDGE INSTL-WING FXD (FLIGHT CONTROLS ONLY) POSITION DATA: INBD RH VARIABLE DRAWING REF: 114T0100-5004 FOR NHA/OTHER SYS DET SEE: 57-11-52-01		RF
810	BACB30LT7-18	.	BOLT-		2
815	BACW10BP7CD	.	WASHER		2
820	BACW10BP7DP	.	WASHER		2
825	AN960-1016L	.	WASHER		2
830	BACN10JC7CM	.	NUT		2
835	BACB28AK07-031	.	BUSHING		2
840	114T0115-1	.	ROD ASSY		2
845	NAS509-8C	..	NUT		1
850	NAS1193K8C	..	LOCKING DEVICE		1
855	114T0115-3	..	FORK ASSY		1
860	BACB28AM10B010	...	BUSHING		1
865	BACB28AP07P012	...	BUSHING		1
870	114T0115-4	...	FORK		1
875	114T0115-2	..	TUBE		1

ILLUSTRATION ITEMS NOT ON PARTS LIST ARE NOT APPLICABLE

- ITEM NOT ILLUSTRATED

27-81-01-05

27-81-01
FIG. 05
PAGE 18
AUG 22/09

HXL

BOEING PROPRIETARY - Copyright © - Unpublished Work - See title page for details.



767

PARTS CATALOG (MAINTENANCE)

FIG ITEM	PART NUMBER	1 2 3 4 5 6 7	NOMENCLATURE	EFFECT FROM TO	UNITS PER ASSY
5 880	ADNE7-312N		..BEARING-.4375 BORE LE LINK EXT THREAD ROD END SUPPLIER CODE: V15860 SPECIFICATION NUMBER: S012T235-2 OPTIONAL PART: ARNM7-102 VS0352 ATTACHING PARTS		1
- 885	MS20615-4M		..RIVET -----*-----		1
900			ILLUSTRATION REFERENCE: GEARBOX INSTL-INBD LE SLAT 27-81-20-01		RF

ILLUSTRATION ITEMS NOT ON PARTS LIST ARE NOT APPLICABLE

- ITEM NOT ILLUSTRATED

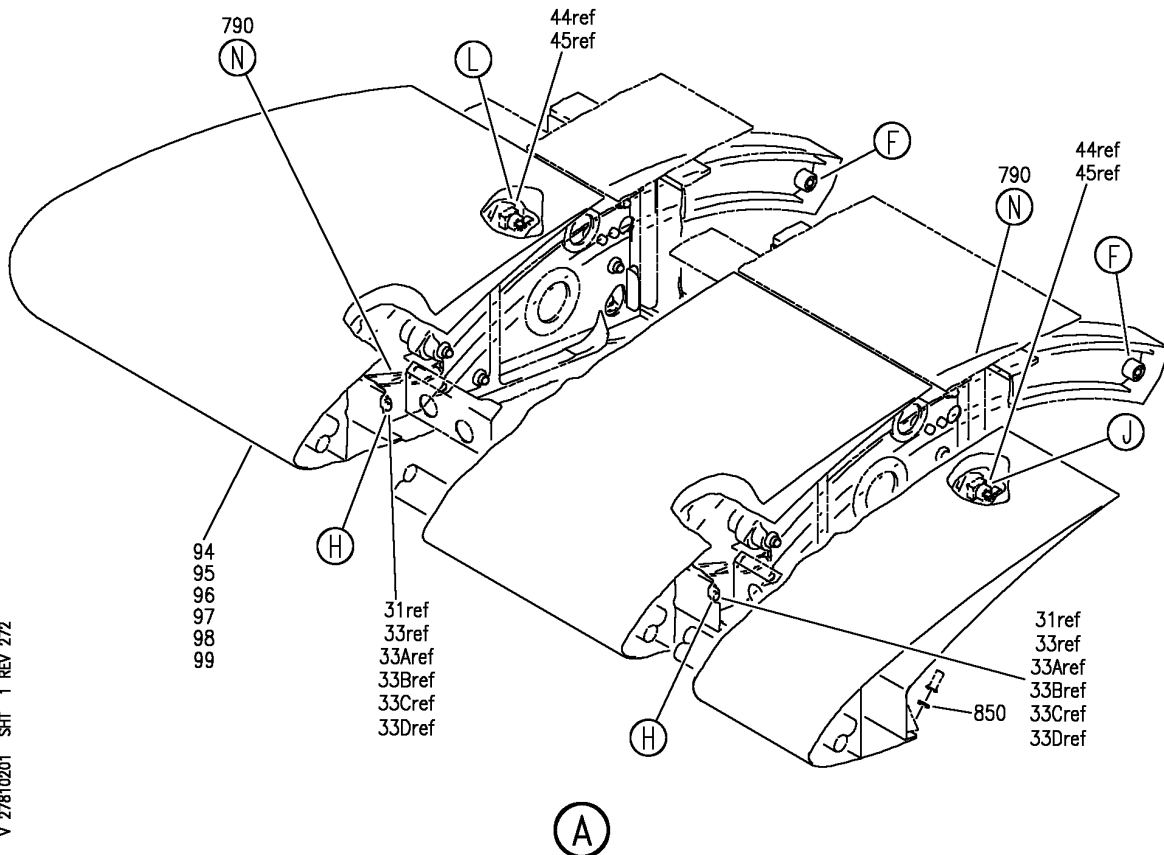
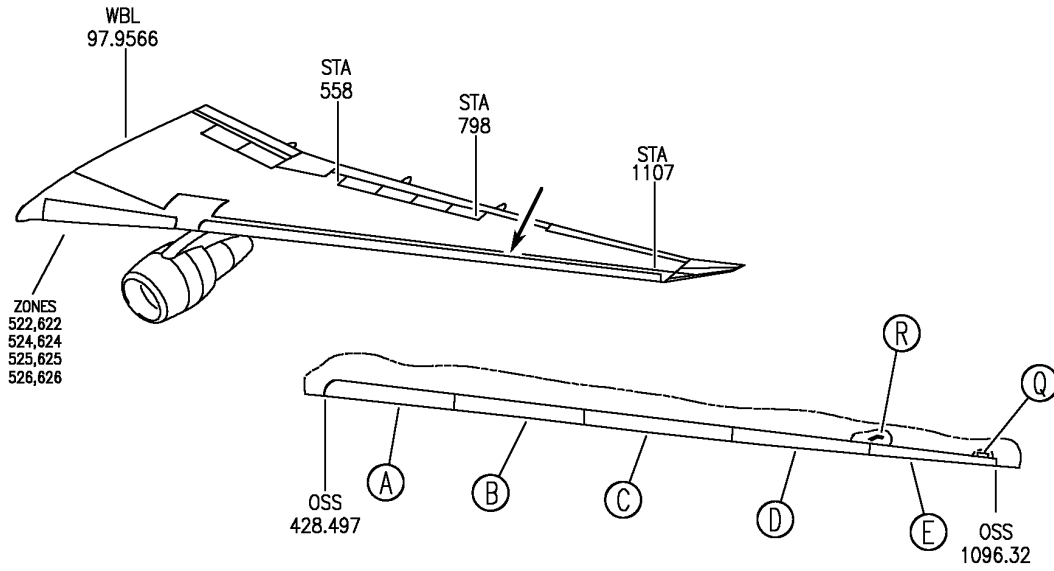
HXL

27-81-01-05

BOEING PROPRIETARY - Copyright © - Unpublished Work - See title page for details.

27-81-01
FIG. 05
PAGE 19
AUG 22/09

BOEING
767
PARTS CATALOG (MAINTENANCE)



V 27810201 SH-T 1 REV 272

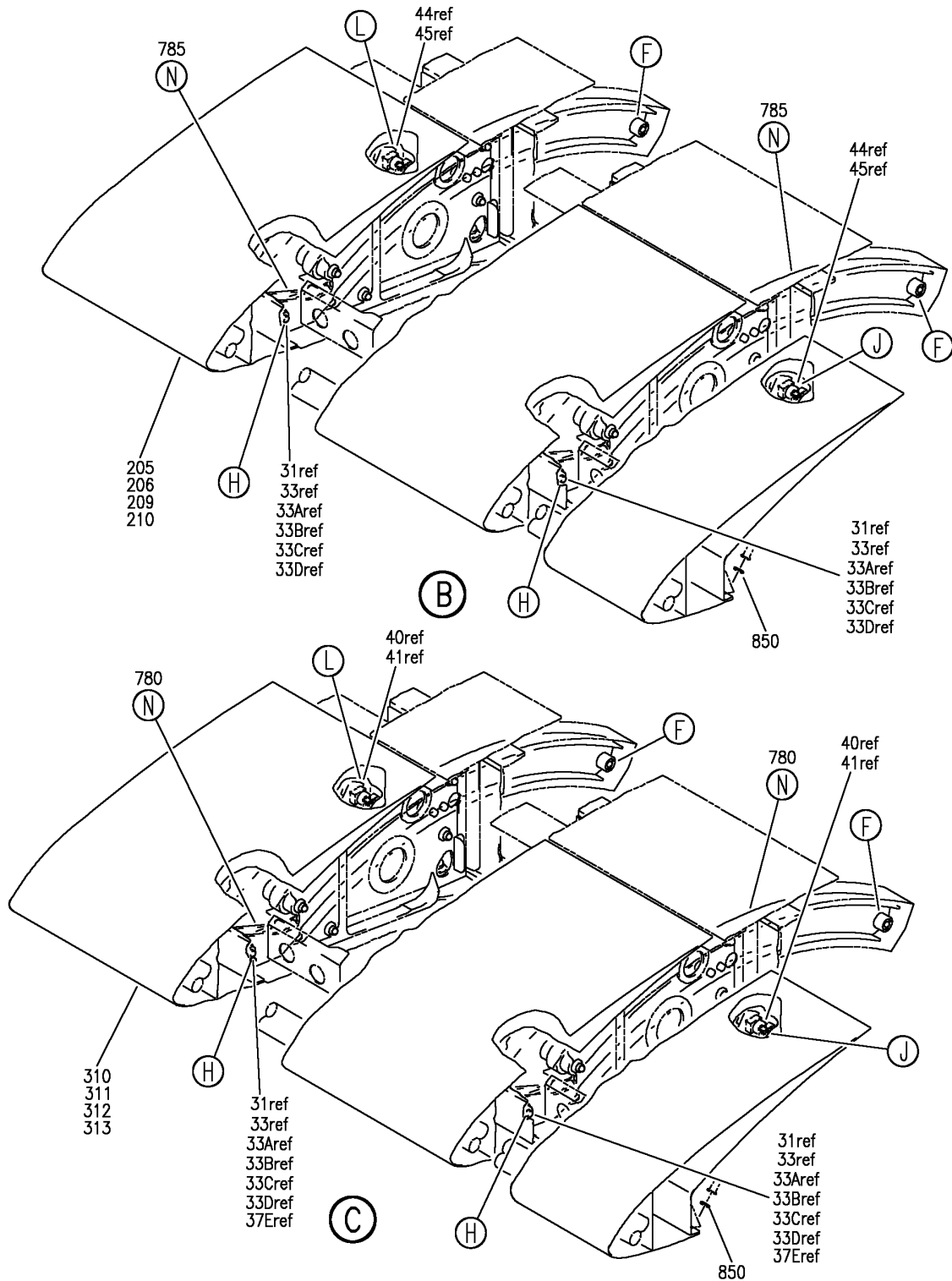
SLAT INSTL-WING LE OUTBD
FIGURE 1 (SHEET 1)

27-81-02-01

HXL
DEC 22/06

27-81-02-01
PAGE 0

BOEING
767
PARTS CATALOG (MAINTENANCE)



V 27810201 SH1 2 REV 272

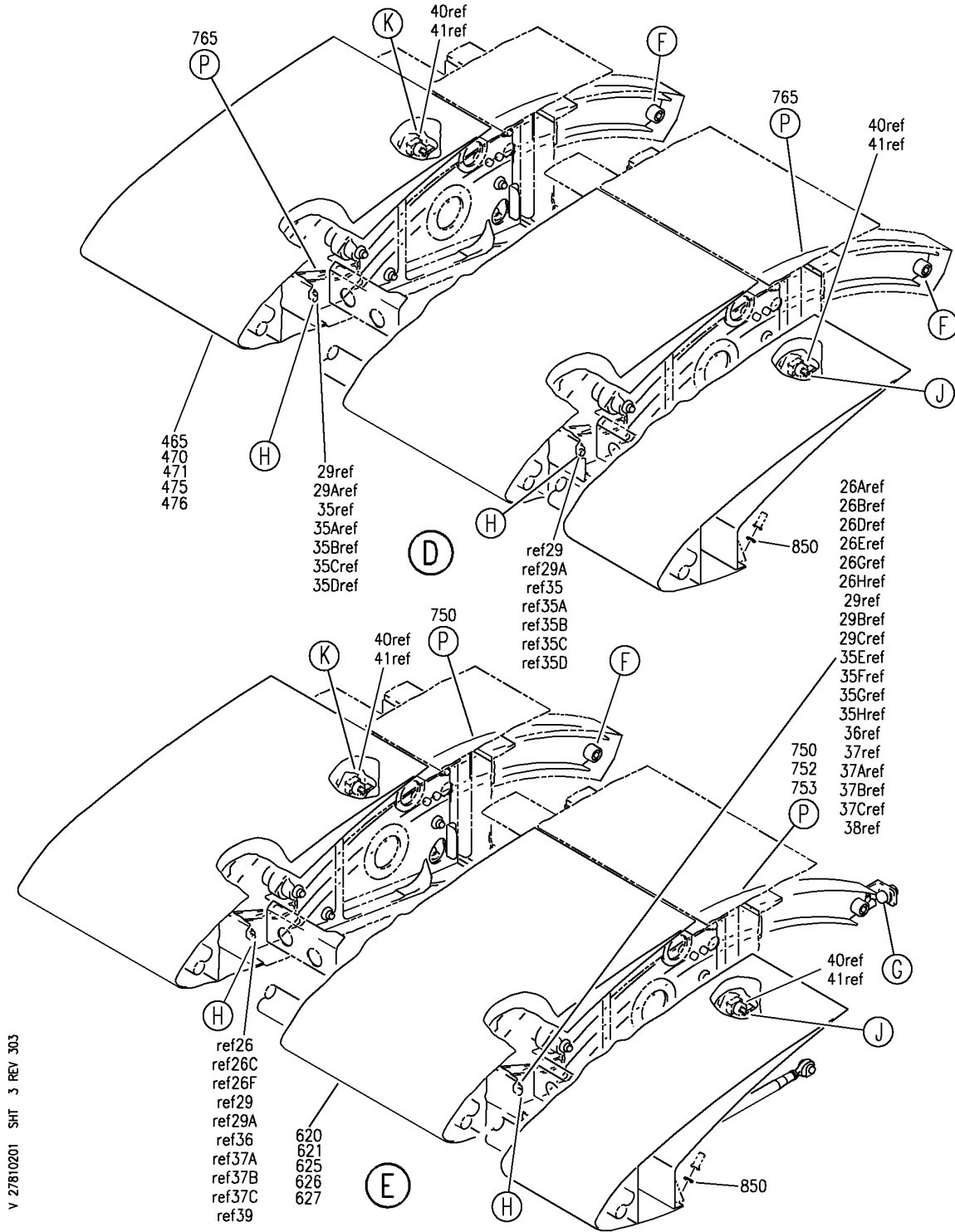
SLAT INSTL-WING LE OUTBD
FIGURE 1 (SHEET 2)

27-81-02-01

HXL
DEC 22/06

27-81-02-01
PAGE 0A

BOEING
767
PARTS CATALOG (MAINTENANCE)



V 27810201 SHT 3 REV 303

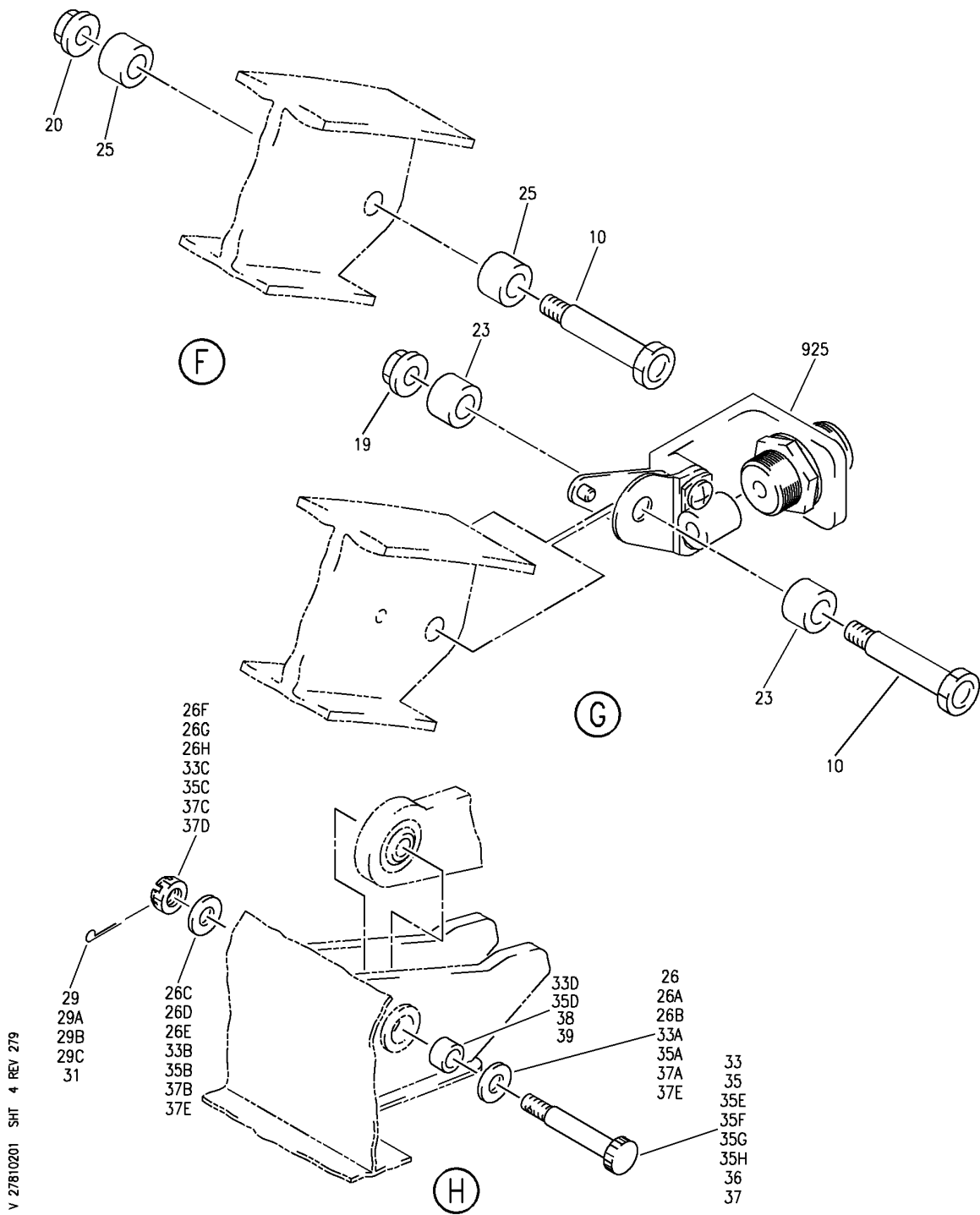
SLAT INSTL-WING LE OUTBD
FIGURE 1 (SHEET 3)

27-81-02-01

HXL
DEC 22/06

27-81-02-01
PAGE 0B

BOEING
767
PARTS CATALOG (MAINTENANCE)



V 27B10201 SHT 4 REV 279

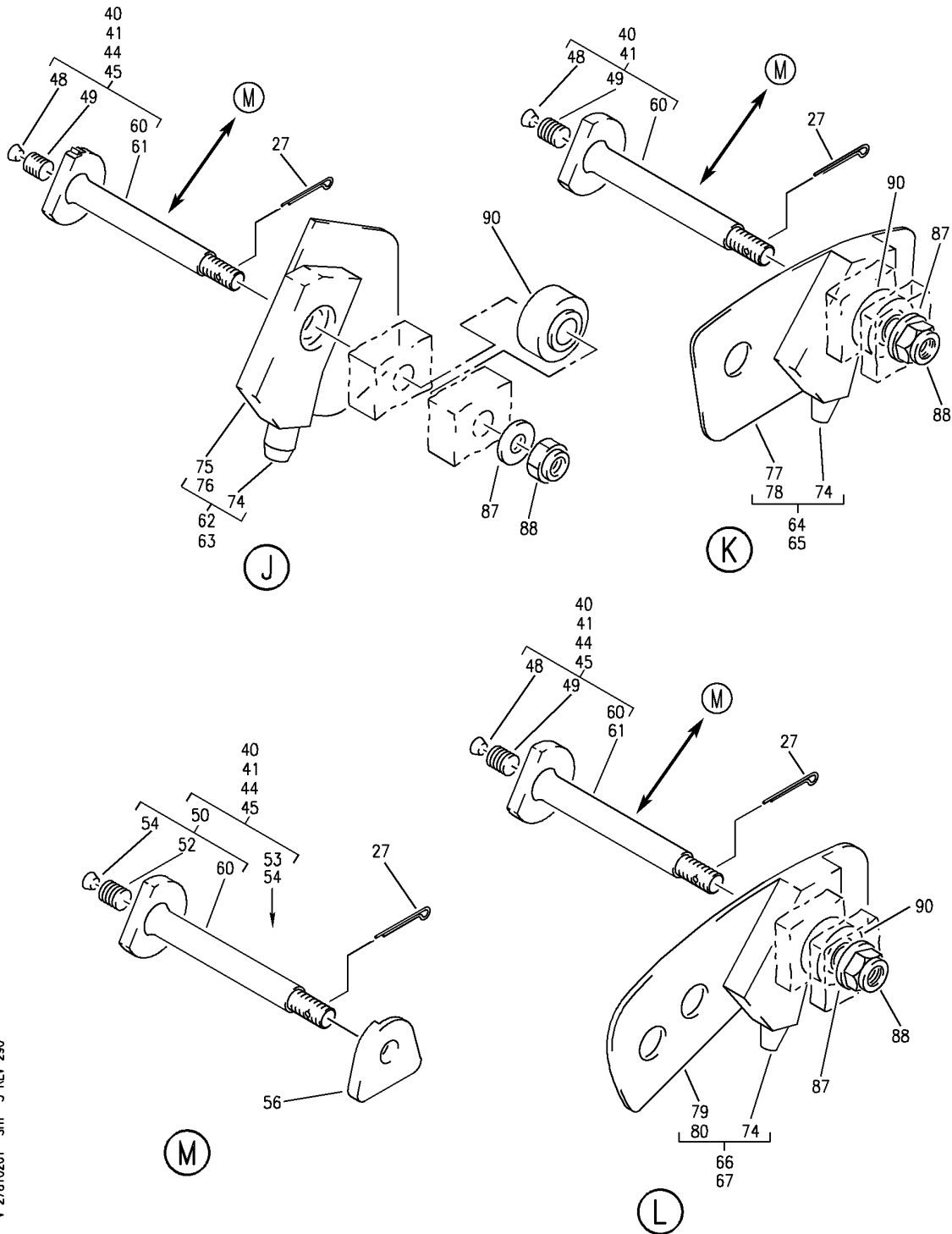
SLAT INSTL-WING LE OUTBD
FIGURE 1 (SHEET 4)

27-81-02-01

HXL
DEC 22/06

27-81-02-01
PAGE 0C

BOEING
767
PARTS CATALOG (MAINTENANCE)



V 27810201 SHT 5 REV 290

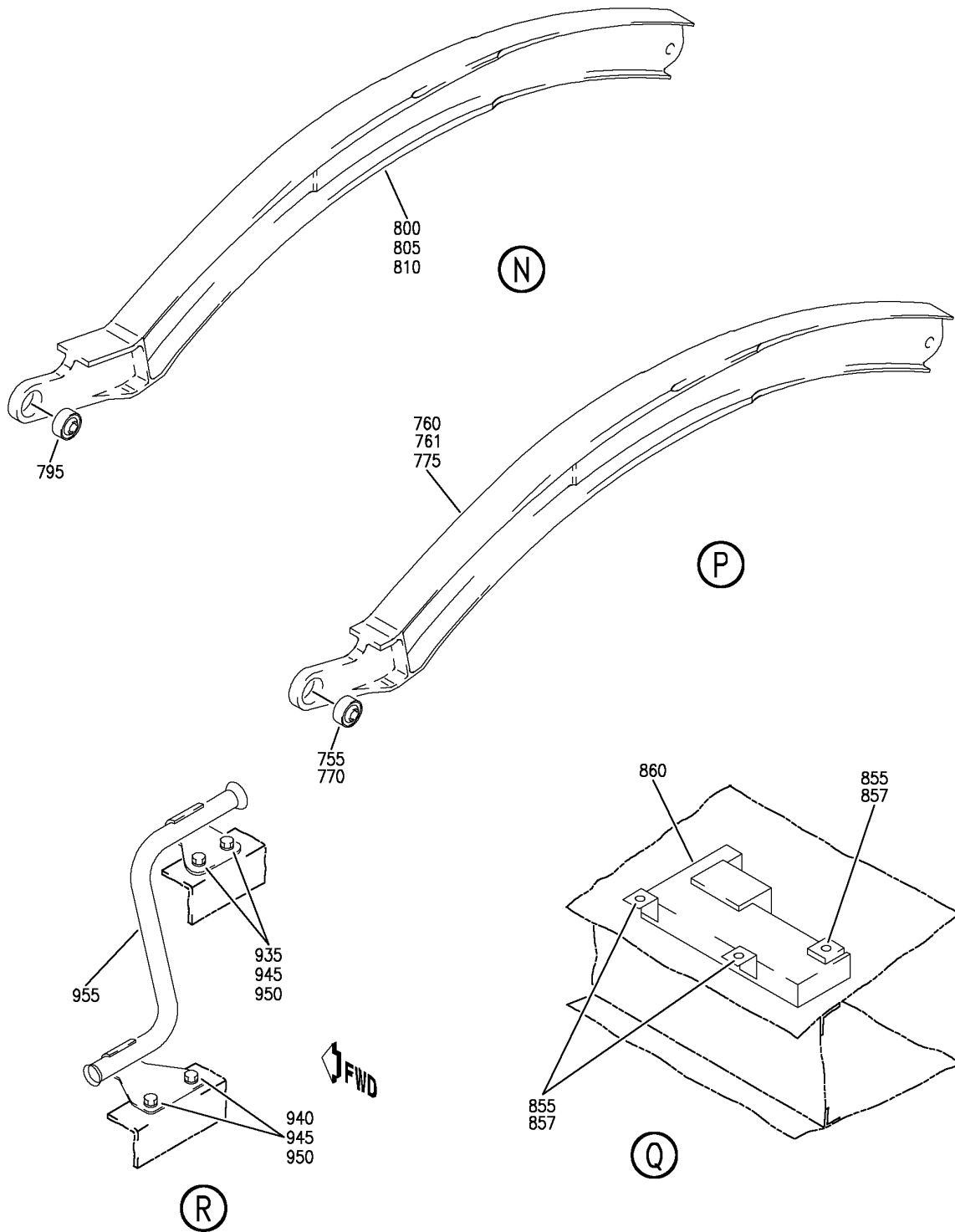
SLAT INSTL-WING LE OUTBD
FIGURE 1 (SHEET 5)

27-81-02-01

HXL
DEC 22/06

27-81-02-01
PAGE 0D

BOEING
767
PARTS CATALOG (MAINTENANCE)



V 27810201 SHT 6 REV 254

SLAT INSTL-WING LE OUTBD
FIGURE 1 (SHEET 6)

27-81-02-01

HXL
DEC 22/06

27-81-02-01
PAGE 0E

 **BOEING**
767
PARTS CATALOG (MAINTENANCE)

FIG ITEM	PART NUMBER	1 2 3 4 5 6 7	NOMENCLATURE	EFFECT FROM TO	UNITS PER ASSY
1					
- 1	114T4000-23		SLAT INSTL-WING LE OUTBD SLAT INSTL-WING LE POSITION DATA: OUTBD LH VARIABLE DRAWING REF: 114T4000-5023 FOR NHA SEE: 57-00-00-01A		RF
- 5	114T4000-24		SLAT INSTL-WING LE POSITION DATA: OUTBD RH VARIABLE DRAWING REF: 114T4000-5024 FOR NHA SEE: 57-00-00-01A		RF
10	NAS6705-18		.BOLT- OPTIONAL PART: BACB30NM5K18		10
10	BACB30NM5K18		.BOLT- OPTIONAL PART: NAS6705-18		10
19	BRH10A5		.NUT- SUPPLIER CODE: V52828 SPECIFICATION NUMBER: BACN10JC5 OPTIONAL PART: T6S524J V11815 96-054 V80539 RMLH9075-5W V72962 H10-5BAC V15653		1
20	BRH10A5		.NUT SUPPLIER CODE: V52828 SPECIFICATION NUMBER: BACN10JC5 OPTIONAL PART: T6S524J V11815 96-054 V80539 RMLH9075-5W V72962 H10-5BAC V15653		9
ILLUSTRATION ITEMS NOT ON PARTS LIST ARE NOT APPLICABLE					

- ITEM NOT ILLUSTRATED

HXL

27-81-02-01

BOEING PROPRIETARY - Copyright © - Unpublished Work - See title page for details.

27-81-02
FIG. 01
PAGE 1
DEC 22/07

 **BOEING**
767
PARTS CATALOG (MAINTENANCE)

FIG ITEM	PART NUMBER	1 2 3 4 5 6 7	NOMENCLATURE	EFFECT FROM TO	UNITS PER ASSY
1					
23	114T4132-2		.BUSHING-DOWNSTOP		2
25	114T4132-2		.BUSHING-DOWNSTOP		18
27	MS24665-134		.PIN-		10
29	MS24665-304		.PIN-		4
31	MS24665-370		.PIN-		6
33	BACB30LT9DU27		.BOLT-		6
			POSITION DATA: HEAD INBD		
33A	BACW10BP9ACU		.WASHER		6
33B	BACW10BP9DP		.WASHER		6
33C	BACN10JD109ASU		.NUT		6
33D	BACB28AK09-058		.BUSHING		6
35	BACB30LT8DU27		.BOLT-		2
			POSITION DATA: HEAD INBD		
35A	BACW10BP8ACU		.WASHER-		2
35B	BACW10BP8DP		.WASHER-		2
35C	BACN10JD108ASU		.NUT-		2
35D	BACB28AK08-058		.BUSHING-		2
36	BACB30UU7-27D		.BOLT-		2
			POSITION DATA: HEAD INBD		
37A	BACW10BP7ACU		.WASHER-		2
37B	BACW10BP7DP		.WASHER-		2
37C	BACN10JD107ASU		.NUT-		2
			OPTIONAL PART: BACN10JD107		
37D	BACN10JD107		.NUT-		2
			OPTIONAL PART: BACN10JD107ASU		
38	BACB28AK07-063		.BUSHING-		1
39	BACB28AK07-063		.BUSHING-		1
40	114T4145-1		.BOLT ASSY-AUX TRACK ARM ROLLER		6
			POSITION DATA: LH SIDE		
			QUALIFIED I/W DATA: 114T4145-5 T/W 114T6421-21 OR -23 OR -25 MAY REPLACE 114T4145-1 T/W 114T6421-1 OR -3 OR -5 114T4000-65 T/W 114T4000-59 OR -61 OR -63 MAY REPLACE 114T4145-1 T/W 114T6421-1 OR -3 OR -5		
ILLUSTRATION ITEMS NOT ON PARTS LIST ARE NOT APPLICABLE					

- ITEM NOT ILLUSTRATED

HXL

27-81-02-01

BOEING PROPRIETARY - Copyright © - Unpublished Work - See title page for details.

27-81-02
FIG. 01
PAGE 2
DEC 22/07



767

PARTS CATALOG (MAINTENANCE)

FIG ITEM	PART NUMBER	1 2 3 4 5 6 7	NOMENCLATURE	EFFECT FROM TO	UNITS PER ASSY
1					
- 42	114T4145-1		.BOLT ASSY-AUX TRACK ARM ROLLER POSITION DATA: RH SIDE QUALIFIED I/W DATA: 114T4000-66 T/W 114T4000-60 OR -62 OR -64 MAY REPLACE 114T4145-1 T/W 114T6421-2 OR -4 OR -6 114T4145-5 T/W 114T6421-22 OR -24 OR -26 MAY REPLACE 114T4145-1 T/W 114T6421-2 OR -4 OR -6		6
44	114T4145-1		.BOLT ASSY-AUX TRACK ARM ROLLER POSITION DATA: LH SIDE QUALIFIED I/W DATA: 114T4145-5 T/W 114T6421-21 OR -23 OR -25 MAY REPLACE 114T4145-1 T/W 114T6421-1 OR -3 OR -5 114T4000-65 T/W 114T4000-59 OR -61 OR -63 MAY REPLACE 114T4145-1 T/W 114T6421-1 OR -3 OR -5		4
- 46	114T4145-1		.BOLT ASSY-AUX TRACK ARM ROLLER POSITION DATA: RH SIDE QUALIFIED I/W DATA: 114T4000-66 T/W 114T4000-60 OR -62 OR -64 MAY REPLACE 114T4145-1 T/W 114T6421-2 OR -4 OR -6 114T4145-5 T/W 114T6421-22 OR -24 OR -26 MAY REPLACE 114T4145-1 T/W 114T6421-2 OR -4 OR -6		4

ILLUSTRATION ITEMS NOT ON PARTS LIST ARE NOT APPLICABLE

- ITEM NOT ILLUSTRATED

HXL

27-81-02-01

BOEING PROPRIETARY - Copyright © - Unpublished Work - See title page for details.

27-81-02
FIG. 01
PAGE 3
DEC 22/07



767

PARTS CATALOG (MAINTENANCE)

FIG ITEM	PART NUMBER	1 2 3 4 5 6 7	NOMENCLATURE	EFFECT FROM TO	UNITS PER ASSY
1					
48	BACP20AX09AP	..	PIN- USED ON: 114T4000-67 114T4145-1 114T4145-5 114T4145-7		1
49	BACP20AX09A	..	PLUG- USED ON: 114T4000-67 114T4145-1 114T4145-5 114T4145-7		1
60	114T4145-2	..	BOLT- USED ON: 114T4145-1		1
62	114T6421-1	.	WASHER ASSY-AUX TRACK ARM ROLLER POSITION DATA: LH SIDE QUALIFIED I/W DATA: 114T4000-59 T/W 114T4000-65 MAY REPLACE 114T6421-1 T/W 114T4145-1 114T6421-21 T/W 114T4145-5 MAY REPLACE 114T6421-1 T/W 114T4145-1 114T6421-39 TOGETHER WITH 114T4145-5 MAY REPLACE 114T6421-1 TOGETHER WITH 114T4145-1		5
64	114T6421-3	.	WASHER ASSY-AUX TRACK ARM ROLLER POSITION DATA: LH SIDE QUALIFIED I/W DATA: 114T4000-61 T/W 114T4000-65 MAY REPLACE 114T6421-3 T/W 114T4145-1 114T6421-23 T/W 114T4145-5 MAY REPLACE 114T6421-3 T/W 114T4145-1 114T6421-41 TOGETHER WITH 114T4145-5 MAY REPLACE 114T6421-3 TOGETHER WITH 114T4145-1		2
ILLUSTRATION ITEMS NOT ON PARTS LIST ARE NOT APPLICABLE					

- ITEM NOT ILLUSTRATED

27-81-02-01

27-81-02
FIG. 01
PAGE 4
DEC 22/07

HXL



767

PARTS CATALOG (MAINTENANCE)

FIG ITEM	PART NUMBER	1 2 3 4 5 6 7	NOMENCLATURE	EFFECT FROM TO	UNITS PER ASSY
1 66	114T6421-5		.WASHER ASSY-AUX TRACK ARM ROLLER POSITION DATA: FWD LH SIDE QUALIFIED I/W DATA: 114T6421-43 TOGETHER WITH 114T4145-5 MAY REPLACE 114T6421-5 TOGETHER WITH 114T4145-1 114T4000-63 T/W 114T4000-65 MAY REPLACE 114T6421-5 T/W 114T4145-1 114T6421-25 T/W 114T4145-5 MAY REPLACE 114T6421-5 T/W 114T4145-1		3
- 68	114T6421-2		.WASHER ASSY-AUX TRACK ARM ROLLER POSITION DATA: RH SIDE QUALIFIED I/W DATA: 114T4000-60 T/W 114T4000-66 MAY REPLACE 114T6421-2 T/W 114T4145-1 114T6421-22 T/W 114T4145-5 MAY REPLACE 114T6421-2 T/W 114T4145-1 114T6421-40 TOGETHER WITH 114T4145-5 MAY REPLACE 114T6421-1 TOGETHER WITH 114T4145-1		5

ILLUSTRATION ITEMS NOT ON PARTS LIST ARE NOT APPLICABLE

- ITEM NOT ILLUSTRATED

HXL

27-81-02-01

BOEING PROPRIETARY - Copyright © - Unpublished Work - See title page for details.

27-81-02
FIG. 01
PAGE 5
DEC 22/07



767

PARTS CATALOG (MAINTENANCE)

FIG ITEM	PART NUMBER	1 2 3 4 5 6 7	NOMENCLATURE	EFFECT FROM TO	UNITS PER ASSY
1					
- 70	114T6421-4		. WASHER ASSY-AUX TRACK ARM ROLLER POSITION DATA: RH SIDE QUALIFIED I/W DATA: 114T4000-62 T/W 114T4000-66 MAY REPLACE 114T6421-4 T/W 114T4145-1 114T6421-24 T/W 114T4145-5 MAY REPLACE 114T6421-4 T/W 114T4145-1 114T6421-42 TOGETHER WITH 114T4145-5 MAY REPLACE 114T6421-3 TOGETHER WITH 114T4145-1		2
- 72	114T6421-6		. WASHER ASSY-AUX TRACK ARM ROLLER POSITION DATA: RH SIDE QUALIFIED I/W DATA: 114T4000-64 T/W 114T4000-66 MAY REPLACE 114T6421-6 T/W 114T4145-1 114T6421-26 T/W 114T4145-5 MAY REPLACE 114T6421-6 T/W 114T4145-1 114T6421-44 TOGETHER WITH 114T4145-5 MAY REPLACE 114T6421-5 TOGETHER WITH 114T4145-1		3
74	1728B		.. FITTING-LUB SUPPLIER CODE: VOFKM1		1
75	114T6421-7		.. WASHER- POSITION DATA: LH SIDE USED ON: 114T6421-1		1
77	114T6421-9		.. WASHER- POSITION DATA: LH SIDE USED ON: 114T6421-3		1
ILLUSTRATION ITEMS NOT ON PARTS LIST ARE NOT APPLICABLE					

- ITEM NOT ILLUSTRATED

27-81-02-01

27-81-02
FIG. 01
PAGE 6
DEC 22/07

HXL



767

PARTS CATALOG (MAINTENANCE)

FIG ITEM	PART NUMBER	1 2 3 4 5 6 7	NOMENCLATURE	EFFECT FROM TO	UNITS PER ASSY
1	79 114T6421-11		.. WASHER- POSITION DATA: LH SIDE USED ON: 114T6421-5		1
-	81 114T6421-8		.. WASHER- POSITION DATA: RH SIDE USED ON: 114T6421-2		1
-	83 114T6421-10		.. WASHER- POSITION DATA: RH SIDE USED ON: 114T6421-4		1
-	85 114T6421-12		.. WASHER- POSITION DATA: RH SIDE USED ON: 114T6421-6		1
	87 BACW10BP4DP		. WASHER-		10
	88 BACN10JD4		. NUT-		10
	88 PHCR54CDBACN		. NUT- SUPPLIER CODE: VF0224 SPECIFICATION NUMBER: BACN11N4CD		10
	90 ATF4		. BEARING- SUPPLIER CODE: V60380 SPECIFICATION NUMBER: BACB10ET04 OPTIONAL PART: 4AFC614 V92563 YAFO4B V07484		10

ILLUSTRATION ITEMS NOT ON PARTS LIST ARE NOT APPLICABLE

- ITEM NOT ILLUSTRATED

HXL

27-81-02-01

BOEING PROPRIETARY - Copyright © - Unpublished Work - See title page for details.

27-81-02
FIG. 01
PAGE 7
DEC 22/07



767

PARTS CATALOG (MAINTENANCE)

FIG ITEM	PART NUMBER	1 2 3 4 5 6 7	NOMENCLATURE	EFFECT FROM TO	UNITS PER ASSY
1 96	015T1507-521		.SLAT ASSY-NO. 5 POSITION DATA: LH SIDE COMPONENT MAINT MANUAL REF: 57-43-61 SERVICE BULLETIN OPT DATA: 015T1507-721 POST ALERT SB: 57A0057 PRE ALERT SB: 57A0101 FOR DETAILS SEE: 27-81-02-14		1
99	015T1507-721		.SLAT ASSY-NO. 5 POSITION DATA: LH SIDE COMPONENT MAINT MANUAL REF: 57-43-61 SERVICE BULLETIN OPT DATA: 015T1507-521 POST ALERT SB: 57A0057 FOR DETAILS SEE: 27-81-02-14		1
- 101	015T1507-522		.SLAT ASSY-NO. 8 POSITION DATA: RH SIDE COMPONENT MAINT MANUAL REF: 57-43-61 SERVICE BULLETIN OPT DATA: 015T1507-722 POST ALERT SB: 57A0057 PRE ALERT SB: 57A0101 FOR DETAILS SEE: 27-81-02-14		1
- 103	015T1507-722		.SLAT ASSY-NO. 8 POSITION DATA: RH SIDE COMPONENT MAINT MANUAL REF: 57-43-61 SERVICE BULLETIN OPT DATA: 015T1507-522 POST ALERT SB: 57A0057 FOR DETAILS SEE: 27-81-02-14		1

ILLUSTRATION ITEMS NOT ON PARTS LIST ARE NOT APPLICABLE

- ITEM NOT ILLUSTRATED

27-81-02-01

27-81-02
FIG. 01
PAGE 8
DEC 22/07

HXL



767

PARTS CATALOG (MAINTENANCE)

FIG ITEM	PART NUMBER	1 2 3 4 5 6 7	NOMENCLATURE	EFFECT FROM TO	UNITS PER ASSY
1 205	015T1507-425		.SLAT ASSY-NO. 4 POSITION DATA: LH SIDE COMPONENT MAINT MANUAL REF: 57-43-55 SERVICE BULLETIN OPT DATA: 015T1507-465 POST ALERT SB: 57A0057 PRE ALERT SB: 57A0101 FOR DETAILS SEE: 27-81-02-13		1
206	015T1507-465		.SLAT ASSY-NO. 4 POSITION DATA: LH SIDE COMPONENT MAINT MANUAL REF: 57-43-55 SERVICE BULLETIN OPT DATA: 015T1507-425 POST ALERT SB: 57A0057 FOR DETAILS SEE: 27-81-02-13		1
- 215	015T1507-426		.SLAT ASSY-NO. 9 POSITION DATA: RH SIDE COMPONENT MAINT MANUAL REF: 57-43-55 SERVICE BULLETIN OPT DATA: 015T1507-466 POST ALERT SB: 57A0057 PRE ALERT SB: 57A0101 FOR DETAILS SEE: 27-81-02-13		1
- 216	015T1507-466		.SLAT ASSY-NO. 9 POSITION DATA: RH SIDE COMPONENT MAINT MANUAL REF: 57-43-55 SERVICE BULLETIN OPT DATA: 015T1507-426 POST ALERT SB: 57A0057 FOR DETAILS SEE: 27-81-02-13		1

ILLUSTRATION ITEMS NOT ON PARTS LIST ARE NOT APPLICABLE

- ITEM NOT ILLUSTRATED

27-81-02-01

27-81-02
FIG. 01
PAGE 9
DEC 22/07

HXL



767

PARTS CATALOG (MAINTENANCE)

FIG ITEM	PART NUMBER	1 2 3 4 5 6 7	NOMENCLATURE	EFFECT FROM TO	UNITS PER ASSY
1 311	015T1507-325		.SLAT ASSY-NO. 3 POSITION DATA: LH SIDE COMPONENT MAINT MANUAL REF: 57-43-51 SERVICE BULLETIN OPT DATA: 015T1507-367 POST ALERT SB: 57A0057 PRE ALERT SB: 57A0101 FOR DETAILS SEE: 27-81-02-12		1
312	015T1507-367		.SLAT ASSY-NO. 3 POSITION DATA: LH SIDE COMPONENT MAINT MANUAL REF: 57-43-51 SERVICE BULLETIN OPT DATA: 015T1507-325 POST ALERT SB: 57A0057 FOR DETAILS SEE: 27-81-02-12		1
- 316	015T1507-326		.SLAT ASSY-NO. 10 POSITION DATA: RH SIDE COMPONENT MAINT MANUAL REF: 57-43-51 SERVICE BULLETIN OPT DATA: 015T1507-368 POST ALERT SB: 57A0057 PRE ALERT SB: 57A0101 FOR DETAILS SEE: 27-81-02-12		1
- 317	015T1507-368		.SLAT ASSY-NO. 10 POSITION DATA: RH SIDE COMPONENT MAINT MANUAL REF: 57-43-51 SERVICE BULLETIN OPT DATA: 015T1507-326 POST ALERT SB: 57A0057 FOR DETAILS SEE: 27-81-02-12		1

ILLUSTRATION ITEMS NOT ON PARTS LIST ARE NOT APPLICABLE

- ITEM NOT ILLUSTRATED

27-81-02-01

27-81-02
FIG. 01
PAGE 10
DEC 22/07

HXL

 **BOEING**
767
PARTS CATALOG (MAINTENANCE)

FIG ITEM	PART NUMBER	1 2 3 4 5 6 7	NOMENCLATURE	EFFECT FROM TO	UNITS PER ASSY
1 470	015T1507-215		.SLAT ASSY-NO. 2 POSITION DATA: LH SIDE COMPONENT MAINT MANUAL REF: 57-43-45 SERVICE BULLETIN OPT DATA: 015T1507-249 POST ALERT SB: 57A0057 PRE ALERT SB: 57A0101 FOR DETAILS SEE: 27-81-02-11		1
470	015T1507-249		.SLAT ASSY-NO. 2 POSITION DATA: LH SIDE COMPONENT MAINT MANUAL REF: 57-43-45 SERVICE BULLETIN OPT DATA: 015T1507-215 POST ALERT SB: 57A0057 FOR DETAILS SEE: 27-81-02-11		1
- 485	015T1507-216		.SLAT ASSY-NO. 11 POSITION DATA: RH SIDE COMPONENT MAINT MANUAL REF: 57-43-45 SERVICE BULLETIN OPT DATA: 015T1507-250 POST ALERT SB: 57A0057 PRE ALERT SB: 57A0101 FOR DETAILS SEE: 27-81-02-11		1
- 486	015T1507-250		.SLAT ASSY-NO. 11 POSITION DATA: RH SIDE COMPONENT MAINT MANUAL REF: 57-43-45 SERVICE BULLETIN OPT DATA: 015T1507-216 POST ALERT SB: 57A0057 FOR DETAILS SEE: 27-81-02-11		1

ILLUSTRATION ITEMS NOT ON PARTS LIST ARE NOT APPLICABLE

- ITEM NOT ILLUSTRATED

HXL

27-81-02-01

BOEING PROPRIETARY - Copyright © - Unpublished Work - See title page for details.

27-81-02
FIG. 01
PAGE 11
DEC 22/07



767

PARTS CATALOG (MAINTENANCE)

FIG ITEM	PART NUMBER	1 2 3 4 5 6 7	NOMENCLATURE	EFFECT FROM TO	UNITS PER ASSY
1 626	015T1507-113		.SLAT ASSY-NO. 1 POSITION DATA: LH SIDE COMPONENT MAINT MANUAL REF: 57-43-41 SERVICE BULLETIN OPT DATA: 015T1507-143 POST ALERT SB: 57A0057R1 PRE ALERT SB: 57A0101 FOR DETAILS SEE: 27-81-02-10		1
626	015T1507-143		.SLAT ASSY-NO. 1 POSITION DATA: LH SIDE COMPONENT MAINT MANUAL REF: 57-43-41 SERVICE BULLETIN OPT DATA: 015T1507-113 POST ALERT SB: 57A0057R1 FOR DETAILS SEE: 27-81-02-10		1
- 631	015T1507-114		.SLAT ASSY-NO. 12 POSITION DATA: RH SIDE COMPONENT MAINT MANUAL REF: 57-43-41 SERVICE BULLETIN OPT DATA: 015T1507-144 POST ALERT SB: 57A0057R1 PRE ALERT SB: 57A0101 FOR DETAILS SEE: 27-81-02-10		1
- 631	015T1507-144		.SLAT ASSY-NO. 12 POSITION DATA: RH SIDE COMPONENT MAINT MANUAL REF: 57-43-41 SERVICE BULLETIN OPT DATA: 015T1507-114 POST ALERT SB: 57A0057R1 FOR DETAILS SEE: 27-81-02-10		1

ILLUSTRATION ITEMS NOT ON PARTS LIST ARE NOT APPLICABLE

- ITEM NOT ILLUSTRATED

HXL

27-81-02-01

BOEING PROPRIETARY - Copyright © - Unpublished Work - See title page for details.

27-81-02
FIG. 01
PAGE 12
DEC 22/07

 **BOEING**
767
PARTS CATALOG (MAINTENANCE)

FIG ITEM	PART NUMBER	1 2 3 4 5 6 7	NOMENCLATURE	EFFECT FROM TO	UNITS PER ASSY
1 750	114T4180-21		.TRACK ASSY-NO. 1 AND 12 MAIN QUALIFIED I/W DATA: -57 MAY REPLACE -21 AT SLAT POSITION NO. 1 (MOST OUT BOARD LH) ONLY AND -58 MAY REPLACE -21 AT SLAT POSITION NO. 12 (MOST OUTBOARD RH) ONLY, OPTIONAL PART: 114T4180-31		2
750	114T4180-31		.TRACK ASSY-NO. 1 AND 12 MAIN COMPONENT MAINT MANUAL REF: 27-81-28 OPTIONAL PART: 114T4180-21		2
755	ADB07V301NC		..BEARING SUPPLIER CODE: V15860 SPECIFICATION NUMBER: BACB10FB07GC OPTIONAL PART: KSC145700BZ07GC V50632 NES07FBG V73134 HTFB07V VS0352 KNDB07-62 V97613		1
760	114T4180-26		..TRACK- USED ON: 114T4180-21		1
760	114T4180-36		..TRACK- USED ON: 114T4180-31		1
760	114T4180-59		..TRACK- USED ON: 114T4180-57 114T4180-58		1

ILLUSTRATION ITEMS NOT ON PARTS LIST ARE NOT APPLICABLE

— ITEM NOT ILLUSTRATED

HXL

27-81-02-01

BOEING PROPRIETARY - Copyright © - Unpublished Work - See title page for details.

27-81-02
FIG. 01
PAGE 13
DEC 22/07

 **BOEING**
767
PARTS CATALOG (MAINTENANCE)

FIG ITEM	PART NUMBER	1 2 3 4 5 6 7	NOMENCLATURE	EFFECT FROM TO	UNITS PER ASSY
1 - 762	287T1049-1		.. CONDUIT ASSY-WING SLAT POSITION DATA: LH USED ON: 114T4180-57 POST ALERT SB: 27A0140R2 FOR DETAILS SEE: 57-00-00-05		1
765	114T4180-22		. TRACK ASSY-NO. 2 AND 11 MAIN COMPONENT MAINT MANUAL REF: 27-81-28 OPTIONAL PART: 114T4180-32		2
765	114T4180-32		. TRACK ASSY-NO. 2 AND 11 MAIN COMPONENT MAINT MANUAL REF: 27-81-28 OPTIONAL PART: 114T4180-22		2
770	ADB08V301NC		.. BEARING- SUPPLIER CODE: V15860 SPECIFICATION NUMBER: BACB10FB08GC OPTIONAL PART: HTFB08GC VS0352 KNDB08-70 V97613 KSC145700BZ08GC V50632 NES08FBGC V73134		1
775	114T4180-27		.. TRACK- USED ON: 114T4180-22		1
775	114T4180-37		.. TRACK- USED ON: 114T4180-32		1
780	114T4180-43		. TRACK ASSY-NO. 3 AND 10 MAIN VARIABLE COMPONENT MAINT MANUAL REF: 27-81-28		2
780	114T4180-53		. TRACK ASSY-NO. 3 AND 10 MAIN VARIABLE COMPONENT MAINT MANUAL REF: 27-81-28		2

ILLUSTRATION ITEMS NOT ON PARTS LIST ARE NOT APPLICABLE

- ITEM NOT ILLUSTRATED

HXL

27-81-02-01

BOEING PROPRIETARY - Copyright © - Unpublished Work - See title page for details.

27-81-02
FIG. 01
PAGE 14
DEC 22/07



767

PARTS CATALOG (MAINTENANCE)

FIG ITEM	PART NUMBER	1 2 3 4 5 6 7	NOMENCLATURE	EFFECT FROM TO	UNITS PER ASSY
1					
785	114T4180-44		.TRACK ASSY-NO. 4 AND 9 MAIN VARIABLE COMPONENT MAINT MANUAL REF: 27-81-28		2
785	114T4180-54		.TRACK ASSY-NO. 4 AND 9 MAIN VARIABLE COMPONENT MAINT MANUAL REF: 27-81-28		2
790	114T4180-45		.TRACK ASSY-NO. 5 AND 8 MAIN VARIABLE COMPONENT MAINT MANUAL REF: 27-81-28		2
790	114T4180-55		.TRACK ASSY-NO. 5 AND 8 MAIN VARIABLE COMPONENT MAINT MANUAL REF: 27-81-28		2
795	ADB09V301NC		..BEARING SUPPLIER CODE: V15860 SPECIFICATION NUMBER: BACB10FB09GC OPTIONAL PART: HTFB09GC VS0352 KNDB09-70 V97613 KSC145700BZ09GC V50632 NES09FBGC V73134		1
800	114T4180-48		..TRACK- USED ON: 114T4180-43		1
805	114T4180-49		..TRACK- USED ON: 114T4180-44		1
810	114T4180-50		..TRACK- USED ON: 114T4180-45		1
850	114T4000-11		.WASHER		AR

ILLUSTRATION ITEMS NOT ON PARTS LIST ARE NOT APPLICABLE

- ITEM NOT ILLUSTRATED

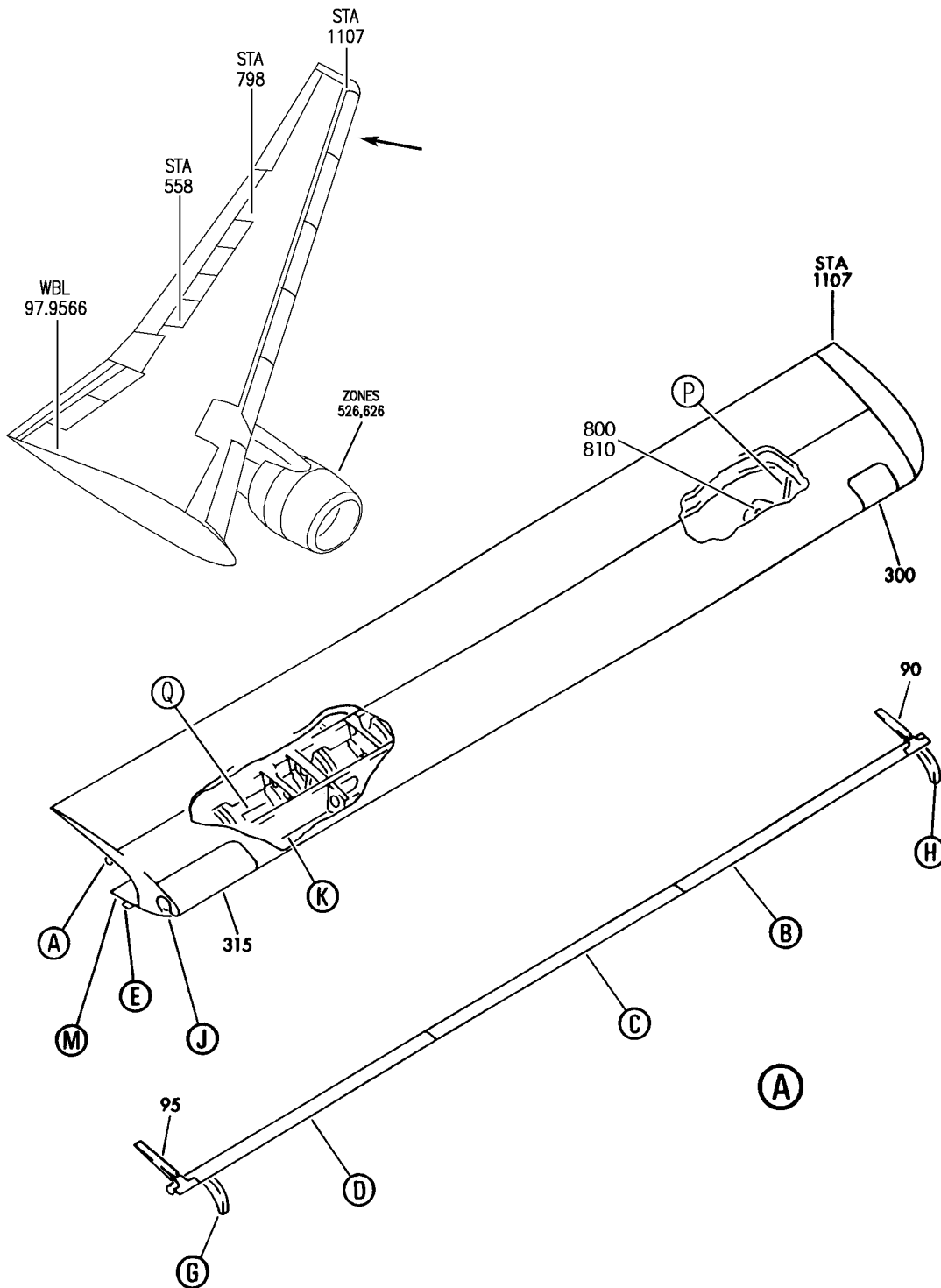
HXL

27-81-02-01

BOEING PROPRIETARY - Copyright © - Unpublished Work - See title page for details.

27-81-02
FIG. 01
PAGE 15
DEC 22/07

BOEING
767
PARTS CATALOG (MAINTENANCE)



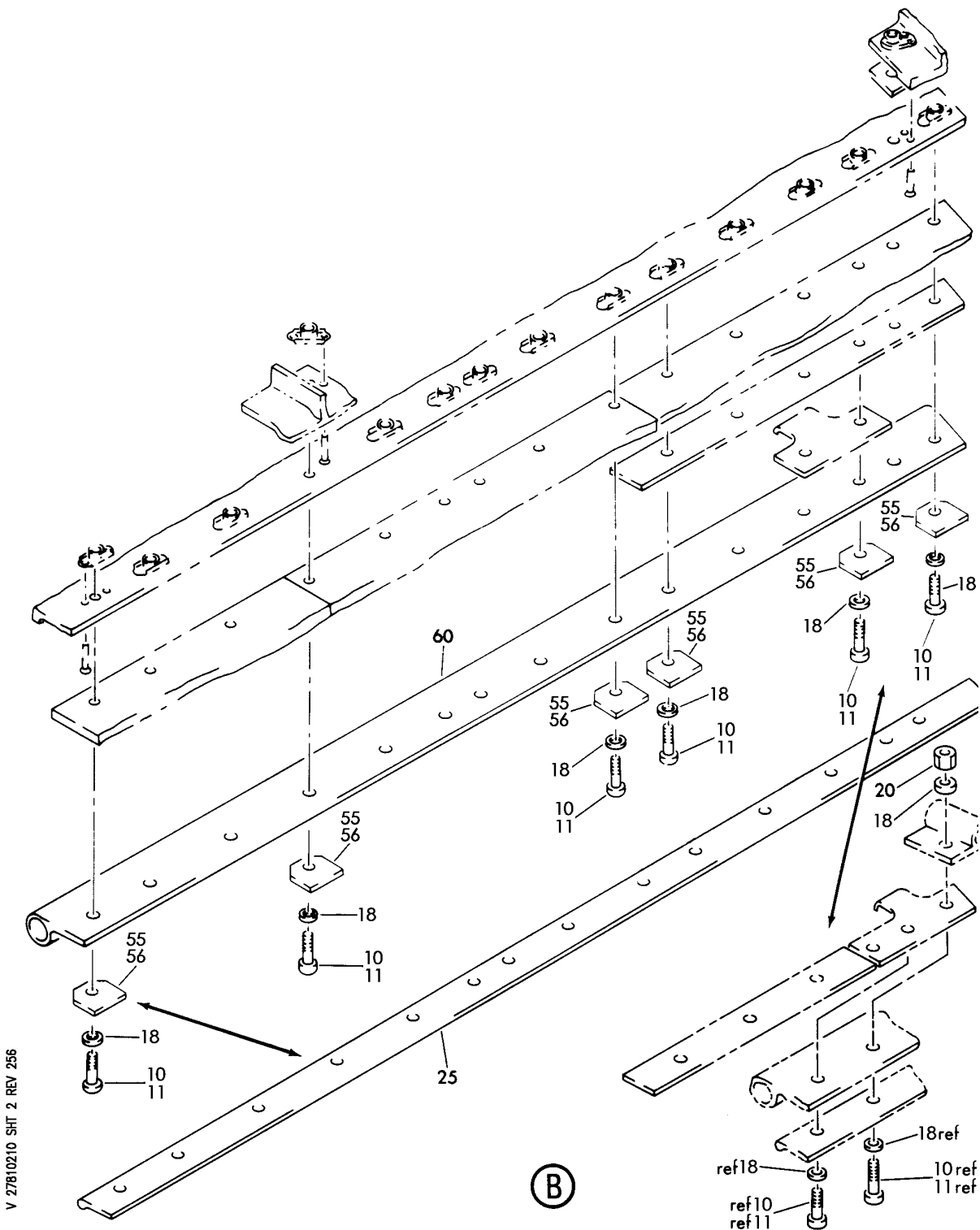
V 278101210 SHT 1 REV 261

SLAT ASSY-OUTBD NO. 1 AND 12 WING LE
FIGURE 10 (SHEET 1)

27-81-02-10

HXL
DEC 22/06

27-81-02-10
PAGE 0

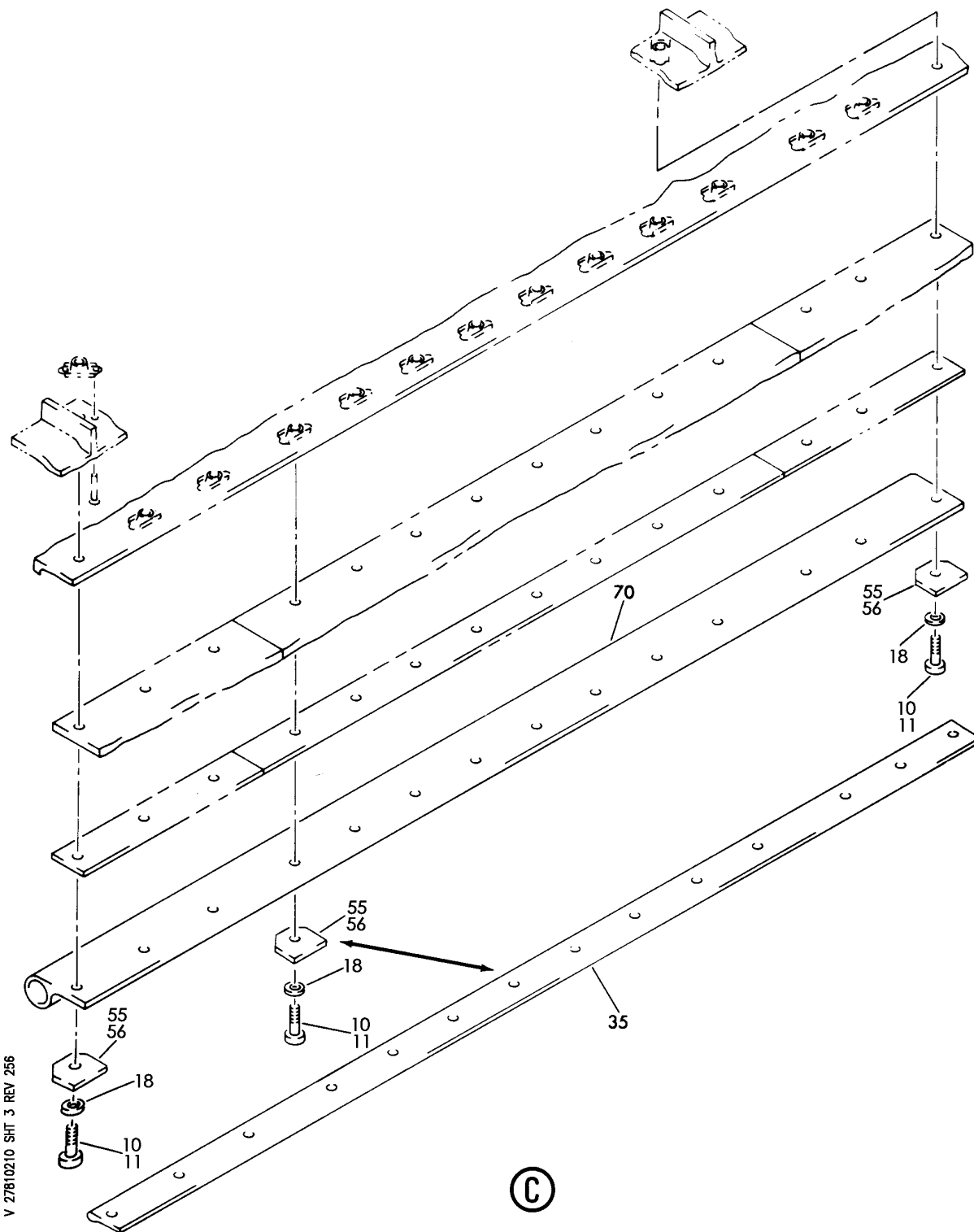


SLAT ASSY-OUTBD NO. 1 AND 12 WING LE
FIGURE 10 (SHEET 2)

27-81-02-10

HXL
DEC 22/06

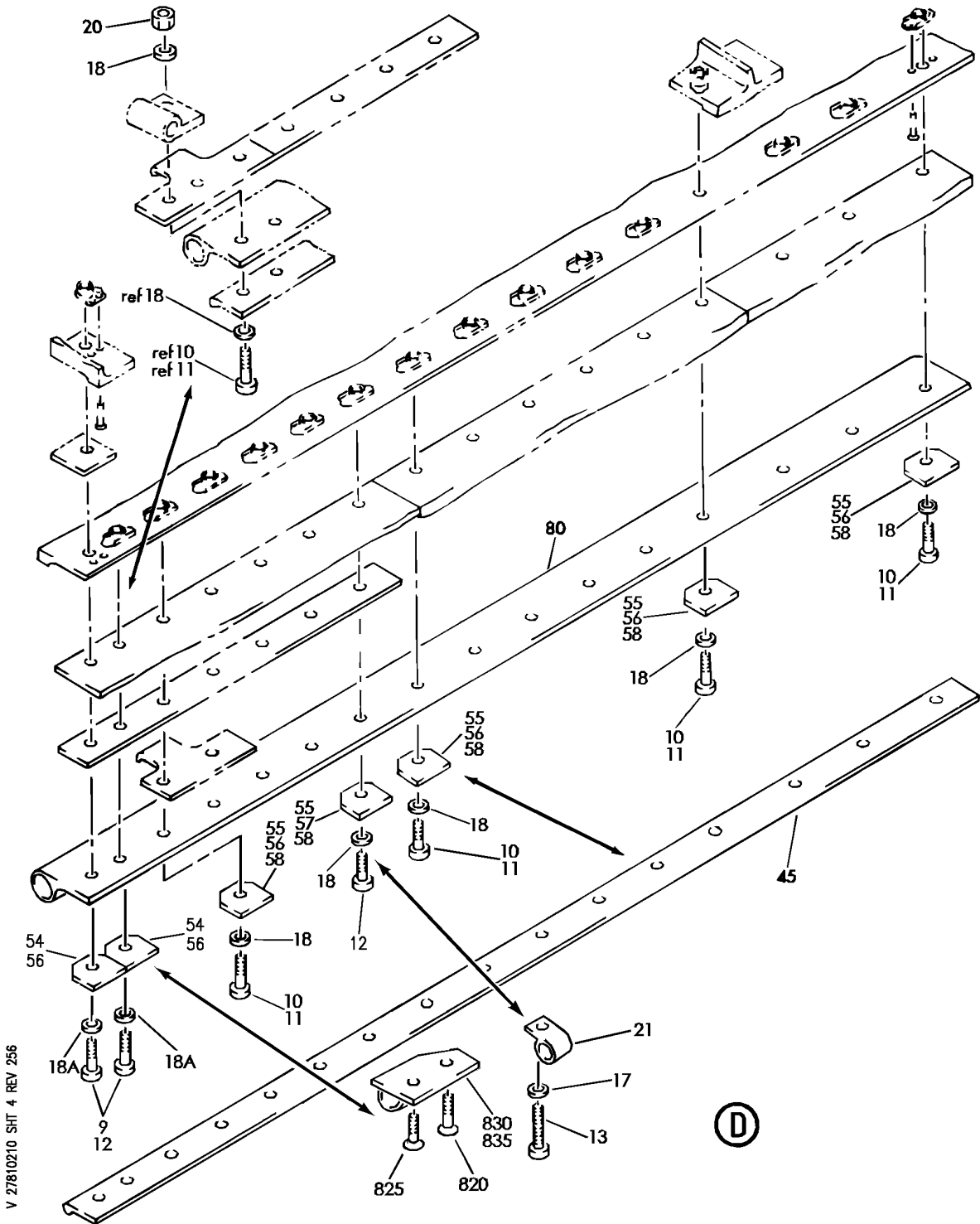
27-81-02-10
PAGE 0A



SLAT ASSY-OUTBD NO. 1 AND 12 WING LE
FIGURE 10 (SHEET 3)

27-81-02-10


BOEING
 767
PARTS CATALOG (MAINTENANCE)



V 27810210 SH1 4 REV 256

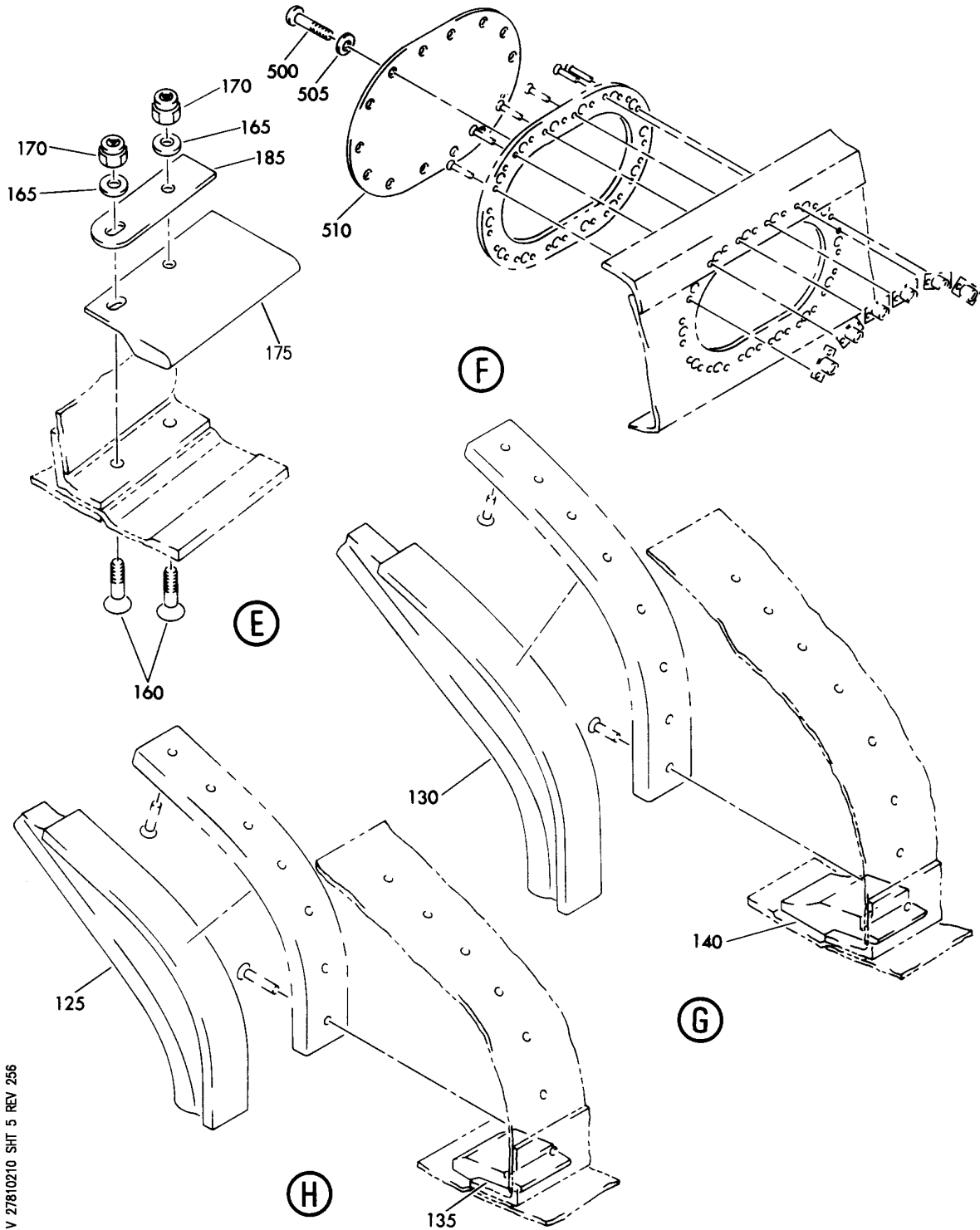
SLAT ASSY-OUTBD NO. 1 AND 12 WING LE
FIGURE 10 (SHEET 4)

27-81-02-10

HXL
DEC 22/06

27-81-02-10
PAGE 0C

BOEING
767
PARTS CATALOG (MAINTENANCE)



V 27810210 SHT 5 REV 256

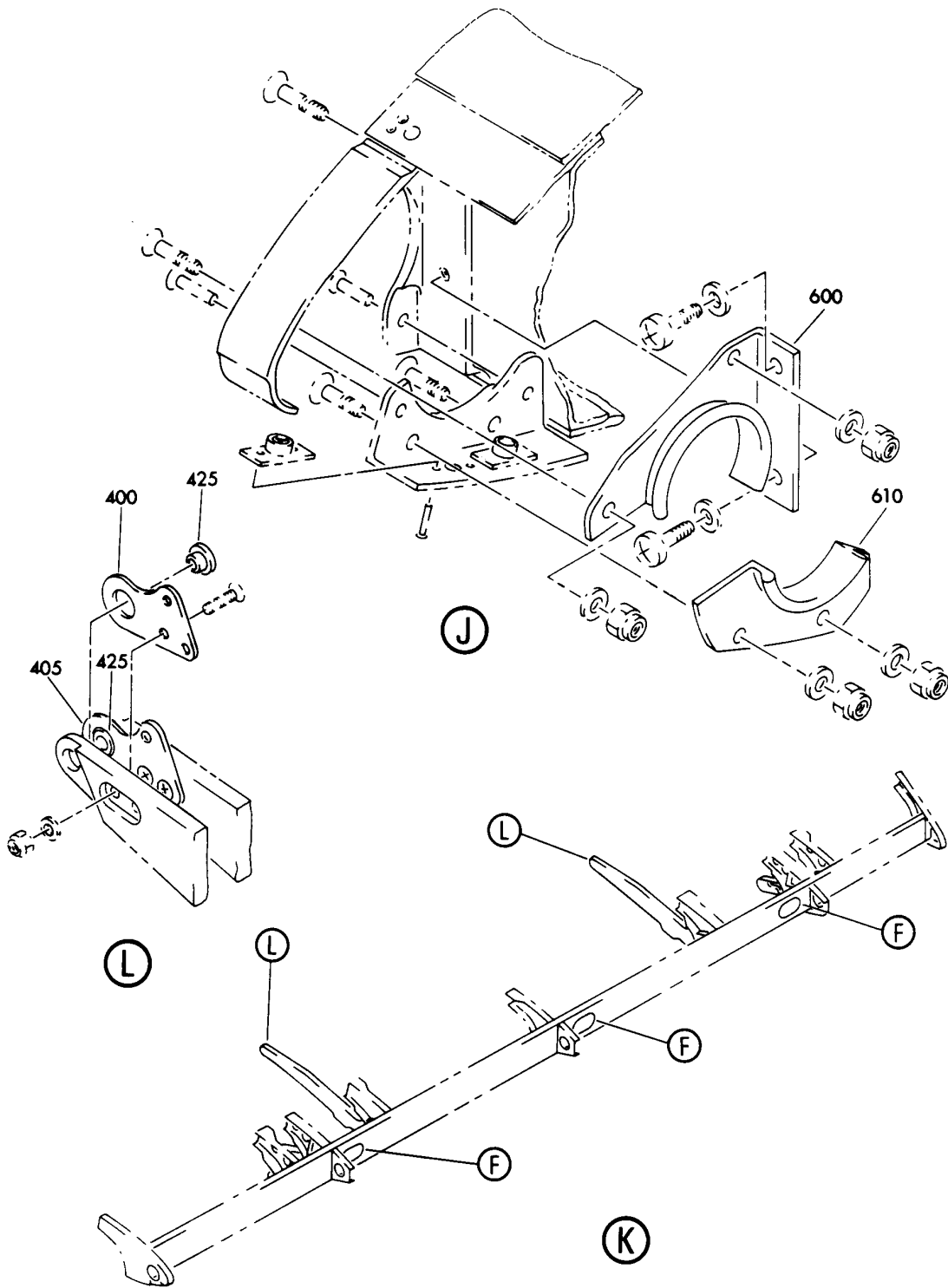
SLAT ASSY-OUTBD NO. 1 AND 12 WING LE
FIGURE 10 (SHEET 5)

27-81-02-10

HXL
DEC 22/06

27-81-02-10
PAGE 0D

BOEING
767
PARTS CATALOG (MAINTENANCE)



V 27810210 SHT 6 REV 256

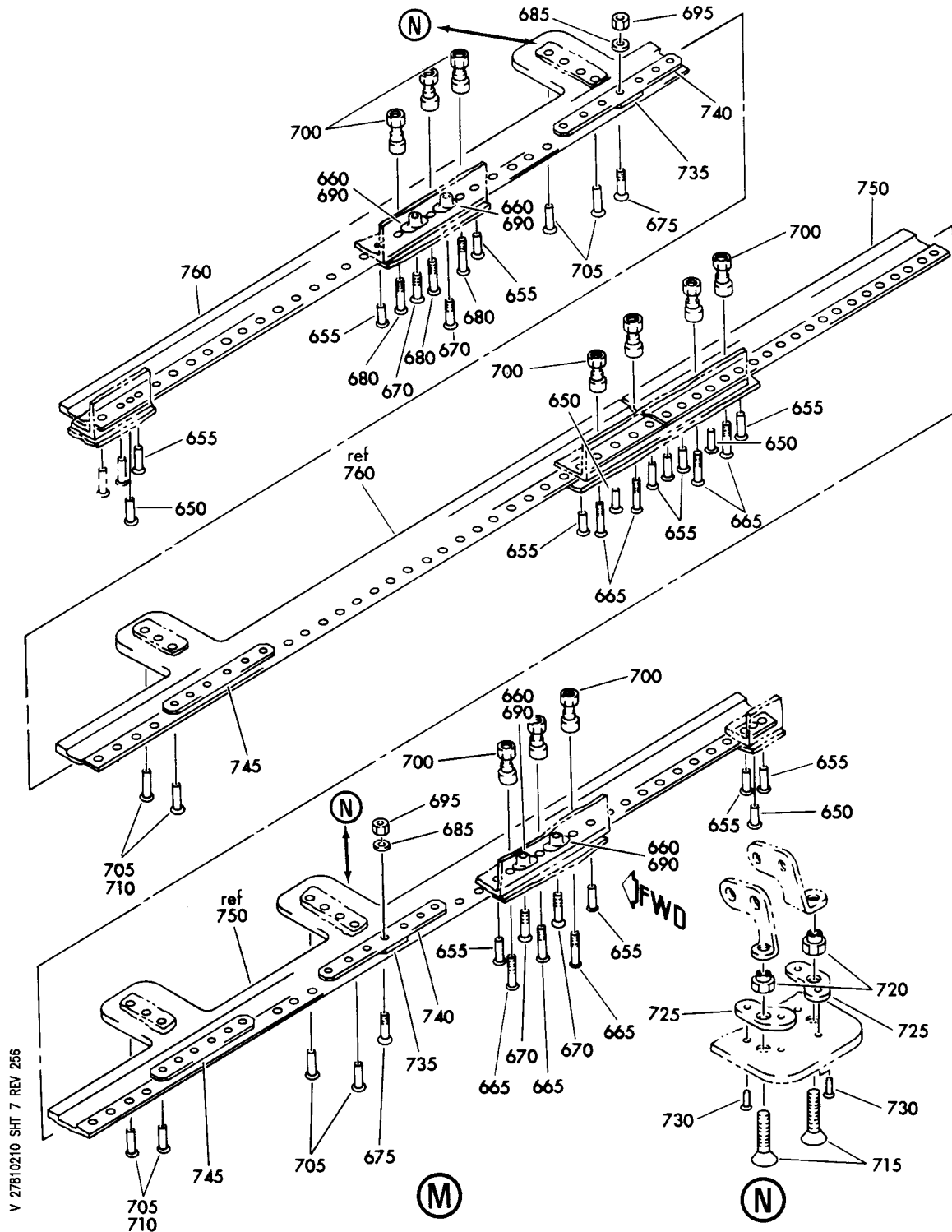
SLAT ASSY-OUTBD NO. 1 AND 12 WING LE
FIGURE 10 (SHEET 6)

27-81-02-10

HXL
DEC 22/06

27-81-02-10
PAGE 0E

BOEING
767
PARTS CATALOG (MAINTENANCE)



V 27810210 SHT 7 REV 256

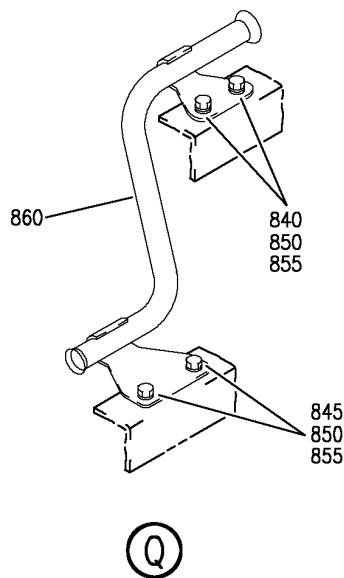
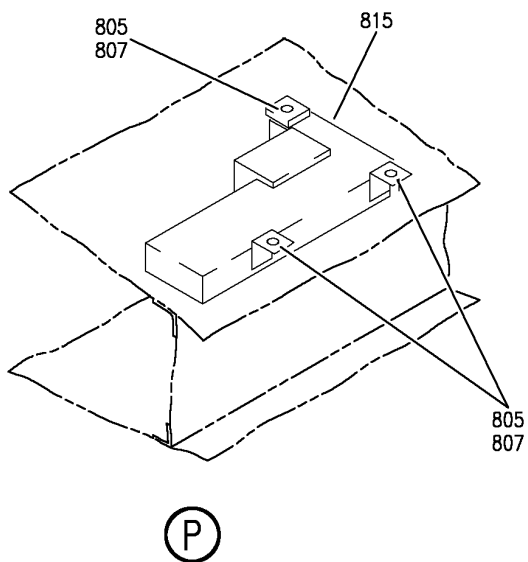
SLAT ASSY-OUTBD NO. 1 AND 12 WING LE
FIGURE 10 (SHEET 7)

27-81-02-10

HXL
DEC 22/06

27-81-02-10
PAGE OF

BOEING
767
PARTS CATALOG (MAINTENANCE)



V 27810210 SH 8 REV 261

SLAT ASSY-OUTBD NO. 1 AND 12 WING LE
FIGURE 10 (SHEET 8)

27-81-02-10

HXL
DEC 22/06

27-81-02-10
PAGE 06



767

PARTS CATALOG (MAINTENANCE)

FIG ITEM	PART NUMBER	1 2 3 4 5 6 7	NOMENCLATURE	EFFECT FROM TO	UNITS PER ASSY
10			SLAT ASSY-OUTBD NO. 1 AND 12 WING LE		
- 2	015T1507-113		SLAT ASSY-NO. 1 WING LE POSITION DATA: OUTBD LH COMPONENT MAINT MANUAL REF: 57-43-41 SERVICE BULLETIN OPT DATA: 015T1507-143 POST ALERT SB: 57A0057R1 PRE ALERT SB: 57A0101 FOR NHA SEE: 27-81-02-01		RF
- 3	015T1507-143		SLAT ASSY-NO. 1 POSITION DATA: LH COMPONENT MAINT MANUAL REF: 57-43-41 SERVICE BULLETIN OPT DATA: 015T1507-113 POST ALERT SB: 57A0057R1 FOR NHA SEE: 27-81-02-01		RF
- 6	015T1507-114		SLAT ASSY-NO. 12 WING LE POSITION DATA: OUTBD RH COMPONENT MAINT MANUAL REF: 57-43-41 SERVICE BULLETIN OPT DATA: 015T1507-144 POST ALERT SB: 57A0057R1 PRE ALERT SB: 57A0101 FOR NHA SEE: 27-81-02-01		RF

ILLUSTRATION ITEMS NOT ON PARTS LIST ARE NOT APPLICABLE

- ITEM NOT ILLUSTRATED

HXL

27-81-02-10

BOEING PROPRIETARY - Copyright © - Unpublished Work - See title page for details.

27-81-02
FIG. 10
PAGE 1
DEC 22/07

BOEING
767
PARTS CATALOG (MAINTENANCE)

FIG ITEM	PART NUMBER	1 2 3 4 5 6 7	NOMENCLATURE	EFFECT FROM TO	UNITS PER ASSY
10					
- 7	015T1507-144		SLAT ASSY-NO. 12 POSITION DATA: RH COMPONENT MAINT MANUAL REF: 57-43-41 SERVICE BULLETIN OPT DATA: 015T1507-114 POST ALERT SB: 57A0057R1 FOR NHA SEE: 27-81-02-01		RF
10	BACB30NT3K7		.BOLT		42
13	BACB30NT3K7		.BOLT-		1
13	BACB30NT3K10		.BOLT- POST ALERT SB: 27A0140R2		1
15	NAS1149D0332J		.WASHER-		44
17	NAS1149D0332J		.WASHER		1
18A	NAS1149D0332J		.WASHER- PRE ALERT SB: 27A0140R1		2
20	BRH10C3D		.NUT- SUPPLIER CODE: V52828 SPECIFICATION NUMBER: BACN10JC3CD OPTIONAL PART: T6C1032JCD V11815 NS202486-02 V80539 102LH9075-3W V72962 H51650-3BAC V15653		2
21	BACC10DK4		.CLAMP- POST ALERT SB: 27A0140R2		1
54	114T4233-32		.RETAINER-BULB SEAL		2
60	114T4232-1		.SEAL- POSITION DATA: LH SIDE MANUFACTURED FROM: EXTRUSION RUBBER F25.01 10-60754-319 42.10 IN. SPARES ORDER MATERIAL CODE: 5287003190		1
ILLUSTRATION ITEMS NOT ON PARTS LIST ARE NOT APPLICABLE					

R
R
R
R
R
R
R
R

- ITEM NOT ILLUSTRATED

HXL

27-81-02-10

BOEING PROPRIETARY - Copyright © - Unpublished Work - See title page for details.

27-81-02
FIG. 10
PAGE 2
AUG 22/09


767
PARTS CATALOG (MAINTENANCE)

FIG ITEM	PART NUMBER	1 2 3 4 5 6 7	NOMENCLATURE	EFFECT FROM TO	UNITS PER ASSY
R R	10 - 65	114T4232-2	.SEAL-		1
			POSITION DATA: RH SIDE		
			MANUFACTURED FROM: EXTRUSION RUBBER F25.01 10-60754-319 42.10 IN.		
			SPARES ORDER MATERIAL CODE: 5287003190		
	70	114T4232-3	.SEAL-		1
		POSITION DATA: LH SIDE			
		MANUFACTURED FROM: EXTRUSION RUBBER F25.01 10-60754-319 46.90 IN.			
		SPARES ORDER MATERIAL CODE: 5287003190			
- 75	114T4232-4	.SEAL-		1	
		POSITION DATA: RH SIDE			
		MANUFACTURED FROM: EXTRUSION RUBBER F25.01 10-60754-319 46.90 IN.			
		SPARES ORDER MATERIAL CODE: 5287003190			
80	114T4232-5	.SEAL-		1	
		POSITION DATA: LH SIDE			
		MANUFACTURED FROM: EXTRUSION RUBBER F25.01 10-60754-319 48.50 IN.			
		SPARES ORDER MATERIAL CODE: 5287003190			
- 85	114T4232-6	.SEAL-		1	
		POSITION DATA: RH SIDE			
		MANUFACTURED FROM: EXTRUSION RUBBER F25.01 10-60754-319 48.50 IN.			
		SPARES ORDER MATERIAL CODE: 5287003190			
90	114T4226-1	.SEAL		1	
95	114T4226-2	.SEAL		1	
125	114T4224-1	.SEAL		1	

ILLUSTRATION ITEMS NOT ON PARTS LIST ARE NOT APPLICABLE

- ITEM NOT ILLUSTRATED

HXL

27-81-02-10

27-81-02
 FIG. 10
 PAGE 3
 AUG 22/09

BOEING
767
PARTS CATALOG (MAINTENANCE)

FIG ITEM	PART NUMBER	1 2 3 4 5 6 7	NOMENCLATURE	EFFECT FROM TO	UNITS PER ASSY
10					
130	114T4224-7		.SEAL- POST ALERT SB: 27A0140R2		1
135	114T4236-7		.SEAL- MANUFACTURED FROM: SH SPONGE RUBBER BMS1-23 0.42 IN. 1.00 IN. 1.50 IN. SPARES ORDER MATERIAL CODE: 5234370230		1
140	114T4236-8		.SEAL- MANUFACTURED FROM: SH SPONGE RUBBER BMS1-23 0.42 IN. 1.00 IN. 1.50 IN. SPARES ORDER MATERIAL CODE: 5235000230		1
160	BACB30NN3K6		.BOLT		2
165	NAS1149D0332J		.WASHER-		2
170	BRH10C3D		.NUT- SUPPLIER CODE: V52828 SPECIFICATION NUMBER: BACN10JC3CD OPTIONAL PART: T6C1032JCD V11815 NS202486-02 V80539 102LH9075-3W V72962 H51650-3BAC V15653		2
175	114T4237-5		.SEAL- POSITION DATA: LH SIDE		1
- 180	114T4237-6		.SEAL- POSITION DATA: RH SIDE		1
185	114T4235-8		.RETAINER		1
300	114T4101-9		.SKIN- POSITION DATA: LH SIDE		1
- 305	114T4101-10		.SKIN- POSITION DATA: RH SIDE		1
- 310	BACB30NN3K5		ATTACHING PARTS .BOLT -----*-----		18

ILLUSTRATION ITEMS NOT ON PARTS LIST ARE NOT APPLICABLE

- ITEM NOT ILLUSTRATED

HXL

27-81-02-10

BOEING PROPRIETARY - Copyright © - Unpublished Work - See title page for details.

27-81-02
FIG. 10
PAGE 4
AUG 22/09



767

PARTS CATALOG (MAINTENANCE)

FIG ITEM	PART NUMBER	1 2 3 4 5 6 7	NOMENCLATURE	EFFECT FROM TO	UNITS PER ASSY
10					
315	114T4156-1		.PANEL ASSY-ACCESS POSITION DATA: LH SIDE		1
- 320	114T4156-2		.PANEL ASSY-ACCESS POSITION DATA: RH SIDE		1
- 325	BACB30NN3K5		.BOLT -----*-----		26
400	114T4149-1		.PLATE-RUB		1
405	114T4149-2		.PLATE-RUB		1
- 410	HL441N6-3		.BOLT- SUPPLIER CODE: V60516 SPECIFICATION NUMBER: BACB30FN6A3N OPTIONAL PART: HL441N6-3 V73197 HL441N6-3 V92215 HL441N6-3 V97928 HL441N6-3 V08524 HL441N6-3 V56878 BACB30FN5A3		4

R
R
R
R
R
R
R
R
R
R
R
R
R
R
R
R

ILLUSTRATION ITEMS NOT ON PARTS LIST ARE NOT APPLICABLE

- ITEM NOT ILLUSTRATED

27-81-02-10

27-81-02
FIG. 10
PAGE 5
AUG 22/09

HXL

BOEING
767
PARTS CATALOG (MAINTENANCE)

FIG ITEM	PART NUMBER	1 2 3 4 5 6 7	NOMENCLATURE	EFFECT FROM TO	UNITS PER ASSY
R R R R R R R R R R R R R R R	10				
	- 410	HL441UC5-3	.BOLT-		4
			SUPPLIER CODE:		
			V97928		
			SPECIFICATION NUMBER:		
			BACB30FN5A3		
			OPTIONAL PART:		
			HL441UC5-3		
			V73197		
			HL441UC5-3		
			V92215		
			HL41PY5-3		
			V80539		
			HL441N5-3		
			V80539		
		HL441UC5-3			
		V80539			
		67068-5A3			
		V56878			
		HL441UC5-3			
		V08524			
		HL441UC5-3			
		V56878			
		BACB30FN5A3N			
- 415	AN960PD8L	.WASHER			4
- 420	BRH10C08D	.NUT			4
		SUPPLIER CODE:			
		V52828			
		SPECIFICATION NUMBER:			
		BACN10JC08CD			
		OPTIONAL PART:			
		H51650-08BAC			
		V15653			
		102LH9075-82W			
		V72962			
		NS202486-82			
		V80539			
		T6C832JCD			
		V11815			
		-----*-----			
425	012T2400-45	.BUSHING			2
500	BACB30NT3K6	.BOLT			42
505	AN960PD10L	.WASHER			42
510	114T4119-1	.DOOR			3
600	114T4240-65	.SEAL-			1
		POSITION DATA:			
		LH SIDE			
- 605	114T4240-66	.SEAL-			1
		POSITION DATA:			
		RH SIDE			

ILLUSTRATION ITEMS NOT ON PARTS LIST ARE NOT APPLICABLE

- ITEM NOT ILLUSTRATED

HXL

27-81-02-10

BOEING PROPRIETARY - Copyright © - Unpublished Work - See title page for details.

27-81-02
FIG. 10
PAGE 6
AUG 22/09



767

PARTS CATALOG (MAINTENANCE)

FIG ITEM	PART NUMBER	1 2 3 4 5 6 7	NOMENCLATURE	EFFECT FROM TO	UNITS PER ASSY
10					
610	114T4240-63	.SEAL-	POSITION DATA: LH SIDE		1
610	114T4240-67	.SEAL-	POSITION DATA: LH SIDE		1
- 615	114T4240-64	.SEAL-	POSITION DATA: RH SIDE		1
- 615	114T4240-68	.SEAL-	POSITION DATA: RH SIDE		1
- 620	BACB30NN3K4	.BOLT	ATTACHING PARTS		4
- 625	BACB30NT3K4	.BOLT-			2
- 630	BACW10P43AL	.WASHER			6
- 635	NAS1149D0332J	.WASHER-			6
- 636	NAS1149D0332J	.WASHER-			2
- 640	BRH10C3D	.NUT-			4
			SUPPLIER CODE: V52828 SPECIFICATION NUMBER: BACN10JC3CD OPTIONAL PART: T6C1032JCD V11815 NS202486-02 V80539 102LH9075-3W V72962 H51650-3BAC V15653 -----*-----		
650	BACR15BB4A	.RIVET-	SIZE DETERMINED ON INSTL.		4
655	BACR15CE6K	.RIVET-	SIZE DETERMINED ON INSTL.		106
660	BACR15BA3AD	.RIVET-	SIZE DETERMINED ON INSTL.		8
665	BACB30NW6K	.BOLT-	SIZE DETERMINED ON INSTL.		7
670	BACB30NN3K5	.BOLT			4
675	BACB30NU3K5	.BOLT			2

ILLUSTRATION ITEMS NOT ON PARTS LIST ARE NOT APPLICABLE

- ITEM NOT ILLUSTRATED

HXL

27-81-02-10

BOEING PROPRIETARY - Copyright © - Unpublished Work - See title page for details.

27-81-02
FIG. 10
PAGE 7
AUG 22/09



**767
PARTS CATALOG (MAINTENANCE)**

FIG ITEM	PART NUMBER	1 2 3 4 5 6 7	NOMENCLATURE	EFFECT FROM TO	UNITS PER ASSY
10 680	HL11VAZ6-5		.BOLT SUPPLIER CODE: V60516 SPECIFICATION NUMBER: BACB30NW6K5 OPTIONAL PART: B30NW6K5 V97928 HL11VAZ6-5 V73197 HL11VAZ6-5 V92215 HL11VAZ6-5 V97928 L803-6K5 V06725 HL11VAZ6-5 VOPTK6 HL11VAZ6-5 V56878		3
685	NAS1149D0363J		.WASHER-		2
690	BACN10JQ32		.NUT		4
695	BRH10C3D		.NUT- SUPPLIER CODE: V52828 SPECIFICATION NUMBER: BACN10JC3CD OPTIONAL PART: T6C1032JCD V11815 NS202486-02 V80539 102LH9075-3W V72962 H51650-3BAC V15653		2

ILLUSTRATION ITEMS NOT ON PARTS LIST ARE NOT APPLICABLE

- ITEM NOT ILLUSTRATED

HXL

27-81-02-10

BOEING PROPRIETARY - Copyright © - Unpublished Work - See title page for details.

27-81-02
FIG. 10
PAGE 8
AUG 22/09



767

PARTS CATALOG (MAINTENANCE)

FIG ITEM	PART NUMBER	1 2 3 4 5 6 7	NOMENCLATURE	EFFECT FROM TO	UNITS PER ASSY
10 700	HL79-6		.COLLAR SUPPLIER CODE: V5M902 SPECIFICATION NUMBER: BACC30M6 OPTIONAL PART: HL79-6 V73197 HL79-6 V92215 66014-6 V56878 HL79-6 V56878		10
705	BACR15CE6KE		.RIVET- SIZE DETERMINED ON INSTL.		14
710	BACR15CE6KE		.RIVET- SIZE DETERMINED ON INSTL.		6
715	BACS12ER3K14		.SCREW		4
720	BRH10C3D		.NUT- SUPPLIER CODE: V52828 SPECIFICATION NUMBER: BACN10JC3CD OPTIONAL PART: T6C1032JCD V11815 NS202486-02 V80539 102LH9075-3W V72962 H51650-3BAC V15653		4
725	114T6415-6		.FITTING-PIVOT ATTACHING PARTS		4
730	BACR15DL5DD		.RIVET- SIZE DETERMINED ON INSTL. -----*-----		8
735	114T4106-3		.FILLER-		2
740	114T4106-1		.SPLICE		2
745	114T4106-4		.SPLICE		2
750	114T4151-17		.PANEL-CLOSURE POSITION DATA: LH SIDE		1
- 755	114T4151-18		.PANEL-CLOSURE POSITION DATA: RH SIDE		1

ILLUSTRATION ITEMS NOT ON PARTS LIST ARE NOT APPLICABLE

- ITEM NOT ILLUSTRATED

27-81-02-10

27-81-02
FIG. 10
PAGE 9
AUG 22/09

HXL

BOEING PROPRIETARY - Copyright © - Unpublished Work - See title page for details.



767

PARTS CATALOG (MAINTENANCE)

FIG ITEM	PART NUMBER	1 2 3 4 5 6 7	NOMENCLATURE	EFFECT FROM TO	UNITS PER ASSY
10					
760	114T4151-19		.PANEL-CLOSURE POSITION DATA: LH SIDE		1
- 765	114T4151-20		.PANEL-CLOSURE POSITION DATA: RH SIDE		1
800	BACB30VF3K8		.BOLT- POST ALERT SB: 27A0140R2		1
805	BACB30NT3K7		.BOLT- POST SERVICE BULLETIN: 27-0165	155163	3
807	AN960PD10		.WASHER- POST SERVICE BULLETIN: 27-0165	155163	3
810	BACW10BP3CD		.WASHER- POST ALERT SB: 27A0140R2		1
820	BACB30NN3K8		.BOLT- POST ALERT SB: 27A0140R2		1
825	BACB30NN3K9		.BOLT- POST ALERT SB: 27A0140R2		1
830	256T2931-7		.GUIDE-CABLE POSITION DATA: LH SIDE POST ALERT SB: 27A0140R2		1
- 835	256T2931-8		.GUIDE-CABLE POSITION DATA: RH SIDE POST ALERT SB: 27A0140R2		1
840	BACB30NT3K4		.BOLT- POST SERVICE BULLETIN: 27-0165	155163	2
845	BACB30NT3K7		.BOLT- POST SERVICE BULLETIN: 27-0165	155163	2
850	NAS1149D0332J		.WASHER- POST SERVICE BULLETIN: 27-0165	155163	4
855	NAS1149D0332J		.WASHER- POST SERVICE BULLETIN: 27-0165	155163	4

ILLUSTRATION ITEMS NOT ON PARTS LIST ARE NOT APPLICABLE

- ITEM NOT ILLUSTRATED

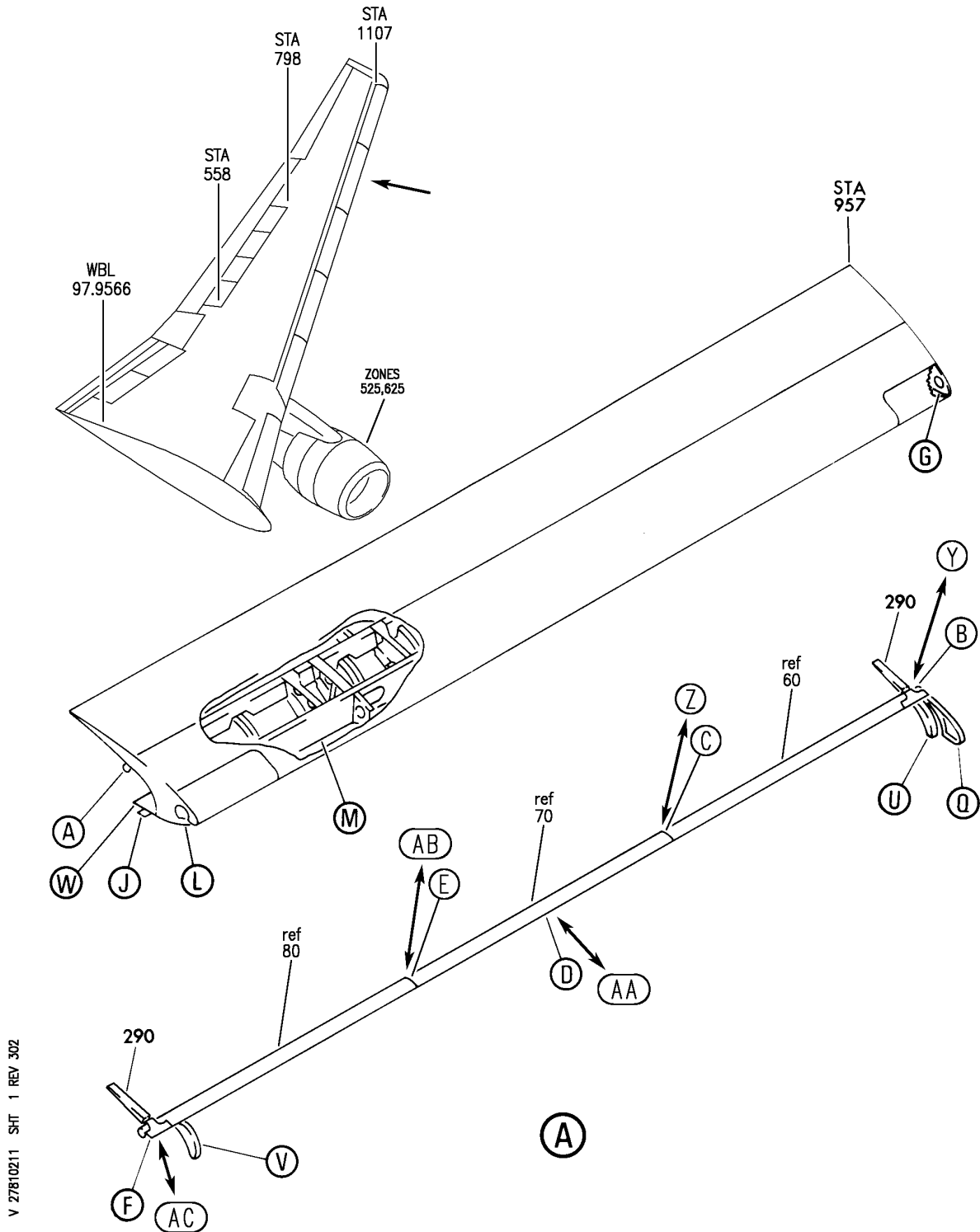
HXL

27-81-02-10

BOEING PROPRIETARY - Copyright © - Unpublished Work - See title page for details.

27-81-02
FIG. 10
PAGE 10
AUG 22/09

BOEING
767
PARTS CATALOG (MAINTENANCE)



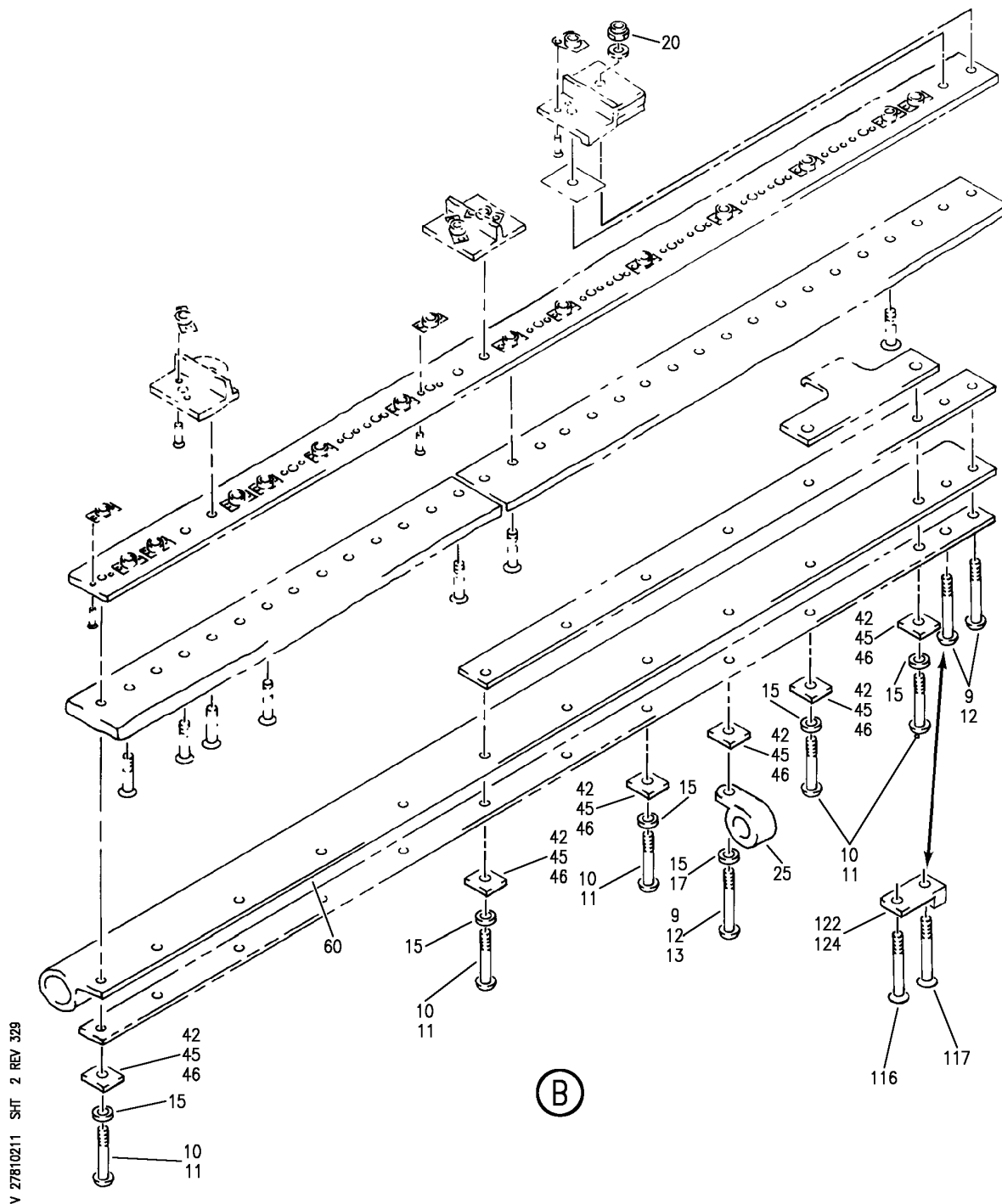
SLAT ASSY-OUTBD NO. 2 AND 11 WING LE
FIGURE 11 (SHEET 1)

27-81-02-11

HXL
DEC 22/06

27-81-02-11
PAGE 0

BOEING
767
PARTS CATALOG (MAINTENANCE)



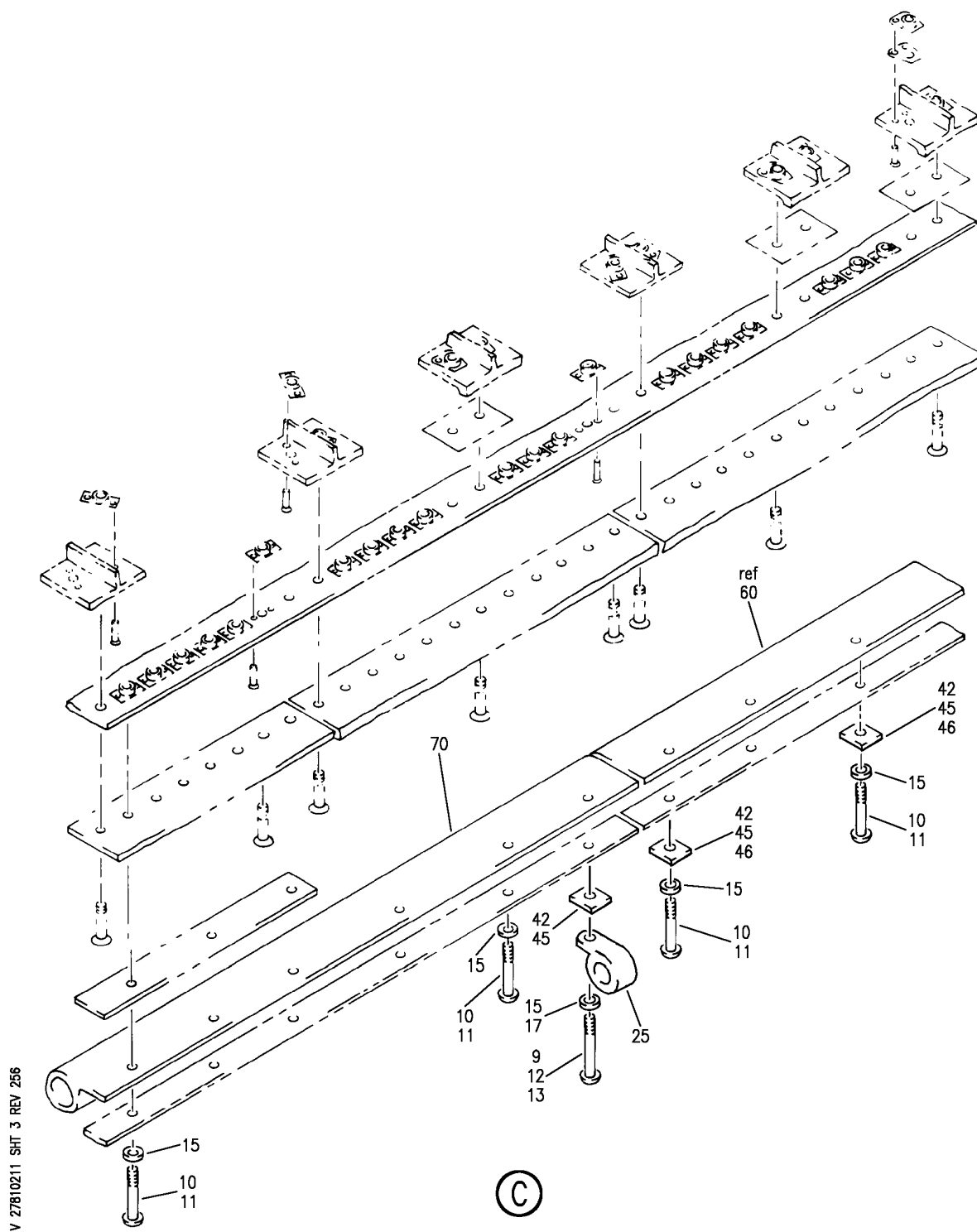
SLAT ASSY-OUTBD NO. 2 AND 11 WING LE
FIGURE 11 (SHEET 2)

27-81-02-11

HXL
AUG 22/08

27-81-02-11
PAGE 0A

BOEING
767
PARTS CATALOG (MAINTENANCE)

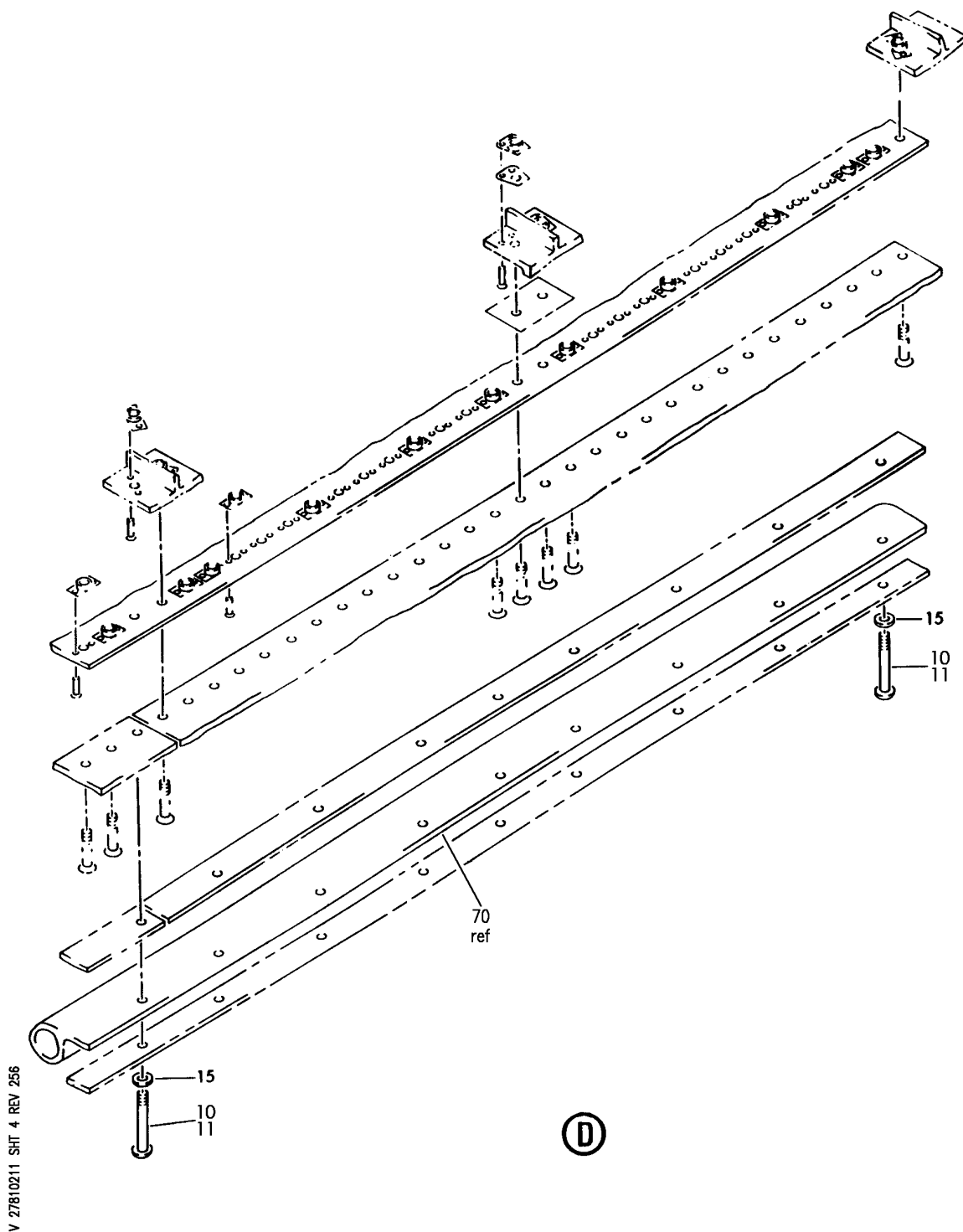


SLAT ASSY-OUTBD NO. 2 AND 11 WING LE
FIGURE 11 (SHEET 3)

27-81-02-11

HXL
AUG 22/08

27-81-02-11
PAGE 0B



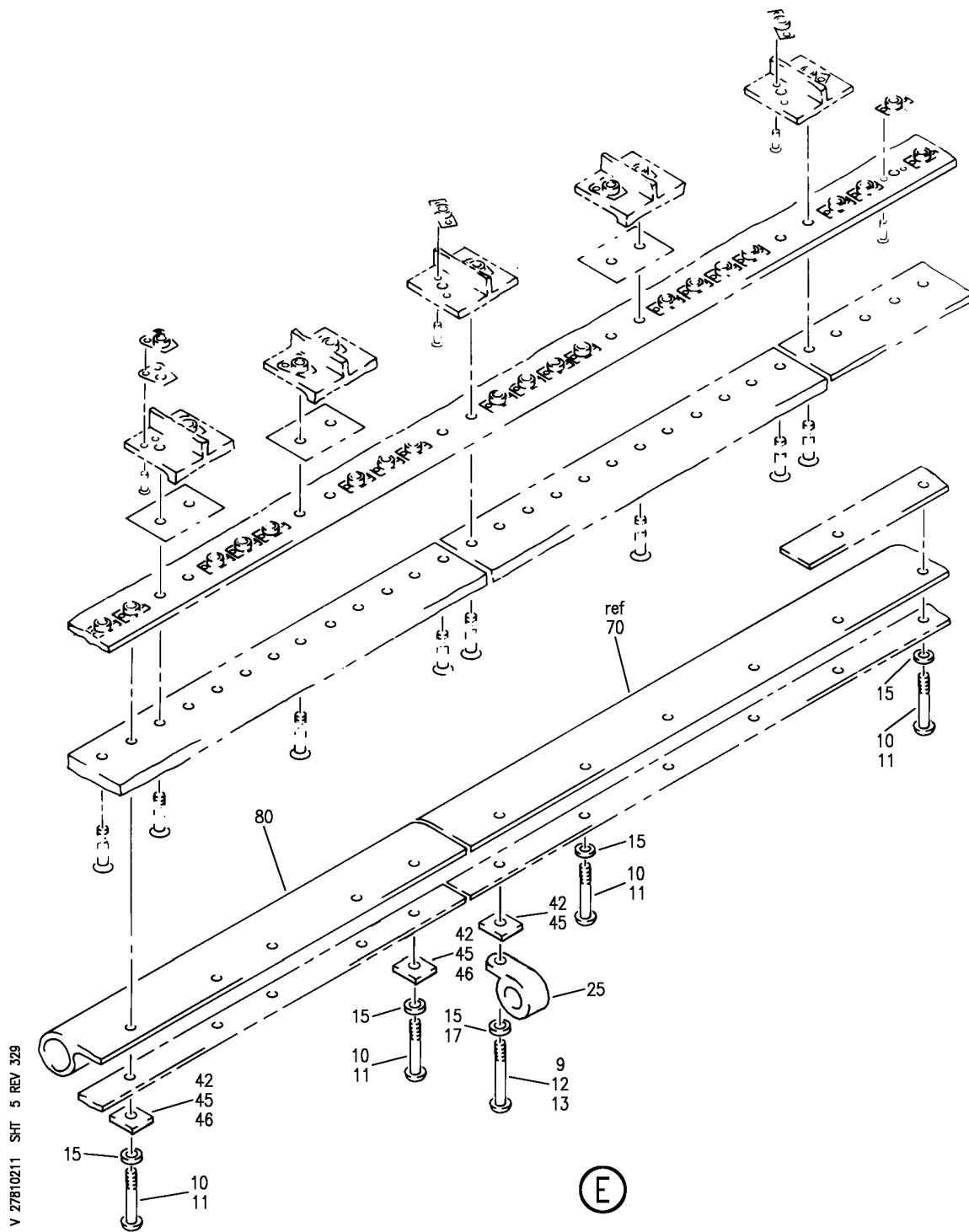
SLAT ASSY-OUTBD NO. 2 AND 11 WING LE
FIGURE 11 (SHEET 4)

27-81-02-11

HXL
DEC 22/06

27-81-02-11
PAGE 0C

BOEING
767
PARTS CATALOG (MAINTENANCE)



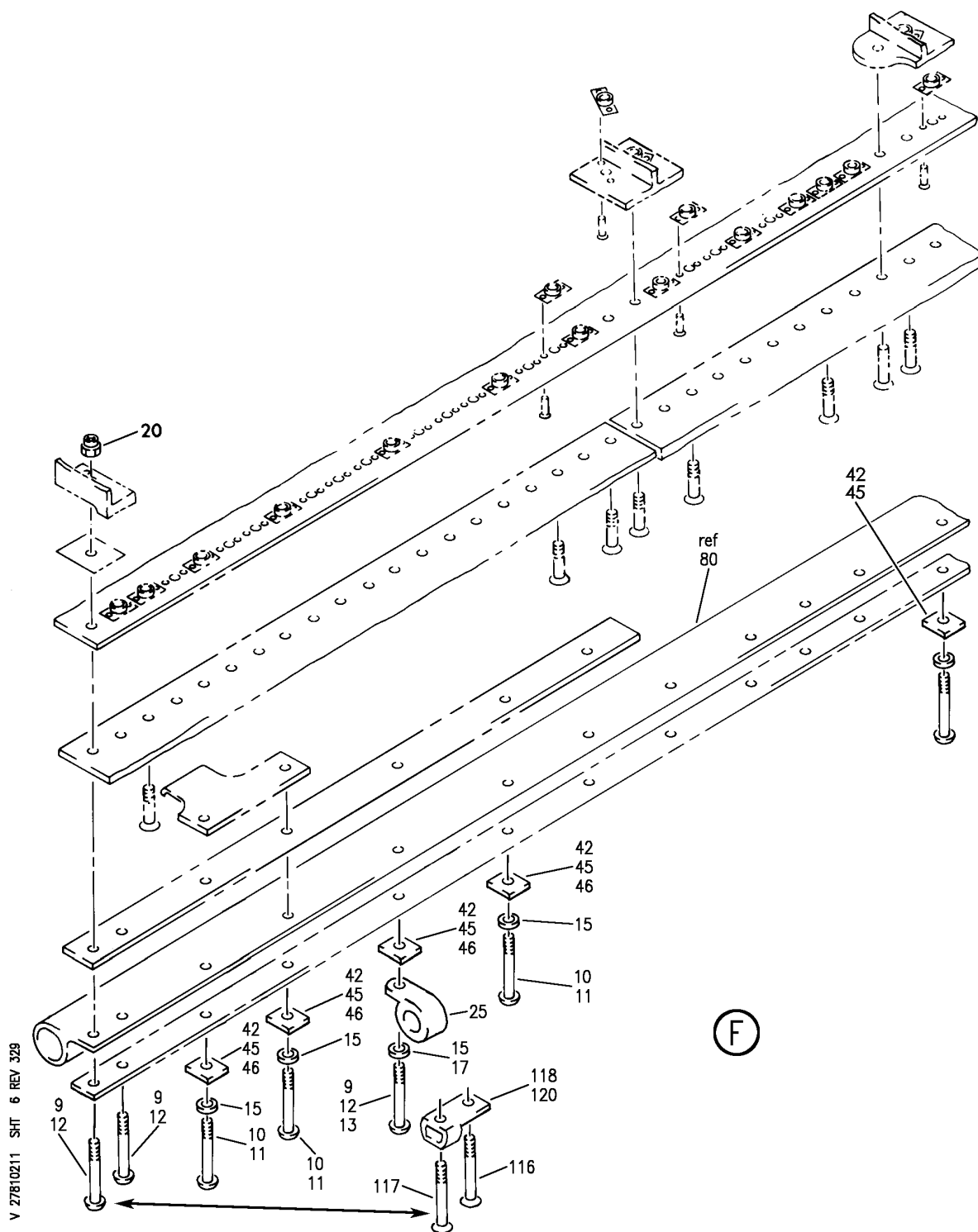
SLAT ASSY-OUTBD NO. 2 AND 11 WING LE
FIGURE 11 (SHEET 5)

27-81-02-11

HXL
AUG 22/08

27-81-02-11
PAGE 0D


BOEING
 767
PARTS CATALOG (MAINTENANCE)



V 27810211 SHT 6 REV 329

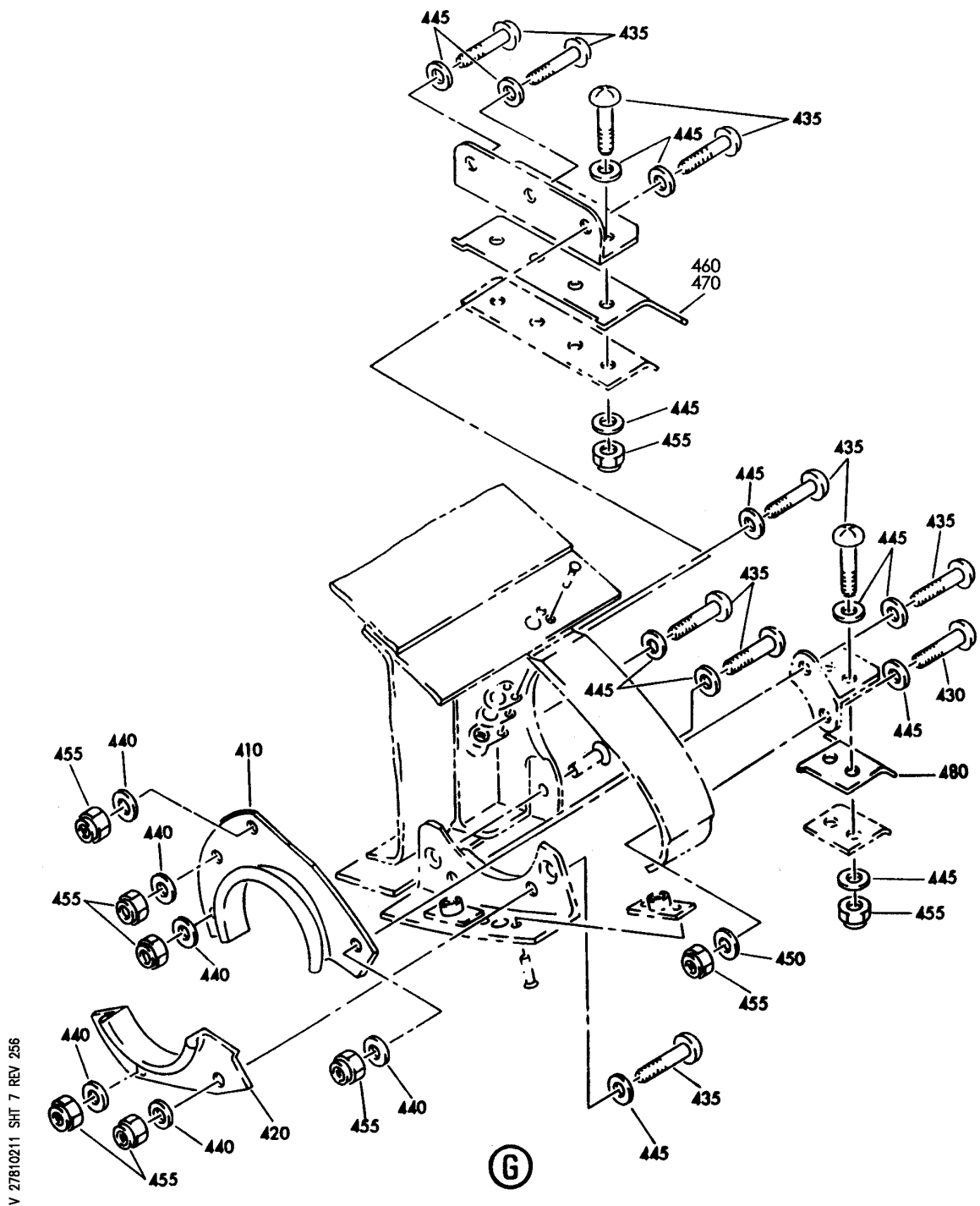
SLAT ASSY-OUTBD NO. 2 AND 11 WING LE
FIGURE 11 (SHEET 6)

27-81-02-11

HXL
AUG 22/08

27-81-02-11
PAGE 0E

BOEING
 767
 PARTS CATALOG (MAINTENANCE)



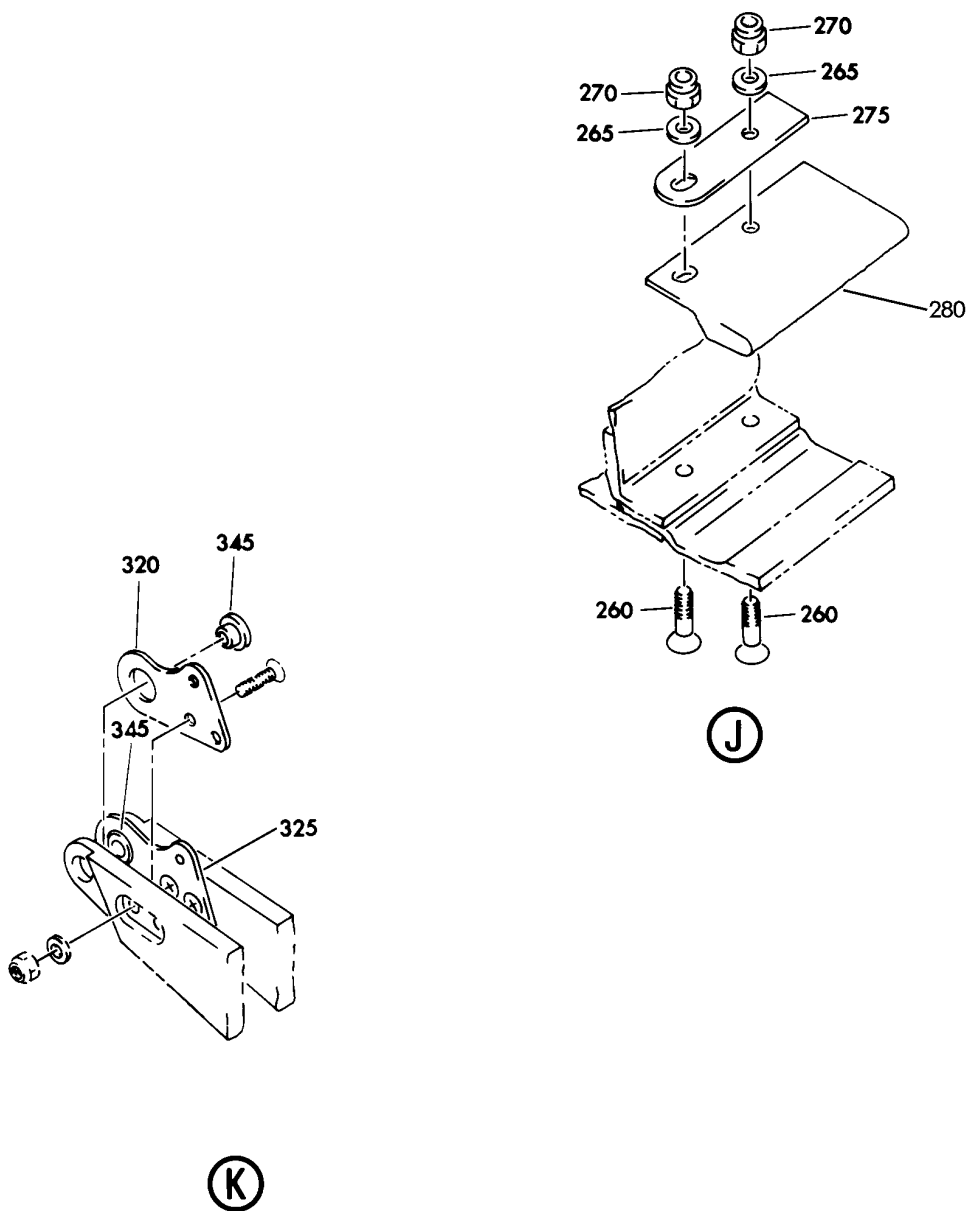
SLAT ASSY-OUTBD NO. 2 AND 11 WING LE
 FIGURE 11 (SHEET 7)

27-81-02-11

HXL
 DEC 22/06

27-81-02-11
 PAGE OF

BOEING
767
PARTS CATALOG (MAINTENANCE)



V 27810211 SHT 8 REV 256

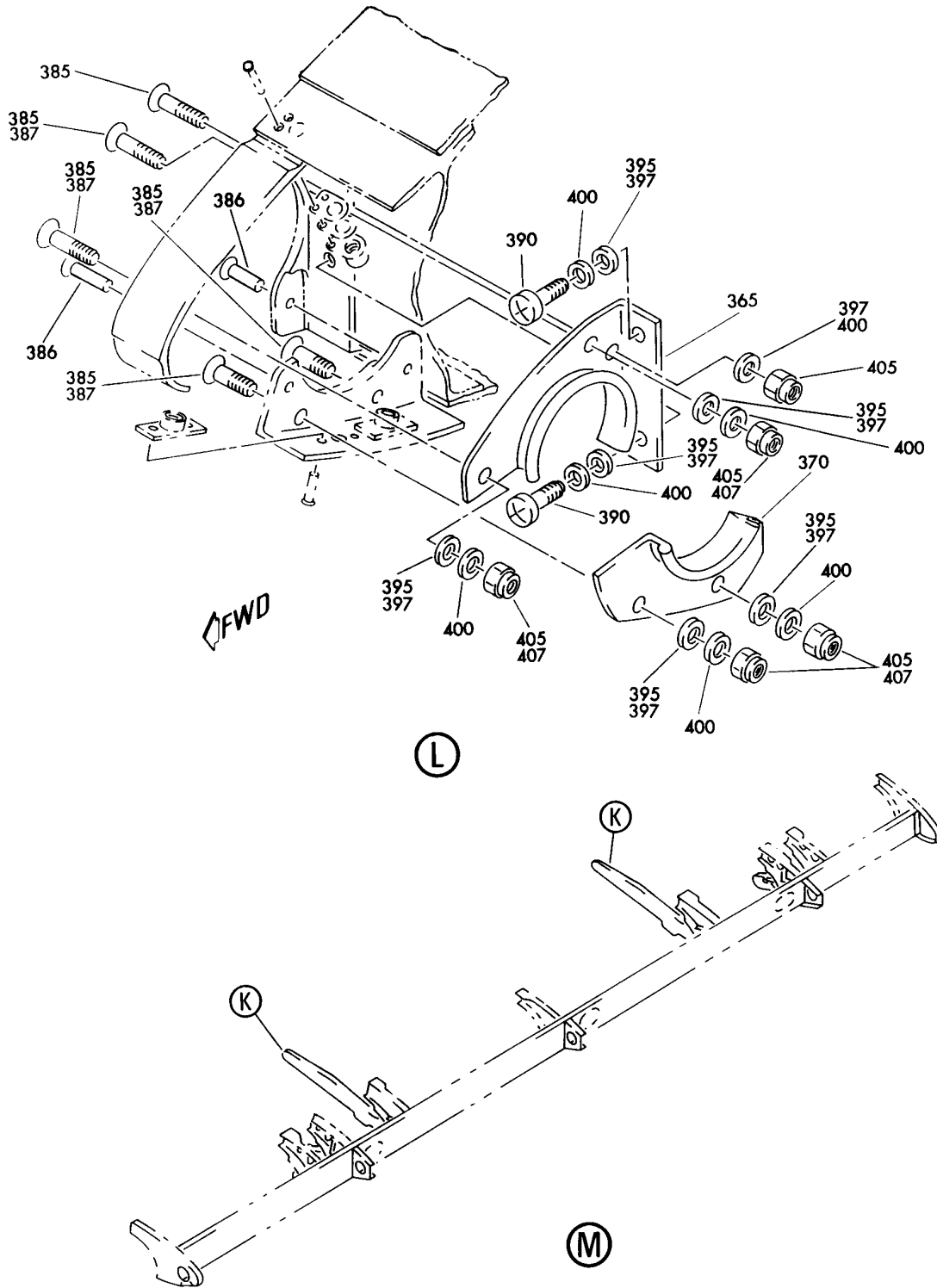
SLAT ASSY-OUTBD NO. 2 AND 11 WING LE
FIGURE 11 (SHEET 8)

27-81-02-11

HXL
DEC 22/06

27-81-02-11
PAGE 06


BOEING
 767
PARTS CATALOG (MAINTENANCE)



V 27810211 SHT 9 REV 256

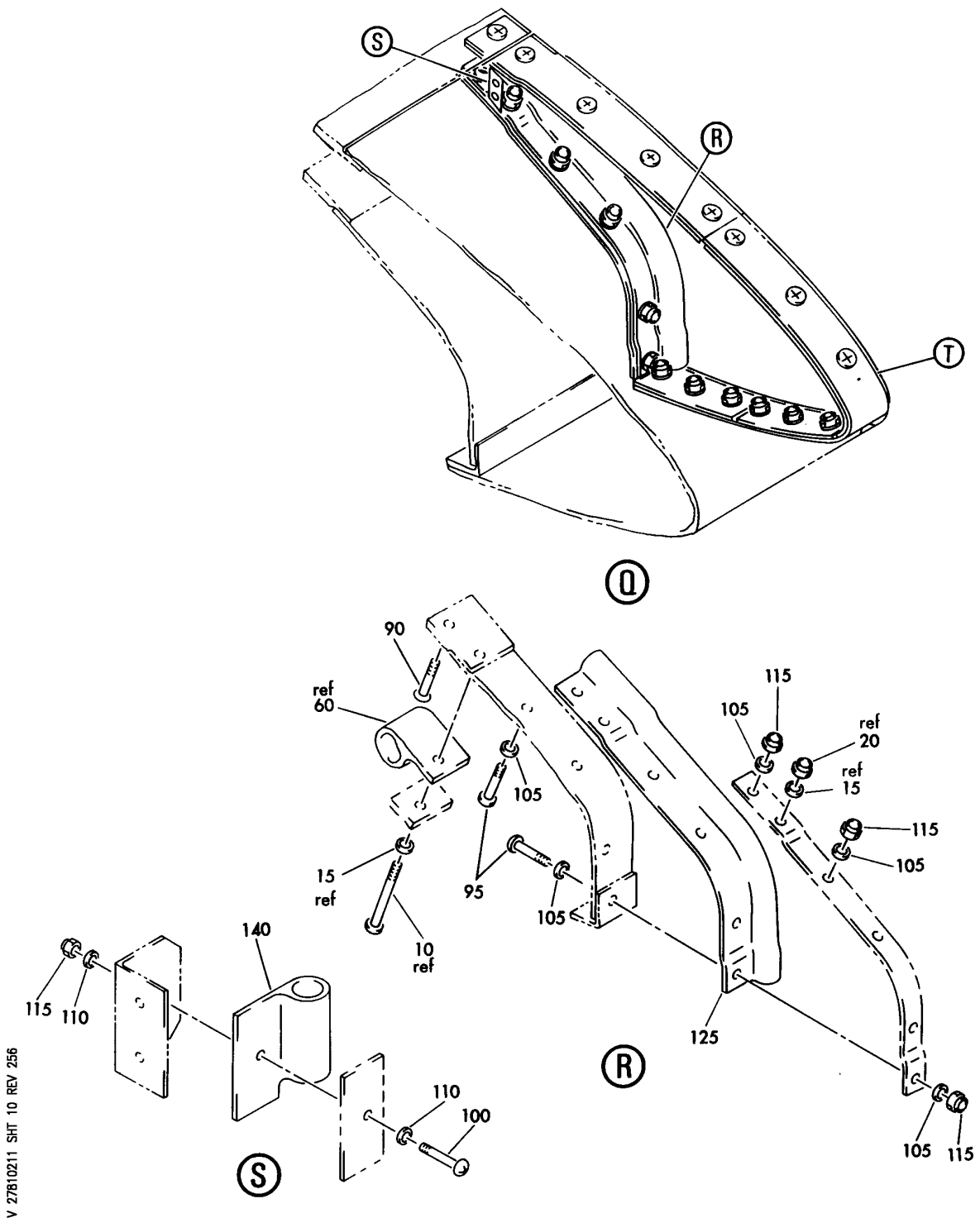
SLAT ASSY-OUTBD NO. 2 AND 11 WING LE
FIGURE 11 (SHEET 9)

27-81-02-11

HXL
DEC 22/06

27-81-02-11
PAGE 0H

BOEING
767
PARTS CATALOG (MAINTENANCE)



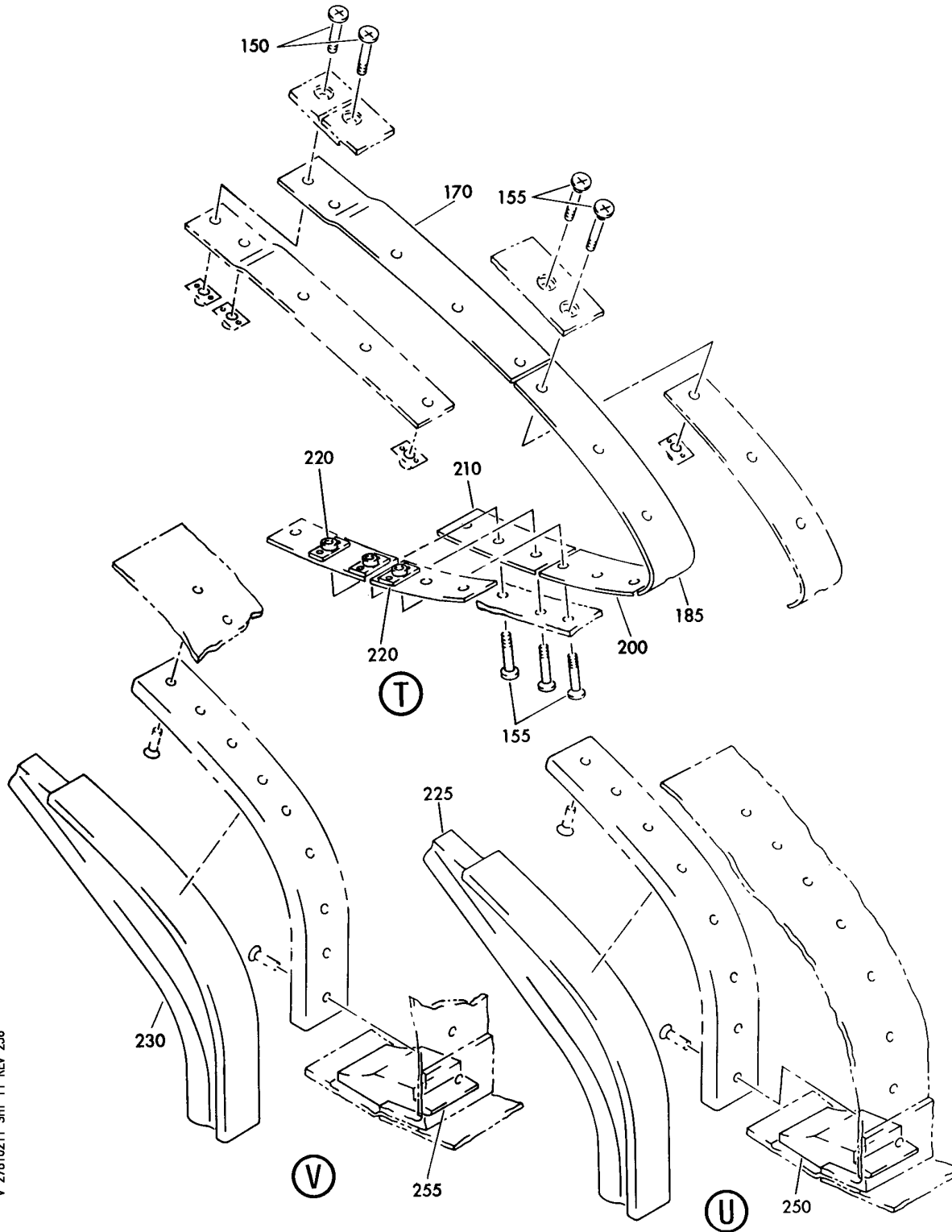
SLAT ASSY-OUTBD NO. 2 AND 11 WING LE
FIGURE 11 (SHEET 10)

27-81-02-11

HXL
DEC 22/06

27-81-02-11
PAGE 01

BOEING
767
PARTS CATALOG (MAINTENANCE)



V 27810211 SHT 11 REV 256

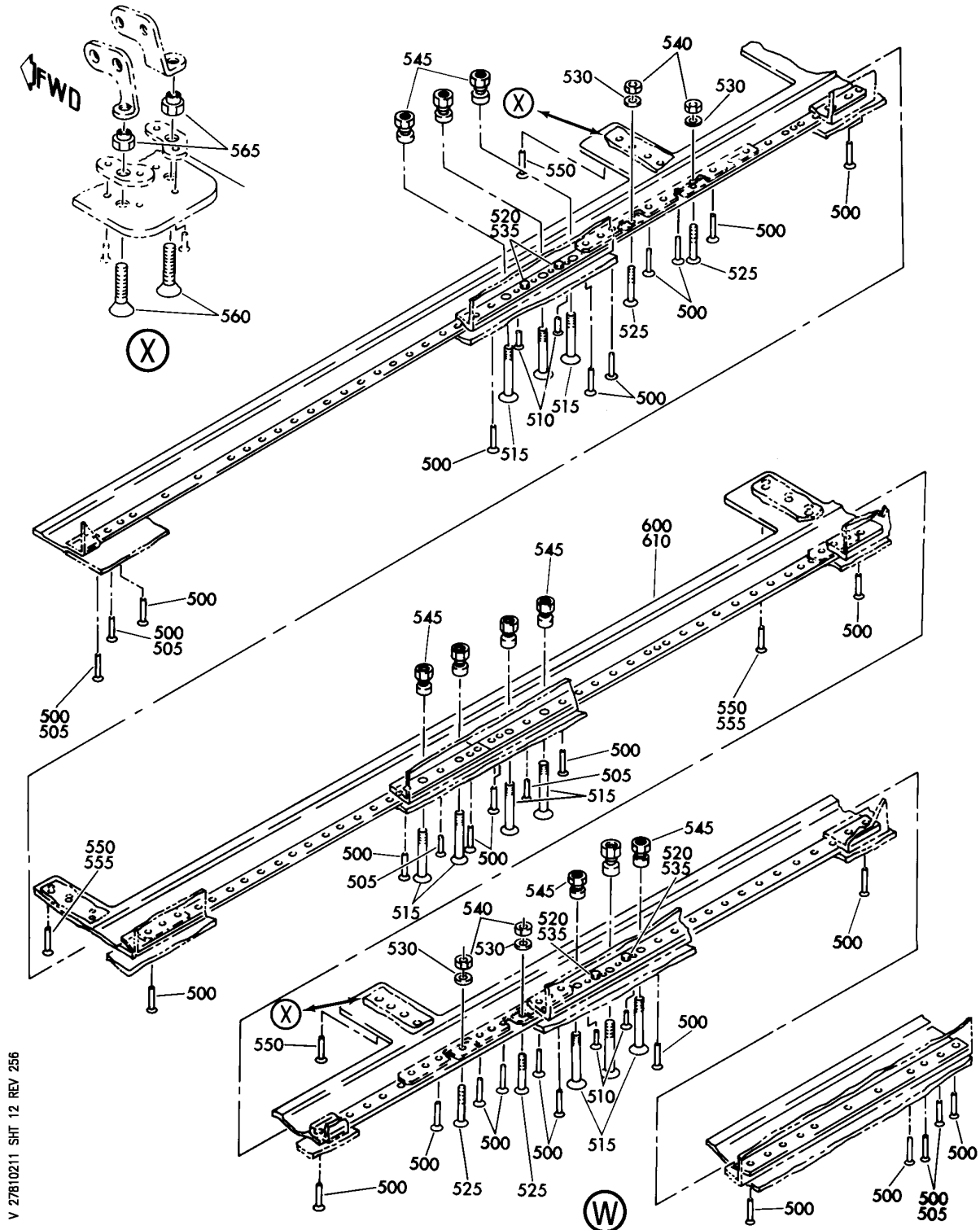
SLAT ASSY-OUTBD NO. 2 AND 11 WING LE
FIGURE 11 (SHEET 11)

27-81-02-11

HXL
DEC 22/06

27-81-02-11
PAGE 0J

BOEING
767
PARTS CATALOG (MAINTENANCE)



V 27810211 SH1 12 REV 256

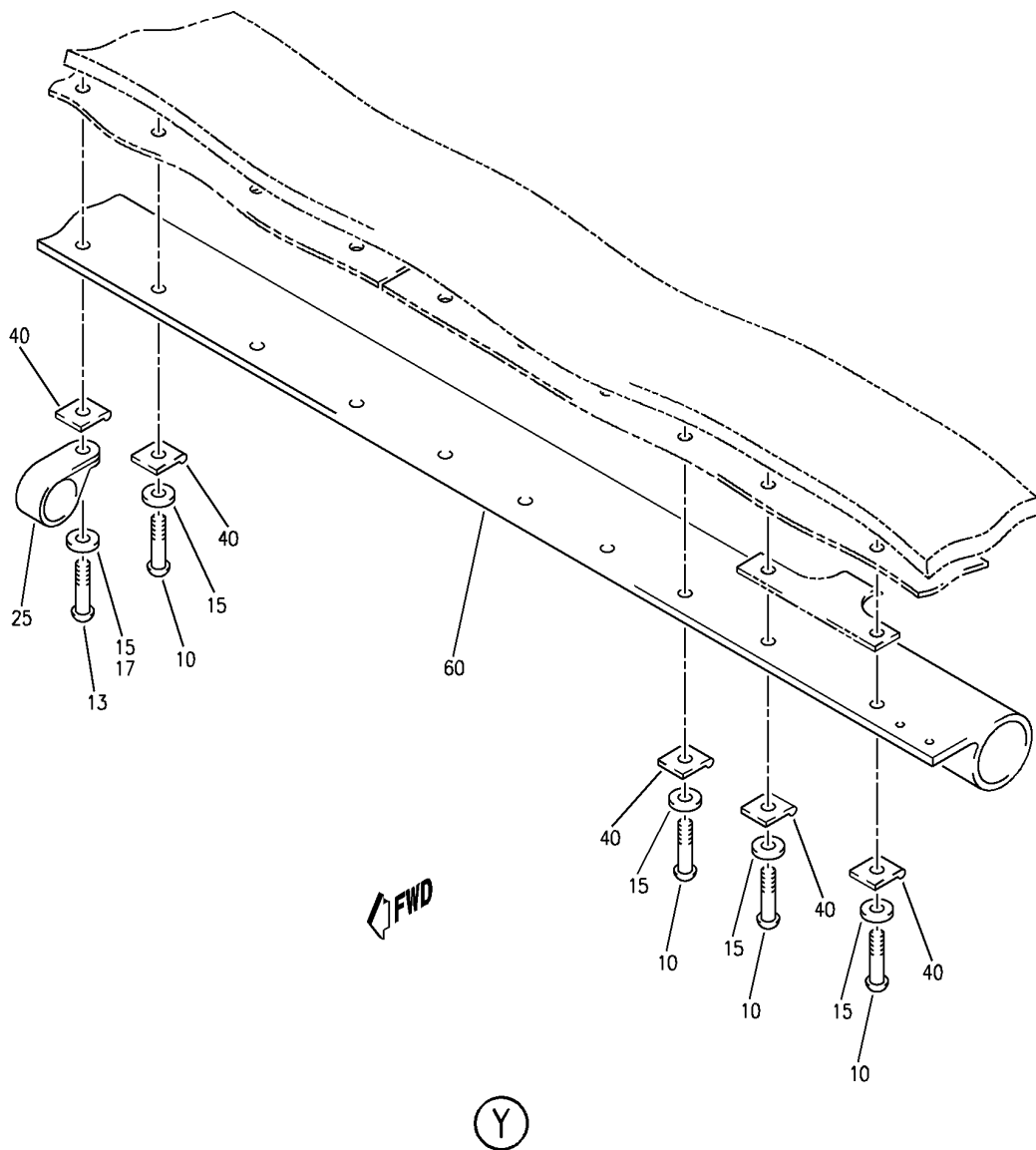
SLAT ASSY-OUTBD NO. 2 AND 11 WING LE
FIGURE 11 (SHEET 12)

27-81-02-11

HXL
DEC 22/06

27-81-02-11
PAGE 0K

BOEING
767
PARTS CATALOG (MAINTENANCE)



V 27B10211 SHT 13 REV 319

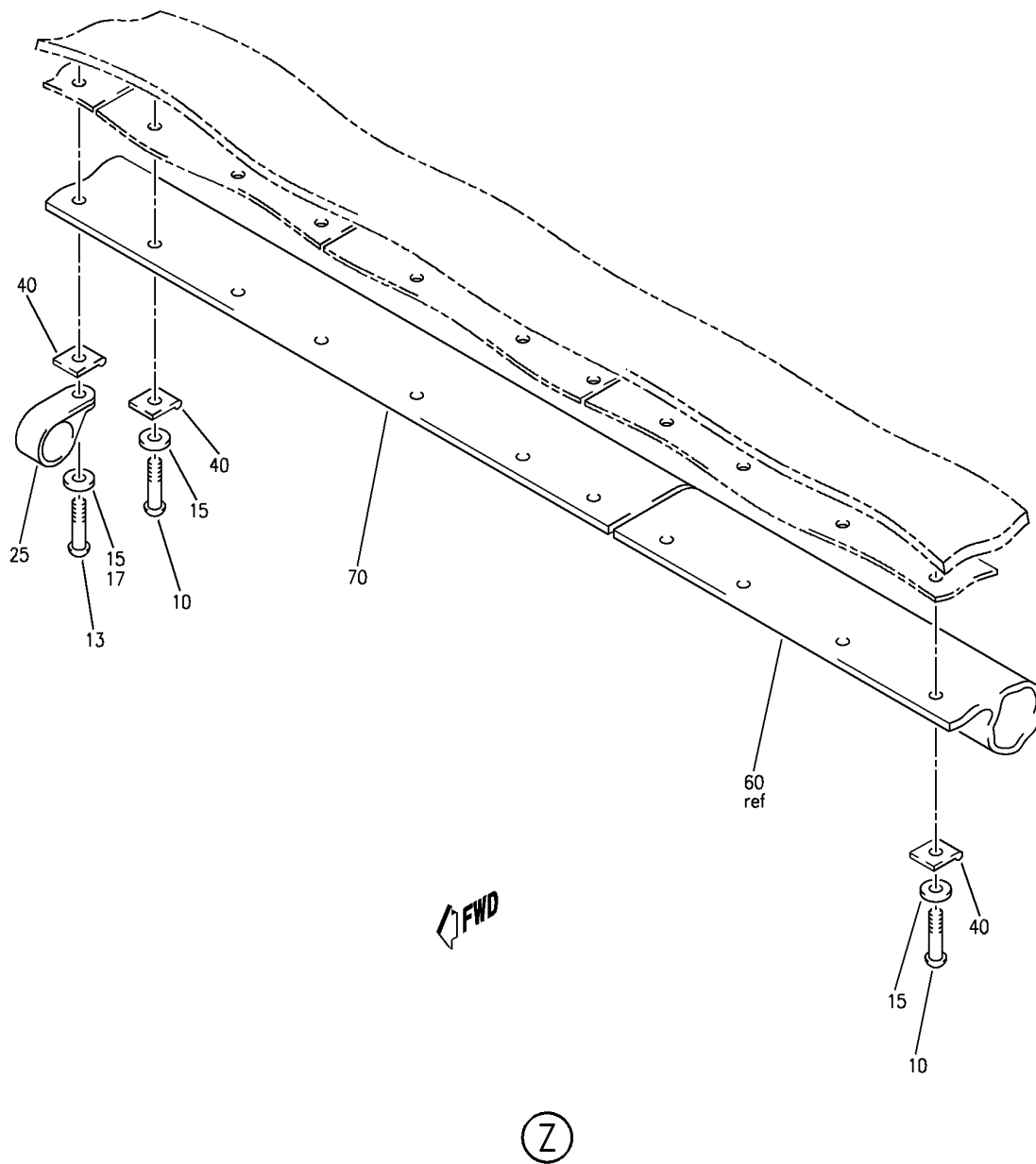
SLAT ASSY-OUTBD NO. 2 AND 11 WING LE
FIGURE 11 (SHEET 13)

27-81-02-11

HXL
AUG 22/07

27-81-02-11
PAGE 0L

BOEING
767
PARTS CATALOG (MAINTENANCE)



V 27B10211 SH1 14 REV 319

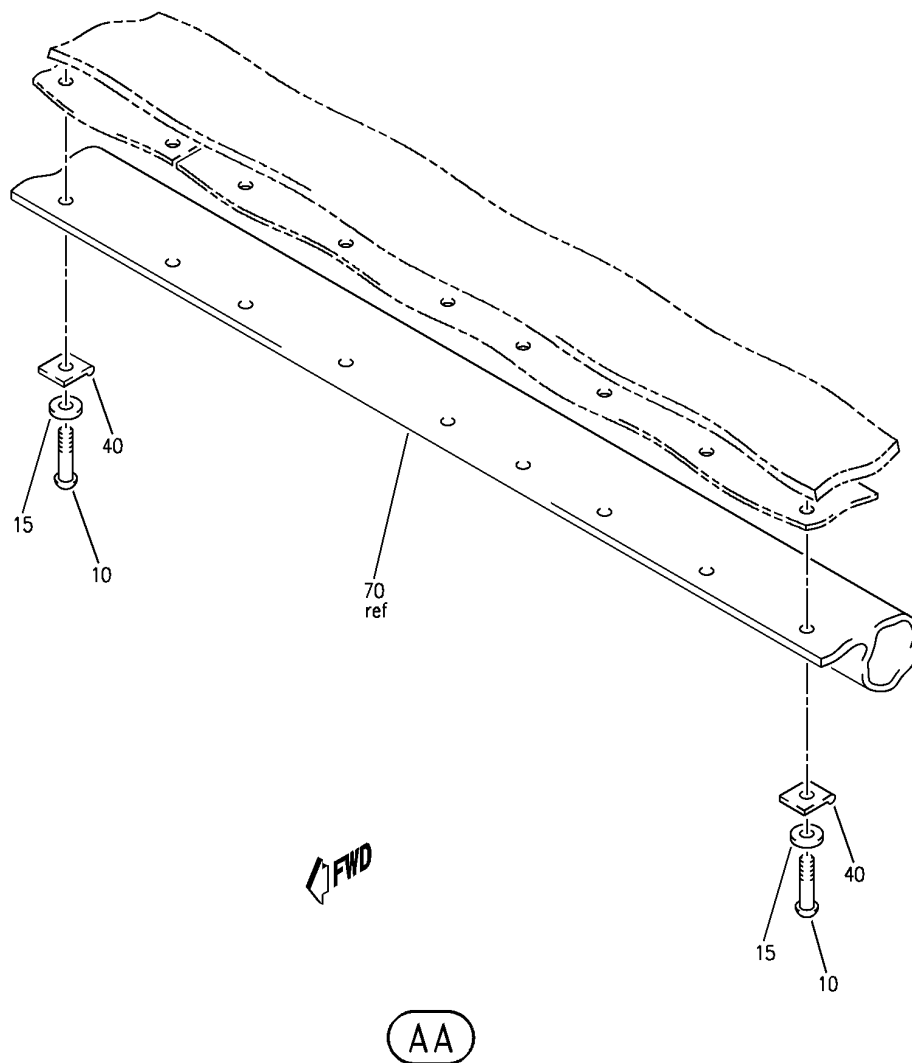
SLAT ASSY-OUTBD NO. 2 AND 11 WING LE
FIGURE 11 (SHEET 14)

27-81-02-11

HXL
AUG 22/07

27-81-02-11
PAGE 0M

BOEING
767
PARTS CATALOG (MAINTENANCE)



V 27B10211 SHT 15 REV 319

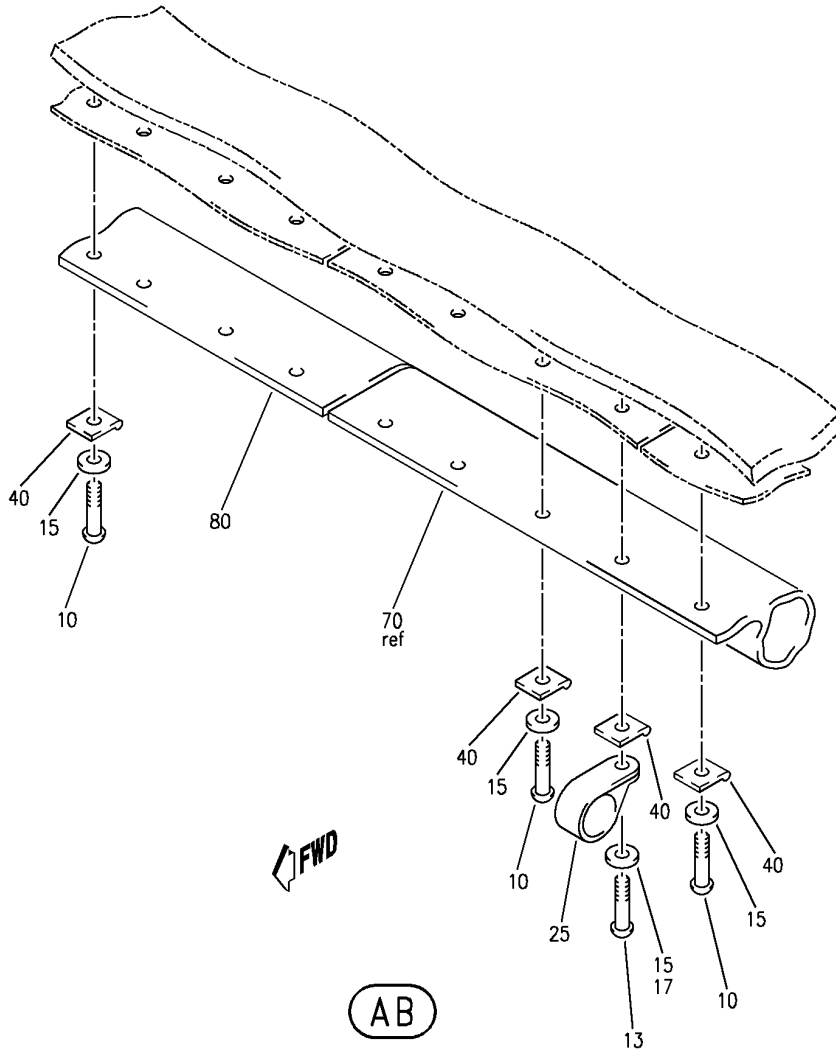
SLAT ASSY-OUTBD NO. 2 AND 11 WING LE
FIGURE 11 (SHEET 15)

27-81-02-11

HXL
AUG 22/07

27-81-02-11
PAGE ON

BOEING
767
PARTS CATALOG (MAINTENANCE)



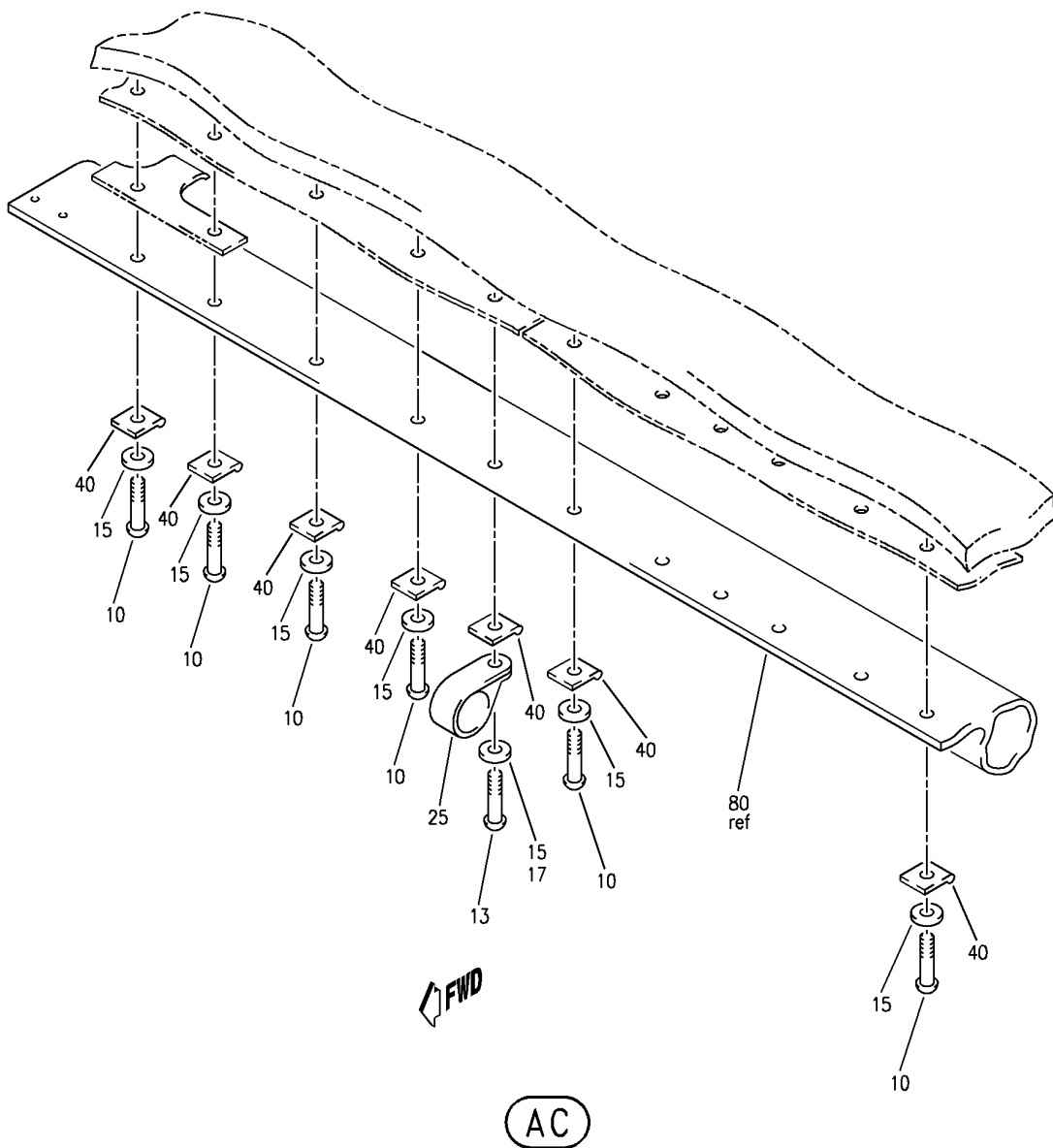
V 27B10211 SH1 16 REV 319

SLAT ASSY-OUTBD NO. 2 AND 11 WING LE
FIGURE 11 (SHEET 16)

27-81-02-11

HXL
AUG 22/07

27-81-02-11
PAGE 00



V 27810211 SHT 17 REV 319

SLAT ASSY-OUTBD NO. 2 AND 11 WING LE
FIGURE 11 (SHEET 17)

27-81-02-11

HXL
AUG 22/07

27-81-02-11
PAGE 0P



767

PARTS CATALOG (MAINTENANCE)

FIG ITEM	PART NUMBER	1 2 3 4 5 6 7	NOMENCLATURE	EFFECT FROM TO	UNITS PER ASSY
11			SLAT ASSY-OUTBD NO. 2 AND 11 WING LE		
- 2	015T1507-215		SLAT ASSY-NO. 2 WING LE POSITION DATA: OUTBD LH COMPONENT MAINT MANUAL REF: 57-43-45 SERVICE BULLETIN OPT DATA: 015T1507-249 POST ALERT SB: 57A0057 PRE ALERT SB: 57A0101 FOR NHA SEE: 27-81-02-01		RF
- 3	015T1507-249		SLAT ASSY-NO. 2 POSITION DATA: LH SIDE COMPONENT MAINT MANUAL REF: 57-43-45 SERVICE BULLETIN OPT DATA: 015T1507-215 POST ALERT SB: 57A0057 FOR NHA SEE: 27-81-02-01		RF
- 6	015T1507-216		SLAT ASSY-NO. 11 WING LE POSITION DATA: OUTBD RH COMPONENT MAINT MANUAL REF: 57-43-45 SERVICE BULLETIN OPT DATA: 015T1507-250 POST ALERT SB: 57A0057 PRE ALERT SB: 57A0101 FOR NHA SEE: 27-81-02-01		RF

ILLUSTRATION ITEMS NOT ON PARTS LIST ARE NOT APPLICABLE

- ITEM NOT ILLUSTRATED

HXL

27-81-02-11

BOEING PROPRIETARY - Copyright © - Unpublished Work - See title page for details.

27-81-02
FIG. 11
PAGE 1
DEC 22/07

BOEING
767
PARTS CATALOG (MAINTENANCE)

FIG ITEM	PART NUMBER	1 2 3 4 5 6 7	NOMENCLATURE	EFFECT FROM TO	UNITS PER ASSY
11 - 7	015T1507-250		SLAT ASSY-NO. 11 POSITION DATA: RH SIDE COMPONENT MAINT MANUAL REF: 57-43-45 SERVICE BULLETIN OPT DATA: 015T1507-216 POST ALERT SB: 57A0057 FOR NHA SEE: 27-81-02-01		RF
10 13	BACB30NT3K7 BACB30NT3K10		.BOLT .BOLT-		46 4
15 20	NAS1149D0332J BRH10A3		POST ALERT SB: 27A0140R2 .WASHER- .NUT-		50 2
			SUPPLIER CODE: V52828 SPECIFICATION NUMBER: BACN10JC3 OPTIONAL PART: H10-3BAC V15653 NS202101-02 V80539 RMLH9075-3W V72962 VN303A02 V92215 96-02 V80539 T6S1032J V11815		
20	BRH10C3D		.NUT- SUPPLIER CODE: V52828 SPECIFICATION NUMBER: BACN10JC3CD OPTIONAL PART: T6C1032JCD V11815 NS202486-02 V80539 102LH9075-3W V72962 H51650-3BAC V15653		2
ILLUSTRATION ITEMS NOT ON PARTS LIST ARE NOT APPLICABLE					

- ITEM NOT ILLUSTRATED

HXL

27-81-02-11

BOEING PROPRIETARY - Copyright © - Unpublished Work - See title page for details.

27-81-02
FIG. 11
PAGE 2
DEC 22/07

PARTS CATALOG (MAINTENANCE)

FIG ITEM	PART NUMBER	1 2 3 4 5 6 7	NOMENCLATURE	EFFECT FROM TO	UNITS PER ASSY
R R R R R R R R R R R R R R R R R R R	11				
	- 25	BACC10DK4	.CLAMP-		4
			POST ALERT SB:		
			27A0140R2		
	48	114T4233-32	.RETAINER-		4
		POST ALERT SB:			
		27A0140R2			
60	114T4232-7	.SEAL-		1	
		POSITION DATA:			
		LH SIDE			
		MANUFACTURED FROM:			
		EXTRUSION			
		RUBBER F25.01			
		10-60754-319 44.50 IN			
		SPARES ORDER MATERIAL			
		CODE: 5287003190			
- 65	114T4232-8	.SEAL-		1	
		POSITION DATA:			
		RH SIDE			
		MANUFACTURED FROM:			
		EXTRUSION			
		RUBBER F25.01			
		10-60754-319 44.50 IN			
		SPARES ORDER MATERIAL			
		CODE: 5287003190			
70	114T4232-9	.SEAL-		1	
		POSITION DATA:			
		LH SIDE			
		MANUFACTURED FROM:			
		EXTRUSION			
		RUBBER F25.01			
		10-60754-319 64.00 IN			
		SPARES ORDER MATERIAL			
		CODE: 5287003190			
- 75	114T4232-10	.SEAL-		1	
		POSITION DATA:			
		RH SIDE			
		MANUFACTURED FROM:			
		EXTRUSION			
		RUBBER F25.01			
		10-60754-319 64.00 IN			
		SPARES ORDER MATERIAL			
		CODE: 5287003190			

ILLUSTRATION ITEMS NOT ON PARTS LIST ARE NOT APPLICABLE

- ITEM NOT ILLUSTRATED

HXL

27-81-02-11

BOEING PROPRIETARY - Copyright © - Unpublished Work - See title page for details.

27-81-02
FIG. 11
PAGE 3
AUG 22/09

BOEING
767
PARTS CATALOG (MAINTENANCE)

FIG ITEM	PART NUMBER	1 2 3 4 5 6 7	NOMENCLATURE	EFFECT FROM TO	UNITS PER ASSY
R R R R R R R R R R R	11 80	114T4232-11	.SEAL- POSITION DATA: LH SIDE MANUFACTURED FROM: EXTRUSION RUBBER F25.01 10-60754-319 44.00 IN SPARES ORDER MATERIAL CODE: 5287003190		1
	- 85	114T4232-12	.SEAL- POSITION DATA: RH SIDE MANUFACTURED FROM: EXTRUSION RUBBER F25.01 10-60754-319 44.00 IN SPARES ORDER MATERIAL CODE: 5287003190		1
	90	BACB30NN3K4	.BOLT		1
	95	BACB30NT3K4	.BOLT		4
	100	BACB30NT3K3	.BOLT		1
	105	AN960PD10	.WASHER-		9
	105	NAS1149D0363J	.WASHER-		9
	110	AN960PD10L	.WASHER-		2
	110	NAS1149D0332J	.WASHER-		2
	115	BRH10A3	.NUT-		6
				SUPPLIER CODE: V52828 SPECIFICATION NUMBER: BACN10JC3 OPTIONAL PART: H10-3BAC V15653 NS202101-02 V80539 RMLH9075-3W V72962 VN303A02 V92215 96-02 V80539 T6S1032J V11815	
ILLUSTRATION ITEMS NOT ON PARTS LIST ARE NOT APPLICABLE					

- ITEM NOT ILLUSTRATED

HXL

27-81-02-11

BOEING PROPRIETARY - Copyright © - Unpublished Work - See title page for details.

27-81-02
FIG. 11
PAGE 4
AUG 22/09

 **BOEING**
767
PARTS CATALOG (MAINTENANCE)

FIG ITEM	PART NUMBER	1 2 3 4 5 6 7	NOMENCLATURE	EFFECT FROM TO	UNITS PER ASSY
11 115	BRH10C3D		.NUT- SUPPLIER CODE: V52828 SPECIFICATION NUMBER: BACN10JC3CD OPTIONAL PART: T6C1032JCD V11815 NS202486-02 V80539 102LH9075-3W V72962 H51650-3BAC V15653		6
116	BACB30NN3K8		.BOLT- POST ALERT SB: 27A0140R2		2
117	BACB30NN3K9		.BOLT- POST ALERT SB: 27A0140R2		2
118	256T2931-7		.GUIDE-CABLE POSITION DATA: OUTBD LH POST ALERT SB: 27A0140R2		1
120	256T2931-8		.GUIDE-CABLE POSITION DATA: OUTBD RH POST ALERT SB: 27A0140R2		1
122	256T2931-9		.GUIDE-CABLE POSITION DATA: OUTBD LH POST ALERT SB: 27A0140R2		1
124	256T2931-10		.GUIDE-CABLE POSITION DATA: OUTBD RH POST ALERT SB: 27A0140R2		1
125	114T4234-7		.SEAL- POSITION DATA: LH SIDE MANUFACTURED FROM: EXTR RUBBER F25.01 10-60754-15 8.80 IN. SPARES ORDER MATERIAL CODE: 5287000150		1

R
R
R
R
R
R
R
R

ILLUSTRATION ITEMS NOT ON PARTS LIST ARE NOT APPLICABLE

- ITEM NOT ILLUSTRATED

HXL

27-81-02-11

27-81-02
FIG. 11
PAGE 5
AUG 22/09

BOEING
767
PARTS CATALOG (MAINTENANCE)

FIG ITEM	PART NUMBER	1 2 3 4 5 6 7	NOMENCLATURE	EFFECT FROM TO	UNITS PER ASSY
R R R R R R R R R R R	11 - 130	114T4234-8	.SEAL- POSITION DATA: RH SIDE MANUFACTURED FROM: EXTR RUBBER F25.01 10-60754-15 8.80 IN. SPARES ORDER MATERIAL CODE: 5287000150		1
	140	114T4234-11	.SEAL- POSITION DATA: LH SIDE MANUFACTURED FROM: EXTR RUBBER F25.01 10-60754-15 1.50 IN. SPARES ORDER MATERIAL CODE: 5287000150		1
	- 145	114T4234-12	.SEAL- POSITION DATA: RH SIDE MANUFACTURED FROM: EXTR RUBBER F25.01 10-60754-15 1.50 IN. SPARES ORDER MATERIAL CODE: 5287000150		1
	150	BACB30NN3K5	.BOLT		2
	155	BACB30NN3K4	.BOLT		13
	170	114T4230-1	.SEAL- MANUFACTURED FROM: SH RUBBER BMS1-50 TYPE 11 GRADE 60 F25.01 0.094 IN. 1.25 IN. 7.90 IN. SPARES ORDER MATERIAL CODE: 5210943560		1
	185	114T4230-5	.SEAL- MANUFACTURED FROM: SH RUBBER BMS1-50 TYPE 11 GRADE 60 F25.01 0.094 IN. 1.25 IN. 6.60 IN. SPARES ORDER MATERIAL CODE: 5210943560		1

ILLUSTRATION ITEMS NOT ON PARTS LIST ARE NOT APPLICABLE

- ITEM NOT ILLUSTRATED

27-81-02-11

27-81-02
FIG. 11
PAGE 6
AUG 22/09

HXL

BOEING
767
PARTS CATALOG (MAINTENANCE)

FIG ITEM	PART NUMBER	1 2 3 4 5 6 7	NOMENCLATURE	EFFECT FROM TO	UNITS PER ASSY
R R R R R R R R R R	11 200	114T4230-9	.SEAL- MANUFACTURED FROM: SH RUBBER BMS1-50 TYPE 11 GRADE 60 F25.01 0.094 IN. 1.25 IN. 3.45 IN. SPARES ORDER MATERIAL CODE: 5210943560		1
	210	114T4230-13	.SEAL- MANUFACTURED FROM: SH RUBBER BMS1-50 TYPE 11 GRADE 60 F25.01 0.094 IN. 1.25 IN. 3.45 IN. SPARES ORDER MATERIAL CODE: 5210943560		1
	220	MF53049-3	.NUTPLATE SUPPLIER CODE: V15653 SPECIFICATION NUMBER: BACN10JN3 OPTIONAL PART: BRFM20A3 V52828 MF1000-3BAC V15653 NS103218-02 V80539 RMF9201M3 V72962 VN252A02 V92215 T8124S3S V11815 ATTACHING PARTS		3
	- 222	BACR15BA3AD	.RIVET- SIZE DETERMINED ON INSTL. -----*-----		6
	225	114T4224-7	.SEAL- POST ALERT SB: 27A0140 REWORKED BY ALERT SB: 27A0140R2		1
230	114T4224-8	.SEAL- POST ALERT SB: 27A0140 REWORKED BY ALERT SB: 27A0140R2		1	
ILLUSTRATION ITEMS NOT ON PARTS LIST ARE NOT APPLICABLE					

- ITEM NOT ILLUSTRATED

HXL

27-81-02-11

BOEING PROPRIETARY - Copyright © - Unpublished Work - See title page for details.

27-81-02
FIG. 11
PAGE 7
AUG 22/09



767

PARTS CATALOG (MAINTENANCE)

FIG ITEM	PART NUMBER	1 2 3 4 5 6 7	NOMENCLATURE	EFFECT FROM TO	UNITS PER ASSY
R R R R R R R R R R R R R R R	11 250	114T4236-2	.SEAL- MANUFACTURED FROM: SH SPONGE RUBBER BMS1-23 0.42 IN. 1.00 IN. 1.50 IN. SPARES ORDER MATERIAL CODE: 5235000230		1
	250	114T4236-8	.SEAL- MANUFACTURED FROM: SH SPONGE RUBBER BMS1-23 0.42 IN. 1.00 IN. 1.50 IN. SPARES ORDER MATERIAL CODE: 5235000230		1
	255	114T4236-3	.SEAL- MANUFACTURED FROM: SH SPONGE RUBBER BMS1-23 0.60 IN. 1.00 IN. 2.60 IN. SPARES ORDER MATERIAL CODE: 5235000230		1
	255	114T4236-9	.SEAL- MANUFACTURED FROM: SH SPONGE RUBBER BMS1-23 0.60 IN. 1.00 IN. 2.60 IN.		1
	260 265 265 270	BACB30NN3K6 AN960PD10L NAS1149D0332J BRH10A3	.BOLT .WASHER- .WASHER- .NUT- SUPPLIER CODE: V52828 SPECIFICATION NUMBER: BACN10JC3 OPTIONAL PART: H10-3BAC V15653 NS202101-02 V80539 RMLH9075-3W V72962 VN303A02 V92215 96-02 V80539 T6S1032J V11815		1 1 1 1
ILLUSTRATION ITEMS NOT ON PARTS LIST ARE NOT APPLICABLE					

- ITEM NOT ILLUSTRATED

27-81-02-11

27-81-02
FIG. 11
PAGE 8
AUG 22/09

HXL

BOEING
767
PARTS CATALOG (MAINTENANCE)

FIG ITEM	PART NUMBER	1 2 3 4 5 6 7	NOMENCLATURE	EFFECT FROM TO	UNITS PER ASSY
11 270	BRH10C3D		.NUT- SUPPLIER CODE: V52828 SPECIFICATION NUMBER: BACN10JC3CD OPTIONAL PART: T6C1032JCD V11815 NS202486-02 V80539 102LH9075-3W V72962 H51650-3BAC V15653		1
280	114T4237-7		.SEAL- POSITION DATA: LH SIDE		1
- 285	114T4237-8		.SEAL- POSITION DATA: RH SIDE		1
290	114T4226-2		.SEAL		2
320	114T4149-1		.PLATE-RUB		1
325	114T4149-2		.PLATE-RUB		1
- 330	HL441N5-3		ATTACHING PARTS .BOLT- SUPPLIER CODE: V60516 SPECIFICATION NUMBER: BACB30FN5A3N OPTIONAL PART: HL441N5-3 V73197 HL441N5-3 V92215 HL441N5-3 V97928 HL441N5-3 V08524 HL441N5-3 V56878 BACB30FN5A3		4

R
R
R
R
R
R
R
R
R
R
R
R
R
R
R
R
R
R
R
R
R
R

ILLUSTRATION ITEMS NOT ON PARTS LIST ARE NOT APPLICABLE

- ITEM NOT ILLUSTRATED

HXL

27-81-02-11

BOEING PROPRIETARY - Copyright © - Unpublished Work - See title page for details.

27-81-02
FIG. 11
PAGE 9
AUG 22/09

 **BOEING**
767
PARTS CATALOG (MAINTENANCE)

FIG ITEM	PART NUMBER	1 2 3 4 5 6 7	NOMENCLATURE	EFFECT FROM TO	UNITS PER ASSY
R R R R R R R R R R	11				
	- 330	HL441UC5-3	.BOLT-		4
			SUPPLIER CODE:		
			V97928		
			SPECIFICATION NUMBER:		
			BACB30FN5A3		
			OPTIONAL PART:		
			HL441UC5-3		
			V73197		
			HL441UC5-3		
		V92215			
		HL41PY5-3			
		V80539			
		HL441N5-3			
		V80539			
		HL441UC5-3			
		V80539			
		67068-5A3			
		V56878			
		HL441UC5-3			
		V08524			
		HL441UC5-3			
		V56878			
		BACB30FN5A3N			
	- 335	AN960PD8L	.WASHER		4
	- 340	BRH10C08D	.NUT		4
			SUPPLIER CODE:		
			V52828		
			SPECIFICATION NUMBER:		
			BACN10JC08CD		
			OPTIONAL PART:		
			H51650-08BAC		
			V15653		
			102LH9075-82W		
			V72962		
			NS202486-82		
			V80539		
			T6C832JCD		
			V11815		
			-----*-----		
	345	012T2400-45	.BUSHING		2
	365	114T4240-69	.SEAL-		1
			POSITION DATA:		
			LH SIDE		
			USED ON:		
			114T4102-21SP		
			114T4102-23		
			114T4102-25SP		
			114T4102-27		
			114T4102-29		
			ILLUSTRATION ITEMS NOT ON PARTS LIST ARE NOT APPLICABLE		

- ITEM NOT ILLUSTRATED

HXL

27-81-02-11

BOEING PROPRIETARY - Copyright © - Unpublished Work - See title page for details.

27-81-02
FIG. 11
PAGE 10
AUG 22/09

 **BOEING**
767
PARTS CATALOG (MAINTENANCE)

FIG ITEM	PART NUMBER	1 2 3 4 5 6 7	NOMENCLATURE	EFFECT FROM TO	UNITS PER ASSY
11					
370	114T4240-55	.	SEAL- POSITION DATA: LH SIDE		1
370	114T4240-71	.	SEAL- POSITION DATA: LH SIDE		1
- 375	114T4240-70	.	SEAL- POSITION DATA: RH SIDE USED ON: 114T4102-22SP 114T4102-24 114T4102-26SP 114T4102-28 114T4102-30		1
- 380	114T4240-56	.	SEAL- POSITION DATA: RH SIDE		1
- 380	114T4240-72	.	SEAL- POSITION DATA: RH SIDE		1
385	BACB30NN3K4	.	ATTACHING PARTS BOLT- USED WITH: 114T4240-53 114T4240-54 114T4240-55 114T4240-56		5
387	BACB30NN3K4	.	BOLT- USED WITH: 114T4240-69 114T4240-70 114T4240-71 114T4240-72		4
390	BACB30NT3K5	.	BOLT- USED WITH: 114T4240-69 114T4240-70		2
395	BACW10P43AL	.	WASHER- USED WITH: 114T4240-69 114T4240-70 114T4240-71 114T4240-72		6

ILLUSTRATION ITEMS NOT ON PARTS LIST ARE NOT APPLICABLE

- ITEM NOT ILLUSTRATED

HXL

27-81-02-11

BOEING PROPRIETARY - Copyright © - Unpublished Work - See title page for details.

27-81-02
FIG. 11
PAGE 11
AUG 22/09



767

PARTS CATALOG (MAINTENANCE)

FIG ITEM	PART NUMBER	1 2 3 4 5 6 7	NOMENCLATURE	EFFECT FROM TO	UNITS PER ASSY
11 397	BACW10P43AL		.WASHER- USED WITH: 114T4240-53 114T4240-54 114T4240-55 114T4240-56		7
400	AN960PD10L		.WASHER- USED WITH: 114T4240-53 114T4240-54 114T4240-55 114T4240-56		7
405	BRH10A3		.NUT- SUPPLIER CODE: V52828 SPECIFICATION NUMBER: BACN10JC3 OPTIONAL PART: H10-3BAC V15653 NS202101-02 V80539 RMLH9075-3W V72962 VN303A02 V92215 96-02 V80539 T6S1032J V11815 USED WITH: 114T4240-53 114T4240-54 114T4240-55 114T4240-56		5

ILLUSTRATION ITEMS NOT ON PARTS LIST ARE NOT APPLICABLE

- ITEM NOT ILLUSTRATED

HXL

27-81-02-11

BOEING PROPRIETARY - Copyright © - Unpublished Work - See title page for details.

27-81-02
FIG. 11
PAGE 12
AUG 22/09

 **BOEING**
767
PARTS CATALOG (MAINTENANCE)

FIG ITEM	PART NUMBER	1 2 3 4 5 6 7	NOMENCLATURE	EFFECT FROM TO	UNITS PER ASSY
11 407	BRH10A3		.NUT- SUPPLIER CODE: V52828 SPECIFICATION NUMBER: BACN10JC3 OPTIONAL PART: H10-3BAC V15653 NS202101-02 V80539 RMLH9075-3W V72962 VN303A02 V92215 96-02 V80539 T6S1032J V11815 USED WITH: 114T4240-69 114T4240-70 114T4240-71 114T4240-72 -----*-----		4
410	114T4240-57		.SEAL- POSITION DATA: LH SIDE		1
- 415	114T4240-58		.SEAL- POSITION DATA: RH SIDE		1
420	114T4240-59		.SEAL- POSITION DATA: LH SIDE		1
- 425	114T4240-60		.SEAL- POSITION DATA: RH SIDE ATTACHING PARTS		1
430	BACB30NT3K2		.BOLT		1
435	BACB30NT3K4		.BOLT		14
440	BACW10P43AL		.WASHER		6
445	AN960PD10L		.WASHER		21
450	AN960PD10		.WASHER		1

ILLUSTRATION ITEMS NOT ON PARTS LIST ARE NOT APPLICABLE

- ITEM NOT ILLUSTRATED

HXL

27-81-02-11

BOEING PROPRIETARY - Copyright © - Unpublished Work - See title page for details.

27-81-02
FIG. 11
PAGE 13
AUG 22/09

 **BOEING**
767
PARTS CATALOG (MAINTENANCE)

FIG ITEM	PART NUMBER	1 2 3 4 5 6 7	NOMENCLATURE	EFFECT FROM TO	UNITS PER ASSY
11 455	BRH10A3		.NUT SUPPLIER CODE: V52828 SPECIFICATION NUMBER: BACN10JC3 OPTIONAL PART: H10-3BAC V15653 NS202101-02 V80539 RMLH9075-3W V72962 VN303A02 V92215 96-02 V80539 T6S1032J V11815 -----*-----		13
460	114T4223-21		.SEAL- POSITION DATA: LH SIDE		1
- 465	114T4223-22		.SEAL- POSITION DATA: RH SIDE		1
470	114T4223-40		.SEAL- POSITION DATA: LH SIDE		1
- 475	114T4223-39		.SEAL- POSITION DATA: RH SIDE		1
480	114T4223-19		.SEAL- POSITION DATA: LH SIDE		1
- 485	114T4223-20		.SEAL- POSITION DATA: RH SIDE		1
500	BACR15CE6KE		.RIVET- SIZE DETERMINED ON INSTL.		121
505	BACR15BB4A		.RIVET- SIZE DETERMINED ON INSTL.		10
510	BACR15BA3AD		.RIVET		8
515	BACB30NW6K		.BOLT- SIZE DETERMINED ON INSTL.		10
520	BACB30NN3K5		.BOLT		4
525	BACB30NU3K4		.BOLT		4
530	AN960PD10		.WASHER-		4
530	NAS1140D0363J		.WASHER-		4
535	BACN10JQ33		.NUTPLATE-		4
ILLUSTRATION ITEMS NOT ON PARTS LIST ARE NOT APPLICABLE					

- ITEM NOT ILLUSTRATED

HXL

27-81-02-11

BOEING PROPRIETARY - Copyright © - Unpublished Work - See title page for details.

27-81-02
FIG. 11
PAGE 14
AUG 22/09



767

PARTS CATALOG (MAINTENANCE)

FIG ITEM	PART NUMBER	1 2 3 4 5 6 7	NOMENCLATURE	EFFECT FROM TO	UNITS PER ASSY
11 535	MF19058-3-3BAC		.NUTPLATE- SUPPLIER CODE: V15653 SPECIFICATION NUMBER: BACN10YF33		4
540	BRH10A3		.NUT- SUPPLIER CODE: V52828 SPECIFICATION NUMBER: BACN10JC3 OPTIONAL PART: H10-3BAC V15653 NS202101-02 V80539 RMLH9075-3W V72962 VN303A02 V92215 96-02 V80539 T6S1032J V11815		4
540	BRH10C3D		.NUT- SUPPLIER CODE: V52828 SPECIFICATION NUMBER: BACN10JC3CD OPTIONAL PART: T6C1032JCD V11815 NS202486-02 V80539 102LH9075-3W V72962 H51650-3BAC V15653		4

ILLUSTRATION ITEMS NOT ON PARTS LIST ARE NOT APPLICABLE

- ITEM NOT ILLUSTRATED

HXL

27-81-02-11

BOEING PROPRIETARY - Copyright © - Unpublished Work - See title page for details.

27-81-02
FIG. 11
PAGE 15
AUG 22/09



767

PARTS CATALOG (MAINTENANCE)

FIG ITEM	PART NUMBER	1 2 3 4 5 6 7	NOMENCLATURE	EFFECT FROM TO	UNITS PER ASSY
11 545	HL79-6		. COLLAR SUPPLIER CODE: V5M902 SPECIFICATION NUMBER: BACC30M6 OPTIONAL PART: HL79-6 V73197 HL79-6 V92215 66014-6 V56878 HL79-6 V56878		10
555	BACR15CE5K		. RIVET- SIZE DETERMINED ON INSTL. USED ON: 114T4102-25SP 114T4102-26SP 114T4102-27 114T4102-28 114T4102-29 114T4102-30		6
560	BACS12ER3K16		. SCREW- SIZE DETERMINED ON INSTL. USED ON: 114T4102-25SP 114T4102-26SP 114T4102-27 114T4102-28 114T4102-29 114T4102-30		4

ILLUSTRATION ITEMS NOT ON PARTS LIST ARE NOT APPLICABLE

- ITEM NOT ILLUSTRATED

HXL

27-81-02-11

BOEING PROPRIETARY - Copyright © - Unpublished Work - See title page for details.

27-81-02
FIG. 11
PAGE 16
AUG 22/09



767

PARTS CATALOG (MAINTENANCE)

FIG ITEM	PART NUMBER	1 2 3 4 5 6 7	NOMENCLATURE	EFFECT FROM TO	UNITS PER ASSY
11 565	BRH10A3		.NUT- SUPPLIER CODE: V52828 SPECIFICATION NUMBER: BACN10JC3 OPTIONAL PART: H10-3BAC V15653 NS202101-02 V80539 RMLH9075-3W V72962 VN303A02 V92215 96-02 V80539 T6S1032J V11815 USED ON: 114T4102-25SP 114T4102-26SP 114T4102-27 114T4102-28 114T4102-29 114T4102-30		4
600	114T4151-13		.PANEL-CLOSURE POSITION DATA: LH SIDE		1
- 605	114T4151-14		.PANEL-CLOSURE POSITION DATA: RH SIDE		1
610	114T4151-15		.PANEL-CLOSURE POSITION DATA: LH SIDE		1
- 615	114T4151-16		.PANEL-CLOSURE POSITION DATA: RH SIDE		1

ILLUSTRATION ITEMS NOT ON PARTS LIST ARE NOT APPLICABLE

- ITEM NOT ILLUSTRATED

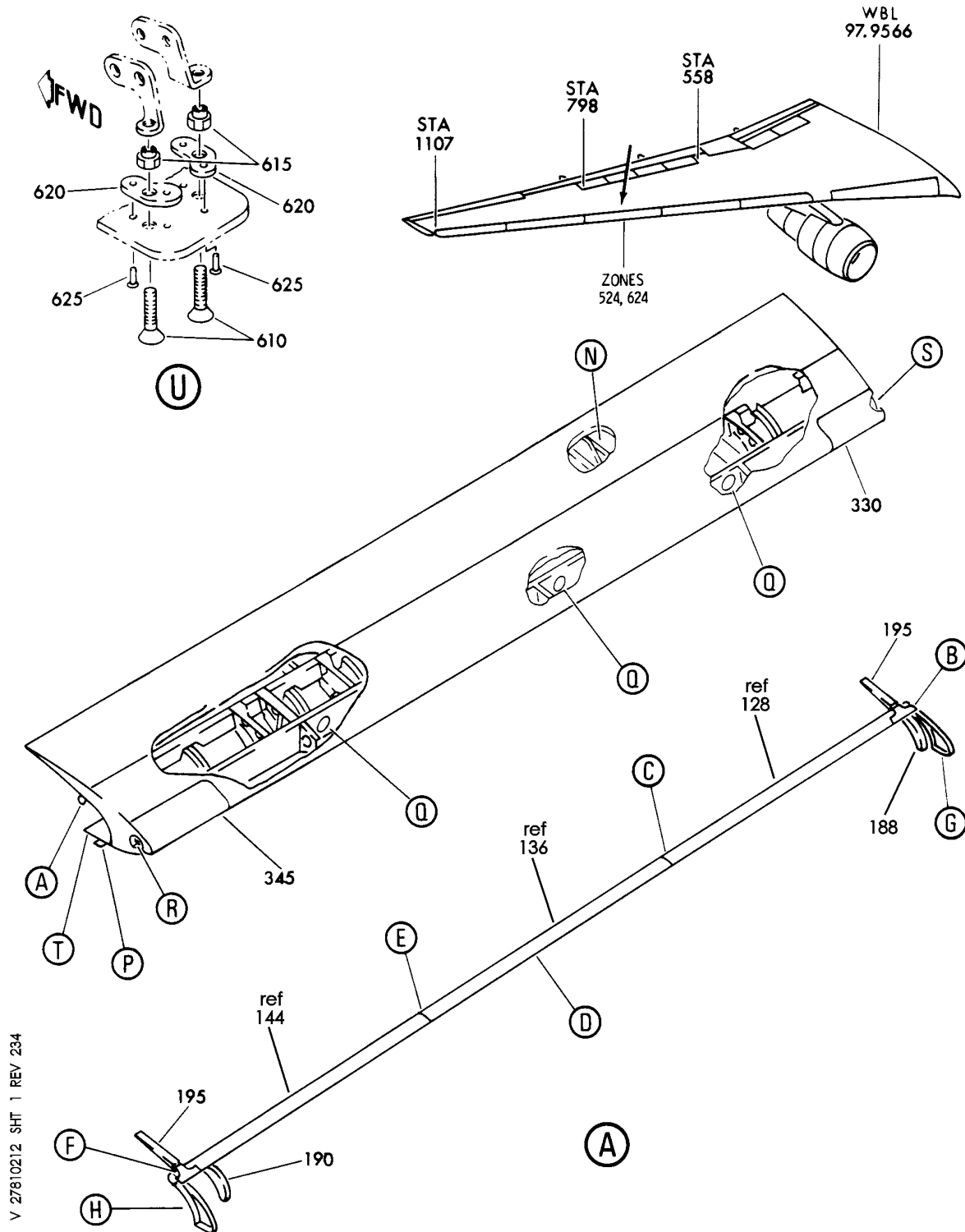
HXL

27-81-02-11

BOEING PROPRIETARY - Copyright © - Unpublished Work - See title page for details.

27-81-02
FIG. 11
PAGE 17
AUG 22/09

BOEING
767
PARTS CATALOG (MAINTENANCE)



V 27810212 SHT 1 REV 234

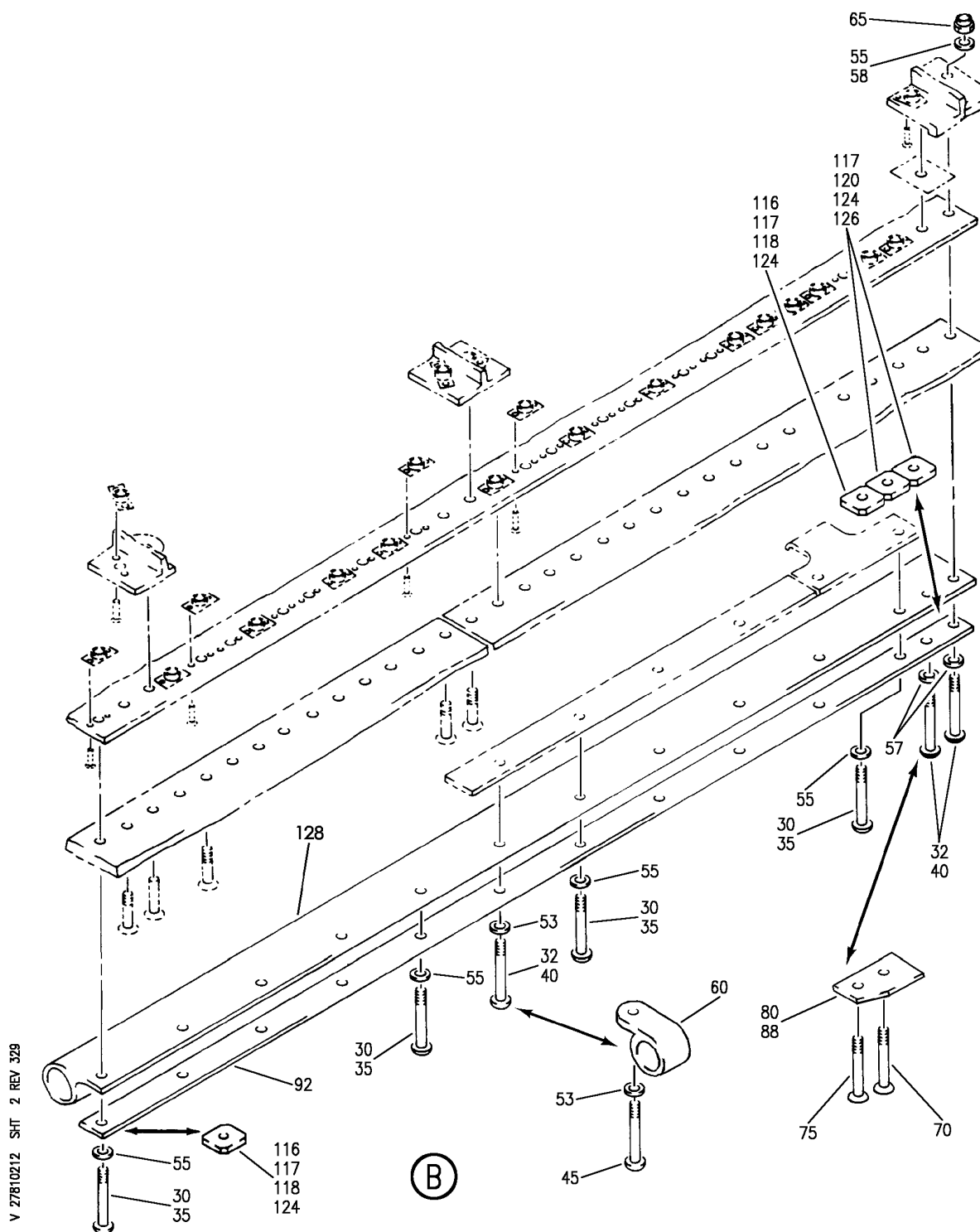
SLAT ASSY-OUTBD NO. 3 AND NO. 10 WING LE
FIGURE 12 (SHEET 1)

27-81-02-12

HXL
DEC 22/06

27-81-02-12
PAGE 0

BOEING
767
PARTS CATALOG (MAINTENANCE)



V 27810212 SHT 2 REV 329

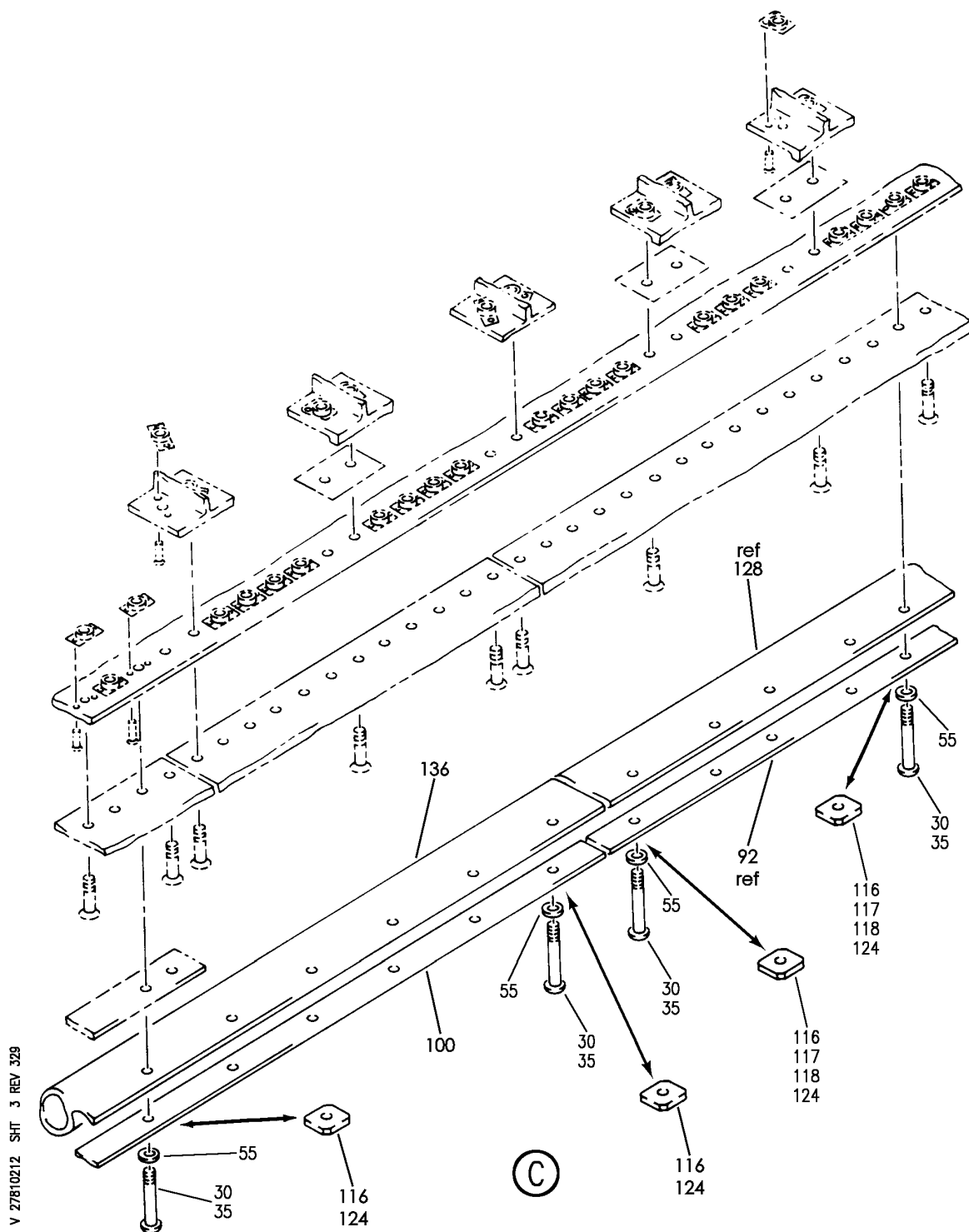
SLAT ASSY-OUTBD NO. 3 AND NO. 10 WING LE
FIGURE 12 (SHEET 2)

27-81-02-12

HXL
AUG 22/08

27-81-02-12
PAGE 0A

BOEING
767
PARTS CATALOG (MAINTENANCE)



V 27810212 SHT 3 REV 329

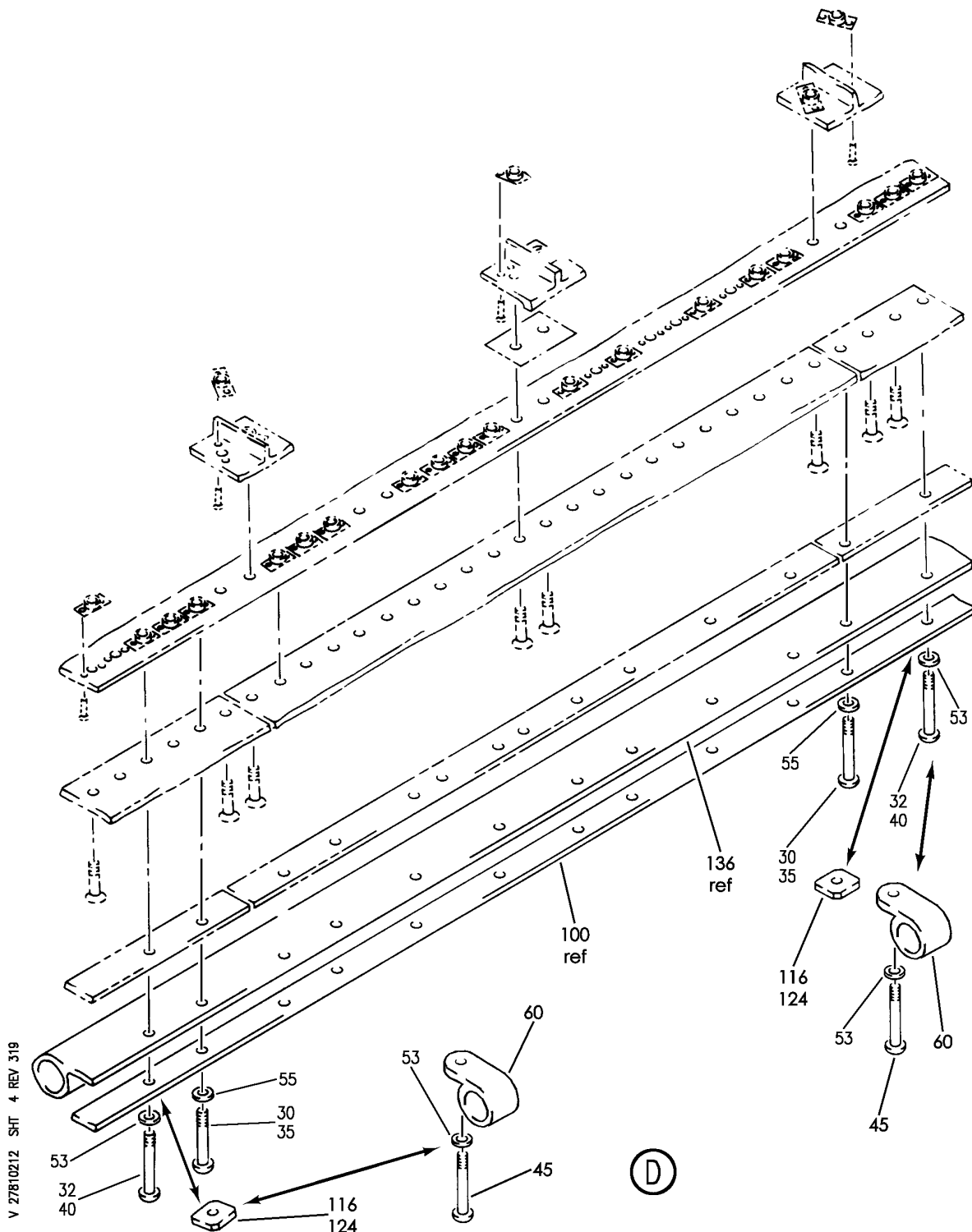
SLAT ASSY-OUTBD NO. 3 AND NO. 10 WING LE
FIGURE 12 (SHEET 3)

27-81-02-12

HXL
AUG 22/08

27-81-02-12
PAGE 0B

BOEING
767
PARTS CATALOG (MAINTENANCE)



V 27810212 SH-T 4 REV 319

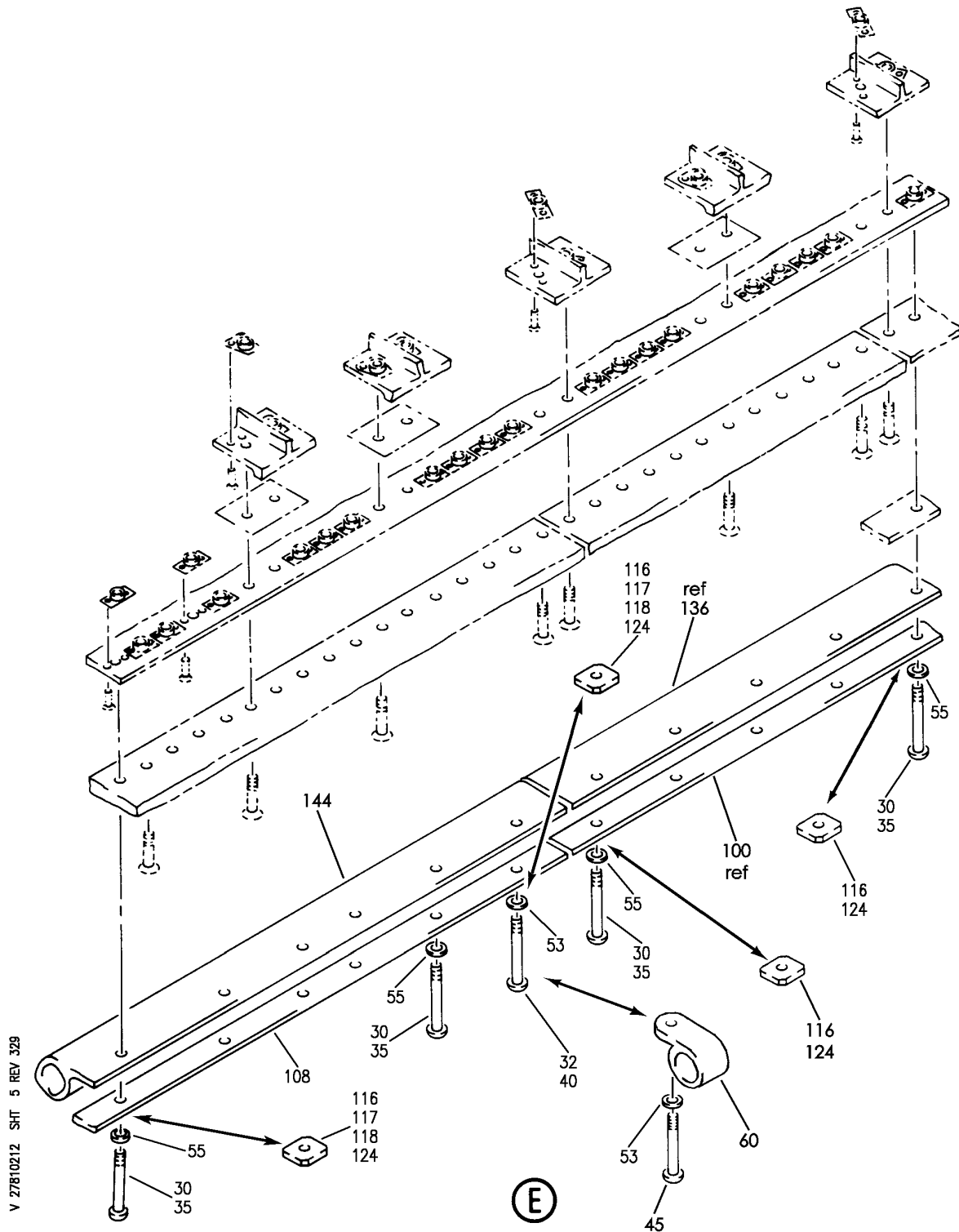
SLAT ASSY-OUTBD NO. 3 AND NO. 10 WING LE
FIGURE 12 (SHEET 4)

27-81-02-12

HXL
AUG 22/07

27-81-02-12
PAGE 0C

BOEING
767
PARTS CATALOG (MAINTENANCE)



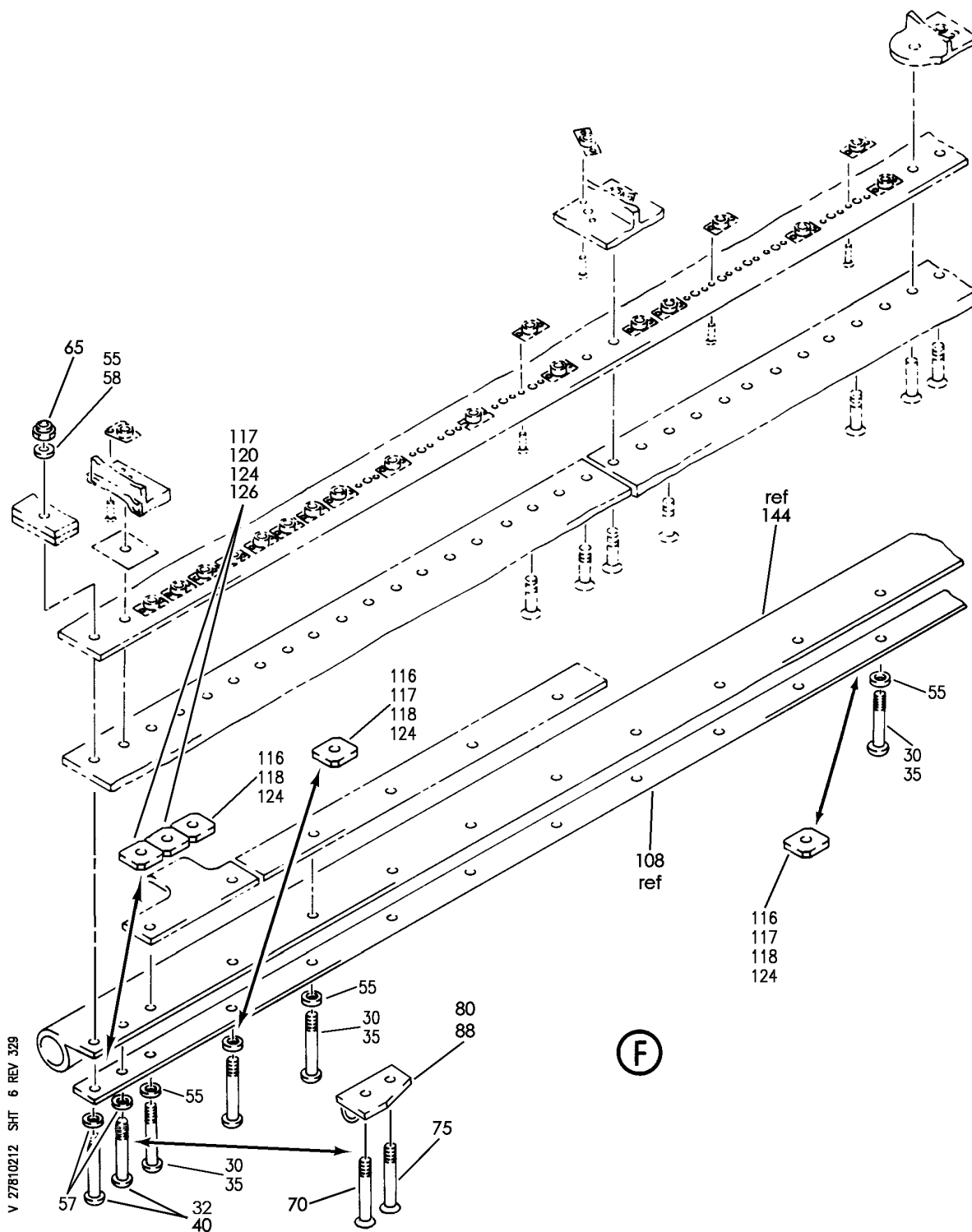
SLAT ASSY-OUTBD NO. 3 AND NO. 10 WING LE
FIGURE 12 (SHEET 5)

HXL
AUG 22/08

27-81-02-12

27-81-02-12
PAGE 0D


BOEING
 767
PARTS CATALOG (MAINTENANCE)



V 27810212 SHT 6 REV 329

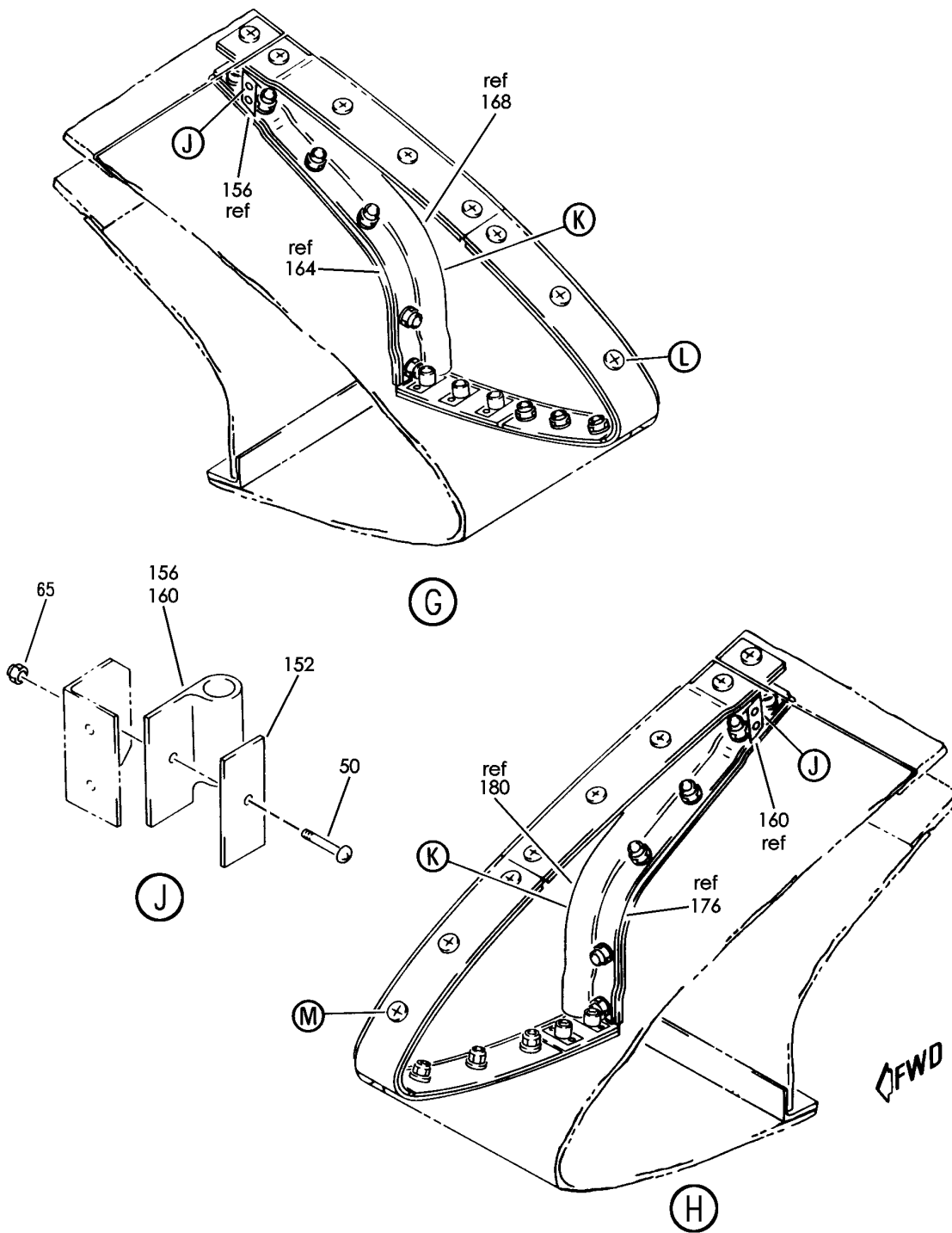
SLAT ASSY-OUTBD NO. 3 AND NO. 10 WING LE
 FIGURE 12 (SHEET 6)

27-81-02-12

HXL
 AUG 22/08

27-81-02-12
 PAGE 0E

BOEING
767
PARTS CATALOG (MAINTENANCE)



V 27810212 SH1 7 REV 319

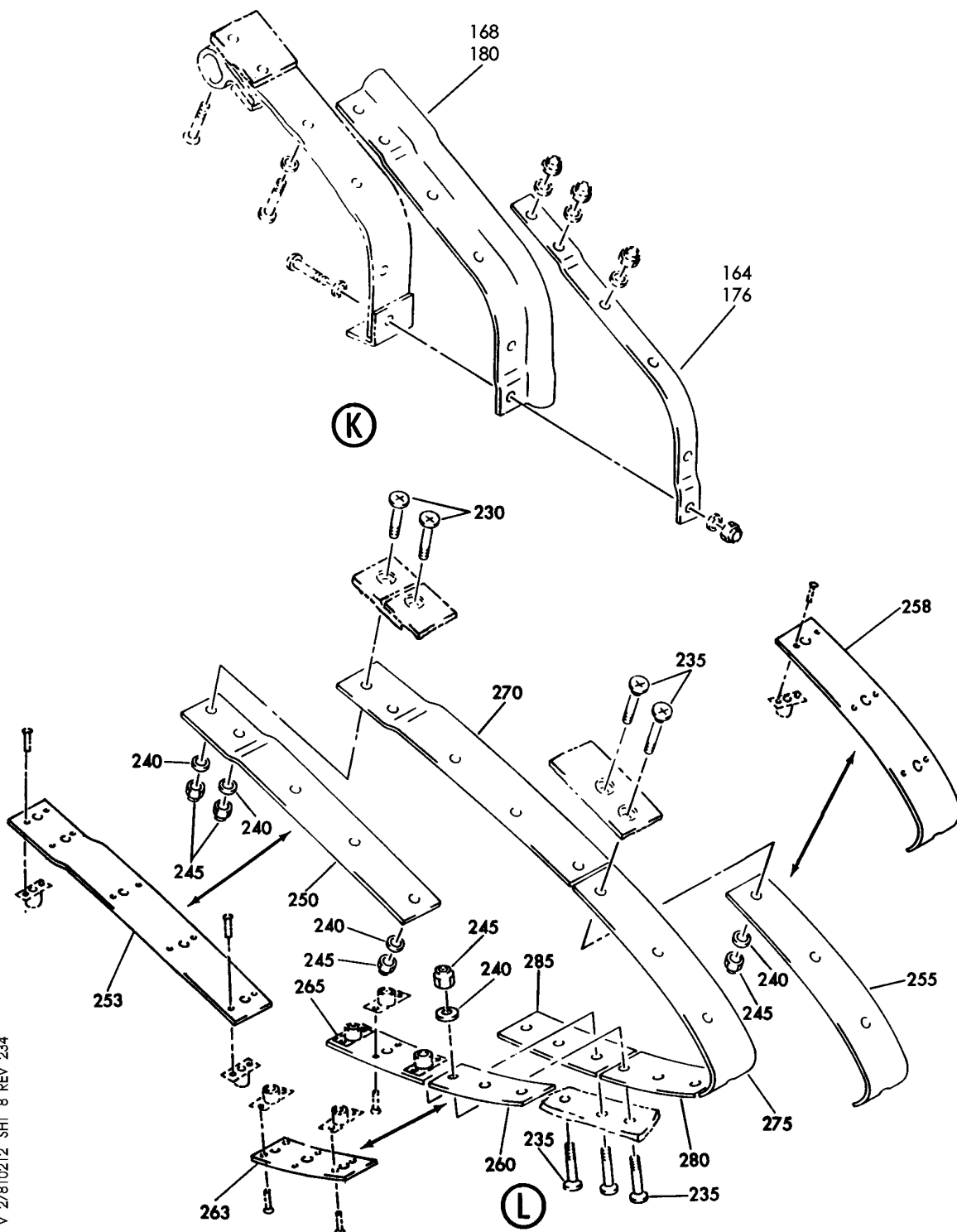
SLAT ASSY-OUTBD NO. 3 AND NO. 10 WING LE
FIGURE 12 (SHEET 7)

27-81-02-12

HXL
AUG 22/07

27-81-02-12
PAGE OF

BOEING
767
PARTS CATALOG (MAINTENANCE)



V 27810212 SHT 8 REV 234

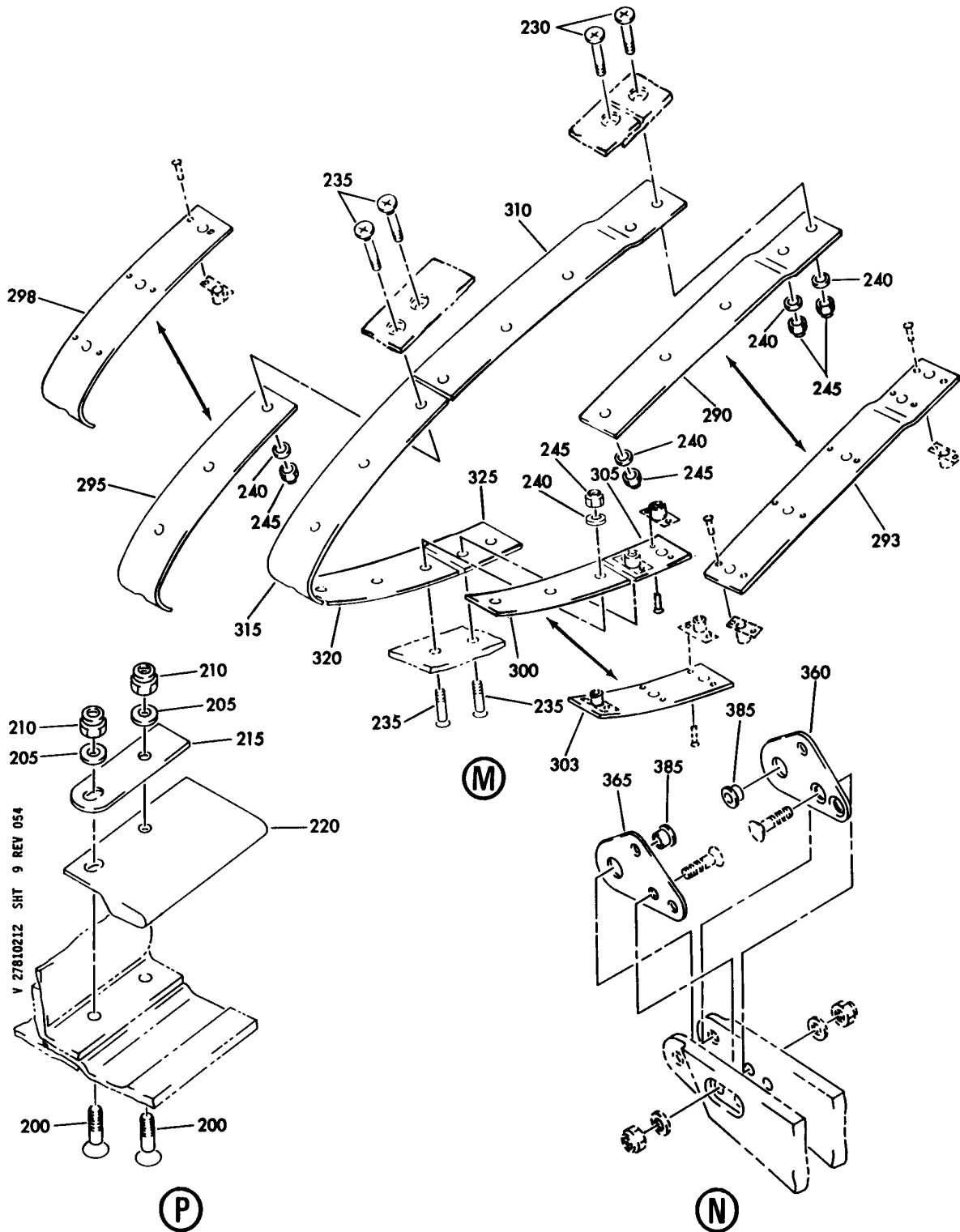
SLAT ASSY-OUTBD NO. 3 AND NO. 10 WING LE
FIGURE 12 (SHEET 8)

27-81-02-12

HXL
DEC 22/06

27-81-02-12
PAGE 0G

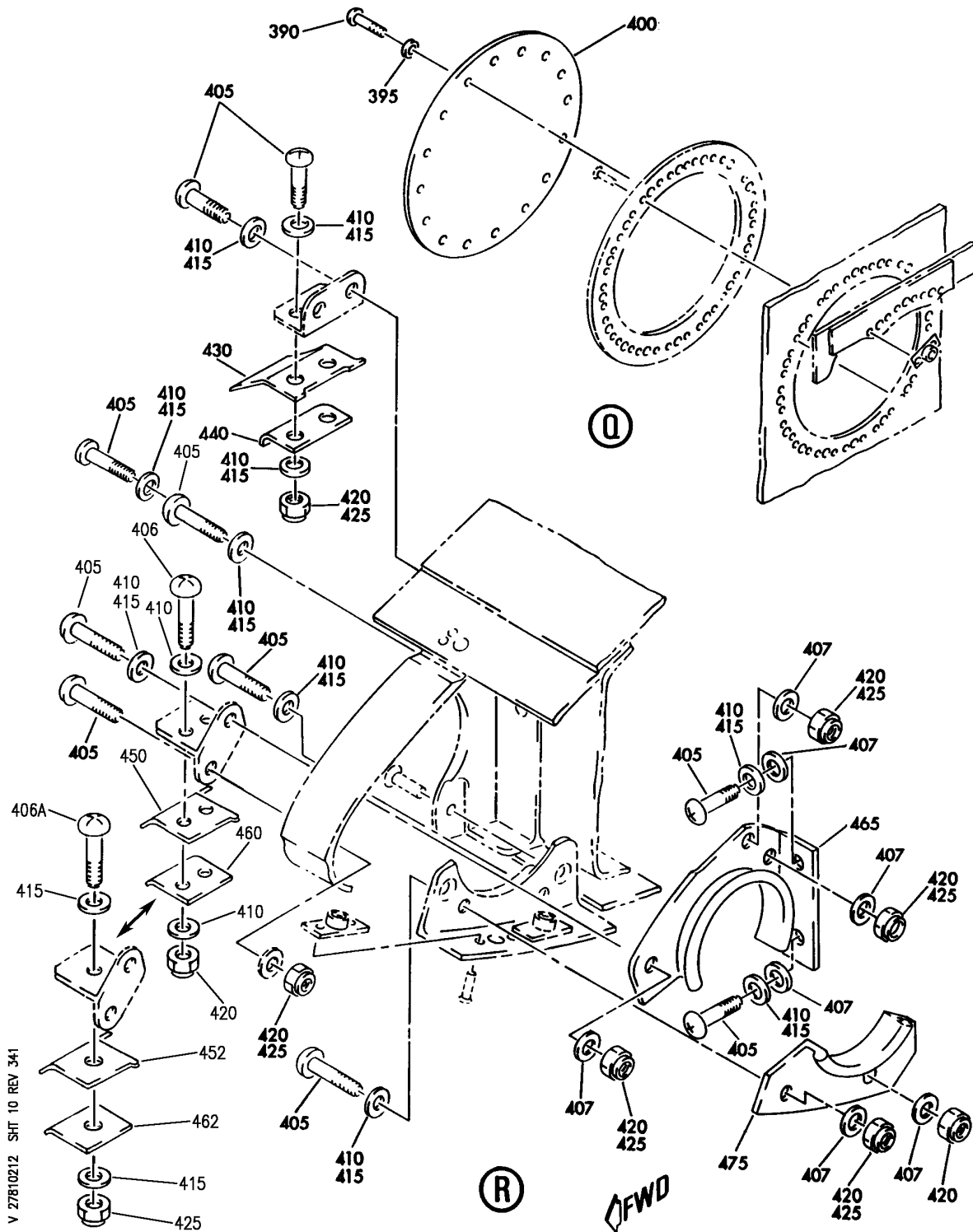
BOEING
767
PARTS CATALOG (MAINTENANCE)



SLAT ASSY-OUTBD NO. 3 AND NO. 10 WING LE
FIGURE 12 (SHEET 9)

27-81-02-12


BOEING
 767
PARTS CATALOG (MAINTENANCE)



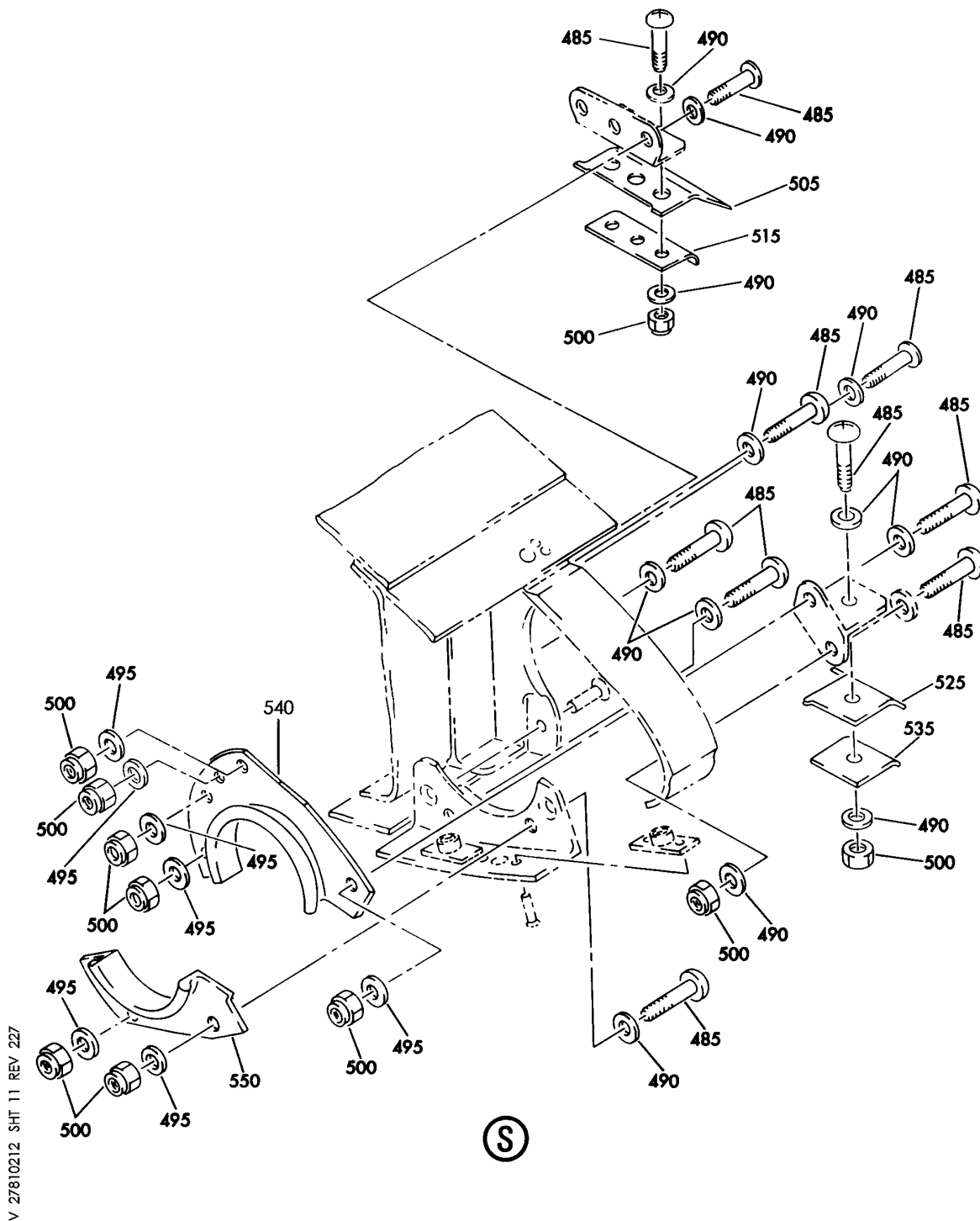
SLAT ASSY-OUTBD NO. 3 AND NO. 10 WING LE
 FIGURE 12 (SHEET 10)

27-81-02-12

HXL
 AUG 22/09

27-81-02-12
 PAGE 01

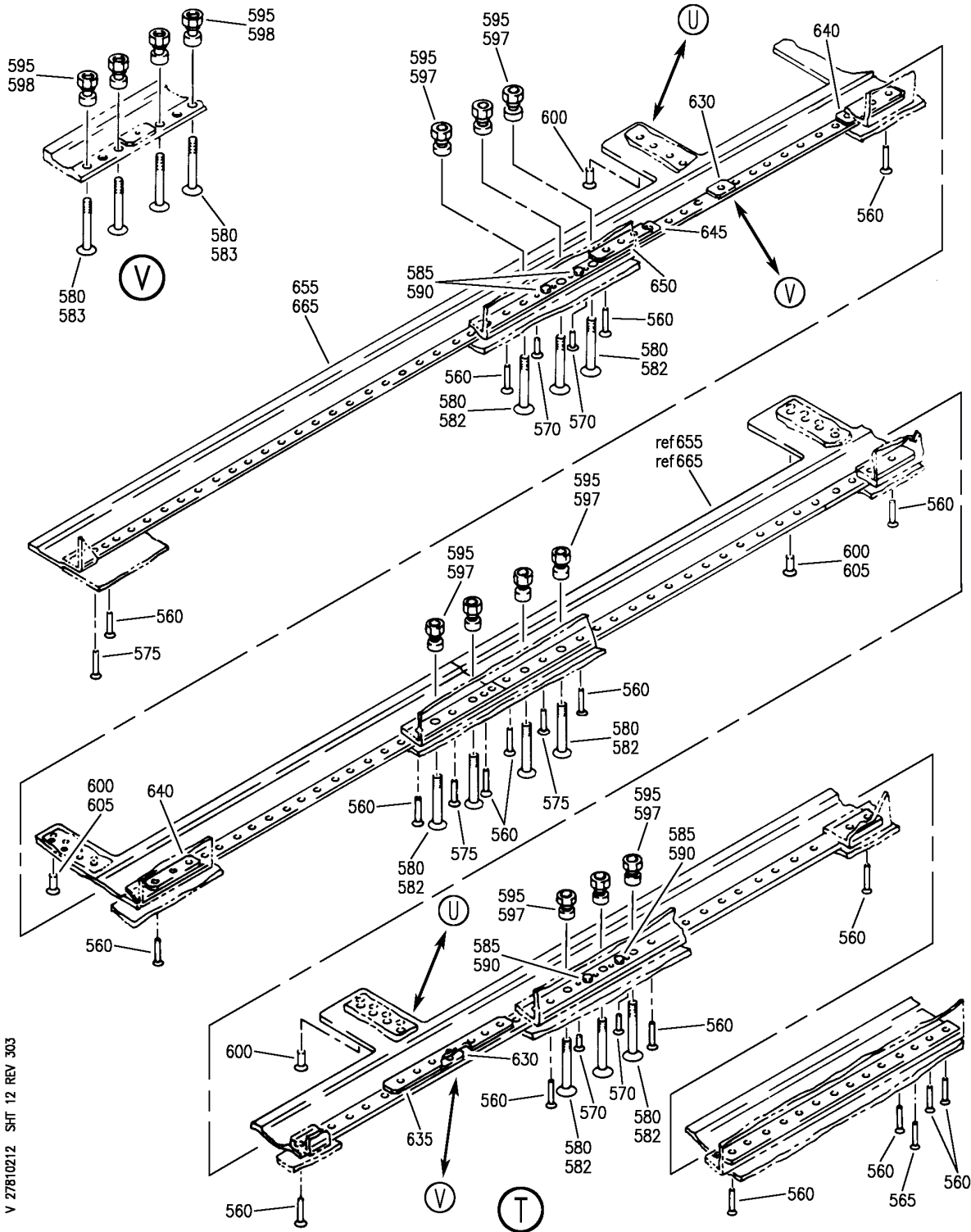
BOEING
767
PARTS CATALOG (MAINTENANCE)



SLAT ASSY-OUTBD NO. 3 AND NO. 10 WING LE
FIGURE 12 (SHEET 11)

27-81-02-12


BOEING
 767
PARTS CATALOG (MAINTENANCE)



V 27810212 SHT 12 REV 303

SLAT ASSY-OUTBD NO. 3 AND NO. 10 WING LE
 FIGURE 12 (SHEET 12)

27-81-02-12

HXL
DEC 22/06

27-81-02-12
PAGE OK



767

PARTS CATALOG (MAINTENANCE)

FIG ITEM	PART NUMBER	1 2 3 4 5 6 7	NOMENCLATURE	EFFECT FROM TO	UNITS PER ASSY
12			SLAT ASSY-OUTBD NO. 3 AND NO. 10 WING LE		
R R R R R R R R R R	- 2 114T4103-57G		SLAT ASSY-NO. 3 WING LE POSITION DATA: OUTBD LH COMPONENT MAINT MANUAL REF: 57-43-51 QUALIFIED I/W DATA: THE 114T4103-401G CAN REPLACE, BUT NOT BE REPLACED BY 114T4103-57G IF THE 114T4103-401G IS REWORKED PER FLAGNOTE 24 OF DRAWING 114T0001 SHEET 1.		RF
	- 2 114T4103-59G		SLAT ASSY-NO. 3 WING LE POSITION DATA: OUTBD LH		RF
	- 3 015T1507-325		SLAT ASSY-NO. 3 WING LE POSITION DATA: OUTBD LH COMPONENT MAINT MANUAL REF: 57-43-51 SERVICE BULLETIN OPT DATA: 015T1507-367 POST ALERT SB: 57A0057 PRE ALERT SB: 57A0101 FOR NHA SEE: 27-81-02-01		RF
	- 4 015T1507-367		SLAT ASSY-NO. 3 POSITION DATA: LH SERVICE BULLETIN OPT DATA: 015T1507-325 POST ALERT SB: 57A0057 FOR NHA SEE: 27-81-02-01		RF

ILLUSTRATION ITEMS NOT ON PARTS LIST ARE NOT APPLICABLE

- ITEM NOT ILLUSTRATED

HXL

27-81-02-12

BOEING PROPRIETARY - Copyright © - Unpublished Work - See title page for details.

27-81-02
FIG. 12
PAGE 1
AUG 22/09



767

PARTS CATALOG (MAINTENANCE)

FIG ITEM	PART NUMBER	1 2 3 4 5 6 7	NOMENCLATURE	EFFECT FROM TO	UNITS PER ASSY
R R R R R R R R R R	12 - 21	114T4103-58G	SLAT ASSY-NO. 10 WING LE POSITION DATA: OUTBD RH COMPONENT MAINT MANUAL REF: 57-43-51 QUALIFIED I/W DATA: THE 114T4103-402G CAN REPLACE, BUT NOT BE REPLACED BY 114T4103-58G IF THE 114T4103-402G IS REWORKED PER FLAGNOTE 24 OF DRAWING 114T0001 SHEET 1.		RF
	- 21	015T1507-326	SLAT ASSY-NO. 10 WING LE POSITION DATA: OUTBD RH COMPONENT MAINT MANUAL REF: 57-43-51 SERVICE BULLETIN OPT DATA: 015T1507-368 POST ALERT SB: 57A0057 PRE ALERT SB: 57A0101 FOR NHA SEE: 27-81-02-01		RF
	- 21	114T4103-60G	SLAT ASSY-NO. 10 WING LE POSITION DATA: OUTBD RH		RF
	- 22	015T1507-368	SLAT ASSY-NO. 10 POSITION DATA: RH SERVICE BULLETIN OPT DATA: 015T1507-326 POST ALERT SB: 57A0057 FOR NHA SEE: 27-81-02-01		RF
	30	BACB30NT3K7	.BOLT		51
	45	BACB30NT3K10	.BOLT- POST ALERT SB: 27A0140R2		4
	50	BACB30NT3K3	.BOLT		2
	53	AN960PD10L	.WASHER- POST ALERT SB: 27A0140R2		4
	55	NAS1149D0332J	.WASHER-		55
	57	NAS1149D0332J	.WASHER-		4

ILLUSTRATION ITEMS NOT ON PARTS LIST ARE NOT APPLICABLE

- ITEM NOT ILLUSTRATED

27-81-02-12

27-81-02
FIG. 12
PAGE 2
AUG 22/09

HXL

BOEING
767
PARTS CATALOG (MAINTENANCE)

FIG ITEM	PART NUMBER	1 2 3 4 5 6 7	NOMENCLATURE	EFFECT FROM TO	UNITS PER ASSY
12					
60	BACC10DK4		.CLAMP- POST ALERT SB: 27A0140R2		4
65	BRH10A3		.NUT SUPPLIER CODE: V52828 SPECIFICATION NUMBER: BACN10JC3 OPTIONAL PART: H10-3BAC V15653 NS202101-02 V80539 RMLH9075-3W V72962 VN303A02 V92215 96-02 V80539 T6S1032J V11815		4
70	BACB30NN3K8		.BOLT- POST ALERT SB: 27A0140R2		2
75	BACB30NN3K9		.BOLT- POST ALERT SB: 27A0140R2		2
80	256T2931-10		.GUIDE-CABLE POST ALERT SB: 27A0140R2		2
88	256T2931-9		.GUIDE-CABLE POST ALERT SB: 27A0140R2		2
126	114T4233-32		.RETAINER-BULB SEAL POST ALERT SB: 27A0140R2		4
128	114T4232-13		.SEAL-BULB POSITION DATA: LH SIDE MANUFACTURED FROM: EXTRUSION RUBBER F25.01 10-60754-319 47.50IN. SPARES ORDER MATERIAL CODE: 5287003190		1
ILLUSTRATION ITEMS NOT ON PARTS LIST ARE NOT APPLICABLE					

R
R
R
R
R
R
R
R
R

- ITEM NOT ILLUSTRATED

27-81-02-12

27-81-02
FIG. 12
PAGE 3
AUG 22/09

HXL

BOEING PROPRIETARY - Copyright © - Unpublished Work - See title page for details.

BOEING 767 PARTS CATALOG (MAINTENANCE)

	FIG ITEM	PART NUMBER	1 2 3 4 5 6 7	NOMENCLATURE	EFFECT FROM TO	UNITS PER ASSY
R R	12					
	- 132	114T4232-14		.SEAL-BULB POSITION DATA: RH SIDE MANUFACTURED FROM: EXTRUSION RUBBER F25.01 10-60754-319 47.50 IN. SPARES ORDER MATERIAL CODE: 5287003190		1
	136	114T4232-15		.SEAL-BULB POSITION DATA: LH SIDE MANUFACTURED FROM: EXTRUSION RUBBER F25.01 10-60754-319 58.00 IN. SPARES ORDER MATERIAL CODE: 5287003190		1
	- 140	114T4232-16		.SEAL-BULB POSITION DATA: RH SIDE MANUFACTURED FROM: EXTRUSION RUBBER F25.01 10-60754-319 58.00 IN. SPARES ORDER MATERIAL CODE: 5287003190		1
	144	114T4232-17		.SEAL-BULB POSITION DATA: LH SIDE MANUFACTURED FROM: EXTRUSION RUBBER F25.01 10-60754-319 47.50 IN. SPARES ORDER MATERIAL CODE: 5287003190		1
	- 148	114T4232-18		.SEAL-BULB POSITION DATA: RH SIDE MANUFACTURED FROM: EXTRUSION RUBBER F25.01 10-60754-319 47.50 IN. SPARES ORDER MATERIAL CODE: 5287003190		1
	152	114T4233-31		.RETAINER-BULB SEAL		2

ILLUSTRATION ITEMS NOT ON PARTS LIST ARE NOT APPLICABLE

- ITEM NOT ILLUSTRATED

HXL

27-81-02-12

27-81-02
FIG. 12
PAGE 4
AUG 22/09


BOEING
 767
PARTS CATALOG (MAINTENANCE)

FIG ITEM	PART NUMBER	1 2 3 4 5 6 7	NOMENCLATURE	EFFECT FROM TO	UNITS PER ASSY	
R R R R R R R R R R	12 156	114T4234-11	.SEAL-BULB MANUFACTURED FROM: EXTR RUBBER F25.01 10-60754-15 1.50 IN. SPARES ORDER MATERIAL CODE: 5287000150		1	
	160	114T4234-12	.SEAL-BULB MANUFACTURED FROM: EXTR RUBBER F25.01 10-60754-15 1.50 IN. SPARES ORDER MATERIAL CODE: 5287000150		1	
	164	114T4235-2	.RETAINER-SEAL		1	
	168	114T4234-5	.SEAL-BULB POSITION DATA: LH SIDE MANUFACTURED FROM: EXTR RUBBER F25.01 10-60754-15 9.50 IN. SPARES ORDER MATERIAL CODE: 5287000150		1	
	- 172	114T4234-6	.SEAL-BULB POSITION DATA: RH SIDE MANUFACTURED FROM: EXTR RUBBER F25.01 10-60754-15 9.50 IN. SPARES ORDER MATERIAL CODE: 5287000150		1	
	176	114T4235-3	.RETAINER-SEAL		1	
	180	114T4234-3	.SEAL-BULB POSITION DATA: LH SIDE MANUFACTURED FROM: EXTR RUBBER F25.01 10-60754-15 10.20 IN. SPARES ORDER MATERIAL CODE: 5287000150		1	

ILLUSTRATION ITEMS NOT ON PARTS LIST ARE NOT APPLICABLE

- ITEM NOT ILLUSTRATED

HXL

27-81-02-12

BOEING PROPRIETARY - Copyright © - Unpublished Work - See title page for details.

27-81-02
 FIG. 12
 PAGE 5
 AUG 22/09

BOEING
767
PARTS CATALOG (MAINTENANCE)

FIG ITEM	PART NUMBER	1 2 3 4 5 6 7	NOMENCLATURE	EFFECT FROM TO	UNITS PER ASSY
R R R R R R R R R R	12 - 184	114T4234-4	.SEAL-BULB POSITION DATA: RH SIDE MANUFACTURED FROM: EXTR RUBBER F25.01 10-60754-15 10.20 IN. SPARES ORDER MATERIAL CODE: 5287000150		1
	188	114T4224-8	.SEAL-MOLDED BULB POST ALERT SB: 27A0140 REWORKED BY ALERT SB: 27A0140R2		1
	190	114T4224-9	.SEAL-MOLDED BULB POST ALERT SB: 27A0140 REWORKED BY ALERT SB: 27A0140R2		1
	195	114T4226-2	.SEAL-WEDGE		2
	200	BACB30NN3K6	.BOLT		2
	205	AN960PD10L	.WASHER-		2
	210	BRH10A3	.NUT SUPPLIER CODE: V52828 SPECIFICATION NUMBER: BACN10JC3 OPTIONAL PART: H10-3BAC V15653 NS202101-02 V80539 RMLH9075-3W V72962 VN303A02 V92215 96-02 V80539 T6S1032J V11815		2
	215	114T4235-8	.RETAINER		1
	220	114T4237-9	.SEAL- POSITION DATA: LH SIDE		1
	- 225	114T4237-10	.SEAL- POSITION DATA: RH SIDE		1
230	BACB30NN3K5	.BOLT		4	
235	BACB30NN3K4	.BOLT		25	

ILLUSTRATION ITEMS NOT ON PARTS LIST ARE NOT APPLICABLE

- ITEM NOT ILLUSTRATED

27-81-02-12

27-81-02
FIG. 12
PAGE 6
AUG 22/09

HXL

BOEING PROPRIETARY - Copyright © - Unpublished Work - See title page for details.

BOEING
767
PARTS CATALOG (MAINTENANCE)

FIG ITEM	PART NUMBER	1 2 3 4 5 6 7	NOMENCLATURE	EFFECT FROM TO	UNITS PER ASSY
12 253	114T4231-46		.RETAINER ASSY-SEAL QUALIFIED I/W DATA: 114T4231-46 (OR -47) RETAINER ASSY CAN REPLACE OR BE REPLACED BY 114T4231-2 (OR -3) RETAINER TOGETHER WITH (1) BACN10JN3 NUTPLATE FOR 114T4103 ONLY.		1
258	114T4231-50		.RETAINER ASSY-SEAL		1
263	114T4231-54		.RETAINER ASSY-SEAL		1
265	114T4231-14		.RETAINER-SEAL		1
270	114T4230-2		.SEAL-WEATHER MANUFACTURED FROM: SH RUBBER BMS1-50 TYPE 11 GRADE 60 F25.01 0.094 IN. 1.25 IN. 7.20 IN. SPARES ORDER MATERIAL CODE: 5210943560		1
275	114T4230-6		.SEAL-WEATHER MANUFACTURED FROM: SH RUBBER BMS1-50 TYPE 11 GRADE 60 F25.01 0.094 IN. 1.25 IN. 7.50 IN. SPARES ORDER MATERIAL CODE: 5210943560		1
280	114T4230-10		.SEAL-WEATHER MANUFACTURED FROM: SH RUBBER BMS1-50 TYPE 11 GRADE 60 F25.01 0.094 IN. 1.25 IN. 3.95 IN. SPARES ORDER MATERIAL CODE: 5210943560		1
285	114T4230-14		.SEAL-WEATHER MANUFACTURED FROM: SH RUBBER BMS1-50 TYPE 11 GRADE 60 F25.01 0.094 IN. 1.25 IN. 2.85 IN. SPARES ORDER MATERIAL CODE: 5210943560		1

R
R
R
R
R
R
R
R
R
R
R
R
R
R
R
R
R
R
R
R

ILLUSTRATION ITEMS NOT ON PARTS LIST ARE NOT APPLICABLE

- ITEM NOT ILLUSTRATED

27-81-02-12

27-81-02
FIG. 12
PAGE 7
AUG 22/09

HXL

BOEING PROPRIETARY - Copyright © - Unpublished Work - See title page for details.


BOEING
 767
PARTS CATALOG (MAINTENANCE)

FIG ITEM	PART NUMBER	1 2 3 4 5 6 7	NOMENCLATURE	EFFECT FROM TO	UNITS PER ASSY
12					
293	114T4231-47		.RETAINER ASSY-SEAL QUALIFIED I/W DATA: 114T4231-46 (OR -47) RETAINER ASSY CAN REPLACE OR BE REPLACED BY 114T4231-2 (OR -3) RETAINER TOGETHER WITH (1) BACN10JN3 NUTPLATE FOR 114T4103 ONLY.		1
298	114T4231-51		.RETAINER ASSY-SEAL		1
303	114T4231-55		.RETAINER ASSY-SEAL		1
305	114T4231-15		.RETAINER-SEAL		1
310	114T4230-3		.SEAL-WEATHER MANUFACTURED FROM: SH RUBBER BMS1-50 TYPE 11 GRADE 60 F25.01 0.094 IN. 1.25 IN. 7.45 IN. SPARES ORDER MATERIAL CODE: 5210943560		1
315	114T4230-7		.SEAL-WEATHER MANUFACTURED FROM: SH RUBBER BMS1-50 TYPE 11 GRADE 60 F25.01 0.094 IN. 1.25 IN. 7.90 IN. SPARES ORDER MATERIAL CODE: 5210943560		1
320	114T4230-11		.SEAL-WEATHER MANUFACTURED FROM: SH RUBBER BMS1-50 TYPE 11 GRADE 60 F25.01 0.094 IN. 1.25 IN. 5.00 IN. SPARES ORDER MATERIAL GODE: 5210943560		1
325	114T4230-15		.SEAL-WEATHER MANUFACTURED FROM: SH RUBBER BMS1-50 TYPE 11 GRADE 60 F25.01 0.094 IN. 1.25 IN. 1.70 IN. SPARES ORDER MATERIAL CODE: 5210943560		1
330	114T4158-1		.PANEL ASSY-ACCESS POSITION DATA: LH SIDE		1

ILLUSTRATION ITEMS NOT ON PARTS LIST ARE NOT APPLICABLE

- ITEM NOT ILLUSTRATED

HXL

27-81-02-12

BOEING PROPRIETARY - Copyright © - Unpublished Work - See title page for details.

27-81-02
FIG. 12
PAGE 8
AUG 22/09



767

PARTS CATALOG (MAINTENANCE)

FIG ITEM	PART NUMBER	1 2 3 4 5 6 7	NOMENCLATURE	EFFECT FROM TO	UNITS PER ASSY
12					
- 335	114T4158-2		.PANEL ASSY-ACCESS POSITION DATA: RH SIDE ATTACHING PARTS		1
- 340	BACB30NN3K5		.BOLT -----*-----		28
	345 114T4158-3		.PANEL ASSY-ACCESS POSITION DATA: LH SIDE		1
- 350	114T4158-4		.PANEL ASSY-ACCESS POSITION DATA: RH SIDE ATTACHING PARTS		1
- 355	BACB30NN3K5		.BOLT -----*-----		27
	360 114T4149-1		.PLATE-RUB		2
	365 114T4149-2		.PLATE-RUB ATTACHING PARTS		2
R R R R R R R R R R R R R R R R	- 370	HL441N5-3	.BOLT- SUPPLIER CODE: V60516 SPECIFICATION NUMBER: BACB30FN5A3N OPTIONAL PART: HL441N5-3 V73197 HL441N5-3 V92215 HL441N5-3 V97928 HL441N5-3 V08524 HL441N5-3 V56878 BACB30FN5A3		8

ILLUSTRATION ITEMS NOT ON PARTS LIST ARE NOT APPLICABLE

- ITEM NOT ILLUSTRATED

27-81-02-12

27-81-02
FIG. 12
PAGE 9
AUG 22/09

HXL

BOEING

767

PARTS CATALOG (MAINTENANCE)

FIG ITEM	PART NUMBER	1 2 3 4 5 6 7	NOMENCLATURE	EFFECT FROM TO	UNITS PER ASSY	
R R R R R R R R R R R R R R R R	12					
	- 370	HL441UC5-3	.	BOLT-		8
				SUPPLIER CODE: V97928		
				SPECIFICATION NUMBER: BACB30FN5A3		
				OPTIONAL PART: HL441UC5-3		
				V73197		
				HL441UC5-3		
				V92215		
				HL41PY5-3		
				V80539		
				HL441N5-3		
				V80539		
				HL441UC5-3		
				V80539		
				67068-5A3		
				V56878		
			HL441UC5-3			
			V08524			
			HL441UC5-3			
			V56878			
			BACB30FN5A3N			
- 375	AN960PD8L	.	WASHER		8	
- 380	BRH10C08D	.	NUT		8	
			SUPPLIER CODE: V52828			
			SPECIFICATION NUMBER: BACN10JC08CD			
			OPTIONAL PART: H51650-08BAC			
			V15653			
			102LH9075-82W			
			V72962			
			NS202486-82			
			V80539			
			T6C832JCD			
			V11815			
			-----*-----			
	385	012T2400-45	.	BUSHING	2	
	390	BACB30NT3K7	.	BOLT	48	
	395	AN960PD10L	.	WASHER	48	
	400	114T4119-3	.	DOOR	3	
R	405	BACB30NT3K4	.	BOLT	12	
R	406A	BACB30NT3K4	.	BOLT	1	
	407	BACW10P43AL	.	WASHER	7	
R	415	AN960PD10L	.	WASHER	14	

ILLUSTRATION ITEMS NOT ON PARTS LIST ARE NOT APPLICABLE

- ITEM NOT ILLUSTRATED

27-81-02-12

BOEING PROPRIETARY - Copyright © - Unpublished Work - See title page for details.

27-81-02
 FIG. 12
 PAGE 10
 AUG 22/09

HXL

BOEING
767
PARTS CATALOG (MAINTENANCE)

FIG ITEM	PART NUMBER	1 2 3 4 5 6 7	NOMENCLATURE	EFFECT FROM TO	UNITS PER ASSY
R R R R R R R R R R R R R R R R R R R R	12 425 BRH10A3		.NUT SUPPLIER CODE: V52828 SPECIFICATION NUMBER: BACN10JC3 OPTIONAL PART: H10-3BAC V15653 NS202101-02 V80539 RMLH9075-3W V72962 VN303A02 V92215 96-02 V80539 T6S1032J V11815		9
	430 114T4223-29		.SEAL-BLADE POSITION DATA: LH SIDE		1
-	435 114T4223-30		.SEAL-BLADE POSITION DATA: RH SIDE		1
	440 114T4222-23		.RETAINER- POSITION DATA: LH SIDE		1
-	445 114T4222-24		.RETAINER- POSITION DATA: RH SIDE		1
R R R R R R R R	452 114T4223-39		.SEAL-BLADE POSITION DATA: LH SIDE		1
-	457 114T4223-40		.SEAL-BLADE POSITION DATA: RH SIDE		1
	462 114T4222-17		.RETAINER-		1
	465 114T4240-73		.SEAL- POSITION DATA: LH SIDE		1
-	470 114T4240-74		.SEAL- POSITION DATA: RH SIDE		1
	475 114T4240-47		.SEAL- POSITION DATA: LH SIDE		1
	475 114T4240-75		.SEAL- POSITION DATA: LH SIDE		1

ILLUSTRATION ITEMS NOT ON PARTS LIST ARE NOT APPLICABLE

- ITEM NOT ILLUSTRATED

HXL

27-81-02-12

BOEING PROPRIETARY - Copyright © - Unpublished Work - See title page for details.

27-81-02
FIG. 12
PAGE 11
AUG 22/09



767

PARTS CATALOG (MAINTENANCE)

FIG ITEM	PART NUMBER	1 2 3 4 5 6 7	NOMENCLATURE	EFFECT FROM TO	UNITS PER ASSY
12					
- 480	114T4240-48	.SEAL-	POSITION DATA: RH SIDE		1
- 480	114T4240-76	.SEAL-	POSITION DATA: RH SIDE		1
485	BACB30NT3K4	.BOLT			14
490	AN960PD10L	.WASHER			18
495	BACW10P43AL	.WASHER			7
500	BRH10A3	.NUT			12
			SUPPLIER CODE: V52828		
			SPECIFICATION NUMBER: BACN10JC3		
			OPTIONAL PART: H10-3BAC		
			V15653		
			NS202101-02		
			V80539		
			RMLH9075-3W		
			V72962		
			VN303A02		
			V92215		
			96-02		
			V80539		
			T6S1032J		
			V11815		
505	114T4223-25	.SEAL-BLADE	POSITION DATA: LH SIDE		1
- 510	114T4223-26	.SEAL-BLADE	POSITION DATA: RH SIDE		1
515	114T4222-25	.RETAINER-	POSITION DATA: LH SIDE		1
- 520	114T4222-26	.RETAINER-	POSITION DATA: RH SIDE		1
525	114T4223-37	.SEAL-BLADE	POSITION DATA: LH SIDE		1
- 530	114T4223-38	.SEAL-BLADE	POSITION DATA: RH SIDE		1
535	114T4222-17	.RETAINER			1
540	114T4240-49	.SEAL-	POSITION DATA: LH SIDE		1

ILLUSTRATION ITEMS NOT ON PARTS LIST ARE NOT APPLICABLE

- ITEM NOT ILLUSTRATED

27-81-02-12

27-81-02
FIG. 12
PAGE 12
AUG 22/09

HXL



767

PARTS CATALOG (MAINTENANCE)

FIG ITEM	PART NUMBER	1 2 3 4 5 6 7	NOMENCLATURE	EFFECT FROM TO	UNITS PER ASSY
12					
- 545	114T4240-50		.SEAL- POSITION DATA: RH SIDE		1
550	114T4240-51		.SEAL- POSITION DATA: LH SIDE		1
- 555	114T4240-52		.SEAL- POSITION DATA: RH SIDE		1
560	BACR15CE6KE		.RIVET- SIZE DETERMINED ON INSTL.		120
565	BACR15BB4AD		.RIVET- SIZE DETERMINED ON INSTL.		1
570	BACR15BA3D		.RIVET- SIZE DETERMINED ON INSTL.		8
575	BACR15BB4A		.RIVET- SIZE DETERMINED ON INSTL.		3
580	BACB30NW6K		.BOLT- SIZE DETERMINED ON INSTL.		22
585	BACB30NN3K5		.BOLT		4
590	BACN10JQ33		.NUTPLATE-		4
595	HL79-6		.COLLAR SUPPLIER CODE: V5M902 SPECIFICATION NUMBER: BACC30M6 OPTIONAL PART: HL79-6 V73197 HL79-6 V92215 66014-6 V56878 HL79-6 V56878		22
600	BACR15CE5KE		.RIVET- SIZE DETERMINED ON INSTL.		16
605	BACR15CE5KE		.RIVET- SIZE DETERMINED ON INSTL.		8
610	BACS12ER3K16		.SCREW		4

ILLUSTRATION ITEMS NOT ON PARTS LIST ARE NOT APPLICABLE

- ITEM NOT ILLUSTRATED

HXL

27-81-02-12

BOEING PROPRIETARY - Copyright © - Unpublished Work - See title page for details.

27-81-02
FIG. 12
PAGE 13
AUG 22/09

 **BOEING**
767
PARTS CATALOG (MAINTENANCE)

FIG ITEM	PART NUMBER	1 2 3 4 5 6 7	NOMENCLATURE	EFFECT FROM TO	UNITS PER ASSY
12 615	BRH10A3		.NUT SUPPLIER CODE: V52828 SPECIFICATION NUMBER: BACN10JC3 OPTIONAL PART: H10-3BAC V15653 NS202101-02 V80539 RMLH9075-3W V72962 VN303A02 V92215 96-02 V80539 T6S1032J V11815		4
620	114T6415-6		.FITTING-PIVOT ATTACHING PARTS		4
625	BACR15CE5AD		.RIVET -----*-----		8
630	114T4106-3		.FILLER		2

ILLUSTRATION ITEMS NOT ON PARTS LIST ARE NOT APPLICABLE

- ITEM NOT ILLUSTRATED

HXL

27-81-02-12

BOEING PROPRIETARY - Copyright © - Unpublished Work - See title page for details.

27-81-02
FIG. 12
PAGE 14
AUG 22/09



767

PARTS CATALOG (MAINTENANCE)

FIG ITEM	PART NUMBER	1 2 3 4 5 6 7	NOMENCLATURE	EFFECT FROM TO	UNITS PER ASSY
12 635	114T4106-6		. SPLICE- USED ON: 114T4103-37A 114T4103-37SP 114T4103-38A 114T4103-38SP 114T4103-41 114T4103-42 114T4103-49 114T4103-50 114T4103-53 114T4103-54 114T4103-55 114T4103-56 114T4103-57SP 114T4103-57G 114T4103-58G 114T4103-58SP 114T4103-59G 114T4103-59SP 114T4103-60G 114T4103-60SP 114T4103-401G 114T4103-402G 114T4103-403G 114T4103-404G 114T4103-405G 114T4103-406G 114T4103-407G 114T4103-408G 114T4103-409G 114T4103-413SP 114T4103-414SP		1
640	114T4106-4		. SPLICE		2
645	114T4106-5		. SPLICE		1

ILLUSTRATION ITEMS NOT ON PARTS LIST ARE NOT APPLICABLE

- ITEM NOT ILLUSTRATED

HXL

27-81-02-12

BOEING PROPRIETARY - Copyright © - Unpublished Work - See title page for details.

27-81-02
FIG. 12
PAGE 15
AUG 22/09



767

PARTS CATALOG (MAINTENANCE)

FIG ITEM	PART NUMBER	1 2 3 4 5 6 7	NOMENCLATURE	EFFECT FROM TO	UNITS PER ASSY
12 650	114T4106-7		. SPLICE- USED ON: 114T4103-37A 114T4103-37SP 114T4103-38A 114T4103-38SP 114T4103-41 114T4103-42 114T4103-49 114T4103-50 114T4103-53 114T4103-54 114T4103-55 114T4103-56 114T4103-57G 114T4103-57SP 114T4103-58G 114T4103-58SP 114T4103-59G 114T4103-59SP 114T4103-60G 114T4103-60SP 114T4103-401G 114T4103-402G 114T4103-403G 114T4103-404G 114T4103-405G 114T4103-406G 114T4103-407G 114T4103-408G 114T4103-409G 114T4103-413SP 114T4103-414SP		1
655	114T4151-9		. PANEL-CLOSURE POSITION DATA: LH SIDE		1
- 660	114T4151-10		. PANEL-CLOSURE POSITION DATA: RH SIDE		1
665	114T4151-11		. PANEL-CLOSURE POSITION DATA: LH SIDE		1
- 670	114T4151-12		. PANEL-CLOSURE POSITION DATA: RH SIDE		1

ILLUSTRATION ITEMS NOT ON PARTS LIST ARE NOT APPLICABLE

- ITEM NOT ILLUSTRATED

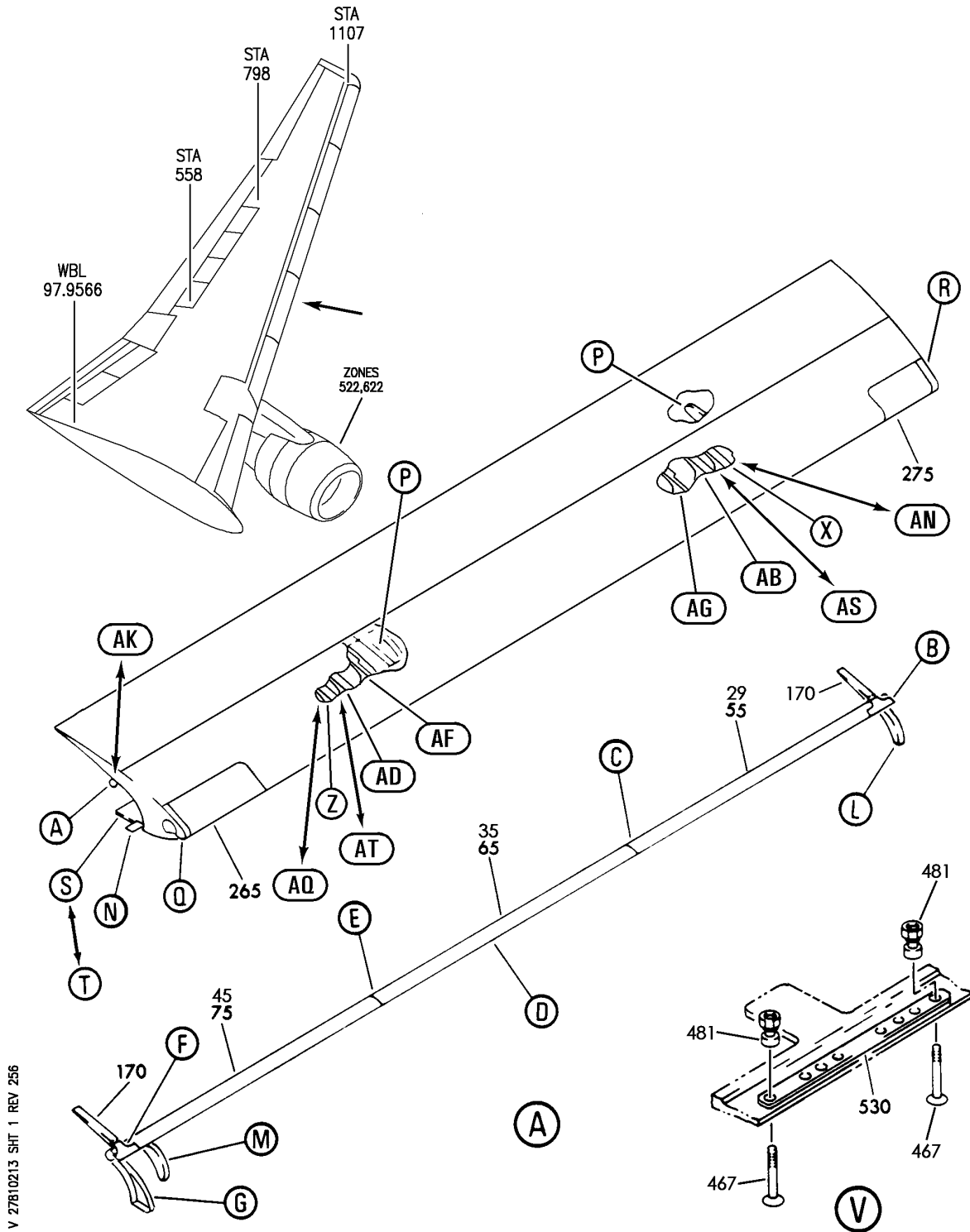
HXL

27-81-02-12

BOEING PROPRIETARY - Copyright © - Unpublished Work - See title page for details.

27-81-02
FIG. 12
PAGE 16
AUG 22/09


BOEING
 767
PARTS CATALOG (MAINTENANCE)

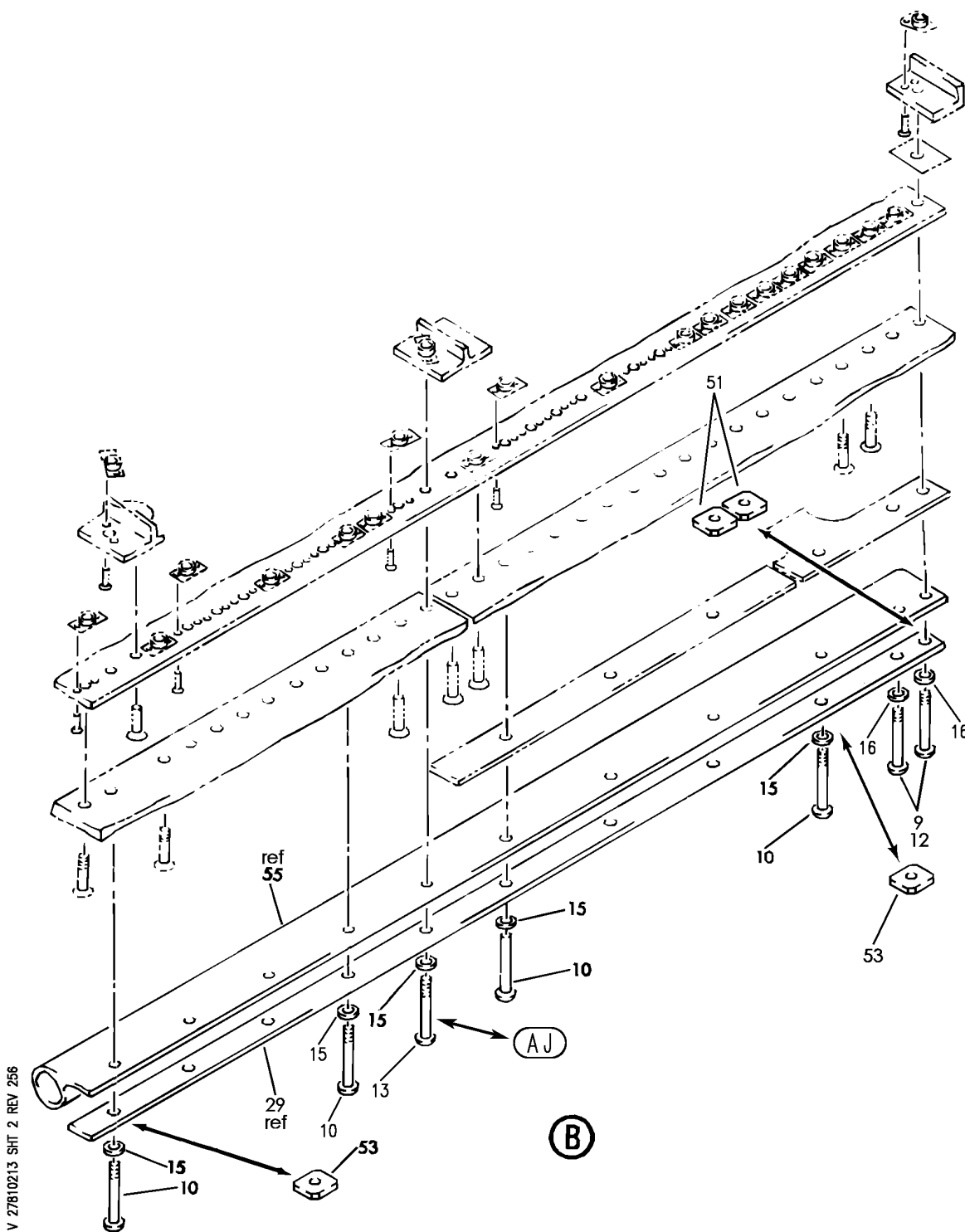


SLAT ASSY-OUTBD NO. 4 AND 9 WING LE
 FIGURE 13 (SHEET 1)

27-81-02-13

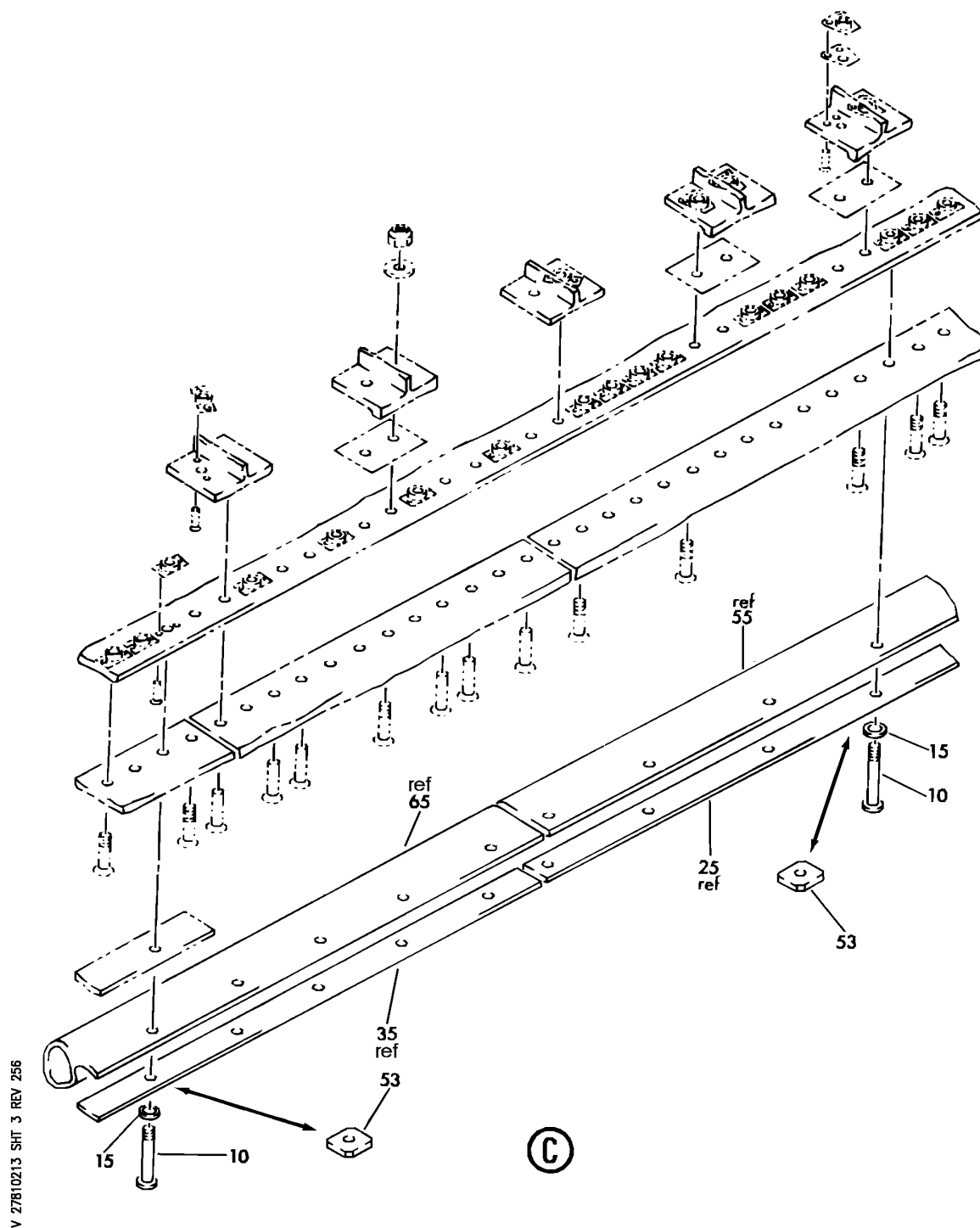
HXL
 DEC 22/06

27-81-02-13
 PAGE 0



SLAT ASSY-OUTBD NO. 4 AND 9 WING LE
FIGURE 13 (SHEET 2)

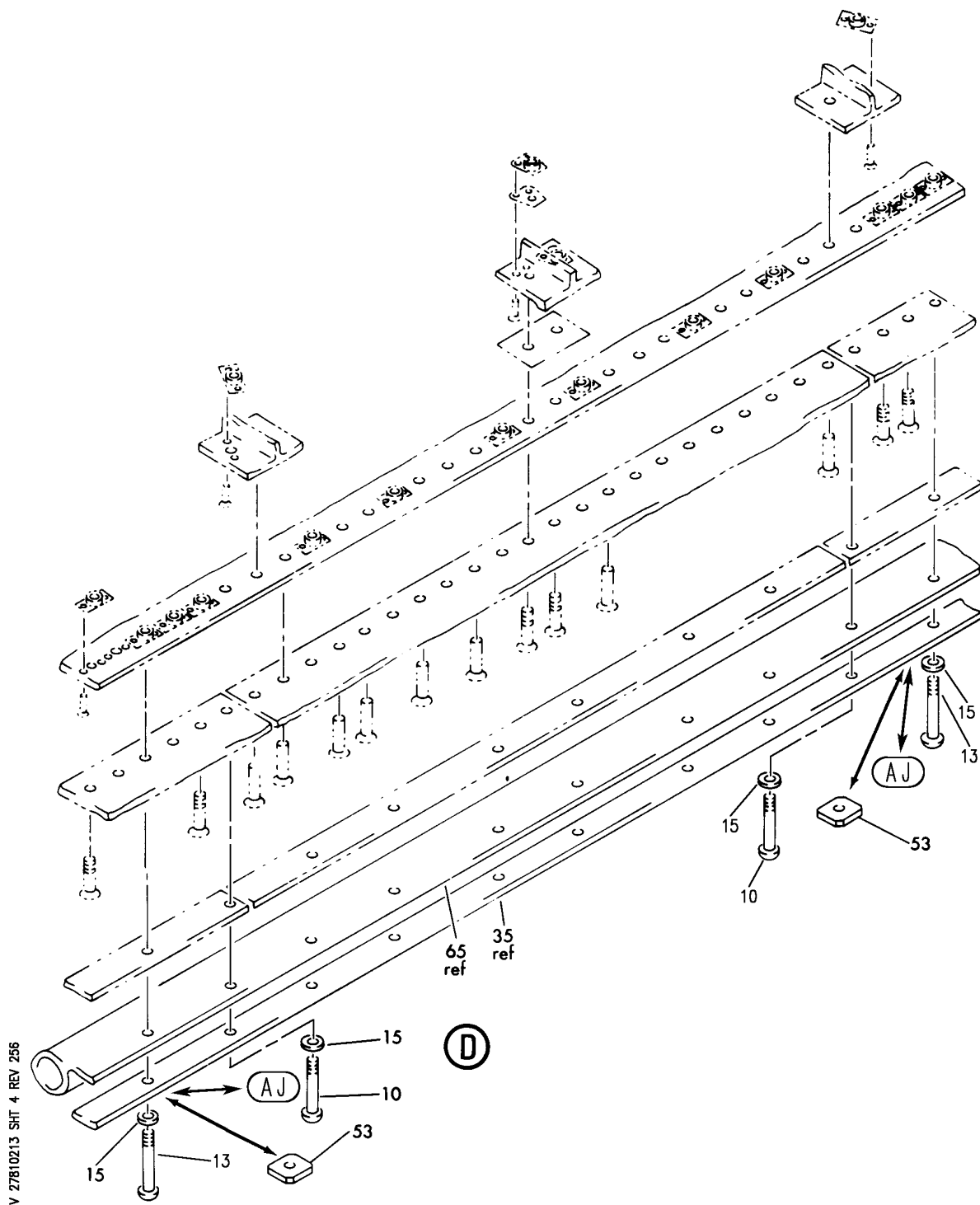
27-81-02-13



SLAT ASSY-OUTBD NO. 4 AND 9 WING LE
FIGURE 13 (SHEET 3)

27-81-02-13

BOEING
767
PARTS CATALOG (MAINTENANCE)



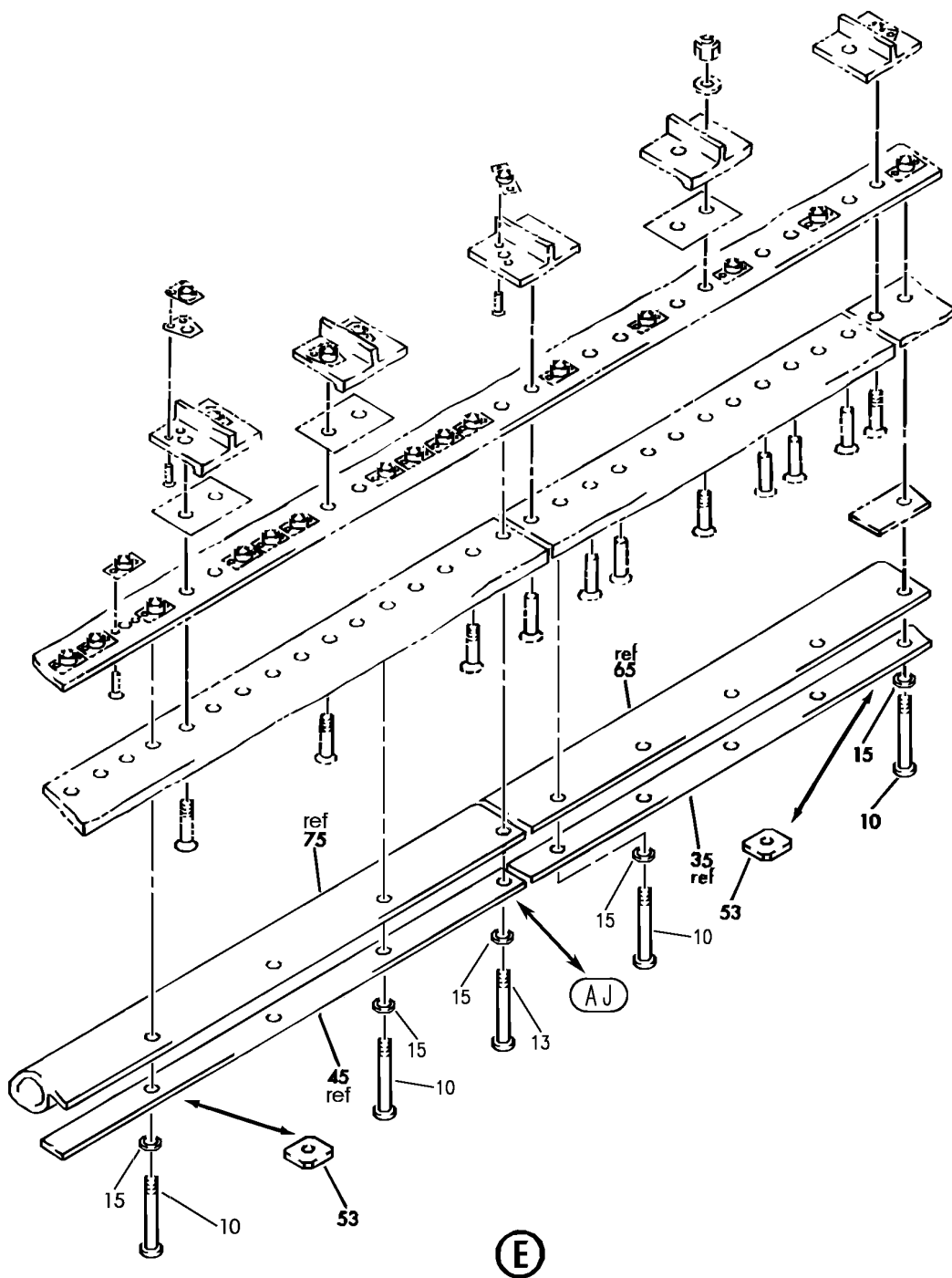
SLAT ASSY-OUTBD NO. 4 AND 9 WING LE
FIGURE 13 (SHEET 4)

27-81-02-13

HXL
DEC 22/06

27-81-02-13
PAGE 0C

BOEING
767
PARTS CATALOG (MAINTENANCE)



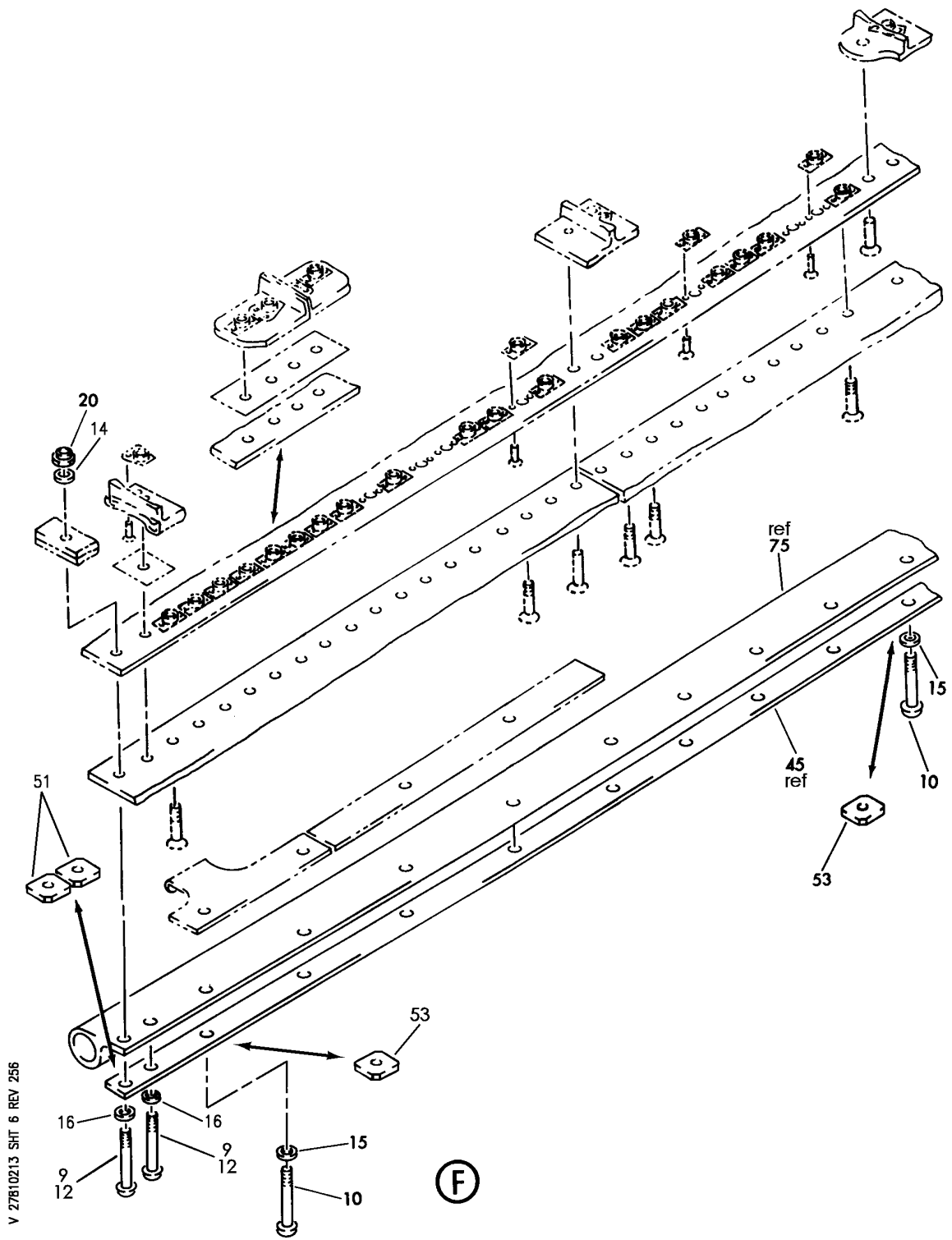
V 27810213 SHT 5 REV 256

SLAT ASSY-OUTBD NO. 4 AND 9 WING LE
FIGURE 13 (SHEET 5)

27-81-02-13

HXL
DEC 22/06

27-81-02-13
PAGE 0D



V 27810213 SHT 6 REV 256

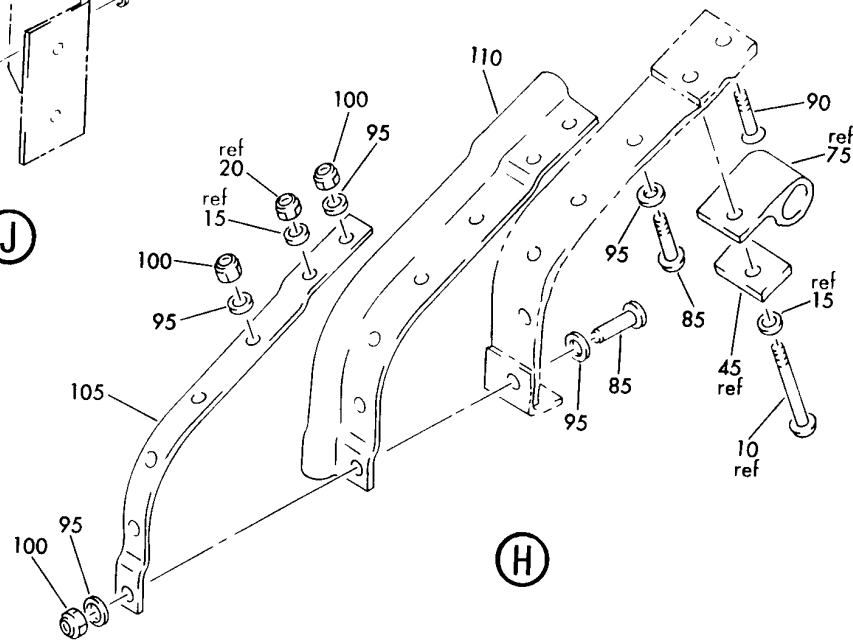
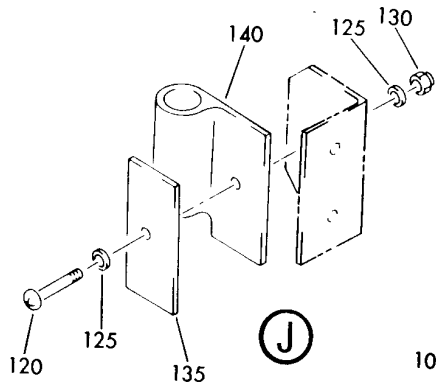
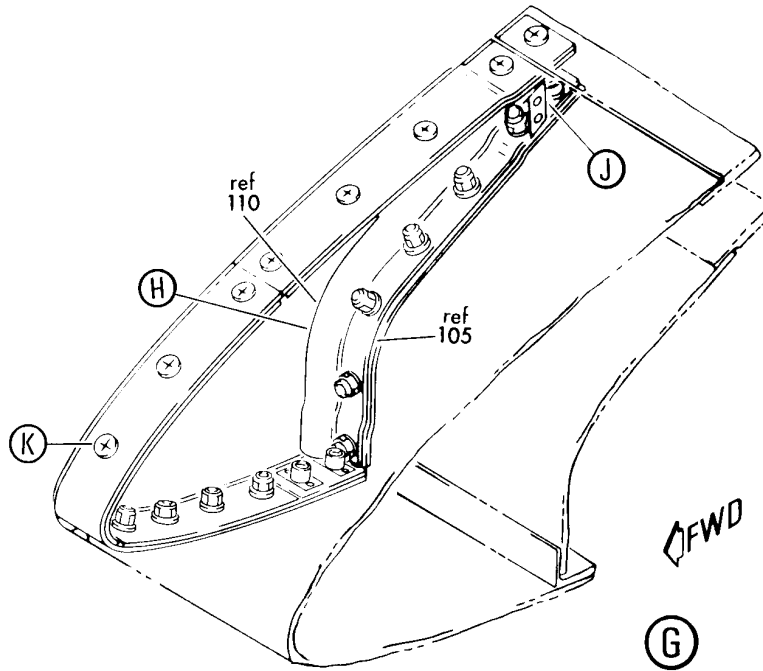
SLAT ASSY-OUTBD NO. 4 AND 9 WING LE
FIGURE 13 (SHEET 6)

27-81-02-13

HXL
DEC 22/06

27-81-02-13
PAGE 0E

BOEING
767
PARTS CATALOG (MAINTENANCE)



V 27810213 SHT 7 REV 256

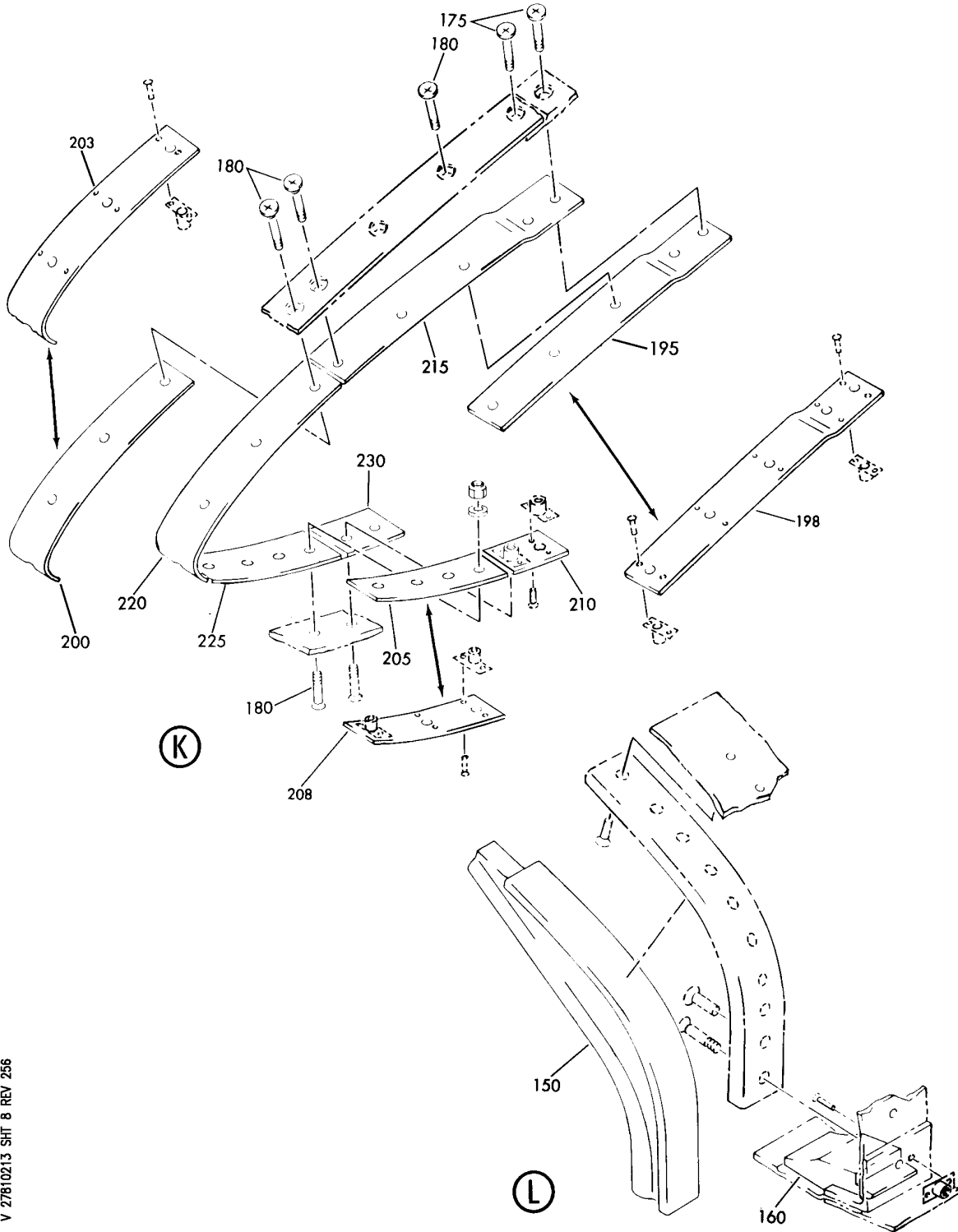
SLAT ASSY-OUTBD NO. 4 AND 9 WING LE
FIGURE 13 (SHEET 7)

27-81-02-13

HXL
DEC 22/06

27-81-02-13
PAGE OF

BOEING
767
PARTS CATALOG (MAINTENANCE)



V 27810213 SHT 8 REV 256

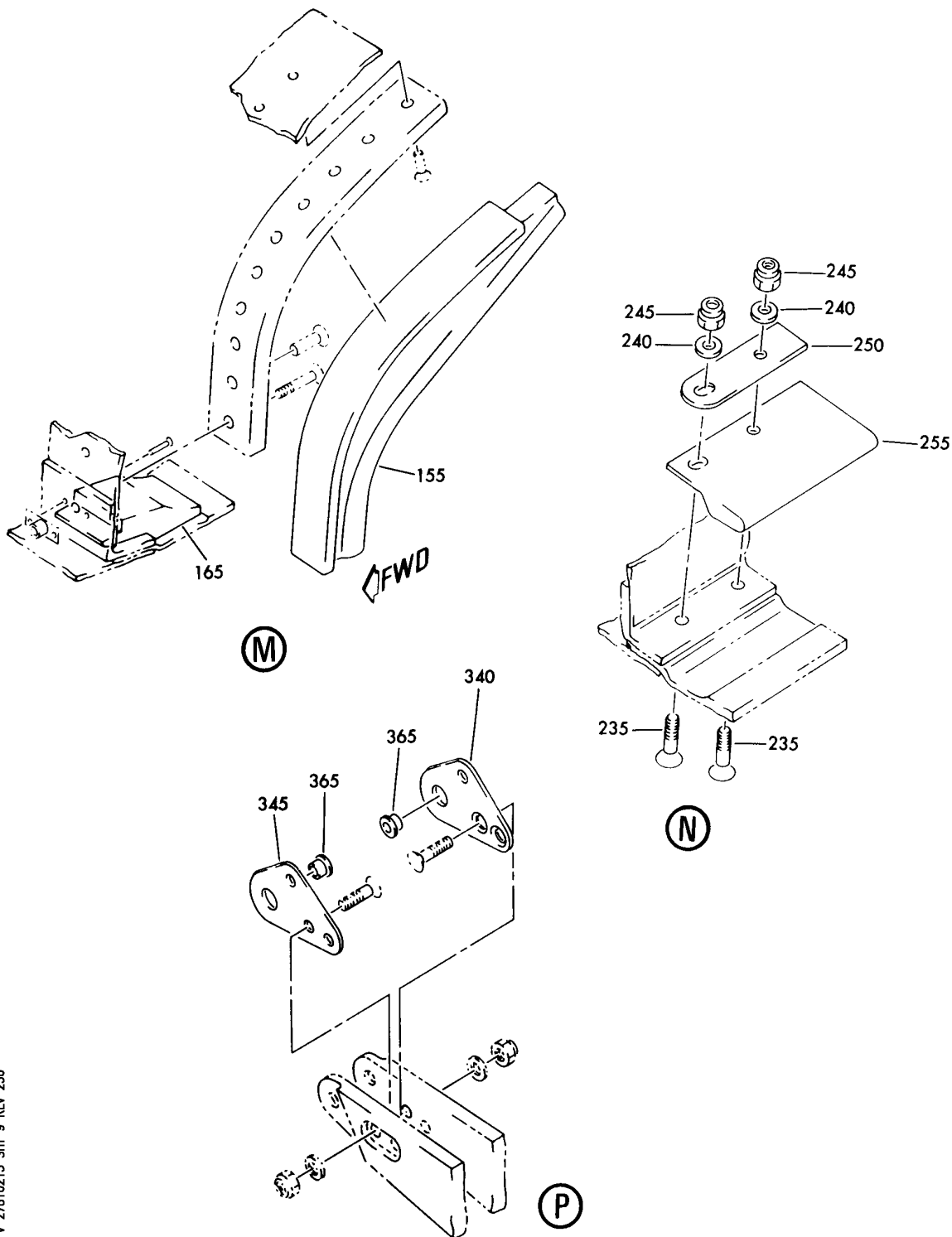
SLAT ASSY-OUTBD NO. 4 AND 9 WING LE
FIGURE 13 (SHEET 8)

27-81-02-13

HXL
DEC 22/06

27-81-02-13
PAGE 06

BOEING
767
PARTS CATALOG (MAINTENANCE)



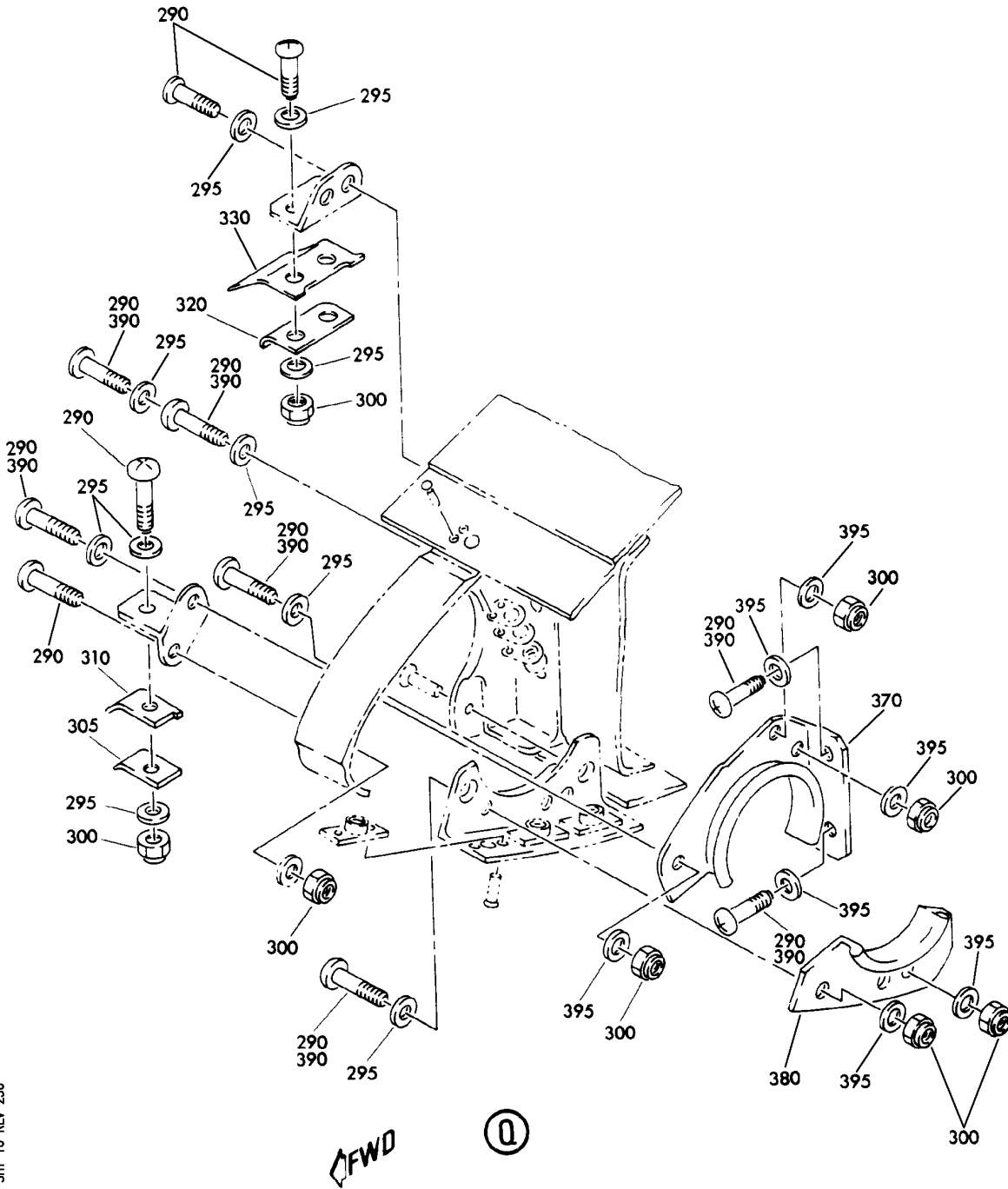
SLAT ASSY-OUTBD NO. 4 AND 9 WING LE
FIGURE 13 (SHEET 9)

27-81-02-13

HXL
DEC 22/06

27-81-02-13
PAGE 0H


BOEING
 767
PARTS CATALOG (MAINTENANCE)



V 27810213 SHT 10 REV 256

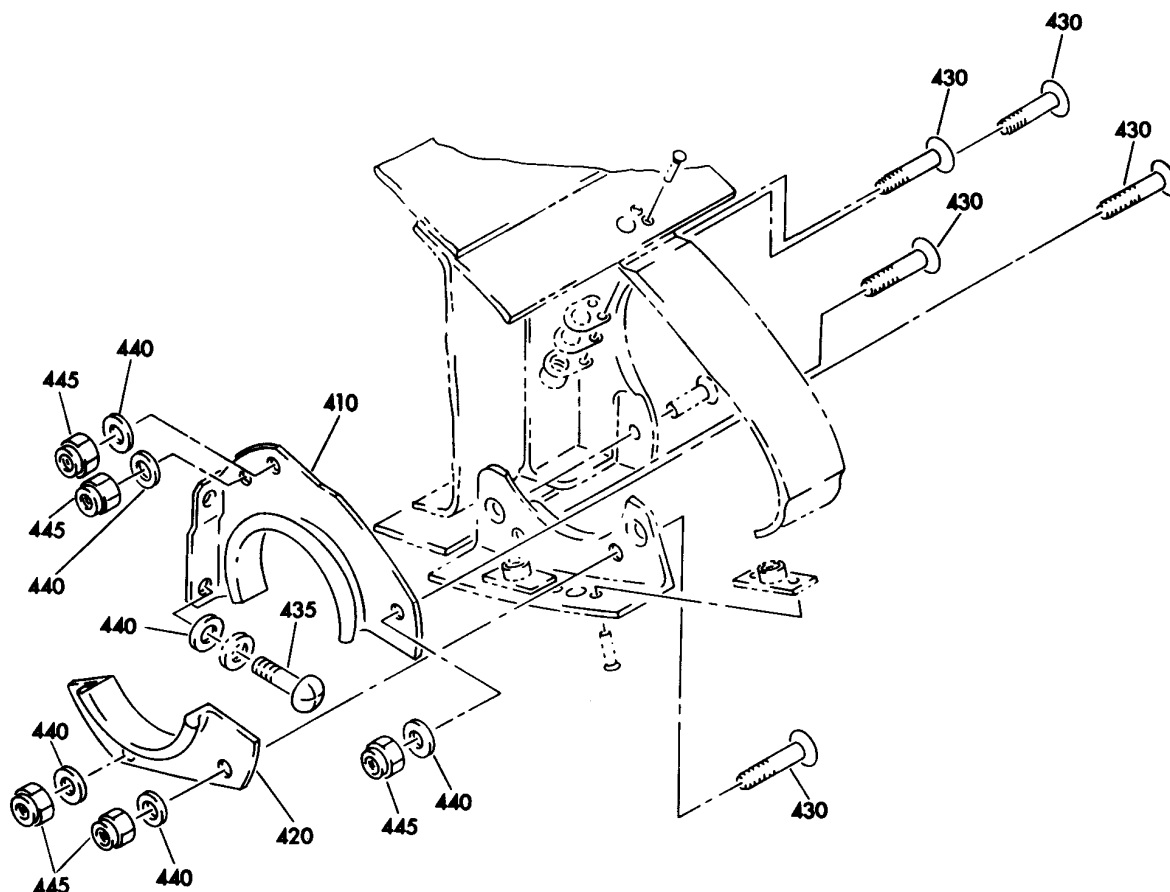
SLAT ASSY-OUTBD NO. 4 AND 9 WING LE
 FIGURE 13 (SHEET 10)

27-81-02-13

HXL
DEC 22/06

27-81-02-13
 PAGE 01

BOEING
767
PARTS CATALOG (MAINTENANCE)



®

V 27810213 SHT 11 REV 256

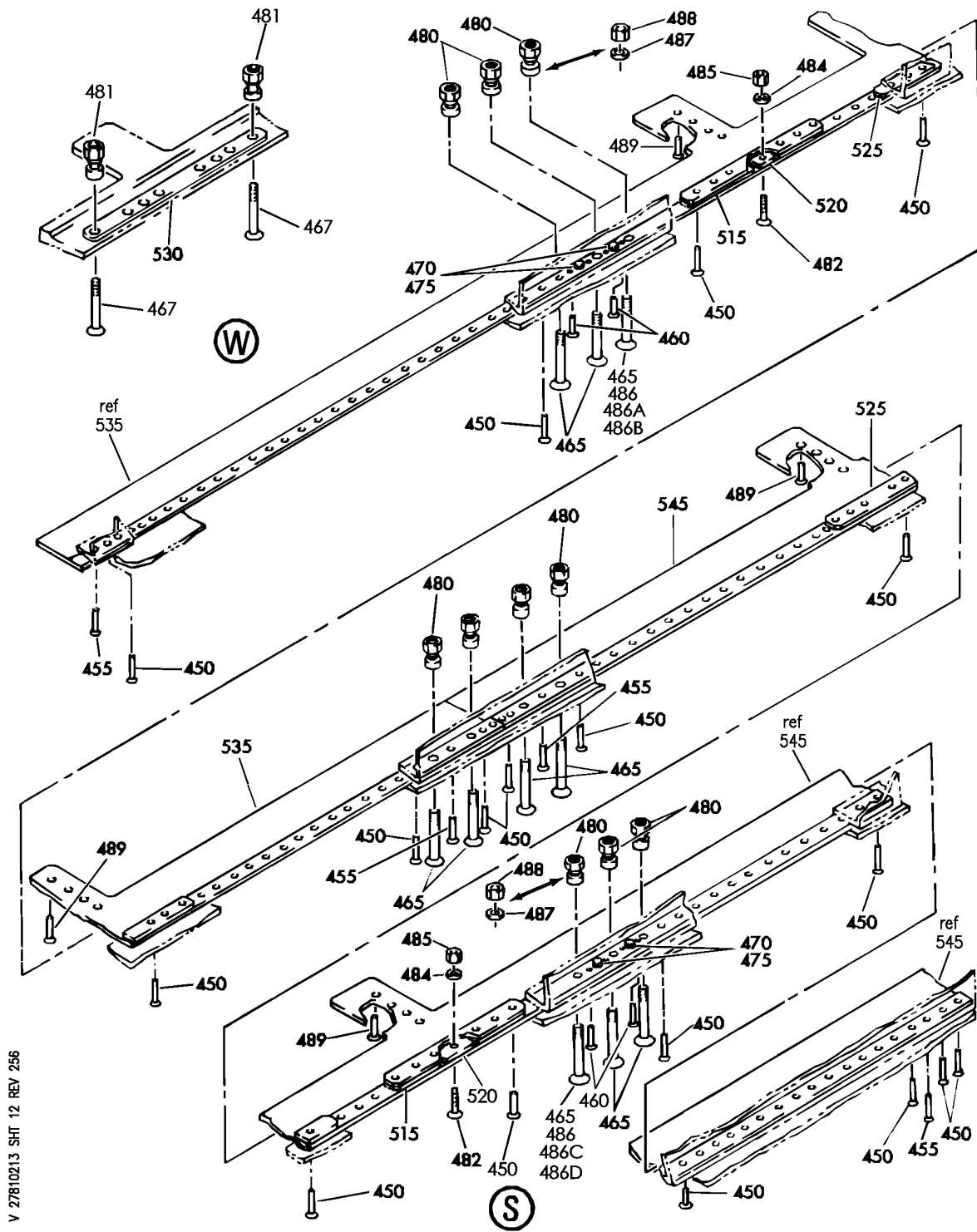
SLAT ASSY-OUTBD NO. 4 AND 9 WING LE
FIGURE 13 (SHEET 11)

HXL
DEC 22/06

27-81-02-13

27-81-02-13
PAGE 0J

BOEING
767
PARTS CATALOG (MAINTENANCE)



V 27810213 SHT 12 REV 256

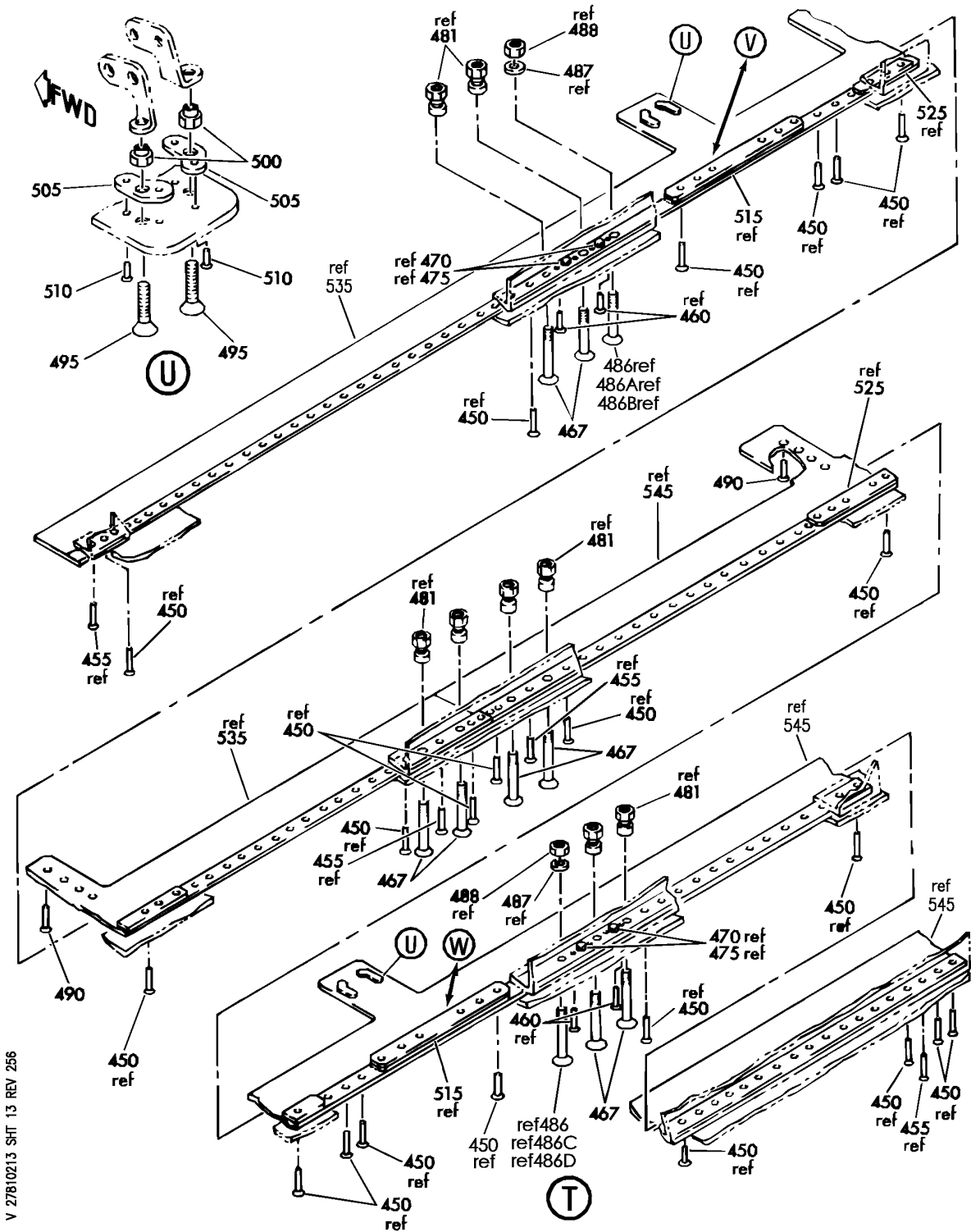
SLAT ASSY-OUTBD NO. 4 AND 9 WING LE
FIGURE 13 (SHEET 12)

27-81-02-13

HXL
DEC 22/06

27-81-02-13
PAGE OK

BOEING
767
PARTS CATALOG (MAINTENANCE)



V 27810213 SHT 13 REV 256

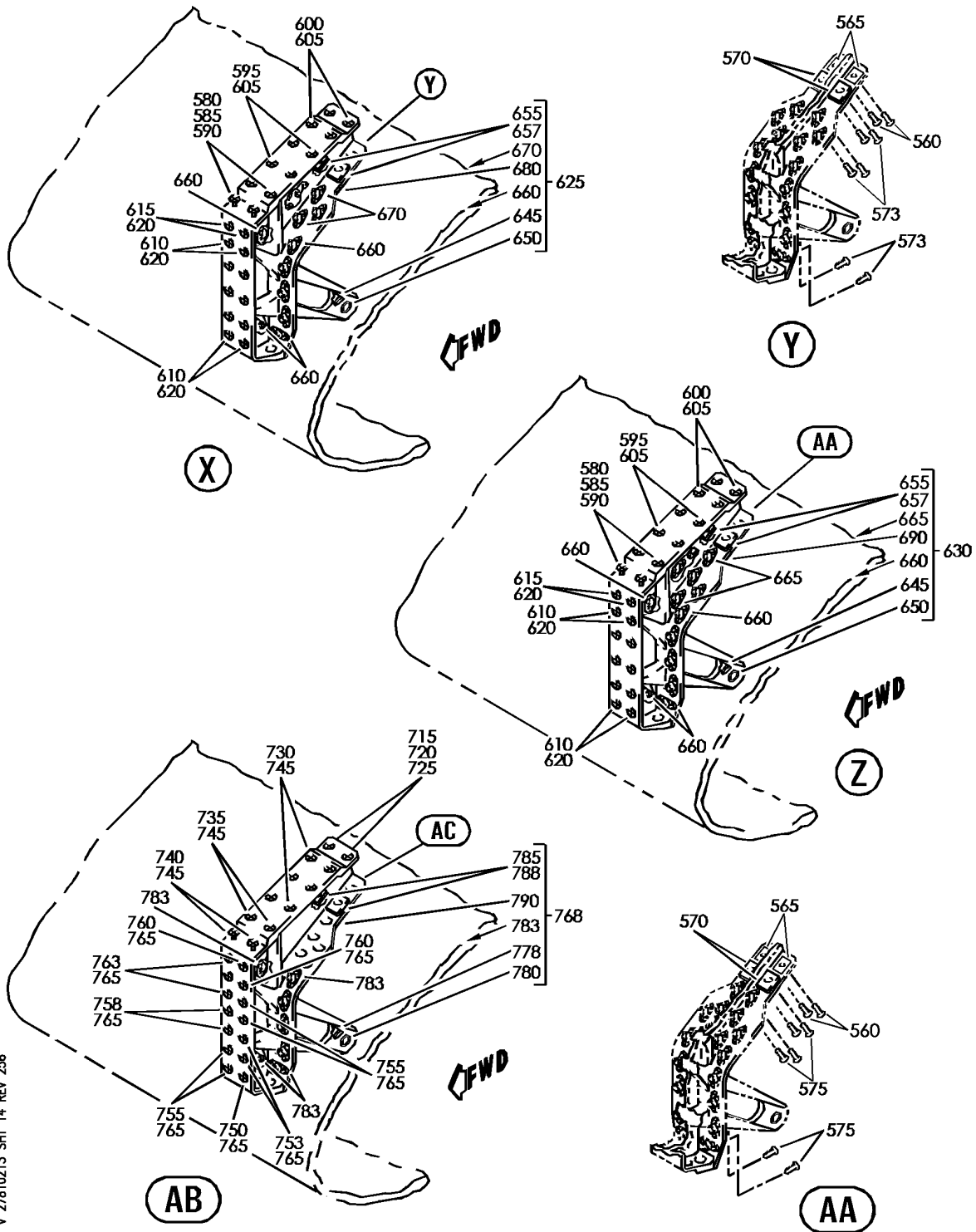
SLAT ASSY-OUTBD NO. 4 AND 9 WING LE
FIGURE 13 (SHEET 13)

27-81-02-13

HXL
DEC 22/06

27-81-02-13
PAGE 0L

BOEING
767
PARTS CATALOG (MAINTENANCE)



V 27810213 SH1 14 REV 256

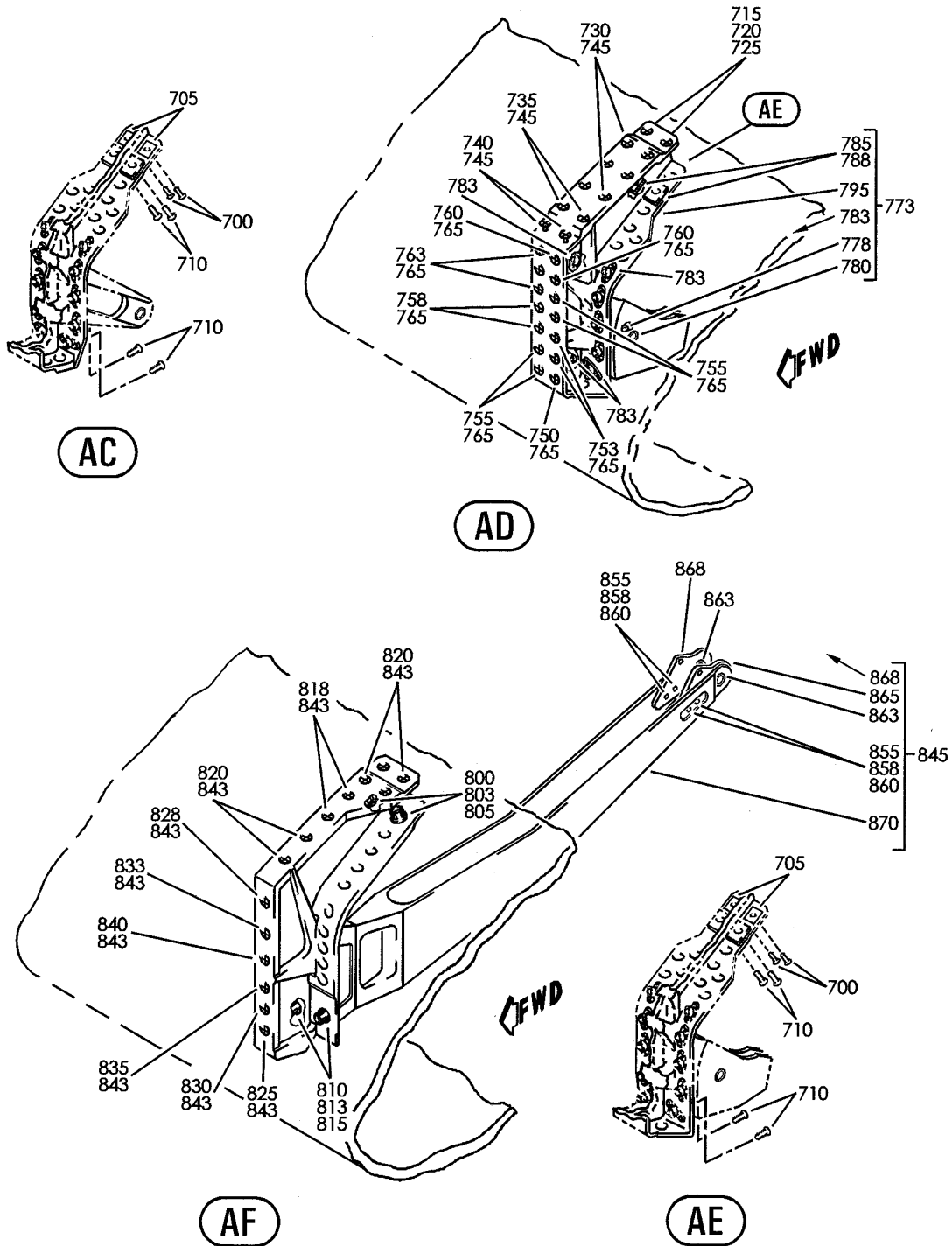
SLAT ASSY-OUTBD NO. 4 AND 9 WING LE
FIGURE 13 (SHEET 14)

27-81-02-13

HXL
DEC 22/06

27-81-02-13
PAGE 0M

BOEING
767
PARTS CATALOG (MAINTENANCE)



V 27B10213 SH1 15 REV 256

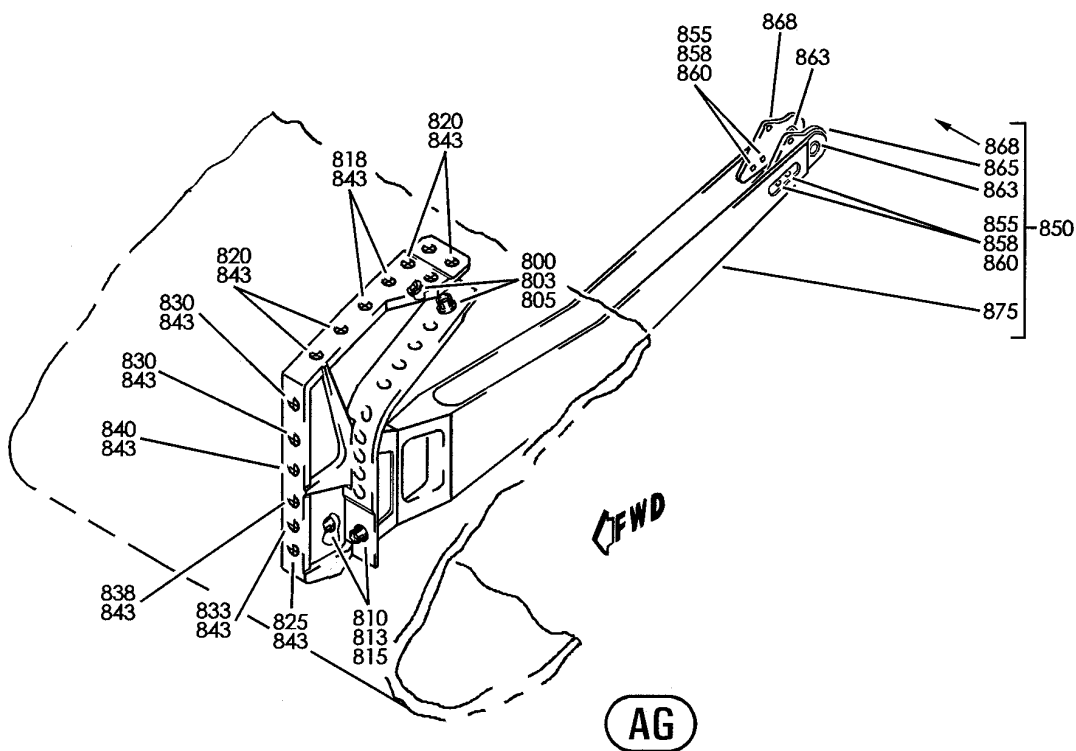
SLAT ASSY-OUTBD NO. 4 AND 9 WING LE
FIGURE 13 (SHEET 15)

27-81-02-13

HXL
DEC 22/06

27-81-02-13
PAGE ON

BOEING
767
PARTS CATALOG (MAINTENANCE)



V 27810213 SHT 16 REV 256

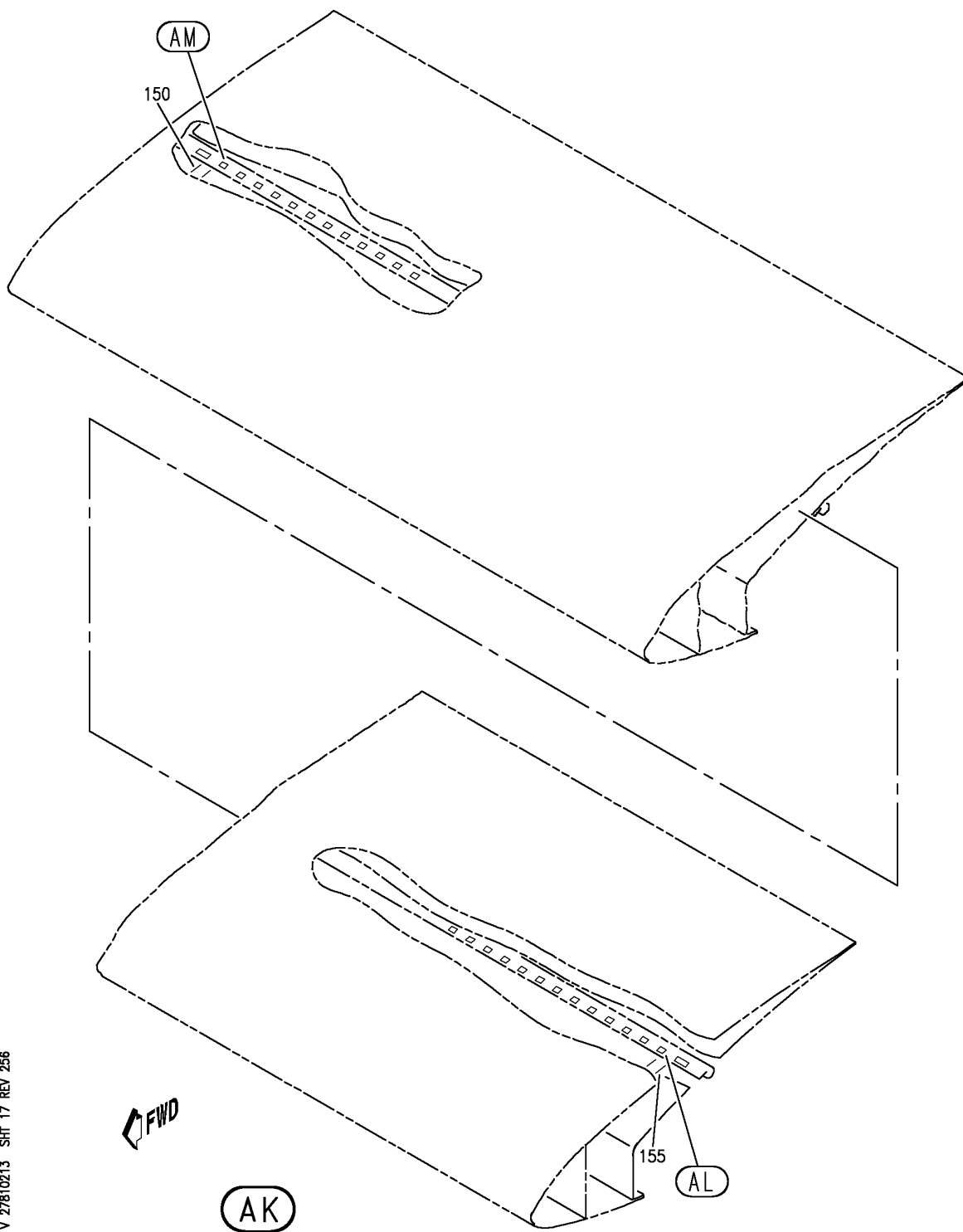
SLAT ASSY-OUTBD NO. 4 AND 9 WING LE
FIGURE 13 (SHEET 16)

27-81-02-13

HXL
DEC 22/06

27-81-02-13
PAGE 00

BOEING
767
PARTS CATALOG (MAINTENANCE)



V 27810213 SHT 17 REV 256

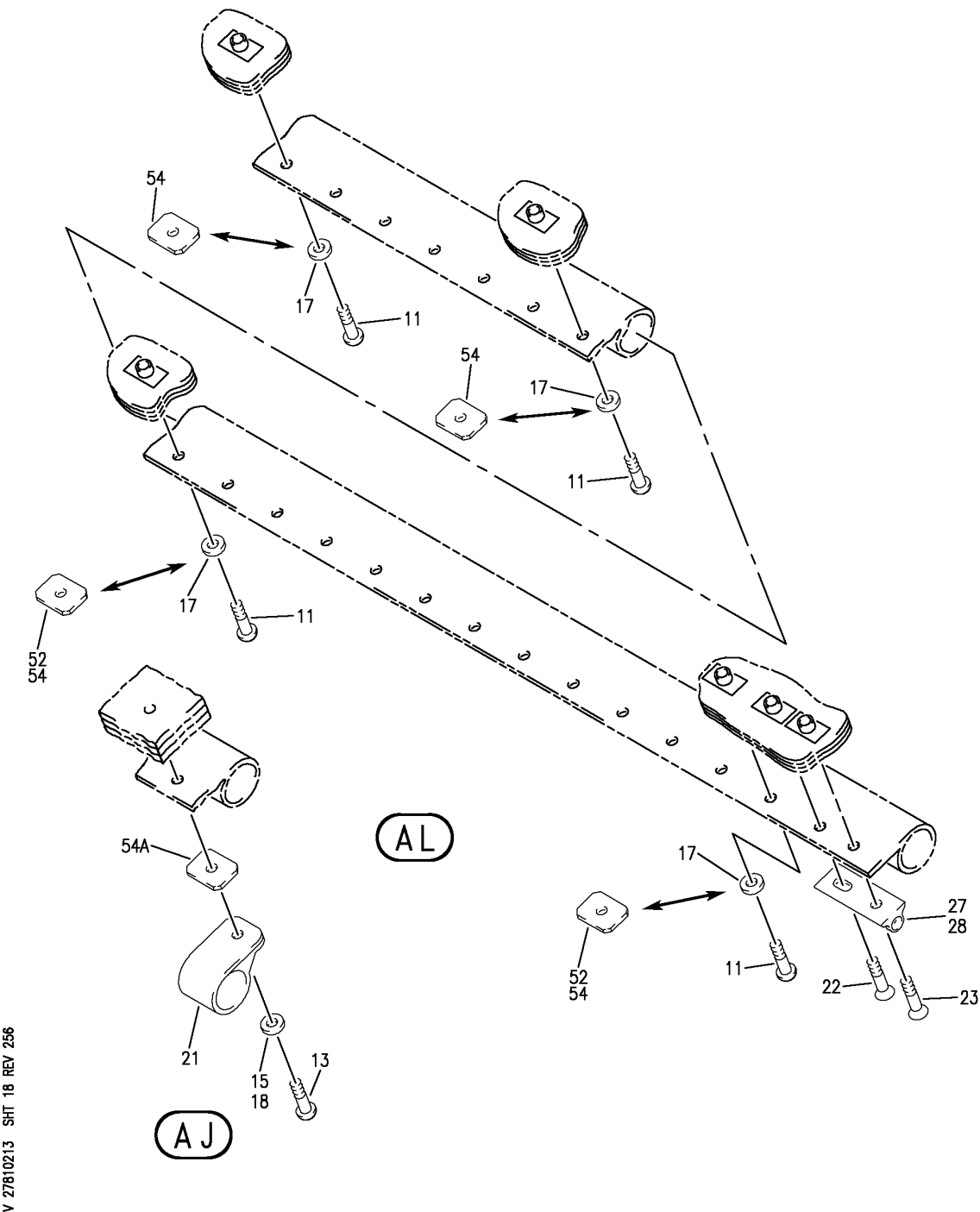
SLAT ASSY-OUTBD NO. 4 AND 9 WING LE
FIGURE 13 (SHEET 17)

27-81-02-13

HXL
DEC 22/06

27-81-02-13
PAGE 0P

BOEING
767
PARTS CATALOG (MAINTENANCE)



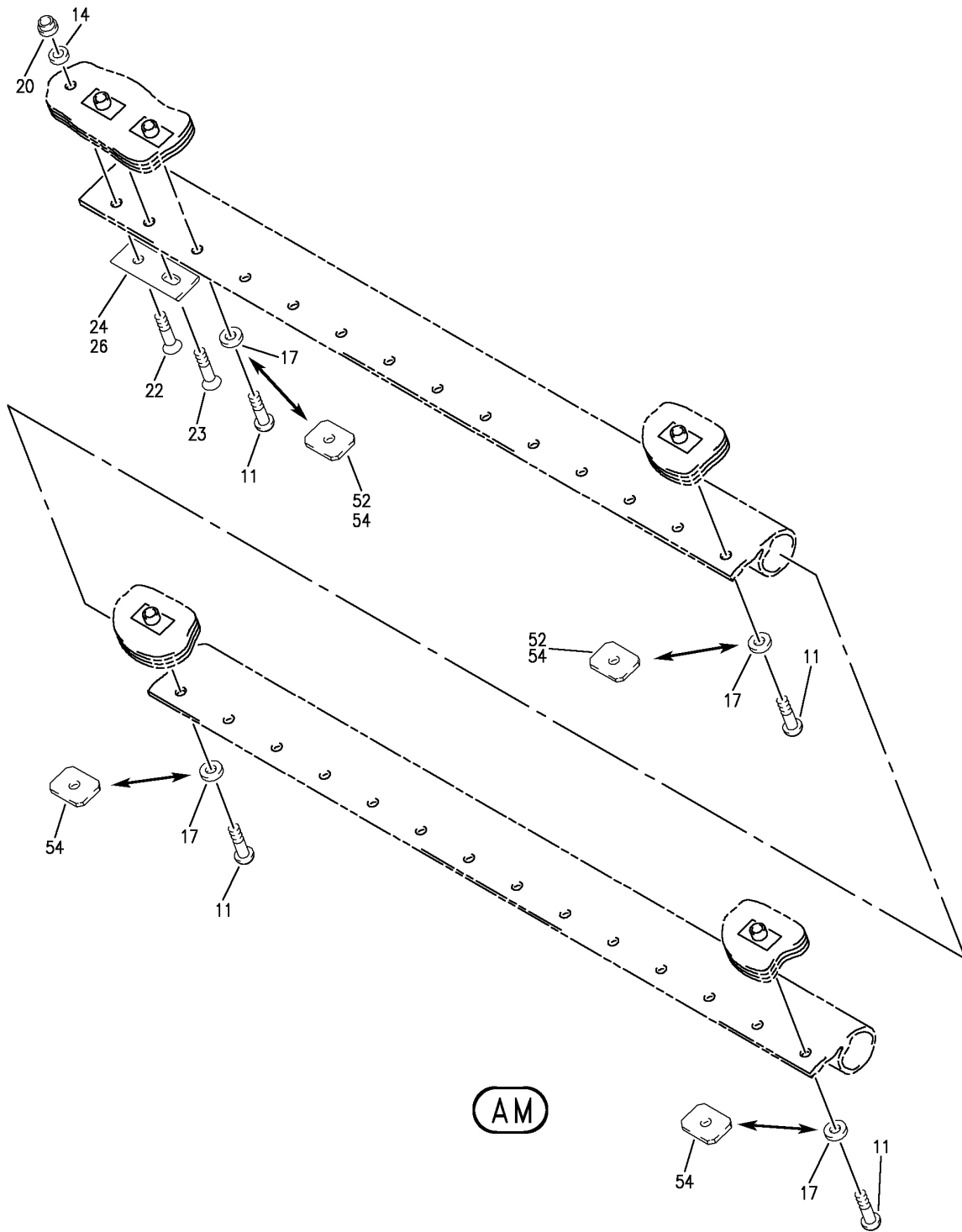
SLAT ASSY-OUTBD NO. 4 AND 9 WING LE
FIGURE 13 (SHEET 18)

27-81-02-13

HXL
DEC 22/06

27-81-02-13
PAGE 00

BOEING
767
PARTS CATALOG (MAINTENANCE)



V 27810213 SHT 19 REV 256

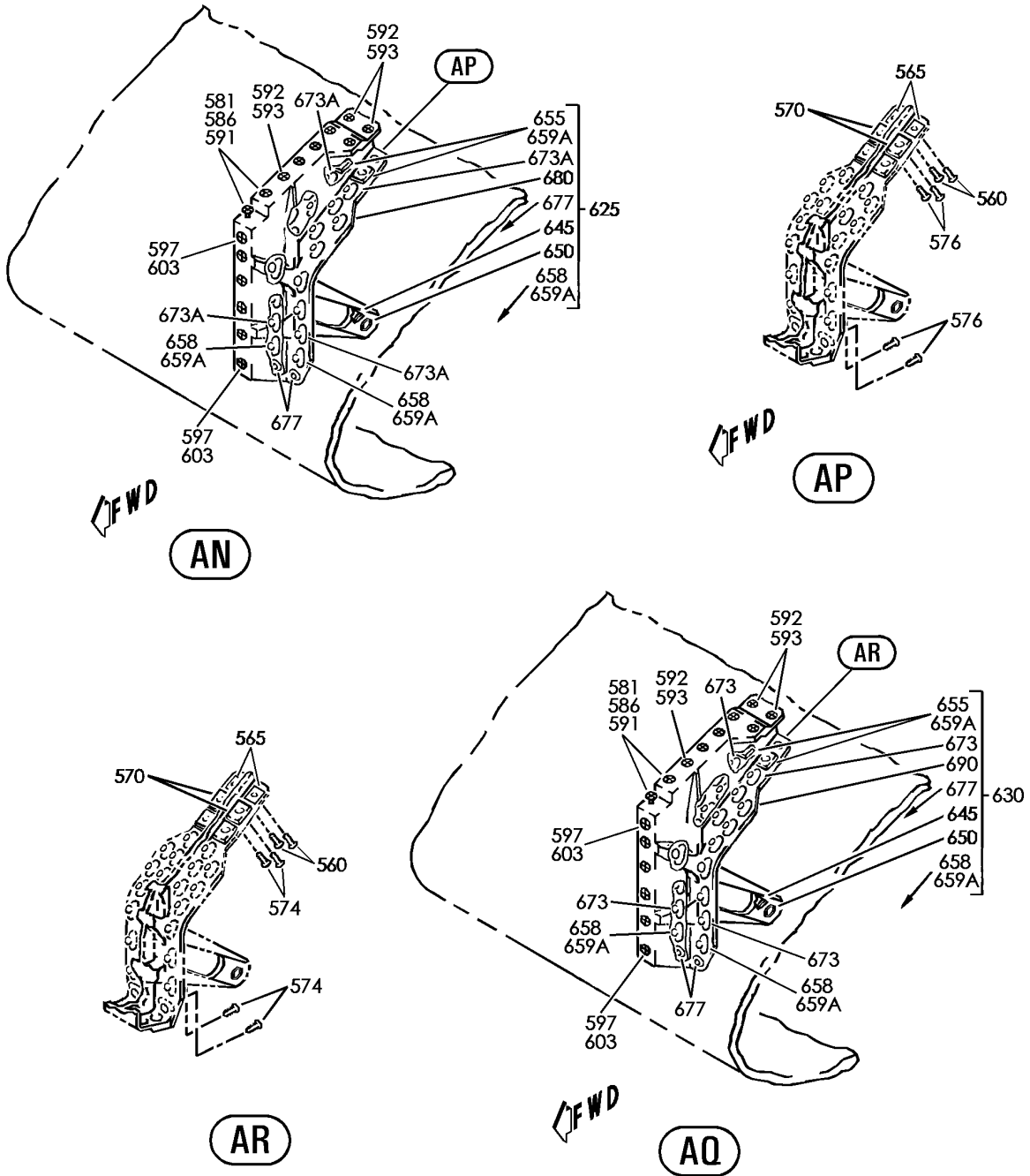
SLAT ASSY-OUTBD NO. 4 AND 9 WING LE
FIGURE 13 (SHEET 19)

27-81-02-13

HXL
DEC 22/06

27-81-02-13
PAGE OR

BOEING
767
PARTS CATALOG (MAINTENANCE)



V 27810213 SH1 20 REV 256

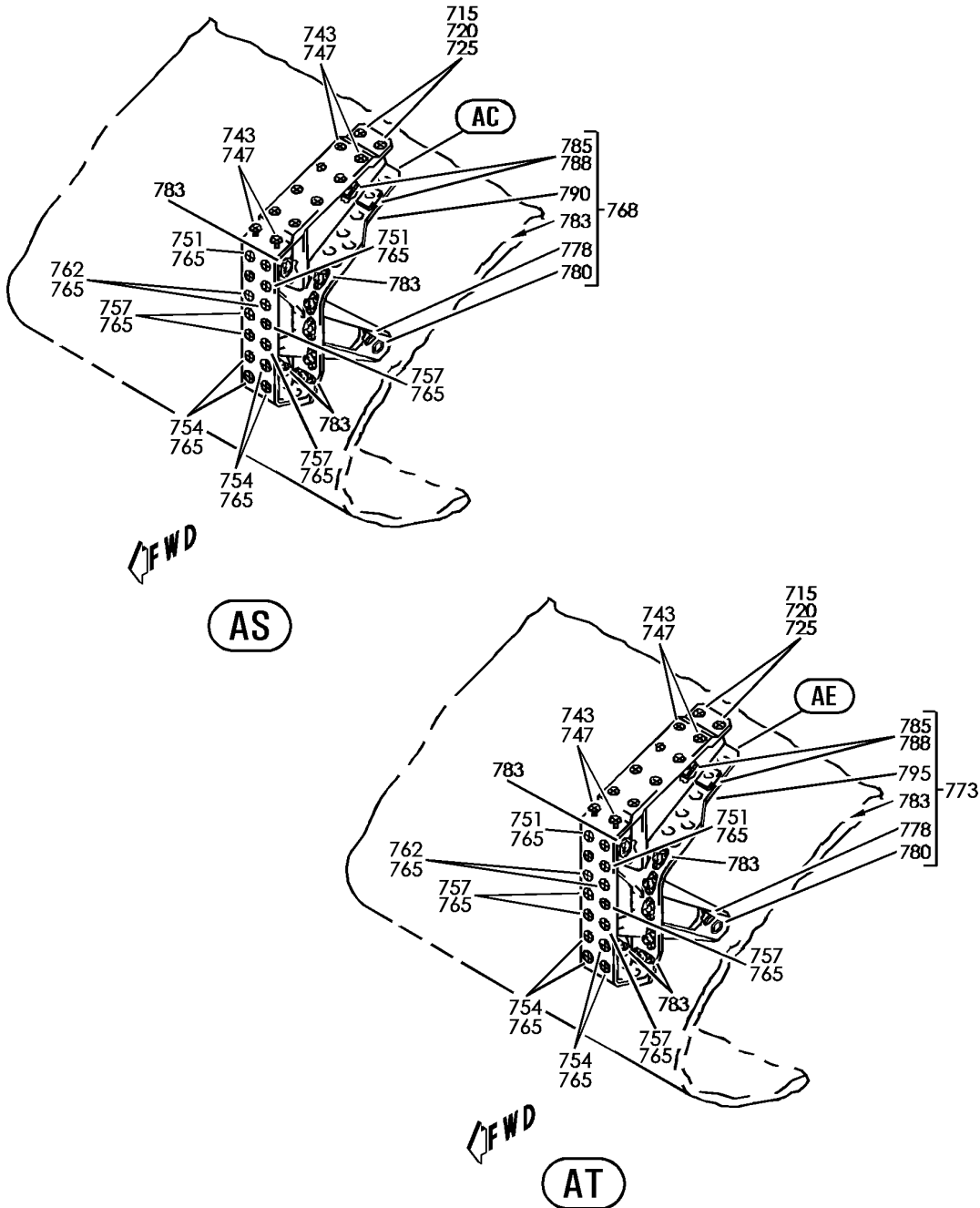
SLAT ASSY-OUTBD NO. 4 AND 9 WING LE
FIGURE 13 (SHEET 20)

27-81-02-13

HXL
DEC 22/06

27-81-02-13
PAGE 05

BOEING
767
PARTS CATALOG (MAINTENANCE)



V 27810213 SHT 21 REV 256

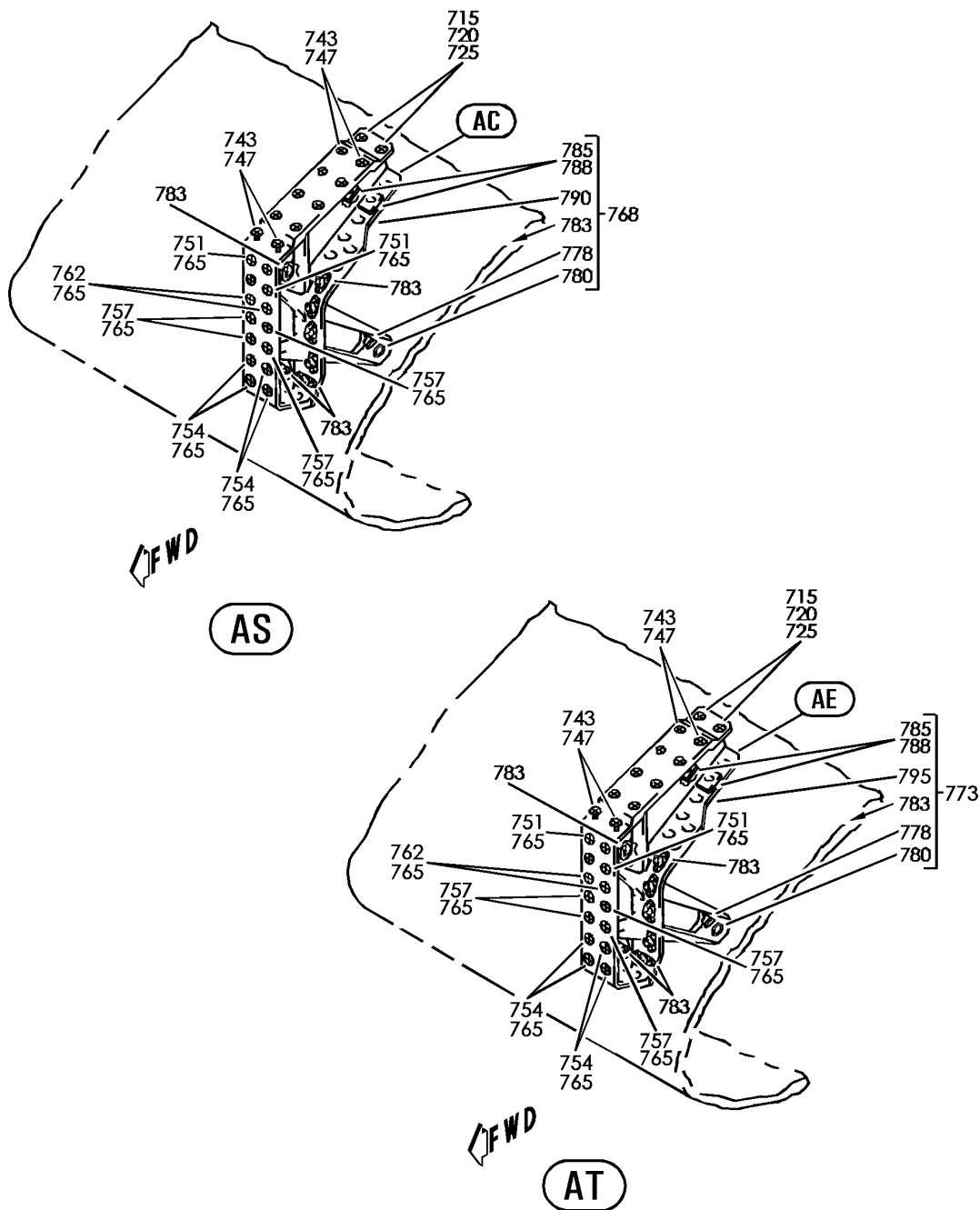
SLAT ASSY-OUTBD NO. 4 AND 9 WING LE
FIGURE 13 (SHEET 21)

27-81-02-13

HXL
DEC 22/06

27-81-02-13
PAGE 0T

BOEING
767
PARTS CATALOG (MAINTENANCE)



V 27810213 SH1 22 REV 257

SLAT ASSY-OUTBD NO. 4 AND 9 WING LE
FIGURE 13 (SHEET 22)

27-81-02-13

HXL
DEC 22/06

27-81-02-13
PAGE 0U



767

PARTS CATALOG (MAINTENANCE)

FIG ITEM	PART NUMBER	1 2 3 4 5 6 7	NOMENCLATURE	EFFECT FROM TO	UNITS PER ASSY
13			SLAT ASSY-OUTBD NO. 4 AND 9 WING LE		
- 2	015T1507-425		SLAT ASSY-NO. 4 WING LE POSITION DATA: OUTBD LH COMPONENT MAINT MANUAL REF: 57-43-55 SERVICE BULLETIN OPT DATA: 015T1507-465 POST ALERT SB: 57A0057 PRE ALERT SB: 57A0101 FOR NHA SEE: 27-81-02-01		RF
- 3	015T1507-465		SLAT ASSY-NO. 4 POSITION DATA: LH COMPONENT MAINT MANUAL REF: 57-43-55 SERVICE BULLETIN OPT DATA: 015T1507-425 POST ALERT SB: 57A0057 FOR NHA SEE: 27-81-02-01		RF
- 6	015T1507-426		SLAT ASSY-NO. 9 WING LE POSITION DATA: OUTBD RH COMPONENT MAINT MANUAL REF: 57-43-55 SERVICE BULLETIN OPT DATA: 015T1507-466 POST ALERT SB: 57A0057 PRE ALERT SB: 57A0101 FOR NHA SEE: 27-81-02-01		RF

ILLUSTRATION ITEMS NOT ON PARTS LIST ARE NOT APPLICABLE

- ITEM NOT ILLUSTRATED

HXL

27-81-02-13

BOEING PROPRIETARY - Copyright © - Unpublished Work - See title page for details.

27-81-02
FIG. 13
PAGE 1
DEC 22/07



767

PARTS CATALOG (MAINTENANCE)

FIG ITEM	PART NUMBER	1 2 3 4 5 6 7	NOMENCLATURE	EFFECT FROM TO	UNITS PER ASSY
13					
- 7	015T1507-466		SLAT ASSY-NO. 9 POSITION DATA: RH COMPONENT MAINT MANUAL REF: 57-43-55 SERVICE BULLETIN OPT DATA: 015T1507-426 POST ALERT SB: 57A0057 FOR NHA SEE: 27-81-02-01		RF
10	BACB30NT3K7		.BOLT		42
11	BACB30NT3K7		.BOLT		46
13	BACB30NT3K10		.BOLT- POST ALERT SB: 27A0140R2		4
13	BACB30NT3K7		.BOLT-		4
14	NAS1149D0332J		.WASHER-		1
15	NAS1149D0332J		.WASHER-		45
16	NAS1149D0332J		.WASHER-		4
17	NAS1149D0332J		.WASHER-		46
18	NAS1149D0332J		.WASHER- POST ALERT SB: 27A0140R2		4

ILLUSTRATION ITEMS NOT ON PARTS LIST ARE NOT APPLICABLE

- ITEM NOT ILLUSTRATED

HXL

27-81-02-13

BOEING PROPRIETARY - Copyright © - Unpublished Work - See title page for details.

27-81-02
FIG. 13
PAGE 2
DEC 22/07



767

PARTS CATALOG (MAINTENANCE)

FIG ITEM	PART NUMBER	1 2 3 4 5 6 7	NOMENCLATURE	EFFECT FROM TO	UNITS PER ASSY
13 20	BRH10A3		.NUT- SUPPLIER CODE: V52828 SPECIFICATION NUMBER: BACN10JC3 OPTIONAL PART: H10-3BAC V15653 NS202101-02 V80539 RMLH9075-3W V72962 VN303A02 V92215 96-02 V80539 T6S1032J V11815 USED ON: 114T4104-13SP 114T4104-21SP 114T4104-25 114T4104-27SP 114T4104-29 114T4104-37SP 114T4104-41 114T4104-49 114T4104-14SP 114T4104-22SP 114T4104-26 114T4104-28SP 114T4104-30 114T4104-38SP 114T4104-42 114T4104-50		1

ILLUSTRATION ITEMS NOT ON PARTS LIST ARE NOT APPLICABLE

- ITEM NOT ILLUSTRATED

HXL

27-81-02-13

BOEING PROPRIETARY - Copyright © - Unpublished Work - See title page for details.

27-81-02
FIG. 13
PAGE 3
DEC 22/07



767

PARTS CATALOG (MAINTENANCE)

FIG ITEM	PART NUMBER	1 2 3 4 5 6 7	NOMENCLATURE	EFFECT FROM TO	UNITS PER ASSY
13					
20	BRH10C3D		.NUT- SUPPLIER CODE: V52828 SPECIFICATION NUMBER: BACN10JC3CD OPTIONAL PART: T6C1032JCD V11815 NS202486-02 V80539 102LH9075-3W V72962 H51650-3BAC V15653 USED ON: 114T4104-401G 114T4104-403G 114T4104-53 114T4104-57G 114T4104-59G 114T4104-402G 114T4104-404G 114T4104-54 114T4104-58G 114T4104-60G		1
21	BACC10DK4		.CLAMP- POST ALERT SB: 27A0140R2		4
22	BACB30NN3K8		.BOLT- POST ALERT SB: 27A0140R2		2
23	BACB30NN3K9		.BOLT- POST ALERT SB: 27A0140R2		2
24	256T2931-10		.GUIDE-CABLE POST ALERT SB: 27A0140R2		1
26	256T2931-9		.GUIDE-CABLE POST ALERT SB: 27A0140R2		1
27	256T2931-8		.GUIDE-CABLE POST ALERT SB: 27A0140R2		1
28	256T2931-7		.GUIDE-CABLE POST ALERT SB: 27A0140R2		1
53	114T4233-32		.RETAINER-BULB SEAL		46
54	114T4233-32		.RETAINER-BULB SEAL		42

ILLUSTRATION ITEMS NOT ON PARTS LIST ARE NOT APPLICABLE

- ITEM NOT ILLUSTRATED

27-81-02-13

27-81-02
FIG. 13
PAGE 4
DEC 22/07

HXL

BOEING PROPRIETARY - Copyright © - Unpublished Work - See title page for details.

BOEING
767
PARTS CATALOG (MAINTENANCE)

FIG ITEM	PART NUMBER	1 2 3 4 5 6 7	NOMENCLATURE	EFFECT FROM TO	UNITS PER ASSY
R R	13 55	114T4232-19	.SEAL-SPANWISE BULB POSITION DATA: LH SIDE MANUFACTURED FROM: EXTRUSION RUBBER F25.01 10-60754-319 46.50 IN. SPARES ORDER MATERIAL CODE: 5287003190		1
-	60	114T4232-20	.SEAL-SPANWISE BULB POSITION DATA: RH SIDE MANUFACTURED FROM: EXTRUSION RUBBER F25.01 10-60754-319 46.50 IN. SPARES ORDER MATERIAL CODE: 5287003190		1
	65	114T4232-21	.SEAL-SPANWISE BULB POSITION DATA: LH SIDE MANUFACTURED FROM: EXTRUSION RUBBER F25.01 10-60754-319 58.40 IN. SPARES ORDER MATERIAL CODE: 5287003190		1
-	70	114T4232-22	.SEAL-SPANWISE BULB POSITION DATA: RH SIDE MANUFACTURED FROM: EXTRUSION RUBBER F25.01 10-60754-319 58.40 IN. SPARES ORDER MATERIAL CODE: 5287003190		1
	75	114T4232-23	.SEAL-SPANWISE BULB POSITION DATA: LH SIDE MANUFACTURED FROM: EXTRUSION RUBBER F25.01 10-60754-319 46.50 IN. SPARES ORDER MATERIAL CODE: 5287003190		1

ILLUSTRATION ITEMS NOT ON PARTS LIST ARE NOT APPLICABLE

- ITEM NOT ILLUSTRATED

27-81-02-13

27-81-02
FIG. 13
PAGE 5
AUG 22/09

BOEING
767
PARTS CATALOG (MAINTENANCE)

FIG ITEM	PART NUMBER	1 2 3 4 5 6 7	NOMENCLATURE	EFFECT FROM TO	UNITS PER ASSY
R R R R R R R R R R	13				
	- 80	114T4232-24	.SEAL-SPANWISE BULB POSITION DATA: RH SIDE MANUFACTURED FROM: EXTRUSION RUBBER F25.01 10-60754-319 46.50 IN. SPARES ORDER MATERIAL CODE: 5287003190		1
	85	BACB30NT3K4	.BOLT		5
	90	BACB30NN3K4	.BOLT		1
	95	NAS1149D0332J	.WASHER-		11
	100	BRH10C3D	.NUT- SUPPLIER CODE: V52828 SPECIFICATION NUMBER: BACN10JC3CD OPTIONAL PART: T6C1032JCD V11815 NS202486-02 V80539 102LH9075-3W V72962 H51650-3BAC V15653		6
	105	114T4235-4	.RETAINER-SEAL		1
	110	114T4234-9	.SEAL-BULB POSITION DATA: LH SIDE MANUFACTURED FROM: EXTRUSION RUBBER F25.01 10-60754-15 11.20 IN. SPARES ORDER MATERIAL CODE: 5287000150		1
	- 115	114T4234-10	.SEAL-BULB POSITION DATA: RH SIDE MANUFACTURED FROM: EXTRUSION RUBBER F25.01 10-60754-15 11.20 IN. SPARES ORDER MATERIAL CODE: 5287000150		1
	120	BACB30NT3K3	.BOLT		1

ILLUSTRATION ITEMS NOT ON PARTS LIST ARE NOT APPLICABLE

- ITEM NOT ILLUSTRATED

HXL

27-81-02-13

27-81-02
FIG. 13
PAGE 6
AUG 22/09



767

PARTS CATALOG (MAINTENANCE)

FIG ITEM	PART NUMBER	1 2 3 4 5 6 7	NOMENCLATURE	EFFECT FROM TO	UNITS PER ASSY
13 125	AN960PD10L		.WASHER- USED ON: 114T4104-13SP 114T4104-21SP 114T4104-25 114T4104-27SP 114T4104-29 114T4104-37SP 114T4104-41 114T4104-49 114T4104-14SP 114T4104-22SP 114T4104-26 114T4104-28SP 114T4104-30 114T4104-38SP 114T4104-42 114T4104-50		2
125	NAS1149D0332J		.WASHER- USED ON: 114T4104-401G 114T4104-403G 114T4104-53 114T4104-57G 114T4104-59G 114T4104-402G 114T4104-404G 114T4104-54 114T4104-58G 114T4104-60G		2

ILLUSTRATION ITEMS NOT ON PARTS LIST ARE NOT APPLICABLE

- ITEM NOT ILLUSTRATED

HXL

27-81-02-13

BOEING PROPRIETARY - Copyright © - Unpublished Work - See title page for details.

27-81-02
FIG. 13
PAGE 7
AUG 22/09



767

PARTS CATALOG (MAINTENANCE)

FIG ITEM	PART NUMBER	1 2 3 4 5 6 7 NOMENCLATURE	EFFECT FROM TO	UNITS PER ASSY
13 130	BRH10A3	.NUT- SUPPLIER CODE: V52828 SPECIFICATION NUMBER: BACN10JC3 OPTIONAL PART: H10-3BAC V15653 NS202101-02 V80539 RMLH9075-3W V72962 VN303A02 V92215 96-02 V80539 T6S1032J V11815 USED ON: 114T4104-13SP 114T4104-21SP 114T4104-25 114T4104-27SP 114T4104-29 114T4104-37SP 114T4104-41 114T4104-49 114T4104-14SP 114T4104-22SP 114T4104-26 114T4104-28SP 114T4104-30 114T4104-38SP 114T4104-42 114T4104-50		1

ILLUSTRATION ITEMS NOT ON PARTS LIST ARE NOT APPLICABLE

- ITEM NOT ILLUSTRATED

HXL

27-81-02-13

BOEING PROPRIETARY - Copyright © - Unpublished Work - See title page for details.

27-81-02
 FIG. 13
 PAGE 8
 AUG 22/09

BOEING
767
PARTS CATALOG (MAINTENANCE)

FIG ITEM	PART NUMBER	1 2 3 4 5 6 7	NOMENCLATURE	EFFECT FROM TO	UNITS PER ASSY
13 130	BRH10C3D		.NUT- SUPPLIER CODE: V52828 SPECIFICATION NUMBER: BACN10JC3CD OPTIONAL PART: T6C1032JCD V11815 NS202486-02 V80539 102LH9075-3W V72962 H51650-3BAC V15653 USED ON: 114T4104-401G 114T4104-403G 114T4104-53 114T4104-57G 114T4104-59G 114T4104-402G 114T4104-404G 114T4104-54 114T4104-58G 114T4104-60G		1
135	114T4233-31		.RETAINER-BULB SEAL		1
140	114T4234-11		.SEAL-BULB POSITION DATA: LH SIDE MANUFACTURED FROM: EXTR RUBBER F25.01 10-60754-15 1.50 IN. SPARES ORDER MATERIAL CODE: 5287000150		1
- 145	114T4234-12		.SEAL-BULB POSITION DATA: RH SIDE MANUFACTURED FROM: EXTR RUBBER F25.01 10-60754-15 1.50 IN. SPARES ORDER MATERIAL CODE: 5287000150		1

R
R
R
R
R
R
R
R
R
R
R
R
R
R
R
R
R
R
R
R
R
R

- ITEM NOT ILLUSTRATED

ILLUSTRATION ITEMS NOT ON PARTS LIST ARE NOT APPLICABLE

HXL

27-81-02-13

BOEING PROPRIETARY - Copyright © - Unpublished Work - See title page for details.

27-81-02
FIG. 13
PAGE 9
AUG 22/09



767

PARTS CATALOG (MAINTENANCE)

FIG ITEM	PART NUMBER	1 2 3 4 5 6 7	NOMENCLATURE	EFFECT FROM TO	UNITS PER ASSY
13 150	114T4224-4		. SEAL-MOLDED BULB USED ON: 114T4104-13SP 114T4104-21SP 114T4104-25 114T4104-27SP 114T4104-29 114T4104-37SP 114T4104-41 114T4104-49 114T4104-14SP 114T4104-22SP 114T4104-26 114T4104-28SP 114T4104-30 114T4104-38SP 114T4104-42 114T4104-50		1
150	114T4224-9		. SEAL-MOLDED BULB USED ON: 114T4104-401G 114T4104-403G 114T4104-53 114T4104-57G 114T4104-59G 114T4104-402G 114T4104-404G 114T4104-54 114T4104-58G 114T4104-60G POST ALERT SB: 27A0140 REWORKED BY ALERT SB: 27A0140R2		1

ILLUSTRATION ITEMS NOT ON PARTS LIST ARE NOT APPLICABLE

- ITEM NOT ILLUSTRATED

HXL

27-81-02-13

BOEING PROPRIETARY - Copyright © - Unpublished Work - See title page for details.

27-81-02
FIG. 13
PAGE 10
AUG 22/09



767

PARTS CATALOG (MAINTENANCE)

FIG ITEM	PART NUMBER	1 2 3 4 5 6 7	NOMENCLATURE	EFFECT FROM TO	UNITS PER ASSY
13 155	114T4224-5		. SEAL-MOLDED BULB USED ON: 114T4104-13SP 114T4104-21SP 114T4104-25 114T4104-27SP 114T4104-29 114T4104-37SP 114T4104-41 114T4104-49 114T4104-14SP 114T4104-22SP 114T4104-26 114T4104-28SP 114T4104-30 114T4104-38SP 114T4104-42 114T4104-50		1
155	114T4224-10		. SEAL-MOLDED BULB USED ON: 114T4104-401G 114T4104-403G 114T4104-53 114T4104-57G 114T4104-59G 114T4104-402G 114T4104-404G 114T4104-54 114T4104-58G 114T4104-60G POST ALERT SB: 27A0140 REWORKED BY ALERT SB: 27A0140R2		1

ILLUSTRATION ITEMS NOT ON PARTS LIST ARE NOT APPLICABLE

- ITEM NOT ILLUSTRATED

HXL

27-81-02-13

BOEING PROPRIETARY - Copyright © - Unpublished Work - See title page for details.

27-81-02
FIG. 13
PAGE 11
AUG 22/09

BOEING
767
PARTS CATALOG (MAINTENANCE)

FIG ITEM	PART NUMBER	1 2 3 4 5 6 7	NOMENCLATURE	EFFECT FROM TO	UNITS PER ASSY
R R	13 160	114T4236-4	.SEAL-SPONGE MANUFACTURED FROM: SH SPONGE RUBBER BMS1-23 0.73 IN. 1.00 IN. 3.10 IN. SPARES ORDER MATERIAL CODE: 5235000230 USED ON: 114T4104-13SP 114T4104-21SP 114T4104-25 114T4104-27SP 114T4104-29 114T4104-37SP 114T4104-41 114T4104-14SP 114T4104-22SP 114T4104-26 114T4104-28SP 114T4104-30 114T4104-38SP 114T4104-42		1
	160	114T4236-10	.SEAL-SPONGE MANUFACTURED FROM: SH SPONGE RUBBER BMS1-23 0.73 IN. 1.00 IN. 3.10 IN. USED ON: 114T4104-401G 114T4104-403G 114T4104-49 114T4104-53 114T4104-55 114T4104-57G 114T4104-59G 114T4104-402G 114T4104-404G 114T4104-50 114T4104-54 114T4104-56 114T4104-58G 114T4104-60G		1

ILLUSTRATION ITEMS NOT ON PARTS LIST ARE NOT APPLICABLE

- ITEM NOT ILLUSTRATED

HXL

27-81-02-13

BOEING PROPRIETARY - Copyright © - Unpublished Work - See title page for details.

27-81-02
FIG. 13
PAGE 12
AUG 22/09

 **BOEING**
767
PARTS CATALOG (MAINTENANCE)

FIG ITEM	PART NUMBER	1 2 3 4 5 6 7	NOMENCLATURE	EFFECT FROM TO	UNITS PER ASSY
R R R R R R R R R R	13 165	114T4236-5	.SEAL-SPONGE MANUFACTURED FROM: SH SPONGE RUBBER BMS1-23 0.73 IN. 1.00 IN. 3.50 IN. SPARES ORDER MATERIAL CODE: 5235000230 USED ON: 114T4104-13SP 114T4104-21SP 114T4104-25 114T4104-27SP 114T4104-29 114T4104-37SP 114T4104-41 114T4104-14SP 114T4104-22SP 114T4104-26 114T4104-28SP 114T4104-30 114T4104-38SP 114T4104-42		1
	165	114T4236-11	.SEAL-SPONGE MANUFACTURED FROM: SH SPONGE RUBBER BMS1-23 0.73 IN. 1.00 IN. 3.50 IN. USED ON: 114T4104-401G 114T4104-403G 114T4104-49 114T4104-53 114T4104-55 114T4104-57G 114T4104-59G 114T4104-402G 114T4104-404G 114T4104-50 114T4104-54 114T4104-56 114T4104-58G 114T4104-60G		1
	170	114T4226-2	.SEAL-T.E. WEDGE		2
	170	114T4226-6	.SEAL-T.E. WEDGE		2
	175	BACB30NN3K5	.BOLT		2
	180	BACB30NN3K4	.BOLT		11
	ILLUSTRATION ITEMS NOT ON PARTS LIST ARE NOT APPLICABLE				

— ITEM NOT ILLUSTRATED

HXL

27-81-02-13

BOEING PROPRIETARY - Copyright © - Unpublished Work - See title page for details.

27-81-02
FIG. 13
PAGE 13
AUG 22/09



767

PARTS CATALOG (MAINTENANCE)

FIG ITEM	PART NUMBER	1 2 3 4 5 6 7	NOMENCLATURE	EFFECT FROM TO	UNITS PER ASSY
13					
198	114T4231-48		.RETAINER ASSY-SEAL QUALIFIED I/W DATA: 114T4231-48 RETAINER ASSY CAN REPLACE OR BE REPLACED BY 114T4231-4 RETAINER TOGETHER WITH (1) BACN10JN3 NUTPLATE FOR 114T4104 ONLY		1
203	114T4231-52		.RETAINER ASSY-SEAL		1
208	114T4231-56		.RETAINER ASSY-SEAL		1
210	114T4231-15		.RETAINER-SEAL		1
215	114T4230-4		.SEAL-BLADE MANUFACTURED FROM: SH RUBBER BMS1-50 TYPE 11 GRADE 60 F25.01 0.094 IN. 1.25 IN. 7.60 IN. SPARES ORDER MATERIAL CODE: 5210943560		1
220	114T4230-7		.SEAL-BLADE MANUFACTURED FROM: SH RUBBER BMS1-50 TYPE 11 GRADE 60 F25.01 0.094 IN. 1.25 IN. 7.90 IN. SPARES ORDER MATERIAL CODE: 5210943560		1
225	114T4230-12		.SEAL-BLADE MANUFACTURED FROM: SH RUBBER BMS1-50 TYPE 11 GRADE 60 F25.01 0.094 IN. 1.25 IN. 5.40 IN. SPARES ORDER MATERIAL CODE: 5210943560		1
230	114T4230-15		.SEAL-BLADE MANUFACTURED FROM: SH RUBBER BMS1-50 TYPE 11 GRADE 60 F25.01 0.094 IN. 1.25 IN. 1.70 IN. SPARES ORDER MATERIAL CODE: 5210943560		1
235	BACB30NN3K6		.BOLT		2

R
R
R
R
R
R
R
R
R
R
R
R
R
R
R
R
R
R
R
R
R
R

ILLUSTRATION ITEMS NOT ON PARTS LIST ARE NOT APPLICABLE

- ITEM NOT ILLUSTRATED

27-81-02-13

27-81-02
FIG. 13
PAGE 14
AUG 22/09

HXL



767

PARTS CATALOG (MAINTENANCE)

FIG ITEM	PART NUMBER	1 2 3 4 5 6 7	NOMENCLATURE	EFFECT FROM TO	UNITS PER ASSY
13 240	AN960PD10L		.WASHER- USED ON: 114T4104-13SP 114T4104-21SP 114T4104-25 114T4104-27SP 114T4104-29 114T4104-37SP 114T4104-41 114T4104-49 114T4104-14SP 114T4104-22SP 114T4104-24 114T4104-26 114T4104-28SP 114T4104-30 114T4104-38SP 114T4104-42 114T4104-50		2
240	NAS1149D0332J		.WASHER- USED ON: 114T4104-401G 114T4104-403G 114T4104-53 114T4104-57G 114T4104-59G 114T4104-402G 114T4104-404G 114T4104-54 114T4104-58G 114T4104-60G		2

ILLUSTRATION ITEMS NOT ON PARTS LIST ARE NOT APPLICABLE

- ITEM NOT ILLUSTRATED

HXL

27-81-02-13

BOEING PROPRIETARY - Copyright © - Unpublished Work - See title page for details.

27-81-02
FIG. 13
PAGE 15
AUG 22/09



767

PARTS CATALOG (MAINTENANCE)

FIG ITEM	PART NUMBER	1 2 3 4 5 6 7 NOMENCLATURE	EFFECT FROM TO	UNITS PER ASSY
13 245	BRH10A3	.NUT- SUPPLIER CODE: V52828 SPECIFICATION NUMBER: BACN10JC3 OPTIONAL PART: H10-3BAC V15653 NS202101-02 V80539 RMLH9075-3W V72962 VN303A02 V92215 96-02 V80539 T6S1032J V11815 USED ON: 114T4104-13SP 114T4104-21SP 114T4104-25 114T4104-27SP 114T4104-29 114T4104-37SP 114T4104-41 114T4104-49 114T4104-14SP 114T4104-22SP 114T4104-26 114T4104-28SP 114T4104-30 114T4104-38SP 114T4104-42 114T4104-50 ILLUSTRATION ITEMS NOT ON PARTS LIST ARE NOT APPLICABLE		2

- ITEM NOT ILLUSTRATED

HXL

27-81-02-13

BOEING PROPRIETARY - Copyright © - Unpublished Work - See title page for details.

27-81-02
 FIG. 13
 PAGE 16
 AUG 22/09

 **BOEING**
767
PARTS CATALOG (MAINTENANCE)

FIG ITEM	PART NUMBER	1 2 3 4 5 6 7	NOMENCLATURE	EFFECT FROM TO	UNITS PER ASSY
13 245	BRH10C3D		.NUT- SUPPLIER CODE: V52828 SPECIFICATION NUMBER: BACN10JC3CD OPTIONAL PART: T6C1032JCD V11815 NS202486-02 V80539 102LH9075-3W V72962 H51650-3BAC V15653 USED ON: 114T4104-401G 114T4104-403G 114T4104-53 114T4104-57G 114T4104-59G 114T4104-402G 114T4104-404G 114T4104-54 114T4104-58G 114T4104-60G		2
250	114T4235-8		.RETAINER		1
255	114T4237-11		.SEAL- POSITION DATA: LH SIDE		1
- 260	114T4237-12		.SEAL- POSITION DATA: RH SIDE		1
265	114T4159-3		.PANEL ASSY-ACCESS POSITION DATA: LH SIDE		1
- 270	114T4159-2		.PANEL ASSY-ACCESS POSITION DATA: RH SIDE		1
275	114T4159-1		.PANEL ASSY-ACCESS POSITION DATA: LH SIDE		1
- 280	114T4159-4		.PANEL ASSY-ACCESS POSITION DATA: RH SIDE		1
- 285	BACB30NN3K5		ATTACHING PARTS .BOLT -----*-----		60
290	BACB30NT3K4		.BOLT		14
295	AN960PD10L		.WASHER		14
ILLUSTRATION ITEMS NOT ON PARTS LIST ARE NOT APPLICABLE					

- ITEM NOT ILLUSTRATED

HXL

27-81-02-13

BOEING PROPRIETARY - Copyright © - Unpublished Work - See title page for details.

27-81-02
FIG. 13
PAGE 17
AUG 22/09



767

PARTS CATALOG (MAINTENANCE)

FIG ITEM	PART NUMBER	1 2 3 4 5 6 7	NOMENCLATURE	EFFECT FROM TO	UNITS PER ASSY
13 300	BRH10A3	.	NUT SUPPLIER CODE: V52828 SPECIFICATION NUMBER: BACN10JC3 OPTIONAL PART: H10-3BAC V15653 NS202101-02 V80539 RMLH9075-3W V72962 VN303A02 V92215 96-02 V80539 T6S1032J V11815		10
305	114T4222-15	.	RETAINER		1
310	114T4223-39	.	SEAL-BLADE POSITION DATA: LH SIDE		1
- 315	114T4223-40	.	SEAL-BLADE POSITION DATA: RH SIDE		1
320	114T4222-21	.	RETAINER- POSITION DATA: LH SIDE		1
- 325	114T4222-22	.	RETAINER- POSITION DATA: RH SIDE		1
330	114T4223-33	.	SEAL-BLADE POSITION DATA: LH SIDE		1
- 335	114T4223-34	.	SEAL-BLADE POSITION DATA: RH SIDE		1
340	114T4149-1	.	PLATE-RUB		2
345	114T4149-2	.	PLATE-RUB		2

ILLUSTRATION ITEMS NOT ON PARTS LIST ARE NOT APPLICABLE

- ITEM NOT ILLUSTRATED

27-81-02-13

27-81-02
FIG. 13
PAGE 18
AUG 22/09

HXL

BOEING PROPRIETARY - Copyright © - Unpublished Work - See title page for details.



767

PARTS CATALOG (MAINTENANCE)

FIG ITEM	PART NUMBER	1 2 3 4 5 6 7	NOMENCLATURE	EFFECT FROM TO	UNITS PER ASSY
13 - 360	BRH10C08D		.NUT SUPPLIER CODE: V52828 SPECIFICATION NUMBER: BACN10JC08CD OPTIONAL PART: H51650-08BAC V15653 102LH9075-82W V72962 NS202486-82 V80539 T6C832JCD V11815 -----*-----		8
365	012T2400-45		.BUSHING		4
370	114T4240-37		.SEAL- POSITION DATA: LH SIDE		1
- 375	114T4240-38		.SEAL- POSITION DATA: RH SIDE		1
380	114T4240-39		.SEAL- POSITION DATA: LH SIDE		1
- 385	114T4240-40		.SEAL- POSITION DATA: RH SIDE ATTACHING PARTS		1
390	BACB30NT3K4		.BOLT		8
395	BACW10P43AL		.WASHER		8
400	AN960PD10L		.WASHER		6

ILLUSTRATION ITEMS NOT ON PARTS LIST ARE NOT APPLICABLE

- ITEM NOT ILLUSTRATED

HXL

27-81-02-13

BOEING PROPRIETARY - Copyright © - Unpublished Work - See title page for details.

27-81-02
FIG. 13
PAGE 20
AUG 22/09



767

PARTS CATALOG (MAINTENANCE)

FIG ITEM	PART NUMBER	1 2 3 4 5 6 7	NOMENCLATURE	EFFECT FROM TO	UNITS PER ASSY
13 405	BRH10A3		.NUT SUPPLIER CODE: V52828 SPECIFICATION NUMBER: BACN10JC3 OPTIONAL PART: H10-3BAC V15653 NS202101-02 V80539 RMLH9075-3W V72962 VN303A02 V92215 96-02 V80539 T6S1032J V11815 -----*-----		6
410	114T4240-77		.SEAL- POSITION DATA: LH SIDE USED ON: 114T4104-21SP 114T4104-25 114T4104-27SP 114T4104-29 114T4104-37SP 114T4104-401G 114T4104-403G 114T4104-41 114T4104-49 114T4104-53 114T4104-55 114T4104-57G 114T4104-59G		1

ILLUSTRATION ITEMS NOT ON PARTS LIST ARE NOT APPLICABLE

- ITEM NOT ILLUSTRATED

HXL

27-81-02-13

BOEING PROPRIETARY - Copyright © - Unpublished Work - See title page for details.

27-81-02
FIG. 13
PAGE 21
AUG 22/09



PARTS CATALOG (MAINTENANCE)

FIG ITEM	PART NUMBER	1 2 3 4 5 6 7	NOMENCLATURE	EFFECT FROM TO	UNITS PER ASSY
13 - 415	114T4240-78		.SEAL- POSITION DATA: RH SIDE USED ON: 114T4104-21SP 114T4104-25 114T4104-27SP 114T4104-29 114T4104-37SP 114T4104-404G 114T4104-41 114T4104-49 114T4104-53 114T4104-55 114T4104-57G 114T4104-59G 114T4104-22SP 114T4104-26 114T4104-28SP 114T4104-30 114T4104-38SP 114T4104-402G 114T4104-42 114T4104-50 114T4104-58G 114T4104-60G		1
420	114T4240-43		.SEAL- POSITION DATA: LH SIDE USED ON: 114T4104-13SP		1

ILLUSTRATION ITEMS NOT ON PARTS LIST ARE NOT APPLICABLE

- ITEM NOT ILLUSTRATED

HXL

27-81-02-13

BOEING PROPRIETARY - Copyright © - Unpublished Work - See title page for details.

27-81-02
FIG. 13
PAGE 22
AUG 22/09



767

PARTS CATALOG (MAINTENANCE)

FIG ITEM	PART NUMBER	1 2 3 4 5 6 7	NOMENCLATURE	EFFECT FROM TO	UNITS PER ASSY
13 420	114T4240-79		.SEAL- POSITION DATA: LH SIDE USED ON: 114T4104-21SP 114T4104-25 114T4104-27SP 114T4104-29 114T4104-37SP 114T4104-401G 114T4104-403G 114T4104-41 114T4104-49 114T4104-53 114T4104-55 114T4104-57G 114T4104-59G 114T4104-22SP 114T4104-26 114T4104-28SP 114T4104-30 114T4104-38SP 114T4104-42 114T4104-50 114T4104-54 114T4104-56 114T4104-58G 114T4104-60G		1
- 425	114T4240-44		.SEAL- POSITION DATA: RH SIDE USED ON: 114T4104-13SP		1

ILLUSTRATION ITEMS NOT ON PARTS LIST ARE NOT APPLICABLE

- ITEM NOT ILLUSTRATED

HXL

27-81-02-13

BOEING PROPRIETARY - Copyright © - Unpublished Work - See title page for details.

27-81-02
FIG. 13
PAGE 23
AUG 22/09



767

PARTS CATALOG (MAINTENANCE)

FIG ITEM	PART NUMBER	1 2 3 4 5 6 7	NOMENCLATURE	EFFECT FROM TO	UNITS PER ASSY
13 - 425	114T4240-80		.SEAL- POSITION DATA: RH SIDE USED ON: 114T4104-21SP 114T4104-25 114T4104-27SP 114T4104-29 114T4104-37SP 114T4104-41 114T4104-49 114T4104-53 114T4104-55 114T4104-57G 114T4104-59G 114T4104-22SP 114T4104-26 114T4104-28SP 114T4104-30 114T4104-38SP 114T4104-402G 114T4104-404G 114T4104-42 114T4104-50 114T4104-54 114T4104-56 114T4104-58G 114T4104-60G ATTACHING PARTS		1
430	BACB30NN3K4		.BOLT		5
435	BACB30NT3K4		.BOLT		2
440	BACW10P43AL		.WASHER		7

ILLUSTRATION ITEMS NOT ON PARTS LIST ARE NOT APPLICABLE

- ITEM NOT ILLUSTRATED

HXL

27-81-02-13

BOEING PROPRIETARY - Copyright © - Unpublished Work - See title page for details.

27-81-02
FIG. 13
PAGE 24
AUG 22/09

 **BOEING**
767
PARTS CATALOG (MAINTENANCE)

FIG ITEM	PART NUMBER	1 2 3 4 5 6 7	NOMENCLATURE	EFFECT FROM TO	UNITS PER ASSY
13 445	BRH10A3		.NUT SUPPLIER CODE: V52828 SPECIFICATION NUMBER: BACN10JC3 OPTIONAL PART: H10-3BAC V15653 NS202101-02 V80539 RMLH9075-3W V72962 VN303A02 V92215 96-02 V80539 T6S1032J V11815 -----*-----		5
450	BACR15CE6KE		.RIVET- SIZE DETERMINED ON INSTL.		121
455	BACR15BB4A		.RIVET- SIZE DETERMINED ON INSTL.		4
460	BACR15BA3D		.RIVET- SIZE DETERMINED ON INSTL.		8
467	BACB30NW6K		.BOLT- SIZE DETERMINED ON INSTL.		8
470	BACB30NN3K4		.BOLT- USED ON: 114T4104-27SP 114T4104-37SP 114T4104-41 114T4104-49 114T4104-53 114T4104-55 114T4104-57G 114T4104-59G 114T4104-28SP 114T4104-38SP 114T4104-42 114T4104-50 114T4104-54 114T4104-56 114T4104-58G 114T4104-60G 114T4104-401G 114T4104-402G 114T4104-403G 114T4104-404G		4
ILLUSTRATION ITEMS NOT ON PARTS LIST ARE NOT APPLICABLE					

— ITEM NOT ILLUSTRATED

HXL

27-81-02-13

BOEING PROPRIETARY - Copyright © - Unpublished Work - See title page for details.

27-81-02
FIG. 13
PAGE 25
AUG 22/09



767

PARTS CATALOG (MAINTENANCE)

FIG ITEM	PART NUMBER	1 2 3 4 5 6 7	NOMENCLATURE	EFFECT FROM TO	UNITS PER ASSY
13 475	MF53049-3		.NUTPLATE- SUPPLIER CODE: V15653 SPECIFICATION NUMBER: BACN10JN3 OPTIONAL PART: BRFM20A3 V52828 MF1000-3BAC V15653 NS103218-02 V80539 RMF9201M3 V72962 VN252A02 V92215 T8124S3S V11815 USED ON: 114T4104-27SP 114T4104-37SP 114T4104-41 114T4104-49 114T4104-53 114T4104-55 114T4104-57G 114T4104-59G 114T4104-28SP 114T4104-38SP 114T4104-42 114T4104-50 114T4104-54 114T4104-56 114T4104-58G 114T4104-60G 114T4104-401G 114T4104-402G 114T4104-403G 114T4104-404G ATTACHING PARTS .RIVET- SIZE DETERMINED ON INSTL. -----*-----		4
- 477	BACR15BA3AD				8

ILLUSTRATION ITEMS NOT ON PARTS LIST ARE NOT APPLICABLE

- ITEM NOT ILLUSTRATED

27-81-02-13

27-81-02
FIG. 13
PAGE 26
AUG 22/09

HXL



767

PARTS CATALOG (MAINTENANCE)

FIG ITEM	PART NUMBER	1 2 3 4 5 6 7	NOMENCLATURE	EFFECT FROM TO	UNITS PER ASSY
13 481	HL79-6	.	COLLAR SUPPLIER CODE: V5M902 SPECIFICATION NUMBER: BACC30M6 OPTIONAL PART: HL79-6 V73197 HL79-6 V92215 66014-6 V56878 HL79-6 V56878		8
486A	BACB30NU3K6	.	BOLT		1
486C	BACB30NU3K4	.	BOLT		1
487	AN960PD10	.	WASHER- USED ON: 114T4104-13SP 114T4104-21SP 114T4104-25 114T4104-27SP 114T4104-29 114T4104-37SP 114T4104-41 114T4104-49 114T4104-53 114T4104-55 114T4104-57G 114T4104-59G 114T4104-14SP 114T4104-22SP 114T4104-26 114T4104-28SP 114T4104-30 114T4104-38SP 114T4104-42 114T4104-50 114T4104-54 114T4104-56 114T4104-58G 114T4104-60G		2
ILLUSTRATION ITEMS NOT ON PARTS LIST ARE NOT APPLICABLE					

- ITEM NOT ILLUSTRATED

27-81-02-13

27-81-02
FIG. 13
PAGE 27
AUG 22/09

HXL



767

PARTS CATALOG (MAINTENANCE)

FIG ITEM	PART NUMBER	1 2 3 4 5 6 7	NOMENCLATURE	EFFECT FROM TO	UNITS PER ASSY
13 488	BRH10A3		.NUT- SUPPLIER CODE: V52828 SPECIFICATION NUMBER: BACN10JC3 OPTIONAL PART: H10-3BAC V15653 NS202101-02 V80539 RMLH9075-3W V72962 VN303A02 V92215 96-02 V80539 T6S1032J V11815 USED ON: 114T4104-13SP 114T4104-21SP 114T4104-25 114T4104-27SP 114T4104-29 114T4104-37SP 114T4104-41 114T4104-49 114T4104-53 114T4104-55 114T4104-57G 114T4104-59G 114T4104-14SP 114T4104-22SP 114T4104-26 114T4104-28SP 114T4104-30 114T4104-38SP 114T4104-42 114T4104-50 114T4104-54 114T4104-56 114T4104-58G 114T4104-60G		2
490	BACR15CE5KE		.RIVET- SIZE DETERMINED ON INSTL.		8
495	BACS12ER3K16		.SCREW		4

ILLUSTRATION ITEMS NOT ON PARTS LIST ARE NOT APPLICABLE

- ITEM NOT ILLUSTRATED

27-81-02-13

27-81-02
FIG. 13
PAGE 28
AUG 22/09

HXL

BOEING
767
PARTS CATALOG (MAINTENANCE)

FIG ITEM	PART NUMBER	1 2 3 4 5 6 7	NOMENCLATURE	EFFECT FROM TO	UNITS PER ASSY
13 500	BRH10C3D		.NUT- SUPPLIER CODE: V52828 SPECIFICATION NUMBER: BACN10JC3CD OPTIONAL PART: T6C1032JCD V11815 NS202486-02 V80539 102LH9075-3W V72962 H51650-3BAC V15653		4
505	114T6415-6		.FITTING-PIVOT ATTACHING PARTS		4
510	BACR15CE5AD		.RIVET- SIZE DETERMINED ON INSTL. -----*-----		8
525	114T4106-4		.SPLICE		2
530	114T4106-6		.SPLICE		2
535	114T4151-5		.PANEL-CLOSURE POSITION DATA: LH SIDE		1
- 540	114T4151-6		.PANEL-CLOSURE POSITION DATA: RH SIDE		1
545	114T4151-7		.PANEL-CLOSURE POSITION DATA: LH SIDE		1
- 550	114T4151-8		.PANEL-CLOSURE POSITION DATA: RH SIDE		1
560	BACB30NN3K6		.BOLT		4
565	F29779-3		.NUTPLATE SUPPLIER CODE: V15653 SPECIFICATION NUMBER: BACN10KH3 OPTIONAL PART: NS103225-02 V80539 RMF9209M3 V72962		4
570	NAS1195DD3KH		.FILLER		4
573	BACB30NT3K7		.BOLT		18
575	BACB30NT3K7		.BOLT		20
580	BACB30VF3K5		.BOLT		8
585	NAS1149D0363J		.WASHER		8

ILLUSTRATION ITEMS NOT ON PARTS LIST ARE NOT APPLICABLE

- ITEM NOT ILLUSTRATED

HXL

27-81-02-13

BOEING PROPRIETARY - Copyright © - Unpublished Work - See title page for details.

27-81-02
FIG. 13
PAGE 29
AUG 22/09



767

PARTS CATALOG (MAINTENANCE)

FIG ITEM	PART NUMBER	1 2 3 4 5 6 7	NOMENCLATURE	EFFECT FROM TO	UNITS PER ASSY
13 590	BRH10C3D		.NUT SUPPLIER CODE: V52828 SPECIFICATION NUMBER: BACN10JC3CD OPTIONAL PART: T6C1032JCD V11815 NS202486-02 V80539 102LH9075-3W V72962 H51650-3BAC V15653		8
597 603	BACB30NN6K HL79-6		.BOLT .COLLAR SUPPLIER CODE: V5M902 SPECIFICATION NUMBER: BACC30M6 OPTIONAL PART: HL79-6 V73197 HL79-6 V92215 66014-6 V56878 HL79-6 V56878		12 12

ILLUSTRATION ITEMS NOT ON PARTS LIST ARE NOT APPLICABLE

- ITEM NOT ILLUSTRATED

HXL

27-81-02-13

BOEING PROPRIETARY - Copyright © - Unpublished Work - See title page for details.

27-81-02
FIG. 13
PAGE 30
AUG 22/09



767

PARTS CATALOG (MAINTENANCE)

FIG ITEM	PART NUMBER	1 2 3 4 5 6 7	NOMENCLATURE	EFFECT FROM TO	UNITS PER ASSY
13 610	BACB15FT6AD		.BOLT- USED ON: 114T4104-21SP 114T4104-25 114T4104-27SP 114T4104-29 114T4104-37SP 114T4104-41 114T4104-49 114T4104-53 114T4104-55 114T4104-57G 114T4104-59G 114T4104-26 114T4104-28SP 114T4104-30 114T4104-38SP 114T4104-42 114T4104-50 114T4104-54 114T4104-56 114T4104-58G 114T4104-60G		20
615	BACB30MY6K		.BOLT- USED ON: 114T4104-21SP 114T4104-25 114T4104-27SP 114T4104-29 114T4104-37SP 114T4104-41 114T4104-49 114T4104-53 114T4104-55 114T4104-57G 114T4104-59G 114T4104-26 114T4104-28SP 114T4104-30 114T4104-38SP 114T4104-42 114T4104-50 114T4104-54 114T4104-56 114T4104-58G 114T4104-60G		4

ILLUSTRATION ITEMS NOT ON PARTS LIST ARE NOT APPLICABLE

- ITEM NOT ILLUSTRATED

HXL

27-81-02-13

BOEING PROPRIETARY - Copyright © - Unpublished Work - See title page for details.

27-81-02
FIG. 13
PAGE 31
AUG 22/09



767

PARTS CATALOG (MAINTENANCE)

FIG ITEM	PART NUMBER	1 2 3 4 5 6 7	NOMENCLATURE	EFFECT FROM TO	UNITS PER ASSY
13 621	HL79-6		.COLLAR SUPPLIER CODE: V5M902 SPECIFICATION NUMBER: BACC30M6 OPTIONAL PART: HL79-6 V73197 HL79-6 V92215 66014-6 V56878 HL79-6 V56878		4
625	114T4606-25		.RIB ASSY-ACTR LE SLAT NO. 4 OSS 646.345 POSITION DATA: OUTBD LH SIDE USED ON: 114T4104-27SP 114T4104-29 114T4104-37SP 114T4104-41 114T4104-49 114T4104-53 114T4104-55 114T4104-57G 114T4104-59G		1
630	114T4607-25		.RIB ASSY-ACTR LE SLAT NO. 4 OSS 568.149 POSITION DATA: OUTBD LH SIDE USED ON: 114T4104-27SP 114T4104-29 114T4104-37SP 114T4104-41 114T4104-49 114T4104-53 114T4104-57G 114T4104-59G		1

ILLUSTRATION ITEMS NOT ON PARTS LIST ARE NOT APPLICABLE

- ITEM NOT ILLUSTRATED

HXL

27-81-02-13

BOEING PROPRIETARY - Copyright © - Unpublished Work - See title page for details.

27-81-02
FIG. 13
PAGE 32
AUG 22/09

 **BOEING**
767
PARTS CATALOG (MAINTENANCE)

FIG ITEM	PART NUMBER	1 2 3 4 5 6 7	NOMENCLATURE	EFFECT FROM TO	UNITS PER ASSY
13 - 635	114T4606-26		.RIB ASSY-ACTR LE SLAT NO. 4 OSS 646.345 POSITION DATA: OUTBD RH SIDE USED ON: 114T4104-28SP 114T4104-30 114T4104-38SP 114T4104-42 114T4104-50 114T4104-54 114T4104-56 114T4104-58G 114T4104-60G		1
- 640	114T4607-26		.RIB ASSY-ACTR LE SLAT NO. 4 OSS 568.149 POSITION DATA: OUTBD RH SIDE USED ON: 114T4104-28SP 114T4104-30 114T4104-38SP 114T4104-42 114T4104-50 114T4104-54 114T4104-56 114T4104-58G 114T4104-60G		1
645	BACB28AP05P019		..BUSHING- USED ON: 114T4606-13 114T4606-14 114T4606-25 114T4606-26 114T4607-13 114T4607-14 114T4607-25 114T4607-26		1
650	BACB28AM07B020A		..BUSHING- USED ON: 114T4606-13 114T4606-14 114T4606-25 114T4606-26 114T4607-13 114T4607-14 114T4607-25 114T4607-26		1

ILLUSTRATION ITEMS NOT ON PARTS LIST ARE NOT APPLICABLE

- ITEM NOT ILLUSTRATED

HXL

27-81-02-13

BOEING PROPRIETARY - Copyright © - Unpublished Work - See title page for details.

27-81-02
FIG. 13
PAGE 33
AUG 22/09



767

PARTS CATALOG (MAINTENANCE)

FIG ITEM	PART NUMBER	1 2 3 4 5 6 7	NOMENCLATURE	EFFECT FROM TO	UNITS PER ASSY
13 655	F29779-3		..NUTPLATE SUPPLIER CODE: V15653 SPECIFICATION NUMBER: BACN10KH3 OPTIONAL PART: NS103225-02 V80539 RMF9209M3 V72962 ATTACHING PARTS		2
- 656	BACR15BA3AD		..RIVET- SIZE DETERMINED ON INSTL. USED ON: 114T4606-13 114T4606-14 114T4606-25 114T4606-26 114T4607-13 114T4607-14 114T4607-25 114T4607-26 -----*-----		4
657 660	NAS1195DD3KH BACN10JQ33		.. FILLER ..NUTPLATE- USED ON: 114T4606-13 114T4606-14 114T4606-25 114T4606-26 114T4607-13 114T4607-14 114T4607-25 114T4607-26 ATTACHING PARTS		4 10
- 663	BACR15BA3AD		..RIVET- SIZE DETERMINED ON INSTL. USED ON: 114T4606-13 114T4606-14 114T4606-25 114T4606-26 114T4607-13 114T4607-14 114T4607-25 114T4607-26 -----*-----		20

ILLUSTRATION ITEMS NOT ON PARTS LIST ARE NOT APPLICABLE

- ITEM NOT ILLUSTRATED

27-81-02-13

27-81-02
FIG. 13
PAGE 34
AUG 22/09

HXL



767

PARTS CATALOG (MAINTENANCE)

FIG ITEM	PART NUMBER	1 2 3 4 5 6 7	NOMENCLATURE	EFFECT FROM TO	UNITS PER ASSY
13 665	BACN10JQ34		..NUTPLATE- USED ON: 114T4607-13 114T4607-14 114T4607-25 114T4607-26		8
- 667	BACR15BA3AD		ATTACHING PARTS ..RIVET- SIZE DETERMINED ON INSTL. USED ON: 114T4607-13 114T4607-14 114T4607-25 114T4607-26		16
670	BACN10JQ34		-----*----- ..NUTPLATE- USED ON: 114T4606-25 114T4606-26 114T4606-13 114T4606-14		6
- 672	BACR15BA3AD		..RIVET- SIZE DETERMINED ON INSTL. USED ON: 114T4606-13 114T4606-14 114T4606-25 114T4606-26		12
680	114T4606-23		..RIB- POSITION DATA: LH SIDE USED ON: 114T4606-25 114T4606-21		1
- 685	114T4606-24		..RIB- POSITION DATA: RH SIDE USED ON: 114T4606-26 114T4606-22		1
690	114T4607-23		..RIB- POSITION DATA: LH SIDE USED ON: 114T4607-25 114T4607-21		1

ILLUSTRATION ITEMS NOT ON PARTS LIST ARE NOT APPLICABLE

- ITEM NOT ILLUSTRATED

27-81-02-13

27-81-02
FIG. 13
PAGE 35
AUG 22/09

HXL

BOEING PROPRIETARY - Copyright © - Unpublished Work - See title page for details.



**767
PARTS CATALOG (MAINTENANCE)**

FIG ITEM	PART NUMBER	1 2 3 4 5 6 7	NOMENCLATURE	EFFECT FROM TO	UNITS PER ASSY
13 - 695	114T4607-24		..RIB- POSITION DATA: RH SIDE USED ON: 114T4607-26 114T4607-22		1
700 705	BACB30NN3K6 F29779-3		.BOLT .NUTPLATE SUPPLIER CODE: V15653 SPECIFICATION NUMBER: BACN10KH3 OPTIONAL PART: NS103225-02 V80539 RMF9209M3 V72962		4 4
710 715	BACB30NT3K7 BACB30VF3K6		.BOLT .BOLT- USED ON: 114T4104-21SP 114T4104-25 114T4104-27SP 114T4104-29 114T4104-37SP 114T4104-41 114T4104-49 114T4104-53 114T4104-55 114T4104-57G 114T4104-59G 114T4104-26 114T4104-28SP 114T4104-30 114T4104-38SP 114T4104-42 114T4104-50 114T4104-54 114T4104-56 114T4104-58G 114T4104-60G		44 4
ILLUSTRATION ITEMS NOT ON PARTS LIST ARE NOT APPLICABLE					

- ITEM NOT ILLUSTRATED

HXL

27-81-02-13

BOEING PROPRIETARY - Copyright © - Unpublished Work - See title page for details.

27-81-02
FIG. 13
PAGE 36
AUG 22/09



767

PARTS CATALOG (MAINTENANCE)

FIG ITEM	PART NUMBER	1 2 3 4 5 6 7	NOMENCLATURE	EFFECT FROM TO	UNITS PER ASSY
13 720	NAS1149D0363J		.WASHER- USED ON: 114T4104-21SP 114T4104-25 114T4104-27SP 114T4104-29 114T4104-37SP 114T4104-41 114T4104-49 114T4104-53 114T4104-55 114T4104-57G 114T4104-59G 114T4104-26 114T4104-28SP 114T4104-30 114T4104-38SP 114T4104-42 114T4104-50 114T4104-54 114T4104-56 114T4104-58G 114T4104-60G		4

ILLUSTRATION ITEMS NOT ON PARTS LIST ARE NOT APPLICABLE

- ITEM NOT ILLUSTRATED

HXL

27-81-02-13

BOEING PROPRIETARY - Copyright © - Unpublished Work - See title page for details.

27-81-02
FIG. 13
PAGE 37
AUG 22/09



767

PARTS CATALOG (MAINTENANCE)

FIG ITEM	PART NUMBER	1 2 3 4 5 6 7	NOMENCLATURE	EFFECT FROM TO	UNITS PER ASSY
13 725	BRH10C3D		.NUT- SUPPLIER CODE: V52828 SPECIFICATION NUMBER: BACN10JC3CD OPTIONAL PART: T6C1032JCD V11815 NS202486-02 V80539 102LH9075-3W V72962 H51650-3BAC V15653 USED ON: 114T4104-21SP 114T4104-25 114T4104-27SP 114T4104-29 114T4104-37SP 114T4104-41 114T4104-49 114T4104-53 114T4104-55 114T4104-57G 114T4104-59G 114T4104-26 114T4104-28SP 114T4104-30 114T4104-38SP 114T4104-42 114T4104-50 114T4104-54 114T4104-56 114T4104-58G 114T4104-60G		4
743	BACB30NN6K		.BOLT		20

ILLUSTRATION ITEMS NOT ON PARTS LIST ARE NOT APPLICABLE

- ITEM NOT ILLUSTRATED

HXL

27-81-02-13

BOEING PROPRIETARY - Copyright © - Unpublished Work - See title page for details.

27-81-02
FIG. 13
PAGE 38
AUG 22/09



767

PARTS CATALOG (MAINTENANCE)

FIG ITEM	PART NUMBER	1 2 3 4 5 6 7	NOMENCLATURE	EFFECT FROM TO	UNITS PER ASSY
13 747	HL79-6		.COLLAR SUPPLIER CODE: V5M902 SPECIFICATION NUMBER: BACC30M6 OPTIONAL PART: HL79-6 V73197 HL79-6 V92215 66014-6 V56878 HL79-6 V56878		20
751 754	BACB30MY6K HST10AG6-5		.BOLT .BOLT SUPPLIER CODE: VOPTK6 SPECIFICATION NUMBER: BACB30VT6K5 OPTIONAL PART: HST10AG6-5 V06725 HST10AG6-5 V56878 HST10AG6-5 V73197 WC10K6-5 V60516		8 8
757	HST10AG6-6		.BOLT SUPPLIER CODE: VOPTK6 SPECIFICATION NUMBER: BACB30VT6K6 OPTIONAL PART: HST10AG6-6 V06725 HST10AG6-6 V56878 HST10AG6-6 V73197 WC10K6-6 V60516		8

ILLUSTRATION ITEMS NOT ON PARTS LIST ARE NOT APPLICABLE

- ITEM NOT ILLUSTRATED

HXL

27-81-02-13

BOEING PROPRIETARY - Copyright © - Unpublished Work - See title page for details.

27-81-02
FIG. 13
PAGE 39
AUG 22/09



767

PARTS CATALOG (MAINTENANCE)

FIG ITEM	PART NUMBER	1 2 3 4 5 6 7 NOMENCLATURE	EFFECT FROM TO	UNITS PER ASSY
13 762	HST10AG6-8	.BOLT SUPPLIER CODE: VOPTK6 SPECIFICATION NUMBER: BACB30VT6K8 OPTIONAL PART: HST10AG6-8 V06725 HST10AG6-8 V56878 HST10AG6-8 V73197 WC10K6-6 V60516		4

ILLUSTRATION ITEMS NOT ON PARTS LIST ARE NOT APPLICABLE

- ITEM NOT ILLUSTRATED

HXL

27-81-02-13

BOEING PROPRIETARY - Copyright © - Unpublished Work - See title page for details.

27-81-02
 FIG. 13
 PAGE 40
 AUG 22/09



767

PARTS CATALOG (MAINTENANCE)

FIG ITEM	PART NUMBER	1 2 3 4 5 6 7 NOMENCLATURE	EFFECT FROM TO	UNITS PER ASSY
13 765	HL79-6	. COLLAR- SUPPLIER CODE: V5M902 SPECIFICATION NUMBER: BACC30M6 OPTIONAL PART: HL79-6 V73197 HL79-6 V92215 66014-6 V56878 HL79-6 V56878 USED ON: 114T4104-13SP 114T4104-21SP 114T4104-25 114T4104-27SP 114T4104-29 114T4104-37SP 114T4104-41 114T4104-49 114T4104-53 114T4104-55 114T4104-57G 114T4104-59G 114T4104-14SP 114T4104-26 114T4104-28SP 114T4104-30 114T4104-38SP 114T4104-42 114T4104-50 114T4104-54 114T4104-56 114T4104-58G 114T4104-60G		28

ILLUSTRATION ITEMS NOT ON PARTS LIST ARE NOT APPLICABLE

- ITEM NOT ILLUSTRATED

HXL

27-81-02-13

BOEING PROPRIETARY - Copyright © - Unpublished Work - See title page for details.

27-81-02
 FIG. 13
 PAGE 41
 AUG 22/09



767

PARTS CATALOG (MAINTENANCE)

FIG ITEM	PART NUMBER	1 2 3 4 5 6 7	NOMENCLATURE	EFFECT FROM TO	UNITS PER ASSY
13 768	114T4406-25		.RIB ASSY-ACTR LE SLAT NO. 4 OSS 641.945 OUTBD LH SIDE USED ON: 114T4104-27SP 114T4104-29 114T4104-37SP 114T4104-401G 114T4104-403G 114T4104-41 114T4104-49 114T4104-53 114T4104-55 114T4104-57G 114T4104-59G		1
- 770	114T4406-26		.RIB ASSY-ACTR LE SLAT NO. 4 OSS 641.945 OUTBD RH SIDE USED ON: 114T4104-28SP 114T4104-30 114T4104-38SP 114T4104-402G 114T4104-404G 114T4104-42 114T4104-50 114T4104-54 114T4104-56 114T4104-58G 114T4104-60G		1
773	114T4407-25		.RIB ASSY-ACTR LE SLAT NO. 4 OSS 572.549 OUTBD LH SIDE USED ON: 114T4104-27SP 114T4104-29 114T4104-37SP 114T4104-401G 114T4104-403G 114T4104-41 114T4104-53 114T4104-55 114T4104-57G 114T4104-59G		1

ILLUSTRATION ITEMS NOT ON PARTS LIST ARE NOT APPLICABLE

- ITEM NOT ILLUSTRATED

HXL

27-81-02-13

BOEING PROPRIETARY - Copyright © - Unpublished Work - See title page for details.

27-81-02
FIG. 13
PAGE 42
AUG 22/09



767

PARTS CATALOG (MAINTENANCE)

FIG ITEM	PART NUMBER	1 2 3 4 5 6 7	NOMENCLATURE	EFFECT FROM TO	UNITS PER ASSY
13 - 775	114T4407-26		.RIB ASSY-ACTR LE SLAT NO. 4 OSS 572.549 OUTBD RH SIDE USED ON: 114T4104-28SP 114T4104-30 114T4104-38SP 114T4104-402G 114T4104-404G 114T4104-42 114T4104-50 114T4104-54 114T4104-56 114T4104-58G 114T4104-60G		1
778	BACB28AM13B023A		..BUSHING- USED ON: 114T4406-13 114T4406-25 114T4407-13 114T4407-25		1
780	BACB28AP09P022		..BUSHING- USED ON: 114T4406-13 114T4406-25 114T4407-13 114T4407-25		1
783 785	BACN10JQ33 F29779-3		..NUTPLATE ..NUTPLATE SUPPLIER CODE: V15653 SPECIFICATION NUMBER: BACN10KH3 OPTIONAL PART: NS103225-02 V80539 RMF9209M3 V72962		18 4
788 790	NAS1195DD3KH 114T4406-23		..FILLER ..RIB- POSITION DATA: LH SIDE USED ON: 114T4406-25 114T4406-21		2 1

ILLUSTRATION ITEMS NOT ON PARTS LIST ARE NOT APPLICABLE

- ITEM NOT ILLUSTRATED

27-81-02-13

27-81-02
FIG. 13
PAGE 43
AUG 22/09

HXL

BOEING PROPRIETARY - Copyright © - Unpublished Work - See title page for details.



767

PARTS CATALOG (MAINTENANCE)

FIG ITEM	PART NUMBER	1 2 3 4 5 6 7	NOMENCLATURE	EFFECT FROM TO	UNITS PER ASSY
13					
- 793	114T4406-24		..RIB- POSITION DATA: RH SIDE USED ON: 114T4406-26 114T4406-22		1
795	114T4407-23		..RIB- POSITION DATA: LH SIDE USED ON: 114T4407-25 114T4407-21		1
- 798	114T4407-24		..RIB- POSITION DATA: RH SIDE USED ON: 114T4407-26		1
800	BACB30VF3K5		.BOLT- USED ON: 114T4104-21SP 114T4104-25 114T4104-27SP 114T4104-29 114T4104-37SP 114T4104-401G 114T4104-403G 114T4104-41 114T4104-49 114T4104-53 114T4104-55 114T4104-57G 114T4104-59G 114T4104-22SP 114T4104-26 114T4104-28SP 114T4104-30 114T4104-38SP 114T4104-402G 114T4104-404G 114T4104-42 114T4104-50 114T4104-54 114T4104-56 114T4104-58G 114T4104-60G		4
ILLUSTRATION ITEMS NOT ON PARTS LIST ARE NOT APPLICABLE					

- ITEM NOT ILLUSTRATED

27-81-02-13

27-81-02
FIG. 13
PAGE 44
AUG 22/09

HXL



767

PARTS CATALOG (MAINTENANCE)

FIG ITEM	PART NUMBER	1 2 3 4 5 6 7 NOMENCLATURE	EFFECT FROM TO	UNITS PER ASSY
13 803	BRH10C3D	.NUT- SUPPLIER CODE: V52828 SPECIFICATION NUMBER: BACN10JC3CD OPTIONAL PART: T6C1032JCD V11815 NS202486-02 V80539 102LH9075-3W V72962 H51650-3BAC V15653 USED ON: 114T4104-21SP 114T4104-25 114T4104-27SP 114T4104-29 114T4104-37SP 114T4104-401G 114T4104-403G 114T4104-41 114T4104-49 114T4104-53 114T4104-55 114T4104-57G 114T4104-59G 114T4104-22SP 114T4104-26 114T4104-28SP 114T4104-30 114T4104-38SP 114T4104-402G 114T4104-404G 114T4104-42 114T4104-50 114T4104-54 114T4104-56 114T4104-58G 114T4104-60G		4

ILLUSTRATION ITEMS NOT ON PARTS LIST ARE NOT APPLICABLE

- ITEM NOT ILLUSTRATED

HXL

27-81-02-13

BOEING PROPRIETARY - Copyright © - Unpublished Work - See title page for details.

27-81-02
 FIG. 13
 PAGE 45
 AUG 22/09



767

PARTS CATALOG (MAINTENANCE)

FIG ITEM	PART NUMBER	1 2 3 4 5 6 7	NOMENCLATURE	EFFECT FROM TO	UNITS PER ASSY
13 805	NAS1149D0363J		.WASHER- USED ON: 114T4104-21SP 114T4104-25 114T4104-27SP 114T4104-29 114T4104-37SP 114T4104-401G 114T4104-403G 114T4104-41 114T4104-49 114T4104-53 114T4104-55 114T4104-57G 114T4104-59G 114T4104-22SP 114T4104-26 114T4104-28SP 114T4104-30 114T4104-38SP 114T4104-402G 114T4104-404G 114T4104-42 114T4104-50 114T4104-54 114T4104-56 114T4104-58G 114T4104-60G		4
- 808	BACR15FT6AD		.RIVET- SIZE DETERMINED ON INSTL.		32
810	BACB30NT3K5		.BOLT		4

ILLUSTRATION ITEMS NOT ON PARTS LIST ARE NOT APPLICABLE

- ITEM NOT ILLUSTRATED

HXL

27-81-02-13

BOEING PROPRIETARY - Copyright © - Unpublished Work - See title page for details.

27-81-02
FIG. 13
PAGE 46
AUG 22/09



767

PARTS CATALOG (MAINTENANCE)

FIG ITEM	PART NUMBER	1 2 3 4 5 6 7 NOMENCLATURE	EFFECT FROM TO	UNITS PER ASSY
13 813	NAS1149D0363J	. WASHER- USED ON: 114T4104-21SP 114T4104-25 114T4104-27SP 114T4104-29 114T4104-37SP 114T4104-401G 114T4104-403G 114T4104-41 114T4104-49 114T4104-53 114T4104-55 114T4104-57G 114T4104-59G 114T4104-22SP 114T4104-26 114T4104-28SP 114T4104-30 114T4104-38SP 114T4104-402G 114T4104-404G 114T4104-42 114T4104-50 114T4104-54 114T4104-56 114T4104-58G 114T4104-60G		4

ILLUSTRATION ITEMS NOT ON PARTS LIST ARE NOT APPLICABLE

- ITEM NOT ILLUSTRATED

HXL

27-81-02-13

BOEING PROPRIETARY - Copyright © - Unpublished Work - See title page for details.

27-81-02
 FIG. 13
 PAGE 47
 AUG 22/09



767

PARTS CATALOG (MAINTENANCE)

FIG ITEM	PART NUMBER	1 2 3 4 5 6 7	NOMENCLATURE	EFFECT FROM TO	UNITS PER ASSY
13 815	BRH10C3D		.NUT- SUPPLIER CODE: V52828 SPECIFICATION NUMBER: BACN10JC3CD OPTIONAL PART: T6C1032JCD V11815 NS202486-02 V80539 102LH9075-3W V72962 H51650-3BAC V15653 USED ON: 114T4104-21SP 114T4104-25 114T4104-27SP 114T4104-29 114T4104-37SP 114T4104-401G 114T4104-403G 114T4104-41 114T4104-49 114T4104-53 114T4104-55 114T4104-57G 114T4104-59G 114T4104-22SP 114T4104-26 114T4104-28SP 114T4104-30 114T4104-38SP 114T4104-402G 114T4104-404G 114T4104-42 114T4104-50 114T4104-54 114T4104-56 114T4104-58G 114T4104-60G		4
819	BACB30NN6K		.BOLT		16
822	BACB30MY6K		.BOLT		2
842	BACR15FT6AD		.RIVET- SIZE DETERMINED ON INSTL.		10
ILLUSTRATION ITEMS NOT ON PARTS LIST ARE NOT APPLICABLE					

- ITEM NOT ILLUSTRATED

27-81-02-13

27-81-02
FIG. 13
PAGE 48
AUG 22/09

HXL



767

PARTS CATALOG (MAINTENANCE)

FIG ITEM	PART NUMBER	1 2 3 4 5 6 7	NOMENCLATURE	EFFECT FROM TO	UNITS PER ASSY
13 844	HL79-6		.COLLAR SUPPLIER CODE: V5M902 SPECIFICATION NUMBER: BACC30M6 OPTIONAL PART: HL79-6 V73197 HL79-6 V92215 66014-6 V56878 HL79-6 V56878		18
845	114T4518-9		.RIB ASSY-AUX LE SLAT NO. 4 OSS 630.945 POSITION DATA: OUTBD LH SIDE USED ON: 114T4104-27SP 114T4104-37SP 114T4104-41 114T4104-49 114T4104-53 114T4104-55 114T4104-57G 114T4104-59G		1
- 848	114T4518-10		.RIB ASSY-AUX LE SLAT NO. 4 OSS 630.945 POSITION DATA: OUTBD RH SIDE USED ON: 114T4104-28SP 114T4104-38SP 114T4104-42 114T4104-50 114T4104-54 114T4104-56 114T4104-58G 114T4104-60G		1

ILLUSTRATION ITEMS NOT ON PARTS LIST ARE NOT APPLICABLE

- ITEM NOT ILLUSTRATED

HXL

27-81-02-13

BOEING PROPRIETARY - Copyright © - Unpublished Work - See title page for details.

27-81-02
FIG. 13
PAGE 49
AUG 22/09

BOEING
767
PARTS CATALOG (MAINTENANCE)

FIG ITEM	PART NUMBER	1 2 3 4 5 6 7	NOMENCLATURE	EFFECT FROM TO	UNITS PER ASSY
13 850	114T4519-9		.RIB ASSY-AUX LE SLAT NO. 4 OSS 583.548 POSITION DATA: OUTBD LH SIDE USED ON: 114T4104-27SP 114T4104-37SP 114T4104-41 114T4104-49 114T4104-53 114T4104-55 114T4104-57G 114T4104-59G		1
- 853	114T4519-10		.RIB ASSY-AUX LE SLAT NO. 4 OSS 583.548 POSITION DATA: OUTBD RH SIDE USED ON: 114T4104-28SP 114T4104-38SP 114T4104-42 114T4104-50 114T4104-54 114T4104-56 114T4104-58G 114T4104-60G		1
R R R R R R R R R R R R R R R R	855	HL441N5-3	..BOLT SUPPLIER CODE: V60516 SPECIFICATION NUMBER: BACB30FN5A3N OPTIONAL PART: HL441N5-3 V73197 HL441N5-3 V92215 HL441N5-3 V97928 HL441N5-3 V08524 HL441N5-3 V56878		4
	858	NAS1149DN816J	..WASHER		4

ILLUSTRATION ITEMS NOT ON PARTS LIST ARE NOT APPLICABLE

- ITEM NOT ILLUSTRATED

HXL

27-81-02-13

BOEING PROPRIETARY - Copyright © - Unpublished Work - See title page for details.

27-81-02
FIG. 13
PAGE 50
AUG 22/09



767

PARTS CATALOG (MAINTENANCE)

FIG ITEM	PART NUMBER	1 2 3 4 5 6 7	NOMENCLATURE	EFFECT FROM TO	UNITS PER ASSY
13 860	BRH10C08D		..NUT SUPPLIER CODE: V52828 SPECIFICATION NUMBER: BACN10JC08CD OPTIONAL PART: H51650-08BAC V15653 102LH9075-82W V72962 NS202486-82 V80539 T6C832JCD V11815		4
863	012T2400-45		..BUSHING		2
865	114T4149-1		..PLATE-RUB		1
868	114T4149-2		..PLATE-RUB		1
870	114T4518-11		..RIB- POSITION DATA: LH SIDE USED ON: 114T4518-9		1
- 873	114T4518-12		..RIB- POSITION DATA: RH SIDE USED ON: 114T4518-10		1
875	114T4519-11		..RIB- POSITION DATA: LH SIDE USED ON: 114T4519-9		1
- 878	114T4519-12		..RIB- POSITION DATA: RH SIDE USED ON: 114T4519-9		1

ILLUSTRATION ITEMS NOT ON PARTS LIST ARE NOT APPLICABLE

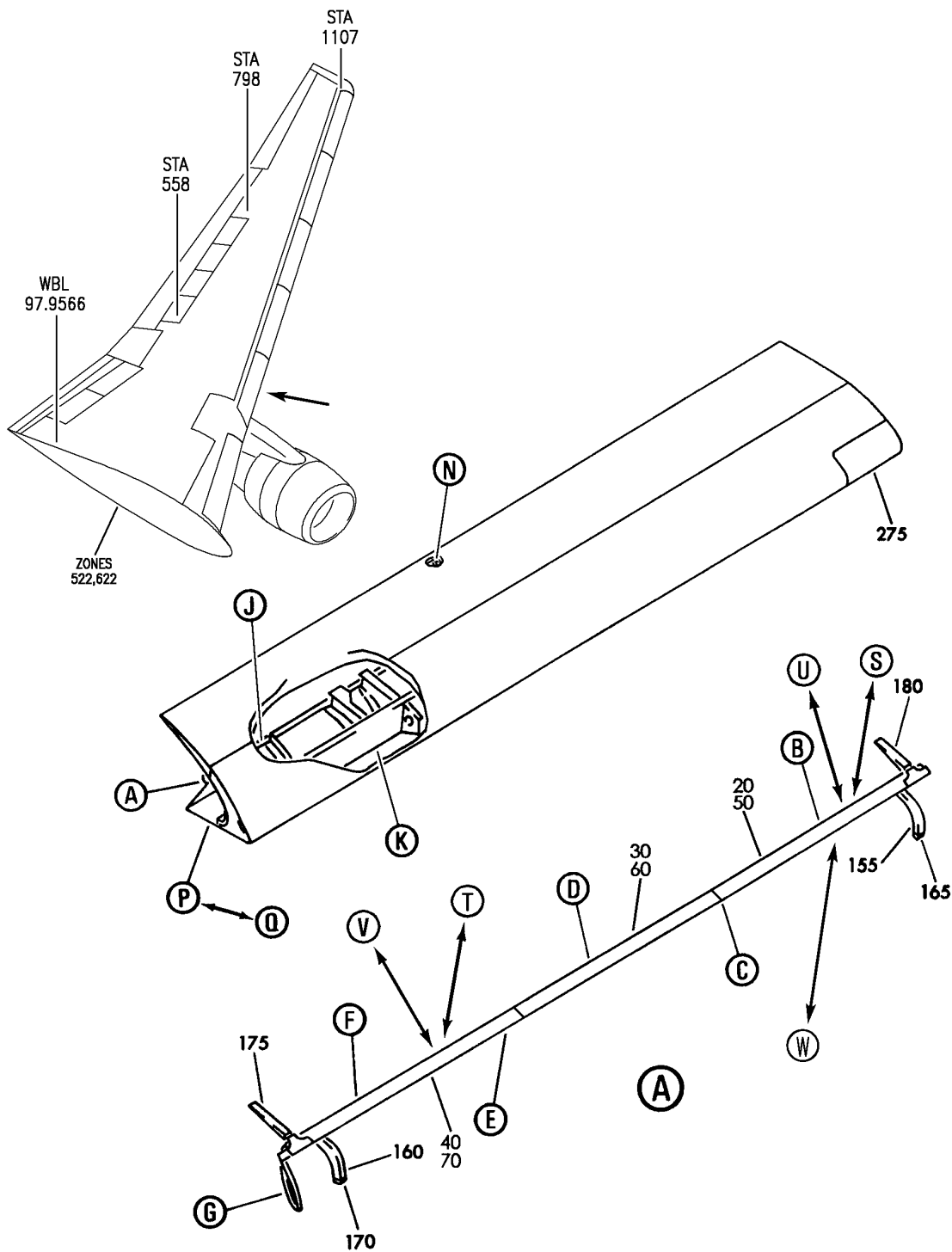
- ITEM NOT ILLUSTRATED

27-81-02-13

27-81-02
 FIG. 13
 PAGE 51
 AUG 22/09

HXL


BOEING
 767
PARTS CATALOG (MAINTENANCE)



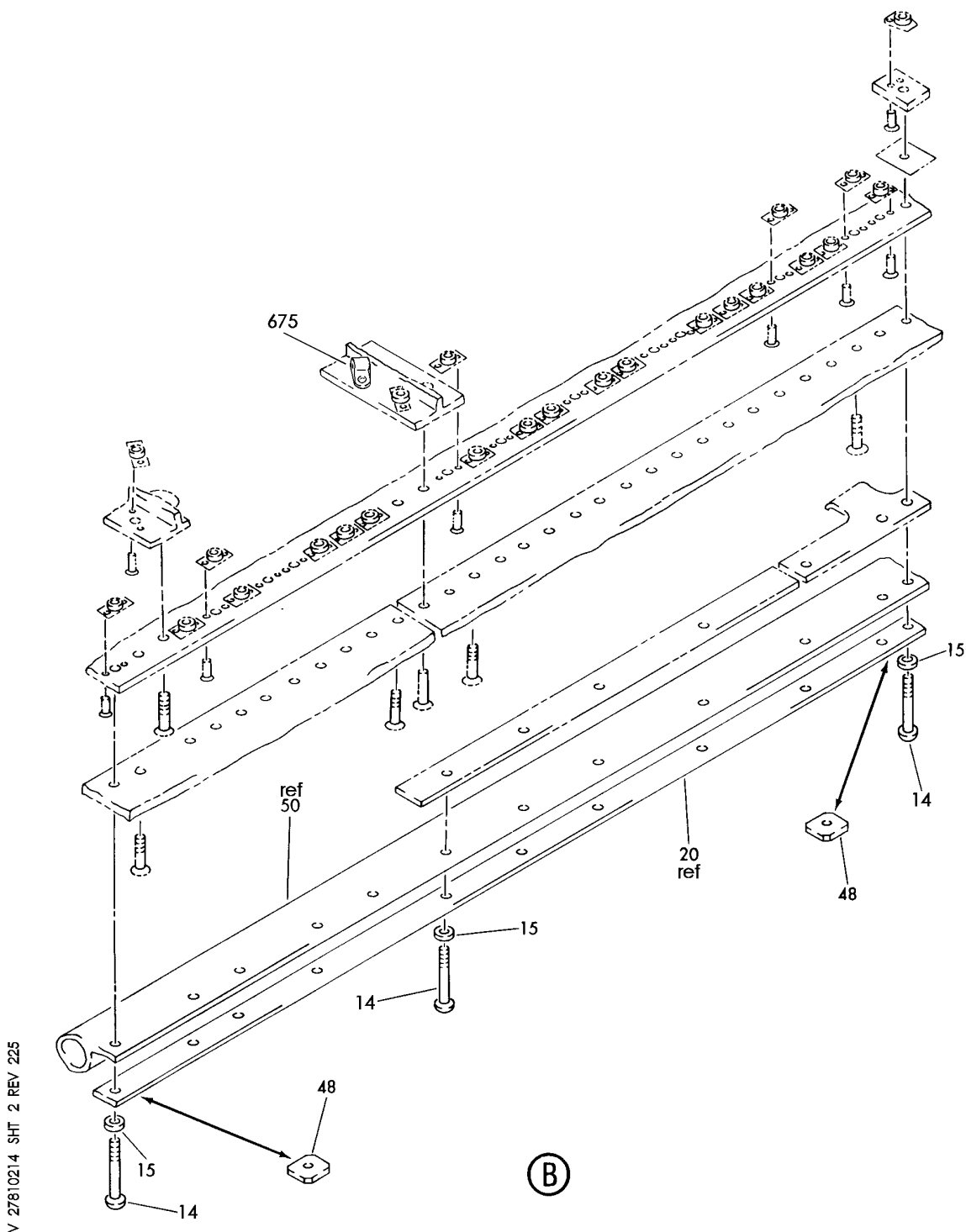
V 27810214 SH1 1 REV 302

SLAT ASSY-OUTBD NO. 5 AND 8 WING LE
 FIGURE 14 (SHEET 1)

27-81-02-14

HXL
DEC 22/06

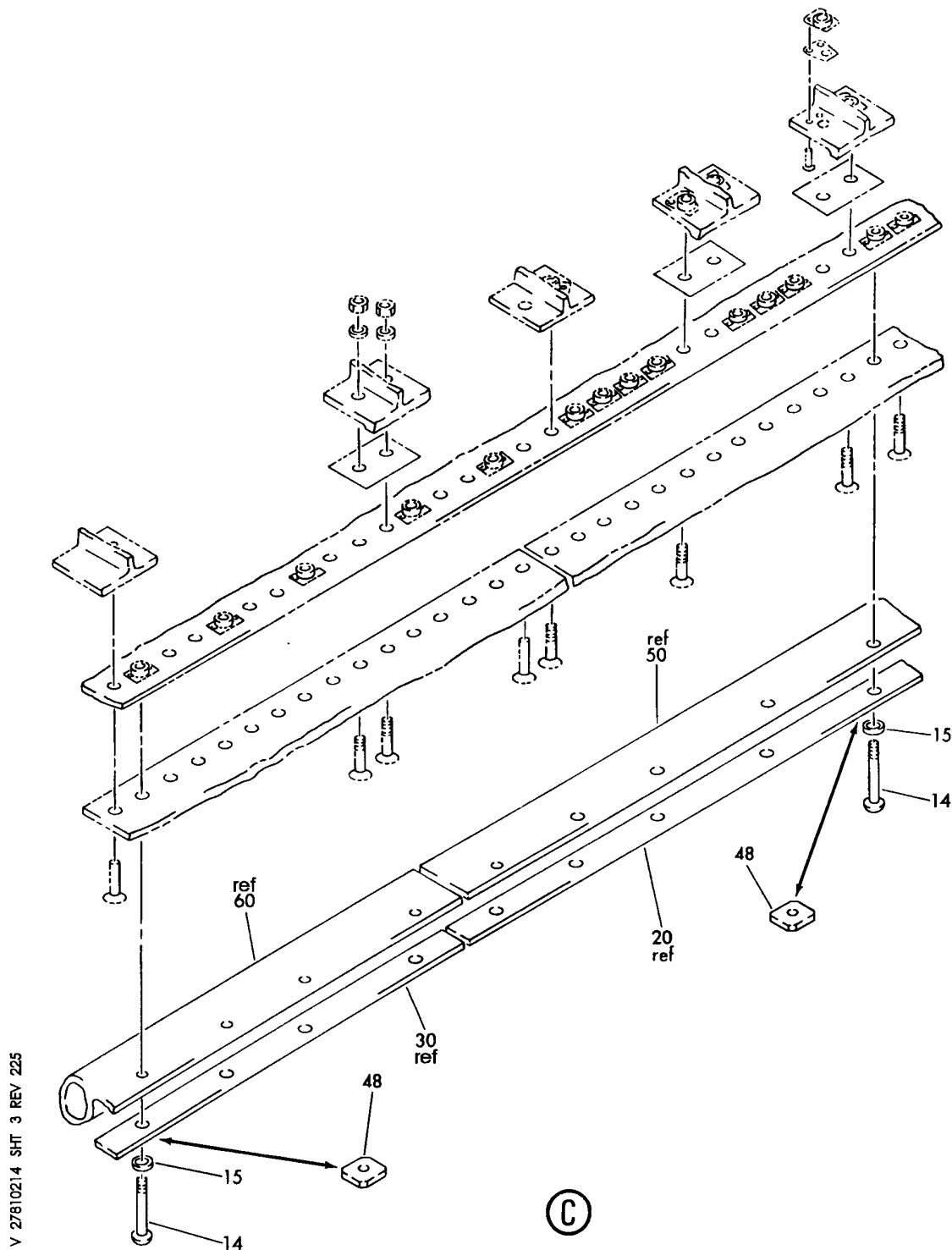
27-81-02-14
 PAGE 0



SLAT ASSY-OUTBD NO. 5 AND 8 WING LE
FIGURE 14 (SHEET 2)

27-81-02-14

BOEING
767
PARTS CATALOG (MAINTENANCE)

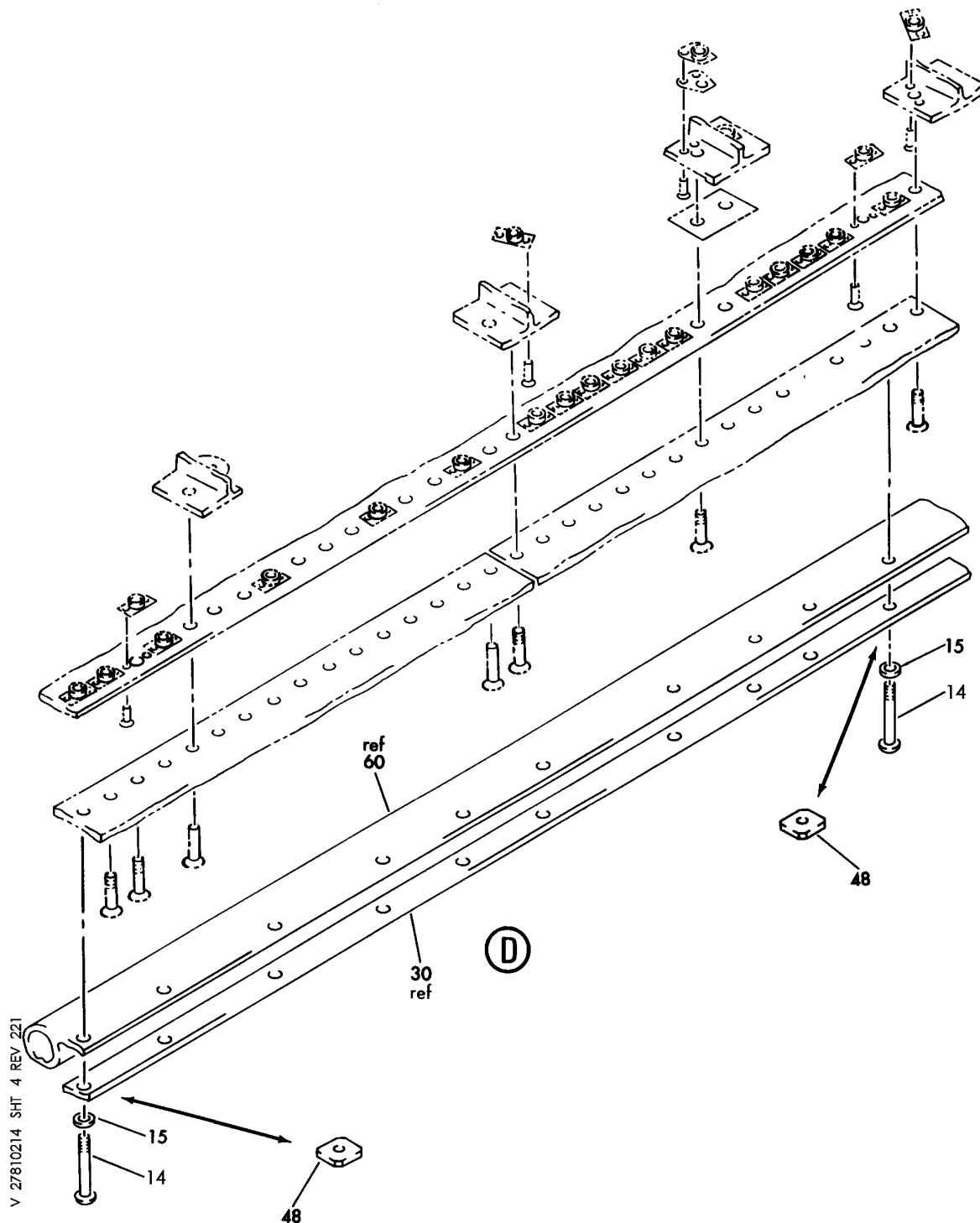


SLAT ASSY-OUTBD NO. 5 AND 8 WING LE
FIGURE 14 (SHEET 3)

27-81-02-14

HXL
DEC 22/06

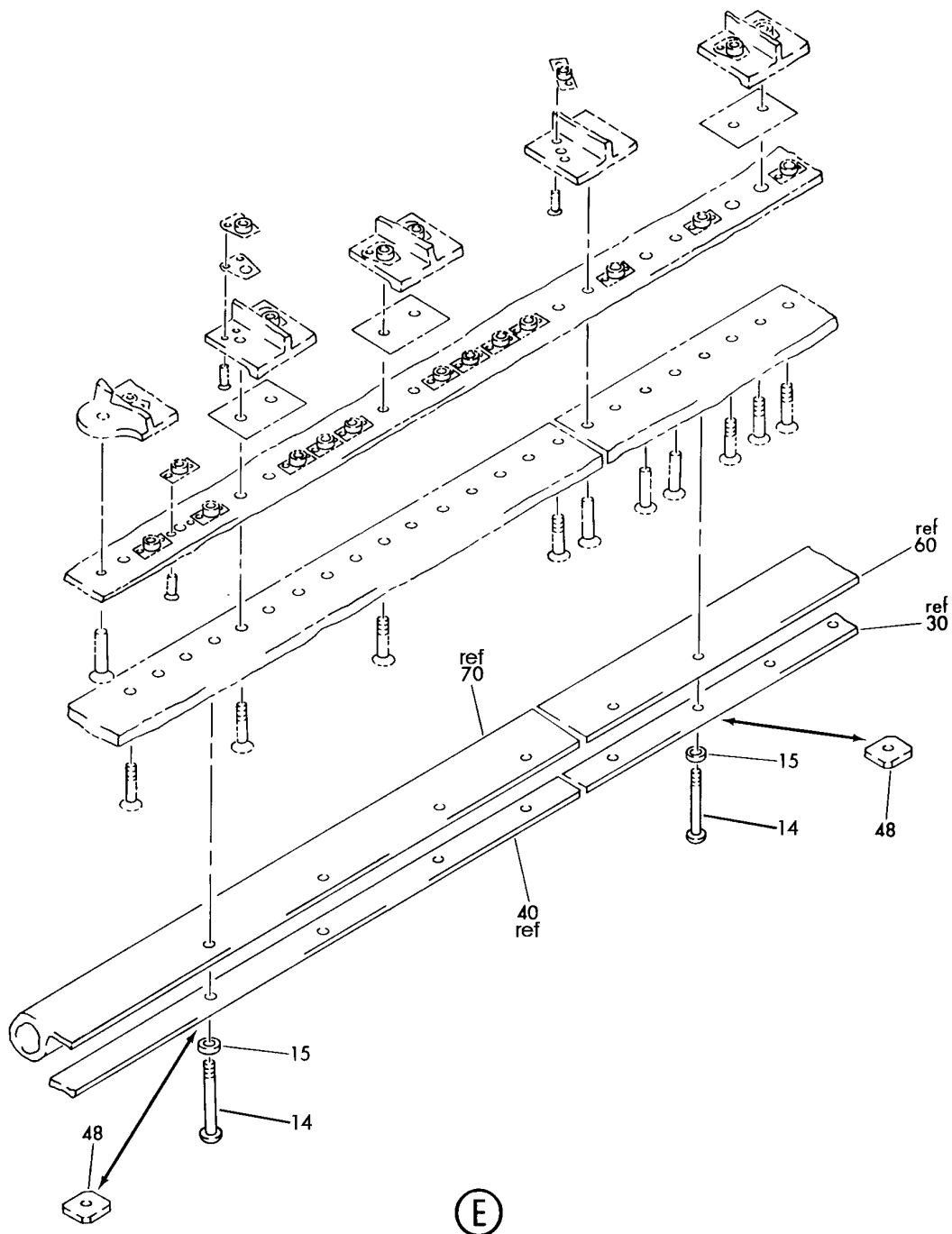
27-81-02-14
PAGE 0B



SLAT ASSY-OUTBD NO. 5 AND 8 WING LE
FIGURE 14 (SHEET 4)

27-81-02-14

BOEING
767
PARTS CATALOG (MAINTENANCE)



V 27810214 SHT 5 REV 225

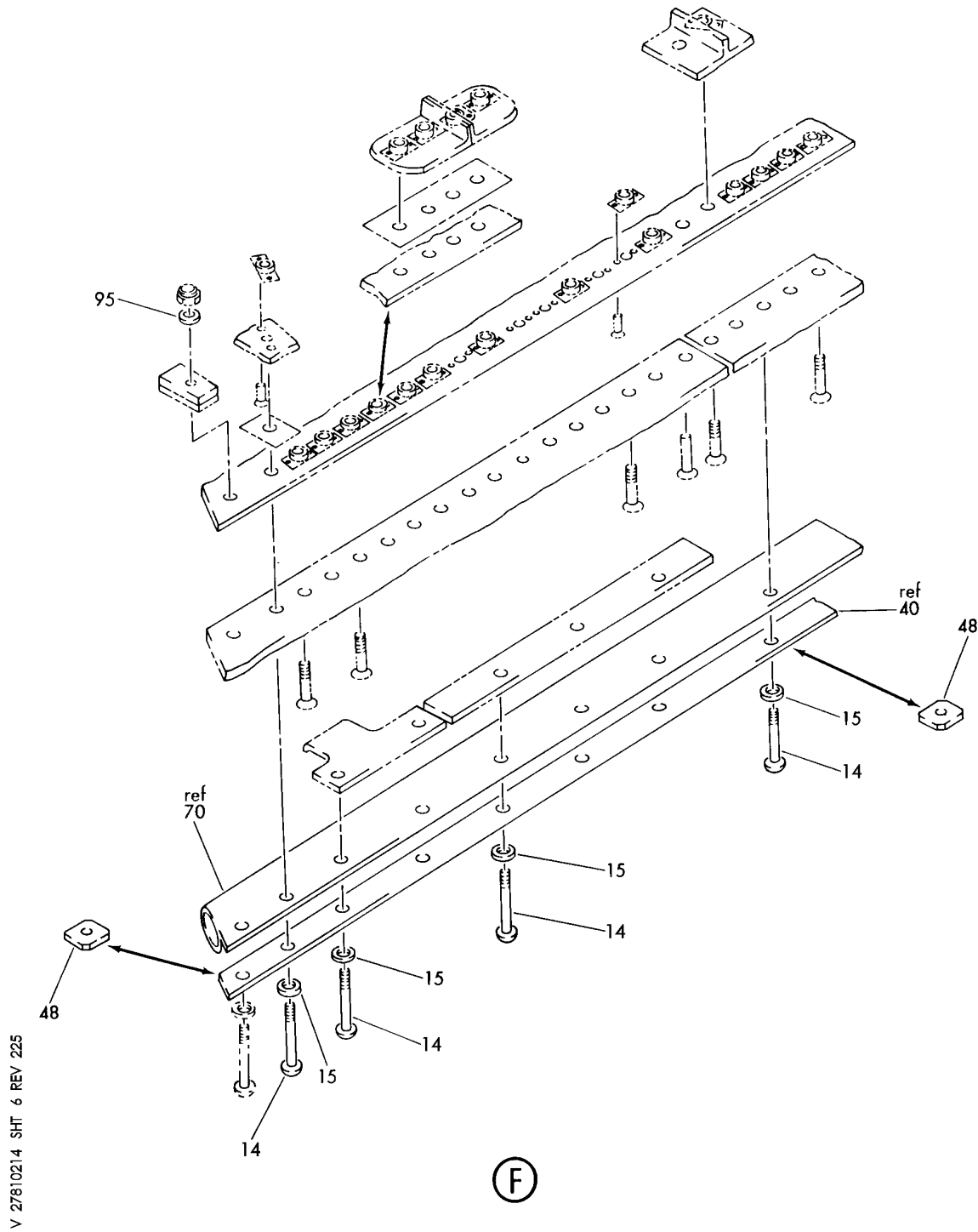
SLAT ASSY-OUTBD NO. 5 AND 8 WING LE
FIGURE 14 (SHEET 5)

27-81-02-14

HXL
DEC 22/06

27-81-02-14
PAGE 0D

BOEING
767
PARTS CATALOG (MAINTENANCE)



V 27810214 SHT 6 REV 225

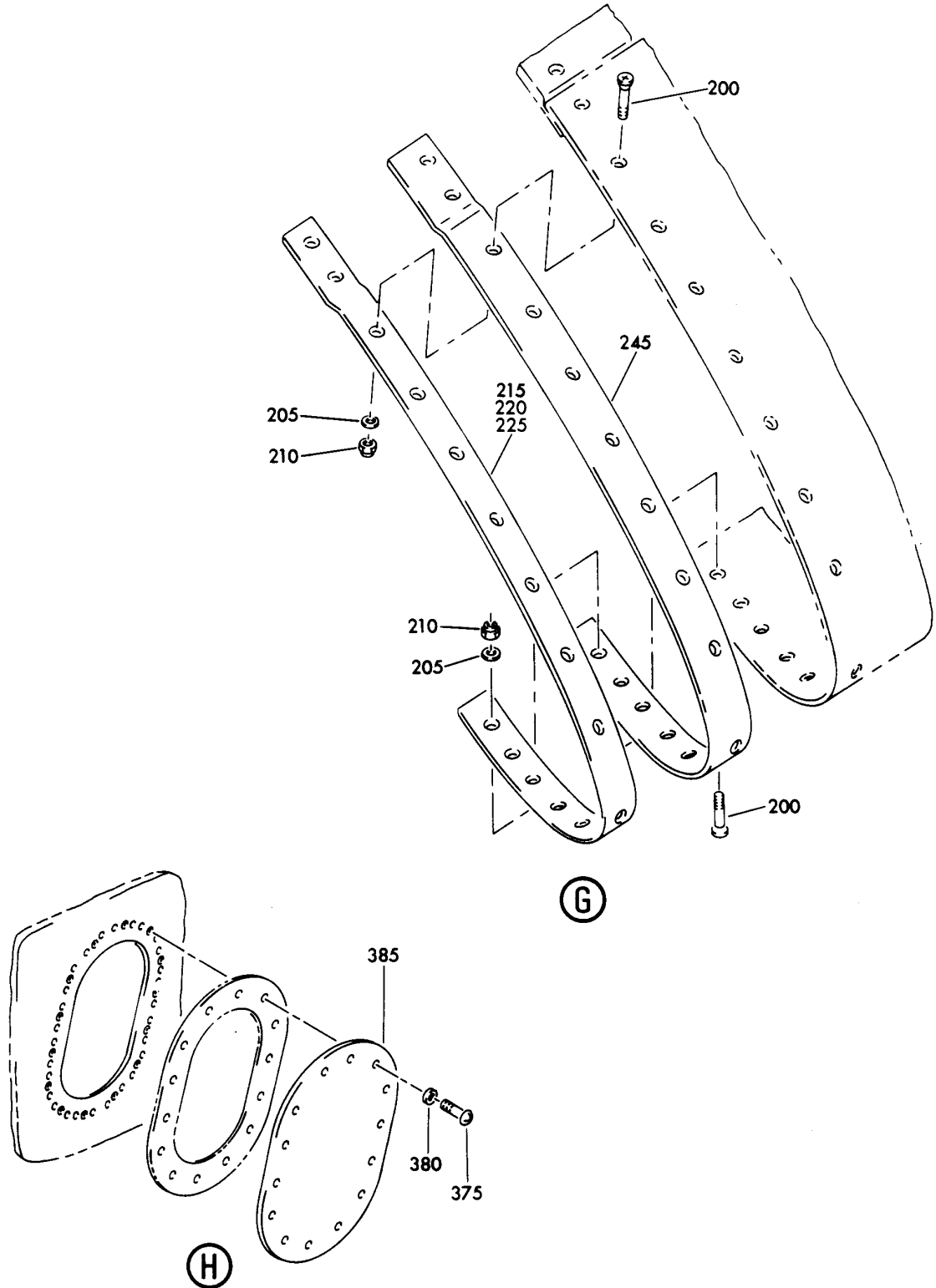
SLAT ASSY-OUTBD NO. 5 AND 8 WING LE
FIGURE 14 (SHEET 6)

27-81-02-14

HXL
DEC 22/06

27-81-02-14
PAGE 0E

BOEING
767
PARTS CATALOG (MAINTENANCE)



V 27810214 SHT 7 REV 032

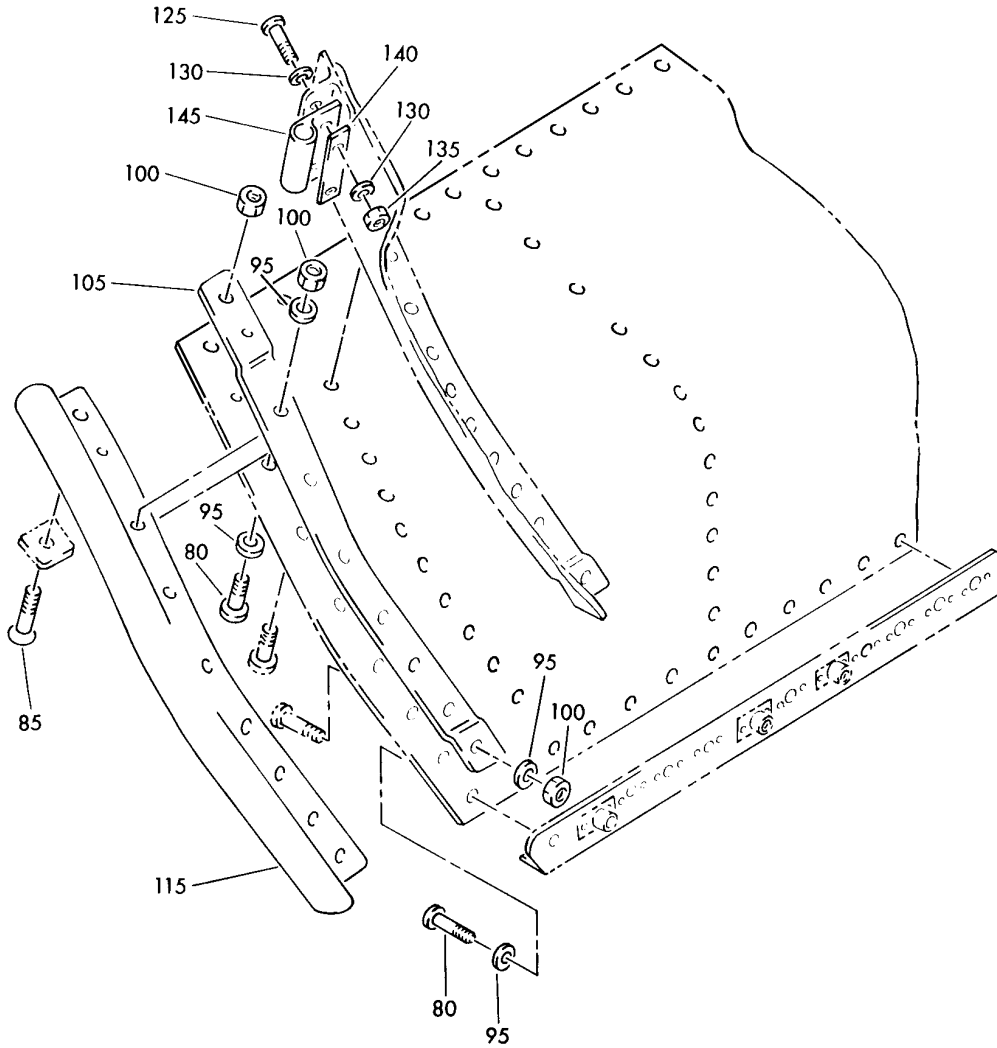
SLAT ASSY-OUTBD NO. 5 AND 8 WING LE
FIGURE 14 (SHEET 7)

27-81-02-14

HXL
DEC 22/06

27-81-02-14
PAGE OF

BOEING
767
PARTS CATALOG (MAINTENANCE)



V 27810214 SHT 8 REV 225

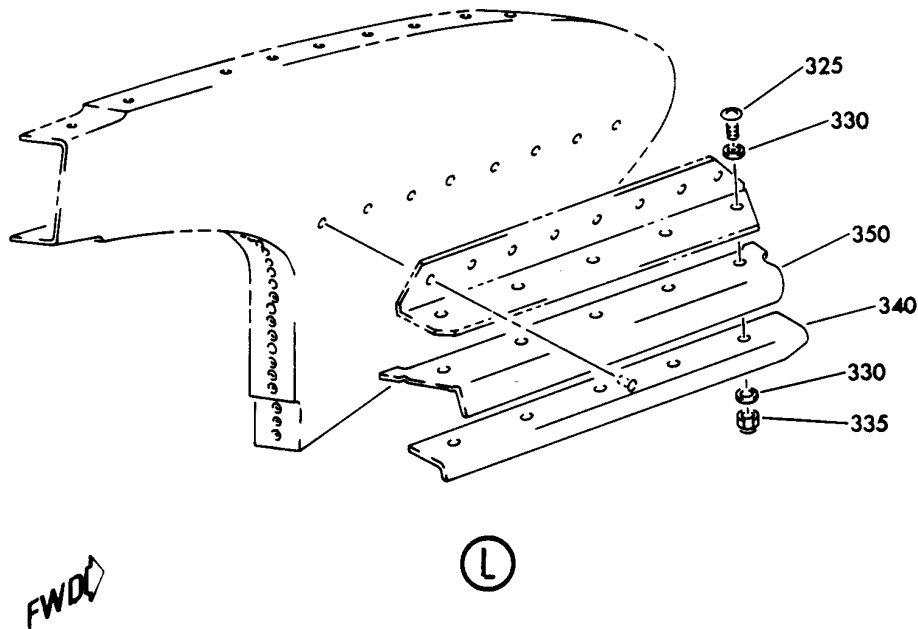
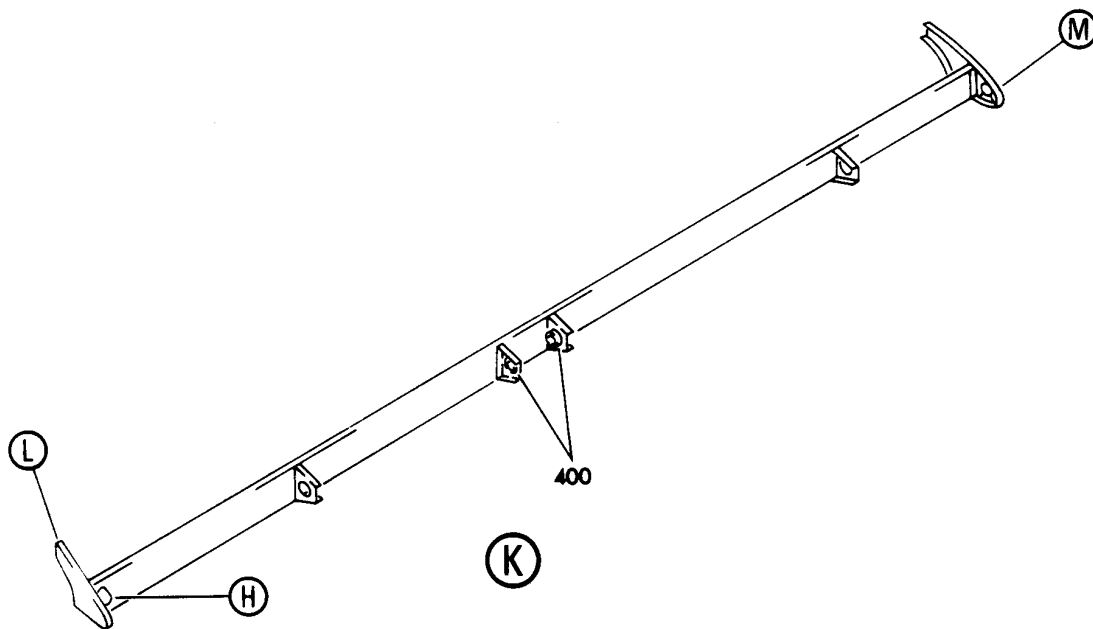
SLAT ASSY-OUTBD NO. 5 AND 8 WING LE
FIGURE 14 (SHEET 8)

27-81-02-14

HXL
DEC 22/06

27-81-02-14
PAGE 0G

BOEING
767
PARTS CATALOG (MAINTENANCE)



V 27810214 SHT 9 REV 032

FWDC

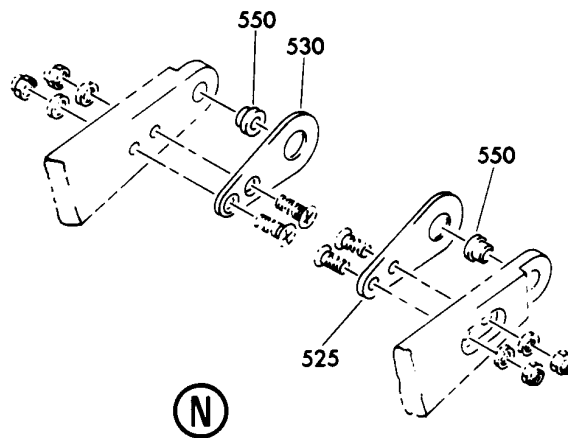
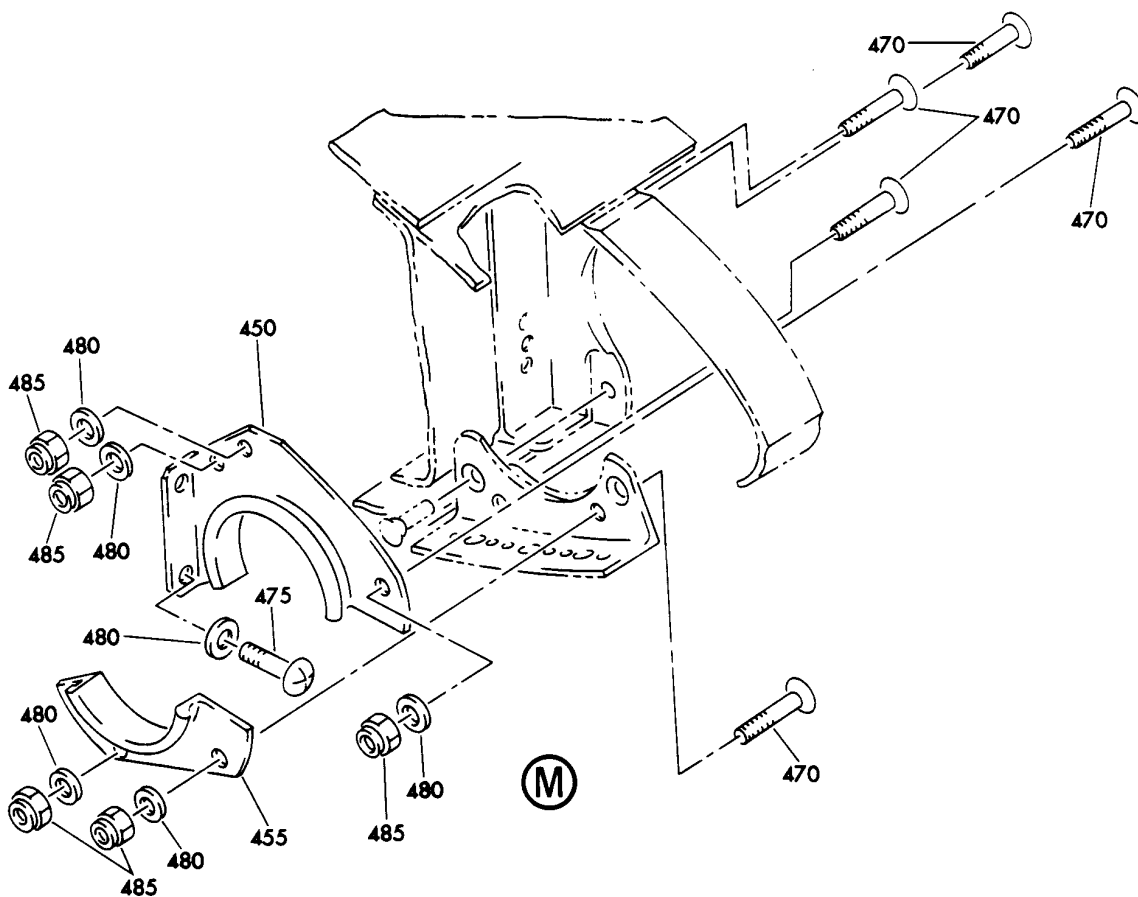
SLAT ASSY-OUTBD NO. 5 AND 8 WING LE
FIGURE 14 (SHEET 9)

27-81-02-14

HXL
DEC 22/06

27-81-02-14
PAGE 0H

BOEING
767
PARTS CATALOG (MAINTENANCE)



V 27810214 SHT 10 REV 032

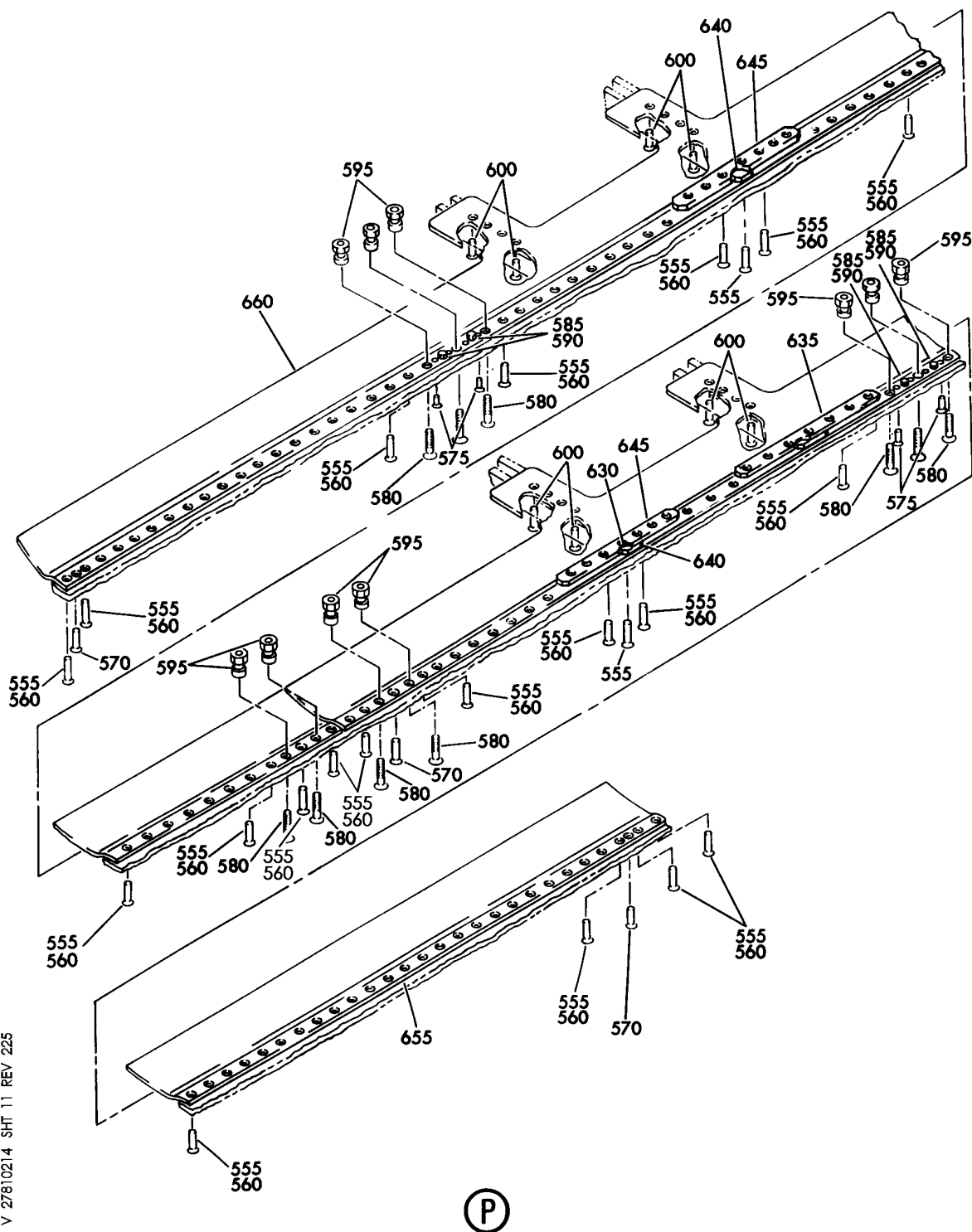
SLAT ASSY-OUTBD NO. 5 AND 8 WING LE
FIGURE 14 (SHEET 10)

27-81-02-14

HXL
DEC 22/06

27-81-02-14
PAGE 01

BOEING
767
PARTS CATALOG (MAINTENANCE)



V 27810214 SHT 11 REV 225

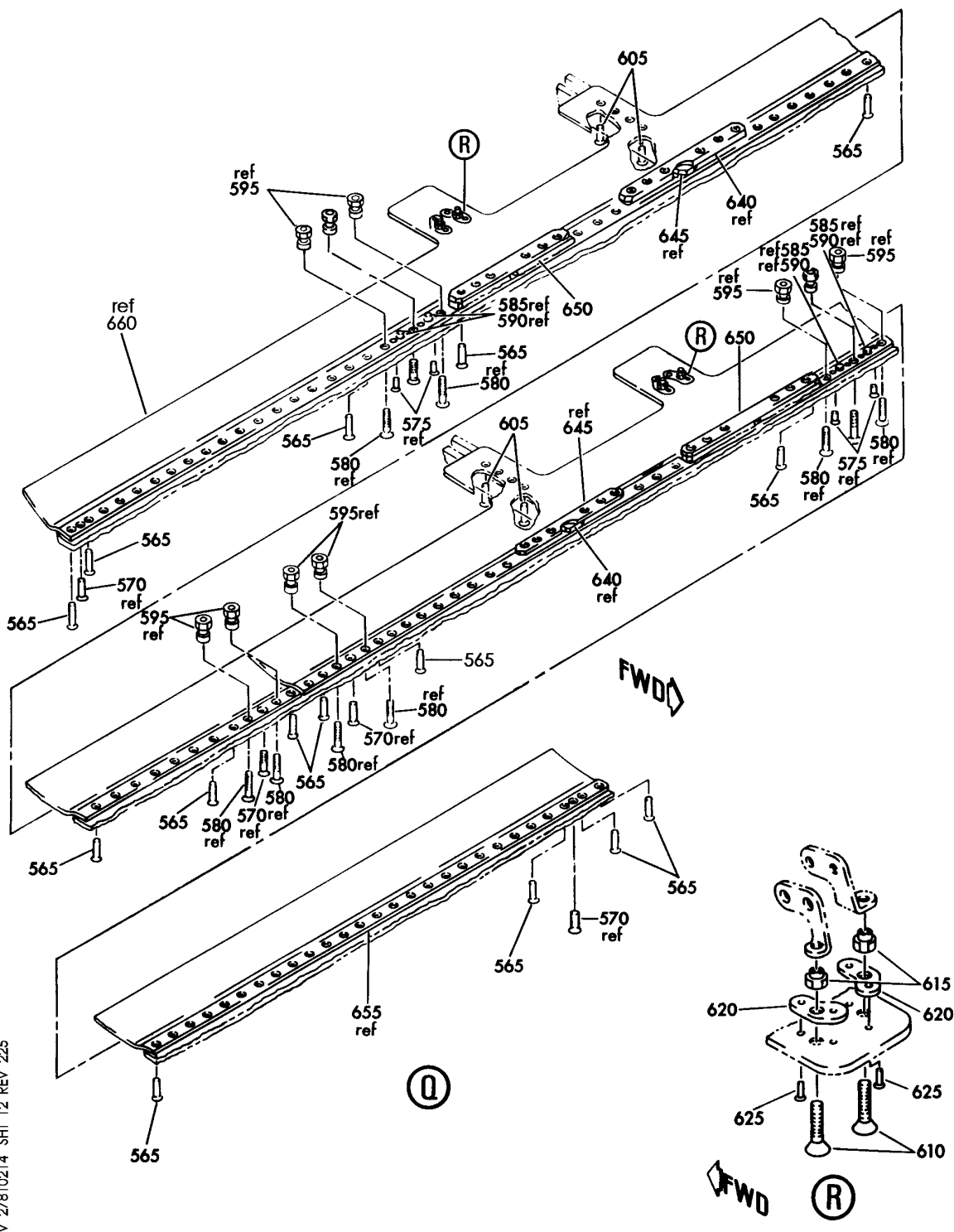
SLAT ASSY-OUTBD NO. 5 AND 8 WING LE
FIGURE 14 (SHEET 11)

27-81-02-14

HXL
DEC 22/06

27-81-02-14
PAGE 0J


BOEING
 767
PARTS CATALOG (MAINTENANCE)



V 27810214 SH1 12 REV 225

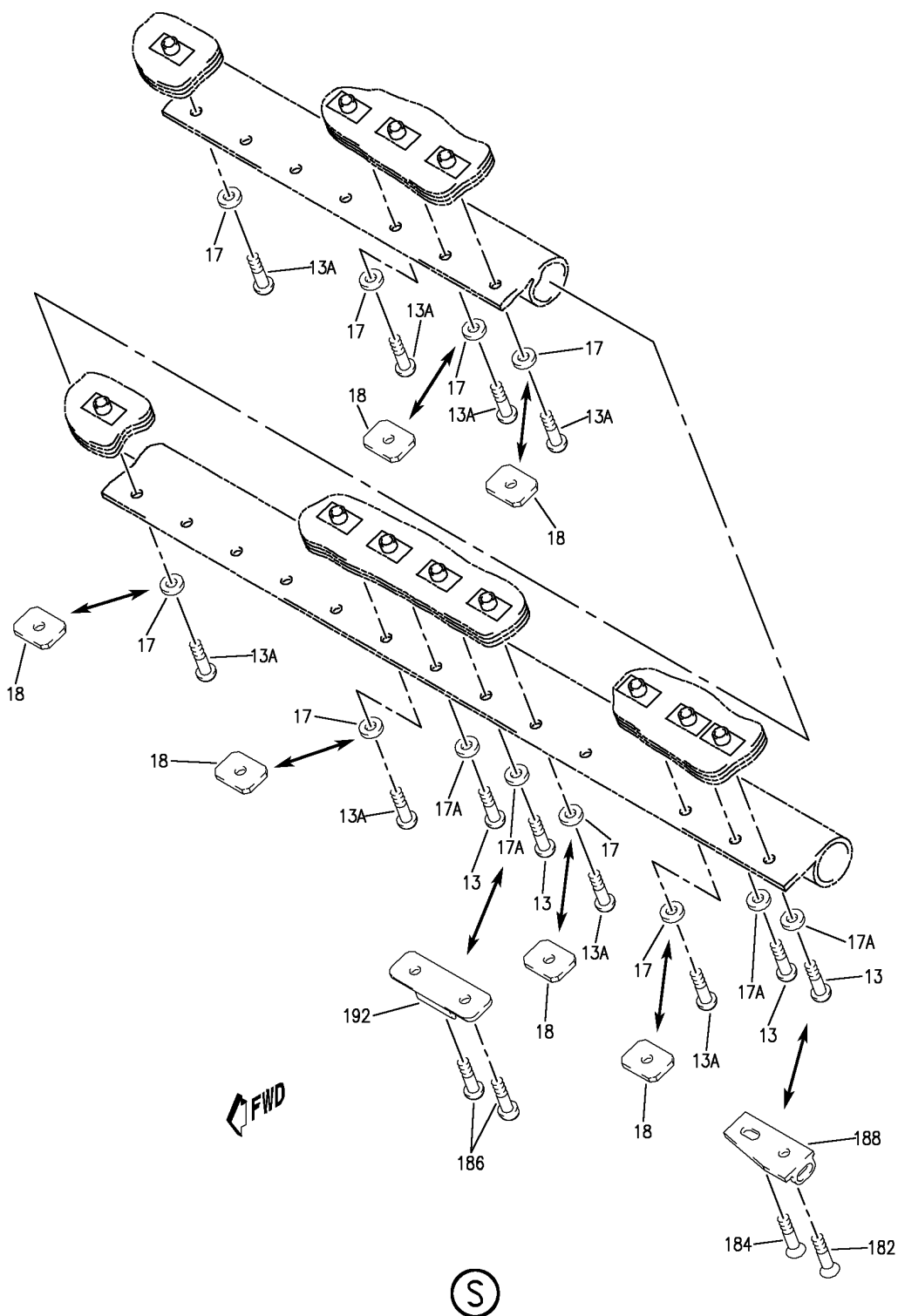
SLAT ASSY-OUTBD NO. 5 AND 8 WING LE
FIGURE 14 (SHEET 12)

27-81-02-14

HXL
DEC 22/06

27-81-02-14
PAGE OK

BOEING
767
PARTS CATALOG (MAINTENANCE)



V 27810214 SHT 13 REV 264

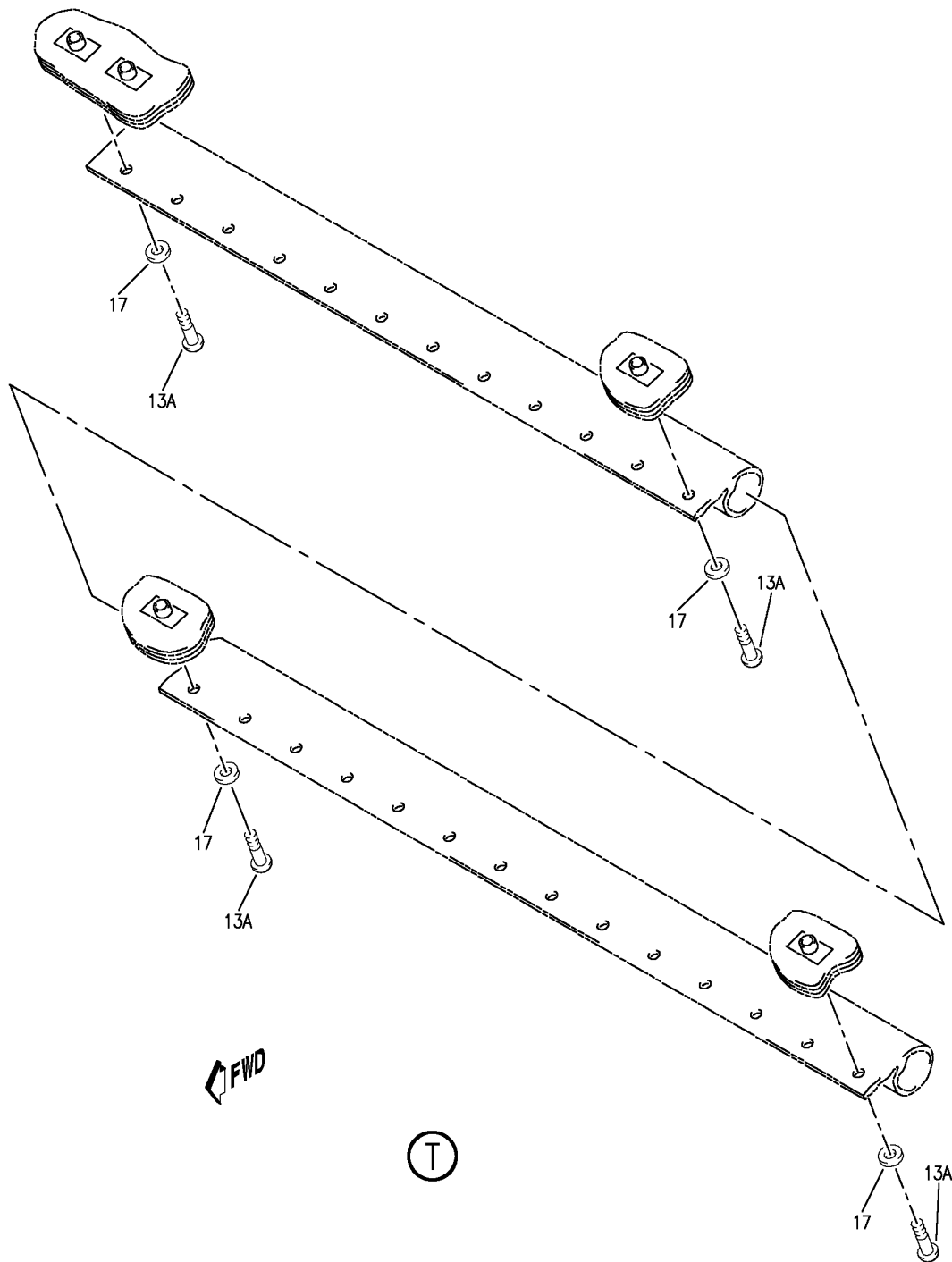
SLAT ASSY-OUTBD NO. 5 AND 8 WING LE
FIGURE 14 (SHEET 13)

27-81-02-14

HXL
DEC 22/06

27-81-02-14
PAGE 01

BOEING
767
PARTS CATALOG (MAINTENANCE)



V 27810214 SHT 14 REV 254

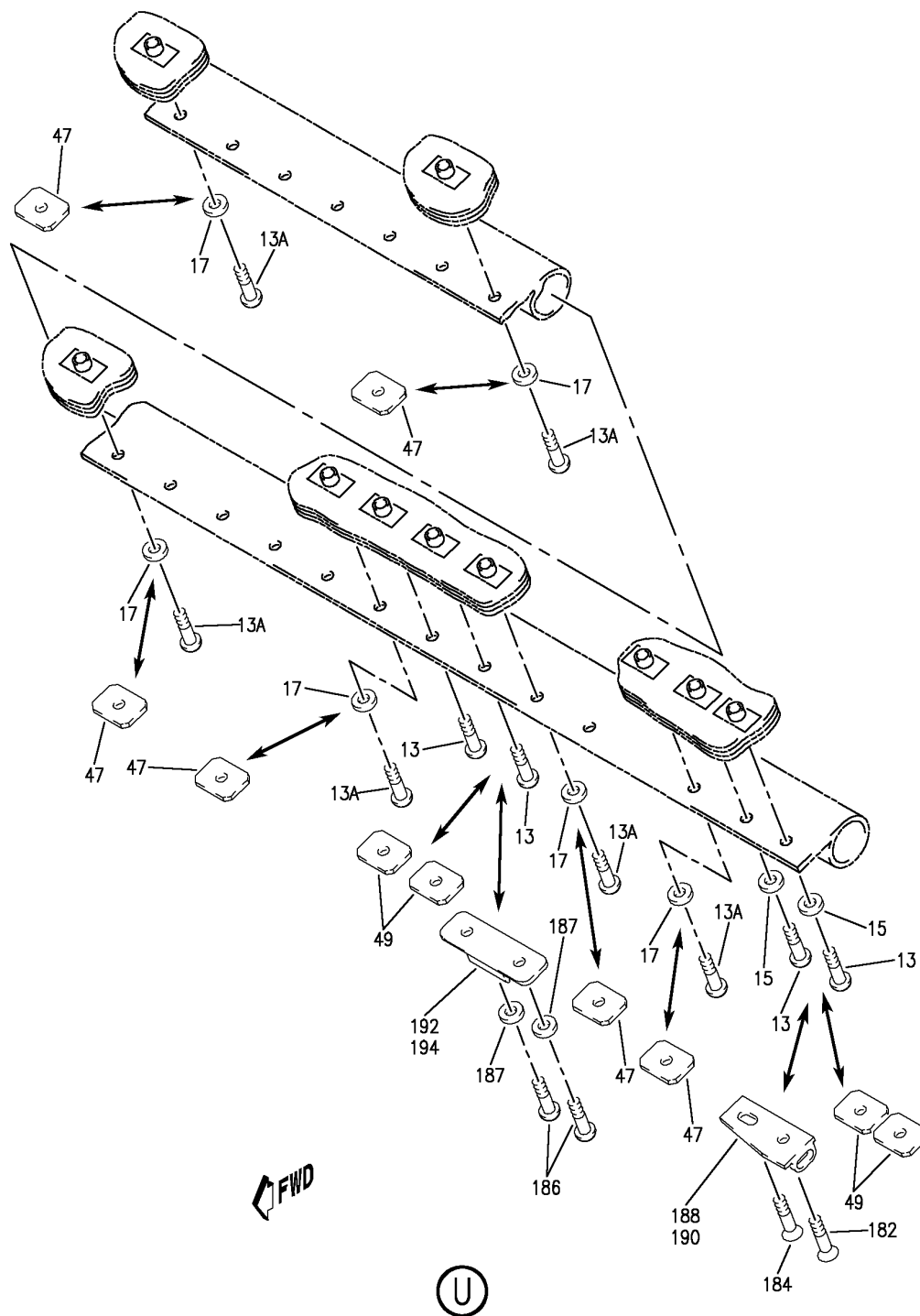
SLAT ASSY-OUTBD NO. 5 AND 8 WING LE
FIGURE 14 (SHEET 14)

27-81-02-14

HXL
DEC 22/06

27-81-02-14
PAGE 0M

BOEING
767
PARTS CATALOG (MAINTENANCE)



V 27810214 SHT 15 REV 264

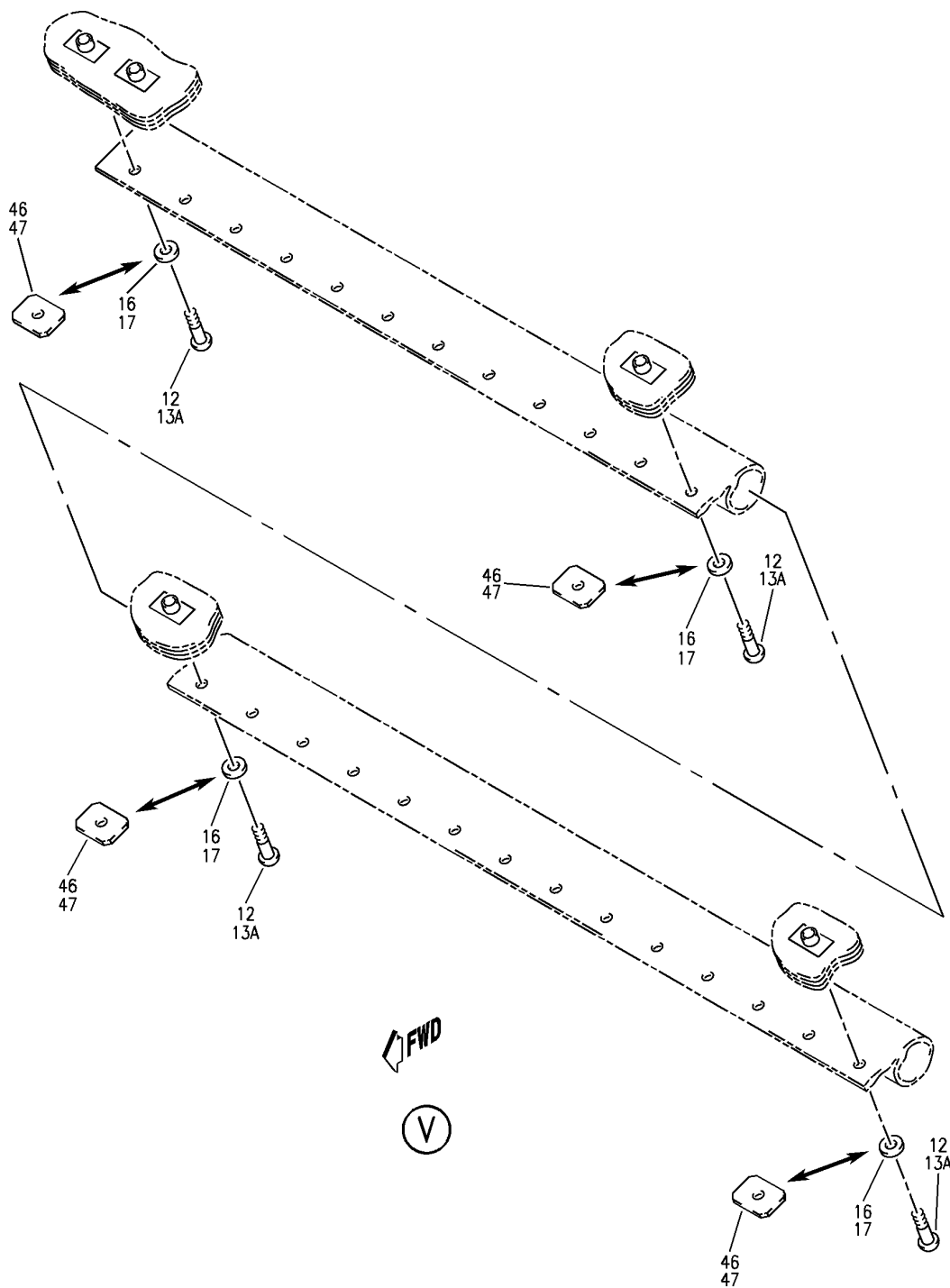
SLAT ASSY-OUTBD NO. 5 AND 8 WING LE
FIGURE 14 (SHEET 15)

27-81-02-14

HXL
DEC 22/06

27-81-02-14
PAGE ON

BOEING
767
PARTS CATALOG (MAINTENANCE)



V 27B10214 SHT 16 REV 302

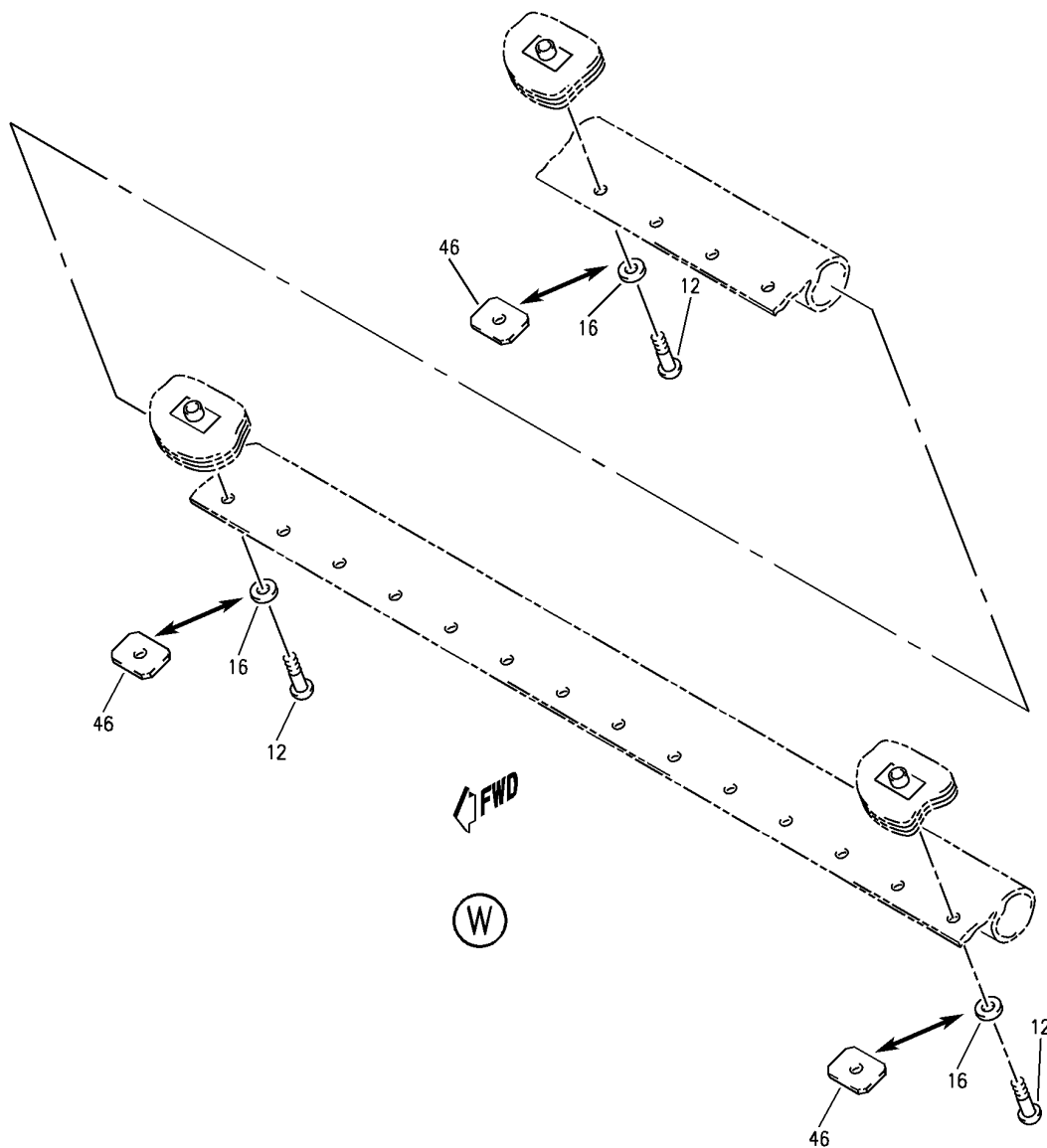
SLAT ASSY-OUTBD NO. 5 AND 8 WING LE
FIGURE 14 (SHEET 16)

27-81-02-14

HXL
DEC 22/06

27-81-02-14
PAGE 00

BOEING
767
PARTS CATALOG (MAINTENANCE)



V 27B10214 SHT 17 REV 302

SLAT ASSY-OUTBD NO. 5 AND 8 WING LE
FIGURE 14 (SHEET 17)

27-81-02-14

HXL
DEC 22/06

27-81-02-14
PAGE 0P



767

PARTS CATALOG (MAINTENANCE)

FIG ITEM	PART NUMBER	1 2 3 4 5 6 7	NOMENCLATURE	EFFECT FROM TO	UNITS PER ASSY
14					
- 4	015T1507-721		SLAT ASSY-OUTBD NO. 5 AND 8 WING LE SLAT ASSY-NO. 5 VARIABLE POSITION DATA: LH COMPONENT MAINT MANUAL REF: 57-43-61 SERVICE BULLETIN OPT DATA: 015T1507-521 POST ALERT SB: 57A0057 FOR NHA SEE: 27-81-02-01		RF
- 4	015T1507-521		SLAT ASSY-NO. 5 VARIABLE POSITION DATA: LH COMPONENT MAINT MANUAL REF: 57-43-61 SERVICE BULLETIN OPT DATA: 015T1507-721 POST ALERT SB: 57A0057 PRE ALERT SB: 57A0101 FOR NHA SEE: 27-81-02-01		RF
- 8	015T1507-722		SLAT ASSY-NO. 8 VARIABLE POSITION DATA: RH COMPONENT MAINT MANUAL REF: 57-43-61 SERVICE BULLETIN OPT DATA: 015T1507-522 POST ALERT SB: 57A0057 FOR NHA SEE: 27-81-02-01		RF
ILLUSTRATION ITEMS NOT ON PARTS LIST ARE NOT APPLICABLE					

- ITEM NOT ILLUSTRATED

HXL

27-81-02-14

BOEING PROPRIETARY - Copyright © - Unpublished Work - See title page for details.

27-81-02
FIG. 14
PAGE 1
DEC 22/07

BOEING
767
PARTS CATALOG (MAINTENANCE)

FIG ITEM	PART NUMBER	1 2 3 4 5 6 7	NOMENCLATURE	EFFECT FROM TO	UNITS PER ASSY
14 - 8	015T1507-522		SLAT ASSY-NO. 8 VARIABLE POSITION DATA: RH COMPONENT MAINT MANUAL REF: 57-43-61 SERVICE BULLETIN OPT DATA: 015T1507-722 POST ALERT SB: 57A0057 PRE ALERT SB: 57A0101 FOR NHA SEE: 27-81-02-01		RF
14	BACB30NT3K7		.BOLT		46
15	NAS1149D0332J		.WASHER-		46
47	114T4233-32		.RETAINER-BULB SEAL USED ON: 114T4105-185 114T4105-186 114T4105-201G 114T4105-202G 114T4105-207G 114T4105-208G 114T4105-209G 114T4105-210G 114T4105-403G 114T4105-404G		42
80	BACB30NT3K4		.BOLT		7
85	BACB30NN3K4		.BOLT		1

ILLUSTRATION ITEMS NOT ON PARTS LIST ARE NOT APPLICABLE

- ITEM NOT ILLUSTRATED

HXL

27-81-02-14

BOEING PROPRIETARY - Copyright © - Unpublished Work - See title page for details.

27-81-02
FIG. 14
PAGE 2
APR 22/09



767
PARTS CATALOG (MAINTENANCE)

FIG ITEM	PART NUMBER	1 2 3 4 5 6 7	NOMENCLATURE	EFFECT FROM TO	UNITS PER ASSY
14 95	NAS1149D0363J		. WASHER- USED ON: 114T4105-185 114T4105-186 114T4105-189 114T4105-190 114T4105-191 114T4105-192 114T4105-193 114T4105-194 114T4105-203G 114T4105-204G 114T4105-207G 114T4105-208G 114T4105-209G 114T4105-210G 114T4105-401G 114T4105-402G 114T4105-403G 114T4105-404G 114T4105-405G 114T4105-406G 114T4105-407G 114T4105-408G		15

ILLUSTRATION ITEMS NOT ON PARTS LIST ARE NOT APPLICABLE

- ITEM NOT ILLUSTRATED

HXL

27-81-02-14

BOEING PROPRIETARY - Copyright © - Unpublished Work - See title page for details.

27-81-02
FIG. 14
PAGE 3
APR 22/09



767

PARTS CATALOG (MAINTENANCE)

FIG ITEM	PART NUMBER	1 2 3 4 5 6 7	NOMENCLATURE	EFFECT FROM TO	UNITS PER ASSY
14 100	BRH10C3D		.NUT- SUPPLIER CODE: V52828 SPECIFICATION NUMBER: BACN10JC3CD OPTIONAL PART: T6C1032JCD V11815 NS202486-02 V80539 102LH9075-3W V72962 H51650-3BAC V15653 USED ON: 114T4105-185 114T4105-186 114T4105-189 114T4105-190 114T4105-193 114T4105-194 114T4105-203G 114T4105-204G 114T4105-207G 114T4105-208G 114T4105-209G 114T4105-210G 114T4105-401G 114T4105-402G 114T4105-403G 114T4105-404G 114T4105-405G 114T4105-406G 114T4105-407G 114T4105-408G		9
125	BACB30NT3K4		.BOLT		2

ILLUSTRATION ITEMS NOT ON PARTS LIST ARE NOT APPLICABLE

- ITEM NOT ILLUSTRATED

HXL

27-81-02-14

BOEING PROPRIETARY - Copyright © - Unpublished Work - See title page for details.

27-81-02
FIG. 14
PAGE 4
APR 22/09

 **BOEING**
767
PARTS CATALOG (MAINTENANCE)

FIG ITEM	PART NUMBER	1 2 3 4 5 6 7	NOMENCLATURE	EFFECT FROM TO	UNITS PER ASSY
14 155	114T4224-10		.SEAL-MOLDED BULB USED ON: 114T4105-185 114T4105-186 114T4105-201G 114T4105-202G 114T4105-203G 114T4105-204G 114T4105-207G 114T4105-208G 114T4105-209G 114T4105-210G 114T4105-401G 114T4105-402G 114T4105-403G 114T4105-404G 114T4105-405G 114T4105-406G 114T4105-407G 114T4105-408G POST ALERT SB: 27A0140 REWORKED BY ALERT SB: 27A0140R2		1
165	114T4236-11		.SEAL-SPONGE MANUFACTURED FROM: SH SPONGE RUBBER BMS1-23 0.73 IN. 1.00 IN. 3.50 IN.		1
170	114T4236-12		.SEAL-SPONGE MANUFACTURED FROM: SH SPONGE RUBBER BMS1-23 0.62 IN. 1.00 IN. 3.60 IN.		1
175	114T4226-4		.SEAL		1
180	114T4226-5		.SEAL		1
182	BACB30NN3K9		.BOLT- POST ALERT SB: 27A0140R2		1
184	BACB30NN3K8		.BOLT- POST ALERT SB: 27A0140R2		1
186	BACB30NT3K8		.BOLT- POST ALERT SB: 27A0140R2		2
187	NAS1149D0332J		.WASHER- POST ALERT SB: 27A0140R2		2

ILLUSTRATION ITEMS NOT ON PARTS LIST ARE NOT APPLICABLE

- ITEM NOT ILLUSTRATED

HXL

27-81-02-14

BOEING PROPRIETARY - Copyright © - Unpublished Work - See title page for details.

27-81-02
FIG. 14
PAGE 5
APR 22/09



767

PARTS CATALOG (MAINTENANCE)

FIG ITEM	PART NUMBER	1 2 3 4 5 6 7	NOMENCLATURE	EFFECT FROM TO	UNITS PER ASSY
14					
188	256T2931-11		.GUIDE-CABLE POST ALERT SB: 27A0140R2		1
190	256T2931-12		.GUIDE-CABLE POST ALERT SB: 27A0140R2		1
192	256T2930-1		.ANCHOR-CABLE POST ALERT SB: 27A0140R2		1
194	256T2930-2		.ANCHOR-CABLE POST ALERT SB: 27A0140R2		1
200	BACB30NN3K5		.BOLT		15
205	NAS1149D0363J		.WASHER- USED ON: 114T4105-185 114T4105-186 114T4105-189 114T4105-190 114T4105-193 114T4105-194 114T4105-203G 114T4105-204G 114T4105-207G 114T4105-208G 114T4105-209G 114T4105-210G		15
ILLUSTRATION ITEMS NOT ON PARTS LIST ARE NOT APPLICABLE					

- ITEM NOT ILLUSTRATED

HXL

27-81-02-14

BOEING PROPRIETARY - Copyright © - Unpublished Work - See title page for details.

27-81-02
FIG. 14
PAGE 6
APR 22/09

BOEING
767
PARTS CATALOG (MAINTENANCE)

FIG ITEM	PART NUMBER	1 2 3 4 5 6 7	NOMENCLATURE	EFFECT FROM TO	UNITS PER ASSY
14 210	BRH10C3D		.NUT- SUPPLIER CODE: V52828 SPECIFICATION NUMBER: BACN10JC3CD OPTIONAL PART: T6C1032JCD V11815 NS202486-02 V80539 102LH9075-3W V72962 H51650-3BAC V15653 USED ON: 114T4105-185 114T4105-186 114T4105-189 114T4105-190 114T4105-193 114T4105-194 114T4105-203G 114T4105-204G 114T4105-207G 114T4105-208G 114T4105-209G 114T4105-210G 114T4105-401G 114T4105-402G 114T4105-403G 114T4105-404G 114T4105-405G 114T4105-406G 114T4105-407G 114T4105-408G ATTACHING PARTS		15
- 285	BACB30NN3K5		.BOLT -----*-----		28
325	BACB30NT3K4		.BOLT		5
330	AN960PD10L		.WASHER		10

ILLUSTRATION ITEMS NOT ON PARTS LIST ARE NOT APPLICABLE

- ITEM NOT ILLUSTRATED

HXL

27-81-02-14

BOEING PROPRIETARY - Copyright © - Unpublished Work - See title page for details.

27-81-02
FIG. 14
PAGE 7
APR 22/09



767

PARTS CATALOG (MAINTENANCE)

FIG ITEM	PART NUMBER	1 2 3 4 5 6 7	NOMENCLATURE	EFFECT FROM TO	UNITS PER ASSY
14 335	BRH10A3		.NUT SUPPLIER CODE: V52828 SPECIFICATION NUMBER: BACN10JC3 OPTIONAL PART: H10-3BAC V15653 NS202101-02 V80539 RMLH9075-3W V72962 VN303A02 V92215 96-02 V80539 T6S1032J V11815		5
340	114T4222-29		.RETAINER- POSITION DATA: LH SIDE		1
- 345	114T4222-30		.RETAINER- POSITION DATA: RH SIDE		1
350	114T4223-43		.SEAL-BLADE POSITION DATA: LH SIDE		1
- 355	114T4223-44		.SEAL-BLADE POSITION DATA: RH SIDE		1
375	BACB30NT3K5		.BOLT		14
380	AN960PD10L		.WASHER		14
385	114T4119-1		.DOOR-ACCESS		1
450	114T4240-81		.SEAL- POSITION DATA: LH SIDE USED ON: 114T4105-405G FOR SPARES PROCURE: 654T0513-95		1
455	114T4240-35		.SEAL- POSITION DATA: LH SIDE		1
455	114T4240-83		.SEAL- POSITION DATA: LH SIDE FOR SPARES PROCURE: 654T0513-95		1

ILLUSTRATION ITEMS NOT ON PARTS LIST ARE NOT APPLICABLE

- ITEM NOT ILLUSTRATED

27-81-02-14

27-81-02
FIG. 14
PAGE 8
APR 22/09

HXL

BOEING PROPRIETARY - Copyright © - Unpublished Work - See title page for details.

BOEING
767
PARTS CATALOG (MAINTENANCE)

FIG ITEM	PART NUMBER	1 2 3 4 5 6 7	NOMENCLATURE	EFFECT FROM TO	UNITS PER ASSY
14					
- 460	114T4240-82	.SEAL-	POSITION DATA: RH SIDE USED ON: 114T4105-406G FOR SPARES PROCURE: 654T0513-94		1
- 465	114T4240-36	.SEAL-	POSITION DATA: RH SIDE		1
- 465	114T4240-84	.SEAL-	POSITION DATA: RH SIDE FOR SPARES PROCURE: 654T0513-94 ATTACHING PARTS		1
470	BACB30NN3K4	.BOLT			5
475	BACB30NT3K4	.BOLT			2
480	BACW10P43AL	.WASHER			7
485	BRH10A3	.NUT	SUPPLIER CODE: V52828 SPECIFICATION NUMBER: BACN10JC3 OPTIONAL PART: H10-3BAC V15653 NS202101-02 V80539 RMLH9075-3W V72962 VN303A02 V92215 96-02 V80539 T6S1032J V11815		5
		-----*-----			
525	114T4149-1	.PLATE-RUB	USED ON: 114T4105-405G 114T4105-406G		1
530	114T4149-2	.PLATE-RUB	USED ON: 114T4105-405G 114T4105-406G		1

ILLUSTRATION ITEMS NOT ON PARTS LIST ARE NOT APPLICABLE

- ITEM NOT ILLUSTRATED

HXL

27-81-02-14

BOEING PROPRIETARY - Copyright © - Unpublished Work - See title page for details.

27-81-02
FIG. 14
PAGE 9
APR 22/09

 **BOEING**
767
PARTS CATALOG (MAINTENANCE)

FIG ITEM	PART NUMBER	1 2 3 4 5 6 7	NOMENCLATURE	EFFECT FROM TO	UNITS PER ASSY
14			ATTACHING PARTS		
R	- 535 HL441N5-3		.BOLT-		4
R			SUPPLIER CODE:		
R			V60516		
R			SPECIFICATION NUMBER:		
R			BACB30FN5A3N		
R			OPTIONAL PART:		
R			HL441N5-3		
R			V73197		
R			HL441N5-3		
R			V92215		
R			HL441N5-3		
R			V97928		
R			HL441N5-3		
R			V08524		
R			HL441N5-3		
R			V56878		
R			BACB30FN5A3		
R	- 535 HL441UC5-3		.BOLT-		4
R			SUPPLIER CODE:		
R			V97928		
R			SPECIFICATION NUMBER:		
R			BACB30FN5A3		
R			OPTIONAL PART:		
R			HL441UC5-3		
R			V73197		
R			HL441UC5-3		
R			V92215		
R			HL41PY5-3		
R			V80539		
R			HL441N5-3		
R			V80539		
R			HL441UC5-3		
R			V80539		
R			67068-5A3		
R			V56878		
R			HL441UC5-3		
R			V08524		
R			HL441UC5-3		
R			V56878		
R			BACB30FN5A3N		
R	- 540 AN960PD8L		.WASHER		4

ILLUSTRATION ITEMS NOT ON PARTS LIST ARE NOT APPLICABLE

- ITEM NOT ILLUSTRATED

HXL

27-81-02-14

BOEING PROPRIETARY - Copyright © - Unpublished Work - See title page for details.

27-81-02
FIG. 14
PAGE 10
AUG 22/09

 **BOEING**
767
PARTS CATALOG (MAINTENANCE)

FIG ITEM	PART NUMBER	1 2 3 4 5 6 7	NOMENCLATURE	EFFECT FROM TO	UNITS PER ASSY
14 - 545	BRH10C08D		.NUT SUPPLIER CODE: V52828 SPECIFICATION NUMBER: BACN10JC08CD OPTIONAL PART: H51650-08BAC V15653 102LH9075-82W V72962 NS202486-82 V80539 T6C832JCD V11815 -----*-----		2
550 555	012T2400-45 BACR15CE6KE		.BUSHING .RIVET- SIZE DETERMINED ON INSTL. USED ON: 114T4105-11A 114T4105-29SP 114T4105-37 114T4105-45		2 108
605	BACR15CE5KE		.RIVET- SIZE DETERMINED ON INSTL.		8
610	BACS12ER3K18		.SCREW		4
615	BRH10A3		.NUT- SUPPLIER CODE: V52828 SPECIFICATION NUMBER: BACN10JC3 OPTIONAL PART: H10-3BAC V15653 NS202101-02 V80539 RMLH9075-3W V72962 VN303A02 V92215 96-02 V80539 T6S1032J V11815		4
620	114T6415-6		.FITTING-PIVOT ATTACHING PARTS		4
625	BACR15CE5DD		.RIVET- SIZE DETERMINED ON INSTL. -----*-----		8
ILLUSTRATION ITEMS NOT ON PARTS LIST ARE NOT APPLICABLE					

- ITEM NOT ILLUSTRATED

HXL

27-81-02-14

BOEING PROPRIETARY - Copyright © - Unpublished Work - See title page for details.

27-81-02
FIG. 14
PAGE 11
AUG 22/09

 **BOEING**
767
PARTS CATALOG (MAINTENANCE)

FIG ITEM	PART NUMBER	1 2 3 4 5 6 7	NOMENCLATURE	EFFECT FROM TO	UNITS PER ASSY
14					
640	114T4106-5	.	SPLICE		2
645	114T4106-4	.	SPLICE		2
650	114T4106-2	.	SPLICE		2
655	114T4151-3	.	PANEL-CLOSURE		1
			POSITION DATA:		
			LH SIDE		
			USED ON:		
			114T4105-11SP		
			114T4105-17A		
			114T4105-29SP		
			114T4105-405G		
660	114T4151-1	.	PANEL-CLOSURE		1
			POSITION DATA:		
			LH SIDE		
			USED ON:		
			114T4105-11SP		
			114T4105-17A		
			114T4105-29SP		
- 665	114T4151-2	.	PANEL-CLOSURE		1
			POSITION DATA:		
			RH SIDE		
			USED ON:		
			114T4105-12SP		
			114T4105-18SP		
			114T4105-30SP		
- 670	114T4151-4	.	PANEL-CLOSURE		1
			POSITION DATA:		
			RH SIDE		
			USED ON:		
			114T4105-12SP		
			114T4105-18SP		
			114T4105-30SP		
			114T4105-406G		
675	BACC10DK6	.	CLAMP-		1
			POSITION DATA:		
			LH SIDE		
			ATTACHING PARTS		
- 680	BACB30NT3K10	.	BOLT-		1
			POSITION DATA:		
			LH SIDE		
- 685	NAS1149D0332J	.	WASHER-		1
			POSITION DATA:		
			LH SIDE		
			-----*		

ILLUSTRATION ITEMS NOT ON PARTS LIST ARE NOT APPLICABLE

- ITEM NOT ILLUSTRATED

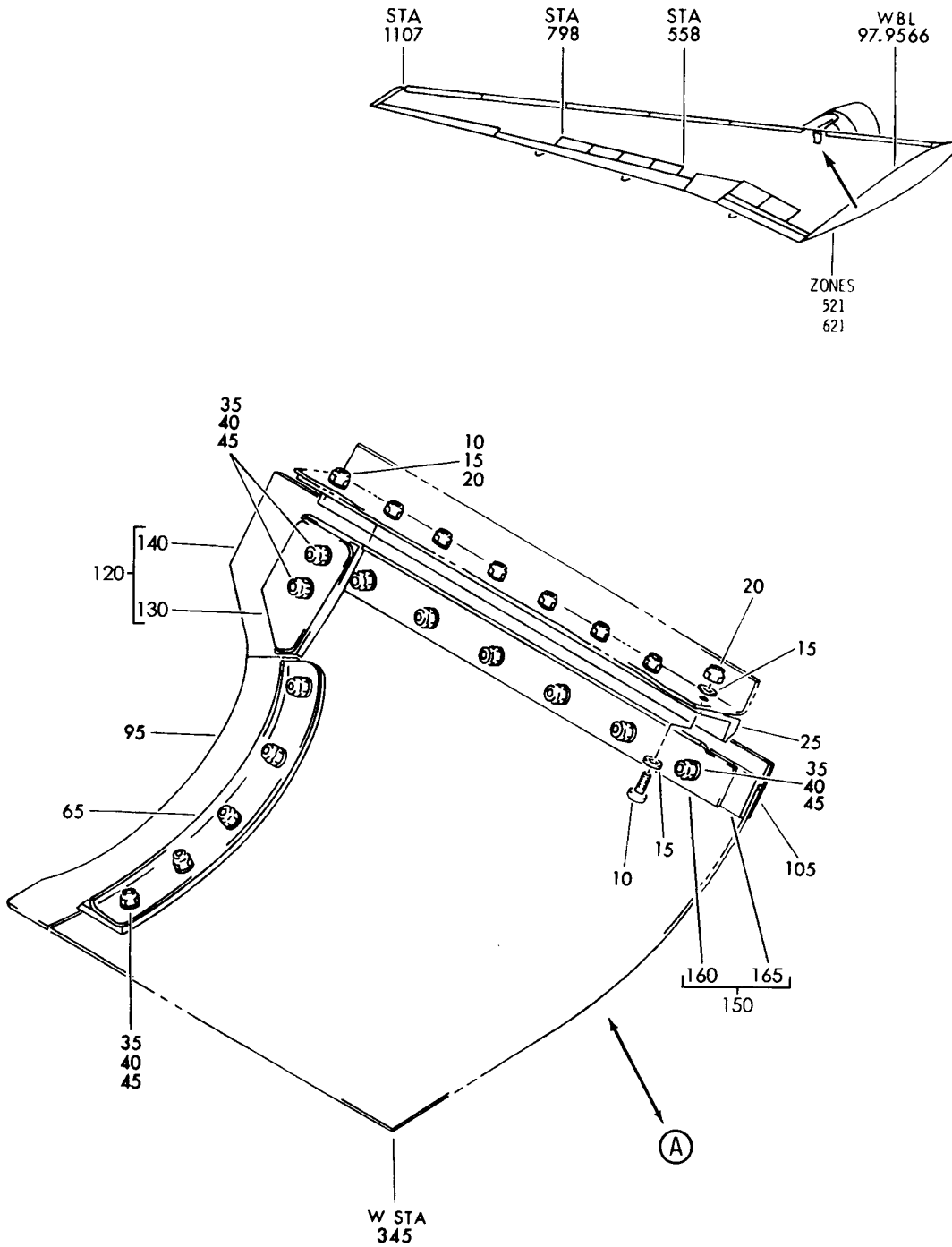
HXL

27-81-02-14

BOEING PROPRIETARY - Copyright © - Unpublished Work - See title page for details.

27-81-02
FIG. 14
PAGE 12
AUG 22/09

BOEING
767
PARTS CATALOG (MAINTENANCE)



V 27810301 SHT 1 REV 208

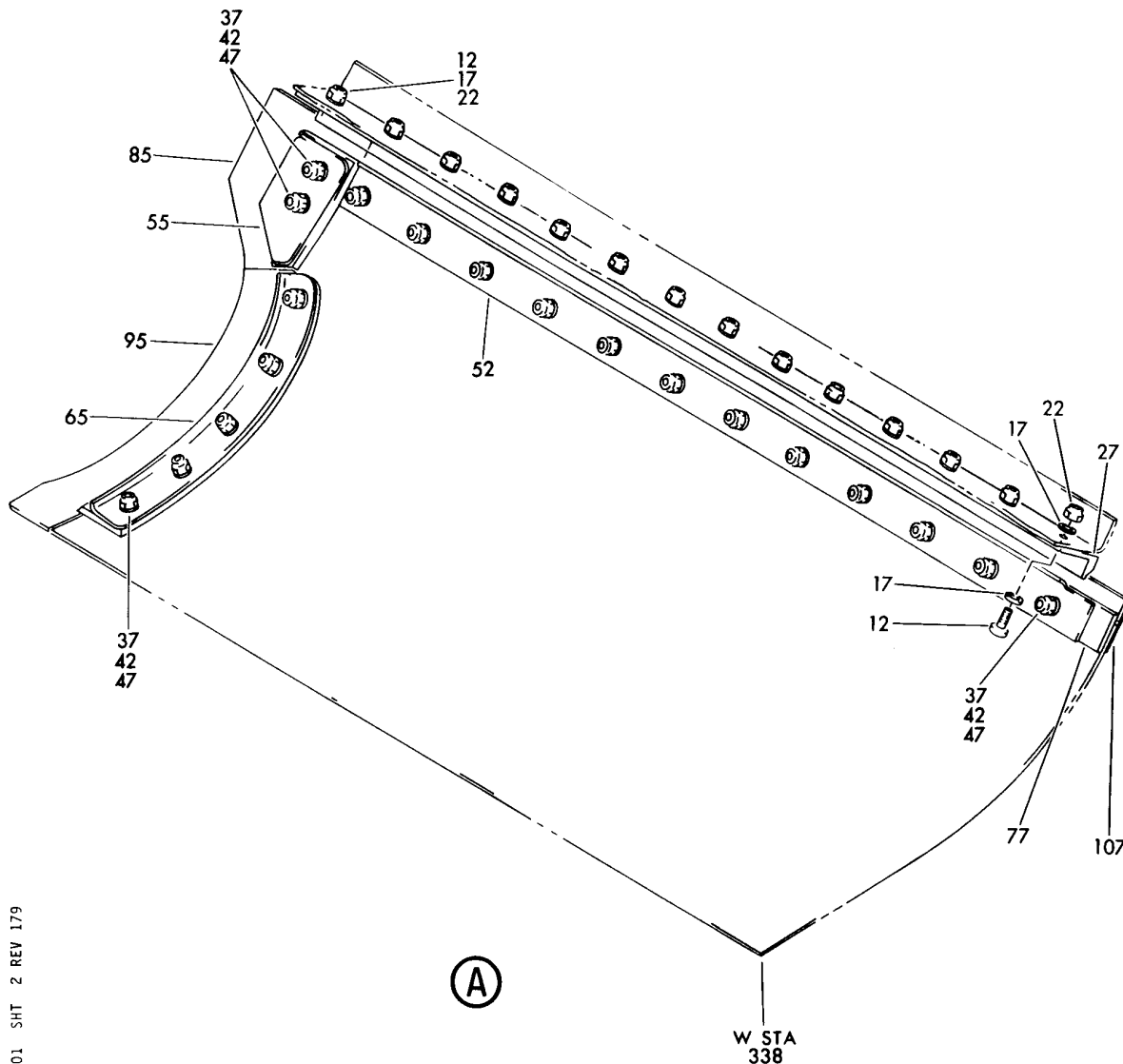
SEAL INSTL-FXD LE AT NAC KRUEGER
FIGURE 1 (SHEET 1)

27-81-03-01

HXL
DEC 22/06

27-81-03-01
PAGE 0

BOEING
767
PARTS CATALOG (MAINTENANCE)



V 27810301 SHT 2 REV 179

SEAL INSTL-FXD LE AT NAC KRUEGER
FIGURE 1 (SHEET 2)

27-81-03-01

HXL
DEC 22/06

27-81-03-01
PAGE 0A



767

PARTS CATALOG (MAINTENANCE)

FIG ITEM	PART NUMBER	1 2 3 4 5 6 7	NOMENCLATURE	EFFECT FROM TO	UNITS PER ASSY
1			SEAL INSTL-FXD LE AT NAC KRUEGER		
- 1	114T6320-1		SEAL INSTL-FXD LE AT NAC KRUEGER POSITION DATA: LH FOR SPARES PROCURE: 654T0513-843 FOR NHA SEE: 27-81-03-07		RF
- 5	114T6320-2		SEAL INSTL-FXD LE AT NAC KRUEGER POSITION DATA: RH FOR SPARES PROCURE: 654T0513-844 FOR NHA SEE: 27-81-03-07		RF
10	BACB30NT3K3		.BOLT		8
15	NAS620A10L		.WASHER		16
20	BRH10A3		.NUT- SUPPLIER CODE: V52828 SPECIFICATION NUMBER: BACN10JC3 OPTIONAL PART: H10-3BAC V15653 NS202101-02 V80539 RMLH9075-3W V72962 VN303A02 V92215 96-02 V80539 T6S1032J V11815		8
20	MS21042L3		.NUT-		8
25	114T6316-3		.FITTING- POSITION DATA: LH SIDE		1
- 30	114T6316-4		.FITTING- POSITION DATA: RH SIDE		1
35	BACB30NN3K5		.BOLT		13
40	BACW10P183AL		.WASHER		13

ILLUSTRATION ITEMS NOT ON PARTS LIST ARE NOT APPLICABLE

- ITEM NOT ILLUSTRATED

27-81-03-01

27-81-03
FIG. 01
PAGE 1
DEC 22/06

HXL

 **BOEING**
767
PARTS CATALOG (MAINTENANCE)

FIG ITEM	PART NUMBER	1 2 3 4 5 6 7	NOMENCLATURE	EFFECT FROM TO	UNITS PER ASSY
1					
45	BRH10A3		.NUT- SUPPLIER CODE: V52828 SPECIFICATION NUMBER: BACN10JC3 OPTIONAL PART: H10-3BAC V15653 NS202101-02 V80539 RMLH9075-3W V72962 VN303A02 V92215 96-02 V80539 T6S1032J V11815		13
45	MS21042L3		.NUT-		13
65	114T6319-5		.RETAINER- POSITION DATA: LH SIDE		1
- 70	114T6319-6		.RETAINER- POSITION DATA: RH SIDE		1
95	5673-455		.SEAL-FABRIC COVERED AERODYN SUPPLIER CODE: V11960 POSITION DATA: LH SIDE SPECIFICATION NUMBER: 10-60754-455 OPTIONAL PART: SF15-103-455 V50744 ARM5300 VK1406		1
ILLUSTRATION ITEMS NOT ON PARTS LIST ARE NOT APPLICABLE					

- ITEM NOT ILLUSTRATED

HXL

27-81-03-01

BOEING PROPRIETARY - Copyright © - Unpublished Work - See title page for details.

27-81-03
FIG. 01
PAGE 2
DEC 22/06



767

PARTS CATALOG (MAINTENANCE)

FIG ITEM	PART NUMBER	1 2 3 4 5 6 7	NOMENCLATURE	EFFECT FROM TO	UNITS PER ASSY
1					
- 100	5673-456		.SEAL-FABRIC COVERED AERODYN SUPPLIER CODE: V11960 POSITION DATA: RH SIDE SPECIFICATION NUMBER: 10-60754-456 OPTIONAL PART: SF15-103-456 V50744 ARM5301 VK1406		1
105	114T6322-3		.PLATE- POSITION DATA: LH SIDE		1
- 110	114T6322-4		.PLATE- POSITION DATA: RH SIDE		1
120	114T6320-15		.KIT ASSY-SUB POSITION DATA: LH SIDE OPTIONAL PART: 114T6320-16		1
120	114T6320-16		.KIT ASSY-SUB POSITION DATA: LH SIDE OPTIONAL PART: 114T6320-15		1
- 125	114T6320-19		.KIT ASSY-SUB POSITION DATA: RH SIDE OPTIONAL PART: 114T6320-20		1
- 125	114T6320-20		.KIT ASSY-SUB POSITION DATA: RH SIDE OPTIONAL PART: 114T6320-19		1
130	114T6319-11		..RETAINER- POSITION DATA: LH SIDE		1
- 135	114T6319-12		..RETAINER- POSITION DATA: RH SIDE		1

ILLUSTRATION ITEMS NOT ON PARTS LIST ARE NOT APPLICABLE

- ITEM NOT ILLUSTRATED

27-81-03-01

27-81-03
FIG. 01
PAGE 3
DEC 22/06

HXL

BOEING PROPRIETARY - Copyright © - Unpublished Work - See title page for details.

BOEING
767
PARTS CATALOG (MAINTENANCE)

FIG ITEM	PART NUMBER	1 2 3 4 5 6 7	NOMENCLATURE	EFFECT FROM TO	UNITS PER ASSY
1 140	5673-453		..SEAL-FABRIC COVERED AERODYN SUPPLIER CODE: V11960 POSITION DATA: LH SIDE SPECIFICATION NUMBER: 10-60754-453		1
140	800-725		..SEAL-FABRIC COVERED AERODYN SUPPLIER CODE: V07096 POSITION DATA: LH SIDE SPECIFICATION NUMBER: 10-60754-725 OPTIONAL PART: 5673-725 V11960 ARM5333 VK1406		1
140	ARM5333		..SEAL- SUPPLIER CODE: VK1406 POSITION DATA: LH SIDE SPECIFICATION NUMBER: 10-60754-725 OPTIONAL PART: 5673-725 V11960 800-725 V07096		1
- 145	5673-454		..SEAL-FABRIC COVERED AERODYN SUPPLIER CODE: V11960 POSITION DATA: RH SIDE SPECIFICATION NUMBER: 10-60754-454		1

ILLUSTRATION ITEMS NOT ON PARTS LIST ARE NOT APPLICABLE

- ITEM NOT ILLUSTRATED

HXL

27-81-03-01

BOEING PROPRIETARY - Copyright © - Unpublished Work - See title page for details.

27-81-03
FIG. 01
PAGE 4
DEC 22/06



767

PARTS CATALOG (MAINTENANCE)

FIG ITEM	PART NUMBER	1 2 3 4 5 6 7	NOMENCLATURE	EFFECT FROM TO	UNITS PER ASSY
1 - 145	800-726		..SEAL-FABRIC COVERED AERODYN SUPPLIER CODE: V07096 POSITION DATA: RH SIDE SPECIFICATION NUMBER: 10-60754-726 OPTIONAL PART: 5673-726 V11960 ARM5334 VK1406 OPTIONAL PART: 5673-458 V11960		1
- 145	5673-458		..SEAL-FABRIC COVERED AERODYN SUPPLIER CODE: V11960 POSITION DATA: RH SIDE SPECIFICATION NUMBER: 10-60754-458 OPTIONAL PART: 800-726 V07060 5673-728 V11960		1
- 145	ARM5334		..SEAL- SUPPLIER CODE: VK1406 POSITION DATA: RH SIDE SPECIFICATION NUMBER: 10-60754-726 OPTIONAL PART: 5673-726 V11960 800-726 V07096		1

ILLUSTRATION ITEMS NOT ON PARTS LIST ARE NOT APPLICABLE

- ITEM NOT ILLUSTRATED

HXL

27-81-03-01

BOEING PROPRIETARY - Copyright © - Unpublished Work - See title page for details.

27-81-03
FIG. 01
PAGE 5
DEC 22/06



767

PARTS CATALOG (MAINTENANCE)

FIG ITEM	PART NUMBER	1 2 3 4 5 6 7	NOMENCLATURE	EFFECT FROM TO	UNITS PER ASSY
1					
- 145	5673-728		..SEAL-FABRIC COVERED AERODYN SUPPLIER CODE: V11960 POSITION DATA: RH SIDE SPECIFICATION NUMBER: 10-60754-728 OPTIONAL PART: 5673-458 V11960		1
150	114T6320-17		.KIT ASSY-SUB POSITION DATA: LH SIDE OPTIONAL PART: 114T6320-18		1
150	114T6320-18		.KIT ASSY-SUB POSITION DATA: LH SIDE OPTIONAL PART: 114T6320-17		1
- 155	114T6320-21		.KIT ASSY-SUB POSITION DATA: RH SIDE OPTIONAL PART: 114T6320-22		1
- 155	114T6320-22		.KIT ASSY-SUB POSITION DATA: RH SIDE OPTIONAL PART: 114T6320-21		1
160	114T6319-1		..RETAINER- USED ON: 114T6320-17 114T6320-21		1
160	114T6319-9		..RETAINER- USED ON: 114T6320-18 114T6320-22		1

ILLUSTRATION ITEMS NOT ON PARTS LIST ARE NOT APPLICABLE

- ITEM NOT ILLUSTRATED

HXL

27-81-03-01

BOEING PROPRIETARY - Copyright © - Unpublished Work - See title page for details.

27-81-03
FIG. 01
PAGE 6
DEC 22/06



**767
PARTS CATALOG (MAINTENANCE)**

FIG ITEM	PART NUMBER	1 2 3 4 5 6 7	NOMENCLATURE	EFFECT FROM TO	UNITS PER ASSY
1 165	91B10272-1		..SEAL-FABRIC COVERED AERODYN SUPPLIER CODE: V60980 POSITION DATA: LH SIDE SPECIFICATION NUMBER: 10-60754-727 QUALIFIED I/W DATA: SF15-103-771 MAY REPLACE 5673-727 FOR CF6-80C2 ENGINE CONFIGURATION OPTIONAL PART: 5673-727 V11960 ARM5452 VK1406 OPTIONAL PART: ARM5432 VK1406 USED ON: 114T6320-18		1
165	ARM5452		..SEAL-FABRIC COVERED AERODYN SUPPLIER CODE: VK1406 POSITION DATA: LH SIDE SPECIFICATION NUMBER: 10-60754-727 OPTIONAL PART: 5673-727 V11960 91B10272-1 V60980 USED ON: 114T6320-18		1

ILLUSTRATION ITEMS NOT ON PARTS LIST ARE NOT APPLICABLE

— ITEM NOT ILLUSTRATED

HXL

27-81-03-01

BOEING PROPRIETARY - Copyright © - Unpublished Work - See title page for details.

27-81-03
FIG. 01
PAGE 7
DEC 22/06



767

PARTS CATALOG (MAINTENANCE)

FIG ITEM	PART NUMBER	1 2 3 4 5 6 7	NOMENCLATURE	EFFECT FROM TO	UNITS PER ASSY
1 165	ARM5432		..SEAL-FABRIC COVERED AERODYN SUPPLIER CODE: VK1406 POSITION DATA: LH SIDE SPECIFICATION NUMBER: 10-60754-2 OPTIONAL PART: 91B10272-1 V30890 5287000020 V91234 USED ON: 114T6320-18		1
165	5287000020		..SEAL-FABRIC COVERED AERODYN SUPPLIER CODE: V91234 POSITION DATA: LH SIDE OPTIONAL PART: ARM5432 VK1406		1
- 170	10-60754-728		..SEAL-FABRIC COVERED AERODYN POSITION DATA: RH SIDE USED ON: 114T6320-22		1
- 170	10-60754-458		..SEAL-FABRIC COVERED AERODYN SUPPLIER CODE: V81205 POSITION DATA: LH SIDE USED ON: 114T6320-21		1

ILLUSTRATION ITEMS NOT ON PARTS LIST ARE NOT APPLICABLE

- ITEM NOT ILLUSTRATED

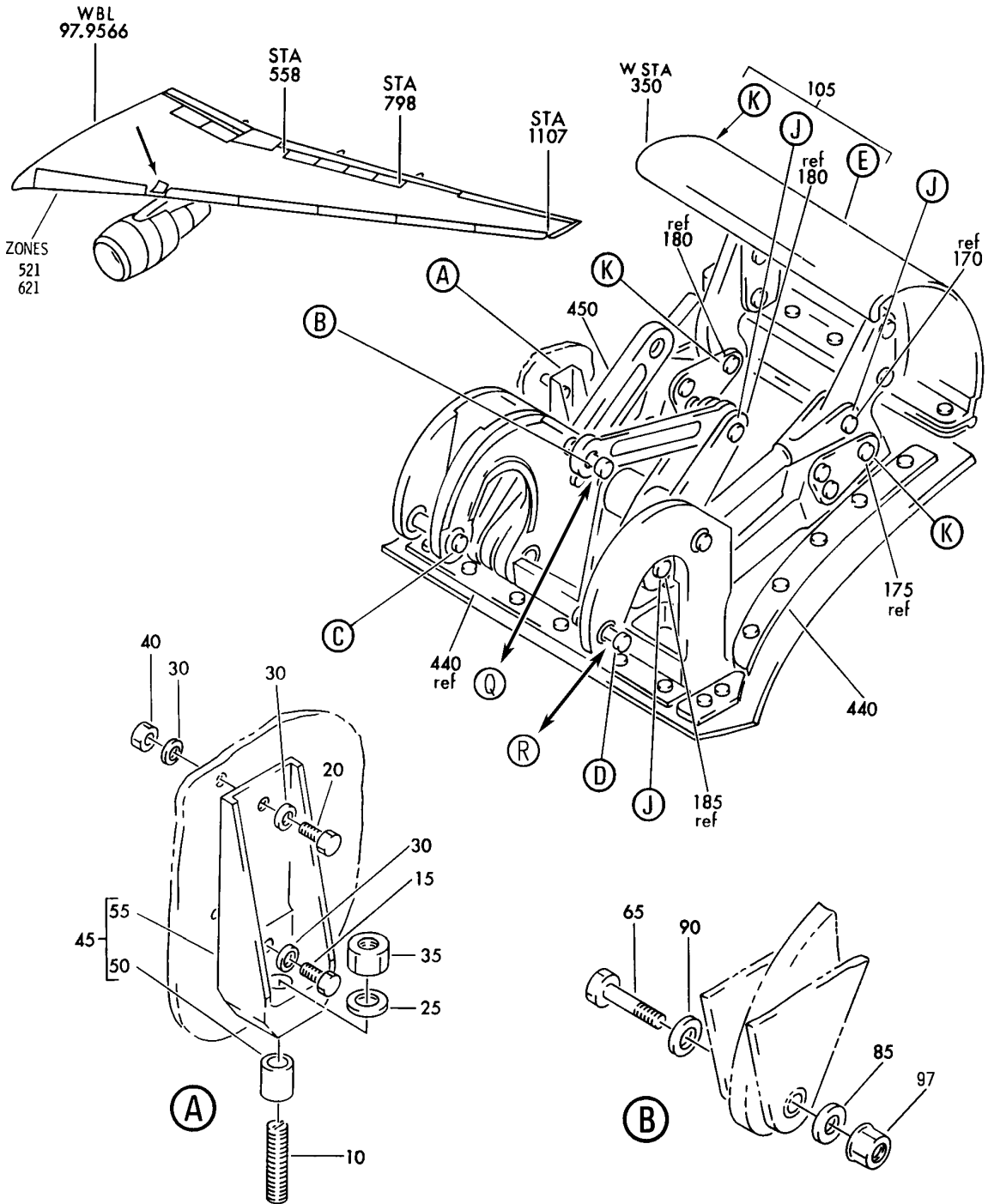
HXL

27-81-03-01

BOEING PROPRIETARY - Copyright © - Unpublished Work - See title page for details.

27-81-03
FIG. 01
PAGE 8
DEC 22/06

BOEING
767
PARTS CATALOG (MAINTENANCE)



V 27810307 SHT 1 REV 339

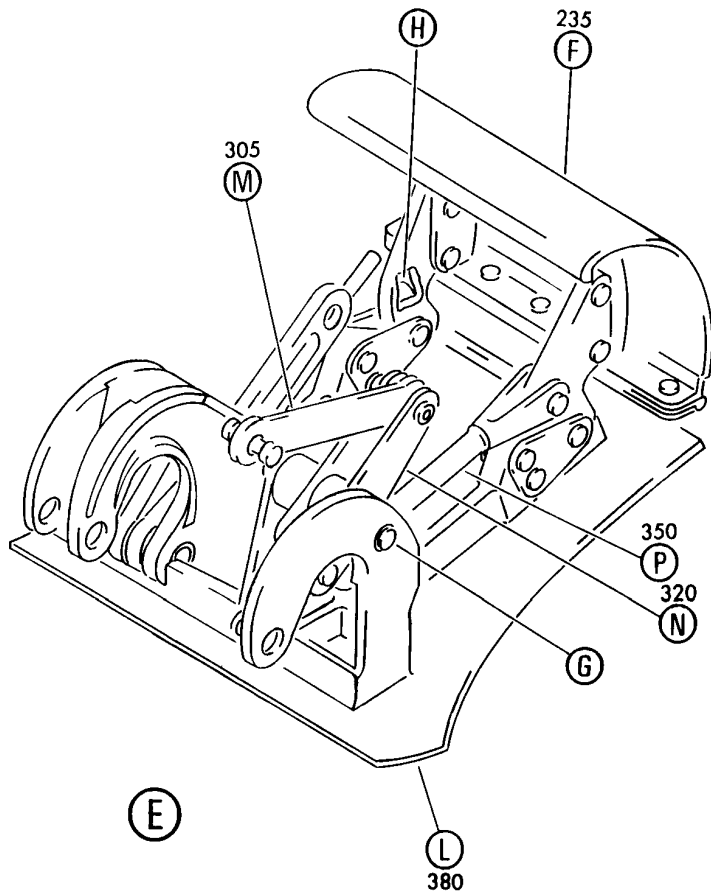
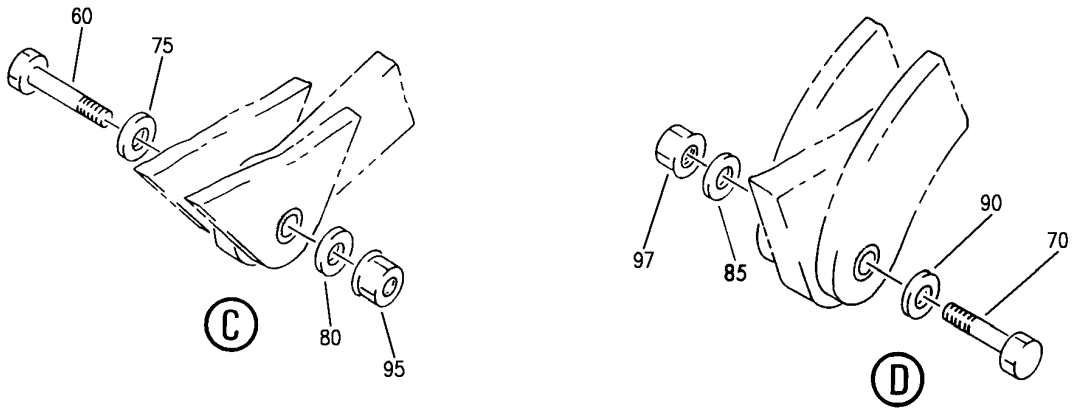
SEAL INSTL-FXD LE AT NAC KRUEGER
FIGURE 7 (SHEET 1)

27-81-03-07

HXL
APR 22/09

27-81-03-07
PAGE 0

BOEING
767
PARTS CATALOG (MAINTENANCE)



V 27810307 SHT 2 REV 339

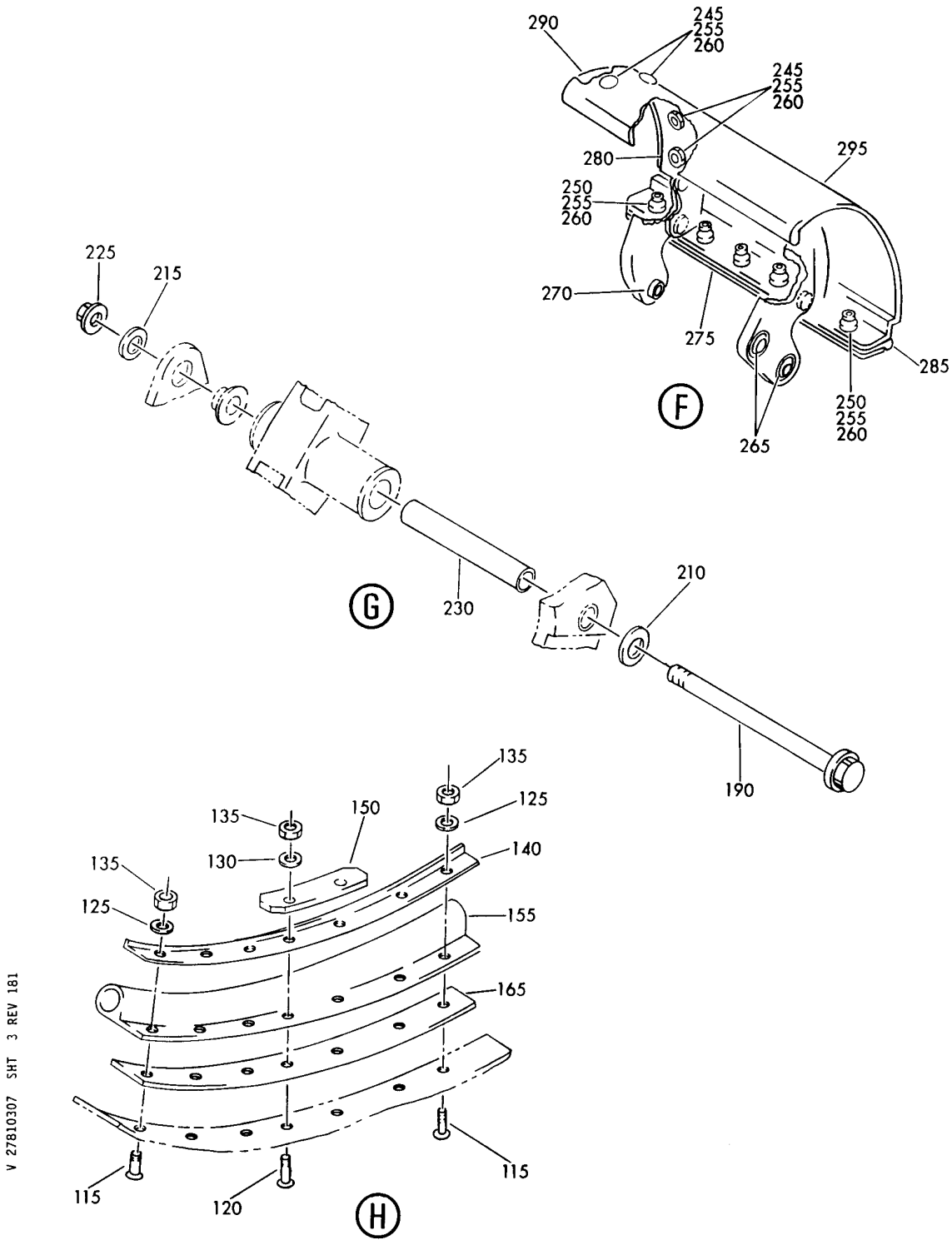
SEAL INSTL-FXD LE AT NAC KRUEGER
FIGURE 7 (SHEET 2)

27-81-03-07

HXL
APR 22/09

27-81-03-07
PAGE 0A

BOEING
767
PARTS CATALOG (MAINTENANCE)



V 27810307 SHT 3 REV 181

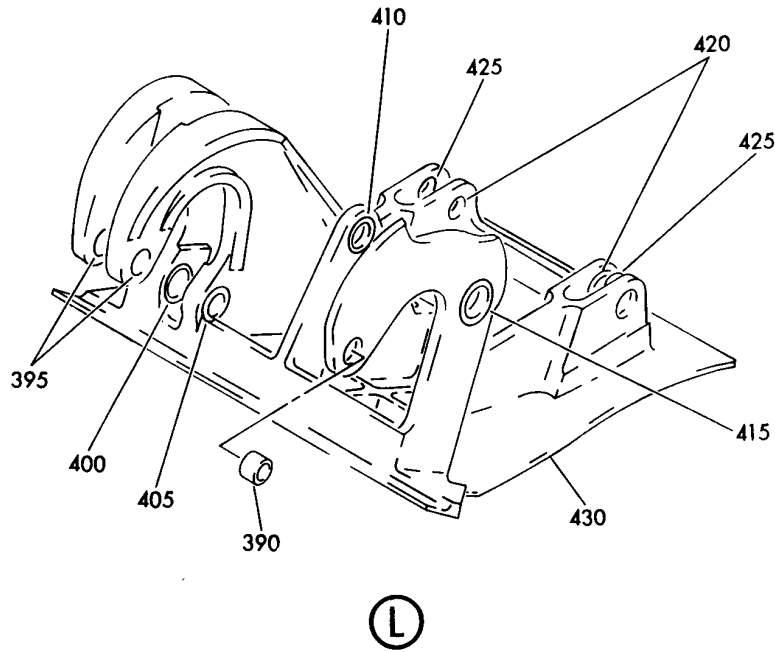
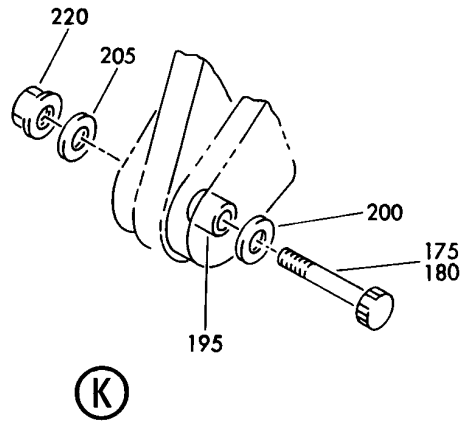
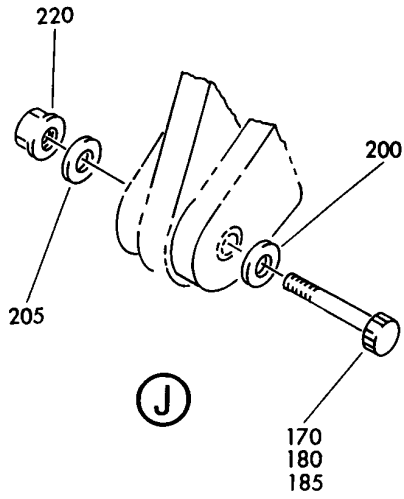
SEAL INSTL-FXD LE AT NAC KRUEGER
FIGURE 7 (SHEET 3)

27-81-03-07

HXL
DEC 22/06

27-81-03-07
PAGE 0B

BOEING
767
PARTS CATALOG (MAINTENANCE)



V 27810307 SHT 4 REV 181

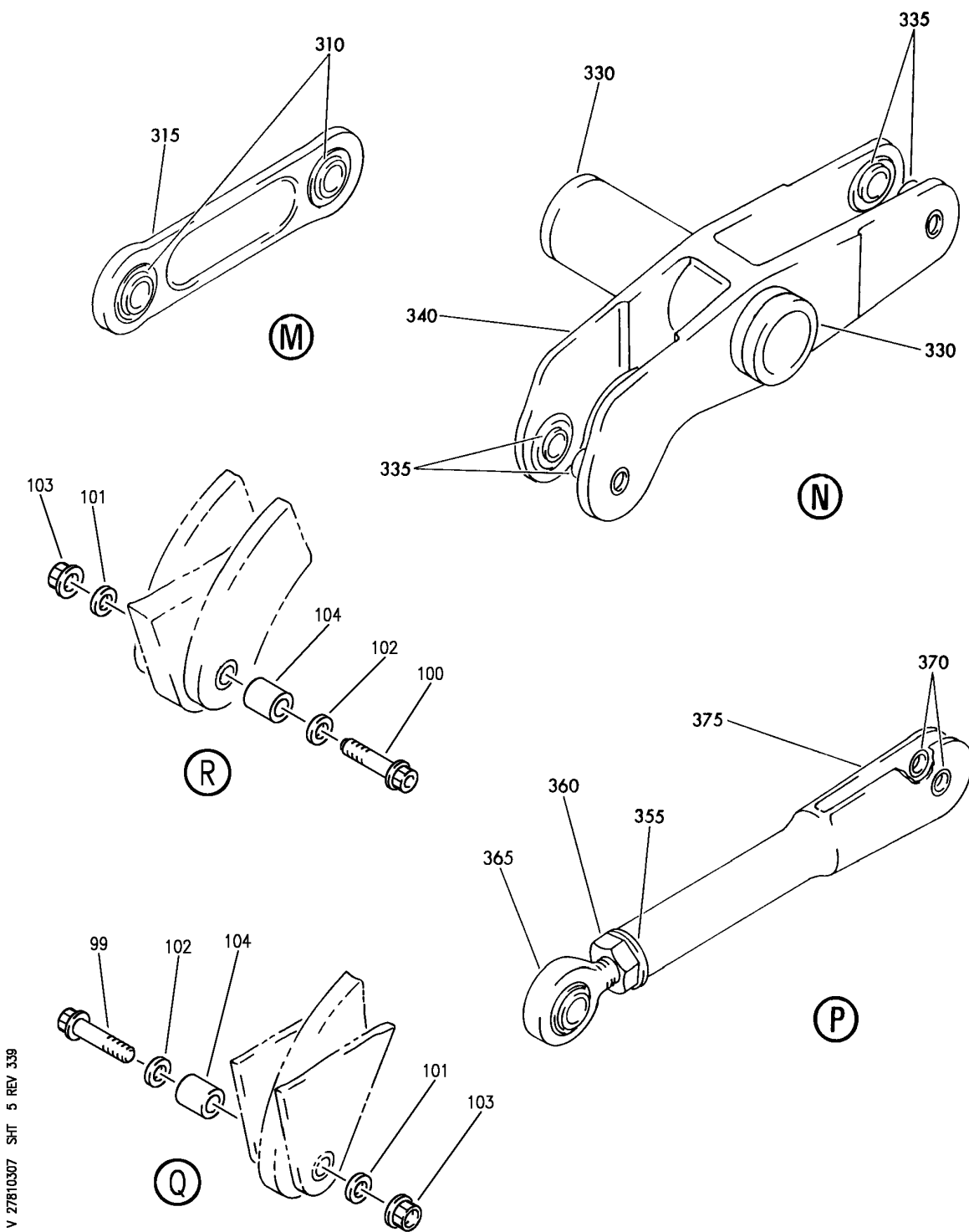
SEAL INSTL-FXD LE AT NAC KRUEGER
FIGURE 7 (SHEET 4)

27-81-03-07

HXL
DEC 22/06

27-81-03-07
PAGE 0C

BOEING
767
PARTS CATALOG (MAINTENANCE)



V 27810307 SHT 5 REV 339

SEAL INSTL-FXD LE AT NAC KRUEGER
FIGURE 7 (SHEET 5)

27-81-03-07

HXL
APR 22/09

27-81-03-07
PAGE 0D



767

PARTS CATALOG (MAINTENANCE)

FIG ITEM	PART NUMBER	1 2 3 4 5 6 7	NOMENCLATURE	EFFECT FROM TO	UNITS PER ASSY
7			SEAL INSTL-FXD LE AT NAC KRUEGER		
- 1	114T6300-1		SEAL INSTL-FXD LE AT NAC KRUEGER POSITION DATA: LH VARIABLE DRAWING REF: 114T6300-5015 FOR NHA SEE: 57-00-00-01A		RF
- 5	114T6300-2		SEAL INSTL-FXD LE AT NAC KRUEGER POSITION DATA: RH VARIABLE DRAWING REF: 114T6300-5016 FOR NHA SEE: 57-00-00-01A		RF
10	114T6317-1		.SCREW		1
15	BACB30NM3K7		.BOLT		1
20	BACB30NM3K4		.BOLT		1
25	AN960PD516		.WASHER		1
30	BACW10P183AL		.WASHER		3
35	NAS509-5C		.NUT		1
40	BRH10A3		.NUT		1
			SUPPLIER CODE: V52828 SPECIFICATION NUMBER: BACN10JC3 OPTIONAL PART: H10-3BAC V15653 NS202101-02 V80539 RMLH9075-3W V72962 VN303A02 V92215 96-02 V80539 T6S1032J V11815		
45	114T6314-3		.FITTING ASSY- OPTIONAL PART: 114T6344-1		1
45	114T6344-1		.FITTING ASSY- OPTIONAL PART: 114T6314-3		1
50	NAS1394-5L		..INSERT		1

ILLUSTRATION ITEMS NOT ON PARTS LIST ARE NOT APPLICABLE

- ITEM NOT ILLUSTRATED

27-81-03-07

27-81-03
FIG. 07
PAGE 1
DEC 22/07

HXL

BOEING PROPRIETARY - Copyright © - Unpublished Work - See title page for details.



767

PARTS CATALOG (MAINTENANCE)

FIG ITEM	PART NUMBER	1 2 3 4 5 6 7	NOMENCLATURE	EFFECT FROM TO	UNITS PER ASSY
7					
55	114T6314-4	..	FITTING- USED ON: 114T6314-3		1
55	114T6344-2	..	FITTING- USED ON: 114T6344-1		1
60	BACB30MR5K17	.BOLT-	OPTIONAL PART: BACB30LE5U17		1
60	BACB30LE5U17	.BOLT-	OPTIONAL PART: BACB30MR5K17		1
65	BACB30LT4U13	.BOLT			1
70	BACB30LT4U15	.BOLT			1
75	BACW10BP5AC	.WASHER			1
80	BACW10BP5AP	.WASHER			1
85	BACW10BP4AP	.WASHER			2
90	BACW10BP4AC	.WASHER			2
95	NAS1805-5	.NUT			1
97	NAS1805-4	.NUT-			2
105	114T6301-49	.SEAL ASSY-	POSITION DATA: LH SIDE COMPONENT MAINT MANUAL REF: 27-81-91 QUALIFIED I/W DATA: -13SP, -53 I/W -49 SUBJECT TO COLOR PREFERENCE 13SP, -53 I/W -49 SUBJECT TO COLOR PREFERENCE		1
105	114T6301-57	.SEAL ASSY-	POSITION DATA: LH SIDE COMPONENT MAINT MANUAL REF: 27-81-91 QUALIFIED I/W DATA: -59 I/W -57 SUBJECT TO CUSTOMERS COLOR PREFERENCE		1

ILLUSTRATION ITEMS NOT ON PARTS LIST ARE NOT APPLICABLE

- ITEM NOT ILLUSTRATED

HXL

27-81-03-07

BOEING PROPRIETARY - Copyright © - Unpublished Work - See title page for details.

27-81-03
FIG. 07
PAGE 2
APR 22/09



767

PARTS CATALOG (MAINTENANCE)

FIG ITEM	PART NUMBER	1 2 3 4 5 6 7	NOMENCLATURE	EFFECT FROM TO	UNITS PER ASSY
7 105	114T6301-65G	.	SEAL ASSY- POSITION DATA: LH SIDE COMPONENT MAINT MANUAL REF: 27-81-91 QUALIFIED I/W DATA: 114T6301-63 IS INTERCHANGEABLE WITH 114T6301-65SP SUBJECT TO CUSTOMER COLOR PREFERENCE		1
- 110	114T6301-50	.	SEAL ASSY- POSITION DATA: RH SIDE COMPONENT MAINT MANUAL REF: 27-81-91 QUALIFIED I/W DATA: -54 I/W -50 SUBJECT TO COLOR PREFERENCE		1
- 110	114T6301-58	.	SEAL ASSY- POSITION DATA: RH SIDE COMPONENT MAINT MANUAL REF: 27-81-91 QUALIFIED I/W DATA: -60 I/W -58 SUBJECT TO CUSTOMERS COLOR PREFERENCE		1
- 110	114T6301-66G	.	SEAL ASSY- POSITION DATA: RH SIDE COMPONENT MAINT MANUAL REF: 27-81-91 QUALIFIED I/W DATA: 114T6301-64 IS INTERCHANGEABLE WITH 114T6301-66SP SUBJECT TO CUSTOMER COLOR PREFERENCE		1
115	BACB30NN3K4	..	BOLT		5
120	BACB30NN3K7	..	BOLT		2
125	AN960PD10L	..	WASHER		5
130	AN960C10L	..	WASHER		2

ILLUSTRATION ITEMS NOT ON PARTS LIST ARE NOT APPLICABLE

- ITEM NOT ILLUSTRATED

27-81-03-07

27-81-03
FIG. 07
PAGE 3
APR 22/09

HXL

BOEING
767
PARTS CATALOG (MAINTENANCE)

FIG ITEM	PART NUMBER	1 2 3 4 5 6 7	NOMENCLATURE	EFFECT FROM TO	UNITS PER ASSY
7 135	BRH10A3	..	NUT SUPPLIER CODE: V52828 SPECIFICATION NUMBER: BACN10JC3 OPTIONAL PART: H10-3BAC V15653 NS202101-02 V80539 RMLH9075-3W V72962 VN303A02 V92215 96-02 V80539 T6S1032J V11815		7
140	114T6307-3	..	RETAINER- POSITION DATA: LH SIDE		1
- 145	114T6307-4	..	RETAINER- POSITION DATA: RH SIDE		1
150	114T6307-5	..	RETAINER		1
155	114T6313-3	..	SEAL- POSITION DATA: LH SIDE MANUFACTURED FROM: EXTR RUBBER 10-60754-130 8.50 IN. SPARES ORDER MATERIAL CODE: 5287001300		1
- 160	114T6313-4	..	SEAL- POSITION DATA: RH SIDE MANUFACTURED FROM: EXTR RUBBER 10-60754-130 8.50 IN. SPARES ORDER MATERIAL CODE: 5287001300		1
165	114T6313-5	..	SEAL- MANUFACTURED FROM: EXTR RUBBER 10-60754-76 8.60 IN. SPARES ORDER MATERIAL CODE: 5287000760		1
170	BACB30LT4U12	..	BOLT		1
170	BACB30LT4U13	..	BOLT		1

R
R
R
R
R
R
R
R
R
R
R
R
R
R
R
R
R
R
R
R
R
R

- ITEM NOT ILLUSTRATED

ILLUSTRATION ITEMS NOT ON PARTS LIST ARE NOT APPLICABLE

27-81-03-07

27-81-03
FIG. 07
PAGE 4
AUG 22/09

HXL



767

PARTS CATALOG (MAINTENANCE)

FIG ITEM	PART NUMBER	1 2 3 4 5 6 7	NOMENCLATURE	EFFECT FROM TO	UNITS PER ASSY
7					
175	BACB30LT4U13	..	BOLT		1
180	BACB30LT4U14	..	BOLT		2
185	BACB30LT4U15	..	BOLT		1
190	BACB30MR5K55	..	BOLT-		1
195	BACB28AK04-022	..	BUSHING		2
200	BACW10BP4AC	..	WASHER		5
205	BACW10BP4AP	..	WASHER		5
210	BACW10BP5AC	..	WASHER		1
215	BACW10BP5AP	..	WASHER		1
220	NAS1805-4N	..	NUT		5
225	NAS1805-5	..	NUT		1
230	114T6409-9	..	SLEEVE		1
235	114T6324-1	..	BULLNOSE ASSY- POSITION DATA: LH SIDE QUALIFIED I/W DATA: 114T6334-1 MAY REPLACE 114T6324-1 FOR CF6-80C2 ENGINE CONFIGURATION -11 I/W -1 SUBJECT TO COLOR PREFERENCE		1
- 240	114T6324-2	..	BULLNOSE ASSY- POSITION DATA: RH SIDE QUALIFIED I/W DATA: 114T6334-2 MAY REPLACE 114T6324-2 FOR CF6-80C2 ENGINE CONFIGURATION -12 I/W -2 SUBJECT TO COLOR PREFERENCE		1
245	BACB30NN3K4	...	BOLT		4
250	BACB30NT3K3	...	BOLT		5
255	NAS1149D0316W	...	WASHER		9

ILLUSTRATION ITEMS NOT ON PARTS LIST ARE NOT APPLICABLE

- ITEM NOT ILLUSTRATED

27-81-03-07

27-81-03
FIG. 07
PAGE 5
AUG 22/09

HXL

BOEING PROPRIETARY - Copyright © - Unpublished Work - See title page for details.



767

PARTS CATALOG (MAINTENANCE)

FIG ITEM	PART NUMBER	1 2 3 4 5 6 7	NOMENCLATURE	EFFECT FROM TO	UNITS PER ASSY
7 260	BRH10A3		...NUT SUPPLIER CODE: V52828 SPECIFICATION NUMBER: BACN10JC3 OPTIONAL PART: H10-3BAC V15653 NS202101-02 V80539 RMLH9075-3W V72962 VN303A02 V92215 96-02 V80539 T6S1032J V11815		9
265	ADB04V301NC		...BEARING SUPPLIER CODE: V15860 SPECIFICATION NUMBER: BACB10FB04GC OPTIONAL PART: KNDB04-70 V97613 KSC145700BZ04GC V50632 NES04FBGC V73134 HTFB04GC VS0352		2
270	HBRR284-045SP		...BUSHING- SUPPLIER CODE: V73134 SPECIFICATION NUMBER: S114T630-1 OPTIONAL PART: HBE284045SP V73134		1
270	HBE284045SP		...BUSHING- SUPPLIER CODE: V73134 SPECIFICATION NUMBER: S114T630-1 OPTIONAL PART: HBRR284-045SP V73134		1
275	114T6307-1		...PLATE		1

ILLUSTRATION ITEMS NOT ON PARTS LIST ARE NOT APPLICABLE

- ITEM NOT ILLUSTRATED

27-81-03-07

27-81-03
 FIG. 07
 PAGE 6
 AUG 22/09

HXL

 **BOEING**
767
PARTS CATALOG (MAINTENANCE)

FIG ITEM	PART NUMBER	1 2 3 4 5 6 7	NOMENCLATURE	EFFECT FROM TO	UNITS PER ASSY
7					
280	114T6307-2	...	PLATE		1
285	114T6313-1	...	SEAL-		1
			MANUFACTURED FROM: EXTR RUBBER 10-60754-22 7.50 IN. SPARES ORDER MATERIAL CODE: 5287000220		
290	114T6313-2	...	SEAL-		1
			MANUFACTURED FROM: EXTR RUBBER 10-60754-76 4.60 IN. SPARES ORDER MATERIAL CODE: 5287000760		
295	114T6324-3	...	BULLNOSE-		1
			POSITION DATA: LH SIDE OPTIONAL PART: 114T6324-9		
295	114T6324-9	...	BULLNOSE-		1
			POSITION DATA: LH SIDE OPTIONAL PART: 114T6324-3		
- 300	114T6324-4	...	BULLNOSE-		1
			POSITION DATA: RH SIDE OPTIONAL PART: 114T6324-10		
- 300	114T6324-10	...	BULLNOSE-		1
			POSITION DATA: RH SIDE OPTIONAL PART: 114T6324-4		
305	114T6310-1	..	LINK ASSY		1
310	ADB04V301NC	...	BEARING		2
			SUPPLIER CODE: V15860 SPECIFICATION NUMBER: BACB10FB04GC OPTIONAL PART: KNDB04-70 V97613 KSC145700BZ04GC V50632 NES04FBGC V73134 HTFB04GC VS0352		
315	114T6310-2	...	LINK		1

ILLUSTRATION ITEMS NOT ON PARTS LIST ARE NOT APPLICABLE

- ITEM NOT ILLUSTRATED

HXL

27-81-03-07

BOEING PROPRIETARY - Copyright © - Unpublished Work - See title page for details.

27-81-03
FIG. 07
PAGE 7
AUG 22/09

 **BOEING**
767
PARTS CATALOG (MAINTENANCE)

FIG ITEM	PART NUMBER	1 2 3 4 5 6 7	NOMENCLATURE	EFFECT FROM TO	UNITS PER ASSY
7					
320	114T6323-1	..	LEVER ASSY- POSITION DATA: LH SIDE		1
320	114T6323-7	..	LEVER ASSY- POSITION DATA: LH SIDE USED ON: 114T6301-57		1
- 325	114T6323-2	..	LEVER ASSY- POSITION DATA: RH SIDE		1
- 325	114T6323-8	..	LEVER ASSY- POSITION DATA: RH SIDE USED ON: 114T6301-58		1
330	M81934-2-08A016	...	BEARING		2
335	BACB28AP04P012	...	BUSHING		4
340	114T6323-3	...	LEVER- POSITION DATA: LH SIDE USED ON: 114T6323-1		1
340	114T6323-9	...	LEVER- POSITION DATA: LH SIDE USED ON: 114T6323-7		1
- 345	114T6323-4	...	LEVER- POSITION DATA: RH SIDE USED ON: 114T6323-2		1
- 345	114T6323-10	...	LEVER- POSITION DATA: RH SIDE USED ON: 114T6323-8		1
350	114T6309-1	..	LINK ASSY-ADJUSTABLE		1
355	NAS513-5	...	WASHER		1
360	NAS509-5	...	NUT		1
365	M81935-1-4K	...	BEARING		1
370	BACB28AP04P011	...	BUSHING		2
375	114T6309-2	...	LINK		1
380	114T6326-19	..	DOOR ASSY- USED ON: 114T6301-49		1
ILLUSTRATION ITEMS NOT ON PARTS LIST ARE NOT APPLICABLE					

- ITEM NOT ILLUSTRATED

HXL

27-81-03-07

BOEING PROPRIETARY - Copyright © - Unpublished Work - See title page for details.

27-81-03
FIG. 07
PAGE 8
AUG 22/09

 **BOEING**
767
PARTS CATALOG (MAINTENANCE)

FIG ITEM	PART NUMBER	1 2 3 4 5 6 7	NOMENCLATURE	EFFECT FROM TO	UNITS PER ASSY
7 380	114T6326-41		.. DOOR ASSY- POSITION DATA: LH SIDE USED ON: 114T6301-57 114T6301-65G		1
- 385	114T6326-20		.. DOOR ASSY- USED ON: 114T6301-50		1
- 385	114T6326-42		.. DOOR ASSY- POSITION DATA: RH SIDE USED ON: 114T6301-58 114T6301-66G		1
390	HBRR284-045SP		... BUSHING- SUPPLIER CODE: V73134 SPECIFICATION NUMBER: S114T630-1 OPTIONAL PART: HBE284045SP V73134		1
390	HBE284045SP		... BUSHING- SUPPLIER CODE: V73134 SPECIFICATION NUMBER: S114T630-1 OPTIONAL PART: HBRR284-045SP V73134		1
395	BACB28AP05P024		... BUSHING		2
400	BACB28AT07B028C		... BUSHING		1
405	BACB28AP05P028		... BUSHING		1
410	BACB28AA5C022		... BUSHING		1
415	BACB28AP08P032		... BUSHING		1
420	BACB28AP04P009		... BUSHING		2
425	BACB28AT06B009A		... BUSHING		2
430	114T6326-11		... DOOR- USED ON: 114T6326-19		1
430	114T6326-33		... DOOR- USED ON: 114T6326-41		1
R R R - 435	114T6326-12		... DOOR- USED ON: 114T6326-20		1

ILLUSTRATION ITEMS NOT ON PARTS LIST ARE NOT APPLICABLE

- ITEM NOT ILLUSTRATED

HXL

27-81-03-07

BOEING PROPRIETARY - Copyright © - Unpublished Work - See title page for details.

27-81-03
FIG. 07
PAGE 9
AUG 22/09

BOEING
767
PARTS CATALOG (MAINTENANCE)

FIG ITEM	PART NUMBER	1 2 3 4 5 6 7	NOMENCLATURE	EFFECT FROM TO	UNITS PER ASSY
R R R	7 - 435	114T6326-34	...DOOR- USED ON: 114T6326-42		1
	440	114T6320-1	.SEAL INSTL- POSITION DATA: LH SIDE FOR SPARES PROCURE: 654T0513-843 V81205 FOR DETAILS SEE: 27-81-03-01		1
	- 445	114T6320-2	.SEAL INSTL- POSITION DATA: RH SIDE FOR SPARES PROCURE: 654T0513-844 V81205 FOR DETAILS SEE: 27-81-03-01		1
	450	114T6400-7	.MECHANISM INSTL- POSITION DATA: LH SIDE FOR DETAILS SEE: 27-81-23-05		1
	- 455	114T6400-8	.MECHANISM INSTL- POSITION DATA: RH SIDE FOR DETAILS SEE: 27-81-23-05		1

ILLUSTRATION ITEMS NOT ON PARTS LIST ARE NOT APPLICABLE

- ITEM NOT ILLUSTRATED

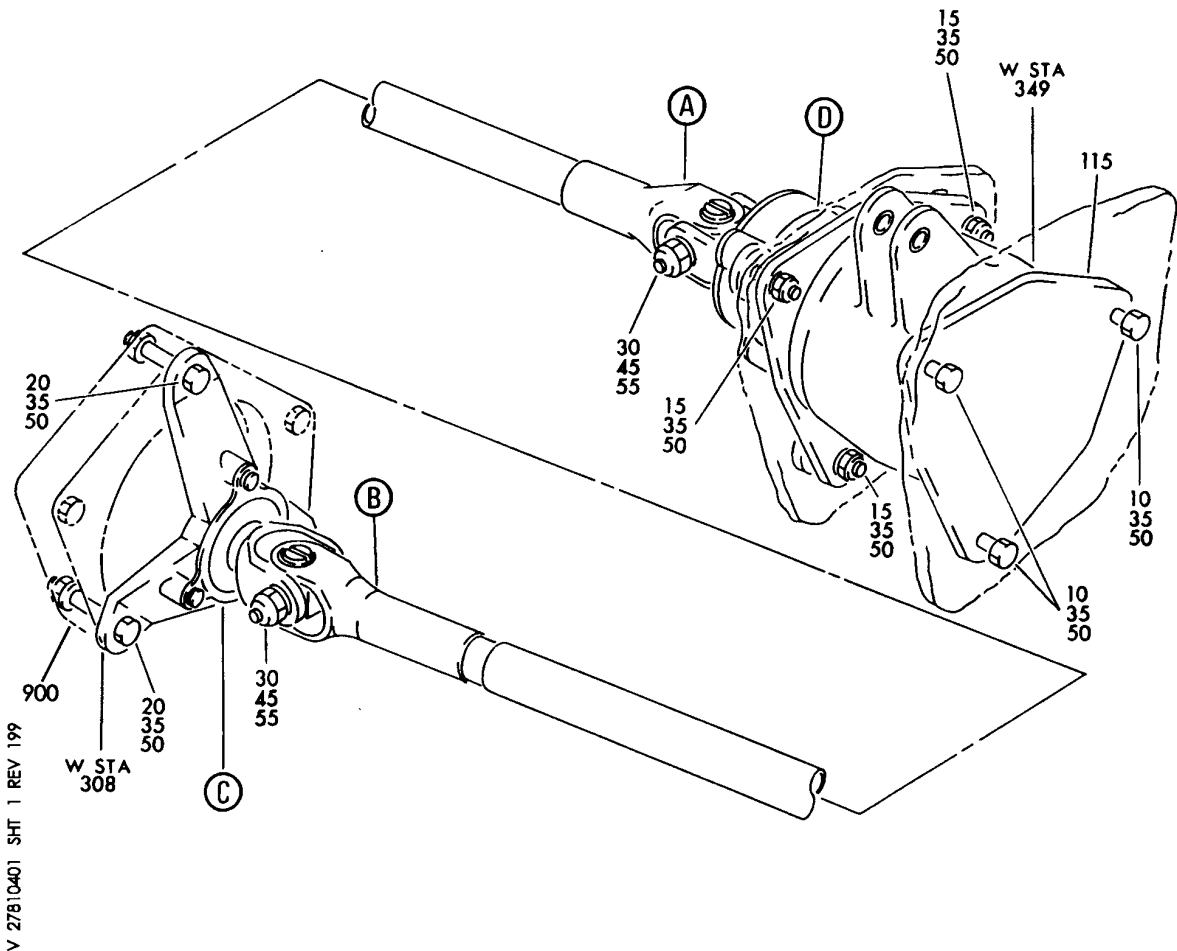
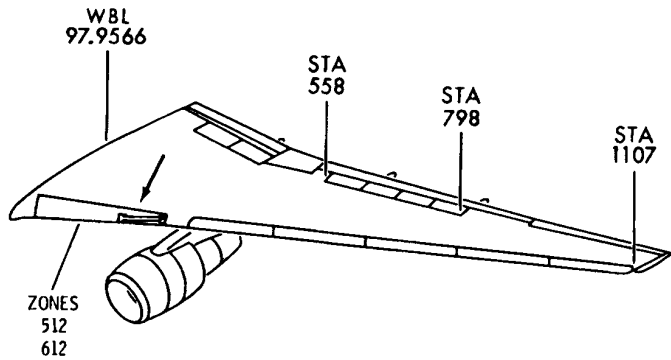
HXL

27-81-03-07

BOEING PROPRIETARY - Copyright © - Unpublished Work - See title page for details.

27-81-03
FIG. 07
PAGE 10
AUG 22/09

BOEING
767
PARTS CATALOG (MAINTENANCE)



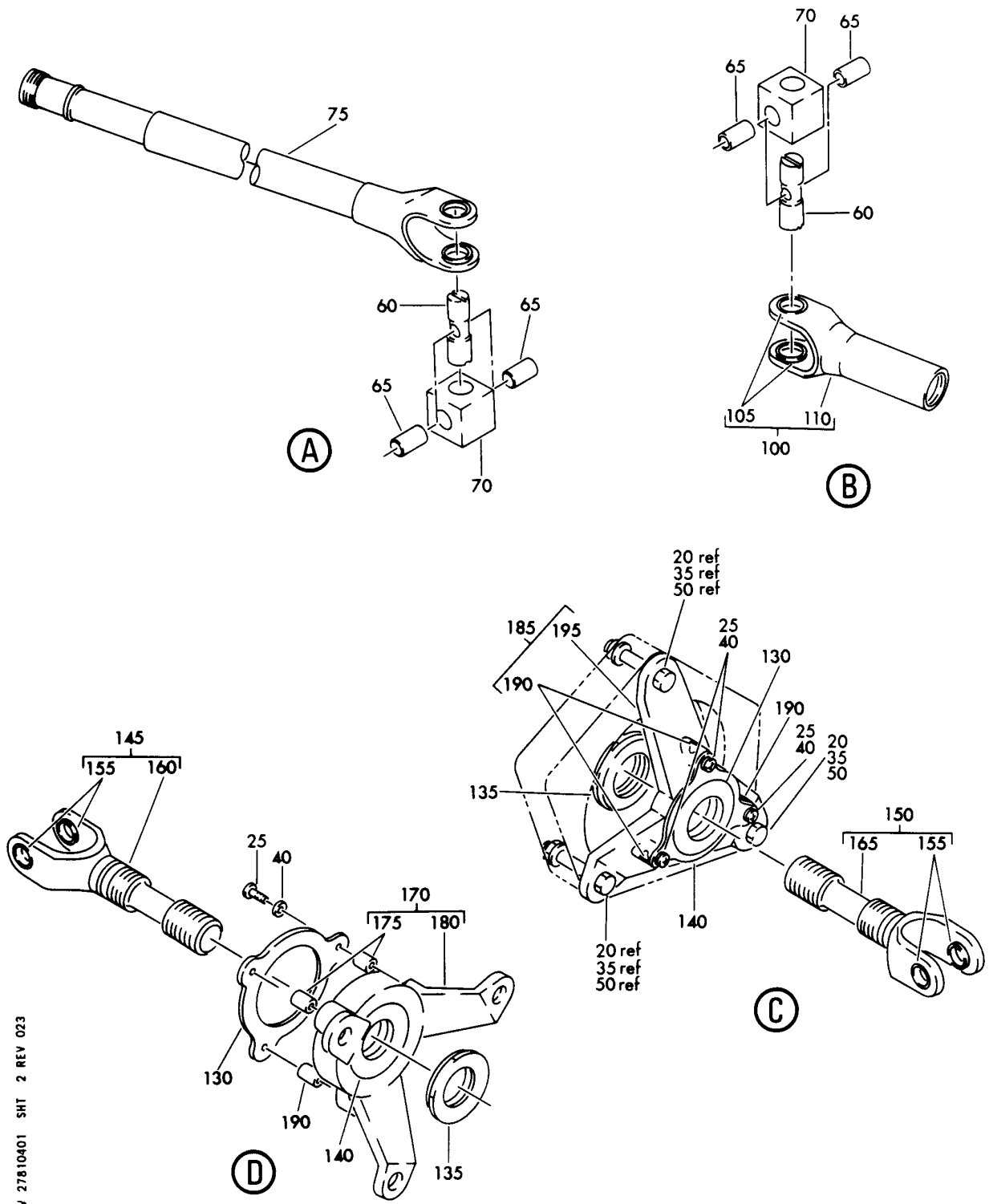
DRIVE INSTL-LE SLAT DRIVE KRUEGER SEAL FLAP
FIGURE 1 (SHEET 1)

27-81-04-01

HXL
DEC 22/06

27-81-04-01
PAGE 0

BOEING
767
PARTS CATALOG (MAINTENANCE)



V 27810401 SHT 2 REV 023

DRIVE INSTL-LE SLAT DRIVE KRUEGER SEAL FLAP
FIGURE 1 (SHEET 2)

27-81-04-01

HXL
DEC 22/06

27-81-04-01
PAGE 0A



767

PARTS CATALOG (MAINTENANCE)

FIG ITEM	PART NUMBER	1 2 3 4 5 6 7	NOMENCLATURE	EFFECT FROM TO	UNITS PER ASSY
1			DRIVE INSTL-LE SLAT DRIVE KRUEGER SEAL FLAP		
- 1	256T2850-3		DRIVE INSTL-LE SLAT DRIVE KRUEGER SEAL FLAP POSITION DATA: LH FOR NHA SEE: 27-81-42-05		RF
- 5	256T2850-4		DRIVE INSTL-LE SLAT DRIVE KRUEGER SEAL FLAP POSITION DATA: RH FOR NHA SEE: 27-81-42-05		RF
10	BACB30NR6K10		.BOLT		3
15	BACB30LT6-14		.BOLT		3
20	BACB30NR6K23		.BOLT		3
25	NAS603-10P		.SCREW		6
30	NAS6704-28		.BOLT		2
35	AN960PD616		.WASHER		9
40	AN960PD10		.WASHER		6
45	BACW10BP4PTU		.WASHER		2
50	BRH10A6		.NUT- SUPPLIER CODE: V52828 SPECIFICATION NUMBER: BACN10JC6 OPTIONAL PART: 96-064 V80539 RMLH9075-6 V72962 H10-6BAC V15653		9
50	PLH56CD		.NUT- SUPPLIER CODE: VF0224 SPECIFICATION NUMBER: BACN10YR6CD OPTIONAL PART: H52732-6CD V15653 BACN10JC6		9

ILLUSTRATION ITEMS NOT ON PARTS LIST ARE NOT APPLICABLE

- ITEM NOT ILLUSTRATED

HXL

27-81-04-01

BOEING PROPRIETARY - Copyright © - Unpublished Work - See title page for details.

27-81-04
FIG. 01
PAGE 1
DEC 22/08



767

PARTS CATALOG (MAINTENANCE)

FIG ITEM	PART NUMBER	1 2 3 4 5 6 7	NOMENCLATURE	EFFECT FROM TO	UNITS PER ASSY
1					
55	BRH10C4M	.	NUT SUPPLIER CODE: V52828 SPECIFICATION NUMBER: BACN10JC4CM OPTIONAL PART: T6C428JM V11815 97E48 V80539 109LH9075-4W V72962 VN303D048 V92215 H01-4BAC V15653 NS202101SE048 V80539		2
60	256T1118-1	.	PIN		2
65	256T1118-3	.	PIN		4
70	256T1108-1	.	BLOCK		2
75	256T2857-1	.	SHAFT ASSY-DRIVE COMPONENT MAINT MANUAL REF: 27-81-35		1
80	BACB28AR06A025A	..	BUSHING		2
100	256T2856-1	.	SLEEVE ASSY- OPTIONAL PART: 256T2856-3		1
100	256T2856-3	.	SLEEVE ASSY- OPTIONAL PART: 256T2856-1		1
105	BACB28AR06A025A	..	BUSHING		2
110	256T2856-2	..	SLEEVE- USED ON: 256T2856-1		1
110	256T2856-4	..	SLEEVE- USED ON: 256T2856-3		1
115	256T2120-6	.	ACTUATOR ASSY- COMPONENT MAINT MANUAL REF: 27-81-51		1
115	256T2120-4	.	ACTUATOR ASSY- COMPONENT MAINT MANUAL REF: 27-81-51		1
115	256T2120-10	.	ACTUATOR ASSY- COMPONENT MAINT MANUAL REF: 27-81-51 OPTIONAL PART: 256T2120-12		1

ILLUSTRATION ITEMS NOT ON PARTS LIST ARE NOT APPLICABLE

- ITEM NOT ILLUSTRATED

27-81-04-01

27-81-04
FIG. 01
PAGE 2
DEC 22/06

HXL



767

PARTS CATALOG (MAINTENANCE)

FIG ITEM	PART NUMBER	1 2 3 4 5 6 7	NOMENCLATURE	EFFECT FROM TO	UNITS PER ASSY
1					
115	256T2120-12	.	ACTUATOR ASSY- COMPONENT MAINT MANUAL REF: 27-81-51		1
115	256T5120-2	.	ACTUATOR ASSY- COMPONENT MAINT MANUAL REF: 27-81-54		1
117	256T2164-1	..	BEARING		2
119	AR145321	..	OMNISEAL- SUPPLIER CODE: V05939 USED ON: 256T2120-6 256T2120-10 256T2120-12		2
119	Q4043-366Y	..	SEAL- SUPPLIER CODE: V07322 USED ON: 256T2120-4		2
123	256T2163-1	..	BEARING		2
125	BACB28AM07B015A	..	BUSHING		1
127	BACB28AP05P014	..	BUSHING		1
130	256T2853-1	.	RETAINER		2
135	82631-1612	.	NUT SUPPLIER CODE: V56878 SPECIFICATION NUMBER: BACN10RF16 OPTIONAL PART: BR9080-16 V72962 SL2822-16 V97393		2

ILLUSTRATION ITEMS NOT ON PARTS LIST ARE NOT APPLICABLE

- ITEM NOT ILLUSTRATED

HXL

27-81-04-01

BOEING PROPRIETARY - Copyright © - Unpublished Work - See title page for details.

27-81-04
FIG. 01
PAGE 3
DEC 22/06



767

PARTS CATALOG (MAINTENANCE)

FIG ITEM	PART NUMBER	1 2 3 4 5 6 7	NOMENCLATURE	EFFECT FROM TO	UNITS PER ASSY
1 140	MKP16BSFS428	.	BEARING SUPPLIER CODE: V06144 SPECIFICATION NUMBER: BACB10AW16 OPTIONAL PART: MKP16BSE9273 V21335 MKP16BSTT V43991 MKP16BS2TS V43991 LLMKP16BS V38443 MKP16BSG20 V38443 MKP16BSSD610 V83086 MKP16BS007M V40920 MKP16BS V06144 MKP16BSFS428 V21335 MKP16BSNJC V06144		2
145	256T2854-2	.	SHAFT ASSY		1
150	256T2854-1	.	SHAFT ASSY		1
155	BACB28AR06A025A	..	BUSHING		2
160	256T2854-4	..	SHAFT- USED ON: 256T2854-2		1
165	256T2854-3	..	SHAFT- USED ON: 256T2854-1		1
170	256T2852-1	.	HOUSING ASSY		1
175	MS21209F1-15	..	INSERT		3
180	256T2852-2	..	HOUSING		1
185	256T2851-1	.	HOUSING ASSY		1
190	MS21209F1-15	..	INSERT		3
195	256T2851-2	..	HOUSING		1
900			ILLUSTRATION REFERENCE: GEARBOX INSTL-INBD LE SLAT 27-81-20-01		RF

ILLUSTRATION ITEMS NOT ON PARTS LIST ARE NOT APPLICABLE

- ITEM NOT ILLUSTRATED

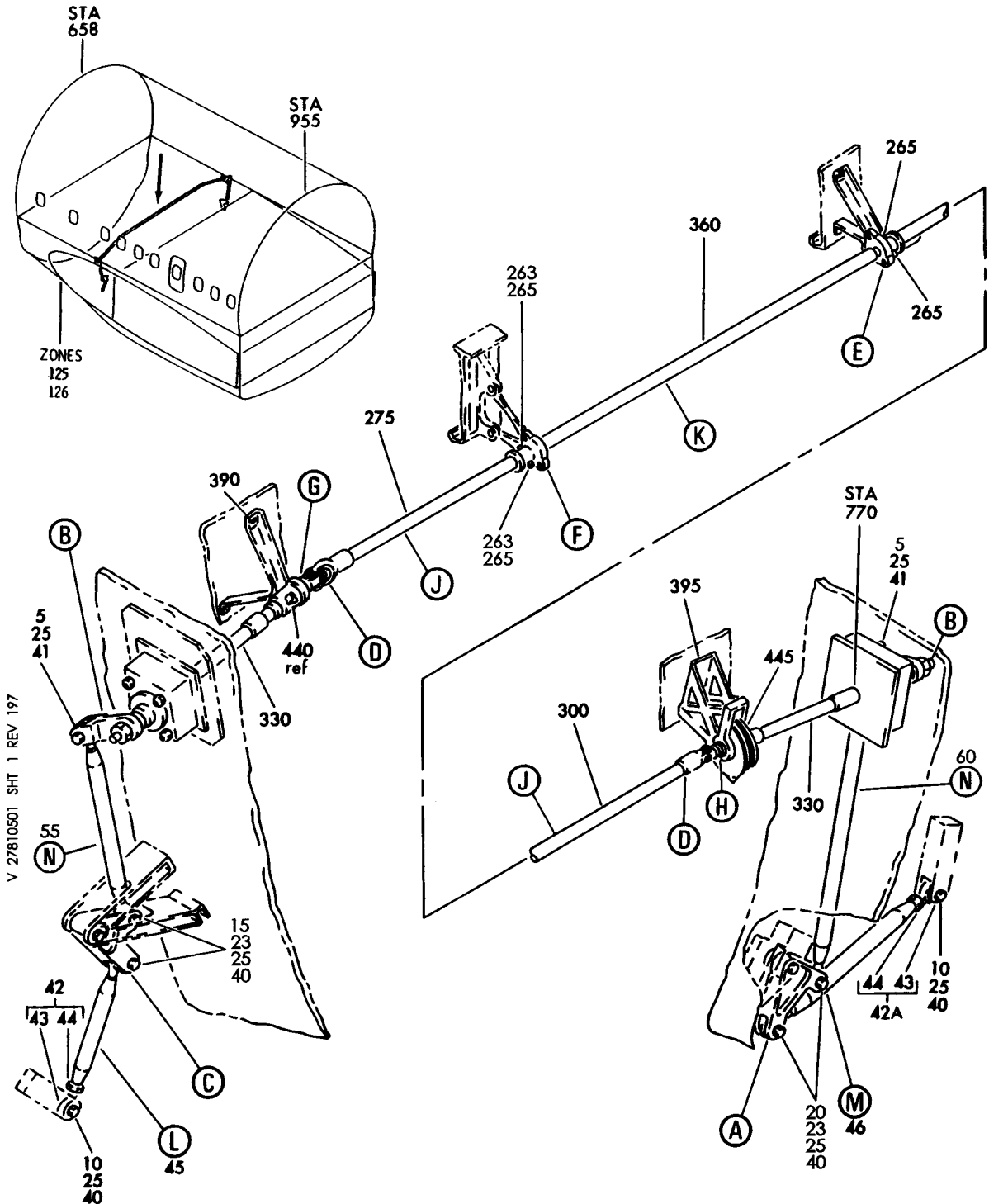
27-81-04-01

27-81-04
FIG. 01
PAGE 4
APR 22/09

HXL

BOEING PROPRIETARY - Copyright © - Unpublished Work - See title page for details.


BOEING
 767
PARTS CATALOG (MAINTENANCE)



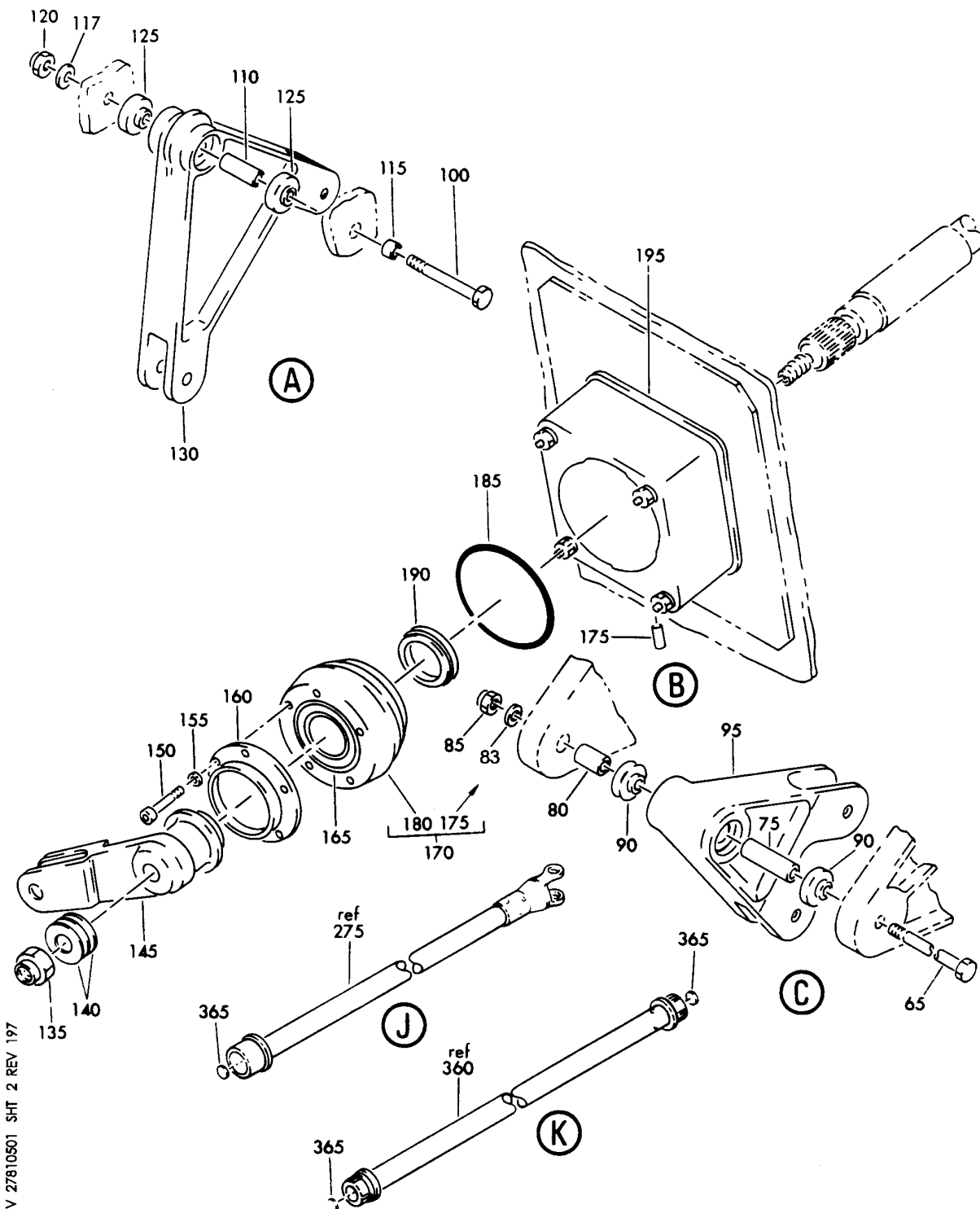
CONTROL INSTL-AFT QUADRANT LE SLAT
 FIGURE 1 (SHEET 1)

27-81-05-01

HXL
 DEC 22/06

27-81-05-01
 PAGE 0

BOEING
767
PARTS CATALOG (MAINTENANCE)



V 27810501 SHT 2 REV 197

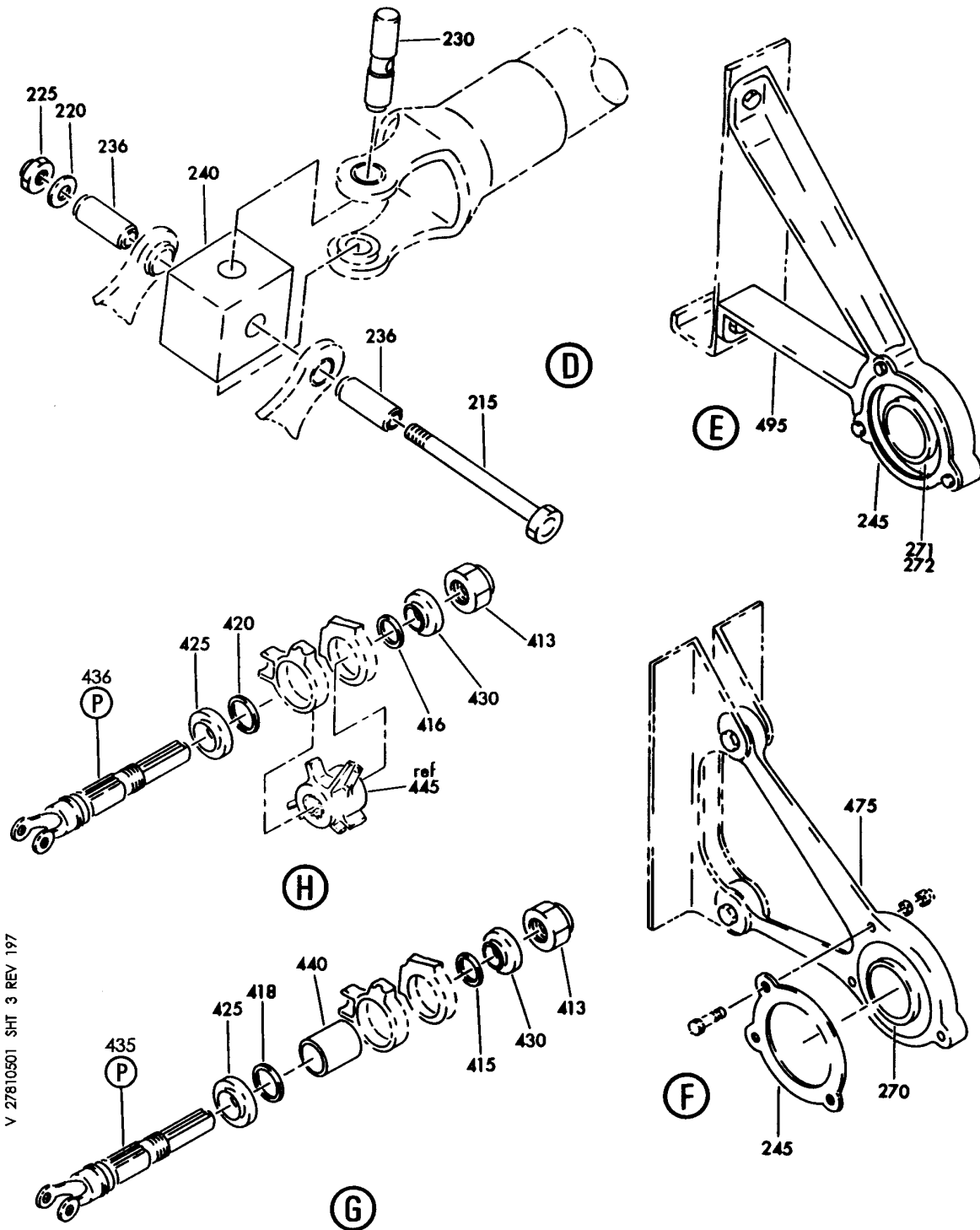
CONTROL INSTL-AFT QUADRANT LE SLAT
FIGURE 1 (SHEET 2)

27-81-05-01

HXL
DEC 22/06

27-81-05-01
PAGE 0A

BOEING
767
PARTS CATALOG (MAINTENANCE)



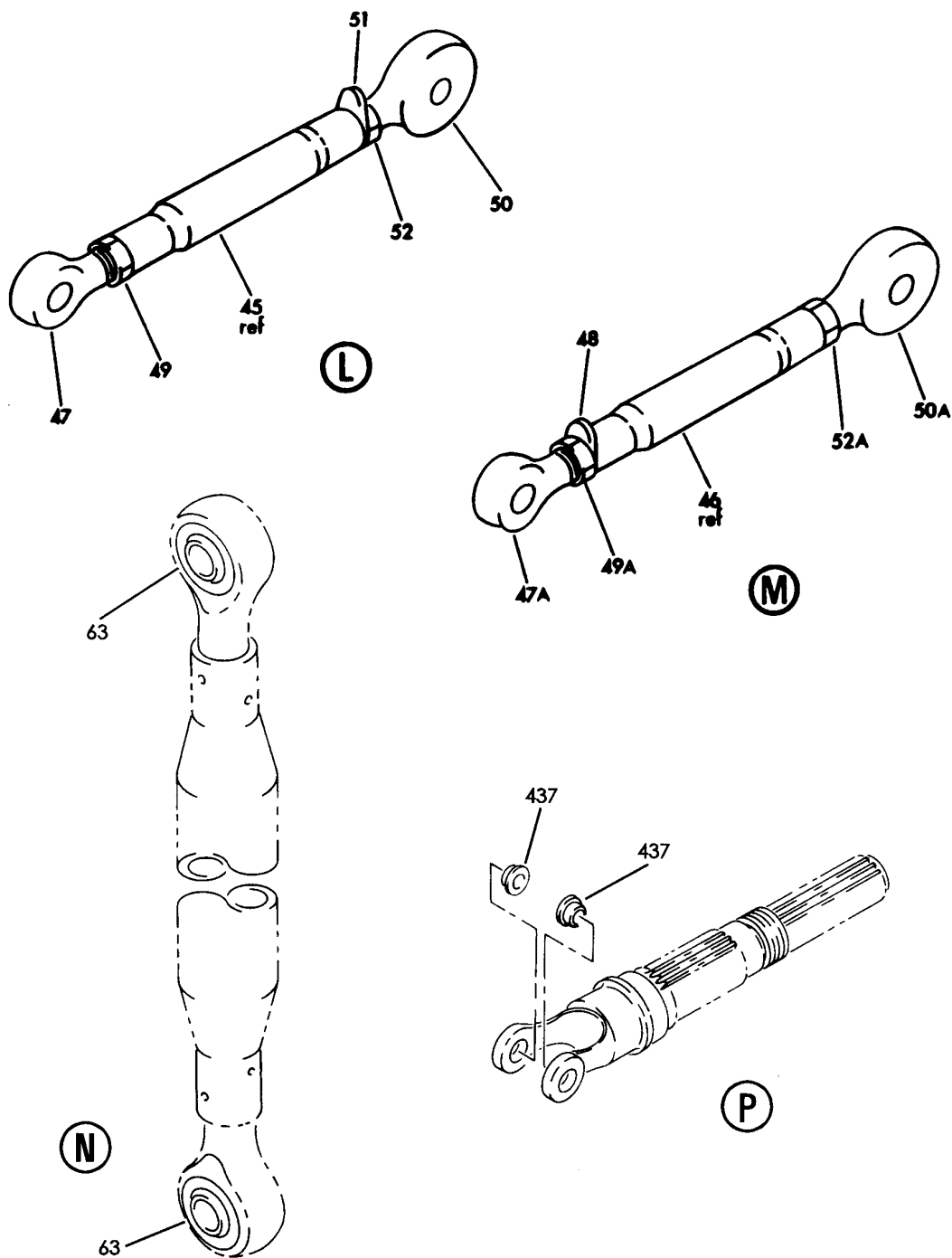
CONTROL INSTL-AFT QUADRANT LE SLAT
FIGURE 1 (SHEET 3)

27-81-05-01

HXL
DEC 22/06

27-81-05-01
PAGE 0B

BOEING
767
PARTS CATALOG (MAINTENANCE)



V 27810501 SHT 4 REV 197

CONTROL INSTL-AFT QUADRANT LE SLAT
FIGURE 1 (SHEET 4)

27-81-05-01

HXL
DEC 22/06

27-81-05-01
PAGE 0C



767

PARTS CATALOG (MAINTENANCE)

FIG ITEM	PART NUMBER	1 2 3 4 5 6 7	NOMENCLATURE	EFFECT FROM TO	UNITS PER ASSY
1			CONTROL INSTL-AFT QUADRANT LE SLAT		
- 1	256T1100-5		CONTROL INSTL-QUADRANT LE SLAT POSITION DATA: AFT FOR NHA SEE: 27-51-60-01		RF
5	BACB30NR4K14		.BOLT- POSITION DATA: HEAD OUTBD		2
10	BACB30NR4K13		.BOLT		2
15	BACB30NR4K17		.BOLT- POSITION DATA: HEAD NEAR SIDE		2
20	BACB30NR4K15		.BOLT-		2
23	NAS75-4-008		.SPACER		4
25	AN960PD416L		.WASHER		8
40	BRH10A4		.NUT		6
			SUPPLIER CODE: V52828 SPECIFICATION NUMBER: BACN10JC4 OPTIONAL PART: T6S428J V11815 96-048 V80539 VN303A048 V92215 RMLH9075-4W V72962 NS202101-048 V80539 H10-4BAC V15653		
42A	251T0100-213		.ROD ASSY- COMPONENT MAINT MANUAL REF: 27-00-11 OPTIONAL PART: 251T0100-378		1

ILLUSTRATION ITEMS NOT ON PARTS LIST ARE NOT APPLICABLE

- ITEM NOT ILLUSTRATED

HXL

27-81-05-01

BOEING PROPRIETARY - Copyright © - Unpublished Work - See title page for details.

27-81-05
FIG. 01
PAGE 1
DEC 22/06



767

PARTS CATALOG (MAINTENANCE)

FIG ITEM	PART NUMBER	1 2 3 4 5 6 7	NOMENCLATURE	EFFECT FROM TO	UNITS PER ASSY
1					
43	REP4M6FS428		. . BEARING SUPPLIER CODE: V73134 SPECIFICATION NUMBER: BACB10AD5 OPTIONAL PART: HHRE4M6-1 V38443 REP4M6E9171B V21335 ABR4M8G VS0352 REP4M6CP62 VF0222 REP4M6FS428 V21335 ABR4M119 VS0352 REB4M6-18-2R V92563 DBM4-6A1-501 V77896 ABR4M8B V15860 REP4M6-8J V73134		1
44	AN316-6R		. . NUT		1
45	251T0100-374		. ROD ASSY- COMPONENT MAINT MANUAL REF: 27-00-11		1
46	251T0100-378		. ROD ASSY- COMPONENT MAINT MANUAL REF: 27-00-11		1

ILLUSTRATION ITEMS NOT ON PARTS LIST ARE NOT APPLICABLE

- ITEM NOT ILLUSTRATED

HXL

27-81-05-01

BOEING PROPRIETARY - Copyright © - Unpublished Work - See title page for details.

27-81-05
FIG. 01
PAGE 2
DEC 22/08

 **BOEING**
767
PARTS CATALOG (MAINTENANCE)

FIG ITEM	PART NUMBER	1 2 3 4 5 6 7	NOMENCLATURE	EFFECT FROM TO	UNITS PER ASSY
1 47	REP4M6-5FS428		.. BEARING- SUPPLIER CODE: V73134 SPECIFICATION NUMBER: BACB10AD12 OPTIONAL PART: HHRE4M6-2 V38443 REP4M6-5E9171B V21335 ABR4M103 VS0352 REP4M6-2CP62 VF0222 REP4M6-5FS428 V21335 REB4M6-21 V92563 DBM4-6B1-501 V77896 ABR4M103B V15860 REP4M6-012J V73134 USED ON: 251T0100-374		1
47A	REP4MS6-5FS428		.. BEARING- SUPPLIER CODE: V73134 SPECIFICATION NUMBER: BACB10AD12K OPTIONAL PART: ABR4M105 VS0352 REP4MS6-5FS428 V21335 REB4MK6-21 V92563 DBM4-6B1-502 V77896 ABR4M105B V15860 REP4MK6-012J V73134 USED ON: 251T0100-378		1
48	NAS513-6		.. WASHER-ROD END USED ON: 251T0100-378		1

ILLUSTRATION ITEMS NOT ON PARTS LIST ARE NOT APPLICABLE

- ITEM NOT ILLUSTRATED

HXL

27-81-05-01

BOEING PROPRIETARY - Copyright © - Unpublished Work - See title page for details.

27-81-05
FIG. 01
PAGE 3
APR 22/09



767

PARTS CATALOG (MAINTENANCE)

FIG ITEM	PART NUMBER	1 2 3 4 5 6 7	NOMENCLATURE	EFFECT FROM TO	UNITS PER ASSY
1					
49	AN316-6R	..	NUT- USED ON: 251T0100-374		1
49A	NAS1423-6	..	NUT- USED ON: 251T0100-378		1
50	REP4MS7-2FS428	..	BEARING- SUPPLIER CODE: V73134 SPECIFICATION NUMBER: BACB10AD13K OPTIONAL PART: ABR4M106 VS0352 REP4MS7-2FS428 V21335 REB4MK7-21 V92563 DBM4-7A1-502 V77896 ABR4M106B V15860 REP4MK7-0313J V73134 USED ON: 251T0100-374		1

ILLUSTRATION ITEMS NOT ON PARTS LIST ARE NOT APPLICABLE

- ITEM NOT ILLUSTRATED

HXL

27-81-05-01

BOEING PROPRIETARY - Copyright © - Unpublished Work - See title page for details.

27-81-05
FIG. 01
PAGE 4
APR 22/09



767

PARTS CATALOG (MAINTENANCE)

FIG ITEM	PART NUMBER	1 2 3 4 5 6 7	NOMENCLATURE	EFFECT FROM TO	UNITS PER ASSY
1 50A	REP4M6-5FS428		.. BEARING- SUPPLIER CODE: V73134 SPECIFICATION NUMBER: BACB10AD12 OPTIONAL PART: HHRE4M6-2 V38443 REP4M6-5E9171B V21335 ABR4M103 VS0352 REP4M6-2CP62 VF0222 REP4M6-5FS428 V21335 REB4M6-21 V92563 DBM4-6B1-501 V77896 ABR4M103B V15860 REP4M6-012J V73134 USED ON: 251T0100-378		1
51	NAS513-7		.. WASHER-ROD END USED ON: 251T0100-374		1
52	NAS1423-7		.. NUT- USED ON: 251T0100-374		1
52	AN316-6R		.. NUT- USED ON: 251T0100-378		1
55	251T0100-123		.ROD ASSY- COMPONENT MAINT MANUAL REF: 27-00-11		1
60	251T0100-122		.ROD ASSY- COMPONENT MAINT MANUAL REF: 27-00-11		1

ILLUSTRATION ITEMS NOT ON PARTS LIST ARE NOT APPLICABLE

- ITEM NOT ILLUSTRATED

HXL

27-81-05-01

BOEING PROPRIETARY - Copyright © - Unpublished Work - See title page for details.

27-81-05
 FIG. 01
 PAGE 5
 DEC 22/08



767

PARTS CATALOG (MAINTENANCE)

FIG ITEM	PART NUMBER	1 2 3 4 5 6 7	NOMENCLATURE	EFFECT FROM TO	UNITS PER ASSY
1 63	REP4H6FS436		. . BEARING SUPPLIER CODE: V73134 SPECIFICATION NUMBER: BACB10AE9A OPTIONAL PART: HHRE4H6-1 V38443 REP4H6-2 V38443 REP4H6E9171A V21335 ABR4H106 VS0352 REP4H6FS436 V21335 REB4HE6-19 V92563 DBH4-10C1-501 V73134 DBH4-10C1-501 V77896 ABR4H106B V15860 REP4HE6-009AJ V73134		2
65	BACB30NR4K53		. BOLT		1
75	NAS43DD4-88		. SPACER		1
80	NAS75-4-025		. SPACER		1
83	AN960PD416L		. WASHER		1
85	BRH10A4		. NUT		1
			SUPPLIER CODE: V52828 SPECIFICATION NUMBER: BACN10JC4 OPTIONAL PART: T6S428J V11815 96-048 V80539 VN303A048 V92215 RMLH9075-4W V72962 NS202101-048 V80539 H10-4BAC V15653		
ILLUSTRATION ITEMS NOT ON PARTS LIST ARE NOT APPLICABLE					

- ITEM NOT ILLUSTRATED

27-81-05-01

27-81-05
 FIG. 01
 PAGE 6
 APR 22/09

HXL



767

PARTS CATALOG (MAINTENANCE)

FIG ITEM	PART NUMBER	1 2 3 4 5 6 7	NOMENCLATURE	EFFECT FROM TO	UNITS PER ASSY
1 90	KP4AFS428		.BEARING SUPPLIER CODE: V06144 SPECIFICATION NUMBER: BACB10BX4 OPTIONAL PART: KP4AFS428 V21335 KP4A2TS V43991 LLKP4A V38443 KP4AG27 V30163 KP4A V38443 KP4ALY196 V40920 KP4ASD610 V83086 CS204E VK8455 KP4A V21760 KP4ANJC V06144		2
95	256T1110-7		.BELLCRANK-		1
100	BACB30NR4K29		.BOLT		1
110	NAS43DD4-58		.SPACER		1
115	NAS75-4-007		.SPACER		1
117	AN960PD416L		.WASHER		1
120	BRH10A4		.NUT SUPPLIER CODE: V52828 SPECIFICATION NUMBER: BACN10JC4 OPTIONAL PART: T6S428J V11815 96-048 V80539 VN303A048 V92215 RMLH9075-4W V72962 NS202101-048 V80539 H10-4BAC V15653		1

ILLUSTRATION ITEMS NOT ON PARTS LIST ARE NOT APPLICABLE

- ITEM NOT ILLUSTRATED

HXL

27-81-05-01

BOEING PROPRIETARY - Copyright © - Unpublished Work - See title page for details.

27-81-05
FIG. 01
PAGE 7
DEC 22/08



767

PARTS CATALOG (MAINTENANCE)

FIG ITEM	PART NUMBER	1 2 3 4 5 6 7	NOMENCLATURE	EFFECT FROM TO	UNITS PER ASSY
1 125	KP4AFS428		.BEARING SUPPLIER CODE: V06144 SPECIFICATION NUMBER: BACB10BX4 OPTIONAL PART: KP4AFS428 V21335 KP4A2TS V43991 LLKP4A V38443 KP4AG27 V30163 KP4A V38443 KP4ALY196 V40920 KP4ASD610 V83086 CS204E VK8455 KP4A V21760 KP4ANJC V06144		2
130 135	256T1105-3 BRH10A6		.BELLCRANK- .NUT SUPPLIER CODE: V52828 SPECIFICATION NUMBER: BACN10JJC6 OPTIONAL PART: 96-064 V80539 RMLH9075-6 V72962 H10-6BAC V15653		1 2
140 145	BACW10P125C 256T1101-4		.WASHER .CRANK- OPTIONAL PART: 256T1101-5		6 2
145	256T1101-5		.CRANK- OPTIONAL PART: 256T1101-4		2
145	256T1101-6		.CRANK- OPTIONAL PART: 256T1101-7		2

ILLUSTRATION ITEMS NOT ON PARTS LIST ARE NOT APPLICABLE

- ITEM NOT ILLUSTRATED

27-81-05-01

27-81-05
FIG. 01
PAGE 8
DEC 22/08

HXL



767

PARTS CATALOG (MAINTENANCE)

FIG ITEM	PART NUMBER	1 2 3 4 5 6 7	NOMENCLATURE	EFFECT FROM TO	UNITS PER ASSY
1					
145	256T1101-7		.CRANK- OPTIONAL PART: 256T1101-6		2
150	NAS1352-08H6P		.SCREW-		10
155	NAS620A8L		.WASHER-		10
160	256T2503-1		.RETAINER-		2
165	R9105PPA4298		.BEARING- SUPPLIER CODE: V21335 SPECIFICATION NUMBER: BACB10BA25PP OPTIONAL PART: 9105NPPFS428 V21335 PKTLL105P1 V78118 LL105KS V38443 6005TT V43991 9105LLT1C1-01 V21760 993L05 V29337 C105RRP0ZZ V40920 R9105PPA4298 V9V013		2
170	256T2502-1		.BEARING ASSY-		2
175	NAS607-2-3P		..PIN		1
180	256T2502-2		..BEARING		1
185	MS28775-141		.PACKING-		2
190	AR10401-218WC		.SEAL- SUPPLIER CODE: V05939		2
195	256T2501-2		.HOUSING- ATTACHING PARTS		2
- 200	BACB30NM3K25		.BOLT-		8
- 205	AN960PD10L		.WASHER		8

ILLUSTRATION ITEMS NOT ON PARTS LIST ARE NOT APPLICABLE

- ITEM NOT ILLUSTRATED

27-81-05-01

27-81-05
FIG. 01
PAGE 9
APR 22/09

HXL

BOEING PROPRIETARY - Copyright © - Unpublished Work - See title page for details.



767

PARTS CATALOG (MAINTENANCE)

FIG ITEM	PART NUMBER	1 2 3 4 5 6 7	NOMENCLATURE	EFFECT FROM TO	UNITS PER ASSY
1 - 210	BRH10A3		.NUT SUPPLIER CODE: V52828 SPECIFICATION NUMBER: BACN10JC3 OPTIONAL PART: H10-3BAC V15653 NS202101-02 V80539 RMLH9075-3W V72962 VN303A02 V92215 96-02 V80539 T6S1032J V11815 -----*-----		8
215	NAS6704-28		.BOLT		2
220	BACW10BP4PTU		.WASHER		2
225	BRH10C4M		.NUT SUPPLIER CODE: V52828 SPECIFICATION NUMBER: BACN10JC4CM OPTIONAL PART: T6C428JM V11815 97E48 V80539 109LH9075-4W V72962 VN303D048 V92215 H01-4BAC V15653 NS202101SE048 V80539		2
230	256T1118-1		.PIN-		2
236	256T1118-3		.PIN-		4
240	256T1108-1		.BLOCK-		2
245	256T2404-2		.RETAINER-		2
- 250	NAS6703-10		ATTACHING PARTS .BOLT		6
- 255	AN960PD10L		.WASHER		6

ILLUSTRATION ITEMS NOT ON PARTS LIST ARE NOT APPLICABLE

- ITEM NOT ILLUSTRATED

27-81-05-01

27-81-05
FIG. 01
PAGE 10
APR 22/08

HXL



767

PARTS CATALOG (MAINTENANCE)

FIG ITEM	PART NUMBER	1 2 3 4 5 6 7	NOMENCLATURE	EFFECT FROM TO	UNITS PER ASSY
1 - 260	BRH10A3		.NUT SUPPLIER CODE: V52828 SPECIFICATION NUMBER: BACN10JC3 OPTIONAL PART: H10-3BAC V15653 NS202101-02 V80539 RMLH9075-3W V72962 VN303A02 V92215 96-02 V80539 T6S1032J V11815 -----*-----		6
263 270	AN502-10-6 MKP23BSFS428		.SCREW .BEARING- SUPPLIER CODE: V06144 SPECIFICATION NUMBER: BACB10AW23 OPTIONAL PART: MKP23BSE9273 V21335 MKP23BSTT V43991 MKP23BS2TS V43991 LLMKP23BS1 V38443 MKP23BS1G20 V38443 MKP23BSSD610 V83086 MKP23BSLY196 V40920 MKP23BS V06144 MKP23BSFS428 V21335 MKP23BSNJC V06144		2 1
272	256T1142-2		.BEARING-		1

ILLUSTRATION ITEMS NOT ON PARTS LIST ARE NOT APPLICABLE

- ITEM NOT ILLUSTRATED

27-81-05-01

27-81-05
FIG. 01
PAGE 11
APR 22/09

HXL



767

PARTS CATALOG (MAINTENANCE)

FIG ITEM	PART NUMBER	1 2 3 4 5 6 7	NOMENCLATURE	EFFECT FROM TO	UNITS PER ASSY
1					
275	208-0001-01		. SHAFT ASSY- SUPPLIER CODE: V1060B SPECIFICATION NUMBER: S256T009-1 OPTIONAL PART: 125-0521-01 VK8856 OPTIONAL PART: 256T1116-15		1
275	256T1116-15		. SHAFT ASSY- COMPONENT MAINT MANUAL REF: 27-81-35		1
300	208-0001-03		. SHAFT ASSY- SUPPLIER CODE: V1060B SPECIFICATION NUMBER: S256T009-2 OPTIONAL PART: 125-0521-03 VK8856 OPTIONAL PART: 245T1116-16		1
300	256T1116-16		. SHAFT ASSY- COMPONENT MAINT MANUAL REF: 27-81-35		1
330	256T1116-14		. SHAFT ASSY- COMPONENT MAINT MANUAL REF: 27-81-35		2
360	256T1116-16		. SHAFT ASSY- COMPONENT MAINT MANUAL REF: 27-81-35		1
360	208-0001-03		. SHAFT ASSY- SUPPLIER CODE: V1060B SPECIFICATION NUMBER: S256T009-2 OPTIONAL PART: 125-0521-03 VK8856 OPTIONAL PART: 256T1116-16		1
ILLUSTRATION ITEMS NOT ON PARTS LIST ARE NOT APPLICABLE					

- ITEM NOT ILLUSTRATED

HXL

27-81-05-01

BOEING PROPRIETARY - Copyright © - Unpublished Work - See title page for details.

27-81-05
FIG. 01
PAGE 12
DEC 22/06



767

PARTS CATALOG (MAINTENANCE)

FIG ITEM	PART NUMBER	1 2 3 4 5 6 7	NOMENCLATURE	EFFECT FROM TO	UNITS PER ASSY
1					
365	HP750A32		.. PLUG-EXPANSION SUPPLIER CODE: V73287 USED ON: 256T1116-1 256T1116-2 256T1116-10 256T1116-15 256T1116-16		1
390	256T1128-1		. SUPPORT ASSY- POSITION DATA: LH COMPONENT MAINT MANUAL REF: 27-81-35		1
395	256T1111-10		. QUADRANT ASSY- POSITION DATA: RH COMPONENT MAINT MANUAL REF: 27-81-35		1
395	256T1111-8		. QUADRANT ASSY- POSITION DATA: RH COMPONENT MAINT MANUAL REF: 27-81-35		1
395	256T1111-11		. QUADRANT ASSY- POSITION DATA: RH COMPONENT MAINT MANUAL REF: 27-81-35		1
395	256T1111-13		. QUADRANT ASSY- POSITION DATA: RH COMPONENT MAINT MANUAL REF: 27-81-35		1
- 400	BACB30NR4K8		ATTACHING PARTS . BOLT		6
- 405	AN960PD416L		. WASHER		6

ILLUSTRATION ITEMS NOT ON PARTS LIST ARE NOT APPLICABLE

- ITEM NOT ILLUSTRATED

HXL

27-81-05-01

BOEING PROPRIETARY - Copyright © - Unpublished Work - See title page for details.

27-81-05
FIG. 01
PAGE 13
DEC 22/06

BOEING
767
PARTS CATALOG (MAINTENANCE)

FIG ITEM	PART NUMBER	1 2 3 4 5 6 7	NOMENCLATURE	EFFECT FROM TO	UNITS PER ASSY
1 - 410	BRH10A4		.NUT SUPPLIER CODE: V52828 SPECIFICATION NUMBER: BACN10JC4 OPTIONAL PART: T6S428J V11815 96-048 V80539 VN303A048 V92215 RMLH9075-4W V72962 NS202101-048 V80539 H10-4BAC V15653 -----*-----		6
413	82631-1612		..NUT SUPPLIER CODE: V56878 SPECIFICATION NUMBER: BACN10RF16 OPTIONAL PART: BR9080-16 V72962 SL2822-16 V97393		1
415	256T1121-4		..WASHER- POSITION DATA: LH SIDE		1
416	256T1121-4		..WASHER- POSITION DATA: RH SIDE		1
416	256T1121-502		..WASHER- POSITION DATA: RH SIDE		1
418	256T1121-3		..WASHER- POSITION DATA: LH SIDE		1
420	256T1121-3		..WASHER- POSITION DATA: RH SIDE		1
420	256T1121-501		..WASHER- POSITION DATA: RH SIDE		1

ILLUSTRATION ITEMS NOT ON PARTS LIST ARE NOT APPLICABLE

- ITEM NOT ILLUSTRATED

HXL

27-81-05-01

BOEING PROPRIETARY - Copyright © - Unpublished Work - See title page for details.

27-81-05
FIG. 01
PAGE 14
DEC 22/06



767

PARTS CATALOG (MAINTENANCE)

FIG ITEM	PART NUMBER	1 2 3 4 5 6 7	NOMENCLATURE	EFFECT FROM TO	UNITS PER ASSY
1 425	KP16BSD610		.. BEARING SUPPLIER CODE: V83086 SPECIFICATION NUMBER: BACB10BW16 OPTIONAL PART: KP16B2TS V43991 KP16B V38443 LLKP16B V38443 KP16BG27 V30163 KP16BFS428 V21335 KP16BLY196 V40920 KP16B V06144 KP16BFS428 V06144 KP16BNJC V06144		1
430	KP21BSD610		.. BEARING SUPPLIER CODE: V83086 SPECIFICATION NUMBER: BACB10BW21 OPTIONAL PART: KP21B2TS V43991 KP21B V38443 LLKP21B V38443 KP21BG27 V30163 KP21BFS428 V21335 KP21BLY196 V40920 KP21BFS428 V06144 KP21B V06144 KP21BNJC V06144		1

ILLUSTRATION ITEMS NOT ON PARTS LIST ARE NOT APPLICABLE

- ITEM NOT ILLUSTRATED

HXL

27-81-05-01

BOEING PROPRIETARY - Copyright © - Unpublished Work - See title page for details.

27-81-05
 FIG. 01
 PAGE 15
 APR 22/09



767

PARTS CATALOG (MAINTENANCE)

FIG ITEM	PART NUMBER	1 2 3 4 5 6 7	NOMENCLATURE	EFFECT FROM TO	UNITS PER ASSY
1					
435	256T1106-3	..	SHAFT ASSY-UNIV POSITION DATA: LH SIDE OPTIONAL PART: 256T1106-5		1
435	256T1106-5	..	SHAFT ASSY-UNIV POSITION DATA: LH SIDE OPTIONAL PART: 256T1106-3		1
436	256T1106-3	..	SHAFT ASSY-UNIV POSITION DATA: RH SIDE		1
438	BACB28AY06A025C	...	BUSHING-		2
440	256T1129-1	..	SPACER-BRG POSITION DATA: LH SIDE		1
445	256T1132-1	..	QUADRANT ASSY- POSITION DATA: RH SIDE		1
475	256T1120-1	.	BRACKET- ATTACHING PARTS		1
- 480	BACB30NR4K10	.	BOLT		2
- 485	AN960PD416L	.	WASHER		2
- 490	BRH10A4	.	NUT		2
			SUPPLIER CODE: V52828 SPECIFICATION NUMBER: BACN10JC4 OPTIONAL PART: T6S428J V11815 96-048 V80539 VN303A048 V92215 RMLH9075-4W V72962 NS202101-048 V80539 H10-4BAC V15653		
			-----*-----		
495	256T1115-1	.	BRACKET- ATTACHING PARTS		1
- 500	BACB30NR4K7	.	BOLT		3
- 505	AN960PD416L	.	WASHER		3

ILLUSTRATION ITEMS NOT ON PARTS LIST ARE NOT APPLICABLE

- ITEM NOT ILLUSTRATED

HXL

27-81-05-01

BOEING PROPRIETARY - Copyright © - Unpublished Work - See title page for details.

27-81-05
FIG. 01
PAGE 16
APR 22/09



767

PARTS CATALOG (MAINTENANCE)

FIG ITEM	PART NUMBER	1 2 3 4 5 6 7 NOMENCLATURE	EFFECT FROM TO	UNITS PER ASSY
1 - 510	BRH10A4	.NUT SUPPLIER CODE: V52828 SPECIFICATION NUMBER: BACN10JC4 OPTIONAL PART: T6S428J V11815 96-048 V80539 VN303A048 V92215 RMLH9075-4W V72962 NS202101-048 V80539 H10-4BAC V15653 -----*-----		3

ILLUSTRATION ITEMS NOT ON PARTS LIST ARE NOT APPLICABLE

- ITEM NOT ILLUSTRATED

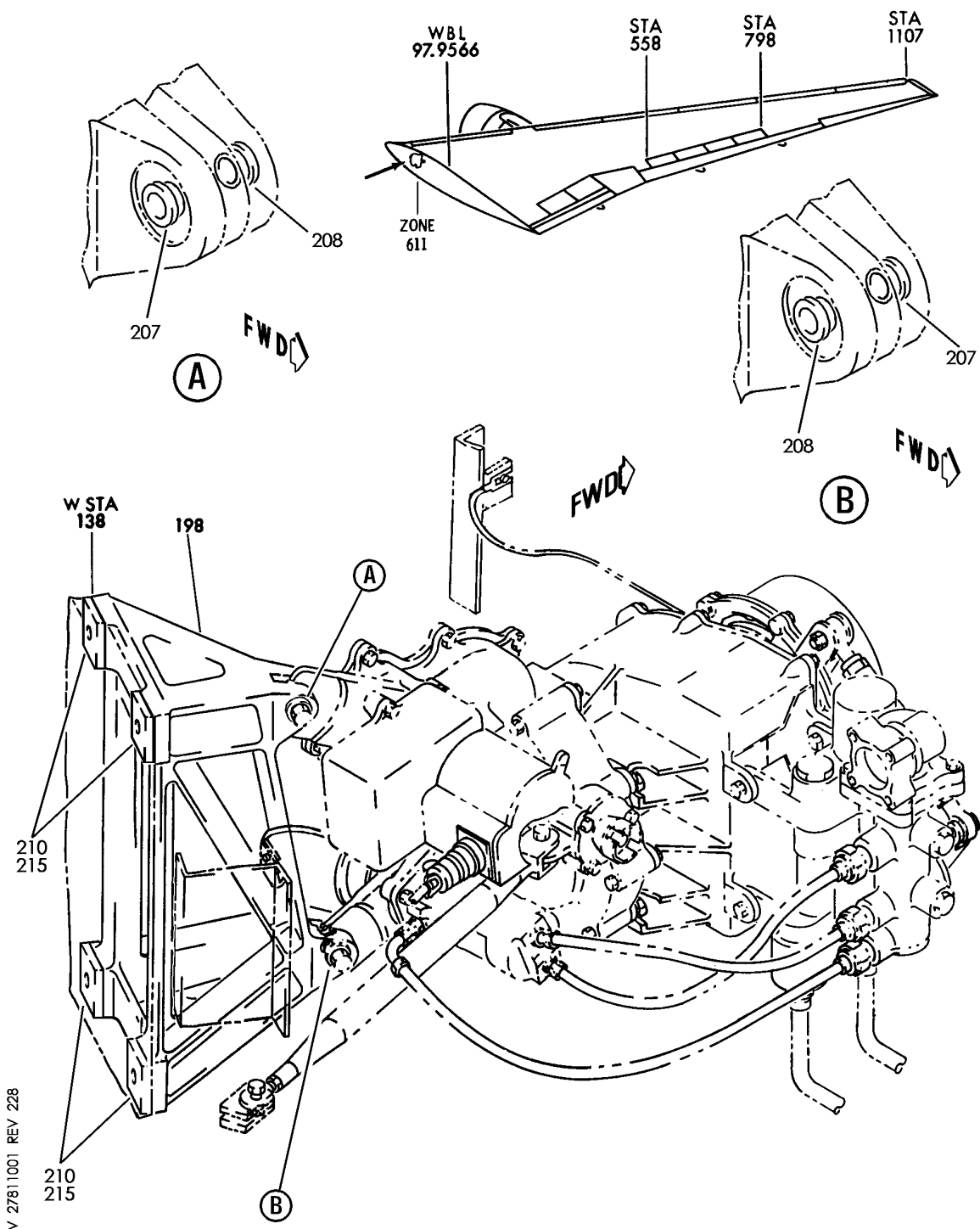
HXL

27-81-05-01

BOEING PROPRIETARY - Copyright © - Unpublished Work - See title page for details.

27-81-05
 FIG. 01
 PAGE 17
 DEC 22/06

BOEING
767
PARTS CATALOG (MAINTENANCE)



SUPPORT INSTL-INBD LE SLAT
FIGURE 1

27-81-10-01

HXL
DEC 22/06

27-81-10-01
PAGE 0



767

PARTS CATALOG (MAINTENANCE)

FIG ITEM	PART NUMBER	1 2 3 4 5 6 7	NOMENCLATURE	EFFECT FROM TO	UNITS PER ASSY
1					
- 194	256T2600-7		SUPPORT INSTL-INBD LE SLAT SUPPORT INSTL-LE SLAT DRIVE POSITION DATA: INBD FOR NHA SEE: 27-81-42-05		RF
198	256T2601-7		.BRACKET ASSY-SPRT COMPONENT MAINT MANUAL REF: 27-81-35		1
207	BACB28W4C25		..BUSHING		2
208	BACB28W6B25		..BUSHING		2
210	BACS40R15B18F		.SHIM		4
215	BACS40R15E18F		.SHIM		4

ILLUSTRATION ITEMS NOT ON PARTS LIST ARE NOT APPLICABLE

- ITEM NOT ILLUSTRATED

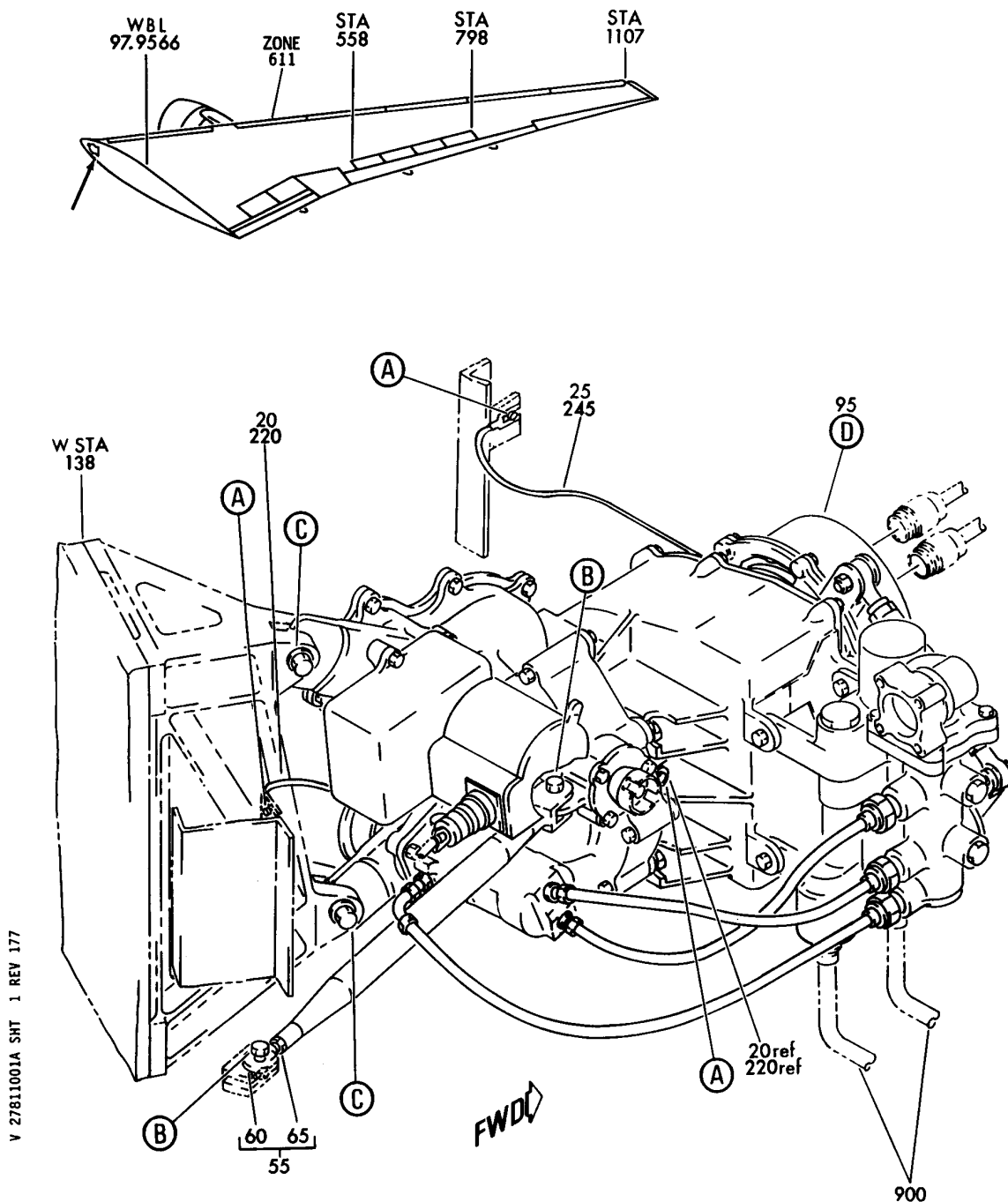
HXL

27-81-10-01

BOEING PROPRIETARY - Copyright © - Unpublished Work - See title page for details.

27-81-10
FIG. 01
PAGE 1
DEC 22/06

BOEING
767
PARTS CATALOG (MAINTENANCE)



V 27811001A SHT 1 REV 177

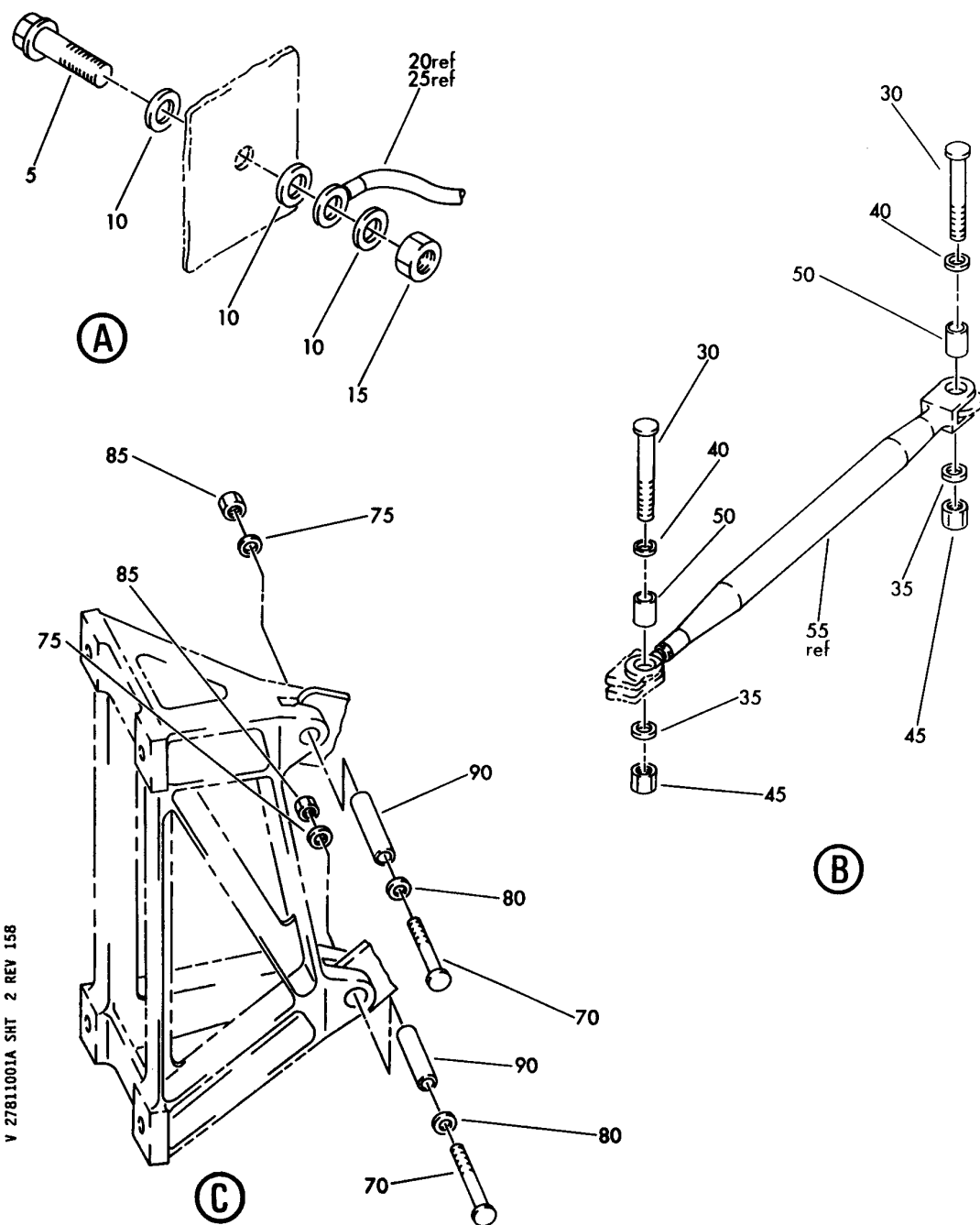
POWER DRIVE UNIT AND SUPPORT INSTL-INBD LE SLAT DRIVE
FIGURE 1A (SHEET 1)

27-81-10-01A

HXL
DEC 22/06

27-81-10-01A
PAGE 0


BOEING
 767
PARTS CATALOG (MAINTENANCE)



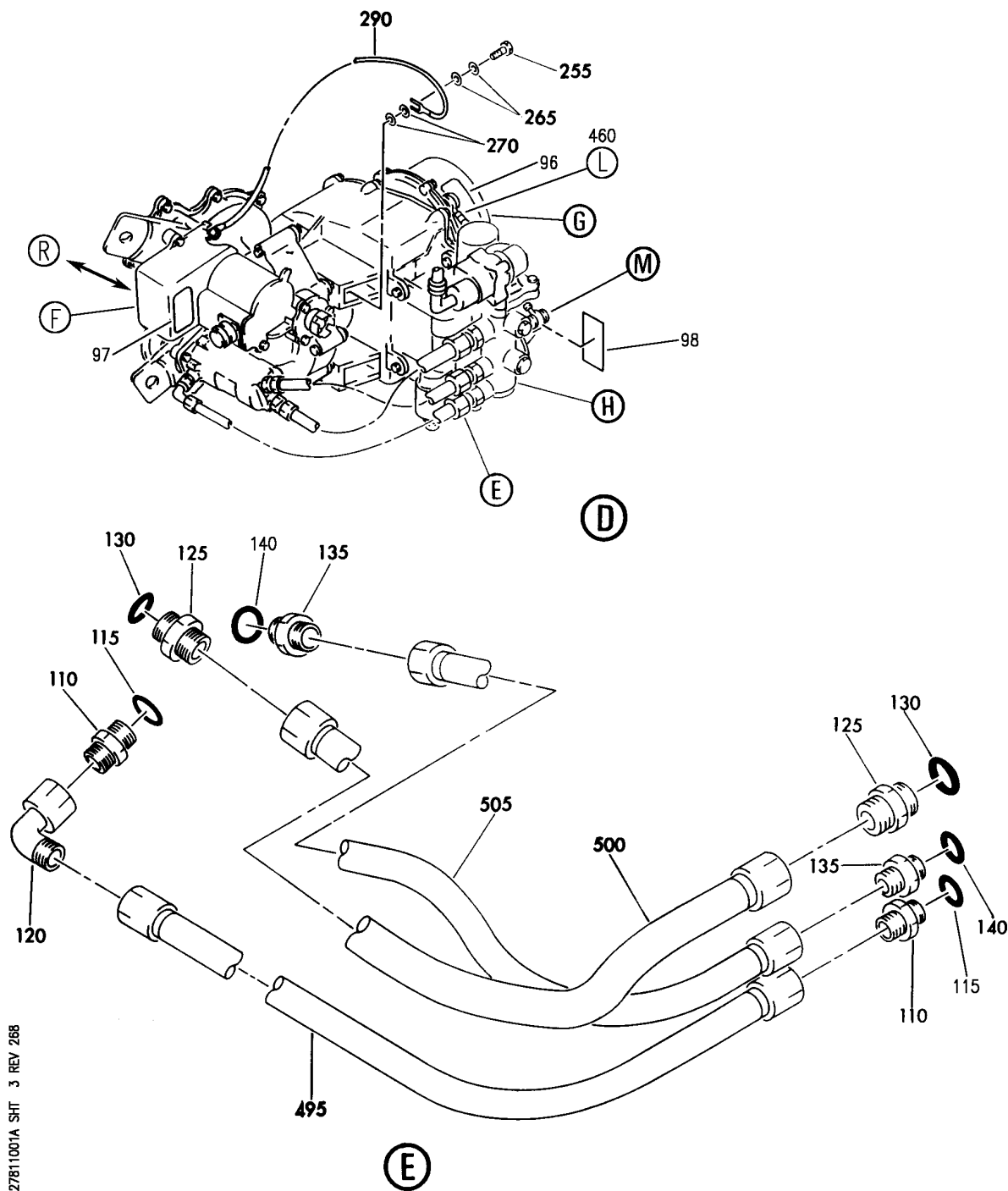
POWER DRIVE UNIT AND SUPPORT INSTL-INBD LE SLAT DRIVE
FIGURE 1A (SHEET 2)

27-81-10-01A

HXL
DEC 22/06

27-81-10-01A
PAGE 0A


BOEING
 767
PARTS CATALOG (MAINTENANCE)



V 27811001A SHT 3 REV 268

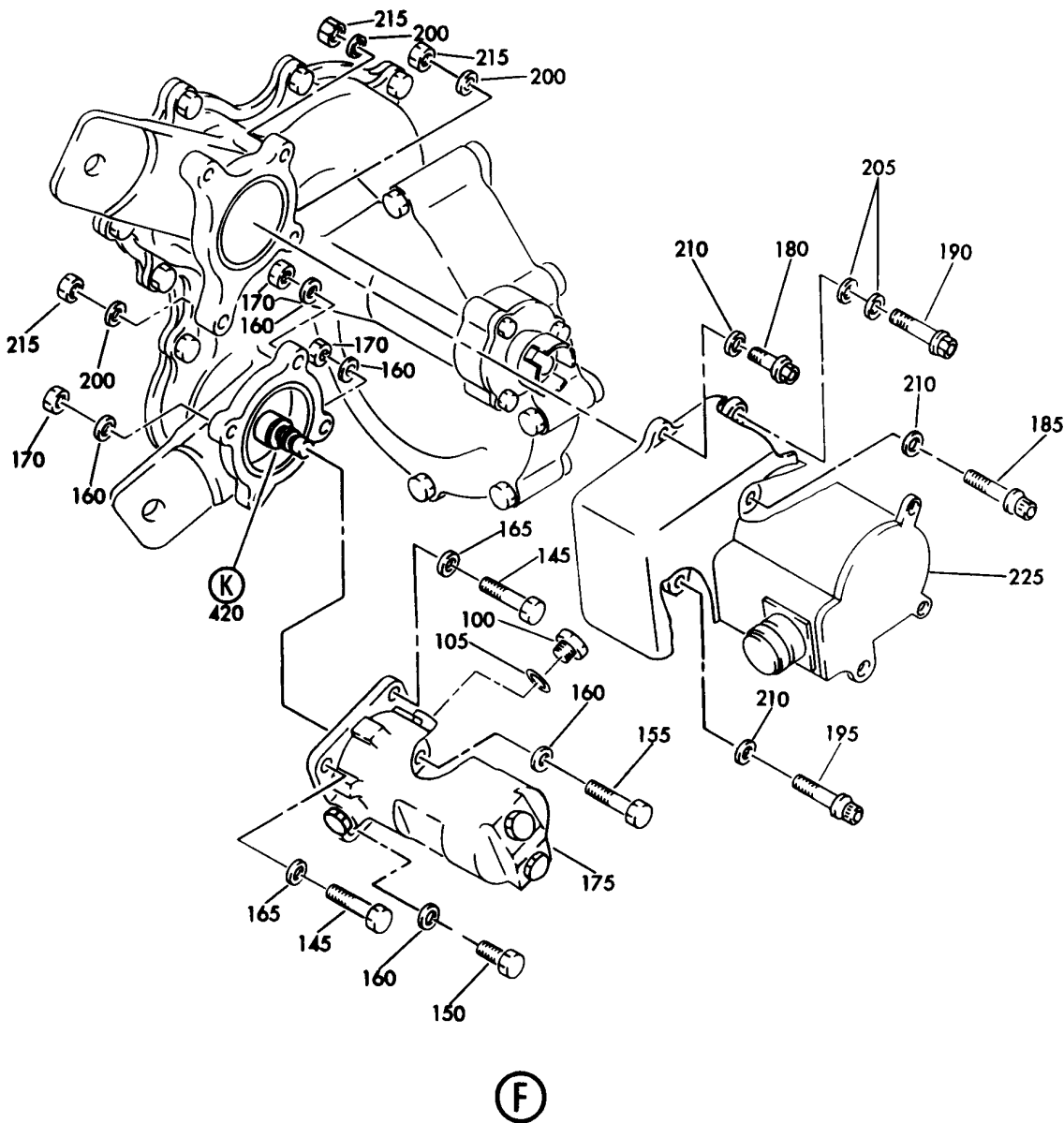
POWER DRIVE UNIT AND SUPPORT INSTL-INBD LE SLAT DRIVE
 FIGURE 1A (SHEET 3)

27-81-10-01A

HXL
 DEC 22/06

27-81-10-01A
 PAGE 0B

BOEING
767
PARTS CATALOG (MAINTENANCE)



V 27811001A SHT 4 REV 268

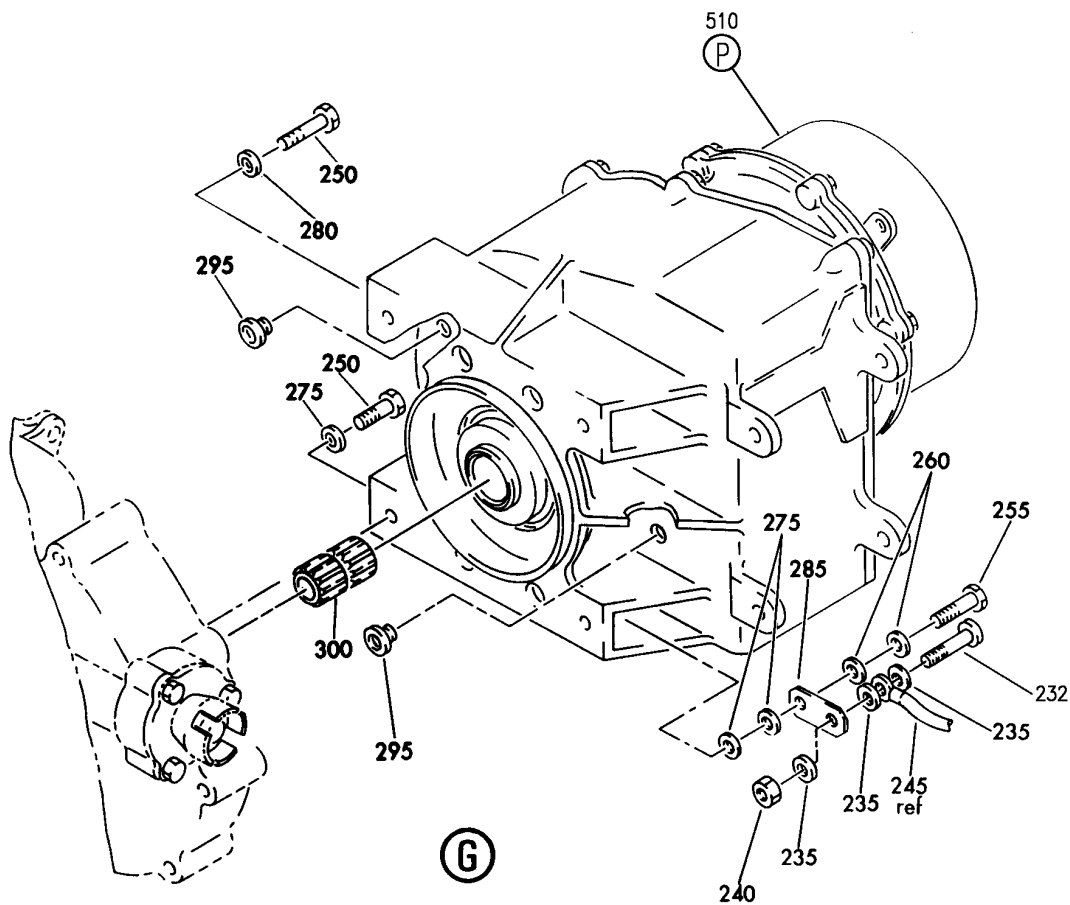
POWER DRIVE UNIT AND SUPPORT INSTL-INBD LE SLAT DRIVE
FIGURE 1A (SHEET 4)

27-81-10-01A

HXL
DEC 22/06

27-81-10-01A
PAGE 0C

BOEING
767
PARTS CATALOG (MAINTENANCE)



V 27811001A SHT 5 REV 316

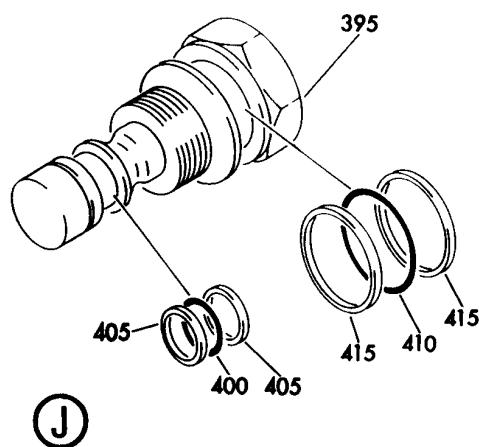
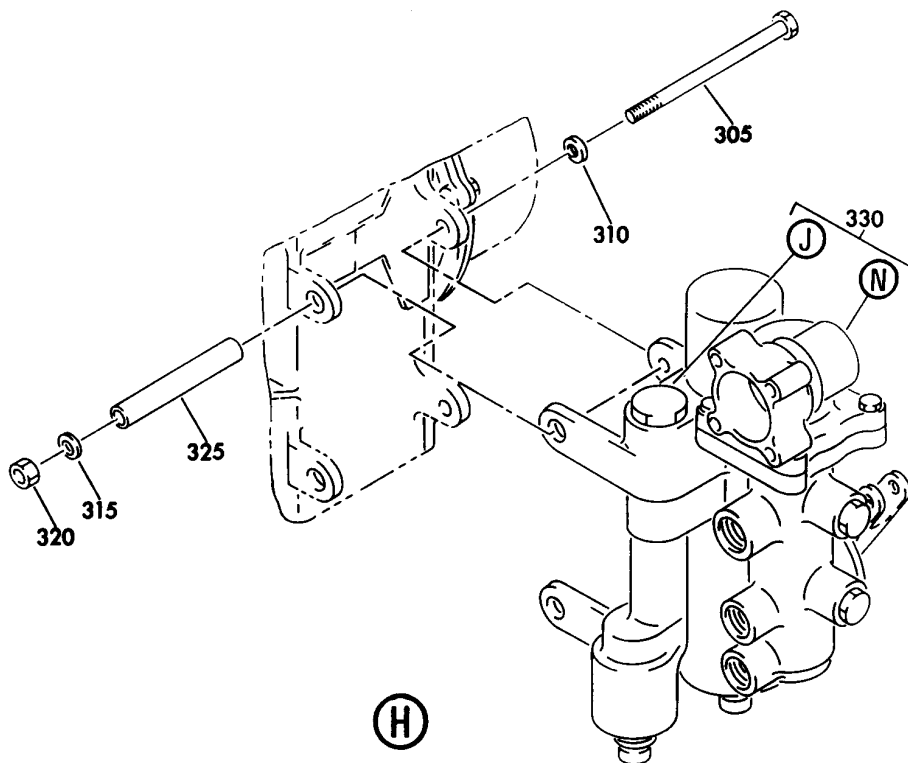
POWER DRIVE UNIT AND SUPPORT INSTL-INBD LE SLAT DRIVE
FIGURE 1A (SHEET 5)

27-81-10-01A

HXL
AUG 22/07

27-81-10-01A
PAGE 0D

BOEING
767
PARTS CATALOG (MAINTENANCE)



V 27811001A SHT 6 REV 158

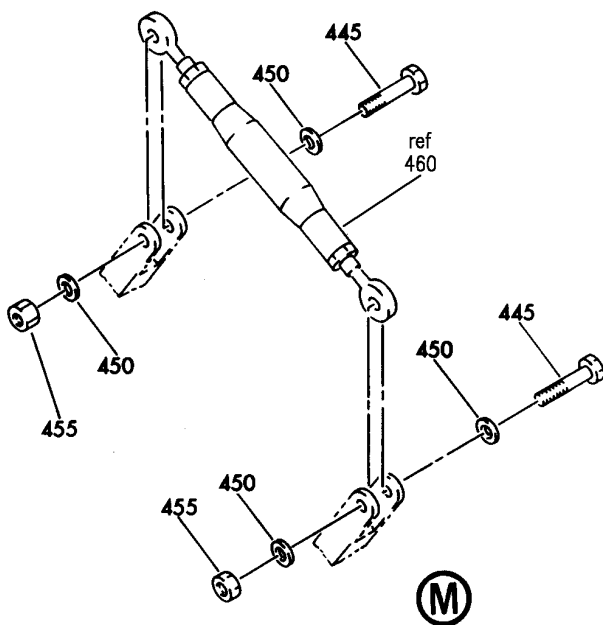
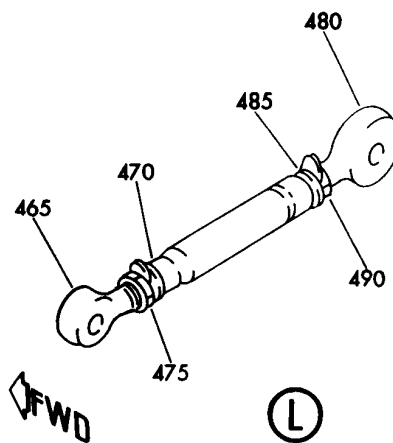
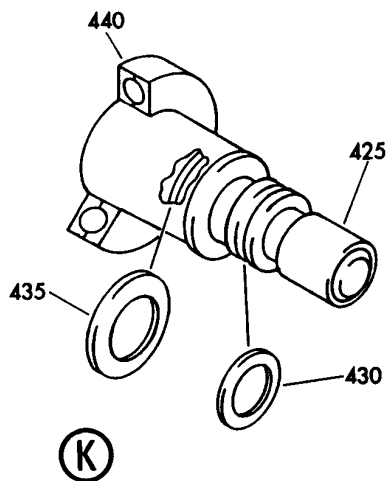
POWER DRIVE UNIT AND SUPPORT INSTL-INBD LE SLAT DRIVE
FIGURE 1A (SHEET 6)

27-81-10-01A

HXL
DEC 22/06

27-81-10-01A
PAGE 0E

BOEING
767
PARTS CATALOG (MAINTENANCE)



V 27811001A SHT 7 REV 268

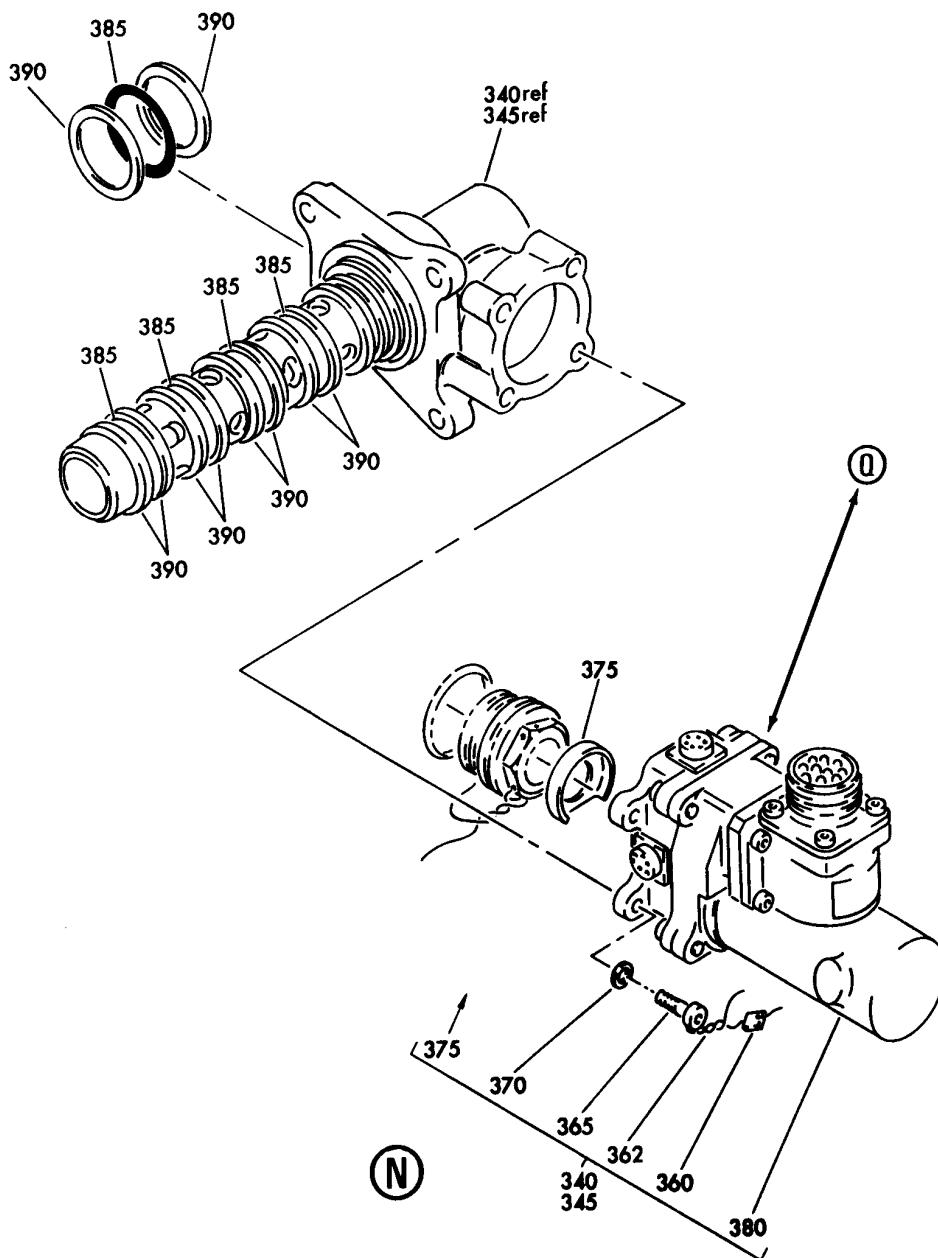
POWER DRIVE UNIT AND SUPPORT INSTL-INBD LE SLAT DRIVE
FIGURE 1A (SHEET 7)

27-81-10-01A

HXL
DEC 22/06

27-81-10-01A
PAGE OF

BOEING
767
PARTS CATALOG (MAINTENANCE)



V 27811001A SHT 8 REV 180

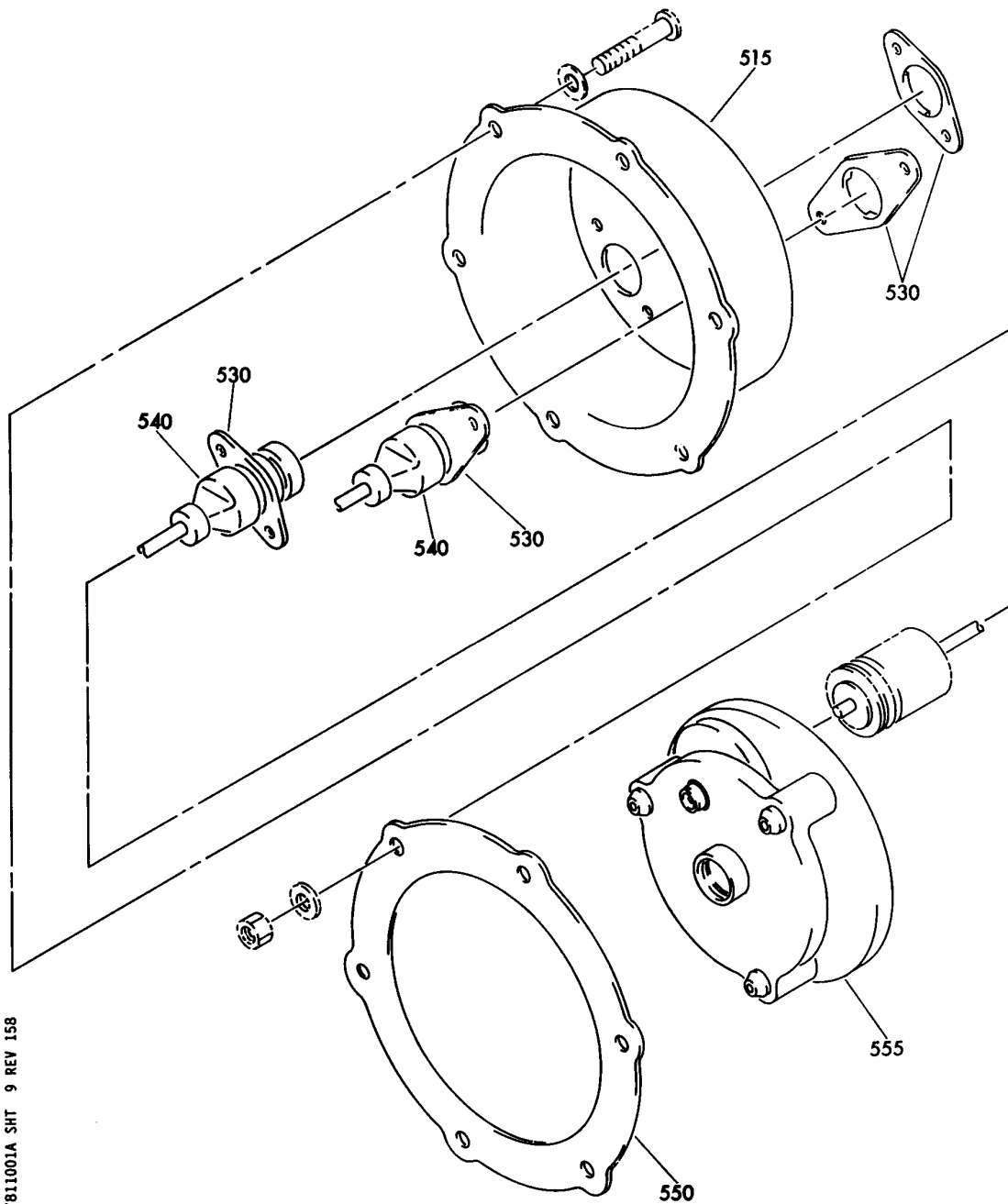
POWER DRIVE UNIT AND SUPPORT INSTL-INBD LE SLAT DRIVE
FIGURE 1A (SHEET 8)

27-81-10-01A

HXL
DEC 22/06

27-81-10-01A
PAGE 06

BOEING
767
PARTS CATALOG (MAINTENANCE)



V 27811001A SHT 9 REV 158

(P)

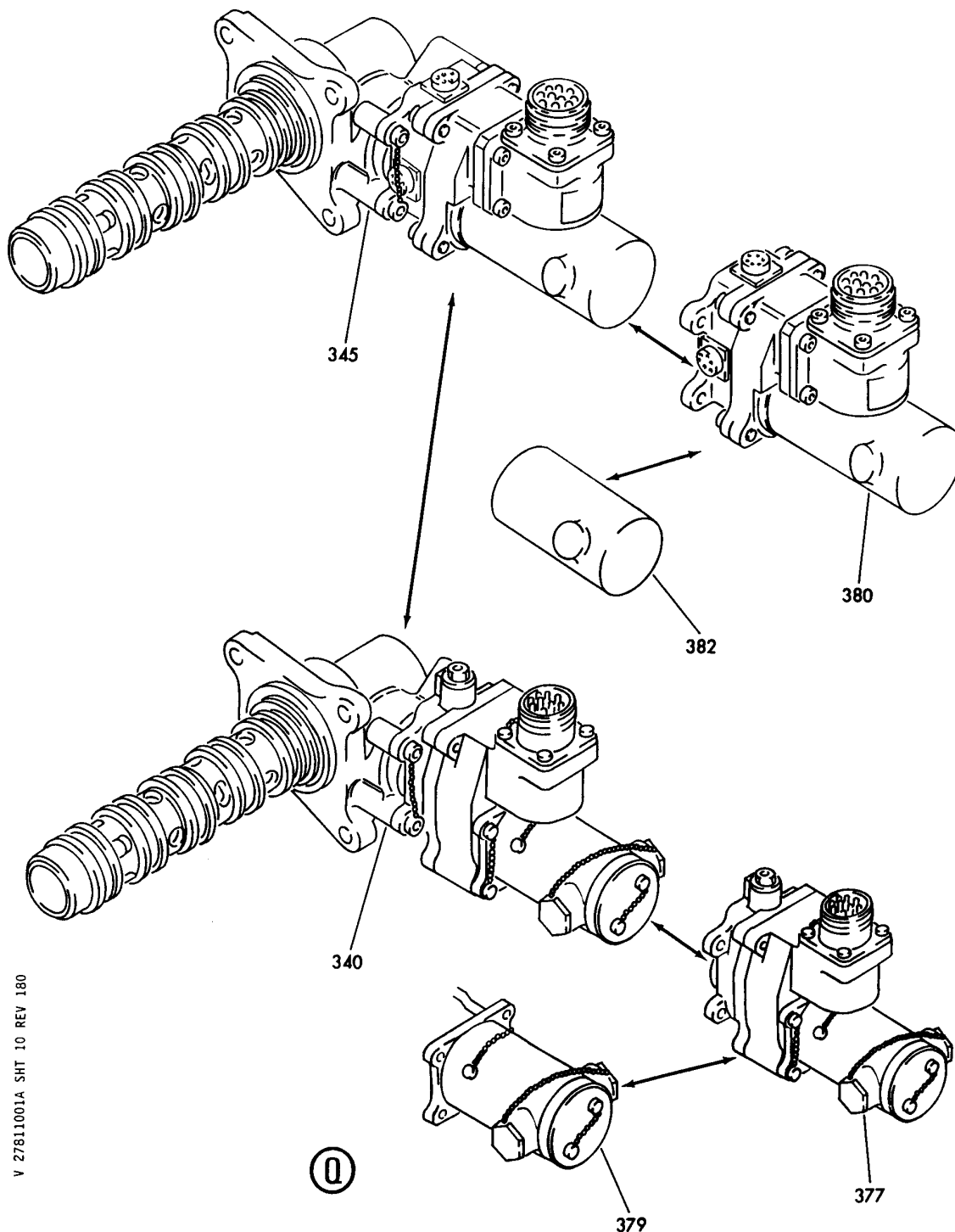
POWER DRIVE UNIT AND SUPPORT INSTL-INBD LE SLAT DRIVE
FIGURE 1A (SHEET 9)

27-81-10-01A

HXL
DEC 22/06

27-81-10-01A
PAGE 0H

BOEING
767
PARTS CATALOG (MAINTENANCE)



V 27811001A SHT 10 REV 180

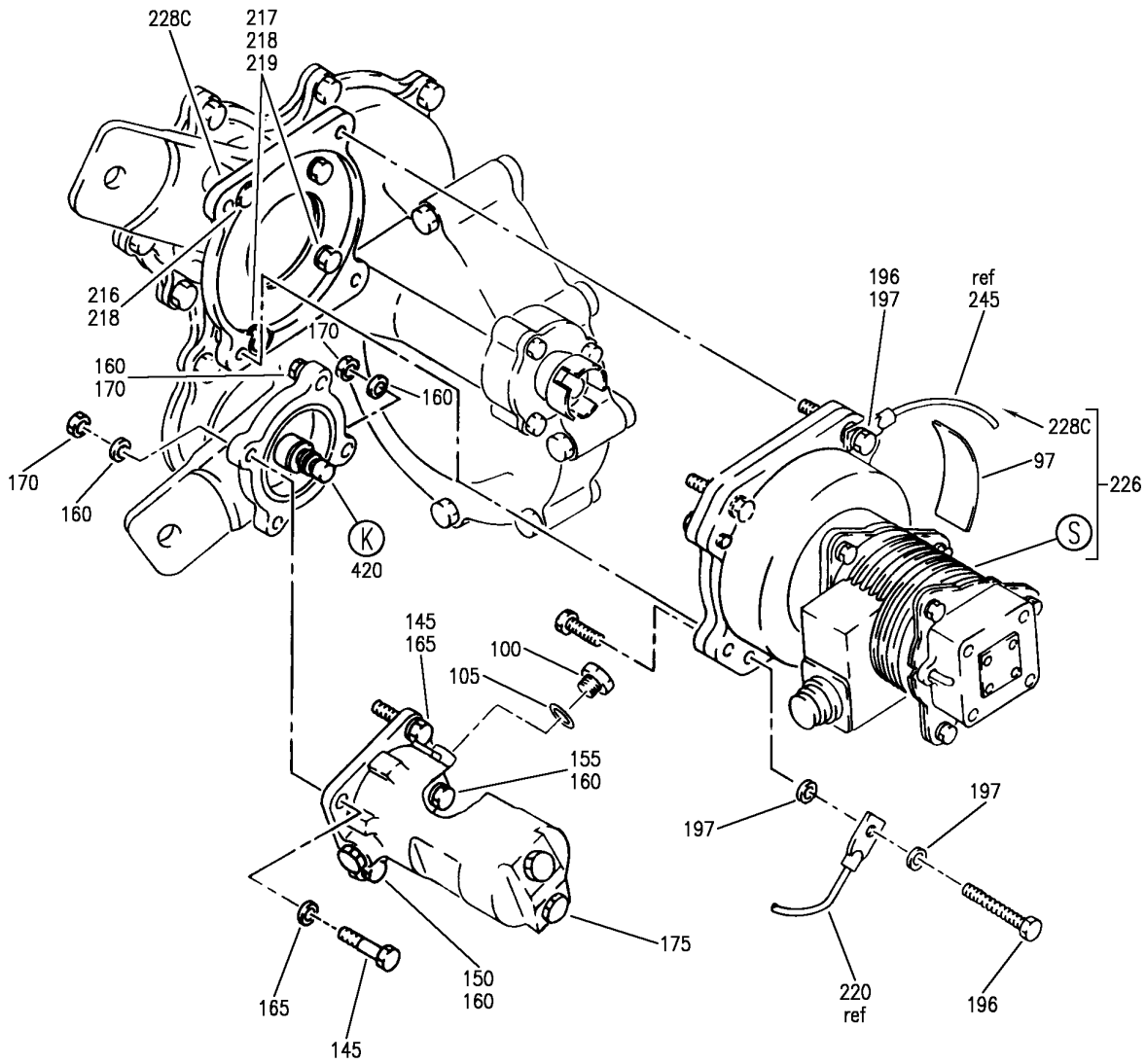
POWER DRIVE UNIT AND SUPPORT INSTL-INBD LE SLAT DRIVE
FIGURE 1A (SHEET 10)

27-81-10-01A

HXL
DEC 22/06

27-81-10-01A
PAGE 01

BOEING
767
PARTS CATALOG (MAINTENANCE)



V 27811001A SHT 11 REV 316

(R)

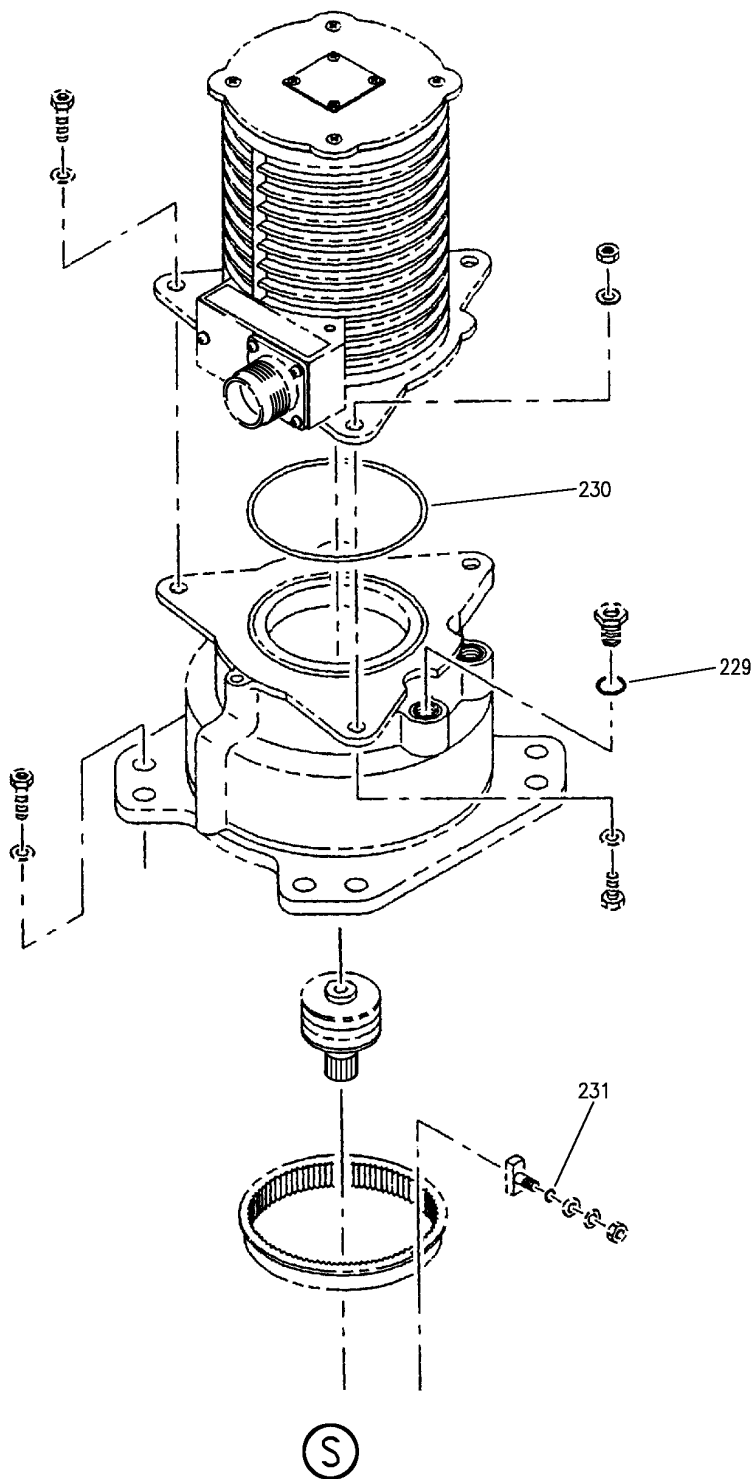
POWER DRIVE UNIT AND SUPPORT INSTL-INBD LE SLAT DRIVE
FIGURE 1A (SHEET 11)

27-81-10-01A

HXL
AUG 22/07

27-81-10-01A
PAGE 0J

BOEING
767
PARTS CATALOG (MAINTENANCE)



V 27811001A SHT 12 REV 316

POWER DRIVE UNIT AND SUPPORT INSTL-INBD LE SLAT DRIVE
FIGURE 1A (SHEET 12)

27-81-10-01A

HXL
AUG 22/07

27-81-10-01A
PAGE 0K



767

PARTS CATALOG (MAINTENANCE)

FIG ITEM	PART NUMBER	1 2 3 4 5 6 7	NOMENCLATURE	EFFECT FROM TO	UNITS PER ASSY
1 A			POWER DRIVE UNIT AND SUPPORT INSTL-INBD LE SLAT DRIVE		
- 1	256T2600-6		POWER DRIVE UNIT INSTL- LE SLAT DRIVE POSITION DATA: INBD FOR NHA SEE: 27-81-42-05		RF
5	BACB30MR3K8		.BOLT		3
10	NAS1149DN949J		.WASHER		9
15	BRH10C3D		.NUT		3
			SUPPLIER CODE: V52828 SPECIFICATION NUMBER: BACN10JC3CD OPTIONAL PART: T6C1032JCD V11815 NS202486-02 V80539 102LH9075-3W V72962 H51650-3BAC V15653		
20	BACJ40A21-10		.JUMPER ASSY-		1
25	RBEJ40K5A7A12		.JUMPER ASSY SUPPLIER CODE: V1GK47 SPECIFICATION NUMBER: BACJ40K5A7A12		1
30	BACB30NR4K15		.BOLT-		2
35	NAS1149D0416J		.WASHER		2
40	NAS1149F0432P		.WASHER		2
45	PLH54CD		.NUT- SUPPLIER CODE: VF0224 SPECIFICATION NUMBER: BACN10YR4CD OPTIONAL PART: H52732-4CD V15653		2
50	BACB28AK04-036		.BUSHING-		2
55	251T0100-216		.ROD ASSY- COMPONENT MAINT MANUAL REF: 27-00-11		1
60	MS21242S4		..BEARING		1
65	AN316-5R		..NUT		1
70	BACB30NR4K20		.BOLT-		2

ILLUSTRATION ITEMS NOT ON PARTS LIST ARE NOT APPLICABLE

- ITEM NOT ILLUSTRATED

27-81-10-01A

27-81-10
FIG. 01A
PAGE 1
DEC 22/08

HXL

 **BOEING**
767
PARTS CATALOG (MAINTENANCE)

FIG ITEM	PART NUMBER	1 2 3 4 5 6 7	NOMENCLATURE	EFFECT FROM TO	UNITS PER ASSY
1 A					
75	NAS1149D0416J	.	WASHER-		2
80	NAS1149F0432P	.	WASHER-		2
85	PLH54CD	.	NUT-		2
			SUPPLIER CODE: VF0224		
			SPECIFICATION NUMBER: BACN10YR4CD		
			OPTIONAL PART: H52732-4CD V15653		
90	BACB28AK04-050	.	BUSHING-		2
95	256T2610-5	.	POWER DRIVE UNIT ASSY- COMPONENT MAINT MANUAL REF: 27-81-41		1
95	256T2610-8	.	POWER DRIVE UNIT ASSY- COMPONENT MAINT MANUAL REF: 27-81-41		1
95	256T2610-7	.	POWER DRIVE UNIT ASSY- COMPONENT MAINT MANUAL REF: 27-81-41		1
95	256T2610-9	.	POWER DRIVE UNIT ASSY- COMPONENT MAINT MANUAL REF: 27-81-41		1
95	256T2610-11	.	POWER DRIVE UNIT ASSY- COMPONENT MAINT MANUAL REF: 27-81-41		1
95	256T2610-12	.	POWER DRIVE UNIT ASSY- COMPONENT MAINT MANUAL REF: 27-81-41		1
95	256T2610-15	.	POWER DRIVE UNIT ASSY-		1
96	BAC27TCT0173	..	MARKER-ALUMINUM FOIL		1
97	BAC27TCT0279	..	MARKER-ALUMINUM FOIL		1
98	BAC27TCT0285	..	MARKER-ALUMINUM FOIL		1
100	AN814-4DL	..	PLUG AND BLEEDER		1
105	NAS1612-4	..	PACKING-		1
110	MS21902D6	..	UNION		2
115	NAS1612-6	..	PACKING-		2
120	BACE21AW0606W	..	ELBOW		1
125	MS21902-8T	..	UNION		2
130	NAS1612-8	..	PACKING-		2
135	MS21902-6T	..	UNION		2
140	NAS1612-6	..	PACKING-		2
145	BACB30MR4K13	..	BOLT-		2
150	NAS6704-6	..	BOLT-		1
155	NAS6704H13	..	BOLT-		1
160	NAS1149D0463J	..	WASHER-		5
165	MS20002C4	..	WASHER-		2

ILLUSTRATION ITEMS NOT ON PARTS LIST ARE NOT APPLICABLE

- ITEM NOT ILLUSTRATED

HXL

27-81-10-01A

BOEING PROPRIETARY - Copyright © - Unpublished Work - See title page for details.

27-81-10
FIG. 01A
PAGE 2
DEC 22/08



767

PARTS CATALOG (MAINTENANCE)

FIG ITEM	PART NUMBER	1 2 3 4 5 6 7	NOMENCLATURE	EFFECT FROM TO	UNITS PER ASSY
1A 170	BRH10C4D	..	NUT- SUPPLIER CODE: V52828 SPECIFICATION NUMBER: BACN10JC4CD OPTIONAL PART: T6C428JCD V11815 NS202486-048 V80539 102LH9075-4W V72962 H51650-4BAC V15653		3
175	4100406-1	..	MOTOR-HYDR PDU SUPPLIER CODE: V1SR57 SPECIFICATION NUMBER: S256T003-2 COMPONENT MAINT MANUAL REF: 27-81-09 OPTIONAL PART: 4100406-2 V1SR57		1
175	4100406-2	..	MOTOR-HYDR PDU SUPPLIER CODE: V1SR57 FUNCTIONAL DESCRIPTION: DRIVES THE STABILIZER TRIM BALLSCREW AND THE INBOARD LE SLAT SPECIFICATION NUMBER: S256T003-2 COMPONENT MAINT MANUAL REF: 27-81-09 OPTIONAL PART: 4100406-1 V1SR57		1
180	BACB30MR4K6	..	BOLT-		1
185	BACB30MR4K11	..	BOLT-		1
190	BACB30MR4K12	..	BOLT-		1
195	BACB30MR4K13	..	BOLT-		1
196	NAS1801-4-16	..	SCREW- USED ON: 256T2610-12		4
197	NAS1149D0416H	..	WASHER- USED ON: 256T2610-12		8
200	NAS1149D0416H	..	WASHER		3

ILLUSTRATION ITEMS NOT ON PARTS LIST ARE NOT APPLICABLE

- ITEM NOT ILLUSTRATED

27-81-10-01A

27-81-10
FIG. 01A
PAGE 3
DEC 22/07

HXL

BOEING PROPRIETARY - Copyright © - Unpublished Work - See title page for details.



767

PARTS CATALOG (MAINTENANCE)

FIG ITEM	PART NUMBER	1 2 3 4 5 6 7	NOMENCLATURE	EFFECT FROM TO	UNITS PER ASSY
1 A					
205	NAS1149D0463J	..	WASHER		2
210	MS20002C4	..	WASHER-		3
215	BRH10C4D	..	NUT-		3
			SUPPLIER CODE: V52828		
			SPECIFICATION NUMBER: BACN10JC4CD		
			OPTIONAL PART: T6C428JCD		
			V11815		
			NS202486-048		
			V80539		
			102LH9075-4W		
			V72962		
			H51650-4BAC		
			V15653		
216	BACB30NR4K3	..	BOLT		1
217	BACB30NR4K9	..	BOLT		3
218	NAS1149D0463J	..	WASHER		7
219	PLH54CD	..	NUT		3
			SUPPLIER CODE: VF0224		
			SPECIFICATION NUMBER: BACN10YR4CD		
			OPTIONAL PART: H52732-4CD		
			V15653		

ILLUSTRATION ITEMS NOT ON PARTS LIST ARE NOT APPLICABLE

- ITEM NOT ILLUSTRATED

HXL

27-81-10-01A

BOEING PROPRIETARY - Copyright © - Unpublished Work - See title page for details.

27-81-10
FIG. 01A
PAGE 4
DEC 22/08



767

PARTS CATALOG (MAINTENANCE)

FIG ITEM	PART NUMBER	1 2 3 4 5 6 7	NOMENCLATURE	EFFECT FROM TO	UNITS PER ASSY
1A 225	2475T100-1		<p>..MOTOR ASSY-LE SLAT ELEC ALTERNATE SUPPLIER CODE: V98889 POSITION DATA: INBD SPECIFICATION NUMBER: S256T004-13 MISCELLANEOUS DATA: ATTACHING HARDWARE AND INSTALLATION PROCEDURES ARE DIFFERENT FOR 2475T100-1 AND 4135T100-3. 2475T100-1 BOLTED DIRECTLY TO THE AIRCRAFT. THE FOL- LOWING PROCEDURES APPLY FOR THE 4135T100-3: 1. TAKE OFF BACKPLATE. 2. BOLT BACKPLATE TO THE AIRCRAFT. 3. BOLT MOTOR AND BACKPLATE TOGETHER. ELECTRICAL EQUIP NUMBER: M00494 COMPONENT MAINT MANUAL REF: 27-81-02 SERVICE BULLETIN OPT DATA: V98889 V98889</p>		1
225	1825T100-3		<p>..MOTOR ASSY-LE SLAT ELEC ALTERNATE SUPPLIER CODE: V98889 POSITION DATA: INBD SPECIFICATION NUMBER: S256T004-5 ELECTRICAL EQUIP NUMBER: M00494 COMPONENT MAINT MANUAL REF: 27-81-02 OPTIONAL PART: 1825T100-5 V98889 2475T100-1 V98889 SERVICE BULLETIN OPT DATA: V98889 V98889</p>		1

ILLUSTRATION ITEMS NOT ON PARTS LIST ARE NOT APPLICABLE

- ITEM NOT ILLUSTRATED

HXL

27-81-10-01A

BOEING PROPRIETARY - Copyright © - Unpublished Work - See title page for details.

27-81-10
 FIG. 01A
 PAGE 5
 DEC 22/07



767

PARTS CATALOG (MAINTENANCE)

FIG ITEM	PART NUMBER	1 2 3 4 5 6 7	NOMENCLATURE	EFFECT FROM TO	UNITS PER ASSY
1A 225	1825T100-5		<p>..MOTOR ASSY-LE SLAT ELEC ALTERNATE SUPPLIER CODE: V98889 POSITION DATA: INBD SPECIFICATION NUMBER: S256T004-10 ELECTRICAL EQUIP NUMBER: M00494 COMPONENT MAINT MANUAL REF: 27-81-02 OPTIONAL PART: 2475T100-1 V98889 SERVICE BULLETIN OPT DATA: V98889 V98889</p>		1
226	4135T100-1		<p>..MOTOR-ELEC SUPPLIER CODE: V98889 SPECIFICATION NUMBER: S256T011-3 MISCELLANEOUS DATA: ATTACHING HARDWARE AND INSTALLATION PROCEDURES ARE DIFFERENT FOR 2475T100-1 AND 4135T100-3. 2475T100-1 BOLTED DIRECTLY TO THE AIRCRAFT. THE FOL- LOWING PROCEDURES APPLY FOR THE 4135T100-3: 1. TAKE OFF BACKPLATE, 2. BOLT BACKPLATE TO THE AIRCRAFT. 3. BOLT MOTOR AND BACKPLATE TOGETHER. COMPONENT MAINT MANUAL REF: 27-52-03 OPTIONAL PART: 4135T100-3 V98889 SERVICE BULLETIN OPT DATA: V98889 V98889 V98889</p>		1

ILLUSTRATION ITEMS NOT ON PARTS LIST ARE NOT APPLICABLE

- ITEM NOT ILLUSTRATED

27-81-10-01A

27-81-10
 FIG. 01A
 PAGE 6
 DEC 22/07

HXL



767

PARTS CATALOG (MAINTENANCE)

FIG ITEM	PART NUMBER	1 2 3 4 5 6 7	NOMENCLATURE	EFFECT FROM TO	UNITS PER ASSY
1A 226	4135T100-3		<p>..MOTOR-ELEC SUPPLIER CODE: V98889 FUNCTIONAL DESCRIPTION: PROVIDES BACKUP POWER FOR THE HYDRAULIC MOTOR SPECIFICATION NUMBER: S256T011-3 MISCELLANEOUS DATA: ATTACHING HARDWARE AND INSTALLATION PROCEDURES ARE DIFFERENT FOR 2475T100-1 AND 4135T100-3. 2475T100-1 BOLTED DIRECTLY TO THE AIRCRAFT. THE FOL- LOWING PROCEDURES APPLY FOR THE 4135T100-3: 1. TAKE OFF BACKPLATE, 2. BOLT BACKPLATE TO THE AIRCRAFT. 3. BOLT MOTOR AND BACKPLATE TOGETHER. ELECTRICAL EQUIP NUMBER: M00494 COMPONENT MAINT MANUAL REF: 27-52-03 OPTIONAL PART: 4135T100-1 V98889 SERVICE BULLETIN OPT DATA: V98889 V98889 V98889</p>		1
226	4135T100-5		<p>..MOTOR-ELEC SUPPLIER CODE: V98889 SPECIFICATION NUMBER: S256T011-3 TEMPORARY BREAKDOWN FOR: 4135T100-5</p>		1
228C	4135125-1		<p>...PLATE- SUPPLIER CODE: V98889 USED ON: 4135T100-3</p>		1
229	M25988-1-012		<p>...PACKING- USED ON: 4135T100-3</p>		2

ILLUSTRATION ITEMS NOT ON PARTS LIST ARE NOT APPLICABLE

- ITEM NOT ILLUSTRATED

27-81-10-01A

27-81-10
 FIG. 01A
 PAGE 7
 DEC 22/07

HXL

BOEING PROPRIETARY - Copyright © - Unpublished Work - See title page for details.

 **BOEING**
767
PARTS CATALOG (MAINTENANCE)

FIG ITEM	PART NUMBER	1 2 3 4 5 6 7	NOMENCLATURE	EFFECT FROM TO	UNITS PER ASSY
1 A					
230	M25988-1-033	...	PACKING- USED ON: 4135T100-3		1
231	M25988-1-006	...	PACKING- USED ON: 4135T100-3		1
250	NAS6704H17	..	BOLT		2
255	NAS6704H19	..	BOLT		2
260	NAS1149D0416J	..	WASHER		2
265	NAS1149D0416H	..	WASHER		2
270	NAS1149D0463H	..	WASHER		2
275	NAS1149D0463J	..	WASHER		3
280	NAS1149D1490J	..	WASHER		1
285	69B82604-15	..	SUPPORT		1
290	BACJ40A30-9	..	JUMPER ASSY-		1
295	D2587PB	..	PLUG SUPPLIER CODE: V57771 SPECIFICATION NUMBER: BACP20B65		2
300	256T3104-1	..	SHAFT-QUILL		1
305	BACB30NR4K64	..	BOLT- OPTIONAL PART: NAS6704-64		2
305	NAS6704-64	..	BOLT- OPTIONAL PART: BACB30NR4K64		2
310	NAS1149D0416J	..	WASHER		2
315	NAS1149F0432P	..	WASHER		2
320	BRH10C4D	..	NUT SUPPLIER CODE: V52828 SPECIFICATION NUMBER: BACN10JC4CD OPTIONAL PART: T6C428JCD V11815 NS202486-048 V80539 102LH9075-4W V72962 H51650-4BAC V15653		2
325	BACB28AK04-335	..	BUSHING		2

ILLUSTRATION ITEMS NOT ON PARTS LIST ARE NOT APPLICABLE

— ITEM NOT ILLUSTRATED

HXL

27-81-10-01A

BOEING PROPRIETARY - Copyright © - Unpublished Work - See title page for details.

27-81-10
FIG. 01A
PAGE 8
DEC 22/07



767

PARTS CATALOG (MAINTENANCE)

FIG ITEM	PART NUMBER	1 2 3 4 5 6 7	NOMENCLATURE	EFFECT FROM TO	UNITS PER ASSY
1A 330	732-18570-03		..MODULE ASSY-HYDR FLAP AND SLAT CONT VALVE SUPPLIER CODE: VS4096 SPECIFICATION NUMBER: S256T005-6 ELECTRICAL EQUIP NUMBER: V00056 COMPONENT MAINT MANUAL REF: 27-80-02 OPTIONAL PART: 732-18570-02 VS4096		1
330	732-18570-02		..MODULE ASSY-HYDR FLAP AND SLAT CONT VALVE SUPPLIER CODE: VS4096 SPECIFICATION NUMBER: S256T005-6 ELECTRICAL EQUIP NUMBER: V00056 COMPONENT MAINT MANUAL REF: 27-80-02 OPTIONAL PART: 732-18570-03 VS4096		1
330	732-18570-05		..MODULE ASSY-HYDR FLAP AND SLAT CONT VALVE SUPPLIER CODE: VS4096 FUNCTIONAL DESCRIPTION: CONTROLS FLOW RATE AND DIRECTION OF HYDRAULIC FLUID TO THE HYDRAULIC MOTOR SPECIFICATION NUMBER: S256T005-10 ELECTRICAL EQUIP NUMBER: M01080 COMPONENT MAINT MANUAL REF: 27-80-02		1

ILLUSTRATION ITEMS NOT ON PARTS LIST ARE NOT APPLICABLE

- ITEM NOT ILLUSTRATED

HXL

27-81-10-01A

BOEING PROPRIETARY - Copyright © - Unpublished Work - See title page for details.

27-81-10
FIG. 01A
PAGE 9
DEC 22/07

BOEING
767
PARTS CATALOG (MAINTENANCE)

FIG ITEM	PART NUMBER	1 2 3 4 5 6 7	NOMENCLATURE	EFFECT FROM TO	UNITS PER ASSY
1 A 340	732-18600-02		...VALVE ASSY-MOTOR OPERATED BYPASS SUPPLIER CODE: VS4096 SPECIFICATION NUMBER: S256T005-8 COMPONENT MAINT MANUAL REF: 27-50-03 USED ON: 732-18570-05		1
345	732-18600-01		...VALVE ASSY-MOTOR OPERATED BYPASS SUPPLIER CODE: VS4096 SPECIFICATION NUMBER: S256T005-4 COMPONENT MAINT MANUAL REF: 27-50-02 USED ON: 732-18570-02 732-18570-03 ATTACHING PARTS		1
- 350	NAS6604H6		...BOLT		4
- 355	AN960-416		...WASHER -----*-----		4
360	733-73000	SEAL- SUPPLIER CODE: VS4096		1
362	MS20995C32	WIRE		AR
365	NAS1352-08H8P	SCREW		4
370	733-75203-26	WASHER-SPECIAL SUPPLIER CODE: VS4096		4
375	732-15147	LOCK-PIN SUPPLIER CODE: VS4096		1
R R R R R	377	734-15290-01ACTUATOR ASSY-ROTARY SUPPLIER CODE: VS4096 USED ON: 732-18600-02		1
	379	734-15239-01MOTOR-DC SUPPLIER CODE: VS4096		1
	380	732-18610-01ACTUATOR ASSY-ROTARY SUPPLIER CODE: VS4096 USED ON: 732-18600-01		1

ILLUSTRATION ITEMS NOT ON PARTS LIST ARE NOT APPLICABLE

- ITEM NOT ILLUSTRATED

HXL

27-81-10-01A

BOEING PROPRIETARY - Copyright © - Unpublished Work - See title page for details.

27-81-10
FIG. 01A
PAGE 10
AUG 22/09

 **BOEING**
767
PARTS CATALOG (MAINTENANCE)

FIG ITEM	PART NUMBER	1 2 3 4 5 6 7	NOMENCLATURE	EFFECT FROM TO	UNITS PER ASSY
1 A					
382	732-18609-01	MOTOR-DC SUPPLIER CODE: VS4096		1
385	NAS1601-216	...	PACKING		5
390	MS28782-21	...	RETAINER		10
395	6216-1	...	VALVE-HYDR FLOW REGULATOR SUPPLIER CODE: V06177 SPECIFICATION NUMBER: 10-61240-21 COMPONENT MAINT MANUAL REF: 27-51-13		1
400	NAS1611-115	...	PACKING-		1
405	MS28782-13	...	RING		2
410	NAS1611-119	...	PACKING-		1
415	C11236-119B	...	RING SUPPLIER CODE: V26879 SPECIFICATION NUMBER: BACR12BM119 OPTIONAL PART: RMR12BM119 V94878 STF800-119 V02107 S30294-119-1 V97820 TF450-119A V07128 2100-119 V26303		2
420	256T2611-1	..	GEARBOX ASSY- COMPONENT MAINT MANUAL REF: 27-81-21		1
425	256T2628-1	...	SHAFT		1
430	NAS1611-111	...	PACKING-		1
435	NAS1611-113	...	PACKING-		1

ILLUSTRATION ITEMS NOT ON PARTS LIST ARE NOT APPLICABLE

- ITEM NOT ILLUSTRATED

HXL

27-81-10-01A

BOEING PROPRIETARY - Copyright © - Unpublished Work - See title page for details.

27-81-10
FIG. 01A
PAGE 11
AUG 22/09

 **BOEING**
767
PARTS CATALOG (MAINTENANCE)

FIG ITEM	PART NUMBER	1 2 3 4 5 6 7	NOMENCLATURE	EFFECT FROM TO	UNITS PER ASSY
R R R R R R R R R R R R R R	1 A 440	R9305PPA4298	... BEARING SUPPLIER CODE: V21335 SPECIFICATION NUMBER: BACB10BB25PP OPTIONAL PART: 9305PPFS428 V21335 PKTLL005P1 V78118 C005RRPOZZ V40920 R9305PPA4298 V9V013 1905LLT1C1-01 V21760		1
	445	NAS6704-13	.. BOLT		2
	450	NAS1149D0416J	.. WASHER		4
	455	BRH10C4D	.. NUT SUPPLIER CODE: V52828 SPECIFICATION NUMBER: BACN10JC4CD OPTIONAL PART: T6C428JCD V11815 NS202486-048 V80539 102LH9075-4W V72962 H51650-4BAC V15653		2
	460	251T0100-306	.. ROD ASSY- COMPONENT MAINT MANUAL REF: 27-00-11		1
	465	SM4-6J12	... BEARING- SUPPLIER CODE: V77896		1
	470	NAS513-6	... WASHER		1
	475	NAS509-6	... NUT		1
	480	SM4-7A1-501	... BEARING- SUPPLIER CODE: V77896		1
	485	NAS513-7	... WASHER		1
	490	NAS509-7	... NUT		1

ILLUSTRATION ITEMS NOT ON PARTS LIST ARE NOT APPLICABLE

— ITEM NOT ILLUSTRATED

HXL

27-81-10-01A

BOEING PROPRIETARY - Copyright © - Unpublished Work - See title page for details.

27-81-10
FIG. 01A
PAGE 12
AUG 22/09



767

PARTS CATALOG (MAINTENANCE)

FIG ITEM	PART NUMBER	1 2 3 4 5 6 7	NOMENCLATURE	EFFECT FROM TO	UNITS PER ASSY
R R R R R R R R R R R R R R	1A 495	256T2610-101	..TUBE ASSY- TUBING MATERIAL: AL TUBING 6061-T6 MIL-T-7081 .375 O.D. X .035 IN W X 019. IN LG SPARES ORDER MATERIAL CODE: 1266024350		1
	500	256T2610-102	..TUBE ASSY- TUBING MATERIAL: STEEL TUBING BMS BMS7-185 .500 O.D.X .026IN W X 015. IN LG F-25.01 SPARES ORDER MATERIAL CODE: 3278032260 OPTIONAL PART: 256T2610-104		1
	500	256T2610-104	..TUBE ASSY- TUBING MATERIAL: STEEL TUBING BMS7-185B .500 O.D X .026IN W X 016. IN LG F-25.01 SPARES ORDER MATERIAL CODE: 3278032260 OPTIONAL PART: 256T2610-102		1
	505	256T2610-103	..TUBE ASSY- TUBING MATERIAL: TUBING TITANIUM AMS-4944B OPT BMS7-234 GRADE I .375 O.D. X .019IN W X 014. LG F-25.01 SPARES ORDER MATERIAL CODE: 4278024190		1
	510	256T2660-3	..UNIT ASSY-CONT COMPONENT MAINT MANUAL REF: 27-81-05		1
	510	256T2660-4	..UNIT ASSY-CONT COMPONENT MAINT MANUAL REF: 27-81-05		1
	510	256T2660-5	..UNIT ASSY-CONT COMPONENT MAINT MANUAL REF: 27-81-05		1
	515	256T2683-3	...COVER ASSY ATTACHING PARTS		1
	- 520	NAS603-8	...SCREW		6
	- 525	AN960-10L	...WASHER -----*-----		6
	ILLUSTRATION ITEMS NOT ON PARTS LIST ARE NOT APPLICABLE				

- ITEM NOT ILLUSTRATED

27-81-10-01A

27-81-10
FIG. 01A
PAGE 13
AUG 22/09

HXL

 **BOEING**
767
PARTS CATALOG (MAINTENANCE)

FIG ITEM	PART NUMBER	1 2 3 4 5 6 7	NOMENCLATURE	EFFECT FROM TO	UNITS PER ASSY
1A					
530	256T2688-2		...CLAMP ATTACHING PARTS		4
- 535	NAS6603H5		...BOLT -----*-----		4
540	R19A		...TRANSFORMER-ROTARY VAR DIFF SUPPLIER CODE: V19710 SPECIFICATION NUMBER: S256T002-1 ELECTRICAL EQUIP NUMBER: M00483 M00549 OPTIONAL PART: R21A V19710 QUALIFIED SB I/W DATA: (S256T002-1 OPTIONAL TO S256T002-6 PLUS BACC45FM14C7P CONNECTOR) POST AIRLINE MOD: P.R.27-5-95 VSAS		2
540	R21A		...TRANSFORMER-ROTARY VAR DIFF SUPPLIER CODE: V19710 SPECIFICATION NUMBER: S256T002-3 MISCELLANEOUS DATA: MPC S/B 32C-R21A-01 MODIFIES S256T002-6/Y35A TO S256T002-3/R21A AND MPC S/B 32C-Y35A-01 DOES THE OPPOSITE ELECTRICAL EQUIP NUMBER: M00483 M00549 OPTIONAL PART: R19A V19710 QUALIFIED SB I/W DATA: (S256T002-3 OPTIONAL TO S256T002-6 PLUS BACC45FM14C7P CONNECTOR) POST AIRLINE MOD: P.R.27-5-95 VSAS		2
ILLUSTRATION ITEMS NOT ON PARTS LIST ARE NOT APPLICABLE					

- ITEM NOT ILLUSTRATED

HXL

27-81-10-01A

BOEING PROPRIETARY - Copyright © - Unpublished Work - See title page for details.

27-81-10
FIG. 01A
PAGE 14
AUG 22/09



767

PARTS CATALOG (MAINTENANCE)

FIG ITEM	PART NUMBER	1 2 3 4 5 6 7	NOMENCLATURE	EFFECT FROM TO	UNITS PER ASSY
1 A			ATTACHING PARTS		
- 545	NAS600-5	...	SCREW		8
		-----*	-----		
550	256T2689-2	...	GASKET		1
555	256T2680-2	...	SENSOR ASSY-POSITION		1
555	256T2680-3	...	SENSOR ASSY-POSITION		1
555	251T2680-4	...	SENSOR ASSY-POSITION		1
			ATTACHING PARTS		
- 560	NAS6603H5	...	BOLT		3
- 565	AN960D10	...	WASHER		3
		-----*	-----		
900			ILLUSTRATION REFERENCE: HYDRAULIC INSTL-SECT. 43 (FLIGHT CONTROL ONLY) 27-81-58-01		RF

ILLUSTRATION ITEMS NOT ON PARTS LIST ARE NOT APPLICABLE

- ITEM NOT ILLUSTRATED

HXL

27-81-10-01A

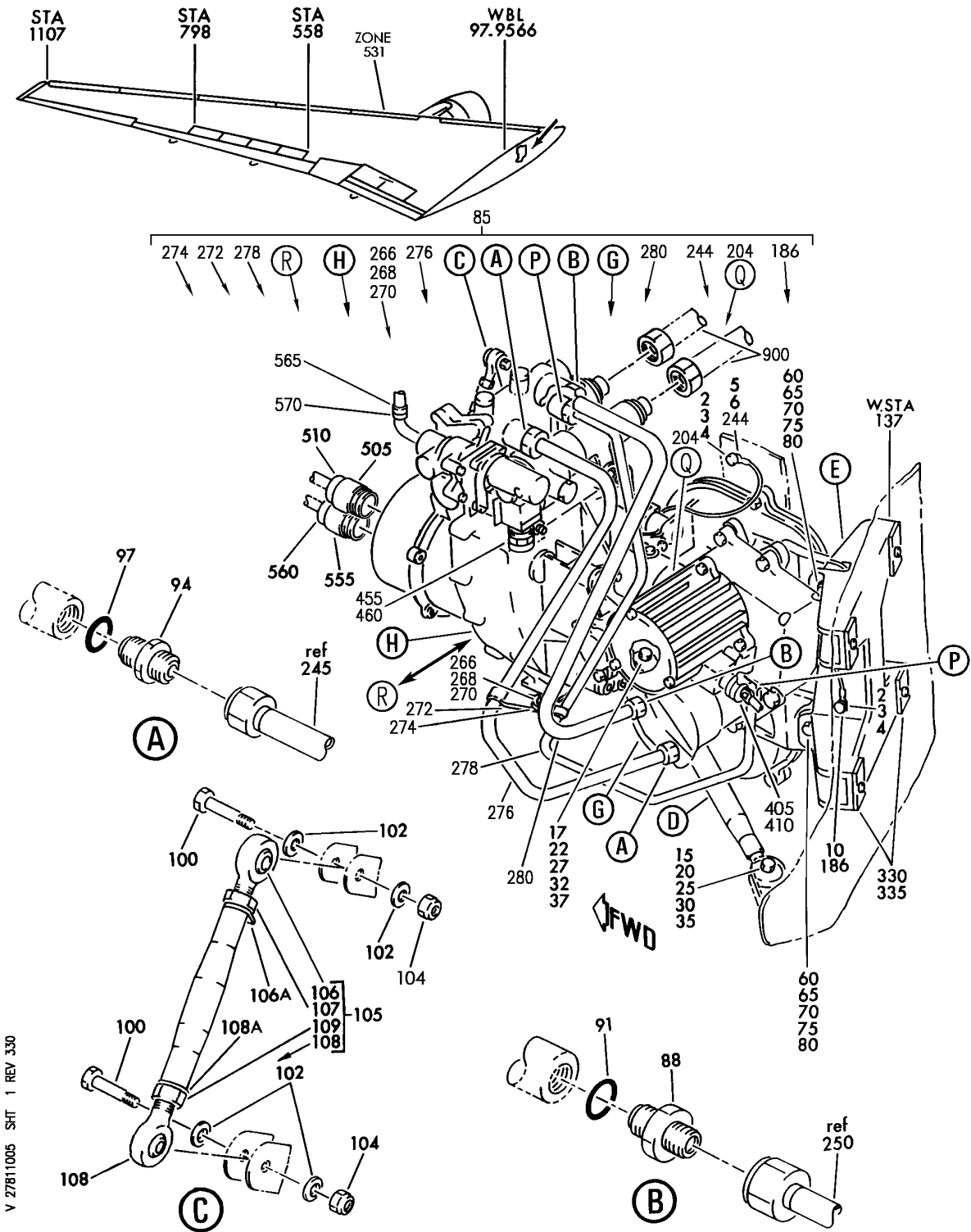
BOEING PROPRIETARY - Copyright © - Unpublished Work - See title page for details.

27-81-10
FIG. 01A
PAGE 15
AUG 22/09

BOEING

767

PARTS CATALOG (MAINTENANCE)



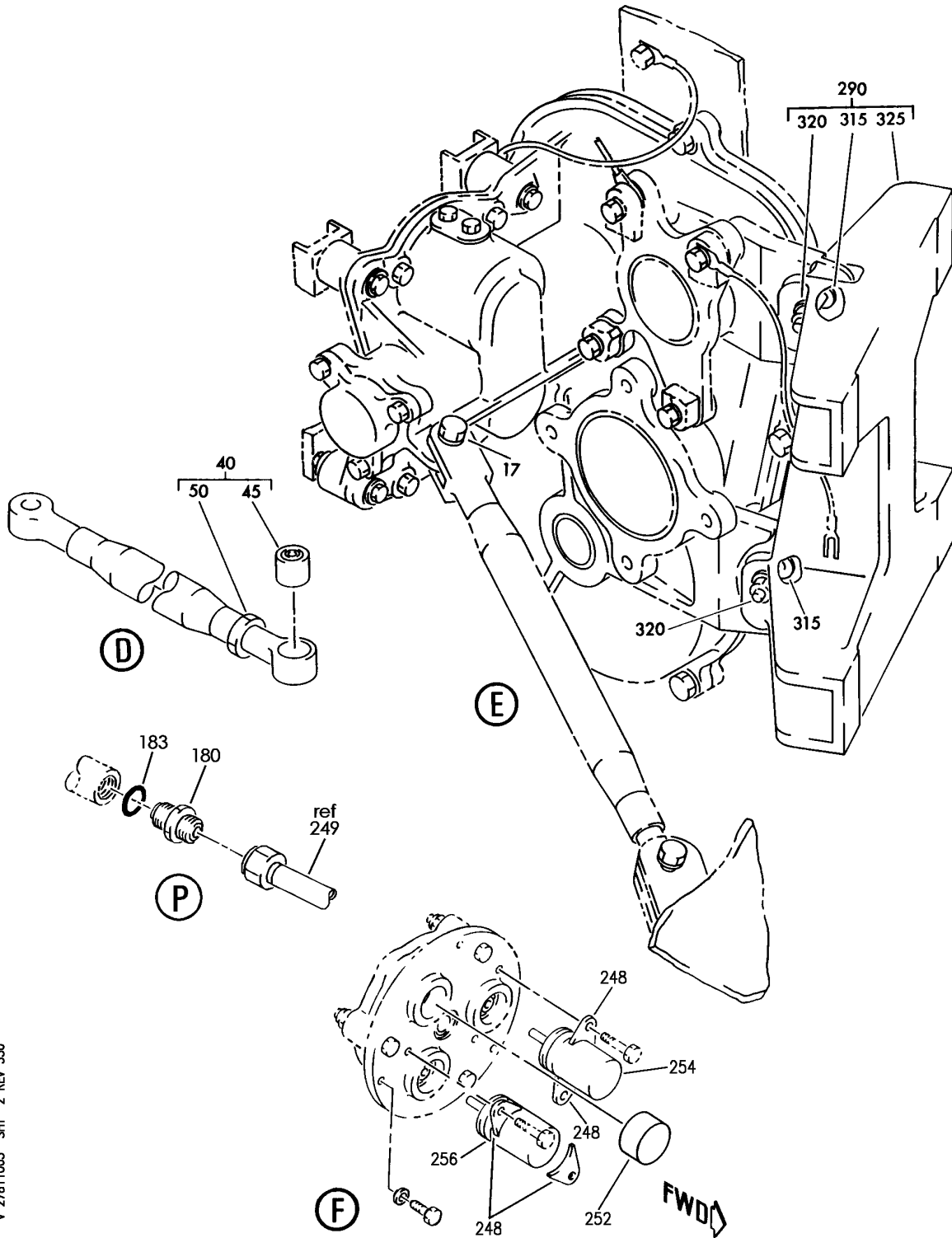
POWER DRIVE UNIT AND SUPPORT INSTL-OUTBD LE SLAT DRIVE
FIGURE 5 (SHEET 1)

27-81-10-05

HXL
AUG 22/08

27-81-10-05
PAGE 0

BOEING
767
PARTS CATALOG (MAINTENANCE)



V 27811005 SHT 2 REV 330

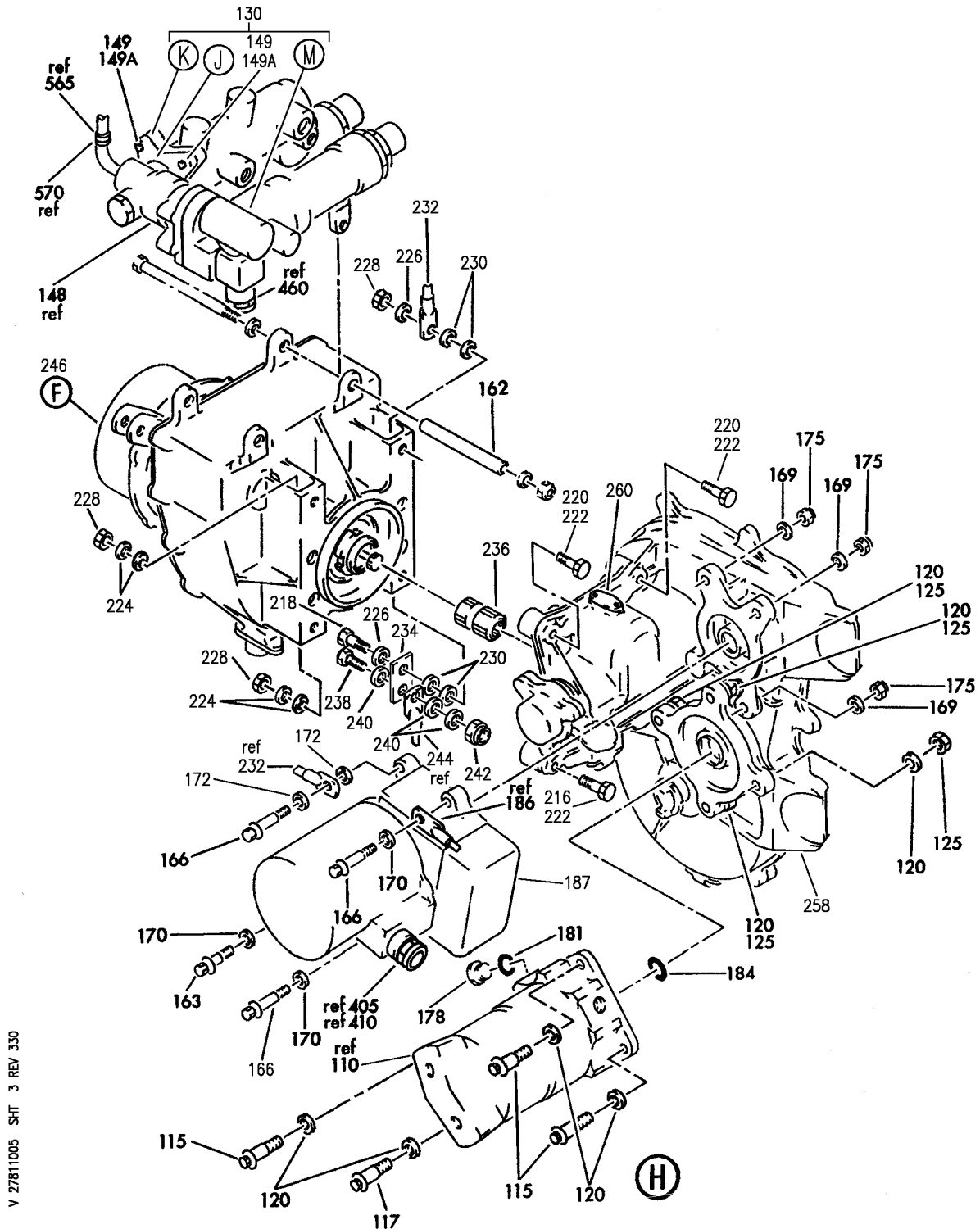
POWER DRIVE UNIT AND SUPPORT INSTL-OUTBD LE SLAT DRIVE
FIGURE 5 (SHEET 2)

27-81-10-05

HXL
AUG 22/08

27-81-10-05
PAGE 0A

BOEING
767
PARTS CATALOG (MAINTENANCE)



V 27811005 SHT 3 REV 330

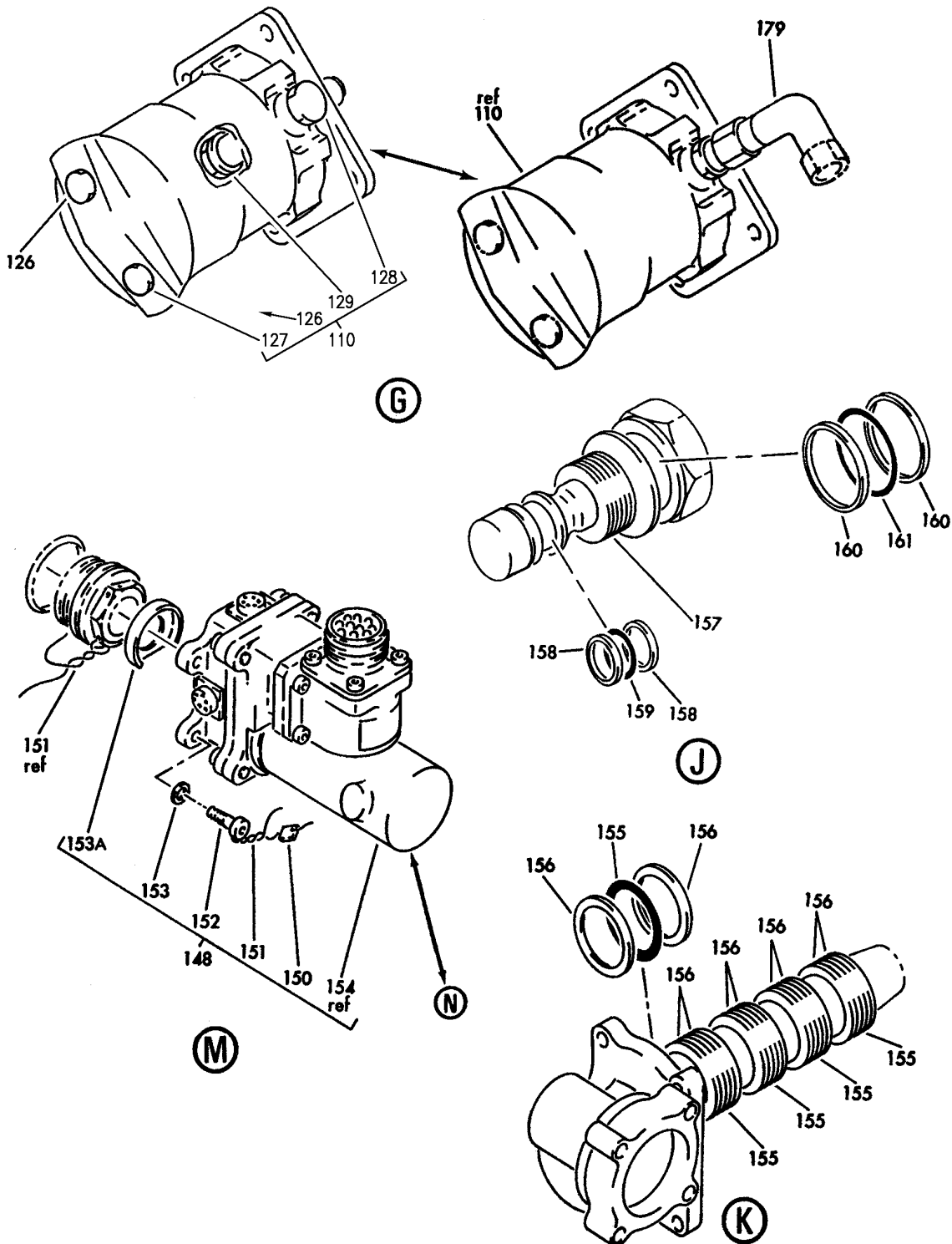
POWER DRIVE UNIT AND SUPPORT INSTL-OUTBD LE SLAT DRIVE
FIGURE 5 (SHEET 3)

27-81-10-05

HXL
AUG 22/08

27-81-10-05
PAGE 0B

BOEING
767
PARTS CATALOG (MAINTENANCE)



V 27811005 SHT 4 REV 295

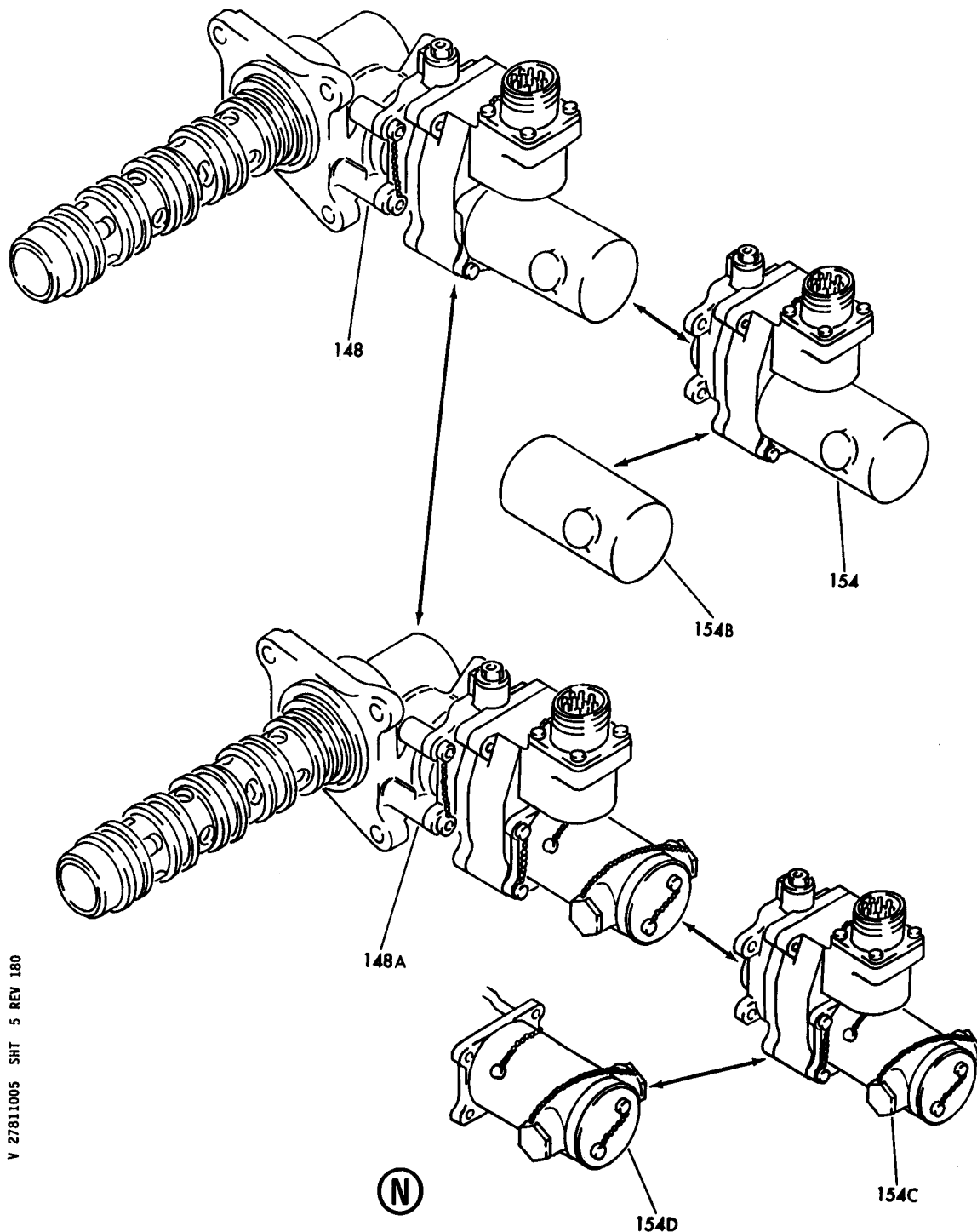
POWER DRIVE UNIT AND SUPPORT INSTL-OUTBD LE SLAT DRIVE
FIGURE 5 (SHEET 4)

27-81-10-05

HXL
DEC 22/06

27-81-10-05
PAGE 0C

BOEING
767
PARTS CATALOG (MAINTENANCE)



V 2781.005 SHT 5 REV 180

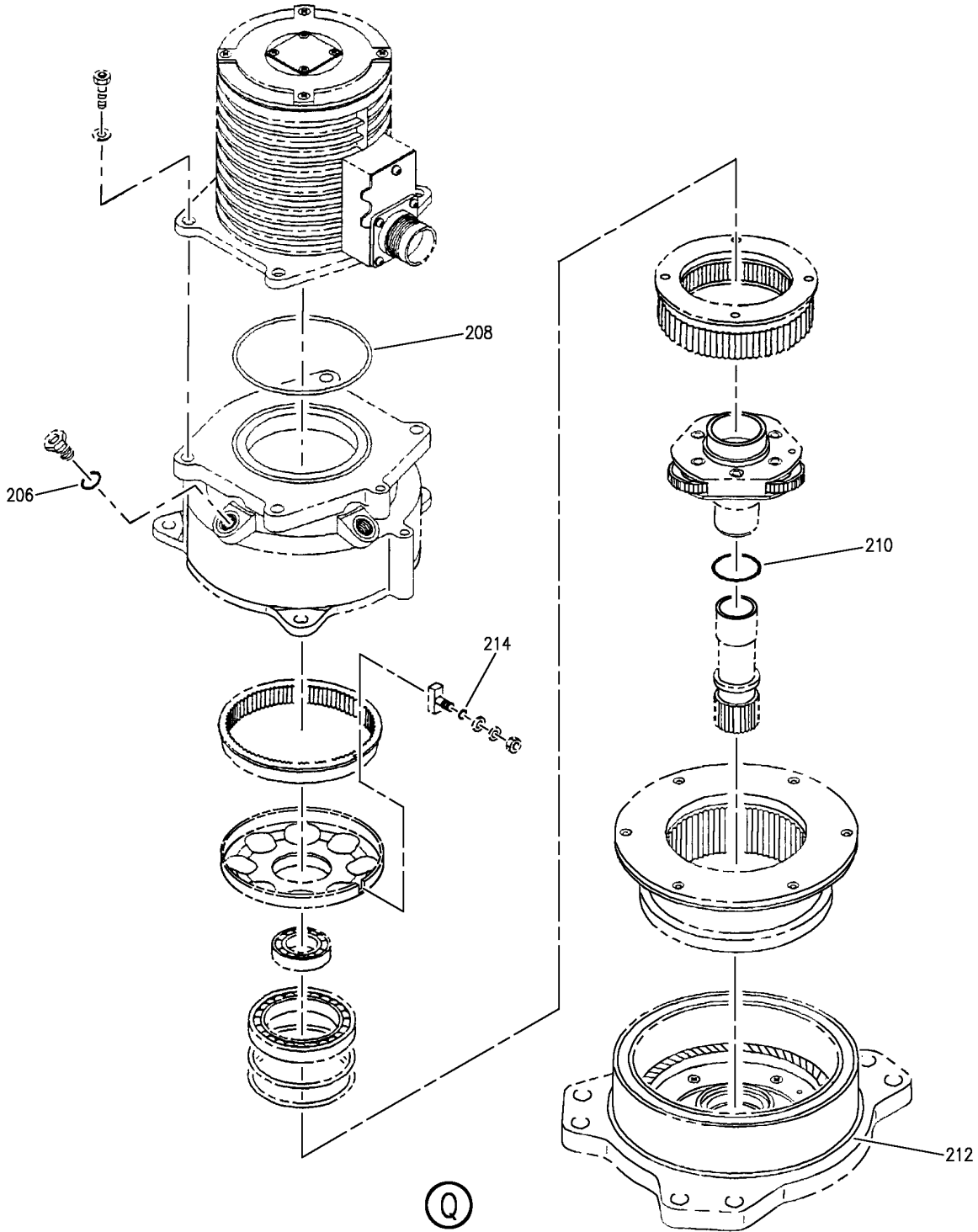
POWER DRIVE UNIT AND SUPPORT INSTL-OUTBD LE SLAT DRIVE
FIGURE 5 (SHEET 5)

27-81-10-05

HXL
DEC 22/06

27-81-10-05
PAGE 0D

BOEING
767
PARTS CATALOG (MAINTENANCE)



V 27811005 SHT 6 REV 330

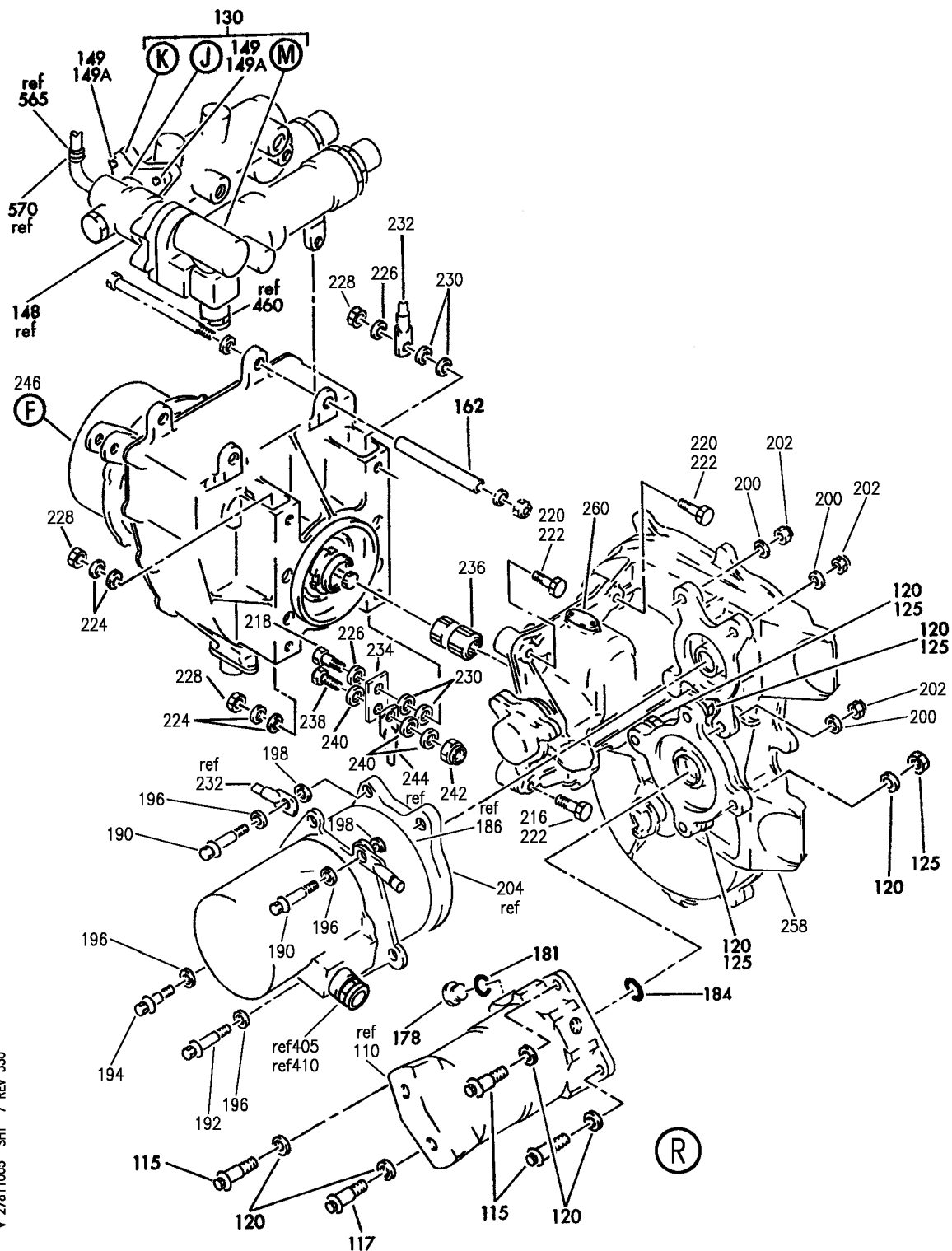
POWER DRIVE UNIT AND SUPPORT INSTL-OUTBD LE SLAT DRIVE
FIGURE 5 (SHEET 6)

27-81-10-05

HXL
AUG 22/08

27-81-10-05
PAGE 0E

BOEING
767
PARTS CATALOG (MAINTENANCE)



V 27811005 SHT 7 REV 330

POWER DRIVE UNIT AND SUPPORT INSTL-OUTBD LE SLAT DRIVE
FIGURE 5 (SHEET 7)

27-81-10-05

HXL
AUG 22/08

27-81-10-05
PAGE OF



767

PARTS CATALOG (MAINTENANCE)

FIG ITEM	PART NUMBER	1 2 3 4 5 6 7	NOMENCLATURE	EFFECT FROM TO	UNITS PER ASSY
5			POWER DRIVE UNIT AND SUPPORT INSTL-OUTBD LE SLAT DRIVE		
- 1	256T2700-4		POWER DRIVE UNIT INSTL-LE SLAT DRIVE POSITION DATA: OUTBD FOR NHA SEE: 27-81-42-05		RF
2	BACB30MR3K8		.BOLT-		2
3	AN960JD9		.WASHER-		4
5	BRH10C3D		.NUT- SUPPLIER CODE: V52828 SPECIFICATION NUMBER: BACN10JC3CD OPTIONAL PART: T6C1032JCD V11815 NS202486-02 V80539 102LH9075-3W V72962 H51650-3BAC V15653		2
6	740A20-12		.JUMPER ASSY- SUPPLIER CODE: V91812 SPECIFICATION NUMBER: BACJ40A20-12 OPTIONAL PART: TJEJ40A20-12 V33483 RBEJ20-12 V1GK47		1
10	BACJ40A22-9		.JUMPER ASSY-		1
15	BACB30NR5K17		.BOLT		1
17	BACB30NR4K23		.BOLT-		1
20	AN960PD516L		.WASHER- POSITION DATA: UNDER HEAD		1
22	AN960PD416L		.WASHER- POSITION DATA: UNDER HEAD		1
25	AN960-516L		.WASHER- POSITION DATA: UNDER NUT		1

ILLUSTRATION ITEMS NOT ON PARTS LIST ARE NOT APPLICABLE

- ITEM NOT ILLUSTRATED

27-81-10-05

27-81-10
FIG. 05
PAGE 1
DEC 22/08

HXL

 **BOEING**
767
PARTS CATALOG (MAINTENANCE)

FIG ITEM	PART NUMBER	1 2 3 4 5 6 7	NOMENCLATURE	EFFECT FROM TO	UNITS PER ASSY
5					
27	AN960-416L	.	WASHER- POSITION DATA: UNDER NUT		1
30	BRH10C5D	.	NUT- SUPPLIER CODE: V52828 SPECIFICATION NUMBER: BACN10JC5CD OPTIONAL PART: T6C524JCD V11815 102LH9075-5W V72962 H51650-5BAC V15653		1
32	BRH10C4D	.	NUT- SUPPLIER CODE: V52828 SPECIFICATION NUMBER: BACN10JC4CD OPTIONAL PART: T6C428JCD V11815 NS202486-048 V80539 102LH9075-4W V72962 H51650-4BAC V15653		1
35	BACB28AK05-038	.	BUSHING		1
37	BACB28AK04-038	.	BUSHING-		1
40	251T0100-223	.	ROD ASSY- COMPONENT MAINT MANUAL REF: 27-00-11		1
40	251T0100-243	.	ROD ASSY- COMPONENT MAINT MANUAL REF: 27-00-11		1
45	MS21242S5	..	BEARING		1
50	AN316-5R	..	NUT		1
60	BACB30NR5K20	.	BOLT-		2
65	AN960PD516L	.	WASHER- POSITION DATA: UNDER HEAD		2
70	AN960-516L	.	WASHER- POSITION DATA: UNDER NUT		2

ILLUSTRATION ITEMS NOT ON PARTS LIST ARE NOT APPLICABLE

- ITEM NOT ILLUSTRATED

HXL

27-81-10-05

BOEING PROPRIETARY - Copyright © - Unpublished Work - See title page for details.

27-81-10
FIG. 05
PAGE 2
DEC 22/08



767

PARTS CATALOG (MAINTENANCE)

FIG ITEM	PART NUMBER	1 2 3 4 5 6 7	NOMENCLATURE	EFFECT FROM TO	UNITS PER ASSY
5	75 BRH10C5D		.NUT- SUPPLIER CODE: V52828 SPECIFICATION NUMBER: BACN10JC5CD OPTIONAL PART: T6C524JCD V11815 102LH9075-5W V72962 H51650-5BAC V15653		2
80	BACB28AK05-050		.BUSHING-		2
85	256T2710-5		.POWER DRIVE UNIT ASSY- COMPONENT MAINT MANUAL REF: 27-81-82 QUALIFIED I/W DATA: 251T2710-9 CAN REPLACE OR BE REPLACED BY 251T2710-5 WITH THE INCORPORATION OF S/B 767-27-0108 251T2710-11 CAN REPLACE OR BE REPLACED BY 251T2710-5 WITH THE INCORPORATION OF S/B 767-27-0108 251T2710-12 CAN REPLACE OR BE REPLACED BY 251T2710-5 WITH THE INCORPORATION OF S/B 767-27-0108		1

ILLUSTRATION ITEMS NOT ON PARTS LIST ARE NOT APPLICABLE

- ITEM NOT ILLUSTRATED

HXL

27-81-10-05

BOEING PROPRIETARY - Copyright © - Unpublished Work - See title page for details.

27-81-10
FIG. 05
PAGE 3
DEC 22/07



**767
PARTS CATALOG (MAINTENANCE)**

FIG ITEM	PART NUMBER	1 2 3 4 5 6 7	NOMENCLATURE	EFFECT FROM TO	UNITS PER ASSY
5					
85	256T2710-6		.POWER DRIVE UNIT ASSY- COMPONENT MAINT MANUAL REF: 27-81-82 QUALIFIED I/W DATA: 251T2710-9 CAN REPLACE OR BE REPLACED BY 251T2710-5 WITH THE INCORPORATION OF S/B 767-27-0108 251T2710-11 CAN REPLACE OR BE REPLACED BY 251T2710-5 WITH THE INCORPORATION OF S/B 767-27-0108 251T2710-12 CAN REPLACE OR BE REPLACED BY 251T2710-5 WITH THE INCORPORATION OF S/B 767-27-0108		1
85	256T2710-7		.POWER DRIVE UNIT ASSY- COMPONENT MAINT MANUAL REF: 27-81-82 QUALIFIED I/W DATA: 251T2710-9 CAN REPLACE OR BE REPLACED BY 251T2710-5 WITH THE INCORPORATION OF S/B 767-27-0108 251T2710-11 CAN REPLACE OR BE REPLACED BY 251T2710-5 WITH THE INCORPORATION OF S/B 767-27-0108 251T2710-12 CAN REPLACE OR BE REPLACED BY 251T2710-5 WITH THE INCORPORATION OF S/B 767-27-0108		1
88	BACU24K12		..UNION- USED ON: 256T2710-5 256T2710-6 256T2710-7 256T2710-9 256T2710-11		2

ILLUSTRATION ITEMS NOT ON PARTS LIST ARE NOT APPLICABLE

- ITEM NOT ILLUSTRATED

HXL

27-81-10-05

BOEING PROPRIETARY - Copyright © - Unpublished Work - See title page for details.

27-81-10
FIG. 05
PAGE 4
AUG 22/08

 **BOEING**
767
PARTS CATALOG (MAINTENANCE)

FIG ITEM	PART NUMBER	1 2 3 4 5 6 7	NOMENCLATURE	EFFECT FROM TO	UNITS PER ASSY
5					
91	NAS1612-12		.. PACKING- USED ON: 256T2710-5 256T2710-6 256T2710-7 256T2710-9 256T2710-11		2
94	BACU24K10		.. UNION- USED ON: 256T2710-5 256T2710-6 256T2710-7 256T2710-9 256T2710-11		2
97	NAS1612-10		.. PACKING- USED ON: 256T2710-5 256T2710-6 256T2710-7 256T2710-9 256T2710-11		2
100	NAS6704-13		.. BOLT		2
104	BRH10C4D		.. NUT- SUPPLIER CODE: V52828 SPECIFICATION NUMBER: BACN10JC4CD OPTIONAL PART: T6C428JCD V11815 NS202486-048 V80539 102LH9075-4W V72962 H51650-4BAC V15653 USED ON: 256T2710-5 256T2710-6 256T2710-7 256T2710-9 256T2710-12		2
105	251T0100-306		.. ROD ASSY- COMPONENT MAINT MANUAL REF: 27-00-11		1
106	SM4-6J12		... BEARING- SUPPLIER CODE: V77896		1
106A	NAS513-6		... WASHER		1

ILLUSTRATION ITEMS NOT ON PARTS LIST ARE NOT APPLICABLE

- ITEM NOT ILLUSTRATED

HXL

27-81-10-05

BOEING PROPRIETARY - Copyright © - Unpublished Work - See title page for details.

27-81-10
FIG. 05
PAGE 5
AUG 22/08



767

PARTS CATALOG (MAINTENANCE)

FIG ITEM	PART NUMBER	1 2 3 4 5 6 7	NOMENCLATURE	EFFECT FROM TO	UNITS PER ASSY
5					
107	NAS509-6	...	NUT		1
108	SM4-7A1-501	...	BEARING-		1
			SUPPLIER CODE: V77896		
108A	NAS513-7	...	WASHER		1
109	NAS509-7	...	NUT		1
110	4100362-1	..	MOTOR ASSY-HYDR		1
			SUPPLIER CODE: V1SR57		
			FUNCTIONAL DESCRIPTION: PROVIDES POWER FOR EXTENSION AND RETRACTION OF THE TRAILING EDGE FLAPS AND OUTBD LEADING EDGE SLATS		
			SPECIFICATION NUMBER: S256T003-1		
			COMPONENT MAINT MANUAL REF: 27-81-01		
			REWORKED BY SB: 4100362-27-1100 V34270		
			ATTACHING PARTS		
115	NAS6705-13	..	BOLT-		3
117	NAS6705H13	..	BOLT-		1
			-----*-----		
126	NAS818-12GN	...	PLUG-		1
127	NAS818-10GN	...	PLUG-		1
128	NAS818-6GN	...	PLUG-		1
129	NAS818-4GN	...	PLUG-		1
130	732-18560-02	..	MODULE ASSY-CONT VALVE		1
			SUPPLIER CODE: VS4096		
			SPECIFICATION NUMBER: S256T005-5		
			MISCELLANEOUS DATA: ELEC EQMT. NO.		
			ELECTRICAL EQUIP NUMBER: V00105		
			COMPONENT MAINT MANUAL REF: 27-80-01		
			OPTIONAL PART: 732-18560-03 VS4096 732-18560-06 VS4096		

ILLUSTRATION ITEMS NOT ON PARTS LIST ARE NOT APPLICABLE

- ITEM NOT ILLUSTRATED

HXL

27-81-10-05

BOEING PROPRIETARY - Copyright © - Unpublished Work - See title page for details.

27-81-10
FIG. 05
PAGE 6
APR 22/09



767

PARTS CATALOG (MAINTENANCE)

FIG ITEM	PART NUMBER	1 2 3 4 5 6 7	NOMENCLATURE	EFFECT FROM TO	UNITS PER ASSY
5 130	732-18560-03		..MODULE ASSY-CONT SUPPLIER CODE: VS4096 SPECIFICATION NUMBER: S256T005-5 MISCELLANEOUS DATA: ELEC EQMT. NO. ELECTRICAL EQUIP NUMBER: V00105 COMPONENT MAINT MANUAL REF: 27-80-01 OPTIONAL PART: 732-18560-02 VS4096 732-18560-06 VS4096		1
130	732-18560-07		..MODULE ASSY-CONT SUPPLIER CODE: VS4096 FUNCTIONAL DESCRIPTION: CONTROLS FLOW RATE AND DIRECTION OF HYDRAULIC FLUID TO THE HYDRAULIC MOTOR SPECIFICATION NUMBER: S256T005-9 MISCELLANEOUS DATA: ELEC EQMT. NO. ELECTRICAL EQUIP NUMBER: M01081 COMPONENT MAINT MANUAL REF: 27-80-01 OPTIONAL PART: 732-18560-04 VS4096 732-18560-05 VS4096		1

ILLUSTRATION ITEMS NOT ON PARTS LIST ARE NOT APPLICABLE

- ITEM NOT ILLUSTRATED

HXL

27-81-10-05

BOEING PROPRIETARY - Copyright © - Unpublished Work - See title page for details.

27-81-10
 FIG. 05
 PAGE 7
 APR 22/09



PARTS CATALOG (MAINTENANCE)

FIG ITEM	PART NUMBER	1 2 3 4 5 6 7	NOMENCLATURE	EFFECT FROM TO	UNITS PER ASSY
5 130	732-18560-04		..MODULE ASSY-CONT SUPPLIER CODE: VS4096 SPECIFICATION NUMBER: S256T005-9 MISCELLANEOUS DATA: ELEC EQMT. NO. ELECTRICAL EQUIP NUMBER: M01081 COMPONENT MAINT MANUAL REF: 27-80-01 OPTIONAL PART: 732-18560-05 VS4096 732-18560-07 VS4096		1
130	732-18560-05		..MODULE ASSY-CONT SUPPLIER CODE: VS4096 SPECIFICATION NUMBER: S256T005-9 MISCELLANEOUS DATA: ELEC EQMT. NO. ELECTRICAL EQUIP NUMBER: M01081 COMPONENT MAINT MANUAL REF: 27-80-01 OPTIONAL PART: 732-18560-04 VS4096 732-18560-07 VS4096		1
130	732-18560-08		..MODULE ASSY-CONT SUPPLIER CODE: VS4096 SPECIFICATION NUMBER: S256T005-12 MISCELLANEOUS DATA: ELEC EQMT. NO. ELECTRICAL EQUIP NUMBER: V00105 COMPONENT MAINT MANUAL REF: 27-80-01		1

ILLUSTRATION ITEMS NOT ON PARTS LIST ARE NOT APPLICABLE

- ITEM NOT ILLUSTRATED

HXL

27-81-10-05

BOEING PROPRIETARY - Copyright © - Unpublished Work - See title page for details.

27-81-10
 FIG. 05
 PAGE 8
 APR 22/09



767

PARTS CATALOG (MAINTENANCE)

FIG ITEM	PART NUMBER	1 2 3 4 5 6 7	NOMENCLATURE	EFFECT FROM TO	UNITS PER ASSY
5 130	732-18560-06		..MODULE ASSY-CONT SUPPLIER CODE: VS4096 MISCELLANEOUS DATA: ELEC EQMT. NO. ELECTRICAL EQUIP NUMBER: M01081 COMPONENT MAINT MANUAL REF: 27-80-01 OPTIONAL PART: 732-18560-02 VS4096 732-18560-03 VS4096 ATTACHING PARTS		1
- 133	BACB30NR4K64		..BOLT- OPTIONAL PART: NAS6704-64		2
- 133	NAS6704-64		..BOLT- OPTIONAL PART: BACB30NR4K64		2
- 145	BRH10C4D		..NUT- SUPPLIER CODE: V52828 SPECIFICATION NUMBER: BACN10JC4CD OPTIONAL PART: T6C428JCD V11815 NS202486-048 V80539 102LH9075-4W V72962 H51650-4BAC V15653 USED ON: 256T2710-5 256T2710-6 256T2710-7 256T2710-9 256T2710-12 -----*-----		2

ILLUSTRATION ITEMS NOT ON PARTS LIST ARE NOT APPLICABLE

- ITEM NOT ILLUSTRATED

HXL

27-81-10-05

BOEING PROPRIETARY - Copyright © - Unpublished Work - See title page for details.

27-81-10
 FIG. 05
 PAGE 9
 APR 22/09

BOEING
767
PARTS CATALOG (MAINTENANCE)

FIG ITEM	PART NUMBER	1 2 3 4 5 6 7	NOMENCLATURE	EFFECT FROM TO	UNITS PER ASSY
5 148	732-18600-01		...VALVE ASSY-MOTOR OPERATED BYPASS SUPPLIER CODE: VS4096 SPECIFICATION NUMBER: S256T005-4 SB DATA FROM A CMM: POST SB 732-18600-27-1 MISCELLANEOUS DATA: ELEC EQMT. NO. ELECTRICAL EQUIP NUMBER: V00051 COMPONENT MAINT MANUAL REF: 27-50-02 USED ON: 732-18560-02 732-18560-03		1
148A	732-18600-02		...VALVE ASSY-MOTOR OPERATED BYPASS SUPPLIER CODE: VS4096 SPECIFICATION NUMBER: S256T005-8 SB DATA FROM A CMM: POST SB 732-18600-27-1 COMPONENT MAINT MANUAL REF: 27-50-03 ATTACHING PARTS		1
149	NAS6604H6		...BOLT		4
149A	AN960-416		...WASHER -----*-----		4
150	733-73000	SEAL- SUPPLIER CODE: VS4096		1
151	MS20995C32	WIRE		AR
152	NAS1352-08H8P	SCREW		4
153	733-75203-26	WASHER-SPECIAL SUPPLIER CODE: VS4096		4
153A	732-15147	LOCK-PIN SUPPLIER CODE: VS4096		1
154	732-18610-01	ACTUATOR ASSY-ROTARY SUPPLIER CODE: VS4096 USED ON: 732-18600-01		1

ILLUSTRATION ITEMS NOT ON PARTS LIST ARE NOT APPLICABLE

— ITEM NOT ILLUSTRATED

HXL

27-81-10-05

BOEING PROPRIETARY - Copyright © - Unpublished Work - See title page for details.

27-81-10
FIG. 05
PAGE 10
APR 22/09

 **BOEING**
767
PARTS CATALOG (MAINTENANCE)

FIG ITEM	PART NUMBER	1 2 3 4 5 6 7	NOMENCLATURE	EFFECT FROM TO	UNITS PER ASSY
5					
154B	732-18609-01	MOTOR-DC SUPPLIER CODE: VS4096		1
R	154C	ACTUATOR ASSY-ROTARY SUPPLIER CODE: VS4096 USED ON: 732-18600-02		1
R					
R	154D	MOTOR-DC SUPPLIER CODE: VS4096		1
R					
	155	...	PACKING		5
R	156	...	RETAINER		10
R	157	...	REGULATOR-FLOW SUPPLIER CODE: V06177 SPECIFICATION NUMBER: 10-61240-19 COMPONENT MAINT MANUAL REF: 27-51-13		1
R					
R	158	...	RING		2
R	159	...	PACKING-		1
R	160	...	RING		2
R	161	...	PACKING-		1
R	162	..	BUSHING		2
R	163	..	BOLT- USED ON: 256T2710-5 256T2710-6 256T2710-7 256T2710-9		1
	166	..	BOLT- USED ON: 256T2710-5 256T2710-6 256T2710-7 256T2710-9		3
	169	..	WASHER- POSITION DATA: UNDER NUT USED ON: 256T2710-5 256T2710-6 256T2710-7 256T2710-9		3

ILLUSTRATION ITEMS NOT ON PARTS LIST ARE NOT APPLICABLE

— ITEM NOT ILLUSTRATED

HXL

27-81-10-05

BOEING PROPRIETARY - Copyright © - Unpublished Work - See title page for details.

27-81-10
FIG. 05
PAGE 11
AUG 22/09



767

PARTS CATALOG (MAINTENANCE)

FIG ITEM	PART NUMBER	1 2 3 4 5 6 7	NOMENCLATURE	EFFECT FROM TO	UNITS PER ASSY
5 170	MS20002C5		.. WASHER- POSITION DATA: UNDER BOLT HEAD USED ON: 256T2710-5 256T2710-6 256T2710-7 256T2710-9		3
172	AN960D516		.. WASHER- POSITION DATA: UNDER TERMINAL USED ON: 256T2710-5 256T2710-6 256T2710-7 256T2710-9		2
175	BRH10C5D		.. NUT- SUPPLIER CODE: V52828 SPECIFICATION NUMBER: BACN10JC5CD OPTIONAL PART: T6C524JCD V11815 102LH9075-5W V72962 H51650-5BAC V15653 USED ON: 256T2710-5 256T2710-6 256T2710-7 256T2710-9		3
178	AN814-4DL		.. PLUG AND BLEEDER- OPTIONAL PART: AN814-4D		1
178	AN814-4D		.. PLUG- OPTIONAL PART: AN814-4DL		1

ILLUSTRATION ITEMS NOT ON PARTS LIST ARE NOT APPLICABLE

- ITEM NOT ILLUSTRATED

HXL

27-81-10-05

BOEING PROPRIETARY - Copyright © - Unpublished Work - See title page for details.

27-81-10
FIG. 05
PAGE 12
APR 22/09



767

PARTS CATALOG (MAINTENANCE)

FIG ITEM	PART NUMBER	1 2 3 4 5 6 7	NOMENCLATURE	EFFECT FROM TO	UNITS PER ASSY
5 179	AP1010L0606	..	ELBOW- SUPPLIER CODE: V01673 SPECIFICATION NUMBER: BACE21AW0606L OPTIONAL PART: AP1010-0606L V01673 DBOE21AW0606L V14798 ER10633L0606 V88334 FER1569-0606L V14397 W30833-0606L V11328 4671114-0606L V50948 AFP334-0606L V30974 DBOE21AW0606L V61498 US2109-0606L V50808 AFP344-0606L V30974 USED ON: 256T2710-5 256T2710-6 256T2710-7 256T2710-9		1
179	BACE21AW0606W	..	ELBOW- USED ON: 256T2710-11 256T2710-12		1
180	MS21902D6	..	UNION		2
181	NAS1612-4	..	PACKING- USED ON: 256T2710-5 256T2710-6 256T2710-7 256T2710-9 256T2710-11		1

ILLUSTRATION ITEMS NOT ON PARTS LIST ARE NOT APPLICABLE

- ITEM NOT ILLUSTRATED

HXL

27-81-10-05

BOEING PROPRIETARY - Copyright © - Unpublished Work - See title page for details.

27-81-10
FIG. 05
PAGE 13
APR 22/09



767

PARTS CATALOG (MAINTENANCE)

FIG ITEM	PART NUMBER	1 2 3 4 5 6 7	NOMENCLATURE	EFFECT FROM TO	UNITS PER ASSY
5 183	NAS1612-6		.. PACKING- USED ON: 256T2710-5 256T2710-6 256T2710-7 256T2710-9 256T2710-11		2
184	NAS1611-019		.. PACKING- USED ON: 256T2710-5 256T2710-6 256T2710-7 256T2710-9 256T2710-11		1
186	BACJ40A22-9		.. JUMPER ASSY- USED ON: 256T2710-5 256T2710-6 256T2710-7 256T2710-9 256T2710-11		1
187	1824T100-1		.. MOTOR-ELEC SUPPLIER CODE: V98889 SPECIFICATION NUMBER: S256T004-2 ELECTRICAL EQUIP NUMBER: M00469 COMPONENT MAINT MANUAL REF: 27-81-01 OPTIONAL PART: 1824T100-3 V98889 2474T100-1 V98889 USED ON: 256T2710-5		1
187	1824T100-3		.. MOTOR-ELEC SUPPLIER CODE: V98889 SPECIFICATION NUMBER: S256T004-9 ELECTRICAL EQUIP NUMBER: M00469 OPTIONAL PART: 2474T100-1 V98889 USED ON: 256T2710-6		1

ILLUSTRATION ITEMS NOT ON PARTS LIST ARE NOT APPLICABLE

- ITEM NOT ILLUSTRATED

27-81-10-05

27-81-10
FIG. 05
PAGE 14
APR 22/09

HXL



767

PARTS CATALOG (MAINTENANCE)

FIG ITEM	PART NUMBER	1 2 3 4 5 6 7	NOMENCLATURE	EFFECT FROM TO	UNITS PER ASSY
5 187	2474T100-1		..MOTOR-ELEC SUPPLIER CODE: V98889 SPECIFICATION NUMBER: S256T004-12 ELECTRICAL EQUIP NUMBER: M00469 COMPONENT MAINT MANUAL REF: 27-81-01 USED ON: 256T2710-7 256T2710-9		1
187	1824T100-3		..MOTOR-ELEC SUPPLIER CODE: V98889 SPECIFICATION NUMBER: S256T004-9 ELECTRICAL EQUIP NUMBER: M00469 OPTIONAL PART: 1824T100-1 V98889 2474T100-1 V98889 USED ON: 256T2710-5		1
187	2474T100-1		..MOTOR-ELEC SUPPLIER CODE: V98889 SPECIFICATION NUMBER: S256T004-12 ELECTRICAL EQUIP NUMBER: M00469 COMPONENT MAINT MANUAL REF: 27-81-01 OPTIONAL PART: 1824T100-1 V98889 1824T100-3 V98889 USED ON: 256T2710-5		1

ILLUSTRATION ITEMS NOT ON PARTS LIST ARE NOT APPLICABLE

- ITEM NOT ILLUSTRATED

HXL

27-81-10-05

BOEING PROPRIETARY - Copyright © - Unpublished Work - See title page for details.

27-81-10
FIG. 05
PAGE 15
APR 22/09



767

PARTS CATALOG (MAINTENANCE)

FIG ITEM	PART NUMBER	1 2 3 4 5 6 7	NOMENCLATURE	EFFECT FROM TO	UNITS PER ASSY
5 187	2474T100-1		..MOTOR-ELEC SUPPLIER CODE: V98889 SPECIFICATION NUMBER: S256T004-12 ELECTRICAL EQUIP NUMBER: M00469 COMPONENT MAINT MANUAL REF: 27-81-01 OPTIONAL PART: 1824T100-3 V98889 USED ON: 256T2710-6		1
187	1824T100-1		..MOTOR-ELEC SUPPLIER CODE: V98889 SPECIFICATION NUMBER: S256T004-2 ELECTRICAL EQUIP NUMBER: M00469 COMPONENT MAINT MANUAL REF: 27-81-01 USED ON: 256T2710-6		1
190	BACB30MR5K16		..BOLT- USED ON: 256T2710-11 256T2710-12		2
192	BACB30MR5K14		..BOLT- USED ON: 256T2710-11 256T2710-12		1
194	BACB30MR5K8		..BOLT- USED ON: 256T2710-11 256T2710-12		1
196	MS20002C5		..WASHER- USED ON: 256T2710-11 256T2710-12		4
198	NAS1149D0516H		..WASHER		2
200	NAS1149D0563J		..WASHER- USED ON: 256T2710-11 256T2710-12		3

ILLUSTRATION ITEMS NOT ON PARTS LIST ARE NOT APPLICABLE

- ITEM NOT ILLUSTRATED

27-81-10-05

27-81-10
FIG. 05
PAGE 16
APR 22/09

HXL

 **BOEING**
767
PARTS CATALOG (MAINTENANCE)

FIG ITEM	PART NUMBER	1 2 3 4 5 6 7	NOMENCLATURE	EFFECT FROM TO	UNITS PER ASSY
5					
202	PLH55CD		..NUT- SUPPLIER CODE: VF0224 SPECIFICATION NUMBER: BACN10YR5CD OPTIONAL PART: H52732-5CD V15653 USED ON: 256T2710-11 256T2710-12 ATTACHING PARTS		3
204	4134T100-3		..MOTOR-ELEC SUPPLIER CODE: V98889 FUNCTIONAL DESCRIPTION: PROVIDES BACKUP POWER FOR THE HYDRAULIC MOTOR SPECIFICATION NUMBER: S256T011-2 ELECTRICAL EQUIP NUMBER: M00469 COMPONENT MAINT MANUAL REF: 27-52-02 OPTIONAL PART: 4134T100-1 V98889 SERVICE BULLETIN OPT DATA: V98889 V98889 V98889 USED ON: 256T2710-9 -----*-----		1
206	M25988-1-012		...PACKING		2
208	M25988-1-037		...PACKING		1
210	M25988-1-014		...PACKING		1
212	M25988-1-045		...PACKING		1
214	M25988-1-006		...PACKING		1
216	NAS6604D26		..BOLT		1
218	NAS6704H19		..BOLT		1
232	BACJ40A31-9		..JUMPER ASSY-		1
234	69B82604-15		..SUPPORT		1
236	256T3104-1		..SHAFT-QUILL		1
238	NAS1801-3-8		..SCREW		1

ILLUSTRATION ITEMS NOT ON PARTS LIST ARE NOT APPLICABLE

- ITEM NOT ILLUSTRATED

HXL

27-81-10-05

BOEING PROPRIETARY - Copyright © - Unpublished Work - See title page for details.

27-81-10
FIG. 05
PAGE 17
APR 22/09



767

PARTS CATALOG (MAINTENANCE)

FIG ITEM	PART NUMBER	1 2 3 4 5 6 7	NOMENCLATURE	EFFECT FROM TO	UNITS PER ASSY
5 242	BRH10A3		..NUT SUPPLIER CODE: V52828 SPECIFICATION NUMBER: BACN10JC3 OPTIONAL PART: H10-3BAC V15653 NS202101-02 V80539 RMLH9075-3W V72962 VN303A02 V92215 96-02 V80539 T6S1032J V11815		1
246	256T2760-6		..UNIT ASSY-CONT COMPONENT MAINT MANUAL REF: 27-81-55 QUALIFIED I/W DATA: 256T2760-6 MAY REPLACE BUT MAY NOT BE REPLACED BY 256T2760-4 IN ACCORDANCE WITH SERVICE BULLETIN 767-27-0108 TO COMPLY WITH AIRWORTHINESS DIRECTIVE (AD) 93-19-05. POST SERVICE BULLETIN: 27-0108		1
248	256T2688-2		...CLAMP ATTACHING PARTS		4
- 250	NAS6603H5		...BOLT -----*-----		4
252	256T2680-2		...SENSOR ASSY-POSITION OPTIONAL PART: 256T2680-3		1
252	256T2680-3		...SENSOR ASSY-POSITION		1

ILLUSTRATION ITEMS NOT ON PARTS LIST ARE NOT APPLICABLE

- ITEM NOT ILLUSTRATED

HXL

27-81-10-05

BOEING PROPRIETARY - Copyright © - Unpublished Work - See title page for details.

27-81-10
 FIG. 05
 PAGE 18
 APR 22/09



767

PARTS CATALOG (MAINTENANCE)

FIG ITEM	PART NUMBER	1 2 3 4 5 6 7	NOMENCLATURE	EFFECT FROM TO	UNITS PER ASSY
5 254	R19A		...TRANSFORMER- SUPPLIER CODE: V19710 SPECIFICATION NUMBER: S256T002-1 ELECTRICAL EQUIP NUMBER: M00544 OPTIONAL PART: R21A V19710 QUALIFIED SB I/W DATA: (S256T002-1 OPTIONAL TO S256T002-6 PLUS BACC45FM14C7P CONNECTOR POST P.R. 27-5-95)		1
254	R21A		...TRANSFORMER- SUPPLIER CODE: V19710 SPECIFICATION NUMBER: S256T002-3 MISCELLANEOUS DATA: MPC S/B 32C-R21A-01 MODIFIES S256T002-6/Y35A TO S256T002-3/R21A AND MPC S/B 32C-Y35A-01 DOES THE OPPOSITE ELECTRICAL EQUIP NUMBER: M00544 OPTIONAL PART: R19A V19710 QUALIFIED SB I/W DATA: (S256T002-3 OPTIONAL TO S256T002-6 PLUS BACC45FM14C7P CONNECTOR POST P.R. 27-5-95)		1
256	3A1-260A		...TRANSFORMER- SUPPLIER CODE: V19710 SPECIFICATION NUMBER: S256T002-11 ELECTRICAL EQUIP NUMBER: M00548 POST SERVICE BULLETIN: 27-0108		1
258	256T2711-1		..GEARBOX ASSY- COMPONENT MAINT MANUAL REF: 27-81-72		1
260	256T2313-1		...COVER-INSPECTION HOLE		1

ILLUSTRATION ITEMS NOT ON PARTS LIST ARE NOT APPLICABLE

- ITEM NOT ILLUSTRATED

27-81-10-05

27-81-10
FIG. 05
PAGE 19
APR 22/09

HXL

 **BOEING**
767
PARTS CATALOG (MAINTENANCE)

FIG ITEM	PART NUMBER	1 2 3 4 5 6 7	NOMENCLATURE	EFFECT FROM TO	UNITS PER ASSY
5			ATTACHING PARTS		
- 262	NAS563-15	...	BOLT		2
- 264	AN960PD10	...	WASHER		2
			-----*-----		
276	256T2710-102	..	TUBE ASSY- TUBING MATERIAL: .625 IN. OD .032 IN. WALL 78.00 IN. LG TITANIUM		1
278	256T2710-101	..	TUBE ASSY- TUBING MATERIAL: .375 IN. OD .035 IN. WALL 66.00 IN. LG AL		1
280	256T2710-103	..	TUBE ASSY- TUBING MATERIAL: .750 IN. OD .039 IN. WALL 78.00 IN. LG TITANIUM		1
- 285	256T2700-2		SUPPORT INSTL-LE SLAT DRIVE POSITION DATA: OUTBD FOR NHA SEE: 27-81-42-05		RF
290	256T2702-1	.	SUPPORT ASSY- OPTIONAL PART: 256T2704-1		1
290	256T2704-1	.	SUPPORT ASSY- OPTIONAL PART: 256T2702-1		1
			ATTACHING PARTS		
- 295	BACB30NF5-10	.	BOLT-		4
- 300	BACN10GW5	.	NUT-		4
			-----*-----		
315	BACB28W5C025	..	BUSHING		2
320	BACB28W7B025	..	BUSHING		2
325	256T2702-2	..	SUPPORT- USED ON: 256T2702-1		1
325	256T2704-2	..	SUPPORT- USED ON: 256T2704-1		1
330	BACS40R11B19F	.	SHIM		4
335	BACS40R11E19F	.	SHIM		4
- 400	286T0466-001		WIRE BUNDLE ASSY		RF

ILLUSTRATION ITEMS NOT ON PARTS LIST ARE NOT APPLICABLE

- ITEM NOT ILLUSTRATED

HXL

27-81-10-05

BOEING PROPRIETARY - Copyright © - Unpublished Work - See title page for details.

27-81-10
FIG. 05
PAGE 20
APR 22/09



767

PARTS CATALOG (MAINTENANCE)

FIG ITEM	PART NUMBER	1 2 3 4 5 6 7	NOMENCLATURE	EFFECT FROM TO	UNITS PER ASSY
5 405	GS3417-18C		.CLAMP- SUPPLIER CODE: V06324 SPECIFICATION NUMBER: BACC10HF18 OPTIONAL PART: S2125-18-8 V07418 ELECTRICAL EQUIP NUMBER: D01522T WIRING DIAGRAM REF: 278121		1
410	R071018R8SNL		.CONNECTOR- SUPPLIER CODE: V41118 SPECIFICATION NUMBER: BACC63BP18R8SNL ELECTRICAL EQUIP NUMBER: D01522 WIRING DIAGRAM REF: 278121		1
- 450 455	286T0774-001 BCREF10763		WIRE BUNDLE ASSY .ADAPTER- SUPPLIER CODE: V06324 OVERLENGTH PART NUMBER: 710AA011M16-12-62A ELECTRICAL EQUIP NUMBER: D02310T WIRING DIAGRAM REF: 275111		RF 1
460	CN096616R10SNL		.CONNECTOR- SUPPLIER CODE: V13556 SPECIFICATION NUMBER: BCREF5954 OPTIONAL PART: ZZY16R10SNL V49367 48-06R16R10SNL V02660 OVERLENGTH PART NUMBER: BACC63BP16R10SNL ELECTRICAL EQUIP NUMBER: D02310 WIRING DIAGRAM REF: 275111		1
- 500	286T0436-001		WIRE BUNDLE ASSY		RF

ILLUSTRATION ITEMS NOT ON PARTS LIST ARE NOT APPLICABLE

- ITEM NOT ILLUSTRATED

HXL

27-81-10-05

BOEING PROPRIETARY - Copyright © - Unpublished Work - See title page for details.

27-81-10
FIG. 05
PAGE 21
APR 22/09



767

PARTS CATALOG (MAINTENANCE)

FIG ITEM	PART NUMBER	1 2 3 4 5 6 7	NOMENCLATURE	EFFECT FROM TO	UNITS PER ASSY
5 505	GS3417-14C	.	CLAMP- SUPPLIER CODE: V06324 SPECIFICATION NUMBER: BACC10HF14 OPTIONAL PART: S2125-14-8 V07418 ELECTRICAL EQUIP NUMBER: D02298T WIRING DIAGRAM REF: 278131	155162	1
505	G899414	.	CLAMP- SUPPLIER CODE: V06324 SPECIFICATION NUMBER: BACC10HG14A OPTIONAL PART: G8994M14 V06324 S2252-14-8 V07418 6000-124-1014 V14283 900-555L14-34 V31461 ELECTRICAL EQUIP NUMBER: D02298T WIRING DIAGRAM REF: 278131	163999	1
510	R071014R7SNL	.	CONNECTOR- SUPPLIER CODE: V41118 SPECIFICATION NUMBER: BACC63BP14R7SNL MISCELLANEOUS DATA: OPTIONAL PART NUMBERS: BACC63BP14R7SN (81205) BACC63BP14A7SN (81205) BACC63BP14A7SNL (81205) ELECTRICAL EQUIP NUMBER: D02298 WIRING DIAGRAM REF: 278131	155162	1

ILLUSTRATION ITEMS NOT ON PARTS LIST ARE NOT APPLICABLE

- ITEM NOT ILLUSTRATED

HXL

27-81-10-05

BOEING PROPRIETARY - Copyright © - Unpublished Work - See title page for details.

27-81-10
FIG. 05
PAGE 22
APR 22/09



767

PARTS CATALOG (MAINTENANCE)

FIG ITEM	PART NUMBER	1 2 3 4 5 6 7	NOMENCLATURE	EFFECT FROM TO	UNITS PER ASSY
5 510	R071014A7SNL		.CONNECTOR- SUPPLIER CODE: V41118 SPECIFICATION NUMBER: BACC63BP14A7SNL MISCELLANEOUS DATA: OPTIONAL PART NUMBERS: BACC63BP14A7SN (81205) BACC63BP14R7SN (81205) BACC63BP14R7SNL (81205) ELECTRICAL EQUIP NUMBER: D02298 WIRING DIAGRAM REF: 278131	163999	1
- 550 555	286T0440-300 G899414		WIRE BUNDLE ASSY .CLAMP- SUPPLIER CODE: V06324 SPECIFICATION NUMBER: BACC10HG14A OPTIONAL PART: G8994M14 V06324 S2252-14-8 V07418 6000-124-1014 V14283 900-555L14-34 V31461 ELECTRICAL EQUIP NUMBER: D02296T WIRING DIAGRAM REF: 278121		RF 1
560	R071014A7S7L		.CONNECTOR- SUPPLIER CODE: V41118 SPECIFICATION NUMBER: BACC63BP14A7S7L ELECTRICAL EQUIP NUMBER: D02296 WIRING DIAGRAM REF: 278121 POST SERVICE BULLETIN: 27-0108		1

ILLUSTRATION ITEMS NOT ON PARTS LIST ARE NOT APPLICABLE

- ITEM NOT ILLUSTRATED

HXL

27-81-10-05

BOEING PROPRIETARY - Copyright © - Unpublished Work - See title page for details.

27-81-10
FIG. 05
PAGE 23
APR 22/09



767

PARTS CATALOG (MAINTENANCE)

FIG ITEM	PART NUMBER	1 2 3 4 5 6 7	NOMENCLATURE	EFFECT FROM TO	UNITS PER ASSY
5 565	G899316		.CLAMP- SUPPLIER CODE: V06324 SPECIFICATION NUMBER: BACC10HF16A OPTIONAL PART: G8993M16 V06324 S2251-16-8 V07418 6000-123-0016 V14283 900-555F16-34 V31461 ELECTRICAL EQUIP NUMBER: D01514T WIRING DIAGRAM REF: 278121		1
570	BCREF105450		.CONNECTOR- OVERLENGTH PART NUMBER: BACC63BP16A10SNL ELECTRICAL EQUIP NUMBER: D01514 WIRING DIAGRAM REF: 278121		1
900			ILLUSTRATION REFERENCE: HYDRAULIC INSTL-SECT. 43 (FLIGHT CONTROL ONLY) 27-81-58-01		RF

ILLUSTRATION ITEMS NOT ON PARTS LIST ARE NOT APPLICABLE

- ITEM NOT ILLUSTRATED

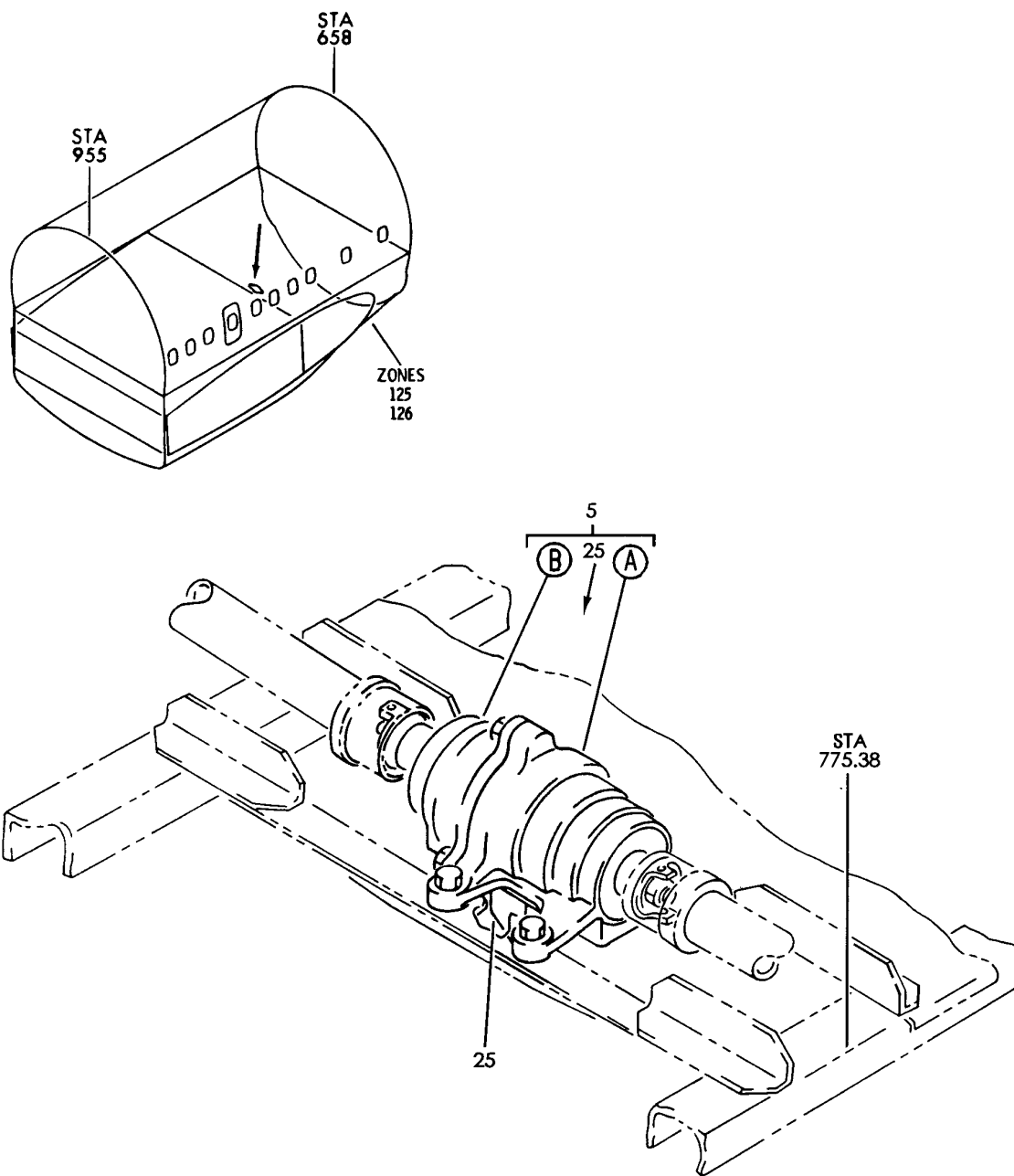
HXL

27-81-10-05

BOEING PROPRIETARY - Copyright © - Unpublished Work - See title page for details.

27-81-10
FIG. 05
PAGE 24
APR 22/09

BOEING
767
PARTS CATALOG (MAINTENANCE)



V 27811505 SH1 1 REV 200

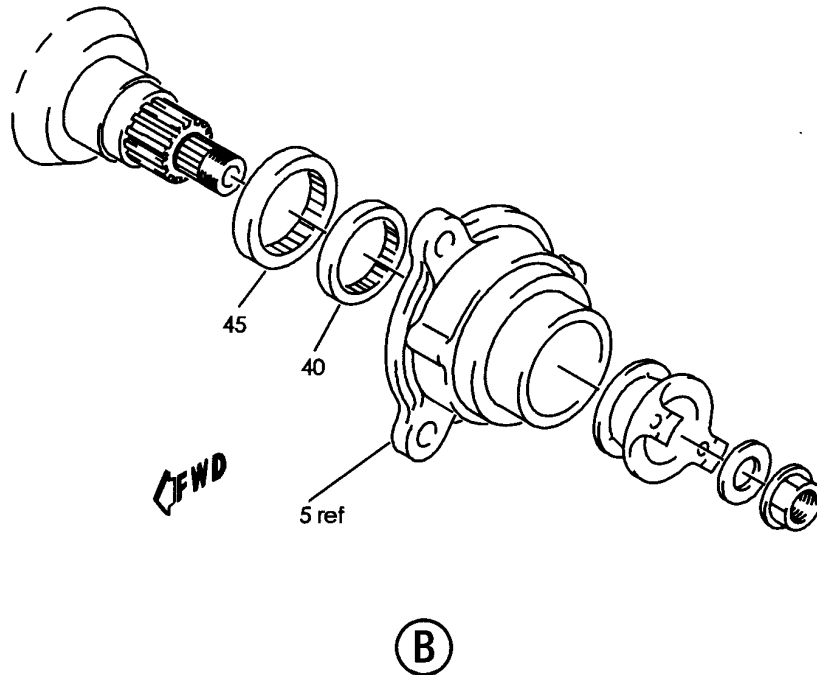
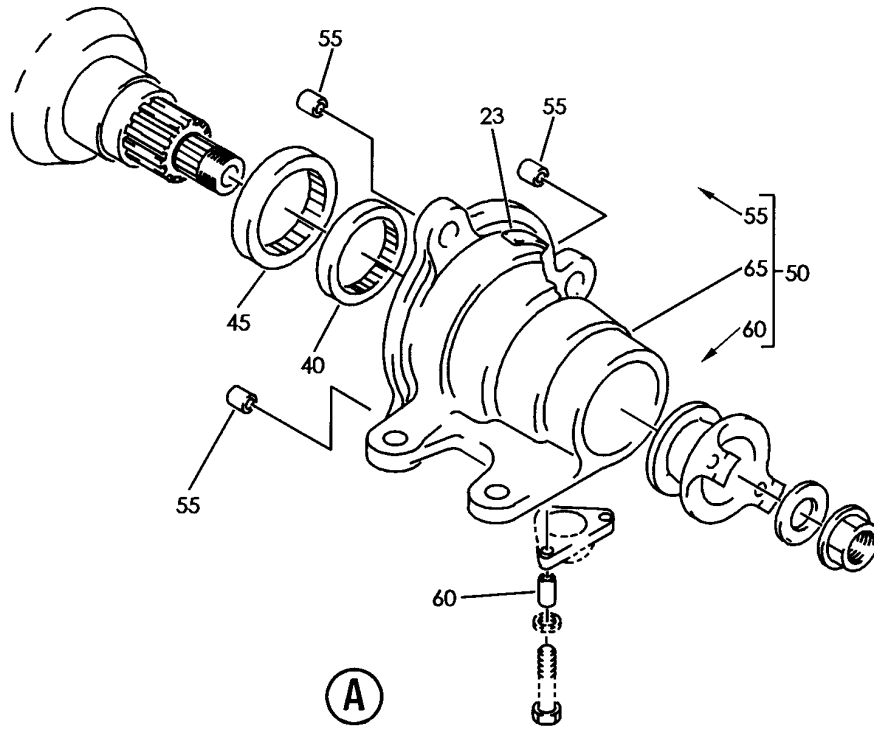
GEARBOX INSTL-LE SLAT DRIVE BODY ANGLE
FIGURE 5 (SHEET 1)

27-81-15-05

HXL
DEC 22/06

27-81-15-05
PAGE 0

BOEING
767
PARTS CATALOG (MAINTENANCE)



V 27811505 SHT 2 REV 200

GEARBOX INSTL-LE SLAT DRIVE BODY ANGLE
FIGURE 5 (SHEET 2)

27-81-15-05

HXL
DEC 22/06

27-81-15-05
PAGE 0A



767

PARTS CATALOG (MAINTENANCE)

FIG ITEM	PART NUMBER	1 2 3 4 5 6 7	NOMENCLATURE	EFFECT FROM TO	UNITS PER ASSY
5			GEARBOX INSTL-LE SLAT DRIVE BODY ANGLE		
- 1	256T2350-1		GEARBOX INSTL-LE SLAT DRIVE BODY ANGLE FOR NHA SEE: 27-81-42-05		RF
5	256T2330-1		.GEARBOX ASSY- COMPONENT MAINT MANUAL REF: 27-81-15		1
- 10	BACB30NR4K7		ATTACHING PARTS .BOLT		3
- 15	AN960PD416		.WASHER		3
- 20	BRH10A4		.NUT		3
			SUPPLIER CODE: V52828 SPECIFICATION NUMBER: BACN10JC4 OPTIONAL PART: T6S428J V11815 96-048 V80539 VN303A048 V92215 RMLH9075-4W V72962 NS202101-048 V80539 H10-4BAC V15653		
			-----*-----		
23	256T2314-1		..NAMEPLATE		1
25	65B81978-3		..COVER-DRAIN OPTIONAL PART: 65B81978-4		1
25	65B81978-4		..COVER-DRAIN OPTIONAL PART: 65B81978-3		1
- 30	NAS6603-2		ATTACHING PARTS ..BOLT		2
- 35	AN960PD10		..WASHER		2
			-----*-----		

ILLUSTRATION ITEMS NOT ON PARTS LIST ARE NOT APPLICABLE

- ITEM NOT ILLUSTRATED

27-81-15-05

27-81-15
FIG. 05
PAGE 1
DEC 22/06

HXL

BOEING PROPRIETARY - Copyright © - Unpublished Work - See title page for details.

 **BOEING**
767
PARTS CATALOG (MAINTENANCE)

FIG ITEM	PART NUMBER	1 2 3 4 5 6 7	NOMENCLATURE	EFFECT FROM TO	UNITS PER ASSY
R R	5 40	R9104PPA4298	.. BEARING SUPPLIER CODE: V21335 SPECIFICATION NUMBER: BACB10BA20PP OPTIONAL PART: LL104KSG20 V38443 LL104KS V38443 6004FTT V43991 9104LLT1C1-01 V21760 9104NPPFS428 V21335 993L04 V29337 PKTLL104P1 V78118 C104RRPOZZ V40920 R9104PPA4298 V9V013		2
	45	R205PPA4298	.. BEARING SUPPLIER CODE: V21335 SPECIFICATION NUMBER: BACB10AZ25PP OPTIONAL PART: 205NPPFS428 V21335 205TT V43991 99205 V29337 R205PPA4298 V9V013 1205LLT1C1-01 V21760		2
	50	256T2304-1	.. HOUSING ASSY		1
	55	MS21209F4-15	... INSERT		3
	60	MS21209F1-15	... INSERT		2
65	256T2304-2	... HOUSING		1	
ILLUSTRATION ITEMS NOT ON PARTS LIST ARE NOT APPLICABLE					

— ITEM NOT ILLUSTRATED

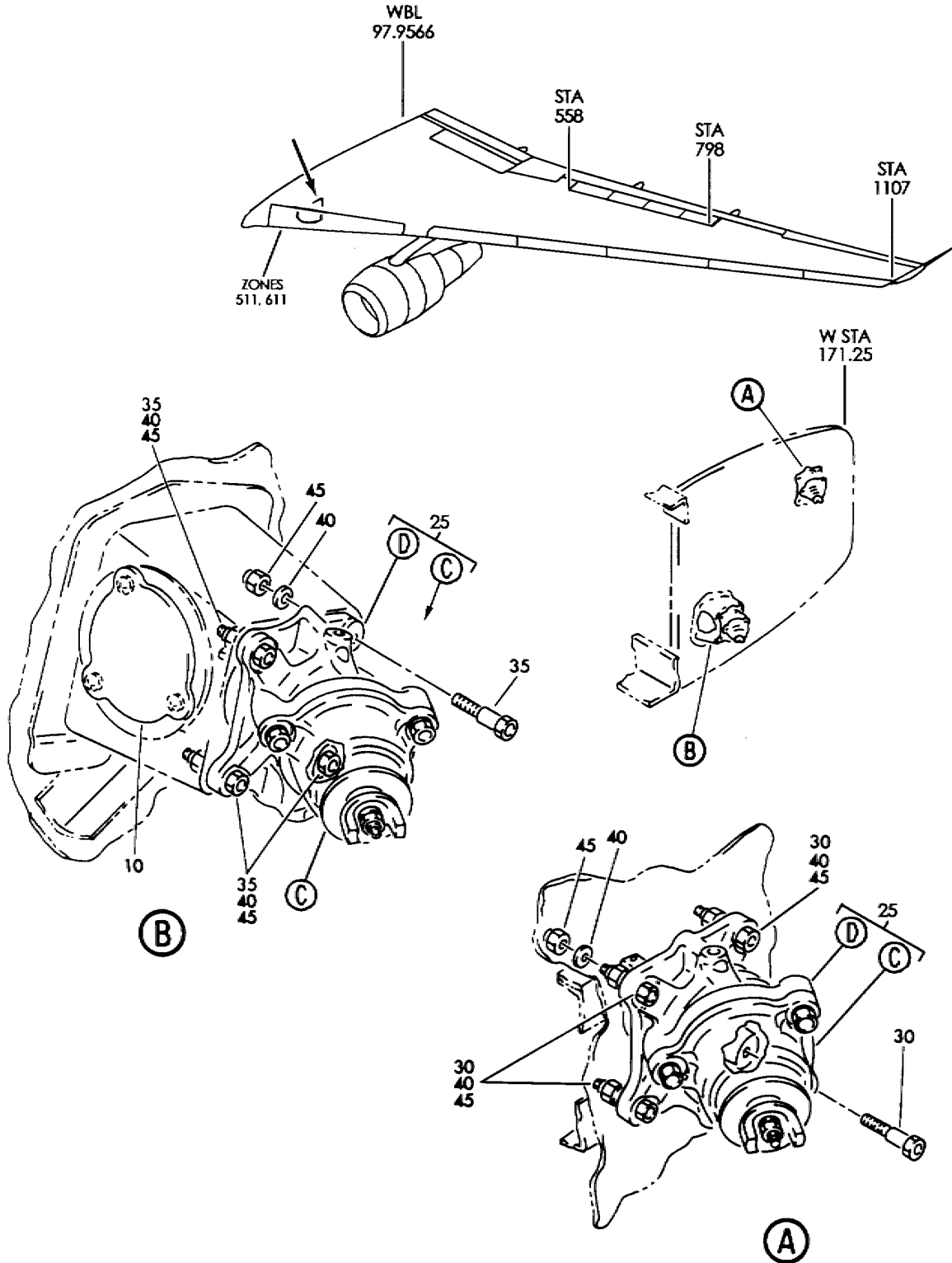
HXL

27-81-15-05

BOEING PROPRIETARY - Copyright © - Unpublished Work - See title page for details.

27-81-15
FIG. 05
PAGE 2
AUG 22/09

BOEING
767
PARTS CATALOG (MAINTENANCE)



V 27811601 SHT 1 REV 199

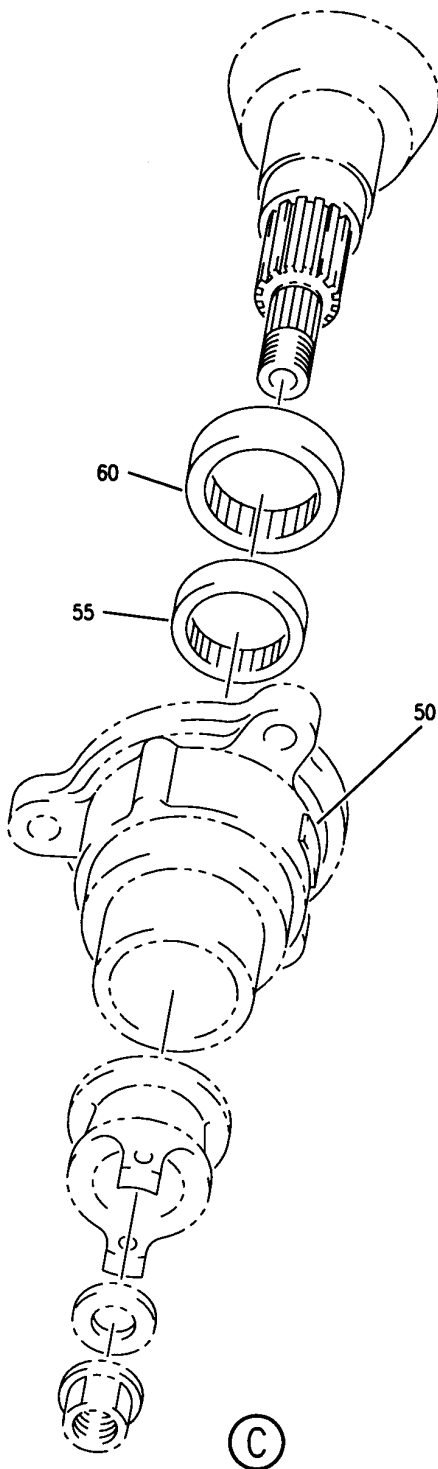
GEARBOX INSTL-LE SLAT DRIVE INBD OUTBD SIDE OF BODY ANGLE
FIGURE 1 (SHEET 1)

27-81-16-01

HXL
DEC 22/06

27-81-16-01
PAGE 0

BOEING
767
PARTS CATALOG (MAINTENANCE)



V 27811601 SHT 2 REV 199

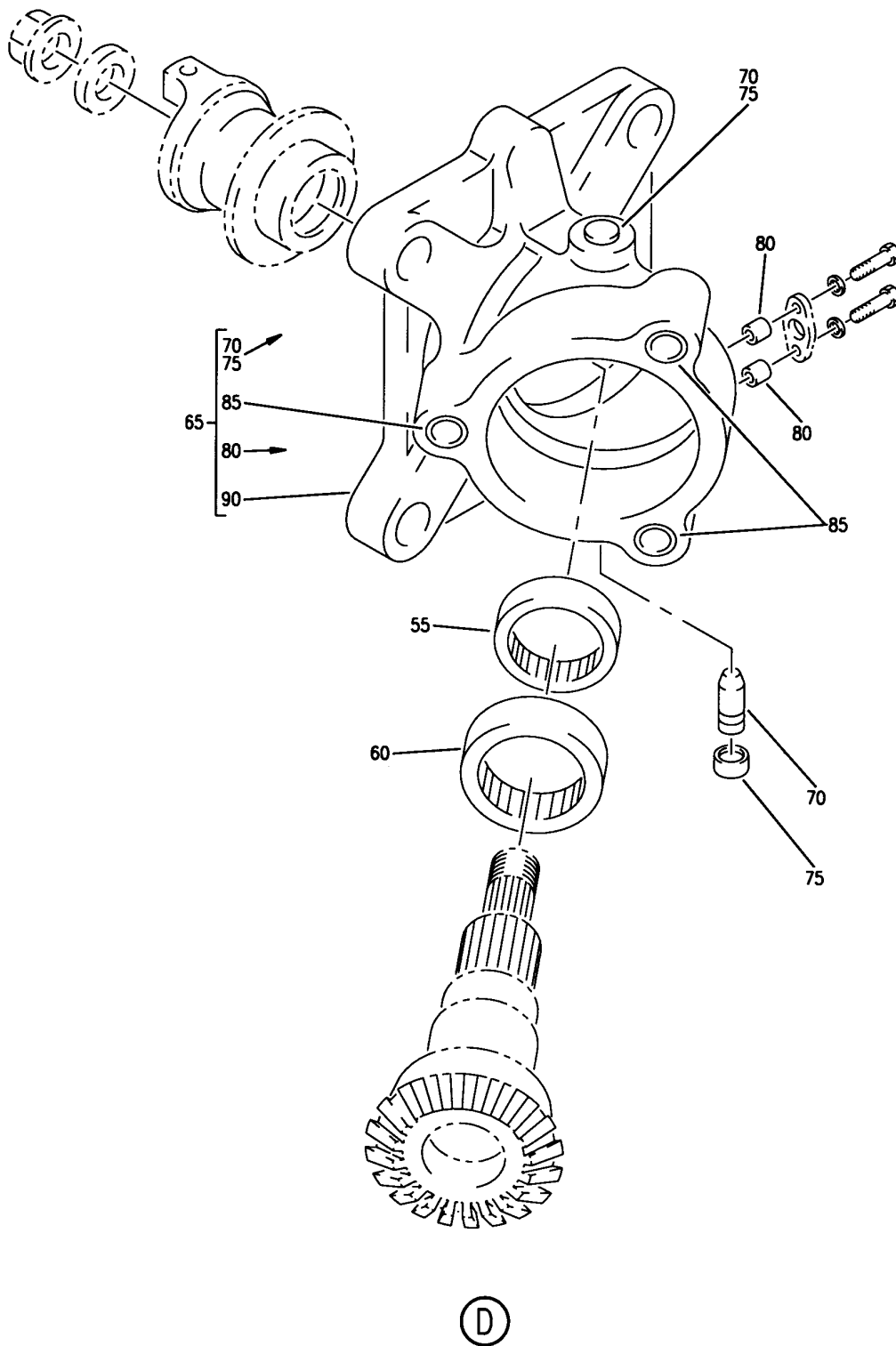
GEARBOX INSTL-LE SLAT DRIVE INBD OUTBD SIDE OF BODY ANGLE
FIGURE 1 (SHEET 2)

27-81-16-01

HXL
DEC 22/06

27-81-16-01
PAGE 0A

BOEING
767
PARTS CATALOG (MAINTENANCE)



V 27811601 SHT 3 REV 199

GEARBOX INSTL-LE SLAT DRIVE INBD OUTBD SIDE OF BODY ANGLE
FIGURE 1 (SHEET 3)

27-81-16-01

HXL
DEC 22/06

27-81-16-01
PAGE 0B



767

PARTS CATALOG (MAINTENANCE)

FIG ITEM	PART NUMBER	1 2 3 4 5 6 7	NOMENCLATURE	EFFECT FROM TO	UNITS PER ASSY
1			GEARBOX INSTL-LE SLAT DRIVE INBD OUTBD SIDE OF BODY ANGLE		
- 1	256T2300-1		GEARBOX INSTL-LE SLAT DRIVE INBD OUTBD SIDE OF BODY ANGLE POSITION DATA: LH FOR NHA SEE: 27-81-42-05		RF
- 5	256T2300-2		GEARBOX INSTL-LE SLAT DRIVE INBD OUTBD SIDE OF BODY ANGLE POSITION DATA: RH FOR NHA SEE: 27-81-42-05		RF
10	256T2012-1		.COVER ATTACHING PARTS		1
- 15	NAS603-8P		.SCREW-		3
- 20	NAS1149D0363J		.WASHER-		3
			-----*-----		
25	256T2310-1		.GEARBOX ASSY- COMPONENT MAINT MANUAL REF: 27-81-25 ATTACHING PARTS		2
30	BACB30NR4K9		.BOLT		4
35	BACB30NR4K10		.BOLT		4
			-----*-----		
50	256T2314-1		..NAMEPLATE		1

ILLUSTRATION ITEMS NOT ON PARTS LIST ARE NOT APPLICABLE

- ITEM NOT ILLUSTRATED

HXL

27-81-16-01

BOEING PROPRIETARY - Copyright © - Unpublished Work - See title page for details.

27-81-16
FIG. 01
PAGE 1
DEC 22/06



767

PARTS CATALOG (MAINTENANCE)

FIG ITEM	PART NUMBER	1 2 3 4 5 6 7	NOMENCLATURE	EFFECT FROM TO	UNITS PER ASSY
1	55 R9104PPA4298		.. BEARING SUPPLIER CODE: V21335 SPECIFICATION NUMBER: BACB10BA20PP OPTIONAL PART: LL104KSG20 V38443 LL104KS V38443 6004FTT V43991 9104LLT1C1-01 V21760 9104NPPFS428 V21335 993L04 V29337 PKTLL104P1 V78118 C104RRPOZZ V40920 R9104PPA4298 V9V013		2
	60 R205PPA4298		.. BEARING SUPPLIER CODE: V21335 SPECIFICATION NUMBER: BACB10AZ25PP OPTIONAL PART: 205NPPFS428 V21335 205TT V43991 99205 V29337 R205PPA4298 V9V013 1205LLT1C1-01 V21760		2
	65 256T2301-1		.. HOUSING ASSY		1
	70 BACP20AX25DAP		... PLUG		2
	75 BACP20AX25DA		... PLUG		2
	80 MS21209F1-15		... INSERT		2
	85 MS21209F4-15		... INSERT		3
	90 256T2301-2		... HOUSING		1

ILLUSTRATION ITEMS NOT ON PARTS LIST ARE NOT APPLICABLE

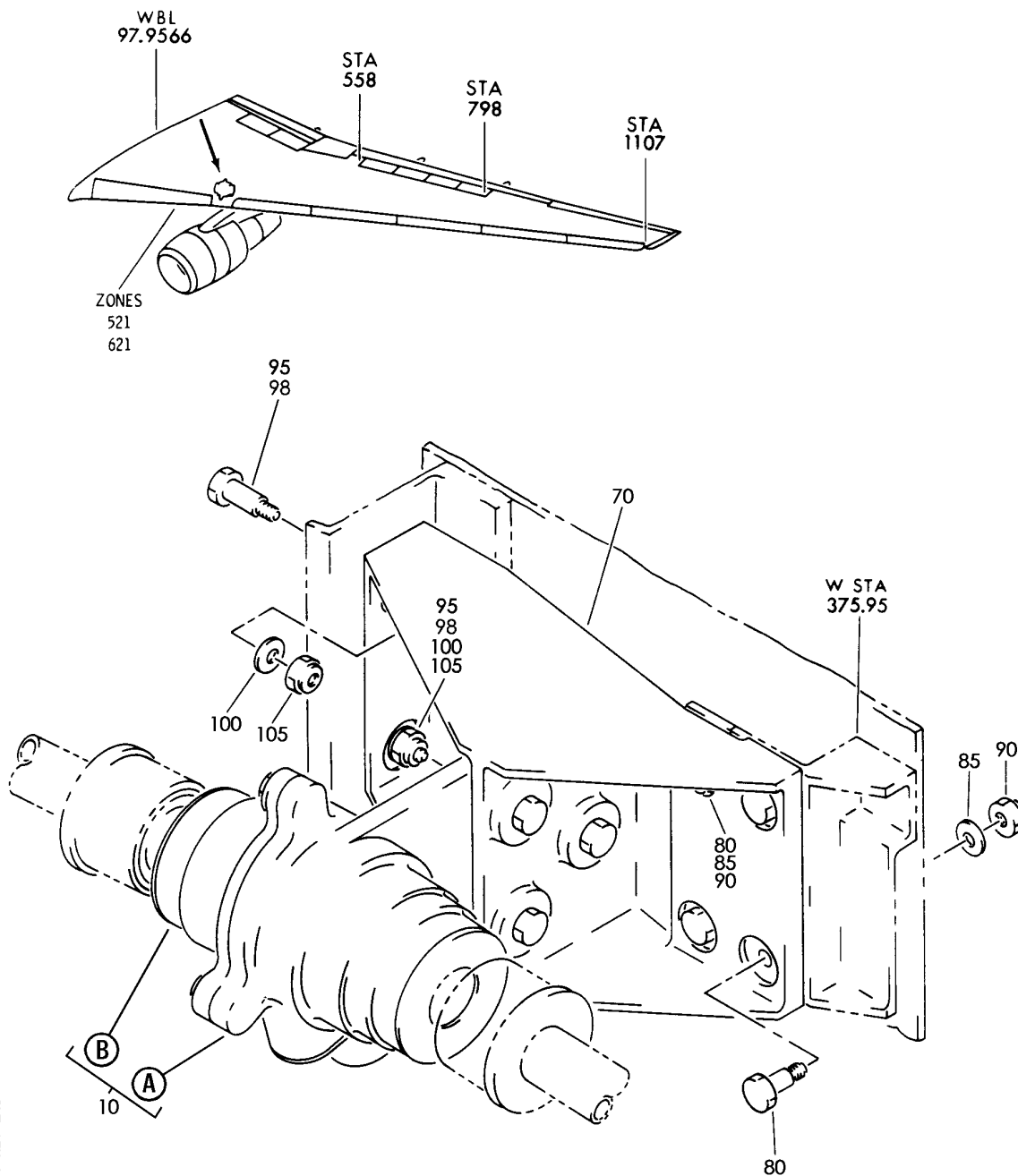
- ITEM NOT ILLUSTRATED

27-81-16-01

27-81-16
 FIG. 01
 PAGE 2
 APR 22/09

HXL

BOEING
767
PARTS CATALOG (MAINTENANCE)



V 27811701 SHT 1 REV 245

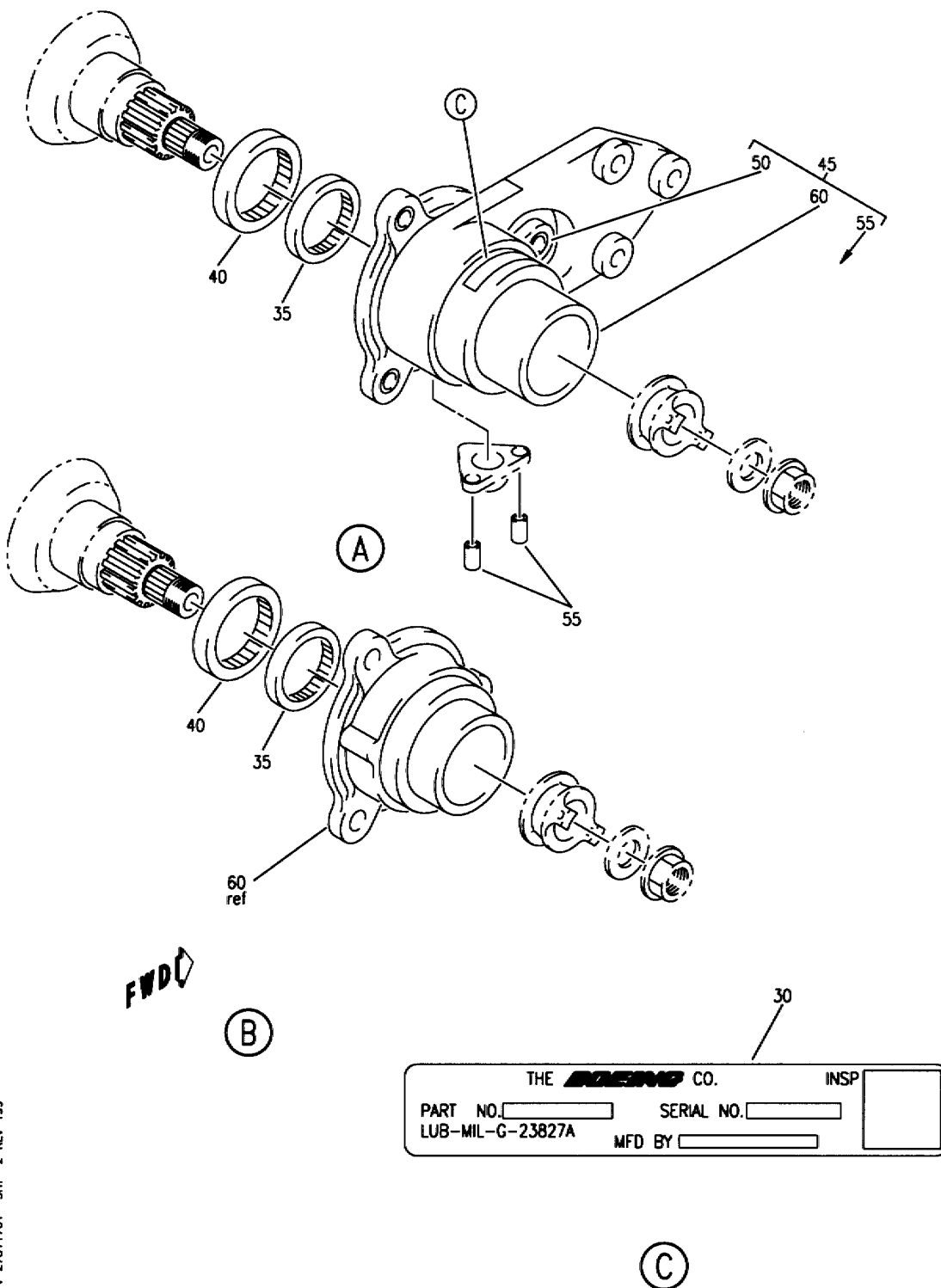
GEARBOX INSTL-LE SLAT DRIVE OUTBD ANGLE
FIGURE 1 (SHEET 1)

27-81-17-01

HXL
DEC 22/06

27-81-17-01
PAGE 0

BOEING
767
PARTS CATALOG (MAINTENANCE)



GEARBOX INSTL-LE SLAT DRIVE OUTBD ANGLE
FIGURE 1 (SHEET 2)

27-81-17-01

HXL
DEC 22/06

27-81-17-01
PAGE 0A



767

PARTS CATALOG (MAINTENANCE)

FIG ITEM	PART NUMBER	1 2 3 4 5 6 7	NOMENCLATURE	EFFECT FROM TO	UNITS PER ASSY
1			GEARBOX INSTL-LE SLAT DRIVE OUTBD ANGLE		
- 1	256T2340-1		GEARBOX INSTL-LE SLAT DRIVE ANGLE POSITION DATA: OUTBD LH FOR NHA SEE: 27-81-42-05		RF
- 5	256T2340-2		GEARBOX INSTL-LE SLAT DRIVE ANGLE POSITION DATA: OUTBD RH FOR NHA SEE: 27-81-42-05		RF
10	256T2320-1		.GEARBOX ASSY- COMPONENT MAINT MANUAL REF: 27-81-31 ATTACHING PARTS		1
- 15	BACB30NR4K20		.BOLT		3
- 20	NAS1149D0463J		.WASHER-		3
- 25	BRH10A4		.NUT		3
			SUPPLIER CODE: V52828 SPECIFICATION NUMBER: BACN10JC4 OPTIONAL PART: T6S428J V11815 96-048 V80539 VN303A048 V92215 RMLH9075-4W V72962 NS202101-048 V80539 H10-4BAC V15653		
30	256T2314-1		-----*----- . . NAMEPLATE		1

ILLUSTRATION ITEMS NOT ON PARTS LIST ARE NOT APPLICABLE

- ITEM NOT ILLUSTRATED

HXL

27-81-17-01

BOEING PROPRIETARY - Copyright © - Unpublished Work - See title page for details.

27-81-17
FIG. 01
PAGE 1
DEC 22/06

 **BOEING**
767
PARTS CATALOG (MAINTENANCE)

FIG ITEM	PART NUMBER	1 2 3 4 5 6 7	NOMENCLATURE	EFFECT FROM TO	UNITS PER ASSY
1 35	R9104PPA4298		.. BEARING SUPPLIER CODE: V21335 SPECIFICATION NUMBER: BACB10BA20PP OPTIONAL PART: LL104KSG20 V38443 LL104KS V38443 6004FTT V43991 9104LLT1C1-01 V21760 9104NPPFS428 V21335 993L04 V29337 PKTLL104P1 V78118 C104RRPOZZ V40920 R9104PPA4298 V9V013		2
40	R205PPA4298		.. BEARING SUPPLIER CODE: V21335 SPECIFICATION NUMBER: BACB10AZ25PP OPTIONAL PART: 205NPPFS428 V21335 205TT V43991 99205 V29337 R205PPA4298 V9V013 1205LLT1C1-01 V21760		2
45	256T2303-1		.. HOUSING ASSY		1
50	MS21209F4-15		... INSERT		3
55	MS21209F1-15		... INSERT		2
60	256T2303-2		... HOUSING		1
70	256T2004-1		. BRACKET- POSITION DATA: LH SIDE		1
ILLUSTRATION ITEMS NOT ON PARTS LIST ARE NOT APPLICABLE					

- ITEM NOT ILLUSTRATED

HXL

27-81-17-01

BOEING PROPRIETARY - Copyright © - Unpublished Work - See title page for details.

27-81-17
FIG. 01
PAGE 2
APR 22/09



767

PARTS CATALOG (MAINTENANCE)

FIG ITEM	PART NUMBER	1 2 3 4 5 6 7	NOMENCLATURE	EFFECT FROM TO	UNITS PER ASSY
1					
- 75	256T2004-2		.BRACKET- POSITION DATA: RH SIDE ATTACHING PARTS		1
80	BACB30NM3K7		.BOLT		4
85	NAS1149D0363J		.WASHER-		4
90	BRH10A3		.NUT SUPPLIER CODE: V52828 SPECIFICATION NUMBER: BACN10JC3 OPTIONAL PART: H10-3BAC V15653 NS202101-02 V80539 RMLH9075-3W V72962 VN303A02 V92215 96-02 V80539 T6S1032J V11815		4
95	BACB30NR4K6		.BOLT- POSITION DATA: LH		2
98	BACB30NR4K9		.BOLT- POSITION DATA: RH		2
100	NAS1149D0463J		.WASHER-		2

ILLUSTRATION ITEMS NOT ON PARTS LIST ARE NOT APPLICABLE

- ITEM NOT ILLUSTRATED

HXL

27-81-17-01

BOEING PROPRIETARY - Copyright © - Unpublished Work - See title page for details.

27-81-17
FIG. 01
PAGE 3
APR 22/09



767

PARTS CATALOG (MAINTENANCE)

FIG ITEM	PART NUMBER	1 2 3 4 5 6 7 NOMENCLATURE	EFFECT FROM TO	UNITS PER ASSY
1 105	BRH10A4	.NUT SUPPLIER CODE: V52828 SPECIFICATION NUMBER: BACN10JC4 OPTIONAL PART: T6S428J V11815 96-048 V80539 VN303A048 V92215 RMLH9075-4W V72962 NS202101-048 V80539 H10-4BAC V15653 -----*-----		2

ILLUSTRATION ITEMS NOT ON PARTS LIST ARE NOT APPLICABLE

- ITEM NOT ILLUSTRATED

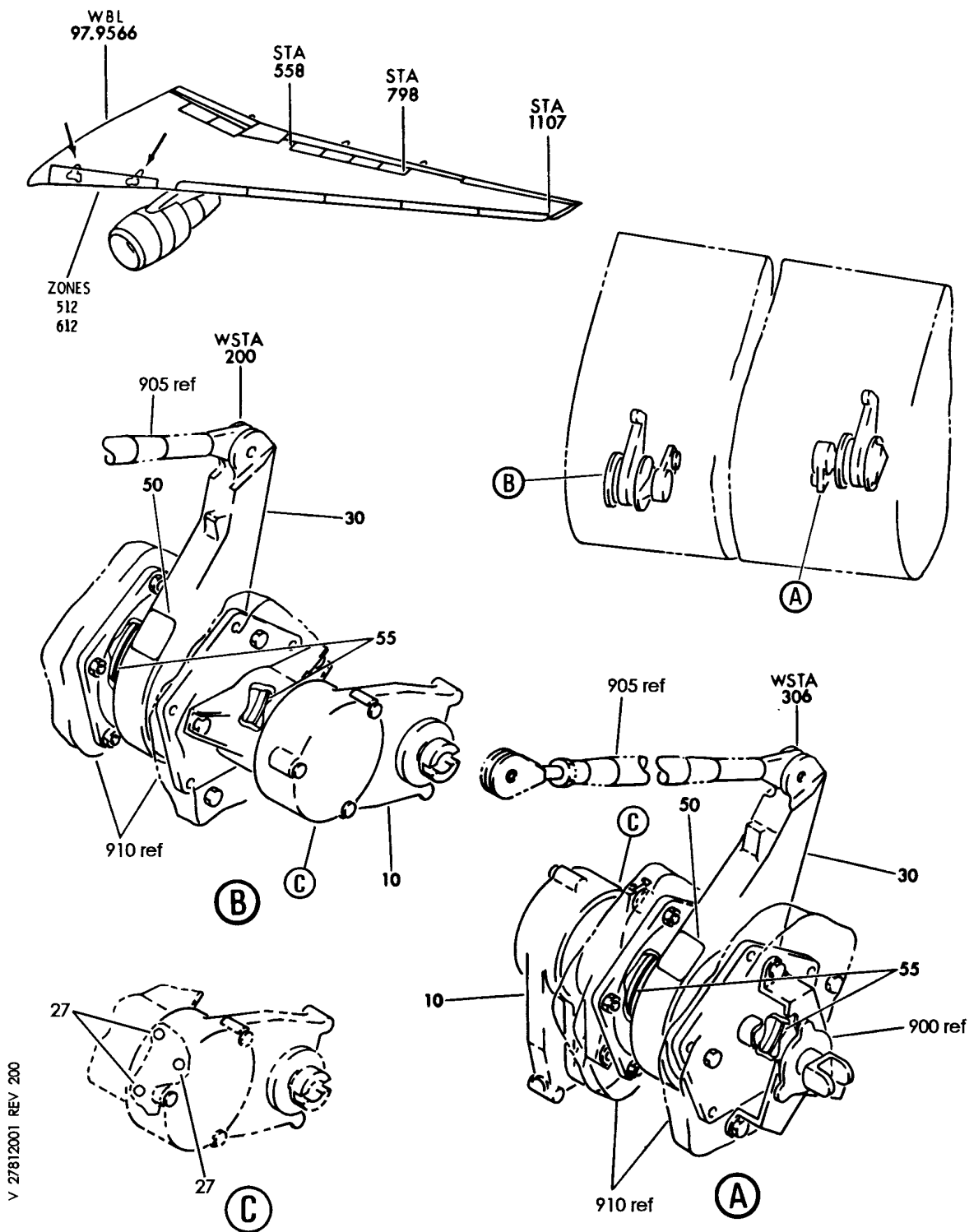
HXL

27-81-17-01

BOEING PROPRIETARY - Copyright © - Unpublished Work - See title page for details.

27-81-17
 FIG. 01
 PAGE 4
 DEC 22/06

BOEING
767
PARTS CATALOG (MAINTENANCE)



GEARBOX INSTL-INBD LE SLAT
FIGURE 1

27-81-20-01

HXL
DEC 22/06

27-81-20-01
PAGE 0



767

PARTS CATALOG (MAINTENANCE)

FIG ITEM	PART NUMBER	1 2 3 4 5 6 7	NOMENCLATURE	EFFECT FROM TO	UNITS PER ASSY
1					
- 1	256T2100-7		GEARBOX INSTL-INBD LE SLAT GEARBOX INSTL-LE SLAT POSITION DATA: INBD LH FOR NHA SEE: 27-81-42-05	163163	RF
- 1	256T2100-9		GEARBOX INSTL-LE SLAT POSITION DATA: INBD LH FOR NHA SEE: 27-81-42-05	155162 164999	RF
- 5	256T2100-8		GEARBOX INSTL-LE SLAT POSITION DATA: INBD RH FOR NHA SEE: 27-81-42-05	163163	RF
- 5	256T2100-10		GEARBOX INSTL-LE SLAT POSITION DATA: INBD RH FOR NHA SEE: 27-81-42-05	155162 164999	RF
10	256T2210-3		.GEARBOX ASSY- MISCELLANEOUS DATA: SEE DWG 256T5007 FOR NEW LE SLAT DRIVE REPLACEMENT AND INTERCHANGEABILITY (TORQUE TUBE/OFFSET GEARBOX) COMPONENT MAINT MANUAL REF: 27-81-12 OPTIONAL PART: 256T2220-4 256T2220-5		2
10	256T2210-4		.GEARBOX ASSY- MISCELLANEOUS DATA: SEE DWG 256T5007 FOR NEW LE SLAT DRIVE REPLACEMENT AND INTERCHANGEABILITY (TORQUE TUBE/OFFSET GEARBOX) COMPONENT MAINT MANUAL REF: 27-81-12 OPTIONAL PART: 256T2220-3 256T2220-5		2
ILLUSTRATION ITEMS NOT ON PARTS LIST ARE NOT APPLICABLE					

- ITEM NOT ILLUSTRATED

HXL

27-81-20-01

BOEING PROPRIETARY - Copyright © - Unpublished Work - See title page for details.

27-81-20
FIG. 01
PAGE 1
DEC 22/07



767

PARTS CATALOG (MAINTENANCE)

FIG ITEM	PART NUMBER	1 2 3 4 5 6 7	NOMENCLATURE	EFFECT FROM TO	UNITS PER ASSY
1 10	256T2210-5		.GEARBOX ASSY- MISCELLANEOUS DATA: SEE DWG 256T5007 FOR NEW LE SLAT DRIVE REPLACEMENT AND INTERCHANGEABILITY (TORQUE TUBE/OFFSET GEARBOX) COMPONENT MAINT MANUAL REF: 27-81-12 OPTIONAL PART: 256T2220-3 256T2220-4		2
10	256T2210-6		.GEARBOX ASSY- MISCELLANEOUS DATA: SEE DWG 256T5007 FOR NEW LE SLAT DRIVE REPLACEMENT AND INTERCHANGEABILITY (TORQUE TUBE/OFFSET GEARBOX) COMPONENT MAINT MANUAL REF: 27-81-12 OPTIONAL PART: 256T2220-7 256T2220-8		2
10	256T2210-7		.GEARBOX ASSY- MISCELLANEOUS DATA: SEE DWG 256T5007 FOR NEW LE SLAT DRIVE REPLACEMENT AND INTERCHANGEABILITY (TORQUE TUBE/OFFSET GEARBOX) COMPONENT MAINT MANUAL REF: 27-81-12 OPTIONAL PART: 256T2220-6 256T2220-8		2

ILLUSTRATION ITEMS NOT ON PARTS LIST ARE NOT APPLICABLE

- ITEM NOT ILLUSTRATED

HXL

27-81-20-01

BOEING PROPRIETARY - Copyright © - Unpublished Work - See title page for details.

27-81-20
FIG. 01
PAGE 2
DEC 22/07



767

PARTS CATALOG (MAINTENANCE)

FIG ITEM	PART NUMBER	1 2 3 4 5 6 7	NOMENCLATURE	EFFECT FROM TO	UNITS PER ASSY
1					
10	256T2210-8		.GEARBOX ASSY- MISCELLANEOUS DATA: SEE DWG 256T5007 FOR NEW LE SLAT DRIVE REPLACEMENT AND INTERCHANGEABILITY (TORQUE TUBE/OFFSET GEARBOX) COMPONENT MAINT MANUAL REF: 27-81-12 OPTIONAL PART: 256T2220-6 256T2220-7		2
10	256T2210-10		.GEARBOX ASSY- MISCELLANEOUS DATA: SEE DWG 256T5007 FOR NEW LE SLAT DRIVE REPLACEMENT AND INTERCHANGEABILITY (TORQUE TUBE/OFFSET GEARBOX) COMPONENT MAINT MANUAL REF: 27-81-12		2
10	256T2210-12		.GEARBOX ASSY- MISCELLANEOUS DATA: SEE DWG 256T5007 FOR NEW LE SLAT DRIVE REPLACEMENT AND INTERCHANGEABILITY (TORQUE TUBE/OFFSET GEARBOX) COMPONENT MAINT MANUAL REF: 27-81-12 POST ALERT SB: 27A0095		2
10	256T2210-13		.GEARBOX ASSY- MISCELLANEOUS DATA: SEE DWG 256T5007 FOR NEW LE SLAT DRIVE REPLACEMENT AND INTERCHANGEABILITY (TORQUE TUBE/OFFSET (GEARBOX) COMPONENT MAINT MANUAL REF: 27-81-12		2
- 15	BACB30NR6K23		ATTACHING PARTS .BOLT-		6
- 20	AN960PD616		.WASHER		6
ILLUSTRATION ITEMS NOT ON PARTS LIST ARE NOT APPLICABLE					

- ITEM NOT ILLUSTRATED

27-81-20-01

27-81-20
FIG. 01
PAGE 3
DEC 22/07

HXL

 **BOEING**
767
PARTS CATALOG (MAINTENANCE)

FIG ITEM	PART NUMBER	1 2 3 4 5 6 7	NOMENCLATURE	EFFECT FROM TO	UNITS PER ASSY
1					
- 25	BRH10A6		.NUT- SUPPLIER CODE: V52828 SPECIFICATION NUMBER: BACN10JJC6 OPTIONAL PART: 96-064 V80539 RMLH9075-6 V72962 H10-6BAC V15653 -----*-----		6
27	BACB10T2-24A		..BEARING		3
30	256T2110-3		.ACTUATOR ASSY- COMPONENT MAINT MANUAL REF: 27-81-01		2
30	256T2110-2		.ACTUATOR ASSY- COMPONENT MAINT MANUAL REF: 27-81-01		2
30	256T2110-4		.ACTUATOR ASSY- COMPONENT MAINT MANUAL REF: 27-81-01		2
- 35	BACB30NR6K18		ATTACHING PARTS		11
- 40	AN960PD616		.BOLT-		11
- 45	BRH10A6		.WASHER		11
			.NUT- SUPPLIER CODE: V52828 SPECIFICATION NUMBER: BACN10JJC6 OPTIONAL PART: 96-064 V80539 RMLH9075-6 V72962 H10-6BAC V15653 -----*-----		11
50	256T2123-1		..NAMEPLATE		1
55	AR145322		..SEAL- SUPPLIER CODE: V05939 USED ON: 256T2110-3 256T2110-4		2
ILLUSTRATION ITEMS NOT ON PARTS LIST ARE NOT APPLICABLE					

- ITEM NOT ILLUSTRATED

HXL

27-81-20-01

BOEING PROPRIETARY - Copyright © - Unpublished Work - See title page for details.

27-81-20
FIG. 01
PAGE 4
DEC 22/07



767

PARTS CATALOG (MAINTENANCE)

FIG ITEM	PART NUMBER	1 2 3 4 5 6 7	NOMENCLATURE	EFFECT FROM TO	UNITS PER ASSY
1					
55	Q4048-366Y		.. SEAL- SUPPLIER CODE: V07322 USED ON: 256T2110-2		2
900			ILLUSTRATION REFERENCE: DRIVE INSTL-LE SLAT DRIVE KRUEGER SEAL FLAP 27-81-04-01		RF
905			ILLUSTRATION REFERENCE: SLAT INSTL-WING LE INBD 27-81-01-05		RF
910			ILLUSTRATION REFERENCE: RIB INSTL-ACTR SPRT 57-41-53-01		RF
ILLUSTRATION ITEMS NOT ON PARTS LIST ARE NOT APPLICABLE					

- ITEM NOT ILLUSTRATED

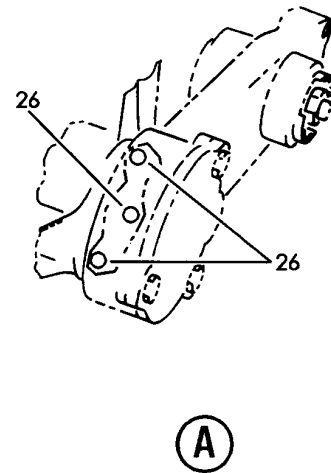
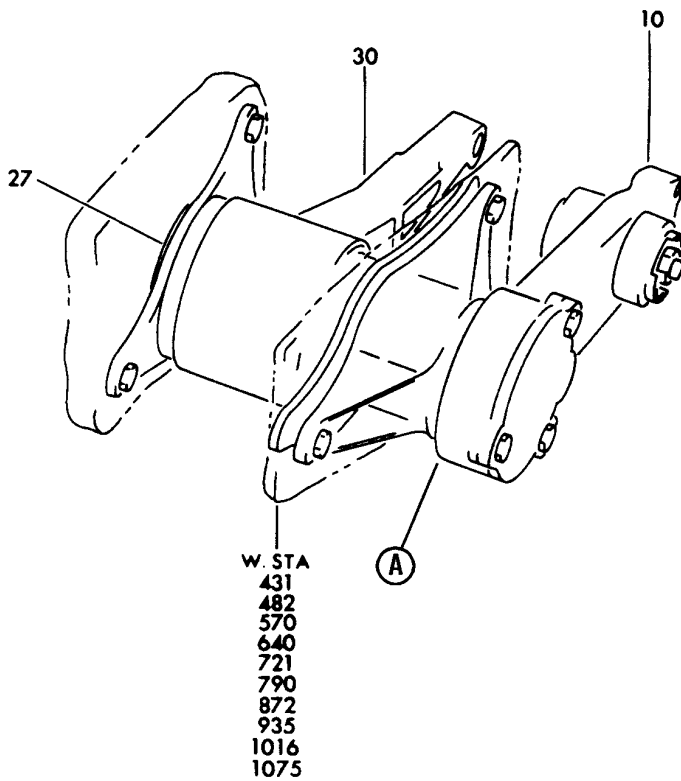
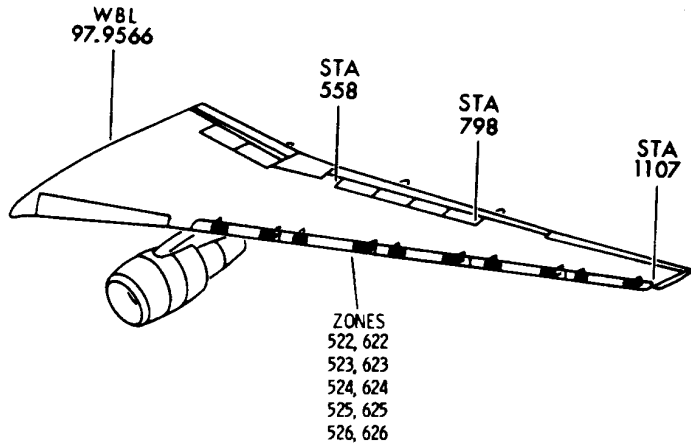
HXL

27-81-20-01

BOEING PROPRIETARY - Copyright © - Unpublished Work - See title page for details.

27-81-20
FIG. 01
PAGE 5
DEC 22/07

BOEING
767
PARTS CATALOG (MAINTENANCE)



V 27812005 REV 199

GEARBOX INSTL-OUTBD LE SLAT DRIVE OFFSET
FIGURE 5

27-81-20-05

HXL
DEC 22/06

27-81-20-05
PAGE 0

BOEING
767
PARTS CATALOG (MAINTENANCE)

FIG ITEM	PART NUMBER	1 2 3 4 5 6 7	NOMENCLATURE	EFFECT FROM TO	UNITS PER ASSY
5			GEARBOX INSTL-OUTBD LE SLAT DRIVE OFFSET		
- 1	256T2200-10		GEARBOX INSTL-LE SLAT DRIVE OFFSET POSITION DATA: OUTBD LH FOR NHA SEE: 27-81-42-05	163163	RF
- 1	256T2200-12		GEARBOX INSTL-LE SLAT DRIVE OFFSET POSITION DATA: OUTBD LH FOR NHA SEE: 27-81-42-05	155162 164999	RF
- 5	256T2200-11		GEARBOX INSTL-LE SLAT DRIVE OFFSET POSITION DATA: OUTBD RH FOR NHA SEE: 27-81-42-05	163163	RF
- 5	256T2200-13		GEARBOX INSTL-LE SLAT DRIVE OFFSET POSITION DATA: OUTBD RH FOR NHA SEE: 27-81-42-05	155162 164999	RF
10	256T2220-3		.GEARBOX ASSY- MISCELLANEOUS DATA: SEE DWG 256T5007 FOR NEW LE SLAT DRIVE REPLACEMENT AND INTERCHANGEABILITY (TORQUE TUBE/OFFSET GEARBOX) COMPONENT MAINT MANUAL REF: 27-81-61 OPTIONAL PART: 256T2220-4 256T2220-5		10

ILLUSTRATION ITEMS NOT ON PARTS LIST ARE NOT APPLICABLE

- ITEM NOT ILLUSTRATED

HXL

27-81-20-05

BOEING PROPRIETARY - Copyright © - Unpublished Work - See title page for details.

27-81-20
FIG. 05
PAGE 1
DEC 22/07



767

PARTS CATALOG (MAINTENANCE)

FIG ITEM	PART NUMBER	1 2 3 4 5 6 7	NOMENCLATURE	EFFECT FROM TO	UNITS PER ASSY
5 10	256T2220-4		.GEARBOX ASSY- MISCELLANEOUS DATA: SEE DWG 256T5007 FOR NEW LE SLAT DRIVE REPLACEMENT AND INTERCHANGEABILITY (TORQUE TUBE/OFFSET GEARBOX) COMPONENT MAINT MANUAL REF: 27-81-61 OPTIONAL PART: 256T2220-5		10
10	256T2220-5		.GEARBOX ASSY- MISCELLANEOUS DATA: SEE DWG 256T5007 FOR NEW LE SLAT DRIVE REPLACEMENT AND INTERCHANGEABILITY (TORQUE TUBE/OFFSET GEARBOX) COMPONENT MAINT MANUAL REF: 27-81-61 OPTIONAL PART: 256T2220-4		10
10	256T2220-6		.GEARBOX ASSY- MISCELLANEOUS DATA: SEE DWG 256T5007 FOR NEW LE SLAT DRIVE REPLACEMENT AND INTERCHANGEABILITY (TORQUE TUBE/OFFSET GEARBOX) COMPONENT MAINT MANUAL REF: 27-81-61 OPTIONAL PART: 256T2220-7 256T2220-8		10

ILLUSTRATION ITEMS NOT ON PARTS LIST ARE NOT APPLICABLE

- ITEM NOT ILLUSTRATED

HXL

27-81-20-05

BOEING PROPRIETARY - Copyright © - Unpublished Work - See title page for details.

27-81-20
FIG. 05
PAGE 2
DEC 22/07



767

PARTS CATALOG (MAINTENANCE)

FIG ITEM	PART NUMBER	1 2 3 4 5 6 7	NOMENCLATURE	EFFECT FROM TO	UNITS PER ASSY
5 10	256T2220-7		.GEARBOX ASSY- MISCELLANEOUS DATA: SEE DWG 256T5007 FOR NEW LE SLAT DRIVE REPLACEMENT AND INTERCHANGEABILITY (TORQUE TUBE/OFFSET GEARBOX) COMPONENT MAINT MANUAL REF: 27-81-61 OPTIONAL PART: 256T2220-6 256T2220-8		10
10	256T2220-8		.GEARBOX ASSY- MISCELLANEOUS DATA: SEE DWG 256T5007 FOR NEW LE SLAT DRIVE REPLACEMENT AND INTERCHANGEABILITY (TORQUE TUBE/OFFSET GEARBOX) COMPONENT MAINT MANUAL REF: 27-81-61 OPTIONAL PART: 256T2220-6 256T2220-7		10
10	256T2220-10		.GEARBOX ASSY- MISCELLANEOUS DATA: SEE DWG 256T5007 FOR NEW LE SLAT DRIVE REPLACEMENT AND INTERCHANGEABILITY (TORQUE TUBE/OFFSET GEARBOX) COMPONENT MAINT MANUAL REF: 27-81-61		10
10	256T2220-11		.GEARBOX ASSY- COMPONENT MAINT MANUAL REF: 27-81-61		10

ILLUSTRATION ITEMS NOT ON PARTS LIST ARE NOT APPLICABLE

- ITEM NOT ILLUSTRATED

HXL

27-81-20-05

BOEING PROPRIETARY - Copyright © - Unpublished Work - See title page for details.

27-81-20
FIG. 05
PAGE 3
DEC 22/07



767

PARTS CATALOG (MAINTENANCE)

FIG ITEM	PART NUMBER	1 2 3 4 5 6 7	NOMENCLATURE	EFFECT FROM TO	UNITS PER ASSY
5					
10	256T2220-12		.GEARBOX ASSY- MISCELLANEOUS DATA: SEE DWG 256T5007 FOR NEW LE SLAT DRIVE REPLACEMENT AND INTERCHANGEABILITY (TORQUE TUBE/OFFSET GEARBOX) COMPONENT MAINT MANUAL REF: 27-81-61 POST ALERT SB: 27A0095		10
10	256T2220-13		.GEARBOX ASSY- MISCELLANEOUS DATA: SEE DWG 256T5007 FOR NEW LE SLAT DRIVE REPLACEMENT AND INTERCHANGEABILITY (TORQUE TUBE/OFFSET GEARBOX) COMPONENT MAINT MANUAL REF: 27-81-61		10
10	256T2220-14		.GEARBOX ASSY- MISCELLANEOUS DATA: SEE DWG 256T5007 FOR NEW LE SLAT DRIVE REPLACEMENT AND INTERCHANGEABILITY (TORQUE TUBE/OFFSET GEARBOX) COMPONENT MAINT MANUAL REF: 27-81-61		10
- 15	BACB30LT6-14		.ATTACHING PARTS .BOLT		30
- 20	AN960PD616		.WASHER-		30
- 20	AN960JD616		.WASHER-		30
- 25	BRH10A6		.NUT- SUPPLIER CODE: V52828 SPECIFICATION NUMBER: BACN10JC6 OPTIONAL PART: 96-064 V80539 RMLH9075-6 V72962 H10-6BAC V15653 BACN10YR6CD		30
ILLUSTRATION ITEMS NOT ON PARTS LIST ARE NOT APPLICABLE					

- ITEM NOT ILLUSTRATED

27-81-20-05

27-81-20
FIG. 05
PAGE 4
DEC 22/07

HXL



767

PARTS CATALOG (MAINTENANCE)

FIG ITEM	PART NUMBER	1 2 3 4 5 6 7	NOMENCLATURE	EFFECT FROM TO	UNITS PER ASSY
5					
- 25	PLH56CD		.NUT- SUPPLIER CODE: VF0224 SPECIFICATION NUMBER: BACN10YR6CD OPTIONAL PART: H52732-6CD V15653 BACN10JC6 -----*-----	155162 164999	30
26	BACB10T2-24A		..BEARING		3
27	256T1135-1		.COVER-END		10
30	256T2120-5		.ACTUATOR ASSY- MISCELLANEOUS DATA: A.D. 96-25-18 REQUIRES P/N 256T2120-5 OR LATER ON SLATS #2, 3, 4, 5, 8, 9, 10, AND 11 COMPONENT MAINT MANUAL REF: 27-81-51 POST ALERT SB: 27A0137R2		10
30	256T2120-3		.ACTUATOR ASSY- COMPONENT MAINT MANUAL REF: 27-81-51 PRE ALERT SB: 27A0137R2		10
30	256T2120-9		.ACTUATOR ASSY- COMPONENT MAINT MANUAL REF: 27-81-51		10
30	256T2120-11		.ACTUATOR ASSY- COMPONENT MAINT MANUAL REF: 27-81-51		10
30	256T5120-3		.ACTUATOR ASSY- COMPONENT MAINT MANUAL REF: 27-81-54		10
			ATTACHING PARTS		
- 35	BACB30LT6-21		.BOLT		30
- 40	AN960PD616		.WASHER-		30
- 40	AN960JD616		.WASHER-		30

ILLUSTRATION ITEMS NOT ON PARTS LIST ARE NOT APPLICABLE

- ITEM NOT ILLUSTRATED

27-81-20-05

27-81-20
FIG. 05
PAGE 5
DEC 22/08

HXL

BOEING PROPRIETARY - Copyright © - Unpublished Work - See title page for details.



767

PARTS CATALOG (MAINTENANCE)

FIG ITEM	PART NUMBER	1 2 3 4 5 6 7	NOMENCLATURE	EFFECT FROM TO	UNITS PER ASSY
5					
- 45	BRH10A6		.NUT- SUPPLIER CODE: V52828 SPECIFICATION NUMBER: BACN10JC6 OPTIONAL PART: 96-064 V80539 RMLH9075-6 V72962 H10-6BAC V15653 BACN10YR6CD		30
- 45	PLH56CD		.NUT- SUPPLIER CODE: VF0224 SPECIFICATION NUMBER: BACN10YR6CD OPTIONAL PART: H52732-6CD V15653 BACN10JC6 -----*-----	155162 164999	30

ILLUSTRATION ITEMS NOT ON PARTS LIST ARE NOT APPLICABLE

- ITEM NOT ILLUSTRATED

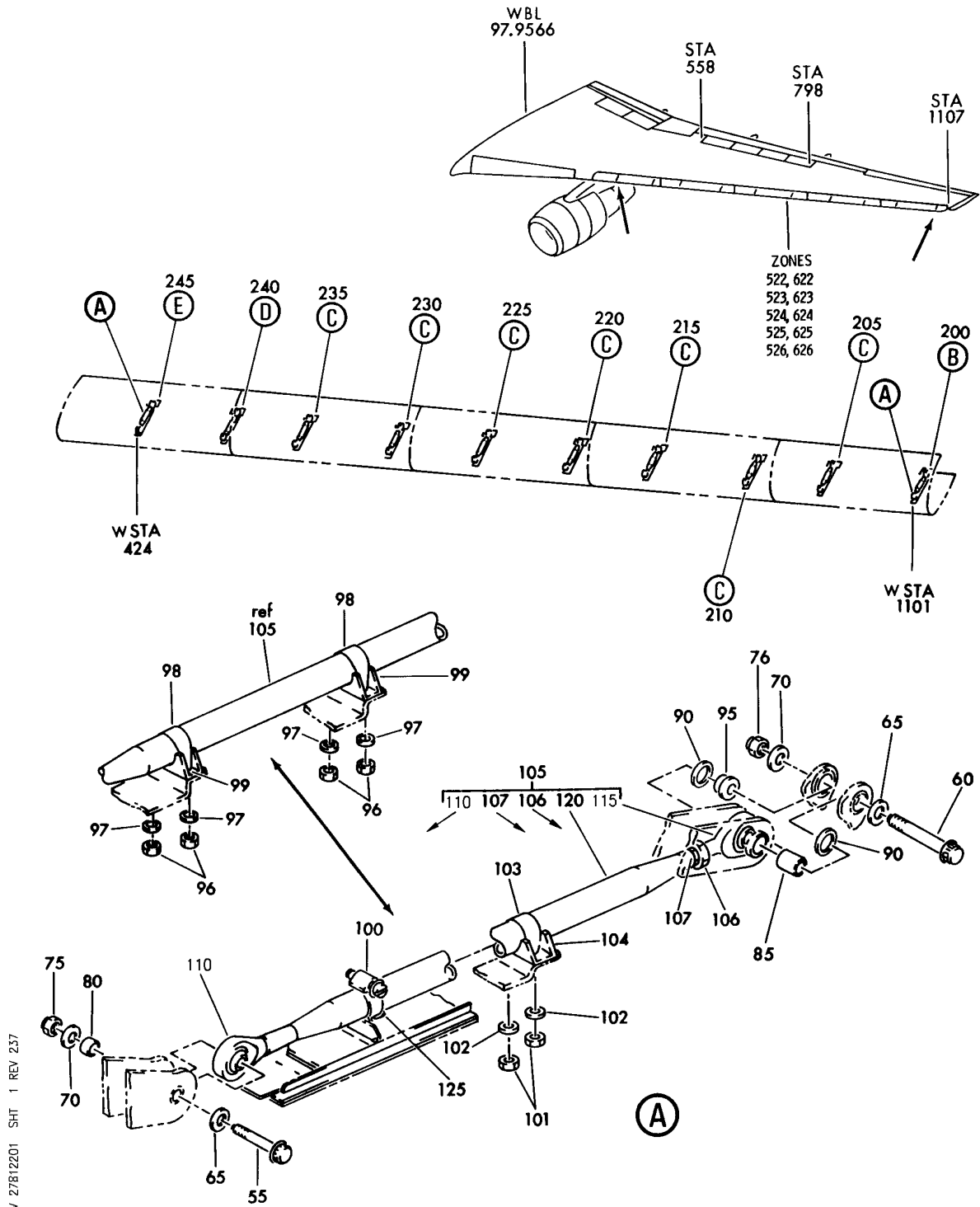
HXL

27-81-20-05

BOEING PROPRIETARY - Copyright © - Unpublished Work - See title page for details.

27-81-20
FIG. 05
PAGE 6
DEC 22/08

BOEING
767
PARTS CATALOG (MAINTENANCE)



V 27812201 SHT 1 REV 237

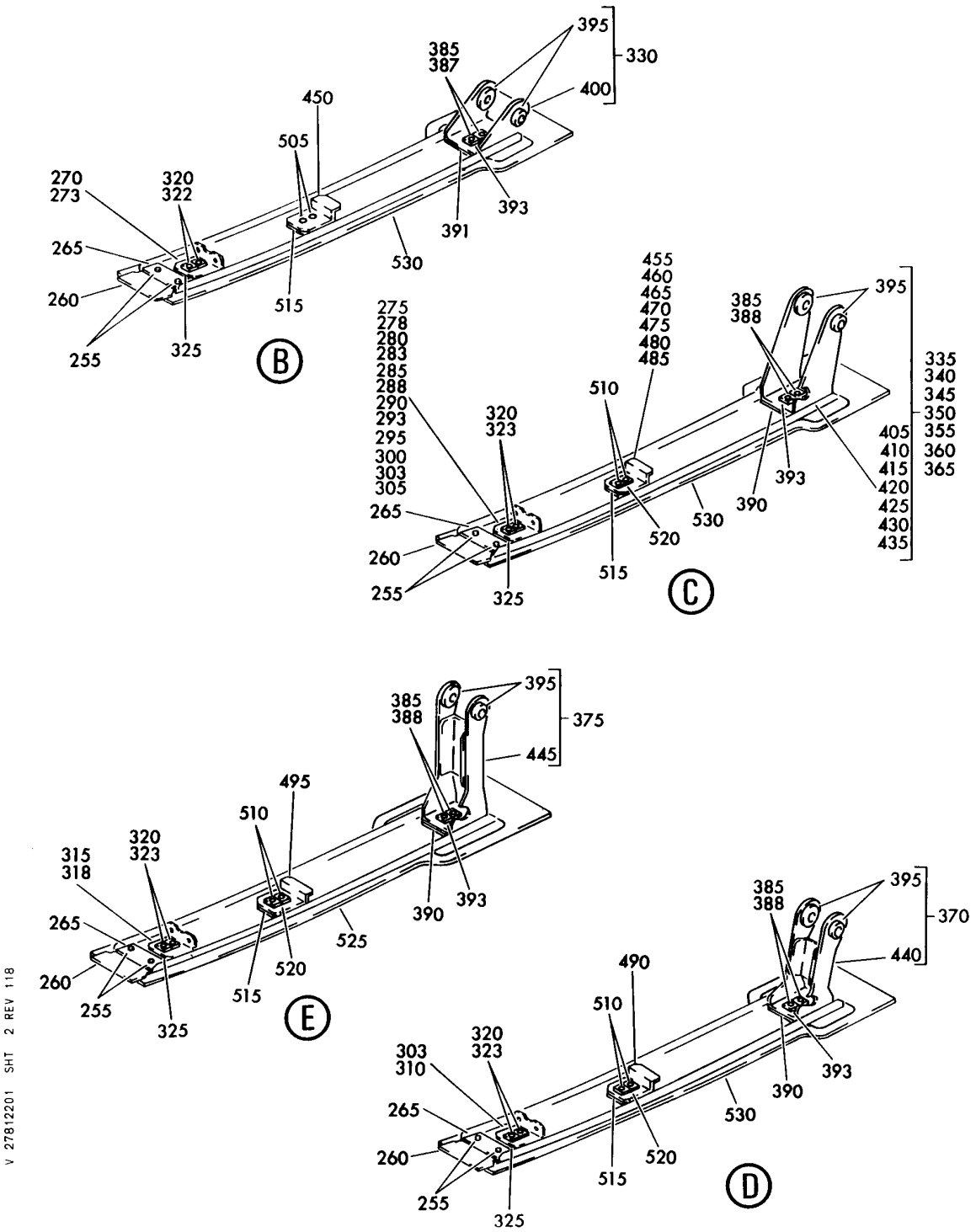
DOOR INSTL-OUTBD WING LE ACTR ROD AND SEAL
FIGURE 1 (SHEET 1)

27-81-22-01

HXL
DEC 22/06

27-81-22-01
PAGE 0

BOEING
767
PARTS CATALOG (MAINTENANCE)



V 27812201 SHT 2 REV 118

DOOR INSTL-OUTBD WING LE ACTR ROD AND SEAL
FIGURE 1 (SHEET 2)

27-81-22-01

HXL
DEC 22/06

27-81-22-01
PAGE 0A

BOEING
767
PARTS CATALOG (MAINTENANCE)

FIG ITEM	PART NUMBER	1 2 3 4 5 6 7	NOMENCLATURE	EFFECT FROM TO	UNITS PER ASSY
1			DOOR INSTL-OUTBD WING LE ACTR ROD AND SEAL		
- 1	114T0202-1		DOOR INSTL-ACTR ROD AND SEAL POSITION DATA: OUTBD WING LE OSS 1100.720 VARIABLE DRAWING REF: 114T0202-5063 FOR NHA SEE: 57-41-56-01		RF
- 5	114T0202-2		DOOR INSTL-ACTR ROD AND SEAL POSITION DATA: OUTBD WING LE OSS 1012.025 VARIABLE DRAWING REF: 114T0202-5064 FOR NHA SEE: 57-41-56-01		RF
- 10	114T0202-3		DOOR INSTL-ACTR ROD AND SEAL POSITION DATA: OUTBD WING LE OSS 951.228 VARIABLE DRAWING REF: 114T0202-5065 FOR NHA SEE: 57-41-56-01		RF
- 15	114T0202-4		DOOR INSTL-ACTR ROD AND SEAL POSITION DATA: OUTBD WING LE OSS 867.23 VARIABLE DRAWING REF: 114T0202-5066 FOR NHA SEE: 57-41-56-01		RF
- 20	114T0202-5		DOOR INSTL-ACTR ROD AND SEAL POSITION DATA: OUTBD WING LE OSS 796.937 VARIABLE DRAWING REF: 114T0202-5067 FOR NHA SEE: 57-41-56-01		RF
ILLUSTRATION ITEMS NOT ON PARTS LIST ARE NOT APPLICABLE					

- ITEM NOT ILLUSTRATED

HXL

27-81-22-01

BOEING PROPRIETARY - Copyright © - Unpublished Work - See title page for details.

27-81-22
FIG. 01
PAGE 1
DEC 22/06



767

PARTS CATALOG (MAINTENANCE)

FIG ITEM	PART NUMBER	1 2 3 4 5 6 7	NOMENCLATURE	EFFECT FROM TO	UNITS PER ASSY
1 - 25	114T0202-6		DOOR INSTL-ACTR ROD AND SEAL POSITION DATA: OUTBD WING LE OSS 719.541 VARIABLE DRAWING REF: 114T0202-5068 FOR NHA SEE: 57-41-56-01		RF
- 30	114T0202-7		DOOR INSTL-ACTR ROD AND SEAL POSITION DATA: OUTBD WING LE OSS 646.345 VARIABLE DRAWING REF: 114T0202-5069 FOR NHA SEE: 57-41-56-01		RF
- 35	114T0202-8		DOOR INSTL-ACTR ROD AND SEAL POSITION DATA: OUTBD WING LE OSS 568.149 VARIABLE DRAWING REF: 114T0202-5070 FOR NHA SEE: 57-41-56-01		RF
- 40	114T0202-9		DOOR INSTL-ACTR ROD AND SEAL POSITION DATA: OUTBD WING LE OSS 497.353 VARIABLE DRAWING REF: 114T0202-5073 FOR NHA SEE: 57-41-56-01		RF
- 45	114T0202-11		DOOR INSTL-ACTR ROD AND SEAL POSITION DATA: OUTBD WING LE OSS 424.097 LH VARIABLE DRAWING REF: 114T0202-5071 FOR NHA SEE: 57-41-56-01		RF

ILLUSTRATION ITEMS NOT ON PARTS LIST ARE NOT APPLICABLE

- ITEM NOT ILLUSTRATED

HXL

27-81-22-01

BOEING PROPRIETARY - Copyright © - Unpublished Work - See title page for details.

27-81-22
FIG. 01
PAGE 2
DEC 22/07

 **BOEING**
767
PARTS CATALOG (MAINTENANCE)

FIG ITEM	PART NUMBER	1 2 3 4 5 6 7	NOMENCLATURE	EFFECT FROM TO	UNITS PER ASSY
1					
- 50	114T0202-12		DOOR INSTL-ACTR ROD AND SEAL POSITION DATA: OUTBD WING LE OSS 424.097 RH VARIABLE DRAWING REF: 114T0202-5072 FOR NHA SEE: 57-41-56-01		RF
55	BACB30LT5DU16	.BOLT-			1
60	114T0237-1	.BOLT-			1
65	BACW10BP5CD	.WASHER-	POSITION DATA: UNDER HEAD		2
70	BACW10BP5DP	.WASHER-	POSITION DATA: UNDER NUT		2
75	BRH10C5M	.NUT-	SUPPLIER CODE: V52828 SPECIFICATION NUMBER: BACN10JC5CM OPTIONAL PART: T6C524JM V11815 97E054 V80539 109LH9075-5W V72962 H01-5BAC V15653		1
76	NAS1805-5	.NUT-			1
80	BACB28AK05-034	.BUSHING-			1
85	BACB28AK05-051	.BUSHING			1
95	114T0212-2	.BUSHING-			1
95	114T0212-3	.BUSHING-			1
95	114T0212-2	.BUSHING-	USED ON: 114T0202-5057 114T0202-5070		1
95	114T0212-3	.BUSHING-	USED ON: 114T0202-5057 114T0202-5070		1

ILLUSTRATION ITEMS NOT ON PARTS LIST ARE NOT APPLICABLE

- ITEM NOT ILLUSTRATED

HXL

27-81-22-01

BOEING PROPRIETARY - Copyright © - Unpublished Work - See title page for details.

27-81-22
FIG. 01
PAGE 3
DEC 22/07



767

PARTS CATALOG (MAINTENANCE)

FIG ITEM	PART NUMBER	1 2 3 4 5 6 7	NOMENCLATURE	EFFECT FROM TO	UNITS PER ASSY
1 96	BRH10A3	.	NUT SUPPLIER CODE: V52828 SPECIFICATION NUMBER: BACN10JC3 OPTIONAL PART: H10-3BAC V15653 NS202101-02 V80539 RMLH9075-3W V72962 VN303A02 V92215 96-02 V80539 T6S1032J V11815		4
97	BACW10BP3DP	.	WASHER		4
98	BACC10Y12-8C	.	CLAMP-		2
99	BACC10X12C	.	CLAMP SADDLE-		2
105	114T0211-1	.	ROD ASSY-CONT		1
105	114T0211-3	.	ROD ASSY-CONT		1
105	114T0211-5	.	ROD ASSY-CONT		1
110	KBDE5-102	..	BEARING-.3125 BORE LEADING EDGE LINK EXT THREAD ROD END SUPPLIER CODE: V97613 SPECIFICATION NUMBER: S012T238-1		1
115	ADNE5-311NW9	..	BEARING-.3125 BORE SEALED EXT THREAD WITH KEYWAY MIL-L-8937 SOLID FILM LUBRICANT ROD END SUPPLIER CODE: V15860 SPECIFICATION NUMBER: S012T235-105-79 OPTIONAL PART: MSSRRSK05FBDF V73134 ARNM5-101KM VS0352 SWRKMS5-370 V81376		1

ILLUSTRATION ITEMS NOT ON PARTS LIST ARE NOT APPLICABLE

- ITEM NOT ILLUSTRATED

27-81-22-01

27-81-22
FIG. 01
PAGE 4
DEC 22/08

HXL

BOEING PROPRIETARY - Copyright © - Unpublished Work - See title page for details.



767

PARTS CATALOG (MAINTENANCE)

FIG ITEM	PART NUMBER	1 2 3 4 5 6 7	NOMENCLATURE	EFFECT FROM TO	UNITS PER ASSY
1	115 KSR147105BK		.. BEARING-.3125 BORE SEALED EXT THREAD WITH KEYWAY MIL-L-8937 SOLID FILM LUBRICANT ROD END SUPPLIER CODE: V50632 SPECIFICATION NUMBER: S012T238-105-79 OPTIONAL PART: KBDE5-103 V97613		1
120	114T0211-4		.. TUBE-SWAGED		1
200	114T0202-95		. DOOR ASSY- QUALIFIED I/W DATA: 114T0202-95 TOGETHER WITH QTY (2) 114T0215-137 STRIP AND QTY (2) BACC10X12C CLAMP AND QTY (2) BACC10Y12-8C CLAMP AND QTY (4) BACN10JC3 NUT AND (4) BACW10BP3DP WASHERS MAY REPLACE 114T0202-36 USED ON: 114T0202-1		1
200	114T0202-106		. DOOR ASSY- USED ON: 114T0202-1		1
200	114T0202-107		. DOOR ASSY- USED ON: 114T0202-1		1
205	114T0202-82		. DOOR ASSY- QUALIFIED I/W DATA: 114T0202-82 T/W QTY (1) 114T0215-137 STRIP AND QTY (1) BACC10X12C CLAMP AND QTY (1) BACC10Y12-8C CLAMP AND QTY (2) BACN10JC3 NUT AND QTY (2) BACW10BP3DP WASHER MAY REPLACE 114T0202-37 USED ON: 114T0202-2		1

ILLUSTRATION ITEMS NOT ON PARTS LIST ARE NOT APPLICABLE

- ITEM NOT ILLUSTRATED

27-81-22-01

27-81-22
FIG. 01
PAGE 5
DEC 22/06

HXL

BOEING PROPRIETARY - Copyright © - Unpublished Work - See title page for details.



767

PARTS CATALOG (MAINTENANCE)

FIG ITEM	PART NUMBER	1 2 3 4 5 6 7	NOMENCLATURE	EFFECT FROM TO	UNITS PER ASSY
1 205	114T0202-96		.DOOR ASSY- QUALIFIED I/W DATA: 114T0202-96 TOGETHER WITH QTY (2) 114T0215-137 STRIP AND QTY (2) BACC10X12C CLAMP AND QTY (2) BACC10Y12-8C CLAMP AND QTY (4) BACN10JC3 NUT AND QTY (4) BACW10BP3DP WASHER MAY REPLACE 114T0202-37 USED ON: 114T0202-2		1
210	114T0202-83		.DOOR ASSY- QUALIFIED I/W DATA: 114T0202-83 T/W QTY (1) 114T0215-137 STRIP AND QTY (1) BACC10X12C CLAMP AND QTY (1) BACC10Y12-8C CLAMP AND QTY (2) BACN10JC3 NUT AND QTY (2) BACW10BP3DP WASHER MAY REPLACE 114T0202-38 USED ON: 114T0202-3		1
210	114T0202-97		.DOOR ASSY- QUALIFIED I/W DATA: 114T0202-97 TOGETHER WITH QTY (2) 114T0215-137 STRIP AND QTY (2) BACC10X12C CLAMP AND QTY (2) BACC10Y12-8C CLAMP AND QTY (4) BACN10JC3 NUT AND QTY (4) BACW10BP3DP WASHER MAY REPLACE 114T0202-38 USED ON: 114T0202-3		1

ILLUSTRATION ITEMS NOT ON PARTS LIST ARE NOT APPLICABLE

- ITEM NOT ILLUSTRATED

HXL

27-81-22-01

BOEING PROPRIETARY - Copyright © - Unpublished Work - See title page for details.

27-81-22
FIG. 01
PAGE 6
DEC 22/06



767

PARTS CATALOG (MAINTENANCE)

FIG ITEM	PART NUMBER	1 2 3 4 5 6 7	NOMENCLATURE	EFFECT FROM TO	UNITS PER ASSY
1 215	114T0202-84		.DOOR ASSY- QUALIFIED I/W DATA: 114T0202-84 T/W QTY (1) 114T0215-137 STRIP AND QTY (1) BACC10X12C CLAMP AND QTY (1) BACC10Y12-8C BACC10Y12-8C CLAMP AND QTY (2) BACN10JC3 NUT AND QTY (2) BACW10BP3DP WASHER MAY REPLACE 114T0202-39 USED ON: 114T0202-4		1
215	114T0202-98		.DOOR ASSY- QUALIFIED I/W DATA: 114T0202-98 TOGETHER WITH QTY (2) 114T0215-137 STRIP AND QTY (2) BACC10X12C CLAMP AND QTY (2) BACC10Y12-8C CLAMP AND QTY (4) BACN10JC3 NUT AND QTY (4) BACW10BP3DP WASHER MAY REPLACE 114T0202-39 USED ON: 114T0202-4		1
220	114T0202-85		.DOOR ASSY- QUALIFIED I/W DATA: 114T0202-85 T/W QTY (1) 114T0215-137 STRIP AND QTY (1) BACC10X12C CLAMP AND QTY (1) BACC10Y12-8C CLAMP AND QTY (2) BACN10JC3 NUT AND QTY (2) BACW10BP3DP WASHER MAY REPLACE 114T0202-40 USED ON: 114T0202-5		1

ILLUSTRATION ITEMS NOT ON PARTS LIST ARE NOT APPLICABLE

- ITEM NOT ILLUSTRATED

HXL

27-81-22-01

BOEING PROPRIETARY - Copyright © - Unpublished Work - See title page for details.

27-81-22
FIG. 01
PAGE 7
DEC 22/06



767

PARTS CATALOG (MAINTENANCE)

FIG ITEM	PART NUMBER	1 2 3 4 5 6 7	NOMENCLATURE	EFFECT FROM TO	UNITS PER ASSY
1 220	114T0202-99		.DOOR ASSY- QUALIFIED I/W DATA: 114T0202-99 TOGETHER WITH QTY (2) 114T0215-137 STRIP AND QTY (2) BACC10X12C CLAMP AND QTY (2) BACC10Y12-8C CLAMP AND QTY (4) BACN10JC3 NUT AND QTY (4) BACW10BP3DP WASHER MAY REPLACE 114T0202-40 USED ON: 114T0202-5		1
225	114T0202-86		.DOOR ASSY- QUALIFIED I/W DATA: 114T0202-86 T/W QTY (1) 114T0215-137 STRIP AND QTY (1) BACC10X12C CLAMP AND QTY (1) BACC10Y12-8C CLAMP AND QTY (2) BACN10JC3 NUT AND QTY (2) BACW10BP3DP WASHER MAY REPLACE 114T0202-41 USED ON: 114T0202-6		1
225	114T0202-100		.DOOR ASSY- QUALIFIED I/W DATA: 114T0202-100 TOGETHER WITH QTY (2) 114T0215-137 STRIP AND QTY (2) BACC10X12C CLAMP AND QTY (2) BACC10Y12-8C CLAMP AND QTY (4) BACN10JC3 NUT AND QTY (4) BACW10BP3DP WASHER MAY REPLACE 114T0202-41 USED ON: 114T0202-6		1

ILLUSTRATION ITEMS NOT ON PARTS LIST ARE NOT APPLICABLE

- ITEM NOT ILLUSTRATED

HXL

27-81-22-01

BOEING PROPRIETARY - Copyright © - Unpublished Work - See title page for details.

27-81-22
FIG. 01
PAGE 8
DEC 22/06



767

PARTS CATALOG (MAINTENANCE)

FIG ITEM	PART NUMBER	1 2 3 4 5 6 7	NOMENCLATURE	EFFECT FROM TO	UNITS PER ASSY
1 230	114T0202-87		.DOOR ASSY- QUALIFIED I/W DATA: 114T0202-87 T/W QTY (1) 114T0215-137 STRIP AND QTY (1) BACC10X12C CLAMP AND QTY (1) BACC10Y12-8C CLAMP AND QTY (2) BACN10JC3 NUT AND QTY (2) BACW10BP3DP WASHER MAY REPLACE 114T0202-42 USED ON: 114T0202-7		1
230	114T0202-101		.DOOR ASSY- QUALIFIED I/W DATA: 114T0202-101 TOGETHER WITH QTY (2) 114T0215-137 STRIP AND QTY (2) BACC10X12C CLAMP AND QTY (2) BACC10Y12-8C CLAMP AND QTY (4) BACN10JC3 NUT AND QTY BACW10BP3DP WASHER MAY REPLACE 114T0202-42 USED ON: 114T0202-7		1
235	114T0202-88		.DOOR ASSY- QUALIFIED I/W DATA: 114T0202-88 T/W QTY (1) 114T0215-137 STRIP AND QTY (1) BACC10X12C CLAMP AND QTY (1) BACC10Y12-8C CLAMP AND QTY (2) BACN10JC3 NUT AND QTY (2) BACW10BP3DP WASHER MAY REPLACE 114T0202-43 USED ON: 114T0202-8		1

ILLUSTRATION ITEMS NOT ON PARTS LIST ARE NOT APPLICABLE

- ITEM NOT ILLUSTRATED

HXL

27-81-22-01

BOEING PROPRIETARY - Copyright © - Unpublished Work - See title page for details.

27-81-22
FIG. 01
PAGE 9
DEC 22/06



767

PARTS CATALOG (MAINTENANCE)

FIG ITEM	PART NUMBER	1 2 3 4 5 6 7	NOMENCLATURE	EFFECT FROM TO	UNITS PER ASSY
1 235	114T0202-102		.DOOR ASSY- QUALIFIED I/W DATA: 114T0202-102 TOGETHER WITH QTY (2) 114T0215-137 STRIP AND QTY (2) BACC10X12C CLAMP AND QTY (2) BACC10Y12-8C CLAMP AND QTY (4) BACN10JC3 NUT AND QTY (4) BACW10BP3DP WASHER MAY REPLACE 114T0202-43 USED ON: 114T0202-8		1
240	114T0202-89		.DOOR ASSY- QUALIFIED I/W DATA: 114T0202-89 T/W QTY (1) 114T0215-137 STRIP AND QTY (1) BACC10X12C CLAMP AND QTY (1) BACC10Y12-8C CLAMP AND QTY (2) BACN10JC3 NUT AND QTY (2) BACW10BP3DP WASHER MAY REPLACE 114T0202-44 USED ON: 114T0202-9		1
240	114T0202-105		.DOOR ASSY- QUALIFIED I/W DATA: 114T0202-105 TOGETHER WITH QTY (2 114T0215-137 STRIP AND QTY (2 BACC10X12C CLAMP AND QTY (2 BACC10Y12-8C CLAMP AND QTY (4 BACN10JC3 NUT AND QTY 4 BACW10BP3DP WASHER MAY REPLACE 114T0202-44 USED ON: 114T0202-9		1

ILLUSTRATION ITEMS NOT ON PARTS LIST ARE NOT APPLICABLE

- ITEM NOT ILLUSTRATED

HXL

27-81-22-01

BOEING PROPRIETARY - Copyright © - Unpublished Work - See title page for details.

27-81-22
FIG. 01
PAGE 10
DEC 22/06



767

PARTS CATALOG (MAINTENANCE)

FIG ITEM	PART NUMBER	1 2 3 4 5 6 7	NOMENCLATURE	EFFECT FROM TO	UNITS PER ASSY
1 245	114T0202-91		.DOOR ASSY- POSITION DATA: LH SIDE QUALIFIED I/W DATA: 114T0202-91 T/W QTY (1) 114T0215-137 STRIP AND QTY (1) BACC10X12C CLAMP AND QTY (1) BACC10Y12-8C CLAMP AND QTY (2) BACW10BP3DP WASHER MAY REPLACE 114T0202-45 USED ON: 114T0202-11		1
245	114T0202-103		.DOOR ASSY- POSITION DATA: LH SIDE QUALIFIED I/W DATA: 114T0202-103 TOGETHER WITH QTY (2) 114T0215-137 STRIP AND QTY (2) BACC1DX12C CLAMP AND QTY (2) BACC10Y12-8C CLAMP AND QTY (4) BACN10JC3 NUT AND QTY (4) BACW10BP3DP WASHER MAY REPLACE 114T0202-45 USED ON: 114T0202-11		1
245	114T0202-109		.DOOR ASSY- POSITION DATA: LH SIDE USED ON: 114T0202-11		1
- 250	114T0202-92		.DOOR ASSY- POSITION DATA: RH SIDE QUALIFIED I/W DATA: 114T0202-92 T/W QTY (1) 114T0215-137 STRIP AND QTY (1) BACC10X12C CLAMP AND QTY (1) BACC10Y12-8C AND QTY (2) BACN10JC3 NUT AND QTY (2) BACW10BP3DP WASHER MAY REPLACE 114T0202-46 USED ON: 114T0202-12		1

ILLUSTRATION ITEMS NOT ON PARTS LIST ARE NOT APPLICABLE

- ITEM NOT ILLUSTRATED

27-81-22-01

27-81-22
FIG. 01
PAGE 11
DEC 22/07

HXL

BOEING
767
PARTS CATALOG (MAINTENANCE)

FIG ITEM	PART NUMBER	1 2 3 4 5 6 7	NOMENCLATURE	EFFECT FROM TO	UNITS PER ASSY
1					
- 250	114T0202-104		.DOOR ASSY- POSITION DATA: RH SIDE QUALIFIED I/W DATA: 114T0202-104 TOGETHER WITH QTY (2) 114T0215-137 STRIP AND QTY (2) BACC10X12C CLAMP AND QTY (2) BACC10Y12-8C CLAMP AND QTY (4) BACN10JC3 NUT AND QTY (4) BACW10BP3DP WASHER MAY REPLACE 114T0202-46 USED ON: 114T0202-12		1
- 250	114T0202-110		.DOOR ASSY- POSITION DATA: RH SIDE USED ON: 114T0202-12		1
255	BACS12ER08K9		..SCREW-		2
260	114T0219-1		..SEAL- MANUFACTURED FROM: EXTRUSION RUBBER 10-60754-320 1.80 IN. SPARES ORDER MATERIAL CODE: 5287000360		1
265	114T0216-8		..PLATE		1
270	114T0215-55		..BRACKET ASSY-ATTACH POSITION DATA: FWD USED ON: 114T0202-36 114T0202-81 114T0202-106		1
273	114T0215-117		..BRACKET ASSY-ATTACH POSITION DATA: FWD USED ON: 114T0202-95		1
273	114T0215-141		..BRACKET ASSY-ATTACH POSITION DATA: FWD USED ON: 114T0202-107		1

R
R
R
R
R
R
R

ILLUSTRATION ITEMS NOT ON PARTS LIST ARE NOT APPLICABLE

- ITEM NOT ILLUSTRATED

HXL

27-81-22-01

BOEING PROPRIETARY - Copyright © - Unpublished Work - See title page for details.

27-81-22
FIG. 01
PAGE 12
AUG 22/09



767

PARTS CATALOG (MAINTENANCE)

FIG ITEM	PART NUMBER	1 2 3 4 5 6 7	NOMENCLATURE	EFFECT FROM TO	UNITS PER ASSY
1					
275	114T0215-56		..BRACKET ASSY-ATTACH POSITION DATA: FWD USED ON: 114T0202-37 114T0202-82		1
278	114T0215-118		..BRACKET-ATTACH POSITION DATA: FWD USED ON: 114T0202-96		1
280	114T0215-57		..BRACKET ASSY-ATTACH POSITION DATA: FWD USED ON: 114T0202-38 114T0202-83		1
283	114T0215-120		..BRACKET-ATTACH POSITION DATA: FWD USED ON: 114T0202-97		1
285	114T0215-58		..BRACKET ASSY-ATTACH POSITION DATA: FWD USED ON: 114T0202-39 114T0202-84		1
288	114T0215-122		..BRACKET-ATTACH POSITION DATA: FWD USED ON: 114T0202-98		1
290	114T0215-59		..BRACKET ASSY-ATTACH POSITION DATA: FWD USED ON: 114T0202-40 114T0202-85		1
293	114T0215-124		..BRACKET-ATTACH POSITION DATA: FWD USED ON: 114T0202-99 114T0202-100		1

ILLUSTRATION ITEMS NOT ON PARTS LIST ARE NOT APPLICABLE

- ITEM NOT ILLUSTRATED

27-81-22-01

27-81-22
FIG. 01
PAGE 13
DEC 22/06

HXL

BOEING PROPRIETARY - Copyright © - Unpublished Work - See title page for details.

 **BOEING**
767
PARTS CATALOG (MAINTENANCE)

FIG ITEM	PART NUMBER	1 2 3 4 5 6 7	NOMENCLATURE	EFFECT FROM TO	UNITS PER ASSY
1					
295	114T0215-60		..BRACKET ASSY-ATTACH POSITION DATA: FWD USED ON: 114T0202-41 114T0202-86		1
300	114T0215-61		..BRACKET ASSY-ATTACH POSITION DATA: FWD USED ON: 114T0202-42 114T0202-87		1
303	114T0215-127		..BRACKET-ATTACH POSITION DATA: FWD USED ON: 114T0202-101 114T0202-102 114T0202-105		1
305	114T0215-62		..BRACKET ASSY-ATTACH POSITION DATA: FWD USED ON: 114T0202-43 114T0202-88		1
310	114T0215-63		..BRACKET ASSY-ATTACH POSITION DATA: FWD USED ON: 114T0202-44 114T0202-89		1
315	114T0215-64		..BRACKET ASSY-ATTACH POSITION DATA: FWD USED ON: 114T0202-45 114T0202-46 114T0202-91 114T0202-92		1
318	114T0215-131		..BRACKET-ATTACH POSITION DATA: FWD USED ON: 114T0202-103 114T0202-104		1
ILLUSTRATION ITEMS NOT ON PARTS LIST ARE NOT APPLICABLE					

— ITEM NOT ILLUSTRATED

HXL

27-81-22-01

BOEING PROPRIETARY - Copyright © - Unpublished Work - See title page for details.

27-81-22
FIG. 01
PAGE 14
DEC 22/06



767

PARTS CATALOG (MAINTENANCE)

FIG ITEM	PART NUMBER	1 2 3 4 5 6 7	NOMENCLATURE	EFFECT FROM TO	UNITS PER ASSY
1			ATTACHING PARTS		
320	BACB30NN3K3		..BOLT- USED ON: 114T0202-36 114T0202-37 114T0202-38 114T0202-39 114T0202-40 114T0202-41 114T0202-42 114T0202-43 114T0202-44 114T0202-45 114T0202-46 114T0202-82 114T0202-83 114T0202-84 114T0202-85 114T0202-86 114T0202-87 114T0202-88 114T0202-89 114T0202-91 114T0202-92 114T0202-93 114T0202-106		2
322	BACB30NN3K4		..BOLT- USED ON: 114T0202-95 114T0202-107		2
323	BACB30NN3K5		..BOLT- USED ON: 11JT0202-96 11JT0202-97 11JT0202-98 11JT0202-99 11JT0202-100 11JT0202-101 11JT0202-102 11JT0202-103 11JT0202-104 11JT0202-105		2
325	BACS40R13E15F		..SHIM-		1

ILLUSTRATION ITEMS NOT ON PARTS LIST ARE NOT APPLICABLE

- ITEM NOT ILLUSTRATED

HXL

27-81-22-01

BOEING PROPRIETARY - Copyright © - Unpublished Work - See title page for details.

27-81-22
FIG. 01
PAGE 15
DEC 22/06

BOEING
767
PARTS CATALOG (MAINTENANCE)

FIG ITEM	PART NUMBER	1 2 3 4 5 6 7	NOMENCLATURE	EFFECT FROM TO	UNITS PER ASSY
1 328	114T0215-104		..NUTPLATE ASSY- USED ON: 114T0202-82 114T0202-83 114T0202-84 114T0202-85 114T0202-86 114T0202-87 114T0202-88 114T0202-89 114T0202-91 114T0202-92 114T0202-96 114T0202-97 114T0202-98 114T0202-99 114T0202-100 114T0202-101 114T0202-102 114T0202-103 114T0202-104 114T0202-105 -----*-----		1
330	114T0215-38		..BRACKET ASSY-ATTACH POSITION DATA: REAR USED ON: 114T0202-36 114T0202-93		1
330	114T0215-75		..BRACKET ASSY-ATTACH POSITION DATA: REAR USED ON: 114T0202-95		1
330	114T0215-139		..BRACKET ASSY-ATTACH POSITION DATA: REAR USED ON: 114T0202-107		1
335	114T0215-40		..BRACKET ASSY-ATTACH POSITION DATA: REAR USED ON: 114T0202-37 114T0202-82		1

ILLUSTRATION ITEMS NOT ON PARTS LIST ARE NOT APPLICABLE

- ITEM NOT ILLUSTRATED

HXL

27-81-22-01

BOEING PROPRIETARY - Copyright © - Unpublished Work - See title page for details.

27-81-22
FIG. 01
PAGE 16
DEC 22/06



767

PARTS CATALOG (MAINTENANCE)

FIG ITEM	PART NUMBER	1 2 3 4 5 6 7	NOMENCLATURE	EFFECT FROM TO	UNITS PER ASSY
1					
335	114T0215-76		..BRACKET ASSY-ATTACH POSITION DATA: REAR USED ON: 114T0202-96		1
340	114T0215-41		..BRACKET ASSY-ATTACH POSITION DATA: REAR USED ON: 114T0202-38 114T0202-83		1
340	114T0215-77		..BRACKET ASSY-ATTACH POSITION DATA: REAR USED ON: 114T0202-97		1
345	114T0215-42		..BRACKET ASSY-ATTACH POSITION DATA: REAR USED ON: 114T0202-39 114T0202-84		1
345	114T0215-78		..BRACKET ASSY-ATTACH POSITION DATA: REAR USED ON: 114T0202-98		1
350	114T0215-43		..BRACKET ASSY-ATTACH POSITION DATA: REAR USED ON: 114T0202-40 114T0202-85		1
350	114T0215-79		..BRACKET ASSY-ATTACH POSITION DATA: REAR USED ON: 114T0202-99		1
355	114T0215-44		..BRACKET ASSY-ATTACH POSITION DATA: REAR USED ON: 114T0202-41 114T0202-86		1
355	114T0215-80		..BRACKET ASSY-ATTACH POSITION DATA: REAR USED ON: 114T0202-100		1

ILLUSTRATION ITEMS NOT ON PARTS LIST ARE NOT APPLICABLE

- ITEM NOT ILLUSTRATED

27-81-22-01

27-81-22
FIG. 01
PAGE 17
DEC 22/06

HXL

BOEING PROPRIETARY - Copyright © - Unpublished Work - See title page for details.



767

PARTS CATALOG (MAINTENANCE)

FIG ITEM	PART NUMBER	1 2 3 4 5 6 7	NOMENCLATURE	EFFECT FROM TO	UNITS PER ASSY
1 360	114T0215-45		..BRACKET ASSY-ATTACH POSITION DATA: REAR USED ON: 114T020-42 114T020-87		1
360	114T0215-81		..BRACKET ASSY-ATTACH POSITION DATA: REAR USED ON: 114T0202-101		1
365	114T0215-46		..BRACKET ASSY-ATTACH POSITION DATA: REAR USED ON: 114T0202-43 114T0202-88		1
365	114T0215-82		..BRACKET ASSY-ATTACH POSITION DATA: REAR USED ON: 114T0202-102		1
370	114T0216-12		..BRACKET ASSY-ATTACH POSITION DATA: REAR USED ON: 114T0202-44 114T0202-89		1
370	114T0216-14		..BRACKET ASSY-ATTACH POSITION DATA: REAR USED ON: 114T0202-105		1
375	114T0216-9		..BRACKET ASSY-ATTACH POSITION DATA: REAR USED ON: 114T0202-45 114T0202-91		1
375	114T0216-15		..BRACKET ASSY-ATTACH POSITION DATA: REAR USED ON: 114T0202-103		1

ILLUSTRATION ITEMS NOT ON PARTS LIST ARE NOT APPLICABLE

- ITEM NOT ILLUSTRATED

HXL

27-81-22-01

BOEING PROPRIETARY - Copyright © - Unpublished Work - See title page for details.

27-81-22
FIG. 01
PAGE 18
DEC 22/07



767

PARTS CATALOG (MAINTENANCE)

FIG ITEM	PART NUMBER	1 2 3 4 5 6 7	NOMENCLATURE	EFFECT FROM TO	UNITS PER ASSY
1					
- 380	114T0216-10		..BRACKET ASSY-ATTACH POSITION DATA: REAR USED ON: 114T0202-46 114T0202-92		1
- 380	114T0216-16		..BRACKET ASSY-ATTACH POSITION DATA: REAR USED ON: 114T0202-104		1
385	BACB30NN3K3		ATTACHING PARTS ..BOLT- USED ON: 114T0202-36 114T0202-37 114T0202-38 114T0202-39 114T0202-40 114T0202-41 114T0202-42 114T0202-43 114T0202-44 114T0202-45 114T0202-46 114T0202-82 114T0202-83 114T0202-84 114T0202-85 114T0202-86 114T0202-87 114T0202-88 114T0202-89 114T0202-91 114T0202-92 114T0202-93 114T0202-106		2
387	BACB30NN3K4		..BOLT- USED ON: 114T0202-95 114T0202-107		2

ILLUSTRATION ITEMS NOT ON PARTS LIST ARE NOT APPLICABLE

- ITEM NOT ILLUSTRATED

HXL

27-81-22-01

BOEING PROPRIETARY - Copyright © - Unpublished Work - See title page for details.

27-81-22
FIG. 01
PAGE 19
DEC 22/07



767

PARTS CATALOG (MAINTENANCE)

FIG ITEM	PART NUMBER	1 2 3 4 5 6 7	NOMENCLATURE	EFFECT FROM TO	UNITS PER ASSY
1 388	BACB30NN3K5		.. BOLT- USED ON: 114T0202-96 114T0202-97 114T0202-98 114T0202-99 114T0202-100 114T0202-101 114T0202-102 114T0202-103 114T0202-104 114T0202-105		2
390	BACS40R13E15F		.. SHIM- USED ON: 114T0202-37 114T0202-38 114T0202-39 114T0202-40 114T0202-41 114T0202-42 114T0202-43 114T0202-44 114T0202-45 114T0202-46 114T0202-82 114T0202-83 114T0202-84 114T0202-85 114T0202-86 114T0202-87 114T0202-88 114T0202-89 114T0202-91 114T0202-92 114T0202-96 114T0202-97 114T0202-98 114T0202-99 114T0202-100 114T0202-101 114T0202-102 114T0202-103 114T0202-104 114T0202-105		1

ILLUSTRATION ITEMS NOT ON PARTS LIST ARE NOT APPLICABLE

- ITEM NOT ILLUSTRATED

HXL

27-81-22-01

BOEING PROPRIETARY - Copyright © - Unpublished Work - See title page for details.

27-81-22
 FIG. 01
 PAGE 20
 DEC 22/06

 **BOEING**
767
PARTS CATALOG (MAINTENANCE)

FIG ITEM	PART NUMBER	1 2 3 4 5 6 7	NOMENCLATURE	EFFECT FROM TO	UNITS PER ASSY
1 391	BACS40R13E23F		.. SHIM- USED ON: 114T0202-36 114T0202-93 114T0202-95 114T0202-106 114T0202-107		1
393	114T0215-102		.. NUTPLATE ASSY- USED ON: 114T0202-96 114T0202-97 114T0202-98 114T0202-99 114T0202-100 114T0202-101 114T0202-102 114T0202-103 114T0202-104 114T0202-105		1
395	114T0215-37		-----*----- ... BUSHING- USED ON: 114T0215-38 114T0215-40 114T0215-41 114T0215-42 114T0215-43 114T0215-44 114T0215-45 114T0215-46 114T0216-10 114T0216-11 114T0216-9		2
395	012T2400-47		... BUSHING- USED ON: 114T0215-139 114T0215-75 114T0215-76 114T0215-77 114T0215-78 114T0215-79 114T0215-80 114T0215-81 114T0215-82 114T0216-14 114T0216-15 114T0216-16		2

ILLUSTRATION ITEMS NOT ON PARTS LIST ARE NOT APPLICABLE

- ITEM NOT ILLUSTRATED

HXL

27-81-22-01

BOEING PROPRIETARY - Copyright © - Unpublished Work - See title page for details.

27-81-22
FIG. 01
PAGE 21
DEC 22/06

 **BOEING**
767
PARTS CATALOG (MAINTENANCE)

FIG ITEM	PART NUMBER	1 2 3 4 5 6 7	NOMENCLATURE	EFFECT FROM TO	UNITS PER ASSY
1					
400	114T0215-39	...	BRACKET- USED ON: 114T0215-38 114T0215-75		1
405	114T0215-47	...	BRACKET- USED ON: 114T0215-40		1
405	114T0215-94	...	BRACKET- USED ON: 114T0215-76		1
410	114T0215-48	...	BRACKET- USED ON: 114T0215-41		1
410	114T0215-95	...	BRACKET- USED ON: 114T0215-77		1
415	114T0215-49	...	BRACKET- USED ON: 114T0215-42		1
415	114T0215-96	...	BRACKET- USED ON: 114T0215-78		1
420	114T0215-50	...	BRACKET- USED ON: 114T0215-43		1
420	114T0215-97	...	BRACKET- USED ON: 114T0215-79		1
425	114T0215-51	...	BRACKET- USED ON: 114T0215-44		1
425	114T0215-98	...	BRACKET- USED ON: 114T0215-80		1
430	114T0215-52	...	BRACKET- USED ON: 114T0215-45		1
430	114T0215-99	...	BRACKET- USED ON: 114T0215-81		1
435	114T0215-53	...	BRACKET- USED ON: 114T0215-46		1
435	114T0215-100	...	BRACKET- USED ON: 114T0215-82		1
440	114T0216-13	...	BRACKET- USED ON: 114T0216-12		1

ILLUSTRATION ITEMS NOT ON PARTS LIST ARE NOT APPLICABLE

— ITEM NOT ILLUSTRATED

HXL

27-81-22-01

BOEING PROPRIETARY - Copyright © - Unpublished Work - See title page for details.

27-81-22
FIG. 01
PAGE 22
DEC 22/07

 **BOEING**
767
PARTS CATALOG (MAINTENANCE)

FIG ITEM	PART NUMBER	1 2 3 4 5 6 7	NOMENCLATURE	EFFECT FROM TO	UNITS PER ASSY
1					
440	114T0216-18	...	BRACKET- USED ON: 114T0216-14		1
445	114T0216-11	...	BRACKET- USED ON: 114T0216-9 114T0216-10		1
445	114T0216-17	...	BRACKET- USED ON: 114T0216-15 114T0216-16		1
450	114T0215-117	..	BRACKET ASSY-ATTACH POSITION DATA: MID USED ON: 114T0202-95		1
450	114T0215-141	..	BRACKET ASSY-ATTACH POSITION DATA: MID USED ON: 114T0202-106 114T0202-107		1
455	114T0215-119	..	BRACKET-ATTACH POSITION DATA: MID USED ON: 114T0202-82 114T0202-96		1
460	114T0215-121	..	BRACKET-ATTACH POSITION DATA: MID USED ON: 114T0202-83 114T0202-97		1
465	114T0215-123	..	BRACKET-ATTACH POSITION DATA: MID USED ON: 114T0202-84 114T0202-98		1
470	114T0215-125	..	BRACKET-ATTACH POSITION DATA: MID USED ON: 114T0202-85 114T0202-99		1

ILLUSTRATION ITEMS NOT ON PARTS LIST ARE NOT APPLICABLE

— ITEM NOT ILLUSTRATED

HXL

27-81-22-01

BOEING PROPRIETARY - Copyright © - Unpublished Work - See title page for details.

27-81-22
FIG. 01
PAGE 23
DEC 22/07



767

PARTS CATALOG (MAINTENANCE)

FIG ITEM	PART NUMBER	1 2 3 4 5 6 7	NOMENCLATURE	EFFECT FROM TO	UNITS PER ASSY
1 475	114T0215-126		..BRACKET-ATTACH POSITION DATA: MID USED ON: 114T0202-86 114T0202-100		1
480	114T0215-128		..BRACKET-ATTACH POSITION DATA: MID USED ON: 114T0202-87 114T0202-101		1
485	114T0215-129		..BRACKET-ATTACH POSITION DATA: MID USED ON: 114T0202-88 114T0202-102		1
490	114T0215-130		..BRACKET-ATTACH POSITION DATA: MID USED ON: 114T0202-89 114T0202-105		1
495	114T0215-133		..BRACKET ASSY-ATTACH POSITION DATA: MID USED ON: 114T0202-91 114T0202-103		1
495	114T0215-145		..BRACKET ASSY-ATTACH POSITION DATA: MID USED ON: 114T0202-109		1
- 500	114T0215-134		..BRACKET ASSY-ATTACH POSITION DATA: MID USED ON: 114T0202-92 114T0202-104		1
- 500	114T0215-134		..BRACKET ASSY-ATTACH POSITION DATA: MID USED ON: 114T0202-110		1

ILLUSTRATION ITEMS NOT ON PARTS LIST ARE NOT APPLICABLE

- ITEM NOT ILLUSTRATED

HXL

27-81-22-01

BOEING PROPRIETARY - Copyright © - Unpublished Work - See title page for details.

27-81-22
FIG. 01
PAGE 24
DEC 22/07



767

PARTS CATALOG (MAINTENANCE)

FIG ITEM	PART NUMBER	1 2 3 4 5 6 7	NOMENCLATURE	EFFECT FROM TO	UNITS PER ASSY
1			ATTACHING PARTS		
505	BACB30NN3K4		..BOLT- USED ON: 114T0202-95 114T0202-106 114T0202-107		2
510	BACB30NN3K5		..BOLT- USED ON: 114T0202-82 114T0202-83 114T0202-84 114T0202-85 114T0202-86 114T0202-87 114T0202-88 114T0202-89 114T0202-91 114T0202-92 114T0202-96 114T0202-97 114T0202-98 114T0202-99 114T0202-100 114T0202-101 114T0202-102 114T0202-103 114T0202-104 114T0202-105		2
515	BACS40R13E15F		..SHIM		1

ILLUSTRATION ITEMS NOT ON PARTS LIST ARE NOT APPLICABLE

- ITEM NOT ILLUSTRATED

HXL

27-81-22-01

BOEING PROPRIETARY - Copyright © - Unpublished Work - See title page for details.

27-81-22
FIG. 01
PAGE 25
DEC 22/06



767

PARTS CATALOG (MAINTENANCE)

FIG ITEM	PART NUMBER	1 2 3 4 5 6 7	NOMENCLATURE	EFFECT FROM TO	UNITS PER ASSY
1 520	114T0215-104		..NUTPLATE ASSY- USED ON: 114T0202-82 114T0202-83 114T0202-84 114T0202-85 114T0202-86 114T0202-87 114T0202-88 114T0202-89 114T0202-91 114T0202-92 114T0202-96 114T0202-97 114T0202-98 114T0202-99 114T0202-100 114T0202-101 114T0202-102 114T0202-103 114T0202-104 114T0202-105 -----*-----		1
525	114T0214-15		.. DOOR ASSY- USED ON: 114T0202-45 114T0202-46 114T0202-91 114T0202-92		1
525	114T0214-27		.. DOOR- USED ON: 114T0202-103 114T0202-104		1

ILLUSTRATION ITEMS NOT ON PARTS LIST ARE NOT APPLICABLE

- ITEM NOT ILLUSTRATED

HXL

27-81-22-01

BOEING PROPRIETARY - Copyright © - Unpublished Work - See title page for details.

27-81-22
 FIG. 01
 PAGE 26
 DEC 22/06



767

PARTS CATALOG (MAINTENANCE)

FIG ITEM	PART NUMBER	1 2 3 4 5 6 7	NOMENCLATURE	EFFECT FROM TO	UNITS PER ASSY
1 530	114T0214-12		.. DOOR ASSY- USED ON: 114T0202-36 114T0202-37 114T0202-38 114T0202-39 114T0202-40 114T0202-41 114T0202-42 114T0202-43 114T0202-44 114T0202-82 114T0202-83 114T0202-84 114T0202-85 114T0202-86 114T0202-87 114T0202-88 114T0202-89 114T0202-93 114T0202-106		1
530	114T0214-26		.. DOOR- USED ON: 114T0202-95 114T0202-96 114T0202-97 114T0202-98 114T0202-99 114T0202-100 114T0202-101 114T0202-102 114T0202-105 114T0202-107		1

ILLUSTRATION ITEMS NOT ON PARTS LIST ARE NOT APPLICABLE

- ITEM NOT ILLUSTRATED

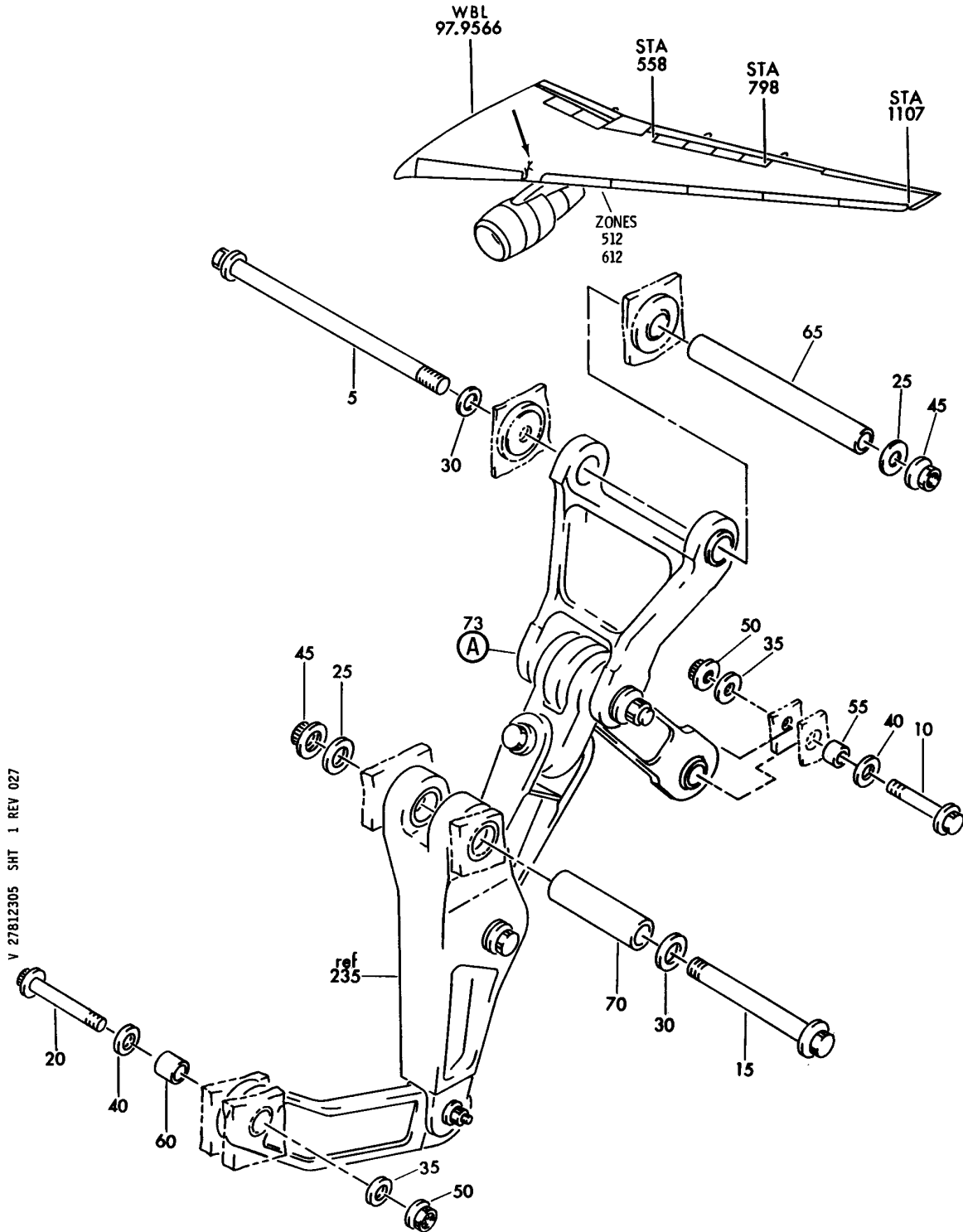
HXL

27-81-22-01

BOEING PROPRIETARY - Copyright © - Unpublished Work - See title page for details.

27-81-22
 FIG. 01
 PAGE 27
 DEC 22/06

BOEING
767
PARTS CATALOG (MAINTENANCE)



V 27812305 SHT 1 REV 027

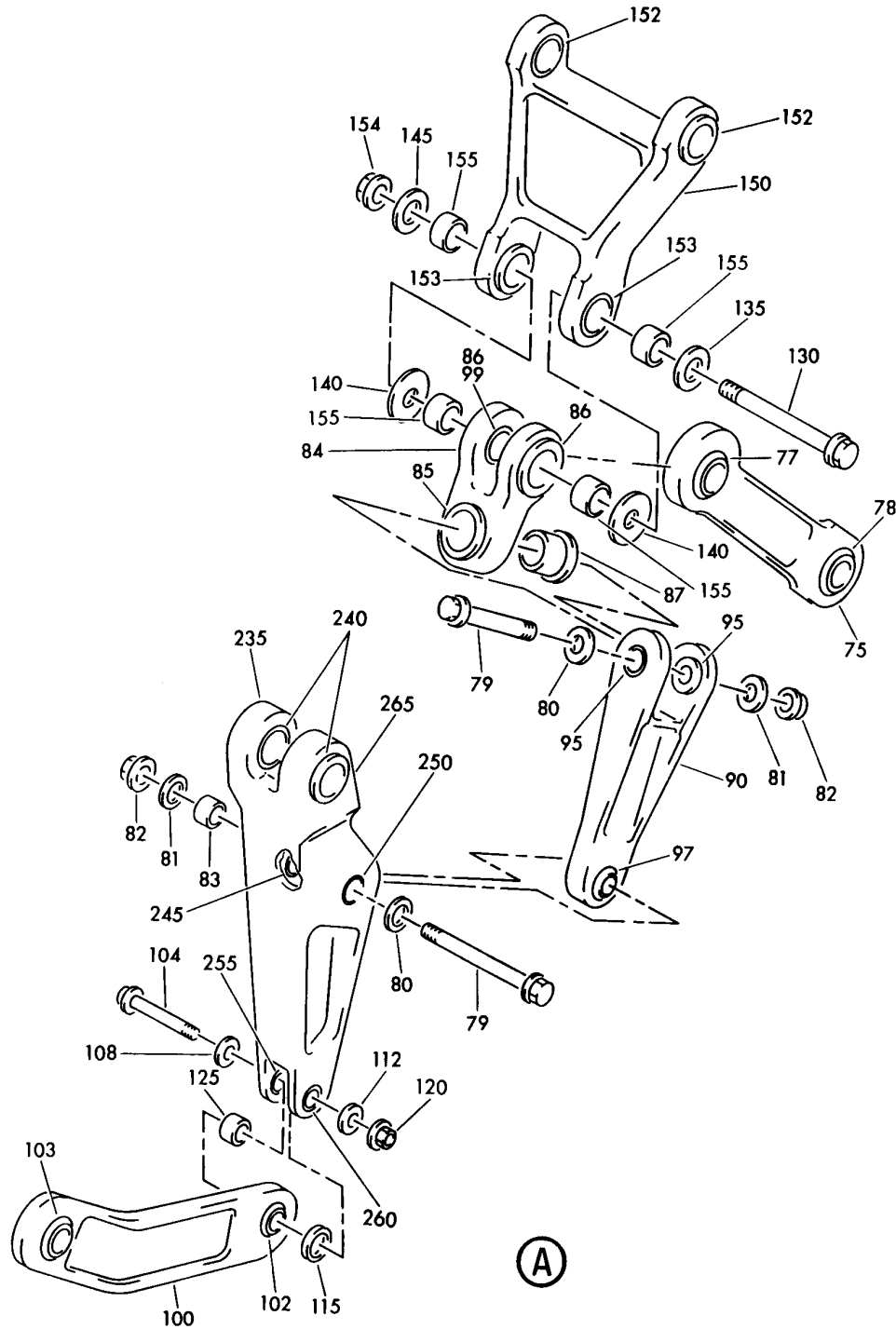
MECHANISM INSTL-KRUEGER SEAL FXD LE AT NAC DRIVE
FIGURE 5 (SHEET 1)

27-81-23-05

HXL
DEC 22/06

27-81-23-05
PAGE 0

BOEING
767
PARTS CATALOG (MAINTENANCE)



V 27812305 SHT 2 REV 182

MECHANISM INSTL-KRUEGER SEAL FXD LE AT NAC DRIVE
FIGURE 5 (SHEET 2)

27-81-23-05

HXL
DEC 22/06

27-81-23-05
PAGE 0A

BOEING
767
PARTS CATALOG (MAINTENANCE)

FIG ITEM	PART NUMBER	1 2 3 4 5 6 7	NOMENCLATURE	EFFECT FROM TO	UNITS PER ASSY
5			MECHANISM INSTL-KRUEGER		
- 1	114T6400-7		SEAL FXD LE AT NAC DRIVE		RF
			MECHANISM INSTL-KRUEGER		
			SEAL FXD LE AT NAC DRIVE		
			POSITION DATA:		
			LH		
			FOR NHA SEE:		
			27-81-03-07		
- 3	114T6400-8		MECHANISM INSTL-KRUEGER		RF
			SEAL FXD LE AT NAC DRIVE		
			POSITION DATA:		
			RH		
			FOR NHA SEE:		
			27-81-03-07		
	5 BACB30LE6U78		.BOLT		1
	10 BACB30LE5U14		.BOLT		1
	15 BACB30LE6U41		.BOLT		1
	20 BACB30LE5U20		.BOLT		1
	25 BACW10BP6AP		.WASHER		2
	30 BACW10BP6AC		.WASHER		2
	35 BACW10BP5AP		.WASHER		2
	40 BACW10BP5AC		.WASHER		2
	45 BMN10HRCPD3-6		.NUT-		4
			SUPPLIER CODE:		
			V97928		
			SPECIFICATION NUMBER:		
			BACN10HR6CS		
			OPTIONAL PART:		
			H39953-6		
			V15653		
			109LH9031-6		
			V72962		
			67832AS624		
			V56878		
			BH00303-6		
			V27238		
			SL7059C624		
			V11815		
			BMN5024CPD36		
			V97928		
			SL705096		
			V11815		
			109LH90316		
			V72962		
			67832AS6		
			V56878		
			CR5908-6		
			VF0224		
			ILLUSTRATION ITEMS NOT ON PARTS LIST ARE NOT APPLICABLE		

R
R
R
R
R
R
R
R
R
R
R
R
R
R
R
R
R
R
R
R
R

- ITEM NOT ILLUSTRATED

HXL

27-81-23-05

BOEING PROPRIETARY - Copyright © - Unpublished Work - See title page for details.

27-81-23
FIG. 05
PAGE 1
AUG 22/09

BOEING
767
PARTS CATALOG (MAINTENANCE)

FIG ITEM	PART NUMBER	1 2 3 4 5 6 7	NOMENCLATURE	EFFECT FROM TO	UNITS PER ASSY	
R R R R R R R R R R	50	BH00303-5	.NUT- SUPPLIER CODE: V27238 SPECIFICATION NUMBER: BACN10HR5CS OPTIONAL PART: H39953-5 V15653 109LH9031-5 V72962 67832AS524 V56878 SL7059C524 V11815 BMN5024CPD35 V97928 SL705095 V11815 109LH90315 V72962 67832AS5 V56878 CR5908-5 VF0224 BMN10HRCPD3-5 V97928		2	
	55	BACB28AK05-030	.BUSHING		1	
	60	BACB28AK05-050	.BUSHING		1	
	65	114T6409-2	.SLEEVE		1	
	70	114T6409-1	.SLEEVE		1	
	73	114T6400-9	.DRIVE ASSY- POSITION DATA: LH SIDE COMPONENT MAINT MANUAL REF: 27-81-96		1	
	73	114T6400-5	.DRIVE ASSY- POSITION DATA: LH SIDE COMPONENT MAINT MANUAL REF: 27-81-96		1	
	- 74	114T6400-10	.DRIVE ASSY- POSITION DATA: RH SIDE COMPONENT MAINT MANUAL REF: 27-81-96		1	
	ILLUSTRATION ITEMS NOT ON PARTS LIST ARE NOT APPLICABLE					

- ITEM NOT ILLUSTRATED

27-81-23-05

27-81-23
FIG. 05
PAGE 2
AUG 22/09

HXL



767

PARTS CATALOG (MAINTENANCE)

FIG ITEM	PART NUMBER	1 2 3 4 5 6 7	NOMENCLATURE	EFFECT FROM TO	UNITS PER ASSY
5					
- 74	114T6400-6		.DRIVE ASSY- POSITION DATA: RH SIDE COMPONENT MAINT MANUAL REF: 27-81-96		1
75	114T6403-3		..LINK ASSY-		1
77	ADB07V301NC		...BEARING SUPPLIER CODE: V15860 SPECIFICATION NUMBER: BACB10FB07GC OPTIONAL PART: KSC145700BZ07GC V50632 NES07FBG V73134 HTFB07V VS0352 KNDB07-62 V97613		1
78	ADB05V301NC		...BEARING SUPPLIER CODE: V15860 SPECIFICATION NUMBER: BACB10FB05GC OPTIONAL PART: KNDB05-62 V97613 KSC145700BZ05G V50632 NES05FBG V73134 HTFB05V VS0352		1
79	BACB30LE6U23		..BOLT		2
80	BACW10BP6AC		..WASHER		2
81	BACW10BP6AP		..WASHER		2

ILLUSTRATION ITEMS NOT ON PARTS LIST ARE NOT APPLICABLE

- ITEM NOT ILLUSTRATED

HXL

27-81-23-05

BOEING PROPRIETARY - Copyright © - Unpublished Work - See title page for details.

27-81-23
FIG. 05
PAGE 3
AUG 22/09

 **BOEING**
767
PARTS CATALOG (MAINTENANCE)

FIG ITEM	PART NUMBER	1 2 3 4 5 6 7	NOMENCLATURE	EFFECT FROM TO	UNITS PER ASSY
5 R	82	BMN10HRCPD3-6	..NUT SUPPLIER CODE: V97928 SPECIFICATION NUMBER: BACN10HR6CS OPTIONAL PART: H39953-6 V15653 109LH9031-6 V72962 67832AS624 V56878 BH00303-6 V27238 SL7059C624 V11815 BMN5024CPD36 V97928 SL705096 V11815 109LH90316 V72962 67832AS6 V56878 CR5908-6 VF0224		2
	83	BACB28AK06-050	..BUSHING		1
	84	114T6407-1	..LINK ASSY		1
	85	BACB28AM11B068A	...BUSHING		1
	86	M81934-2-10A009	...BUSHING		2
	87	012T2400-19	...BUSHING		1
	90	114T6408-1	..LINK ASSY		1
	95	012T2400-20	...BUSHING		2
	97	ADW06V301NC	...BEARING SUPPLIER CODE: V15860 SPECIFICATION NUMBER: BACB10FA06GC OPTIONAL PART: SWKRS06-350SC V81376 KSC152200BZ06GC V50632 KWDB06-35 V97613 WES06FAGC V73134 WHTFA06VC VS0352		1
	ILLUSTRATION ITEMS NOT ON PARTS LIST ARE NOT APPLICABLE				

— ITEM NOT ILLUSTRATED

27-81-23-05

27-81-23
FIG. 05
PAGE 4
AUG 22/09

HXL



767

PARTS CATALOG (MAINTENANCE)

FIG ITEM	PART NUMBER	1 2 3 4 5 6 7	NOMENCLATURE	EFFECT FROM TO	UNITS PER ASSY
5					
99	BACB28AK06-084	..	BUSHING		1
100	114T6404-1	..	LINK ASSY		1
102	ADW04V301NC	...	BEARING		1
			SUPPLIER CODE: V15860		
			SPECIFICATION NUMBER: BACB10FA04GC		
			OPTIONAL PART: SWKRS04-350SC V81376 KSC152200BZ04GC V50632 KWDB04-35 V97613 WES04FAGC V73134 WHTFA04VC VS0352		
103	ADB05V301NC	...	BEARING-		1
			SUPPLIER CODE: V15860		
			SPECIFICATION NUMBER: BACB10FB05GC		
			OPTIONAL PART: KNDB05-62 V97613 KSC145700BZ05G V50632 NES05FBG V73134 HTFB05V VS0352 ADB5V301N V15860		
103	ADB05V301N	...	BEARING-		1
			SUPPLIER CODE: V15860		
			SPECIFICATION NUMBER: BACB10FB05G		
			OPTIONAL PART: KNDB05-62 V97613 KSC145700BZ05G V50632 NES05FBG V73134 HTFB05V VS0352 BACB10FB05GC		

ILLUSTRATION ITEMS NOT ON PARTS LIST ARE NOT APPLICABLE

- ITEM NOT ILLUSTRATED

HXL

27-81-23-05

BOEING PROPRIETARY - Copyright © - Unpublished Work - See title page for details.

27-81-23
FIG. 05
PAGE 5
AUG 22/09

PARTS CATALOG (MAINTENANCE)

FIG ITEM	PART NUMBER	1 2 3 4 5 6 7	NOMENCLATURE	EFFECT FROM TO	UNITS PER ASSY
5					
104	BACB30LT4U16	..	BOLT		1
108	BACW10BP4AC	..	WASHER		1
112	BACW10BP4AP	..	WASHER		1
115	114T6406-1	..	WASHER		1
120	NAS1805-4	..	NUT		1
125	BACB28AK04-033	..	BUSHING		1
130	BACB30LE7U36	..	BOLT		1
135	BACW10BP7AC	..	WASHER		1
140	114T6318-4	..	SPACER-		2
145	BACW10BP7AP	..	WASHER		1
150	114T6410-1	..	LEVER ASSY-		1
152	M81934-2-09A010	...	BUSHING		2
153	M81934-2-10A009	...	BUSHING		2
154	BMN10HRCPD3-7	..	NUT		1
R			SUPPLIER CODE: V97928		
R			SPECIFICATION NUMBER: BACN10HR7CS		
R			OPTIONAL PART: H39953-7		
R			V15653		
R			109LH9031-7		
R			V72962		
R			67832AS720		
R			V56878		
R			BH00303-7		
R			V27238		
R			BMN5024CPD37		
R			V97928		
R			109LH90317		
R			V72962		
R			67832AS7		
R			V56878		
R			SL705097		
R			V11815		
R			CR5908-7		
R			VF0224		
155	114T6409-3	..	SLEEVE		4
235	114T6402-1	..	LEVER ASSY		1
240	M81934-2-09A016	...	BUSHING		2
245	BACB28AM09B030A	...	BUSHING		1
250	BACB28AP06P030	...	BUSHING		1
255	BACB28AM06B014A	...	BUSHING		1
260	BACB28AP04P014	...	BUSHING		1
265	114T6402-2	...	LEVER		1
ILLUSTRATION ITEMS NOT ON PARTS LIST ARE NOT APPLICABLE					

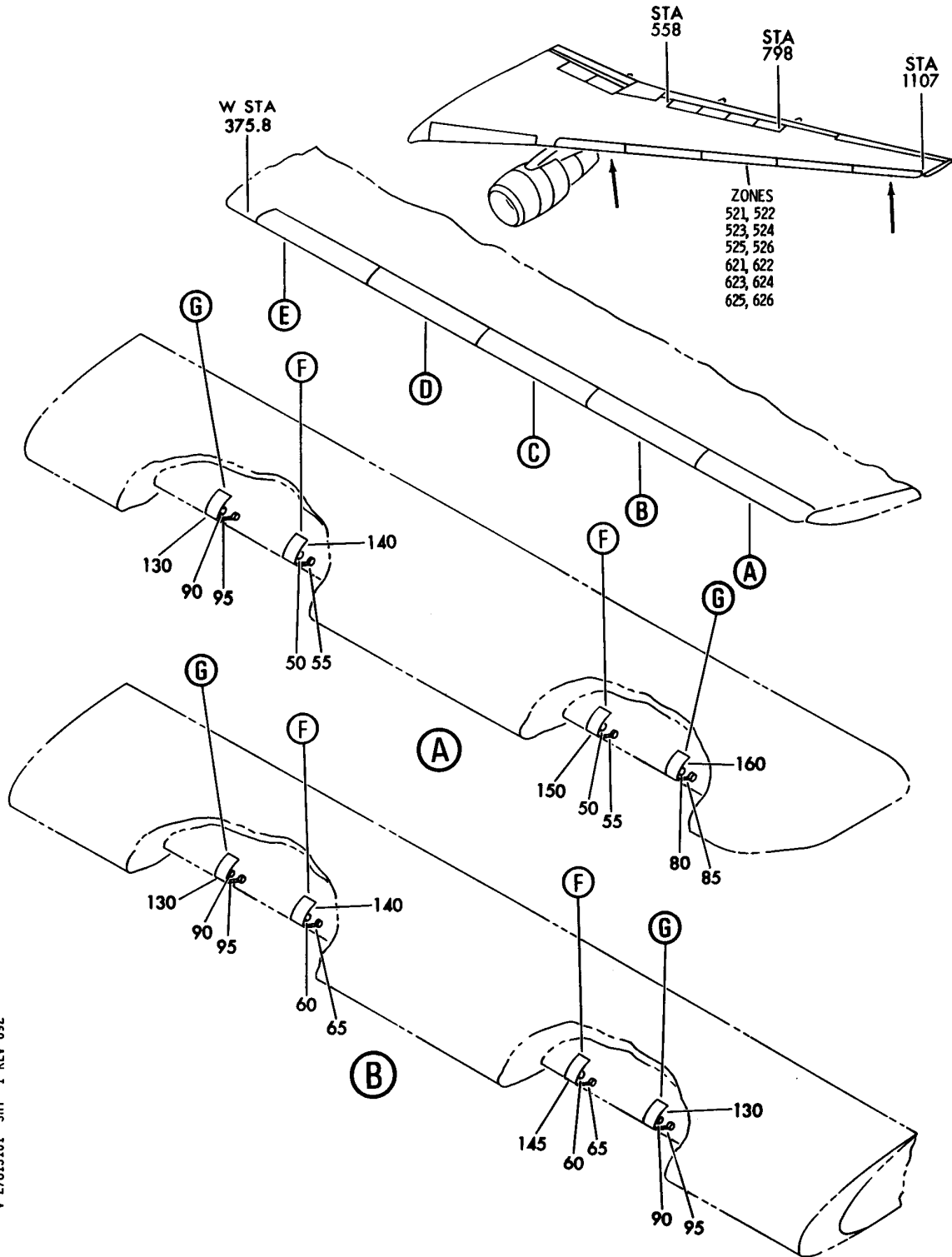
- ITEM NOT ILLUSTRATED

27-81-23-05

27-81-23
FIG. 05
PAGE 6
AUG 22/09

HXL

BOEING
767
PARTS CATALOG (MAINTENANCE)



V 27813101 SHT 1 REV 092

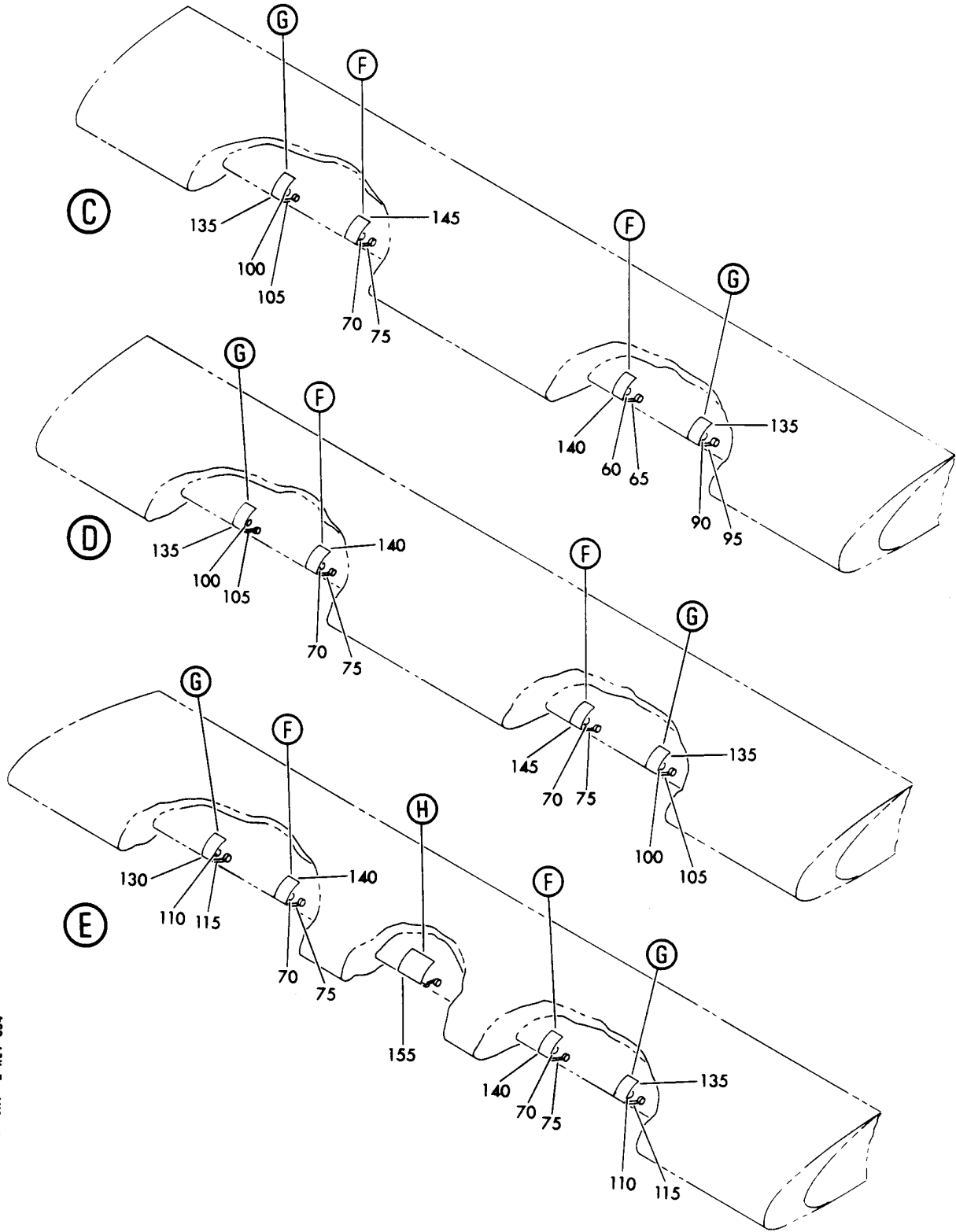
SEAL INSTL-OUTBD WING FXD LE AERODYN
FIGURE 1 (SHEET 1)

27-81-31-01

HXL
DEC 22/06

27-81-31-01
PAGE 0

BOEING
767
PARTS CATALOG (MAINTENANCE)



V 27813101 SHT 2 REV 034

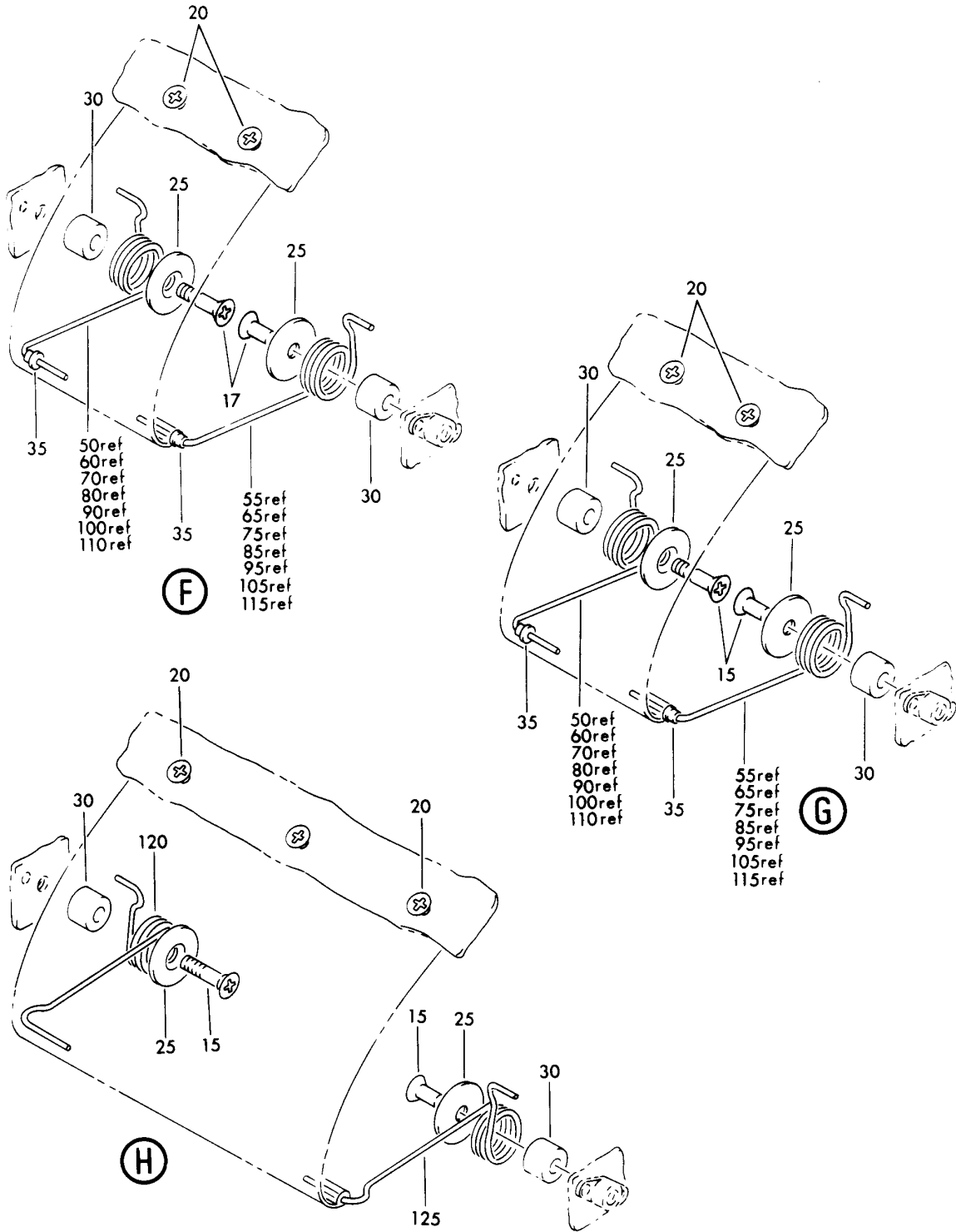
SEAL INSTL-OUTBD WING FXD LE AERODYN
FIGURE 1 (SHEET 2)

27-81-31-01

HXL
DEC 22/06

27-81-31-01
PAGE 0A

BOEING
767
PARTS CATALOG (MAINTENANCE)



V 27813101 SHT 3 REV 034

SEAL INSTL-OUTBD WING FXD LE AERODYN
FIGURE 1 (SHEET 3)

27-81-31-01

HXL
DEC 22/06

27-81-31-01
PAGE 0B

 **BOEING**
767
PARTS CATALOG (MAINTENANCE)

FIG ITEM	PART NUMBER	1 2 3 4 5 6 7	NOMENCLATURE	EFFECT FROM TO	UNITS PER ASSY
1			SEAL INSTL-OUTBD WING FXD LE AERODYN		
- 5	114T2700-1		SEAL INSTL-WING FXD LE AERODYN POSITION DATA: OUTBD LH FOR NHA SEE: 57-41-01-10		RF
- 10	114T2700-2		SEAL INSTL-WING FXD LE AERODYN POSITION DATA: OUTBD RH FOR NHA SEE: 57-41-01-10		RF
15	BACB30NN3K6		.BOLT		22
17	BACB30NN3K5		.BOLT		20
20	BACB30NU3K2		.BOLT- OPTIONAL PART: BACB30VF3K2		43
20	BACB30VF3K2		.BOLT- OPTIONAL PART: BACB30NU3K2		43
25	69-44935-2		.WASHER		42
30	BACS18K10-20		.SPACER		42
35	114T2705-1		.SPACER		40
50	114T2701-3		.SPRING		2
55	114T2701-4		.SPRING		2
60	114T2701-5		.SPRING		3
65	114T2701-6		.SPRING		3
70	114T2701-7		.SPRING		5
75	114T2701-8		.SPRING		5
80	114T2701-9		.SPRING		1
85	114T2701-10		.SPRING		1
90	114T2701-11		.SPRING		4
95	114T2701-12		.SPRING		4
100	114T2701-13		.SPRING		3
105	114T2701-14		.SPRING		3
110	114T2701-15		.SPRING		2
115	114T2701-16		.SPRING		2
120	114T2701-17		.SPRING		1
125	114T2701-18		.SPRING		1
130	114T2702-1		.CURTAIN ASSY		4
135	114T2702-3		.CURTAIN ASSY		5
140	114T2702-5		.CURTAIN ASSY-		6
145	114T2702-7		.CURTAIN ASSY-		3
150	114T2702-9		.CURTAIN ASSY		1
155	114T2702-11		.CURTAIN ASSY		1
160	114T2702-41		.CURTAIN ASSY		1

ILLUSTRATION ITEMS NOT ON PARTS LIST ARE NOT APPLICABLE

- ITEM NOT ILLUSTRATED

HXL

27-81-31-01

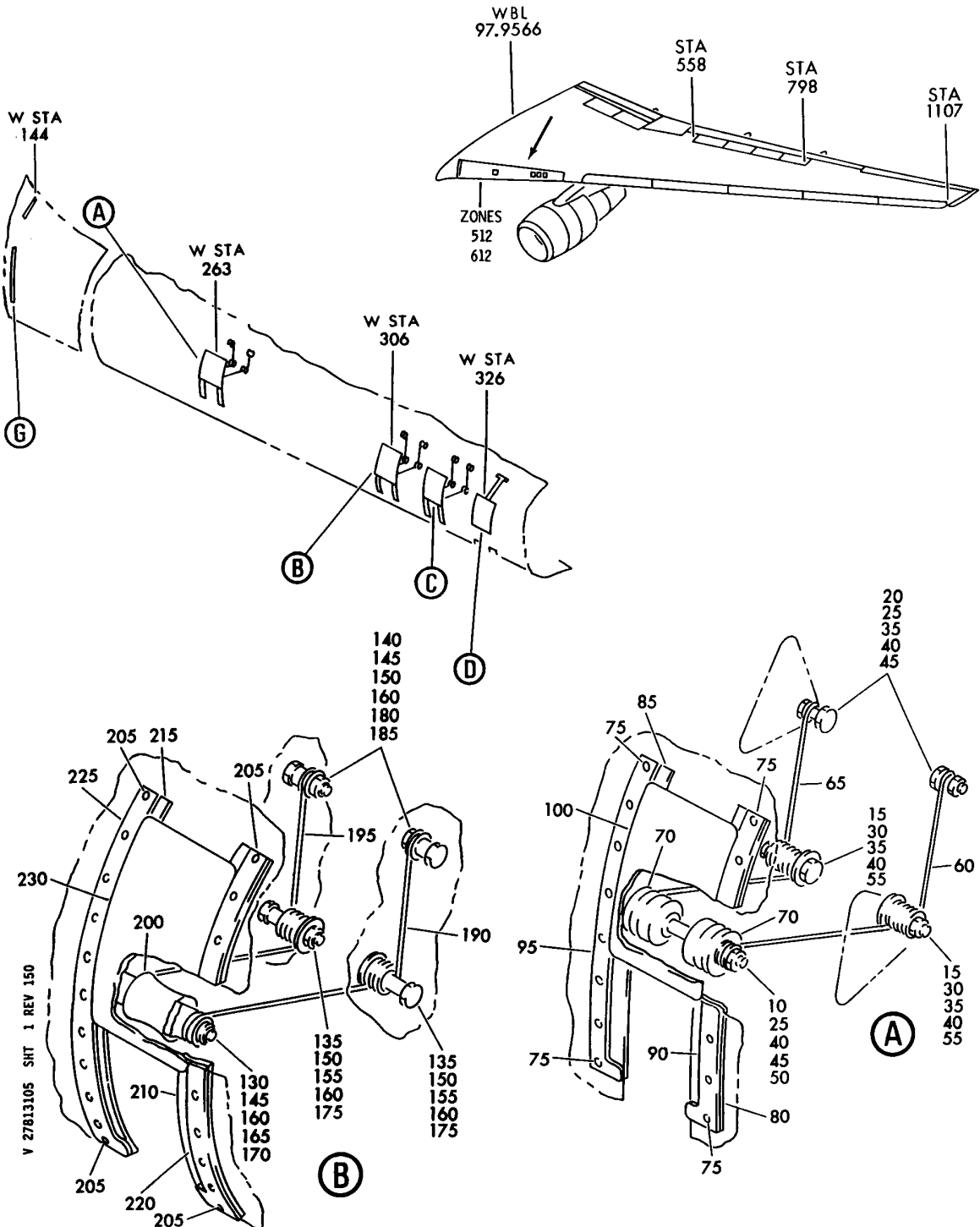
BOEING PROPRIETARY - Copyright © - Unpublished Work - See title page for details.

27-81-31
FIG. 01
PAGE 1
DEC 22/06

BOEING

767

PARTS CATALOG (MAINTENANCE)



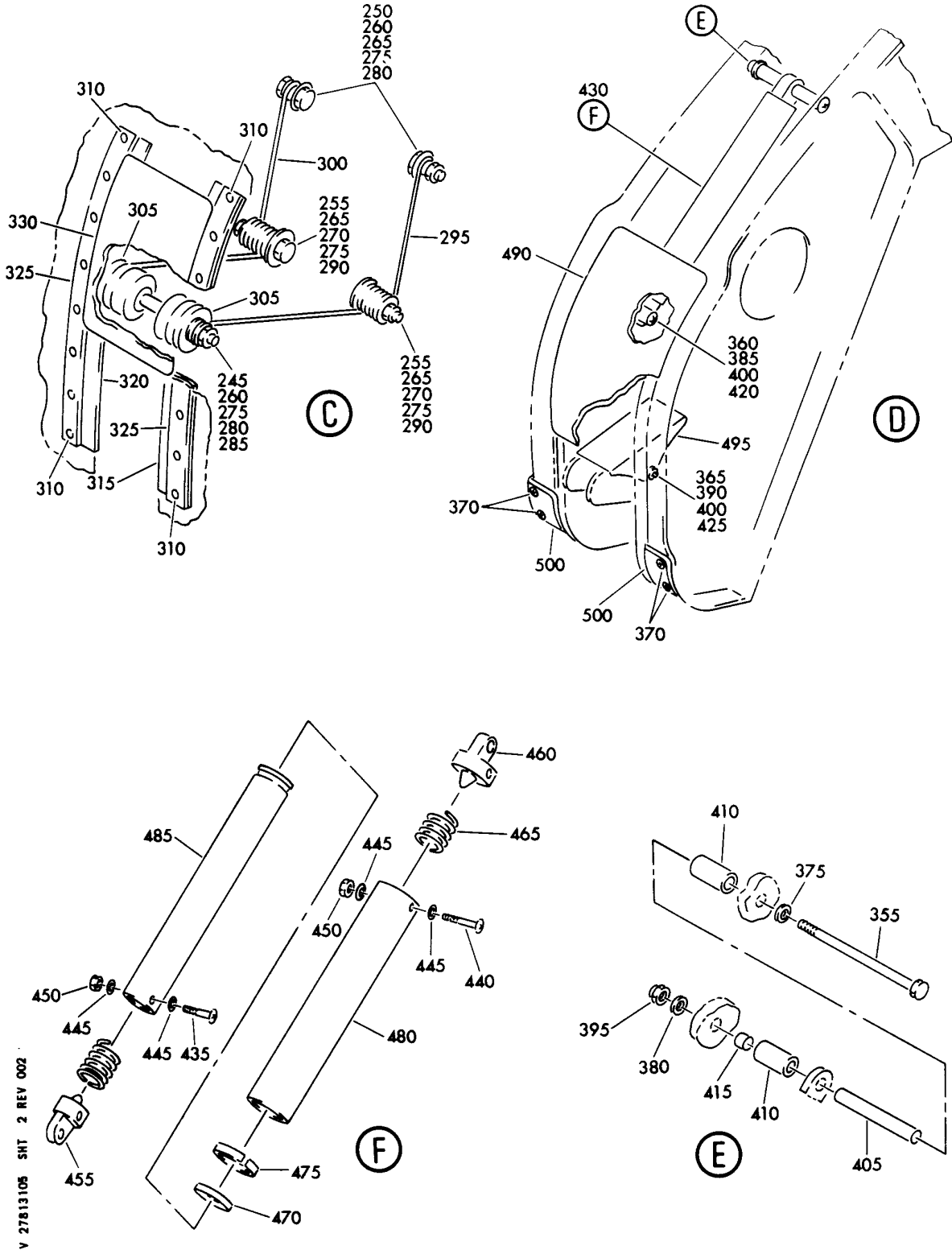
SEAL INSTL-INBD FXD LE AERO
FIGURE 5 (SHEET 1)

27-81-31-05

HXL
DEC 22/06

27-81-31-05
PAGE 0

BOEING
767
PARTS CATALOG (MAINTENANCE)



V 27813105 SHT 2 REV 002

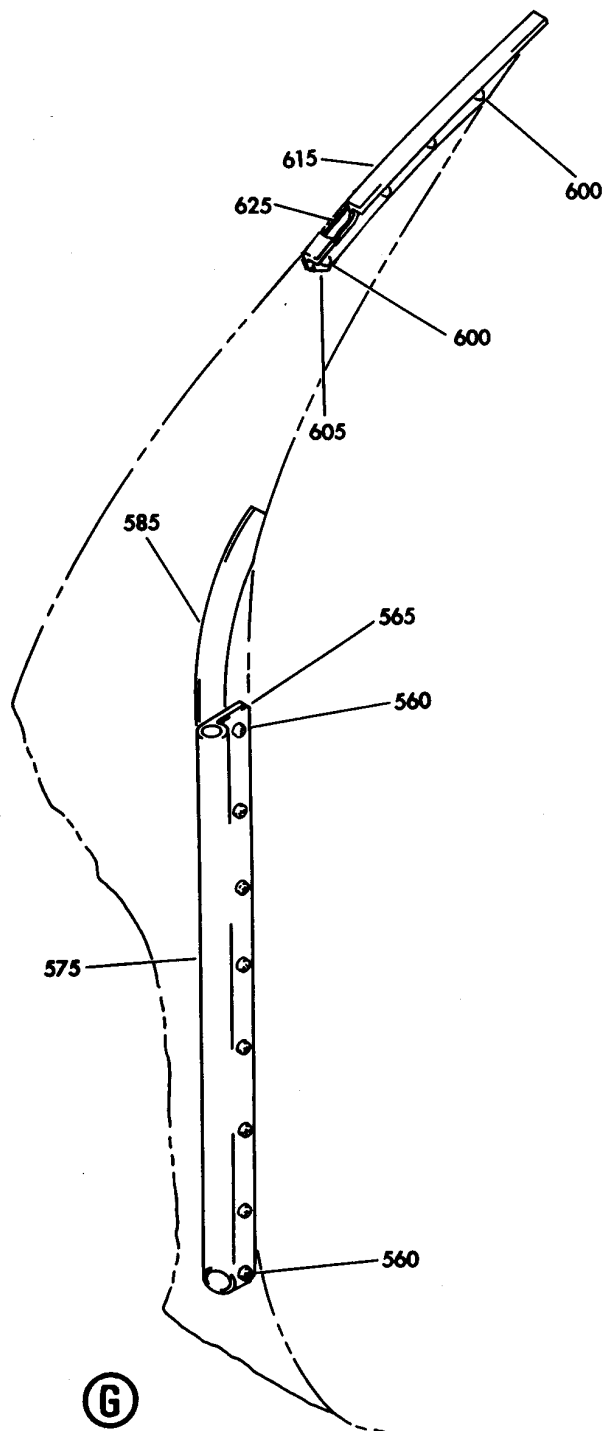
SEAL INSTL-INBD FXD LE AERO
FIGURE 5 (SHEET 2)

27-81-31-05

HXL
DEC 22/06

27-81-31-05
PAGE 0A

BOEING
767
PARTS CATALOG (MAINTENANCE)



V 27813105 SHT 3 REV 150

SEAL INSTL-INBD FXD LE AERO
FIGURE 5 (SHEET 3)

27-81-31-05

HXL
DEC 22/06

27-81-31-05
PAGE 0B

BOEING
767
PARTS CATALOG (MAINTENANCE)

FIG ITEM	PART NUMBER	1 2 3 4 5 6 7	NOMENCLATURE	EFFECT FROM TO	UNITS PER ASSY
5					
- 1	114T1700-1		SEAL INSTL-INBD FXD LE AERO SEAL INSTL-FXD LE AERO POSITION DATA: ISS 263.360 INBD LH FOR NHA SEE: 57-41-01-05		RF
- 5	114T1700-2		SEAL INSTL-FXD LE AERO POSITION DATA: ISS 263.360 INBD RH FOR NHA SEE: 57-41-01-05		RF
10	BACB30NR4K49		.BOLT-		1
15	BACB30NR4K12		.BOLT-		2
20	BACB30NR4K4		.BOLT-		2
25	BACW10P250S		.WASHER		6
30	BACW10P71S		.WASHER		2
35	AN960PD416		.WASHER		4
40	BRH10A4		.NUT		5
			SUPPLIER CODE: V52828 SPECIFICATION NUMBER: BACN10JC4 OPTIONAL PART: T6S428J V11815 96-048 V80539 VN303A048 V92215 RMLH9075-4W V72962 NS202101-048 V80539 H10-4BAC V15653		
45	BACB28AK04-015		.BUSHING		4
50	BACB28AK04-276		.BUSHING		1
55	BACB28Z4-063		.BUSHING		2
60	114T1713-1		.SPRING		1
65	114T1713-2		.SPRING		1
70	114T1712-3		.ROLLER		2
75	CR3252-4-4		.RIVET		16
			SUPPLIER CODE: V11815 SPECIFICATION NUMBER: BACR15FP4E4R OPTIONAL PART: AF3252-4-4B V53551		
ILLUSTRATION ITEMS NOT ON PARTS LIST ARE NOT APPLICABLE					

- ITEM NOT ILLUSTRATED

HXL

27-81-31-05

BOEING PROPRIETARY - Copyright © - Unpublished Work - See title page for details.

27-81-31
FIG. 05
PAGE 1
DEC 22/06



767

PARTS CATALOG (MAINTENANCE)

FIG ITEM	PART NUMBER	1 2 3 4 5 6 7	NOMENCLATURE	EFFECT FROM TO	UNITS PER ASSY
5					
80	114T1700-29	.GUIDE-			1
85	114T1700-30	.GUIDE-			1
90	114T1700-9	.SPACER			1
95	114T1700-10	.SPACER			1
100	114T1711-8	.DOOR			1
- 120	114T1700-3	SEAL INSTL-FXD LE AERO			RF
		POSITION DATA:			
		ISS 306.256 INBD LH			
		FOR NHA SEE:			
		57-41-01-05			
- 125	114T1700-4	SEAL INSTL-FXD LE AERO			RF
		POSITION DATA:			
		ISS 306.256 INBD RH			
		FOR NHA SEE:			
		57-41-01-05			
130	BACB30NR4K41	.BOLT-			1
135	BACB30NR4K19	.BOLT-			2
140	BACB30NR4K9	.BOLT			2
145	BACW10P250S	.WASHER			8
150	AN960PD416	.WASHER			4
155	BACW10P71S	.WASHER			2
160	BRH10A4	.NUT			5
		SUPPLIER CODE:			
		V52828			
		SPECIFICATION NUMBER:			
		BACN10JC4			
		OPTIONAL PART:			
		T6S428J			
		V11815			
		96-048			
		V80539			
		VN303A048			
		V92215			
		RMLH9075-4W			
		V72962			
		NS202101-048			
		V80539			
		H10-4BAC			
		V15653			
165	BACB28AK04-020	.BUSHING			2
170	BACB28AK04-204	.BUSHING			1
175	BACB28Z4-095	.BUSHING			2
180	BACB28AK04-025	.BUSHING			2
185	BACB28AK04-015	.BUSHING			2
190	114T1713-1	.SPRING			1
195	114T1713-2	.SPRING			1
200	114T1712-1	.ROLLER			1

ILLUSTRATION ITEMS NOT ON PARTS LIST ARE NOT APPLICABLE

- ITEM NOT ILLUSTRATED

HXL

27-81-31-05

BOEING PROPRIETARY - Copyright © - Unpublished Work - See title page for details.

27-81-31
FIG. 05
PAGE 2
DEC 22/06



767

PARTS CATALOG (MAINTENANCE)

FIG ITEM	PART NUMBER	1 2 3 4 5 6 7	NOMENCLATURE	EFFECT FROM TO	UNITS PER ASSY
5					
205	CR3252-4-4		.RIVET SUPPLIER CODE: V11815 SPECIFICATION NUMBER: BACR15FP4E4R OPTIONAL PART: AF3252-4-4B V53551		22
210	114T1700-33		.GUIDE-		1
215	114T1700-34		.GUIDE-		1
220	114T1700-35		.SPACER-		1
225	114T1700-36		.SPACER-		1
230	114T1711-2		.DOOR-		1
- 235	114T1700-5		SEAL INSTL-FXD LE AERO POSITION DATA: ISS 316.232 INBD LH FOR NHA SEE: 57-41-01-05		RF
- 240	114T1700-6		SEAL INSTL-FXD LE AERO POSITION DATA: ISS 316.232 INBD RH FOR NHA SEE: 57-41-01-05		RF
245	BACB30NR4K49		.BOLT-		1
250	BACB30NR4K4		.BOLT-		2
255	BACB30NR4K12		.BOLT-		2
260	BACW10P250S		.WASHER		6
265	AN960PD416		.WASHER		4
270	BACW10P71S		.WASHER		2
275	BRH10A4		.NUT SUPPLIER CODE: V52828 SPECIFICATION NUMBER: BACN10JC4 OPTIONAL PART: T6S428J V11815 96-048 V80539 VN303A048 V92215 RMLH9075-4W V72962 NS202101-048 V80539 H10-4BAC V15653		5
280	BACB28AK04-015		.BUSHING		4
285	BACB28AK04-276		.BUSHING		1

ILLUSTRATION ITEMS NOT ON PARTS LIST ARE NOT APPLICABLE

- ITEM NOT ILLUSTRATED

27-81-31-05

27-81-31
FIG. 05
PAGE 3
DEC 22/06

HXL

BOEING PROPRIETARY - Copyright © - Unpublished Work - See title page for details.



767

PARTS CATALOG (MAINTENANCE)

FIG ITEM	PART NUMBER	1 2 3 4 5 6 7	NOMENCLATURE	EFFECT FROM TO	UNITS PER ASSY
5					
290	BACB28Z4-063	.	BUSHING		2
295	114T1713-1	.	SPRING		1
300	114T1713-2	.	SPRING		1
305	114T1712-3	.	ROLLER		2
310	CR3252-4-4	.	RIVET		16
			SUPPLIER CODE: V11815		
			SPECIFICATION NUMBER: BACR15FP4E4R		
			OPTIONAL PART: AF3252-4-4B V53551		
315	114T1700-31	.	GUIDE-		1
320	114T1700-32	.	GUIDE-		1
325	114T1700-8	.	SPACER		2
330	114T1711-5	.	DOOR		1
- 350	114T1700-7		SEAL INSTL-FXD LE AERO ISS 326.308 INBD FOR NHA SEE: 57-41-01-05		RF
355	BACB30NR4K47	.	BOLT-		1
360	BACB30NT3K17	.	BOLT		1
365	BACB30NT3K22	.	BOLT		1
370	BACB30NN3K6	.	BOLT-		4
375	AN960PD416	.	WASHER		1
380	AN960C416	.	WASHER		1
385	AN960C10	.	WASHER		2
390	AN960C10L	.	WASHER		2
395	BRH10A4	.	NUT		1
			SUPPLIER CODE: V52828		
			SPECIFICATION NUMBER: BACN10JC4		
			OPTIONAL PART: T6S428J V11815 96-048 V80539 VN303A048 V92215 RMLH9075-4W V72962 NS202101-048 V80539 H10-4BAC V15653		
ILLUSTRATION ITEMS NOT ON PARTS LIST ARE NOT APPLICABLE					

- ITEM NOT ILLUSTRATED

27-81-31-05

27-81-31
FIG. 05
PAGE 4
DEC 22/06

HXL



767

PARTS CATALOG (MAINTENANCE)

FIG ITEM	PART NUMBER	1 2 3 4 5 6 7	NOMENCLATURE	EFFECT FROM TO	UNITS PER ASSY
5 400	BRH10A3	.	NUT SUPPLIER CODE: V52828 SPECIFICATION NUMBER: BACN10JC3 OPTIONAL PART: H10-3BAC V15653 NS202101-02 V80539 RMLH9075-3W V72962 VN303A02 V92215 96-02 V80539 T6S1032J V11815		2
405	BACB28AK04-234	.	BUSHING		1
410	BACB28AK06-098	.	BUSHING		2
415	BACB28AK04-033	.	BUSHING		1
420	BACB28Y3C100	.	BUSHING		1
425	BACB28Y3C058	.	BUSHING		2
430	114T1726-1	.	CARTRIDGE ASSY		1
435	NAS603-18P	..	SCREW		1
440	NAS603-22P	..	SCREW		1
445	AN960PD10L	..	WASHER		4
450	BRH10A3	..	NUT SUPPLIER CODE: V52828 SPECIFICATION NUMBER: BACN10JC3 OPTIONAL PART: H10-3BAC V15653 NS202101-02 V80539 RMLH9075-3W V72962 VN303A02 V92215 96-02 V80539 T6S1032J V11815		2
455	114T1727-1	..	END		1
460	114T1727-2	..	END		1
465	114T1713-5	..	SPRING		1
470	114T1728-1	..	RING		1

ILLUSTRATION ITEMS NOT ON PARTS LIST ARE NOT APPLICABLE

- ITEM NOT ILLUSTRATED

27-81-31-05

27-81-31
FIG. 05
PAGE 5
DEC 22/06

HXL

BOEING PROPRIETARY - Copyright © - Unpublished Work - See title page for details.


BOEING
 767
PARTS CATALOG (MAINTENANCE)

FIG ITEM	PART NUMBER	1 2 3 4 5 6 7	NOMENCLATURE	EFFECT FROM TO	UNITS PER ASSY
5					
475	114T1728-2		..RING		1
480	114T1726-2		..TUBE		1
485	114T1726-3		..TUBE		1
490	114T1711-6		.DOOR		1
500	114T1103-1		.RETAINER		2
- 550	114T1700-19		SEAL INSTL-FXD LE AERO POSITION DATA: ISS 144.284 INBD LH FOR NHA SEE: 57-41-01-05		RF
- 555	114T1700-20		SEAL INSTL-FXD LE AERO POSITION DATA: ISS 144.284 INBD RH FOR NHA SEE: 57-41-01-05		RF
560	BACB30NT3K4		.BOLT		8
565	114T1700-37		.RETAINER- POSITION DATA: LH SIDE		1
- 570	114T1700-38		.RETAINER- POSITION DATA: RH SIDE		1
575	114T1700-21		.SEAL- POSITION DATA: LH SIDE MANUFACTURED FROM: EXTR RUBBER 10-60754-319 17.20 IN. SPARES ORDER MATERIAL CODE: 5287003190		1
- 580	114T1700-22		.SEAL- POSITION DATA: RH SIDE MANUFACTURED FROM: EXTR RUBBER 10-60754-319 17.20 IN. SPARES ORDER MATERIAL CODE: 5287003190		1
585	S13117-435		.SEAL- SUPPLIER CODE: V75345 POSITION DATA: LH SIDE		1
- 590	S13117-436		.SEAL- SUPPLIER CODE: V75345 POSITION DATA: RH SIDE		1

R
R
R
R
R
R
R
R
R
R
R
R
R
R
R
R
R
R
R

ILLUSTRATION ITEMS NOT ON PARTS LIST ARE NOT APPLICABLE

- ITEM NOT ILLUSTRATED

27-81-31-05

27-81-31
 FIG. 05
 PAGE 6
 AUG 22/09

HXL



**767
PARTS CATALOG (MAINTENANCE)**

FIG ITEM	PART NUMBER	1 2 3 4 5 6 7	NOMENCLATURE	EFFECT FROM TO	UNITS PER ASSY
5			ATTACHING PARTS		
- 595	BACB30NT3K4		.BOLT		3
			-----*-----		
600	BACB30NT3K4		.BOLT		4
605	114T1700-27		.RETAINER		1
615	114T1700-25		.SEAL-		1
			POSITION DATA:		
			LH SIDE		
615	114T1700-45		.SEAL-		1
			POSITION DATA:		
			LH SIDE		
- 620	114T1700-26		.SEAL-		1
			POSITION DATA:		
			RH SIDE		
- 620	114T1700-46		.SEAL-		1
			POSITION DATA:		
			RH SIDE		
625	BACS40V007C082		.SHIM		AR

ILLUSTRATION ITEMS NOT ON PARTS LIST ARE NOT APPLICABLE

- ITEM NOT ILLUSTRATED

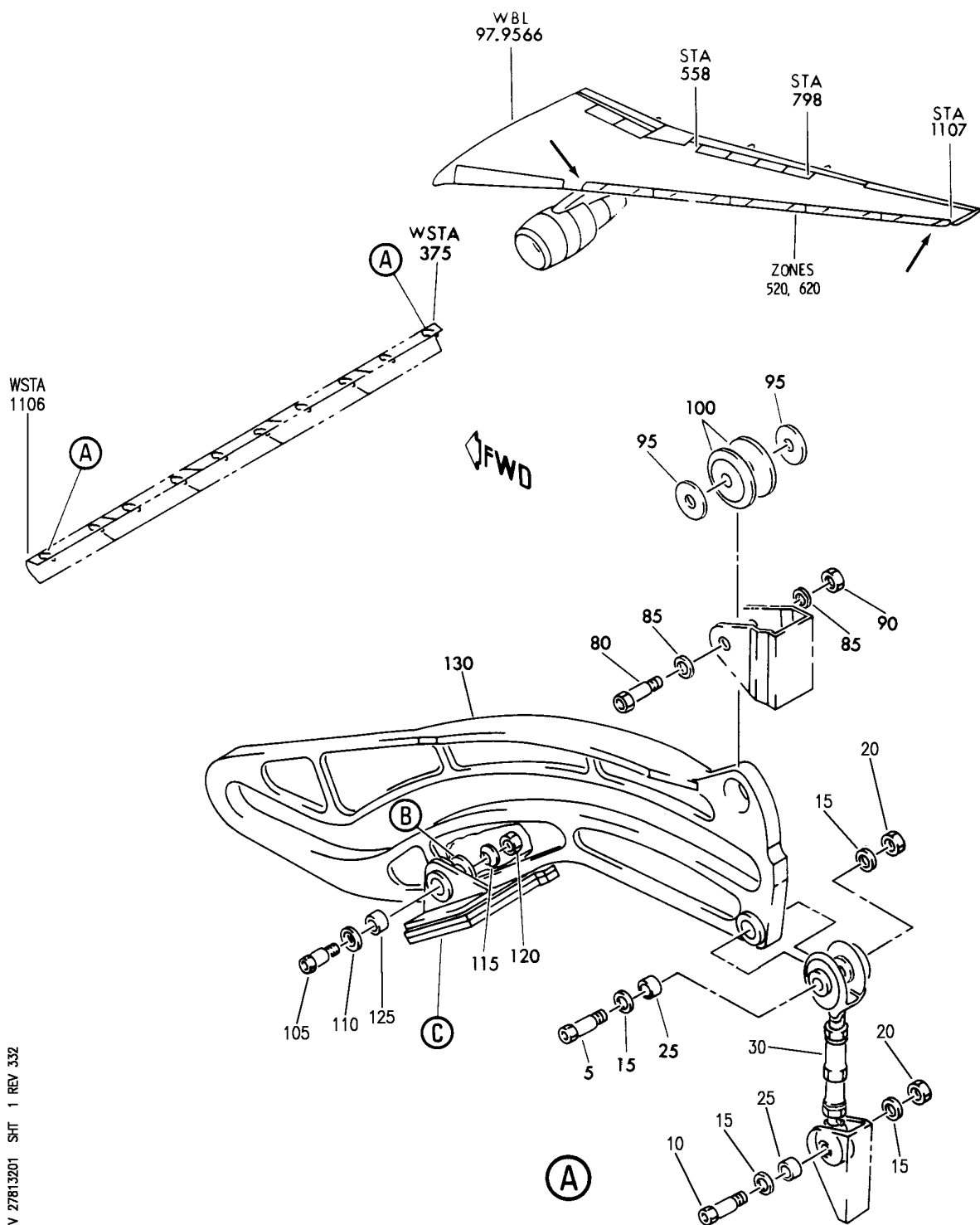
HXL

27-81-31-05

BOEING PROPRIETARY - Copyright © - Unpublished Work - See title page for details.

27-81-31
FIG. 05
PAGE 7
AUG 22/09

BOEING
767
PARTS CATALOG (MAINTENANCE)



V 27813201 SHT 1 REV 332

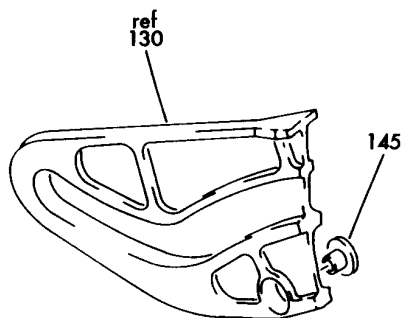
TRACK INSTL-LE OUTBD WING AUX
FIGURE 1 (SHEET 1)

27-81-32-01

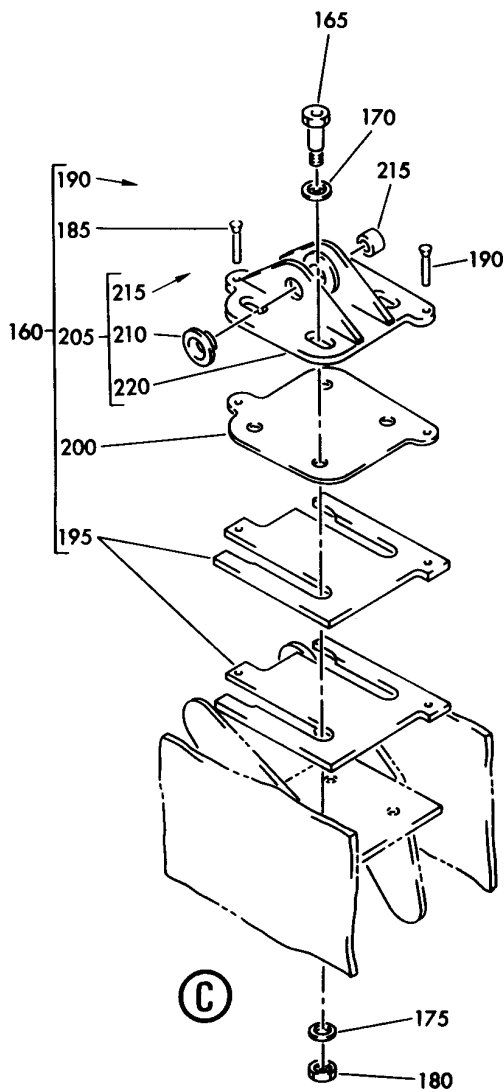
HXL
DEC 22/08

27-81-32-01
PAGE 0

BOEING
767
PARTS CATALOG (MAINTENANCE)



(B)



(C)

V 27813201 SHT 2 REV 043

TRACK INSTL-LE OUTBD WING AUX
FIGURE 1 (SHEET 2)

27-81-32-01

HXL
DEC 22/06

27-81-32-01
PAGE 0A



767

PARTS CATALOG (MAINTENANCE)

FIG ITEM	PART NUMBER	1 2 3 4 5 6 7	NOMENCLATURE	EFFECT FROM TO	UNITS PER ASSY
1			TRACK INSTL-LE OUTBD WING AUX		
- 1	114T0234-1		TRACK INSTL-LE WING AUX POSITION DATA: OUTBD VARIABLE DRAWING REF: 114T0234-5002 FOR NHA SEE: 57-41-56-01		RF
5	BACB30NR4K16		.BOLT		10
10	BACB30NR4K14		.BOLT-		10
15	AN960XC416L		.WASHER-		40
20	BRH10A4		.NUT-		20
			SUPPLIER CODE: V52828 SPECIFICATION NUMBER: BACN10JC4 OPTIONAL PART: T6S428J V11815 96-048 V80539 VN303A048 V92215 RMLH9075-4W V72962 NS202101-048 V80539 H10-4BAC V15653		
25	BACB28AK04-026		.BUSHING-		20
30	114T0231-8		.LINK ASSY-ROD COMPONENT MAINT MANUAL REF: 27-81-29 OPTIONAL PART: 114T0231-9		10
30	114T0231-9		.LINK ASSY-ROD COMPONENT MAINT MANUAL REF: 27-81-29 OPTIONAL PART: 114T0231-8		10
80	BACB30NR4K15		.BOLT		10
85	AN960PD416L		.WASHER		20

ILLUSTRATION ITEMS NOT ON PARTS LIST ARE NOT APPLICABLE

- ITEM NOT ILLUSTRATED

HXL

27-81-32-01

BOEING PROPRIETARY - Copyright © - Unpublished Work - See title page for details.

27-81-32
FIG. 01
PAGE 1
DEC 22/06

BOEING
767
PARTS CATALOG (MAINTENANCE)

FIG ITEM	PART NUMBER	1 2 3 4 5 6 7	NOMENCLATURE	EFFECT FROM TO	UNITS PER ASSY
1 90	BRH10A4		.NUT SUPPLIER CODE: V52828 SPECIFICATION NUMBER: BACN10JC4 OPTIONAL PART: T6S428J V11815 96-048 V80539 VN303A048 V92215 RMLH9075-4W V72962 NS202101-048 V80539 H10-4BAC V15653		10
R R R R R R R R R R R R	95 114T0234-2		.SHIM- MANUFACTURED FROM: SH AL BAC1534-62 OPTIONAL SH AL BAC1534-63 0.062 IN. X .87 IN. X .87 IN. SPARES ORDER MATERIAL CODE: 1120340620 OPTIONAL PART: 114T0234-3		20
	95 114T0234-3		.SHIM- MANUFACTURED FROM: SH AL BAC1534-15 0.062 IN. X .87 IN. X .87 IN. SPARES ORDER MATERIAL CODE: 1120340150 OPTIONAL PART: 114T0234-2		20

ILLUSTRATION ITEMS NOT ON PARTS LIST ARE NOT APPLICABLE

- ITEM NOT ILLUSTRATED

HXL

27-81-32-01

BOEING PROPRIETARY - Copyright © - Unpublished Work - See title page for details.

27-81-32
FIG. 01
PAGE 2
AUG 22/09



767

PARTS CATALOG (MAINTENANCE)

FIG ITEM	PART NUMBER	1 2 3 4 5 6 7	NOMENCLATURE	EFFECT FROM TO	UNITS PER ASSY
1 100	114T6418-9		.WASHER- QUALIFIED OPTIONAL DATA: (AFTER 114T0233 AUX TRACK ASSY IS INSTALLED TO 114T0232 OR 114T0235 BRACKET ASSY AND BRACKET ASSY IS INSTALLED PER FLAGNOTE 4, NOTE GAPS BETWEEN AUX TRACK ASSY AND 114T0230 BRACKET ON THE FRONT SPAR. SELECT A 114T6418 WASHER (-9 THRU -13) THAT WILL FILL UP MOST OF THE GAP. USE ONLY (1) WASHER ON EACH SIDE OF AUX TRACK ASSY. SHIM REMAINING GAPS WITH -2 OR -3 SHIM PER FLAGNOTE 1 AND 7.)		AR
100	114T6418-10		.WASHER- QUALIFIED OPTIONAL DATA: (AFTER 114T0233 AUX TRACK ASSY IS INSTALLED TO 114T0232 OR 114T0235 BRACKET ASSY AND BRACKET ASSY IS INSTALLED PER FLAGNOTE 4, NOTE GAPS BETWEEN AUX TRACK ASSY AND 114T0230 BRACKET ON THE FRONT SPAR. SELECT A 114T6418 WASHER (-9 THRU -13) THAT WILL FILL UP MOST OF THE GAP. USE ONLY (1) WASHER ON EACH SIDE OF AUX TRACK ASSY. SHIM REMAINING GAPS WITH -2 OR -3 SHIM PER FLAGNOTE 1 AND 7.)		AR

ILLUSTRATION ITEMS NOT ON PARTS LIST ARE NOT APPLICABLE

- ITEM NOT ILLUSTRATED

HXL

27-81-32-01

BOEING PROPRIETARY - Copyright © - Unpublished Work - See title page for details.

27-81-32
FIG. 01
PAGE 3
DEC 22/06



767

PARTS CATALOG (MAINTENANCE)

FIG ITEM	PART NUMBER	1 2 3 4 5 6 7	NOMENCLATURE	EFFECT FROM TO	UNITS PER ASSY
1 100	114T6418-11		.WASHER- QUALIFIED OPTIONAL DATA: (AFTER 114T0233 AUX TRACK ASSY IS INSTALLED TO 114T0232 OR 114T0235 BRACKET ASSY AND BRACKET ASSY IS INSTALLED PER FLAGNOTE 4, NOTE GAPS BETWEEN AUX TRACK ASSY AND 114T0230 BRACKET ON THE FRONT SPAR. SELECT A 114T6418 WASHER (-9 THRU -13) THAT WILL FILL UP MOST OF THE GAP. USE ONLY (1) WASHER ON EACH SIDE OF AUX TRACK ASSY. SHIM REMAINING GAPS WITH -2 OR -3 SHIM PER FLAGNOTE 1 AND 7.)		AR
100	114T6418-12		.WASHER- QUALIFIED OPTIONAL DATA: (AFTER 114T0233 AUX TRACK ASSY IS INSTALLED TO 114T0232 OR 114T0235 BRACKET ASSY AND BRACKET ASSY IS INSTALLED PER FLAGNOTE 4, NOTE GAPS BETWEEN AUX TRACK ASSY AND 114T0230 BRACKET ON THE FRONT SPAR. SELECT A 114T6418 WASHER (-9 THRU -13) THAT WILL FILL UP MOST OF THE GAP. USE ONLY (1) WASHER ON EACH SIDE OF AUX TRACK ASSY. SHIM REMAINING GAPS WITH -2 OR -3 SHIM PER FLAGNOTE 1 AND 7.)		AR

ILLUSTRATION ITEMS NOT ON PARTS LIST ARE NOT APPLICABLE

- ITEM NOT ILLUSTRATED

HXL

27-81-32-01

BOEING PROPRIETARY - Copyright © - Unpublished Work - See title page for details.

27-81-32
FIG. 01
PAGE 4
DEC 22/06



767

PARTS CATALOG (MAINTENANCE)

FIG ITEM	PART NUMBER	1 2 3 4 5 6 7	NOMENCLATURE	EFFECT FROM TO	UNITS PER ASSY
1 100	114T6418-13		.WASHER- QUALIFIED OPTIONAL DATA: (AFTER 114T0233 AUX TRACK ASSY IS INSTALLED TO 114T0232 OR 114T0235 BRACKET ASSY AND BRACKET ASSY IS INSTALLED PER FLAGNOTE 4, NOTE GAPS BETWEEN AUX TRACK ASSY AND 114T0230 BRACKET ON THE FRONT SPAR. SELECT A 114T6418 WASHER (-9 THRU -13) THAT WILL FILL UP MOST OF THE GAP. USE ONLY (1) WASHER ON EACH SIDE OF AUX TRACK ASSY. SHIM REMAINING GAPS WITH -2 OR -3 SHIM PER FLAGNOTE 1 AND 7.)		AR
105	BACB30NR5K18		.BOLT		10
110	BACW10BP5CD		.WASHER- POSITION DATA: UNDER HEAD		20
115	BACW10BP5DP		.WASHER- PLACARD CONTENT: UNDER NUT		10
120	NAS1804-5		.NUT-		10
125	BACB28AK05-031		.BUSHING		10
130	114T0233-1		.TRACK ASSY-AUX COMPONENT MAINT MANUAL REF: 27-81-28 QUALIFIED OPTIONAL DATA: (AFTER 114T0233 AUX TRACK ASSY IS INSTALLED TO 114T0232 OR 114T0235 BRACKET ASSY AND BRACKET ASSY IS INSTALLED PER FLAGNOTE 4, NOTE GAPS BETWEEN AUX TRACK ASSY AND 114T0230 BRACKET ON THE FRONT SPAR. SELECT A 114T6418 WASHER (-9 THRU -13) THAT WILL FILL UP MOST OF THE GAP. USE ONLY (1) WASHER ON EACH SIDE OF AUX TRACK ASSY. SHIM REMAINING GAPS WITH -2 OR -3 SHIM PER FLAGNOTE 1 AND 7.)		10

ILLUSTRATION ITEMS NOT ON PARTS LIST ARE NOT APPLICABLE

- ITEM NOT ILLUSTRATED

27-81-32-01

27-81-32
FIG. 01
PAGE 5
DEC 22/06

HXL



767

PARTS CATALOG (MAINTENANCE)

FIG ITEM	PART NUMBER	1 2 3 4 5 6 7	NOMENCLATURE	EFFECT FROM TO	UNITS PER ASSY
1					
145	BACB28AA4C045	..	BUSHING- OPTIONAL PART: 012T2400-3		1
145	012T2400-3	..	BUSHING- OPTIONAL PART: BACB28AA4C045		1
160	114T0235-5	.BRACKET ASSY- ATTACHING PARTS			10
- 165	BACB30NM5K13	.BOLT-			40
- 170	BACW10BP5CD	.WASHER- POSITION DATA: UNDER HEAD			40
- 175	BACW10BP5DP	.WASHER- POSITION DATA: UNDER NUT			40
- 180	NAS1804-5	.NUT- -----*-----			40
185	BACR15BA4AD	..	RIVET- SIZE DETERMINED ON INSTL. OPTIONAL PART: BACR15BA4B BACR15CE4AD BACR15CE4B		1
185	BACR15BA4B	..	RIVET- SIZE DETERMINED ON INSTL. OPTIONAL PART: BACR15BA4AD		1
185	BACR15CE4AD	..	RIVET- SIZE DETERMINED ON INSTL. OPTIONAL PART: BACR15BA4AD		1
185	BACR15CE4B	..	RIVET- SIZE DETERMINED ON INSTL. OPTIONAL PART: BACR15BA4AD		1
190	BACR15FT4AD	..	RIVET- SIZE DETERMINED ON INSTL. OPTIONAL PART: BACR15FT4B BACR15BB4AD BACR15BB4B		1
190	BACR15FT4B	..	RIVET- SIZE DETERMINED ON INSTL. OPTIONAL PART: BACR15FT4AD		1
190	BACR15BB4AD	..	RIVET- SIZE DETERMINED ON INSTL. OPTIONAL PART: BACR15FT4AD		1

ILLUSTRATION ITEMS NOT ON PARTS LIST ARE NOT APPLICABLE

- ITEM NOT ILLUSTRATED

27-81-32-01

27-81-32
FIG. 01
PAGE 6
DEC 22/06

HXL

BOEING PROPRIETARY - Copyright © - Unpublished Work - See title page for details.



767

PARTS CATALOG (MAINTENANCE)

FIG ITEM	PART NUMBER	1 2 3 4 5 6 7	NOMENCLATURE	EFFECT FROM TO	UNITS PER ASSY
1					
190	BACR15BB4B		..RIVET- SIZE DETERMINED ON INSTL. OPTIONAL PART: BACR15FT4AD		1
195	114T0232-5		..SHIM-		2
200	114T0232-4		..PLATE-SERRATED		1
205	114T0235-4		..BRACKET ASSY-		1
210	BACB28AM07B012A		...BUSHING		1
215	012T2400-44		...BUSHING		1
220	114T0235-2		...BRACKET-		1
ILLUSTRATION ITEMS NOT ON PARTS LIST ARE NOT APPLICABLE					

- ITEM NOT ILLUSTRATED

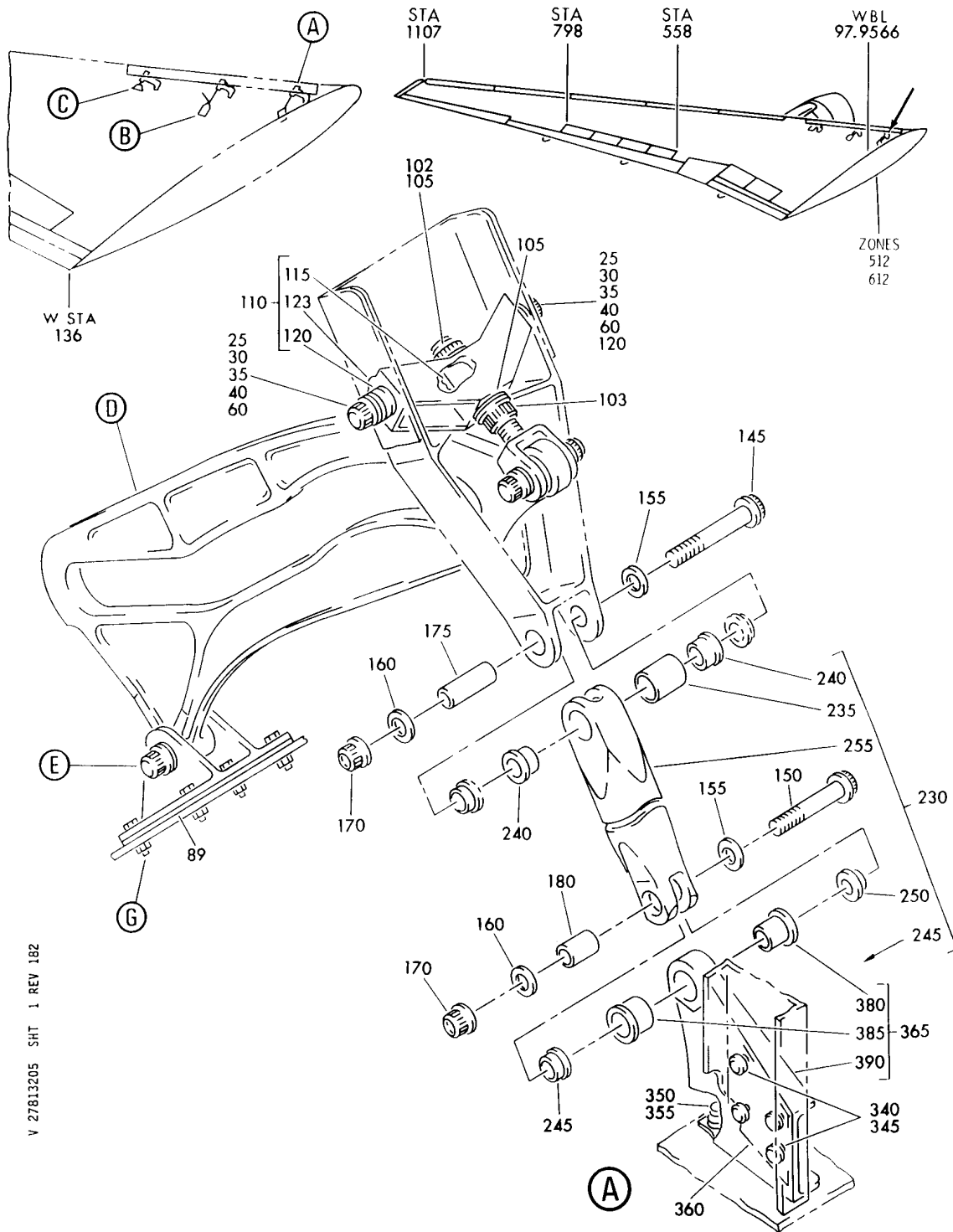
HXL

27-81-32-01

BOEING PROPRIETARY - Copyright © - Unpublished Work - See title page for details.

27-81-32
FIG. 01
PAGE 7
DEC 22/06

BOEING
767
PARTS CATALOG (MAINTENANCE)



V 27813205 SHT 1 REV 182

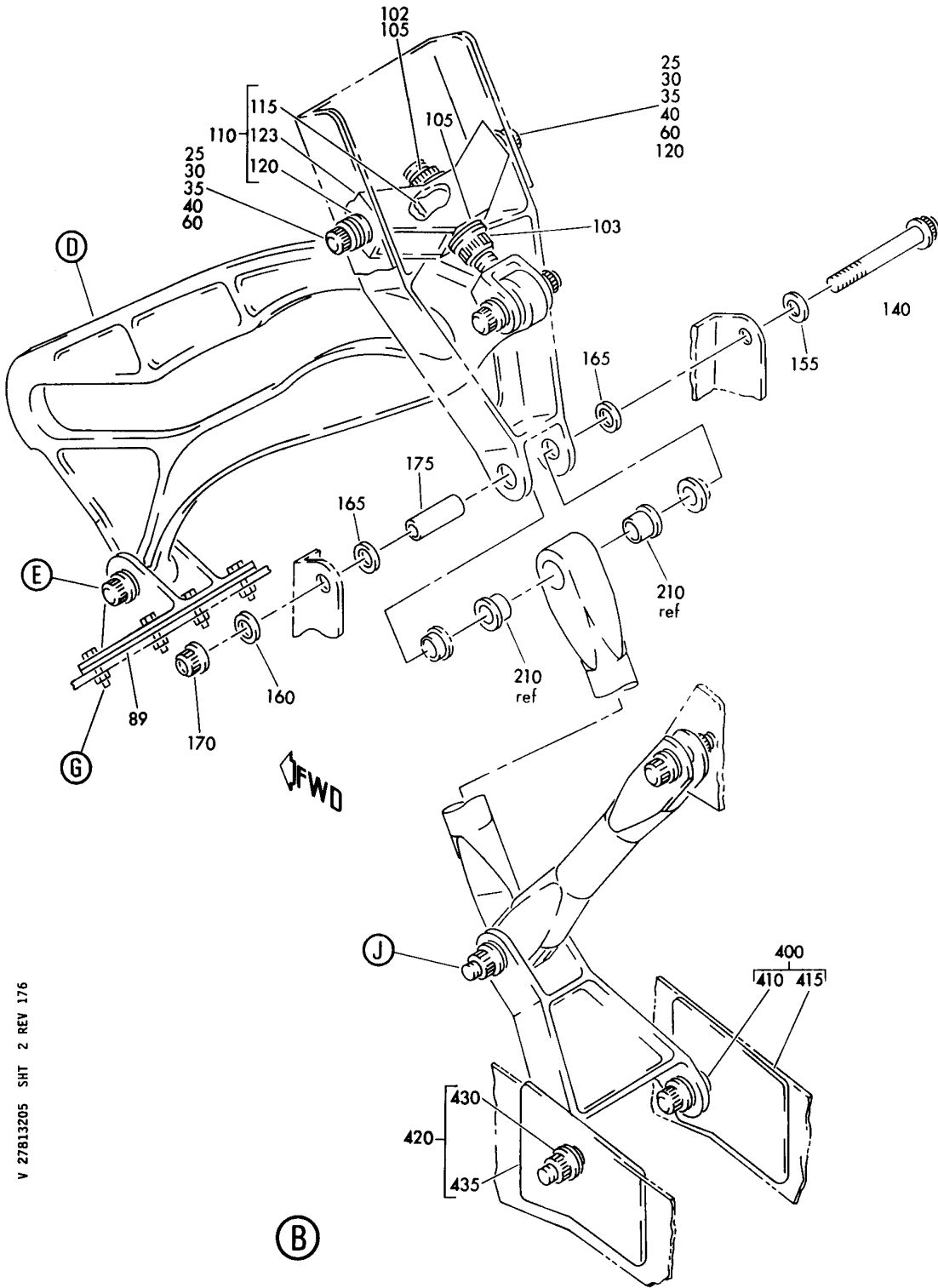
TRACK INSTL-ISS 190.537, 263.360, 316.232 INBD WING LE AUX
FIGURE 5 (SHEET 1)

27-81-32-05

HXL
DEC 22/06

27-81-32-05
PAGE 0

BOEING
767
PARTS CATALOG (MAINTENANCE)



V 27813205 SHT 2 REV 176

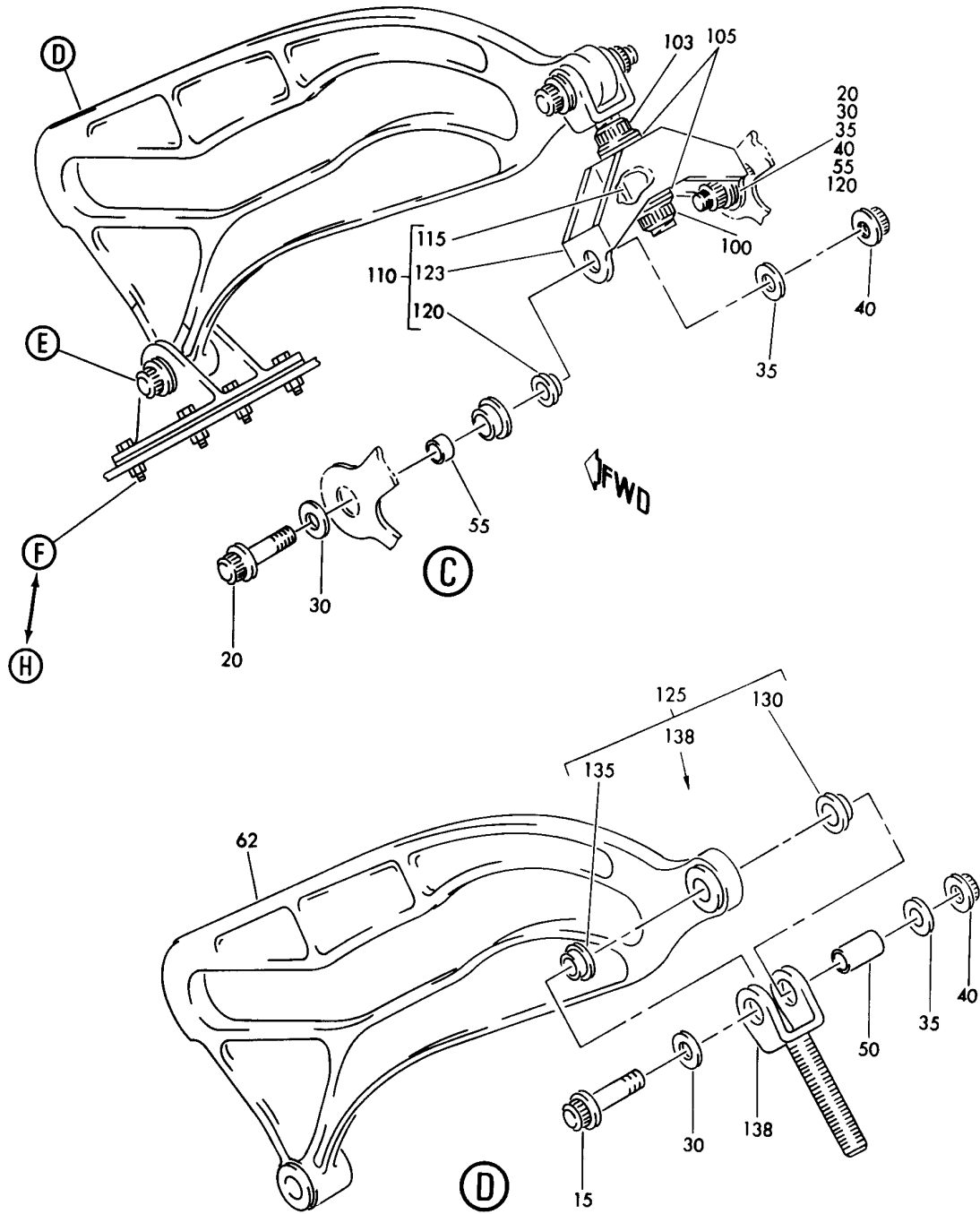
TRACK INSTL-ISS 190.537, 263.360, 316.232 INBD WING LE AUX
FIGURE 5 (SHEET 2)

27-81-32-05

HXL
DEC 22/06

27-81-32-05
PAGE 0A

BOEING
 767
 PARTS CATALOG (MAINTENANCE)



V 27813205 SH 3 REV 176

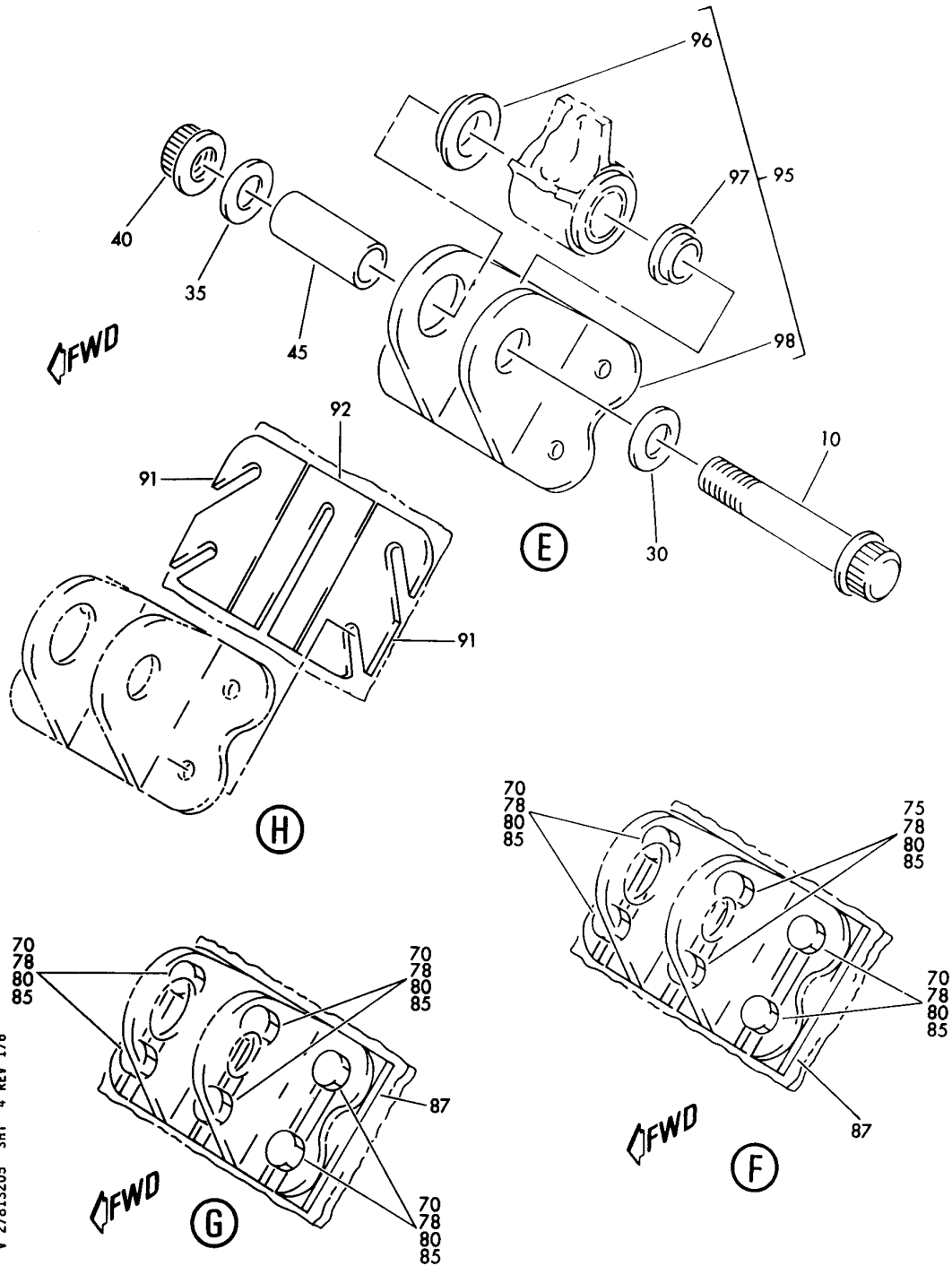
TRACK INSTL-ISS 190.537, 263.360, 316.232 INBD WING LE AUX
 FIGURE 5 (SHEET 3)

27-81-32-05

HXL
 DEC 22/06

27-81-32-05
 PAGE 0B

BOEING
767
PARTS CATALOG (MAINTENANCE)



V 27813205 SHT 4 REV 176

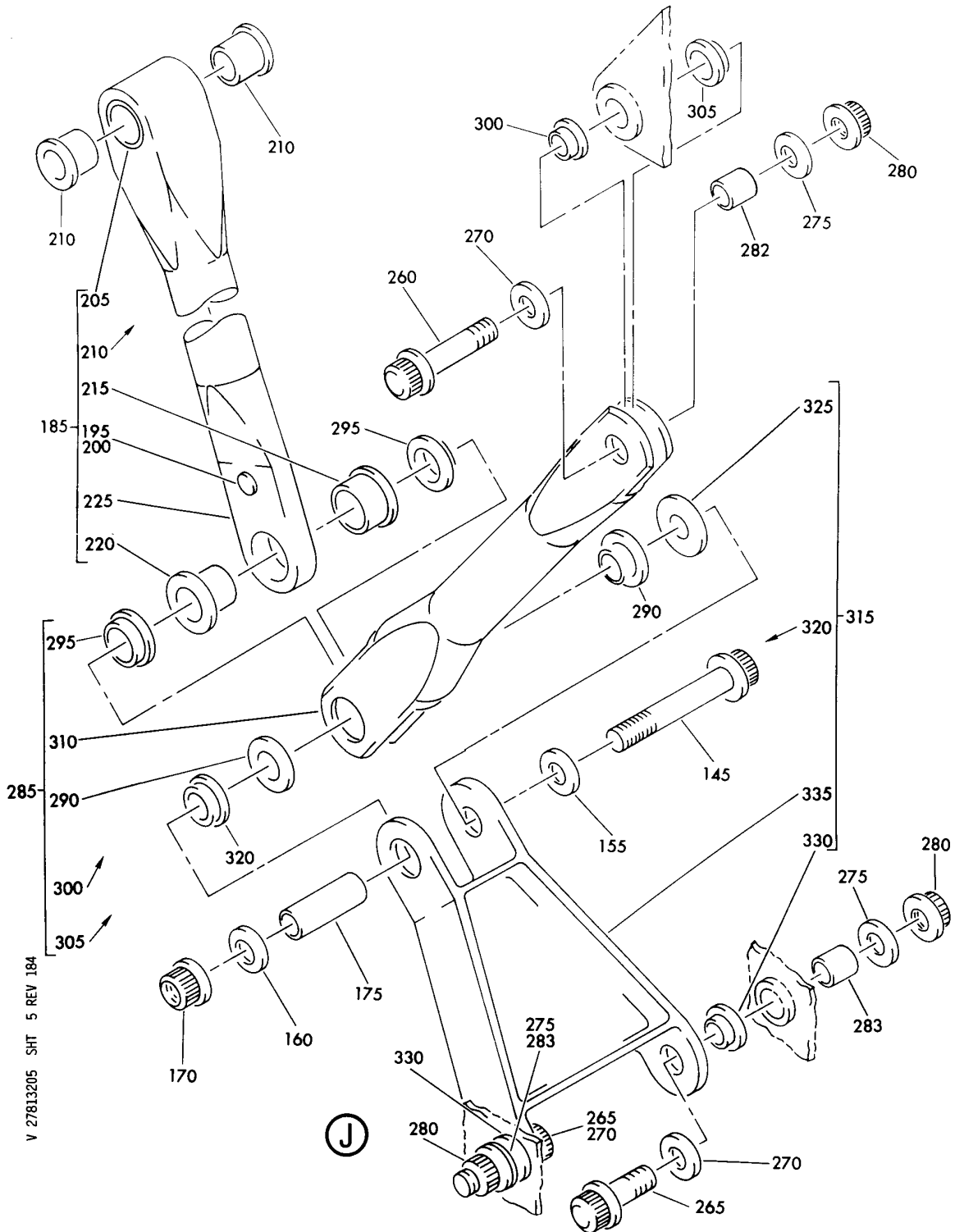
TRACK INSTL-ISS 190.537, 263.360, 316.232 INBD WING LE AUX
FIGURE 5 (SHEET 4)

27-81-32-05

HXL
DEC 22/06

27-81-32-05
PAGE 0C

BOEING
767
PARTS CATALOG (MAINTENANCE)



V 27813205 SHT 5 REV 184

TRACK INSTL-ISS 190.537, 263.360, 316.232 INBD WING LE AUX
FIGURE 5 (SHEET 5)

27-81-32-05

HXL
DEC 22/06

27-81-32-05
PAGE 0D



767

PARTS CATALOG (MAINTENANCE)

FIG ITEM	PART NUMBER	1 2 3 4 5 6 7	NOMENCLATURE	EFFECT FROM TO	UNITS PER ASSY
5			TRACK INSTL-ISS 190.537, 263.360, 316.232 INBD WING LE AUX		
- 1	114T0105-1		TRACK INSTL-WING LE AUX POSITION DATA: ISS 190.537, 263.360, 316.232 INBD LH VARIABLE DRAWING REF: 114T0105-5007 FOR NHA SEE: 57-41-01-05		RF
- 5	114T0105-2		TRACK INSTL-WING LE AUX POSITION DATA: ISS 190.537, 263.360, 316.232 INBD RH VARIABLE DRAWING REF: 114T0105-5008 FOR NHA SEE: 57-41-01-05		RF
10	BACB30LE6U24		.BOLT		3
15	BACB30LE6U18		.BOLT-		3
20	BACB30LE6U9		.BOLT		2
25	BACB30LE6U8		.BOLT		4
30	BACW10BP6CD		.WASHER-		12
35	BACW10BP6DP		.WASHER-		AR

ILLUSTRATION ITEMS NOT ON PARTS LIST ARE NOT APPLICABLE

- ITEM NOT ILLUSTRATED

HXL

27-81-32-05

BOEING PROPRIETARY - Copyright © - Unpublished Work - See title page for details.

27-81-32
FIG. 05
PAGE 1
DEC 22/06

BOEING
767
PARTS CATALOG (MAINTENANCE)

FIG ITEM	PART NUMBER	1 2 3 4 5 6 7	NOMENCLATURE	EFFECT FROM TO	UNITS PER ASSY
R R R R R R R R R R R R R R R	5 40	BMN10HRCPD3-6	.NUT- SUPPLIER CODE: V97928 SPECIFICATION NUMBER: BACN10HR6CS OPTIONAL PART: H39953-6 V15653 109LH9031-6 V72962 67832AS624 V56878 BH00303-6 V27238 SL7059C624 V11815 BMN5024CPD36 V97928 SL705096 V11815 109LH90316 V72962 67832AS6 V56878 CR5908-6 VF0224		12
	45	BACB28AK06-124	.BUSHING		3
	50	BACB28AK06-085	.BUSHING-		3
	55	BACB28AK06-029	.BUSHING		2
	60	BACB28AK06-023	.BUSHING		4
	62	114T0101-1	.TRACK ASSY- COMPONENT MAINT MANUAL REF: 27-81-28		3
	78	114T0147-1	.BOLT-		18
	80	BACW10BP4P	.WASHER-		18
	85	BRH10C4D	.NUT- SUPPLIER CODE: V52828 SPECIFICATION NUMBER: BACN10JC4CD OPTIONAL PART: T6C428JCD V11815 NS202486-048 V80539 102LH9075-4W V72962 H51650-4BAC V15653		18
	ILLUSTRATION ITEMS NOT ON PARTS LIST ARE NOT APPLICABLE				

- ITEM NOT ILLUSTRATED

27-81-32-05

27-81-32
FIG. 05
PAGE 2
AUG 22/09

HXL

BOEING
767
PARTS CATALOG (MAINTENANCE)

FIG ITEM	PART NUMBER	1 2 3 4 5 6 7	NOMENCLATURE	EFFECT FROM TO	UNITS PER ASSY
5					
89	114T0146-1	.	SHIM-		2
91	114T0146-3	.	SHIM-		2
92	114T0146-2	.	SHIM-		1
95	114T1610-7	.	FITTING ASSY		3
96	BACB28W9B014	..	BUSHING		1
97	BACB28AP06P014	..	BUSHING		1
98	114T1610-5	..	FITTING-		1
100	BMN10HRCPD3-8	.	NUT		1
R			SUPPLIER CODE:		
R			V97928		
R			SPECIFICATION NUMBER:		
R			BACN10HR8CS		
R			OPTIONAL PART:		
R			H39953-8		
R			V15653		
R			109LH9031-8		
R			V72962		
R			67832AS820		
R			V56878		
R			BH00303-8		
R			V27238		
R			BMN5024CPD38		
R			V97928		
R			SL705098		
R			V11815		
R			109LH90318		
R			V72962		
R			67832AS8		
R			V56878		
R			CR5908-8		
R			VF0224		
			ILLUSTRATION ITEMS NOT ON PARTS LIST ARE NOT APPLICABLE		

- ITEM NOT ILLUSTRATED

HXL

27-81-32-05

BOEING PROPRIETARY - Copyright © - Unpublished Work - See title page for details.

27-81-32
FIG. 05
PAGE 3
AUG 22/09

 **BOEING**
767
PARTS CATALOG (MAINTENANCE)

FIG ITEM	PART NUMBER	1 2 3 4 5 6 7	NOMENCLATURE	EFFECT FROM TO	UNITS PER ASSY	
5 R R R R R R R R R R R R R R R	102	BMN10HRCPD3-8	.NUT- SUPPLIER CODE: V97928 SPECIFICATION NUMBER: BACN10HR8CS OPTIONAL PART: H39953-8 V15653 109LH9031-8 V72962 67832AS820 V56878 BH00303-8 V27238 BMN5024CPD38 V97928 SL705098 V11815 109LH90318 V72962 67832AS8 V56878 CR5908-8 VF0224		2	
	103	BMN4122C1D2-8	.NUT SUPPLIER CODE: V97928 SPECIFICATION NUMBER: BACN10JC8CM OPTIONAL PART: BMN4122C1D2-8 V85495 H01-8BAC V15653 109LH9074-8 V72962 69235-820CM V56878		3	
	105	BACW10BP8CD	.WASHER		6	
	110	114T0111-1	.FITTING ASSY		3	
	115	BACB28U8B109	..BUSHING		1	
	120	BACB28AP06P014	..BUSHING		2	
	123	114T0111-2	..FITTING		1	
	125	114T0110-1	.FITTING ASSY		3	
	130	BACB28W9B012	..BUSHING		1	
	135	BACB28AP06P012	..BUSHING		1	
	138	114T0110-2	..FITTING-		1	
	140	BACB30LE6U31	.BOLT		1	
	145	BACB30LE6U27	.BOLT		2	
	ILLUSTRATION ITEMS NOT ON PARTS LIST ARE NOT APPLICABLE					

- ITEM NOT ILLUSTRATED

27-81-32-05

27-81-32
FIG. 05
PAGE 4
AUG 22/09

HXL



767

PARTS CATALOG (MAINTENANCE)

FIG ITEM	PART NUMBER	1 2 3 4 5 6 7	NOMENCLATURE	EFFECT FROM TO	UNITS PER ASSY
5					
150	BACB30LE6U19	.	BOLT		1
155	BACW10BP6CD	.	WASHER		4
160	BACW10BP6DP	.	WASHER		4
165	BACW10BP6DP	.	WASHER		2
170	BMN10HRCPD3-6	.	NUT		4
			SUPPLIER CODE: V97928		
			SPECIFICATION NUMBER: BACN10HR6CS		
			OPTIONAL PART: H39953-6		
			V15653		
			109LH9031-6		
			V72962		
			67832AS624		
			V56878		
			BH00303-6		
			V27238		
			SL7059C624		
			V11815		
			BMN5024CPD36		
			V97928		
			SL705096		
			V11815		
			109LH90316		
			V72962		
			67832AS6		
			V56878		
			CR5908-6		
			VF0224		
175	BACB28AK06-140	.	BUSHING		3
180	BACB28AK06-083	.	BUSHING		1
185	114T0135-1	.	STRUT ASSY		1
			ILLUSTRATION ITEMS NOT ON PARTS LIST ARE NOT APPLICABLE		

R
R
R
R
R
R
R
R
R
R
R
R
R
R
R
R
R
R
R
R
R
R
R
R

- ITEM NOT ILLUSTRATED

HXL

27-81-32-05

BOEING PROPRIETARY - Copyright © - Unpublished Work - See title page for details.

27-81-32
FIG. 05
PAGE 5
AUG 22/09



767

PARTS CATALOG (MAINTENANCE)

FIG ITEM	PART NUMBER	1 2 3 4 5 6 7	NOMENCLATURE	EFFECT FROM TO	UNITS PER ASSY
5 195	HL1012AZ6-7		.. BOLT- SUPPLIER CODE: V97928 SPECIFICATION NUMBER: BACB30NX6K7 OPTIONAL PART: HL12VAZ6-7 V73197 HL12VAZ6-7 V92215 HL12VAZ6-7 V97928 L802-6K7 V06725 HL12VAZ6-7 V56878 HL1012AZ6-7 V0PTK6 HL1012AZ6-7 V06725 HL1012AZ6-7 V06950 HL1012AZ6-7 V17446 HL1012AZ6-7 V56878 HL1012AZ6-7 V60516 HL1012AZ6-7 V73197		1
200	HL1187-6		.. COLLAR SUPPLIER CODE: V5M902 SPECIFICATION NUMBER: BACC30X6 OPTIONAL PART: HL87-6 V92215 HL87-6 V73197 HL1187-6 V56878 HL1187-6 V92215 HL87-6 V56878 HL1187-6 V73197		1
205	BACB28U11C099		.. BUSHING		1

ILLUSTRATION ITEMS NOT ON PARTS LIST ARE NOT APPLICABLE

- ITEM NOT ILLUSTRATED

HXL

27-81-32-05

BOEING PROPRIETARY - Copyright © - Unpublished Work - See title page for details.

27-81-32
 FIG. 05
 PAGE 6
 DEC 22/06



767

PARTS CATALOG (MAINTENANCE)

FIG ITEM	PART NUMBER	1 2 3 4 5 6 7	NOMENCLATURE	EFFECT FROM TO	UNITS PER ASSY
5					
320	BACB28AM09B014A	..	BUSHING		1
325	BACB28AA6C014	..	BUSHING		1
330	BACB28AP06P020	..	BUSHING		2
335	114T0137-2	..	STRUT		1
340	L8006K3	.BOLT-			4
			SUPPLIER CODE: V06725		
			SPECIFICATION NUMBER: BACB30MY6K3		
345	HL79-6	.COLLAR-			4
			SUPPLIER CODE: V5M902		
			SPECIFICATION NUMBER: BACC30M6		
			OPTIONAL PART: HL79-6 V73197 HL79-6 V92215 66014-6 V56878 HL79-6 V56878		
350	HL13VAZ8-7	.BOLT			1
			SUPPLIER CODE: V56878		
			SPECIFICATION NUMBER: BACB30NY8K7		
			OPTIONAL PART: HL13VAZ8-7 V73197 HL13VAZ8-7 V92215 HL13VAZ8-7 V97928 L801-8K7 V06725 HL13VAZ8-7 V60516 L801-8K7 VOPTK6 HL13VAZ8-7 V17446 HL1013AZ8-7 V60516		
ILLUSTRATION ITEMS NOT ON PARTS LIST ARE NOT APPLICABLE					

- ITEM NOT ILLUSTRATED

HXL

27-81-32-05

BOEING PROPRIETARY - Copyright © - Unpublished Work - See title page for details.

27-81-32
FIG. 05
PAGE 8
AUG 22/09



767

PARTS CATALOG (MAINTENANCE)

FIG ITEM	PART NUMBER	1 2 3 4 5 6 7	NOMENCLATURE	EFFECT FROM TO	UNITS PER ASSY
5					
355	HL1187-8		.COLLAR SUPPLIER CODE: V5M902 SPECIFICATION NUMBER: BACC30X8 OPTIONAL PART: HL87-8 V92215 HL87-8 V73197 HL1187-8 V56878 HL1187-8 V92215 HL87-8 V56878 HL1187-8 V73197		1
360	114T0105-3		.SHIM		1
365	114T0064-1		.FITTING ASSY- POSITION DATA: LH SIDE		1
- 370	114T0064-2		.FITTING ASSY- POSITION DATA: RH SIDE		1
380	012T2400-1		..BUSHING		1
385	012T2400-2		..BUSHING		1
390	114T0064-3		..FITTING- POSITION DATA: LH SIDE USED ON: 114T0064-1		1
- 395	114T0064-4		..FITTING- POSITION DATA: RH SIDE USED ON: 114T0064-2		1
400	114T1230-43		.DOUBLER ASSY- POSITION DATA: LH SIDE		1
- 405	114T1230-44		.DOUBLER ASSY- POSITION DATA: RH SIDE		1
410	BACB28AM09B011A		..BUSHING		1
415	114T1230-42		..DOUBLER-		1
420	114T1235-49		.DOUBLER ASSY- POSITION DATA: LH SIDE		1
ILLUSTRATION ITEMS NOT ON PARTS LIST ARE NOT APPLICABLE					

- ITEM NOT ILLUSTRATED

27-81-32-05

27-81-32
FIG. 05
PAGE 9
AUG 22/09

HXL



767

PARTS CATALOG (MAINTENANCE)

FIG ITEM	PART NUMBER	1 2 3 4 5 6 7	NOMENCLATURE	EFFECT FROM TO	UNITS PER ASSY
5					
- 425	114T1235-50		. DOUBLER ASSY- POSITION DATA: RH SIDE		1
430	BACB28AM09B011A		.. BUSHING-		1
435	114T1235-51		.. DOUBLER-		1

ILLUSTRATION ITEMS NOT ON PARTS LIST ARE NOT APPLICABLE

- ITEM NOT ILLUSTRATED

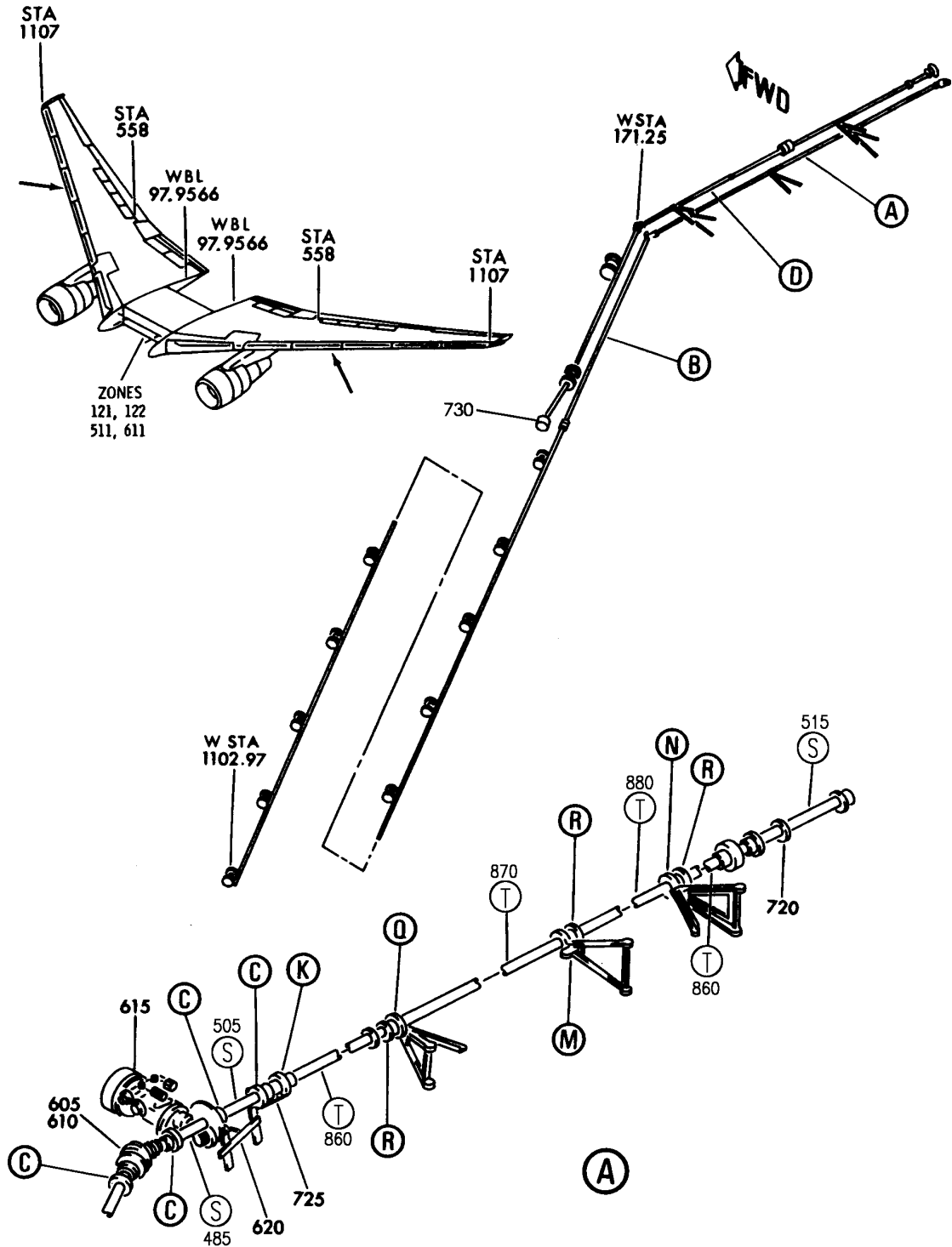
HXL

27-81-32-05

BOEING PROPRIETARY - Copyright © - Unpublished Work - See title page for details.

27-81-32
FIG. 05
PAGE 10
AUG 22/09

BOEING
767
PARTS CATALOG (MAINTENANCE)



V 27814205 SHT 1 REV 298

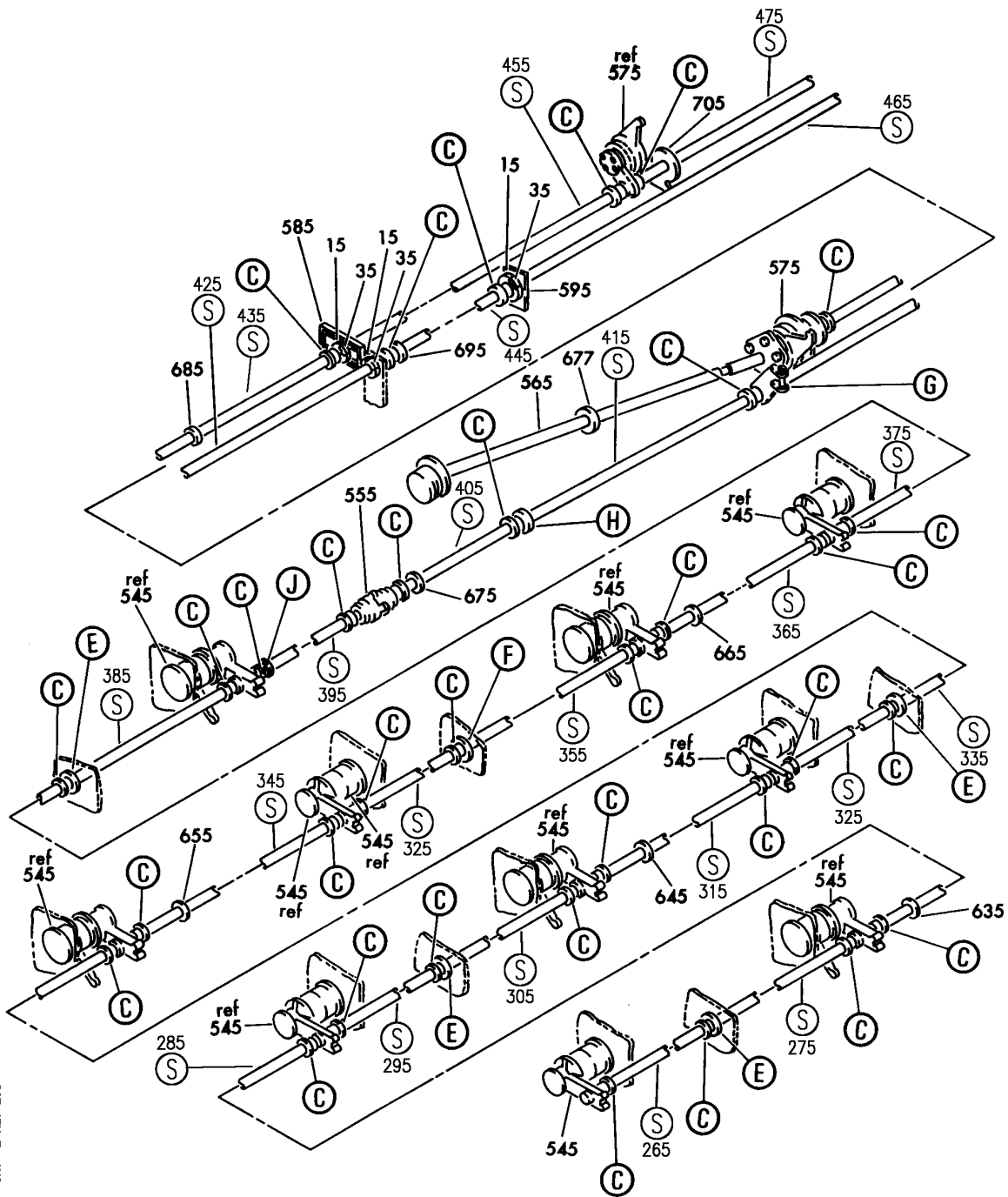
DRIVE INSTL-LE SLATS
FIGURE 5 (SHEET 1)

27-81-42-05

HXL
DEC 22/06

27-81-42-05
PAGE 0

BOEING
767
PARTS CATALOG (MAINTENANCE)



(B)

V 27814205 SH1 2 REV 298

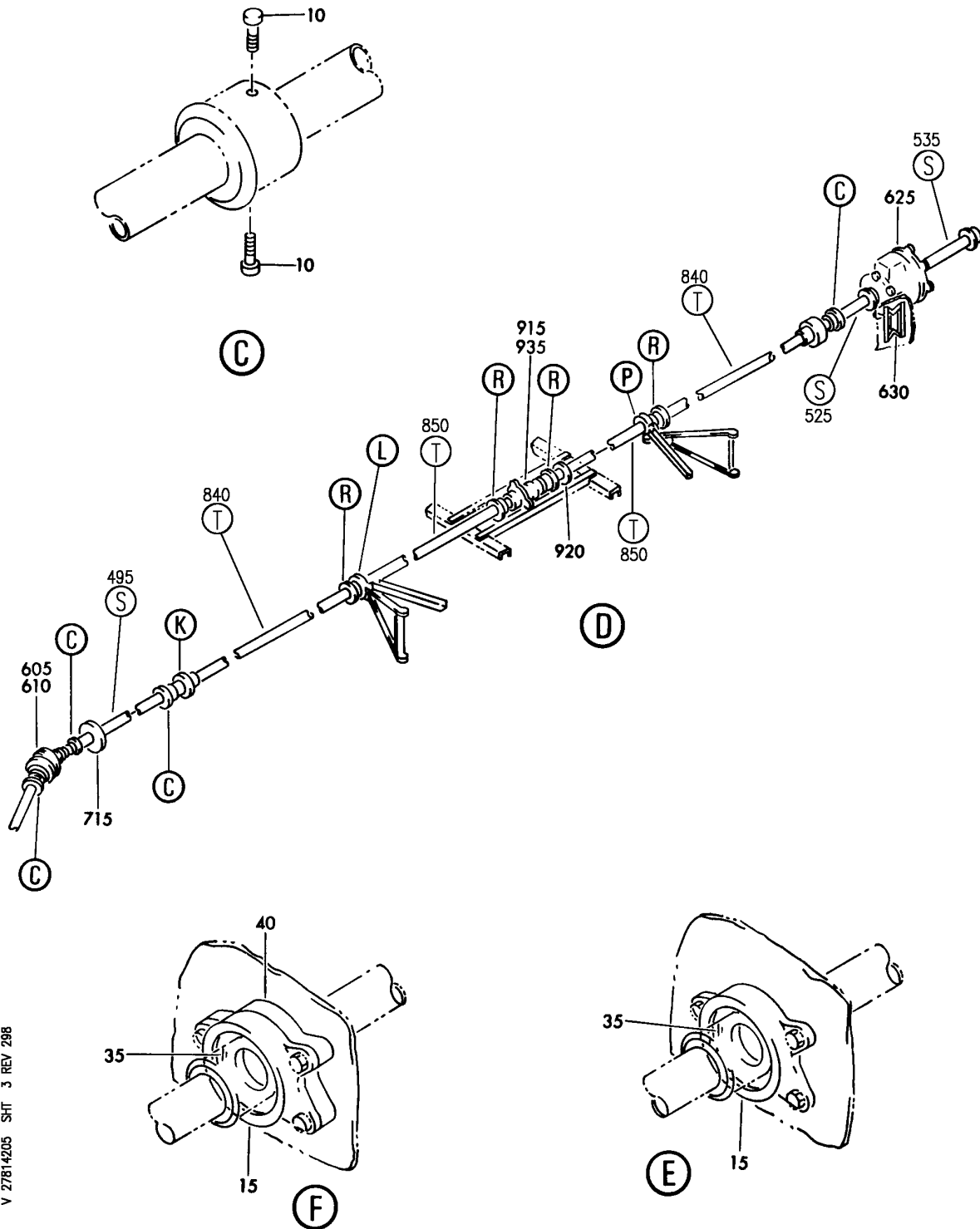
DRIVE INSTL-LE SLATS
FIGURE 5 (SHEET 2)

27-81-42-05

HXL
DEC 22/06

27-81-42-05
PAGE 0A

BOEING
767
PARTS CATALOG (MAINTENANCE)



V 27814205 SHT 3 REV 298

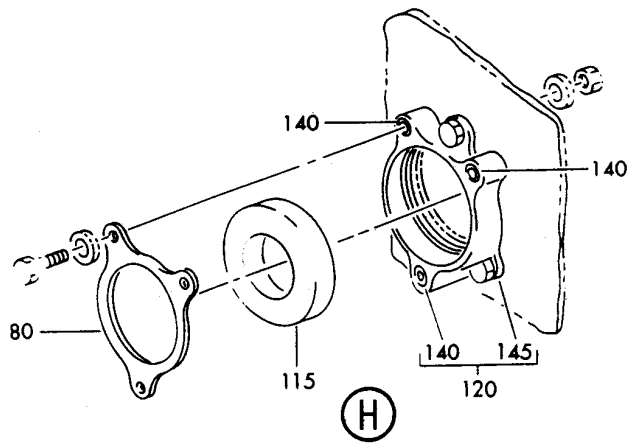
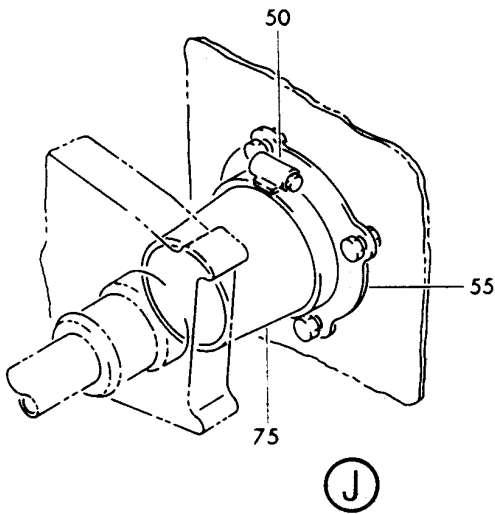
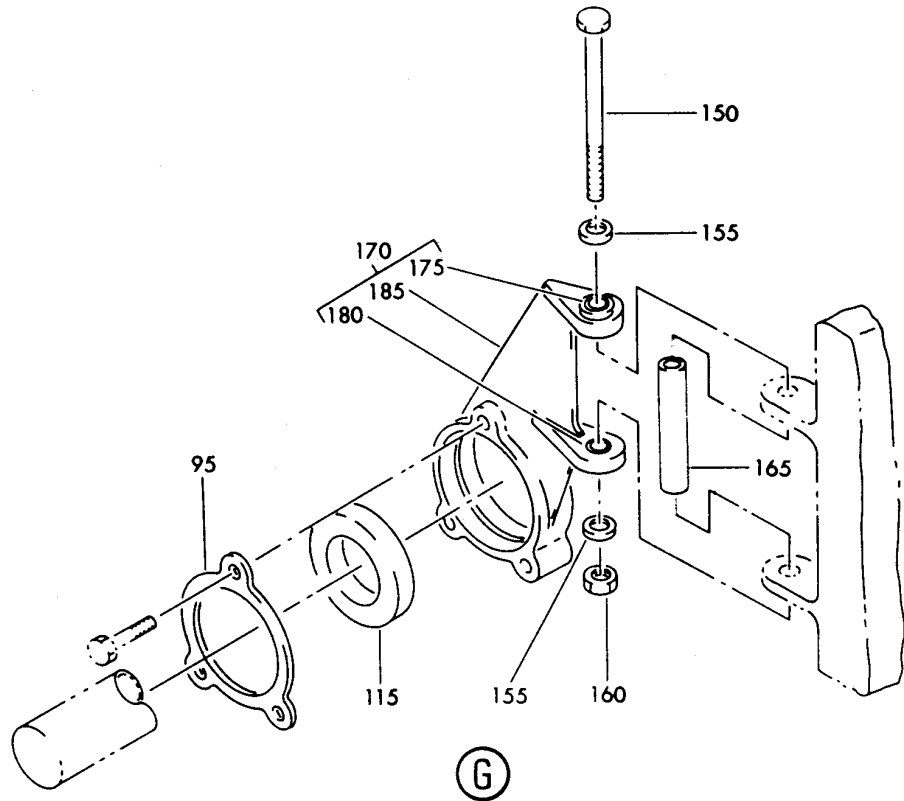
DRIVE INSTL-LE SLATS
FIGURE 5 (SHEET 3)

27-81-42-05

HXL
DEC 22/06

27-81-42-05
PAGE 08

BOEING
767
PARTS CATALOG (MAINTENANCE)



V 27814205 SHT 4 REV 005

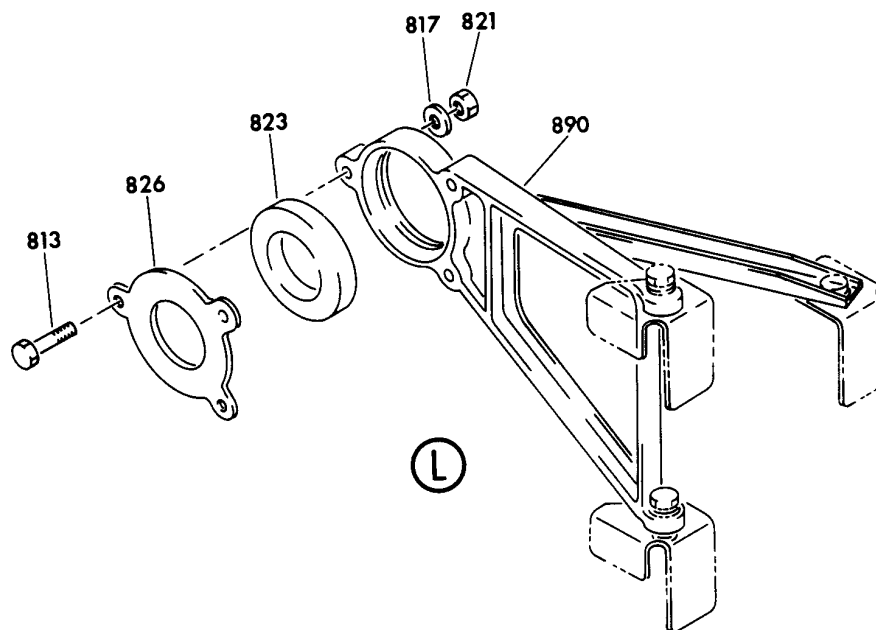
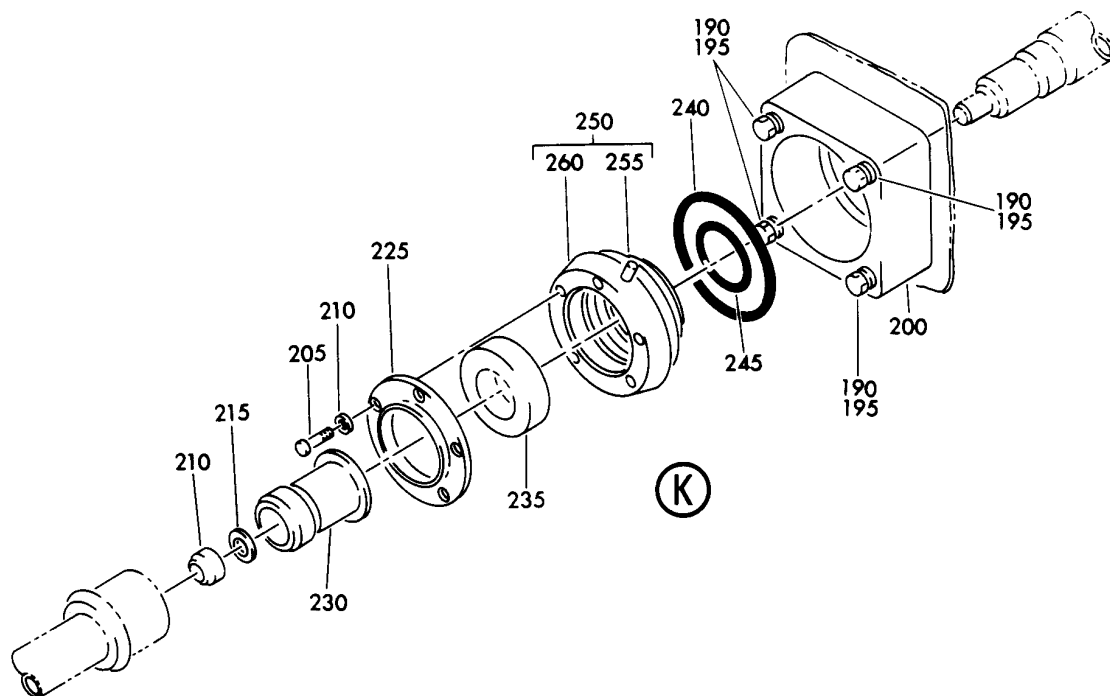
DRIVE INSTL-LE SLATS
FIGURE 5 (SHEET 4)

27-81-42-05

HXL
DEC 22/06

27-81-42-05
PAGE 0C

BOEING
767
PARTS CATALOG (MAINTENANCE)



V 27814205 SHT 5 REV 005

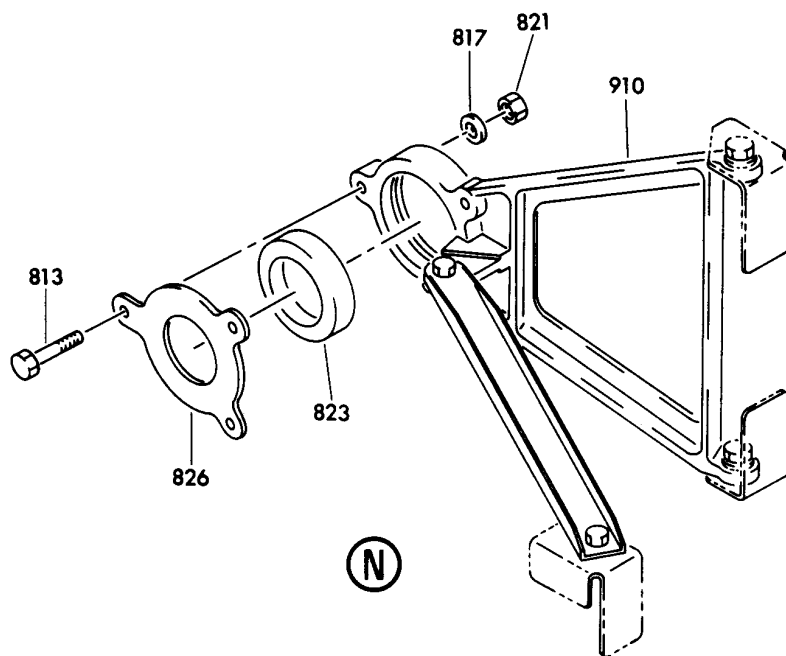
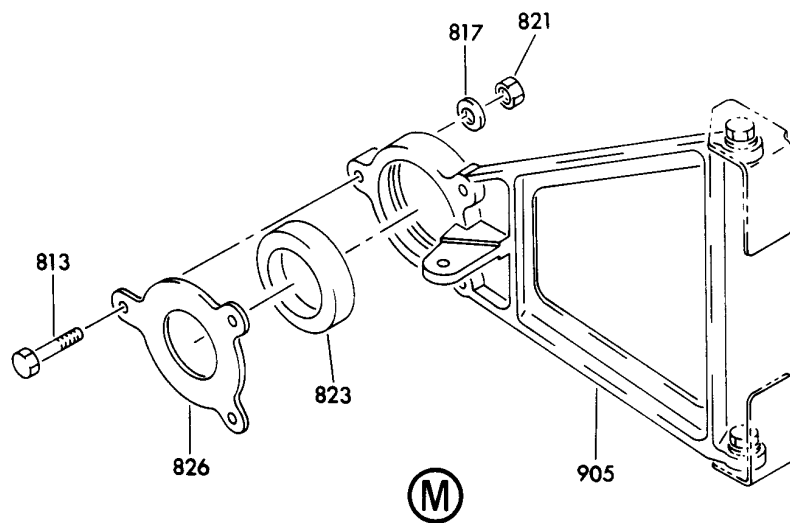
DRIVE INSTL-LE SLATS
FIGURE 5 (SHEET 5)

27-81-42-05

HXL
DEC 22/06

27-81-42-05
PAGE 0D

BOEING
767
PARTS CATALOG (MAINTENANCE)



V 27814205 SH1 6 REV 006

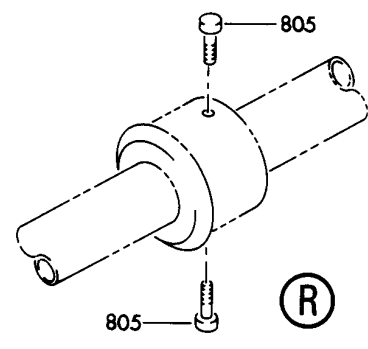
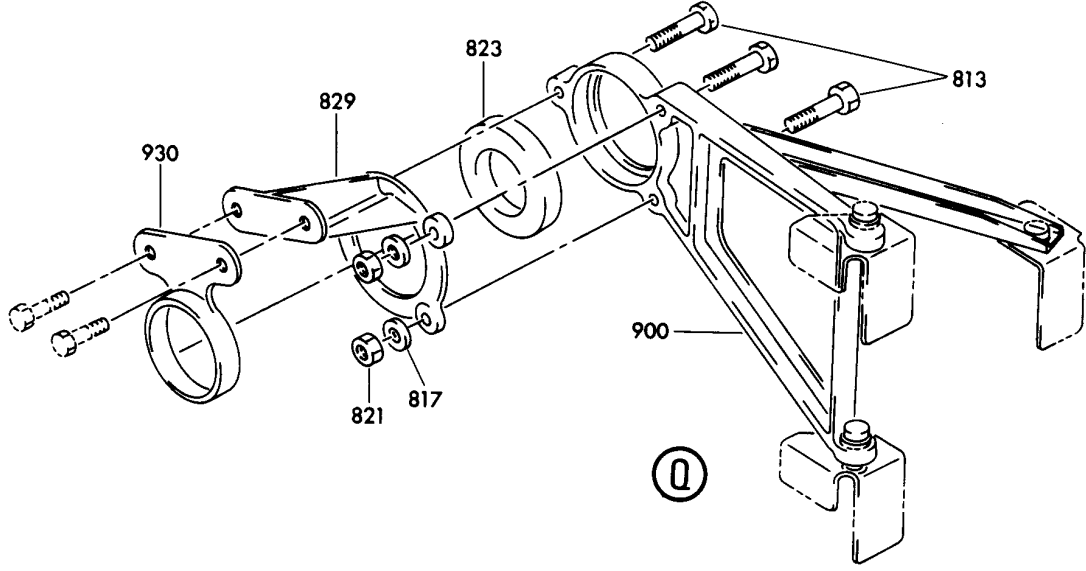
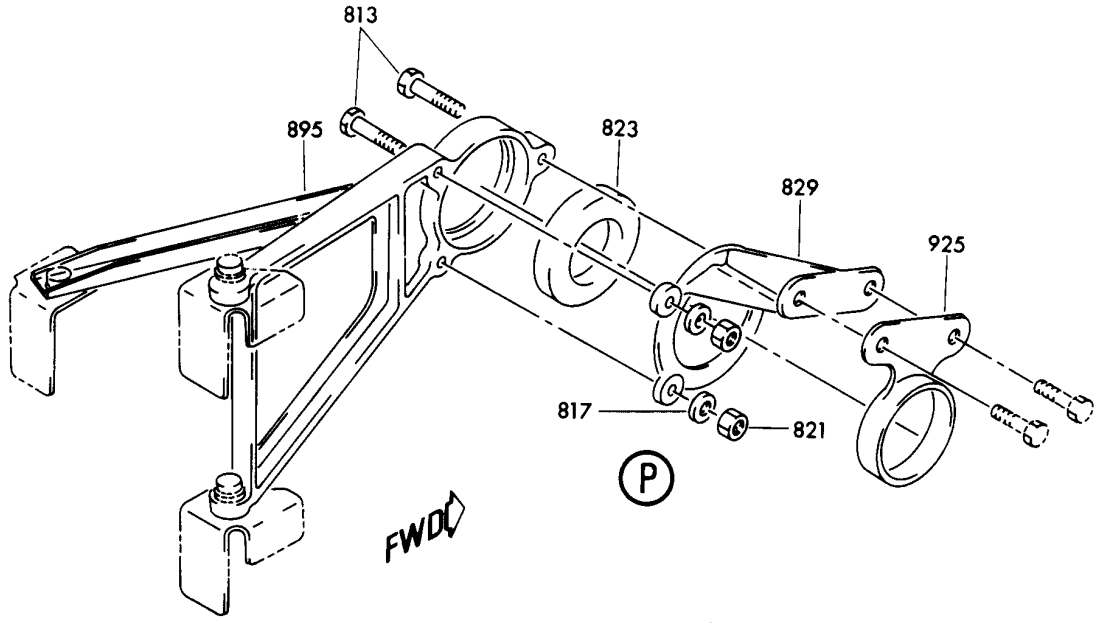
DRIVE INSTL-LE SLATS
FIGURE 5 (SHEET 6)

27-81-42-05

HXL
DEC 22/06

27-81-42-05
PAGE 0E

BOEING
767
PARTS CATALOG (MAINTENANCE)



V 27814205 SHT 7 REV 016

DRIVE INSTL-LE SLATS
FIGURE 5 (SHEET 7)

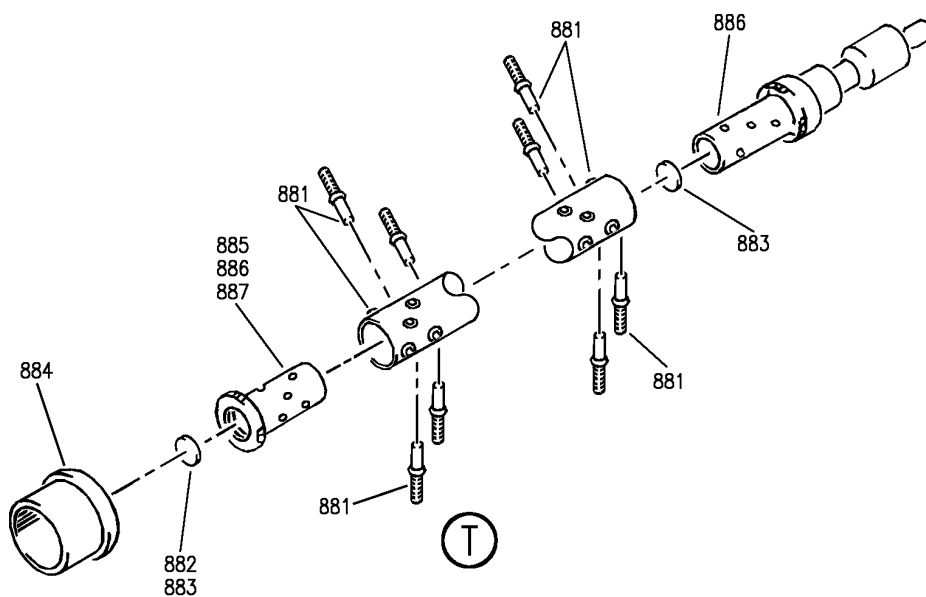
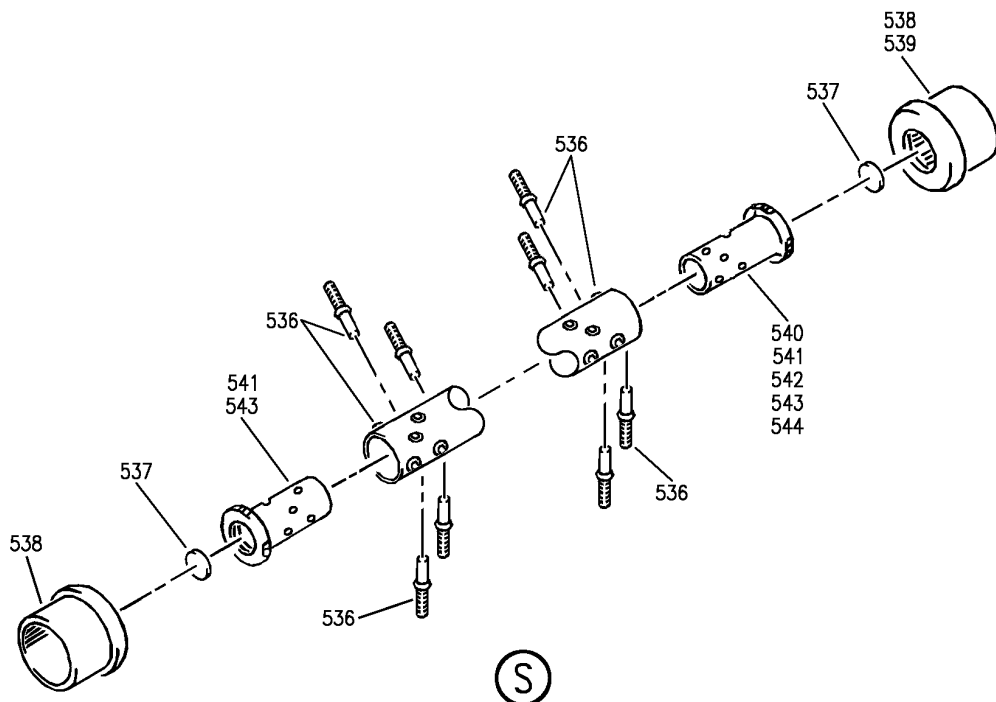
27-81-42-05

HXL
DEC 22/06

27-81-42-05
PAGE OF

BOEING PROPRIETARY - Copyright © - Unpublished Work - See title page for details.

BOEING
767
PARTS CATALOG (MAINTENANCE)



V 27814205 SH-T 8 REV 298

DRIVE INSTL-LE SLATS
FIGURE 5 (SHEET 8)

27-81-42-05

HXL
DEC 22/06

27-81-42-05
PAGE 06



767

PARTS CATALOG (MAINTENANCE)

FIG ITEM	PART NUMBER	1 2 3 4 5 6 7	NOMENCLATURE	EFFECT FROM TO	UNITS PER ASSY
5					
- 1	256T2000-1		DRIVE INSTL-LE SLATS DRIVE INSTL-LE SLATS POSITION DATA: LH VARIABLE DRAWING REF: 256T2000-5024 256T2000-5028 FOR NHA SEE: 27-00-01-01C		RF
- 5	256T2000-2		DRIVE INSTL-LE SLATS POSITION DATA: RH VARIABLE DRAWING REF: 256T2000-5023 256T2000-5027 FOR NHA SEE: 27-00-01-01C		RF
10	AN502-10-6		.SCREW-		84
15	256T2401-1		.HOUSING-BRG ATTACHING PARTS		8
- 20	BACB30NM3K6		.BOLT		24
- 25	AN960PD10		.WASHER-		24
- 25	AN960JD10		.WASHER-		24
- 30	MS21042L3		.NUT-		24
			-----*-----		
ILLUSTRATION ITEMS NOT ON PARTS LIST ARE NOT APPLICABLE					

- ITEM NOT ILLUSTRATED

HXL

27-81-42-05

BOEING PROPRIETARY - Copyright © - Unpublished Work - See title page for details.

27-81-42
FIG. 05
PAGE 1
APR 22/09

 **BOEING**
767
PARTS CATALOG (MAINTENANCE)

FIG ITEM	PART NUMBER	1 2 3 4 5 6 7	NOMENCLATURE	EFFECT FROM TO	UNITS PER ASSY
5					
35	MKP23BSFS428		.BEARING SUPPLIER CODE: V06144 SPECIFICATION NUMBER: BACB10AW23 OPTIONAL PART: MKP23BSE9273 V21335 MKP23BSTT V43991 MKP23BS2TS V43991 LLMKP23BS1 V38443 MKP23BS1G20 V38443 MKP23BSSD610 V83086 MKP23BSLY196 V40920 MKP23BS V06144 MKP23BSFS428 V21335 MKP23BSNJC V06144		8
40	256T2402-2		.SPACER- ATTACHING PARTS		1
- 45	BACR15BA3AD		.RIVET- SIZE DETERMINED ON INSTL. -----*-----		2
50	40		.CLAMP SUPPLIER CODE: V7Z588 SPECIFICATION NUMBER: STBC10GG82-91 OPTIONAL PART: WWD82-91H V66295		1
55	256T2421-1		.HOUSING-SEAL ATTACHING PARTS		1
- 60	BACB30NM3K3		.BOLT		4
- 65	AN960PD10		.WASHER-		4
- 65	AN960JD10		.WASHER-		4
- 70	MS21042L3		.NUT- -----*-----		4
75	256T2422-1		.SEAL		1
80	256T2404-2		.RETAINER		1
ILLUSTRATION ITEMS NOT ON PARTS LIST ARE NOT APPLICABLE					

- ITEM NOT ILLUSTRATED

HXL

27-81-42-05

BOEING PROPRIETARY - Copyright © - Unpublished Work - See title page for details.

27-81-42
FIG. 05
PAGE 2
APR 22/09

 **BOEING**
767
PARTS CATALOG (MAINTENANCE)

FIG ITEM	PART NUMBER	1 2 3 4 5 6 7	NOMENCLATURE	EFFECT FROM TO	UNITS PER ASSY
5			ATTACHING PARTS		
- 85	BACB30NM3K3		.BOLT		3
- 90	AN960PD10		.WASHER-		3
- 90	AN960JD10		.WASHER-		3
			-----*-----		
95	256T2404-2		.RETAINER		1
			ATTACHING PARTS		
- 100	BACB30NM3K11		.BOLT		3
			SUPPLIER CODE: V06710		
			SPECIFICATION NUMBER: BACB30NM3K11		
- 105	AN960PD10		.WASHER-		3
- 105	AN960JD10		.WASHER-		3
- 110	MS21042L3		.NUT-		3
			-----*-----		
115	MKP23BSFS428		.BEARING		2
			SUPPLIER CODE: V06144		
			SPECIFICATION NUMBER: BACB10AW23		
			OPTIONAL PART: MKP23BSE9273		
			V21335		
			MKP23BSTT		
			V43991		
			MKP23BS2TS		
			V43991		
			LLMKP23BS1		
			V38443		
			MKP23BS1G20		
			V38443		
			MKP23BSSD610		
			V83086		
			MKP23BSLY196		
			V40920		
			MKP23BS		
			V06144		
			MKP23BSFS428		
			V21335		
			MKP23BSNJC		
			V06144		
120	256T2403-1		.HOUSING ASSY-BRG		1
			ATTACHING PARTS		
- 125	BACB30NM3K6		.BOLT		3
- 130	AN960PD10		.WASHER-		3
- 130	AN960JD10		.WASHER-		3
- 135	MS21042L3		.NUT-		3
			-----*-----		

ILLUSTRATION ITEMS NOT ON PARTS LIST ARE NOT APPLICABLE

- ITEM NOT ILLUSTRATED

HXL

27-81-42-05

BOEING PROPRIETARY - Copyright © - Unpublished Work - See title page for details.

27-81-42
FIG. 05
PAGE 3
APR 22/09

 **BOEING**
767
PARTS CATALOG (MAINTENANCE)

FIG ITEM	PART NUMBER	1 2 3 4 5 6 7	NOMENCLATURE	EFFECT FROM TO	UNITS PER ASSY
5					
140	MS21209F1-15	..	INSERT		3
145	256T2403-2	..	HOUSING		1
150	BACB30NR4K64	.	BOLT		1
155	AN960PD416	.	WASHER-		2
155	AN960JD416	.	WASHER-		2
160	MS21042L4	.	NUT-		1
165	BACB28AK04-335	.	BUSHING		1
170	256T2410-7	.	HOUSING ASSY-BRG		1
175	HTES04VC	..	BEARING		1
			SUPPLIER CODE: VS0352		
			SPECIFICATION NUMBER: BACB10ES04GC		
			OPTIONAL PART: NC04TG5C V56644		
180	BACB28X6C025	..	BUSHING		1
185	256T2410-8	..	HOUSING-		1
			USED ON: 256T2410-7		
190	BACB30NM3K23	.	BOLT		8
195	AN960PD10	.	WASHER-		8
195	AN960JD10	.	WASHER-		8
200	256T2501-2	.	HOUSING-SIDE OF BODY BRG SPRT		2
205	NAS1352-08H6P	.	SCREW-		10
210	AN960PD8L	.	WASHER		10
215	AN960-616	.	WASHER-		2
220	BRH10A6	.	NUT		2
			SUPPLIER CODE: V52828		
			SPECIFICATION NUMBER: BACN10JJC6		
			OPTIONAL PART: 96-064 V80539 RMLH9075-6 V72962 H10-6BAC V15653		
225	256T2503-1	.	RETAINER-SIDE OF BODY BRG SPRT		2
230	256T2505-2	.	COUPLING-		2

ILLUSTRATION ITEMS NOT ON PARTS LIST ARE NOT APPLICABLE

— ITEM NOT ILLUSTRATED

HXL

27-81-42-05

BOEING PROPRIETARY - Copyright © - Unpublished Work - See title page for details.

27-81-42
FIG. 05
PAGE 4
APR 22/09

BOEING
767
PARTS CATALOG (MAINTENANCE)

FIG ITEM	PART NUMBER	1 2 3 4 5 6 7	NOMENCLATURE	EFFECT FROM TO	UNITS PER ASSY
5 R	235	R9105PPA4298	.BEARING SUPPLIER CODE: V21335 SPECIFICATION NUMBER: BACB10BA25PP OPTIONAL PART: 9105NPPFS428 V21335 PKTLL105P1 V78118 LL105KS V38443 6005TT V43991 9105LLT1C1-01 V21760 993L05 V29337 C105RRPOZZ V40920 R9105PPA4298 V9V013		2
	240	MS28775-141	.PACKING		2
	245	AR10401-218WC	.SEAL- SUPPLIER CODE: V05939		2
	250	256T2502-1	.BEARING ASSY-SIDE OF BODY SPRT SPHER		2
	255	NAS607-2-3P	..PIN		1
	260	256T2502-2	..BEARING		1
	265	256T2800-1	.SHAFT ASSY- MISCELLANEOUS DATA: SEE DWG 256T5007 FOR NEW LE SLAT DRIVE REPLACEMENT AND INTERCHANGEABILITY (TORQUE TUBE/OFFSET GEARBOX) COMPONENT MAINT MANUAL REF: 27-81-03 QUALIFIED I/W DATA: 256T5710-101 CAN REPLACE OR BE REPLACED BY 256T2800-1 ONLY IF ADJACENT OFFSET GEARBOX ASSY WITHIN THE SAME ZONE IS ALSO REPLACED.		1
	ILLUSTRATION ITEMS NOT ON PARTS LIST ARE NOT APPLICABLE				

- ITEM NOT ILLUSTRATED

HXL

27-81-42-05

BOEING PROPRIETARY - Copyright © - Unpublished Work - See title page for details.

27-81-42
FIG. 05
PAGE 5
AUG 22/09



767

PARTS CATALOG (MAINTENANCE)

FIG ITEM	PART NUMBER	1 2 3 4 5 6 7	NOMENCLATURE	EFFECT FROM TO	UNITS PER ASSY
5 275	256T2800-2		. SHAFT ASSY- MISCELLANEOUS DATA: SEE DWG 256T5007 FOR NEW LE SLAT DRIVE REPLACEMENT AND INTERCHANGEABILITY (TORQUE TUBE/OFFSET GEARBOX) COMPONENT MAINT MANUAL REF: 27-81-03 QUALIFIED I/W DATA: 256T5710-201 CAN REPLACE OR BE REPLACED BY 256T2800-2 ONLY IF ALL OFFSET GEARBOX ASSEMBLIES AND TORQUE TUBES WITHIN THE SAME ZONE ARE ALSO REPLACED.		1
285	256T2800-3		. SHAFT ASSY- MISCELLANEOUS DATA: SEE DWG 256T5007 FOR NEW LE SLAT DRIVE REPLACEMENT AND INTERCHANGEABILITY (TORQUE TUBE/OFFSET GEARBOX) COMPONENT MAINT MANUAL REF: 27-81-03 QUALIFIED I/W DATA: 256T5710-103 CAN REPLACE OR BE REPLACED BY 256T2800-3 ONLY IF ALL OFFSET GEARBOX ASSEMBLIES AND TORQUE TUBES WITHIN THE SAME ZONE ARE ALSO REPLACED.		1

ILLUSTRATION ITEMS NOT ON PARTS LIST ARE NOT APPLICABLE

- ITEM NOT ILLUSTRATED

HXL

27-81-42-05

BOEING PROPRIETARY - Copyright © - Unpublished Work - See title page for details.

27-81-42
FIG. 05
PAGE 6
DEC 22/06



767

PARTS CATALOG (MAINTENANCE)

FIG ITEM	PART NUMBER	1 2 3 4 5 6 7	NOMENCLATURE	EFFECT FROM TO	UNITS PER ASSY
5 295	256T2800-4		. SHAFT ASSY- MISCELLANEOUS DATA: SEE DWG 256T5007 FOR NEW LE LSAT DRIVE REPLACEMENT AND INTERCHANGEABILITY (TORQUE TUBE/OFFSET GEARBOX) COMPONENT MAINT MANUAL REF: 27-81-03 QUALIFIED I/W DATA: 256T5710-103 CAN REPLACE OR BE REPLACED BY 256T2800-4 ONLY IF ALL OFFSET GEARBOX ASSEMBLIES AND TORQUE TUBES WITHIN THE SAME ZONE ARE ALSO REPLACED.		1
305	256T2800-5		. SHAFT ASSY- MISCELLANEOUS DATA: SEE DWG 256T5007 FOR NEW LE SLAT DRIVE REPLACEMENT AND INTERCHANGEABILITY (TORQUE TUBE/OFFSET GEARBOX) COMPONENT MAINT MANUAL REF: 27-81-03 QUALIFIED I/W DATA: 256T5710-203 CAN REPLACE OR BE REPLACED BY 256T2800-5 ONLY IF ALL OFFSET GEARBOX ASSEMBLIES AND TORQUE TUBES WITHIN THE SAME ZONE ARE ALSO REPLACED.		1

ILLUSTRATION ITEMS NOT ON PARTS LIST ARE NOT APPLICABLE

- ITEM NOT ILLUSTRATED

HXL

27-81-42-05

BOEING PROPRIETARY - Copyright © - Unpublished Work - See title page for details.

27-81-42
FIG. 05
PAGE 7
DEC 22/06



767

PARTS CATALOG (MAINTENANCE)

FIG ITEM	PART NUMBER	1 2 3 4 5 6 7	NOMENCLATURE	EFFECT FROM TO	UNITS PER ASSY
5 315	256T2800-6		. SHAFT ASSY- MISCELLANEOUS DATA: SEE DWG 256T5007 FOR NEW LE SLAT DRIVE REPLACEMENT AND INTERCHANGEABILITY (TORQUE TUBE/OFFSET GEARBOX) COMPONENT MAINT MANUAL REF: 27-81-03 QUALIFIED I/W DATA: 256T5710-105 CAN REPLACE OR BE REPLACED BY 256T2800-6 ONLY IF ALL OFFSET GEARBOX ASSEMBLIES AND TORQUE TUBES WITHIN THE SAME ZONE ARE ALSO REPLACED.		1
325	256T2800-7		. SHAFT ASSY- MISCELLANEOUS DATA: SEE DWG 256T5007 FOR NEW LE SLAT DRIVE REPLACEMENT AND INTERCHAGEABILITY (TORQUE TUBE/OFFSET GEARBOX) COMPONENT MAINT MANUAL REF: 27-81-03 QUALIFIED I/W DATA: 256T5710-107 CAN REPLACE OR BE REPLACED BY 256T2800-7 ONLY IF ALL OFFSET GEARBOX ASSEMBLIES AND TORQUE TUBES WITHIN THE SAME ZONE ARE ALSO REPLACED.		2

ILLUSTRATION ITEMS NOT ON PARTS LIST ARE NOT APPLICABLE

- ITEM NOT ILLUSTRATED

HXL

27-81-42-05

BOEING PROPRIETARY - Copyright © - Unpublished Work - See title page for details.

27-81-42
FIG. 05
PAGE 8
DEC 22/06



767

PARTS CATALOG (MAINTENANCE)

FIG ITEM	PART NUMBER	1 2 3 4 5 6 7	NOMENCLATURE	EFFECT FROM TO	UNITS PER ASSY
5 335	256T2800-8		. SHAFT ASSY- MISCELLANEOUS DATA: SEE DWG 256T5007 FOR NEW LE SLAT DRIVE REPLACEMENT AND INTERCHANGEABILITY (TORQUE TUBE/OFFSET GEARBOX) COMPONENT MAINT MANUAL REF: 27-81-03 QUALIFIED I/W DATA: 256T5710-205 CAN REPLACE OR BE REPLACED BY 256T2800-8 ONLY IF ALL OFFSET GEARBOX ASSEMBLIES AND TORQUE TUBES WITHIN THE SAME ZONE ARE ALSO REPLACED.		1
345	256T2800-9		. SHAFT ASSY- MISCELLANEOUS DATA: SEE DWG 256T5007 FOR NEW LE SLAT DRIVE REPLACEMENT AND INTERCHANGEABILITY (TORQUE TUBE/OFFSET GEARBOX) COMPONENT MAINT MANUAL REF: 27-81-03 QUALIFIED I/W DATA: 256T5710-109 CAN REPLACE OR BE REPLACED BY 256T2800-9 ONLY IF ALL OFFSET GEARBOX ASSEMBLIES AND TORQUE TUBES WITHIN THE SAME ZONE ARE ALSO REPLACED.		1

ILLUSTRATION ITEMS NOT ON PARTS LIST ARE NOT APPLICABLE

- ITEM NOT ILLUSTRATED

HXL

27-81-42-05

BOEING PROPRIETARY - Copyright © - Unpublished Work - See title page for details.

27-81-42
FIG. 05
PAGE 9
DEC 22/06



767

PARTS CATALOG (MAINTENANCE)

FIG ITEM	PART NUMBER	1 2 3 4 5 6 7	NOMENCLATURE	EFFECT FROM TO	UNITS PER ASSY
5 355	256T2800-10		. SHAFT ASSY- MISCELLANEOUS DATA: SEE DWG 256T5007 FOR NEW LE SLAT DRIVE REPLACEMENT AND INTERCHANGEABILITY (TORQUE TUBE/OFFSET GEARBOX) COMPONENT MAINT MANUAL REF: 27-81-03 QUALIFIED I/W DATA: 256T5710-207 CAN REPLACE OR BE REPLACED BY 256T2800-10 ONLY IF ALL OFFSET GEARBOX ASSEMBLIES AND TORQUE TUBES WITHIN THE SAME ZONE ARE ALSO REPLACED		1
365	256T2800-11		. SHAFT ASSY- MISCELLANEOUS DATA: SEE DWG 256T5007 FOR NEW LE SLAT DRIVE REPLACEMENT AND INTERCHANGEABILITY (TORQUE TUBE/OFFSET GEARBOX) COMPONENT MAINT MANUAL REF: 27-81-03 QUALIFIED I/W DATA: 256T5710-111 CAN REPLACE OR BE REPLACED BY 256T2800-11 ONLY IF ALL OFFSET GEARBOX ASSEMBLIES AND TORQUE TUBES WITHIN THE SAME ZONE ARE ALSO REPLACED.		1

ILLUSTRATION ITEMS NOT ON PARTS LIST ARE NOT APPLICABLE

- ITEM NOT ILLUSTRATED

HXL

27-81-42-05

BOEING PROPRIETARY - Copyright © - Unpublished Work - See title page for details.

27-81-42
FIG. 05
PAGE 10
DEC 22/06



767

PARTS CATALOG (MAINTENANCE)

FIG ITEM	PART NUMBER	1 2 3 4 5 6 7	NOMENCLATURE	EFFECT FROM TO	UNITS PER ASSY
5 375	256T2800-12		.SHAFT ASSY- MISCELLANEOUS DATA: SEE DWG 256T5007 FOR NEW LE SLAT DRIVE REPLACEMENT AND INTERCHANGEABILITY (TORQUE TUBE/OFFSET GEARBOX) COMPONENT MAINT MANUAL REF: 27-81-03 QUALIFIED I/W DATA: 256T5710-113 CAN REPLACE OR BE REPLACED BY 256T2800-12 ONLY IF ALL OFFSET GEARBOX ASSEMBLIES AND TORQUE TUBES WITHIN THE SAME ZONE ARE ALSO REPLACED.		1
385	256T2800-13		.SHAFT ASSY- MISCELLANEOUS DATA: SEE DWG 256T5007 FOR NEW LE SLAT DRIVE REPLACEMENT AND INTERCHANGEABILITY (TORQUE TUBE/OFFSET GEARBOX) COMPONENT MAINT MANUAL REF: 27-81-03 PRE ALERT SB: 27A0110		1
385	256T2800-114		.SHAFT ASSY- MISCELLANEOUS DATA: SEE DWG 256T5007 FOR NEW LE SLAT DRIVE REPLACEMENT AND INTERCHANGEABILITY (TORQUE TUBE/OFFSET GEARBOX) COMPONENT MAINT MANUAL REF: 27-81-03 PRE ALERT SB: 27A0110		1

ILLUSTRATION ITEMS NOT ON PARTS LIST ARE NOT APPLICABLE

- ITEM NOT ILLUSTRATED

HXL

27-81-42-05

BOEING PROPRIETARY - Copyright © - Unpublished Work - See title page for details.

27-81-42
FIG. 05
PAGE 11
DEC 22/07



767

PARTS CATALOG (MAINTENANCE)

FIG ITEM	PART NUMBER	1 2 3 4 5 6 7	NOMENCLATURE	EFFECT FROM TO	UNITS PER ASSY
5 385	256T2800-118		. SHAFT ASSY- MISCELLANEOUS DATA: SEE DWG 256T5007 FOR NEW LE SLAT DRIVE REPLACEMENT AND INTERCHANGEABILITY (TORQUE TUBE/OFFSET GEARBOX) COMPONENT MAINT MANUAL REF: 27-81-03 QUALIFIED I/W DATA: 256T5710-301 CAN REPLACE OR BE REPLACED BY 256T2800-118 ONLY IF ADJACENT OFFSET GEARBOX ASSEMBLY, TORQUE TUBES AND SEAL HARDWARE WITHIN THE SAME ZONE ARE ALSO REPLACED. SERVICE BULLETIN OPT DATA: 256T2800-117 POST ALERT SB: 27A0110		1
385	256T2800-117		. SHAFT ASSY- MISCELLANEOUS DATA: SEE DWG 256T5007 FOR NEW LE SLAT DRIVE REPLACEMENT AND INTERCHANGEABILITY (TORQUE TUBE/OFFSET GEARBOX) COMPONENT MAINT MANUAL REF: 27-81-03 SERVICE BULLETIN OPT DATA: 256T2800-118 POST ALERT SB: 27A0110		1

ILLUSTRATION ITEMS NOT ON PARTS LIST ARE NOT APPLICABLE

- ITEM NOT ILLUSTRATED

HXL

27-81-42-05

BOEING PROPRIETARY - Copyright © - Unpublished Work - See title page for details.

27-81-42
FIG. 05
PAGE 12
DEC 22/06



767

PARTS CATALOG (MAINTENANCE)

FIG ITEM	PART NUMBER	1 2 3 4 5 6 7	NOMENCLATURE	EFFECT FROM TO	UNITS PER ASSY
5 395	256T2800-14		. SHAFT ASSY- MISCELLANEOUS DATA: SEE DWG 256T5007 FOR NEW LE SLAT DRIVE REPLACEMENT AND INTERCHANGEABILITY (TORQUE TUBE/OFFSET GEARBOX) COMPONENT MAINT MANUAL REF: 27-81-03 QUALIFIED I/W DATA: 256T5710-115 CAN REPLACE OR BE REPLACED BY 256T2800-14 ONLY IF ADJACENT OFFSET GEARBOX ASSEMBLY, TORQUE TUBES AND SEAL HARDWARE WITHIN THE SAME ZONE ARE ALSO REPLACED.		1
405	256T2800-34		. SHAFT ASSY- COMPONENT MAINT MANUAL REF: 27-81-03		1
405	256T5710-117		. SHAFT ASSY- COMPONENT MAINT MANUAL REF: 27-81-26		1
415	256T2800-35		. SHAFT ASSY- COMPONENT MAINT MANUAL REF: 27-81-03		1
415	256T5710-209		. SHAFT ASSY- COMPONENT MAINT MANUAL REF: 27-81-26		1
425	256T2800-36		. SHAFT ASSY- COMPONENT MAINT MANUAL REF: 27-81-03		1
425	256T5710-401		. SHAFT ASSY- COMPONENT MAINT MANUAL REF: 27-81-26		1

ILLUSTRATION ITEMS NOT ON PARTS LIST ARE NOT APPLICABLE

- ITEM NOT ILLUSTRATED

HXL

27-81-42-05

BOEING PROPRIETARY - Copyright © - Unpublished Work - See title page for details.

27-81-42
FIG. 05
PAGE 13
DEC 22/06



767

PARTS CATALOG (MAINTENANCE)

FIG ITEM	PART NUMBER	1 2 3 4 5 6 7	NOMENCLATURE	EFFECT FROM TO	UNITS PER ASSY
5 435	256T2800-20		.SHAFT ASSY- MISCELLANEOUS DATA: SEE DWG 256T5007 FOR NEW LE SLAT DRIVE REPLACEMENT AND INTERCHANGEABILITY (TORQUE TUBE/OFFSET GEARBOX) COMPONENT MAINT MANUAL REF: 27-81-03 QUALIFIED I/W DATA: 256T5710-127 CAN REPLACE OR BE REPLACED BY 256T2800-20 ONLY IF ADJACENT OFFSET GEARBOX ASSY WITHIN THE SAME ZONE IS ALSO REPLACED.		1
445	256T2800-37		.SHAFT ASSY- COMPONENT MAINT MANUAL REF: 27-81-03		1
445	256T5710-119		.SHAFT ASSY- COMPONENT MAINT MANUAL REF: 27-81-26		1
455	256T2800-21		.SHAFT ASSY- MISCELLANEOUS DATA: SEE DWG 256T5007 FOR NEW LE SLAT DRIVE REPLACEMENT AND INTERCHANGEABILITY (TORQUE TUBE/OFFSET GEARBOX) COMPONENT MAINT MANUAL REF: 27-81-03 QUALIFIED I/W DATA: 256T5710-213 CAN REPLACE OR BE REPLACED BY 256T2800-21 ONLY IF ADJACENT OFFSET GEARBOX ASSY AND TORQUE TUBE WITHIN THE SAME ZONE ARE ALSO REPLACED.		1
465	256T2800-38		.SHAFT ASSY- COMPONENT MAINT MANUAL REF: 27-81-03		1
465	256T5710-211		.SHAFT ASSY- COMPONENT MAINT MANUAL REF: 27-81-26		1

ILLUSTRATION ITEMS NOT ON PARTS LIST ARE NOT APPLICABLE

- ITEM NOT ILLUSTRATED

HXL

27-81-42-05

BOEING PROPRIETARY - Copyright © - Unpublished Work - See title page for details.

27-81-42
FIG. 05
PAGE 14
DEC 22/06



767

PARTS CATALOG (MAINTENANCE)

FIG ITEM	PART NUMBER	1 2 3 4 5 6 7	NOMENCLATURE	EFFECT FROM TO	UNITS PER ASSY
5 475	256T2800-22		. SHAFT ASSY- MISCELLANEOUS DATA: SEE DWG 256T5007 FOR NEW LE SLAT DRIVE REPLACEMENT AND INTERCHANGEABILITY (TORQUE TUBE/OFFSET GEARBOX) COMPONENT MAINT MANUAL REF: 27-81-03 QUALIFIED I/W DATA: 256T5710-129 CAN REPLACE OR BE REPLACED BY 256T2800-22 ONLY IF ADJACENT OFFSET GEARBOX ASSY AND TORQUE TUBE WITHIN THE SAME ZONE ARE ALSO REPLACED.		1
485	256T2800-101		. SHAFT ASSY- POSITION DATA: LH SIDE COMPONENT MAINT MANUAL REF: 27-81-03		1
485	256T5710-137		. SHAFT ASSY- POSITION DATA: LH SIDE COMPONENT MAINT MANUAL REF: 27-81-26		1
495	256T2800-39		. SHAFT ASSY- POSITION DATA: LH SIDE COMPONENT MAINT MANUAL REF: 27-81-03		1
495	256T2800-115		. SHAFT ASSY- POSITION DATA: LH SIDE MISCELLANEOUS DATA: SEE DWG 256T5007 FOR NEW LE SLAT DRIVE REPLACEMENT AND INTERCHANGEABILITY (TORQUE TUBE/OFFSET GEARBOX) COMPONENT MAINT MANUAL REF: 27-81-03		1

ILLUSTRATION ITEMS NOT ON PARTS LIST ARE NOT APPLICABLE

- ITEM NOT ILLUSTRATED

HXL

27-81-42-05

BOEING PROPRIETARY - Copyright © - Unpublished Work - See title page for details.

27-81-42
FIG. 05
PAGE 15
DEC 22/06



767

PARTS CATALOG (MAINTENANCE)

FIG ITEM	PART NUMBER	1 2 3 4 5 6 7	NOMENCLATURE	EFFECT FROM TO	UNITS PER ASSY
5					
495	256T5710-135	.	SHAFT ASSY- POSITION DATA: LH SIDE COMPONENT MAINT MANUAL REF: 27-81-26		1
505	256T2800-102	.	SHAFT ASSY- POSITION DATA: LH SIDE COMPONENT MAINT MANUAL REF: 27-81-03		1
505	256T5710-139	.	SHAFT ASSY- POSITION DATA: LH SIDE COMPONENT MAINT MANUAL REF: 27-81-26		1
515	256T2800-105	.	SHAFT ASSY- POSITION DATA: RH SIDE COMPONENT MAINT MANUAL REF: 27-81-03		1
515	256T5710-125	.	SHAFT ASSY- POSITION DATA: RH SIDE COMPONENT MAINT MANUAL REF: 27-81-26		1
525	256T2800-106	.	SHAFT ASSY- POSITION DATA: RH SIDE COMPONENT MAINT MANUAL REF: 27-81-03		1
525	256T5710-131	.	SHAFT ASSY- POSITION DATA: RH SIDE COMPONENT MAINT MANUAL REF: 27-81-26		1
535	256T2800-107	.	SHAFT ASSY- POSITION DATA: RH SIDE COMPONENT MAINT MANUAL REF: 27-81-03		1
535	256T5710-133	.	SHAFT ASSY- POSITION DATA: RH SIDE COMPONENT MAINT MANUAL REF: 27-81-26		1
536	NAS1398MW5A3	..	RIVET- OPTIONAL PART: NAS1398MW53		18
ILLUSTRATION ITEMS NOT ON PARTS LIST ARE NOT APPLICABLE					

- ITEM NOT ILLUSTRATED

27-81-42-05

27-81-42
FIG. 05
PAGE 16
DEC 22/06

HXL



767

PARTS CATALOG (MAINTENANCE)

FIG ITEM	PART NUMBER	1 2 3 4 5 6 7	NOMENCLATURE	EFFECT FROM TO	UNITS PER ASSY
5 536	NAS1398MW53		.. RIVET- OPTIONAL PART: NAS1398MW5A3		18
537	HP750A32		.. PLUG- SUPPLIER CODE: V73287 USED ON: 256T2800-1 256T2800-2 256T2800-3 256T2800-4 256T2800-5 256T2800-6 256T2800-7 256T2800-8 256T2800-9 256T2800-10 256T2800-11 256T2800-12 256T2800-13 256T2800-114 256T2800-118 256T2800-117 256T2800-14 256T2800-22 256T2800-34 256T2800-35 256T2800-36 256T2800-20 256T2800-37 256T2800-21 256T2800-38 256T2800-101 256T2800-39 256T2800-115 256T2800-102 256T2800-105 256T2800-106 256T2800-107		2
ILLUSTRATION ITEMS NOT ON PARTS LIST ARE NOT APPLICABLE					

- ITEM NOT ILLUSTRATED

HXL

27-81-42-05

BOEING PROPRIETARY - Copyright © - Unpublished Work - See title page for details.

27-81-42
FIG. 05
PAGE 17
DEC 22/06



767

PARTS CATALOG (MAINTENANCE)

FIG ITEM	PART NUMBER	1 2 3 4 5 6 7	NOMENCLATURE	EFFECT FROM TO	UNITS PER ASSY
5 538	256T2801-1		.. COUPLING- USED ON: 256T2800-1 256T2800-3 256T2800-4 256T2800-6 256T2800-7 256T2800-9 256T2800-11 256T2800-12 256T2800-14 256T2800-34 256T2800-20 256T2800-22 256T2800-37 256T2800-101 256T2800-102 256T2800-39 256T2800-115 256T2800-105 256T2800-107 256T2800-106 256T5710-119 256T5710-137 256T5710-135 256T5710-139 256T5710-117 256T5710-125 256T5710-131 256T5710-133		2
539	256T2801-1		.. COUPLING- USED ON: 256T2800-5 256T2800-2 256T2800-8 256T2800-10 256T2800-13 256T2800-114 256T2800-118 256T2800-117 256T2800-35 256T2800-38 256T2800-21 256T5710-209 256T5710-211		1

ILLUSTRATION ITEMS NOT ON PARTS LIST ARE NOT APPLICABLE

- ITEM NOT ILLUSTRATED

HXL

27-81-42-05

BOEING PROPRIETARY - Copyright © - Unpublished Work - See title page for details.

27-81-42
 FIG. 05
 PAGE 18
 DEC 22/06

 **BOEING**
767
PARTS CATALOG (MAINTENANCE)

FIG ITEM	PART NUMBER	1 2 3 4 5 6 7	NOMENCLATURE	EFFECT FROM TO	UNITS PER ASSY
5					
540	256T2802-1		.. FITTING- USED ON: 256T2800-2 256T2800-5 256T2800-8 256T2800-10 256T2800-21 256T2800-35 256T2800-38 256T5710-211 256T5710-209		1
541	256T2802-1		.. FITTING- USED ON: 256T2800-36 256T5710-401		2
542	256T2803-1		.. FITTING- USED ON: 256T2800-13		1
542	256T2803-2		.. FITTING- OPTIONAL PART: 256T2803-3 USED ON: 256T2800-114		1
542	256T2803-3		.. FITTING- OPTIONAL PART: 256T2803-2 USED ON: 256T2800-114		1
542	256T2803-4		.. FITTING- USED ON: 256T2800-117		1
542	256T2803-5		.. FITTING- USED ON: 256T2800-118		1

ILLUSTRATION ITEMS NOT ON PARTS LIST ARE NOT APPLICABLE

- ITEM NOT ILLUSTRATED

HXL

27-81-42-05

BOEING PROPRIETARY - Copyright © - Unpublished Work - See title page for details.

27-81-42
FIG. 05
PAGE 19
DEC 22/07



767

PARTS CATALOG (MAINTENANCE)

FIG ITEM	PART NUMBER	1 2 3 4 5 6 7	NOMENCLATURE	EFFECT FROM TO	UNITS PER ASSY
5 543	256T2806-1		.. FITTING- USED ON: 256T2800-1 256T2800-3 256T2800-4 256T2800-6 256T2800-7 256T2800-9 256T2800-11 256T2800-12 256T2800-14 256T2800-34 256T2800-37 256T2800-20 256T2800-22 256T2800-101 256T2800-39 256T2800-115 256T2800-102 256T2800-105 256T2800-106 256T2800-107 256T5710-119 256T5710-137 256T5710-135 256T5710-139 256T5710-125 256T5710-131 256T5710-117 256T5710-133		2
544	256T2806-1		.. FITTING- USED ON: 256T2800-2 256T2800-5 256T2800-8 256T2800-10 256T2800-38 256T2800-118 256T2800-117 256T2800-114 256T2800-13 256T2800-35 256T2800-21 256T5710-209 256T5710-211		1

ILLUSTRATION ITEMS NOT ON PARTS LIST ARE NOT APPLICABLE

- ITEM NOT ILLUSTRATED

HXL

27-81-42-05

BOEING PROPRIETARY - Copyright © - Unpublished Work - See title page for details.

27-81-42
 FIG. 05
 PAGE 20
 DEC 22/06

 **BOEING**
767
PARTS CATALOG (MAINTENANCE)

FIG ITEM	PART NUMBER	1 2 3 4 5 6 7	NOMENCLATURE	EFFECT FROM TO	UNITS PER ASSY
5					
545	256T2200-10		.GEARBOX INSTL-ROTARY ACTR AND OFFSET POSITION DATA: OUTBD LH SIDE FOR DETAILS SEE: 27-81-20-05	163163	1
545	256T2200-12		.GEARBOX INSTL-ROTARY ACTR AND OFFSET POSITION DATA: OUTBD LH SIDE FOR DETAILS SEE: 27-81-20-05	155162 164999	1
- 550	256T2200-11		.GEARBOX INSTL-ROTARY ACTR AND OFFSET POSITION DATA: OUTBD RH SIDE FOR DETAILS SEE: 27-81-20-05	163163	1
- 550	256T2200-13		.GEARBOX INSTL-ROTARY ACTR AND OFFSET POSITION DATA: OUTBD RH SIDE FOR DETAILS SEE: 27-81-20-05	155162 164999	1
555	256T2340-1		.GEARBOX INSTL-ANGLE POSITION DATA: OUTBD LH SIDE FOR DETAILS SEE: 27-81-17-01		1
- 560	256T2340-2		.GEARBOX INSTL-ANGLE POSITION DATA: OUTBD RH SIDE FOR DETAILS SEE: 27-81-17-01		1
565	256T2850-3		.DRIVE INSTL-KRUEGER SEAL FLAP POSITION DATA: LH SIDE FOR DETAILS SEE: 27-81-04-01		1
- 570	256T2850-4		.DRIVE INSTL-KRUEGER SEAL FLAP POSITION DATA: RH SIDE FOR DETAILS SEE: 27-81-04-01		1
ILLUSTRATION ITEMS NOT ON PARTS LIST ARE NOT APPLICABLE					

- ITEM NOT ILLUSTRATED

HXL

27-81-42-05

BOEING PROPRIETARY - Copyright © - Unpublished Work - See title page for details.

27-81-42
FIG. 05
PAGE 21
DEC 22/07

 **BOEING**
767
PARTS CATALOG (MAINTENANCE)

FIG ITEM	PART NUMBER	1 2 3 4 5 6 7	NOMENCLATURE	EFFECT FROM TO	UNITS PER ASSY
5					
575	256T2100-7		.GEARBOX INSTL-ROTARY ACTR AND OFFSET POSITION DATA: INBD LH SIDE FOR DETAILS SEE: 27-81-20-01	163163	1
575	256T2100-9		.GEARBOX INSTL-ROTARY ACTR AND OFFSET POSITION DATA: INBD LH SIDE FOR DETAILS SEE: 27-81-20-01	155162 164999	1
- 580	256T2100-8		.GEARBOX INSTL-ROTARY ACTR AND OFFSET POSITION DATA: INBD RH SIDE FOR DETAILS SEE: 27-81-20-01	163163	1
- 580	256T2100-10		.GEARBOX INSTL-ROTARY ACTR AND OFFSET POSITION DATA: INBD RH SIDE FOR DETAILS SEE: 27-81-20-01	155162 164999	1
585	256T2450-1		.SUPPORT INSTL-WING BRG POSITION DATA: LH SIDE VARIABLE DRAWING REF: 256T2450-5001 FOR DETAILS SEE: 27-81-52-01		1
- 590	256T2450-2		.SUPPORT INSTL-WING BRG POSITION DATA: RH SIDE VARIABLE DRAWING REF: 256T2450-5002 FOR DETAILS SEE: 27-81-52-01		1
595	256T2400-1		.SUPPORT INSTL-WING BRG POSITION DATA: LH SIDE VARIABLE DRAWING REF: 256T2400-5001 256T2400-5003 FOR DETAILS SEE: 27-81-51-01		1

ILLUSTRATION ITEMS NOT ON PARTS LIST ARE NOT APPLICABLE

- ITEM NOT ILLUSTRATED

HXL

27-81-42-05

BOEING PROPRIETARY - Copyright © - Unpublished Work - See title page for details.

27-81-42
FIG. 05
PAGE 22
DEC 22/07

 **BOEING**
767
PARTS CATALOG (MAINTENANCE)

FIG ITEM	PART NUMBER	1 2 3 4 5 6 7	NOMENCLATURE	EFFECT FROM TO	UNITS PER ASSY
5					
- 600	256T2400-2		.SUPPORT INSTL-WING BRG POSITION DATA: RH SIDE VARIABLE DRAWING REF: 256T2400-5002 256T2400-5004 FOR DETAILS SEE: 27-81-51-01		1
605	256T2300-1		.GEARBOX INSTL-SIDE OF BODY ANGLE POSITION DATA: INBD/OUTBD LH SIDE FOR DETAILS SEE: 27-81-16-01		1
- 610	256T2300-2		.GEARBOX INSTL-SIDE OF BODY ANGLE POSITION DATA: INBD/OUTBD RH SIDE FOR DETAILS SEE: 27-81-16-01		1
615	256T2700-4		.POWER DRIVE UNIT INSTL- LE SLAT DRIVE POSITION DATA: OUTBD LH SIDE FOR DETAILS SEE: 27-81-10-05		1
620	256T2700-2		.SUPPORT INSTL-POWER DRIVE UNIT POSITION DATA: OUTBD LH SIDE FOR DETAILS SEE: 27-81-10-05		1
625	256T2600-6		.POWER DRIVE UNIT INSTL-LE SLAT DRIVE POSITION DATA: INBD RH SIDE FOR DETAILS SEE: 27-81-10-01A		1
630	256T2600-7		.SUPPORT INSTL-POWER DRIVE UNIT POSITION DATA: INBD RH SIDE FOR DETAILS SEE: 27-81-10-01		1

ILLUSTRATION ITEMS NOT ON PARTS LIST ARE NOT APPLICABLE

- ITEM NOT ILLUSTRATED

HXL

27-81-42-05

BOEING PROPRIETARY - Copyright © - Unpublished Work - See title page for details.

27-81-42
FIG. 05
PAGE 23
DEC 22/07



767

PARTS CATALOG (MAINTENANCE)

FIG ITEM	PART NUMBER	1 2 3 4 5 6 7	NOMENCLATURE	EFFECT FROM TO	UNITS PER ASSY
5 635	256T2460-1		.STRAP INSTL-TORQUE TUBE SAFETY POSITION DATA: LH SIDE FOR DETAILS SEE: 27-81-53-01		1
- 640	256T2460-2		.STRAP INSTL-TORQUE TUBE SAFETY POSITION DATA: RH SIDE FOR DETAILS SEE: 27-81-53-01		1
645	256T2460-3		.STRAP INSTL-TORQUE TUBE SAFETY POSITION DATA: LH SIDE FOR DETAILS SEE: 27-81-53-01		1
- 650	256T2460-4		.STRAP INSTL-TORQUE TUBE SAFETY POSITION DATA: RH SIDE FOR DETAILS SEE: 27-81-53-01		1
655	256T2460-5		.STRAP INSTL-TORQUE TUBE SAFETY POSITION DATA: LH SIDE FOR DETAILS SEE: 27-81-53-01		1
- 660	256T2460-6		.STRAP INSTL-TORQUE TUBE SAFETY POSITION DATA: RH SIDE FOR DETAILS SEE: 27-81-53-01		1
665	256T2460-7		.STRAP INSTL-TORQUE TUBE SAFETY POSITION DATA: LH SIDE FOR DETAILS SEE: 27-81-53-01		1
- 670	256T2460-8		.STRAP INSTL-TORQUE TUBE SAFETY POSITION DATA: RH SIDE FOR DETAILS SEE: 27-81-53-01		1

ILLUSTRATION ITEMS NOT ON PARTS LIST ARE NOT APPLICABLE

- ITEM NOT ILLUSTRATED

27-81-42-05

27-81-42
FIG. 05
PAGE 24
DEC 22/07

HXL

 **BOEING**
767
PARTS CATALOG (MAINTENANCE)

FIG ITEM	PART NUMBER	1 2 3 4 5 6 7	NOMENCLATURE	EFFECT FROM TO	UNITS PER ASSY
5					
675	256T2460-9		.STRAP INSTL-TORQUE TUBE SAFETY POSITION DATA: LH SIDE FOR DETAILS SEE: 27-81-53-01		1
677	256T2460-25		.STRAP INSTL-TORQUE TUBE SAFETY POSITION DATA: LH SIDE FOR DETAILS SEE: 27-81-53-01		1
- 678	256T2460-26		.STRAP INSTL-TORQUE TUBE SAFETY POSITION DATA: RH SIDE FOR DETAILS SEE: 27-81-53-01		1
- 680	256T2460-23		.STRAP INSTL-TORQUE TUBE SAFETY POSITION DATA: RH SIDE FOR DETAILS SEE: 27-81-53-01		1
685	256T2460-17		.STRAP INSTL-TORQUE TUBE SAFETY POSITION DATA: LH SIDE FOR DETAILS SEE: 27-81-53-01		1
- 690	256T2460-18		.STRAP INSTL-TORQUE TUBE SAFETY POSITION DATA: RH SIDE FOR DETAILS SEE: 27-81-53-01		1
695	256T2460-11		.STRAP INSTL-TORQUE TUBE SAFETY POSITION DATA: LH SIDE FOR DETAILS SEE: 27-81-53-01		1
- 700	256T2460-12		.STRAP INSTL-TORQUE TUBE SAFETY POSITION DATA: RH SIDE FOR DETAILS SEE: 27-81-53-01		1
ILLUSTRATION ITEMS NOT ON PARTS LIST ARE NOT APPLICABLE					

- ITEM NOT ILLUSTRATED

HXL

27-81-42-05

BOEING PROPRIETARY - Copyright © - Unpublished Work - See title page for details.

27-81-42
FIG. 05
PAGE 25
DEC 22/07



767

PARTS CATALOG (MAINTENANCE)

FIG ITEM	PART NUMBER	1 2 3 4 5 6 7	NOMENCLATURE	EFFECT FROM TO	UNITS PER ASSY
5 705	256T2460-19		.STRAP INSTL-TORQUE TUBE SAFETY POSITION DATA: LH SIDE FOR DETAILS SEE: 27-81-53-01		1
- 710	256T2460-20		.STRAP INSTL-TORQUE TUBE SAFETY POSITION DATA: RH SIDE FOR DETAILS SEE: 27-81-53-01		1
715	256T2460-21		.STRAP INSTL-TORQUE TUBE SAFETY POSITION DATA: LH SIDE FOR DETAILS SEE: 27-81-53-01		1
720	256T2460-15		.STRAP INSTL-TORQUE TUBE SAFETY POSITION DATA: RH SIDE FOR DETAILS SEE: 27-81-53-01		1
725	256T2460-13		.STRAP INSTL-TORQUE TUBE SAFETY POSITION DATA: LH SIDE FOR DETAILS SEE: 27-81-53-01		1
- 800	256T2000-3		DRIVE INSTL-LE SLATS VARIABLE DRAWING REF: 256T2000-5003 FOR NHA/OTHER SYS DET SEE: 27-00-01-01C		RF
805	AN502-10-6		.SCREW-		14
813	BACB30NM3K11		.BOLT SUPPLIER CODE: V06710 SPECIFICATION NUMBER: BACB30NM3K11		15
817	AN960PD10		.WASHER-		15
817	AN960JD10		.WASHER-		15
821	MS21042L3		.NUT-		15

ILLUSTRATION ITEMS NOT ON PARTS LIST ARE NOT APPLICABLE

- ITEM NOT ILLUSTRATED

27-81-42-05

27-81-42
FIG. 05
PAGE 26
DEC 22/07

HXL

 **BOEING**
767
PARTS CATALOG (MAINTENANCE)

FIG ITEM	PART NUMBER	1 2 3 4 5 6 7	NOMENCLATURE	EFFECT FROM TO	UNITS PER ASSY
5 823	MKP23BSFS428	.	BEARING SUPPLIER CODE: V06144 SPECIFICATION NUMBER: BACB10AW23 OPTIONAL PART: MKP23BSE9273 V21335 MKP23BSTT V43991 MKP23BS2TS V43991 LLMKP23BS1 V38443 MKP23BS1G20 V38443 MKP23BSSD610 V83086 MKP23BSLY196 V40920 MKP23BS V06144 MKP23BSFS428 V21335 MKP23BSNJC V06144		5
826	256T2404-2	.	RETAINER		3
829	256T2424-1	.	SUPPORT-SAFETY STRAP		2
840	256T5710-503	.	SHAFT ASSY- COMPONENT MAINT MANUAL REF: 27-81-26		2
840	256T2800-112	.	SHAFT ASSY- COMPONENT MAINT MANUAL REF: 27-81-03		2
840	256T2800-119	.	SHAFT ASSY- COMPONENT MAINT MANUAL REF: 27-81-03		2
850	256T2800-25	.	SHAFT ASSY- COMPONENT MAINT MANUAL REF: 27-81-03		2
850	256T2800-120	.	SHAFT ASSY- COMPONENT MAINT MANUAL REF: 27-81-03		2
850	256T5710-217	.	SHAFT ASSY- COMPONENT MAINT MANUAL REF: 27-81-26		2
860	256T5710-501	.	SHAFT ASSY- COMPONENT MAINT MANUAL REF: 27-81-26		2
ILLUSTRATION ITEMS NOT ON PARTS LIST ARE NOT APPLICABLE					

- ITEM NOT ILLUSTRATED

HXL

27-81-42-05

BOEING PROPRIETARY - Copyright © - Unpublished Work - See title page for details.

27-81-42
FIG. 05
PAGE 27
APR 22/09



767

PARTS CATALOG (MAINTENANCE)

FIG ITEM	PART NUMBER	1 2 3 4 5 6 7	NOMENCLATURE	EFFECT FROM TO	UNITS PER ASSY
5					
860	256T2800-113	.	SHAFT ASSY- COMPONENT MAINT MANUAL REF: 27-81-03		2
860	256T2800-121	.	SHAFT ASSY- COMPONENT MAINT MANUAL REF: 27-81-03		2
870	256T2800-29	.	SHAFT ASSY- COMPONENT MAINT MANUAL REF: 27-81-03		1
870	256T2800-122	.	SHAFT ASSY- COMPONENT MAINT MANUAL REF: 27-81-03		1
870	256T5710-403	.	SHAFT ASSY- COMPONENT MAINT MANUAL REF: 27-81-26		1
880	256T2800-104	.	SHAFT ASSY- COMPONENT MAINT MANUAL REF: 27-81-03		1
880	256T2800-123	.	SHAFT ASSY- COMPONENT MAINT MANUAL REF: 27-81-03		1
880	256T5710-215	.	SHAFT ASSY- COMPONENT MAINT MANUAL REF: 27-81-26		1
881	NAS1398MW5A3	..	RIVET- OPTIONAL PART: NAS198MW53		18
881	NAS1398MW53	..	RIVET- OPTIONAL PART: NAS198MW5A3		18
882	HP750A32	..	PLUG- SUPPLIER CODE: V73287 USED ON: 256T2800-112 256T2800-119 256T2800-113 256T2800-121		1
883	HP750A32	..	PLUG- SUPPLIER CODE: V73287 USED ON: 256T2800-120 256T2800-25 256T2800-29 256T2800-122 256T2800-104 256T2800-123		2

ILLUSTRATION ITEMS NOT ON PARTS LIST ARE NOT APPLICABLE

- ITEM NOT ILLUSTRATED

HXL

27-81-42-05

BOEING PROPRIETARY - Copyright © - Unpublished Work - See title page for details.

27-81-42
FIG. 05
PAGE 28
DEC 22/07



767

PARTS CATALOG (MAINTENANCE)

FIG ITEM	PART NUMBER	1 2 3 4 5 6 7	NOMENCLATURE	EFFECT FROM TO	UNITS PER ASSY
5 884	256T2801-1		.. COUPLING- USED ON: 256T2800-112 256T2800-119 256T2800-120 256T2800-25 256T2800-113 256T2800-121 256T2800-104 256T2800-123 256T5710-503 256T5710-217 256T5710-501 256T5710-215		1
885	256T2802-1		.. FITTING- USED ON: 256T2800-120 256T2800-25 256T2800-104 256T2800-123 256T5710-217 256T5710-215		1
886	256T2802-1		.. FITTING- USED ON: 256T2800-29 256T2800-122 256T5710-403		2
887	256T2806-1		.. FITTING- USED ON: 256T2800-112 256T2800-119 256T2800-120 256T2800-25 256T2800-113 256T2800-121 256T2800-104 256T2800-123 256T5710-503 256T5710-217 256T5710-501 256T5710-215		1
890	256T2440-1		. SUPPORT INSTL-BODY BRG FOR DETAILS SEE: 57-43-01-01		1
895	256T2440-2		. SUPPORT INSTL-BODY BRG FOR DETAILS SEE: 57-43-01-01		1

ILLUSTRATION ITEMS NOT ON PARTS LIST ARE NOT APPLICABLE

- ITEM NOT ILLUSTRATED

HXL

27-81-42-05

BOEING PROPRIETARY - Copyright © - Unpublished Work - See title page for details.

27-81-42
FIG. 05
PAGE 29
DEC 22/07



767

PARTS CATALOG (MAINTENANCE)

FIG ITEM	PART NUMBER	1 2 3 4 5 6 7	NOMENCLATURE	EFFECT FROM TO	UNITS PER ASSY
5					
900	256T2440-3		.SUPPORT INSTL-BODY BRG FOR DETAILS SEE: 57-43-01-01		1
905	256T2440-5		.SUPPORT INSTL-BODY BRG FOR DETAILS SEE: 57-43-01-01		1
910	256T2440-4		.SUPPORT INSTL-BODY BRG FOR DETAILS SEE: 57-43-01-01		1
915	256T2350-1		.GEARBOX INSTL-BODY ANGLE FOR DETAILS SEE: 27-81-15-05		1
920	256T2460-22		.STRAP INSTL-TORQUE TUBE FOR DETAILS SEE: 27-81-53-01		1
925	256T2460-16		.STRAP INSTL-TORQUE TUBE FOR DETAILS SEE: 27-81-53-01		1
930	256T2460-14		.STRAP INSTL-TORQUE TUBE FOR DETAILS SEE: 27-81-53-01		1
ILLUSTRATION ITEMS NOT ON PARTS LIST ARE NOT APPLICABLE					

- ITEM NOT ILLUSTRATED

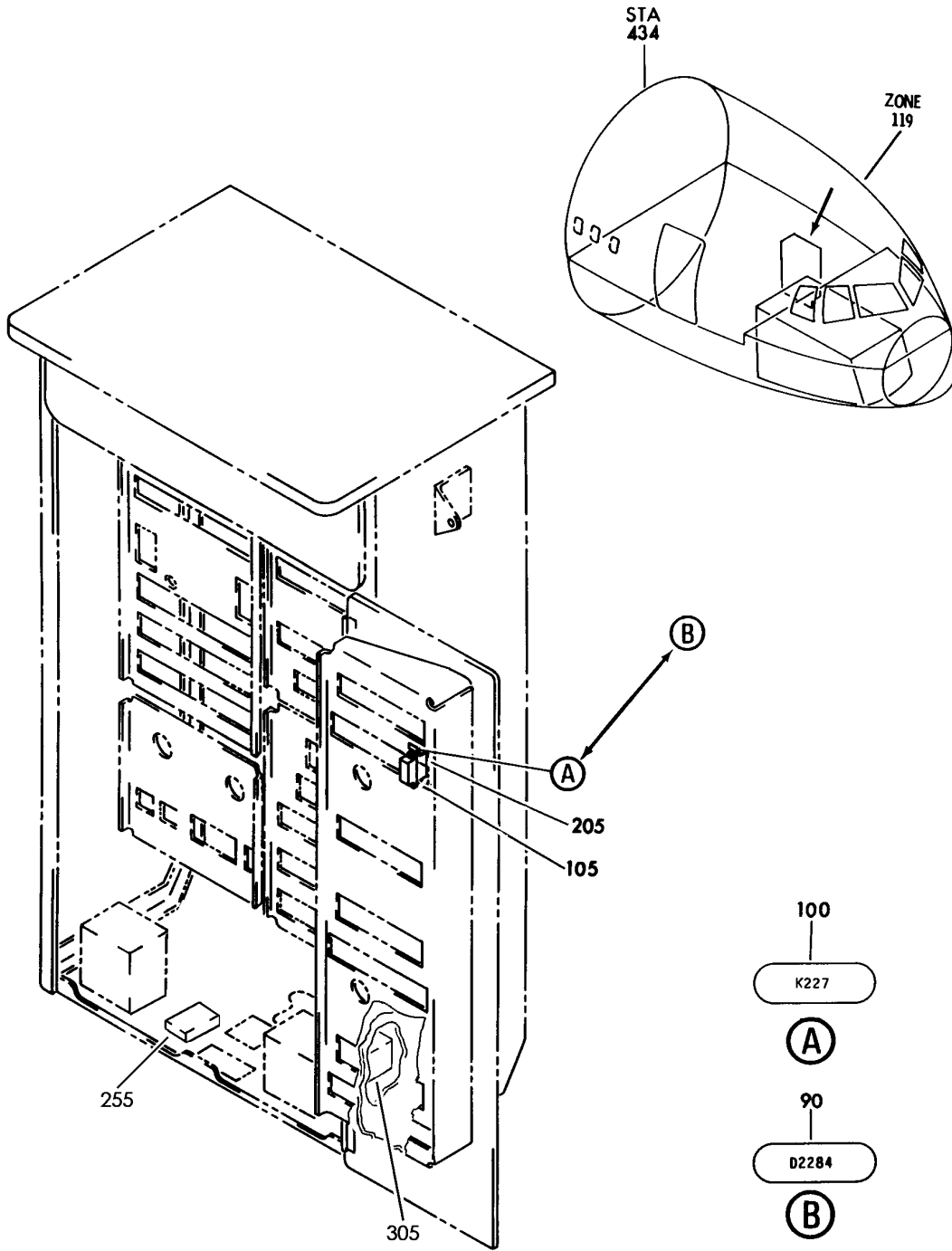
HXL

27-81-42-05

BOEING PROPRIETARY - Copyright © - Unpublished Work - See title page for details.

27-81-42
FIG. 05
PAGE 30
DEC 22/07

BOEING
767
PARTS CATALOG (MAINTENANCE)



V 27815001 REV 232

EQUIPMENT ASSY-P36 MISC ELEC PNL L (LEADING EDGE SLAT SYSTEM ONLY)
FIGURE 1

27-81-50-01

HXL
DEC 22/06

27-81-50-01
PAGE 0



767

PARTS CATALOG (MAINTENANCE)

FIG ITEM	PART NUMBER	1 2 3 4 5 6 7	NOMENCLATURE	EFFECT FROM TO	UNITS PER ASSY
1			EQUIPMENT ASSY-P36 MISC ELEC PNL L (LEADING EDGE SLAT SYSTEM ONLY)		
- 10	284T0187-167		EQUIPMENT ASSY-P36 MISC ELEC PNL (LEADING EDGE SLAT SYSTEM ONLY) POSITION DATA: L FOR NHA/OTHER SYS DET SEE: 53-11-70-03	155162	RF
- 12	284T0187-205		EQUIPMENT ASSY-P36 MISC ELEC PNL (LEADING EDGE SLAT SYSTEM ONLY) POSITION DATA: L FOR NHA/OTHER SYS DET SEE: 53-11-70-03	163163	RF
- 13	284T0187-212		EQUIPMENT ASSY-P36 MISC ELEC PNL (LEADING EDGE SLAT SYSTEM ONLY) POSITION DATA: L FOR NHA/OTHER SYS DET SEE: 53-11-70-03	164999	RF
90	BAC27TEX3726		.DECALSET-INCLUDES DECALS IDENTIFIED ON THE ILLUSTRATION		RF
90	BAC27TEX4186		.DECALSET-INCLUDES DECALS IDENTIFIED ON THE ILLUSTRATION		RF
100	BAC27TEX4180		.DECALSET-INCLUDES DECALS IDENTIFIED ON THE ILLUSTRATION		RF

ILLUSTRATION ITEMS NOT ON PARTS LIST ARE NOT APPLICABLE

- ITEM NOT ILLUSTRATED

HXL

27-81-50-01

BOEING PROPRIETARY - Copyright © - Unpublished Work - See title page for details.

27-81-50
FIG. 01
PAGE 1
DEC 22/07



767

PARTS CATALOG (MAINTENANCE)

FIG ITEM	PART NUMBER	1 2 3 4 5 6 7	NOMENCLATURE	EFFECT FROM TO	UNITS PER ASSY
1 105	E210-1631		.RELAY- SUPPLIER CODE: V99699 SPECIFICATION NUMBER: BACR13CF2A OPTIONAL PART: BR246S0112 V56623 FCA210-70 V78290 E215-1050 V99699 JD4A017 V35344 BR64S104 V56623 61GB19-1A320 V98927 ELECTRICAL EQUIP NUMBER: K00227		1
- 200	286T0176-300		.WIRE BUNDLE ASSY- POST ALERT SB: 27A0140R2		RF
- 202	BACC45FN22-55P8		.CONNECTOR- ELECTRICAL EQUIP NUMBER: D05832J WIRING DIAGRAM REF: 761121 POST ALERT SB: 27A0140		1
- 203	BACC45FN20-25S7		.CONNECTOR- ELECTRICAL EQUIP NUMBER: D05894J WIRING DIAGRAM REF: 275131 POST ALERT SB: 27A0140		1

ILLUSTRATION ITEMS NOT ON PARTS LIST ARE NOT APPLICABLE

- ITEM NOT ILLUSTRATED

HXL

27-81-50-01

BOEING PROPRIETARY - Copyright © - Unpublished Work - See title page for details.

27-81-50
FIG. 01
PAGE 2
DEC 22/07

 **BOEING**
767
PARTS CATALOG (MAINTENANCE)

FIG ITEM	PART NUMBER	1 2 3 4 5 6 7	NOMENCLATURE	EFFECT FROM TO	UNITS PER ASSY
1 205	RSF116200		.. SOCKET- SUPPLIER CODE: V58982 SPECIFICATION NUMBER: BACS16X1A OPTIONAL PART: 102-006-1 V09922 000300-1538 V05574 ELECTRICAL EQUIP NUMBER: D02284 WIRING DIAGRAM REF: 278131		1
- 210	BACC47CN1S		.. CONTACT-PIN		1
- 215	318-2020-901L		.. CONTACT-SOCKET SUPPLIER CODE: V55104 SPECIFICATION NUMBER: BACC47CP1S OPTIONAL PART: ZZL4120-36LDH14 V49367 LP807105-205 V77820		1
- 250	286T0752-300		WIRE BUNDLE ASSY- POST ALERT SB: 27A0140R2		RF
255	BACC45FT20-25P7		. PLUG- ELECTRICAL EQUIP NUMBER: D05894P WIRING DIAGRAM REF: 275131		1
- 265	BACC45FT16-24S8		. PLUG- ELECTRICAL EQUIP NUMBER: D05330P WIRING DIAGRAM REF: 275131 POST ALERT SB: 27A0140		1
- 270	BACC45FT12-12S8		. CONNECTOR- ELECTRICAL EQUIP NUMBER: D04626J WIRING DIAGRAM REF: 278131 POST ALERT SB: 27A0140		1
ILLUSTRATION ITEMS NOT ON PARTS LIST ARE NOT APPLICABLE					

- ITEM NOT ILLUSTRATED

HXL

27-81-50-01

BOEING PROPRIETARY - Copyright © - Unpublished Work - See title page for details.

27-81-50
FIG. 01
PAGE 3
DEC 22/07



767

PARTS CATALOG (MAINTENANCE)

FIG ITEM	PART NUMBER	1 2 3 4 5 6 7	NOMENCLATURE	EFFECT FROM TO	UNITS PER ASSY
1					
- 275	318-2020-901L		.CONTACT-SOCKET SUPPLIER CODE: V55104 SPECIFICATION NUMBER: BACC47CP1S OPTIONAL PART: ZZL4120-36LDH14 V49367 LP807105-205 V77820 POST ALERT SB: 27A0140		3
- 280	BACC47CN1S		.CONTACT-PIN POST ALERT SB: 27A0140R2		1
- 300	286T0756-300		WIRE BUNDLE ASSY- POST ALERT SB: 27A0140R2		RF
305	BACC45FT22-55S8		.CONNECTOR- ELECTRICAL EQUIP NUMBER: D05832P WIRING DIAGRAM REF: 732111		1
- 308	BACC63CC22-55SN		.CONNECTOR- ELECTRICAL EQUIP NUMBER: D04486J WIRING DIAGRAM REF: 278812 POST ALERT SB: 27A0140		1
- 310	318-2020-901L		.CONTACT-SOCKET SUPPLIER CODE: V55104 SPECIFICATION NUMBER: BACC47CP1S OPTIONAL PART: ZZL4120-36LDH14 V49367 LP807105-205 V77820 POST ALERT SB: 27A0140R2		1

ILLUSTRATION ITEMS NOT ON PARTS LIST ARE NOT APPLICABLE

- ITEM NOT ILLUSTRATED

HXL

27-81-50-01

BOEING PROPRIETARY - Copyright © - Unpublished Work - See title page for details.

27-81-50
FIG. 01
PAGE 4
DEC 22/07



767

PARTS CATALOG (MAINTENANCE)

FIG ITEM	PART NUMBER	1 2 3 4 5 6 7	NOMENCLATURE	EFFECT FROM TO	UNITS PER ASSY
1					
- 315	318-2020-901L		.CONTACT-SOCKET SUPPLIER CODE: V55104 SPECIFICATION NUMBER: BACC47CP1S OPTIONAL PART: ZZL4120-36LDH14 V49367 LP807105-205 V77820 POST ALERT SB: 27A0140R2		2
- 320	BACC47DE7		.CONTACT- POST ALERT SB: 27A0140R2		1

ILLUSTRATION ITEMS NOT ON PARTS LIST ARE NOT APPLICABLE

- ITEM NOT ILLUSTRATED

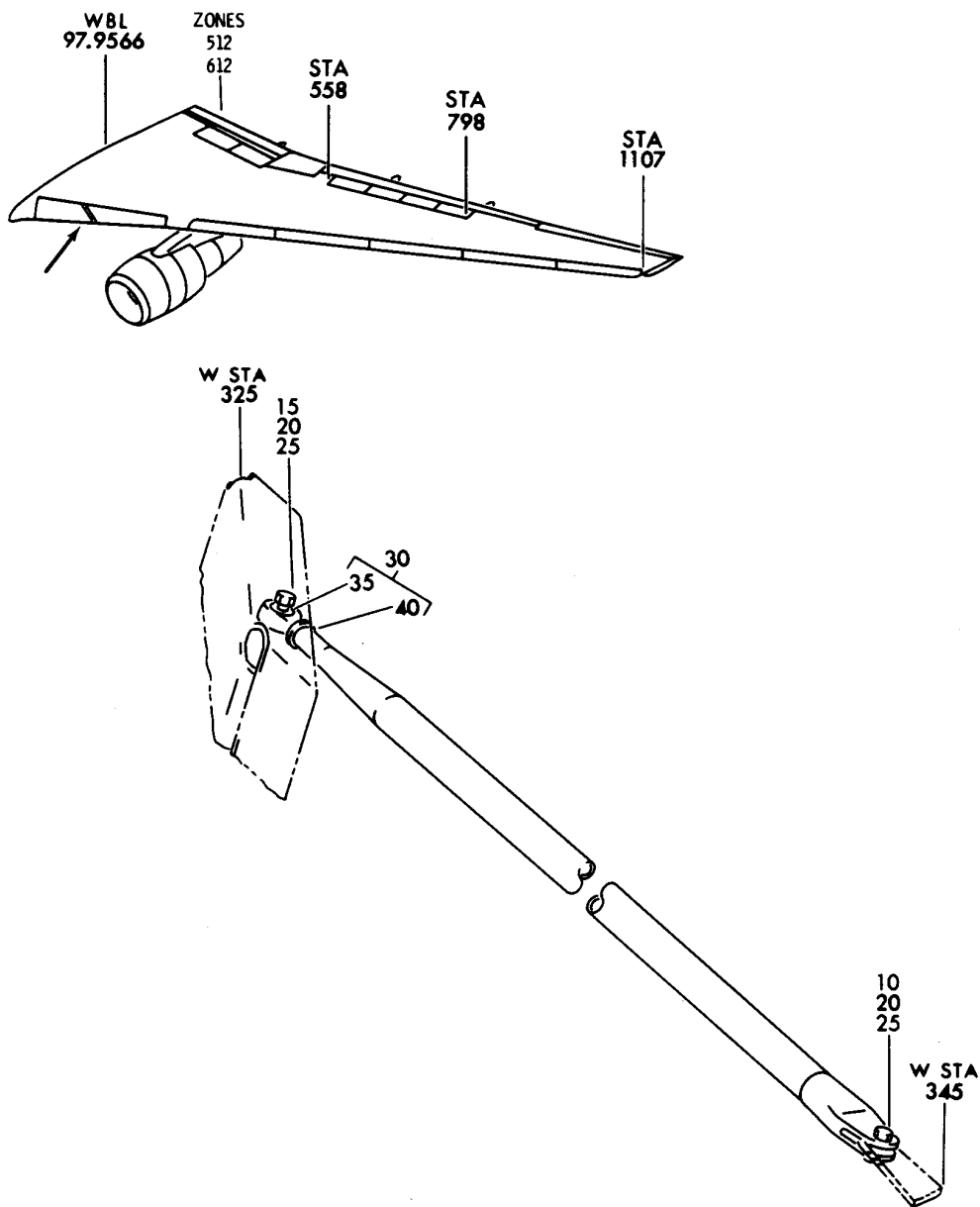
HXL

27-81-50-01

BOEING PROPRIETARY - Copyright © - Unpublished Work - See title page for details.

27-81-50
FIG. 01
PAGE 5
DEC 22/07

BOEING
767
PARTS CATALOG (MAINTENANCE)



V 27815101 SMT 1 REV 018

SUPPORT INSTL-WING LE SLAT DRIVE BRG
FIGURE 1

27-81-51-01

HXL
DEC 22/06

27-81-51-01
PAGE 0

 **BOEING**
767
PARTS CATALOG (MAINTENANCE)

FIG ITEM	PART NUMBER	1 2 3 4 5 6 7	NOMENCLATURE	EFFECT FROM TO	UNITS PER ASSY
1			SUPPORT INSTL-WING LE SLAT DRIVE BRG		
- 1	256T2400-1		SUPPORT INSTL-WING LE SLAT DRIVE BRG POSITION DATA: LH VARIABLE DRAWING REF: 256T2400-5001 256T2400-5003 FOR NHA SEE: 27-81-42-05		RF
- 5	256T2400-2		SUPPORT INSTL-WING LE SLAT DRIVE BRG POSITION DATA: RH VARIABLE DRAWING REF: 256T2400-5002 256T2400-5004 FOR NHA SEE: 27-81-42-05		RF
10	BACB30NF4-5	.BOLT			1
15	BACB30NF4-10	.BOLT			1
20	AN960PD416	.WASHER			2
25	BRH10A4	.NUT			2
			SUPPLIER CODE: V52828 SPECIFICATION NUMBER: BACN10JC4 OPTIONAL PART: T6S428J V11815 96-048 V80539 VN303A048 V92215 RMLH9075-4W V72962 NS202101-048 V80539 H10-4BAC V15653		
30	251T0100-501	.ROD ASSY-	COMPONENT MAINT MANUAL REF: 27-00-11	163163	1
30	251T0100-505	.ROD ASSY-	COMPONENT MAINT MANUAL REF: 27-00-11	155162 164999	1
35	MS21242S4	..BEARING			1

ILLUSTRATION ITEMS NOT ON PARTS LIST ARE NOT APPLICABLE

- ITEM NOT ILLUSTRATED

HXL

27-81-51-01

BOEING PROPRIETARY - Copyright © - Unpublished Work - See title page for details.

27-81-51
FIG. 01
PAGE 1
DEC 22/07



767

PARTS CATALOG (MAINTENANCE)

FIG ITEM	PART NUMBER	1 2 3 4 5 6 7	NOMENCLATURE	EFFECT FROM TO	UNITS PER ASSY
1					
40	NAS1423-5		..NUT- OPTIONAL PART: AN316-5R		1
40	AN316-5R		..NUT- OPTIONAL PART: NAS1423-5		1
ILLUSTRATION ITEMS NOT ON PARTS LIST ARE NOT APPLICABLE					

- ITEM NOT ILLUSTRATED

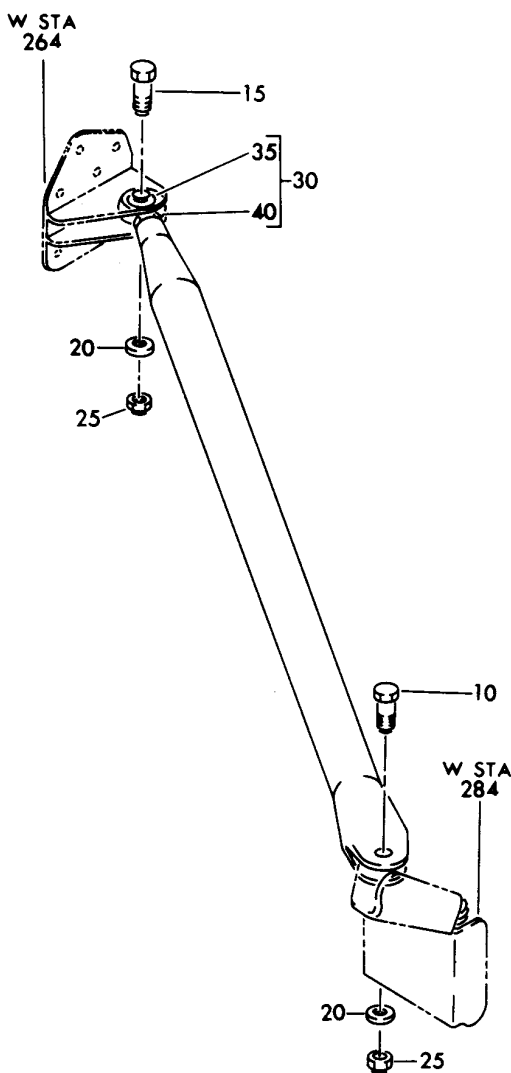
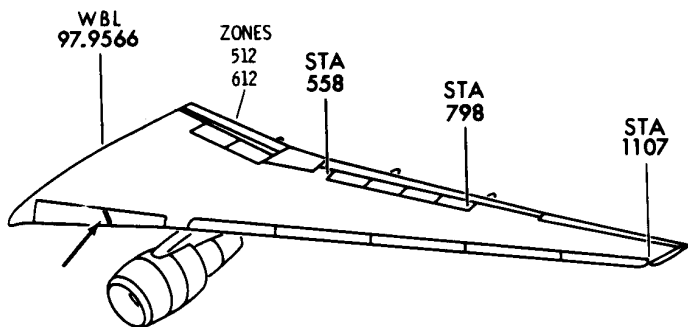
HXL

27-81-51-01

BOEING PROPRIETARY - Copyright © - Unpublished Work - See title page for details.

27-81-51
FIG. 01
PAGE 2
DEC 22/07

BOEING
767
PARTS CATALOG (MAINTENANCE)



V 27815201 SHT 1 REV 018

SUPPORT INSTL-WING LE SLAT DRIVE BRG
FIGURE 1

27-81-52-01

HXL
DEC 22/06

27-81-52-01
PAGE 0

 **BOEING**
767
PARTS CATALOG (MAINTENANCE)

FIG ITEM	PART NUMBER	1 2 3 4 5 6 7	NOMENCLATURE	EFFECT FROM TO	UNITS PER ASSY
1			SUPPORT INSTL-WING LE SLAT DRIVE BRG		
- 1	256T2450-1		SUPPORT INSTL-WING LE SLAT DRIVE BRG POSITION DATA: LH VARIABLE DRAWING REF: 256T2450-5001 FOR NHA SEE: 27-81-42-05		RF
- 5	256T2450-2		SUPPORT INSTL-WING LE SLAT DRIVE BRG POSITION DATA: RH VARIABLE DRAWING REF: 256T2450-5002 FOR NHA SEE: 27-81-42-05		RF
10	BACB30NF4-5		.BOLT		1
15	BACB30NF4-10		.BOLT		1
20	NAS1149D0463J		.WASHER-		2
25	PLH54CD		.NUT- SUPPLIER CODE: VF0224 SPECIFICATION NUMBER: BACN10YR4CD OPTIONAL PART: H52732-4CD V15653		2
30	251T0100-502		.ROD ASSY- COMPONENT MAINT MANUAL REF: 27-00-11		1
35	MS21242S4		..BEARING		1
40	NAS1423-5		..NUT- OPTIONAL PART: AN316-5R		1
40	AN316-5R		..NUT- OPTIONAL PART: NAS1423-5		1

ILLUSTRATION ITEMS NOT ON PARTS LIST ARE NOT APPLICABLE

- ITEM NOT ILLUSTRATED

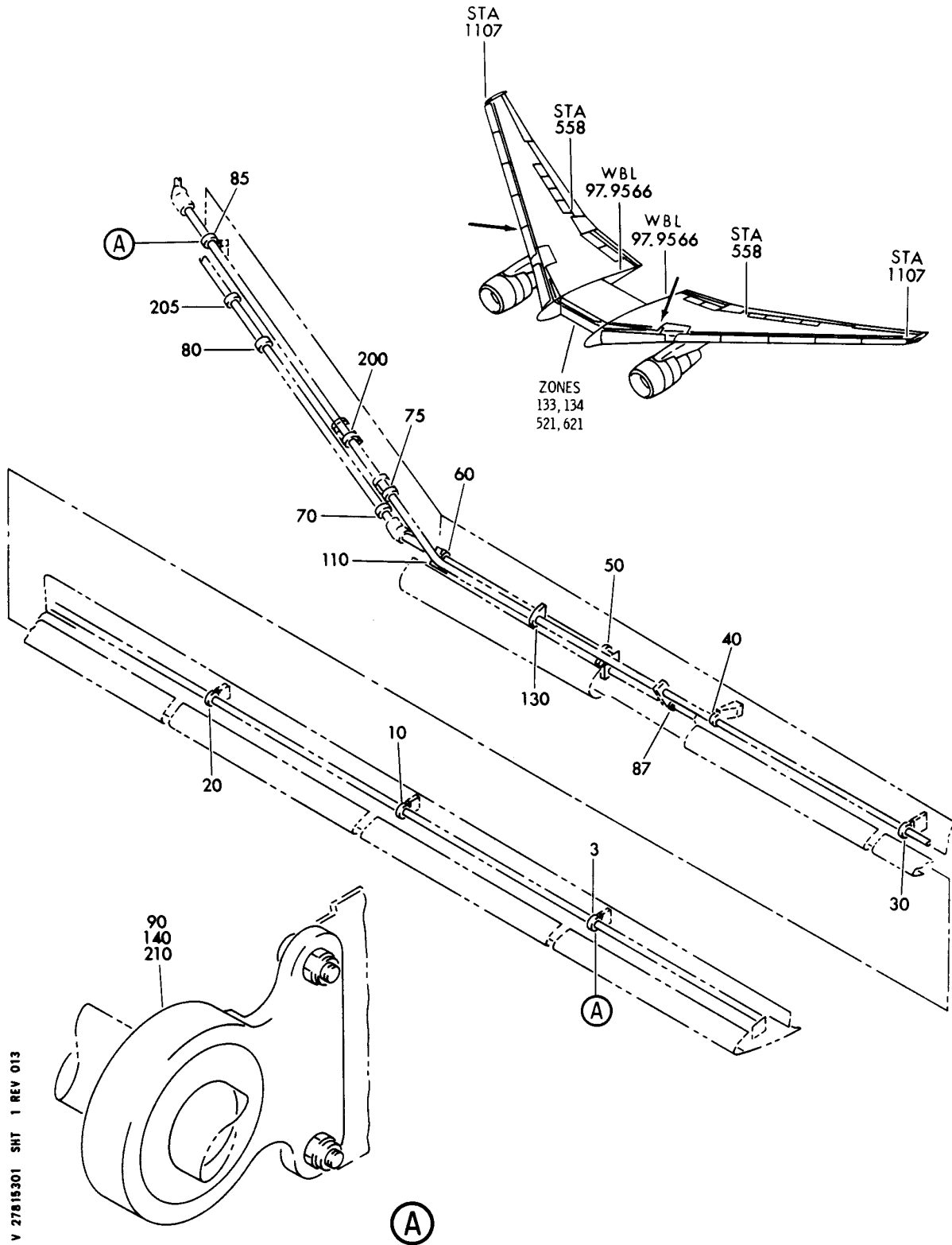
HXL

27-81-52-01

BOEING PROPRIETARY - Copyright © - Unpublished Work - See title page for details.

27-81-52
FIG. 01
PAGE 1
DEC 22/08

BOEING
767
PARTS CATALOG (MAINTENANCE)



STRAP INSTL-LE SLAT DRIVE TORQUE TUBE SAFETY
FIGURE 1

27-81-53-01

HXL
DEC 22/06

27-81-53-01
PAGE 0

 **BOEING**
767
PARTS CATALOG (MAINTENANCE)

FIG ITEM	PART NUMBER	1 2 3 4 5 6 7	NOMENCLATURE	EFFECT FROM TO	UNITS PER ASSY
1			STRAP INSTL-LE SLAT DRIVE TORQUE TUBE SAFETY		
3	256T2460-1		STRAP INSTL-LE SLAT DRIVE TORQUE TUBE SAFETY POSITION DATA: LH FOR NHA SEE: 27-81-42-05		RF
- 5	256T2460-2		STRAP INSTL-LE SLAT DRIVE TORQUE TUBE SAFETY POSITION DATA: RH FOR NHA SEE: 27-81-42-05		RF
10	256T2460-3		STRAP INSTL-LE SLAT DRIVE TORQUE TUBE SAFETY POSITION DATA: LH FOR NHA SEE: 27-81-42-05		RF
- 15	256T2460-4		STRAP INSTL-LE SLAT DRIVE TORQUE TUBE SAFETY POSITION DATA: RH FOR NHA SEE: 27-81-42-05		RF
20	256T2460-5		STRAP INSTL-LE SLAT DRIVE TORQUE TUBE SAFETY POSITION DATA: LH FOR NHA SEE: 27-81-42-05		RF
- 25	256T2460-6		STRAP INSTL-LE SLAT DRIVE TORQUE TUBE SAFETY POSITION DATA: RH FOR NHA SEE: 27-81-42-05		RF
30	256T2460-7		STRAP INSTL-LE SLAT DRIVE TORQUE TUBE SAFETY POSITION DATA: LH FOR NHA SEE: 27-81-42-05		RF
ILLUSTRATION ITEMS NOT ON PARTS LIST ARE NOT APPLICABLE					

- ITEM NOT ILLUSTRATED

HXL

27-81-53-01

BOEING PROPRIETARY - Copyright © - Unpublished Work - See title page for details.

27-81-53
FIG. 01
PAGE 1
DEC 22/06



767

PARTS CATALOG (MAINTENANCE)

FIG ITEM	PART NUMBER	1 2 3 4 5 6 7	NOMENCLATURE	EFFECT FROM TO	UNITS PER ASSY
1					
- 35	256T2460-8		STRAP INSTL-LE SLAT DRIVE TORQUE TUBE SAFETY POSITION DATA: RH FOR NHA SEE: 27-81-42-05		RF
40	256T2460-9		STRAP INSTL-LE SLAT DRIVE TORQUE TUBE SAFETY POSITION DATA: LH FOR NHA SEE: 27-81-42-05		RF
50	256T2460-17		STRAP INSTL-LE SLAT DRIVE TORQUE TUBE SAFETY POSITION DATA: LH FOR NHA SEE: 27-81-42-05		RF
- 55	256T2460-18		STRAP INSTL-LE SLAT DRIVE TORQUE TUBE SAFETY POSITION DATA: RH FOR NHA SEE: 27-81-42-05		RF
60	256T2460-19		STRAP INSTL-LE SLAT DRIVE TORQUE TUBE SAFETY POSITION DATA: LH FOR NHA SEE: 27-81-42-05		RF
- 65	256T2460-20		STRAP INSTL-LE SLAT DRIVE TORQUE TUBE SAFETY POSITION DATA: RH FOR NHA SEE: 27-81-42-05		RF
70	256T2460-21		STRAP INSTL-LE SLAT DRIVE TORQUE TUBE SAFETY POSITION DATA: LH FOR NHA SEE: 27-81-42-05		RF
75	256T2460-13		STRAP INSTL-LE SLAT DRIVE TORQUE TUBE SAFETY POSITION DATA: LH FOR NHA SEE: 27-81-42-05		RF
ILLUSTRATION ITEMS NOT ON PARTS LIST ARE NOT APPLICABLE					

- ITEM NOT ILLUSTRATED

HXL

27-81-53-01

BOEING PROPRIETARY - Copyright © - Unpublished Work - See title page for details.

27-81-53
FIG. 01
PAGE 2
DEC 22/06



767

PARTS CATALOG (MAINTENANCE)

FIG ITEM	PART NUMBER	1 2 3 4 5 6 7	NOMENCLATURE	EFFECT FROM TO	UNITS PER ASSY
1	80 256T2460-22		STRAP INSTL-LE SLAT DRIVE TORQUE TUBE SAFETY POSITION DATA: RH FOR NHA SEE: 27-81-42-05		RF
	85 256T2460-15		STRAP INSTL-LE SLAT DRIVE TORQUE TUBE SAFETY POSITION DATA: RH FOR NHA SEE: 27-81-42-05		RF
	87 256T2460-25		STRAP INSTL-LE SLAT DRIVE TORQUE TUBE SAFETY POSITION DATA: LH FOR NHA SEE: 27-81-42-05		RF
-	88 256T2460-26		STRAP INSTL-LE SLAT DRIVE TORQUE TUBE SAFETY POSITION DATA: RH FOR NHA SEE: 27-81-42-05		RF
	90 65B81992-3		.GUARD ATTACHING PARTS		1
-	95 BACB30NM3K3		.BOLT		2
-	100 AN960PD10		.WASHER		2
-	105 BRH10A3		.NUT		2
			SUPPLIER CODE: V52828 SPECIFICATION NUMBER: BACN10JC3 OPTIONAL PART: H10-3BAC V15653 NS202101-02 V80539 RMLH9075-3W V72962 VN303A02 V92215 96-02 V80539 T6S1032J V11815 -----*-----		
ILLUSTRATION ITEMS NOT ON PARTS LIST ARE NOT APPLICABLE					

- ITEM NOT ILLUSTRATED

HXL

27-81-53-01

BOEING PROPRIETARY - Copyright © - Unpublished Work - See title page for details.

27-81-53
FIG. 01
PAGE 3
DEC 22/06



767

PARTS CATALOG (MAINTENANCE)

FIG ITEM	PART NUMBER	1 2 3 4 5 6 7	NOMENCLATURE	EFFECT FROM TO	UNITS PER ASSY
1					
110	256T2425-2		.BRACKET- USED ON: 256T2460-19 MODREF50035		1
- 115	256T2425-1		.BRACKET- USED ON: 256T2460-20 MODREF50037		1
130	256T2460-11		ATTACHING PARTS STRAP INSTL-LE SLAT DRIVE TORQUE TUBE SAFETY POSITION DATA: LH FOR NHA SEE: 27-81-42-05		RF
- 135	256T2460-12		-----*----- STRAP INSTL-LE SLAT DRIVE TORQUE TUBE SAFETY POSITION DATA: RH FOR NHA SEE: 27-81-42-05		RF
- 137	256T2460-23		STRAP INSTL-LE SLAT DRIVE TORQUE TUBE SAFETY POSITION DATA: RH FOR NHA SEE: 27-81-42-05		RF
140	65B81992-3		.GUARD ATTACHING PARTS		1
- 145	BACB30NM3K4		.BOLT		2
- 150	AN960PD10		.WASHER		2

ILLUSTRATION ITEMS NOT ON PARTS LIST ARE NOT APPLICABLE

- ITEM NOT ILLUSTRATED

HXL

27-81-53-01

BOEING PROPRIETARY - Copyright © - Unpublished Work - See title page for details.

27-81-53
FIG. 01
PAGE 4
DEC 22/06


BOEING
 767
PARTS CATALOG (MAINTENANCE)

FIG ITEM	PART NUMBER	1 2 3 4 5 6 7	NOMENCLATURE	EFFECT FROM TO	UNITS PER ASSY
1 - 155	BRH10A3		.NUT SUPPLIER CODE: V52828 SPECIFICATION NUMBER: BACN10JC3 OPTIONAL PART: H10-3BAC V15653 NS202101-02 V80539 RMLH9075-3W V72962 VN303A02 V92215 96-02 V80539 T6S1032J V11815 -----*-----		2
200	256T2460-14		STRAP INSTL-LE SLAT DRIVE TORQUE TUBE SAFETY POSITION DATA: LH FOR NHA SEE: 27-81-42-05		RF
205	256T2460-16		STRAP INSTL-LE SLAT DRIVE TORQUE TUBE SAFETY POSITION DATA: LH FOR NHA SEE: 27-81-42-05		RF
210	65B81992-3		.GUARD ATTACHING PARTS		1
- 215	BACB30NM3K5		.BOLT		2
- 220	AN960PD10		.WASHER		2

ILLUSTRATION ITEMS NOT ON PARTS LIST ARE NOT APPLICABLE

- ITEM NOT ILLUSTRATED

HXL

27-81-53-01

BOEING PROPRIETARY - Copyright © - Unpublished Work - See title page for details.

27-81-53
 FIG. 01
 PAGE 5
 DEC 22/06



767

PARTS CATALOG (MAINTENANCE)

FIG ITEM	PART NUMBER	1 2 3 4 5 6 7 NOMENCLATURE	EFFECT FROM TO	UNITS PER ASSY
1 - 225	BRH10A3	.NUT SUPPLIER CODE: V52828 SPECIFICATION NUMBER: BACN10JC3 OPTIONAL PART: H10-3BAC V15653 NS202101-02 V80539 RMLH9075-3W V72962 VN303A02 V92215 96-02 V80539 T6S1032J V11815 -----*-----		2

ILLUSTRATION ITEMS NOT ON PARTS LIST ARE NOT APPLICABLE

- ITEM NOT ILLUSTRATED

HXL

27-81-53-01

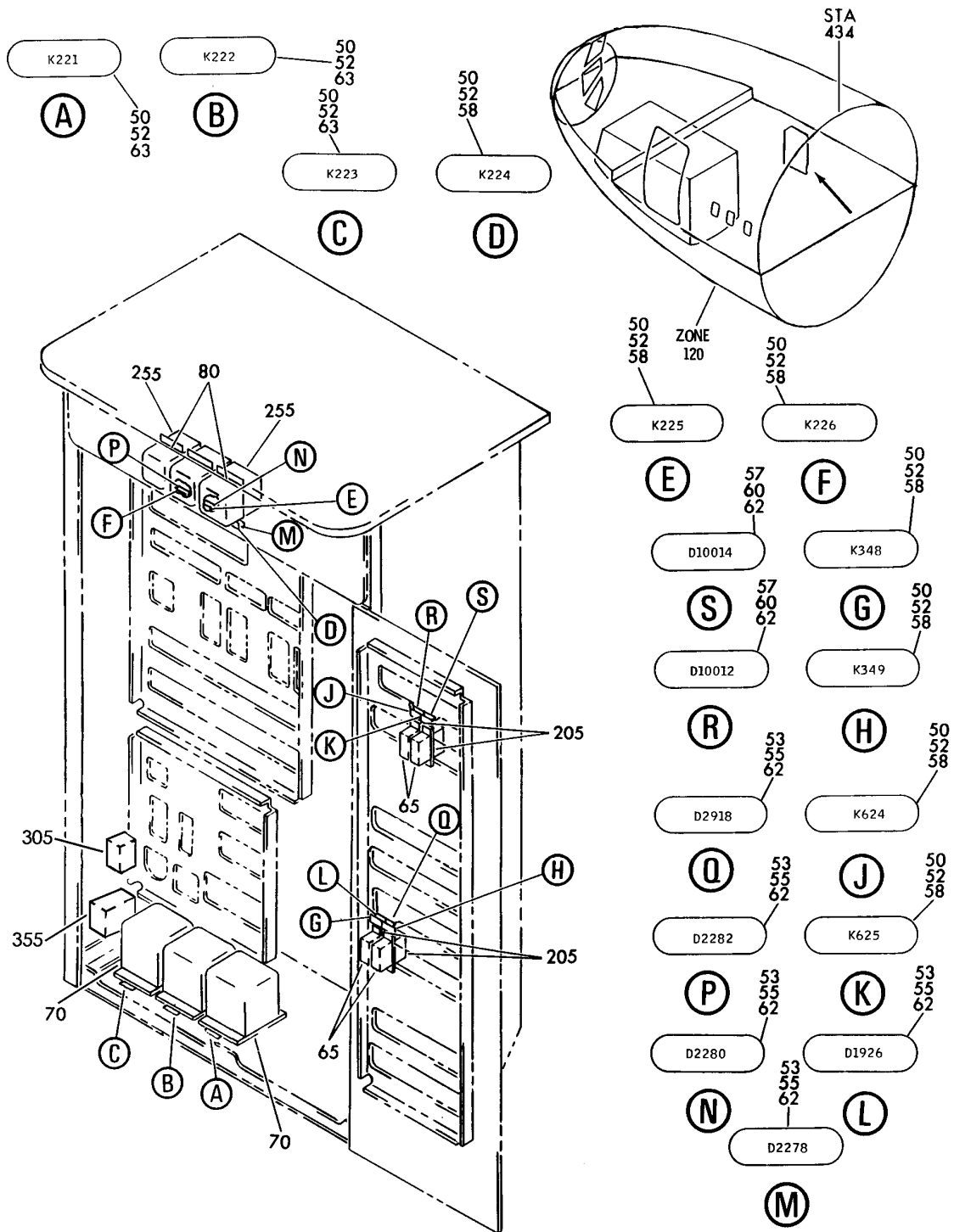
BOEING PROPRIETARY - Copyright © - Unpublished Work - See title page for details.

27-81-53
FIG. 01
PAGE 6
DEC 22/06

BOEING

767

PARTS CATALOG (MAINTENANCE)



V 27815402 REV 232

EQUIPMENT ASSY-P37 MISC ELEC PNL R (LEADING EDGE SLAT SYSTEM ONLY)
FIGURE 2

27-81-54-02

HXL
DEC 22/06

27-81-54-02
PAGE 0



767

PARTS CATALOG (MAINTENANCE)

FIG ITEM	PART NUMBER	1 2 3 4 5 6 7	NOMENCLATURE	EFFECT FROM TO	UNITS PER ASSY
2			EQUIPMENT ASSY-P37 MISC ELEC PNL R (LEADING EDGE SLAT SYSTEM ONLY)		
- 9	284T0188-157		EQUIPMENT ASSY-P37 MISC ELEC PNL (LEADING EDGE SLAT SYSTEM ONLY) POSITION DATA: R FOR NHA/OTHER SYS DET SEE: 53-11-70-05	155162	RF
- 10	284T0188-172		EQUIPMENT ASSY-P37 MISC ELEC PNL (LEADING EDGE SLAT SYSTEM ONLY) POSITION DATA: R FOR NHA/OTHER SYS DET SEE: 53-11-70-05	163163	RF
- 11	284T0188-194		EQUIPMENT ASSY-P37 MISC ELEC PNL (LEADING EDGE SLAT SYSTEM ONLY) POSITION DATA: R FOR NHA/OTHER SYS DET SEE: 53-11-70-05	164999	RF
52	BAC27TEX4184		.DECALSET-INCLUDES DECALS IDENTIFIED ON THE ILLUSTRATION		RF
53	BAC27TEX4189		.DECALSET-INCLUDES DECALS IDENTIFIED ON THE ILLUSTRATION		RF
57	BAC27TEX4190		.DECALSET-INCLUDES DECALS IDENTIFIED ON THE ILLUSTRATION		RF

ILLUSTRATION ITEMS NOT ON PARTS LIST ARE NOT APPLICABLE

- ITEM NOT ILLUSTRATED

HXL

27-81-54-02

BOEING PROPRIETARY - Copyright © - Unpublished Work - See title page for details.

27-81-54
FIG. 02
PAGE 1
DEC 22/07

BOEING
767
PARTS CATALOG (MAINTENANCE)

FIG ITEM	PART NUMBER	1 2 3 4 5 6 7	NOMENCLATURE	EFFECT FROM TO	UNITS PER ASSY
2 65	E210-1631		.RELAY- SUPPLIER CODE: V99699 SPECIFICATION NUMBER: BACR13CF2A OPTIONAL PART: BR246S0112 V56623 FCA210-70 V78290 E215-1050 V99699 JD4A017 V35344 BR64S104 V56623 61GB19-1A320 V98927 ELECTRICAL EQUIP NUMBER: K00348 K00349 K00624 K00625		4
70	9274-6686		.RELAY- SUPPLIER CODE: V58657 SPECIFICATION NUMBER: BACR13CC1 OPTIONAL PART: 9274-6686 V35344 ELECTRICAL EQUIP NUMBER: K00221 K00222 K00223		3
- 75	NAS1801-08-7		ATTACHING PARTS .SCREW -----*-----		12

ILLUSTRATION ITEMS NOT ON PARTS LIST ARE NOT APPLICABLE

- ITEM NOT ILLUSTRATED

HXL

27-81-54-02

BOEING PROPRIETARY - Copyright © - Unpublished Work - See title page for details.

27-81-54
FIG. 02
PAGE 2
DEC 22/07



767

PARTS CATALOG (MAINTENANCE)

FIG ITEM	PART NUMBER	1 2 3 4 5 6 7	NOMENCLATURE	EFFECT FROM TO	UNITS PER ASSY
2 80	FCC400-5		.RELAY- SUPPLIER CODE: V00213 SPECIFICATION NUMBER: 10-60450-1 ELECTRICAL EQUIP NUMBER: K00224 K00225 K00226 OPTIONAL PART: A410-159673-01 V73949 G59673-1 V73949 CC400-5 V58657		3
80	9524-6506		.RELAY- SUPPLIER CODE: V58657 SPECIFICATION NUMBER: 10-60450-1 ELECTRICAL EQUIP NUMBER: K00224 K00225 K00226 OPTIONAL PART: A410-159673-01 V73949 G59673-1 V73949 FCC400-5 V00213		3
- 200	286T0192-300		WIRE BUNDLE ASSY-		RF

ILLUSTRATION ITEMS NOT ON PARTS LIST ARE NOT APPLICABLE

- ITEM NOT ILLUSTRATED

HXL

27-81-54-02

BOEING PROPRIETARY - Copyright © - Unpublished Work - See title page for details.

27-81-54
FIG. 02
PAGE 3
DEC 22/07



767

PARTS CATALOG (MAINTENANCE)

FIG ITEM	PART NUMBER	1 2 3 4 5 6 7	NOMENCLATURE	EFFECT FROM TO	UNITS PER ASSY
2 205	RSF116200		.SOCKET- SUPPLIER CODE: V58982 SPECIFICATION NUMBER: BACS16X1A OPTIONAL PART: 102-006-1 V09922 000300-1538 V05574 ELECTRICAL EQUIP NUMBER: D01926 D02918 D10012 D10014 WIRING DIAGRAM REF: 278111 278121		4
- 210	RSF116400		.SOCKET- SUPPLIER CODE: V58982 SPECIFICATION NUMBER: BACS16W1A OPTIONAL PART: 102-009-1 V09922 000300-1539 V05574 ELECTRICAL EQUIP NUMBER: D21190 WIRING DIAGRAM REF: 278911 POST ALERT SB: 27A0140R2		1
- 215	318-2020-901L		.CONTACT-SOCKET SUPPLIER CODE: V55104 SPECIFICATION NUMBER: BACC47CP1S OPTIONAL PART: ZZL4120-36LDH14 V49367 LP807105-205 V77820 POST ALERT SB: 27A0140R2		4
- 220	BACC47CN1S		.CONTACT-PIN POST ALERT SB: 27A0140R2		1

ILLUSTRATION ITEMS NOT ON PARTS LIST ARE NOT APPLICABLE

- ITEM NOT ILLUSTRATED

27-81-54-02

27-81-54
FIG. 02
PAGE 4
DEC 22/07

HXL



767

PARTS CATALOG (MAINTENANCE)

FIG ITEM	PART NUMBER	1 2 3 4 5 6 7	NOMENCLATURE	EFFECT FROM TO	UNITS PER ASSY
2					
- 225	318-1620-802		.CONTACT- SUPPLIER CODE: V55104 SPECIFICATION NUMBER: BACC47DJ1 OPTIONAL PART: 101-016-1DJ5 V09922 019-0249-000 V05574 POST ALERT SB: 27A0140R2		8
- 230	BACC47DE7		.CONTACT- POST ALERT SB: 27A0140R2		3
- 235	318-1620-802		.CONTACT- SUPPLIER CODE: V55104 SPECIFICATION NUMBER: BACC47DJ1 OPTIONAL PART: 101-016-1DJ5 V09922 019-0249-000 V05574 WIRING DIAGRAM REF: 278111 POST SERVICE BULLETIN: 27-0133		4
- 250	286T1118-300		WIRE BUNDLE ASSY		RF
255	000300-0445		.SOCKET- SUPPLIER CODE: V05574 SPECIFICATION NUMBER: 10-60450-5 ELECTRICAL EQUIP NUMBER: D02278 D02280 D02282 WIRING DIAGRAM REF: 278111 OPTIONAL PART: 105-100-02 V26742 82164-1F V12054		3
- 300	286T0588-300		WIRE BUNDLE ASSY- POST ALERT SB: 27A0140R2		RF

ILLUSTRATION ITEMS NOT ON PARTS LIST ARE NOT APPLICABLE

- ITEM NOT ILLUSTRATED

27-81-54-02

27-81-54
FIG. 02
PAGE 5
DEC 22/07

HXL



767

PARTS CATALOG (MAINTENANCE)

FIG ITEM	PART NUMBER	1 2 3 4 5 6 7	NOMENCLATURE	EFFECT FROM TO	UNITS PER ASSY
2					
- 303	BACC45FN16-24P7	.	CONNECTOR- ELECTRICAL EQUIP NUMBER: D05544J WIRING DIAGRAM REF: 326114 POST ALERT SB: 27A0140		1
305	BACC45FT18-31P8	.	PLUG- ELECTRICAL EQUIP NUMBER: D04934P WIRING DIAGRAM REF: 291131 POST ALERT SB: 27A0140R2		1
- 310	BACC47CN1S	.	CONTACT- POST ALERT SB: 27A0140R2		4
- 315	BACC47CN1S	.	CONTACT- POST ALERT SB: 27A0140R2		4
- 350	286T0752-300		WIRE BUNDLE ASSY- POST ALERT SB: 27A0140R2		RF
- 353	BACC45FN12-12S8	.	RECEPTACLE- ELECTRICAL EQUIP NUMBER: D04626J WIRING DIAGRAM REF: 278131 POST ALERT SB: 27A0140		1
355	BACC45FT16-24S8	.	PLUG- ELECTRICAL EQUIP NUMBER: D05330P WIRING DIAGRAM REF: 275131 POST ALERT SB: 27A0140R2		1
358	BACC45FT20-25P7	.	PLUG- ELECTRICAL EQUIP NUMBER: D05894P WIRING DIAGRAM REF: 275131 POST ALERT SB: 27A0140R2		1

ILLUSTRATION ITEMS NOT ON PARTS LIST ARE NOT APPLICABLE

- ITEM NOT ILLUSTRATED

HXL

27-81-54-02

BOEING PROPRIETARY - Copyright © - Unpublished Work - See title page for details.

27-81-54
FIG. 02
PAGE 6
DEC 22/07



767

PARTS CATALOG (MAINTENANCE)

FIG ITEM	PART NUMBER	1 2 3 4 5 6 7	NOMENCLATURE	EFFECT FROM TO	UNITS PER ASSY
2 - 360	318-2020-901L	.	CONTACT-SOCKET SUPPLIER CODE: V55104 SPECIFICATION NUMBER: BACC47CP1S OPTIONAL PART: ZZL4120-36LDH14 V49367 LP807105-205 V77820 POST ALERT SB: 27A0140R2		1
- 365	318-2020-901L	.	CONTACT-SOCKET SUPPLIER CODE: V55104 SPECIFICATION NUMBER: BACC47CP1S OPTIONAL PART: ZZL4120-36LDH14 V49367 LP807105-205 V77820 POST ALERT SB: 27A0140R2		2
- 370	BACC47CN1S	.	CONTACT- POST ALERT SB: 27A0140R2		1

ILLUSTRATION ITEMS NOT ON PARTS LIST ARE NOT APPLICABLE

- ITEM NOT ILLUSTRATED

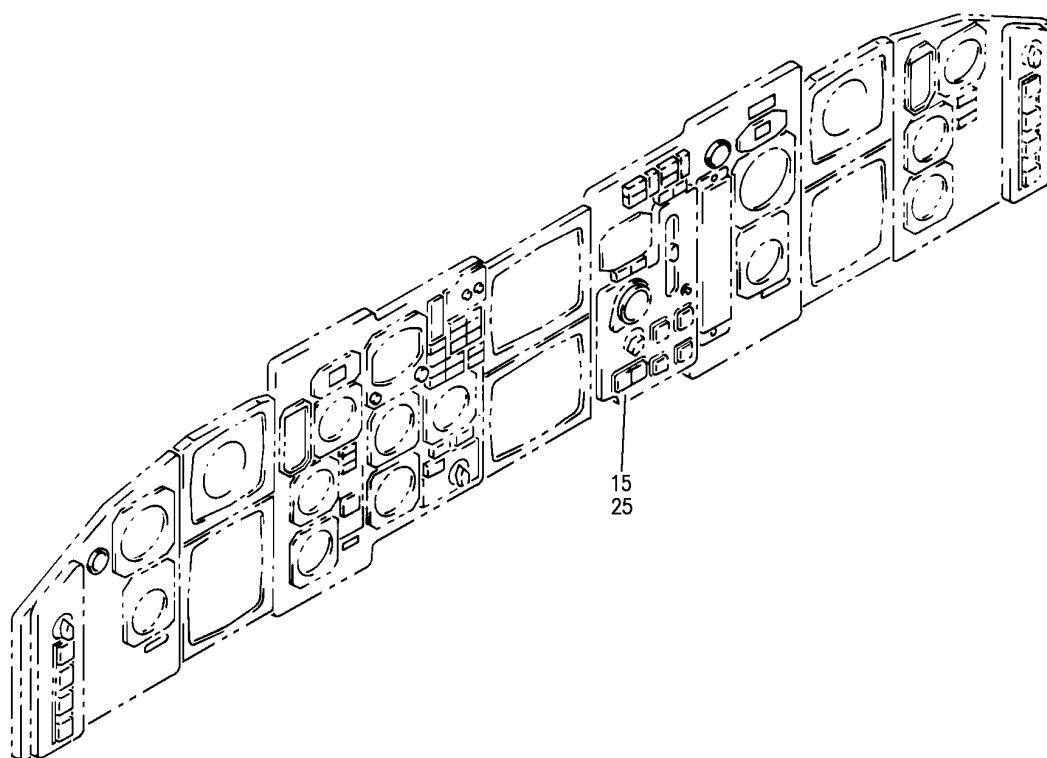
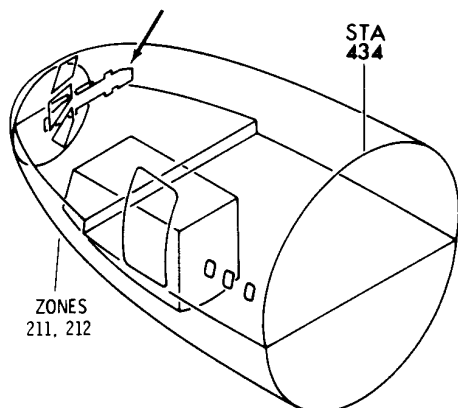
HXL

27-81-54-02

BOEING PROPRIETARY - Copyright © - Unpublished Work - See title page for details.

27-81-54
FIG. 02
PAGE 7
DEC 22/07

BOEING
767
PARTS CATALOG (MAINTENANCE)



V 27815701 REV 283

PANEL INSTL-PILOTS MAIN (LEADING EDGE SLAT SYSTEM ONLY)
FIGURE 1

27-81-57-01

HXL
DEC 22/06

27-81-57-01
PAGE 0



767

PARTS CATALOG (MAINTENANCE)

FIG ITEM	PART NUMBER	1 2 3 4 5 6 7	NOMENCLATURE	EFFECT FROM TO	UNITS PER ASSY
1			PANEL INSTL-PILOTS MAIN (LEADING EDGE SLAT SYSTEM ONLY)		
- 1	233T2100-1		PANEL INSTL-PILOTS MAIN (LEADING EDGE SLAT SYSTEM ONLY)		RF
			VARIABLE DRAWING REF: 233T2223-5048 FOR NHA/OTHER SYS DET SEE: 25-10-00-03		
- 8	233T2223-120		.PANEL ASSY-2 CREW CONT P3-1 PRE ALERT SB: 33A0087		RF
- 10	233T2223-1120		.PANEL ASSY-2 CREW CONT P3-1 POST ALERT SB: 33A0087		RF
15	851-30768-3001		..SWITCH ASSY-LIGHTED PUSH BUTTON IND ALTN SUPPLIER CODE: V96182 SPECIFICATION NUMBER: S231T290-3001 ELECTRICAL EQUIP NUMBER: S00602 OPTIONAL PART: S231T290-5001 V96182 FOR DETAILS SEE: 33-13-75-24		1

ILLUSTRATION ITEMS NOT ON PARTS LIST ARE NOT APPLICABLE

- ITEM NOT ILLUSTRATED

HXL

27-81-57-01

BOEING PROPRIETARY - Copyright © - Unpublished Work - See title page for details.

27-81-57
FIG. 01
PAGE 1
DEC 22/07



767

PARTS CATALOG (MAINTENANCE)

FIG ITEM	PART NUMBER	1 2 3 4 5 6 7	NOMENCLATURE	EFFECT FROM TO	UNITS PER ASSY
1 15	BCREF7679		..SWITCH ASSY-LIGHTED PUSH BUTTON IND ALTN SUPPLIER CODE: V81590 OVERLENGTH PART NUMBER: 433-673-1001-1001 SPECIFICATION NUMBER: S231T290-1001 MISCELLANEOUS DATA: WHEN REPLACING THE PUSHBUTTON SWITCH ASSY OR THE MASTER MODULE WITHIN, VERIFY THAT A CONFIG D MASTER MODULE P/N 13206-001 IS INSTALLED IN LIEU OF ANY EARLIER CONFIGURATION MASTER MODULES. ELECTRICAL EQUIP NUMBER: S00602 REWORKED BY ALERT SB: 33A0087 FOR DETAILS SEE: 33-13-75-14		1
15	851-30768-2001		..SWITCH ASSY-LIGHTED PUSH BUTTON IND ALTN SUPPLIER CODE: V96182 SPECIFICATION NUMBER: S231T290-2001 ELECTRICAL EQUIP NUMBER: S00602 FOR DETAILS SEE: 33-13-75-04		1

ILLUSTRATION ITEMS NOT ON PARTS LIST ARE NOT APPLICABLE

- ITEM NOT ILLUSTRATED

HXL

27-81-57-01

BOEING PROPRIETARY - Copyright © - Unpublished Work - See title page for details.

27-81-57
 FIG. 01
 PAGE 2
 DEC 22/06



767

PARTS CATALOG (MAINTENANCE)

FIG ITEM	PART NUMBER	1 2 3 4 5 6 7	NOMENCLATURE	EFFECT FROM TO	UNITS PER ASSY
1 15	BCREFA0501		..SWITCH ASSY-LIGHTED PUSH BUTTON IND ALTN SUPPLIER CODE: V81590 OVERLENGTH PART NUMBER: 433-673-1004-4001 SPECIFICATION NUMBER: S231T290-4001 MISCELLANEOUS DATA: WHEN REPLACING THE PUSHBUTTON SWITCH ASSY OR THE MASTER MODULE WITHIN, VERIFY THAT A CONFIG D MASTER MODULE P/N 13206-001 IS INSTALLED IN LIEU OF ANY EARLIER CONFIGURATION MASTER MODULES. ELECTRICAL EQUIP NUMBER: S00602 OPTIONAL PART: S231T290-5001 V96182 REWORKED BY ALERT SB: 33A0087 FOR DETAILS SEE: 33-13-75-31		1
15	S231T290-5001		..SWITCH ASSY-LIGHTED PUSH BUTTON IND SUPPLIER CODE: V96182 ELECTRICAL EQUIP NUMBER: S00602 OPTIONAL PART: BCREFA0501 V81590		1

ILLUSTRATION ITEMS NOT ON PARTS LIST ARE NOT APPLICABLE

- ITEM NOT ILLUSTRATED

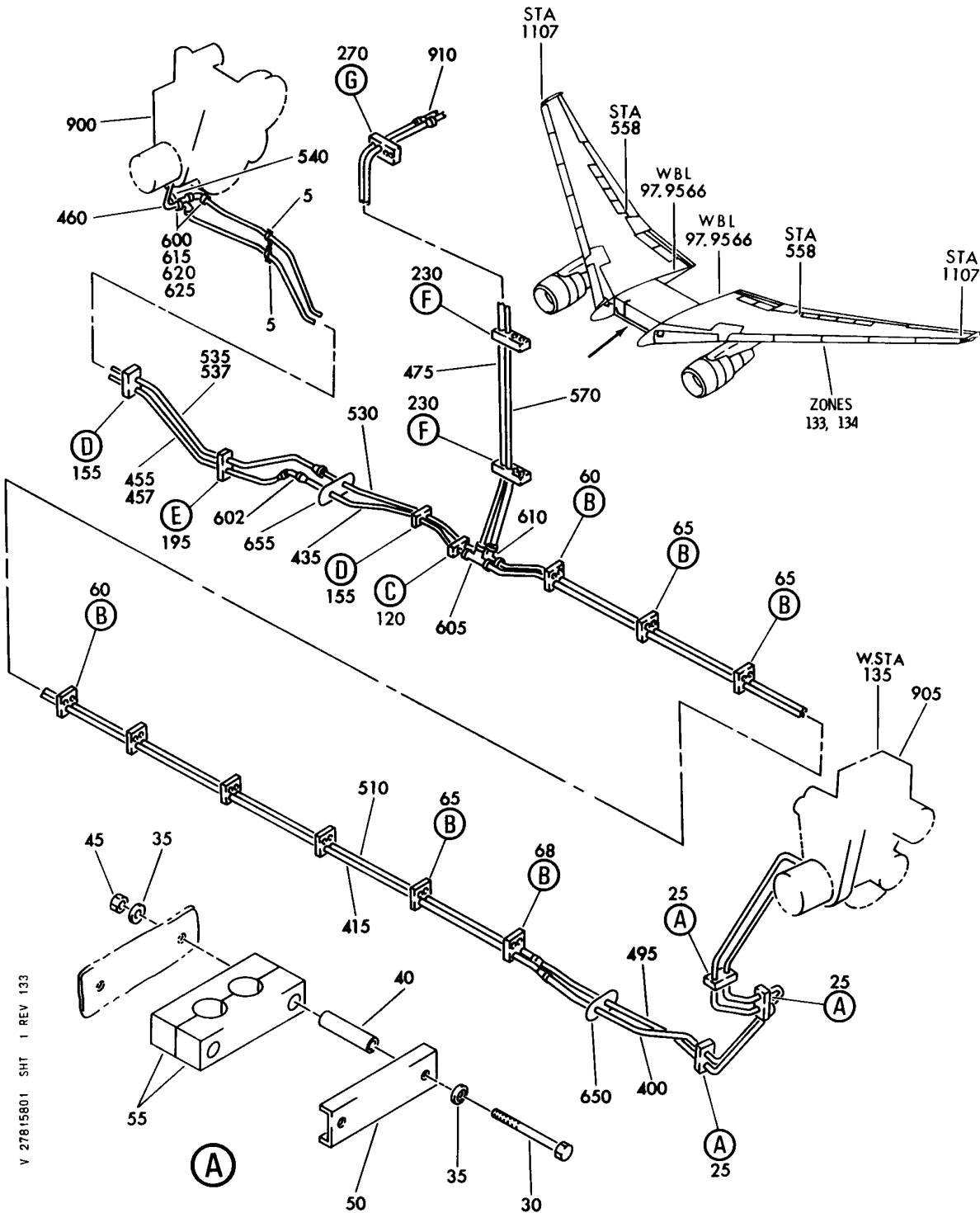
HXL

27-81-57-01

BOEING PROPRIETARY - Copyright © - Unpublished Work - See title page for details.

27-81-57
 FIG. 01
 PAGE 3
 DEC 22/06


BOEING
 767
PARTS CATALOG (MAINTENANCE)



V 27815801 SHT 1 REV 133

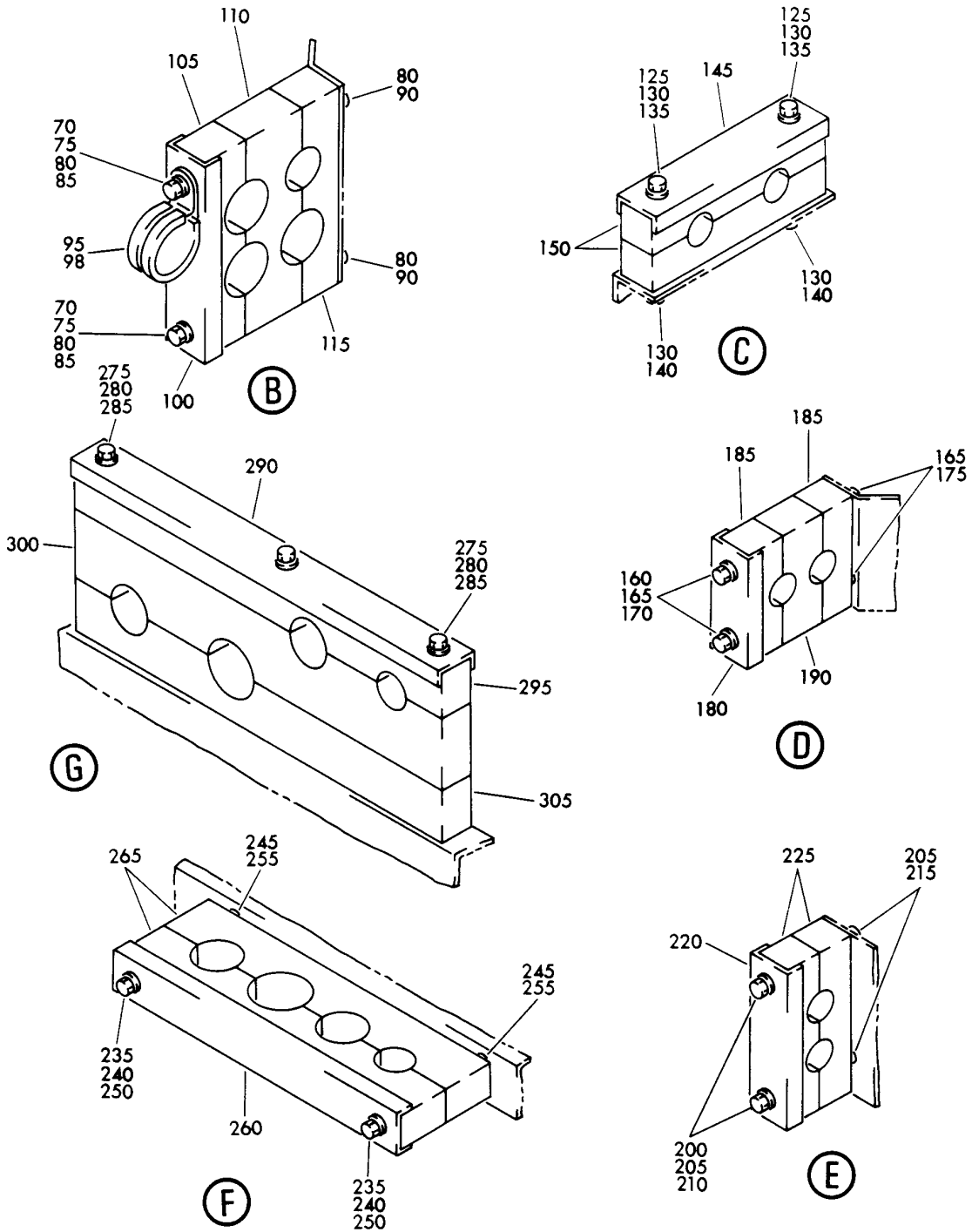
HYDRAULIC INSTL-SECT. 43 (FLIGHT CONTROL ONLY)
 FIGURE 1 (SHEET 1)

27-81-58-01

HXL
DEC 22/06

27-81-58-01
 PAGE 0

BOEING
767
PARTS CATALOG (MAINTENANCE)



V 27815801 SHT 2 REV 023

HYDRAULIC INSTL-SECT. 43 (FLIGHT CONTROL ONLY)
FIGURE 1 (SHEET 2)

27-81-58-01

HXL
DEC 22/06

27-81-58-01
PAGE 0A

BOEING
767
PARTS CATALOG (MAINTENANCE)

FIG ITEM	PART NUMBER	1 2 3 4 5 6 7	NOMENCLATURE	EFFECT FROM TO	UNITS PER ASSY
1			HYDRAULIC INSTL-SECT. 43 (FLIGHT CONTROL ONLY)		
- 1	272T4300-3		HYDRAULIC INSTL- (FLIGHT CONTROLS ONLY) POSITION DATA: SECT. 43 VARIABLE DRAWING REF: 272T4300-5027 272T4300-7002 FOR NHA/OTHER SYS DET SEE: 29-00-00-02		RF
	5 TA0910004H106		.CLAMP SUPPLIER CODE: V84971 SPECIFICATION NUMBER: BACC10HB06C ATTACHING PARTS		2
- 10	NAS1801-3-9		.SCREW		4
- 15	AN960PD10L		.WASHER		8
- 20	BRH10A3		.NUT SUPPLIER CODE: V52828 SPECIFICATION NUMBER: BACN10JC3 OPTIONAL PART: H10-3BAC V15653 NS202101-02 V80539 RMLH9075-3W V72962 VN303A02 V92215 96-02 V80539 T6S1032J V11815		4
	25 270T0005-207		-----*----- .BLOCK ASSY-SPRT		3
	30 NAS1801-3-28		..SCREW		2
	35 AN960PD10L		..WASHER		4
	40 NAS43DD3-77		..SPACER		2

ILLUSTRATION ITEMS NOT ON PARTS LIST ARE NOT APPLICABLE

- ITEM NOT ILLUSTRATED

HXL

27-81-58-01

BOEING PROPRIETARY - Copyright © - Unpublished Work - See title page for details.

27-81-58
FIG. 01
PAGE 1
DEC 22/07

 **BOEING**
767
PARTS CATALOG (MAINTENANCE)

FIG ITEM	PART NUMBER	1 2 3 4 5 6 7	NOMENCLATURE	EFFECT FROM TO	UNITS PER ASSY
1					
45	BRH10A3		.. NUT SUPPLIER CODE: V52828 SPECIFICATION NUMBER: BACN10JC3 OPTIONAL PART: H10-3BAC V15653 NS202101-02 V80539 RMLH9075-3W V72962 VN303A02 V92215 96-02 V80539 T6S1032J V11815		2
50	65B80254-300		.. CHANNEL		1
55	65B80254-229		.. BLOCK-CLAMP		2
60	270T0005-510		.BLOCK ASSY-SPRT		2
65	270T0005-402		.BLOCK ASSY-SPRT		6
68	270T0005-563		.BLOCK ASSY-SPRT		1
70	NAS1801-3-43		.. SCREW- USED ON: 270T0005-510 270T0005-563		2
75	NAS1801-3-41		.. SCREW- USED ON: 270T0005-402		2
80	AN960PD10L		.. WASHER		4
85	NAS43DD3-131		.. SPACER		2

ILLUSTRATION ITEMS NOT ON PARTS LIST ARE NOT APPLICABLE

- ITEM NOT ILLUSTRATED

HXL

27-81-58-01

BOEING PROPRIETARY - Copyright © - Unpublished Work - See title page for details.

27-81-58
FIG. 01
PAGE 2
DEC 22/06



767

PARTS CATALOG (MAINTENANCE)

FIG ITEM	PART NUMBER	1 2 3 4 5 6 7	NOMENCLATURE	EFFECT FROM TO	UNITS PER ASSY
1	90 BRH10A3		.. NUT SUPPLIER CODE: V52828 SPECIFICATION NUMBER: BACN10JC3 OPTIONAL PART: H10-3BAC V15653 NS202101-02 V80539 RMLH9075-3W V72962 VN303A02 V92215 96-02 V80539 T6S1032J V11815		2
	95 M85052-2-10		.. CLAMP- USED ON: 270T0005-510		1
	98 BACC10EP10		.. CLAMP- USED ON: 270T0005-563		1
	100 65B80254-300		.. CHANNEL		1
	105 65B80254-229		.. BLOCK-CLAMP		1
	110 270T0004-402		.. BLOCK-CLAMP		1
	115 270T0004-203		.. BLOCK-CLAMP		1
	120 270T0005-201		.BLOCK ASSY-SPRT		1
	125 NAS1801-3-22		.. SCREW		2
	130 AN960PD10L		.. WASHER		4
	135 NAS43DD3-59		.. SPACER		2

ILLUSTRATION ITEMS NOT ON PARTS LIST ARE NOT APPLICABLE

- ITEM NOT ILLUSTRATED

HXL

27-81-58-01

BOEING PROPRIETARY - Copyright © - Unpublished Work - See title page for details.

27-81-58
 FIG. 01
 PAGE 3
 DEC 22/06

 **BOEING**
767
PARTS CATALOG (MAINTENANCE)

FIG ITEM	PART NUMBER	1 2 3 4 5 6 7	NOMENCLATURE	EFFECT FROM TO	UNITS PER ASSY
1					
140	BRH10A3	..	NUT SUPPLIER CODE: V52828 SPECIFICATION NUMBER: BACN10JC3 OPTIONAL PART: H10-3BAC V15653 NS202101-02 V80539 RMLH9075-3W V72962 VN303A02 V92215 96-02 V80539 T6S1032J V11815		2
145	270T0004-12	..	CHANNEL		1
150	270T0004-208	..	BLOCK-CLAMP		2
155	270T0005-202	.	BLOCK ASSY-SPRT		2
160	NAS1801-3-34	..	SCREW		2
165	AN960PD10L	..	WASHER		4
170	NAS43DD3-100	..	SPACER		2
175	BRH10A3	..	NUT SUPPLIER CODE: V52828 SPECIFICATION NUMBER: BACN10JC3 OPTIONAL PART: H10-3BAC V15653 NS202101-02 V80539 RMLH9075-3W V72962 VN303A02 V92215 96-02 V80539 T6S1032J V11815		2
180	65B80254-157	..	CHANNEL		1
185	65B80254-65	..	BLOCK-CLAMP		2
190	65B80254-66	..	BLOCK-CLAMP		1
195	270T0005-205	.	BLOCK ASSY-SPRT		1
200	NAS1801-3-22	..	SCREW		2
205	AN960PD10L	..	WASHER		4
210	NAS43DD3-59	..	SPACER		2

ILLUSTRATION ITEMS NOT ON PARTS LIST ARE NOT APPLICABLE

- ITEM NOT ILLUSTRATED

HXL

27-81-58-01

BOEING PROPRIETARY - Copyright © - Unpublished Work - See title page for details.

27-81-58
FIG. 01
PAGE 4
AUG 22/09

 **BOEING**
767
PARTS CATALOG (MAINTENANCE)

FIG ITEM	PART NUMBER	1 2 3 4 5 6 7	NOMENCLATURE	EFFECT FROM TO	UNITS PER ASSY
1					
215	BRH10A3		.. NUT SUPPLIER CODE: V52828 SPECIFICATION NUMBER: BACN10JC3 OPTIONAL PART: H10-3BAC V15653 NS202101-02 V80539 RMLH9075-3W V72962 VN303A02 V92215 96-02 V80539 T6S1032J V11815		2
220	65B80254-158		.. CHANNEL		1
225	65B80254-67		.. BLOCK-CLAMP		2
230	270T0005-2407		.BLOCK ASSY-SPRT		2
235	NAS1801-3-30		.. SCREW		2
245	AN960KD10L		.. WASHER		2
250	NAS43DD3-85		.. SPACER		2
260	270T0004-7		.. CHANNEL		1
265	270T0004-403		.. BLOCK-CLAMP		2
270	270T0005-479		.BLOCK ASSY-SPRT		1
275	NAS1801-3-43		.. SCREW		3
280	AN960PD10L		.. WASHER		3
285	NAS43DD3-140		.. SPACER		3
290	270T0004-2051		.. CHANNEL		1
295	270T0004-256		.. BLOCK-CLAMP		1
300	270T0004-472		.. BLOCK-CLAMP		1
305	270T0004-257		.. BLOCK-CLAMP		1
400	272T4300-104		.TUBE ASSY-SLAT PRESSURE CTR SYS TUBING MATERIAL: .625 IN. OD .032 IN. WALL 71.00 IN. LG TITANIUM		1
- 405	AS1581T10		.. SLEEVE		2
- 410	BACN10YA10		.. NUT- OPTIONAL PART: BACN10NR10		2

ILLUSTRATION ITEMS NOT ON PARTS LIST ARE NOT APPLICABLE

- ITEM NOT ILLUSTRATED

HXL

27-81-58-01

BOEING PROPRIETARY - Copyright © - Unpublished Work - See title page for details.

27-81-58
FIG. 01
PAGE 5
DEC 22/06



767

PARTS CATALOG (MAINTENANCE)

FIG ITEM	PART NUMBER	1 2 3 4 5 6 7	NOMENCLATURE	EFFECT FROM TO	UNITS PER ASSY
1					
- 410	AFP107-10	..	NUT- SUPPLIER CODE: V30974 SPECIFICATION NUMBER: BACN10NR10 OPTIONAL PART: AP1028T10 V01673 BC921T10 V50948 DBON10NR10 V14798 ER01921-10T V88334 FER8928-10 V14397 F11-10 V73197 2-03005T10 V11328 31783-10 V14397 BACN10YA10		2
415	272T4300-137	.TUBE	ASSY-SLAT PRESSURE CTR SYS		1
- 420	AS1581T10	..	SLEEVE		1
- 425	BACN10YA10N	..	NUT-		1
- 430	AS1582T10	..	UNION		1
435	272T4300-138	.TUBE	ASSY-SLAT PRESSURE CTR SYS		1
- 440	AS1581T06	..	SLEEVE		1
- 445	BACN10YA6N	..	NUT-		1
- 450	AS1582T06	..	UNION		1
455	272T4300-101	.TUBE	ASSY-SLAT PRESSURE CTR SYS TUBING MATERIAL: .375 IN. OD .019 IN. WALL 60.00 IN. LG TITANIUM PRE ALERT SB: 29A0064R1		1
457	272T4300-108	.TUBE	ASSY-SLAT PRESSURE CTR SYS TUBING MATERIAL: .375 IN. OD .019 IN. WALL 63.00 IN. LG TITANIUM POST ALERT SB: 29A0064R1		1

ILLUSTRATION ITEMS NOT ON PARTS LIST ARE NOT APPLICABLE

- ITEM NOT ILLUSTRATED

27-81-58-01

27-81-58
FIG. 01
PAGE 6
DEC 22/07

HXL

 **BOEING**
767
PARTS CATALOG (MAINTENANCE)

FIG ITEM	PART NUMBER	1 2 3 4 5 6 7	NOMENCLATURE	EFFECT FROM TO	UNITS PER ASSY
1 460	272T4300-102		.TUBE ASSY-SLAT PRESSURE CTR SYS TUBING MATERIAL: .375 IN. OD .019 IN. WALL 20.00 IN. LG TITANIUM		1
- 465	AS1581T06		..SLEEVE		2
- 470	BACN10YA6		..NUT-		2
			OPTIONAL PART: BACN10NR6		
- 470	AFP107-6		..NUT-		2
			SUPPLIER CODE: V30974 SPECIFICATION NUMBER: BACN10NR6 OPTIONAL PART: AP1028T6 V01673 BC921T6 V50948 DBON10NR6 V14798 ER01921-6T V88334 FER8928-6 V14397 F11-6 V73197 2-03005T6 V11328 31783-6 V14397 35068-06 V08199		
475	272T4300-140		.TUBE ASSY-SLAT PRESSURE CTR SYS		1
- 480	AS1581T10		..SLEEVE		1
- 485	BACN10YA10N		..NUT-		1
- 490	AS1582T10		..UNION		1
495	272T4300-204		.TUBE ASSY-SLAT RETURN CTR SYS TUBING MATERIAL: .625 IN. OD .032 IN. WALL 70.00 IN. LG TITANIUM		1
- 500	AS1581T10		..SLEEVE		2
- 505	BACN10YA10		..NUT-		2
			OPTIONAL PART: BACN10NR10		

ILLUSTRATION ITEMS NOT ON PARTS LIST ARE NOT APPLICABLE

- ITEM NOT ILLUSTRATED

HXL

27-81-58-01

BOEING PROPRIETARY - Copyright © - Unpublished Work - See title page for details.

27-81-58
FIG. 01
PAGE 7
DEC 22/08



767

PARTS CATALOG (MAINTENANCE)

FIG ITEM	PART NUMBER	1 2 3 4 5 6 7	NOMENCLATURE	EFFECT FROM TO	UNITS PER ASSY
1					
- 505	AFP107-10		..NUT- SUPPLIER CODE: V30974 SPECIFICATION NUMBER: BACN10NR10 OPTIONAL PART: AP1028T10 V01673 BC921T10 V50948 DBON10NR10 V14798 ER01921-10T V88334 FER8928-10 V14397 F11-10 V73197 2-03005T10 V11328 31783-10 V14397 BACN10YA10		2
510	272T4300-136		.TUBE ASSY-SLAT RETURN CTR SYS		1
- 515	AS1581T10		..SLEEVE		1
- 520	BACN10YA10N		..NUT-		1
- 525	AS1582T10		..UNION		1
530	272T4300-205		.TUBE ASSY-SLAT RETURN CTR SYS TUBING MATERIAL: .375 IN. OD .019 IN. WALL 22.00 IN. LG TITANIUM		1
535	272T4300-201		.TUBE ASSY-SLAT RETURN CTR SYS TUBING MATERIAL: .375 IN. OD .019 IN. WALL 60.00 IN. LG TITANIUM PRE ALERT SB: 29A0064R1		1

ILLUSTRATION ITEMS NOT ON PARTS LIST ARE NOT APPLICABLE

- ITEM NOT ILLUSTRATED

HXL

27-81-58-01

BOEING PROPRIETARY - Copyright © - Unpublished Work - See title page for details.

27-81-58
FIG. 01
PAGE 8
DEC 22/07



767

PARTS CATALOG (MAINTENANCE)

FIG ITEM	PART NUMBER	1 2 3 4 5 6 7	NOMENCLATURE	EFFECT FROM TO	UNITS PER ASSY
1					
537	272T4300-207		.TUBE ASSY-SLAT RETURN CTR SYS TUBING MATERIAL: .375 IN. OD .019 IN. WALL 60.00 IN. LG TITANIUM POST ALERT SB: 29A0064R1		1
540	272T4300-202		.TUBE ASSY-SLAT RETURN CTR SYS TUBING MATERIAL: .375 IN. OD .019 IN. WALL 20.00 IN. LG TITANIUM		1
- 545	AS1581T06		..SLEEVE- USED ON: 272T4300-202 272T4300-205		2
- 550	AS1581T06		..SLEEVE- USED ON: 272T4300-201		1
- 555	BACN10YA6		..NUT- OPTIONAL PART: BACN10NR6 USED ON: 272T4300-202 272T4300-205		2

ILLUSTRATION ITEMS NOT ON PARTS LIST ARE NOT APPLICABLE

- ITEM NOT ILLUSTRATED

HXL

27-81-58-01

BOEING PROPRIETARY - Copyright © - Unpublished Work - See title page for details.

27-81-58
FIG. 01
PAGE 9
DEC 22/07



767

PARTS CATALOG (MAINTENANCE)

FIG ITEM	PART NUMBER	1 2 3 4 5 6 7	NOMENCLATURE	EFFECT FROM TO	UNITS PER ASSY
1 - 555	AFP107-6		..NUT- SUPPLIER CODE: V30974 SPECIFICATION NUMBER: BACN10NR6 OPTIONAL PART: AP1028T6 V01673 BC921T6 V50948 DBON10NR6 V14798 ER01921-6T V88334 FER8928-6 V14397 F11-6 V73197 2-03005T6 V11328 31783-6 V14397 35068-06 V08199 BACN10YA6 USED ON: 272T4300-202 272T4300-205		2
- 560	BACN10YA6		..NUT- OPTIONAL PART: BACN10NR6 USED ON: 272T4300-201		1

ILLUSTRATION ITEMS NOT ON PARTS LIST ARE NOT APPLICABLE

- ITEM NOT ILLUSTRATED

HXL

27-81-58-01

BOEING PROPRIETARY - Copyright © - Unpublished Work - See title page for details.

27-81-58
 FIG. 01
 PAGE 10
 DEC 22/08

 **BOEING**
767
PARTS CATALOG (MAINTENANCE)

FIG ITEM	PART NUMBER	1 2 3 4 5 6 7	NOMENCLATURE	EFFECT FROM TO	UNITS PER ASSY
1 - 560	AFP107-6		..NUT- SUPPLIER CODE: V30974 SPECIFICATION NUMBER: BACN10NR6 OPTIONAL PART: AP1028T6 V01673 BC921T6 V50948 DBON10NR6 V14798 ER01921-6T V88334 FER8928-6 V14397 F11-6 V73197 2-03005T6 V11328 31783-6 V14397 35068-06 V08199 BACN10YA6 USED ON: 272T4300-201		1
- 565	AS1582T06		..UNION- USED ON: 272T4300-201		1
570	272T4300-141		.TUBE ASSY-SLAT RETURN CTR SYS		1
- 575	AS1581T12		..SLEEVE		1
- 580	BACN10YA12		..NUT-		1
- 580	BACN10YA12N		..NUT-		1
- 585	AS1582T12		..UNION		1
600	BACE21BN0606J		.ELBOW		2
602	AP1042P0606		.ELBOW- SUPPLIER CODE: V01673 SPECIFICATION NUMBER: BACE21BT0606P POST ALERT SB: 29A0064R1		1
605	BACT16BL100610J		.TEE- OPTIONAL PART: BACT16AS100610T		1

ILLUSTRATION ITEMS NOT ON PARTS LIST ARE NOT APPLICABLE

- ITEM NOT ILLUSTRATED

HXL

27-81-58-01

BOEING PROPRIETARY - Copyright © - Unpublished Work - See title page for details.

27-81-58
FIG. 01
PAGE 11
DEC 22/08



767

PARTS CATALOG (MAINTENANCE)

FIG ITEM	PART NUMBER	1 2 3 4 5 6 7	NOMENCLATURE	EFFECT FROM TO	UNITS PER ASSY
1					
610	BACT16BL100612J	.TEE-	OPTIONAL PART: BACT16AS100612T		1
615	AN924-6D	.NUT			2
620	AN960PD916	.WASHER			2
625	AN960PD916L	.WASHER			2
650	272T4304-1	.RETAINER INSTL-SKIN PNL	FOR DETAILS SEE: 53-35-53-01		1
655	272T4304-2	.RETAINER INSTL-SKIN PNL	FOR DETAILS SEE: 53-35-53-01		1
905		ILLUSTRATION REFERENCE: POWER DRIVE UNIT AND SUPPORT INSTL-OUTBD LE SLAT DRIVE 27-81-10-05			RF
910		ILLUSTRATION REFERENCE: HYDRAULIC INSTL-SECT. 45 (FLAPS ONLY) 27-51-63-01			RF

ILLUSTRATION ITEMS NOT ON PARTS LIST ARE NOT APPLICABLE

- ITEM NOT ILLUSTRATED

HXL

27-81-58-01

BOEING PROPRIETARY - Copyright © - Unpublished Work - See title page for details.

27-81-58
FIG. 01
PAGE 12
DEC 22/08