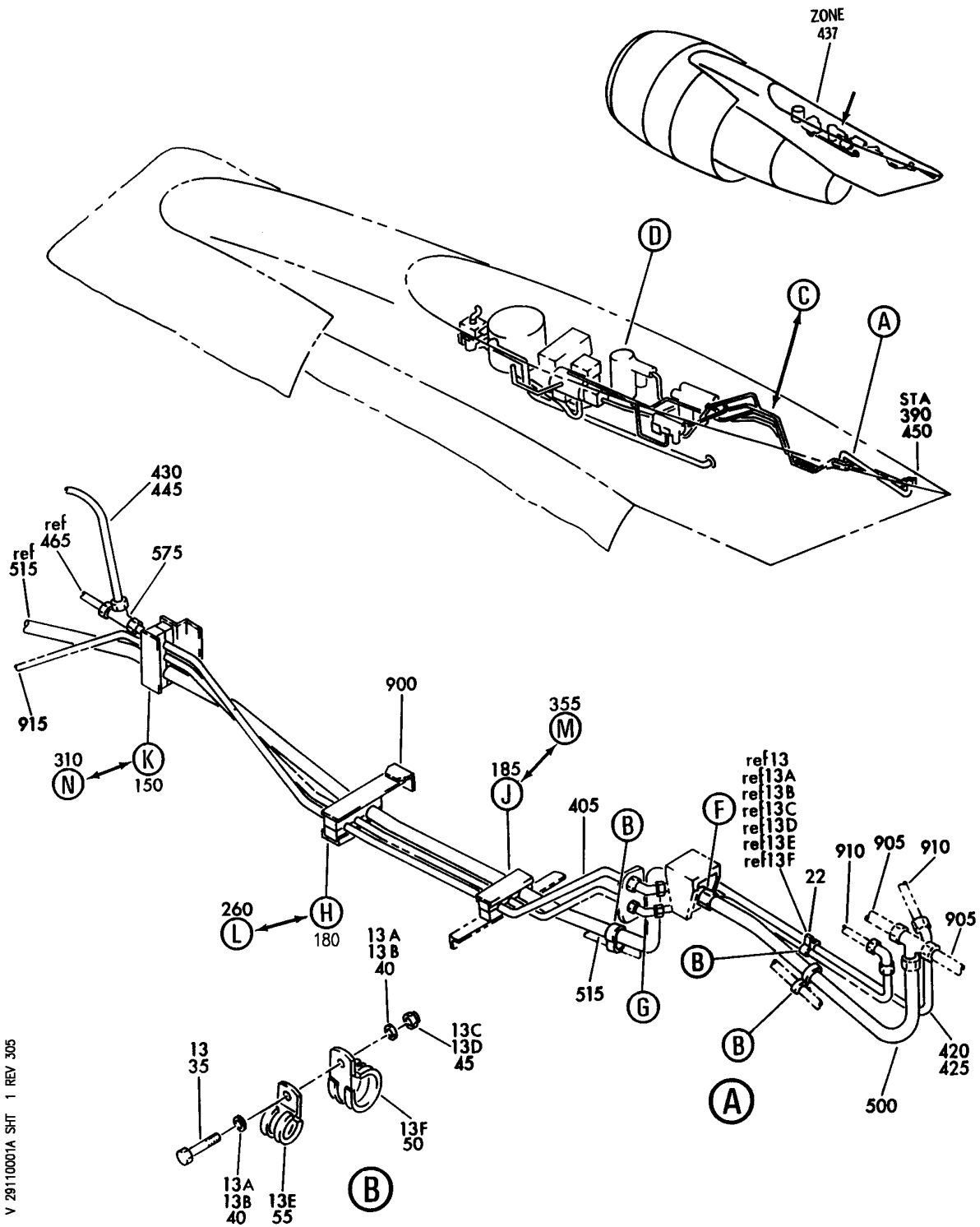


MAIN (LEFT, RIGHT AND CENTER) HYDRAULIC SYSTEMS

HXL
DEC 22/06

29-11-00
SECTION TITLE
PAGE 1

BOEING
767
PARTS CATALOG (MAINTENANCE)



V 29110001A SHT 1 REV 305

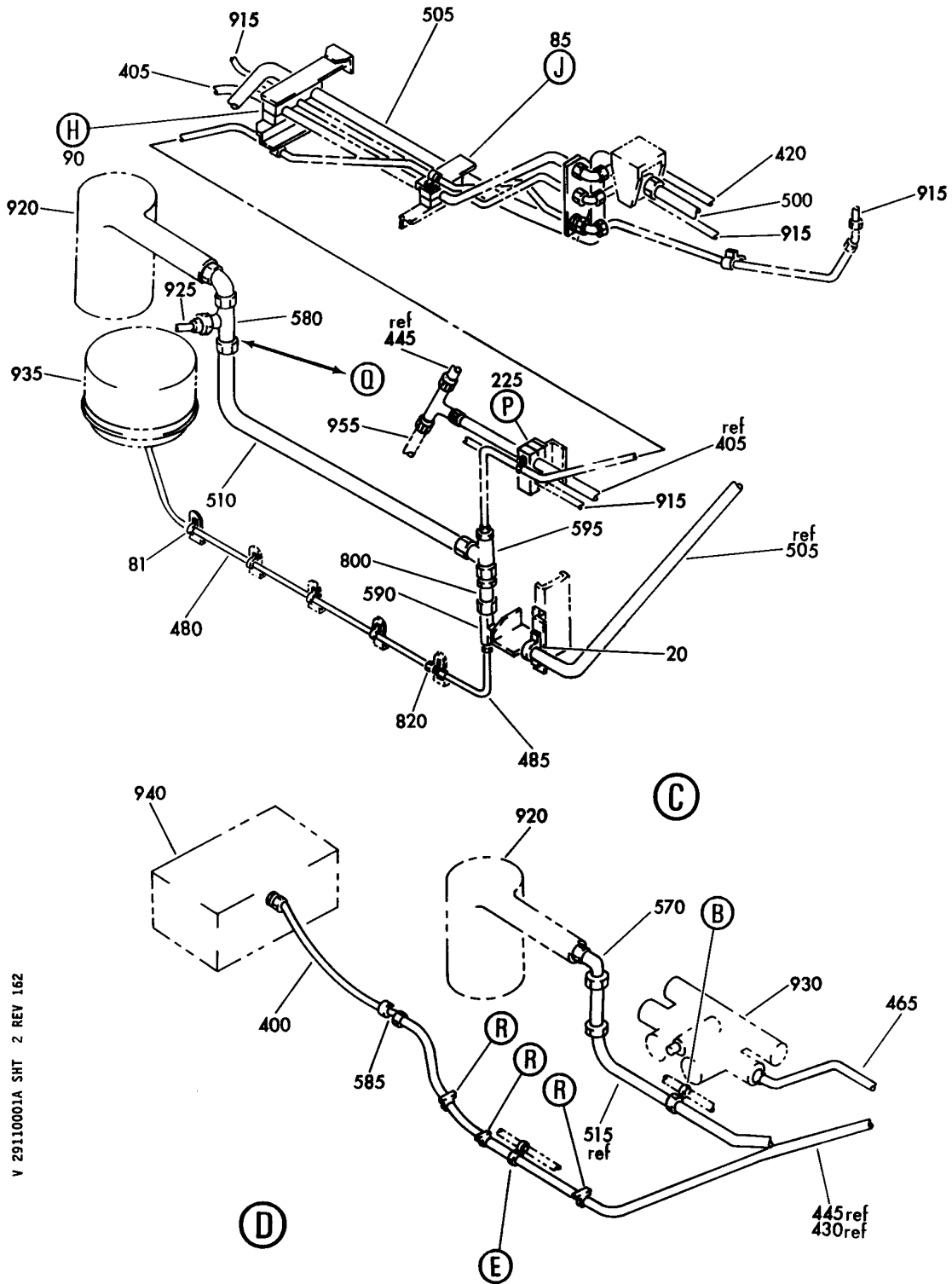
HYDRAULIC INSTL-SECT. 31 ENGINE AFT FAIRING, L STRUT (MAIN HYDRAULIC SYSTEM ONLY)
FIGURE 1A (SHEET 1)

HXL
DEC 22/06

29-11-00-01A

29-11-00-01A
PAGE 0


BOEING
 767
PARTS CATALOG (MAINTENANCE)



V 29110001A SHT 2 REV 162

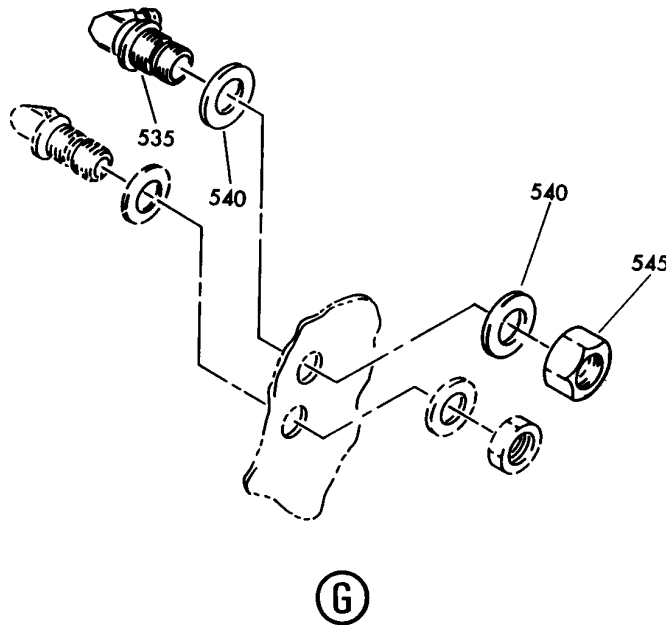
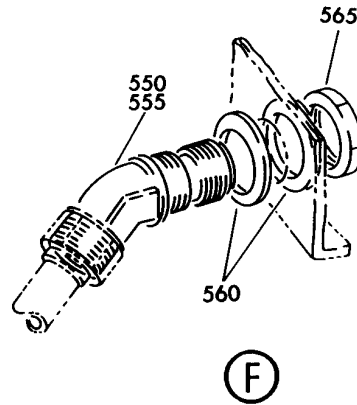
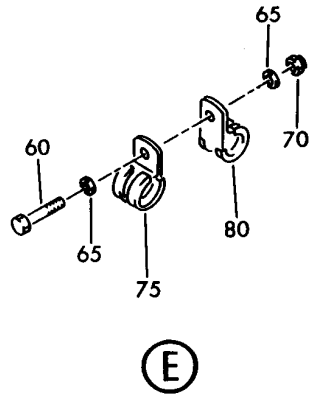
HYDRAULIC INSTL-SECT. 31 ENGINE AFT FAIRING, L STRUT (MAIN HYDRAULIC SYSTEM ONLY)
 FIGURE 1A (SHEET 2)

29-11-00-01A

HXL
DEC 22/06

29-11-00-01A
 PAGE 0A

BOEING
767
PARTS CATALOG (MAINTENANCE)



V 29110001A SHT 3 REV 116

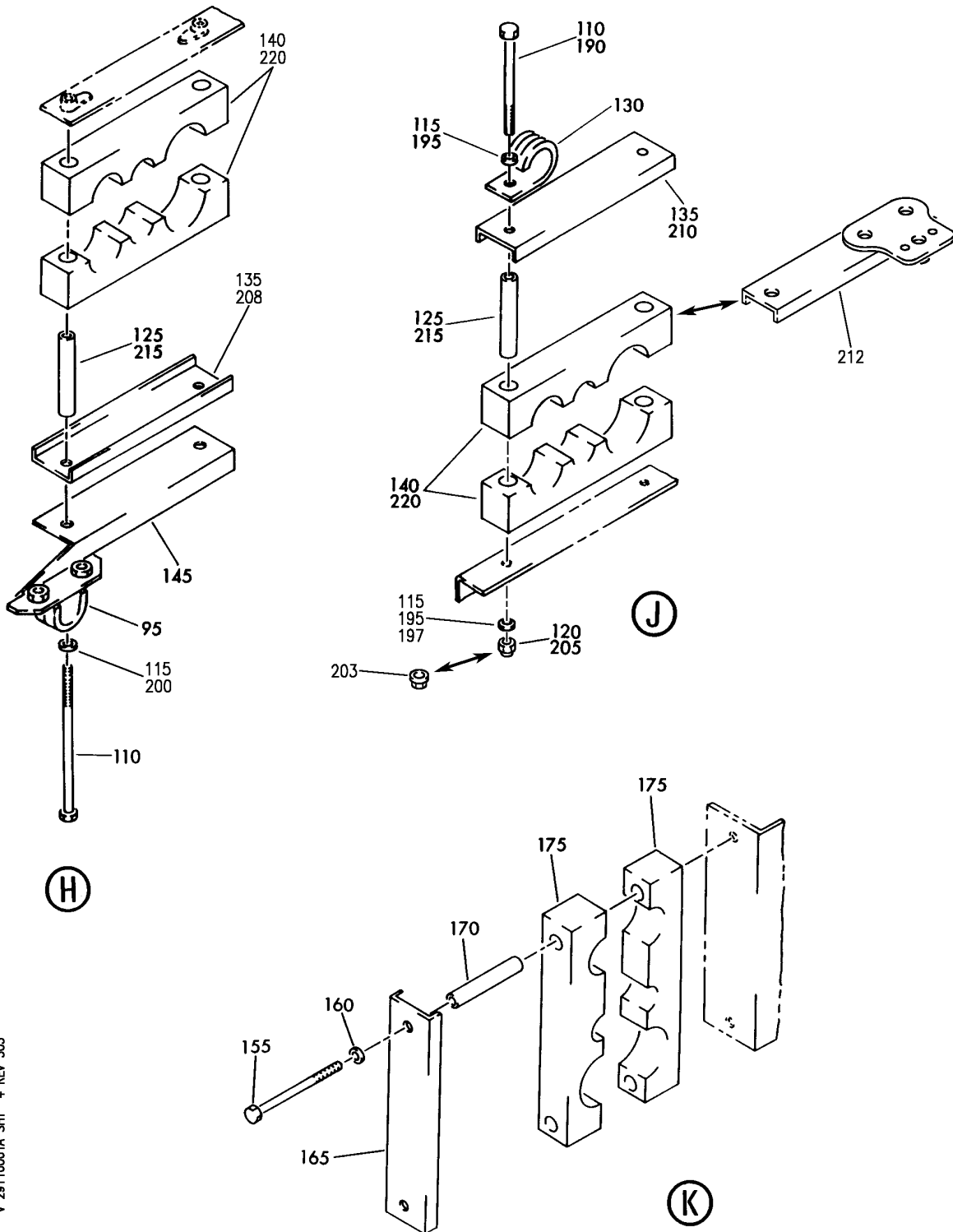
HYDRAULIC INSTL-SECT. 31 ENGINE AFT FAIRING, L STRUT (MAIN HYDRAULIC SYSTEM ONLY)
FIGURE 1A (SHEET 3)

HXL
DEC 22/06

29-11-00-01A

29-11-00-01A
PAGE 0B

BOEING
767
PARTS CATALOG (MAINTENANCE)



V 29110001A SHT 4 REV 305

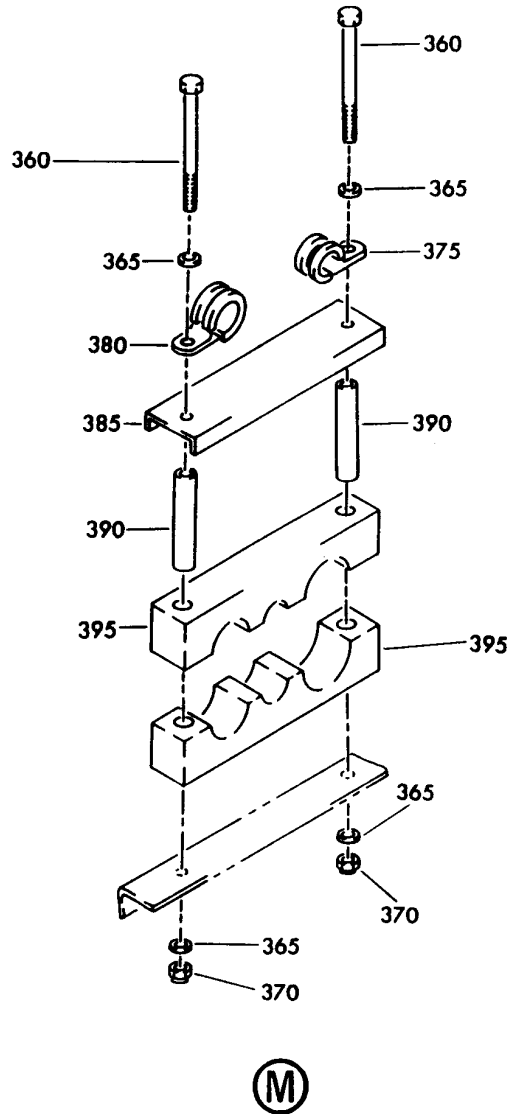
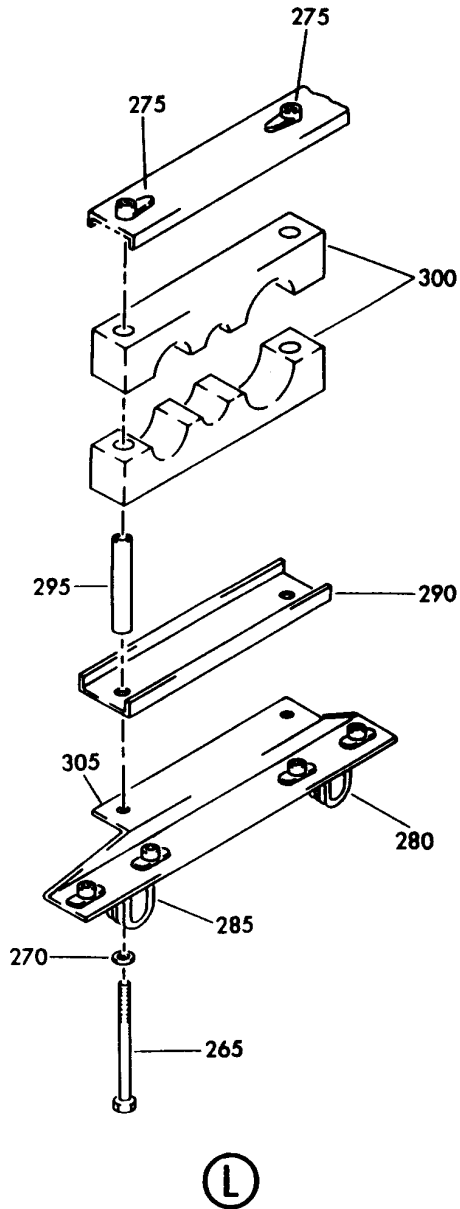
HYDRAULIC INSTL-SECT. 31 ENGINE AFT FAIRING, L STRUT (MAIN HYDRAULIC SYSTEM ONLY)
FIGURE 1A (SHEET 4)

HXL
DEC 22/06

29-11-00-01A

29-11-00-01A
PAGE 0C

BOEING
767
PARTS CATALOG (MAINTENANCE)



V 29110001A SHT 5 REV 116

HYDRAULIC INSTL-SECT. 31 ENGINE AFT FAIRING, L STRUT (MAIN HYDRAULIC SYSTEM ONLY)
FIGURE 1A (SHEET 5)

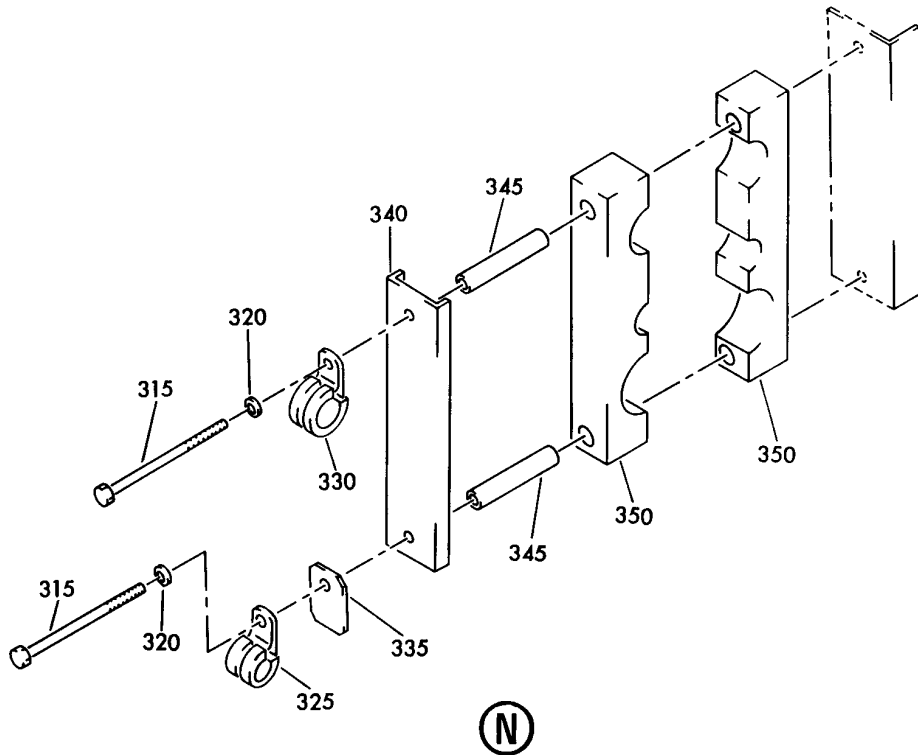
HXL
DEC 22/06

29-11-00-01A

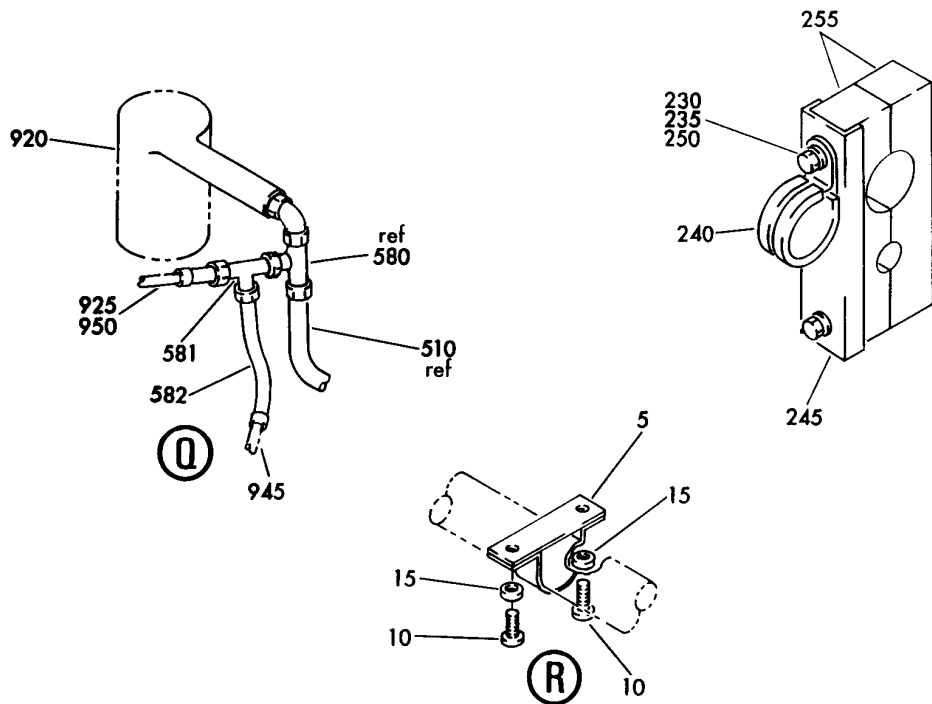
29-11-00-01A
PAGE 0D

BOEING PROPRIETARY - Copyright © - Unpublished Work - See title page for details.

BOEING
767
PARTS CATALOG (MAINTENANCE)



(N)



(Q)

(R)

V 29110001A SHT 6 REV 162

HYDRAULIC INSTL-SECT. 31 ENGINE AFT FAIRING, L STRUT (MAIN HYDRAULIC SYSTEM ONLY)
FIGURE 1A (SHEET 6)

29-11-00-01A

HXL
DEC 22/06

29-11-00-01A
PAGE 0E

BOEING
767
PARTS CATALOG (MAINTENANCE)

FIG ITEM	PART NUMBER	1 2 3 4 5 6 7	NOMENCLATURE	EFFECT FROM TO	UNITS PER ASSY	
R R R R R R R R R R R R R R R	1A		HYDRAULIC INSTL-SECT. 31 ENGINE AFT FAIRING, L STRUT (MAIN HYDRAULIC SYSTEM ONLY)			
	- 1	272T3100-5	HYDRAULIC INSTL-ENG FAIRING STRUT POSITION DATA: SECT. 31 AFT L MISCELLANEOUS DATA: (MAIN HYDRAULIC SYSTEM ONLY) (PRATT & WHITNEY) VARIABLE DRAWING REF: 272T3100-5317 272T3100-5347 272T3100-5361 272T3100-7003 FOR NHA/OTHER SYS DET SEE: 29-00-00-04		RF	
	5	TA0910004H112	.CLAMP SUPPLIER CODE: V84971 SPECIFICATION NUMBER: BACC10HB12C		3	
	10	NAS1801-3-9	.SCREW		6	
	13	NAS1801-3-6	.SCREW-		1	
	13A	AN960PD10L	.WASHER		2	
	13C	BRH10A3	.NUT SUPPLIER CODE: V52828 SPECIFICATION NUMBER: BACN10JC3 OPTIONAL PART: H10-3BAC V15653 NS202101-02 V80539 RMLH9075-3W V72962 VN303A02 V92215 96-02 V80539 T6S1032J V11815		1	
	13E	M85052-2-8	.CLAMP		1	
	13F	M85052-2-12	.CLAMP		1	
	15	AN960PD10L	.WASHER		6	
	150	270T0005-310	.BLOCK ASSY-SPRT		1	
	ILLUSTRATION ITEMS NOT ON PARTS LIST ARE NOT APPLICABLE					

- ITEM NOT ILLUSTRATED

29-11-00-01A

29-11-00
FIG. 01A
PAGE 1
AUG 22/09

HXL

 **BOEING**
767
PARTS CATALOG (MAINTENANCE)

FIG ITEM	PART NUMBER	1 2 3 4 5 6 7	NOMENCLATURE	EFFECT FROM TO	UNITS PER ASSY
1A					
155	NAS1801-3-34	..	SCREW-		2
160	AN960PD10L	..	WASHER		2
165	270T0004-93	..	CHANNEL		1
170	NAS43DD3-100	..	SPACER		2
175	270T0004-341	..	BLOCK-CLAMP		2
180	270T0005-335	.	BLOCK ASSY-SPRT		1
185	270T0005-363	.	BLOCK ASSY-SPRT		1
190	NAS1801-3-34	..	SCREW-		2
			USED ON: 270T0005-363		
195	AN960PD10L	..	WASHER-		4
			USED ON: 270T0005-363		
200	AN960PD10	..	WASHER-		2
			USED ON: 270T0005-335		
205	BRH10A3	..	NUT		2
			SUPPLIER CODE: V52828		
			SPECIFICATION NUMBER: BACN10JC3		
			OPTIONAL PART: H10-3BAC		
			V15653		
			NS202101-02		
			V80539		
			RMLH9075-3W		
			V72962		
			VN303A02		
			V92215		
			96-02		
			V80539		
			T6S1032J		
			V11815		
208	270T0004-29	..	CHANNEL-		1
			USED ON: 270T0005-335		
210	270T0004-29	..	CHANNEL-		1
			USED ON: 270T0005-363		
215	NAS43DD3-100FC	..	SPACER-		2
220	270T0004-375	..	BLOCK-CLAMP		2
400	272T3100-183	.	TUBE ASSY-PRESSURE L SYS		1
			TUBING MATERIAL: .750 IN. OD .039 IN. WALL 21.00 IN. LG TITANIUM		
ILLUSTRATION ITEMS NOT ON PARTS LIST ARE NOT APPLICABLE					

- ITEM NOT ILLUSTRATED

HXL

29-11-00-01A

BOEING PROPRIETARY - Copyright © - Unpublished Work - See title page for details.

29-11-00
FIG. 01A
PAGE 2
AUG 22/09

 **BOEING**
767
PARTS CATALOG (MAINTENANCE)

FIG ITEM	PART NUMBER	1 2 3 4 5 6 7	NOMENCLATURE	EFFECT FROM TO	UNITS PER ASSY
1A 405	272T3100-189		.TUBE ASSY-PRESSURE L SYS TUBING MATERIAL: .750 IN. OD .039 IN. WALL 50.00 IN. LG TITANIUM SERVICE BULLETIN OPT DATA: 272T3100-333	163163	1
405	272T3100-333		.TUBE ASSY-PRESSURE L SYS TUBING MATERIAL: .750 IN. OD .039 IN. WALL 49.00 IN. LG TITANIUM SERVICE BULLETIN OPT DATA: 272T3100-189		1
- 410	AS1581T12		..SLEEVE	163163	2
- 415	BACN10YA12		..NUT- USED ON: 272T3100-189		2
- 415	BACN10YA12N		..NUT- USED ON: 272T3100-333		2
420	272T3100-187		.TUBE ASSY-PRESSURE L SYS TUBING MATERIAL: .750 IN. OD .039 IN. WALL 34.00 IN. LG TITANIUM SERVICE BULLETIN OPT DATA: 272T3100-109 272T3100-361		1
420	272T3100-361		.TUBE ASSY-PRESSURE L SYS TUBING MATERIAL: .750 IN. OD .039 IN. WALL TITANIUM SERVICE BULLETIN OPT DATA: 272T3100-109 272T3100-187 POST SERVICE BULLETIN: 54-0080R1		1
- 421	AS1581T12		..SLEEVE		2
- 422	BACN10YA12		..NUT- USED ON: 272T3100-187		2
- 422	BACN10YA12N		..NUT- USED ON: 272T3100-361		2

ILLUSTRATION ITEMS NOT ON PARTS LIST ARE NOT APPLICABLE

- ITEM NOT ILLUSTRATED

HXL

29-11-00-01A

BOEING PROPRIETARY - Copyright © - Unpublished Work - See title page for details.

29-11-00
FIG. 01A
PAGE 3
DEC 22/07

 **BOEING**
767
PARTS CATALOG (MAINTENANCE)

FIG ITEM	PART NUMBER	1 2 3 4 5 6 7	NOMENCLATURE	EFFECT FROM TO	UNITS PER ASSY
1A 425	272T3100-109		.TUBE ASSY-PRESSURE L SYS TUBING MATERIAL: .750 IN. OD .039 IN. WALL 35.00 IN. LG TITANIUM SERVICE BULLETIN OPT DATA: 272T3100-187 272T3100-361 POST SERVICE BULLETIN: 54-0080R1	163163	1
- 426	AS1581T12		..SLEEVE	163163	2
- 427	BACN10YA12		..NUT- OPTIONAL PART: BACN10NR12	163163	2
- 427	AFP107-12		..NUT- SUPPLIER CODE: V30974 SPECIFICATION NUMBER: BACN10NR12 OPTIONAL PART: AP1028T12 V01673 BC921T12 V50948 DBON10NR12 V14798 ER01921-12T V88334 FER8928-12 V14397 F11-12 V73197 2-03005T12 V11328 31783-12 V14397 BACN10YA12	163163	2
430	272T3100-105		.TUBE ASSY-PRESSURE L SYS TUBING MATERIAL: .750 IN. OD .039 IN. WALL 41.00 IN. LG TITANIUM	163999	1
430	272T3100-339		.TUBE ASSY-PRESSURE L SYS TUBING MATERIAL: .750 IN. OD .039 IN. WALL 43.00 IN. LG TITANIUM	155162	1
- 435	AS1581T12		..SLEEVE		2

ILLUSTRATION ITEMS NOT ON PARTS LIST ARE NOT APPLICABLE

- ITEM NOT ILLUSTRATED

HXL

29-11-00-01A

BOEING PROPRIETARY - Copyright © - Unpublished Work - See title page for details.

29-11-00
FIG. 01A
PAGE 4
DEC 22/07



767

PARTS CATALOG (MAINTENANCE)

FIG ITEM	PART NUMBER	1 2 3 4 5 6 7	NOMENCLATURE	EFFECT FROM TO	UNITS PER ASSY
1 A					
- 440	BACN10YA12	..	NUT- OPTIONAL PART: BACN10NR12	163999	2
- 440	AFP107-12	..	NUT- SUPPLIER CODE: V30974 SPECIFICATION NUMBER: BACN10NR12 OPTIONAL PART: AP1028T12 V01673 BC921T12 V50948 DBON10NR12 V14798 ER01921-12T V88334 FER8928-12 V14397 F11-12 V73197 2-03005T12 V11328 31783-12 V14397 BACN10YA12	163999	2
- 440	BACN10YA12N	..	NUT-	155162	2
465	272T3100-185	.TUBE	ASSY-PRESSURE L SYS TUBING MATERIAL: .500 IN. OD .026 IN. WALL 10.00 IN. LG TITANIUM	163163	1
465	272T3100-337	.TUBE	ASSY-PRESSURE L SYS TUBING MATERIAL: .500 IN. OD .026 IN. WALL 15.00 IN. LG TITANIUM	155162 164999	1
- 470	AS1581T08	..	SLEEVE		2
- 475	BACN10YA8	..	NUT-	163163	2
- 475	BACN10YA8N	..	NUT-	155162 164999	2

ILLUSTRATION ITEMS NOT ON PARTS LIST ARE NOT APPLICABLE

- ITEM NOT ILLUSTRATED

29-11-00-01A

29-11-00
FIG. 01A
PAGE 5
DEC 22/07

HXL

BOEING PROPRIETARY - Copyright © - Unpublished Work - See title page for details.

BOEING
767
PARTS CATALOG (MAINTENANCE)

FIG ITEM	PART NUMBER	1 2 3 4 5 6 7	NOMENCLATURE	EFFECT FROM TO	UNITS PER ASSY
1A 500	272T3100-413		.TUBE ASSY-RETURN L SYS TUBING MATERIAL: 1.00 IN. OD .035 IN. WALL 25.00 IN. LG ALUMINUM SERVICE BULLETIN OPT DATA: 272T3100-463 272T3100-222 POST SERVICE BULLETIN: 54-0080R1	163163	1
500	272T3100-463		.TUBE ASSY-RETURN L SYS TUBING MATERIAL: 1.00 IN. OD .035 IN. WALL 28.00 IN. LG ALUMINUM SERVICE BULLETIN OPT DATA: 272T3100-413 272T3100-222		1
500	272T3100-222		.TUBE ASSY-RETURN L SYS TUBING MATERIAL: 1.00 IN. OD X .039 IN. WALL X 68.00 IN. LG ALUMINUM, 6061-T6 MIL-T-7081 SPARES ORDER MATERIAL CODE: 1269116350 SERVICE BULLETIN OPT DATA: 272T3100-413 272T3100-463 POST SERVICE BULLETIN: 54-0080R1	163163	1
- 502	AP2097HP16		..SLEEVE SUPPLIER CODE: V01673 SPECIFICATION NUMBER: BACS13BX16HP OPTIONAL PART: 2-02903-16HP V11328 35235VN16 V08199 AFP175V16P V30974 DBOS13BX16HP V14798		2
- 503	BACN10YL16		..NUT		2

ILLUSTRATION ITEMS NOT ON PARTS LIST ARE NOT APPLICABLE

- ITEM NOT ILLUSTRATED

HXL

29-11-00-01A

BOEING PROPRIETARY - Copyright © - Unpublished Work - See title page for details.

29-11-00
FIG. 01A
PAGE 6
AUG 22/09



767

PARTS CATALOG (MAINTENANCE)

FIG ITEM	PART NUMBER	1 2 3 4 5 6 7	NOMENCLATURE	EFFECT FROM TO	UNITS PER ASSY
1A 505	272T3100-289	.	TUBE ASSY-RETURN L SYS TUBING MATERIAL: 1.00 IN. OD .035 IN. WALL 71.00 IN. LG ALUMINUM SERVICE BULLETIN OPT DATA: 272T3100-219 272T3100-401 272T3100-425 272T3100-473 272T3100-475 POST SERVICE BULLETIN: 54-0080R1	163163	1
- 507	AP2097HP16	..	SLEEVE SUPPLIER CODE: V01673 SPECIFICATION NUMBER: BACS13BX16HP OPTIONAL PART: 2-02903-16HP V11328 35235VN16 V08199 AFP175V16P V30974 DBOS13BX16HP V14798	163163	2
- 508	BACN10YL16	..	NUT	163163	2
515	272T3100-219	.	TUBE ASSY-RETURN TUBING MATERIAL: 1.00 IN. OD X .035 IN. WALL X 88.70 IN. LG ALUMINUM TUBING MIL-T-7081 6061 T6 SERVICE BULLETIN OPT DATA: 272T3100-289 272T3100-475 272T3100-425 272T3100-473 272T4100-401 POST SERVICE BULLETIN: 54-0080R1	163163	1

ILLUSTRATION ITEMS NOT ON PARTS LIST ARE NOT APPLICABLE

- ITEM NOT ILLUSTRATED

HXL

29-11-00-01A

BOEING PROPRIETARY - Copyright © - Unpublished Work - See title page for details.

29-11-00
FIG. 01A
PAGE 7
DEC 22/07



767

PARTS CATALOG (MAINTENANCE)

FIG ITEM	PART NUMBER	1 2 3 4 5 6 7	NOMENCLATURE	EFFECT FROM TO	UNITS PER ASSY
1A 515	272T3100-401		.TUBE ASSY-RETURN L SYS TUBING MATERIAL: 1.00 IN. OD .035 IN. WALL 90.00 IN. LG ALUMINUM SERVICE BULLETIN OPT DATA: 272T3100-289 272T3100-475 272T3100-219 272T3100-425 272T3100-473	163999	1
515	272T3100-475		.TUBE ASSY-RETURN L SYS TUBING MATERIAL: 1.00 IN. OD .035 IN. WALL 25.00 IN. LG ALUMINUM SERVICE BULLETIN OPT DATA: 272T3100-219 272T3100-289 272T3100-401 272T3100-425 272T3100-473 POST SERVICE BULLETIN: 54-0080R1	155163	1
515	272T3100-425		.TUBE ASSY-RETURN TUBING MATERIAL: 1.00 IN. OD .035 IN. WALL 100.00 IN. LG. AL SERVICE BULLETIN OPT DATA: 272T3100-289 272T3100-475 272T3100-219 272T3100-473 272T4100-401 POST SERVICE BULLETIN: 54-0080R1	163163	1
515	272T3100-473		.TUBE ASSY-RETURN TUBING MATERIAL: 1.00 IN. OD .035 IN. WALL 96.00 IN. LG. AL SERVICE BULLETIN OPT DATA: 272T3100-289 272T3100-475 272T3100-219 272T3100-425 272T4100-401 POST SERVICE BULLETIN: 54-0080R1	163163	1

ILLUSTRATION ITEMS NOT ON PARTS LIST ARE NOT APPLICABLE

- ITEM NOT ILLUSTRATED

HXL

29-11-00-01A

BOEING PROPRIETARY - Copyright © - Unpublished Work - See title page for details.

29-11-00
FIG. 01A
PAGE 8
DEC 22/07



767

PARTS CATALOG (MAINTENANCE)

FIG ITEM	PART NUMBER	1 2 3 4 5 6 7	NOMENCLATURE	EFFECT FROM TO	UNITS PER ASSY
1 A - 525	AP2097HP16		.. SLEEVE- SUPPLIER CODE: V01673 SPECIFICATION NUMBER: BACS13BX16HP OPTIONAL PART: 2-02903-16HP V11328 35235VN16 V08199 AFP175V16P V30974 DBOS13BX16HP V14798 USED ON: 272T3100-401 272T3100-475		2
- 526	AP2097HP16		.. SLEEVE- SUPPLIER CODE: V01673 SPECIFICATION NUMBER: BACS13BX16HP OPTIONAL PART: 2-02903-16HP V11328 35235VN16 V08199 AFP175V16P V30974 DBOS13BX16HP V14798 USED ON: 272T3100-219 272T3100-425 272T3100-473	163163	2
- 530	BACN10YL16		.. NUT- USED ON: 272T3100-401 272T3100-475		2
- 532	BACN10YL16		.. NUT- USED ON: 272T3100-425 272T3100-473	163163	2
- 533	BACN10YL16L		.. NUT- USED ON: 272T3100-219	163163	2
535	BACE21BM1212J		. ELBOW		1
540	AN960PD1716L		. WASHER		2
545	AN924-12D		. NUT		1

ILLUSTRATION ITEMS NOT ON PARTS LIST ARE NOT APPLICABLE

- ITEM NOT ILLUSTRATED

29-11-00-01A

29-11-00
FIG. 01A
PAGE 9
DEC 22/07

HXL

BOEING PROPRIETARY - Copyright © - Unpublished Work - See title page for details.



767

PARTS CATALOG (MAINTENANCE)

FIG ITEM	PART NUMBER	1 2 3 4 5 6 7	NOMENCLATURE	EFFECT FROM TO	UNITS PER ASSY
1A					
550	MS21907D16	.	ELBOW-		1
555	BACE21BM1616J	.	ELBOW-		1
560	AN960PD1216L	.	WASHER		2
565	AN924-16D	.	NUT		1
570	NAS1762D1616	.	ELBOW		1
575	BACT16BL120812J	.	TEE		1
580	NAS1763D161608	.	TEE-		1
580	BACT16BR161608P	.	TEE-		1
585	BACT16BL121208J	.	TEE-		1
900	272T3114-1	.	BRACKET INSTL-HYDRAULIC SUPPORT FAIRING STRUT POSITION DATA: AFT FOR DETAILS SEE: 29-11-64-01		1
905			ILLUSTRATION REFERENCE: HYDRAULIC INSTL-SECT. 12 (AILERON AND SPOILER HYDRAULIC SHUTOFF VALVES ONLY) 27-13-54-02		RF
910			ILLUSTRATION REFERENCE: HYDRAULIC INSTL-SECT. 12 (LH) (HYDRAULIC POWER ONLY) 29-11-77-01		RF
915			ILLUSTRATION REFERENCE: HYDRAULIC INSTL-SECT. 31 ENGINE AFT FAIRING, L STRUT (HEAT EXCHANGER ONLY) 29-11-27-02		RF
920			ILLUSTRATION REFERENCE: MODULE INSTL-STRUT FAIRING RETURN FILTER AFT LH AND RH 29-11-15-01		RF
925			ILLUSTRATION REFERENCE: HYDRAULIC INSTL-SECT. 31 ENGINE AFT FAIRING (EXHAUST ONLY) 78-34-53-01A		RF
930			ILLUSTRATION REFERENCE: MODULE INSTL-STRUT AND CTR SYS PRESSURE AND CASE DRAIN FILTER AC MOTOR PUMP AFT FAIRING 29-11-18-01		RF
ILLUSTRATION ITEMS NOT ON PARTS LIST ARE NOT APPLICABLE					

- ITEM NOT ILLUSTRATED

HXL

29-11-00-01A

BOEING PROPRIETARY - Copyright © - Unpublished Work - See title page for details.

29-11-00
FIG. 01A
PAGE 10
DEC 22/07



767

PARTS CATALOG (MAINTENANCE)

FIG ITEM	PART NUMBER	1 2 3 4 5 6 7	NOMENCLATURE	EFFECT FROM TO	UNITS PER ASSY
1 A 935			ILLUSTRATION REFERENCE: RESERVOIR INSTL-ENG AFT FAIRING HYDR 29-11-20-01		RF
940			ILLUSTRATION REFERENCE: MODULE INSTL-FAIRING STRUT ENG DRIVEN PUMP PRESSURE AND CASE DRAIN FILTER AFT 29-11-17-01		RF
950			ILLUSTRATION REFERENCE: HYDRAULIC INSTL-SECT. 31 ENGINE AFT FAIRING (EXHAUST ONLY) 78-34-53-01C		RF
ILLUSTRATION ITEMS NOT ON PARTS LIST ARE NOT APPLICABLE					

- ITEM NOT ILLUSTRATED

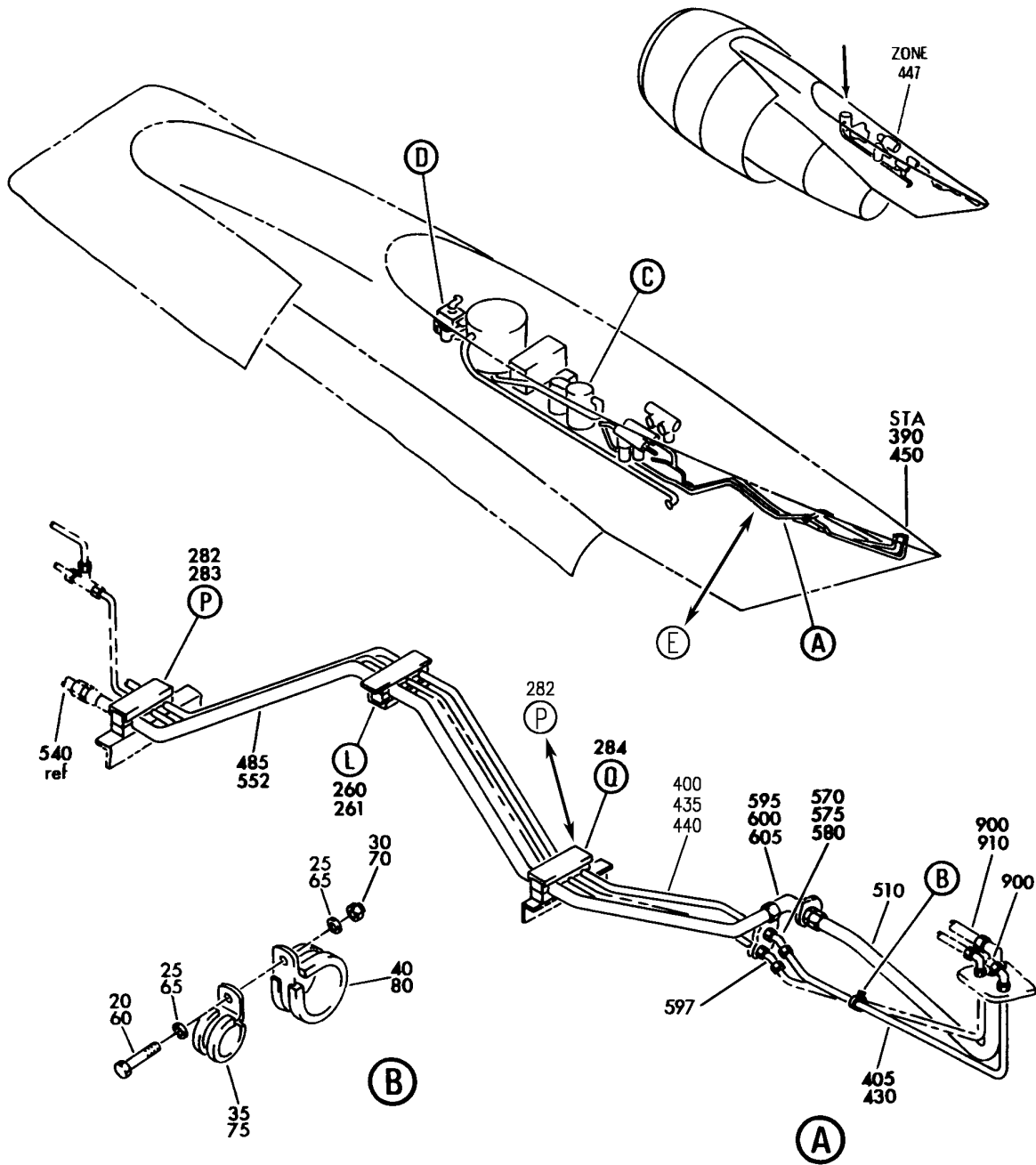
HXL

29-11-00-01A

BOEING PROPRIETARY - Copyright © - Unpublished Work - See title page for details.

29-11-00
FIG. 01A
PAGE 11
DEC 22/07

BOEING
767
PARTS CATALOG (MAINTENANCE)



V 29110002A SHT 1 REV 305

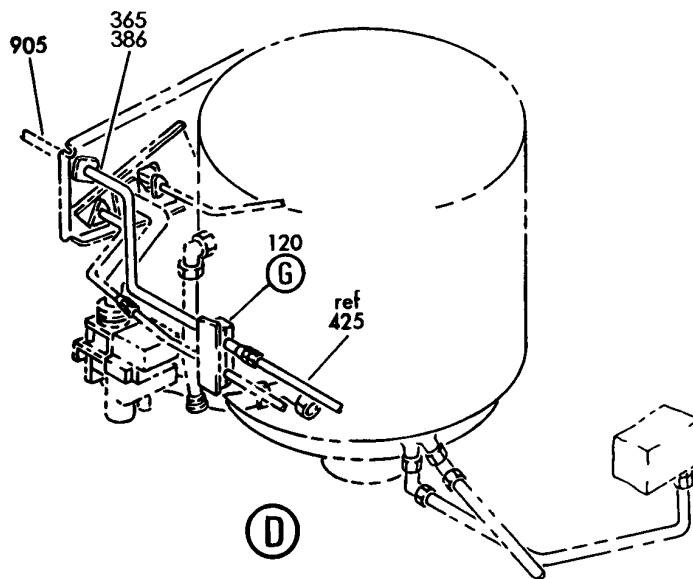
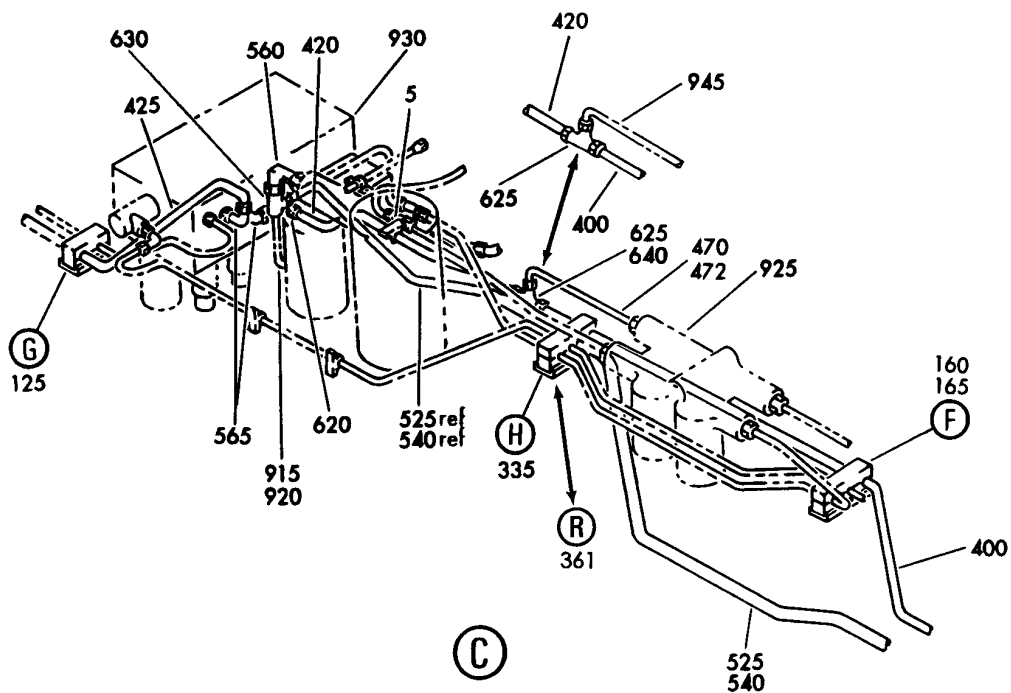
HYDRAULIC INSTL-SECT. 31 ENGINE AFT FAIRING, R STRUT (MAIN HYDRAULIC SYSTEM ONLY)
FIGURE 2A (SHEET 1)

HXL
DEC 22/06

29-11-00-02A

29-11-00-02A
PAGE 0

BOEING
767
PARTS CATALOG (MAINTENANCE)



V 29110002A SHT 2 REV 213

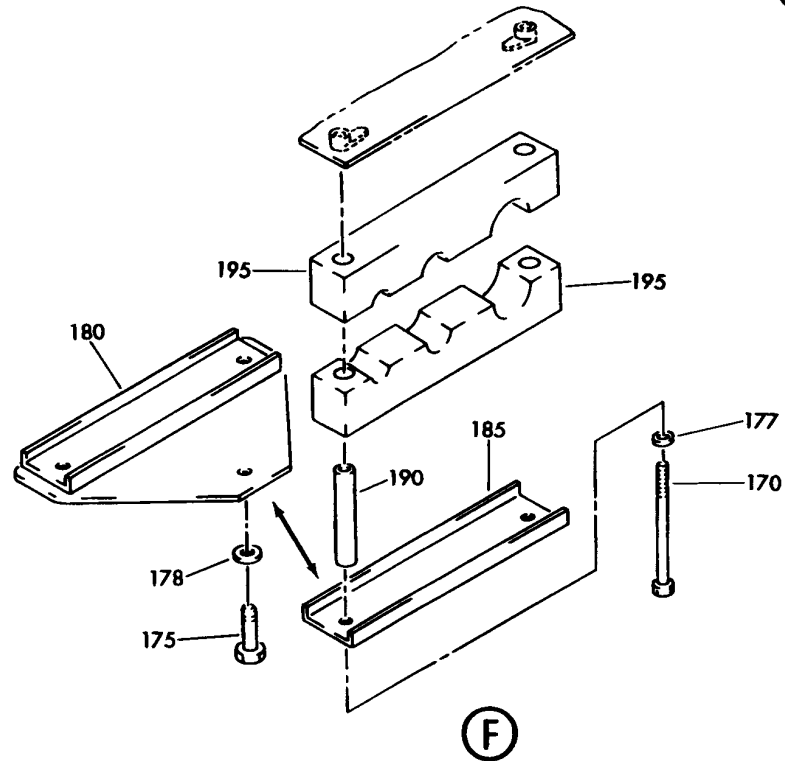
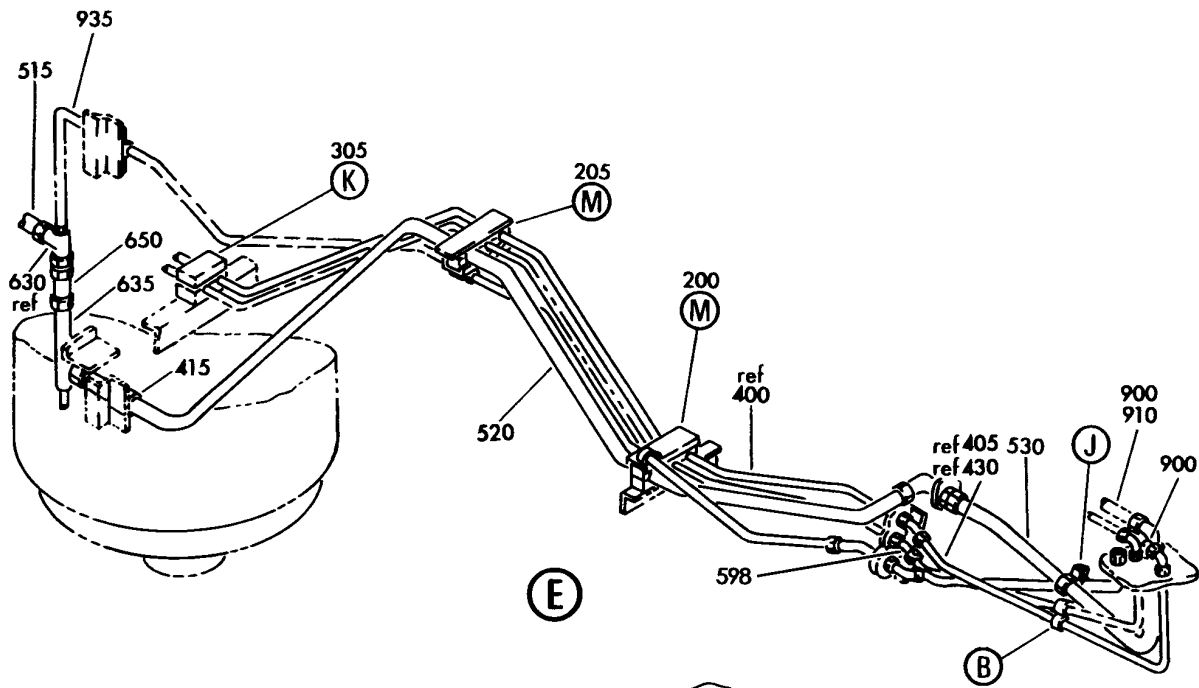
HYDRAULIC INSTL-SECT. 31 ENGINE AFT FAIRING, R STRUT (MAIN HYDRAULIC SYSTEM ONLY)
FIGURE 2A (SHEET 2)

HXL
DEC 22/06

29-11-00-02A

29-11-00-02A
PAGE 0A

BOEING
767
PARTS CATALOG (MAINTENANCE)



V 2911002A SHT 3 REV 196

HYDRAULIC INSTL-SECT. 31 ENGINE AFT FAIRING, R STRUT (MAIN HYDRAULIC SYSTEM ONLY)
FIGURE 2A (SHEET 3)

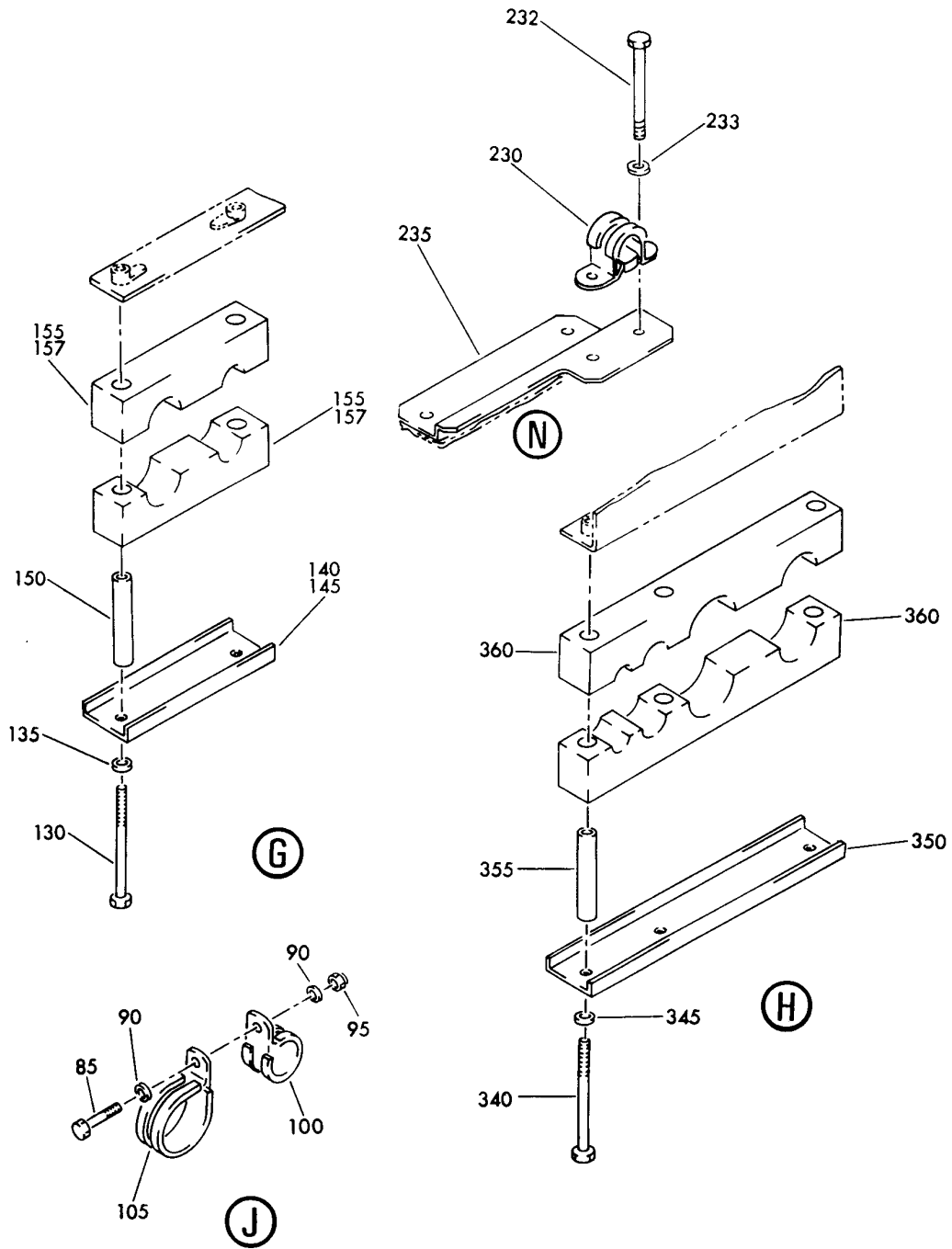
29-11-00-02A

HXL
DEC 22/06

29-11-00-02A
PAGE 0B

BOEING PROPRIETARY - Copyright © - Unpublished Work - See title page for details.

BOEING
767
PARTS CATALOG (MAINTENANCE)



V 2911002A SHT 4 REV 177

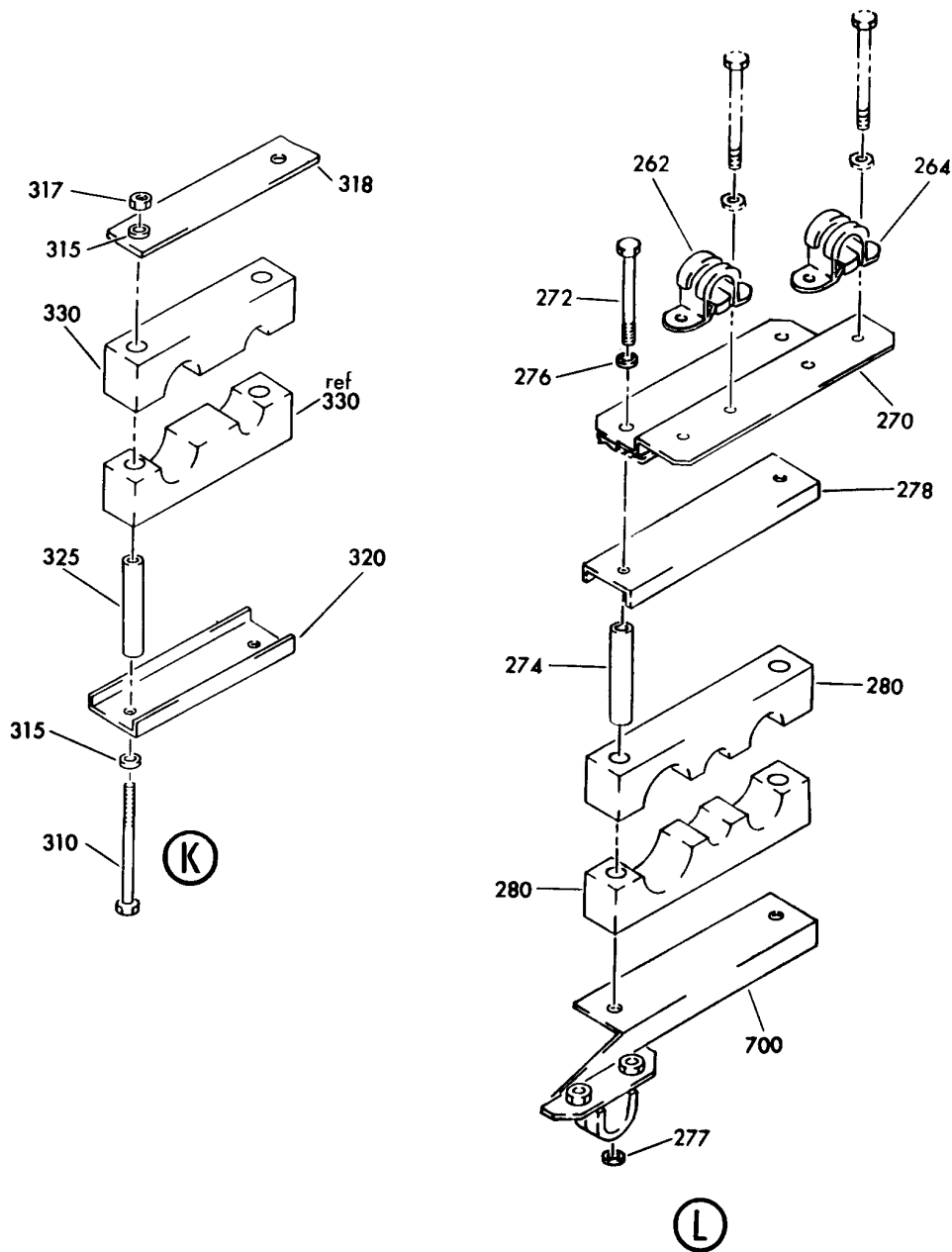
HYDRAULIC INSTL-SECT. 31 ENGINE AFT FAIRING, R STRUT (MAIN HYDRAULIC SYSTEM ONLY)
FIGURE 2A (SHEET 4)

HXL
DEC 22/06

29-11-00-02A

29-11-00-02A
PAGE 0C

BOEING
767
PARTS CATALOG (MAINTENANCE)



V 29110002A SHT 5 REV 187

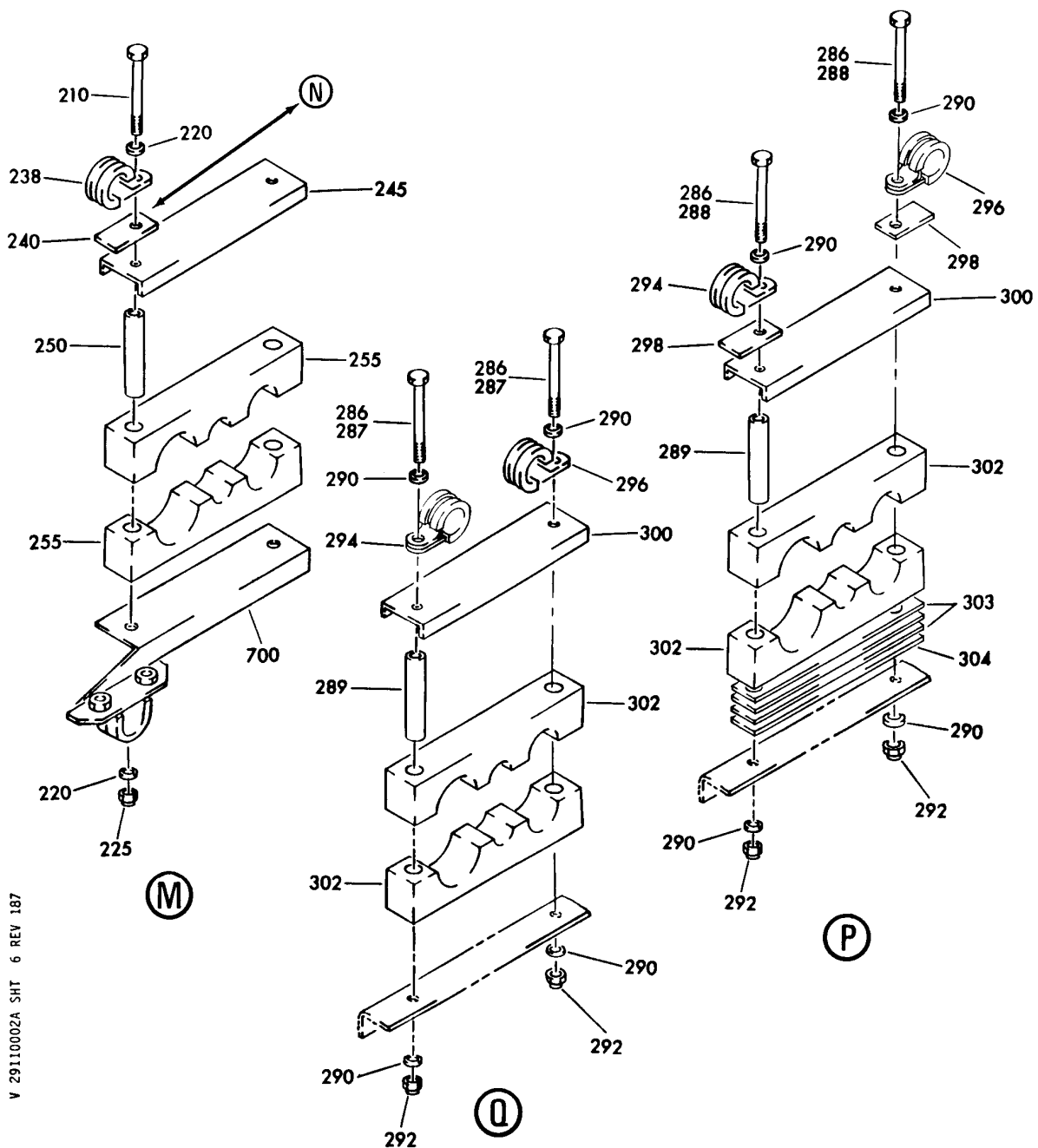
HYDRAULIC INSTL-SECT. 31 ENGINE AFT FAIRING, R STRUT (MAIN HYDRAULIC SYSTEM ONLY)
FIGURE 2A (SHEET 5)

HXL
DEC 22/06

29-11-00-02A

29-11-00-02A
PAGE 0D


BOEING
 767
PARTS CATALOG (MAINTENANCE)



V 29110002A SHT 6 REV 187

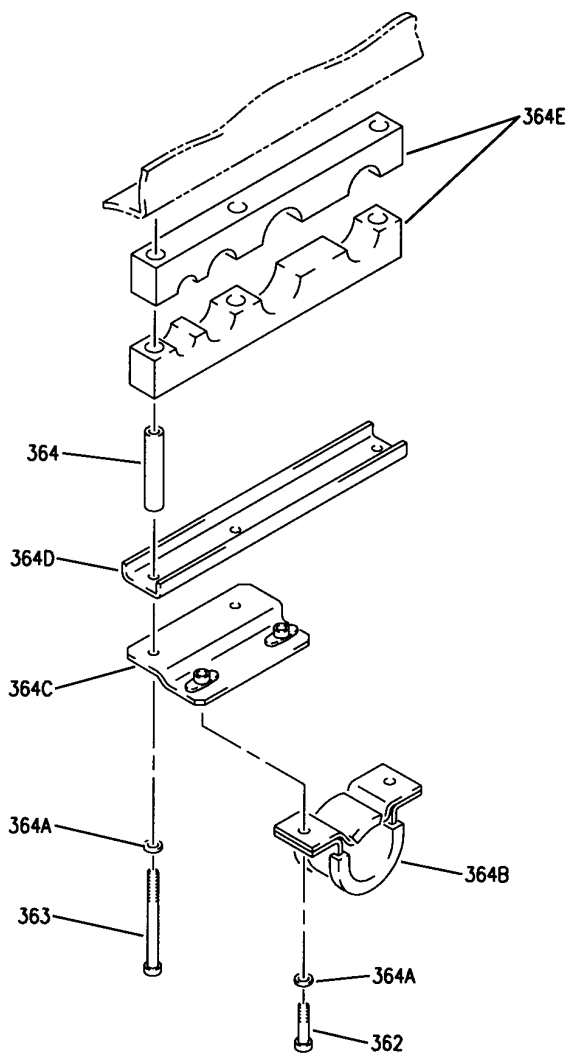
HYDRAULIC INSTL-SECT. 31 ENGINE AFT FAIRING, R STRUT (MAIN HYDRAULIC SYSTEM ONLY)
 FIGURE 2A (SHEET 6)

29-11-00-02A

HXL
 DEC 22/06

29-11-00-02A
 PAGE 0E

BOEING
767
PARTS CATALOG (MAINTENANCE)



(R)

V 29110002A SHT 7 REV 213

HYDRAULIC INSTL-SECT. 31 ENGINE AFT FAIRING, R STRUT (MAIN HYDRAULIC SYSTEM ONLY)
FIGURE 2A (SHEET 7)

HXL
DEC 22/06

29-11-00-02A

29-11-00-02A
PAGE OF

BOEING PROPRIETARY - Copyright © - Unpublished Work - See title page for details.

BOEING
767
PARTS CATALOG (MAINTENANCE)

FIG ITEM	PART NUMBER	1 2 3 4 5 6 7	NOMENCLATURE	EFFECT FROM TO	UNITS PER ASSY
2A			HYDRAULIC INSTL-SECT. 31 ENGINE AFT FAIRING, R STRUT (MAIN HYDRAULIC SYSTEM ONLY)		
- 1	272T3100-6		HYDRAULIC INSTL-ENG FAIRING STRUT POSITION DATA: SECT. 31 AFT R MISCELLANEOUS DATA: (MAIN HYDRAULIC SYSTEM ONLY) (P & W ENGINE) VARIABLE DRAWING REF: 272T3100-5218 272T3100-5336 272T3100-7004 FOR NHA/OTHER SYS DET SEE: 29-00-00-04		RF
	5 TA0910004H112		.CLAMP SUPPLIER CODE: V84971 SPECIFICATION NUMBER: BACC10HB12C ATTACHING PARTS		1
- 10	NAS1801-3-9		.SCREW		2
- 15	AN960PD10L		.WASHER -----*-----		2
	20 NAS1801-3-6		.SCREW		1
	25 AN960PD10L		.WASHER		2
	30 BRH10A3		.NUT SUPPLIER CODE: V52828 SPECIFICATION NUMBER: BACN10JC3 OPTIONAL PART: H10-3BAC V15653 NS202101-02 V80539 RMLH9075-3W V72962 VN303A02 V92215 96-02 V80539 T6S1032J V11815		1
	35 M85052-2-8		.CLAMP		1
	40 M85052-2-12		.CLAMP		1
ILLUSTRATION ITEMS NOT ON PARTS LIST ARE NOT APPLICABLE					

- ITEM NOT ILLUSTRATED

HXL

29-11-00-02A

BOEING PROPRIETARY - Copyright © - Unpublished Work - See title page for details.

29-11-00
FIG. 02A
PAGE 1
DEC 22/07



767

PARTS CATALOG (MAINTENANCE)

FIG ITEM	PART NUMBER	1 2 3 4 5 6 7	NOMENCLATURE	EFFECT FROM TO	UNITS PER ASSY
2A					
85	NAS1801-3-8	.	SCREW		1
90	AN960PD10L	.	WASHER		1
95	BRH10A3	.	NUT		1
			SUPPLIER CODE: V52828		
			SPECIFICATION NUMBER: BACN10JC3		
			OPTIONAL PART: H10-3BAC		
			V15653		
			NS202101-02		
			V80539		
			RMLH9075-3W		
			V72962		
			VN303A02		
			V92215		
			96-02		
			V80539		
			T6S1032J		
			V11815		
100	M85052-2-20	.	CLAMP		1
105	M85052-2-24	.	CLAMP		1
120	270T0005-273	.	BLOCK ASSY-SPRT		1
125	270T0005-246	.	BLOCK ASSY-SPRT		1
130	NAS1801-3-30	..	SCREW		2
135	AN960PD10L	..	WASHER		2
140	270T0004-32	..	CHANNEL-		1
			USED ON: 270T0005-246		
145	270T0004-87	..	CHANNEL-		1
			USED ON: 270T0005-273		
150	NAS43DD3-85	..	SPACER		2
155	270T0004-274	..	BLOCK-CLAMP		2
			USED ON: 270T0005-246		
157	270T0004-297	..	BLOCK-CLAMP		2
			USED ON: 270T0005-273		
165	270T0005-369	.	BLOCK ASSY-SPRT		1
170	NAS1801-3-30	..	SCREW		2
175	NAS1801-3-9	..	SCREW-		1
177	AN960PD10L	..	WASHER		2
178	AN960PD10L	..	WASHER-		1
185	270T0004-75	..	CHANNEL-		1
190	NAS43DD3-85	..	SPACER		2
195	270T0004-348	..	BLOCK-CLAMP		2
260	270T0005-335	.	BLOCK ASSY-SPRT		1
274	NAS43DD3-100FC	..	SPACER-		2

ILLUSTRATION ITEMS NOT ON PARTS LIST ARE NOT APPLICABLE

- ITEM NOT ILLUSTRATED

29-11-00-02A

29-11-00
FIG. 02A
PAGE 2
DEC 22/07

HXL

BOEING PROPRIETARY - Copyright © - Unpublished Work - See title page for details.



767

PARTS CATALOG (MAINTENANCE)

FIG ITEM	PART NUMBER	1 2 3 4 5 6 7	NOMENCLATURE	EFFECT FROM TO	UNITS PER ASSY
2A					
276	NAS1149D0363J	..	WASHER		2
277	BRH10A3	..	NUT		2
			SUPPLIER CODE: V52828		
			SPECIFICATION NUMBER: BACN10JC3		
			OPTIONAL PART: H10-3BAC		
			V15653		
			NS202101-02		
			V80539		
			RMLH9075-3W		
			V72962		
			VN303A02		
			V92215		
			96-02		
			V80539		
			T6S1032J		
			V11815		
278	270T0004-29	..	CHANNEL-		1
280	270T0004-375	..	BLOCK		2
282	270T0005-363	.BLOCK	ASSY-SPRT		2
286	NAS1801-3-34	..	SCREW-		2
289	NAS43DD3-100FC	..	SPACER		2
290	AN960PD10L	..	WASHER		4
292	BRH10A3	..	NUT		2
			SUPPLIER CODE: V52828		
			SPECIFICATION NUMBER: BACN10JC3		
			OPTIONAL PART: H10-3BAC		
			V15653		
			NS202101-02		
			V80539		
			RMLH9075-3W		
			V72962		
			VN303A02		
			V92215		
			96-02		
			V80539		
			T6S1032J		
			V11815		
300	270T0004-29	..	CHANNEL-		1
302	270T0004-375	..	BLOCK		2
335	270T0005-404	.BLOCK	ASSY-SPRT		1
340	NAS1801-3-32	..	SCREW		2
345	AN960PD10L	..	WASHER		2
350	270T0004-74	..	CHANNEL		1

ILLUSTRATION ITEMS NOT ON PARTS LIST ARE NOT APPLICABLE

- ITEM NOT ILLUSTRATED

29-11-00-02A

29-11-00
FIG. 02A
PAGE 3
DEC 22/07

HXL

BOEING PROPRIETARY - Copyright © - Unpublished Work - See title page for details.



767

PARTS CATALOG (MAINTENANCE)

FIG ITEM	PART NUMBER	1 2 3 4 5 6 7	NOMENCLATURE	EFFECT FROM TO	UNITS PER ASSY
2A					
355	NAS43DD3-100	..	SPACER		2
360	270T0004-411	..	BLOCK-CLAMP		2
365	272T3118-22	.TUBE ASSY-PRESSURE R SYS			1
			TUBING MATERIAL: .750 IN. OD .039 IN. WALL 25.00 IN. LG TITANIUM		
			ATTACHING PARTS		
- 370	BACB30NM3K4	.BOLT			3
- 375	AN960PD10L	.WASHER			3
		-----*-----			
- 380	AS1582T12	..	UNION-		1
- 385	272T3106-3	..	FITTING-BHD		1
400	272T3100-110	.TUBE ASSY-PRESSURE R SYS		163163	1
			MANUFACTURED FROM: TUBING TITANIUM .750 IN. OD TUBING MATERIAL: .750 IN. OD .039 IN. WALL 87.00 IN. LG TITANIUM		
			SERVICE BULLETIN OPT DATA: 272T3100-186 272T3100-326 272T3100-340 272T3100-366 272T3100-314		
			POST SERVICE BULLETIN: 54-0080R1		
405	272T3100-112	.TUBE ASSY-PRESSURE R SYS		163163	1
			MANUFACTURED FROM: TUBING TITANIUM .750 IN. OD TUBING MATERIAL: .750 IN. OD .039 IN. WALL 35.00 IN. LG TITANIUM		
			SERVICE BULLETIN OPT DATA: 272T3100-182 272T3100-362		
			POST SERVICE BULLETIN: 54-0080R1		
- 410	AS1581T12	..	SLEEVE	163163	2

ILLUSTRATION ITEMS NOT ON PARTS LIST ARE NOT APPLICABLE

- ITEM NOT ILLUSTRATED

HXL

29-11-00-02A

BOEING PROPRIETARY - Copyright © - Unpublished Work - See title page for details.

29-11-00
FIG. 02A
PAGE 4
DEC 22/07



767

PARTS CATALOG (MAINTENANCE)

FIG ITEM	PART NUMBER	1 2 3 4 5 6 7	NOMENCLATURE	EFFECT FROM TO	UNITS PER ASSY
2A - 415	AFP107-12	..	NUT- SUPPLIER CODE: V30974 SPECIFICATION NUMBER: BACN10NR12 OPTIONAL PART: AP1028T12 V01673 BC921T12 V50948 DBON10NR12 V14798 ER01921-12T V88334 FER8928-12 V14397 F11-12 V73197 2-03005T12 V11328 31783-12 V14397 BACN10YA12	163163	2
- 415	BACN10YA12	..	NUT- OPTIONAL PART: BACN10NR12	163163	2
420	272T3100-324	.TUBE ASSY-PRESSURE R SYS MANUFACTURED FROM: TUBING TITANIUM .750 IN. OD TUBING MATERIAL: .750 IN. OD .039 IN. WALL 23.00 IN. LG TITANIUM	155162 164999	1	
425	272T3100-172	.TUBE ASSY-PRESSURE R SYS MANUFACTURED FROM: TUBING TITANIUM .750 IN. OD TUBING MATERIAL: .750 IN. OD .039 IN. WALL 27.00 IN. LG TITANIUM		1	

ILLUSTRATION ITEMS NOT ON PARTS LIST ARE NOT APPLICABLE

- ITEM NOT ILLUSTRATED

HXL

29-11-00-02A

BOEING PROPRIETARY - Copyright © - Unpublished Work - See title page for details.

29-11-00
FIG. 02A
PAGE 5
DEC 22/07



767

PARTS CATALOG (MAINTENANCE)

FIG ITEM	PART NUMBER	1 2 3 4 5 6 7	NOMENCLATURE	EFFECT FROM TO	UNITS PER ASSY
2A 430	272T3100-182		.TUBE ASSY-PRESSURE R SYS MANUFACTURED FROM: TUBING TITANIUM .750 IN. OD TUBING MATERIAL: .750 IN. OD .039 IN. WALL 34.00 IN. LG TITANIUM SERVICE BULLETIN OPT DATA: 272T3100-112 272T3100-362		1
430	272T3100-362		.TUBE ASSY-PRESSURE R SYS MANUFACTURED FROM: TUBING TITANIUM .750 IN. OD .039 IN. WALL TUBING MATERIAL: .750 IN. OD .039 IN. WALL TITANIUM SERVICE BULLETIN OPT DATA: 272T3100-112 272T3100-182 POST SERVICE BULLETIN: 54-0080R1		1
435	272T3100-186		.TUBE ASSY-PRESSURE R SYS MANUFACTURED FROM: TUBING TITANIUM .750 IN. OD TUBING MATERIAL: .750 IN. OD .039 IN. WALL 88.00 IN. LG TITANIUM SERVICE BULLETIN OPT DATA: 272T3100-110 272T3100-326 272T3100-340 272T3100-366 272T3100-314 POST SERVICE BULLETIN: 54-0080R1		1

ILLUSTRATION ITEMS NOT ON PARTS LIST ARE NOT APPLICABLE

- ITEM NOT ILLUSTRATED

HXL

29-11-00-02A

BOEING PROPRIETARY - Copyright © - Unpublished Work - See title page for details.

29-11-00
FIG. 02A
PAGE 6
DEC 22/07



767

PARTS CATALOG (MAINTENANCE)

FIG ITEM	PART NUMBER	1 2 3 4 5 6 7	NOMENCLATURE	EFFECT FROM TO	UNITS PER ASSY
2A 440	272T3100-326		.TUBE ASSY-PRESSURE R SYS MANUFACTURED FROM: TUBING TITANIUM .750 IN. OD TUBING MATERIAL: .750 IN. OD .039 IN. WALL 86.00 IN. LG TITANIUM SERVICE BULLETIN OPT DATA: 272T3100-110 272T3100-186 272T3100-340 272T3100-366 272T3100-314	163163	1
440	272T3100-340		.TUBE ASSY-PRESSURE R SYS MANUFACTURED FROM: TUBING TITANIUM .750 IN. OD TUBING MATERIAL: .750 IN. OD .039 IN. WALL 85.00 IN. LG TITANIUM SERVICE BULLETIN OPT DATA: 272T3100-110 272T3100-186 272T3100-326 272T3100-366 272T3100-314 POST SERVICE BULLETIN: 54-0080R1		1
440	272T3100-366		.TUBE ASSY-PRESSURE R SYS TUBING MATERIAL: .750 IN. OD .039 IN. WALL 85.00 IN. LG TITANIUM SERVICE BULLETIN OPT DATA: 272T3100-110 272T3100-186 272T3100-326 272T3100-340 272T3100-314 POST SERVICE BULLETIN: 54-0080R1	163163	1

ILLUSTRATION ITEMS NOT ON PARTS LIST ARE NOT APPLICABLE

- ITEM NOT ILLUSTRATED

HXL

29-11-00-02A

BOEING PROPRIETARY - Copyright © - Unpublished Work - See title page for details.

29-11-00
FIG. 02A
PAGE 7
DEC 22/07

 **BOEING**
767
PARTS CATALOG (MAINTENANCE)

FIG ITEM	PART NUMBER	1 2 3 4 5 6 7	NOMENCLATURE	EFFECT FROM TO	UNITS PER ASSY
2A 440	272T3100-314		.TUBE ASSY-PRESSURE R SYS TUBING MATERIAL: .750 IN. OD .039 IN. WALL 85.00 IN. LG TITANIUM SERVICE BULLETIN OPT DATA: 272T3100-110 272T3100-186 272T3100-326 272T3100-340 272T3100-366 POST SERVICE BULLETIN: 54-0080R1	163163	1
- 450	AS1581T12		..SLEEVE		2
- 455	BACN10YA12		..NUT- USED ON: 272T3100-156 272T3100-172 272T3100-182 272T3100-186		2
- 460	BACN10YA12N		..NUT- USED ON: 272T3100-324 272T3100-326 272T3100-340 272T3100-362 272T3100-314		2
470	272T3100-322		.TUBE ASSY-PRESSURE R SYS TUBING MATERIAL: .500 IN. OD .026 IN. WALL 9.00 IN. LG TITANIUM PRE SERVICE BULLETIN: 78-0051		1
470	272T3100-342		.TUBE ASSY-PRESSURE R SYS TUBING MATERIAL: .500 IN. OD .026 IN. WALL 10.00 IN. LG TITANIUM	155162 164999	1
472	272T3100-348		.TUBE ASSY-PRESSURE R SYS TUBING MATERIAL: .500 IN. OD .026 IN. WALL 19.00 IN. LG TITANIUM POST SERVICE BULLETIN: 78-0051		1
- 475	AS1581T08		..SLEEVE		2
- 480	BACN10YA8N		..NUT		2

ILLUSTRATION ITEMS NOT ON PARTS LIST ARE NOT APPLICABLE

- ITEM NOT ILLUSTRATED

HXL

29-11-00-02A

BOEING PROPRIETARY - Copyright © - Unpublished Work - See title page for details.

29-11-00
FIG. 02A
PAGE 8
DEC 22/07



767

PARTS CATALOG (MAINTENANCE)

FIG ITEM	PART NUMBER	1 2 3 4 5 6 7	NOMENCLATURE	EFFECT FROM TO	UNITS PER ASSY
2A 510	272T3100-224		.TUBE ASSY-RETURN R SYS MANUFACTURED FROM: TUBING ALUMINUM 1.00 IN. OD .035 IN. WALL 27.00 IN. LGO TUBING MATERIAL: 1.00 IN. OD .035 IN. WALL 27.00 IN. LG ALUMINUM SERVICE BULLETIN OPT DATA: 272T3100-428 272T3100-486 POST SERVICE BULLETIN: 54-0080R1	163163	1
510	272T3100-428		.BLOCK ASSY-RETURN R SYS MANUFACTURED FROM: TUBING ALUMINUM 1.00 IN. OD .035 IN. WALL 26.00 IN. LG TUBING MATERIAL: 1.00 IN. OD .035 IN. WALL 26.00 IN. LG ALUMINUM SERVICE BULLETIN OPT DATA: 272T3100-224 272T3100-486		1
510	272T3100-486		.TUBE ASSY-RETURN R SYS MANUFACTURED FROM: TUBING ALUMINUM 1.00 IN. OD .035 IN. WALL 30.00 IN. LG TUBING MATERIAL: 1.00 IN. OD .035 IN. WALL 30.00 IN. LG ALUMINUM SERVICE BULLETIN OPT DATA: 272T3100-224 272T3100-428 POST SERVICE BULLETIN: 54-0080R1	163163	1

ILLUSTRATION ITEMS NOT ON PARTS LIST ARE NOT APPLICABLE

- ITEM NOT ILLUSTRATED

29-11-00-02A

29-11-00
FIG. 02A
PAGE 10
AUG 22/09

HXL

BOEING
767
PARTS CATALOG (MAINTENANCE)

FIG ITEM	PART NUMBER	1 2 3 4 5 6 7	NOMENCLATURE	EFFECT FROM TO	UNITS PER ASSY
2A 520	272T3100-282		.TUBE ASSY-RETURN R SYS TUBING MATERIAL: 1.00 IN. OD .035 IN. WALL 65.00 IN. LG ALUMINUM SERVICE BULLETIN OPT DATA: 272T3100-222 272T3100-470 272T3100-496 272T3100-602 272T3100-444 POST SERVICE BULLETIN: 54-0080R1	163163	1
540	272T3100-476		.TUBE ASSY-RETURN R SYS MANUFACTURED FROM: TUBING ALUMINUM 1.00 IN. OD .035 IN. WALL 53.00 IN. LG TUBING MATERIAL: 1.00 IN. OD .035 IN. WALL 53.00 IN. LG ALUMINUM		1
- 545	AP2097HP16		..SLEEVE SUPPLIER CODE: V01673 SPECIFICATION NUMBER: BACS13BX16HP OPTIONAL PART: 2-02903-16HP V11328 35235VN16 V08199 AFP175V16P V30974 DBOS13BX16HP V14798		2
- 550	BACN10YL16		..NUT		2

ILLUSTRATION ITEMS NOT ON PARTS LIST ARE NOT APPLICABLE

- ITEM NOT ILLUSTRATED

HXL

29-11-00-02A

BOEING PROPRIETARY - Copyright © - Unpublished Work - See title page for details.

29-11-00
FIG. 02A
PAGE 11
DEC 22/07

BOEING
767
PARTS CATALOG (MAINTENANCE)

FIG ITEM	PART NUMBER	1 2 3 4 5 6 7	NOMENCLATURE	EFFECT FROM TO	UNITS PER ASSY
R R	2A 552	272T3100-602	.TUBE ASSY-RETURN R SYS TUBING MATERIAL: 1.00 O.D. X .039 SEAMLESS WALL X 68.0 LONG, 6061-T6 MIL-T-7081 SPARES ORDER MATERIAL CODE: 1269116350 SERVICE BULLETIN OPT DATA: 272T3100-222 272T3100-282 272T3100-470 272T3100-496 272T3100-444 POST SERVICE BULLETIN: 54-0080R1		1
	552	272T3100-496	.TUBE ASSY-RETURN R SYS MANUFACTURED FROM: TUBING ALUMINUM 1.00 IN. OD .035 IN. WALL TUBING MATERIAL: 1.00 O.D. X .039 SEAMLESS WALL X 68.0 LONG, 6061-T6 MIL-T-7081 SPARES ORDER MATERIAL CODE: 1269116350 SERVICE BULLETIN OPT DATA: 272T3100-222 272T3100-282 272T3100-470 272T3100-602 272T3100-444		1
	552	272T3100-444	.TUBE ASSY-RETURN R SYS TUBING MATERIAL: 1.00 IN. OD .035 IN. WALL 64.00 IN. LG ALUMINUM SERVICE BULLETIN OPT DATA: 272T3100-222 272T3100-470 272T3100-496 272T3100-602 272T3100-282 POST SERVICE BULLETIN: 54-0080R1	163163	1

ILLUSTRATION ITEMS NOT ON PARTS LIST ARE NOT APPLICABLE

- ITEM NOT ILLUSTRATED

HXL

29-11-00-02A

BOEING PROPRIETARY - Copyright © - Unpublished Work - See title page for details.

29-11-00
FIG. 02A
PAGE 12
AUG 22/09



767

PARTS CATALOG (MAINTENANCE)

FIG ITEM	PART NUMBER	1 2 3 4 5 6 7	NOMENCLATURE	EFFECT FROM TO	UNITS PER ASSY
2A					
- 554	AP2097HP16	..	SLEEVE SUPPLIER CODE: V01673 SPECIFICATION NUMBER: BACS13BX16HP OPTIONAL PART: 2-02903-16HP V11328 35235VN16 V08199 AFP175V16P V30974 DBOS13BX16HP V14798		1
- 556	BACN10YL16	..	NUT		1
- 558	BACU24AB16W	..	UNION- USED ON: 272T3100-496 272T3100-602		1
- 558	35056GV16A	..	UNION- SUPPLIER CODE: V08199 SPECIFICATION NUMBER: BACU24AB16AW OPTIONAL PART: 31875-16AW V14397 DBOU24AB16AW V14798 AP1004W16A V01673 USED ON: 272T3100-444	163163	1
560	AP1042P1212	.	ELBOW SUPPLIER CODE: V01673 SPECIFICATION NUMBER: BACE21BT1212P		1
565	AP1042P1212	.	ELBOW SUPPLIER CODE: V01673 SPECIFICATION NUMBER: BACE21BT1212P		2
570	BACE21BM1212J	.	ELBOW		1
575	AN960PD1716L	.	WASHER		2
580	AN924-12D	.	NUT		1
595	MS21907D16	.	ELBOW		1
597	BACE21BM0808J	.	ELBOW		1
598	MS21907D8	.	ELBOW		1

ILLUSTRATION ITEMS NOT ON PARTS LIST ARE NOT APPLICABLE

- ITEM NOT ILLUSTRATED

29-11-00-02A

29-11-00
FIG. 02A
PAGE 13
DEC 22/07

HXL

BOEING PROPRIETARY - Copyright © - Unpublished Work - See title page for details.



767

PARTS CATALOG (MAINTENANCE)

FIG ITEM	PART NUMBER	1 2 3 4 5 6 7	NOMENCLATURE	EFFECT FROM TO	UNITS PER ASSY
2A					
600	AN960PD2116L	.	WASHER		2
605	AN924-16D	.	NUT		1
620	BACT16BR120812	.	TEE		1
625	BACT16BL121208J	.	TEE-		1
			PRE SERVICE BULLETIN: 78-0051		
630	NAS1763D160816	.	TEE		1
630	BACT16BL160816P	.	TEE		1
640	BACC27H12120808	.	CROSS-		1
			POST SERVICE BULLETIN: 78-0051		
640	BCREF115425	.	CROSS-		1
			OVERLENGTH PART NUMBER: BACC27AC12120808J POST SERVICE BULLETIN: 78-0051		
700	272T3114-2	.	BRACKET INSTL-HYDRAULIC SUPPORT FAIRING STRUT POSITION DATA: AFT FOR DETAILS SEE: 29-11-64-01		1
900			ILLUSTRATION REFERENCE: HYDRAULIC INSTL-SECT. 12 (RH) (HYDRAULIC POWER ONLY) 29-11-77-05		RF
910			ILLUSTRATION REFERENCE: HYDRAULIC INSTL-SECT. 12 (AILERON AND SPOILER HYDRAULIC SHUTOFF VALVES ONLY) 27-13-54-02		RF
915			ILLUSTRATION REFERENCE: HYDRAULIC INSTL-SECT. 31 ENGINE AFT FAIRING (EXHAUST ONLY) 78-34-53-01A		RF
920			ILLUSTRATION REFERENCE: HYDRAULIC INSTL-SECT. 31 ENGINE AFT FAIRING (EXHAUST ONLY) 78-34-53-01C		RF
925			ILLUSTRATION REFERENCE: HYDRAULIC INSTL-SECT. 31 ENGINE AFT FAIRING (RH) (CASE DRAIN ACMP ONLY) 29-11-18-03		RF

ILLUSTRATION ITEMS NOT ON PARTS LIST ARE NOT APPLICABLE

- ITEM NOT ILLUSTRATED

29-11-00-02A

29-11-00
FIG. 02A
PAGE 14
DEC 22/07

HXL

BOEING PROPRIETARY - Copyright © - Unpublished Work - See title page for details.



767

PARTS CATALOG (MAINTENANCE)

FIG ITEM	PART NUMBER	1 2 3 4 5 6 7 NOMENCLATURE	EFFECT FROM TO	UNITS PER ASSY
2A 930		ILLUSTRATION REFERENCE: MODULE INSTL-FAIRING STRUT ENG DRIVEN PUMP PRESSURE AND CASE DRAIN FILTER AFT 29-11-17-01		RF
935		ILLUSTRATION REFERENCE: HYDRAULIC INSTL-SECT. 31 ENG AFT FAIRING, R STRUT (HEAT EXCHANGER ONLY) 29-11-27-03		RF

ILLUSTRATION ITEMS NOT ON PARTS LIST ARE NOT APPLICABLE

- ITEM NOT ILLUSTRATED

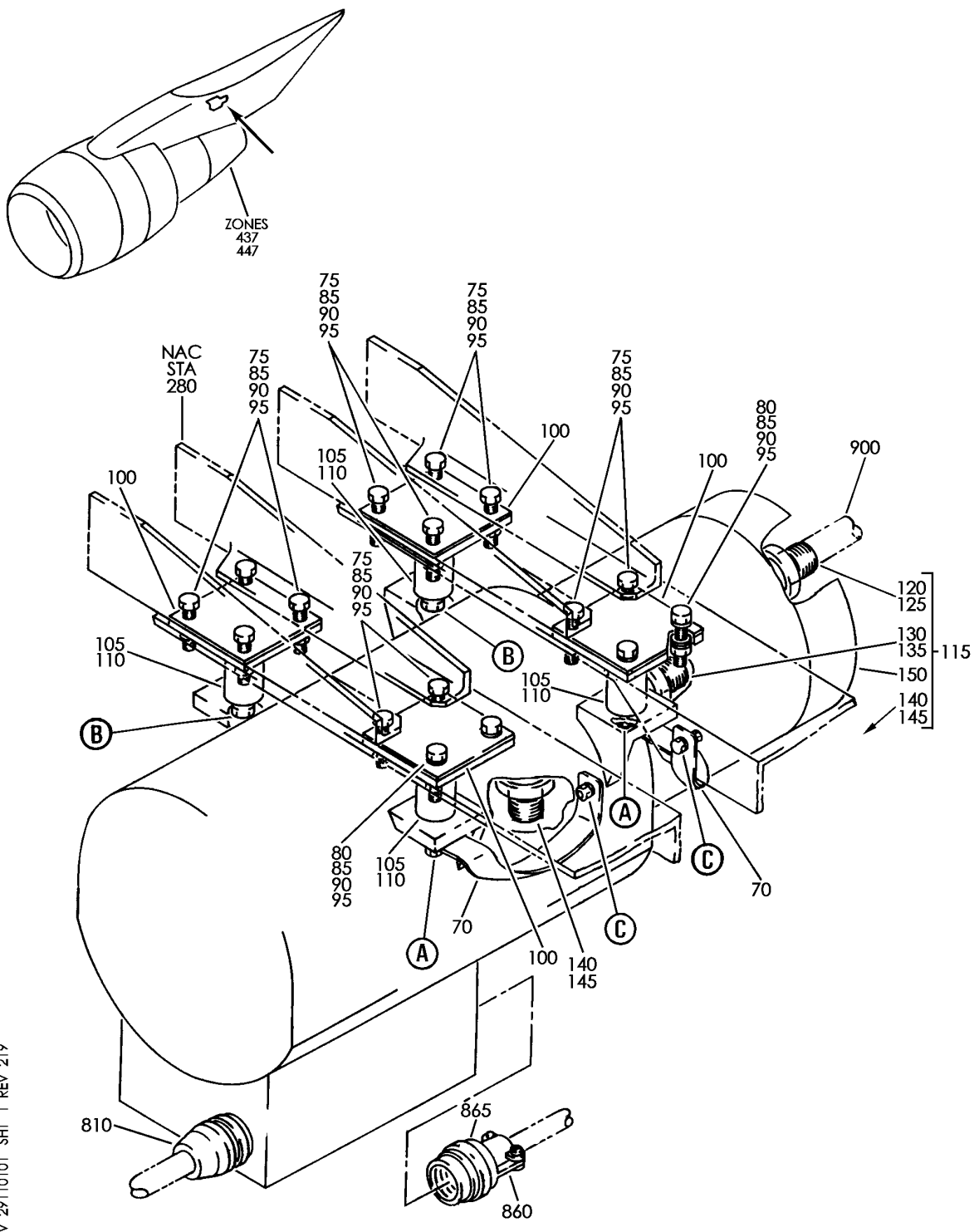
HXL

29-11-00-02A

BOEING PROPRIETARY - Copyright © - Unpublished Work - See title page for details.

29-11-00
FIG. 02A
PAGE 15
DEC 22/07


BOEING
 767
PARTS CATALOG (MAINTENANCE)



V 29110101 SHT 1 REV 219

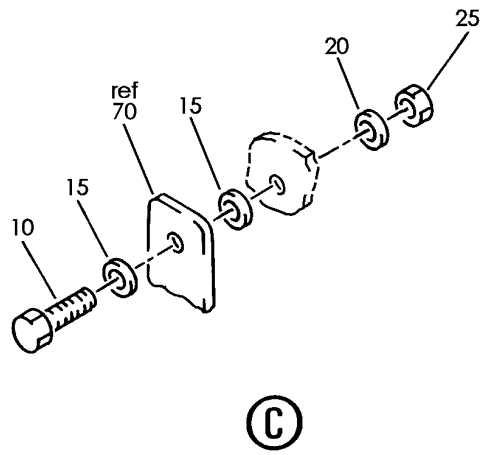
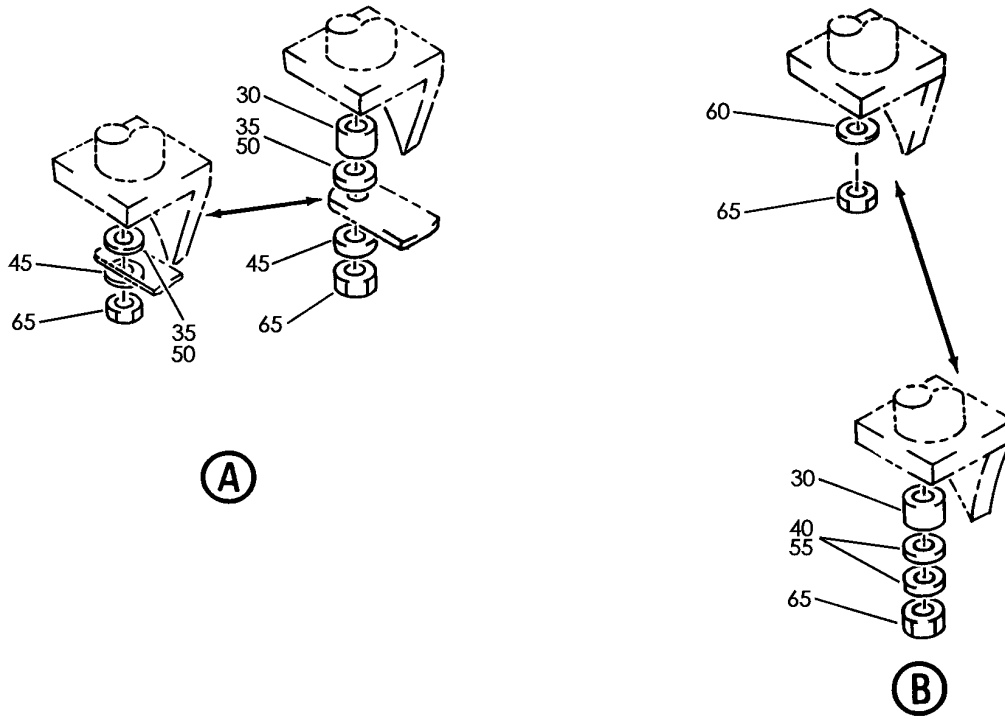
PUMP INSTL-ENG AFT FAIRING AC MOTOR DRIVEN HYDR
 FIGURE 1 (SHEET 1)

29-11-01-01

HXL
 DEC 22/06

29-11-01-01
 PAGE 0

BOEING
767
PARTS CATALOG (MAINTENANCE)



V 29110101 SHT 2 REV 219

PUMP INSTL-ENG AFT FAIRING AC MOTOR DRIVEN HYDR
FIGURE 1 (SHEET 2)

29-11-01-01

HXL
DEC 22/06

29-11-01-01
PAGE 0A



767

PARTS CATALOG (MAINTENANCE)

FIG ITEM	PART NUMBER	1 2 3 4 5 6 7	NOMENCLATURE	EFFECT FROM TO	UNITS PER ASSY
1			PUMP INSTL-ENG AFT FAIRING AC MOTOR DRIVEN HYDR		
- 1	271T5230-23		PUMP INSTL-ENG FAIRING AC MOTOR DRIVEN HYDR POSITION DATA: AFT LH FOR NHA SEE: 29-11-01-02		RF
- 5	271T5230-24		PUMP INSTL-ENG FAIRING AC MOTOR DRIVEN HYDR POSITION DATA: AFT RH FOR NHA SEE: 29-11-01-03		RF
10	NAS6603-6		.BOLT		2
15	AN960D10		.WASHER		4
20	AN960PD10L		.WASHER-		2
20	AN960JD10L		.WASHER-		2
25	MS21042L3		.NUT-		2
45	AN960JD416L		.WASHER		2
50	AN960D416		.WASHER		2
60	AN960JD416L		.WASHER-		2
65	MS21042L4		.NUT-		4
70	4E5F		.JUMPER ASSY SUPPLIER CODE: V79550 SPECIFICATION NUMBER: BACJ40D11-20 OPTIONAL PART: 740D11-20 V91812		2
75	NAS6603-8		.BOLT-		12
80	NAS6603-6		.BOLT-		4
85	AN960PD10L		.WASHER-		16
85	AN960JD10L		.WASHER-		16
90	BACW10BP3NDP		.WASHER-		16
95	MS21042L3		.NUT-		16
100	272T0017-4		.FILLER		4
105	J19235-3		.MOUNT-ACMP BLOCK SUPPLIER CODE: V76005 SPECIFICATION NUMBER: S271T482-2 OPTIONAL PART: J19235-1 V76005		4

ILLUSTRATION ITEMS NOT ON PARTS LIST ARE NOT APPLICABLE

- ITEM NOT ILLUSTRATED

HXL

29-11-01-01

BOEING PROPRIETARY - Copyright © - Unpublished Work - See title page for details.

29-11-01
FIG. 01
PAGE 1
DEC 22/06

BOEING
767
PARTS CATALOG (MAINTENANCE)

FIG ITEM	PART NUMBER	1 2 3 4 5 6 7	NOMENCLATURE	EFFECT FROM TO	UNITS PER ASSY
1					
115	271T5230-20		.PUMP ASSY- QUALIFIED I/W DATA: (-14);271T5230-20 T/W 4 EA. S271T482-2 SHOCK MOUNTS IS I/W 271T4540-14 WITH CUSTOMER APPROVAL.		1
120	AFP23210-8		..REDUCER SUPPLIER CODE: V30974 SPECIFICATION NUMBER: BACR17E10-8 OPTIONAL PART: AP102710-8 V01673 BC916T10-8 V50948 DBOR17E10-8 V14798 ER21916T10-8 V88334 ER31916-10-8 V88334 F23-10-8 V73197 2-01075T10-8 V11328 31778-10-8 V14397 US2114-10-8 V50808		1
125	NAS1612-10		..PACKING-		1
130	MS21916D8-6		..REDUCER		1
135	NAS1612-8		..PACKING-		1
140	MS21902D12		..UNION		1
145	NAS1612-12		..PACKING-		1
ILLUSTRATION ITEMS NOT ON PARTS LIST ARE NOT APPLICABLE					

- ITEM NOT ILLUSTRATED

HXL

29-11-01-01

BOEING PROPRIETARY - Copyright © - Unpublished Work - See title page for details.

29-11-01
FIG. 01
PAGE 2
AUG 22/08



767

PARTS CATALOG (MAINTENANCE)

FIG ITEM	PART NUMBER	1 2 3 4 5 6 7	NOMENCLATURE	EFFECT FROM TO	UNITS PER ASSY
1 150	731966		<p>..PUMP ASSY-AC MOTOR DRIVEN HYDR SUPPLIER CODE: V62983 FUNCTIONAL DESCRIPTION: FOR 777, PUMP IS PRIMARY SOURCE OF HYDRAULIC PRESSURE FOR THE CENTER SYSTEM, SECONDARY SOURCE FOR THE LEFT AND RIGHT SYSTEM FOR 747 AND 767 PUMP SUPPLIES HYDRAULIC PRESSURE DURING HIGH DEMAND AS NEEDED. SPECIFICATION NUMBER: S270T201-7 ELECTRICAL EQUIP NUMBER: M00231 M00234 COMPONENT MAINT MANUAL REF: 29-11-16 QUALIFIED I/W DATA: (ABEX) P/N 66068-06 WITH SHOCKMOUNTS REMOVED IS I/W (VICKERS) P/N 731966 FOR 767, SUBJECT TO CUSTOMER PREFERENCE OF SUPPLIER (ABEX) P/N 66068-08 I/W (VICKERS) P/N 731966 SUBJECT TO CUSTOMER PREFERENCE OF SUPPLIER FOR DETAILS SEE: 29-11-01-51</p>		1
155 - 800	AN814-4DL 286T0290-300		<p>...PLUG AND BLEEDER WIRE BUNDLE ASSY- POSITION DATA: LH</p>		2 RF
- 805	286T0288-300		<p>WIRE BUNDLE ASSY- POSITION DATA: RH</p>		RF

ILLUSTRATION ITEMS NOT ON PARTS LIST ARE NOT APPLICABLE

- ITEM NOT ILLUSTRATED

HXL

29-11-01-01

BOEING PROPRIETARY - Copyright © - Unpublished Work - See title page for details.

29-11-01
 FIG. 01
 PAGE 3
 APR 22/08



767

PARTS CATALOG (MAINTENANCE)

FIG ITEM	PART NUMBER	1 2 3 4 5 6 7	NOMENCLATURE	EFFECT FROM TO	UNITS PER ASSY
1 810	FC3406D24C22S		.CONNECTOR- SUPPLIER CODE: V28680 SPECIFICATION NUMBER: BACC63BW24C22S OPTIONAL PART: WFB624C22S V17549 ELECTRICAL EQUIP NUMBER: D00480 D00486 WIRING DIAGRAM REF: 291112 291122		1
- 850	286T0398-002		WIRE BUNDLE ASSY- POSITION DATA: LH		RF
- 855	286T0400-002		WIRE BUNDLE ASSY- POSITION DATA: RH		RF
860	S3819-12-65		.CLAMP- SUPPLIER CODE: V07418 SPECIFICATION NUMBER: BACC10KD12 OPTIONAL PART: 620AS028NF12L V06324 ELECTRICAL EQUIP NUMBER: D00916T D00922T WIRING DIAGRAM REF: 291112 291122		1

ILLUSTRATION ITEMS NOT ON PARTS LIST ARE NOT APPLICABLE

- ITEM NOT ILLUSTRATED

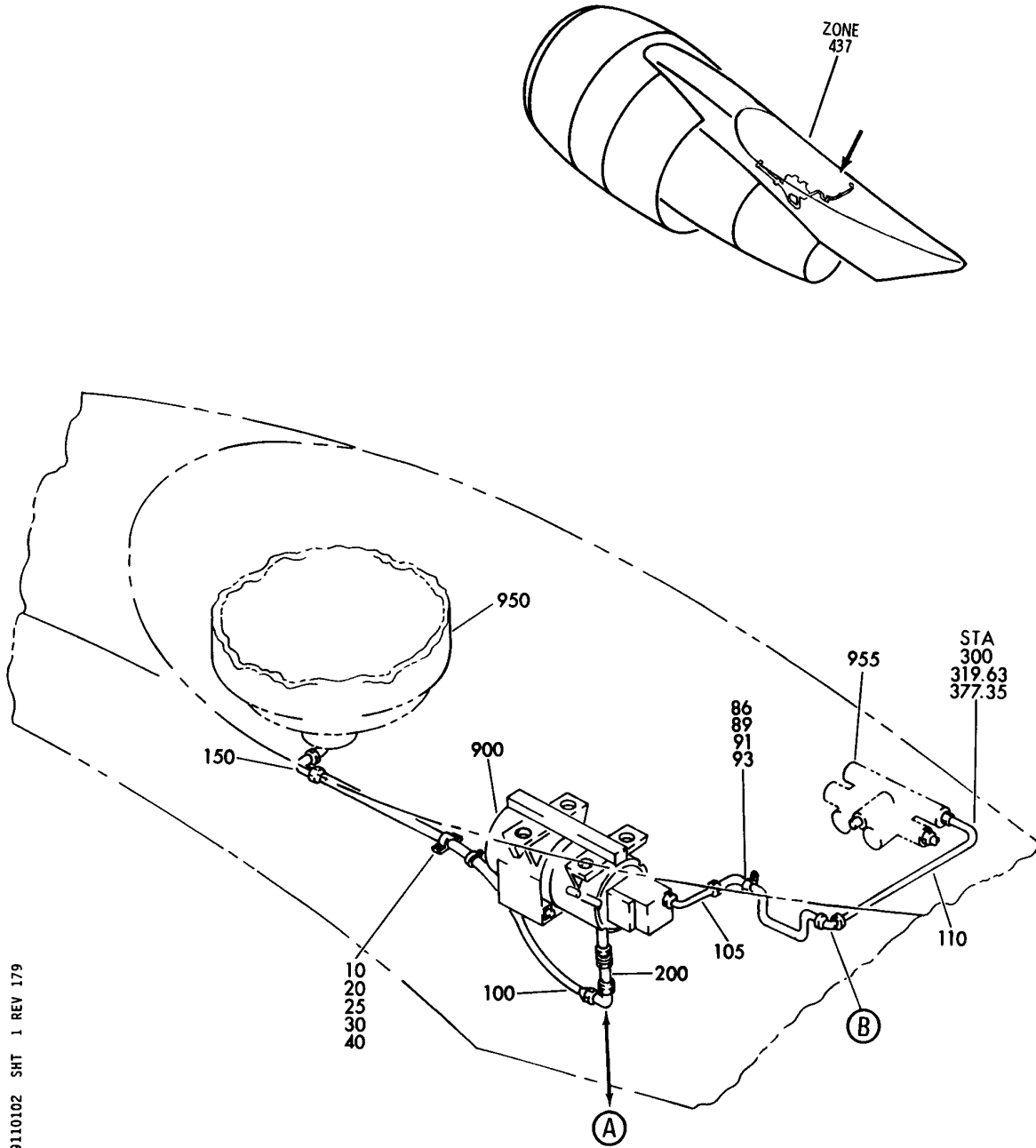
HXL

29-11-01-01

BOEING PROPRIETARY - Copyright © - Unpublished Work - See title page for details.

29-11-01
FIG. 01
PAGE 4
APR 22/08

BOEING
767
PARTS CATALOG (MAINTENANCE)



V 29110102 SHT 1 REV 179

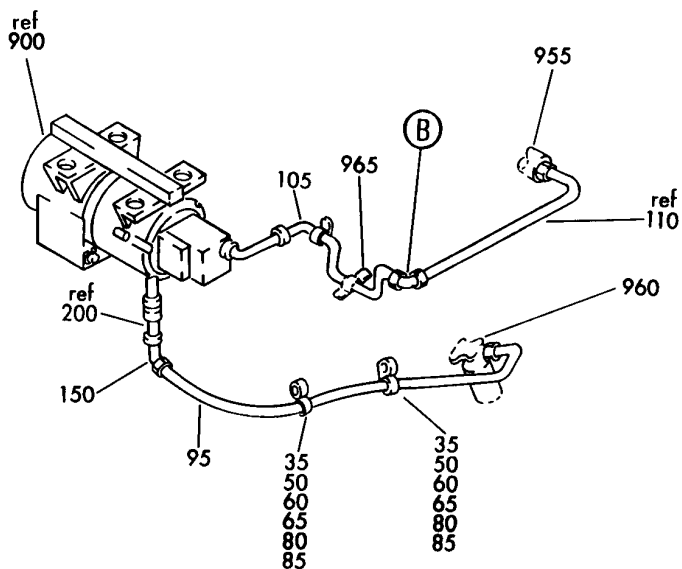
HYDRAULIC INSTL-SECT. 31 ENGINE AFT FAIRING (LH) (AC MOTOR PUMP ONLY)
FIGURE 2 (SHEET 1)

29-11-01-02

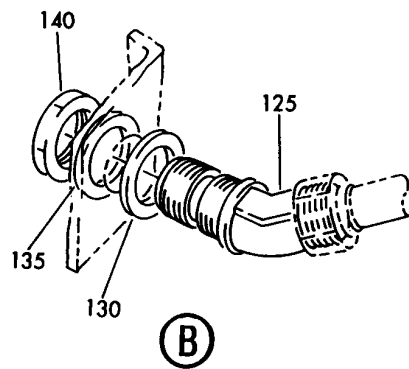
HXL
DEC 22/06

29-11-01-02
PAGE 0

BOEING
767
PARTS CATALOG (MAINTENANCE)



(A)



(B)

V 29110102 SHT 2 REV 179

HYDRAULIC INSTL-SECT. 31 ENGINE AFT FAIRING (LH) (AC MOTOR PUMP ONLY)
FIGURE 2 (SHEET 2)

29-11-01-02

HXL
DEC 22/06

29-11-01-02
PAGE 0A



767

PARTS CATALOG (MAINTENANCE)

FIG ITEM	PART NUMBER	1 2 3 4 5 6 7	NOMENCLATURE	EFFECT FROM TO	UNITS PER ASSY
2			HYDRAULIC INSTL-SECT. 31 ENGINE AFT FAIRING (LH) (AC MOTOR PUMP ONLY)		
- 1	272T3100-5		HYDRAULIC INSTL-ENG FAIRING STRUT POSITION DATA: SECT. 31 AFT L MISCELLANEOUS DATA: (AC MOTOR PUMP ONLY) VARIABLE DRAWING REF: 272T3100-5317 272T3100-5347 272T3100-5361 272T3100-7003 FOR NHA/OTHER SYS DET SEE: 29-00-00-04		RF
	5 NAS1801-3-15	.SCREW			2
	10 NAS1801-3-15	.SCREW-			2
	20 AN960PD10L	.WASHER-			2
	25 BACS18AW20	.SPACER			5
	40 TA0910004H120	.CLAMP-			1
		SUPPLIER CODE: V84971			
		SPECIFICATION NUMBER: BACC10HB20C			
	86 M85052-2-12	.CLAMP			1
	88 M85052-2-6	.CLAMP			1
		ATTACHING PARTS			
	89 NAS1801-3-6	.SCREW			1
	91 AN960PD10L	.WASHER			2
	93 BRH10A3	.NUT			1
		SUPPLIER CODE: V52828			
		SPECIFICATION NUMBER: BACN10JJC3			
		OPTIONAL PART: H10-3BAC V15653 NS202101-02 V80539 RMLH9075-3W V72962 VN303A02 V92215 96-02 V80539 T6S1032J V11815			
		-----*-----			
		ILLUSTRATION ITEMS NOT ON PARTS LIST ARE NOT APPLICABLE			

- ITEM NOT ILLUSTRATED

HXL

29-11-01-02

BOEING PROPRIETARY - Copyright © - Unpublished Work - See title page for details.

29-11-01
FIG. 02
PAGE 1
APR 22/09

 **BOEING**
767
PARTS CATALOG (MAINTENANCE)

FIG ITEM	PART NUMBER	1 2 3 4 5 6 7	NOMENCLATURE	EFFECT FROM TO	UNITS PER ASSY
2					
100	108349-2		.HOSE ASSY- SUPPLIER CODE: V78570 OPTIONAL PART: 108349-32 V78570		1
100	108349-32		.HOSE ASSY- SUPPLIER CODE: V78570 OPTIONAL PART: 108349-2 V78570		1
105	AS115-08D0167		.HOSE ASSY- OPTIONAL PART: AS115-08K0167		1
105	AS115-08K0167		.HOSE ASSY- OPTIONAL PART: AS115-08D0167		1
110	272T3100-113		.TUBE ASSY-PRESSURE SYS POSITION DATA: L TUBING MATERIAL: .500 IN. OD .026 IN. WALL 18.00 IN. LG TI		1
- 115	AS1581T08		..SLEEVE		2
- 120	BACN10YA8		..NUT-		2
- 120	AFP107-8		..NUT- SUPPLIER CODE: V30974 SPECIFICATION NUMBER: BACN10NR8 OPTIONAL PART: AP1028T8 V01673 BC921T8 V50948 DBON10NR8 V14798 ER01921-8T V88334 FER8928-8 V14397 F11-8 V73197 2-03005T8 V11328 31783-8 V14397 BACN10YA8		2
ILLUSTRATION ITEMS NOT ON PARTS LIST ARE NOT APPLICABLE					

- ITEM NOT ILLUSTRATED

HXL

29-11-01-02

BOEING PROPRIETARY - Copyright © - Unpublished Work - See title page for details.

29-11-01
FIG. 02
PAGE 2
DEC 22/07



767

PARTS CATALOG (MAINTENANCE)

FIG ITEM	PART NUMBER	1 2 3 4 5 6 7	NOMENCLATURE	EFFECT FROM TO	UNITS PER ASSY
2					
125	BACE21BN0808J	.	ELBOW		1
130	AN960PD1216	.	WASHER		1
135	AN960PD1216	.	WASHER-		1
135	AN960PD1216L	.	WASHER-		1
140	AN924-8D	.	NUT		1
150	NAS1761D1212	.	ELBOW		1
200	142012-1-12E	.	COUPLING-AC MOTOR PUMP SUPPLY SELF-SEALING DISC. SUPPLIER CODE: V11362 SPECIFICATION NUMBER: S270T202-9		1
900	271T5230-23	.	PUMP INSTL-HYDRAULIC AC MOTOR DRIVEN FOR DETAILS SEE: 29-11-01-01		1
950			ILLUSTRATION REFERENCE: RESERVOIR INSTL-ENG AFT FAIRING HYDR 29-11-20-01		RF
955			ILLUSTRATION REFERENCE: MODULE INSTL-STRUT AND CTR SYS PRESSURE AND CASE DRAIN FILTER AC MOTOR PUMP AFT FAIRING 29-11-18-01		RF
965			ILLUSTRATION REFERENCE: HYDRAULIC INSTL-SECT. 31 ENGINE AFT FAIRING (LH) (CASE DRAIN ACMP ONLY) 29-11-18-02		RF

ILLUSTRATION ITEMS NOT ON PARTS LIST ARE NOT APPLICABLE

- ITEM NOT ILLUSTRATED

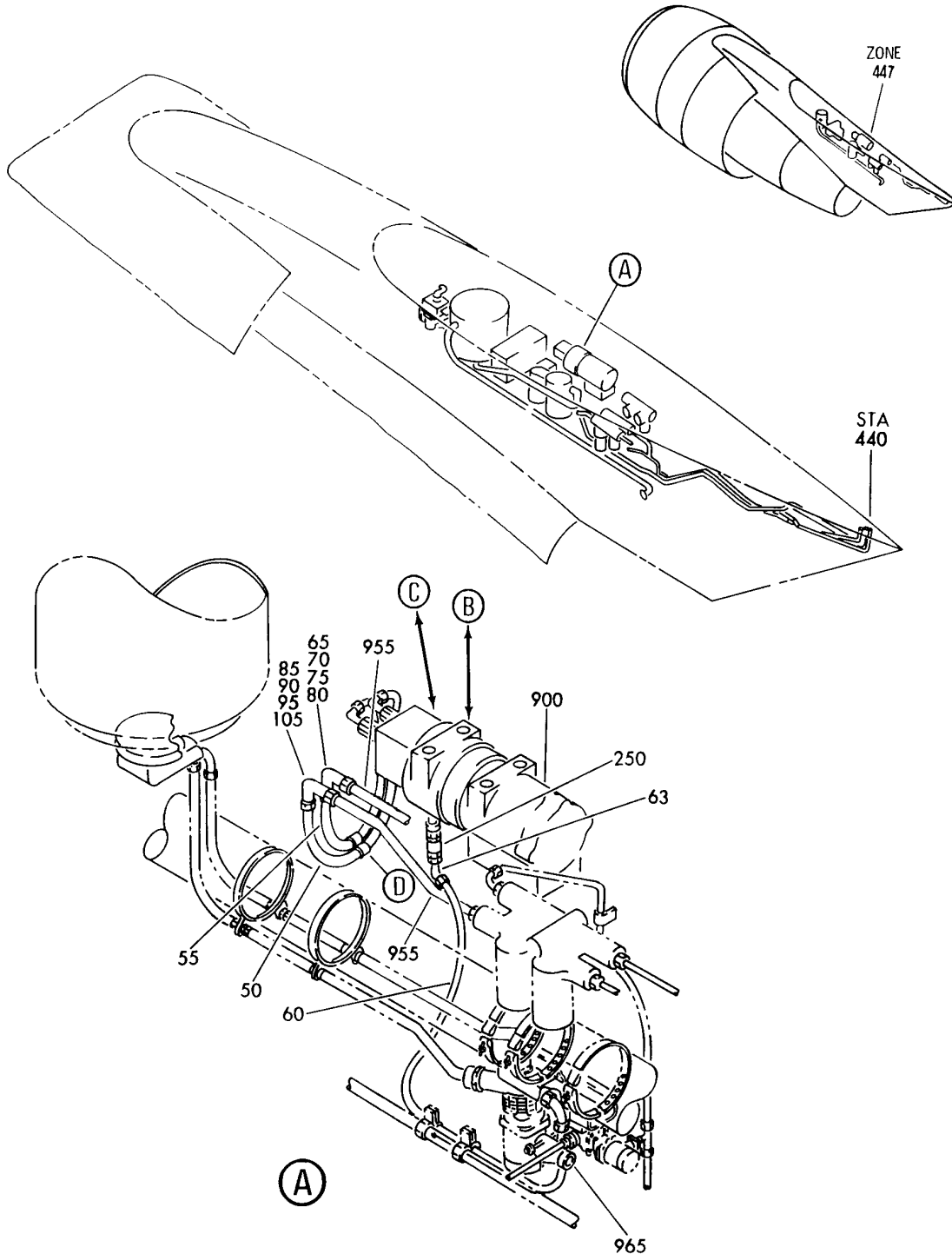
HXL

29-11-01-02

BOEING PROPRIETARY - Copyright © - Unpublished Work - See title page for details.

29-11-01
FIG. 02
PAGE 3
DEC 22/07

BOEING
767
PARTS CATALOG (MAINTENANCE)



V 29110103 SHT 1 REV 181

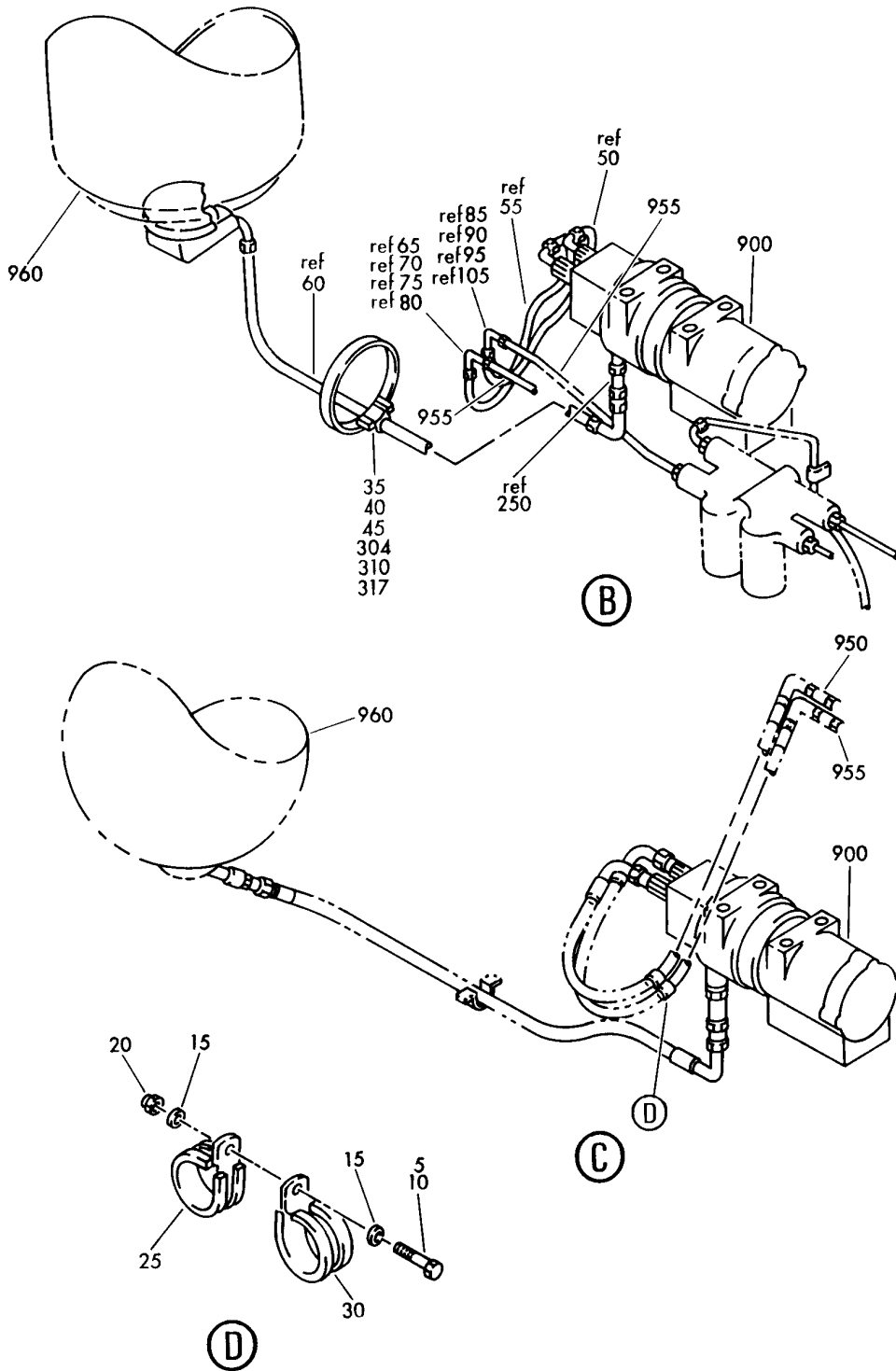
HYDRAULIC INSTL-SECT. 31 ENGINE AFT FAIRING (RH) (AC MOTOR PUMP ONLY)
FIGURE 3 (SHEET 1)

29-11-01-03

HXL
DEC 22/06

29-11-01-03
PAGE 0

BOEING
767
PARTS CATALOG (MAINTENANCE)



V 29110103 SHT 2 REV 181

HYDRAULIC INSTL-SECT. 31 ENGINE AFT FAIRING (RH) (AC MOTOR PUMP ONLY)
FIGURE 3 (SHEET 2)

29-11-01-03

HXL
DEC 22/06

29-11-01-03
PAGE 0A



767

PARTS CATALOG (MAINTENANCE)

FIG ITEM	PART NUMBER	1 2 3 4 5 6 7	NOMENCLATURE	EFFECT FROM TO	UNITS PER ASSY
3			HYDRAULIC INSTL-SECT. 31 ENGINE AFT FAIRING (RH) (AC MOTOR PUMP ONLY)		
- 1	272T3100-6		HYDRAULIC INSTL-ENG FAIRING STRUT PRATT AND WHITNEY ONLY POSITION DATA: SECT. 31 AFT R MISCELLANEOUS DATA: (AC MOTOR PUMP ONLY) VARIABLE DRAWING REF: 272T3100-5218 272T3100-5336 272T3100-7004 FOR NHA/OTHER SYS DET SEE: 29-00-00-04		RF
5	NAS1801-3-6	.SCREW			1
15	AN960PD10L	.WASHER			2
20	BRH10A3	.NUT			1
		SUPPLIER CODE: V52828			
		SPECIFICATION NUMBER: BACN10JC3			
		OPTIONAL PART: H10-3BAC V15653 NS202101-02 V80539 RMLH9075-3W V72962 VN303A02 V92215 96-02 V80539 T6S1032J V11815			
25	M85052-2-10	.CLAMP			1
30	M85052-2-12	.CLAMP			1
35	TA0910004H120	.CLAMP			1
		SUPPLIER CODE: V84971			
		SPECIFICATION NUMBER: BACC10HB20C			
40	NAS1801-3-9	.SCREW			2
45	AN960PD10L	.WASHER			2
50	AS117-08D0165	.HOSE ASSY-			1
		OPTIONAL PART: AS117-08K0165			
ILLUSTRATION ITEMS NOT ON PARTS LIST ARE NOT APPLICABLE					

- ITEM NOT ILLUSTRATED

29-11-01-03

29-11-01
FIG. 03
PAGE 1
DEC 22/07

HXL



767

PARTS CATALOG (MAINTENANCE)

FIG ITEM	PART NUMBER	1 2 3 4 5 6 7	NOMENCLATURE	EFFECT FROM TO	UNITS PER ASSY
3					
50	AS117-08K0165		.HOSE ASSY- OPTIONAL PART: AS117-08D0165		1
55	AS117-06D0143		.HOSE ASSY- OPTIONAL PART: AS117-06K0143		1
55	AS117-06K0143		.HOSE ASSY- OPTIONAL PART: AS117-06D0143		1
60	108349-1		.HOSE ASSY- SUPPLIER CODE: V78570		1
60	108349-31		.HOSE ASSY- SUPPLIER CODE: V78570		1
60	108349-31-1		.HOSE ASSY-STRAIGHT TO 45 DEG ELBOW, SIZE NO. 12 SUPPLIER CODE: V78570		1
63	NAS1761D1216		.ELBOW		1
65	MS21907D6		.ELBOW		1
70	AN960PD916		.WASHER		1
75	AN960PD916L		.WASHER		1
80	AN924-6D		.NUT-		1
85	BACE21BM0808J		.ELBOW		1
100	AN960PD1216L		.WASHER		2
105	AN924-8D		.NUT		1
250	142012-1-12E		.COUPLING-AC MOTOR PUMP SUPPLY SELF-SEALING DISC. SUPPLIER CODE: V11362 SPECIFICATION NUMBER: S270T202-9		1
900	271T5230-24		.PUMP INSTL-HYDR AC MOTOR DRIVEN VICKERS FOR DETAILS SEE: 29-11-01-01		1
955			ILLUSTRATION REFERENCE: HYDRAULIC INSTL-SECT. 31 ENGINE AFT FAIRING (RH) (CASE DRAIN ACMP ONLY) 29-11-18-03		RF
960			ILLUSTRATION REFERENCE: RESERVOIR INSTL-ENG AFT FAIRING HYDR 29-11-20-01		RF

ILLUSTRATION ITEMS NOT ON PARTS LIST ARE NOT APPLICABLE

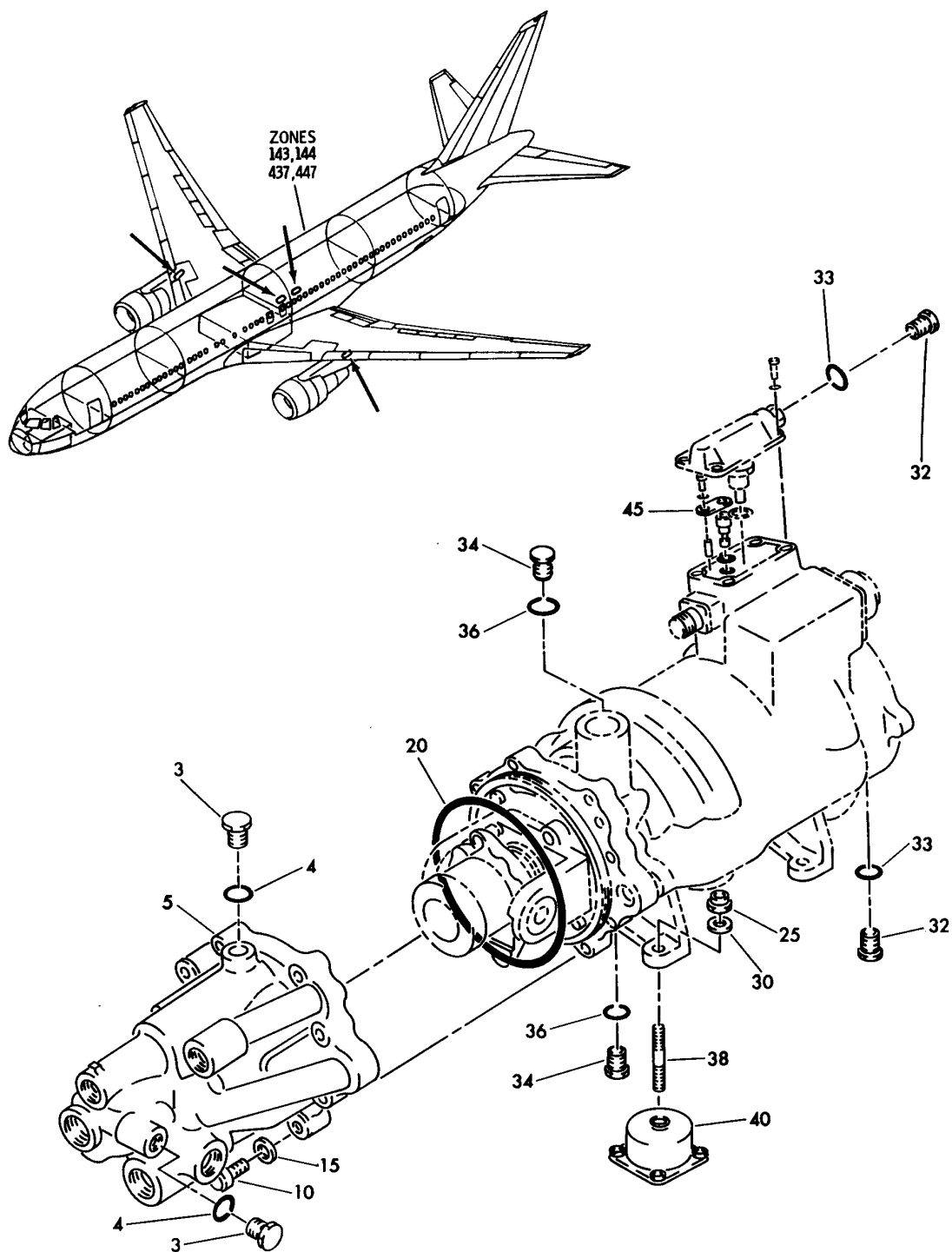
- ITEM NOT ILLUSTRATED

29-11-01-03

29-11-01
FIG. 03
PAGE 2
DEC 22/07

HXL

BOEING
767
PARTS CATALOG (MAINTENANCE)



V 29110151 REV 115

PUMP ASSY-AC MOTOR DRIVEN HYDR VAR DISPLACEMENT
FIGURE 51

29-11-01-51

HXL
DEC 22/06

29-11-01-51
PAGE 0



767

PARTS CATALOG (MAINTENANCE)

FIG ITEM	PART NUMBER	1 2 3 4 5 6 7 NOMENCLATURE	EFFECT FROM TO	UNITS PER ASSY
51 1	731966	PUMP ASSY-AC MOTOR DRIVEN HYDR VAR DISPLACEMENT PUMP ASSY-AC MOTOR DRIVEN HYDR VAR DISPLACEMENT SUPPLIER CODE: V62983 FUNCTIONAL DESCRIPTION: FOR 777, PUMP IS PRIMARY SOURCE OF HYDRAULIC PRESSURE FOR THE CENTER SYSTEM, SECONDARY SOURCE FOR THE LEFT AND RIGHT SYSTEM FOR 747 AND 767 PUMP SUPPLIES HYDRAULIC PRESSURE DURING HIGH DEMAND AS NEEDED. SPECIFICATION NUMBER: S270T201-7 MISCELLANEOUS DATA: ((ABEX) P/N 66068-08 I/W VICKERS P/N 731966 SUBJECT TO CUSTOMER PREFERENCE OF SUPPLIER) (THE S270T201-6 (623303) VICKERS ACMP WITHOUT THE (4) VICKERS P/N 570750 SHOCK MOUNTS OR THE S270T200-8 (66068-08) ABEX ACMP ARE FULLY I/W THE S270T201-7 (731966) VICKERS ACMP SUBJECT TO CUSTOMER PREFERENCE OF SUPPLIER) (THE S270T200-8 (66068-08) ABEX ACMP OR S270T201-7 (731966) VICKERS ACMP T/W (4) S271T482-2 SHOCK MOUNTS (4) MS21042L4 NUTS AND (4) AN960JD416L WASHERS ARE FULLY I/W S270T201-6 (623303) VICKERS ACMP SUBJECT TO CUSTOMER PREFERENCE OF SUPPLIER) COMPONENT MAINT MANUAL REF: 29-11-16 QUALIFIED I/W DATA: ABEX P/N 66068-06 ILLUSTRATION ITEMS NOT ON PARTS LIST ARE NOT APPLICABLE		RF

- ITEM NOT ILLUSTRATED

29-11-01-51

29-11-01
 FIG. 51
 PAGE 1
 DEC 22/06

HXL

 **BOEING**
767
PARTS CATALOG (MAINTENANCE)

FIG ITEM	PART NUMBER	1 2 3 4 5 6 7	NOMENCLATURE	EFFECT FROM TO	UNITS PER ASSY
51			WITH SHOCKMOUNTS REMOVED IS I/W (VICKERS P/N 731966 FOR 767 SUBJECT TO CUSTOMER PREFERENCE OF SUPPLIER FOR NHA SEE: 29-11-01-01 29-11-02-01		
1					
3	AN814-4DL		.PLUG AND BLEEDER		2
4	NAS1612-4A		.PACKING- OPTIONAL PART: NAS1612-4 V62983		2
4	NAS1612-4		.PACKING- OPTIONAL PART: NAS1612-4A V62983		2
5	622154		.HOUSING ASSY-SLEEVES, INSERTS AND PINS SUPPLIER CODE: V62983		1
10	NAS624-11		ATTACHING PARTS .SCREW		8
15	417352		.WASHER- SUPPLIER CODE: V62983		8
			-----*-----		
20	NAS1611-250		.PACKING-PREFORMED		1
25	NAS1021A4		.NUT		4
30	AN960-416		.WASHER		4
32	570129		.PLUG-BREATHER SUPPLIER CODE: V62983		2
33	NAS1612-4A		.PACKING- OPTIONAL PART: NAS1612-4 V62983		2
33	NAS1612-4		.PACKING- OPTIONAL PART: NAS1612-4A V62983		2
34	622622		.PLUG- SUPPLIER CODE: V62983		2
36	NAS1612-4A		.PACKING- OPTIONAL PART: NAS1612-4 V62983		2
ILLUSTRATION ITEMS NOT ON PARTS LIST ARE NOT APPLICABLE					

— ITEM NOT ILLUSTRATED

HXL

29-11-01-51

BOEING PROPRIETARY - Copyright © - Unpublished Work - See title page for details.

29-11-01
FIG. 51
PAGE 2
DEC 22/06



767

PARTS CATALOG (MAINTENANCE)

FIG ITEM	PART NUMBER	1 2 3 4 5 6 7	NOMENCLATURE	EFFECT FROM TO	UNITS PER ASSY
51					
36	NAS1612-4		.PACKING- OPTIONAL PART: NAS1612-4A V62983		2
38	570716		.STUD- SUPPLIER CODE: V62983		4
40	570749		.MOUNT-SHOCK SUPPLIER CODE: V62983		4
45	571334		.RETAINER- SUPPLIER CODE: V62983		1
ILLUSTRATION ITEMS NOT ON PARTS LIST ARE NOT APPLICABLE					

- ITEM NOT ILLUSTRATED

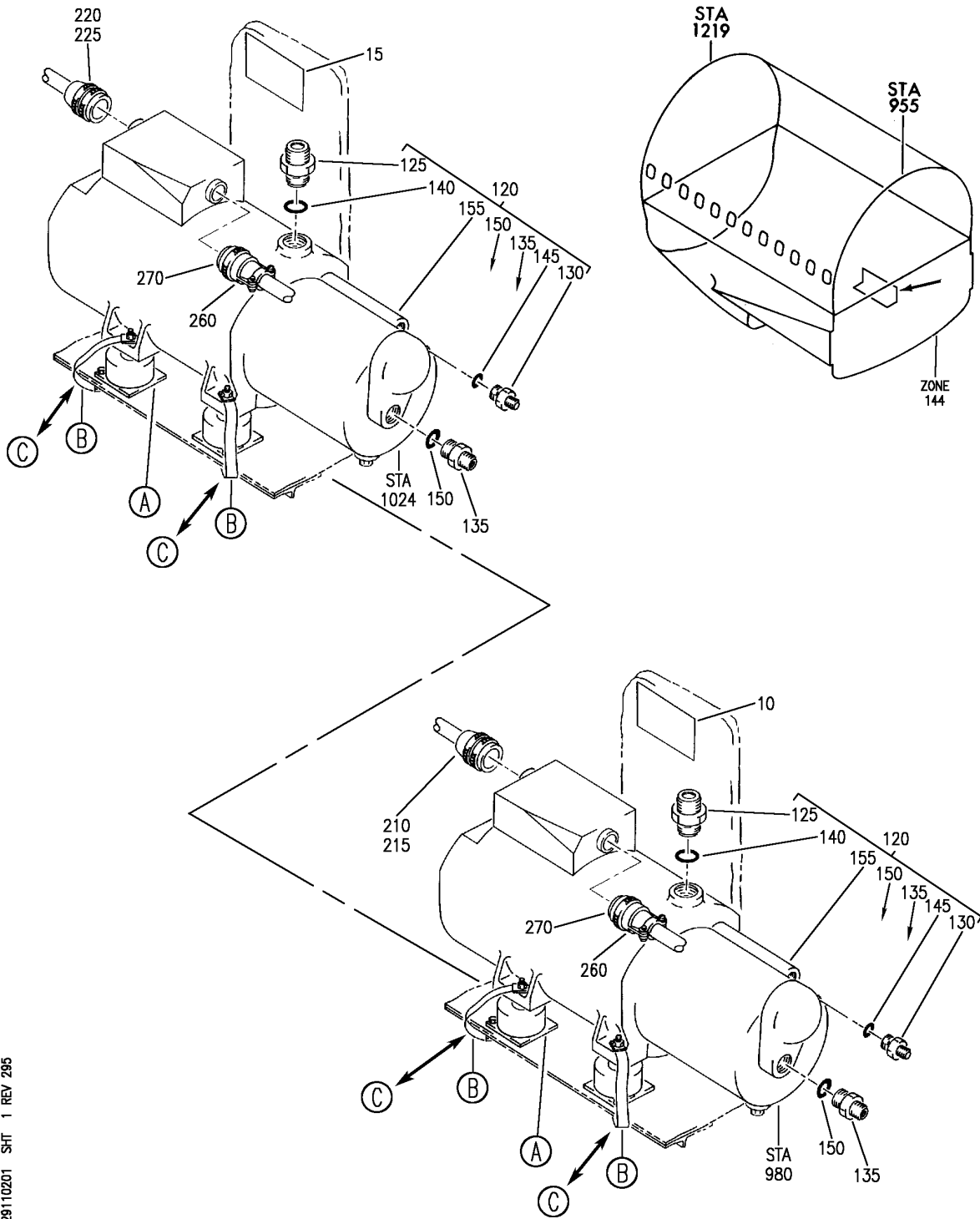
HXL

29-11-01-51

BOEING PROPRIETARY - Copyright © - Unpublished Work - See title page for details.

29-11-01
FIG. 51
PAGE 3
DEC 22/06

BOEING
767
PARTS CATALOG (MAINTENANCE)



V 29110201 SHT 1 REV 295

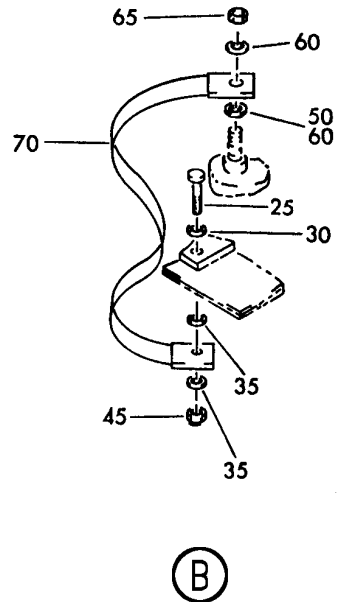
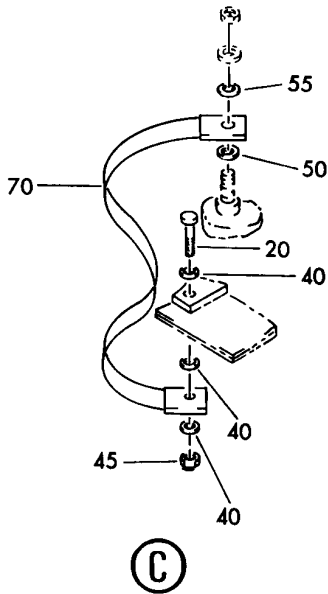
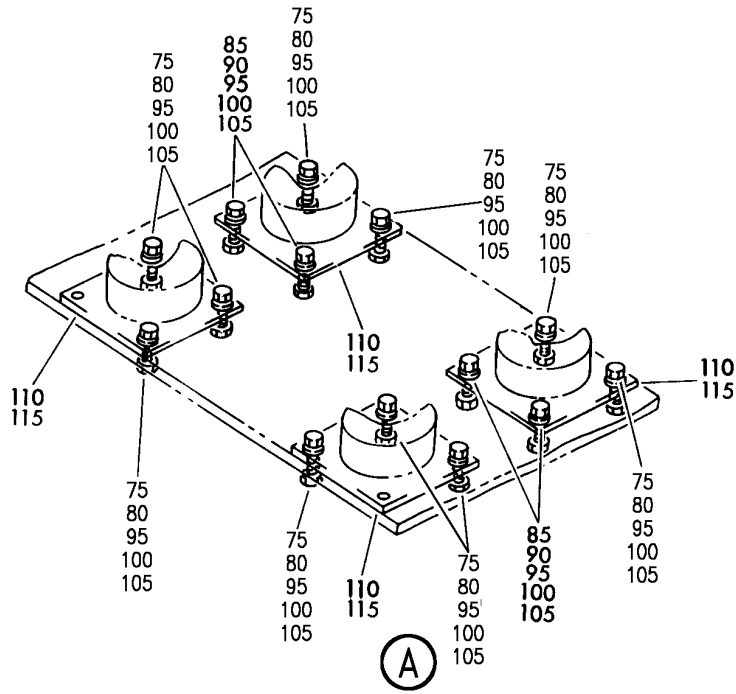
PUMP INSTL-SECT. 45 AC MOTOR HYDR
FIGURE 1 (SHEET 1)

29-11-02-01

HXL
DEC 22/06

29-11-02-01
PAGE 0

BOEING
767
PARTS CATALOG (MAINTENANCE)



V 29110201 SHT 2 REV 295

PUMP INSTL-SECT. 45 AC MOTOR HYDR
FIGURE 1 (SHEET 2)

29-11-02-01

HXL
DEC 22/06

29-11-02-01
PAGE 0A



767

PARTS CATALOG (MAINTENANCE)

FIG ITEM	PART NUMBER	1 2 3 4 5 6 7	NOMENCLATURE	EFFECT FROM TO	UNITS PER ASSY
1			PUMP INSTL-SECT. 45 AC MOTOR HYDR		
- 1	271T4540-17		PUMP INSTL-AC MOTOR HYDR POSITION DATA: SECT. 45 STA 977 FOR NHA SEE: 29-11-02-02		RF
- 5	271T4540-18		PUMP INSTL-AC MOTOR HYDR POSITION DATA: SECT. 45 STA 1021 FOR NHA SEE: 29-11-02-02		RF
10	BAC27THY0067		.MARKER-ALUMINUM FOIL PLACARD CONTENT: M232 PUMP-ELECTRIC HYDR, C1 USED ON: 271T4540-1 271T4540-4 271T4540-15 271T4540-17 271T4540-23 MODREF50264 MODREF50262		1
15	BAC27THY0068		.MARKER-ALUMINUM FOIL PLACARD CONTENT: M233 PUMP-ELECTRIC HYDR, C1 USED ON: 271T4540-2 271T4540-5 271T4540-16 271T4540-18 271T4540-24 MODREF50263 MODREF50265		1
20	NAS6603-8		.BOLT-		2
25	NAS6603-11		.BOLT- QUALIFIED OPTIONAL DATA: (INSTALL NAS6603-11 BOLTS INSTEAD OF NAS6603-8 BOLTS, 2 PLACES, ONLY WHEN INSTALLING THE -25 FILLER)		AR
30	BACW10BP3NDP		.WASHER		2
35	AN960D10L		.WASHER-		4
45	MS21042L3		.NUT		2
50	AN960D416		.WASHER-		2
ILLUSTRATION ITEMS NOT ON PARTS LIST ARE NOT APPLICABLE					

- ITEM NOT ILLUSTRATED

29-11-02-01

29-11-02
FIG. 01
PAGE 1
DEC 22/06

HXL

 **BOEING**
767
PARTS CATALOG (MAINTENANCE)

FIG ITEM	PART NUMBER	1 2 3 4 5 6 7	NOMENCLATURE	EFFECT FROM TO	UNITS PER ASSY
1					
60	AN960D416L		.WASHER		4
65	MS21042L4		.NUT		4
70	4E5F		.JUMPER ASSY-		2
			SUPPLIER CODE: V79550		
			SPECIFICATION NUMBER: BACJ40D11-20		
			OPTIONAL PART: 740D11-20		
			V91812		
75	NAS6603-6		.BOLT-		10
			QUALIFIED OPTIONAL DATA: (INSTALL NAS6603-10 BOLTS INSTEAD OF NAS6603-6 BOLTS, 10 PLACES, ONLY WHEN INSTALLING THE -25 FILLER)		
80	NAS6603-10		.BOLT-		AR
			QUALIFIED OPTIONAL DATA: (INSTALL NAS6603-10 BOLTS INSTEAD OF NAS6603-6 BOLTS, 10 PLACES, ONLY WHEN INSTALLING THE -25 FILLER)		
85	NAS6603-5		.BOLT-		4
			QUALIFIED OPTIONAL DATA: (INSTALL NAS6603-9 BOLTS INSTEAD OF NAS6603-5 BOLTS, 4 PLACES, ONLY WHEN INSTALLING THE -25 FILLER)		
90	NAS6603-9		.BOLT-		AR
			QUALIFIED OPTIONAL DATA: (INSTALL NAS6603-9 BOLTS INSTEAD OF NAS6603-5 BOLTS, 4 PLACES, ONLY WHEN INSTALLING THE -25 FILLER)		
95	AN960D10L		.WASHER-		14
100	BACW10BP3NDP		.WASHER		14
105	MS21042L3		.NUT		14

ILLUSTRATION ITEMS NOT ON PARTS LIST ARE NOT APPLICABLE

— ITEM NOT ILLUSTRATED

HXL

29-11-02-01

BOEING PROPRIETARY - Copyright © - Unpublished Work - See title page for details.

29-11-02
FIG. 01
PAGE 2
DEC 22/06

 **BOEING**
767
PARTS CATALOG (MAINTENANCE)

FIG ITEM	PART NUMBER	1 2 3 4 5 6 7	NOMENCLATURE	EFFECT FROM TO	UNITS PER ASSY
1					
110	271T4540-25		. FILLER- USED WITH: NAS6603-9 NAS6603-10 NAS6603-11		AR
115	J19235-3		. MOUNT- SUPPLIER CODE: V76005 SPECIFICATION NUMBER: S271T482-2 OPTIONAL PART: J19235-1 V76005		4
120	271T5230-20		. PUMP ASSY		1
125	MS21902D12		.. UNION-		1
130	MS21916D8-6		.. REDUCER-		1
135	AFP23210-8		.. REDUCER- SUPPLIER CODE: V30974 SPECIFICATION NUMBER: BACR17E10-8 OPTIONAL PART: AP102710-8 V01673 BC916T10-8 V50948 DBOR17E10-8 V14798 ER21916T10-8 V88334 ER31916-10-8 V88334 F23-10-8 V73197 2-01075T10-8 V11328 31778-10-8 V14397 US2114-10-8 V50808		1
140	NAS1612-12		.. PACKING-		1
145	NAS1612-8		.. PACKING-		1
150	NAS1612-10		.. PACKING-		1
155	731966		.. PUMP ASSY-AC MOTOR DRIVEN HYDR SUPPLIER CODE: V62983 FUNCTIONAL DESCRIPTION: FOR 777, PUMP IS PRIMARY		1
ILLUSTRATION ITEMS NOT ON PARTS LIST ARE NOT APPLICABLE					

- ITEM NOT ILLUSTRATED

HXL

29-11-02-01

BOEING PROPRIETARY - Copyright © - Unpublished Work - See title page for details.

29-11-02
FIG. 01
PAGE 3
DEC 22/06



767

PARTS CATALOG (MAINTENANCE)

FIG ITEM	PART NUMBER	1 2 3 4 5 6 7 NOMENCLATURE	EFFECT FROM TO	UNITS PER ASSY
1 155		<p>SOURCE OF HYDRAULIC PRESSURE FOR THE CENTER SYSTEM, SECONDARY SOURCE FOR THE LEFT AND RIGHT SYSTEM FOR 747 AND 767 PUMP SUPPLIES HYDRAULIC PRESSURE DURING HIGH DEMAND AS NEEDED.</p> <p>SPECIFICATION NUMBER: S270T201-7</p> <p>MISCELLANEOUS DATA: (THE S270T201-6 (623303) VICKERS ACMP WITHOUT THE (4) VICKERS P/N 570750 SHOCK MOUNTS OR THE S270T200-8 (66068-08) ABEX ACMP ARE FULLY I/W THE S270T201-7 (731966) VICKERS ACMP SUBJECT TO CUSTOMER PREFERENCE OF SUPPLIER) (THE S270T200-8 (66068-08) ABEX ACMP OR S270T201-7 (731966) VICKERS ACMP T/W (4) S271T482-2 SHOCK MOUNTS (4) MS21042L4 NUTS AND (4) AN960JD416L WASHERS ARE FULLY I/W S270T201-6 (623303) VICKERS ACMP SUBJECT TO CUSTOMER PREFERENCE OF SUPPLIER)</p> <p>ELECTRICAL EQUIP NUMBER: M00232 M00233</p> <p>COMPONENT MAINT MANUAL REF: 29-11-16</p> <p>QUALIFIED I/W DATA: (ABEX) P/N 66068-06 WITH SHOCKMOUNTS REMOVED IS I/W (VICKERS) P/N 731966 FOR 767, SUBJECT TO CUSTOMER PREFERENCE OF SUPPLIER (ABEX) P/N 66068-08 I/W (VICKERS) P/N 731966 SUBJECT TO CUSTOMER PREFERENCE OF SUPPLIER</p> <p>ILLUSTRATION ITEMS NOT ON PARTS LIST ARE NOT APPLICABLE</p>		

- ITEM NOT ILLUSTRATED

HXL

29-11-02-01

BOEING PROPRIETARY - Copyright © - Unpublished Work - See title page for details.

29-11-02
FIG. 01
PAGE 4
DEC 22/06



767

PARTS CATALOG (MAINTENANCE)

FIG ITEM	PART NUMBER	1 2 3 4 5 6 7	NOMENCLATURE	EFFECT FROM TO	UNITS PER ASSY
1 155			THE S270T201-6 (623303) VICKERS ACMP WITHOUT THE (4) VICKERS P/N 570750 SHOCK MOUNTS OR THE S270T200-8 (66068-08) ABEX ACMP ARE FULLY I/W THE S270T201-7 (731966) VICKERS ACMP, SUBJECT TO CUSTOMER PREFERENCE OF SUPPLIER. FOR DETAILS SEE: 29-11-01-51		
- 160	622622	...	PLUG- SUPPLIER CODE: V62983		1
- 165	NAS1612-4	...	PACKING-		1
- 200	286T0202-300		WIRE BUNDLE ASSY		RF
- 205	286T0206-300		WIRE BUNDLE ASSY		RF
210	FC3406D24C22S	.	CONNECTOR- SUPPLIER CODE: V28680 SPECIFICATION NUMBER: BACC63BW24C22S OPTIONAL PART: WFB624C22S V17549 POSITION DATA: STA 977 ELECTRICAL EQUIP NUMBER: D00482 WIRING DIAGRAM REF: 291131		1
210	BACC63CE24A22S	.	CONNECTOR- POSITION DATA: STA 977 ELECTRICAL EQUIP NUMBER: D00482 WIRING DIAGRAM REF: 291131		1

ILLUSTRATION ITEMS NOT ON PARTS LIST ARE NOT APPLICABLE

- ITEM NOT ILLUSTRATED

HXL

29-11-02-01

BOEING PROPRIETARY - Copyright © - Unpublished Work - See title page for details.

29-11-02
FIG. 01
PAGE 5
DEC 22/08



767

PARTS CATALOG (MAINTENANCE)

FIG ITEM	PART NUMBER	1 2 3 4 5 6 7	NOMENCLATURE	EFFECT FROM TO	UNITS PER ASSY
1					
220	FC3406D24C22S		.CONNECTOR- SUPPLIER CODE: V28680 SPECIFICATION NUMBER: BACC63BW24C22S OPTIONAL PART: WFB624C22S V17549 POSITION DATA: STA 1021 ELECTRICAL EQUIP NUMBER: D00484		1
- 250	286T1210-001		WIRE BUNDLE ASSY		RF
- 255	286T1308-001		WIRE BUNDLE ASSY		RF
260	BCREF110661		.ADAPTER- SUPPLIER CODE: V06324 OVERLENGTH PART NUMBER: 710AA011M1209-62A ELECTRICAL EQUIP NUMBER: D00918T D00920T WIRING DIAGRAM REF: 291131		1
265	R071012R3SNL		.CONNECTOR- SUPPLIER CODE: V41118 SPECIFICATION NUMBER: BACC63BP12R3SNL OPTIONAL PART: CN0966-12A03S V13556 ZZYA0-12D12-03S V49367 48-06R12-3SN266 V02660 ELECTRICAL EQUIP NUMBER: D00918 WIRING DIAGRAM REF: 291131		1
ILLUSTRATION ITEMS NOT ON PARTS LIST ARE NOT APPLICABLE					

- ITEM NOT ILLUSTRATED

HXL

29-11-02-01

BOEING PROPRIETARY - Copyright © - Unpublished Work - See title page for details.

29-11-02
FIG. 01
PAGE 6
DEC 22/08



767
PARTS CATALOG (MAINTENANCE)

FIG ITEM	PART NUMBER	1 2 3 4 5 6 7	NOMENCLATURE	EFFECT FROM TO	UNITS PER ASSY
1 270	R071012R3SNL		.CONNECTOR- SUPPLIER CODE: V41118 SPECIFICATION NUMBER: BACC63BP12R3SNL OPTIONAL PART: CN0966-12A03S V13556 ZZYA0-12D12-03S V49367 48-06R12-3SN266 V02660 ELECTRICAL EQUIP NUMBER: D00920 WIRING DIAGRAM REF: 291131		1

ILLUSTRATION ITEMS NOT ON PARTS LIST ARE NOT APPLICABLE

- ITEM NOT ILLUSTRATED

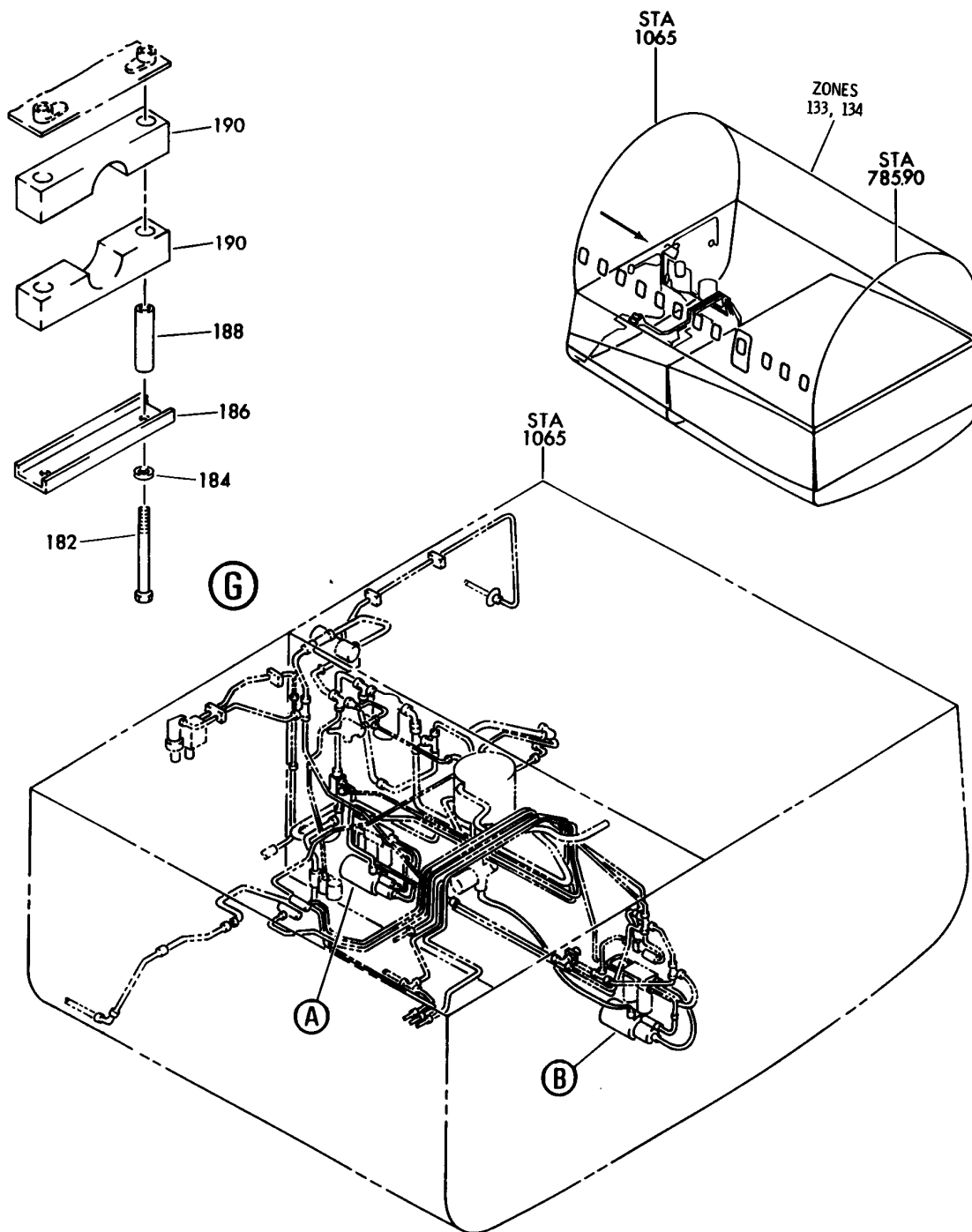
HXL

29-11-02-01

BOEING PROPRIETARY - Copyright © - Unpublished Work - See title page for details.

29-11-02
FIG. 01
PAGE 7
DEC 22/08

BOEING
767
PARTS CATALOG (MAINTENANCE)



V 29110202 SHT 1 REV 146

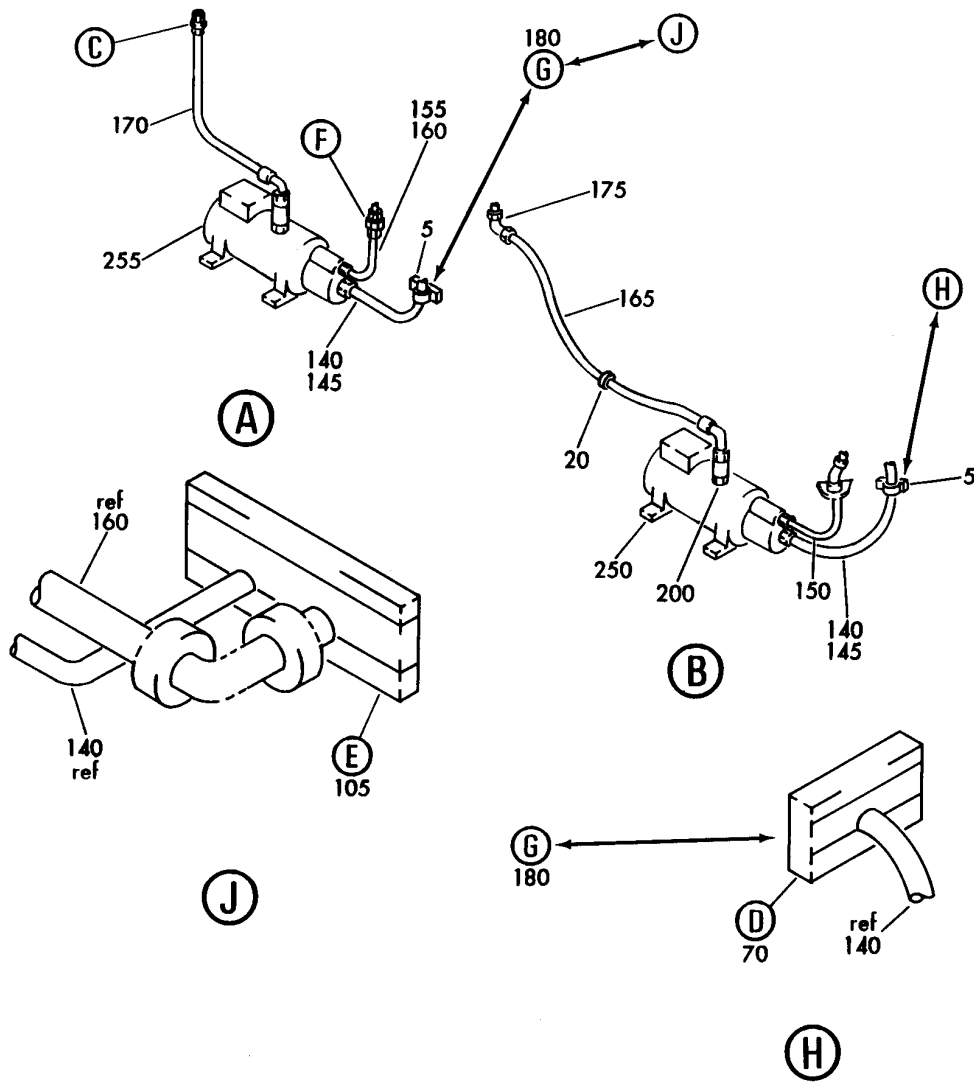
HYDRAULIC INSTL-SECT. 45 (SYSTEM C ALTERNATING CURRENT MOTOR PUMP ONLY)
FIGURE 2 (SHEET 1)

29-11-02-02

HXL
DEC 22/06

29-11-02-02
PAGE 0

BOEING
767
PARTS CATALOG (MAINTENANCE)



V 29110202 SHT 2 REV 146

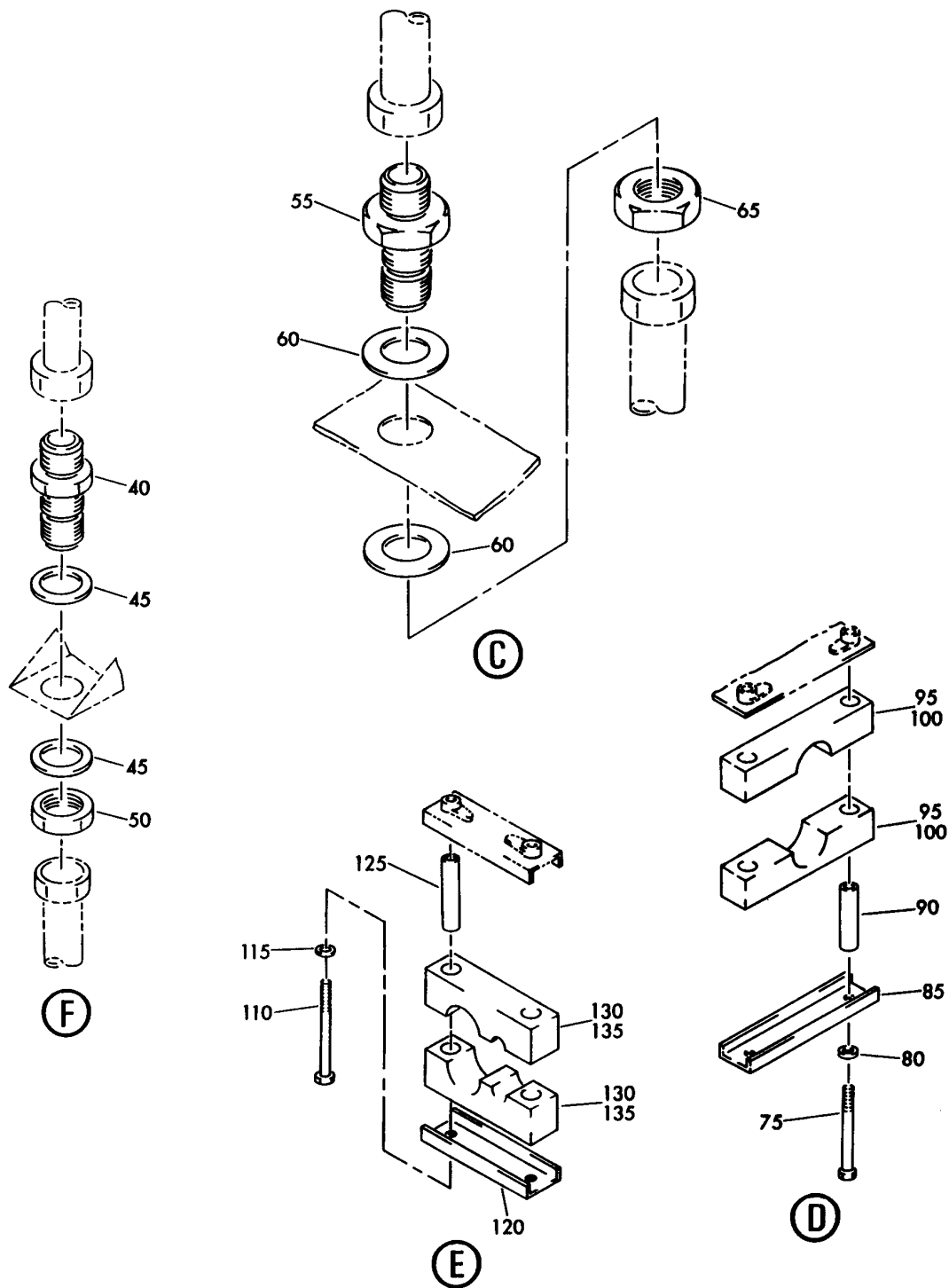
HYDRAULIC INSTL-SECT. 45 (SYSTEM C ALTERNATING CURRENT MOTOR PUMP ONLY)
FIGURE 2 (SHEET 2)

29-11-02-02

HXL
DEC 22/06

29-11-02-02
PAGE 0A

BOEING
767
PARTS CATALOG (MAINTENANCE)



V 29110202 SHT 3 REV 122

HYDRAULIC INSTL-SECT. 45 (SYSTEM C ALTERNATING CURRENT MOTOR PUMP ONLY)
FIGURE 2 (SHEET 3)

29-11-02-02

HXL
DEC 22/06

29-11-02-02
PAGE 0B



767

PARTS CATALOG (MAINTENANCE)

FIG ITEM	PART NUMBER	1 2 3 4 5 6 7	NOMENCLATURE	EFFECT FROM TO	UNITS PER ASSY
2			HYDRAULIC INSTL-SECT. 45 (SYSTEM C ALTERNATING CURRENT MOTOR PUMP ONLY)		
- 2	272T4500-3		HYDRAULIC INSTL-(SYSTEM C ALTERNATING CURRENT MOTOR PUMP ONLY) POSITION DATA: SECT. 45 MISCELLANEOUS DATA: (CONT AT ITEM 002J) VARIABLE DRAWING REF: 272T4500-5191		RF
- 2	272T4500-3		HYDRAULIC INSTL-(SYSTEM C ALTERNATING CURRENT MOTOR PUMP ONLY) POSITION DATA: SECT. 45 VARIABLE DRAWING REF: 272T4500-5274 272T4500-5278 272T4500-7002 FOR NHA/OTHER SYS DET SEE: 29-00-00-06		RF
5	JM44SC17DB11R		.CLAMP- SUPPLIER CODE: V22175 SPECIFICATION NUMBER: BACC10GF11D1H OPTIONAL PART: S387DH11 V18076 TA12C34D11-1 V84971 513A11 V83930 ATTACHING PARTS		2
- 10	NAS1801-3-9		.SCREW		4
- 15	AN960PD10L		.WASHER		4
			-----*-----		
	20 M85052-2-16		.CLAMP ATTACHING PARTS		1
- 25	NAS1801-3-9		.SCREW		1
- 30	AN960PD10L		.WASHER		2

ILLUSTRATION ITEMS NOT ON PARTS LIST ARE NOT APPLICABLE

- ITEM NOT ILLUSTRATED

29-11-02-02

29-11-02
FIG. 02
PAGE 1
DEC 22/07

HXL

BOEING PROPRIETARY - Copyright © - Unpublished Work - See title page for details.

 **BOEING**
767
PARTS CATALOG (MAINTENANCE)

FIG ITEM	PART NUMBER	1 2 3 4 5 6 7	NOMENCLATURE	EFFECT FROM TO	UNITS PER ASSY
2					
- 35	BRH10A3		.NUT SUPPLIER CODE: V52828 SPECIFICATION NUMBER: BACN10JC3 OPTIONAL PART: H10-3BAC V15653 NS202101-02 V80539 RMLH9075-3W V72962 VN303A02 V92215 96-02 V80539 T6S1032J V11815 -----*-----		1
40	MS21924D6		.UNION		1
45	AN960PD916L		.WASHER		2
50	AN924-6D		.NUT		1
55	MS21924D12		.UNION		1
60	AN960PD1716L		.WASHER		2
65	AN924-12D		.NUT		1
70	270T0005-114		.BLOCK ASSY-SPRT	163163	1
70	270T0005-117		.BLOCK ASSY-SPRT	155162 164999	1
75	NAS1801-3-28		.. SCREW		2
80	AN960JD10L		.. WASHER		2
85	270T0004-3082		.. CHANNEL		1
90	NAS43DD3-82		.. SPACER		2
95	270T0004-124		.. BLOCK- USED ON: 270T0005-114	163163	2
100	270T0004-131		.. BLOCK- USED ON: 270T0005-117	155162 164999	2
105	270T0005-280		.BLOCK ASSY-SPRT	163163	1
105	270T0005-286		.BLOCK ASSY-SPRT	155162 164999	1
110	NAS1801-3-28		.. SCREW		2
115	AN960JD10L		.. WASHER		2
120	270T0004-2089		.. CHANNEL		1
125	NAS43DD3-82		.. SPACER		2
130	270T0004-289		.. BLOCK- USED ON: 270T0005-280	163163	2

ILLUSTRATION ITEMS NOT ON PARTS LIST ARE NOT APPLICABLE

- ITEM NOT ILLUSTRATED

HXL

29-11-02-02

29-11-02
FIG. 02
PAGE 2
DEC 22/07



767

PARTS CATALOG (MAINTENANCE)

FIG ITEM	PART NUMBER	1 2 3 4 5 6 7	NOMENCLATURE	EFFECT FROM TO	UNITS PER ASSY
2					
135	270T0004-2202		. . BLOCK- USED ON: 270T0005-286	155162 164999	2
140	AS115-08K0280		.HOSE ASSY-	163163	2
145	AE708852-1		.HOSE ASSY- SUPPLIER CODE: V00624 SPECIFICATION NUMBER: S270T231-1	155162 164999	2
150	AS115-06D0130		.HOSE ASSY- OPTIONAL PART: AS115-06K0130		1
150	AS115-06K0130		.HOSE ASSY- OPTIONAL PART: AS115-06D0130		1
160	AS117-06K0154		.HOSE ASSY-		1
165	108349-4		.HOSE ASSY- SUPPLIER CODE: VS8570		1
170	108349-5		.HOSE ASSY- SUPPLIER CODE: V78570		1
175	NAS1762D1212		.ELBOW		1
200	142012-1-12E		.COUPLING- SUPPLIER CODE: V11362 SPECIFICATION NUMBER: S270T202-9		1
250	271T4540-17		.PUMP INSTL-HYDR SYS POSITION DATA: CTR FOR DETAILS SEE: 29-11-02-01		1
255	271T4540-18		.PUMP INSTL-HYDR SYS POSITION DATA: CTR FOR DETAILS SEE: 29-11-02-01		1

ILLUSTRATION ITEMS NOT ON PARTS LIST ARE NOT APPLICABLE

- ITEM NOT ILLUSTRATED

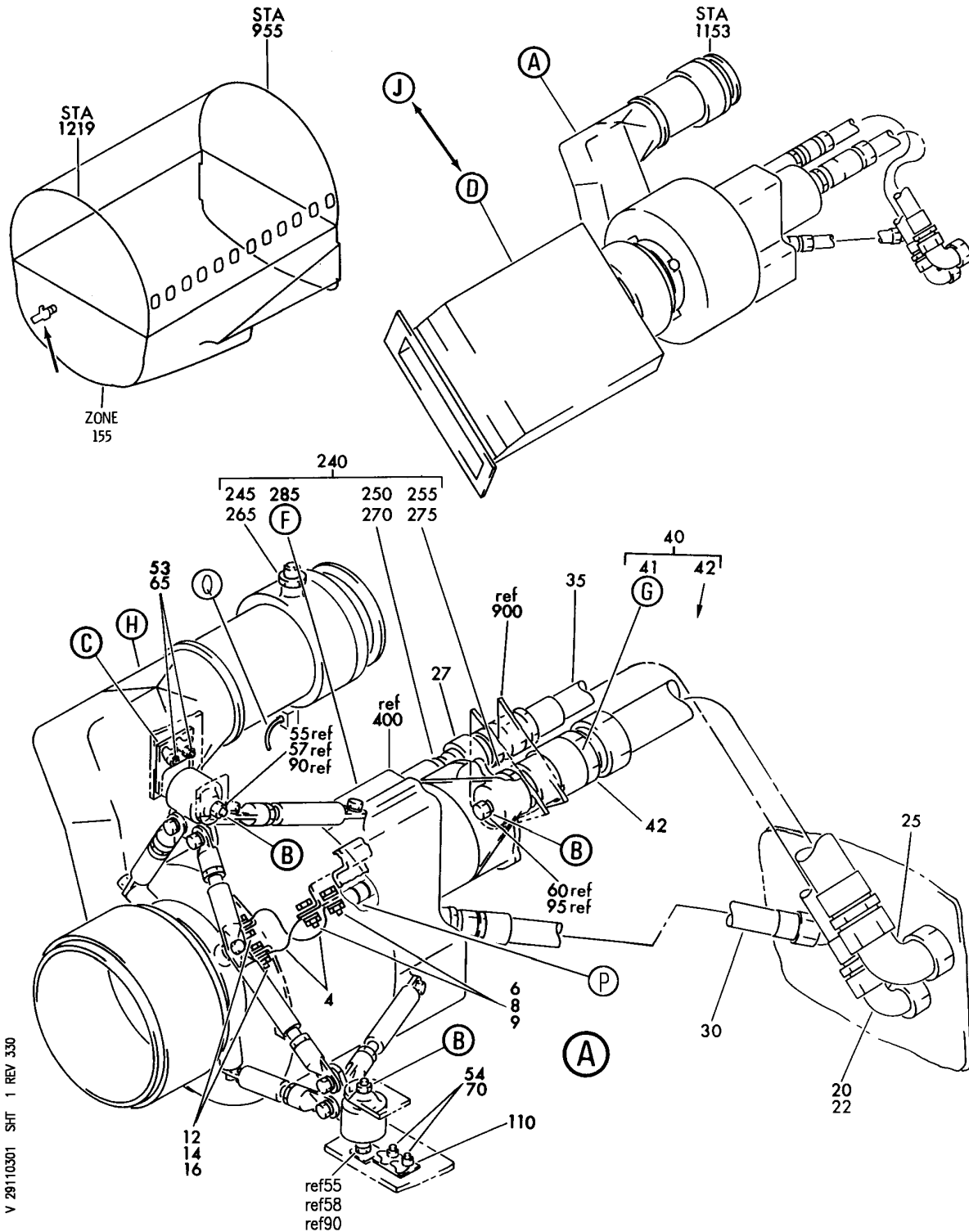
HXL

29-11-02-02

BOEING PROPRIETARY - Copyright © - Unpublished Work - See title page for details.

29-11-02
FIG. 02
PAGE 3
DEC 22/07

BOEING
767
PARTS CATALOG (MAINTENANCE)



V 29110301 SHT 1 REV 330

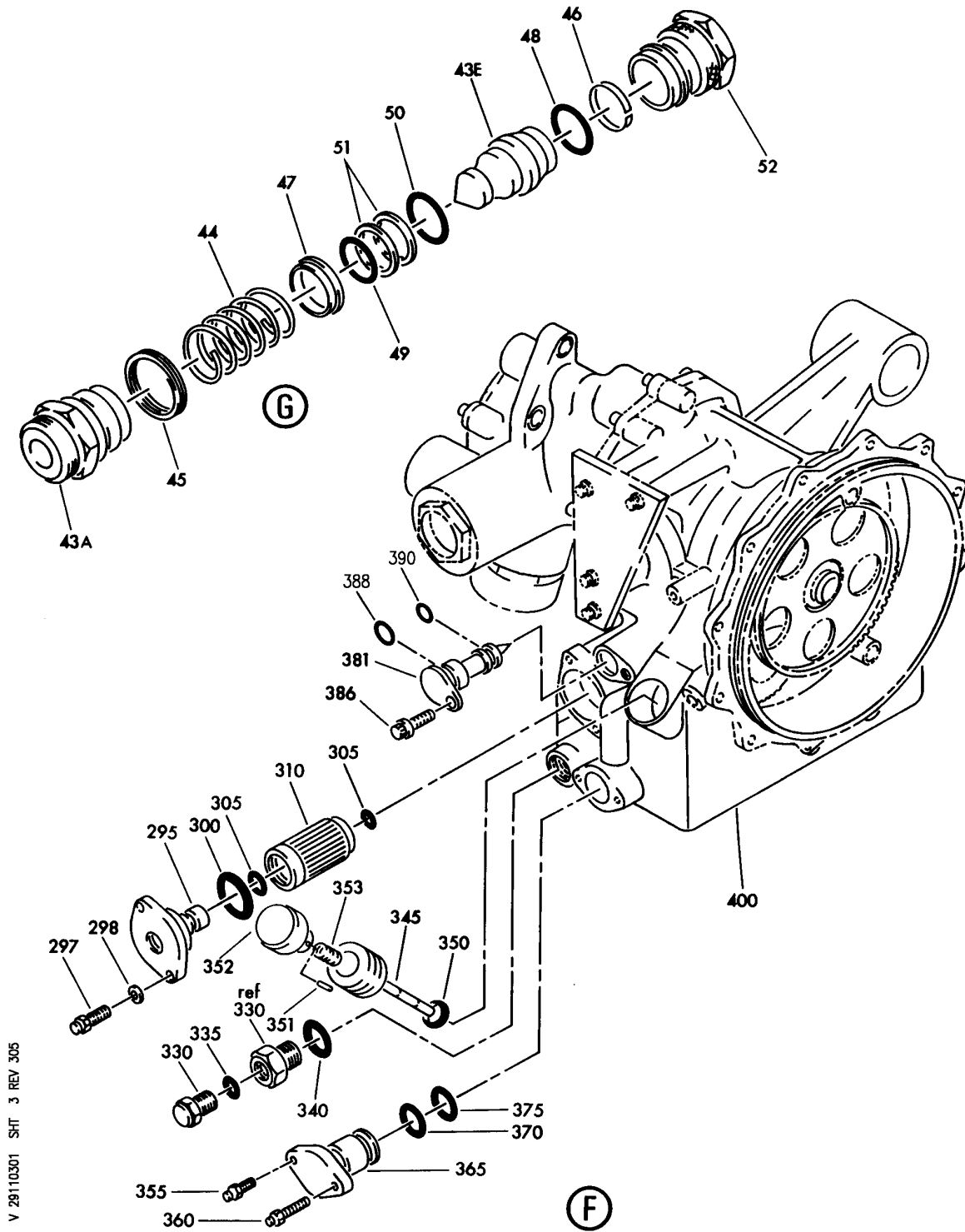
PUMP INSTL-AIR DRIVEN UNIT
FIGURE 1 (SHEET 1)

29-11-03-01

HXL
AUG 22/08

29-11-03-01
PAGE 0

BOEING
767
PARTS CATALOG (MAINTENANCE)



V 29110301 SHT 3 REV 305

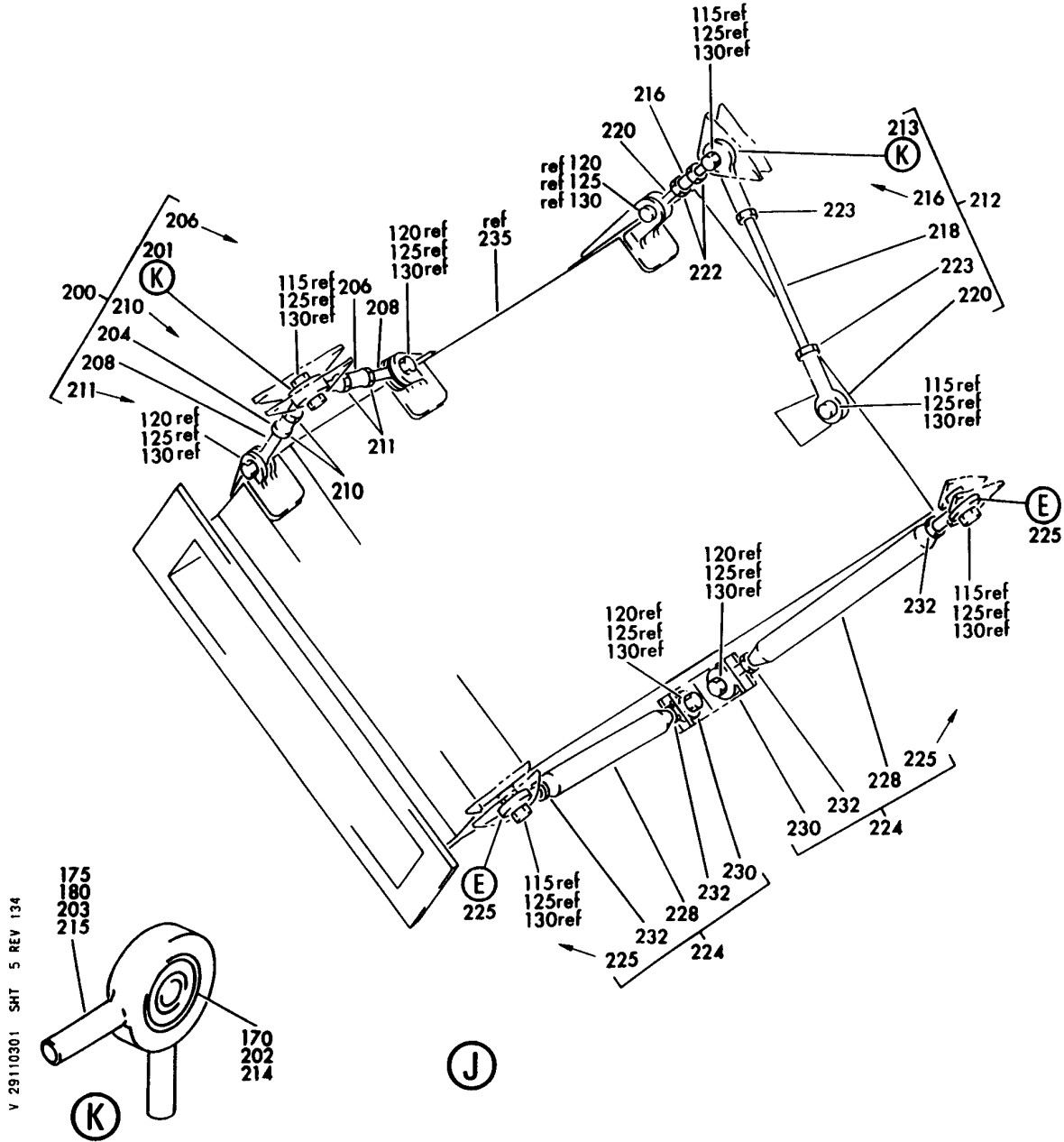
PUMP INSTL-AIR DRIVEN UNIT
FIGURE 1 (SHEET 3)

29-11-03-01

HXL
DEC 22/06

29-11-03-01
PAGE 0B

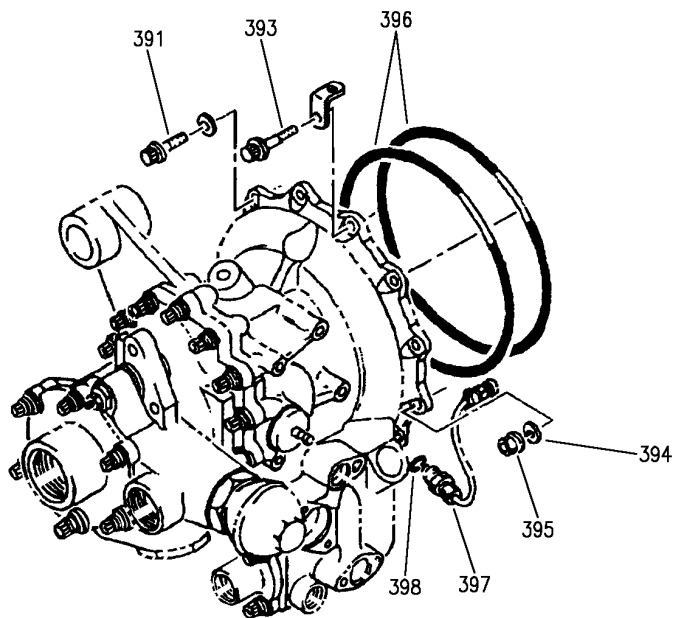
BOEING
767
PARTS CATALOG (MAINTENANCE)



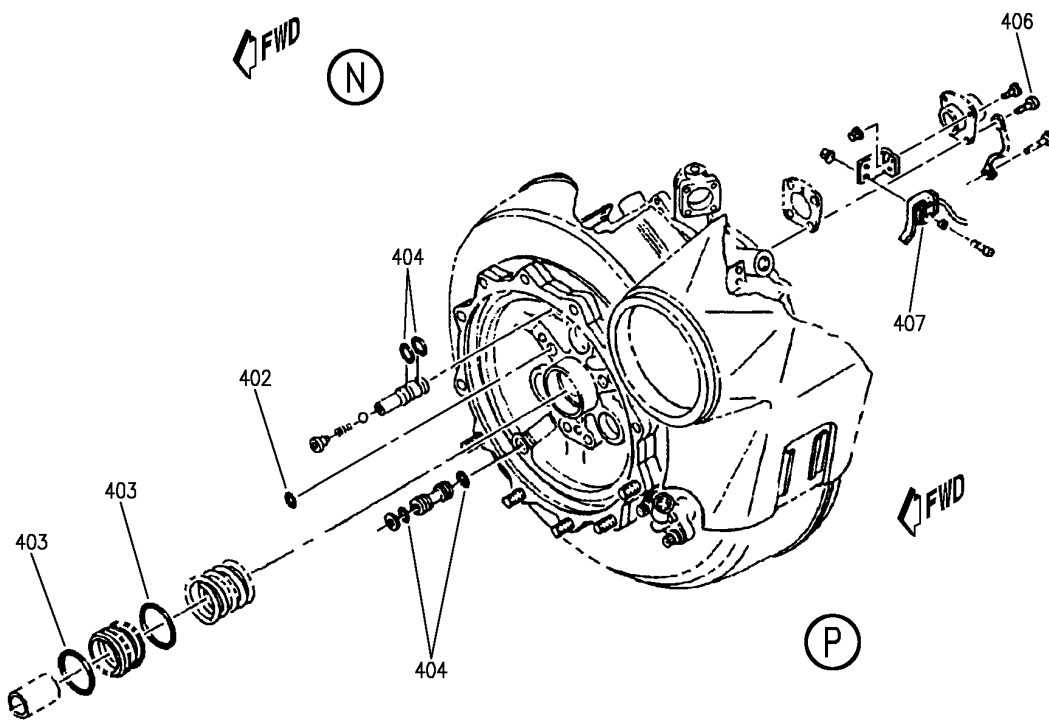
PUMP INSTL-AIR DRIVEN UNIT
FIGURE 1 (SHEET 5)

29-11-03-01

BOEING
767
PARTS CATALOG (MAINTENANCE)



FWD
N



FWD
P

V 29110301 SHT 6 REV 330

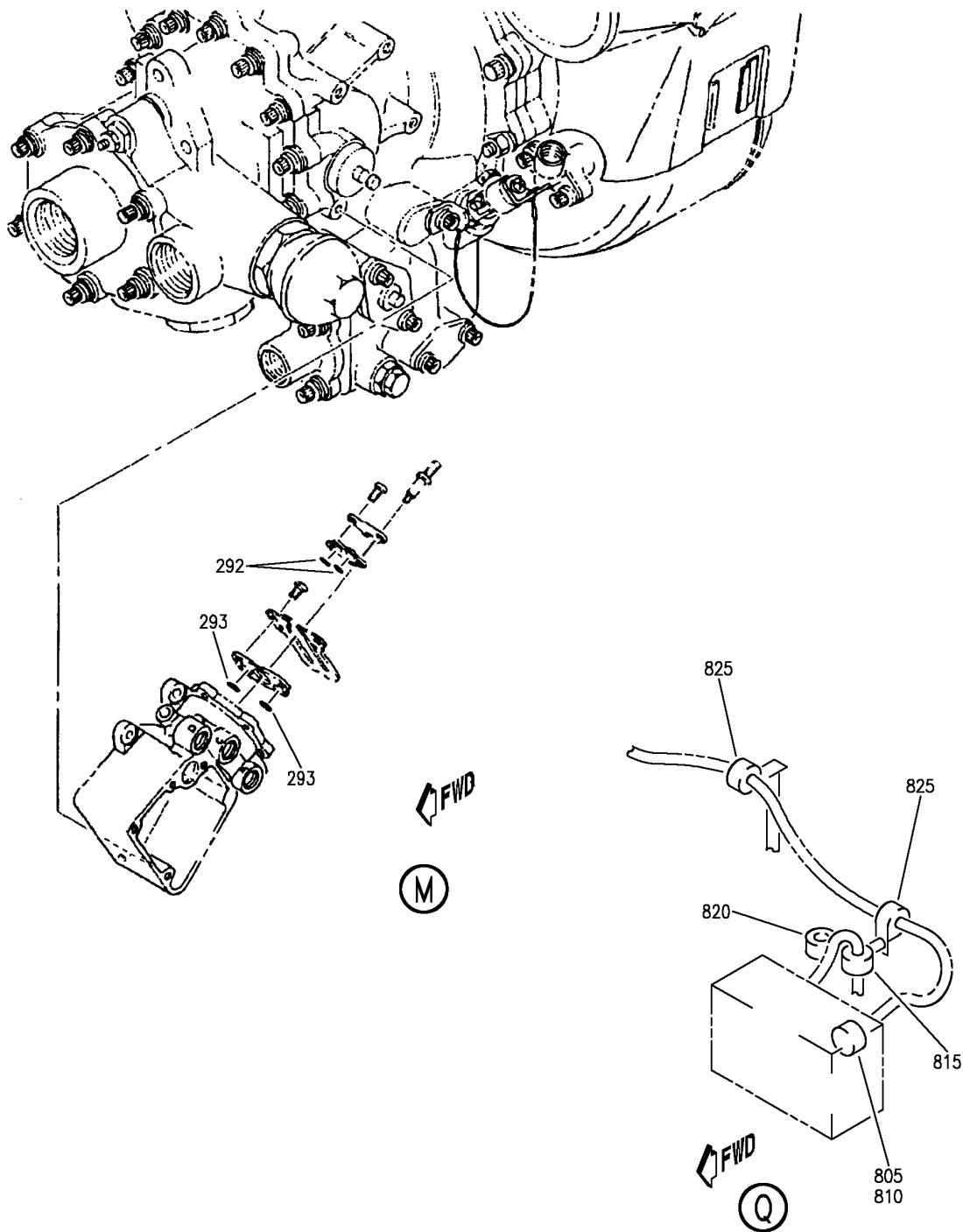
PUMP INSTL-AIR DRIVEN UNIT
FIGURE 1 (SHEET 6)

29-11-03-01

HXL
AUG 22/08

29-11-03-01
PAGE 0E

BOEING
767
PARTS CATALOG (MAINTENANCE)



V 29110301 SHT 7 REV 306

PUMP INSTL-AIR DRIVEN UNIT
FIGURE 1 (SHEET 7)

29-11-03-01

HXL
DEC 22/06

29-11-03-01
PAGE OF



767

PARTS CATALOG (MAINTENANCE)

FIG ITEM	PART NUMBER	1 2 3 4 5 6 7	NOMENCLATURE	EFFECT FROM TO	UNITS PER ASSY
1			PUMP INSTL-AIR DRIVEN UNIT		
- 1	271T4610-23		PUMP INSTL-AIR DRIVEN UNIT FOR NHA SEE: 29-11-78-01		RF
2	BAC27THY0070		.MARKER- PLACARD CONTENT: M235 PUMP-AIR HYDR.		1
4	86654-6		.JUMPER ASSY SUPPLIER CODE: V91812 SPECIFICATION NUMBER: BACJ40AC54-6 OPTIONAL PART: 100654-6 V1FF12 RBEJ40AC54-6 V1GK47		2
6	NAS6604-5		ATTACHING PARTS .BOLT		2
8	AN960D416		.WASHER		6
9	BRH10A4		.NUT SUPPLIER CODE: V52828 SPECIFICATION NUMBER: BACN10JC4 OPTIONAL PART: T6S428J V11815 96-048 V80539 VN303A048 V92215 RMLH9075-4W V72962 NS202101-048 V80539 H10-4BAC V15653		2
12	NAS1802-3-11		.SCREW		2
14	AN960C10		.WASHER		6

ILLUSTRATION ITEMS NOT ON PARTS LIST ARE NOT APPLICABLE

- ITEM NOT ILLUSTRATED

HXL

29-11-03-01

BOEING PROPRIETARY - Copyright © - Unpublished Work - See title page for details.

29-11-03
FIG. 01
PAGE 1
DEC 22/07

 **BOEING**
767
PARTS CATALOG (MAINTENANCE)

FIG ITEM	PART NUMBER	1 2 3 4 5 6 7	NOMENCLATURE	EFFECT FROM TO	UNITS PER ASSY
1 16	BRH10C3M		.NUT SUPPLIER CODE: V52828 SPECIFICATION NUMBER: BACN10JC3CM OPTIONAL PART: T6C1032JM V11815 97E02 V80539 109LH9075-3W V72962 VN303D02 V92215 NS202101SE02 V80539 H01-3BAC V15653		2
22	AP1010N1212		-----*----- .ELBOW- SUPPLIER CODE: V01673 SPECIFICATION NUMBER: BACE21AW1212N OPTIONAL PART: AP1010-1212N V01673 DB0E21AW1212N V14798 ER10633N1212 V88334 FER1569-1212N V14397 W30833-1212N V11328 4671114-1212N V50948 AFP334-1212N V30974 DB0E21AW1212N V61498 US2109-1212N V50808 AFP344-1212N V30974 NAS1762T1212		1
22	NAS1762T1212		.ELBOW- OPTIONAL PART: BACE21AW1212N		1

ILLUSTRATION ITEMS NOT ON PARTS LIST ARE NOT APPLICABLE

- ITEM NOT ILLUSTRATED

HXL

29-11-03-01

BOEING PROPRIETARY - Copyright © - Unpublished Work - See title page for details.

29-11-03
FIG. 01
PAGE 2
DEC 22/06



767

PARTS CATALOG (MAINTENANCE)

FIG ITEM	PART NUMBER	1 2 3 4 5 6 7	NOMENCLATURE	EFFECT FROM TO	UNITS PER ASSY
1	25 AP1010L2020		.ELBOW- SUPPLIER CODE: V01673 SPECIFICATION NUMBER: BACE21AW2020 OPTIONAL PART: AP1010-2020L V01673 DBOE21AW2020L V14798 ER10633L2020 V88334 FER1569-2020L V14397 W30833-2020L V11328 4671114-2020L V50948 AFP334-2020L V30974 DBOE21AW2020L V61498 US2109-2020L V50808 AFP344-2020L V30974 NAS1762D2020		1
	25 NAS1762D2020		.ELBOW- OPTIONAL PART: BACE21AW2020L		1
	27 AE83580K		.COUPLING ASSY- SUPPLIER CODE: V00624 SPECIFICATION NUMBER: S270T230-73		1
	30 AE705777-36		.HOSE ASSY-AIR DRIVEN PUMP CASE DRAIN SUPPLIER CODE: V00624 SPECIFICATION NUMBER: S270T230-48 COMPONENT MAINT MANUAL REF: 29-11-02 FOR DETAILS SEE: 29-11-03-50		1

ILLUSTRATION ITEMS NOT ON PARTS LIST ARE NOT APPLICABLE

- ITEM NOT ILLUSTRATED

HXL

29-11-03-01

BOEING PROPRIETARY - Copyright © - Unpublished Work - See title page for details.

29-11-03
FIG. 01
PAGE 3
DEC 22/06



767

PARTS CATALOG (MAINTENANCE)

FIG ITEM	PART NUMBER	1 2 3 4 5 6 7	NOMENCLATURE	EFFECT FROM TO	UNITS PER ASSY
1					
35	AE705777-38		.HOSE ASSY-AIR DRIVEN PUMP PRESSURE SUPPLIER CODE: V00624 SPECIFICATION NUMBER: S270T230-49 COMPONENT MAINT MANUAL REF: 29-11-02 FOR DETAILS SEE: 29-11-03-50		1
35	P66061412-0240		.HOSE ASSY-AIR DRIVEN PUMP PRESSURE SUPPLIER CODE: V78570		1
35	AE705777-76		.HOSE ASSY-AIR DRIVEN PUMP PRESSURE SUPPLIER CODE: V00624 SPECIFICATION NUMBER: S270T230-76 FOR DETAILS SEE: 29-11-03-50		1
40	108062-9		.HOSE ASSY-AIR DRIVEN PUMP SUPPLY SUPPLIER CODE: V78570 SPECIFICATION NUMBER: S270T230-9 COMPONENT MAINT MANUAL REF: 29-11-01		1
41	108062-18		..HOSE ASSY- SUPPLIER CODE: V78570		1
42	108062-21		..COUPLING ASSY-SELF SEALING SUPPLIER CODE: V78570 SPECIFICATION NUMBER: S270T230-21 OPTIONAL PART: 152020-1-20E V11362		1
ILLUSTRATION ITEMS NOT ON PARTS LIST ARE NOT APPLICABLE					

- ITEM NOT ILLUSTRATED

29-11-03-01

29-11-03
FIG. 01
PAGE 4
DEC 22/06

HXL



767

PARTS CATALOG (MAINTENANCE)

FIG ITEM	PART NUMBER	1 2 3 4 5 6 7	NOMENCLATURE	EFFECT FROM TO	UNITS PER ASSY
1					
42	152020-1-20E		.. COUPLING ASSY-SELF SEALING SUPPLIER CODE: V11362 SPECIFICATION NUMBER: S270T230-21 OPTIONAL PART: 108062-21 V78570		1
43A	153061-20E		... HOUSING- SUPPLIER CODE: V78570		1
43E	153052-20		... POPPET- SUPPLIER CODE: V78570		1
44	153054-20		... SPRING- SUPPLIER CODE: V78570 CONFIG CHG DATA FROM A CMM: PART OF KIT P/N 108062-200		1
45	153055-20		... RETAINER- SUPPLIER CODE: V78570 CONFIG CHG DATA FROM A CMM: PART OF KIT P/N 108062-200		1
46	153057-20		... RING-SPLIT SUPPLIER CODE: V78570 CONFIG CHG DATA FROM A CMM: PART OF KIT P/N 108062-200		1
47	153060-20		... BUSHING- SUPPLIER CODE: V78570 CONFIG CHG DATA FROM A CMM: PART OF KIT P/N 108062-200		1
48	NAS1611-024		... PACKING-		1
49	NAS1611-122		... PACKING-		1
50	NAS1611-123		... PACKING-		1
51	MS28774-123		... RING		2
52	153053-20		... SLEEVE- SUPPLIER CODE: V78570		1
53	NAS6605H6		. BOLT		2
54	NAS1801-3D11		. SCREW-		2
57	NAS6606-44		. BOLT-		1
ILLUSTRATION ITEMS NOT ON PARTS LIST ARE NOT APPLICABLE					

- ITEM NOT ILLUSTRATED

29-11-03-01

29-11-03
FIG. 01
PAGE 5
DEC 22/06

HXL

 **BOEING**
767
PARTS CATALOG (MAINTENANCE)

FIG ITEM	PART NUMBER	1 2 3 4 5 6 7	NOMENCLATURE	EFFECT FROM TO	UNITS PER ASSY
1					
58	NAS6606-46		.BOLT-		1
60	NAS6606-52		.BOLT-		1
65	AN960PD516		.WASHER-		2
65	AN960JD516		.WASHER-		2
68	BACW10P254C		.WASHER-		3
70	AN960PD10		.WASHER-		2
70	AN960JD10		.WASHER-		2
73	BACW10P148AL		.WASHER-		6
78	AN960PD616		.WASHER-		3
78	AN960JD616		.WASHER-		3
80	BRH10A6		.NUT-		3
			SUPPLIER CODE: V52828		
			SPECIFICATION NUMBER: BACN10JC6		
			OPTIONAL PART: 96-064 V80539 RMLH9075-6 V72962 H10-6BAC V15653		
85	271T0146-2		.BUSHING- QUALIFIED I/W DATA: 271T0146-2 BUSHING CAN REPLACE BUT NOT BE REPLACED BY 271T0146-1 BUSHING IF SERVICE BULLETIN SB 767-29-0010 HAS BEEN INCORPORATED.		3
90	BACB28Y6C210		.BUSHING-		2
95	BACB28Y6C260		.BUSHING-		1
100	271T4616-1		.PLATE ASSY		1
105	BACB28W11C012		.BUSHING		1
110	271T4619-2		.RETAINER-		1
115	NAS6604-20		.BOLT		5
120	NAS6604-10		.BOLT		5
125	AN960PD416		.WASHER-		20
125	AN960JD416		.WASHER-		20
ILLUSTRATION ITEMS NOT ON PARTS LIST ARE NOT APPLICABLE					

- ITEM NOT ILLUSTRATED

HXL

29-11-03-01

BOEING PROPRIETARY - Copyright © - Unpublished Work - See title page for details.

29-11-03
FIG. 01
PAGE 6
DEC 22/08

 **BOEING**
767
PARTS CATALOG (MAINTENANCE)

FIG ITEM	PART NUMBER	1 2 3 4 5 6 7	NOMENCLATURE	EFFECT FROM TO	UNITS PER ASSY
1 130	BRH10A4	.	NUT SUPPLIER CODE: V52828 SPECIFICATION NUMBER: BACN10JC4 OPTIONAL PART: T6S428J V11815 96-048 V80539 VN303A048 V92215 RMLH9075-4W V72962 NS202101-048 V80539 H10-4BAC V15653		10
135	271T0133-1	.	END ASSY-ROD		2
140	H1001	..	ISOLATOR- SUPPLIER CODE: V76005		1
145	271T0133-2	..	END		1
160	271T0132-1	.	END ASSY-ROD		1
165	271T0132-2	.	END ASSY-ROD		1
170	H1001	..	ISOLATOR- SUPPLIER CODE: V76005		1
175	271T0132-3	..	END- USED ON: 271T0132-1		1
180	271T0132-4	..	END- USED ON: 271T0132-2		1
182	NAS509-5	.	NUT- USED WITH: 271T0124-1 271T0132-1 271T0132-2 271T0133-1 MS21243S04 NAS354-5-180 NAS354-5-320 NAS354-5-350 NAS354-5-680		12

ILLUSTRATION ITEMS NOT ON PARTS LIST ARE NOT APPLICABLE

- ITEM NOT ILLUSTRATED

HXL

29-11-03-01

BOEING PROPRIETARY - Copyright © - Unpublished Work - See title page for details.

29-11-03
FIG. 01
PAGE 7
DEC 22/06



767

PARTS CATALOG (MAINTENANCE)

FIG ITEM	PART NUMBER	1 2 3 4 5 6 7	NOMENCLATURE	EFFECT FROM TO	UNITS PER ASSY
1					
184	271T0124-1		.TUBE- USED WITH: 271T0133-1 MS21243S04 NAS509-5		2
186	NAS354-5-320		.ROD- USED WITH: 271T0132-1 NAS354-5-680 MS21243S04 NAS509-5		1
188	NAS354-5-680		.ROD- USED WITH: 271T0132-1 NAS354-5-320 MS21243S04 NAS509-5		1
190	NAS354-5-350		.ROD- USED WITH: 271T0132-2 NAS354-5-180 MS21243S04 NAS509-5		1
192	NAS354-5-180		.ROD- USED WITH: 271T0132-2 NAS354-5-350 MS21243S04 NAS509-5		1
194	MS21243S04		.BEARING- USED WITH: 271T0124-1 271T0132-1 271T0132-2 271T0133-1 NAS509-5 NAS354-5-180 NAS354-5-320 NAS354-5-350 NAS354-5-680		6
196	M81935-1-4		.BEARING		2
200	271T4610-16		.ROD SUB ASSY- QUALIFIED OPTIONAL DATA: (OPT 271T0132-2 USED WITH NAS354-5-180, NAS354-5-350, MS21243S04, NAS509-5)		1
201	271T0132-2		..END ASSY-		1

ILLUSTRATION ITEMS NOT ON PARTS LIST ARE NOT APPLICABLE

- ITEM NOT ILLUSTRATED

HXL

29-11-03-01

BOEING PROPRIETARY - Copyright © - Unpublished Work - See title page for details.

29-11-03
FIG. 01
PAGE 8
DEC 22/07



767

PARTS CATALOG (MAINTENANCE)

FIG ITEM	PART NUMBER	1 2 3 4 5 6 7	NOMENCLATURE	EFFECT FROM TO	UNITS PER ASSY
1					
202	H1001		...ISOLATOR- SUPPLIER CODE: V76005		1
203	271T0132-4		...END-		1
204	NAS354-5-180		..ROD		1
206	NAS354-5-350		..ROD		1
208	MS21243S04		..BEARING-		2
210	NAS509-5		..NUT		2
211	NAS509-5		..NUT		2
212	271T4610-17		.ROD SUB ASSY- QUALIFIED OPTIONAL DATA: (OPT 271T0132-1, USED WITH NAS354-5-320, NAS354-5-680, MS21243S04, NAS509-5)		1
213	271T0132-1		..END ASSY-		1
214	H1001		...ISOLATOR- SUPPLIER CODE: V76005		1
215	271T0132-3		...END-		1
216	NAS354-5-320		..ROD		1
218	NAS354-5-680		..ROD		1
220	MS21243S04		..BEARING-		2
222	NAS509-5		..NUT		2
223	NAS509-5		..NUT		2
224	271T4610-18		.ROD SUB ASSY- QUALIFIED OPTIONAL DATA: (OPT 271T0133-1, USED WITH 271T0124-1, MS21243S04, NAS905-5)		2
225	271T0133-1		..END ASSY		1
226	H1001		...ISOLATOR- SUPPLIER CODE: V76005		1
227	271T0133-1		...END ASSY		1
228	271T0124-1		..TUBE		1
230	MS21243S04		..BEARING		1
232	NAS509-5		..NUT		2
235	3549432-1		.DUCT-PNEU DRIVE ASSY WITH INTEGRAL HYDR PUMP EXH SUPPLIER CODE: V59364 SPECIFICATION NUMBER: S271T002-3		1

ILLUSTRATION ITEMS NOT ON PARTS LIST ARE NOT APPLICABLE

- ITEM NOT ILLUSTRATED

29-11-03-01

29-11-03
FIG. 01
PAGE 9
DEC 22/07

HXL

BOEING PROPRIETARY - Copyright © - Unpublished Work - See title page for details.



767

PARTS CATALOG (MAINTENANCE)

FIG ITEM	PART NUMBER	1 2 3 4 5 6 7	NOMENCLATURE	EFFECT FROM TO	UNITS PER ASSY
1					
- 236	211-507-9301	..	CLAMP- SUPPLIER CODE: V59364 OPTIONAL PART: 3078C825LM V94581		1
- 236	3078C825LM	..	CLAMP- SUPPLIER CODE: V94581 OPTIONAL PART: 211-507-9301 V59364		1
- 237	3501800-1	..	COUPLING-FLEX SUPPLIER CODE: V81205		1
240	271T4610-11	.	PUMP ASSY-		1
240	271T4610-14	.	PUMP ASSY-		1
240	271T4610-20	.	PUMP ASSY-		1
245	MS21902J6	..	UNION		1
250	AFP23216-12	..	REDUCER SUPPLIER CODE: V30974 SPECIFICATION NUMBER: BACR17E16-12 OPTIONAL PART: AP102716-12 V01673 BC916T16-12 V50948 DBOR17E16-12 V14798 ER21916T16-12 V88334 ER31916-16-12 V88334 F23-16-12 V73197 2-01075T16-12 V11328 31778-16-12 V14397 US2114-16-12 V50808		1
255	MS21902D20	..	UNION-		1

ILLUSTRATION ITEMS NOT ON PARTS LIST ARE NOT APPLICABLE

- ITEM NOT ILLUSTRATED

HXL

29-11-03-01

BOEING PROPRIETARY - Copyright © - Unpublished Work - See title page for details.

29-11-03
FIG. 01
PAGE 10
DEC 22/07



767

PARTS CATALOG (MAINTENANCE)

FIG ITEM	PART NUMBER	1 2 3 4 5 6 7	NOMENCLATURE	EFFECT FROM TO	UNITS PER ASSY
1 265	R1131-906		.. PACKING SUPPLIER CODE: V57268 SPECIFICATION NUMBER: BACP11K6 OPTIONAL PART: 3-906S383-70 V02697 1090-06 V95272 150701-06 V95272 AS568-906S32 V11314		1
270	NAS1612-16		.. PACKING-		1
275	NAS1612-20		.. PACKING-		1
285	3268792-5		.. PUMP ASSY-TURB SUPPLIER CODE: V59364 SPECIFICATION NUMBER: S271T002-13 ELECTRICAL EQUIP NUMBER: M00235 COMPONENT MAINT MANUAL REF: 29-11-15		1
285	3268792-4		.. PUMP ASSY-TURB SUPPLIER CODE: V59364 SPECIFICATION NUMBER: S271T002-11 ELECTRICAL EQUIP NUMBER: M00235 COMPONENT MAINT MANUAL REF: 29-11-15 OPTIONAL PART: 3268792-5 V59364		1
285	3268792-6		.. PUMP ASSY-TURB SUPPLIER CODE: V59364 SPECIFICATION NUMBER: S271T002-15 ELECTRICAL EQUIP NUMBER: M00235 COMPONENT MAINT MANUAL REF: 29-11-15		1

ILLUSTRATION ITEMS NOT ON PARTS LIST ARE NOT APPLICABLE

- ITEM NOT ILLUSTRATED

29-11-03-01

29-11-03
FIG. 01
PAGE 11
DEC 22/07

HXL



767

PARTS CATALOG (MAINTENANCE)

FIG ITEM	PART NUMBER	1 2 3 4 5 6 7	NOMENCLATURE	EFFECT FROM TO	UNITS PER ASSY
1 285	3268792-7		..PUMP ASSY-TURB SUPPLIER CODE: V59364 SPECIFICATION NUMBER: S271T002-16 ELECTRICAL EQUIP NUMBER: M00235 COMPONENT MAINT MANUAL REF: 29-11-15		1
285	3268792-8		..PUMP ASSY-TURB SUPPLIER CODE: V59364 SPECIFICATION NUMBER: S271T002-17 ELECTRICAL EQUIP NUMBER: M00235 COMPONENT MAINT MANUAL REF: 29-11-15 USED ON: 271T4610-14		1
285	3268792-10		..PUMP ASSY-TURB SUPPLIER CODE: V59364 SPECIFICATION NUMBER: S271T002-18 ELECTRICAL EQUIP NUMBER: M00235 COMPONENT MAINT MANUAL REF: 29-11-15 OPTIONAL PART: 3268792-9 V59364 USED ON: 271T4610-20		1
285	3268792-9		..PUMP ASSY-TURB SUPPLIER CODE: V59364 SPECIFICATION NUMBER: S271T002-18 ELECTRICAL EQUIP NUMBER: M00235 COMPONENT MAINT MANUAL REF: 29-11-15 OPTIONAL PART: 3268792-10 V59364 USED ON: 271T4610-20		1

ILLUSTRATION ITEMS NOT ON PARTS LIST ARE NOT APPLICABLE

- ITEM NOT ILLUSTRATED

HXL

29-11-03-01

BOEING PROPRIETARY - Copyright © - Unpublished Work - See title page for details.

29-11-03
FIG. 01
PAGE 12
DEC 22/06



767

PARTS CATALOG (MAINTENANCE)

FIG ITEM	PART NUMBER	1 2 3 4 5 6 7	NOMENCLATURE	EFFECT FROM TO	UNITS PER ASSY
1 290	3505446-1-1		...PUMP ASSY-AIR TURB DRIVEN HYDR SUPPLIER CODE: V59364 CONFIG CHG DATA FROM A CMM: SUPSD BY 3505446-2-1 COMPONENT MAINT MANUAL REF: 29-11-05		1
290	3505446-2-1		...PUMP ASSY-AIR TURB DRIVEN HYDR SUPPLIER CODE: V59364 CONFIG CHG DATA FROM A CMM: SUPERSEDES 3505446-1-1 SUPSD BY 3505446-3-1 COMPONENT MAINT MANUAL REF: 29-11-05		1
290	3505446-3-1		...PUMP ASSY-AIR TURB DRIVEN HYDR SUPPLIER CODE: V59364 CONFIG CHG DATA FROM A CMM: SUPERSEDES 3505446-2-1 COMPONENT MAINT MANUAL REF: 29-11-05 USED ON: 3268792-4		1
290	3505446-4-1		...PUMP ASSY-AIR TURB DRIVEN HYDR SUPPLIER CODE: V59364 SB DATA FROM A CMM: PRE SB 29-0005 COMPONENT MAINT MANUAL REF: 29-11-05 USED ON: 3268792-5		1

ILLUSTRATION ITEMS NOT ON PARTS LIST ARE NOT APPLICABLE

- ITEM NOT ILLUSTRATED

HXL

29-11-03-01

BOEING PROPRIETARY - Copyright © - Unpublished Work - See title page for details.

29-11-03
FIG. 01
PAGE 13
DEC 22/06



767

PARTS CATALOG (MAINTENANCE)

FIG ITEM	PART NUMBER	1 2 3 4 5 6 7	NOMENCLATURE	EFFECT FROM TO	UNITS PER ASSY
1 290	3505446-5-1		...PUMP ASSY-AIR TURB DRIVEN HYDR SUPPLIER CODE: V59364 SB DATA FROM A CMM: POST SB 29-0005 PRE SB 29-0007 COMPONENT MAINT MANUAL REF: 29-11-05 USED ON: 3268792-6		1
290	3505446-6-1		...PUMP ASSY-AIR TURB DRIVEN HYDR SUPPLIER CODE: V59364 SB DATA FROM A CMM: POST SB 29-0007 PRE SB 29-0012 COMPONENT MAINT MANUAL REF: 29-11-05 USED ON: 3268792-7		1
290	3505446-7-1		...PUMP ASSY-AIR TURB DRIVEN HYDR SUPPLIER CODE: V59364 SB DATA FROM A CMM: POST SB 29-0012 COMPONENT MAINT MANUAL REF: 29-11-05 USED ON: 3268792-8 3268792-9 3268792-10		1
292	S8990-591	PACKING- SUPPLIER CODE: V99193		2
293	S8990-601	PACKING- SUPPLIER CODE: V99193		2
295	367083-3	INDICATOR-PRESS DIFF SUPPLIER CODE: V59364		1
297	MS21279-07		ATTACHING PARTSBOLT- CONFIG CHG DATA FROM A CMM: SUPSD BY MS9556-07		2

ILLUSTRATION ITEMS NOT ON PARTS LIST ARE NOT APPLICABLE

- ITEM NOT ILLUSTRATED

HXL

29-11-03-01

BOEING PROPRIETARY - Copyright © - Unpublished Work - See title page for details.

29-11-03
FIG. 01
PAGE 14
DEC 22/06

 **BOEING**
767
PARTS CATALOG (MAINTENANCE)

FIG ITEM	PART NUMBER	1 2 3 4 5 6 7	NOMENCLATURE	EFFECT FROM TO	UNITS PER ASSY
1					
297	MS9556-07	BOLT- CONFIG CHG DATA FROM A CMM: SUPERSEDES MS21279-07		2
298	S8157N52-032C	WASHER- 0.032 IN. X 0.81 MM THICK SUPPLIER CODE: V70210 -----*-----		2
300	S9413-124	PACKING- SUPPLIER CODE: V99193		1
305	S9413-014	PACKING- SUPPLIER CODE: V99193		2
310	365303-2	FILTER-FLUID SUPPLIER CODE: V59364		1
330	A75M	PLUG ASSY-OIL DRAIN SUPPLIER CODE: V97484 OPTIONAL PART: 572-510-9004 V59364		1
335	S9413-010	PACKING- SUPPLIER CODE: V59364		1
340	S9413-555	PACKING- SUPPLIER CODE: V99193		1
345	3501716-1	DIPSTICK-OIL SUPPLIER CODE: V59364		1
350	S9413-014	PACKING- SUPPLIER CODE: V99193		1
351	S9008A297	PIN- SUPPLIER CODE: V59364 CONFIG CHG DATA FROM A CMM: REPLD BY S9008Y213		1
351	S9008Y213	PIN- SUPPLIER CODE: V59364 CONFIG CHG DATA FROM A CMM: REPLS S9008A297		1

ILLUSTRATION ITEMS NOT ON PARTS LIST ARE NOT APPLICABLE

— ITEM NOT ILLUSTRATED

HXL

29-11-03-01

BOEING PROPRIETARY - Copyright © - Unpublished Work - See title page for details.

29-11-03
FIG. 01
PAGE 15
DEC 22/06



767

PARTS CATALOG (MAINTENANCE)

FIG ITEM	PART NUMBER	1 2 3 4 5 6 7	NOMENCLATURE	EFFECT FROM TO	UNITS PER ASSY
1 352	3501692-1	CAP-OIL FILLER SUPPLIER CODE: V59364 CONFIG CHG DATA FROM A CMM: REPLD BY 3501692-2 USED ON: 3505446-1-1 3505446-2-1 3505446-3-1 3505446-4-1		1
352	3501692-2	CAP-OIL FILLER SUPPLIER CODE: V59364 SB DATA FROM A CMM: PRE SB 29-0005 CONFIG CHG DATA FROM A CMM: REPLS 3501692-1 USED ON: 3505446-1-1 3505446-2-1 3505446-3-1 3505446-4-1		1
352	3502249-1	CAP-OIL FILLER SUPPLIER CODE: V59364 SB DATA FROM A CMM: POST SB 29-0005 USED ON: 3505446-5-1 3505446-6-1 3505446-7-1		1
353	882988-1	SPRING-HELICAL CPRSN SUPPLIER CODE: V59364		1
355	MS21279-05	BOLT- CONFIG CHG DATA FROM A CMM: SUPSD BY MS9556-05		1
355	MS9556-05	BOLT- CONFIG CHG DATA FROM A CMM: SUPERSEDES MS21279-05		1
360	MS9565-05	BOLT-		1
365	3501706-1	SCREEN-OIL SUPPLIER CODE: V99193 OPTIONAL PART: 3502044-1 V59364		1

ILLUSTRATION ITEMS NOT ON PARTS LIST ARE NOT APPLICABLE

- ITEM NOT ILLUSTRATED

29-11-03-01

29-11-03
 FIG. 01
 PAGE 16
 DEC 22/06

HXL

BOEING
767
PARTS CATALOG (MAINTENANCE)

FIG ITEM	PART NUMBER	1 2 3 4 5 6 7	NOMENCLATURE	EFFECT FROM TO	UNITS PER ASSY
1					
365	3502044-1	SCREEN-OIL SUPPLIER CODE: V59364 OPTIONAL PART: 3501706-1 V99193		1
370	S9413-018	PACKING- SUPPLIER CODE: V99193		1
375	S9413-014	PACKING- SUPPLIER CODE: V99193		1
381	692321-5	VALVE-RELIEF AND CHK SUPPLIER CODE: V59364		1
386	MS21280-07	ATTACHING PARTS SCREW- SB DATA FROM A CMM: PRE SB 29-0005 CONFIG CHG DATA FROM A CMM: SUPSD BY MS9557-07 USED ON: 3505446-1-1 3505446-2-1 3505446-3-1 3505446-4-1		1
386	MS9557-07	BOLT- CONFIG CHG DATA FROM A CMM: SUPERSEDES MS21280-07 USED ON: 3505446-1-1 3505446-2-1 3505446-3-1 3505446-4-1		1
386	MS21280-08	BOLT- SB DATA FROM A CMM: POST SB 29-0005 CONFIG CHG DATA FROM A CMM: SUPSD BY MS9556-08 USED ON: 3505446-5-1 3505446-6-1 3505446-7-1		1

ILLUSTRATION ITEMS NOT ON PARTS LIST ARE NOT APPLICABLE

- ITEM NOT ILLUSTRATED

HXL

29-11-03-01

BOEING PROPRIETARY - Copyright © - Unpublished Work - See title page for details.

29-11-03
FIG. 01
PAGE 17
DEC 22/06



767

PARTS CATALOG (MAINTENANCE)

FIG ITEM	PART NUMBER	1 2 3 4 5 6 7	NOMENCLATURE	EFFECT FROM TO	UNITS PER ASSY
1 386	MS9557-08	BOLT- CONFIG CHG DATA FROM A CMM: SUPERSEDES MS21280-08 USED ON: 3505446-5-1 3505446-6-1 3505446-7-1		1
388	S9413-016	PACKING- SUPPLIER CODE: V99193		1
390	S9413-015	PACKING- SUPPLIER CODE: V99193		1
391	MS21280-12	BOLT- CONFIG CHG DATA FROM A CMM: SUPSD BY MS9557-12 USED ON: 3505446-1-1 3505446-2-1 3505446-3-1 3505446-4-1		7
391	MS9557-12	BOLT- CONFIG CHG DATA FROM A CMM: SUPERSEDES MS21280-12 USED ON: 3505446-1-1 3505446-2-1 3505446-3-1 3505446-4-1		7
- 392	MS21280-12	BOLT- CONFIG CHG DATA FROM A CMM: SUPSD BY MS9557-12 USED ON: 3505446-5-1 3505446-6-1 3505446-7-1		6
- 392	MS9557-12	BOLT- CONFIG CHG DATA FROM A CMM: SUPERSEDES MS21280-12 USED ON: 3505446-5-1 3505446-6-1 3505446-7-1		6

ILLUSTRATION ITEMS NOT ON PARTS LIST ARE NOT APPLICABLE

- ITEM NOT ILLUSTRATED

29-11-03-01

29-11-03
FIG. 01
PAGE 18
DEC 22/06

HXL



767

PARTS CATALOG (MAINTENANCE)

FIG ITEM	PART NUMBER	1 2 3 4 5 6 7	NOMENCLATURE	EFFECT FROM TO	UNITS PER ASSY
1					
393	MS21280-13	BOLT- CONFIG CHG DATA FROM A CMM: SUPSD BY MS9557-13 USED ON: 3505446-5-1 3505446-6-1 3505446-7-1		1
393	MS9557-13	BOLT- CONFIG CHG DATA FROM A CMM: SUPERSEDES MS21280-13 USED ON: 3505446-5-1 3505446-6-1 3505446-7-1		1
394	S9007N29-032C	WASHER-0.032 IN. X 0.81 MM THICK SUPPLIER CODE: V59364		12
395	MS21043-4	NUT		5
396	S9413-168	PACKING- SUPPLIER CODE: V99193 OPTIONAL PART: M83248-1-168		2
396	M83248-1-168	PACKING- OPTIONAL PART: S9413-168 V99193		2
397	3501942-2	SENSOR-MAG SUPPLIER CODE: V59364 CONFIG CHG DATA FROM A CMM: REPLD BY 3502204-1		1
397	3502204-1	SENSOR-MAG SUPPLIER CODE: V59364 CONFIG CHG DATA FROM A CMM: REPLS 3501942-2		1
398	S9413-553	PACKING- SUPPLIER CODE: V99193		1

ILLUSTRATION ITEMS NOT ON PARTS LIST ARE NOT APPLICABLE

- ITEM NOT ILLUSTRATED

HXL

29-11-03-01

BOEING PROPRIETARY - Copyright © - Unpublished Work - See title page for details.

29-11-03
FIG. 01
PAGE 19
DEC 22/06



767

PARTS CATALOG (MAINTENANCE)

FIG ITEM	PART NUMBER	1 2 3 4 5 6 7	NOMENCLATURE	EFFECT FROM TO	UNITS PER ASSY
1 400	4110302-1	PUMP ASSY-HYDR SUPPLIER CODE: V34270 CONFIG CHG DATA FROM A CMM: SUPSD BY 4110302-2 USED ON: 3505446-1-1 3505446-2-1 3505446-3-1 3505446-4-1		1
400	4110302-2	PUMP ASSY-HYDR SUPPLIER CODE: V34270 SB DATA FROM A CMM: PRE SB 29-0005 CONFIG CHG DATA FROM A CMM: SUPERSEDES 4110302-1 SUPERSEDES 4110302-4 SUPSD BY 4110302-3 USED ON: 3505446-1-1 3505446-2-1 3505446-3-1 3505446-4-1		1
400	4110302-3	PUMP ASSY-HYDR SUPPLIER CODE: V34270 CONFIG CHG DATA FROM A CMM: SUPSD BY 4110302-4 SUPERSEDES 4110302-2 USED ON: 3505446-1-1 3505446-2-1 3505446-3-1 3505446-4-1		1
400	4110302-4	PUMP ASSY-HYDR SUPPLIER CODE: V34270 CONFIG CHG DATA FROM A CMM: SUPERSEDES 4110302-3 USED ON: 3505446-1-1 3505446-2-1 3505446-3-1 3505446-4-1		1

ILLUSTRATION ITEMS NOT ON PARTS LIST ARE NOT APPLICABLE

- ITEM NOT ILLUSTRATED

HXL

29-11-03-01

BOEING PROPRIETARY - Copyright © - Unpublished Work - See title page for details.

29-11-03
 FIG. 01
 PAGE 20
 DEC 22/06



767

PARTS CATALOG (MAINTENANCE)

FIG ITEM	PART NUMBER	1 2 3 4 5 6 7	NOMENCLATURE	EFFECT FROM TO	UNITS PER ASSY
1 400	4110302-5	PUMP ASSY-HYDR SUPPLIER CODE: V34270 SB DATA FROM A CMM: PRE SB 29-0044 CONFIG CHG DATA FROM A CMM: REPLD BY 4110302-6 USED ON: 3505446-5-1 3505446-6-1 3505446-7-1 POST SERVICE BULLETIN: 29-0005 V59364		1
400	4110302-7	PUMP ASSY-HYDR SUPPLIER CODE: V59364 POST SERVICE BULLETIN: 29-0048 V59364		1
400	4110302-6	PUMP ASSY-HYDR SUPPLIER CODE: V34270 SB DATA FROM A CMM: POST SB 29-0044 CONFIG CHG DATA FROM A CMM: REPLS 4110302-5 USED ON: 3505446-5-1 3505446-6-1		1
402	S9413-011	PACKING- SUPPLIER CODE: V99193		3
403	S9413-028	PACKING- SUPPLIER CODE: V99193		2
404	S9413-011	PACKING- SUPPLIER CODE: V99193		4
- 405	3501912-3	SWITCH ASSY- SUPPLIER CODE: V59364 CONFIG CHG DATA FROM A CMM: REPLD BY 3501912-4 USED ON: 3505446-3-1		1

ILLUSTRATION ITEMS NOT ON PARTS LIST ARE NOT APPLICABLE

- ITEM NOT ILLUSTRATED

HXL

29-11-03-01

BOEING PROPRIETARY - Copyright © - Unpublished Work - See title page for details.

29-11-03
 FIG. 01
 PAGE 21
 DEC 22/06

 **BOEING**
767
PARTS CATALOG (MAINTENANCE)

FIG ITEM	PART NUMBER	1 2 3 4 5 6 7	NOMENCLATURE	EFFECT FROM TO	UNITS PER ASSY
1					
- 405	3501912-4	SWITCH ASSY- SUPPLIER CODE: V59364 SB DATA FROM A CMM: PRE SB 29-0012 CONFIG CHG DATA FROM A CMM: REPLS 3501912-3 REPLD BY 3502531-1 OPTIONAL PART: 3502175-1 V59364 USED ON: 3505446-3-1 3505446-4-1 3505446-5-1 3505446-6-1		1
- 405	3502175-1	SWITCH ASSY- SUPPLIER CODE: V59364 SB DATA FROM A CMM: PRE SB 29-0012 CONFIG CHG DATA FROM A CMM: REPLD BY 3502531-1 OPTIONAL PART: 3501912-4 V59364 USED ON: 3505446-3-1 3505446-4-1 3505446-5-1 3505446-6-1		1
- 405	3502531-1	SWITCH ASSY- SUPPLIER CODE: V59364 SB DATA FROM A CMM: POSTS SB 29-0012 CONFIG CHG DATA FROM A CMM: REPLS 3501912-4 REPLS 3502175-1 ATTACHING PARTS		1
406	MS16995-26	SCREW -----*-----		4

ILLUSTRATION ITEMS NOT ON PARTS LIST ARE NOT APPLICABLE

- ITEM NOT ILLUSTRATED

HXL

29-11-03-01

BOEING PROPRIETARY - Copyright © - Unpublished Work - See title page for details.

29-11-03
FIG. 01
PAGE 22
DEC 22/06

 **BOEING**
767
PARTS CATALOG (MAINTENANCE)

FIG ITEM	PART NUMBER	1 2 3 4 5 6 7	NOMENCLATURE	EFFECT FROM TO	UNITS PER ASSY
1	407 15HM6	SWITCH-SENSITIVE SUPPLIER CODE: V59364 CONFIG CHG DATA FROM A CMM: REPLD BY 3501998-1 OPTIONAL PART: 684-555-9005 V91929 USED ON: 3501912-3 3501912-4		1
	407 684-555-9005	SWITCH-SENSITIVE SUPPLIER CODE: V91929 OPTIONAL PART: 15HM6 V59364 USED ON: 3501912-3 3501912-4		1
	407 3501998-1	SWITCH-SENSITIVE SUPPLIER CODE: V59364 CONFIG CHG DATA FROM A CMM: REPLS 15HM6 USED ON: 3501912-3 3501912-4		1
	407 3502174	SWITCH-SENSITIVE SUPPLIER CODE: V59364 USED ON: 3502175-1		1
	407 3502530-1	SWITCH-SENSITIVE SUPPLIER CODE: V59364 USED ON: 3502531-1		1
	409 3502225-1		...TUBE-METAL SUPPLIER CODE: V59364 CONFIG CHG DATA FROM A CMM: REPLD BY 3502489-1 USED ON: 3268792-4 3268792-5 3268792-6 3268792-7		1

ILLUSTRATION ITEMS NOT ON PARTS LIST ARE NOT APPLICABLE

— ITEM NOT ILLUSTRATED

HXL

29-11-03-01

BOEING PROPRIETARY - Copyright © - Unpublished Work - See title page for details.

29-11-03
FIG. 01
PAGE 23
DEC 22/06



767

PARTS CATALOG (MAINTENANCE)

FIG ITEM	PART NUMBER	1 2 3 4 5 6 7	NOMENCLATURE	EFFECT FROM TO	UNITS PER ASSY
1					
409	3502489-1		...TUBE-METAL SUPPLIER CODE: V59364 CONFIG CHG DATA FROM A CMM: REPLS 3502225-1 USED ON: 3268792-8		1
410	886903-1		...RETAINER- SUPPLIER CODE: V59364 ATTACHING PARTS		1
415	MS16995-25		...SCREW -----*-----		1
420	S8990-010		...PACKING- SUPPLIER CODE: V59364		1
425	3502227-1		...TUBE-METAL SUPPLIER CODE: V59364 USED ON: 3268792-6 3268792-7 USED ON: 3268792-4 3268792-5		1
425	3502491-1		...TUBE-METAL SUPPLIER CODE: V59364 USED ON: 3268792-8 3268792-9 3268792-10		1
430	886903-1		...RETAINER- SUPPLIER CODE: V59364 ATTACHING PARTS		1
435	MS16995-25		...SCREW -----*-----		1
440	S8990-010		...PACKING- SUPPLIER CODE: V59364		1

ILLUSTRATION ITEMS NOT ON PARTS LIST ARE NOT APPLICABLE

- ITEM NOT ILLUSTRATED

HXL

29-11-03-01

BOEING PROPRIETARY - Copyright © - Unpublished Work - See title page for details.

29-11-03
FIG. 01
PAGE 24
DEC 22/06



767

PARTS CATALOG (MAINTENANCE)

FIG ITEM	PART NUMBER	1 2 3 4 5 6 7	NOMENCLATURE	EFFECT FROM TO	UNITS PER ASSY
1					
445	3502226-1		...TUBE-METAL SUPPLIER CODE: V59364 USED ON: 3268792-6 3268792-7 USED ON: 3268792-4 3268792-5		1
445	3502490-1		...TUBE-METAL SUPPLIER CODE: V59364 USED ON: 3268792-8 3268792-9 3268792-10		1
450	S8990-010		...PACKING- SUPPLIER CODE: V59364		1
455	3502228-1		...TUBE-METAL SUPPLIER CODE: V59364 USED ON: 3268792-6 3268792-7 USED ON: 3268792-4 3268792-5		1
455	3502492-1		...TUBE-METAL SUPPLIER CODE: V59364 USED ON: 3268792-8 3268792-9 3268792-10		1
460	3164034-1		...RETAINER- SUPPLIER CODE: V59364 ATTACHING PARTS		1
465	MS16995-25		...SCREW -----*-----		1
470	S8990-010		...PACKING- SUPPLIER CODE: V59364		1

ILLUSTRATION ITEMS NOT ON PARTS LIST ARE NOT APPLICABLE

- ITEM NOT ILLUSTRATED

29-11-03-01

29-11-03
FIG. 01
PAGE 25
DEC 22/06

HXL

BOEING PROPRIETARY - Copyright © - Unpublished Work - See title page for details.



767

PARTS CATALOG (MAINTENANCE)

FIG ITEM	PART NUMBER	1 2 3 4 5 6 7	NOMENCLATURE	EFFECT FROM TO	UNITS PER ASSY
1					
475	3502229-1		...TUBE-METAL SUPPLIER CODE: V59364 USED ON: 3268792-6 3268792-7 USED ON: 3268792-4 3268792-5		1
475	3502493-1		...TUBE-METAL SUPPLIER CODE: V59364 USED ON: 3268792-8 3268792-9		1
480	S8990-010		...PACKING- SUPPLIER CODE: V59364		1
485	MS21279-06		...BOLT- CONFIG CHG DATA FROM A CMM: REPLD BY MS9556-06		2
485	MS9556-06		...BOLT- CONFIG CHG DATA FROM A CMM: REPLS MS21279-06		2
486	MS9557-16		...BOLT		2
487	S8168-23C0135		...SPACER- SUPPLIER CODE: V59364		2
489	S8157N61-032C		...WASHER- SUPPLIER CODE: V59364 MISCELLANEOUS DATA: 0.032 IN. (0.812 MM) THK		4
490	S8157N153-005C		...WASHER-0.005 IN. THICK SUPPLIER CODE: V59364		AR
- 491	S8157N153-010C		...WASHER-0.010 IN. THICK SUPPLIER CODE: V59364		AR
- 493	S8157N153-020C		...WASHER-0.020 IN. THICK SUPPLIER CODE: V59364		AR
495	MS21043-3		...NUT- USED ON: 3268792-6 3268792-7 3268792-8		1
496	MS21043-4		...NUT		2

ILLUSTRATION ITEMS NOT ON PARTS LIST ARE NOT APPLICABLE

- ITEM NOT ILLUSTRATED

29-11-03-01

29-11-03
FIG. 01
PAGE 26
DEC 22/07

HXL

BOEING PROPRIETARY - Copyright © - Unpublished Work - See title page for details.



767

PARTS CATALOG (MAINTENANCE)

FIG ITEM	PART NUMBER	1 2 3 4 5 6 7	NOMENCLATURE	EFFECT FROM TO	UNITS PER ASSY
1					
497	3501785-2		...BUSHING- SUPPLIER CODE: V59364		2
498	3501784-1		...BRACKET- SUPPLIER CODE: V59364 SB DATA FROM A CMM: PRE SB 29-0032		1
498	3501784-2		...BRACKET- SUPPLIER CODE: V59364 SB DATA FROM A CMM: POST SB 29-0032		1
500	MS51958-62		...SCREW- USED ON: 3268792-6 3268792-7 3268792-8 3268792-10		1
505	211-577-9102		...CLAMP- SUPPLIER CODE: V59364 USED ON: 3268792-6 3268792-7 3268792-8 3268792-9 3268792-10		1
510	3214336-1		...VALVE ASSY-MODULATING 4 IN. DIA SUPPLIER CODE: V59364 SB DATA FROM A CMM: PRE SB 29-0007 COMPONENT MAINT MANUAL REF: 29-11-03 USED ON: 3268792-6 USED ON: 3268792-4 3268792-5		1

ILLUSTRATION ITEMS NOT ON PARTS LIST ARE NOT APPLICABLE

- ITEM NOT ILLUSTRATED

HXL

29-11-03-01

BOEING PROPRIETARY - Copyright © - Unpublished Work - See title page for details.

29-11-03
FIG. 01
PAGE 27
DEC 22/07

 **BOEING**
767
PARTS CATALOG (MAINTENANCE)

FIG ITEM	PART NUMBER	1 2 3 4 5 6 7	NOMENCLATURE	EFFECT FROM TO	UNITS PER ASSY
1 510	3214336-2		...VALVE ASSY-MODULATING 4 IN. DIA SUPPLIER CODE: V59364 SB DATA FROM A CMM: POST SB 29-0007 COMPONENT MAINT MANUAL REF: 29-11-03 USED ON: 3268792-7 3268792-8 USED ON: 3268792-9		1
510	3214336-3		...VALVE ASSY-MODULATING 4 IN. DIA SUPPLIER CODE: V59364 SB DATA FROM A CMM: POST SB 29-0032 CONFIG CHG DATA FROM A CMM: 3214336-3 IS PREFERED TO -2 COMPONENT MAINT MANUAL REF: 29-11-15 USED ON: 3268792-10		1
512	3168987-2	FILTER-AIR SUPPLIER CODE: V59364		1
515	234-506-9101		...COUPLING- SUPPLIER CODE: V59364 OPTIONAL PART: 4385AF400 V94581		1
520	211-507-9301		...CLAMP- SUPPLIER CODE: V59364 OPTIONAL PART: 3078C825LM V94581		1
525	3502011-2		...UNION-FLARELESS SUPPLIER CODE: V59364 SB DATA FROM A CMM: PRE SB 29-0038		1

ILLUSTRATION ITEMS NOT ON PARTS LIST ARE NOT APPLICABLE

- ITEM NOT ILLUSTRATED

HXL

29-11-03-01

BOEING PROPRIETARY - Copyright © - Unpublished Work - See title page for details.

29-11-03
FIG. 01
PAGE 28
DEC 22/07

BOEING
767
PARTS CATALOG (MAINTENANCE)

FIG ITEM	PART NUMBER	1 2 3 4 5 6 7	NOMENCLATURE	EFFECT FROM TO	UNITS PER ASSY
1 525	3502011-3		...UNION-FLARELESS SUPPLIER CODE: V59364 SB DATA FROM A CMM: POST SB 29-0038		1
530	NAS1612-8		...PACKING-		1
- 800	286T0596-300		WIRE BUNDLE ASSY		RF
805	S3819-18-65		.CLAMP- SUPPLIER CODE: V07418 SPECIFICATION NUMBER: BACC10KD18 OPTIONAL PART: 620AS028NF18L V06324 ELECTRICAL EQUIP NUMBER: D00488T WIRING DIAGRAM REF: 291132		1
810	CN096618A14SNL		.PLUG- SUPPLIER CODE: V13556 SPECIFICATION NUMBER: BCREFA0276 OPTIONAL PART: ZZY18A14SNL V49367 48-06R18A14SNL V02660 OVERLENGTH PART NUMBER: BACC63BP18A14SNL ELECTRICAL EQUIP NUMBER: D00488 WIRING DIAGRAM REF: 291132		1

ILLUSTRATION ITEMS NOT ON PARTS LIST ARE NOT APPLICABLE

- ITEM NOT ILLUSTRATED

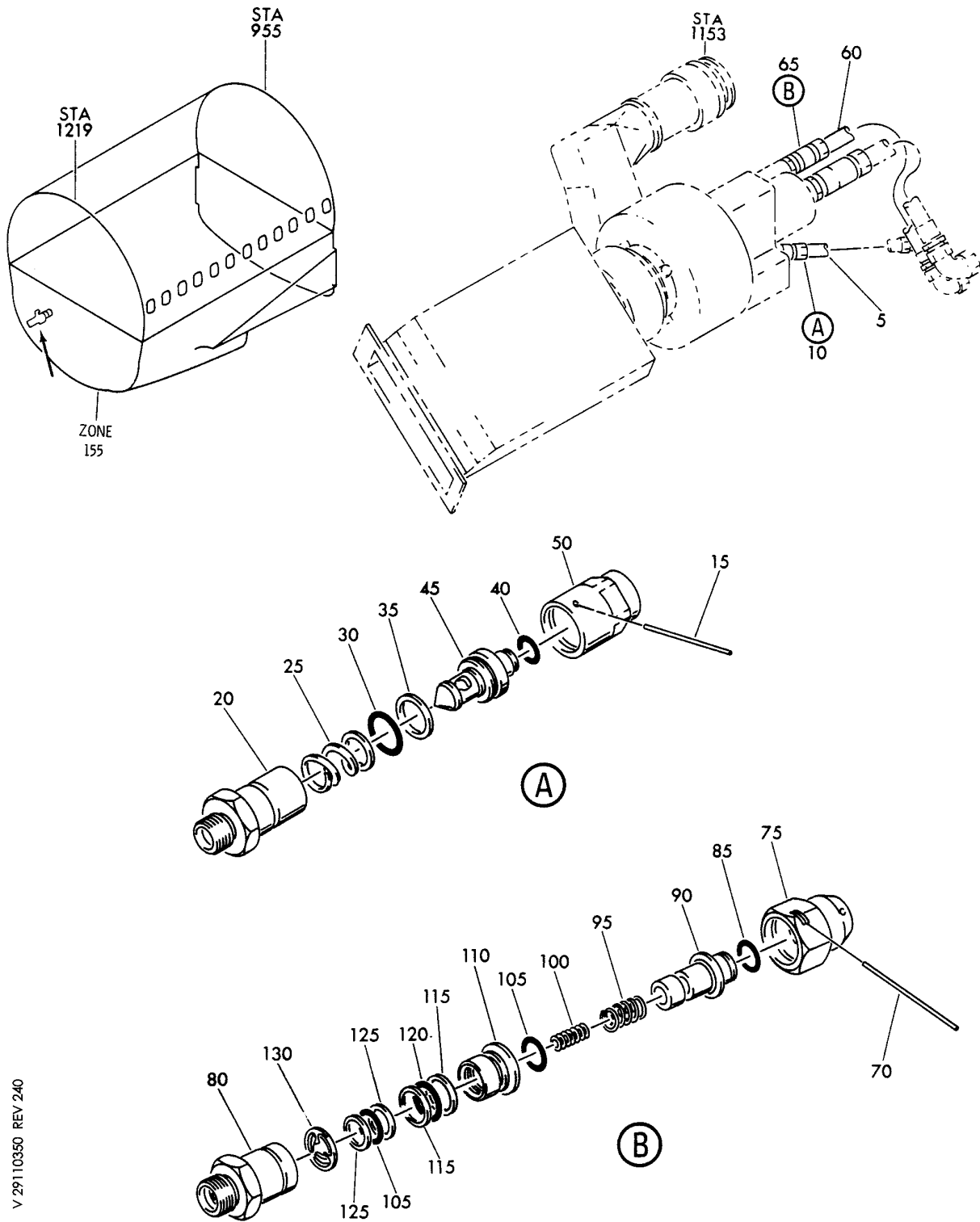
HXL

29-11-03-01

BOEING PROPRIETARY - Copyright © - Unpublished Work - See title page for details.

29-11-03
FIG. 01
PAGE 29
DEC 22/07

BOEING
767
PARTS CATALOG (MAINTENANCE)



V 29110350 REV 240

HOSE ASSY-AIR DRIVEN PUMP
FIGURE 50

29-11-03-50

HXL
DEC 22/06

29-11-03-50
PAGE 0



767

PARTS CATALOG (MAINTENANCE)

FIG ITEM	PART NUMBER	1 2 3 4 5 6 7	NOMENCLATURE	EFFECT FROM TO	UNITS PER ASSY
50					
- 1	AE705777-36		HOSE ASSY-AIR DRIVEN PUMP HOSE ASSY-AIR DRIVEN PUMP CASE DRAIN SUPPLIER CODE: V00624 SPECIFICATION NUMBER: S270T230-48 COMPONENT MAINT MANUAL REF: 29-11-02 FOR NHA SEE: 29-11-03-01		RF
5	AE705777-37		.HOSE ASSY- SUPPLIER CODE: V00624		1
10	AE81174H		.ADAPTER ASSY- SUPPLIER CODE: V00624		1
15	900803-6-1C		..WIRE- SUPPLIER CODE: V00624		1
20	AE81193H		..ADAPTER- SUPPLIER CODE: V00624		1
25	AE10488-141		..SPRING- SUPPLIER CODE: V00624		1
30	22610-116		..PACKING- SUPPLIER CODE: V00624		1
35	22572-116		..RETAINER- SUPPLIER CODE: V00624		1
40	22610-13		..PACKING- SUPPLIER CODE: V00624		1
45	AE81194H		..VALVE- SUPPLIER CODE: V00624		1
50	AE81196H		..NUT- SUPPLIER CODE: V00624		1

ILLUSTRATION ITEMS NOT ON PARTS LIST ARE NOT APPLICABLE

- ITEM NOT ILLUSTRATED

HXL

29-11-03-50

BOEING PROPRIETARY - Copyright © - Unpublished Work - See title page for details.

29-11-03
FIG. 50
PAGE 1
DEC 22/06

 **BOEING**
767
PARTS CATALOG (MAINTENANCE)

FIG ITEM	PART NUMBER	1 2 3 4 5 6 7	NOMENCLATURE	EFFECT FROM TO	UNITS PER ASSY
50					
- 55	AE705777-38		HOSE ASSY-AIR DRIVEN PUMP PRESSURE SUPPLIER CODE: V00624 SPECIFICATION NUMBER: S270T230-49 COMPONENT MAINT MANUAL REF: 29-11-02 FOR NHA SEE: 29-11-03-01		RF
- 55	AE705777-76		HOSE ASSY-AIR DRIVEN PUMP PRESSURE SUPPLIER CODE: V00624 SPECIFICATION NUMBER: S270T230-76 FOR NHA SEE: 29-11-03-01		RF
- 55	P66061412-0240		HOSE ASSY-AIR DRIVEN PUMP PRESSURE SUPPLIER CODE: V78570		RF
			TEMPORARY BREAKDOWN FOR: AAE705777-76		
60	AE705777-39		.HOSE ASSY- SUPPLIER CODE: V00624		1
65	AE81852K		.COUPLING ASSY- SUPPLIER CODE: V00624 SPECIFICATION NUMBER: S270T230-20		1
70	900803-4-25C		..WIRE- SUPPLIER CODE: V00624		1
75	AE81330K		..NUT- SUPPLIER CODE: V00624 USED ON: AE81852K		1
80	AE81322K		..ADAPTER- SUPPLIER CODE: V00624		1
85	22610-16		..PACKING- SUPPLIER CODE: V00624		1

R
R
R

ILLUSTRATION ITEMS NOT ON PARTS LIST ARE NOT APPLICABLE

- ITEM NOT ILLUSTRATED

HXL

29-11-03-50

BOEING PROPRIETARY - Copyright © - Unpublished Work - See title page for details.

29-11-03
FIG. 50
PAGE 2
AUG 22/09



767

PARTS CATALOG (MAINTENANCE)

FIG ITEM	PART NUMBER	1 2 3 4 5 6 7	NOMENCLATURE	EFFECT FROM TO	UNITS PER ASSY
50					
90	AE81853K	..	VALVE- SUPPLIER CODE: V00624		1
95	AE10488-376	..	SPRING- SUPPLIER CODE: V00624		1
100	AE10488-375	..	SPRING- SUPPLIER CODE: V00624		1
105	22610-116	..	PACKING- SUPPLIER CODE: V00624		2
110	AE81320K	..	BODY- SUPPLIER CODE: V00624		1
115	22572-118	..	RETAINER- SUPPLIER CODE: V00624		2
120	22610-118	..	PACKING- SUPPLIER CODE: V00624		1
125	AE11897-116	..	RETAINER- SUPPLIER CODE: V00624		2
130	AE81321K	..	GUIDE- SUPPLIER CODE: V00624		1

ILLUSTRATION ITEMS NOT ON PARTS LIST ARE NOT APPLICABLE

- ITEM NOT ILLUSTRATED

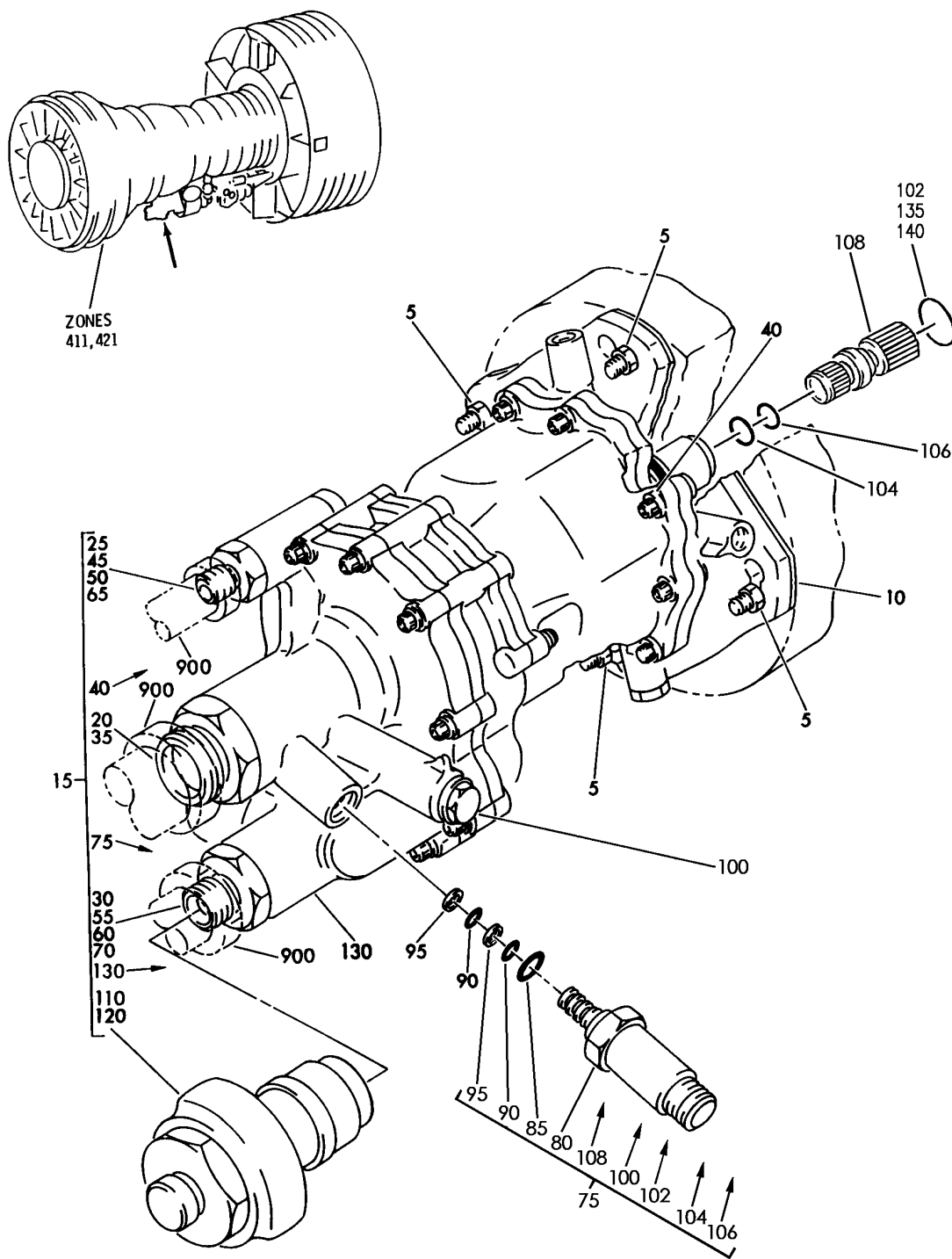
HXL

29-11-03-50

BOEING PROPRIETARY - Copyright © - Unpublished Work - See title page for details.

29-11-03
FIG. 50
PAGE 3
AUG 22/09

BOEING
767
PARTS CATALOG (MAINTENANCE)



V 29110502 REV 256

PUMP INSTL-HYDR
FIGURE 2

29-11-05-02

HXL
DEC 22/06

29-11-05-02
PAGE 0



767

PARTS CATALOG (MAINTENANCE)

FIG ITEM	PART NUMBER	1 2 3 4 5 6 7	NOMENCLATURE	EFFECT FROM TO	UNITS PER ASSY
2					
- 1	332T4120-1		PUMP INSTL-HYDR PUMP INSTL-HYDR FOR NHA SEE: 71-00-51-02		RF
5	624AG5HD		.NUT- SUPPLIER CODE: V29372		4
10	221-1301-501		.GASKET- SUPPLIER CODE: V51563 OPTIONAL PART: 69B90191-2		1
10	69B90191-4		.GASKET-		1
10	69B90191-2		.GASKET- MANUFACTURED FROM: SHEET ASBESTOS SYN RUBBER MATL QTY : .67, MATL UOM : FT MATL DIMENSIONS : .032 IN 8.0 IN 8.0 IN SPARES ORDER MATERIAL CODE: 5824311202 OPTIONAL PART: 221-1301-501		1
15	332T4120-2		.PUMP ASSY-		1
20	MS21902-20		..UNION-		1
25	DBOA14AZ8		..ADAPTER- SUPPLIER CODE: V14798 SPECIFICATION NUMBER: BACA14AZ8A OPTIONAL PART: ER10724-8 V88334 2-01028-8 V11328 317878 V14397 467-1122-8 V50948 AFP233-8-8 V30974 AP1005-08 V01673 US1934-8 V50808		1
ILLUSTRATION ITEMS NOT ON PARTS LIST ARE NOT APPLICABLE					

R
R
R
R
R
R
R
R
R
R

- ITEM NOT ILLUSTRATED

29-11-05-02

29-11-05
FIG. 02
PAGE 1
AUG 22/09

HXL



767

PARTS CATALOG (MAINTENANCE)

FIG ITEM	PART NUMBER	1 2 3 4 5 6 7	NOMENCLATURE	EFFECT FROM TO	UNITS PER ASSY
2					
30	DB0A14AZ16		.. ADAPTER- SUPPLIER CODE: V14798 SPECIFICATION NUMBER: BACA14AZ16A OPTIONAL PART: ER10724-16 V88334 3178716 V14397 467-1122-16 V50948 US1934-16 V50808 AFP233-16-16 V30974 AP1005-16 V01673 2-01028-16 V11328		1
35	NAS1612-20		.. PACKING-		1
40	2-216V1041-85		.. PACKING- SUPPLIER CODE: V02697 OPTIONAL PART: 9216-797 V72902 21-20018 V25184 9216-787 V72902		1
40	9216-797		.. PACKING- SUPPLIER CODE: V5F573 OPTIONAL PART: 2-216V1041-85 V02697 9216-787 V72902 216-20018 V25184		1

ILLUSTRATION ITEMS NOT ON PARTS LIST ARE NOT APPLICABLE

- ITEM NOT ILLUSTRATED

HXL

29-11-05-02

BOEING PROPRIETARY - Copyright © - Unpublished Work - See title page for details.

29-11-05
 FIG. 02
 PAGE 2
 DEC 22/06



767

PARTS CATALOG (MAINTENANCE)

FIG ITEM	PART NUMBER	1 2 3 4 5 6 7	NOMENCLATURE	EFFECT FROM TO	UNITS PER ASSY
2					
40	216-20018		.. PACKING- SUPPLIER CODE: V25184 OPTIONAL PART: 2-216V1041-85 V02697 9216-797 V72902 9216-787 V72902		1
40	9216-787		.. PACKING- SUPPLIER CODE: V5F573 OPTIONAL PART: 2-216V1041-85 V02697 9216-797 V72902 216-20018 V25184		1
45	NAS1611-111		.. PACKING-		1
50	NAS1612-8		.. PACKING-		1
55	NAS1611-212		.. PACKING-		1
60	NAS1612-16		.. PACKING-		1
65	C11236-111B		.. RING- SUPPLIER CODE: V26879 SPECIFICATION NUMBER: BACR12BM111 OPTIONAL PART: RMR12BM111 V94878 STF800-111 V02107 S30294-111-1 V97820 TF450-111A V07128 2100-111 V26303		1

ILLUSTRATION ITEMS NOT ON PARTS LIST ARE NOT APPLICABLE

- ITEM NOT ILLUSTRATED

HXL

29-11-05-02

BOEING PROPRIETARY - Copyright © - Unpublished Work - See title page for details.

29-11-05
FIG. 02
PAGE 3
DEC 22/07



767
PARTS CATALOG (MAINTENANCE)

FIG ITEM	PART NUMBER	1 2 3 4 5 6 7	NOMENCLATURE	EFFECT FROM TO	UNITS PER ASSY
2 70	C11236-212B		. . RING- SUPPLIER CODE: V26879 SPECIFICATION NUMBER: BACR12BM212 OPTIONAL PART: RMR12BM212 V94878 STF800-212 V02107 S30294-212-1 V97820 TF450-212A V07128 2100-212 V26303		1

ILLUSTRATION ITEMS NOT ON PARTS LIST ARE NOT APPLICABLE

- ITEM NOT ILLUSTRATED

HXL

29-11-05-02

BOEING PROPRIETARY - Copyright © - Unpublished Work - See title page for details.

29-11-05
FIG. 02
PAGE 4
DEC 22/06



767

PARTS CATALOG (MAINTENANCE)

FIG ITEM	PART NUMBER	1 2 3 4 5 6 7 NOMENCLATURE	EFFECT FROM TO	UNITS PER ASSY
2 75	887111	<p>..PUMP ASSY- SUPPLIER CODE: V62983 SPECIFICATION NUMBER: 60B00200-11 COMPONENT MAINT MANUAL REF: 29-11-34 QUALIFIED I/W DATA: 4205401 OR 65066-06 OR 65066-05 OR 65066 OR 65043 CAN REPLACE OR BE REPLACED BY 887673 OR 887111 OR 623977 OR 350880-7 OR 350880-6 OR 350880-2 OR 350880 OR 354037 SUBJECT TO CUSTOMER PREFERENCE FOR 747 ONLY. DO NOT USE 623977 ON 767 A/C USING GE CF6-80C2 ENGINES. DO NOT USE 623977 ON 747 A/C USING GE CG6-80C2 ENGINES IN EDP LOCATIONS, MAY BE USED IN ADP LOCATIONS. 4205401 OR 65066-06 OR 65066-05 TOGETHER WITH ONE EACH PULSATION DAMPER CAN REPLACE OR BE REPLACED BY 887673 OR 887111 OR 623977 OR 350880-7 OR 350880-6 SUBJECT TO CUSTOMER PREFERENCE FOR 767 ONLY. DO NOT USE 623977 ON A/C USING GE CF6-80C2 ENGINES.</p>		1

ILLUSTRATION ITEMS NOT ON PARTS LIST ARE NOT APPLICABLE

- ITEM NOT ILLUSTRATED

HXL

29-11-05-02

BOEING PROPRIETARY - Copyright © - Unpublished Work - See title page for details.

29-11-05
 FIG. 02
 PAGE 6
 DEC 22/06



767

PARTS CATALOG (MAINTENANCE)

FIG ITEM	PART NUMBER	1 2 3 4 5 6 7 NOMENCLATURE	EFFECT FROM TO	UNITS PER ASSY
2 75	887673	<p>..PUMP ASSY- SUPPLIER CODE: V62983 FUNCTIONAL DESCRIPTION: PRIMARY SOURCE OF HYDRAULIC PRESSURE FOR THE LEFT & RIGHT HYDR. SYSTEM. SPECIFICATION NUMBER: 60B00200-12 COMPONENT MAINT MANUAL REF: 29-11-34 QUALIFIED I/W DATA: 4205401 OR 65066-06 OR 65066-05 OR 65066 OR 65043 CAN REPLACE OR BE REPLACED BY 887673 OR 887111 OR 623977 OR 350880-7 OR 350880-6 OR 350880-2 OR 350880 OR 354037 SUBJECT TO CUSTOMER PREFERENCE FOR 747 ONLY. DO NOT USE 623977 ON 767 A/C USING GE CF6-80C2 ENGINES. DO NOT USE 623977 ON 747 A/C USING GE CF6-80C2 ENGINES IN EDP LOCATIONS. MAY BE USED IN ADP LOCATIONS. 4205401 OR 65066-06 OR 65066-05 TOGETHER WITH ONE EACH 485000-14 PULSATION DAMPER CAN REPLACE OR BE REPLACED BY 887673 OR 887111 OR 623977 OR 350880-7 OR 350880-6 SUBJECT TO CUSTOMER PREFERENCE FOR 767 ONLY. DO NOT USE 623977 ON A/C USING GE CF6-80C2 ENGINES. OPTIONAL PART: 3031863-001 V62983</p>		1

ILLUSTRATION ITEMS NOT ON PARTS LIST ARE NOT APPLICABLE

- ITEM NOT ILLUSTRATED

HXL

29-11-05-02

BOEING PROPRIETARY - Copyright © - Unpublished Work - See title page for details.

29-11-05
 FIG. 02
 PAGE 7
 APR 22/07



767

PARTS CATALOG (MAINTENANCE)

FIG ITEM	PART NUMBER	1 2 3 4 5 6 7	NOMENCLATURE	EFFECT FROM TO	UNITS PER ASSY
2					
80	571813		...VALVE ASSY-SOL. SUPPLIER CODE: V62983 SB DATA FROM A CMM: POST SB 350880-6-29-22 CONFIG CHG DATA FROM A CMM: SUPERSEDES 221290		1
85	271088		...PACKING- SUPPLIER CODE: V62983		1
90	271133		...PACKING- SUPPLIER CODE: V62983		2
95	MS28774-013		...RING		2
100	279326		...NUT-ADJUSTING SCREW LOCK SUPPLIER CODE: V62983		1
102	MS29561-216		...PACKING- SB DATA FROM A CMM: PRE SB350880-6-29-18 CONFIG CHG DATA FROM A CMM: SUPSD BY M83248-1-216 USED ON: 350880-6		1
102	M83248-1-216		...PACKING- SB DATA FROM A CMM: POST SB350880-6-29-18 PRE SB350880-6-29-27 CONFIG CHG DATA FROM A CMM: SUPSDS MS29561-216 SUPSD BY 624912 USED ON: 350880-6		1
102	624912		...PACKING-SHAFT SUPPLIER CODE: V62983 SB DATA FROM A CMM: POST SB350880-6-29-27 CONFIG CHG DATA FROM A CMM: SUPSDS M83248-1-216 USED ON: 350880-6		1
104	343463		...RING-RETAINING SUPPLIER CODE: V62983 USED ON: 350880-6		1

ILLUSTRATION ITEMS NOT ON PARTS LIST ARE NOT APPLICABLE

- ITEM NOT ILLUSTRATED

29-11-05-02

29-11-05
FIG. 02
PAGE 9
AUG 22/09

HXL



767

PARTS CATALOG (MAINTENANCE)

FIG ITEM	PART NUMBER	1 2 3 4 5 6 7	NOMENCLATURE	EFFECT FROM TO	UNITS PER ASSY
2					
106	271158		...PACKING-SHAFT SUPPLIER CODE: V62983 USED ON: 350880-6		1
108	346937		...SHAFT-CPLG SUPPLIER CODE: V62983 SB DATA FROM A CMM: PRE SB350880-6-29-36 USED ON: 350880-6		1
108	887584		...SHAFT-CPLG SUPPLIER CODE: V62983 SB DATA FROM A CMM: POST SB350880-6-29-36 USED ON: 350880-6		1
900			ILLUSTRATION REFERENCE: PLUMBING INSTL-ENG MOUNTED PW4000 HYDR 29-11-51-25		RF

ILLUSTRATION ITEMS NOT ON PARTS LIST ARE NOT APPLICABLE

- ITEM NOT ILLUSTRATED

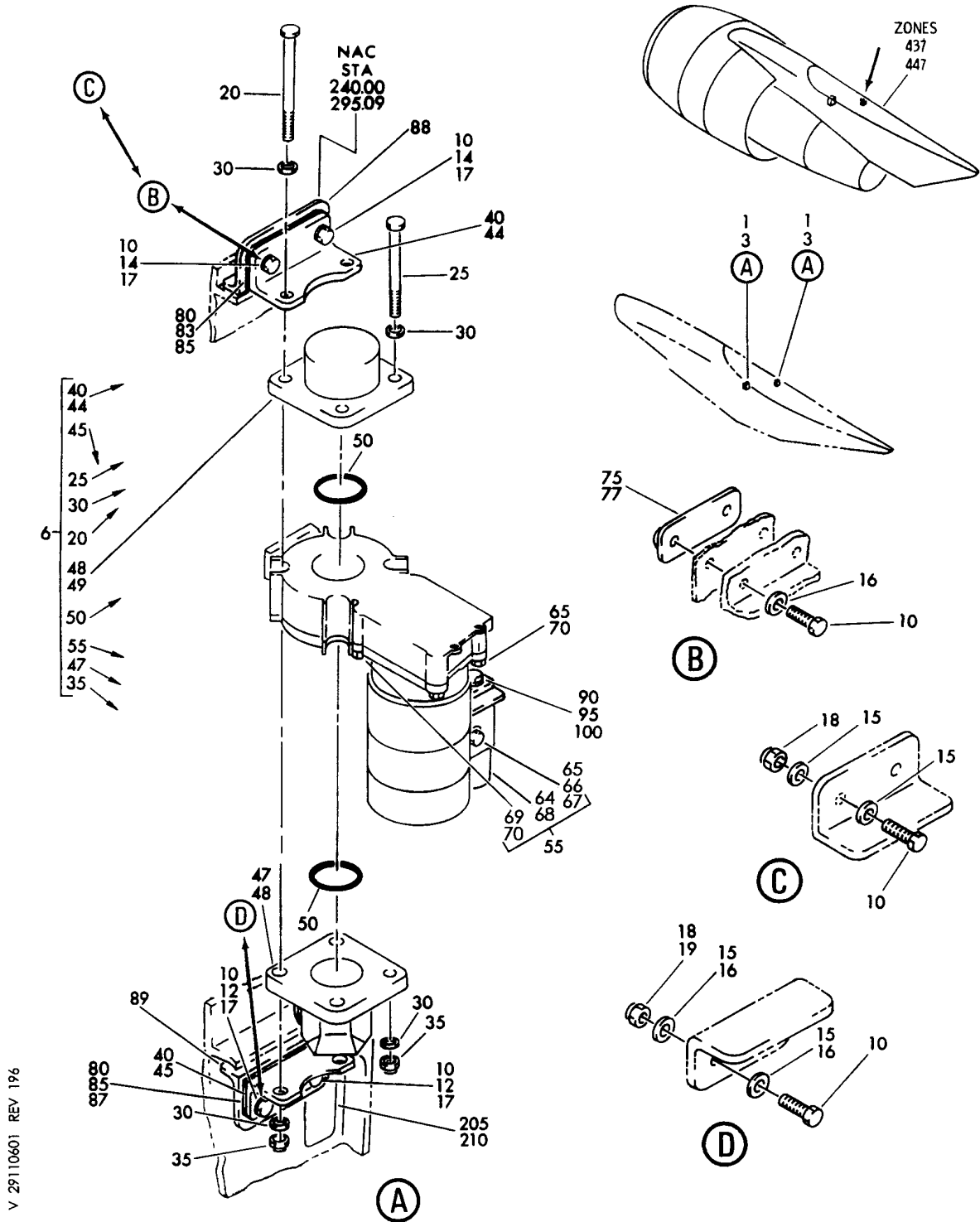
HXL

29-11-05-02

BOEING PROPRIETARY - Copyright © - Unpublished Work - See title page for details.

29-11-05
FIG. 02
PAGE 10
AUG 22/09

BOEING
767
PARTS CATALOG (MAINTENANCE)



MODULE AND MARKER INSTL-SECT. 31 R STRUT AFT FAIRING SUPPLY SHUTOFF VALVE
FIGURE 1

29-11-06-01

HXL
DEC 22/06

29-11-06-01
PAGE 0



767

PARTS CATALOG (MAINTENANCE)

FIG ITEM	PART NUMBER	1 2 3 4 5 6 7	NOMENCLATURE	EFFECT FROM TO	UNITS PER ASSY
1			MODULE AND MARKER INSTL- SECT. 31 R STRUT AFT FAIRING SUPPLY SHUTOFF VALVE		
- 1	271T5260-7		MODULE INSTL-FAIRING STRUT SUPPLY SHUTOFF VALVE POSITION DATA: AFT FOR NHA SEE: 29-11-06-02 29-11-06-03		RF
6	271T5260-9		.VALVE ASSY- ATTACHING PARTS		1
10	NAS6604-9		.BOLT-		4
15	AN960PD416		.WASHER-		8
18	BRH10A4		.NUT- SUPPLIER CODE: V52828 SPECIFICATION NUMBER: BACN10JC4 OPTIONAL PART: T6S428J V11815 96-048 V80539 VN303A048 V92215 RMLH9075-4W V72962 NS202101-048 V80539 H10-4BAC V15653		4
			-----*-----		
20	NAS6604-38		..BOLT-		2
25	NAS6604-32		..BOLT-		2
30	AN960PD416L		..WASHER- PRE ALERT SB: 29A0083R4		8
30	AN960JD416L		..WASHER- PRE ALERT SB: 29A0083R3		8
30	NAS1149D0416J		..WASHER- POST ALERT SB: 29A0083R4		8
ILLUSTRATION ITEMS NOT ON PARTS LIST ARE NOT APPLICABLE					

- ITEM NOT ILLUSTRATED

HXL

29-11-06-01

BOEING PROPRIETARY - Copyright © - Unpublished Work - See title page for details.

29-11-06
FIG. 01
PAGE 1
DEC 22/07



767

PARTS CATALOG (MAINTENANCE)

FIG ITEM	PART NUMBER	1 2 3 4 5 6 7	NOMENCLATURE	EFFECT FROM TO	UNITS PER ASSY
1	35 BRH10A4		..NUT- SUPPLIER CODE: V52828 SPECIFICATION NUMBER: BACN10JC4 OPTIONAL PART: T6S428J V11815 96-048 V80539 VN303A048 V92215 RMLH9075-4W V72962 NS202101-048 V80539 H10-4BAC V15653 PRE ALERT SB: 29A0083R4		4
	35 BRH10C4D		..NUT- SUPPLIER CODE: V52828 SPECIFICATION NUMBER: BACN10JC4CD OPTIONAL PART: T6C428JCD V11815 NS202486-048 V80539 102LH9075-4W V72962 H51650-4BAC V15653 POST ALERT SB: 29A0083R4		4
	40 271T0157-1		..ANGLE- POSITION DATA: LH		2
-	42 271T0157-1		..ANGLE- POSITION DATA: RH PRE ALERT SB: 29A0083R4		2
	44 271T0157-2		..ANGLE- POSITION DATA: RH POST ALERT SB: 29A0083R4		1

ILLUSTRATION ITEMS NOT ON PARTS LIST ARE NOT APPLICABLE

- ITEM NOT ILLUSTRATED

HXL

29-11-06-01

BOEING PROPRIETARY - Copyright © - Unpublished Work - See title page for details.

29-11-06
 FIG. 01
 PAGE 2
 DEC 22/07



767

PARTS CATALOG (MAINTENANCE)

FIG ITEM	PART NUMBER	1 2 3 4 5 6 7	NOMENCLATURE	EFFECT FROM TO	UNITS PER ASSY
1					
45	271T0157-3		.. ANGLE- POSITION DATA: RH POST ALERT SB: 29A0083R4		1
48	65B90219-1		.. ADAPTER- OPTIONAL PART: 65B90219-600		2
48	65B90219-600		.. ADAPTER- OPTIONAL PART: 65B90219-1		2
50	NAS1611-223		.. PACKING-		2
55	EM56-20		.. VALVE ASSY-HYDR MOTOR SHUTOFF SUPPLIER CODE: V91816 SPECIFICATION NUMBER: S270T010-3 MISCELLANEOUS DATA: FOR COMPLETE INTERCHANGEABILITY REGARDING SPECIFIC USAGE, PLEASE REFER TO DRAWING 270T2001 SHEET 1 ELECTRICAL EQUIP NUMBER: V00006 V00007 COMPONENT MAINT MANUAL REF: 29-11-01 USED ON: 271T5260-16 271T5260-17 POST ALERT SB: 29A0083R4		1
ILLUSTRATION ITEMS NOT ON PARTS LIST ARE NOT APPLICABLE					

- ITEM NOT ILLUSTRATED

HXL

29-11-06-01

BOEING PROPRIETARY - Copyright © - Unpublished Work - See title page for details.

29-11-06
FIG. 01
PAGE 3
DEC 22/07



767

PARTS CATALOG (MAINTENANCE)

FIG ITEM	PART NUMBER	1 2 3 4 5 6 7	NOMENCLATURE	EFFECT FROM TO	UNITS PER ASSY
1	55 233145		.. VALVE ASSY-HYDR MOTOR SHUTOFF SUPPLIER CODE: V79318 SPECIFICATION NUMBER: 10-3200-6 MISCELLANEOUS DATA: FOR COMPLETE INTERCHANGEABILITY REGARDING SPECIFIC USAGE, PLEASE REFER TO DRAWING 270T2001 SHEET 1 ELECTRICAL EQUIP NUMBER: V00006 V00007 COMPONENT MAINT MANUAL REF: 29-11-01 SERVICE BULLETIN OPT DATA: EM56-20-5 V91816 USED ON: 271T5260-5 271T5260-6 271T5260-9 271T5260-11 POST ALERT SB: 29A0090		1
	55 EM56-20-1		.. VALVE ASSY- SUPPLIER CODE: V91816 SPECIFICATION NUMBER: S270T010-6 MISCELLANEOUS DATA: FOR COMPLETE INTERCHANGEABILITY REGARDING SPECIFIC USAGE, PLEASE REFER TO DRAWING 270T2001 SHEET 1 ELECTRICAL EQUIP NUMBER: V00006 V00007 COMPONENT MAINT MANUAL REF: 29-11-01 POST ALERT SB: 29A0083R4		1

ILLUSTRATION ITEMS NOT ON PARTS LIST ARE NOT APPLICABLE

- ITEM NOT ILLUSTRATED

HXL

29-11-06-01

BOEING PROPRIETARY - Copyright © - Unpublished Work - See title page for details.

29-11-06
 FIG. 01
 PAGE 4
 DEC 22/07



767

PARTS CATALOG (MAINTENANCE)

FIG ITEM	PART NUMBER	1 2 3 4 5 6 7	NOMENCLATURE	EFFECT FROM TO	UNITS PER ASSY
1 55	EM56-20-3		.. VALVE ASSY- SUPPLIER CODE: V91816 SPECIFICATION NUMBER: S270T010-9 MISCELLANEOUS DATA: FOR COMPLETE INTERCHANGEABILITY REGARDING SPECIFIC USAGE, PLEASE REFER TO DRAWING 270T2001 SHEET 1 ELECTRICAL EQUIP NUMBER: V00006 V00007 COMPONENT MAINT MANUAL REF: 29-11-01 POST ALERT SB: 29A0083R4		1
55	EM56-20-4		.. VALVE ASSY-SHUTOFF SUPPLIER CODE: V91816 SPECIFICATION NUMBER: S270T010-12 MISCELLANEOUS DATA: FOR COMPLETE INTERCHANGEABILITY REGARDING SPECIFIC USAGE, PLEASE REFER TO DRAWING 270T2001 SHEET 1 ELECTRICAL EQUIP NUMBER: V00006 V00007 COMPONENT MAINT MANUAL REF: 29-11-01		1

ILLUSTRATION ITEMS NOT ON PARTS LIST ARE NOT APPLICABLE

- ITEM NOT ILLUSTRATED

HXL

29-11-06-01

BOEING PROPRIETARY - Copyright © - Unpublished Work - See title page for details.

29-11-06
 FIG. 01
 PAGE 5
 DEC 22/07



767

PARTS CATALOG (MAINTENANCE)

FIG ITEM	PART NUMBER	1 2 3 4 5 6 7	NOMENCLATURE	EFFECT FROM TO	UNITS PER ASSY
1 55	EM56-20-5		.. VALVE ASSY-SHUTOFF SUPPLIER CODE: V91816 FUNCTIONAL DESCRIPTION: PROVIDES ON/OFF CONTROL OF THE FLOW OF HYDRAULIC FLUID IN THE AIRCRAFT HYDRAULIC SYSTEM SPECIFICATION NUMBER: S270T010-15 MISCELLANEOUS DATA: FOR COMPLETE INTERCHANGEABILITY REGARDING SPECIFIC USAGE, PLEASE REFER TO DRAWING 270T2001 SHEET 1 ELECTRICAL EQUIP NUMBER: V00006 V00007 WIRING DIAGRAM REF: 291111 291121 COMPONENT MAINT MANUAL REF: 29-11-01 SERVICE BULLETIN OPT DATA: 233145 V79318 POST ALERT SB: 29A0090		1
64	P2350-0082		... ACTUATOR- SUPPLIER CODE: V91816 COMPONENT MAINT MANUAL REF: 29-11-03 USED ON: EM56-20		1
64	V2350-0082		... ACTUATOR- SUPPLIER CODE: V91816 COMPONENT MAINT MANUAL REF: 29-11-03 USED ON: EM56-20-1		1

ILLUSTRATION ITEMS NOT ON PARTS LIST ARE NOT APPLICABLE

- ITEM NOT ILLUSTRATED

HXL

29-11-06-01

BOEING PROPRIETARY - Copyright © - Unpublished Work - See title page for details.

29-11-06
 FIG. 01
 PAGE 6
 AUG 22/08



767

PARTS CATALOG (MAINTENANCE)

FIG ITEM	PART NUMBER	1 2 3 4 5 6 7	NOMENCLATURE	EFFECT FROM TO	UNITS PER ASSY
1					
64	W2350-0082		...ACTUATOR- SUPPLIER CODE: V91816 COMPONENT MAINT MANUAL REF: 29-11-03 USED ON: EM56-20-3		1
64	X2350-0082		...ACTUATOR- SUPPLIER CODE: V91816 COMPONENT MAINT MANUAL REF: 29-11-03 USED ON: EM56-20-4		1
64	Y2350-0082		...ACTUATOR- SUPPLIER CODE: V91816 COMPONENT MAINT MANUAL REF: 29-11-03 USED ON: EM56-20-5		1
65	100146C14		...SCREW- SUPPLIER CODE: V79318 USED ON: 233145		1
66	100168-165		...WASHER- SUPPLIER CODE: V79318 USED ON: 233145		2
67	MS20365D440A		...NUT- USED ON: 233145		1
68	157710-4		...ACTUATOR ASSY- SUPPLIER CODE: V79318 COMPONENT MAINT MANUAL REF: 29-11-02 USED ON: 233145		1
69	100126C12		ATTACHING PARTS ...SCREW- SUPPLIER CODE: V79318 USED ON: 233145		4

ILLUSTRATION ITEMS NOT ON PARTS LIST ARE NOT APPLICABLE

- ITEM NOT ILLUSTRATED

HXL

29-11-06-01

BOEING PROPRIETARY - Copyright © - Unpublished Work - See title page for details.

29-11-06
FIG. 01
PAGE 7
AUG 22/08



767

PARTS CATALOG (MAINTENANCE)

FIG ITEM	PART NUMBER	1 2 3 4 5 6 7	NOMENCLATURE	EFFECT FROM TO	UNITS PER ASSY
1					
70	100168-167		...WASHER- SUPPLIER CODE: V79318 USED ON: 233145 -----*-----		4
80	271T0158-3		.SHIM-		2
85	271T0158-4		.SHIM-		2
90	NAS6603-3		.BOLT-		1
95	AN960D10L		.WASHER-		3
100	BRH10A3		.NUT- SUPPLIER CODE: V52828 SPECIFICATION NUMBER: BACN10JC3 OPTIONAL PART: H10-3BAC V15653 NS202101-02 V80539 RMLH9075-3W V72962 VN303A02 V92215 96-02 V80539 T6S1032J V11815		1
100	MS21042L3		.NUT-		1
- 195	272T0172-2		MARKER INSTL-FAIRING STRUT SUPPLY SHUT-OFF VALVE POSITION DATA: AFT RH FOR NHA SEE: 29-11-06-03		RF
- 200	272T0172-1		MARKER INSTL-FAIRING STRUT SUPPLY SHUT-OFF VALVE POSITION DATA: AFT LH FOR NHA SEE: 29-11-06-02		RF
205	BAC27THY0106		.MARKER-ALUMINUM FOIL POSITION DATA: LH SIDE PLACARD CONTENT: V6 SHUTOFF VALVE SUPPLY T/R, L		1

ILLUSTRATION ITEMS NOT ON PARTS LIST ARE NOT APPLICABLE

- ITEM NOT ILLUSTRATED

29-11-06-01

29-11-06
FIG. 01
PAGE 8
AUG 22/08

HXL



767

PARTS CATALOG (MAINTENANCE)

FIG ITEM	PART NUMBER	1 2 3 4 5 6 7	NOMENCLATURE	EFFECT FROM TO	UNITS PER ASSY
1 205	BAC27THY207		.MARKER-ALUMINUM FOIL POSITION DATA: LH SIDE PLACARD CONTENT: V6 SHUTOFF VALVE SUPPLY EDP, L		1
210	BAC27THY0107		.MARKER-ALUMINUM FOIL POSITION DATA: RH SIDE PLACARD CONTENT: V7 SHUTOFF VALVE SUPPLY T/R, R		1
210	BAC27THY208		.MARKER-ALUMINUM FOIL POSITION DATA: RH SIDE PLACARD CONTENT: V7 SHUTOFF VALVE SUPPLY EDP, R		1

ILLUSTRATION ITEMS NOT ON PARTS LIST ARE NOT APPLICABLE

- ITEM NOT ILLUSTRATED

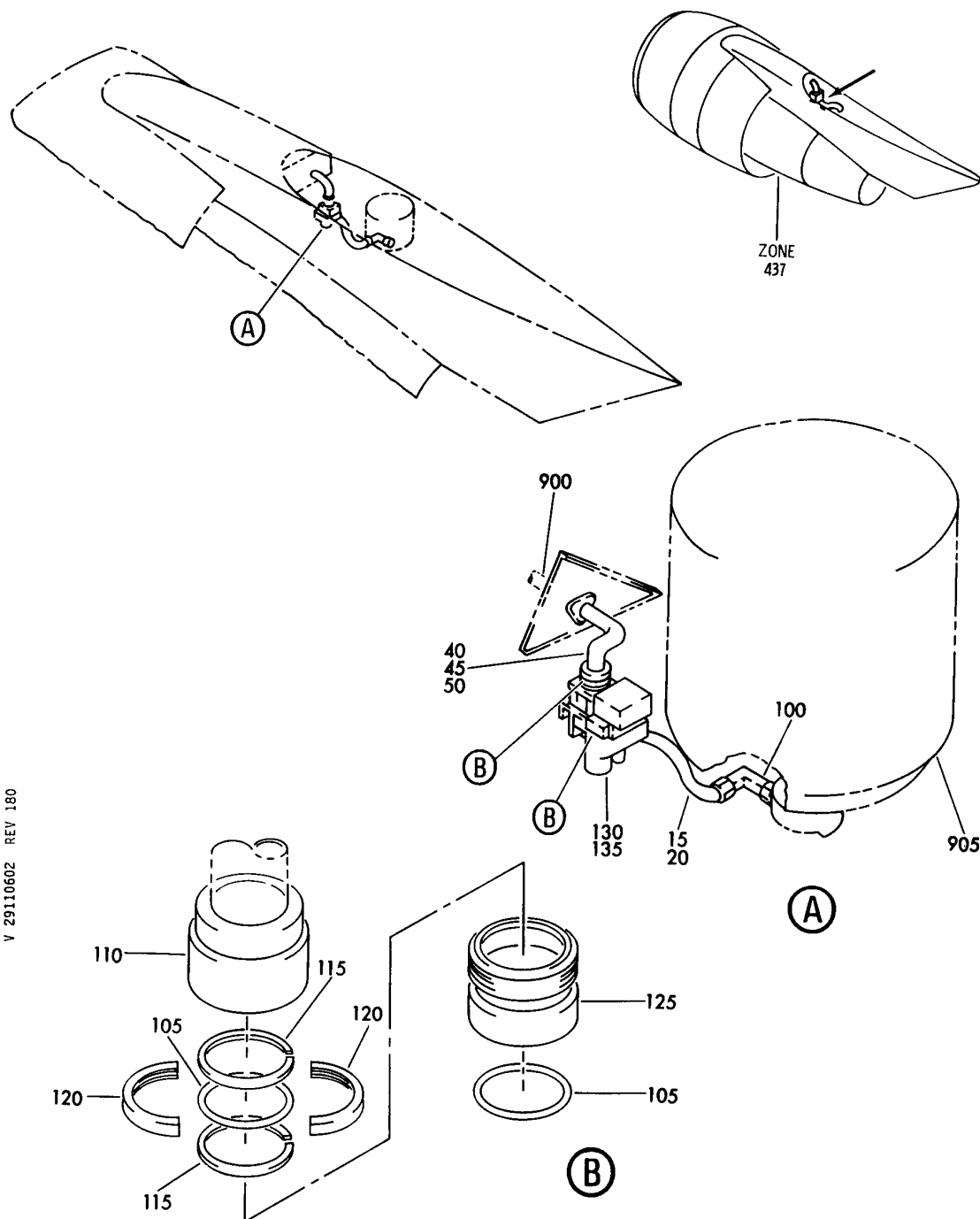
HXL

29-11-06-01

BOEING PROPRIETARY - Copyright © - Unpublished Work - See title page for details.

29-11-06
FIG. 01
PAGE 9
AUG 22/08

BOEING
767
PARTS CATALOG (MAINTENANCE)



V 29110602 REV 180

HYDRAULIC INSTL-SECT. 31 ENG AFT FAIRING (LH) (SUPPLY SHUTOFF ONLY)
FIGURE 2

29-11-06-02

HXL
DEC 22/06

29-11-06-02
PAGE 0



767

PARTS CATALOG (MAINTENANCE)

FIG ITEM	PART NUMBER	1 2 3 4 5 6 7	NOMENCLATURE	EFFECT FROM TO	UNITS PER ASSY
2			HYDRAULIC INSTL-SECT. 31 ENG AFT FAIRING (LH) (SUPPLY SHUTOFF ONLY)		
- 1	272T3100-5		HYDRAULIC INSTL-ENG FAIRING STRUT POSITION DATA: SECT. 31 AFT L MISCELLANEOUS DATA: (SUPPLY SHUTOFF ONLY) (PRATT & WHITNEY ENGINES) VARIABLE DRAWING REF: 272T3100-5317 272T3100-5347 272T3100-5361 272T3100-7003 FOR NHA/OTHER SYS DET SEE: 29-00-00-04		RF
15	S270T230-66		.HOSE ASSY-		1
50	272T3117-33		.TUBE ASSY- TUBING MATERIAL: 1.25 IN. OD .035 IN. WALL 25.00 IN. LG STEEL		1
50	272T3117-35		.TUBE ASSY- TUBING MATERIAL: 1.25 IN. OD .035 IN. WALL 25.00 IN. LG STEEL		1
50	272T3117-39		.TUBE ASSY- TUBING MATERIAL: 1.25 IN. OD .035 IN. WALL 25.00 IN. LG STEEL		1
- 55	BACB30NM3K4		ATTACHING PARTS .BOLT		3
- 60	AN960PD10L		.WASHER -----*-----		3

ILLUSTRATION ITEMS NOT ON PARTS LIST ARE NOT APPLICABLE

- ITEM NOT ILLUSTRATED

HXL

29-11-06-02

BOEING PROPRIETARY - Copyright © - Unpublished Work - See title page for details.

29-11-06
FIG. 02
PAGE 1
APR 22/09



767

PARTS CATALOG (MAINTENANCE)

FIG ITEM	PART NUMBER	1 2 3 4 5 6 7	NOMENCLATURE	EFFECT FROM TO	UNITS PER ASSY
2 - 65	DB0S13BD20HP		.. SLEEVE- SUPPLIER CODE: V14798 SPECIFICATION NUMBER: BACS13BD20HP OPTIONAL PART: 118-10722-20-00 V88334 2-02901-20HP V11328 2-02901-20HP V70195 35044VN20 V08199 4690008-20-2 V45681 4690008-20-2 V92003 AFP176V20HP V30974 35044V20HP V08199		1
- 70	AFP107-20		.. NUT- SUPPLIER CODE: V30974 SPECIFICATION NUMBER: BACN10NR20 OPTIONAL PART: AP1028T20 V01673 BC921T20 V50948 DBON10NR20 V14798 ER01921-20T V88334 FER8928-20 V14397 F11-20 V73197 2-03005T20 V11328 31783-20 V14397		1
- 75	272T3107-2		.. FITTING-BHD		1

ILLUSTRATION ITEMS NOT ON PARTS LIST ARE NOT APPLICABLE

- ITEM NOT ILLUSTRATED

HXL

29-11-06-02

BOEING PROPRIETARY - Copyright © - Unpublished Work - See title page for details.

29-11-06
 FIG. 02
 PAGE 2
 DEC 22/06



767

PARTS CATALOG (MAINTENANCE)

FIG ITEM	PART NUMBER	1 2 3 4 5 6 7	NOMENCLATURE	EFFECT FROM TO	UNITS PER ASSY
2 130	271T5260-7		.MODULE INSTL-SHUTOFF VALVE SUPPLY FAIRING, STRUT POSITION DATA: AFT FOR DETAILS SEE: 29-11-06-01		1
135	272T0172-1		.MARKER INSTL-FAIRING STRUT SUPPLY SHUT-OFF VALVE POSITION DATA: AFT LH FOR DETAILS SEE: 29-11-06-01		1
900			ILLUSTRATION REFERENCE: PLUMBING INSTL- HYDR AND FUEL STRUT (HYDRAULIC POWER ONLY) 29-11-51-02		RF
905			ILLUSTRATION REFERENCE: RESERVOIR INSTL-ENG AFT FAIRING HYDR 29-11-20-01		RF

ILLUSTRATION ITEMS NOT ON PARTS LIST ARE NOT APPLICABLE

- ITEM NOT ILLUSTRATED

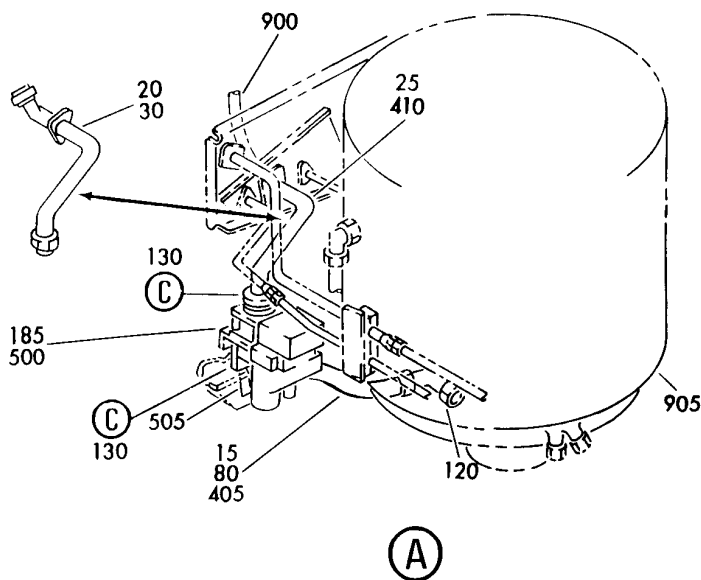
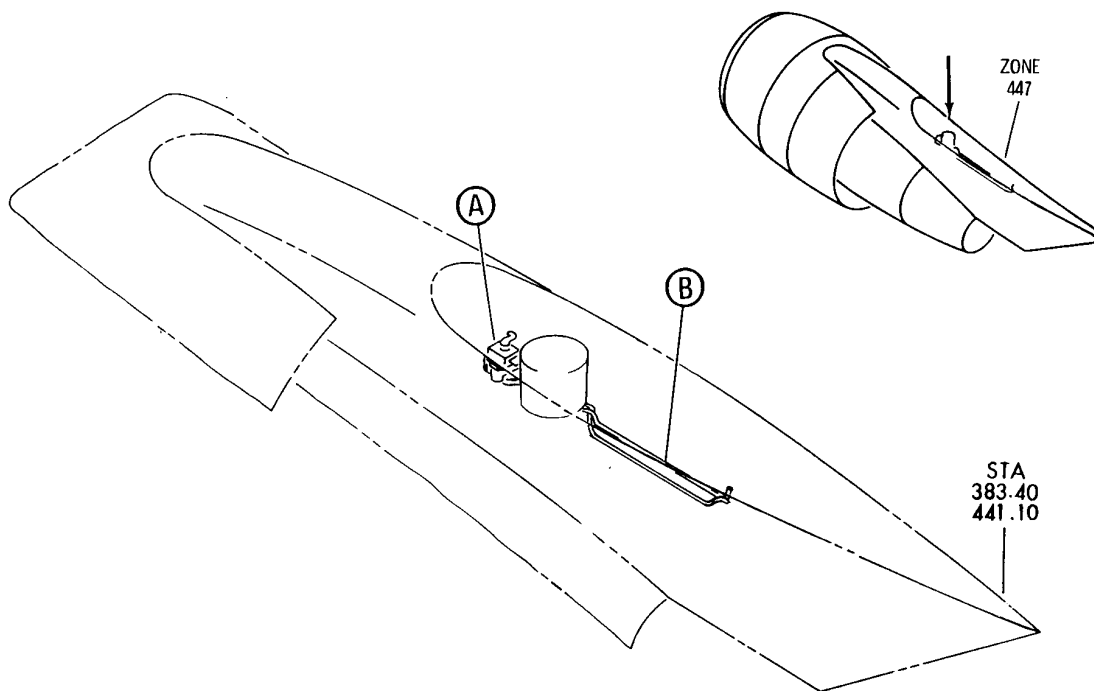
HXL

29-11-06-02

BOEING PROPRIETARY - Copyright © - Unpublished Work - See title page for details.

29-11-06
FIG. 02
PAGE 3
AUG 22/08

BOEING
767
PARTS CATALOG (MAINTENANCE)



V 29110603 SHT 1 REV 181

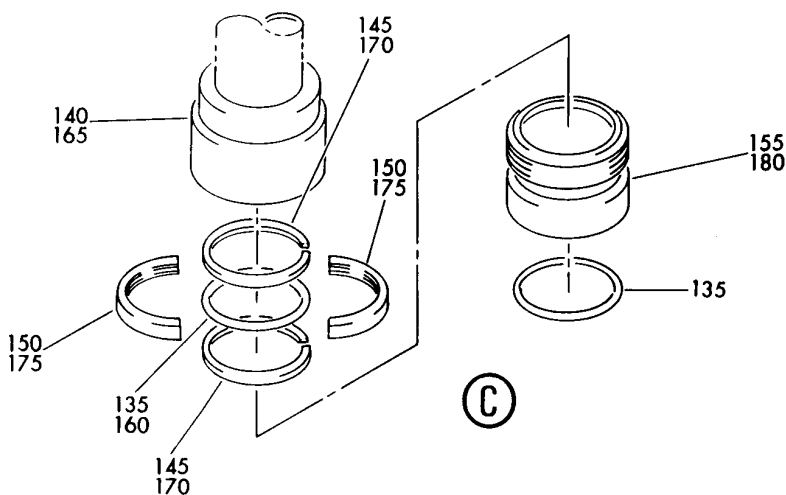
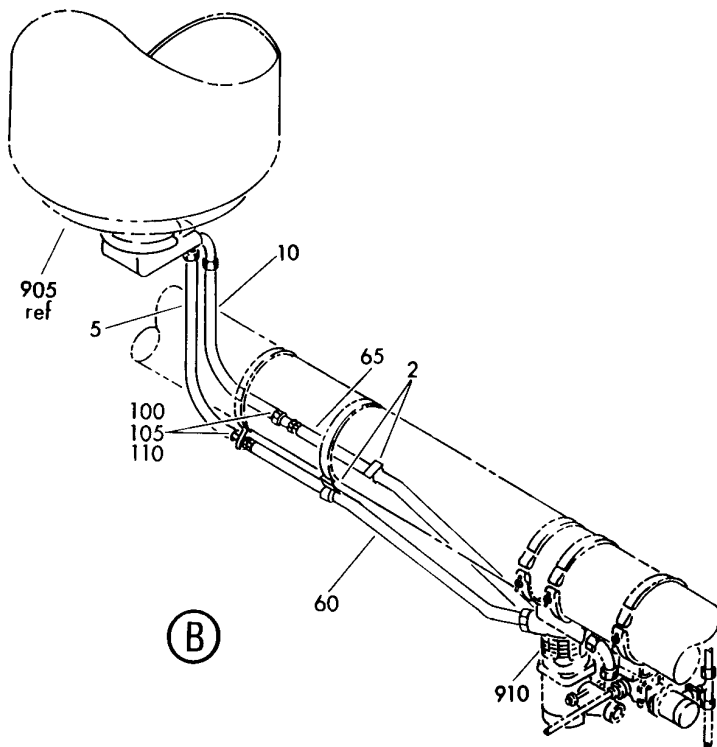
HYDRAULIC INSTL-SECT. 31 R STRUT AFT FAIRING SUPPLY SHUTOFF VALVE
FIGURE 3 (SHEET 1)

HXL
DEC 22/06

29-11-06-03

29-11-06-03
PAGE 0

BOEING
767
PARTS CATALOG (MAINTENANCE)



V 29110603 SHT 2 REV 181

HYDRAULIC INSTL-SECT. 31 R STRUT AFT FAIRING SUPPLY SHUTOFF VALVE
FIGURE 3 (SHEET 2)

HXL
DEC 22/06

29-11-06-03

29-11-06-03
PAGE 0A



767

PARTS CATALOG (MAINTENANCE)

FIG ITEM	PART NUMBER	1 2 3 4 5 6 7	NOMENCLATURE	EFFECT FROM TO	UNITS PER ASSY
3			HYDRAULIC INSTL-SECT. 31 R STRUT AFT FAIRING SUPPLY SHUTOFF VALVE		
- 1	272T3100-6		HYDRAULIC INSTL-ENG FAIRING STRUT POSITION DATA: SECT. 31 AFT R MISCELLANEOUS DATA: (SUPPLY SHUTOFF ONLY) (PRATT & WHITNEY ENGINES) VARIABLE DRAWING REF: 272T3100-5218 272T3100-5336 272T3100-7004 FOR NHA/OTHER SYS DET SEE: 29-00-00-04		RF
15	S270T230-66		.HOSE ASSY-		1
20	272T3117-33		.TUBE ASSY- TUBING MATERIAL: 1.25 IN. OD .035 IN. WALL 25.00 IN. LG STEEL	163999	1
20	272T3117-35		.TUBE ASSY- TUBING MATERIAL: 1.25 IN. OD .035 IN. WALL 23.00 IN. LG STEEL		1
20	272T3117-39		.TUBE ASSY- OPTIONAL PART: 272T3117-35		1
- 35	BACB30NM3K4		ATTACHING PARTS .BOLT		3
- 40	AN960PD10L		.WASHER -----*-----		3

ILLUSTRATION ITEMS NOT ON PARTS LIST ARE NOT APPLICABLE

- ITEM NOT ILLUSTRATED

HXL

29-11-06-03

BOEING PROPRIETARY - Copyright © - Unpublished Work - See title page for details.

29-11-06
FIG. 03
PAGE 1
DEC 22/07



767

PARTS CATALOG (MAINTENANCE)

FIG ITEM	PART NUMBER	1 2 3 4 5 6 7	NOMENCLATURE	EFFECT FROM TO	UNITS PER ASSY
3					
- 45	DB0S13BD20HP		.. SLEEVE- SUPPLIER CODE: V14798 SPECIFICATION NUMBER: BACS13BD20HP OPTIONAL PART: 118-10722-20-00 V88334 2-02901-20HP V11328 2-02901-20HP V70195 35044VN20 V08199 4690008-20-2 V45681 4690008-20-2 V92003 AFP176V20HP V30974 35044V20HP V08199		1
- 50	AFP107-20		.. NUT- SUPPLIER CODE: V30974 SPECIFICATION NUMBER: BACN10NR20 OPTIONAL PART: AP1028T20 V01673 BC921T20 V50948 DBON10NR20 V14798 ER01921-20T V88334 FER8928-20 V14397 F11-20 V73197 2-03005T20 V11328 31783-20 V14397		1
- 55	272T3106-3		.. FITTING-BHD		1

ILLUSTRATION ITEMS NOT ON PARTS LIST ARE NOT APPLICABLE

- ITEM NOT ILLUSTRATED

HXL

29-11-06-03

BOEING PROPRIETARY - Copyright © - Unpublished Work - See title page for details.

29-11-06
 FIG. 03
 PAGE 2
 DEC 22/06



767

PARTS CATALOG (MAINTENANCE)

FIG ITEM	PART NUMBER	1 2 3 4 5 6 7	NOMENCLATURE	EFFECT FROM TO	UNITS PER ASSY
3 185	271T5260-7		.MODULE INSTL-FAIRING STRUT SUPPLY SHUTOFF VALVE POSITION DATA: SECT. 31 AFT R FOR DETAILS SEE: 29-11-06-01		1
505	272T0172-2		.MARKER INSTL-STRUT FAIRING SUPPLY SHUTOFF VALVE POSITION DATA: SECT. 31 AFT R FOR DETAILS SEE: 29-11-06-01		1
900			ILLUSTRATION REFERENCE: PLUMBING INSTL- HYDR AND FUEL STRUT (HYDRAULIC POWER ONLY) 29-11-51-02		RF
905			ILLUSTRATION REFERENCE: RESERVOIR INSTL-ENG AFT FAIRING HYDR 29-11-20-01		RF

ILLUSTRATION ITEMS NOT ON PARTS LIST ARE NOT APPLICABLE

- ITEM NOT ILLUSTRATED

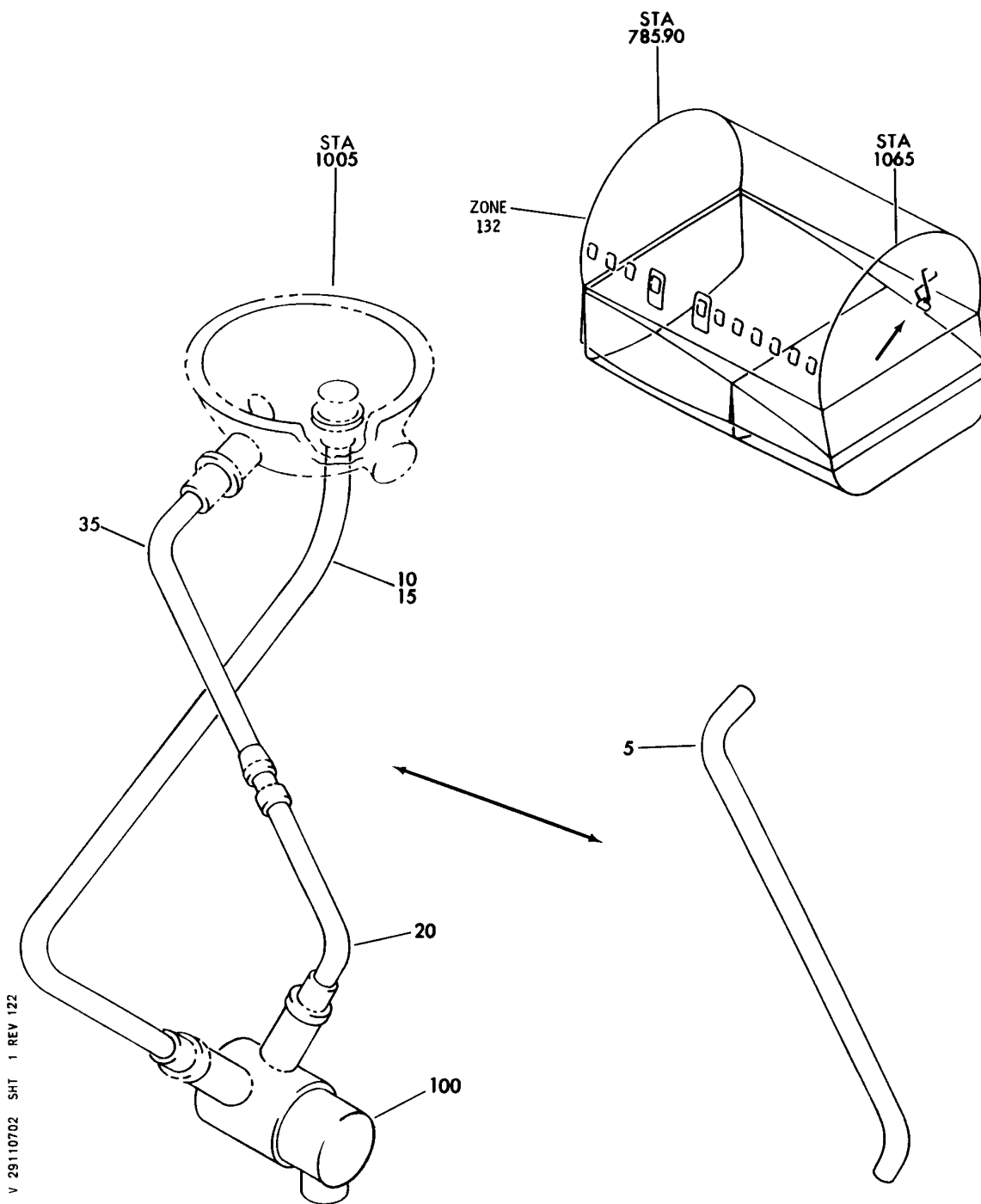
HXL

29-11-06-03

BOEING PROPRIETARY - Copyright © - Unpublished Work - See title page for details.

29-11-06
FIG. 03
PAGE 3
AUG 22/08

BOEING
767
PARTS CATALOG (MAINTENANCE)



HYDRAULIC INSTL-SECT. 45 (ISOLATED ACMP SUPPLY SHUTOFF VALVE ONLY)
FIGURE 2

29-11-07-02

HXL
DEC 22/06

29-11-07-02
PAGE 0



767

PARTS CATALOG (MAINTENANCE)

FIG ITEM	PART NUMBER	1 2 3 4 5 6 7	NOMENCLATURE	EFFECT FROM TO	UNITS PER ASSY
2			HYDRAULIC INSTL-SECT. 45 (ISOLATED ACMP SUPPLY SHUTOFF VALVE ONLY)		
- 2	272T4500-3		HYDRAULIC INSTL-(ISOLATED ACMP SUPPLY SHUTOFF VALVE ONLY) POSITION DATA: SECT. 45 MISCELLANEOUS DATA: (CONT AT ITEM 002J) VARIABLE DRAWING REF: 272T4500-5191		RF
- 2	272T4500-3		HYDRAULIC INSTL-(ISOLATED ACMP SUPPLY SHUTOFF VALVE ONLY) POSITION DATA: SECT. 45 MISCELLANEOUS DATA: (CONT FROM ITEM 002) VARIABLE DRAWING REF: 272T4500-5274 272T4500-5278 272T4500-7002 FOR NHA/OTHER SYS DET SEE: 29-00-00-06		RF
15	272T4500-750		.TUBE ASSY- TUBING MATERIAL: .750 IN. OD, .035 IN. WALL, 25.00 IN. LG ALUMINUM		1
20	272T4500-749		.TUBE ASSY- TUBING MATERIAL: .750 IN. OD, .035 IN. WALL, 13.50 IN. LG ALUMINUM		1

ILLUSTRATION ITEMS NOT ON PARTS LIST ARE NOT APPLICABLE

- ITEM NOT ILLUSTRATED

HXL

29-11-07-02

BOEING PROPRIETARY - Copyright © - Unpublished Work - See title page for details.

29-11-07
FIG. 02
PAGE 1
DEC 22/07



767

PARTS CATALOG (MAINTENANCE)

FIG ITEM	PART NUMBER	1 2 3 4 5 6 7	NOMENCLATURE	EFFECT FROM TO	UNITS PER ASSY
2					
- 25	AP2097HP12	..	SLEEVE SUPPLIER CODE: V01673 SPECIFICATION NUMBER: BACS13BX12HP OPTIONAL PART: 2-02903-12HP V11328 35235VN12 V08199 AFP175V12P V30974 DBOS13BX12HP V14798		2
- 30	BACN10YL12	..	NUT-		2
35	272T4500-748	.TUBE ASSY-	TUBING MATERIAL: .750 IN. OD, .035 IN. WALL, 18.00 IN. LG ALUMINUM		1
- 40	AP2097HP12	..	SLEEVE SUPPLIER CODE: V01673 SPECIFICATION NUMBER: BACS13BX12HP OPTIONAL PART: 2-02903-12HP V11328 35235VN12 V08199 AFP175V12P V30974 DBOS13BX12HP V14798		1
- 45	BACN10YL12	..	NUT		1

ILLUSTRATION ITEMS NOT ON PARTS LIST ARE NOT APPLICABLE

- ITEM NOT ILLUSTRATED

HXL

29-11-07-02

BOEING PROPRIETARY - Copyright © - Unpublished Work - See title page for details.

29-11-07
FIG. 02
PAGE 2
DEC 22/07



767

PARTS CATALOG (MAINTENANCE)

FIG ITEM	PART NUMBER	1 2 3 4 5 6 7	NOMENCLATURE	EFFECT FROM TO	UNITS PER ASSY
2 - 50	35056GV12		. . UNION SUPPLIER CODE: V08199 SPECIFICATION NUMBER: BACU24AB12W OPTIONAL PART: 4671097W12 V50948 2-01027-12W V11328 31875-12W V14397 AP1004W12 V01673 AFP941W12 V30974 DBOU24AB12W V14798		1
100	271T4591-4		. VALVE INSTL-SHUTOFF A/C PUMP FOR DETAILS SEE: 29-11-53-01		1

ILLUSTRATION ITEMS NOT ON PARTS LIST ARE NOT APPLICABLE

- ITEM NOT ILLUSTRATED

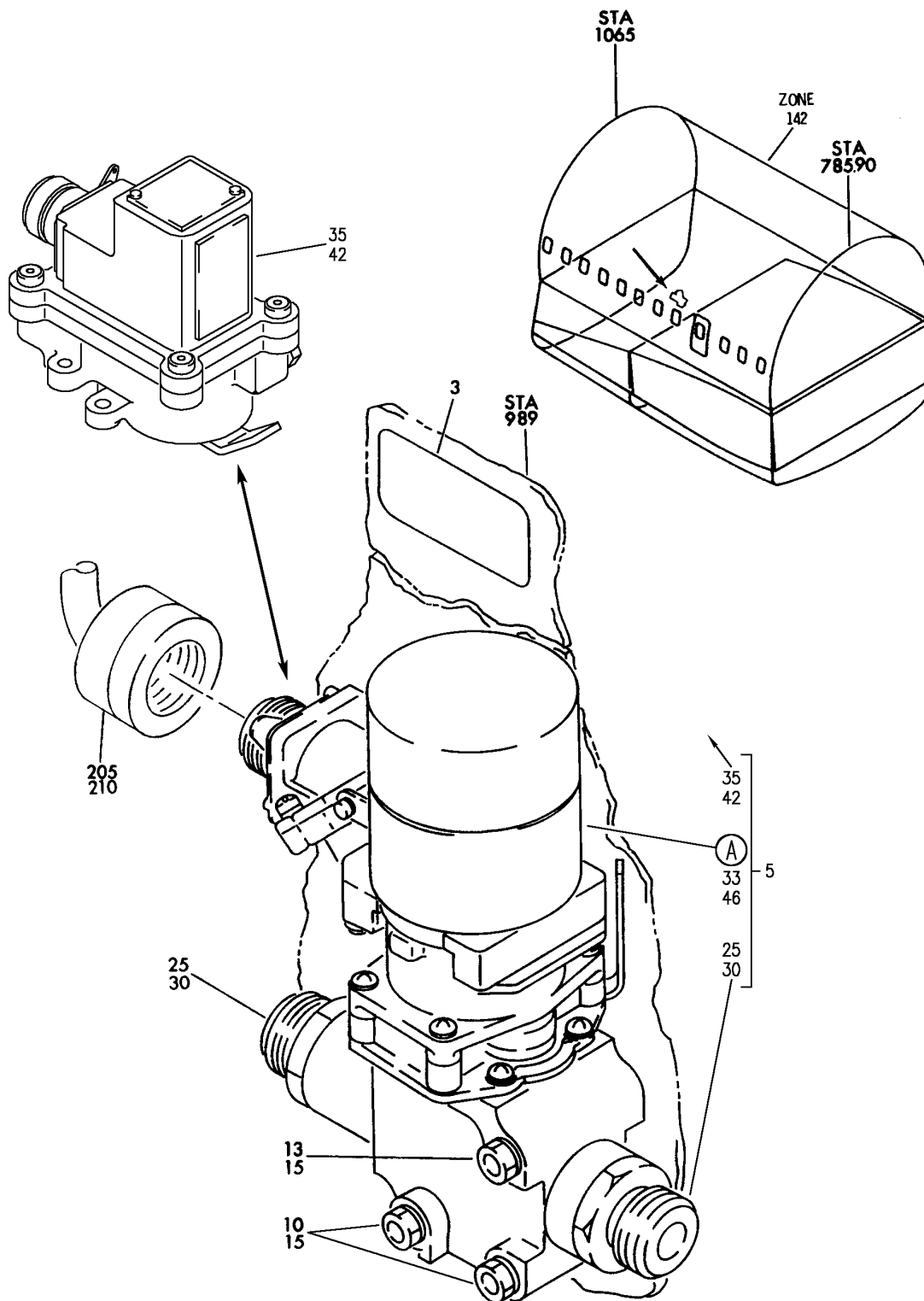
HXL

29-11-07-02

BOEING PROPRIETARY - Copyright © - Unpublished Work - See title page for details.

29-11-07
FIG. 02
PAGE 3
DEC 22/07

BOEING
767
PARTS CATALOG (MAINTENANCE)



V 29110801 SHT 1 REV 269

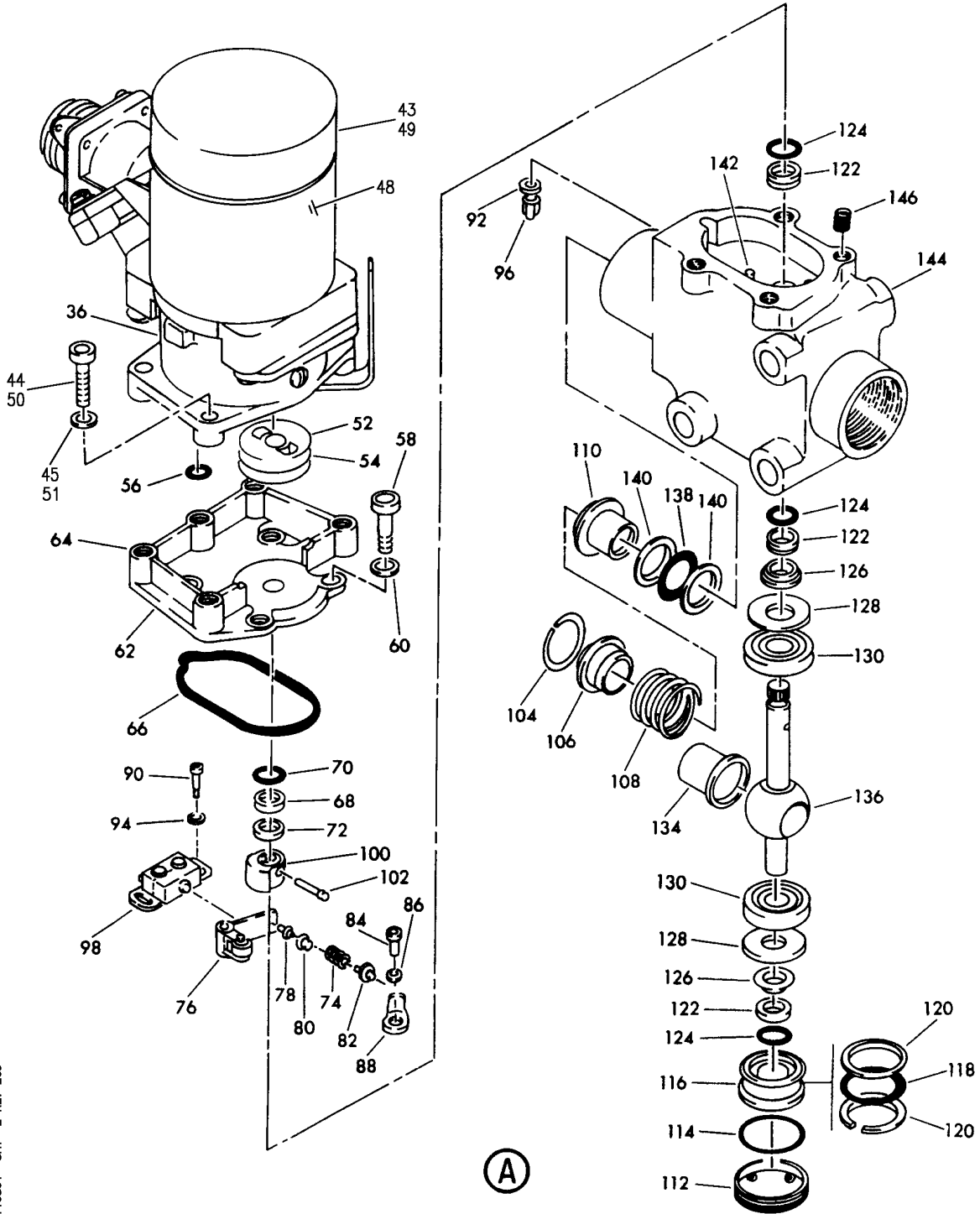
VALVE INSTL-ISOLATED AC PUMP PRESSURE SHUTOFF
FIGURE 1 (SHEET 1)

29-11-08-01

HXL
DEC 22/06

29-11-08-01
PAGE 0


BOEING
 767
PARTS CATALOG (MAINTENANCE)



V 29110801 SHT 2 REV 269

VALVE INSTL-ISOLATED AC PUMP PRESSURE SHUTOFF
 FIGURE 1 (SHEET 2)

29-11-08-01

HXL
DEC 22/06

29-11-08-01
 PAGE 0A



767

PARTS CATALOG (MAINTENANCE)

FIG ITEM	PART NUMBER	1 2 3 4 5 6 7	NOMENCLATURE	EFFECT FROM TO	UNITS PER ASSY
1			VALVE INSTL-ISOLATED AC PUMP PRESSURE SHUTOFF		
- 1	271T4592-7		VALVE INSTL-ISOLATED AC PUMP PRESSURE SHUT OFF POSITION DATA: SECT. 45 FOR NHA SEE: 29-11-08-02		RF
3	BAC27THY0116		.MARKER-ALUMINUM FOIL-PLACARD CONTENT: V110 AC, C1		1
5	271T4592-4		.VALVE ASSY- QUALIFIED I/W DATA: 271T4592-8 OR -6 OR -4 CAN REPLACE BUT NOT BE REPLACED BY 271T4592-10		1
5	271T4592-6		.VALVE ASSY- QUALIFIED I/W DATA: 271T4592-8 OR -6 OR -4 CAN REPLACE BUT NOT BE REPLACED BY 271T4592-10		1
5	271T4592-8		.VALVE ASSY- QUALIFIED I/W DATA: 271T4592-8 OR -6 OR -4 CAN REPLACE BUT NOT BE REPLACED BY 271T4592-10		1
5	271T4592-12		.VALVE ASSY- ATTACHING PARTS		1
10	NAS6604-29		.BOLT-		2
13	NAS6604-31		.BOLT		1
15	AN960JD416		.WASHER-		3
			-----*-----		
25	NAS1612-10		..PACKING-		2
30	BACU24K10		..UNION-		2

ILLUSTRATION ITEMS NOT ON PARTS LIST ARE NOT APPLICABLE

- ITEM NOT ILLUSTRATED

HXL

29-11-08-01

BOEING PROPRIETARY - Copyright © - Unpublished Work - See title page for details.

29-11-08
FIG. 01
PAGE 1
DEC 22/06



767

PARTS CATALOG (MAINTENANCE)

FIG ITEM	PART NUMBER	1 2 3 4 5 6 7	NOMENCLATURE	EFFECT FROM TO	UNITS PER ASSY
1 33	340565		.. VALVE ASSY-MOTOR ACTUATED ROTARY SELECTOR SUPPLIER CODE: V79318 SPECIFICATION NUMBER: S271N501-2 MISCELLANEOUS DATA: FOR COMPLETE INTERCHANGEABILITY REGARDING SPECIFIC USAGE, PLEASE REFER TO DRAWING 270T2001 SHEET 1 ELECTRICAL EQUIP NUMBER: V00110 COMPONENT MAINT MANUAL REF: 29-22-02 USED ON: 271T4592-8		1
33	340275		.. VALVE ASSY-MOTOR ACTUATED ROTARY SELECTOR SUPPLIER CODE: V79318 SPECIFICATION NUMBER: S271N501-1 MISCELLANEOUS DATA: FOR COMPLETE INTERCHANGEABILITY REGARDING SPECIFIC USAGE, PLEASE REFER TO DRAWING 270T2001 SHEET 1 ELECTRICAL EQUIP NUMBER: V00110 COMPONENT MAINT MANUAL REF: 29-22-01 USED ON: 271T4592-4 271T4592-10 271T4592-12		1

ILLUSTRATION ITEMS NOT ON PARTS LIST ARE NOT APPLICABLE

- ITEM NOT ILLUSTRATED

HXL

29-11-08-01

BOEING PROPRIETARY - Copyright © - Unpublished Work - See title page for details.

29-11-08
 FIG. 01
 PAGE 2
 APR 22/08



767

PARTS CATALOG (MAINTENANCE)

FIG ITEM	PART NUMBER	1 2 3 4 5 6 7	NOMENCLATURE	EFFECT FROM TO	UNITS PER ASSY
1					
33	341525		.. VALVE ASSY-MOTOR ACTUATED ROTARY SELECTOR SUPPLIER CODE: V79318 SPECIFICATION NUMBER: S271N501-3 MISCELLANEOUS DATA: FOR COMPLETE INTERCHANGEABILITY REGARDING SPECIFIC USAGE, PLEASE REFER TO DRAWING 270T2001 SHEET 1 ELECTRICAL EQUIP NUMBER: V00110 COMPONENT MAINT MANUAL REF: 29-22-03 OPTIONAL PART: 341525-1 V79318		1
33	341525-1		.. VALVE ASSY-MOTOR ACTUATED ROTARY SELECTOR SUPPLIER CODE: V79318 SPECIFICATION NUMBER: S271N501-3 MISCELLANEOUS DATA: FOR COMPLETE INTERCHANGEABILITY REGARDING SPECIFIC USAGE, PLEASE REFER TO DRAWING 270T2001 SHEET 1 COMPONENT MAINT MANUAL REF: 29-22-03 OPTIONAL PART: 341525 V79318		1
43	157720-1		...ACTUATOR ASSY- SUPPLIER CODE: V79318 COMPONENT MAINT MANUAL REF: 27-13-02 USED ON: 340275 340565 341525		1

ILLUSTRATION ITEMS NOT ON PARTS LIST ARE NOT APPLICABLE

- ITEM NOT ILLUSTRATED

HXL

29-11-08-01

BOEING PROPRIETARY - Copyright © - Unpublished Work - See title page for details.

29-11-08
FIG. 01
PAGE 3
DEC 22/08



767

PARTS CATALOG (MAINTENANCE)

FIG ITEM	PART NUMBER	1 2 3 4 5 6 7	NOMENCLATURE	EFFECT FROM TO	UNITS PER ASSY
1			ATTACHING PARTS		
44	NAS1101E3-12	...	SCREW- USED ON: 340275 340565 341525		4
45	AN960C10L	...	WASHER- USED ON: 340275 340565 341525		4
- 200	286T0838-001		-----*----- WIRE BUNDLE ASSY		RF
205	BCREF5972	.	ADAPTER- SUPPLIER CODE: V06324 OVERLENGTH PART NUMBER: 710AS011M16-12-62A ELECTRICAL EQUIP NUMBER: D02212T WIRING DIAGRAM REF: 292132		1
210	CN096616R10SNL	.	CONNECTOR- SUPPLIER CODE: V13556 SPECIFICATION NUMBER: BCREF5954 OPTIONAL PART: ZZY16R10SNL V49367 48-06R16R10SNL V02660 OVERLENGTH PART NUMBER: BACC63BP16R10SNL ELECTRICAL EQUIP NUMBER: D02212 WIRING DIAGRAM REF: 292132		1

ILLUSTRATION ITEMS NOT ON PARTS LIST ARE NOT APPLICABLE

- ITEM NOT ILLUSTRATED

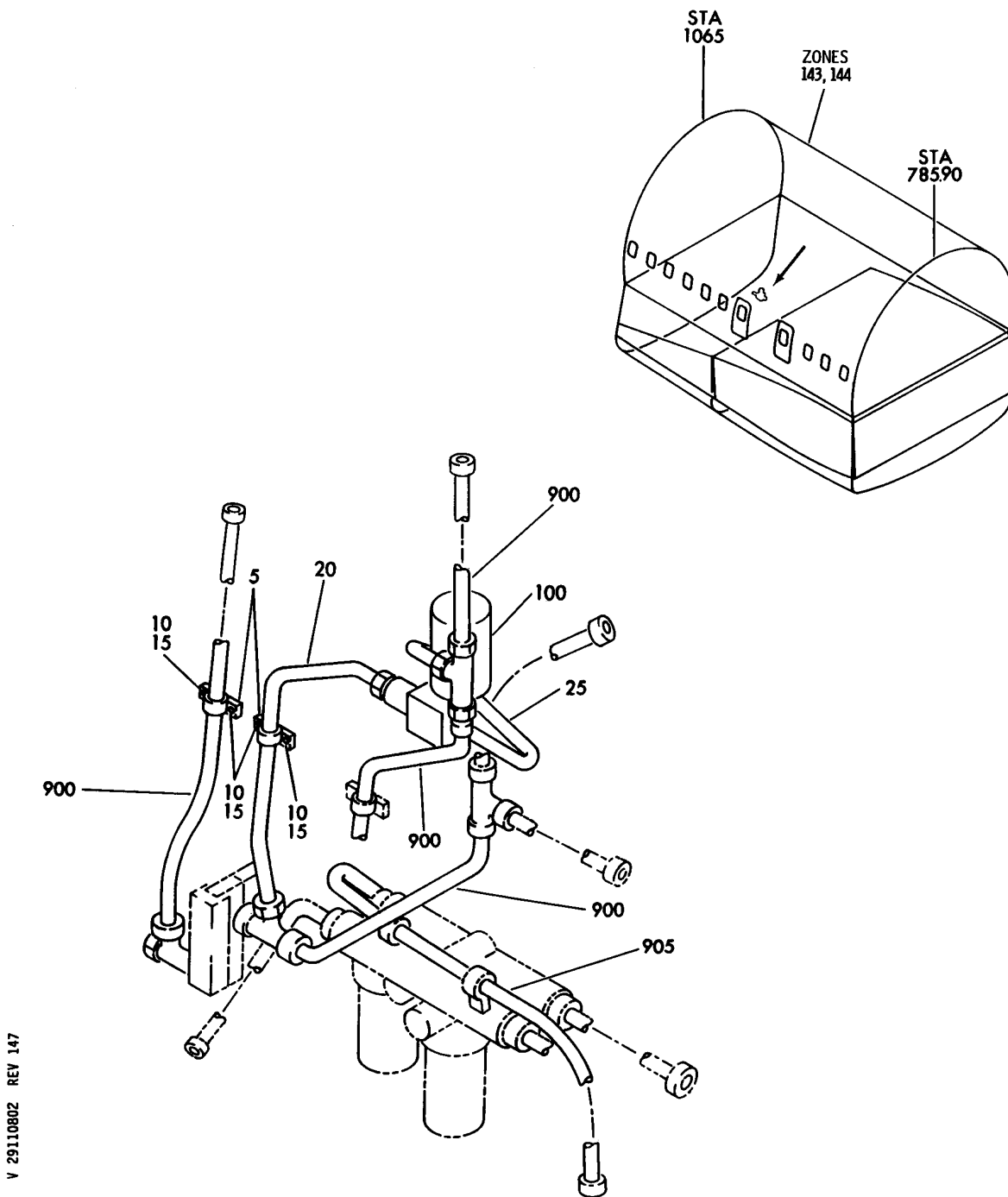
HXL

29-11-08-01

BOEING PROPRIETARY - Copyright © - Unpublished Work - See title page for details.

29-11-08
FIG. 01
PAGE 4
APR 22/08

BOEING
767
PARTS CATALOG (MAINTENANCE)



V 29110802 REV 147

HYDRAULIC INSTL-SECT. 45 (ISOLATED ACMP PRESSURE SHUTOFF VALVE ONLY)
FIGURE 2

29-11-08-02

HXL
DEC 22/06

29-11-08-02
PAGE 0



767

PARTS CATALOG (MAINTENANCE)

FIG ITEM	PART NUMBER	1 2 3 4 5 6 7	NOMENCLATURE	EFFECT FROM TO	UNITS PER ASSY
2			HYDRAULIC INSTL-SECT. 45 (ISOLATED ACMP PRESSURE SHUTOFF VALVE ONLY)		
- 2	272T4500-3		HYDRAULIC INSTL-(ISOLATED ACMP PRESSURE SHUTOFF VALVE ONLY) POSITION DATA: SECT. 45 MISCELLANEOUS DATA: (CONT AT ITEM 002J) VARIABLE DRAWING REF: 272T4500-5191		RF
- 2	272T4500-3		HYDRAULIC INSTL-(ISOLATED ACMP PRESSURE SHUTOFF VALVE ONLY) POSITION DATA: SECT. 45 MISCELLANEOUS DATA: (CONT FROM ITEM 002) VARIABLE DRAWING REF: 272T4500-5274 272T4500-5278 272T4500-7002 FOR NHA/OTHER SYS DET SEE: 29-00-00-06		RF
5	TA0910004H110		.CLAMP SUPPLIER CODE: V84971 SPECIFICATION NUMBER: BACC10HB10C ATTACHING PARTS		2
10	NAS1801-3-9		.SCREW		4
15	AN960PD10L		.WASHER		4
20	272T4500-2317		-----*----- .TUBE ASSY- TUBING MATERIAL: .625 IN. OD .032 IN. WALL 21.00 IN. LG TITANIUM		1
25	272T4500-2336		.TUBE ASSY- TUBING MATERIAL: .625 IN. OD .032 IN. WALL 16.00 IN. LG TITANIUM		1
- 30	AS1581T10		..SLEEVE		2
- 35	BACN10YA10		..NUT		2

ILLUSTRATION ITEMS NOT ON PARTS LIST ARE NOT APPLICABLE

- ITEM NOT ILLUSTRATED

29-11-08-02

29-11-08
FIG. 02
PAGE 1
DEC 22/07

HXL



767

PARTS CATALOG (MAINTENANCE)

FIG ITEM	PART NUMBER	1 2 3 4 5 6 7	NOMENCLATURE	EFFECT FROM TO	UNITS PER ASSY
2 100	271T4592-7		. VALVE INSTL-PRESSURE SHUTOFF FOR DETAILS SEE: 29-11-08-01		1
900			ILLUSTRATION REFERENCE: HYDRAULIC INSTL-SECT. 45 (MAIN HYDRAULIC SYSTEMS ONLY) 29-11-76-33		RF
905			ILLUSTRATION REFERENCE: HYDRAULIC INSTL-SECT. 45 (ACMP PRESSURE/CASE DRAIN FILTER MODULE ONLY) 29-11-18-04		RF

ILLUSTRATION ITEMS NOT ON PARTS LIST ARE NOT APPLICABLE

- ITEM NOT ILLUSTRATED

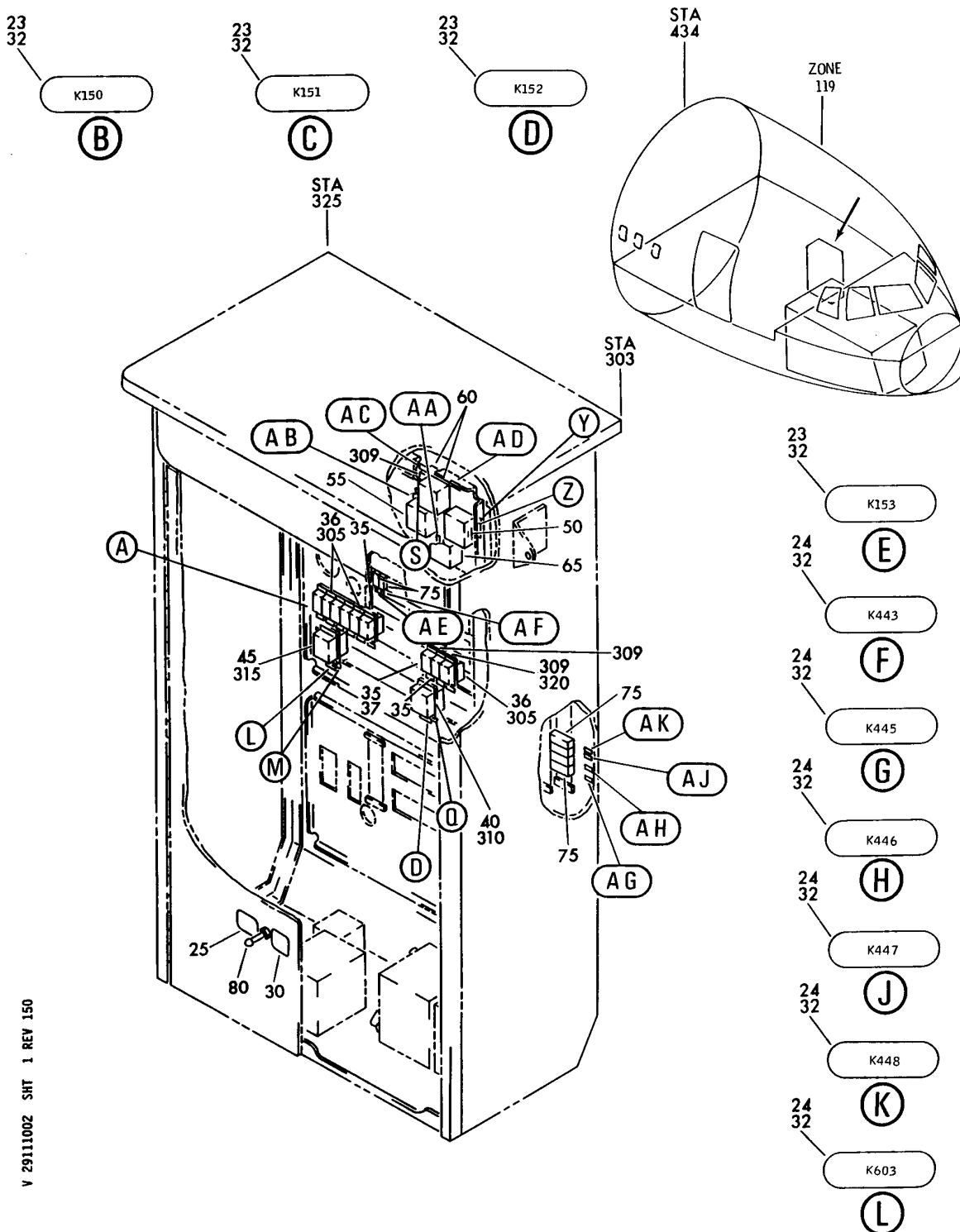
HXL

29-11-08-02

BOEING PROPRIETARY - Copyright © - Unpublished Work - See title page for details.

29-11-08
FIG. 02
PAGE 2
DEC 22/08

BOEING
767
PARTS CATALOG (MAINTENANCE)



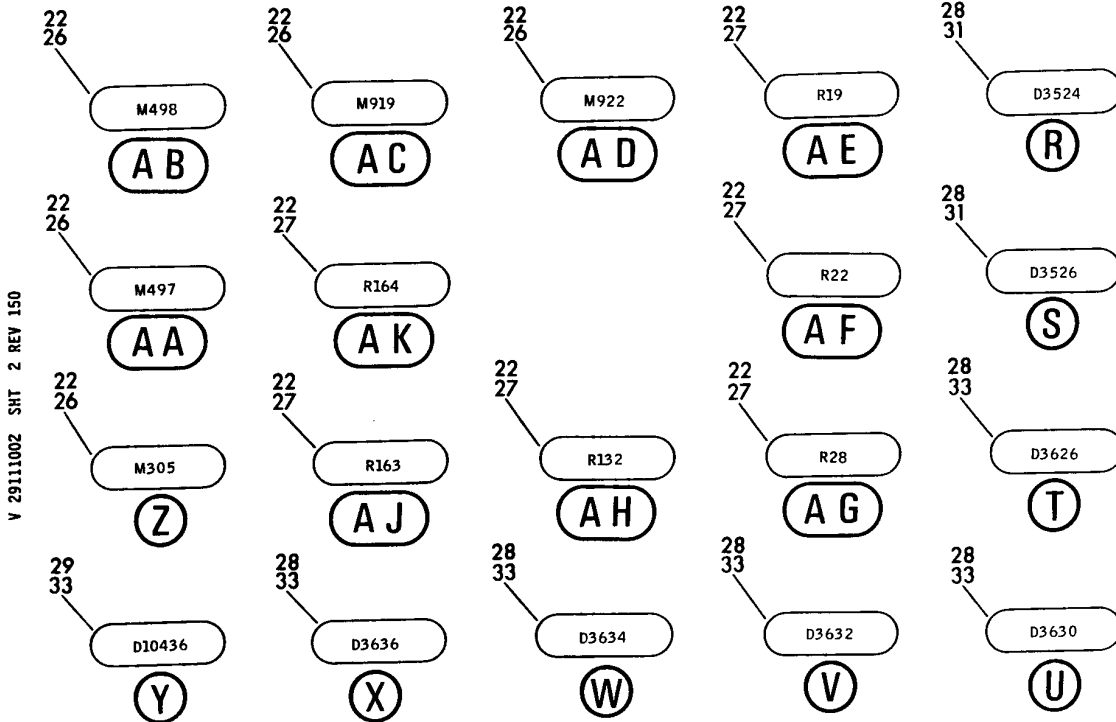
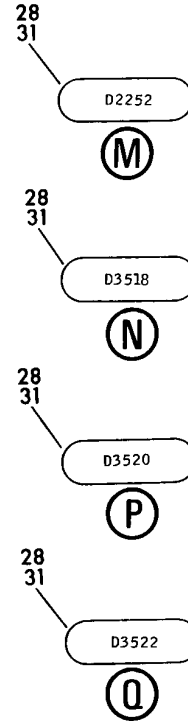
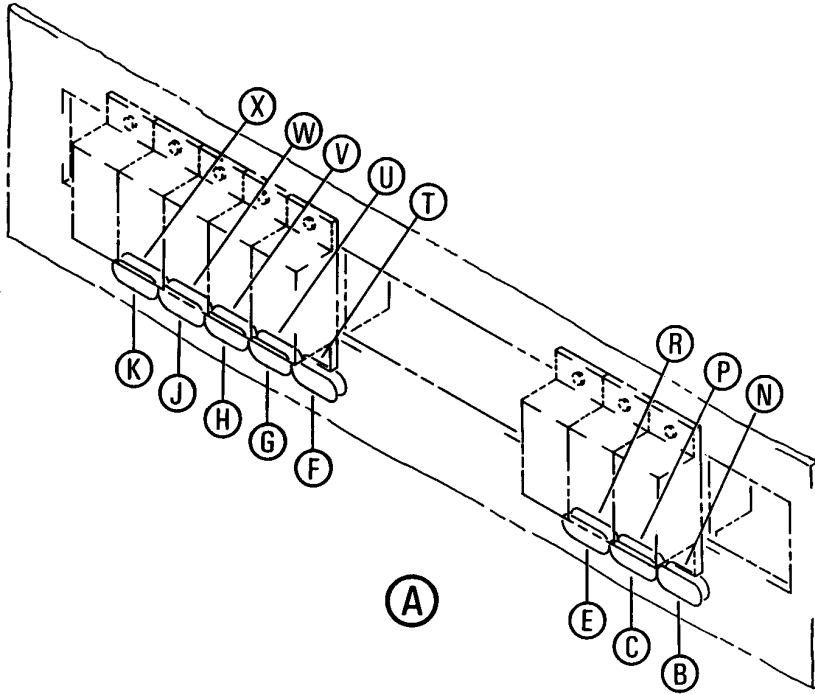
EQUIPMENT ASSY-P36 MISC ELEC PNL L (HYDRAULIC POWER ONLY)
FIGURE 2 (SHEET 1)

29-11-10-02

HXL
DEC 22/06

29-11-10-02
PAGE 0


BOEING
 767
PARTS CATALOG (MAINTENANCE)



V 29111002 SHT 2 REV 150

EQUIPMENT ASSY-P36 MISC ELEC PNL L (HYDRAULIC POWER ONLY)
FIGURE 2 (SHEET 2)

29-11-10-02

BOEING
767
PARTS CATALOG (MAINTENANCE)

FIG ITEM	PART NUMBER	1 2 3 4 5 6 7	NOMENCLATURE	EFFECT FROM TO	UNITS PER ASSY
2			EQUIPMENT ASSY-P36 MISC ELEC PNL L (HYDRAULIC POWER ONLY)		
- 10	284T0187-167		EQUIPMENT ASSY-P36 MISC ELEC PNL (HYDRAULIC POWER ONLY) POSITION DATA: L FOR NHA/OTHER SYS DET SEE: 53-11-70-03	155162	RF
- 12	284T0187-205		EQUIPMENT ASSY-P36 MISC ELEC PNL (HYDRAULIC POWER ONLY) POSITION DATA: L FOR NHA/OTHER SYS DET SEE: 53-11-70-03	163163	RF
- 13	284T0187-212		EQUIPMENT ASSY-P36 MISC ELEC PNL (HYDRAULIC POWER ONLY) POSITION DATA: L FOR NHA/OTHER SYS DET SEE: 53-11-70-03	164999	RF
25	BAC27TEX2057		.DECAL- PLACARD CONTENT: S572 ADHP TEST/RESET SWITCH		1
26	BAC27TEX4179		.DECALSET-INCLUDES DECALS IDENTIFIED ON THE ILLUSTRATION		RF
27	BAC27TEX4188		.DECALSET-INCLUDES DECALS IDENTIFIED ON THE ILLUSTRATION		RF
28	BAC27TEX4186		.DECALSET-INCLUDES DECALS IDENTIFIED ON THE ILLUSTRATION		RF
29	BAC27TEX4187		.DECALSET-INCLUDES DECALS IDENTIFIED ON THE ILLUSTRATION		RF
30	BAC27TEX2056		.DECAL- PLACARD CONTENT: RESET NORMAL TEST		1
31	BAC27TEX3726		.DECALSET-INCLUDES DECALS IDENTIFIED ON THE ILLUSTRATION		RF
32	BAC27TEX4180		.DECALSET-INCLUDES DECALS IDENTIFIED ON THE ILLUSTRATION		RF

ILLUSTRATION ITEMS NOT ON PARTS LIST ARE NOT APPLICABLE

- ITEM NOT ILLUSTRATED

HXL

29-11-10-02

BOEING PROPRIETARY - Copyright © - Unpublished Work - See title page for details.

29-11-10
FIG. 02
PAGE 1
DEC 22/07

 **BOEING**
767
PARTS CATALOG (MAINTENANCE)

FIG ITEM	PART NUMBER	1 2 3 4 5 6 7	NOMENCLATURE	EFFECT FROM TO	UNITS PER ASSY
2 35	E210-1631		.RELAY- SUPPLIER CODE: V99699 SPECIFICATION NUMBER: BACR13CF2A OPTIONAL PART: BR246S0112 V56623 FCA210-70 V78290 E215-1050 V99699 JD4A017 V35344 BR64S104 V56623 61GB19-1A320 V98927 ELECTRICAL EQUIP NUMBER: K00153 K00443 K00684		3
45	KLX4A011		.RELAY- SUPPLIER CODE: V58657 ELECTRICAL EQUIP NUMBER: K00603		1
50	10167-3000BT		.MODULE- SUPPLIER CODE: V08719 ELECTRICAL EQUIP NUMBER: M00305 OPTIONAL PART: 10167BT V08719 TD1767-3000 V58657		1
50	TD1767-3000		.MODULE- SUPPLIER CODE: V58657 ELECTRICAL EQUIP NUMBER: M00305 OPTIONAL PART: 10167-3000BT V08719 10167BT V08719		1
ILLUSTRATION ITEMS NOT ON PARTS LIST ARE NOT APPLICABLE					

- ITEM NOT ILLUSTRATED

HXL

29-11-10-02

BOEING PROPRIETARY - Copyright © - Unpublished Work - See title page for details.

29-11-10
FIG. 02
PAGE 2
DEC 22/07



767

PARTS CATALOG (MAINTENANCE)

FIG ITEM	PART NUMBER	1 2 3 4 5 6 7	NOMENCLATURE	EFFECT FROM TO	UNITS PER ASSY
2 50	10167BT		.MODULE- SUPPLIER CODE: V08719 ELECTRICAL EQUIP NUMBER: M00305 OPTIONAL PART: 10167-3000BT V08719 TD1767-3000 V58657		1
60	10167-2BT		.MODULE- SUPPLIER CODE: V08719 ELECTRICAL EQUIP NUMBER: M00919 M00922 OPTIONAL PART: 10167-2001BT V08719 TD1767-2001 V58657		2
60	10167-2001BT		.MODULE- SUPPLIER CODE: V08719 ELECTRICAL EQUIP NUMBER: M00919 M00922 OPTIONAL PART: 10167-2BT V08719 TD1767-2001 V58657		2
60	TD1767-2001		.MODULE- SUPPLIER CODE: V58657 ELECTRICAL EQUIP NUMBER: M00919 M00922 OPTIONAL PART: 10167-2BT V08719 10167-2001BT V08719		2
60	10167-2-0BT		.MODULE-TIME DELAY SUPPLIER CODE: VS5065 ELECTRICAL EQUIP NUMBER: M00919 M00922		2

ILLUSTRATION ITEMS NOT ON PARTS LIST ARE NOT APPLICABLE

- ITEM NOT ILLUSTRATED

HXL

29-11-10-02

BOEING PROPRIETARY - Copyright © - Unpublished Work - See title page for details.

29-11-10
FIG. 02
PAGE 3
DEC 22/07



767

PARTS CATALOG (MAINTENANCE)

FIG ITEM	PART NUMBER	1 2 3 4 5 6 7	NOMENCLATURE	EFFECT FROM TO	UNITS PER ASSY
2					
65	10167-15BT		.MODULE- SUPPLIER CODE: V08719 ELECTRICAL EQUIP NUMBER: M00497 OPTIONAL PART: 10167-1502BT V08719 TD1767-1502 V35344		1
65	10167-1502BT		.MODULE- SUPPLIER CODE: V08719 ELECTRICAL EQUIP NUMBER: M00497 OPTIONAL PART: 10167-15BT V08719 TD1767-1502 V35344		1
65	TD1767-1502		.MODULE- SUPPLIER CODE: V58657 ELECTRICAL EQUIP NUMBER: M00497 OPTIONAL PART: 10167-15BT V08719 10167-1502BT V08719		1
65	TD1982-1502		.MODULE- SUPPLIER CODE: V58657 ELECTRICAL EQUIP NUMBER: M00497		1
- 70	NAS1801-06-13		ATTACHING PARTS .SCREW -----*-----		10

ILLUSTRATION ITEMS NOT ON PARTS LIST ARE NOT APPLICABLE

- ITEM NOT ILLUSTRATED

HXL

29-11-10-02

BOEING PROPRIETARY - Copyright © - Unpublished Work - See title page for details.

29-11-10
FIG. 02
PAGE 4
APR 22/09



767
PARTS CATALOG (MAINTENANCE)

FIG ITEM	PART NUMBER	1 2 3 4 5 6 7	NOMENCLATURE	EFFECT FROM TO	UNITS PER ASSY
2	75 YHLZD9		.DIODE- SUPPLIER CODE: V09922 ELECTRICAL EQUIP NUMBER: R00019 R00022 R00028 R00132 R00163 R00164 OPTIONAL PART: YHLZD30 V09922		6
	75 YHLZD30		.DIODE- SUPPLIER CODE: V09922 ELECTRICAL EQUIP NUMBER: R00019 R00022 R00028 R00132 R00163 R00164 OPTIONAL PART: YHLZD9 V09922		6
	80 MS27408-3E		.SWITCH- ELECTRICAL EQUIP NUMBER: S00572		1
- 300	286T0184-300		.WIRE BUNDLE ASSY		RF
309	RSF116200		..SOCKET- SUPPLIER CODE: V58982 SPECIFICATION NUMBER: BACS16X1A OPTIONAL PART: 102-006-1 V09922 000300-1538 V05574 ELECTRICAL EQUIP NUMBER: D03524 D03526 D10436 WIRING DIAGRAM REF: 291132		3

ILLUSTRATION ITEMS NOT ON PARTS LIST ARE NOT APPLICABLE

- ITEM NOT ILLUSTRATED

HXL

29-11-10-02

BOEING PROPRIETARY - Copyright © - Unpublished Work - See title page for details.

29-11-10
FIG. 02
PAGE 5
APR 22/09



767

PARTS CATALOG (MAINTENANCE)

FIG ITEM	PART NUMBER	1 2 3 4 5 6 7	NOMENCLATURE	EFFECT FROM TO	UNITS PER ASSY
2 315	BACS16W4		.. SOCKET- ELECTRICAL EQUIP NUMBER: D02252 WIRING DIAGRAM REF: 291132		1

ILLUSTRATION ITEMS NOT ON PARTS LIST ARE NOT APPLICABLE

- ITEM NOT ILLUSTRATED

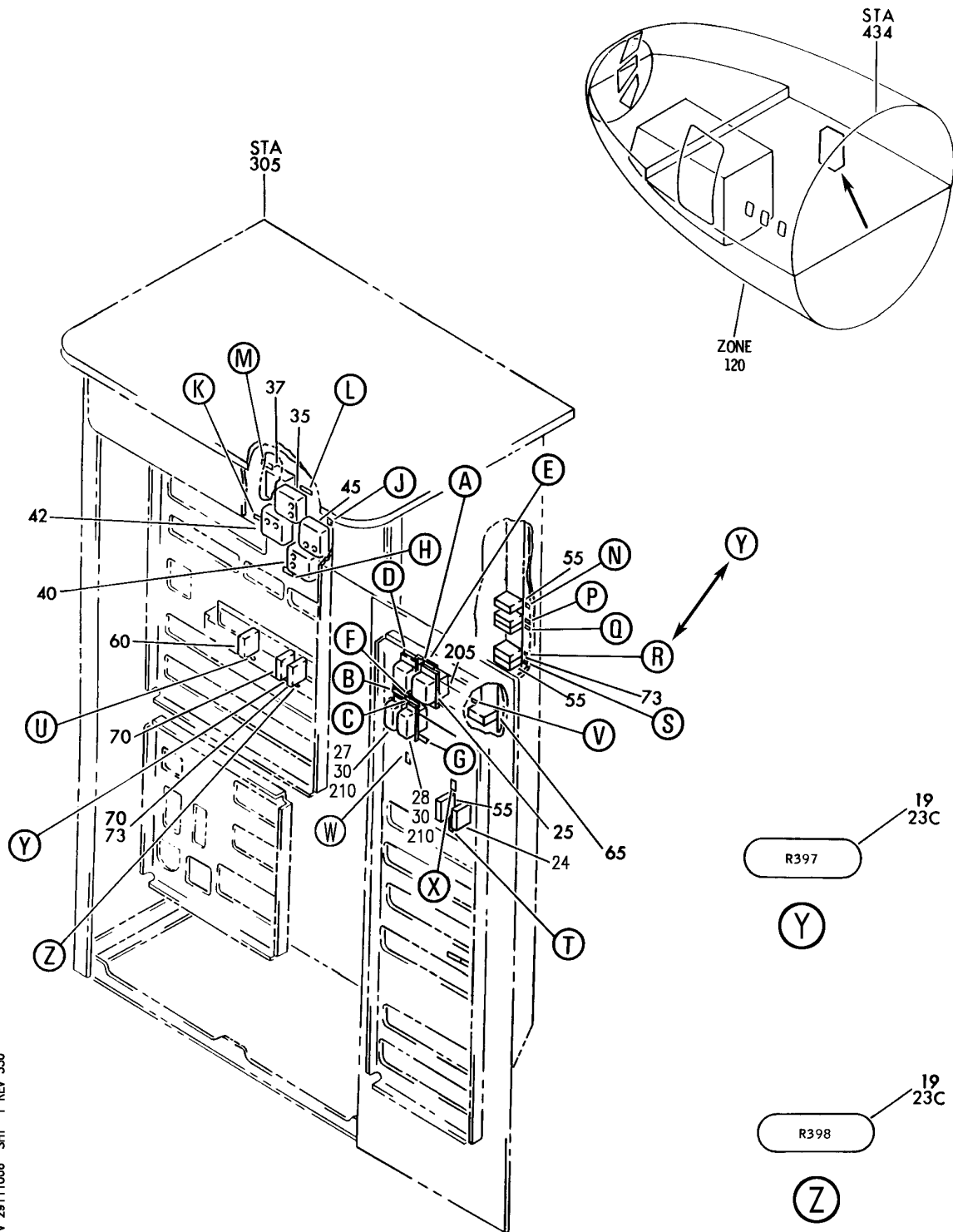
HXL

29-11-10-02

BOEING PROPRIETARY - Copyright © - Unpublished Work - See title page for details.

29-11-10
FIG. 02
PAGE 6
APR 22/09

BOEING
767
PARTS CATALOG (MAINTENANCE)



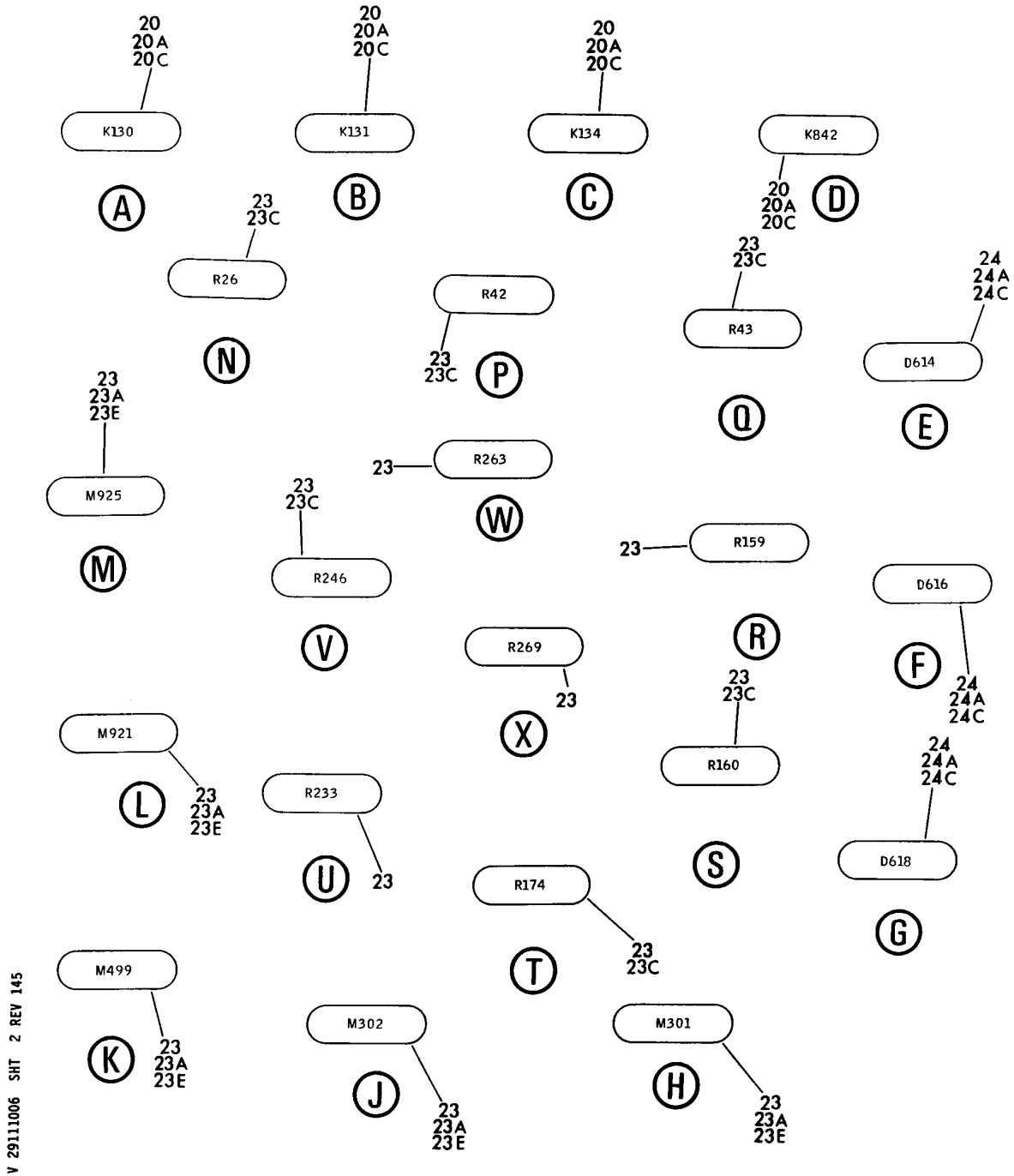
EQUIPMENT ASSY-P37 MISC ELEC PNL R (HYDRAULIC POWER ONLY)
FIGURE 6 (SHEET 1)

29-11-10-06

HXL
AUG 22/08

29-11-10-06
PAGE 0

BOEING
767
PARTS CATALOG (MAINTENANCE)



V 29111006 SH1 2 REV 145

EQUIPMENT ASSY-P37 MISC ELEC PNL R (HYDRAULIC POWER ONLY)
FIGURE 6 (SHEET 2)

29-11-10-06

HXL
DEC 22/06

29-11-10-06
PAGE 0A



767

PARTS CATALOG (MAINTENANCE)

FIG ITEM	PART NUMBER	1 2 3 4 5 6 7	NOMENCLATURE	EFFECT FROM TO	UNITS PER ASSY
6			EQUIPMENT ASSY-P37 MISC ELEC PNL R (HYDRAULIC POWER ONLY)		
- 9	284T0188-157		EQUIPMENT ASSY-P37 MISC ELEC PNL (HYDRAULIC POWER ONLY) POSITION DATA: R FOR NHA/OTHER SYS DET SEE: 53-11-70-05	155162	RF
- 10	284T0188-172		EQUIPMENT ASSY-P37 MISC ELEC PNL (HYDRAULIC POWER ONLY) POSITION DATA: R FOR NHA/OTHER SYS DET SEE: 53-11-70-05	163163	RF
- 11	284T0188-194		EQUIPMENT ASSY-P37 MISC ELEC PNL (HYDRAULIC POWER ONLY) POSITION DATA: R FOR NHA/OTHER SYS DET SEE: 53-11-70-05	164999	RF
20A	BAC27TEX4184		.DECALSET-INCLUDES DECALS IDENTIFIED ON THE ILLUSTRATION		RF
23A	BAC27TEX4183		.DECALSET-INCLUDES DECALS IDENTIFIED ON THE ILLUSTRATION		RF
24A	BAC27TEX4189		.DECALSET-INCLUDES DECALS IDENTIFIED ON THE ILLUSTRATION		RF
25	E410-1537		.RELAY- SUPPLIER CODE: V99699 SPECIFICATION NUMBER: BACR13CG2A OPTIONAL PART: E415-1078 V99699 BR230S0116 V56623 KD4A017 V58687 FCA410-62 V78290 ELECTRICAL EQUIP NUMBER: K00130		1
ILLUSTRATION ITEMS NOT ON PARTS LIST ARE NOT APPLICABLE					

- ITEM NOT ILLUSTRATED

29-11-10-06

29-11-10
FIG. 06
PAGE 1
DEC 22/07

HXL



767

PARTS CATALOG (MAINTENANCE)

FIG ITEM	PART NUMBER	1 2 3 4 5 6 7	NOMENCLATURE	EFFECT FROM TO	UNITS PER ASSY
6 30	E210-1631		.RELAY- SUPPLIER CODE: V99699 SPECIFICATION NUMBER: BACR13CF2A OPTIONAL PART: BR246S0112 V56623 FCA210-70 V78290 E215-1050 V99699 JD4A017 V35344 BR64S104 V56623 61GB19-1A320 V98927 ELECTRICAL EQUIP NUMBER: K00131 K00134		2
35	10167-3001BT		.MODULE-TIME DELAY SUPPLIER CODE: V08719 ELECTRICAL EQUIP NUMBER: M00921		1
35	TD1767-3001		.MODULE- SUPPLIER CODE: V08719 ELECTRICAL EQUIP NUMBER: M00921 OPTIONAL PART: 10167-3BT V08719		1
35	10167-3BT		.MODULE-TIME DELAY SUPPLIER CODE: V08719 ELECTRICAL EQUIP NUMBER: M00921 OPTIONAL PART: TD1767-3001 V08719		1
35	530740-3001		.MODULE- SUPPLIER CODE: V08719 ELECTRICAL EQUIP NUMBER: M00921		1

ILLUSTRATION ITEMS NOT ON PARTS LIST ARE NOT APPLICABLE

- ITEM NOT ILLUSTRATED

29-11-10-06

29-11-10
FIG. 06
PAGE 2
AUG 22/08

HXL



767

PARTS CATALOG (MAINTENANCE)

FIG ITEM	PART NUMBER	1 2 3 4 5 6 7	NOMENCLATURE	EFFECT FROM TO	UNITS PER ASSY
6					
37	10167-7501BT		.MODULE- SUPPLIER CODE: V08719 ELECTRICAL EQUIP NUMBER: M00925 OPTIONAL PART: 10167-7-5BT V08719 TD1767-7501 V00614		1
37	10167-7-5BT		.MODULE- SUPPLIER CODE: V08719 ELECTRICAL EQUIP NUMBER: M00925 OPTIONAL PART: 10167-7501BT V08719 TD1767-7501 V00614		1
37	TD1767-7501		.MODULE- SUPPLIER CODE: V08719 ELECTRICAL EQUIP NUMBER: M00925 OPTIONAL PART: 10167-7501BT V08719 10167-7-5BT V08719		1
40	10167-3000BT		.MODULE- SUPPLIER CODE: V08719 ELECTRICAL EQUIP NUMBER: M00301 OPTIONAL PART: 10167-0-3BT V08719 TD1767-3000 V58657		1

ILLUSTRATION ITEMS NOT ON PARTS LIST ARE NOT APPLICABLE

- ITEM NOT ILLUSTRATED

HXL

29-11-10-06

BOEING PROPRIETARY - Copyright © - Unpublished Work - See title page for details.

29-11-10
FIG. 06
PAGE 3
AUG 22/08



767

PARTS CATALOG (MAINTENANCE)

FIG ITEM	PART NUMBER	1 2 3 4 5 6 7	NOMENCLATURE	EFFECT FROM TO	UNITS PER ASSY
6	40 10167-0-3BT		.MODULE- SUPPLIER CODE: V08719 ELECTRICAL EQUIP NUMBER: M00301 OPTIONAL PART: 530750-0-3 V08719 TD1982-0-3 V58657 OPTIONAL PART: 10167-3000BT V08719 TD1767-3000 V58657		1
	40 TD1767-3000		.MODULE- SUPPLIER CODE: V58657 ELECTRICAL EQUIP NUMBER: M00301 OPTIONAL PART: 10167-3000BT V08719 10167-0-3BT V08719		1
	42 EP449-5001		.MODULE- SUPPLIER CODE: V58657 ELECTRICAL EQUIP NUMBER: M00499		1
	45 10167-1502BT		.MODULE- SUPPLIER CODE: V08719 ELECTRICAL EQUIP NUMBER: M00302 OPTIONAL PART: 10167-15BT V08719 TD1767-1502 V58657		1
ILLUSTRATION ITEMS NOT ON PARTS LIST ARE NOT APPLICABLE					

- ITEM NOT ILLUSTRATED

HXL

29-11-10-06

BOEING PROPRIETARY - Copyright © - Unpublished Work - See title page for details.

29-11-10
FIG. 06
PAGE 4
APR 22/08



767

PARTS CATALOG (MAINTENANCE)

FIG ITEM	PART NUMBER	1 2 3 4 5 6 7	NOMENCLATURE	EFFECT FROM TO	UNITS PER ASSY
6					
45	10167-15BT		.MODULE- SUPPLIER CODE: V08719 ELECTRICAL EQUIP NUMBER: M00302 OPTIONAL PART: 10167-1502BT V08719 TD1767-1502 V58657		1
45	TD1767-1502		.MODULE- SUPPLIER CODE: V58657 ELECTRICAL EQUIP NUMBER: M00302 OPTIONAL PART: 10167-1502BT V08719 10167-15BT V08719		1
45	TD1982-1502		.MODULE- SUPPLIER CODE: V58657 ELECTRICAL EQUIP NUMBER: M00302		1
- 50	NAS1801-06-13		ATTACHING PARTS .SCREW		10
			-----*-----		
55	YHLZD9		.DIODE- SUPPLIER CODE: V09922 ELECTRICAL EQUIP NUMBER: R00026 R00042 R00043 R00159 R00160 R00174 OPTIONAL PART: YHLZD30 V09922		6

ILLUSTRATION ITEMS NOT ON PARTS LIST ARE NOT APPLICABLE

- ITEM NOT ILLUSTRATED

HXL

29-11-10-06

BOEING PROPRIETARY - Copyright © - Unpublished Work - See title page for details.

29-11-10
FIG. 06
PAGE 5
APR 22/09



**767
PARTS CATALOG (MAINTENANCE)**

FIG ITEM	PART NUMBER	1 2 3 4 5 6 7	NOMENCLATURE	EFFECT FROM TO	UNITS PER ASSY
6 55	YHLZD30		.DIODE- SUPPLIER CODE: V09922 ELECTRICAL EQUIP NUMBER: R00026 R00042 R00043 R00159 R00160 R00174 OPTIONAL PART: YHLZD9 V09922		6
65	YHLZD9		.DIODE- SUPPLIER CODE: V09922 ELECTRICAL EQUIP NUMBER: R00246 OPTIONAL PART: YHLZD30 V09922		1
65	YHLZD30		.DIODE- SUPPLIER CODE: V09922 ELECTRICAL EQUIP NUMBER: R00246 OPTIONAL PART: YHLZD9 V09922		1
- 200 205	286T0192-300 BACS16W1		.WIRE BUNDLE ASSY ..SOCKET- ELECTRICAL EQUIP NUMBER: D00614 WIRING DIAGRAM REF: 291112		RF 1

ILLUSTRATION ITEMS NOT ON PARTS LIST ARE NOT APPLICABLE

- ITEM NOT ILLUSTRATED

HXL

29-11-10-06

BOEING PROPRIETARY - Copyright © - Unpublished Work - See title page for details.

29-11-10
FIG. 06
PAGE 6
APR 22/09



767
PARTS CATALOG (MAINTENANCE)

FIG ITEM	PART NUMBER	1 2 3 4 5 6 7	NOMENCLATURE	EFFECT FROM TO	UNITS PER ASSY
6 210	RSF116200		.. SOCKET- SUPPLIER CODE: V58982 SPECIFICATION NUMBER: BACS16X1A OPTIONAL PART: 102-006-1 V09922 000300-1538 V05574 ELECTRICAL EQUIP NUMBER: D00616 D00618 WIRING DIAGRAM REF: 291112		2

ILLUSTRATION ITEMS NOT ON PARTS LIST ARE NOT APPLICABLE

- ITEM NOT ILLUSTRATED

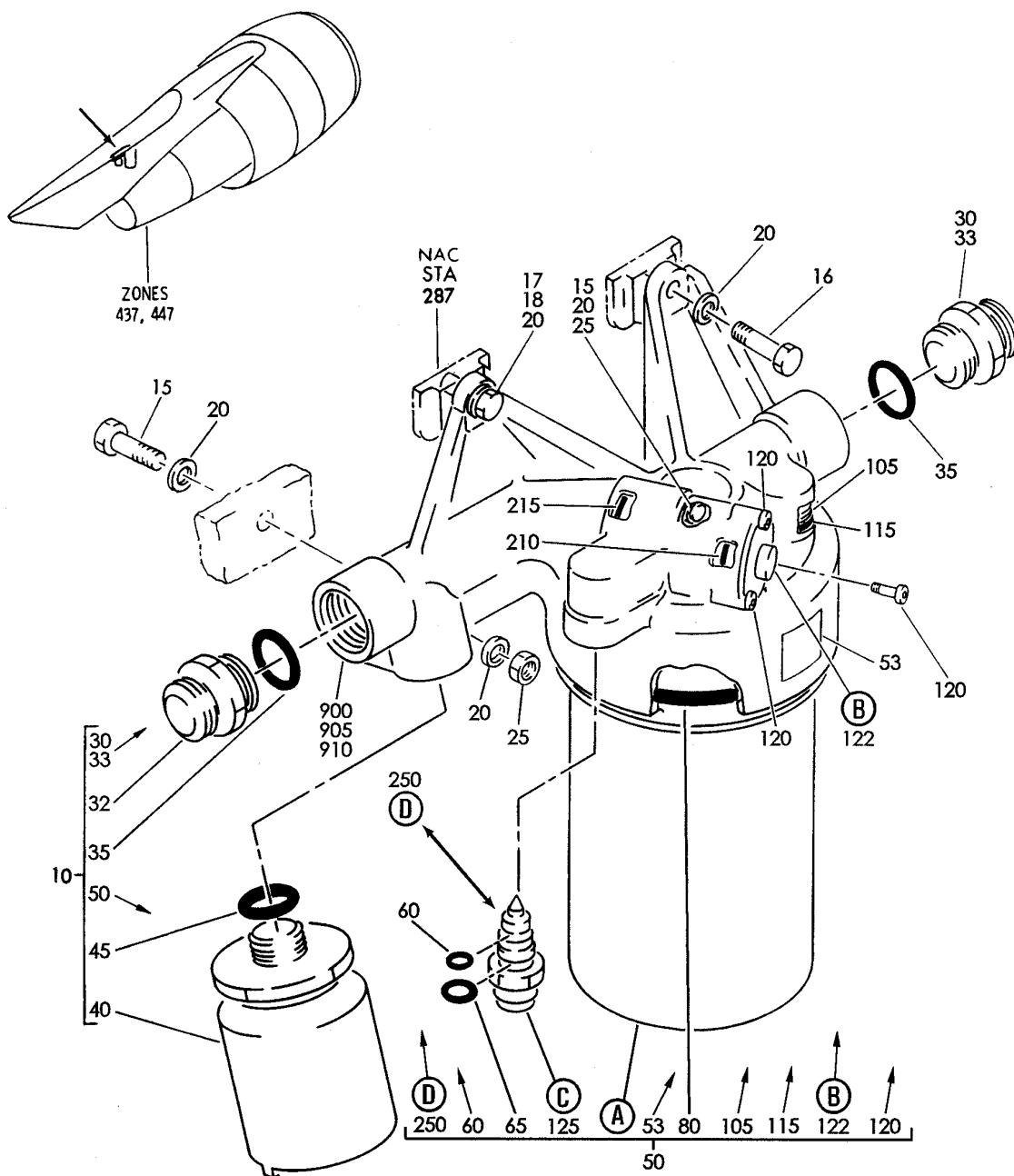
HXL

29-11-10-06

BOEING PROPRIETARY - Copyright © - Unpublished Work - See title page for details.

29-11-10
FIG. 06
PAGE 7
APR 22/09

BOEING
767
PARTS CATALOG (MAINTENANCE)



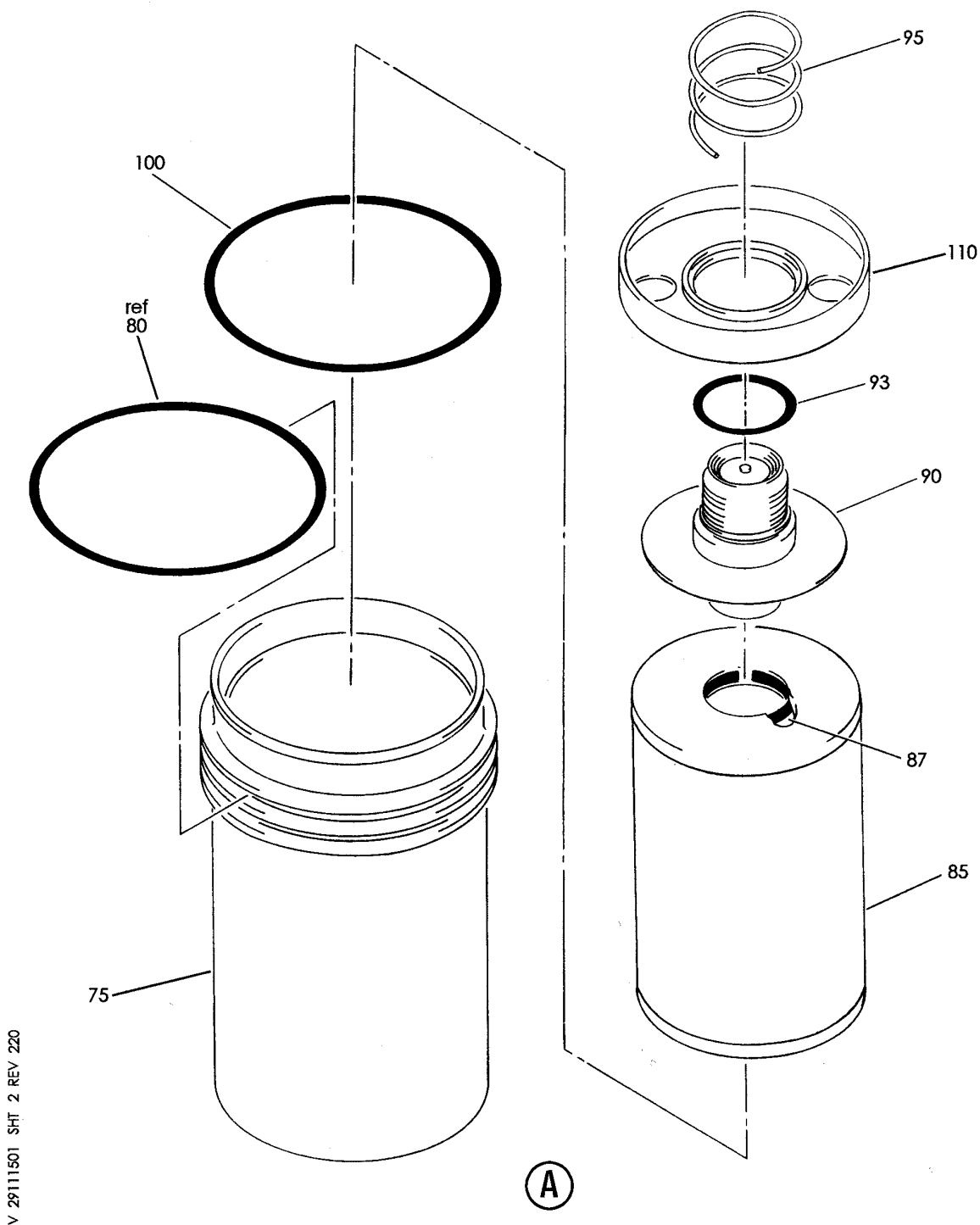
V 29111501 SHF 1 REV 220

MODULE INSTL-STRUT FAIRING RETURN FILTER AFT LH AND RH
FIGURE 1 (SHEET 1)

29-11-15-01

HXL
DEC 22/06

29-11-15-01
PAGE 0



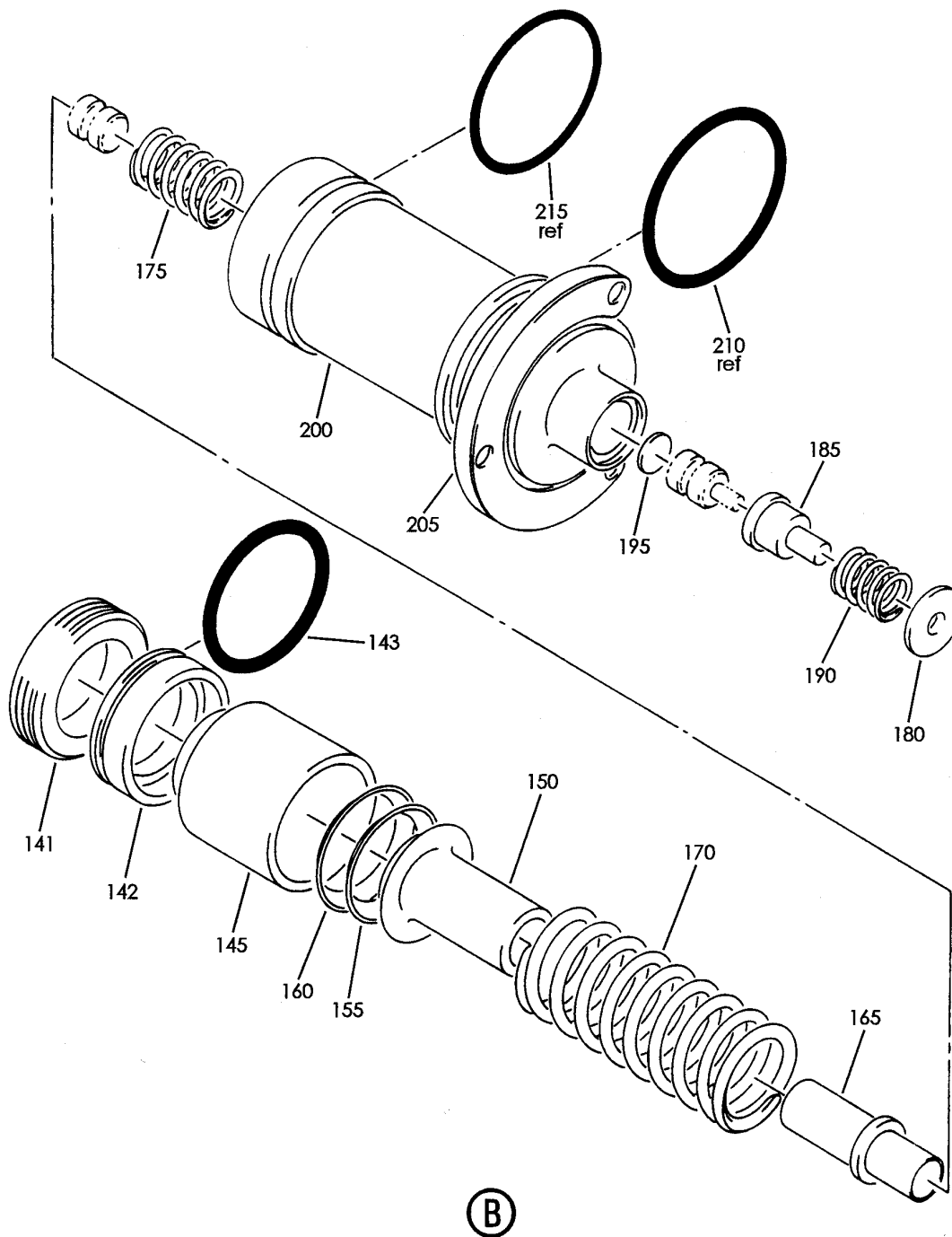
MODULE INSTL-STRUT FAIRING RETURN FILTER AFT LH AND RH
FIGURE 1 (SHEET 2)

29-11-15-01

HXL
DEC 22/06

29-11-15-01
PAGE 0A

BOEING
767
PARTS CATALOG (MAINTENANCE)



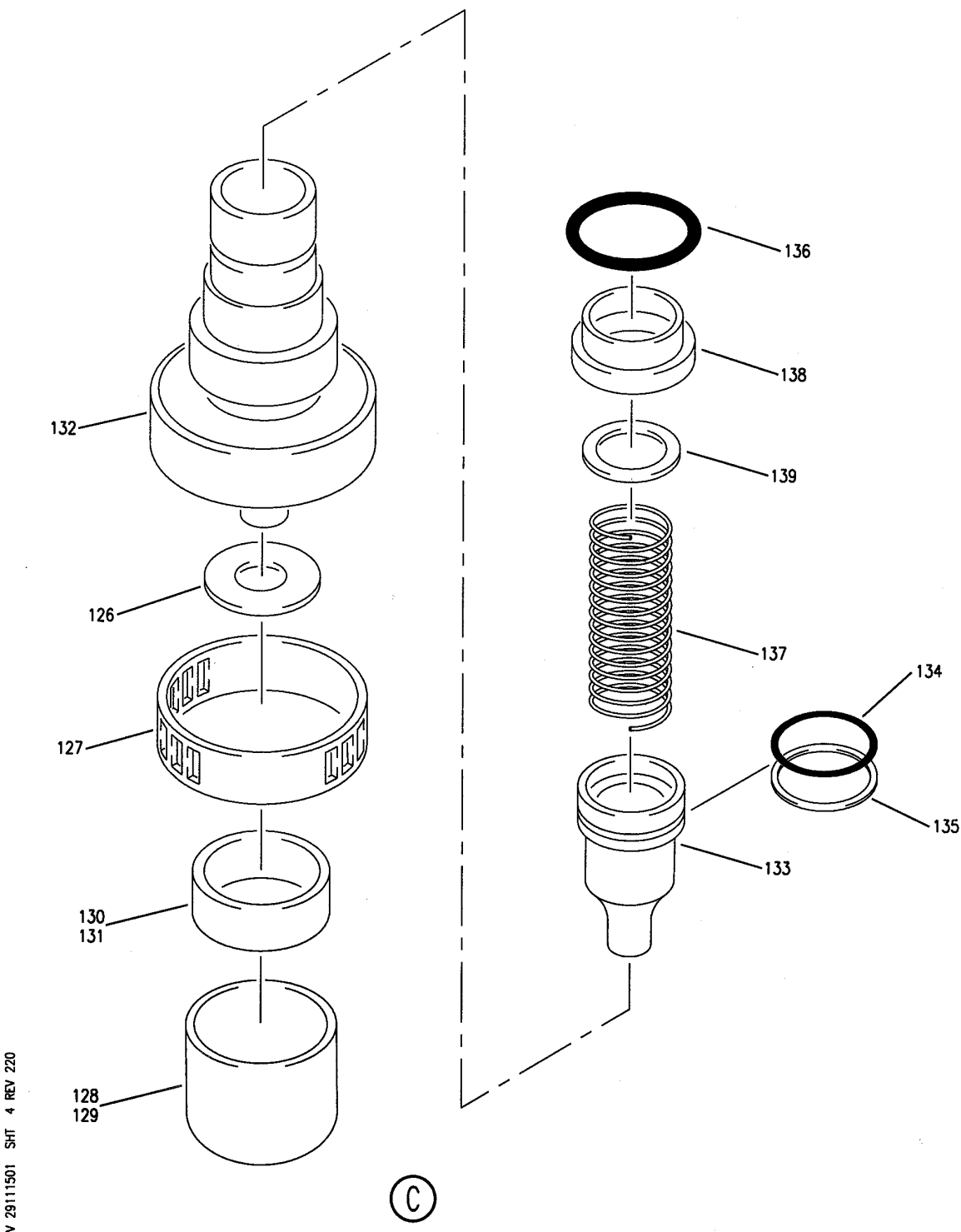
V 29111501 SH1 3 REV 220

MODULE INSTL-STRUT FAIRING RETURN FILTER AFT LH AND RH
FIGURE 1 (SHEET 3)

29-11-15-01

HXL
DEC 22/06

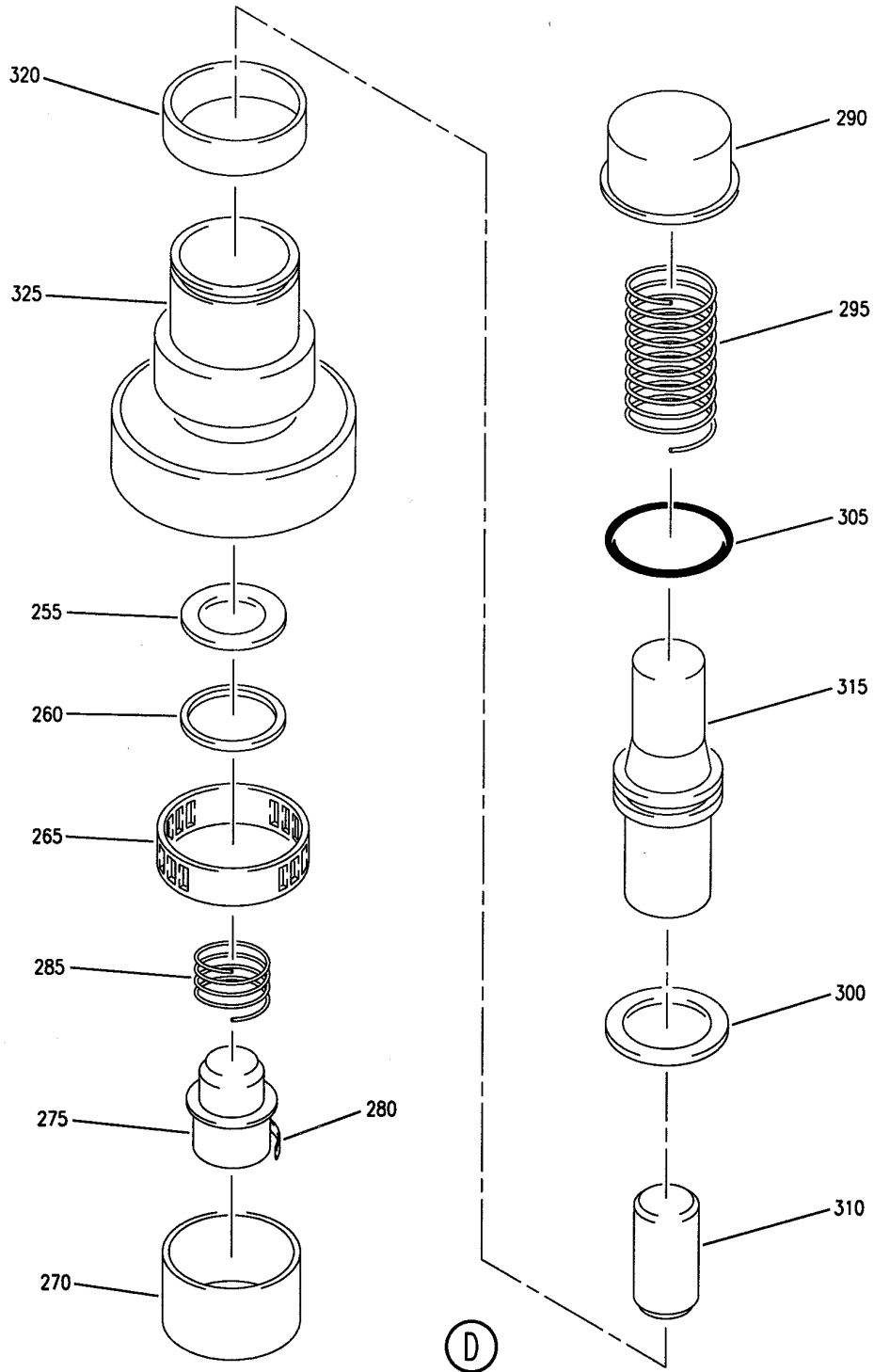
29-11-15-01
PAGE 0B



MODULE INSTL-STRUT FAIRING RETURN FILTER AFT LH AND RH
FIGURE 1 (SHEET 4)

29-11-15-01

BOEING
767
PARTS CATALOG (MAINTENANCE)



V 29111501 SHT 5 REV 220

MODULE INSTL-STRUT FAIRING RETURN FILTER AFT LH AND RH
FIGURE 1 (SHEET 5)

29-11-15-01

HXL
DEC 22/06

29-11-15-01
PAGE 0D



767

PARTS CATALOG (MAINTENANCE)

FIG ITEM	PART NUMBER	1 2 3 4 5 6 7	NOMENCLATURE	EFFECT FROM TO	UNITS PER ASSY
1			MODULE INSTL-STRUT FAIRING RETURN FILTER AFT LH AND RH		
- 1	271T5250-5		MODULE INSTL-STRUT FAIRING RETURN FILTER POSITION DATA: AFT LH FOR NHA SEE: 29-11-15-02		RF
- 5	271T5250-6		MODULE INSTL-STRUT FAIRING RETURN FILTER POSITION DATA: AFT RH FOR NHA SEE: 29-11-15-03		RF
10	271T5250-7		.FILTER ASSY- ATTACHING PARTS		1
15	NAS6605-14		.BOLT		2
16	NAS6605-4		.BOLT-		1
17	NAS6605-3		.BOLT- POSITION DATA: RH SIDE		1
18	NAS6605-4		.BOLT- POSITION DATA: LH SIDE		1
20	AN960PD516		.WASHER		6
20	NAS1149D0516J		.WASHER		6
25	BRH10A5		.NUT SUPPLIER CODE: V52828 SPECIFICATION NUMBER: BACN10JCS OPTIONAL PART: T6S524J V11815 96-054 V80539 RMLH9075-5W V72962 H10-5BAC V15653 -----*-----		2
32	MS21902D16		..UNION		1
33	BACU24K16		..UNION- USED ON: 271T5250-7		1
35	NAS1612-16		..PACKING-		2

ILLUSTRATION ITEMS NOT ON PARTS LIST ARE NOT APPLICABLE

- ITEM NOT ILLUSTRATED

29-11-15-01

29-11-15
FIG. 01
PAGE 1
DEC 22/06

HXL



767

PARTS CATALOG (MAINTENANCE)

FIG ITEM	PART NUMBER	1 2 3 4 5 6 7	NOMENCLATURE	EFFECT FROM TO	UNITS PER ASSY
1					
40	AE80994N	..	COUPLING ASSY- SUPPLIER CODE: V00624 FUNCTIONAL DESCRIPTION: PROVIDES DISCONNECT FITTING FOR GROUND SERVICING OF THE CENTER HYDRAULIC SYSTEM COMPONENT MAINT MANUAL REF: 29-19-01		1
45	NAS1612-20	..	PACKING-		1
50	271T0001-3	..	MODULE ASSY-FILTER FUNCTIONAL DESCRIPTION: FILTERS HYDRAULIC FLUID TO PREVENT CONTAMINATION TO HYDRAULIC EQUIPMENT COMPONENT MAINT MANUAL REF: 29-11-35		1
53	7586688	...	NAMEPLATE- SUPPLIER CODE: V05228		1
60	NAS1611-014	...	PACKING-		1
65	NAS1612-8	...	PACKING-		1
75	271T0003-1	...	CASE- OPTIONAL PART: 271T0006-1		1
75	271T0006-1	...	CASE- OPTIONAL PART: 271T0003-1		1
80	NAS1611-430	...	PACKING-		1
85	7585381	...	ELEMENT ASSY-FILTER LOW PRESSURE NON-CLEANABLE SUPPLIER CODE: V05228 SPECIFICATION NUMBER: S271T006-1 FOR ELEMENT MAINTENANCE USE FILTER MAINT KIT DEFINED IN FILTER MAINT KIT LIST. FILTER MAINTENANCE KIT REF: 654T0035-5		1
87	NAS1611-224	PACKING-		1
90	7585964	...	VALVE ASSY- SUPPLIER CODE: V05228		1
93	NAS1612-24	...	PACKING-		1
95	7554834	...	SPRING- SUPPLIER CODE: V05228		1

ILLUSTRATION ITEMS NOT ON PARTS LIST ARE NOT APPLICABLE

- ITEM NOT ILLUSTRATED

29-11-15-01

29-11-15
FIG. 01
PAGE 2
APR 22/09

HXL



PARTS CATALOG (MAINTENANCE)

FIG ITEM	PART NUMBER	1 2 3 4 5 6 7	NOMENCLATURE	EFFECT FROM TO	UNITS PER ASSY
1					
100	NAS1611-429	...	PACKING-		1
105	7585520	...	VALVE ASSY-CHK SUPPLIER CODE: V05228		1
110	7554833	...	SLEEVE- SUPPLIER CODE: V05228		1
115	NAS1611-019	...	PACKING-		1
120	NAS1351-3-8P	...	SCREW		3
122	7585802	...	VALVE ASSY-RELIEF SUPPLIER CODE: V05228		1
125	7586630	...	INDICATOR ASSY-DIFF PRESSURE HYDR SUPPLIER CODE: V05228 SPECIFICATION NUMBER: S271T005-5 OPTIONAL PART: TC125UK06Y V18350		1
126	7586651	NAMEPLATE- SUPPLIER CODE: V05228 USED ON: 7586630		1
127	MS3367-5-9	STRAP- CONFIG CHG DATA FROM A CMM: REPLACES 7590761-001 REPLACES 7586779 REPLACES 7586778 MISCELLANEOUS DATA: USED PRIOR TO S/N 6409 FOR 7586630 ASSY AND S/N 3888 FOR 7586631 ASSY USED ON: 7586630 USED WITH: 7586649		1

ILLUSTRATION ITEMS NOT ON PARTS LIST ARE NOT APPLICABLE

- ITEM NOT ILLUSTRATED

HXL

29-11-15-01

BOEING PROPRIETARY - Copyright © - Unpublished Work - See title page for details.

29-11-15
FIG. 01
PAGE 3
APR 22/09



767

PARTS CATALOG (MAINTENANCE)

FIG ITEM	PART NUMBER	1 2 3 4 5 6 7	NOMENCLATURE	EFFECT FROM TO	UNITS PER ASSY
1 128	7586649		<p>.....CAP-PROTECTIVE SUPPLIER CODE: V05228 CONFIG CHG DATA FROM A CMM: REPLACES 7590761-001 REPLACES 7586779 REPLACES 7586778 MISCELLANEOUS DATA: USED PRIOR TO S/N 6409 FOR 7586630 ASSY AND S/N 3888 FOR 7586631 ASSY USED ON: 7586630 USED WITH: MS3367-5-9</p>		1
129	7590761-001		<p>.....CAP-PROTECTIVE SUPPLIER CODE: V05228 CONFIG CHG DATA FROM A CMM: REPLD BY MS3367-5-9 REPLD BY 7586649 MISCELLANEOUS DATA: USED PRIOR TO S/N 6409 FOR 7586630 ASSY AND S/N 3888 FOR 7586631 ASSY OPTIONAL PART: 7586779 V05228 USED ON: 7586630</p>		1
130	7586779		<p>.....CAP-PROTECTIVE SUPPLIER CODE: V05228 CONFIG CHG DATA FROM A CMM: REPLD BY MS3367-5-9 REPLD BY 7586649 MISCELLANEOUS DATA: USED PRIOR TO S/N 6409 FOR 7586630 ASSY AND S/N 3888 FOR 7586631 ASSY OPTIONAL PART: 7590761-001 V05228 USED ON: 7586630 USED WITH: 7586778</p>		1

ILLUSTRATION ITEMS NOT ON PARTS LIST ARE NOT APPLICABLE

- ITEM NOT ILLUSTRATED

HXL

29-11-15-01

BOEING PROPRIETARY - Copyright © - Unpublished Work - See title page for details.

29-11-15
 FIG. 01
 PAGE 4
 APR 22/09

BOEING
767
PARTS CATALOG (MAINTENANCE)

FIG ITEM	PART NUMBER	1 2 3 4 5 6 7	NOMENCLATURE	EFFECT FROM TO	UNITS PER ASSY
1					
131	7586778	RETAINER-CAP SUPPLIER CODE: V05228 CONFIG CHG DATA FROM A CMM: REPLD BY MS3367-5-9 REPLD BY 7586649 MISCELLANEOUS DATA: USED PRIOR TO S/N 6409 FOR 7586630 ASSY AND S/N 3888 FOR 7586631 ASSY USED ON: 7586630 USED WITH: 7586779		1
132	7586641	HOUSING- SUPPLIER CODE: V05228 USED ON: 7586630		1
133	7586642	PISTON- SUPPLIER CODE: V05228 USED ON: 7586630		1
134	7586811	SEAL-RING SUPPLIER CODE: V05228 USED ON: 7586630		1
135	7586810	PACKING-O-RING SUPPLIER CODE: V05228 USED ON: 7586630		1
136	7582499	RING-RTNR SUPPLIER CODE: V05228 CONFIG CHG DATA FROM A CMM: REPLD BY 7582499-001 USED ON: 7586630		1
136	7582499-001	RING-RTNR SUPPLIER CODE: V05228 CONFIG CHG DATA FROM A CMM: REPLACES 7582499 USED ON: 7586630		1

ILLUSTRATION ITEMS NOT ON PARTS LIST ARE NOT APPLICABLE

— ITEM NOT ILLUSTRATED

HXL

29-11-15-01

BOEING PROPRIETARY - Copyright © - Unpublished Work - See title page for details.

29-11-15
FIG. 01
PAGE 5
APR 22/09

BOEING
767
PARTS CATALOG (MAINTENANCE)

FIG ITEM	PART NUMBER	1 2 3 4 5 6 7	NOMENCLATURE	EFFECT FROM TO	UNITS PER ASSY
1					
137	7586645	SPRING-PISTON SUPPLIER CODE: V05228 USED ON: 7586630		1
138	7586646	RETAINER-SPR SUPPLIER CODE: V05228 USED ON: 7586630		1
139	7586777	SHIM- SUPPLIER CODE: V05228 SELECT FROM ITEM. USED ON: 7586630		AR
141	7575819	RETAINER- SUPPLIER CODE: V05228		1
142	7575818	SEAT- SUPPLIER CODE: V05228		1
143	NAS1611-023	PACKING-		1
145	7575529	POPPET- SUPPLIER CODE: V05228		1
150	7554863	CYLINDER- SUPPLIER CODE: V05228		1
155	7576188	SHIM- SUPPLIER CODE: V05228		AR
160	7576189	SHIM- SUPPLIER CODE: V05228		AR
165	7554838	SENSOR ASSY- SUPPLIER CODE: V05228		1
170	7585836	SPRING-CPRSN SUPPLIER CODE: V05228		1
175	7554840	SPRING-CPRSN SUPPLIER CODE: V05228		1
180	7505867	CAP- SUPPLIER CODE: V05228		1
ILLUSTRATION ITEMS NOT ON PARTS LIST ARE NOT APPLICABLE					

- ITEM NOT ILLUSTRATED

HXL

29-11-15-01

BOEING PROPRIETARY - Copyright © - Unpublished Work - See title page for details.

29-11-15
FIG. 01
PAGE 6
APR 22/09

 **BOEING**
767
PARTS CATALOG (MAINTENANCE)

FIG ITEM	PART NUMBER	1 2 3 4 5 6 7	NOMENCLATURE	EFFECT FROM TO	UNITS PER ASSY
1					
185	7505933	SIGNAL ASSY- SUPPLIER CODE: V05228		1
190	7505865	SPRING-CPRSN SUPPLIER CODE: V05228		1
195	7506041	DISC- SUPPLIER CODE: V05228		1
200	7554835	HOUSING- SUPPLIER CODE: V05228		1
205	7585837	NAMEPLATE- SUPPLIER CODE: V05228		1
210	NAS1611-125	...	PACKING-		1
215	NAS1611-026	...	PACKING-		1
250	TC125UK06Y	...	INDICATOR ASSY-PRESSURE SUPPLIER CODE: V18350 SPECIFICATION NUMBER: S271T005-2 OPTIONAL PART: 7586630 V05228		1
255	60TA125UK06Y	NAMEPLATE- SUPPLIER CODE: V18350		1
260	AA9500D330	RING-RETAINING SUPPLIER CODE: V18350		1
265	AA9500D822	BAND-BOOT SHRINK SUPPLIER CODE: V18350		1
270	62RB114S0000	BOOT- SUPPLIER CODE: V18350		1
275	19RA551P0000	INDICATOR-BUTTON SUPPLIER CODE: V18350		1
280	69RB55100000	BIMETAL- SUPPLIER CODE: V18350		1
285	AA2100-3D5	MAGNET-ACTUATION SPR SUPPLIER CODE: V18350		1
290	14RA77700000	RETAINER-SPR SUPPLIER CODE: V18350		1

ILLUSTRATION ITEMS NOT ON PARTS LIST ARE NOT APPLICABLE

— ITEM NOT ILLUSTRATED

HXL

29-11-15-01

BOEING PROPRIETARY - Copyright © - Unpublished Work - See title page for details.

29-11-15
FIG. 01
PAGE 7
APR 22/09

 **BOEING**
767
PARTS CATALOG (MAINTENANCE)

FIG ITEM	PART NUMBER	1 2 3 4 5 6 7	NOMENCLATURE	EFFECT FROM TO	UNITS PER ASSY
1					
295	21RA777000K7	SPRING- SUPPLIER CODE: V18350		1
300	AA9500D530	SEAL-RING SUPPLIER CODE: V18350		1
305	NAS1611-011	PACKING-		1
310	27RA65000000	MAGNET- SUPPLIER CODE: V18350		1
315	23TB04200000	PISTON- SUPPLIER CODE: V18350		1
320	92RA77100000	FILTER-SLEEVE, RIGIMESH SUPPLIER CODE: V18350		1
325	08TD12500009	PLUG-DELTADYNE SUPPLIER CODE: V18350		1
900			ILLUSTRATION REFERENCE: HYDRAULIC INSTL-SECT. 31 ENGINE AFT FAIRING, L STRUT (MAIN HYDRAULIC SYSTEM ONLY) 29-11-00-01A		RF
ILLUSTRATION ITEMS NOT ON PARTS LIST ARE NOT APPLICABLE					

- ITEM NOT ILLUSTRATED

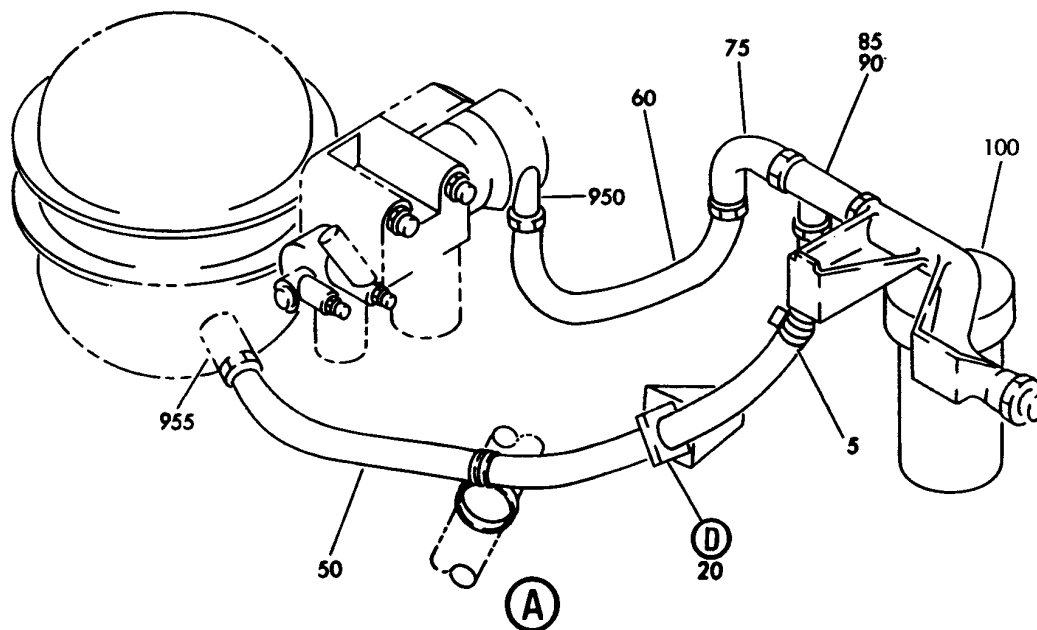
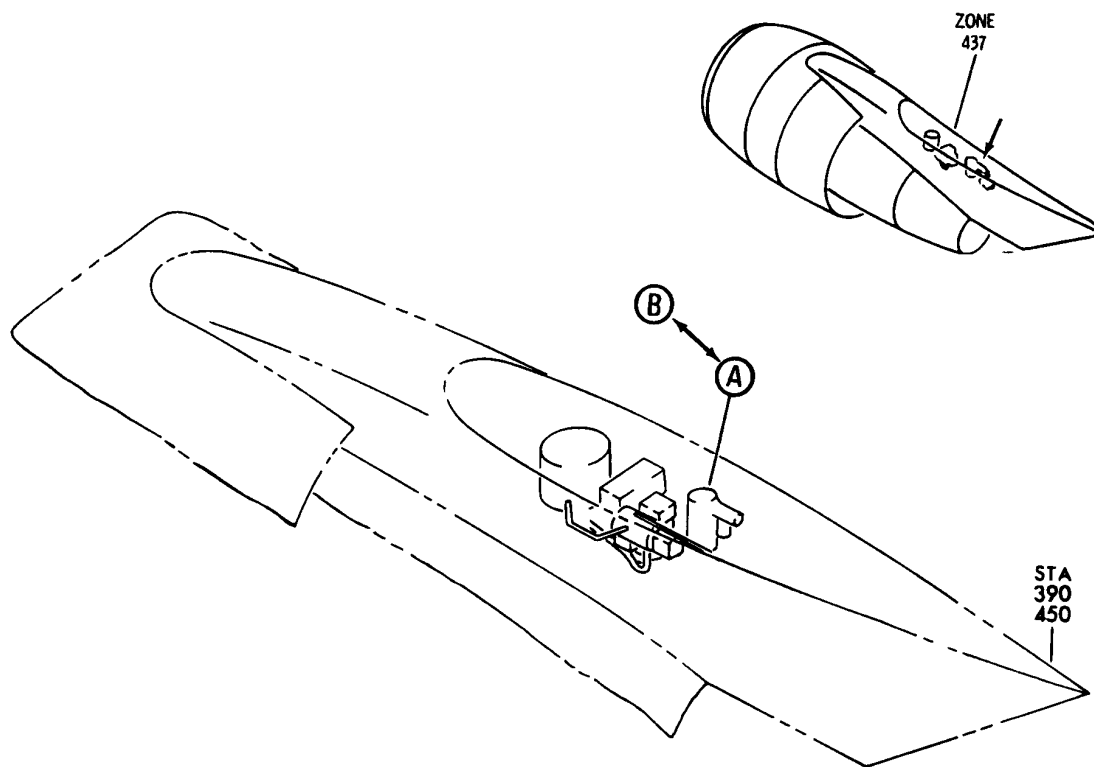
HXL

29-11-15-01

BOEING PROPRIETARY - Copyright © - Unpublished Work - See title page for details.

29-11-15
FIG. 01
PAGE 8
APR 22/09

BOEING
767
PARTS CATALOG (MAINTENANCE)



V 29111502 SHT 1 REV 197

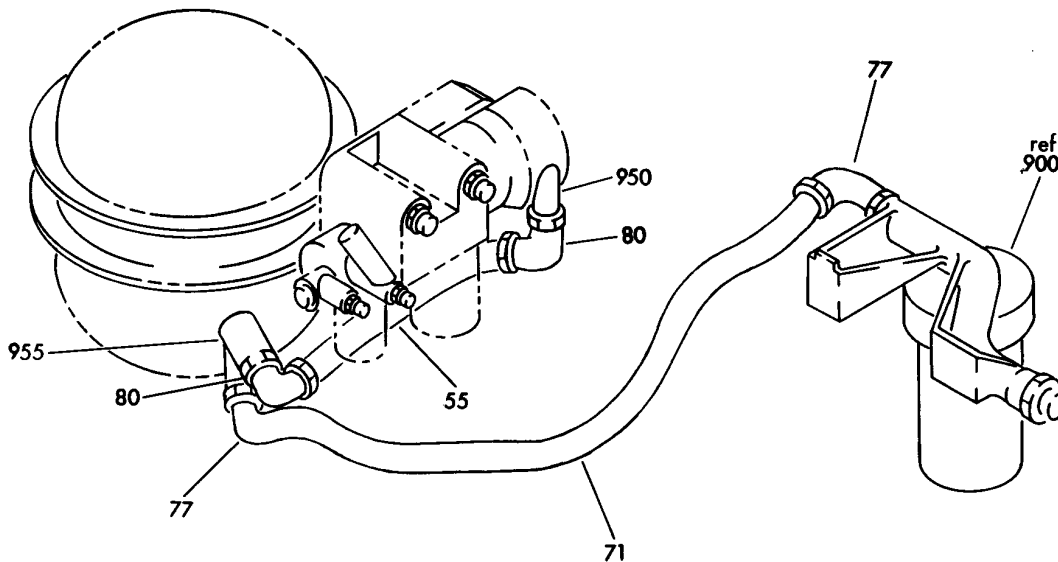
HYDRAULIC INSTL-SECT. 31 ENGINE AFT FAIRING (LH) (RETURN FILTER MODULE ONLY)
FIGURE 2 (SHEET 1)

29-11-15-02

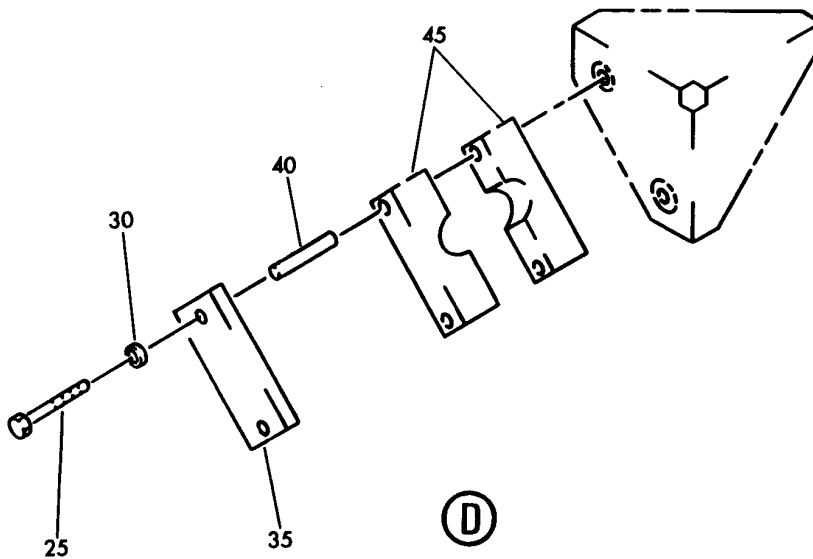
HXL
DEC 22/06

29-11-15-02
PAGE 0

BOEING
767
PARTS CATALOG (MAINTENANCE)



(B)



(D)

V 29111502 SHT 2 REV 179

HYDRAULIC INSTL-SECT. 31 ENGINE AFT FAIRING (LH) (RETURN FILTER MODULE ONLY)
FIGURE 2 (SHEET 2)

29-11-15-02

HXL
DEC 22/06

29-11-15-02
PAGE 0A

BOEING
767
PARTS CATALOG (MAINTENANCE)

FIG ITEM	PART NUMBER	1 2 3 4 5 6 7	NOMENCLATURE	EFFECT FROM TO	UNITS PER ASSY
2					
50	AS1633B16D0500		.HOSE ASSY- OPTIONAL PART: AS1633B16K0500		1
50	AS1633B16K0500		.HOSE ASSY- OPTIONAL PART: AS1633B16D0500		1
60	272T3100-415		.TUBE ASSY-PRESSURE RELIEF L SYS TUBING MATERIAL: 1.00 IN. OD X .035 IN. WALL X 30.00 IN. LG ALUMINUM 6061-T6 OPT 6061-T4 MIL-T-7081 SPARES ORDER MATERIAL CODE: 1269116350		1
60	272T3100-491		.TUBE ASSY-L SYS PRESS RELIEF TUBING MATERIAL: 1.00 IN. OD X 0.035 IN. WALL, ALUMINUM 6061-T6 OPT 6061-T4 MIL-T-7081 SPARES ORDER MATERIAL CODE: 1269116350		1
- 65	AP2097HP16		..SLEEVE SUPPLIER CODE: V01673 SPECIFICATION NUMBER: BACS13BX16HP OPTIONAL PART: 2-02903-16HP V11328 35235VN16 V08199 AFP175V16P V30974 DBOS13BX16HP V14798		2
- 70	BACN10YL16		..NUT		2
75	NAS1762D1616		.ELBOW		1
85	NAS1763T161616		.TEE		1
100	271T5250-5		.MODULE INSTL-RETURN FILTER FAIRING, STRUT POSITION DATA: AFT FOR DETAILS SEE: 29-11-15-01		1
ILLUSTRATION ITEMS NOT ON PARTS LIST ARE NOT APPLICABLE					

- ITEM NOT ILLUSTRATED

HXL

29-11-15-02

BOEING PROPRIETARY - Copyright © - Unpublished Work - See title page for details.

29-11-15
FIG. 02
PAGE 2
AUG 22/09

PARTS CATALOG (MAINTENANCE)

FIG ITEM	PART NUMBER	1 2 3 4 5 6 7 NOMENCLATURE	EFFECT FROM TO	UNITS PER ASSY
2 950		ILLUSTRATION REFERENCE: MODULE INSTL-FAIRING STRUT ENG DRIVEN PUMP PRESSURE AND CASE DRAIN FILTER AFT 29-11-17-01		RF
955		ILLUSTRATION REFERENCE: RESERVOIR INSTL-ENG AFT FAIRING HYDR 29-11-20-01		RF

ILLUSTRATION ITEMS NOT ON PARTS LIST ARE NOT APPLICABLE

- ITEM NOT ILLUSTRATED

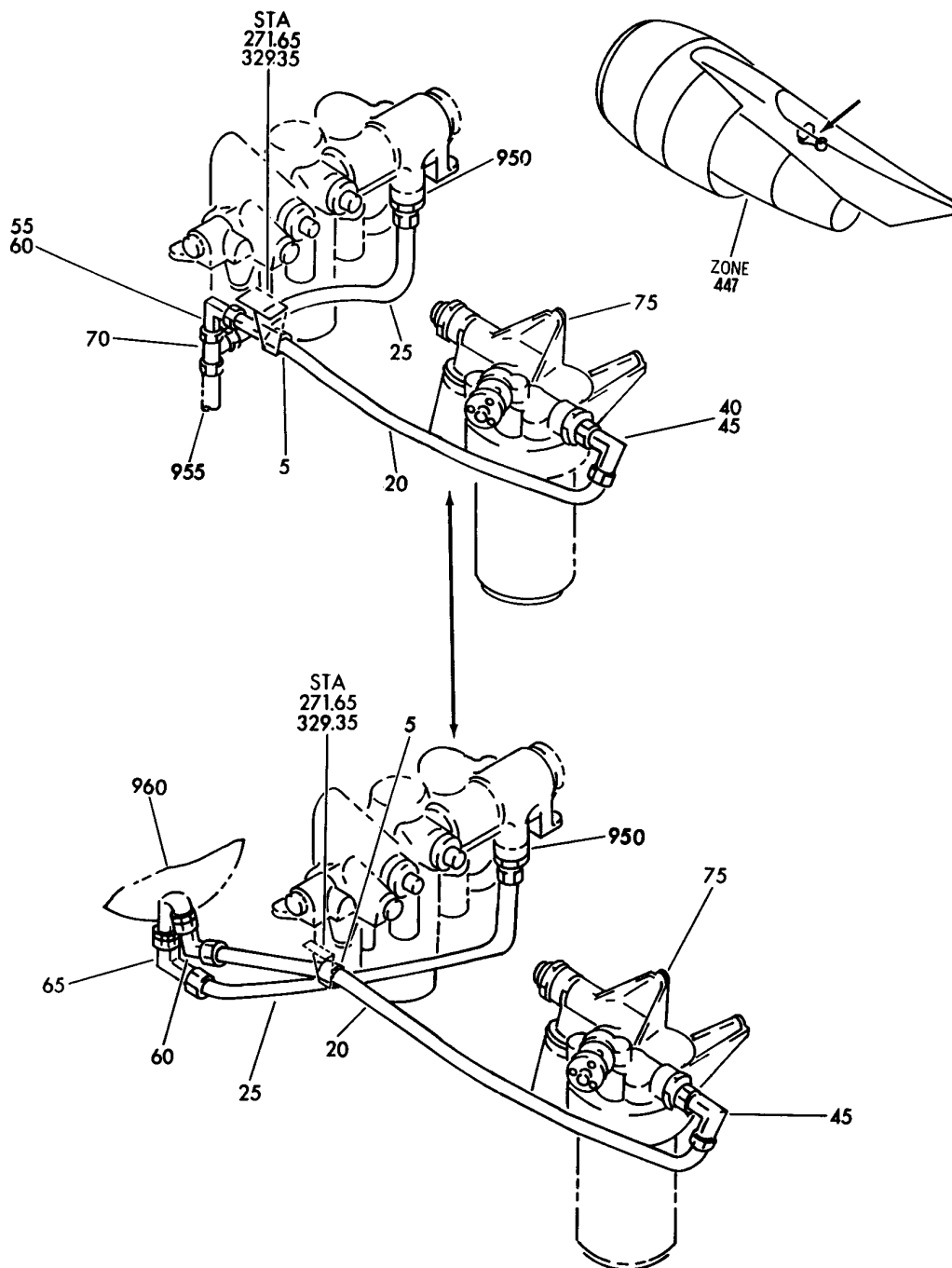
HXL

29-11-15-02

BOEING PROPRIETARY - Copyright © - Unpublished Work - See title page for details.

 29-11-15
 FIG. 02
 PAGE 3
 AUG 22/09

BOEING
767
PARTS CATALOG (MAINTENANCE)



V 29111503 SHT 1 REV 178

HYDRAULIC INSTL-SECT. 31 ENGINE AFT FAIRING (RH) (RETURN FILTER MODULE ONLY)

FIGURE 3

29-11-15-03

HXL
DEC 22/06

29-11-15-03
PAGE 0



767

PARTS CATALOG (MAINTENANCE)

FIG ITEM	PART NUMBER	1 2 3 4 5 6 7	NOMENCLATURE	EFFECT FROM TO	UNITS PER ASSY
3			HYDRAULIC INSTL-SECT. 31 ENGINE AFT FAIRING (RH) (RETURN FILTER MODULE ONLY)		
- 1	272T3100-6		HYDRAULIC INSTL-ENG FAIRING STRUT POSITION DATA: SECT. 31 AFT R MISCELLANEOUS DATA: (RETURN FILTER MODULE ONLY) (PRATT & WHITNEY) VARIABLE DRAWING REF: 272T3100-5218 272T3100-5336 272T3100-7004 FOR NHA/OTHER SYS DET SEE: 29-00-00-04		RF
5	TA0910004H116		.CLAMP SUPPLIER CODE: V84971 SPECIFICATION NUMBER: BACC10HB16C ATTACHING PARTS		1
- 7	NAS1801-3-9		.SCREW		2
- 13	AN960PD10L		.WASHER		4
- 15	BRH10A3		.NUT SUPPLIER CODE: V52828 SPECIFICATION NUMBER: BACN10JC3 OPTIONAL PART: H10-3BAC V15653 NS202101-02 V80539 RMLH9075-3W V72962 VN303A02 V92215 96-02 V80539 T6S1032J V11815		2
20	272T3100-414		-----*----- .TUBE ASSY- TUBING MATERIAL: 1.00 IN. OD .035 IN. WALL 28.00 IN. LG AL		1

ILLUSTRATION ITEMS NOT ON PARTS LIST ARE NOT APPLICABLE

- ITEM NOT ILLUSTRATED

HXL

29-11-15-03

BOEING PROPRIETARY - Copyright © - Unpublished Work - See title page for details.

29-11-15
FIG. 03
PAGE 1
DEC 22/07



767

PARTS CATALOG (MAINTENANCE)

FIG ITEM	PART NUMBER	1 2 3 4 5 6 7	NOMENCLATURE	EFFECT FROM TO	UNITS PER ASSY
3					
25	272T3100-416	.	TUBE ASSY- TUBING MATERIAL: 1.00 IN. OD .035 IN. WALL 22.00 IN. LG AL		1
- 30	AP2097HP16	..	SLEEVE SUPPLIER CODE: V01673 SPECIFICATION NUMBER: BACS13BX16HP OPTIONAL PART: 2-02903-16HP V11328 35235VN16 V08199 AFP175V16P V30974 DBOS13BX16HP V14798		2
- 35	BACN10YL16	..	NUT-		2
45	NAS1762D1616	.	ELBOW-		1
45	NAS1762T1616	.	ELBOW-		1
55	AP1042P1616	.	ELBOW- SUPPLIER CODE: V01673 SPECIFICATION NUMBER: BACE21BT1616P		1
70	BACT16BL161616J	.	TEE		1
75	271T5250-6	.	MODULE INSTL-RETURN FILTER FAIRING, STRUT POSITION DATA: AFT FOR DETAILS SEE: 29-11-15-01		1
950			ILLUSTRATION REFERENCE: MODULE INSTL-FAIRING STRUT ENG DRIVEN PUMP PRESSURE AND CASE DRAIN FILTER AFT 29-11-17-01		RF
955			ILLUSTRATION REFERENCE: HYDRAULIC INSTL- SECT. 31 ENGINE AFT FAIRING (RH) (RESERVOIR SYSTEM ONLY) 29-11-20-03		RF

ILLUSTRATION ITEMS NOT ON PARTS LIST ARE NOT APPLICABLE

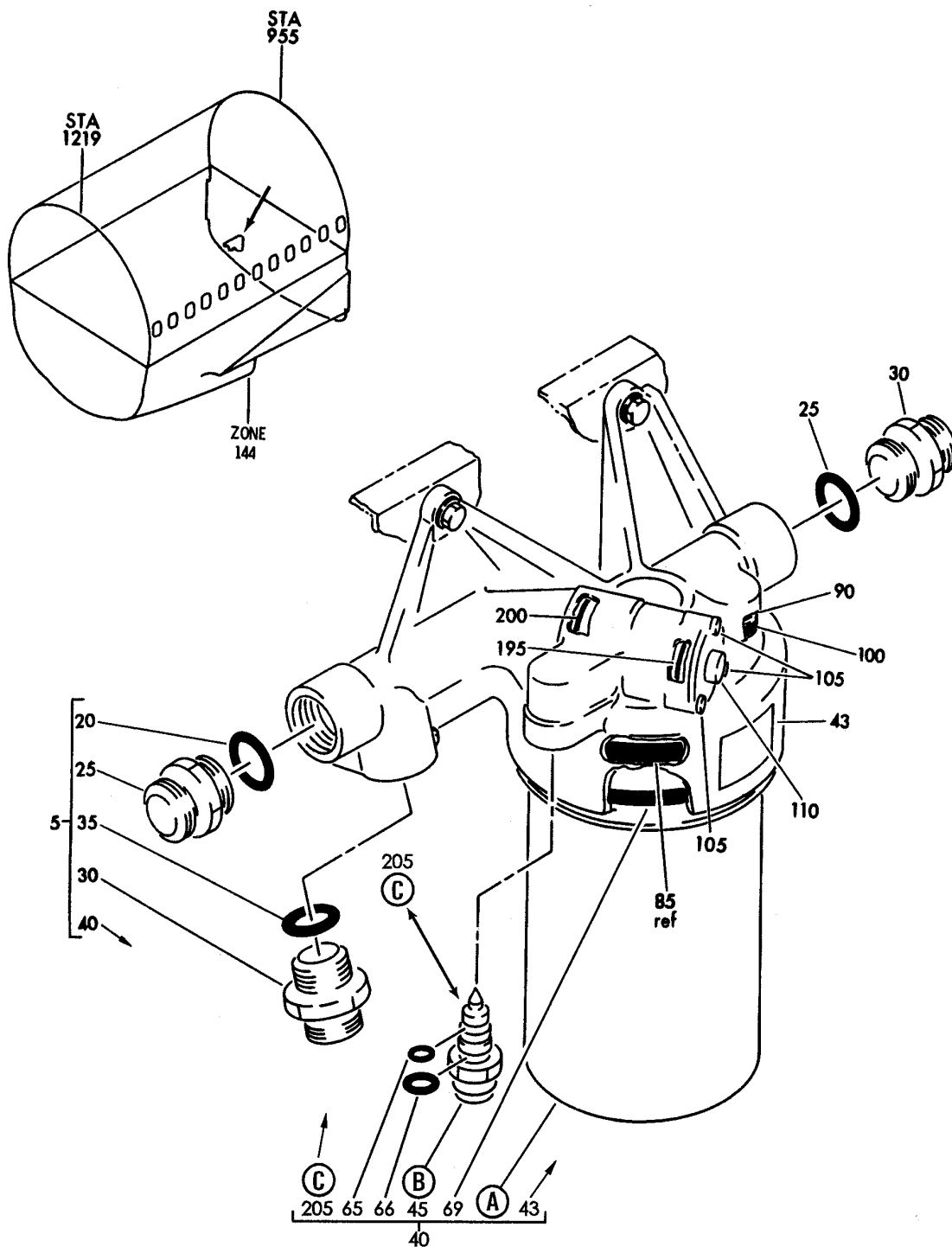
- ITEM NOT ILLUSTRATED

29-11-15-03

29-11-15
FIG. 03
PAGE 2
DEC 22/07

HXL

BOEING
767
PARTS CATALOG (MAINTENANCE)



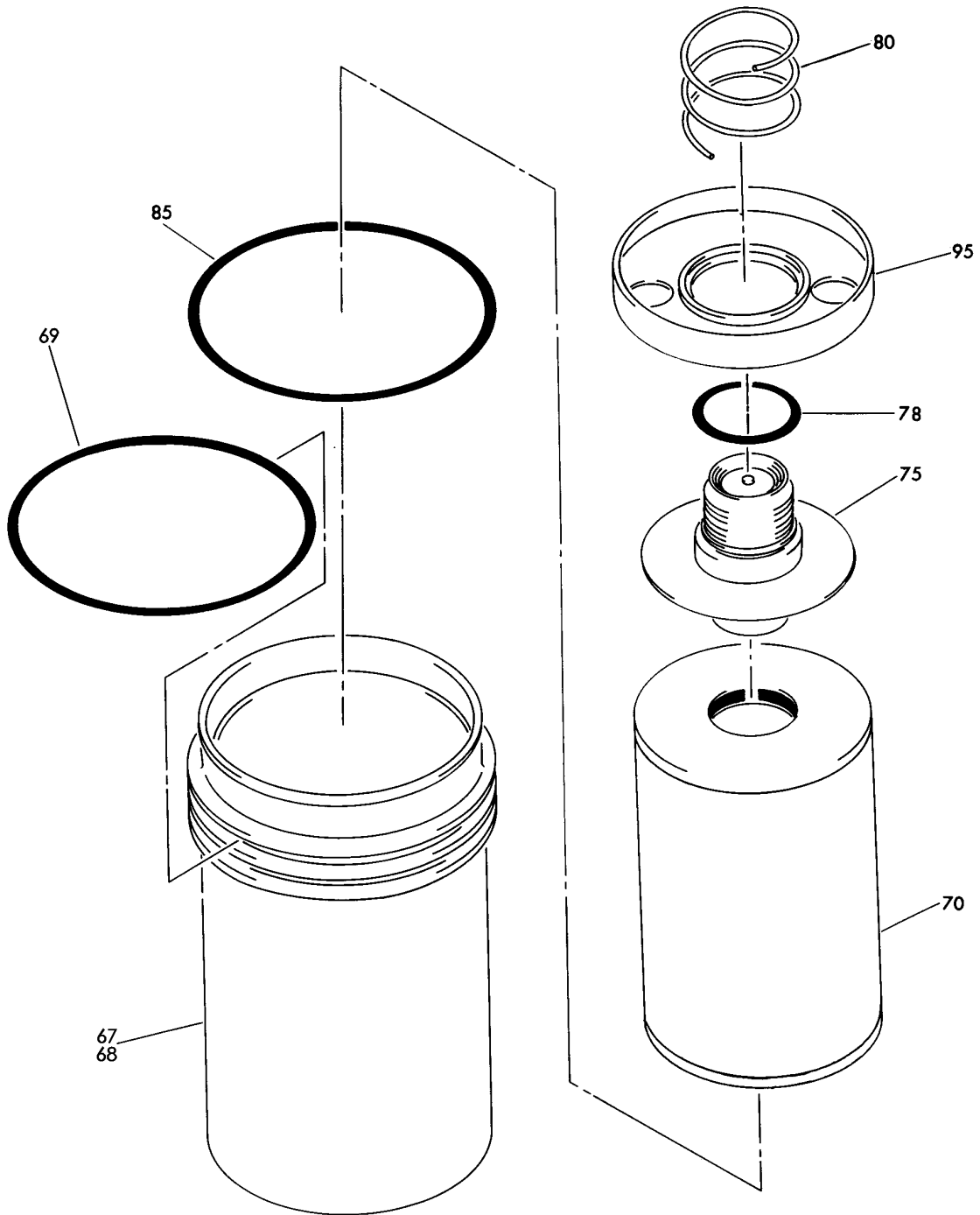
V 29111601 SHT 1 REV 220

MODULE INSTL-CTR SYS RETURN FILTER
FIGURE 1 (SHEET 1)

29-11-16-01

HXL
DEC 22/06

29-11-16-01
PAGE 0



(A)

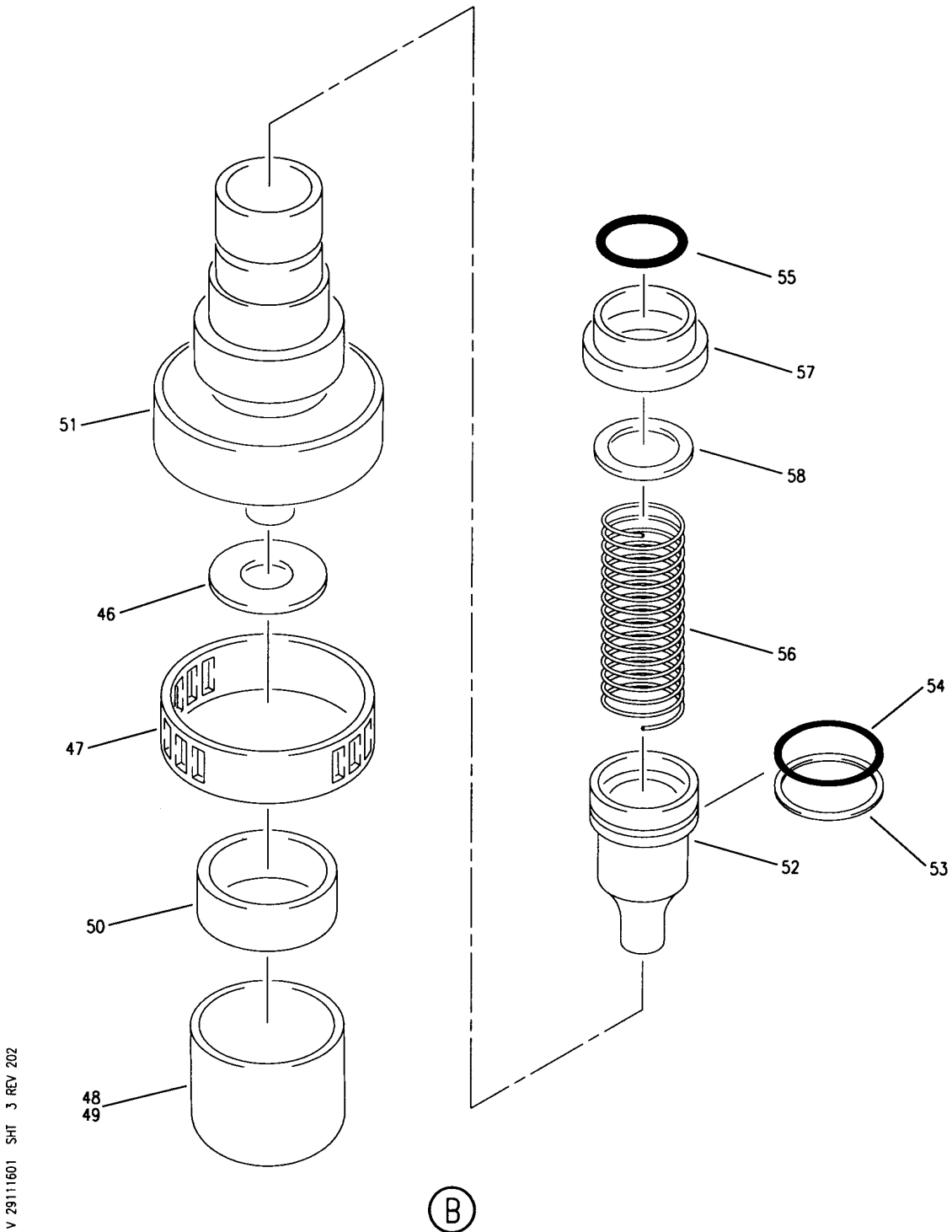
V 29111601 SHT 2 REV 249

MODULE INSTL-CTR SYS RETURN FILTER
FIGURE 1 (SHEET 2)

29-11-16-01

HXL
DEC 22/06

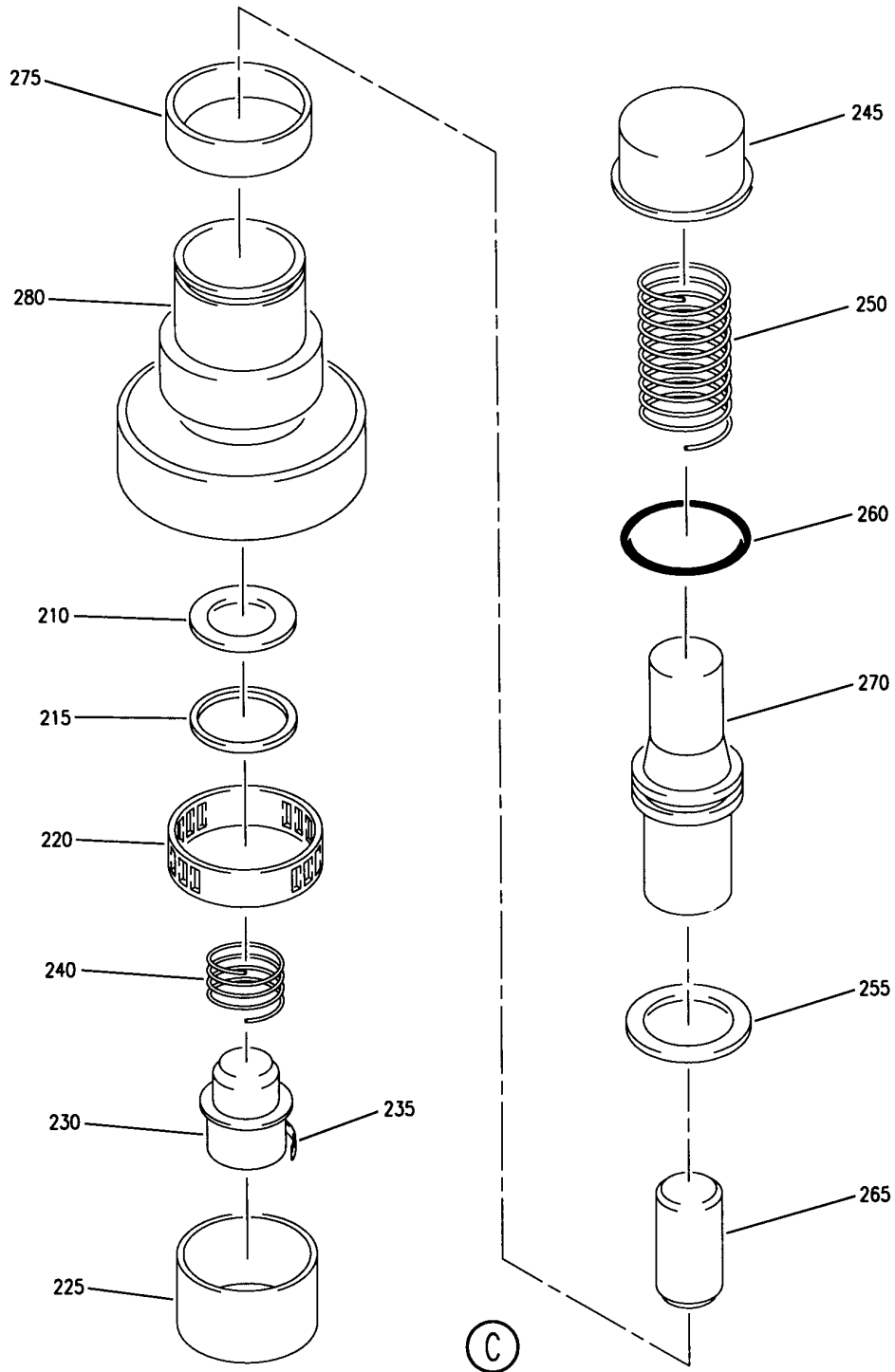
29-11-16-01
PAGE 0A



MODULE INSTL-CTR SYS RETURN FILTER
FIGURE 1 (SHEET 3)

29-11-16-01

BOEING
767
PARTS CATALOG (MAINTENANCE)



V 29111601 SH1 4 REV 220

MODULE INSTL-CTR SYS RETURN FILTER
FIGURE 1 (SHEET 4)

29-11-16-01

HXL
DEC 22/06

29-11-16-01
PAGE 0C



767

PARTS CATALOG (MAINTENANCE)

FIG ITEM	PART NUMBER	1 2 3 4 5 6 7	NOMENCLATURE	EFFECT FROM TO	UNITS PER ASSY
1			MODULE INSTL-CTR SYS RETURN FILTER		
- 1	271T4580-1		MODULE INSTL-CTR SYS RETURN FILTER		RF
			FOR NHA SEE: 29-11-16-02		
	5 271T4580-3		.FILTER ASSY- ATTACHING PARTS		1
- 10	NAS6605-6		.BOLT-		4
- 15	AN960KD516L		.WASHER-		4
			-----*-----		
	20 MS21902D16		..UNION		2
	25 NAS1612-16		..PACKING-		2
	30 MS21902D20		..UNION		1
	35 NAS1612-20		..PACKING-		1
	40 271T0001-3		..MODULE ASSY-FILTER		1
			FUNCTIONAL DESCRIPTION: FILTERS HYDRAULIC FLUID TO PREVENT CONTAMINATION TO HYDRAULIC EQUIPMENT COMPONENT MAINT MANUAL REF: 29-11-35		
	43 7586688		...NAMEPLATE-		1
			SUPPLIER CODE: V05228		
	45 7586630		...INDICATOR ASSY-DIFF PRESSURE HYDR		1
			SUPPLIER CODE: V05228		
			SPECIFICATION NUMBER: S271T005-5		
			OPTIONAL PART: TC125UK06Y V18350		
	46 7586651	NAMEPLATE-		1
			SUPPLIER CODE: V05228		
			USED ON: 7586630		
	47 MS3367-5-9	STRAP-		1
			USED ON: 7586630		
	48 7586649	CAP-PROTECTIVE		1
			SUPPLIER CODE: V05228		
			USED ON: 7586630		

ILLUSTRATION ITEMS NOT ON PARTS LIST ARE NOT APPLICABLE

- ITEM NOT ILLUSTRATED

29-11-16-01

29-11-16
FIG. 01
PAGE 1
APR 22/09

HXL

BOEING PROPRIETARY - Copyright © - Unpublished Work - See title page for details.



767

PARTS CATALOG (MAINTENANCE)

FIG ITEM	PART NUMBER	1 2 3 4 5 6 7	NOMENCLATURE	EFFECT FROM TO	UNITS PER ASSY
1 49	7590761-001	CAP-PROTECTIVE SUPPLIER CODE: V05228 CONFIG CHG DATA FROM A CMM: REPLD BY MS3367-5-9 REPLD BY 7586649 MISCELLANEOUS DATA: USED PRIOR TO S/N 6409 FOR 7586630 ASSY AND S/N 3888 FOR 7586631 ASSY OPTIONAL PART: 7586779 V05228 USED ON: 7586630		1
50	7586779	CAP-PROTECTIVE SUPPLIER CODE: V05228 CONFIG CHG DATA FROM A CMM: REPLD BY MS3367-5-9 REPLD BY 7586649 MISCELLANEOUS DATA: USED PRIOR TO S/N 6409 FOR 7586630 ASSY AND S/N 3888 FOR 7586631 ASSY OPTIONAL PART: 7590761-001 V05228 USED ON: 7586630 USED WITH: 7586778		1
51	7586778	RETAINER-CAP SUPPLIER CODE: V05228 CONFIG CHG DATA FROM A CMM: REPLD BY MS3367-5-9 REPLD BY 7586649 MISCELLANEOUS DATA: USED PRIOR TO S/N 6409 FOR 7586630 ASSY AND S/N 3888 FOR 7586631 ASSY USED ON: 7586630 USED WITH: 7586779		1

ILLUSTRATION ITEMS NOT ON PARTS LIST ARE NOT APPLICABLE

- ITEM NOT ILLUSTRATED

HXL

29-11-16-01

BOEING PROPRIETARY - Copyright © - Unpublished Work - See title page for details.

29-11-16
FIG. 01
PAGE 2
DEC 22/06



767

PARTS CATALOG (MAINTENANCE)

FIG ITEM	PART NUMBER	1 2 3 4 5 6 7	NOMENCLATURE	EFFECT FROM TO	UNITS PER ASSY
1					
52	7586642	PISTON- SUPPLIER CODE: V05228 USED ON: 7586630		1
53	7586811	SEAL-RING SUPPLIER CODE: V05228 USED ON: 7586630		1
54	7586810	PACKING-O-RING SUPPLIER CODE: V05228 USED ON: 7586630		1
55	7582499	RING-RTNR SUPPLIER CODE: V05228 CONFIG CHG DATA FROM A CMM: REPLD BY 7582449-001 USED ON: 7586630		1
55	7582499-001	RING-RTNR SUPPLIER CODE: V05228 CONFIG CHG DATA FROM A CMM: REPLACES 7582499 USED ON: 7586630		1
56	7586645	SPRING-PISTON SUPPLIER CODE: V05228 USED ON: 7586630		1
57	7586646	RETAINER-SPR SUPPLIER CODE: V05228 USED ON: 7586630		1
58	7586777	SHIM- SUPPLIER CODE: V05228 SELECT FROM ITEM. USED ON: 7586630		AR
65	NAS1611-014	PACKING-		1
66	NAS1612-8	PACKING-		1

ILLUSTRATION ITEMS NOT ON PARTS LIST ARE NOT APPLICABLE

- ITEM NOT ILLUSTRATED

HXL

29-11-16-01

BOEING PROPRIETARY - Copyright © - Unpublished Work - See title page for details.

29-11-16
FIG. 01
PAGE 3
DEC 22/06

 **BOEING**
767
PARTS CATALOG (MAINTENANCE)

FIG ITEM	PART NUMBER	1 2 3 4 5 6 7	NOMENCLATURE	EFFECT FROM TO	UNITS PER ASSY
1					
67	271T0003-1	...	CASE- OPTIONAL PART: 271T0006-1		1
68	271T0006-1	...	CASE- OPTIONAL PART: 271T0003-1		1
69	NAS1611-430	...	PACKING-		1
70	7585381	...	ELEMENT ASSY-NON- CLEANABLE LOW PRESSURE SUPPLIER CODE: V05228 SPECIFICATION NUMBER: S271T006-1 FOR ELEMENT MAINTENANCE USE FILTER MAINT KIT DEFINED IN FILTER MAINT KIT LIST. FILTER MAINTENANCE KIT REF: 654T0035-5 FOR DETAILS SEE: 29-11-16-80		1
75	7585964	...	VALVE ASSY- SUPPLIER CODE: V05228		1
78	NAS1612-24	...	PACKING-		1
80	7554834	...	SPRING- SUPPLIER CODE: V05228		1
85	NAS1611-429	...	PACKING-		1
90	7585520	...	VALVE ASSY-CHK SUPPLIER CODE: V05228		1
95	7554833	...	SLEEVE- SUPPLIER CODE: V05228		1
100	NAS1611-019	...	PACKING-		1
105	NAS1351-3-8P	...	SCREW		3
110	7585802	...	VALVE ASSY-RELIEF SUPPLIER CODE: V05228 FOR DETAILS SEE: 29-11-16-80		1
195	NAS1611-125	...	PACKING-		1
200	NAS1611-026	...	PACKING-		1

ILLUSTRATION ITEMS NOT ON PARTS LIST ARE NOT APPLICABLE

— ITEM NOT ILLUSTRATED

HXL

29-11-16-01

BOEING PROPRIETARY - Copyright © - Unpublished Work - See title page for details.

29-11-16
FIG. 01
PAGE 4
DEC 22/06



767

PARTS CATALOG (MAINTENANCE)

FIG ITEM	PART NUMBER	1 2 3 4 5 6 7	NOMENCLATURE	EFFECT FROM TO	UNITS PER ASSY
1					
205	TC125UK06Y	...	INDICATOR ASSY-PRESSURE SUPPLIER CODE: V18350 SPECIFICATION NUMBER: S271T005-2 OPTIONAL PART: 7586630 V05228		1
210	60TA125UK06Y	NAMEPLATE- SUPPLIER CODE: V18350		1
215	AA9500D330	RING-RETAINING SUPPLIER CODE: V18350		1
220	AA9500D822	BAND-BOOT SHRINK SUPPLIER CODE: V18350		1
225	62RB114S0000	BOOT- SUPPLIER CODE: V18350		1
230	19RA551P0000	INDICATOR-BUTTON SUPPLIER CODE: V18350		1
235	69RB55100000	BIMETAL- SUPPLIER CODE: V18350		1
240	AA2100-3D5	MAGNET-ACTUATION SPRING SUPPLIER CODE: V18350		1
245	14RA77700000	RETAINER-SPRING SUPPLIER CODE: V18350		1
250	21RA777000K7	SPRING- SUPPLIER CODE: V18350		1
255	AA9500D530	SEAL-RING SUPPLIER CODE: V18350		1
260	NAS1611-011	PACKING-		1
265	27RA65000000	MAGNET- SUPPLIER CODE: V18350		1
270	23TB04200000	PISTON- SUPPLIER CODE: V18350		1
275	92RA77100000	FILTER-SLEEVE, RIGIMESH SUPPLIER CODE: V18350		1

ILLUSTRATION ITEMS NOT ON PARTS LIST ARE NOT APPLICABLE

- ITEM NOT ILLUSTRATED

29-11-16-01

29-11-16
FIG. 01
PAGE 5
DEC 22/06

HXL



767
PARTS CATALOG (MAINTENANCE)

FIG ITEM	PART NUMBER	1 2 3 4 5 6 7	NOMENCLATURE	EFFECT FROM TO	UNITS PER ASSY
1 280	08TD12500009	PLUG-DELTADYNE SUPPLIER CODE: V18350		1

ILLUSTRATION ITEMS NOT ON PARTS LIST ARE NOT APPLICABLE

- ITEM NOT ILLUSTRATED

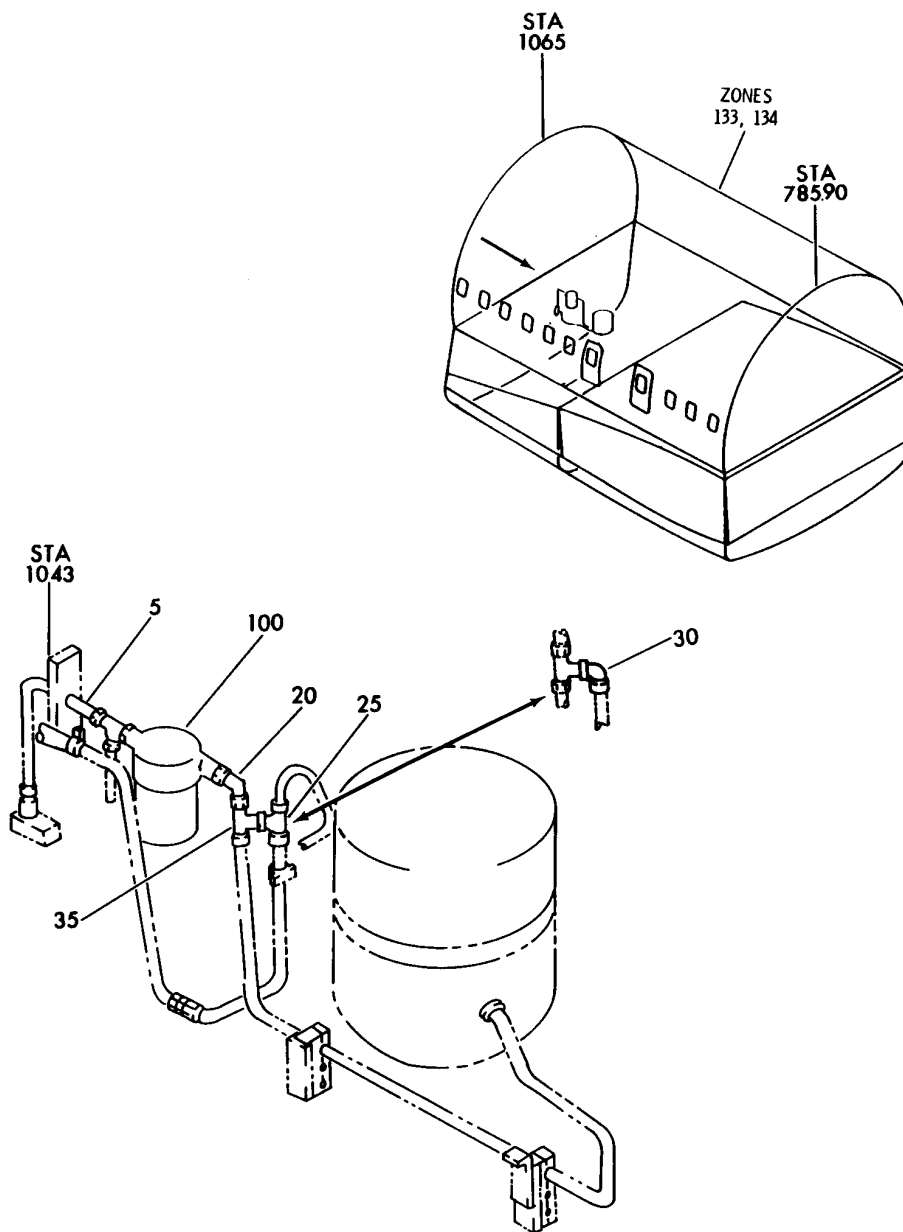
HXL

29-11-16-01

BOEING PROPRIETARY - Copyright © - Unpublished Work - See title page for details.

29-11-16
FIG. 01
PAGE 6
DEC 22/06

BOEING
767
PARTS CATALOG (MAINTENANCE)



V 29111602 REV 122

HYDRAULIC INSTL-SECT. 45 (SYSTEM C RETURN FILTER MODULE ONLY)
FIGURE 2

29-11-16-02

HXL
DEC 22/06

29-11-16-02
PAGE 0



767

PARTS CATALOG (MAINTENANCE)

FIG ITEM	PART NUMBER	1 2 3 4 5 6 7	NOMENCLATURE	EFFECT FROM TO	UNITS PER ASSY
2			HYDRAULIC INSTL-SECT. 45 (SYSTEM C RETURN FILTER MODULE ONLY)		
- 2	272T4500-3		HYDRAULIC INSTL-(SYSTEM C RETURN FILTER MODULE ONLY) POSITION DATA: SECT. 45 MISCELLANEOUS DATA: (CONT AT ITEM 002J) VARIABLE DRAWING REF: 272T4500-5191		RF
- 2	272T4500-3		HYDRAULIC INSTL-SYSTEM C RETURN FILTER MODULE ONLY) POSITION DATA: SECT. 45 MISCELLANEOUS DATA: (CONT FROM ITEM 002) VARIABLE DRAWING REF: 272T4500-5274 272T4500-5278 272T4500-7002 FOR NHA/OTHER SYS DET SEE: 29-00-00-06		RF
	5 272T4500-633		.TUBE ASSY-RETURN CTR SYS TUBING MATERIAL: 1.00 IN. OD .035 IN. WALL 24.25 IN. LG AL		1
- 10	AP2097HP16		..SLEEVE SUPPLIER CODE: V01673 SPECIFICATION NUMBER: BACS13BX16HP OPTIONAL PART: 2-02903-16HP V11328 35235VN16 V08199 AFP175V16P V30974 DB0S13BX16HP V14798		2
- 15	BACN10YL16		..NUT		2
20	NAS1762D1616		.ELBOW		1
30	NAS1764D161016		.TEE		1
35	NAS1763D161616		.TEE		1

ILLUSTRATION ITEMS NOT ON PARTS LIST ARE NOT APPLICABLE

- ITEM NOT ILLUSTRATED

29-11-16-02

29-11-16
FIG. 02
PAGE 1
DEC 22/07

HXL



767
PARTS CATALOG (MAINTENANCE)

FIG ITEM	PART NUMBER	1 2 3 4 5 6 7	NOMENCLATURE	EFFECT FROM TO	UNITS PER ASSY
2 100	271T4580-1		.MODULE INSTL-FILTER RETURN CTR SYS FOR DETAILS SEE: 29-11-16-01		1

ILLUSTRATION ITEMS NOT ON PARTS LIST ARE NOT APPLICABLE

- ITEM NOT ILLUSTRATED

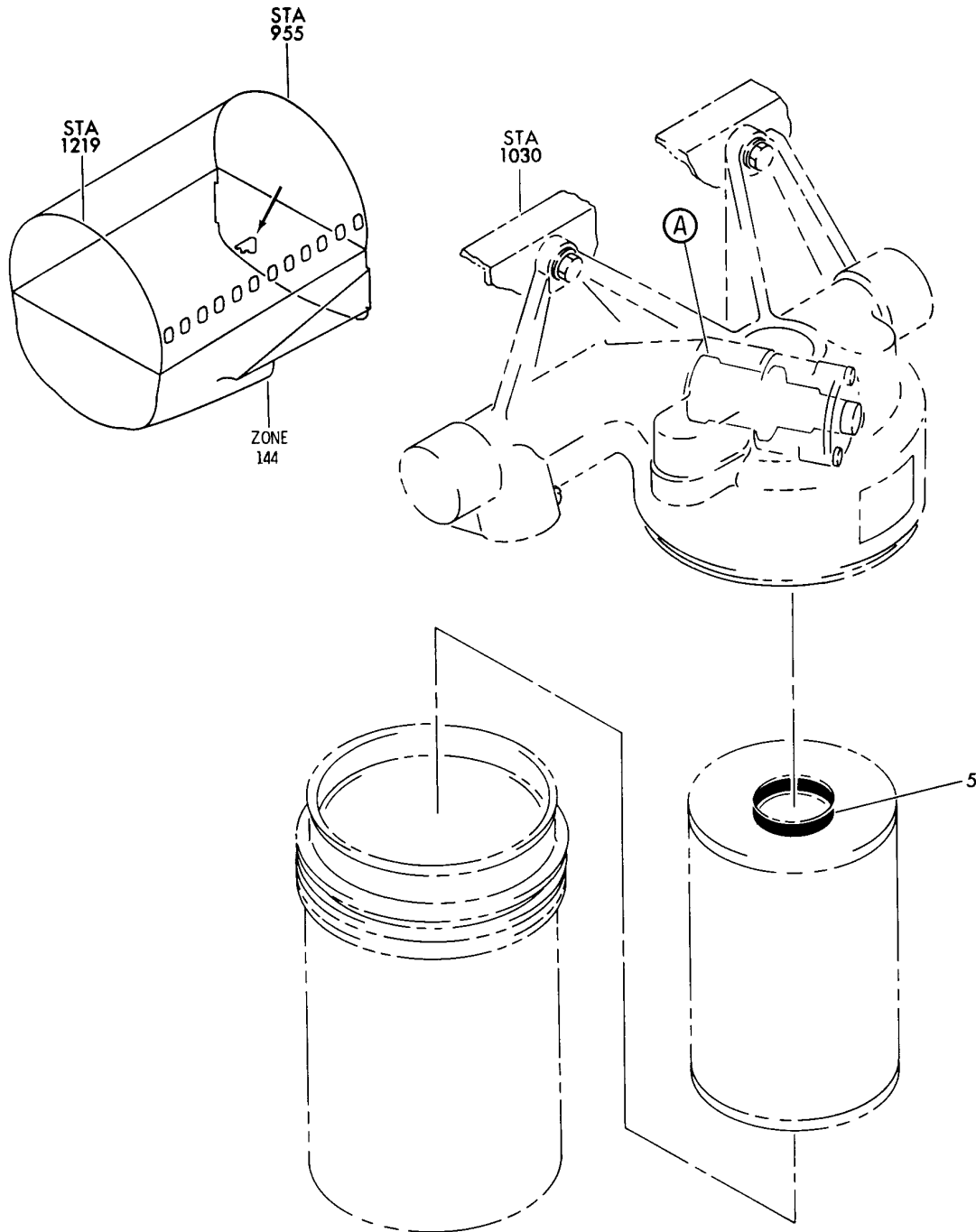
HXL

29-11-16-02

BOEING PROPRIETARY - Copyright © - Unpublished Work - See title page for details.

29-11-16
FIG. 02
PAGE 2
DEC 22/07

BOEING
767
PARTS CATALOG (MAINTENANCE)



V 29111680 SHT 1 REV 171

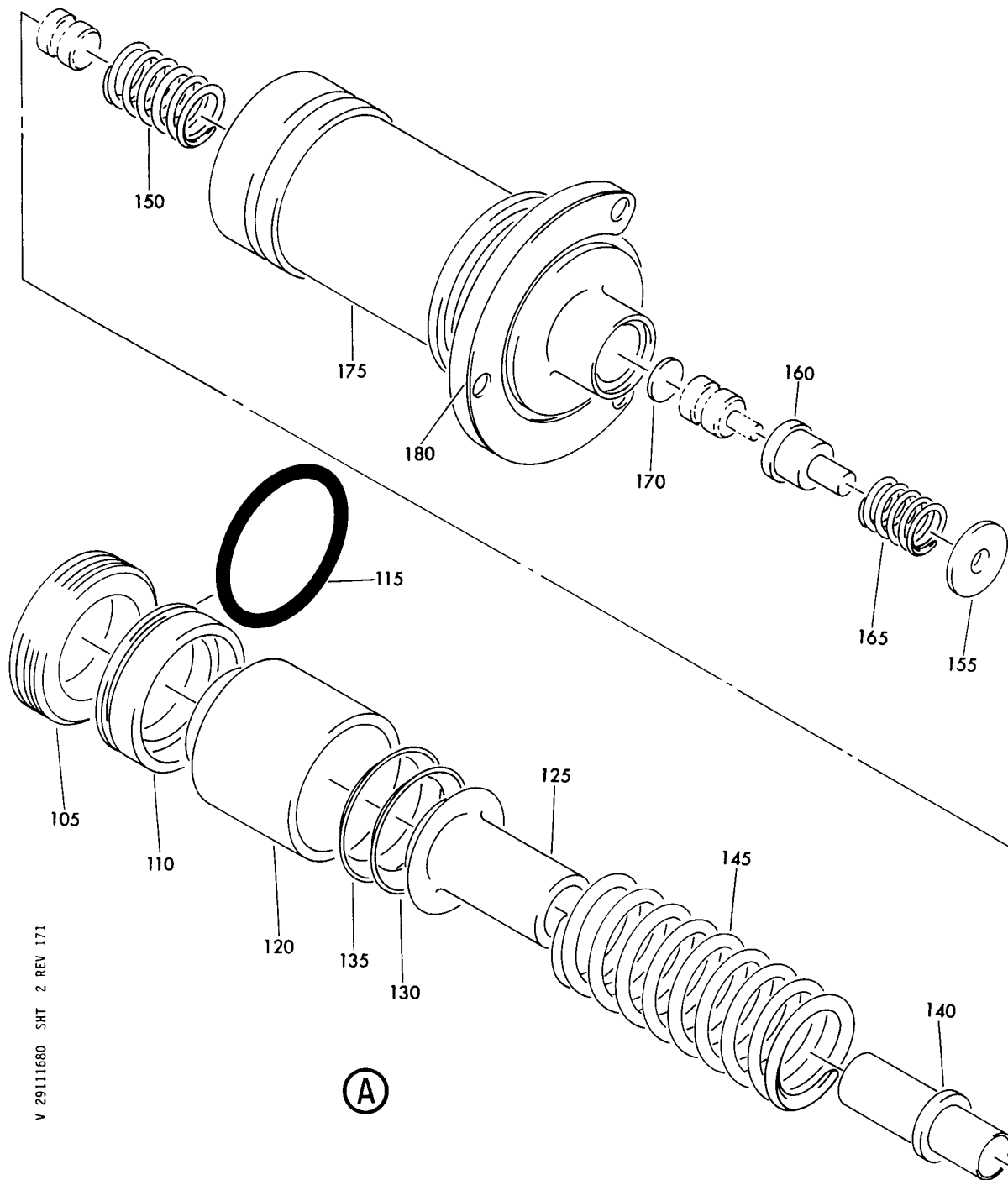
ELEMENT AND VALVE ASSY-NON CLEANABLE LOW PRESSURE
FIGURE 80 (SHEET 1)

29-11-16-80

HXL
DEC 22/06

29-11-16-80
PAGE 0

BOEING
767
PARTS CATALOG (MAINTENANCE)



V 29111680 SHT 2 REV 171

ELEMENT AND VALVE ASSY-NON CLEANABLE LOW PRESSURE
FIGURE 80 (SHEET 2)

29-11-16-80

HXL
DEC 22/06

29-11-16-80
PAGE 0A



767

PARTS CATALOG (MAINTENANCE)

FIG ITEM	PART NUMBER	1 2 3 4 5 6 7	NOMENCLATURE	EFFECT FROM TO	UNITS PER ASSY
80					
- 1	7585381		ELEMENT AND VALVE ASSY-NON CLEANABLE LOW PRESSURE ELEMENT ASSY-NON-CLEANABLE LOW PRESSURE SUPPLIER CODE: V05228 SPECIFICATION NUMBER: S271T006-1 FOR ELEMENT MAINTENANCE USE FILTER MAINT KIT DEFINED IN FILTER MAINT KIT LIST. FILTER MAINTENANCE KIT REF: 654T0035-5 FOR NHA SEE: 29-11-16-01		RF
5	NAS1611-224				1
- 100	7585802		.PACKING- VALVE ASSY-RELIEF SUPPLIER CODE: V05228 FOR NHA SEE: 29-11-16-01		RF
105	7575819		.RETAINER- SUPPLIER CODE: V05228		1
110	7575818		.SEAT- SUPPLIER CODE: V05228		1
115	NAS1611-023				1
120	7575529		.POPPET- SUPPLIER CODE: V05228		1
125	7554863		.CYLINDER- SUPPLIER CODE: V05228		1
130	7576188		.SHIM- SUPPLIER CODE: V05228		AR
135	7576189		.SHIM- SUPPLIER CODE: V05228		AR
140	7554838		.SENSOR ASSY- SUPPLIER CODE: V05228		1
145	7585836		.SPRING-CPRSN SUPPLIER CODE: V05228		1
150	7554840		.SPRING-CPRSN SUPPLIER CODE: V05228		1

ILLUSTRATION ITEMS NOT ON PARTS LIST ARE NOT APPLICABLE

- ITEM NOT ILLUSTRATED

29-11-16-80

29-11-16
FIG. 80
PAGE 1
DEC 22/06

HXL



767

PARTS CATALOG (MAINTENANCE)

FIG ITEM	PART NUMBER	1 2 3 4 5 6 7	NOMENCLATURE	EFFECT FROM TO	UNITS PER ASSY
80					
155	7505867		.CAP- SUPPLIER CODE: V05228		1
160	7505933		.SIGNAL ASSY- SUPPLIER CODE: V05228		1
165	7505865		.SPRING-CPRSN SUPPLIER CODE: V05228		1
170	7506041		.DISC- SUPPLIER CODE: V05228		1
175	7554835		.HOUSING- SUPPLIER CODE: V05228		1
180	7585837		.NAMEPLATE- SUPPLIER CODE: V05228		1
ILLUSTRATION ITEMS NOT ON PARTS LIST ARE NOT APPLICABLE					

- ITEM NOT ILLUSTRATED

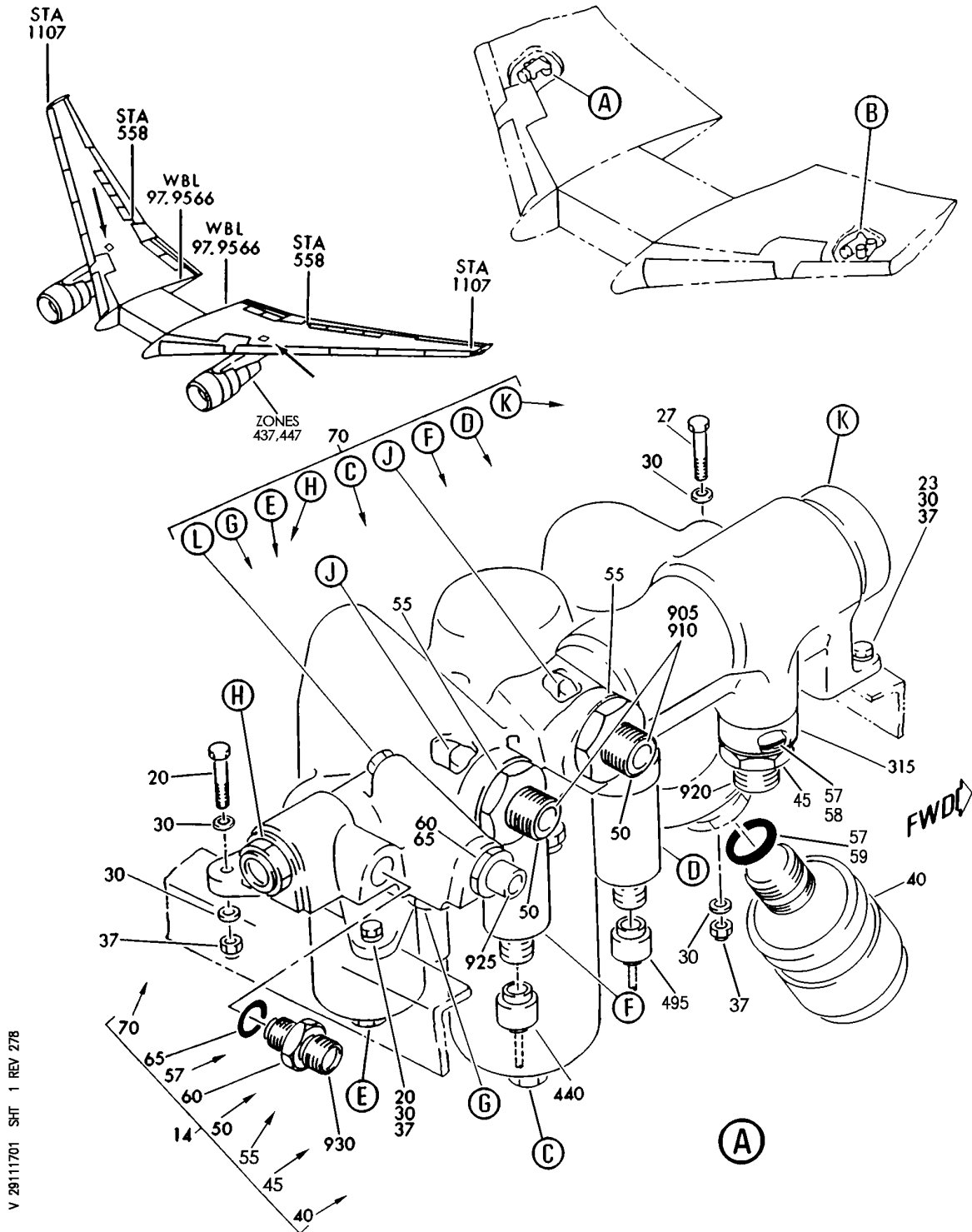
HXL

29-11-16-80

BOEING PROPRIETARY - Copyright © - Unpublished Work - See title page for details.

29-11-16
FIG. 80
PAGE 2
DEC 22/06

BOEING
767
PARTS CATALOG (MAINTENANCE)



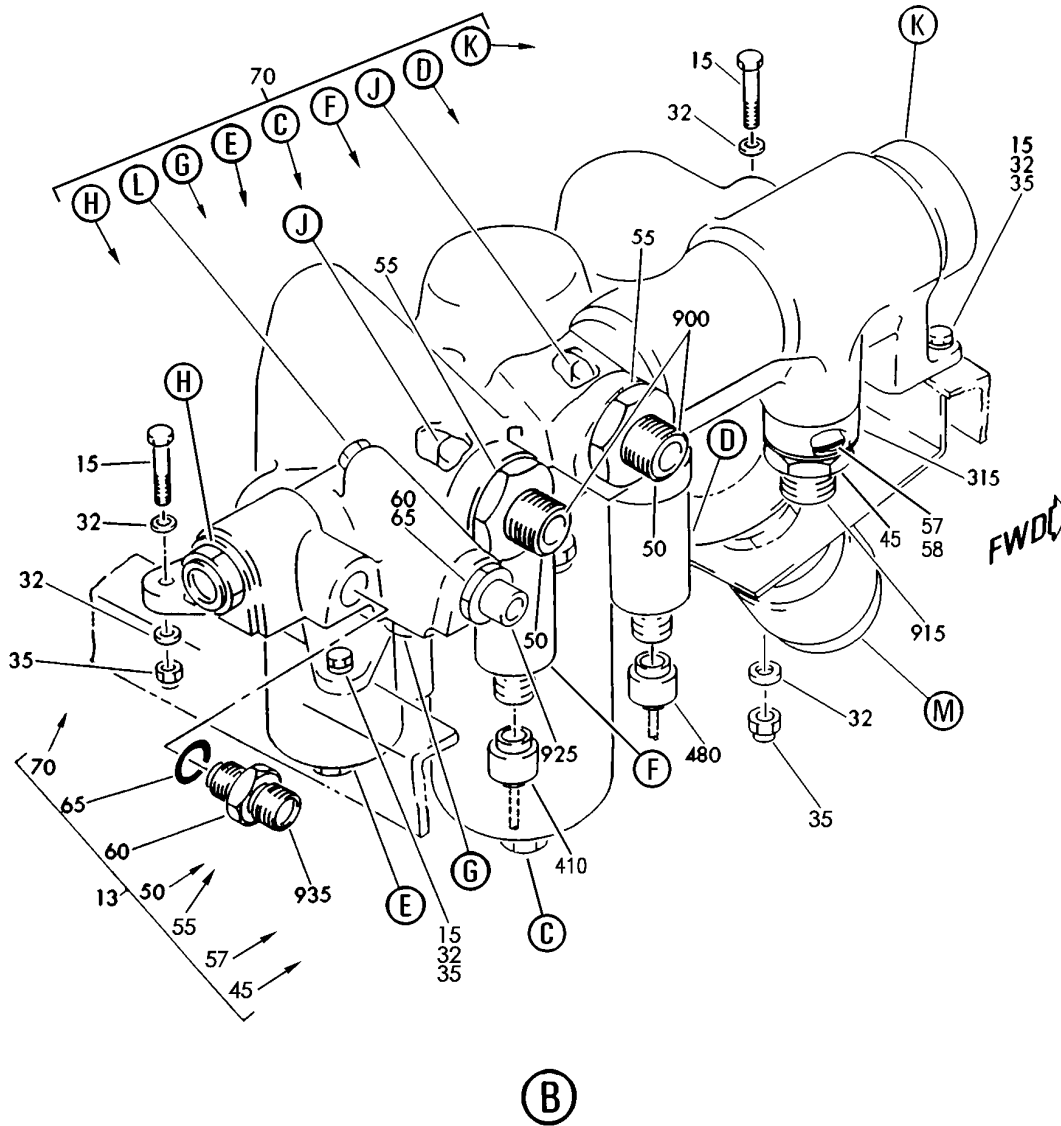
MODULE INSTL-FAIRING STRUT ENG DRIVEN PUMP PRESSURE AND CASE DRAIN FILTER AFT
FIGURE 1 (SHEET 1)

HXL
DEC 22/06

29-11-17-01

29-11-17-01
PAGE 0

BOEING
767
PARTS CATALOG (MAINTENANCE)



V 29111701 SH1 2 REV 27B

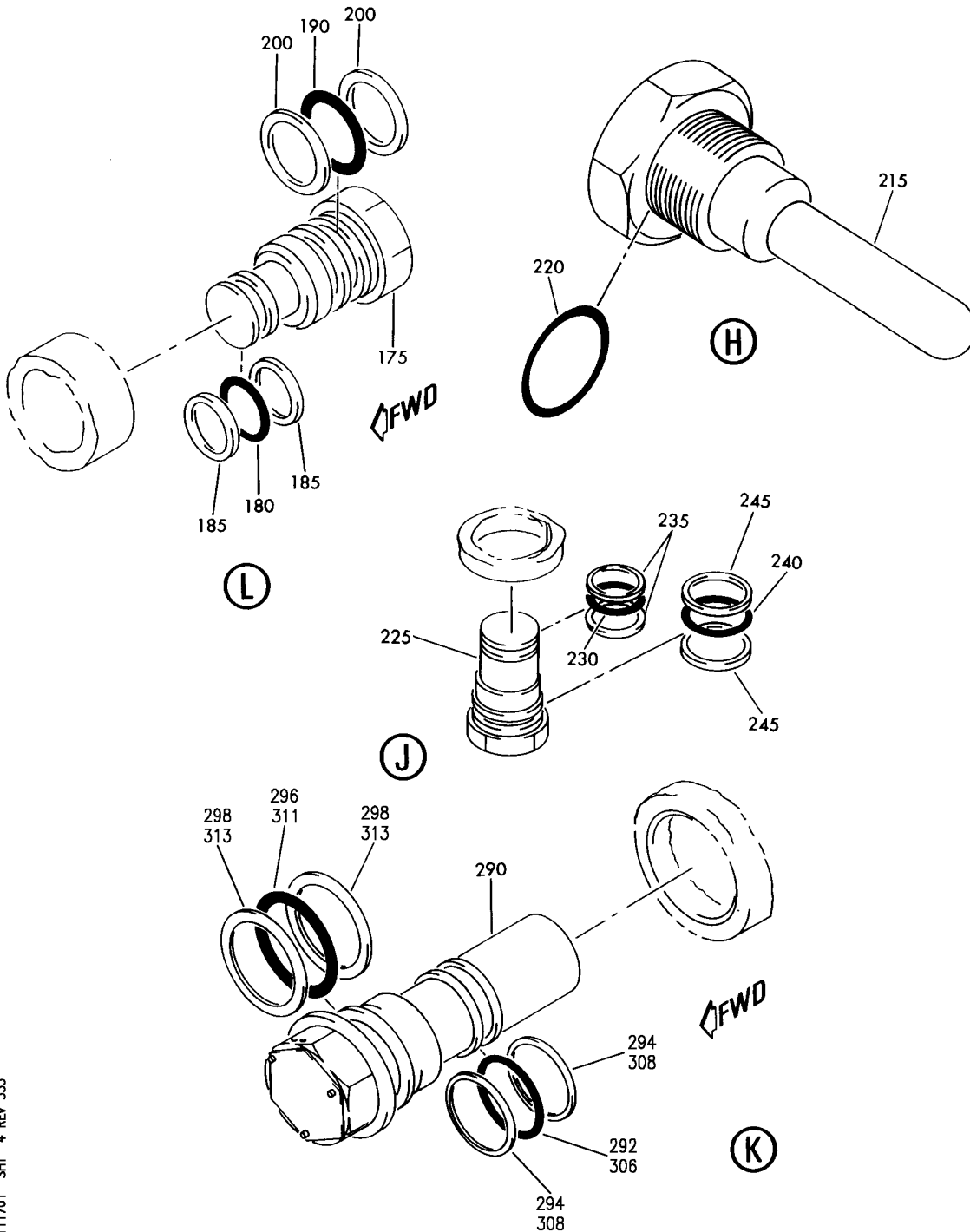
MODULE INSTL-FAIRING STRUT ENG DRIVEN PUMP PRESSURE AND CASE DRAIN FILTER AFT
FIGURE 1 (SHEET 2)

29-11-17-01

HXL
DEC 22/06

29-11-17-01
PAGE 0A

BOEING
767
PARTS CATALOG (MAINTENANCE)



V 2911701 SHT 4 REV 333

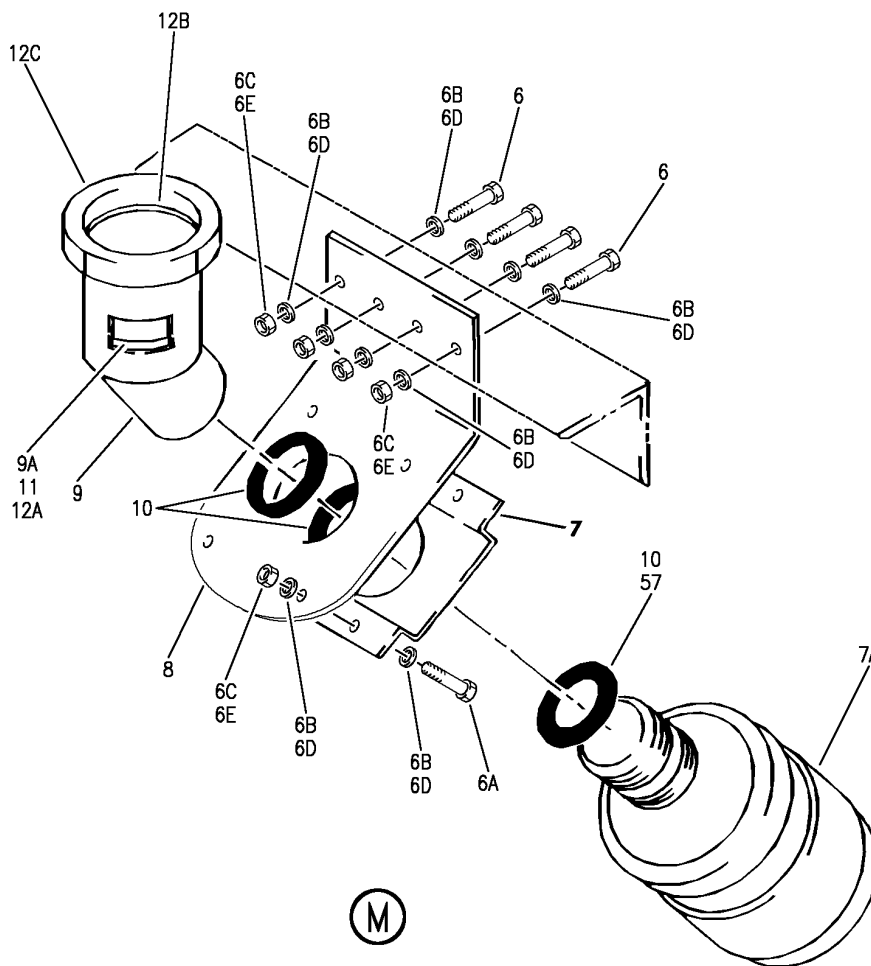
MODULE INSTL-FAIRING STRUT ENG DRIVEN PUMP PRESSURE AND CASE DRAIN FILTER AFT
FIGURE 1 (SHEET 4)

29-11-17-01

HXL
DEC 22/08

29-11-17-01
PAGE 0C

BOEING
767
PARTS CATALOG (MAINTENANCE)



V 29111701 SH1 5 REV 260

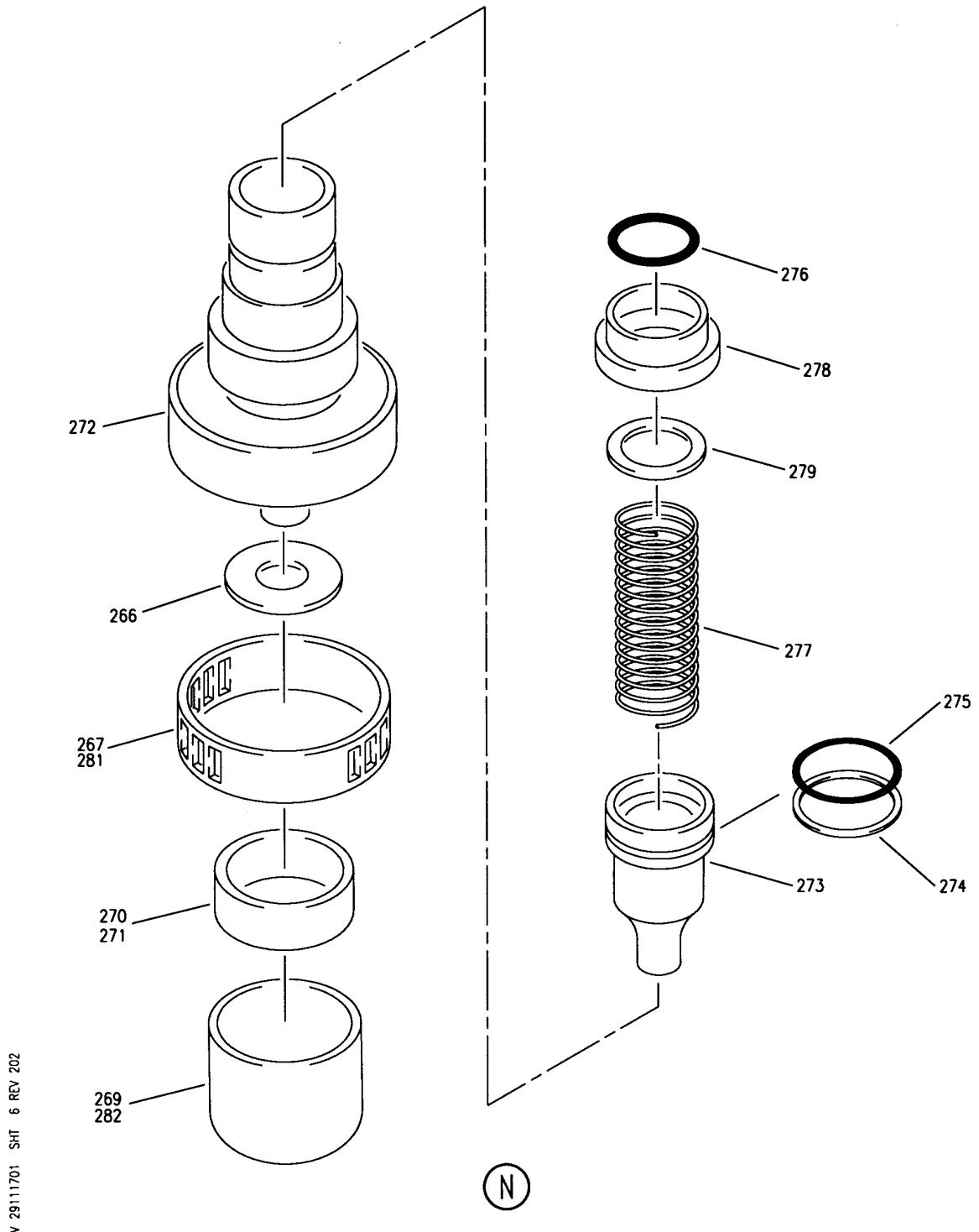
MODULE INSTL-FAIRING STRUT ENG DRIVEN PUMP PRESSURE AND CASE DRAIN FILTER AFT
FIGURE 1 (SHEET 5)

HXL
DEC 22/06

29-11-17-01

29-11-17-01
PAGE 0D

BOEING
767
PARTS CATALOG (MAINTENANCE)



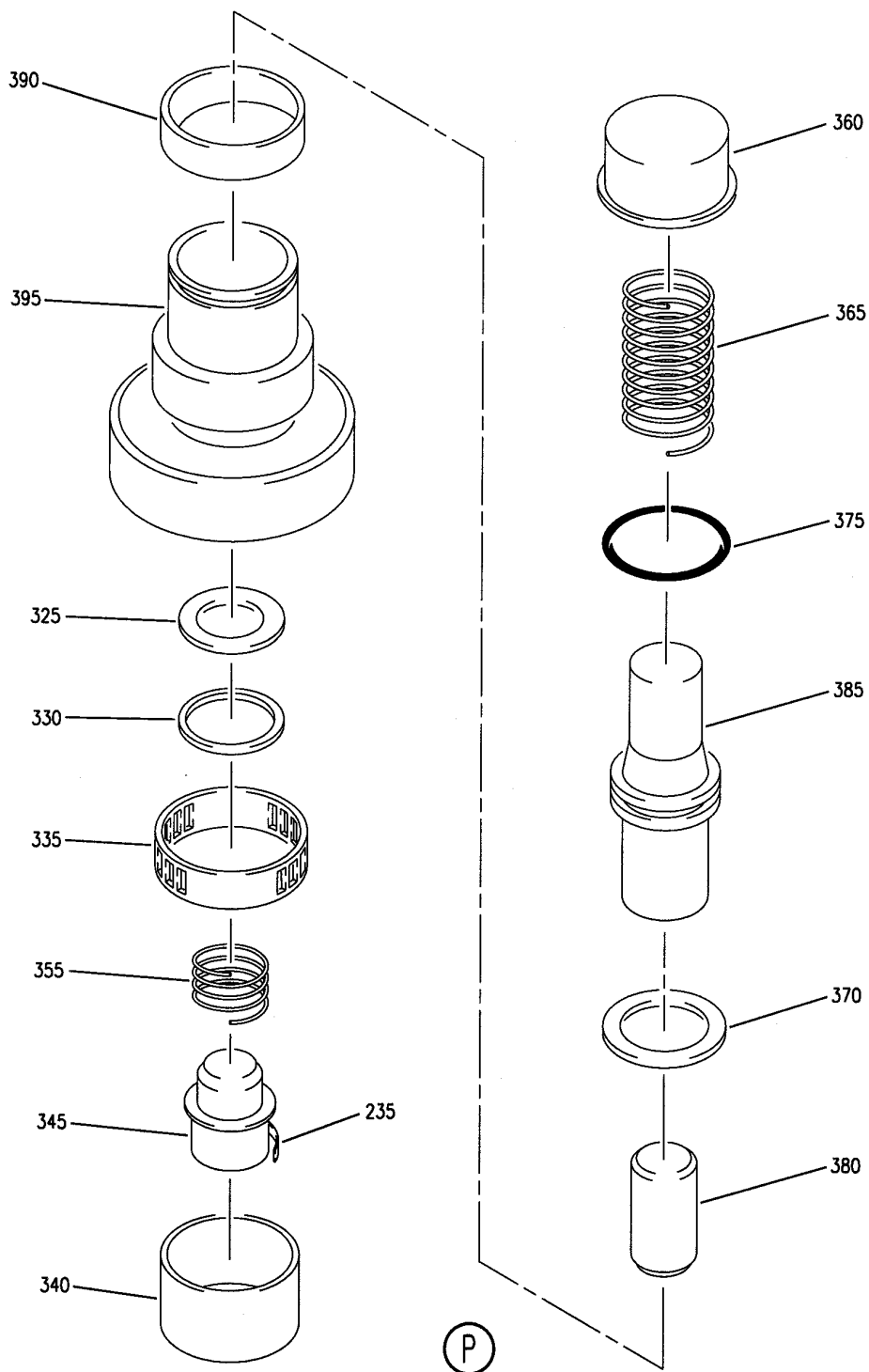
MODULE INSTL-FAIRING STRUT ENG DRIVEN PUMP PRESSURE AND CASE DRAIN FILTER AFT
FIGURE 1 (SHEET 6)

HXL
DEC 22/06

29-11-17-01

29-11-17-01
PAGE 0E

BOEING
767
PARTS CATALOG (MAINTENANCE)



V 29111701 SHT 7 REV 220

MODULE INSTL-FAIRING STRUT ENG DRIVEN PUMP PRESSURE AND CASE DRAIN FILTER AFT
FIGURE 1 (SHEET 7)

29-11-17-01

HXL
DEC 22/06

29-11-17-01
PAGE OF



767

PARTS CATALOG (MAINTENANCE)

FIG ITEM	PART NUMBER	1 2 3 4 5 6 7	NOMENCLATURE	EFFECT FROM TO	UNITS PER ASSY
1			MODULE INSTL-FAIRING STRUT ENG DRIVEN PUMP PRESSURE AND CASE DRAIN FILTER AFT		
- 1	271T5240-9		MODULE INSTL-FAIRING STRUT ENG DRIVEN PUMP PRESSURE AND CASE DRAIN FILTER POSITION DATA: AFT LH FOR NHA SEE: 29-11-17-02		RF
- 5	271T5240-8		MODULE INSTL-FAIRING STRUT ENG DRIVEN PUMP PRESSURE AND CASE DRAIN FILTER POSITION DATA: AFT RH FOR NHA SEE: 29-11-17-03		RF
6	NAS6603-4		.BOLT- POSITION DATA: LH SIDE		4
6A	NAS6603-3		.BOLT- POSITION DATA: LH SIDE		4
6B	AN960KD10L		.WASHER- POSITION DATA: LH SIDE		16
6C	BRH10A3		.NUT- SUPPLIER CODE: V52828 SPECIFICATION NUMBER: BACN10JC3 OPTIONAL PART: H10-3BAC V15653 NS202101-02 V80539 RMLH9075-3W V72962 VN303A02 V92215 96-02 V80539 T6S1032J V11815 POSITION DATA: LH SIDE		8
7	MS24335-16		.RETAINER- POSITION DATA: LH SIDE		1

ILLUSTRATION ITEMS NOT ON PARTS LIST ARE NOT APPLICABLE

- ITEM NOT ILLUSTRATED

29-11-17-01

29-11-17
FIG. 01
PAGE 1
DEC 22/07

HXL



767

PARTS CATALOG (MAINTENANCE)

FIG ITEM	PART NUMBER	1 2 3 4 5 6 7	NOMENCLATURE	EFFECT FROM TO	UNITS PER ASSY
1	7A AE80994M		.COUPLING ASSY-GSE SUPPLIER CODE: V00624 POSITION DATA: LH SIDE FUNCTIONAL DESCRIPTION: PROVIDES GROUND SUPPORT CONNECTION TO PROVIDE HYDRAULIC PRESSURE TO THE CENTER HYDRAULIC SYSTEM. COMPONENT MAINT MANUAL REF: 29-19-01		1
	8 271T0151-2		.BRACKET- POSITION DATA: LH SIDE		1
	9 271T0153-1		.ADAPTER- POSITION DATA: LH SIDE		1
	9A 271T0152-1		.ADAPTER- POSITION DATA: LH SIDE		1
	10 NAS1612-16		.PACKING- POSITION DATA: LH SIDE		3
	11 NAS1611-212		.PACKING- POSITION DATA: LH SIDE		1
	12A C11236-212B		.RING- SUPPLIER CODE: V26879 SPECIFICATION NUMBER: BACR12BM212 OPTIONAL PART: RMR12BM212 V94878 STF800-212 V02107 S30294-212-1 V97820 TF450-212A V07128 2100-212 V26303 POSITION DATA: LH SIDE		1
	12B MS28773-16		.RETAINER- POSITION DATA: LH SIDE		1

ILLUSTRATION ITEMS NOT ON PARTS LIST ARE NOT APPLICABLE

- ITEM NOT ILLUSTRATED

HXL

29-11-17-01

BOEING PROPRIETARY - Copyright © - Unpublished Work - See title page for details.

29-11-17
FIG. 01
PAGE 2
APR 22/09



767

PARTS CATALOG (MAINTENANCE)

FIG ITEM	PART NUMBER	1 2 3 4 5 6 7	NOMENCLATURE	EFFECT FROM TO	UNITS PER ASSY
1					
12C	AN6289J16		.NUT- POSITION DATA: LH SIDE		1
13	271T5240-6		.MODULE ASSY- POSITION DATA: LH SIDE USED ON: 271T5240-5		1
13	271T5240-11		.MODULE ASSY- POSITION DATA: LH SIDE USED ON: 271T5240-9		1
14	271T5240-7		.MODULE ASSY- POSITION DATA: RH SIDE USED ON: 271T5240-2		1
14	271T5240-10		.MODULE ASSY- POSITION DATA: RH SIDE USED ON: 271T5240-8		1
15	NAS6604-17		ATTACHING PARTS .BOLT- POSITION DATA: LH SIDE		4
20	NAS6604-12		.BOLT- POSITION DATA: RH SIDE		2
23	NAS6604-9		.BOLT- POSITION DATA: RH SIDE		1
27	NAS6604-10		.BOLT- POSITION DATA: RH SIDE		1
30	AN960PD416L		.WASHER- POSITION DATA: RH SIDE		8
32	AN960KD416L		.WASHER- POSITION DATA: LH SIDE		8

ILLUSTRATION ITEMS NOT ON PARTS LIST ARE NOT APPLICABLE

- ITEM NOT ILLUSTRATED

HXL

29-11-17-01

BOEING PROPRIETARY - Copyright © - Unpublished Work - See title page for details.

29-11-17
FIG. 01
PAGE 3
APR 22/09

 **BOEING**
767
PARTS CATALOG (MAINTENANCE)

FIG ITEM	PART NUMBER	1 2 3 4 5 6 7	NOMENCLATURE	EFFECT FROM TO	UNITS PER ASSY
1 35	BRH10A4		.NUT- SUPPLIER CODE: V52828 SPECIFICATION NUMBER: BACN10JC4 OPTIONAL PART: T6S428J V11815 96-048 V80539 VN303A048 V92215 RMLH9075-4W V72962 NS202101-048 V80539 H10-4BAC V15653 POSITION DATA: LH SIDE -----*-----		4
40	AE80994M		..COUPLING ASSY-GSE SUPPLIER CODE: V00624 POSITION DATA: RH SIDE FUNCTIONAL DESCRIPTION: PROVIDES GROUND SUPPORT CONNECTION TO PROVIDE HYDRAULIC PRESSURE TO THE CENTER HYDRAULIC SYSTEM. COMPONENT MAINT MANUAL REF: 29-19-01		1
45	MS21902D16		..UNION		1

ILLUSTRATION ITEMS NOT ON PARTS LIST ARE NOT APPLICABLE

- ITEM NOT ILLUSTRATED

HXL

29-11-17-01

BOEING PROPRIETARY - Copyright © - Unpublished Work - See title page for details.

29-11-17
FIG. 01
PAGE 4
APR 22/09



767

PARTS CATALOG (MAINTENANCE)

FIG ITEM	PART NUMBER	1 2 3 4 5 6 7	NOMENCLATURE	EFFECT FROM TO	UNITS PER ASSY
1 50	AFP23216-12		..REDUCER- SUPPLIER CODE: V30974 SPECIFICATION NUMBER: BACR17E16-12 OPTIONAL PART: AP102716-12 V01673 BC916T16-12 V50948 DBOR17E16-12 V14798 ER21916T16-12 V88334 ER31916-16-12 V88334 F23-16-12 V73197 2-01075T16-12 V11328 31778-16-12 V14397 US2114-16-12 V50808		2
55	NAS1612-16		..PACKING-		2
57	NAS1612-16		..PACKING-		2
60	MS21902D8		..UNION		2
65	NAS1612-8		..PACKING-		2
70	271T0068-5		..MODULE ASSY-(MAIN HYDRAULIC SYSTEMS ONLY) COMPONENT MAINT MANUAL REF: 29-11-46 USED ON: 271T5240-6 271T5240-7 FUNCTIONAL REFERENCE: HYDRAULIC POWER FOR DETAILS SEE 29-32-03-01		1

ILLUSTRATION ITEMS NOT ON PARTS LIST ARE NOT APPLICABLE

- ITEM NOT ILLUSTRATED

HXL

29-11-17-01

BOEING PROPRIETARY - Copyright © - Unpublished Work - See title page for details.

29-11-17
 FIG. 01
 PAGE 5
 DEC 22/07



767

PARTS CATALOG (MAINTENANCE)

FIG ITEM	PART NUMBER	1 2 3 4 5 6 7	NOMENCLATURE	EFFECT FROM TO	UNITS PER ASSY
1	70 271T0068-7		..MODULE ASSY-(MAIN HYDRAULIC SYSTEMS ONLY) COMPONENT MAINT MANUAL REF: 29-11-46 USED ON: 271T5240-10 271T5240-11 FUNCTIONAL REFERENCE: HYDRAULIC POWER FOR DETAILS SEE 29-32-03-01		1
	70 271T0068-10		..MODULE ASSY-(MAIN HYDRAULIC SYSTEMS ONLY) COMPONENT MAINT MANUAL REF: 29-11-46 FUNCTIONAL REFERENCE: HYDRAULIC POWER FOR DETAILS SEE 29-32-03-01		1
	70 271T0068-12		..MODULE ASSY-(MAIN HYDRAULIC SYSTEMS ONLY) COMPONENT MAINT MANUAL REF: 29-11-46 FUNCTIONAL REFERENCE: HYDRAULIC POWER FOR DETAILS SEE 29-32-03-01		1
	75 271T0044-1		...CASE- OPTIONAL PART: 271T0047-1		1
	75 271T0047-1		...CASE- OPTIONAL PART: 271T0044-1 USED ON: 271T0068-5 271T0068-7 271T0068-10		1
	80 NAS1611-226		...PACKING- USED ON: 271T0068-5 271T0068-7 271T0068-10		1
	80 NAS1611-226A		...PACKING- USED ON: 271T0068-12		1

ILLUSTRATION ITEMS NOT ON PARTS LIST ARE NOT APPLICABLE

- ITEM NOT ILLUSTRATED

29-11-17-01

29-11-17
FIG. 01
PAGE 6
DEC 22/08

HXL



767

PARTS CATALOG (MAINTENANCE)

FIG ITEM	PART NUMBER	1 2 3 4 5 6 7	NOMENCLATURE	EFFECT FROM TO	UNITS PER ASSY
1 85	7553276		<p>...ELEMENT ASSY-LOW PRESSURE NON-CLEANABLE SUPPLIER CODE: V05228 SPECIFICATION NUMBER: 60B00211-3 FOR ELEMENT MAINTENANCE USE FILTER MAINT KIT DEFINED IN FILTER MAINT KIT LIST. FILTER MAINTENANCE KIT REF: 654T0035-3 OPTIONAL PART: AC9008E1 V18350 AC9008E11 V18350</p>		1
90	NAS1611-214		<p>...PACKING- MISCELLANEOUS DATA: (SUPPLIED WITH 7553276, AC9008E1, AC9008E11)</p>		1
95	7553414		<p>...FITTING- SUPPLIER CODE: V05228</p>		1
100	7582484		<p>...PACKING- SUPPLIER CODE: V05228</p>		1
105	7506161		<p>...SLEEVE- SUPPLIER CODE: V05228</p>		1
110	7506162		<p>...SPRING- SUPPLIER CODE: V05228 OPTIONAL PART: 7589401 V05228 USED ON: 271T0068-5 271T0068-7 271T0068-10</p>		1
110	7589401		<p>...SPRING- SUPPLIER CODE: V05228 OPTIONAL PART: 7506162 V05228 USED ON: 271T0068-7 271T0068-10 271T0068-12</p>		1

ILLUSTRATION ITEMS NOT ON PARTS LIST ARE NOT APPLICABLE

- ITEM NOT ILLUSTRATED

29-11-17-01

29-11-17
 FIG. 01
 PAGE 7
 DEC 22/08

HXL



767

PARTS CATALOG (MAINTENANCE)

FIG ITEM	PART NUMBER	1 2 3 4 5 6 7	NOMENCLATURE	EFFECT FROM TO	UNITS PER ASSY
1					
115	NAS1611-226A	...	PACKING- USED ON: 271T0068-12		1
115	NAS1611-226	...	PACKING- USED ON: 271T0068-5 271T0068-7 271T0068-10		1
120	271T0070-1	...	CASE- OPTIONAL PART: 271T0072-1 USED ON: 271T0068-5		1
120	271T0072-1	...	CASE- OPTIONAL PART: 271T0070-1 USED ON: 271T0068-5		1
120	271T0070-3	...	CASE- OPTIONAL PART: 271T0070-5 USED ON: 271T0068-7		1
120	271T0070-5	...	CASE- OPTIONAL PART: 271T0070-3 USED ON: 271T0068-7 271T0068-10		1
120	271T0070-6	...	CASE- USED ON: 271T0068-12		1
125	NAS1611-231A	...	PACKING- USED ON: 271T0068-12		1
125	NAS1611-231	...	PACKING- USED ON: 271T0068-5 271T0068-7 271T0068-10		1
130	MS27595-231	...	RETAINER- OPTIONAL PART: BACR12BM231 MS28774-231		2

ILLUSTRATION ITEMS NOT ON PARTS LIST ARE NOT APPLICABLE

- ITEM NOT ILLUSTRATED

HXL

29-11-17-01

BOEING PROPRIETARY - Copyright © - Unpublished Work - See title page for details.

29-11-17
FIG. 01
PAGE 8
DEC 22/08



767

PARTS CATALOG (MAINTENANCE)

FIG ITEM	PART NUMBER	1 2 3 4 5 6 7	NOMENCLATURE	EFFECT FROM TO	UNITS PER ASSY
1 130	C11236-231B		...RETAINER- SUPPLIER CODE: V26879 SPECIFICATION NUMBER: BACR12BM231 OPTIONAL PART: RMR12BM231 V94878 STF800-231 V02107 S30294-231-1 V97820 TF450-231A V07128 2100-231 V26303 MS27595-231 MS28774-231		2
130	MS28774-231		...RETAINER- OPTIONAL PART: BACR12BM231 MS27595-231 USED ON: 271T0068-5 271T0068-7 271T0068-10		2
135	7515128		...ELEMENT ASSY-HIGH PRESSURE NON-CLEANABLE SUPPLIER CODE: V05228 SPECIFICATION NUMBER: 60B00204-1 FOR ELEMENT MAINTENANCE USE FILTER MAINT KIT DEFINED IN FILTER MAINT KIT LIST. FILTER MAINTENANCE KIT REF: 654T0035-4 OPTIONAL PART: AC9012F1 V18350 AC9012F2 V18350		1
140	NAS1611-218		...PACKING- MISCELLANEOUS DATA: (SUPPLIED WITH 7515128, AC9012F1, AC9012F2)		1

ILLUSTRATION ITEMS NOT ON PARTS LIST ARE NOT APPLICABLE

- ITEM NOT ILLUSTRATED

HXL

29-11-17-01

BOEING PROPRIETARY - Copyright © - Unpublished Work - See title page for details.

29-11-17
 FIG. 01
 PAGE 9
 DEC 22/08



767

PARTS CATALOG (MAINTENANCE)

FIG ITEM	PART NUMBER	1 2 3 4 5 6 7	NOMENCLATURE	EFFECT FROM TO	UNITS PER ASSY
1					
145	MS28774-218	...	RETAINER- MISCELLANEOUS DATA: (SUPPLIED WITH 7515128, AC9012F1, AC9012F2)		1
150	7585755	...	FITTING ASSY- SUPPLIER CODE: V05228		1
155	7582485	...	PACKING- SUPPLIER CODE: V05228		1
160	7585532	...	SLEEVE- SUPPLIER CODE: V05228		1
165	7585901	...	SPRING- SUPPLIER CODE: V05228		1
170	NAS1611-229A	...	PACKING- USED ON: 271T0068-12		1
170	NAS1611-229	...	PACKING- USED ON: 271T0068-5 271T0068-7 271T0068-10		1
175	2790521-102	...	VALVE-CARTRIDGE CHK SUPPLIER CODE: V92003 SPECIFICATION NUMBER: S270T242-1 COMPONENT MAINT MANUAL REF: 29-09-14 OPTIONAL PART: 1C1244 V99240		1
180	NAS1611-116A	...	PACKING- USED ON: 271T0068-12		1
180	NAS1611-116	...	PACKING- USED ON: 271T0068-5 271T0068-7 271T0068-10		1
185	MS27595-116	...	RETAINER- OPTIONAL PART: BACR12BM116 MS28774-116		2

ILLUSTRATION ITEMS NOT ON PARTS LIST ARE NOT APPLICABLE

- ITEM NOT ILLUSTRATED

29-11-17-01

29-11-17
FIG. 01
PAGE 10
DEC 22/08

HXL



767

PARTS CATALOG (MAINTENANCE)

FIG ITEM	PART NUMBER	1 2 3 4 5 6 7	NOMENCLATURE	EFFECT FROM TO	UNITS PER ASSY
1 185	MS28774-116		...RETAINER- OPTIONAL PART: BACR12BM116 MS27595-116 USED ON: 271T0068-5 271T0068-7 271T0068-10		2
185	C11236-116B		...RING- SUPPLIER CODE: V26879 SPECIFICATION NUMBER: BACR12BM116 OPTIONAL PART: RMR12BM116 V94878 STF800-116 V02107 S30294-116-1 V97820 TF450-116A V07128 2100-116 V26303 MS27595-116 MS28774-116		2
185	M8791-1-116		...RETAINER- SUPPLIER CODE: V81349 OPTIONAL PART: BACR12BM116 MS27595-116 USED ON: 271T0068-12		2
190	NAS1611-213A		...PACKING- USED ON: 271T0068-12		1
190	NAS1611-213		...PACKING- USED ON: 271T0068-5 271T0068-7 271T0068-10		1

ILLUSTRATION ITEMS NOT ON PARTS LIST ARE NOT APPLICABLE

- ITEM NOT ILLUSTRATED

HXL

29-11-17-01

BOEING PROPRIETARY - Copyright © - Unpublished Work - See title page for details.

29-11-17
FIG. 01
PAGE 11
DEC 22/08



767

PARTS CATALOG (MAINTENANCE)

FIG ITEM	PART NUMBER	1 2 3 4 5 6 7	NOMENCLATURE	EFFECT FROM TO	UNITS PER ASSY
1 200	C11236-213B		...RING- SUPPLIER CODE: V26879 SPECIFICATION NUMBER: BACR12BM213 OPTIONAL PART: RMR12BM213 V94878 STF800-213 V02107 S30294-213-1 V97820 TF450-213A V07128 2100-213 V26303 MS27595-213 MS28774-213		2
200	M8791-1-213		...RETAINER- SUPPLIER CODE: V81349 OPTIONAL PART: BACR12BM213 MS27595-213 USED ON: 271T0068-12		2
200	MS27595-213		...RETAINER- OPTIONAL PART: BACR12BM213 MS28774-213		2
200	MS28774-213		...RETAINER- OPTIONAL PART: BACR12BM213 MS27595-213 USED ON: 271T0068-5 271T0068-7 271T0068-10		2
215	AN814-6DL		...PLUG		1
220	NAS1612-6A		...PACKING- USED ON: 271T0068-12		1
220	NAS1612-6		...PACKING- USED ON: 271T0068-5 271T0068-7 271T0068-10		1

ILLUSTRATION ITEMS NOT ON PARTS LIST ARE NOT APPLICABLE

- ITEM NOT ILLUSTRATED

29-11-17-01

29-11-17
FIG. 01
PAGE 12
DEC 22/08

HXL

 **BOEING**
767
PARTS CATALOG (MAINTENANCE)

FIG ITEM	PART NUMBER	1 2 3 4 5 6 7	NOMENCLATURE	EFFECT FROM TO	UNITS PER ASSY
1					
225	2790523-101		...VALVE-CARTRIDGE CHK SUPPLIER CODE: V92003 SPECIFICATION NUMBER: S270T242-5 COMPONENT MAINT MANUAL REF: 29-09-15		2
230	NAS1611-125A		...PACKING- USED ON: 271T0068-12		2
230	NAS1611-125		...PACKING- USED ON: 271T0068-5 271T0068-7 271T0068-10		2
235	MS27595-125		...RETAINER- OPTIONAL PART: BACR12BM125 MS28774-125		4
235	MS28774-125		...RETAINER- OPTIONAL PART: BACR12BM125 MS27595-125 USED ON: 271T0068-5 271T0068-7 271T0068-10		4
235	C11236-125B		...RING- SUPPLIER CODE: V26879 SPECIFICATION NUMBER: BACR12BM125 OPTIONAL PART: RMR12BM125 V94878 STF800-125 V02107 S30294-125-1 V97820 TF450-125A V07128 2100-125 V26303 MS27595-125 MS28774-125		4
ILLUSTRATION ITEMS NOT ON PARTS LIST ARE NOT APPLICABLE					

- ITEM NOT ILLUSTRATED

HXL

29-11-17-01

BOEING PROPRIETARY - Copyright © - Unpublished Work - See title page for details.

29-11-17
FIG. 01
PAGE 13
DEC 22/08



767

PARTS CATALOG (MAINTENANCE)

FIG ITEM	PART NUMBER	1 2 3 4 5 6 7	NOMENCLATURE	EFFECT FROM TO	UNITS PER ASSY
1					
235	M8791-1-125		...RETAINER- SUPPLIER CODE: V81349 OPTIONAL PART: BACR12BM125 MS27595-125 USED ON: 271T0068-12		4
240	NAS1611-223		...PACKING- USED ON: 271T0068-5 271T0068-7 271T0068-10		2
240	NAS1611-223A		...PACKING- USED ON: 271T0068-12		2
245	MS27595-223		...RETAINER- OPTIONAL PART: BACR12BM223 MS28774-223		4
245	MS28774-223		...RETAINER- OPTIONAL PART: BACR12BM223 MS27595-223 USED ON: 271T0068-5 271T0068-7 271T0068-10		4
245	C11236-223B		...RING- SUPPLIER CODE: V26879 SPECIFICATION NUMBER: BACR12BM223 OPTIONAL PART: RMR12BM223 V94878 STF800-223 V02107 S30294-223-1 V97820 TF450-223A V07128 2100-223 V26303 MS27595-223 MS28774-223		4
ILLUSTRATION ITEMS NOT ON PARTS LIST ARE NOT APPLICABLE					

- ITEM NOT ILLUSTRATED

HXL

29-11-17-01

BOEING PROPRIETARY - Copyright © - Unpublished Work - See title page for details.

29-11-17
FIG. 01
PAGE 14
DEC 22/08



767

PARTS CATALOG (MAINTENANCE)

FIG ITEM	PART NUMBER	1 2 3 4 5 6 7	NOMENCLATURE	EFFECT FROM TO	UNITS PER ASSY
1					
245	M8791-1-223		...RETAINER- SUPPLIER CODE: V81349 OPTIONAL PART: BACR12BM223 MS27595-223 USED ON: 271T0068-12		4
250	7586630		...INDICATOR ASSY-DIFF PRESSURE HYDR SUPPLIER CODE: V05228 SPECIFICATION NUMBER: S271T005-5 OPTIONAL PART: TC125UK06Y V18350		1
255	NAS1611-014		...PACKING- USED ON: 271T0068-5 271T0068-7 271T0068-10		1
255	NAS1611-014A		...PACKING- USED ON: 271T0068-12		1
260	NAS1612-8A		...PACKING- USED ON: 271T0068-12		1
260	NAS1612-8		...PACKING- USED ON: 271T0068-5 271T0068-7 271T0068-10		1
265	TC125UK00ZY1		...INDICATOR ASSY-PRESSURE DIFF SUPPLIER CODE: V18350 SPECIFICATION NUMBER: S271T005-3 COMPONENT MAINT MANUAL REF: 29-11-01 OPTIONAL PART: 7586631 V05228		1

ILLUSTRATION ITEMS NOT ON PARTS LIST ARE NOT APPLICABLE

- ITEM NOT ILLUSTRATED

HXL

29-11-17-01

BOEING PROPRIETARY - Copyright © - Unpublished Work - See title page for details.

29-11-17
FIG. 01
PAGE 15
DEC 22/08



767

PARTS CATALOG (MAINTENANCE)

FIG ITEM	PART NUMBER	1 2 3 4 5 6 7	NOMENCLATURE	EFFECT FROM TO	UNITS PER ASSY
1 265	7586631		...INDICATOR ASSY-DIFF PRESSURE HYDR SUPPLIER CODE: V05228 SPECIFICATION NUMBER: S271T005-4 OPTIONAL PART: TC125UK00ZY1 V18350		1
266	7586651	NAMEPLATE- SUPPLIER CODE: V05228 USED ON: 7586630		1
266	7586652	NAMEPLATE- SUPPLIER CODE: V05228 USED ON: 7586631		1
267	MS3367-5-9	STRAP- CONFIG CHG DATA FROM A CMM: REPLACES 7590761-001 REPLACES 7586779 REPLACES 7586778 MISCELLANEOUS DATA: USED PRIOR TO S/N 6409 FOR 7586630 ASSY AND S/N 3888 FOR 7586631 ASSY USED ON: 7586630 7586631 USED WITH: 7586649		1
268	7586649	CAP-PROTECTIVE SUPPLIER CODE: V05228 CONFIG CHG DATA FROM A CMM: REPLACES 7590761-001 REPLACES 7586779 REPLACES 7586778 MISCELLANEOUS DATA: USED PRIOR TO S/N 6409 FOR 7586630 ASSY AND S/N 3888 FOR 7586631 ASSY USED ON: 7586630 7586631 USED WITH: MS3367-5-9		1

ILLUSTRATION ITEMS NOT ON PARTS LIST ARE NOT APPLICABLE

- ITEM NOT ILLUSTRATED

HXL

29-11-17-01

BOEING PROPRIETARY - Copyright © - Unpublished Work - See title page for details.

29-11-17
FIG. 01
PAGE 16
DEC 22/08



767

PARTS CATALOG (MAINTENANCE)

FIG ITEM	PART NUMBER	1 2 3 4 5 6 7	NOMENCLATURE	EFFECT FROM TO	UNITS PER ASSY
1 269	7590761-001		<p>.....CAP-PROTECTIVE SUPPLIER CODE: V05228 CONFIG CHG DATA FROM A CMM: REPLD BY MS3367-5-9 REPLD BY 7586649 MISCELLANEOUS DATA: USED PRIOR TO S/N 6409 FOR 7586630 ASSY AND S/N 3888 FOR 7586631 ASSY OPTIONAL PART: 7586779 V05228 USED ON: 7586630 7586631</p>		1
270	7586779		<p>.....CAP-PROTECTIVE SUPPLIER CODE: V05228 CONFIG CHG DATA FROM A CMM: REPLD BY MS3367-5-9 REPLD BY 7586649 MISCELLANEOUS DATA: USED PRIOR TO S/N 6409 FOR 7586630 ASSY AND S/N 3888 FOR 7586631 ASSY OPTIONAL PART: 7590761-001 V05228 USED ON: 7586630 7586631 USED WITH: 7586778</p>		1
271	7586778		<p>.....RETAINER-CAP SUPPLIER CODE: V05228 CONFIG CHG DATA FROM A CMM: REPLD BY MS3367-5-9 REPLD BY 7586649 MISCELLANEOUS DATA: USED PRIOR TO S/N 6409 FOR 7586630 ASSY AND S/N 3888 FOR 7586631 ASSY USED ON: 7586630 7586631 USED WITH: 7586779</p>		1

ILLUSTRATION ITEMS NOT ON PARTS LIST ARE NOT APPLICABLE

- ITEM NOT ILLUSTRATED

HXL

29-11-17-01

BOEING PROPRIETARY - Copyright © - Unpublished Work - See title page for details.

29-11-17
 FIG. 01
 PAGE 17
 DEC 22/08



767

PARTS CATALOG (MAINTENANCE)

FIG ITEM	PART NUMBER	1 2 3 4 5 6 7	NOMENCLATURE	EFFECT FROM TO	UNITS PER ASSY
1					
272	7586641	HOUSING- SUPPLIER CODE: V05228 USED ON: 7586630 7586631		1
273	7586642	PISTON- SUPPLIER CODE: V05228 USED ON: 7586630 7586631		1
274	7586811	SEAL-RING SUPPLIER CODE: V05228 USED ON: 7586630 7586631		1
275	7586810	PACKING-O-RING SUPPLIER CODE: V05228 USED ON: 7586630 7586631		1
276	7582499	RING-RETAINER SUPPLIER CODE: V05228 CONFIG CHG DATA FROM A CMM: REPLD BY 7582499-001 USED ON: 7586630 7586631		1
276	7582499-001	RING-RETAINER SUPPLIER CODE: V05228 CONFIG CHG DATA FROM A CMM: REPLACES 7582499 USED ON: 7586630 7586631		1
277	7586645	SPRING-PISTON SUPPLIER CODE: V05228 USED ON: 7586630		1

ILLUSTRATION ITEMS NOT ON PARTS LIST ARE NOT APPLICABLE

- ITEM NOT ILLUSTRATED

HXL

29-11-17-01

BOEING PROPRIETARY - Copyright © - Unpublished Work - See title page for details.

29-11-17
FIG. 01
PAGE 18
DEC 22/08



767

PARTS CATALOG (MAINTENANCE)

FIG ITEM	PART NUMBER	1 2 3 4 5 6 7	NOMENCLATURE	EFFECT FROM TO	UNITS PER ASSY
1					
277	7586644	SPRING-PISTON SUPPLIER CODE: V05228 USED ON: 7586631		1
278	7586646	RETAINER-SPRING SUPPLIER CODE: V05228 USED ON: 7586630 7586631		1
279	7586777	SHIM- SUPPLIER CODE: V05228 SELECT FROM ITEM. USED ON: 7586630 7586631		AR
281	AA9500-0822	BAND-SHRINK SUPPLIER CODE: V18350 USED ON: TC125UK00ZY1		1
282	62RB114S0000	BOOT- SUPPLIER CODE: V18350 USED ON: TC125UK00ZY1		1
283	NAS1611-014	...	PACKING- USED ON: 271T0068-5 271T0068-7 271T0068-10		1
283	NAS1611-014A	...	PACKING- USED ON: 271T0068-12		1
284	NAS1612-8	...	PACKING- USED ON: 271T0068-5 271T0068-7 271T0068-10		1
284	NAS1612-8A	...	PACKING- USED ON: 271T0068-12		1

ILLUSTRATION ITEMS NOT ON PARTS LIST ARE NOT APPLICABLE

- ITEM NOT ILLUSTRATED

29-11-17-01

29-11-17
FIG. 01
PAGE 19
DEC 22/08

HXL

BOEING PROPRIETARY - Copyright © - Unpublished Work - See title page for details.



767

PARTS CATALOG (MAINTENANCE)

FIG ITEM	PART NUMBER	1 2 3 4 5 6 7	NOMENCLATURE	EFFECT FROM TO	UNITS PER ASSY
1 286	211C223-211		...SWITCH ASSY-HYDR PRESSURE SUPPLIER CODE: V02750 SPECIFICATION NUMBER: S271T452-9 ELECTRICAL EQUIP NUMBER: S00026 S00027 S00031 S00032 COMPONENT MAINT MANUAL REF: 29-09-02 OPTIONAL PART: 211C223-297 V02750 211C223-520 V02750		2
286	211C223-297		...SWITCH-HYDR PRESSURE SUPPLIER CODE: V02750 SPECIFICATION NUMBER: S271T452-9 ELECTRICAL EQUIP NUMBER: S00026 S00027 S00031 S00032 COMPONENT MAINT MANUAL REF: 29-09-02 OPTIONAL PART: 211C223-211 V02750 211C223-520 V02750		2

ILLUSTRATION ITEMS NOT ON PARTS LIST ARE NOT APPLICABLE

- ITEM NOT ILLUSTRATED

HXL

29-11-17-01

BOEING PROPRIETARY - Copyright © - Unpublished Work - See title page for details.

29-11-17
 FIG. 01
 PAGE 20
 DEC 22/08



767

PARTS CATALOG (MAINTENANCE)

FIG ITEM	PART NUMBER	1 2 3 4 5 6 7	NOMENCLATURE	EFFECT FROM TO	UNITS PER ASSY
1 286	211C223-520		<p>...SWITCH ASSY-HYDR PRESSURE SUPPLIER CODE: V02750 FUNCTIONAL DESCRIPTION: CLOSES AN ELECTRICAL CIRCUIT WHEN HYDRAULIC PRESSURE IS SENSED SPECIFICATION NUMBER: S271T452-9 ELECTRICAL EQUIP NUMBER: S00026 S00027 S00031 S00032 COMPONENT MAINT MANUAL REF: 29-09-05 OPTIONAL PART: 211C223-211 V02750 211C223-297 V02750</p>		2
288	NAS1612-6		<p>...PACKING- USED ON: 271T0068-5 271T0068-7 271T0068-10</p>		2
288	NAS1612-6A		<p>...PACKING- USED ON: 271T0068-12</p>		2
290	1850		<p>...VALVE ASSY-RELIEF SUPPLIER CODE: V06177 COMPONENT MAINT MANUAL REF: 29-11-15 QUALIFIED I/W DATA: 1850 TOGETHER WITH 2EA BAR12BM-327 AND 1EA NAS1611-327 INTERCHANGEABLE WITH 1853VALVE OR 68770-1 TOGETHER WITH 2EA BACR12BM-225 AND 1 EA NAS1611-225 USED ON: 271T0068-5 271T0068-7 271T0068-10</p>		1

ILLUSTRATION ITEMS NOT ON PARTS LIST ARE NOT APPLICABLE

- ITEM NOT ILLUSTRATED

HXL

29-11-17-01

BOEING PROPRIETARY - Copyright © - Unpublished Work - See title page for details.

29-11-17
FIG. 01
PAGE 21
DEC 22/08



767

PARTS CATALOG (MAINTENANCE)

FIG ITEM	PART NUMBER	1 2 3 4 5 6 7	NOMENCLATURE	EFFECT FROM TO	UNITS PER ASSY
1 290	1831-3		...VALVE ASSY-RELIEF SUPPLIER CODE: V06177 COMPONENT MAINT MANUAL REF: 29-11-12 USED ON: 271T0068-5 271T0068-7		1
290	68770-1		...VALVE ASSY-RELIEF SUPPLIER CODE: V99643 FUNCTIONAL DESCRIPTION: PASSES FLOW TO THE SYSTEM RETURN LINE IN THE EVENT OF EXCESSIVE HYDRAULIC PRESSURE SPECIFICATION NUMBER: S271N202-3 COMPONENT MAINT MANUAL REF: 29-11-03 QUALIFIED I/W DATA: 1850 TOGETHER WITH 2EA BAR12BM-327 AND 1EA NAS1611-327 INTERCHANGEABLE WITH 1853VALVE OR 68770-1 TOGETHER WITH 2EA BACR12BM-225 AND 1 EA NAS1611-225 OPTIONAL PART: 1853VALVE V06177 OPTIONAL PART: 1850 V06177 USED ON: 271T0068-10		1
290	68770		...VALVE ASSY-RELIEF SUPPLIER CODE: V99643 SPECIFICATION NUMBER: S271N202-2		1

ILLUSTRATION ITEMS NOT ON PARTS LIST ARE NOT APPLICABLE

- ITEM NOT ILLUSTRATED

HXL

29-11-17-01

BOEING PROPRIETARY - Copyright © - Unpublished Work - See title page for details.

29-11-17
FIG. 01
PAGE 22
DEC 22/08



767

PARTS CATALOG (MAINTENANCE)

FIG ITEM	PART NUMBER	1 2 3 4 5 6 7	NOMENCLATURE	EFFECT FROM TO	UNITS PER ASSY
1	290 1853VALVE		...VALVE ASSY-RELIEF SUPPLIER CODE: V06177 FUNCTIONAL DESCRIPTION: PASSES FLOW TO THE SYSTEM RETURN LINE IN THE EVENT OF EXCESSIVE HYDRAULIC PRESSURE SPECIFICATION NUMBER: S271N202-3 QUALIFIED I/W DATA: 1850 TOGETHER WITH 2EA BAR12BM-327 AND 1EA NAS1611-327 INTERCHANGEABLE WITH 1853VALVE OR 68770-1 TOGETHER WITH 2EA BACR12BM-225 AND 1 EA NAS1611-225 OPTIONAL PART: 68770-1 V99643 USED ON: 271T0068-10		1
	292 NAS1611-327		...PACKING- USED ON: 271T0068-5 271T0068-7 271T0068-10 USED WITH: 1850		1
	292 NAS1611-225		...PACKING- USED WITH: 1853VALVE 68770-1		1

ILLUSTRATION ITEMS NOT ON PARTS LIST ARE NOT APPLICABLE

- ITEM NOT ILLUSTRATED

HXL

29-11-17-01

BOEING PROPRIETARY - Copyright © - Unpublished Work - See title page for details.

29-11-17
 FIG. 01
 PAGE 23
 DEC 22/08



767

PARTS CATALOG (MAINTENANCE)

FIG ITEM	PART NUMBER	1 2 3 4 5 6 7	NOMENCLATURE	EFFECT FROM TO	UNITS PER ASSY
1 294	C11236-327B		...RETAINER- SUPPLIER CODE: V26879 SPECIFICATION NUMBER: BACR12BM327 OPTIONAL PART: RMR12BM327 V94878 STF800-327 V02107 S30294-327-1 V97820 TF450-327A V07128 2100-327 V26303 MS27595-327 MS28774-327 M8791-1-327 V81349 USED ON: 271T0068-5 271T0068-7 271T0068-10 USED WITH: 1850		2
294	MS27595-327		...RETAINER- OPTIONAL PART: BACR12BM327 USED ON: 271T0068-5 271T0068-7 271T0068-10 USED WITH: 1850		2
294	MS28774-327		...RETAINER- OPTIONAL PART: BACR12BM327 USED ON: 271T0068-5 271T0068-7 271T0068-10 USED WITH: 1850		2

ILLUSTRATION ITEMS NOT ON PARTS LIST ARE NOT APPLICABLE

- ITEM NOT ILLUSTRATED

HXL

29-11-17-01

BOEING PROPRIETARY - Copyright © - Unpublished Work - See title page for details.

29-11-17
 FIG. 01
 PAGE 24
 DEC 22/08



767

PARTS CATALOG (MAINTENANCE)

FIG ITEM	PART NUMBER	1 2 3 4 5 6 7	NOMENCLATURE	EFFECT FROM TO	UNITS PER ASSY
1 294	M8791-1-327		...RETAINER- SUPPLIER CODE: V81349 OPTIONAL PART: BACR12BM327 USED ON: 271T0068-5 271T0068-7 271T0068-10 USED WITH: 1850 1831-3		2
296	NAS1611-330		...PACKING- USED ON: 271T0068-5 271T0068-7 271T0068-10 USED WITH: 1850 1853VALVE		1
296	NAS1611-228		...PACKING- USED WITH: 68770		1

ILLUSTRATION ITEMS NOT ON PARTS LIST ARE NOT APPLICABLE

- ITEM NOT ILLUSTRATED

HXL

29-11-17-01

BOEING PROPRIETARY - Copyright © - Unpublished Work - See title page for details.

29-11-17
 FIG. 01
 PAGE 25
 DEC 22/08



**767
PARTS CATALOG (MAINTENANCE)**

FIG ITEM	PART NUMBER	1 2 3 4 5 6 7	NOMENCLATURE	EFFECT FROM TO	UNITS PER ASSY
1 298	C11236-330B		...RETAINER- SUPPLIER CODE: V26879 SPECIFICATION NUMBER: BACR12BM330 OPTIONAL PART: RMR12BM330 V94878 STF800-330 V02107 S30294-330-1 V97820 TF450-330A V07128 2100-330 V26303 MS27595-330 MS28774-330 M8791-1-330 V81349 USED ON: 271T0068-5 271T0068-7 271T0068-10 USED WITH: 1850 1853VALVE		2
298	MS27595-330		...RETAINER- OPTIONAL PART: BACR12BM330 USED ON: 271T0068-5 271T0068-7 271T0068-10		2
298	MS28774-330		...RETAINER- OPTIONAL PART: BACR12BM330 USED ON: 271T0068-5 271T0068-7 271T0068-10		2

ILLUSTRATION ITEMS NOT ON PARTS LIST ARE NOT APPLICABLE

- ITEM NOT ILLUSTRATED

HXL

29-11-17-01

BOEING PROPRIETARY - Copyright © - Unpublished Work - See title page for details.

29-11-17
FIG. 01
PAGE 26
DEC 22/08



767

PARTS CATALOG (MAINTENANCE)

FIG ITEM	PART NUMBER	1 2 3 4 5 6 7	NOMENCLATURE	EFFECT FROM TO	UNITS PER ASSY
1 298	M8791-1-330		...RETAINER- SUPPLIER CODE: V81349 OPTIONAL PART: BACR12BM330 USED ON: 271T0068-5 271T0068-7 271T0068-10		2
- 301	271T0068-14		...SUBSTITUTION KIT- PRESSURE RELIEF VALVE OPTIONAL PART: 271T0068-13 271T0068-15 USED ON: 271T0068-12		1
- 301	271T0068-13		...SUBSTITUTION KIT- PRESSURE RELIEF VALVE OPTIONAL PART: 271T0068-14 USED ON: 271T0068-12		1
- 301	271T0068-15		...SUBSTITUTION KIT- PRESSURE RELIEF VALVE OPTIONAL PART: 271T0068-14 USED ON: 271T0068-12		1
303	1850	VALVE ASSY-RELIEF SUPPLIER CODE: V06177 COMPONENT MAINT MANUAL REF: 29-11-15 QUALIFIED I/W DATA: 1850 TOGETHER WITH 2EA BAR12BM-327 AND 1EA NAS1611-327 INTERCHANGEABLE WITH 1853VALVE OR 68770-1 TOGETHER WITH 2EA BACR12BM-225 AND 1 EA NAS1611-225 USED ON: 271T0068-13		1
303	1831-3	VALVE ASSY-RELIEF SUPPLIER CODE: V06177 COMPONENT MAINT MANUAL REF: 29-11-12		1

ILLUSTRATION ITEMS NOT ON PARTS LIST ARE NOT APPLICABLE

- ITEM NOT ILLUSTRATED

29-11-17-01

29-11-17
FIG. 01
PAGE 27
DEC 22/08

HXL



767

PARTS CATALOG (MAINTENANCE)

FIG ITEM	PART NUMBER	1 2 3 4 5 6 7	NOMENCLATURE	EFFECT FROM TO	UNITS PER ASSY
1 303	68770		<p>.....VALVE ASSY-RELIEF SUPPLIER CODE: V99643 SPECIFICATION NUMBER: S271N202-2</p>		1
303	1853VALVE		<p>.....VALVE ASSY-RELIEF SUPPLIER CODE: V06177 FUNCTIONAL DESCRIPTION: PASSES FLOW TO THE SYSTEM RETURN LINE IN THE EVENT OF EXCESSIVE HYDRAULIC PRESSURE SPECIFICATION NUMBER: S271N202-3 QUALIFIED I/W DATA: 1850 TOGETHER WITH 2EA BAR12BM-327 AND 1EA NAS1611-327 INTERCHANGEABLE WITH 1853VALVE OR 68770-1 TOGETHER WITH 2EA BACR12BM-225 AND 1 EA NAS1611-225 OPTIONAL PART: 68770-1 V99643 USED ON: 271T0068-14</p>		1

ILLUSTRATION ITEMS NOT ON PARTS LIST ARE NOT APPLICABLE

- ITEM NOT ILLUSTRATED

HXL

29-11-17-01

BOEING PROPRIETARY - Copyright © - Unpublished Work - See title page for details.

29-11-17
 FIG. 01
 PAGE 28
 DEC 22/08



767

PARTS CATALOG (MAINTENANCE)

FIG ITEM	PART NUMBER	1 2 3 4 5 6 7	NOMENCLATURE	EFFECT FROM TO	UNITS PER ASSY
1 303	68770-1		<p>.....VALVE ASSY-RELIEF SUPPLIER CODE: V99643 FUNCTIONAL DESCRIPTION: PASSES FLOW TO THE SYSTEM RETURN LINE IN THE EVENT OF EXCESSIVE HYDRAULIC PRESSURE SPECIFICATION NUMBER: S271N202-3 COMPONENT MAINT MANUAL REF: 29-11-03 QUALIFIED I/W DATA: 1850 TOGETHER WITH 2EA BAR12BM-327 AND 1EA NAS1611-327 INTERCHANGEABLE WITH 1853VALVE OR 68770-1 TOGETHER WITH 2EA BACR12BM-225 AND 1 EA NAS1611-225 OPTIONAL PART: 1853VALVE V06177 USED ON: 271T0068-15</p>		1
306	NAS1611-327A		<p>.....PACKING- USED ON: 271T0068-13 USED WITH: 1850</p>		1
306	NAS1611-225A		<p>.....PACKING- USED ON: 271T0068-14 271T0068-15 USED WITH: 1853VALVE 68770-1</p>		1

ILLUSTRATION ITEMS NOT ON PARTS LIST ARE NOT APPLICABLE

- ITEM NOT ILLUSTRATED

HXL

29-11-17-01

BOEING PROPRIETARY - Copyright © - Unpublished Work - See title page for details.

29-11-17
 FIG. 01
 PAGE 29
 DEC 22/08



767

PARTS CATALOG (MAINTENANCE)

FIG ITEM	PART NUMBER	1 2 3 4 5 6 7	NOMENCLATURE	EFFECT FROM TO	UNITS PER ASSY
1 308	C11236-327B	RETAINER- SUPPLIER CODE: V26879 SPECIFICATION NUMBER: BACR12BM327 OPTIONAL PART: RMR12BM327 V94878 STF800-327 V02107 S30294-327-1 V97820 TF450-327A V07128 2100-327 V26303 MS27595-327 M8791-1-327 V81349 USED ON: 271T0068-13 USED WITH: 1850		2
308	MS27595-327	RETAINER- OPTIONAL PART: BACR12BM327 USED ON: 271T0068-13 USED WITH: 1850		2
308	M8791-1-327	RETAINER- SUPPLIER CODE: V81349 OPTIONAL PART: BACR12BM327 USED ON: 271T0068-13 USED WITH: 1850		2

ILLUSTRATION ITEMS NOT ON PARTS LIST ARE NOT APPLICABLE

- ITEM NOT ILLUSTRATED

HXL

29-11-17-01

BOEING PROPRIETARY - Copyright © - Unpublished Work - See title page for details.

29-11-17
 FIG. 01
 PAGE 30
 DEC 22/08



767

PARTS CATALOG (MAINTENANCE)

FIG ITEM	PART NUMBER	1 2 3 4 5 6 7	NOMENCLATURE	EFFECT FROM TO	UNITS PER ASSY
1 308	C11236-225B	RING- SUPPLIER CODE: V26879 SPECIFICATION NUMBER: BACR12BM225 OPTIONAL PART: RMR12BM225 V94878 STF800-225 V02107 S30294-225-1 V97820 TF450-225A V07128 2100-225 V26303 MS27595-225 M8791-1-225 V81349 USED ON: 271T0068-14 271T0068-15 USED WITH: 1853VALVE 68770-1		2
308	MS27595-225	RING- OPTIONAL PART: BACR12BM225 USED ON: 271T0068-14 271T0068-15 USED WITH: 1853VALVE 68770-1		2
308	M8791-1-225	RING- OPTIONAL PART: BACR12BM225 USED ON: 271T0068-14 271T0068-15 USED WITH: 1853VALVE 68770-1		2

ILLUSTRATION ITEMS NOT ON PARTS LIST ARE NOT APPLICABLE

- ITEM NOT ILLUSTRATED

HXL

29-11-17-01

BOEING PROPRIETARY - Copyright © - Unpublished Work - See title page for details.

29-11-17
 FIG. 01
 PAGE 31
 DEC 22/08



767

PARTS CATALOG (MAINTENANCE)

FIG ITEM	PART NUMBER	1 2 3 4 5 6 7	NOMENCLATURE	EFFECT FROM TO	UNITS PER ASSY
1	311 NAS1611-330A	PACKING- USED ON: 271T0068-13 271T0068-14 USED WITH: 1850 1853VALVE		1
	311 NAS1611-228A	PACKING- USED ON: 271T0068-15 USED WITH: 68770-1		1
	313 C11236-330B	RETAINER- SUPPLIER CODE: V26879 SPECIFICATION NUMBER: BACR12BM330 OPTIONAL PART: RMR12BM330 V94878 STF800-330 V02107 S30294-330-1 V97820 TF450-330A V07128 2100-330 V26303 MS27595-330 M8791-1-330 V81349 USED ON: 271T0068-13 271T0068-14 USED WITH: 1850 1853VALVE		2
	313 MS27595-330	RETAINER- OPTIONAL PART: BACR12BM330 USED ON: 271T0068-13 271T0068-14 USED WITH: 1850 1853VALVE		2

ILLUSTRATION ITEMS NOT ON PARTS LIST ARE NOT APPLICABLE

- ITEM NOT ILLUSTRATED

HXL

29-11-17-01

BOEING PROPRIETARY - Copyright © - Unpublished Work - See title page for details.

29-11-17
FIG. 01
PAGE 32
DEC 22/08

 **BOEING**
767
PARTS CATALOG (MAINTENANCE)

FIG ITEM	PART NUMBER	1 2 3 4 5 6 7	NOMENCLATURE	EFFECT FROM TO	UNITS PER ASSY
1					
313	M8791-1-330	RETAINER- SUPPLIER CODE: V81349 OPTIONAL PART: BACR12BM330 USED ON: 271T0068-13 271T0068-14 USED WITH: 1850 1853VALVE		2
315	7586782	...	NAMEPLATE- SUPPLIER CODE: V05228 USED ON: 271T0068-5		1
315	7586897	...	NAMEPLATE- SUPPLIER CODE: V05228 USED ON: 271T0068-7		1
315	7586898-002	...	NAMEPLATE- SUPPLIER CODE: V05228 USED ON: 271T0068-10		1
315	BAC27THY206	...	NAMEPLATE- USED ON: 271T0068-12		1
320	TC125UK06Y	...	INDICATOR ASSY-PRESSURE DIFF SUPPLIER CODE: V18350 SPECIFICATION NUMBER: S271T005-2 OPTIONAL PART: 7586630 V05228		1
325	60TA125UK06Y	NAMEPLATE- SUPPLIER CODE: V18350		1
330	AA9500D330	RING-RETAINING SUPPLIER CODE: V18350		1
335	AA9500D822	BAND-BOOT SHRINK SUPPLIER CODE: V18350		1

ILLUSTRATION ITEMS NOT ON PARTS LIST ARE NOT APPLICABLE

— ITEM NOT ILLUSTRATED

HXL

29-11-17-01

BOEING PROPRIETARY - Copyright © - Unpublished Work - See title page for details.

29-11-17
FIG. 01
PAGE 33
DEC 22/08

 **BOEING**
767
PARTS CATALOG (MAINTENANCE)

FIG ITEM	PART NUMBER	1 2 3 4 5 6 7	NOMENCLATURE	EFFECT FROM TO	UNITS PER ASSY
1					
340	62RB114S0000	BOOT- SUPPLIER CODE: V18350		1
345	19RA551P0000	INDICATOR-BUTTON SUPPLIER CODE: V18350		1
350	69RB55100000	BIMETAL- SUPPLIER CODE: V18350		1
355	AA2100-3D5	MAGNET-ACTUATION SPR SUPPLIER CODE: V18350		1
360	14RA77700000	RETAINER-SPR SUPPLIER CODE: V18350		1
365	21RA777000K7	SPRING- SUPPLIER CODE: V18350		1
370	AA9500D530	SEAL-RING SUPPLIER CODE: V18350		1
375	NAS1611-011	PACKING-		1
380	27RA65000000	MAGNET- SUPPLIER CODE: V18350		1
385	23TB04200000	PISTON- SUPPLIER CODE: V18350		1
390	92RA77100000	FILTER-SLEEVE, RIGIMESH SUPPLIER CODE: V18350		1
395	08TD12500009	PLUG-DELTADYNE SUPPLIER CODE: V18350		1
397	271T0071-5	...	HOUSING- USED ON: 271T0068-10 271T0068-12		1
397	271T0071-3	...	HOUSING- OPTIONAL PART: 271T0071-4 USED ON: 271T0068-5 271T0068-7		1
397	271T0071-6	...	HOUSING- USED ON: 271T0068-10		1

ILLUSTRATION ITEMS NOT ON PARTS LIST ARE NOT APPLICABLE

- ITEM NOT ILLUSTRATED

HXL

29-11-17-01

BOEING PROPRIETARY - Copyright © - Unpublished Work - See title page for details.

29-11-17
FIG. 01
PAGE 34
DEC 22/08



767

PARTS CATALOG (MAINTENANCE)

FIG ITEM	PART NUMBER	1 2 3 4 5 6 7	NOMENCLATURE	EFFECT FROM TO	UNITS PER ASSY
1					
397	271T0071-2		...HOUSING- USED ON: 271T0068-5		1
397	271T0071-4		...HOUSING- OPTIONAL PART: 271T0071-3 USED ON: 271T0068-7		1
- 400	286T0390-102		WIRE BUNDLE ASSY- POSITION DATA: LH		RF
- 405	S3819-12-65		.CLAMP- SUPPLIER CODE: V07418 SPECIFICATION NUMBER: BACC10KD12 OPTIONAL PART: 620AS028NF12L V06324 ELECTRICAL EQUIP NUMBER: D00054T WIRING DIAGRAM REF: 291112		1
410	R071012R3S8L		.CONNECTOR- SUPPLIER CODE: V41118 SPECIFICATION NUMBER: BACC63BP12R3S8L ELECTRICAL EQUIP NUMBER: D00054 WIRING DIAGRAM REF: 291112		1
- 420	286T0394-002		WIRE BUNDLE ASSY- POSITION DATA: RH		RF
- 435	S3819-12-65		.CLAMP- SUPPLIER CODE: V07418 SPECIFICATION NUMBER: BACC10KD12 OPTIONAL PART: 620AS028NF12L V06324 ELECTRICAL EQUIP NUMBER: D00074T WIRING DIAGRAM REF: 291122		1
ILLUSTRATION ITEMS NOT ON PARTS LIST ARE NOT APPLICABLE					

- ITEM NOT ILLUSTRATED

29-11-17-01

29-11-17
FIG. 01
PAGE 35
DEC 22/08

HXL



767

PARTS CATALOG (MAINTENANCE)

FIG ITEM	PART NUMBER	1 2 3 4 5 6 7	NOMENCLATURE	EFFECT FROM TO	UNITS PER ASSY
1 440	R071012R3S8L		.CONNECTOR- SUPPLIER CODE: V41118 SPECIFICATION NUMBER: BACC63BP12R3S8L ELECTRICAL EQUIP NUMBER: D00074 WIRING DIAGRAM REF: 291122		1
- 460	286T0398-002		WIRE BUNDLE ASSY- POSITION DATA: LH		RF
- 475	S3819-12-65		.CLAMP- SUPPLIER CODE: V07418 SPECIFICATION NUMBER: BACC10KD12 OPTIONAL PART: 620AS028NF12L V06324 ELECTRICAL EQUIP NUMBER: D00056T WIRING DIAGRAM REF: 291112		1
480	R071012R3S8L		.CONNECTOR- SUPPLIER CODE: V41118 SPECIFICATION NUMBER: BACC63BP12R3S8L ELECTRICAL EQUIP NUMBER: D00056 WIRING DIAGRAM REF: 291112		1
- 485	286T0400-002		WIRE BUNDLE ASSY- POSITION DATA: RH		RF
- 490	S3819-12-65		.CLAMP- SUPPLIER CODE: V07418 SPECIFICATION NUMBER: BACC10KD12 OPTIONAL PART: 620AS028NF12L V06324 ELECTRICAL EQUIP NUMBER: D00076T WIRING DIAGRAM REF: 291122		1

ILLUSTRATION ITEMS NOT ON PARTS LIST ARE NOT APPLICABLE

- ITEM NOT ILLUSTRATED

29-11-17-01

29-11-17
FIG. 01
PAGE 36
DEC 22/08

HXL



767

PARTS CATALOG (MAINTENANCE)

FIG ITEM	PART NUMBER	1 2 3 4 5 6 7	NOMENCLATURE	EFFECT FROM TO	UNITS PER ASSY
1	495 R071012R3S8L		.CONNECTOR- SUPPLIER CODE: V41118 SPECIFICATION NUMBER: BACC63BP12R3S8L ELECTRICAL EQUIP NUMBER: D00076 WIRING DIAGRAM REF: 291122		1
900			ILLUSTRATION REFERENCE: HYDRAULIC INSTL-SECT. 31 ENGINE AFT FAIRING, L STRUT (MAIN HYDRAULIC SYSTEM ONLY) 29-11-00-01A		RF
905			ILLUSTRATION REFERENCE: HYDRAULIC INSTL-SECT. 31 ENGINE AFT FAIRING, R STRUT (MAIN HYDRAULIC SYSTEM ONLY) 29-11-00-02A		RF
915			ILLUSTRATION REFERENCE: HYDRAULIC INSTL-SECT. 31 ENGINE AFT FAIRING (LH) (RETURN FILTER MODULE ONLY) 29-11-15-02		RF
920			ILLUSTRATION REFERENCE: HYDRAULIC INSTL-SECT. 31 ENGINE AFT FAIRING (RH) (RETURN FILTER MODULE ONLY) 29-11-15-03		RF
930			ILLUSTRATION REFERENCE: HYDRAULIC INSTL-SECT. 31 ENGINE AFT FAIRING (RH) (CASE DRAIN EDP ONLY) 29-11-17-03		RF
935			ILLUSTRATION REFERENCE: HYDRAULIC INSTL-SECT. 31 ENGINE AFT FAIRING (LH) (CASE DRAIN ACMP ONLY) 29-11-18-02		RF

ILLUSTRATION ITEMS NOT ON PARTS LIST ARE NOT APPLICABLE

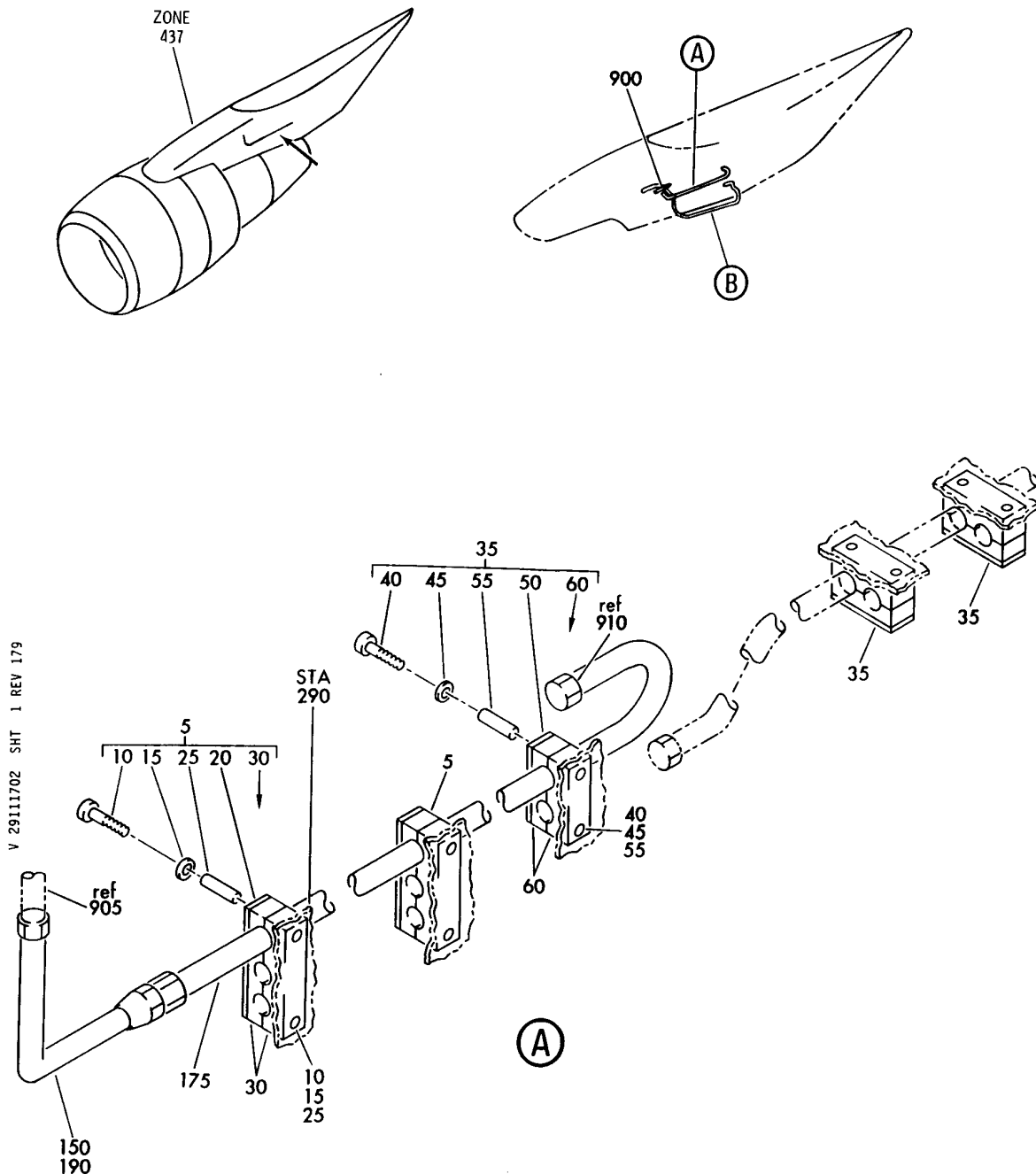
- ITEM NOT ILLUSTRATED

HXL

29-11-17-01

29-11-17
FIG. 01
PAGE 37
DEC 22/08

BOEING
767
PARTS CATALOG (MAINTENANCE)



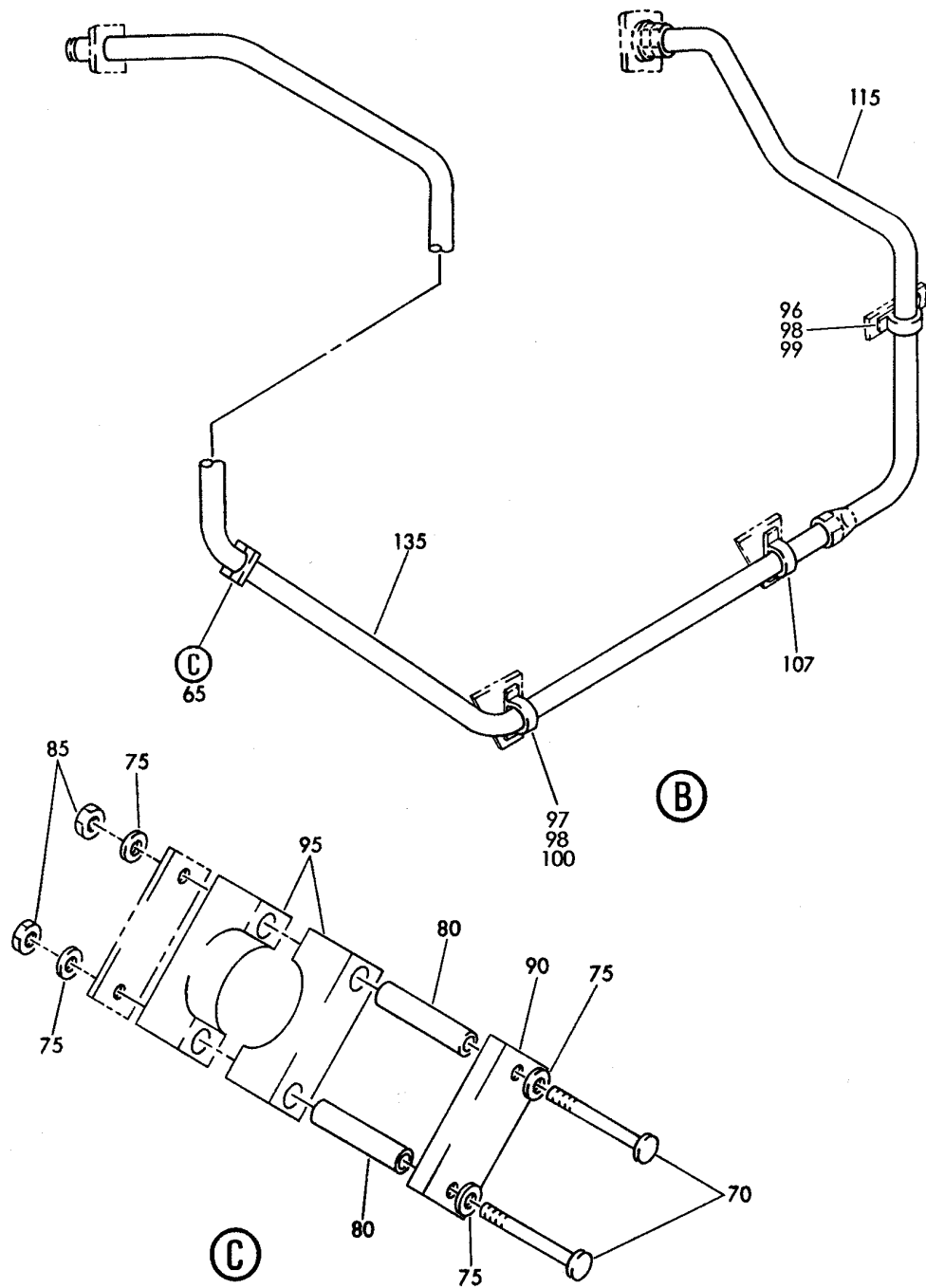
HYDRAULIC INSTL-SECT. 31 ENGINE AFT FAIRING (LH) (CASE DRAIN EDP ONLY)
FIGURE 2 (SHEET 1)

HXL
DEC 22/06

29-11-17-02

29-11-17-02
PAGE 0

BOEING
767
PARTS CATALOG (MAINTENANCE)



V 29111702 SHT 2 REV 214

HYDRAULIC INSTL-SECT. 31 ENGINE AFT FAIRING (LH) (CASE DRAIN EDP ONLY)
FIGURE 2 (SHEET 2)

29-11-17-02

HXL
DEC 22/06

29-11-17-02
PAGE 0A

BOEING
767
PARTS CATALOG (MAINTENANCE)

FIG ITEM	PART NUMBER	1 2 3 4 5 6 7	NOMENCLATURE	EFFECT FROM TO	UNITS PER ASSY
2			HYDRAULIC INSTL-SECT. 31 ENGINE AFT FAIRING (LH) (CASE DRAIN EDP ONLY)		
- 1	272T3100-5		HYDRAULIC INSTL-ENG FAIRING STRUT POSITION DATA: SECT. 31 AFT L MISCELLANEOUS DATA: (CASE DRAIN EDP ONLY) (PRATT AND WHITNEY) VARIABLE DRAWING REF: 272T3100-5347 272T3100-5361 272T3100-7003		RF
	5 270T0005-362		.BLOCK ASSY-SPRT		2
	10 NAS1801-3-26		.. SCREW-		2
	15 AN960PD10L		.. WASHER		2
	20 270T0004-55		.. CHANNEL		1
	25 NAS43DD3-68		.. SPACER		2
	30 270T0004-391		.. BLOCK-CLAMP		2
	35 270T0005-217		.BLOCK ASSY-SPRT		3
	40 NAS1801-3-26		.. SCREW-		2
	45 AN960PD10L		.. WASHER		2
	50 65B80254-320		.. CHANNEL		1
	55 NAS43DD3-68		.. SPACER		2
	60 65B80254-232		.. BLOCK-CLAMP		2
	65 270T0005-279		.BLOCK ASSY		1
	70 NAS1801-3-30		.. SCREW		2
	75 AN960PD10L		.. WASHER		4
	80 NAS43DD3-85		.. SPACER		2
	85 MS21042L3		.. NUT		2
	90 65B80254-362		.. CHANNEL		1
	95 270T0004-296		.. BLOCK-CLAMP		2
	99 TA0910004H112		.CLAMP SUPPLIER CODE: V84971 SPECIFICATION NUMBER: BACC10HB12C		1
	100 270T0005-221		.BLOCK ASSY-CLAMP POST SERVICE BULLETIN: 29-0074R1 ATTACHING PARTS		1
- 101	NAS1801-3-9		.SCREW		4
- 105	NAS1149D0332J		.WASHER- POST SERVICE BULLETIN: 29-0074		2
- 106	AN960JD10L		.WASHER -----*-----		2

ILLUSTRATION ITEMS NOT ON PARTS LIST ARE NOT APPLICABLE

- ITEM NOT ILLUSTRATED

HXL

29-11-17-02

BOEING PROPRIETARY - Copyright © - Unpublished Work - See title page for details.

29-11-17
FIG. 02
PAGE 1
DEC 22/07



767

PARTS CATALOG (MAINTENANCE)

FIG ITEM	PART NUMBER	1 2 3 4 5 6 7	NOMENCLATURE	EFFECT FROM TO	UNITS PER ASSY
2					
107	270T0005-221		.BLOCK ASSY-CLAMP POST SERVICE BULLETIN: 29-0074R1 ATTACHING PARTS		1
- 110	NAS1801-3-10		.SCREW		2
- 113	AN960JD10L		.WASHER		2
			-----*-----		
115	272T3100-363		.TUBE ASSY- QUALIFIED I/W DATA: 272T3100-151 TOGETHER WITH 272T3100-193 MAY BE REPLACED ONE WAY FORWARD BY 272T3100-363 TOGETHER WITH 272T3100-365 IN CONJUNCTION WITH SB 767-29-0074 KIT INCORPORATION POST SERVICE BULLETIN: 29-0074		1
- 120	AS1581T12		..SLEEVE		1
- 125	AS1582T12		..UNION		1
- 130	BACN10YA12N		..NUT-		1
135	272T3100-365		.TUBE ASSY- QUALIFIED I/W DATA: 272T3100-193 TOGETHER WITH 272T3100-151 MAY BE REPLACED ONE WAY FORWARD BY 272T3100-365 TOGETHER WITH 272T3100-363 IN CONJUNCTION WITH SB 767-29-0074 KIT INCORPORATION. POST SERVICE BULLETIN: 29-0074		1
- 140	AS1581T12		..SLEEVE		2
- 145	BACN10YA12N		..NUT- POST SERVICE BULLETIN: 29-0074		2
150	272T3117-31		.TUBE ASSY- TUBING MATERIAL: .500 IN. OD .026 IN. WALL 14.00 IN. LG TITANIUM ATTACHING PARTS		1
- 155	BACB30NM3K4		.BOLT		3
- 160	AN960PD10L		.WASHER		3
			-----*-----		
- 165	AS1582T08		..UNION		1

ILLUSTRATION ITEMS NOT ON PARTS LIST ARE NOT APPLICABLE

- ITEM NOT ILLUSTRATED

29-11-17-02

29-11-17
FIG. 02
PAGE 2
DEC 22/07

HXL

BOEING
767
PARTS CATALOG (MAINTENANCE)

FIG ITEM	PART NUMBER	1 2 3 4 5 6 7	NOMENCLATURE	EFFECT FROM TO	UNITS PER ASSY
2					
- 170	272T3107-1		.. FITTING-BHD		1
175	272T3100-427		. TUBE ASSY-		1
			TUBING MATERIAL:		
			.500 IN. OD .035 IN.		
			WALL 44.00 IN. LG AL		
- 180	AP2097HP08		.. SLEEVE		2
			SUPPLIER CODE:		
			V01673		
			SPECIFICATION NUMBER:		
			BACS13BX08HP		
			OPTIONAL PART:		
			2-02903-08HP		
			V11328		
			35235VN08		
			V08199		
			AFP175V08P		
			V30974		
			DBOS13BX08HP		
			V14798		
- 185	BACN10YL08		.. NUT-		2
190	272T3117-29		. TUBE ASSY-		1
			MANUFACTURED FROM:		
			TUBING		
			TITANIUM .750 IN. OD		
			.039 IN. WALL 20.50 IN.		
			LG		
			TUBING MATERIAL:		
			.750 IN. OD .039 IN.		
			WALL 20.50 IN. LG		
			TITANIUM		
			ATTACHING PARTS		
- 195	BACB30NM3K4		. BOLT		3
- 200	AN960PD10L		. WASHER		3
			-----*-----		
- 205	AS1582T12		.. UNION		1
- 210	272T3106-3		.. FITTING-BHD		1
870	272T3115-3		. BRACKET INSTL-STRUT		1
			FAIRING HYDR SPRT		
			POSITION DATA:		
			NAC STA 247.58 AND		
			258.95 AFT LH		
			FOR DETAILS SEE:		
			29-11-64-01		
900	271T5240-9		. MODULE INSTL-PRESSURE AND		1
			CASE DRAIN FILTER, EDP,		
			AFT FAIRING, STRUT		
			FOR DETAILS SEE:		
			29-11-17-01		

ILLUSTRATION ITEMS NOT ON PARTS LIST ARE NOT APPLICABLE

- ITEM NOT ILLUSTRATED

HXL

29-11-17-02

BOEING PROPRIETARY - Copyright © - Unpublished Work - See title page for details.

29-11-17
FIG. 02
PAGE 3
DEC 22/07



767
PARTS CATALOG (MAINTENANCE)

FIG ITEM	PART NUMBER	1 2 3 4 5 6 7	NOMENCLATURE	EFFECT FROM TO	UNITS PER ASSY
2 905			ILLUSTRATION REFERENCE: PLUMBING INSTL- HYDR AND FUEL STRUT (HYDRAULIC POWER ONLY) 29-11-51-02		RF

ILLUSTRATION ITEMS NOT ON PARTS LIST ARE NOT APPLICABLE

- ITEM NOT ILLUSTRATED

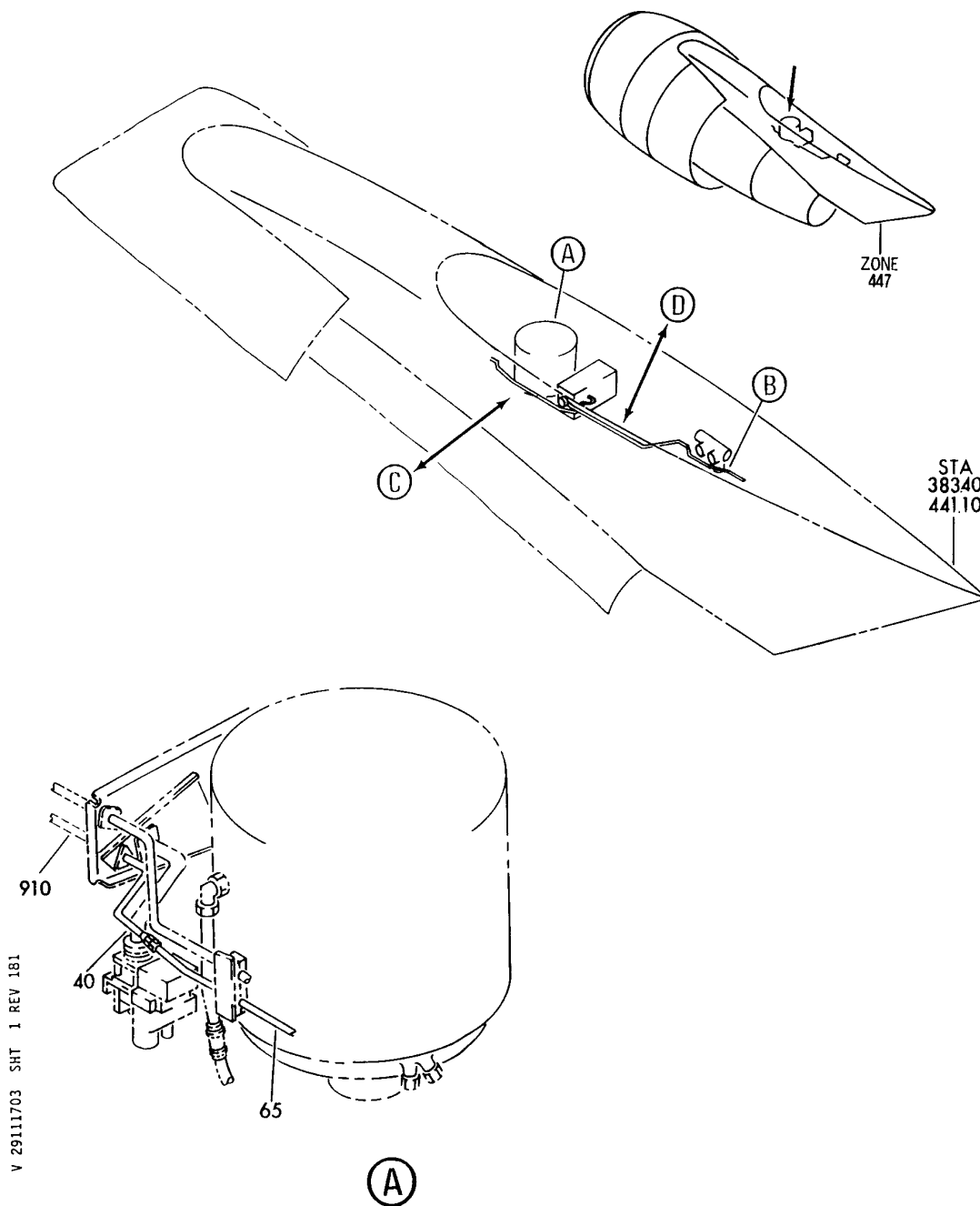
HXL

29-11-17-02

BOEING PROPRIETARY - Copyright © - Unpublished Work - See title page for details.

29-11-17
FIG. 02
PAGE 4
AUG 22/08

BOEING
767
PARTS CATALOG (MAINTENANCE)



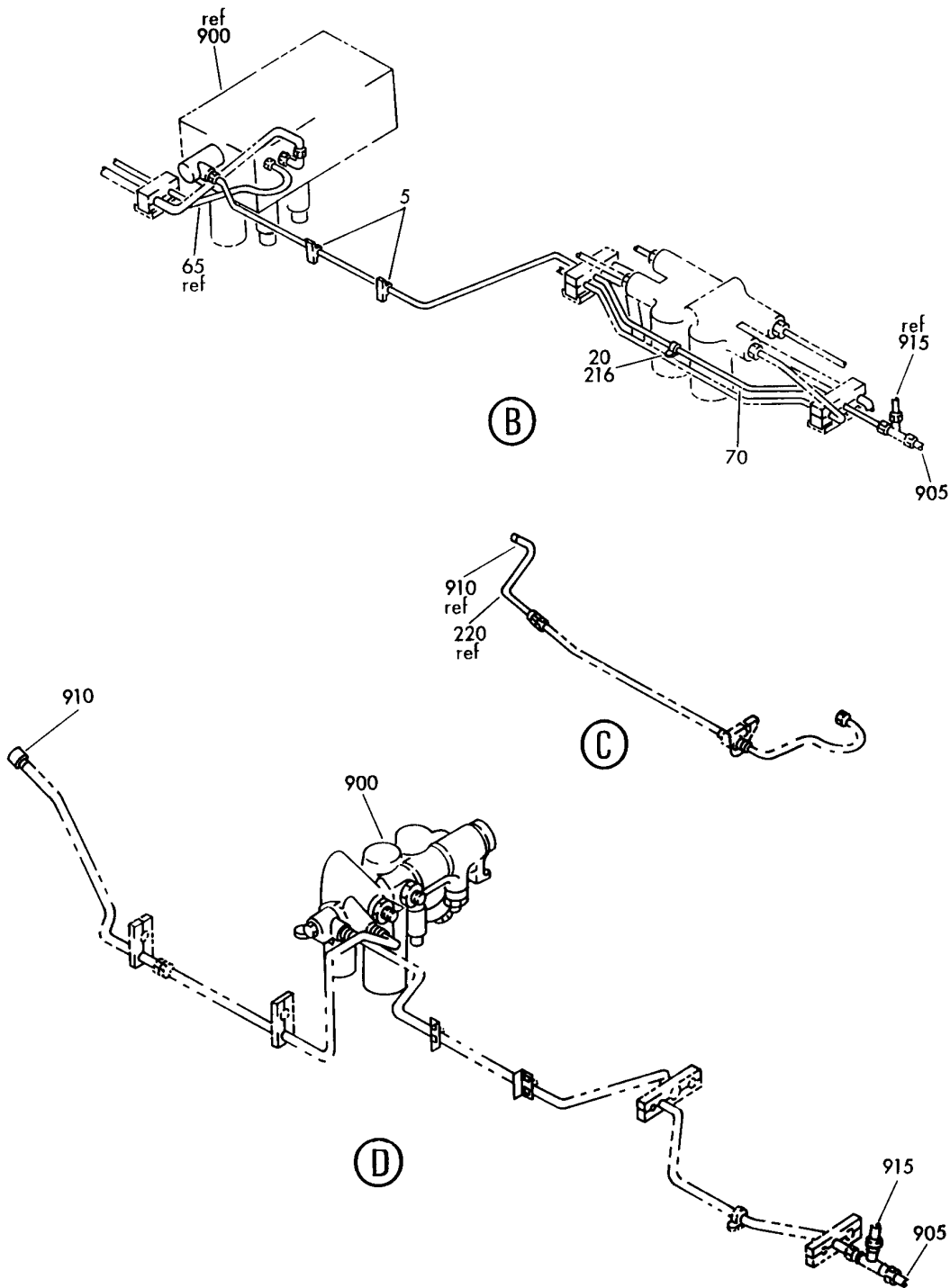
HYDRAULIC INSTL-SECT. 31 ENGINE AFT FAIRING (RH) (CASE DRAIN EDP ONLY)
FIGURE 3 (SHEET 1)

HXL
DEC 22/06

29-11-17-03

29-11-17-03
PAGE 0

BOEING
767
PARTS CATALOG (MAINTENANCE)



V 29111703 SHT 2 REV 181

HYDRAULIC INSTL-SECT. 31 ENGINE AFT FAIRING (RH) (CASE DRAIN EDP ONLY)
FIGURE 3 (SHEET 2)

HXL
DEC 22/06

29-11-17-03

29-11-17-03
PAGE 0A



767

PARTS CATALOG (MAINTENANCE)

FIG ITEM	PART NUMBER	1 2 3 4 5 6 7	NOMENCLATURE	EFFECT FROM TO	UNITS PER ASSY
3			HYDRAULIC INSTL-SECT. 31 ENGINE AFT FAIRING (RH) (CASE DRAIN EDP ONLY)		
- 1	272T3100-6		HYDRAULIC INSTL-ENG FAIRING STRUT POSITION DATA: SECT. 31 AFT R MISCELLANEOUS DATA: (CASE DRAIN EDP ONLY) (PRATT & WHITNEY) VARIABLE DRAWING REF: 272T3100-5218 272T3100-5336 272T3100-7004 FOR NHA/OTHER SYS DET SEE: 29-00-00-04		RF
	5 TA0910004H108		.CLAMP SUPPLIER CODE: V84971 SPECIFICATION NUMBER: BACC10HB08C ATTACHING PARTS		1
- 10	NAS1801-3-9		.SCREW		1
- 15	AN960PD10L		.WASHER		2
	40 272T3118-20		-----*----- .TUBE ASSY- TUBING MATERIAL: .500 IN. OD .026 IN. WALL 17.00 IN. LG TITANIUM ATTACHING PARTS		1
- 45	BACB30NM3K4		.BOLT		3
- 50	AN960PD10L		.WASHER		3
	55 AS1582T08		-----*----- ..UNION		2
- 60	272T3107-1		..FITTING-BHD		1
65	272T3100-296		.TUBE ASSY- TUBING MATERIAL: .500 IN. OD .026 IN. WALL 39.00 IN. LG TITANIUM		1
	70 272T3100-402		.TUBE ASSY- TUBING MATERIAL: .500 IN. OD .026 IN. WALL 56.00 IN. LG TITANIUM		1
- 75	AS1581T08		..SLEEVE		2
- 80	BACN10YA8		..NUT-		2

ILLUSTRATION ITEMS NOT ON PARTS LIST ARE NOT APPLICABLE

- ITEM NOT ILLUSTRATED

29-11-17-03

29-11-17
FIG. 03
PAGE 1
DEC 22/07

HXL



767

PARTS CATALOG (MAINTENANCE)

FIG ITEM	PART NUMBER	1 2 3 4 5 6 7	NOMENCLATURE	EFFECT FROM TO	UNITS PER ASSY
3					
500	271T5240-8		.MODULE INSTL-STRUT ENG DRIVEN PUMP PRESSURE AND CASE DRAIN FILTER FOR DETAILS SEE: 29-11-17-01		1
900			ILLUSTRATION REFERENCE: MODULE INSTL-FAIRING STRUT ENG DRIVEN PUMP PRESSURE AND CASE DRAIN FILTER AFT 29-11-17-01		RF
905			ILLUSTRATION REFERENCE: HYDRAULIC INSTL-SECT. 31 ENG AFT FAIRING, R STRUT (HEAT EXCHANGER ONLY) 29-11-27-03		RF
910			ILLUSTRATION REFERENCE: PLUMBING INSTL- HYDR AND FUEL STRUT (HYDRAULIC POWER ONLY) 29-11-51-02		RF
915			ILLUSTRATION REFERENCE: HYDRAULIC INSTL-SECT. 31 ENGINE AFT FAIRING (RH) (CASE DRAIN ACMP ONLY) 29-11-18-03		RF
ILLUSTRATION ITEMS NOT ON PARTS LIST ARE NOT APPLICABLE					

- ITEM NOT ILLUSTRATED

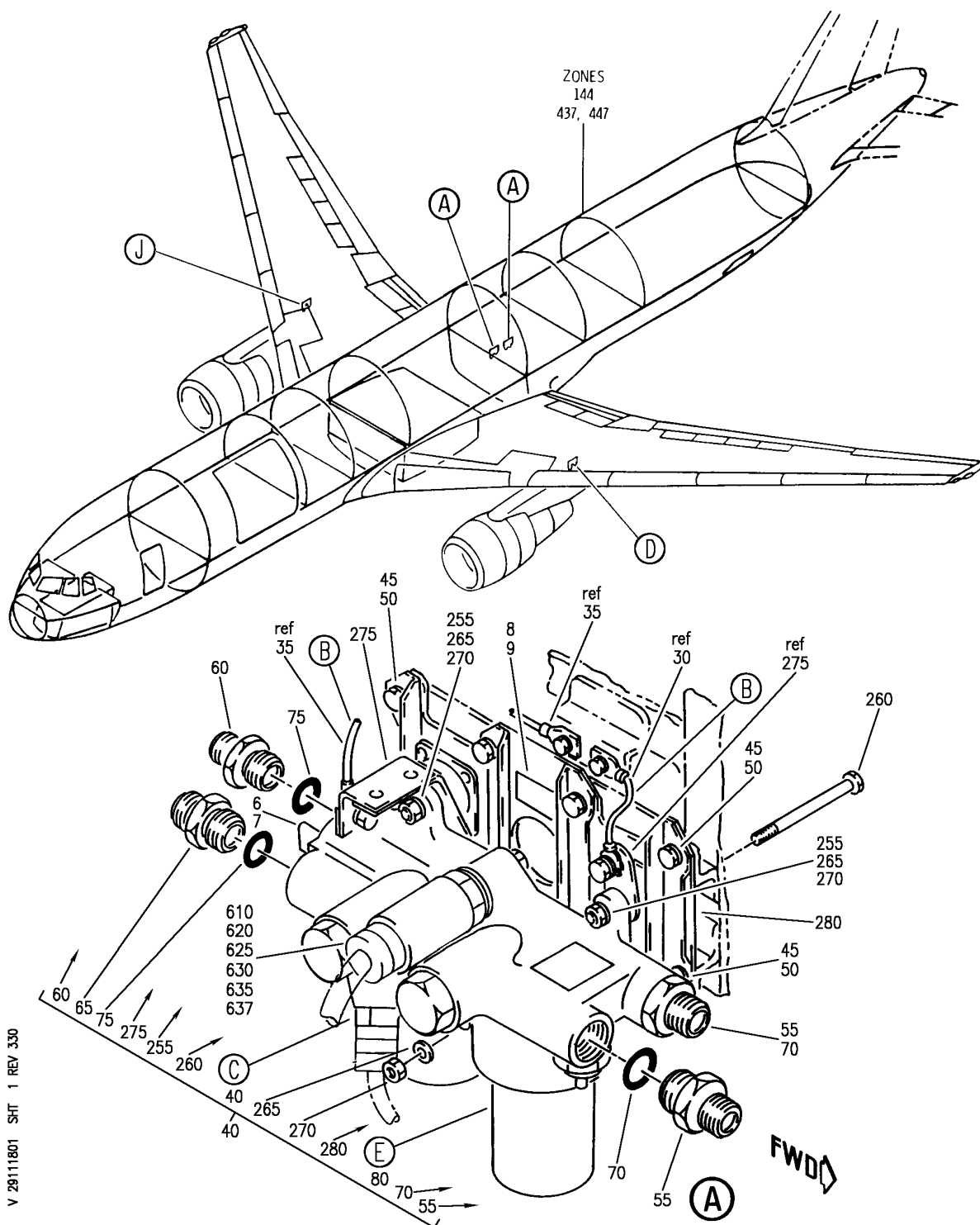
HXL

29-11-17-03

BOEING PROPRIETARY - Copyright © - Unpublished Work - See title page for details.

29-11-17
FIG. 03
PAGE 2
AUG 22/08

BOEING
767
PARTS CATALOG (MAINTENANCE)



V 29111801 SHT 1 REV 330

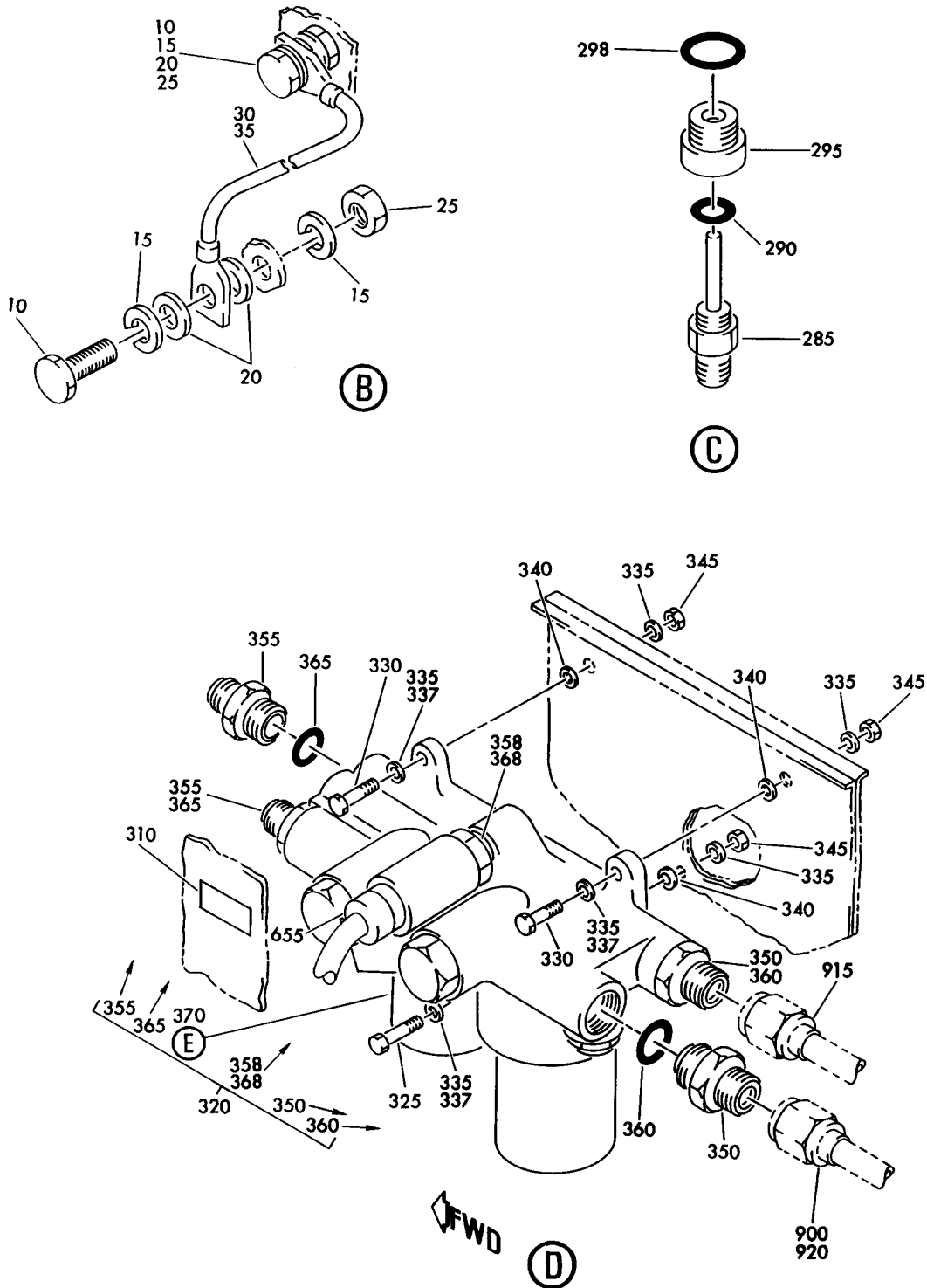
MODULE INSTL-STRUT AND CTR SYS PRESSURE AND CASE DRAIN FILTER AC MOTOR PUMP AFT FAIRING
FIGURE 1 (SHEET 1)

HXL
AUG 22/08

29-11-18-01

29-11-18-01
PAGE 0

BOEING
767
PARTS CATALOG (MAINTENANCE)



V 29111801 SHT 2 REV 142

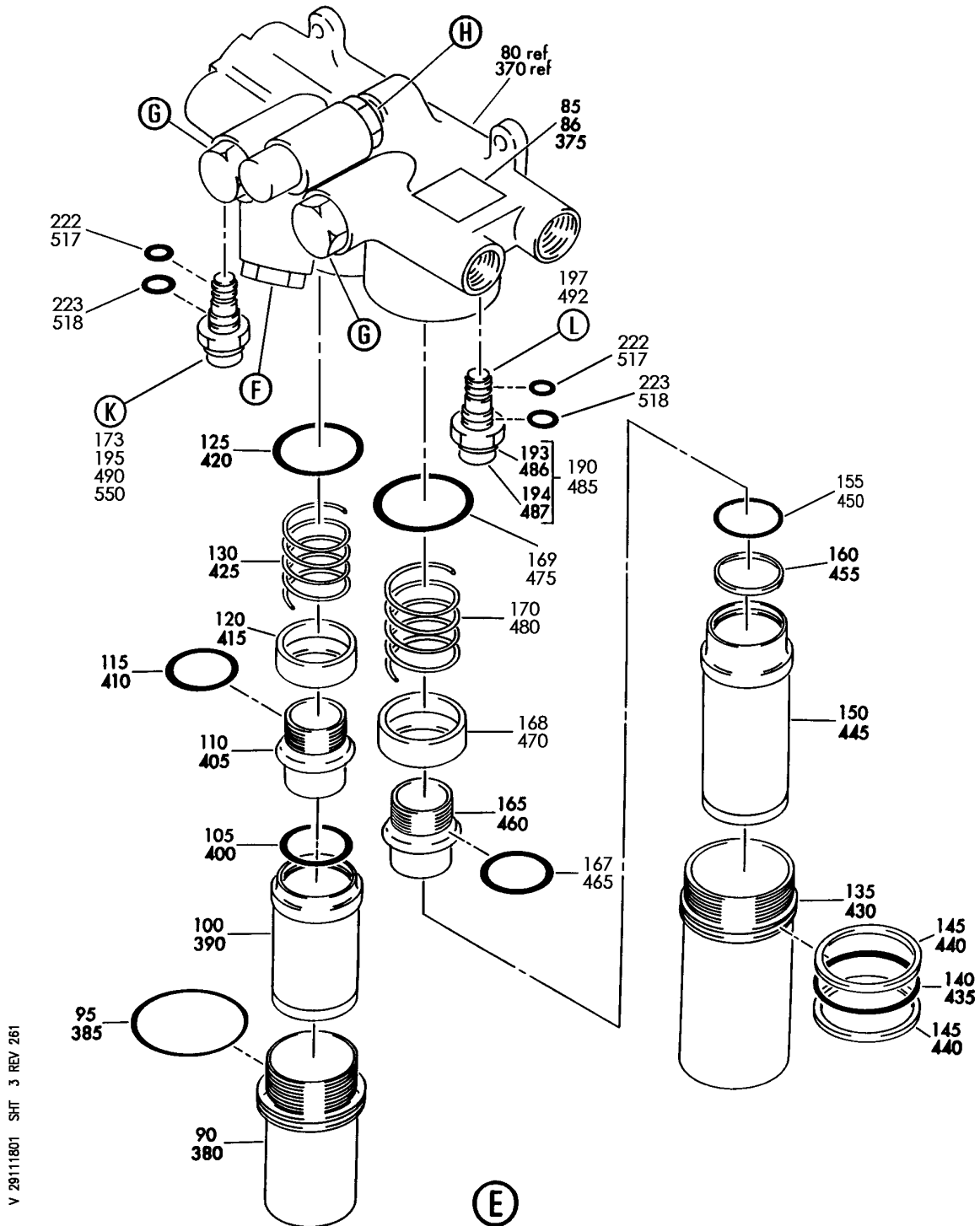
MODULE INSTL-STRUT AND CTR SYS PRESSURE AND CASE DRAIN FILTER AC MOTOR PUMP AFT FAIRING
FIGURE 1 (SHEET 2)

29-11-18-01

HXL
DEC 22/06

29-11-18-01
PAGE 0A


BOEING
 767
PARTS CATALOG (MAINTENANCE)



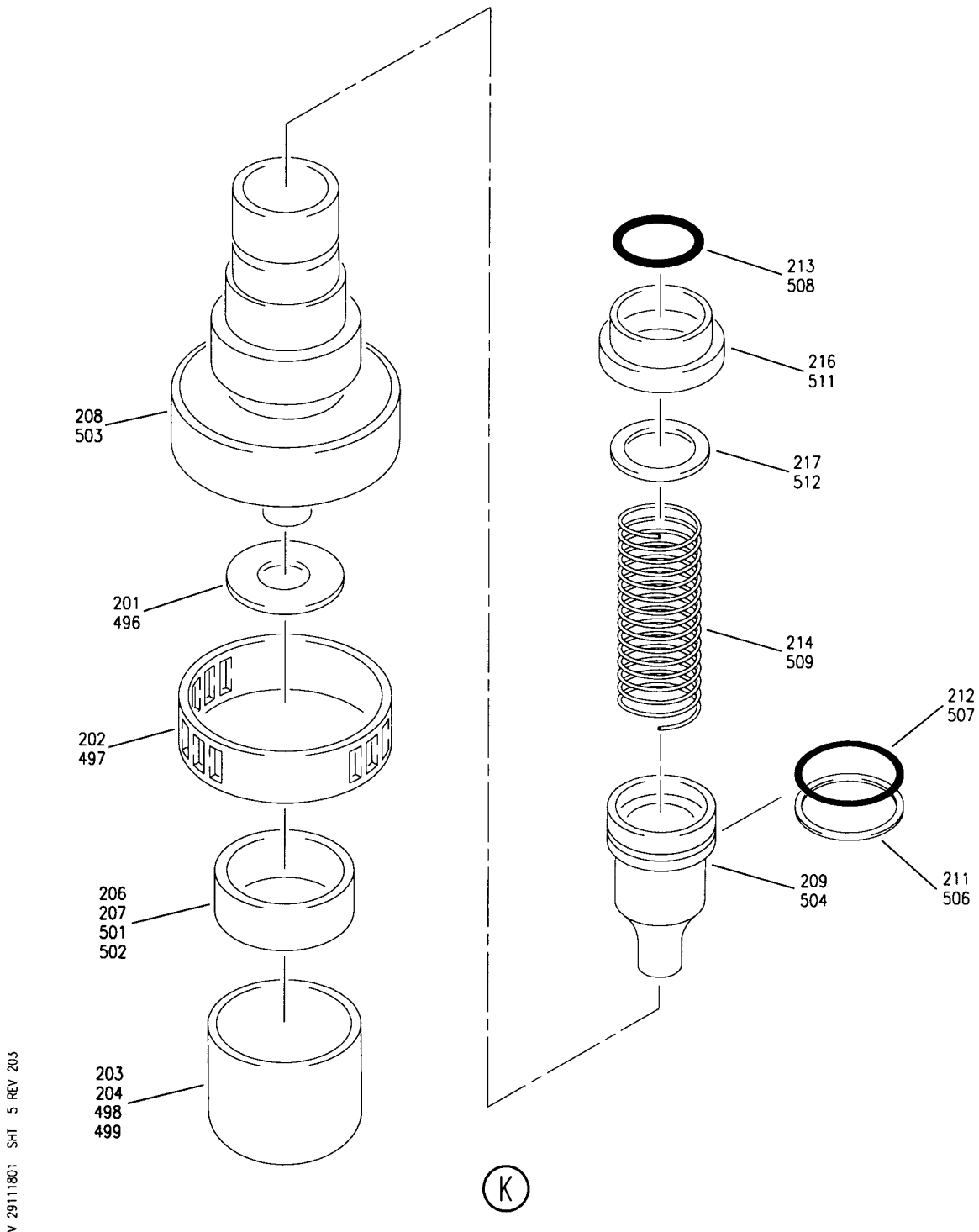
MODULE INSTL-STRUT AND CTR SYS PRESSURE AND CASE DRAIN FILTER AC MOTOR PUMP AFT FAIRING
 FIGURE 1 (SHEET 3)

HXL
DEC 22/06

29-11-18-01

29-11-18-01
 PAGE 0B

BOEING
767
PARTS CATALOG (MAINTENANCE)



V 29111801 SH1 5 REV 203

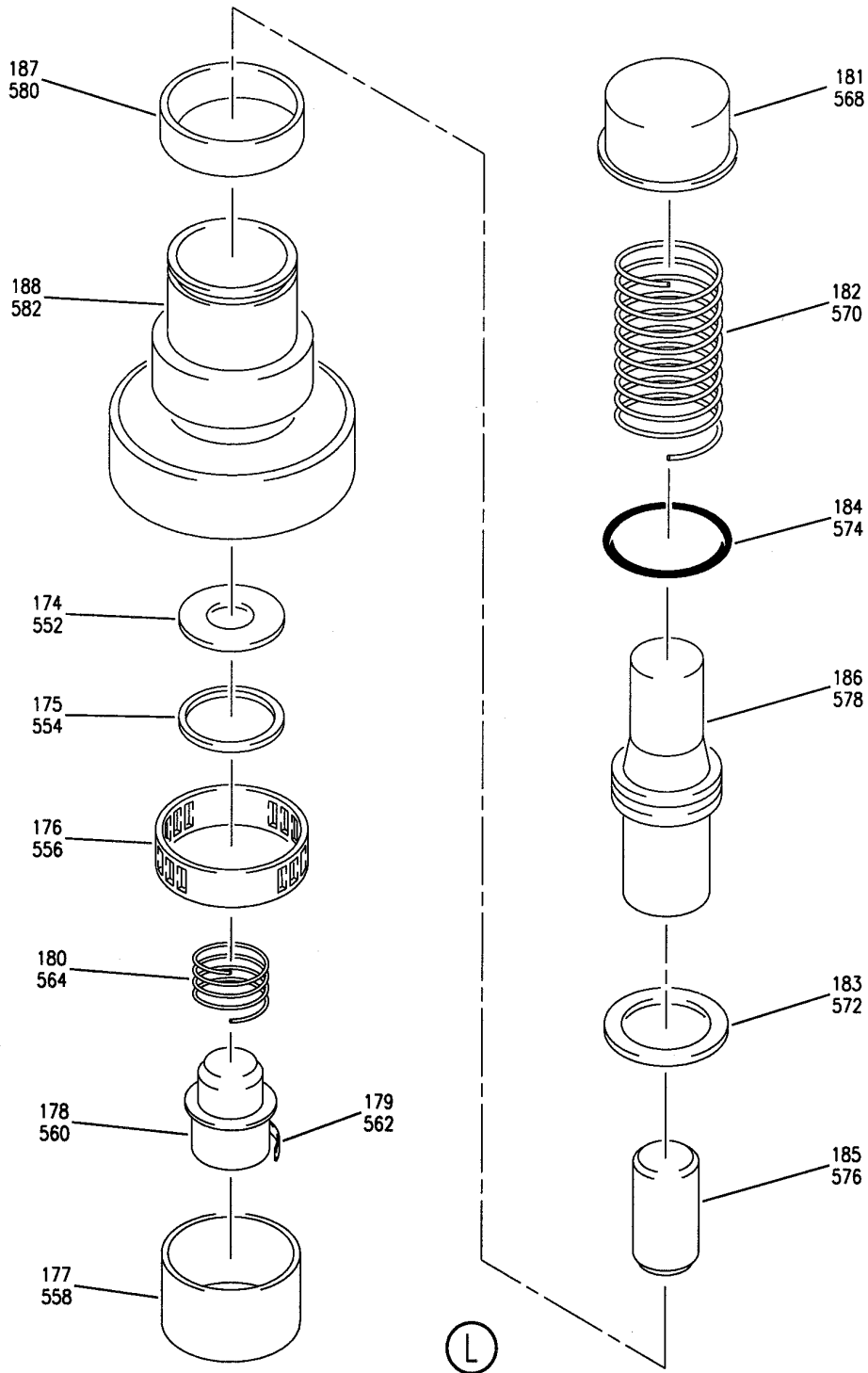
MODULE INSTL-STRUT AND CTR SYS PRESSURE AND CASE DRAIN FILTER AC MOTOR PUMP AFT FAIRING
FIGURE 1 (SHEET 5)

29-11-18-01

HXL
DEC 22/06

29-11-18-01
PAGE 0D

BOEING
767
PARTS CATALOG (MAINTENANCE)



V 29111801 SHT 6 REV 220

MODULE INSTL-STRUT AND CTR SYS PRESSURE AND CASE DRAIN FILTER AC MOTOR PUMP AFT FAIRING
FIGURE 1 (SHEET 6)

HXL
DEC 22/06

29-11-18-01

29-11-18-01
PAGE 0E



767

PARTS CATALOG (MAINTENANCE)

FIG ITEM	PART NUMBER	1 2 3 4 5 6 7	NOMENCLATURE	EFFECT FROM TO	UNITS PER ASSY
1			MODULE INSTL-STRUT AND CTR SYS PRESSURE AND CASE DRAIN FILTER AC MOTOR PUMP AFT FAIRING		
- 1	271T4570-1		MODULE INSTL-SYS AC MOTOR PUMP PRESSURE AND CASE DRAIN FILTER POSITION DATA: SECT. 45 STA 977 CTR FOR NHA SEE: 29-11-18-04		RF
- 5	271T4570-2		MODULE INSTL-SYS AC MOTOR PUMP PRESSURE AND CASE DRAIN FILTER POSITION DATA: SECT. 45 STA 1021 CTR FOR NHA SEE: 29-11-18-04		RF
6	BAC27THY0083		.MARKER-ALUMINUM FOIL PLACARD CONTENT: M945 XMTR-HYDR ELEC PUMP TEMP C1 USED ON: 271T4570-1 271T4570-5 MODREF50273		1
7	BAC27THY0084		.MARKER-ALUMINUM FOIL PLACARD CONTENT: M946 XMTR-HYDR ELEC PUMP TEMP C2 USED ON: 271T4570-2 271T4570-6 MODREF50274		1
8	BAC27THY0093		.MARKER-ALUMINUM FOIL PLACARD CONTENT: S33 SW-HYDR ELEC PUMP PRESS, C1 USED ON: 271T4570-1 271T4570-5 MODREF50273		1

ILLUSTRATION ITEMS NOT ON PARTS LIST ARE NOT APPLICABLE

- ITEM NOT ILLUSTRATED

HXL

29-11-18-01

BOEING PROPRIETARY - Copyright © - Unpublished Work - See title page for details.

29-11-18
FIG. 01
PAGE 1
DEC 22/06



767

PARTS CATALOG (MAINTENANCE)

FIG ITEM	PART NUMBER	1 2 3 4 5 6 7	NOMENCLATURE	EFFECT FROM TO	UNITS PER ASSY
1	9 BAC27THY0095		.MARKER-ALUMINUM FOIL PLACARD CONTENT: S34 SW-HYDR ELEC PUMP PRESS, C2 USED ON: 271T4570-2 271T4570-6 MODREF50274		1
10	NAS563-21		.SCREW		4
15	AN960PD10		.WASHER		8
20	AN960D10L		.WASHER		8
25	BRH10A3		.NUT		4
			SUPPLIER CODE: V52828 SPECIFICATION NUMBER: BACN10JC3 OPTIONAL PART: H10-3BAC V15653 NS202101-02 V80539 RMLH9075-3W V72962 VN303A02 V92215 96-02 V80539 T6S1032J V11815		
30	740A20-3		.JUMPER ASSY SUPPLIER CODE: V91812 SPECIFICATION NUMBER: BACJ40A20-3 OPTIONAL PART: TJEJ40A20-3 V33483 RBEJ20-3 V1GK47		1
35	740A20-6		.CABLE SUPPLIER CODE: V91812 SPECIFICATION NUMBER: BACJ40A20-6 OPTIONAL PART: TJEJ40A20-6 V33483 RBEJ20-6 V1GK47		1

ILLUSTRATION ITEMS NOT ON PARTS LIST ARE NOT APPLICABLE

- ITEM NOT ILLUSTRATED

HXL

29-11-18-01

BOEING PROPRIETARY - Copyright © - Unpublished Work - See title page for details.

29-11-18
FIG. 01
PAGE 2
DEC 22/08



767

PARTS CATALOG (MAINTENANCE)

FIG ITEM	PART NUMBER	1 2 3 4 5 6 7	NOMENCLATURE	EFFECT FROM TO	UNITS PER ASSY
1					
40	271T4570-18		.MODULE ASSY- ELECTRICAL EQUIP NUMBER: M00945 M00946 ATTACHING PARTS		1
45	BACB30NR4K4		.BOLT		8
50	AN960PD416		.WASHER -----*-----		8
55	AFP23210-8		..REDUCER SUPPLIER CODE: V30974 SPECIFICATION NUMBER: BACR17E10-8 OPTIONAL PART: AP102710-8 V01673 BC916T10-8 V50948 DBOR17E10-8 V14798 ER21916T10-8 V88334 ER31916-10-8 V88334 F23-10-8 V73197 2-01075T10-8 V11328 31778-10-8 V14397 US2114-10-8 V50808		2
60	MS21916D8-6		..REDUCER		1
65	MS21902D8		..UNION		1
70	NAS1612-10		..PACKING-		2
75	NAS1612-8		..PACKING-		2

ILLUSTRATION ITEMS NOT ON PARTS LIST ARE NOT APPLICABLE

- ITEM NOT ILLUSTRATED

HXL

29-11-18-01

BOEING PROPRIETARY - Copyright © - Unpublished Work - See title page for details.

29-11-18
FIG. 01
PAGE 3
DEC 22/08



767

PARTS CATALOG (MAINTENANCE)

FIG ITEM	PART NUMBER	1 2 3 4 5 6 7	NOMENCLATURE	EFFECT FROM TO	UNITS PER ASSY
1					
- 77	211C223-301		.. SWITCH-HYDR PRESSURE SUPPLIER CODE: V02750 FUNCTIONAL DESCRIPTION: CLOSSES AN ELECTRICAL CIRCUIT WHEN HYDRAULIC PRESSURE IS SENSED. SPECIFICATION NUMBER: S271T452-1 ELECTRICAL EQUIP NUMBER: S00033 S00034 COMPONENT MAINT MANUAL REF: 29-09-01 OPTIONAL PART: 211C223-534 V02750 211C223-175 V02750		1
- 77	211C223-534		.. SWITCH ASSY-HYDR PRESSURE SUPPLIER CODE: V02750 FUNCTIONAL DESCRIPTION: CLOSSES AN ELECTRICAL CIRCUIT WHEN HYDRAULIC PRESSURE IS SENSED. SPECIFICATION NUMBER: S271T452-1 ELECTRICAL EQUIP NUMBER: S00033 S00034 COMPONENT MAINT MANUAL REF: 29-09-04 OPTIONAL PART: 211C223-301 V02750		1
- 78	NAS1612-6		.. PACKING-		1

ILLUSTRATION ITEMS NOT ON PARTS LIST ARE NOT APPLICABLE

- ITEM NOT ILLUSTRATED

HXL

29-11-18-01

BOEING PROPRIETARY - Copyright © - Unpublished Work - See title page for details.

29-11-18
 FIG. 01
 PAGE 4
 DEC 22/08



PARTS CATALOG (MAINTENANCE)

FIG ITEM	PART NUMBER	1 2 3 4 5 6 7	NOMENCLATURE	EFFECT FROM TO	UNITS PER ASSY
1 80	271T0042-2		..MODULE ASSY- MISCELLANEOUS DATA: FOR SPARES PROCURE LOWER COMPONENTS FOR ELEMENT MAINTENANCE USE FILTER MAINT KIT DEFINED IN FILTER MAINT KIT LIST. FILTER MAINTENANCE KIT REF: 654T0035-2 COMPONENT MAINT MANUAL REF: 29-11-41 QUALIFIED I/W DATA: 271T0042-2 OPTIONAL TO 271T0042-4 T/W S271T452-1, NAS1612-6 AND MS20995C32		1
80	271T0042-4		..MODULE ASSY- MISCELLANEOUS DATA: FOR SPARES PROCURE LOWER COMPONENTS FOR ELEMENT MAINTENANCE USE FILTER MAINT KIT DEFINED IN FILTER MAINT KIT LIST. FILTER MAINTENANCE KIT REF: 654T0035-2 COMPONENT MAINT MANUAL REF: 29-11-41 QUALIFIED I/W DATA: 271T0042-2 OPTIONAL TO 271T0042-4 T/W S271T452-1, NAS1612-6 AND MS20995C32		1
85	7586200		...PLATE-IDENT SUPPLIER CODE: V05228 USED ON: 271T0042-2		1
86	7587682		...PLATE-IDENT SUPPLIER CODE: V05228 ATTACHING PARTS		1
90	271T0044-1		...CASE- OPTIONAL PART: 271T0047-1 -----*-----		1
90	271T0047-1		...CASE- OPTIONAL PART: 271T0044-1		1
95	NAS1611-226		...PACKING-		1

ILLUSTRATION ITEMS NOT ON PARTS LIST ARE NOT APPLICABLE

- ITEM NOT ILLUSTRATED

29-11-18-01

29-11-18
 FIG. 01
 PAGE 5
 DEC 22/08

HXL



767

PARTS CATALOG (MAINTENANCE)

FIG ITEM	PART NUMBER	1 2 3 4 5 6 7	NOMENCLATURE	EFFECT FROM TO	UNITS PER ASSY
1 100	7553276		...ELEMENT ASSY-LOW PRESSURE NON-CLEANABLE FILTER SUPPLIER CODE: V05228 SPECIFICATION NUMBER: 60B00211-3 OPTIONAL PART: AC9008E1 V18350 AC9008E11 V18350		1
105	NAS1611-214	PACKING-		1
110	7553414		...FITTING- SUPPLIER CODE: V05228		1
115	7582484		...PACKING- SUPPLIER CODE: V05228		1
120	7506161		...SLEEVE- SUPPLIER CODE: V05228		1
125	NAS1611-226		...PACKING-		1
130	7506162		...SPRING- SUPPLIER CODE: V05228 OPTIONAL PART: 7589401 V05228 USED ON: 271T0042-4		1
130	7589401		...SPRING- SUPPLIER CODE: V05228 OPTIONAL PART: 7506162 V05228 USED ON: 271T0042-4		1
135	271T0045-3		...CASE		1
140	NAS1611-228		...PACKING-		1
145	MS27595-228		...RING- OPTIONAL PART: BACR12BM228		2

ILLUSTRATION ITEMS NOT ON PARTS LIST ARE NOT APPLICABLE

- ITEM NOT ILLUSTRATED

29-11-18-01

29-11-18
FIG. 01
PAGE 6
DEC 22/08

HXL

BOEING PROPRIETARY - Copyright © - Unpublished Work - See title page for details.



767

PARTS CATALOG (MAINTENANCE)

FIG ITEM	PART NUMBER	1 2 3 4 5 6 7	NOMENCLATURE	EFFECT FROM TO	UNITS PER ASSY
1 145	C11236-228B		...RING- SUPPLIER CODE: V26879 SPECIFICATION NUMBER: BACR12BM228 OPTIONAL PART: RMR12BM228 V94878 STF800-228 V02107 S30294-228-1 V97820 TF450-228A V07128 2100-228 V26303 MS27595-228		2
150	AC7681E1Y2		...FILTER- SUPPLIER CODE: V18350 SPECIFICATION NUMBER: 10-60592-6 OPTIONAL PART: 7513128 V05228		1
150	7513128		...FILTER- SUPPLIER CODE: V05228 SPECIFICATION NUMBER: 10-60592-5 FOR ELEMENT MAINTENANCE USE FILTER MAINT KIT DEFINED IN FILTER MAINT KIT LIST. FILTER MAINTENANCE KIT REF: 654T0035-2 OPTIONAL PART: AC77681E1Y2 V18350		1
155	NAS1611-214		...PACKING-		1
160	MS28782-19		...RING		1
165	7553414		...FITTING- SUPPLIER CODE: V05228		1
167	7582484		...PACKING- SUPPLIER CODE: V05228		1
168	7585481		...SLEEVE- SUPPLIER CODE: V05228		1

ILLUSTRATION ITEMS NOT ON PARTS LIST ARE NOT APPLICABLE

- ITEM NOT ILLUSTRATED

29-11-18-01

29-11-18
FIG. 01
PAGE 7
DEC 22/08

HXL

 **BOEING**
767
PARTS CATALOG (MAINTENANCE)

FIG ITEM	PART NUMBER	1 2 3 4 5 6 7	NOMENCLATURE	EFFECT FROM TO	UNITS PER ASSY
1					
169	NAS1611-228	...	PACKING-		1
170	7554814	...	SPRING-		1
			SUPPLIER CODE: V05228		
173	TC125UK06Y	...	INDICATOR ASSY-PRESSURE DIFF		1
			SUPPLIER CODE: V18350		
			SPECIFICATION NUMBER: S271T005-2		
			OPTIONAL PART: 7586630 V05228		
174	60TA125UK06Y	NAMEPLATE-		1
			SUPPLIER CODE: V18350		
175	AA9500D330	RING-RETAINING		1
			SUPPLIER CODE: V18350		
176	AA9500D822	BAND-BOOT SHRINK		1
			SUPPLIER CODE: V18350		
177	62RB114S0000	BOOT-		1
			SUPPLIER CODE: V18350		
178	19RA551P0000	INDICATOR-BUTTON		1
			SUPPLIER CODE: V18350		
179	69RB55100000	BIMETAL-		1
			SUPPLIER CODE: V18350		
180	AA2100-3D5	MAGNET-ACTUATION SPR		1
			SUPPLIER CODE: V18350		
181	14RA77700000	RETAINER-SPR		1
			SUPPLIER CODE: V18350		
182	21RA777000K7	SPRING-		1
			SUPPLIER CODE: V18350		
183	AA9500D530	SEAL-RING		1
			SUPPLIER CODE: V18350		
184	NAS1611-011	PACKING-		1
185	27RA65000000	MAGNET-		1
			SUPPLIER CODE: V18350		

ILLUSTRATION ITEMS NOT ON PARTS LIST ARE NOT APPLICABLE

- ITEM NOT ILLUSTRATED

HXL

29-11-18-01

BOEING PROPRIETARY - Copyright © - Unpublished Work - See title page for details.

29-11-18
FIG. 01
PAGE 8
DEC 22/08

 **BOEING**
767
PARTS CATALOG (MAINTENANCE)

FIG ITEM	PART NUMBER	1 2 3 4 5 6 7	NOMENCLATURE	EFFECT FROM TO	UNITS PER ASSY
1					
186	23TB04200000	PISTON- SUPPLIER CODE: V18350		1
187	92RA77100000	FILTER-SLEEVE, RIGIMESH SUPPLIER CODE: V18350		1
188	08TD12500009	PLUG-DELTADYNE SUPPLIER CODE: V18350		1
190	TC125UK00ZY1	...	INDICATOR ASSY-PRESSURE DIFF SUPPLIER CODE: V18350 SPECIFICATION NUMBER: S271T005-3 COMPONENT MAINT MANUAL REF: 29-11-01 OPTIONAL PART: 7586631 V05228		1
193	AA9500D822	BAND-SHRINK SUPPLIER CODE: V18350		1
194	62RB114S0000	BOOT- SUPPLIER CODE: V18350		1
195	7586630	...	INDICATOR ASSY-DIFF PRESSURE HYDR SUPPLIER CODE: V05228 SPECIFICATION NUMBER: S271T005-5 OPTIONAL PART: TC125UK06Y V18350		1
197	7586631	...	INDICATOR ASSY-DIFF PRESSURE HYDR SUPPLIER CODE: V05228 SPECIFICATION NUMBER: S271T005-4 OPTIONAL PART: TC125UK00ZY1 V18350		1
201	7586651	NAMEPLATE- SUPPLIER CODE: V05228 USED ON: 7586630		1
ILLUSTRATION ITEMS NOT ON PARTS LIST ARE NOT APPLICABLE					

— ITEM NOT ILLUSTRATED

HXL

29-11-18-01

BOEING PROPRIETARY - Copyright © - Unpublished Work - See title page for details.

29-11-18
FIG. 01
PAGE 9
DEC 22/08



767

PARTS CATALOG (MAINTENANCE)

FIG ITEM	PART NUMBER	1 2 3 4 5 6 7	NOMENCLATURE	EFFECT FROM TO	UNITS PER ASSY
1 201	7586652	NAMEPLATE- SUPPLIER CODE: V05228 USED ON: 7586631		1
202	MS3367-5-9	STRAP- CONFIG CHG DATA FROM A CMM: REPLACES 7590761-001 REPLACES 7586779 REPLACES 7586778 MISCELLANEOUS DATA: USED PRIOR TO S/N 6409 FOR 7586630 ASSY AND S/N 3888 FOR 7586631 ASSY USED ON: 7586630 7586631 USED WITH: 7586649		1
203	7586649	CAP-PROTECTIVE SUPPLIER CODE: V05228 CONFIG CHG DATA FROM A CMM: REPLACES 7590761-001 REPLACES 7586779 REPLACES 7586778 MISCELLANEOUS DATA: USED PRIOR TO S/N 6409 FOR 7586630 ASSY AND S/N 3888 FOR 7586631 ASSY USED ON: 7586630 7586631 USED WITH: MS3367-5-9		1

ILLUSTRATION ITEMS NOT ON PARTS LIST ARE NOT APPLICABLE

- ITEM NOT ILLUSTRATED

HXL

29-11-18-01

BOEING PROPRIETARY - Copyright © - Unpublished Work - See title page for details.

29-11-18
 FIG. 01
 PAGE 10
 DEC 22/08



767

PARTS CATALOG (MAINTENANCE)

FIG ITEM	PART NUMBER	1 2 3 4 5 6 7	NOMENCLATURE	EFFECT FROM TO	UNITS PER ASSY
1 204	7590761-001		<p>.....CAP-PROTECTIVE SUPPLIER CODE: V05228 CONFIG CHG DATA FROM A CMM: REPLD BY MS3367-5-9 REPLD BY 7586649 MISCELLANEOUS DATA: USED PRIOR TO S/N 6409 FOR 7586630 ASSY AND S/N 3888 FOR 7586631 ASSY OPTIONAL PART: 7586779 V05228 USED ON: 7586630 7586631</p>		1
206	7586779		<p>.....CAP-PROTECTIVE SUPPLIER CODE: V05228 CONFIG CHG DATA FROM A CMM: REPLD BY S3367-5-9 REPLD BY 7586649 MISCELLANEOUS DATA: USED PRIOR TO S/N 6409 FOR 7586630 ASSY AND S/N 3888 FOR 7586631 ASSY OPTIONAL PART: 7580761-001 V05228 USED ON: 7586630 7586631 USED WITH: 7586778</p>		1
207	7586778		<p>.....RETAINER-CAP SUPPLIER CODE: V05228 CONFIG CHG DATA FROM A CMM: REPLD BY MS3367-5-9 REPLD BY 7586649 MISCELLANEOUS DATA: USED PRIOR TO S/N 6409 FOR 7586630 ASSY AND S/N 3888 FOR 7586631 ASSY USED ON: 7586630 7586631 USED WITH: 7586779</p>		1

ILLUSTRATION ITEMS NOT ON PARTS LIST ARE NOT APPLICABLE

- ITEM NOT ILLUSTRATED

HXL

29-11-18-01

BOEING PROPRIETARY - Copyright © - Unpublished Work - See title page for details.

29-11-18
 FIG. 01
 PAGE 11
 DEC 22/08



767

PARTS CATALOG (MAINTENANCE)

FIG ITEM	PART NUMBER	1 2 3 4 5 6 7	NOMENCLATURE	EFFECT FROM TO	UNITS PER ASSY
1 208	7586641	HOUSING- SUPPLIER CODE: V05228 USED ON: 7586630 7586631		1
209	7586642	PISTON- SUPPLIER CODE: V05228 USED ON: 7586630 7586631		1
211	7586811	SEAL-RING SUPPLIER CODE: V05228 USED ON: 7586630 7586631		1
212	7586810	PACKING-O-RING SUPPLIER CODE: V05228		1
213	7582499	RING-RTNR SUPPLIER CODE: V05228 CONFIG CHG DATA FROM A CMM: REPLD BY 7582499-001 USED ON: 7586630 7586631		1
213	7582499-001	RING-RTNR SUPPLIER CODE: V05228 CONFIG CHG DATA FROM A CMM: REPLACES 7582499 USED ON: 7586630 7586631		1
214	7586645	SPRING-PISTON SUPPLIER CODE: V05228 USED ON: 7586630		1
214	7586644	SPRING-PISTON SUPPLIER CODE: V05228 USED ON: 7586631		1

ILLUSTRATION ITEMS NOT ON PARTS LIST ARE NOT APPLICABLE

- ITEM NOT ILLUSTRATED

HXL

29-11-18-01

BOEING PROPRIETARY - Copyright © - Unpublished Work - See title page for details.

29-11-18
FIG. 01
PAGE 12
DEC 22/08

 **BOEING**
767
PARTS CATALOG (MAINTENANCE)

FIG ITEM	PART NUMBER	1 2 3 4 5 6 7	NOMENCLATURE	EFFECT FROM TO	UNITS PER ASSY
1					
216	7586646	RETAINER-SPR SUPPLIER CODE: V05228 USED ON: 7586630 7586631		1
217	7586777	SHIM- SUPPLIER CODE: V05228 SELECT FROM ITEM. USED ON: 7586630 7586631		AR
218	AN814-12DL	...	PLUG AND BLEEDER		1
219	NAS1612-12	...	PACKING-		1
220	2790521-102	...	VALVE-CHK SUPPLIER CODE: V92003 SPECIFICATION NUMBER: S270T242-1 COMPONENT MAINT MANUAL REF: 29-09-14 OPTIONAL PART: 1C1244 V99240		2
222	NAS1611-014	...	PACKING-		2
223	NAS1612-8	...	PACKING-		2
225	NAS1611-213	...	PACKING-		2
230	MS28774-213	...	RETAINER- OPTIONAL PART: BACR12BM213		4
230	C11236-213B	...	RING- SUPPLIER CODE: V26879 SPECIFICATION NUMBER: BACR12BM213 OPTIONAL PART: RMR12BM213 V94878 STF800-213 V02107 S30294-213-1 V97820 TF450-213A V07128 2100-213 V26303 MS28774-213		4
235	NAS1611-116	...	PACKING-		2

ILLUSTRATION ITEMS NOT ON PARTS LIST ARE NOT APPLICABLE

— ITEM NOT ILLUSTRATED

HXL

29-11-18-01

BOEING PROPRIETARY - Copyright © - Unpublished Work - See title page for details.

29-11-18
FIG. 01
PAGE 13
DEC 22/08



767

PARTS CATALOG (MAINTENANCE)

FIG ITEM	PART NUMBER	1 2 3 4 5 6 7	NOMENCLATURE	EFFECT FROM TO	UNITS PER ASSY
1					
240	MS28774-116	...	RETAINER- OPTIONAL PART: BACR12BM116		4
240	C11236-116B	...	RING- SUPPLIER CODE: V26879 SPECIFICATION NUMBER: BACR12BM116 OPTIONAL PART: RMR12BM116 V94878 STF800-116 V02107 S30294-116-1 V97820 TF450-116A V07128 2100-116 V26303 MS28774-116 MS27595-116		4
240	MS27595-116	...	RETAINER- OPTIONAL PART: BACR12BM166		4
245	211C223-301	...	SWITCH-HYDR PRESSURE SUPPLIER CODE: V02750 FUNCTIONAL DESCRIPTION: CLOSES AN ELECTRICAL CIRCUIT WHEN HYDRAULIC PRESSURE IS SENSED. SPECIFICATION NUMBER: S271T452-1 ELECTRICAL EQUIP NUMBER: S00033 S00034 COMPONENT MAINT MANUAL REF: 29-09-01 OPTIONAL PART: 211C223-534 V02750 211C223-175 V02750 USED ON: 271T0042-2		1
ILLUSTRATION ITEMS NOT ON PARTS LIST ARE NOT APPLICABLE					

- ITEM NOT ILLUSTRATED

29-11-18-01

29-11-18
FIG. 01
PAGE 14
DEC 22/08

HXL



767

PARTS CATALOG (MAINTENANCE)

FIG ITEM	PART NUMBER	1 2 3 4 5 6 7	NOMENCLATURE	EFFECT FROM TO	UNITS PER ASSY
1					
245	211C223-534		...SWITCH ASSY-HYDR PRESSURE SUPPLIER CODE: V02750 FUNCTIONAL DESCRIPTION: CLOSES AN ELECTRICAL CIRCUIT WHEN HYDRAULIC PRESSURE IS SENSED. SPECIFICATION NUMBER: S271T452-1 ELECTRICAL EQUIP NUMBER: S00033 S00034 COMPONENT MAINT MANUAL REF: 29-09-04 OPTIONAL PART: 211C223-301 V02750 USED ON: 271T0042-2		1
250	NAS1612-6		...PACKING- USED ON: 271T0042-2		1
252	FP108		...PLUG- SUPPLIER CODE: V34662 SPECIFICATION NUMBER: BACP20BH6 OPTIONAL PART: TF9 V23540 809 V81904 USED ON: 271T0042-4		1
253	NAS1612-6		...PACKING- USED ON: 271T0042-4		1
255	BACB30NR4K26		..BOLT		2
260	BACB30NF4-54		..BOLT		1
265	AN960PD416		..WASHER		3

ILLUSTRATION ITEMS NOT ON PARTS LIST ARE NOT APPLICABLE

- ITEM NOT ILLUSTRATED

HXL

29-11-18-01

BOEING PROPRIETARY - Copyright © - Unpublished Work - See title page for details.

29-11-18
FIG. 01
PAGE 15
DEC 22/06

 **BOEING**
767
PARTS CATALOG (MAINTENANCE)

FIG ITEM	PART NUMBER	1 2 3 4 5 6 7	NOMENCLATURE	EFFECT FROM TO	UNITS PER ASSY
1 270	BRH10A4		..NUT SUPPLIER CODE: V52828 SPECIFICATION NUMBER: BACN10JC4 OPTIONAL PART: T6S428J V11815 96-048 V80539 VN303A048 V92215 RMLH9075-4W V72962 NS202101-048 V80539 H10-4BAC V15653		3
275	272T0167-9		..BRACKET ASSY-		1
280	271T0155-15		..PLATE ASSY-ISOLATOR		1
- 300	271T5280-5		MODULE INSTL-STRUT PRESSURE AND CASE DRAIN FILTER AC MOTOR PUMP FAIRING POSITION DATA: SECT. 31 AFT L FOR NHA SEE: 29-11-18-02		RF
- 305	271T5280-6		MODULE INSTL-STRUT PRESSURE AND CASE DRAIN FILTER AC MOTOR PUMP FAIRING POSITION DATA: SECT. 31 AFT R FOR NHA SEE: 29-11-18-03		RF
320	271T5280-7		.MODULE ASSY- ATTACHING PARTS		1
325	NAS6604-38		.BOLT-		1
330	NAS6604-10		.BOLT-		2
330	NAS6604-9		.BOLT-		2
337	AN960PD416L		.WASHER -----*-----		3

ILLUSTRATION ITEMS NOT ON PARTS LIST ARE NOT APPLICABLE

- ITEM NOT ILLUSTRATED

HXL

29-11-18-01

BOEING PROPRIETARY - Copyright © - Unpublished Work - See title page for details.

29-11-18
FIG. 01
PAGE 16
DEC 22/06



767

PARTS CATALOG (MAINTENANCE)

FIG ITEM	PART NUMBER	1 2 3 4 5 6 7 NOMENCLATURE	EFFECT FROM TO	UNITS PER ASSY
1 350	AFP23210-8	. . REDUCER SUPPLIER CODE: V30974 SPECIFICATION NUMBER: BACR17E10-8 OPTIONAL PART: AP102710-8 V01673 BC916T10-8 V50948 DBOR17E10-8 V14798 ER21916T10-8 V88334 ER31916-10-8 V88334 F23-10-8 V73197 2-01075T10-8 V11328 31778-10-8 V14397 US2114-10-8 V50808		2
355	MS21916D8-6	. . REDUCER		2

ILLUSTRATION ITEMS NOT ON PARTS LIST ARE NOT APPLICABLE

- ITEM NOT ILLUSTRATED

HXL

29-11-18-01

BOEING PROPRIETARY - Copyright © - Unpublished Work - See title page for details.

29-11-18
 FIG. 01
 PAGE 17
 DEC 22/08



767

PARTS CATALOG (MAINTENANCE)

FIG ITEM	PART NUMBER	1 2 3 4 5 6 7	NOMENCLATURE	EFFECT FROM TO	UNITS PER ASSY
1 358	AFP2326-4		..REDUCER- SUPPLIER CODE: V30974 SPECIFICATION NUMBER: BACR17E6-4 OPTIONAL PART: AP10276-4 V01673 BC916T6-4 V50948 DBOR17E6-4 V14798 ER21916T6-4 V88334 ER31916-6-4 V88334 F23-6-4 V73197 2-01075T6-4 V11328 31778-6-4 V14397 US2114-6-4 V50808 AP1027T6-4 V01673 US21146-4 V50808 317786-4 V14397		1
360	NAS1612-10		..PACKING-		2
365	NAS1612-8		..PACKING-		2
368	NAS1612-6		..PACKING-		1
370	271T0042-4		..MODULE ASSY- MISCELLANEOUS DATA: FOR SPARES PROCURE LOWER COMPONENTS COMPONENT MAINT MANUAL REF: 29-11-41		1
375	7587682		...PLATE-IDENT SUPPLIER CODE: V05228		1
380	271T0044-1		...CASE- OPTIONAL PART: 271T0047-1		1
380	271T0047-1		...CASE- OPTIONAL PART: 271T0044-1		1
385	NAS1611-226		...PACKING-		1

ILLUSTRATION ITEMS NOT ON PARTS LIST ARE NOT APPLICABLE

- ITEM NOT ILLUSTRATED

29-11-18-01

29-11-18
 FIG. 01
 PAGE 18
 DEC 22/08

HXL



767

PARTS CATALOG (MAINTENANCE)

FIG ITEM	PART NUMBER	1 2 3 4 5 6 7	NOMENCLATURE	EFFECT FROM TO	UNITS PER ASSY
1 390	7553276		...ELEMENT ASSY-LOW PRESSURE NON-CLEANABLE FILTER SUPPLIER CODE: V05228 SPECIFICATION NUMBER: 60B00211-3 OPTIONAL PART: AC9008E1 V18350 AC9008E11 V18350		1
400	NAS1611-214	PACKING-		1
405	7553414		...FITTING- SUPPLIER CODE: V05228		1
410	7582484		...PACKING- SUPPLIER CODE: V05228		1
415	7506161		...SLEEVE- SUPPLIER CODE: V05228		1
420	NAS1611-226		...PACKING-		1
425	7506162		...SPRING- SUPPLIER CODE: V05228 OPTIONAL PART: 7589401 V05228 USED ON: 271T0042-4		1
425	7589401		...SPRING- SUPPLIER CODE: V05228 OPTIONAL PART: 7506162 V05228 USED ON: 271T0042-4		1
430	271T0045-3		...CASE		1
435	NAS1611-228		...PACKING-		1
440	MS27595-228		...RING- OPTIONAL PART: BACR12BM228		2

ILLUSTRATION ITEMS NOT ON PARTS LIST ARE NOT APPLICABLE

- ITEM NOT ILLUSTRATED

29-11-18-01

29-11-18
FIG. 01
PAGE 19
DEC 22/08

HXL

BOEING PROPRIETARY - Copyright © - Unpublished Work - See title page for details.



767

PARTS CATALOG (MAINTENANCE)

FIG ITEM	PART NUMBER	1 2 3 4 5 6 7	NOMENCLATURE	EFFECT FROM TO	UNITS PER ASSY
1 440	C11236-228B		...RING- SUPPLIER CODE: V26879 SPECIFICATION NUMBER: BACR12BM228 OPTIONAL PART: RMR12BM228 V94878 STF800-228 V02107 S30294-228-1 V97820 TF450-228A V07128 2100-228 V26303 MS27595-228		2
445	7513128		...FILTER- SUPPLIER CODE: V05228 SPECIFICATION NUMBER: 10-60592-5 OPTIONAL PART: AC7681E1Y2 V18350		1
445	AC7681E1Y2		...FILTER- SUPPLIER CODE: V18350 SPECIFICATION NUMBER: 10-60592-6 FOR ELEMENT MAINTENANCE USE FILTER MAINT KIT DEFINED IN FILTER MAINT KIT LIST. FILTER MAINTENANCE KIT REF: 654T0035-2 OPTIONAL PART: 7513128 V05228		1
450	NAS1611-214		...PACKING-		1
455	MS28782-19		...RING		1
460	7553414		...FITTING- SUPPLIER CODE: V05228		1
465	7582484		...PACKING- SUPPLIER CODE: V05228		1
470	7585481		...SLEEVE- SUPPLIER CODE: V05228		1

ILLUSTRATION ITEMS NOT ON PARTS LIST ARE NOT APPLICABLE

- ITEM NOT ILLUSTRATED

29-11-18-01

29-11-18
FIG. 01
PAGE 20
DEC 22/08

HXL

BOEING PROPRIETARY - Copyright © - Unpublished Work - See title page for details.



767

PARTS CATALOG (MAINTENANCE)

FIG ITEM	PART NUMBER	1 2 3 4 5 6 7	NOMENCLATURE	EFFECT FROM TO	UNITS PER ASSY
1					
475	NAS1611-228	...	PACKING-		1
480	7554814	...	SPRING-		1
			SUPPLIER CODE: V05228		
485	TC125UK00ZY1	...	INDICATOR ASSY-PRESSURE DIFF		1
			SUPPLIER CODE: V18350		
			SPECIFICATION NUMBER: S271T005-3		
			COMPONENT MAINT MANUAL REF: 29-11-01		
			OPTIONAL PART: 7586631 V05228		
486	AA9500D822	BAND-SHRINK		1
			SUPPLIER CODE: V18350		
487	62RB114S0000	BOOT-		1
			SUPPLIER CODE: V18350		
490	7586630	...	INDICATOR ASSY-DIFF PRESSURE HYDR		1
			SUPPLIER CODE: V05228		
			SPECIFICATION NUMBER: S271T005-5		
			OPTIONAL PART: TC125UK06Y V18350		
492	7586631	...	INDICATOR ASSY-DIFF PRESSURE HYDR		1
			SUPPLIER CODE: V05228		
			SPECIFICATION NUMBER: S271T005-4		
			OPTIONAL PART: TC125UK00ZY1 V18350		
496	7586651	NAMEPLATE-		1
			SUPPLIER CODE: V05228		
			USED ON: 7586630		
496	7586652	NAMEPLATE-		1
			SUPPLIER CODE: V05228		
			USED ON: 7586631		

ILLUSTRATION ITEMS NOT ON PARTS LIST ARE NOT APPLICABLE

- ITEM NOT ILLUSTRATED

HXL

29-11-18-01

BOEING PROPRIETARY - Copyright © - Unpublished Work - See title page for details.

29-11-18
FIG. 01
PAGE 21
DEC 22/08



767

PARTS CATALOG (MAINTENANCE)

FIG ITEM	PART NUMBER	1 2 3 4 5 6 7	NOMENCLATURE	EFFECT FROM TO	UNITS PER ASSY
1 497	MS3367-5-9		<p>.....STRAP-</p> <p>CONFIG CHG DATA FROM A CMM: REPLACES 7590761-001 REPLACES 7586779 REPLACES 7586778</p> <p>MISCELLANEOUS DATA: USED PRIOR TO S/N 6409 FOR 7586630 ASSY AND S/N 3888 FOR 7586631 ASSY</p> <p>USED ON: 7586630 7586631</p> <p>USED WITH: 7586649</p>		1
498	7586649		<p>.....CAP-PROTECTIVE</p> <p>SUPPLIER CODE: V05228</p> <p>CONFIG CHG DATA FROM A CMM: REPLACES 7590761-001 REPLACES 7586779 REPLACES 7586778</p> <p>MISCELLANEOUS DATA: USED PRIOR TO S/N 6409 FOR 7586630 ASSY AND S/N 3888 FOR 7586631 ASSY</p> <p>USED ON: 7586630 7586631</p> <p>USED WITH: MS3367-5-9</p>		1
499	7590761-001		<p>.....CAP-PROTECTIVE</p> <p>SUPPLIER CODE: V05228</p> <p>CONFIG CHG DATA FROM A CMM: REPLD BY MS3367-5-9 REPLD BY 7586649</p> <p>MISCELLANEOUS DATA: USED PRIOR TO S/N 6409 FOR 7586630 ASSY AND S/N 3888 FOR 7586631 ASSY</p> <p>OPTIONAL PART: 7586779 V05228</p> <p>USED ON: 7586630 7586631</p>		1

ILLUSTRATION ITEMS NOT ON PARTS LIST ARE NOT APPLICABLE

- ITEM NOT ILLUSTRATED

HXL

29-11-18-01

BOEING PROPRIETARY - Copyright © - Unpublished Work - See title page for details.

29-11-18
FIG. 01
PAGE 22
DEC 22/08



767

PARTS CATALOG (MAINTENANCE)

FIG ITEM	PART NUMBER	1 2 3 4 5 6 7	NOMENCLATURE	EFFECT FROM TO	UNITS PER ASSY
1 501	7586779	CAP-PROTECTIVE SUPPLIER CODE: V05228 CONFIG CHG DATA FROM A CMM: REPLD BY MS3367-5-9 REPLD BY 7586649 MISCELLANEOUS DATA: USED PRIOR TO S/N 6409 FOR 7586630 ASSY AND S/N 3888 FOR 7586631 ASSY OPTIONAL PART: 7580761-001 V05228 USED ON: 7586630 7586631 USED WITH: 7586778		1
502	7586778	RETAINER-CAP SUPPLIER CODE: V05228 CONFIG CHG DATA FROM A CMM: REPLD BY MS3367-5-9 REPLD BY 7586649 MISCELLANEOUS DATA: USED PRIOR TO S/N 6409 FOR 7586630 ASSY AND S/N 3888 FOR 7586631 ASSY USED ON: 7586630 7586631 USED WITH: 7586779		1
503	7586641	HOUSING- SUPPLIER CODE: V05228 USED ON: 7586630 7586631		1
504	7586642	PISTON- SUPPLIER CODE: V05228 USED ON: 7586630 7586631		1

ILLUSTRATION ITEMS NOT ON PARTS LIST ARE NOT APPLICABLE

- ITEM NOT ILLUSTRATED

HXL

29-11-18-01

BOEING PROPRIETARY - Copyright © - Unpublished Work - See title page for details.

29-11-18
 FIG. 01
 PAGE 23
 DEC 22/06

BOEING
767
PARTS CATALOG (MAINTENANCE)

FIG ITEM	PART NUMBER	1 2 3 4 5 6 7	NOMENCLATURE	EFFECT FROM TO	UNITS PER ASSY
1 506	7586811	SEAL-RING SUPPLIER CODE: V05228 USED ON: 7586630 7586631		1
507	7586810	PACKING-O-RING SUPPLIER CODE: V05228 USED ON: 7586630 7586631		1
508	7582499	RING-RTNR SUPPLIER CODE: V05228 CONFIG CHG DATA FROM A CMM: REPLD BY 7582499-001 USED ON: 7586630 7586631		1
508	7582499-001	RING-RTNR SUPPLIER CODE: V05228 CONFIG CHG DATA FROM A CMM: REPLACES 7582499 USED ON: 7586630 7586631		1
509	7586645	SPRING-PISTON SUPPLIER CODE: V05228 USED ON: 7586630		1
509	7586644	SPRING-PISTON SUPPLIER CODE: V05228 USED ON: 7586631		1
511	7586646	RETAINER-SPR SUPPLIER CODE: V05228 USED ON: 7586630 7586631		1

ILLUSTRATION ITEMS NOT ON PARTS LIST ARE NOT APPLICABLE

— ITEM NOT ILLUSTRATED

HXL

29-11-18-01

BOEING PROPRIETARY - Copyright © - Unpublished Work - See title page for details.

29-11-18
FIG. 01
PAGE 24
DEC 22/06



767

PARTS CATALOG (MAINTENANCE)

FIG ITEM	PART NUMBER	1 2 3 4 5 6 7	NOMENCLATURE	EFFECT FROM TO	UNITS PER ASSY
1 512	7586777	SHIM- SUPPLIER CODE: V05228 SELECT FROM ITEM. USED ON: 7586630 7586631		AR
513	AN814-12DL		...PLUG AND BLEEDER		1
514	NAS1612-12		...PACKING-		1
515	2790521-102		...VALVE-CHK SUPPLIER CODE: V92003 SPECIFICATION NUMBER: S270T242-1 COMPONENT MAINT MANUAL REF: 29-09-14 OPTIONAL PART: 1C1244 V99240		2
517	NAS1611-014		...PACKING-		2
518	NAS1612-8		...PACKING-		2
520	NAS1611-213		...PACKING-		2
525	MS28774-213		...RETAINER- OPTIONAL PART: BACR12BM213		4
525	C11236-213B		...RING- SUPPLIER CODE: V26879 SPECIFICATION NUMBER: BACR12BM213 OPTIONAL PART: RMR12BM213 V94878 STF800-213 V02107 S30294-213-1 V97820 TF450-213A V07128 2100-213 V26303 MS28774-213		4
530	NAS1611-116		...PACKING-		2
535	MS28774-116		...RETAINER- OPTIONAL PART: BACR12BM116		4

ILLUSTRATION ITEMS NOT ON PARTS LIST ARE NOT APPLICABLE

- ITEM NOT ILLUSTRATED

29-11-18-01

29-11-18
 FIG. 01
 PAGE 25
 DEC 22/06

HXL



767

PARTS CATALOG (MAINTENANCE)

FIG ITEM	PART NUMBER	1 2 3 4 5 6 7	NOMENCLATURE	EFFECT FROM TO	UNITS PER ASSY
1 535	C11236-116B		...RING- SUPPLIER CODE: V26879 SPECIFICATION NUMBER: BACR12BM116 OPTIONAL PART: RMR12BM116 V94878 STF800-116 V02107 S30294-116-1 V97820 TF450-116A V07128 2100-116 V26303 MS28774-116 V96090		4
543	FP108		...PLUG- SUPPLIER CODE: V34662 SPECIFICATION NUMBER: BACP20BH6 OPTIONAL PART: TF9 V23540 809 V81904		1
545	NAS1612-6		...PACKING-		1
550	TC125UK06Y		...INDICATOR ASSY-PRESSURE DIFF SUPPLIER CODE: V18350 SPECIFICATION NUMBER: S271T005-2 OPTIONAL PART: 7586630 V05228		1
552	60TA125UK06Y	NAMEPLATE- SUPPLIER CODE: V18350		1
554	AA9500D330	RING-RETAINING SUPPLIER CODE: V18350		1
556	AA9500D822	BAND-BOOT SHRINK SUPPLIER CODE: V18350		1

ILLUSTRATION ITEMS NOT ON PARTS LIST ARE NOT APPLICABLE

- ITEM NOT ILLUSTRATED

29-11-18-01

29-11-18
FIG. 01
PAGE 26
DEC 22/08

HXL

BOEING
767
PARTS CATALOG (MAINTENANCE)

FIG ITEM	PART NUMBER	1 2 3 4 5 6 7	NOMENCLATURE	EFFECT FROM TO	UNITS PER ASSY
1					
558	62RB114S0000	BOOT- SUPPLIER CODE: V18350		1
560	19RA551P0000	INDICATOR-BUTTON SUPPLIER CODE: V18350		1
562	69RB55100000	BIMETAL- SUPPLIER CODE: V18350		1
564	AA2100-3D5	MAGNET-ACTUATION SPR SUPPLIER CODE: V18350		1
568	14RA77700000	RETAINER-SPR SUPPLIER CODE: V18350		1
570	21RA777000K7	SPRING- SUPPLIER CODE: V18350		1
572	AA9500D530	SEAL-RING SUPPLIER CODE: V18350		1
574	NAS1611-011	PACKING-		1
576	27RA65000000	MAGNET- SUPPLIER CODE: V18350		1
578	23TB04200000	PISTON- SUPPLIER CODE: V18350		1
580	92RA77100000	FILTER-SLEEVE, RIGIMESH SUPPLIER CODE: V18350		1
582	08TD12500009	PLUG-DELTADYNE SUPPLIER CODE: V18350		1
- 600	286T1210-001		WIRE BUNDLE ASSY-C1		RF
- 605	286T0964-001		WIRE BUNDLE ASSY-C2		RF
630	BCREF110661	.ADAPTER-	SUPPLIER CODE: V06324 OVERLENGTH PART NUMBER: 710AA011M1209-62A ELECTRICAL EQUIP NUMBER: D00474T D00476T WIRING DIAGRAM REF: 291131		1
ILLUSTRATION ITEMS NOT ON PARTS LIST ARE NOT APPLICABLE					

- ITEM NOT ILLUSTRATED

HXL

29-11-18-01

BOEING PROPRIETARY - Copyright © - Unpublished Work - See title page for details.

29-11-18
FIG. 01
PAGE 27
DEC 22/06



767

PARTS CATALOG (MAINTENANCE)

FIG ITEM	PART NUMBER	1 2 3 4 5 6 7	NOMENCLATURE	EFFECT FROM TO	UNITS PER ASSY
1 635	R071012R3S6L		.CONNECTOR- SUPPLIER CODE: V41118 SPECIFICATION NUMBER: BACC63BP12R3S6L ELECTRICAL EQUIP NUMBER: D00474 WIRING DIAGRAM REF: 291131		1
637	R071012R3S6L		.CONNECTOR- SUPPLIER CODE: V41118 SPECIFICATION NUMBER: BACC63BP12R3S6L ELECTRICAL EQUIP NUMBER: D00476 WIRING DIAGRAM REF: 291131		1
- 640	286T0398-002		WIRE BUNDLE ASSY		RF
- 645	286T0400-002		WIRE BUNDLE ASSY		RF
- 650	S3819-12-65		.CLAMP- SUPPLIER CODE: V07418 SPECIFICATION NUMBER: BACC10KD12 OPTIONAL PART: 620AS028NF12L V06324 ELECTRICAL EQUIP NUMBER: D00052T WIRING DIAGRAM REF: 291112		1
655	R071012R3S6L		.CONNECTOR- SUPPLIER CODE: V41118 SPECIFICATION NUMBER: BACC63BP12R3S6L ELECTRICAL EQUIP NUMBER: D00052 WIRING DIAGRAM REF: 291112		1

ILLUSTRATION ITEMS NOT ON PARTS LIST ARE NOT APPLICABLE

- ITEM NOT ILLUSTRATED

HXL

29-11-18-01

BOEING PROPRIETARY - Copyright © - Unpublished Work - See title page for details.

29-11-18
FIG. 01
PAGE 28
DEC 22/07



767

PARTS CATALOG (MAINTENANCE)

FIG ITEM	PART NUMBER	1 2 3 4 5 6 7	NOMENCLATURE	EFFECT FROM TO	UNITS PER ASSY
1	S3819-12-65		.CLAMP-		1
- 700			SUPPLIER CODE: V07418		
			SPECIFICATION NUMBER: BACC10KD12		
			OPTIONAL PART: 620AS028NF12L		
			V06324		
			ELECTRICAL EQUIP NUMBER: D00072T		
			WIRING DIAGRAM REF: 291122		
705	R071012R3S6L		.CONNECTOR-		1
			SUPPLIER CODE: V41118		
			SPECIFICATION NUMBER: BACC63BP12R3S6L		
			ELECTRICAL EQUIP NUMBER: D00072		
			WIRING DIAGRAM REF: 291122		
900			ILLUSTRATION REFERENCE: HYDRAULIC INSTL-SECT. 31		RF
			ENGINE AFT FAIRING, L STRUT (MAIN HYDRAULIC SYSTEM ONLY)		
			29-11-00-01A		
915			ILLUSTRATION REFERENCE: HYDRAULIC INSTL-SECT. 31		RF
			ENGINE AFT FAIRING (LH) (AC MOTOR PUMP ONLY)		
			29-11-01-02		

ILLUSTRATION ITEMS NOT ON PARTS LIST ARE NOT APPLICABLE

- ITEM NOT ILLUSTRATED

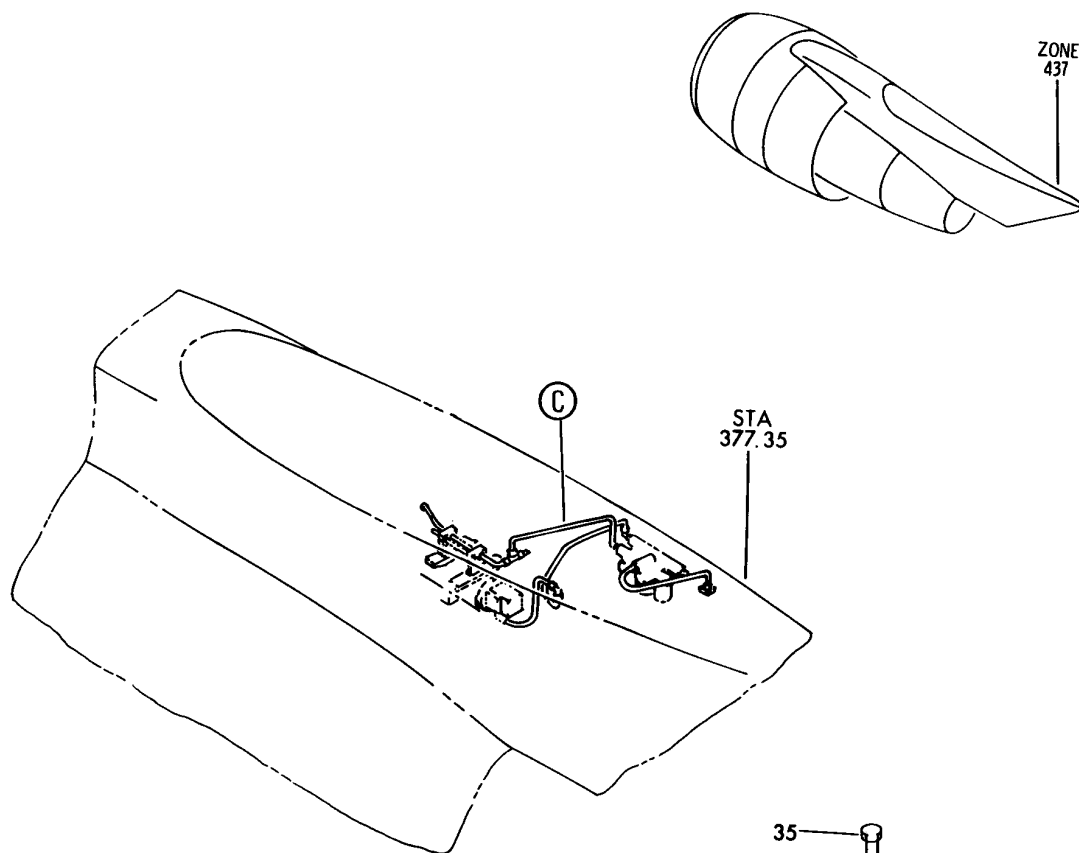
HXL

29-11-18-01

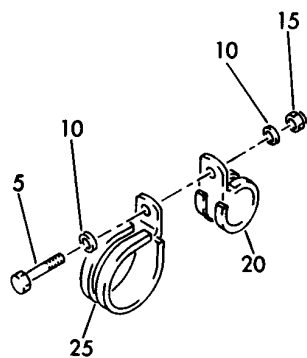
BOEING PROPRIETARY - Copyright © - Unpublished Work - See title page for details.

29-11-18
FIG. 01
PAGE 29
DEC 22/07

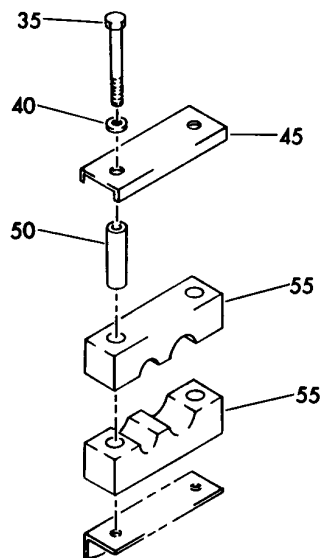
BOEING
767
PARTS CATALOG (MAINTENANCE)



V 2911802 SHT 1 REV 178



(B)



(A)

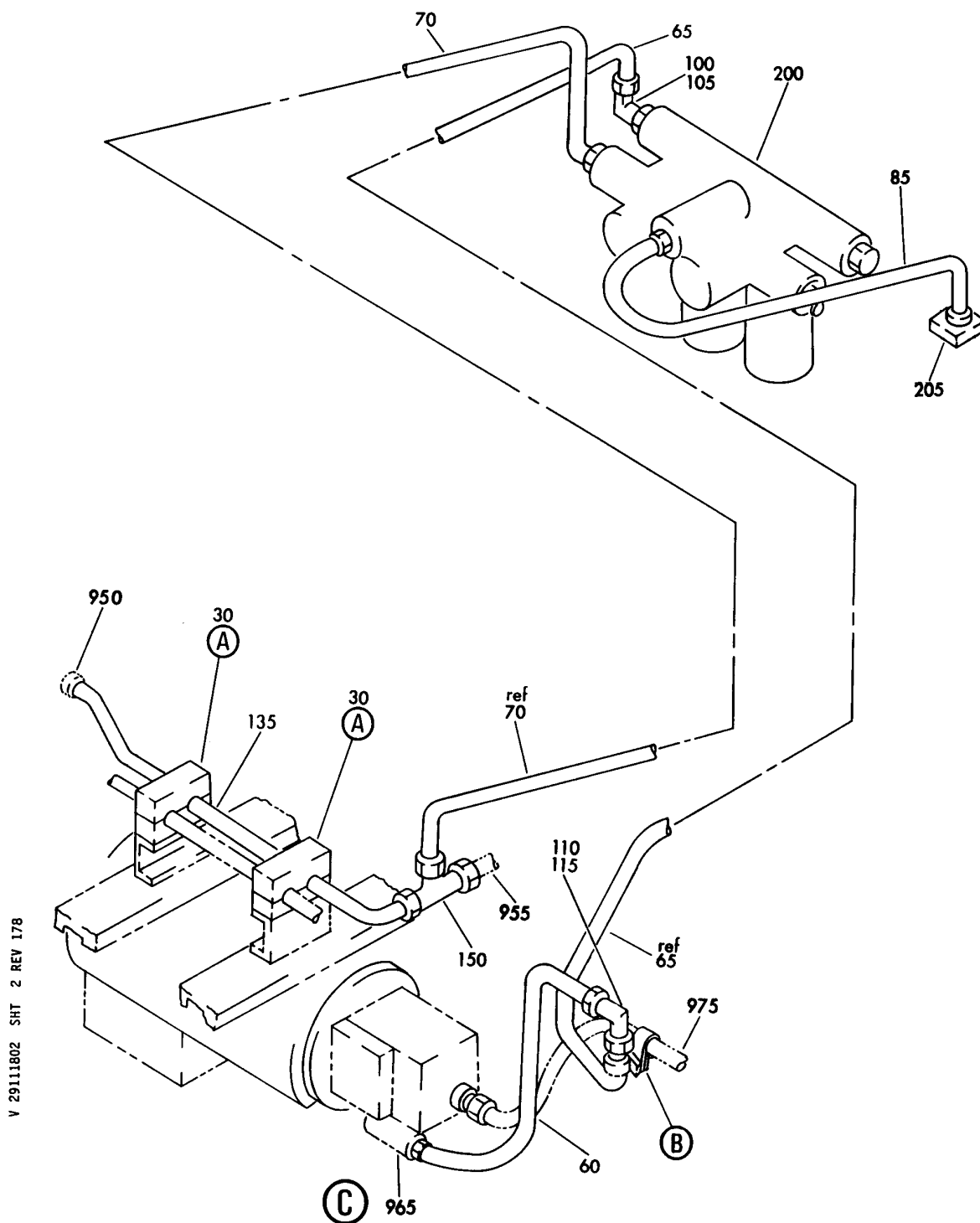
HYDRAULIC INSTL-SECT. 31 ENGINE AFT FAIRING (LH) (CASE DRAIN ACMP ONLY)
FIGURE 2 (SHEET 1)

HXL
DEC 22/06

29-11-18-02

29-11-18-02
PAGE 0

BOEING
767
PARTS CATALOG (MAINTENANCE)



V 29111802 SHT 2 REV 178

HYDRAULIC INSTL-SECT. 31 ENGINE AFT FAIRING (LH) (CASE DRAIN ACMP ONLY)
FIGURE 2 (SHEET 2)

29-11-18-02

HXL
DEC 22/06

29-11-18-02
PAGE 0A



767

PARTS CATALOG (MAINTENANCE)

FIG ITEM	PART NUMBER	1 2 3 4 5 6 7	NOMENCLATURE	EFFECT FROM TO	UNITS PER ASSY
2			HYDRAULIC INSTL-SECT. 31 ENGINE AFT FAIRING (LH) (CASE DRAIN ACMP ONLY)		
- 1	272T3100-5		HYDRAULIC INSTL-ENG FAIRING STRUT POSITION DATA: SECT. 31 AFT L MISCELLANEOUS DATA: (CASE DRAIN ACMP ONLY) (PRATT & WHITNEY) VARIABLE DRAWING REF: 272T3100-5317 272T3100-5347 272T3100-5361 272T3100-7003 FOR NHA/OTHER SYS DET SEE: 29-00-00-04		RF
5	NAS1801-3-6	.SCREW-			1
10	AN960PD10L	.WASHER-			2
15	BRH10A3	.NUT-			1
		SUPPLIER CODE: V52828			
		SPECIFICATION NUMBER: BACN10JC3			
		OPTIONAL PART: H10-3BAC V15653 NS202101-02 V80539 RMLH9075-3W V72962 VN303A02 V92215 96-02 V80539 T6S1032J V11815			
20	M85052-2-6	.CLAMP			1
25	M85052-2-10	.CLAMP			1
30	270T0005-217	.BLOCK ASSY-SPRT			2
35	NAS1801-3-26	..SCREW			2
40	AN960PD10L	..WASHER			2
45	65B80254-320	..CHANNEL			1
50	NAS43DD3-68	..SPACER			2
55	65B80254-232	..BLOCK			2
60	AS115-06-0116	.HOSE ASSY			1

ILLUSTRATION ITEMS NOT ON PARTS LIST ARE NOT APPLICABLE

- ITEM NOT ILLUSTRATED

29-11-18-02

29-11-18
FIG. 02
PAGE 1
DEC 22/07

HXL



767

PARTS CATALOG (MAINTENANCE)

FIG ITEM	PART NUMBER	1 2 3 4 5 6 7	NOMENCLATURE	EFFECT FROM TO	UNITS PER ASSY
2					
65	272T3100-293		.TUBE ASSY-CASE DRAIN L SYS TUBING MATERIAL: .375 IN. OD .019 IN. WALL 21.00 IN. LG TITANIUM		1
70	272T3100-297		.TUBE ASSY-CASE DRAIN L SYS TUBING MATERIAL: .375 IN. OD .019 IN. WALL 16.00 IN. LG TITANIUM		1
- 75	AS1581T06		..SLEEVE-		2
- 80	BACN10YL06		..NUT-		2
85	272T3100-175		.TUBE ASSY-PRESSURE L SYS TUBING MATERIAL: .250 IN. OD .016 IN. WALL 20.00 IN. LG TITANIUM		1
- 90	AS1581T04		..SLEEVE		2
- 95	BACN10YA4		..NUT		2
105	AP1042P0606		.ELBOW- SUPPLIER CODE: V01673 SPECIFICATION NUMBER: BACE21BT0606P		1
110	BACE21BN0606J		.ELBOW ATTACHING PARTS		1
- 120	AN960PD916		.WASHER		1
- 125	AN960PD916L		.WASHER		1
- 130	AN924-6D		.NUT		1
			-----*-----		
135	272T3100-407		.TUBE ASSY-CASE DRAIN L SYS TUBING MATERIAL: .500 IN. OD .026 IN. WALL 32.00 IN. LG TITANIUM		1
- 140	AS1581T08		..SLEEVE		2
- 145	BACN10YA8		..NUT-		2
150	BACT16BL080806J		.TEE		1
200	271T5280-5		.MODULE INSTL-PRESSURE AND CASE DRAIN FILTER,ACMP, FAIRING,STRUT POSITION DATA: AFT FOR DETAILS SEE: 29-11-18-01		1
205	272T0175-1		.SWITCH INSTL-AC MOTOR PUMP MODULE PRESSURE FOR DETAILS SEE: 29-11-18-05		1
ILLUSTRATION ITEMS NOT ON PARTS LIST ARE NOT APPLICABLE					

- ITEM NOT ILLUSTRATED

29-11-18-02

29-11-18
FIG. 02
PAGE 2
DEC 22/07

HXL



767

PARTS CATALOG (MAINTENANCE)

FIG ITEM	PART NUMBER	1 2 3 4 5 6 7	NOMENCLATURE	EFFECT FROM TO	UNITS PER ASSY
2 950			ILLUSTRATION REFERENCE: MODULE INSTL-FAIRING STRUT ENG DRIVEN PUMP PRESSURE AND CASE DRAIN FILTER AFT 29-11-17-01		RF
955			ILLUSTRATION REFERENCE: HYDRAULIC INSTL-SECT. 31 ENGINE AFT FAIRING, L STRUT (HEAT EXCHANGER ONLY) 29-11-27-02		RF
960			ILLUSTRATION REFERENCE: SWITCH INSTL-STRUT AFT FAIRING ACMP FILTER MODULE PRESSURE 29-11-18-05		RF
965			ILLUSTRATION REFERENCE: PUMP INSTL-ENG AFT FAIRING AC MOTOR DRIVEN HYDR 29-11-01-01		RF
970			ILLUSTRATION REFERENCE: HYDRAULIC INSTL-SECT. 31 ENGINE AFT FAIRING (LH) (RESERVOIR PRESSURIZATION ONLY) 29-11-25-02		RF
975			ILLUSTRATION REFERENCE: HYDRAULIC INSTL-SECT. 31 ENGINE AFT FAIRING (LH) (AC MOTOR PUMP ONLY) 29-11-01-02		RF

ILLUSTRATION ITEMS NOT ON PARTS LIST ARE NOT APPLICABLE

- ITEM NOT ILLUSTRATED

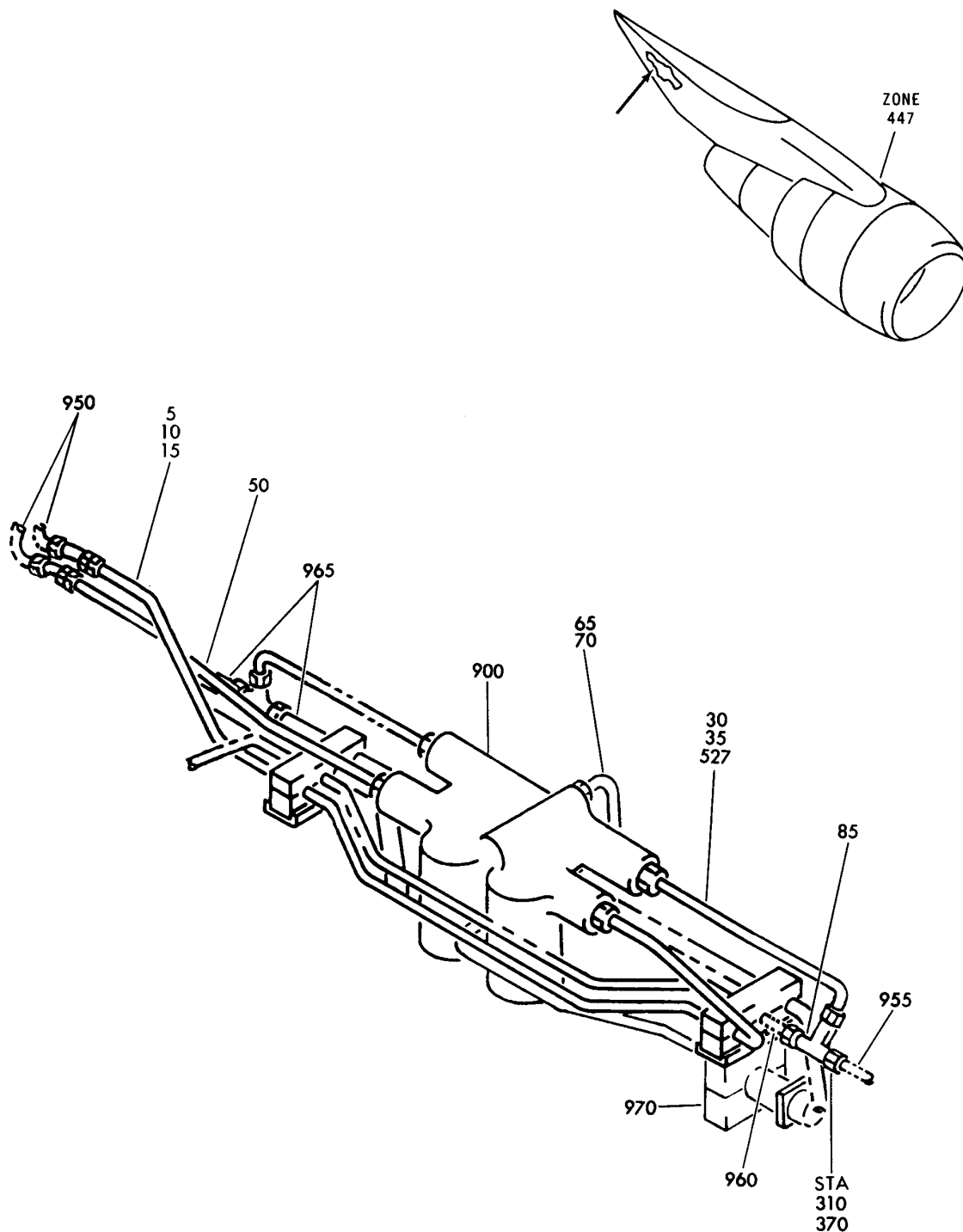
HXL

29-11-18-02

BOEING PROPRIETARY - Copyright © - Unpublished Work - See title page for details.

29-11-18
FIG. 02
PAGE 3
DEC 22/07

BOEING
767
PARTS CATALOG (MAINTENANCE)



V 29111803 REV 182

HYDRAULIC INSTL-SECT. 31 ENGINE AFT FAIRING (RH) (CASE DRAIN ACMP ONLY)

FIGURE 3

29-11-18-03

HXL
DEC 22/06

29-11-18-03
PAGE 0



767

PARTS CATALOG (MAINTENANCE)

FIG ITEM	PART NUMBER	1 2 3 4 5 6 7	NOMENCLATURE	EFFECT FROM TO	UNITS PER ASSY
3			HYDRAULIC INSTL-SECT. 31 ENGINE AFT FAIRING (RH) (CASE DRAIN ACMP ONLY)		
- 1	272T3100-6		HYDRAULIC INSTL-ENG FAIRING STRUT (CASE DRAIN AMCP ONLY) (PRATT & WHITNEY) POSITION DATA: SECT. 31 AFT R VARIABLE DRAWING REF: 272T3100-5218 272T3100-5336 272T3100-7004 FOR NHA/OTHER SYS DET SEE: 29-00-00-04		RF
- 15	272T3100-474		.TUBE ASSY		1
- 20	AP2097HP06		..SLEEVE SUPPLIER CODE: V01673 SPECIFICATION NUMBER: BACS13BX06HP OPTIONAL PART: 2-02903-06HP V11328 35235VN06 V08199 AFP175V06P V30974 DBOS13BX06HP V14798		2
- 25	BACN10YL06		..NUT-		2
- 30	272T3100-228		.TUBE ASSY- TUBING MATERIAL: .024 IN. OD .035 IN. WALL 13.00 IN. LG AL		1
- 40	AP2097HP06		..SLEEVE SUPPLIER CODE: V01673 SPECIFICATION NUMBER: BACS13BX06HP OPTIONAL PART: 2-02903-06HP V11328 35235VN06 V08199 AFP175V06P V30974 DBOS13BX06HP V14798		2

ILLUSTRATION ITEMS NOT ON PARTS LIST ARE NOT APPLICABLE

- ITEM NOT ILLUSTRATED

29-11-18-03

29-11-18
FIG. 03
PAGE 1
DEC 22/07

HXL



767

PARTS CATALOG (MAINTENANCE)

FIG ITEM	PART NUMBER	1 2 3 4 5 6 7	NOMENCLATURE	EFFECT FROM TO	UNITS PER ASSY
3					
- 45	BACN10YL06	..	NUT-		2
50	272T3100-118	.TUBE ASSY-			1
		TUBING MATERIAL:			
		.500 IN. OD .026 IN.			
		WALL 19.00 IN. LG			
		TITANIUM			
- 55	AS1581T08	..	SLEEVE		2
- 60	BACN10YA8	..	NUT-		2
		OPTIONAL PART:			
		BACN10NR8			
- 60	AFP107-8	..	NUT-		2
		SUPPLIER CODE:			
		V30974			
		SPECIFICATION NUMBER:			
		BACN10NR8			
		OPTIONAL PART:			
		AP1028T8			
		V01673			
		BC921T8			
		V50948			
		DBON10NR8			
		V14798			
		ER01921-8T			
		V88334			
		FER8928-8			
		V14397			
		F11-8			
		V73197			
		2-03005T8			
		V11328			
		31783-8			
		V14397			
		BACN10YA8			
65	272T3100-174	.TUBE ASSY-			1
		TUBING MATERIAL:			
		.250 IN. OD .016 IN.			
		WALL 21.00 IN. LG			
		TITANIUM			
- 75	AS1581T04	..	SLEEVE		2
- 80	BACN10YA4	..	NUT-		2
85	BACT16BL080806J	.	TEE		1
900	271T5280-6	.MODULE INSTL-PRESSURE AND			1
		CASE DRAIN FILTER,ACMP,			
		FAIRING,STRUT			
		POSITION DATA:			
		AFT			
		FOR DETAILS SEE:			
		29-11-18-01			

ILLUSTRATION ITEMS NOT ON PARTS LIST ARE NOT APPLICABLE

- ITEM NOT ILLUSTRATED

29-11-18-03

29-11-18
FIG. 03
PAGE 2
DEC 22/07

HXL



767

PARTS CATALOG (MAINTENANCE)

FIG ITEM	PART NUMBER	1 2 3 4 5 6 7	NOMENCLATURE	EFFECT FROM TO	UNITS PER ASSY
3					
950			ILLUSTRATION REFERENCE: HYDRAULIC INSTL-SECT. 31 ENGINE AFT FAIRING (RH) (AC MOTOR PUMP ONLY) 29-11-01-03		RF
955			ILLUSTRATION REFERENCE: HYDRAULIC INSTL-SECT. 31 ENG AFT FAIRING, R STRUT (HEAT EXCHANGER ONLY) 29-11-27-03		RF
960			ILLUSTRATION REFERENCE: HYDRAULIC INSTL-SECT. 31 ENGINE AFT FAIRING (RH) (CASE DRAIN EDP ONLY) 29-11-17-03		RF
965			ILLUSTRATION REFERENCE: HYDRAULIC INSTL-SECT. 31 ENGINE AFT FAIRING, R STRUT (MAIN HYDRAULIC SYSTEM ONLY) 29-11-00-02A		RF
970			ILLUSTRATION REFERENCE: SWITCH INSTL-STRUT AFT FAIRING ACMP FILTER MODULE PRESSURE 29-11-18-05		RF
ILLUSTRATION ITEMS NOT ON PARTS LIST ARE NOT APPLICABLE					

- ITEM NOT ILLUSTRATED

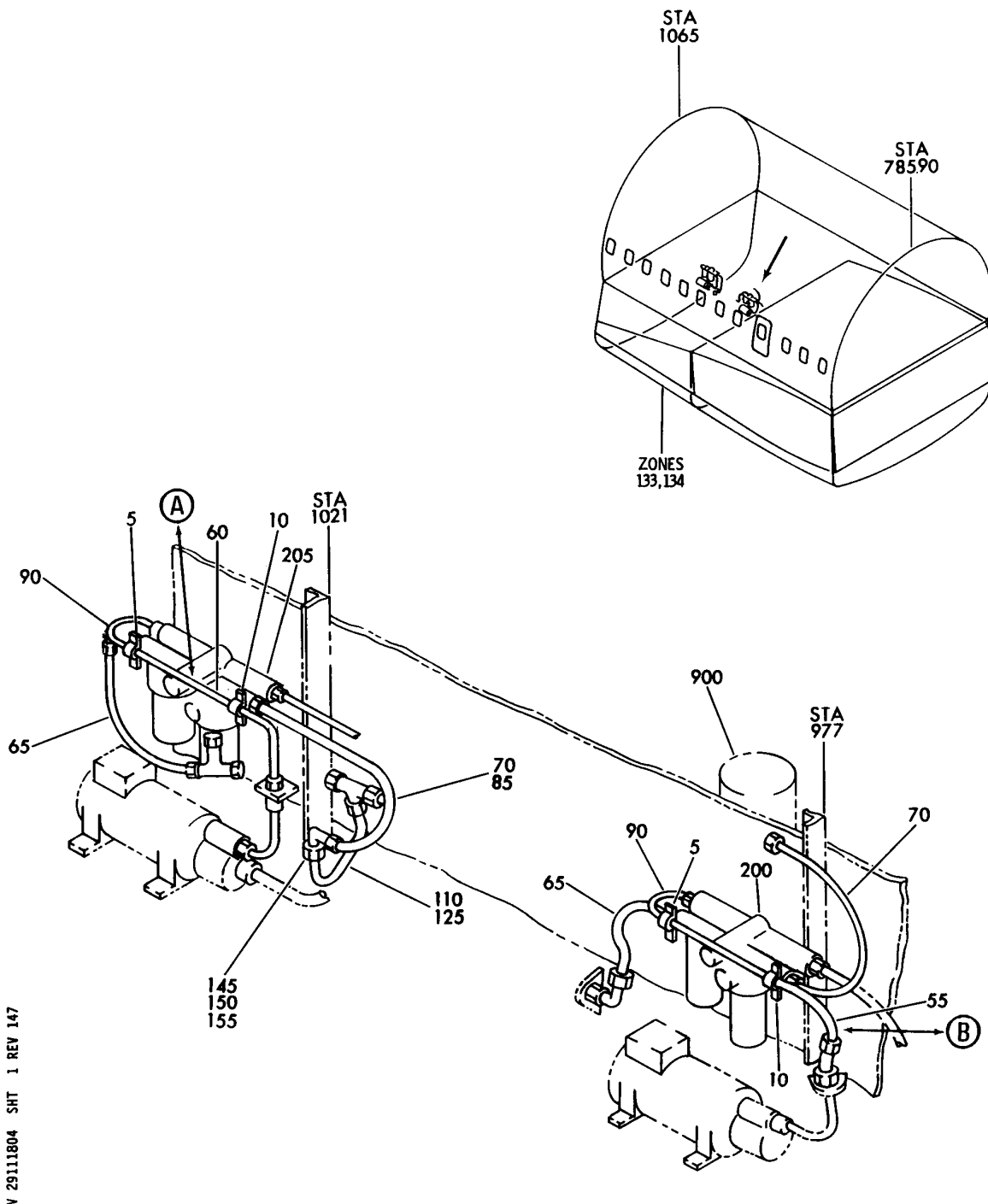
HXL

29-11-18-03

BOEING PROPRIETARY - Copyright © - Unpublished Work - See title page for details.

29-11-18
FIG. 03
PAGE 3
DEC 22/07

BOEING
767
PARTS CATALOG (MAINTENANCE)



V 29111804 SHT 1 REV 147

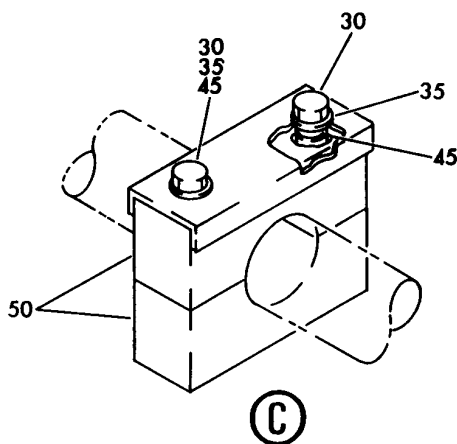
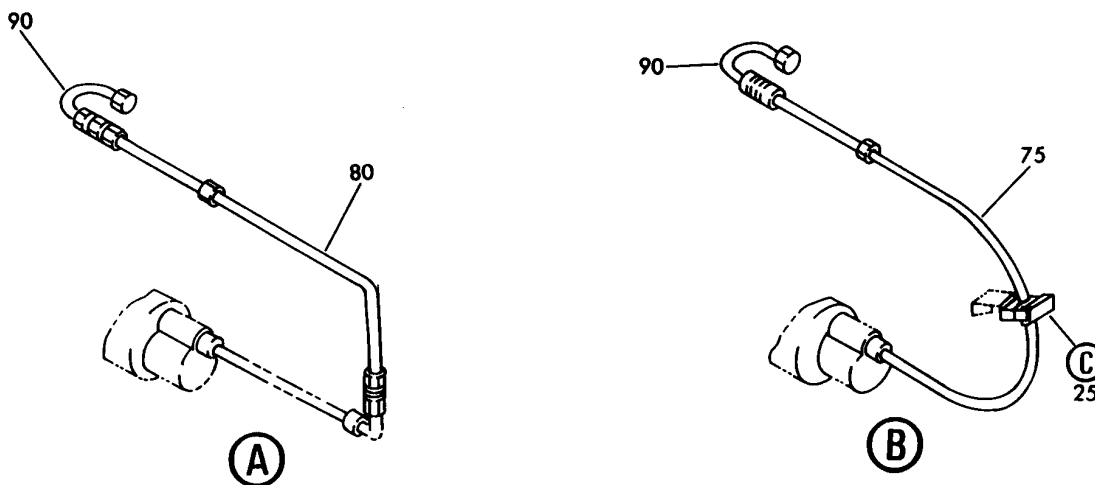
HYDRAULIC INSTL-SECT. 45 (ACMP PRESSURE/CASE DRAIN FILTER MODULE ONLY)
FIGURE 4 (SHEET 1)

29-11-18-04

HXL
DEC 22/06

29-11-18-04
PAGE 0

BOEING
767
PARTS CATALOG (MAINTENANCE)



V 29111804 SHT 2 REV 122

HYDRAULIC INSTL-SECT. 45 (ACMP PRESSURE/CASE DRAIN FILTER MODULE ONLY)
FIGURE 4 (SHEET 2)

HXL
DEC 22/06

29-11-18-04

29-11-18-04
PAGE 0A

BOEING
767
PARTS CATALOG (MAINTENANCE)

FIG ITEM	PART NUMBER	1 2 3 4 5 6 7	NOMENCLATURE	EFFECT FROM TO	UNITS PER ASSY
4			HYDRAULIC INSTL-SECT. 45 (ACMP PRESSURE/CASE DRAIN FILTER MODULE ONLY)		
- 2	272T4500-3		HYDRAULIC INSTL-(ACMP PRESSURE/CASE DRAIN FILTER MODULE ONLY) POSITION DATA: SECT. 45 MISCELLANEOUS DATA: (CONT AT ITEM 002J) VARIABLE DRAWING REF: 272T4500-5191		RF
- 2	272T4500-3		HYDRAULIC INSTL-(ACMP PRESSURE/CASE DRAIN FILTER MODULE ONLY) POSITION DATA: SECT. 45 MISCELLANEOUS DATA: (CONT FROM ITEM 002) VARIABLE DRAWING REF: 272T4500-5274 272T4500-5278 272T4500-7002 FOR NHA/OTHER SYS DET SEE: 29-00-00-06		RF
	5 TA0910004H106		.CLAMP SUPPLIER CODE: V84971 SPECIFICATION NUMBER: BACC10HB06C		2
	10 TA0910004H110		.CLAMP SUPPLIER CODE: V84971 SPECIFICATION NUMBER: BACC10HB10C		2
- 15	NAS1801-3-9		.SCREW		2
- 20	AN960PD10L		.WASHER		2
			-----*-----		
	25 270T0005-113		.BLOCK ASSY		1
	30 NAS1801-3-26		..SCREW		2
	35 AN960JD10L		..WASHER		2
	40 270T0004-88		..CHANNEL		1
	45 NAS43DD3-74		..SPACER		2
	50 270T0004-123		..BLOCK		2
	75 AS115-06K0430		.HOSE ASSY		1
	80 AS115-06K0264		.HOSE ASSY		1
	85 AS117-08K0210		.HOSE ASSY-		1
ILLUSTRATION ITEMS NOT ON PARTS LIST ARE NOT APPLICABLE					

- ITEM NOT ILLUSTRATED

HXL

29-11-18-04

BOEING PROPRIETARY - Copyright © - Unpublished Work - See title page for details.

29-11-18
FIG. 04
PAGE 1
DEC 22/07



767

PARTS CATALOG (MAINTENANCE)

FIG ITEM	PART NUMBER	1 2 3 4 5 6 7	NOMENCLATURE	EFFECT FROM TO	UNITS PER ASSY
4	90 272T4500-711		.TUBE ASSY- TUBING MATERIAL: .375 IN. OD .035 IN. WALL 13.00 IN. LG AL		2
-	95 AP2097HP06		..SLEEVE SUPPLIER CODE: V01673 SPECIFICATION NUMBER: BACS13BX06HP OPTIONAL PART: 2-02903-06HP V11328 35235VN06 V08199 AFP175V06P V30974 DBOS13BX06HP V14798		1
-	100 BACN10YL06		..NUT-		1
-	105 35056GV06		..UNION SUPPLIER CODE: V08199 SPECIFICATION NUMBER: BACU24AB6W OPTIONAL PART: 2-01027-6W V11328 31875-6W V14397 4671097W6 V50948 AP1004W06 V01673 AFP941W6 V30974 DBOU24AB6W V14798		1
	110 272T4500-2315		.TUBE ASSY-PRESSURE CTR SYS TUBING MATERIAL: .500 IN. OD .026 IN. WALL 17.00 IN. LG TITANIUM		1
-	115 AS1581T08		..SLEEVE		2
-	120 BACN10YA8		..NUT		2
	125 272T4500-2430		.TUBE ASSY-CTR SYS PRESSURE TUBING MATERIAL: 0.500 IN. OD 0.026 IN. WALL 21.00 IN. LG TITANIUM		1

ILLUSTRATION ITEMS NOT ON PARTS LIST ARE NOT APPLICABLE

- ITEM NOT ILLUSTRATED

29-11-18-04

29-11-18
FIG. 04
PAGE 2
DEC 22/07

HXL


BOEING
 767
PARTS CATALOG (MAINTENANCE)

FIG ITEM	PART NUMBER	1 2 3 4 5 6 7	NOMENCLATURE	EFFECT FROM TO	UNITS PER ASSY
4					
- 130	AS1581T08	..	SLEEVE		1
- 135	BACN10YA8N	..	NUT		1
- 140	AS1582T08	..	UNION		1
145	BACE210808J	.	ELBOW		1
			ATTACHING PARTS		
150	AN960PD1216L	.	WASHER		1
155	AN924-8D	.	NUT		1
			-----*-----		
200	271T4570-1	.	MODULE INSTL-FILTER PRESSURE AND C/D CTR SYS FOR DETAILS SEE: 29-11-18-01		1
205	271T4570-2	.	MODULE INSTL-FILTER PRESSURE AND C/D CTR SYS FOR DETAILS SEE: 29-11-18-01		1
900			ILLUSTRATION REFERENCE: HYDRAULIC INSTL-SECT. 45 (ISOLATED ACMP PRESSURE SHUTOFF VALVE ONLY) 29-11-08-02		RF

ILLUSTRATION ITEMS NOT ON PARTS LIST ARE NOT APPLICABLE

- ITEM NOT ILLUSTRATED

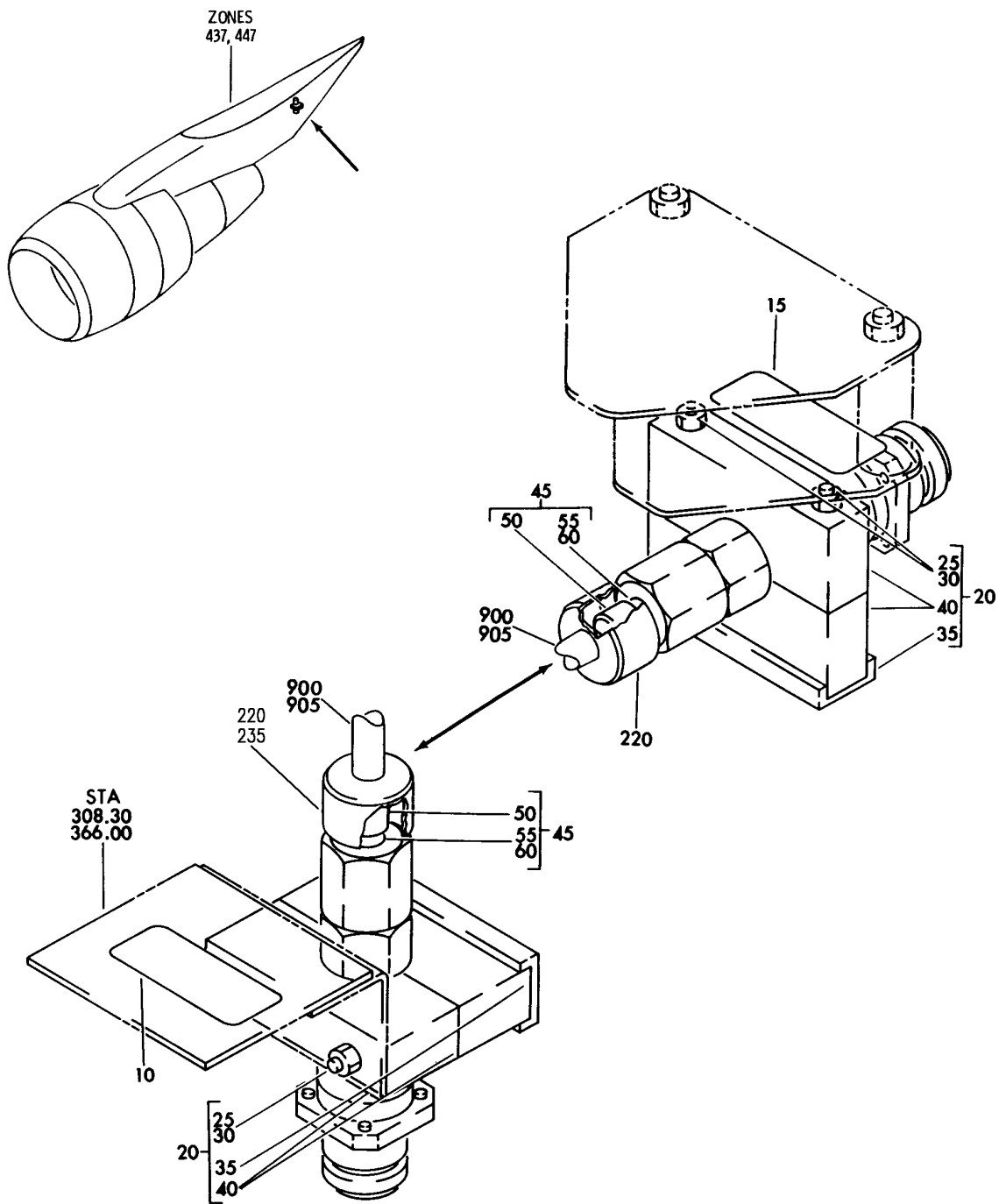
HXL

29-11-18-04

BOEING PROPRIETARY - Copyright © - Unpublished Work - See title page for details.

29-11-18
 FIG. 04
 PAGE 3
 DEC 22/07

BOEING
767
PARTS CATALOG (MAINTENANCE)



V 29111805 REV 278

SWITCH INSTL-STRUT AFT FAIRING ACMP FILTER MODULE PRESSURE
FIGURE 5

29-11-18-05

HXL
DEC 22/06

29-11-18-05
PAGE 0



767

PARTS CATALOG (MAINTENANCE)

FIG ITEM	PART NUMBER	1 2 3 4 5 6 7	NOMENCLATURE	EFFECT FROM TO	UNITS PER ASSY
5			SWITCH INSTL-STRUT AFT FAIRING ACMP FILTER MODULE PRESSURE		
- 1	272T0175-1		SWITCH INSTL-STRUT FAIRING AC MOTOR PUMP FILTER MODULE PRESSURE POSITION DATA: AFT LH FOR NHA SEE: 29-11-18-02		RF
- 5	272T0175-2		SWITCH INSTL-STRUT FAIRING ACMP FILTER MODULE PRESSURE POSITION DATA: AFT RH		RF
10	BAC27THY0089		.MARKER-ALUMINUM FOIL- POSITION DATA: LH SIDE PLACARD CONTENT: S25 ACMP PRESS & CD FILTER, L		1
15	BAC27THY0094		.MARKER-ALUMINUM FOIL- POSITION DATA: RH SIDE PLACARD CONTENT: S30 ACMP PRESS & CD FILTER, R		1
20	270T0005-107		.BLOCK ASSY		1
25	NAS1801-3-41		..SCREW		2
30	AN960PD10L		..WASHER		2
35	270T0004-28		..CHANNEL		1
40	270T0004-104		..BLOCK		2
45	272T0175-3		.SWITCH ASSY		1

ILLUSTRATION ITEMS NOT ON PARTS LIST ARE NOT APPLICABLE

- ITEM NOT ILLUSTRATED

HXL

29-11-18-05

BOEING PROPRIETARY - Copyright © - Unpublished Work - See title page for details.

29-11-18
FIG. 05
PAGE 1
DEC 22/06



767

PARTS CATALOG (MAINTENANCE)

FIG ITEM	PART NUMBER	1 2 3 4 5 6 7	NOMENCLATURE	EFFECT FROM TO	UNITS PER ASSY
5					
50	211C223-301		.. SWITCH-PRESSURE SUPPLIER CODE: V02750 FUNCTIONAL DESCRIPTION: CLOSSES AN ELECTRICAL CIRCUIT WHEN HYDRAULIC PRESSURE IS SENSED. SPECIFICATION NUMBER: S271T452-1 ELECTRICAL EQUIP NUMBER: S00025 S00030 COMPONENT MAINT MANUAL REF: 29-09-01 OPTIONAL PART: 211C223-534 V02750 211C223-175 V02750 SERVICE BULLETIN OPT DATA: 211C223-175		1
50	211C223-534		.. SWITCH ASSY-PRESSURE SUPPLIER CODE: V02750 FUNCTIONAL DESCRIPTION: CLOSSES AN ELECTRICAL CIRCUIT WHEN HYDRAULIC PRESSURE IS SENSED. SPECIFICATION NUMBER: S271T452-1 ELECTRICAL EQUIP NUMBER: S00025 S00030 COMPONENT MAINT MANUAL REF: 29-09-04 OPTIONAL PART: 211C223-301 V02750		1
55	MS21915J6-4		.. ADAPTOR-		1
60	NAS1612-6		.. PACKING-		1
- 200	286T0398-002		WIRE BUNDLE ASSY-		RF

ILLUSTRATION ITEMS NOT ON PARTS LIST ARE NOT APPLICABLE

- ITEM NOT ILLUSTRATED

HXL

29-11-18-05

BOEING PROPRIETARY - Copyright © - Unpublished Work - See title page for details.

29-11-18
 FIG. 05
 PAGE 2
 DEC 22/07



767

PARTS CATALOG (MAINTENANCE)

FIG ITEM	PART NUMBER	1 2 3 4 5 6 7	NOMENCLATURE	EFFECT FROM TO	UNITS PER ASSY
5					
- 215	S3819-12-65		.CLAMP- SUPPLIER CODE: V07418 SPECIFICATION NUMBER: BACC10KD12 OPTIONAL PART: 620AS028NF12L V06324 ELECTRICAL EQUIP NUMBER: D00052T WIRING DIAGRAM REF: 291112		1
220	R071012R3S6L		.CONNECTOR- SUPPLIER CODE: V41118 SPECIFICATION NUMBER: BACC63BP12R3S6L ELECTRICAL EQUIP NUMBER: D00052 WIRING DIAGRAM REF: 291112		1
- 225	286T0400-002		WIRE BUNDLE ASSY-		RF
- 230	S3819-12-65		.CLAMP- SUPPLIER CODE: V07418 SPECIFICATION NUMBER: BACC10KD12 OPTIONAL PART: 620AS028NF12L V06324 ELECTRICAL EQUIP NUMBER: D00072T WIRING DIAGRAM REF: 291122		1
235	R071012R3S6L		.CONNECTOR- SUPPLIER CODE: V41118 SPECIFICATION NUMBER: BACC63BP12R3S6L ELECTRICAL EQUIP NUMBER: D00072 WIRING DIAGRAM REF: 291122		1
900			ILLUSTRATION REFERENCE: HYDRAULIC INSTL-SECT. 31 ENGINE AFT FAIRING (LH) (CASE DRAIN ACMP ONLY) 29-11-18-02		RF
ILLUSTRATION ITEMS NOT ON PARTS LIST ARE NOT APPLICABLE					

- ITEM NOT ILLUSTRATED

HXL

29-11-18-05

BOEING PROPRIETARY - Copyright © - Unpublished Work - See title page for details.

29-11-18
FIG. 05
PAGE 3
DEC 22/07



767
PARTS CATALOG (MAINTENANCE)

FIG ITEM	PART NUMBER	1 2 3 4 5 6 7	NOMENCLATURE	EFFECT FROM TO	UNITS PER ASSY
5 905			ILLUSTRATION REFERENCE: HYDRAULIC INSTL-SECT. 31 ENGINE AFT FAIRING (RH) (CASE DRAIN ACMP ONLY) 29-11-18-03		RF

ILLUSTRATION ITEMS NOT ON PARTS LIST ARE NOT APPLICABLE

- ITEM NOT ILLUSTRATED

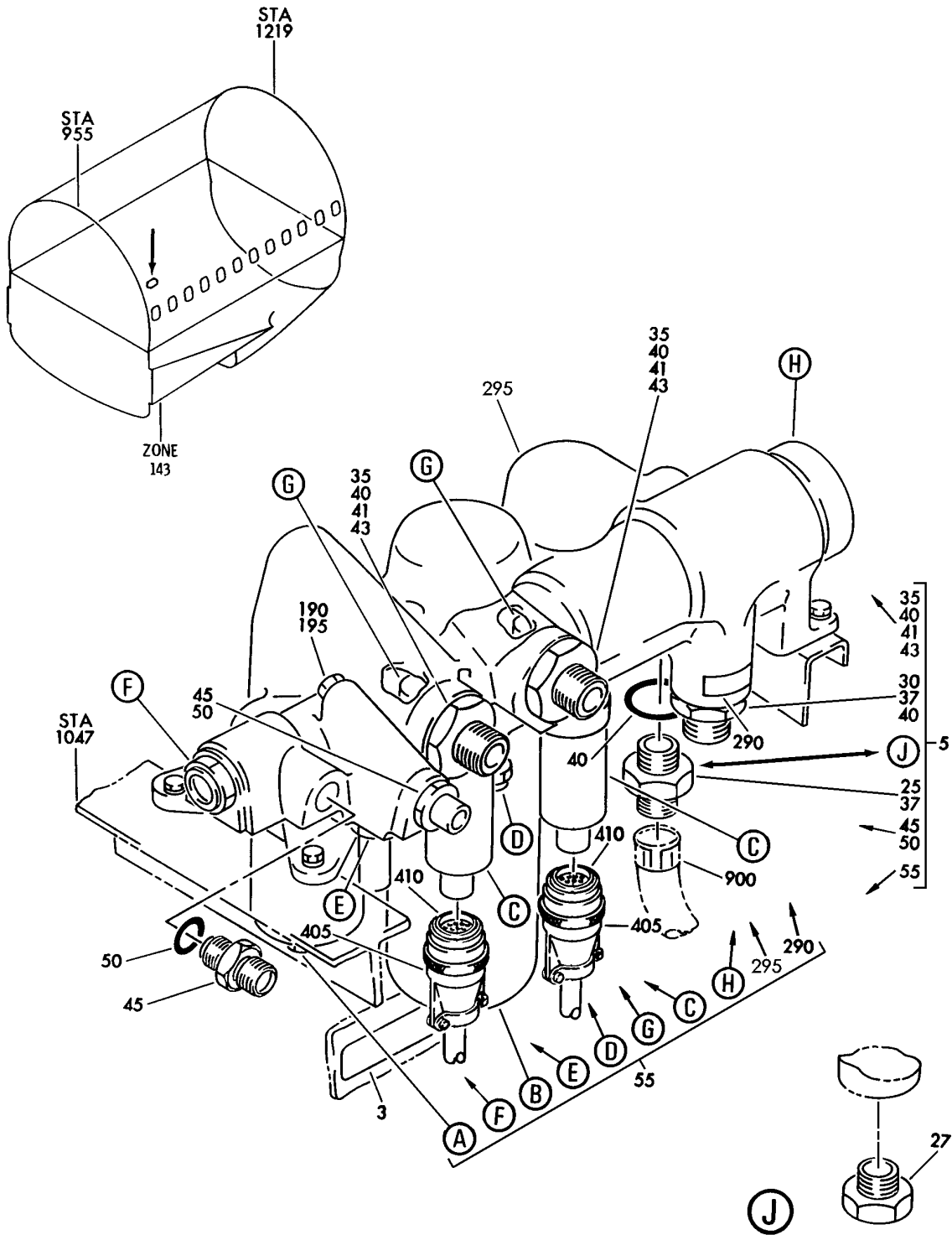
HXL

29-11-18-05

BOEING PROPRIETARY - Copyright © - Unpublished Work - See title page for details.

29-11-18
FIG. 05
PAGE 4
DEC 22/06

BOEING
767
PARTS CATALOG (MAINTENANCE)



V 29111901 SHT 1 REV 235

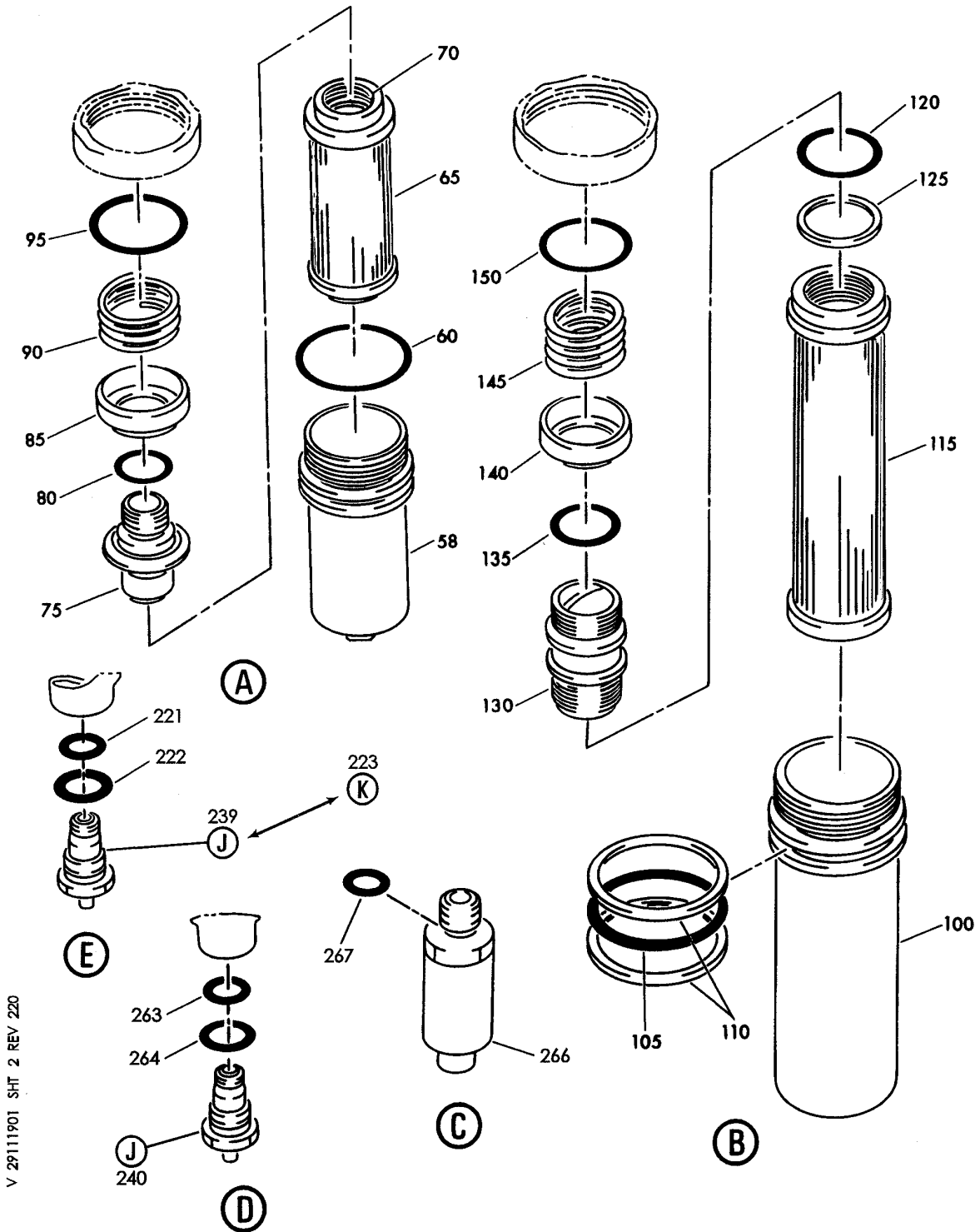
MODULE INSTL-PRESSURE AND CASE DRAIN FILTER AIR DRIVEN PUMP
FIGURE 1 (SHEET 1)

29-11-19-01

HXL
DEC 22/06

29-11-19-01
PAGE 0

BOEING
767
PARTS CATALOG (MAINTENANCE)



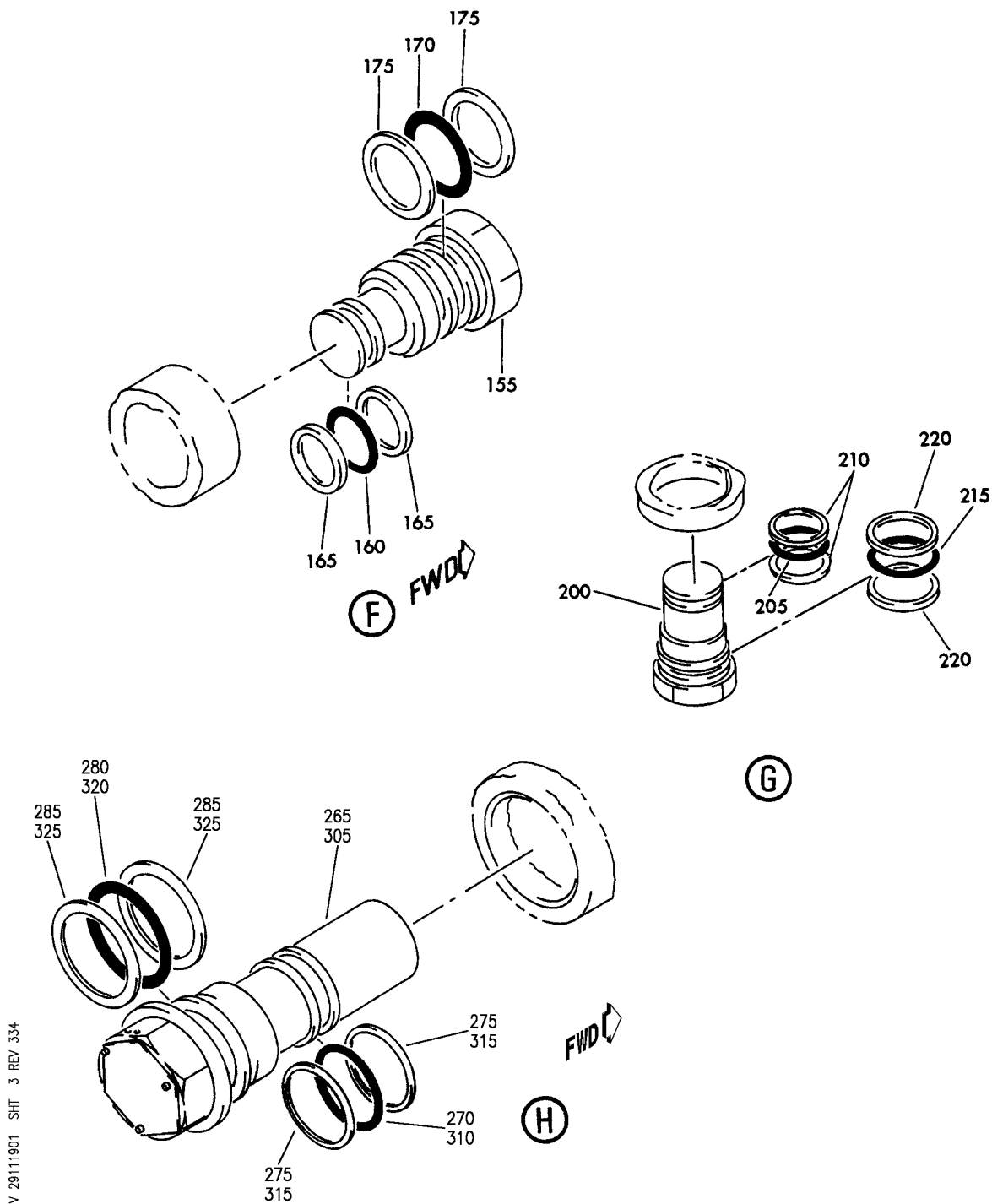
MODULE INSTL-PRESSURE AND CASE DRAIN FILTER AIR DRIVEN PUMP
FIGURE 1 (SHEET 2)

29-11-19-01

HXL
DEC 22/06

29-11-19-01
PAGE 0A

BOEING
767
PARTS CATALOG (MAINTENANCE)



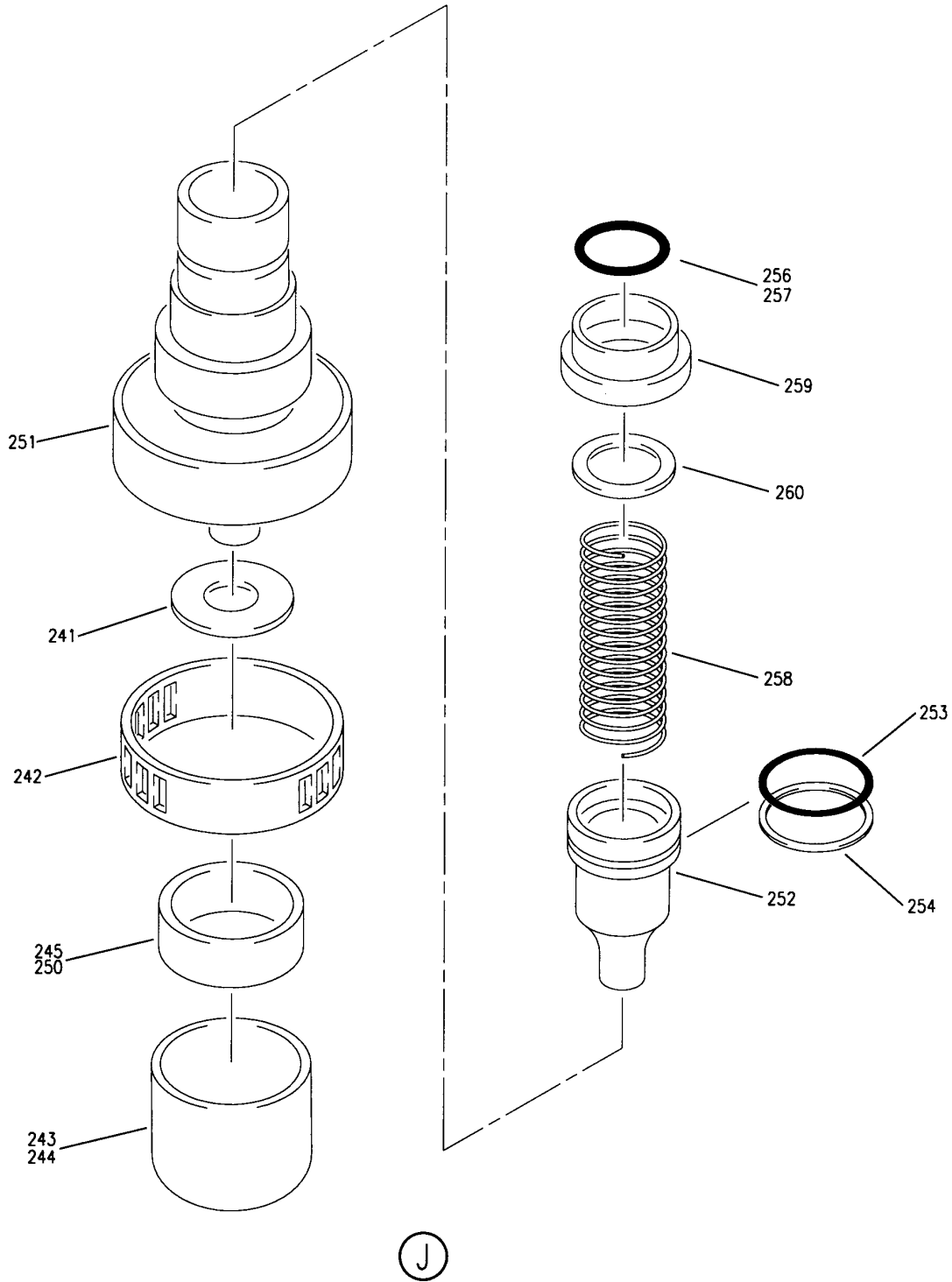
V 29111901 SHT 3 REV 334

MODULE INSTL-PRESSURE AND CASE DRAIN FILTER AIR DRIVEN PUMP
FIGURE 1 (SHEET 3)

29-11-19-01

HXL
DEC 22/08

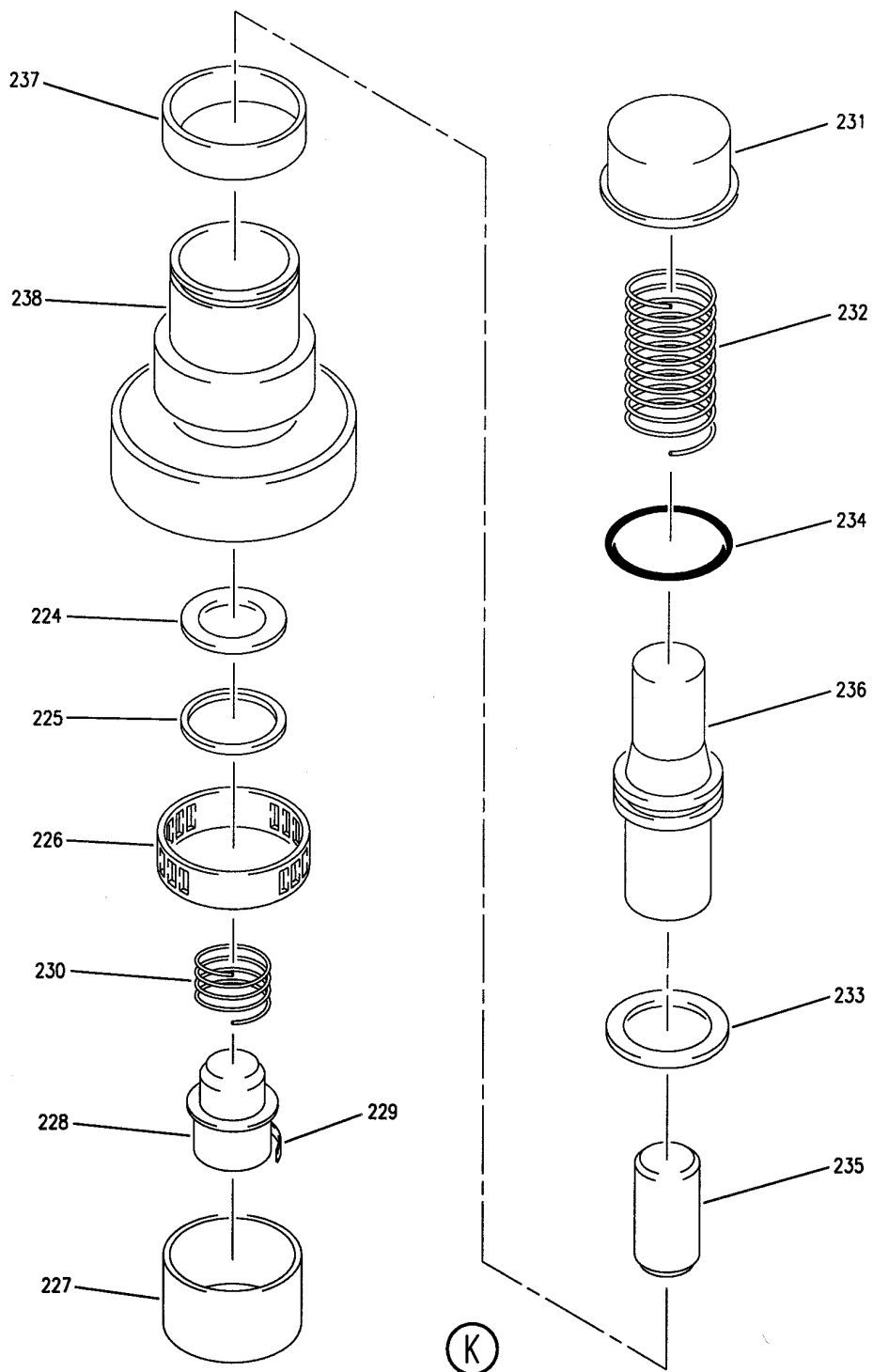
29-11-19-01
PAGE 0B



MODULE INSTL-PRESSURE AND CASE DRAIN FILTER AIR DRIVEN PUMP
FIGURE 1 (SHEET 4)

29-11-19-01

BOEING
767
PARTS CATALOG (MAINTENANCE)



V 29111901 SHT 5 REV 220

MODULE INSTL-PRESSURE AND CASE DRAIN FILTER AIR DRIVEN PUMP
FIGURE 1 (SHEET 5)

29-11-19-01

HXL
DEC 22/06

29-11-19-01
PAGE 0D



767

PARTS CATALOG (MAINTENANCE)

FIG ITEM	PART NUMBER	1 2 3 4 5 6 7	NOMENCLATURE	EFFECT FROM TO	UNITS PER ASSY
1			MODULE INSTL-PRESSURE AND CASE DRAIN FILTER AIR DRIVEN PUMP		
- 1	271T4585-7		MODULE INSTL-PRESSURE AND CASE DRAIN FILTER AIR DRIVEN PUMP		RF
			FOR NHA SEE: 29-11-19-02		
	3 BAC27THY0096		.MARKER-ALUMINUM FOIL-PLACARD CONTENT: S317 S28 S29 PRESSURE AND CD FILTER ADP, C		1
	5 271T4585-9		.MODULE ASSY- ATTACHING PARTS		1
- 10	NAS6604-7		.BOLT		4
- 15	NAS1149D0416J		.WASHER-		8
- 20	BRH10A4		.NUT-		4
			SUPPLIER CODE: V52828		
			SPECIFICATION NUMBER: BACN10JC4		
			OPTIONAL PART: T6S428J V11815 96-048 V80539 VN303A048 V92215 RMLH9075-4W V72962 NS202101-048 V80539 H10-4BAC V15653		
			-----*-----		
	25 BACU24K16		..UNION-		1
	30 MS21902D16		..UNION		1

ILLUSTRATION ITEMS NOT ON PARTS LIST ARE NOT APPLICABLE

- ITEM NOT ILLUSTRATED

HXL

29-11-19-01

BOEING PROPRIETARY - Copyright © - Unpublished Work - See title page for details.

29-11-19
FIG. 01
PAGE 1
DEC 22/07



767

PARTS CATALOG (MAINTENANCE)

FIG ITEM	PART NUMBER	1 2 3 4 5 6 7	NOMENCLATURE	EFFECT FROM TO	UNITS PER ASSY
1					
35	AFP23216-12		..REDUCER- SUPPLIER CODE: V30974 SPECIFICATION NUMBER: BACR17E16-12 OPTIONAL PART: AP102716-12 V01673 BC916T16-12 V50948 DBOR17E16-12 V14798 ER21916T16-12 V88334 ER31916-16-12 V88334 F23-16-12 V73197 2-01075T16-12 V11328 31778-16-12 V14397 US2114-16-12 V50808		2
40	NAS1612-16		..PACKING-		4
45	MS21902D8		..UNION		2
50	NAS1612-8		..PACKING-		2
55	271T0068-5		..MODULE ASSY-(MAIN HYDRAULIC SYSTEMS ONLY) COMPONENT MAINT MANUAL REF: 29-11-46 USED ON: 271T4585-4 271T4585-6 FUNCTIONAL REFERENCE: HYDRAULIC POWER FOR DETAILS SEE 29-32-03-01		1
55	271T0068-10		..MODULE ASSY-(MAIN HYDRAULIC SYSTEMS ONLY) COMPONENT MAINT MANUAL REF: 29-11-46 FUNCTIONAL REFERENCE: HYDRAULIC POWER FOR DETAILS SEE 29-32-03-01		1

ILLUSTRATION ITEMS NOT ON PARTS LIST ARE NOT APPLICABLE

- ITEM NOT ILLUSTRATED

HXL

29-11-19-01

BOEING PROPRIETARY - Copyright © - Unpublished Work - See title page for details.

29-11-19
 FIG. 01
 PAGE 2
 DEC 22/07



767

PARTS CATALOG (MAINTENANCE)

FIG ITEM	PART NUMBER	1 2 3 4 5 6 7	NOMENCLATURE	EFFECT FROM TO	UNITS PER ASSY
1					
55	271T0068-7		..MODULE ASSY-(MAIN HYDRAULIC SYSTEMS ONLY) COMPONENT MAINT MANUAL REF: 29-11-46 USED ON: 271T4585-9 271T4585-10 FUNCTIONAL REFERENCE: HYDRAULIC POWER FOR DETAILS SEE 29-32-03-01		1
55	271T0068-12		..MODULE ASSY-(MAIN HYDRAULIC SYSTEMS ONLY) COMPONENT MAINT MANUAL REF: 29-11-46 FUNCTIONAL REFERENCE: HYDRAULIC POWER FOR DETAILS SEE 29-32-03-01		1
58	271T0044-1		...CASE- OPTIONAL PART: 271T0047-1		1
58	271T0047-1		...CASE- OPTIONAL PART: 271T0044-1 USED ON: 271T0068-5 271T0068-7 271T0068-10		1
60	NAS1611-226		...PACKING- USED ON: 271T0068-5 271T0068-7 271T0068-10		1
60	NAS1611-226A		...PACKING- USED ON: 271T0068-12		1

ILLUSTRATION ITEMS NOT ON PARTS LIST ARE NOT APPLICABLE

- ITEM NOT ILLUSTRATED

HXL

29-11-19-01

BOEING PROPRIETARY - Copyright © - Unpublished Work - See title page for details.

29-11-19
FIG. 01
PAGE 3
DEC 22/08



767

PARTS CATALOG (MAINTENANCE)

FIG ITEM	PART NUMBER	1 2 3 4 5 6 7	NOMENCLATURE	EFFECT FROM TO	UNITS PER ASSY
1 65	7553276		...ELEMENT ASSY-LOW PRESSURE NON-CLEANABLE FILTER SUPPLIER CODE: V05228 SPECIFICATION NUMBER: 60B00211-3 FOR ELEMENT MAINTENANCE USE FILTER MAINT KIT DEFINED IN FILTER MAINT KIT LIST. FILTER MAINTENANCE KIT REF: 654T0035-3 OPTIONAL PART: AC9008E1 V18350 AC9008E11 V18350		1
70	NAS1611-214	PACKING-		1
75	7553414		...FITTING- SUPPLIER CODE: V05228		1
80	7582484		...PACKING- SUPPLIER CODE: V05228 USED ON: 271T0068-5 271T0068-7 271T0068-10		1
80	3-911E515-80		...PACKING- USED ON: 271T0068-12		1
80	568-9115607-80		...PACKING- SUPPLIER CODE: V77308 USED ON: 271T0068-12		1
85	7506161		...SLEEVE- SUPPLIER CODE: V05228		1
90	7506162		...SPRING- SUPPLIER CODE: V05228 OPTIONAL PART: 7589401 V05228 USED ON: 271T0068-5 271T0068-7 271T0068-10		1

ILLUSTRATION ITEMS NOT ON PARTS LIST ARE NOT APPLICABLE

- ITEM NOT ILLUSTRATED

29-11-19-01

29-11-19
FIG. 01
PAGE 4
DEC 22/08

HXL



767

PARTS CATALOG (MAINTENANCE)

FIG ITEM	PART NUMBER	1 2 3 4 5 6 7	NOMENCLATURE	EFFECT FROM TO	UNITS PER ASSY
1	90 7589401		... SPRING- SUPPLIER CODE: V05228 OPTIONAL PART: 7506162 V05228 USED ON: 271T0068-7 271T0068-10 271T0068-12		1
	95 NAS1611-226A		... PACKING- USED ON: 271T0068-12		1
	95 NAS1611-226		... PACKING- USED ON: 271T0068-5 271T0068-7 271T0068-10		1
	100 271T0070-1		... CASE- OPTIONAL PART: 271T0072-1 USED ON: 271T0068-5		1
	100 271T0072-1		... CASE- OPTIONAL PART: 271T0070-1 USED ON: 271T0068-5		1
	100 271T0070-3		... CASE- OPTIONAL PART: 271T0070-5 USED ON: 271T0068-7		1
	100 271T0070-5		... CASE- OPTIONAL PART: 271T0070-3 USED ON: 271T0068-7 271T0068-10		1
	100 271T0070-6		... CASE- USED ON: 271T0068-12		1
	105 NAS1611-231A		... PACKING- USED ON: 271T0068-12		1

ILLUSTRATION ITEMS NOT ON PARTS LIST ARE NOT APPLICABLE

- ITEM NOT ILLUSTRATED

HXL

29-11-19-01

BOEING PROPRIETARY - Copyright © - Unpublished Work - See title page for details.

29-11-19
FIG. 01
PAGE 5
DEC 22/08



767

PARTS CATALOG (MAINTENANCE)

FIG ITEM	PART NUMBER	1 2 3 4 5 6 7	NOMENCLATURE	EFFECT FROM TO	UNITS PER ASSY
1					
105	NAS1611-231		...PACKING- USED ON: 271T0068-5 271T0068-7 271T0068-10		1
110	C11236-231B		...RETAINER- SUPPLIER CODE: V26879 SPECIFICATION NUMBER: BACR12BM231 OPTIONAL PART: RMR12BM231 V94878 STF800-231 V02107 S30294-231-1 V97820 TF450-231A V07128 2100-231 V26303 MS27595-231 MS28774-231		2
110	MS27595-231		...RETAINER- OPTIONAL PART: BACR12BM231		2
110	MS28774-231		...RETAINER- SERVICE BULLETIN OPT DATA: MS27595-231 BACR12BM231 USED ON: 271T0068-5 271T0068-7 271T0068-10		2

ILLUSTRATION ITEMS NOT ON PARTS LIST ARE NOT APPLICABLE

- ITEM NOT ILLUSTRATED

HXL

29-11-19-01

BOEING PROPRIETARY - Copyright © - Unpublished Work - See title page for details.

29-11-19
FIG. 01
PAGE 6
DEC 22/08



767

PARTS CATALOG (MAINTENANCE)

FIG ITEM	PART NUMBER	1 2 3 4 5 6 7	NOMENCLATURE	EFFECT FROM TO	UNITS PER ASSY
1 115	7515128		...ELEMENT ASSY-HIGH PRESSURE NON-CLEANABLE FILTER SUPPLIER CODE: V05228 SPECIFICATION NUMBER: 60B00204-1 FOR ELEMENT MAINTENANCE USE FILTER MAINT KIT DEFINED IN FILTER MAINT KIT LIST. FILTER MAINTENANCE KIT REF: 654T0035-4 OPTIONAL PART: AC9012F1 V18350 AC9012F2 V18350		1
120	NAS1611-218	PACKING-		1
125	MS28774-218	RETAINER		1
130	7585755		...FITTING ASSY- SUPPLIER CODE: V05228		1
135	3-918E515-80		...PACKING- SUPPLIER CODE: V02697 OPTIONAL PART: 7582485 V05228		1
135	568-9185607-80		...PACKING- SUPPLIER CODE: V77308 USED ON: 271T0068-12		1
135	7582485		...PACKING- SUPPLIER CODE: V05228 OPTIONAL PART: 3-918E515-80 V02697 USED ON: 271T0068-5 271T0068-7 271T0068-10		1
140	7585532		...SLEEVE- SUPPLIER CODE: V05228		1
145	7585901		...SPRING- SUPPLIER CODE: V05228		1

ILLUSTRATION ITEMS NOT ON PARTS LIST ARE NOT APPLICABLE

- ITEM NOT ILLUSTRATED

29-11-19-01

29-11-19
 FIG. 01
 PAGE 7
 DEC 22/08

HXL



767

PARTS CATALOG (MAINTENANCE)

FIG ITEM	PART NUMBER	1 2 3 4 5 6 7	NOMENCLATURE	EFFECT FROM TO	UNITS PER ASSY
1					
150	NAS1611-229A	...	PACKING- USED ON: 271T0068-12		1
150	NAS1611-229	...	PACKING- USED ON: 271T0068-5 271T0068-7 271T0068-10		1
155	2790521-102	...	VALVE-CARTRIDGE CHK SUPPLIER CODE: V92003 SPECIFICATION NUMBER: S270T242-1 COMPONENT MAINT MANUAL REF: 29-09-14 OPTIONAL PART: 1C1244 V99240		1
160	NAS1611-116A	...	PACKING- USED ON: 271T0068-12		1
160	NAS1611-116	...	PACKING- USED ON: 271T0068-5 271T0068-7 271T0068-10		1
165	C11236-116B	...	RING- SUPPLIER CODE: V26879 SPECIFICATION NUMBER: BACR12BM116 OPTIONAL PART: RMR12BM116 V94878 STF800-116 V02107 S30294-116-1 V97820 TF450-116A V07128 2100-116 V26303 MS27595-116 MS28774-116		2
165	MS27595-116	...	RETAINER- OPTIONAL PART: BACR12BM116		2

ILLUSTRATION ITEMS NOT ON PARTS LIST ARE NOT APPLICABLE

- ITEM NOT ILLUSTRATED

HXL

29-11-19-01

BOEING PROPRIETARY - Copyright © - Unpublished Work - See title page for details.

29-11-19
FIG. 01
PAGE 8
DEC 22/08



767

PARTS CATALOG (MAINTENANCE)

FIG ITEM	PART NUMBER	1 2 3 4 5 6 7	NOMENCLATURE	EFFECT FROM TO	UNITS PER ASSY
1					
165	MS28774-116	...	RETAINER- OPTIONAL PART: BACR12BM116 USED ON: 271T0068-5 271T0068-7 271T0068-10		2
165	M8791-1-116	...	RETAINER- SUPPLIER CODE: V81349 OPTIONAL PART: BACR12BM116 USED ON: 271T0068-12		2
170	NAS1611-213A	...	PACKING- USED ON: 271T0068-12		1
170	NAS1611-213	...	PACKING- USED ON: 271T0068-5 271T0068-7 271T0068-10		1
175	C11236-213B	...	RING- SUPPLIER CODE: V26879 SPECIFICATION NUMBER: BACR12BM213 OPTIONAL PART: RMR12BM213 V94878 STF800-213 V02107 S30294-213-1 V97820 TF450-213A V07128 2100-213 V26303 MS27595-213 MS28774-213		2
175	MS27595-213	...	RETAINER- OPTIONAL PART: BACR12BM213		2

ILLUSTRATION ITEMS NOT ON PARTS LIST ARE NOT APPLICABLE

- ITEM NOT ILLUSTRATED

HXL

29-11-19-01

BOEING PROPRIETARY - Copyright © - Unpublished Work - See title page for details.

29-11-19
FIG. 01
PAGE 9
DEC 22/08

 **BOEING**
767
PARTS CATALOG (MAINTENANCE)

FIG ITEM	PART NUMBER	1 2 3 4 5 6 7	NOMENCLATURE	EFFECT FROM TO	UNITS PER ASSY
1					
175	MS28774-213	...	RETAINER- OPTIONAL PART: BACR12BM213 USED ON: 271T0068-5 271T0068-7 271T0068-10		2
175	M8791-1-213	...	RETAINER- SUPPLIER CODE: V81349 OPTIONAL PART: BACR12BM213 USED ON: 271T0068-12		2
190	AN814-6DL	...	PLUG		1
195	NAS1612-6A	...	PACKING- USED ON: 271T0068-12		1
195	NAS1612-6	...	PACKING- USED ON: 271T0068-5 271T0068-7 271T0068-10		1
200	2790523-101	...	VALVE-CARTRIDGE CHK SUPPLIER CODE: V92003 SPECIFICATION NUMBER: S270T242-5 COMPONENT MAINT MANUAL REF: 29-09-15		2
205	NAS1611-125	...	PACKING- USED ON: 271T0068-5 271T0068-7 271T0068-10		2
205	NAS1611-125A	...	PACKING- USED ON: 271T0068-12		2
210	MS27595-125	...	RETAINER- OPTIONAL PART: BACR12BM125		4
210	MS28774-125	...	RETAINER- OPTIONAL PART: BACR12BM125 USED ON: 271T0068-5 271T0068-7 271T0068-10		4

ILLUSTRATION ITEMS NOT ON PARTS LIST ARE NOT APPLICABLE

— ITEM NOT ILLUSTRATED

HXL

29-11-19-01

BOEING PROPRIETARY - Copyright © - Unpublished Work - See title page for details.

29-11-19
FIG. 01
PAGE 10
DEC 22/08



767

PARTS CATALOG (MAINTENANCE)

FIG ITEM	PART NUMBER	1 2 3 4 5 6 7	NOMENCLATURE	EFFECT FROM TO	UNITS PER ASSY
1 210	C11236-125B		...RING- SUPPLIER CODE: V26879 SPECIFICATION NUMBER: BACR12BM125 OPTIONAL PART: RMR12BM125 V94878 STF800-125 V02107 S30294-125-1 V97820 TF450-125A V07128 2100-125 V26303 MS27595-125 MS28774-125		4
210	M8791-1-125		...RETAINER- SUPPLIER CODE: V81349 OPTIONAL PART: BACR12BM125 USED ON: 271T0068-12		4
215	NAS1611-223		...PACKING- USED ON: 271T0068-5 271T0068-7 271T0068-10		2
215	NAS1611-223A		...PACKING- USED ON: 271T0068-12		2
220	MS27595-223		...RETAINER- OPTIONAL PART: BACR12BM223		4
220	MS28774-223		...RETAINER- OPTIONAL PART: BACR12BM223 USED ON: 271T0068-5 271T0068-7 271T0068-10		4

ILLUSTRATION ITEMS NOT ON PARTS LIST ARE NOT APPLICABLE

- ITEM NOT ILLUSTRATED

HXL

29-11-19-01

BOEING PROPRIETARY - Copyright © - Unpublished Work - See title page for details.

29-11-19
FIG. 01
PAGE 11
DEC 22/08



767

PARTS CATALOG (MAINTENANCE)

FIG ITEM	PART NUMBER	1 2 3 4 5 6 7	NOMENCLATURE	EFFECT FROM TO	UNITS PER ASSY
1 220	C11236-223B		...RING- SUPPLIER CODE: V26879 SPECIFICATION NUMBER: BACR12BM223 OPTIONAL PART: RMR12BM223 V94878 STF800-223 V02107 S30294-223-1 V97820 TF450-223A V07128 2100-223 V26303 MS27595-223 MS28774-223		4
220	M8791-1-223		...RETAINER- SUPPLIER CODE: V81349 OPTIONAL PART: BACR12BM223 USED ON: 271T0068-12		4
221	NAS1611-014		...PACKING- USED ON: 271T0068-5 271T0068-7 271T0068-10		1
221	NAS1611-014A		...PACKING- USED ON: 271T0068-12		1
222	NAS1612-8A		...PACKING- USED ON: 271T0068-12		1
222	NAS1612-8		...PACKING- USED ON: 271T0068-5 271T0068-7 271T0068-10		1

ILLUSTRATION ITEMS NOT ON PARTS LIST ARE NOT APPLICABLE

- ITEM NOT ILLUSTRATED

HXL

29-11-19-01

BOEING PROPRIETARY - Copyright © - Unpublished Work - See title page for details.

29-11-19
FIG. 01
PAGE 12
DEC 22/08



767

PARTS CATALOG (MAINTENANCE)

FIG ITEM	PART NUMBER	1 2 3 4 5 6 7	NOMENCLATURE	EFFECT FROM TO	UNITS PER ASSY
1					
223	TC125UK06Y	...	INDICATOR ASSY-PRESSURE DIFF SUPPLIER CODE: V18350 SPECIFICATION NUMBER: S271T005-2 OPTIONAL PART: 7586630 V05228		1
224	60TA125UK06Y	NAMEPLATE- SUPPLIER CODE: V18350		1
225	AA9500D330	RING-RETAINING SUPPLIER CODE: V18350		1
226	AA9500D822	BAND-BOOT SHRINK SUPPLIER CODE: V18350		1
227	62RB114S0000	BOOT- SUPPLIER CODE: V18350		1
228	19RA551P0000	INDICATOR-BUTTON SUPPLIER CODE: V18350		1
229	69RB55100000	BIMETAL- SUPPLIER CODE: V18350		1
230	AA2100-3D5	MAGNET-ACTUATION SPRING SUPPLIER CODE: V18350		1
231	14RA77700000	RETAINER-SPRING SUPPLIER CODE: V18350		1
232	21RA777000K7	SPRING- SUPPLIER CODE: V18350		1
233	AA9500D530	SEAL-RING SUPPLIER CODE: V18350		1
234	NAS1611-011	PACKING-		1
235	27RA65000000	MAGNET- SUPPLIER CODE: V18350		1
236	23TB04200000	PISTON- SUPPLIER CODE: V18350		1
237	92RA77100000	FILTER-SLEEVE, RIGIMESH SUPPLIER CODE: V18350		1

ILLUSTRATION ITEMS NOT ON PARTS LIST ARE NOT APPLICABLE

- ITEM NOT ILLUSTRATED

29-11-19-01

29-11-19
FIG. 01
PAGE 13
DEC 22/08

HXL

BOEING PROPRIETARY - Copyright © - Unpublished Work - See title page for details.



767

PARTS CATALOG (MAINTENANCE)

FIG ITEM	PART NUMBER	1 2 3 4 5 6 7	NOMENCLATURE	EFFECT FROM TO	UNITS PER ASSY
1					
238	08TD12500009	PLUG-DELTADYNE SUPPLIER CODE: V18350		1
239	7586630	...	INDICATOR ASSY-DIFF PRESSURE HYDR SUPPLIER CODE: V05228 SPECIFICATION NUMBER: S271T005-5 OPTIONAL PART: TC125UK06Y V18350		1
240	TC125UK00ZY1	...	INDICATOR ASSY-PRESSURE DIFF SUPPLIER CODE: V18350 SPECIFICATION NUMBER: S271T005-3 COMPONENT MAINT MANUAL REF: 29-11-01 OPTIONAL PART: 7586631 V05228		1
240	7586631	...	INDICATOR ASSY-DIFF PRESSURE HYDR SUPPLIER CODE: V05228 SPECIFICATION NUMBER: S271T005-4 OPTIONAL PART: TC125UK00ZY1 V18350		1
241	7586651	NAMEPLATE- SUPPLIER CODE: V05228 USED ON: 7586630		1
241	7586652	NAMEPLATE- SUPPLIER CODE: V05228 USED ON: 7586631		1
242	AA9500-0822	BAND-SHRINK SUPPLIER CODE: V18350 USED ON: TC125UK00ZY1		1

ILLUSTRATION ITEMS NOT ON PARTS LIST ARE NOT APPLICABLE

- ITEM NOT ILLUSTRATED

HXL

29-11-19-01

BOEING PROPRIETARY - Copyright © - Unpublished Work - See title page for details.

29-11-19
FIG. 01
PAGE 14
DEC 22/08



767

PARTS CATALOG (MAINTENANCE)

FIG ITEM	PART NUMBER	1 2 3 4 5 6 7	NOMENCLATURE	EFFECT FROM TO	UNITS PER ASSY
1					
242	MS3367-5-9	STRAP- CONFIG CHG DATA FROM A CMM: REPLACES 7590761-001 REPLACES 7586779 REPLACES 7586778 USED ON: 7586630 7586631 USED WITH: 7586649		1
243	62RB114S0000	BOOT- SUPPLIER CODE: V18350 USED ON: TC125UK00ZY1		1
243	7586649	CAP-PROTECTIVE SUPPLIER CODE: V05228 CONFIG CHG DATA FROM A CMM: REPLACES 7590761-001 REPLACES 7586779 REPLACES 7586778 USED ON: 7586630 7586631 USED WITH: MS3367-5-9		1
244	7590761-001	CAP-PROTECTIVE SUPPLIER CODE: V05228 CONFIG CHG DATA FROM A CMM: REPLD BY MS3367-5-9 REPLD BY 7586649 OPTIONAL PART: 7586779 V05228 USED ON: 7586630 7586631		1

ILLUSTRATION ITEMS NOT ON PARTS LIST ARE NOT APPLICABLE

- ITEM NOT ILLUSTRATED

HXL

29-11-19-01

BOEING PROPRIETARY - Copyright © - Unpublished Work - See title page for details.

29-11-19
FIG. 01
PAGE 15
DEC 22/08



767

PARTS CATALOG (MAINTENANCE)

FIG ITEM	PART NUMBER	1 2 3 4 5 6 7	NOMENCLATURE	EFFECT FROM TO	UNITS PER ASSY
1 245	7586779	CAP-PROTECTIVE SUPPLIER CODE: V05228 CONFIG CHG DATA FROM A CMM: REPLD BY MS3367-5-9 REPLD BY 7586649 OPTIONAL PART: 7590761-001 V05228 USED ON: 7586630 7586631 USED WITH: 7586778		1
250	7586778	RETAINER-CAP SUPPLIER CODE: V05228 CONFIG CHG DATA FROM A CMM: REPLD BY MS3367-5-9 REPLD BY 7586649 USED ON: 7586630 7586631 USED WITH: 7586779		1
251	7586641	HOUSING- SUPPLIER CODE: V05228 USED ON: 7586630 7586631		1
252	7586642	PISTON- SUPPLIER CODE: V05228 USED ON: 7586630 7586631		1
253	7586811	SEAL-RING SUPPLIER CODE: V05228 USED ON: 7586630 7586631		1
254	7586810	PACKING-O-RING SUPPLIER CODE: V05228 USED ON: 7586630 7586631		1

ILLUSTRATION ITEMS NOT ON PARTS LIST ARE NOT APPLICABLE

- ITEM NOT ILLUSTRATED

HXL

29-11-19-01

BOEING PROPRIETARY - Copyright © - Unpublished Work - See title page for details.

29-11-19
 FIG. 01
 PAGE 16
 DEC 22/08

 **BOEING**
767
PARTS CATALOG (MAINTENANCE)

FIG ITEM	PART NUMBER	1 2 3 4 5 6 7	NOMENCLATURE	EFFECT FROM TO	UNITS PER ASSY
1 256	7582499	RING-RETAINER SUPPLIER CODE: V05228 CONFIG CHG DATA FROM A CMM: REPLD BY 7582499-001 USED ON: 7586630 7586631		1
257	7582499-001	RING-RETAINER SUPPLIER CODE: V05228 CONFIG CHG DATA FROM A CMM: REPLACES 7582499 USED ON: 7586630 7586631		1
258	7586645	SPRING-PISTON SUPPLIER CODE: V05228 USED ON: 7586630		1
258	7586644	SPRING-PISTON SUPPLIER CODE: V05228 USED ON: 7586631		1
259	7586646	RETAINER-SPR SUPPLIER CODE: V05228 USED ON: 7586630 7586631		1
260	7586777	SHIM- SUPPLIER CODE: V05228 SELECT FROM ITEM. USED ON: 7586630 7586631		AR
263	NAS1611-014		...PACKING- USED ON: 271T0068-5 271T0068-7 271T0068-10		1
263	NAS1611-014A		...PACKING- USED ON: 271T0068-12		1

ILLUSTRATION ITEMS NOT ON PARTS LIST ARE NOT APPLICABLE

— ITEM NOT ILLUSTRATED

HXL

29-11-19-01

BOEING PROPRIETARY - Copyright © - Unpublished Work - See title page for details.

29-11-19
FIG. 01
PAGE 17
DEC 22/08



767

PARTS CATALOG (MAINTENANCE)

FIG ITEM	PART NUMBER	1 2 3 4 5 6 7	NOMENCLATURE	EFFECT FROM TO	UNITS PER ASSY
1 264	NAS1612-8		...PACKING- USED ON: 271T0068-5 271T0068-7 271T0068-10		1
264	NAS1612-8A		...PACKING- USED ON: 271T0068-12		1
265	1850		...VALVE ASSY-RELIEF SUPPLIER CODE: V06177 COMPONENT MAINT MANUAL REF: 29-11-15 QUALIFIED I/W DATA: 1850 TOGETHER WITH 2EA BAR12BM-327 AND 1EA NAS1611-327 INTERCHANGEABLE WITH 1853VALVE OR 68770-1 TOGETHER WITH 2EA BACR12BM-225 AND 1 EA NAS1611-225 USED ON: 271T0068-5 271T0068-7 271T0068-10		1
265	1831-3		...VALVE ASSY-RELIEF SUPPLIER CODE: V06177 COMPONENT MAINT MANUAL REF: 29-11-12 USED ON: 271T0068-5 271T0068-7		1

ILLUSTRATION ITEMS NOT ON PARTS LIST ARE NOT APPLICABLE

- ITEM NOT ILLUSTRATED

HXL

29-11-19-01

BOEING PROPRIETARY - Copyright © - Unpublished Work - See title page for details.

29-11-19
FIG. 01
PAGE 18
DEC 22/08



767

PARTS CATALOG (MAINTENANCE)

FIG ITEM	PART NUMBER	1 2 3 4 5 6 7	NOMENCLATURE	EFFECT FROM TO	UNITS PER ASSY
1 265	68770-1		...VALVE ASSY-RELIEF SUPPLIER CODE: V99643 FUNCTIONAL DESCRIPTION: PASSES FLOW TO THE SYSTEM RETURN LINE IN THE EVENT OF EXCESSIVE HYDRAULIC PRESSURE SPECIFICATION NUMBER: S271N202-3 COMPONENT MAINT MANUAL REF: 29-11-03 QUALIFIED I/W DATA: 1850 TOGETHER WITH 2EA BAR12BM-327 AND 1EA NAS1611-327 INTERCHANGEABLE WITH 1853VALVE OR 68770-1 TOGETHER WITH 2EA BACR12BM-225 AND 1 EA NAS1611-225 OPTIONAL PART: 1853VALVE V06177 USED ON: 271T0068-10		1
265	68770		...VALVE ASSY-RELIEF SUPPLIER CODE: V99643 SPECIFICATION NUMBER: S271N202-2		1

ILLUSTRATION ITEMS NOT ON PARTS LIST ARE NOT APPLICABLE

- ITEM NOT ILLUSTRATED

HXL

29-11-19-01

BOEING PROPRIETARY - Copyright © - Unpublished Work - See title page for details.

29-11-19
 FIG. 01
 PAGE 19
 DEC 22/08



767

PARTS CATALOG (MAINTENANCE)

FIG ITEM	PART NUMBER	1 2 3 4 5 6 7	NOMENCLATURE	EFFECT FROM TO	UNITS PER ASSY
1 265	1853VALVE		...VALVE ASSY-RELIEF SUPPLIER CODE: V06177 FUNCTIONAL DESCRIPTION: PASSES FLOW TO THE SYSTEM RETURN LINE IN THE EVENT OF EXCESSIVE HYDRAULIC PRESSURE SPECIFICATION NUMBER: S271N202-3 QUALIFIED I/W DATA: 1850 TOGETHER WITH 2EA BAR12BM-327 AND 1EA NAS1611-327 INTERCHANGEABLE WITH 1853VALVE OR 68770-1 TOGETHER WITH 2EA BACR12BM-225 AND 1 EA NAS1611-225 OPTIONAL PART: 68770-1 V99643 USED ON: 271T0068-10		1
266	211C223-211		...SWITCH ASSY-HYDR PRESSURE SUPPLIER CODE: V02750 SPECIFICATION NUMBER: S271T452-9 ELECTRICAL EQUIP NUMBER: S00028 S00029 COMPONENT MAINT MANUAL REF: 29-09-02 OPTIONAL PART: 211C223-297 V02750 211C223-520 V02750		2

ILLUSTRATION ITEMS NOT ON PARTS LIST ARE NOT APPLICABLE

- ITEM NOT ILLUSTRATED

HXL

29-11-19-01

BOEING PROPRIETARY - Copyright © - Unpublished Work - See title page for details.

29-11-19
 FIG. 01
 PAGE 20
 DEC 22/08



767

PARTS CATALOG (MAINTENANCE)

FIG ITEM	PART NUMBER	1 2 3 4 5 6 7	NOMENCLATURE	EFFECT FROM TO	UNITS PER ASSY
1 266	211C223-297		...SWITCH-HYDR PRESSURE SUPPLIER CODE: V02750 SPECIFICATION NUMBER: S271T452-9 ELECTRICAL EQUIP NUMBER: S00028 S00029 COMPONENT MAINT MANUAL REF: 29-09-02 OPTIONAL PART: 211C223-211 V02750 211C223-520 V02750		2
266	211C223-520		...SWITCH ASSY-HYDR PRESSURE SUPPLIER CODE: V02750 FUNCTIONAL DESCRIPTION: CLOSSES AN ELECTRICAL CIRCUIT WHEN HYDRAULIC PRESSURE IS SENSED SPECIFICATION NUMBER: S271T452-9 ELECTRICAL EQUIP NUMBER: S00028 S00029 COMPONENT MAINT MANUAL REF: 29-09-05 OPTIONAL PART: 211C223-211 V02750 211C223-297 V02750		2
267	NAS1612-6		...PACKING- USED ON: 271T0068-5 271T0068-7 271T0068-10		2
267	NAS1612-6A		...PACKING- USED ON: 271T0068-12		2

ILLUSTRATION ITEMS NOT ON PARTS LIST ARE NOT APPLICABLE

- ITEM NOT ILLUSTRATED

HXL

29-11-19-01

BOEING PROPRIETARY - Copyright © - Unpublished Work - See title page for details.

29-11-19
 FIG. 01
 PAGE 21
 DEC 22/08



767

PARTS CATALOG (MAINTENANCE)

FIG ITEM	PART NUMBER	1 2 3 4 5 6 7	NOMENCLATURE	EFFECT FROM TO	UNITS PER ASSY
1 270	NAS1611-327		...PACKING- USED ON: 271T0068-5 271T0068-7 271T0068-10 USED WITH: 1850		1
270	NAS1611-327A		...PACKING- USED ON: 271T0068-12		1
275	MS27595-327		...RETAINER- OPTIONAL PART: BACR12BM327 USED ON: 271T0068-5 271T0068-7 271T0068-10 USED WITH: 1850		2
275	MS28774-327		...RETAINER- OPTIONAL PART: BACR12BM327 USED ON: 271T0068-5 271T0068-7 271T0068-10 USED WITH: 1850		2

ILLUSTRATION ITEMS NOT ON PARTS LIST ARE NOT APPLICABLE

- ITEM NOT ILLUSTRATED

HXL

29-11-19-01

BOEING PROPRIETARY - Copyright © - Unpublished Work - See title page for details.

29-11-19
FIG. 01
PAGE 22
DEC 22/08



**767
PARTS CATALOG (MAINTENANCE)**

FIG ITEM	PART NUMBER	1 2 3 4 5 6 7	NOMENCLATURE	EFFECT FROM TO	UNITS PER ASSY
1 275	C11236-327B		...RETAINER- SUPPLIER CODE: V26879 SPECIFICATION NUMBER: BACR12BM327 OPTIONAL PART: RMR12BM327 V94878 STF800-327 V02107 S30294-327-1 V97820 TF450-327A V07128 2100-327 V26303 MS27595-327 MS28774-327 M8791-1-327 V81349 USED ON: 271T0068-5 271T0068-7 271T0068-10 USED WITH: 1850		2
275	M8791-1-327		...RETAINER- SUPPLIER CODE: V81349 OPTIONAL PART: BACR12BM327 USED ON: 271T0068-5 271T0068-7 271T0068-10 USED WITH: 1850 1831-3		2
280	NAS1611-330		...PACKING- USED ON: 271T0068-5 271T0068-7 271T0068-10		1
280	NAS1611-228		...PACKING- USED WITH: 68770		1

ILLUSTRATION ITEMS NOT ON PARTS LIST ARE NOT APPLICABLE

- ITEM NOT ILLUSTRATED

HXL

29-11-19-01

BOEING PROPRIETARY - Copyright © - Unpublished Work - See title page for details.

29-11-19
FIG. 01
PAGE 23
DEC 22/08



767

PARTS CATALOG (MAINTENANCE)

FIG ITEM	PART NUMBER	1 2 3 4 5 6 7	NOMENCLATURE	EFFECT FROM TO	UNITS PER ASSY
1 285	MS27595-330		...RETAINER- OPTIONAL PART: BACR12BM330 USED ON: 271T0068-5 271T0068-7 271T0068-10		2
285	MS28774-330		...RETAINER- OPTIONAL PART: BACR12BM330 USED ON: 271T0068-5 271T0068-7 271T0068-10		2
285	C11236-330B		...RETAINER- SUPPLIER CODE: V26879 SPECIFICATION NUMBER: BACR12BM330 OPTIONAL PART: RMR12BM330 V94878 STF800-330 V02107 S30294-330-1 V97820 TF450-330A V07128 2100-330 V26303 MS27595-330 MS28774-330 M8791-1-330 V81349 USED ON: 271T0068-5 271T0068-7 271T0068-10		2
285	M8791-1-330		...RETAINER- SUPPLIER CODE: V81349 OPTIONAL PART: BACR12BM330 USED ON: 271T0068-5 271T0068-7 271T0068-10		2

ILLUSTRATION ITEMS NOT ON PARTS LIST ARE NOT APPLICABLE

- ITEM NOT ILLUSTRATED

HXL

29-11-19-01

BOEING PROPRIETARY - Copyright © - Unpublished Work - See title page for details.

29-11-19
FIG. 01
PAGE 24
DEC 22/08

 **BOEING**
767
PARTS CATALOG (MAINTENANCE)

FIG ITEM	PART NUMBER	1 2 3 4 5 6 7	NOMENCLATURE	EFFECT FROM TO	UNITS PER ASSY
1					
290	7586782		...NAMEPLATE- SUPPLIER CODE: V05228 USED ON: 271T0068-5		1
290	7586897		...NAMEPLATE- SUPPLIER CODE: V05228 USED ON: 271T0068-7		1
290	7586898-002		...NAMEPLATE- SUPPLIER CODE: V05228 USED ON: 271T0068-10		1
290	BAC27THY206		...NAMEPLATE- USED ON: 271T0068-12		1
295	271T0071-5		...HOUSING- USED ON: 271T0068-10 271T0068-12		1
295	271T0071-6		...HOUSING- OPTIONAL PART: 271T0071-5 USED ON: 271T0068-10		1
295	271T0071-3		...HOUSING- OPTIONAL PART: 271T0071-4 USED ON: 271T0068-5 271T0068-7		1
295	271T0071-2		...HOUSING- USED ON: 271T0068-5		1
295	271T0071-4		...HOUSING- OPTIONAL PART: 271T0071-3 USED ON: 271T0068-7		1
- 300	271T0068-14		...SUBSTITUTION KIT- PRESSURE RELIEF VALVE OPTIONAL PART: 271T0068-13 271T0068-15 USED ON: 271T0068-12		1

ILLUSTRATION ITEMS NOT ON PARTS LIST ARE NOT APPLICABLE

- ITEM NOT ILLUSTRATED

HXL

29-11-19-01

BOEING PROPRIETARY - Copyright © - Unpublished Work - See title page for details.

29-11-19
FIG. 01
PAGE 25
DEC 22/08



767

PARTS CATALOG (MAINTENANCE)

FIG ITEM	PART NUMBER	1 2 3 4 5 6 7	NOMENCLATURE	EFFECT FROM TO	UNITS PER ASSY
1 - 300	271T0068-13		...SUBSTITUTION KIT- PRESSURE RELIEF VALVE OPTIONAL PART: 271T0068-14 USED ON: 271T0068-12		1
- 300	271T0068-15		...SUBSTITUTION KIT- PRESSURE RELIEF VALVE OPTIONAL PART: 271T0068-14 USED ON: 271T0068-12		1
305	1850	VALVE ASSY-RELIEF SUPPLIER CODE: V06177 COMPONENT MAINT MANUAL REF: 29-11-15 QUALIFIED I/W DATA: 1850 TOGETHER WITH 2EA BAR12BM-327 AND 1EA NAS1611-327 INTERCHANGEABLE WITH 1853VALVE OR 68770-1 TOGETHER WITH 2EA BACR12BM-225 AND 1 EA NAS1611-225 USED ON: 271T0068-13		1
305	1831-3	VALVE ASSY-RELIEF SUPPLIER CODE: V06177 COMPONENT MAINT MANUAL REF: 29-11-12		1
305	68770	VALVE ASSY-RELIEF SUPPLIER CODE: V99643 SPECIFICATION NUMBER: S271N202-2		1

ILLUSTRATION ITEMS NOT ON PARTS LIST ARE NOT APPLICABLE

- ITEM NOT ILLUSTRATED

HXL

29-11-19-01

BOEING PROPRIETARY - Copyright © - Unpublished Work - See title page for details.

29-11-19
FIG. 01
PAGE 26
DEC 22/08



767

PARTS CATALOG (MAINTENANCE)

FIG ITEM	PART NUMBER	1 2 3 4 5 6 7 NOMENCLATURE	EFFECT FROM TO	UNITS PER ASSY
1 305	1853VALVEVALVE ASSY-RELIEF SUPPLIER CODE: V06177 FUNCTIONAL DESCRIPTION: PASSES FLOW TO THE SYSTEM RETURN LINE IN THE EVENT OF EXCESSIVE HYDRAULIC PRESSURE SPECIFICATION NUMBER: S271N202-3 QUALIFIED I/W DATA: 1850 TOGETHER WITH 2EA BAR12BM-327 AND 1EA NAS1611-327 INTERCHANGEABLE WITH 1853VALVE OR 68770-1 TOGETHER WITH 2EA BACR12BM-225 AND 1 EA NAS1611-225 OPTIONAL PART: 68770-1 V99643 USED ON: 271T0068-14		1

ILLUSTRATION ITEMS NOT ON PARTS LIST ARE NOT APPLICABLE

- ITEM NOT ILLUSTRATED

HXL

29-11-19-01

BOEING PROPRIETARY - Copyright © - Unpublished Work - See title page for details.

29-11-19
 FIG. 01
 PAGE 27
 DEC 22/08



767

PARTS CATALOG (MAINTENANCE)

FIG ITEM	PART NUMBER	1 2 3 4 5 6 7	NOMENCLATURE	EFFECT FROM TO	UNITS PER ASSY
1 305	68770-1	VALVE ASSY-RELIEF SUPPLIER CODE: V99643 FUNCTIONAL DESCRIPTION: PASSES FLOW TO THE SYSTEM RETURN LINE IN THE EVENT OF EXCESSIVE HYDRAULIC PRESSURE SPECIFICATION NUMBER: S271N202-3 COMPONENT MAINT MANUAL REF: 29-11-03 QUALIFIED I/W DATA: 1850 TOGETHER WITH 2EA BAR12BM-327 AND 1EA NAS1611-327 INTERCHANGEABLE WITH 1853VALVE OR 68770-1 TOGETHER WITH 2EA BACR12BM-225 AND 1 EA NAS1611-225 OPTIONAL PART: 1853VALVE V06177 USED ON: 271T0068-15		1
310	NAS1611-327A	PACKING- USED ON: 271T0068-13 USED WITH: 1850		1
310	NAS1611-225A	PACKING- USED ON: 271T0068-14 271T0068-15 USED WITH: 1853VALVE 68770-1		1

ILLUSTRATION ITEMS NOT ON PARTS LIST ARE NOT APPLICABLE

- ITEM NOT ILLUSTRATED

HXL

29-11-19-01

BOEING PROPRIETARY - Copyright © - Unpublished Work - See title page for details.

29-11-19
 FIG. 01
 PAGE 28
 DEC 22/08



767

PARTS CATALOG (MAINTENANCE)

FIG ITEM	PART NUMBER	1 2 3 4 5 6 7	NOMENCLATURE	EFFECT FROM TO	UNITS PER ASSY
1 315	C11236-327B	RETAINER- SUPPLIER CODE: V26879 SPECIFICATION NUMBER: BACR12BM327 OPTIONAL PART: RMR12BM327 V94878 STF800-327 V02107 S30294-327-1 V97820 TF450-327A V07128 2100-327 V26303 MS27595-327 M8791-1-327 V81349 USED ON: 271T0068-13 USED WITH: 1850		2
315	MS27595-327	RETAINER- OPTIONAL PART: BACR12BM327 USED ON: 271T0068-13 USED WITH: 1850		2
315	M8791-1-327	RETAINER- SUPPLIER CODE: V81349 OPTIONAL PART: BACR12BM327 USED ON: 271T0068-13 USED WITH: 1850		2

ILLUSTRATION ITEMS NOT ON PARTS LIST ARE NOT APPLICABLE

- ITEM NOT ILLUSTRATED

HXL

29-11-19-01

BOEING PROPRIETARY - Copyright © - Unpublished Work - See title page for details.

29-11-19
 FIG. 01
 PAGE 29
 DEC 22/08

 **BOEING**
767
PARTS CATALOG (MAINTENANCE)

FIG ITEM	PART NUMBER	1 2 3 4 5 6 7	NOMENCLATURE	EFFECT FROM TO	UNITS PER ASSY
1 315	C11236-225B	RING- SUPPLIER CODE: V26879 SPECIFICATION NUMBER: BACR12BM225 OPTIONAL PART: RMR12BM225 V94878 STF800-225 V02107 S30294-225-1 V97820 TF450-225A V07128 2100-225 V26303 MS27595-225 M8791-1-225 USED ON: 271T0068-14 271T0068-15 USED WITH: 1853VALVE 68770-1		2
315	MS27595-225	RING- OPTIONAL PART: BACR12BM225 USED ON: 271T0068-14 271T0068-15 USED WITH: 1853VALVE 68770-1		2
315	M8791-1-225	RING- OPTIONAL PART: BACR12BM225 USED ON: 271T0068-14 271T0068-15 USED WITH: 1853VALVE 68770-1		2
320	NAS1611-330A	PACKING- USED ON: 271T0068-13 271T0068-14 USED WITH: 1850 1853VALVE		1

ILLUSTRATION ITEMS NOT ON PARTS LIST ARE NOT APPLICABLE

— ITEM NOT ILLUSTRATED

HXL

29-11-19-01

BOEING PROPRIETARY - Copyright © - Unpublished Work - See title page for details.

29-11-19
FIG. 01
PAGE 30
DEC 22/08



767

PARTS CATALOG (MAINTENANCE)

FIG ITEM	PART NUMBER	1 2 3 4 5 6 7	NOMENCLATURE	EFFECT FROM TO	UNITS PER ASSY
1					
320	NAS1611-228A	PACKING- USED ON: 271T0068-15 USED WITH: 68770-1		1
325	C11236-330B	RETAINER- SUPPLIER CODE: V26879 SPECIFICATION NUMBER: BACR12BM330 OPTIONAL PART: RMR12BM330 V94878 STF800-330 V02107 S30294-330-1 V97820 TF450-330A V07128 2100-330 V26303 MS27595-330 M8791-1-330 V81349 USED ON: 271T0068-13 271T0068-14 USED WITH: 1850 1853VALVE		2
325	MS27595-330	RETAINER- OPTIONAL PART: BACR12BM330 USED ON: 271T0068-13 271T0068-14 USED WITH: 1850 1853VALVE		2

ILLUSTRATION ITEMS NOT ON PARTS LIST ARE NOT APPLICABLE

- ITEM NOT ILLUSTRATED

HXL

29-11-19-01

BOEING PROPRIETARY - Copyright © - Unpublished Work - See title page for details.

29-11-19
FIG. 01
PAGE 31
DEC 22/08



767

PARTS CATALOG (MAINTENANCE)

FIG ITEM	PART NUMBER	1 2 3 4 5 6 7	NOMENCLATURE	EFFECT FROM TO	UNITS PER ASSY
1 325	M8791-1-330	 RETAINER- SUPPLIER CODE: V81349 OPTIONAL PART: BACR12BM330 USED ON: 271T0068-13 271T0068-14 USED WITH: 1850 1853VALVE		2
- 400 405	286T1212-001 BCREF110670		WIRE BUNDLE ASSY . ADAPTER- SUPPLIER CODE: V06324 OVERLENGTH PART NUMBER: 710AS011M1209-62A ELECTRICAL EQUIP NUMBER: D00464T D00466T WIRING DIAGRAM REF: 291132		RF 2
410	R071012R3S8L		. CONNECTOR- SUPPLIER CODE: V41118 SPECIFICATION NUMBER: BACC63BP12R3S8L ELECTRICAL EQUIP NUMBER: D00464 D00466 WIRING DIAGRAM REF: 291132		2

ILLUSTRATION ITEMS NOT ON PARTS LIST ARE NOT APPLICABLE

- ITEM NOT ILLUSTRATED

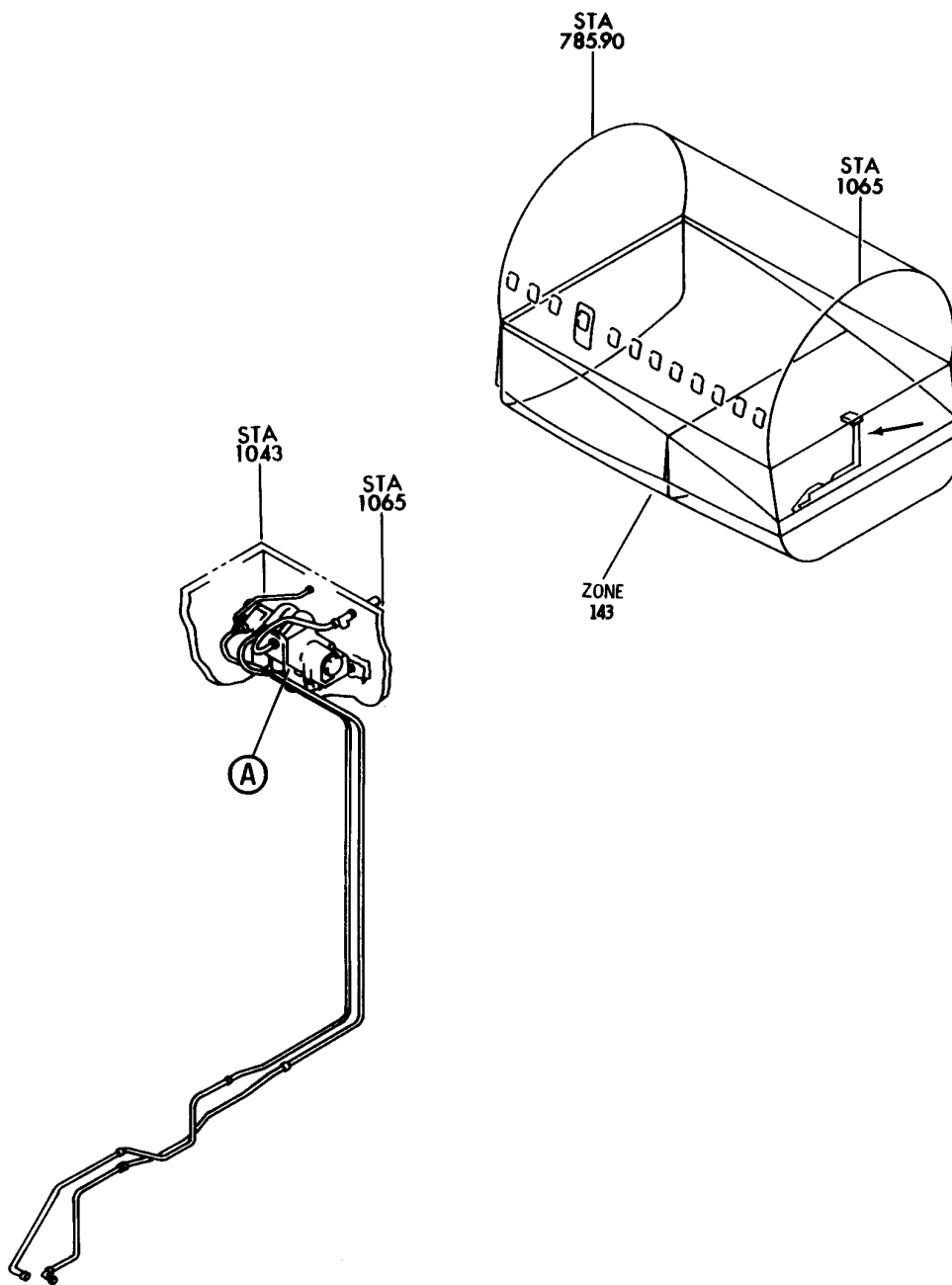
HXL

29-11-19-01

BOEING PROPRIETARY - Copyright © - Unpublished Work - See title page for details.

29-11-19
FIG. 01
PAGE 32
DEC 22/08

BOEING
767
PARTS CATALOG (MAINTENANCE)



V 29111902 SHT 1 REV 122

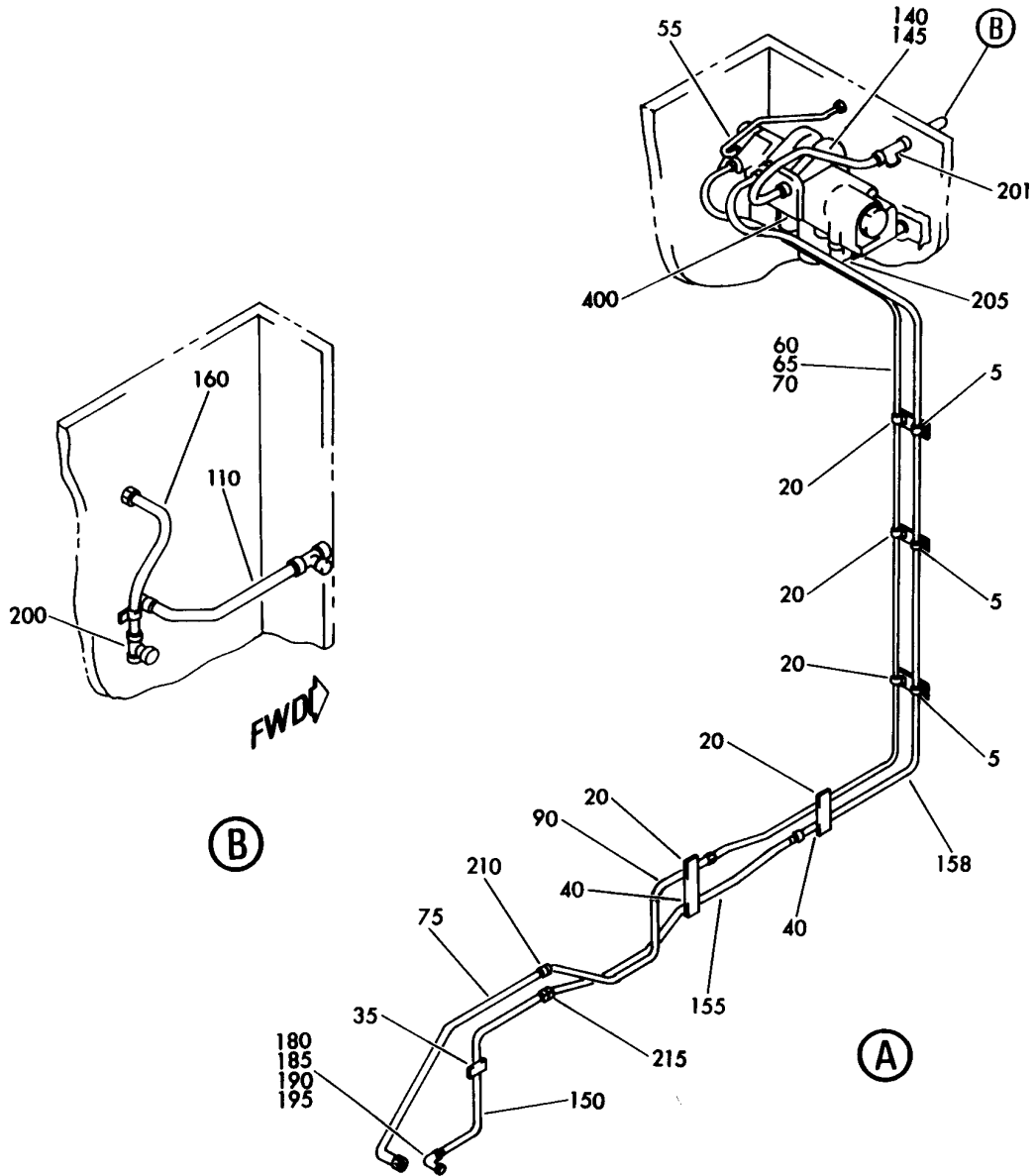
HYDRAULIC INSTL-SECT. 45 (ADP PRESSURE/CASE DRAIN FILTER MODULE ONLY)
FIGURE 2 (SHEET 1)

HXL
DEC 22/06

29-11-19-02

29-11-19-02
PAGE 0

BOEING
767
PARTS CATALOG (MAINTENANCE)



HYDRAULIC INSTL-SECT. 45 (ADP PRESSURE/CASE DRAIN FILTER MODULE ONLY)
FIGURE 2 (SHEET 2)

29-11-19-02

HXL
DEC 22/06

29-11-19-02
PAGE 0A

BOEING
767
PARTS CATALOG (MAINTENANCE)

FIG ITEM	PART NUMBER	1 2 3 4 5 6 7	NOMENCLATURE	EFFECT FROM TO	UNITS PER ASSY
2			HYDRAULIC INSTL-SECT. 45 (ADP PRESSURE/CASE DRAIN FILTER MODULE ONLY)		
- 2	272T4500-3		HYDRAULIC INSTL-(ADP PRESSURE/CASE DRAIN FILTER MODULE ONLY) POSITION DATA: SECT. 45 MISCELLANEOUS DATA: (CONT AT ITEM 002J) VARIABLE DRAWING REF: 272T4500-5191		RF
- 2	272T4500-3		HYDRAULIC INSTL-(ADP PRESSURE/CASE DRAIN FILTER MODULE ONLY) POSITION DATA: SECT. 45 MISCELLANEOUS DATA: (CONT FROM ITEM 002) VARIABLE DRAWING REF: 272T4500-5274 272T4500-5278 272T4500-7002 FOR NHA/OTHER SYS DET SEE: 29-00-00-06		RF
	5 TA0910004H112		.CLAMP SUPPLIER CODE: V84971 SPECIFICATION NUMBER: BACC10HB12C ATTACHING PARTS		3
- 10	NAS1801-3-9		.SCREW		2
- 15	AN960PD10L		.WASHER		2
	20 TA0910004H108		-----*----- .CLAMP SUPPLIER CODE: V84971 SPECIFICATION NUMBER: BACC10HB08C ATTACHING PARTS		5
- 25	NAS1801-3-9		.SCREW		2
- 30	AN960PD10L		.WASHER		2
	35 TA0910004H106		-----*----- .CLAMP SUPPLIER CODE: V84971 SPECIFICATION NUMBER: BACC10HB06C		1
ILLUSTRATION ITEMS NOT ON PARTS LIST ARE NOT APPLICABLE					

- ITEM NOT ILLUSTRATED

HXL

29-11-19-02

BOEING PROPRIETARY - Copyright © - Unpublished Work - See title page for details.

29-11-19
FIG. 02
PAGE 1
DEC 22/07



767

PARTS CATALOG (MAINTENANCE)

FIG ITEM	PART NUMBER	1 2 3 4 5 6 7	NOMENCLATURE	EFFECT FROM TO	UNITS PER ASSY
2	40 TA0910004H112		.CLAMP SUPPLIER CODE: V84971 SPECIFICATION NUMBER: BACC10HB12C ATTACHING PARTS		2
- 45	NAS1801-3-9		.SCREW		2
- 50	AN960PD10L		.WASHER -----*-----		2
55	272T4500-714		.TUBE ASSY-CASE DRAIN CTR SYS TUBING MATERIAL: .500 IN. OD .035 IN. WALL 20.00 IN. LG AL		1
60	272T4500-622		.TUBE ASSY-CASE DRAIN CTR SYS TUBING MATERIAL: .500 IN. OD .035 IN. WALL 88.00 IN. LG AL		1
75	272T4500-620		.TUBE ASSY-CASE DRAIN CTR		1
- 80	AP2097HP08		..SLEEVE SUPPLIER CODE: V01673 SPECIFICATION NUMBER: BACS13BX08HP OPTIONAL PART: 2-02903-08HP V11328 35235VN08 V08199 AFP175V08P V30974 DBOS13BX08HP V14798		2
- 85	BACN10YLO8		..NUT- USED ON: 272T4500-620 272T4500-622		2
90	272T4500-621		.TUBE ASSY-CASE DRAIN CTR		1

ILLUSTRATION ITEMS NOT ON PARTS LIST ARE NOT APPLICABLE

- ITEM NOT ILLUSTRATED

HXL

29-11-19-02

BOEING PROPRIETARY - Copyright © - Unpublished Work - See title page for details.

29-11-19
FIG. 02
PAGE 2
DEC 22/07



767

PARTS CATALOG (MAINTENANCE)

FIG ITEM	PART NUMBER	1 2 3 4 5 6 7	NOMENCLATURE	EFFECT FROM TO	UNITS PER ASSY
2					
- 95	AP2097HP08	..	SLEEVE SUPPLIER CODE: V01673 SPECIFICATION NUMBER: BACS13BX08HP OPTIONAL PART: 2-02903-08HP V11328 35235VN08 V08199 AFP175V08P V30974 DBOS13BX08HP V14798		1
- 100	BACN10YL08	..	NUT-		1
- 105	35056GV08	..	UNION SUPPLIER CODE: V08199 SPECIFICATION NUMBER: BACU24AB8W OPTIONAL PART: 2-01027-8W V11328 31875-8W V14397 4671097W8 V50948 AP1004W08 V01673 AFP941W8 V30974 DBOU24AB8W V14798		1
110	272T4500-718	.TUBE	ASSY-RETURN CTR SYS TUBING MATERIAL: 1.00 IN. OD .035 IN. WALL 20.00 IN. LG AL		1

ILLUSTRATION ITEMS NOT ON PARTS LIST ARE NOT APPLICABLE

- ITEM NOT ILLUSTRATED

HXL

29-11-19-02

BOEING PROPRIETARY - Copyright © - Unpublished Work - See title page for details.

29-11-19
FIG. 02
PAGE 3
DEC 22/07



767

PARTS CATALOG (MAINTENANCE)

FIG ITEM	PART NUMBER	1 2 3 4 5 6 7	NOMENCLATURE	EFFECT FROM TO	UNITS PER ASSY
2					
- 115	AP2097HP16	..	SLEEVE SUPPLIER CODE: V01673 SPECIFICATION NUMBER: BACS13BX16HP OPTIONAL PART: 2-02903-16HP V11328 35235VN16 V08199 AFP175V16P V30974 DBOS13BX16HP V14798		2
- 117	BACN10YL16	..	NUT-		2
145	272T4500-2429	.	TUBE ASSY-PRESSURE CTR SYS TUBING MATERIAL: .750 IN. OD .039 IN. WALL 22.00 IN. LG TITANIUM		1
150	272T4500-311	.	TUBE ASSY-PRESSURE CTR SYS TUBING MATERIAL: .750 IN. OD .039 IN. WALL 30.00 IN. LG TITANIUM		1
155	272T4500-312	.	TUBE ASSY-PRESSURE CTR SYS TUBING MATERIAL: .750 IN. OD .039 IN. WALL 33.50 IN. LG TITANIUM		1
158	272T4500-313	.	TUBE ASSY-PRESSURE CTR SYS TUBING MATERIAL: .750 IN. OD .039 IN. WALL 82.00 IN. LG TITANIUM		1
160	272T4500-339	.	TUBE ASSY-PRESSURE CTR SYS TUBING MATERIAL: .705 IN. OD .039 IN. WALL 20.00 IN. LG TITANIUM		1
- 165	AS1581T12	..	SLEEVE		2
- 170	BACN10YA12N	..	NUT		2

ILLUSTRATION ITEMS NOT ON PARTS LIST ARE NOT APPLICABLE

- ITEM NOT ILLUSTRATED

29-11-19-02

29-11-19
FIG. 02
PAGE 4
DEC 22/07

HXL



767

PARTS CATALOG (MAINTENANCE)

FIG ITEM	PART NUMBER	1 2 3 4 5 6 7	NOMENCLATURE	EFFECT FROM TO	UNITS PER ASSY
2					
- 175	BACN10YA12		..NUT- OPTIONAL PART: BACN10NR12 USED ON: 272T4500-312 272T4500-2319 272T4500-311 339		2
- 175	AFP107-12		..NUT- SUPPLIER CODE: V30974 SPECIFICATION NUMBER: BACN10NR12 OPTIONAL PART: AP1028T12 V01673 BC921T12 V50948 DBON10NR12 V14798 ER01921-12T V88334 FER8928-12 V14397 F11-12 V73197 2-03005T12 V11328 31783-12 V14397 BACN10YA12 USED ON: 272T4500-2319 272T4500-311 272T4500-312 272T4500-339		2
180	BACE21BN1212J		.ELBOW		1
185	AN960PD1716		.WASHER		1
190	AN960PD1716L		.WASHER		1
195	AN924-12D		.NUT		1
200	BACT16BL121210J		.TEE		1
201	BACT16BN121216J		.TEE-		1
205	NAS1762D1616		.ELBOW		1
210	272T4521-2		.UNION-BHD UNION		1
215	272T4521-4		.FITTING-BHD UNION		1

ILLUSTRATION ITEMS NOT ON PARTS LIST ARE NOT APPLICABLE

- ITEM NOT ILLUSTRATED

29-11-19-02

29-11-19
FIG. 02
PAGE 5
DEC 22/07

HXL



767

PARTS CATALOG (MAINTENANCE)

FIG ITEM	PART NUMBER	1 2 3 4 5 6 7	NOMENCLATURE	EFFECT FROM TO	UNITS PER ASSY
2 400	271T4585-7		.MODULE INSTL-FILTER PRESSURE AND C/D AIR DRIVEN PUMP CTR SYS FOR DETAILS SEE: 29-11-19-01		1

ILLUSTRATION ITEMS NOT ON PARTS LIST ARE NOT APPLICABLE

- ITEM NOT ILLUSTRATED

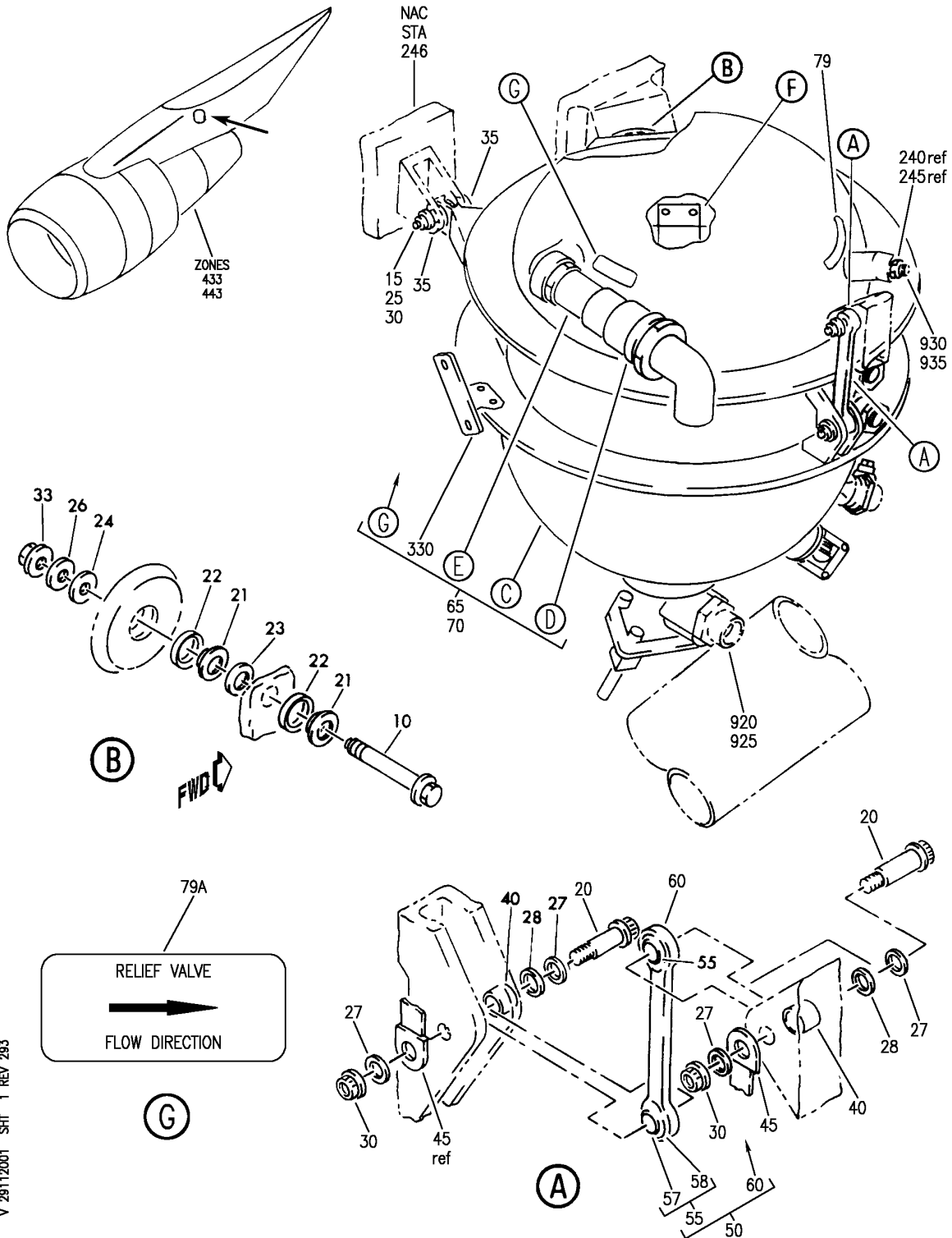
HXL

29-11-19-02

BOEING PROPRIETARY - Copyright © - Unpublished Work - See title page for details.

29-11-19
FIG. 02
PAGE 6
DEC 22/07

BOEING
767
PARTS CATALOG (MAINTENANCE)



V 29112001 SHT 1 REV 293

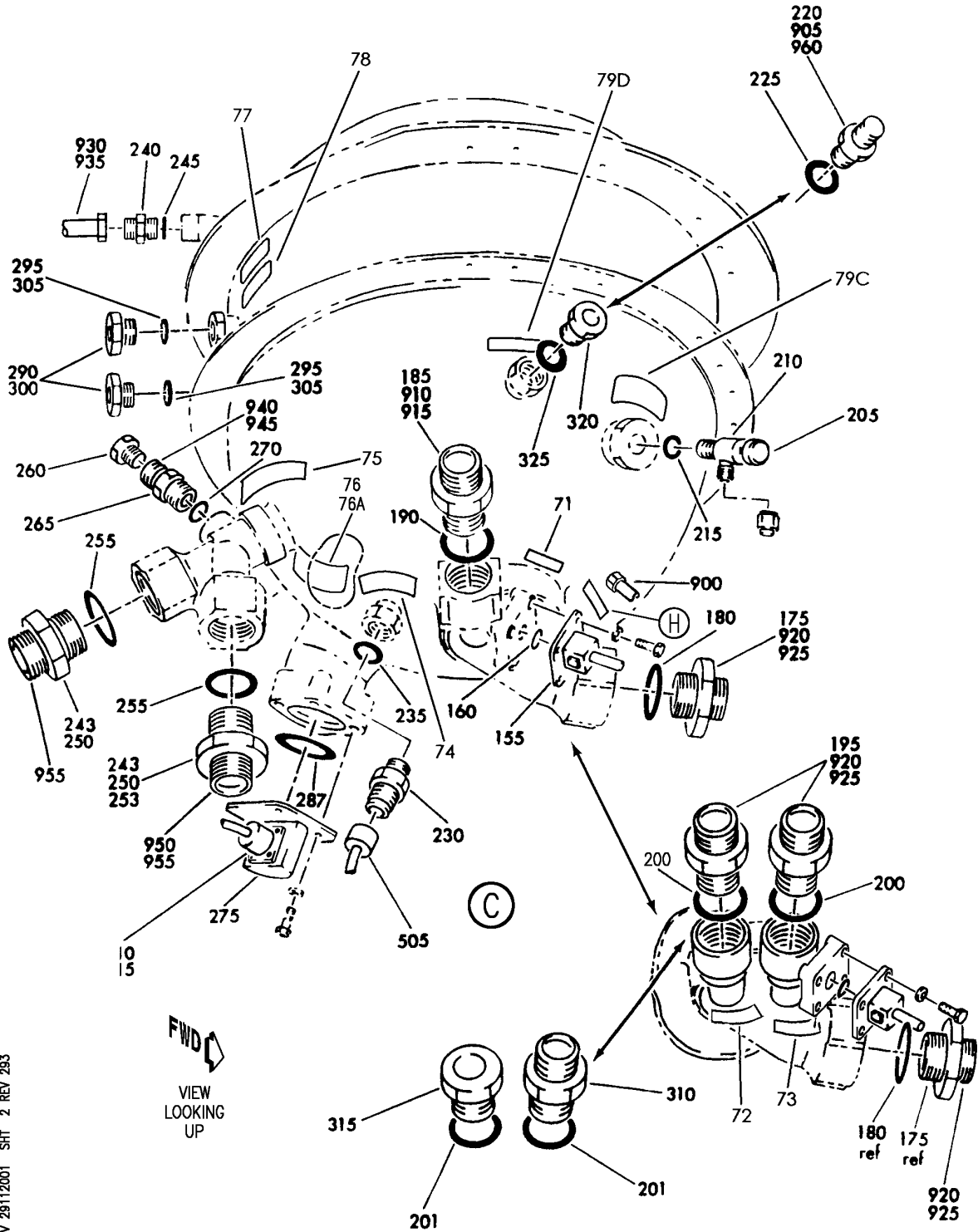
RESERVOIR INSTL-ENG AFT FAIRING HYDR
FIGURE 1 (SHEET 1)

29-11-20-01

HXL
DEC 22/06

29-11-20-01
PAGE 0

BOEING
767
PARTS CATALOG (MAINTENANCE)



V 29112001 SH1 2 REV 293

FWD
VIEW
LOOKING
UP

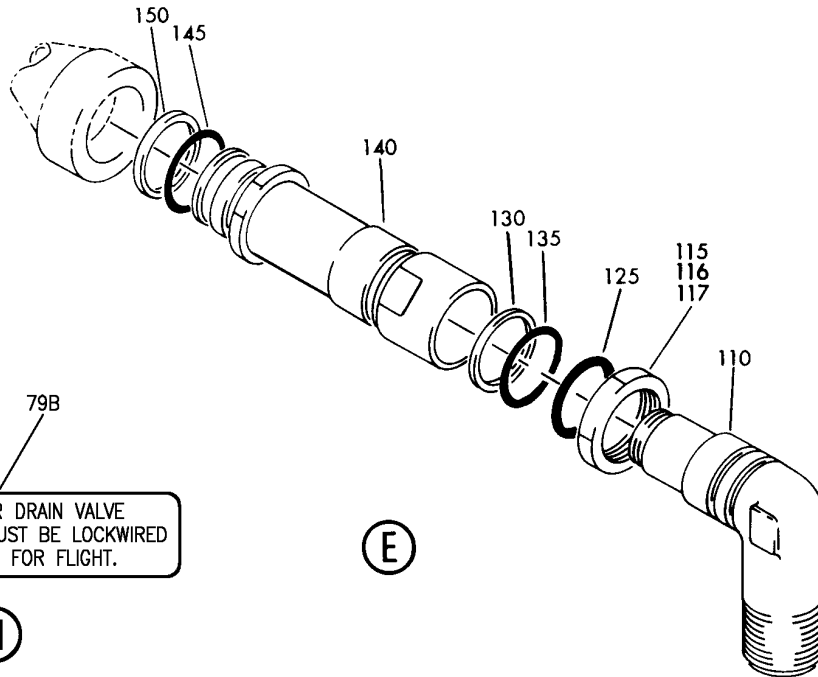
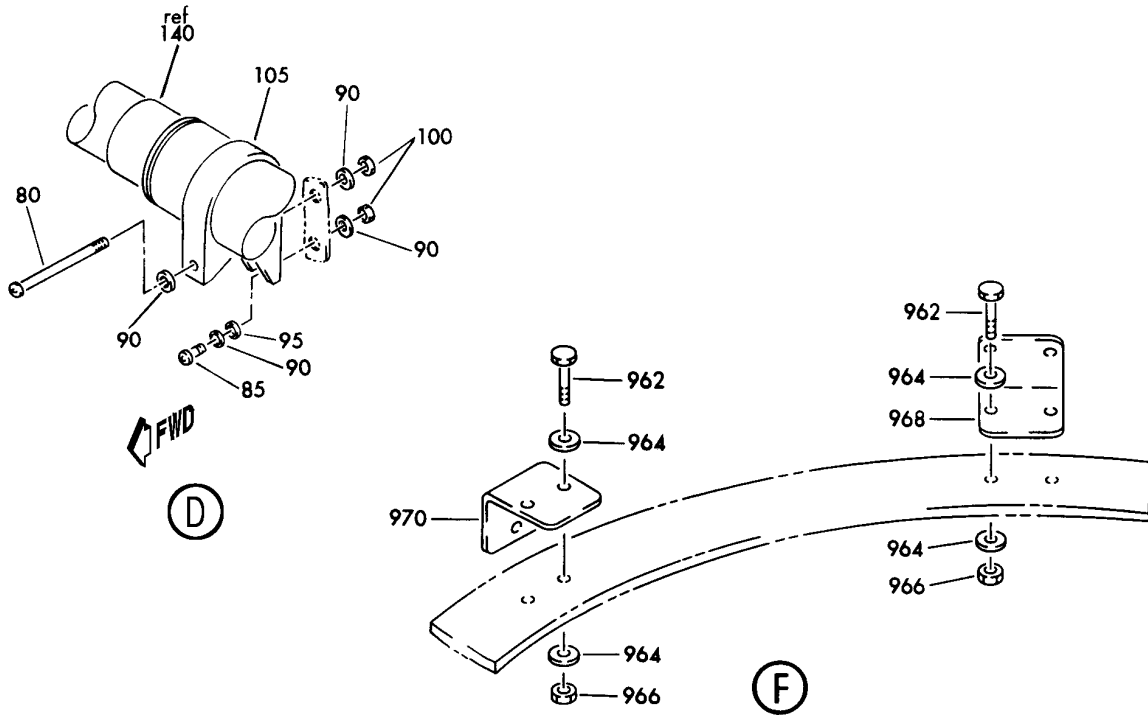
RESERVOIR INSTL-ENG AFT FAIRING HYDR
FIGURE 1 (SHEET 2)

29-11-20-01

HXL
DEC 22/06

29-11-20-01
PAGE 0A

BOEING
767
PARTS CATALOG (MAINTENANCE)



RESERVOIR DRAIN VALVE
VALVE MUST BE LOCKWIRED
"CLOSED" FOR FLIGHT.

V 29112001 SHT 3 REV 27B

RESERVOIR INSTL-ENG AFT FAIRING HYDR
FIGURE 1 (SHEET 3)

29-11-20-01

HXL
DEC 22/06

29-11-20-01
PAGE 0B



767

PARTS CATALOG (MAINTENANCE)

FIG ITEM	PART NUMBER	1 2 3 4 5 6 7	NOMENCLATURE	EFFECT FROM TO	UNITS PER ASSY
1			RESERVOIR INSTL-ENG AFT FAIRING HYDR		
- 1	271T5210-13		RESERVOIR INSTL-ENG FAIRING HYDR POSITION DATA: AFT LH FOR NHA SEE: 29-11-20-02		RF
- 5	271T5210-14		RESERVOIR INSTL-ENG FAIRING HYDR POSITION DATA: AFT RH		RF
10	BACB30LE7-21		.BOLT-		1
15	BACB30LE6-25		.BOLT		1
20	NAS6606-23		.BOLT-		2
21	K29646-7S		.WASHER SUPPLIER CODE: V15653 SPECIFICATION NUMBER: BACW10CA7CVS OPTIONAL PART: 70186-7S V56878 922005-7 V60119 942005-7 V60119		2
22	K29913-7S		.WASHER SUPPLIER CODE: V15653 SPECIFICATION NUMBER: BACW10CA7CCS OPTIONAL PART: 70189-7S V56878 922006-7 V60119 942006-7 V60119		2
23	BACW10AT27		.WASHER		1
24	AN960JD716L		.WASHER		1
25	AN960PD616		.WASHER		2
26	AN960JD716		.WASHER		1
27	AN960C616		.WASHER		4
28	BACW10P96A		.WASHER-		2
30	NAS1804-6		.NUT		3
33	NAS1804-7		.NUT		1
35	BACB28AK06-055		.BUSHING		2
40	BACB28AK06-047		.BUSHING-		2

ILLUSTRATION ITEMS NOT ON PARTS LIST ARE NOT APPLICABLE

- ITEM NOT ILLUSTRATED

29-11-20-01

29-11-20
FIG. 01
PAGE 1
DEC 22/06

HXL

BOEING
767
PARTS CATALOG (MAINTENANCE)

FIG ITEM	PART NUMBER	1 2 3 4 5 6 7	NOMENCLATURE	EFFECT FROM TO	UNITS PER ASSY
1					
45	RBEJ40D30-20		. JUMPER ASSY SUPPLIER CODE: V1GK47 SPECIFICATION NUMBER: BACJ40D30-20 OPTIONAL PART: 4H20H V79880		1
50	271T0154-1		. LINK ASSY		1
55	AMB6V4034		.. BEARING ASSY- SUPPLIER CODE: V15860 SPECIFICATION NUMBER: S302T001-203 OPTIONAL PART: VTB04440 V06710 P20630 V57606		1
57	AMB6V4034B		... BALL- SUPPLIER CODE: V15860		1
58	AMB6V4034R		... RACE- SUPPLIER CODE: V15860		1
60	271T0154-2		.. LINK		1
65	271T5212-41		. RESERVOIR ASSY- POSITION DATA: LH SIDE MISCELLANEOUS DATA: FOR SPARES PROCURE LOWER COMPONENTS COMPONENT MAINT MANUAL REF: 29-11-12		1
65	271T5212-47		. RESERVOIR ASSY- POSITION DATA: LH SIDE MISCELLANEOUS DATA: FOR SPARES PROCURE LOWER COMPONENTS COMPONENT MAINT MANUAL REF: 29-11-12		1
ILLUSTRATION ITEMS NOT ON PARTS LIST ARE NOT APPLICABLE					

- ITEM NOT ILLUSTRATED

HXL

29-11-20-01

BOEING PROPRIETARY - Copyright © - Unpublished Work - See title page for details.

29-11-20
FIG. 01
PAGE 2
DEC 22/06



767

PARTS CATALOG (MAINTENANCE)

FIG ITEM	PART NUMBER	1 2 3 4 5 6 7	NOMENCLATURE	EFFECT FROM TO	UNITS PER ASSY
1					
65	271T5212-53	.	RESERVOIR ASSY- POSITION DATA: LH SIDE MISCELLANEOUS DATA: FOR SPARES PROCURE LOWER COMPONENTS COMPONENT MAINT MANUAL REF: 29-11-12		1
70	271T5212-42	.	RESERVOIR ASSY- POSITION DATA: RH SIDE MISCELLANEOUS DATA: FOR SPARES PROCURE LOWER COMPONENTS COMPONENT MAINT MANUAL REF: 29-11-12		1
70	271T5212-48	.	RESERVOIR ASSY- POSITION DATA: RH SIDE MISCELLANEOUS DATA: FOR SPARES PROCURE LOWER COMPONENTS COMPONENT MAINT MANUAL REF: 29-11-12		1
70	271T5212-54	.	RESERVOIR ASSY- POSITION DATA: RH SIDE MISCELLANEOUS DATA: FOR SPARES PROCURE LOWER COMPONENTS COMPONENT MAINT MANUAL REF: 29-11-12		1
71	BAC27THY16	..	DECAL-ALUMINUM FOIL PLACARD CONTENT: EDP SUPPLY		1
72	BAC27THY15	..	MARKER-DYED ALUMINUM FOIL PLACARD CONTENT: ACMP SUPPLY		1
74	BAC27THY17	..	MARKER-DYED ALUMINUM FOIL PLACARD CONTENT: TEMP XMTR		1
75	BAC27THY14	..	MARKER-DYED ALUMINUM FOIL PLACARD CONTENT: RETURN		1
76	BAC27THY0143	..	MARKER-DYED ALUMINUM FOIL		1
76A	BAC27THY0144	..	MARKER-DYED ALUMINUM FOIL		1
77	BAC27THY0045	..	MARKER-DYED ALUMINUM FOIL PLACARD CONTENT: OVERFILL		1

ILLUSTRATION ITEMS NOT ON PARTS LIST ARE NOT APPLICABLE

- ITEM NOT ILLUSTRATED

29-11-20-01

29-11-20
FIG. 01
PAGE 3
DEC 22/06

HXL

 **BOEING**
767
PARTS CATALOG (MAINTENANCE)

FIG ITEM	PART NUMBER	1 2 3 4 5 6 7	NOMENCLATURE	EFFECT FROM TO	UNITS PER ASSY
1					
78	BAC27THY0046	..	MARKER-DYED ALUMINUM FOIL PLACARD CONTENT: REFILL		1
79	BAC27THY0137	..	MARKER-ALUMINUM FOIL PLACARD CONTENT: AIR PRESSURE		1
79A	BAC27THY0154	..	MARKER-ALUMINUM FOIL		1
79B	BAC27THY35	..	MARKER-ALUMINUM FOIL		1
79C	BAC27THY36	..	MARKER-ALUMINUM FOIL PLACARD CONTENT: FLUID SAMPLING VALVE BMS 3-11 FLUID		1
80	BACB30NT3K36	..	BOLT-		1
85	BACB30NT3C7	..	BOLT		1
90	AN960PD10	..	WASHER		4
95	69B80826-1	..	FILLER		1
100	BRH10A3	..	NUT- SUPPLIER CODE: V52828 SPECIFICATION NUMBER: BACN10JC3 OPTIONAL PART: H10-3BAC V15653 NS202101-02 V80539 RMLH9075-3W V72962 VN303A02 V92215 96-02 V80539 T6S1032J V11815		2
105	BACC10AA32-24	..	CLAMP-		1

ILLUSTRATION ITEMS NOT ON PARTS LIST ARE NOT APPLICABLE

- ITEM NOT ILLUSTRATED

HXL

29-11-20-01

BOEING PROPRIETARY - Copyright © - Unpublished Work - See title page for details.

29-11-20
FIG. 01
PAGE 4
DEC 22/06

 **BOEING**
767
PARTS CATALOG (MAINTENANCE)

FIG ITEM	PART NUMBER	1 2 3 4 5 6 7	NOMENCLATURE	EFFECT FROM TO	UNITS PER ASSY
1 110	AP1007D20		.. ADAPTER SUPPLIER CODE: V01673 SPECIFICATION NUMBER: BACA14BB20BD OPTIONAL PART: 2-01047B20D V11328 4680063-20D V50948 DBOA14BB20BD V14798 FER9078-20D V14397 AP1007-20D V01673 31788-20D V14397 AFP358-20D V30974		1
115	AN6289D20		.. NUT- OPTIONAL PART: NAS1410DD20		1
115	NAS1410DD20		.. NUT- OPTIONAL PART: AN6289D20		1
116	NAS1410DD20		.. NUT- USED ON: 271T5212-23 271T5212-25 271T5212-31 271T5212-33 271T5212-43 271T5212-45		1
125	NAS1612-20		.. PACKING- OPTIONAL PART: NAS1612-20A		1
125	NAS1612-20A		.. PACKING- OPTIONAL PART: NAS1612-20		1

ILLUSTRATION ITEMS NOT ON PARTS LIST ARE NOT APPLICABLE

- ITEM NOT ILLUSTRATED

HXL

29-11-20-01

BOEING PROPRIETARY - Copyright © - Unpublished Work - See title page for details.

29-11-20
FIG. 01
PAGE 5
DEC 22/06



767

PARTS CATALOG (MAINTENANCE)

FIG ITEM	PART NUMBER	1 2 3 4 5 6 7	NOMENCLATURE	EFFECT FROM TO	UNITS PER ASSY
1 130	C11236-217B		..RING SUPPLIER CODE: V26879 SPECIFICATION NUMBER: BACR12BM217 OPTIONAL PART: RMR12BM217 V94878 STF800-217 V02107 S30294-217-1 V97820 TF450-217A V07128 2100-217 V26303		1
135	NAS1611-217		..PACKING- OPTIONAL PART: NAS1611-217A		1
135	NAS1611-217A		..PACKING- OPTIONAL PART: NAS1611-217		1
140	72086		..VALVE ASSY-RELIEF SUPPLIER CODE: V81982 SPECIFICATION NUMBER: 60B00246-1 COMPONENT MAINT MANUAL REF: 29-20-38 OPTIONAL PART: 1800 V06177		1
140	1800		..VALVE ASSY-RELIEF SUPPLIER CODE: V06177 FUNCTIONAL DESCRIPTION: REMOVES EXCESSIVE AIR AND/ OR FLUIDS FROM THE HYDRAULIC FLUID RESERVOIR. SPECIFICATION NUMBER: 60B00246-2 COMPONENT MAINT MANUAL REF: 29-11-13 OPTIONAL PART: 60B00246-1 72086 V81982		1

ILLUSTRATION ITEMS NOT ON PARTS LIST ARE NOT APPLICABLE

- ITEM NOT ILLUSTRATED

HXL

29-11-20-01

BOEING PROPRIETARY - Copyright © - Unpublished Work - See title page for details.

29-11-20
 FIG. 01
 PAGE 6
 DEC 22/06

BOEING
767
PARTS CATALOG (MAINTENANCE)

FIG ITEM	PART NUMBER	1 2 3 4 5 6 7	NOMENCLATURE	EFFECT FROM TO	UNITS PER ASSY
1					
145	NAS1611-217	..	PACKING- OPTIONAL PART: NAS1611-217A		1
145	NAS1611-217A	..	PACKING- OPTIONAL PART: NAS1611-217		1
150	C11236-217B	..	RING SUPPLIER CODE: V26879 SPECIFICATION NUMBER: BACR12BM217 OPTIONAL PART: RMR12BM217 V94878 STF800-217 V02107 S30294-217-1 V97820 TF450-217A V07128 2100-217 V26303		1
155	3-111794	..	VALVE-DRAIN SUPPLIER CODE: V92003 SPECIFICATION NUMBER: 10-60561-1 COMPONENT MAINT MANUAL REF: 29-10-11		1
160	NAS1611-213	..	PACKING- OPTIONAL PART: NAS1611-213A		1
160	NAS1611-213A	..	PACKING- OPTIONAL PART: NAS1611-213 ATTACHING PARTS		1
- 165	NAS6603H4	..	BOLT		4
- 170	AN960PD10	..	WASHER -----*-----		4
175	MS21902D20	..	UNION		1
180	NAS1612-20	..	PACKING- OPTIONAL PART: NAS1612-20A		1
180	NAS1612-20A	..	PACKING- OPTIONAL PART: NAS1612-20		1
185	MS21902D12	..	UNION-		1

ILLUSTRATION ITEMS NOT ON PARTS LIST ARE NOT APPLICABLE

- ITEM NOT ILLUSTRATED

HXL

29-11-20-01

BOEING PROPRIETARY - Copyright © - Unpublished Work - See title page for details.

29-11-20
FIG. 01
PAGE 7
DEC 22/06

 **BOEING**
767
PARTS CATALOG (MAINTENANCE)

FIG ITEM	PART NUMBER	1 2 3 4 5 6 7	NOMENCLATURE	EFFECT FROM TO	UNITS PER ASSY
1					
190	NAS1612-12	..	PACKING- OPTIONAL PART: NAS1612-12A		1
190	NAS1612-12A	..	PACKING- OPTIONAL PART: NAS1612-12		1
205	AN929A2	..	CAP ASSY		1
210	S1105-01	..	VALVE-SAMPLING SUPPLIER CODE: V98939		1
215	NAS1612-4	..	PACKING- OPTIONAL PART: NAS1612-4A		1
215	NAS1612-4A	..	PACKING- OPTIONAL PART: NAS1612-4		1
230	1122493	..	TRANSMITTER-HYDR TEMP SUPPLIER CODE: V60678 SPECIFICATION NUMBER: S270T245-3 ELECTRICAL EQUIP NUMBER: M00344 M00346		1
235	NAS1612-6	..	PACKING- OPTIONAL PART: NAS1612-6A		1
235	NAS1612-6A	..	PACKING- OPTIONAL PART: NAS1612-6		1
240	MS21902D6	..	UNION		1
243	AN814-16D	..	PLUG AND BLEEDER		1
245	NAS1612-6	..	PACKING- OPTIONAL PART: NAS1612-6A		1
245	NAS1612-6A	..	PACKING- OPTIONAL PART: NAS1612-6		1
253	BACU24K16	..	UNION		1
255	NAS1612-16	..	PACKING- OPTIONAL PART: NAS1612-16A		2
255	NAS1612-16A	..	PACKING- OPTIONAL PART: NAS1612-16		2
260	AN814-8D	..	PLUG		1
270	NAS1612-8	..	PACKING- OPTIONAL PART: NAS1612-8A		1

ILLUSTRATION ITEMS NOT ON PARTS LIST ARE NOT APPLICABLE

— ITEM NOT ILLUSTRATED

HXL

29-11-20-01

BOEING PROPRIETARY - Copyright © - Unpublished Work - See title page for details.

29-11-20
FIG. 01
PAGE 8
DEC 22/06



767

PARTS CATALOG (MAINTENANCE)

FIG ITEM	PART NUMBER	1 2 3 4 5 6 7	NOMENCLATURE	EFFECT FROM TO	UNITS PER ASSY
1					
270	NAS1612-8A	..	PACKING- OPTIONAL PART: NAS1612-8		1
275	019-012-001	..	TRANSMITTER-QTY SUPPLIER CODE: V26055 FUNCTIONAL DESCRIPTION: TRANSMITS HYDRAULIC FLUID QUANTITY IN THE LEFT AND RIGHT RESERVOIR TO THE EICAS COMPUTER SPECIFICATION NUMBER: S271T455-3 ELECTRICAL EQUIP NUMBER: M00338 M00340 COMPONENT MAINT MANUAL REF: 29-33-25 ATTACHING PARTS		1
- 280	NAS6604H2	..	BOLT-		4
- 285	AN960PD416	..	WASHER -----*-----		4
287	NAS1611-224	..	PACKING- OPTIONAL PART: NAS1611-224A		1
287	NAS1611-224A	..	PACKING- OPTIONAL PART: NAS1611-224		1
290	PS53J	..	GAGE-SIGHT SUPPLIER CODE: V97484 POSITION DATA: LH SIDE		2
295	NAS1612-8	..	PACKING- POSITION DATA: LH SIDE OPTIONAL PART: NAS1612-8A		2
295	NAS1612-8A	..	PACKING- POSITION DATA: LH SIDE OPTIONAL PART: NAS1612-8		2
300	PS53J	..	GAGE-SIGHT SUPPLIER CODE: V97484 POSITION DATA: RH SIDE		2

ILLUSTRATION ITEMS NOT ON PARTS LIST ARE NOT APPLICABLE

- ITEM NOT ILLUSTRATED

29-11-20-01

29-11-20
FIG. 01
PAGE 9
DEC 22/06

HXL



767

PARTS CATALOG (MAINTENANCE)

FIG ITEM	PART NUMBER	1 2 3 4 5 6 7	NOMENCLATURE	EFFECT FROM TO	UNITS PER ASSY
1	305 NAS1612-8		.. PACKING- POSITION DATA: RH SIDE OPTIONAL PART: NAS1612-8A		2
	305 NAS1612-8A		.. PACKING- POSITION DATA: RH SIDE OPTIONAL PART: NAS1612-8		2
-	500 286T0390		WIRE BUNDLE ASSY- POSITION DATA: LH		RF
	505 BACC45FM12C3S		.CONNECTOR- ELECTRICAL EQUIP NUMBER: D00498 WIRING DIAGRAM REF: 293211		1
	510 GS3417-14C		.CLAMP- SUPPLIER CODE: V06324 SPECIFICATION NUMBER: BACC10HF14 OPTIONAL PART: S2125-14-8 V07418 ELECTRICAL EQUIP NUMBER: D00038T WIRING DIAGRAM REF: 293311		1
	515 R071014R7SNL		.CONNECTOR- SUPPLIER CODE: V41118 SPECIFICATION NUMBER: BACC63BP14R7SNL MISCELLANEOUS DATA: OPTIONAL PART NUMBERS: BACC63BP14R7SN (81205) BACC63BP14A7SN (81205) BACC63BP14A7SNL (81205) ELECTRICAL EQUIP NUMBER: D00038 WIRING DIAGRAM REF: 293311		1
-	550 286T0394		WIRE BUNDLE ASSY- POSITION DATA: RH		RF

ILLUSTRATION ITEMS NOT ON PARTS LIST ARE NOT APPLICABLE

- ITEM NOT ILLUSTRATED

29-11-20-01

29-11-20
FIG. 01
PAGE 10
DEC 22/07

HXL



767

PARTS CATALOG (MAINTENANCE)

FIG ITEM	PART NUMBER	1 2 3 4 5 6 7	NOMENCLATURE	EFFECT FROM TO	UNITS PER ASSY
1					
- 555	MS27291-2		.SUPPORT- ELECTRICAL EQUIP NUMBER: D00500T WIRING DIAGRAM REF: 293211		1
- 560	BACC45FM12C3S		.CONNECTOR- ELECTRICAL EQUIP NUMBER: D00500 WIRING DIAGRAM REF: 293211		1
- 565	GS3417-14C		.CLAMP- SUPPLIER CODE: V06324 SPECIFICATION NUMBER: BACC10HF14 OPTIONAL PART: S2125-14-8 V07418 ELECTRICAL EQUIP NUMBER: D00060T WIRING DIAGRAM REF: 293311		1
- 570	R071014R7SNL		.CONNECTOR- SUPPLIER CODE: V41118 SPECIFICATION NUMBER: BACC63BP14R7SNL MISCELLANEOUS DATA: OPTIONAL PART NUMBERS: BACC63BP14R7SN (81205) BACC63BP14A7SN (81205) BACC63BP14A7SNL (81205) ELECTRICAL EQUIP NUMBER: D00060 WIRING DIAGRAM REF: 293311		1
900			ILLUSTRATION REFERENCE: HYDRAULIC INSTL-SECT. 31 ENGINE AFT FAIRING, L STRUT (MAIN HYDRAULIC SYSTEM ONLY) 29-11-00-01A		RF
910			ILLUSTRATION REFERENCE: HYDRAULIC INSTL-SECT. 31 ENGINE AFT FAIRING (LH) (AC MOTOR PUMP ONLY) 29-11-01-02		RF
ILLUSTRATION ITEMS NOT ON PARTS LIST ARE NOT APPLICABLE					

- ITEM NOT ILLUSTRATED

29-11-20-01

29-11-20
FIG. 01
PAGE 11
DEC 22/07

HXL



767

PARTS CATALOG (MAINTENANCE)

FIG ITEM	PART NUMBER	1 2 3 4 5 6 7	NOMENCLATURE	EFFECT FROM TO	UNITS PER ASSY
1					
915			ILLUSTRATION REFERENCE: HYDRAULIC INSTL-SECT. 31 ENGINE AFT FAIRING (RH) (AC MOTOR PUMP ONLY) 29-11-01-03		RF
920			ILLUSTRATION REFERENCE: HYDRAULIC INSTL-SECT. 31 ENG AFT FAIRING (LH) (SUPPLY SHUTOFF ONLY) 29-11-06-02		RF
925			ILLUSTRATION REFERENCE: HYDRAULIC INSTL-SECT. 31 R STRUT AFT FAIRING SUPPLY SHUTOFF VALVE 29-11-06-03		RF
930			ILLUSTRATION REFERENCE: HYDRAULIC INSTL-SECT. 31 ENGINE AFT FAIRING (LH) (RESERVOIR PRESSURIZATION ONLY) 29-11-25-02		RF
935			ILLUSTRATION REFERENCE: HYDRAULIC INSTL-SECT. 31 ENGINE AFT FAIRING (RH) (RESERVOIR PRESSURIZATION ONLY) 29-11-25-04		RF
940			ILLUSTRATION REFERENCE: HYDRAULIC INSTL-SECT. 31 ENGINE AFT FAIRING, L STRUT (HEAT EXCHANGER ONLY) 29-11-27-02		RF
945			ILLUSTRATION REFERENCE: HYDRAULIC INSTL-SECT. 31 ENG AFT FAIRING, R STRUT (HEAT EXCHANGER ONLY) 29-11-27-03		RF
950			ILLUSTRATION REFERENCE: HYDRAULIC INSTL-SECT. 31 ENGINE AFT FAIRING (LH) (RETURN FILTER MODULE ONLY) 29-11-15-02		RF

ILLUSTRATION ITEMS NOT ON PARTS LIST ARE NOT APPLICABLE

- ITEM NOT ILLUSTRATED

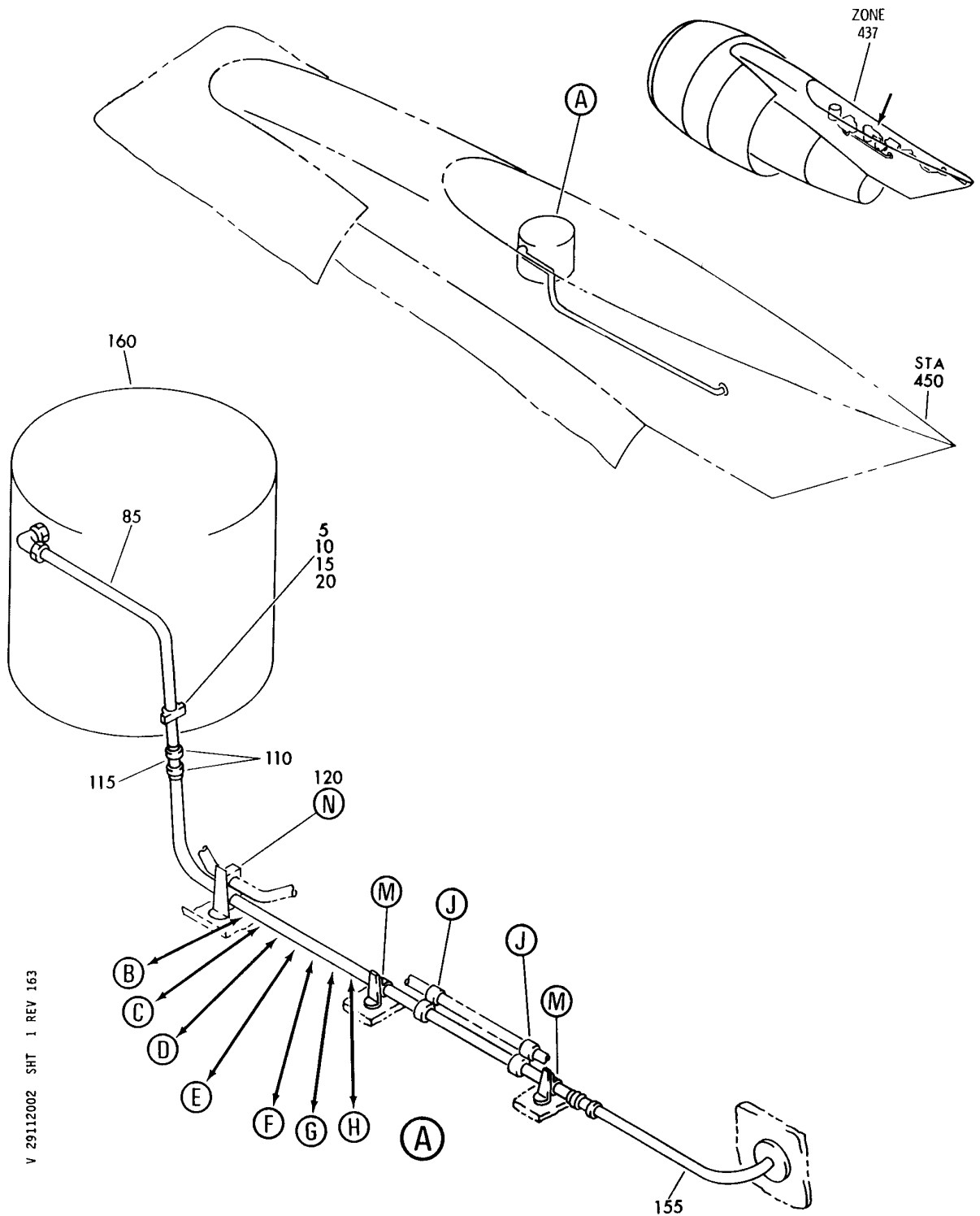
HXL

29-11-20-01

BOEING PROPRIETARY - Copyright © - Unpublished Work - See title page for details.

29-11-20
FIG. 01
PAGE 12
DEC 22/07

BOEING
767
PARTS CATALOG (MAINTENANCE)



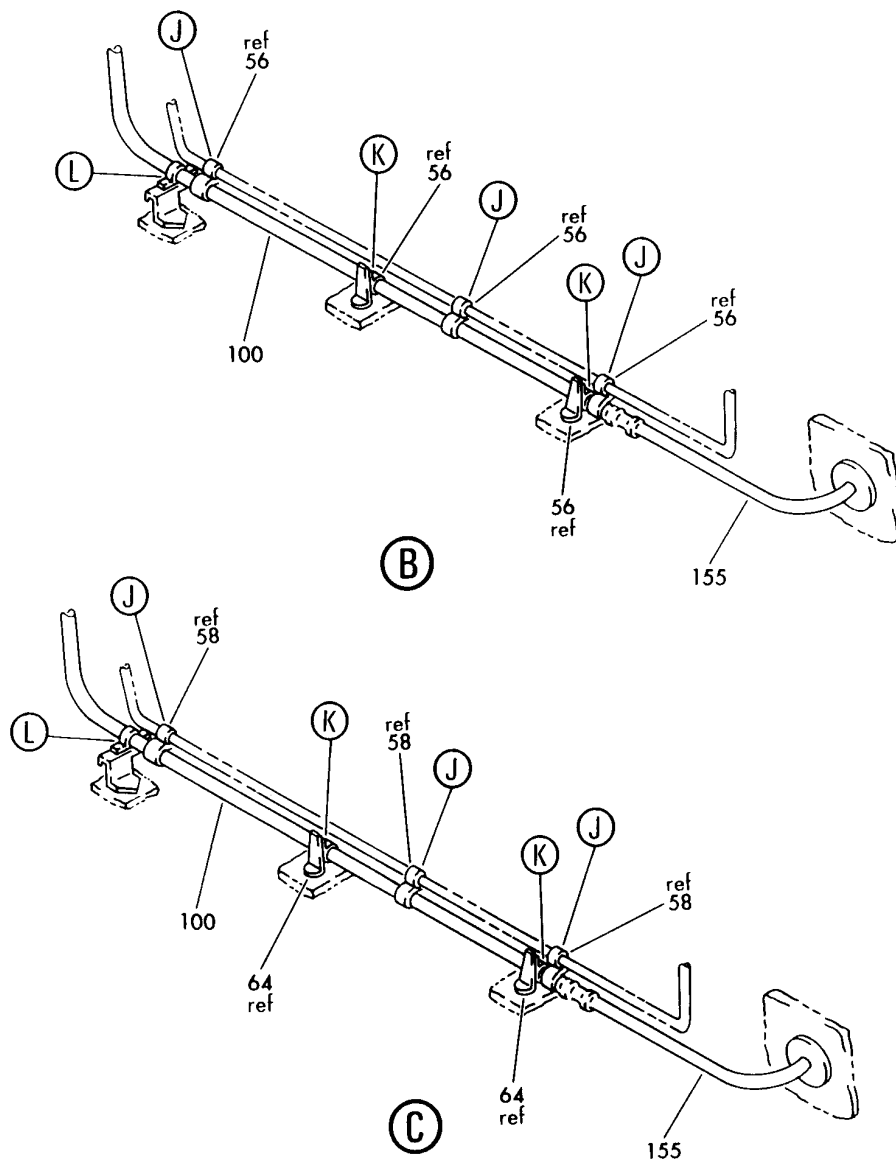
HYDRAULIC INSTL-SECT. 31 AFT ENGINE FAIRING LH (RESERVOIR SYSTEM ONLY) (PRATT & WHITNEY ENGINE)
FIGURE 2 (SHEET 1)

HXL
DEC 22/06

29-11-20-02

29-11-20-02
PAGE 0

BOEING
767
PARTS CATALOG (MAINTENANCE)



V 29112002 SHT 2 REV 163

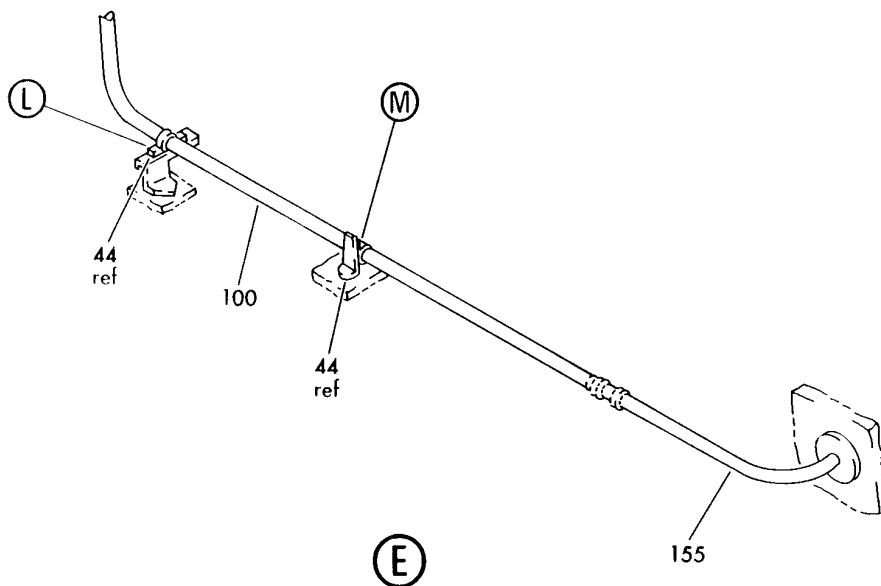
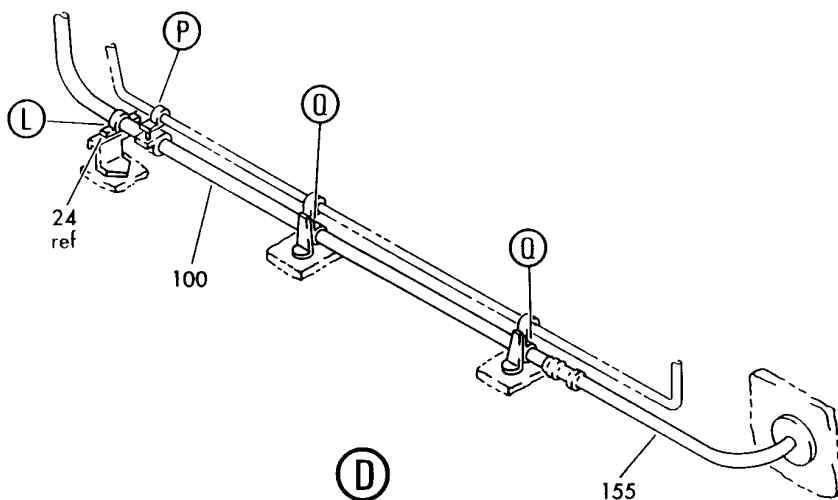
HYDRAULIC INSTL-SECT. 31 AFT ENGINE FAIRING LH (RESERVOIR SYSTEM ONLY) (PRATT & WHITNEY ENGINE)
FIGURE 2 (SHEET 2)

HXL
DEC 22/06

29-11-20-02

29-11-20-02
PAGE 0A

BOEING
767
PARTS CATALOG (MAINTENANCE)



V 29112002 SHT 3 REV 163

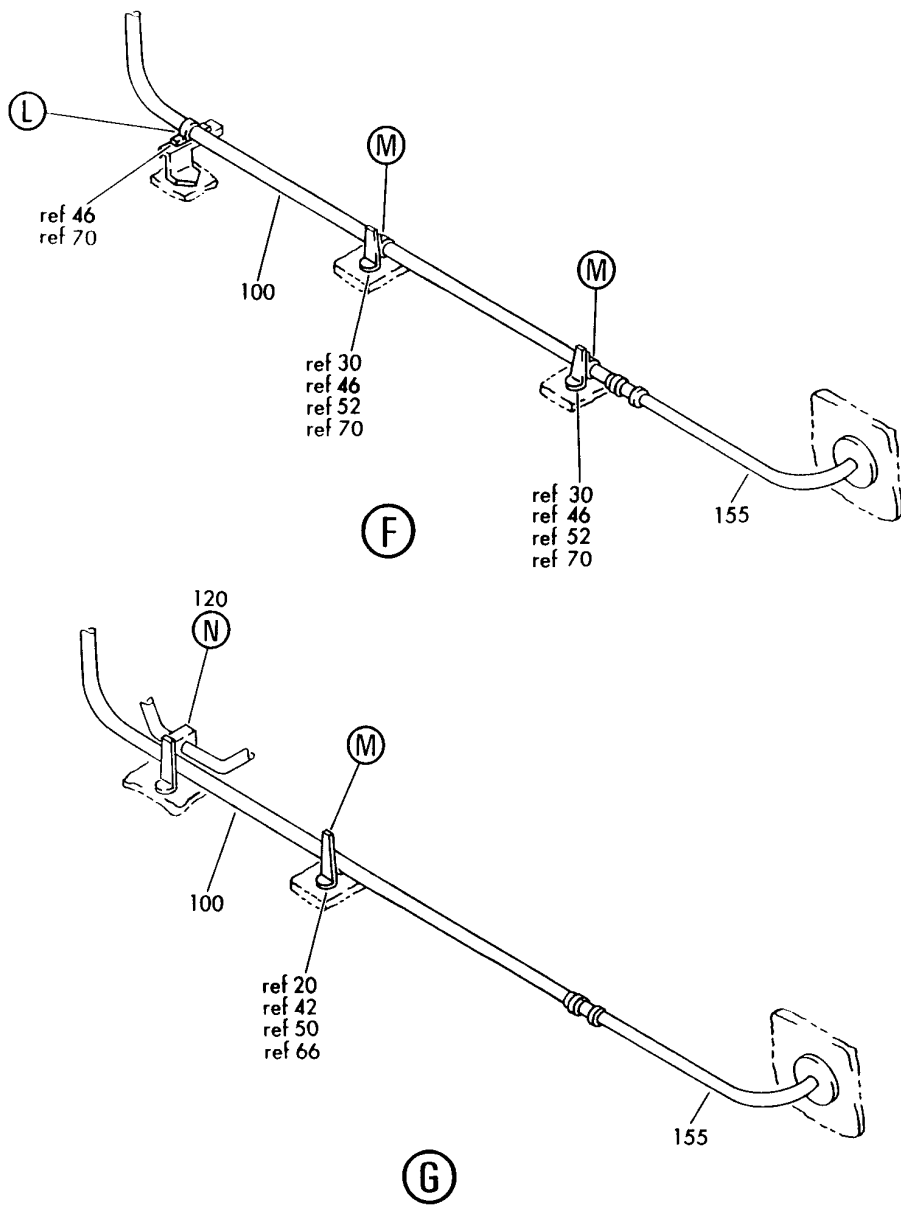
HYDRAULIC INSTL-SECT. 31 AFT ENGINE FAIRING LH (RESERVOIR SYSTEM ONLY) (PRATT & WHITNEY ENGINE)
FIGURE 2 (SHEET 3)

HXL
DEC 22/06

29-11-20-02

29-11-20-02
PAGE 0B

BOEING
767
PARTS CATALOG (MAINTENANCE)



V 29112002 SHT 4 REV 163

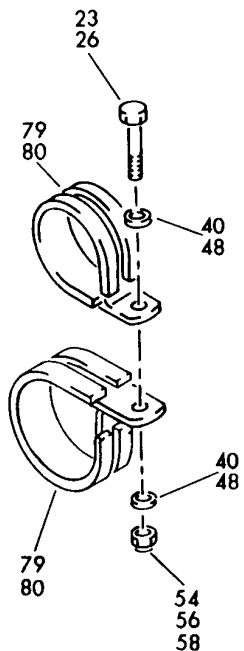
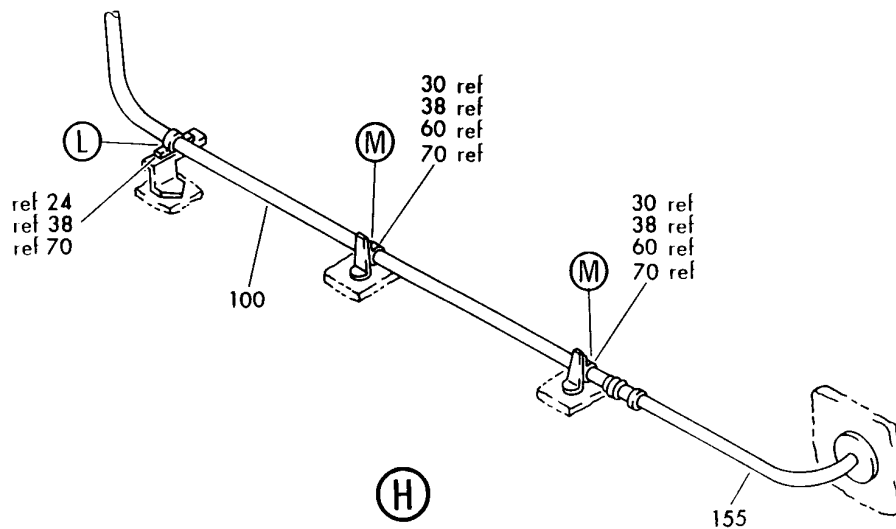
HYDRAULIC INSTL-SECT. 31 AFT ENGINE FAIRING LH (RESERVOIR SYSTEM ONLY) (PRATT & WHITNEY ENGINE)
FIGURE 2 (SHEET 4)

HXL
DEC 22/06

29-11-20-02

29-11-20-02
PAGE 0C

BOEING
767
PARTS CATALOG (MAINTENANCE)



V 29112002 SHT 5 REV 163

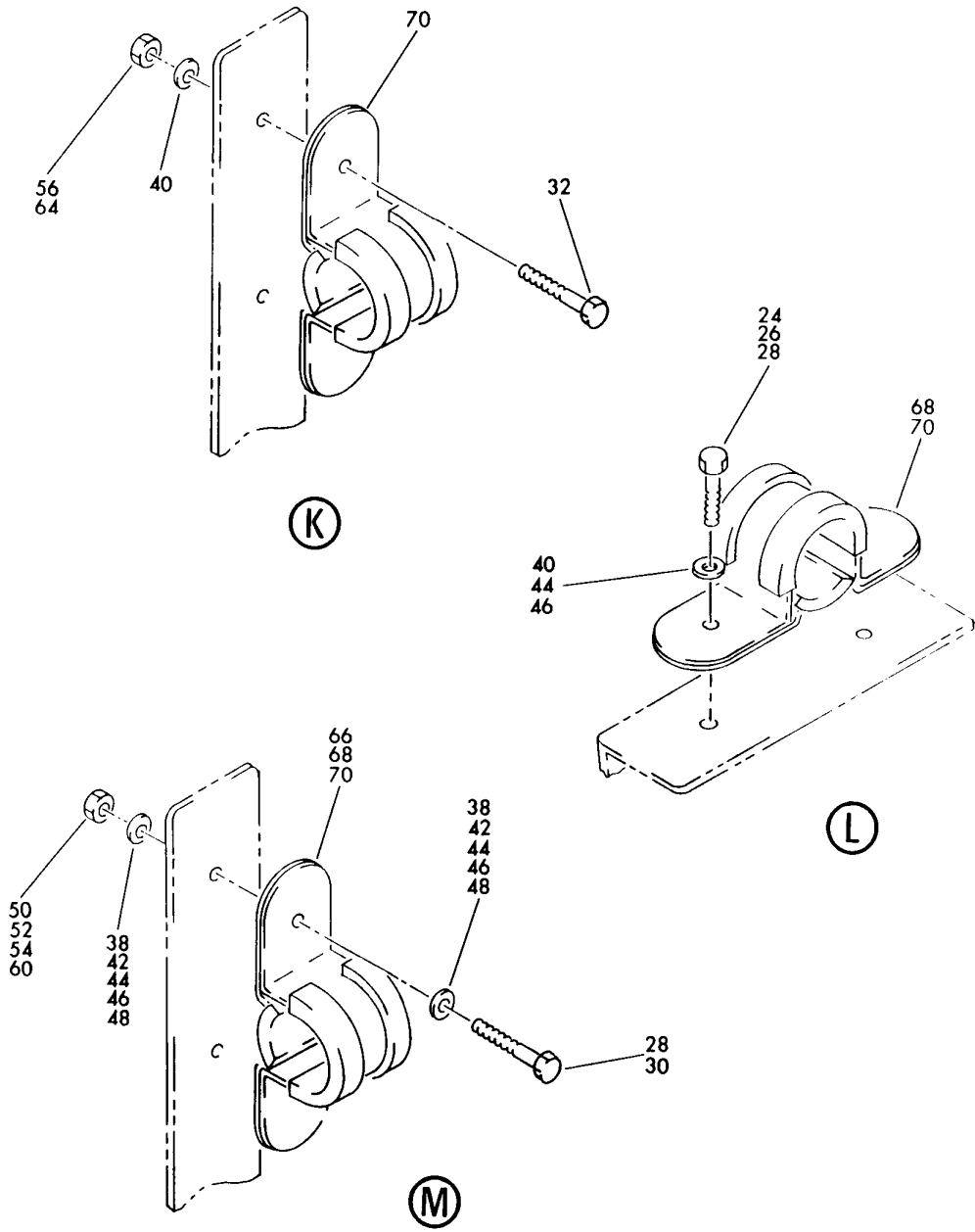
HYDRAULIC INSTL-SECT. 31 AFT ENGINE FAIRING LH (RESERVOIR SYSTEM ONLY) (PRATT & WHITNEY ENGINE)
FIGURE 2 (SHEET 5)

HXL
DEC 22/06

29-11-20-02

29-11-20-02
PAGE 0D

BOEING
767
PARTS CATALOG (MAINTENANCE)



V 29112002 SHT 6 REV 163

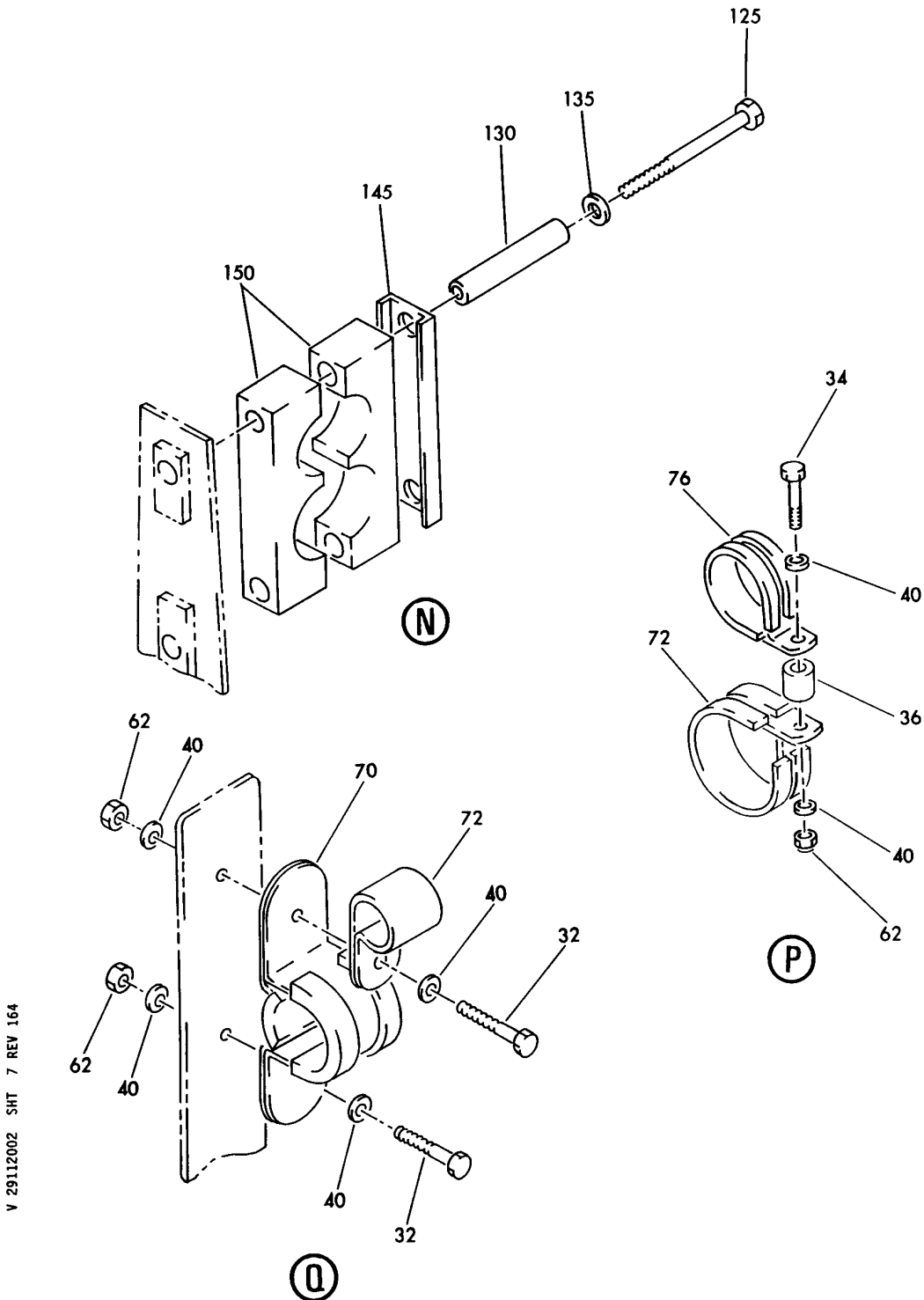
HYDRAULIC INSTL-SECT. 31 AFT ENGINE FAIRING LH (RESERVOIR SYSTEM ONLY) (PRATT & WHITNEY ENGINE)
FIGURE 2 (SHEET 6)

HXL
DEC 22/06

29-11-20-02

29-11-20-02
PAGE 0E

BOEING
767
PARTS CATALOG (MAINTENANCE)



HYDRAULIC INSTL-SECT. 31 AFT ENGINE FAIRING LH (RESERVOIR SYSTEM ONLY) (PRATT & WHITNEY ENGINE)
FIGURE 2 (SHEET 7)

HXL
DEC 22/06

29-11-20-02

29-11-20-02
PAGE OF



767

PARTS CATALOG (MAINTENANCE)

FIG ITEM	PART NUMBER	1 2 3 4 5 6 7	NOMENCLATURE	EFFECT FROM TO	UNITS PER ASSY
2			HYDRAULIC INSTL-SECT. 31 AFT ENGINE FAIRING LH (RESERVOIR SYSTEM ONLY) (PRATT & WHITNEY ENGINE)		
- 1	272T3100-5		HYDRAULIC INSTL-ENG FAIRING STRUT (RESERVOIR SYSTEM ONLY) (PRATT & WHITNEY) POSITION DATA: SECT. 31 AFT L VARIABLE DRAWING REF: 272T3100-5317 272T3100-5347 272T3100-5361 272T3100-7003 FOR NHA/OTHER SYS DET SEE: 29-00-00-04		RF
	5 NAS1801-3-15		.SCREW-		2
	10 AN960JD10L		.WASHER-		2
	15 BACS18AW20		.SPACER-		5
	20 TA0910004H120		.CLAMP		1
			SUPPLIER CODE: V84971 SPECIFICATION NUMBER: BACC10HB20C		
	24 NAS1801-3-8		.SCREW		2
	30 NAS1801-3-9		.SCREW		4
	46 AN960PD10L		.WASHER		10
	52 BRH10A3		.NUT		4
			SUPPLIER CODE: V52828 SPECIFICATION NUMBER: BACN10JC3 OPTIONAL PART: H10-3BAC V15653 NS202101-02 V80539 RMLH9075-3W V72962 VN303A02 V92215 96-02 V80539 T6S1032J V11815		
ILLUSTRATION ITEMS NOT ON PARTS LIST ARE NOT APPLICABLE					

- ITEM NOT ILLUSTRATED

HXL

29-11-20-02

BOEING PROPRIETARY - Copyright © - Unpublished Work - See title page for details.

29-11-20
FIG. 02
PAGE 1
DEC 22/07

BOEING
767
PARTS CATALOG (MAINTENANCE)

FIG ITEM	PART NUMBER	1 2 3 4 5 6 7	NOMENCLATURE	EFFECT FROM TO	UNITS PER ASSY
2	70 TA0910004H120		.CLAMP SUPPLIER CODE: V84971 SPECIFICATION NUMBER: BACC10HB20C		3
	85 272T3100-291		.TUBE ASSY-VENT L SYS MANUFACTURED FROM: WALL 25.00 IN. LG TUBING MATERIAL: 1.25 IN. OD .035 IN. WALL 25.00 IN. LG STEEL		1
-	90 DB0S13BD20HP		..SLEEVE SUPPLIER CODE: V14798 SPECIFICATION NUMBER: BACS13BD20HP OPTIONAL PART: 118-10722-20-00 V88334 2-02901-20HP V11328 2-02901-20HP V70195 35044VN20 V08199 4690008-20-2 V45681 4690008-20-2 V92003 AFP176V20HP V30974 35044V20HP V08199		1
-	95 BACN10YL20		..NUT-		1
	100 272T3100-421		.TUBE- TUBING MATERIAL: 1.25 IN. OD .035 IN. WALL 72.00 IN. LG AL		1
	110 AN737TW58		..CLAMP		2
	115 270T0004-1115		..COUPLING		1
	155 272T3104-1		.FITTING INSTL-OVERBOARD VENT, FAIRING STRUT POSITION DATA: AFT FOR DETAILS SEE: 29-11-60-01		1
ILLUSTRATION ITEMS NOT ON PARTS LIST ARE NOT APPLICABLE					

- ITEM NOT ILLUSTRATED

HXL

29-11-20-02

BOEING PROPRIETARY - Copyright © - Unpublished Work - See title page for details.

29-11-20
FIG. 02
PAGE 2
DEC 22/07



767

PARTS CATALOG (MAINTENANCE)

FIG ITEM	PART NUMBER	1 2 3 4 5 6 7	NOMENCLATURE	EFFECT FROM TO	UNITS PER ASSY
2 160	271T5210-13		.RESERVOIR INSTL-HYDRAULIC, ENGINE FAIRING POSITION DATA: AFT FOR DETAILS SEE: 29-11-20-01		1

ILLUSTRATION ITEMS NOT ON PARTS LIST ARE NOT APPLICABLE

- ITEM NOT ILLUSTRATED

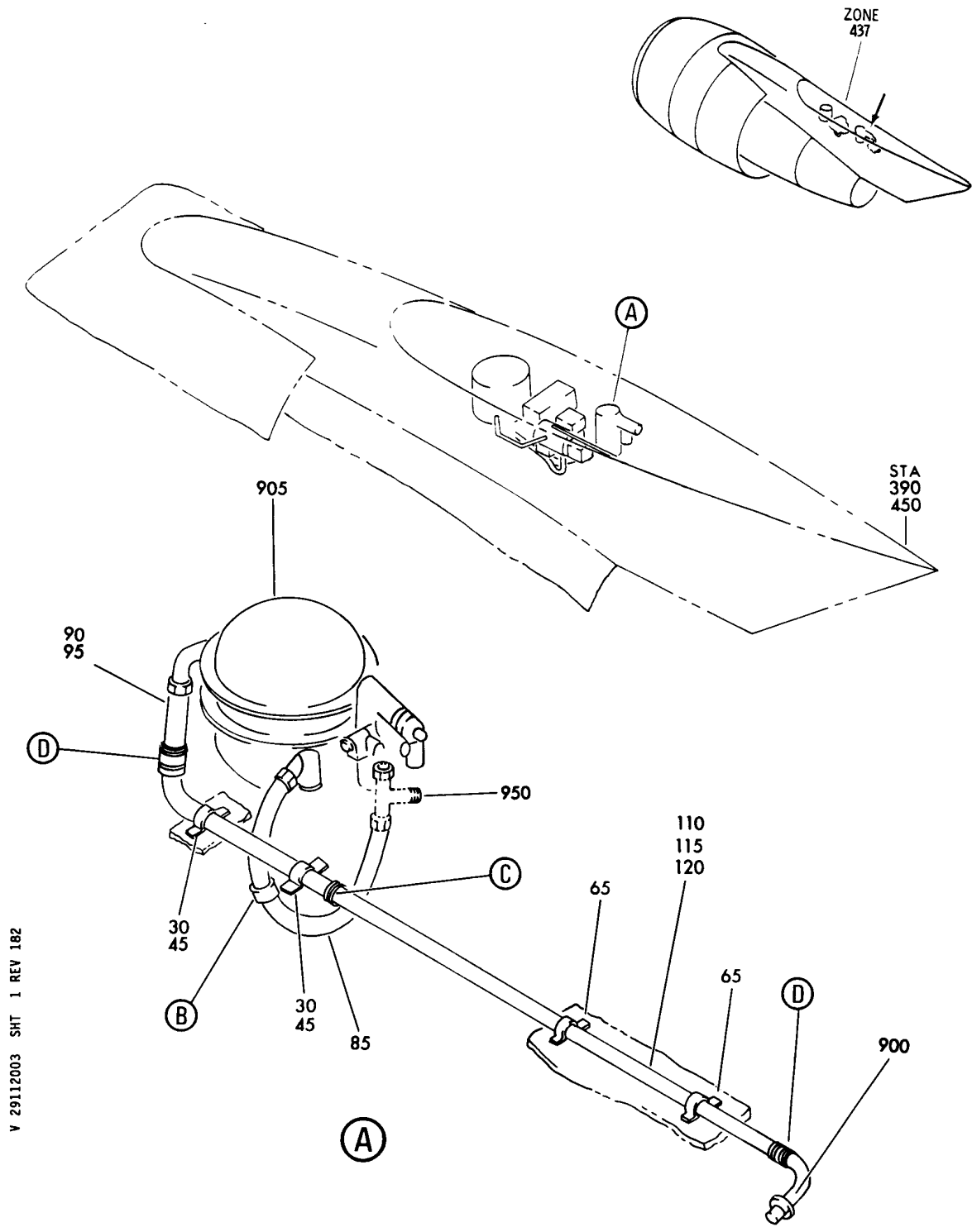
HXL

29-11-20-02

BOEING PROPRIETARY - Copyright © - Unpublished Work - See title page for details.

29-11-20
FIG. 02
PAGE 3
DEC 22/07

BOEING
767
PARTS CATALOG (MAINTENANCE)



V 29112003 SHT 1 REV 182

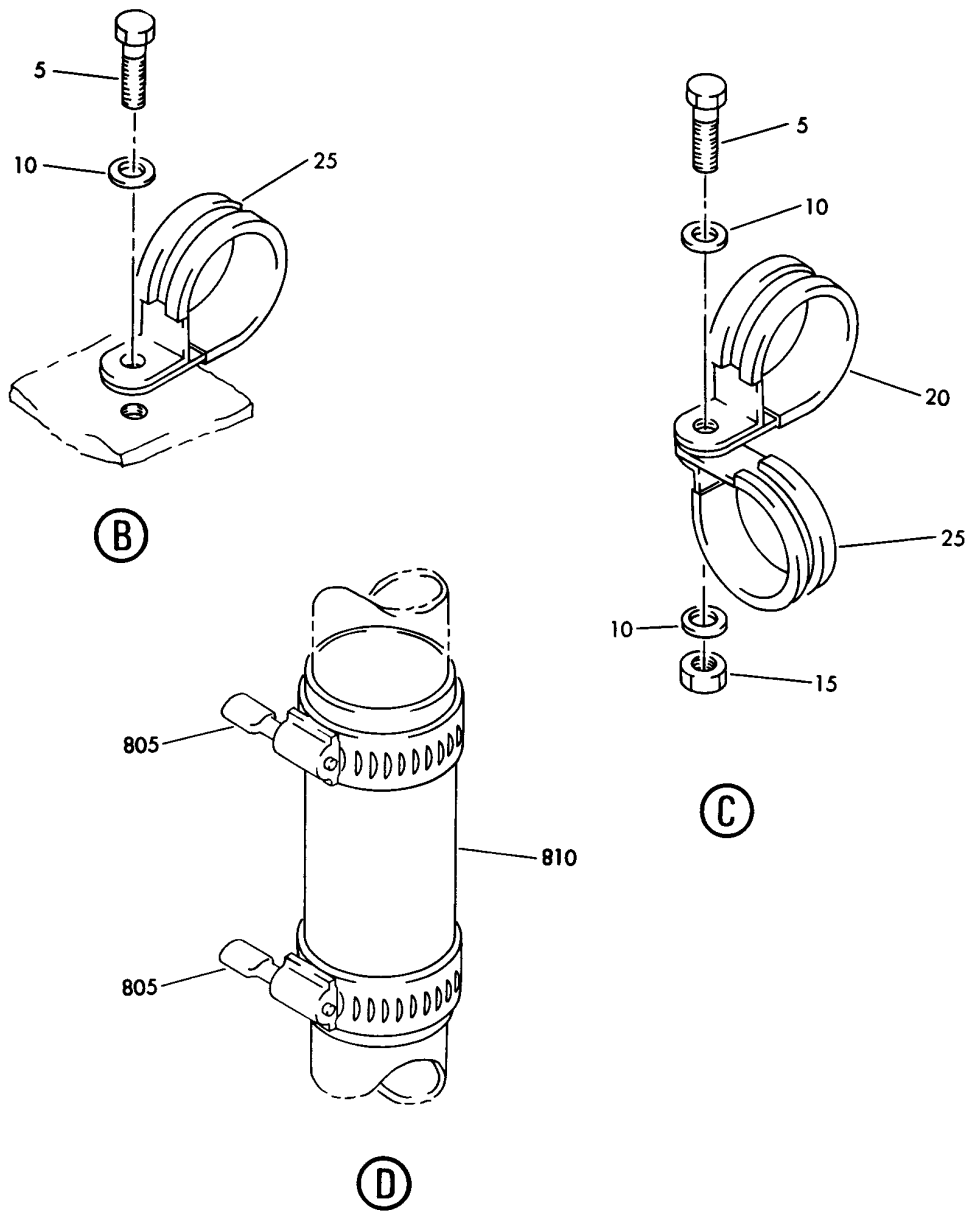
HYDRAULIC INSTL- SECT. 31 ENGINE AFT FAIRING (RH) (RESERVOIR SYSTEM ONLY)
FIGURE 3 (SHEET 1)

29-11-20-03

HXL
DEC 22/06

29-11-20-03
PAGE 0

BOEING
767
PARTS CATALOG (MAINTENANCE)



V 29112003 SHT 2 REV 1B2

HYDRAULIC INSTL- SECT. 31 ENGINE AFT FAIRING (RH) (RESERVOIR SYSTEM ONLY)
FIGURE 3 (SHEET 2)

29-11-20-03

HXL
DEC 22/06

29-11-20-03
PAGE 0A



767

PARTS CATALOG (MAINTENANCE)

FIG ITEM	PART NUMBER	1 2 3 4 5 6 7	NOMENCLATURE	EFFECT FROM TO	UNITS PER ASSY
3			HYDRAULIC INSTL- SECT. 31 ENGINE AFT FAIRING (RH) (RESERVOIR SYSTEM ONLY)		
- 1	272T3100-6		HYDRAULIC INSTL-ENG FAIRING STRUT (RESERVOIR SYSTEM ONLY) POSITION DATA: SECT. 31 AFT R MISCELLANEOUS DATA: (PRATT & WHITNEY) VARIABLE DRAWING REF: 272T3100-5218 272T3100-5336 272T3100-7004 FOR NHA/OTHER SYS DET SEE: 29-00-00-04		RF
5	NAS1801-3-8		.SCREW		1
10	AN960PD10L		.WASHER		1
15	BRH10A3		.NUT		1
			SUPPLIER CODE: V52828 SPECIFICATION NUMBER: BACN10JC3 OPTIONAL PART: H10-3BAC V15653 NS202101-02 V80539 RMLH9075-3W V72962 VN303A02 V92215 96-02 V80539 T6S1032J V11815		
20	M85052-2-20		.CLAMP-		2
25	M85052-2-24		.CLAMP-		2
			ATTACHING PARTS		
- 50	NAS1801-3-9		.SCREW		4
- 55	AN960PD10L		.WASHER		8

ILLUSTRATION ITEMS NOT ON PARTS LIST ARE NOT APPLICABLE

- ITEM NOT ILLUSTRATED

29-11-20-03

29-11-20
FIG. 03
PAGE 1
DEC 22/07

HXL



767

PARTS CATALOG (MAINTENANCE)

FIG ITEM	PART NUMBER	1 2 3 4 5 6 7	NOMENCLATURE	EFFECT FROM TO	UNITS PER ASSY
3					
- 60	BRH10A3		.NUT SUPPLIER CODE: V52828 SPECIFICATION NUMBER: BACN10JC3 OPTIONAL PART: H10-3BAC V15653 NS202101-02 V80539 RMLH9075-3W V72962 VN303A02 V92215 96-02 V80539 T6S1032J V11815		4
			-----*-----		
65	TA0910004H120		.CLAMP SUPPLIER CODE: V84971 SPECIFICATION NUMBER: BACC10HB20C ATTACHING PARTS		2
- 70	NAS1801-3-9		.SCREW		4
- 75	AN960PD10L		.WASHER		8
- 80	BRH10A3		.NUT SUPPLIER CODE: V52828 SPECIFICATION NUMBER: BACN10JC3 OPTIONAL PART: H10-3BAC V15653 NS202101-02 V80539 RMLH9075-3W V72962 VN303A02 V92215 96-02 V80539 T6S1032J V11815		4
			-----*-----		
85	AS1633B16D0300		.HOSE ASSY		1
95	272T3100-436		.TUBE ASSY-VENT R SYS		1

ILLUSTRATION ITEMS NOT ON PARTS LIST ARE NOT APPLICABLE

- ITEM NOT ILLUSTRATED

29-11-20-03

29-11-20
FIG. 03
PAGE 2
DEC 22/07

HXL

BOEING PROPRIETARY - Copyright © - Unpublished Work - See title page for details.



767

PARTS CATALOG (MAINTENANCE)

FIG ITEM	PART NUMBER	1 2 3 4 5 6 7	NOMENCLATURE	EFFECT FROM TO	UNITS PER ASSY
3					
- 100	AFP175V20P		.. SLEEVE SUPPLIER CODE: V30974 SPECIFICATION NUMBER: BACS13BX20HP OPTIONAL PART: 2-02901-20HP V11328 35025VN20 V08199		1
- 105	BACN10YL20		.. NUT-		1
110	272T3100-434		. TUBE- TUBING MATERIAL: 1.25 IN. OD .035 IN. WALL 82.00 IN. LG AL		1
- 800	272T3105-1		. COUPLING INSTL-RSVR OVERBOARD DRAIN		2
805	AN737TW58		.. CLAMP		2
810	270T0004-1115		.. COUPLING		1
900	272T3104-2		. FITTING INSTL-OVERBOARD VENT FOR DETAILS SEE: 29-11-60-01		1
950			ILLUSTRATION REFERENCE: HYDRAULIC INSTL-SECT. 31 ENGINE AFT FAIRING (RH) (RETURN FILTER MODULE ONLY) 29-11-15-03		RF

ILLUSTRATION ITEMS NOT ON PARTS LIST ARE NOT APPLICABLE

- ITEM NOT ILLUSTRATED

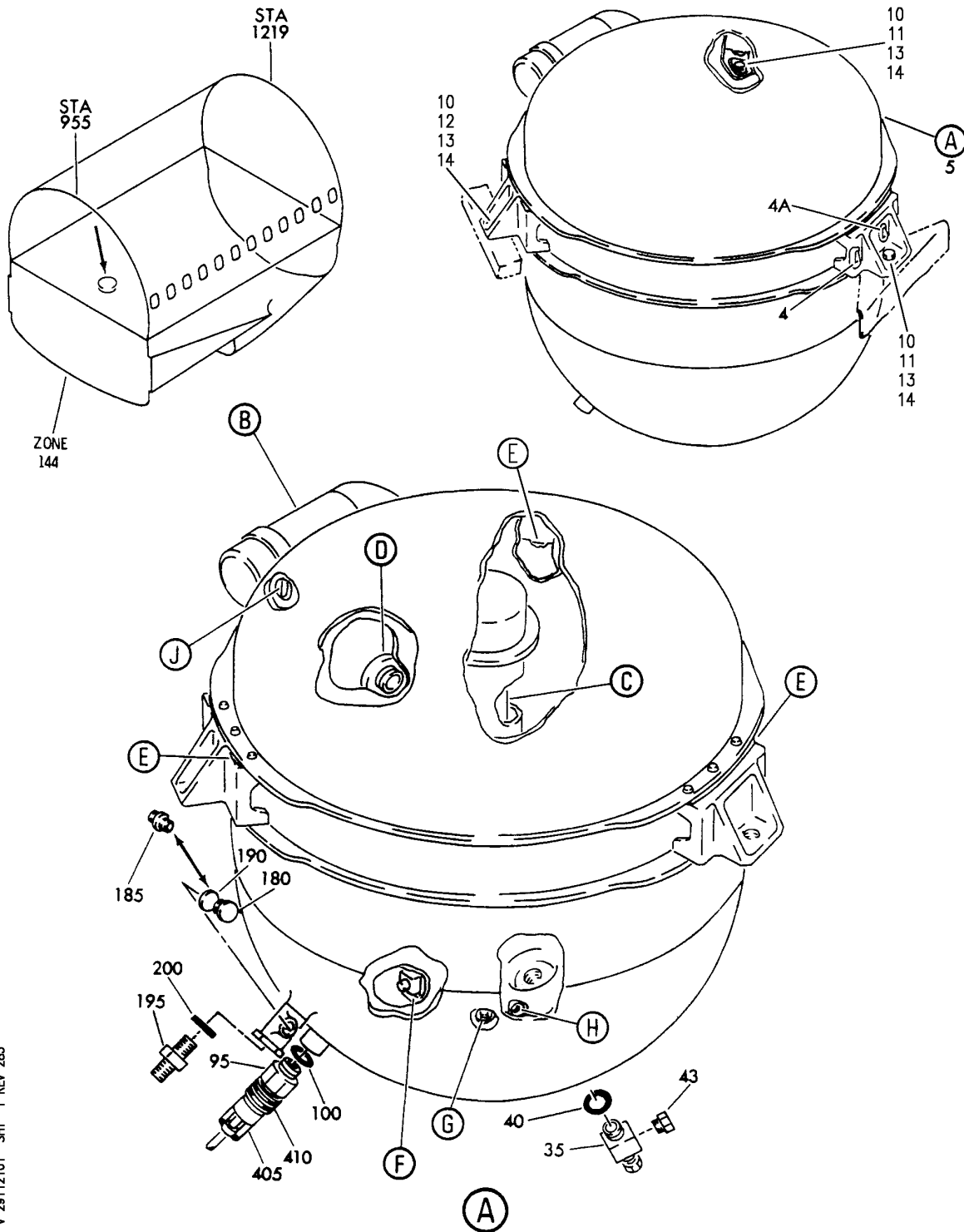
HXL

29-11-20-03

BOEING PROPRIETARY - Copyright © - Unpublished Work - See title page for details.

29-11-20
FIG. 03
PAGE 3
DEC 22/07

BOEING
767
PARTS CATALOG (MAINTENANCE)



V 29112101 SHT 1 REV 283

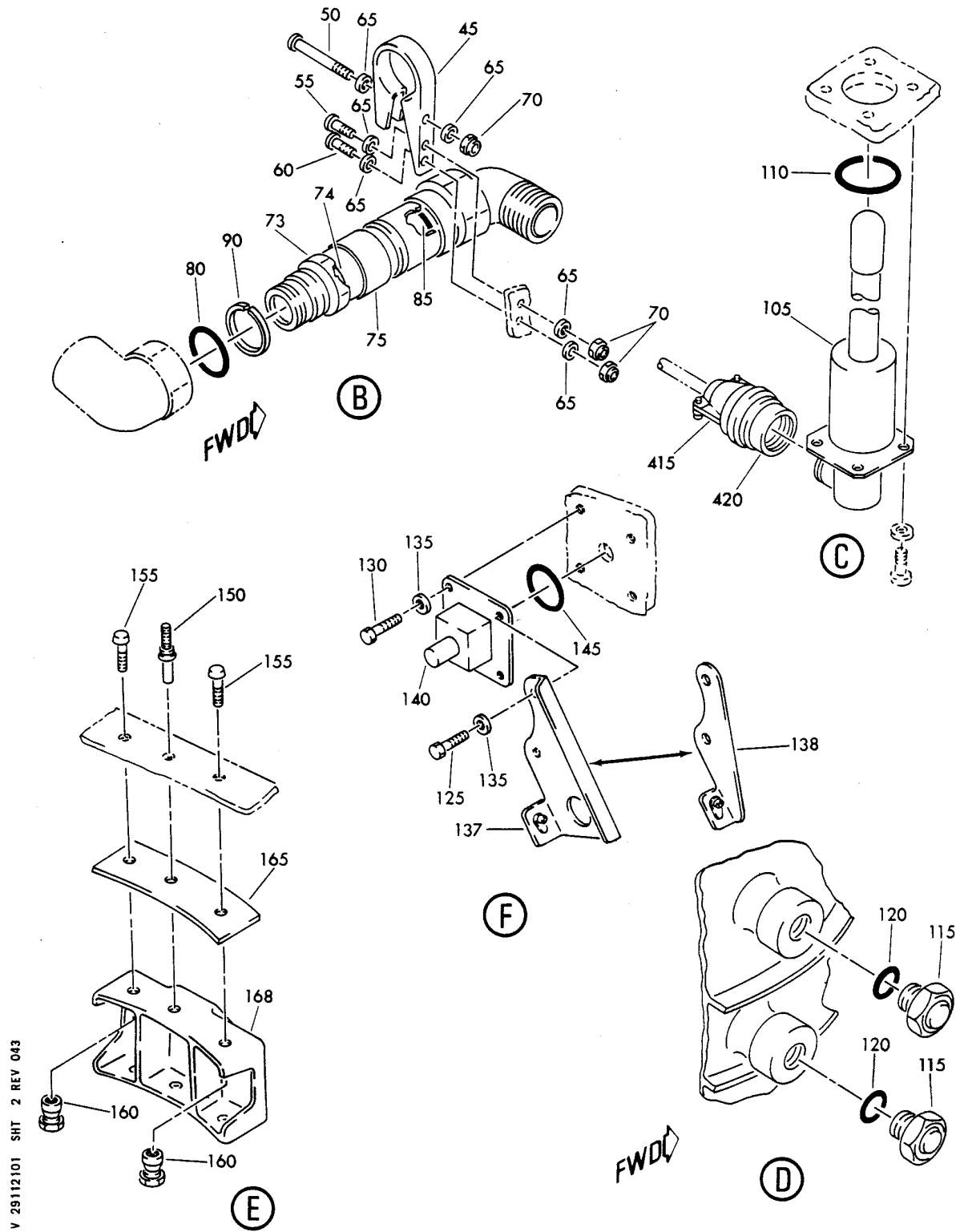
RESERVOIR INSTL-CTR SYS
FIGURE 1 (SHEET 1)

29-11-21-01

HXL
DEC 22/06

29-11-21-01
PAGE 0

BOEING
767
PARTS CATALOG (MAINTENANCE)



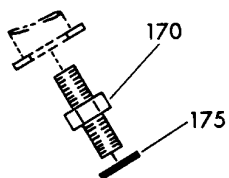
RESERVOIR INSTL-CTR SYS
FIGURE 1 (SHEET 2)

29-11-21-01

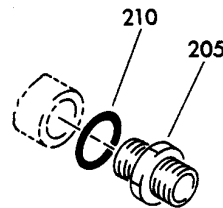
HXL
DEC 22/06

29-11-21-01
PAGE 0A

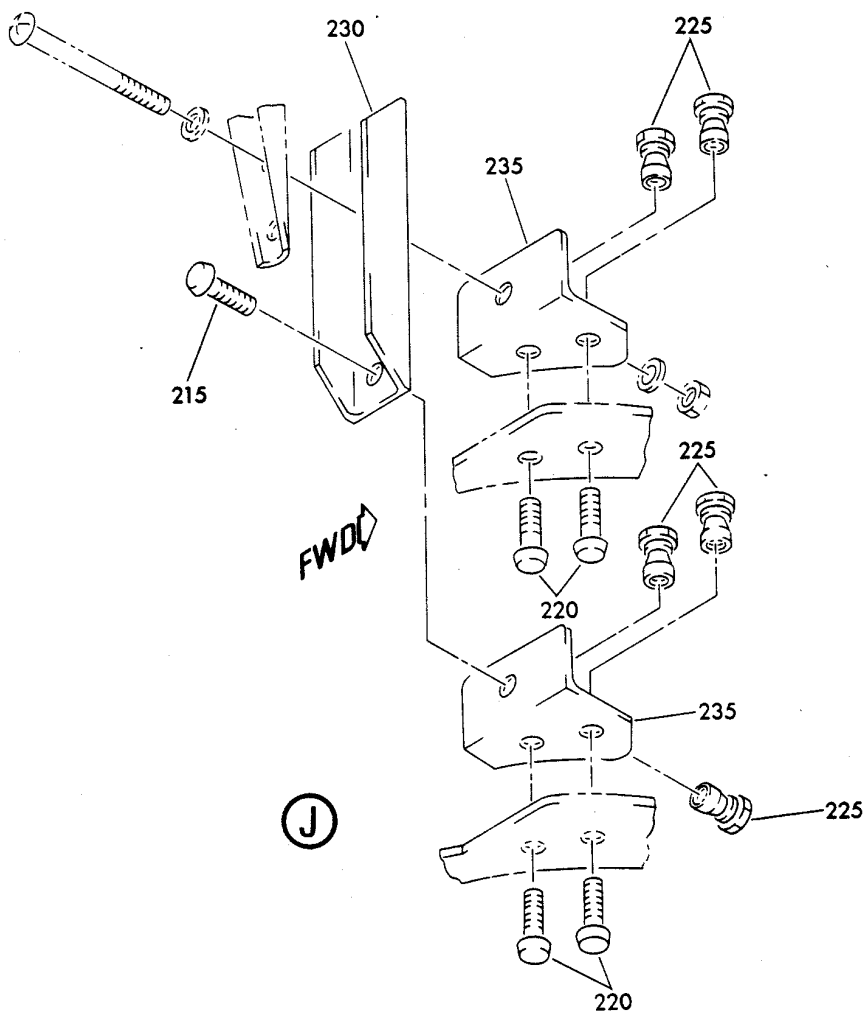
BOEING
767
PARTS CATALOG (MAINTENANCE)



(G)



(H)



V 29112101 SHT 3 REV 030

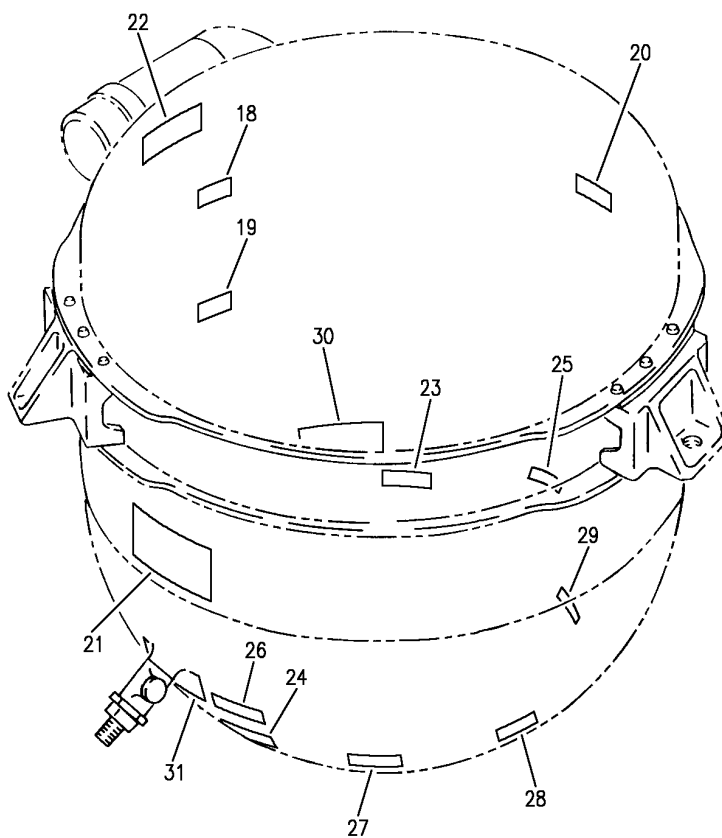
RESERVOIR INSTL-CTR SYS
FIGURE 1 (SHEET 3)

29-11-21-01

HXL
DEC 22/06

29-11-21-01
PAGE 0B

BOEING
767
PARTS CATALOG (MAINTENANCE)



(K)

V 29112101 SH1 4 REV 283

RESERVOIR INSTL-CTR SYS
FIGURE 1 (SHEET 4)

29-11-21-01

HXL
DEC 22/06

29-11-21-01
PAGE 0C

BOEING
767
PARTS CATALOG (MAINTENANCE)

FIG ITEM	PART NUMBER	1 2 3 4 5 6 7	NOMENCLATURE	EFFECT FROM TO	UNITS PER ASSY
1			RESERVOIR INSTL-CTR SYS		
- 1	271T4550-3		RESERVOIR INSTL-SYS PREMODULE POSITION DATA: CTR FOR NHA SEE: 29-11-21-02		RF
4	BAC27THY0079		.MARKER- PLACARD CONTENT: M345		1
4A	BAC27THY0073		.MARKER- PLACARD CONTENT: M339		1
5	271T0115-12		.RESERVOIR ASSY- MISCELLANEOUS DATA: FOR SPARES PROCURE LOWER COMPONENTS COMPONENT MAINT MANUAL REF: 29-11-23		1
11	NAS6604-3		ATTACHING PARTS .BOLT		2
12	NAS6604-4		.BOLT-		1
13	AN960PD416L		.WASHER		6
14	BRH10A4		.NUT SUPPLIER CODE: V52828 SPECIFICATION NUMBER: BACN10JC4 OPTIONAL PART: T6S428J V11815 96-048 V80539 VN303A048 V92215 RMLH9075-4W V72962 NS202101-048 V80539 H10-4BAC V15653		3
18	BAC27THY0045		-----*----- ..MARKER-DYED ALUMINUM FOIL PLACARD CONTENT: OVERFILL		1
19	BAC27THY0046		..MARKER-DYED ALUMINUM FOIL PLACARD CONTENT: REFILL		1
ILLUSTRATION ITEMS NOT ON PARTS LIST ARE NOT APPLICABLE					

- ITEM NOT ILLUSTRATED

HXL

29-11-21-01

BOEING PROPRIETARY - Copyright © - Unpublished Work - See title page for details.

29-11-21
FIG. 01
PAGE 1
DEC 22/06

 **BOEING**
767
PARTS CATALOG (MAINTENANCE)

FIG ITEM	PART NUMBER	1 2 3 4 5 6 7	NOMENCLATURE	EFFECT FROM TO	UNITS PER ASSY
1					
20	BAC27THY0137	..	MARKER-ALUMINUM FOIL PLACARD CONTENT: AIR PRESSURE		1
21	BAC27THY0145	..	MARKER-ALUMINUM FOIL PLACARD CONTENT: HYDRAULIC RESERVOIR ASSY CENTER SYSTEM		1
22	BAC27THY0154	..	MARKER-ALUMINUM FOIL PLACARD CONTENT: RELIEF VALVE		1
23	BAC27THY017	..	MARKER-ALUMINUM FOIL PLACARD CONTENT: TEMP XMTR OPTIONAL PART: BAC27THY223		1
23	BAC27THY223	..	MARKER-ALUMINUM FOIL PLACARD CONTENT: TEMP XMTR OPTIONAL PART: BAC27THY17		1
24	BAC27THY29	..	MARKER-ALUMINUM FOIL PLACARD CONTENT: THERMAL BYPASS		1
25	BAC27THY30	..	MARKER-ALUMINUM FOIL PLACARD CONTENT: MAIN RETURN		1
26	BAC27THY31	..	MARKER-ALUMINUM FOIL PLACARD CONTENT: ISOLATION VALVE		1
27	BAC27THY32	..	MARKER-ALUMINUM FOIL PLACARD CONTENT: EMDP SUPPLY NO. 2		1
28	BAC27THY33	..	MARKER-ALUMINUM FOIL PLACARD CONTENT: EMDP SUPPLY NO. 1		1
29	BAC27THY34	..	MARKER-ALUMINUM FOIL PLACARD CONTENT: ADP SUPPLY		1
30	BAC27THY35	..	MARKER-ALUMINUM FOIL PLACARD CONTENT: RESERVOIR DRAIN VALVE		1
31	BAC27THY36	..	MARKER-ALUMINUM FOIL PLACARD CONTENT: FLUID SAMPLING VALVE		1
35	S1105-01	..	VALVE-SAMPLING SUPPLIER CODE: V98939		1
40	NAS1612-4	..	PACKING-		1
43	AN929A2	..	CAP ASSY		1
ILLUSTRATION ITEMS NOT ON PARTS LIST ARE NOT APPLICABLE					

- ITEM NOT ILLUSTRATED

HXL

29-11-21-01

BOEING PROPRIETARY - Copyright © - Unpublished Work - See title page for details.

29-11-21
FIG. 01
PAGE 2
DEC 22/06



767

PARTS CATALOG (MAINTENANCE)

FIG ITEM	PART NUMBER	1 2 3 4 5 6 7	NOMENCLATURE	EFFECT FROM TO	UNITS PER ASSY
1					
45	BACC10AA32-44	..	CLAMP		1
50	BACB30NT3K38	..	BOLT		1
55	NAS623-3-7	..	SCREW-		1
60	NAS623-3-6	..	SCREW-		1
65	AN960PD10	..	WASHER		6
70	BRH10A3	..	NUT		3
			SUPPLIER CODE: V52828		
			SPECIFICATION NUMBER: BACN10JC3		
			OPTIONAL PART: H10-3BAC		
			V15653		
			NS202101-02		
			V80539		
			RMLH9075-3W		
			V72962		
			VN303A02		
			V92215		
			96-02		
			V80539		
			T6S1032J		
			V11815		
73	MS21902D20	..	UNION		1
74	NAS1612-20	..	PACKING-		1
75	1800	..	VALVE ASSY-RELIEF		1
			SUPPLIER CODE: V06177		
			FUNCTIONAL DESCRIPTION: REMOVES EXCESSIVE AIR AND/ OR FLUIDS FROM THE HYDRAULIC FLUID RESERVOIR.		
			SPECIFICATION NUMBER: 60B00246-2		
			COMPONENT MAINT MANUAL REF: 29-11-13		
			OPTIONAL PART: 72086		
			V81982		
ILLUSTRATION ITEMS NOT ON PARTS LIST ARE NOT APPLICABLE					

- ITEM NOT ILLUSTRATED

HXL

29-11-21-01

BOEING PROPRIETARY - Copyright © - Unpublished Work - See title page for details.

29-11-21
FIG. 01
PAGE 3
DEC 22/06



767

PARTS CATALOG (MAINTENANCE)

FIG ITEM	PART NUMBER	1 2 3 4 5 6 7	NOMENCLATURE	EFFECT FROM TO	UNITS PER ASSY
1					
75	72086		.. VALVE ASSY-RELIEF SUPPLIER CODE: V81982 SPECIFICATION NUMBER: 60B00246-1 COMPONENT MAINT MANUAL REF: 29-20-38 OPTIONAL PART: 1800 V06177		1
80	NAS1611-217		.. PACKING-		1
85	NAS1612-20		.. PACKING-		2
90	C11236-217B		.. RING SUPPLIER CODE: V26879 SPECIFICATION NUMBER: BACR12BM217 OPTIONAL PART: RMR12BM217 V94878 STF800-217 V02107 S30294-217-1 V97820 TF450-217A V07128 2100-217 V26303		1
95	1122493		.. TRANSMITTER- SUPPLIER CODE: V60678 SPECIFICATION NUMBER: S270T245-3 ELECTRICAL EQUIP NUMBER: M00345		1
100	NAS1612-6		.. PACKING-		1
105	019-012-002		.. TRANSMITTER-QTY SUPPLIER CODE: V26055 SPECIFICATION NUMBER: S271T455-4 ELECTRICAL EQUIP NUMBER: M00339 COMPONENT MAINT MANUAL REF: 29-33-25		1
- 107	NAS6704H2		ATTACHING PARTS .. BOLT-		4
- 108	AN960PD416		.. WASHER -----*-----		4
ILLUSTRATION ITEMS NOT ON PARTS LIST ARE NOT APPLICABLE					

- ITEM NOT ILLUSTRATED

29-11-21-01

29-11-21
FIG. 01
PAGE 4
DEC 22/06

HXL



767

PARTS CATALOG (MAINTENANCE)

FIG ITEM	PART NUMBER	1 2 3 4 5 6 7	NOMENCLATURE	EFFECT FROM TO	UNITS PER ASSY
1					
110	NAS1611-224	..	PACKING-		1
115	PS53J	..	GAGE-SIGHT		2
			SUPPLIER CODE: V97484		
120	NAS1612-8	..	PACKING		2
125	NAS6603H5	..	BOLT-		2
130	NAS6604H4	..	BOLT-		2
135	AN960PD10	..	WASHER		4
137	287T4517-47	..	BRACKET ASSY-		1
140	3-111794	..	VALVE-DRAIN		1
			SUPPLIER CODE: V92003 SPECIFICATION NUMBER: 10-60561-1 COMPONENT MAINT MANUAL REF: 29-10-11		
145	NAS1611-213	..	PACKING-		1
150	MS90354-6-3	..	RIVET		3
155	2LPYE6-4	..	BOLT		6
			SUPPLIER CODE: V11815 SPECIFICATION NUMBER: BACB30GP6-4 OPTIONAL PART: 2LPYE6-4 V17446		
160	NAS1080-6	..	COLLAR		6
165	271T0115-4	..	SHIM		3
168	271T4553-1	..	SUPPORT		3
170	MS21902D6	..	UNION		1
175	NAS1612-6	..	PACKING-		1
180	AN814-8D	..	PLUG		1
190	NAS1612-8	..	PACKING-		1
195	MS21902D16	..	UNION		1
200	NAS1612-16	..	PACKING-		1
205	MS21902D12	..	UNION		1
210	NAS1612-12	..	PACKING-		1
215	2LPYE5-3	..	BOLT		1
			SUPPLIER CODE: V11815 SPECIFICATION NUMBER: BACB30GP5-3 OPTIONAL PART: 2LPYE5-3 V17446		
ILLUSTRATION ITEMS NOT ON PARTS LIST ARE NOT APPLICABLE					

- ITEM NOT ILLUSTRATED

29-11-21-01

29-11-21
FIG. 01
PAGE 5
DEC 22/06

HXL



767

PARTS CATALOG (MAINTENANCE)

FIG ITEM	PART NUMBER	1 2 3 4 5 6 7	NOMENCLATURE	EFFECT FROM TO	UNITS PER ASSY
1					
220	2LPYE5-4	..	BOLT SUPPLIER CODE: V11815 SPECIFICATION NUMBER: BACB30GP5-4 OPTIONAL PART: 2LPYE5-4 V17446		4
225	NAS1080-5	..	COLLAR		5
230	271T0115-2	..	SUPPORT		1
235	271T0115-3	..	SUPPORT		2
- 400	286T0968-001		WIRE BUNDLE ASSY		RF
405	BCREF110676	.ADAPTER-	SUPPLIER CODE: V06324 OVERLENGTH PART NUMBER: 710ES012M1209-62A ELECTRICAL EQUIP NUMBER: D0052T WIRING DIAGRAM REF: 293211		1
410	BACC45FM12-3S	.CONNECTOR-	ELECTRICAL EQUIP NUMBER: D0052 WIRING DIAGRAM REF: 293211		1
415	BCREF110663	.ADAPTER-	SUPPLIER CODE: V06324 OVERLENGTH PART NUMBER: 710AA011M1412-62A ELECTRICAL EQUIP NUMBER: D0056T WIRING DIAGRAM REF: 293311		1
420	R071014R7SNL	.CONNECTOR-	SUPPLIER CODE: V41118 SPECIFICATION NUMBER: BACC63BP14R7SNL MISCELLANEOUS DATA: OPTIONAL PART NUMBERS: BACC63BP14R7SN (81205) BACC63BP14A7SN (81205) BACC63BP14A7SNL (81205) ELECTRICAL EQUIP NUMBER: D0056 WIRING DIAGRAM REF: 293311		1

ILLUSTRATION ITEMS NOT ON PARTS LIST ARE NOT APPLICABLE

- ITEM NOT ILLUSTRATED

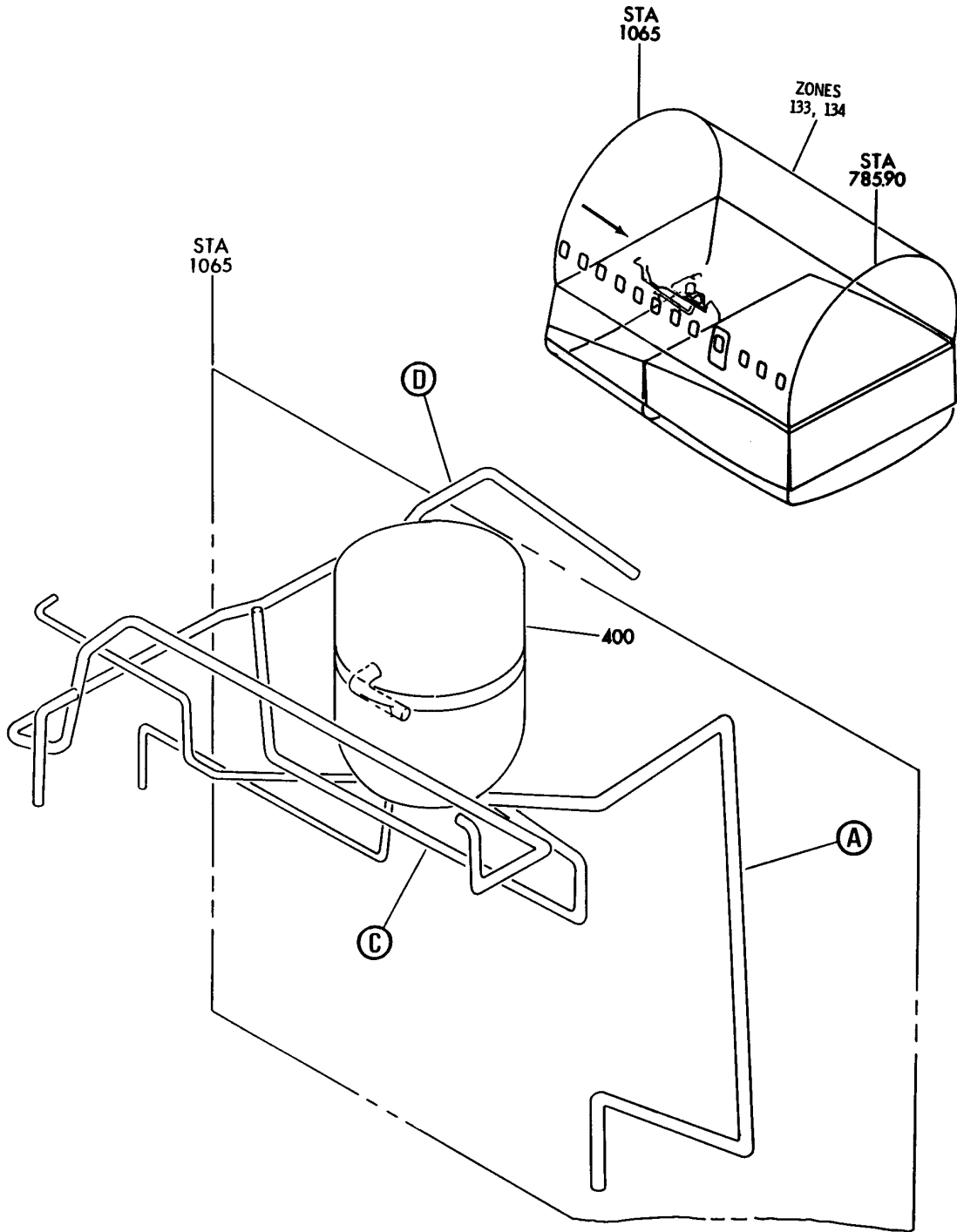
HXL

29-11-21-01

BOEING PROPRIETARY - Copyright © - Unpublished Work - See title page for details.

29-11-21
FIG. 01
PAGE 6
DEC 22/06

BOEING
767
PARTS CATALOG (MAINTENANCE)



V 29112102 SHT 1 REV 122

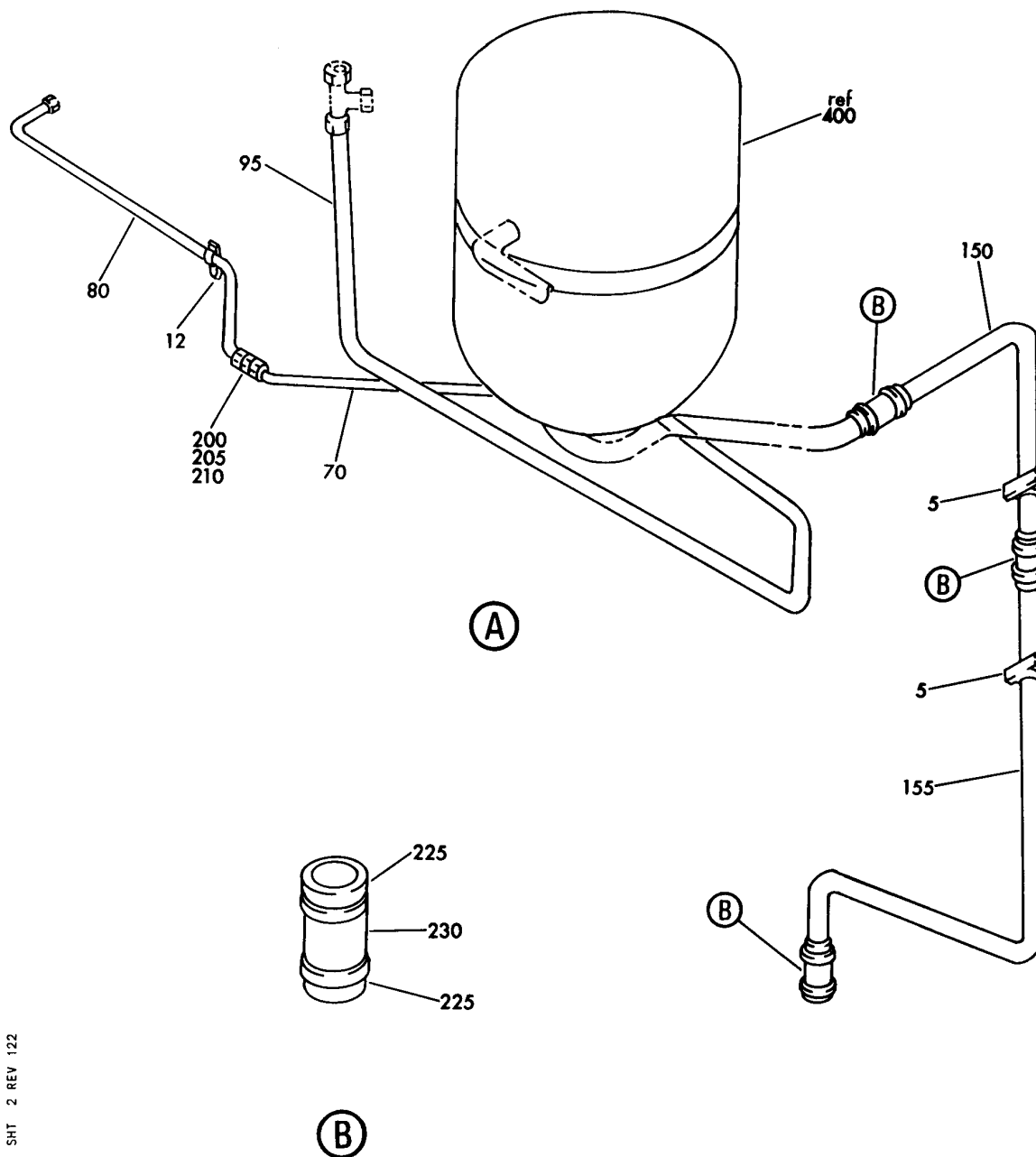
HYDRAULIC INSTL-SECT. 45 (SYSTEM C HYDRAULIC RESERVOIR ONLY)
FIGURE 2 (SHEET 1)

29-11-21-02

HXL
DEC 22/06

29-11-21-02
PAGE 0

BOEING
767
PARTS CATALOG (MAINTENANCE)



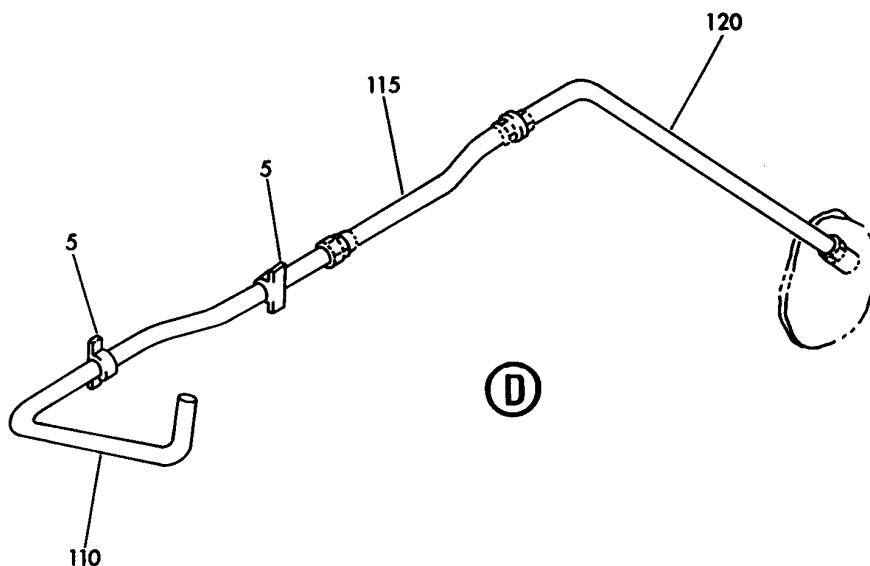
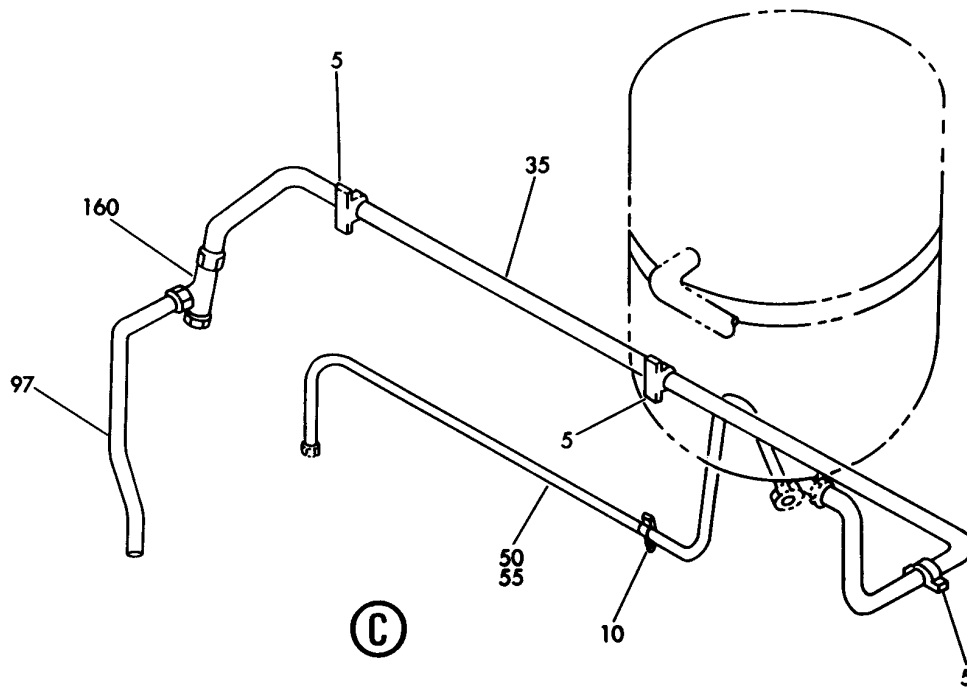
V 29112102 SHT 2 REV 122

HYDRAULIC INSTL-SECT. 45 (SYSTEM C HYDRAULIC RESERVOIR ONLY)
FIGURE 2 (SHEET 2)

29-11-21-02

HXL
DEC 22/06

29-11-21-02
PAGE 0A



V 29112102 SHT 3 REV 122

HYDRAULIC INSTL-SECT. 45 (SYSTEM C HYDRAULIC RESERVOIR ONLY)
FIGURE 2 (SHEET 3)

29-11-21-02

BOEING
767
PARTS CATALOG (MAINTENANCE)

FIG ITEM	PART NUMBER	1 2 3 4 5 6 7	NOMENCLATURE	EFFECT FROM TO	UNITS PER ASSY
2			HYDRAULIC INSTL-SECT. 45 (SYSTEM C HYDRAULIC RESERVOIR ONLY)		
- 2	272T4500-3		HYDRAULIC INSTL-(SYSTEM C HYDRAULIC RESERVOIR ONLY) POSITION DATA: SECT. 45 VARIABLE DRAWING REF: 272T4500-5191		RF
- 2	272T4500-3		HYDRAULIC INSTL-(SYSTEM C HYDRAULIC RESERVOIR ONLY) POSITION DATA: SECT. 45 VARIABLE DRAWING REF: 272T4500-5274 272T4500-5278 272T4500-7002 FOR NHA/OTHER SYS DET SEE: 29-00-00-06		RF
5	TA0910004H120		.CLAMP SUPPLIER CODE: V84971 SPECIFICATION NUMBER: BACC10HB20C		7
10	TA0910004H112		.CLAMP SUPPLIER CODE: V84971 SPECIFICATION NUMBER: BACC10HB12C		1
12	TA0910004H106		.CLAMP SUPPLIER CODE: V84971 SPECIFICATION NUMBER: BACC10HB06C		1
- 15	NAS1801-3-9		ATTACHING PARTS .SCREW		2
- 25	AN960PD10L		.WASHER		2
			-----*-----		
35	272T4500-767		.TUBE ASSY-SUPPLY CTR SYS TUBING MATERIAL: 1.25 IN. OD .035 IN. WALL 84.00 IN. LG ALUMINUM		1

ILLUSTRATION ITEMS NOT ON PARTS LIST ARE NOT APPLICABLE

- ITEM NOT ILLUSTRATED

HXL

29-11-21-02

BOEING PROPRIETARY - Copyright © - Unpublished Work - See title page for details.

29-11-21
FIG. 02
PAGE 1
DEC 22/07

BOEING
767
PARTS CATALOG (MAINTENANCE)

FIG ITEM	PART NUMBER	1 2 3 4 5 6 7	NOMENCLATURE	EFFECT FROM TO	UNITS PER ASSY
2 - 40	DBOS13BD20HP		.. SLEEVE SUPPLIER CODE: V14798 SPECIFICATION NUMBER: BACS13BD20HP OPTIONAL PART: 118-10722-20-00 V88334 2-02901-20HP V11328 2-02901-20HP V70195 35044VN20 V08199 4690008-20-2 V45681 4690008-20-2 V92003 AFP176V20HP V30974 35044V20HP V08199		2
- 45 50	BACN10YL20 272T4500-745		.. NUT .TUBE ASSY- TUBING MATERIAL: .750 IN. OD .035 IN. WALL 43.00 IN. LG ALUMINUM		2 1
- 60	AP2097HP12		.. SLEEVE SUPPLIER CODE: V01673 SPECIFICATION NUMBER: BACS13BX12HP OPTIONAL PART: 2-02903-12HP V11328 35235VN12 V08199 AFP175V12P V30974 DBOS13BX12HP V14798		2
- 65 70	BACN10YL12 272T4500-746		.. NUT- .TUBE ASSY- TUBING MATERIAL: .375 IN. OD .035 IN. WALL 22.00 IN. LG ALUMINUM		2 1

ILLUSTRATION ITEMS NOT ON PARTS LIST ARE NOT APPLICABLE

- ITEM NOT ILLUSTRATED

HXL

29-11-21-02

BOEING PROPRIETARY - Copyright © - Unpublished Work - See title page for details.

29-11-21
FIG. 02
PAGE 2
DEC 22/07



767

PARTS CATALOG (MAINTENANCE)

FIG ITEM	PART NUMBER	1 2 3 4 5 6 7	NOMENCLATURE	EFFECT FROM TO	UNITS PER ASSY
2	80 272T4500-632		.TUBE ASSY-RETURN CTR SYS TUBING MATERIAL: .375 IN. OD .035 IN. WALL 31.00 IN. LG ALUMINUM		1
- 85	AP2097HP06		..SLEEVE SUPPLIER CODE: V01673 SPECIFICATION NUMBER: BACS13BX06HP OPTIONAL PART: 2-02903-06HP V11328 35235VN06 V08199 AFP175V06P V30974 DBOS13BX06HP V14798		2
- 90	BACN10YL06		..NUT-		2
95	272T4500-757		.TUBE ASSY- TUBING MATERIAL: 1.00 IN. OD .035 IN. WALL 64.00 IN. LG ALUMINUM		1
97	272T4500-626		.TUBE ASSY- TUBING MATERIAL: 1.00 IN. OD .035 IN. WALL 21.00 IN. LG AL		1
- 100	AP2097HP16		..SLEEVE SUPPLIER CODE: V01673 SPECIFICATION NUMBER: BACS13BX16HP OPTIONAL PART: 2-02903-16HP V11328 35235VN16 V08199 AFP175V16P V30974 DBOS13BX16HP V14798		2
- 105	BACN10YL16		..NUT-		2
110	272T4500-771		.TUBE ASSY- TUBING MATERIAL: 1.25 IN. OD .035 IN. WALL 57.00 IN. LG ALUMINUM		1

ILLUSTRATION ITEMS NOT ON PARTS LIST ARE NOT APPLICABLE

- ITEM NOT ILLUSTRATED

29-11-21-02

29-11-21
FIG. 02
PAGE 3
DEC 22/07

HXL



767

PARTS CATALOG (MAINTENANCE)

FIG ITEM	PART NUMBER	1 2 3 4 5 6 7	NOMENCLATURE	EFFECT FROM TO	UNITS PER ASSY
2 115	272T4500-624		.TUBE ASSY- TUBING MATERIAL: 1.25 IN. OD .035 IN. WALL 19.00 IN. LG AL		1
120	272T4500-732		.TUBE ASSY- TUBING MATERIAL: 1.25 IN. OD .035 IN. WALL 19.50 IN. LG AL		1
- 125	DB0S13BD20HP		..SLEEVE- SUPPLIER CODE: V14798 SPECIFICATION NUMBER: BACS13BD20HP OPTIONAL PART: 118-10722-20-00 V88334 2-02901-20HP V11328 2-02901-20HP V70195 35044VN20 V08199 4690008-20-2 V45681 4690008-20-2 V92003 AFP176V20HP V30974 35044V20HP V08199 USED ON: 272T4500-623 272T4500-625 272T4500-732 272T4500-771		2

ILLUSTRATION ITEMS NOT ON PARTS LIST ARE NOT APPLICABLE

- ITEM NOT ILLUSTRATED

HXL

29-11-21-02

BOEING PROPRIETARY - Copyright © - Unpublished Work - See title page for details.

29-11-21
FIG. 02
PAGE 4
DEC 22/07



767

PARTS CATALOG (MAINTENANCE)

FIG ITEM	PART NUMBER	1 2 3 4 5 6 7	NOMENCLATURE	EFFECT FROM TO	UNITS PER ASSY
2 - 130	DB0S13BD20HP		.. SLEEVE- SUPPLIER CODE: V14798 SPECIFICATION NUMBER: BACS13BD20HP OPTIONAL PART: 118-10722-20-00 V88334 2-02901-20HP V11328 2-02901-20HP V70195 35044VN20 V08199 4690008-20-2 V45681 4690008-20-2 V92003 AFP176V20HP V30974 35044V20HP V08199 USED ON: 272T4500-624		1
- 135	BACN10YL20		.. NUT- USED ON: 272T4500-623 272T4500-625 272T4500-732 272T4500-771		2
- 140	BACN10YL20		.. NUT- USED ON: 272T4500-624		1

ILLUSTRATION ITEMS NOT ON PARTS LIST ARE NOT APPLICABLE

- ITEM NOT ILLUSTRATED

HXL

29-11-21-02

BOEING PROPRIETARY - Copyright © - Unpublished Work - See title page for details.

29-11-21
 FIG. 02
 PAGE 5
 DEC 22/07



767

PARTS CATALOG (MAINTENANCE)

FIG ITEM	PART NUMBER	1 2 3 4 5 6 7	NOMENCLATURE	EFFECT FROM TO	UNITS PER ASSY
2 - 145	35056GV20		..UNION- SUPPLIER CODE: V08199 SPECIFICATION NUMBER: BACU24AB20W OPTIONAL PART: 4671097W20 V50948 2-01027-20W V11328 31875-20W V14397 AP1004W20 V01673 AFP941W20 V30974 DBOU24AB20W V14798 USED ON: 272T4500-624		1
150	272T4500-618		.TUBE ASSY-VENT CTR SYS TUBING MATERIAL: 1.25 IN. OD .035 IN. WALL 36.00 IN. LG AL		1
155	272T4500-619		.TUBE ASSY-VENT CTR SYS TUBING MATERIAL: 1.25 IN. OD .035 IN. WALL 56.00 IN. LG AL		1

ILLUSTRATION ITEMS NOT ON PARTS LIST ARE NOT APPLICABLE

- ITEM NOT ILLUSTRATED

HXL

29-11-21-02

BOEING PROPRIETARY - Copyright © - Unpublished Work - See title page for details.

29-11-21
FIG. 02
PAGE 6
DEC 22/07

BOEING
767
PARTS CATALOG (MAINTENANCE)

FIG ITEM	PART NUMBER	1 2 3 4 5 6 7	NOMENCLATURE	EFFECT FROM TO	UNITS PER ASSY
2 160	APX824D202016	. TEE	SUPPLIER CODE: V01673 SPECIFICATION NUMBER: BACT16AS202016D OPTIONAL PART: APX824-202016D V01673 DBOT16AS202016D V14798 ER824-202016D V50948 FER1571-202016D V14397 LER824-202016D V11328 NAF1824-202016D V52930 US1925-202016D V50808 AFP325-202016D V30974 ATTACHING PARTS		1
205	NAS1801-3-8	. SCREW			1
210	AN960PD10L	. WASHER			1
- 220	272T3105-1	-----*----- . COUPLING INSTL			3
225	AN737TW58	. . CLAMP-			2
230	270T0004-1115	. . COUPLING			1
400	271T4550-3	. RESERVOIR INSTL-SYS POSITION DATA: CTR FOR DETAILS SEE: 29-11-21-01			1

ILLUSTRATION ITEMS NOT ON PARTS LIST ARE NOT APPLICABLE

- ITEM NOT ILLUSTRATED

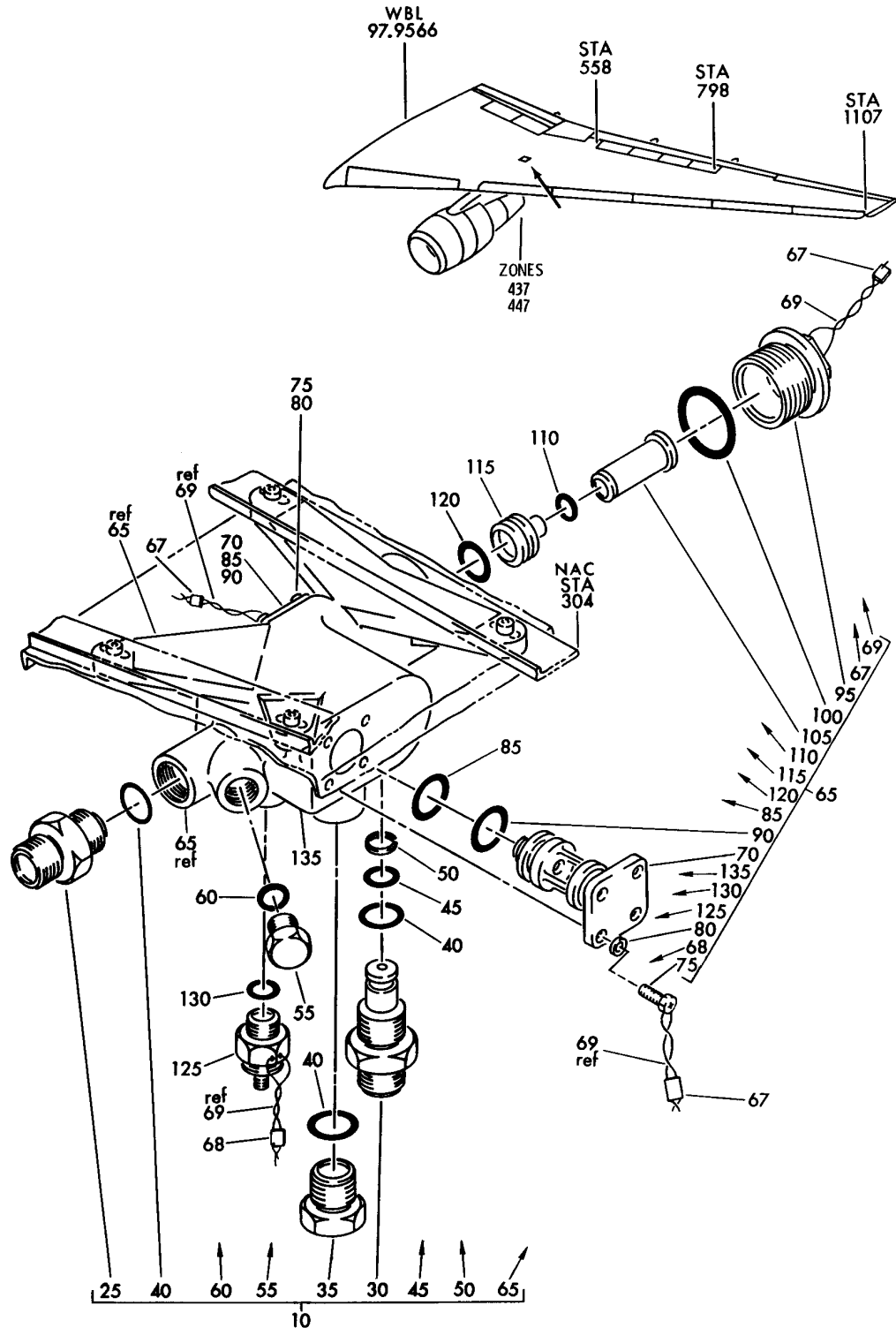
HXL

29-11-21-02

BOEING PROPRIETARY - Copyright © - Unpublished Work - See title page for details.

29-11-21
FIG. 02
PAGE 7
DEC 22/07

BOEING
767
PARTS CATALOG (MAINTENANCE)



MODULE INSTL-RSVR PRESSURIZATION
FIGURE 1

29-11-25-01



767

PARTS CATALOG (MAINTENANCE)

FIG ITEM	PART NUMBER	1 2 3 4 5 6 7	NOMENCLATURE	EFFECT FROM TO	UNITS PER ASSY
1			MODULE INSTL-RSVR PRESSURIZATION		
- 1	271T5220-5		MODULE INSTL-RSVR PRESSURIZATION FOR NHA SEE: 29-11-25-02		RF
- 5	271T5220-6		MODULE INSTL-RSVR PRESSURIZATION FOR NHA SEE: 29-11-25-04		RF
10	271T5220-4		.MODULE ASSY-		1
10	271T5220-9		.MODULE ASSY-		1
- 15	NAS6604-6		ATTACHING PARTS .BOLT		4
- 20	AN960-416L		.WASHER		4
			-----*-----		
25	BACU24K6		..UNION		1
30	69B83895-1		..ADAPTER		1
35	AN814-6D		..PLUG		1
40	NAS1612-6		..PACKING-		3
45	NAS1611-011		..PACKING-		1
50	C11236-011B		..RING		1
			SUPPLIER CODE: V26879		
			SPECIFICATION NUMBER: BACR12BM011		
			OPTIONAL PART: RMR12BM011		
			V94878		
			STF800-011		
			V02107		
			S30294-011-1		
			V97820		
			TF450-011A		
			V07128		
			2100-011		
			V26303		
55	AN814-4D		..PLUG		1
60	NAS1612-4		..PACKING-		1

ILLUSTRATION ITEMS NOT ON PARTS LIST ARE NOT APPLICABLE

- ITEM NOT ILLUSTRATED

HXL

29-11-25-01

BOEING PROPRIETARY - Copyright © - Unpublished Work - See title page for details.

29-11-25
FIG. 01
PAGE 1
DEC 22/07

BOEING
767
PARTS CATALOG (MAINTENANCE)

FIG ITEM	PART NUMBER	1 2 3 4 5 6 7	NOMENCLATURE	EFFECT FROM TO	UNITS PER ASSY
1					
65	732-11610-01	..	MODULE ASSY-GSE FOR SUPPLIER CODE: VS4096 SPECIFICATION NUMBER: 60B00226-4 FOR ELEMENT MAINTENANCE USE FILTER MAINT KIT DEFINED IN FILTER MAINT KIT LIST. FILTER MAINTENANCE KIT REF: 63B10463-20 COMPONENT MAINT MANUAL REF: 29-20-02		1
65	732-11610-02	..	MODULE ASSY- SUPPLIER CODE: VS4096 FUNCTIONAL DESCRIPTION: FILTER THE RESERVOIR PRESSURIZATION AIR AND TRAP AIR WITHIN THE RESERVOIR SPECIFICATION NUMBER: 60B00226-6 FOR ELEMENT MAINTENANCE USE FILTER MAINT KIT DEFINED IN FILTER MAINT KIT LIST. FILTER MAINTENANCE KIT REF: 63B10463-20 COMPONENT MAINT MANUAL REF: 29-20-02		1
67	733-73000	...	SEAL- SUPPLIER CODE: VS4096		3
68	733-73000	...	SEAL- SUPPLIER CODE: VS4096		1
69	MS20995NC32	...	LOCK WIRE		AR
70	2810039-101	...	VALVE-CHK SUPPLIER CODE: V92003 SPECIFICATION NUMBER: 60B00278-1 COMPONENT MAINT MANUAL REF: 29-10-33 ATTACHING PARTS		2
75	MS24678-10	...	SCREW		8
80	AN960-10L	...	WASHER -----*-----		8
85	NAS1611-212	...	PACKING-		2
90	NAS1611-213	...	PACKING-		2
ILLUSTRATION ITEMS NOT ON PARTS LIST ARE NOT APPLICABLE					

— ITEM NOT ILLUSTRATED

HXL

29-11-25-01

BOEING PROPRIETARY - Copyright © - Unpublished Work - See title page for details.

29-11-25
FIG. 01
PAGE 2
DEC 22/06



767

PARTS CATALOG (MAINTENANCE)

FIG ITEM	PART NUMBER	1 2 3 4 5 6 7	NOMENCLATURE	EFFECT FROM TO	UNITS PER ASSY
1					
95	732-11613		...CAP-FILTER SUPPLIER CODE: VS4096		1
100	NAS1611-216		...PACKING-		1
105	7553848		...ELEMENT-FILTER SUPPLIER CODE: V05228 OPTIONAL PART: 043046 V90005		1
105	043046		...ELEMENT-FILTER SUPPLIER CODE: V90005 OPTIONAL PART: 7553848 V81321		1
110	NAS1611-012		...PACKING-		1
115	732-11614		...RESTRICTOR- SUPPLIER CODE: VS4096		1
120	NAS1611-115		...PACKING-		1
125	P59-228		...VALVE-BLEED SUPPLIER CODE: V91816 QUALIFIED I/W DATA: P/N'S P59-228 AND HV22-31 ARE I/W ON 60B00226 ONLY		1
125	HV22-31		...VALVE-BLEED SUPPLIER CODE: V91816 FUNCTIONAL DESCRIPTION: PERMITS OPERATOR TO BLEED OFF AIR AND OR AIR-OIL MIXTURE FROM HYDRAULIC SYSTEM SPECIFICATION NUMBER: S271U122-1 QUALIFIED I/W DATA: P/N'S P59-228 AND HV22-31 ARE I/W ON 60B00226 ONLY		1
130	NAS1612-4		...PACKING-		1
135	732-11612		...MANIFOLD ASSY- SUPPLIER CODE: VS4096		1

ILLUSTRATION ITEMS NOT ON PARTS LIST ARE NOT APPLICABLE

- ITEM NOT ILLUSTRATED

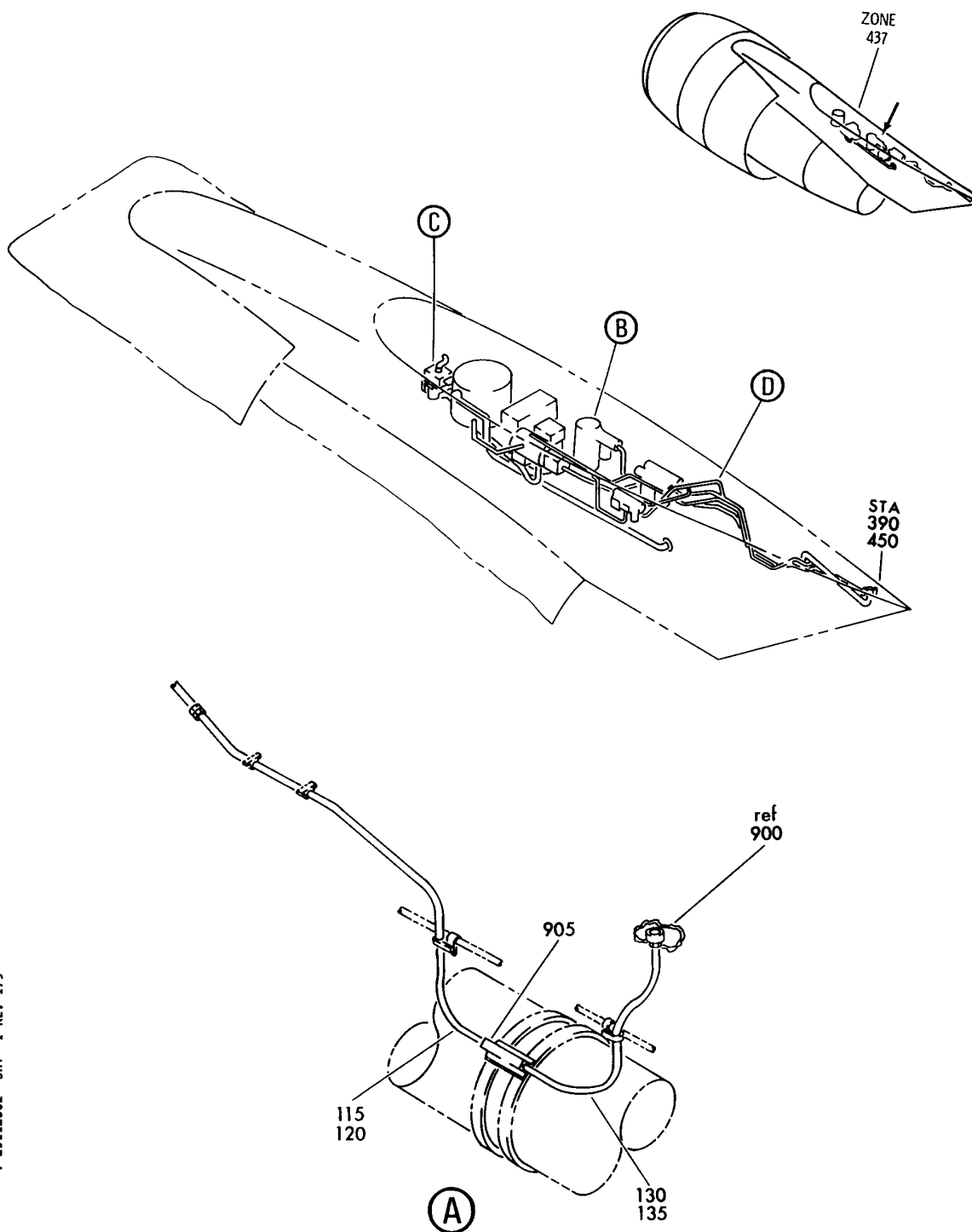
HXL

29-11-25-01

BOEING PROPRIETARY - Copyright © - Unpublished Work - See title page for details.

29-11-25
FIG. 01
PAGE 3
DEC 22/06

BOEING
767
PARTS CATALOG (MAINTENANCE)



V 29112502 SHT 1 REV 179

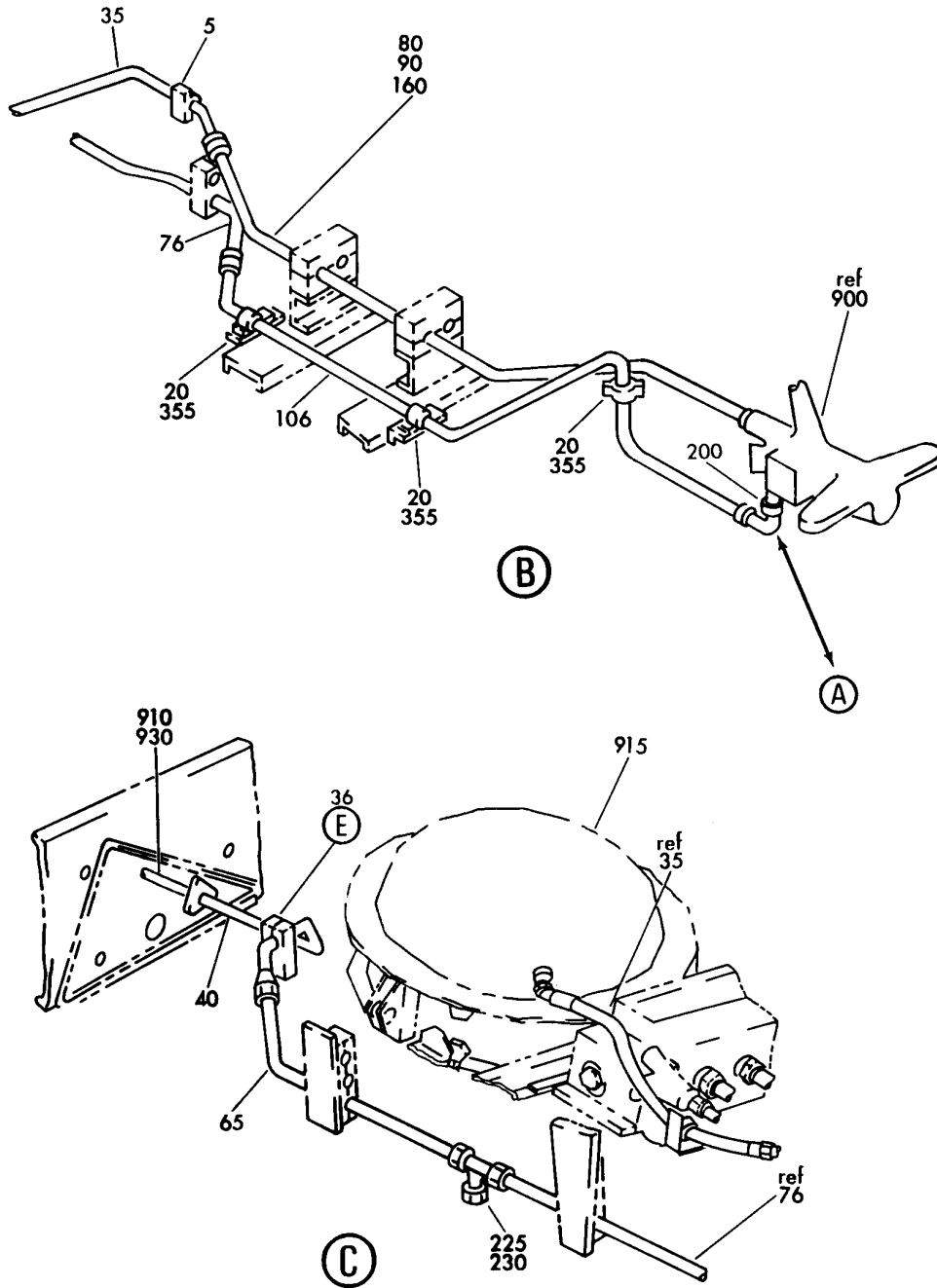
HYDRAULIC INSTL-SECT. 31 ENGINE AFT FAIRING (LH) (RESERVOIR PRESSURIZATION ONLY)
FIGURE 2 (SHEET 1)

29-11-25-02

HXL
DEC 22/06

29-11-25-02
PAGE 0

BOEING
767
PARTS CATALOG (MAINTENANCE)



V 29112502 SHT 2 REV 179

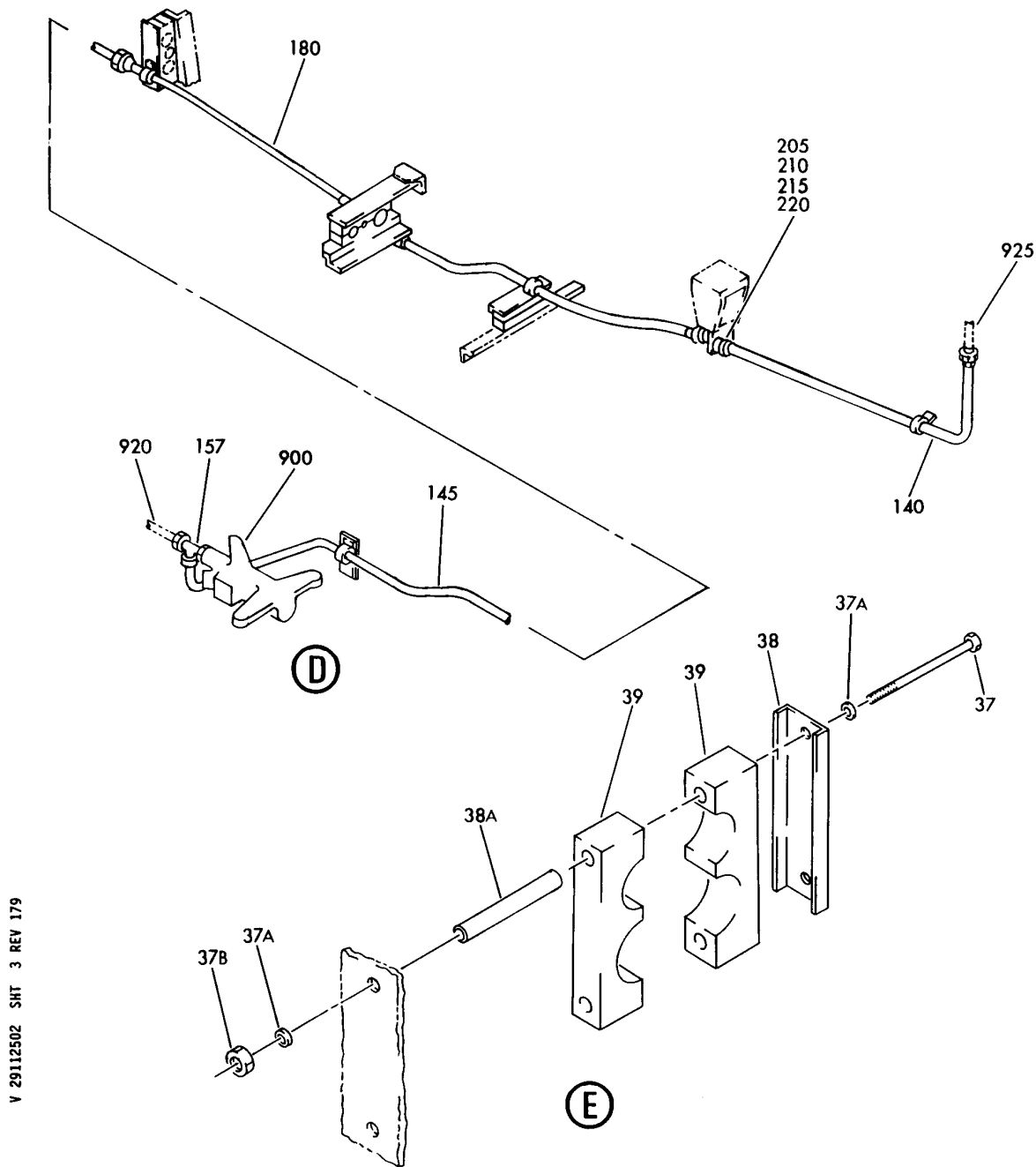
HYDRAULIC INSTL-SECT. 31 ENGINE AFT FAIRING (LH) (RESERVOIR PRESSURIZATION ONLY)
FIGURE 2 (SHEET 2)

HXL
DEC 22/06

29-11-25-02

29-11-25-02
PAGE 0A

BOEING
767
PARTS CATALOG (MAINTENANCE)



V 29112502 SHT 3 REV 179

HYDRAULIC INSTL-SECT. 31 ENGINE AFT FAIRING (LH) (RESERVOIR PRESSURIZATION ONLY)
FIGURE 2 (SHEET 3)

29-11-25-02

HXL
DEC 22/06

29-11-25-02
PAGE 0B



767

PARTS CATALOG (MAINTENANCE)

FIG ITEM	PART NUMBER	1 2 3 4 5 6 7	NOMENCLATURE	EFFECT FROM TO	UNITS PER ASSY
2			HYDRAULIC INSTL-SECT. 31 ENGINE AFT FAIRING (LH) (RESERVOIR PRESSURIZATION ONLY)		
- 1	272T3100-5		HYDRAULIC INSTL-ENG FAIRING STRUT (RESERVOIR PRESSURIZATION ONLY) POSITION DATA: SECT. 31 AFT L MISCELLANEOUS DATA: (PRATT & WHITNEY) VARIABLE DRAWING REF: 272T3100-5317 272T3100-5347 272T3100-5361 272T3100-7003 FOR NHA/OTHER SYS DET SEE: 29-00-00-04		RF
	5 M85052-2-8		.CLAMP- ATTACHING PARTS		1
- 10	NAS1801-3-9		.SCREW		1
- 15	AN960PD10L		.WASHER		1
	20 TA0910004H106		-----*----- .CLAMP SUPPLIER CODE: V84971 SPECIFICATION NUMBER: BACC10HB06C ATTACHING PARTS		3
- 25	NAS1801-3-9		.SCREW		2
- 30	AN960PD10L		.WASHER		2
	35 AS116-06K0204		.HOSE ASSY-		1
	36 270T0005-225		.BLOCK ASSY-SPRT		1
	37 NAS1801-3-24		..SCREW		2
37A	AN960PD10L		..WASHER		4

ILLUSTRATION ITEMS NOT ON PARTS LIST ARE NOT APPLICABLE

- ITEM NOT ILLUSTRATED

HXL

29-11-25-02

BOEING PROPRIETARY - Copyright © - Unpublished Work - See title page for details.

29-11-25
FIG. 02
PAGE 1
DEC 22/07

 **BOEING**
767
PARTS CATALOG (MAINTENANCE)

FIG ITEM	PART NUMBER	1 2 3 4 5 6 7	NOMENCLATURE	EFFECT FROM TO	UNITS PER ASSY
2 37B	BRH10A3		.. NUT SUPPLIER CODE: V52828 SPECIFICATION NUMBER: BACN10JC3 OPTIONAL PART: H10-3BAC V15653 NS202101-02 V80539 RMLH9075-3W V72962 VN303A02 V92215 96-02 V80539 T6S1032J V11815		2
38	65B80254-320		.. CHANNEL		1
38A	NAS43DD3-68		.. SPACER		2
39	65B80254-232		.. BLOCK-CLAMP		2
40	272T3117-20		.TUBE ASSY- TUBING MATERIAL: .375 IN. OD .020 IN. WALL 30.00 IN. LG STEEL ATTACHING PARTS		1
- 45	BACB30NM3K4		.BOLT		3
- 50	AN960PD10L		.WASHER		3
			-----*-----		
- 55	35056V06		.. UNION SUPPLIER CODE: V08199 SPECIFICATION NUMBER: BACU24AB6H OPTIONAL PART: 2-01027-6H V11328 31875-6H V14397 4671097H6 V50948 AP1004H06 V01673 AFP941H6 V30974 DBOU24AB6H V14798		1

ILLUSTRATION ITEMS NOT ON PARTS LIST ARE NOT APPLICABLE

- ITEM NOT ILLUSTRATED

HXL

29-11-25-02

29-11-25
FIG. 02
PAGE 2
DEC 22/07



767

PARTS CATALOG (MAINTENANCE)

FIG ITEM	PART NUMBER	1 2 3 4 5 6 7	NOMENCLATURE	EFFECT FROM TO	UNITS PER ASSY
2	65 272T3100-181		.TUBE ASSY- TUBING MATERIAL: .375 IN. OD .020 IN. WALL 11.00 IN. LG STEEL		1
- 70	AP2097HP06		..SLEEVE SUPPLIER CODE: V01673 SPECIFICATION NUMBER: BACS13BX06HP OPTIONAL PART: 2-02903-06HP V11328 35235VN06 V08199 AFP175V06P V30974 DBOS13BX06HP V14798		2
- 75	BACN10YA6		..NUT		2
76	272T3100-177		.TUBE ASSY- TUBING MATERIAL: .375 IN. OD .020 IN. WALL 22.00 IN. LG STEEL		1
- 77	AP2097HP06		..SLEEVE SUPPLIER CODE: V01673 SPECIFICATION NUMBER: BACS13BX06HP OPTIONAL PART: 2-02903-06HP V11328 35235VN06 V08199 AFP175V06P V30974 DBOS13BX06HP V14798		1

ILLUSTRATION ITEMS NOT ON PARTS LIST ARE NOT APPLICABLE

- ITEM NOT ILLUSTRATED

HXL

29-11-25-02

BOEING PROPRIETARY - Copyright © - Unpublished Work - See title page for details.

29-11-25
FIG. 02
PAGE 3
DEC 22/06



767

PARTS CATALOG (MAINTENANCE)

FIG ITEM	PART NUMBER	1 2 3 4 5 6 7	NOMENCLATURE	EFFECT FROM TO	UNITS PER ASSY
2					
- 78	35056V06		.. UNION SUPPLIER CODE: V08199 SPECIFICATION NUMBER: BACU24AB6H OPTIONAL PART: 2-01027-6H V11328 31875-6H V14397 4671097H6 V50948 AP1004H06 V01673 AFP941H6 V30974 DBOU24AB6H V14798		1
- 79	BACN10YA6		.. NUT		1
90	272T3100-431		.TUBE ASSY- TUBING MATERIAL: .375 IN. OD .020 IN. WALL 29.00 IN. LG STEEL		1
- 95	AP2097HP06		.. SLEEVE SUPPLIER CODE: V01673 SPECIFICATION NUMBER: BACS13BX06HP OPTIONAL PART: 2-02903-06HP V11328 35235VN06 V08199 AFP175V06P V30974 DBOS13BX06HP V14798		1

ILLUSTRATION ITEMS NOT ON PARTS LIST ARE NOT APPLICABLE

- ITEM NOT ILLUSTRATED

HXL

29-11-25-02

BOEING PROPRIETARY - Copyright © - Unpublished Work - See title page for details.

29-11-25
 FIG. 02
 PAGE 4
 DEC 22/06



767

PARTS CATALOG (MAINTENANCE)

FIG ITEM	PART NUMBER	1 2 3 4 5 6 7	NOMENCLATURE	EFFECT FROM TO	UNITS PER ASSY
2 - 100	35056V06		..UNION SUPPLIER CODE: V08199 SPECIFICATION NUMBER: BACU24AB6H OPTIONAL PART: 2-01027-6H V11328 31875-6H V14397 4671097H6 V50948 AP1004H06 V01673 AFP941H6 V30974 DBOU24AB6H V14798		1
- 104	BACN10YA6N		..NUT		1
115	272T3100-163		.TUBE ASSY- TUBING MATERIAL: .375 IN. OD .020 IN. WALL 41.00 IN. LG STEEL		1
130	272T3100-165		.TUBE ASSY- TUBING MATERIAL: .375 IN. OD .020 IN. WALL 14.00 IN. LG STEEL		1
- 136	AP2097HP06		..SLEEVE SUPPLIER CODE: V01673 SPECIFICATION NUMBER: BACS13BX06HP OPTIONAL PART: 2-02903-06HP V11328 35235VN06 V08199 AFP175V06P V30974 DBOS13BX06HP V14798		2
- 137	BACN10YA6		..NUT		2
225	BACT16BL060606J		.TEE		1
230	69B83900-2		.CAP- MISCELLANEOUS DATA: NOT AN INITIAL PROVISIONING SPARE		1

ILLUSTRATION ITEMS NOT ON PARTS LIST ARE NOT APPLICABLE

- ITEM NOT ILLUSTRATED

29-11-25-02

29-11-25
FIG. 02
PAGE 5
DEC 22/06

HXL



767

PARTS CATALOG (MAINTENANCE)

FIG ITEM	PART NUMBER	1 2 3 4 5 6 7	NOMENCLATURE	EFFECT FROM TO	UNITS PER ASSY
2 900	271T5220-5		.MODULE INSTL-RSVR PRESSURIZATION FOR DETAILS SEE: 29-11-25-01		1
905	272T0170-7		.VALVE INSTL-RSVR PRESSURIZATION SHUTOFF FOR DETAILS SEE: 29-11-25-03		1
910			ILLUSTRATION REFERENCE: PLUMBING INSTL- HYDR AND FUEL STRUT (HYDRAULIC POWER ONLY) 29-11-51-02	155162	RF
915			ILLUSTRATION REFERENCE: RESERVOIR INSTL-ENG AFT FAIRING HYDR 29-11-20-01		RF
920			ILLUSTRATION REFERENCE: HYDRAULIC INSTL-SECT. 31 ENGINE AFT FAIRING (LH) (CASE DRAIN ACMP ONLY) 29-11-18-02		RF
925			ILLUSTRATION REFERENCE: HYDRAULIC INSTL-SECT. 12 (LH) (HYDRAULIC POWER ONLY) 29-11-77-01		RF

ILLUSTRATION ITEMS NOT ON PARTS LIST ARE NOT APPLICABLE

- ITEM NOT ILLUSTRATED

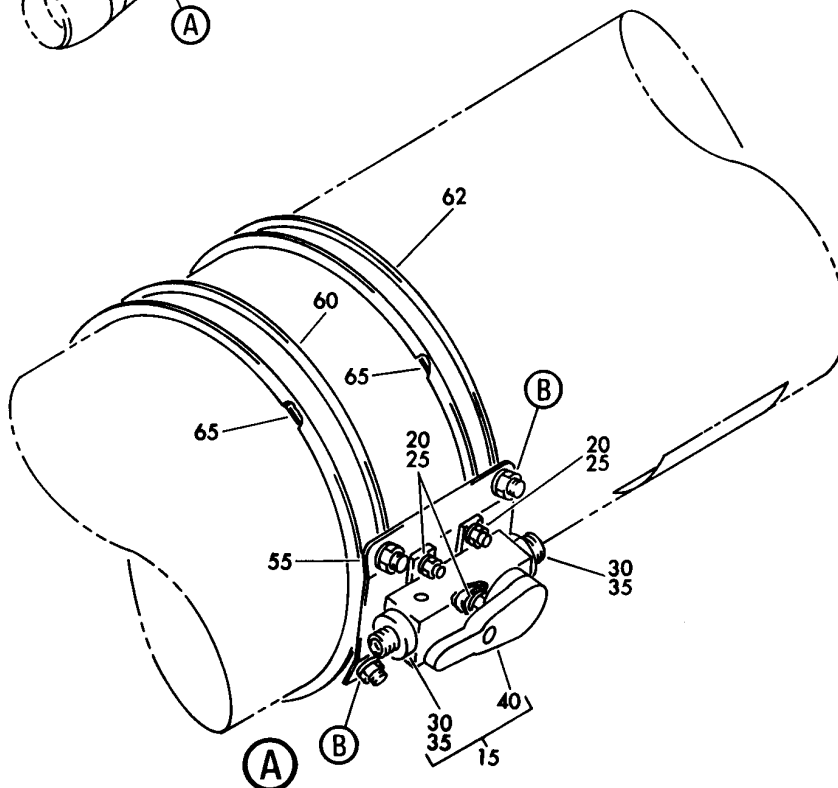
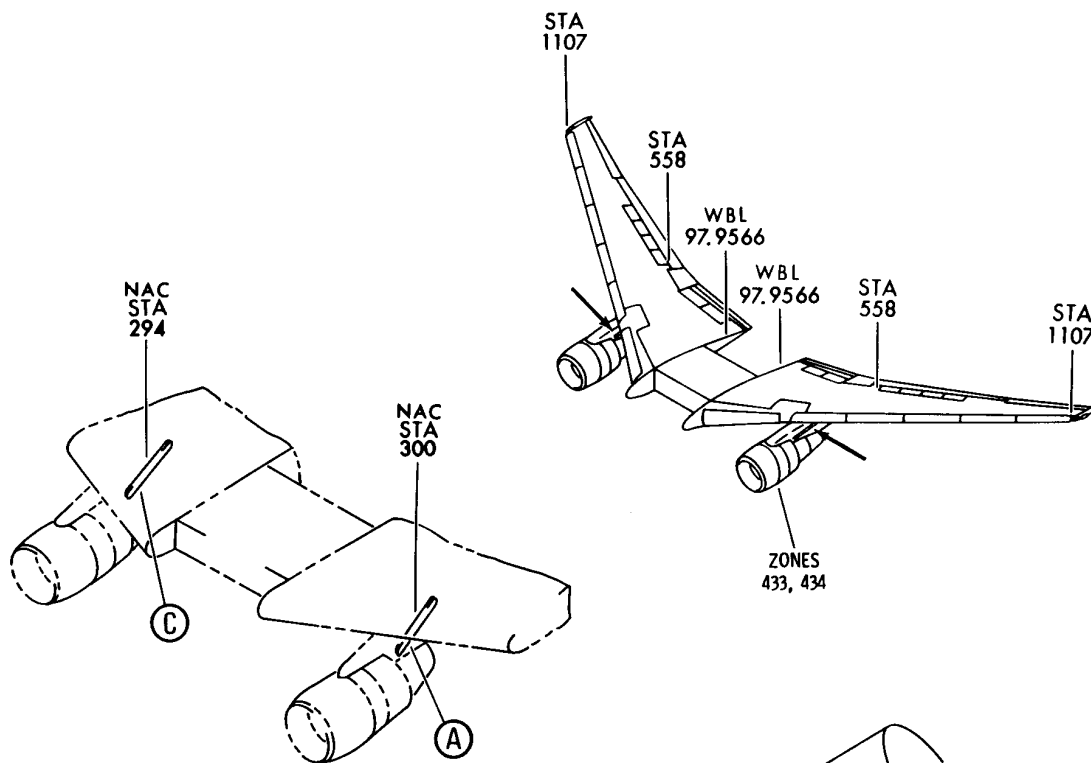
HXL

29-11-25-02

BOEING PROPRIETARY - Copyright © - Unpublished Work - See title page for details.

29-11-25
FIG. 02
PAGE 6
DEC 22/08

BOEING
767
PARTS CATALOG (MAINTENANCE)



V 29112503 SHT 1 REV 190

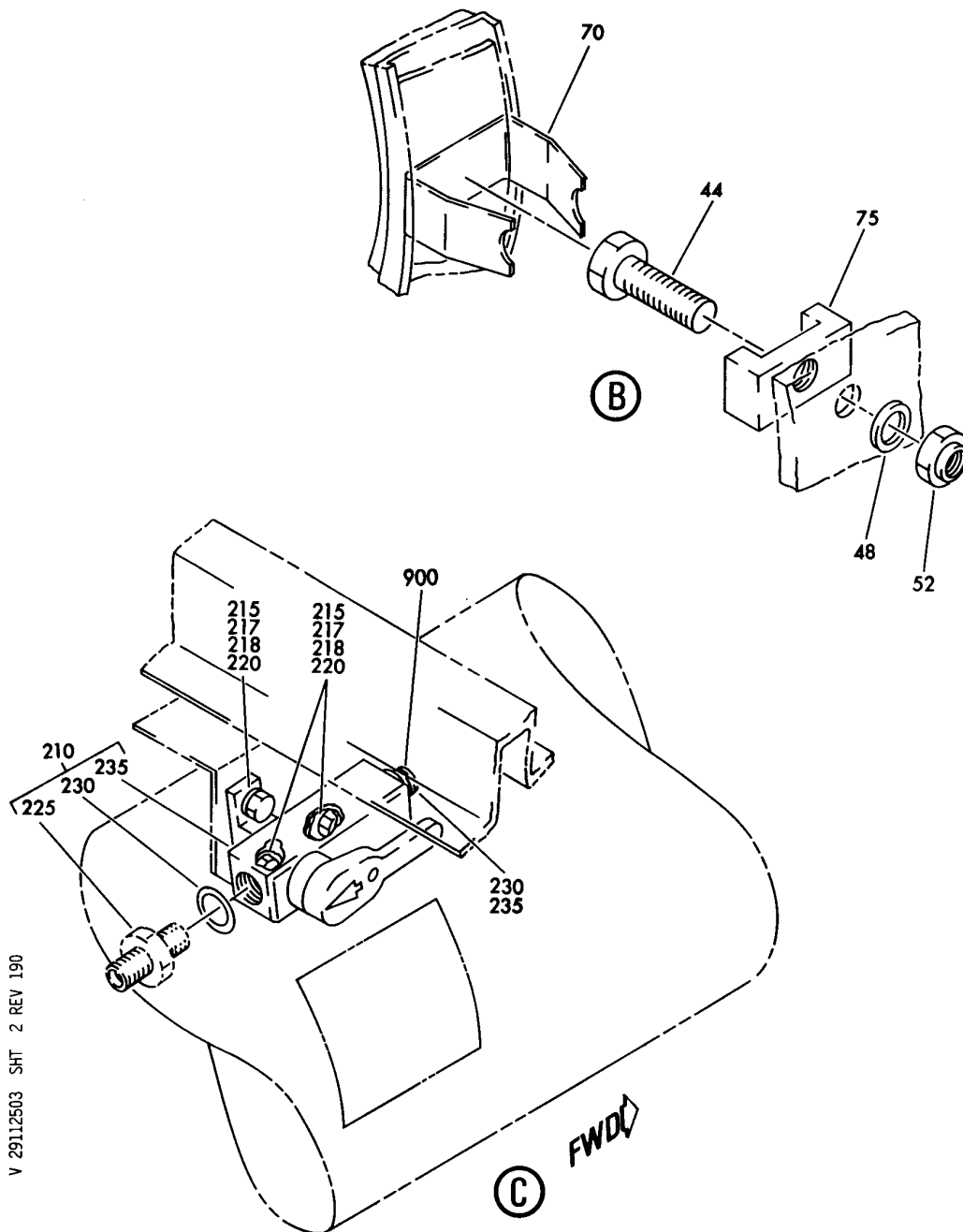
VALVE INSTL-SECT. 31 RSVR PRESSURIZATION SHUTOFF STRUT
FIGURE 3 (SHEET 1)

29-11-25-03

HXL
DEC 22/06

29-11-25-03
PAGE 0

BOEING
767
PARTS CATALOG (MAINTENANCE)



VALVE INSTL-SECT. 31 RSVR PRESSURIZATION SHUTOFF STRUT
FIGURE 3 (SHEET 2)

29-11-25-03

HXL
DEC 22/06

29-11-25-03
PAGE 0A

 **BOEING**
767
PARTS CATALOG (MAINTENANCE)

FIG ITEM	PART NUMBER	1 2 3 4 5 6 7	NOMENCLATURE	EFFECT FROM TO	UNITS PER ASSY
3			VALVE INSTL-SECT. 31 RSVR PRESSURIZATION SHUTOFF STRUT		
- 5	272T0170-7		VALVE INSTL-RSVR PRESSURIZATION SHUTOFF PRATT & WHITNEY STRUT POSITION DATA: SECT. 31 LH FOR NHA SEE: 29-11-25-02		RF
15	272T0170-4		. VALVE ASSY ATTACHING PARTS		1
20	AN960PD416L		. WASHER- USED ON: 272T0170-1 272T0170-3 272T0170-7 272T0170-9 272T0170-11 MODREF50386		3
25	BRH10A4		. NUT- SUPPLIER CODE: V52828 SPECIFICATION NUMBER: BACN10JC4 OPTIONAL PART: T6S428J V11815 96-048 V80539 VN303A048 V92215 RMLH9075-4W V72962 NS202101-048 V80539 H10-4BAC V15653 USED ON: 272T0170-1 272T0170-3 272T0170-7 272T0170-9 272T0170-11 MODREF50386		3
30	MS21902D6		-----*----- . . UNION		2
35	NAS1612-6		. . PACKING-		2
ILLUSTRATION ITEMS NOT ON PARTS LIST ARE NOT APPLICABLE					

- ITEM NOT ILLUSTRATED

HXL

29-11-25-03

BOEING PROPRIETARY - Copyright © - Unpublished Work - See title page for details.

29-11-25
FIG. 03
PAGE 1
APR 22/09



767

PARTS CATALOG (MAINTENANCE)

FIG ITEM	PART NUMBER	1 2 3 4 5 6 7	NOMENCLATURE	EFFECT FROM TO	UNITS PER ASSY
3	40 66950		.. VALVE- SUPPLIER CODE: V99643 SPECIFICATION NUMBER: S271T456-1 COMPONENT MAINT MANUAL REF: 29-11-01		1
	44 NAS6703-3		. BOLT- USED ON: 272T0170-1 272T0170-3 272T0170-7 272T0170-9 272T0170-11 272T0170-15 272T0170-17 MODREF50386 MODREF50382		4
	48 AN960PD10L		. WASHER- USED ON: 272T0170-1 272T0170-3 272T0170-7 272T0170-9 272T0170-11 MODREF50386		4

ILLUSTRATION ITEMS NOT ON PARTS LIST ARE NOT APPLICABLE

- ITEM NOT ILLUSTRATED

HXL

29-11-25-03

BOEING PROPRIETARY - Copyright © - Unpublished Work - See title page for details.

29-11-25
FIG. 03
PAGE 2
DEC 22/06



767

PARTS CATALOG (MAINTENANCE)

FIG ITEM	PART NUMBER	1 2 3 4 5 6 7	NOMENCLATURE	EFFECT FROM TO	UNITS PER ASSY
3					
52	BRH10A3		.NUT- SUPPLIER CODE: V52828 SPECIFICATION NUMBER: BACN10JC3 OPTIONAL PART: H10-3BAC V15653 NS202101-02 V80539 RMLH9075-3W V72962 VN303A02 V92215 96-02 V80539 T6S1032J V11815 USED ON: 272T0170-1 272T0170-3 272T0170-7 272T0170-9 272T0170-11 MODREF50386		4
55	272T0169-1		.BRACKET ASSY		1
62	BACC10BNA775LW		.CLAMP		1
65	287T1101-2		.CUSHION- USED ON: 272T0170-1 272T0170-7		2
70	287T1101-21		.CLIP- USED ON: 272T0170-7 272T0170-9 272T0170-11 272T0170-15 272T0170-17 MODREF50382 MODREF50386		4
75	BACB19F10S		.BLOCK- USED ON: 272T0170-1 272T0170-3		4

ILLUSTRATION ITEMS NOT ON PARTS LIST ARE NOT APPLICABLE

- ITEM NOT ILLUSTRATED

HXL

29-11-25-03

BOEING PROPRIETARY - Copyright © - Unpublished Work - See title page for details.

29-11-25
FIG. 03
PAGE 3
AUG 22/09

 **BOEING**
767
PARTS CATALOG (MAINTENANCE)

FIG ITEM	PART NUMBER	1 2 3 4 5 6 7	NOMENCLATURE	EFFECT FROM TO	UNITS PER ASSY
3	75 BACB19F10		.BLOCK- USED ON: 272T0170-7 272T0170-9 272T0170-11 272T0170-15 272T0170-17 MODREF50386 MODREF50382		4
- 200	272T0170-2		VALVE INSTL-RSVR PRESSURIZATION SHUTOFF STRUT POSITION DATA: SECT. 31 RIGHT FOR NHA SEE: 29-11-25-04		RF
210	272T0170-4		.VALVE ASSY ATTACHING PARTS		1
215	NAS6604-4		.BOLT		3
217	AN960PD416L		.WASHER -----*-----		3
225	MS21902D6		..UNION		2
230	NAS1612-6		..PACKING-		2
235	66950		..VALVE- SUPPLIER CODE: V99643 SPECIFICATION NUMBER: S271T456-1 COMPONENT MAINT MANUAL REF: 29-11-01		1

ILLUSTRATION ITEMS NOT ON PARTS LIST ARE NOT APPLICABLE

- ITEM NOT ILLUSTRATED

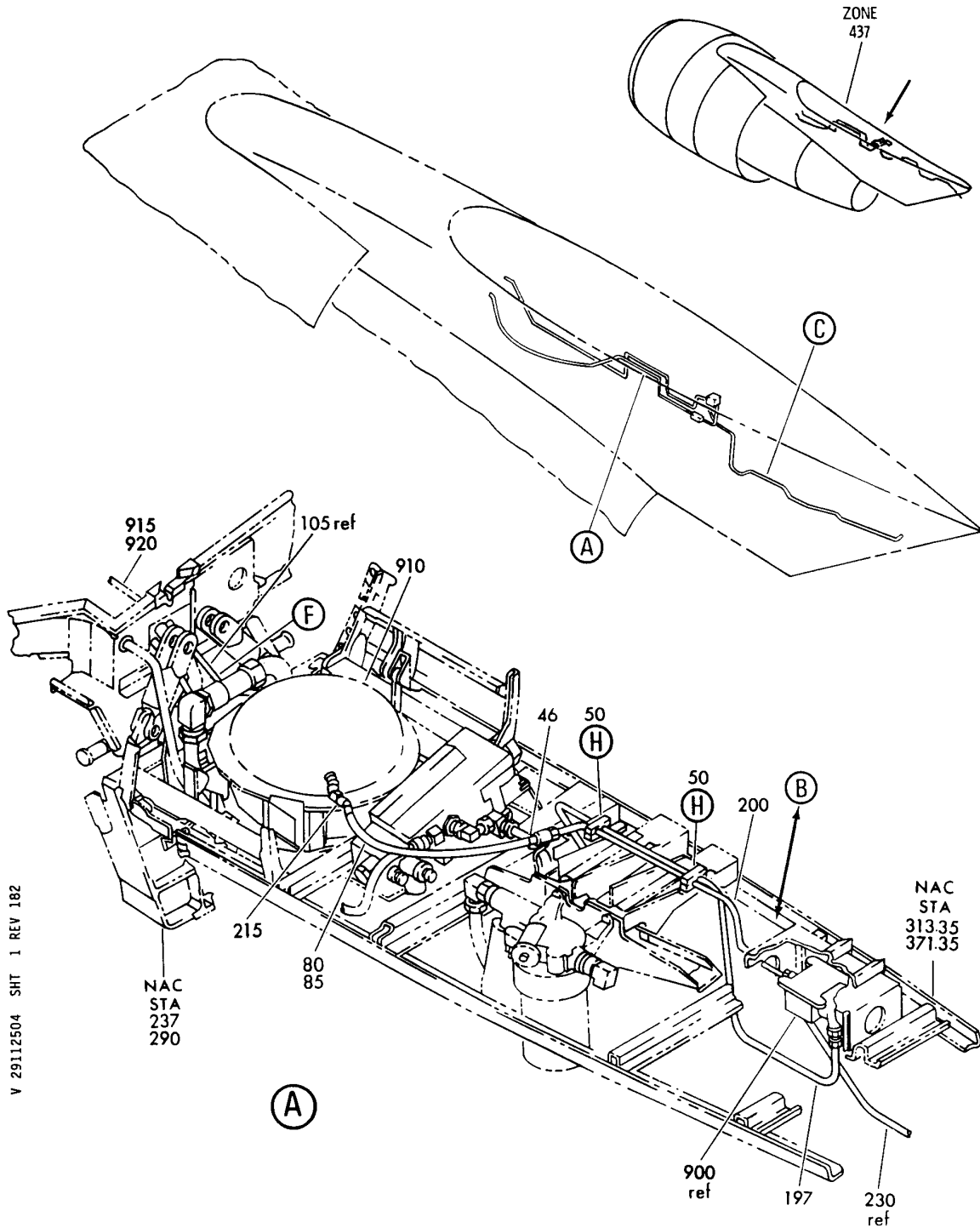
HXL

29-11-25-03

BOEING PROPRIETARY - Copyright © - Unpublished Work - See title page for details.

29-11-25
FIG. 03
PAGE 4
AUG 22/09

BOEING
767
PARTS CATALOG (MAINTENANCE)



V 29112504 SHT 1 REV 182

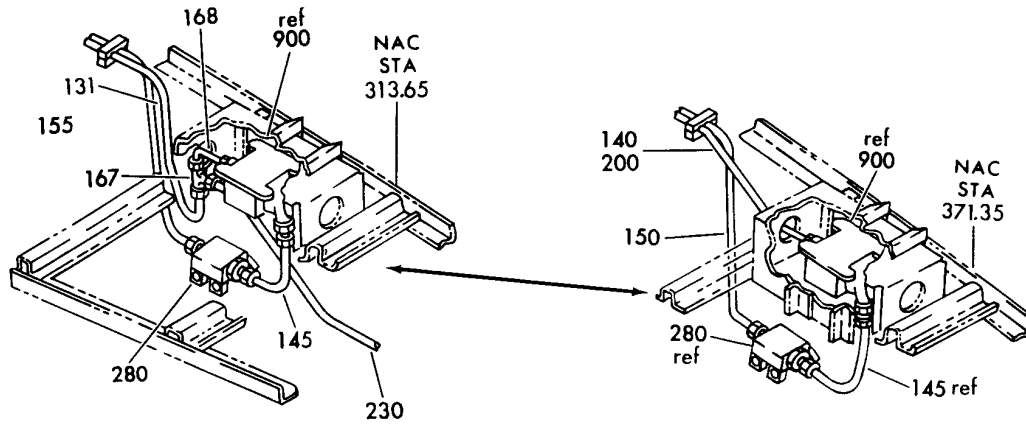
HYDRAULIC INSTL-SECT. 31 ENGINE AFT FAIRING (RH) (RESERVOIR PRESSURIZATION ONLY)
FIGURE 4 (SHEET 1)

HXL
DEC 22/06

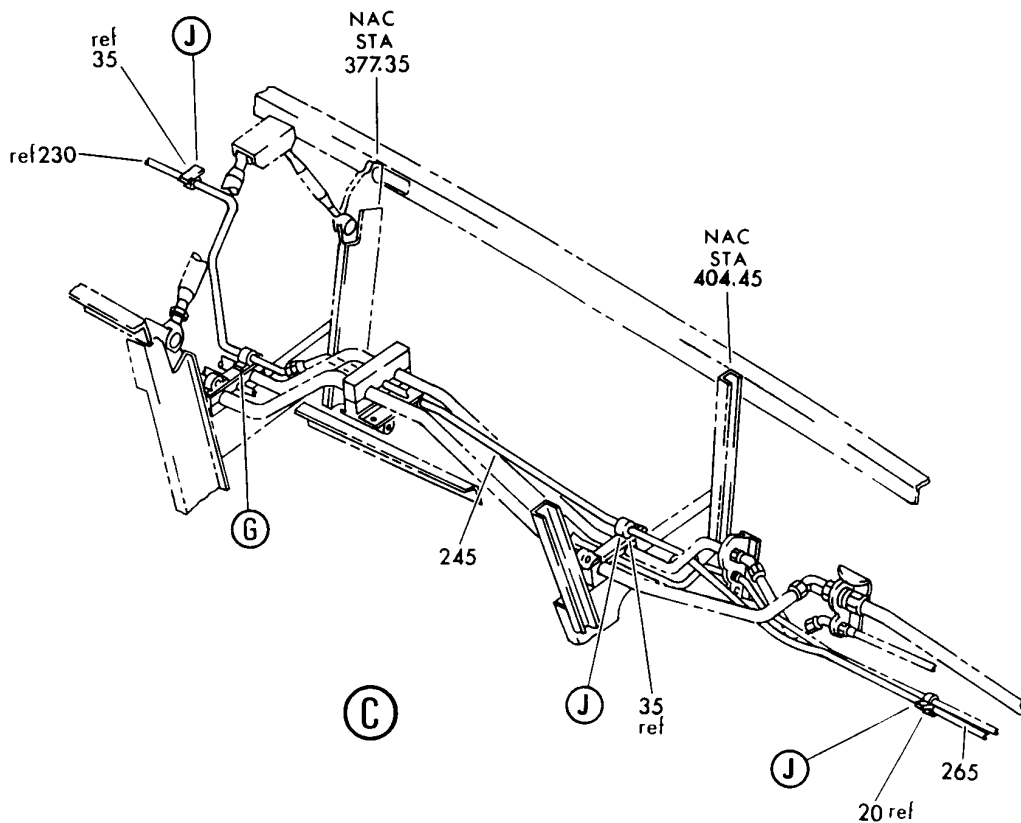
29-11-25-04

29-11-25-04
PAGE 0

BOEING
767
PARTS CATALOG (MAINTENANCE)



ⓑ



V 29112504 SHT 2 REV 182

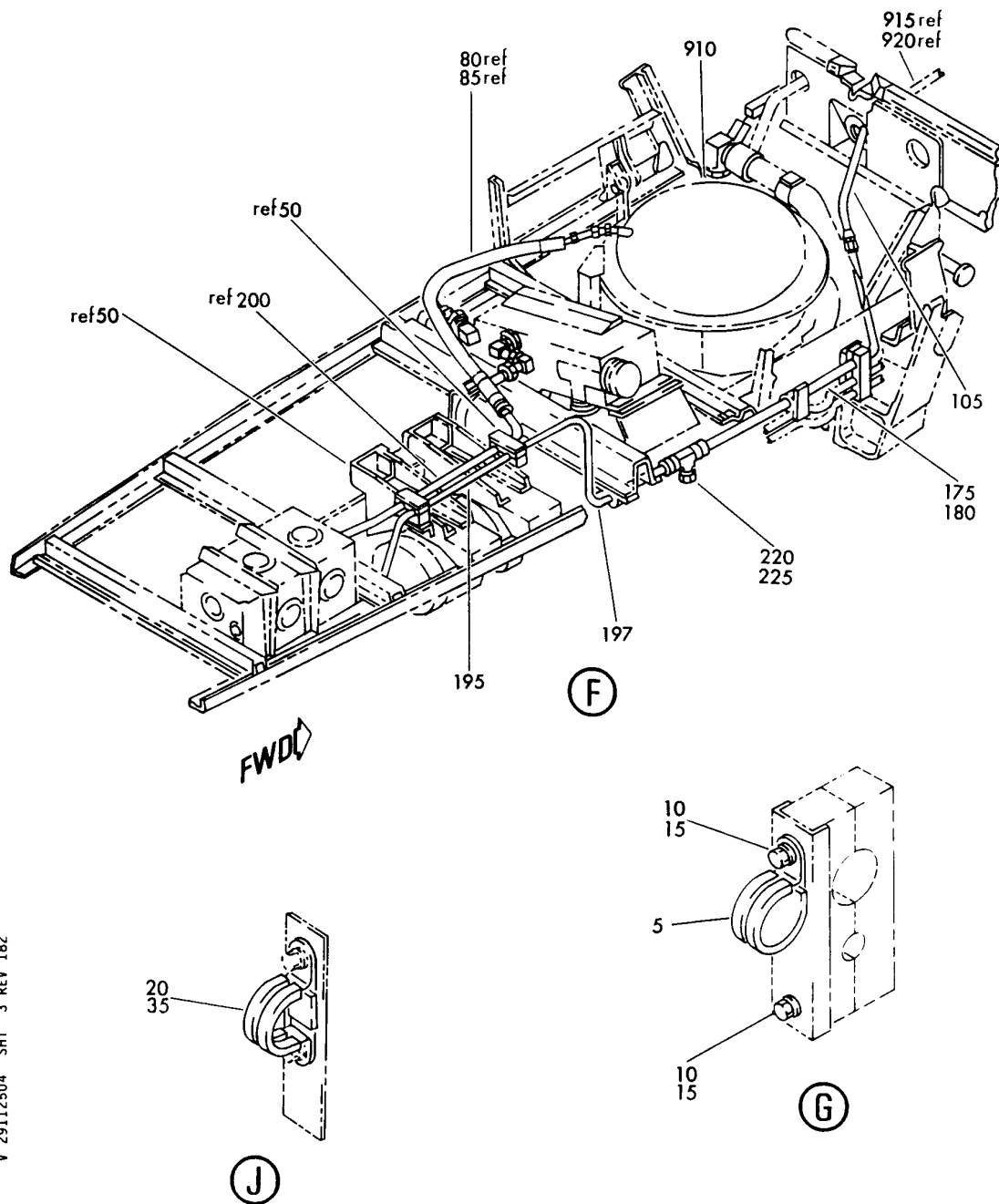
HYDRAULIC INSTL-SECT. 31 ENGINE AFT FAIRING (RH) (RESERVOIR PRESSURIZATION ONLY)
FIGURE 4 (SHEET 2)

HXL
DEC 22/06

29-11-25-04

29-11-25-04
PAGE 0A

BOEING
767
PARTS CATALOG (MAINTENANCE)



V 29112504 SHT 3 REV 182

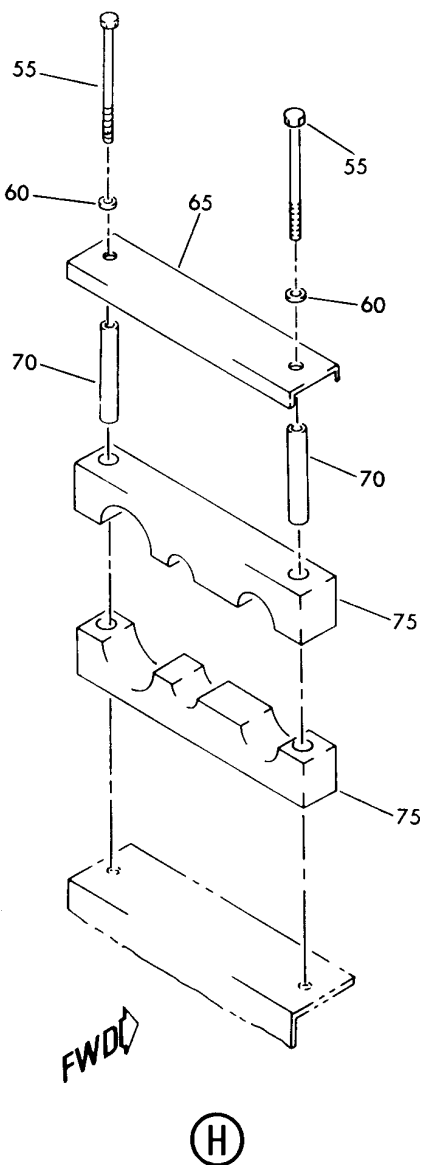
HYDRAULIC INSTL-SECT. 31 ENGINE AFT FAIRING (RH) (RESERVOIR PRESSURIZATION ONLY)
FIGURE 4 (SHEET 3)

29-11-25-04

HXL
DEC 22/06

29-11-25-04
PAGE 0B

BOEING
767
PARTS CATALOG (MAINTENANCE)



V 29112504 SHT 4 REV 182

HYDRAULIC INSTL-SECT. 31 ENGINE AFT FAIRING (RH) (RESERVOIR PRESSURIZATION ONLY)
FIGURE 4 (SHEET 4)

HXL
DEC 22/06

29-11-25-04

29-11-25-04
PAGE 0C

 **BOEING**
767
PARTS CATALOG (MAINTENANCE)

FIG ITEM	PART NUMBER	1 2 3 4 5 6 7	NOMENCLATURE	EFFECT FROM TO	UNITS PER ASSY
4			HYDRAULIC INSTL-SECT. 31 ENGINE AFT FAIRING (RH) (RESERVOIR PRESSURIZATION ONLY)		
- 1	272T3100-6		HYDRAULIC INSTL-ENG FAIRING STRUT (RESERVOIR PRESSURIZATION ONLY) (PRATT & WHITNEY) POSITION DATA: SECT. 31 AFT R VARIABLE DRAWING REF: 272T3100-5218 272T3100-5336 272T3100-7004 FOR NHA/OTHER SYS DET SEE: 29-00-00-04		RF
	5 M85052-2-8		.CLAMP-		1
	10 NAS1801-3-9		.SCREW		2
	15 AN960PD10L		.WASHER		2
	35 TA0910004H106		.CLAMP		2
			SUPPLIER CODE: V84971 SPECIFICATION NUMBER: BACC10HB06C		
			ATTACHING PARTS		
- 40	NAS1801-3-9		.SCREW		2
- 45	AN960PD10L		.WASHER		2
			-----*-----		
	46 M85052-2-8		.CLAMP		1
			ATTACHING PARTS		
- 47A	NAS1801-3-9		.SCREW		1
- 49	AN960PD10L		.WASHER		1
			-----*-----		
	50 270T0005-206		.BLOCK ASSY-SPRT		2
	55 NAS1801-3-22		..SCREW		2
	60 AN960PD10L		..WASHER		2
	65 65B80254-158		..CHANNEL		1
	70 NAS43DD3-59		..SPACER		2
	75 65B80254-67		..BLOCK-CLAMP		2
	80 AS116-06K0204		.HOSE ASSY-		1
105	272T3118-13		.TUBE ASSY-		1
			TUBING MATERIAL: .375 IN. OD .020 IN. WALL 12.00 IN. LG STEEL		
- 106	272T3118-31		.TUBE ASSY-		1
			ATTACHING PARTS		
- 110	BACB30NM3K4		.BOLT		2

ILLUSTRATION ITEMS NOT ON PARTS LIST ARE NOT APPLICABLE

- ITEM NOT ILLUSTRATED

HXL

29-11-25-04

BOEING PROPRIETARY - Copyright © - Unpublished Work - See title page for details.

29-11-25
FIG. 04
PAGE 1
DEC 22/07



767

PARTS CATALOG (MAINTENANCE)

FIG ITEM	PART NUMBER	1 2 3 4 5 6 7	NOMENCLATURE	EFFECT FROM TO	UNITS PER ASSY
4					
- 115	AN960PD10L	.	WASHER		2
		-----*			
- 120	35056V06	..	UNION		4
			SUPPLIER CODE: V08199		
			SPECIFICATION NUMBER: BACU24AB6H		
			OPTIONAL PART: 2-01027-6H		
			V11328		
			31875-6H		
			V14397		
			4671097H6		
			V50948		
			AP1004H06		
			V01673		
			AFP941H6		
			V30974		
			DBOU24AB6H		
			V14798		
- 125	NAS463FC10H	..	SPACER		8
- 130	272T3106-1	..	FITTING-BHD		2
- 130	272T3106-5	..	FITTING-BHD		2
140	272T3100-194	.	TUBE ASSY-		1
			MANUFACTURED FROM: TUBING STEEL		
			.375 IN. OD .020 IN.		
			WALL 29.00 IN. LG		
145	272T3100-166	.	TUBE ASSY-		1
			TUBING MATERIAL: .375 IN. OD .020 IN.		
			WALL 13.00 IN. LG STEEL		
155	272T3100-328	.	TUBE ASSY-		1
			TUBING MATERIAL: .375 IN. OD .020 IN.		
			WALL 48.00 IN. LG STEEL		

ILLUSTRATION ITEMS NOT ON PARTS LIST ARE NOT APPLICABLE

- ITEM NOT ILLUSTRATED

HXL

29-11-25-04

BOEING PROPRIETARY - Copyright © - Unpublished Work - See title page for details.

29-11-25
FIG. 04
PAGE 2
DEC 22/07

 **BOEING**
767
PARTS CATALOG (MAINTENANCE)

FIG ITEM	PART NUMBER	1 2 3 4 5 6 7	NOMENCLATURE	EFFECT FROM TO	UNITS PER ASSY
4					
- 160	AP2097HP06	..	SLEEVE SUPPLIER CODE: V01673 SPECIFICATION NUMBER: BACS13BX06HP OPTIONAL PART: 2-02903-06HP V11328 35235VN06 V08199 AFP175V06P V30974 DBOS13BX06HP V14798		2
- 160	AP2097HP06	..	SLEEVE SUPPLIER CODE: V01673 SPECIFICATION NUMBER: BACS13BX06HP OPTIONAL PART: 2-02903-06HP V11328 35235VN06 V08199 AFP175V06P V30974 DBOS13BX06HP V14798		1
- 162	BACN10YA6N	..	NUT		1
- 163	35056V06	..	UNION SUPPLIER CODE: V08199 SPECIFICATION NUMBER: BACU24AB6H OPTIONAL PART: 2-01027-6H V11328 31875-6H V14397 4671097H6 V50948 AP1004H06 V01673 AFP941H6 V30974 DBOU24AB6H V14798		1
- 165	BACN10YA6	..	NUT		2

ILLUSTRATION ITEMS NOT ON PARTS LIST ARE NOT APPLICABLE

- ITEM NOT ILLUSTRATED

HXL

29-11-25-04

BOEING PROPRIETARY - Copyright © - Unpublished Work - See title page for details.

29-11-25
FIG. 04
PAGE 3
DEC 22/06



767

PARTS CATALOG (MAINTENANCE)

FIG ITEM	PART NUMBER	1 2 3 4 5 6 7	NOMENCLATURE	EFFECT FROM TO	UNITS PER ASSY
4 180	272T3100-334		.TUBE ASSY-RSVR PRESSURE R SYS TUBING MATERIAL: .375 IN. OD .020 IN. WALL 26.00 IN. LG STEEL		1
- 185	AP2097HP06		..SLEEVE SUPPLIER CODE: V01673 SPECIFICATION NUMBER: BACS13BX06HP OPTIONAL PART: 2-02903-06HP V11328 35235VN06 V08199 AFP175V06P V30974 DBOS13BX06HP V14798		2
- 190	BACN10YA6N		..NUT- USED ON: 272T3100-334 272T3100-360		2
200	272T3100-194		.TUBE ASSY- MANUFACTURED FROM: TUBING STEEL .375 IN. OD .020 IN. WALL 29.00 IN. LG TUBING MATERIAL: .375 IN. OD .020 IN. WALL 29.00 IN. LG STEEL		1
- 205	AP2097HP06		..SLEEVE SUPPLIER CODE: V01673 SPECIFICATION NUMBER: BACS13BX06HP OPTIONAL PART: 2-02903-06HP V11328 35235VN06 V08199 AFP175V06P V30974 DBOS13BX06HP V14798		2

ILLUSTRATION ITEMS NOT ON PARTS LIST ARE NOT APPLICABLE

- ITEM NOT ILLUSTRATED

HXL

29-11-25-04

BOEING PROPRIETARY - Copyright © - Unpublished Work - See title page for details.

29-11-25
FIG. 04
PAGE 4
DEC 22/06



767

PARTS CATALOG (MAINTENANCE)

FIG ITEM	PART NUMBER	1 2 3 4 5 6 7	NOMENCLATURE	EFFECT FROM TO	UNITS PER ASSY
4					
- 205	AP2097HP06		.. SLEEVE SUPPLIER CODE: V01673 SPECIFICATION NUMBER: BACS13BX06HP OPTIONAL PART: 2-02903-06HP V11328 35235VN06 V08199 AFP175V06P V30974 DBOS13BX06HP V14798		1
- 207	BACN10YA6N		.. NUT		1
- 208	35056V06		.. UNION SUPPLIER CODE: V08199 SPECIFICATION NUMBER: BACU24AB6H OPTIONAL PART: 2-01027-6H V11328 31875-6H V14397 4671097H6 V50948 AP1004H06 V01673 AFP941H6 V30974 DBOU24AB6H V14798		1

ILLUSTRATION ITEMS NOT ON PARTS LIST ARE NOT APPLICABLE

- ITEM NOT ILLUSTRATED

HXL

29-11-25-04

BOEING PROPRIETARY - Copyright © - Unpublished Work - See title page for details.

29-11-25
 FIG. 04
 PAGE 5
 DEC 22/06



767

PARTS CATALOG (MAINTENANCE)

FIG ITEM	PART NUMBER	1 2 3 4 5 6 7	NOMENCLATURE	EFFECT FROM TO	UNITS PER ASSY
4					
- 210	AFP107-6		..NUT SUPPLIER CODE: V30974 SPECIFICATION NUMBER: BACN10NR6 OPTIONAL PART: AP1028T6 V01673 BC921T6 V50948 DBON10NR6 V14798 ER01921-6T V88334 FER8928-6 V14397 F11-6 V73197 2-03005T6 V11328 31783-6 V14397 35068-06 V08199		2
- 210	BACN10YA6		..NUT- OPTIONAL PART: BACN10NR6		2
215	BACE21BR0606P		.ELBOW		1
220	BACT16BL060606J		.TEE		1
225	69B83900-2		.CAP- MISCELLANEOUS DATA: NOT AN INITIAL PROVISIONING SPARE		1
280	272T0170-2		.VALVE INSTL-RSVR PRESSURIZATION SHUTOFF FOR DETAILS SEE: 29-11-25-03		1
900	271T5220-6		.MODULE INSTL-RSVR PRESSURIZATION FOR DETAILS SEE: 29-11-25-01		1
910			ILLUSTRATION REFERENCE: RESERVOIR INSTL-ENG AFT FAIRING HYDR 29-11-20-01		RF

ILLUSTRATION ITEMS NOT ON PARTS LIST ARE NOT APPLICABLE

- ITEM NOT ILLUSTRATED

29-11-25-04

29-11-25
FIG. 04
PAGE 6
DEC 22/08

HXL



767
PARTS CATALOG (MAINTENANCE)

FIG ITEM	PART NUMBER	1 2 3 4 5 6 7	NOMENCLATURE	EFFECT FROM TO	UNITS PER ASSY
4 915			ILLUSTRATION REFERENCE: PLUMBING INSTL- HYDR AND FUEL STRUT (HYDRAULIC POWER ONLY) 29-11-51-02	155162	RF

ILLUSTRATION ITEMS NOT ON PARTS LIST ARE NOT APPLICABLE

- ITEM NOT ILLUSTRATED

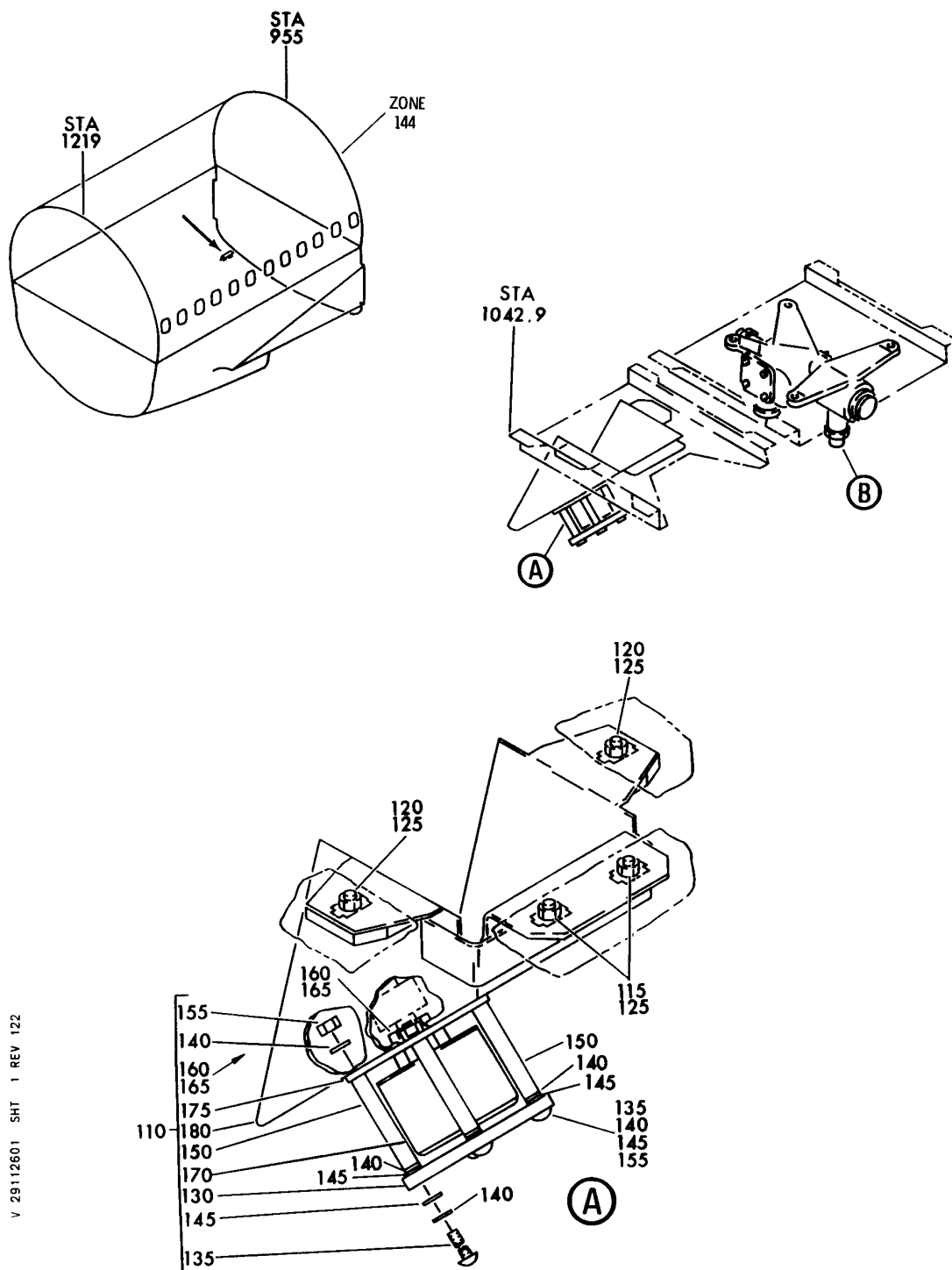
HXL

29-11-25-04

BOEING PROPRIETARY - Copyright © - Unpublished Work - See title page for details.

29-11-25
FIG. 04
PAGE 7
DEC 22/08

BOEING
767
PARTS CATALOG (MAINTENANCE)



V 29112601 SHT 1 REV 122

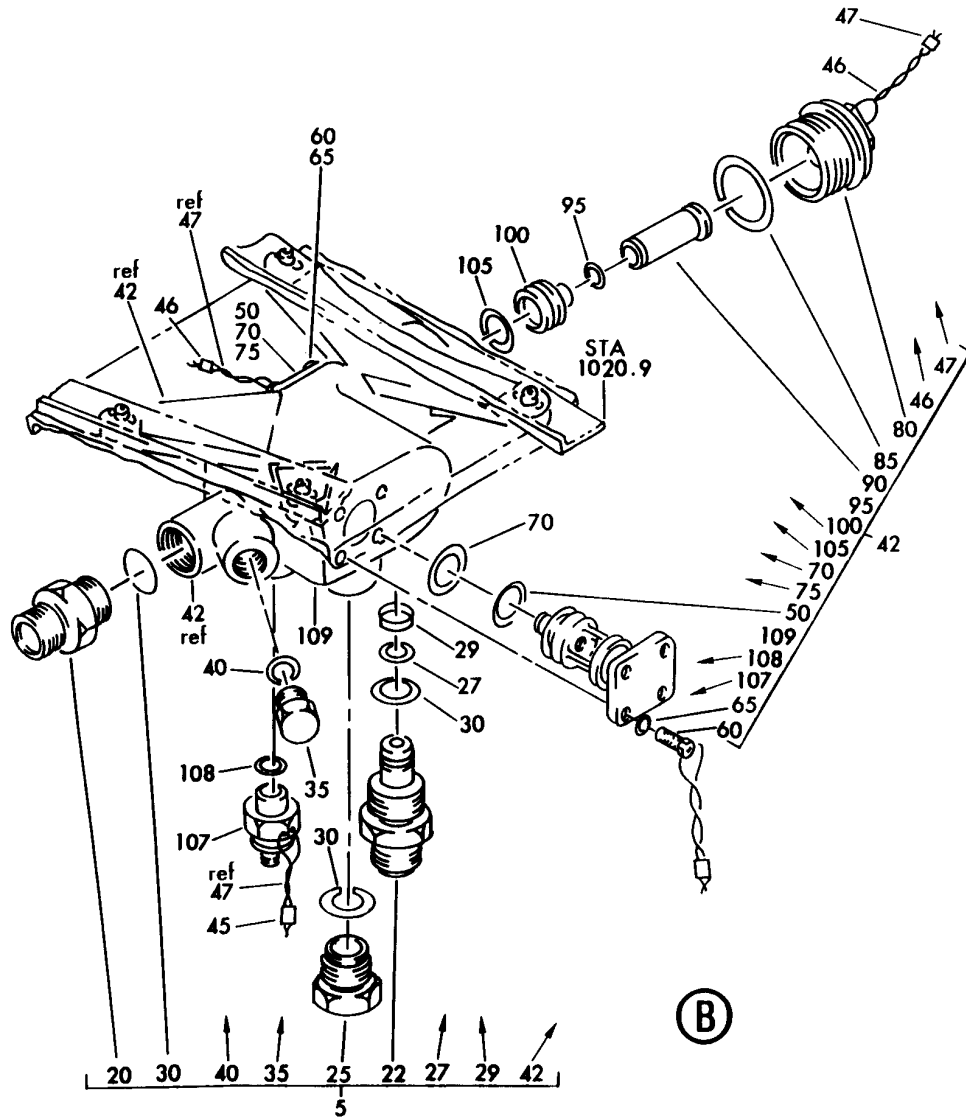
MODULE INSTL-RSVR PRESSURIZATION (SYSTEM C RESERVOIR PRESSURIZATION MODULE ONLY)
FIGURE 1 (SHEET 1)

29-11-26-01

HXL
DEC 22/06

29-11-26-01
PAGE 0

BOEING
767
PARTS CATALOG (MAINTENANCE)



V 29112601 SHT 2 REV 122

MODULE INSTL-RSVR PRESSURIZATION (SYSTEM C RESERVOIR PRESSURIZATION MODULE ONLY)
FIGURE 1 (SHEET 2)

29-11-26-01

HXL
DEC 22/06

29-11-26-01
PAGE 0A



767

PARTS CATALOG (MAINTENANCE)

FIG ITEM	PART NUMBER	1 2 3 4 5 6 7	NOMENCLATURE	EFFECT FROM TO	UNITS PER ASSY
1			MODULE INSTL-RSVR PRESSURIZATION (SYSTEM C RESERVOIR PRESSURIZATION MODULE ONLY)		
- 1	271T4560-5		MODULE INSTL-RSVR PRESSURIZATION (SYSTEM C RESERVOIR PRESSURIZATION MODULE ONLY)		RF
	5 271T4560-4		. VALVE ASSY- ATTACHING PARTS		1
- 10	NAS6604-4		. BOLT		4
- 15	AN960PD416L		. WASHER		4
			-----*-----		
	20 MS21902-6S		.. UNION-		1
	20 BACU24K6		.. UNION-		1
	22 69B83895-1		.. ADAPTER		1
	25 AN814-6D		.. PLUG		1
	27 NAS1611-011		.. PACKING-		1
	29 C11236-011B		.. RING		1
			SUPPLIER CODE: V26879		
			SPECIFICATION NUMBER: BACR12BM011		
			OPTIONAL PART: RMR12BM011		
			V94878		
			STF800-011		
			V02107		
			S30294-011-1		
			V97820		
			TF450-011A		
			V07128		
			2100-011		
			V26303		
	30 NAS1612-6		.. PACKING-		3
	35 AN814-4D		.. PLUG		1
	40 NAS1612-4		.. PACKING-		1

ILLUSTRATION ITEMS NOT ON PARTS LIST ARE NOT APPLICABLE

- ITEM NOT ILLUSTRATED

HXL

29-11-26-01

BOEING PROPRIETARY - Copyright © - Unpublished Work - See title page for details.

29-11-26
FIG. 01
PAGE 1
DEC 22/07

BOEING
767
PARTS CATALOG (MAINTENANCE)

FIG ITEM	PART NUMBER	1 2 3 4 5 6 7	NOMENCLATURE	EFFECT FROM TO	UNITS PER ASSY
1					
42	732-11610-01	..	MODULE ASSY-GSE SUPPLIER CODE: VS4096 SPECIFICATION NUMBER: 60B00226-4 FOR ELEMENT MAINTENANCE USE FILTER MAINT KIT DEFINED IN FILTER MAINT KIT LIST. FILTER MAINTENANCE KIT REF: 63B10463-20 COMPONENT MAINT MANUAL REF: 29-20-02		1
42	732-11610-02	..	MODULE ASSY- SUPPLIER CODE: VS4096 FUNCTIONAL DESCRIPTION: FILTER THE RESERVOIR PRESSURIZATION AIR AND TRAP AIR WITHIN THE RESERVOIR SPECIFICATION NUMBER: 60B00226-6 FOR ELEMENT MAINTENANCE USE FILTER MAINT KIT DEFINED IN FILTER MAINT KIT LIST. FILTER MAINTENANCE KIT REF: 63B10463-20 COMPONENT MAINT MANUAL REF: 29-20-02		1
46	733-73000	...	SEAL- SUPPLIER CODE: VS4096		4
47	MS20995NC32	...	LOCK WIRE		AR
50	2810039-101	...	VALVE-CHK SUPPLIER CODE: V92003 SPECIFICATION NUMBER: 60B00278-1 COMPONENT MAINT MANUAL REF: 29-10-33		2
			ATTACHING PARTS		
60	MS24678-10	...	SCREW		8
65	AN960-10L	...	WASHER -----*-----		8
70	NAS1611-212	...	PACKING-		2
75	NAS1611-213	...	PACKING-		2
80	732-11613	...	CAP-FILTER SUPPLIER CODE: VS4096		1
ILLUSTRATION ITEMS NOT ON PARTS LIST ARE NOT APPLICABLE					

- ITEM NOT ILLUSTRATED

HXL

29-11-26-01

BOEING PROPRIETARY - Copyright © - Unpublished Work - See title page for details.

29-11-26
FIG. 01
PAGE 2
DEC 22/06



767

PARTS CATALOG (MAINTENANCE)

FIG ITEM	PART NUMBER	1 2 3 4 5 6 7	NOMENCLATURE	EFFECT FROM TO	UNITS PER ASSY
1					
85	NAS1611-216	...	PACKING-		1
90	7553848	...	ELEMENT-FILTER SUPPLIER CODE: V05228 OPTIONAL PART: 043046 V90005		1
90	043046	...	ELEMENT-FILTER SUPPLIER CODE: V90005 OPTIONAL PART: 7553848 V81321		1
95	NAS1611-012	...	PACKING-		1
100	732-11614	...	RESTRICTOR- SUPPLIER CODE: VS4096		1
105	NAS1611-115	...	PACKING-		1
107	P59-228	...	VALVE- SUPPLIER CODE: V91816 QUALIFIED I/W DATA: P\N'S P59-228 AND HV22-31 ARE I\W ON 60B00226 ONLY		1
107	HV22-31	...	VALVE- SUPPLIER CODE: V91816 FUNCTIONAL DESCRIPTION: PERMITS OPERATOR TO BLEED OFF AIR AND OR AIR-OIL MIXTURE FROM HYDRAULIC SYSTEM SPECIFICATION NUMBER: S271U122-1 QUALIFIED I/W DATA: P\N'S P59-228 AND HV22-31 ARE I\W ON 60B00226 ONLY		1
108	NAS1612-4	...	PACKING-		1
109	732-11612	...	MANIFOLD ASSY- SUPPLIER CODE: VS4096		1

ILLUSTRATION ITEMS NOT ON PARTS LIST ARE NOT APPLICABLE

- ITEM NOT ILLUSTRATED

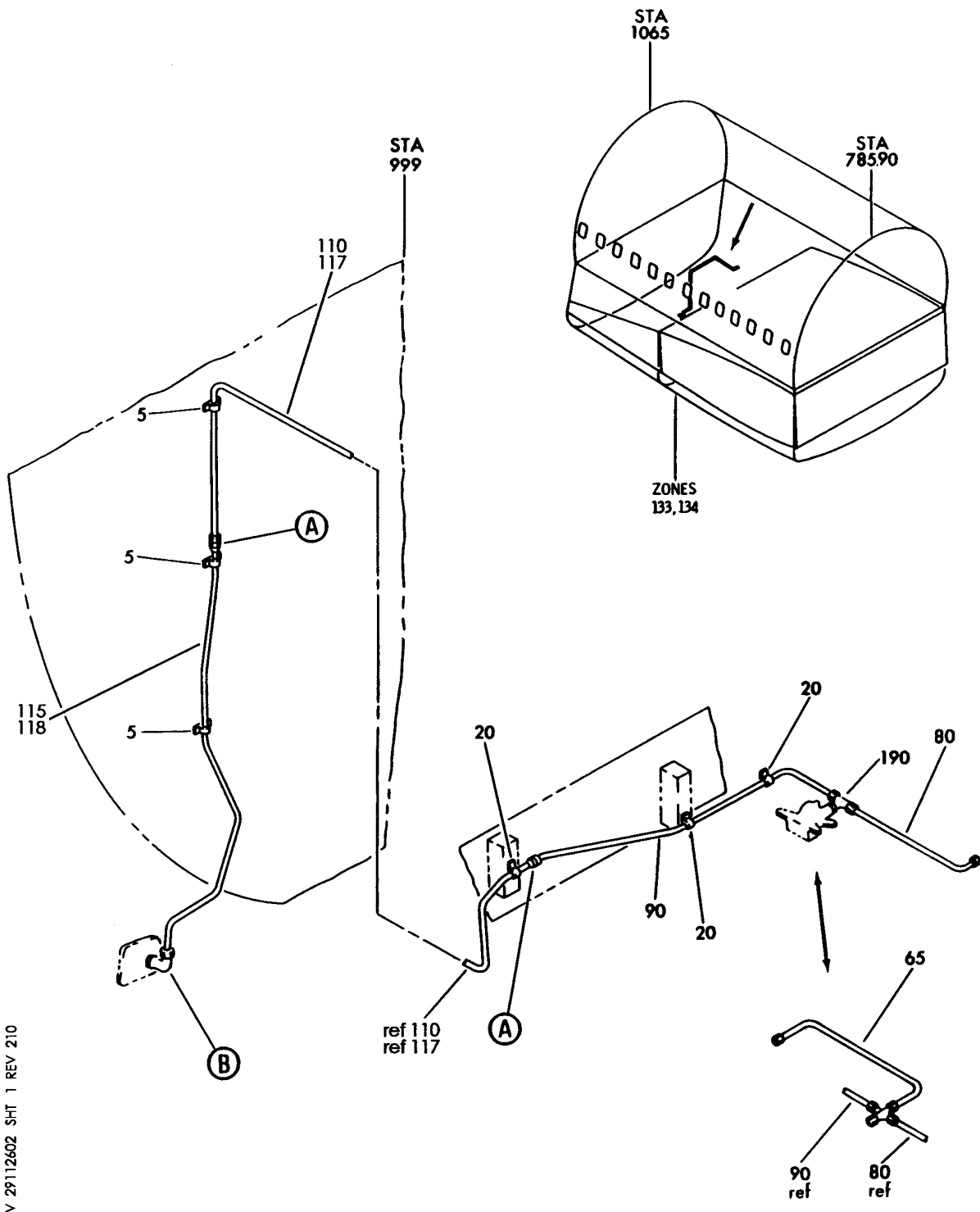
HXL

29-11-26-01

BOEING PROPRIETARY - Copyright © - Unpublished Work - See title page for details.

29-11-26
FIG. 01
PAGE 3
DEC 22/06

BOEING
767
PARTS CATALOG (MAINTENANCE)



V 29112602 SHT 1 REV 210

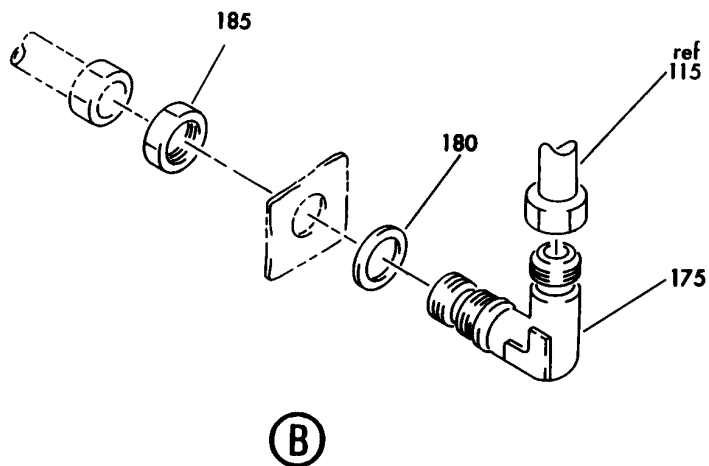
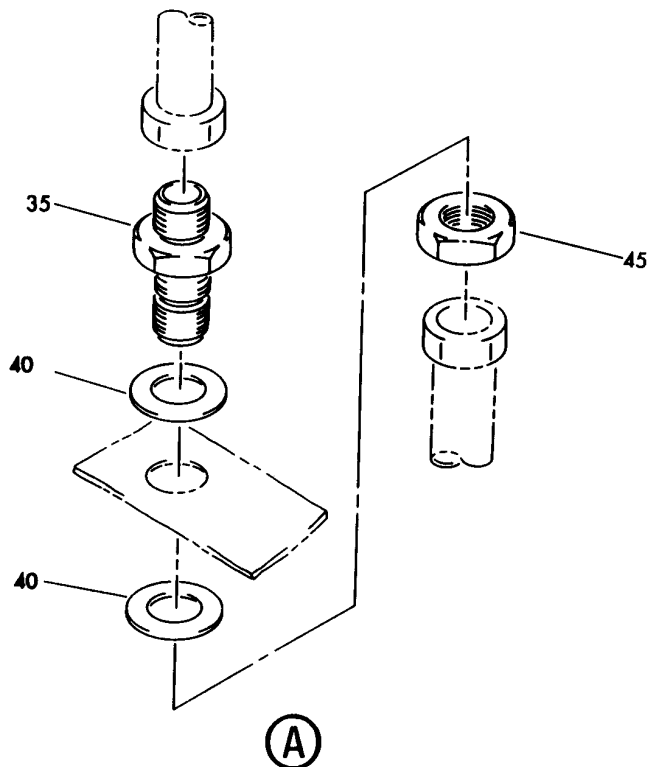
HYDRAULIC INSTL-SECT. 45 (SYSTEM C RESERVOIR PRESSURIZATION MODULE ONLY)
FIGURE 2 (SHEET 1)

29-11-26-02

HXL
DEC 22/06

29-11-26-02
PAGE 0

BOEING
767
PARTS CATALOG (MAINTENANCE)



V 29112602 SHT 2 REV 122

HYDRAULIC INSTL-SECT. 45 (SYSTEM C RESERVOIR PRESSURIZATION MODULE ONLY)
FIGURE 2 (SHEET 2)

HXL
DEC 22/06

29-11-26-02

29-11-26-02
PAGE 0A



767

PARTS CATALOG (MAINTENANCE)

FIG ITEM	PART NUMBER	1 2 3 4 5 6 7	NOMENCLATURE	EFFECT FROM TO	UNITS PER ASSY
2			HYDRAULIC INSTL-SECT. 45 (SYSTEM C RESERVOIR PRESSURIZATION MODULE ONLY)		
- 2	272T4500-3		HYDRAULIC INSTL-(SYSTEM C RESERVOIR PRESSURIZATION MODULE ONLY) POSITION DATA: SECT. 45 MISCELLANEOUS DATA: (CONT AT ITEM 002J) VARIABLE DRAWING REF: 272T4500-5191		RF
- 2	272T4500-3		HYDRAULIC INSTL-(SYSTEM C RESERVOIR PRESSURIZATION MODULE ONLY) POSITION DATA: SECT. 45 MISCELLANEOUS DATA: (CONT FROM ITEM 002) VARIABLE DRAWING REF: 272T4500-5274 272T4500-5278 272T4500-7002 FOR NHA/OTHER SYS DET SEE: 29-00-00-06		RF
	5 M85052-2-6		.CLAMP ATTACHING PARTS		3
- 10	NAS1801-3-9		.SCREW		1
- 15	AN960PD10L		.WASHER		1
- 25	NAS1801-3-9		.SCREW		1
- 30	AN960PD10L		.WASHER		1
			-----*-----		
	35 MS21924D6		.UNION		2
	40 AN960PD916L		.WASHER		2
	45 AN924-6D		.NUT		1
	80 272T4500-2391		.TUBE ASSY-HYDR RSVR PRESSURE SYS POSITION DATA: CTR TUBING MATERIAL: .375 IN. OD, .020 IN. WALL, 15.00 IN. LG STEEL		1

ILLUSTRATION ITEMS NOT ON PARTS LIST ARE NOT APPLICABLE

- ITEM NOT ILLUSTRATED

HXL

29-11-26-02

BOEING PROPRIETARY - Copyright © - Unpublished Work - See title page for details.

29-11-26
FIG. 02
PAGE 1
DEC 22/07

 **BOEING**
767
PARTS CATALOG (MAINTENANCE)

FIG ITEM	PART NUMBER	1 2 3 4 5 6 7	NOMENCLATURE	EFFECT FROM TO	UNITS PER ASSY
2 - 100	AP2097HP06	..	SLEEVE SUPPLIER CODE: V01673 SPECIFICATION NUMBER: BACS13BX06HP OPTIONAL PART: 2-02903-06HP V11328 35235VN06 V08199 AFP175V06P V30974 DBOS13BX06HP V14798		2
- 105	BACN10YA6	..	NUT- USED ON: 272T4500-469 272T4500-2355		2
- 105	BACN10YA6N	..	NUT- USED ON: 272T4500-2390		2
110	272T4500-1603	.TUBE	ASSY-HYDR RSVR PRESSURE SYS POSITION DATA: CTR TUBING MATERIAL: .375 IN. OD .035 IN. WALL 71.00 IN. LG AL		1
115	272T4500-1604	.TUBE	ASSY-HYDR RSVR PRESSURE SYS POSITION DATA: CTR TUBING MATERIAL: .375 IN. OD .035 IN. WALL 53.00 IN. LG AL		1
- 120	AP2097HP06	..	SLEEVE SUPPLIER CODE: V01673 SPECIFICATION NUMBER: BACS13BX06HP OPTIONAL PART: 2-02903-06HP V11328 35235VN06 V08199 AFP175V06P V30974 DBOS13BX06HP V14798		1

ILLUSTRATION ITEMS NOT ON PARTS LIST ARE NOT APPLICABLE

- ITEM NOT ILLUSTRATED

HXL

29-11-26-02

BOEING PROPRIETARY - Copyright © - Unpublished Work - See title page for details.

29-11-26
FIG. 02
PAGE 2
DEC 22/07



767

PARTS CATALOG (MAINTENANCE)

FIG ITEM	PART NUMBER	1 2 3 4 5 6 7	NOMENCLATURE	EFFECT FROM TO	UNITS PER ASSY
2					
- 125	BACN10YL06	..	NUT-		1
- 130	35056GV06	..	UNION		1
			SUPPLIER CODE: V08199		
			SPECIFICATION NUMBER: BACU24AB6W		
			OPTIONAL PART: 2-01027-6W		
			V11328		
			31875-6W		
			V14397		
			4671097W6		
			V50948		
			AP1004W06		
			V01673		
			AFP941W6		
			V30974		
			DBOU24AB6W		
			V14798		
175	BACE21BN0606J	.ELBOW-			1
			OPTIONAL PART: BACE21AS0606T		
175	APX833T0606	.ELBOW-			1
			SUPPLIER CODE: V01673		
			SPECIFICATION NUMBER: BACE21AS0606T		
			OPTIONAL PART: DBOE21AS0606T		
			V14798		
			ER833-0606T		
			V45681		
			ER833-0606T		
			V88334		
			ER8330606T		
			V50948		
			FER15800606T		
			V14397		
			2-01582-0606T		
			V11328		
			APX8330606T		
			V01673		
			NAF1833-0606T		
			V52930		
			US1924-0606T		
			V50808		
			AFP3160606T		
			V30974		
			BACE21BN0606J		

ILLUSTRATION ITEMS NOT ON PARTS LIST ARE NOT APPLICABLE

- ITEM NOT ILLUSTRATED

HXL

29-11-26-02

BOEING PROPRIETARY - Copyright © - Unpublished Work - See title page for details.

29-11-26
FIG. 02
PAGE 3
DEC 22/07



767

PARTS CATALOG (MAINTENANCE)

FIG ITEM	PART NUMBER	1 2 3 4 5 6 7	NOMENCLATURE	EFFECT FROM TO	UNITS PER ASSY
2					
180	AN960PD916L	.	WASHER		1
185	AN924-6D	.	NUT		1
190	NAS1764T060606	.	TEE		1
- 400	271T4560-5	.	MODULE INSTL-RSVR PRESSURIZATION FUNCTIONAL REFERENCE: HYDRAULIC POWER FOR DETAILS SEE 29-11-26-01 PLACARDS AND MARKINGS FOR DETAILS SEE 11-22-28-01		1
ILLUSTRATION ITEMS NOT ON PARTS LIST ARE NOT APPLICABLE					

- ITEM NOT ILLUSTRATED

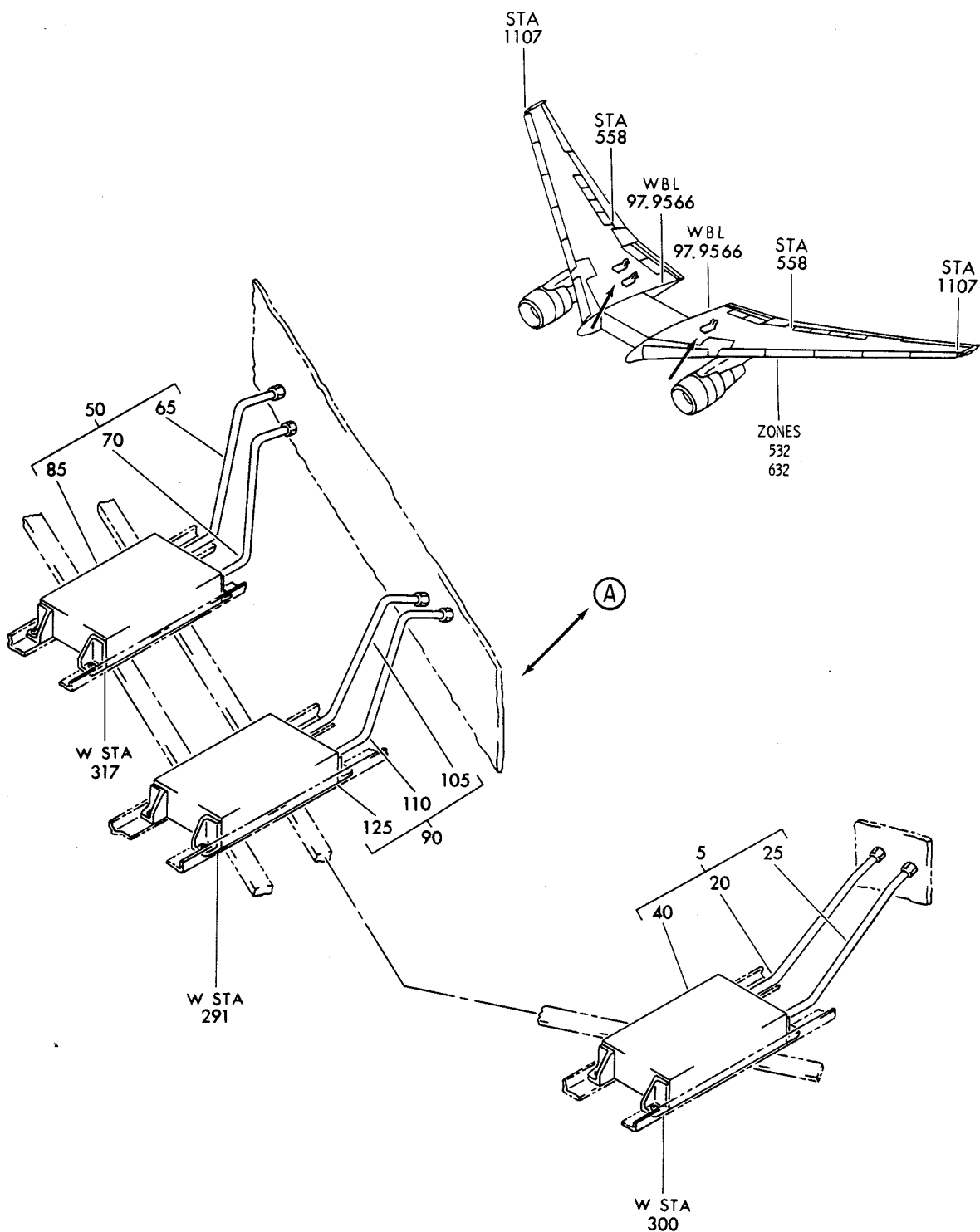
HXL

29-11-26-02

BOEING PROPRIETARY - Copyright © - Unpublished Work - See title page for details.

29-11-26
FIG. 02
PAGE 4
DEC 22/07

BOEING
767
PARTS CATALOG (MAINTENANCE)



V 29112701 SH1 1 REV 041

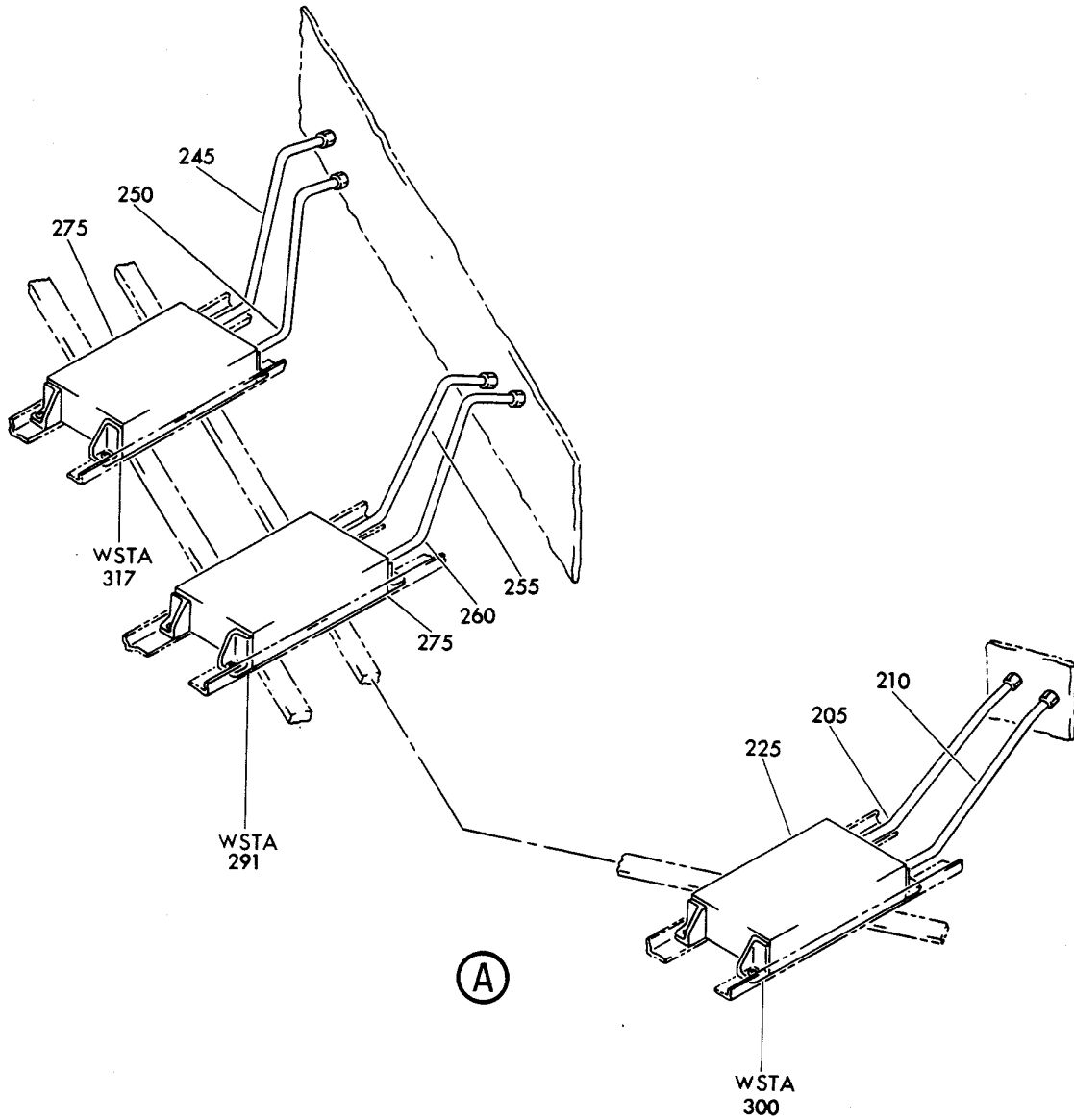
EXCHANGER INSTL-HYDR HEAT SECT. 12
FIGURE 1 (SHEET 1)

29-11-27-01

HXL
DEC 22/06

29-11-27-01
PAGE 0

BOEING
767
PARTS CATALOG (MAINTENANCE)



V 29112701 SHT 2 REV 041

EXCHANGER INSTL-HYDR HEAT SECT. 12
FIGURE 1 (SHEET 2)

29-11-27-01

HXL
DEC 22/06

29-11-27-01
PAGE 0A



767

PARTS CATALOG (MAINTENANCE)

FIG ITEM	PART NUMBER	1 2 3 4 5 6 7	NOMENCLATURE	EFFECT FROM TO	UNITS PER ASSY
1			EXCHANGER INSTL-HYDR HEAT SECT. 12		
- 200	271T1210-29		HEAT EXCHANGER INSTL-HYDR H FOR NHA SEE: 29-11-77-01		RF
205	271T1210-31		.TUBE ASSY- TUBING MATERIAL: .625 IN. OD .035 IN. WALL 17.75 IN. LG AL		1
210	271T1210-33		.TUBE ASSY- TUBING MATERIAL: .625 IN. OD .035 IN. WALL 23.00 IN. LG AL		1
- 215	AP2097HP10		..SLEEVE SUPPLIER CODE: V01673 SPECIFICATION NUMBER: BACS13BX10HP OPTIONAL PART: 2-02903-10HP V11328 35235VN10 V08199 AFP175V10P V30974 DBOS13BX10HP V14798		2
- 220	BACN10YL10		..NUT		2

ILLUSTRATION ITEMS NOT ON PARTS LIST ARE NOT APPLICABLE

- ITEM NOT ILLUSTRATED

HXL

29-11-27-01

BOEING PROPRIETARY - Copyright © - Unpublished Work - See title page for details.

29-11-27
FIG. 01
PAGE 1
DEC 22/06

 **BOEING**
767
PARTS CATALOG (MAINTENANCE)

FIG ITEM	PART NUMBER	1 2 3 4 5 6 7	NOMENCLATURE	EFFECT FROM TO	UNITS PER ASSY
1 225	10370000		.HEAT EXCHANGER- SUPPLIER CODE: V16630 SPECIFICATION NUMBER: S271T121-6 QUALIFIED I/W DATA: FOR RIGHT SYSTEM: S271T121-5 HEAT EXCHANGER T/W 271T1210-6 AND 271T1210-7 TUBE ASSYS OR 271T1210-18 AND 271T1210-19 TUBE ASSYS I/W S271T121-6 HEAT EXCHANGER T/W 271T1210-32 AND 271T1210-34 TUBE ASSYS. FOR CENTER SYSTEM: S271T121-5 HEAT EXCHANGER T/W 271T1210-8 AND 271T1210-9 TUBE ASSYS OR 271T1210-20 AND 271T1210-21 TUBE ASSYS I/W S271T121-6 HEAT EXCHANGER T/W 271T1210-36 AND 271T1210-38 TUBE ASSYS. FOR LEFT SYSTEM: S271T121-5 HEAT EXCHANGER T/W 271T1210-10 AND 271T1210-11 TUBE ASSYS OR 271T1210-22 AND 271T1210-23 TUBE ASSYS I/W S271T121-6 HEAT EXCHANGER T/W 271T1210-31 AND 271T1210-33 TUBE ASSYS. USED WITH: 271T1210-31 271T1210-33 ATTACHING PARTS .BOLT .WASHER -----*----- HEAT EXCHANGER INSTL-HYDR H FOR NHA SEE: 29-11-77-05		1
- 230	NAS6604-3		.BOLT		4
- 235	AN960PD416		.WASHER		4
- 240	271T1210-30		HEAT EXCHANGER INSTL-HYDR H FOR NHA SEE: 29-11-77-05		RF
ILLUSTRATION ITEMS NOT ON PARTS LIST ARE NOT APPLICABLE					

- ITEM NOT ILLUSTRATED

HXL

29-11-27-01

BOEING PROPRIETARY - Copyright © - Unpublished Work - See title page for details.

29-11-27
FIG. 01
PAGE 2
DEC 22/06



767

PARTS CATALOG (MAINTENANCE)

FIG ITEM	PART NUMBER	1 2 3 4 5 6 7	NOMENCLATURE	EFFECT FROM TO	UNITS PER ASSY
1					
245	271T1210-32		.TUBE ASSY- TUBING MATERIAL: .625 IN. OD .035 IN. WALL 19.25 IN. LG AL		1
250	271T1210-34		.TUBE ASSY- TUBING MATERIAL: .625 IN. OD .035 IN. WALL 23.00 IN. LG AL		1
255	271T1210-36		.TUBE ASSY- TUBING MATERIAL: .625 IN. OD .035 IN. WALL 18.00 IN. LG AL		1
260	271T1210-38		.TUBE ASSY- TUBING MATERIAL: .625 IN. OD .035 IN. WALL 17.60 IN. LG AL		1
- 265	AP2097HP10		..SLEEVE SUPPLIER CODE: V01673 SPECIFICATION NUMBER: BACS13BX10HP OPTIONAL PART: 2-02903-10HP V11328 35235VN10 V08199 AFP175V10P V30974 DBOS13BX10HP V14798		2
- 270	BACN10YL10		..NUT		2

ILLUSTRATION ITEMS NOT ON PARTS LIST ARE NOT APPLICABLE

- ITEM NOT ILLUSTRATED

HXL

29-11-27-01

BOEING PROPRIETARY - Copyright © - Unpublished Work - See title page for details.

29-11-27
FIG. 01
PAGE 3
DEC 22/06



767

PARTS CATALOG (MAINTENANCE)

FIG ITEM	PART NUMBER	1 2 3 4 5 6 7	NOMENCLATURE	EFFECT FROM TO	UNITS PER ASSY
1 275	10370000		.HEAT EXCHANGER- SUPPLIER CODE: V16630 SPECIFICATION NUMBER: S271T121-6 QUALIFIED I/W DATA: FOR RIGHT SYSTEM: S271T121-5 HEAT EXCHANGER T/W 271T1210-6 AND 271T1210-7 TUBE ASSYS OR 271T1210-18 AND 271T1210-19 TUBE ASSYS I/W S271T121-6 HEAT EXCHANGER T/W 271T1210-32 AND 271T1210-34 TUBE ASSYS. FOR CENTER SYSTEM: S271T121-5 HEAT EXCHANGER T/W 271T1210-8 AND 271T1210-9 TUBE ASSYS OR 271T1210-20 AND 271T1210-21 TUBE ASSYS I/W S271T121-6 HEAT EXCHANGER T/W 271T1210-36 AND 271T1210-38 TUBE ASSYS. FOR LEFT SYSTEM: S271T121-5 HEAT EXCHANGER T/W 271T1210-10 AND 271T1210-11 TUBE ASSYS OR 271T1210-22 AND 271T1210-23 TUBE ASSYS I/W S271T121-6 HEAT EXCHANGER T/W 271T1210-31 AND 271T1210-33 TUBE ASSYS. USED WITH: 271T1210-32 271T1210-34 271T1210-36 217T1210-38 ATTACHING PARTS .BOLT .WASHER -----*-----		2
- 280	NAS6604-3		.BOLT		8
- 285	AN960PD416		.WASHER		8
ILLUSTRATION ITEMS NOT ON PARTS LIST ARE NOT APPLICABLE					

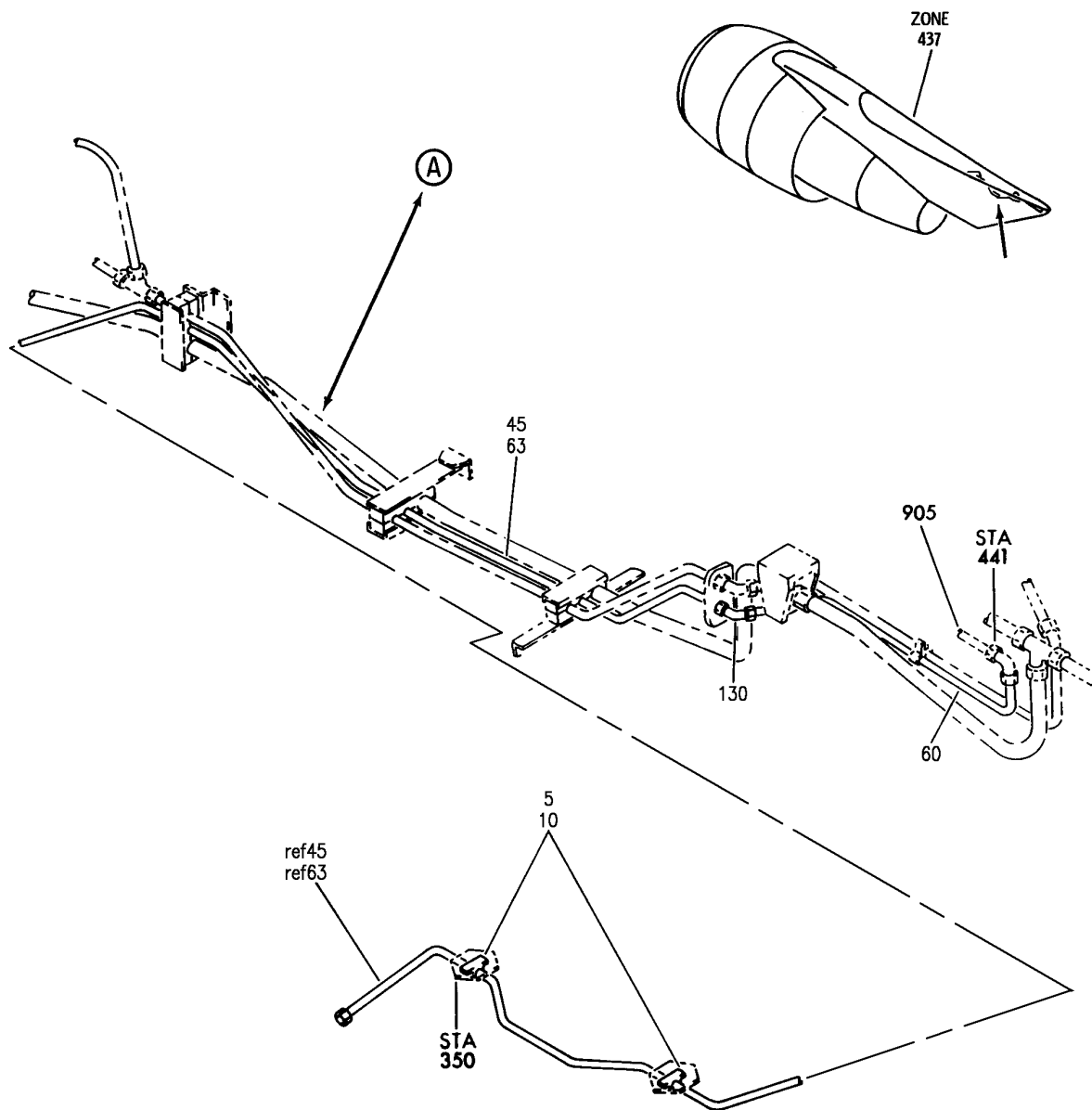
- ITEM NOT ILLUSTRATED

29-11-27-01

29-11-27
FIG. 01
PAGE 4
DEC 22/06

HXL

BOEING
767
PARTS CATALOG (MAINTENANCE)



V 29112702 SH1 1 REV 305

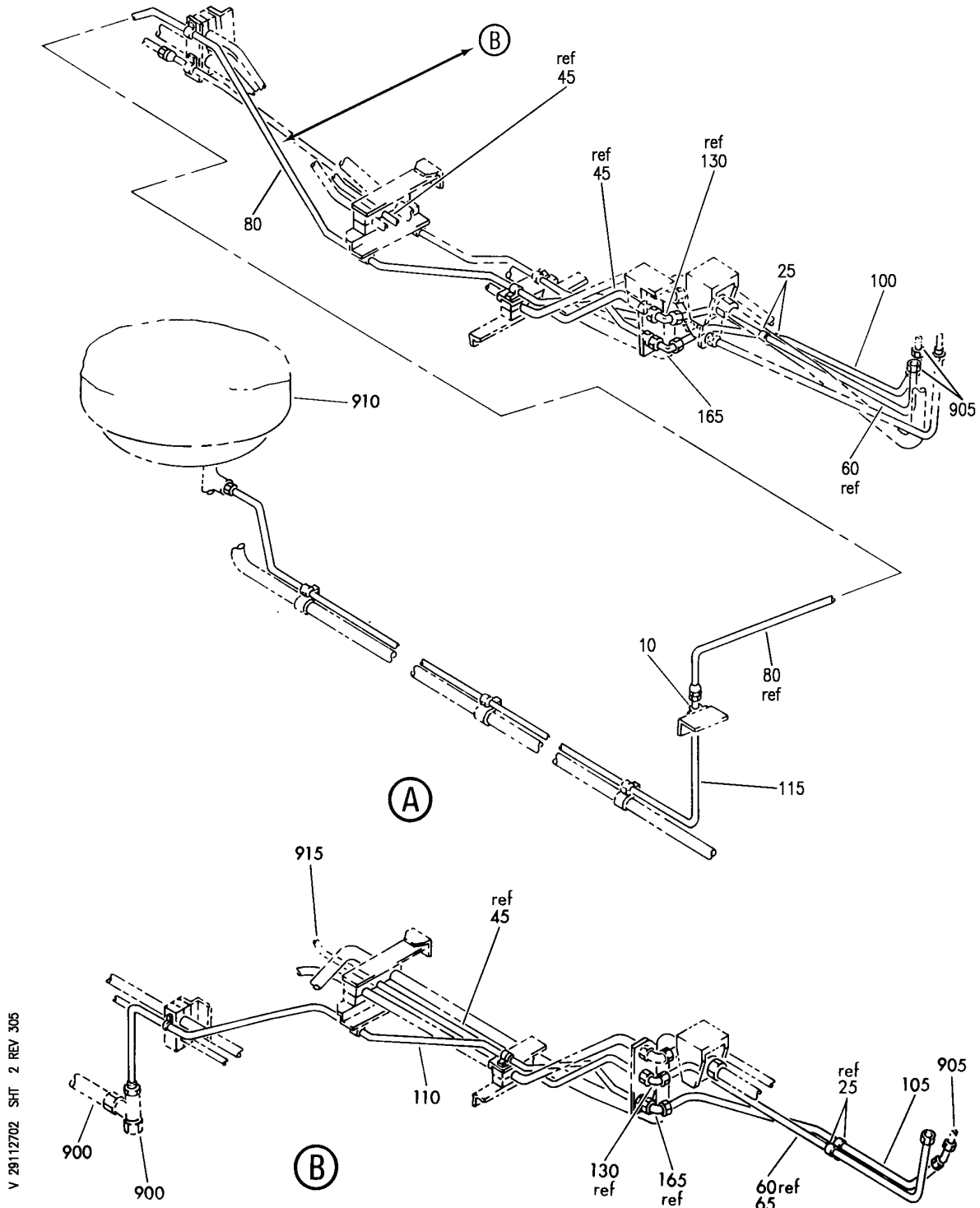
HYDRAULIC INSTL-SECT. 31 ENGINE AFT FAIRING, L STRUT (HEAT EXCHANGER ONLY)
FIGURE 2 (SHEET 1)

HXL
DEC 22/06

29-11-27-02

29-11-27-02
PAGE 0

BOEING
767
PARTS CATALOG (MAINTENANCE)



HYDRAULIC INSTL-SECT. 31 ENGINE AFT FAIRING, L STRUT (HEAT EXCHANGER ONLY)
FIGURE 2 (SHEET 2)

HXL
DEC 22/06

29-11-27-02

29-11-27-02
PAGE 0A



767

PARTS CATALOG (MAINTENANCE)

FIG ITEM	PART NUMBER	1 2 3 4 5 6 7	NOMENCLATURE	EFFECT FROM TO	UNITS PER ASSY
2			HYDRAULIC INSTL-SECT. 31 ENGINE AFT FAIRING, L STRUT (HEAT EXCHANGER ONLY)		
- 1	272T3100-5		HYDRAULIC INSTL-ENG FAIRING STRUT (HEAT EXCHANGER ONLY) POSITION DATA: SECT. 31 AFT L MISCELLANEOUS DATA: (PRATT & WHITNEY) VARIABLE DRAWING REF: 272T3100-5317 272T3100-5347 272T3100-5361 272T3100-7003 FOR NHA/OTHER SYS DET SEE: 29-00-00-04		RF
	5 TA0910004H108		.CLAMP- SUPPLIER CODE: V84971 SPECIFICATION NUMBER: BACC10HB08C ATTACHING PARTS		2
- 15	NAS1801-3-9		.SCREW		2
- 20	AN960PD10L		.WASHER		2
	45 272T3100-259		-----*----- .TUBE ASSY-TO HEAT EXCHANGER SYS POSITION DATA: L TUBING MATERIAL: .500 IN. OD .026 IN. WALL 88.00 IN. LG TITANIUM SERVICE BULLETIN OPT DATA: 272T3100-209 272T3100-471 POST SERVICE BULLETIN: 54-0080R1	163163	1
	45 272T3100-471		.TUBE ASSY-TO HEAT EXCHANGER SYS POSITION DATA: L TUBING MATERIAL: .500 IN. OD .026 IN. WALL 88.00 IN. LG TITANIUM		1
- 50	AS1581T08		..SLEEVE-		2

ILLUSTRATION ITEMS NOT ON PARTS LIST ARE NOT APPLICABLE

- ITEM NOT ILLUSTRATED

29-11-27-02

29-11-27
FIG. 02
PAGE 1
DEC 22/07

HXL



767

PARTS CATALOG (MAINTENANCE)

FIG ITEM	PART NUMBER	1 2 3 4 5 6 7	NOMENCLATURE	EFFECT FROM TO	UNITS PER ASSY
2					
- 55	AFP107-8		..NUT- SUPPLIER CODE: V30974 SPECIFICATION NUMBER: BACN10NR8 OPTIONAL PART: AP1028T8 V01673 BC921T8 V50948 DBON10NR8 V14798 ER01921-8T V88334 FER8928-8 V14397 F11-8 V73197 2-03005T8 V11328 31783-8 V14397 BACN10YA8 USED ON: 272T3100-259	163163	2
- 55	BACN10YA8		..NUT- OPTIONAL PART: BACN10NR8 USED ON: 272T3100-259	163163	2
- 55	BACN10YA8N		..NUT- USED ON: 272T3100-471		2
60	272T3100-411		.TUBE ASSY-TO HEAT EXCHANGER SYS POSITION DATA: L TUBING MATERIAL: .500 IN. OD .035 IN. WALL 32.00 IN. LG AL SERVICE BULLETIN OPT DATA: 272T3100-211		1

ILLUSTRATION ITEMS NOT ON PARTS LIST ARE NOT APPLICABLE

- ITEM NOT ILLUSTRATED

HXL

29-11-27-02

BOEING PROPRIETARY - Copyright © - Unpublished Work - See title page for details.

29-11-27
 FIG. 02
 PAGE 2
 APR 22/09



767

PARTS CATALOG (MAINTENANCE)

FIG ITEM	PART NUMBER	1 2 3 4 5 6 7	NOMENCLATURE	EFFECT FROM TO	UNITS PER ASSY
2 63	272T3100-209		.TUBE ASSY-TO HEAT EXCHANGER SYS POSITION DATA: L TUBING MATERIAL: .500 IN. OD .035 IN. WALL 88.00 IN. LG TITANIUM SERVICE BULLETIN OPT DATA: 272T3100-259 272T3100-471	163163	1
- 70	AP2097HP08		..SLEEVE SUPPLIER CODE: V01673 SPECIFICATION NUMBER: BACS13BX08HP OPTIONAL PART: 2-02903-08HP V11328 35235VN08 V08199 AFP175V08P V30974 DBOS13BX08HP V14798		2
- 73	AP2097HP08		..SLEEVE SUPPLIER CODE: V01673 SPECIFICATION NUMBER: BACS13BX08HP OPTIONAL PART: 2-02903-08HP V11328 35235VN08 V08199 AFP175V08P V30974 DBOS13BX08HP V14798	163163	2
- 75	BACN10YL08		..NUT		2
- 78	BACN10YL08		..NUT	163163	2
130	BACE21BM0808J		.ELBOW ATTACHING PARTS		1
- 135	AN960PD1216L		.WASHER		2
- 140	AN924-16D		.NUT -----*-----		1

ILLUSTRATION ITEMS NOT ON PARTS LIST ARE NOT APPLICABLE

- ITEM NOT ILLUSTRATED

29-11-27-02

29-11-27
FIG. 02
PAGE 3
APR 22/09

HXL



767

PARTS CATALOG (MAINTENANCE)

FIG ITEM	PART NUMBER	1 2 3 4 5 6 7	NOMENCLATURE	EFFECT FROM TO	UNITS PER ASSY
2 900			ILLUSTRATION REFERENCE: HYDRAULIC INSTL-SECT. 31 ENGINE AFT FAIRING, L STRUT (MAIN HYDRAULIC SYSTEM ONLY) 29-11-00-01A		RF
905			ILLUSTRATION REFERENCE: HYDRAULIC INSTL-SECT. 12 (LH) (HYDRAULIC POWER ONLY) 29-11-77-01		RF
910			ILLUSTRATION REFERENCE: RESERVOIR INSTL-ENG AFT FAIRING HYDR 29-11-20-01		RF
915			ILLUSTRATION REFERENCE: HYDRAULIC INSTL-SECT. 31 ENGINE AFT FAIRING (LH) (CASE DRAIN ACMP ONLY) 29-11-18-02		RF

ILLUSTRATION ITEMS NOT ON PARTS LIST ARE NOT APPLICABLE

- ITEM NOT ILLUSTRATED

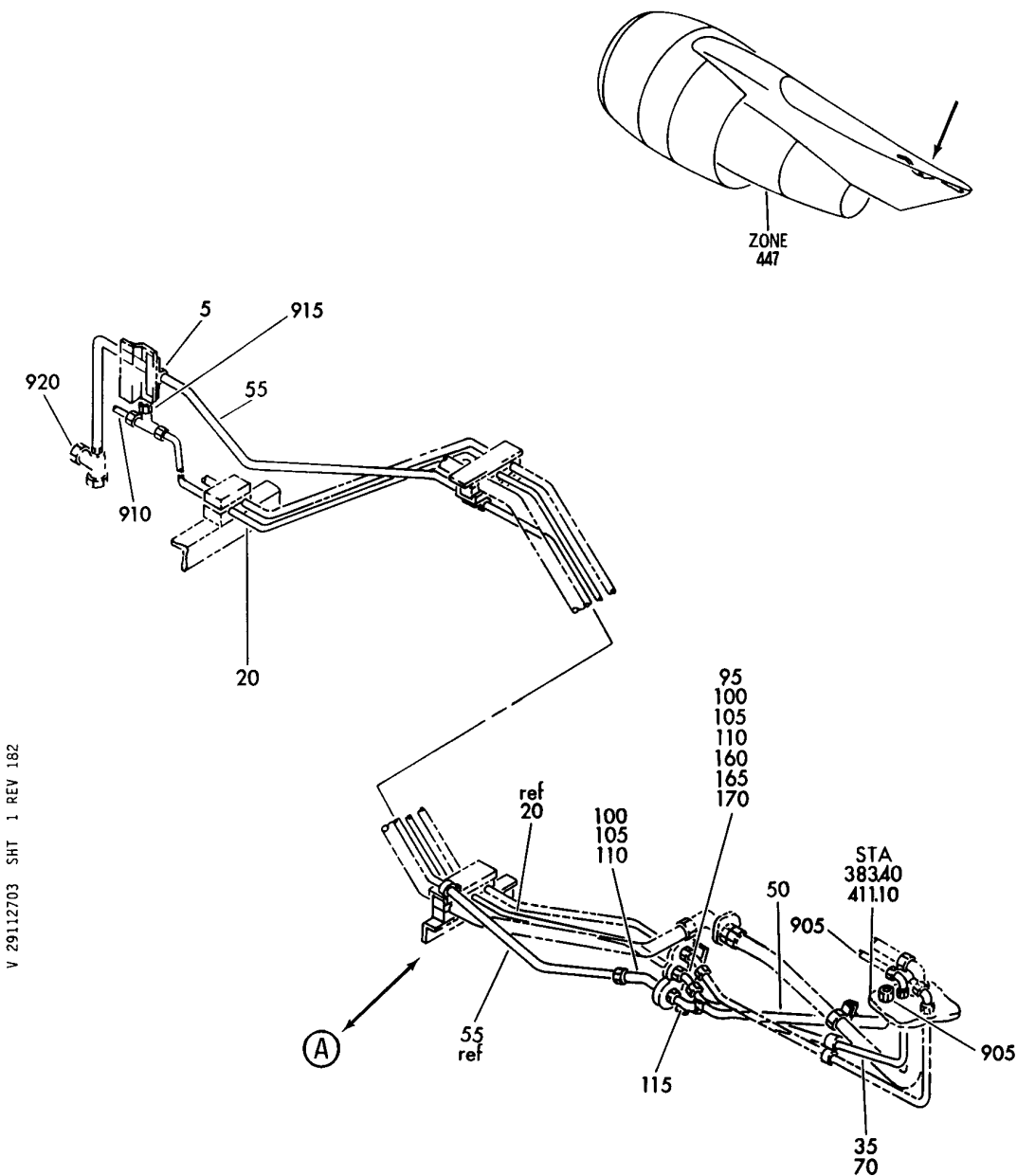
HXL

29-11-27-02

BOEING PROPRIETARY - Copyright © - Unpublished Work - See title page for details.

29-11-27
FIG. 02
PAGE 4
APR 22/09

BOEING
767
PARTS CATALOG (MAINTENANCE)



V 29112703 SHT 1 REV 182

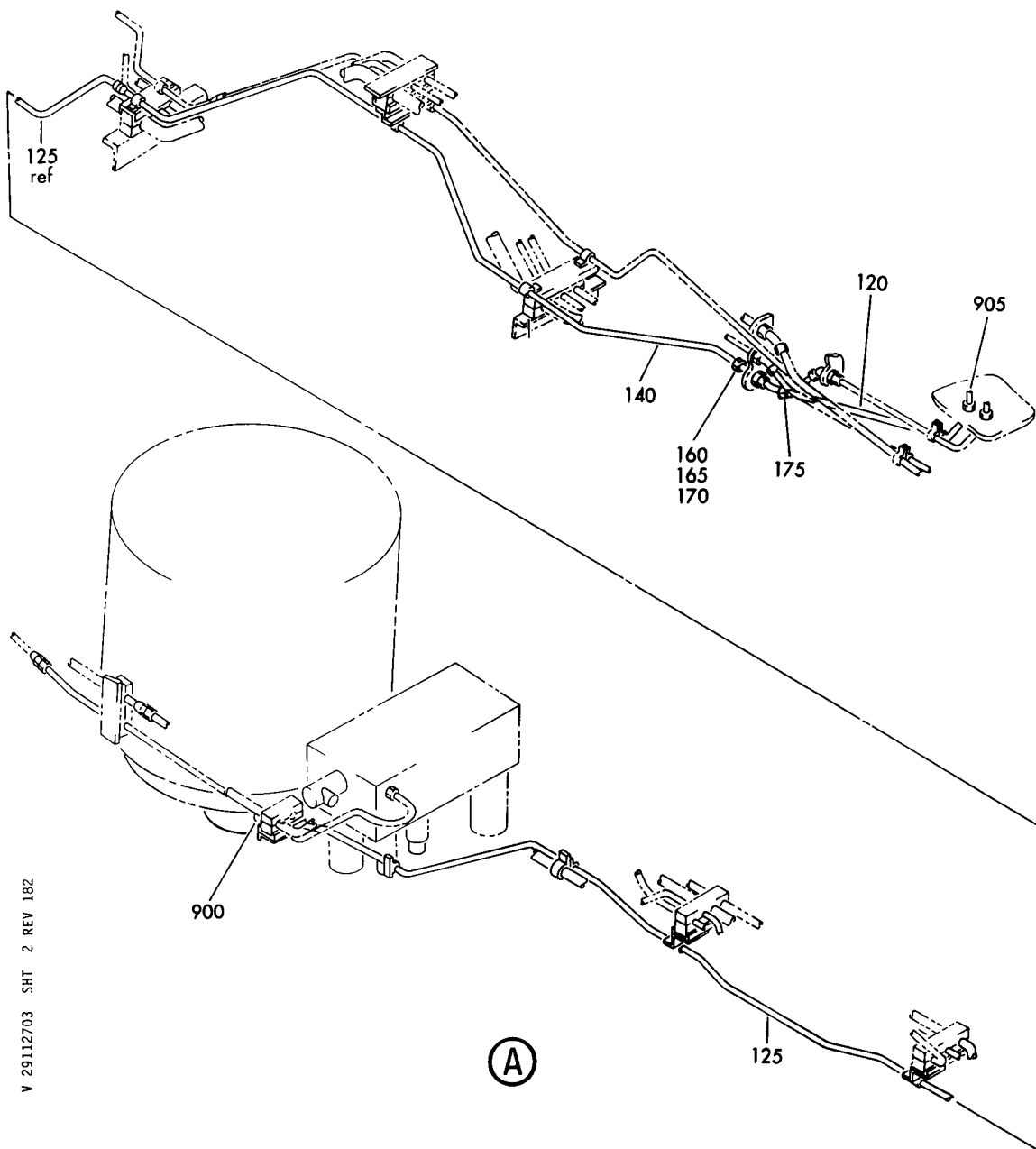
HYDRAULIC INSTL-SECT. 31 ENG AFT FAIRING, R STRUT (HEAT EXCHANGER ONLY)
FIGURE 3 (SHEET 1)

HXL
DEC 22/06

29-11-27-03

29-11-27-03
PAGE 0

BOEING
767
PARTS CATALOG (MAINTENANCE)



V 29112703 SHT 2 REV 182

HYDRAULIC INSTL-SECT. 31 ENG AFT FAIRING, R STRUT (HEAT EXCHANGER ONLY)
FIGURE 3 (SHEET 2)

HXL
DEC 22/06

29-11-27-03

29-11-27-03
PAGE 0A



767

PARTS CATALOG (MAINTENANCE)

FIG ITEM	PART NUMBER	1 2 3 4 5 6 7	NOMENCLATURE	EFFECT FROM TO	UNITS PER ASSY
3			HYDRAULIC INSTL-SECT. 31 ENG AFT FAIRING, R STRUT (HEAT EXCHANGER ONLY)		
- 1	272T3100-6		HYDRAULIC INSTL-ENG FAIRING STRUT (HEAT EXCHANGER ONLY) (PRATT & WHITNEY)		RF
20	272T3100-210		POSITION DATA: SECT. 31 AFT R VARIABLE DRAWING REF: 272T3100-5218 272T3100-5336 272T3100-7004 FOR NHA/OTHER SYS DET SEE: 29-00-00-04 .TUBE ASSY- TUBING MATERIAL: .500 IN. OD .035 IN. WALL 60.00 IN. LG AL SERVICE BULLETIN OPT DATA: 272T3100-420 272T3100-472 272T3100-494 272T3100-498 272T3100-454 272T3100-482 272T3100-492	163163	1
20	272T3100-472		POST SERVICE BULLETIN: 54-0080R1 .TUBE ASSY-HEAT EXCHANGER R SYS TUBING MATERIAL: .500 IN. OD .035 IN. WALL ALUMINUM SERVICE BULLETIN OPT DATA: 272T3100-210 272T3100-420 272T3100-494 272T3100-498 272T3100-454 272T3100-482 272T3100-492		1

ILLUSTRATION ITEMS NOT ON PARTS LIST ARE NOT APPLICABLE

- ITEM NOT ILLUSTRATED

HXL

29-11-27-03

BOEING PROPRIETARY - Copyright © - Unpublished Work - See title page for details.

29-11-27
FIG. 03
PAGE 1
DEC 22/07

BOEING
767
PARTS CATALOG (MAINTENANCE)

FIG ITEM	PART NUMBER	1 2 3 4 5 6 7	NOMENCLATURE	EFFECT FROM TO	UNITS PER ASSY
3	20 272T3100-420		.TUBE ASSY- TUBING MATERIAL: .500 IN. OD .035 IN. WALL 70.00 IN. LG AL SERVICE BULLETIN OPT DATA: 272T3100-210 272T3100-472 272T3100-494 272T3100-498 272T3100-454 272T3100-482 272T3100-492 POST SERVICE BULLETIN: 54-0080R1	163163	1
R R	20 272T3100-498		.TUBE ASSY-HEAT EXCHANGER R SYS TUBING MATERIAL: .500 IN. OD X .039 IN. WALL X 68.0 IN. LG ALUMINUM, 6061-T6 MIL-T-7081 SPARES ORDER MATERIAL CODE: 1269116350 SERVICE BULLETIN OPT DATA: 272T3100-210 272T3100-420 272T3100-472 272T3100-494 272T3100-454 272T3100-482 272T3100-492 POST SERVICE BULLETIN: 54-0080R1	163163	1
	20 272T3100-494		.TUBE ASSY-HEAT EXCHANGER R SYS TUBING MATERIAL: .500 IN. OD .035 IN. WALL ALUMINUM SERVICE BULLETIN OPT DATA: 272T3100-210 272T3100-420 272T3100-472 272T3100-498 272T3100-454 272T3100-482 272T3100-492 POST SERVICE BULLETIN: 54-0080R1	163163	1

ILLUSTRATION ITEMS NOT ON PARTS LIST ARE NOT APPLICABLE

- ITEM NOT ILLUSTRATED

HXL

29-11-27-03

BOEING PROPRIETARY - Copyright © - Unpublished Work - See title page for details.

29-11-27
FIG. 03
PAGE 2
AUG 22/09



767

PARTS CATALOG (MAINTENANCE)

FIG ITEM	PART NUMBER	1 2 3 4 5 6 7	NOMENCLATURE	EFFECT FROM TO	UNITS PER ASSY
3	20 272T3100-454		.TUBE ASSY-HEAT EXCHANGER R SYS TUBING MATERIAL: .500 IN. OD .035 IN. WALL 66.00 IN. LG AL SERVICE BULLETIN OPT DATA: 272T3100-210 272T3100-420 272T3100-472 272T3100-498 272T3100-494 272T3100-482 272T3100-492 POST SERVICE BULLETIN: 54-0080R1	163163	1
	20 272T3100-482		.TUBE ASSY-HEAT EXCHANGER R SYS TUBING MATERIAL: .500 IN. OD .035 IN. WALL 65.00 IN. LG AL SERVICE BULLETIN OPT DATA: 272T3100-210 272T3100-420 272T3100-472 272T3100-498 272T3100-494 272T3100-454 272T3100-492 POST SERVICE BULLETIN: 54-0080R1	163163	1
	20 272T3100-492		.TUBE ASSY-HEAT EXCHANGER R SYS TUBING MATERIAL: .500 IN. OD CRES SERVICE BULLETIN OPT DATA: 272T3100-210 272T3100-420 272T3100-472 272T3100-498 272T3100-494 272T3100-454 272T3100-482 POST SERVICE BULLETIN: 54-0080R1	163163	1

ILLUSTRATION ITEMS NOT ON PARTS LIST ARE NOT APPLICABLE

- ITEM NOT ILLUSTRATED

HXL

29-11-27-03

BOEING PROPRIETARY - Copyright © - Unpublished Work - See title page for details.

29-11-27
FIG. 03
PAGE 3
DEC 22/07

BOEING
767
PARTS CATALOG (MAINTENANCE)

FIG ITEM	PART NUMBER	1 2 3 4 5 6 7	NOMENCLATURE	EFFECT FROM TO	UNITS PER ASSY
3					
- 25	AP2097HP08		.. SLEEVE- SUPPLIER CODE: V01673 SPECIFICATION NUMBER: BACS13BX08HP OPTIONAL PART: 2-02903-08HP V11328 35235VN08 V08199 AFP175V08P V30974 DBOS13BX08HP V14798		2
- 30	BACN10YL08		.. NUT-		2
- 30	BACN10YA8N		.. NUT- USED ON: 272T3100-492 272T3100-627	163163	2
	35 272T3100-212		. TUBE ASSY- TUBING MATERIAL: .500 IN. OD .035 IN. WALL 34.00 IN. LG AL SERVICE BULLETIN OPT DATA: 272T3100-410 272T3100-440 POST SERVICE BULLETIN: 54-0080R1	163163	1
	35 272T3100-410		. TUBE ASSY- TUBING MATERIAL: .500 IN. OD X .035 IN. WALL X 35.00 IN. LG AL 6061-T6 MIL-T-7081 SPARES ORDER MATERIAL CODE: 1269032350 SERVICE BULLETIN OPT DATA: 272T3100-212 272T3100-440 POST SERVICE BULLETIN: 54-0080R1	163163	1
	35 272T3100-411		. TUBE ASSY- TUBING MATERIAL: .500 IN. OD .035 IN. WALL 32.00 IN. LG AL		1

R
R
R
R
R
R
R
R
R
R
R

ILLUSTRATION ITEMS NOT ON PARTS LIST ARE NOT APPLICABLE

- ITEM NOT ILLUSTRATED

HXL

29-11-27-03

BOEING PROPRIETARY - Copyright © - Unpublished Work - See title page for details.

29-11-27
FIG. 03
PAGE 4
AUG 22/09



767

PARTS CATALOG (MAINTENANCE)

FIG ITEM	PART NUMBER	1 2 3 4 5 6 7	NOMENCLATURE	EFFECT FROM TO	UNITS PER ASSY
3					
35	272T3100-440		.TUBE ASSY- TUBING MATERIAL: .500 IN. OD .035 IN. WALL 31.00 IN. LG AL SERVICE BULLETIN OPT DATA: 272T3100-212 272T3100-410		1
- 40	AP2097HP08		..SLEEVE SUPPLIER CODE: V01673 SPECIFICATION NUMBER: BACS13BX08HP OPTIONAL PART: 2-02903-08HP V11328 35235VN08 V08199 AFP175V08P V30974 DBOS13BX08HP V14798		2
- 45	BACN10YL08		..NUT-		2
70	272T3100-471		.TUBE ASSY- TUBING MATERIAL: .500 IN. OD .026 IN. WALL 89.00 IN. LG TITANIUM	155162 164999	1
70	272T3100-259		.TUBE ASSY- TUBING MATERIAL: .500 IN. OD .026 IN. WALL 88.00 IN. LG TITANIUM	163163	1
- 75	AS1581T08		..SLEEVE		2

ILLUSTRATION ITEMS NOT ON PARTS LIST ARE NOT APPLICABLE

- ITEM NOT ILLUSTRATED

HXL

29-11-27-03

BOEING PROPRIETARY - Copyright © - Unpublished Work - See title page for details.

29-11-27
FIG. 03
PAGE 5
AUG 22/09

BOEING
767
PARTS CATALOG (MAINTENANCE)

FIG ITEM	PART NUMBER	1 2 3 4 5 6 7	NOMENCLATURE	EFFECT FROM TO	UNITS PER ASSY
3					
- 80	AFP107-8	..NUT-	SUPPLIER CODE: V30974 SPECIFICATION NUMBER: BACN10NR8 OPTIONAL PART: AP1028T8 V01673 BC921T8 V50948 DBON10NR8 V14798 ER01921-8T V88334 FER8928-8 V14397 F11-8 V73197 2-03005T8 V11328 31783-8 V14397 BACN10YA8	163163	2
- 80	BACN10YA8	..NUT-	OPTIONAL PART: BACN10NR8	163163	2
- 85	BACN10YA8N	..NUT		155162 164999	2
95	MS21907D8	.ELBOW-			1
95	BACE21BM0808J	.ELBOW-			1
105	AN960PD1216L	.WASHER			2
110	AN924-8D	.NUT			2
900		ILLUSTRATION REFERENCE: RESERVOIR INSTL-ENG AFT FAIRING HYDR 29-11-20-01			RF
905		ILLUSTRATION REFERENCE: HYDRAULIC INSTL-SECT. 12 (RH) (HYDRAULIC POWER ONLY) 29-11-77-05			RF
910		ILLUSTRATION REFERENCE: HYDRAULIC INSTL-SECT. 31 ENGINE AFT FAIRING (RH) (CASE DRAIN EDP ONLY) 29-11-17-03			RF
ILLUSTRATION ITEMS NOT ON PARTS LIST ARE NOT APPLICABLE					

- ITEM NOT ILLUSTRATED

HXL

29-11-27-03

BOEING PROPRIETARY - Copyright © - Unpublished Work - See title page for details.

29-11-27
FIG. 03
PAGE 6
AUG 22/09



767

PARTS CATALOG (MAINTENANCE)

FIG ITEM	PART NUMBER	1 2 3 4 5 6 7 NOMENCLATURE	EFFECT FROM TO	UNITS PER ASSY
3 915		ILLUSTRATION REFERENCE: HYDRAULIC INSTL-SECT. 31 ENGINE AFT FAIRING (RH) (CASE DRAIN ACMP ONLY) 29-11-18-03		RF
920		ILLUSTRATION REFERENCE: HYDRAULIC INSTL-SECT. 31 ENGINE AFT FAIRING, R STRUT (MAIN HYDRAULIC SYSTEM ONLY) 29-11-00-02A		RF

ILLUSTRATION ITEMS NOT ON PARTS LIST ARE NOT APPLICABLE

- ITEM NOT ILLUSTRATED

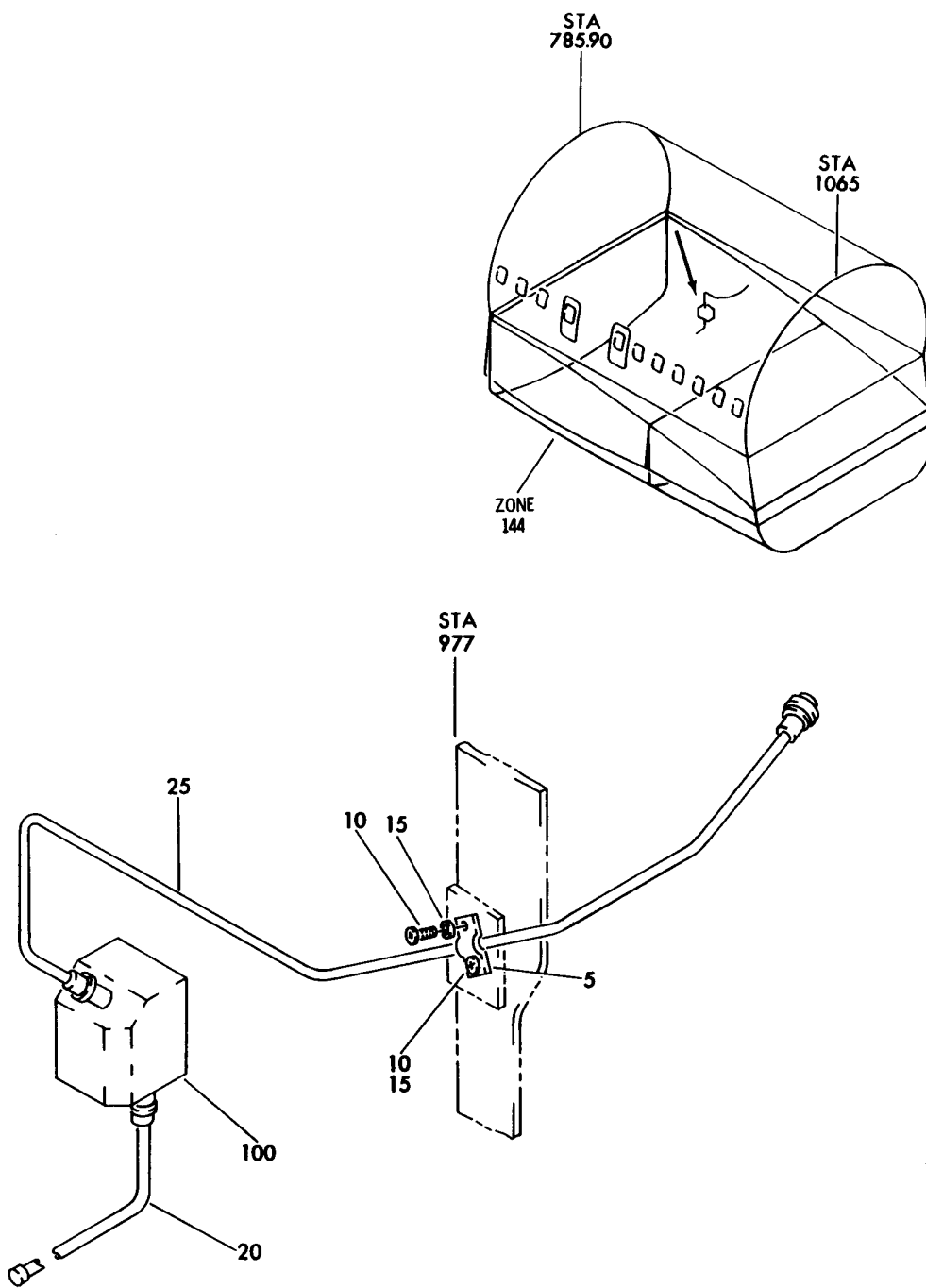
HXL

29-11-27-03

BOEING PROPRIETARY - Copyright © - Unpublished Work - See title page for details.

29-11-27
FIG. 03
PAGE 7
AUG 22/09

BOEING
767
PARTS CATALOG (MAINTENANCE)



V 29112802 REV 122

HYDRAULIC INSTL-SECT. 45 (SYSTEM C RESERVOIR PRESSURIZATION SHUTOFF VALVE ONLY)

FIGURE 2

29-11-28-02

HXL
DEC 22/06

29-11-28-02
PAGE 0



767

PARTS CATALOG (MAINTENANCE)

FIG ITEM	PART NUMBER	1 2 3 4 5 6 7	NOMENCLATURE	EFFECT FROM TO	UNITS PER ASSY
2			HYDRAULIC INSTL-SECT. 45 (SYSTEM C RESERVOIR PRESSURIZATION SHUTOFF VALVE ONLY)		
- 2	272T4500-3		HYDRAULIC INSTL-(SYSTEM C RESERVOIR PRESSURIZATION SHUTOFF VALVE ONLY) POSITION DATA: SECT. 45 MISCELLANEOUS DATA: (CONT AT ITEM 002J) VARIABLE DRAWING REF: 272T4500-5191		RF
- 2	272T4500-3		HYDRAULIC INSTL-(SYSTEM C RESERVOIR PRESSURIZATION SHUTOFF VALVE ONLY) POSITION DATA: SECT. 45 MISCELLANEOUS DATA: (CONT FROM ITEM 002) VARIABLE DRAWING REF: 272T4500-5274 272T4500-5278 272T4500-7002 FOR NHA/OTHER SYS DET SEE: 29-00-00-06		RF
5	TA0910004H106		.CLAMP SUPPLIER CODE: V84971 SPECIFICATION NUMBER: BACC10HB06C ATTACHING PARTS		1
10	NAS1801-3-9		.SCREW		2
15	AN960PD10L		.WASHER		2
20	272T4500-442		-----*----- .TUBE ASSY-HYDR RSVR PRESSURE SYS POSITION DATA: CTR TUBING MATERIAL: .375 IN. OD .020 IN. WALL 37.00 IN. LG STEEL		1
25	272T4500-2385		.TUBE ASSY-HYDR RSVR PRESSURE SYS POSITION DATA: CTR TUBING MATERIAL: .375 IN. OD .020 IN. WALL 40.00 IN. LG STEEL		1

ILLUSTRATION ITEMS NOT ON PARTS LIST ARE NOT APPLICABLE

- ITEM NOT ILLUSTRATED

29-11-28-02

29-11-28
FIG. 02
PAGE 1
DEC 22/07

HXL



767

PARTS CATALOG (MAINTENANCE)

FIG ITEM	PART NUMBER	1 2 3 4 5 6 7	NOMENCLATURE	EFFECT FROM TO	UNITS PER ASSY
2					
- 30	AP2097HP06	..	SLEEVE SUPPLIER CODE: V01673 SPECIFICATION NUMBER: BACS13BX06HP OPTIONAL PART: 2-02903-06HP V11328 35235VN06 V08199 AFP175V06P V30974 DBOS13BX06HP V14798		2
- 35	BACN10YA6	..	NUT- OPTIONAL PART: BACN10NR6		2
- 35	AFP107-6	..	NUT- SUPPLIER CODE: V30974 SPECIFICATION NUMBER: BACN10NR6 OPTIONAL PART: AP1028T6 V01673 BC921T6 V50948 DBON10NR6 V14798 ER01921-6T V88334 FER8928-6 V14397 F11-6 V73197 2-03005T6 V11328 31783-6 V14397 35068-06 V08199 BACN10YA6		2
- 40	BACN10YA6	..	NUT-		2
- 40	BACN10YA6N	..	NUT-		2
- 60	NAS1763D161616	..	TEE		2

ILLUSTRATION ITEMS NOT ON PARTS LIST ARE NOT APPLICABLE

- ITEM NOT ILLUSTRATED

HXL

29-11-28-02

BOEING PROPRIETARY - Copyright © - Unpublished Work - See title page for details.

29-11-28
FIG. 02
PAGE 2
DEC 22/08



767
PARTS CATALOG (MAINTENANCE)

FIG ITEM	PART NUMBER	1 2 3 4 5 6 7	NOMENCLATURE	EFFECT FROM TO	UNITS PER ASSY
2 100	271T4563-1		. VALVE INSTL-RSVR PRESSURIZATION SHUTOFF FUNCTIONAL REFERENCE: PLACARDS AND MARKINGS FOR DETAILS SEE 11-22-30-01 FOR DETAILS SEE: 29-11-59-01		1

ILLUSTRATION ITEMS NOT ON PARTS LIST ARE NOT APPLICABLE

- ITEM NOT ILLUSTRATED

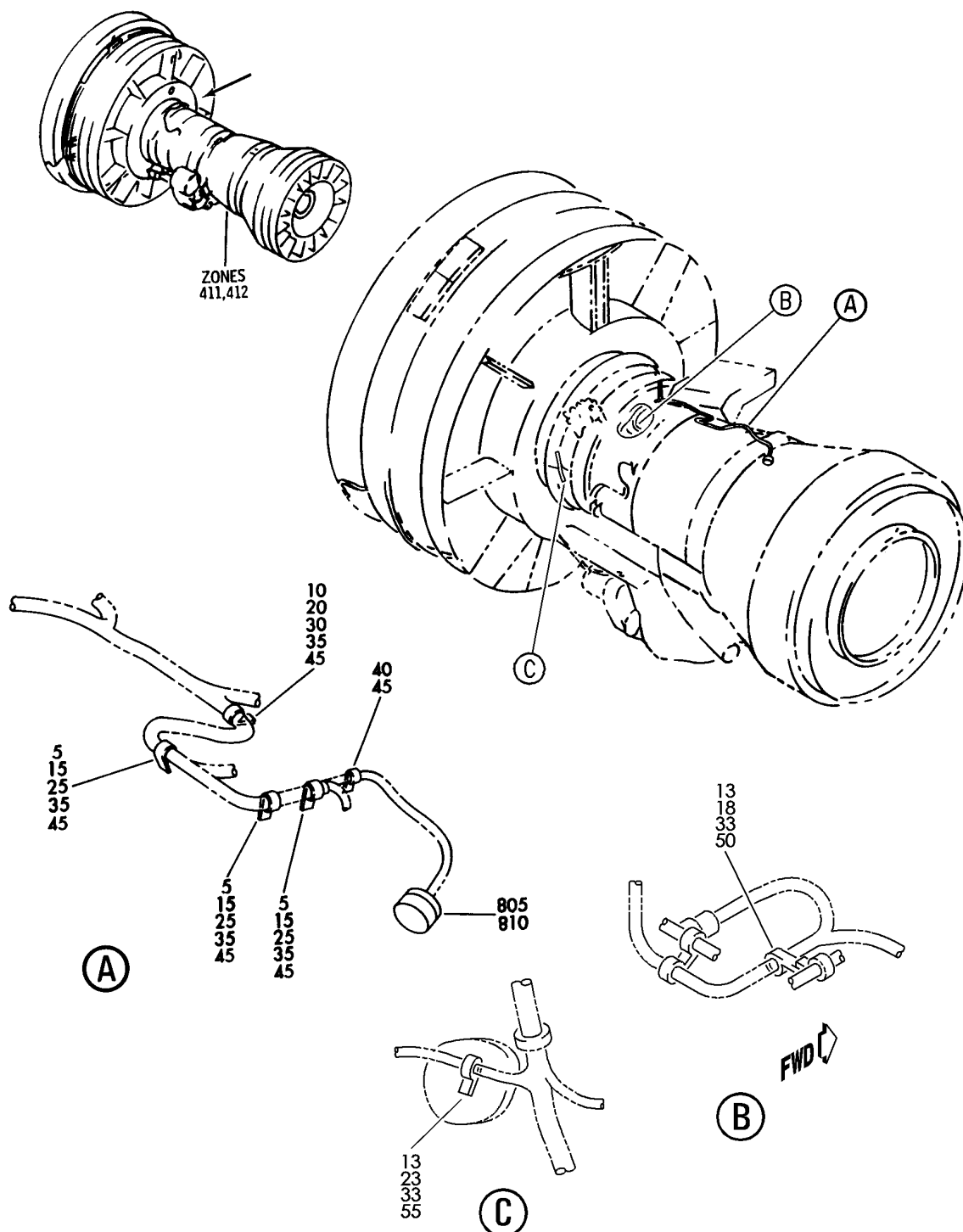
HXL

29-11-28-02

BOEING PROPRIETARY - Copyright © - Unpublished Work - See title page for details.

29-11-28
FIG. 02
PAGE 3
DEC 22/07

BOEING
767
PARTS CATALOG (MAINTENANCE)



V 29115002 REV 232

WIRING INSTL-ENGINE BUILD-UP (HYDRAULIC POWER ONLY)
FIGURE 2

29-11-50-02

HXL
DEC 22/06

29-11-50-02
PAGE 0



767

PARTS CATALOG (MAINTENANCE)

FIG ITEM	PART NUMBER	1 2 3 4 5 6 7	NOMENCLATURE	EFFECT FROM TO	UNITS PER ASSY
2			WIRING INSTL-ENGINE BUILD-UP (HYDRAULIC POWER ONLY)		
- 1	332T4240-6		WIRING INSTL-ENGINE BUILD-UP (HYDRAULIC POWER ONLY) VARIABLE DRAWING REF: 332T4240-5007 FOR NHA/OTHER SYS DET SEE: 71-00-51-02		RF
5	NAS1802-3		.SCREW- SIZE DETERMINED ON INSTL.		3
10	NAS1802-3		.SCREW- SIZE DETERMINED ON INSTL.		1
15	AN960C10L		.WASHER		AR
20	AN960C10L		.WASHER		AR
25	PLH53C		.NUT- SUPPLIER CODE: V62554 SPECIFICATION NUMBER: BACN10YR3C OPTIONAL PART: H52732-3C V15653 BACN10JC3CM BACN10YR3CM BACN10JC3C		3
25	BRH10C3		.NUT- SUPPLIER CODE: V52828 SPECIFICATION NUMBER: BACN10JC3C OPTIONAL PART: T6C1032J V11815 97-02 V80539 101LH9075-3W V72962 VN303B02 V92215 NS202101S02 V80539 H31-3BAC V15653 BACN10JC3CM BACN10YR3CM BACN10YR3C		3
ILLUSTRATION ITEMS NOT ON PARTS LIST ARE NOT APPLICABLE					

- ITEM NOT ILLUSTRATED

HXL

29-11-50-02

BOEING PROPRIETARY - Copyright © - Unpublished Work - See title page for details.

29-11-50
FIG. 02
PAGE 1
DEC 22/07



767

PARTS CATALOG (MAINTENANCE)

FIG ITEM	PART NUMBER	1 2 3 4 5 6 7	NOMENCLATURE	EFFECT FROM TO	UNITS PER ASSY
2	25 BRH10C3M		.NUT- SUPPLIER CODE: V52828 SPECIFICATION NUMBER: BACN10JC3CM OPTIONAL PART: T6C1032JM V11815 97E02 V80539 109LH9075-3W V72962 VN303D02 V92215 NS202101SE02 V80539 H01-3BAC V15653 BACN10JC3C BACN10YR3CM BACN10YR3C		3
	25 PLH53CM		.NUT- SUPPLIER CODE: VF0224 SPECIFICATION NUMBER: BACN10YR3CM OPTIONAL PART: H52732-3CM V15653 BACN10JC3CM BACN10YR3C BACN10JC3C		3
	30 PLH53C		.NUT- SUPPLIER CODE: V62554 SPECIFICATION NUMBER: BACN10YR3C OPTIONAL PART: H52732-3C V15653 BACN10JC3CM BACN10YR3CM BACN10JC3C		1

ILLUSTRATION ITEMS NOT ON PARTS LIST ARE NOT APPLICABLE

- ITEM NOT ILLUSTRATED

HXL

29-11-50-02

BOEING PROPRIETARY - Copyright © - Unpublished Work - See title page for details.

29-11-50
FIG. 02
PAGE 2
DEC 22/08



767

PARTS CATALOG (MAINTENANCE)

FIG ITEM	PART NUMBER	1 2 3 4 5 6 7	NOMENCLATURE	EFFECT FROM TO	UNITS PER ASSY
2	30 BRH10C3		.NUT- SUPPLIER CODE: V52828 SPECIFICATION NUMBER: BACN10JC3C OPTIONAL PART: T6C1032J V11815 97-02 V80539 101LH9075-3W V72962 VN303B02 V92215 NS202101S02 V80539 H31-3BAC V15653 BACN10JC3CM BACN10YR3CM BACN10YR3C		1
	30 BRH10C3M		.NUT- SUPPLIER CODE: V52828 SPECIFICATION NUMBER: BACN10JC3CM OPTIONAL PART: T6C1032JM V11815 97E02 V80539 109LH9075-3W V72962 VN303D02 V92215 NS202101SE02 V80539 H01-3BAC V15653 BACN10JC3C BACN10YR3CM BACN10YR3C		1

ILLUSTRATION ITEMS NOT ON PARTS LIST ARE NOT APPLICABLE

- ITEM NOT ILLUSTRATED

HXL

29-11-50-02

BOEING PROPRIETARY - Copyright © - Unpublished Work - See title page for details.

29-11-50
FIG. 02
PAGE 3
DEC 22/07

BOEING
767
PARTS CATALOG (MAINTENANCE)

FIG ITEM	PART NUMBER	1 2 3 4 5 6 7	NOMENCLATURE	EFFECT FROM TO	UNITS PER ASSY
2					
30	PLH53CM		.NUT- SUPPLIER CODE: VF0224 SPECIFICATION NUMBER: BACN10YR3CM OPTIONAL PART: H52732-3CM V15653 BACN10JC3CM BACN10JC3C BACN10YR3C		1
35	BACC10HS		.CLAMP- SIZE DETERMINED ON INSTL.		4
40	BACC10HS		.CLAMP- SIZE DETERMINED ON INSTL.		1
- 800	286T3508-042		.WIRE BUNDLE ASSY		1
805	G899312S		..CLAMP- SUPPLIER CODE: V06324 SPECIFICATION NUMBER: BACC10HD12A OPTIONAL PART: G8993M12S V06324 S2251-12-30S V07418 6000-123-0112 V14283 900-555F12-10 V31461 ELECTRICAL EQUIP NUMBER: D10980T WIRING DIAGRAM REF: 291111		1
810	MT37K1203S714		..PLUG- SUPPLIER CODE: V81205 ELECTRICAL EQUIP NUMBER: D10980 WIRING DIAGRAM REF: 291111 OPTIONAL PART: BACC63CM1203SN		1

ILLUSTRATION ITEMS NOT ON PARTS LIST ARE NOT APPLICABLE

- ITEM NOT ILLUSTRATED

HXL

29-11-50-02

BOEING PROPRIETARY - Copyright © - Unpublished Work - See title page for details.

29-11-50
FIG. 02
PAGE 4
DEC 22/08



767
PARTS CATALOG (MAINTENANCE)

FIG ITEM	PART NUMBER	1 2 3 4 5 6 7	NOMENCLATURE	EFFECT FROM TO	UNITS PER ASSY
2 810	BACC63CM1203SN		.. PLUG- ELECTRICAL EQUIP NUMBER: D10980 WIRING DIAGRAM REF: 291111 OPTIONAL PART: MT37K1203S714 V81205		1

ILLUSTRATION ITEMS NOT ON PARTS LIST ARE NOT APPLICABLE

- ITEM NOT ILLUSTRATED

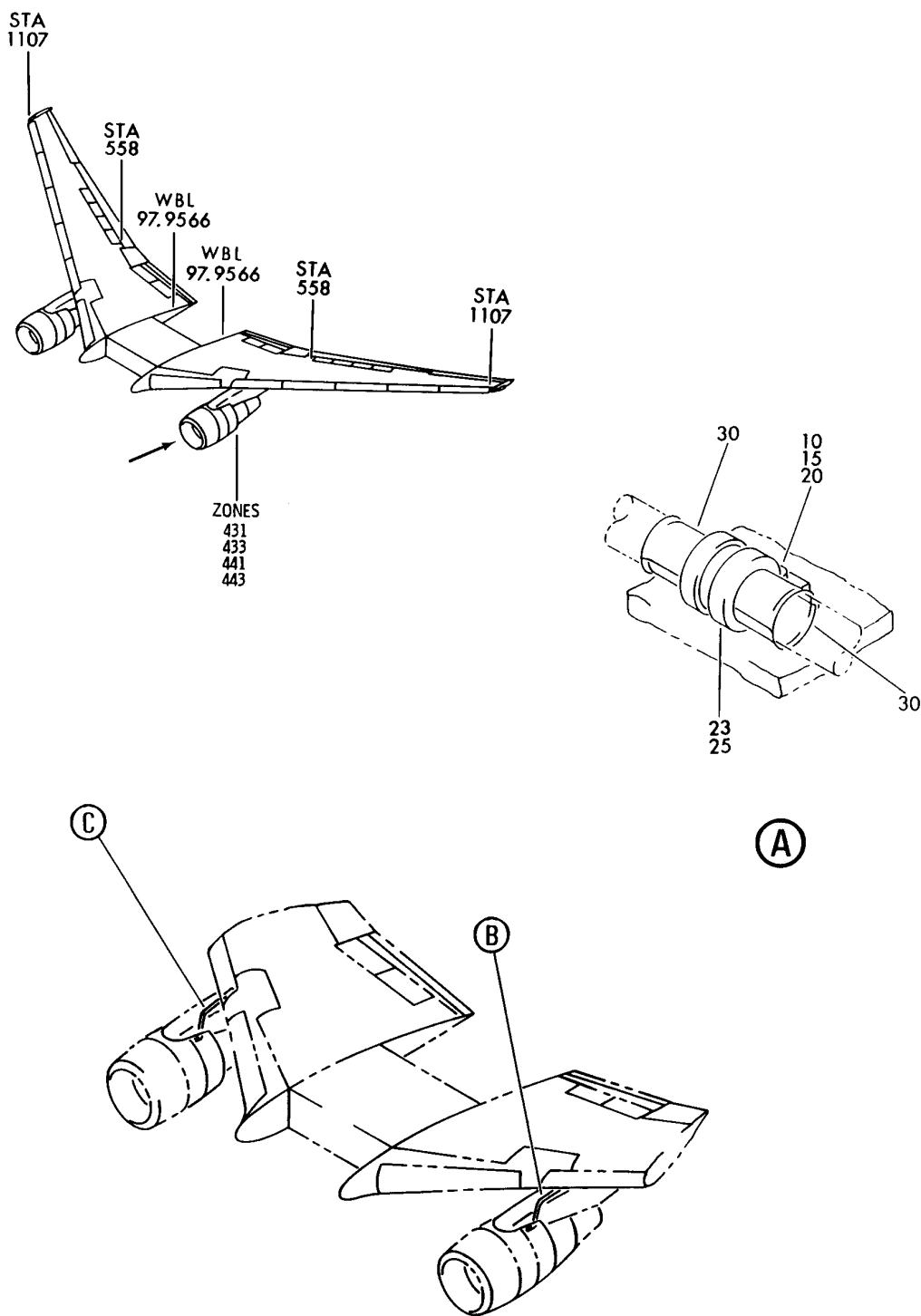
HXL

29-11-50-02

BOEING PROPRIETARY - Copyright © - Unpublished Work - See title page for details.

29-11-50
FIG. 02
PAGE 5
DEC 22/07

BOEING
767
PARTS CATALOG (MAINTENANCE)



V 29115102 SHT 1 REV 142

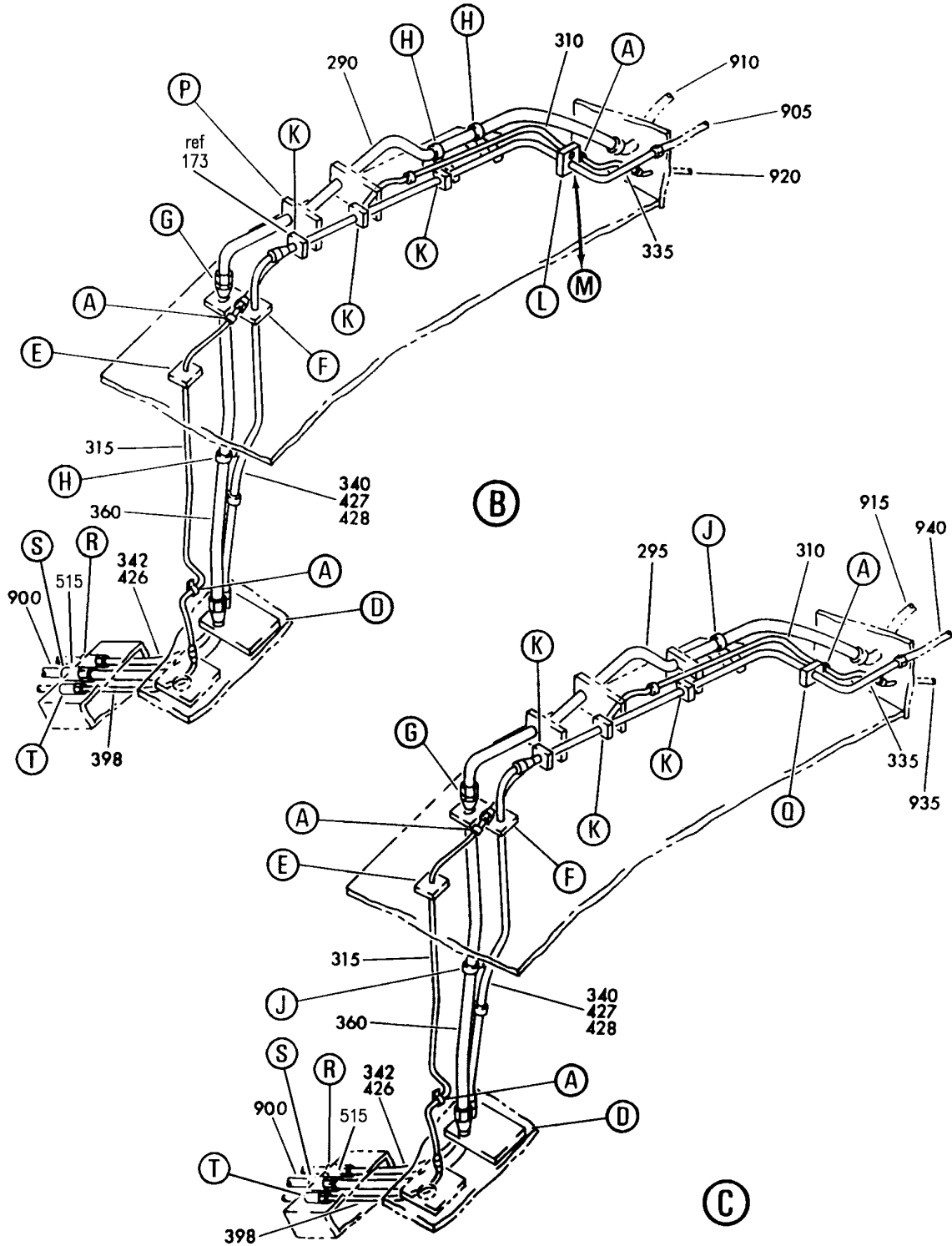
PLUMBING INSTL-HYDR AND FUEL STRUT (HYDRAULIC POWER ONLY)
FIGURE 2 (SHEET 1)

29-11-51-02

HXL
DEC 22/06

29-11-51-02
PAGE 0

BOEING
767
PARTS CATALOG (MAINTENANCE)



V 29115102 SHT 2 REV 326

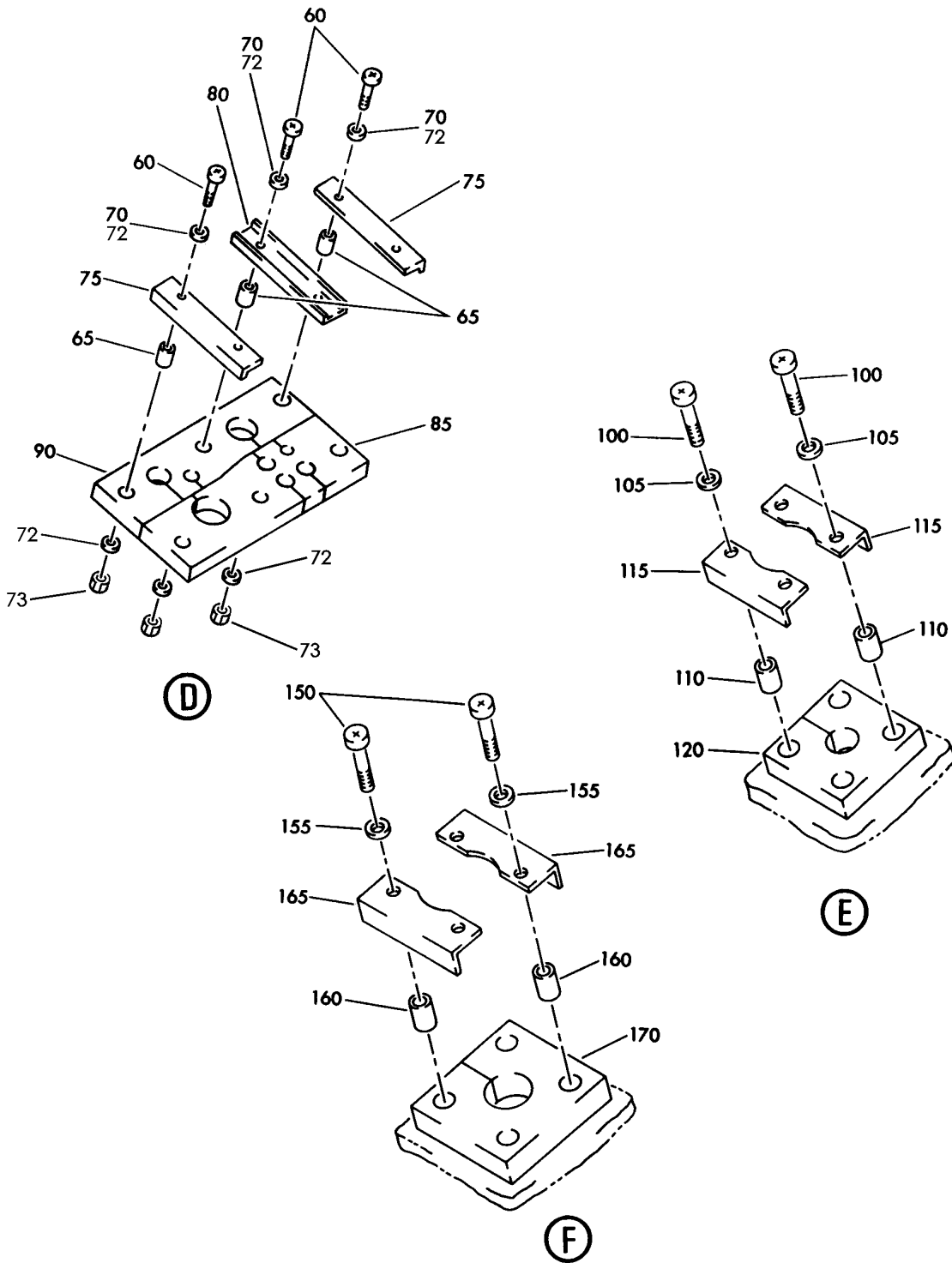
PLUMBING INSTL-HYDR AND FUEL STRUT (HYDRAULIC POWER ONLY)
FIGURE 2 (SHEET 2)

29-11-51-02

HXL
APR 22/08

29-11-51-02
PAGE 0A

BOEING
767
PARTS CATALOG (MAINTENANCE)



V 29115102 SHT 3 REV 233

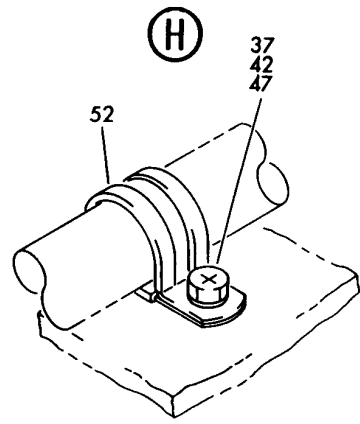
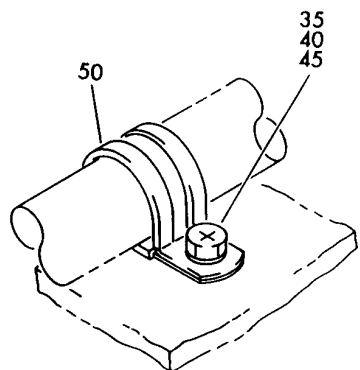
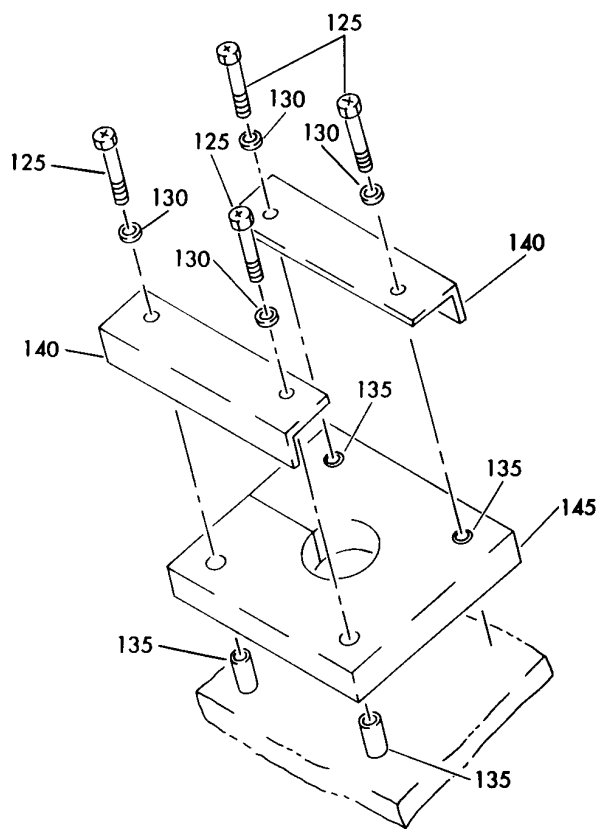
PLUMBING INSTL-HYDR AND FUEL STRUT (HYDRAULIC POWER ONLY)
FIGURE 2 (SHEET 3)

29-11-51-02

HXL
DEC 22/06

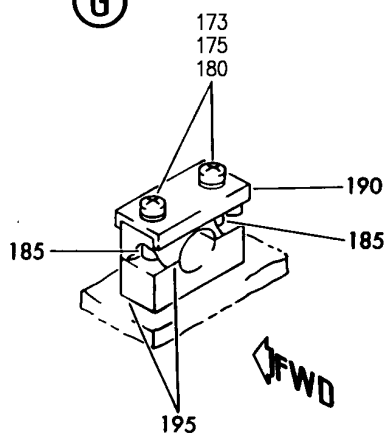
29-11-51-02
PAGE 0B


BOEING
 767
PARTS CATALOG (MAINTENANCE)



(G)

(J)



(K)

V 29115102 SHIT 4 REV 268

PLUMBING INSTL-HYDR AND FUEL STRUT (HYDRAULIC POWER ONLY)
FIGURE 2 (SHEET 4)

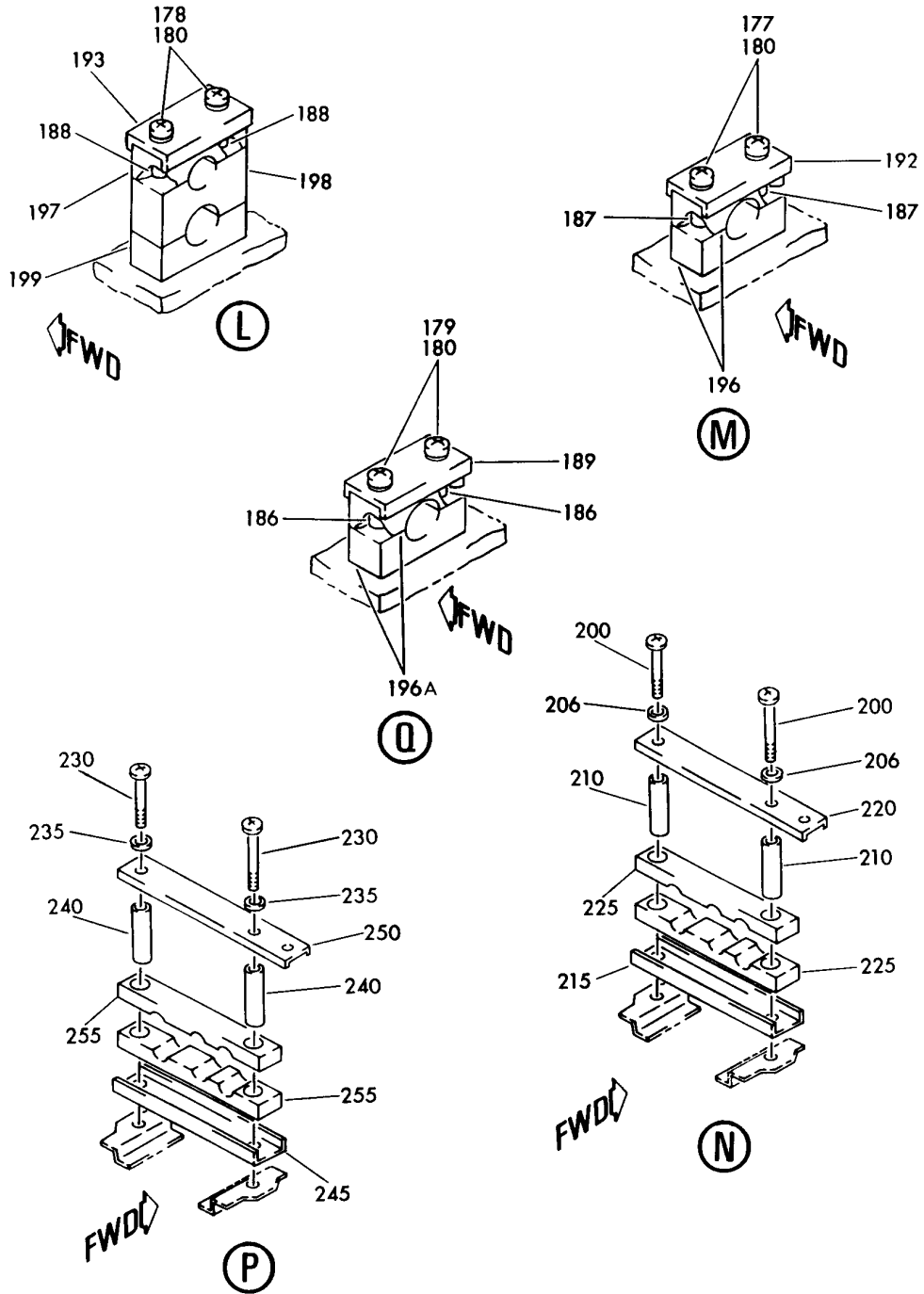
29-11-51-02

HXL
DEC 22/06

29-11-51-02
PAGE 0C

BOEING PROPRIETARY - Copyright © - Unpublished Work - See title page for details.

BOEING
767
PARTS CATALOG (MAINTENANCE)



V 29115102 SHT 5 REV 14Z

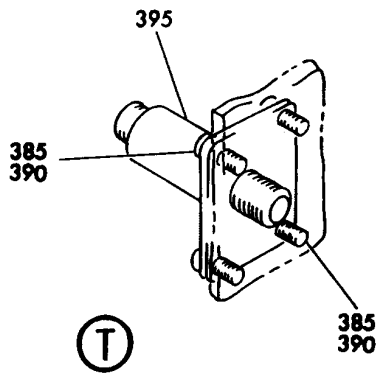
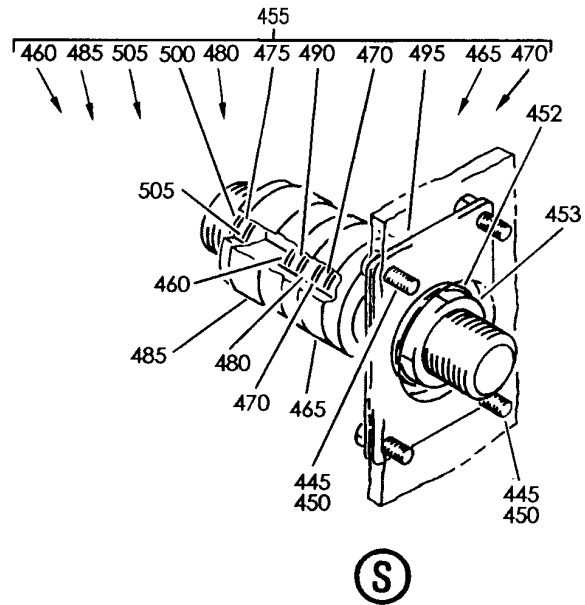
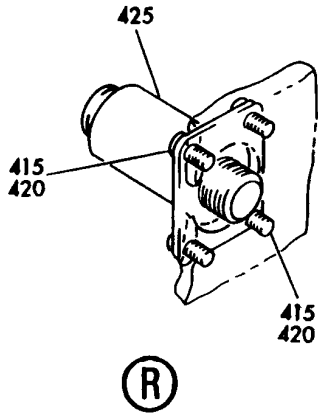
PLUMBING INSTL-HYDR AND FUEL STRUT (HYDRAULIC POWER ONLY)
FIGURE 2 (SHEET 5)

29-11-51-02

HXL
DEC 22/06

29-11-51-02
PAGE 0D


BOEING
 767
PARTS CATALOG (MAINTENANCE)



V 29115102 SH1 6 REV 326

PLUMBING INSTL-HYDR AND FUEL STRUT (HYDRAULIC POWER ONLY)
 FIGURE 2 (SHEET 6)

29-11-51-02

HXL
 APR 22/08

29-11-51-02
 PAGE 0E



767

PARTS CATALOG (MAINTENANCE)

FIG ITEM	PART NUMBER	1 2 3 4 5 6 7	NOMENCLATURE	EFFECT FROM TO	UNITS PER ASSY
2			PLUMBING INSTL- HYDR AND FUEL STRUT (HYDRAULIC POWER ONLY)		
- 1	312T4100-1		PLUMBING INSTL-HYDR AND FUEL STRUT (HYDRAULIC POWER ONLY) POSITION DATA: LH SIDE VARIABLE DRAWING REF: 312T4100-5009 FOR NHA/OTHER SYS DET SEE: 54-00-51-02		RF
- 5	312T4100-2		PLUMBING INSTL-HYDR AND FUEL STRUT (HYDRAULIC POWER ONLY) POSITION DATA: RH VARIABLE DRAWING REF: 312T4100-5014 FOR NHA/OTHER SYS DET SEE: 54-00-51-02		RF
10	NAS1801-3-8		.SCREW		3
15	BACW10BN3SC		.WASHER- OPTIONAL PART: AN960JD10L		3
15	AN960JD10L		.WASHER- OPTIONAL PART: BACW10BN3SC		3
20	MS21042L3		.NUT-		3
25	S500-8		.CLAMP- SUPPLIER CODE: V18076 SPECIFICATION NUMBER: BACC10HS08 OPTIONAL PART: 025029-08 V84971 44LC17H8PB V22175 490-08RPB V83930		3
30	BACC10GT2-08		.CLAMP SHELL SUPPLIER CODE: V83930 SPECIFICATION NUMBER: BACC10GT2-08		6
35	NAS1801-3-8		.SCREW- USED ON: 312T4100-1		3

ILLUSTRATION ITEMS NOT ON PARTS LIST ARE NOT APPLICABLE

- ITEM NOT ILLUSTRATED

29-11-51-02

29-11-51
FIG. 02
PAGE 1
DEC 22/07

HXL



767

PARTS CATALOG (MAINTENANCE)

FIG ITEM	PART NUMBER	1 2 3 4 5 6 7	NOMENCLATURE	EFFECT FROM TO	UNITS PER ASSY
2					
37	NAS1801-3-8	.	SCREW- USED ON: 312T4100-2		2
40	AN960JD10L	.	WASHER- USED ON: 312T4100-1		3
42	AN960JD10L	.	WASHER- USED ON: 312T4100-2		2
45	MS21042L3	.	NUT- USED ON: 312T4100-1		3
47	MS21042L3	.	NUT- USED ON: 312T4100-2		2
50	JM44LC13WH20R	.	CLAMP- SUPPLIER CODE: V22175 SPECIFICATION NUMBER: BACC10GE20C OPTIONAL PART: S369WHSS20 V18076 TA12C32WH20 V84971 509SS20 V83930 USED ON: 312T4100-1		3
52	JM44LC13WH20R	.	CLAMP- SUPPLIER CODE: V22175 SPECIFICATION NUMBER: BACC10GE20C OPTIONAL PART: S369WHSS20 V18076 TA12C32WH20 V84971 509SS20 V83930 USED ON: 312T4100-2		2
60	NAS1801-3-16	.	SCREW-		6
65	NAS43DD3-35	.	SPACER-		6
70	BACW10BN3SC	.	WASHER- OPTIONAL PART: AN960KD10L		6

ILLUSTRATION ITEMS NOT ON PARTS LIST ARE NOT APPLICABLE

- ITEM NOT ILLUSTRATED

HXL

29-11-51-02

BOEING PROPRIETARY - Copyright © - Unpublished Work - See title page for details.

29-11-51
FIG. 02
PAGE 2
DEC 22/07

 **BOEING**
767
PARTS CATALOG (MAINTENANCE)

FIG ITEM	PART NUMBER	1 2 3 4 5 6 7	NOMENCLATURE	EFFECT FROM TO	UNITS PER ASSY
2					
70	AN960KD10L		.WASHER- OPTIONAL PART: BACW10BN3SC		6
75	312T3106-93		.BRACKET		2
80	312T3106-67		.BRACKET		1
85	312T3106-85		.BLOCK-HALF		1
90	312T3106-103		.BLOCK-HALF		1
100	NAS1801-3-16		.SCREW		4
105	BACW10BN3SC		.WASHER- OPTIONAL PART: AN960KD10L		4
105	AN960KD10L		.WASHER		4
110	NAS43DD3-35		.SPACER		4
115	312T3106-80		.BRACKET		2
120	312T3106-77		.BLOCK		1
125	NAS1801-3-16		.SCREW-		4
130	BACW10BN3SC		.WASHER- OPTIONAL PART: AN960KD10L		4
130	AN960KD10L		.WASHER- OPTIONAL PART: BACW10BN3SC		4
135	NAS43DD3-35		.SPACER		4
140	312T3106-116		.BRACKET-		2
145	312T3106-78		.BLOCK-		1
145	312T3106-120		.BLOCK-		1
150	NAS1801-3-16		.SCREW-		4
155	BACW10BN3SC		.WASHER- OPTIONAL PART: AN960KD10L		4
155	AN960KD10L		.WASHER- OPTIONAL PART: BACW10BN3SC		4
160	NAS43DD3-35		.SPACER		4
165	312T3106-29		.BRACKET		2
170	312T3106-79		.BLOCK		1
173	NAS1801-3-26		.SCREW-		2
175	NAS1801-3-26		.SCREW		4
177	NAS1801-3-26		.SCREW- POSITION DATA: LEFT STRUT		2
180	BACW10BN3SC		.WASHER- OPTIONAL PART: AN960KD10L		6
180	AN960KD10L		.WASHER- OPTIONAL PART: BACW10BN3SC		6
185	NAS43DD3-69		.SPACER		6
187	NAS43DD3-69		.SPACER-		2

ILLUSTRATION ITEMS NOT ON PARTS LIST ARE NOT APPLICABLE

- ITEM NOT ILLUSTRATED

HXL

29-11-51-02

BOEING PROPRIETARY - Copyright © - Unpublished Work - See title page for details.

29-11-51
FIG. 02
PAGE 3
DEC 22/08



767

PARTS CATALOG (MAINTENANCE)

FIG ITEM	PART NUMBER	1 2 3 4 5 6 7	NOMENCLATURE	EFFECT FROM TO	UNITS PER ASSY
2					
190	312T3106-38	.	CHANNEL		3
192	312T3106-38	.	CHANNEL-		1
			PRE SERVICE BULLETIN: 78-0051		
193	312T3106-121	.	CHANNEL-		1
			POST SERVICE BULLETIN: 78-0051		
195	312T3106-37	.	BLOCK-HALF		6
196	312T3106-37	.	BLOCK-HALF		2
			PRE SERVICE BULLETIN: 78-0051		
197	312T3106-123	.	BLOCK-		1
			POSITION DATA: LEFT STRUT POST SERVICE BULLETIN: 78-0051		
198	312T3106-124	.	BLOCK-		1
			POSITION DATA: LEFT STRUT POST SERVICE BULLETIN: 78-0051		
199	312T3106-125	.	BLOCK-		1
			POSITION DATA: LEFT STRUT POST SERVICE BULLETIN: 78-0051		
200	NAS514P1032-26	.	SCREW-		2
206	BACN10BN3SC	.	WASHER-		2
206	AN960JD10L	.	WASHER-		2
			USED ON: 312T4100-1		
210	NAS43DD3-66	.	SPACER-		2
215	312T3106-3	.	CHANNEL		1
220	312T3106-72	.	CHANNEL ASSY-		1
			USED ON: 312T4100-1		
220	312T4801-16	.	CHANNEL ASSY-		1
			USED ON: 312T4100-1 PRE SERVICE BULLETIN: 78-0051		
220	312T4801-33	.	CHANNEL ASSY-		1
			USED ON: 312T4100-1 POST SERVICE BULLETIN: 78-0051		

ILLUSTRATION ITEMS NOT ON PARTS LIST ARE NOT APPLICABLE

- ITEM NOT ILLUSTRATED

29-11-51-02

29-11-51
FIG. 02
PAGE 4
DEC 22/07

HXL

BOEING PROPRIETARY - Copyright © - Unpublished Work - See title page for details.



767

PARTS CATALOG (MAINTENANCE)

FIG ITEM	PART NUMBER	1 2 3 4 5 6 7	NOMENCLATURE	EFFECT FROM TO	UNITS PER ASSY
2					
- 221	312T3106-72		.CHANNEL ASSY- OPTIONAL PART: 312T4801-16 USED ON: 312T4100-2		1
- 221	312T4801-16		.CHANNEL ASSY- OPTIONAL PART: 312T3106-72 USED ON: 312T4100-2 PRE SERVICE BULLETIN: 78-0051		1
225	312T3106-5		.BLOCK-HALF		2
230	NAS514P1032-26		.SCREW- USED ON: 312T4100-2		2
235	BACW10BN3SC		.WASHER- OPTIONAL PART: AN960KD10L USED ON: 312T4100-2		2
235	AN960KD10L		.WASHER- OPTIONAL PART: BACW10BN3SC		2
240	NAS43DD3-66		.SPACER- USED ON: 312T4100-2		2
245	312T3106-3		.CHANNEL- USED ON: 312T4100-2		1
250	312T3106-72		.CHANNEL ASSY- OPTIONAL PART: 312T4801-16 USED ON: 312T4100-2		1
250	312T4801-16		.CHANNEL ASSY- OPTIONAL PART: 312T3106-72 USED ON: 312T4100-2		1
255	312T3106-5		.BLOCK-HALF		2
290	312T4100-17		.TUBE ASSY-SUPPLY TUBING MATERIAL: 1.25 IN. O.D. .035 IN. WALL 63.0 IN. LG AL USED ON: 312T4100-1		1

ILLUSTRATION ITEMS NOT ON PARTS LIST ARE NOT APPLICABLE

- ITEM NOT ILLUSTRATED

29-11-51-02

29-11-51
FIG. 02
PAGE 5
DEC 22/07

HXL



767

PARTS CATALOG (MAINTENANCE)

FIG ITEM	PART NUMBER	1 2 3 4 5 6 7	NOMENCLATURE	EFFECT FROM TO	UNITS PER ASSY
2 295	312T4100-26		.TUBE ASSY-SUPPLY USED ON: 312T4100-2		1
- 300	DB0S13BD20HP		..SLEEVE- SUPPLIER CODE: V14798 SPECIFICATION NUMBER: BACS13BD20HP OPTIONAL PART: 118-10722-20-00 V88334 2-02901-20HP V11328 2-02901-20HP V70195 35044VN20 V08199 4690008-20-2 V45681 4690008-20-2 V92003 AFP176V20HP V30974 35044V20HP V08199 USED ON: 312T4100-12 312T4100-26		2
- 300	AFP175V20P		..SLEEVE- SUPPLIER CODE: V30974 SPECIFICATION NUMBER: BACS13BX20HP OPTIONAL PART: 2-02901-20HP V11328 35025VN20 V08199 USED ON: 312T4100-17 312T4100-49		2
- 305	MS21921-20W		..NUT- OPTIONAL PART: MS21921-20D USED ON: 312T4100-12 312T4100-26		2

ILLUSTRATION ITEMS NOT ON PARTS LIST ARE NOT APPLICABLE

- ITEM NOT ILLUSTRATED

29-11-51-02

29-11-51
FIG. 02
PAGE 6
DEC 22/07

HXL



767

PARTS CATALOG (MAINTENANCE)

FIG ITEM	PART NUMBER	1 2 3 4 5 6 7	NOMENCLATURE	EFFECT FROM TO	UNITS PER ASSY
2					
- 305	MS21921-20D		..NUT- OPTIONAL PART: MS21921-20W USED ON: 312T4100-12 312T4100-26		2
- 305	BACN10YL20L		..NUT- USED ON: 312T4100-17 312T4100-49		2
310	312T4100-5		.TUBE ASSY-CASE DRAIN TUBING MATERIAL: 0.5 IN. O.D. .026 IN. WALL 63.0 IN. LG CRES		1
315	312T4100-6		.TUBE ASSY-CASE DRAIN TUBING MATERIAL: 0.5 IN. OD X .026 IN. WALL X 42.0 IN. LG CRES		1
- 320	AP2097H08		..SLEEVE SUPPLIER CODE: V01673 SPECIFICATION NUMBER: BACS13BX08H OPTIONAL PART: 2-02903-08H V11328 35235V08 V08199 AFP175V08 V30974 DBOS13BX08H V14798		1

ILLUSTRATION ITEMS NOT ON PARTS LIST ARE NOT APPLICABLE

- ITEM NOT ILLUSTRATED

HXL

29-11-51-02

BOEING PROPRIETARY - Copyright © - Unpublished Work - See title page for details.

29-11-51
FIG. 02
PAGE 7
DEC 22/07



767

PARTS CATALOG (MAINTENANCE)

FIG ITEM	PART NUMBER	1 2 3 4 5 6 7	NOMENCLATURE	EFFECT FROM TO	UNITS PER ASSY
2					
- 325	35056V08		..UNION SUPPLIER CODE: V08199 SPECIFICATION NUMBER: BACU24AB8H OPTIONAL PART: 2-01027-8H V11328 31875-8H V14397 4671097H8 V50948 AP1004H08 V01673 AFP941H8 V30974 DBOU24AB8H V14798		1
- 330	MS21921-8J		..NUT		1
335	312T4100-7		.TUBE ASSY-PRESS TUBING MATERIAL: 0.75 IN. OD./ .039 IN. WALL X 55.0 IN. LG CRES		1
335	312T4100-45		.TUBE ASSY-PRESS		1
340	312T4100-8		.TUBE ASSY-PRESS TUBING MATERIAL: 0.75 IN. O.D. .039 IN. WALL 31.0 IN. LG CRES QUALIFIED I/W DATA: 312T4100-29 TOGETHER WITH 312T4100-44 CAN REPLACE BUT NOT BE REPLACED BY 312T4100-15 TOGETHER WITH 312T4100-8 QUALIFIED OPTIONAL DATA: (312T4100-15 T/W 312T4100-8 OPTIONAL TO 312T4100-28 T/W 312T4100-29)		1
342	312T4100-29		.TUBE ASSY-PRESS QUALIFIED OPTIONAL DATA: (312T4100-15 T/W 312T4100-8 OPTIONAL TO 312T4100-28 T/W 312T4100-29)		1

ILLUSTRATION ITEMS NOT ON PARTS LIST ARE NOT APPLICABLE

- ITEM NOT ILLUSTRATED

HXL

29-11-51-02

BOEING PROPRIETARY - Copyright © - Unpublished Work - See title page for details.

29-11-51
 FIG. 02
 PAGE 8
 DEC 22/07



767

PARTS CATALOG (MAINTENANCE)

FIG ITEM	PART NUMBER	1 2 3 4 5 6 7	NOMENCLATURE	EFFECT FROM TO	UNITS PER ASSY
2					
- 345	AP2097H12		.. SLEEVE SUPPLIER CODE: V01673 SPECIFICATION NUMBER: BACS13BX12H OPTIONAL PART: 2-02903-12H V11328 35235V12 V08199 AFP175V12 V30974 DBOS13BX12H V14798		1
- 350	35056V12		.. UNION- SUPPLIER CODE: V08199 SPECIFICATION NUMBER: BACU24AB12H OPTIONAL PART: 4671097H12 V50948 2-01027-12H V11328 31875-12H V14397 AP1004H12 V01673 AFP941H12 V30974 DBOU24AB12H V14798 USED ON: 312T4800-8 312T4800-7		1
- 355	MS21921-12J		.. NUT		1
360	312T4100-27		. TUBE ASSY-SUPPLY		1
- 365	AFP175V20P		.. SLEEVE SUPPLIER CODE: V30974 SPECIFICATION NUMBER: BACS13BX20HP OPTIONAL PART: 2-02901-20HP V11328 35025VN20 V08199		1

ILLUSTRATION ITEMS NOT ON PARTS LIST ARE NOT APPLICABLE

- ITEM NOT ILLUSTRATED

HXL

29-11-51-02

BOEING PROPRIETARY - Copyright © - Unpublished Work - See title page for details.

29-11-51
 FIG. 02
 PAGE 9
 DEC 22/07



767

PARTS CATALOG (MAINTENANCE)

FIG ITEM	PART NUMBER	1 2 3 4 5 6 7	NOMENCLATURE	EFFECT FROM TO	UNITS PER ASSY
2 - 370	35056GV20	..	UNION SUPPLIER CODE: V08199 SPECIFICATION NUMBER: BACU24AB20W OPTIONAL PART: 4671097W20 V50948 2-01027-20W V11328 31875-20W V14397 AP1004W20 V01673 AFP941W20 V30974 DBOU24AB20W V14798		1
- 375	BACN10YL20L	..	NUT		1
385	NAS6703U3	.	BOLT		4
390	BACW10BN3UC	.	WASHER		4
395	1C1966	.	VALVE-		1
			SUPPLIER CODE: V99240 SPECIFICATION NUMBER: 60B00232-14		
398	312T4100-11	.	TUBE ASSY-CASE DRAIN MANUFACTURED FROM: TUBING CRES TUBING MATERIAL: 0.50 IN. O.D. .026 IN. WALL 16.0 IN. LG CRES		1
- 400	AP2097H08	..	SLEEVE SUPPLIER CODE: V01673 SPECIFICATION NUMBER: BACS13BX08H OPTIONAL PART: 2-02903-08H V11328 35235V08 V08199 AFP175V08 V30974 DBOS13BX08H V14798		2
- 405	MS21921-8J	..	NUT		2
415	NAS6703U3	.	BOLT		4
420	BACW10BN3UC	.	WASHER		4

ILLUSTRATION ITEMS NOT ON PARTS LIST ARE NOT APPLICABLE

- ITEM NOT ILLUSTRATED

29-11-51-02

29-11-51
FIG. 02
PAGE 10
DEC 22/07

HXL



767

PARTS CATALOG (MAINTENANCE)

FIG ITEM	PART NUMBER	1 2 3 4 5 6 7	NOMENCLATURE	EFFECT FROM TO	UNITS PER ASSY
2 425	1C1970		. VALVE- SUPPLIER CODE: V99240 SPECIFICATION NUMBER: 60B00232-15		1
426	312T4100-15		. TUBE ASSY-PRESS TUBING MATERIAL: 0.75 IN. OD X .039 IN. WALL X 19.0 IN. LG CRES QUALIFIED I/W DATA: 312T4100-29 TOGETHER WITH 312T4100-44 CAN REPLACE BUT NOT BE REPLACED BY 312T4100-15 TOGETHER WITH 312T4100-8 QUALIFIED OPTIONAL DATA: (312T4100-15 T/W 312T4100-8 OPTIONAL TO 312T4100-28 T/W 312T4100-29)		1
427	312T4100-44		. TUBE ASSY-PRESS QUALIFIED I/W DATA: 312T4100-29 TOGETHER WITH 312T4100-44 CAN REPLACE BUT NOT BE REPLACED BY 312T4100-15 TOGETHER WITH 312T4100-8		1
428	312T4100-28		. TUBE ASSY-PRESS QUALIFIED OPTIONAL DATA: (312T4100-15 T/W 312T4100-8 OPTIONAL TO 312T4100-28 T/W 312T4100-29)		1
- 430	AP2097H12		.. SLEEVE SUPPLIER CODE: V01673 SPECIFICATION NUMBER: BACS13BX12H OPTIONAL PART: 2-02903-12H V11328 35235V12 V08199 AFP175V12 V30974 DBOS13BX12H V14798		2

ILLUSTRATION ITEMS NOT ON PARTS LIST ARE NOT APPLICABLE

- ITEM NOT ILLUSTRATED

29-11-51-02

29-11-51
FIG. 02
PAGE 11
DEC 22/07

HXL



767

PARTS CATALOG (MAINTENANCE)

FIG ITEM	PART NUMBER	1 2 3 4 5 6 7	NOMENCLATURE	EFFECT FROM TO	UNITS PER ASSY
2					
- 435	MS21921-12J	..	NUT- USED ON: 312T4100-15 312T4100-28		2
- 435	BACN10YE12	..	NUT- USED ON: 312T4100-44		2
445	NAS6703U2	.	BOLT-		4
450	BACW10BN3UC	.	WASHER		4
452	AN960C2616	.	WASHER		1
453	AN924-20J	.	NUT		1
455	AE82391N	.	DISCONNECT- SUPPLIER CODE: V00624 SPECIFICATION NUMBER: S270T202-17		1
460	AE10488-387	..	SPRING- SUPPLIER CODE: V00624		1
465	AE81746N	..	RING- SUPPLIER CODE: V00624		1
470	AE18067-020	..	WASHER- SUPPLIER CODE: V00624		2
475	AE81749N	..	RETAINER- SUPPLIER CODE: V00624		1
480	AE81747N	..	GUIDE- SUPPLIER CODE: V00624		1
485	AE81745N	..	ADAPTER- SUPPLIER CODE: V00624		1
490	AE81748N	..	VALVE- SUPPLIER CODE: V00624		1
495	AE82295N	..	FLANGE- SUPPLIER CODE: V00624		1
500	22610-219	..	PACKING- SUPPLIER CODE: V00624		1
505	22610-130	..	PACKING- SUPPLIER CODE: V00624		1

ILLUSTRATION ITEMS NOT ON PARTS LIST ARE NOT APPLICABLE

- ITEM NOT ILLUSTRATED

29-11-51-02

29-11-51
FIG. 02
PAGE 12
DEC 22/08

HXL

BOEING PROPRIETARY - Copyright © - Unpublished Work - See title page for details.



767

PARTS CATALOG (MAINTENANCE)

FIG ITEM	PART NUMBER	1 2 3 4 5 6 7	NOMENCLATURE	EFFECT FROM TO	UNITS PER ASSY
2 515	312T4100-14		. TUBE ASSY-SUPPLY MANUFACTURED FROM: TUBING CRES TUBING MATERIAL: 1.25 IN. OD X .035 IN. WALL X 18.0 IN. LG CRES		1
- 520	DB0S13BD20H		.. SLEEVE SUPPLIER CODE: V14798 SPECIFICATION NUMBER: BACS13BD20H OPTIONAL PART: 118-10722-20-00 V88334 2-02901-20H V11328 2-02901-20H V70195 35044V20 V08199 4690008-20-1 V45681 4690008-20-1 V92003 AFP176V20H V30974 35044V20H V08199		1
- 525	35056V20		.. UNION SUPPLIER CODE: V08199 SPECIFICATION NUMBER: BACU24AB20H OPTIONAL PART: 4671097H20 V50948 2-01027-20H V11328 31875-20H V14397 AP1004H20 V01673 AFP941H20 V30974 DB0U24AB20H V14798		1
- 530	MS21921-20J		.. NUT		1

ILLUSTRATION ITEMS NOT ON PARTS LIST ARE NOT APPLICABLE

- ITEM NOT ILLUSTRATED

HXL

29-11-51-02

BOEING PROPRIETARY - Copyright © - Unpublished Work - See title page for details.

29-11-51
FIG. 02
PAGE 13
DEC 22/08



767

PARTS CATALOG (MAINTENANCE)

FIG ITEM	PART NUMBER	1 2 3 4 5 6 7	NOMENCLATURE	EFFECT FROM TO	UNITS PER ASSY
2 900			ILLUSTRATION REFERENCE: PLUMBING INSTL-ENG MOUNTED PW4000 HYDR 29-11-51-25	155162	RF
905			ILLUSTRATION REFERENCE: HYDRAULIC INSTL-SECT. 31 ENGINE AFT FAIRING (LH) (RESERVOIR PRESSURIZATION ONLY) 29-11-25-02	155162	RF
910			ILLUSTRATION REFERENCE: HYDRAULIC INSTL-SECT. 31 ENG AFT FAIRING (LH) (SUPPLY SHUTOFF ONLY) 29-11-06-02	155162	RF
915			ILLUSTRATION REFERENCE: HYDRAULIC INSTL-SECT. 31 R STRUT AFT FAIRING SUPPLY SHUTOFF VALVE 29-11-06-03	155162	RF
920			ILLUSTRATION REFERENCE: HYDRAULIC INSTL-SECT. 31 ENGINE AFT FAIRING (LH) (CASE DRAIN EDP ONLY) 29-11-17-02		RF
935			ILLUSTRATION REFERENCE: HYDRAULIC INSTL-SECT. 31 ENGINE AFT FAIRING (RH) (CASE DRAIN EDP ONLY) 29-11-17-03		RF
940			ILLUSTRATION REFERENCE: HYDRAULIC INSTL-SECT. 31 ENGINE AFT FAIRING (RH) (RESERVOIR PRESSURIZATION ONLY) 29-11-25-04	155162	RF

ILLUSTRATION ITEMS NOT ON PARTS LIST ARE NOT APPLICABLE

- ITEM NOT ILLUSTRATED

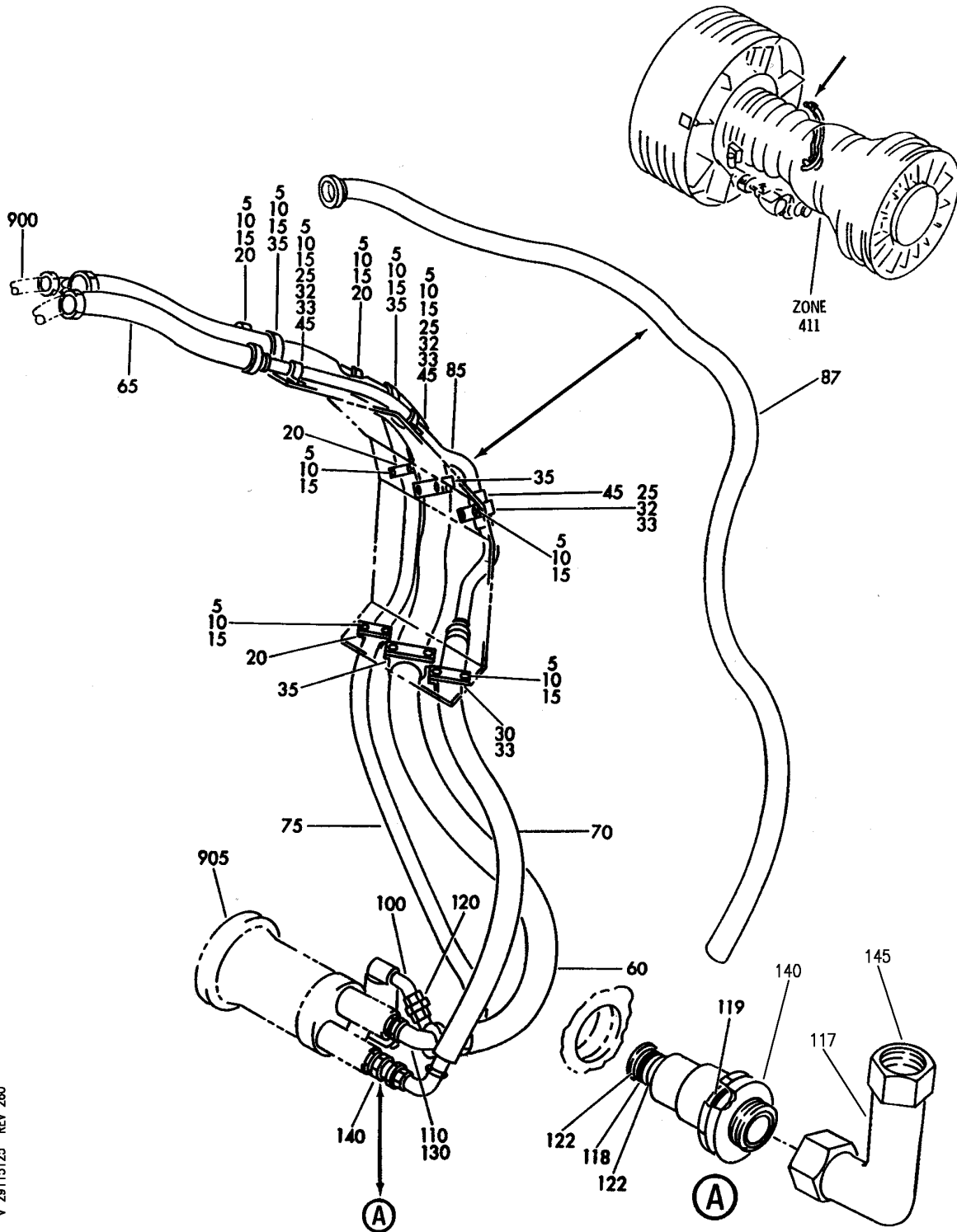
HXL

29-11-51-02

BOEING PROPRIETARY - Copyright © - Unpublished Work - See title page for details.

29-11-51
FIG. 02
PAGE 14
DEC 22/08

BOEING
767
PARTS CATALOG (MAINTENANCE)



PLUMBING INSTL-ENG MOUNTED PW4000 HYDR
FIGURE 25

29-11-51-25

HXL
DEC 22/06

29-11-51-25
PAGE 0



767

PARTS CATALOG (MAINTENANCE)

FIG ITEM	PART NUMBER	1 2 3 4 5 6 7	NOMENCLATURE	EFFECT FROM TO	UNITS PER ASSY
25			PLUMBING INSTL-ENG MOUNTED PW4000 HYDR		
- 1	332T4110-1		PLUMBING INSTL-ENG MOUNTED PW4000 HYDR FOR NHA SEE: 71-00-51-02		RF
5	NAS1802-3		.SCREW- SIZE DETERMINED ON INSTL.		24
10	AN960C10L		.WASHER-		24
15	BRH10C3M		.NUT- SUPPLIER CODE: V52828 SPECIFICATION NUMBER: BACN10JC3CM OPTIONAL PART: T6C1032JM V11815 97E02 V80539 109LH9075-3W V72962 VN303D02 V92215 NS202101SE02 V80539 H01-3BAC V15653 BACN10YR3CM BACN10YR3C BACN10JC3C		24
15	PLH53CM		.NUT- SUPPLIER CODE: VF0224 SPECIFICATION NUMBER: BACN10YR3CM OPTIONAL PART: H52732-3CM V15653 BACN10JC3CM BACN10YR3C BACN10JC3C		24

ILLUSTRATION ITEMS NOT ON PARTS LIST ARE NOT APPLICABLE

- ITEM NOT ILLUSTRATED

HXL

29-11-51-25

BOEING PROPRIETARY - Copyright © - Unpublished Work - See title page for details.

29-11-51
FIG. 25
PAGE 1
DEC 22/08



767

PARTS CATALOG (MAINTENANCE)

FIG ITEM	PART NUMBER	1 2 3 4 5 6 7	NOMENCLATURE	EFFECT FROM TO	UNITS PER ASSY
25					
15	PLH53C	.NUT-	SUPPLIER CODE: V62554 SPECIFICATION NUMBER: BACN10YR3C OPTIONAL PART: H52732-3C V15653 BACN10JC3CM BACN10YR3CM BACN10JC3C		24
15	BRH10C3	.NUT-	SUPPLIER CODE: V52828 SPECIFICATION NUMBER: BACN10JC3C OPTIONAL PART: T6C1032J V11815 97-02 V80539 101LH9075-3W V72962 VN303B02 V92215 NS202101S02 V80539 H31-3BAC V15653 BACN10JC3CM BACN10YR3CM BSCN10YR3C		24
20	S595-14	.CLAMP-	SUPPLIER CODE: V18076 SPECIFICATION NUMBER: BACC10HT14 OPTIONAL PART: 44SC38H14PB V22175 1068714P V83930 TA095000214 V84971		4

ILLUSTRATION ITEMS NOT ON PARTS LIST ARE NOT APPLICABLE

- ITEM NOT ILLUSTRATED

HXL

29-11-51-25

BOEING PROPRIETARY - Copyright © - Unpublished Work - See title page for details.

29-11-51
FIG. 25
PAGE 2
DEC 22/07



767

PARTS CATALOG (MAINTENANCE)

FIG ITEM	PART NUMBER	1 2 3 4 5 6 7	NOMENCLATURE	EFFECT FROM TO	UNITS PER ASSY
25					
25	S595-17		.CLAMP- SUPPLIER CODE: V18076 SPECIFICATION NUMBER: BACC10HT17 OPTIONAL PART: 44SC13H17PB V22175 1068717P V83930 TA095000217 V84971		3
30	S595-24		.CLAMP- SUPPLIER CODE: V18076 SPECIFICATION NUMBER: BACC10HT24 OPTIONAL PART: 1068724P V83930 S595-24 V18076 45SC13H24PB V22175		1
35	S595-28		.CLAMP- SUPPLIER CODE: V18076 SPECIFICATION NUMBER: BACC10HT28 OPTIONAL PART: 45SC13H28PB V22175 1068728P V83930 TA095000228 V84971		4
45	BACC10GT2-16		.CLAMPSHELL		3
60	AE1010563N0570		.HOSE ASSY-SUPPLY SUPPLIER CODE: V00624		1
65	AE1010743M0166		.HOSE ASSY-PRESSURE SUPPLIER CODE: V00624		1
70	AE1010745M0222		.HOSE ASSY-PRESSURE SUPPLIER CODE: V00624		1
75	AE2463533H0590		.HOSE ASSY-CASE DRAIN SUPPLIER CODE: V00624		1
ILLUSTRATION ITEMS NOT ON PARTS LIST ARE NOT APPLICABLE					

- ITEM NOT ILLUSTRATED

29-11-51-25

29-11-51
FIG. 25
PAGE 3
DEC 22/07

HXL



767

PARTS CATALOG (MAINTENANCE)

FIG ITEM	PART NUMBER	1 2 3 4 5 6 7	NOMENCLATURE	EFFECT FROM TO	UNITS PER ASSY
R R R R R R R	25 85	332T4110-2	.TUBE ASSY-PRESSURE TUBING MATERIAL: TUBING CRES 21-6-9 BMS7-185 F-25.01 1.000IN OD 0.052IN WALL 29.0IN LG SPARES ORDER MATERIAL CODE: 3278100520		1
	- 86 100	BACU24AB16H AP1010M0808	..UNION .ELBOW- SUPPLIER CODE: V01673 SPECIFICATION NUMBER: BACE21AW0808M OPTIONAL PART: AP1010-0808M V01673 DB0E21AW0808M V14798 ER10633M0808 V88334 FER1569-0808M V14397 W30833-0808M V11328 4671114-0808M V50948 AFP334-0808M V30974 DB0E21AW0808M V61498 US2109-0808M V50808 AFP344-0808M V30974		2 1

ILLUSTRATION ITEMS NOT ON PARTS LIST ARE NOT APPLICABLE

- ITEM NOT ILLUSTRATED

HXL

29-11-51-25

BOEING PROPRIETARY - Copyright © - Unpublished Work - See title page for details.

29-11-51
FIG. 25
PAGE 4
AUG 22/09



767

PARTS CATALOG (MAINTENANCE)

FIG ITEM	PART NUMBER	1 2 3 4 5 6 7	NOMENCLATURE	EFFECT FROM TO	UNITS PER ASSY
25 110	AP1010M2020	.ELBOW-	SUPPLIER CODE: V01673 SPECIFICATION NUMBER: BACE21AW2020 OPTIONAL PART: ER10633M2020 V88334 AP1010-2020M V01673 FER1569-2020M V14397 W30833-2020M V11328 4671114-2020M V50948 AFP334-2020M V30974 DB0E21AW2020M V61498 US2109-2020M V50808		1
120	0121520900-3	.VALVE-	SUPPLIER CODE: V83533 SPECIFICATION NUMBER: BACV10CD3 OPTIONAL PART: 1C1348 V99240		1
120	1C3510	.VALVE-	SUPPLIER CODE: V99240 SPECIFICATION NUMBER: BACV10CD13 OPTIONAL PART: 0121520900-13 V83533		1
- 125	AE81565N	.COUPLER-DISCONNECT	SUPPLIER CODE: V00624 SPECIFICATION NUMBER: S270T202-1		1

ILLUSTRATION ITEMS NOT ON PARTS LIST ARE NOT APPLICABLE

- ITEM NOT ILLUSTRATED

HXL

29-11-51-25

BOEING PROPRIETARY - Copyright © - Unpublished Work - See title page for details.

29-11-51
FIG. 25
PAGE 5
AUG 22/08



767

PARTS CATALOG (MAINTENANCE)

FIG ITEM	PART NUMBER	1 2 3 4 5 6 7	NOMENCLATURE	EFFECT FROM TO	UNITS PER ASSY
25 130	108062-21		. COUPLING ASSY-SELF SEALING SUPPLIER CODE: V78570 SPECIFICATION NUMBER: S270T230-21 OPTIONAL PART: 152020-1-20E V11362		1
130	152020-1-20E		. COUPLING ASSY-SELF SEALING SUPPLIER CODE: V11362 SPECIFICATION NUMBER: S270T230-21 OPTIONAL PART: 108062-21 V78570		1
140	9R3324		. VALVE-CHK SUPPLIER CODE: V99240 SPECIFICATION NUMBER: S270T252-7		1
900			ILLUSTRATION REFERENCE: PLUMBING INSTL- HYDR AND FUEL STRUT (HYDRAULIC POWER ONLY) 29-11-51-02		RF
905			ILLUSTRATION REFERENCE: PUMP INSTL-HYDR 29-11-05-02		RF

ILLUSTRATION ITEMS NOT ON PARTS LIST ARE NOT APPLICABLE

- ITEM NOT ILLUSTRATED

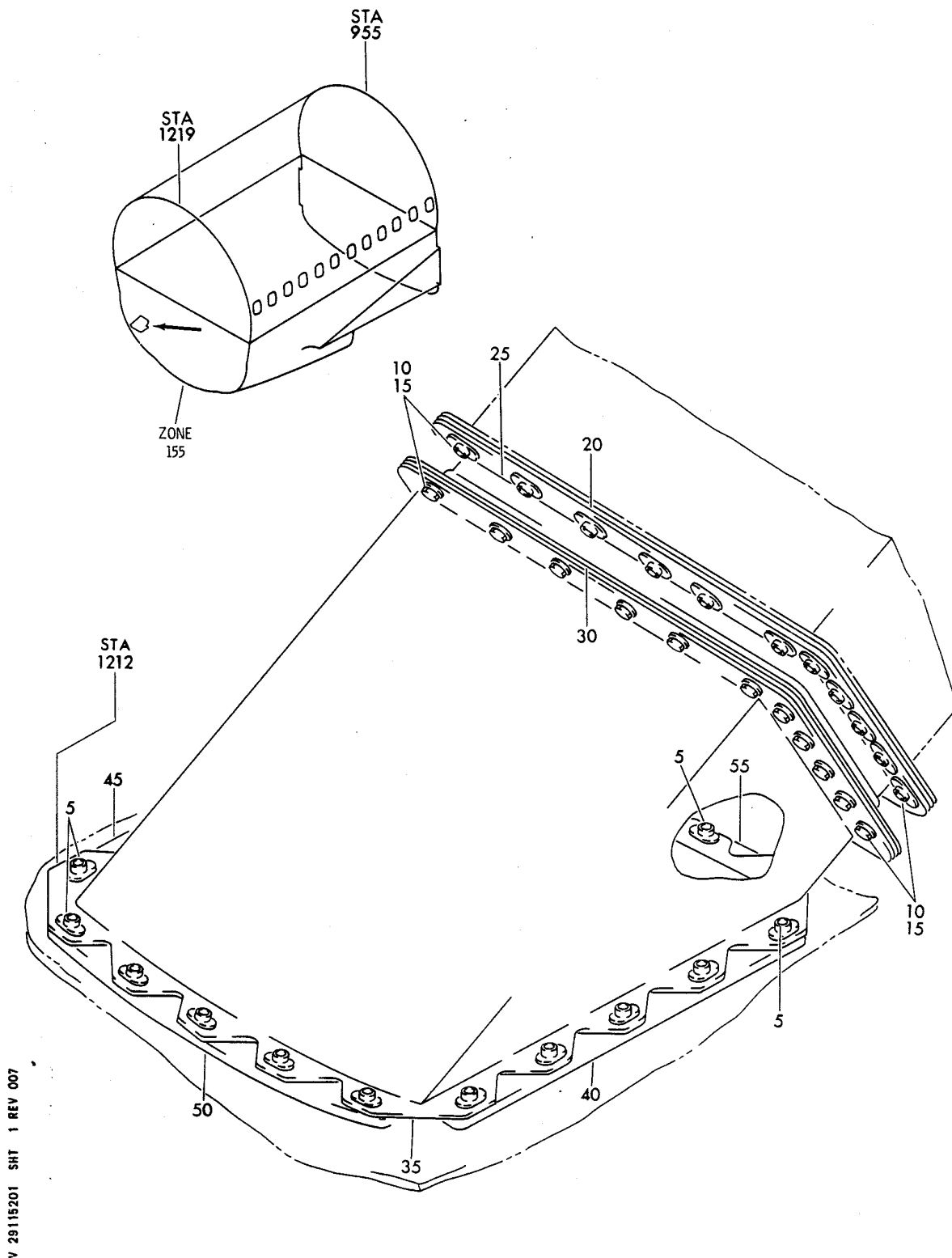
HXL

29-11-51-25

BOEING PROPRIETARY - Copyright © - Unpublished Work - See title page for details.

29-11-51
FIG. 25
PAGE 6
AUG 22/08

BOEING
767
PARTS CATALOG (MAINTENANCE)



AIR EXIT INSTL-AIR DRIVEN PUMP
FIGURE 1

29-11-52-01

HXL
DEC 22/06

29-11-52-01
PAGE 0



767

PARTS CATALOG (MAINTENANCE)

FIG ITEM	PART NUMBER	1 2 3 4 5 6 7	NOMENCLATURE	EFFECT FROM TO	UNITS PER ASSY
1			AIR EXIT INSTL-AIR DRIVEN PUMP		
- 1	212T3007-1		AIR EXIT INSTL-AIR DRIVEN PUMP FOR NHA SEE: 21-00-00-03A		RF
5	BACB30LU4-8		.BOLT		20
10	NAS6603-3		.BOLT		36
15	NAS1149D0316H		.WASHER		36
20	212T3142-9		.FLANGE- OPTIONAL PART: 212T3142-1		1
20	212T3142-1		.FLANGE- OPTIONAL PART: 212T3142-9		1
25	BOE2038-0013		.BOOT- SUPPLIER CODE: V16632 SPECIFICATION NUMBER: S210T121-13		1
30	212T3142-6		.FLANGE-		1
35	212T3143-1		.AIR EXIT ASSY-		1
40	212T3442-1		.PAD-INSULATION		1
45	212T3442-2		.PAD-INSULATION		1
50	212T3442-3		.PAD-INSULATION OPTIONAL PART: 212T3442-5		1
50	212T3442-5		.PAD-INSULATION OPTIONAL PART: 212T3442-3		1
55	212T3442-4		.PAD-INSULATION OPTIONAL PART: 212T3442-6		1
55	212T3442-6		.PAD-INSULATION OPTIONAL PART: 212T3442-4		1

ILLUSTRATION ITEMS NOT ON PARTS LIST ARE NOT APPLICABLE

- ITEM NOT ILLUSTRATED

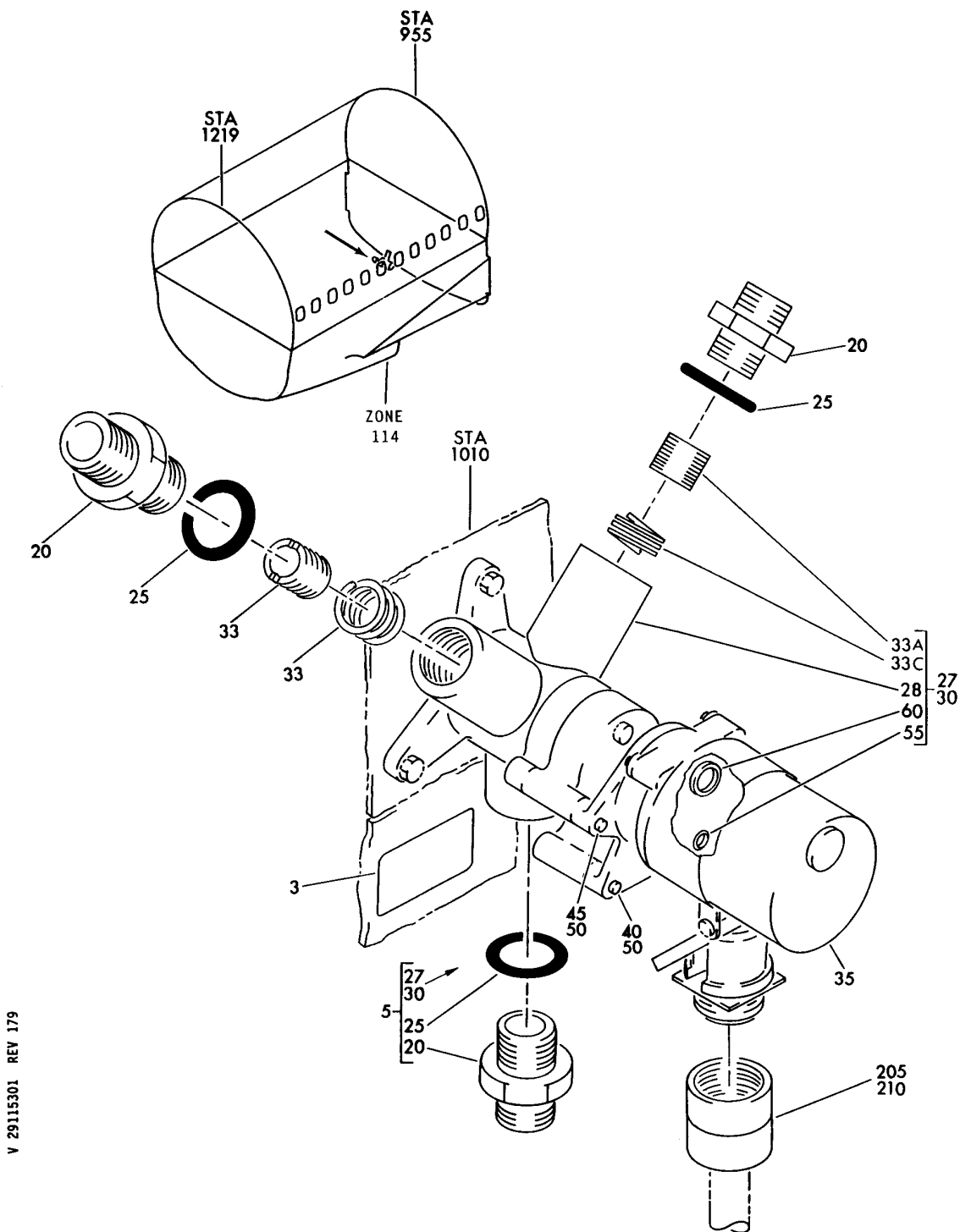
HXL

29-11-52-01

BOEING PROPRIETARY - Copyright © - Unpublished Work - See title page for details.

29-11-52
FIG. 01
PAGE 1
DEC 22/07

BOEING
767
PARTS CATALOG (MAINTENANCE)



V 29115301 REV 179

VALVE INSTL-ISOLATED AC PUMP SUPPLY SHUTOFF
FIGURE 1

29-11-53-01

HXL
DEC 22/06

29-11-53-01
PAGE 0



767

PARTS CATALOG (MAINTENANCE)

FIG ITEM	PART NUMBER	1 2 3 4 5 6 7	NOMENCLATURE	EFFECT FROM TO	UNITS PER ASSY
1			VALVE INSTL-ISOLATED AC PUMP SUPPLY SHUTOFF		
- 1	271T4591-4		VALVE INSTL-ISOLATED AC PUMP SUPPLY SHUTOFF FOR NHA SEE: 29-11-07-02		RF
3	BAC27THY0117		.MARKER-ALUMINUM FOIL PLACARD CONTENT: V111 AC, C2		1
5	271T4591-3		.VALVE ASSY- QUALIFIED I/W DATA: 271T4591-5 OR -3 CAN REPLACE BUT NOT BE REPLACED BY 271T4591-7		1
5	271T4591-5		.VALVE ASSY- QUALIFIED I/W DATA: 271T4591-5 OR -3 CAN REPLACE BUT NOT BE REPLACED BY 271T4591-7		1
5	271T4591-9		.VALVE ASSY- ATTACHING PARTS		1
- 10	NAS6604-7		.BOLT		3
- 15	AN960PD416		.WASHER		3
			-----*-----		
20	MS21916D12-10		..REDUCER		3
25	NAS1612-10		..PACKING-		3
27	EM91-80-5		..VALVE ASSY-SHUTOFF CONT SUPPLIER CODE: V91816	163999	1
			FUNCTIONAL DESCRIPTION: PROVIDES ON-OFF CONTROL OF HYDRAULIC FLUID FLOW TO AC MOTOR DRIVEN PUMP		
			SPECIFICATION NUMBER: S270T010-13		
			MISCELLANEOUS DATA: FOR COMPLETE INTERCHANGEABILITY REGARDING SPECIFIC USAGE, PLEASE REFER TO DRAWING 270T2001 SHEET 1		
			COMPONENT MAINT MANUAL REF: 27-13-01		
ILLUSTRATION ITEMS NOT ON PARTS LIST ARE NOT APPLICABLE					

- ITEM NOT ILLUSTRATED

HXL

29-11-53-01

BOEING PROPRIETARY - Copyright © - Unpublished Work - See title page for details.

29-11-53
FIG. 01
PAGE 1
DEC 22/08



767

PARTS CATALOG (MAINTENANCE)

FIG ITEM	PART NUMBER	1 2 3 4 5 6 7	NOMENCLATURE	EFFECT FROM TO	UNITS PER ASSY
1	29 Y2350-0075		...ACTUATOR-MOTOR SUPPLIER CODE: V91816 COMPONENT MAINT MANUAL REF: 27-13-02 USED ON: EM91-80-5	163999	1
	30 340545		..VALVE ASSY-SHUTOFF CONT SUPPLIER CODE: V79318 FUNCTIONAL DESCRIPTION: PROVIDES ON-OFF CONTROL OF HYDRAULIC FLUID FLOW TO AC MOTOR DRIVEN PUMP SPECIFICATION NUMBER: S270T002-3 MISCELLANEOUS DATA: FOR COMPLETE INTERCHANGEABILITY REGARDING SPECIFIC USAGE, PLEASE REFER TO DRAWING 270T2001 SHEET 1 COMPONENT MAINT MANUAL REF: 27-13-03 POST AIRLINE MOD: 220397I VSAS		1

ILLUSTRATION ITEMS NOT ON PARTS LIST ARE NOT APPLICABLE

- ITEM NOT ILLUSTRATED

HXL

29-11-53-01

BOEING PROPRIETARY - Copyright © - Unpublished Work - See title page for details.

29-11-53
FIG. 01
PAGE 2
DEC 22/08



767

PARTS CATALOG (MAINTENANCE)

FIG ITEM	PART NUMBER	1 2 3 4 5 6 7	NOMENCLATURE	EFFECT FROM TO	UNITS PER ASSY
1 30	340015-1		.. VALVE ASSY-SHUTOFF CONT SUPPLIER CODE: V79318 FUNCTIONAL DESCRIPTION: PROVIDES ON-OFF CONTROL OF HYDRAULIC FLUID FLOW TO AC MOTOR DRIVEN PUMP SPECIFICATION NUMBER: S270T002-2 MISCELLANEOUS DATA: FOR COMPLETE INTERCHANGEABILITY REGARDING SPECIFIC USAGE, PLEASE REFER TO DRAWING 270T2001 SHEET 1 ELECTRICAL EQUIP NUMBER: V00111 COMPONENT MAINT MANUAL REF: 27-13-01 USED ON: 271T4591-3 271T4591-5 271T4591-7		1
30	340545		.. VALVE ASSY-SHUTOFF CONT SUPPLIER CODE: V79318 FUNCTIONAL DESCRIPTION: PROVIDES ON-OFF CONTROL OF HYDRAULIC FLUID FLOW TO AC MOTOR DRIVEN PUMP SPECIFICATION NUMBER: S270T002-3 MISCELLANEOUS DATA: FOR COMPLETE INTERCHANGEABILITY REGARDING SPECIFIC USAGE, PLEASE REFER TO DRAWING 270T2001 SHEET 1 ELECTRICAL EQUIP NUMBER: V00111 COMPONENT MAINT MANUAL REF: 27-13-03 USED ON: 271T4591-5 271T4591-7 271T4591-3		1

ILLUSTRATION ITEMS NOT ON PARTS LIST ARE NOT APPLICABLE

- ITEM NOT ILLUSTRATED

HXL

29-11-53-01

BOEING PROPRIETARY - Copyright © - Unpublished Work - See title page for details.

29-11-53
 FIG. 01
 PAGE 3
 DEC 22/08



767

PARTS CATALOG (MAINTENANCE)

FIG ITEM	PART NUMBER	1 2 3 4 5 6 7	NOMENCLATURE	EFFECT FROM TO	UNITS PER ASSY
1					
33A	145549		... SPRING-CPRSN SUPPLIER CODE: V79318 USED ON: 340015-1		2
33C	145561		... RETAINER-SCREW, ADJ SUPPLIER CODE: V79318		2
35	157720-2		... ACTUATOR ASSY- SUPPLIER CODE: V79318 COMPONENT MAINT MANUAL REF: 27-13-02 USED ON: 340015-1 340545 ATTACHING PARTS		1
40	NAS1351-3-20P		... SCREW		2
45	NAS1351-3-28P		... SCREW		2
50	100168-168		... WASHER-FLAT SUPPLIER CODE: V79318 -----*-----		4
55	NAS1611-009		... PACKING-		1
60	145572		... RING-RETAINING SUPPLIER CODE: V79318		1
- 200	286T0838-001		WIRE BUNDLE ASSY		RF
205	BCREF110672		. ADAPTER- SUPPLIER CODE: V06324 OVERLENGTH PART NUMBER: 710AS011M1612-62A ELECTRICAL EQUIP NUMBER: D02214T WIRING DIAGRAM REF: 292132		1

ILLUSTRATION ITEMS NOT ON PARTS LIST ARE NOT APPLICABLE

- ITEM NOT ILLUSTRATED

HXL

29-11-53-01

BOEING PROPRIETARY - Copyright © - Unpublished Work - See title page for details.

29-11-53
FIG. 01
PAGE 4
DEC 22/08



767

PARTS CATALOG (MAINTENANCE)

FIG ITEM	PART NUMBER	1 2 3 4 5 6 7	NOMENCLATURE	EFFECT FROM TO	UNITS PER ASSY
1 210	CN096616R10SNL		.CONNECTOR- SUPPLIER CODE: V13556 SPECIFICATION NUMBER: BCREF5954 OPTIONAL PART: ZZY16R10SNL V49367 48-06R16R10SNL V02660 OVERLENGTH PART NUMBER: BACC63BP16R10SNL ELECTRICAL EQUIP NUMBER: D02214 WIRING DIAGRAM REF: 292132		1

ILLUSTRATION ITEMS NOT ON PARTS LIST ARE NOT APPLICABLE

- ITEM NOT ILLUSTRATED

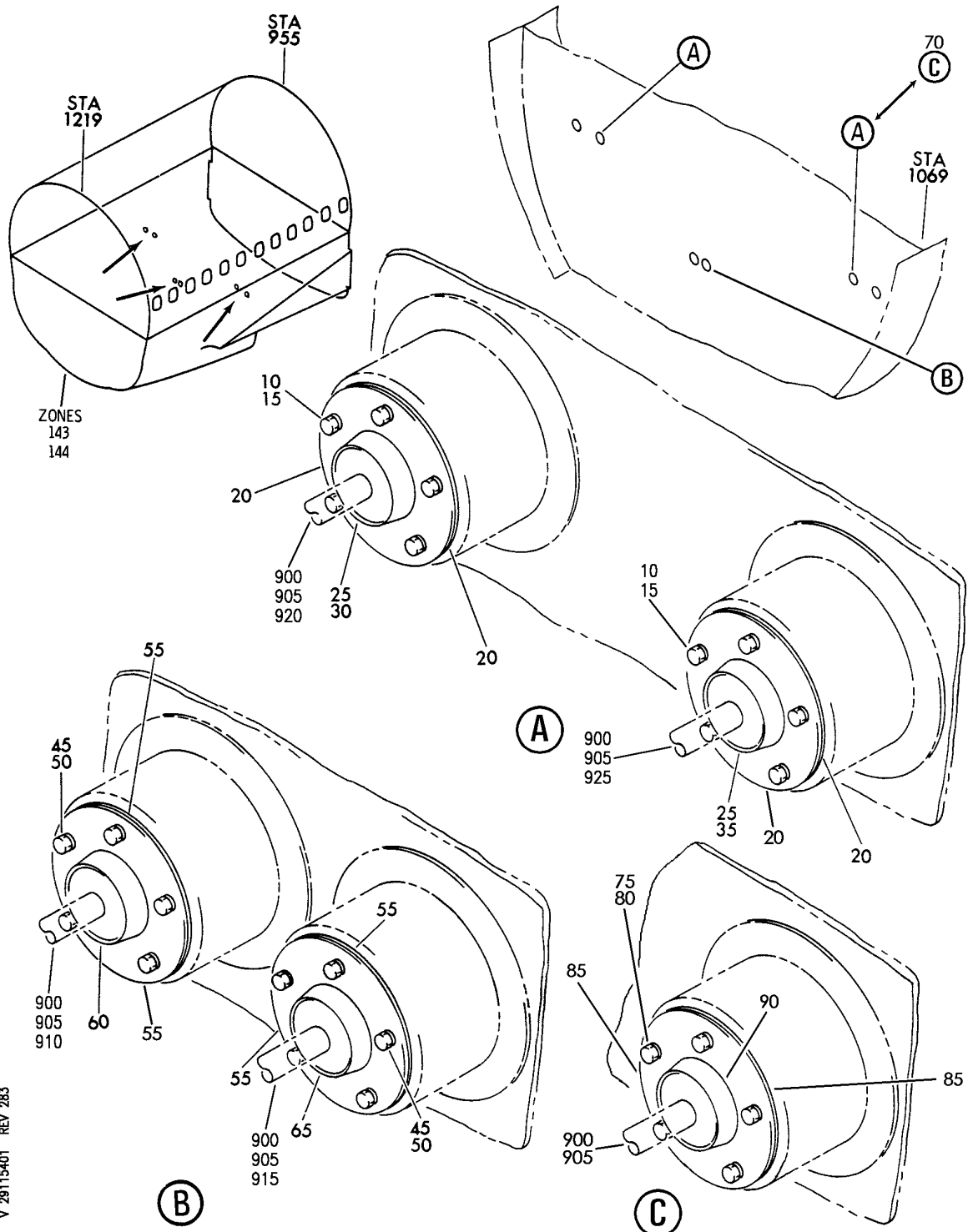
HXL

29-11-53-01

BOEING PROPRIETARY - Copyright © - Unpublished Work - See title page for details.

29-11-53
FIG. 01
PAGE 5
DEC 22/08

BOEING
767
PARTS CATALOG (MAINTENANCE)



V 29115401 REV 283

SEAL INSTL-SECT. 46 WHL WELL BHD HYDR TUBING
FIGURE 1

29-11-54-01

HXL
DEC 22/06

29-11-54-01
PAGE 0

BOEING
767
PARTS CATALOG (MAINTENANCE)

FIG ITEM	PART NUMBER	1 2 3 4 5 6 7	NOMENCLATURE	EFFECT FROM TO	UNITS PER ASSY
1			SEAL INSTL-SECT. 46 WHL WELL BHD HYDR TUBING		
- 1	272T4635-1		SEAL INSTL-WHL WEEL BHD HYDR TUBING POSITION DATA: SECT. 46 AFT L FOR NHA SEE: 29-11-79-02		RF
- 5	272T4635-2		SEAL INSTL-WHL WELL BHD HYDR TUBING POSITION DATA: SECT. 46 AFT R FOR NHA SEE: 29-11-79-02		RF
10	NAS6603-3		.BOLT		10
15	AN960PD10		.WASHER		10
20	69B80405-1		.RETAINER		4
25	270T0004-1106		.SEAL- MANUFACTURED FROM: SH ETHYLENE PROPYLENE BMS1-50 TYPE 2 GRADE 60 STOCK 0.8 IN. 2.1 IN. DIA. SPARES ORDER MATERIAL CODE: 5218305060 USED ON: 272T4635-1 MODREF50653		2
30	270T0004-1106		.SEAL- MANUFACTURED FROM: SH ETHYLENE PROPYLENE BMS1-50 TYPE 2 GRADE 60 STOCK 0.8 IN. 2.1 IN. DIA. SPARES ORDER MATERIAL CODE: 5218305060 USED ON: 272T4635-2 MODREF50654		1
35	69B80106-2		.SEAL- MISCELLANEOUS DATA: NOT AN INITIAL PROVISIONING SPARE USED ON: 272T4635-2 MODREF50654		1

R
R
R
R
R
R
R
R
R
R
R
R
R
R
R
R
R
R
R
R
R
R

- ITEM NOT ILLUSTRATED

ILLUSTRATION ITEMS NOT ON PARTS LIST ARE NOT APPLICABLE

HXL

29-11-54-01

29-11-54
FIG. 01
PAGE 1
AUG 22/09



767

PARTS CATALOG (MAINTENANCE)

FIG ITEM	PART NUMBER	1 2 3 4 5 6 7	NOMENCLATURE	EFFECT FROM TO	UNITS PER ASSY
1					
- 40	272T4635-3		SEAL INSTL-WHL WELL BHD HYDR TUBING POSITION DATA: SECT. 46 AFT FOR NHA SEE: 29-11-79-02		RF
	45 NAS6603-3		.BOLT		10
	50 AN960PD10		.WASHER		10
	55 69B80405-1		.RETAINER		4
	60 270T0004-1106		.SEAL- MANUFACTURED FROM: SH ETHYLENE PROPYLENE BMS1-50 TYPE 2 GRADE 60 STOCK 0.8 IN. 2.1 IN. DIA. SPARES ORDER MATERIAL CODE: 5218305060		1
	65 69B80106-2		.SEAL- MISCELLANEOUS DATA: NOT AN INITIAL PROVISIONING SPARE		1

R
R
R
R
R
R
R

ILLUSTRATION ITEMS NOT ON PARTS LIST ARE NOT APPLICABLE

- ITEM NOT ILLUSTRATED

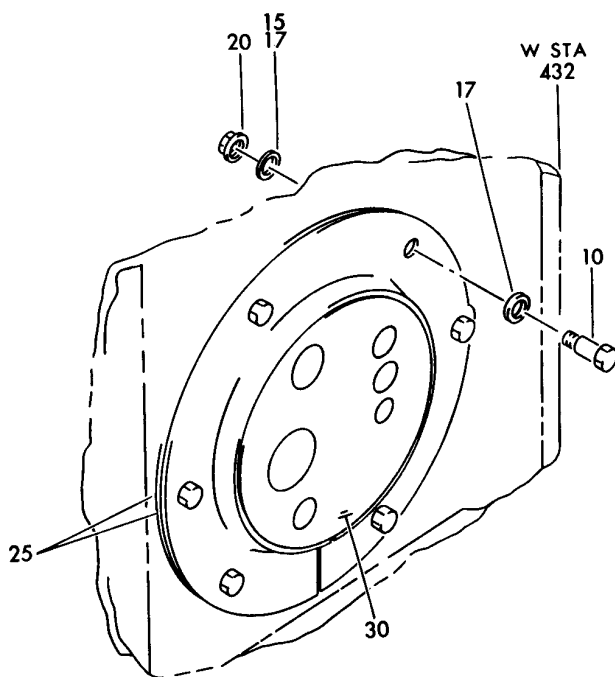
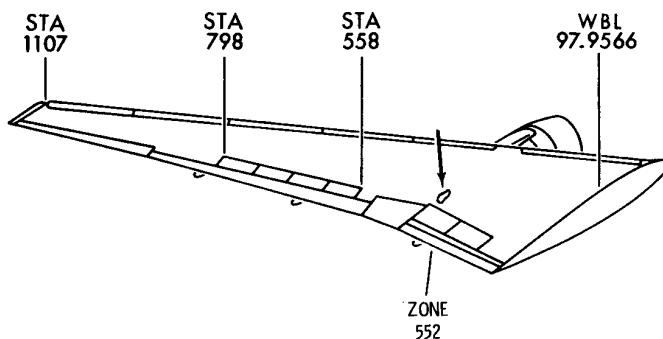
HXL

29-11-54-01

BOEING PROPRIETARY - Copyright © - Unpublished Work - See title page for details.

29-11-54
FIG. 01
PAGE 2
AUG 22/09

BOEING
767
PARTS CATALOG (MAINTENANCE)



V 29115501 REV 169

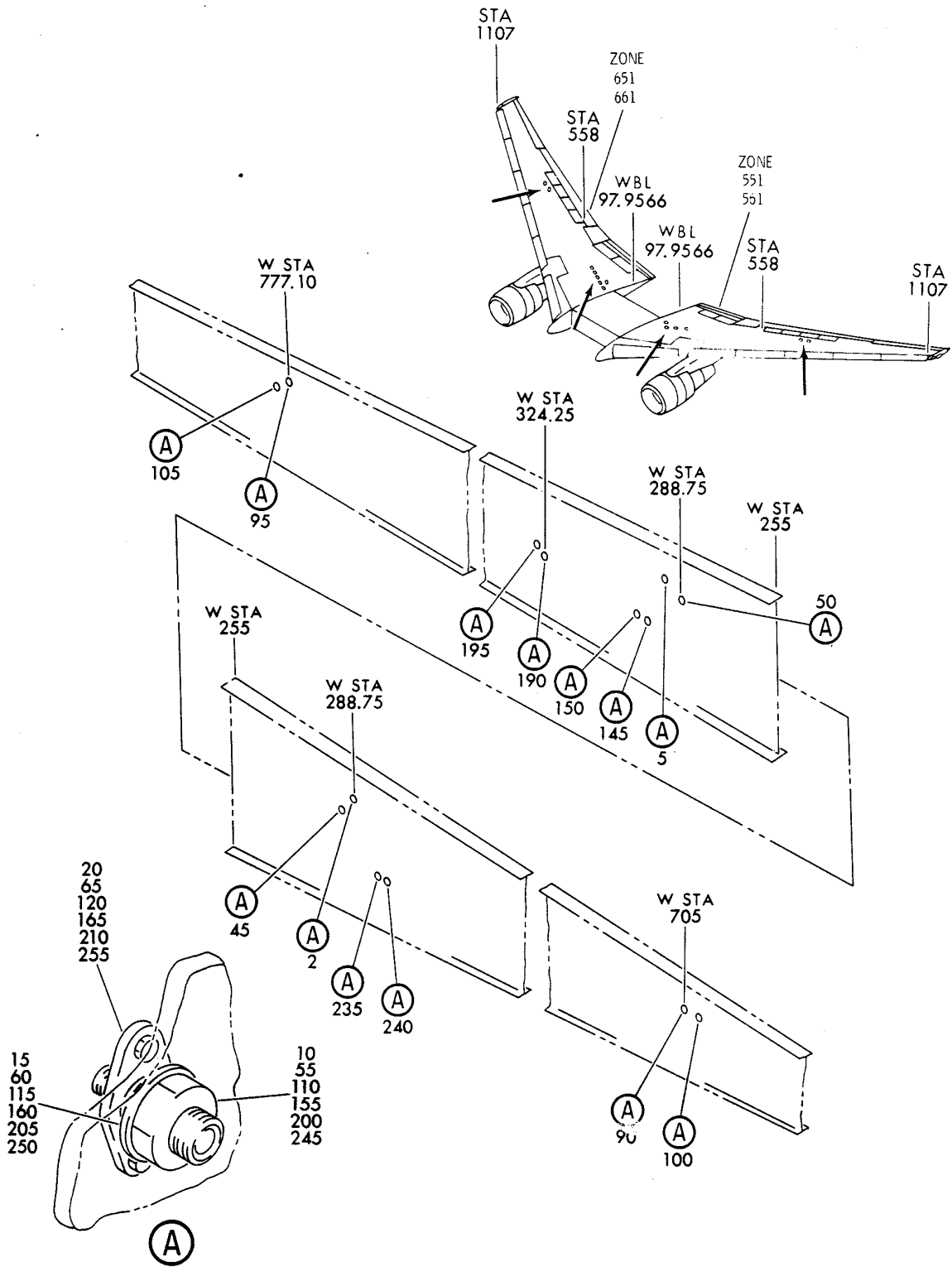
SEAL INSTL-INBD AIL. HINGE HYDR TUBING SPRT RIB VAPOR
FIGURE 1

29-11-55-01

HXL
DEC 22/06

29-11-55-01
PAGE 0

BOEING
767
PARTS CATALOG (MAINTENANCE)



V 29115601 SHT 1 REV 011

FITTING INSTL-BHD HYDR WING REAR SPAR
FIGURE 1

29-11-56-01

HXL
DEC 22/06

29-11-56-01
PAGE 0



767

PARTS CATALOG (MAINTENANCE)

FIG ITEM	PART NUMBER	1 2 3 4 5 6 7	NOMENCLATURE	EFFECT FROM TO	UNITS PER ASSY
1			FITTING INSTL-BHD HYDR WING REAR SPAR		
2	272T1246-20		FITTING INSTL-BHD HYDR WING SPAR POSITION DATA: REAR LH FOR NHA SEE: 29-11-77-01		RF
5	272T1246-15		FITTING INSTL-BHD HYDR WING SPAR POSITION DATA: REAR RH FOR NHA SEE: 29-11-77-05		RF
10	AN924-16S		.NUT		1
15	AN960C2116		.WASHER		1
20	272T1212-1		.FITTING-		1
20	272T1212-7		.FITTING-		1
- 25	L8008K17		ATTACHING PARTS .BOLT SUPPLIER CODE: V06725 SPECIFICATION NUMBER: BACB30MY8K17		2
- 30	TLN12044		.NUT SUPPLIER CODE: V97928 SPECIFICATION NUMBER: BACN10WM4 OPTIONAL PART: LH10114B4 V72962 MN154 V73197 VN18614 V92215 H49702-4S V15653 W8504 V08524 H497024 V15653		2
45	272T1246-19		-----*----- FITTING INSTL-BHD HYDR WING SPAR POSITION DATA: REAR LH FOR NHA SEE: 29-11-77-01		RF

ILLUSTRATION ITEMS NOT ON PARTS LIST ARE NOT APPLICABLE

- ITEM NOT ILLUSTRATED

HXL

29-11-56-01

BOEING PROPRIETARY - Copyright © - Unpublished Work - See title page for details.

29-11-56
FIG. 01
PAGE 1
APR 22/08



767

PARTS CATALOG (MAINTENANCE)

FIG ITEM	PART NUMBER	1 2 3 4 5 6 7	NOMENCLATURE	EFFECT FROM TO	UNITS PER ASSY
1					
50	272T1246-16		FITTING INSTL-BHD HYDR WING SPAR POSITION DATA: REAR RH FOR NHA SEE: 29-11-77-05		RF
55	AN924-12S		.NUT		1
60	AN960C1716		.WASHER		1
65	272T1212-2		.FITTING-		1
65	272T1212-8		.FITTING-		1
- 70	L8008K17		ATTACHING PARTS .BOLT SUPPLIER CODE: V06725 SPECIFICATION NUMBER: BACB30MY8K17		2
- 75	TLN12044		.NUT SUPPLIER CODE: V97928 SPECIFICATION NUMBER: BACN10WM4 OPTIONAL PART: LH10114B4 V72962 MN154 V73197 VN18614 V92215 H49702-4S V15653 W8504 V08524 H497024 V15653		2
90	272T1246-21		-----*----- FITTING INSTL-BHD HYDR WING SPAR POSITION DATA: REAR LH FOR NHA SEE: 27-13-54-02		RF
95	272T1246-17		FITTING INSTL-BHD HYDR WING SPAR POSITION DATA: REAR RH FOR NHA SEE: 27-13-54-02		RF

ILLUSTRATION ITEMS NOT ON PARTS LIST ARE NOT APPLICABLE

- ITEM NOT ILLUSTRATED

HXL

29-11-56-01

BOEING PROPRIETARY - Copyright © - Unpublished Work - See title page for details.

29-11-56
FIG. 01
PAGE 2
APR 22/08

BOEING
767
PARTS CATALOG (MAINTENANCE)

FIG ITEM	PART NUMBER	1 2 3 4 5 6 7	NOMENCLATURE	EFFECT FROM TO	UNITS PER ASSY
1 100	272T1246-22		FITTING INSTL-BHD HYDR WING SPAR POSITION DATA: REAR LH FOR NHA SEE: 27-13-54-02		RF
105	272T1246-18		FITTING INSTL-BHD HYDR WING SPAR POSITION DATA: REAR RH FOR NHA SEE: 27-13-54-02		RF
110	AN924-12S		.NUT		1
115	AN960C1716		.WASHER		1
120	272T1212-3		.FITTING-		1
120	272T1212-9		.FITTING-		1
- 125	L8008K9		ATTACHING PARTS .BOLT SUPPLIER CODE: V06725 SPECIFICATION NUMBER: BACB30MY8K9		2
- 130	TLN12044		.NUT SUPPLIER CODE: V97928 SPECIFICATION NUMBER: BACN10WM4 OPTIONAL PART: LH10114B4 V72962 MN154 V73197 VN18614 V92215 H49702-4S V15653 W8504 V08524 H497024 V15653 -----*-----		2
145	272T1246-9		FITTING INSTL-BHD HYDR WING SPAR POSITION DATA: REAR RH FOR NHA SEE: 27-13-54-02		RF

ILLUSTRATION ITEMS NOT ON PARTS LIST ARE NOT APPLICABLE

- ITEM NOT ILLUSTRATED

HXL

29-11-56-01

BOEING PROPRIETARY - Copyright © - Unpublished Work - See title page for details.

29-11-56
FIG. 01
PAGE 3
APR 22/08

 **BOEING**
767
PARTS CATALOG (MAINTENANCE)

FIG ITEM	PART NUMBER	1 2 3 4 5 6 7	NOMENCLATURE	EFFECT FROM TO	UNITS PER ASSY
1					
150	272T1246-10		FITTING INSTL-BHD HYDR WING SPAR POSITION DATA: REAR RH FOR NHA SEE: 27-13-54-02		RF
155	AN924-16S	.	NUT		1
160	AN960C2116	.	WASHER		1
165	272T1212-5	.	FITTING		1
- 170	L8008K17	.	BOLT ATTACHING PARTS SUPPLIER CODE: V06725 SPECIFICATION NUMBER: BACB30MY8K17		2
- 175	TLN12044	.	NUT SUPPLIER CODE: V97928 SPECIFICATION NUMBER: BACN10WM4 OPTIONAL PART: LH10114B4 V72962 MN154 V73197 VN18614 V92215 H49702-4S V15653 W8504 V08524 H497024 V15653		2
190	272T1246-11		-----*----- FITTING INSTL-BHD HYDR WING SPAR POSITION DATA: REAR RH FOR NHA SEE: 29-11-77-05		RF
195	272T1246-12		FITTING INSTL-BHD HYDR WING SPAR POSITION DATA: REAR RH FOR NHA SEE: 29-11-77-05		RF
200	AN924-16S	.	NUT		1
205	AN960C2116	.	WASHER		1
210	272T1212-4	.	FITTING		1
ILLUSTRATION ITEMS NOT ON PARTS LIST ARE NOT APPLICABLE					

- ITEM NOT ILLUSTRATED

HXL

29-11-56-01

BOEING PROPRIETARY - Copyright © - Unpublished Work - See title page for details.

29-11-56
FIG. 01
PAGE 4
APR 22/08



767

PARTS CATALOG (MAINTENANCE)

FIG ITEM	PART NUMBER	1 2 3 4 5 6 7	NOMENCLATURE	EFFECT FROM TO	UNITS PER ASSY
1			ATTACHING PARTS		
- 215	L8008K11		.BOLT SUPPLIER CODE: V06725 SPECIFICATION NUMBER: BACB30MY8K11		2
- 220	TLN12044		.NUT SUPPLIER CODE: V97928 SPECIFICATION NUMBER: BACN10WM4 OPTIONAL PART: LH10114B4 V72962 MN154 V73197 VN18614 V92215 H49702-4S V15653 W8504 V08524 H497024 V15653		2
235	272T1246-13		-----*----- FITTING INSTL-BHD HYDR WING SPAR POSITION DATA: REAR LH FOR NHA SEE: 27-13-54-02		RF
240	272T1246-14		FITTING INSTL-BHD HYDR WING SPAR POSITION DATA: REAR LH FOR NHA SEE: 27-13-54-02		RF
245	AN924-16S		.NUT		1
250	AN960C2116		.WASHER		1
255	272T1212-6		.FITTING		1
- 260	L8008K17		ATTACHING PARTS .BOLT SUPPLIER CODE: V06725 SPECIFICATION NUMBER: BACB30MY8K17		2

ILLUSTRATION ITEMS NOT ON PARTS LIST ARE NOT APPLICABLE

- ITEM NOT ILLUSTRATED

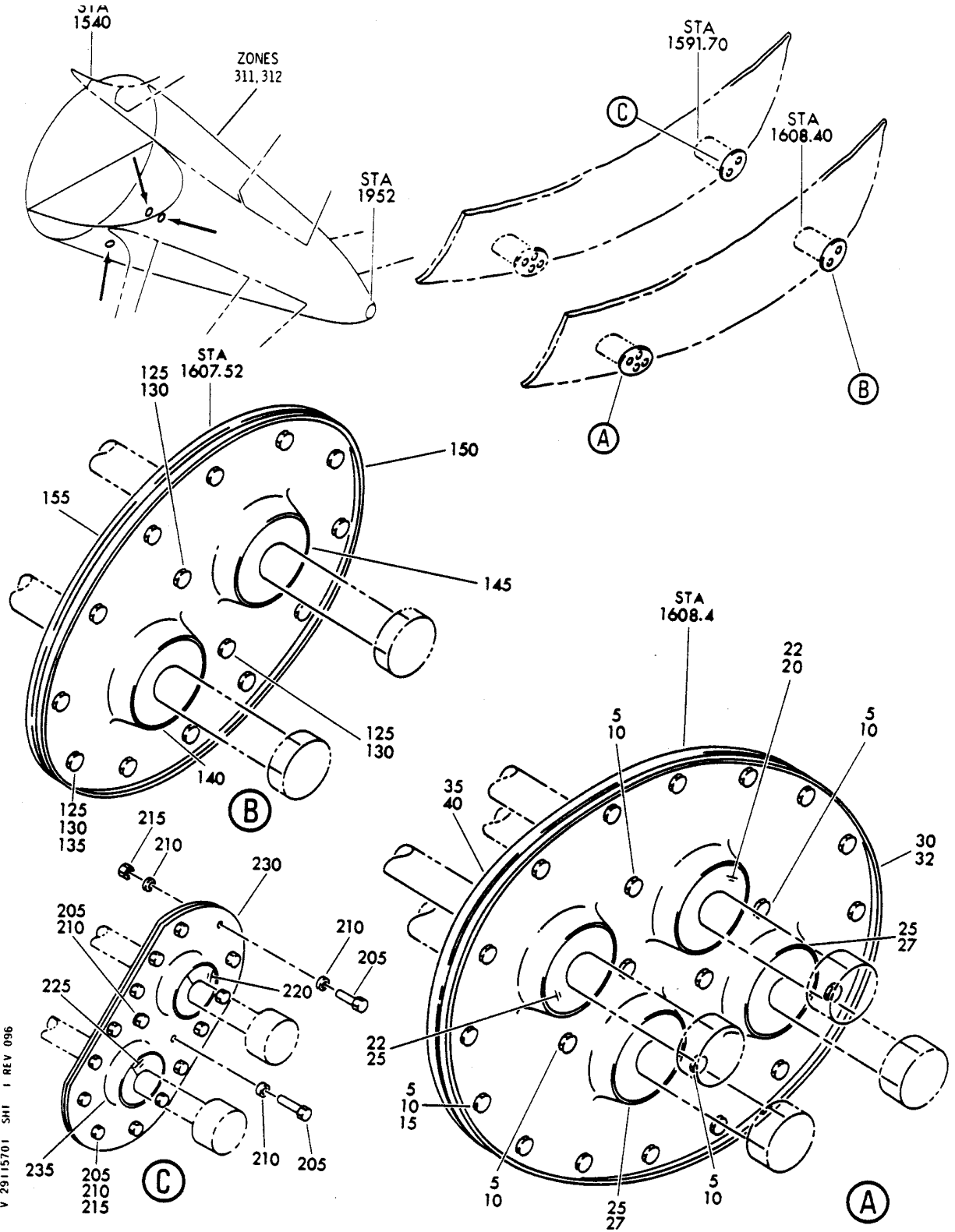
HXL

29-11-56-01

BOEING PROPRIETARY - Copyright © - Unpublished Work - See title page for details.

29-11-56
FIG. 01
PAGE 5
APR 22/08

BOEING
767
PARTS CATALOG (MAINTENANCE)



V 29115701 SHI 1 REV 096

RETAINER INSTL-HYDR TUBING PRESSURE SEAL SECT. 48
FIGURE 1

29-11-57-01

HXL
DEC 22/06

29-11-57-01
PAGE 0

BOEING
767
PARTS CATALOG (MAINTENANCE)

FIG ITEM	PART NUMBER	1 2 3 4 5 6 7	NOMENCLATURE	EFFECT FROM TO	UNITS PER ASSY
1			RETAINER INSTL-HYDR TUBING PRESSURE SEAL SECT. 48		
- 1	272T4831-7		RETAINER INSTL-HYDR TUBING PRESSURE SEAL, PREMODULE POSITION DATA: SECT. 48 FOR NHA SEE: 29-11-80-01		RF
5	NAS1801-3-9		.SCREW		22
10	AN960PD10L		.WASHER		22
15	BRH10A3		.NUT-		16
			SUPPLIER CODE: V52828 SPECIFICATION NUMBER: BACN10JC3 OPTIONAL PART: H10-3BAC V15653 NS202101-02 V80539 RMLH9075-3W V72962 VN303A02 V92215 96-02 V80539 T6S1032J V11815		
R R R R R R R R R R R	22	270T0004-1119	.GROMMET- MANUFACTURED FROM: SH ETHYLENE PROPYLENE BMS1-50 TYPE II GRADE 60 STOCK .85 IN 2.00 IN DIA SPARES ORDER MATERIAL CODE: 5218305060		2
	27	270T0004-1101	.GROMMET- MANUFACTURED FROM: SH ETHYLENE PROPYLENE BMS1-50 TYPE II GRADE 60 STOCK .85 IN 2.00 IN DIA SPARES ORDER MATERIAL CODE: 5218305060		2
	30	272T4830-1	.RETAINER-		1
	35	272T4830-2	.RETAINER ASSY-		1

ILLUSTRATION ITEMS NOT ON PARTS LIST ARE NOT APPLICABLE

- ITEM NOT ILLUSTRATED

HXL

29-11-57-01

BOEING PROPRIETARY - Copyright © - Unpublished Work - See title page for details.

29-11-57
FIG. 01
PAGE 1
AUG 22/09



767

PARTS CATALOG (MAINTENANCE)

FIG ITEM	PART NUMBER	1 2 3 4 5 6 7	NOMENCLATURE	EFFECT FROM TO	UNITS PER ASSY
R R R R R R R	1 220	270T0004-1106	.SEAL- MANUFACTURED FROM: SH ETHYLENE PROPYLENE BMS1-50 TYPE 2 GRADE 60 STOCK 0.8 IN. 2.1 IN. DIA. SPARES ORDER MATERIAL CODE: 5218305060		1
	225	69B80106-2	.SEAL- MISCELLANEOUS DATA: NOT AN INITIAL PROVISIONING SPARE		1
	230	272T4305-4	.RETAINER		1
	235	272T4305-7	.RETAINER ASSY		1
ILLUSTRATION ITEMS NOT ON PARTS LIST ARE NOT APPLICABLE					

- ITEM NOT ILLUSTRATED

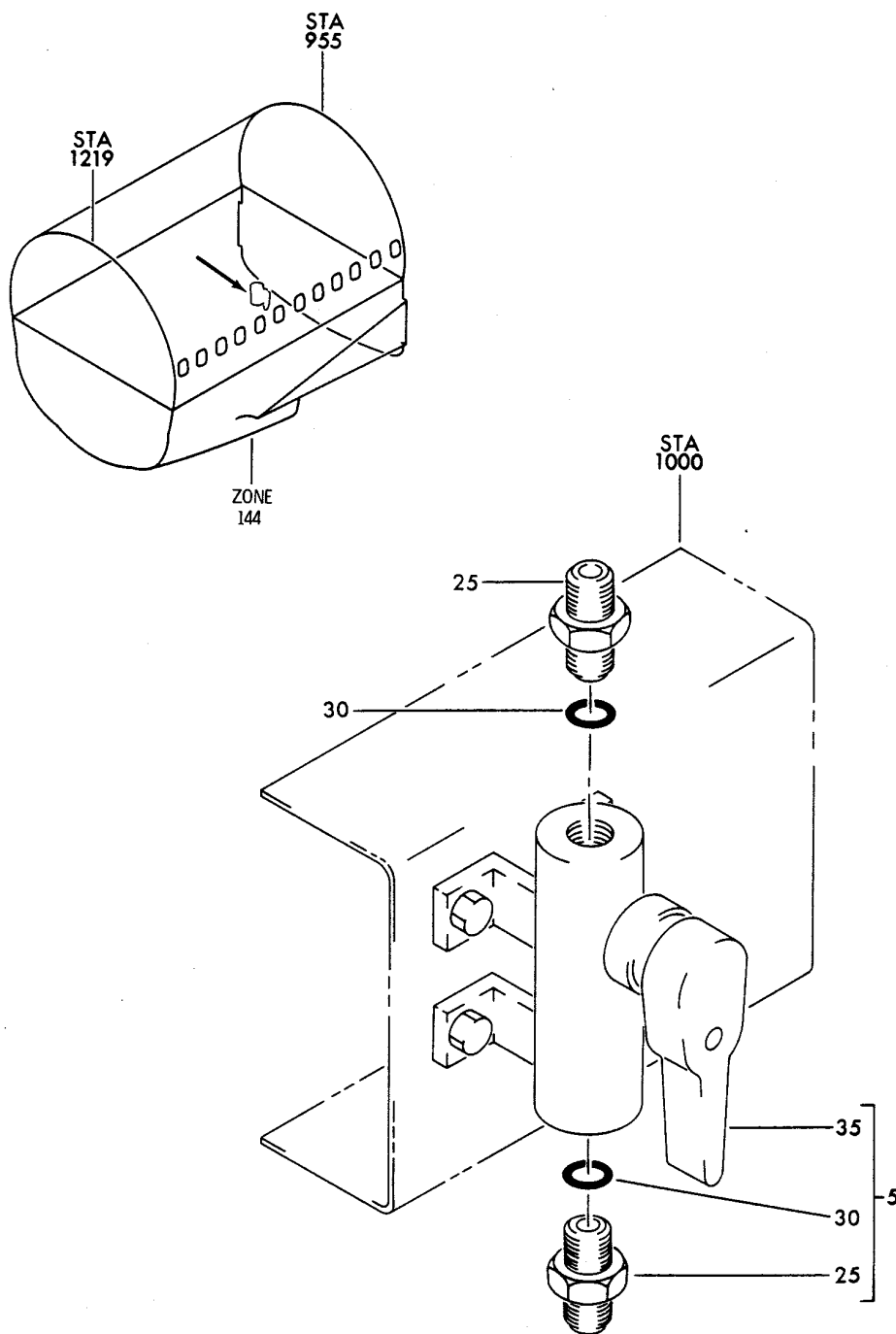
HXL

29-11-57-01

BOEING PROPRIETARY - Copyright © - Unpublished Work - See title page for details.

29-11-57
FIG. 01
PAGE 3
AUG 22/09

BOEING
767
PARTS CATALOG (MAINTENANCE)



V 29115901 SHT 1 REV 002

VALVE INSTL-RSVR PRESSURIZATION SHUTOFF (HYDRAULIC POWER ONLY)

FIGURE 1

29-11-59-01

HXL
DEC 22/06

29-11-59-01
PAGE 0



767

PARTS CATALOG (MAINTENANCE)

FIG ITEM	PART NUMBER	1 2 3 4 5 6 7	NOMENCLATURE	EFFECT FROM TO	UNITS PER ASSY
1			VALVE INSTL-RSVR PRESSURIZATION SHUTOFF (HYDRAULIC POWER ONLY)		
- 1	271T4563-1		VALVE INSTL-RSVR PRESSURIZATION SHUTOFF (HYDRAULIC POWER ONLY) FOR NHA/OTHER SYS DET SEE: 29-11-28-02		RF
5	271T4563-2		.VALVE ASSY ATTACHING PARTS		1
- 10	NAS6604-4		.BOLT -----*-----		3
25	MS21902D6		..UNION		2
30	NAS1612-6		..PACKING-		2
35	66950		..VALVE-RSVR PRESSURIZATION SHUTOFF SUPPLIER CODE: V99643 FUNCTIONAL DESCRIPTION: INLINE COMPONENT WHICH SHUTS OFF AIR SUPPLY TO THE RESERVOIR SPECIFICATION NUMBER: S271T456-1 COMPONENT MAINT MANUAL REF: 29-11-01		1
- 40	NAS6604-4		ATTACHING PARTS ..BOLT -----*-----		3

ILLUSTRATION ITEMS NOT ON PARTS LIST ARE NOT APPLICABLE

- ITEM NOT ILLUSTRATED

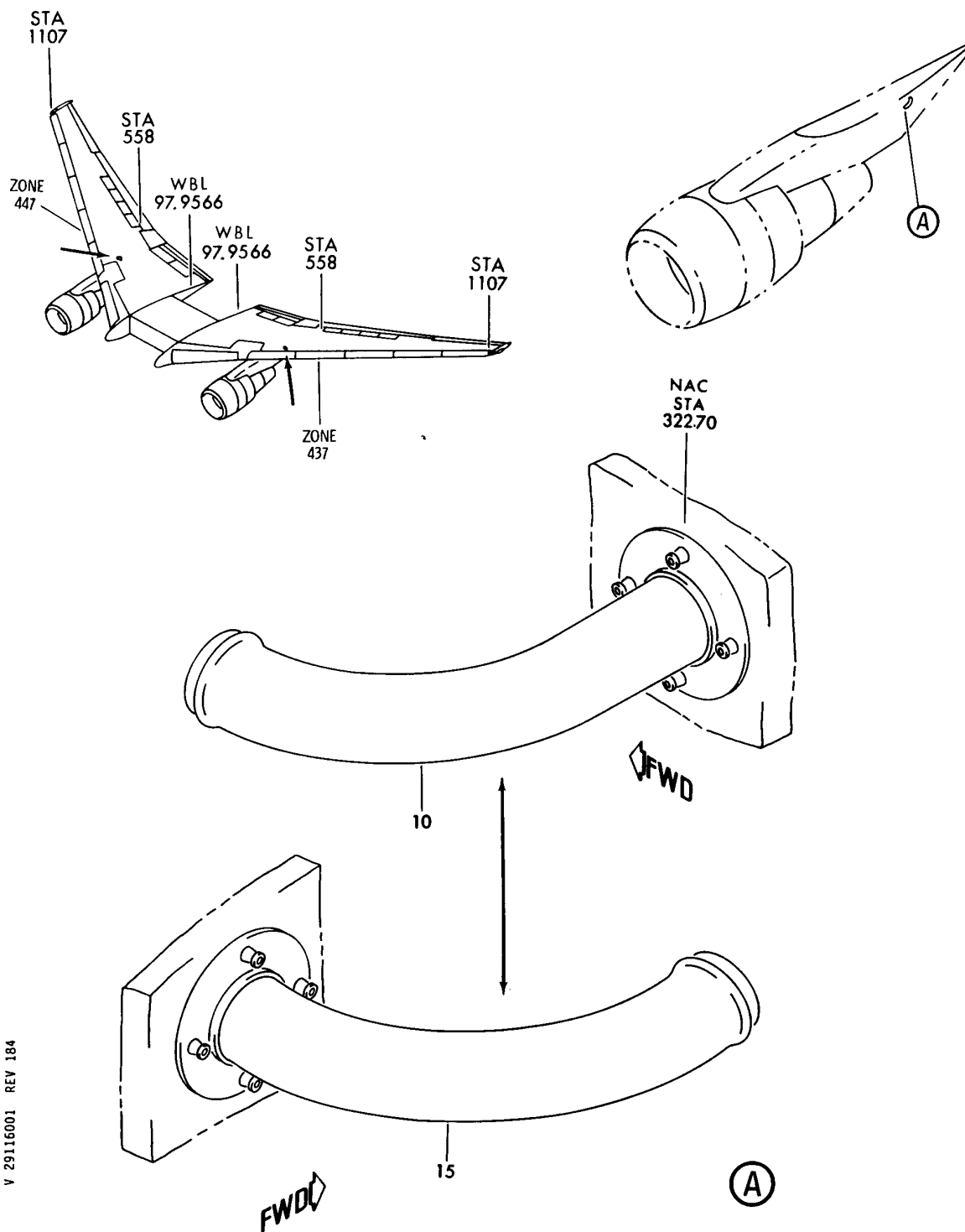
HXL

29-11-59-01

BOEING PROPRIETARY - Copyright © - Unpublished Work - See title page for details.

29-11-59
FIG. 01
PAGE 1
APR 22/08

BOEING
767
PARTS CATALOG (MAINTENANCE)



V 29116001 REV 184

FITTING INSTL-SECT. 31 STRUT AFT FAIRING OVERBOARD VENT
FIGURE 1

29-11-60-01

HXL
DEC 22/06

29-11-60-01
PAGE 0

 **BOEING**
767
PARTS CATALOG (MAINTENANCE)

FIG ITEM	PART NUMBER	1 2 3 4 5 6 7	NOMENCLATURE	EFFECT FROM TO	UNITS PER ASSY
1			FITTING INSTL-SECT. 31 STRUT AFT FAIRING OVERBOARD VENT		
- 1	272T3104-1		FITTING INSTL-STRUT FAIRING OVERBOARD VENT POSITION DATA: SECT. 31 AFT LH FOR NHA SEE: 29-11-20-02		RF
- 5	272T3104-2		FITTING INSTL-STRUT FAIRING OVERBOARD VENT POSITION DATA: SECT. 31 AFT RH FOR NHA SEE: 29-11-20-03		RF
10	272T3103-1		.FITTING ASSY- POSITION DATA: LH SIDE OPTIONAL PART: 272T3103-21 USED ON: 272T3104-1		1
10	272T3103-9		.FITTING ASSY- POSITION DATA: LH SIDE OPTIONAL PART: 272T3103-21 USED ON: 272T3104-1		1
10	272T3103-13		.FITTING ASSY- POSITION DATA: LH SIDE OPTIONAL PART: 272T3103-21 USED ON: 272T3104-1 272T3104-5		1
10	272T3103-21		.FITTING ASSY- POSITION DATA: LH SIDE OPTIONAL PART: 272T3103-1 272T3103-9 272T3103-13		1
ILLUSTRATION ITEMS NOT ON PARTS LIST ARE NOT APPLICABLE					

- ITEM NOT ILLUSTRATED

HXL

29-11-60-01

BOEING PROPRIETARY - Copyright © - Unpublished Work - See title page for details.

29-11-60
FIG. 01
PAGE 1
DEC 22/07



767

PARTS CATALOG (MAINTENANCE)

FIG ITEM	PART NUMBER	1 2 3 4 5 6 7	NOMENCLATURE	EFFECT FROM TO	UNITS PER ASSY
1					
15	272T3103-2		.FITTING ASSY- POSITION DATA: RH SIDE OPTIONAL PART: 272T3103-22 USED ON: 272T3104-2		1
15	272T3103-10		.FITTING ASSY- POSITION DATA: RH SIDE OPTIONAL PART: 272T3103-22 USED ON: 272T3104-2		1
15	272T3103-14		.FITTING ASSY- POSITION DATA: RH SIDE OPTIONAL PART: 272T3103-22 USED ON: 272T3104-2		1
15	272T3103-22		.FITTING ASSY- POSITION DATA: RH SIDE OPTIONAL PART: 272T3103-2 272T3103-10 272T3103-14 USED ON: 272T3104-2 272T3104-6		1

ILLUSTRATION ITEMS NOT ON PARTS LIST ARE NOT APPLICABLE

- ITEM NOT ILLUSTRATED

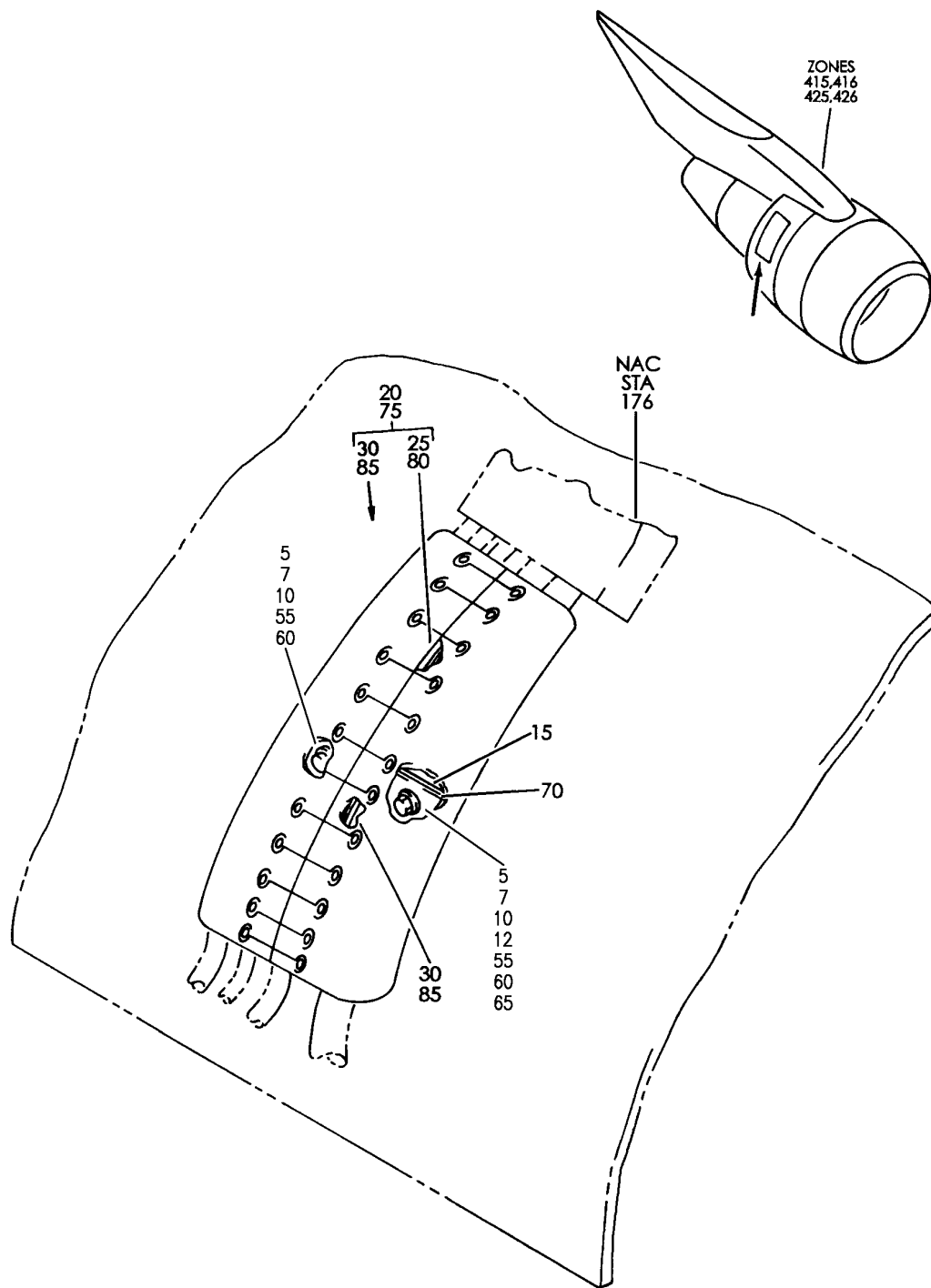
HXL

29-11-60-01

BOEING PROPRIETARY - Copyright © - Unpublished Work - See title page for details.

29-11-60
FIG. 01
PAGE 2
DEC 22/07

BOEING
767
PARTS CATALOG (MAINTENANCE)



V 29116105 REV 335

SHIELD INSTL-FUEL AND HYDRAULIC HOSE
FIGURE 5

29-11-61-05

HXL
DEC 22/08

29-11-61-05
PAGE 0



767

PARTS CATALOG (MAINTENANCE)

FIG ITEM	PART NUMBER	1 2 3 4 5 6 7	NOMENCLATURE	EFFECT FROM TO	UNITS PER ASSY
5			SHIELD INSTL-FUEL AND HYDRAULIC HOSE		
- 1	310T4015-1		SHIELD INSTL-FUEL AND HYDR HOSE FOR NHA SEE: 71-00-51-02		RF
7	NAS1802-3-10		.SCREW-		2
10	AN960C10L		.WASHER		2
15	310T4015-4		.PLATE-STIFFENER		4
20	310T4016-12		.SHIELD ASSY-		4
20	310T4016-14		.SHIELD ASSY-		4
25	310T4016-9		..HOOK-VELCRO		1
30	310T4016-10		..LOOP-VELCRO		1

ILLUSTRATION ITEMS NOT ON PARTS LIST ARE NOT APPLICABLE

- ITEM NOT ILLUSTRATED

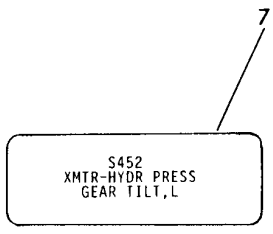
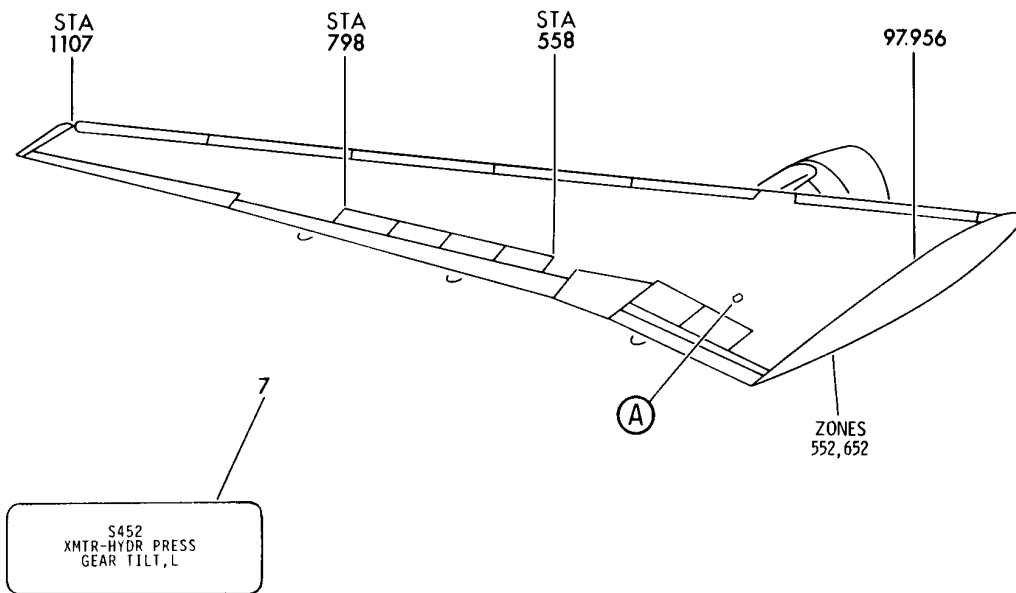
HXL

29-11-61-05

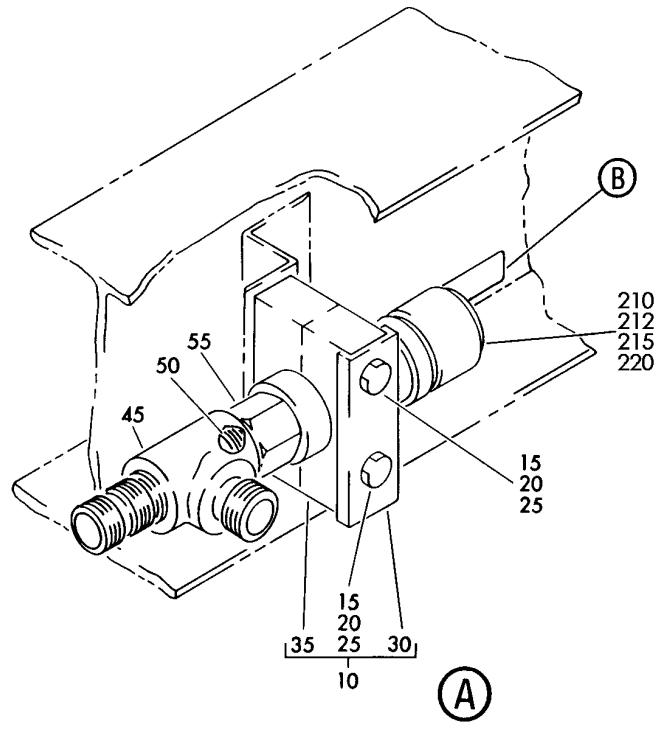
BOEING PROPRIETARY - Copyright © - Unpublished Work - See title page for details.

29-11-61
FIG. 05
PAGE 1
DEC 22/07

BOEING
767
PARTS CATALOG (MAINTENANCE)



(B)



V 29116301 REV 230

SWITCH INSTL-HYDR PRESSURE
FIGURE 1

29-11-63-01

HXL
DEC 22/06

29-11-63-01
PAGE 0



767

PARTS CATALOG (MAINTENANCE)

FIG ITEM	PART NUMBER	1 2 3 4 5 6 7	NOMENCLATURE	EFFECT FROM TO	UNITS PER ASSY
1					
- 1	272T1248-1		SWITCH INSTL-HYDR PRESSURE SWITCH INSTL-HYDR PRESSURE PREMODULE POSITION DATA: SECT. 12 LH FOR NHA SEE: 32-32-56-01		RF
- 5	272T1248-2		SWITCH INSTL-HYDR PRESSURE PREMODULE POSITION DATA: SECT. 12 RH FOR NHA SEE: 32-32-56-01		RF
7	BAC27THY0101		.MARKER-ALUMINUM FOIL POSITION DATA: LH SIDE		1
- 8	BAC27THY0102		.MARKER-ALUMINUM FOIL POSITION DATA: RH SIDE		1
10	270T0005-101		.BLOCK ASSY-SPRT		1
15	NAS1801-3-34		..SCREW		2
20	AN960PD10L		..WASHER		2
25	NAS43DD3-98		..SPACER		2
30	270T0004-56		..CHANNEL		1
35	270T0004-111		..BLOCK-CLAMP		2
45	MS21911J6		.TEE		1
50	NAS1612-6		.PACKING-		1
55	211C223-301		.SWITCH- SUPPLIER CODE: V02750 FUNCTIONAL DESCRIPTION: CLOSES AN ELECTRICAL CIRCUIT WHEN HYDRAULIC PRESSURE IS SENSED. SPECIFICATION NUMBER: S271T452-1 ELECTRICAL EQUIP NUMBER: S00452 S00453 COMPONENT MAINT MANUAL REF: 29-09-01 OPTIONAL PART: 211C223-534 V02750 211C223-175 V02750 SERVICE BULLETIN OPT DATA: 211C223-175		1
ILLUSTRATION ITEMS NOT ON PARTS LIST ARE NOT APPLICABLE					

- ITEM NOT ILLUSTRATED

29-11-63-01

29-11-63
FIG. 01
PAGE 1
DEC 22/06

HXL



767

PARTS CATALOG (MAINTENANCE)

FIG ITEM	PART NUMBER	1 2 3 4 5 6 7	NOMENCLATURE	EFFECT FROM TO	UNITS PER ASSY
1 55	211C223-534		.SWITCH ASSY- SUPPLIER CODE: V02750 FUNCTIONAL DESCRIPTION: CLOSES AN ELECTRICAL CIRCUIT WHEN HYDRAULIC PRESSURE IS SENSED. SPECIFICATION NUMBER: S271T452-1 ELECTRICAL EQUIP NUMBER: S00452 S00453 COMPONENT MAINT MANUAL REF: 29-09-04 OPTIONAL PART: 211C223-301 V02750		1
- 200	286T0446-101		WIRE BUNDLE ASSY- POSITION DATA: LH		RF
- 205	286T0464-101		WIRE BUNDLE ASSY- POSITION DATA: RH		RF
210	G899312		.CLAMP- SUPPLIER CODE: V06324 SPECIFICATION NUMBER: BACC10HF12A OPTIONAL PART: G8993M12 V06324 S2251-12-8 V07418 6000-123-0012 V14283 900-555F12-34 V31461 POSITION DATA: LH SIDE ELECTRICAL EQUIP NUMBER: D02264T WIRING DIAGRAM REF: 276211		1

ILLUSTRATION ITEMS NOT ON PARTS LIST ARE NOT APPLICABLE

- ITEM NOT ILLUSTRATED

HXL

29-11-63-01

BOEING PROPRIETARY - Copyright © - Unpublished Work - See title page for details.

29-11-63
FIG. 01
PAGE 2
DEC 22/06



767

PARTS CATALOG (MAINTENANCE)

FIG ITEM	PART NUMBER	1 2 3 4 5 6 7	NOMENCLATURE	EFFECT FROM TO	UNITS PER ASSY
1 212	G899312		.CLAMP- SUPPLIER CODE: V06324 SPECIFICATION NUMBER: BACC10HF12A OPTIONAL PART: G8993M12 V06324 S2251-12-8 V07418 6000-123-0012 V14283 900-555F12-34 V31461 POSITION DATA: RH SIDE ELECTRICAL EQUIP NUMBER: D02266T WIRING DIAGRAM REF: 276211		1
215	R071012A3S6L		.CONNECTOR- SUPPLIER CODE: V41118 SPECIFICATION NUMBER: BACC63BP12A3S6L POSITION DATA: LH SIDE ELECTRICAL EQUIP NUMBER: D02264 WIRING DIAGRAM REF: 276211		1
220	R071012A3S6L		.CONNECTOR- SUPPLIER CODE: V41118 SPECIFICATION NUMBER: BACC63BP12A3S6L POSITION DATA: RH SIDE ELECTRICAL EQUIP NUMBER: D02266 WIRING DIAGRAM REF: 276211		1

ILLUSTRATION ITEMS NOT ON PARTS LIST ARE NOT APPLICABLE

- ITEM NOT ILLUSTRATED

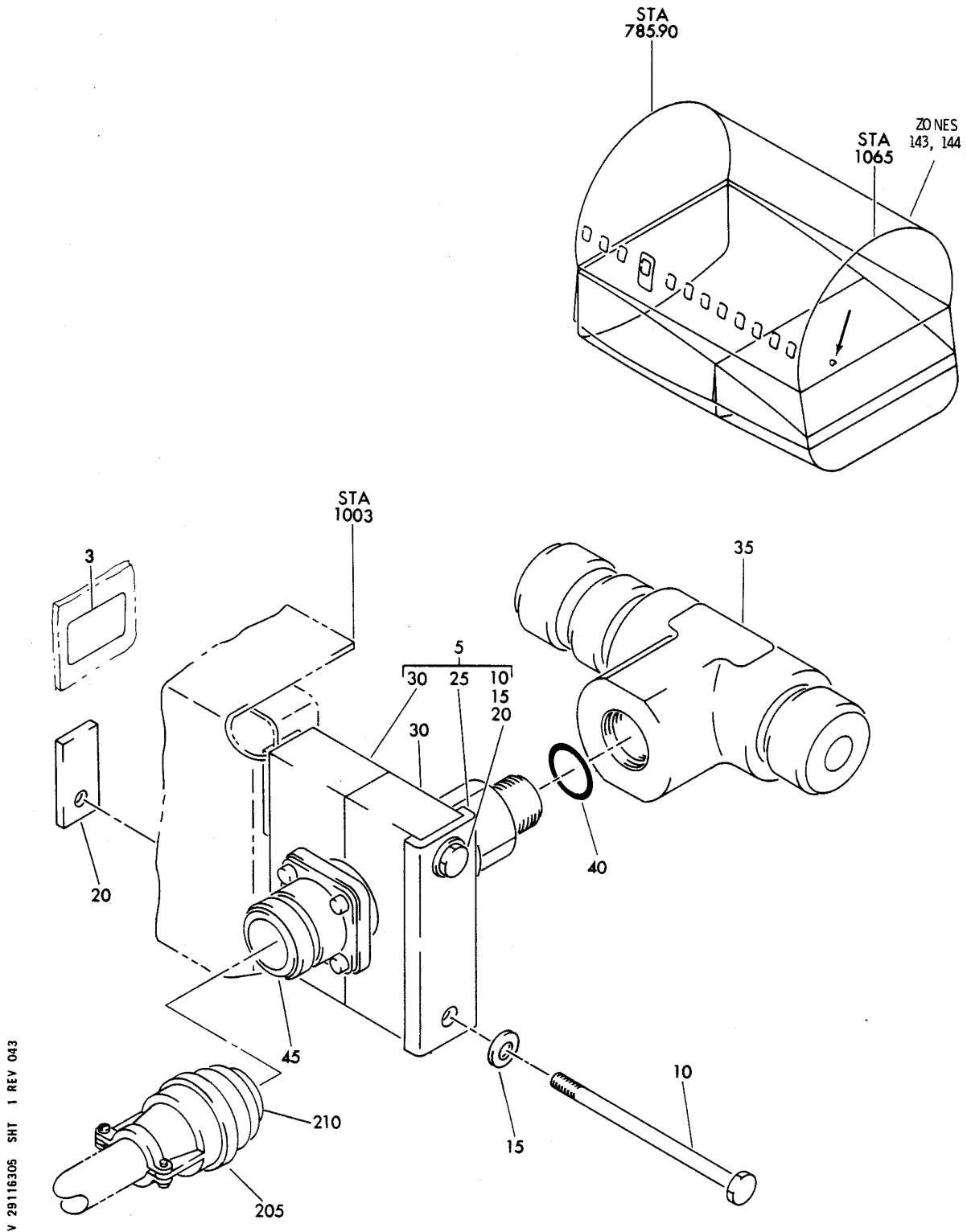
HXL

29-11-63-01

BOEING PROPRIETARY - Copyright © - Unpublished Work - See title page for details.

29-11-63
FIG. 01
PAGE 3
DEC 22/06

BOEING
767
PARTS CATALOG (MAINTENANCE)



V 29116305 SHT 1 REV 043

SWITCH INSTL-HYDR PRESSURE
FIGURE 5

29-11-63-05

HXL
DEC 22/06

29-11-63-05
PAGE 0



767

PARTS CATALOG (MAINTENANCE)

FIG ITEM	PART NUMBER	1 2 3 4 5 6 7	NOMENCLATURE	EFFECT FROM TO	UNITS PER ASSY
5					
- 1	272T0131-1		SWITCH INSTL-HYDR PRESSURE SWITCH INSTL-HYDR PRESSURE FOR NHA SEE: 29-11-76-04		RF
3	BAC27THY0099		.MARKER-ALUMINUM FOIL PLACARD CONTENT: S35		1
5	270T0005-107		.BLOCK ASSY-SPRT		1
10	NAS1801-3-41		..SCREW		2
15	AN960PD10L		..WASHER		2
20	NAS43DD3-130		..SPACER		2
25	270T0004-28		..CHANNEL		1
30	270T0004-104		..BLOCK-CLAMP		2
35	APX783J121206		.TEE SUPPLIER CODE: V01673 SPECIFICATION NUMBER: BACT16AT121206J OPTIONAL PART: APX783-121206J V01673 DBOT16AT121206J V14798 ER783-121206J V50948 FER1530-121206J V14397 LER783-121206J V11328 NAF1837-121206J V52930 US1926-121206J V50808 ER783-121206J V88334 AFP326-121206J V30974		1
40	NAS1612-6		.PACKING-		1

ILLUSTRATION ITEMS NOT ON PARTS LIST ARE NOT APPLICABLE

- ITEM NOT ILLUSTRATED

HXL

29-11-63-05

BOEING PROPRIETARY - Copyright © - Unpublished Work - See title page for details.

29-11-63
FIG. 05
PAGE 1
DEC 22/06



767

PARTS CATALOG (MAINTENANCE)

FIG ITEM	PART NUMBER	1 2 3 4 5 6 7	NOMENCLATURE	EFFECT FROM TO	UNITS PER ASSY
5					
45	211C223-301		.SWITCH- SUPPLIER CODE: V02750 FUNCTIONAL DESCRIPTION: CLOSES AN ELECTRICAL CIRCUIT WHEN HYDRAULIC PRESSURE IS SENSED. SPECIFICATION NUMBER: S271T452-1 COMPONENT MAINT MANUAL REF: 29-09-01 OPTIONAL PART: 211C223-534 V02750 211C223-175 V02750 SERVICE BULLETIN OPT DATA: 211C223-175		1
45	211C223-534		.SWITCH ASSY- SUPPLIER CODE: V02750 FUNCTIONAL DESCRIPTION: CLOSES AN ELECTRICAL CIRCUIT WHEN HYDRAULIC PRESSURE IS SENSED. SPECIFICATION NUMBER: S271T452-1 COMPONENT MAINT MANUAL REF: 29-09-04 OPTIONAL PART: 211C223-301 V02750		1
- 200	286T0680-001		WIRE BUNDLE ASSY		RF
205	BCREF110670		.ADAPTER- SUPPLIER CODE: V06324 OVERLENGTH PART NUMBER: 710AS011M1209-62A ELECTRICAL EQUIP NUMBER: D00478T WIRING DIAGRAM REF: 291132		1

ILLUSTRATION ITEMS NOT ON PARTS LIST ARE NOT APPLICABLE

- ITEM NOT ILLUSTRATED

HXL

29-11-63-05

BOEING PROPRIETARY - Copyright © - Unpublished Work - See title page for details.

29-11-63
FIG. 05
PAGE 2
DEC 22/06



767
PARTS CATALOG (MAINTENANCE)

FIG ITEM	PART NUMBER	1 2 3 4 5 6 7	NOMENCLATURE	EFFECT FROM TO	UNITS PER ASSY
5 210	R071012R3S6L		.CONNECTOR- SUPPLIER CODE: V41118 SPECIFICATION NUMBER: BACC63BP12R3S6L ELECTRICAL EQUIP NUMBER: D00478 WIRING DIAGRAM REF: 291132		1

ILLUSTRATION ITEMS NOT ON PARTS LIST ARE NOT APPLICABLE

- ITEM NOT ILLUSTRATED

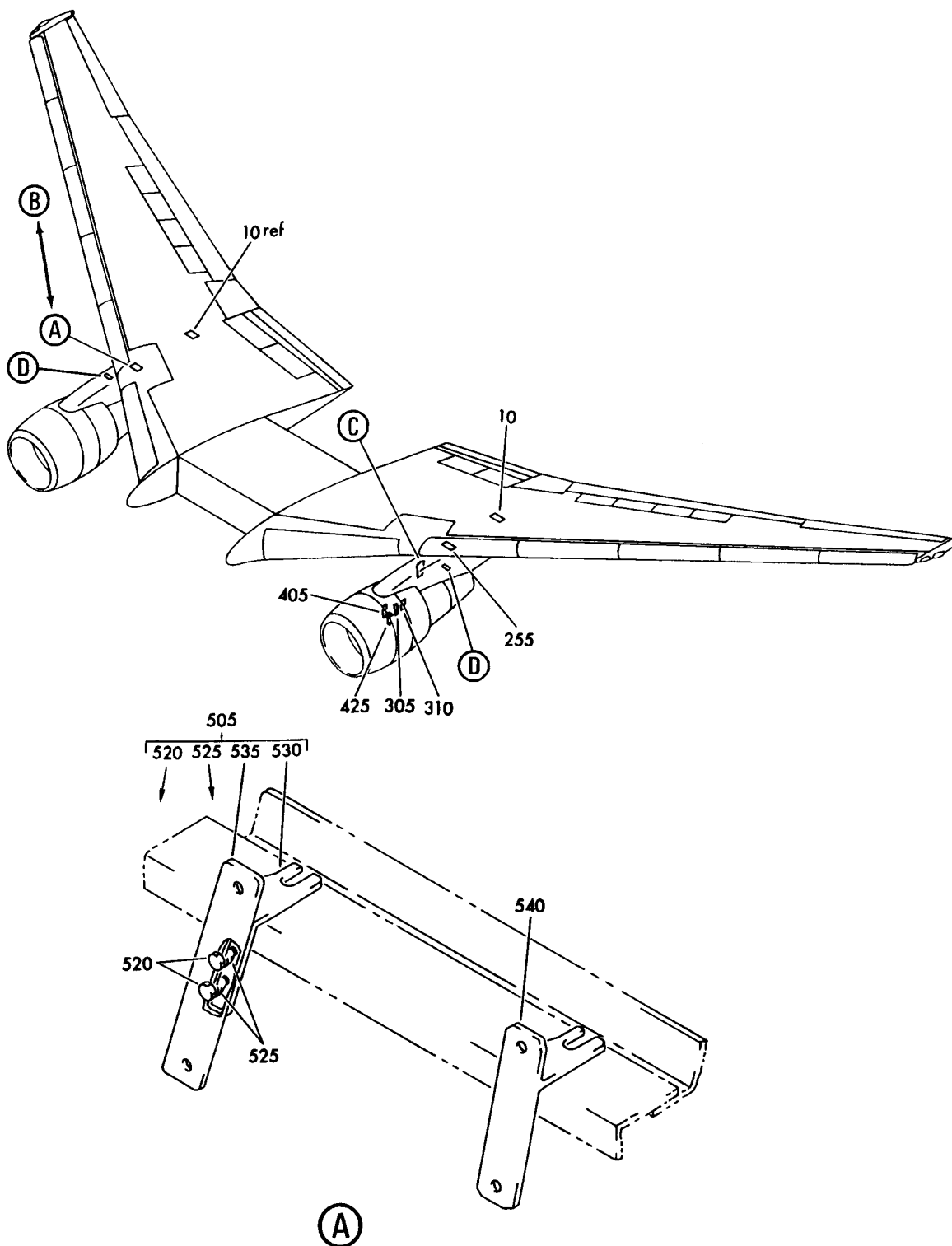
HXL

29-11-63-05

BOEING PROPRIETARY - Copyright © - Unpublished Work - See title page for details.

29-11-63
FIG. 05
PAGE 3
DEC 22/06

BOEING
767
PARTS CATALOG (MAINTENANCE)



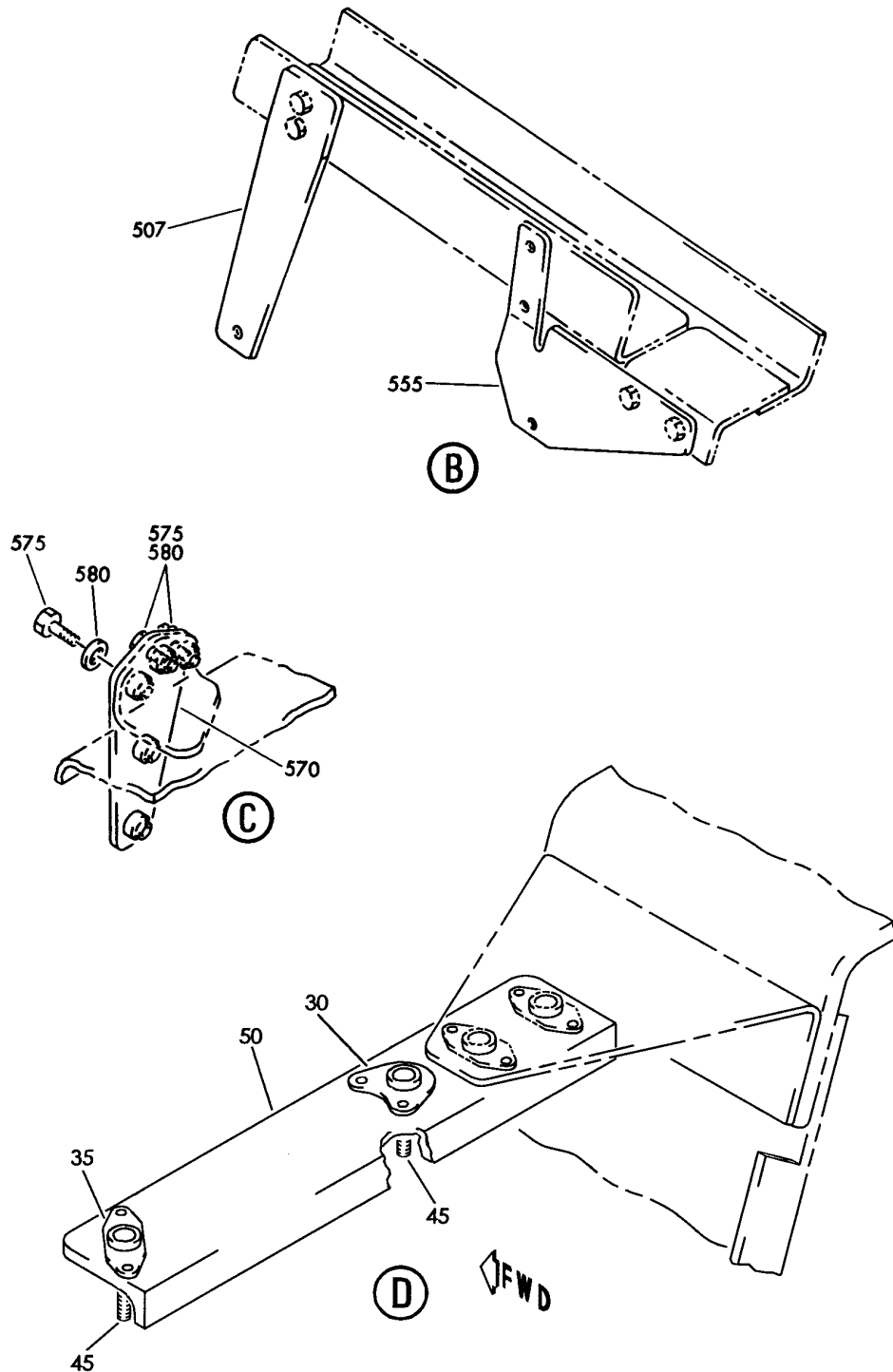
BRACKET INSTL-STRUT FAIRING HYDR SPRT AFT
FIGURE 1 (SHEET 1)

29-11-64-01

HXL
DEC 22/06

29-11-64-01
PAGE 0

BOEING
767
PARTS CATALOG (MAINTENANCE)



V 29116401 SHT 2 REV 211

BRACKET INSTL-STRT FAIRING HYDR SPRT AFT
FIGURE 1 (SHEET 2)

29-11-64-01

HXL
DEC 22/06

29-11-64-01
PAGE 0A

 **BOEING**
767
PARTS CATALOG (MAINTENANCE)

FIG ITEM	PART NUMBER	1 2 3 4 5 6 7	NOMENCLATURE	EFFECT FROM TO	UNITS PER ASSY
1			BRACKET INSTL-STRUT FAIRING HYDR SPRT AFT		
- 1	272T3114-1		BRACKET INSTL-STRUT FAIRING HYDR SPRT POSITION DATA: SECT. 31 AFT L FOR NHA SEE: 29-11-00-01A		RF
- 5	272T3114-2		BRACKET INSTL-STRUT FAIRING HYDR SPRT POSITION DATA: SECT. 31 AFT R FOR NHA SEE: 29-11-00-02A		RF
10	272T0046-3		.BRACKET ASSY ATTACHING PARTS		1
- 15	NAS6603-2		.BOLT		2
- 20	AN960PD10L		.WASHER		2
- 25	BRH10A3		.NUT		2
			SUPPLIER CODE: V52828 SPECIFICATION NUMBER: BACN10JC3 OPTIONAL PART: H10-3BAC V15653 NS202101-02 V80539 RMLH9075-3W V72962 VN303A02 V92215 96-02 V80539 T6S1032J V11815		
			-----*-----		
30	BACR10AN4-2CD		.RETAINER		1
35	6800-02		.RETAINER SUPPLIER CODE: V80539 SPECIFICATION NUMBER: BACR10G31 ATTACHING PARTS		1
- 40	BACR15BA3AD		.RIVET- SIZE DETERMINED ON INSTL.		4
			-----*-----		
45	NAS6603-28		.BOLT		2
50	272T0046-6		.BRACKET		1
			ILLUSTRATION ITEMS NOT ON PARTS LIST ARE NOT APPLICABLE		

- ITEM NOT ILLUSTRATED

HXL

29-11-64-01

BOEING PROPRIETARY - Copyright © - Unpublished Work - See title page for details.

29-11-64
FIG. 01
PAGE 1
DEC 22/06



767

PARTS CATALOG (MAINTENANCE)

FIG ITEM	PART NUMBER	1 2 3 4 5 6 7	NOMENCLATURE	EFFECT FROM TO	UNITS PER ASSY
1					
- 300	272T3115-3		BRACKET INSTL-STRUT FAIRING HYDR SPRT POSITION DATA: SECT. 31 NAC STA 247.86 AND 258.95 AFT L FOR NHA SEE: 29-11-17-02		RF
305	272T0049-5		.BRACKET ASSY-		1
310	272T0049-7		.BRACKET ASSY-		1
- 315	NAS6603-3		.BOLT		4
- 320	AN960PD10L		.WASHER		4
			-----*-----		
- 500	272T3115-4		BRACKET INSTL-STRUT FAIRING HYDR SPRT POSITION DATA: SECT. 31 NAC STA 246.08 AND 256.34 AFT RH FOR NHA SEE: 78-34-53-01A		RF
507	272T0047-10		.BRACKET ASSY-		1
- 510	NAS6603-3		.BOLT		1
- 515	AN960PD10L		.WASHER		1
			-----*-----		
555	272T0047-12		.BRACKET ASSY-		1
- 560	NAS6603-3		.BOLT		2
- 565	AN960PD10L		.WASHER		2
			-----*-----		

ILLUSTRATION ITEMS NOT ON PARTS LIST ARE NOT APPLICABLE

- ITEM NOT ILLUSTRATED

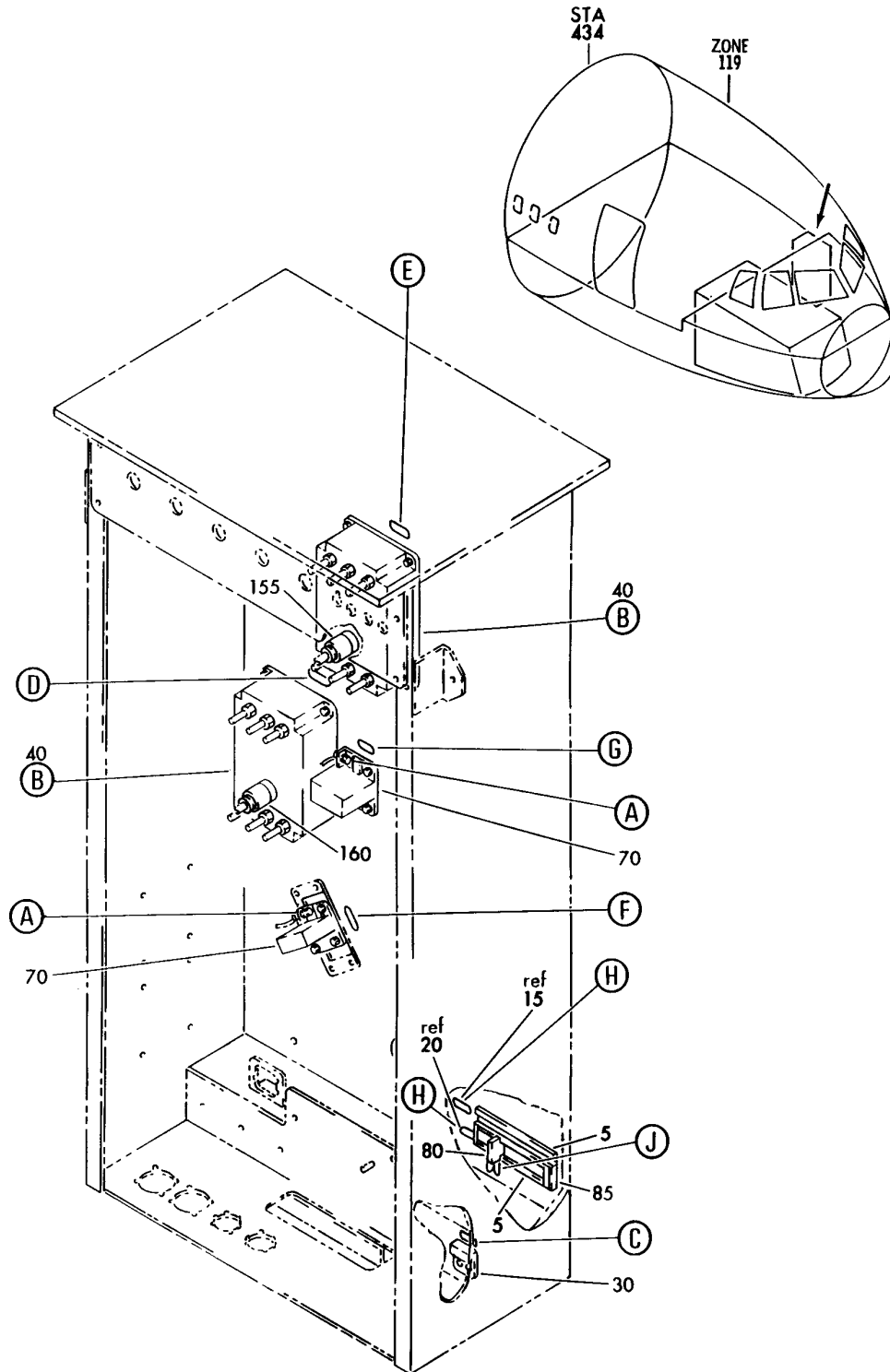
HXL

29-11-64-01

BOEING PROPRIETARY - Copyright © - Unpublished Work - See title page for details.

29-11-64
FIG. 01
PAGE 2
DEC 22/06

BOEING
767
PARTS CATALOG (MAINTENANCE)



V 29116501 SHT 1 REV 182

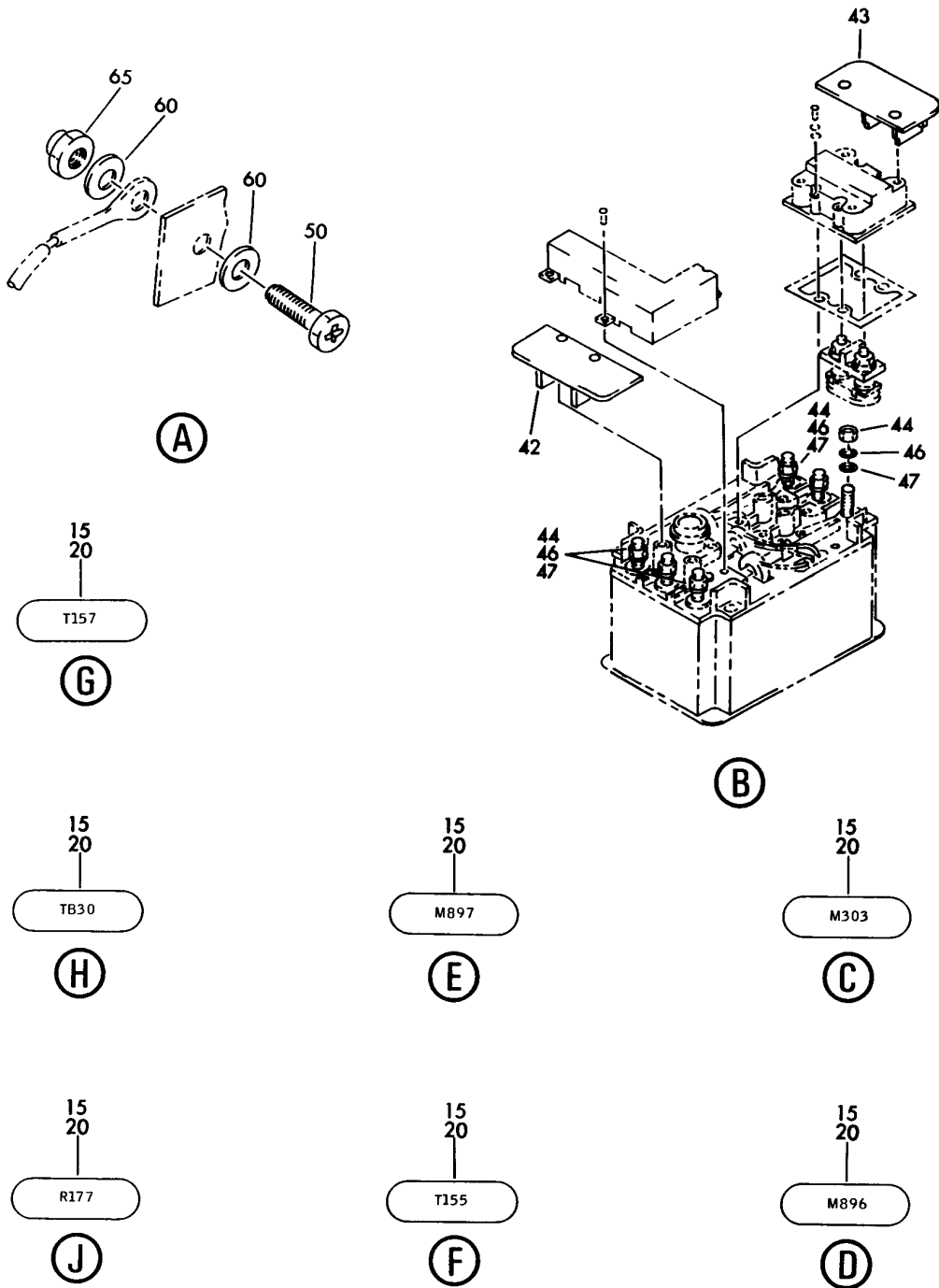
EQUIPMENT ASSY-P31 L GEN PWR PNL (HYDRAULIC POWER ONLY)
FIGURE 1 (SHEET 1)

29-11-65-01

HXL
DEC 22/06

29-11-65-01
PAGE 0

BOEING
767
PARTS CATALOG (MAINTENANCE)



V 29116501 SHT. 2 REV 220

EQUIPMENT ASSY-P31 L GEN PWR PNL (HYDRAULIC POWER ONLY)
FIGURE 1 (SHEET 2)

29-11-65-01

BOEING
767
PARTS CATALOG (MAINTENANCE)

FIG ITEM	PART NUMBER	1 2 3 4 5 6 7	NOMENCLATURE	EFFECT FROM TO	UNITS PER ASSY
1			EQUIPMENT ASSY-P31 L GEN PWR PNL (HYDRAULIC POWER ONLY)		
- 3	284T0171-51		EQUIPMENT ASSY-P31 GEN PWR PNL (HYDRAULIC POWER ONLY) POSITION DATA: L FOR NHA/OTHER SYS DET SEE: 53-11-70-02		RF
5	BAC27TEX0384		.DECAL- PLACARD CONTENT: 1 THRU 30 OPTIONAL PART: BAC27TEX4697		2
5	BAC27TEX4697		.DECAL- PLACARD CONTENT: 1 THRU 30 OPTIONAL PART: BAC27TEX0384		2
15	BAC27TEX3754		.DECALSET-INCLUDES DECALS IDENTIFIED ON THE ILLUSTRATION		RF
30	EP449-3001		.MODULE-TIME DELAY SUPPLIER CODE: V58657 ELECTRICAL EQUIP NUMBER: M00303		1
- 35	NAS601-14P		ATTACHING PARTS .SCREW -----*-----		2
40	3B41-1A		.CONTROL UNIT ASSY-ELEC PWR GENERATION SYS ELEC LOAD 75/90 KVA STATIC SENSITIVE PART SUPPLIER CODE: V83298 SPECIFICATION NUMBER: S281T003-2 ELECTRICAL EQUIP NUMBER: M00896 M00897 COMPONENT MAINT MANUAL REF: 24-21-18 OPTIONAL PART: 3B41-3A V83298		2
ILLUSTRATION ITEMS NOT ON PARTS LIST ARE NOT APPLICABLE					

- ITEM NOT ILLUSTRATED

HXL

29-11-65-01

BOEING PROPRIETARY - Copyright © - Unpublished Work - See title page for details.

29-11-65
FIG. 01
PAGE 1
DEC 22/07



767

PARTS CATALOG (MAINTENANCE)

FIG ITEM	PART NUMBER	1 2 3 4 5 6 7	NOMENCLATURE	EFFECT FROM TO	UNITS PER ASSY
1	40 3B41-3A		.CONTROL UNIT ASSY-ELEC PWR GENERATION SYS ELEC LOAD 75/90 KVA STATIC SENSITIVE PART SUPPLIER CODE: V83298 SPECIFICATION NUMBER: S281T003-3 ELECTRICAL EQUIP NUMBER: M00896 M00897 COMPONENT MAINT MANUAL REF: 24-21-18 OPTIONAL PART: 3B41-3B V83298 OPTIONAL PART: 3B41-1A V83298		2
	40 3B41-3B		.CONTROL UNIT ASSY-ELEC PWR GENERATION SYS ELEC LOAD 75/90 KVA STATIC SENSITIVE PART SUPPLIER CODE: V83298 SPECIFICATION NUMBER: S281T003-3 ELECTRICAL EQUIP NUMBER: M00896 M00897 COMPONENT MAINT MANUAL REF: 24-21-18 OPTIONAL PART: 3B41-3A V83298 OPTIONAL PART: 3B41-1A V83298		2
-	41 NAS1801-3-8		ATTACHING PARTS .SCREW -----*-----		8
	42 1593874-1		..COVER ASSY-TERM. SUPPLIER CODE: V83298		1
	43 1593875-1		..COVER ASSY-TERM. SUPPLIER CODE: V83298		1
	44 MS51972-3		..NUT		6
	46 MS35338-141		..WASHER		6
ILLUSTRATION ITEMS NOT ON PARTS LIST ARE NOT APPLICABLE					

- ITEM NOT ILLUSTRATED

29-11-65-01

29-11-65
FIG. 01
PAGE 2
DEC 22/07

HXL



767

PARTS CATALOG (MAINTENANCE)

FIG ITEM	PART NUMBER	1 2 3 4 5 6 7	NOMENCLATURE	EFFECT FROM TO	UNITS PER ASSY
1					
47	AN960C616L	.	.WASHER		6
50	NAS1801-08-8	.	.SCREW		2
60	AN960D8L	.	.WASHER		4
65	BRH10A08	.	.NUT-		2
			SUPPLIER CODE: V52828		
			SPECIFICATION NUMBER: BACN10JC08		
			OPTIONAL PART: H10-08BAC		
			V15653		
			NS202101-82		
			V80539		
			RMLH9075-82W		
			V72962		
			VN303A82		
			V92215		
			96-82		
			V80539		
			T6S832J		
			V11815		
65	MS21042L08	.	.NUT-		2
70	314-14544-01	.	.TRANSFORMER-		2
			SUPPLIER CODE: V95266		
			ELECTRICAL EQUIP NUMBER: T00155		
			T00157		
			ATTACHING PARTS		
- 75	NAS1801-3-8	.	.SCREW		8
			-----*-----		
80	YHLZD9	.	.DIODE-		1
			SUPPLIER CODE: V09922		
			ELECTRICAL EQUIP NUMBER: R00177		
			OPTIONAL PART: YHLZD30		
			V09922		
80	YHLZD30	.	.DIODE-		1
			SUPPLIER CODE: V09922		
			ELECTRICAL EQUIP NUMBER: R00177		
			OPTIONAL PART: YHLZD9		
			V09922		

ILLUSTRATION ITEMS NOT ON PARTS LIST ARE NOT APPLICABLE

- ITEM NOT ILLUSTRATED

29-11-65-01

29-11-65
FIG. 01
PAGE 3
DEC 22/07

HXL



767

PARTS CATALOG (MAINTENANCE)

FIG ITEM	PART NUMBER	1 2 3 4 5 6 7	NOMENCLATURE	EFFECT FROM TO	UNITS PER ASSY
1 85	AMY0460T3		.TRACK- SUPPLIER CODE: V09922 SPECIFICATION NUMBER: BACT44A0460D ELECTRICAL EQUIP NUMBER: TB0030 ATTACHING PARTS		1
- 90	NAS1801-3-8		.SCREW -----*-----		2
- 150	286T0022-101		.WIRE BUNDLE ASSY		RF
155	BACC45FT16B24S6		..CONNECTOR- ELECTRICAL EQUIP NUMBER: D03450 WIRING DIAGRAM REF: 291131		1
160	BACC45FT16A24S6		..CONNECTOR- ELECTRICAL EQUIP NUMBER: D03448 WIRING DIAGRAM REF: 291122		1

ILLUSTRATION ITEMS NOT ON PARTS LIST ARE NOT APPLICABLE

- ITEM NOT ILLUSTRATED

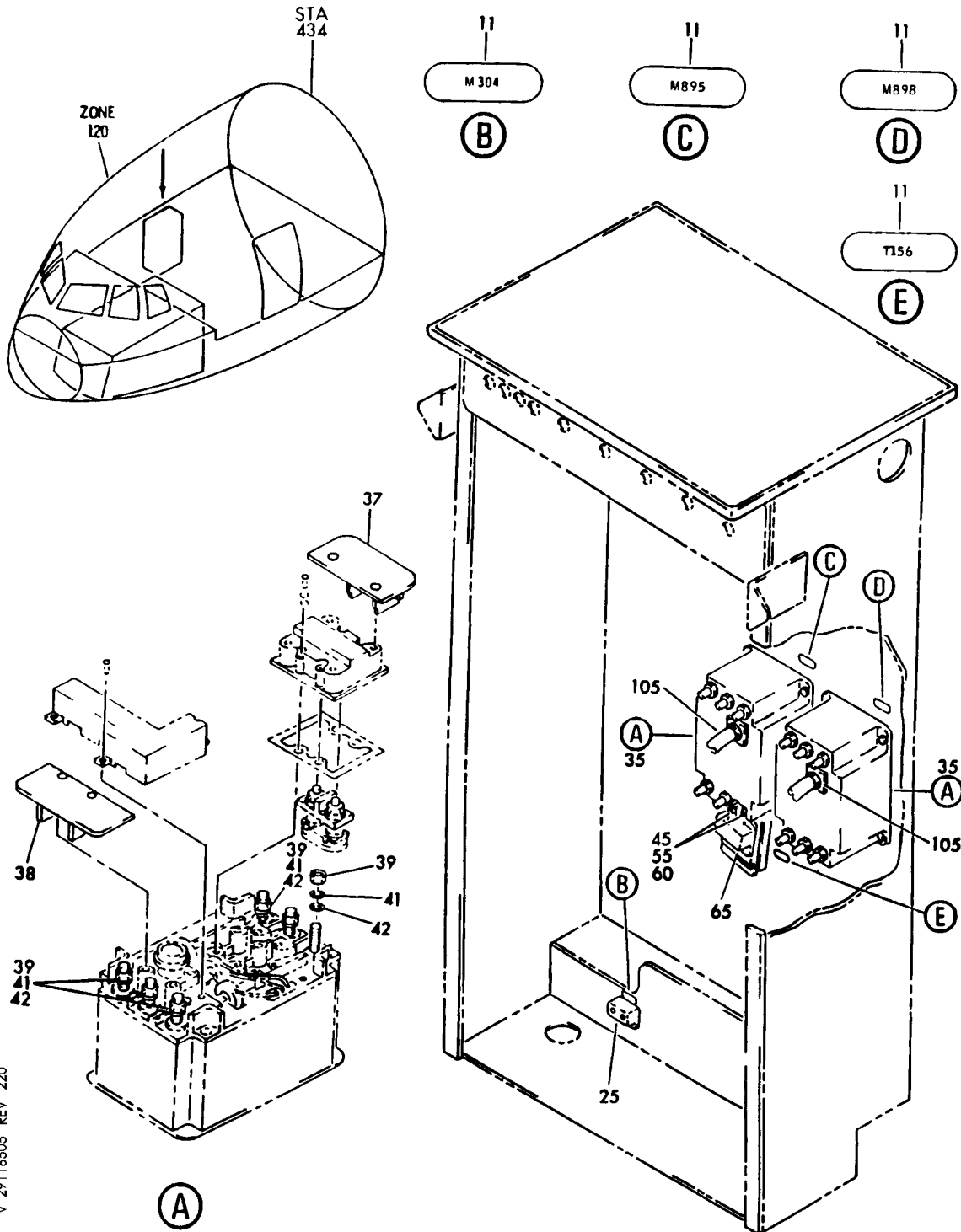
HXL

29-11-65-01

BOEING PROPRIETARY - Copyright © - Unpublished Work - See title page for details.

29-11-65
FIG. 01
PAGE 4
DEC 22/07

BOEING
767
PARTS CATALOG (MAINTENANCE)



V 29116505 REV 220

EQUIPMENT ASSY-P32 MISC ELEC PNL R (HYDRAULIC POWER ONLY)
FIGURE 5

29-11-65-05

HXL
DEC 22/06

29-11-65-05
PAGE 0



767

PARTS CATALOG (MAINTENANCE)

FIG ITEM	PART NUMBER	1 2 3 4 5 6 7	NOMENCLATURE	EFFECT FROM TO	UNITS PER ASSY
5			EQUIPMENT ASSY-P32 MISC ELEC PNL R (HYDRAULIC POWER ONLY)		
- 3	284T0172-45		EQUIPMENT ASSY-P32 MISC ELEC PNL (HYDRAULIC POWER ONLY) POSITION DATA: R FOR NHA/OTHER SYS DET SEE: 53-11-70-02		RF
11	BAC27TEX3755		.DECALSET-INCLUDES DECALS IDENTIFIED ON THE ILLUSTRATION		RF
25	EP449-4001		.MODULE-TIME DELAY SUPPLIER CODE: V58657 ELECTRICAL EQUIP NUMBER: M00304		1
- 30	NAS601-14P		ATTACHING PARTS .SCREW		2
35	3B41-1A		-----*----- .CONTROL UNIT ASSY-ELEC PWR GEN SYS 75/90 KVA ELECTRICAL LOAD SUPPLIER CODE: V83298 SPECIFICATION NUMBER: S281T003-2 ELECTRICAL EQUIP NUMBER: M00895 M00898 COMPONENT MAINT MANUAL REF: 24-21-18 OPTIONAL PART: 3B41-3A V83298		2

ILLUSTRATION ITEMS NOT ON PARTS LIST ARE NOT APPLICABLE

- ITEM NOT ILLUSTRATED

HXL

29-11-65-05

BOEING PROPRIETARY - Copyright © - Unpublished Work - See title page for details.

29-11-65
FIG. 05
PAGE 1
DEC 22/07

BOEING
767
PARTS CATALOG (MAINTENANCE)

FIG ITEM	PART NUMBER	1 2 3 4 5 6 7	NOMENCLATURE	EFFECT FROM TO	UNITS PER ASSY
5					
35	3B41-3A		.CONTROL UNIT ASSY-ELEC PWR GEN SYS 75/90 KVA ELECTRICAL LOAD SUPPLIER CODE: V83298 SPECIFICATION NUMBER: S281T003-3 ELECTRICAL EQUIP NUMBER: M00895 M00898 COMPONENT MAINT MANUAL REF: 24-21-18 OPTIONAL PART: 3B41-3B V83298 OPTIONAL PART: 3B41-1A V83298		2
35	3B41-3B		.CONTROL UNIT ASSY-ELEC PWR GEN SYS 75/90 KVA ELECTRICAL LOAD SUPPLIER CODE: V83298 SPECIFICATION NUMBER: S281T003-3 ELECTRICAL EQUIP NUMBER: M00895 M00898 COMPONENT MAINT MANUAL REF: 24-21-18 OPTIONAL PART: 3B41-3A V83298 OPTIONAL PART: 3B41-1A V83298		2
- 36	NAS1801-3-8		ATTACHING PARTS .SCREW -----*-----		8
37	1593874-1		..COVER ASSY-TERM. SUPPLIER CODE: V83298		1
38	1593875-1		..COVER ASSY-TERM. SUPPLIER CODE: V83298		1
39	MS51972-3		..NUT		6
41	MS35338-141		..WASHER		6
42	AN960C616L		..WASHER		6
45	NAS1801-08-8		.SCREW		2
ILLUSTRATION ITEMS NOT ON PARTS LIST ARE NOT APPLICABLE					

- ITEM NOT ILLUSTRATED

HXL

29-11-65-05

BOEING PROPRIETARY - Copyright © - Unpublished Work - See title page for details.

29-11-65
FIG. 05
PAGE 2
DEC 22/06



767

PARTS CATALOG (MAINTENANCE)

FIG ITEM	PART NUMBER	1 2 3 4 5 6 7	NOMENCLATURE	EFFECT FROM TO	UNITS PER ASSY
5					
55	AN960D8L		.WASHER		4
60	BRH10A08		.NUT		2
			SUPPLIER CODE: V52828		
			SPECIFICATION NUMBER: BACN10JCO8		
			OPTIONAL PART: H10-08BAC		
			V15653		
			NS202101-82		
			V80539		
			RMLH9075-82W		
			V72962		
			VN303A82		
			V92215		
			96-82		
			V80539		
			T6S832J		
			V11815		
			ATTACHING PARTS		
- 70	NAS1801-3-8		.SCREW		4
			-----*-----		
- 100	286T0024-101		.WIRE BUNDLE ASSY		RF
105	BACC45FT16B24S6		..CONNECTOR-		2
			ELECTRICAL EQUIP NUMBER: D03452		
			D03454		
			WIRING DIAGRAM REF: 291112		
			291131		

ILLUSTRATION ITEMS NOT ON PARTS LIST ARE NOT APPLICABLE

- ITEM NOT ILLUSTRATED

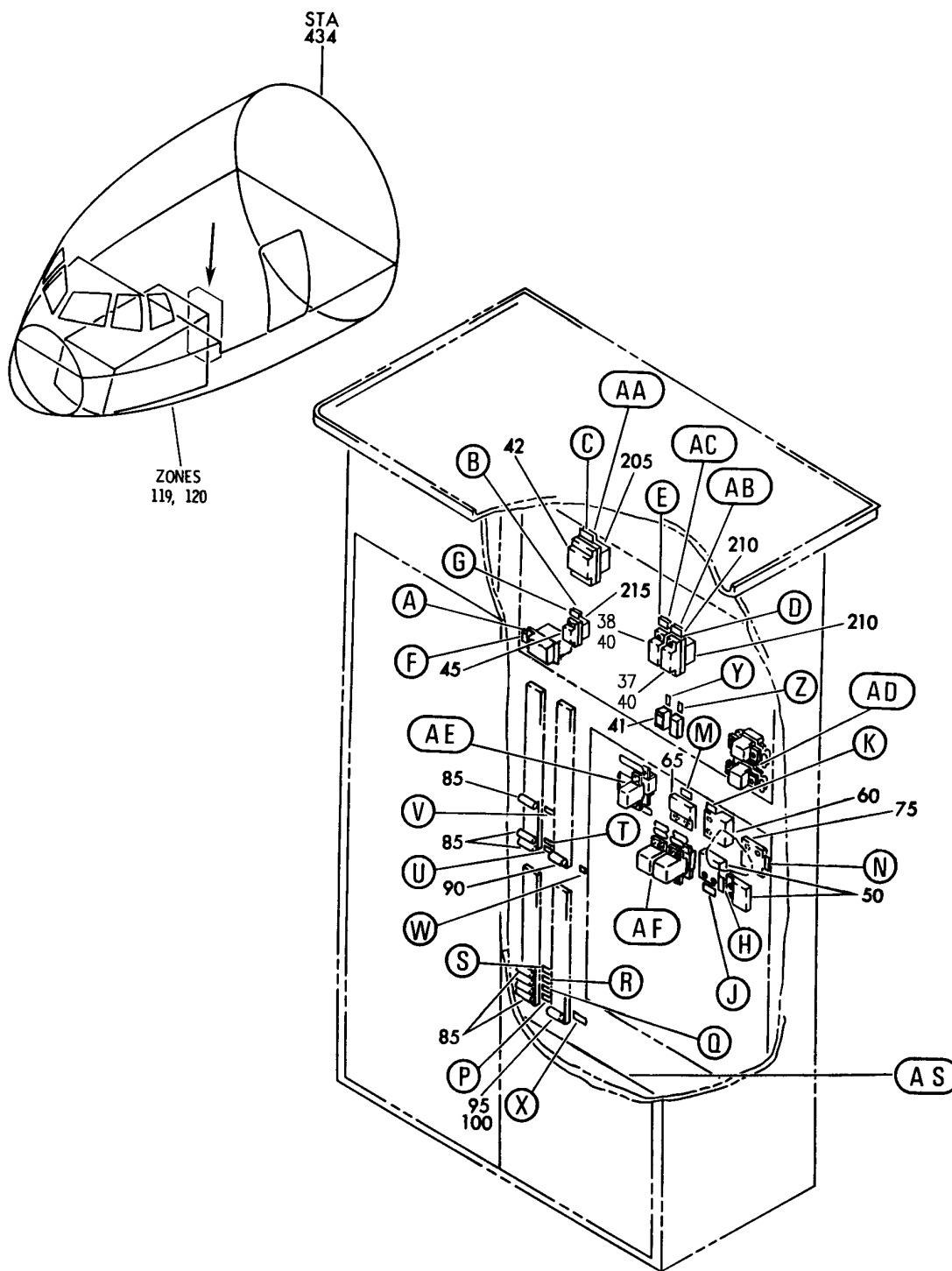
HXL

29-11-65-05

BOEING PROPRIETARY - Copyright © - Unpublished Work - See title page for details.

29-11-65
FIG. 05
PAGE 3
DEC 22/06

BOEING
767
PARTS CATALOG (MAINTENANCE)



V 29116601 SHT 1 REV 330

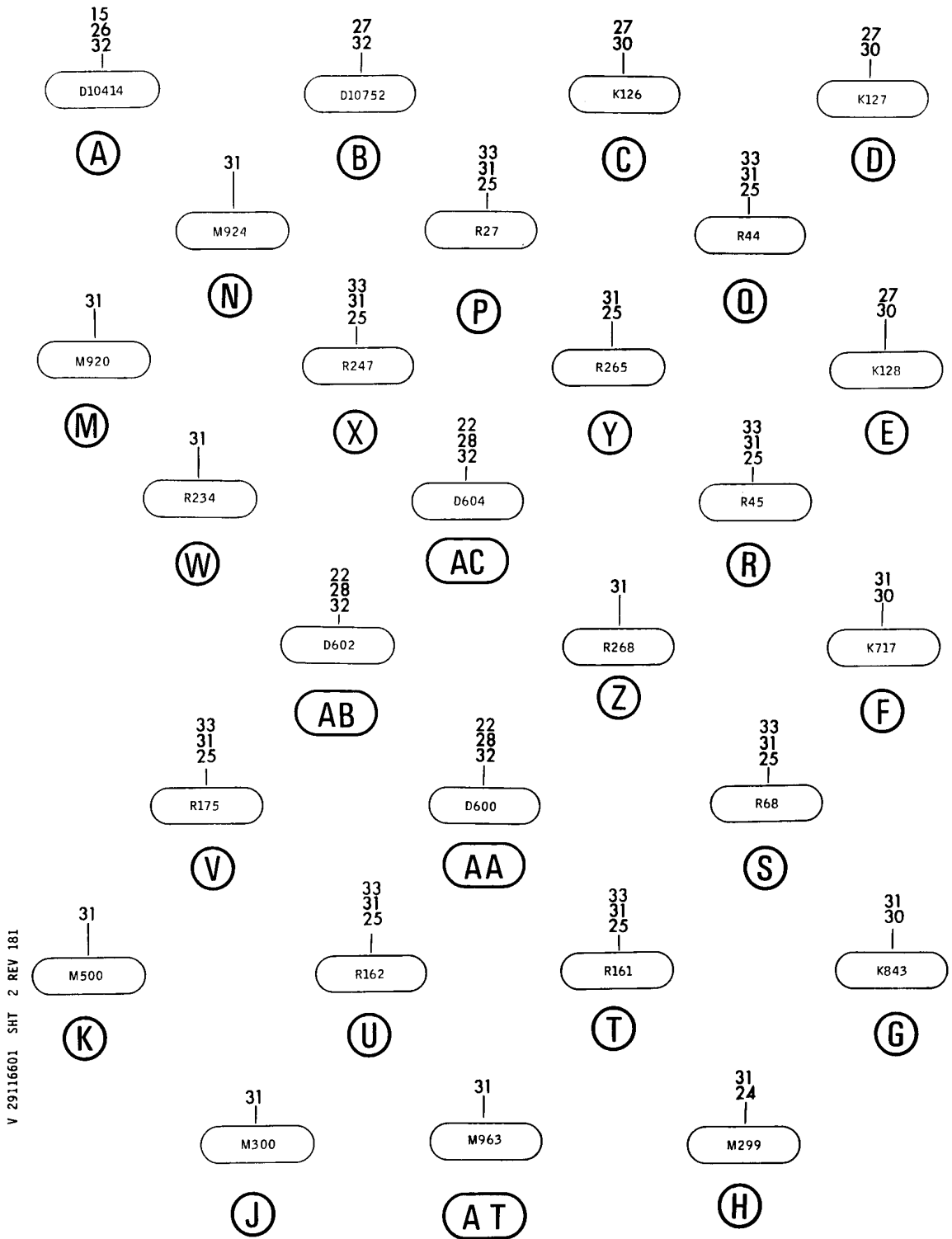
EQUIPMENT ASSY-P33 MISC ELEC PNL FWD (HYDRAULIC POWER ONLY)
FIGURE 1 (SHEET 1)

29-11-66-01

HXL
AUG 22/08

29-11-66-01
PAGE 0

BOEING
767
PARTS CATALOG (MAINTENANCE)



V 29116601 SHT 2 REV 181

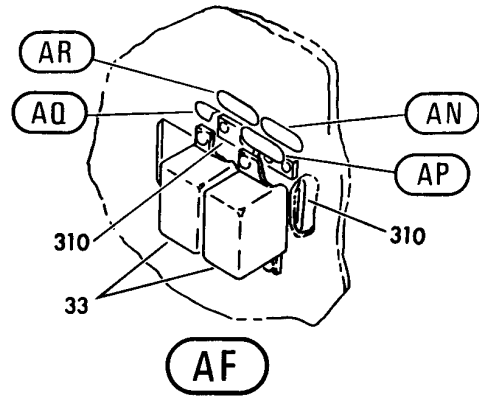
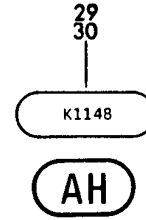
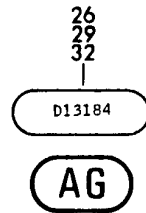
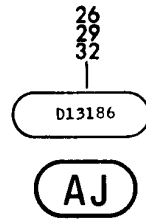
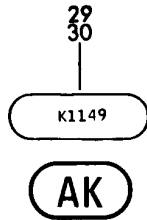
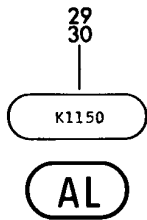
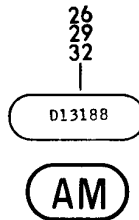
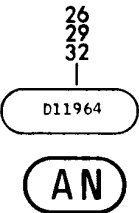
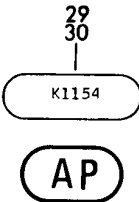
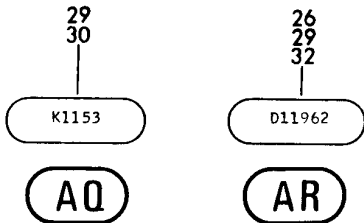
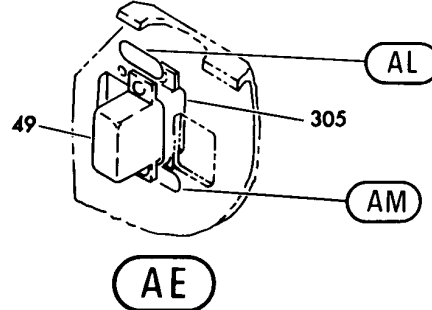
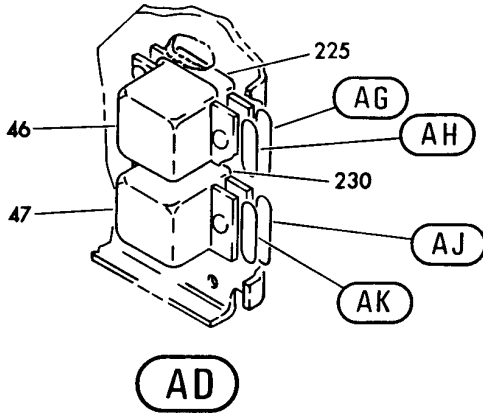
EQUIPMENT ASSY-P33 MISC ELEC PNL FWD (HYDRAULIC POWER ONLY)
FIGURE 1 (SHEET 2)

29-11-66-01

HXL
DEC 22/06

29-11-66-01
PAGE 0A

BOEING
767
PARTS CATALOG (MAINTENANCE)

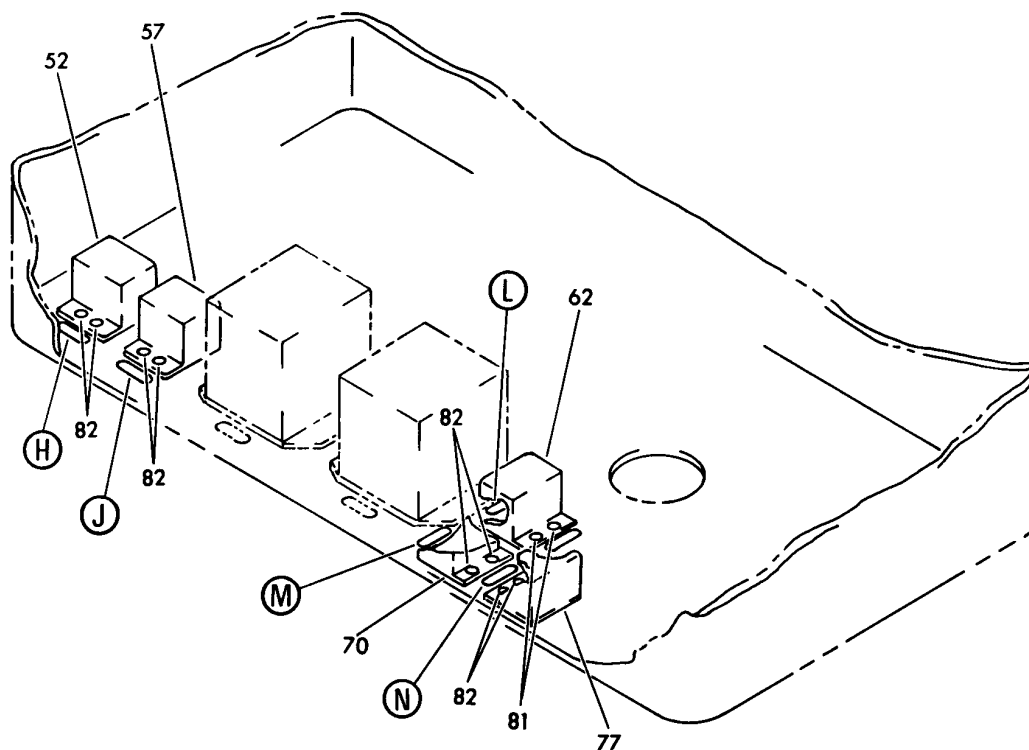


V 29116601 SHT 3 REV 187

EQUIPMENT ASSY-P33 MISC ELEC PNL FWD (HYDRAULIC POWER ONLY)
FIGURE 1 (SHEET 3)

29-11-66-01

BOEING
767
PARTS CATALOG (MAINTENANCE)



V 29116601 SHT 4 REV 187

AS

EQUIPMENT ASSY-P33 MISC ELEC PNL FWD (HYDRAULIC POWER ONLY)
FIGURE 1 (SHEET 4)

29-11-66-01

HXL
DEC 22/06

29-11-66-01
PAGE 0C



767

PARTS CATALOG (MAINTENANCE)

FIG ITEM	PART NUMBER	1 2 3 4 5 6 7	NOMENCLATURE	EFFECT FROM TO	UNITS PER ASSY
1			EQUIPMENT ASSY-P33 MISC ELEC PNL FWD (HYDRAULIC POWER ONLY)		
- 9	284T0189-155		EQUIPMENT ASSY-P33 MISC ELEC PNL (HYDRAULIC POWER ONLY) POSITION DATA: FWD FOR NHA/OTHER SYS DET SEE: 25-50-51-01	163999	RF
- 11	284T0189-183		EQUIPMENT ASSY-P33 MISC ELEC PNL (HYDRAULIC POWER ONLY) POSITION DATA: FWD FOR NHA/OTHER SYS DET SEE: 25-50-51-01	155162	RF
23	BAC27TEX4199		.DECALSET-INCLUDES DECALS IDENTIFIED ON THE ILLUSTRATION		1
25	BAC27TEX4201		.DECALSET-INCLUDES DECALS IDENTIFIED ON THE ILLUSTRATION		RF
26	BAC27TEX4206		.DECALSET-INCLUDES DECALS IDENTIFIED ON THE ILLUSTRATION		RF
31	BAC27TEX3736		.DECALSET-INCLUDES DECALS IDENTIFIED ON THE ILLUSTRATION		RF

ILLUSTRATION ITEMS NOT ON PARTS LIST ARE NOT APPLICABLE

- ITEM NOT ILLUSTRATED

HXL

29-11-66-01

BOEING PROPRIETARY - Copyright © - Unpublished Work - See title page for details.

29-11-66
FIG. 01
PAGE 1
DEC 22/07



**767
PARTS CATALOG (MAINTENANCE)**

FIG ITEM	PART NUMBER	1 2 3 4 5 6 7	NOMENCLATURE	EFFECT FROM TO	UNITS PER ASSY
1 40	E210-1631		.RELAY- SUPPLIER CODE: V99699 SPECIFICATION NUMBER: BACR13CF2A OPTIONAL PART: BR246S0112 V56623 FCA210-70 V78290 E215-1050 V99699 JD4A017 V35344 BR64S104 V56623 61GB19-1A320 V98927 ELECTRICAL EQUIP NUMBER: K00127 K00128		2
41	W460F1A		.RELAY- SUPPLIER CODE: VF0219 SPECIFICATION NUMBER: BACR13CE2 OPTIONAL PART: 3SAH5-13-4K1 V01526 3SAH1326A2 V01526 ELECTRICAL EQUIP NUMBER: K01153 K01154		2

ILLUSTRATION ITEMS NOT ON PARTS LIST ARE NOT APPLICABLE

— ITEM NOT ILLUSTRATED

HXL

29-11-66-01

BOEING PROPRIETARY - Copyright © - Unpublished Work - See title page for details.

29-11-66
FIG. 01
PAGE 2
DEC 22/06



767

PARTS CATALOG (MAINTENANCE)

FIG ITEM	PART NUMBER	1 2 3 4 5 6 7	NOMENCLATURE	EFFECT FROM TO	UNITS PER ASSY
1 42	E410-1537		.RELAY- SUPPLIER CODE: V99699 SPECIFICATION NUMBER: BACR13CG2A OPTIONAL PART: E415-1078 V99699 BR230S0116 V56623 KD4A017 V58687 FCA410-62 V78290 ELECTRICAL EQUIP NUMBER: K00126		1
45	W260F4AM11		.RELAY- SUPPLIER CODE: VF0219 SPECIFICATION NUMBER: BACR13CD2 OPTIONAL PART: BR16S233 V09026 EE4AA005 V35344 3SAV1338A2 V01526 HFW1206K03 V58614 HFW1204K01 V71482 ELECTRICAL EQUIP NUMBER: K00717		1

ILLUSTRATION ITEMS NOT ON PARTS LIST ARE NOT APPLICABLE

- ITEM NOT ILLUSTRATED

HXL

29-11-66-01

BOEING PROPRIETARY - Copyright © - Unpublished Work - See title page for details.

29-11-66
FIG. 01
PAGE 3
DEC 22/06



767

PARTS CATALOG (MAINTENANCE)

FIG ITEM	PART NUMBER	1 2 3 4 5 6 7	NOMENCLATURE	EFFECT FROM TO	UNITS PER ASSY
1					
46	E410-1537		.RELAY- SUPPLIER CODE: V99699 SPECIFICATION NUMBER: BACR13CG2A OPTIONAL PART: E415-1078 V99699 BR230S0116 V56623 KD4A017 V58687 FCA410-62 V78290 ELECTRICAL EQUIP NUMBER: K01148		1
47	TDH8127-2002		.RELAY- SUPPLIER CODE: V58657 ELECTRICAL EQUIP NUMBER: K01149		1
49	600-154-4000		.RELAY- SUPPLIER CODE: V15420 ELECTRICAL EQUIP NUMBER: K01150		1
52	10167-3000BT		.MODULE-TIME DELAY SUPPLIER CODE: V08719 ELECTRICAL EQUIP NUMBER: M00299 OPTIONAL PART: 10167-0-3BT V08719 TD1767-3000 V58657 TD1982-3000 V58657		1

ILLUSTRATION ITEMS NOT ON PARTS LIST ARE NOT APPLICABLE

- ITEM NOT ILLUSTRATED

HXL

29-11-66-01

BOEING PROPRIETARY - Copyright © - Unpublished Work - See title page for details.

29-11-66
FIG. 01
PAGE 4
DEC 22/06



767

PARTS CATALOG (MAINTENANCE)

FIG ITEM	PART NUMBER	1 2 3 4 5 6 7	NOMENCLATURE	EFFECT FROM TO	UNITS PER ASSY
1					
52	TD1767-3000		.MODULE-TIME DELAY SUPPLIER CODE: V58657 ELECTRICAL EQUIP NUMBER: M00299 OPTIONAL PART: 10167-3000BT V08719 10167-0-3BT V08719 TD1982-3000 V58657		1
52	10167-0-3BT		.MODULE-TIME DELAY SUPPLIER CODE: V08719 ELECTRICAL EQUIP NUMBER: M00299 OPTIONAL PART: 530750-0-3 V08719 TD1982-0-3 V58657 OPTIONAL PART: 10167-3000BT V08719 TD1767-3000 V58657 TD1982-3000 V58657		1
52	TD1982-3000		.MODULE-TIME DELAY SUPPLIER CODE: V58657 ELECTRICAL EQUIP NUMBER: M00299 OPTIONAL PART: 10167-3000BT V08719 10167-0-3BT V08719 TD1767-3000 V58657		1

ILLUSTRATION ITEMS NOT ON PARTS LIST ARE NOT APPLICABLE

- ITEM NOT ILLUSTRATED

HXL

29-11-66-01

BOEING PROPRIETARY - Copyright © - Unpublished Work - See title page for details.

29-11-66
FIG. 01
PAGE 5
DEC 22/06



767

PARTS CATALOG (MAINTENANCE)

FIG ITEM	PART NUMBER	1 2 3 4 5 6 7	NOMENCLATURE	EFFECT FROM TO	UNITS PER ASSY
1					
57	10167-1502BT		.MODULE-TIME DELAY SUPPLIER CODE: V08719 ELECTRICAL EQUIP NUMBER: M00300 OPTIONAL PART: 10167-15BT V08719 TD1767-1502 V00614		1
57	10167-15BT		.MODULE-TIME DELAY SUPPLIER CODE: V08719 ELECTRICAL EQUIP NUMBER: M00300 OPTIONAL PART: 10167-1502BT V08719 TD1767-1502 V00614		1
57	TD1767-1502		.MODULE-TIME DELAY SUPPLIER CODE: V58657 ELECTRICAL EQUIP NUMBER: M00300 OPTIONAL PART: 10167-1502BT V08719 10167-15BT V08719		1
57	TD1982-1502		.MODULE- SUPPLIER CODE: V58657 ELECTRICAL EQUIP NUMBER: M00300		1
62	EP449-1501		.MODULE- SUPPLIER CODE: V58657 ELECTRICAL EQUIP NUMBER: M00500A		1
70	10167-3001BT		.MODULE-TIME DELAY SUPPLIER CODE: V08719 ELECTRICAL EQUIP NUMBER: M00920 OPTIONAL PART: 10167-3BT V08719		1
ILLUSTRATION ITEMS NOT ON PARTS LIST ARE NOT APPLICABLE					

- ITEM NOT ILLUSTRATED

29-11-66-01

29-11-66
FIG. 01
PAGE 6
APR 22/09

HXL



767

PARTS CATALOG (MAINTENANCE)

FIG ITEM	PART NUMBER	1 2 3 4 5 6 7	NOMENCLATURE	EFFECT FROM TO	UNITS PER ASSY
1	70 TD1767-3001		.MODULE-TIME DELAY SUPPLIER CODE: V08719 ELECTRICAL EQUIP NUMBER: M00920 OPTIONAL PART: 10167-3BT V08719		1
	70 530740-3001		.MODULE-TIME DELAY SUPPLIER CODE: V08719 ELECTRICAL EQUIP NUMBER: M00920		1
	70 10167-3BT		.MODULE-TIME DELAY SUPPLIER CODE: V08719 ELECTRICAL EQUIP NUMBER: M00920 OPTIONAL PART: 10167-3001BT V08719 TD1767-3001 V08719		1
	77 10167-4001BT		.RELAY-TIME SUPPLIER CODE: V08719 ELECTRICAL EQUIP NUMBER: M00924 OPTIONAL PART: 10167-4BT V08719 TD1767-4001 V58657		1
	77 10167-4BT		.RELAY-TIME SUPPLIER CODE: V08719 ELECTRICAL EQUIP NUMBER: M00924 OPTIONAL PART: 10167-4001BT V08719 TD1767-4001 V58657		1

ILLUSTRATION ITEMS NOT ON PARTS LIST ARE NOT APPLICABLE

- ITEM NOT ILLUSTRATED

HXL

29-11-66-01

BOEING PROPRIETARY - Copyright © - Unpublished Work - See title page for details.

29-11-66
FIG. 01
PAGE 7
AUG 22/08



767

PARTS CATALOG (MAINTENANCE)

FIG ITEM	PART NUMBER	1 2 3 4 5 6 7	NOMENCLATURE	EFFECT FROM TO	UNITS PER ASSY
1 77	TD1767-4001		.RELAY-TIME SUPPLIER CODE: V08719 ELECTRICAL EQUIP NUMBER: M00924 OPTIONAL PART: 10167-4001BT V08719 10167-4BT V08719		1
- 80	NAS1801-06-13		.SCREW -----*-----		10
85	YHLZD9		.DIODE- SUPPLIER CODE: V09922 ELECTRICAL EQUIP NUMBER: R00027 R00044 R00045 R00068 R00161 R00162 R00175 OPTIONAL PART: YHLZD30 V09922		7
85	YHLZD30		.DIODE- SUPPLIER CODE: V09922 ELECTRICAL EQUIP NUMBER: R00027 R00044 R00045 R00068 R00161 R00162 R00175 OPTIONAL PART: YHLZD9 V09922		7
95	YHLZD30		.DIODE- SUPPLIER CODE: V09922 ELECTRICAL EQUIP NUMBER: R00247 OPTIONAL PART: YHLZD9 V09922		1

ILLUSTRATION ITEMS NOT ON PARTS LIST ARE NOT APPLICABLE

- ITEM NOT ILLUSTRATED

HXL

29-11-66-01

BOEING PROPRIETARY - Copyright © - Unpublished Work - See title page for details.

29-11-66
FIG. 01
PAGE 8
DEC 22/07



767

PARTS CATALOG (MAINTENANCE)

FIG ITEM	PART NUMBER	1 2 3 4 5 6 7	NOMENCLATURE	EFFECT FROM TO	UNITS PER ASSY
1			USED ON: 284T0189-20 284T0189-21 284T0189-22 284T0189-23 284T0189-24 284T0189-25 284T0189-26 284T0189-27 284T0189-28 284T0189-29 284T0189-30 284T0189-31 284T0189-32 284T0189-33 284T0189-38 284T0189-39 284T0189-40 284T0189-41 284T0189-42 284T0189-43 284T0189-44 284T0189-45 284T0189-46 284T0189-47 284T0189-48 284T0189-49 284T0189-50 284T0189-51 284T0189-52 284T0189-53 284T0189-54 284T0189-55 284T0189-56 284T0189-57 284T0189-58 284T0189-59 284T0189-60 284T0189-61 284T0189-62 284T0189-63 284T0189-64 284T0189-65 284T0189-66 284T0189-67 284T0189-68 284T0189-69 284T0189-70 284T0189-71		
ILLUSTRATION ITEMS NOT ON PARTS LIST ARE NOT APPLICABLE					

- ITEM NOT ILLUSTRATED

HXL

29-11-66-01

BOEING PROPRIETARY - Copyright © - Unpublished Work - See title page for details.

29-11-66
FIG. 01
PAGE 9
DEC 22/07



767

PARTS CATALOG (MAINTENANCE)

FIG ITEM	PART NUMBER	1 2 3 4 5 6 7	NOMENCLATURE	EFFECT FROM TO	UNITS PER ASSY
1 95			284T0189-72 284T0189-73 284T0189-74 284T0189-75 284T0189-76 284T0189-77 284T0189-78 284T0189-79 284T0189-80 284T0189-81 284T0189-82 284T0189-83 284T0189-84 284T0189-85 284T0189-86 284T0189-87 284T0189-88 284T0189-89 284T0189-90 284T0189-91 284T0189-92 284T0189-93 284T0189-94 284T0189-95 284T0189-96 284T0189-97 284T0189-98 284T0189-99 284T0189-100 284T0189-101 284T0189-102 284T0189-104 284T0189-106 284T0189-107 284T0189-108 284T0189-109 284T0189-110 284T0189-111 284T0189-112 284T0189-113 284T0189-114 284T0189-115 284T0189-116 284T0189-117 284T0189-118 284T0189-119 284T0189-120 284T0189-121 284T0189-122		

ILLUSTRATION ITEMS NOT ON PARTS LIST ARE NOT APPLICABLE

- ITEM NOT ILLUSTRATED

HXL

29-11-66-01

BOEING PROPRIETARY - Copyright © - Unpublished Work - See title page for details.

29-11-66
FIG. 01
PAGE 10
DEC 22/07



767

PARTS CATALOG (MAINTENANCE)

FIG ITEM	PART NUMBER	1 2 3 4 5 6 7 NOMENCLATURE	EFFECT FROM TO	UNITS PER ASSY
1 95		284T0189-123 284T0189-124 284T0189-126 284T0189-127 284T0189-128 284T0189-129 284T0189-131 284T0189-132 284T0189-133 284T0189-134 284T0189-135 284T0189-136 284T0189-137 284T0189-138 284T0189-139 284T0189-140 284T0189-141 284T0189-142 284T0189-143 284T0189-144 284T0189-145 284T0189-146 284T0189-147 284T0189-148 284T0189-149 284T0189-150 284T0189-151 284T0189-152 284T0189-153 284T0189-154 284T0189-155 284T0189-156 284T0189-157 284T0189-158 284T0189-159 284T0189-160 284T0189-161 284T0189-355 284T0189-163 284T0189-164 284T0189-165 284T0189-166 284T0189-167 284T0189-173 284T0189-174 284T0189-347		
95	YHLZD9	.DIODE- SUPPLIER CODE: V09922 ILLUSTRATION ITEMS NOT ON PARTS LIST ARE NOT APPLICABLE		1

- ITEM NOT ILLUSTRATED

HXL

29-11-66-01

BOEING PROPRIETARY - Copyright © - Unpublished Work - See title page for details.

29-11-66
 FIG. 01
 PAGE 11
 DEC 22/07



767

PARTS CATALOG (MAINTENANCE)

FIG ITEM	PART NUMBER	1 2 3 4 5 6 7	NOMENCLATURE	EFFECT FROM TO	UNITS PER ASSY
1			ELECTRICAL EQUIP NUMBER: R00247 OPTIONAL PART: YHLZD30 V09922 USED ON: 284T0189-20 284T0189-21 284T0189-22 284T0189-23 284T0189-24 284T0189-25 284T0189-26 284T0189-27 284T0189-28 284T0189-29 284T0189-30 284T0189-31 284T0189-32 284T0189-33 284T0189-38 284T0189-39 284T0189-40 284T0189-41 284T0189-42 284T0189-43 284T0189-44 284T0189-45 284T0189-46 284T0189-47 284T0189-48 284T0189-49 284T0189-50 284T0189-51 284T0189-52 284T0189-53 284T0189-54 284T0189-55 284T0189-56 284T0189-57 284T0189-58 284T0189-59 284T0189-60 284T0189-61 284T0189-62 284T0189-63 284T0189-64 284T0189-65 284T0189-66		
ILLUSTRATION ITEMS NOT ON PARTS LIST ARE NOT APPLICABLE					

- ITEM NOT ILLUSTRATED

HXL

29-11-66-01

BOEING PROPRIETARY - Copyright © - Unpublished Work - See title page for details.

29-11-66
FIG. 01
PAGE 12
DEC 22/07



767

PARTS CATALOG (MAINTENANCE)

FIG ITEM	PART NUMBER	1 2 3 4 5 6 7	NOMENCLATURE	EFFECT FROM TO	UNITS PER ASSY
1 95			284T0189-67 284T0189-68 284T0189-69 284T0189-70 284T0189-71 284T0189-72 284T0189-73 284T0189-74 284T0189-75 284T0189-76 284T0189-77 284T0189-78 284T0189-79 284T0189-80 284T0189-81 284T0189-82 284T0189-83 284T0189-84 284T0189-85 284T0189-86 284T0189-87 284T0189-88 284T0189-89 284T0189-90 284T0189-91 284T0189-92 284T0189-93 284T0189-94 284T0189-95 284T0189-96 284T0189-97 284T0189-98 284T0189-99 284T0189-100 284T0189-101 284T0189-102 284T0189-104 284T0189-106 284T0189-107 284T0189-108 284T0189-109 284T0189-110 284T0189-111 284T0189-112 284T0189-113 284T0189-114 284T0189-115 284T0189-116 284T0189-117		
ILLUSTRATION ITEMS NOT ON PARTS LIST ARE NOT APPLICABLE					

- ITEM NOT ILLUSTRATED

HXL

29-11-66-01

BOEING PROPRIETARY - Copyright © - Unpublished Work - See title page for details.

29-11-66
FIG. 01
PAGE 13
DEC 22/07



767

PARTS CATALOG (MAINTENANCE)

FIG ITEM	PART NUMBER	1 2 3 4 5 6 7	NOMENCLATURE	EFFECT FROM TO	UNITS PER ASSY
1 95			284T0189-118 284T0189-119 284T0189-120 284T0189-121 284T0189-122 284T0189-123 284T0189-124 284T0189-126 284T0189-127 284T0189-128 284T0189-129 284T0189-131 284T0189-132 284T0189-133 284T0189-134 284T0189-135 284T0189-136 284T0189-137 284T0189-138 284T0189-139 284T0189-140 284T0189-141 284T0189-142 284T0189-143 284T0189-144 284T0189-145 284T0189-146 284T0189-147 284T0189-148 284T0189-149 284T0189-150 284T0189-151 284T0189-152 284T0189-153 284T0189-154 284T0189-155 284T0189-156 284T0189-157 284T0189-158 284T0189-159 284T0189-160 284T0189-161 284T0189-355 284T0189-163 284T0189-164 284T0189-165 284T0189-166 284T0189-167 284T0189-173		
ILLUSTRATION ITEMS NOT ON PARTS LIST ARE NOT APPLICABLE					

- ITEM NOT ILLUSTRATED

HXL

29-11-66-01

BOEING PROPRIETARY - Copyright © - Unpublished Work - See title page for details.

29-11-66
FIG. 01
PAGE 14
DEC 22/07



767

PARTS CATALOG (MAINTENANCE)

FIG ITEM	PART NUMBER	1 2 3 4 5 6 7	NOMENCLATURE	EFFECT FROM TO	UNITS PER ASSY
1					
95			284T0189-174		
			284T0189-347		
- 200	286T0144-300		.WIRE BUNDLE ASSY		RF
205	BACS16W1		..SOCKET-		1
			ELECTRICAL EQUIP NUMBER: D00600		
			WIRING DIAGRAM REF: 291122		
210	RSF116200		..SOCKET-		2
			SUPPLIER CODE: V58982		
			SPECIFICATION NUMBER: BACS16X1A		
			OPTIONAL PART: 102-006-1		
			V09922		
			000300-1538		
			V05574		
			ELECTRICAL EQUIP NUMBER: D00602		
			D00604		
			WIRING DIAGRAM REF: 291122		
215	RSE120026		..SOCKET-		1
			SUPPLIER CODE: V58982		
			SPECIFICATION NUMBER: BACS16AG1		
			OPTIONAL PART: 451120-026		
			V58982		
			ELECTRICAL EQUIP NUMBER: D10414		
			WIRING DIAGRAM REF: 291122		
225	BACS16W1		..SOCKET-		1
			ELECTRICAL EQUIP NUMBER: D13184		
			WIRING DIAGRAM REF: 291114		
230	BACS16W5		..SOCKET-		1
			ELECTRICAL EQUIP NUMBER: D13186		
			WIRING DIAGRAM REF: 291114		
- 300	286T0142-300		.WIRE BUNDLE ASSY		RF

ILLUSTRATION ITEMS NOT ON PARTS LIST ARE NOT APPLICABLE

- ITEM NOT ILLUSTRATED

HXL

29-11-66-01

BOEING PROPRIETARY - Copyright © - Unpublished Work - See title page for details.

29-11-66
FIG. 01
PAGE 15
DEC 22/07



767

PARTS CATALOG (MAINTENANCE)

FIG ITEM	PART NUMBER	1 2 3 4 5 6 7	NOMENCLATURE	EFFECT FROM TO	UNITS PER ASSY
1 305	RSE120028		.. SOCKET- SUPPLIER CODE: V58982 SPECIFICATION NUMBER: BACS16AH1 OPTIONAL PART: 451120-028 V58982 ELECTRICAL EQUIP NUMBER: D13188 WIRING DIAGRAM REF: 291114		1
310	RSE120027		.. SOCKET- SUPPLIER CODE: V58982 SPECIFICATION NUMBER: BACS16AF1 OPTIONAL PART: 451120-027 V58982 ELECTRICAL EQUIP NUMBER: D11962 D11964 WIRING DIAGRAM REF: 291114		2

ILLUSTRATION ITEMS NOT ON PARTS LIST ARE NOT APPLICABLE

- ITEM NOT ILLUSTRATED

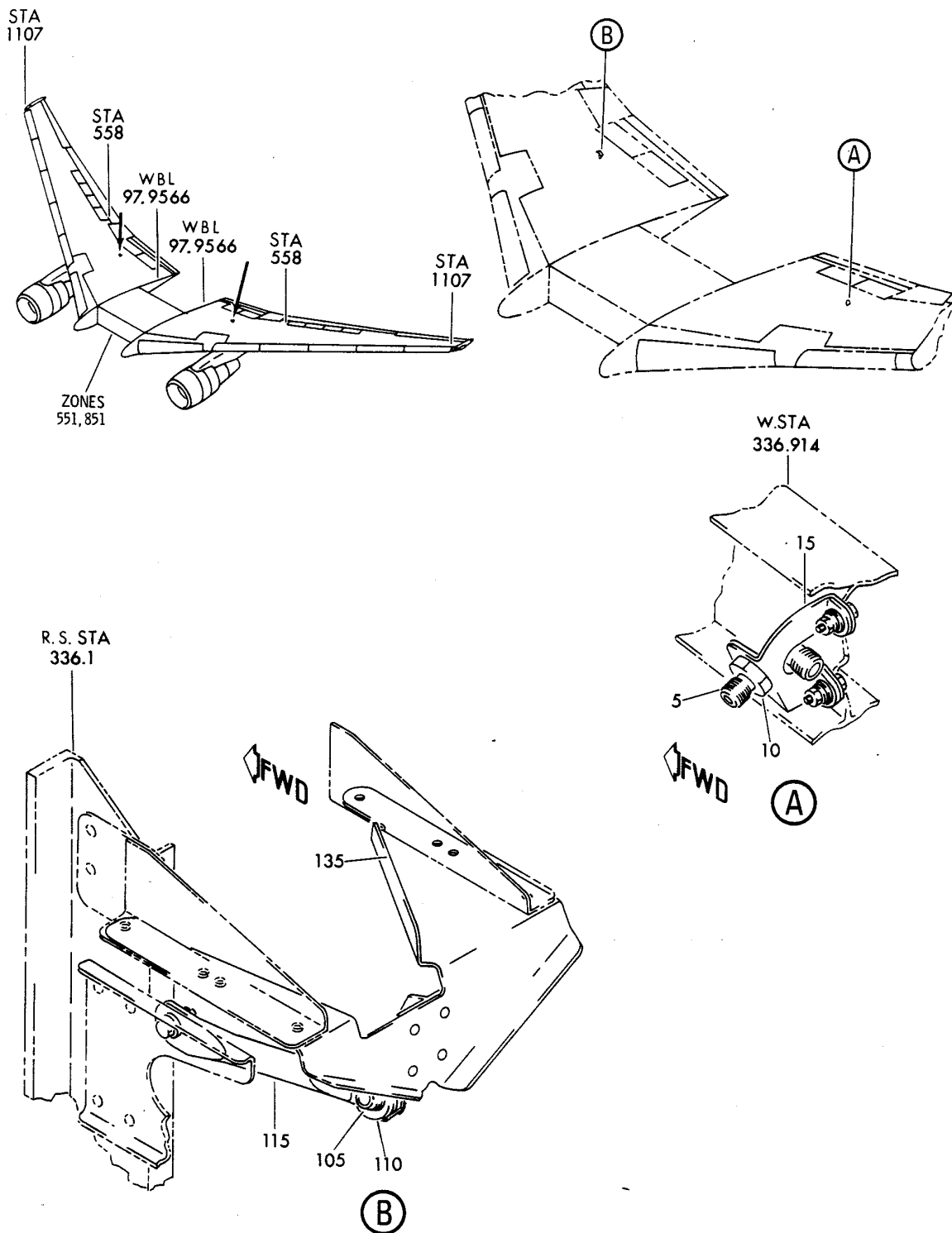
HXL

29-11-66-01

BOEING PROPRIETARY - Copyright © - Unpublished Work - See title page for details.

29-11-66
 FIG. 01
 PAGE 16
 APR 22/09

BOEING
767
PARTS CATALOG (MAINTENANCE)



V 29116801 SHT 1 REV 008

BRACKET INSTL-SECT. 12 HOSE SPRT
FIGURE 1

29-11-68-01

HXL
DEC 22/06

29-11-68-01
PAGE 0

 **BOEING**
767
PARTS CATALOG (MAINTENANCE)

FIG ITEM	PART NUMBER	1 2 3 4 5 6 7	NOMENCLATURE	EFFECT FROM TO	UNITS PER ASSY
1			BRACKET INSTL-SECT. 12 HOSE SPRT		
- 1	272T0128-1		BRACKET INSTL-HOSE SPRT POSITION DATA: SECT. 12 FOR NHA SEE: 32-32-56-01		RF
5	BACE21BN0606T		.ELBOW-		1
10	AN924-6D		.NUT		1
15	272T0127-4		.BRACKET ASSY ATTACHING PARTS		1
- 20	NAS6603-4		.BOLT		2
- 25	AN960PD10L		.WASHER		4
- 30	BRH10A3		.NUT		2
			SUPPLIER CODE: V52828 SPECIFICATION NUMBER: BACN10JC3 OPTIONAL PART: H10-3BAC V15653 NS202101-02 V80539 RMLH9075-3W V72962 VN303A02 V92215 96-02 V80539 T6S1032J V11815		
			-----*-----		
- 100	272T0128-2		BRACKET INSTL-HOSE SPRT POSITION DATA: SECT. 12 FOR NHA SEE: 32-32-56-01		RF
105	BACE21BN0606T		.ELBOW-		1
110	AN924-6D		.NUT		1
115	272T0127-8		.TUBE ATTACHING PARTS		1
- 120	NAS6603-3		.BOLT		1
- 125	AN960PD10L		.WASHER		2

ILLUSTRATION ITEMS NOT ON PARTS LIST ARE NOT APPLICABLE

- ITEM NOT ILLUSTRATED

HXL

29-11-68-01

BOEING PROPRIETARY - Copyright © - Unpublished Work - See title page for details.

29-11-68
FIG. 01
PAGE 1
DEC 22/06



767

PARTS CATALOG (MAINTENANCE)

FIG ITEM	PART NUMBER	1 2 3 4 5 6 7 NOMENCLATURE	EFFECT FROM TO	UNITS PER ASSY
1 - 130	BRH10A3	.NUT SUPPLIER CODE: V52828 SPECIFICATION NUMBER: BACN10JC3 OPTIONAL PART: H10-3BAC V15653 NS202101-02 V80539 RMLH9075-3W V72962 VN303A02 V92215 96-02 V80539 T6S1032J V11815 -----*-----		1
135	272T0127-1	.BRACKET ASSY		1

ILLUSTRATION ITEMS NOT ON PARTS LIST ARE NOT APPLICABLE

- ITEM NOT ILLUSTRATED

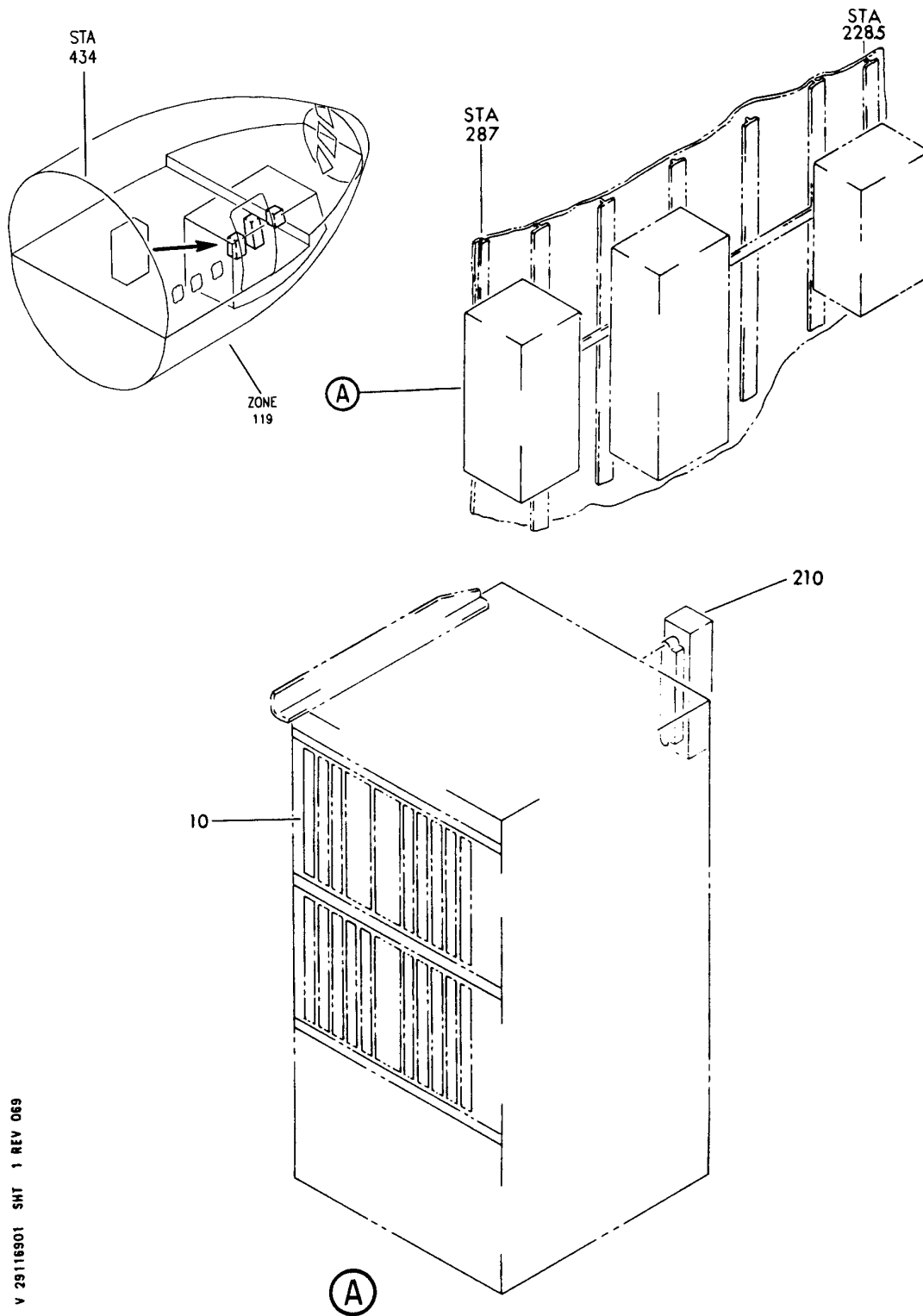
HXL

29-11-68-01

BOEING PROPRIETARY - Copyright © - Unpublished Work - See title page for details.

29-11-68
 FIG. 01
 PAGE 2
 DEC 22/06

BOEING
767
PARTS CATALOG (MAINTENANCE)



V 29116901 SMT 1 REV 069

CARD FILE AND BOX INSTL-R FWD EQPT CTR (P50) (HYDRAULIC POWER ONLY)

FIGURE 1

29-11-69-01

HXL
DEC 22/06

29-11-69-01
PAGE 0



767

PARTS CATALOG (MAINTENANCE)

FIG ITEM	PART NUMBER	1 2 3 4 5 6 7	NOMENCLATURE	EFFECT FROM TO	UNITS PER ASSY
1			CARD FILE AND BOX INSTL-R FWD EQPT CTR (P50) (HYDRAULIC POWER ONLY)		
- 1	284T0049-16		CARD FILE AND BOX INSTL- EQPT CTR P50 (HYDRAULIC POWER ONLY) POSITION DATA: R FWD VARIABLE DRAWING REF: 284T0049-5224 284T0049-5311 FOR NHA/OTHER SYS DET SEE: 24-00-58-01E		RF
10	2117844-3		.CARD ASSY-SPEED SENSING AIR DRIVEN HYDR PUMP CONT UNIT SUPPLIER CODE: V64547 SPECIFICATION NUMBER: S271T002-12 ELECTRICAL EQUIP NUMBER: M01057 COMPONENT MAINT MANUAL REF: 29-11-04 OPTIONAL PART: 2117844-4 V64547 2117844-5 V64547 2117844-5-1 V64547 2117844-5-2 V64547		1

ILLUSTRATION ITEMS NOT ON PARTS LIST ARE NOT APPLICABLE

- ITEM NOT ILLUSTRATED

HXL

29-11-69-01

BOEING PROPRIETARY - Copyright © - Unpublished Work - See title page for details.

29-11-69
FIG. 01
PAGE 1
DEC 22/07



767

PARTS CATALOG (MAINTENANCE)

FIG ITEM	PART NUMBER	1 2 3 4 5 6 7	NOMENCLATURE	EFFECT FROM TO	UNITS PER ASSY
1 10	2117844-4		.CARD ASSY-AIR HYDR PUMP OVERSPEED CONT CARD SUPPLIER CODE: V64547 SPECIFICATION NUMBER: S271T002-12 ELECTRICAL EQUIP NUMBER: M01057 COMPONENT MAINT MANUAL REF: 29-11-04 OPTIONAL PART: 2117844-3 V64547 2117844-5 V64547 2117844-5-1 V64547 2117844-5-2 V64547		1
10	2117844-5		.CARD ASSY-SPEED SENSING AIR DRIVEN HYDR PUMP CONT UNIT SUPPLIER CODE: V64547 SPECIFICATION NUMBER: S271T002-12 ELECTRICAL EQUIP NUMBER: M01057 COMPONENT MAINT MANUAL REF: 29-11-04 OPTIONAL PART: 2117844-3 V64547 2117844-4 V64547 2117844-5-1 V64547 2117844-5-2 V64547		1

ILLUSTRATION ITEMS NOT ON PARTS LIST ARE NOT APPLICABLE

- ITEM NOT ILLUSTRATED

HXL

29-11-69-01

BOEING PROPRIETARY - Copyright © - Unpublished Work - See title page for details.

29-11-69
FIG. 01
PAGE 2
DEC 22/06



767

PARTS CATALOG (MAINTENANCE)

FIG ITEM	PART NUMBER	1 2 3 4 5 6 7 NOMENCLATURE	EFFECT FROM TO	UNITS PER ASSY
1 10	2117844-5-1	.CARD ASSY-SPEED SENSING AIR DRIVEN HYDR PUMP CONT UNIT SUPPLIER CODE: V64547 SPECIFICATION NUMBER: S271T002-12 ELECTRICAL EQUIP NUMBER: M01057 COMPONENT MAINT MANUAL REF: 29-11-04 OPTIONAL PART: 2117844-3 V64547 2117844-4 V64547 2117844-5 V64547 2117844-5-2 V64547		1
10	2117844-5-4	.CARD ASSY-SPEED SENSING AIR DRIVEN HYDR PUMP CONT UNIT SUPPLIER CODE: V64547 SPECIFICATION NUMBER: S271T002-20 ELECTRICAL EQUIP NUMBER: M01057 COMPONENT MAINT MANUAL REF: 29-11-04 OPTIONAL PART: 2117844-5-3 V64547		1
10	2117844-5-3	.CARD ASSY-SPEED SENSING AIR DRIVEN HYDR PUMP CONT UNIT SUPPLIER CODE: V64547 SPECIFICATION NUMBER: S271T002-20 ELECTRICAL EQUIP NUMBER: M01057 COMPONENT MAINT MANUAL REF: 29-11-04		1

ILLUSTRATION ITEMS NOT ON PARTS LIST ARE NOT APPLICABLE

- ITEM NOT ILLUSTRATED

HXL

29-11-69-01

BOEING PROPRIETARY - Copyright © - Unpublished Work - See title page for details.

29-11-69
FIG. 01
PAGE 3
DEC 22/06



767

PARTS CATALOG (MAINTENANCE)

FIG ITEM	PART NUMBER	1 2 3 4 5 6 7	NOMENCLATURE	EFFECT FROM TO	UNITS PER ASSY
1 10	2117844-5-2		.CARD ASSY-SPEED SENSING AIR DRIVEN HYDR PUMP CONT UNIT SUPPLIER CODE: V64547 SPECIFICATION NUMBER: S271T002-12 ELECTRICAL EQUIP NUMBER: M01057 COMPONENT MAINT MANUAL REF: 29-11-04 OPTIONAL PART: 2117844-3 V64547 2117844-4 V64547 2117844-5 V64547 2117844-5-1 V64547		1
- 200	286T1114-140		WIRE BUNDLE ASSY		RF
- 205	141-1775-01		.CONTACT CAVITY- SUPPLIER CODE: V26742 SPECIFICATION NUMBER: BACC47EM1 OPTIONAL PART: 96S2222 V03877 290381-01 V16512 200080-001 V03877 ELECTRICAL EQUIP NUMBER: D02246U WIRING DIAGRAM REF: 291132		2

ILLUSTRATION ITEMS NOT ON PARTS LIST ARE NOT APPLICABLE

- ITEM NOT ILLUSTRATED

HXL

29-11-69-01

BOEING PROPRIETARY - Copyright © - Unpublished Work - See title page for details.

29-11-69
FIG. 01
PAGE 4
DEC 22/07



767

PARTS CATALOG (MAINTENANCE)

FIG ITEM	PART NUMBER	1 2 3 4 5 6 7	NOMENCLATURE	EFFECT FROM TO	UNITS PER ASSY
1 210	300055-001		.CONNECTOR- SUPPLIER CODE: V0D9V3 SPECIFICATION NUMBER: BACC65L41 OPTIONAL PART: 300055-001 V03877 192-341-0005 V26742 S1022-00833 V03877 ELECTRICAL EQUIP NUMBER: D02246 WIRING DIAGRAM REF: 291132		1

ILLUSTRATION ITEMS NOT ON PARTS LIST ARE NOT APPLICABLE

- ITEM NOT ILLUSTRATED

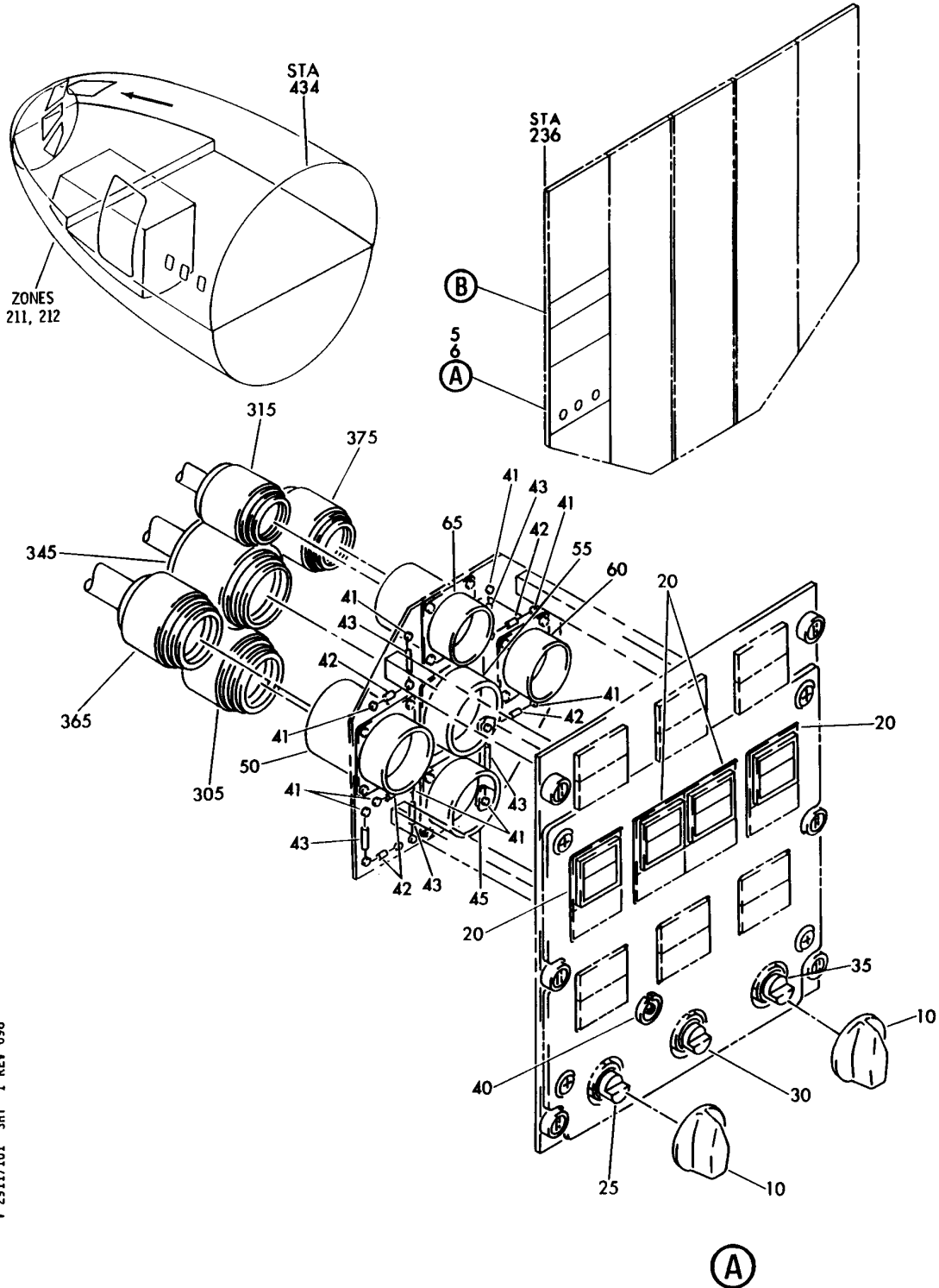
HXL

29-11-69-01

BOEING PROPRIETARY - Copyright © - Unpublished Work - See title page for details.

29-11-69
FIG. 01
PAGE 5
DEC 22/06

BOEING
767
PARTS CATALOG (MAINTENANCE)



V 29117101 SHT 1 REV 098

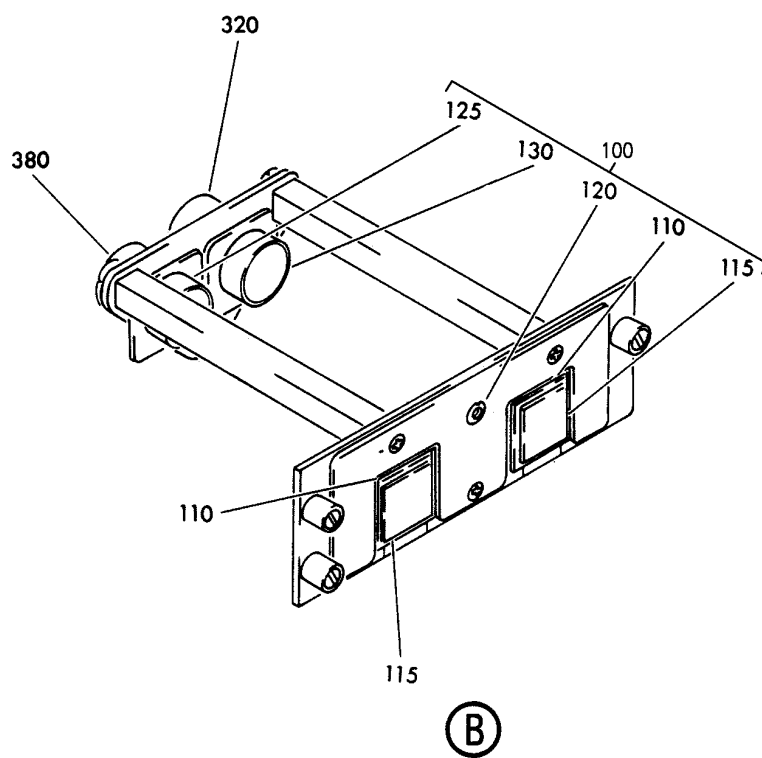
PANEL INSTL-OVHD (MAIN (LEFT, RIGHT AND CENTER) HYDRAULIC SYSTEMS ONLY)
FIGURE 1 (SHEET 1)

29-11-71-01

HXL
DEC 22/06

29-11-71-01
PAGE 0

BOEING
767
PARTS CATALOG (MAINTENANCE)



V 29117101 SH1 2 REV 338

PANEL INSTL-OVHD (MAIN (LEFT, RIGHT AND CENTER) HYDRAULIC SYSTEMS ONLY)
FIGURE 1 (SHEET 2)

HXL
APR 22/09

29-11-71-01

29-11-71-01
PAGE 0A



767

PARTS CATALOG (MAINTENANCE)

FIG ITEM	PART NUMBER	1 2 3 4 5 6 7	NOMENCLATURE	EFFECT FROM TO	UNITS PER ASSY
1			PANEL INSTL-OVHD (MAIN (LEFT, RIGHT AND CENTER) HYDRAULIC SYSTEMS ONLY)		
- 1	233T3100-1		PANEL INSTL-OVHD (MAIN (LEFT, RIGHT AND CENTER) HYDRAULIC SYSTEMS ONLY) VARIABLE DRAWING REF: 233T3100-5048 FOR NHA/OTHER SYS DET SEE: 25-10-00-03		RF
6	233T3100-372		.PANEL ASSY-HYDR SYS CONT		RF
6	233T3234-305		.PANEL ASSY-HYDR SYS CONT SUPPLIER CODE: V89954 MISCELLANEOUS DATA: (THE 233T3234-305 PANEL ASSY IS I/W THE 233T3234-33 PANEL ASSY T/W THE S233T100-1066 LIGHTPLATE AND (3) BP248-127 KNOBS.) ELECTRICAL EQUIP NUMBER: M00010 COMPONENT MAINT MANUAL REF: 29-11-53		RF
6	233T3234-300		.PANEL ASSY-HYDR SYS CONT SUPPLIER CODE: V89954 MISCELLANEOUS DATA: (THE 233T3234-300 PANEL ASSY IS I/W THE 233T3234-31 PANEL ASSY T/W THE S233T100-1066 LIGHTPLATE AND (3) BP248-127 KNOBS.) ELECTRICAL EQUIP NUMBER: M00010 COMPONENT MAINT MANUAL REF: 29-11-53		RF

ILLUSTRATION ITEMS NOT ON PARTS LIST ARE NOT APPLICABLE

- ITEM NOT ILLUSTRATED

HXL

29-11-71-01

BOEING PROPRIETARY - Copyright © - Unpublished Work - See title page for details.

29-11-71
FIG. 01
PAGE 1
DEC 22/07



767

PARTS CATALOG (MAINTENANCE)

FIG ITEM	PART NUMBER	1 2 3 4 5 6 7	NOMENCLATURE	EFFECT FROM TO	UNITS PER ASSY
1	10 BP248-110		..KNOB- SUPPLIER CODE: V81590 SPECIFICATION NUMBER: 452-016-9001 OPTIONAL PART: BP248-127 V81590		3
	10 BP248-127		..KNOB- SUPPLIER CODE: V81590 OPTIONAL PART: BP248-110 V81590		3
-	15 233T3234-30		..PANEL ASSY- SUPPLIER CODE: V89954 ELECTRICAL EQUIP NUMBER: M00010 COMPONENT MAINT MANUAL REF: 29-11-53		1
-	15 233T3234-33		..PANEL ASSY- SUPPLIER CODE: V89954 MISCELLANEOUS DATA: (THE 233T3234-305 PANEL ASSY IS I/W THE 233T3234-33 PANEL ASSY T/W THE S233T100-1066 LIGHTPLATE AND (3) BP248-127 KNOBS.) ELECTRICAL EQUIP NUMBER: M00010 COMPONENT MAINT MANUAL REF: 29-11-53		1
-	16 233T3234-31		..PANEL ASSY- SUPPLIER CODE: V89954 MISCELLANEOUS DATA: (THE 233T3234-300 PANEL ASSY IS I/W THE 233T3234-31 PANEL ASSY T/W THE S233T100-1066 LIGHTPLATE AND (3) BP248-127 KNOBS.) ELECTRICAL EQUIP NUMBER: M00010 COMPONENT MAINT MANUAL REF: 29-11-53		1

ILLUSTRATION ITEMS NOT ON PARTS LIST ARE NOT APPLICABLE

- ITEM NOT ILLUSTRATED

29-11-71-01

29-11-71
FIG. 01
PAGE 2
APR 22/09

HXL



767

PARTS CATALOG (MAINTENANCE)

FIG ITEM	PART NUMBER	1 2 3 4 5 6 7	NOMENCLATURE	EFFECT FROM TO	UNITS PER ASSY
1 20	BCREF7608		...SWITCH ASSY-LIGHTED PUSH BUTTON IND ON/PRESS SUPPLIER CODE: V81590 OVERLENGTH PART NUMBER: 433-673-1001-1020 SPECIFICATION NUMBER: S231T290-1020 USED ON: 233T3234-1 233T3234-5 233T3234-7 233T3234-8 233T3234-10 233T3234-12 233T3234-14 233T3234-15 233T3234-16 233T3234-26 233T3234-30 FOR DETAILS SEE: 33-13-75-17		4

ILLUSTRATION ITEMS NOT ON PARTS LIST ARE NOT APPLICABLE

- ITEM NOT ILLUSTRATED

HXL

29-11-71-01

BOEING PROPRIETARY - Copyright © - Unpublished Work - See title page for details.

29-11-71
FIG. 01
PAGE 3
APR 22/07



767

PARTS CATALOG (MAINTENANCE)

FIG ITEM	PART NUMBER	1 2 3 4 5 6 7	NOMENCLATURE	EFFECT FROM TO	UNITS PER ASSY
1 20	BCREFA0507		...SWITCH ASSY-LIGHTED PUSH BUTTON IND ON/PRESS SUPPLIER CODE: V81590 OVERLENGTH PART NUMBER: 433-673-1004-4020 SPECIFICATION NUMBER: S231T290-4020 OPTIONAL PART: S231T290-5020 V96182 851-35100-5020 V96182 S231T290-4220 V96182 USED ON: 233T3234-17 233T3234-19 233T3234-22 233T3234-25 233T3234-29 233T3234-31 233T3234-33 233T3234-35 233T3234-36 233T3234-38 233T3234-39 FOR DETAILS SEE: 33-13-75-37		4
20	851-30768-2020		...SWITCH ASSY-LIGHTED PUSH BUTTON IND ON/PRESS SUPPLIER CODE: V96182 SPECIFICATION NUMBER: S231T290-2020 USED ON: 233T3234-1 233T3234-5 233T3234-8 233T3234-10 FOR DETAILS SEE: 33-13-75-07		4

ILLUSTRATION ITEMS NOT ON PARTS LIST ARE NOT APPLICABLE

- ITEM NOT ILLUSTRATED

HXL

29-11-71-01

BOEING PROPRIETARY - Copyright © - Unpublished Work - See title page for details.

29-11-71
 FIG. 01
 PAGE 4
 APR 22/07



767

PARTS CATALOG (MAINTENANCE)

FIG ITEM	PART NUMBER	1 2 3 4 5 6 7	NOMENCLATURE	EFFECT FROM TO	UNITS PER ASSY
1 20	851-30768-3020		...SWITCH ASSY-LIGHTED PUSH BUTTON IND ON/PRESS SUPPLIER CODE: V96182 SPECIFICATION NUMBER: S231T290-3020 USED ON: 233T3234-5 233T3234-7 233T3234-8 233T3234-10 233T3234-12 233T3234-14 233T3234-15 233T3234-16 233T3234-26 233T3234-30 FOR DETAILS SEE: 33-13-75-27		4
20	851-35100-5020		...SWITCH ASSY-LIGHTED PUSH BUTTON IND ON/PRESS SUPPLIER CODE: V96182 SPECIFICATION NUMBER: S231T290-5020 OPTIONAL PART: BCREFA0507 V81590 S231T290-4220 V96182 USED ON: 233T3234-19 233T3234-22 233T3234-25 233T3234-29 233T3234-33 233T3234-35 233T3234-36 233T3234-38		4

ILLUSTRATION ITEMS NOT ON PARTS LIST ARE NOT APPLICABLE

- ITEM NOT ILLUSTRATED

HXL

29-11-71-01

BOEING PROPRIETARY - Copyright © - Unpublished Work - See title page for details.

29-11-71
 FIG. 01
 PAGE 5
 APR 22/07



767

PARTS CATALOG (MAINTENANCE)

FIG ITEM	PART NUMBER	1 2 3 4 5 6 7	NOMENCLATURE	EFFECT FROM TO	UNITS PER ASSY
1	20 4336731004-4220		...SWITCH ASSY-LIGHTED PUSH BUTTON IND ON/PRESS SUPPLIER CODE: V81590 SPECIFICATION NUMBER: S231T290-4220 OPTIONAL PART: BCREFA0507 V81590 851-35100-5020 V96182 USED ON: 233T3234-31 233T3234-33 FOR DETAILS SEE: 33-13-75-31C		4
	25 AC45-0012-1		...SWITCH-ROTARY SUPPLIER CODE: V91812 OPTIONAL PART: AC45-0012-2 V91812 USED ON: 233T3234-1 233T3234-5 233T3234-7 233T3234-8 233T3234-10 233T3234-12 233T3234-14 233T3234-15 233T3234-16 233T3234-17 233T3234-19 233T3234-22 233T3234-25 233T3234-30 233T3234-31 233T3234-33 233T3234-39		1

ILLUSTRATION ITEMS NOT ON PARTS LIST ARE NOT APPLICABLE

- ITEM NOT ILLUSTRATED

HXL

29-11-71-01

BOEING PROPRIETARY - Copyright © - Unpublished Work - See title page for details.

29-11-71
FIG. 01
PAGE 6
APR 22/07



767

PARTS CATALOG (MAINTENANCE)

FIG ITEM	PART NUMBER	1 2 3 4 5 6 7 NOMENCLATURE	EFFECT FROM TO	UNITS PER ASSY
1 25	AC45-0012-2	. . . SWITCH-ROTARY SUPPLIER CODE: V91812 OPTIONAL PART: AC45-0012-1 V91812 USED ON: 233T3234-1 233T3234-5 233T3234-7 233T3234-8 233T3234-10 233T3234-12 233T3234-14 233T3234-15 233T3234-16 233T3234-17 233T3234-19 233T3234-22 233T3234-25 233T3234-26 233T3234-29 233T3234-30 233T3234-31 233T3234-33 233T3234-35 233T3234-36 233T3234-38 233T3234-39		1

ILLUSTRATION ITEMS NOT ON PARTS LIST ARE NOT APPLICABLE

- ITEM NOT ILLUSTRATED

HXL

29-11-71-01

BOEING PROPRIETARY - Copyright © - Unpublished Work - See title page for details.

29-11-71
 FIG. 01
 PAGE 7
 APR 22/07



767

PARTS CATALOG (MAINTENANCE)

FIG ITEM	PART NUMBER	1 2 3 4 5 6 7	NOMENCLATURE	EFFECT FROM TO	UNITS PER ASSY
1 30	AC45-0007-1		... SWITCH-ROTARY SUPPLIER CODE: V91812 USED ON: 233T3234-1 233T3234-5 233T3234-7 233T3234-8 233T3234-10 233T3234-12 233T3234-14 233T3234-15 233T3234-16 233T3234-17 233T3234-19 233T3234-22 233T3234-25 233T3234-30 233T3234-31 233T3234-33 233T3234-35 233T3234-36 233T3234-38 233T3234-39		1

ILLUSTRATION ITEMS NOT ON PARTS LIST ARE NOT APPLICABLE

- ITEM NOT ILLUSTRATED

HXL

29-11-71-01

BOEING PROPRIETARY - Copyright © - Unpublished Work - See title page for details.

29-11-71
FIG. 01
PAGE 8
APR 22/07



767

PARTS CATALOG (MAINTENANCE)

FIG ITEM	PART NUMBER	1 2 3 4 5 6 7	NOMENCLATURE	EFFECT FROM TO	UNITS PER ASSY
1 30	AC45-0007-2		... SWITCH-ROTARY SUPPLIER CODE: V91812 OPTIONAL PART: 3600-5613-001 V31946 USED ON: 233T3234-1 233T3234-5 233T3234-7 233T3234-8 233T3234-10 233T3234-12 233T3234-14 233T3234-15 233T3234-16 233T3234-17 233T3234-19 233T3234-22 233T3234-25 233T3234-26 233T3234-29 233T3234-30 233T3234-31 233T3234-33 233T3234-35 233T3234-36 233T3234-38 233T3234-39		1

ILLUSTRATION ITEMS NOT ON PARTS LIST ARE NOT APPLICABLE

- ITEM NOT ILLUSTRATED

HXL

29-11-71-01

BOEING PROPRIETARY - Copyright © - Unpublished Work - See title page for details.

29-11-71
FIG. 01
PAGE 9
APR 22/07



767

PARTS CATALOG (MAINTENANCE)

FIG ITEM	PART NUMBER	1 2 3 4 5 6 7	NOMENCLATURE	EFFECT FROM TO	UNITS PER ASSY
1 30	3600-5613-001		... SWITCH-ROTARY SUPPLIER CODE: V31946 OPTIONAL PART: AC45-0007-2 V91812 USED ON: 233T3234-1 233T3234-5 233T3234-7 233T3234-8 233T3234-10 233T3234-12 233T3234-14 233T3234-15 233T3234-16 233T3234-17 233T3234-19 233T3234-22 233T3234-25 233T3234-30 233T3234-31 233T3234-33 233T3234-35 233T3234-36 233T3234-38 233T3234-39		1

ILLUSTRATION ITEMS NOT ON PARTS LIST ARE NOT APPLICABLE

- ITEM NOT ILLUSTRATED

HXL

29-11-71-01

BOEING PROPRIETARY - Copyright © - Unpublished Work - See title page for details.

29-11-71
FIG. 01
PAGE 10
APR 22/07



767

PARTS CATALOG (MAINTENANCE)

FIG ITEM	PART NUMBER	1 2 3 4 5 6 7 NOMENCLATURE	EFFECT FROM TO	UNITS PER ASSY
1 35	AC45-0008-1	. . . SWITCH-ROTARY SUPPLIER CODE: V91812 OPTIONAL PART: AC45-0008-2 V91812 USED ON: 233T3234-1 233T3234-5 233T3234-7 233T3234-8 233T3234-10 233T3234-12 233T3234-14 233T3234-15 233T3234-16 233T3234-17 233T3234-19 233T3234-22 233T3234-25 233T3234-30 233T3234-31 233T3234-33		1

ILLUSTRATION ITEMS NOT ON PARTS LIST ARE NOT APPLICABLE

- ITEM NOT ILLUSTRATED

HXL

29-11-71-01

BOEING PROPRIETARY - Copyright © - Unpublished Work - See title page for details.

29-11-71
 FIG. 01
 PAGE 11
 APR 22/07



767

PARTS CATALOG (MAINTENANCE)

FIG ITEM	PART NUMBER	1 2 3 4 5 6 7	NOMENCLATURE	EFFECT FROM TO	UNITS PER ASSY
1					
35	AC45-0008-2	...	SWITCH-ROTARY SUPPLIER CODE: V91812 OPTIONAL PART: AC45-0008-1 V91812 USED ON: 233T3234-1 233T3234-5 233T3234-7 233T3234-10 233T3234-12 233T3234-14 233T3234-15 233T3234-16 233T3234-17 233T3234-19 233T3234-22 233T3234-25 233T3234-26 233T3234-29 233T3234-30 233T3234-31 233T3234-33 233T3234-35 233T3234-36 233T3234-39		1
35	AC45-0008-2	...	SWITCH-ROTARY SUPPLIER CODE: V91812 USED ON: 233T3234-38		1
40	800000121-1	...	CONNECTOR-PWR SUPPLIER CODE: V05617		1
40	800-000121-1	...	CONNECTOR-PWR SUPPLIER CODE: V05617		1

ILLUSTRATION ITEMS NOT ON PARTS LIST ARE NOT APPLICABLE

- ITEM NOT ILLUSTRATED

HXL

29-11-71-01

BOEING PROPRIETARY - Copyright © - Unpublished Work - See title page for details.

29-11-71
FIG. 01
PAGE 12
DEC 22/07



767

PARTS CATALOG (MAINTENANCE)

FIG ITEM	PART NUMBER	1 2 3 4 5 6 7	NOMENCLATURE	EFFECT FROM TO	UNITS PER ASSY
1					
41	4443B9		... TERMINAL- SUPPLIER CODE: V88245 USED ON: 233T3234-5 233T3234-7 233T3234-8 233T3234-10 233T3234-12 233T3234-14 233T3234-15 233T3234-16 233T3234-17 233T3234-19 233T3234-22 233T3234-25 233T3234-26 233T3234-29 233T3234-30 233T3234-31 233T3234-33 233T3234-35 233T3234-36 233T3234-38 233T3234-39		15
42	JANTX1N5618		... DIODE- USED ON: 233T3234-5 233T3234-7 233T3234-8 233T3234-10 233T3234-12 233T3234-14 233T3234-15 233T3234-16 233T3234-17 233T3234-19 233T3234-22 233T3234-25 233T3234-26 233T3234-29 233T3234-30 233T3234-31 233T3234-33 233T3234-35 233T3234-36 233T3234-38 233T3234-39		5

ILLUSTRATION ITEMS NOT ON PARTS LIST ARE NOT APPLICABLE

- ITEM NOT ILLUSTRATED

HXL

29-11-71-01

BOEING PROPRIETARY - Copyright © - Unpublished Work - See title page for details.

29-11-71
 FIG. 01
 PAGE 13
 APR 22/07



767

PARTS CATALOG (MAINTENANCE)

FIG ITEM	PART NUMBER	1 2 3 4 5 6 7	NOMENCLATURE	EFFECT FROM TO	UNITS PER ASSY
1					
43	RLR32C2201GR		...RESISTOR- USED ON: 233T3234-5 233T3234-7 233T3234-8 233T3234-10 233T3234-12 233T3234-14 233T3234-15 233T3234-16 233T3234-17 233T3234-19 233T3234-22 233T3234-25 233T3234-26 233T3234-29 233T3234-30 233T3234-31 233T3234-33 233T3234-35 233T3234-36 233T3234-38 233T3234-39		5
45	BACC45FN16-24P8		...CONNECTOR		1
50	BACC45FN16-24P6		...CONNECTOR		1
55	BACC45FN18-31P		...CONNECTOR		1
60	BACC45FN12-12P8		...CONNECTOR		1
65	BACC45FN12-12P9		...CONNECTOR		1

ILLUSTRATION ITEMS NOT ON PARTS LIST ARE NOT APPLICABLE

- ITEM NOT ILLUSTRATED

HXL

29-11-71-01

BOEING PROPRIETARY - Copyright © - Unpublished Work - See title page for details.

29-11-71
FIG. 01
PAGE 14
APR 22/07

 **BOEING**
767
PARTS CATALOG (MAINTENANCE)

FIG ITEM	PART NUMBER	1 2 3 4 5 6 7	NOMENCLATURE	EFFECT FROM TO	UNITS PER ASSY
1			ATTACHING PARTS		
- 70	BACS12CK04U5		...SCREW- USED ON: 233T3234-5 233T3234-7 233T3234-8 233T3234-10 233T3234-12 233T3234-14 233T3234-15 233T3234-16 233T3234-17 233T3234-19 233T3234-22 233T3234-25 233T3234-26 233T3234-29 233T3234-30 233T3234-31 233T3234-33 233T3234-35 233T3234-36 233T3234-38 233T3234-39		10
- 75	K19798-04		...NUT SUPPLIER CODE: V15653 SPECIFICATION NUMBER: BACN10NW1 OPTIONAL PART: RMA4812-160-40 V72962 293162 V60119 -----*-----		10
- 80	233T3234-34		...WIRE BUNDLE ASSY- SUPPLIER CODE: V89954 USED ON: 233T3234-30 233T3234-31 233T3234-33 233T3234-35		RF
- 94	M39029-1-101	CONTACT- USED ON: 233T3234-34		116
- 300	286T0062-300		WIRE BUNDLE ASSY-(MAIN (LEFT, RIGHT AND CENTER) HYDRAULIC SYSTEM ONLY)		RF

ILLUSTRATION ITEMS NOT ON PARTS LIST ARE NOT APPLICABLE

- ITEM NOT ILLUSTRATED

HXL

29-11-71-01

BOEING PROPRIETARY - Copyright © - Unpublished Work - See title page for details.

29-11-71
FIG. 01
PAGE 15
DEC 22/07



767

PARTS CATALOG (MAINTENANCE)

FIG ITEM	PART NUMBER	1 2 3 4 5 6 7	NOMENCLATURE	EFFECT FROM TO	UNITS PER ASSY
1					
305	BACC45FT16A24S8	.	CONNECTOR- ELECTRICAL EQUIP NUMBER: D01312 WIRING DIAGRAM REF: 291122		1
315	BACC45FT12A12S9	.	CONNECTOR- ELECTRICAL EQUIP NUMBER: D03904 WIRING DIAGRAM REF: 291111		1
- 340	286T0070-300		WIRE BUNDLE ASSY-(MAIN (LEFT, RIGHT AND CENTER) HYDRAULIC SYSTEM ONLY)		RF
345	BACC45FT18A31S	.	CONNECTOR- ELECTRICAL EQUIP NUMBER: D01406 WIRING DIAGRAM REF: 291132		1
- 360	286T0066-300		WIRE BUNDLE ASSY-(MAIN (LEFT, RIGHT AND CENTER) HYDRAULIC SYSTEM ONLY)		RF
365	BACC45FT16A24S6	.	CONNECTOR- ELECTRICAL EQUIP NUMBER: D01360 WIRING DIAGRAM REF: 291112		1
375	BACC45FT12A12S8	.	CONNECTOR- ELECTRICAL EQUIP NUMBER: D03902 WIRING DIAGRAM REF: 291112		1

ILLUSTRATION ITEMS NOT ON PARTS LIST ARE NOT APPLICABLE

- ITEM NOT ILLUSTRATED

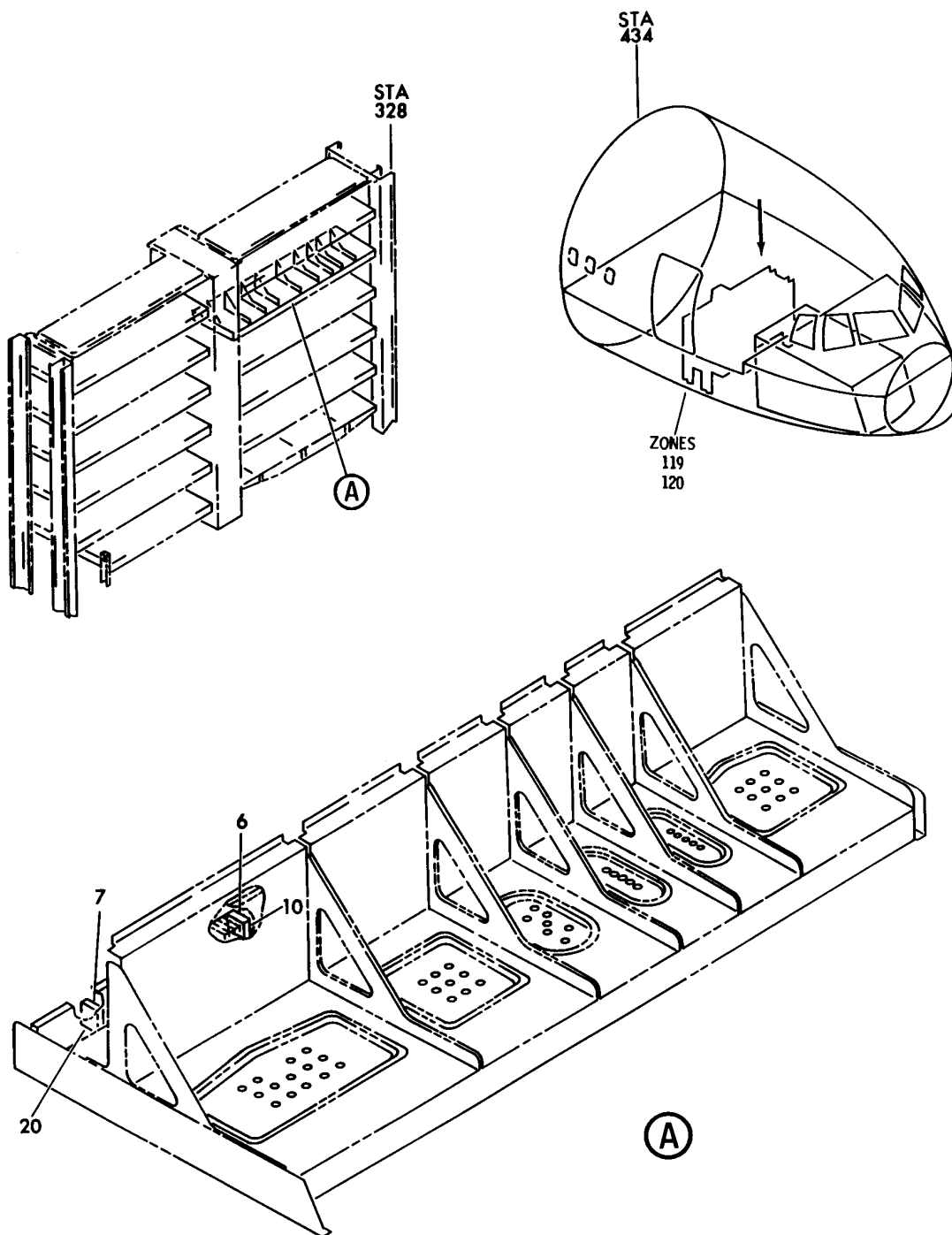
HXL

29-11-71-01

BOEING PROPRIETARY - Copyright © - Unpublished Work - See title page for details.

29-11-71
FIG. 01
PAGE 16
DEC 22/07

BOEING
767
PARTS CATALOG (MAINTENANCE)



V 29117201 REV 146

SHELF ASSY-ELECTRONIC EQPT CTR E1-2 (HYDRAULIC POWER ONLY)
FIGURE 1

29-11-72-01

HXL
DEC 22/06

29-11-72-01
PAGE 0



767

PARTS CATALOG (MAINTENANCE)

FIG ITEM	PART NUMBER	1 2 3 4 5 6 7	NOMENCLATURE	EFFECT FROM TO	UNITS PER ASSY
1			SHELF ASSY-ELECTRONIC EQPT CTR E1-2 (HYDRAULIC POWER ONLY)		
- 3	284T0112-78		SHELF ASSY-ELECTRONIC EQPT CTR E1-2 (HYDRAULIC POWER ONLY)		RF
7	BAC27TEX3506		FOR NHA/OTHER SYS DET SEE: 53-11-64-01B .DECAL- PLACARD CONTENT: R276		1
20	YHLZD30		.DIODE- SUPPLIER CODE: V09922 ELECTRICAL EQUIP NUMBER: R00276		1

ILLUSTRATION ITEMS NOT ON PARTS LIST ARE NOT APPLICABLE

- ITEM NOT ILLUSTRATED

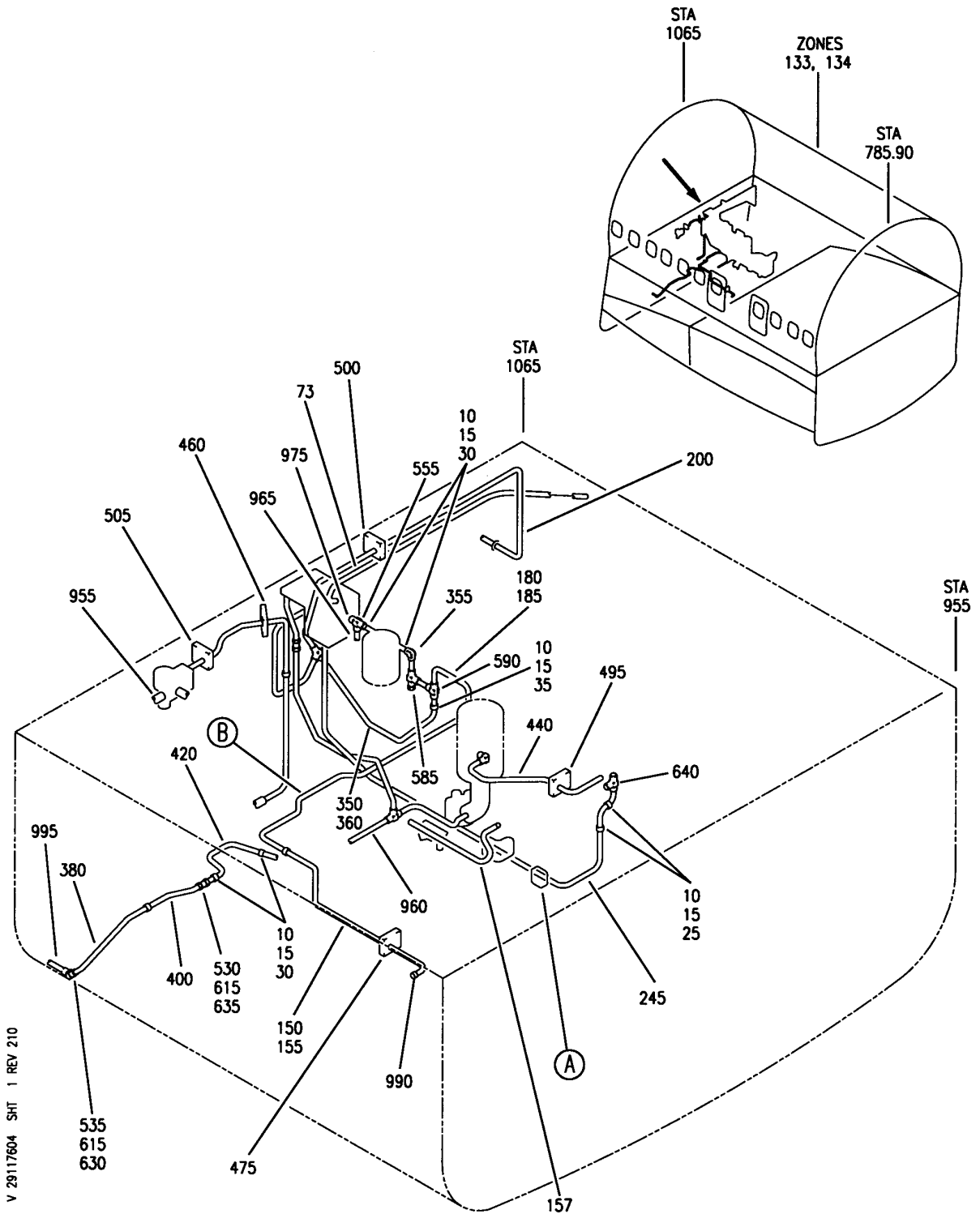
HXL

29-11-72-01

BOEING PROPRIETARY - Copyright © - Unpublished Work - See title page for details.

29-11-72
FIG. 01
PAGE 1
DEC 22/07

BOEING
767
PARTS CATALOG (MAINTENANCE)



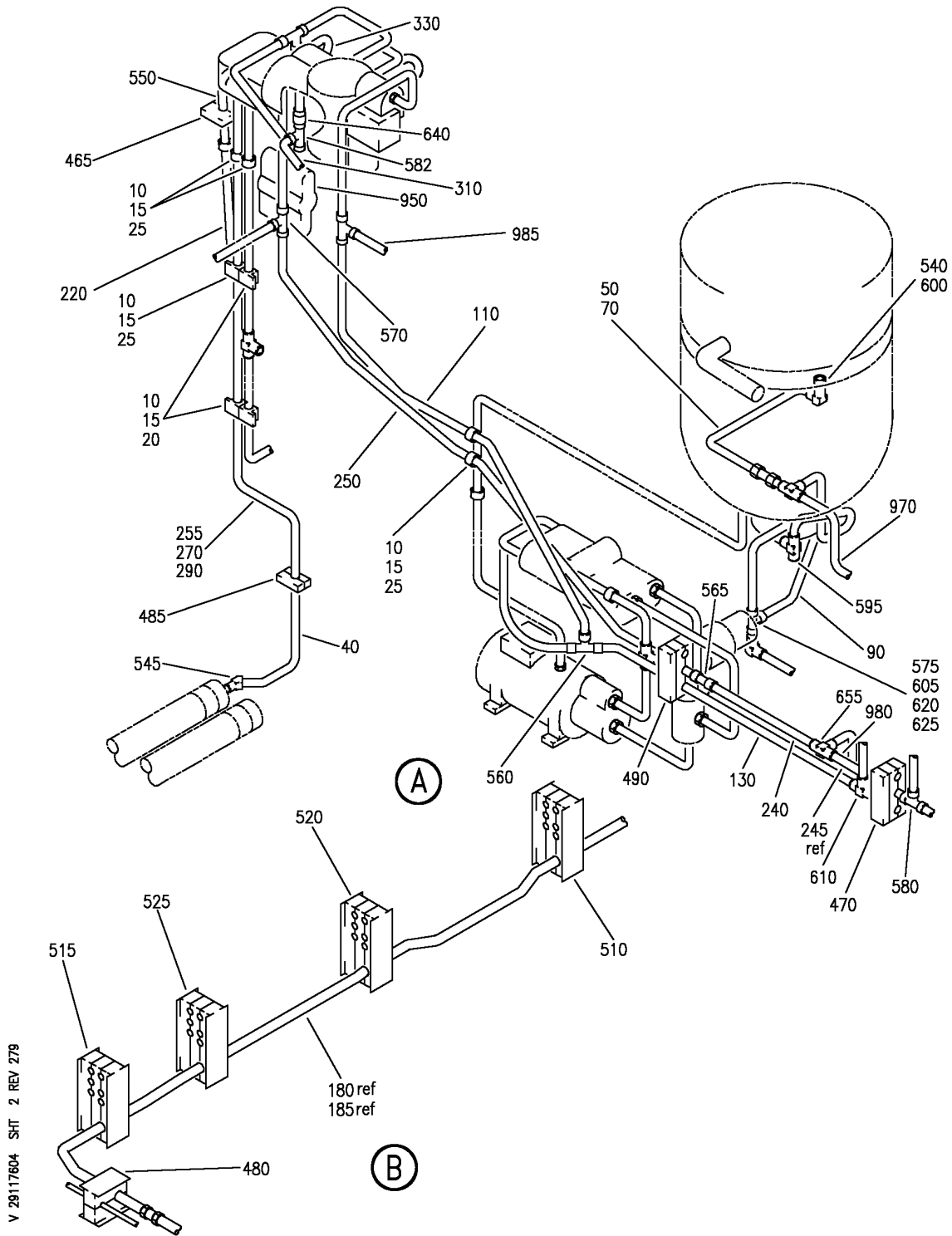
HYDRAULIC INSTL-SECT. 45 (MAIN HYDRAULIC SYSTEM ONLY)
FIGURE 4 (SHEET 1)

29-11-76-04

HXL
DEC 22/06

29-11-76-04
PAGE 0


BOEING
 767
PARTS CATALOG (MAINTENANCE)



V 29117604 SHT 2 REV 279

HYDRAULIC INSTL-SECT. 45 (MAIN HYDRAULIC SYSTEM ONLY)
 FIGURE 4 (SHEET 2)

29-11-76-04

HXL
DEC 22/06

29-11-76-04
 PAGE 0A

 **BOEING**
767
PARTS CATALOG (MAINTENANCE)

FIG ITEM	PART NUMBER	1 2 3 4 5 6 7	NOMENCLATURE	EFFECT FROM TO	UNITS PER ASSY
4			HYDRAULIC INSTL-SECT. 45 (MAIN HYDRAULIC SYSTEM ONLY)		
- 1	272T4500-3		HYDRAULIC INSTL-300 (MAIN HYDRAULIC SYSTEM ONLY) POSITION DATA: SECT. 45 MISCELLANEOUS DATA: (CONT AT ITEM 001K) VARIABLE DRAWING REF: 272T4500-5191 272T4500-7002 FOR NHA/OTHER SYS DET SEE: 29-00-00-06		RF
- 1	272T4500-3		HYDRAULIC INSTL-300 (MAIN HYDRAULIC SYSTEM ONLY) POSITION DATA: SECT. 45 VARIABLE DRAWING REF: 272T4500-5274 272T4500-5278 272T4500-7002 FOR NHA/OTHER SYS DET SEE: 29-00-00-06		RF
10	NAS1801-3-9	.SCREW			26
15	AN960PD10L	.WASHER			26
20	TA0910004H108	.CLAMP-	SUPPLIER CODE: V84971 SPECIFICATION NUMBER: BACC10HB08C		2
25	TA0910004H112	.CLAMP	SUPPLIER CODE: V84971 SPECIFICATION NUMBER: BACC10HB12C		6
30	TA0910004H116	.CLAMP	SUPPLIER CODE: V84971 SPECIFICATION NUMBER: BACC10HB16C		4
35	TA0910004H120	.CLAMP	SUPPLIER CODE: V84971 SPECIFICATION NUMBER: BACC10HB20C		1
40	AS116-12K0157	.HOSE ASSY			1

ILLUSTRATION ITEMS NOT ON PARTS LIST ARE NOT APPLICABLE

- ITEM NOT ILLUSTRATED

HXL

29-11-76-04

BOEING PROPRIETARY - Copyright © - Unpublished Work - See title page for details.

29-11-76
FIG. 04
PAGE 1
DEC 22/07

 **BOEING**
767
PARTS CATALOG (MAINTENANCE)

FIG ITEM	PART NUMBER	1 2 3 4 5 6 7	NOMENCLATURE	EFFECT FROM TO	UNITS PER ASSY
4	50 272T4500-441		.TUBE ASSY-RSVR PRESSURE CTR SYS TUBING MATERIAL: .375 IN. OD .020 IN. WALL 18.00 IN. LG STEEL		1
- 55	AP2097HP06		..SLEEVE SUPPLIER CODE: V01673 SPECIFICATION NUMBER: BACS13BX06HP OPTIONAL PART: 2-02903-06HP V11328 35235VN06 V08199 AFP175V06P V30974 DBOS13BX06HP V14798		2
- 60	BACN10YA6		..NUT- OPTIONAL PART: BACN10NR6		2
- 60	AFP107-6		..NUT- SUPPLIER CODE: V30974 SPECIFICATION NUMBER: BACN10NR6 OPTIONAL PART: AP1028T6 V01673 BC921T6 V50948 DBON10NR6 V14798 ER01921-6T V88334 FER8928-6 V14397 F11-6 V73197 2-03005T6 V11328 31783-6 V14397 35068-06 V08199 BACN10YA6		2
ILLUSTRATION ITEMS NOT ON PARTS LIST ARE NOT APPLICABLE					

- ITEM NOT ILLUSTRATED

HXL

29-11-76-04

BOEING PROPRIETARY - Copyright © - Unpublished Work - See title page for details.

29-11-76
FIG. 04
PAGE 2
DEC 22/08



767

PARTS CATALOG (MAINTENANCE)

FIG ITEM	PART NUMBER	1 2 3 4 5 6 7	NOMENCLATURE	EFFECT FROM TO	UNITS PER ASSY
4	70 272T4500-2409		.TUBE ASSY-RSVR PRESSURE CTR SYS TUBING MATERIAL: .375 IN. OD .020 IN. WALL 15.00 IN. LG STEEL		1
- 75	AP2097HP06		..SLEEVE SUPPLIER CODE: V01673 SPECIFICATION NUMBER: BACS13BX06HP OPTIONAL PART: 2-02903-06HP V11328 35235VN06 V08199 AFP175V06P V30974 DBOS13BX06HP V14798		1
- 80	BACN10YA6N		..NUT		1
- 85	35056V06		..UNION SUPPLIER CODE: V08199 SPECIFICATION NUMBER: BACU24AB6H OPTIONAL PART: 2-01027-6H V11328 31875-6H V14397 4671097H6 V50948 AP1004H06 V01673 AFP941H6 V30974 DBOU24AB6H V14798		1
90	272T4500-2410		.TUBE ASSY-RSVR PRESSURE CTR SYS TUBING MATERIAL: .375 IN. OD .020 IN. WALL 19.00 IN. LG STEEL		1

ILLUSTRATION ITEMS NOT ON PARTS LIST ARE NOT APPLICABLE

- ITEM NOT ILLUSTRATED

HXL

29-11-76-04

BOEING PROPRIETARY - Copyright © - Unpublished Work - See title page for details.

29-11-76
FIG. 04
PAGE 3
DEC 22/07



767

PARTS CATALOG (MAINTENANCE)

FIG ITEM	PART NUMBER	1 2 3 4 5 6 7	NOMENCLATURE	EFFECT FROM TO	UNITS PER ASSY
4 - 95	AP2097HP06	..	SLEEVE SUPPLIER CODE: V01673 SPECIFICATION NUMBER: BACS13BX06HP OPTIONAL PART: 2-02903-06HP V11328 35235VN06 V08199 AFP175V06P V30974 DBOS13BX06HP V14798		2
- 100 110	BACN10YA6N 272T4500-708	..	NUT .TUBE ASSY-TO HEAT EXCHANGER CTR SYS TUBING MATERIAL: .500 IN. OD .035 IN. WALL 65.50 IN. LG ALUMINUM		2 1
- 115	AP2097HP08	..	SLEEVE SUPPLIER CODE: V01673 SPECIFICATION NUMBER: BACS13BX08HP OPTIONAL PART: 2-02903-08HP V11328 35235VN08 V08199 AFP175V08P V30974 DBOS13BX08HP V14798		2
- 120 130	BACN10YL08 272T4500-709	..	NUT .TUBE ASSY-TO HEAT EXCHANGER CTR SYS TUBING MATERIAL: .500 IN. OD .026 IN. WALL 24.00 IN. LG TITANIUM		2 1
- 135 - 140	AS1581T08 BACN10YA8	..	SLEEVE NUT		2 2

ILLUSTRATION ITEMS NOT ON PARTS LIST ARE NOT APPLICABLE

- ITEM NOT ILLUSTRATED

HXL

29-11-76-04

BOEING PROPRIETARY - Copyright © - Unpublished Work - See title page for details.

29-11-76
FIG. 04
PAGE 4
DEC 22/07



767

PARTS CATALOG (MAINTENANCE)

FIG ITEM	PART NUMBER	1 2 3 4 5 6 7	NOMENCLATURE	EFFECT FROM TO	UNITS PER ASSY
4 150	272T4500-638		.TUBE ASSY-TO HEAT EXCHANGER CTR SYS TUBING MATERIAL: .625 IN. OD .035 IN. WALL 70.00 IN. LG ALUMINUM		1
155	272T4500-724		.TUBE ASSY-TO HEAT EXCHANGER CTR SYS TUBING MATERIAL: .625 IN. OD .035 IN. WALL 67.00 IN. LG ALUMINUM		1
- 160	AP2097HP10		..SLEEVE SUPPLIER CODE: V01673 SPECIFICATION NUMBER: BACS13BX10HP OPTIONAL PART: 2-02903-10HP V11328 35235VN10 V08199 AFP175V10P V30974 DBOS13BX10HP V14798		1
- 165	BACN10YL10		..NUT		1
- 170	35056GV10		..UNION SUPPLIER CODE: V08199 SPECIFICATION NUMBER: BACU24AB10W OPTIONAL PART: 4671097W10 V50948 2-01027-10W V11328 31875-10W V14397 AP1004W10 V01673 AFP941W10 V30974 DBOU24AB10W V14798		1

ILLUSTRATION ITEMS NOT ON PARTS LIST ARE NOT APPLICABLE

- ITEM NOT ILLUSTRATED

HXL

29-11-76-04

BOEING PROPRIETARY - Copyright © - Unpublished Work - See title page for details.

29-11-76
FIG. 04
PAGE 5
DEC 22/07

BOEING
767
PARTS CATALOG (MAINTENANCE)

FIG ITEM	PART NUMBER	1 2 3 4 5 6 7	NOMENCLATURE	EFFECT FROM TO	UNITS PER ASSY
4 180	272T4500-692		.TUBE ASSY-TO HEAT EXCHANGER CTR SYS TUBING MATERIAL: .625 IN. OD .035 IN. WALL 94.00 IN. LG ALUMINUM		1
185	272T4500-774		.TUBE ASSY-TO HEAT EXCHANGER CTR SYS TUBING MATERIAL: .625 IN. OD .035 IN. WALL)		1
185	272T4500-1610		.TUBE ASSY-TO HEAT EXCHANGER CTR SYS TUBING MATERIAL: .625 IN. OD .035 IN. WALL 105.00 IN. LG ALUMINUM		1
- 190	AP2097HP10		..SLEEVE SUPPLIER CODE: V01673 SPECIFICATION NUMBER: BACS13BX10HP OPTIONAL PART: 2-02903-10HP V11328 35235VN10 V08199 AFP175V10P V30974 DBOS13BX10HP V14798		2
- 195	BACN10YL10		..NUT		2
200	272T4500-490		.TUBE ASSY-PRESSURE CTR SYS TUBING MATERIAL: .625 IN. OD .032 IN. WALL 107.00 IN. LG TITANIUM		1
- 205	AS1581T10		..SLEEVE		1
- 210	BACN10YA10		..NUT- OPTIONAL PART: BACN10NR10		1

ILLUSTRATION ITEMS NOT ON PARTS LIST ARE NOT APPLICABLE

- ITEM NOT ILLUSTRATED

HXL

29-11-76-04

BOEING PROPRIETARY - Copyright © - Unpublished Work - See title page for details.

29-11-76
FIG. 04
PAGE 6
DEC 22/07



767

PARTS CATALOG (MAINTENANCE)

FIG ITEM	PART NUMBER	1 2 3 4 5 6 7	NOMENCLATURE	EFFECT FROM TO	UNITS PER ASSY
4 - 210	AFP107-10	..	NUT- SUPPLIER CODE: V30974 SPECIFICATION NUMBER: BACN10NR10 OPTIONAL PART: AP1028T10 V01673 BC921T10 V50948 DBON10NR10 V14798 ER01921-10T V88334 FER8928-10 V14397 F11-10 V73197 2-03005T10 V11328 31783-10 V14397 BACN10YA10		1
- 215	AS1582T10	..	UNION		1
220	272T4500-2338	.TUBE ASSY-PRESSURE CTR SYS	TUBING MATERIAL: .625 IN. OD .032 IN. WALL 11.00 IN. LG TITANIUM		1
- 225	AS1581T10	..	SLEEVE		2
- 230	BACN10YA10	..	NUT		2
240	272T4500-332	.TUBE ASSY-PRESSURE CTR SYS	TUBING MATERIAL: .750 IN. OD .039 IN. WALL 6.37 IN. LG TITANIUM		1
240	272T4500-1401	.TUBE ASSY-PRESSURE CTR SYS	TUBING MATERIAL: .750 IN. OD .039 IN. WALL 6.50 IN. LG TITANIUM		1
245	272T4500-333	.TUBE ASSY-PRESSURE CTR SYS	TUBING MATERIAL: .750 IN. OD .039 IN. WALL 41.00 IN. LG TITANIUM		1

ILLUSTRATION ITEMS NOT ON PARTS LIST ARE NOT APPLICABLE

- ITEM NOT ILLUSTRATED

29-11-76-04

29-11-76
FIG. 04
PAGE 7
DEC 22/07

HXL



767

PARTS CATALOG (MAINTENANCE)

FIG ITEM	PART NUMBER	1 2 3 4 5 6 7	NOMENCLATURE	EFFECT FROM TO	UNITS PER ASSY
4					
250	272T4500-337		.TUBE ASSY-PRESSURE CTR SYS TUBING MATERIAL: .750 IN. OD .039 IN. WALL 55.00 IN. LG TITANIUM		1
255	272T4500-449		.TUBE ASSY-PRESSURE CTR SYS TUBING MATERIAL: .750 IN. OD .039 IN. WALL 77.00 IN. LG TITANIUM		1
- 260	AS1581T12		..SLEEVE		2
- 265	BACN10YA12		..NUT- OPTIONAL PART: BACN10NR12		2
- 265	AFP107-12		..NUT- SUPPLIER CODE: V30974 SPECIFICATION NUMBER: BACN10NR12 OPTIONAL PART: AP1028T12 V01673 BC921T12 V50948 DBON10NR12 V14798 ER01921-12T V88334 FER8928-12 V14397 F11-12 V73197 2-03005T12 V11328 31783-12 V14397 BACN10YA12		2
270	272T4500-2381		.TUBE ASSY-PRESSURE CTR SYS TUBING MATERIAL: .750 IN. OD .039 IN. WALL 77.00 IN. LG TITANIUM		1
270	272T4500-2392		.TUBE ASSY-PRESSURE CTR SYS TUBING MATERIAL: .750 IN. OD .039 IN. WALL 77.00 IN. LG TITANIUM		1
- 275	AS1581T12		..SLEEVE-		2
- 280	BACN10YA12N		..NUT-		2
ILLUSTRATION ITEMS NOT ON PARTS LIST ARE NOT APPLICABLE					

- ITEM NOT ILLUSTRATED

29-11-76-04

29-11-76
FIG. 04
PAGE 8
DEC 22/07

HXL



767

PARTS CATALOG (MAINTENANCE)

FIG ITEM	PART NUMBER	1 2 3 4 5 6 7	NOMENCLATURE	EFFECT FROM TO	UNITS PER ASSY
4					
290	272T4500-2416		.TUBE ASSY-PRESSURE CTR SYS TUBING MATERIAL: .750 IN. OD .039 IN. WALL 65.00 IN. LG TITANIUM		1
- 295	AS1581T12		..SLEEVE		1
- 300	BACN10YA12N		..NUT		1
- 305	AS1582T12		..UNION		1
310	272T4500-343		.TUBE ASSY-PRESSURE CTR SYS TUBING MATERIAL: 1.00 IN. OD .051 IN. WALL 14.25 IN. LG TITANIUM		1
- 315	AS1581T16		..SLEEVE		2
- 320	BACN10YA16		..NUT- OPTIONAL PART: BACN10NR16		2
- 320	AFP107-16		..NUT- SUPPLIER CODE: V30974 SPECIFICATION NUMBER: BACN10NR16 OPTIONAL PART: AP1028T16 V01673 BC921T16 V50948 DBON10NR16 V14798 ER01921-16T V88334 FER8928-16 V14397 F11-16 V73197 2-03005T16 V11328 31783-16 V14397 BACN10YA16		2
330	272T4500-2324		.TUBE ASSY-PRESSURE CTR SYS TUBING MATERIAL: 1.00 IN. OD .051 IN. WALL 36.00 IN. LG TITANIUM		1
- 335	AS1581T16		..SLEEVE		2
- 340	BACN10YA16		..NUT		2
ILLUSTRATION ITEMS NOT ON PARTS LIST ARE NOT APPLICABLE					

- ITEM NOT ILLUSTRATED

29-11-76-04

29-11-76
FIG. 04
PAGE 9
DEC 22/07

HXL



767

PARTS CATALOG (MAINTENANCE)

FIG ITEM	PART NUMBER	1 2 3 4 5 6 7	NOMENCLATURE	EFFECT FROM TO	UNITS PER ASSY
4					
350	272T4500-640		.TUBE ASSY-RETURN CTR SYS TUBING MATERIAL: 1.00 IN. OD .035 IN. WALL 20.00 IN. LG TITANIUM		1
350	272T4500-701		.TUBE ASSY-RETURN CTR SYS TUBING MATERIAL: 1.00 IN. OD .035 IN. WALL 20.00 IN. LG TITANIUM		1
355	272T4500-641		.TUBE ASSY-RETURN CTR SYS TUBING MATERIAL: 1.00 IN. OD .035 IN. WALL 28.00 IN. LG TITANIUM		1
360	272T4500-773		.TUBE ASSY-RETURN CTR SYS TUBING MATERIAL: 1.00 IN. OD .035 IN. WALL 25.00 IN. LG TITANIUM		1
- 365	AP2097HP16		..SLEEVE SUPPLIER CODE: V01673 SPECIFICATION NUMBER: BACS13BX16HP OPTIONAL PART: 2-02903-16HP V11328 35235VN16 V08199 AFP175V16P V30974 DBOS13BX16HP V14798		2
- 370	BACN10YL16		..NUT		2
380	272T4500-772		.TUBE ASSY-SUPPLY CTR SYS TUBING MATERIAL: 1.00 IN. OD .052 IN. WALL 35.00 IN. LG STEEL	155162	1

ILLUSTRATION ITEMS NOT ON PARTS LIST ARE NOT APPLICABLE

- ITEM NOT ILLUSTRATED

HXL

29-11-76-04

BOEING PROPRIETARY - Copyright © - Unpublished Work - See title page for details.

29-11-76
FIG. 04
PAGE 10
DEC 22/07



767

PARTS CATALOG (MAINTENANCE)

FIG ITEM	PART NUMBER	1 2 3 4 5 6 7	NOMENCLATURE	EFFECT FROM TO	UNITS PER ASSY
4					
- 385	AP2097HP16	..	SLEEVE SUPPLIER CODE: V01673 SPECIFICATION NUMBER: BACS13BX16HP OPTIONAL PART: 2-02903-16HP V11328 35235VN16 V08199 AFP175V16P V30974 DBOS13BX16HP V14798		2
- 390	BACN10YA16N	..	NUT	155162	2
400	272T4500-659	.TUBE	ASSY-SUPPLY CTR SYS TUBING MATERIAL: 1.00 IN. OD .051 IN. WALL 19.00 IN. LG TITANIUM		1
- 405	AS1581T16	..	SLEEVE		2
- 410	BACN10YA16	..	NUT- OPTIONAL PART: BACN10NR16		2
- 410	AFP107-16	..	NUT- SUPPLIER CODE: V30974 SPECIFICATION NUMBER: BACN10NR16 OPTIONAL PART: AP1028T16 V01673 BC921T16 V50948 DBON10NR16 V14798 ER01921-16T V88334 FER8928-16 V14397 F11-16 V73197 2-03005T16 V11328 31783-16 V14397 BACN10YA16		2

ILLUSTRATION ITEMS NOT ON PARTS LIST ARE NOT APPLICABLE

- ITEM NOT ILLUSTRATED

HXL

29-11-76-04

BOEING PROPRIETARY - Copyright © - Unpublished Work - See title page for details.

29-11-76
FIG. 04
PAGE 11
DEC 22/07



767

PARTS CATALOG (MAINTENANCE)

FIG ITEM	PART NUMBER	1 2 3 4 5 6 7	NOMENCLATURE	EFFECT FROM TO	UNITS PER ASSY
4					
420	272T4500-660		.TUBE ASSY-SUPPLY CTR SYS TUBING MATERIAL: 1.00 IN. OD .051 IN. WALL 47.00 IN. LG TITANIUM		1
- 425	AS1581T16		..SLEEVE		1
- 430	BACN10YA16		..NUT- OPTIONAL PART: BACN10NR16		1
- 430	AFP107-16		..NUT- SUPPLIER CODE: V30974 SPECIFICATION NUMBER: BACN10NR16 OPTIONAL PART: AP1028T16 V01673 BC921T16 V50948 DBON10NR16 V14798 ER01921-16T V88334 FER8928-16 V14397 F11-16 V73197 2-03005T16 V11328 31783-16 V14397 BACN10YA16		1
440	272T4500-617		.TUBE ASSY-VENT CTR SYS TUBING MATERIAL: 1.25 IN. OD .035 IN. WALL 41.00 IN. LG ALUMINUM		1

ILLUSTRATION ITEMS NOT ON PARTS LIST ARE NOT APPLICABLE

- ITEM NOT ILLUSTRATED

HXL

29-11-76-04

BOEING PROPRIETARY - Copyright © - Unpublished Work - See title page for details.

29-11-76
FIG. 04
PAGE 12
DEC 22/07

 **BOEING**
767
PARTS CATALOG (MAINTENANCE)

FIG ITEM	PART NUMBER	1 2 3 4 5 6 7	NOMENCLATURE	EFFECT FROM TO	UNITS PER ASSY
4					
- 445	DB0S13BD20HP	..	SLEEVE SUPPLIER CODE: V14798 SPECIFICATION NUMBER: BACS13BD20HP OPTIONAL PART: 118-10722-20-00 V88334 2-02901-20HP V11328 2-02901-20HP V70195 35044VN20 V08199 4690008-20-2 V45681 4690008-20-2 V92003 AFP176V20HP V30974 35044V20HP V08199		1
- 450	BACN10YL20	..	NUT		1
460	270T0005-203	.BLOCK	ASSY-SPRT FOR DETAILS SEE: 29-11-76-11		1
465	270T0005-242	.BLOCK	ASSY-SPRT FOR DETAILS SEE: 29-11-76-11		1
470	270T0005-246	.BLOCK	ASSY-SPRT FOR DETAILS SEE: 29-11-76-11		1
475	270T0005-258	.BLOCK	ASSY-SPRT FOR DETAILS SEE: 29-11-76-11		1
480	270T0005-259	.BLOCK	ASSY-SPRT FOR DETAILS SEE: 29-11-76-11		1
485	270T0005-282	.BLOCK	ASSY-SPRT FOR DETAILS SEE: 29-11-76-11		1
490	270T0005-319	.BLOCK	ASSY-SPRT FOR DETAILS SEE: 29-11-76-11		1
495	270T0005-340	.BLOCK	ASSY-SPRT FOR DETAILS SEE: 29-11-76-11		1
ILLUSTRATION ITEMS NOT ON PARTS LIST ARE NOT APPLICABLE					

- ITEM NOT ILLUSTRATED

HXL

29-11-76-04

BOEING PROPRIETARY - Copyright © - Unpublished Work - See title page for details.

29-11-76
FIG. 04
PAGE 13
DEC 22/07

 **BOEING**
767
PARTS CATALOG (MAINTENANCE)

FIG ITEM	PART NUMBER	1 2 3 4 5 6 7	NOMENCLATURE	EFFECT FROM TO	UNITS PER ASSY
4					
500	270T0005-474		.BLOCK ASSY-SPRT FOR DETAILS SEE: 29-11-76-11		1
505	270T0005-521		.BLOCK ASSY-SPRT FOR DETAILS SEE: 29-11-76-11		1
510	270T0005-701		.BLOCK ASSY-SPRT FOR DETAILS SEE: 29-11-76-12		1
515	270T0005-802		.BLOCK ASSY-SPRT FOR DETAILS SEE: 29-11-76-12		1
520	270T0005-898		.BLOCK ASSY-SPRT FOR DETAILS SEE: 29-11-76-12		1
525	270T0005-899		.BLOCK ASSY-SPRT FOR DETAILS SEE: 29-11-76-12		1
530	272T4521-5		.FITTING-BHD UNION		1
535	BACE21BN1616J		.ELBOW		1
540	AP1042P0606		.ELBOW SUPPLIER CODE: V01673 SPECIFICATION NUMBER: BACE21BT0606P		1
540	NAS1762J0606		.ELBOW		1
545	AP1042P1212		.ELBOW- SUPPLIER CODE: V01673 SPECIFICATION NUMBER: BACE21BT1212P		1
550	NAS1762D1616		.ELBOW		1

ILLUSTRATION ITEMS NOT ON PARTS LIST ARE NOT APPLICABLE

— ITEM NOT ILLUSTRATED

HXL

29-11-76-04

BOEING PROPRIETARY - Copyright © - Unpublished Work - See title page for details.

29-11-76
FIG. 04
PAGE 14
DEC 22/07

 **BOEING**
767
PARTS CATALOG (MAINTENANCE)

FIG ITEM	PART NUMBER	1 2 3 4 5 6 7	NOMENCLATURE	EFFECT FROM TO	UNITS PER ASSY
4 555	APX824D161610	. TEE	SUPPLIER CODE: V01673 SPECIFICATION NUMBER: BACT16AS161610D OPTIONAL PART: APX824-161610D V01673 DB0T16AS161610D V14798 ER824-161610D V50948 FER1571-161610D V14397 LER824-161610D V11328 NAF1824-161610D V52930 US1925-161610D V50808 AFP325-161610D V30974		1
560	BACT16BL080808J	. TEE			1
565	BACT16BL121208J	. TEE			2
570	BACT16BL121210J	. TEE			2
575	BACT16BN060606J	. TEE			1
580	BACT16BN080810J	. TEE			1
582	BACT16BR161016P	. TEE			1
585	NAS1763D161616	. TEE			1
590	NAS1764D161016	. TEE			1
595	69B83900-2	. CAP-BLEED			1
		MISCELLANEOUS DATA: NOT AN INITIAL PROVISIONING SPARE			
600	69B91239-8	. FITTING ASSY-			1
600	69B91239-6	. FITTING ASSY-			1
605	AN924-6D	. NUT			1
610	AN924-8D	. NUT			1
615	AN924-16D	. NUT			2
620	AN960PD916	. WASHER			1
625	AN960PD916L	. WASHER			1
630	AN960PD2116	. WASHER			1
635	AN960PD2116L	. WASHER			2

ILLUSTRATION ITEMS NOT ON PARTS LIST ARE NOT APPLICABLE

- ITEM NOT ILLUSTRATED

HXL

29-11-76-04

BOEING PROPRIETARY - Copyright © - Unpublished Work - See title page for details.

29-11-76
FIG. 04
PAGE 15
AUG 22/08

BOEING
767
PARTS CATALOG (MAINTENANCE)

FIG ITEM	PART NUMBER	1 2 3 4 5 6 7	NOMENCLATURE	EFFECT FROM TO	UNITS PER ASSY
4 640	1C1298		.VALVE-3000 PSI INLINE FLARELESS MINIATURE CHK SUPPLIER CODE: V99240 SPECIFICATION NUMBER: S270T252-17 OPTIONAL PART: 0121520500-5 V83533		2
640	0121520500-5		.VALVE-3000 PSI INLINE FLARELESS MINIATURE CHK SUPPLIER CODE: V83533 SPECIFICATION NUMBER: S270T252-5 OPTIONAL PART: 1C1298 V99240 ATTACHING PARTS		2
- 645	NAS1801-4-8		.SCREW		2
- 650	AN960PD416L		.WASHER		2
			-----*-----		
655	272T0131-1		.SWITCH INSTL-PRESSURE HYDR FOR DETAILS SEE: 29-11-63-05		1
950			ILLUSTRATION REFERENCE: UNIT INSTL-TE FLAP PWR DRIVE 27-51-33-01		RF
955			ILLUSTRATION REFERENCE: MODULE INSTL-FLAP AND SLAT HYDR SHUTOFF VALVE 27-51-48-01		RF
960			ILLUSTRATION REFERENCE: HYDRAULIC INSTL-SECT. 45 (FLAPS ONLY) 27-51-63-01		RF
965			ILLUSTRATION REFERENCE: HYDRAULIC INSTL-SECT. 45 (GROUND SERVICING SYSTEM ONLY) 29-18-56-02		RF
975			ILLUSTRATION REFERENCE: CHECKOUT INSTL-RAM AIR TURB MODULE AND TACK (HYDRAULIC POWER ONLY) 29-21-51-01		RF

ILLUSTRATION ITEMS NOT ON PARTS LIST ARE NOT APPLICABLE

- ITEM NOT ILLUSTRATED

HXL

29-11-76-04

BOEING PROPRIETARY - Copyright © - Unpublished Work - See title page for details.

29-11-76
FIG. 04
PAGE 16
DEC 22/08



767

PARTS CATALOG (MAINTENANCE)

FIG ITEM	PART NUMBER	1 2 3 4 5 6 7	NOMENCLATURE	EFFECT FROM TO	UNITS PER ASSY
4 980			ILLUSTRATION REFERENCE: HYDRAULIC INSTL-SECT. 45 (HYDRAULIC BRAKE SYSTEM ONLY) 32-41-64-02		RF
985			ILLUSTRATION REFERENCE: HYDRAULIC INSTL-SECT. 12 (RH) (HYDRAULIC POWER ONLY) 29-11-77-05		RF
990			ILLUSTRATION REFERENCE: HYDRAULIC INSTL-SECT. 45 (AUXILIARY ONLY) 29-21-53-01		RF
995			ILLUSTRATION REFERENCE: HYDRAULIC INSTL-SECT. 49 WING/BODY FAIRING (MAIN HYDRAULIC SYSTEMS ONLY) 29-11-78-01		RF

ILLUSTRATION ITEMS NOT ON PARTS LIST ARE NOT APPLICABLE

- ITEM NOT ILLUSTRATED

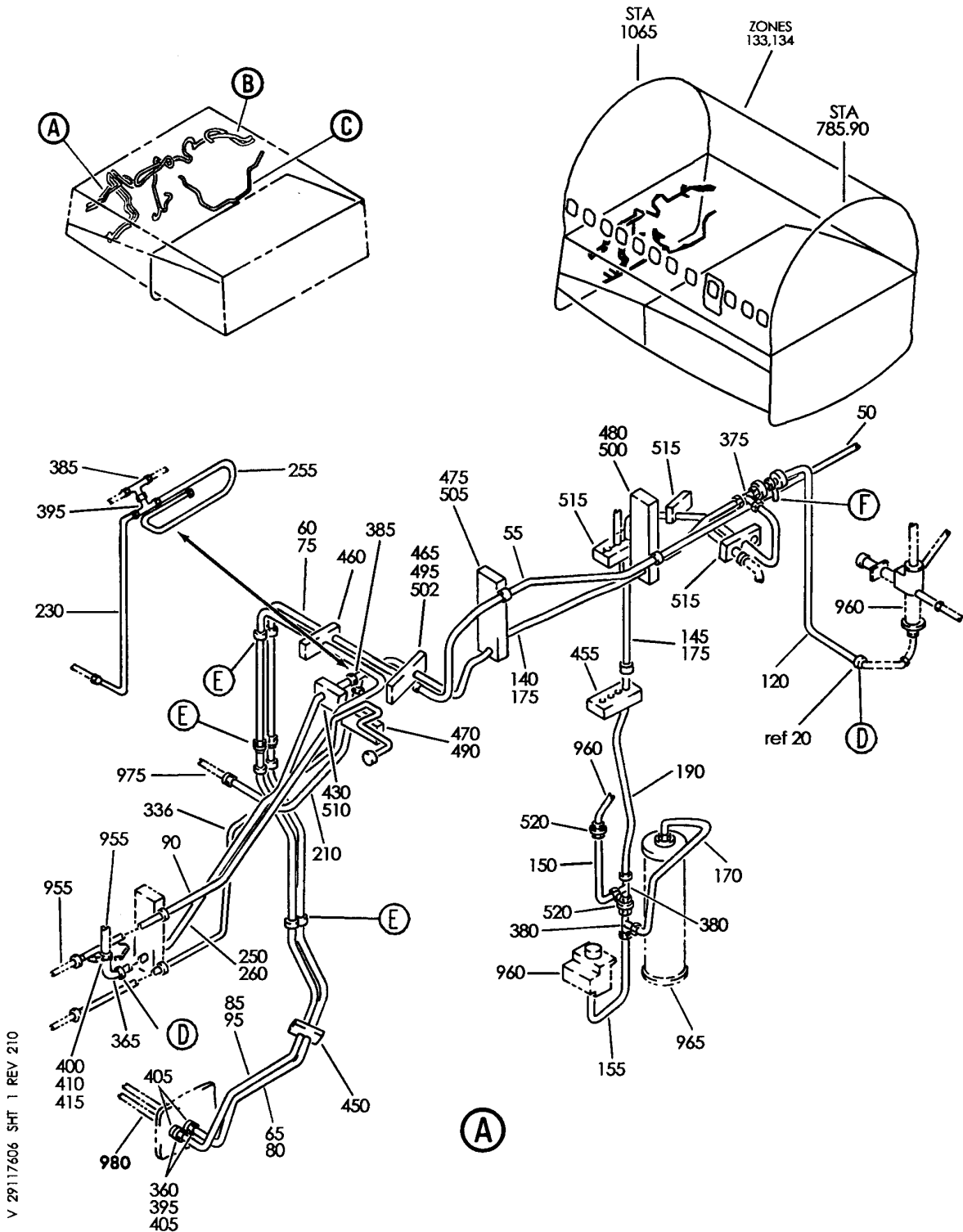
HXL

29-11-76-04

BOEING PROPRIETARY - Copyright © - Unpublished Work - See title page for details.

29-11-76
FIG. 04
PAGE 17
DEC 22/08

BOEING
767
PARTS CATALOG (MAINTENANCE)



V 29117606 SHT 1 REV 210

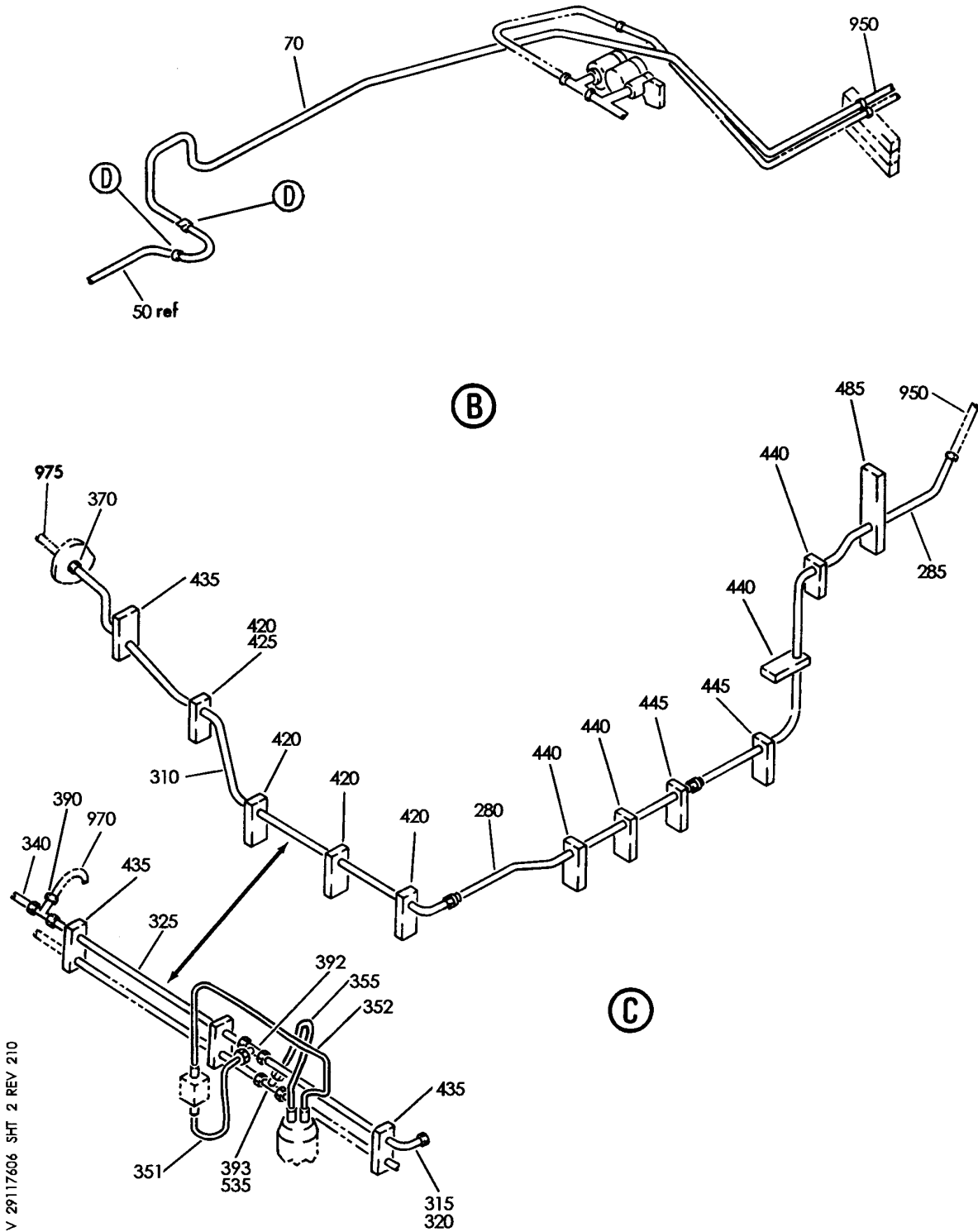
HYDRAULIC INSTL-SECT. 45 (MAIN HYDRAULIC SYSTEMS ONLY)
FIGURE 6 (SHEET 1)

29-11-76-06

HXL
DEC 22/06

29-11-76-06
PAGE 0


BOEING
 767
PARTS CATALOG (MAINTENANCE)



V 29117606 SHT 2 REV 210

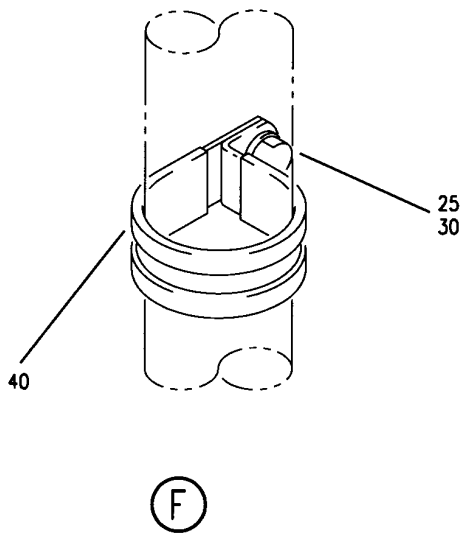
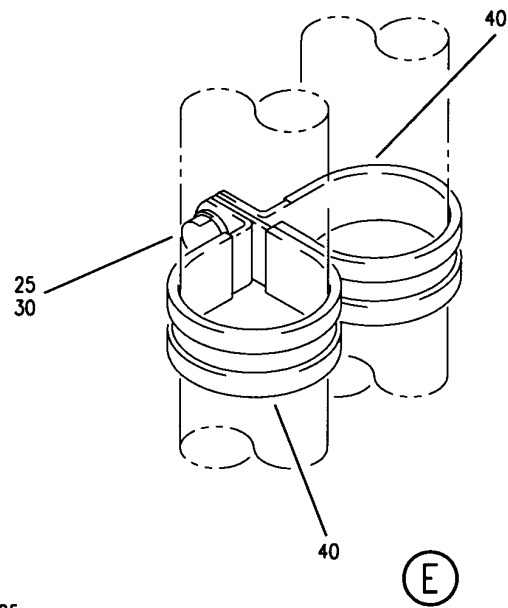
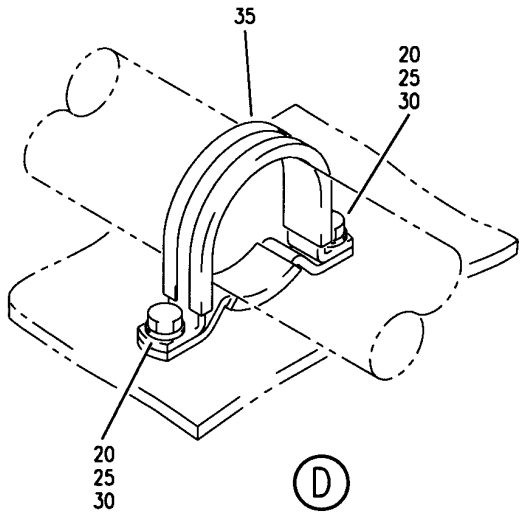
HYDRAULIC INSTL-SECT. 45 (MAIN HYDRAULIC SYSTEMS ONLY)
 FIGURE 6 (SHEET 2)

29-11-76-06

HXL
 DEC 22/06

29-11-76-06
 PAGE 0A

BOEING
767
PARTS CATALOG (MAINTENANCE)



V 29117606 SHT 3 REV 194

HYDRAULIC INSTL-SECT. 45 (MAIN HYDRAULIC SYSTEMS ONLY)
FIGURE 6 (SHEET 3)

29-11-76-06

HXL
DEC 22/06

29-11-76-06
PAGE 0B



767

PARTS CATALOG (MAINTENANCE)

FIG ITEM	PART NUMBER	1 2 3 4 5 6 7	NOMENCLATURE	EFFECT FROM TO	UNITS PER ASSY
6			HYDRAULIC INSTL-SECT. 45 (MAIN HYDRAULIC SYSTEMS ONLY)		
- 1	272T4500-3		HYDRAULIC INSTL- POSITION DATA: SECT. 45 MISCELLANEOUS DATA: (MAIN HYDRAULIC SYSTEMS ONLY) (CONT AT ITEM 001K) VARIABLE DRAWING REF: 272T4500-5191 272T4500-7002 FOR NHA/OTHER SYS DET SEE: 29-00-00-06		RF
- 1	272T4500-3		HYDRAULIC INSTL- POSITION DATA: SECT. 45 MISCELLANEOUS DATA: (MAIN HYDRAULIC SYSTEMS ONLY) (CONT AT ITEM 001L) VARIABLE DRAWING REF: 272T4500-5274 272T4500-5278 272T4500-7002 FOR NHA/OTHER SYS DET SEE: 29-00-00-06		RF
- 1	272T4500-3		HYDRAULIC INSTL- POSITION DATA: SECT. 45 MISCELLANEOUS DATA: (MAIN HYDRAULIC SYSTEMS ONLY) VARIABLE DRAWING REF: 272T4500-7002 FOR NHA/OTHER SYS DET SEE: 29-00-00-06		RF
25	NAS1801-3-9		.SCREW		14
30	AN960PD10L		.WASHER		15

ILLUSTRATION ITEMS NOT ON PARTS LIST ARE NOT APPLICABLE

- ITEM NOT ILLUSTRATED

HXL

29-11-76-06

BOEING PROPRIETARY - Copyright © - Unpublished Work - See title page for details.

29-11-76
FIG. 06
PAGE 1
DEC 22/07



767

PARTS CATALOG (MAINTENANCE)

FIG ITEM	PART NUMBER	1 2 3 4 5 6 7	NOMENCLATURE	EFFECT FROM TO	UNITS PER ASSY
6					
- 100	AP2097HP06	..	SLEEVE SUPPLIER CODE: V01673 SPECIFICATION NUMBER: BACS13BX06HP OPTIONAL PART: 2-02903-06HP V11328 35235VN06 V08199 AFP175V06P V30974 DBOS13BX06HP V14798		1
- 105	BACN10YLO6	..	NUT		1
- 110	35056GV06	..	UNION SUPPLIER CODE: V08199 SPECIFICATION NUMBER: BACU24AB6W OPTIONAL PART: 2-01027-6W V11328 31875-6W V14397 4671097W6 V50948 AP1004W06 V01673 AFP941W6 V30974 DBOU24AB6W V14798		1
120	272T4500-885	.TUBE ASSY-PRESSURE R SYS	TUBING MATERIAL: .375 IN. OD .019 IN. WALL 36.00 IN. LG TITANIUM		1
- 125	AS1581T06	..	SLEEVE		2
- 130	BACN10YA6	..	NUT		2
145	272T4500-805	.TUBE ASSY-PRESSURE R SYS	MANUFACTURED FROM: LG TUBING MATERIAL: .500 IN. OD .026 IN. WALL 95.00 IN. LG TITANIUM		1

ILLUSTRATION ITEMS NOT ON PARTS LIST ARE NOT APPLICABLE

- ITEM NOT ILLUSTRATED

29-11-76-06

29-11-76
FIG. 06
PAGE 2
DEC 22/07

HXL

 **BOEING**
767
PARTS CATALOG (MAINTENANCE)

FIG ITEM	PART NUMBER	1 2 3 4 5 6 7	NOMENCLATURE	EFFECT FROM TO	UNITS PER ASSY
6 150	272T4500-806		.TUBE ASSY-PRESSURE R SYS MANUFACTURED FROM: LG TUBING MATERIAL: .500 IN. OD .026 IN. WALL 12.00 IN. LG TITANIUM		1
155	272T4500-807		.TUBE ASSY-PRESSURE R SYS MANUFACTURED FROM: LG TUBING MATERIAL: .500 IN. OD .026 IN. WALL 16.75 IN. LG TITANIUM		1
- 160	AS1581T08		..SLEEVE		2
- 165	BACN10YA8		..NUT- OPTIONAL PART: BACN10NR8		2
- 165	AFP107-8		..NUT- SUPPLIER CODE: V30974 SPECIFICATION NUMBER: BACN10NR8 OPTIONAL PART: AP1028T8 V01673 BC921T8 V50948 DBON10NR8 V14798 ER01921-8T V88334 FER8928-8 V14397 F11-8 V73197 2-03005T8 V11328 31783-8 V14397 BACN10YA8		2
170	272T4500-883		.TUBE ASSY-PRESSURE R SYS TUBING MATERIAL: .500 IN. OD .026 IN. WALL 25.00 IN. LG TITANIUM		1

ILLUSTRATION ITEMS NOT ON PARTS LIST ARE NOT APPLICABLE

- ITEM NOT ILLUSTRATED

HXL

29-11-76-06

BOEING PROPRIETARY - Copyright © - Unpublished Work - See title page for details.

29-11-76
FIG. 06
PAGE 3
DEC 22/07

 **BOEING**
767
PARTS CATALOG (MAINTENANCE)

FIG ITEM	PART NUMBER	1 2 3 4 5 6 7	NOMENCLATURE	EFFECT FROM TO	UNITS PER ASSY
6					
175	272T4500-2807		.TUBE ASSY-PRESSURE R SYS TUBING MATERIAL: .500 IN. OD .026 IN. WALL 78.00 IN. LG TITANIUM		1
- 180	AS1581T08		..SLEEVE		2
- 185	BACN10YA8		..NUT- USED ON: 272T4500-883		2
- 185	BACN10YA8N		..NUT- USED ON: 272T4500-2807 272T4500-2826 272T4500-2829		2
210	272T4500-800		.TUBE ASSY-PRESSURE R SYS TUBING MATERIAL: .625 IN. OD .032 IN. WALL 20.00 IN. LG TITANIUM		1
- 215	AS1581T10		..SLEEVE		1
- 220	BACN10YA10		..NUT- OPTIONAL PART: BACN10NR10		1
- 220	AFP107-10		..NUT- SUPPLIER CODE: V30974 SPECIFICATION NUMBER: BACN10NR10 OPTIONAL PART: AP1028T10 V01673 BC921T10 V50948 DBON10NR10 V14798 ER01921-10T V88334 FER8928-10 V14397 F11-10 V73197 2-03005T10 V11328 31783-10 V14397 BACN10YA10		1
- 225	AS1582T10		..UNION		1
ILLUSTRATION ITEMS NOT ON PARTS LIST ARE NOT APPLICABLE					

- ITEM NOT ILLUSTRATED

HXL

29-11-76-06

BOEING PROPRIETARY - Copyright © - Unpublished Work - See title page for details.

29-11-76
FIG. 06
PAGE 4
DEC 22/07



767

PARTS CATALOG (MAINTENANCE)

FIG ITEM	PART NUMBER	1 2 3 4 5 6 7	NOMENCLATURE	EFFECT FROM TO	UNITS PER ASSY
6					
260	272T4500-2806		.TUBE ASSY-PRESSURE R SYS TUBING MATERIAL: .625 IN. OD .032 IN. WALL 92.00 IN. LG TITANIUM		1
- 265	AS1581T10		..SLEEVE		2
- 275	BACN10YA10		..NUT-		2
			USED ON: 272T4500-1910 272T4500-2806		
280	272T4500-107		.TUBE ASSY-PRESSURE L SYS TUBING MATERIAL: .750 IN. OD .039 IN. WALL 59.00 IN. LG TITANIUM		1
285	272T4500-110		.TUBE ASSY-PRESSURE L SYS TUBING MATERIAL: .750 IN. OD .039 IN. WALL 84.00 IN. LG TITANIUM		1
- 290	AS1581T12		..SLEEVE		1
- 295	BACN10YA12		..NUT		1
- 300	AS1582T12		..UNION		1
310	272T4500-111		.TUBE ASSY-PRESSURE L SYS TUBING MATERIAL: .750 IN. OD .039 IN. WALL 127.00 IN. LG TITANIUM		1
- 330	AS1581T12		..SLEEVE		2
- 335	BACN10YA12N		..NUT-		2
			USED ON: 272T4500-111 272T4500-1206 272T4500-1207		
336	272T4500-2412		.TUBE ASSY-PRESSURE SYS TUBING MATERIAL: .375 IN. OD .020 IN. WALL 106.00 IN. LG STEEL		1

ILLUSTRATION ITEMS NOT ON PARTS LIST ARE NOT APPLICABLE

- ITEM NOT ILLUSTRATED

HXL

29-11-76-06

BOEING PROPRIETARY - Copyright © - Unpublished Work - See title page for details.

29-11-76
FIG. 06
PAGE 5
DEC 22/07



767

PARTS CATALOG (MAINTENANCE)

FIG ITEM	PART NUMBER	1 2 3 4 5 6 7	NOMENCLATURE	EFFECT FROM TO	UNITS PER ASSY
6					
- 337	AP2097HP06	..	SLEEVE SUPPLIER CODE: V01673 SPECIFICATION NUMBER: BACS13BX06HP OPTIONAL PART: 2-02903-06HP V11328 35235VN06 V08199 AFP175V06P V30974 DBOS13BX06HP V14798		1
- 338	BACN10YA6N	..	NUT		1
- 339	35056V06	..	UNION SUPPLIER CODE: V08199 SPECIFICATION NUMBER: BACU24AB6H OPTIONAL PART: 2-01027-6H V11328 31875-6H V14397 4671097H6 V50948 AP1004H06 V01673 AFP941H6 V30974 DBOU24AB6H V14798		1
365	BACE21BN1010J	.	ELBOW		1

ILLUSTRATION ITEMS NOT ON PARTS LIST ARE NOT APPLICABLE

- ITEM NOT ILLUSTRATED

HXL

29-11-76-06

BOEING PROPRIETARY - Copyright © - Unpublished Work - See title page for details.

29-11-76
FIG. 06
PAGE 6
DEC 22/07



767

PARTS CATALOG (MAINTENANCE)

FIG ITEM	PART NUMBER	1 2 3 4 5 6 7	NOMENCLATURE	EFFECT FROM TO	UNITS PER ASSY
6 370	AFP23212-10	.	REDUCER SUPPLIER CODE: V30974 SPECIFICATION NUMBER: BACR17E12-10 OPTIONAL PART: AP102712-10 V01673 BC916T12-10 V50948 DBOR17E12-10 V14798 ER21916T12-10 V88334 ER31916-12-10 V88334 F23-12-10 V73197 2-01075T12-10 V11328 31778-12-10 V14397 US2114-12-10 V50808		1
375	BACT16BL080608T	.	TEE		1
380	BACT16BR080808P	.	TEE		2
385	BACT16BL100810J	.	TEE		1
400	AN924-10D	.	NUT		1
410	AN960PD1416	.	WASHER		1
415	AN960PD1416L	.	WASHER		1
420	270T0005-245	.	BLOCK ASSY-SPRT FOR DETAILS SEE: 29-11-76-11		4
430	270T0005-255	.	BLOCK ASSY-SPRT FOR DETAILS SEE: 29-11-76-11		1
440	270T0005-338	.	BLOCK ASSY-SPRT FOR DETAILS SEE: 29-11-76-11		4
445	270T0005-339	.	BLOCK ASSY-SPRT FOR DETAILS SEE: 29-11-76-11		2
455	270T0005-481	.	BLOCK ASSY-SPRT FOR DETAILS SEE: 29-11-76-11		1
465	270T0005-627	.	BLOCK ASSY-SPRT FOR DETAILS SEE: 29-11-76-12		1

ILLUSTRATION ITEMS NOT ON PARTS LIST ARE NOT APPLICABLE

- ITEM NOT ILLUSTRATED

29-11-76-06

29-11-76
FIG. 06
PAGE 7
DEC 22/07

HXL

BOEING PROPRIETARY - Copyright © - Unpublished Work - See title page for details.

BOEING
767
PARTS CATALOG (MAINTENANCE)

FIG ITEM	PART NUMBER	1 2 3 4 5 6 7	NOMENCLATURE	EFFECT FROM TO	UNITS PER ASSY
6					
475	270T0005-712		.BLOCK ASSY-SPRT FOR DETAILS SEE: 29-11-76-12		1
480	270T0005-713		.BLOCK ASSY-SPRT FOR DETAILS SEE: 29-11-76-12		1
485	270T0005-801		.BLOCK ASSY-SPRT FOR DETAILS SEE: 29-11-76-12		1
502	270T0005-894		.BLOCK ASSY-SPRT FOR DETAILS SEE: 29-11-76-12		1
510	270T0005-1103		.BLOCK ASSY-SPRT FOR DETAILS SEE: 29-11-76-12		1
515	270T0005-2411		.BLOCK ASSY-SPRT FOR DETAILS SEE: 29-11-76-12		3
520	1C1292		.VALVE- SUPPLIER CODE: V99240 SPECIFICATION NUMBER: S270T252-14 OPTIONAL PART: 0121520500-2 V83533		2
520	0121520500-2		.VALVE-3000 PSI INLINE SUPPLIER CODE: V83533 SPECIFICATION NUMBER: S270T252-2 OPTIONAL PART: 1C1292 V99240 ATTACHING PARTS		2
- 525	NAS1801-3-8		.SCREW		2
- 530	AN960PD10L		.WASHER		2
950			-----*----- ILLUSTRATION REFERENCE: HYDRAULIC INSTL-SECT. 12 (LH) (HYDRAULIC POWER ONLY) 29-11-77-01		RF
955			ILLUSTRATION REFERENCE: HYDRAULIC INSTL-SECT. 12 (RH) (HYDRAULIC POWER ONLY) 29-11-77-05		RF
ILLUSTRATION ITEMS NOT ON PARTS LIST ARE NOT APPLICABLE					

- ITEM NOT ILLUSTRATED

HXL

29-11-76-06

BOEING PROPRIETARY - Copyright © - Unpublished Work - See title page for details.

29-11-76
FIG. 06
PAGE 8
DEC 22/07



767

PARTS CATALOG (MAINTENANCE)

FIG ITEM	PART NUMBER	1 2 3 4 5 6 7	NOMENCLATURE	EFFECT FROM TO	UNITS PER ASSY
6 960			ILLUSTRATION REFERENCE: HYDRAULIC INSTL-SECT. 45 (HYDRAULIC BRAKE SYSTEM ONLY) 32-41-64-02		RF
965			ILLUSTRATION REFERENCE: HYDRAULIC INSTL-SECT. 45 (PARKING BRAKE SYSTEM ONLY) 32-44-53-01		RF
975			ILLUSTRATION REFERENCE: HYDRAULIC INSTL-SECT.46 -300 29-11-79-02		RF
ILLUSTRATION ITEMS NOT ON PARTS LIST ARE NOT APPLICABLE					

- ITEM NOT ILLUSTRATED

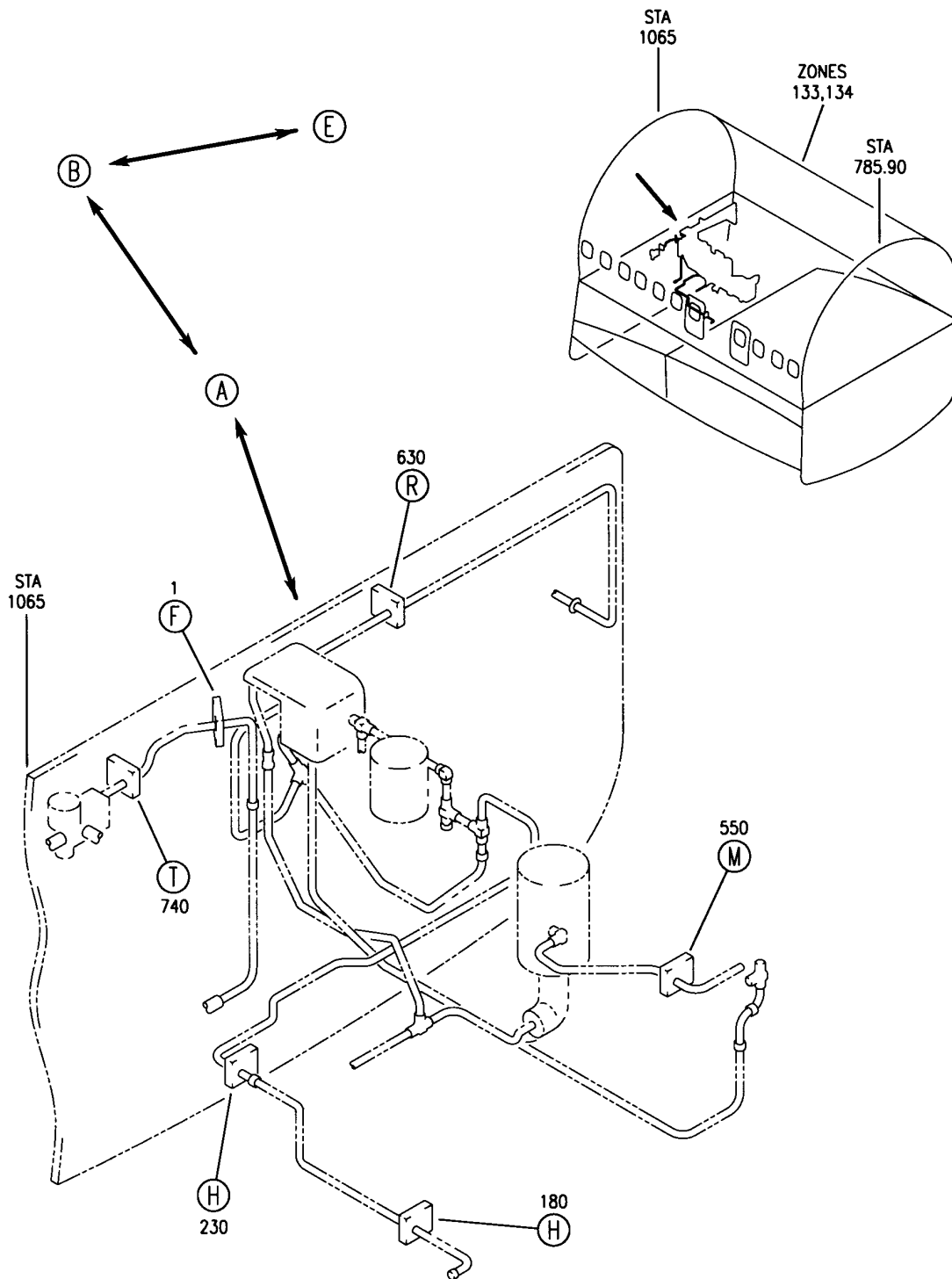
HXL

29-11-76-06

BOEING PROPRIETARY - Copyright © - Unpublished Work - See title page for details.

29-11-76
FIG. 06
PAGE 9
DEC 22/08

BOEING
767
PARTS CATALOG (MAINTENANCE)



V 29117611 SH1 1 REV 206

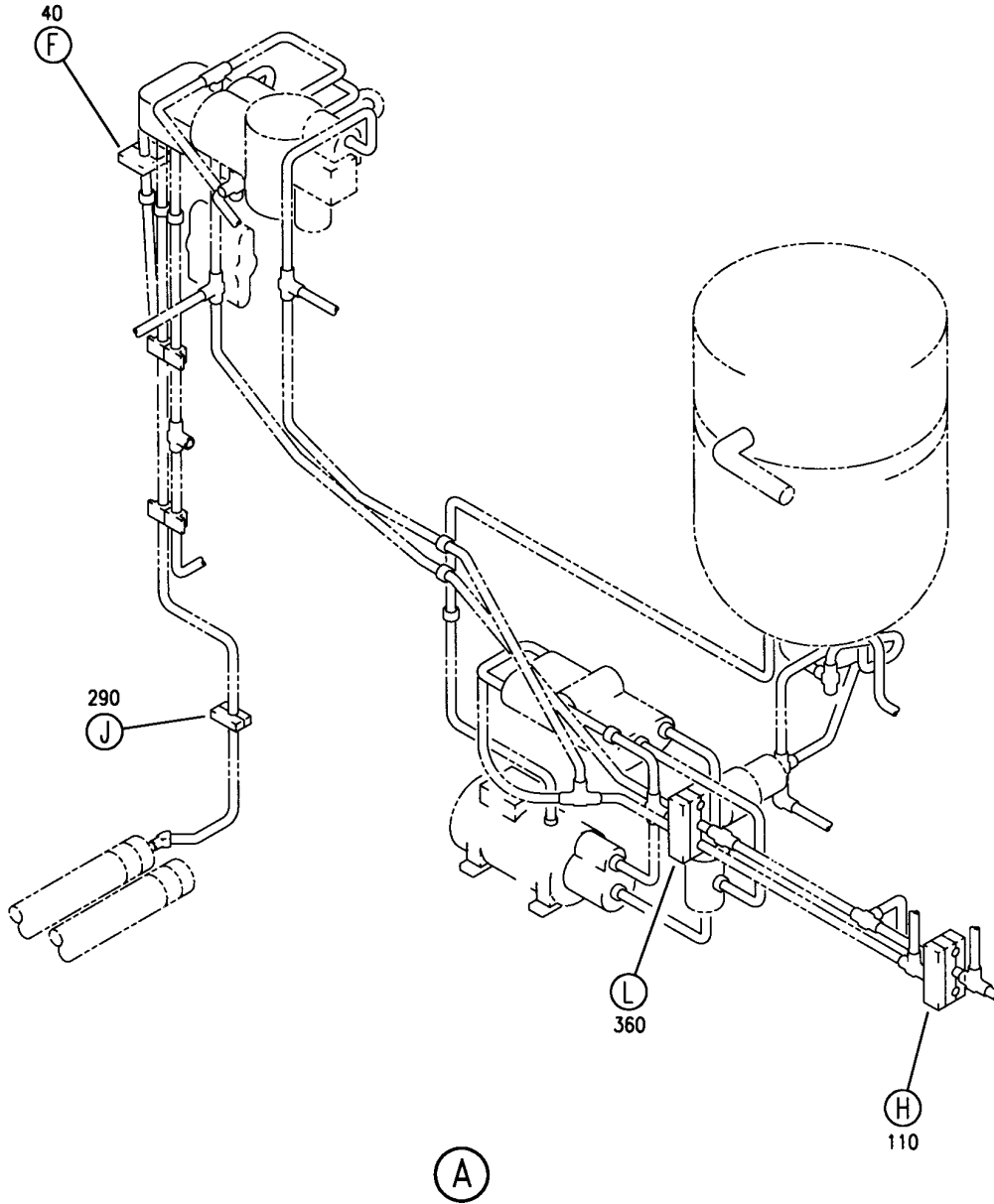
BLOCK ASSY-SPRT
FIGURE 11 (SHEET 1)

29-11-76-11

HXL
DEC 22/06

29-11-76-11
PAGE 0

BOEING
767
PARTS CATALOG (MAINTENANCE)



V 29117611 SHT 2 REV 206

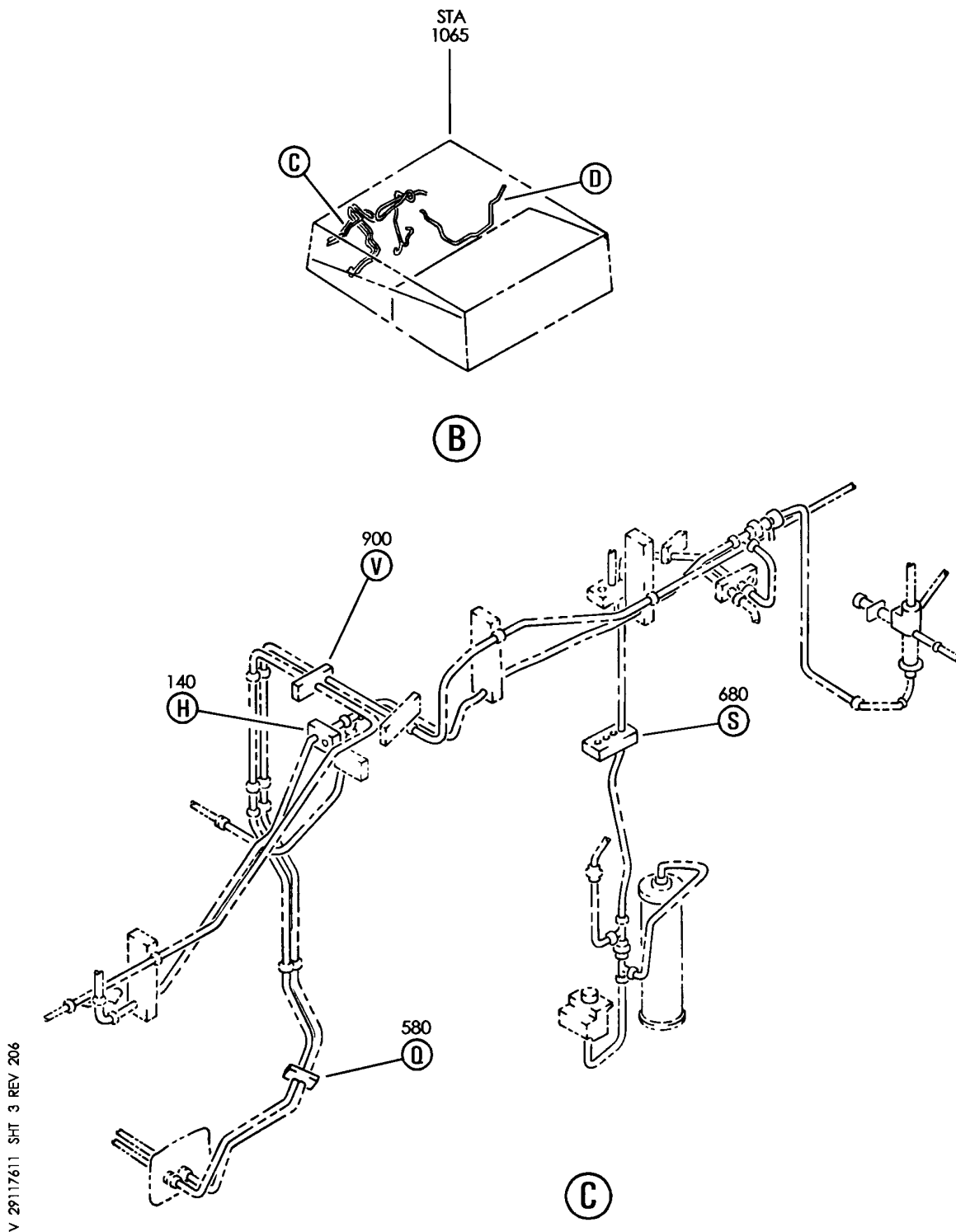
BLOCK ASSY-SPRT
FIGURE 11 (SHEET 2)

29-11-76-11

HXL
DEC 22/06

29-11-76-11
PAGE 0A

BOEING
767
PARTS CATALOG (MAINTENANCE)



V 29117611 SHT 3 REV 206

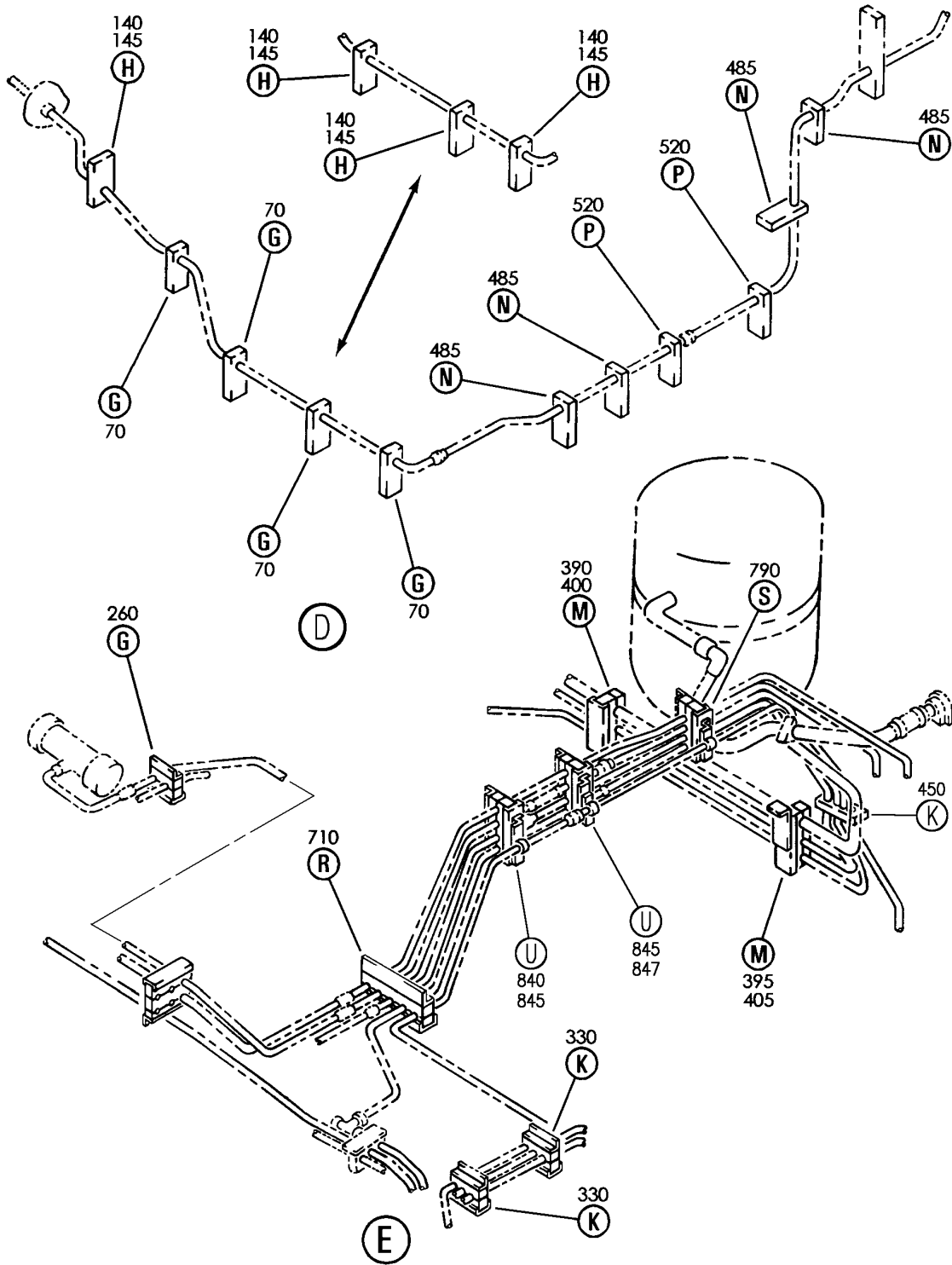
BLOCK ASSY-SPRT
FIGURE 11 (SHEET 3)

29-11-76-11

HXL
DEC 22/06

29-11-76-11
PAGE 0B

BOEING
767
PARTS CATALOG (MAINTENANCE)



V 29117611 SHT 4 REV 325

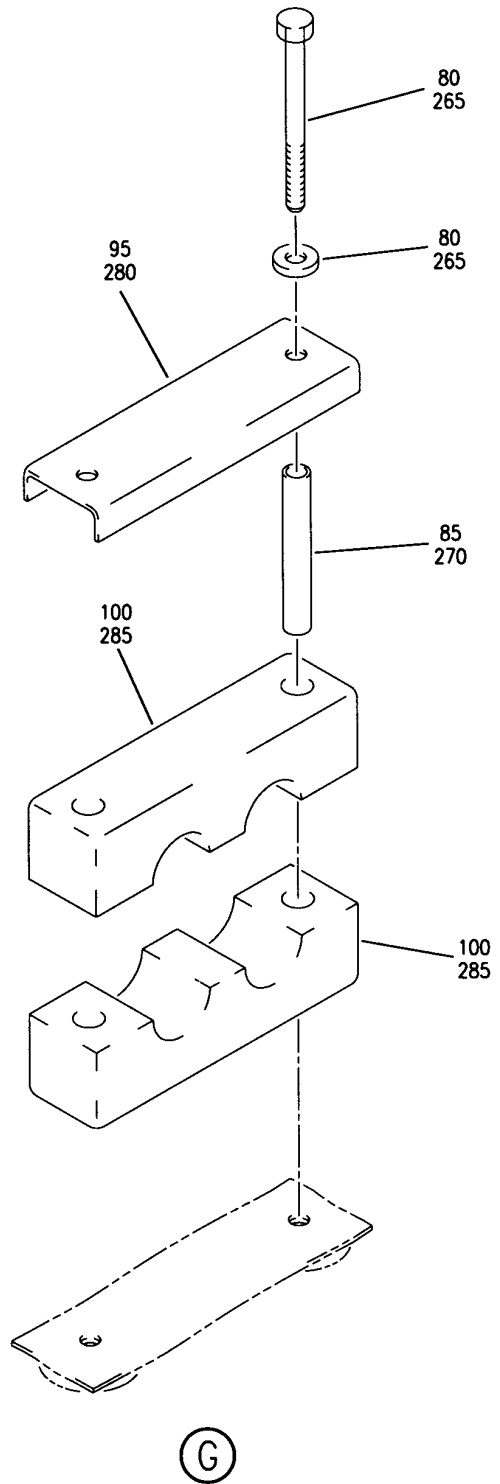
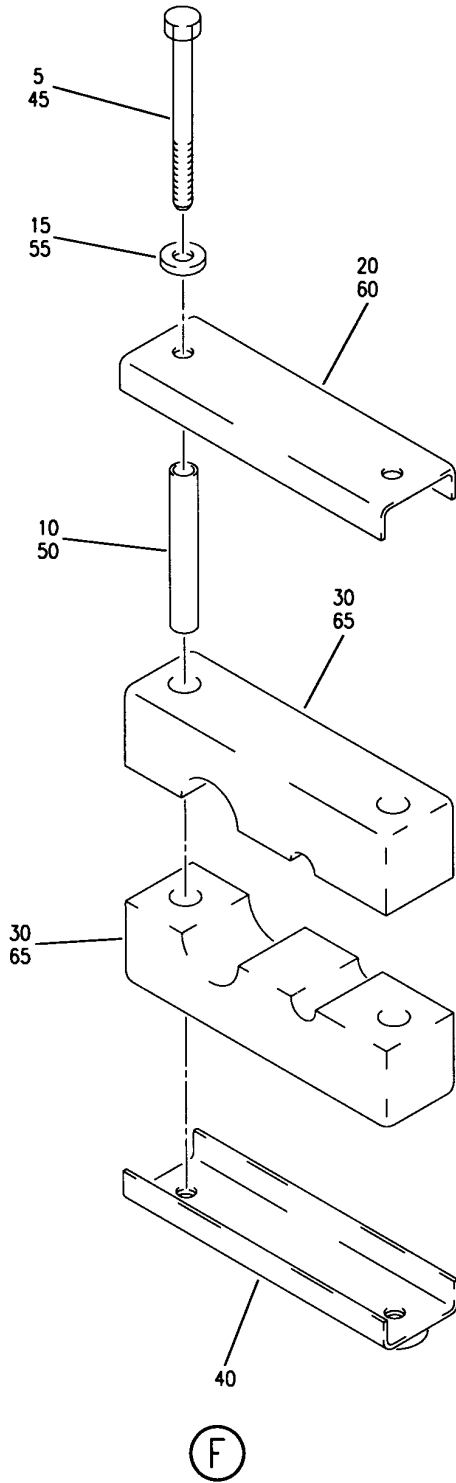
BLOCK ASSY-SPRT
FIGURE 11 (SHEET 4)

29-11-76-11

HXL
APR 22/08

29-11-76-11
PAGE 0C

BOEING
767
PARTS CATALOG (MAINTENANCE)



V 29117611 SH1 5 REV 206

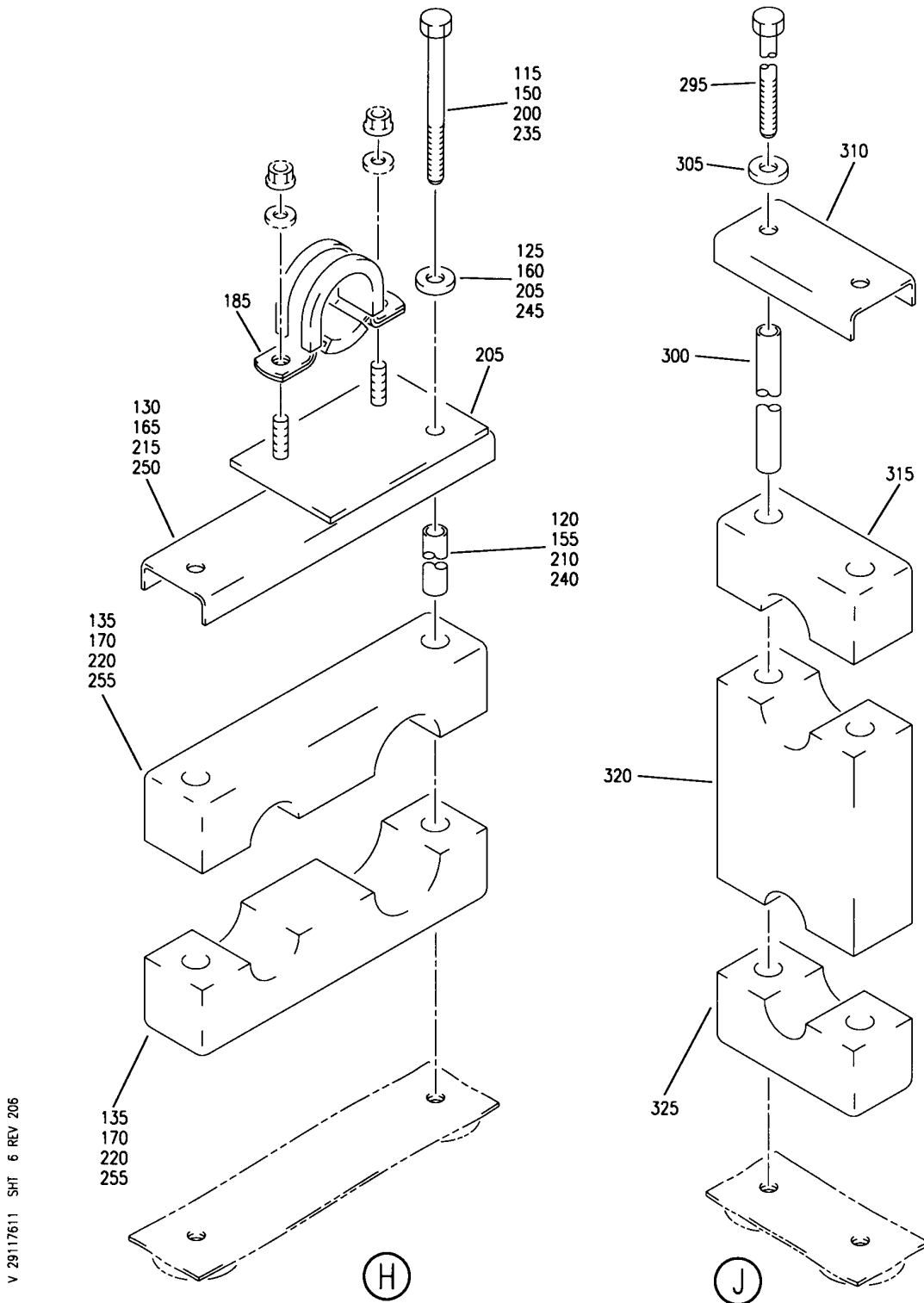
BLOCK ASSY-SPRT
FIGURE 11 (SHEET 5)

29-11-76-11

HXL
DEC 22/06

29-11-76-11
PAGE 0D

BOEING
767
PARTS CATALOG (MAINTENANCE)



V 29117611 SHT 6 REV 206

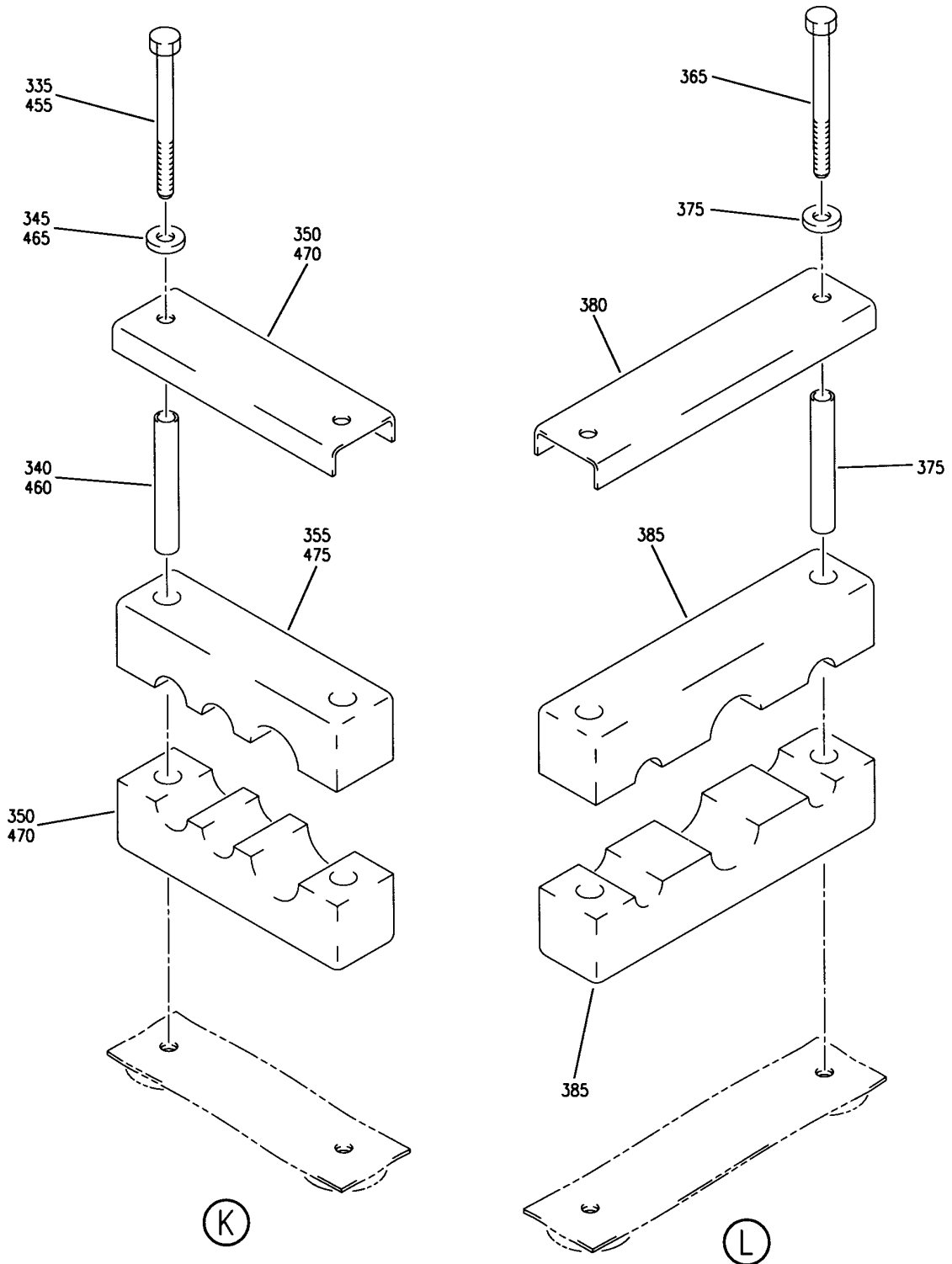
BLOCK ASSY-SPRT
FIGURE 11 (SHEET 6)

29-11-76-11

HXL
DEC 22/06

29-11-76-11
PAGE 0E

BOEING
767
PARTS CATALOG (MAINTENANCE)



V 29117611 SH7 7 REV 206

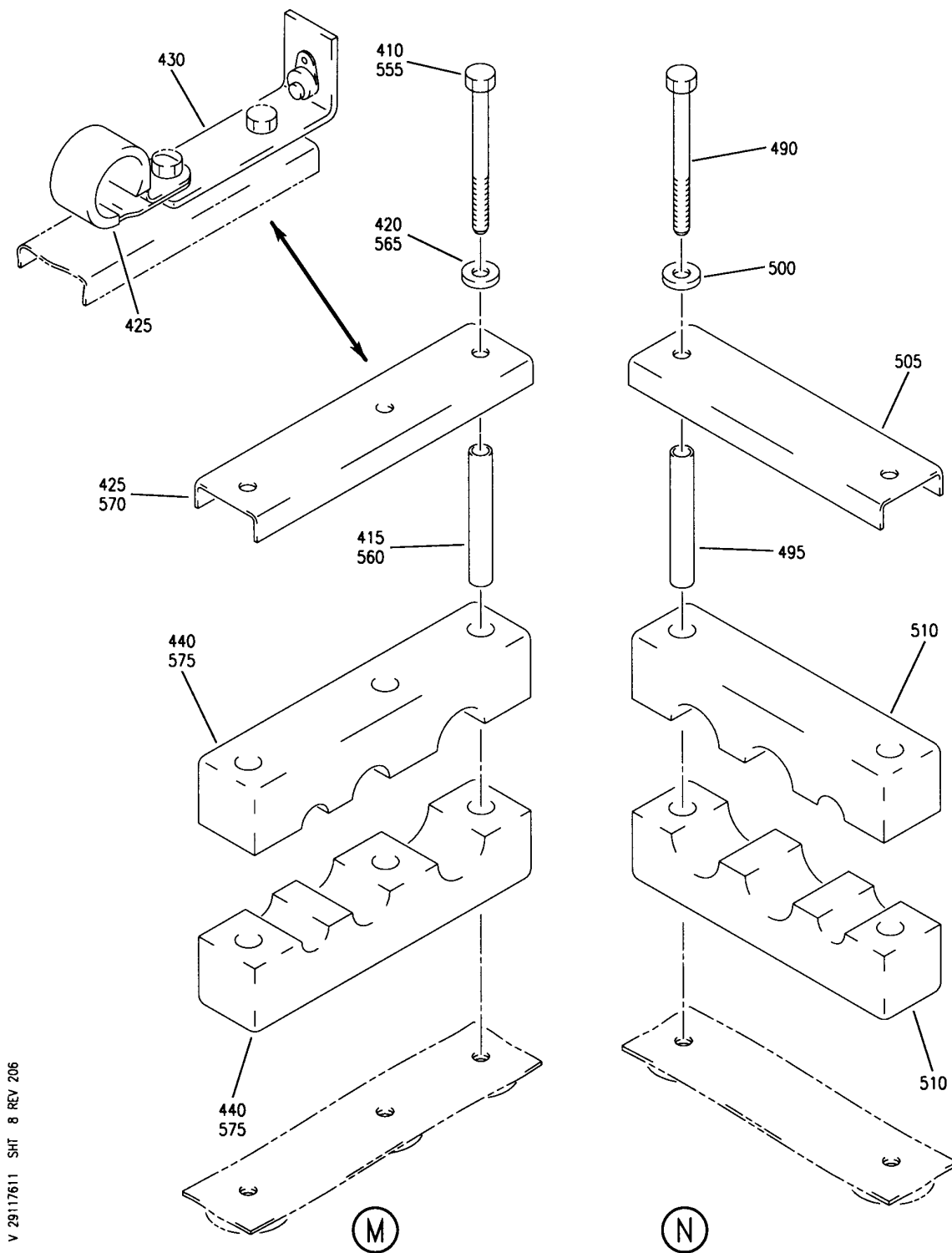
BLOCK ASSY-SPRT
FIGURE 11 (SHEET 7)

29-11-76-11

HXL
DEC 22/06

29-11-76-11
PAGE OF

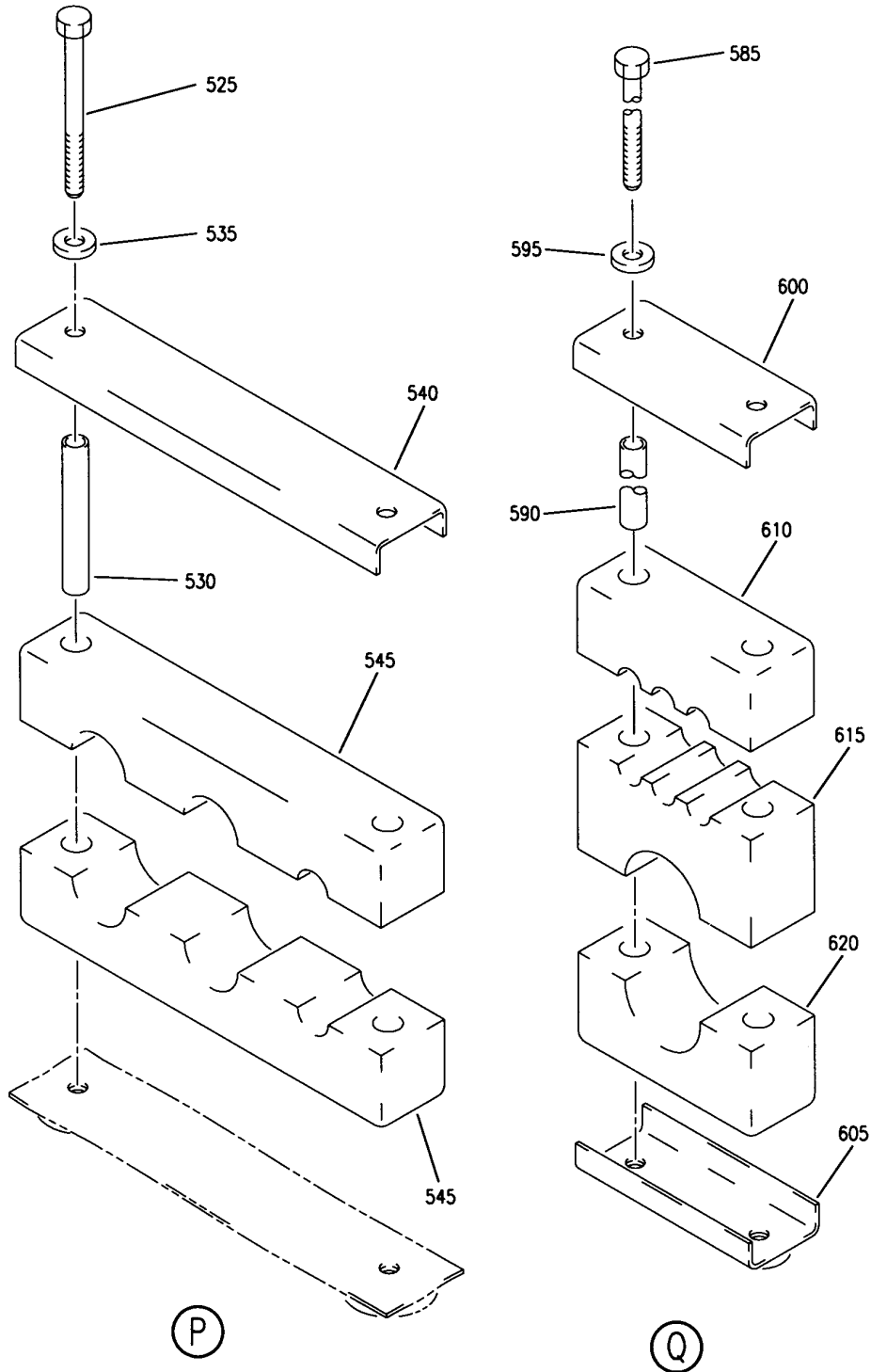
BOEING
767
PARTS CATALOG (MAINTENANCE)



BLOCK ASSY-SPRT
FIGURE 11 (SHEET 8)

29-11-76-11

BOEING
767
PARTS CATALOG (MAINTENANCE)



V 29117611 SH1 9 REV 206

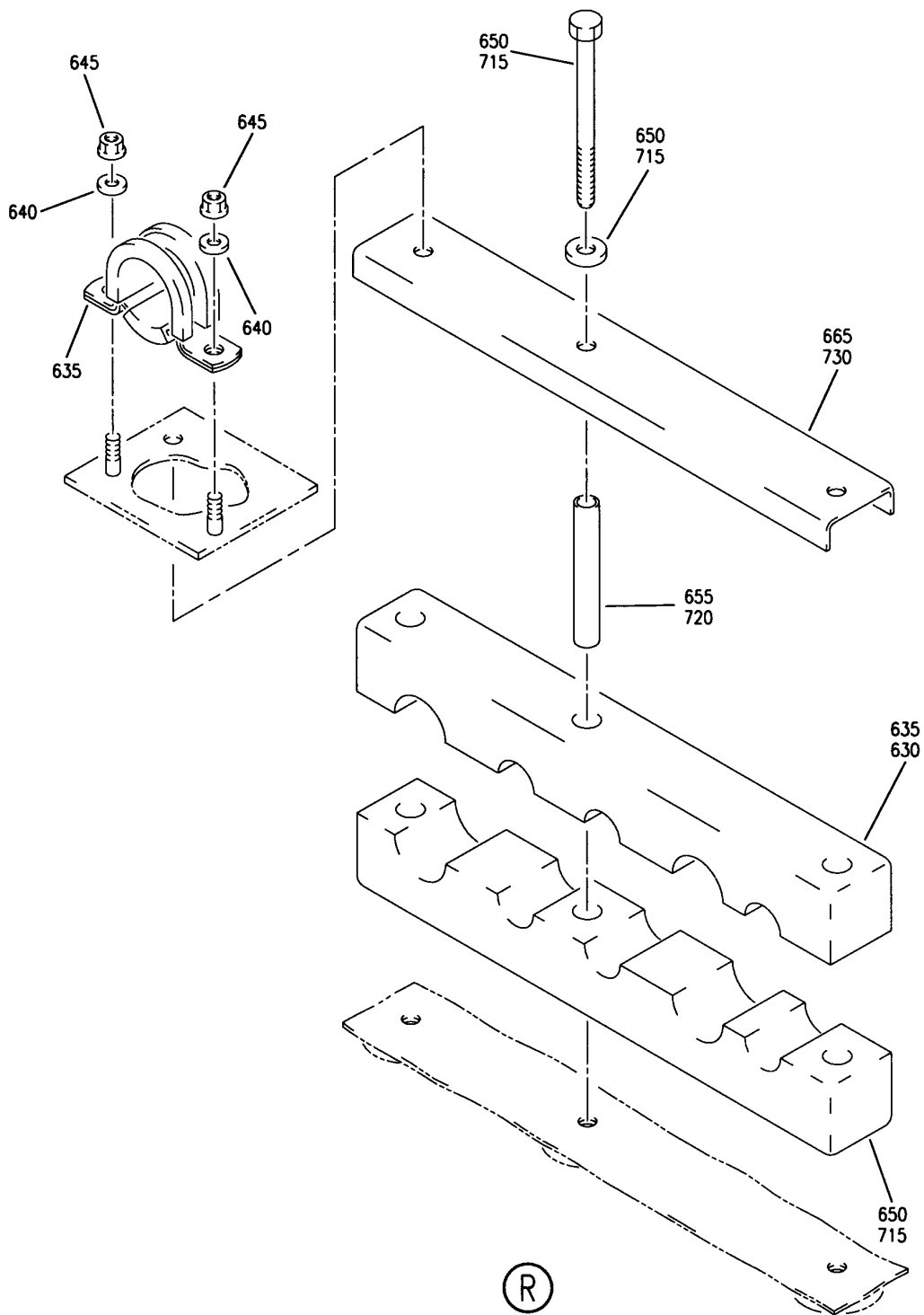
BLOCK ASSY-SPRT
FIGURE 11 (SHEET 9)

29-11-76-11

HXL
DEC 22/06

29-11-76-11
PAGE 0H

BOEING
767
PARTS CATALOG (MAINTENANCE)



V 29117611 SH1 10 REV 206

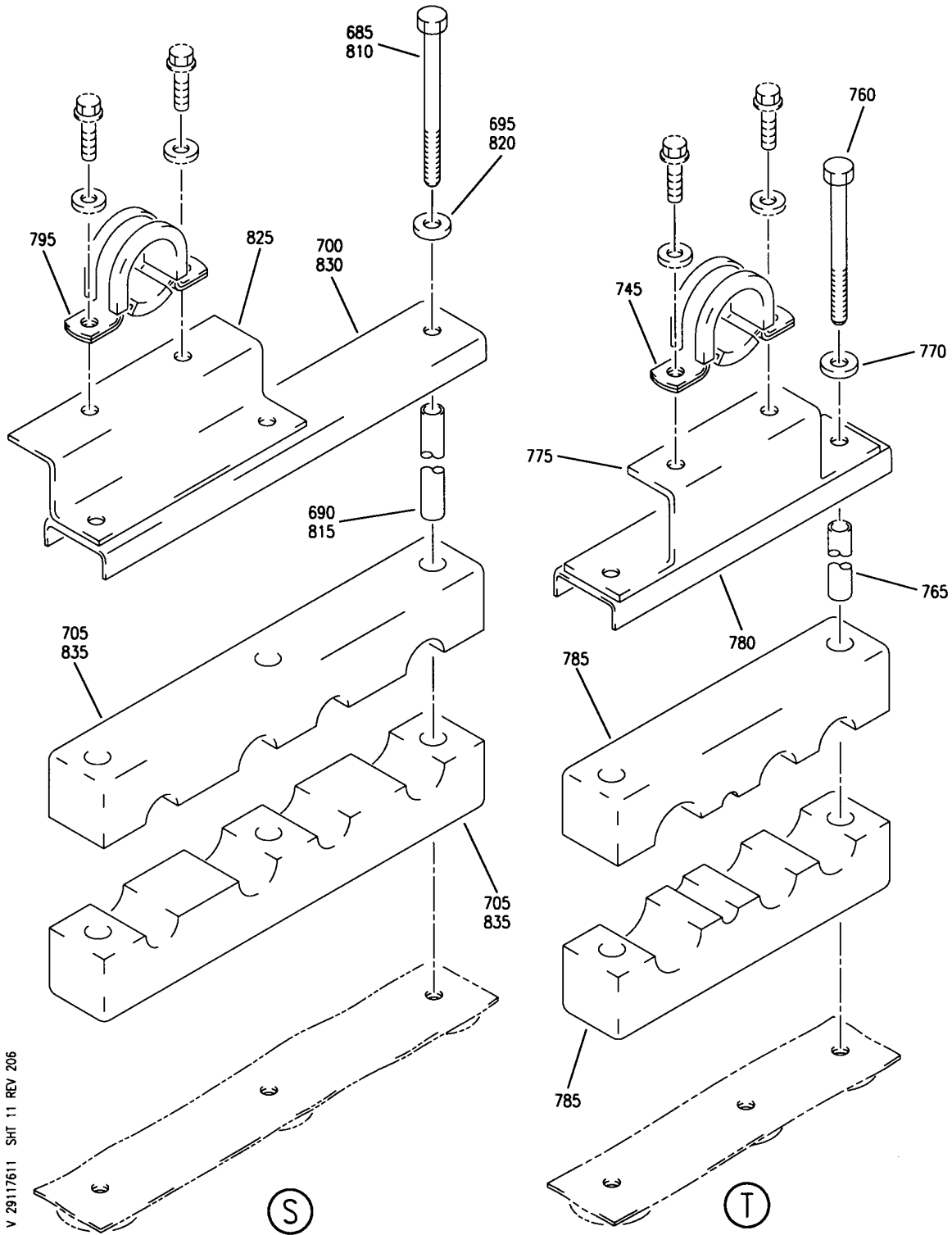
BLOCK ASSY-SPRT
FIGURE 11 (SHEET 10)

29-11-76-11

HXL
DEC 22/06

29-11-76-11
PAGE 01

BOEING
767
PARTS CATALOG (MAINTENANCE)



V 29117611 SH1 11 REV 206

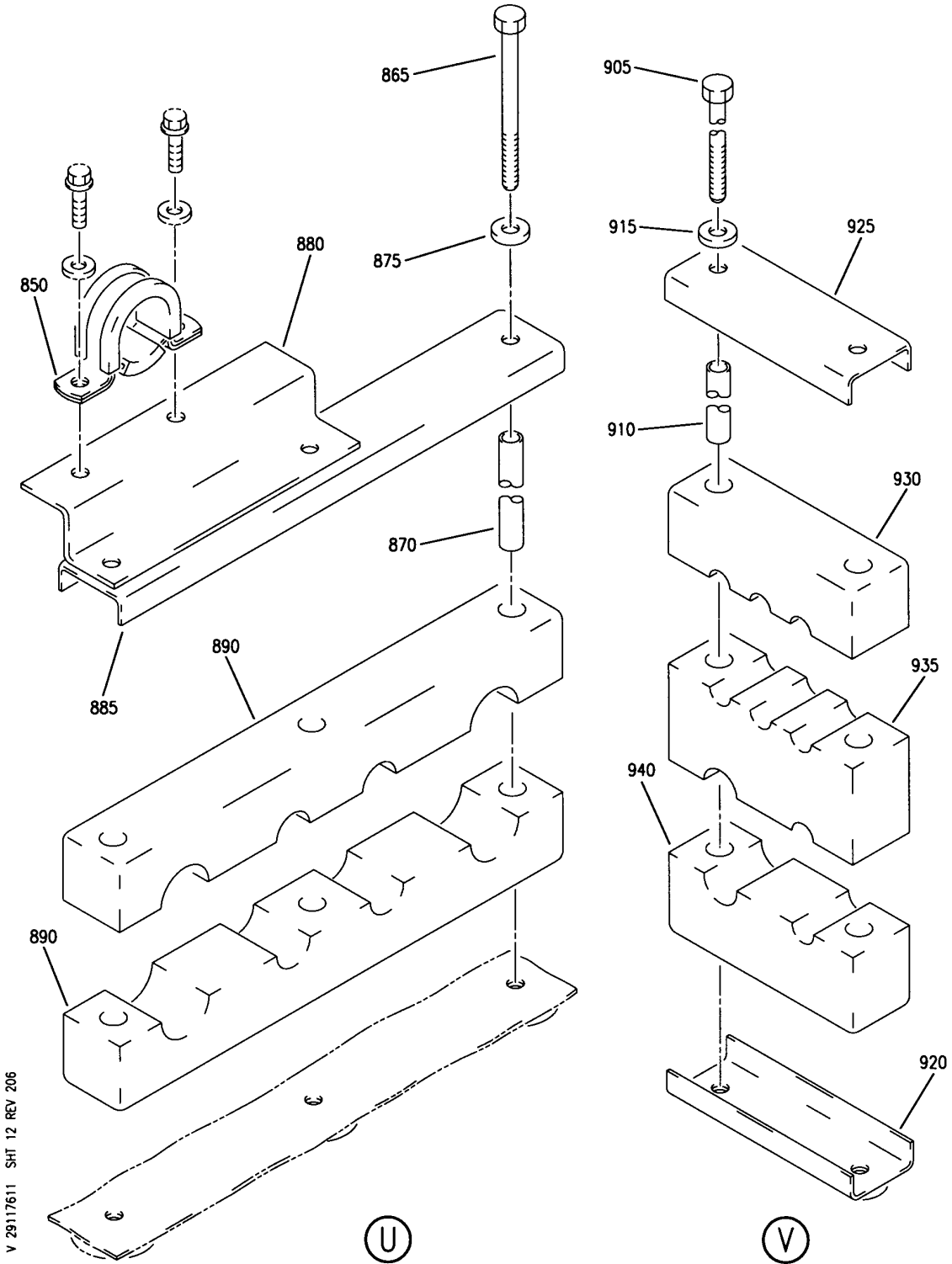
BLOCK ASSY-SPRT
FIGURE 11 (SHEET 11)

29-11-76-11

HXL
DEC 22/06

29-11-76-11
PAGE 0J

BOEING
767
PARTS CATALOG (MAINTENANCE)



V 29117611 SHT 12 REV 206

BLOCK ASSY-SPRT
FIGURE 11 (SHEET 12)

29-11-76-11

HXL
DEC 22/06

29-11-76-11
PAGE 0K

 **BOEING**
767
PARTS CATALOG (MAINTENANCE)

FIG ITEM	PART NUMBER	1 2 3 4 5 6 7	NOMENCLATURE	EFFECT FROM TO	UNITS PER ASSY
11			BLOCK ASSY-SPRT		
1	270T0005-203		BLOCK ASSY-SPRT		RF
5	NAS1801-3-30		.SCREW		2
10	NAS43DD3-85		.SPACER		2
15	AN960PD10L		.WASHER		2
20	270T0004-2029		.CHANNEL		1
25	270T0004-25		.CHANNEL ASSY		1
30	270T0004-281		.BLOCK-CLAMP		2
40	270T0005-242		BLOCK ASSY-SPRT		RF
45	NAS1801-3-28		.SCREW		2
50	NAS43DD3-77		.SPACER		2
55	AN960PD10L		.WASHER		2
60	65B80254-304		.CHANNEL		1
65	270T0004-213		.BLOCK-CLAMP		2
70	270T0005-245		BLOCK ASSY-SPRT FOR NHA SEE: 29-11-76-06		RF
80	NAS1801-3-30		.SCREW		2
85	NAS43DD3-85		.SPACER		2
90	AN960PD10L		.WASHER		2
95	270T0004-2033		.CHANNEL		1
100	270T0004-219		.BLOCK-CLAMP		2
110	270T0005-246		BLOCK ASSY-SPRT		RF
115	NAS1801-3-30		.SCREW		2
120	NAS43DD3-85		.SPACER		2
125	AN960PD10L		.WASHER		2
130	270T0004-32		.CHANNEL		1
135	270T0004-274		.BLOCK-CLAMP		2
140	270T0005-255		BLOCK ASSY-SPRT FOR NHA SEE: 29-11-76-06		RF
150	NAS1801-3-30		.SCREW		2
155	NAS43DD3-85		.SPACER		2
160	AN960PD10L		.WASHER		2
165	270T0004-2071		.CHANNEL		1
170	270T0004-211		.BLOCK-CLAMP		2
180	270T0005-258		BLOCK ASSY-SPRT FOR NHA SEE: 29-11-76-04		RF
200	NAS1801-3-30		.SCREW		2
205	AN960PD10L		.WASHER		2
210	NAS43DD3-85		.SPACER		2
215	65B80254-150		.CHANNEL		1
220	270T0004-278		.BLOCK-CLAMP		2
230	270T0005-259		BLOCK ASSY-SPRT		RF
235	NAS1801-3-28		.SCREW		2
240	NAS43DD3-77		.SPACER		2
245	AN960PD10L		.WASHER		2
250	270T0004-2073		.CHANNEL		1

ILLUSTRATION ITEMS NOT ON PARTS LIST ARE NOT APPLICABLE

- ITEM NOT ILLUSTRATED

HXL

29-11-76-11

BOEING PROPRIETARY - Copyright © - Unpublished Work - See title page for details.

29-11-76
FIG. 11
PAGE 1
DEC 22/06

 **BOEING**
767
PARTS CATALOG (MAINTENANCE)

FIG ITEM	PART NUMBER	1 2 3 4 5 6 7	NOMENCLATURE	EFFECT FROM TO	UNITS PER ASSY
11					
255	270T0004-280		.BLOCK-CLAMP		2
260	270T0005-261		BLOCK ASSY-SPRT		RF
265	NAS1801-3-28		.SCREW		2
270	NAS43DD3-77		.SPACER		2
275	AN960PD10L		.WASHER		2
280	270T0004-2084		.CHANNEL		1
285	270T0004-275		.BLOCK-CLAMP		2
290	270T0005-282		BLOCK ASSY-SPRT FOR NHA SEE: 29-11-76-04		RF
295	NAS1801-4-54		.SCREW-		2
300	NAS43DD4-182		.SPACER-		2
305	AN960JD416L		.WASHER-		2
310	270T0004-3083		.CHANNEL-		1
315	270T0004-126		.BLOCK-CLAMP		1
320	270T0004-2201		.BLOCK-CLAMP		1
325	270T0004-125		.BLOCK-CLAMP		1
360	270T0005-319		BLOCK ASSY-SPRT		RF
365	NAS1801-3-33		.SCREW		2
370	NAS43DD3-100		.SPACER		2
375	AN960PD10L		.WASHER		2
380	270T0004-2015		.CHANNEL		1
385	270T0004-315		.BLOCK-CLAMP		2
485	270T0005-338		BLOCK ASSY-SPRT FOR NHA SEE: 29-11-76-06		RF
490	NAS1801-3-30		.SCREW		2
495	NAS43DD3-85		.SPACER		2
500	AN960PD10L		.WASHER		2
505	270T0004-2074		.CHANNEL		1
510	270T0004-313		.BLOCK-CLAMP		2
520	270T0005-339		BLOCK ASSY-SPRT FOR NHA SEE: 29-11-76-06		RF
525	NAS1801-3-30		.SCREW		2
530	NAS43DD3-85		.SPACER		2
535	AN960PD10L		.WASHER		2
540	270T0004-2035		.CHANNEL		1
545	270T0004-323		.BLOCK-CLAMP		2
550	270T0005-340		BLOCK ASSY-SPRT		RF
555	NAS1801-3-30		.SCREW		2
560	NAS43DD3-85		.SPACER		2
565	AN960PD10L		.WASHER		2
570	270T0004-2075		.CHANNEL		1
575	270T0004-343		.BLOCK-CLAMP		2
630	270T0005-474		BLOCK ASSY-SPRT FOR NHA SEE: 29-11-76-04		RF
650	NAS1801-3-30		.SCREW		3

ILLUSTRATION ITEMS NOT ON PARTS LIST ARE NOT APPLICABLE

- ITEM NOT ILLUSTRATED

HXL

29-11-76-11

BOEING PROPRIETARY - Copyright © - Unpublished Work - See title page for details.

29-11-76
FIG. 11
PAGE 2
DEC 22/07

BOEING
767
PARTS CATALOG (MAINTENANCE)

FIG ITEM	PART NUMBER	1 2 3 4 5 6 7	NOMENCLATURE	EFFECT FROM TO	UNITS PER ASSY
11					
655	NAS43DD3-85	.	SPACER		3
660	AN960PD10L	.	WASHER		3
665	270T0004-2078	.	CHANNEL		1
670	270T0004-447	.	BLOCK-CLAMP		2
680	270T0005-481		BLOCK ASSY-SPRT FOR NHA SEE: 29-11-76-06		RF
685	NAS1801-3-24	.	SCREW		3
690	NAS43DD3-68	.	SPACER		3
695	AN960PD10L	.	WASHER		3
700	270T0004-2091	.	CHANNEL		1
705	270T0004-497	.	BLOCK-CLAMP		2
740	270T0005-521		BLOCK ASSY-SPRT		RF
745	TA0910004H106	.	CLAMP SUPPLIER CODE: V84971 SPECIFICATION NUMBER: BACC10HB06C ATTACHING PARTS		1
- 750	NAS1801-3-9	.	SCREW-		2
- 755	AN960PD10L	.	WASHER -----*-----		2
760	NAS1801-3-30	.	SCREW		2
765	NAS43DD3-85	.	SPACER		2
770	AN960PD10L	.	WASHER		2
775	272T4570-7	.	BRACKET ASSY		1
780	270T0004-2020	.	CHANNEL		1
785	270T0004-414	.	BLOCK-CLAMP		2

ILLUSTRATION ITEMS NOT ON PARTS LIST ARE NOT APPLICABLE

- ITEM NOT ILLUSTRATED

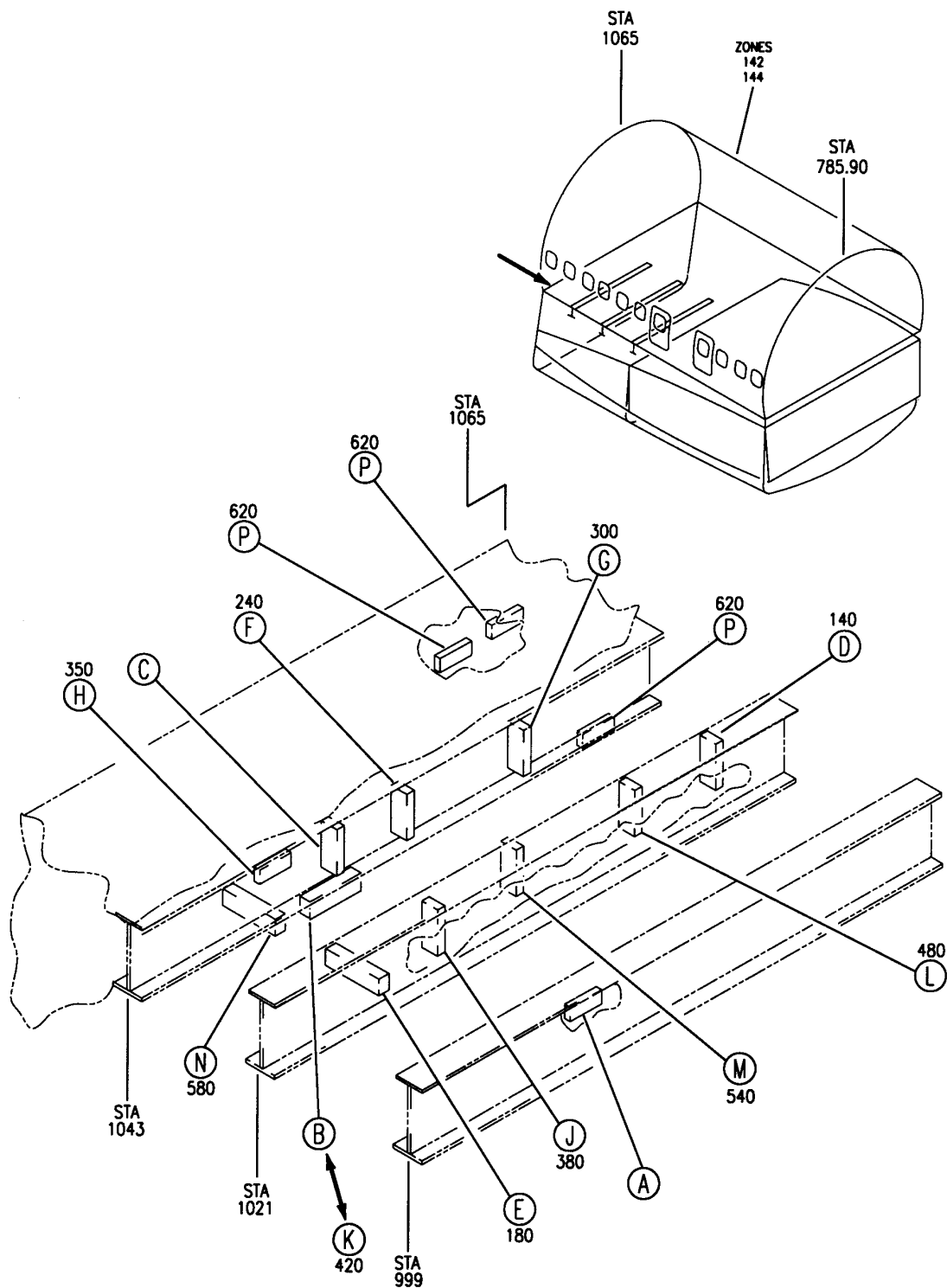
HXL

29-11-76-11

BOEING PROPRIETARY - Copyright © - Unpublished Work - See title page for details.

29-11-76
FIG. 11
PAGE 3
AUG 22/08

BOEING
767
PARTS CATALOG (MAINTENANCE)



V 29117612 SHT 1 REV 197

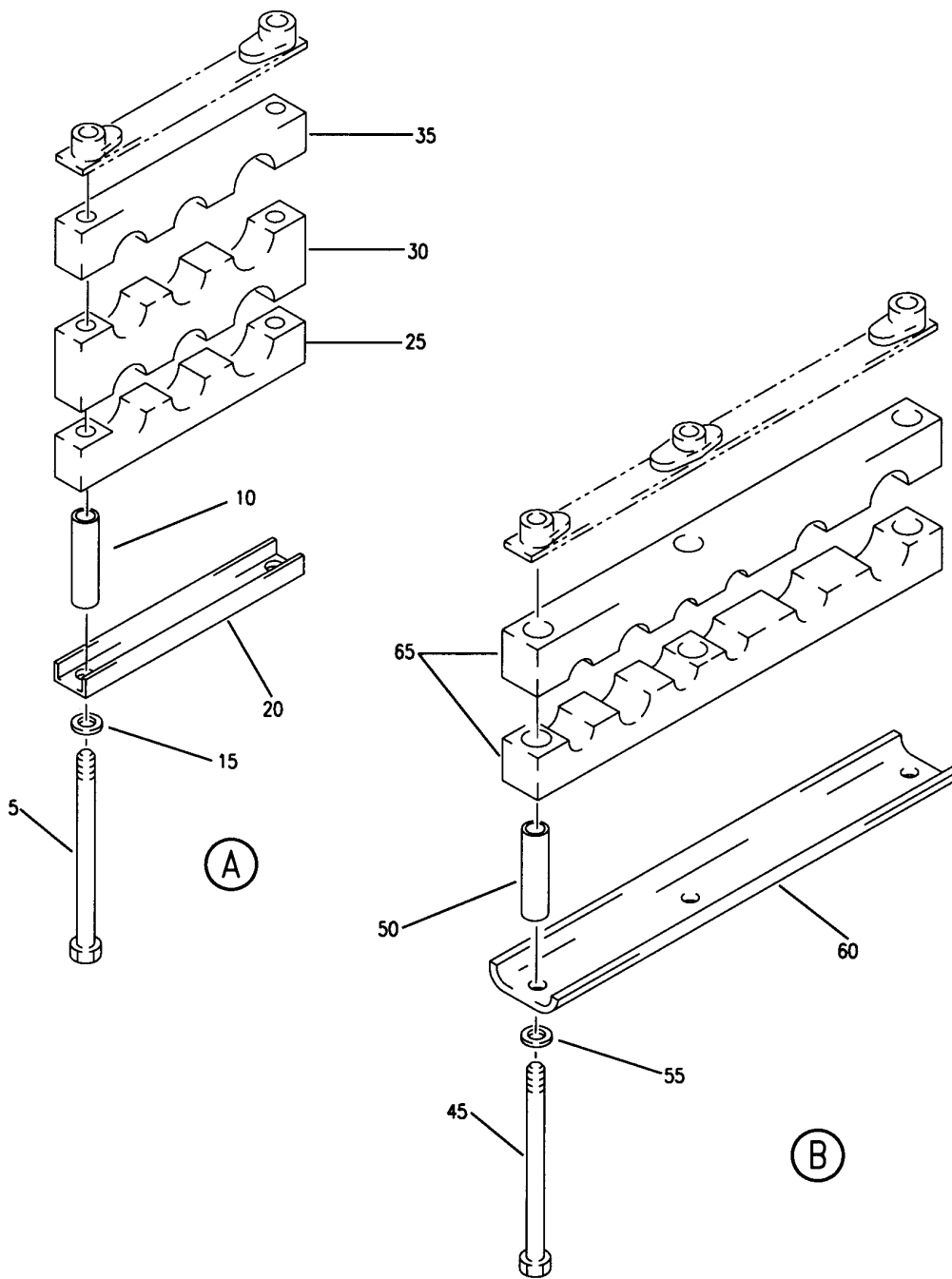
BLOCK ASSY-SPRT
FIGURE 12 (SHEET 1)

29-11-76-12

HXL
DEC 22/06

29-11-76-12
PAGE 0

BOEING
767
PARTS CATALOG (MAINTENANCE)



V 29117612 SHT 2 REV 197

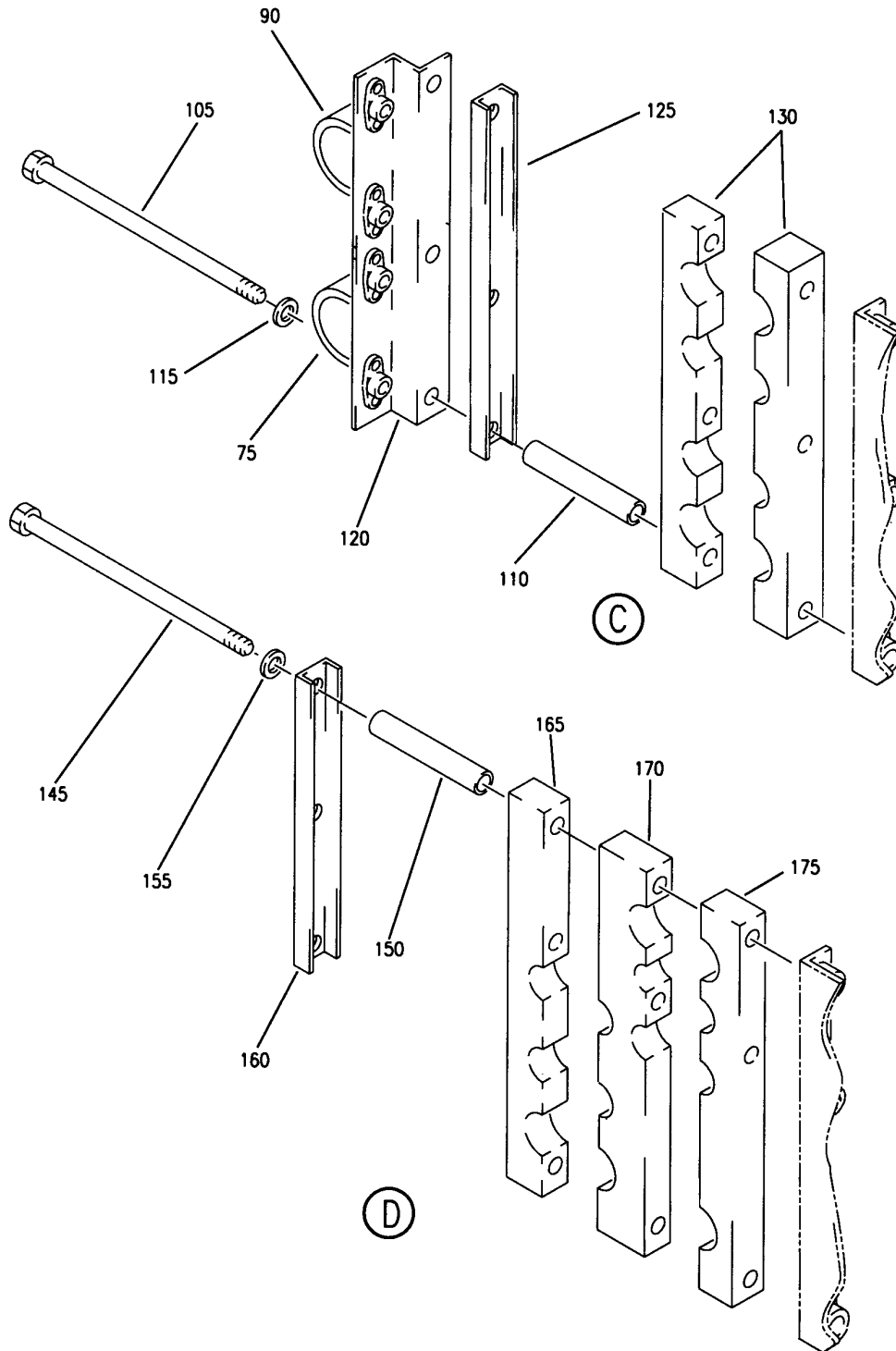
BLOCK ASSY-SPRT
FIGURE 12 (SHEET 2)

29-11-76-12

HXL
DEC 22/06

29-11-76-12
PAGE 0A

BOEING
767
PARTS CATALOG (MAINTENANCE)



V 29117612 SHT 3 REV 197

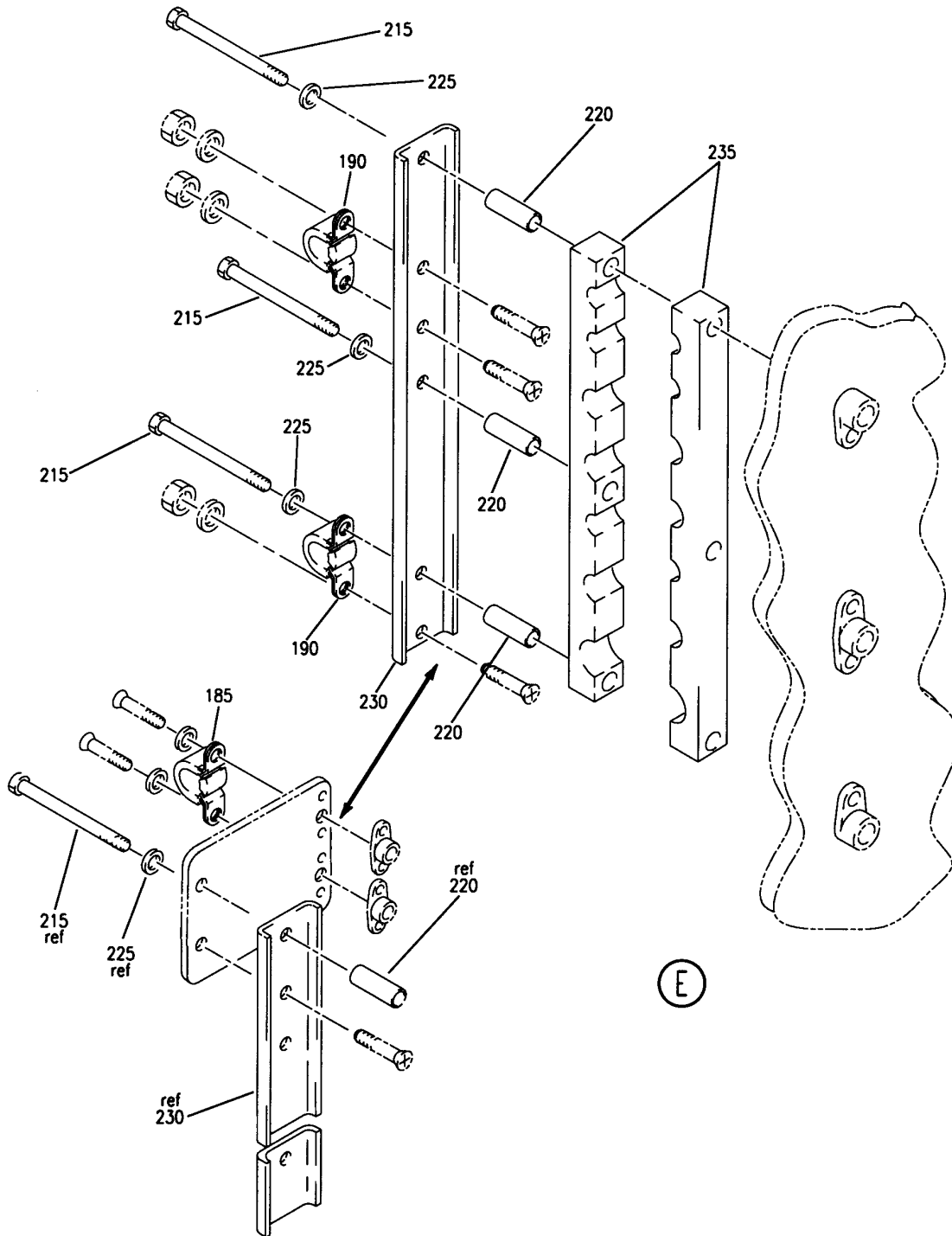
BLOCK ASSY-SPRT
FIGURE 12 (SHEET 3)

29-11-76-12

HXL
DEC 22/06

29-11-76-12
PAGE 0B


BOEING
 767
PARTS CATALOG (MAINTENANCE)



V 29117612 SHT 4 REV 197

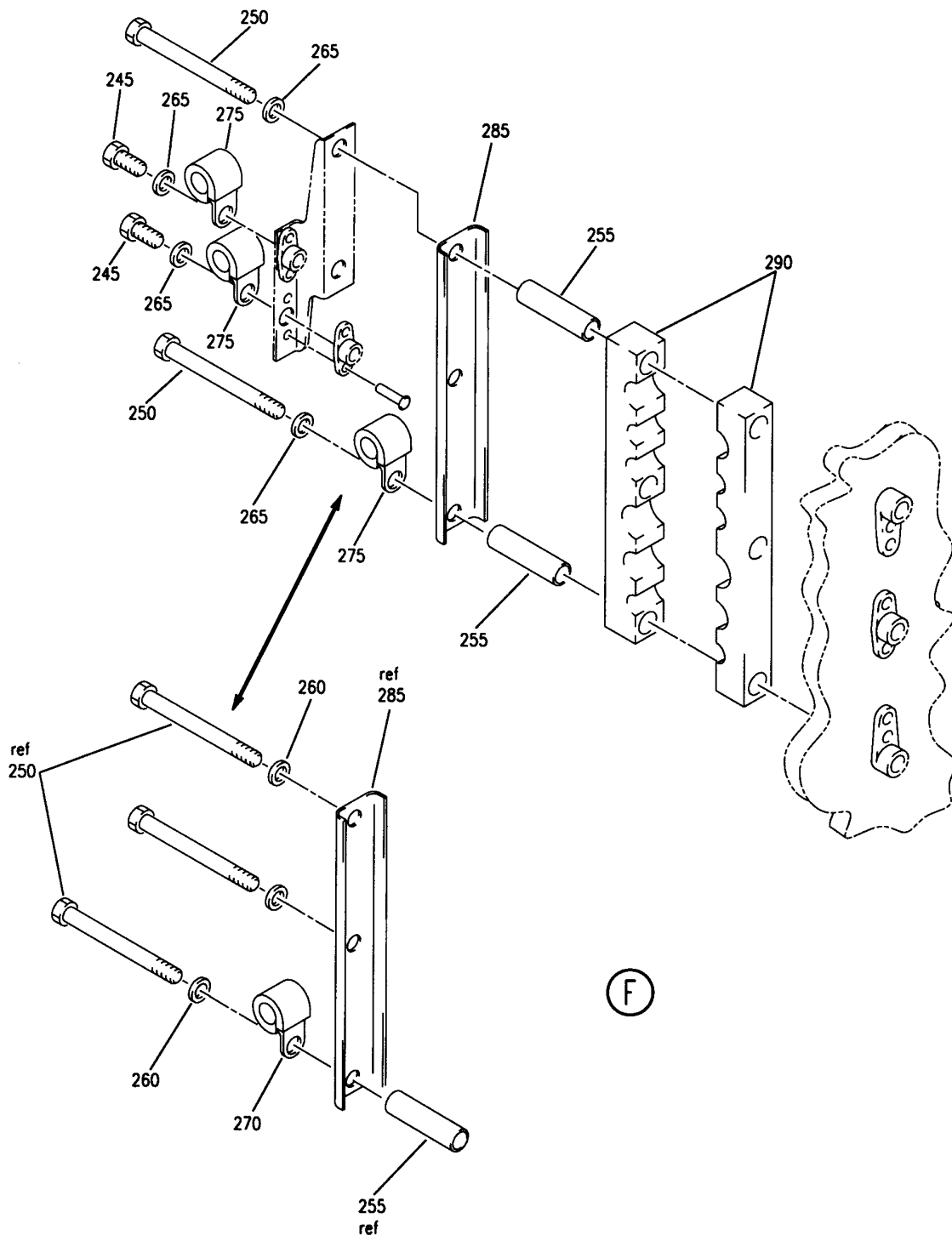
BLOCK ASSY-SPRT
 FIGURE 12 (SHEET 4)

29-11-76-12

HXL
DEC 22/06

29-11-76-12
 PAGE 0C

BOEING
767
PARTS CATALOG (MAINTENANCE)



V 29117612 SHT 5 REV 197

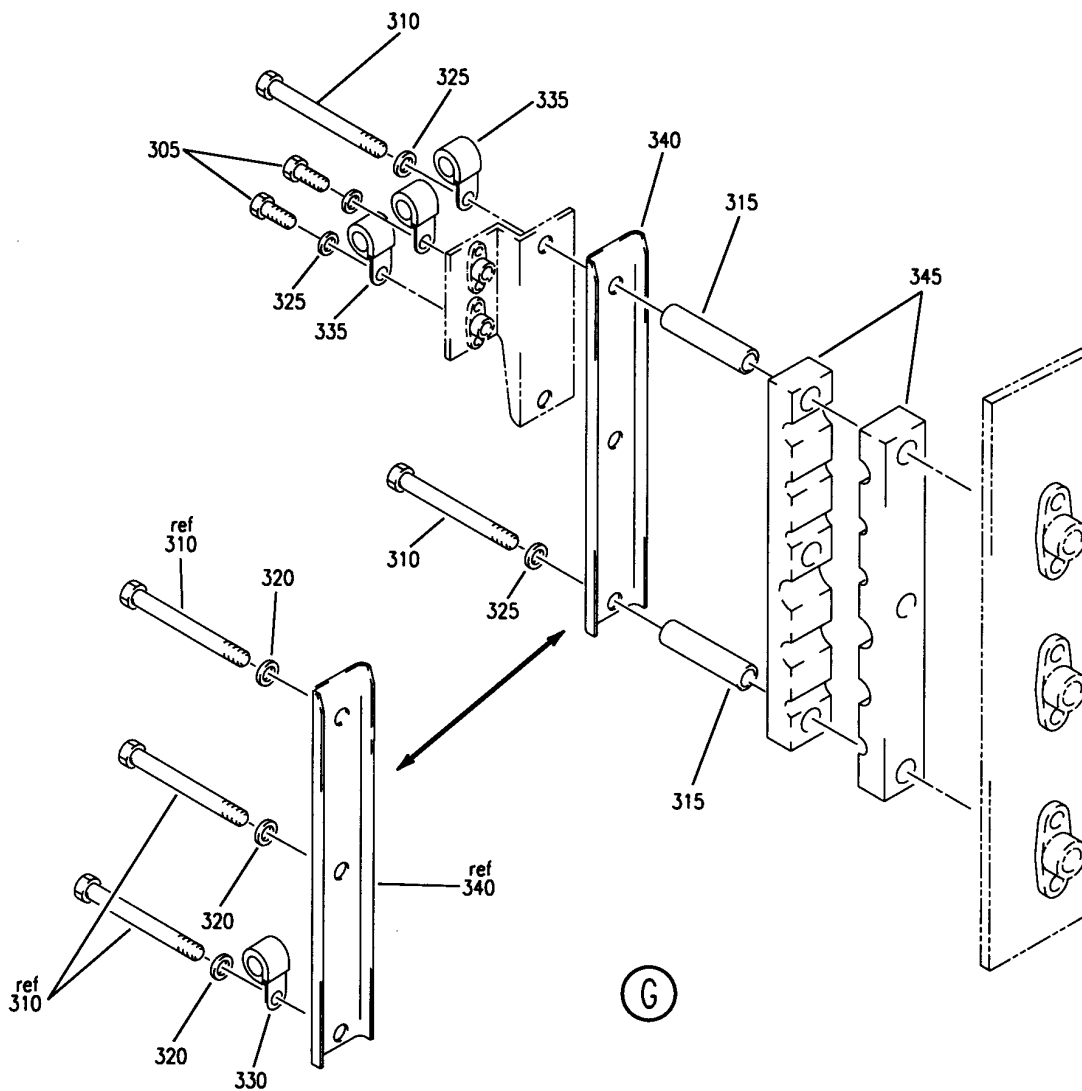
BLOCK ASSY-SPRT
FIGURE 12 (SHEET 5)

29-11-76-12

HXL
DEC 22/06

29-11-76-12
PAGE 0D

BOEING
767
PARTS CATALOG (MAINTENANCE)



V 29117612 SHT 6 REV 197

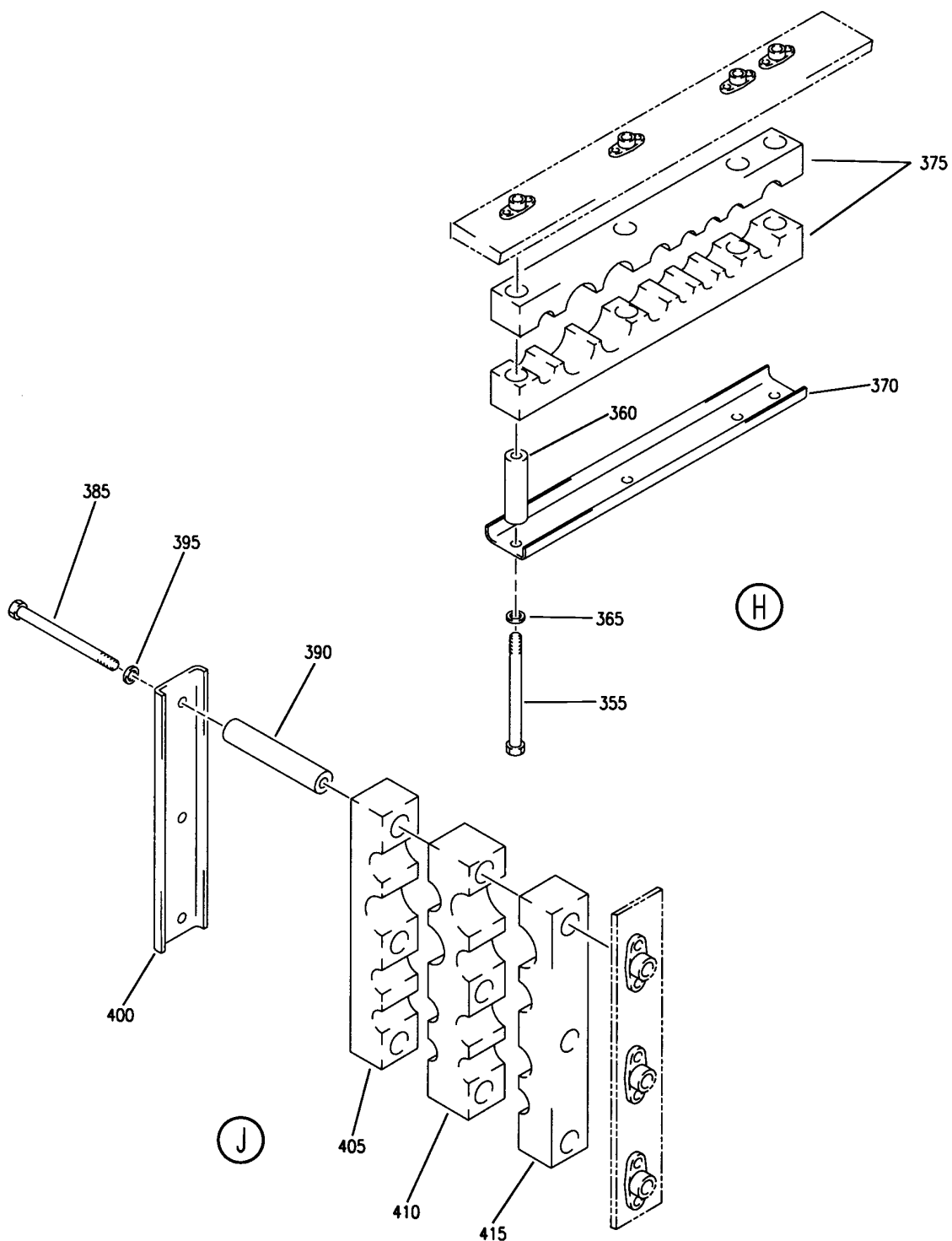
BLOCK ASSY-SPRT
FIGURE 12 (SHEET 6)

29-11-76-12

HXL
DEC 22/06

29-11-76-12
PAGE 0E

BOEING
767
PARTS CATALOG (MAINTENANCE)



V 29117612 SHT 7 REV 197

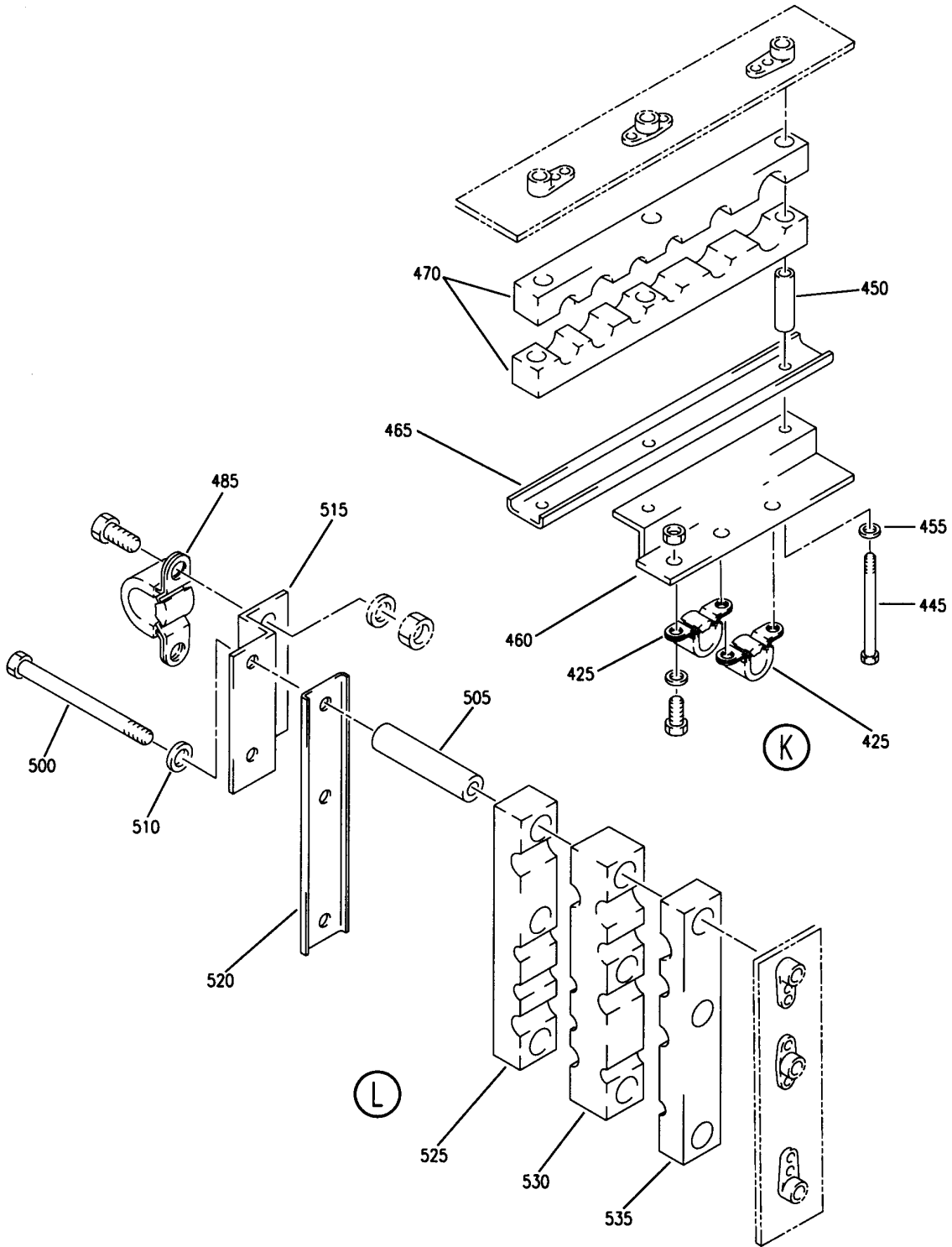
BLOCK ASSY-SPRT
FIGURE 12 (SHEET 7)

29-11-76-12

HXL
DEC 22/06

29-11-76-12
PAGE 0F

BOEING
767
PARTS CATALOG (MAINTENANCE)



V 29117612 SHT 8 REV 197

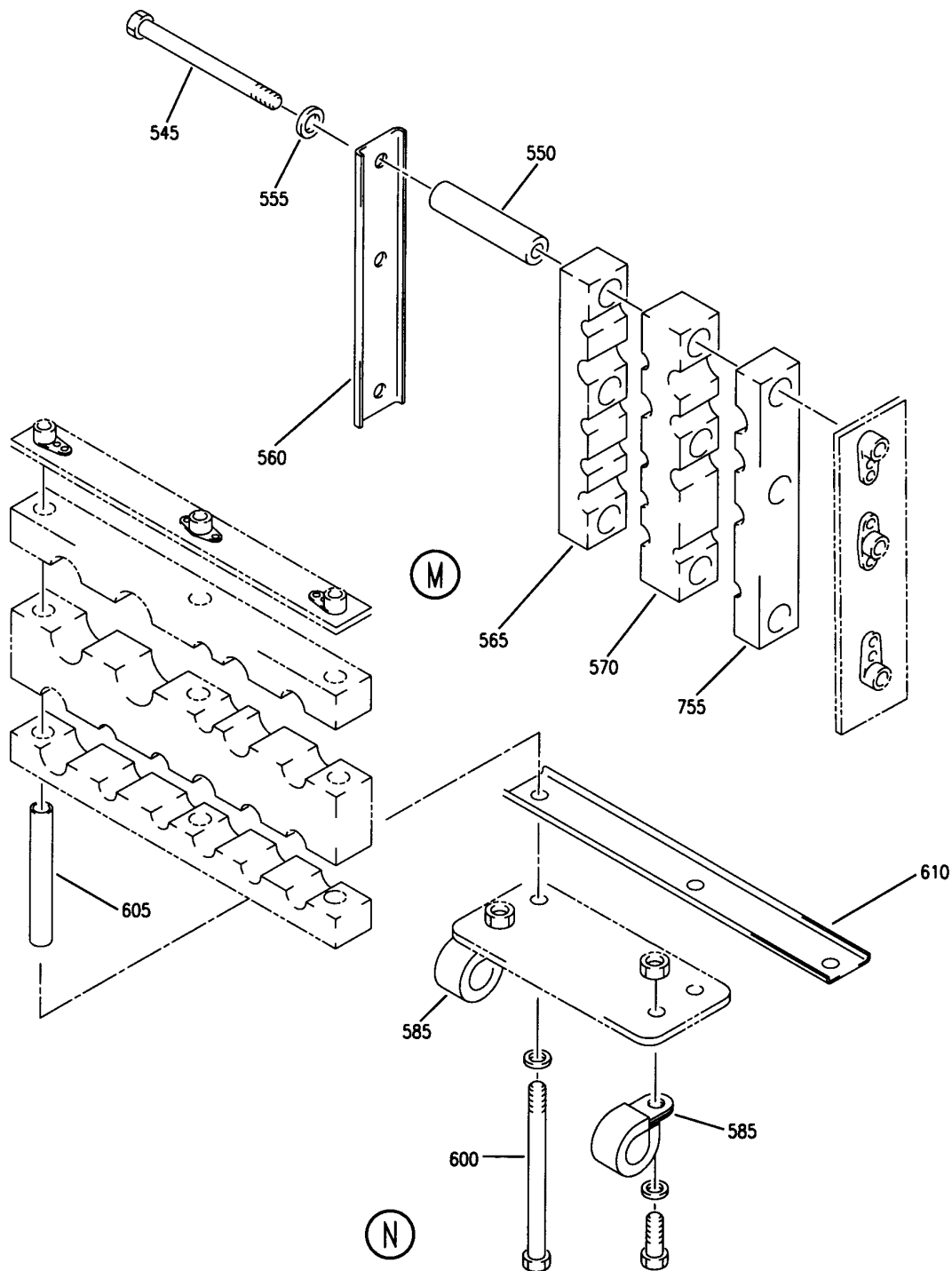
BLOCK ASSY-SPRT
FIGURE 12 (SHEET 8)

29-11-76-12

HXL
DEC 22/06

29-11-76-12
PAGE 0G

BOEING
767
PARTS CATALOG (MAINTENANCE)



V 29117612 SHT 9 REV 197

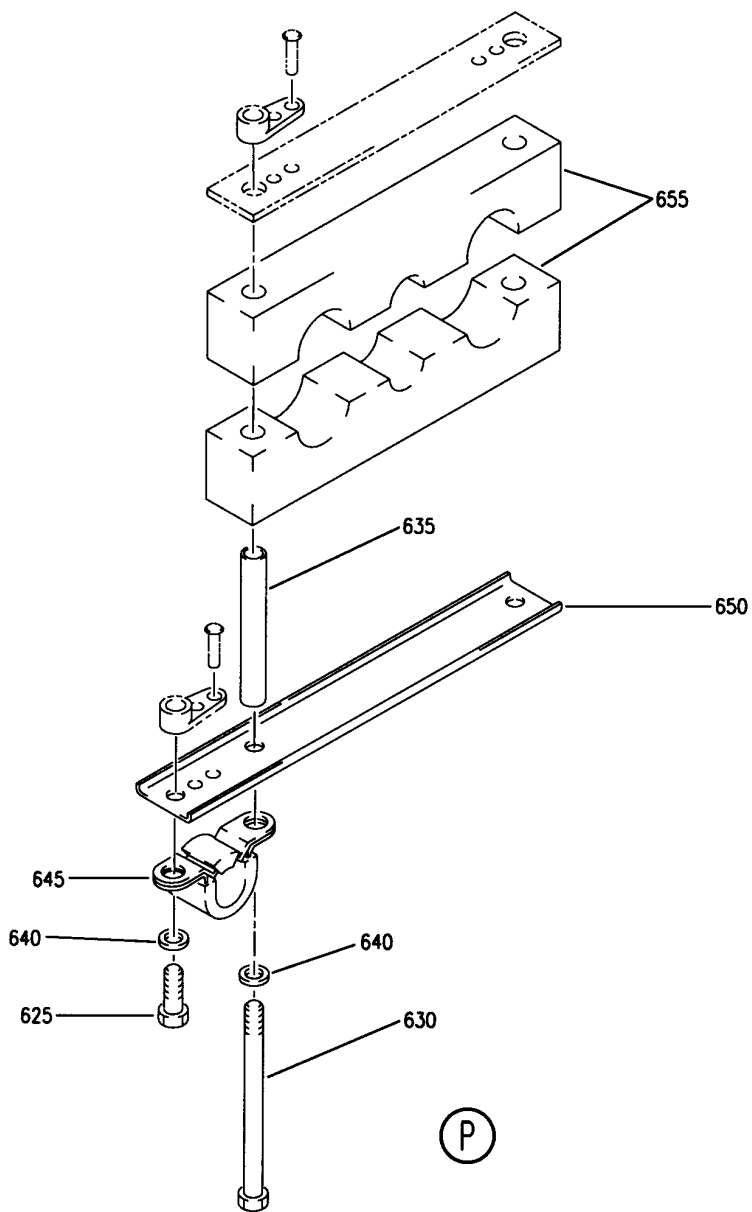
BLOCK ASSY-SPRT
FIGURE 12 (SHEET 9)

29-11-76-12

HXL
DEC 22/06

29-11-76-12
PAGE 0H

BOEING
767
PARTS CATALOG (MAINTENANCE)



V 29117612 SHT 10 REV 197

BLOCK ASSY-SPRT
FIGURE 12 (SHEET 10)

29-11-76-12

HXL
DEC 22/06

29-11-76-12
PAGE 01

 **BOEING**
767
PARTS CATALOG (MAINTENANCE)

FIG ITEM	PART NUMBER	1 2 3 4 5 6 7	NOMENCLATURE	EFFECT FROM TO	UNITS PER ASSY
12					
- 40	270T0005-627		BLOCK ASSY-SPRT BLOCK ASSY-SPRT FOR NHA SEE: 29-11-76-06		RF
45	NAS1801-3-30		.SCREW		3
50	NAS43DD3-77		.SPACER		3
55	AN960PD10L		.WASHER		3
60	270T0004-3017		.CHANNEL		1
65	270T0004-633		.BLOCK-CLAMP		2
140	270T0005-701		BLOCK ASSY-SPRT FOR NHA SEE: 29-11-76-04		RF
145	NAS1801-4-42		.SCREW		3
150	NAS43DD4-128		.SPACER		3
155	AN960PD416L		.WASHER		3
160	270T0004-2011		.CHANNEL		1
165	270T0004-342		.BLOCK-CLAMP		1
170	270T0004-704		.BLOCK-CLAMP		1
175	270T0004-452		.BLOCK-CLAMP		1
240	270T0005-712		BLOCK ASSY-SPRT FOR NHA SEE: 29-11-76-06		RF
250	NAS1801-3-29		.SCREW		3
255	NAS43DD3-77		.SPACER		3
260	AN960PD10L		.WASHER		3
270	M85052-2-6		.CLAMP		1
285	270T0004-2097		.CHANNEL		1
290	270T0004-616		.BLOCK-CLAMP		2
300	270T0005-713		BLOCK ASSY-SPRT FOR NHA SEE: 29-11-76-06		RF
310	NAS1801-3-29		.SCREW		3
315	NAS43DD3-77		.SPACER		3
320	AN960PD10L		.WASHER		3
330	M85052-2-6		.CLAMP		1
340	270T0004-3043		.CHANNEL		1
345	270T0004-617		.BLOCK-CLAMP		2
350	270T0005-801		BLOCK ASSY-SPRT FOR NHA SEE: 29-11-76-06		RF
355	NAS1801-3-30		.SCREW		4
360	NAS43DD3-85		.SPACER		4
365	AN960PD10L		.WASHER		4
370	270T0004-2087		.CHANNEL		1
375	270T0004-802		.BLOCK-CLAMP		2
380	270T0005-802		BLOCK ASSY-SPRT FOR NHA SEE: 29-11-76-04		RF
385	NAS1801-4-41		.SCREW		3

ILLUSTRATION ITEMS NOT ON PARTS LIST ARE NOT APPLICABLE

- ITEM NOT ILLUSTRATED

HXL

29-11-76-12

BOEING PROPRIETARY - Copyright © - Unpublished Work - See title page for details.

29-11-76
FIG. 12
PAGE 1
APR 22/09

 **BOEING**
767
PARTS CATALOG (MAINTENANCE)

FIG ITEM	PART NUMBER	1 2 3 4 5 6 7	NOMENCLATURE	EFFECT FROM TO	UNITS PER ASSY
12					
390	NAS43DD4-127	.	SPACER		3
395	AN960PD416L	.	WASHER		3
400	270T0004-2095	.	CHANNEL		1
405	270T0004-451	.	BLOCK-CLAMP		1
410	270T0004-806	.	BLOCK-CLAMP		1
415	270T0004-494	.	BLOCK-CLAMP		1
480	270T0005-898		BLOCK ASSY-SPRT FOR NHA SEE: 29-11-76-04		RF
485	TA0910004H110	.	CLAMP SUPPLIER CODE: V84971 SPECIFICATION NUMBER: BACC10HB10C ATTACHING PARTS		1
- 490	NAS1801-3-8	.	SCREW		2
- 495	AN960KD10L	.	WASHER -----*-----		2
500	NAS1801-4-42	.	SCREW		3
505	NAS43DD4-131	.	SPACER		3
510	AN960KD416L	.	WASHER		3
515	272T0152-1	.	BRACKET ASSY		1
520	270T0004-2011	.	CHANNEL		1
525	270T0004-415	.	BLOCK-CLAMP		1
530	270T0004-807	.	BLOCK-CLAMP		1
535	270T0004-452	.	BLOCK-CLAMP		1
540	270T0005-899		BLOCK ASSY-SPRT FOR NHA SEE: 29-11-76-04		RF
545	NAS1801-4-41	.	SCREW		3
550	NAS43DD4-131	.	SPACER		3
555	AN960PD416L	.	WASHER		3
560	270T0004-2011	.	CHANNEL		1
565	270T0004-518	.	BLOCK-CLAMP		1
570	270T0004-899	.	BLOCK-CLAMP		1
575	270T0004-452	.	BLOCK-CLAMP		1
580	270T0005-1103		BLOCK ASSY-SPRT FOR NHA SEE: 29-11-76-06		RF
600	NAS1801-4-50	.	SCREW		3
605	NAS43DD4-166	.	SPACER		3
610	270T0004-2079	.	CHANNEL		1
620	270T0005-2411		BLOCK ASSY-SPRT FOR NHA SEE: 29-11-76-06		RF
625	NAS1801-3-8	.	SCREW		1
630	NAS1801-3-26	.	SCREW		2
635	NAS43DD3-68	.	SPACER		2
640	AN960PD10L	.	WASHER		3

ILLUSTRATION ITEMS NOT ON PARTS LIST ARE NOT APPLICABLE

- ITEM NOT ILLUSTRATED

HXL

29-11-76-12

BOEING PROPRIETARY - Copyright © - Unpublished Work - See title page for details.

29-11-76
FIG. 12
PAGE 2
APR 22/09



767

PARTS CATALOG (MAINTENANCE)

FIG ITEM	PART NUMBER	1 2 3 4 5 6 7	NOMENCLATURE	EFFECT FROM TO	UNITS PER ASSY
12 645	TA0910004H106		.CLAMP SUPPLIER CODE: V84971 SPECIFICATION NUMBER: BACC10HB06C		1
650	270T0004-3040		.CHANNEL ASSY		1
655	270T0004-311		.BLOCK-CLAMP		2

ILLUSTRATION ITEMS NOT ON PARTS LIST ARE NOT APPLICABLE

- ITEM NOT ILLUSTRATED

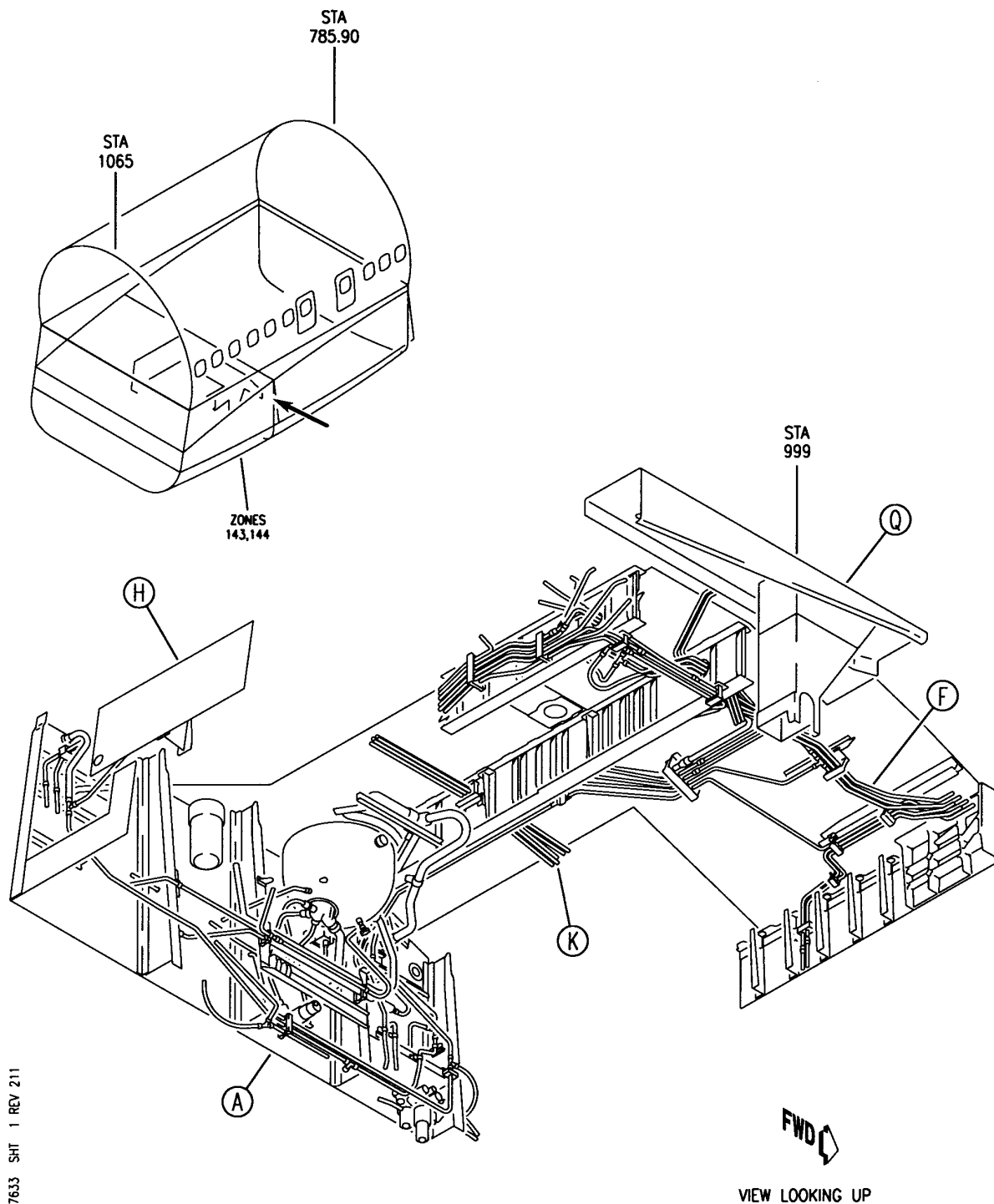
HXL

29-11-76-12

BOEING PROPRIETARY - Copyright © - Unpublished Work - See title page for details.

29-11-76
FIG. 12
PAGE 3
APR 22/09

BOEING
767
PARTS CATALOG (MAINTENANCE)



V 29117633 SHT 1 REV 211

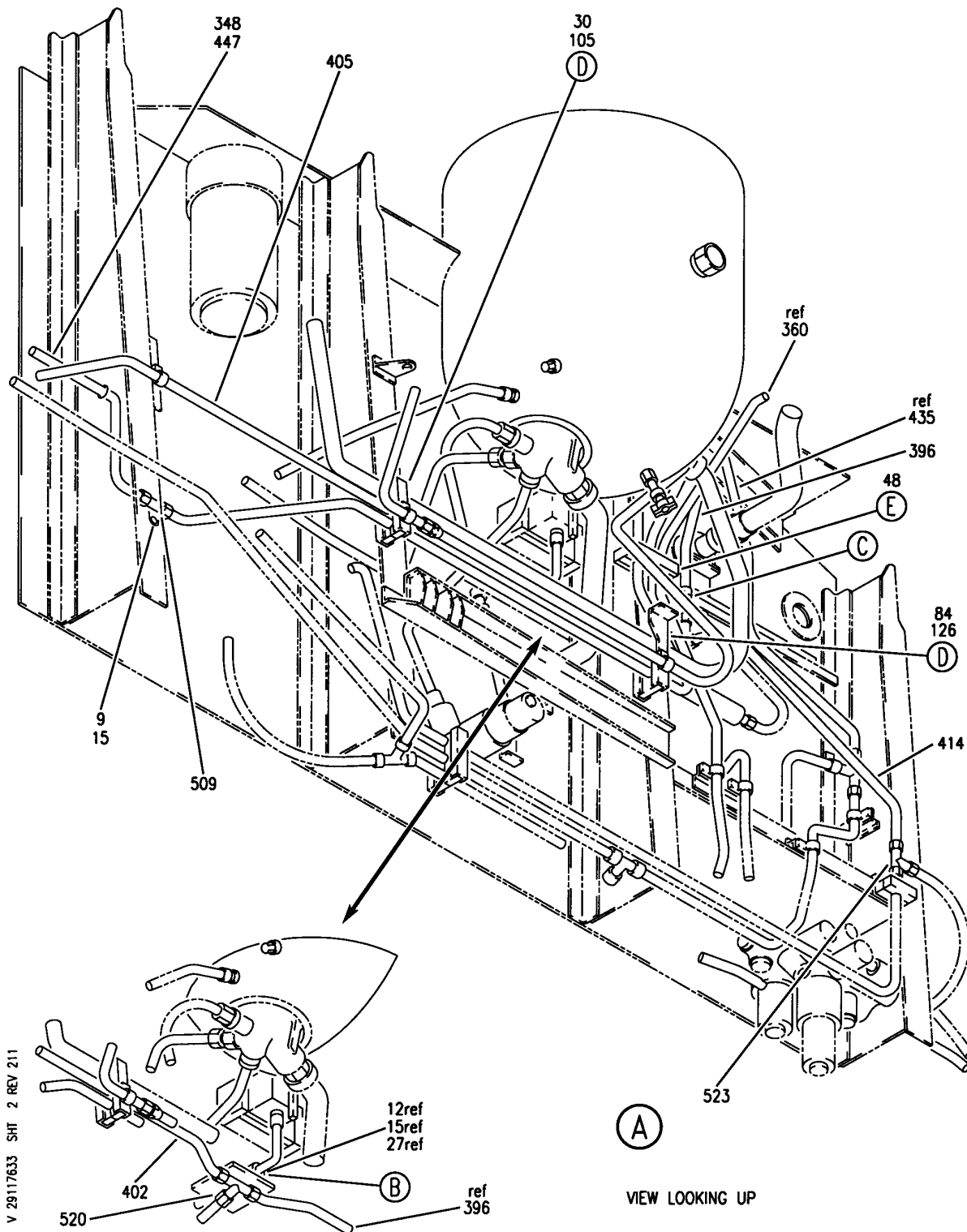
HYDRAULIC INSTL-SECT. 45 (MAIN HYDRAULIC SYSTEMS ONLY)
FIGURE 33 (SHEET 1)

29-11-76-33

HXL
DEC 22/06

29-11-76-33
PAGE 0

BOEING
767
PARTS CATALOG (MAINTENANCE)



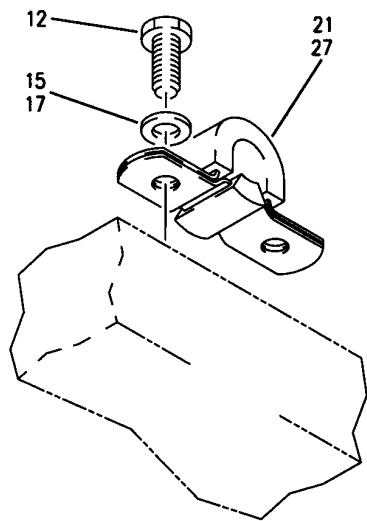
HYDRAULIC INSTL-SECT. 45 (MAIN HYDRAULIC SYSTEMS ONLY)
FIGURE 33 (SHEET 2)

29-11-76-33

HXL
DEC 22/06

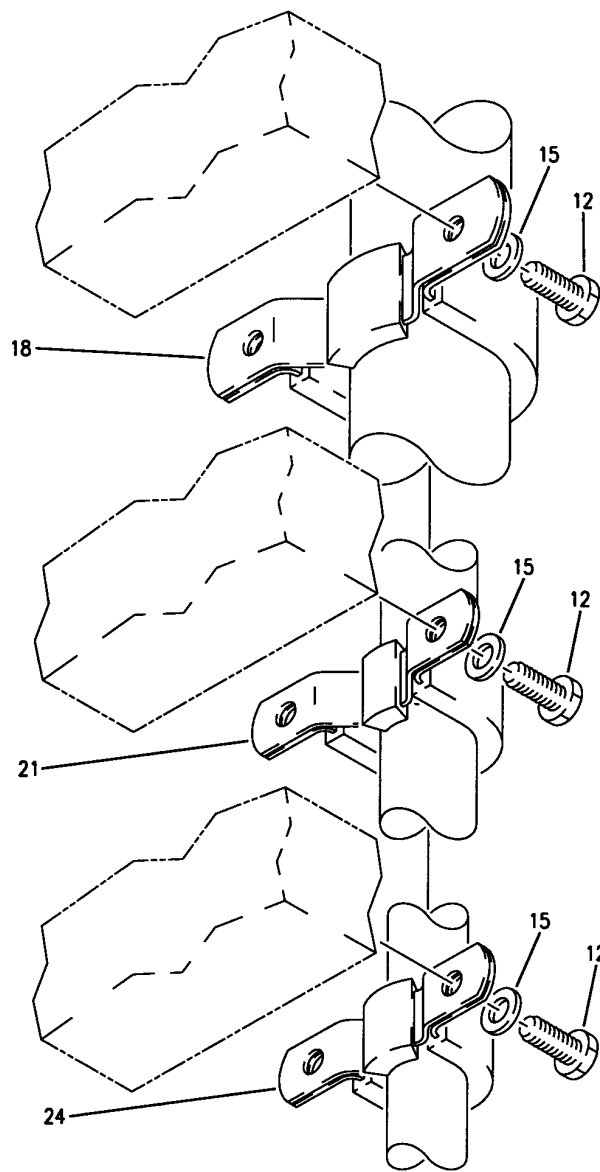
29-11-76-33
PAGE 0A

BOEING
767
PARTS CATALOG (MAINTENANCE)



VIEW LOOKING UP

(B)



VIEW LOOKING UP

(C)

V 29117633 SHT 3 REV 211

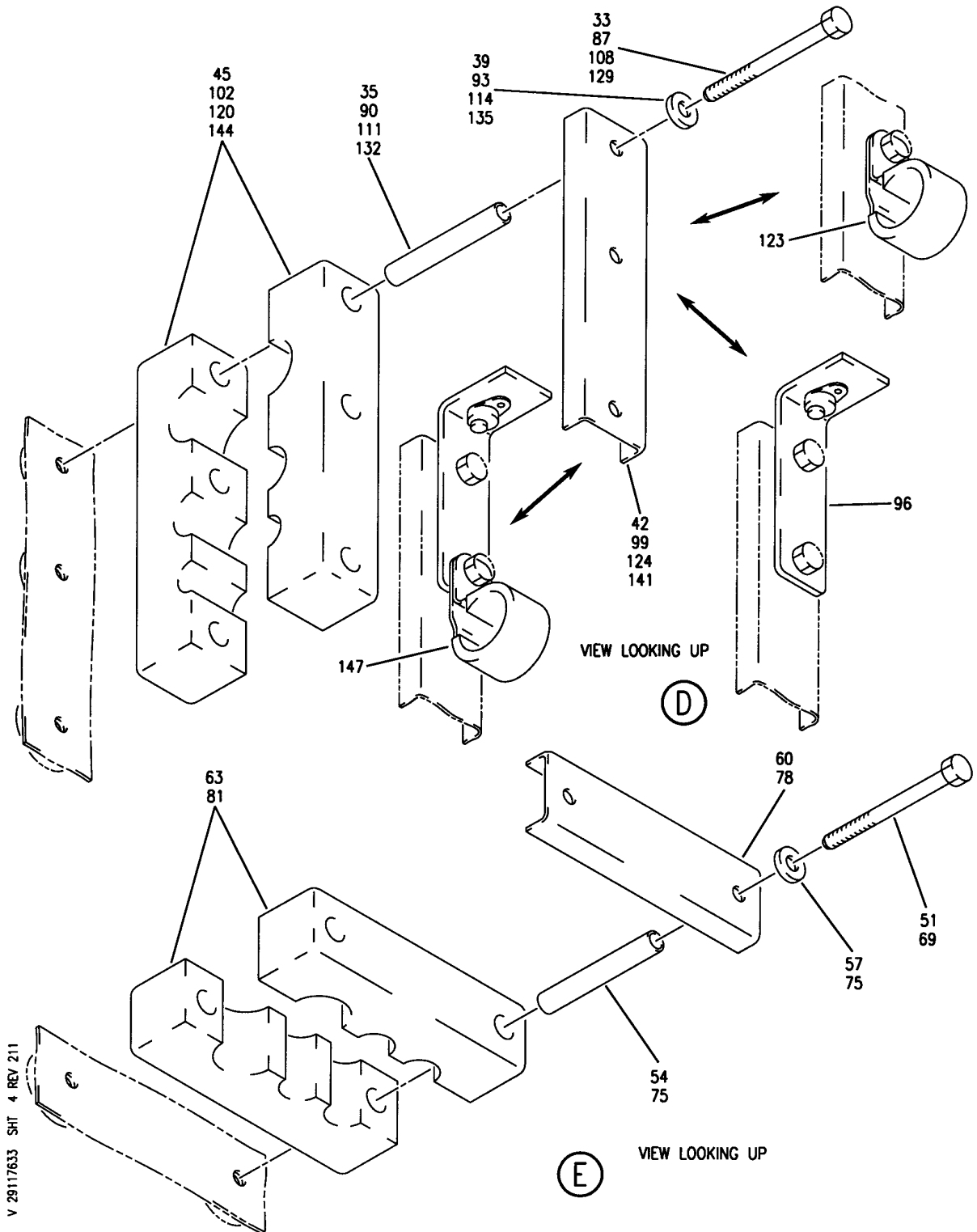
HYDRAULIC INSTL-SECT. 45 (MAIN HYDRAULIC SYSTEMS ONLY)
FIGURE 33 (SHEET 3)

29-11-76-33

HXL
DEC 22/06

29-11-76-33
PAGE 0B

BOEING
767
PARTS CATALOG (MAINTENANCE)



V 29117633 SHT 4 REV 211

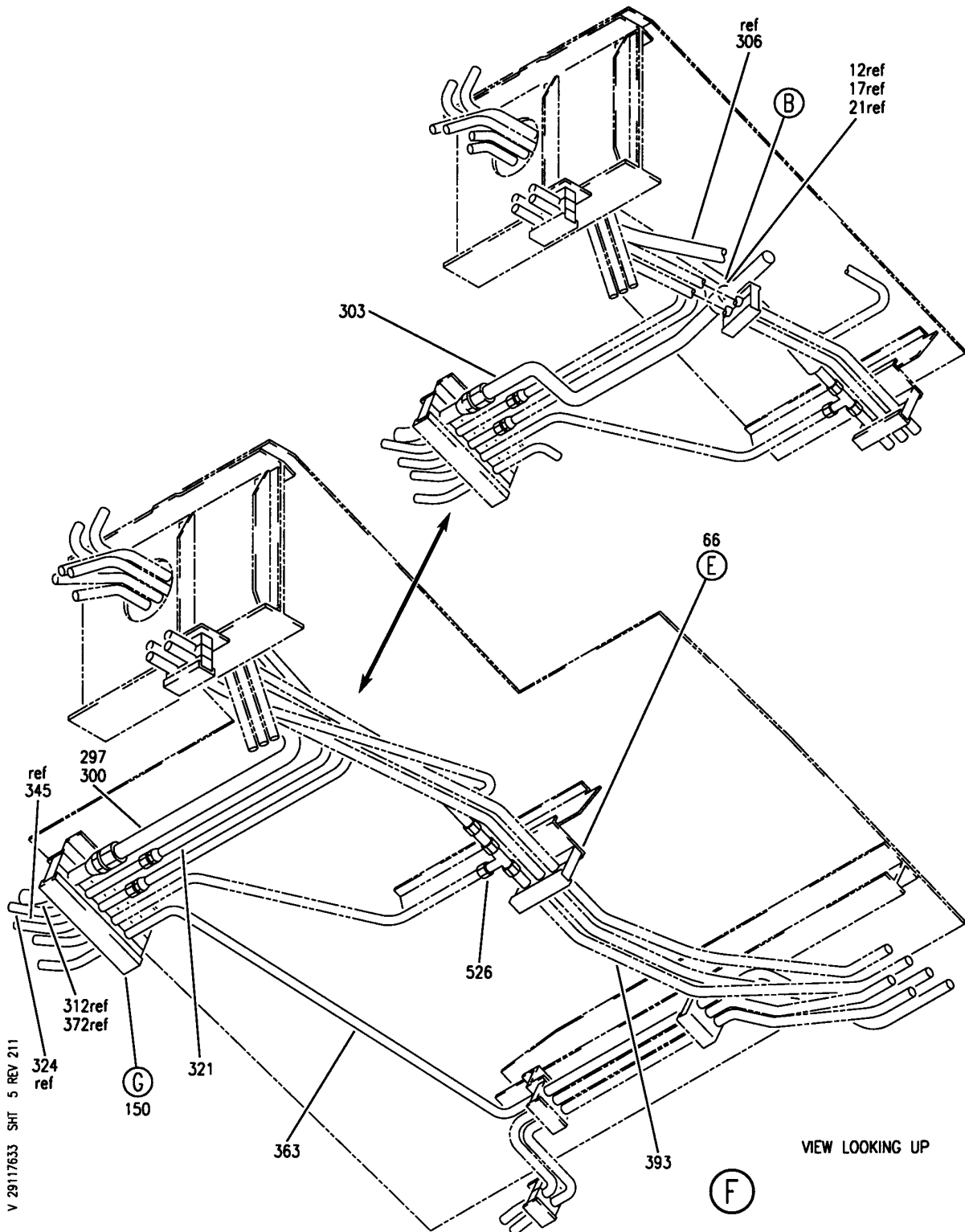
HYDRAULIC INSTL-SECT. 45 (MAIN HYDRAULIC SYSTEMS ONLY)
FIGURE 33 (SHEET 4)

29-11-76-33

HXL
DEC 22/06

29-11-76-33
PAGE 0C

BOEING
767
PARTS CATALOG (MAINTENANCE)



V 29117633 SHT 5 REV 211

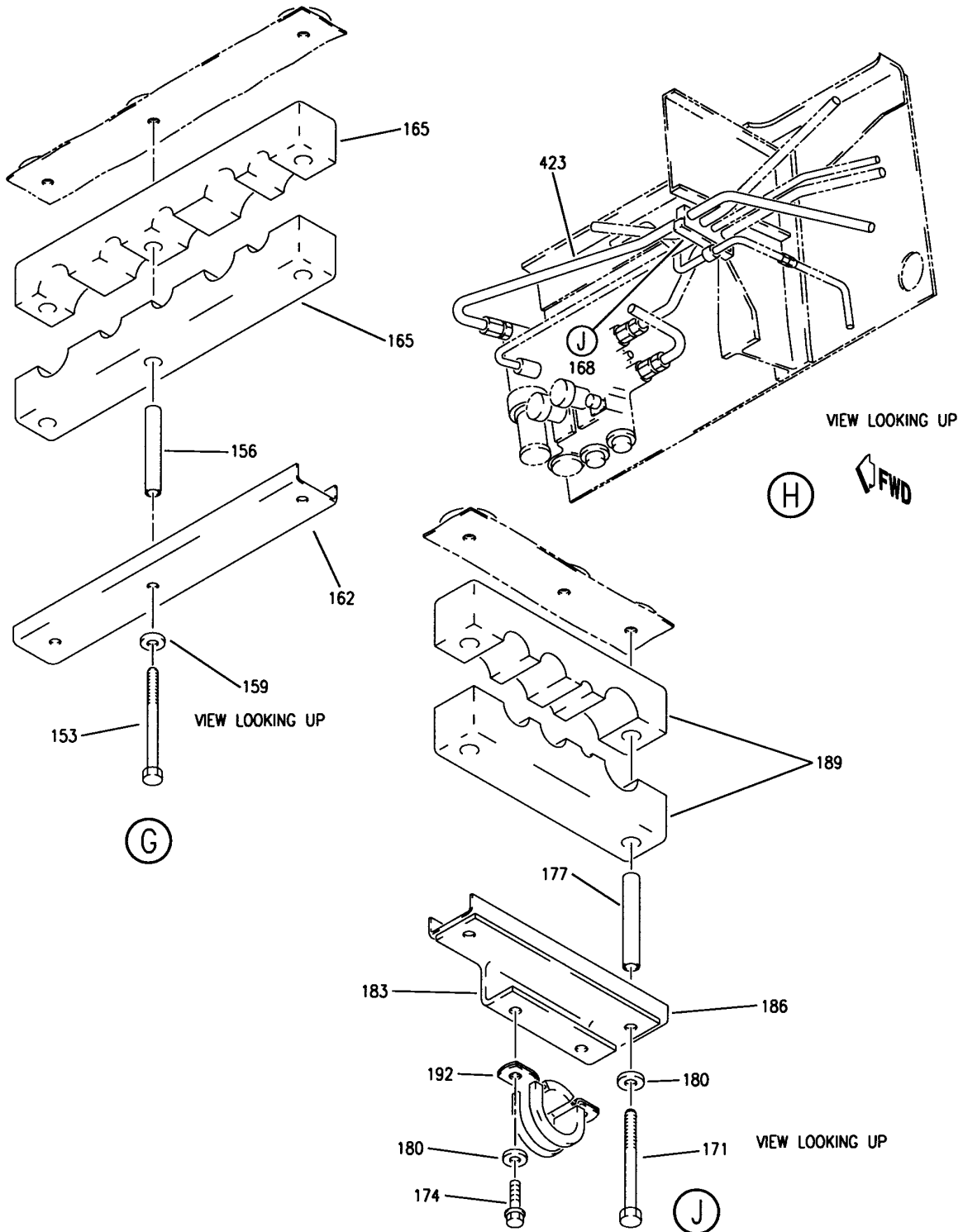
HYDRAULIC INSTL-SECT. 45 (MAIN HYDRAULIC SYSTEMS ONLY)
FIGURE 33 (SHEET 5)

29-11-76-33

HXL
DEC 22/06

29-11-76-33
PAGE 0D

BOEING
767
PARTS CATALOG (MAINTENANCE)



V 29117633 SHT 6 REV 211

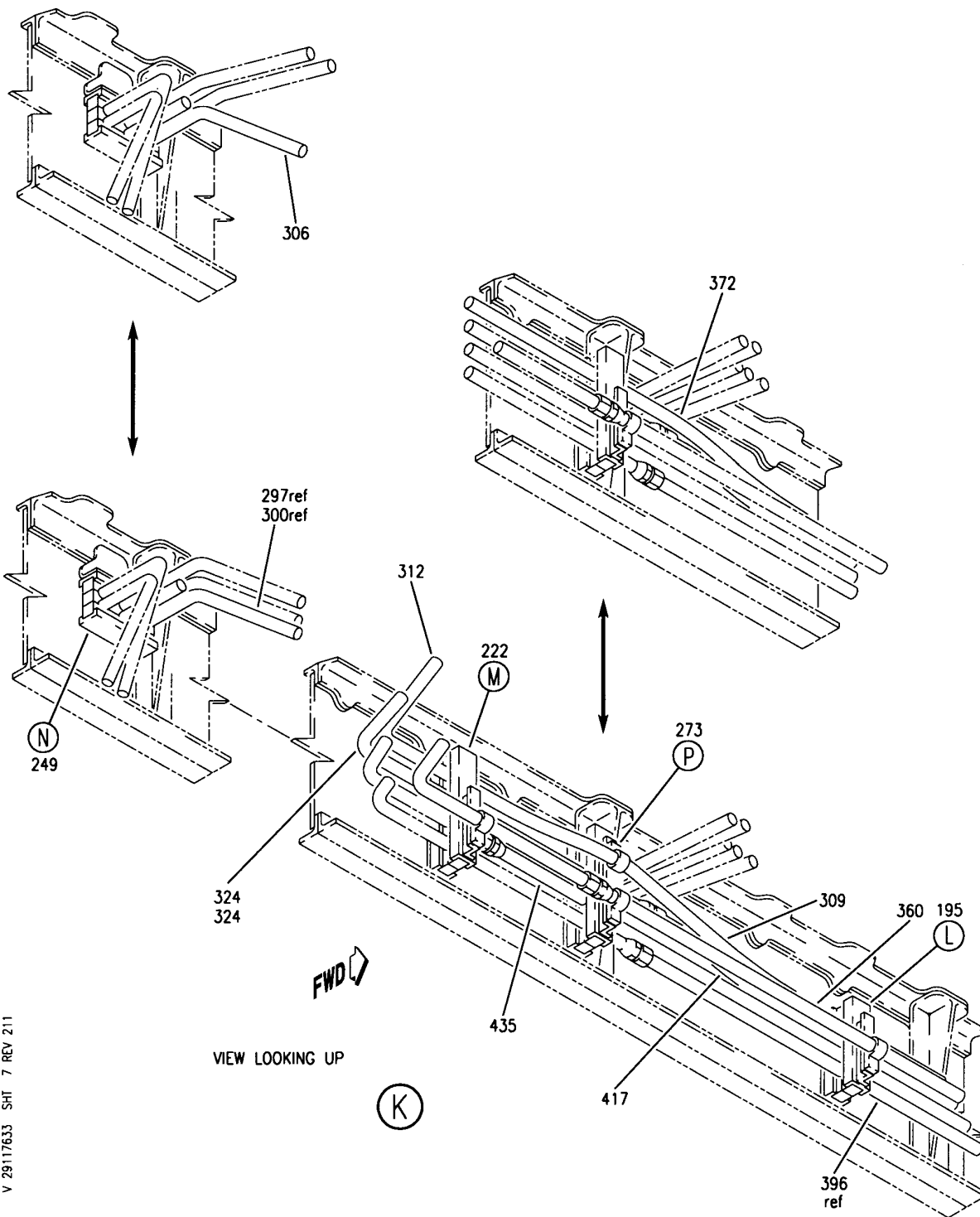
HYDRAULIC INSTL-SECT. 45 (MAIN HYDRAULIC SYSTEMS ONLY)
FIGURE 33 (SHEET 6)

29-11-76-33

HXL
DEC 22/06

29-11-76-33
PAGE 0E

BOEING
767
PARTS CATALOG (MAINTENANCE)



V 29117633 SHT 7 REV 211

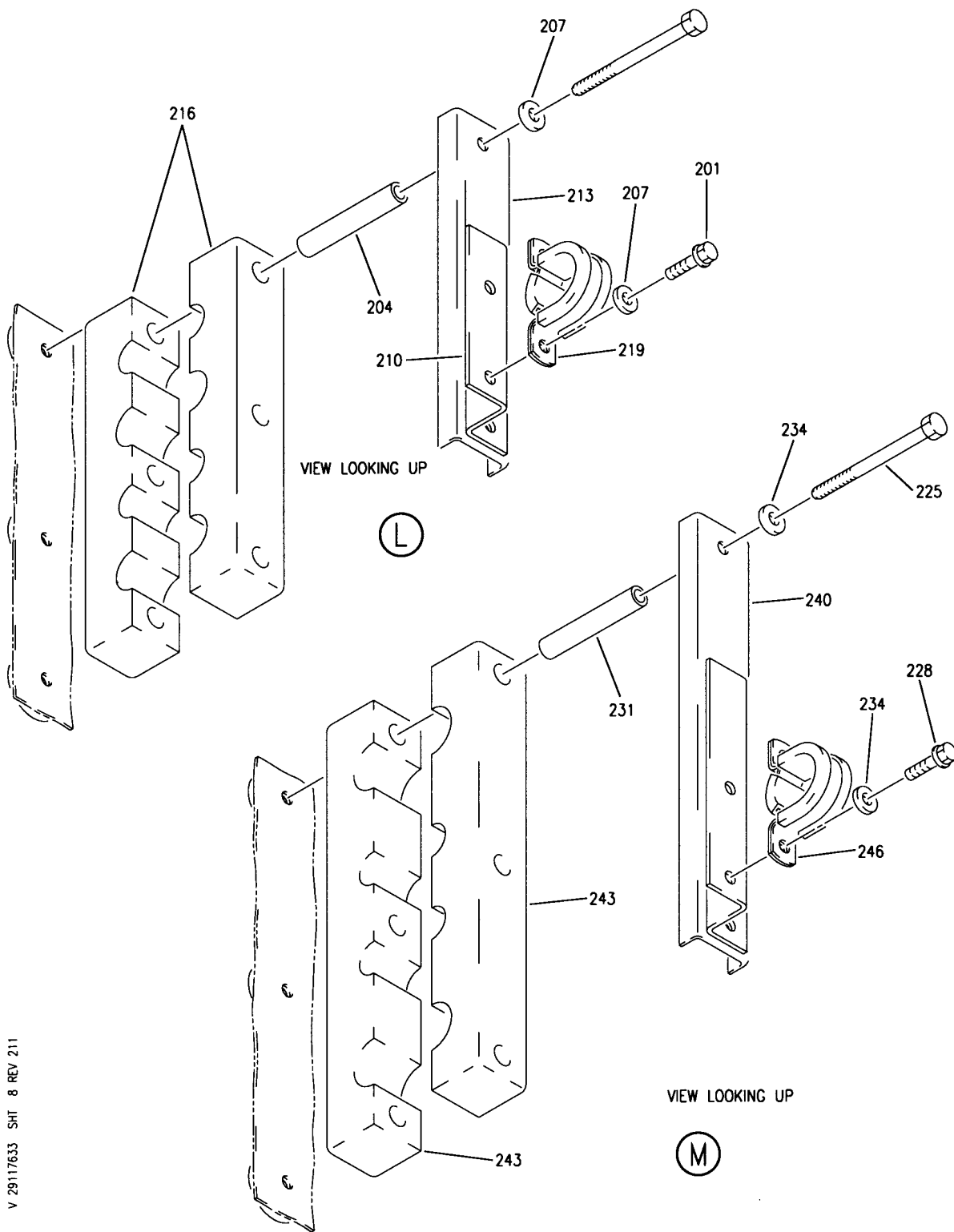
HYDRAULIC INSTL-SECT. 45 (MAIN HYDRAULIC SYSTEMS ONLY)
FIGURE 33 (SHEET 7)

29-11-76-33

HXL
DEC 22/06

29-11-76-33
PAGE OF

BOEING
767
PARTS CATALOG (MAINTENANCE)



V 29117633 SH 8 REV 211

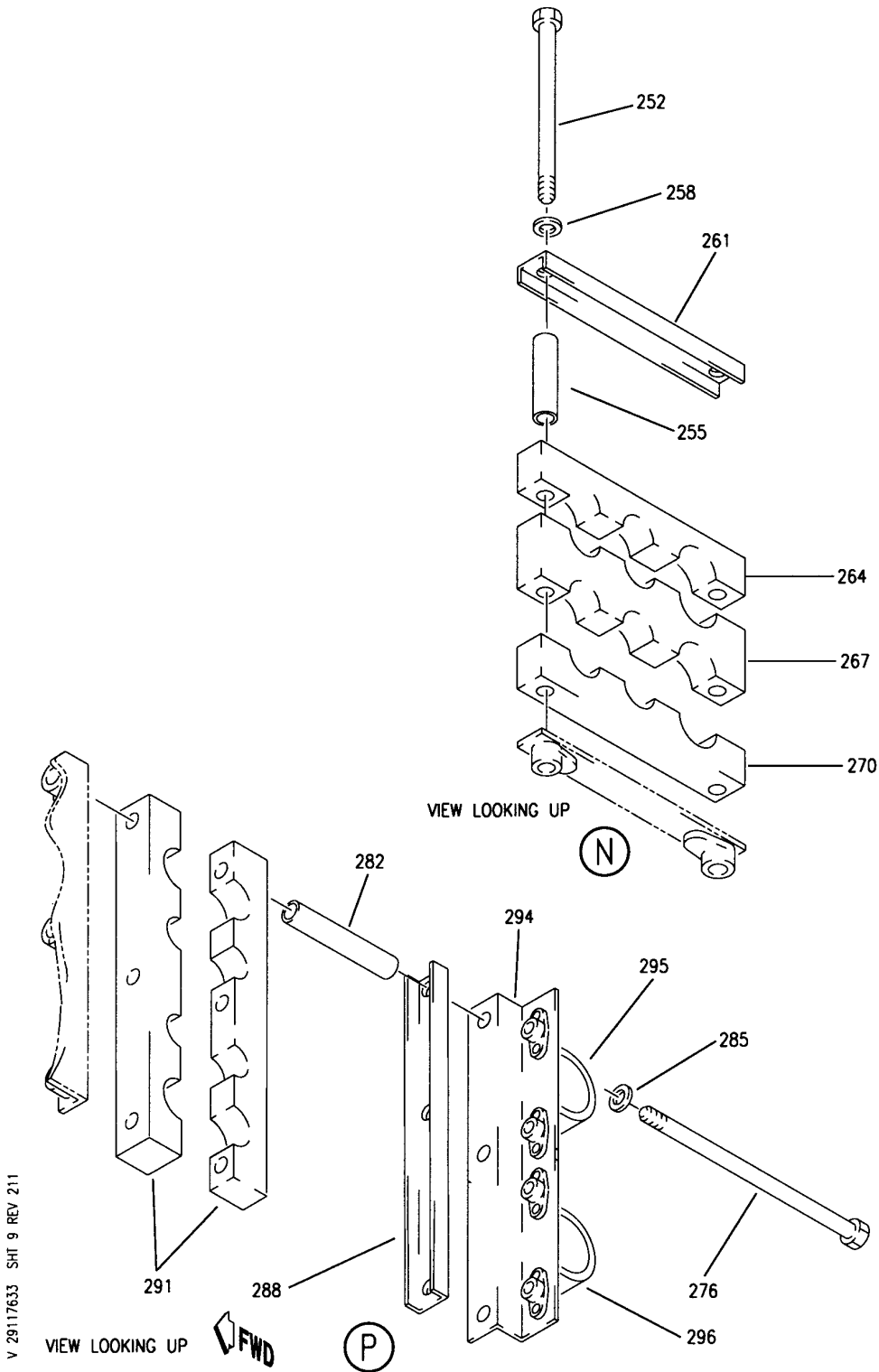
HYDRAULIC INSTL-SECT. 45 (MAIN HYDRAULIC SYSTEMS ONLY)
FIGURE 33 (SHEET 8)

29-11-76-33

HXL
DEC 22/06

29-11-76-33
PAGE 06

BOEING
767
PARTS CATALOG (MAINTENANCE)



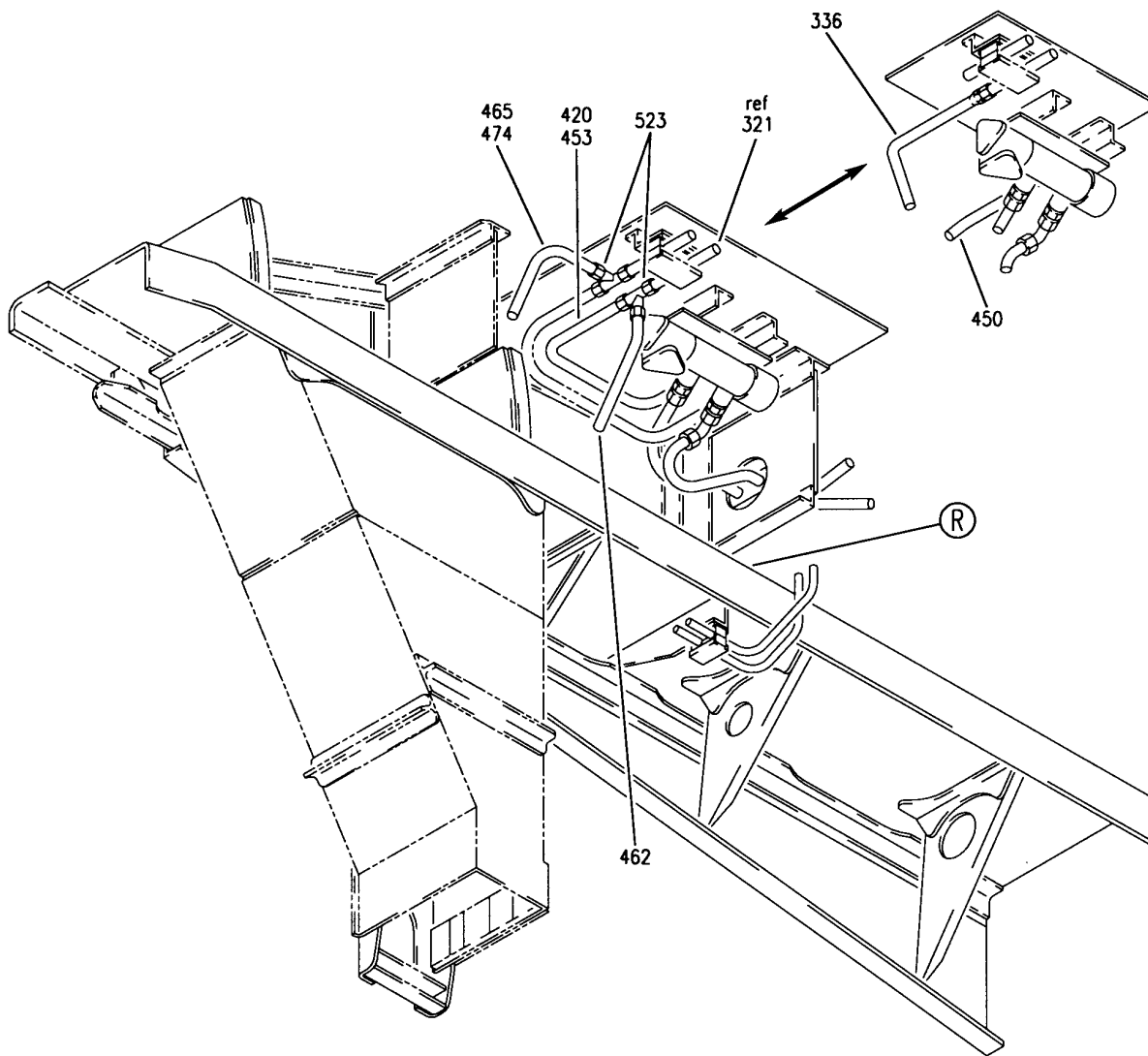
HYDRAULIC INSTL-SECT. 45 (MAIN HYDRAULIC SYSTEMS ONLY)
FIGURE 33 (SHEET 9)

29-11-76-33

HXL
DEC 22/06

29-11-76-33
PAGE 0H

BOEING
767
PARTS CATALOG (MAINTENANCE)



VIEW LOOKING UP

FWD

Q

V 29117633 SHT 10 REV 211

HYDRAULIC INSTL-SECT. 45 (MAIN HYDRAULIC SYSTEMS ONLY)
FIGURE 33 (SHEET 10)

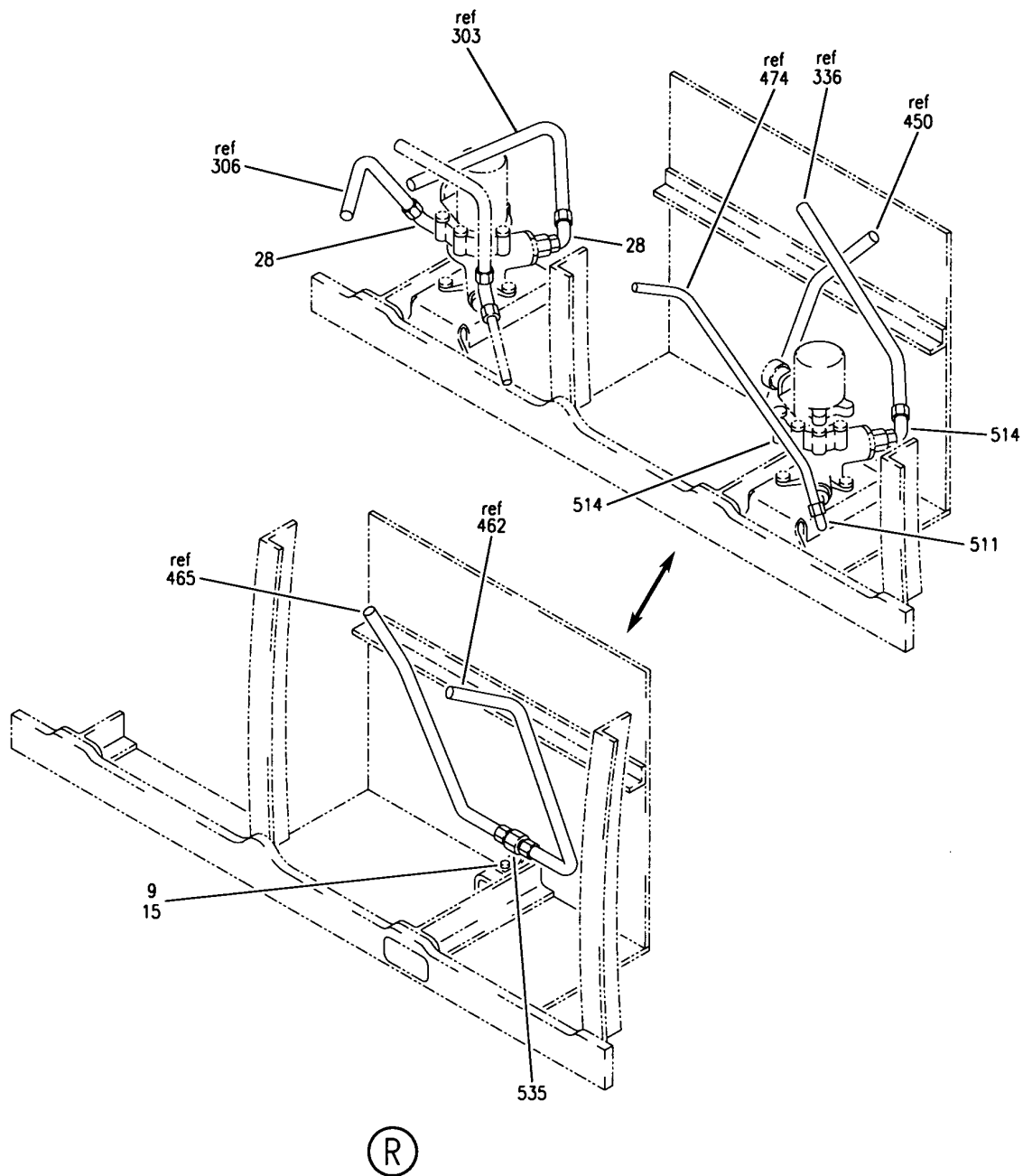
29-11-76-33

HXL
DEC 22/06

29-11-76-33
PAGE 01

BOEING PROPRIETARY - Copyright © - Unpublished Work - See title page for details.

BOEING
767
PARTS CATALOG (MAINTENANCE)



V 29117633 SHT 11 REV 211

HYDRAULIC INSTL-SECT. 45 (MAIN HYDRAULIC SYSTEMS ONLY)
FIGURE 33 (SHEET 11)

29-11-76-33

HXL
DEC 22/06

29-11-76-33
PAGE 0J

BOEING
767
PARTS CATALOG (MAINTENANCE)

FIG ITEM	PART NUMBER	1 2 3 4 5 6 7	NOMENCLATURE	EFFECT FROM TO	UNITS PER ASSY
33			HYDRAULIC INSTL-SECT. 45 (MAIN HYDRAULIC SYSTEMS ONLY)		
- 1	272T4500-3		HYDRAULIC INSTL-300 (MAIN HYDRAULIC SYSTEM ONLY) POSITION DATA: SECT. 45 MISCELLANEOUS DATA: (CONT AT ITEM 001K) VARIABLE DRAWING REF: 272T4500-5191 272T4500-7002 FOR NHA/OTHER SYS DET SEE: 29-00-00-06		RF
- 1	272T4500-3		HYDRAULIC INSTL-300 (MAIN HYDRAULIC SYSTEM ONLY) POSITION DATA: SECT. 45 MISCELLANEOUS DATA: (CONT AT ITEM 001L) VARIABLE DRAWING REF: 272T4500-5274 272T4500-5278 272T4500-7002 FOR NHA/OTHER SYS DET SEE: 29-00-00-06		RF
- 1	272T4500-3		HYDRAULIC INSTL-300 (MAIN HYDRAULIC SYSTEM ONLY) POSITION DATA: SECT. 45 VARIABLE DRAWING REF: 272T4500-7002 FOR NHA/OTHER SYS DET SEE: 29-00-00-06		RF
9	NAS1801-3-8	.SCREW			2
12	NAS1801-3-9	.SCREW			9
15	AN960PD10L	.WASHER			12
18	BACC10BH20C	.CLAMP			1
21	BACC10BH12C	.CLAMP			2
24	BACC10BH10C	.CLAMP			1
27	BACC10BH6C	.CLAMP			1
30	270T0005-320	.BLOCK ASSY			1
33	NAS1801-3-33	..SCREW			3
35	NAS43DD3-100	..SPACER			3
39	AN960PD10L	..WASHER			3
42	270T0004-2016	..CHANNEL			1
ILLUSTRATION ITEMS NOT ON PARTS LIST ARE NOT APPLICABLE					

- ITEM NOT ILLUSTRATED

HXL

29-11-76-33

BOEING PROPRIETARY - Copyright © - Unpublished Work - See title page for details.

29-11-76
FIG. 33
PAGE 1
DEC 22/07

 **BOEING**
767
PARTS CATALOG (MAINTENANCE)

FIG ITEM	PART NUMBER	1 2 3 4 5 6 7	NOMENCLATURE	EFFECT FROM TO	UNITS PER ASSY
33					
45	270T0004-316	..	BLOCK		1
48	270T0005-322	.B	BLOCK ASSY		1
51	NAS1801-3-30	..	SCREW		2
54	NAS43DD3-85	..	SPACER		2
57	AN960PD10L	..	WASHER		2
60	270T0004-2018	..	CHANNEL		2
63	270T0004-326	..	BLOCK		1
66	270T0005-340	.B	BLOCK ASSY		1
69	NAS1801-3-30	..	SCREW		1
72	NAS43DD3-85	..	SPACER		1
75	AN960PD10L	..	WASHER		1
78	270T0004-2075	..	CHANNEL		1
81	270T0004-343	..	BLOCK		1
83	NAS43DD3-100	..	SPACER		1
84	270T0005-342	.B	BLOCK ASSY		1
87	NAS1801-3-33	..	SCREW		3
90	NAS43DD3-100	..	SPACER		3
93	AN960PD10L	..	WASHER		3
96	287T4517-13	..	BRACKET ASSY		1
99	270T0004-2016	..	CHANNEL		1
102	270T0004-316	..	BLOCK		2
105	270T0005-434	.B	BLOCK ASSY		1
108	NAS1801-3-35	..	SCREW		3
111	NAS43DD3-100	..	SPACER		3
114	AN960PD10L	..	WASHER		3
120	270T0004-316	..	BLOCK		2
123	M85052-2-10	..	CLAMP		1
126	270T0005-480	.B	BLOCK ASSY		1
129	NAS1801-3-36	..	SCREW		3
132	NAS43DD3-100	..	SPACER		3
135	AN960PD10L	..	WASHER		3
138	287T4517-13	..	BRACKET ASSY		1
141	270T0004-2016	..	CHANNEL		1
144	270T0004-316	..	BLOCK		2
147	M85052-2-10	..	CLAMP		1
195	270T0005-522	.B	BLOCK ASSY		1
198	NAS1801-3-30	..	SCREW		3
201	NAS1801-3-9	..	SCREW		2
204	NAS43DD3-85	..	SPACER		3
207	AN960PD10L	..	WASHER		5
210	272T4578-1	..	BRACKET ASSY		1
213	270T0004-2028	..	CHANNEL		1
216	270T0004-412	..	BLOCK		2
219	BACC10BH10C	..	CLAMP		1
222	270T0005-524	.B	BLOCK ASSY		1
225	NAS1801-3-30	..	SCREW		3
228	NAS1801-3-9	..	SCREW		2
231	NAS43DD3-84	..	SPACER		3
234	AN960PD10L	..	WASHER		5
ILLUSTRATION ITEMS NOT ON PARTS LIST ARE NOT APPLICABLE					

— ITEM NOT ILLUSTRATED

HXL

29-11-76-33

BOEING PROPRIETARY - Copyright © - Unpublished Work - See title page for details.

29-11-76
FIG. 33
PAGE 2
DEC 22/07

 **BOEING**
767
PARTS CATALOG (MAINTENANCE)

FIG ITEM	PART NUMBER	1 2 3 4 5 6 7	NOMENCLATURE	EFFECT FROM TO	UNITS PER ASSY
33					
237	272T4578-3	..	BRACKET ASSY		1
240	270T0004-58	..	CHANNEL		1
243	270T0004-449	..	BLOCK		2
246	TA0910004H110	..	CLAMP		1
			SUPPLIER CODE: V84971		
			SPECIFICATION NUMBER: BACC10HB10C		
249	270T0005-611	.BLOCK	ASSY		1
252	NAS1801-4-43	..	SCREW		2
255	NAS43DD4-139	..	SPACER		2
258	AN960PD416L	..	WASHER		2
261	270T0004-2077	..	CHANNEL		1
264	270T0004-368	..	BLOCK		1
267	270T0004-608	..	BLOCK		1
270	270T0004-367	..	BLOCK		1
273	270T0005-637	.BLOCK	ASSY		1
276	NAS1801-3-30	..	SCREW		3
279	NAS1801-3-9	..	SCREW		4
282	NAS43DD3-84FC	..	SPACER		3
285	NAS1149D0316J	..	WASHER		7
288	270T0004-58	..	CHANNEL		1
291	270T0004-449	..	BLOCK		2
294	272T4578-5	..	BRACKET ASSY		1
297	272T4500-2408	.TUBE ASSY-	TUBING MATERIAL: .750 IN. OD .039 IN. WALL 42.00 IN. LG TITANIUM		1
300	272T4500-2447	.TUBE ASSY-	TUBING MATERIAL: .750 IN. OD .039 IN. WALL TITANIUM		1
303	272T4500-2424	.TUBE ASSY-PRESSURE CTR SYS	TUBING MATERIAL: .750 IN. OD .039 IN. WALL 42.00 IN. LG TITANIUM		1
306	272T4500-2425	.TUBE ASSY-PRESSURE CTR SYS	TUBING MATERIAL: .750 IN. OD .039 IN. WALL 43.00 IN. LG TITANIUM		1
- 307	AS1581T12	..	SLEEVE		2
- 308	BACN10YA12N	..	NUT		2
309	272T4500-2456	.TUBE ASSY-PRESSURE CTR SYS	TUBING MATERIAL: .750 IN. OD .039 IN. WALL TITANIUM		1

ILLUSTRATION ITEMS NOT ON PARTS LIST ARE NOT APPLICABLE

- ITEM NOT ILLUSTRATED

HXL

29-11-76-33

BOEING PROPRIETARY - Copyright © - Unpublished Work - See title page for details.

29-11-76
FIG. 33
PAGE 3
DEC 22/07



767

PARTS CATALOG (MAINTENANCE)

FIG ITEM	PART NUMBER	1 2 3 4 5 6 7	NOMENCLATURE	EFFECT FROM TO	UNITS PER ASSY
33					
312	272T4500-2462		.TUBE ASSY-PRESSURE CTR SYS TUBING MATERIAL: .750 IN. OD .039 IN. WALL TITANIUM		1
- 315	AS1581T12		..SLEEVE		1
- 318	BACN10YA12N		..NUT		1
321	272T4500-487		.TUBE ASSY-PRESSURE CTR SYS MANUFACTURED FROM: TUBING TITANIUM .625 IN. OD .032 IN. WALL 40.75 IN. LG TUBING MATERIAL: .625 IN. OD .032 IN. WALL 40.75 IN. LG TITANIUM		1
324	272T4500-2337		.TUBE ASSY-PRESSURE CTR SYS MANUFACTURED FROM: TUBING TITANIUM .625 IN. OD .032 IN. WALL 36.00 IN. LG TUBING MATERIAL: .625 IN. OD .032 IN. WALL 36.00 IN. LG TITANIUM		1
- 327	AS1581T10		..SLEEVE		1
- 330	BACN10YA10		..NUT		1
333	272T4500-2461		.TUBE ASSY-PRESSURE CTR SYS TUBING MATERIAL: .625 IN. OD .032 IN. WALL TITANIUM		1
336	272T4500-2422		.TUBE ASSY-PRESSURE CTR SYS TUBING MATERIAL: .625 IN. OD .032 IN. WALL 26.00 IN. LG TITANIUM		1
- 339	AS1581T10		..SLEEVE		1
- 342	BACN10YA10N		..NUT		1
345	272T4500-647		.TUBE ASSY-RETURN CTR SYS MANUFACTURED FROM: TUBING TITANIUM .625 IN. OD .032 IN. WALL 27.00 IN. LG TUBING MATERIAL: .625 IN. OD .032 IN. WALL 27.00 IN. LG TITANIUM		1

ILLUSTRATION ITEMS NOT ON PARTS LIST ARE NOT APPLICABLE

- ITEM NOT ILLUSTRATED

29-11-76-33

29-11-76
FIG. 33
PAGE 4
DEC 22/07

HXL



767

PARTS CATALOG (MAINTENANCE)

FIG ITEM	PART NUMBER	1 2 3 4 5 6 7	NOMENCLATURE	EFFECT FROM TO	UNITS PER ASSY
33 348	272T4500-645	.	TUBE ASSY-RETURN CTR SYS TUBING MATERIAL: .625 IN. OD .032 IN. WALL 16.00 IN. LG TITANIUM		1
- 351	AS1581T10	..	SLEEVE		2
- 354	AFP107-10	..	NUT		2
			SUPPLIER CODE: V30974 SPECIFICATION NUMBER: BACN10NR10 OPTIONAL PART: AP1028T10 V01673 BC921T10 V50948 DBON10NR10 V14798 ER01921-10T V88334 FER8928-10 V14397 F11-10 V73197 2-03005T10 V11328 31783-10 V14397		
- 357 360	BACN10YA10 272T4500-710	..	NUT		2
		.	TUBE ASSY-TO HEAT EXCHANGER CTR SYS MANUFACTURED FROM: TUBING AL .625 IN. OD .035 IN. WALL 72.50 IN. LG TUBING MATERIAL: .625 IN. OD .035 IN. WALL 72.50 IN. LG ALUMINUM		1
363	272T4500-726	.	TUBE ASSY-TO HEAT EXCHANGER CTR SYS MANUFACTURED FROM: TUBING AL .625 IN. OD .035 IN. WALL 83.00 IN. LG TUBING MATERIAL: .625 IN. OD .035 IN. WALL 83.00 IN. LG ALUMINUM		1

ILLUSTRATION ITEMS NOT ON PARTS LIST ARE NOT APPLICABLE

- ITEM NOT ILLUSTRATED

29-11-76-33

29-11-76
FIG. 33
PAGE 5
DEC 22/07

HXL



**767
PARTS CATALOG (MAINTENANCE)**

FIG ITEM	PART NUMBER	1 2 3 4 5 6 7	NOMENCLATURE	EFFECT FROM TO	UNITS PER ASSY
33 - 366	AP2097HP10	..	SLEEVE SUPPLIER CODE: V01673 SPECIFICATION NUMBER: BACS13BX10HP OPTIONAL PART: 2-02903-10HP V11328 35235VN10 V08199 AFP175V10P V30974 DBOS13BX10HP V14798		1
- 369 372	BACN10YL10 272T4500-335	..	NUT .TUBE ASSY-PRESSURE CTR SYS TUBING MATERIAL: .750 IN. OD .039 IN. WALL 92.00 IN. LG TITANIUM		1 1
- 375 - 378	AS1581T12 AFP107-12	..	SLEEVE NUT SUPPLIER CODE: V30974 SPECIFICATION NUMBER: BACN10NR12 OPTIONAL PART: AP1028T12 V01673 BC921T12 V50948 DBON10NR12 V14798 ER01921-12T V88334 FER8928-12 V14397 F11-12 V73197 2-03005T12 V11328 31783-12 V14397		1 1
- 381 384	BACN10YA12 272T4500-2354	..	NUT .TUBE ASSY-PRESSURE CTR SYS TUBING MATERIAL: .750 IN. OD .039 IN. WALL 44.00 IN. LG TITANIUM		1 1

ILLUSTRATION ITEMS NOT ON PARTS LIST ARE NOT APPLICABLE

- ITEM NOT ILLUSTRATED

HXL

29-11-76-33

BOEING PROPRIETARY - Copyright © - Unpublished Work - See title page for details.

29-11-76
FIG. 33
PAGE 6
DEC 22/07



767

PARTS CATALOG (MAINTENANCE)

FIG ITEM	PART NUMBER	1 2 3 4 5 6 7	NOMENCLATURE	EFFECT FROM TO	UNITS PER ASSY
33					
- 387	AS1581T12		..SLEEVE		2
- 390	BACN10YA12		..NUT		2
393	272T4500-725		.TUBE ASSY-RETURN CTR SYS MANUFACTURED FROM: TUBING AL .750 IN. OD .035 IN. WALL 49.00 IN. LG TUBING MATERIAL: .750 IN. OD .035 IN. WALL 49.00 IN. LG ALUMINUM		1
396	272T4500-728		.TUBE ASSY-RETURN CTR SYS MANUFACTURED FROM: TUBING AL .750 IN. OD .035 IN. WALL 62.00 IN. LG TUBING MATERIAL: .750 IN. OD .035 IN. WALL 62.00 IN. LG ALUMINUM		1
399	272T4500-729		.TUBE ASSY-RETURN CTR SYS TUBING MATERIAL: .750 IN. OD .035 IN. WALL 41.00 IN. LG ALUMINUM		1
402	272T4500-758		.TUBE ASSY-RETURN CTR SYS MANUFACTURED FROM: TUBING AL .750 IN. OD .035 IN. WALL 43.00 IN. LG TUBING MATERIAL: .750 IN. OD .035 IN. WALL 43.00 IN. LG ALUMINUM		1
405	272T4500-713		.TUBE ASSY-RETURN CTR SYS TUBING MATERIAL: .750 IN. OD .035 IN. WALL 106.00 IN. LG ALUMINUM		1

ILLUSTRATION ITEMS NOT ON PARTS LIST ARE NOT APPLICABLE

- ITEM NOT ILLUSTRATED

HXL

29-11-76-33

BOEING PROPRIETARY - Copyright © - Unpublished Work - See title page for details.

29-11-76
FIG. 33
PAGE 7
DEC 22/07



767

PARTS CATALOG (MAINTENANCE)

FIG ITEM	PART NUMBER	1 2 3 4 5 6 7	NOMENCLATURE	EFFECT FROM TO	UNITS PER ASSY
33 - 408	AP2097HP12	..	SLEEVE SUPPLIER CODE: V01673 SPECIFICATION NUMBER: BACS13BX12HP OPTIONAL PART: 2-02903-12HP V11328 35235VN12 V08199 AFP175V12P V30974 DBOS13BX12HP V14798		2
- 411 414	BACN10YL12 272T4500-2320	..	NUT .TUBE ASSY-PRESSURE CTR SYS MANUFACTURED FROM: TUBING TITANIUM .625 IN. OD .032 IN. WALL 20.00 IN. LG TUBING MATERIAL: .625 IN. OD .032 IN. WALL 20.00 IN. LG TITANIUM		2 1
417	272T4500-2321	.TUBE ASSY-PRESSURE CTR SYS	MANUFACTURED FROM: TUBING TITANIUM .625 IN. OD .032 IN. WALL 36.25 IN. LG TUBING MATERIAL: .625 IN. OD .032 IN. WALL 36.25 IN. LG TITANIUM		1
420	272T4500-2341	.TUBE ASSY-PRESSURE CTR SYS	TUBING MATERIAL: .625 IN. OD .032 IN. WALL 14.50 IN. LG TITANIUM		1
423	272T4500-2356	.TUBE ASSY-PRESSURE CTR SYS	TUBING MATERIAL: .625 IN. OD .032 IN. WALL 47.00 IN. LG TITANIUM		1

ILLUSTRATION ITEMS NOT ON PARTS LIST ARE NOT APPLICABLE

- ITEM NOT ILLUSTRATED

HXL

29-11-76-33

BOEING PROPRIETARY - Copyright © - Unpublished Work - See title page for details.

29-11-76
FIG. 33
PAGE 8
DEC 22/07



767

PARTS CATALOG (MAINTENANCE)

FIG ITEM	PART NUMBER	1 2 3 4 5 6 7	NOMENCLATURE	EFFECT FROM TO	UNITS PER ASSY
33 426	272T4500-2313		.TUBE ASSY-PRESSURE CTR SYS TUBING MATERIAL: .625 IN. OD .032 IN. WALL 17.00 IN. LG TITANIUM		1
- 429	AS1581T10		..SLEEVE		2
- 432	BACN10YA10		..NUT		2
435	272T4500-646		.TUBE ASSY-RETURN CTR SYS MANUFACTURED FROM: LG TUBING MATERIAL: .625 IN. OD .032 IN. WALL 108.00 IN. LG TITANIUM		1
- 438	AS1581T10		..SLEEVE		1
- 441	AFP107-10		..NUT SUPPLIER CODE: V30974 SPECIFICATION NUMBER: BACN10NR10 OPTIONAL PART: AP1028T10 V01673 BC921T10 V50948 DBON10NR10 V14798 ER01921-10T V88334 FER8928-10 V14397 F11-10 V73197 2-03005T10 V11328 31783-10 V14397		1
- 444	BACN10YA10		..NUT		1
453	272T4500-2448		.TUBE ASSY-PRESSURE CTR SYS MANUFACTURED FROM: TUBING TITANIUM .625 IN. OD .032 IN. WALL 18.00 IN. LG TUBING MATERIAL: .625 IN. OD .032 IN. WALL 26.00 IN. LG TITANIUM		1

ILLUSTRATION ITEMS NOT ON PARTS LIST ARE NOT APPLICABLE

- ITEM NOT ILLUSTRATED

HXL

29-11-76-33

BOEING PROPRIETARY - Copyright © - Unpublished Work - See title page for details.

29-11-76
FIG. 33
PAGE 9
DEC 22/07



767

PARTS CATALOG (MAINTENANCE)

FIG ITEM	PART NUMBER	1 2 3 4 5 6 7	NOMENCLATURE	EFFECT FROM TO	UNITS PER ASSY
33 462	272T4500-2342		.TUBE ASSY-PRESSURE CTR SYS MANUFACTURED FROM: TUBING TITANIUM .500 IN. OD .026 IN. WALL 23.00 IN. LG TUBING MATERIAL: .500 IN. OD .026 IN. WALL 23.00 IN. LG TITANIUM		1
465	272T4500-723		.TUBE ASSY-RETURN CTR SYS MANUFACTURED FROM: TUBING TITANIUM .500 IN. OD .026 IN. WALL 24.00 IN. LG TUBING MATERIAL: .500 IN. OD .026 IN. WALL 24.00 IN. LG TITANIUM		1
- 468	AS1581T08		.SLEEVE		2
- 471	BACN10YA8		..NUT		2
496	AS1582T10		.UNION		1
502	AS1582T10		.UNION		1
508	35056GV10		.UNION		1
			SUPPLIER CODE: V08199 SPECIFICATION NUMBER: BACU24AB10W OPTIONAL PART: 4671097W10 V50948 2-01027-10W V11328 31875-10W V14397 AP1004W10 V01673 AFP941W10 V30974 DBOU24AB10W V14798		
520	MS21905D12		.TEE		1
523	BACT16BM101008J		.TEE-		1
526	NAS1763D121212		.TEE		1

ILLUSTRATION ITEMS NOT ON PARTS LIST ARE NOT APPLICABLE

- ITEM NOT ILLUSTRATED

HXL

29-11-76-33

BOEING PROPRIETARY - Copyright © - Unpublished Work - See title page for details.

29-11-76
FIG. 33
PAGE 10
DEC 22/07



767

PARTS CATALOG (MAINTENANCE)

FIG ITEM	PART NUMBER	1 2 3 4 5 6 7	NOMENCLATURE	EFFECT FROM TO	UNITS PER ASSY
33 529	0121520500-3		.VALVE- SUPPLIER CODE: V83533 SPECIFICATION NUMBER: S270T252-3		1
532	1C1294		.VALVE- SUPPLIER CODE: V99240 SPECIFICATION NUMBER: S270T252-15		1
535	1C2166		.VALVE- SUPPLIER CODE: V99240 SPECIFICATION NUMBER: S270T252-12		1
538	0121520500-8		.VALVE- SUPPLIER CODE: V83533 SPECIFICATION NUMBER: S270T252-9		1
541	0121520500-6		.VALVE- SUPPLIER CODE: V83533 SPECIFICATION NUMBER: S270T252-6 COMPONENT MAINT MANUAL REF: 29-11-03		1

ILLUSTRATION ITEMS NOT ON PARTS LIST ARE NOT APPLICABLE

- ITEM NOT ILLUSTRATED

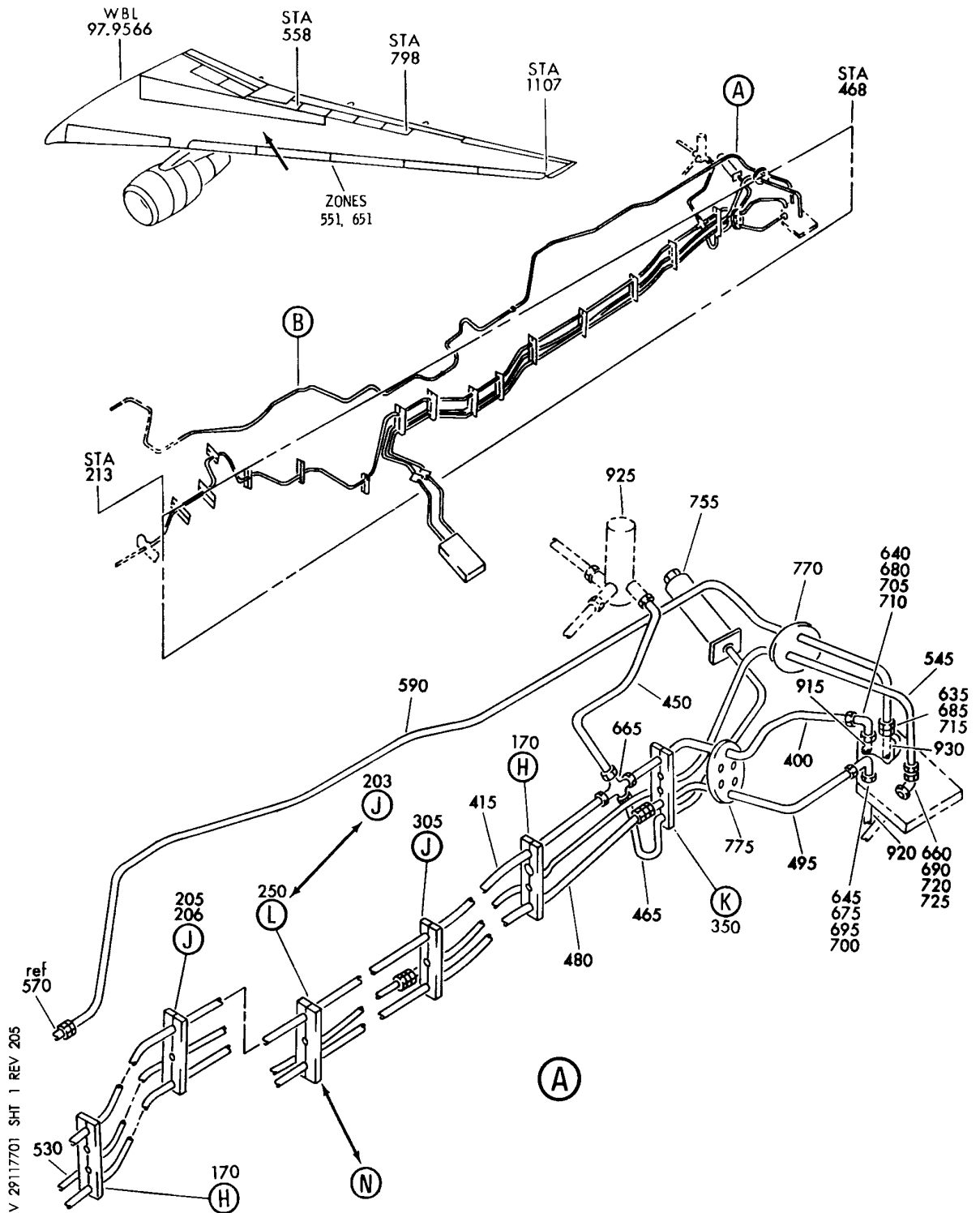
HXL

29-11-76-33

BOEING PROPRIETARY - Copyright © - Unpublished Work - See title page for details.

29-11-76
FIG. 33
PAGE 11
DEC 22/07

BOEING
767
PARTS CATALOG (MAINTENANCE)



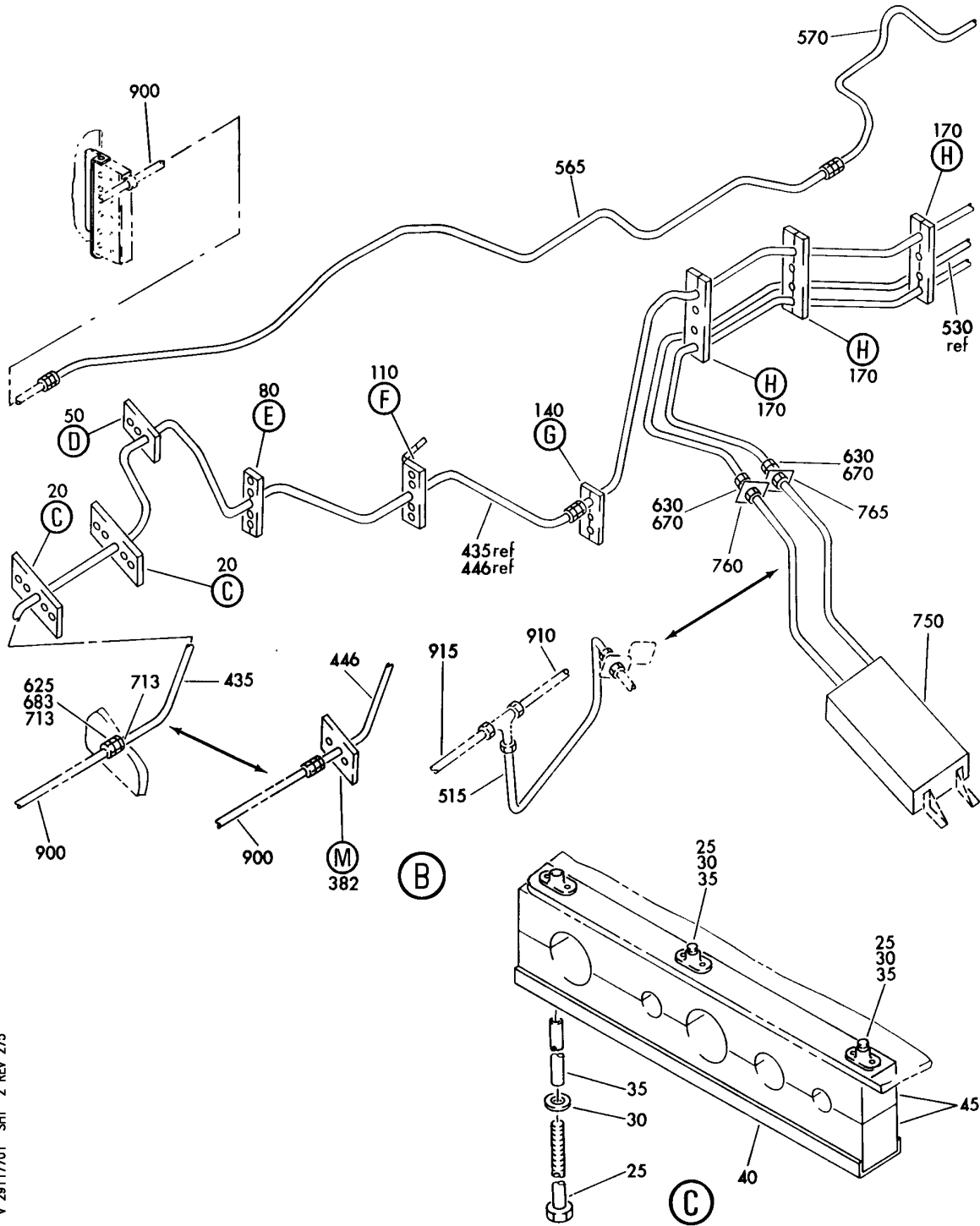
HYDRAULIC INSTL-SECT. 12 (LH) (HYDRAULIC POWER ONLY)
FIGURE 1 (SHEET 1)

29-11-77-01

HXL
DEC 22/06

29-11-77-01
PAGE 0

BOEING
767
PARTS CATALOG (MAINTENANCE)



V 29117701 SHT 2 REV 275

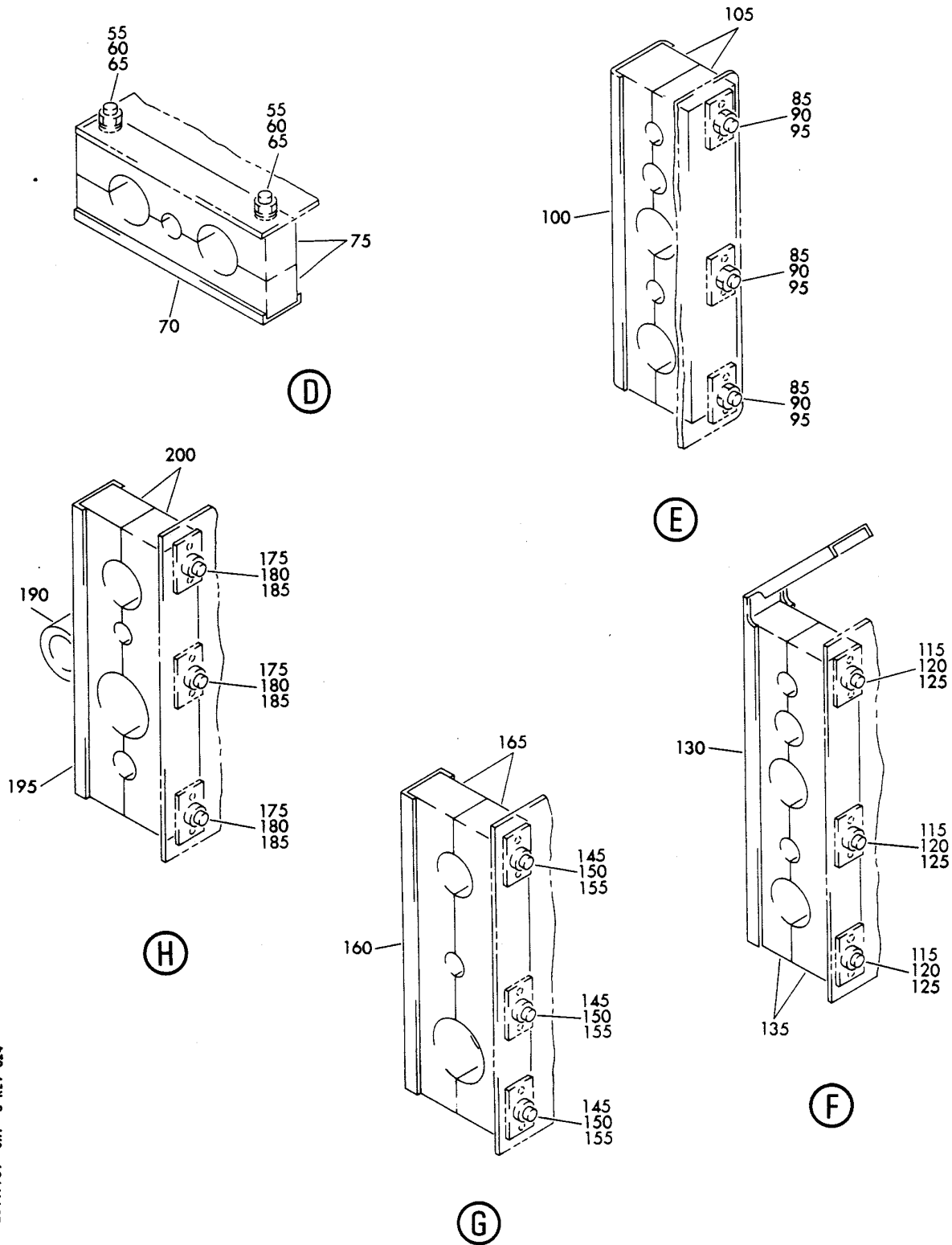
HYDRAULIC INSTL-SECT. 12 (LH) (HYDRAULIC POWER ONLY)
FIGURE 1 (SHEET 2)

29-11-77-01

HXL
DEC 22/06

29-11-77-01
PAGE 0A


BOEING
 767
PARTS CATALOG (MAINTENANCE)



V 29117701 SHT 3 REV 024

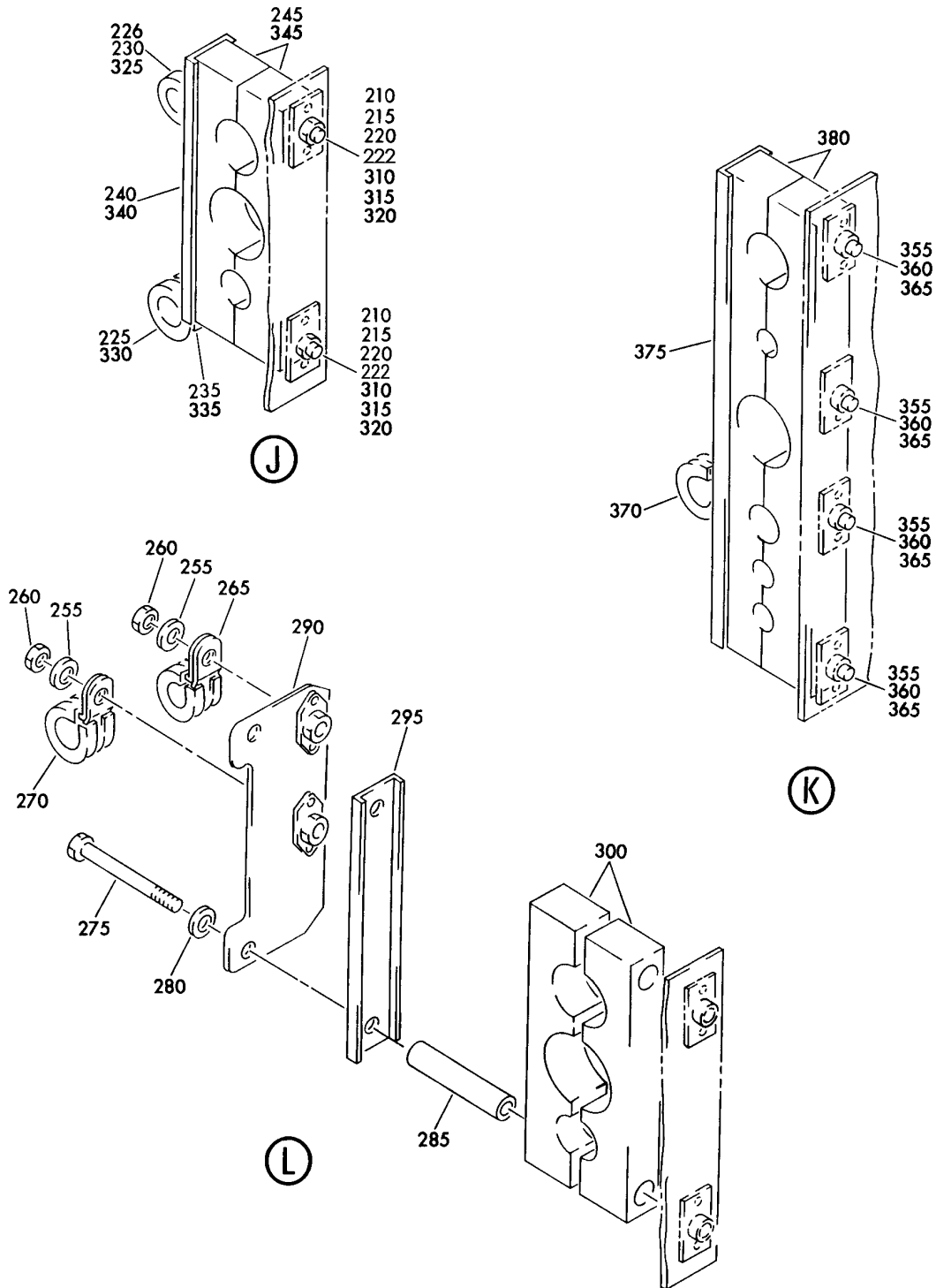
HYDRAULIC INSTL-SECT. 12 (LH) (HYDRAULIC POWER ONLY)
 FIGURE 1 (SHEET 3)

29-11-77-01

HXL
DEC 22/06

29-11-77-01
 PAGE 0B

BOEING
767
PARTS CATALOG (MAINTENANCE)



V 29117701 SH1 4 REV 258

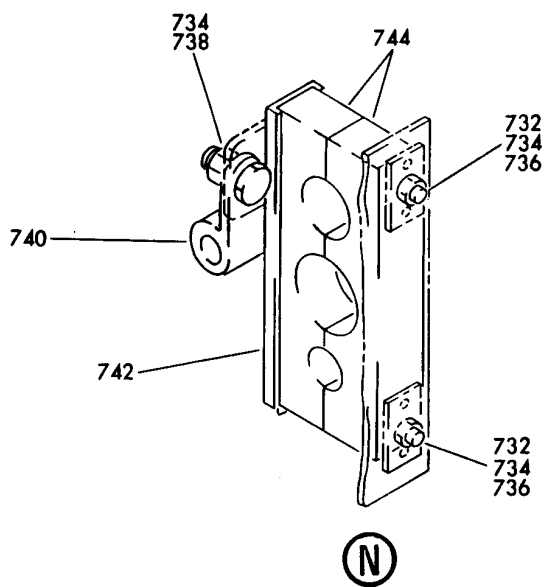
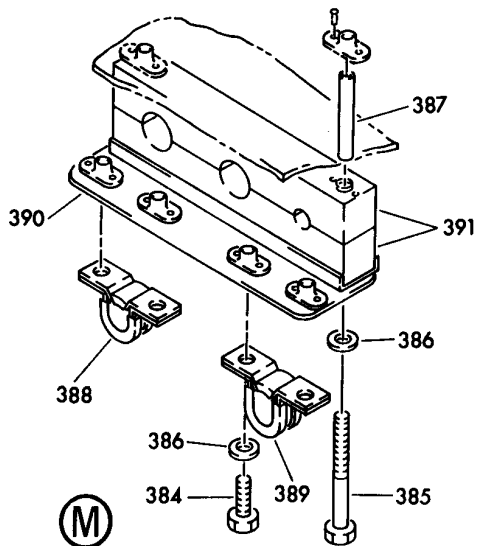
HYDRAULIC INSTL-SECT. 12 (LH) (HYDRAULIC POWER ONLY)
FIGURE 1 (SHEET 4)

29-11-77-01

HXL
DEC 22/06

29-11-77-01
PAGE 0C

BOEING
767
PARTS CATALOG (MAINTENANCE)



V 29117701 SHT 5 REV 177

HYDRAULIC INSTL-SECT. 12 (LH) (HYDRAULIC POWER ONLY)
FIGURE 1 (SHEET 5)

29-11-77-01

HXL
DEC 22/06

29-11-77-01
PAGE 0D

 **BOEING**
767
PARTS CATALOG (MAINTENANCE)

FIG ITEM	PART NUMBER	1 2 3 4 5 6 7	NOMENCLATURE	EFFECT FROM TO	UNITS PER ASSY
1			HYDRAULIC INSTL-SECT. 12 (LH) (HYDRAULIC POWER ONLY)		
- 1	272T1200-5		HYDRAULIC INSTL-(HYDRAULIC POWER ONLY) POSITION DATA: SECT. 12 LH VARIABLE DRAWING REF: 272T1200-5203 272T1200-5239 272T1200-5251 272T1200-7003 FOR NHA/OTHER SYS DET SEE: 29-00-00-02		RF
20	270T0005-565		.BLOCK ASSY-SPRT		2
25	NAS1801-3-30		.. SCREW		3
30	AN960PD10L		.. WASHER		3
35	NAS43DD3-85		.. SPACER		3
40	270T0004-2053		.. CHANNEL-		1
45	270T0004-533		.. BLOCK-CLAMP		2
50	270T0005-353		.BLOCK ASSY-SPRT		1
55	NAS1801-3-30		.. SCREW		2
60	AN960PD10L		.. WASHER		2
65	NAS43DD3-85		.. SPACER		2
70	270T0004-64		.. CHANNEL		1
75	270T0004-307		.. BLOCK-CLAMP		2
80	270T0005-512		.BLOCK ASSY-SPRT		1
85	NAS1801-3-30		.. SCREW		3
90	AN960PD10L		.. WASHER		3
95	NAS43DD3-85		.. SPACER		3
100	270T0004-44		.. CHANNEL		1
105	270T0004-506		.. BLOCK-CLAMP		2
110	270T0005-559		.BLOCK ASSY-SPRT		1
115	NAS1801-3-30		.. SCREW		3
120	AN960PD10L		.. WASHER		3
125	NAS43DD3-85		.. SPACER		3
130	270T0004-3037		.. CHANNEL		1
135	270T0004-506		.. BLOCK-CLAMP		2
140	270T0005-354		.BLOCK ASSY-SPRT		1
145	NAS1801-3-34		.. SCREW		3
150	AN960PD10L		.. WASHER		3
155	NAS43DD3-100		.. SPACER		3
160	270T0004-37		.. CHANNEL		1
165	270T0004-389		.. BLOCK-CLAMP		2
170	270T0005-431		.BLOCK ASSY-SPRT		5
170	270T0005-534		.BLOCK ASSY-SPRT		5
175	NAS1801-3-34		.. SCREW-		3

ILLUSTRATION ITEMS NOT ON PARTS LIST ARE NOT APPLICABLE

- ITEM NOT ILLUSTRATED

HXL

29-11-77-01

BOEING PROPRIETARY - Copyright © - Unpublished Work - See title page for details.

29-11-77
FIG. 01
PAGE 1
DEC 22/07

 **BOEING**
767
PARTS CATALOG (MAINTENANCE)

FIG ITEM	PART NUMBER	1 2 3 4 5 6 7	NOMENCLATURE	EFFECT FROM TO	UNITS PER ASSY
1					
180	AN960PD10L	..	WASHER- USED ON: 270T0005-534		3
180	NAS1149D0316J	..	WASHER-		3
185	NAS43DD3-100	..	SPACER- USED ON: 270T0005-534		3
185	NAS43DD3-100FC	..	SPACER-		3
190	M85052-2-8	..	CLAMP- USED ON: 270T0005-534		1
195	270T0004-36	..	CHANNEL		1
200	270T0004-421	..	BLOCK-CLAMP		2
203	270T0005-461	.	BLOCK ASSY-SPRT		1
205	270T0005-533	.	BLOCK ASSY-SPRT		1
210	NAS1801-3-34	..	SCREW-		2
215	AN960PD10L	..	WASHER-		2
220	NAS43DD3-100	..	SPACER-		2
225	M85052-2-6	..	CLAMP		1
225	M85052-2-8	..	CLAMP- USED ON: 270T0005-533		1
230	M85052-2-6	..	CLAMP- USED ON: 270T0005-533		1
235	BACS18AF3	..	SPACER		1
240	270T0004-29	..	CHANNEL-		1
245	270T0004-312	..	BLOCK-CLAMP		2
305	270T0005-462	.	BLOCK ASSY-SPRT		1
305	270T0005-533	.	BLOCK ASSY-SPRT		1
310	NAS1801-3-34	..	SCREW-		2
315	NAS1149D0316J	..	WASHER-		2
320	NAS43DD3-100FC	..	SPACER-		2
325	M85052-2-6	..	CLAMP		1
330	M85052-2-8	..	CLAMP- USED ON: 270T0005-533 270T0005-576		1
335	BACS18AF3	..	SPACER- USED ON: 270T0005-533		1
340	270T0004-29	..	CHANNEL-		1
345	270T0004-312	..	BLOCK-CLAMP		2
350	270T0005-608	.	BLOCK ASSY-SPRT		1
350	270T0005-704	.	BLOCK ASSY-SPRT		1
355	NAS1801-3-34	..	SCREW-		4
360	AN960PD10L	..	WASHER- USED ON: 270T0005-704		4

ILLUSTRATION ITEMS NOT ON PARTS LIST ARE NOT APPLICABLE

- ITEM NOT ILLUSTRATED

HXL

29-11-77-01

BOEING PROPRIETARY - Copyright © - Unpublished Work - See title page for details.

29-11-77
FIG. 01
PAGE 2
DEC 22/07



767

PARTS CATALOG (MAINTENANCE)

FIG ITEM	PART NUMBER	1 2 3 4 5 6 7	NOMENCLATURE	EFFECT FROM TO	UNITS PER ASSY
1					
360	NAS1149D0316J	..	WASHER-		4
365	NAS43DD3-100	..	SPACER-		4
			USED ON: 270T0005-704		
365	NAS43DD3-100FC	..	SPACER-		4
370	M85052-2-8	..	CLAMP-		1
			USED ON: 270T0005-704		
375	270T0004-85	..	CHANNEL		1
380	270T0004-612	..	BLOCK-CLAMP		2
382	270T0005-564	.	BLOCK ASSY-SPRT		1
384	NAS1801-3-9	..	SCREW		4
385	NAS1801-3-31	..	SCREW		2
386	AN960PD10L	..	WASHER		6
387	NAS43DD3-85	..	SPACER		2
388	TA0910004H106	..	CLAMP		1
			SUPPLIER CODE: V84971		
			SPECIFICATION NUMBER: BACC10HB06C		
389	TA0910004H108	..	CLAMP		1
			SUPPLIER CODE: V84971		
			SPECIFICATION NUMBER: BACC10HB08C		
390	270T0004-3050	..	CHANNEL ASSY		1
391	270T0004-323	..	BLOCK-CLAMP		2
400	272T1200-197	.	TUBE ASSY-PRESSURE SYS		1
			POSITION DATA: L		
			TUBING MATERIAL: .75 IN. OD .039 IN. WALL 30.00 IN. LG TITANIUM		
- 405	AS1581T12	..	SLEEVE		2
- 410	BACN10YA12	..	NUT-		2
			OPTIONAL PART: BACN10NR12		

ILLUSTRATION ITEMS NOT ON PARTS LIST ARE NOT APPLICABLE

- ITEM NOT ILLUSTRATED

HXL

29-11-77-01

BOEING PROPRIETARY - Copyright © - Unpublished Work - See title page for details.

29-11-77
FIG. 01
PAGE 3
DEC 22/07



767

PARTS CATALOG (MAINTENANCE)

FIG ITEM	PART NUMBER	1 2 3 4 5 6 7	NOMENCLATURE	EFFECT FROM TO	UNITS PER ASSY
1					
- 410	AFP107-12		..NUT- SUPPLIER CODE: V30974 SPECIFICATION NUMBER: BACN10NR12 OPTIONAL PART: AP1028T12 V01673 BC921T12 V50948 DBON10NR12 V14798 ER01921-12T V88334 FER8928-12 V14397 F11-12 V73197 2-03005T12 V11328 31783-12 V14397 BACN10YA12		2
415	272T1200-203		.TUBE ASSY-PRESSURE SYS POSITION DATA: L TUBING MATERIAL: .75 IN. OD .039 IN. WALL 144.00 IN. LG TITANIUM		1
- 420	AS1581T12		..SLEEVE		1
- 425	BACN10YA12		..NUT- OPTIONAL PART: BACN10NR12		1

ILLUSTRATION ITEMS NOT ON PARTS LIST ARE NOT APPLICABLE

- ITEM NOT ILLUSTRATED

HXL

29-11-77-01

BOEING PROPRIETARY - Copyright © - Unpublished Work - See title page for details.

29-11-77
 FIG. 01
 PAGE 4
 DEC 22/06

 **BOEING**
767
PARTS CATALOG (MAINTENANCE)

FIG ITEM	PART NUMBER	1 2 3 4 5 6 7	NOMENCLATURE	EFFECT FROM TO	UNITS PER ASSY
1					
- 425	AFP107-12	..	NUT- SUPPLIER CODE: V30974 SPECIFICATION NUMBER: BACN10NR12 OPTIONAL PART: AP1028T12 V01673 BC921T12 V50948 DBON10NR12 V14798 ER01921-12T V88334 FER8928-12 V14397 F11-12 V73197 2-03005T12 V11328 31783-12 V14397 BACN10YA12		1
- 430	AS1582T12	..	UNION		1
450	272T1200-343	.TUBE ASSY-PRESSURE SYS	POSITION DATA: L TUBING MATERIAL: .625 IN. OD .032 IN. WALL 23.00 IN. LG TITANIUM		1
- 455	AS1581T10	..	SLEEVE		2
- 460	BACN10YA10	..	NUT-		2
465	272T1200-201	.TUBE ASSY-PRESSURE SYS	TUBING MATERIAL: .375 IN. OD .019 IN. WALL 26.00 IN. LG TITANIUM L	163999	1
465	272T1200-623	.TUBE ASSY-PRESSURE SYS	TUBING MATERIAL: .375 IN. OD .019 IN. WALL 22.50 IN. LG TITANIUM L	155162	1
- 470	AS1581T06	..	SLEEVE		2
- 475	BACN10YA6	..	NUT- OPTIONAL PART: BACN10NR6	163999	2

ILLUSTRATION ITEMS NOT ON PARTS LIST ARE NOT APPLICABLE

- ITEM NOT ILLUSTRATED

HXL

29-11-77-01

BOEING PROPRIETARY - Copyright © - Unpublished Work - See title page for details.

29-11-77
FIG. 01
PAGE 5
DEC 22/07



767

PARTS CATALOG (MAINTENANCE)

FIG ITEM	PART NUMBER	1 2 3 4 5 6 7	NOMENCLATURE	EFFECT FROM TO	UNITS PER ASSY
1 - 475	AFP107-6	..	NUT- SUPPLIER CODE: V30974 SPECIFICATION NUMBER: BACN10NR6 OPTIONAL PART: AP1028T6 V01673 BC921T6 V50948 DBON10NR6 V14798 ER01921-6T V88334 FER8928-6 V14397 F11-6 V73197 2-03005T6 V11328 31783-6 V14397 35068-06 V08199 BACN10YA6	163999	2
- 475 480	BACN10YA6N 272T1200-711	..	NUT .TUBE ASSY-TO HEAT EXCHANGER SYS POSITION DATA: L TUBING MATERIAL: .500 IN. OD .026 IN. WALL 138.00 IN. LG TITANIUM	155162	2 1
- 485	AS1581T08	..	SLEEVE		2
- 490	BACN10YA8N	..	NUT-		2
495	272T1200-491	..	NUT- .TUBE ASSY-TO HEAT EXCHANGER SYS POSITION DATA: L TUBING MATERIAL: .500 IN. OD .026 IN. WALL 28.00 IN. LG TITANIUM		1
- 500	AS1581T08	..	SLEEVE		1
- 505	BACN10YA8	..	NUT- OPTIONAL PART: BACN10NR8		1

ILLUSTRATION ITEMS NOT ON PARTS LIST ARE NOT APPLICABLE

- ITEM NOT ILLUSTRATED

29-11-77-01

29-11-77
FIG. 01
PAGE 6
DEC 22/08

HXL

BOEING
767
PARTS CATALOG (MAINTENANCE)

FIG ITEM	PART NUMBER	1 2 3 4 5 6 7	NOMENCLATURE	EFFECT FROM TO	UNITS PER ASSY
1 - 505	AFP107-8		..NUT- SUPPLIER CODE: V30974 SPECIFICATION NUMBER: BACN10NR8 OPTIONAL PART: AP1028T8 V01673 BC921T8 V50948 DBON10NR8 V14798 ER01921-8T V88334 FER8928-8 V14397 F11-8 V73197 2-03005T8 V11328 31783-8 V14397 BACN10YA8		1
- 510 515	AS1582T08 272T1200-523		..UNION .TUBE ASSY-FROM HEAT EXCHANGER SYS POSITION DATA: L TUBING MATERIAL: .500 IN. OD .026 IN. WALL 19.00 IN. LG TITANIUM		1 1
- 520 - 525 630	AS1581T08 BACN10YA8 BACU24K8		..SLEEVE ..NUT .UNION- USED ON: 272T1200-1 272T1200-5 272T1200-7 272T1200-9 272T1200-11 272T1200-13 272T1200-15 272T1200-31 272T1200-33 272T1200-37 272T1200-39 272T1200-61 272T1200-65		2 2 2

ILLUSTRATION ITEMS NOT ON PARTS LIST ARE NOT APPLICABLE

- ITEM NOT ILLUSTRATED

HXL

29-11-77-01

BOEING PROPRIETARY - Copyright © - Unpublished Work - See title page for details.

29-11-77
FIG. 01
PAGE 7
DEC 22/07



767

PARTS CATALOG (MAINTENANCE)

FIG ITEM	PART NUMBER	1 2 3 4 5 6 7	NOMENCLATURE	EFFECT FROM TO	UNITS PER ASSY
1					
630	MS21902-8T		.UNION- USED ON: 272T1200-81 272T1200-97 MODREF73686		2
635	MS21924D6		.UNION		1
640	BACE21BM1212J		.ELBOW		1
645	BACE21BN0808J		.ELBOW		1
666	BCREF110279		.CROSS- OVERLENGTH PART NUMBER: BACC27AC12121006T OPTIONAL PART: BACC27AC12121006J		1
670	NAS1612-8		.PACKING-		2
675	AN924-8D		.NUT		1
680	AN924-12D		.NUT		1
695	AN960PD1216		.WASHER		1
700	AN960PD1216L		.WASHER		1
705	AN960PD1716		.WASHER		1
710	AN960PD1716L		.WASHER		1
750	271T1210-29		.HEAT EXCHANGER INSTL-HYDR FOR DETAILS SEE: 29-11-27-01		1
755	271T1320-5		.TRANSMITTER INSTL-PRESSURE FOR DETAILS SEE: 29-31-01-01		1
760	272T1246-19		.FITTING INSTL-BHD WING SPAR POSITION DATA: REAR FOR DETAILS SEE: 29-11-56-01		1
765	272T1246-20		.FITTING INSTL-BHD WING SPAR POSITION DATA: REAR FOR DETAILS SEE: 29-11-56-01		1
775	272T1311-3		.SEAL INSTL-AIL. HINGE HYDR TUBING SPRT RIB VAPOR POSITION DATA: INBD LH FOR DETAILS SEE: 29-11-55-01		1

ILLUSTRATION ITEMS NOT ON PARTS LIST ARE NOT APPLICABLE

- ITEM NOT ILLUSTRATED

HXL

29-11-77-01

BOEING PROPRIETARY - Copyright © - Unpublished Work - See title page for details.

29-11-77
FIG. 01
PAGE 8
DEC 22/07



767

PARTS CATALOG (MAINTENANCE)

FIG ITEM	PART NUMBER	1 2 3 4 5 6 7	NOMENCLATURE	EFFECT FROM TO	UNITS PER ASSY
1					
910			ILLUSTRATION REFERENCE: HYDRAULIC INSTL-SECT. 12 (AILERON AND SPOILER HYDRAULIC SHUTOFF VALVES ONLY) 27-13-54-02		RF
915			ILLUSTRATION REFERENCE: HYDRAULIC INSTL-SECT. 31 ENGINE AFT FAIRING, L STRUT (MAIN HYDRAULIC SYSTEM ONLY) 29-11-00-01A		RF
920			ILLUSTRATION REFERENCE: HYDRAULIC INSTL-SECT. 31 ENGINE AFT FAIRING, L STRUT (HEAT EXCHANGER ONLY) 29-11-27-02		RF
925			ILLUSTRATION REFERENCE: VALVE INSTL-LATERAL CONT SHUTOFF 27-13-01-01		RF
930			ILLUSTRATION REFERENCE: HYDRAULIC INSTL-SECT. 31 ENGINE AFT FAIRING (LH) (RESERVOIR PRESSURIZATION ONLY) 29-11-25-02		RF
ILLUSTRATION ITEMS NOT ON PARTS LIST ARE NOT APPLICABLE					

- ITEM NOT ILLUSTRATED

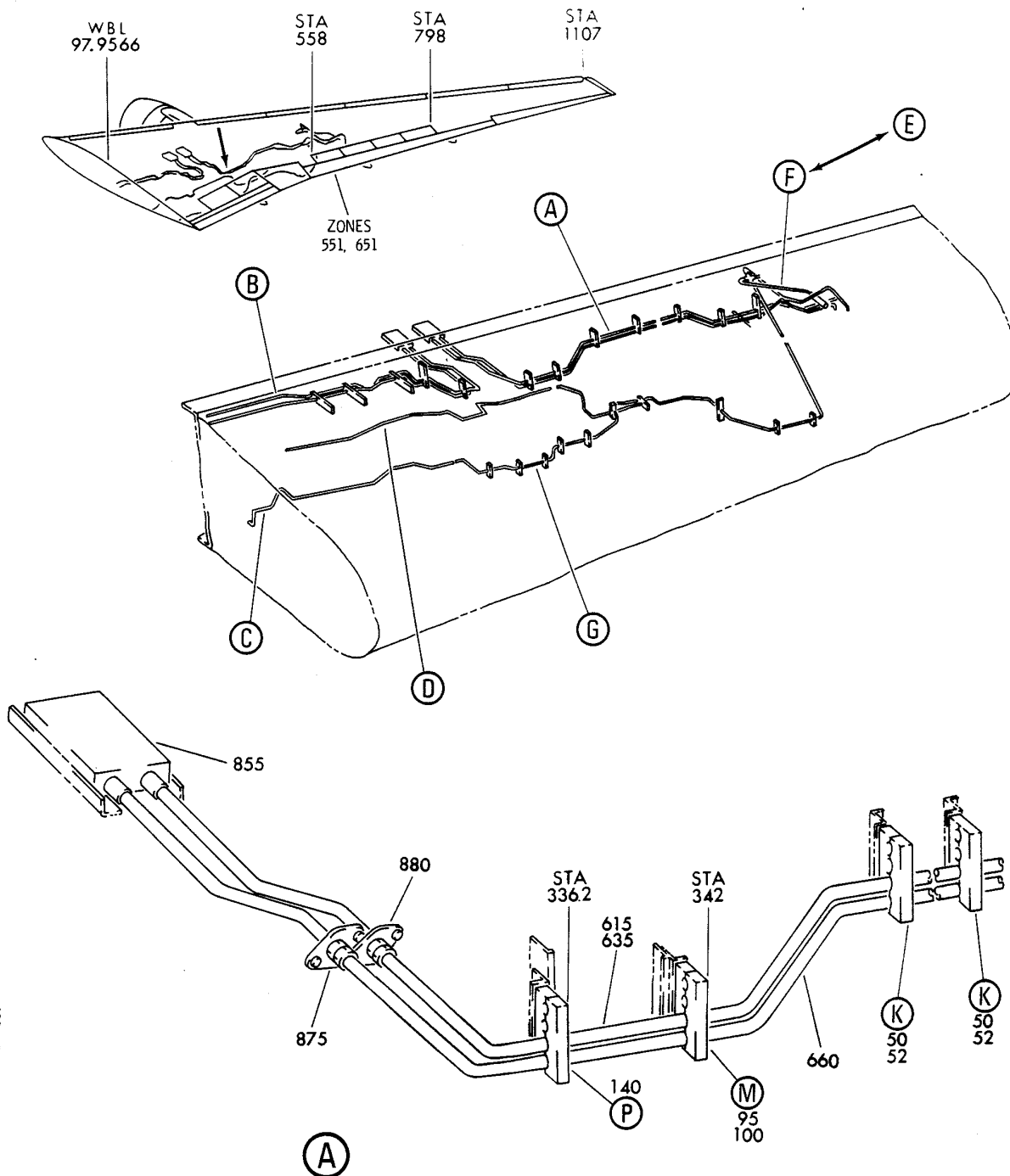
HXL

29-11-77-01

BOEING PROPRIETARY - Copyright © - Unpublished Work - See title page for details.

29-11-77
FIG. 01
PAGE 9
DEC 22/07

BOEING
767
PARTS CATALOG (MAINTENANCE)



V 29117705 SH1 1 REV 037

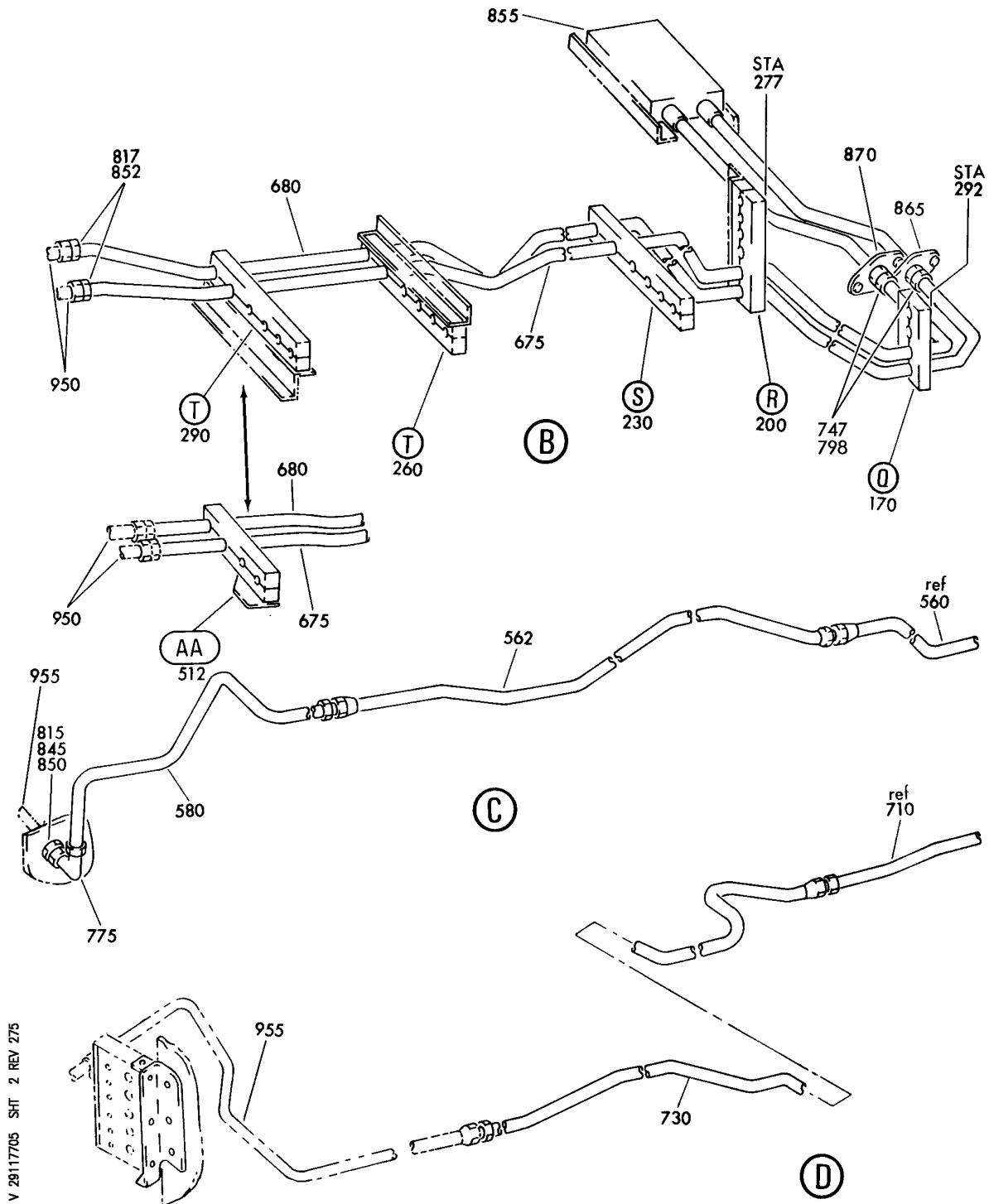
HYDRAULIC INSTL-SECT. 12 (RH) (HYDRAULIC POWER ONLY)
FIGURE 5 (SHEET 1)

29-11-77-05

HXL
DEC 22/06

29-11-77-05
PAGE 0

BOEING
767
PARTS CATALOG (MAINTENANCE)



V 29117705 SHT 2 REV 275

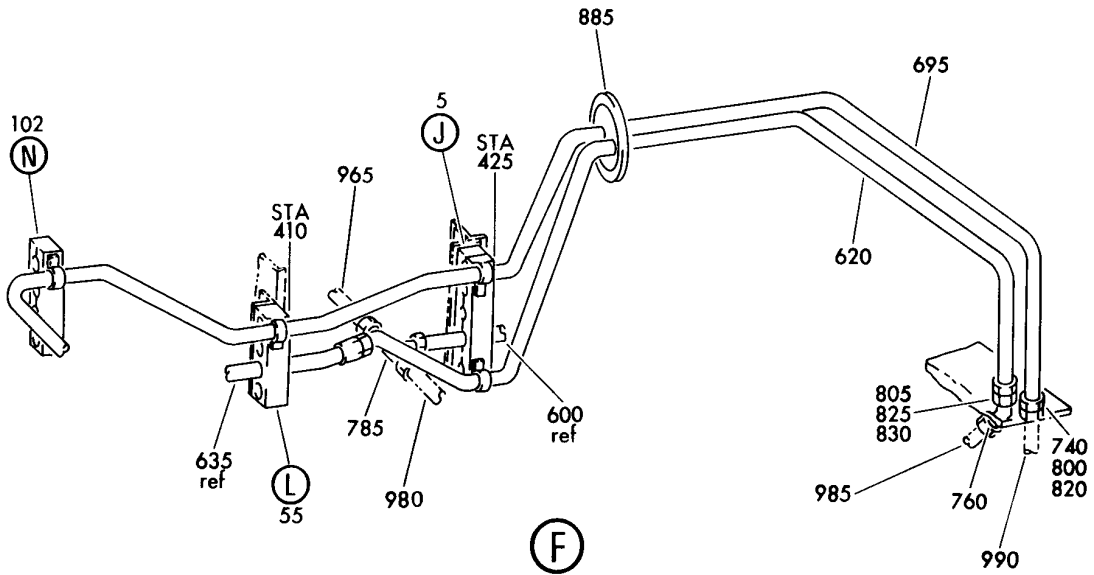
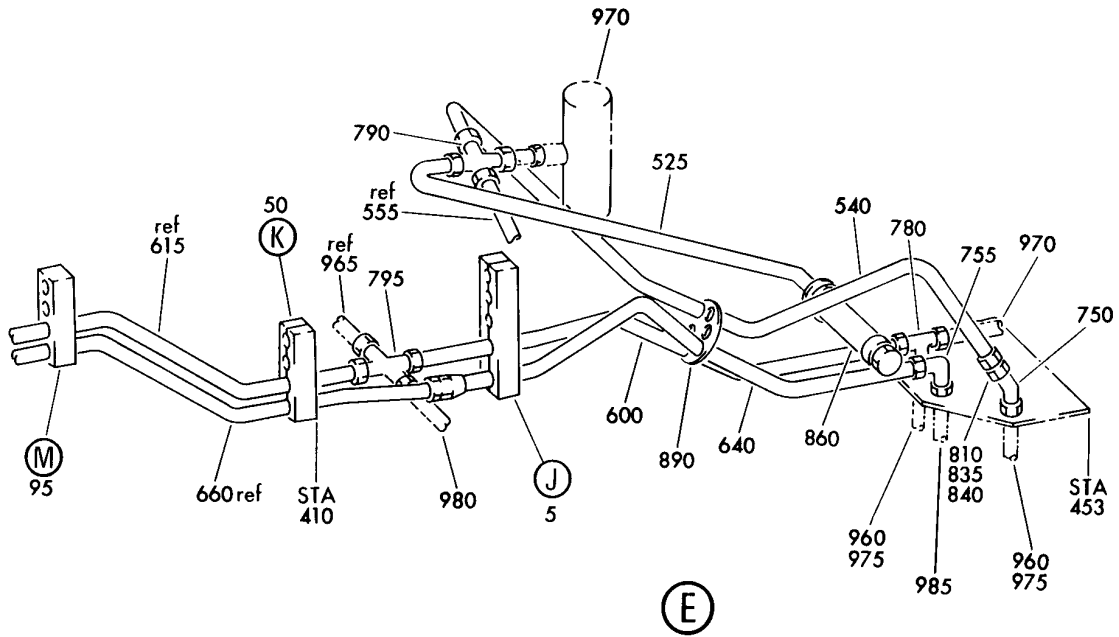
HYDRAULIC INSTL-SECT. 12 (RH) (HYDRAULIC POWER ONLY)
FIGURE 5 (SHEET 2)

29-11-77-05

HXL
DEC 22/06

29-11-77-05
PAGE 0A

BOEING
767
PARTS CATALOG (MAINTENANCE)



V 29117705 SHT 3 REV 178

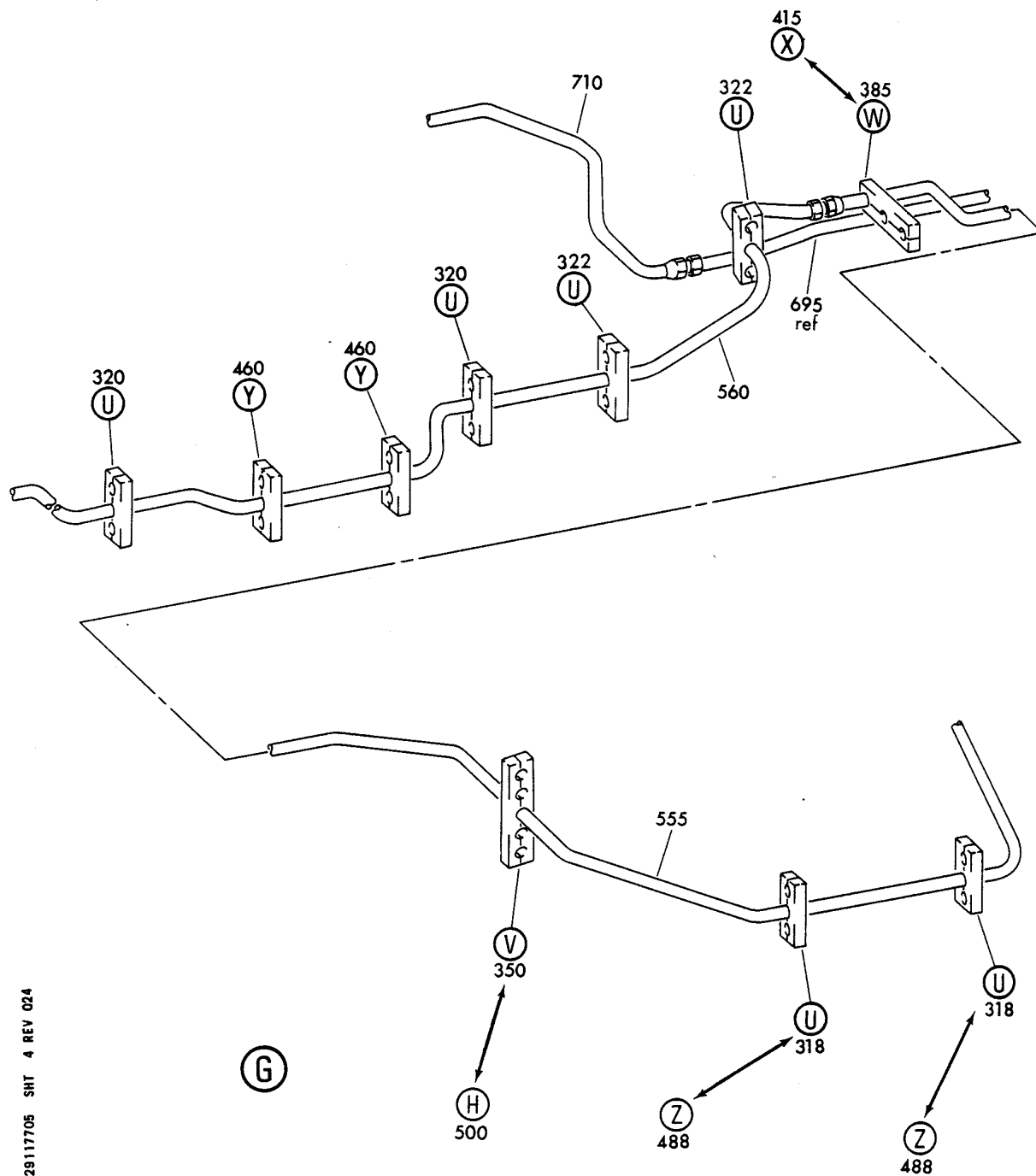
HYDRAULIC INSTL-SECT. 12 (RH) (HYDRAULIC POWER ONLY)
FIGURE 5 (SHEET 3)

29-11-77-05

HXL
DEC 22/06

29-11-77-05
PAGE 0B

BOEING
767
PARTS CATALOG (MAINTENANCE)



V 29117705 SHT 4 REV 024

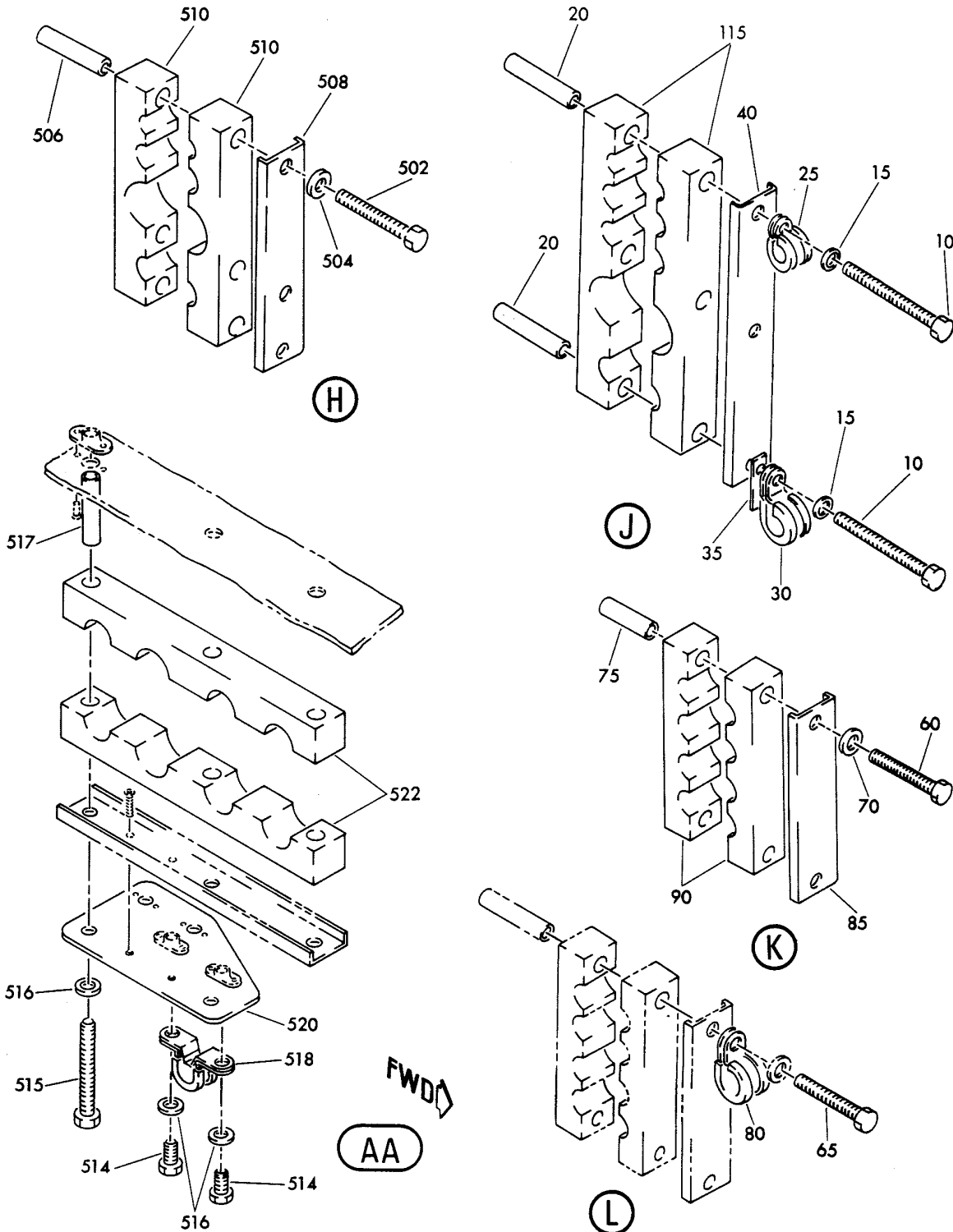
HYDRAULIC INSTL-SECT. 12 (RH) (HYDRAULIC POWER ONLY)
FIGURE 5 (SHEET 4)

29-11-77-05

HXL
DEC 22/06

29-11-77-05
PAGE 0C

BOEING
767
PARTS CATALOG (MAINTENANCE)



V 29117705 SHT 5 REV 043

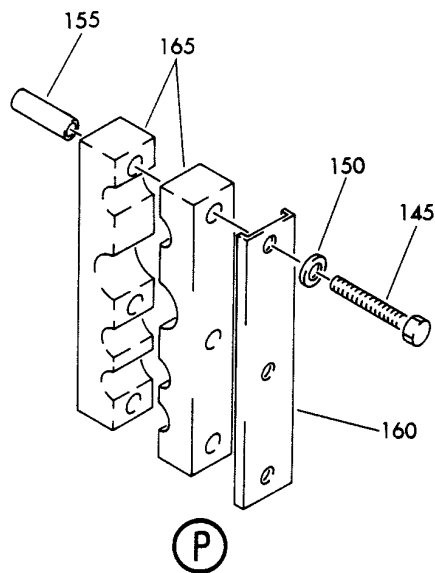
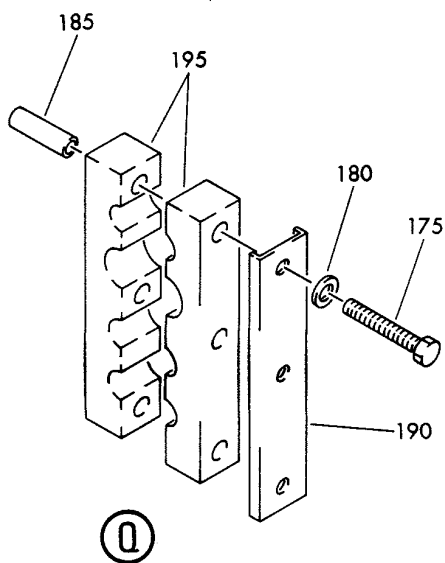
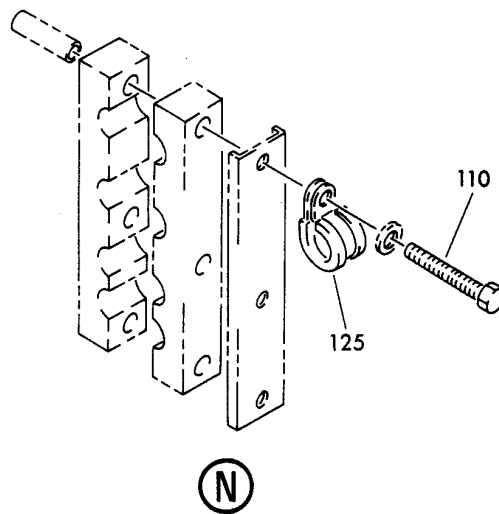
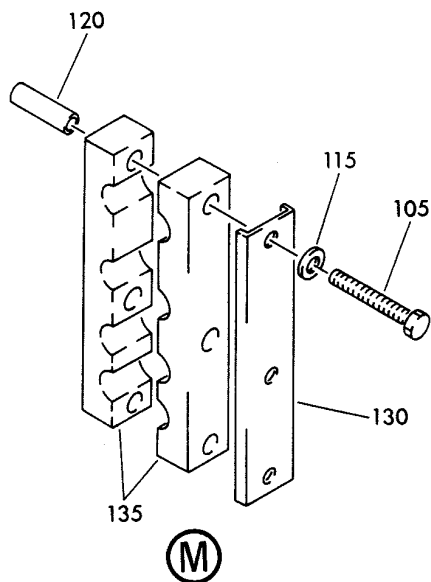
HYDRAULIC INSTL-SECT. 12 (RH) (HYDRAULIC POWER ONLY)
FIGURE 5 (SHEET 5)

29-11-77-05

HXL
DEC 22/06

29-11-77-05
PAGE 0D

BOEING
767
PARTS CATALOG (MAINTENANCE)



V 29117705 SHT 6 REV 024

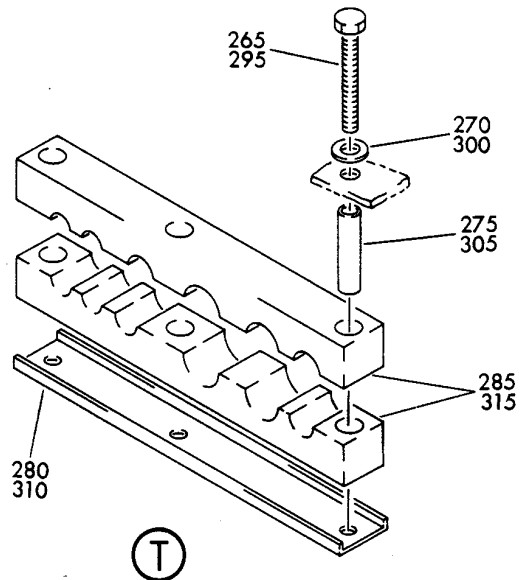
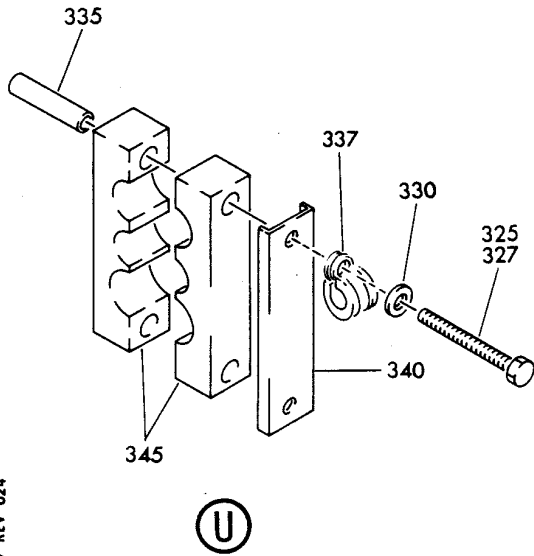
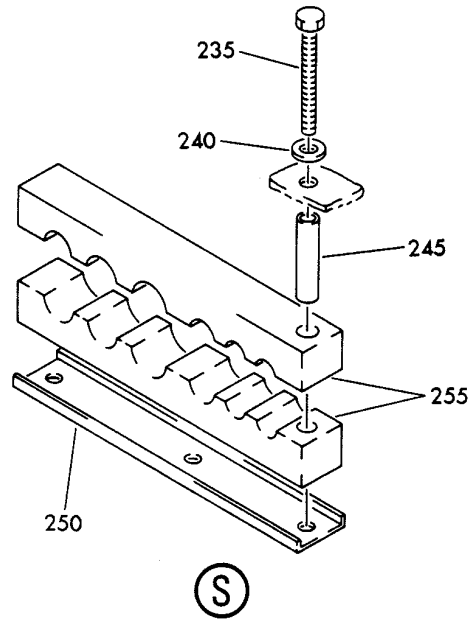
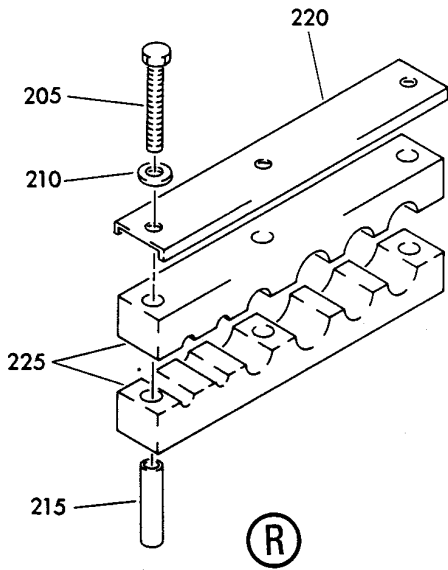
HYDRAULIC INSTL-SECT. 12 (RH) (HYDRAULIC POWER ONLY)
FIGURE 5 (SHEET 6)

29-11-77-05

HXL
DEC 22/06

29-11-77-05
PAGE 0E

BOEING
767
PARTS CATALOG (MAINTENANCE)



V 29117705 SH1 7 REV 024

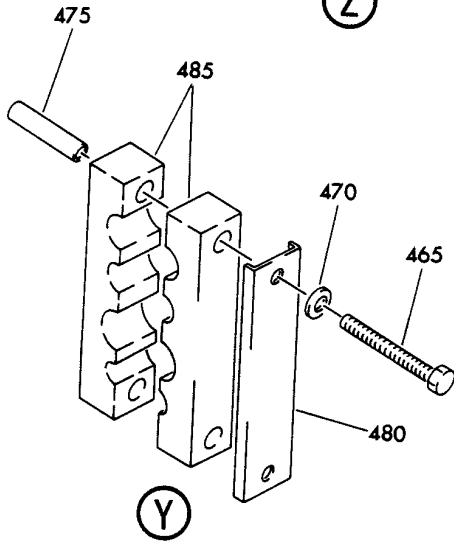
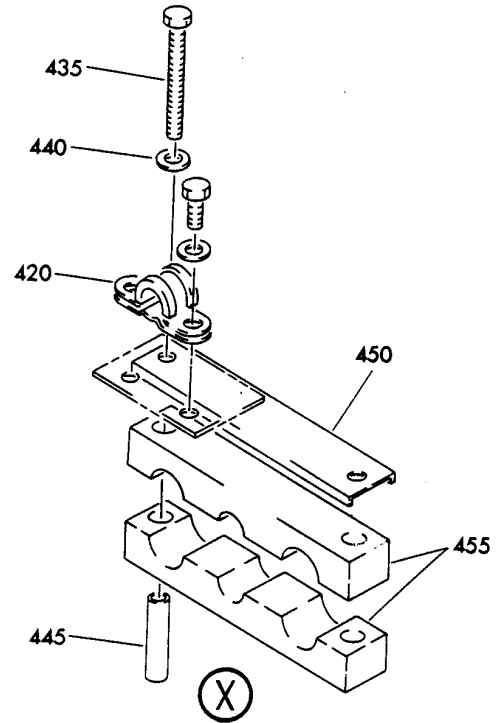
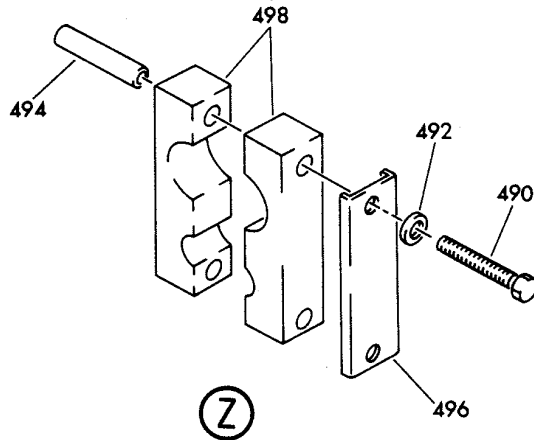
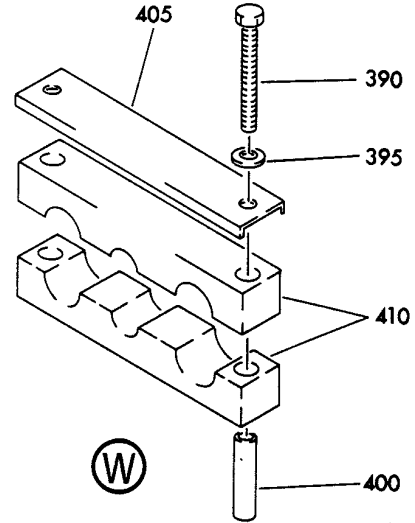
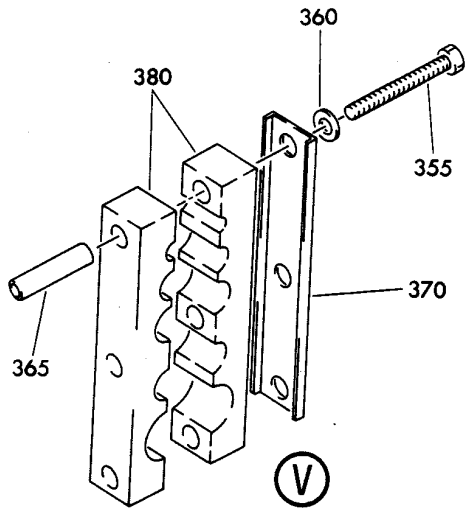
HYDRAULIC INSTL-SECT. 12 (RH) (HYDRAULIC POWER ONLY)
FIGURE 5 (SHEET 7)

HXL
DEC 22/06

29-11-77-05

29-11-77-05
PAGE OF

BOEING
767
PARTS CATALOG (MAINTENANCE)



V 29117705 SHT 8 REV 024

HYDRAULIC INSTL-SECT. 12 (RH) (HYDRAULIC POWER ONLY)
FIGURE 5 (SHEET 8)

29-11-77-05

HXL
DEC 22/06

29-11-77-05
PAGE 0G



767

PARTS CATALOG (MAINTENANCE)

FIG ITEM	PART NUMBER	1 2 3 4 5 6 7	NOMENCLATURE	EFFECT FROM TO	UNITS PER ASSY
5			HYDRAULIC INSTL-SECT. 12 (RH) (HYDRAULIC POWER ONLY)		
- 1	272T1200-6		HYDRAULIC INSTL-(HYDRAULIC POWER ONLY) POSITION DATA: SECT. 12 RH VARIABLE DRAWING REF: 272T1200-5204 272T1200-5248 272T1200-7004 FOR NHA/OTHER SYS DET SEE: 29-00-00-02		RF
5	270T0005-543		.BLOCK ASSY-SPRT		1
5	270T0005-632		.BLOCK ASSY-SPRT		1
10	NAS1801-3-34		.. SCREW-		3
15	AN960PD10L		.. WASHER		3
20	NAS43DD3-100		.. SPACER		3
40	270T0004-2001		.. CHANNEL		1
45	270T0004-545		.. BLOCK-CLAMP		2
50	270T0005-460		.BLOCK ASSY-SPRT		3
60	NAS1801-3-26		.. SCREW-		2
70	AN960PD10L		.. WASHER		2
75	NAS43DD3-68		.. SPACER		2
85	270T0004-29		.. CHANNEL		1
90	270T0004-446		.. BLOCK-CLAMP		2
95	270T0005-414		.BLOCK ASSY-SPRT		2
105	NAS1801-3-26		.. SCREW-		3
115	AN960PD10L		.. WASHER		3
120	NAS43DD3-68		.. SPACER		3
130	270T0004-49		.. CHANNEL		1
135	270T0004-436		.. BLOCK-CLAMP		2
140	270T0005-413		.BLOCK ASSY-SPRT		1
145	NAS1801-3-30		.. SCREW		3
150	AN960PD10L		.. WASHER		3
155	NAS43DD3-85		.. SPACER		3
160	270T0004-49		.. CHANNEL		1
165	270T0004-435		.. BLOCK-CLAMP		2
170	270T0005-408		.BLOCK ASSY-SPRT		1
175	NAS1801-3-30		.. SCREW		3
180	AN960PD10L		.. WASHER		3
185	NAS43DD3-85		.. SPACER		3
190	270T0004-50		.. CHANNEL		1
195	270T0004-437		.. BLOCK-CLAMP		2
200	270T0005-601		.BLOCK ASSY-SPRT		1
205	NAS1801-3-30		.. SCREW		3
210	AN960PD10L		.. WASHER		3
215	NAS43DD3-85		.. SPACER		3
220	270T0004-24		.. CHANNEL		1

ILLUSTRATION ITEMS NOT ON PARTS LIST ARE NOT APPLICABLE

- ITEM NOT ILLUSTRATED

29-11-77-05

29-11-77
FIG. 05
PAGE 1
DEC 22/07

HXL

 **BOEING**
767
PARTS CATALOG (MAINTENANCE)

FIG ITEM	PART NUMBER	1 2 3 4 5 6 7	NOMENCLATURE	EFFECT FROM TO	UNITS PER ASSY
5					
225	270T0004-604	..	BLOCK-CLAMP		2
230	270T0005-609	.BLOCK	ASSY-SPRT		1
235	NAS1801-3-30	..	SCREW		3
240	AN960PD10L	..	WASHER		3
245	NAS43DD3-85	..	SPACER		3
250	270T0004-2046	..	CHANNEL ASSY		1
255	270T0004-604	..	BLOCK-CLAMP		2
260	270T0005-610	.BLOCK	ASSY-SPRT		1
265	NAS1801-3-30	..	SCREW		3
270	AN960PD10L	..	WASHER		3
275	NAS43DD3-85	..	SPACER		3
280	270T0004-2012	..	CHANNEL ASSY		1
285	270T0004-610	..	BLOCK-CLAMP		2
290	270T0005-629	.BLOCK	ASSY-SPRT		1
295	NAS1801-3-30	..	SCREW		3
300	AN960PD10L	..	WASHER		3
305	NAS43DD3-85	..	SPACER		3
310	270T0004-2054	..	CHANNEL		1
315	270T0004-610	..	BLOCK-CLAMP		2
320	270T0005-330	.BLOCK	ASSY-SPRT		2
322	270T0005-2410	.BLOCK	ASSY-SPRT		2
325	NAS1801-3-30	..	SCREW-		2
			USED ON: 270T0005-330		
327	NAS1801-3-33	..	SCREW-		2
			USED ON: 270T0005-2410		
330	AN960PD10L	..	WASHER		2
335	NAS43DD3-85	..	SPACER-		2
337	M85052-2-4	..	CLAMP-		1
			USED ON: 270T0005-2410		
340	270T0004-64	..	CHANNEL-		1
345	270T0004-334	..	BLOCK-CLAMP		2
385	270T0005-332	.BLOCK	ASSY-SPRT		1
390	NAS1801-3-30	..	SCREW-		2
395	AN960PD10L	..	WASHER		2
400	NAS43DD3-85	..	SPACER		2
405	65B80254-160	..	CHANNEL-		1
410	270T0004-352	..	BLOCK-CLAMP		2
460	270T0005-455	.BLOCK	ASSY-SPRT		2
465	NAS1801-3-30	..	SCREW		2
470	AN960PD10L	..	WASHER		2
475	NAS43DD3-85	..	SPACER		2
480	65B80254-149	..	CHANNEL		1
485	270T0004-479	..	BLOCK-CLAMP		2
488	270T0005-256	.BLOCK	ASSY-SPRT		2
490	NAS1801-3-28	..	SCREW-		2
492	AN960PD10L	..	WASHER		2

ILLUSTRATION ITEMS NOT ON PARTS LIST ARE NOT APPLICABLE

— ITEM NOT ILLUSTRATED

HXL

29-11-77-05

BOEING PROPRIETARY - Copyright © - Unpublished Work - See title page for details.

29-11-77
FIG. 05
PAGE 2
DEC 22/07



767

PARTS CATALOG (MAINTENANCE)

FIG ITEM	PART NUMBER	1 2 3 4 5 6 7	NOMENCLATURE	EFFECT FROM TO	UNITS PER ASSY
5					
494	NAS43DD3-77	..	SPACER-		2
496	270T0004-2029	..	CHANNEL-		1
498	270T0004-234	..	BLOCK-CLAMP		2
500	270T0005-2413	.BLOCK	ASSY-SPRT		1
502	NAS1801-3-30	..	SCREW		3
504	AN960PD10L	..	WASHER		3
506	NAS43DD3-85	..	SPACER		3
508	270T0004-14	..	CHANNEL-		1
510	270T0004-420	..	BLOCK-CLAMP		2
512	270T0005-633	.BLOCK	ASSY-SPRT		1
514	NAS1801-3-9	..	SCREW		4
515	NAS1801-3-31	..	SCREW		3
516	AN960PD10L	..	WASHER		7
517	NAS43DD3-85	..	SPACER		3
518	TA0910004H106	..	CLAMP		2
			SUPPLIER CODE: V84971		
			SPECIFICATION NUMBER: BACC10HB06C		
520	270T0004-3049	..	CHANNEL ASSY		1
522	270T0004-470	..	BLOCK-CLAMP		2
525	272T1200-390	.TUBE	ASSY-PRESSURE SYS		1
			POSITION DATA: R		
			TUBING MATERIAL: .375 IN. OD .019 IN. WALL 18.00 IN. LG TITANIUM		
- 530	AS1581T06	..	SLEEVE		2
- 535	BACN10YA6	..	NUT		2
540	272T1200-392	.TUBE	ASSY-PRESSURE SYS		1
			POSITION DATA: R		
			TUBING MATERIAL: .750 IN. OD .039 IN. WALL 23.00 IN. LG TITANIUM		
- 545	AS1581T12	..	SLEEVE		2
- 550	BACN10YA12	..	NUT		2
555	272T1200-190	.TUBE	ASSY-PRESSURE SYS		1
			POSITION DATA: R		
			TUBING MATERIAL: .625 IN. OD .032 IN. WALL 68.00 IN. LG TITANIUM		
ILLUSTRATION ITEMS NOT ON PARTS LIST ARE NOT APPLICABLE					

- ITEM NOT ILLUSTRATED

29-11-77-05

29-11-77
FIG. 05
PAGE 3
DEC 22/07

HXL



767

PARTS CATALOG (MAINTENANCE)

FIG ITEM	PART NUMBER	1 2 3 4 5 6 7	NOMENCLATURE	EFFECT FROM TO	UNITS PER ASSY
5					
560	272T1200-196		.TUBE ASSY-PRESSURE SYS POSITION DATA: R TUBING MATERIAL: .625 IN. OD .032 IN. WALL 92.00 IN. LG TITANIUM		1
562	272T1200-192		.TUBE ASSY-PRESSURE SYS POSITION DATA: R TUBING MATERIAL: .625 IN. OD .032 IN. WALL 44.60 IN. LG TITANIUM		1
- 565	AS1581T10		..SLEEVE		1
- 566	AS1581T10		..SLEEVE		1
- 567	AS1581T10		..SLEEVE		1
- 570	BACN10YA10		..NUT- OPTIONAL PART: BACN10NR10		1
- 570	AFP107-10		..NUT- SUPPLIER CODE: V30974 SPECIFICATION NUMBER: BACN10NR10 OPTIONAL PART: AP1028T10 V01673 BC921T10 V50948 DBON10NR10 V14798 ER01921-10T V88334 FER8928-10 V14397 F11-10 V73197 2-03005T10 V11328 31783-10 V14397 BACN10YA10		1
- 571	BACN10YA10		..NUT- OPTIONAL PART: BACN10NR10		1

ILLUSTRATION ITEMS NOT ON PARTS LIST ARE NOT APPLICABLE

- ITEM NOT ILLUSTRATED

HXL

29-11-77-05

BOEING PROPRIETARY - Copyright © - Unpublished Work - See title page for details.

29-11-77
FIG. 05
PAGE 4
DEC 22/07



767

PARTS CATALOG (MAINTENANCE)

FIG ITEM	PART NUMBER	1 2 3 4 5 6 7	NOMENCLATURE	EFFECT FROM TO	UNITS PER ASSY
5					
- 571	AFP107-10	..NUT-	SUPPLIER CODE: V30974 SPECIFICATION NUMBER: BACN10NR10 OPTIONAL PART: AP1028T10 V01673 BC921T10 V50948 DBON10NR10 V14798 ER01921-10T V88334 FER8928-10 V14397 F11-10 V73197 2-03005T10 V11328 31783-10 V14397 BACN10YA10		1
- 572	BACN10YA10	..NUT-	OPTIONAL PART: BACN10NR10		1
- 572	AFP107-10	..NUT-	SUPPLIER CODE: V30974 SPECIFICATION NUMBER: BACN10NR10 OPTIONAL PART: AP1028T10 V01673 BC921T10 V50948 DBON10NR10 V14798 ER01921-10T V88334 FER8928-10 V14397 F11-10 V73197 2-03005T10 V11328 31783-10 V14397 BACN10YA10		1

ILLUSTRATION ITEMS NOT ON PARTS LIST ARE NOT APPLICABLE

- ITEM NOT ILLUSTRATED

HXL

29-11-77-05

BOEING PROPRIETARY - Copyright © - Unpublished Work - See title page for details.

29-11-77
FIG. 05
PAGE 5
DEC 22/07



767

PARTS CATALOG (MAINTENANCE)

FIG ITEM	PART NUMBER	1 2 3 4 5 6 7	NOMENCLATURE	EFFECT FROM TO	UNITS PER ASSY
5					
- 575	AS1582T10	..	UNION		1
- 576	AS1582T10	..	UNION		1
- 577	AS1582T10	..	UNION		1
580	272T1200-326	.TUBE ASSY-PRESSURE SYS			1
			POSITION DATA: R		
			TUBING MATERIAL: .625 IN. OD .032 IN. WALL 38.00 IN. LG TITANIUM		
- 585	AS1581T10	..	SLEEVE		2
- 590	BACN10YA10	..	NUT-		2
			OPTIONAL PART: BACN10NR10		
- 595	AFP107-10	..	NUT-		2
			SUPPLIER CODE: V30974		
			SPECIFICATION NUMBER: BACN10NR10		
			OPTIONAL PART: AP1028T10 V01673 BC921T10 V50948 DBON10NR10 V14798 ER01921-10T V88334 FER8928-10 V14397 F11-10 V73197 2-03005T10 V11328 31783-10 V14397 BACN10YA10		
600	272T1200-472	.TUBE ASSY-RETURN SYS			1
			POSITION DATA: R		
			TUBING MATERIAL: 1.00 IN. OD .051 IN. WALL 26.00 IN. LG TITANIUM		
- 605	AS1581T16	..	SLEEVE		2
- 610	BACN10YA16	..	NUT-		2
			OPTIONAL PART: BACN10NR16		
ILLUSTRATION ITEMS NOT ON PARTS LIST ARE NOT APPLICABLE					

- ITEM NOT ILLUSTRATED

29-11-77-05

29-11-77
FIG. 05
PAGE 6
DEC 22/07

HXL



767

PARTS CATALOG (MAINTENANCE)

FIG ITEM	PART NUMBER	1 2 3 4 5 6 7	NOMENCLATURE	EFFECT FROM TO	UNITS PER ASSY
5 - 610	AFP107-16		..NUT- SUPPLIER CODE: V30974 SPECIFICATION NUMBER: BACN10NR16 OPTIONAL PART: AP1028T16 V01673 BC921T16 V50948 DBON10NR16 V14798 ER01921-16T V88334 FER8928-16 V14397 F11-16 V73197 2-03005T16 V11328 31783-16 V14397 BACN10YA16		2
615	272T1200-586		.TUBE ASSY-FROM HEAT EXCHANGER SYS POSITION DATA: R TUBING MATERIAL: .500 IN. OD .026 IN. WALL 104.00 IN. LG TITANIUM		1
- 625	AS1581T08		..SLEEVE		2
- 630	BACN10YA8		..NUT- OPTIONAL PART: BACN10NR8		2

ILLUSTRATION ITEMS NOT ON PARTS LIST ARE NOT APPLICABLE

- ITEM NOT ILLUSTRATED

HXL

29-11-77-05

BOEING PROPRIETARY - Copyright © - Unpublished Work - See title page for details.

29-11-77
 FIG. 05
 PAGE 7
 DEC 22/07



767

PARTS CATALOG (MAINTENANCE)

FIG ITEM	PART NUMBER	1 2 3 4 5 6 7	NOMENCLATURE	EFFECT FROM TO	UNITS PER ASSY
5 - 630	AFP107-8		..NUT- SUPPLIER CODE: V30974 SPECIFICATION NUMBER: BACN10NR8 OPTIONAL PART: AP1028T8 V01673 BC921T8 V50948 DBON10NR8 V14798 ER01921-8T V88334 FER8928-8 V14397 F11-8 V73197 2-03005T8 V11328 31783-8 V14397 BACN10YA8		2
640	272T1200-484		.TUBE ASSY-TO HEAT EXCHANGER SYS POSITION DATA: R TUBING MATERIAL: .500 IN. OD .026 IN. WALL 24.50 IN. LG TITANIUM		1
- 645	AS1581T08		..SLEEVE		1
- 650	BACN10YA8		..NUT- OPTIONAL PART: BACN10NR8 USED ON: 272T1200-484		1

ILLUSTRATION ITEMS NOT ON PARTS LIST ARE NOT APPLICABLE

- ITEM NOT ILLUSTRATED

HXL

29-11-77-05

BOEING PROPRIETARY - Copyright © - Unpublished Work - See title page for details.

29-11-77
 FIG. 05
 PAGE 8
 DEC 22/07

 **BOEING**
767
PARTS CATALOG (MAINTENANCE)

FIG ITEM	PART NUMBER	1 2 3 4 5 6 7	NOMENCLATURE	EFFECT FROM TO	UNITS PER ASSY
5 - 650	AFP107-8		..NUT- SUPPLIER CODE: V30974 SPECIFICATION NUMBER: BACN10NR8 OPTIONAL PART: AP1028T8 V01673 BC921T8 V50948 DBON10NR8 V14798 ER01921-8T V88334 FER8928-8 V14397 F11-8 V73197 2-03005T8 V11328 31783-8 V14397 BACN10YA8 USED ON: 272T1200-484		1
- 655 660	AS1582T08 272T1200-482		..UNION .TUBE ASSY-TO HEAT EXCHANGER SYS POSITION DATA: R TUBING MATERIAL: .500 IN. OD .026 IN. WALL 106.00 IN. LG TITANIUM		1 1
- 665 - 670	AS1581T08 BACN10YA8		..SLEEVE ..NUT- OPTIONAL PART: BACN10NR8		2 2

ILLUSTRATION ITEMS NOT ON PARTS LIST ARE NOT APPLICABLE

- ITEM NOT ILLUSTRATED

HXL

29-11-77-05

BOEING PROPRIETARY - Copyright © - Unpublished Work - See title page for details.

29-11-77
FIG. 05
PAGE 9
DEC 22/07

BOEING
767
PARTS CATALOG (MAINTENANCE)

FIG ITEM	PART NUMBER	1 2 3 4 5 6 7	NOMENCLATURE	EFFECT FROM TO	UNITS PER ASSY
5 - 670	AFP107-8		..NUT- SUPPLIER CODE: V30974 SPECIFICATION NUMBER: BACN10NR8 OPTIONAL PART: AP1028T8 V01673 BC921T8 V50948 DBON10NR8 V14798 ER01921-8T V88334 FER8928-8 V14397 F11-8 V73197 2-03005T8 V11328 31783-8 V14397 BACN10YA8		2
675	272T1200-702		.TUBE ASSY-FROM HEAT EXCHANGER CTR SYS TUBING MATERIAL: .625 IN. OD X .032 IN. WALL X 87.48 IN. LG TITANIUM BMS 7-234		1
680	272T1200-600		.TUBE ASSY-FROM HEAT EXCHANGER CTR SYS TUBING MATERIAL: .625 IN. OD .032 IN. WALL 93.50 IN. LG TITANIUM		1
- 685	AS1581T10		..SLEEVE- USED ON: 272T1200-600		2
- 686	AS1581T10		..SLEEVE- USED ON: 272T1200-702		1
- 690	BACN10YA10		..NUT- USED ON: 272T1200-600		2
- 692	BACN10YA10		..NUT- USED ON: 272T1200-702		1

ILLUSTRATION ITEMS NOT ON PARTS LIST ARE NOT APPLICABLE

- ITEM NOT ILLUSTRATED

HXL

29-11-77-05

BOEING PROPRIETARY - Copyright © - Unpublished Work - See title page for details.

29-11-77
FIG. 05
PAGE 10
DEC 22/07



767

PARTS CATALOG (MAINTENANCE)

FIG ITEM	PART NUMBER	1 2 3 4 5 6 7	NOMENCLATURE	EFFECT FROM TO	UNITS PER ASSY
5					
- 693	AS1582T10		. . UNION- USED ON: 272T1200-702		1
745	BACU24L10		. UNION		2
745	BACU24K10		. UNION		2
750	BACE21BM1212J		. ELBOW		1
755	BACE21BN0808J		. ELBOW		1
775	BACE21BN1010J		. ELBOW		1
780	BACT16BM160816J		. TEE		1
790	BACC27Q12100610		. CROSS		1
795	BACC27N16081206		. CROSS- OPTIONAL PART: BACC27G16081206		1
795	BACC27G16081206		. CROSS- OPTIONAL PART: BACC27N16081206		1
810	AN924-12D		. NUT		1
815	AN924-10D		. NUT		1
835	AN960PD1716		. WASHER		1
840	AN960PD1716L		. WASHER		1
845	AN960PD1416		. WASHER		1
850	AN960PD1416L		. WASHER		3
855	271T1210-30		. HEAT EXCHANGER INSTL-HYDR FOR DETAILS SEE: 29-11-27-01		1
860	271T1320-6		. TRANSMITTER INSTL-PRESSURE FOR DETAILS SEE: 29-31-01-01		1
865	272T1246-15		. FITTING INSTL-BHD WING SPAR POSITION DATA: REAR FOR DETAILS SEE: 29-11-56-01		1
870	272T1246-16		. FITTING INSTL-BHD WING SPAR POSITION DATA: REAR FOR DETAILS SEE: 29-11-56-01		1
875	272T1246-11		. FITTING INSTL-BHD WING SPAR POSITION DATA: REAR FOR DETAILS SEE: 29-11-56-01		1

ILLUSTRATION ITEMS NOT ON PARTS LIST ARE NOT APPLICABLE

- ITEM NOT ILLUSTRATED

29-11-77-05

29-11-77
FIG. 05
PAGE 11
APR 22/09

HXL

BOEING PROPRIETARY - Copyright © - Unpublished Work - See title page for details.



767

PARTS CATALOG (MAINTENANCE)

FIG ITEM	PART NUMBER	1 2 3 4 5 6 7	NOMENCLATURE	EFFECT FROM TO	UNITS PER ASSY
5 880	272T1246-12		.FITTING INSTL-BHD WING SPAR POSITION DATA: REAR FOR DETAILS SEE: 29-11-56-01		1
890	272T1311-4		.SEAL INSTL-AIL. HINGE HYDR TUBING SPRT RIB VAPOR POSITION DATA: INBD RH FOR DETAILS SEE: 29-11-55-01		1
960			ILLUSTRATION REFERENCE: HYDRAULIC INSTL-SECT. 31 ENGINE AFT FAIRING, R STRUT (MAIN HYDRAULIC SYSTEM ONLY) 29-11-00-02A		RF
965			ILLUSTRATION REFERENCE: HYDRAULIC INSTL-SECT. 12 (HYDRAULIC BRAKE SYSTEM ONLY) 32-41-65-01		RF
970			ILLUSTRATION REFERENCE: HYDRAULIC INSTL-SECT. 12 (AILERON AND SPOILER HYDRAULIC SHUTOFF VALVES ONLY) 27-13-54-02		RF
980			ILLUSTRATION REFERENCE: VALVE INSTL-LATERAL CONT SHUTOFF 27-13-01-01		RF
985			ILLUSTRATION REFERENCE: HYDRAULIC INSTL-SECT. 31 ENG AFT FAIRING, R STRUT (HEAT EXCHANGER ONLY) 29-11-27-03		RF
990			ILLUSTRATION REFERENCE: HYDRAULIC INSTL-SECT. 31 ENGINE AFT FAIRING (RH) (RESERVOIR PRESSURIZATION ONLY) 29-11-25-04		RF

R
R
R
R
R

ILLUSTRATION ITEMS NOT ON PARTS LIST ARE NOT APPLICABLE

- ITEM NOT ILLUSTRATED

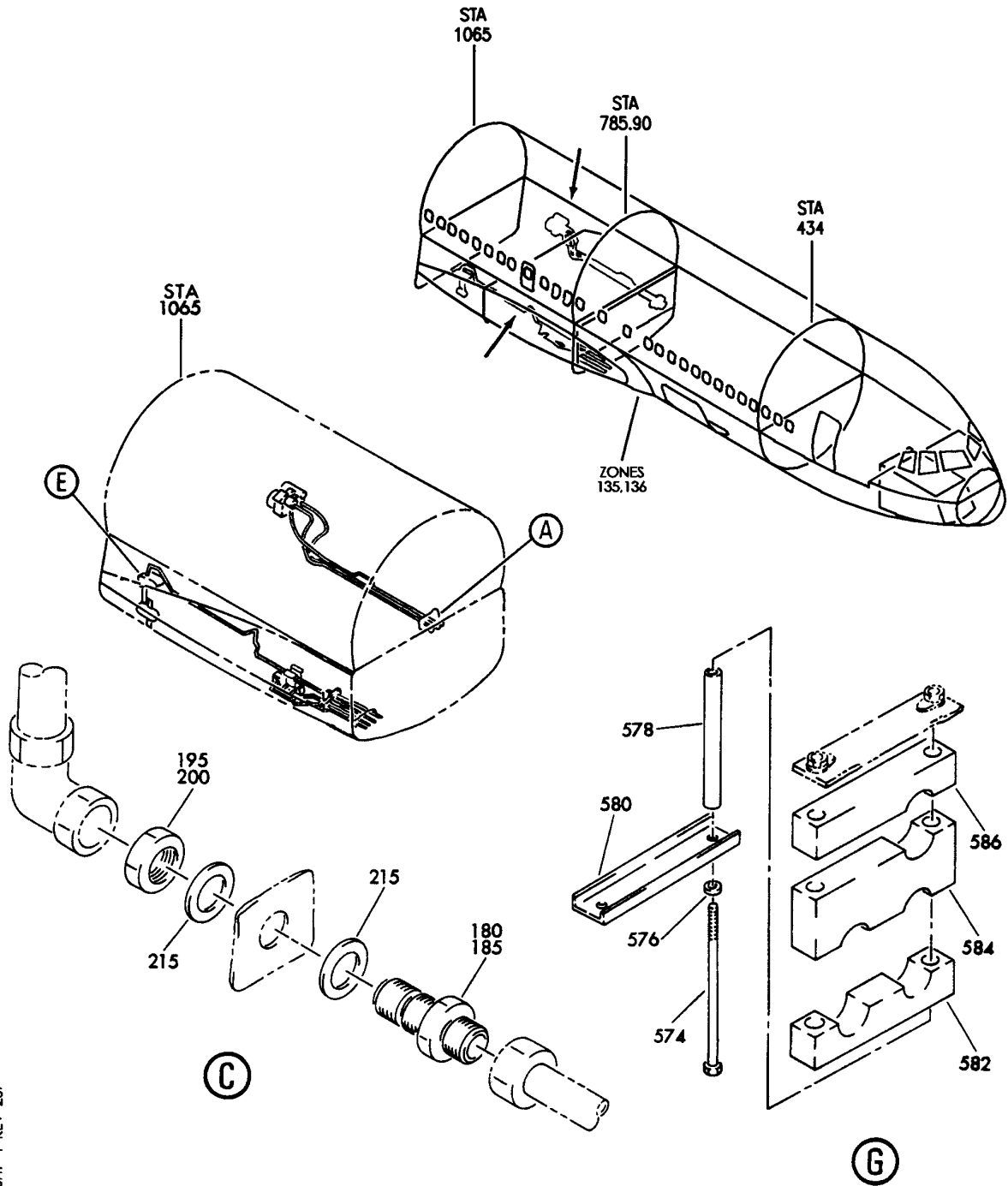
HXL

29-11-77-05

BOEING PROPRIETARY - Copyright © - Unpublished Work - See title page for details.

29-11-77
FIG. 05
PAGE 12
AUG 22/09

BOEING
767
PARTS CATALOG (MAINTENANCE)



V 29117801 SHT 1 REV 207

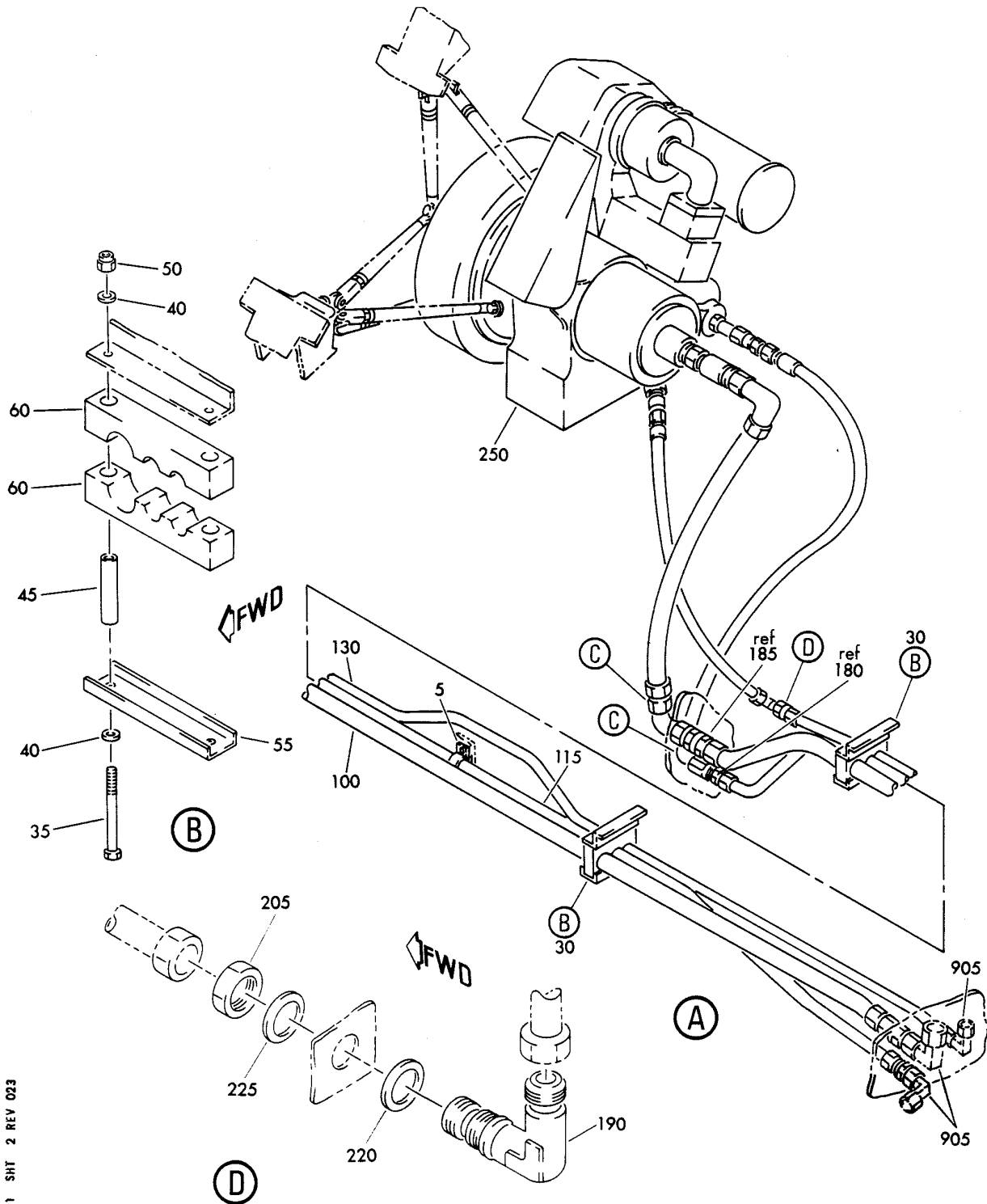
HYDRAULIC INSTL-SECT. 49 WING/BODY FAIRING (MAIN HYDRAULIC SYSTEMS ONLY)
FIGURE 1 (SHEET 1)

29-11-78-01

HXL
DEC 22/06

29-11-78-01
PAGE 0

BOEING
767
PARTS CATALOG (MAINTENANCE)



V 29117801 SH1 2 REV 023

HYDRAULIC INSTL-SECT. 49 WING/BODY FAIRING (MAIN HYDRAULIC SYSTEMS ONLY)
FIGURE 1 (SHEET 2)

29-11-78-01

HXL
DEC 22/06

29-11-78-01
PAGE 0A



767

PARTS CATALOG (MAINTENANCE)

FIG ITEM	PART NUMBER	1 2 3 4 5 6 7	NOMENCLATURE	EFFECT FROM TO	UNITS PER ASSY
1			HYDRAULIC INSTL-SECT. 49 WING/BODY FAIRING (MAIN HYDRAULIC SYSTEMS ONLY)		
- 1	272T4900-5		HYDRAULIC INSTL-WING/BODY FAIRING (MAIN HYDRAULIC SYSTEMS ONLY) POSITION DATA: SECT. 49 LH VARIABLE DRAWING REF: 272T4900-5049 272T4900-7003 FOR NHA SEE: 29-00-00-04		RF
5	TA0910004H108		.CLAMP- SUPPLIER CODE: V84971 SPECIFICATION NUMBER: BACC10HB08C ATTACHING PARTS		1
- 10	NAS1801-3-9		.SCREW		2
- 15	AN960PD10L		.WASHER-		2
			-----*-----		
30	270T0005-370		.BLOCK ASSY-SPRT		2
35	NAS1801-3-36		..SCREW-		2
40	NAS1149D0316J		..WASHER-		4
45	NAS43DD3-115FC		..SPACER-		2
50	BRC600-8-3		..NUT- SUPPLIER CODE: V52828 SPECIFICATION NUMBER: BACN10YD1 OPTIONAL PART: 130120 V60119		2
55	270T0004-55		..CHANNEL		1
60	270T0004-330		..BLOCK-CLAMP		2
100	272T4900-201		.TUBE ASSY-SUPPLY CTR SYS TUBING MATERIAL: 1.25 IN. OD .035 IN. WALL 70.00 IN. LG ALUMINUM		1

ILLUSTRATION ITEMS NOT ON PARTS LIST ARE NOT APPLICABLE

- ITEM NOT ILLUSTRATED

HXL

29-11-78-01

BOEING PROPRIETARY - Copyright © - Unpublished Work - See title page for details.

29-11-78
FIG. 01
PAGE 1
DEC 22/07



767

PARTS CATALOG (MAINTENANCE)

FIG ITEM	PART NUMBER	1 2 3 4 5 6 7	NOMENCLATURE	EFFECT FROM TO	UNITS PER ASSY
1					
- 105	DB0S13BD20HP	..	SLEEVE- SUPPLIER CODE: V14798 SPECIFICATION NUMBER: BACS13BD20HP OPTIONAL PART: 118-10722-20-00 V88334 2-02901-20HP V11328 2-02901-20HP V70195 35044VN20 V08199 4690008-20-2 V45681 4690008-20-2 V92003 AFP176V20HP V30974 35044V20HP V08199		2
- 110	BACN10YL20	..	NUT-		2
115	272T4900-101	.TUBE	ASSY-PRESSURE CTR SYS TUBING MATERIAL: .750 IN. OD .039 IN. WALL 60.00 IN. LG TITANIUM		1
- 120	AS1581T12	..	SLEEVE		2
- 125	BACN10YA12	..	NUT- OPTIONAL PART: BACN10NR12		2

ILLUSTRATION ITEMS NOT ON PARTS LIST ARE NOT APPLICABLE

- ITEM NOT ILLUSTRATED

HXL

29-11-78-01

BOEING PROPRIETARY - Copyright © - Unpublished Work - See title page for details.

29-11-78
FIG. 01
PAGE 2
DEC 22/06

 **BOEING**
767
PARTS CATALOG (MAINTENANCE)

FIG ITEM	PART NUMBER	1 2 3 4 5 6 7	NOMENCLATURE	EFFECT FROM TO	UNITS PER ASSY
1					
- 125	AFP107-12	..	NUT- SUPPLIER CODE: V30974 SPECIFICATION NUMBER: BACN10NR12 OPTIONAL PART: AP1028T12 V01673 BC921T12 V50948 DBON10NR12 V14798 ER01921-12T V88334 FER8928-12 V14397 F11-12 V73197 2-03005T12 V11328 31783-12 V14397 BACN10YA12		2
130	272T4900-202	.TUBE	ASSY-CASE DRAIN CTR SYS TUBING MATERIAL: .500 IN. OD .035 IN. WALL 61.00 IN. LG TITANIUM		1
- 135	AP2097HP08	..	SLEEVE SUPPLIER CODE: V01673 SPECIFICATION NUMBER: BACS13BX08HP OPTIONAL PART: 2-02903-08HP V11328 35235VN08 V08199 AFP175V08P V30974 DBOS13BX08HP V14798		2
- 140	BACN10YL08	..	NUT-		2
180	MS21924D20	.UNION			1
185	BACU24L12	.UNION-			1
190	MS21907D8	.ELBOW-			1
195	AN924-20D	.NUT			1
200	AN924-12D	.NUT			1

ILLUSTRATION ITEMS NOT ON PARTS LIST ARE NOT APPLICABLE

- ITEM NOT ILLUSTRATED

HXL

29-11-78-01

BOEING PROPRIETARY - Copyright © - Unpublished Work - See title page for details.

29-11-78
FIG. 01
PAGE 3
DEC 22/06



767

PARTS CATALOG (MAINTENANCE)

FIG ITEM	PART NUMBER	1 2 3 4 5 6 7	NOMENCLATURE	EFFECT FROM TO	UNITS PER ASSY
1					
205	AN924-8D	.	NUT		1
210	AN960PD2616L	.	WASHER-		2
215	AN960PD1716L	.	WASHER-		2
220	AN960PD1216	.	WASHER-		1
225	AN960PD1216L	.	WASHER-		1
250	271T4610-23	.	PUMP INSTL-AIR DRIVEN UNIT		1
			FOR DETAILS SEE: 29-11-03-01		
- 500	272T4900-6		HYDRAULIC INSTL-WING/BODY FAIRING (MAIN HYDRAULIC SYSTEMS ONLY) POSITION DATA: SECT. 49 RH VARIABLE DRAWING REF: 272T4900-5038 272T4900-7004 FOR NHA/ADDITIONAL DET SEE: 29-00-00-04		RF
540	270T0005-224	.	BLOCK ASSY-SPRT		2
545	NAS1801-3-32	..	SCREW		2
550	AN960PD10L	..	WASHER		4
555	NAS43DD3-100	..	SPACER		2
560	BRH10A3	..	NUT		2
			SUPPLIER CODE: V52828 SPECIFICATION NUMBER: BACN10JC3 OPTIONAL PART: H10-3BAC V15653 NS202101-02 V80539 RMLH9075-3W V72962 VN303A02 V92215 96-02 V80539 T6S1032J V11815		
565	270T0004-54	..	CHANNEL		1
570	270T0004-215	..	BLOCK-CLAMP		2
625	272T4900-217	.	TUBE ASSY-SUPPLY CTR SYS TUBING MATERIAL: 1.00 IN. OD .051 IN. WALL 93.00 IN. LG TITANIUM		1
ILLUSTRATION ITEMS NOT ON PARTS LIST ARE NOT APPLICABLE					

- ITEM NOT ILLUSTRATED

HXL

29-11-78-01

BOEING PROPRIETARY - Copyright © - Unpublished Work - See title page for details.

29-11-78
FIG. 01
PAGE 4
DEC 22/07



767

PARTS CATALOG (MAINTENANCE)

FIG ITEM	PART NUMBER	1 2 3 4 5 6 7	NOMENCLATURE	EFFECT FROM TO	UNITS PER ASSY
1					
- 626	AS1581T16		.. SLEEVE- USED ON: 272T4900-217		2
- 628	BACN10YA16		.. NUT- OPTIONAL PART: BACN10NR16 USED ON: 272T4900-217		2
- 628	AFP107-16		.. NUT- SUPPLIER CODE: V30974 SPECIFICATION NUMBER: BACN10NR16 OPTIONAL PART: AP1028T16 V01673 BC921T16 V50948 DBON10NR16 V14798 ER01921-16T V88334 FER8928-16 V14397 F11-16 V73197 2-03005T16 V11328 31783-16 V14397 BACN10YA16 USED ON: 272T4900-217		2
630	272T4900-214		. TUBE ASSY-SUPPLY CTR SYS TUBING MATERIAL: 1.00 IN. OD .051 IN. WALL 59.00 IN. LG TITANIUM		1
- 635	AS1581T16		.. SLEEVE		2
- 640	BACN10YA16		.. NUT- OPTIONAL PART: BACN10NR16		2

ILLUSTRATION ITEMS NOT ON PARTS LIST ARE NOT APPLICABLE

- ITEM NOT ILLUSTRATED

HXL

29-11-78-01

BOEING PROPRIETARY - Copyright © - Unpublished Work - See title page for details.

29-11-78
FIG. 01
PAGE 5
DEC 22/07



767

PARTS CATALOG (MAINTENANCE)

FIG ITEM	PART NUMBER	1 2 3 4 5 6 7	NOMENCLATURE	EFFECT FROM TO	UNITS PER ASSY
1 - 640	AFP107-16		. . NUT- SUPPLIER CODE: V30974 SPECIFICATION NUMBER: BACN10NR16 OPTIONAL PART: AP1028T16 V01673 BC921T16 V50948 DBON10NR16 V14798 ER01921-16T V88334 FER8928-16 V14397 F11-16 V73197 2-03005T16 V11328 31783-16 V14397 BACN10YA16		2
700	NAS1762T1616		. ELBOW-		1
715	AN924-16D		. NUT		1
720	AN960PD2116		. WASHER-		1
725	AN960PD2116L		. WASHER-		1
900			ILLUSTRATION REFERENCE: TURBINE INSTL-WING BODY FAIRING RAM AIR 29-21-06-01		RF

ILLUSTRATION ITEMS NOT ON PARTS LIST ARE NOT APPLICABLE

- ITEM NOT ILLUSTRATED

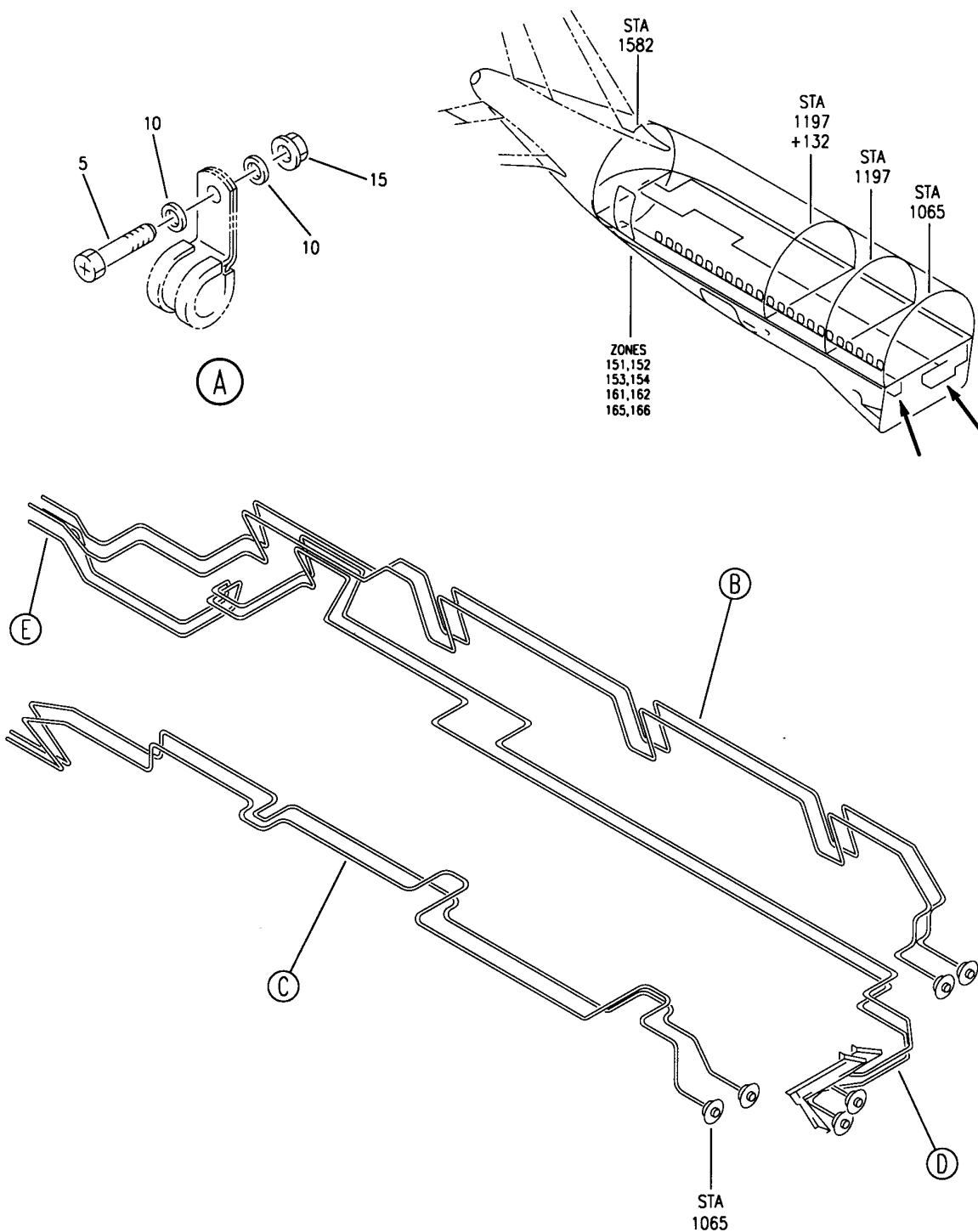
HXL

29-11-78-01

BOEING PROPRIETARY - Copyright © - Unpublished Work - See title page for details.

29-11-78
FIG. 01
PAGE 6
DEC 22/07

BOEING
767
PARTS CATALOG (MAINTENANCE)



V 29117902 SHT 1 REV 200

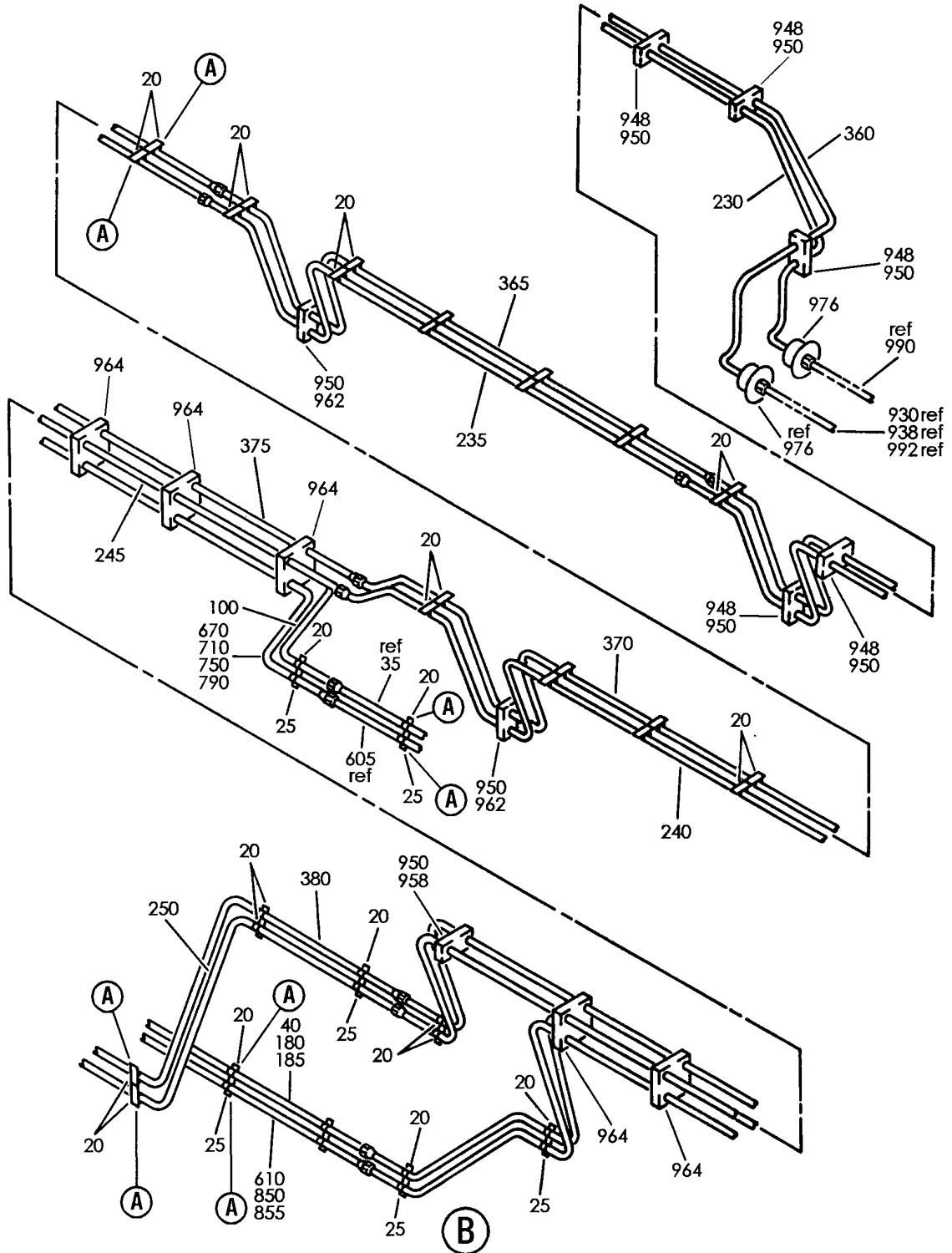
HYDRAULIC INSTL-SECT.46 -300
FIGURE 2 (SHEET 1)

29-11-79-02

HXL
DEC 22/06

29-11-79-02
PAGE 0

BOEING
767
PARTS CATALOG (MAINTENANCE)



V 29117902 SHT 2 REV 200

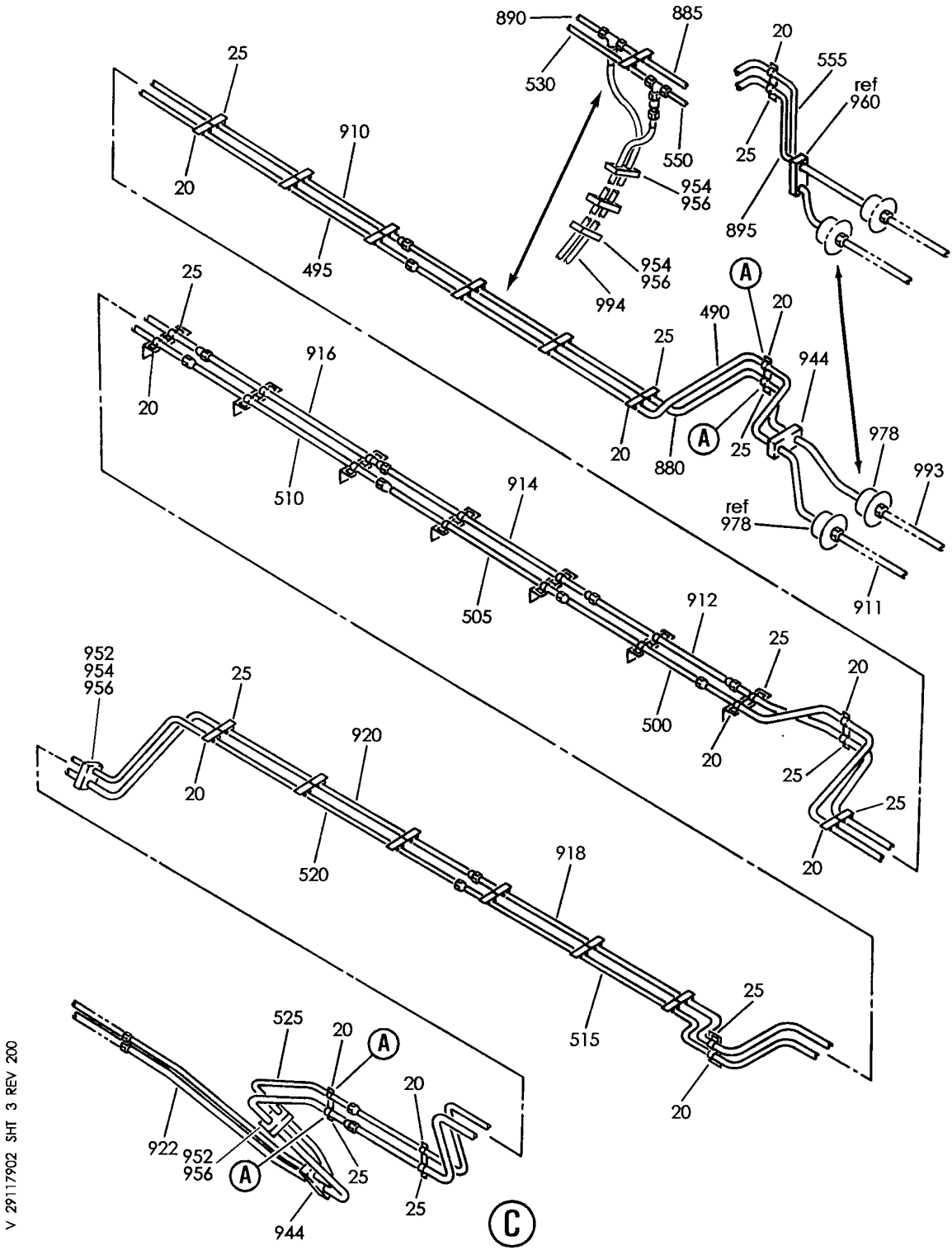
HYDRAULIC INSTL-SECT.46 -300
FIGURE 2 (SHEET 2)

29-11-79-02

HXL
DEC 22/06

29-11-79-02
PAGE 0A

BOEING
767
PARTS CATALOG (MAINTENANCE)



V 29117902 SHT 3 REV 200

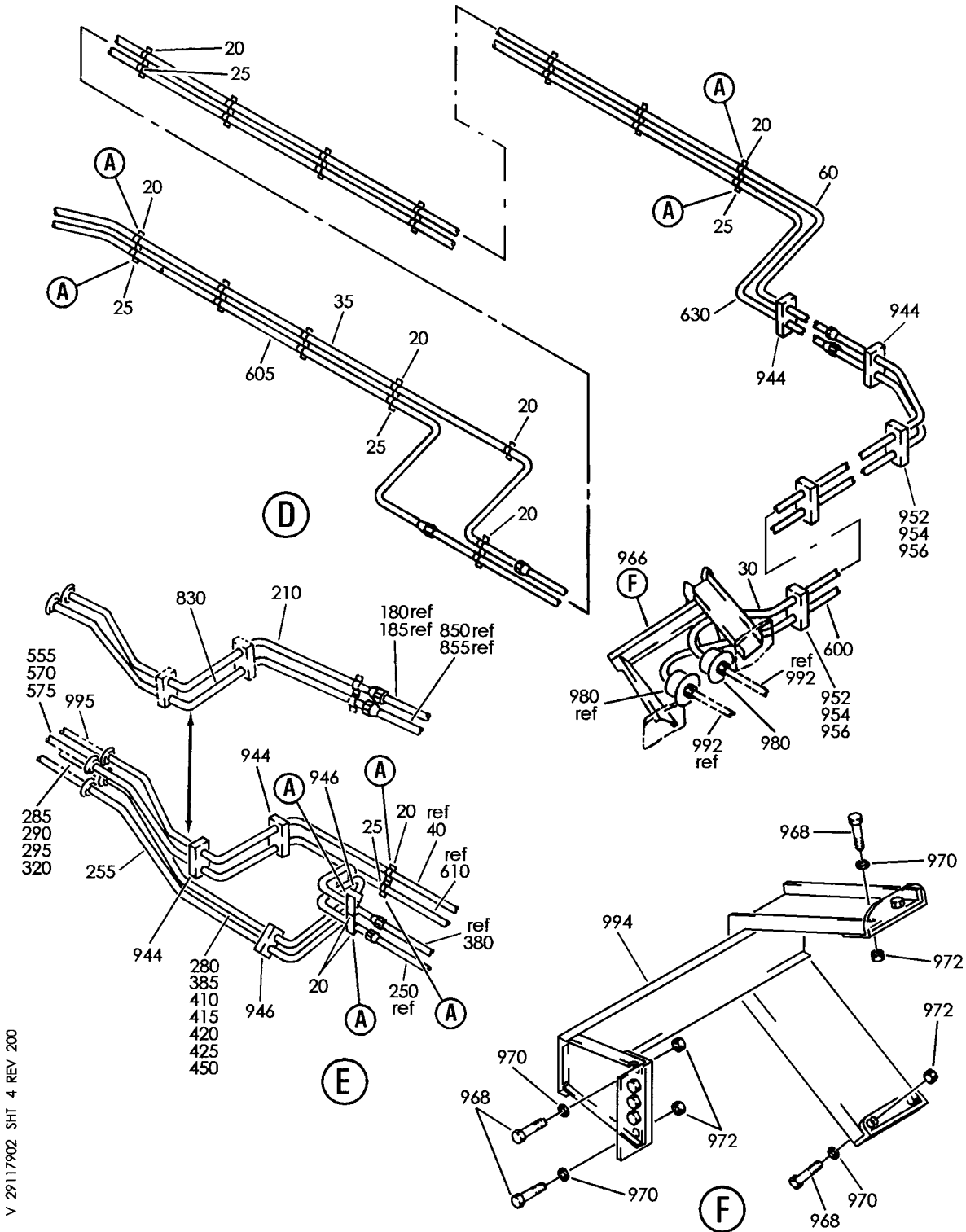
HYDRAULIC INSTL-SECT.46 -300
FIGURE 2 (SHEET 3)

29-11-79-02

HXL
DEC 22/06

29-11-79-02
PAGE 0B


BOEING
 767
PARTS CATALOG (MAINTENANCE)



V 29117902 SHT 4 REV 200

HYDRAULIC INSTL-SECT.46 -300
 FIGURE 2 (SHEET 4)

29-11-79-02

HXL
DEC 22/06

29-11-79-02
 PAGE 0C



767

PARTS CATALOG (MAINTENANCE)

FIG ITEM	PART NUMBER	1 2 3 4 5 6 7	NOMENCLATURE	EFFECT FROM TO	UNITS PER ASSY
2			HYDRAULIC INSTL-SECT.46 -300		
- 1	272T4600-3		HYDRAULIC INSTL-300 CARGO BAY POSITION DATA: SECT. 46 AFT VARIABLE DRAWING REF: 272T4600-5010 272T4600-7002 FOR NHA SEE: 29-00-00-02		RF
5	NAS1801-3-8	.	SCREW		238
10	AN960PD10L	.	WASHER		476
15	MS21042L3	.	NUT		238
20	TA0910004H110	.	CLAMP SUPPLIER CODE: V84971 SPECIFICATION NUMBER: BACC10HB10C		77
25	TA0910004H112	.	CLAMP SUPPLIER CODE: V84971 SPECIFICATION NUMBER: BACC10HB12C		42
30	272T4600-101	.	TUBE ASSY-PRESSURE L SYS TUBING MATERIAL: .625 IN. OD .032 IN. WALL 92.00 IN. LG TITANIUM		1
35	272T4600-103	.	TUBE ASSY-PRESSURE L SYS TUBING MATERIAL: .625 IN. OD .032 IN. WALL 154.00 IN. LG TITANIUM		1
- 45	AS1581T10	..	SLEEVE		1
- 50	BACN10YA10	..	NUT- OPTIONAL PART: BACN10NR10		1

ILLUSTRATION ITEMS NOT ON PARTS LIST ARE NOT APPLICABLE

- ITEM NOT ILLUSTRATED

HXL

29-11-79-02

BOEING PROPRIETARY - Copyright © - Unpublished Work - See title page for details.

29-11-79
FIG. 02
PAGE 1
DEC 22/07



767

PARTS CATALOG (MAINTENANCE)

FIG ITEM	PART NUMBER	1 2 3 4 5 6 7	NOMENCLATURE	EFFECT FROM TO	UNITS PER ASSY
2					
- 50	AFP107-10	..	NUT- SUPPLIER CODE: V30974 SPECIFICATION NUMBER: BACN10NR10 OPTIONAL PART: AP1028T10 V01673 BC921T10 V50948 DBON10NR10 V14798 ER01921-10T V88334 FER8928-10 V14397 F11-10 V73197 2-03005T10 V11328 31783-10 V14397 BACN10YA10		1
- 55	AS1582T10	..	UNION		1
60	272T4600-102	.TUBE	ASSY-PRESSURE L SYS TUBING MATERIAL: .625 IN. OD .032 IN. WALL 197.00 IN. LG TITANIUM		1
- 65	AS1580T10	..	RING-TUBE WELD		1
- 70	272T4600-2001	..	TUBE SUB ASSY		1
- 75	272T4600-2002	..	TUBE SUB ASSY		1
- 80	AS1581T10	...	SLEEVE		1
- 85	BACN10YA10	...	NUT		1
- 90	AS1582T10	...	UNION		1
100	272T4600-104	.TUBE	ASSY-PRESSURE L SYS TUBING MATERIAL: .625 IN. OD .032 IN. WALL 170.00 IN. LG TITANIUM		1
- 105	AS1580T10	..	RING-TUBE WELD		1
- 110	272T4600-2006	..	TUBE SUB ASSY		1
- 115	272T4600-2007	..	TUBE SUB ASSY		1
- 120	AS1581T10	...	SLEEVE		1
- 125	BACN10YA10	...	NUT		1
- 130	AS1582T10	...	UNION		1

ILLUSTRATION ITEMS NOT ON PARTS LIST ARE NOT APPLICABLE

- ITEM NOT ILLUSTRATED

29-11-79-02

29-11-79
FIG. 02
PAGE 2
DEC 22/06

HXL



767

PARTS CATALOG (MAINTENANCE)

FIG ITEM	PART NUMBER	1 2 3 4 5 6 7	NOMENCLATURE	EFFECT FROM TO	UNITS PER ASSY
2					
185	272T4600-702		.TUBE ASSY-PRESSURE L SYS TUBING MATERIAL: .625 IN. OD .032 IN. WALL 152.00 IN. LG TITANIUM		1
- 190	AS1581T10		..SLEEVE		1
- 195	BACN10YA10N		..NUT		1
- 200	AS1582T10		..UNION		1
210	272T4600-121		.TUBE ASSY-PRESSURE L SYS TUBING MATERIAL: .625 IN. OD .032 IN. WALL 58.00 IN. LG STEEL		1
- 215	AP2097HP10		..SLEEVE SUPPLIER CODE: V01673 SPECIFICATION NUMBER: BACS13BX10HP OPTIONAL PART: 2-02903-10HP V11328 35235VN10 V08199 AFP175V10P V30974 DBOS13BX10HP V14798		2
- 220	BACN10YA10N		..NUT		2
230	272T4600-106		.TUBE ASSY-PRESSURE CTR SYS TUBING MATERIAL: .625 IN. OD .032 IN. WALL 122.00 IN. LG TITANIUM		1
235	272T4600-107		.TUBE ASSY-PRESSURE CTR SYS TUBING MATERIAL: .625 IN. OD .032 IN. WALL 126.00 IN. LG TITANIUM		1
240	272T4600-108		.TUBE ASSY-PRESSURE CTR SYS TUBING MATERIAL: .625 IN. OD .032 IN. WALL 126.00 IN. LG TITANIUM		1
245	272T4600-109		.TUBE ASSY-PRESSURE CTR SYS TUBING MATERIAL: .625 IN. OD .032 IN. WALL 151.00 IN. LG TITANIUM		1

ILLUSTRATION ITEMS NOT ON PARTS LIST ARE NOT APPLICABLE

- ITEM NOT ILLUSTRATED

HXL

29-11-79-02

BOEING PROPRIETARY - Copyright © - Unpublished Work - See title page for details.

29-11-79
FIG. 02
PAGE 3
DEC 22/07



767

PARTS CATALOG (MAINTENANCE)

FIG ITEM	PART NUMBER	1 2 3 4 5 6 7	NOMENCLATURE	EFFECT FROM TO	UNITS PER ASSY
2					
250	272T4600-110		.TUBE ASSY-PRESSURE CTR SYS TUBING MATERIAL: .625 IN. OD .032 IN. WALL 78.00 IN. LG TITANIUM		1
255	272T4600-119		.TUBE ASSY-PRESSURE CTR SYS TUBING MATERIAL: .625 IN. OD .032 IN. WALL 80.75 IN. LG TITANIUM		1
- 260	AS1581T10		..SLEEVE		1
- 260	AS1581T10		..SLEEVE		1
- 260	AS1581T10		..SLEEVE		1
- 265	BACN10YA10		..NUT- OPTIONAL PART: BACN10NR10		1
- 265	BACN10YA10		..NUT- OPTIONAL PART: BACN10NR10		1
- 265	BACN10YA10		..NUT- OPTIONAL PART: BACN10NR10		1
- 265	BACN10YA10		..NUT- OPTIONAL PART: BACN10NR10		1
- 265	BACN10YA10		..NUT- OPTIONAL PART: BACN10NR10		1
- 265	BACN10YA10		..NUT- OPTIONAL PART: BACN10NR10		1
- 265	BACN10YA10		..NUT- OPTIONAL PART: BACN10NR10		1
- 270	AS1582T10		..UNION		1
- 270	AS1582T10		..UNION		1
- 270	AS1582T10		..UNION		1
290	272T4600-704		.TUBE ASSY-PRESSURE CTR SYS TUBING MATERIAL: .625 IN. OD .032 IN. WALL 147.00 IN LG TITANIUM		1
- 300	AS1581T10		..SLEEVE- USED ON: 272T4600-704 272T4600-710		1
- 305	BACN10YA10N		..NUT- USED ON: 272T4600-704 272T4600-710		1

ILLUSTRATION ITEMS NOT ON PARTS LIST ARE NOT APPLICABLE

- ITEM NOT ILLUSTRATED

29-11-79-02

29-11-79
FIG. 02
PAGE 4
DEC 22/07

HXL

BOEING PROPRIETARY - Copyright © - Unpublished Work - See title page for details.



767

PARTS CATALOG (MAINTENANCE)

FIG ITEM	PART NUMBER	1 2 3 4 5 6 7	NOMENCLATURE	EFFECT FROM TO	UNITS PER ASSY
2					
- 310	AS1582T10		..UNION- USED ON: 272T4600-704 272T4600-710		1
360	272T4600-206		.TUBE ASSY-RETURN CTR SYS TUBING MATERIAL: .625 IN. OD .032 IN. WALL 133.00 IN LG TITANIUM		1
365	272T4600-207		.TUBE ASSY-RETURN CTR SYS TUBING MATERIAL: .625 IN. OD .032 IN. WALL 126.00 IN LG TITANIUM		1
370	272T4600-208		.TUBE ASSY-RETURN CTR SYS TUBING MATERIAL: .625 IN. OD .032 IN. WALL 123.00 IN LG TITANIUM		1
375	272T4600-209		.TUBE ASSY-RETURN CTR SYS TUBING MATERIAL: .625 IN. OD .032 IN. WALL 150.00 IN LG TITANIUM		1
380	272T4600-210		.TUBE ASSY-RETURN CTR SYS TUBING MATERIAL: .625 IN. OD .032 IN. WALL 75.80 IN LG TITANIUM		1
- 390	AS1581T10		..SLEEVE		1
- 390	AS1581T10		..SLEEVE- USED ON: 272T4600-207 272T4600-210		1
- 390	AS1581T10		..SLEEVE- USED ON: 272T4600-208 272T4600-209		1
- 395	BACN10YA10		..NUT- OPTIONAL PART: BACN10NR10		1

ILLUSTRATION ITEMS NOT ON PARTS LIST ARE NOT APPLICABLE

- ITEM NOT ILLUSTRATED

HXL

29-11-79-02

BOEING PROPRIETARY - Copyright © - Unpublished Work - See title page for details.

29-11-79
FIG. 02
PAGE 5
DEC 22/07

 **BOEING**
767
PARTS CATALOG (MAINTENANCE)

FIG ITEM	PART NUMBER	1 2 3 4 5 6 7	NOMENCLATURE	EFFECT FROM TO	UNITS PER ASSY
2 - 395	AFP107-10		..NUT- SUPPLIER CODE: V30974 SPECIFICATION NUMBER: BACN10NR10 OPTIONAL PART: AP1028T10 V01673 BC921T10 V50948 DBON10NR10 V14798 ER01921-10T V88334 FER8928-10 V14397 F11-10 V73197 2-03005T10 V11328 31783-10 V14397 BACN10YA10		1
- 395	BACN10YA10		..NUT- OPTIONAL PART: BACN10NR10		1
- 395	AFP107-10		..NUT- SUPPLIER CODE: V30974 SPECIFICATION NUMBER: BACN10NR10 OPTIONAL PART: AP1028T10 V01673 BC921T10 V50948 DBON10NR10 V14798 ER01921-10T V88334 FER8928-10 V14397 F11-10 V73197 2-03005T10 V11328 31783-10 V14397 BACN10YA10		1

ILLUSTRATION ITEMS NOT ON PARTS LIST ARE NOT APPLICABLE

- ITEM NOT ILLUSTRATED

HXL

29-11-79-02

BOEING PROPRIETARY - Copyright © - Unpublished Work - See title page for details.

29-11-79
FIG. 02
PAGE 6
DEC 22/07



767

PARTS CATALOG (MAINTENANCE)

FIG ITEM	PART NUMBER	1 2 3 4 5 6 7	NOMENCLATURE	EFFECT FROM TO	UNITS PER ASSY
2					
- 395	BACN10YA10	..	NUT- OPTIONAL PART: BACN10NR10		1
- 395	AFP107-10	..	NUT- SUPPLIER CODE: V30974 SPECIFICATION NUMBER: BACN10NR10 OPTIONAL PART: AP1028T10 V01673 BC921T10 V50948 DBON10NR10 V14798 ER01921-10T V88334 FER8928-10 V14397 F11-10 V73197 2-03005T10 V11328 31783-10 V14397 BACN10YA10		1
- 400	AS1582T10	..	UNION		1
- 400	AS1582T10	..	UNION		1
- 400	AS1582T10	..	UNION		1
410	272T4600-222	.	TUBE ASSY-RETURN CTR SYS TUBING MATERIAL: .625 IN. OD .032 IN. WALL 83.00 IN LG TITANIUM		1
425	272T4600-703	.	TUBE ASSY-RETURN CTR SYS TUBING MATERIAL: .625 IN. OD .032 IN. WALL 142.00 IN. LG TITANIUM		1
- 430	AS1581T10	..	SLEEVE- USED ON: 272T4600-222		1
- 430	AS1581T10	..	SLEEVE- USED ON: 272T4600-222 272T4600-703		1
- 435	BACN10YA10N	..	NUT- USED ON: 272T4600-222		1

ILLUSTRATION ITEMS NOT ON PARTS LIST ARE NOT APPLICABLE

- ITEM NOT ILLUSTRATED

29-11-79-02

29-11-79
FIG. 02
PAGE 7
DEC 22/07

HXL



767

PARTS CATALOG (MAINTENANCE)

FIG ITEM	PART NUMBER	1 2 3 4 5 6 7	NOMENCLATURE	EFFECT FROM TO	UNITS PER ASSY
2					
- 435	BACN10YA10N	..	NUT- USED ON: 272T4600-222 272T4600-703		1
- 440	AS1582T10	..	UNION- USED ON: 272T4600-222		1
- 440	AS1582T10	..	UNION- USED ON: 272T4600-222 272T4600-703		1
- 482	AS1581T10	..	SLEEVE		1
- 485	BACN10YA10	..	NUT		1
- 487	AS1582T10	..	UNION		1
490	272T4600-111	.	TUBE ASSY-PRESSURE R SYS TUBING MATERIAL: .625 IN. OD .032 IN. WALL 132.00 IN LG TITANIUM		1
495	272T4600-112	.	TUBE ASSY-PRESSURE R SYS TUBING MATERIAL: .625 IN. OD .032 IN. WALL 116.50 IN LG TITANIUM		1
500	272T4600-113	.	TUBE ASSY-PRESSURE R SYS TUBING MATERIAL: .625 IN. OD .032 IN. WALL 33.50 IN LG TITANIUM		1
505	272T4600-114	.	TUBE ASSY-PRESSURE R SYS TUBING MATERIAL: .625 IN. OD .032 IN. WALL 41.50 IN LG TITANIUM		1
510	272T4600-115	.	TUBE ASSY-PRESSURE R SYS TUBING MATERIAL: .625 IN. OD .032 IN. WALL 41.62 IN LG TITANIUM		1
515	272T4600-116	.	TUBE ASSY-PRESSURE R SYS TUBING MATERIAL: .625 IN. OD .032 IN. WALL 88.00 IN LG TITANIUM		1
520	272T4600-117	.	TUBE ASSY-PRESSURE R SYS TUBING MATERIAL: .625 IN. OD .032 IN. WALL 114.00 IN LG TITANIUM		1

ILLUSTRATION ITEMS NOT ON PARTS LIST ARE NOT APPLICABLE

- ITEM NOT ILLUSTRATED

29-11-79-02

29-11-79
FIG. 02
PAGE 8
DEC 22/07

HXL



767

PARTS CATALOG (MAINTENANCE)

FIG ITEM	PART NUMBER	1 2 3 4 5 6 7	NOMENCLATURE	EFFECT FROM TO	UNITS PER ASSY
2	525 272T4600-118		.TUBE ASSY-PRESSURE R SYS TUBING MATERIAL: .625 IN. OD .032 IN. WALL 91.00 IN LG TITANIUM		1
- 535	AS1581T10		..SLEEVE- USED ON: 272T4600-111 272T4600-301		1
- 535	AS1581T10		..SLEEVE- USED ON: 272T4600-112 272T4600-113 272T4600-114 272T4600-115 272T4600-116 272T4600-117 272T4600-118		1
- 540	BACN10YA10		..NUT- OPTIONAL PART: BACN10NR10 USED ON: 272T4600-111 272T4600-301		1
- 540	AFP107-10		..NUT- SUPPLIER CODE: V30974 SPECIFICATION NUMBER: BACN10NR10 OPTIONAL PART: AP1028T10 V01673 BC921T10 V50948 DBON10NR10 V14798 ER01921-10T V88334 FER8928-10 V14397 F11-10 V73197 2-03005T10 V11328 31783-10 V14397 BACN10YA10		1

ILLUSTRATION ITEMS NOT ON PARTS LIST ARE NOT APPLICABLE

- ITEM NOT ILLUSTRATED

HXL

29-11-79-02

BOEING PROPRIETARY - Copyright © - Unpublished Work - See title page for details.

29-11-79
FIG. 02
PAGE 9
DEC 22/07



767

PARTS CATALOG (MAINTENANCE)

FIG ITEM	PART NUMBER	1 2 3 4 5 6 7	NOMENCLATURE	EFFECT FROM TO	UNITS PER ASSY
2					
- 540	BACN10YA10		..NUT- OPTIONAL PART: BACN10NR10 USED ON: 272T4600-112 272T4600-113 272T4600-114 272T4600-115 272T4600-116 272T4600-117 272T4600-118		1
- 540	AFP107-10		..NUT- SUPPLIER CODE: V30974 SPECIFICATION NUMBER: BACN10NR10 OPTIONAL PART: AP1028T10 V01673 BC921T10 V50948 DBON10NR10 V14798 ER01921-10T V88334 FER8928-10 V14397 F11-10 V73197 2-03005T10 V11328 31783-10 V14397 BACN10YA10		1
- 545	AS1582T10		..UNION- USED ON: 272T4600-111 272T4600-301		1
- 545	AS1582T10		..UNION- USED ON: 272T4600-112 272T4600-113 272T4600-114 272T4600-115 272T4600-116 272T4600-117 272T4600-118		1

ILLUSTRATION ITEMS NOT ON PARTS LIST ARE NOT APPLICABLE

- ITEM NOT ILLUSTRATED

HXL

29-11-79-02

BOEING PROPRIETARY - Copyright © - Unpublished Work - See title page for details.

29-11-79
 FIG. 02
 PAGE 10
 DEC 22/07



767

PARTS CATALOG (MAINTENANCE)

FIG ITEM	PART NUMBER	1 2 3 4 5 6 7	NOMENCLATURE	EFFECT FROM TO	UNITS PER ASSY
2					
570	272T4600-706		.TUBE ASSY-PRESSURE R SYS TUBING MATERIAL: .625 IN. OD .032 IN. WALL 148.00 IN LG TITANIUM		1
- 580	AS1581T10		..SLEEVE		1
- 585	BACN10YA10N		..NUT		1
- 590	AS1582T10		..UNION		1
600	272T4600-201		.TUBE ASSY-RETURN L SYS TUBING MATERIAL: .750 IN. OD .039 IN. WALL 99.00 IN LG TITANIUM		1
605	272T4600-203		.TUBE ASSY-RETURN L SYS TUBING MATERIAL: .750 IN. OD .039 IN. WALL 134.00 IN LG TITANIUM		1
- 615	AS1581T10		..SLEEVE- USED ON: 272T4600-201 272T4600-203		1
- 620	BACN10YA12		..NUT- OPTIONAL PART: BACN10NR12 USED ON: 272T4600-201 272T4600-203		1

ILLUSTRATION ITEMS NOT ON PARTS LIST ARE NOT APPLICABLE

- ITEM NOT ILLUSTRATED

HXL

29-11-79-02

BOEING PROPRIETARY - Copyright © - Unpublished Work - See title page for details.

29-11-79
FIG. 02
PAGE 11
DEC 22/07



767

PARTS CATALOG (MAINTENANCE)

FIG ITEM	PART NUMBER	1 2 3 4 5 6 7	NOMENCLATURE	EFFECT FROM TO	UNITS PER ASSY
2					
- 620	AFP107-12	..	NUT- SUPPLIER CODE: V30974 SPECIFICATION NUMBER: BACN10NR12 OPTIONAL PART: AP1028T12 V01673 BC921T12 V50948 DBON10NR12 V14798 ER01921-12T V88334 FER8928-12 V14397 F11-12 V73197 2-03005T12 V11328 31783-12 V14397 BACN10YA12		1
- 625	AS1582T10	..	UNION- USED ON: 272T4600-201 272T4600-203		1
630	272T4600-202	.TUBE	ASSY-RETURN L SYS TUBING MATERIAL: .750 IN. OD .039 IN. WALL 211.00 IN LG TITANIUM		1
- 635	AS1580T12	..	RING-TUBE WELD		1
- 640	272T4600-2003	..	TUBE SUB ASSY		1
- 645	AS1581T12	...	SLEEVE		1
- 650	BACN10YA10N	...	NUT		1
- 655	272T4600-2004	..	TUBE SUB ASSY		1
- 660	AS1582T12	...	UNION		1
790	272T4600-707	.TUBE	ASSY-RETURN L SYS TUBING MATERIAL: .750 IN. OD .039 IN. WALL 94.10 IN. LG TITANIUM		1
- 795	AS1580T12	..	RING-TUBE WELD		1
- 800	272T4600-2005	..	TUBE SUB ASSY		1
- 805	AS1581T12	...	SLEEVE		1
- 810	BACN10YA12N	...	NUT		1
- 815	272T4600-2004	..	TUBE SUB ASSY		1
- 820	AS1582T12	...	UNION		1

ILLUSTRATION ITEMS NOT ON PARTS LIST ARE NOT APPLICABLE

- ITEM NOT ILLUSTRATED

29-11-79-02

29-11-79
FIG. 02
PAGE 12
DEC 22/07

HXL

 **BOEING**
767
PARTS CATALOG (MAINTENANCE)

FIG ITEM	PART NUMBER	1 2 3 4 5 6 7	NOMENCLATURE	EFFECT FROM TO	UNITS PER ASSY
2	830 272T4600-221		.TUBE ASSY-RETURN L SYS TUBING MATERIAL: .750 IN. OD .039 IN. WALL 69.00 IN. LG STEEL		1
- 835	AP2097HP12		..SLEEVE SUPPLIER CODE: V01673 SPECIFICATION NUMBER: BACS13BX12HP OPTIONAL PART: 2-02903-12HP V11328 35235VN12 V08199 AFP175V12P V30974 DBOS13BX12HP V14798		1
- 840	BACN10YA12N		..NUT		1
- 845	35056V12		..UNION SUPPLIER CODE: V08199 SPECIFICATION NUMBER: BACU24AB12H OPTIONAL PART: 4671097H12 V50948 2-01027-12H V11328 31875-12H V14397 AP1004H12 V01673 AFP941H12 V30974 DBOU24AB12H V14798		1
850	272T4600-220		.TUBE ASSY-RETURN L SYS TUBING MATERIAL: .750 IN. OD .039 IN. WALL 69.00 IN. LG TITANIUM		1
855	272T4600-701		.TUBE ASSY-RETURN L SYS TUBING MATERIAL: .750 IN. OD .039 IN. WALL 174.00 IN. LG TITANIUM		1
- 860	AS1581T12		..SLEEVE		1
- 860	AS1581T12		..SLEEVE		1

ILLUSTRATION ITEMS NOT ON PARTS LIST ARE NOT APPLICABLE

- ITEM NOT ILLUSTRATED

HXL

29-11-79-02

BOEING PROPRIETARY - Copyright © - Unpublished Work - See title page for details.

29-11-79
FIG. 02
PAGE 13
DEC 22/07



767

PARTS CATALOG (MAINTENANCE)

FIG ITEM	PART NUMBER	1 2 3 4 5 6 7	NOMENCLATURE	EFFECT FROM TO	UNITS PER ASSY
2					
- 865	BACN10YA12N	..	NUT		1
- 865	BACN10YA12N	..	NUT		1
- 870	AS1582T12	..	UNION		1
- 870	AS1582T12	..	UNION		1
880	272T4600-211	.	TUBE ASSY-RETURN R SYS TUBING MATERIAL: .750 IN. OD .039 IN. WALL 134.00 IN. LG TITANIUM		1
- 900	AS1581T12	..	SLEEVE		2
- 905	BACN10YA12	..	NUT- OPTIONAL PART: BACN10NR12		2
- 905	AFP107-12	..	NUT- SUPPLIER CODE: V30974 SPECIFICATION NUMBER: BACN10NR12 OPTIONAL PART: AP1028T12 V01673 BC921T12 V50948 DBON10NR12 V14798 ER01921-12T V88334 FER8928-12 V14397 F11-12 V73197 2-03005T12 V11328 31783-12 V14397 BACN10YA12		2
910	272T4600-212	.	TUBE ASSY-RETURN R SYS TUBING MATERIAL: .750 IN. OD .039 IN. WALL 115.00 IN. LG TITANIUM		1
912	272T4600-213	.	TUBE ASSY-RETURN R SYS TUBING MATERIAL: .750 IN. OD .039 IN. WALL 33.75 IN. LG TITANIUM		1

ILLUSTRATION ITEMS NOT ON PARTS LIST ARE NOT APPLICABLE

- ITEM NOT ILLUSTRATED

HXL

29-11-79-02

BOEING PROPRIETARY - Copyright © - Unpublished Work - See title page for details.

29-11-79
FIG. 02
PAGE 14
DEC 22/07



767

PARTS CATALOG (MAINTENANCE)

FIG ITEM	PART NUMBER	1 2 3 4 5 6 7	NOMENCLATURE	EFFECT FROM TO	UNITS PER ASSY
2					
914	272T4600-214		.TUBE ASSY-RETURN R SYS TUBING MATERIAL: .750 IN. OD .039 IN. WALL 41.50 IN. LG TITANIUM		1
916	272T4600-215		.TUBE ASSY-RETURN R SYS TUBING MATERIAL: .750 IN. OD .039 IN. WALL 40.50 IN. LG TITANIUM		1
918	272T4600-216		.TUBE ASSY-RETURN R SYS TUBING MATERIAL: .750 IN. OD .039 IN. WALL 93.00 IN. LG TITANIUM		1
920	272T4600-217		.TUBE ASSY-RETURN R SYS TUBING MATERIAL: .750 IN. OD .039 IN. WALL 114.00 IN. LG TITANIUM		1
922	272T4600-218		.TUBE ASSY-RETURN R SYS TUBING MATERIAL: .750 IN. OD .039 IN. WALL 87.00 IN. LG TITANIUM		1
- 924	AS1581T12		..SLEEVE		1
- 926	BACN10YA12		..NUT- OPTIONAL PART: BACN10NR12		1
ILLUSTRATION ITEMS NOT ON PARTS LIST ARE NOT APPLICABLE					

- ITEM NOT ILLUSTRATED

HXL

29-11-79-02

BOEING PROPRIETARY - Copyright © - Unpublished Work - See title page for details.

29-11-79
FIG. 02
PAGE 15
DEC 22/07



767

PARTS CATALOG (MAINTENANCE)

FIG ITEM	PART NUMBER	1 2 3 4 5 6 7	NOMENCLATURE	EFFECT FROM TO	UNITS PER ASSY
2					
- 926	AFP107-12	..	NUT- SUPPLIER CODE: V30974 SPECIFICATION NUMBER: BACN10NR12 OPTIONAL PART: AP1028T12 V01673 BC921T12 V50948 DBON10NR12 V14798 ER01921-12T V88334 FER8928-12 V14397 F11-12 V73197 2-03005T12 V11328 31783-12 V14397 BACN10YA12		1
- 928	AS1582T12	..	UNION		1
930	272T4600-705	.TUBE ASSY-RETURN R SYS	TUBING MATERIAL: .750 IN. OD .039 IN. WALL 130.00 IN. LG TITANIUM		1
- 932	AS1581T12	..	SLEEVE		1
- 934	BACN10YA12N	..	NUT		1
- 936	AS1582T12	..	UNION		1
938	272T4600-713	.TUBE ASSY-RETURN R SYS	TUBING MATERIAL: .750 IN. OD .039 IN. WALL 130.00 IN. LG TITANIUM		1
- 940	AS1581T12	..	SLEEVE		2
- 942	BACN10YA12N	..	NUT		2
944	270T0005-208	.BLOCK ASSY-SPRT	FOR DETAILS SEE: 29-11-79-03		6
946	270T0005-209	.BLOCK ASSY-SPRT	FOR DETAILS SEE: 29-11-79-03		2
R R R	952	270T0005-211	.BLOCK ASSY-SPRT	FOR DETAILS SEE: 29-11-79-03	5

ILLUSTRATION ITEMS NOT ON PARTS LIST ARE NOT APPLICABLE

- ITEM NOT ILLUSTRATED

29-11-79-02

29-11-79
FIG. 02
PAGE 16
AUG 22/09

HXL

 **BOEING**
767
PARTS CATALOG (MAINTENANCE)

FIG ITEM	PART NUMBER	1 2 3 4 5 6 7	NOMENCLATURE	EFFECT FROM TO	UNITS PER ASSY
2					
958	270T0005-254		.BLOCK ASSY-SPRT FOR DETAILS SEE: 29-11-79-03		1
964	270T0005-469		.BLOCK ASSY-SPRT FOR DETAILS SEE: 29-11-79-03		5
966	272T0149-1		.COVER INSTL		1
968	NAS6603-3		..BOLT		9
970	AN960KD10		..WASHER		9
972	BRH10A3		..NUT		9
			SUPPLIER CODE: V52828 SPECIFICATION NUMBER: BACN10JC3 OPTIONAL PART: H10-3BAC V15653 NS202101-02 V80539 RMLH9075-3W V72962 VN303A02 V92215 96-02 V80539 T6S1032J V11815		
974	272T0149-2		..COVER ASSY		1
976	272T4635-1		.SEAL INSTL-WHL WELL BHD HYDR TUBING POSITION DATA: SECT. 46 AFT FOR DETAILS SEE: 29-11-54-01		1
978	272T4635-2		.SEAL INSTL-WHL WELL BHD HYDR TUBING POSITION DATA: SECT. 46 AFT FOR DETAILS SEE: 29-11-54-01		1
980	272T4635-3		.SEAL INSTL-WHL WELL BHD HYDR TUBING POSITION DATA: SECT. 46 AFT FOR DETAILS SEE: 29-11-54-01		1
ILLUSTRATION ITEMS NOT ON PARTS LIST ARE NOT APPLICABLE					

- ITEM NOT ILLUSTRATED

HXL

29-11-79-02

BOEING PROPRIETARY - Copyright © - Unpublished Work - See title page for details.

29-11-79
FIG. 02
PAGE 17
AUG 22/09



767

PARTS CATALOG (MAINTENANCE)

FIG ITEM	PART NUMBER	1 2 3 4 5 6 7	NOMENCLATURE	EFFECT FROM TO	UNITS PER ASSY
2					
990			ILLUSTRATION REFERENCE: HYDRAULIC INSTL-SECT. 45 (MAIN HYDRAULIC SYSTEM ONLY) 29-11-76-04		RF
991			ILLUSTRATION REFERENCE: HYDRAULIC INSTL-SECT. 45 (MAIN HYDRAULIC SYSTEMS ONLY) 29-11-76-06		RF
992			ILLUSTRATION REFERENCE: HYDRAULIC INSTL-SECT. 45 (AILERON AND SPOILER HYDRAULIC SHUTOFF VALVE ONLY) 27-13-53-02		RF
993			ILLUSTRATION REFERENCE: HYDRAULIC INSTL-SECT. 45 (HYDRAULIC BRAKE SYSTEM ONLY) 32-41-64-02		RF
994			ILLUSTRATION REFERENCE: HYDRAULIC INSTL-SECT. 46 CARGO BAY AFT (GROUND SERVICING ONLY) 29-18-58-01		RF
995			ILLUSTRATION REFERENCE: HYDRAULIC INSTL-SECT. 48 BODY AFT (HYDRAULIC POWER ONLY) 29-11-80-01		RF
996			ILLUSTRATION REFERENCE: HYDRAULIC INSTL-SECT. 48 BODY AFT (HYDRAULIC POWER ONLY) 29-11-80-01		RF
ILLUSTRATION ITEMS NOT ON PARTS LIST ARE NOT APPLICABLE					

- ITEM NOT ILLUSTRATED

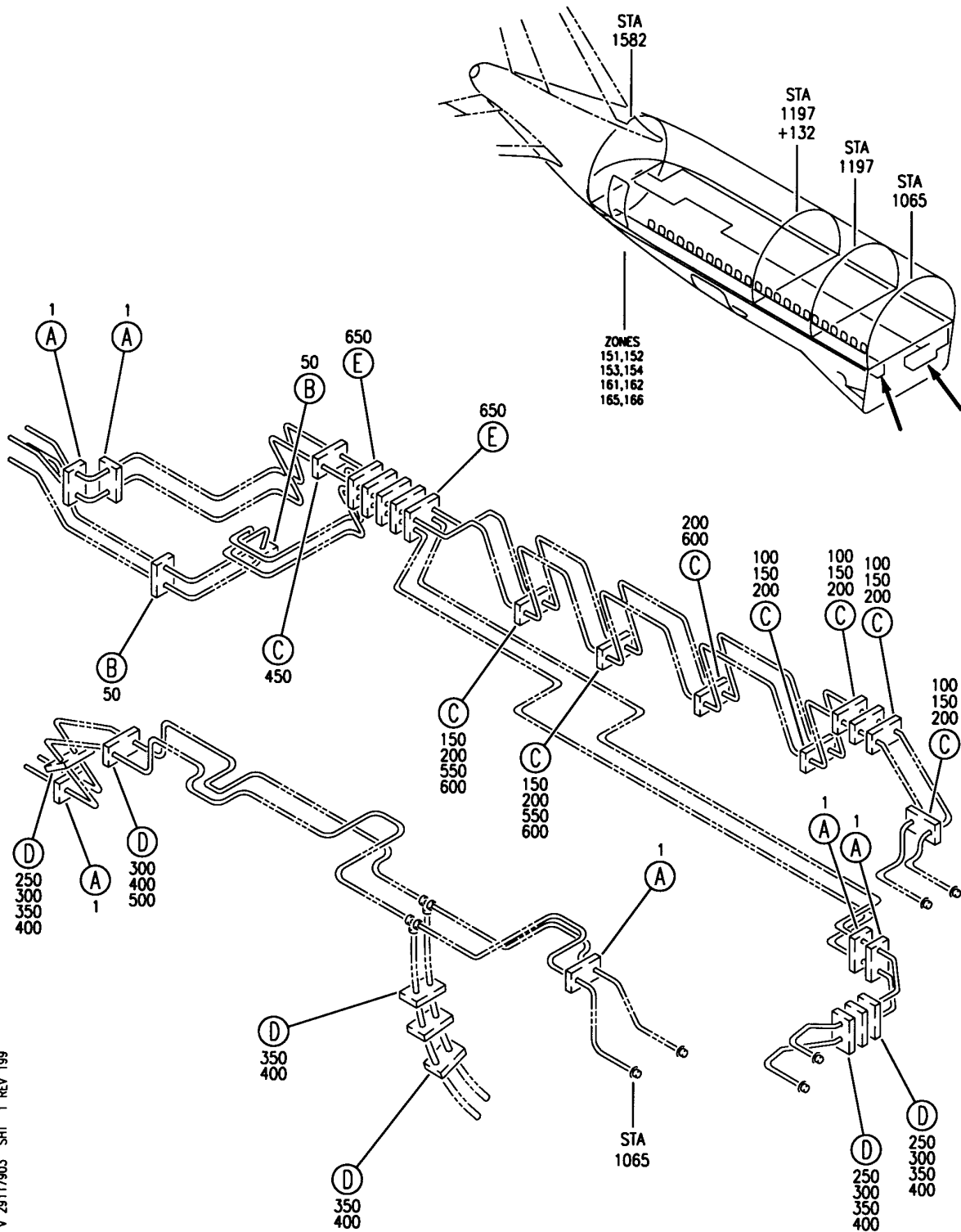
HXL

29-11-79-02

BOEING PROPRIETARY - Copyright © - Unpublished Work - See title page for details.

29-11-79
FIG. 02
PAGE 18
AUG 22/09

BOEING
767
PARTS CATALOG (MAINTENANCE)



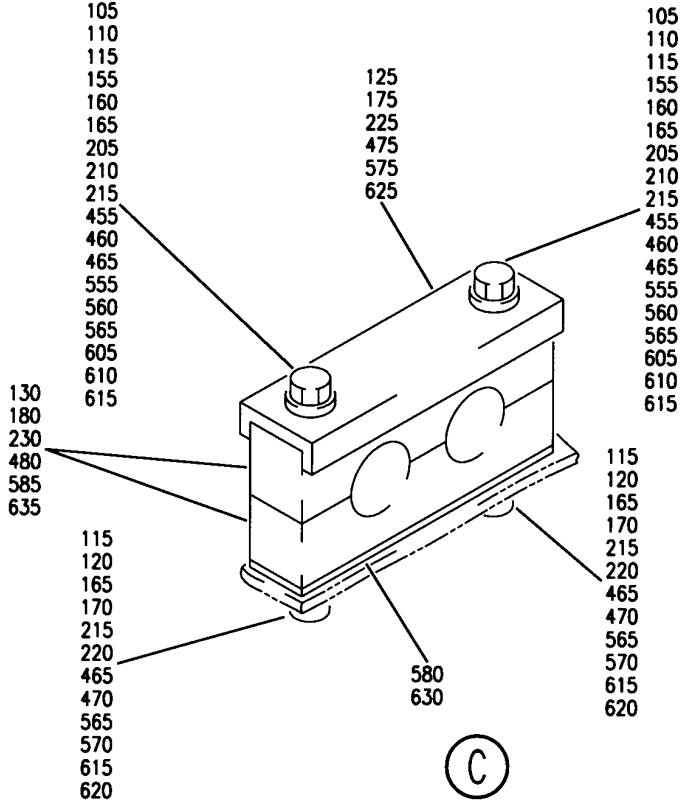
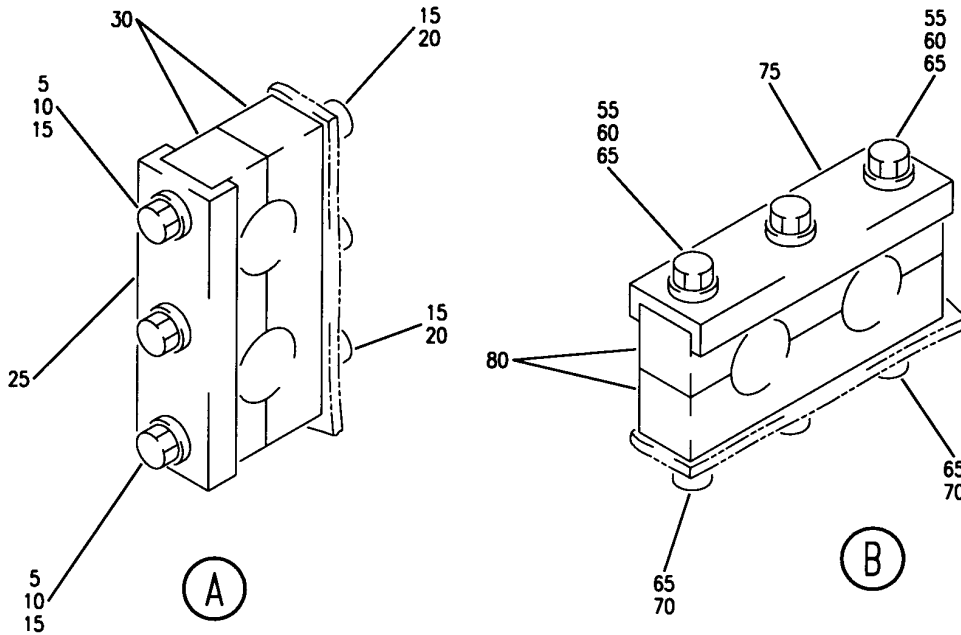
BLOCK ASSY-HYDR SPRT
FIGURE 3 (SHEET 1)

29-11-79-03

HXL
DEC 22/06

29-11-79-03
PAGE 0


BOEING
 767
PARTS CATALOG (MAINTENANCE)



V 29117903 SHT 2 REV 199

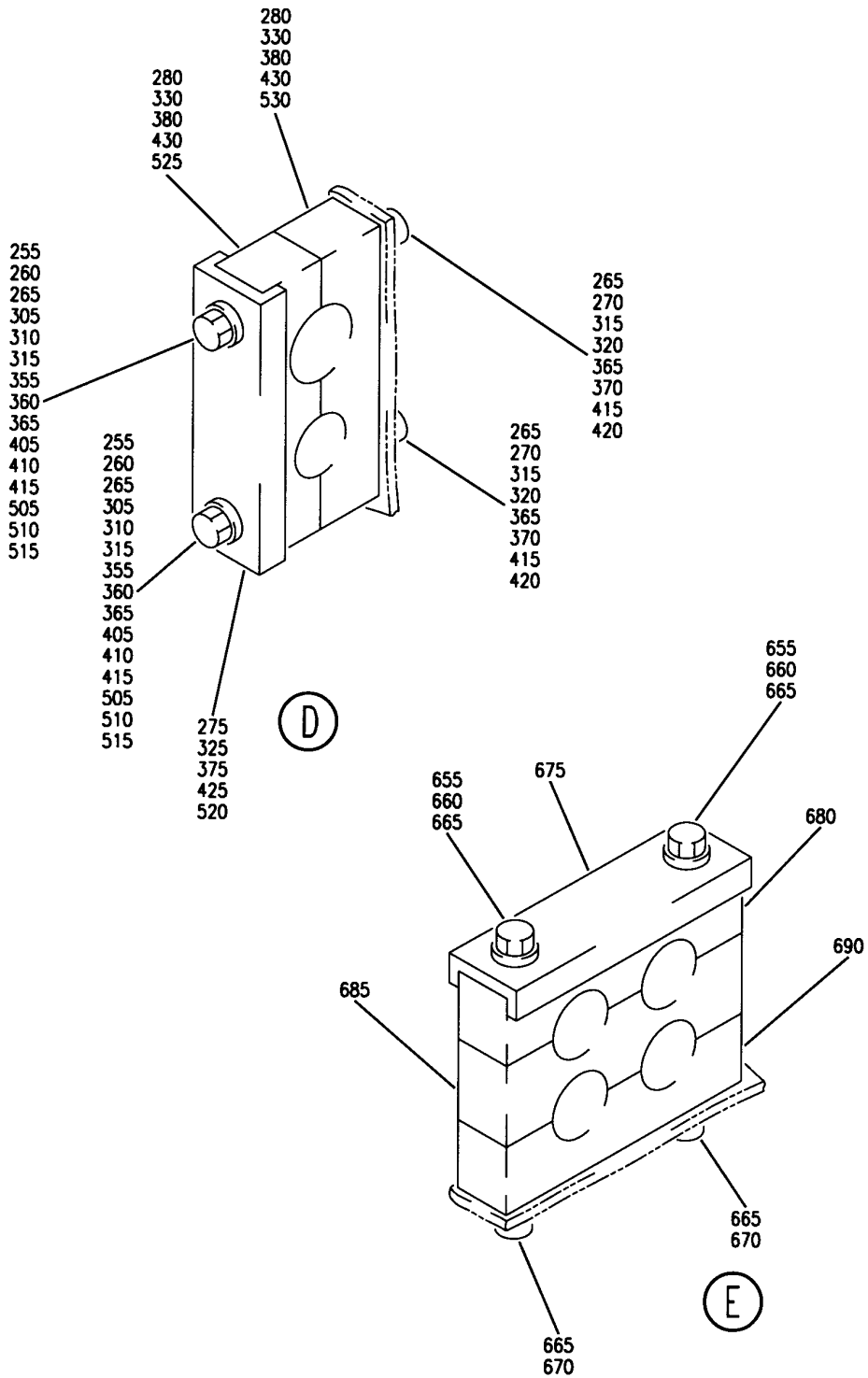
BLOCK ASSY-HYDR SPRT
FIGURE 3 (SHEET 2)

29-11-79-03

HXL
DEC 22/06

29-11-79-03
PAGE 0A

BOEING
767
PARTS CATALOG (MAINTENANCE)



V 29117903 SHT 3 REV 199

BLOCK ASSY-HYDR SPRT
FIGURE 3 (SHEET 3)

29-11-79-03

HXL
DEC 22/06

29-11-79-03
PAGE 0B



767

PARTS CATALOG (MAINTENANCE)

FIG ITEM	PART NUMBER	1 2 3 4 5 6 7	NOMENCLATURE	EFFECT FROM TO	UNITS PER ASSY
3					
1	270T0005-208		BLOCK ASSY-HYDR SPRT BLOCK ASSY-HYDR SPRT FOR NHA SEE: 29-11-79-02		RF
5	NAS1801-3-30		.SCREW		3
10	NAS43DD3-85		.SPACER		3
15	AN960PD10L		.WASHER		6
20	BRH10A3		.NUT		3
			SUPPLIER CODE: V52828		
			SPECIFICATION NUMBER: BACN10JC3		
			OPTIONAL PART: H10-3BAC		
			V15653		
			NS202101-02		
			V80539		
			RMLH9075-3W		
			V72962		
			VN303A02		
			V92215		
			96-02		
			V80539		
			T6S1032J		
			V11815		
25	270T0004-72		.CHANNEL		1
30	270T0004-233		.BLOCK-CLAMP		2
50	270T0005-209		BLOCK ASSY-HYDR SPRT FOR NHA SEE: 29-11-79-02		RF
55	NAS1801-3-28		.SCREW		3
60	NAS43DD3-77		.SPACER		3
65	AN960PD10L		.WASHER		6

ILLUSTRATION ITEMS NOT ON PARTS LIST ARE NOT APPLICABLE

- ITEM NOT ILLUSTRATED

HXL

29-11-79-03

BOEING PROPRIETARY - Copyright © - Unpublished Work - See title page for details.

29-11-79
FIG. 03
PAGE 1
DEC 22/06

 **BOEING**
767
PARTS CATALOG (MAINTENANCE)

FIG ITEM	PART NUMBER	1 2 3 4 5 6 7	NOMENCLATURE	EFFECT FROM TO	UNITS PER ASSY
3					
70	BRH10A3		.NUT SUPPLIER CODE: V52828 SPECIFICATION NUMBER: BACN10JC3 OPTIONAL PART: H10-3BAC V15653 NS202101-02 V80539 RMLH9075-3W V72962 VN303A02 V92215 96-02 V80539 T6S1032J V11815		3
75	270T0004-73		.CHANNEL		1
80	270T0004-242		.BLOCK-CLAMP		2
300	270T0005-211		BLOCK ASSY-HYDR SPRT FOR NHA SEE: 29-11-79-02		RF
305	NAS1801-3-30		.SCREW		2
310	NAS43DD3-85		.SPACER		2
315	AN960PD10L		.WASHER		4
320	BRH10A3		.NUT SUPPLIER CODE: V52828 SPECIFICATION NUMBER: BACN10JC3 OPTIONAL PART: H10-3BAC V15653 NS202101-02 V80539 RMLH9075-3W V72962 VN303A02 V92215 96-02 V80539 T6S1032J V11815		2
325	270T0004-18		.CHANNEL		1
330	270T0004-210		.BLOCK-CLAMP		2
450	270T0005-254		BLOCK ASSY-HYDR SPRT FOR NHA SEE: 29-11-79-02		RF
ILLUSTRATION ITEMS NOT ON PARTS LIST ARE NOT APPLICABLE					

— ITEM NOT ILLUSTRATED

HXL

29-11-79-03

BOEING PROPRIETARY - Copyright © - Unpublished Work - See title page for details.

29-11-79
FIG. 03
PAGE 2
DEC 22/07



767

PARTS CATALOG (MAINTENANCE)

FIG ITEM	PART NUMBER	1 2 3 4 5 6 7	NOMENCLATURE	EFFECT FROM TO	UNITS PER ASSY
3					
455	NAS1801-3-28	.	SCREW		2
460	NAS43DD3-77	.	SPACER		2
465	AN960PD10L	.	WASHER		4
470	BRH10A3	.	NUT		2
			SUPPLIER CODE: V52828		
			SPECIFICATION NUMBER: BACN10JC3		
			OPTIONAL PART: H10-3BAC		
			V15653		
			NS202101-02		
			V80539		
			RMLH9075-3W		
			V72962		
			VN303A02		
			V92215		
			96-02		
			V80539		
			T6S1032J		
			V11815		
475	270T0004-2060	.	CHANNEL		1
- 477	270T0004-3096	.	FILLER		AR
480	270T0004-290	.	BLOCK-CLAMP		2
650	270T0005-469		BLOCK ASSY-HYDR SPRT		RF
			FOR NHA SEE: 29-11-79-02		
655	NAS1801-4-43	.	SCREW		2
660	NAS43DD4-140	.	SPACER		2
665	AN960PD416L	.	WASHER		4
670	BRH10A4	.	NUT		2
			SUPPLIER CODE: V52828		
			SPECIFICATION NUMBER: BACN10JC4		
			OPTIONAL PART: T6S428J		
			V11815		
			96-048		
			V80539		
			VN303A048		
			V92215		
			RMLH9075-4W		
			V72962		
			NS202101-048		
			V80539		
			H10-4BAC		
			V15653		
675	270T0004-2057	.	CHANNEL		1

ILLUSTRATION ITEMS NOT ON PARTS LIST ARE NOT APPLICABLE

- ITEM NOT ILLUSTRATED

HXL

29-11-79-03

BOEING PROPRIETARY - Copyright © - Unpublished Work - See title page for details.

29-11-79
FIG. 03
PAGE 3
DEC 22/07



767
PARTS CATALOG (MAINTENANCE)

FIG ITEM	PART NUMBER	1 2 3 4 5 6 7	NOMENCLATURE	EFFECT FROM TO	UNITS PER ASSY
3					
680	270T0004-289		.BLOCK-CLAMP		1
685	270T0004-496		.BLOCK-CLAMP		1
690	270T0004-288		.BLOCK-CLAMP		1

ILLUSTRATION ITEMS NOT ON PARTS LIST ARE NOT APPLICABLE

- ITEM NOT ILLUSTRATED

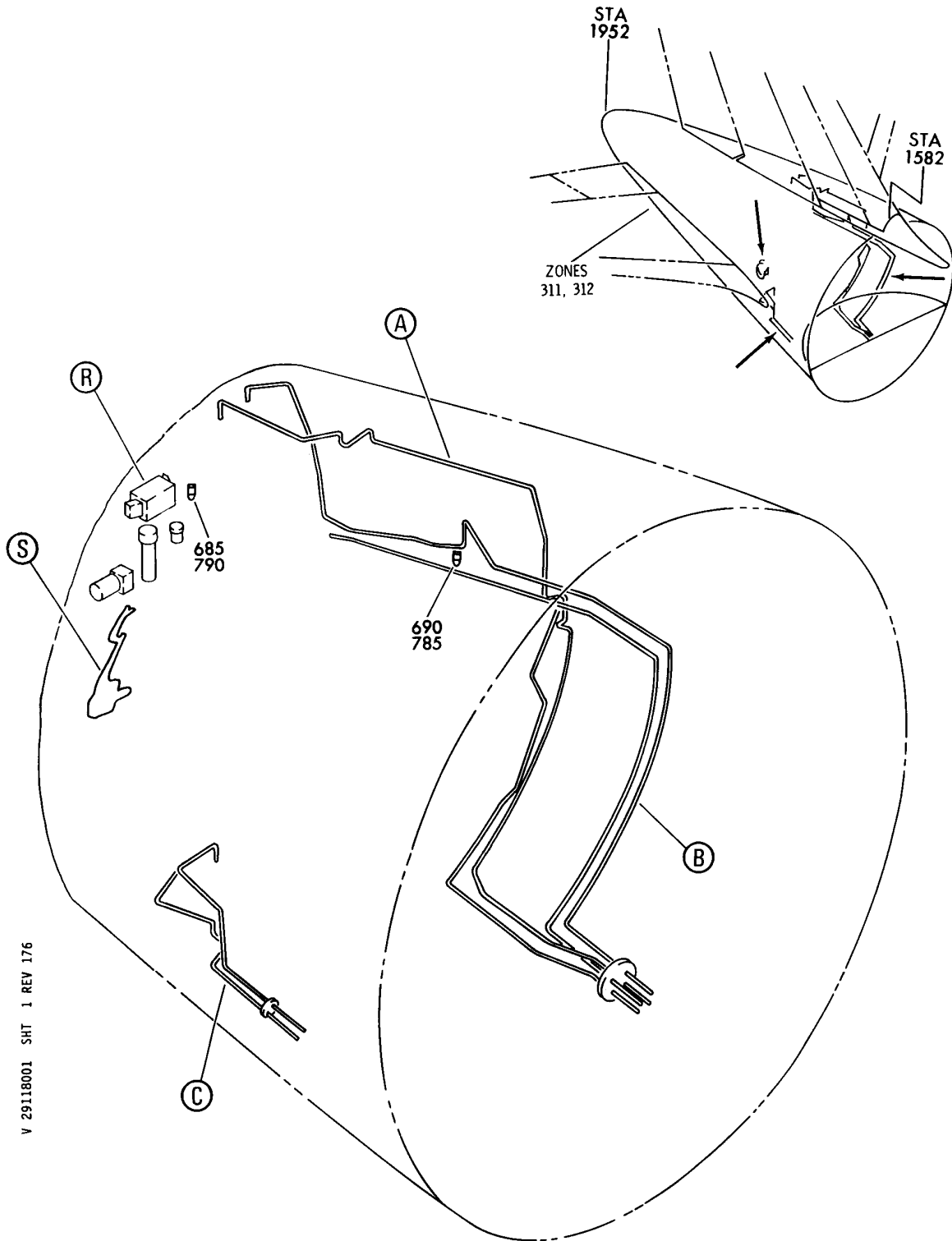
HXL

29-11-79-03

BOEING PROPRIETARY - Copyright © - Unpublished Work - See title page for details.

29-11-79
FIG. 03
PAGE 4
DEC 22/07

BOEING
767
PARTS CATALOG (MAINTENANCE)



V 29118001 SHT 1 REV 176

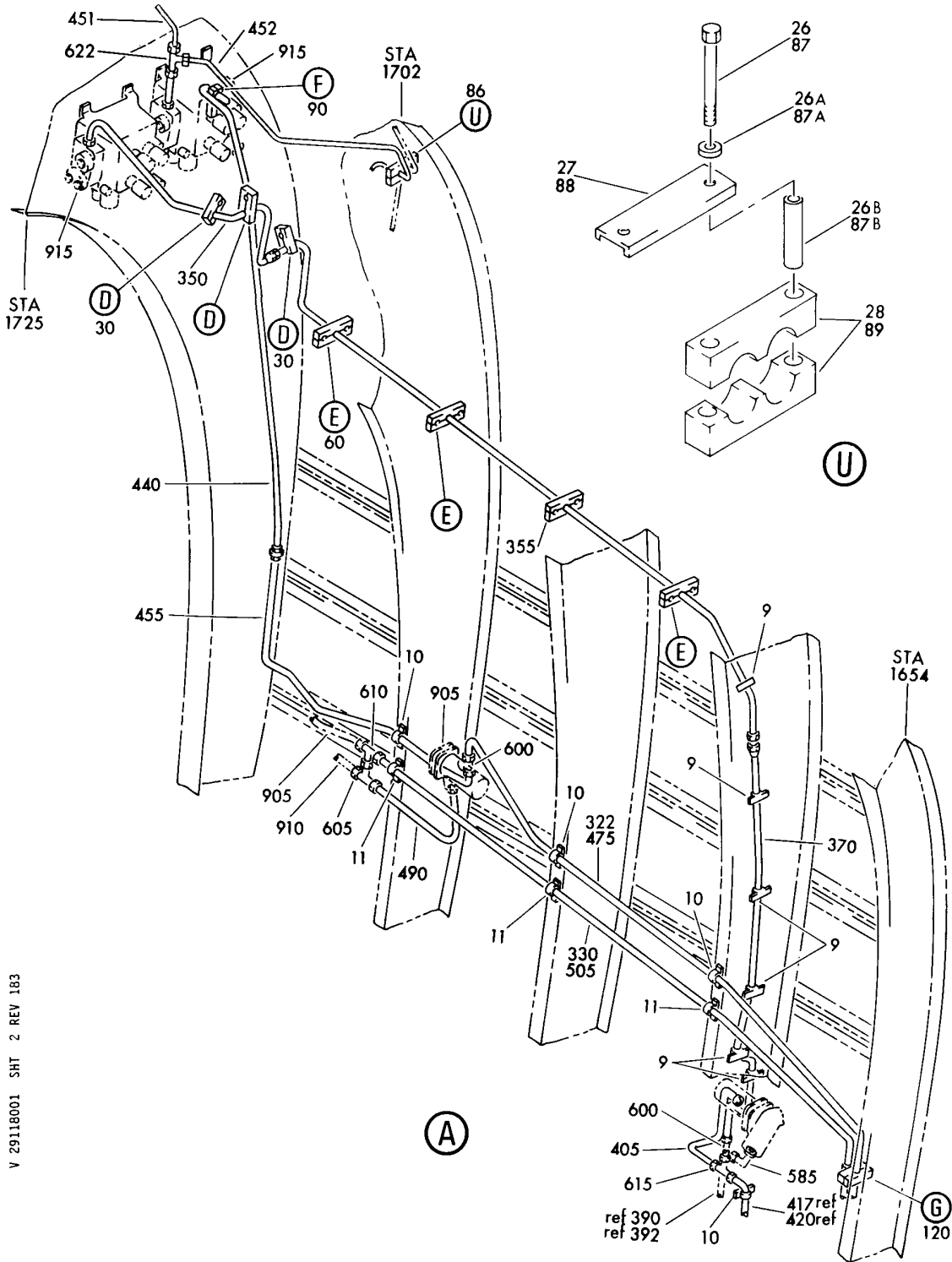
HYDRAULIC INSTL-SECT. 48 BODY AFT (HYDRAULIC POWER ONLY)
FIGURE 1 (SHEET 1)

29-11-80-01

HXL
DEC 22/06

29-11-80-01
PAGE 0

BOEING
767
PARTS CATALOG (MAINTENANCE)



V 29118001 SHT 2 REV 183

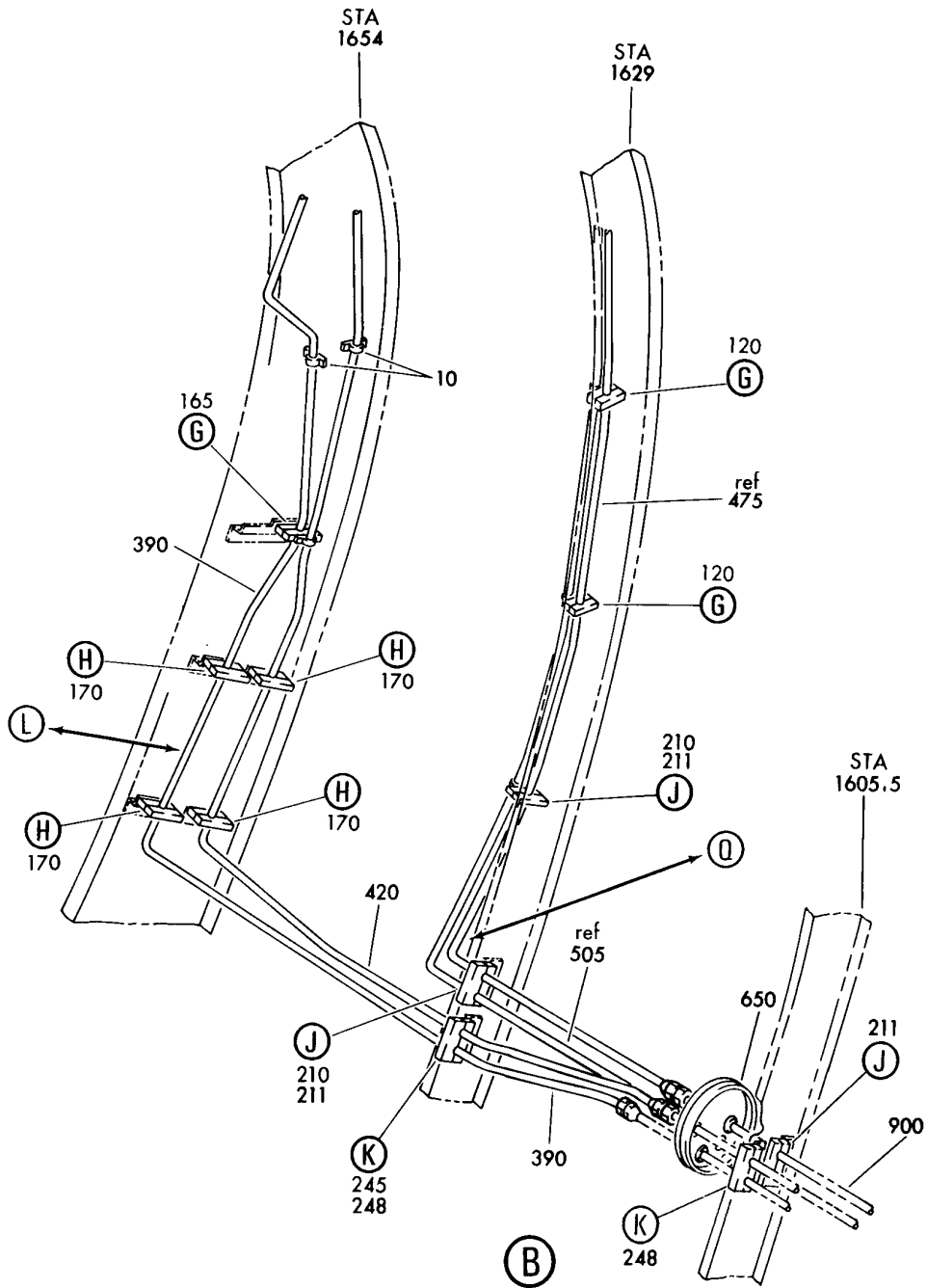
HYDRAULIC INSTL-SECT. 48 BODY AFT (HYDRAULIC POWER ONLY)
FIGURE 1 (SHEET 2)

29-11-80-01

HXL
DEC 22/06

29-11-80-01
PAGE 0A

BOEING
767
PARTS CATALOG (MAINTENANCE)



V 29118001 SHT 3 REV 178

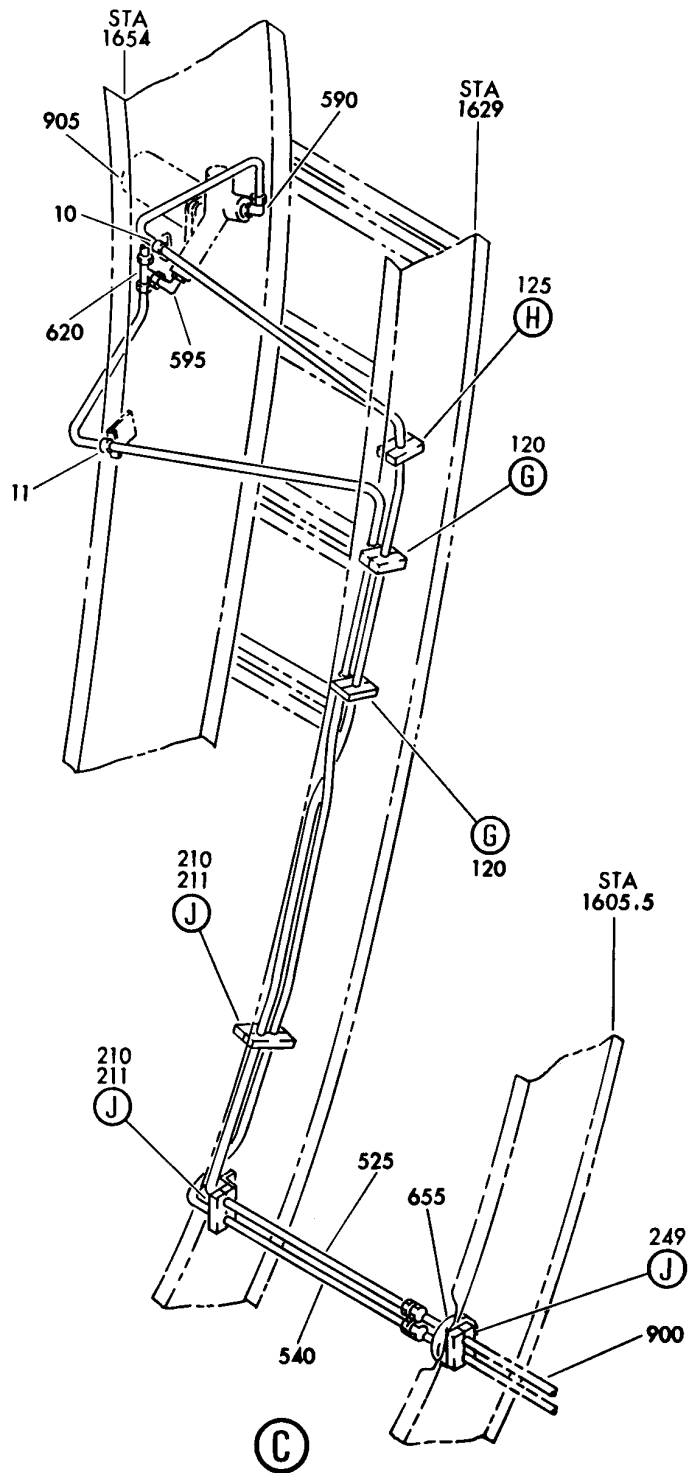
HYDRAULIC INSTL-SECT. 48 BODY AFT (HYDRAULIC POWER ONLY)
FIGURE 1 (SHEET 3)

29-11-80-01

HXL
DEC 22/06

29-11-80-01
PAGE 0B

BOEING
767
PARTS CATALOG (MAINTENANCE)



V 29118001 SHT 4 REV 189

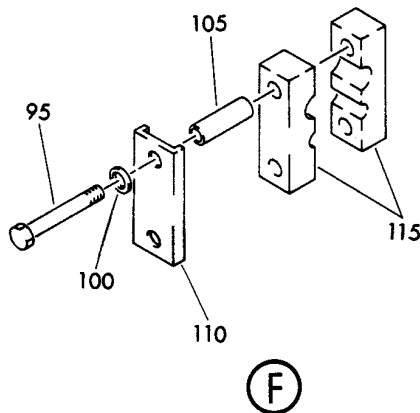
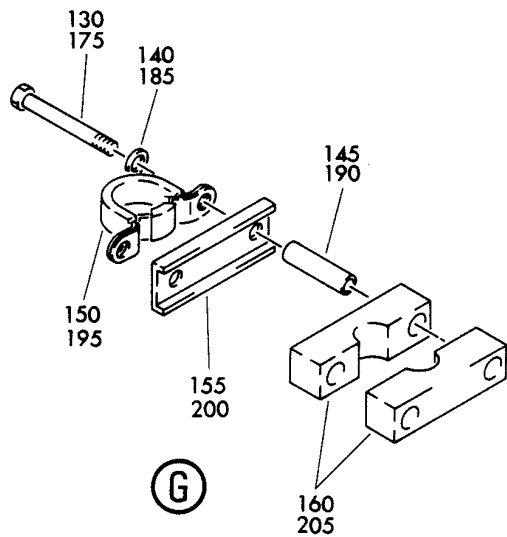
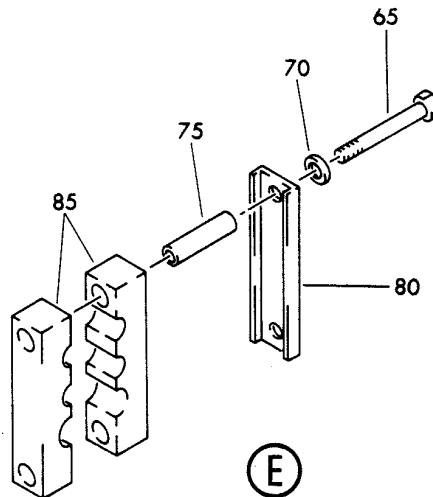
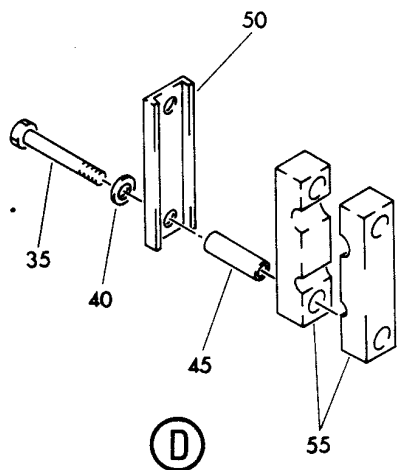
HYDRAULIC INSTL-SECT. 48 BODY AFT (HYDRAULIC POWER ONLY)
FIGURE 1 (SHEET 4)

29-11-80-01

HXL
DEC 22/06

29-11-80-01
PAGE 0C

BOEING
767
PARTS CATALOG (MAINTENANCE)



V 29118001 SHT 5 REV 021

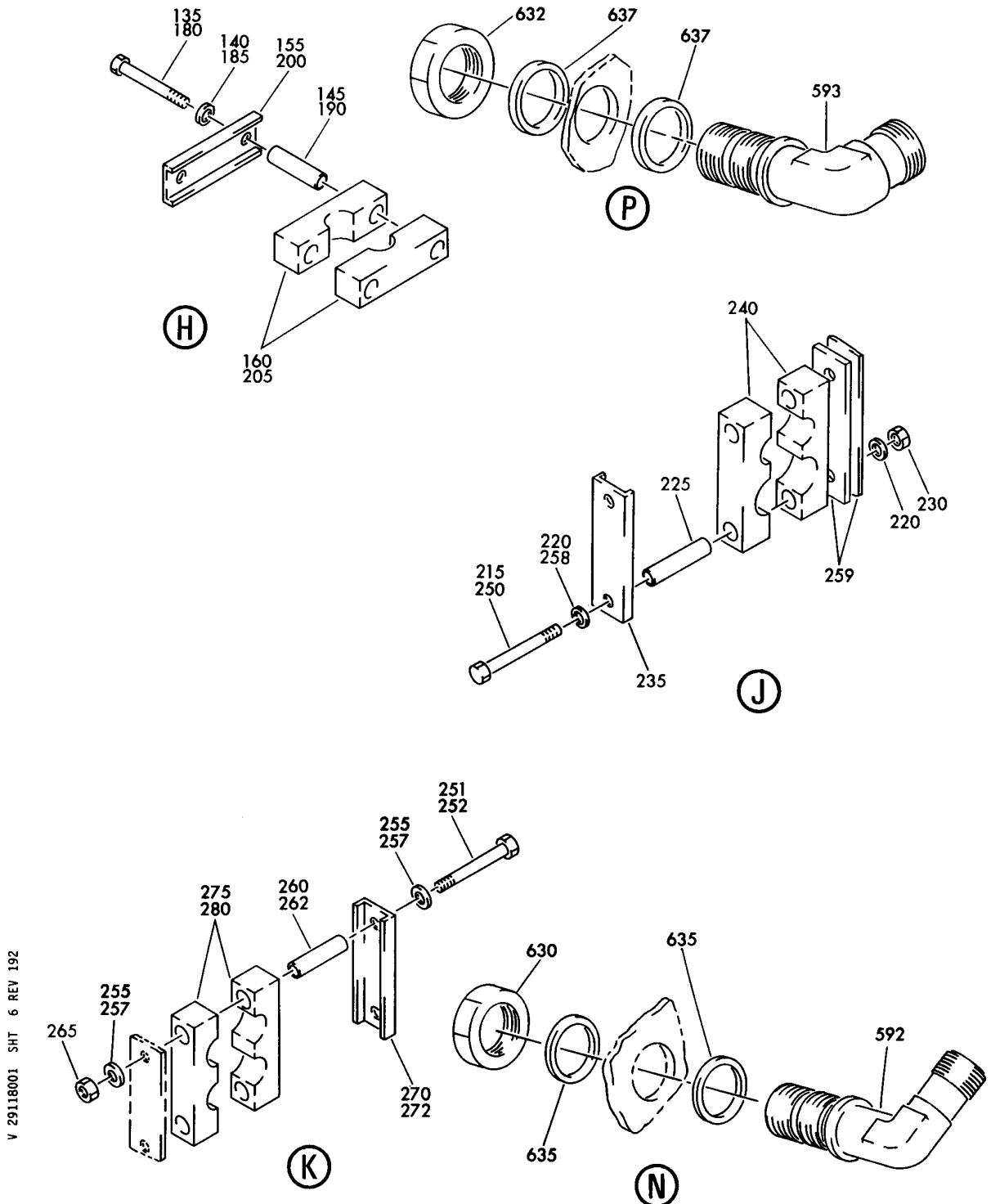
HYDRAULIC INSTL-SECT. 48 BODY AFT (HYDRAULIC POWER ONLY)
FIGURE 1 (SHEET 5)

29-11-80-01

HXL
DEC 22/06

29-11-80-01
PAGE 0D

BOEING
767
PARTS CATALOG (MAINTENANCE)



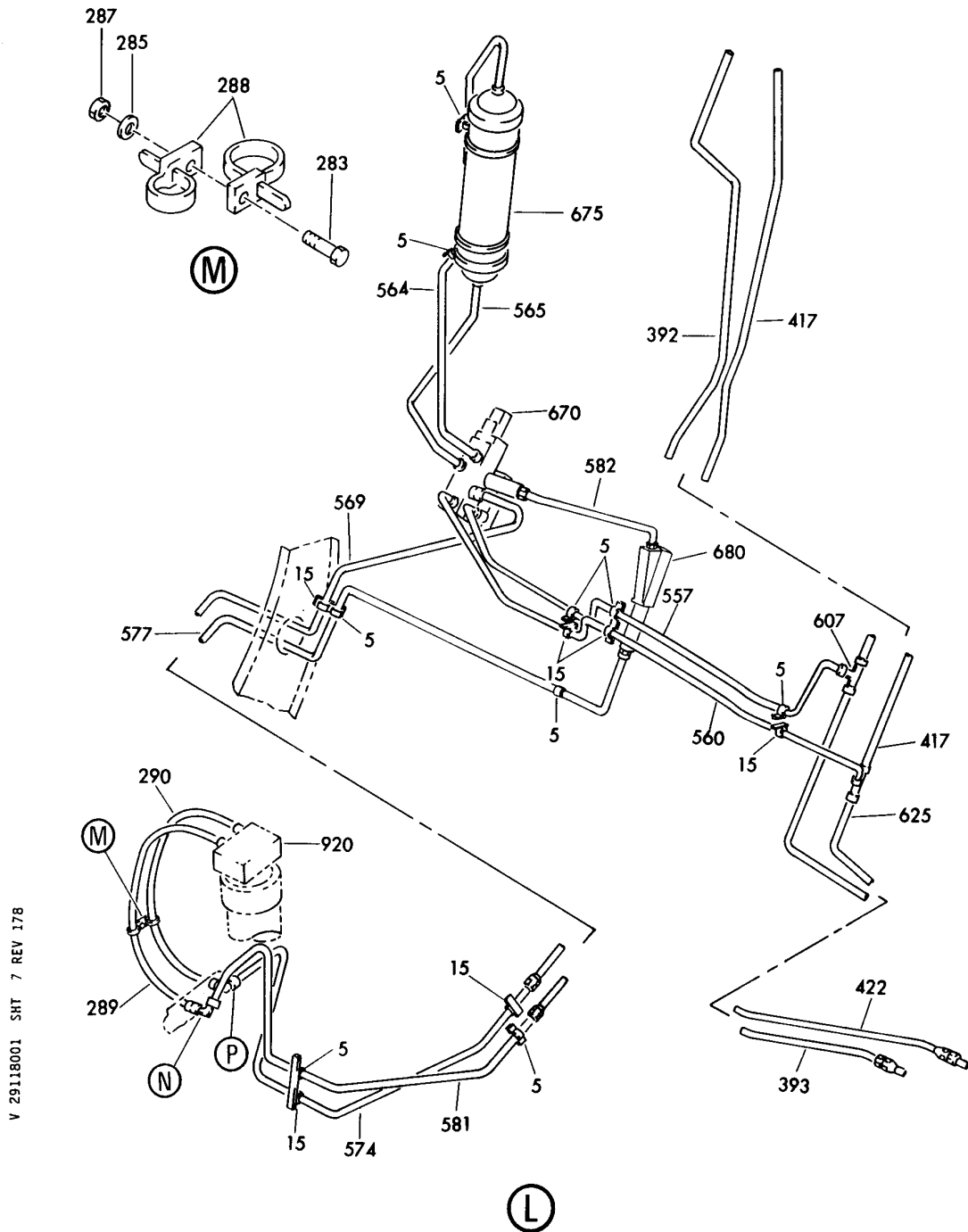
HYDRAULIC INSTL-SECT. 48 BODY AFT (HYDRAULIC POWER ONLY)
FIGURE 1 (SHEET 6)

29-11-80-01

HXL
DEC 22/06

29-11-80-01
PAGE 0E

BOEING
767
PARTS CATALOG (MAINTENANCE)



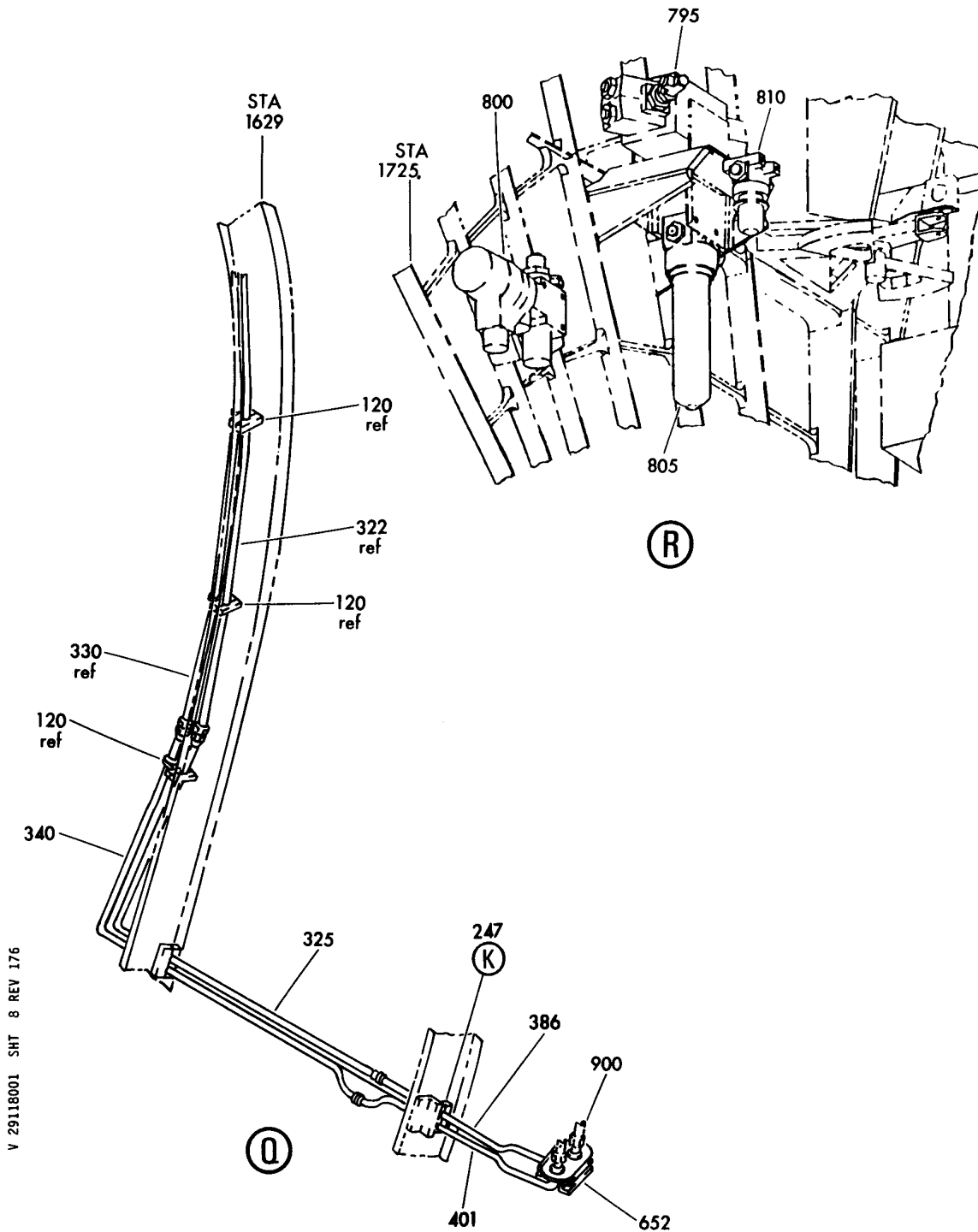
HYDRAULIC INSTL-SECT. 48 BODY AFT (HYDRAULIC POWER ONLY)
FIGURE 1 (SHEET 7)

29-11-80-01

HXL
DEC 22/06

29-11-80-01
PAGE OF

BOEING
767
PARTS CATALOG (MAINTENANCE)



V 29118001 SHT 8 REV 176

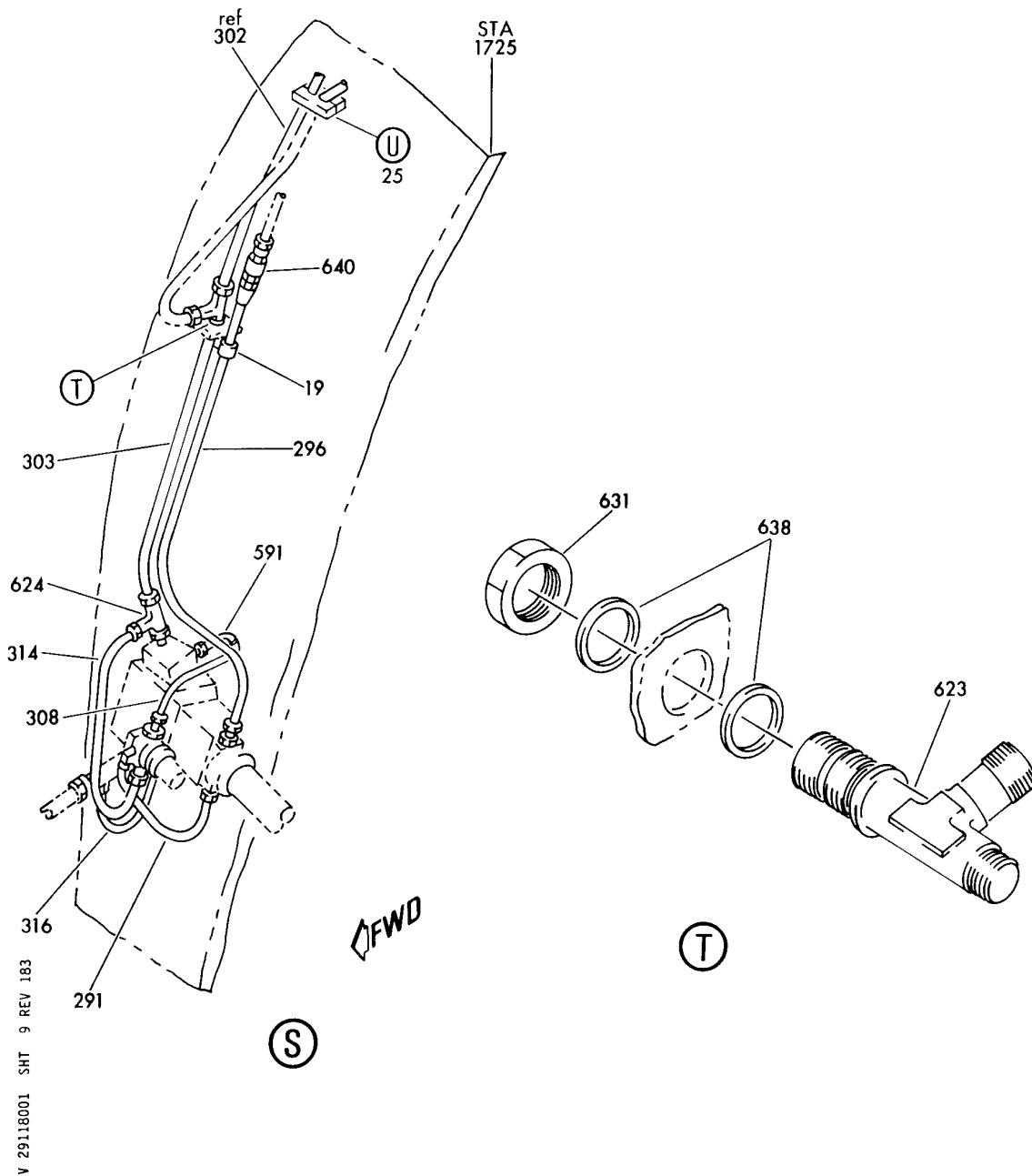
HYDRAULIC INSTL-SECT. 48 BODY AFT (HYDRAULIC POWER ONLY)
FIGURE 1 (SHEET 8)

29-11-80-01

HXL
DEC 22/06

29-11-80-01
PAGE 06

BOEING
767
PARTS CATALOG (MAINTENANCE)



HYDRAULIC INSTL-SECT. 48 BODY AFT (HYDRAULIC POWER ONLY)
FIGURE 1 (SHEET 9)

29-11-80-01

HXL
DEC 22/06

29-11-80-01
PAGE 0H

 **BOEING**
767
PARTS CATALOG (MAINTENANCE)

FIG ITEM	PART NUMBER	1 2 3 4 5 6 7	NOMENCLATURE	EFFECT FROM TO	UNITS PER ASSY
1			HYDRAULIC INSTL-SECT. 48 BODY AFT (HYDRAULIC POWER ONLY)		
- 1	272T4800-3		HYDRAULIC INSTL-BODY (HYDRAULIC POWER ONLY) POSITION DATA: SECT. 48 AFT VARIABLE DRAWING REF: 272T4800-5070 272T4800-5082 272T4800-5087 272T4800-7002 FOR NHA/OTHER SYS DET SEE: 29-00-00-02		RF
5	TA0910004H106		.CLAMP SUPPLIER CODE: V84971 SPECIFICATION NUMBER: BACC10HB06C ATTACHING PARTS		9
- 6	NAS1801-3-8		.SCREW		18
- 7	AN960JD10L		.WASHER		18
			-----*-----		
9	TA0910004H106		.CLAMP SUPPLIER CODE: V84971 SPECIFICATION NUMBER: BACC10HB06C ATTACHING PARTS		6
10	TA0910004H110		.CLAMP SUPPLIER CODE: V84971 SPECIFICATION NUMBER: BACC10HB10C ATTACHING PARTS		7
11	TA0910004H112		.CLAMP SUPPLIER CODE: V84971 SPECIFICATION NUMBER: BACC10HB12C ATTACHING PARTS		4
- 12	NAS1801-3-9		.SCREW		34
- 13	AN960PD10L		.WASHER		34
			-----*-----		
15	TA0910004H110		.CLAMP SUPPLIER CODE: V84971 SPECIFICATION NUMBER: BACC10HB10C ATTACHING PARTS		6
- 16	NAS1801-3-8		.SCREW		12

ILLUSTRATION ITEMS NOT ON PARTS LIST ARE NOT APPLICABLE

- ITEM NOT ILLUSTRATED

HXL

29-11-80-01

BOEING PROPRIETARY - Copyright © - Unpublished Work - See title page for details.

29-11-80
FIG. 01
PAGE 1
DEC 22/07



767

PARTS CATALOG (MAINTENANCE)

FIG ITEM	PART NUMBER	1 2 3 4 5 6 7	NOMENCLATURE	EFFECT FROM TO	UNITS PER ASSY
1					
- 17	AN960JD10L	.	WASHER		12
		-----*			
19	TA0910004H106	.	CLAMP-		1
			SUPPLIER CODE: V84971		
			SPECIFICATION NUMBER: BACC10HB06C		
			ATTACHING PARTS		
- 21	NAS1801-3-9	.	SCREW		2
- 23	AN960JD10L	.	WASHER		2
		-----*			
30	270T0005-235	.	BLOCK ASSY-SPRT		3
35	NAS1801-3-23	..	SCREW-		2
40	AN960PD10L	..	WASHER		2
45	NAS43DD3-59	..	SPACER		2
50	270T0004-3	..	CHANNEL		1
55	270T0004-261	..	BLOCK-CLAMP		2
60	270T0005-316	.	BLOCK ASSY-SPRT		4
65	NAS1801-3-29	..	SCREW-		2
70	AN960PD10L	..	WASHER		2
75	NAS43DD3-77	..	SPACER		2
80	270T0004-30	..	CHANNEL		1
85	270T0004-325	..	BLOCK-CLAMP		2
90	270T0005-222	.	BLOCK ASSY-SPRT		1
95	NAS1801-3-23	..	SCREW-		2
100	AN960PD10L	..	WASHER		2
105	NAS43DD3-59	..	SPACER		2
110	270T0004-1	..	CHANNEL		1
115	270T0004-201	..	BLOCK-CLAMP		2
120	270T0005-262	.	BLOCK ASSY-SPRT		5
125	270T0005-105	.	BLOCK ASSY-SPRT		1
130	NAS1801-3-30	..	SCREW-		2
			USED ON: 270T0005-262		
135	NAS1801-3-28	..	SCREW-		2
			USED ON: 270T0005-105		
140	AN960PD10L	..	WASHER		2
145	NAS43DD3-77	..	SPACER		2
150	TA0910004H112	..	CLAMP-		1
			SUPPLIER CODE: V84971		
			SPECIFICATION NUMBER: BACC10HB12C		
			USED ON: 270T0005-262		
155	65B80254-320	..	CHANNEL		1
160	270T0004-112	..	BLOCK-CLAMP		2
165	270T0005-263	.	BLOCK ASSY-SPRT		1

ILLUSTRATION ITEMS NOT ON PARTS LIST ARE NOT APPLICABLE

- ITEM NOT ILLUSTRATED

29-11-80-01

29-11-80
FIG. 01
PAGE 2
DEC 22/07

HXL



767

PARTS CATALOG (MAINTENANCE)

FIG ITEM	PART NUMBER	1 2 3 4 5 6 7	NOMENCLATURE	EFFECT FROM TO	UNITS PER ASSY
1					
170	270T0005-104	.	BLOCK ASSY-SPRT		4
175	NAS1801-3-30	..	SCREW- USED ON: 270T0005-263		2
180	NAS1801-3-28	..	SCREW- USED ON: 270T0005-104		2
185	AN960PD10L	..	WASHER		2
190	NAS43DD3-77	..	SPACER		2
195	TA0910004H110	..	CLAMP- SUPPLIER CODE: V84971 SPECIFICATION NUMBER: BACC10HB10C USED ON: 270T0005-263		1
200	65B80254-158	..	CHANNEL		1
205	270T0004-113	..	BLOCK-CLAMP		2
210	270T0005-211	.	BLOCK ASSY-SPRT		4
215	NAS1801-3-30	..	SCREW		2
220	AN960PD10L	..	WASHER		4
225	NAS43DD3-85	..	SPACER		2
230	BRH10A3	..	NUT SUPPLIER CODE: V52828 SPECIFICATION NUMBER: BACN10JC3 OPTIONAL PART: H10-3BAC V15653 NS202101-02 V80539 RMLH9075-3W V72962 VN303A02 V92215 96-02 V80539 T6S1032J V11815		2
235	270T0004-18	..	CHANNEL		1
240	270T0004-210	..	BLOCK-CLAMP		2
245	270T0005-210	.	BLOCK ASSY-SPRT		1
247	270T0005-289	.	BLOCK ASSY		1
251	NAS1801-3-28	..	SCREW		2
252	NAS1801-3-30	..	SCREW		2
255	AN960PD10L	..	WASHER		4
257	AN960JD10L	..	WASHER		2
260	NAS43DD3-77	..	SPACER		2

ILLUSTRATION ITEMS NOT ON PARTS LIST ARE NOT APPLICABLE

- ITEM NOT ILLUSTRATED

HXL

29-11-80-01

BOEING PROPRIETARY - Copyright © - Unpublished Work - See title page for details.

29-11-80
FIG. 01
PAGE 3
DEC 22/07



767

PARTS CATALOG (MAINTENANCE)

FIG ITEM	PART NUMBER	1 2 3 4 5 6 7	NOMENCLATURE	EFFECT FROM TO	UNITS PER ASSY
1					
262	NAS43DD3-85FC	..	SPACER		2
265	BRH10A3	..	NUT		2
			SUPPLIER CODE: V52828		
			SPECIFICATION NUMBER: BACN10JC3		
			OPTIONAL PART: H10-3BAC		
			V15653		
			NS202101-02		
			V80539		
			RMLH9075-3W		
			V72962		
			VN303A02		
			V92215		
			96-02		
			V80539		
			T6S1032J		
			V11815		
270	270T0004-28	..	CHANNEL		1
272	270T0004-3086	..	CHANNEL ASSY		1
275	270T0004-241	..	BLOCK-CLAMP		2
280	270T0004-210	..	BLOCK		2
283	NAS1801-3-12	.	SCREW		1
285	AN960JD10L	.	WASHER		1
287	MS21042L3	.	NUT		1
288	TY35M	.	STRAP		2
			SUPPLIER CODE: V59730		
			SPECIFICATION NUMBER: STBS38F3		
			OPTIONAL PART: SSC2		
			V06383		
289	AS115-06K0264	.	HOSE ASSY		1
290	AS115-10K0264	.	HOSE ASSY		1
291	272T4800-204	.	TUBE ASSY-PRESSURE SYS		1
			POSITION DATA: L		
			TUBING MATERIAL: .375 IN. OD .019 IN. WALL 20.00 IN. LG TITANIUM		
- 293	AS1581T06	..	SLEEVE		2
- 294	BACN10YA6N	..	NUT		2

ILLUSTRATION ITEMS NOT ON PARTS LIST ARE NOT APPLICABLE

- ITEM NOT ILLUSTRATED

29-11-80-01

29-11-80
FIG. 01
PAGE 4
DEC 22/07

HXL

BOEING PROPRIETARY - Copyright © - Unpublished Work - See title page for details.



767

PARTS CATALOG (MAINTENANCE)

FIG ITEM	PART NUMBER	1 2 3 4 5 6 7	NOMENCLATURE	EFFECT FROM TO	UNITS PER ASSY
1 296	272T4800-208		.TUBE ASSY-PRESSURE SYS POSITION DATA: L TUBING MATERIAL: .375 IN. OD .019 IN. WALL 27.00 IN. LG TITANIUM		1
- 298	AS1581T06		..SLEEVE		1
- 299	AS1582T06		..UNION		1
- 300	BACN10YA6N		..NUT		1
302	272T4800-403		.TUBE ASSY-RETURN SYS POSITION DATA: L TUBING MATERIAL: .500 IN. OD .035 IN. WALL 47.00 IN. LG AL		1
303	272T4800-411		.TUBE ASSY-RETURN SYS POSITION DATA: L TUBING MATERIAL: .500 IN. OD .035 IN. WALL 17.00 IN. LG AL		1
- 305	AP2097HP08		..SLEEVE SUPPLIER CODE: V01673 SPECIFICATION NUMBER: BACS13BX08HP OPTIONAL PART: 2-02903-08HP V11328 35235VN08 V08199 AFP175V08P V30974 DBOS13BX08HP V14798		2
- 306	BACN10YL08		..NUT		2
308	272T4800-404		.TUBE ASSY-CASE DRAIN POSITION DATA: L TUBING MATERIAL: .250 IN. OD .016 IN. WALL 8.40 IN. LG TITANIUM		1
- 310	AS1581T04		..SLEEVE		2
- 312	BACN10YA4N		..NUT		2

ILLUSTRATION ITEMS NOT ON PARTS LIST ARE NOT APPLICABLE

- ITEM NOT ILLUSTRATED

29-11-80-01

29-11-80
FIG. 01
PAGE 5
DEC 22/07

HXL



767

PARTS CATALOG (MAINTENANCE)

FIG ITEM	PART NUMBER	1 2 3 4 5 6 7	NOMENCLATURE	EFFECT FROM TO	UNITS PER ASSY
1 314	272T4800-408		.TUBE ASSY-CASE DRAIN POSITION DATA: L TUBING MATERIAL: .375 IN. OD .035 IN. WALL 8.40 IN. LG AL		1
316	272T4800-355		.TUBE ASSY-RETURN SYS POSITION DATA: R TUBING MATERIAL: .375 IN. OD .035 IN. WALL 9.00 IN. LG ALUMINUM		1
- 318	AP2097HP06		..SLEEVE SUPPLIER CODE: V01673 SPECIFICATION NUMBER: BACS13BX06HP OPTIONAL PART: 2-02903-06HP V11328 35235VN06 V08199 AFP175V06P V30974 DBOS13BX06HP V14798		2
- 320	BACN10YL06		..NUT		2
322	272T4800-119		.TUBE ASSY-PRESSURE SYS POSITION DATA: L TUBING MATERIAL: .625 IN. OD .032 IN. WALL 139.00 IN. LG TITANIUM		1
- 323	AS1581T10		..SLEEVE		2
- 324	BACN10YA10N		..NUT		2
325	272T4800-118		.TUBE ASSY-PRESSURE SYS POSITION DATA: L TUBING MATERIAL: .625 IN. OD .033 IN. WALL 62.00 IN. LG STEEL		1

ILLUSTRATION ITEMS NOT ON PARTS LIST ARE NOT APPLICABLE

- ITEM NOT ILLUSTRATED

29-11-80-01

29-11-80
FIG. 01
PAGE 6
DEC 22/07

HXL



767

PARTS CATALOG (MAINTENANCE)

FIG ITEM	PART NUMBER	1 2 3 4 5 6 7	NOMENCLATURE	EFFECT FROM TO	UNITS PER ASSY
1 - 328	35056V10		..UNION SUPPLIER CODE: V08199 SPECIFICATION NUMBER: BACU24AB10H OPTIONAL PART: 2-01027-10H V11328 31875-10H V14397 AP1004H10 V01673 AFP941H10 V30974 DBOU24AB10H V14798 4671097H10 V50948		2
330	272T4800-320		.TUBE ASSY-RETURN SYS POSITION DATA: L TUBING MATERIAL: .750 IN. OD .035 IN. WALL 128.00 IN. LG AL		1
- 333	AP2097HP12		..SLEEVE SUPPLIER CODE: V01673 SPECIFICATION NUMBER: BACS13BX12HP OPTIONAL PART: 2-02903-12HP V11328 35235VN12 V08199 AFP175V12P V30974 DBOS13BX12HP V14798		2
- 335 340	BACN10YL12 272T4800-401		..NUT .TUBE ASSY-RETURN SYS POSITION DATA: L TUBING MATERIAL: .750 IN. OD .039 IN. WALL 67.50 IN. LG STEEL		2 1

ILLUSTRATION ITEMS NOT ON PARTS LIST ARE NOT APPLICABLE

- ITEM NOT ILLUSTRATED

29-11-80-01

29-11-80
FIG. 01
PAGE 7
DEC 22/07

HXL



767

PARTS CATALOG (MAINTENANCE)

FIG ITEM	PART NUMBER	1 2 3 4 5 6 7	NOMENCLATURE	EFFECT FROM TO	UNITS PER ASSY
1 - 342	35056V12		.. UNION SUPPLIER CODE: V08199 SPECIFICATION NUMBER: BACU24AB12H OPTIONAL PART: 4671097H12 V50948 2-01027-12H V11328 31875-12H V14397 AP1004H12 V01673 AFP941H12 V30974 DBOU24AB12H V14798		2
350	272T4800-124		. TUBE ASSY-PRESSURE SYS POSITION DATA: CTR TUBING MATERIAL: .375 IN. OD .019 IN. WALL 48.00 IN. LG TITANIUM		1
- 352	AS1581T06		.. SLEEVE		2

ILLUSTRATION ITEMS NOT ON PARTS LIST ARE NOT APPLICABLE

- ITEM NOT ILLUSTRATED

HXL

29-11-80-01

BOEING PROPRIETARY - Copyright © - Unpublished Work - See title page for details.

29-11-80
FIG. 01
PAGE 8
DEC 22/08



767

PARTS CATALOG (MAINTENANCE)

FIG ITEM	PART NUMBER	1 2 3 4 5 6 7	NOMENCLATURE	EFFECT FROM TO	UNITS PER ASSY
1 - 353	AFP107-6		..NUT- SUPPLIER CODE: V30974 SPECIFICATION NUMBER: BACN10NR6 OPTIONAL PART: AP1028T6 V01673 BC921T6 V50948 DBON10NR6 V14798 ER01921-6T V88334 FER8928-6 V14397 F11-6 V73197 2-03005T6 V11328 31783-6 V14397 35068-06 V08199 BACN10YA6		2
- 353	BACN10YA6		..NUT- OPTIONAL PART: BACN10NR6		2
355	272T4800-123		.TUBE ASSY-PRESSURE SYS POSITION DATA: CTR TUBING MATERIAL: .375 IN. OD .019 IN. WALL 75.00 IN. LG TITANIUM		1
- 360	AS1581T06		..SLEEVE		1
- 365	BACN10YA6		..NUT- OPTIONAL PART: BACN10NR6		1

ILLUSTRATION ITEMS NOT ON PARTS LIST ARE NOT APPLICABLE

- ITEM NOT ILLUSTRATED

HXL

29-11-80-01

BOEING PROPRIETARY - Copyright © - Unpublished Work - See title page for details.

29-11-80
 FIG. 01
 PAGE 9
 DEC 22/08



767

PARTS CATALOG (MAINTENANCE)

FIG ITEM	PART NUMBER	1 2 3 4 5 6 7	NOMENCLATURE	EFFECT FROM TO	UNITS PER ASSY
1 - 365	AFP107-6		..NUT- SUPPLIER CODE: V30974 SPECIFICATION NUMBER: BACN10NR6 OPTIONAL PART: AP1028T6 V01673 BC921T6 V50948 DBON10NR6 V14798 ER01921-6T V88334 FER8928-6 V14397 F11-6 V73197 2-03005T6 V11328 31783-6 V14397 35068-06 V08199 BACN10YA6		1
- 367 370	AS1582T06 272T4800-139		..UNION .TUBE ASSY-PRESSURE SYS POSITION DATA: CTR TUBING MATERIAL: .375 IN. OD .019 IN. WALL 60.50 IN. LG TITANIUM		1 1
- 375	AS1581T06		..SLEEVE		1
- 380	BACN10YA6N		..NUT		1
- 385	AS1582T06		..UNION		1
386	272T4800-205		.TUBE ASSY-PRESSURE SYS POSITION DATA: L TUBING MATERIAL: .625 IN. OD .033 IN. WALL 26.00 IN. LG STEEL		1

ILLUSTRATION ITEMS NOT ON PARTS LIST ARE NOT APPLICABLE

- ITEM NOT ILLUSTRATED

29-11-80-01

29-11-80
FIG. 01
PAGE 10
DEC 22/08

HXL



767

PARTS CATALOG (MAINTENANCE)

FIG ITEM	PART NUMBER	1 2 3 4 5 6 7	NOMENCLATURE	EFFECT FROM TO	UNITS PER ASSY
1					
- 387	AP2097HP10	..	SLEEVE SUPPLIER CODE: V01673 SPECIFICATION NUMBER: BACS13BX10HP OPTIONAL PART: 2-02903-10HP V11328 35235VN10 V08199 AFP175V10P V30974 DBOS13BX10HP V14798		1
- 388	BACN10YA10N	..	NUT		1
- 389	35056V10	..	UNION SUPPLIER CODE: V08199 SPECIFICATION NUMBER: BACU24AB10H OPTIONAL PART: 2-01027-10H V11328 31875-10H V14397 AP1004H10 V01673 AFP941H10 V30974 DBOU24AB10H V14798 4671097H10 V50948		1
392	272T4800-702	.TUBE ASSY-PRESSURE SYS POSITION DATA: CTR TUBING MATERIAL: .625 IN. OD .032 IN. WALL 62.00 IN. LG TITANIUM			1
393	272T4800-701	.TUBE ASSY-PRESSURE SYS POSITION DATA: CTR TUBING MATERIAL: .625 IN. OD .032 IN. WALL 62.00 IN. LG TITANIUM			1
- 395	AS1581T10	..	SLEEVE		2

ILLUSTRATION ITEMS NOT ON PARTS LIST ARE NOT APPLICABLE

- ITEM NOT ILLUSTRATED

29-11-80-01

29-11-80
FIG. 01
PAGE 11
DEC 22/08

HXL

BOEING PROPRIETARY - Copyright © - Unpublished Work - See title page for details.



767

PARTS CATALOG (MAINTENANCE)

FIG ITEM	PART NUMBER	1 2 3 4 5 6 7	NOMENCLATURE	EFFECT FROM TO	UNITS PER ASSY
1					
- 400	BACN10YA10	..	NUT- OPTIONAL PART: BACN10NR10 USED ON: 272T4800-121		2
- 400	BACN10YA10N	..	NUT- USED ON: 272T4800-701 272T4800-702		2
401	272T4800-410	.	TUBE ASSY-RETURN SYS POSITION DATA: L TUBING MATERIAL: .500 IN. OD .035 IN. WALL 29.00 IN. LG STEEL		1
- 402	AP2097HP12	..	SLEEVE SUPPLIER CODE: V01673 SPECIFICATION NUMBER: BACS13BX12HP OPTIONAL PART: 2-02903-12HP V11328 35235VN12 V08199 AFP175V12P V30974 DBOS13BX12HP V14798		1
- 403	BACN10YA12N	..	NUT		1
- 404	35056V12	..	UNION SUPPLIER CODE: V08199 SPECIFICATION NUMBER: BACU24AB12H OPTIONAL PART: 4671097H12 V50948 2-01027-12H V11328 31875-12H V14397 AP1004H12 V01673 AFP941H12 V30974 DBOU24AB12H V14798		1
ILLUSTRATION ITEMS NOT ON PARTS LIST ARE NOT APPLICABLE					

- ITEM NOT ILLUSTRATED

HXL

29-11-80-01

BOEING PROPRIETARY - Copyright © - Unpublished Work - See title page for details.

29-11-80
FIG. 01
PAGE 12
DEC 22/08

 **BOEING**
767
PARTS CATALOG (MAINTENANCE)

FIG ITEM	PART NUMBER	1 2 3 4 5 6 7	NOMENCLATURE	EFFECT FROM TO	UNITS PER ASSY
1					
405	272T4800-322		.TUBE ASSY-RETURN SYS POSITION DATA: CTR TUBING MATERIAL: .250 IN. OD .016 IN. WALL 19.00 IN. LG TITANIUM		1
405	272T4800-428		.TUBE ASSY-RETURN SYS POSITION DATA: CTR TUBING MATERIAL: .250 IN. OD .016 IN. WALL, TITANIUM		1
- 410	AS1581T04		..SLEEVE		2
- 415	BACN10YA4		..NUT- OPTIONAL PART: BACN10NR4		2
- 415	AFP107-4		..NUT- SUPPLIER CODE: V30974 SPECIFICATION NUMBER: BACN10NR4 OPTIONAL PART: AP1028T4 V01673 BC921T4 V50948 DBON10NR4 V14798 ER01921-4T V88334 FER8928-4 V14397 F11-4 V73197 2-03005T4 V11328 31783-4 V14397 BACN10YA4		2
417	272T4800-705		.TUBE ASSY-RETURN SYS POSITION DATA: CTR TUBING MATERIAL: .625 IN. OD .035 IN. WALL 78.00 IN. LG AL		1
ILLUSTRATION ITEMS NOT ON PARTS LIST ARE NOT APPLICABLE					

- ITEM NOT ILLUSTRATED

HXL

29-11-80-01

BOEING PROPRIETARY - Copyright © - Unpublished Work - See title page for details.

29-11-80
FIG. 01
PAGE 13
DEC 22/08



767

PARTS CATALOG (MAINTENANCE)

FIG ITEM	PART NUMBER	1 2 3 4 5 6 7	NOMENCLATURE	EFFECT FROM TO	UNITS PER ASSY
1					
- 418	AP2097HP10	..	SLEEVE SUPPLIER CODE: V01673 SPECIFICATION NUMBER: BACS13BX10HP OPTIONAL PART: 2-02903-10HP V11328 35235VN10 V08199 AFP175V10P V30974 DBOS13BX10HP V14798		2
- 419	BACN10YL10	..	NUT		2
422	272T4800-704	.TUBE	ASSY-RETURN SYS POSITION DATA: CTR TUBING MATERIAL: .625 IN. OD .035 IN. WALL 51.00 IN. LG AL		1
- 425	AP2097HP10	..	SLEEVE SUPPLIER CODE: V01673 SPECIFICATION NUMBER: BACS13BX10HP OPTIONAL PART: 2-02903-10HP V11328 35235VN10 V08199 AFP175V10P V30974 DBOS13BX10HP V14798		1
- 430	BACN10YL10	..	NUT-		1

ILLUSTRATION ITEMS NOT ON PARTS LIST ARE NOT APPLICABLE

- ITEM NOT ILLUSTRATED

HXL

29-11-80-01

BOEING PROPRIETARY - Copyright © - Unpublished Work - See title page for details.

29-11-80
FIG. 01
PAGE 14
DEC 22/08

 **BOEING**
767
PARTS CATALOG (MAINTENANCE)

FIG ITEM	PART NUMBER	1 2 3 4 5 6 7	NOMENCLATURE	EFFECT FROM TO	UNITS PER ASSY
1					
- 435	35056GV10		..UNION SUPPLIER CODE: V08199 SPECIFICATION NUMBER: BACU24AB10W OPTIONAL PART: 4671097W10 V50948 2-01027-10W V11328 31875-10W V14397 AP1004W10 V01673 AFP941W10 V30974 DBOU24AB10W V14798		1
440	272T4800-120		.TUBE ASSY-PRESSURE SYS POSITION DATA: L TUBING MATERIAL: .375 IN. OD .019 IN. WALL 103.00 IN. LG TITANIUM		1
- 445	AS1581T06		..SLEEVE		2
- 450	BACN10YA6N		..NUT- USED ON: 272T4800-115 272T4800-120		2
451	272T4800-207		.TUBE ASSY-PRESSURE SYS FLIGHT CONTROL POSITION DATA: L TUBING MATERIAL: .375 IN. OD .019 IN. WALL TITANIUM		1
452	272T4800-211		.TUBE ASSY-PRESSURE SYS FEEL POSITION DATA: L TUBING MATERIAL: .375 IN. OD .019 IN. WALL TITANIUM		1
- 453	AS1581T06		..SLEEVE		2
- 454	BACN10YA6N		..NUT		2

ILLUSTRATION ITEMS NOT ON PARTS LIST ARE NOT APPLICABLE

- ITEM NOT ILLUSTRATED

HXL

29-11-80-01

BOEING PROPRIETARY - Copyright © - Unpublished Work - See title page for details.

29-11-80
FIG. 01
PAGE 15
DEC 22/08

 **BOEING**
767
PARTS CATALOG (MAINTENANCE)

FIG ITEM	PART NUMBER	1 2 3 4 5 6 7	NOMENCLATURE	EFFECT FROM TO	UNITS PER ASSY
1 455	272T4800-102		.TUBE ASSY-PRESSURE SYS POSITION DATA: L TUBING MATERIAL: .375 IN. OD .019 IN. WALL 62.00 IN. LG TITANIUM		1
- 460	AS1581T06		..SLEEVE		1
- 465	BACN10YA6		..NUT-		1
			OPTIONAL PART: BACN10NR6		
- 465	AFP107-6		..NUT-		1
			SUPPLIER CODE: V30974 SPECIFICATION NUMBER: BACN10NR6 OPTIONAL PART: AP1028T6 V01673 BC921T6 V50948 DBON10NR6 V14798 ER01921-6T V88334 FER8928-6 V14397 F11-6 V73197 2-03005T6 V11328 31783-6 V14397 35068-06 V08199 BACN10YA6		
- 470	AS1582T06		..UNION		1
490	272T4800-302		.TUBE ASSY-RETURN SYS POSITION DATA: L TUBING MATERIAL: .250 IN. OD .016 IN. WALL 17.00 IN. LG TITANIUM		1
- 495	AS1581T04		..SLEEVE		2
- 500	BACN10YA4		..NUT-		2
			OPTIONAL PART: BACN10NR4		
ILLUSTRATION ITEMS NOT ON PARTS LIST ARE NOT APPLICABLE					

- ITEM NOT ILLUSTRATED

HXL

29-11-80-01

BOEING PROPRIETARY - Copyright © - Unpublished Work - See title page for details.

29-11-80
FIG. 01
PAGE 16
DEC 22/08

BOEING
767
PARTS CATALOG (MAINTENANCE)

FIG ITEM	PART NUMBER	1 2 3 4 5 6 7	NOMENCLATURE	EFFECT FROM TO	UNITS PER ASSY
1 - 500	AFP107-4		..NUT- SUPPLIER CODE: V30974 SPECIFICATION NUMBER: BACN10NR4 OPTIONAL PART: AP1028T4 V01673 BC921T4 V50948 DBON10NR4 V14798 ER01921-4T V88334 FER8928-4 V14397 F11-4 V73197 2-03005T4 V11328 31783-4 V14397 BACN10YA4		2
525	272T4800-141		.TUBE ASSY-PRESSURE SYS POSITION DATA: R TUBING MATERIAL: .625 IN. OD .032 IN. WALL 152.00 IN. LG TITANIUM	163999	1
526	272T4800-154		.TUBE ASSY-PRESSURE SYS POSITION DATA: R TUBING MATERIAL: .625 IN. OD .032 IN. WALL 45.00 IN. LG TITANIUM	155162	1
527	272T4800-155		.TUBE ASSY-PRESSURE SYS POSITION DATA: R TUBING MATERIAL: .625 IN. OD .032 IN. WALL 109.00 IN. LG TITANIUM	155162	1
- 529	AS1581T10		..SLEEVE- USED ON: 272T4800-155	155162	1

ILLUSTRATION ITEMS NOT ON PARTS LIST ARE NOT APPLICABLE

- ITEM NOT ILLUSTRATED

HXL

29-11-80-01

BOEING PROPRIETARY - Copyright © - Unpublished Work - See title page for details.

29-11-80
FIG. 01
PAGE 17
DEC 22/07



767

PARTS CATALOG (MAINTENANCE)

FIG ITEM	PART NUMBER	1 2 3 4 5 6 7	NOMENCLATURE	EFFECT FROM TO	UNITS PER ASSY
1					
- 530	AS1581T10		.. SLEEVE- USED ON: 272T4800-141 272T4800-154		2
- 535	BACN10YA10		.. NUT- OPTIONAL PART: BACN10NR10	163999	2
- 535	AFP107-10		.. NUT- SUPPLIER CODE: V30974 SPECIFICATION NUMBER: BACN10NR10 OPTIONAL PART: AP1028T10 V01673 BC921T10 V50948 DBON10NR10 V14798 ER01921-10T V88334 FER8928-10 V14397 F11-10 V73197 2-03005T10 V11328 31783-10 V14397 BACN10YA10	163999	2
- 535	BACN10YA10N		.. NUT- USED ON: 272T4800-154	155162	2
- 536	BACN10YA10N		.. NUT- USED ON: 272T4800-155	155162	1
- 537	AS1582T10		.. UNION- USED ON: 272T4800-155	155162	1
540	272T4800-348		. TUBE ASSY-RETURN SYS POSITION DATA: R TUBING MATERIAL: .750 IN. OD .035 IN. WALL 135.00 IN. LG AL		1

ILLUSTRATION ITEMS NOT ON PARTS LIST ARE NOT APPLICABLE

- ITEM NOT ILLUSTRATED

29-11-80-01

29-11-80
FIG. 01
PAGE 18
DEC 22/07

HXL

BOEING PROPRIETARY - Copyright © - Unpublished Work - See title page for details.

 **BOEING**
767
PARTS CATALOG (MAINTENANCE)

FIG ITEM	PART NUMBER	1 2 3 4 5 6 7	NOMENCLATURE	EFFECT FROM TO	UNITS PER ASSY
1					
- 545	AP2097HP12	..	SLEEVE SUPPLIER CODE: V01673 SPECIFICATION NUMBER: BACS13BX12HP OPTIONAL PART: 2-02903-12HP V11328 35235VN12 V08199 AFP175V12P V30974 DBOS13BX12HP V14798		1
- 550	BACN10YL12	..	NUT-		1
- 555	35056GV12	..	UNION SUPPLIER CODE: V08199 SPECIFICATION NUMBER: BACU24AB12W OPTIONAL PART: 4671097W12 V50948 2-01027-12W V11328 31875-12W V14397 AP1004W12 V01673 AFP941W12 V30974 DBOU24AB12W V14798		1
557	272T4800-703	.TUBE ASSY-PRESSURE SYS POSITION DATA: CTR TUBING MATERIAL: .375 IN. OD .019 IN. WALL 68.00 IN. LG TITANIUM			1
- 558	AS1581T06	..	SLEEVE		2
- 559	BACN10YA6N	..	NUT		2
560	272T4800-706	.TUBE ASSY-RETURN SYS POSITION DATA: CTR TUBING MATERIAL: .625 IN. OD .035 IN. WALL 77.00 IN. LG AL			1
ILLUSTRATION ITEMS NOT ON PARTS LIST ARE NOT APPLICABLE					

- ITEM NOT ILLUSTRATED

HXL

29-11-80-01

BOEING PROPRIETARY - Copyright © - Unpublished Work - See title page for details.

29-11-80
FIG. 01
PAGE 19
DEC 22/07



767

PARTS CATALOG (MAINTENANCE)

FIG ITEM	PART NUMBER	1 2 3 4 5 6 7	NOMENCLATURE	EFFECT FROM TO	UNITS PER ASSY
1					
- 561	AP2097HP10	..	SLEEVE SUPPLIER CODE: V01673 SPECIFICATION NUMBER: BACS13BX10HP OPTIONAL PART: 2-02903-10HP V11328 35235VN10 V08199 AFP175V10P V30974 DBOS13BX10HP V14798		2
- 562	BACN10YL10	..	NUT		2
564	272T4800-707	.TUBE ASSY-PRESSURE CONT SYS POSITION DATA: CTR TUBING MATERIAL: .375 IN. OD .019 IN. WALL 57.00 IN. LG TITANIUM			1
565	272T4800-708	.TUBE ASSY-PRESSURE CONT SYS POSITION DATA: CTR TUBING MATERIAL: .375 IN. OD .019 IN. WALL 22.00 IN. LG TITANIUM			1
- 566	AS1581T06	..	SLEEVE		2
- 567	BACN10YA6N	..	NUT		2
569	272T4800-709	.TUBE ASSY-PRESSURE EXTEND SYS POSITION DATA: CTR TUBING MATERIAL: .625 IN. OD .032 IN. WALL 48.00 IN. LG TITANIUM			1
- 570	AS1581T10	..	SLEEVE		1
- 571	BACN10YA10N	..	NUT		1
- 572	AS1582T10	..	UNION		1

ILLUSTRATION ITEMS NOT ON PARTS LIST ARE NOT APPLICABLE

- ITEM NOT ILLUSTRATED

29-11-80-01

29-11-80
FIG. 01
PAGE 20
DEC 22/07

HXL

BOEING PROPRIETARY - Copyright © - Unpublished Work - See title page for details.



767

PARTS CATALOG (MAINTENANCE)

FIG ITEM	PART NUMBER	1 2 3 4 5 6 7	NOMENCLATURE	EFFECT FROM TO	UNITS PER ASSY
1					
574	272T4800-710		.TUBE ASSY-PRESSURE EXTEND SYS POSITION DATA: CTR TUBING MATERIAL: .625 IN. OD .032 IN. WALL 32.00 IN. LG TITANIUM		1
- 575	AS1581T10		..SLEEVE		2
- 576	BACN10YA10N		..NUT		2
577	272T4800-714		.TUBE ASSY-PRESSURE RETRACT TUBING MATERIAL: .375 IN. OD .019 IN. WALL 54.00 IN. LG TITANIUM		1
- 578	AS1581T06		..SLEEVE		1
- 579	BACN10YA6N		..NUT		1
- 580	AS1582T06		..UNION		1
581	272T4800-712		.TUBE ASSY-PRESSURE RETRACT SYS POSITION DATA: CTR TUBING MATERIAL: .375 IN. OD .019 IN. WALL 39.10 IN. LG TITANIUM		1
582	272T4800-713		.TUBE ASSY-PRESSURE RETRACT SYS POSITION DATA: CTR TUBING MATERIAL: .375 IN. OD .019 IN. WALL 15.20 IN. LG TITANIUM		1
- 583	AS1581T06		..SLEEVE		2
- 584	BACN10YA6		..NUT-		2
585	NAS1762T1010		.ELBOW		1
590	NAS1761T1010		.ELBOW		1
592	BACE21BN0606J		.ELBOW		1
593	BACE21BN1010J		.ELBOW		1
595	NAS1762D1010		.ELBOW-		1
595	NAS1762T1010		.ELBOW-		1
600	NAS1764T100610		.TEE		2
605	NAS1764D060406		.TEE-		1
605	NAS1764T060406		.TEE-		1
607	BACT16BL101006J		.TEE		1

ILLUSTRATION ITEMS NOT ON PARTS LIST ARE NOT APPLICABLE

- ITEM NOT ILLUSTRATED

29-11-80-01

29-11-80
FIG. 01
PAGE 21
DEC 22/07

HXL



767

PARTS CATALOG (MAINTENANCE)

FIG ITEM	PART NUMBER	1 2 3 4 5 6 7	NOMENCLATURE	EFFECT FROM TO	UNITS PER ASSY
1 610	APX824D121206	. TEE-	SUPPLIER CODE: V01673 SPECIFICATION NUMBER: BACT16AS121206D OPTIONAL PART: APX824-121206D V01673 DBOT16AS121206D V14798 ER824-121206D V50948 FER1571-121206D V14397 LER824-121206D V11328 NAF1824-121206D V52930 US1925-121206D V50808 AFP325-121206D V30974		1
610	BACT16BL121206J	. TEE-			1
615	APX824D100410	. TEE-	SUPPLIER CODE: V01673 SPECIFICATION NUMBER: BACT16AS100410D OPTIONAL PART: APX824-100410D V01673 DBOT16AS100410D V14798 ER824-100410D V50948 FER1571-100410D V14397 LER824-100410D V11328 NAF1824-100410D V52930 US1925-100410D V50808 AFP325-100410D V30974		1
615	BACT16BL100410J	. TEE-			1
620	NAS1764D121210	. TEE-			1
620	NAS1764T121210	. TEE-			1
624	NAS1763D060806	. TEE			1

ILLUSTRATION ITEMS NOT ON PARTS LIST ARE NOT APPLICABLE

- ITEM NOT ILLUSTRATED

29-11-80-01

29-11-80
FIG. 01
PAGE 22
DEC 22/07

HXL

 **BOEING**
767
PARTS CATALOG (MAINTENANCE)

FIG ITEM	PART NUMBER	1 2 3 4 5 6 7	NOMENCLATURE	EFFECT FROM TO	UNITS PER ASSY
1					
630	AN924-6D	.	NUT		1
631	AN924-8D	.	NUT-		1
632	AN924-10D	.	NUT		1
635	AN960JD10L	.	WASHER		2
637	AN960JD1416	.	WASHER		2
638	AN960JD1216L	.	WASHER-		2
640	0121520900-2	.	VALVE-		1
			SUPPLIER CODE: V83533		
			SPECIFICATION NUMBER: BACV10CD2		
			OPTIONAL PART: 1C1346 V99240		
650	272T4831-7	.	RETAINER INSTL-TUBING PRESSURE SEAL FOR DETAILS SEE: 29-11-57-01		1
652	272T4831-5	.	RETAINER INSTL-TUBING PRESSURE SEAL FOR DETAILS SEE: 29-11-57-01		1
655	272T4831-2	.	RETAINER INSTL-TUBING PRESSURE SEAL FOR DETAILS SEE: 29-11-57-01		1
670	273T0104-3	.	MODULE INSTL-TAIL SKID CONT FOR DETAILS SEE: 32-71-01-01		1
675	273T0105-1	.	CYLINDER INSTL-TAIL SKID TRANSFER FOR DETAILS SEE: 32-71-02-01		1
680	272T0211-1	.	FUSE INSTL-TAIL SKID FOR DETAILS SEE: 32-71-54-01		1
685	271T4803-9	.	MODULE INSTL-SHUTOFF VALVE POSITION DATA: SECTION 48 RH FOR DETAILS SEE: 29-22-05-01		1
ILLUSTRATION ITEMS NOT ON PARTS LIST ARE NOT APPLICABLE					

- ITEM NOT ILLUSTRATED

HXL

29-11-80-01

BOEING PROPRIETARY - Copyright © - Unpublished Work - See title page for details.

29-11-80
FIG. 01
PAGE 23
DEC 22/07



767

PARTS CATALOG (MAINTENANCE)

FIG ITEM	PART NUMBER	1 2 3 4 5 6 7	NOMENCLATURE	EFFECT FROM TO	UNITS PER ASSY
1 690	271T4803-5		.MODULE INSTL-SHUTOFF VALVE POSITION DATA: SECTION 48 LH FUNCTIONAL REFERENCE: HYDRAULIC POWER FOR DETAILS SEE 29-22-05-01 PLACARDS AND MARKINGS FOR DETAILS SEE 11-26-02-01		1
795	271T4801-1		.MODULE INSTL-POWER TRANSFER UNIT FOR DETAILS SEE: 29-22-01-01		1
800	271T4802-1		.MODULE INSTL-COMPENSATOR FUNCTIONAL REFERENCE: HYDRAULIC POWER FOR DETAILS SEE 29-22-02-01 PLACARDS AND MARKINGS FOR DETAILS SEE 11-26-02-01		1
805	271T4804-1		.MODULE INSTL-PRESS. FILTER FUNCTIONAL REFERENCE: HYDRAULIC POWER FOR DETAILS SEE 29-22-04-01 PLACARDS AND MARKINGS FOR DETAILS SEE 11-26-02-01		1
810	271T4805-1		.MODULE INSTL-CASE DRAIN FILTER FUNCTIONAL REFERENCE: HYDRAULIC POWER FOR DETAILS SEE 29-22-03-01 PLACARDS AND MARKINGS FOR DETAILS SEE 11-26-02-01		1
905			ILLUSTRATION REFERENCE: HYDRAULIC INSTL-SECT. 48 BODY AFT (RUDDER ONLY) 27-23-51-01		RF
910			ILLUSTRATION REFERENCE: HYDRAULIC INSTL-SECT. 48 BODY AFT (ELEVATOR ONLY) 27-31-71-01		RF

ILLUSTRATION ITEMS NOT ON PARTS LIST ARE NOT APPLICABLE

- ITEM NOT ILLUSTRATED

HXL

29-11-80-01

BOEING PROPRIETARY - Copyright © - Unpublished Work - See title page for details.

29-11-80
FIG. 01
PAGE 24
DEC 22/07



767
PARTS CATALOG (MAINTENANCE)

FIG ITEM	PART NUMBER	1 2 3 4 5 6 7	NOMENCLATURE	EFFECT FROM TO	UNITS PER ASSY
1 920			ILLUSTRATION REFERENCE: TAIL SKID INSTL AND FAIRING AND SUPPORT INSTL- 767-300 32-71-55-01		RF

ILLUSTRATION ITEMS NOT ON PARTS LIST ARE NOT APPLICABLE

- ITEM NOT ILLUSTRATED

HXL

29-11-80-01

BOEING PROPRIETARY - Copyright © - Unpublished Work - See title page for details.

29-11-80
FIG. 01
PAGE 25
DEC 22/07