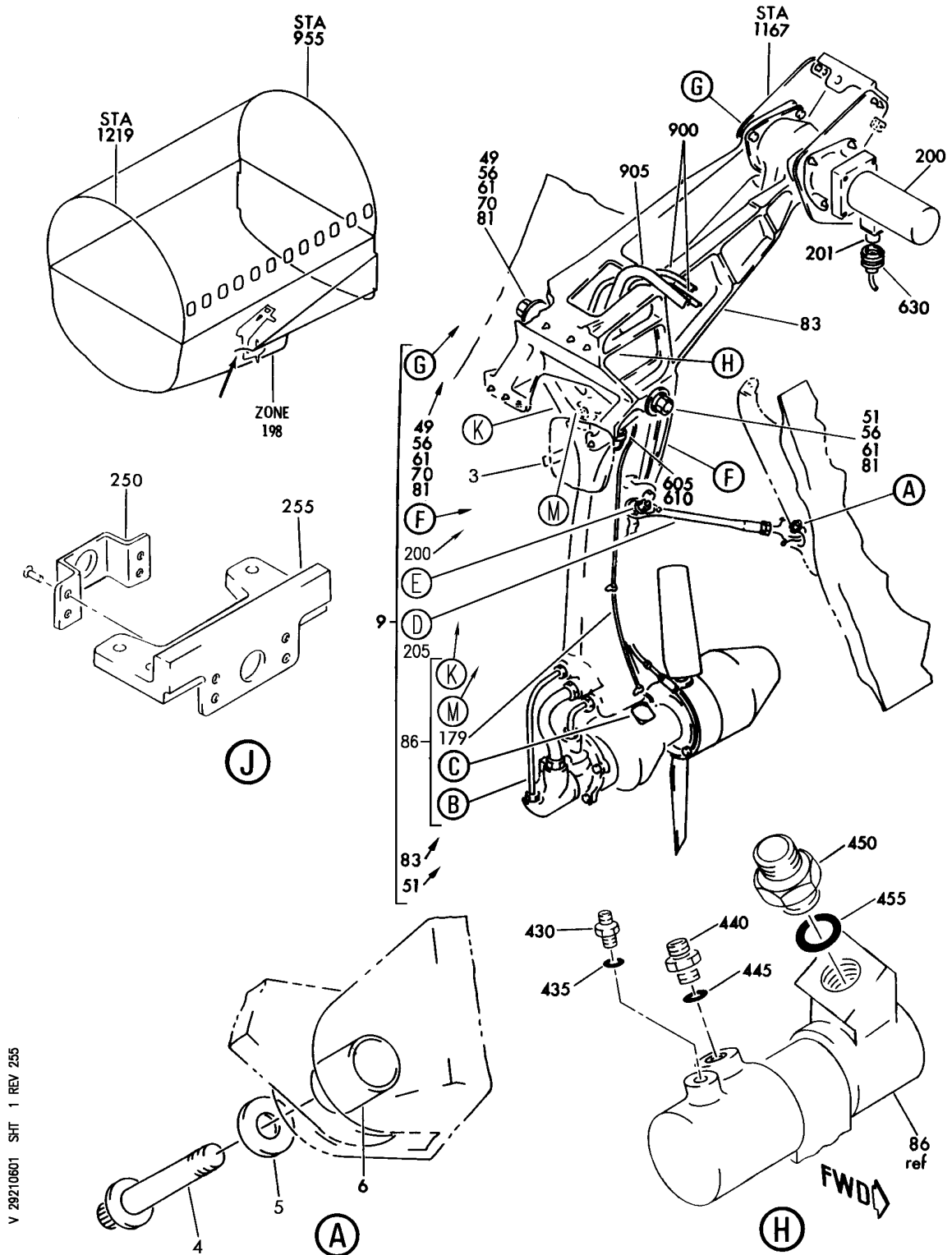


## RAM AIR TURBINE (RAT) SYSTEM

HXL  
DEC 22/06

29-21-00  
SECTION TITLE  
PAGE 1

**BOEING**  
767  
PARTS CATALOG (MAINTENANCE)



V 29210601 SHT 1 REV 255

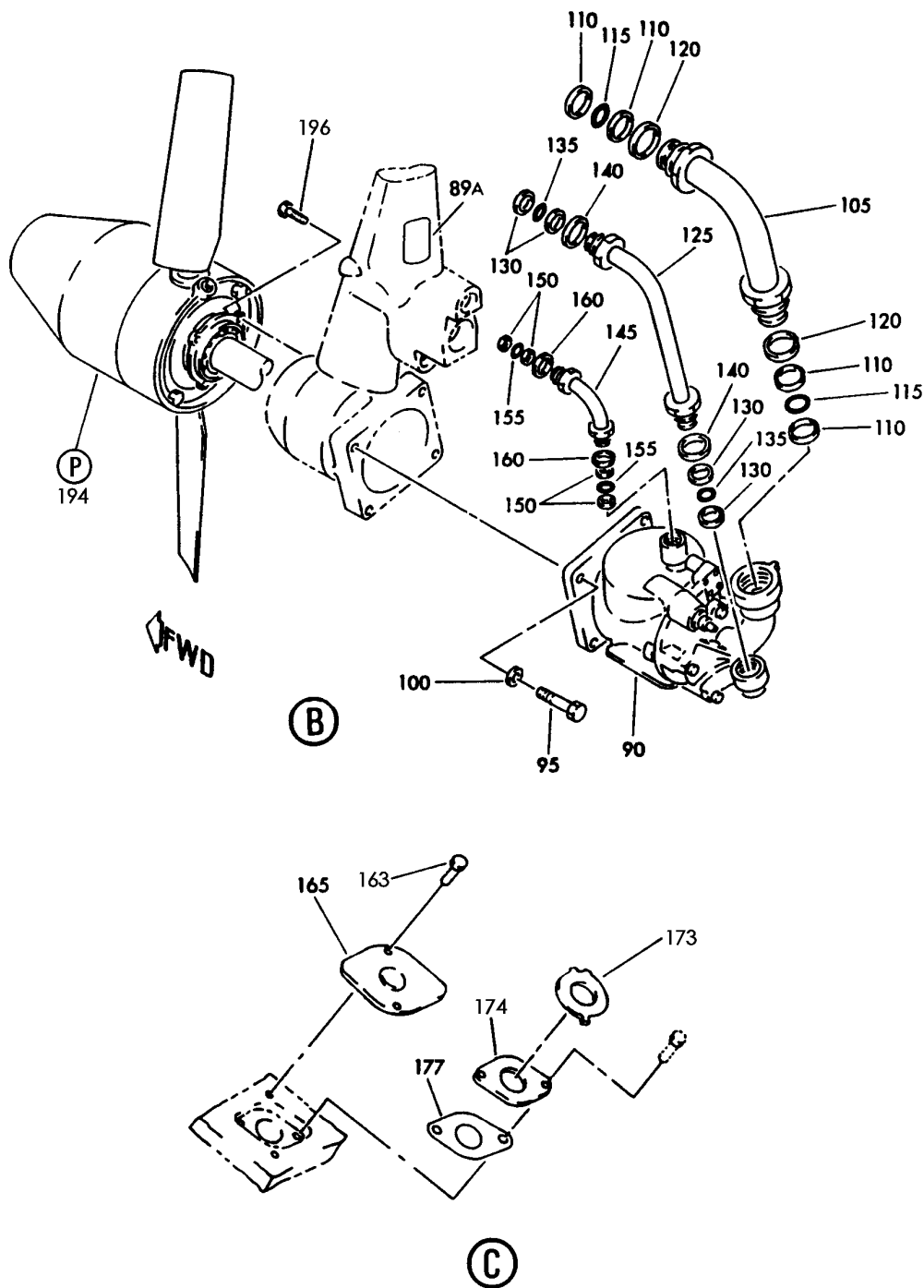
TURBINE INSTL-WING BODY FAIRING RAM AIR  
FIGURE 1 (SHEET 1)

**29-21-06-01**

HXL  
DEC 22/06

29-21-06-01  
PAGE 0

**BOEING**  
767  
PARTS CATALOG (MAINTENANCE)



V 29210601 SHT 2 REV 254

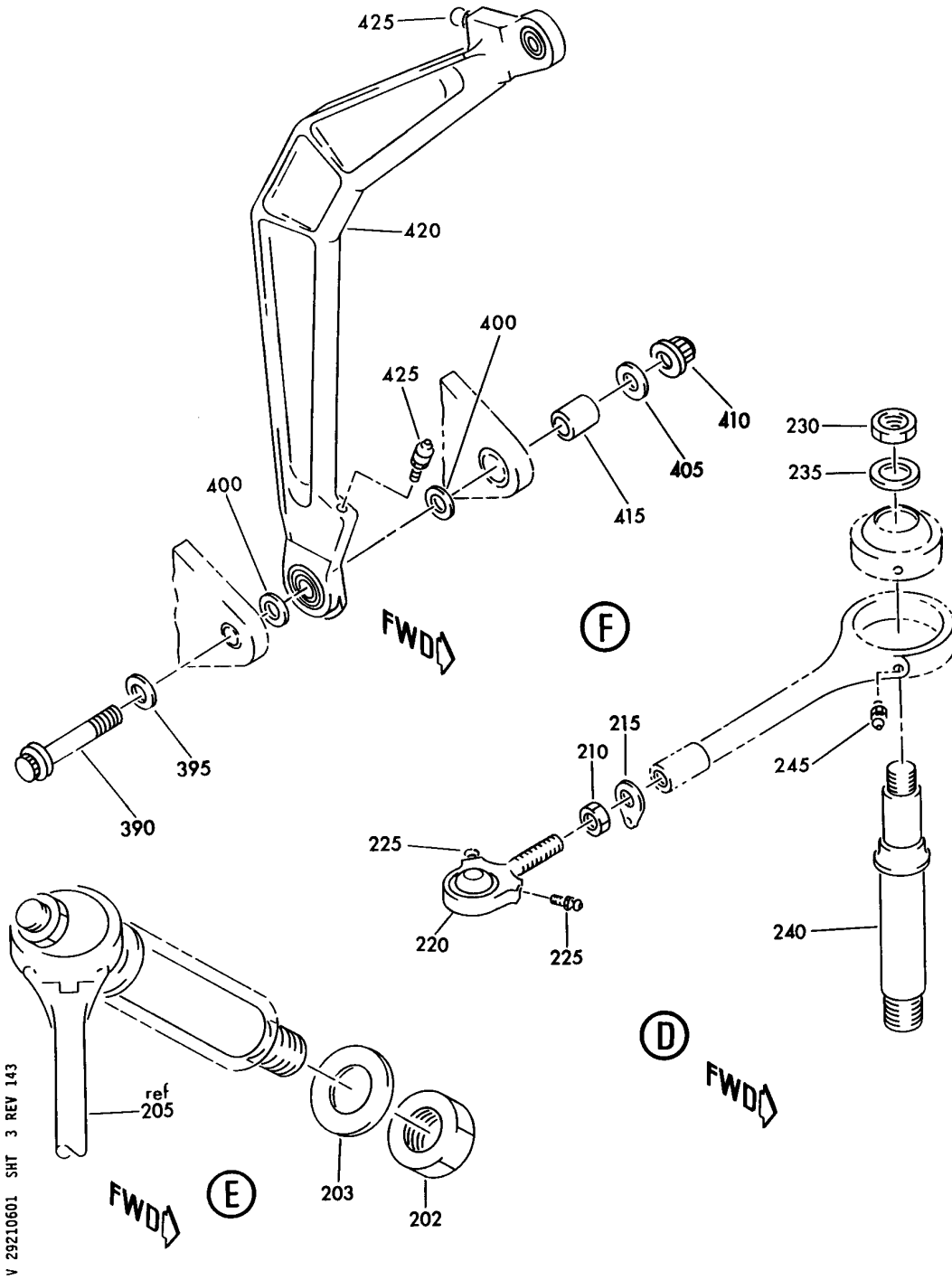
TURBINE INSTL-WING BODY FAIRING RAM AIR  
FIGURE 1 (SHEET 2)

**29-21-06-01**

HXL  
DEC 22/06

29-21-06-01  
PAGE 0A

**BOEING**  
767  
PARTS CATALOG (MAINTENANCE)



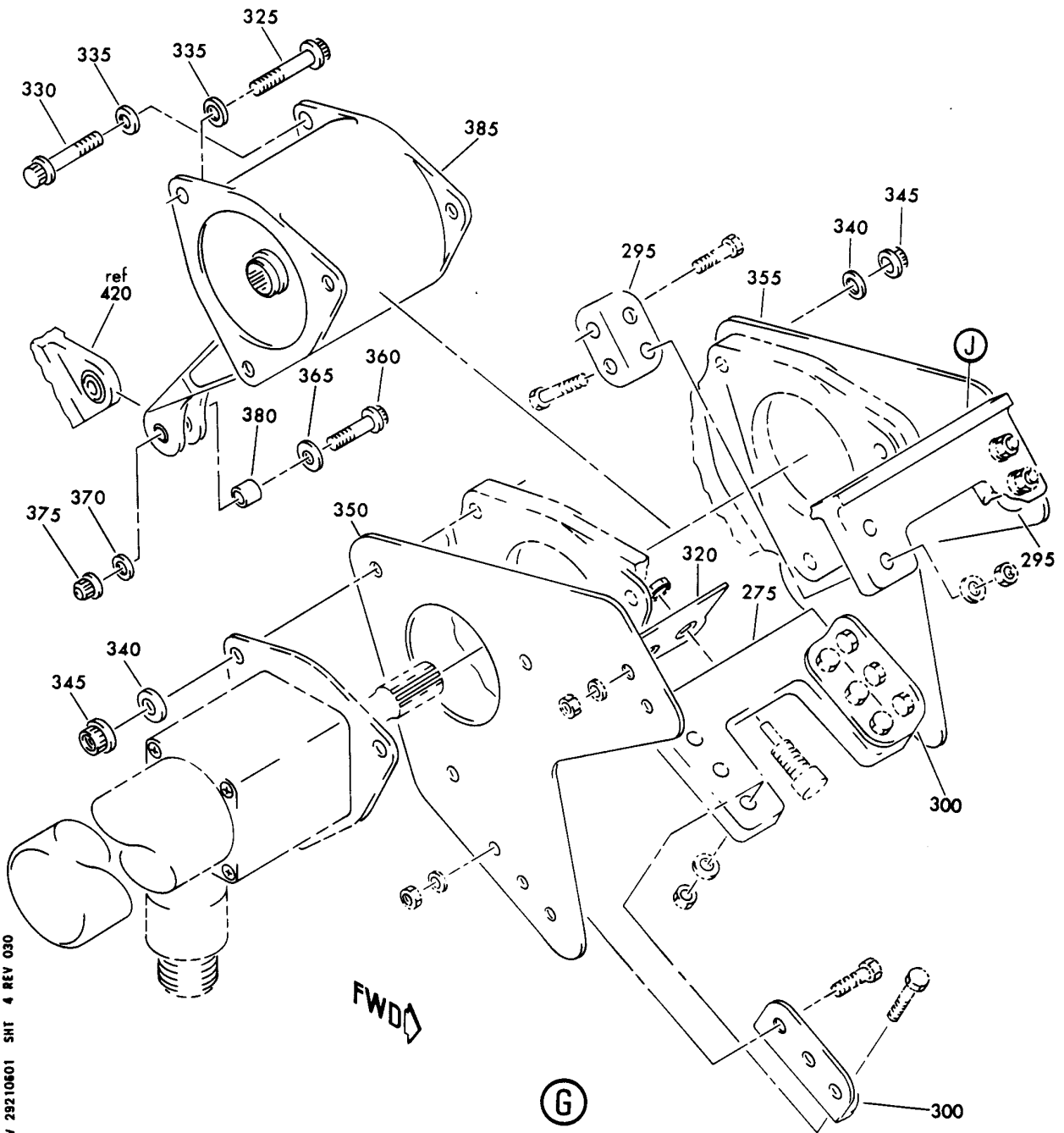
TURBINE INSTL-WING BODY FAIRING RAM AIR  
FIGURE 1 (SHEET 3)

**29-21-06-01**

HXL  
DEC 22/06

29-21-06-01  
PAGE 0B

**BOEING**  
767  
PARTS CATALOG (MAINTENANCE)



V 29210601 SH1 4 REV 030

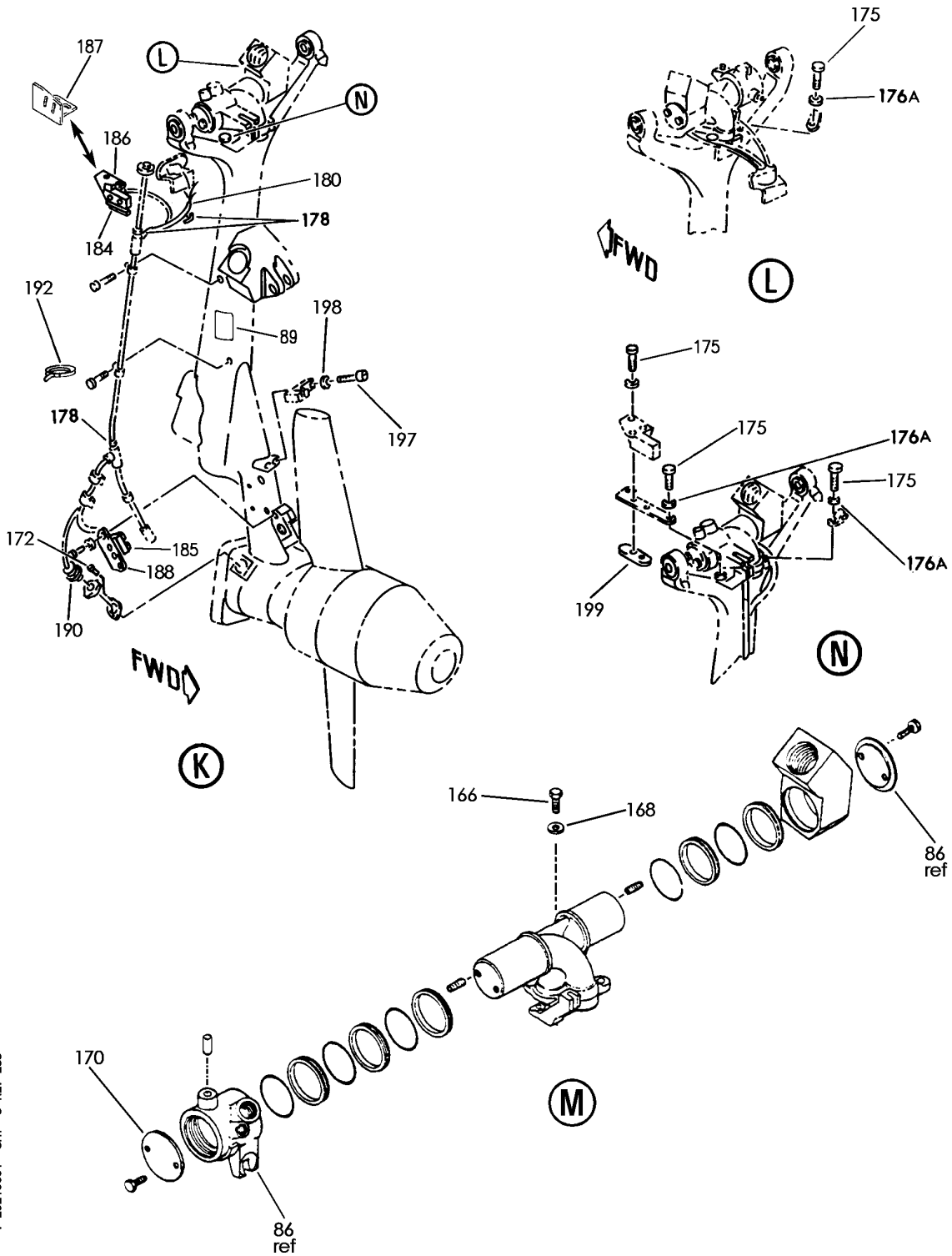
TURBINE INSTL-WING BODY FAIRING RAM AIR  
FIGURE 1 (SHEET 4)

**29-21-06-01**

HXL  
DEC 22/06

29-21-06-01  
PAGE 0C

**BOEING**  
767  
PARTS CATALOG (MAINTENANCE)



V 29210601 SHT 5 REV 255

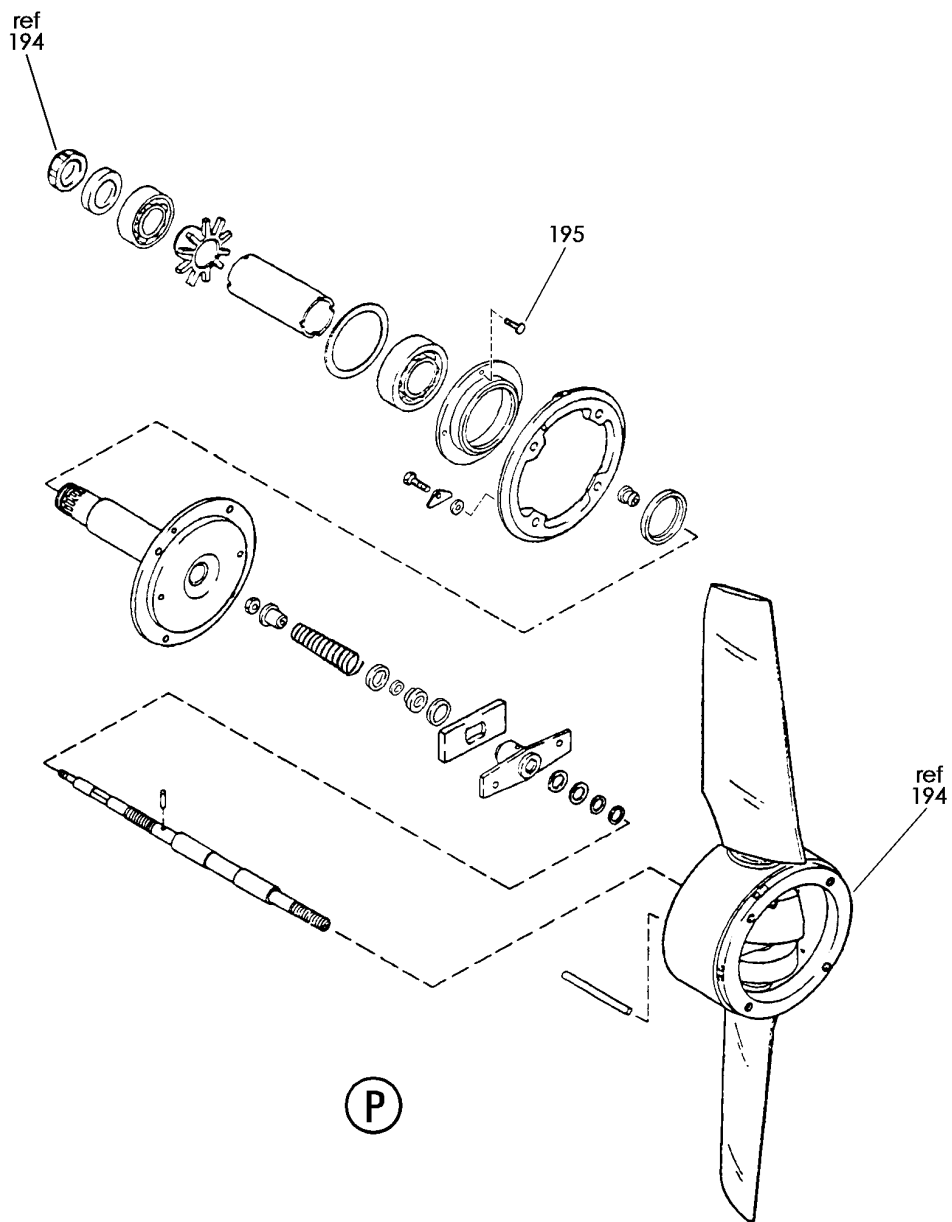
TURBINE INSTL-WING BODY FAIRING RAM AIR  
FIGURE 1 (SHEET 5)

**29-21-06-01**

HXL  
DEC 22/06

29-21-06-01  
PAGE 0D

**BOEING**  
767  
PARTS CATALOG (MAINTENANCE)



V 29210601 SHT 6 REV 240

TURBINE INSTL-WING BODY FAIRING RAM AIR  
FIGURE 1 (SHEET 6)

**29-21-06-01**

HXL  
DEC 22/06

29-21-06-01  
PAGE 0E



767

PARTS CATALOG (MAINTENANCE)

FIG ITEM	PART NUMBER	1 2 3 4 5 6 7	NOMENCLATURE	EFFECT FROM TO	UNITS PER ASSY
1			TURBINE INSTL-WING BODY FAIRING RAM AIR		
- 1	258T7100-18		TURBINE INSTL-WING BODY FAIRING RAM AIR FOR NHA SEE: 27-00-01-01C		RF
3	BAC27TCT0318		.MARKER-ALUMINUM FOIL PLACARD CONTENT: M614		1
4	BACB30LE6U29		.BOLT		1
5	BACW10BN6AC		.WASHER		1
6	BACB28Y6E056		.BUSHING		1
9	258T7100-11		.TURBINE ASSY- MISCELLANEOUS DATA: FOR SPARES PROCURE LOWER COMPONENTS COMPONENT MAINT MANUAL REF: 29-21-05 USED ON: 258T7100-9		1
9	258T7100-12		.TURBINE ASSY- MISCELLANEOUS DATA: FOR SPARES PROCURE LOWER COMPONENTS COMPONENT MAINT MANUAL REF: 29-21-05 USED ON: 258T7100-9		1
9	258T7100-13		.TURBINE ASSY- MISCELLANEOUS DATA: FOR SPARES PROCURE LOWER COMPONENTS COMPONENT MAINT MANUAL REF: 29-21-05 USED ON: 258T7100-9		1
9	258T7100-14		.TURBINE ASSY- MISCELLANEOUS DATA: FOR SPARES PROCURE LOWER COMPONENTS COMPONENT MAINT MANUAL REF: 29-21-05 USED ON: 258T7100-10		1

ILLUSTRATION ITEMS NOT ON PARTS LIST ARE NOT APPLICABLE

- ITEM NOT ILLUSTRATED

HXL

29-21-06-01

BOEING PROPRIETARY - Copyright © - Unpublished Work - See title page for details.

29-21-06  
FIG. 01  
PAGE 1  
DEC 22/07





767

PARTS CATALOG (MAINTENANCE)

FIG ITEM	PART NUMBER	1 2 3 4 5 6 7	NOMENCLATURE	EFFECT FROM TO	UNITS PER ASSY
1	9 258T7100-7		.TURBINE ASSY- MISCELLANEOUS DATA: FOR SPARES PROCURE LOWER COMPONENTS COMPONENT MAINT MANUAL REF: 29-21-05 USED ON: 258T7100-1		1
	9 258T7100-8		.TURBINE ASSY- MISCELLANEOUS DATA: FOR SPARES PROCURE LOWER COMPONENTS COMPONENT MAINT MANUAL REF: 29-21-05 USED ON: 258T7100-1		1
	9 258T7100-16		.TURBINE ASSY- MISCELLANEOUS DATA: FOR SPARES PROCURE LOWER COMPONENTS COMPONENT MAINT MANUAL REF: 29-21-05 USED ON: 258T7100-1 258T7100-9 258T7100-10 258T7100-15		1
	9 258T7100-17		.TURBINE ASSY- MISCELLANEOUS DATA: FOR SPARES PROCURE LOWER COMPONENTS COMPONENT MAINT MANUAL REF: 29-21-05 USED ON: 258T7100-1 258T7100-9 258T7100-10 258T7100-15		1
	9 258T7100-19		.TURBINE ASSY- MISCELLANEOUS DATA: FOR SPARES PROCURE LOWER COMPONENTS COMPONENT MAINT MANUAL REF: 29-21-05 OPTIONAL PART: 258T7100-20 USED ON: 258T7100-18		1
ILLUSTRATION ITEMS NOT ON PARTS LIST ARE NOT APPLICABLE					

- ITEM NOT ILLUSTRATED

29-21-06-01

29-21-06  
FIG. 01  
PAGE 2  
DEC 22/07

HXL



767

PARTS CATALOG (MAINTENANCE)

FIG ITEM	PART NUMBER	1 2 3 4 5 6 7	NOMENCLATURE	EFFECT FROM TO	UNITS PER ASSY
1					
9	258T7100-20		.TURBINE ASSY- MISCELLANEOUS DATA: FOR SPARES PROCURE LOWER COMPONENTS COMPONENT MAINT MANUAL REF: 29-21-05 OPTIONAL PART: 258T7100-19 USED ON: 258T7100-18		1
9	258T7100-22		.TURBINE ASSY- MISCELLANEOUS DATA: FOR SPARES PROCURE LOWER COMPONENTS COMPONENT MAINT MANUAL REF: 29-21-05 USED ON: 258T7100-21		1
9	258T7100-26		.TURBINE ASSY- MISCELLANEOUS DATA: FOR SPARES PROCURE LOWER COMPONENTS COMPONENT MAINT MANUAL REF: 29-21-05 USED ON: 258T7100-25		1
9	258T7100-28		.TURBINE ASSY- MISCELLANEOUS DATA: FOR SPARES PROCURE LOWER COMPONENTS COMPONENT MAINT MANUAL REF: 29-21-05 USED ON: 258T7100-27		1
9	258T7100-29		.TURBINE ASSY- MISCELLANEOUS DATA: FOR SPARES PROCURE LOWER COMPONENTS COMPONENT MAINT MANUAL REF: 29-21-05 USED ON: 258T7100-31		1
ILLUSTRATION ITEMS NOT ON PARTS LIST ARE NOT APPLICABLE					

- ITEM NOT ILLUSTRATED

HXL

29-21-06-01

BOEING PROPRIETARY - Copyright © - Unpublished Work - See title page for details.

29-21-06  
FIG. 01  
PAGE 3  
DEC 22/07

 **BOEING**  
767  
**PARTS CATALOG (MAINTENANCE)**

FIG ITEM	PART NUMBER	1 2 3 4 5 6 7	NOMENCLATURE	EFFECT FROM TO	UNITS PER ASSY
1	9 258T7100-32		.TURBINE ASSY- MISCELLANEOUS DATA: FOR SPARES PROCURE LOWER COMPONENTS COMPONENT MAINT MANUAL REF: 29-21-05 USED ON: 258T7100-33 ATTACHING PARTS		1
- 10	NAS6605-10		.BOLT-		9
- 15	AN960-516L		.WASHER-		9
- 20	MS21042L5		.NUT-		9
			-----*-----		
49	258T7107-1		..BOLT-PIVOT		1
51	258T7107-3		..BOLT-		1
56	BACW10P255CF		..WASHER- POSITION DATA: UNDER HEAD		2
61	NAS1149F1032P		..WASHER- POSITION DATA: UNDER HEAD USED ON: 258T7100-32 258T7100-34		2
61	AN960-1016L		..WASHER- POSITION DATA: UNDER HEAD USED ON: 258T7100-7 258T7100-8 258T7100-11 258T7100-12 258T7100-13 258T7100-14 258T7100-16 258T7100-17 258T7100-19 258T7100-20 258T7100-22 258T7100-26 258T7100-28 258T7100-29		2
70	258T7108-1		..SPACER-		1

ILLUSTRATION ITEMS NOT ON PARTS LIST ARE NOT APPLICABLE

- ITEM NOT ILLUSTRATED

HXL

29-21-06-01

BOEING PROPRIETARY - Copyright © - Unpublished Work - See title page for details.

29-21-06  
FIG. 01  
PAGE 4  
DEC 22/06

 **BOEING**  
767  
**PARTS CATALOG (MAINTENANCE)**

FIG ITEM	PART NUMBER	1 2 3 4 5 6 7	NOMENCLATURE	EFFECT FROM TO	UNITS PER ASSY
1					
81	69235-820CD	..NUT-	SUPPLIER CODE: V92215 SPECIFICATION NUMBER: BACN10JC8CD OPTIONAL PART: 102LH9074-8 V72962 BMN4122CPD8-8 V97928 H51650-8BAC V15653 USED ON: 258T7100-32 258T7100-34		2
81	BMN4122AD3-8	..NUT-	SUPPLIER CODE: V97928 SPECIFICATION NUMBER: BACN10JC8 OPTIONAL PART: BMN4122A8 V85495 H10-8BAC V15653 RMLH9074-8 V72962 48FT820 V56878 USED ON: 258T7100-7 258T7100-8 258T7100-11 258T7100-12 258T7100-13 258T7100-14 258T7100-16 258T7100-17 258T7100-19 258T7100-20 258T7100-22 258T7100-26 258T7100-28 258T7100-29		2
ILLUSTRATION ITEMS NOT ON PARTS LIST ARE NOT APPLICABLE					

- ITEM NOT ILLUSTRATED

HXL

# 29-21-06-01

BOEING PROPRIETARY - Copyright © - Unpublished Work - See title page for details.

29-21-06  
FIG. 01  
PAGE 5  
DEC 22/06



767

PARTS CATALOG (MAINTENANCE)

FIG ITEM	PART NUMBER	1 2 3 4 5 6 7	NOMENCLATURE	EFFECT FROM TO	UNITS PER ASSY
1	83 258T7101-6		.. FRAME ASSY- USED ON: 258T7100-7 258T7100-8 258T7100-11 258T7100-12 258T7100-13 258T7100-14 258T7100-16 258T7100-17 258T7100-19 258T7100-20 USED ON: 258T7100-7 258T7100-8 258T7100-11 258T7100-12 258T7100-13 258T7100-14 258T7100-16 258T7100-17 258T7100-19 258T7100-20		1
	83 258T7101-9		.. FRAME ASSY- USED ON: 258T7100-22 USED ON: 258T7100-22		1
	83 258T7101-12		.. FRAME ASSY- USED ON: 258T7100-22 USED ON: 258T7100-22		1
	83 258T7101-15		.. FRAME ASSY- USED ON: 258T7100-26 258T7100-28 258T7100-29 258T7100-32 258T7100-34 USED ON: 258T7100-26 258T7100-28 258T7100-29 258T7100-32 258T7100-34		1

ILLUSTRATION ITEMS NOT ON PARTS LIST ARE NOT APPLICABLE

- ITEM NOT ILLUSTRATED

HXL

29-21-06-01

BOEING PROPRIETARY - Copyright © - Unpublished Work - See title page for details.

29-21-06  
 FIG. 01  
 PAGE 6  
 DEC 22/07



767

PARTS CATALOG (MAINTENANCE)

FIG ITEM	PART NUMBER	1 2 3 4 5 6 7 NOMENCLATURE	EFFECT FROM TO	UNITS PER ASSY
1 86	729548G	<p>..TURBINE-HYDR PUMP            SUPPLIER CODE:            V99167            SPECIFICATION NUMBER:            S258T710-10            ELECTRICAL EQUIP NUMBER:            M00614            COMPONENT MAINT MANUAL REF:            29-21-01            OPTIONAL PART:            729548F            V99167            USED ON:            258T7100-7            258T7100-8            258T7100-11            258T7100-12            258T7100-13            258T7100-14            258T7100-16            258T7100-17            258T7100-19            258T7100-20            258T7100-22            USED ON:            258T7100-11            258T7100-12            258T7100-13            258T7100-14            258T7100-16            258T7100-17            REWORKED BY ALERT SB:            29A0077R1            REWORKED BY SB:            729548-29-14            V55820</p>		1

ILLUSTRATION ITEMS NOT ON PARTS LIST ARE NOT APPLICABLE

- ITEM NOT ILLUSTRATED

HXL

29-21-06-01

BOEING PROPRIETARY - Copyright © - Unpublished Work - See title page for details.

29-21-06  
 FIG. 01  
 PAGE 7  
 DEC 22/07



767

PARTS CATALOG (MAINTENANCE)

FIG ITEM	PART NUMBER	1 2 3 4 5 6 7 NOMENCLATURE	EFFECT FROM TO	UNITS PER ASSY
1 86	729548F	<p>..TURBINE ASSY-HYDR PUMP            SUPPLIER CODE:            V99167            SPECIFICATION NUMBER:            S258T710-10            SB DATA FROM A CMM:            729548-29-6            729548-29-7            ELECTRICAL EQUIP NUMBER:            M00614            COMPONENT MAINT MANUAL REF:            29-21-01            OPTIONAL PART:            729548G            V99167            USED ON:            258T7100-7            258T7100-8            258T7100-11            258T7100-12            258T7100-13            258T7100-14            258T7100-16            258T7100-17            258T7100-19            258T7100-20            258T7100-22            USED ON:            258T7100-11            258T7100-12            258T7100-13            258T7100-14            258T7100-16            258T7100-17            REWORKED BY ALERT SB:            29A0077R1            REWORKED BY SB:            729548-29-14            V55820</p>		1

ILLUSTRATION ITEMS NOT ON PARTS LIST ARE NOT APPLICABLE

- ITEM NOT ILLUSTRATED

HXL

29-21-06-01

BOEING PROPRIETARY - Copyright © - Unpublished Work - See title page for details.

29-21-06  
 FIG. 01  
 PAGE 8  
 DEC 22/07



767

PARTS CATALOG (MAINTENANCE)

FIG ITEM	PART NUMBER	1 2 3 4 5 6 7 NOMENCLATURE	EFFECT FROM TO	UNITS PER ASSY
1 86	729548E	..TURBINE ASSY-HYDR PUMP SUPPLIER CODE: V99167 SPECIFICATION NUMBER: S258T710-8 SB DATA FROM A CMM: 729548-29-3 ELECTRICAL EQUIP NUMBER: M00614 COMPONENT MAINT MANUAL REF: 29-21-01 USED ON: 258T7100-7 258T7100-8 258T7100-11 258T7100-12 258T7100-13 258T7100-14 258T7100-16 258T7100-17 258T7100-19 258T7100-20 258T7100-22 USED ON: 258T7100-7 258T7100-8 REWORKED BY ALERT SB: 29A0077R1 REWORKED BY SB: 729548-29-14 V55820		1

ILLUSTRATION ITEMS NOT ON PARTS LIST ARE NOT APPLICABLE

- ITEM NOT ILLUSTRATED

HXL

29-21-06-01

BOEING PROPRIETARY - Copyright © - Unpublished Work - See title page for details.

29-21-06  
 FIG. 01  
 PAGE 9  
 DEC 22/07





767

PARTS CATALOG (MAINTENANCE)

FIG ITEM	PART NUMBER	1 2 3 4 5 6 7 NOMENCLATURE	EFFECT FROM TO	UNITS PER ASSY
1 86	729548H	<p>..TURBINE-HYDR PUMP            SUPPLIER CODE:            V99167            SPECIFICATION NUMBER:            S258T710-16            ELECTRICAL EQUIP NUMBER:            M00614            COMPONENT MAINT MANUAL REF:            29-21-01            OPTIONAL PART:            729548J            V99167            USED ON:            258T7100-7            258T7100-8            258T7100-11            258T7100-12            258T7100-13            258T7100-14            258T7100-16            258T7100-17            258T7100-19            258T7100-20            258T7100-22            USED ON:            258T7100-19            258T7100-20            258T7100-22            REWORKED BY ALERT SB:            29A0077            REWORKED BY SB:            729548-29-14            V55820</p>		1

ILLUSTRATION ITEMS NOT ON PARTS LIST ARE NOT APPLICABLE

- ITEM NOT ILLUSTRATED

HXL

29-21-06-01

BOEING PROPRIETARY - Copyright © - Unpublished Work - See title page for details.

29-21-06  
 FIG. 01  
 PAGE 10  
 DEC 22/07



767

PARTS CATALOG (MAINTENANCE)

FIG ITEM	PART NUMBER	1 2 3 4 5 6 7 NOMENCLATURE	EFFECT FROM TO	UNITS PER ASSY
1 86	729548J	<p>..TURBINE-HYDR PUMP            SUPPLIER CODE:            V99167            SPECIFICATION NUMBER:            S258T710-16            ELECTRICAL EQUIP NUMBER:            M00614            COMPONENT MAINT MANUAL REF:            29-21-01            OPTIONAL PART:            729548H            V99167            USED ON:            258T7100-7            258T7100-8            258T7100-11            258T7100-12            258T7100-13            258T7100-14            258T7100-16            258T7100-17            258T7100-19            258T7100-20            258T7100-22            USED ON:            258T7100-19            258T7100-20            258T7100-22            REWORKED BY ALERT SB:            29A0077            REWORKED BY SB:            729548-29-14            V55820</p>		1

ILLUSTRATION ITEMS NOT ON PARTS LIST ARE NOT APPLICABLE

- ITEM NOT ILLUSTRATED

HXL

29-21-06-01

BOEING PROPRIETARY - Copyright © - Unpublished Work - See title page for details.

29-21-06  
 FIG. 01  
 PAGE 11  
 DEC 22/07



767

PARTS CATALOG (MAINTENANCE)

FIG ITEM	PART NUMBER	1 2 3 4 5 6 7 NOMENCLATURE	EFFECT FROM TO	UNITS PER ASSY
1 86	729548K	..TURBINE ASSY-HYDR PUMP SUPPLIER CODE: V99167 SPECIFICATION NUMBER: S258T710-20 SB DATA FROM A CMM: 729548-29-12 ELECTRICAL EQUIP NUMBER: M00614 COMPONENT MAINT MANUAL REF: 29-21-01 USED ON: 258T7100-7 258T7100-8 258T7100-11 258T7100-12 258T7100-13 258T7100-14 258T7100-16 258T7100-17 258T7100-19 258T7100-20 258T7100-22 258T7100-26 258T7100-28 258T7100-29 258T7100-32 258T7100-34 USED ON: 258T7100-26 REWORKED BY ALERT SB: 29A0077R1 REWORKED BY SB: 729548-29-14 V55820		1

ILLUSTRATION ITEMS NOT ON PARTS LIST ARE NOT APPLICABLE

- ITEM NOT ILLUSTRATED

HXL

29-21-06-01

BOEING PROPRIETARY - Copyright © - Unpublished Work - See title page for details.

29-21-06  
 FIG. 01  
 PAGE 12  
 DEC 22/07



767

PARTS CATALOG (MAINTENANCE)

FIG ITEM	PART NUMBER	1 2 3 4 5 6 7 NOMENCLATURE	EFFECT FROM TO	UNITS PER ASSY
1 86	729548M	<p>..TURBINE ASSY-HYDR PUMP            SUPPLIER CODE:            V99167            FUNCTIONAL DESCRIPTION:            PROVIDES RESERVE            HYDRAULIC POWER TO THE            CENTER SYSTEM FOR            OPERATION OF THE PRIMARY            FLIGHT CONTROLS            SPECIFICATION NUMBER:            S258T710-22            SB DATA FROM A CMM:            729548-29-14            ELECTRICAL EQUIP NUMBER:            M00614            COMPONENT MAINT MANUAL REF:            29-21-01            USED ON:            258T7100-7            258T7100-8            258T7100-11            258T7100-12            258T7100-13            258T7100-14            258T7100-16            258T7100-17            258T7100-19            258T7100-20            258T7100-22            258T7100-26            258T7100-28            258T7100-29            258T7100-32            258T7100-34            USED ON:            258T7100-28            258T7100-29            258T7100-32            258T7100-34            REWORKED BY ALERT SB:            29A0077R1            REWORKED BY SB:            729548-29-14            V55820</p>		1

ILLUSTRATION ITEMS NOT ON PARTS LIST ARE NOT APPLICABLE

- ITEM NOT ILLUSTRATED

HXL

29-21-06-01

BOEING PROPRIETARY - Copyright © - Unpublished Work - See title page for details.

29-21-06  
 FIG. 01  
 PAGE 13  
 DEC 22/07

**BOEING**  
767  
**PARTS CATALOG (MAINTENANCE)**

FIG ITEM	PART NUMBER	1 2 3 4 5 6 7	NOMENCLATURE	EFFECT FROM TO	UNITS PER ASSY
1					
89	742686		...PLATE-IDENT SUPPLIER CODE: V99167 REWORKED BY ALERT SB: 29A0077R1 REWORKED BY SB: 729548-29-14 V55820		1
90	65139-02		...PUMP- SUPPLIER CODE: V93835 COMPONENT MAINT MANUAL REF: 29-21-04 REWORKED BY SB: 29-0103 REWORKED BY SB: 6513902-29-305 V93835 EPE-SL01-101 V73030 ATTACHING PARTS		1
95	MS9520-12		...BOLT- OPTIONAL PART: MS9148-12		4
95	MS9148-12		...BOLT- OPTIONAL PART: MS9520-12		4
100	AN960-516L		...WASHER- -----*-----		4
105	730135		...TUBE- SUPPLIER CODE: V99167 OPTIONAL PART: 757718 V99167 757715 V99167		1
105	757715		...TUBE- SUPPLIER CODE: V99167 SB DATA FROM A CMM: SB729548-29-12 OPTIONAL PART: 730135 V99167 757718 V99167		1

ILLUSTRATION ITEMS NOT ON PARTS LIST ARE NOT APPLICABLE

— ITEM NOT ILLUSTRATED

HXL

# 29-21-06-01

BOEING PROPRIETARY - Copyright © - Unpublished Work - See title page for details.

29-21-06  
FIG. 01  
PAGE 14  
AUG 22/07

 **BOEING**  
767  
**PARTS CATALOG (MAINTENANCE)**

FIG ITEM	PART NUMBER	1 2 3 4 5 6 7	NOMENCLATURE	EFFECT FROM TO	UNITS PER ASSY
1 105	757718		...TUBE- SUPPLIER CODE: V99167 SB DATA FROM A CMM: SB729548-29-12 OPTIONAL PART: 730135 V99167 757715 V99167 USED WITH: 730140-1 730140-2 730140-3 730140-4 730140-5		1
110	MS28774-120		...RETAINER- USED WITH: 5909505		4
115	NAS1611-120		...PACKING- USED WITH: 5909505		2
120	730140-1		...SHIM-0.003 IN. THICK SUPPLIER CODE: V99167 OPTIONAL PART: 730140-2 V99167 730140-3 V99167 730140-4 V99167 730140-5 V99167		AR
120	730140-2		...SHIM-0.007 IN. THICK SUPPLIER CODE: V99167 OPTIONAL PART: 730140-1 V99167 730140-3 V99167 730140-4 V99167 730140-5 V99167		AR

ILLUSTRATION ITEMS NOT ON PARTS LIST ARE NOT APPLICABLE

— ITEM NOT ILLUSTRATED

HXL

# 29-21-06-01

BOEING PROPRIETARY - Copyright © - Unpublished Work - See title page for details.

29-21-06  
FIG. 01  
PAGE 15  
DEC 22/06



767

PARTS CATALOG (MAINTENANCE)

FIG ITEM	PART NUMBER	1 2 3 4 5 6 7	NOMENCLATURE	EFFECT FROM TO	UNITS PER ASSY
1 120	730140-3		...SHIM-0.010 IN. THICK SUPPLIER CODE: V99167 OPTIONAL PART: 730140-1 V99167 730140-2 V99167 730140-4 V99167 730140-5 V99167		AR
120	730140-4		...SHIM-0.025 IN. THICK SUPPLIER CODE: V99167 OPTIONAL PART: 730140-1 V99167 730140-2 V99167 730140-3 V99167 730140-5 V99167		AR
120	730140-5		...SHIM-0.050 IN. THICK SUPPLIER CODE: V99167 OPTIONAL PART: 730140-1 V99167 730140-2 V99167 730140-3 V99167 730140-4 V99167		AR

ILLUSTRATION ITEMS NOT ON PARTS LIST ARE NOT APPLICABLE

- ITEM NOT ILLUSTRATED

HXL

29-21-06-01

BOEING PROPRIETARY - Copyright © - Unpublished Work - See title page for details.

29-21-06  
FIG. 01  
PAGE 16  
DEC 22/07



767

PARTS CATALOG (MAINTENANCE)

FIG ITEM	PART NUMBER	1 2 3 4 5 6 7	NOMENCLATURE	EFFECT FROM TO	UNITS PER ASSY
1 125	5909505		...TUBE-FLEXHOSE SUPPLIER CODE: V99167 OPTIONAL PART: 730131 V99167 757716 V99167 757666 V99167 POST ALERT SB: 29A0077 POST SERVICE BULLETIN: 729548-29-14 V55820		1
130	MS28774-113		...RETAINER- USED WITH: 5909505		4
135	NAS1611-113		...PACKING- USED WITH: 5909505		2
145	730134		...TUBE- SUPPLIER CODE: V99167 OPTIONAL PART: 757714 V99167 757717 V99167		1
145	757714		...TUBE- SUPPLIER CODE: V99167 SB DATA FROM A CMM: SB729548-29-12 OPTIONAL PART: 730134 V99167 757717 V99167		1

ILLUSTRATION ITEMS NOT ON PARTS LIST ARE NOT APPLICABLE

- ITEM NOT ILLUSTRATED

HXL

29-21-06-01

BOEING PROPRIETARY - Copyright © - Unpublished Work - See title page for details.

29-21-06  
 FIG. 01  
 PAGE 17  
 DEC 22/07





767

PARTS CATALOG (MAINTENANCE)

FIG ITEM	PART NUMBER	1 2 3 4 5 6 7	NOMENCLATURE	EFFECT FROM TO	UNITS PER ASSY
1 145	757717		...TUBE- SUPPLIER CODE: V99167 SB DATA FROM A CMM: SB729548-29-12 OPTIONAL PART: 730134 V99167 757714 V99167 USED WITH: 730808-1 730808-2 730808-3 730808-4 730808-5		1
150	MS27595-012		...RETAINER- OPTIONAL PART: M8791-1-012 V99167		4
150	M8791-1-012		...RETAINER-BACKUP SUPPLIER CODE: V99167 OPTIONAL PART: MS27595-012		4
155 160	NAS1611-012 730808-1		...PACKING- ...SHIM-0.003 IN. THICK SUPPLIER CODE: V99167 OPTIONAL PART: 730808-2 V99167 730808-3 V99167 730808-4 V99167 730808-5 V99167		2 AR

ILLUSTRATION ITEMS NOT ON PARTS LIST ARE NOT APPLICABLE

- ITEM NOT ILLUSTRATED

HXL

29-21-06-01

BOEING PROPRIETARY - Copyright © - Unpublished Work - See title page for details.

29-21-06  
 FIG. 01  
 PAGE 18  
 DEC 22/07



767

PARTS CATALOG (MAINTENANCE)

FIG ITEM	PART NUMBER	1 2 3 4 5 6 7	NOMENCLATURE	EFFECT FROM TO	UNITS PER ASSY
1 160	730808-2		...SHIM-0.007 IN. THICK SUPPLIER CODE: V99167 OPTIONAL PART: 730808-1 V99167 730808-3 V99167 730808-4 V99167 730808-5 V99167		AR
160	730808-3		...SHIM-0.010 IN. THICK SUPPLIER CODE: V99167 OPTIONAL PART: 730808-1 V99167 730808-2 V99167 730808-4 V99167 730808-5 V99167		AR
160	730808-4		...SHIM-0.025 IN. THICK SUPPLIER CODE: V99167 OPTIONAL PART: 730808-1 V99167 730808-2 V99167 730808-3 V99167 730808-5 V99167		AR
160	730808-5		...SHIM-0.050 IN. THICK SUPPLIER CODE: V99167 OPTIONAL PART: 730808-1 V99167 730808-2 V99167 730808-3 V99167 730808-4 V99167		AR

ILLUSTRATION ITEMS NOT ON PARTS LIST ARE NOT APPLICABLE

- ITEM NOT ILLUSTRATED

HXL

29-21-06-01

BOEING PROPRIETARY - Copyright © - Unpublished Work - See title page for details.

29-21-06  
FIG. 01  
PAGE 19  
DEC 22/07

 **BOEING**  
767  
**PARTS CATALOG (MAINTENANCE)**

FIG ITEM	PART NUMBER	1 2 3 4 5 6 7	NOMENCLATURE	EFFECT FROM TO	UNITS PER ASSY
1					
163	MS9517-05	...	SCREW- OPTIONAL PART: MS9517-04 NAS1351-08-6P		2
163	MS9517-04	...	SCREW- OPTIONAL PART: MS9517-05 NAS1351-08-6P		2
163	NAS1351-08-6P	...	SCREW- OPTIONAL PART: MS9517-05 MS9517-04		2
165	730142	...	COVER- SUPPLIER CODE: V99167		1
166	MS9518-10	...	SCREW- OPTIONAL PART: MS9914-10		1
166	MS9914-10	...	BOLT- OPTIONAL PART: MS9518-10		1
168	AN960-10L	...	WASHER		1
170	730109	...	WASHER-RETAINING SUPPLIER CODE: V99167		1
172	MS9516-04	...	SCREW- OPTIONAL PART: NAS1351-06-6P		2
172	NAS1351-06-6P	...	SCREW- OPTIONAL PART: MS9516-04 V96906		2
173	MS9276-16	...	WASHER- USED ON: 729548E 729548F		1
174	730139	...	INSERT-SPEED SENSOR SUPPLIER CODE: V99167		1
175	MS9518-10	...	SCREW- OPTIONAL PART: MS9914-10		3
175	MS9914-10	...	BOLT- OPTIONAL PART: MS9518-10		3
176A	AN960-10L	...	WASHER-		3

ILLUSTRATION ITEMS NOT ON PARTS LIST ARE NOT APPLICABLE

— ITEM NOT ILLUSTRATED

HXL

# 29-21-06-01

BOEING PROPRIETARY - Copyright © - Unpublished Work - See title page for details.

29-21-06  
FIG. 01  
PAGE 20  
DEC 22/07



767

PARTS CATALOG (MAINTENANCE)

FIG ITEM	PART NUMBER	1 2 3 4 5 6 7	NOMENCLATURE	EFFECT FROM TO	UNITS PER ASSY
1 177	737565-1		...SHIM-0.002 IN. THICK SUPPLIER CODE: V99167 OPTIONAL PART: 737565-2 V99167 737565-3 V99167 737565-4 V99167 737565-5 V99167 USED WITH: 59843		AR
177	737565-2		...SHIM-0.005 IN. THICK SUPPLIER CODE: V99167 OPTIONAL PART: 737565-1 V99167 737565-3 V99167 737565-4 V99167 737565-5 V99167 USED WITH: 59843		AR
177	737565-3		...SHIM-0.007 IN. THICK SUPPLIER CODE: V99167 OPTIONAL PART: 737565-1 V99167 737565-2 V99167 737565-4 V99167 737565-5 V99167 USED WITH: 59843		AR

ILLUSTRATION ITEMS NOT ON PARTS LIST ARE NOT APPLICABLE

- ITEM NOT ILLUSTRATED

HXL

29-21-06-01

BOEING PROPRIETARY - Copyright © - Unpublished Work - See title page for details.

29-21-06  
 FIG. 01  
 PAGE 21  
 DEC 22/07



767

PARTS CATALOG (MAINTENANCE)

FIG ITEM	PART NUMBER	1 2 3 4 5 6 7	NOMENCLATURE	EFFECT FROM TO	UNITS PER ASSY
1 177	737565-4		...SHIM-0.010 IN. THICK SUPPLIER CODE: V99167 OPTIONAL PART: 737565-1 V99167 737565-2 V99167 737565-3 V99167 737565-5 V99167 USED WITH: 59843		AR
177	737565-5		...SHIM-0.025 IN. THICK SUPPLIER CODE: V99167 OPTIONAL PART: 737565-1 V99167 737565-2 V99167 737565-3 V99167 737565-4 V99167 USED WITH: 59843		AR
178	26416129-01		...STRAP- SUPPLIER CODE: V99167 USED WITH: 59843		4
179	59843		...CABLE- SUPPLIER CODE: V99167		1
180	736803		...WIRING HARNESS- SUPPLIER CODE: V99167 USED WITH: 59843		1
- 182	736803A		...WIRING-HARNESS SUPPLIER CODE: V99167 CONFIG CHG DATA FROM A CMM: REPLD BY 736803B		1

ILLUSTRATION ITEMS NOT ON PARTS LIST ARE NOT APPLICABLE

- ITEM NOT ILLUSTRATED

29-21-06-01

29-21-06  
 FIG. 01  
 PAGE 22  
 DEC 22/07

HXL

 **BOEING**  
767  
**PARTS CATALOG (MAINTENANCE)**

FIG ITEM	PART NUMBER	1 2 3 4 5 6 7	NOMENCLATURE	EFFECT FROM TO	UNITS PER ASSY
1					
- 182	736803B		...WIRING-HARNESS SUPPLIER CODE: V99167 CONFIG CHG DATA FROM A CMM: REPLS 736803A		1
184	5904049-1		....SWITCH- SUPPLIER CODE: V99167 USED ON: 736803 736803A		1
184	5904049-3		....SWITCH- SUPPLIER CODE: V99167 USED ON: 736803B		1
185	5904049-1		....SWITCH- SUPPLIER CODE: V99167		1
186	736799		....BRACKET-SWITCH SUPPLIER CODE: V99167 OPTIONAL PART: 758329 V99167 USED ON: 736803		1
187	758329		....BRACKET-SWITCH SUPPLIER CODE: V99167 OPTIONAL PART: 736799 V99167 USED ON: 736803 736803A		1
187	771719		....BRACKET-SWITCH SUPPLIER CODE: V99167 USED ON: 736803B		1
188	737385		....COVER- SUPPLIER CODE: V99167		1
190	5904289		....SPEED SENSOR- SUPPLIER CODE: V99167		1
192	MS3367-3-9		...STRAP-TIE NYLON		1

ILLUSTRATION ITEMS NOT ON PARTS LIST ARE NOT APPLICABLE

- ITEM NOT ILLUSTRATED

HXL

# 29-21-06-01

BOEING PROPRIETARY - Copyright © - Unpublished Work - See title page for details.

29-21-06  
FIG. 01  
PAGE 23  
DEC 22/07



767

PARTS CATALOG (MAINTENANCE)

FIG ITEM	PART NUMBER	1 2 3 4 5 6 7	NOMENCLATURE	EFFECT FROM TO	UNITS PER ASSY
1 194	734350A		...TURBINE ASSY- SUPPLIER CODE: V99167 OPTIONAL PART: 734350B V99167 734350C V99167 734350D V99167		1
194	734350B		...TURBINE ASSY- SUPPLIER CODE: V99167 OPTIONAL PART: 734350A V99167 734350C V99167 734350D V99167		1
194	734350C		...TURBINE ASSY- SUPPLIER CODE: V99167 OPTIONAL PART: 734350A V99167 734350B V99167 734350D V99167		1
194	734350D		...TURBINE ASSY- SUPPLIER CODE: V99167 OPTIONAL PART: 734350A V99167 734350B V99167 734350C V99167		1
195	MS9518-04		....SCREW		4
196	MS9518-04		...SCREW-		4
197	MS9518-10		...SCREW- OPTIONAL PART: NAS1351-10P		2
197	NAS1351-10P		...SCREW- OPTIONAL PART: MS9518-10		2
198	AN960-10L		...WASHER		2

ILLUSTRATION ITEMS NOT ON PARTS LIST ARE NOT APPLICABLE

- ITEM NOT ILLUSTRATED

29-21-06-01

29-21-06  
FIG. 01  
PAGE 24  
DEC 22/07

HXL

BOEING PROPRIETARY - Copyright © - Unpublished Work - See title page for details.



767

PARTS CATALOG (MAINTENANCE)

FIG ITEM	PART NUMBER	1 2 3 4 5 6 7	NOMENCLATURE	EFFECT FROM TO	UNITS PER ASSY
1 199	737102		...PLATE- SUPPLIER CODE: V99167		1
200	5076D100-17		..MOTOR ASSY- SUPPLIER CODE: V17427 SPECIFICATION NUMBER: S258T711-6 COMPONENT MAINT MANUAL REF: 29-21-01 USED ON: 258T7100-7 258T7100-8 258T7100-11 258T7100-12 258T7100-13 258T7100-14 258T7100-16 258T7100-17 258T7100-19 258T7100-20 258T7100-22 258T7100-26 258T7100-28 258T7100-29 258T7100-32 258T7100-34 USED ON: 258T7100-32 258T7100-34 258T7100-36 POST ALERT SB: 29A0088 POST SERVICE BULLETIN: 5076D100-29-A3 V72121		1
201	5076B174-1		...CONNECTOR-ELEC SUPPLIER CODE: V17472		1

ILLUSTRATION ITEMS NOT ON PARTS LIST ARE NOT APPLICABLE

- ITEM NOT ILLUSTRATED

HXL

29-21-06-01

BOEING PROPRIETARY - Copyright © - Unpublished Work - See title page for details.

29-21-06  
FIG. 01  
PAGE 25  
DEC 22/07





767

PARTS CATALOG (MAINTENANCE)

FIG ITEM	PART NUMBER	1 2 3 4 5 6 7	NOMENCLATURE	EFFECT FROM TO	UNITS PER ASSY
1 202	BMN4122AD3-16		..NUT- SUPPLIER CODE: V97928 SPECIFICATION NUMBER: BACN10JC16 OPTIONAL PART: H10-1612BAC V15653 BMN4122A16 V85495 RMLH9074-16 V72962 48FT1612 V56878 USED ON: 258T7100-7 258T7100-8 258T7100-11 258T7100-12 258T7100-13 258T7100-14 258T7100-16 258T7100-17 258T7100-19 258T7100-20 258T7100-22 258T7100-26 258T7100-28 258T7100-29		1
202	H51650-1612BAC		..NUT- SUPPLIER CODE: V15653 SPECIFICATION NUMBER: BACN10JC16CD OPTIONAL PART: 102LH9074-16 V72962 69235-1612CD V92215 BMN4122CPD8-16 V97928 USED ON: 258T7100-32 258T7100-34		1

ILLUSTRATION ITEMS NOT ON PARTS LIST ARE NOT APPLICABLE

- ITEM NOT ILLUSTRATED

HXL

29-21-06-01

BOEING PROPRIETARY - Copyright © - Unpublished Work - See title page for details.

29-21-06  
 FIG. 01  
 PAGE 26  
 DEC 22/07



767

PARTS CATALOG (MAINTENANCE)

FIG ITEM	PART NUMBER	1 2 3 4 5 6 7	NOMENCLATURE	EFFECT FROM TO	UNITS PER ASSY
1 203	AN960-1616L		.. WASHER- USED ON: 258T7100-7 258T7100-8 258T7100-11 258T7100-12 258T7100-13 258T7100-14 258T7100-16 258T7100-17 258T7100-19 258T7100-20 258T7100-22 258T7100-26 258T7100-28 258T7100-29		1
203	NAS1149F1632P		.. WASHER- USED ON: 258T7100-32 258T7100-34		1
205	258T7103-1		.. LINK ASSY-DOOR USED ON: 258T7100-7 258T7100-8 258T7100-11 258T7100-12 258T7100-13 258T7100-14 USED ON: 258T7100-7 258T7100-8 258T7100-11 258T7100-12 258T7100-13 258T7100-14		1

ILLUSTRATION ITEMS NOT ON PARTS LIST ARE NOT APPLICABLE

- ITEM NOT ILLUSTRATED

HXL

29-21-06-01

BOEING PROPRIETARY - Copyright © - Unpublished Work - See title page for details.

29-21-06  
FIG. 01  
PAGE 27  
DEC 22/07



767

PARTS CATALOG (MAINTENANCE)

FIG ITEM	PART NUMBER	1 2 3 4 5 6 7	NOMENCLATURE	EFFECT FROM TO	UNITS PER ASSY
1 205	258T7103-2		..LINK ASSY-DOOR USED ON: 258T7100-7 258T7100-8 258T7100-11 258T7100-12 258T7100-13 258T7100-14 258T7100-16 258T7100-17 258T7100-19 258T7100-20 258T7100-22 258T7100-26 258T7100-28 258T7100-29 258T7100-32 258T7100-34 258T7100-36 USED ON: 258T7100-16 258T7100-17 258T7100-19 258T7100-20 258T7100-22 258T7100-26 258T7100-28 258T7100-29 258T7100-32 258T7100-34 258T7100-36		1
210	NAS509-8		...NUT		1
215	NAS513-8		...WASHER		1
220	258T7105-1		...END-ROD USED ON: 258T7103-1 USED ON: 258T7103-1		1
220	258T7105-3		...END-ROD USED ON: 258T7103-2 USED ON: 258T7103-2		1
225	MS15001-1		....FITTING		2

ILLUSTRATION ITEMS NOT ON PARTS LIST ARE NOT APPLICABLE

- ITEM NOT ILLUSTRATED

29-21-06-01

29-21-06  
 FIG. 01  
 PAGE 28  
 DEC 22/07

HXL

BOEING PROPRIETARY - Copyright © - Unpublished Work - See title page for details.

 **BOEING**  
767  
**PARTS CATALOG (MAINTENANCE)**

FIG ITEM	PART NUMBER	1 2 3 4 5 6 7	NOMENCLATURE	EFFECT FROM TO	UNITS PER ASSY
1					
230	BMN4122AD3-12	...	NUT SUPPLIER CODE: V97928 SPECIFICATION NUMBER: BACN10JC12 OPTIONAL PART: H10-12BAC V15653 RMLH9074-12 V72962 48FT1216 V56878		1
235	AN960C1216L	...	WASHER		1
240	258T7106-1	...	PIN-		1
245	MS15001-1	...	FITTING		1
250	284T0542-1	..	BRACKET		1
255	258T7109-6	..	STOP-UP		1
			ATTACHING PARTS		
- 260	NAS6604-8	..	BOLT		4
- 265	AN960PD416L	..	WASHER-		4
			USED ON: 258T7100-7 258T7100-8 258T7100-11 258T7100-12 258T7100-13 258T7100-14 258T7100-16 258T7100-17 258T7100-19 258T7100-20 258T7100-22		
- 265	AN960JD416L	..	WASHER-		4
			USED ON: 258T7100-26 258T7100-28 258T7100-29		
- 265	NAS1149D0416J	..	WASHER-		4
			USED ON: 258T7100-32 258T7100-34		
ILLUSTRATION ITEMS NOT ON PARTS LIST ARE NOT APPLICABLE					

- ITEM NOT ILLUSTRATED

HXL

# 29-21-06-01

BOEING PROPRIETARY - Copyright © - Unpublished Work - See title page for details.

29-21-06  
FIG. 01  
PAGE 29  
DEC 22/07



767

PARTS CATALOG (MAINTENANCE)

FIG ITEM	PART NUMBER	1 2 3 4 5 6 7	NOMENCLATURE	EFFECT FROM TO	UNITS PER ASSY
1 - 270	BRH10A4		..NUT- SUPPLIER CODE: V52828 SPECIFICATION NUMBER: BACN10JC4 OPTIONAL PART: T6S428J V11815 96-048 V80539 VN303A048 V92215 RMLH9075-4W V72962 NS202101-048 V80539 H10-4BAC V15653 USED ON: 258T7100-7 258T7100-8 258T7100-11 258T7100-12 258T7100-13 258T7100-14 258T7100-16 258T7100-17 258T7100-19 258T7100-20 258T7100-22		4
- 270	MS21042L4		..NUT- USED ON: 258T7100-26 258T7100-28 258T7100-29 258T7100-32 258T7100-34 -----*-----		4
275	258T7109-12		..STOP-DOWN POST SERVICE BULLETIN: 29-0082R1 ATTACHING PARTS		1
- 280	NAS6604-10		..BOLT- POST SERVICE BULLETIN: 29-0082R1		6

ILLUSTRATION ITEMS NOT ON PARTS LIST ARE NOT APPLICABLE

- ITEM NOT ILLUSTRATED

29-21-06-01

29-21-06  
 FIG. 01  
 PAGE 30  
 DEC 22/07

HXL



767

PARTS CATALOG (MAINTENANCE)

FIG ITEM	PART NUMBER	1 2 3 4 5 6 7	NOMENCLATURE	EFFECT FROM TO	UNITS PER ASSY
1					
- 285	NAS1149D0416J		.. WASHER- USED ON: 258T7100-32 258T7100-34 POST SERVICE BULLETIN: 29-0082R1		6
- 290	MS21042L4		.. NUT- USED ON: 258T7100-26 258T7100-28 258T7100-29 258T7100-32 258T7100-34 POST SERVICE BULLETIN: 29-0082R1		6
295	258T7109-4		-----*----- .. ANGLE		2
300	258T7109-5		.. ANGLE ATTACHING PARTS		2
- 305	NAS6604-5		.. BOLT		10
- 310	AN960PD416L		.. WASHER- USED ON: 258T7100-7 258T7100-8 258T7100-11 258T7100-12 258T7100-13 258T7100-14 258T7100-16 258T7100-17 258T7100-19 258T7100-20 258T7100-22		10
- 310	AN960JD416L		.. WASHER- USED ON: 258T7100-26 258T7100-28 258T7100-29		10
- 310	NAS1149D0416J		.. WASHER- USED ON: 258T7100-32 258T7100-34		10

ILLUSTRATION ITEMS NOT ON PARTS LIST ARE NOT APPLICABLE

- ITEM NOT ILLUSTRATED

HXL

29-21-06-01

BOEING PROPRIETARY - Copyright © - Unpublished Work - See title page for details.

29-21-06  
FIG. 01  
PAGE 31  
DEC 22/07



767

PARTS CATALOG (MAINTENANCE)

FIG ITEM	PART NUMBER	1 2 3 4 5 6 7	NOMENCLATURE	EFFECT FROM TO	UNITS PER ASSY
1 - 315	BRH10A4		..NUT- SUPPLIER CODE: V52828 SPECIFICATION NUMBER: BACN10JC4 OPTIONAL PART: T6S428J V11815 96-048 V80539 VN303A048 V92215 RMLH9075-4W V72962 NS202101-048 V80539 H10-4BAC V15653 USED ON: 258T7100-7 258T7100-8 258T7100-11 258T7100-12 258T7100-13 258T7100-14 258T7100-16 258T7100-17 258T7100-19 258T7100-20 258T7100-22		10
- 315	MS21042L4		..NUT- USED ON: 258T7100-26 258T7100-28 258T7100-29 258T7100-32 258T7100-34 -----*-----		10

ILLUSTRATION ITEMS NOT ON PARTS LIST ARE NOT APPLICABLE

- ITEM NOT ILLUSTRATED

HXL

29-21-06-01

BOEING PROPRIETARY - Copyright © - Unpublished Work - See title page for details.

29-21-06  
 FIG. 01  
 PAGE 32  
 DEC 22/07



767

PARTS CATALOG (MAINTENANCE)

FIG ITEM	PART NUMBER	1 2 3 4 5 6 7	NOMENCLATURE	EFFECT FROM TO	UNITS PER ASSY
1	325 BACB30LE6-17		..BOLT- USED ON: 258T7100-7 258T7100-8 258T7100-11 258T7100-12 258T7100-13 258T7100-14 258T7100-16 258T7100-17 258T7100-19 258T7100-20 258T7100-22		3
	325 BACB30LE6K17		..BOLT- USED ON: 258T7100-26 258T7100-28 258T7100-29 258T7100-32 258T7100-34		3
	330 BACB30LE6-13		..BOLT- USED ON: 258T7100-7 258T7100-8 258T7100-11 258T7100-12 258T7100-13 258T7100-14 258T7100-16 258T7100-17 258T7100-19 258T7100-20 258T7100-22		3
	330 BACB30LE6K13		..BOLT- USED ON: 258T7100-26 258T7100-28 258T7100-29 258T7100-32 258T7100-34		3
	335 BACW10BN6AC		..WASHER		6

ILLUSTRATION ITEMS NOT ON PARTS LIST ARE NOT APPLICABLE

- ITEM NOT ILLUSTRATED

HXL

29-21-06-01

BOEING PROPRIETARY - Copyright © - Unpublished Work - See title page for details.

29-21-06  
FIG. 01  
PAGE 33  
DEC 22/07





767

PARTS CATALOG (MAINTENANCE)

FIG ITEM	PART NUMBER	1 2 3 4 5 6 7	NOMENCLATURE	EFFECT FROM TO	UNITS PER ASSY
1 340	AN960PD616L		.. WASHER- USED ON: 258T7100-7 258T7100-8 258T7100-11 258T7100-12 258T7100-13 258T7100-14 258T7100-16 258T7100-17 258T7100-19 258T7100-20 258T7100-22		6
340	AN960JD616L		.. WASHER- USED ON: 258T7100-26 258T7100-28 258T7100-29		6
340	NAS1149D0616J		.. WASHER- USED ON: 258T7100-32 258T7100-34		6

ILLUSTRATION ITEMS NOT ON PARTS LIST ARE NOT APPLICABLE

- ITEM NOT ILLUSTRATED

HXL

29-21-06-01

BOEING PROPRIETARY - Copyright © - Unpublished Work - See title page for details.

29-21-06  
FIG. 01  
PAGE 34  
DEC 22/07



767

PARTS CATALOG (MAINTENANCE)

FIG ITEM	PART NUMBER	1 2 3 4 5 6 7 NOMENCLATURE	EFFECT FROM TO	UNITS PER ASSY
1 345	BH003026	..NUT- SUPPLIER CODE: V27238 SPECIFICATION NUMBER: BACN10HR6 OPTIONAL PART: BMNN10HR6 V97928 H966 V15653 RMLH226 V72962 VAL280096 V06710 678326 V56878 H96-6 V15653 RMLH22-6 V72962 SL7058S624 V11815 67832-624 V56878 BH00302-6 V27238 CR5906-6 VF0224 USED ON: 258T7100-7 258T7100-8 258T7100-11 258T7100-12 258T7100-13 258T7100-14 258T7100-16 258T7100-17 258T7100-19 258T7100-20 258T7100-22		6

ILLUSTRATION ITEMS NOT ON PARTS LIST ARE NOT APPLICABLE

- ITEM NOT ILLUSTRATED

HXL

29-21-06-01

BOEING PROPRIETARY - Copyright © - Unpublished Work - See title page for details.

29-21-06  
 FIG. 01  
 PAGE 35  
 DEC 22/08

**BOEING**  
767  
**PARTS CATALOG (MAINTENANCE)**

FIG ITEM	PART NUMBER	1 2 3 4 5 6 7	NOMENCLATURE	EFFECT FROM TO	UNITS PER ASSY
1 345	BMN10HRCWD3-6		..NUT- SUPPLIER CODE: V97928 SPECIFICATION NUMBER: BACN10HR6CD OPTIONAL PART: H51560-6 V15653 67832CD624 V56878 102LH9031-6 V72962 BH00303CM6 V27238 SL7108C624 V11815 BMN5024CWD36 V97928 SL7108C6 V11815 102LH90316 V72962 67832CD6 V56878 VCU0005D6 V06710 CR6030-6 VF0224 USED ON: 258T7100-26 258T7100-28 258T7100-29 258T7100-32 258T7100-34		6
	350	258T7109-7	.. PLATE- USED ON: 258T7100-7 258T7100-11 258T7100-13 258T7100-17 258T7100-20 USED ON: 258T7100-7 258T7100-11 258T7100-13 258T7100-17 258T7100-20		1

ILLUSTRATION ITEMS NOT ON PARTS LIST ARE NOT APPLICABLE

- ITEM NOT ILLUSTRATED

HXL

# 29-21-06-01

BOEING PROPRIETARY - Copyright © - Unpublished Work - See title page for details.

29-21-06  
FIG. 01  
PAGE 36  
AUG 22/09



767

PARTS CATALOG (MAINTENANCE)

FIG ITEM	PART NUMBER	1 2 3 4 5 6 7	NOMENCLATURE	EFFECT FROM TO	UNITS PER ASSY
1 350	258T7109-9		.. PLATE- USED ON: 258T7100-8 258T7100-12 258T7100-14 258T7100-16 258T7100-19 258T7100-22 258T7100-26 258T7100-28 258T7100-29 258T7100-32 258T7100-34 USED ON: 258T7100-8 258T7100-12 258T7100-14 258T7100-16 258T7100-19 258T7100-22 258T7100-26 258T7100-28 258T7100-29 258T7100-32 258T7100-34		1
355	258T7109-10		.. PLATE- USED ON: 258T7100-7 258T7100-11 258T7100-13 258T7100-17 258T7100-20 USED ON: 258T7100-7 258T7100-11 258T7100-13 258T7100-17 258T7100-20		1

ILLUSTRATION ITEMS NOT ON PARTS LIST ARE NOT APPLICABLE

- ITEM NOT ILLUSTRATED

HXL

29-21-06-01

BOEING PROPRIETARY - Copyright © - Unpublished Work - See title page for details.

29-21-06  
 FIG. 01  
 PAGE 37  
 DEC 22/07



767

PARTS CATALOG (MAINTENANCE)

FIG ITEM	PART NUMBER	1 2 3 4 5 6 7	NOMENCLATURE	EFFECT FROM TO	UNITS PER ASSY
1 355	258T7109-8		.. PLATE- USED ON: 258T7100-8 258T7100-12 258T7100-14 258T7100-16 258T7100-19 258T7100-22 USED ON: 258T7100-8 258T7100-12 258T7100-14 258T7100-16 258T7100-19 258T7100-22		1
355	258T7109-11		.. PLATE- USED ON: 258T7100-26 258T7100-28 258T7100-29 258T7100-32 258T7100-34 USED ON: 258T7100-26 258T7100-28 258T7100-29 258T7100-32 258T7100-34		1
360	BACB30LE5-15		.. BOLT- USED ON: 258T7100-7 258T7100-8 258T7100-11 258T7100-12 258T7100-13 258T7100-14 258T7100-16 258T7100-17 258T7100-19 258T7100-20 258T7100-22		1
360	BACB30LE5K15		.. BOLT- USED ON: 258T7100-26 258T7100-28 258T7100-29 258T7100-32 258T7100-34		1
365	BACW10BN5AC		.. WASHER		1

ILLUSTRATION ITEMS NOT ON PARTS LIST ARE NOT APPLICABLE

- ITEM NOT ILLUSTRATED

HXL

29-21-06-01

BOEING PROPRIETARY - Copyright © - Unpublished Work - See title page for details.

29-21-06  
 FIG. 01  
 PAGE 38  
 DEC 22/07



767

PARTS CATALOG (MAINTENANCE)

FIG ITEM	PART NUMBER	1 2 3 4 5 6 7	NOMENCLATURE	EFFECT FROM TO	UNITS PER ASSY
1					
370	AN960PD516		.. WASHER- USED ON: 258T7100-7 258T7100-8 258T7100-11 258T7100-12 258T7100-13 258T7100-14 258T7100-16 258T7100-17 258T7100-19 258T7100-20 258T7100-22		1
370	AN960JD516		.. WASHER- USED ON: 258T7100-26 258T7100-28 258T7100-29		1
370	NAS1149D0563J		.. WASHER- USED ON: 258T7100-32 258T7100-34		1

ILLUSTRATION ITEMS NOT ON PARTS LIST ARE NOT APPLICABLE

- ITEM NOT ILLUSTRATED

HXL

29-21-06-01

BOEING PROPRIETARY - Copyright © - Unpublished Work - See title page for details.

29-21-06  
FIG. 01  
PAGE 39  
DEC 22/07



767

**PARTS CATALOG (MAINTENANCE)**

FIG ITEM	PART NUMBER	1 2 3 4 5 6 7	NOMENCLATURE	EFFECT FROM TO	UNITS PER ASSY
1 R	375 CR5906-5	.	NUT- SUPPLIER CODE: VF0224 SPECIFICATION NUMBER: BACN10HR5 OPTIONAL PART: BH00302-5 V27238 H965 V15653 RMLH225 V72962 VAL280095 V06710 678325 V56878 H96-5 V15653 RMLH22-5 V72962 SL7058S524 V11815 67832-524 V56878 BMNN10HR5 V97928 USED ON: 258T7100-7 258T7100-8 258T7100-11 258T7100-12 258T7100-13 258T7100-14 258T7100-16 258T7100-17 258T7100-19 258T7100-20 258T7100-22		1

ILLUSTRATION ITEMS NOT ON PARTS LIST ARE NOT APPLICABLE

- ITEM NOT ILLUSTRATED

**29-21-06-01**

HXL

BOEING PROPRIETARY - Copyright © - Unpublished Work - See title page for details.

29-21-06  
 FIG. 01  
 PAGE 40  
 AUG 22/09

**BOEING**  
767  
**PARTS CATALOG (MAINTENANCE)**

FIG ITEM	PART NUMBER	1 2 3 4 5 6 7	NOMENCLATURE	EFFECT FROM TO	UNITS PER ASSY
1 375	BH00303CM5	..	NUT-		1
			SUPPLIER CODE: V27238 SPECIFICATION NUMBER: BACN10HR5CD OPTIONAL PART: H51560-5 V15653 67832CD524 V56878 102LH9031-5 V72962 SL7108C524 V11815 BMN5024CWD35 V97928 SL7108C5 V11815 VCU0005D5 V06710 102LH90315 V72962 BMN10HRCWD3-5 V97928 67832CD5 V56878 CR6030-5 VF0224 USED ON: 258T7100-26 258T7100-28 258T7100-29 258T7100-32 258T7100-34		
380	BACB28AK05-033	..	BUSHING		1

ILLUSTRATION ITEMS NOT ON PARTS LIST ARE NOT APPLICABLE

- ITEM NOT ILLUSTRATED

HXL

# 29-21-06-01

BOEING PROPRIETARY - Copyright © - Unpublished Work - See title page for details.

29-21-06  
FIG. 01  
PAGE 41  
AUG 22/09





767

PARTS CATALOG (MAINTENANCE)

FIG ITEM	PART NUMBER	1 2 3 4 5 6 7	NOMENCLATURE	EFFECT FROM TO	UNITS PER ASSY
1 385	256T2120-3		..ACTUATOR ASSY-ROTARY COMPONENT MAINT MANUAL REF: 27-81-51 USED ON: 258T7100-7 258T7100-8 258T7100-11 258T7100-12 258T7100-13 258T7100-14 258T7100-16 258T7100-17 258T7100-19 258T7100-20 258T7100-22 258T7100-26		1
385	256T2120-5		..ACTUATOR ASSY-ROTARY COMPONENT MAINT MANUAL REF: 27-81-51 USED ON: 258T7100-13 258T7100-14 258T7100-16 258T7100-17 258T7100-19 258T7100-20 258T7100-22 258T7100-26		1
385	256T2120-9		..ACTUATOR ASSY-ROTARY COMPONENT MAINT MANUAL REF: 27-81-51 USED ON: 258T7100-28		1
385	256T2120-11		..ACTUATOR ASSY-ROTARY COMPONENT MAINT MANUAL REF: 27-81-51 USED ON: 258T7100-34 258T7100-28 258T7100-29 258T7100-32		1
385	256T5120-3		..ACTUATOR ASSY-		1

ILLUSTRATION ITEMS NOT ON PARTS LIST ARE NOT APPLICABLE

- ITEM NOT ILLUSTRATED

HXL

29-21-06-01

BOEING PROPRIETARY - Copyright © - Unpublished Work - See title page for details.

29-21-06  
FIG. 01  
PAGE 42  
DEC 22/07

 **BOEING**  
767  
**PARTS CATALOG (MAINTENANCE)**

FIG ITEM	PART NUMBER	1 2 3 4 5 6 7	NOMENCLATURE	EFFECT FROM TO	UNITS PER ASSY
1	390 BACB30LE8-29		.. BOLT- USED ON: 258T7100-7 258T7100-8 258T7100-11 258T7100-12 258T7100-13 258T7100-14 258T7100-16 258T7100-17 258T7100-19 258T7100-20 258T7100-22		1
	390 BACB30LE8K29		.. BOLT- USED ON: 258T7100-26 258T7100-28 258T7100-29 258T7100-32 258T7100-34		1
	395 BACW10BN8AC		.. WASHER-		1
	400 NAS1515H12		.. WASHER-		2
	405 AN960PD816		.. WASHER- USED ON: 258T7100-7 258T7100-8 258T7100-11 258T7100-12 258T7100-13 258T7100-14 258T7100-16 258T7100-17 258T7100-19 258T7100-20 258T7100-22		1
	405 AN960JD816		.. WASHER- USED ON: 258T7100-26 258T7100-28 258T7100-29		1
	405 NAS1149D0863J		.. WASHER- USED ON: 258T7100-32 258T7100-34		1

ILLUSTRATION ITEMS NOT ON PARTS LIST ARE NOT APPLICABLE

- ITEM NOT ILLUSTRATED

HXL

# 29-21-06-01

BOEING PROPRIETARY - Copyright © - Unpublished Work - See title page for details.

29-21-06  
FIG. 01  
PAGE 43  
DEC 22/07



767

PARTS CATALOG (MAINTENANCE)

FIG ITEM	PART NUMBER	1 2 3 4 5 6 7 NOMENCLATURE	EFFECT FROM TO	UNITS PER ASSY
1 410	BH003028	..NUT- SUPPLIER CODE: V27238 SPECIFICATION NUMBER: BACN10HR8 OPTIONAL PART: H96-8 V15653 RMLH22-8 V72962 67832-820 V56878 BH00302-8 V27238 BMNN10HR8 V97928 H968 V15653 RMLH228 V72962 VAL280098 V06710 678328 V56878 CR5906-8 VF0224 USED ON: 258T7100-7 258T7100-8 258T7100-11 258T7100-12 258T7100-13 258T7100-14 258T7100-16 258T7100-17 258T7100-19 258T7100-20 258T7100-22		1

ILLUSTRATION ITEMS NOT ON PARTS LIST ARE NOT APPLICABLE

- ITEM NOT ILLUSTRATED

HXL

29-21-06-01

BOEING PROPRIETARY - Copyright © - Unpublished Work - See title page for details.

29-21-06  
 FIG. 01  
 PAGE 44  
 DEC 22/08

 **BOEING**  
767  
**PARTS CATALOG (MAINTENANCE)**

FIG ITEM	PART NUMBER	1 2 3 4 5 6 7	NOMENCLATURE	EFFECT FROM TO	UNITS PER ASSY
1 410	BMN10HRCWD3-8	..	NUT- SUPPLIER CODE: V97928 SPECIFICATION NUMBER: BACN10HR8CD OPTIONAL PART: H51560-8 V15653 67832CD820 V56878 102LH9031-8 V72962 BH00303CM8 V27238 BMN5024CWD38 V97928 SL7108C8 V11815 VCU0005D8 V06710 102LH90318 V72962 67832CD8 V56878 CR6030-8 VF0224 USED ON: 258T7100-26 258T7100-28 258T7100-29 258T7100-32 258T7100-34		1
415	BACB28AK08-067	..	BUSHING-		1
420	258T7102-1	..	ARM ASSY-DEPLOYMENT		1
425	MS15720-1	...	FITTING		2
430	MS21916D6-4	.	REDUCER		1
435	NAS1612-4	.	PACKING-		1
440	BACU24K8	.	UNION-		1
445	NAS1612-8	.	PACKING-		1
450	BACU24K16	.	UNION-		1
455	NAS1612-16	.	PACKING-		1
- 600	286T0658-300		WIRE BUNDLE ASSY		RF

ILLUSTRATION ITEMS NOT ON PARTS LIST ARE NOT APPLICABLE

- ITEM NOT ILLUSTRATED

HXL

# 29-21-06-01

BOEING PROPRIETARY - Copyright © - Unpublished Work - See title page for details.

29-21-06  
FIG. 01  
PAGE 45  
DEC 22/08



767

PARTS CATALOG (MAINTENANCE)

FIG ITEM	PART NUMBER	1 2 3 4 5 6 7	NOMENCLATURE	EFFECT FROM TO	UNITS PER ASSY
1 605	G899314		.CLAMP- SUPPLIER CODE: V06324 SPECIFICATION NUMBER: BACC10HF14A OPTIONAL PART: G8993M14 V06324 S2251-14-8 V07418 900-555F14-34 V31461 6000-123-0014 V14283 GS3417-14AC V06324 S2125-14A8 V07418 ELECTRICAL EQUIP NUMBER: D02354T WIRING DIAGRAM REF: 292131		1
610	R071014R7SNL		.CONNECTOR- SUPPLIER CODE: V41118 SPECIFICATION NUMBER: BACC63BP14R7SNL MISCELLANEOUS DATA: OPTIONAL PART NUMBERS: BACC63BP14R7SN (81205) BACC63BP14A7SN (81205) BACC63BP14A7SNL (81205) ELECTRICAL EQUIP NUMBER: D02354 WIRING DIAGRAM REF: 292131		1
- 620	286T1208-300		WIRE BUNDLE ASSY		RF

ILLUSTRATION ITEMS NOT ON PARTS LIST ARE NOT APPLICABLE

- ITEM NOT ILLUSTRATED

HXL

29-21-06-01

BOEING PROPRIETARY - Copyright © - Unpublished Work - See title page for details.

29-21-06  
FIG. 01  
PAGE 46  
DEC 22/07



767

PARTS CATALOG (MAINTENANCE)

FIG ITEM	PART NUMBER	1 2 3 4 5 6 7	NOMENCLATURE	EFFECT FROM TO	UNITS PER ASSY
1 630	FC3406D24C22S	.	CONNECTOR- SUPPLIER CODE: V28680 SPECIFICATION NUMBER: BACC63BW24C22S OPTIONAL PART: WFB624C22S V17549 ELECTRICAL EQUIP NUMBER: D02352 WIRING DIAGRAM REF: 292131 BACC63CE24A22S		1
630	BACC63CE24A22S	.	CONNECTOR- ELECTRICAL EQUIP NUMBER: D02352 WIRING DIAGRAM REF: 292131 OPTIONAL PART: BACC63BW24C22S		1
900			ILLUSTRATION REFERENCE: HYDRAULIC INSTL-SECT. 49 WING/BODY FAIRING (RAM AIR TURBINE SYSTEM ONLY) 29-21-54-01		RF
905			ILLUSTRATION REFERENCE: HYDRAULIC INSTL-SECT. 49 WING/BODY FAIRING (MAIN HYDRAULIC SYSTEMS ONLY) 29-11-78-01		RF

ILLUSTRATION ITEMS NOT ON PARTS LIST ARE NOT APPLICABLE

- ITEM NOT ILLUSTRATED

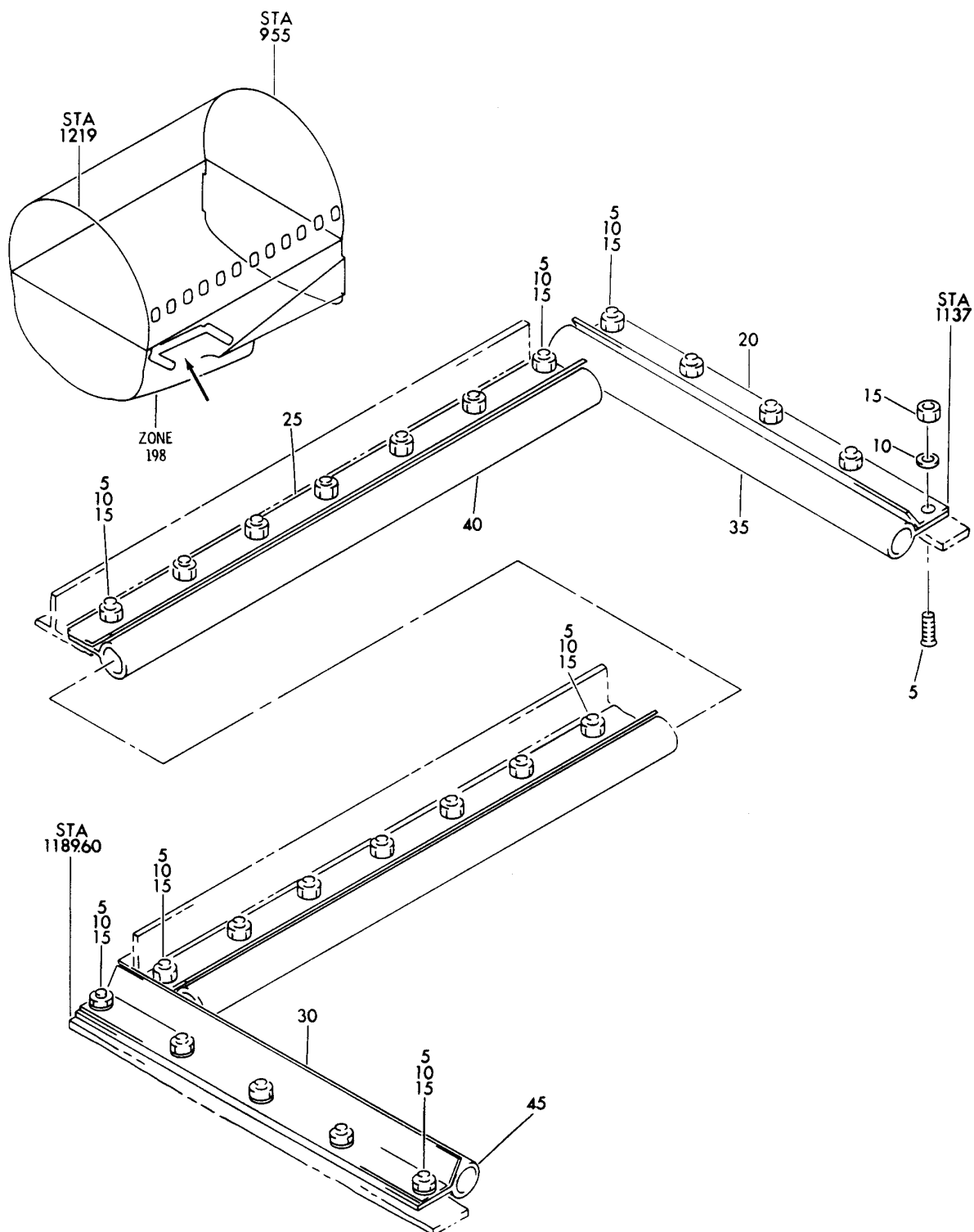
HXL

29-21-06-01

BOEING PROPRIETARY - Copyright © - Unpublished Work - See title page for details.

29-21-06  
FIG. 01  
PAGE 47  
DEC 22/07

**BOEING**  
767  
PARTS CATALOG (MAINTENANCE)



V 29210801 SHT 1 REV 002

SEAL INSTL-AFT FAIRING RAT DOOR  
FIGURE 1

**29-21-09-01**

HXL  
DEC 22/06

29-21-09-01  
PAGE 0

**BOEING**  
767  
**PARTS CATALOG (MAINTENANCE)**

FIG ITEM	PART NUMBER	1 2 3 4 5 6 7	NOMENCLATURE	EFFECT FROM TO	UNITS PER ASSY
1			SEAL INSTL-AFT FAIRING RAT DOOR		
- 1	149T7778-8		SEAL INSTL-FAIRING RAT DOOR POSITION DATA: AFT FOR NHA SEE: 53-66-59-01		RF
5	BACB30LH2-3		.BOLT		24
10	AN960PD8L		.WASHER		24
15	BRH10C08D		.NUT SUPPLIER CODE: V52828 SPECIFICATION NUMBER: BACN10JC08CD OPTIONAL PART: H51650-08BAC V15653 102LH9075-82W V72962 NS202486-82 V80539 T6C832JCD V11815		24
20	149T7778-9		.DEPRESSOR-		1
25	149T7778-13		.DEPRESSOR-		1
30	149T7778-10		.DEPRESSOR-		1
35	149T7778-11		.SEAL- MANUFACTURED FROM: EXTR RUBBER 10-60754-19 X 17.2 IN (5287000190)		1
40	149T7778-14		.SEAL- MANUFACTURED FROM: EXTR RUBBER 10-60754-19 X 50.0 IN (5287000190)		1
45	149T7778-12		.SEAL- MANUFACTURED FROM: EXTR RUBBER 10-60754-19 X 17.2 IN (5287000190)		1

R  
R  
R  
R  
R  
R  
R  
R  
R  
R  
R  
R  
R

ILLUSTRATION ITEMS NOT ON PARTS LIST ARE NOT APPLICABLE

- ITEM NOT ILLUSTRATED

HXL

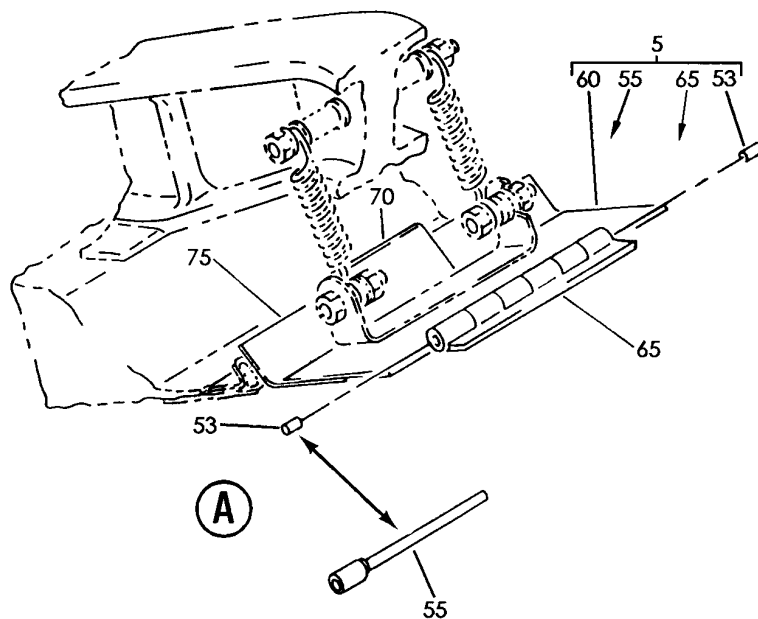
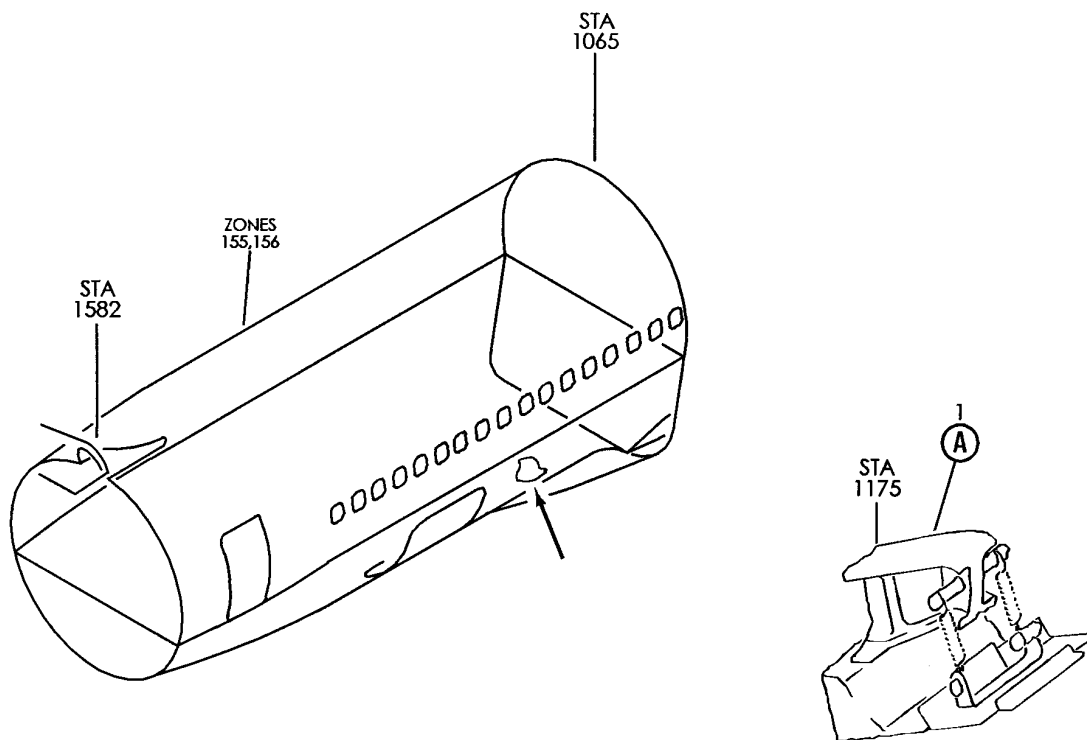
29-21-09-01

BOEING PROPRIETARY - Copyright © - Unpublished Work - See title page for details.

29-21-09  
FIG. 01  
PAGE 1  
AUG 22/09



**BOEING**  
767  
PARTS CATALOG (MAINTENANCE)



V 29210903 REV 211

DEPRESSOR ASSY-RAT DOOR MOVEABLE  
FIGURE 3

**29-21-09-03**

HXL  
DEC 22/06

29-21-09-03  
PAGE 0



767

PARTS CATALOG (MAINTENANCE)

FIG ITEM	PART NUMBER	1 2 3 4 5 6 7	NOMENCLATURE	EFFECT FROM TO	UNITS PER ASSY
3			DEPRESSOR ASSY-RAT DOOR MOVEABLE		
1	149T7779-2		DEPRESSOR ASSY-RAT DOOR MOVEABLE		RF
-	5 149T7779-5		FOR NHA SEE: 53-66-59-01 .SUB KIT ASSY-		1
-	5 149T7779-4		OPTIONAL PART: 149T7779-4 .SUB KIT ASSY-		1
	53 MS39086-100		OPTIONAL PART: 149T7779-5 ..PIN-		2
	55 149T7783-1		QUALIFIED OPTIONAL DATA: (OPT 149T7782-1 USED WITH 149T7782-2, 149T7783-1) USED ON: 149T7779-5 USED WITH: 149T7782-3 149T7782-4 MS20253P2-260		1
	55 MS20253P2-260		..PIN ASSY-HINGE QUALIFIED OPTIONAL DATA: (OPT 149T7782-3 USED WITH 149T7782-4, MS20253P2-260, MS39086-100) USED ON: 149T7779-4 USED WITH: 149T7782-1 149T7782-2 ..PIN-		1
			QUALIFIED OPTIONAL DATA: (OPT 149T7782-1 USED WITH 149T7782-2, 149T7783-1) USED ON: 149T7779-5 USED WITH: 149T7782-3 149T7782-4 MS39086-100		

ILLUSTRATION ITEMS NOT ON PARTS LIST ARE NOT APPLICABLE

- ITEM NOT ILLUSTRATED

HXL

29-21-09-03

BOEING PROPRIETARY - Copyright © - Unpublished Work - See title page for details.

29-21-09  
FIG. 03  
PAGE 1  
DEC 22/06



767

PARTS CATALOG (MAINTENANCE)

FIG ITEM	PART NUMBER	1 2 3 4 5 6 7	NOMENCLATURE	EFFECT FROM TO	UNITS PER ASSY
3	60 149T7782-1		..HINGE- QUALIFIED OPTIONAL DATA: (OPT 149T7782-3 USED WITH 149T7782-4, MS20253P2-260, MS39086-100) USED ON: 149T7779-4 USED WITH: 149T7782-2 149T7783-1		1
	60 149T7782-3		..HINGE- QUALIFIED OPTIONAL DATA: (OPT 149T7782-1 USED WITH 149T7782-2, 149T7783-1) USED ON: 149T7779-5 USED WITH: 149T7782-4 MS20253P2-260 MS39086-100		1
	65 149T7782-2		..HINGE- QUALIFIED OPTIONAL DATA: (OPT 149T7782-3 USED WITH 149T7782-4, MS20253P2-260, MS39086-100) USED ON: 149T7779-4 USED WITH: 149T7782-1 149T7783-1		1
	65 149T7782-4		..HINGE- QUALIFIED OPTIONAL DATA: (OPT 149T7782-1 USED WITH 149T7782-2, 149T7783-1) USED ON: 149T7779-5 USED WITH: 149T7782-3 MS20253P2-260 MS39086-100		1
	70 149T7780-1		.PLATE		1
	75 149T7779-3		.DEPRESSOR		1

ILLUSTRATION ITEMS NOT ON PARTS LIST ARE NOT APPLICABLE

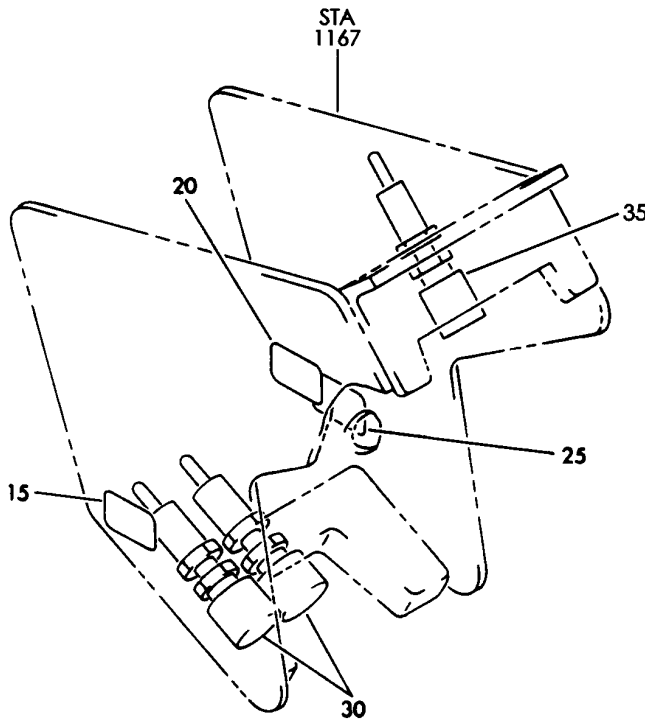
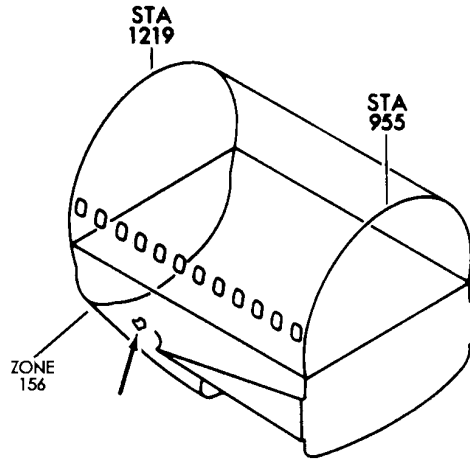
- ITEM NOT ILLUSTRATED

29-21-09-03

29-21-09  
 FIG. 03  
 PAGE 2  
 DEC 22/06

HXL

**BOEING**  
767  
PARTS CATALOG (MAINTENANCE)



V 29211701 REV 198

SWITCH INSTL-RAM AIR TURB  
FIGURE 1

**29-21-17-01**

HXL  
DEC 22/06

29-21-17-01  
PAGE 0

 **BOEING**  
767  
**PARTS CATALOG (MAINTENANCE)**

FIG ITEM	PART NUMBER	1 2 3 4 5 6 7	NOMENCLATURE	EFFECT FROM TO	UNITS PER ASSY
1					
- 1	284T0247-1		SWITCH INSTL-RAM AIR TURB SWITCH INSTL-RAM AIR TURB DOWN LIMIT FOR NHA SEE: 24-00-58-01B		RF
- 5	284T0247-2		SWITCH INSTL-RAM AIR TURB UP LIMIT FOR NHA SEE: 24-00-58-01B		RF
- 10	284T0247-3		SWITCH INSTL-RAM AIR TURB OVERRIDE LIMIT FOR NHA SEE: 24-00-58-01B		RF
15	BAC27TEX1355		.MARKER-ALUMINUM FOIL PLACARD CONTENT: S365 USED ON: 284T0247-1 284T0247-4 284T0247-7 MODREF54092		1
20	BAC27TEX1356		.MARKER-ALUMINUM FOIL PLACARD CONTENT: S369 USED ON: 284T0247-2 284T0247-6 284T0247-9 MODREF54094		1
25	BAC27TEX1357		.MARKER-ALUMINUM FOIL PLACARD CONTENT: S501 USED ON: 284T0247-3 284T0247-5 284T0247-8 MODREF54093		1
ILLUSTRATION ITEMS NOT ON PARTS LIST ARE NOT APPLICABLE					

- ITEM NOT ILLUSTRATED

HXL

# 29-21-17-01

BOEING PROPRIETARY - Copyright © - Unpublished Work - See title page for details.

29-21-17  
FIG. 01  
PAGE 1  
DEC 22/06



767

PARTS CATALOG (MAINTENANCE)

FIG ITEM	PART NUMBER	1 2 3 4 5 6 7	NOMENCLATURE	EFFECT FROM TO	UNITS PER ASSY
1 30	1EN575-6		.SWITCH- SUPPLIER CODE: V91929 ELECTRICAL EQUIP NUMBER: S00365 S00501 USED ON: 284T0247-4 284T0247-5 284T0247-7 284T0247-8 MODREF54092 MODREF54093 POST SERVICE BULLETIN: 29-0082		2
35	1EN61-6		.SWITCH- SUPPLIER CODE: V91929 ELECTRICAL EQUIP NUMBER: S00369 USED ON: 284T0247-2 284T0247-6 284T0247-9 MODREF54094		1

ILLUSTRATION ITEMS NOT ON PARTS LIST ARE NOT APPLICABLE

- ITEM NOT ILLUSTRATED

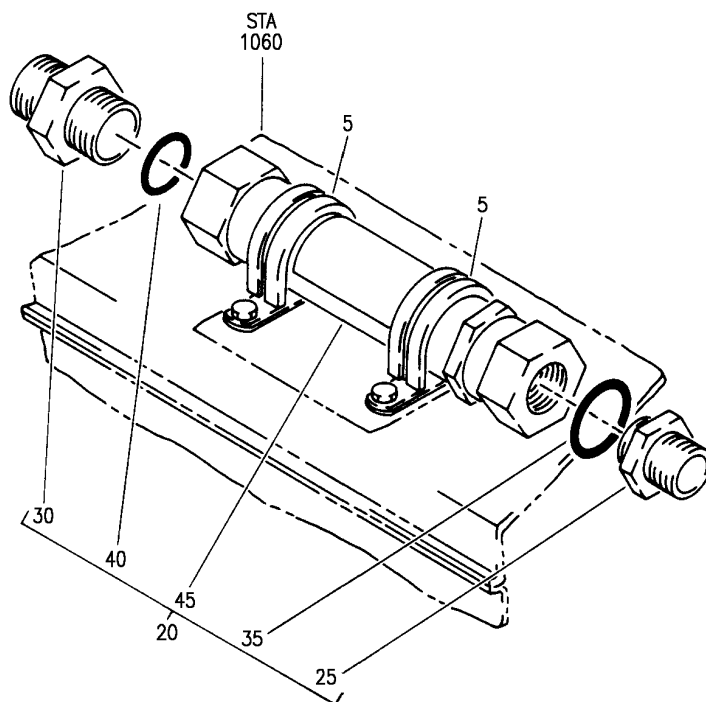
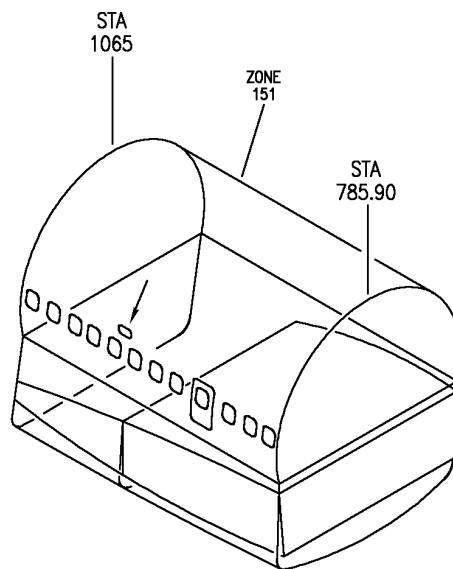
HXL

29-21-17-01

BOEING PROPRIETARY - Copyright © - Unpublished Work - See title page for details.

29-21-17  
FIG. 01  
PAGE 2  
DEC 22/06

**BOEING**  
767  
PARTS CATALOG (MAINTENANCE)



V 29211801 REV 336

VALVE INSTL-RELIEF RAM AIR TURB  
FIGURE 1

**29-21-18-01**

HXL  
APR 22/09

29-21-18-01  
PAGE 0



767

PARTS CATALOG (MAINTENANCE)

FIG ITEM	PART NUMBER	1 2 3 4 5 6 7	NOMENCLATURE	EFFECT FROM TO	UNITS PER ASSY
1			VALVE INSTL-RELIEF RAM AIR TURB		
- 1	272T0155-3		VALVE INSTL-RELIEF RAM AIR TURB		RF
			FOR NHA SEE: 29-21-53-01		
	5 BACC10GF22CH		.CLAMP- ATTACHING PARTS		2
- 10	NAS1801-3-9		.SCREW		4
- 15	AN960KD10L		.WASHER		4
			-----*-----		
	20 272T0155-2		.VALVE ASSY-		1
	20 272T0155-4		.VALVE ASSY-		1
	25 BACU24K10		..UNION		1
	30 MS21902D12		..UNION		1
	35 NAS1612-10		..PACKING-		1
	40 NAS1612-12		..PACKING-		1
	45 1441		..VALVE-RELIEF HYDR SUPPLIER CODE: V06177 COMPONENT MAINT MANUAL REF: 29-21-18		1
	45 1441-1		..VALVE-RELIEF HYDR SUPPLIER CODE: V06177		1

ILLUSTRATION ITEMS NOT ON PARTS LIST ARE NOT APPLICABLE

- ITEM NOT ILLUSTRATED

HXL

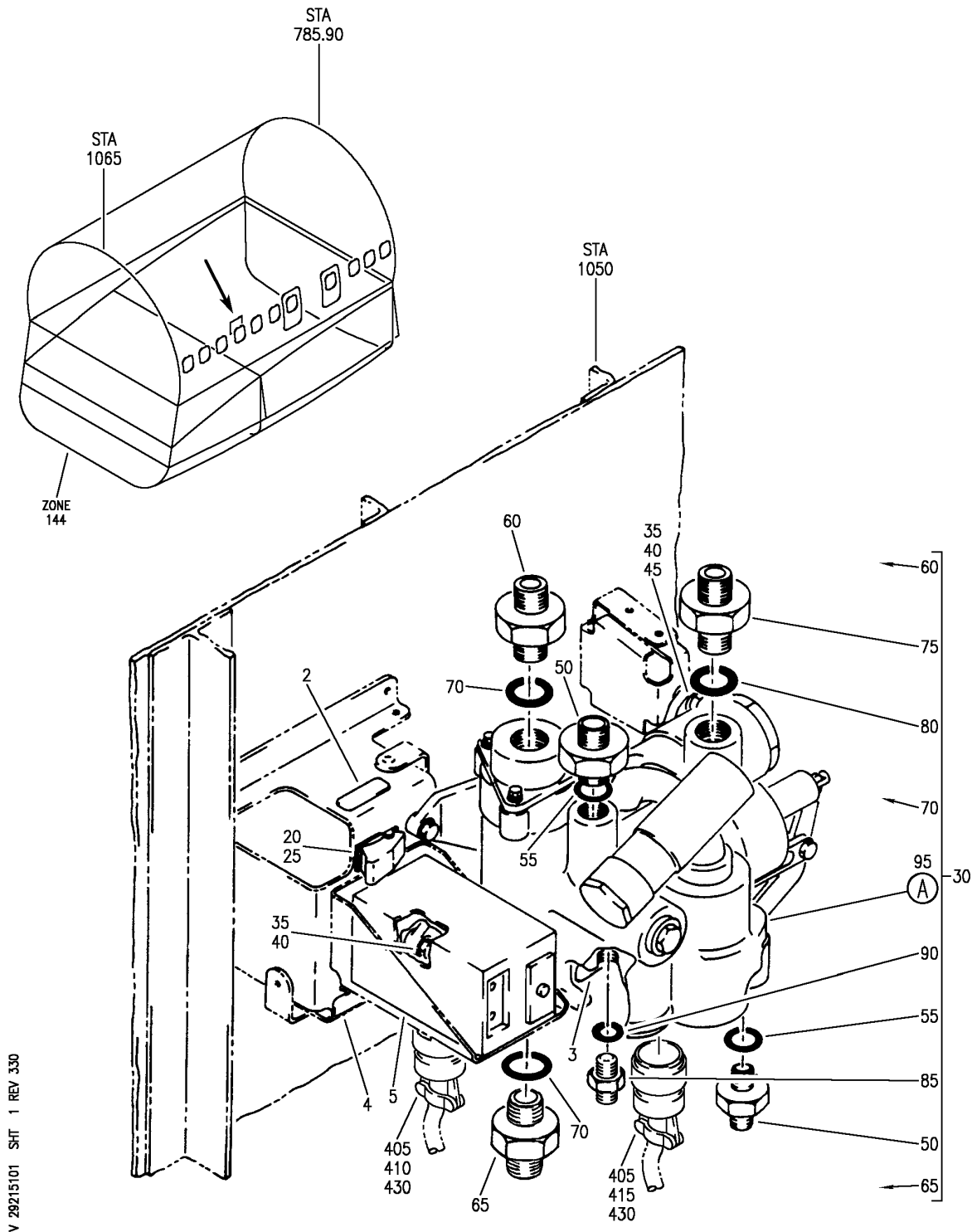
29-21-18-01

BOEING PROPRIETARY - Copyright © - Unpublished Work - See title page for details.

29-21-18  
FIG. 01  
PAGE 1  
DEC 22/06



**BOEING**  
767  
PARTS CATALOG (MAINTENANCE)



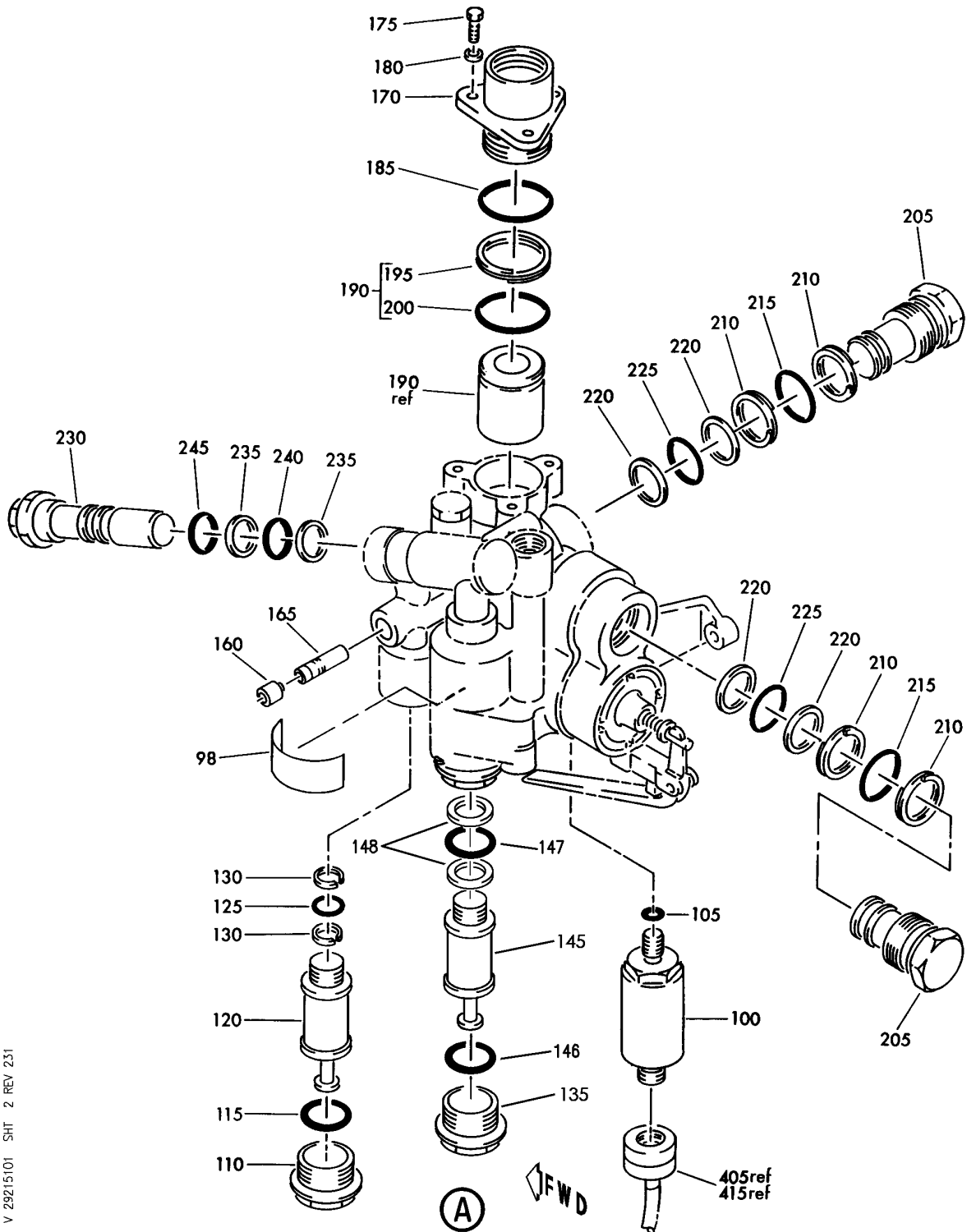
CHECKOUT INSTL-RAM AIR TURB MODULE AND TACK (HYDRAULIC POWER ONLY)  
FIGURE 1 (SHEET 1)

**29-21-51-01**

HXL  
AUG 22/08

29-21-51-01  
PAGE 0

**BOEING**  
767  
PARTS CATALOG (MAINTENANCE)



V 29215101 SHT 2 REV 231

CHECKOUT INSTL-RAM AIR TURB MODULE AND TACK (HYDRAULIC POWER ONLY)  
FIGURE 1 (SHEET 2)

**29-21-51-01**

HXL  
DEC 22/06

29-21-51-01  
PAGE 0A

**BOEING**  
767  
**PARTS CATALOG (MAINTENANCE)**

FIG ITEM	PART NUMBER	1 2 3 4 5 6 7	NOMENCLATURE	EFFECT FROM TO	UNITS PER ASSY
1			CHECKOUT INSTL-RAM AIR TURB MODULE AND TACK (HYDRAULIC POWER ONLY)		
- 1	258T7200-5		CHECKOUT INSTL-JAM AIR TURB MODULE AND TACH (HYDRAULIC POWER ONLY)		RF
2	BAC27TCT0314		.MARKER-ALUMINUM FOIL PLACARD CONTENT: S366		1
3	BAC27TCT0315		.MARKER-ALUMINUM FOIL PLACARD CONTENT: S367		1
4	BAC27TCT0316		.MARKER-ALUMINUM FOIL PLACARD CONTENT: N72		1
5	729552A		.TACHOMETER-RAM AIR TURB IND SUPPLIER CODE: V99167 FUNCTIONAL DESCRIPTION: PROVIDES A VISUAL (LIGHT) INDICATION OF THE OPERATING STATUS OF THE RAT DURING GROUND CHECKOUT SPECIFICATION NUMBER: S258T710-4 ELECTRICAL EQUIP NUMBER: N00072 OPTIONAL PART: 729552 V99167		1
- 10	NAS1801-3D9		ATTACHING PARTS .SCREW- OPTIONAL PART: NAS1801-3D8		4
- 10	NAS1801-3D8		.SCREW- OPTIONAL PART: NAS1801-3D9		4
- 15	AN960PD10L		.WASHER -----*-----		4
20	MS24523-28		.SWITCH- ELECTRICAL EQUIP NUMBER: S00366		1
25	MS25214-2		.GUARD-		1
30	258T7200-2		.MODULE ASSY-		1
30	258T7200-4		.MODULE ASSY- POST ALERT SB: 29A0035		1
ILLUSTRATION ITEMS NOT ON PARTS LIST ARE NOT APPLICABLE					

- ITEM NOT ILLUSTRATED

HXL

# 29-21-51-01

BOEING PROPRIETARY - Copyright © - Unpublished Work - See title page for details.

29-21-51  
FIG. 01  
PAGE 1  
DEC 22/06

 **BOEING**  
767  
**PARTS CATALOG (MAINTENANCE)**

FIG ITEM	PART NUMBER	1 2 3 4 5 6 7	NOMENCLATURE	EFFECT FROM TO	UNITS PER ASSY
1					
30	258T7200-6		.MODULE ASSY- ATTACHING PARTS		1
35	BACB30NF4-7		.BOLT		3
40	AN960PD416L		.WASHER		3
45	BRH10A4		.NUT		1
			SUPPLIER CODE: V52828		
			SPECIFICATION NUMBER: BACN10JC4		
			OPTIONAL PART: T6S428J		
			V11815		
			96-048		
			V80539		
			VN303A048		
			V92215		
			RMLH9075-4W		
			V72962		
			NS202101-048		
			V80539		
			H10-4BAC		
			V15653		
			-----*-----		
50	BACU24K8		..UNION		2
55	NAS1612-8		..PACKING-		2
60	MS21902D16		..UNION		1
65	BACU24K16		..UNION-		1
70	NAS1612-16		..PACKING-		2
75	BACU24K10		..UNION		1
80	NAS1612-10		..PACKING-		1
85	MS21902D6		..UNION		1
90	NAS1612-6		..PACKING-		1
			ILLUSTRATION ITEMS NOT ON PARTS LIST ARE NOT APPLICABLE		

- ITEM NOT ILLUSTRATED

HXL

# 29-21-51-01

BOEING PROPRIETARY - Copyright © - Unpublished Work - See title page for details.

29-21-51  
FIG. 01  
PAGE 2  
DEC 22/06



767

PARTS CATALOG (MAINTENANCE)

FIG ITEM	PART NUMBER	1 2 3 4 5 6 7 NOMENCLATURE	EFFECT FROM TO	UNITS PER ASSY
1 95	729550C	<p>..MODULE ASSY-HYDR PUMP CHECKOUT SUPPLIER CODE: V99167 FUNCTIONAL DESCRIPTION: USED TO CHECK THE OPERATION OF THE RAM AIR TURBINE WHILE ON THE GROUND SPECIFICATION NUMBER: S258T710-14 FOR ELEMENT MAINTENANCE USE FILTER MAINT KIT DEFINED IN FILTER MAINT KIT LIST. FILTER MAINTENANCE KIT REF: 654T0035-6 COMPONENT MAINT MANUAL REF: 29-21-02 OPTIONAL PART: 729550D V99167 USED ON: 258T7200-2 258T7200-4 258T7200-6 POST ALERT SB: 29A0035</p>		1

ILLUSTRATION ITEMS NOT ON PARTS LIST ARE NOT APPLICABLE

- ITEM NOT ILLUSTRATED

HXL

29-21-51-01

BOEING PROPRIETARY - Copyright © - Unpublished Work - See title page for details.

29-21-51  
FIG. 01  
PAGE 3  
DEC 22/06

 **BOEING**  
767  
**PARTS CATALOG (MAINTENANCE)**

FIG ITEM	PART NUMBER	1 2 3 4 5 6 7	NOMENCLATURE	EFFECT FROM TO	UNITS PER ASSY
1 95	729550D		..MODULE ASSY-HYDR PUMP CHECKOUT SUPPLIER CODE: V99167 FUNCTIONAL DESCRIPTION: USED TO CHECK THE OPERATION OF THE RAM AIR TURBINE WHILE ON THE GROUND SPECIFICATION NUMBER: S258T710-18 FOR ELEMENT MAINTENANCE USE FILTER MAINT KIT DEFINED IN FILTER MAINT KIT LIST. FILTER MAINTENANCE KIT REF: 654T0035-6 COMPONENT MAINT MANUAL REF: 29-21-02 OPTIONAL PART: 729550C V99167 USED ON: 258T7200-6 POST ALERT SB: 29A0035		1
98	729818		...PLATE-IDENT SUPPLIER CODE: V99167		1
100	211C223-301		...SWITCH-PRESSURE SUPPLIER CODE: V02750 FUNCTIONAL DESCRIPTION: CLOSSES AN ELECTRICAL CIRCUIT WHEN HYDRAULIC PRESSURE IS SENSED. SPECIFICATION NUMBER: S271T452-1 COMPONENT MAINT MANUAL REF: 29-09-01 OPTIONAL PART: 211C223-534 V02750 211C223-175 V02750 SERVICE BULLETIN OPT DATA: 211C223-175		1

ILLUSTRATION ITEMS NOT ON PARTS LIST ARE NOT APPLICABLE

- ITEM NOT ILLUSTRATED

HXL

# 29-21-51-01

BOEING PROPRIETARY - Copyright © - Unpublished Work - See title page for details.

29-21-51  
FIG. 01  
PAGE 4  
DEC 22/06

 **BOEING**  
767  
**PARTS CATALOG (MAINTENANCE)**

FIG ITEM	PART NUMBER	1 2 3 4 5 6 7	NOMENCLATURE	EFFECT FROM TO	UNITS PER ASSY
1 100	211C223-534		...SWITCH ASSY-PRESSURE SUPPLIER CODE: V02750 FUNCTIONAL DESCRIPTION: CLOSES AN ELECTRICAL CIRCUIT WHEN HYDRAULIC PRESSURE IS SENSED. SPECIFICATION NUMBER: S271T452-1 COMPONENT MAINT MANUAL REF: 29-09-04 OPTIONAL PART: 211C223-301 V02750		1
105	NAS1612-6		...PACKING-		1
110	729813		...CAP-THREADED SUPPLIER CODE: V99167		1
115	NAS1612-16		...PACKING		3
120	AC8818E1		...FILTER- SUPPLIER CODE: V18350 SPECIFICATION NUMBER: 60B80034-1 FOR ELEMENT MAINTENANCE USE FILTER MAINT KIT DEFINED IN FILTER MAINT KIT LIST. FILTER MAINTENANCE KIT REF: 654T0035-6		1
125	NAS1611-012		...PACKING-		1
130	MS27595-012		...RETAINER		2
135	734076		...CAP-THREADED SUPPLIER CODE: V99167 SB DATA FROM A CMM: (SB 729550-29-1)		1
145	AC8818E2		...FILTER-ELEM SUPPLIER CODE: V14818 SPECIFICATION NUMBER: 60B80034-2 OPTIONAL PART: 7553575 V05228 4228-633 V05CK7		1
146	NAS1612-20		...PACKING-		1
147	NAS1611-116		...PACKING-		1
148	MS27595-116		...RETAINER		2

ILLUSTRATION ITEMS NOT ON PARTS LIST ARE NOT APPLICABLE

— ITEM NOT ILLUSTRATED

HXL

# 29-21-51-01

BOEING PROPRIETARY - Copyright © - Unpublished Work - See title page for details.

29-21-51  
FIG. 01  
PAGE 5  
DEC 22/06

**BOEING**  
767  
**PARTS CATALOG (MAINTENANCE)**

FIG ITEM	PART NUMBER	1 2 3 4 5 6 7	NOMENCLATURE	EFFECT FROM TO	UNITS PER ASSY
1					
160	PLGA4061010	...	PLUG- SUPPLIER CODE: V92555 OPTIONAL PART: 2407LA09 V92555		1
160	2407LA09	...	PLUG- SUPPLIER CODE: V92555 OPTIONAL PART: PLGA4061010 V92555		1
165	CKFA3756005A	...	VALVE-CHK SUPPLIER CODE: V92555 OPTIONAL PART: 5902507 V99167 59216 V99167		1
165	5902507	...	VALVE-CHK SUPPLIER CODE: V99167 OPTIONAL PART: CKFA3756005A V92555 59216 V99167		1
165	59216	...	VALVE-CHK SUPPLIER CODE: V99167 OPTIONAL PART: CKFA3756005A V92555 5902507 V99167		1
170	729816	...	ADAPTER- SUPPLIER CODE: V99167 ATTACHING PARTS		1
175	MS9519-14	...	SCREW		3
180	AN960XC416	...	WASHER		3
			-----*-----		
185	NAS1611-220	...	PACKING-		1
190	59762	...	VALVE ASSY-CHK SUPPLIER CODE: V99167		1
195	MS27595-220	....	RETAINER		1
200	NAS1611-220	....	PACKING-		1

ILLUSTRATION ITEMS NOT ON PARTS LIST ARE NOT APPLICABLE

— ITEM NOT ILLUSTRATED

HXL

# 29-21-51-01

BOEING PROPRIETARY - Copyright © - Unpublished Work - See title page for details.

29-21-51  
FIG. 01  
PAGE 6  
DEC 22/06





767

PARTS CATALOG (MAINTENANCE)

FIG ITEM	PART NUMBER	1 2 3 4 5 6 7	NOMENCLATURE	EFFECT FROM TO	UNITS PER ASSY
1					
205	59855		... VALVE-CHK SUPPLIER CODE: V99167		2
210	MS28782-24		... RETAINER		4
215	NAS1611-219		... PACKING-		2
220	MS28782-21		... RETAINER		4
225	NAS1611-216		... PACKING-		2
230	6240-1		... VALVE-VOLUMETRIC FUSE CARTRIDGE SUPPLIER CODE: V06177 OPTIONAL PART: 95366-2 V26044		1
230	95366-2		... VALVE-VOLUMETRIC FUSE CARTRIDGE SUPPLIER CODE: V06177 OPTIONAL PART: 6240-1 V06177		1
235	MS28774-115		... RETAINER		2
240	NAS1611-115		... PACKING-		1
245	NAS1612-12		... PACKING-		1
- 400	286T0680-001		WIRE BUNDLE ASSY		RF
405	BCREF5404		. ADAPTER- SUPPLIER CODE: V06324 OVERLENGTH PART NUMBER: 710AS011M12-09-62A ELECTRICAL EQUIP NUMBER: D02356T D02358T WIRING DIAGRAM REF: 292131		2

ILLUSTRATION ITEMS NOT ON PARTS LIST ARE NOT APPLICABLE

- ITEM NOT ILLUSTRATED

HXL

29-21-51-01

BOEING PROPRIETARY - Copyright © - Unpublished Work - See title page for details.

29-21-51  
FIG. 01  
PAGE 7  
DEC 22/06



767

PARTS CATALOG (MAINTENANCE)

FIG ITEM	PART NUMBER	1 2 3 4 5 6 7	NOMENCLATURE	EFFECT FROM TO	UNITS PER ASSY
1 410	R071012R3SNL		.CONNECTOR- SUPPLIER CODE: V41118 SPECIFICATION NUMBER: BACC63BP12R3SNL OPTIONAL PART: CN0966-12A03S V13556 ZZYA0-12D12-03S V49367 48-06R12-3SN266 V02660 ELECTRICAL EQUIP NUMBER: D02356 WIRING DIAGRAM REF: 292131		1
415	R071012R3S6L		.CONNECTOR- SUPPLIER CODE: V41118 SPECIFICATION NUMBER: BACC63BP12R3S6L ELECTRICAL EQUIP NUMBER: D02358 WIRING DIAGRAM REF: 292131		1

ILLUSTRATION ITEMS NOT ON PARTS LIST ARE NOT APPLICABLE

- ITEM NOT ILLUSTRATED

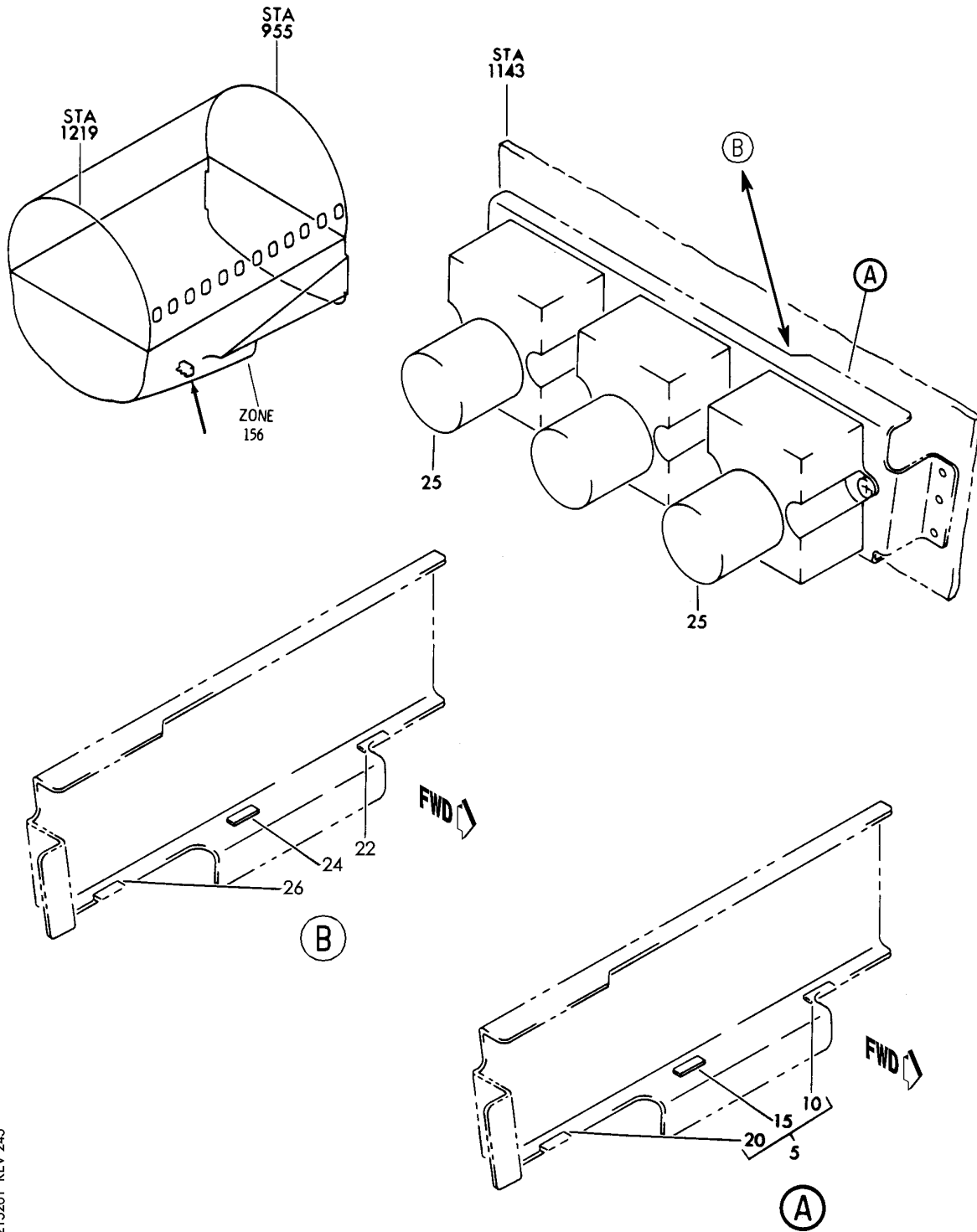
HXL

29-21-51-01

BOEING PROPRIETARY - Copyright © - Unpublished Work - See title page for details.

29-21-51  
FIG. 01  
PAGE 8  
DEC 22/06

**BOEING**  
767  
PARTS CATALOG (MAINTENANCE)



V 29215201 REV 245

RELAY INSTL-STA 1143 RAM AIR TURB  
FIGURE 1

**29-21-52-01**

HXL  
DEC 22/06

29-21-52-01  
PAGE 0

**BOEING**  
767  
**PARTS CATALOG (MAINTENANCE)**

FIG ITEM	PART NUMBER	1 2 3 4 5 6 7	NOMENCLATURE	EFFECT FROM TO	UNITS PER ASSY
1			RELAY INSTL-STA 1143 RAM AIR TURB		
- 1	284T0660-1		RELAY INSTL-RAM AIR TURB POSITION DATA: STA 1143 FOR NHA SEE: 24-00-58-02		RF
- 5	284T0660-2		.DECAL INSTL		1
10	BAC27TEX1220		..DECAL- PLACARD CONTENT: K234		1
15	BAC27TEX1221		..DECAL- PLACARD CONTENT: K235		1
20	BAC27TEX1222		..DECAL- PLACARD CONTENT: K236		1
27	MS27243-5		.TERMINAL COVER		3
35	MS24184D1		.RELAY- ELECTRICAL EQUIP NUMBER: K00234 K00235 K00236		3
- 40	NAS1801-4-8		ATTACHING PARTS .SCREW -----*-----		6

ILLUSTRATION ITEMS NOT ON PARTS LIST ARE NOT APPLICABLE

- ITEM NOT ILLUSTRATED

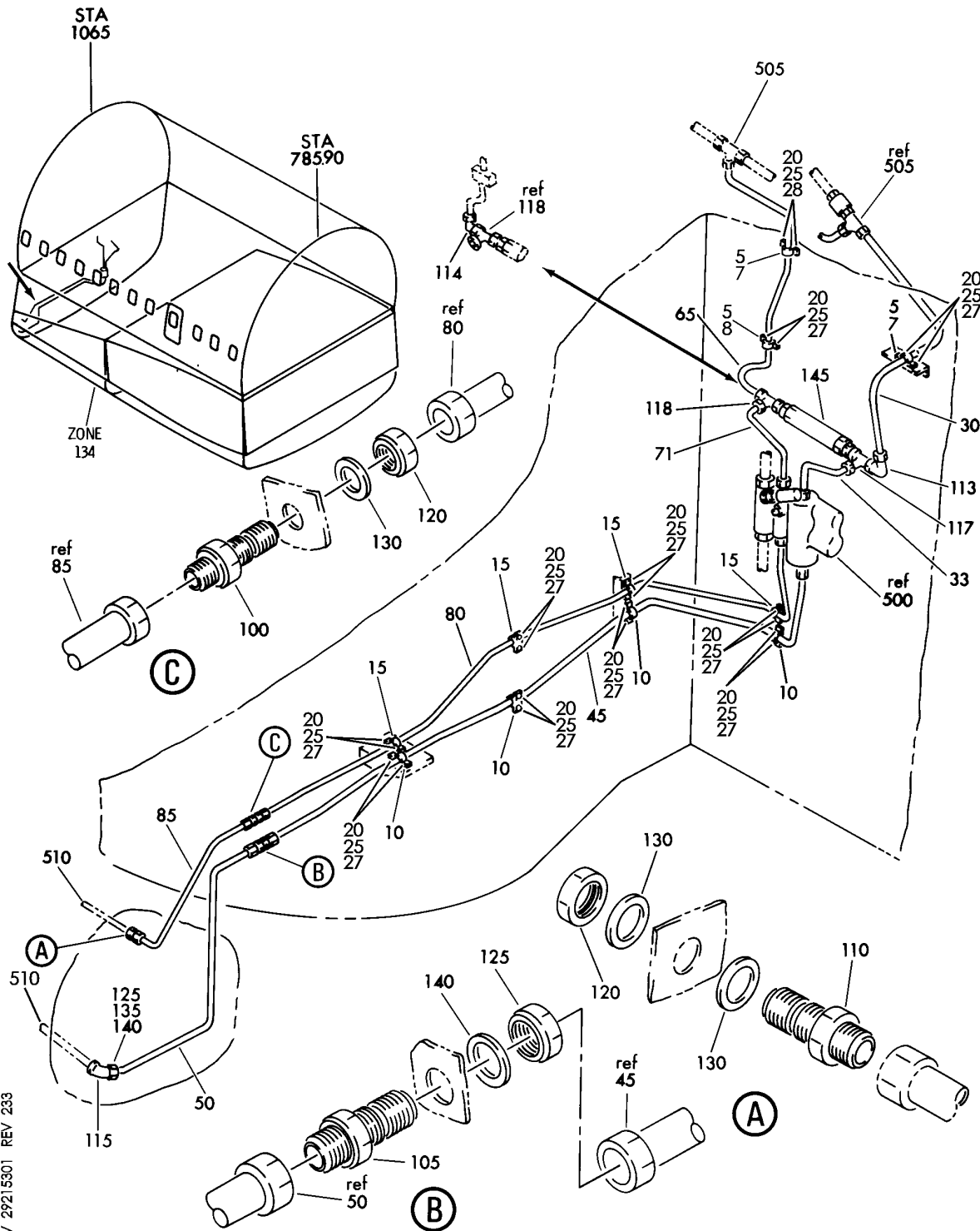
HXL

29-21-52-01

BOEING PROPRIETARY - Copyright © - Unpublished Work - See title page for details.

29-21-52  
FIG. 01  
PAGE 1  
DEC 22/06


**BOEING**  
 767  
**PARTS CATALOG (MAINTENANCE)**



HYDRAULIC INSTL-SECT. 45 (AUXILIARY ONLY)  
FIGURE 1

**29-21-53-01**

HXL  
DEC 22/06

29-21-53-01  
PAGE 0

**BOEING**  
767  
**PARTS CATALOG (MAINTENANCE)**

FIG ITEM	PART NUMBER	1 2 3 4 5 6 7	NOMENCLATURE	EFFECT FROM TO	UNITS PER ASSY
1			HYDRAULIC INSTL-SECT. 45 (AUXILIARY ONLY)		
- 2	272T4500-3		HYDRAULIC INSTL- (AUXILIARY ONLY) POSITION DATA: SECT. 45 MISCELLANEOUS DATA: (CONT AT ITEM 002J) VARIABLE DRAWING REF: 272T4500-5191		RF
- 2	272T4500-3		HYDRAULIC INSTL- (AUXILIARY ONLY) POSITION DATA: SECT. 45 VARIABLE DRAWING REF: 272T4500-5274 272T4500-5278 272T4500-7002 FOR NHA/OTHER SYS DET SEE: 29-00-00-06		RF
7	TA0910004H110		.CLAMP SUPPLIER CODE: V84971 SPECIFICATION NUMBER: BACC10HB10C		2
10	TA0910004H108		.CLAMP SUPPLIER CODE: V84971 SPECIFICATION NUMBER: BACC10HB08C		4
15	TA0910004H106		.CLAMP SUPPLIER CODE: V84971 SPECIFICATION NUMBER: BACC10HB06C		4
20	NAS1801-3-9		ATTACHING PARTS .SCREW		22
25	AN960PD10L		.WASHER		22
			-----*-----		
30	272T4500-2305		.TUBE ASSY-PRESSURE CTR SYS TUBING MATERIAL: .625 IN. OD .032 IN. WALL 27.00 IN. LG TITANIUM		1

ILLUSTRATION ITEMS NOT ON PARTS LIST ARE NOT APPLICABLE

- ITEM NOT ILLUSTRATED

HXL

# 29-21-53-01

BOEING PROPRIETARY - Copyright © - Unpublished Work - See title page for details.

29-21-53  
FIG. 01  
PAGE 1  
DEC 22/07



767

PARTS CATALOG (MAINTENANCE)

FIG ITEM	PART NUMBER	1 2 3 4 5 6 7	NOMENCLATURE	EFFECT FROM TO	UNITS PER ASSY
1					
33	272T4500-2304		.TUBE ASSY-PRESSURE CTR SYS MANUFACTURED FROM: TUBING TITANIUM .625 IN. OD .032 IN. WALL 13.00 IN. LG		1
- 35	AS1581T10		..SLEEVE		2
- 40	BACN10YA10		..NUT		2
45	272T4500-315		.TUBE ASSY-PRESSURE CTR SYS TUBING MATERIAL: .500 IN. OD .026 IN. WALL 68.50 IN. LG TITANIUM		1
50	272T4500-314		.TUBE ASSY-PRESSURE CTR SYS TUBING MATERIAL: .500 IN. OD .026 IN. WALL 27.00 IN. LG TITANIUM		1
- 55	AS1581T08		..SLEEVE		2
- 60	BACN10YA8		..NUT- OPTIONAL PART: BACN10NR8		2
- 60	AFP107-8		..NUT- SUPPLIER CODE: V30974 SPECIFICATION NUMBER: BACN10NR8 OPTIONAL PART: AP1028T8 V01673 BC921T8 V50948 DBON10NR8 V14798 ER01921-8T V88334 FER8928-8 V14397 F11-8 V73197 2-03005T8 V11328 31783-8 V14397 BACN10YA8		2
65	272T4500-760		.TUBE ASSY-		1

ILLUSTRATION ITEMS NOT ON PARTS LIST ARE NOT APPLICABLE

- ITEM NOT ILLUSTRATED

HXL

29-21-53-01

BOEING PROPRIETARY - Copyright © - Unpublished Work - See title page for details.

29-21-53  
FIG. 01  
PAGE 2  
DEC 22/07



767

PARTS CATALOG (MAINTENANCE)

FIG ITEM	PART NUMBER	1 2 3 4 5 6 7	NOMENCLATURE	EFFECT FROM TO	UNITS PER ASSY
1					
- 67	AP2097HP10	..	SLEEVE SUPPLIER CODE: V01673 SPECIFICATION NUMBER: BACS13BX10HP OPTIONAL PART: 2-02903-10HP V11328 35235VN10 V08199 AFP175V10P V30974 DBOS13BX10HP V14798		2
- 69	BACN10YL10	..	NUT-		2
71	272T4500-693	.TUBE ASSY-	RETURN CTR SYS TUBING MATERIAL: .500 IN. OD .035 IN. WALL 14.00 IN. LG AL		1
- 73	AP2097HP08	..	SLEEVE SUPPLIER CODE: V01673 SPECIFICATION NUMBER: BACS13BX08HP OPTIONAL PART: 2-02903-08HP V11328 35235VN08 V08199 AFP175V08P V30974 DBOS13BX08HP V14798		2
- 75	BACN10YL08	..	NUT-		2
80	272T4500-717	.TUBE ASSY-	CASE DRAIN CTR SYS TUBING MATERIAL: .375 IN. OD .035 IN. WALL 67.00 IN. LG AL		1
85	272T4500-656	.TUBE ASSY-	CASE DRAIN CTR SYS TUBING MATERIAL: .375 IN. OD .035 IN. WALL 19.00 IN. LG AL		1

ILLUSTRATION ITEMS NOT ON PARTS LIST ARE NOT APPLICABLE

- ITEM NOT ILLUSTRATED

29-21-53-01

29-21-53  
FIG. 01  
PAGE 3  
DEC 22/07

HXL





767

PARTS CATALOG (MAINTENANCE)

FIG ITEM	PART NUMBER	1 2 3 4 5 6 7	NOMENCLATURE	EFFECT FROM TO	UNITS PER ASSY
1					
- 90	AP2097HP06	..	SLEEVE SUPPLIER CODE: V01673 SPECIFICATION NUMBER: BACS13BX06HP OPTIONAL PART: 2-02903-06HP V11328 35235VN06 V08199 AFP175V06P V30974 DB0S13BX06HP V14798		2
- 95	BACN10YL06	..	NUT-		2
100	272T4521-1	.	FITTING-BHD UNION		1
105	272T4521-3	.	FITTING-BHD UNION		1
110	MS21924D6	.	UNION		1
113	NAS1762T1010	.	ELBOW-		1
114	NAS1762T1010	.	ELBOW-		1
115	BACE21BN0808J	.	ELBOW		1
117	BACT16BR1010P	.	TEE-		1
118	NAS1763D121008	.	TEE		1
120	AN924-6D	.	NUT		2
125	AN924-8D	.	NUT		2
130	AN960PD916L	.	WASHER		3
135	AN960PD1216	.	WASHER		1
140	AN960PD1216L	.	WASHER		2
145	272T0155-3	.	VALVE INSTL-RELIEF RAM AIR TURB FOR DETAILS SEE: 29-21-18-01		1
500			ILLUSTRATION REFERENCE: CHECKOUT INSTL-RAM AIR TURB MODULE AND TACK (HYDRAULIC POWER ONLY) 29-21-51-01		RF
505			ILLUSTRATION REFERENCE: HYDRAULIC INSTL-SECT. 45 (MAIN HYDRAULIC SYSTEM ONLY) 29-11-76-04		RF
510			ILLUSTRATION REFERENCE: HYDRAULIC INSTL-SECT. 49 WING/BODY FAIRING (GROUND SERVICING SYSTEM ONLY) 29-18-57-01		RF
ILLUSTRATION ITEMS NOT ON PARTS LIST ARE NOT APPLICABLE					

- ITEM NOT ILLUSTRATED

29-21-53-01

29-21-53  
FIG. 01  
PAGE 4  
DEC 22/08

HXL



767

PARTS CATALOG (MAINTENANCE)

FIG ITEM	PART NUMBER	1 2 3 4 5 6 7 NOMENCLATURE	EFFECT FROM TO	UNITS PER ASSY
1 515		ILLUSTRATION REFERENCE: HYDRAULIC INSTL-SECT. 49 WING/BODY FAIRING (RAM AIR TURBINE SYSTEM ONLY) 29-21-54-01		R F

ILLUSTRATION ITEMS NOT ON PARTS LIST ARE NOT APPLICABLE

- ITEM NOT ILLUSTRATED

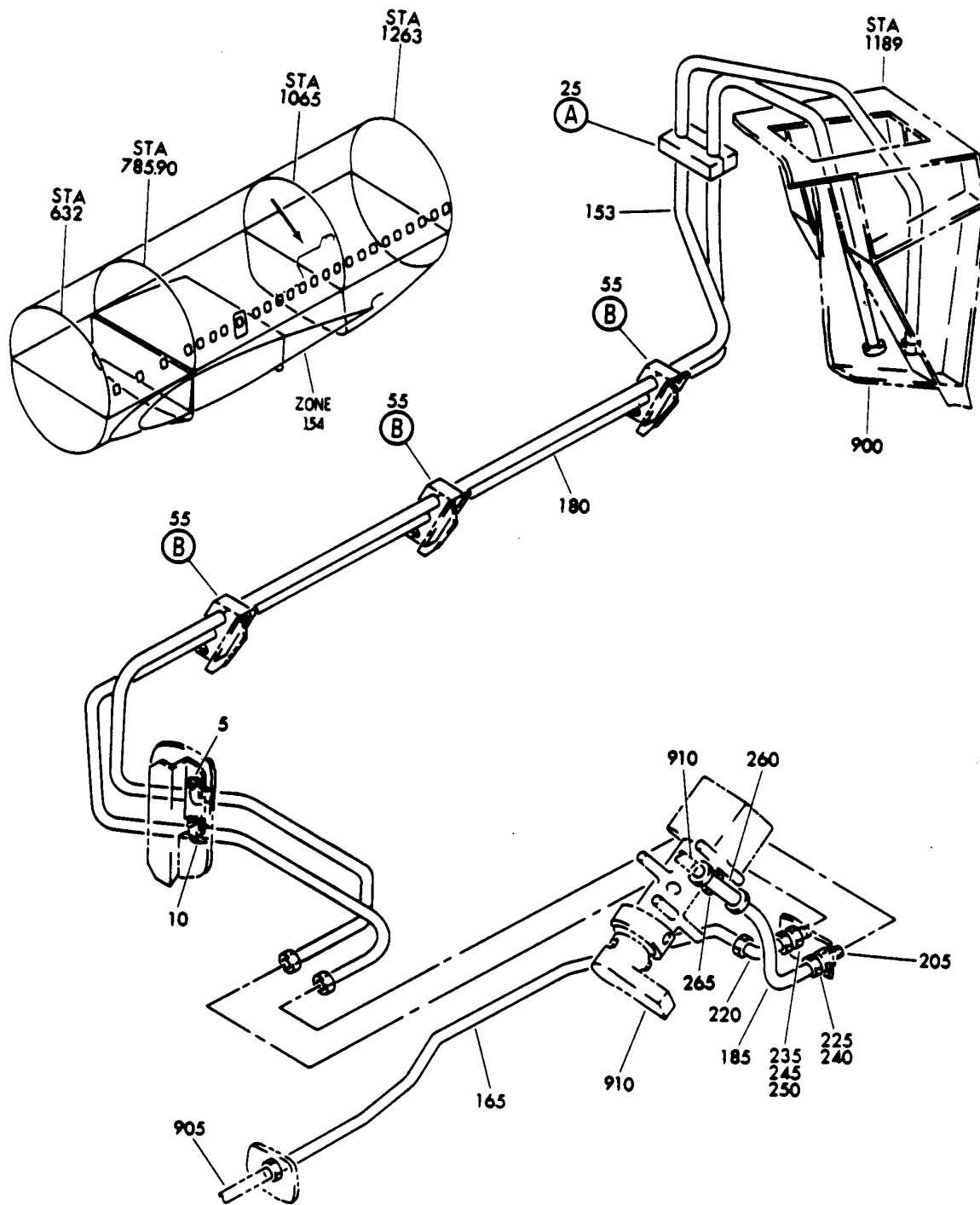
HXL

29-21-53-01

BOEING PROPRIETARY - Copyright © - Unpublished Work - See title page for details.

29-21-53  
FIG. 01  
PAGE 5  
DEC 22/08

**BOEING**  
767  
PARTS CATALOG (MAINTENANCE)



V 29215401 SHI 1 REV 096

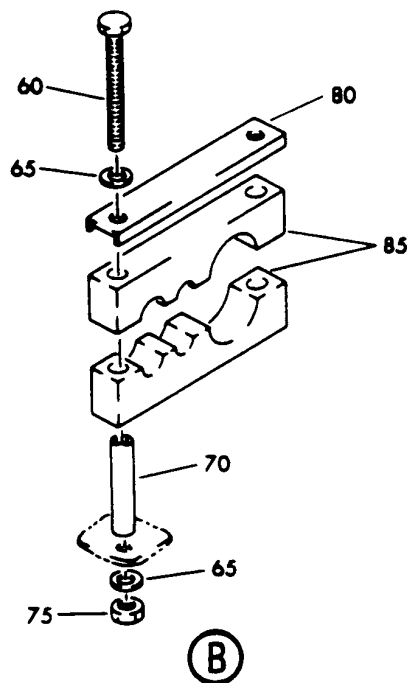
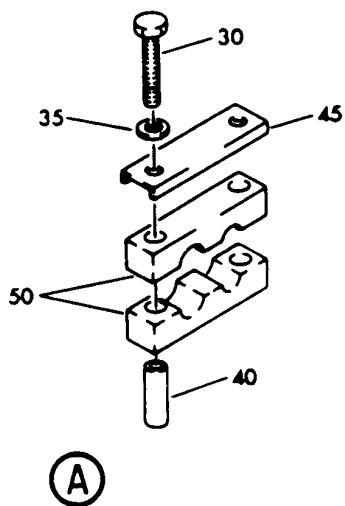
HYDRAULIC INSTL-SECT. 49 WING/BODY FAIRING (RAM AIR TURBINE SYSTEM ONLY)  
FIGURE 1 (SHEET 1)

**29-21-54-01**

HXL  
DEC 22/06

29-21-54-01  
PAGE 0

**BOEING**  
767  
PARTS CATALOG (MAINTENANCE)



V 29215401 SHT 2 REV 019

HYDRAULIC INSTL-SECT. 49 WING/BODY FAIRING (RAM AIR TURBINE SYSTEM ONLY)  
FIGURE 1 (SHEET 2)

**29-21-54-01**

HXL  
DEC 22/06

29-21-54-01  
PAGE 0A



767

PARTS CATALOG (MAINTENANCE)

FIG ITEM	PART NUMBER	1 2 3 4 5 6 7	NOMENCLATURE	EFFECT FROM TO	UNITS PER ASSY
1			HYDRAULIC INSTL-SECT. 49 WING/BODY FAIRING (RAM AIR TURBINE SYSTEM ONLY)		
- 1	272T4900-6		HYDRAULIC INSTL-WING/BODY FAIRING (RAM AIR TURBINE SYSTEM ONLY) POSITION DATA: SECT. 49 RH VARIABLE DRAWING REF: 272T4900-5038 272T4900-7004 FOR NHA/ADDITIONAL DET SEE: 29-00-00-04		RF
5	TA0910004H106		.CLAMP SUPPLIER CODE: V84971 SPECIFICATION NUMBER: BACC10HB06C		1
10	TA0910004H108		.CLAMP SUPPLIER CODE: V84971 SPECIFICATION NUMBER: BACC10HB08C		1
- 15	NAS1801-3-9		ATTACHING PARTS .SCREW		4
- 20	AN960PD10L		.WASHER-		4
			-----*-----		
25	270T0005-217		.BLOCK ASSY-SPRT		1
30	NAS1801-3-26		..SCREW-		2
35	AN960PD10L		..WASHER		2
40	NAS43DD3-68		..SPACER		2
45	65B80254-320		..CHANNEL		1
50	65B80254-232		..BLOCK-CLAMP		2
55	270T0005-308		.BLOCK ASSY-SPRT		3
60	NAS1801-3-32		..SCREW		2
65	AN960PD10L		..WASHER		4
70	NAS43DD3-100		..SPACER		2

ILLUSTRATION ITEMS NOT ON PARTS LIST ARE NOT APPLICABLE

- ITEM NOT ILLUSTRATED

HXL

29-21-54-01

BOEING PROPRIETARY - Copyright © - Unpublished Work - See title page for details.

29-21-54  
FIG. 01  
PAGE 1  
DEC 22/07

 **BOEING**  
767  
**PARTS CATALOG (MAINTENANCE)**

FIG ITEM	PART NUMBER	1 2 3 4 5 6 7	NOMENCLATURE	EFFECT FROM TO	UNITS PER ASSY
1	75 BRH10A3		..NUT SUPPLIER CODE: V52828 SPECIFICATION NUMBER: BACN10JC3 OPTIONAL PART: H10-3BAC V15653 NS202101-02 V80539 RMLH9075-3W V72962 VN303A02 V92215 96-02 V80539 T6S1032J V11815		2
80	270T0004-27		..CHANNEL		1
85	270T0004-329		..BLOCK-CLAMP		2
153	272T4900-105		.TUBE ASSY-PRESSURE SYS POSITION DATA: CTR TUBING MATERIAL: .500 IN. OD .026 IN. WALL 89.00 IN. LG TITANIUM		1
- 155	AS1581T08		..SLEEVE		2
- 160	BACN10YA8N		..NUT- USED ON: 272T4900-105		2
180	272T4900-207		.TUBE ASSY-CASE DRAIN SYS POSITION DATA: CTR TUBING MATERIAL: .375 IN. OD .035 IN. WALL 86.00 IN. LG AL		1
185	272T4900-221		.TUBE ASSY-CASE DRAIN SYS POSITION DATA: CTR TUBING MATERIAL: .375 IN. OD .035 IN. WALL 14.00 IN. LG AL		1

ILLUSTRATION ITEMS NOT ON PARTS LIST ARE NOT APPLICABLE

- ITEM NOT ILLUSTRATED

HXL

29-21-54-01

BOEING PROPRIETARY - Copyright © - Unpublished Work - See title page for details.

29-21-54  
FIG. 01  
PAGE 2  
DEC 22/07



767

PARTS CATALOG (MAINTENANCE)

FIG ITEM	PART NUMBER	1 2 3 4 5 6 7	NOMENCLATURE	EFFECT FROM TO	UNITS PER ASSY
1					
- 190	AP2097HP06	..	SLEEVE SUPPLIER CODE: V01673 SPECIFICATION NUMBER: BACS13BX06HP OPTIONAL PART: 2-02903-06HP V11328 35235VN06 V08199 AFP175V06P V30974 DBOS13BX06HP V14798		2
- 195	BACN10YLO6	..	NUT-		2
205	MS21924D6	.	UNION		1
220	BACE21BM0808J	.	ELBOW		1
225	AN924-6D	.	NUT		1
235	AN924-8D	.	NUT		1
240	AN960PD916L	.	WASHER-		2
245	AN960PD1216	.	WASHER-		1
250	AN960PD1216L	.	WASHER-		1
260	NAS1764D060606	.	TEE-		1
265	0121520900-2	.	VALVE- SUPPLIER CODE: V83533 SPECIFICATION NUMBER: BACV10CD2 OPTIONAL PART: 1C1346 V99240		1
265	1C3594	.	VALVE- SUPPLIER CODE: V99240 SPECIFICATION NUMBER: BACV10CD12 OPTIONAL PART: 0121520900-12 V83533		1
900			ILLUSTRATION REFERENCE: TURBINE INSTL-WING BODY FAIRING RAM AIR 29-21-06-01		RF
905			ILLUSTRATION REFERENCE: HYDRAULIC INSTL-SECT. 45 (AUXILIARY ONLY) 29-21-53-01		RF

ILLUSTRATION ITEMS NOT ON PARTS LIST ARE NOT APPLICABLE

- ITEM NOT ILLUSTRATED

HXL

29-21-54-01

BOEING PROPRIETARY - Copyright © - Unpublished Work - See title page for details.

29-21-54  
FIG. 01  
PAGE 3  
DEC 22/07



767  
PARTS CATALOG (MAINTENANCE)

FIG ITEM	PART NUMBER	1 2 3 4 5 6 7	NOMENCLATURE	EFFECT FROM TO	UNITS PER ASSY
1 910			ILLUSTRATION REFERENCE: HYDRAULIC INSTL-SECT. 49 WING/BODY FAIRING (GROUND SERVICING SYSTEM ONLY) 29-18-57-01		RF

ILLUSTRATION ITEMS NOT ON PARTS LIST ARE NOT APPLICABLE

- ITEM NOT ILLUSTRATED

HXL

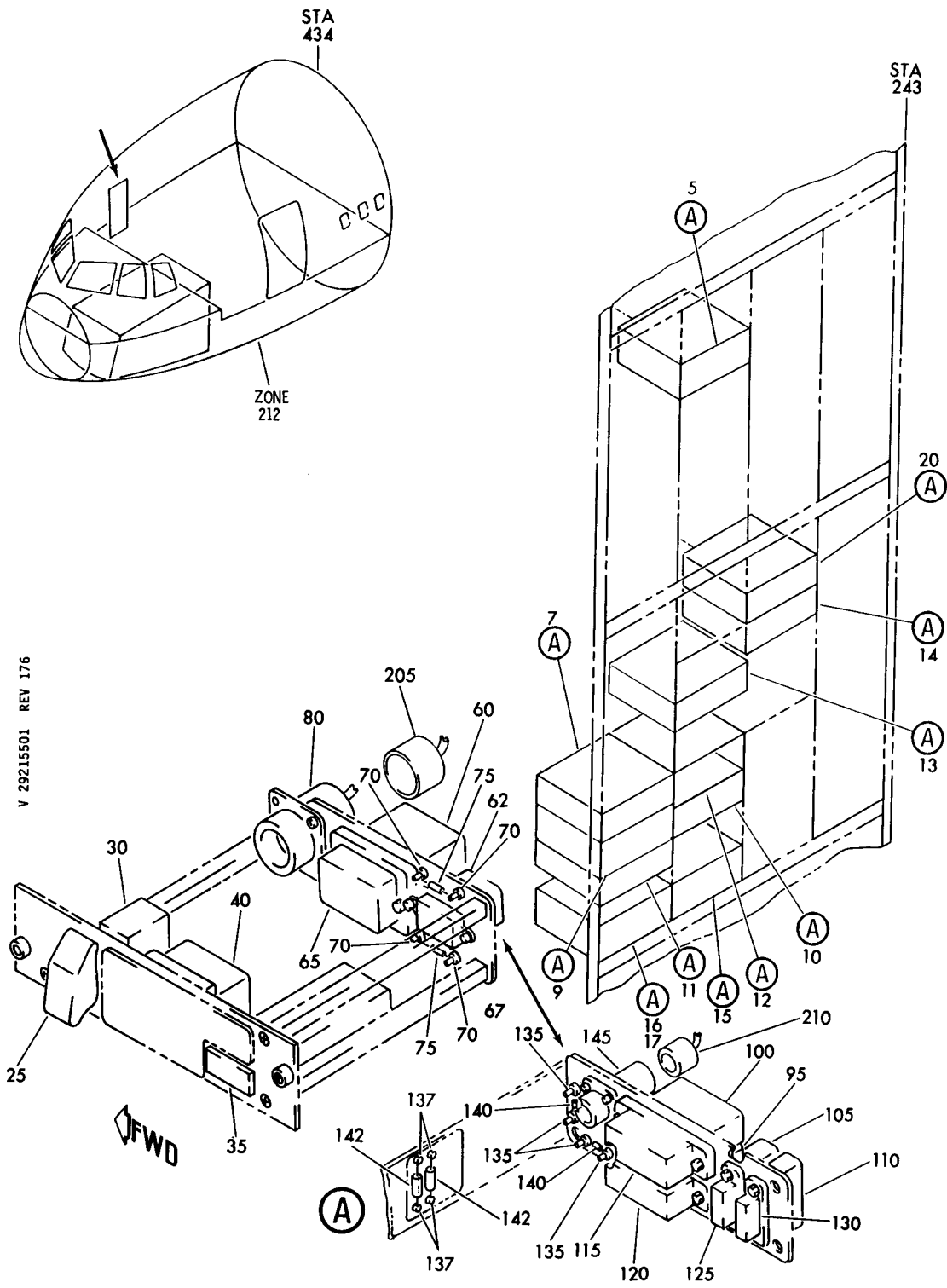
29-21-54-01

BOEING PROPRIETARY - Copyright © - Unpublished Work - See title page for details.

29-21-54  
FIG. 01  
PAGE 4  
DEC 22/07



**BOEING**  
767  
PARTS CATALOG (MAINTENANCE)



V 29215501 REV 176

PANEL INSTL-R SIDE (RAM AIR TURBINE (RAT) SYSTEM ONLY)  
FIGURE 1

**29-21-55-01**

HXL  
DEC 22/06

29-21-55-01  
PAGE 0

**BOEING**  
767  
**PARTS CATALOG (MAINTENANCE)**

FIG ITEM	PART NUMBER	1 2 3 4 5 6 7	NOMENCLATURE	EFFECT FROM TO	UNITS PER ASSY
1			PANEL INSTL-R SIDE (RAM AIR TURBINE (RAT) SYSTEM ONLY)		
- 1	233T4100-1		PANEL INSTL-(RAM AIR TURBINE (RAT) SYSTEM ONLY) POSITION DATA: R SIDE VARIABLE DRAWING REF: 233T4100-5048		RF
- 1	233T4100-1		PANEL INSTL-AIR TURBINE (RA ONLY) FOR NHA/OTHER SYS DET SEE: 25-10-00-03		RF
10	233T4248-10		.PANEL ASSY-RESERVE BRAKE AND STEERING SUPPLIER CODE: V89954 ELECTRICAL EQUIP NUMBER: M01216 COMPONENT MAINT MANUAL REF: 29-11-54		RF
10	233T4248-14		.PANEL ASSY-RESERVE BRAKE AND STEERING SUPPLIER CODE: V89954 ELECTRICAL EQUIP NUMBER: M01216 COMPONENT MAINT MANUAL REF: 29-11-54		RF
10	233T4248-15		.PANEL ASSY-RESERVE BRAKE AND STEERING SUPPLIER CODE: V89954 ELECTRICAL EQUIP NUMBER: M01216 COMPONENT MAINT MANUAL REF: 29-11-54		RF

ILLUSTRATION ITEMS NOT ON PARTS LIST ARE NOT APPLICABLE

- ITEM NOT ILLUSTRATED

HXL

# 29-21-55-01

BOEING PROPRIETARY - Copyright © - Unpublished Work - See title page for details.

29-21-55  
FIG. 01  
PAGE 1  
DEC 22/07

 **BOEING**  
767  
**PARTS CATALOG (MAINTENANCE)**

FIG ITEM	PART NUMBER	1 2 3 4 5 6 7	NOMENCLATURE	EFFECT FROM TO	UNITS PER ASSY
1					
12	233T4248-7		.PANEL ASSY-RESERVE BRAKE AND STEERING SUPPLIER CODE: V89954 ELECTRICAL EQUIP NUMBER: M01216 COMPONENT MAINT MANUAL REF: 29-11-54 QUALIFIED I/W DATA: 233T4248-12 OR -13 CAN REPLACE BUT NOT BE REPLACED BY 233T4248-7 OR -9 WITH INCORPORATION OF S/B 767-29A0039.		RF
12	233T4248-9		.PANEL ASSY-RESERVE BRAKE AND STEERING SUPPLIER CODE: V89954 ELECTRICAL EQUIP NUMBER: M01216 COMPONENT MAINT MANUAL REF: 29-11-54 QUALIFIED I/W DATA: 233T4248-12 OR -13 CAN REPLACE BUT NOT BE REPLACED BY 233T4248-7 OR -9 WITH INCORPORATION OF S/B 767-29A0039.		RF
25	400-112		..GUARD-SWITCH SUPPLIER CODE: V33463		1
30	MS24523-23		..SWITCH- ELECTRICAL EQUIP NUMBER: YERS01		1
35	BCREF7265		..LIGHT ASSY-ISLN IND SUPPLIER CODE: V81590 OVERLENGTH PART NUMBER: 434-674-1005-1301 SPECIFICATION NUMBER: S231T300-1301 ELECTRICAL EQUIP NUMBER: YERL01 OPTIONAL PART: BCREF8418 V81590 FOR DETAILS SEE: 33-16-02-02		1
ILLUSTRATION ITEMS NOT ON PARTS LIST ARE NOT APPLICABLE					

- ITEM NOT ILLUSTRATED

HXL

# 29-21-55-01

BOEING PROPRIETARY - Copyright © - Unpublished Work - See title page for details.

29-21-55  
FIG. 01  
PAGE 2  
DEC 22/06



767

PARTS CATALOG (MAINTENANCE)

FIG ITEM	PART NUMBER	1 2 3 4 5 6 7	NOMENCLATURE	EFFECT FROM TO	UNITS PER ASSY
1					
35	BCREF8418		..LIGHT ASSY-ISLN IND SUPPLIER CODE: V81590 OVERLENGTH PART NUMBER: 434-674-1031-2301 SPECIFICATION NUMBER: S231T300-2301 ELECTRICAL EQUIP NUMBER: YERL01 OPTIONAL PART: BCREP7265 V81590 FOR DETAILS SEE: 33-16-02-03		1
40	10167-3000BT		..MODULE- SUPPLIER CODE: V08719 OPTIONAL PART: TD1767-3000 V58657 TD1982-3000 V58657 530750-3000 V08719		1
40	TD1767-3000		..MODULE- SUPPLIER CODE: V58657 OPTIONAL PART: 10167-3000BT V08719 TD1982-3000 V58657 530750-3000 V08719		1
40	TD1982-3000		..MODULE- SUPPLIER CODE: V58657 OPTIONAL PART: 10167-3000BT V08719 TD1767-3000 V58657 530750-3000 V08719		1

ILLUSTRATION ITEMS NOT ON PARTS LIST ARE NOT APPLICABLE

- ITEM NOT ILLUSTRATED

HXL

29-21-55-01

BOEING PROPRIETARY - Copyright © - Unpublished Work - See title page for details.

29-21-55  
 FIG. 01  
 PAGE 3  
 DEC 22/06

**BOEING**  
767  
**PARTS CATALOG (MAINTENANCE)**

FIG ITEM	PART NUMBER	1 2 3 4 5 6 7	NOMENCLATURE	EFFECT FROM TO	UNITS PER ASSY
R R R R R R R R R R	1 40	530750-3000	..MODULE- SUPPLIER CODE: V08719 OPTIONAL PART: 10167-3000BT V08719 TD1767-3000 V58657 TD1982-3000 V58657 FOR SPARES PROCURE: 530750-3000 V08719 ATTACHING PARTS		1
	- 45	NAS514P632-14	..SCREW		2
	- 50	NAS620-6L	..WASHER		2
	- 55	BRH10A06	..NUT- SUPPLIER CODE: V52828 SPECIFICATION NUMBER: BACN10JCO6 OPTIONAL PART: H10-06BAC V15653 RMLH9075-62W V72962 VN303A62 V92215 96-62 V80539 NS202101-62 V80539 T6S632J V11815 USED ON: 233T4248-5 233T4248-7 233T4248-9 233T4248-12 233T4248-13 233T4248-14 233T4248-15		2
- 55	MS21042L06	..NUT- USED ON: 233T4248-10 -----*-----		2	

ILLUSTRATION ITEMS NOT ON PARTS LIST ARE NOT APPLICABLE

- ITEM NOT ILLUSTRATED

HXL

# 29-21-55-01

BOEING PROPRIETARY - Copyright © - Unpublished Work - See title page for details.

29-21-55  
FIG. 01  
PAGE 4  
AUG 22/09

 **BOEING**  
767  
**PARTS CATALOG (MAINTENANCE)**

FIG ITEM	PART NUMBER	1 2 3 4 5 6 7	NOMENCLATURE	EFFECT FROM TO	UNITS PER ASSY
1 95	E210-1631		..RELAY- SUPPLIER CODE: V99699 SPECIFICATION NUMBER: BACR13CF2A OPTIONAL PART: BR246S0112 V56623 FCA210-70 V78290 E215-1050 V99699 JD4A017 V35344 BR64S104 V56623 61GB19-1A320 V98927 ELECTRICAL EQUIP NUMBER: YERK01		1
100	JAD9F007		..RELAY SUPPLIER CODE: V58657 SPECIFICATION NUMBER: BACR13CJ2		1
105	600-154-1002		..RELAY- SUPPLIER CODE: V15420 FOR SPARES PROCURE: TDH1852-1002 V58657 600-154-10S0 V15420		1
110	3SAM6015M2		..RELAY- SUPPLIER CODE: V00779		1
115	RSF116208		..SOCKET- SUPPLIER CODE: V58982 SPECIFICATION NUMBER: BACS16X3A OPTIONAL PART: 102-005-1 V09922 000300-1541 V05574 USED ON: 233T4248-10		1

ILLUSTRATION ITEMS NOT ON PARTS LIST ARE NOT APPLICABLE

- ITEM NOT ILLUSTRATED

HXL

29-21-55-01

BOEING PROPRIETARY - Copyright © - Unpublished Work - See title page for details.

29-21-55  
FIG. 01  
PAGE 5  
DEC 22/06



767

PARTS CATALOG (MAINTENANCE)

FIG ITEM	PART NUMBER	1 2 3 4 5 6 7	NOMENCLATURE	EFFECT FROM TO	UNITS PER ASSY
1 120	RSF116200		.. SOCKET- SUPPLIER CODE: V58982 SPECIFICATION NUMBER: BACS16X1A OPTIONAL PART: 102-006-1 V09922 000300-1538 V05574 USED ON: 233T4248-10		1
125	RSE120028		.. SOCKET SUPPLIER CODE: V58982 SPECIFICATION NUMBER: BACS16AH1 OPTIONAL PART: 451120-028 V58982		1
130	HRT5KM		.. SOCKET-RELAY SUPPLIER CODE: V91663		1
135	4443B9		.. TERMINAL- SUPPLIER CODE: V88245 USED ON: 233T4248-7 233T4248-9 233T4248-12 233T4248-13 233T4248-14 233T4248-15		4
137	4443B9		.. TERMINAL- SUPPLIER CODE: V88245 USED ON: 233T4248-10		4
142	JANTX1N5618		.. DIODE- USED ON: 233T4248-10		2
145	BACC45FN16-24P8		.. CONNECTOR- USED ON: 233T4248-10		1
- 150	NAS1801-04-5		ATTACHING PARTS .. SCREW		2

ILLUSTRATION ITEMS NOT ON PARTS LIST ARE NOT APPLICABLE

- ITEM NOT ILLUSTRATED

29-21-55-01

29-21-55  
FIG. 01  
PAGE 6  
APR 22/09

HXL

BOEING PROPRIETARY - Copyright © - Unpublished Work - See title page for details.



767

PARTS CATALOG (MAINTENANCE)

FIG ITEM	PART NUMBER	1 2 3 4 5 6 7	NOMENCLATURE	EFFECT FROM TO	UNITS PER ASSY
1					
- 155	K19798-04		. . NUT SUPPLIER CODE: V15653 SPECIFICATION NUMBER: BACN10NW1 OPTIONAL PART: RMA4812-160-40 V72962 293162 V60119		2
- 200	286T0062-300		-----*----- WIRE BUNDLE ASSY-(RAM AIR TURBINE (RAT) SYSTEM ONLY)		RF
210	BACC45FT16A24S8		. CONNECTOR- ELECTRICAL EQUIP NUMBER: D10732 WIRING DIAGRAM REF: 292132		1

ILLUSTRATION ITEMS NOT ON PARTS LIST ARE NOT APPLICABLE

- ITEM NOT ILLUSTRATED

HXL

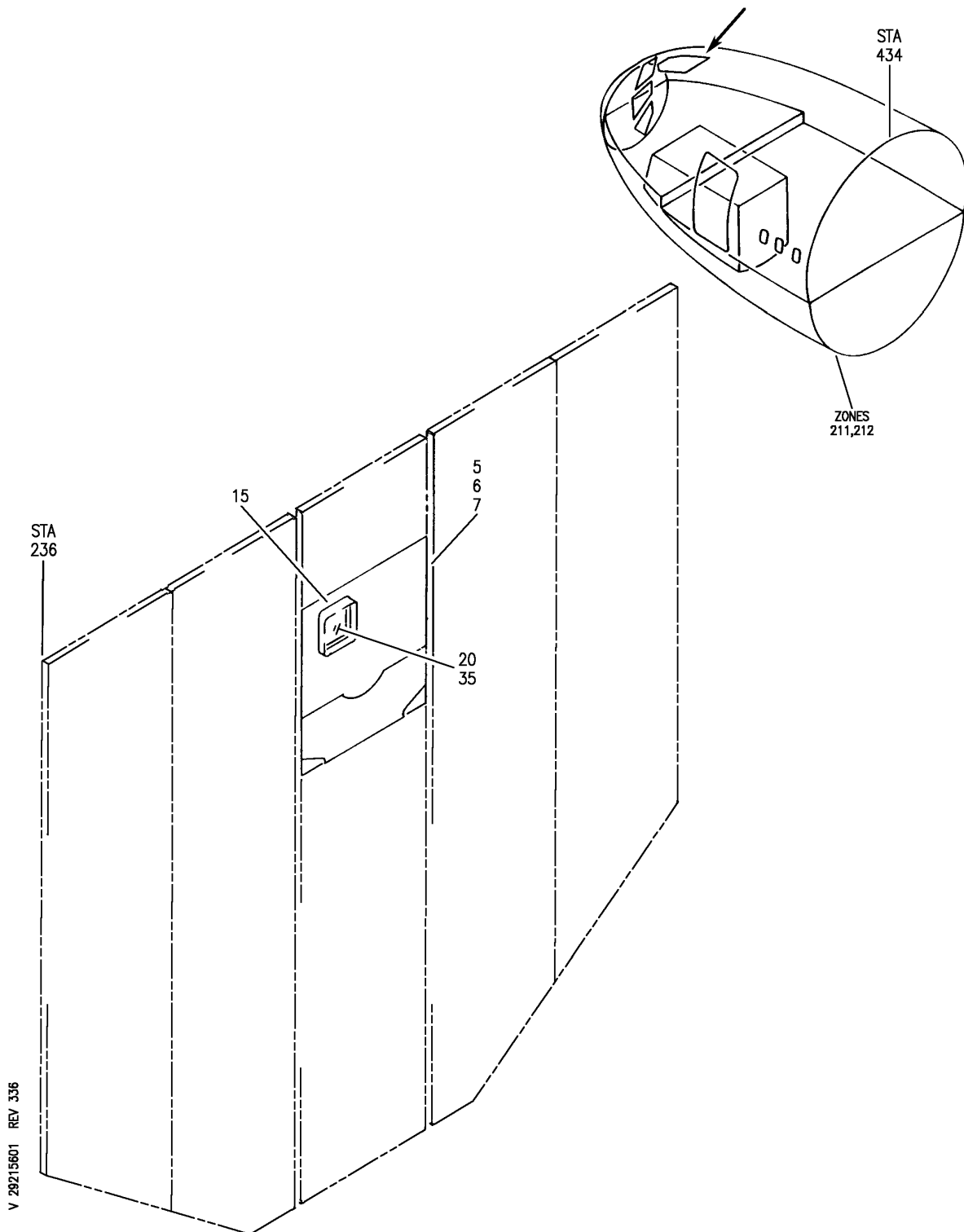
29-21-55-01

BOEING PROPRIETARY - Copyright © - Unpublished Work - See title page for details.

29-21-55  
FIG. 01  
PAGE 7  
DEC 22/07



**BOEING**  
767  
PARTS CATALOG (MAINTENANCE)



PANEL INSTL-OVHD (AUXILIARY ONLY)

FIGURE 1

**29-21-56-01**

HXL  
APR 22/09

29-21-56-01  
PAGE 0

 **BOEING**  
767  
**PARTS CATALOG (MAINTENANCE)**

FIG ITEM	PART NUMBER	1 2 3 4 5 6 7	NOMENCLATURE	EFFECT FROM TO	UNITS PER ASSY
1			PANEL INSTL-OVHD (AUXILIARY ONLY)		
- 1	233T3100-1		PANEL INSTL-OVHD (AUXILIARY ONLY) VARIABLE DRAWING REF: 233T3100-5048		RF
- 1	233T3100-1		PANEL INSTL-OVHD (RAM AIR SYSTEM ONLY) FOR NHA/OTHER SYS DET SEE: 25-10-00-03		RF
R R	5	233T3244-302	.PANEL ASSY-ENG IGNITION AND STARTING SUPPLIER CODE: V89954 ELECTRICAL EQUIP NUMBER: M00049 COMPONENT MAINT MANUAL REF: 74-31-52 QUALIFIED I/W DATA: 233T3244-302 PANEL ASSY IS I/W 233T3244-23 PANEL ASSY T/W S233T100-1078 LIGHTPLATE AND (3) BP248-127 KNOBS POST SERVICE BULLETIN: 73-0044 PRE ALERT SB: 33A0087R1		RF
	5	233T3244-1302	.PANEL ASSY-ENG IGNITION AND STARTING SUPPLIER CODE: V89954 ELECTRICAL EQUIP NUMBER: M00049 POST ALERT SB: 33A0087R1		RF
R R R R R R	6	233T3244-308	.PANEL ASSY-ENG IGNITION AND STARTING SUPPLIER CODE: V89954 ELECTRICAL EQUIP NUMBER: M00049		RF
ILLUSTRATION ITEMS NOT ON PARTS LIST ARE NOT APPLICABLE					

- ITEM NOT ILLUSTRATED

HXL

# 29-21-56-01

BOEING PROPRIETARY - Copyright © - Unpublished Work - See title page for details.

29-21-56  
FIG. 01  
PAGE 1  
AUG 22/09

# **BOEING** 767 PARTS CATALOG (MAINTENANCE)

FIG ITEM	PART NUMBER	1 2 3 4 5 6 7	NOMENCLATURE	EFFECT FROM TO	UNITS PER ASSY
R R	1 - 10	233T3244-23	<p>..PANEL ASSY-            SUPPLIER CODE:            V89954            ELECTRICAL EQUIP NUMBER:            M00049            COMPONENT MAINT MANUAL REF:            74-31-52            QUALIFIED I/W DATA:            233T3244-302 PANEL ASSY            IS I/W 233T3244-23 PANEL            ASSY T/W S233T100-1078            LIGHTPLATE AND (3)            BP248-127 KNOBS            USED ON:            233T3244-302            POST SERVICE BULLETIN:            73-0044            PRE ALERT SB:            33A0087R1</p>		1
R R	- 11	233T3244-1023	<p>..PANEL ASSY-            SUPPLIER CODE:            V89954            ELECTRICAL EQUIP NUMBER:            M00049            WIRING DIAGRAM REF:            743111            COMPONENT MAINT MANUAL REF:            74-31-52            USED ON:            233T3244-1302            POST ALERT SB:            33A0087R1</p>		1
R R	- 12	233T3244-32	<p>..PANEL ASSY-            SUPPLIER CODE:            V89954            COMPONENT MAINT MANUAL REF:            74-31-52            USED ON:            233T3244-308</p>		1
ILLUSTRATION ITEMS NOT ON PARTS LIST ARE NOT APPLICABLE					

- ITEM NOT ILLUSTRATED

## 29-21-56-01

HXL


**BOEING**  
 767  
**PARTS CATALOG (MAINTENANCE)**

FIG ITEM	PART NUMBER	1 2 3 4 5 6 7	NOMENCLATURE	EFFECT FROM TO	UNITS PER ASSY
1	15 433-100-003	...	. . . GUARD-SWITCH SUPPLIER CODE: V81590 SPECIFICATION NUMBER: S231T290-822 USED ON: 233T3244-5 233T3244-6 233T3244-7 233T3244-9 233T3244-10 233T3244-11 233T3244-13 233T3244-21 233T3244-23 233T3244-25 233T3244-31 233T3244-32 233T3244-1005 233T3244-1006 233T3244-1007 233T3244-1009 233T3244-1023 233T3244-1025		1

R  
R  
R  
R  
R  
R  
R  
R  
R  
R  
R  
R  
R  
R  
R  
R  
R  
R  
R  
R

ILLUSTRATION ITEMS NOT ON PARTS LIST ARE NOT APPLICABLE

- ITEM NOT ILLUSTRATED

# 29-21-56-01

29-21-56  
 FIG. 01  
 PAGE 3  
 AUG 22/09

HXL

BOEING PROPRIETARY - Copyright © - Unpublished Work - See title page for details.



767

PARTS CATALOG (MAINTENANCE)

FIG ITEM	PART NUMBER	1 2 3 4 5 6 7 NOMENCLATURE	EFFECT FROM TO	UNITS PER ASSY
1 20	BCREFA0832	...SWITCH ASSY-LIGHTED PUSH BUTTON IND PRESS/UNLKD SUPPLIER CODE: V81590 OVERLENGTH PART NUMBER: 433-673-1004-4079 SPECIFICATION NUMBER: S231T290-4079 MISCELLANEOUS DATA: WHEN REPLACING THE PUSHBUTTON SWITCH ASSY OR THE MASTER MODULE WITHIN, VERIFY THAT A CONFIG D MASTER MODULE P/N 13205-001 IS INSTALLED IN LIEU OF ANY EARLIER CONFIGURATION MASTER MODULES. USED ON: 233T3244-7 233T3244-11 233T3244-13 233T3244-17 233T3244-19 233T3244-21 233T3244-23 233T3244-25 233T3244-1007 233T3244-1023 233T3244-1025		1
20	851-30768-2079	...SWITCH ASSY-LIGHTED PUSH BUTTON IND PRESS/UNLKD SUPPLIER CODE: V96182 SPECIFICATION NUMBER: S231T290-2079 QUALIFIED I/W DATA: 851-30768-2079 TOGETHER WITH 851-30768-802 OR 812 SWITCHGUARD I/W BCREFA0832 BCREFA0832 OR S231T290-5079 T/W 433-100-003 SWITCHGUARD USED ON: 233T3244-1 233T3244-1001 FOR DETAILS SEE: 33-13-75-05		1

ILLUSTRATION ITEMS NOT ON PARTS LIST ARE NOT APPLICABLE

- ITEM NOT ILLUSTRATED

HXL

29-21-56-01

BOEING PROPRIETARY - Copyright © - Unpublished Work - See title page for details.

29-21-56  
 FIG. 01  
 PAGE 4  
 AUG 22/09



767

PARTS CATALOG (MAINTENANCE)

FIG ITEM	PART NUMBER	1 2 3 4 5 6 7	NOMENCLATURE	EFFECT FROM TO	UNITS PER ASSY
1	20 851-30768-3079		...SWITCH ASSY-LIGHTED PUSH BUTTON IND PRESS/UNLKD SUPPLIER CODE: V96182 SPECIFICATION NUMBER: S231T290-3079 USED ON: 233T3244-5 233T3244-6 233T3244-10 233T3244-1005 233T3244-1006 FOR DETAILS SEE: 33-13-75-25		1
	20 S231T290-5079		...SWITCH ASSY-LIGHTED PUSH BUTTON IND PRESS/UNLKD QUALIFIED I/W DATA: 851-30768-2079 T/W 851-30768-802 OR -812 SWITCHGUARD I/W BCREFA0832 OR S231T290-5079 T/W 433-100-003 SWITCHGUARD OPTIONAL PART: 851-30768-3079 V96182 USED ON: 233T3244-13 233T3244-17 233T3244-21		1
R R R R R R R R R R R	20 4336731004-4279		...SWITCH ASSY-LIGHTED PUSH BUTTON IND PRESS/UNLKD SUPPLIER CODE: V81590 SPECIFICATION NUMBER: S231T290-4279 USED ON: 233T3244-31 233T3244-32 FOR DETAILS SEE: 33-13-75-31E		1
R R R R	- 40 233T3244-24		...WIRE BUNDLE ASSY- SUPPLIER CODE: V89954		1
R R	- 45 M39029-1-101		....CONTACT		16

ILLUSTRATION ITEMS NOT ON PARTS LIST ARE NOT APPLICABLE

- ITEM NOT ILLUSTRATED

29-21-56-01

29-21-56  
FIG. 01  
PAGE 5  
AUG 22/09

HXL



767  
PARTS CATALOG (MAINTENANCE)

FIG ITEM	PART NUMBER	1 2 3 4 5 6 7	NOMENCLATURE	EFFECT FROM TO	UNITS PER ASSY
1 - 50 R R R R R	TM2S6		.....PLATE SUPPLIER CODE: V06383 SPECIFICATION NUMBER: STBP19M8		2

ILLUSTRATION ITEMS NOT ON PARTS LIST ARE NOT APPLICABLE

- ITEM NOT ILLUSTRATED

HXL

29-21-56-01

BOEING PROPRIETARY - Copyright © - Unpublished Work - See title page for details.

29-21-56  
FIG. 01  
PAGE 6  
AUG 22/09