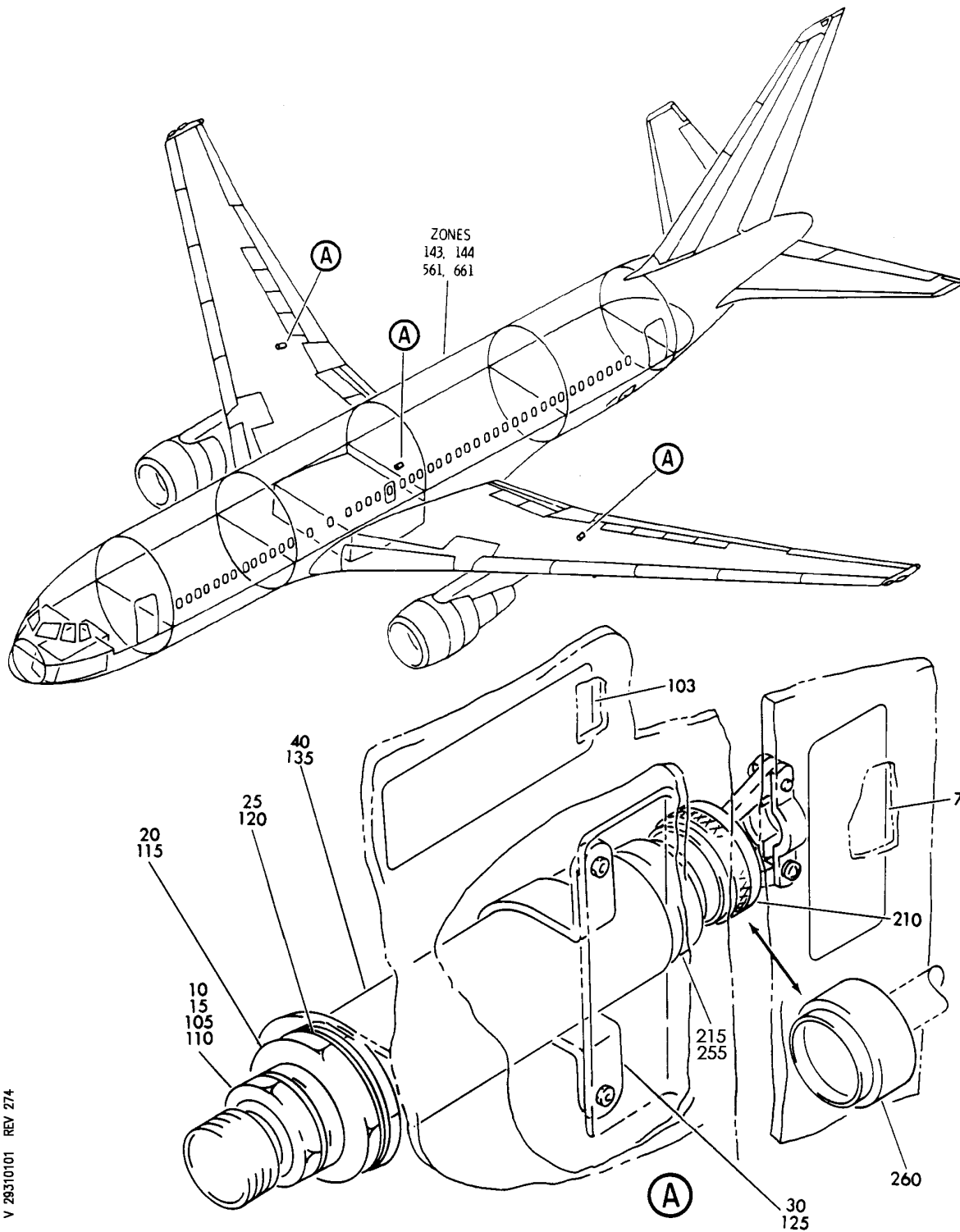


## HYDRAULIC PRESSURE INDICATING SYSTEM

HXL  
DEC 22/06

29-31-00  
SECTION TITLE  
PAGE 1

**BOEING**  
767  
PARTS CATALOG (MAINTENANCE)



V 29310101 REV 274

TRANSMITTER INSTL-HYDR PRESSURE  
FIGURE 1

**29-31-01-01**

HXL  
DEC 22/06

29-31-01-01  
PAGE 0



767

PARTS CATALOG (MAINTENANCE)

FIG ITEM	PART NUMBER	1 2 3 4 5 6 7	NOMENCLATURE	EFFECT FROM TO	UNITS PER ASSY
1			TRANSMITTER INSTL-HYDR PRESSURE		
- 1	271T1320-5		TRANSMITTER INSTL-HYDR PRESSURE POSITION DATA: LH FOR NHA SEE: 29-11-77-01		RF
- 5	271T1320-6		TRANSMITTER INSTL-HYDR PRESSURE POSITION DATA: RH FOR NHA SEE: 29-11-77-05		RF
7	BAC27THY0075		.MARKER-ALUMINUM FOIL POSITION DATA: LH SIDE PLACARD CONTENT: M341 XMTR-HYDR PRESS, L		1
- 8	BAC27THY0077		.MARKER-ALUMINUM FOIL POSITION DATA: RH SIDE PLACARD CONTENT: M343 XMTR-HYDR PRESS, R		1

ILLUSTRATION ITEMS NOT ON PARTS LIST ARE NOT APPLICABLE

- ITEM NOT ILLUSTRATED

HXL

29-31-01-01

BOEING PROPRIETARY - Copyright © - Unpublished Work - See title page for details.

29-31-01  
FIG. 01  
PAGE 1  
DEC 22/08



767

PARTS CATALOG (MAINTENANCE)

FIG ITEM	PART NUMBER	1 2 3 4 5 6 7	NOMENCLATURE	EFFECT FROM TO	UNITS PER ASSY
1 10	AFP2326-4		.REDUCER SUPPLIER CODE: V30974 SPECIFICATION NUMBER: BACR17E6-4 OPTIONAL PART: AP10276-4 V01673 BC916T6-4 V50948 DBOR17E6-4 V14798 ER21916T6-4 V88334 ER31916-6-4 V88334 F23-6-4 V73197 2-01075T6-4 V11328 31778-6-4 V14397 US2114-6-4 V50808 AP1027T6-4 V01673 US21146-4 V50808 317786-4 V14397		1
15	NAS1612-4		.PACKING-		1
20	AN960PD1416L		.WASHER		1
25	AN924-10D		.NUT		1
30	NAS1716D19T		.CLAMP- QUALIFIED OPTIONAL DATA: (OPT TA091001DC USED WITH NAS1801-3-9, AN960PD10L) USED WITH: NAS6603-8		1
30	TA091001DC		.CLAMP-SADDLE SUPPLIER CODE: V84971 QUALIFIED OPTIONAL DATA: (OPT NAS1716D19T USED WITH NAS6603-8) USED WITH: NAS181-3-9 AN960PD10L		1

ILLUSTRATION ITEMS NOT ON PARTS LIST ARE NOT APPLICABLE

- ITEM NOT ILLUSTRATED

HXL

29-31-01-01

BOEING PROPRIETARY - Copyright © - Unpublished Work - See title page for details.

29-31-01  
FIG. 01  
PAGE 2  
DEC 22/08



767

PARTS CATALOG (MAINTENANCE)

FIG ITEM	PART NUMBER	1 2 3 4 5 6 7	NOMENCLATURE	EFFECT FROM TO	UNITS PER ASSY
1			ATTACHING PARTS		
- 35	NAS6603-8		.BOLT- USED WITH: NAS1716D19T		2
- 37	NAS1801-3-9		.SCREW- USED WITH: TA091001DC		2
- 38	AN960PD10L		.WASHER- USED WITH: TA091001DC		2
			-----*-----		
40	18-2141-2		.TRANSMITTER- SUPPLIER CODE: V96774 SPECIFICATION NUMBER: S271T451-1 ELECTRICAL EQUIP NUMBER: M00341 M00343 COMPONENT MAINT MANUAL REF: 29-30-03 OPTIONAL PART: 18-2141 V96774 OPTIONAL PART: 18-2141-3 V96774		1
40	18-2141		.TRANSMITTER- SUPPLIER CODE: V96774 SPECIFICATION NUMBER: S271T451-1 ELECTRICAL EQUIP NUMBER: M00341 M00343 COMPONENT MAINT MANUAL REF: 29-30-03 OPTIONAL PART: 18-2141-2 V96774 OPTIONAL PART: 18-2141-3 V96774		1

ILLUSTRATION ITEMS NOT ON PARTS LIST ARE NOT APPLICABLE

- ITEM NOT ILLUSTRATED

HXL

29-31-01-01

BOEING PROPRIETARY - Copyright © - Unpublished Work - See title page for details.

29-31-01  
FIG. 01  
PAGE 3  
DEC 22/08



767

PARTS CATALOG (MAINTENANCE)

FIG ITEM	PART NUMBER	1 2 3 4 5 6 7	NOMENCLATURE	EFFECT FROM TO	UNITS PER ASSY
1 40	18-2141-3		.TRANSMITTER- SUPPLIER CODE: V96774 FUNCTIONAL DESCRIPTION: TRANSMITS HYDRAULIC FLUID QUANTITY TO THE EICAS COMPUTER SPECIFICATION NUMBER: S271T451-3 ELECTRICAL EQUIP NUMBER: M00341 M00343 COMPONENT MAINT MANUAL REF: 29-30-03 OPTIONAL PART: 18-2141 V96774 18-2141-2 V96774		1
- 102	271T1320-4		TRANSMITTER INSTL-HYDR PRESSURE POSITION DATA: CTR FOR NHA SEE: 29-31-01-02		RF
103	BAC27THY0076		.MARKER-ALUMINUM FOIL PLACARD CONTENT: M342		1
105	BACU24K4		.UNION		1
110	NAS1612-4		.PACKING-		1
115	AN960PD1416L		.WASHER		1
120	AN924-10D		.NUT		1
125	NAS1716D19T		.CLAMP- QUALIFIED OPTIONAL DATA: (OPT TA091001DC USED WITH NAS1801-3-9, AN960PD10L) USED WITH: NAS6603-8		1
125	TA091001DC		.CLAMP-SADDLE SUPPLIER CODE: V84971 QUALIFIED OPTIONAL DATA: (OPT NAS1716D19T USED WITH NAS6603-8) USED WITH: NAS1801-3-9 AN960PD10L		1

ILLUSTRATION ITEMS NOT ON PARTS LIST ARE NOT APPLICABLE

- ITEM NOT ILLUSTRATED

29-31-01-01

29-31-01  
FIG. 01  
PAGE 4  
APR 22/09

HXL



767

PARTS CATALOG (MAINTENANCE)

FIG ITEM	PART NUMBER	1 2 3 4 5 6 7	NOMENCLATURE	EFFECT FROM TO	UNITS PER ASSY
1			ATTACHING PARTS		
- 130	NAS6603-8		.BOLT- USED WITH: NAS1716D19T		2
- 131	NAS1801-3-9		.SCREW- USED WITH: TA091001DC		2
- 133	AN960PD10L		.WASHER- USED WITH: TA091001DC		2
			-----*-----		
135	18-2141-2		.TRANSMITTER- SUPPLIER CODE: V96774 SPECIFICATION NUMBER: S271T451-1 ELECTRICAL EQUIP NUMBER: M00342 COMPONENT MAINT MANUAL REF: 29-30-03 OPTIONAL PART: 18-2141 V96774 OPTIONAL PART: 18-2141-3 V96774		1
135	18-2141		.TRANSMITTER- SUPPLIER CODE: V96774 SPECIFICATION NUMBER: S271T451-1 ELECTRICAL EQUIP NUMBER: M00342 COMPONENT MAINT MANUAL REF: 29-30-03 OPTIONAL PART: 18-2141-2 V96774 OPTIONAL PART: 18-2141-3 V96774		1

ILLUSTRATION ITEMS NOT ON PARTS LIST ARE NOT APPLICABLE

- ITEM NOT ILLUSTRATED

HXL

29-31-01-01

BOEING PROPRIETARY - Copyright © - Unpublished Work - See title page for details.

29-31-01  
FIG. 01  
PAGE 5  
APR 22/09



767

PARTS CATALOG (MAINTENANCE)

FIG ITEM	PART NUMBER	1 2 3 4 5 6 7	NOMENCLATURE	EFFECT FROM TO	UNITS PER ASSY
1 135	18-2141-3		.TRANSMITTER- SUPPLIER CODE: V96774 FUNCTIONAL DESCRIPTION: TRANSMITS HYDRAULIC FLUID QUANTITY TO THE EICAS COMPUTER SPECIFICATION NUMBER: S271T451-3 ELECTRICAL EQUIP NUMBER: M00342 COMPONENT MAINT MANUAL REF: 29-30-03 OPTIONAL PART: 18-2141 V96774 18-2141-2 V96774		1
- 200	286T0450-001		WIRE BUNDLE ASSY- POSITION DATA: LH		RF
- 205	286T0452-001		WIRE BUNDLE ASSY- POSITION DATA: RH		RF
210	S3819-12-65		.CLAMP- SUPPLIER CODE: V07418 SPECIFICATION NUMBER: BACC10KD12 OPTIONAL PART: 620AS028NF12L V06324 ELECTRICAL EQUIP NUMBER: D00034T D00058T WIRING DIAGRAM REF: 293111		1
215	R071012A3SNL		.RECEPTACLE- SUPPLIER CODE: V41118 SPECIFICATION NUMBER: BACC63BP12A3SNL ELECTRICAL EQUIP NUMBER: D00034 D00058 WIRING DIAGRAM REF: 293111		1

ILLUSTRATION ITEMS NOT ON PARTS LIST ARE NOT APPLICABLE

- ITEM NOT ILLUSTRATED

HXL

29-31-01-01

BOEING PROPRIETARY - Copyright © - Unpublished Work - See title page for details.

29-31-01  
FIG. 01  
PAGE 6  
APR 22/09





767

PARTS CATALOG (MAINTENANCE)

FIG ITEM	PART NUMBER	1 2 3 4 5 6 7	NOMENCLATURE	EFFECT FROM TO	UNITS PER ASSY
1					
- 250	286T0838-001		WIRE BUNDLE ASSY- POSITION DATA: CTR		RF
255	BCREF110670		.ADAPTER- SUPPLIER CODE: V06324 OVERLENGTH PART NUMBER: 710AS011M1209-62A ELECTRICAL EQUIP NUMBER: D00554T WIRING DIAGRAM REF: 293111		1
260	R071012R3SNL		.CONNECTOR- SUPPLIER CODE: V41118 SPECIFICATION NUMBER: BACC63BP12R3SNL OPTIONAL PART: CN0966-12A03S V13556 ZZYA0-12D12-03S V49367 48-06R12-3SN266 V02660 ELECTRICAL EQUIP NUMBER: D00554 WIRING DIAGRAM REF: 293111		1
ILLUSTRATION ITEMS NOT ON PARTS LIST ARE NOT APPLICABLE					

- ITEM NOT ILLUSTRATED

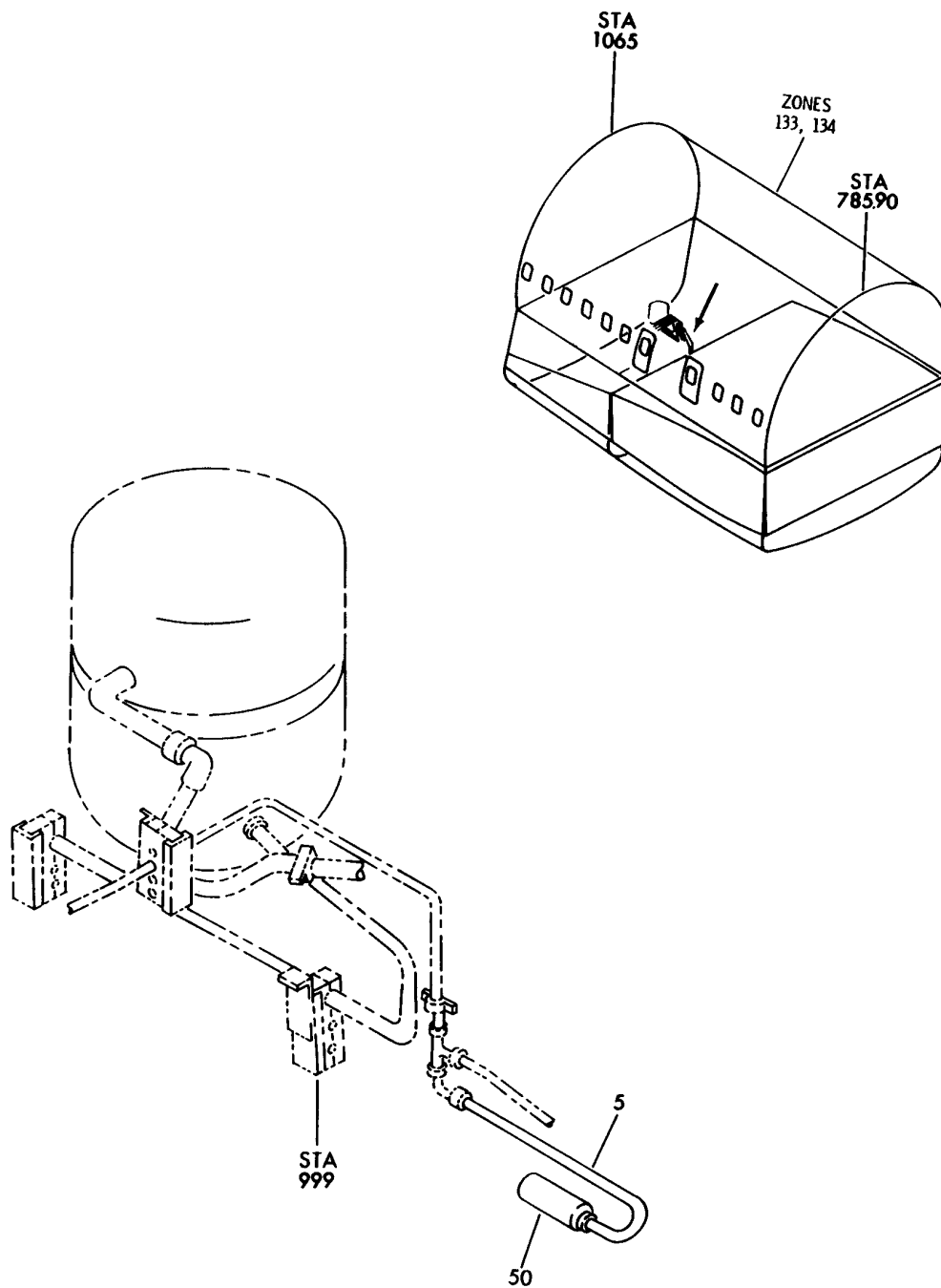
HXL

29-31-01-01

BOEING PROPRIETARY - Copyright © - Unpublished Work - See title page for details.

29-31-01  
FIG. 01  
PAGE 7  
APR 22/09

**BOEING**  
767  
PARTS CATALOG (MAINTENANCE)



V 29310102 REV 122

HYDRAULIC INSTL-SECT. 45 (HYDRAULIC PRESSURE TRANSMITTER ONLY)  
FIGURE 2

**29-31-01-02**

HXL  
DEC 22/06

29-31-01-02  
PAGE 0



767

PARTS CATALOG (MAINTENANCE)

FIG ITEM	PART NUMBER	1 2 3 4 5 6 7	NOMENCLATURE	EFFECT FROM TO	UNITS PER ASSY
2			HYDRAULIC INSTL-SECT. 45 (HYDRAULIC PRESSURE TRANSMITTER ONLY)		
- 2	272T4500-3		HYDRAULIC INSTL-(HYDRAULIC PRESSURE TRANSMITTER ONLY) POSITION DATA: SECT. 45 MISCELLANEOUS DATA: (CONT AT ITEM 002J) VARIABLE DRAWING REF: 272T4500-5191		RF
- 2	272T4500-3		HYDRAULIC INSTL-(HYDRAULIC PRESSURE TRANSMITTER ONLY) POSITION DATA: SECT. 45 MISCELLANEOUS DATA: (CONT FROM ITEM 002) VARIABLE DRAWING REF: 272T4500-5274 272T4500-5278 272T4500-7002 FOR NHA/OTHER SYS DET SEE: 29-00-00-06		RF
	5 272T4500-324		.TUBE ASSY- TUBING MATERIAL: .250 IN. OD .016 IN. WALL 15.00 IN. LG TITANIUM		1
- 10	AS1581T04		..SLEEVE-		2
- 15	BACN10YA4		..NUT-		2
50	271T1320-4		.TRANSMITTER INSTL-PRESSURE HYDR FOR DETAILS SEE: 29-31-01-01		1

ILLUSTRATION ITEMS NOT ON PARTS LIST ARE NOT APPLICABLE

- ITEM NOT ILLUSTRATED

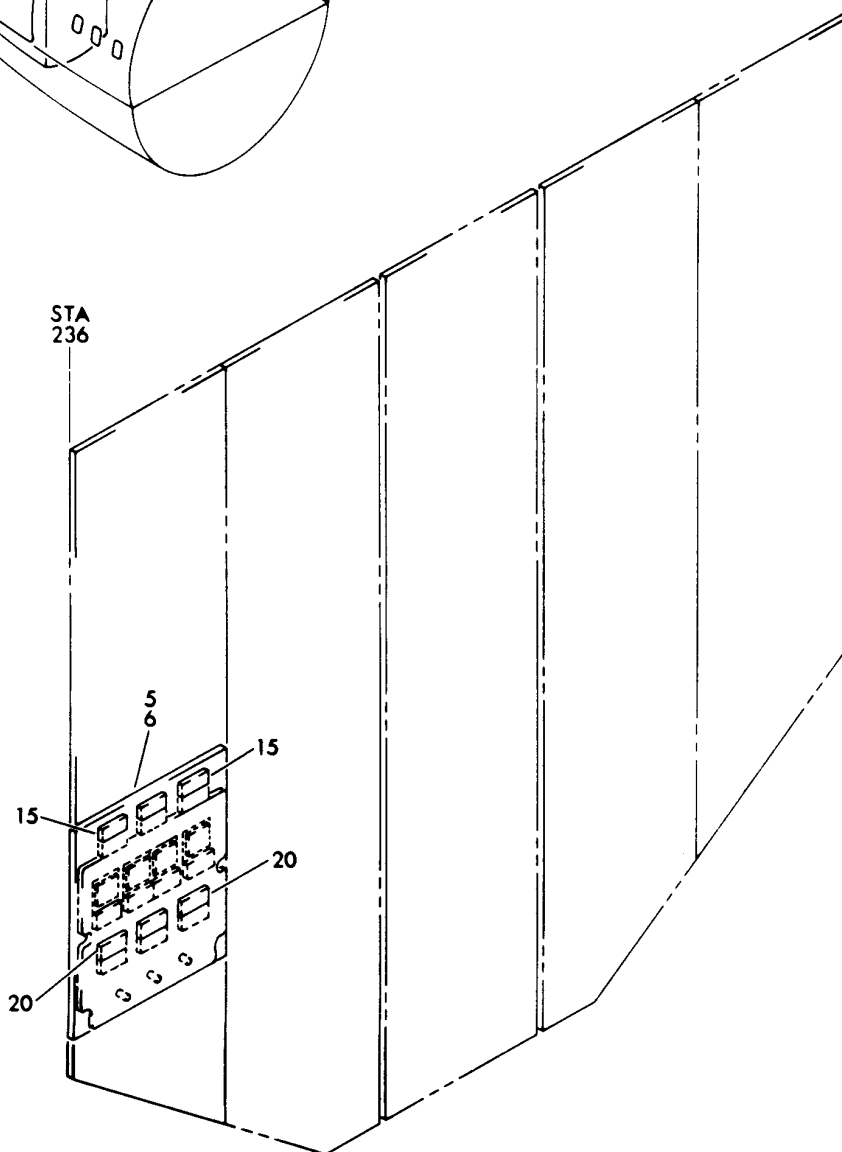
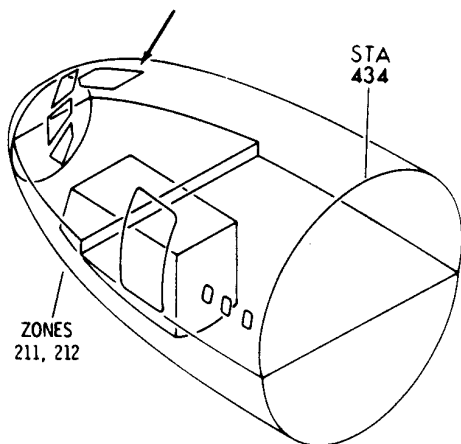
HXL

29-31-01-02

BOEING PROPRIETARY - Copyright © - Unpublished Work - See title page for details.

29-31-01  
FIG. 02  
PAGE 1  
DEC 22/07

**BOEING**  
767  
PARTS CATALOG (MAINTENANCE)



V 29315201 SHT 1 REV 038

PANEL INSTL-OVERHEAD (HYDRAULIC PRESSURE INDICATING SYSTEM ONLY)

FIGURE 1

**29-31-52-01**

HXL  
DEC 22/06

29-31-52-01  
PAGE 0

BOEING PROPRIETARY - Copyright © - Unpublished Work - See title page for details.



767

PARTS CATALOG (MAINTENANCE)

FIG ITEM	PART NUMBER	1 2 3 4 5 6 7	NOMENCLATURE	EFFECT FROM TO	UNITS PER ASSY
1			PANEL INSTL-OVERHEAD (HYDRAULIC PRESSURE INDICATING SYSTEM ONLY)		
- 1	233T3100-1		PANEL INSTL-OVERHEAD (HYDRAULIC PRESSURE INDICATING SYSTEM ONLY) VARIABLE DRAWING REF: 233T3100-5048 FOR NHA/OTHER SYS DET SEE: 25-10-00-03		RF
6	233T3100-372		.PANEL ASSY-HYDR SYS CONT		RF
6	233T3234-305		.PANEL ASSY-HYDR SYS CONT SUPPLIER CODE: V89954 MISCELLANEOUS DATA: (THE 233T3234-305 PANEL ASSY IS I/W THE 233T3234-33 PANEL ASSY T/W THE S233T100-1066 LIGHTPLATE AND (3) BP248-127 KNOBS) COMPONENT MAINT MANUAL REF: 29-11-53		RF
6	233T3234-300		.PANEL ASSY-HYDR SYS CONT SUPPLIER CODE: V89954 MISCELLANEOUS DATA: (THE 233T3234-300 PANEL ASSY IS I/W THE 233T3234-31 PANEL ASSY T/W THE S233T100-1066 LIGHTPLATE AND (3) BP248-127 KNOBS.) COMPONENT MAINT MANUAL REF: 29-11-53		RF
- 10	233T3234-5		..PANEL ASSY- SUPPLIER CODE: V89954 ELECTRICAL EQUIP NUMBER: M00010 COMPONENT MAINT MANUAL REF: 29-11-53		RF

ILLUSTRATION ITEMS NOT ON PARTS LIST ARE NOT APPLICABLE

- ITEM NOT ILLUSTRATED

HXL

29-31-52-01

BOEING PROPRIETARY - Copyright © - Unpublished Work - See title page for details.

29-31-52  
FIG. 01  
PAGE 1  
DEC 22/07



767

PARTS CATALOG (MAINTENANCE)

FIG ITEM	PART NUMBER	1 2 3 4 5 6 7	NOMENCLATURE	EFFECT FROM TO	UNITS PER ASSY
1					
- 10	233T3234-8		..PANEL ASSY- SUPPLIER CODE: V89954 ELECTRICAL EQUIP NUMBER: M00010 COMPONENT MAINT MANUAL REF: 29-11-53 USED ON: 233T3100-167 233T3100-204 233T3100-230 233T3100-272		RF
- 10	233T3234-10		..PANEL ASSY- SUPPLIER CODE: V89954 MISCELLANEOUS DATA: (REQUIRED FOR ETOPS) ELECTRICAL EQUIP NUMBER: M00010 COMPONENT MAINT MANUAL REF: 29-11-53 USED ON: 233T3100-172 233T3100-205 233T3100-231		RF
- 10	233T3234-7		..PANEL ASSY- SUPPLIER CODE: V89954 ELECTRICAL EQUIP NUMBER: M00010 COMPONENT MAINT MANUAL REF: 29-11-53 USED ON: 233T3100-204 233T3100-230 233T3100-167		RF
- 10	233T3234-12		..PANEL ASSY- (REQUIRED FOR ETOPS) SUPPLIER CODE: V89954 ELECTRICAL EQUIP NUMBER: M00010 COMPONENT MAINT MANUAL REF: 29-11-53 USED ON: 233T3100-172 233T3100-205 233T3100-231 233T3100-305		RF

ILLUSTRATION ITEMS NOT ON PARTS LIST ARE NOT APPLICABLE

- ITEM NOT ILLUSTRATED

29-31-52-01

29-31-52  
 FIG. 01  
 PAGE 2  
 DEC 22/07

HXL



767

PARTS CATALOG (MAINTENANCE)

FIG ITEM	PART NUMBER	1 2 3 4 5 6 7	NOMENCLATURE	EFFECT FROM TO	UNITS PER ASSY
1					
- 10	233T3234-14		..PANEL ASSY- SUPPLIER CODE: V89954 ELECTRICAL EQUIP NUMBER: M00010 COMPONENT MAINT MANUAL REF: 29-11-53 USED ON: 233T3100-172 233T3100-205 233T3100-231 233T3100-305		RF
- 10	233T3234-15		..PANEL ASSY- SUPPLIER CODE: V89954 ELECTRICAL EQUIP NUMBER: M00010 COMPONENT MAINT MANUAL REF: 29-11-53 USED ON: 233T3100-167 233T3100-204 233T3100-230 233T3100-272		RF
- 10	233T3234-16		..PANEL ASSY- SUPPLIER CODE: V89954 ELECTRICAL EQUIP NUMBER: M00010 COMPONENT MAINT MANUAL REF: 29-11-53		RF
- 10	233T3234-19		..PANEL ASSY- SUPPLIER CODE: V89954 MISCELLANEOUS DATA: (REQUIRED FOR ETOPS) ELECTRICAL EQUIP NUMBER: M00010 COMPONENT MAINT MANUAL REF: 29-11-53 USED ON: 233T3100-205 233T3100-231 233T3100-305 USED ON: 233T3100-305		RF

ILLUSTRATION ITEMS NOT ON PARTS LIST ARE NOT APPLICABLE

- ITEM NOT ILLUSTRATED

29-31-52-01

29-31-52  
FIG. 01  
PAGE 3  
DEC 22/07

HXL



767

PARTS CATALOG (MAINTENANCE)

FIG ITEM	PART NUMBER	1 2 3 4 5 6 7	NOMENCLATURE	EFFECT FROM TO	UNITS PER ASSY
1					
- 10	233T3234-22		..PANEL ASSY- SUPPLIER CODE: V89954 ELECTRICAL EQUIP NUMBER: M00010 COMPONENT MAINT MANUAL REF: 29-11-53 USED ON: 233T3100-167 233T3100-230 233T3100-272		RF
- 10	233T3234-25		..PANEL ASSY- SUPPLIER CODE: V89954 ELECTRICAL EQUIP NUMBER: M00010 COMPONENT MAINT MANUAL REF: 29-11-53		RF
- 10	233T3234-30		..PANEL ASSY- SUPPLIER CODE: V89954 ELECTRICAL EQUIP NUMBER: M00010 COMPONENT MAINT MANUAL REF: 29-11-53		RF
- 10	233T3234-33		..PANEL ASSY- SUPPLIER CODE: V89954 MISCELLANEOUS DATA: (THE 233T3234-305 PANEL ASSY IS I/W THE 233T3234-33 PANEL ASSY T/W THE S233T100-1066 LIGHTPLATE AND (3) BP248-127 KNOBS.) ELECTRICAL EQUIP NUMBER: M00010 COMPONENT MAINT MANUAL REF: 29-11-53 USED ON: 233T3234-305		RF

ILLUSTRATION ITEMS NOT ON PARTS LIST ARE NOT APPLICABLE

- ITEM NOT ILLUSTRATED

29-31-52-01

29-31-52  
FIG. 01  
PAGE 4  
DEC 22/07

HXL





767

PARTS CATALOG (MAINTENANCE)

FIG ITEM	PART NUMBER	1 2 3 4 5 6 7	NOMENCLATURE	EFFECT FROM TO	UNITS PER ASSY
1					
- 11	233T3234-36		<p>..PANEL ASSY-            SUPPLIER CODE:            V89954            ELECTRICAL EQUIP NUMBER:            M00010            COMPONENT MAINT MANUAL REF:            29-11-53            QUALIFIED I/W DATA:            THE 233T3234-303 PANEL            ASSY IS I/W THE            233T3234-36 PANEL ASSY            T/W THE S233T100-1066            LIGHTPLATE AND (3)            BP248-127 KNOBS.</p>		RF
- 11	233T3234-38		<p>..PANEL ASSY-            SUPPLIER CODE:            V89954            ELECTRICAL EQUIP NUMBER:            M00010            COMPONENT MAINT MANUAL REF:            29-11-53            QUALIFIED I/W DATA:            THE 233T3234-302 PANEL            ASSY IS I/W THE            233T3234-38 PANEL ASSY            T/W THE S233T100-1066            LIGHTPLATE AND (3)            BP248-127 KNOBS.</p>		RF
- 11	233T3234-31		<p>..PANEL ASSY-            SUPPLIER CODE:            V89954            MISCELLANEOUS DATA:            (THE 233T3234-300 PANEL            ASSY IS I/W THE            233T3234-31 PANEL ASSY            T/W THE S233T100-1066            LIGHTPLATE AND (3)            BP248-127 KNOBS.)            ELECTRICAL EQUIP NUMBER:            M00010            COMPONENT MAINT MANUAL REF:            29-11-53</p>		RF

ILLUSTRATION ITEMS NOT ON PARTS LIST ARE NOT APPLICABLE

- ITEM NOT ILLUSTRATED

HXL

29-31-52-01

BOEING PROPRIETARY - Copyright © - Unpublished Work - See title page for details.

29-31-52  
 FIG. 01  
 PAGE 5  
 AUG 22/08

 **BOEING**  
767  
**PARTS CATALOG (MAINTENANCE)**

FIG ITEM	PART NUMBER	1 2 3 4 5 6 7	NOMENCLATURE	EFFECT FROM TO	UNITS PER ASSY
1 - 11	233T3234-17		..PANEL ASSY- REQUIRED FOR ETOPS SUPPLIER CODE: V89954 ELECTRICAL EQUIP NUMBER: M00010 COMPONENT MAINT MANUAL REF: 29-11-53 QUALIFIED I/W DATA: 233T3234-17 I/W -39 SUBJECT TO CUSTOMER PREFERENCE		RF
15	BCREF6116		...LIGHT ASSY-SYS PRESS IND SUPPLIER CODE: V81590 OVERLENGTH PART NUMBER: 434-674-1005-1188 SPECIFICATION NUMBER: S231T300-1188 FOR DETAILS SEE: 33-16-02-02		3
15	BCREF8556		...LIGHT ASSY-SYS PRESS IND SUPPLIER CODE: V81590 OVERLENGTH PART NUMBER: 434-674-1031-2188 SPECIFICATION NUMBER: S231T300-2188 FOR DETAILS SEE: 33-16-02-03		3
20	BCREF6253		...LIGHT ASSY-PRESS IND SUPPLIER CODE: V81590 OVERLENGTH PART NUMBER: 434-674-1005-1089 SPECIFICATION NUMBER: S231T300-1089 FOR DETAILS SEE: 33-16-02-02		3
20	BCREF8541		...LIGHT ASSY-PRESS IND SUPPLIER CODE: V81590 OVERLENGTH PART NUMBER: 434-674-1031-2089 SPECIFICATION NUMBER: S231T300-2089 FOR DETAILS SEE: 33-16-02-03		3

ILLUSTRATION ITEMS NOT ON PARTS LIST ARE NOT APPLICABLE

- ITEM NOT ILLUSTRATED

HXL

29-31-52-01

BOEING PROPRIETARY - Copyright © - Unpublished Work - See title page for details.

29-31-52  
FIG. 01  
PAGE 6  
DEC 22/07