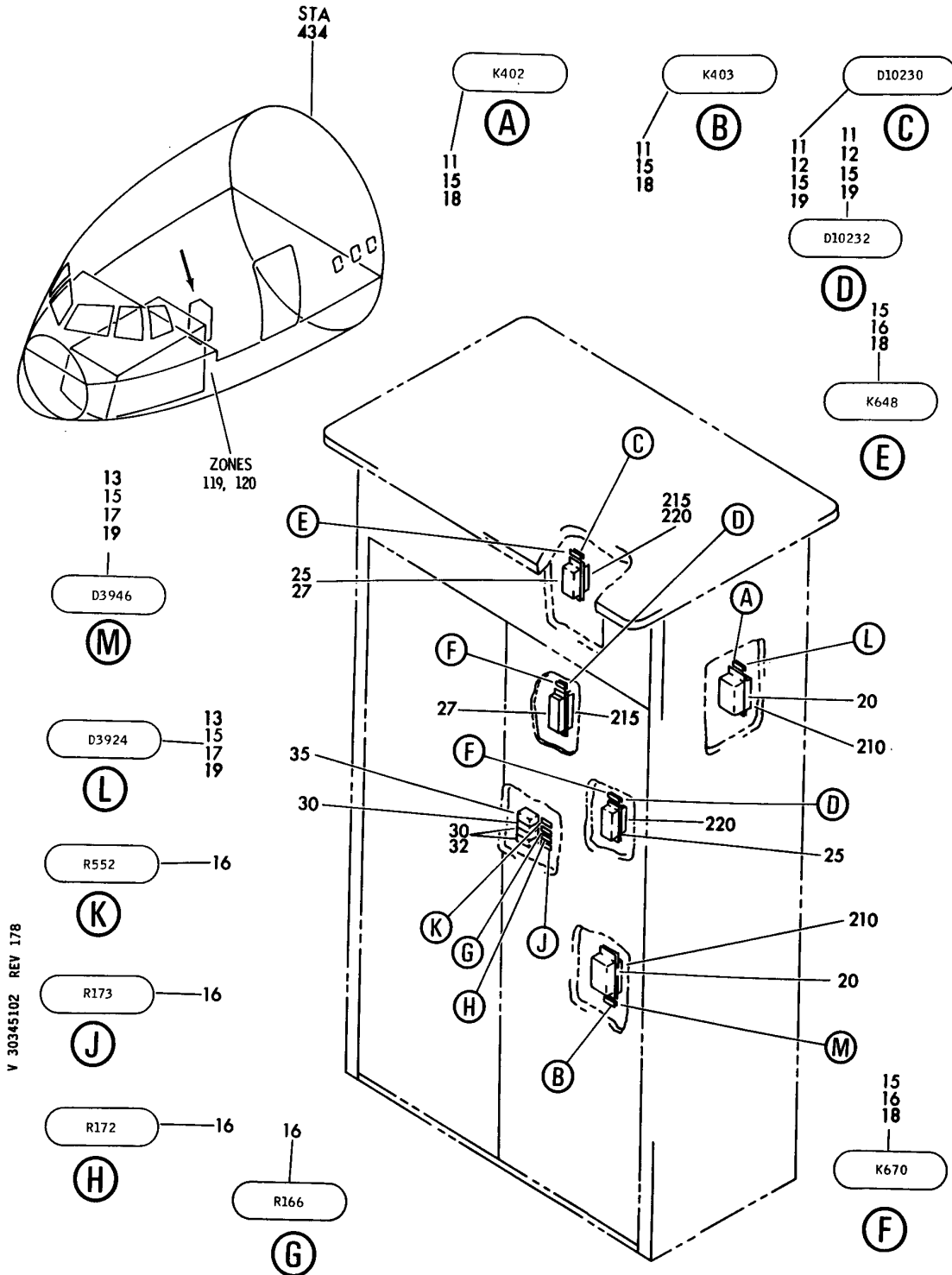


## ENGINE PROBE HEAT

HXL  
DEC 22/06

30-34-00  
SECTION TITLE  
PAGE 1

**BOEING**  
767  
PARTS CATALOG (MAINTENANCE)



V 30345102 REV 178

EQUIPMENT ASSY-P33 MISC ELEC PNL FWD (ENGINE PROBE HEAT ONLY)  
FIGURE 2

**30-34-51-02**

HXL  
DEC 22/06

30-34-51-02  
PAGE 0



767

PARTS CATALOG (MAINTENANCE)

FIG ITEM	PART NUMBER	1 2 3 4 5 6 7	NOMENCLATURE	EFFECT FROM TO	UNITS PER ASSY
2			EQUIPMENT ASSY-P33 MISC ELEC PNL FWD (ENGINE PROBE HEAT ONLY)		
- 4	284T0189-155		EQUIPMENT ASSY-P33 MISC ELEC PNL (ENGINE PROBE HEAT ONLY) POSITION DATA: FWD FOR NHA/OTHER SYS DET SEE: 25-50-51-01	163999	RF
- 5	284T0189-183		EQUIPMENT ASSY-P33 MISC ELEC PNL (ENGINE PROBE HEAT ONLY) POSITION DATA: FWD FOR NHA/OTHER SYS DET SEE: 25-50-51-01	155162	RF
11	BAC27TEX3735		.DECALSET-INCLUDES DECALS IDENTIFIED ON THE ILLUSTRATION MISCELLANEOUS DATA: DISCARD IF D4330 OR D4928 IS NOT USED.		RF
12	BAC27TEX4206		.DECALSET-INCLUDES DECALS IDENTIFIED ON THE ILLUSTRATION		RF
13	BAC27TEX4203		.DECALSET-INCLUDES DECALS IDENTIFIED ON THE ILLUSTRATION		RF
15	BAC27TEX4201		.DECALSET-INCLUDES DECALS IDENTIFIED ON THE ILLUSTRATION		RF
16	BAC27TEX3736		.DECALSET-INCLUDES DECALS IDENTIFIED ON THE ILLUSTRATION		RF
17	BAC27TEX3734		.DECALSET-INCLUDES DECALS IDENTIFIED ON THE ILLUSTRATION		RF
20	770-540-1		.RELAY- SUPPLIER CODE: VF0553 ELECTRICAL EQUIP NUMBER: K00402 K00403		2

ILLUSTRATION ITEMS NOT ON PARTS LIST ARE NOT APPLICABLE

- ITEM NOT ILLUSTRATED

HXL

30-34-51-02

BOEING PROPRIETARY - Copyright © - Unpublished Work - See title page for details.

30-34-51  
FIG. 02  
PAGE 1  
DEC 22/07



767

PARTS CATALOG (MAINTENANCE)

FIG ITEM	PART NUMBER	1 2 3 4 5 6 7	NOMENCLATURE	EFFECT FROM TO	UNITS PER ASSY
2					
20	770-540-2		.RELAY- SUPPLIER CODE: VF0553 ELECTRICAL EQUIP NUMBER: K00402 K00403		2
20	770540-2		.RELAY- SUPPLIER CODE: VF5341 ELECTRICAL EQUIP NUMBER: K00402 K00403		2
27	E210-1631		.RELAY- SUPPLIER CODE: V99699 SPECIFICATION NUMBER: BACR13CF2A OPTIONAL PART: BR246S0112 V56623 FCA210-70 V78290 E215-1050 V99699 JD4A017 V35344 BR64S104 V56623 61GB19-1A320 V98927 ELECTRICAL EQUIP NUMBER: K00648 K00670		2
- 200	286T0144-300		.WIRE BUNDLE ASSY		RF
- 205	286T0142-300		.WIRE BUNDLE ASSY		RF
210	000300-1560		.. SOCKET- SUPPLIER CODE: V05574 ELECTRICAL EQUIP NUMBER: D03924 D03946 WIRING DIAGRAM REF: 303411 303421		1
ILLUSTRATION ITEMS NOT ON PARTS LIST ARE NOT APPLICABLE					

- ITEM NOT ILLUSTRATED

30-34-51-02

30-34-51  
FIG. 02  
PAGE 2  
DEC 22/08

HXL



767  
PARTS CATALOG (MAINTENANCE)

FIG ITEM	PART NUMBER	1 2 3 4 5 6 7	NOMENCLATURE	EFFECT FROM TO	UNITS PER ASSY
2 215	RSF116200		.. SOCKET- SUPPLIER CODE: V58982 SPECIFICATION NUMBER: BACS16X1A OPTIONAL PART: 102-006-1 V09922 000300-1538 V05574 ELECTRICAL EQUIP NUMBER: D10230 D10232 WIRING DIAGRAM REF: 303411 303421		1

ILLUSTRATION ITEMS NOT ON PARTS LIST ARE NOT APPLICABLE

- ITEM NOT ILLUSTRATED

HXL

30-34-51-02

BOEING PROPRIETARY - Copyright © - Unpublished Work - See title page for details.

30-34-51  
FIG. 02  
PAGE 3  
DEC 22/08