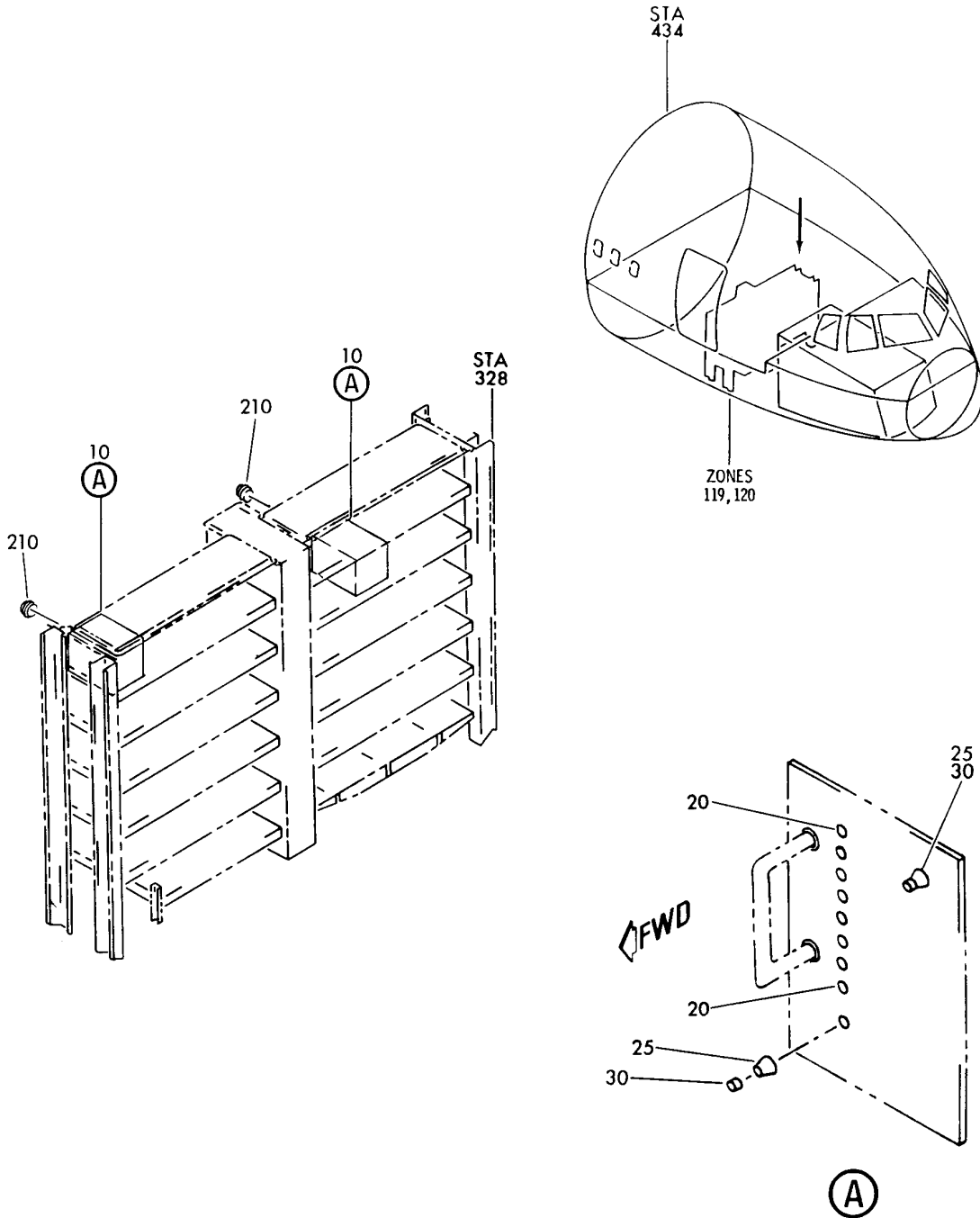


FLIGHT COMPARTMENT WINDOW ANTI-ICING

HXL
DEC 22/06

30-41-00
SECTION TITLE
PAGE 1

BOEING
767
PARTS CATALOG (MAINTENANCE)



V 30410102 REV 178

EQUIPMENT INSTL-ELECTRONIC EQPT CTR E1/E2 RACK (ICE AND RAIN PROTECTION ONLY)
FIGURE 2

30-41-01-02

HXL
DEC 22/06

30-41-01-02
PAGE 0



767

PARTS CATALOG (MAINTENANCE)

FIG ITEM	PART NUMBER	1 2 3 4 5 6 7	NOMENCLATURE	EFFECT FROM TO	UNITS PER ASSY
2			EQUIPMENT INSTL-ELECTRONIC EQPT CTR E1/E2 RACK (ICE AND RAIN PROTECTION ONLY)		
- 1	284T0400-618		EQUIPMENT INSTL-ELECTRONIC EQPT CTR E1/E2 RACK (ICE AND RAIN PROTECTION ONLY) VARIABLE DRAWING REF: 284T0400-5284 FOR NHA/OTHER SYS DET SEE: 24-00-58-01J	155162	RF
- 2	284T0400-630		EQUIPMENT INSTL-ELECTRONIC EQPT CTR E1/E2 RACK (ICE AND RAIN PROTECTION ONLY) VARIABLE DRAWING REF: 284T0400-5349 284T0400-5357 FOR NHA/OTHER SYS DET SEE: 24-00-58-01J	163999	RF
10	624066-3		.UNIT ASSY-WINDOW HEAT CONT SUPPLIER CODE: V07217 POSITION DATA: FWD AND SIDE L AND R SPECIFICATION NUMBER: S283T007-3 ELECTRICAL EQUIP NUMBER: M00191 M00192 COMPONENT MAINT MANUAL REF: 30-41-07		2
10	624066-4		.UNIT ASSY-WINDOW HEAT CONT SUPPLIER CODE: V07217 POSITION DATA: FWD AND SIDE L AND R SPECIFICATION NUMBER: S283T007-4 ELECTRICAL EQUIP NUMBER: M00191 M00192 COMPONENT MAINT MANUAL REF: 30-41-07 OPTIONAL PART: 624066-5 V07217		2

ILLUSTRATION ITEMS NOT ON PARTS LIST ARE NOT APPLICABLE

- ITEM NOT ILLUSTRATED

HXL

30-41-01-02

BOEING PROPRIETARY - Copyright © - Unpublished Work - See title page for details.

30-41-01
FIG. 02
PAGE 1
DEC 22/07



767

PARTS CATALOG (MAINTENANCE)

FIG ITEM	PART NUMBER	1 2 3 4 5 6 7	NOMENCLATURE	EFFECT FROM TO	UNITS PER ASSY
2					
10	624066-5		.UNIT ASSY-WINDOW HEAT CONT SUPPLIER CODE: V07217 POSITION DATA: FWD AND SIDE L AND R FUNCTIONAL DESCRIPTION: MONITORS THE STATUS OF THE CONTROL UNIT, WINDOW SENSORS & WINDOW HEATERS SPECIFICATION NUMBER: S283T007-5 ELECTRICAL EQUIP NUMBER: M00191 M00192 COMPONENT MAINT MANUAL REF: 30-41-07		2
10	624066-2		.UNIT ASSY-WINDOW HEAT CONT SUPPLIER CODE: V07217 POSITION DATA: FWD AND SIDE L AND R SPECIFICATION NUMBER: S283T007-2 ELECTRICAL EQUIP NUMBER: M00191 M00192 COMPONENT MAINT MANUAL REF: 30-41-07		2
20	1411-45009		..GROMMET- SUPPLIER CODE: V70485		8
25	7089-2		..CAP- SUPPLIER CODE: V09353		2
30	7780		..NUT-DRESS SUPPLIER CODE: V09353		2
- 200	286T1098-101		WIRE BUNDLE ASSY		RF
- 205	286T1120-101		WIRE BUNDLE ASSY		RF
210	CE9307-18		.PLUG- SUPPLIER CODE: V71468 ELECTRICAL EQUIP NUMBER: D02898 D02916 WIRING DIAGRAM REF: 304111 304112		1
ILLUSTRATION ITEMS NOT ON PARTS LIST ARE NOT APPLICABLE					

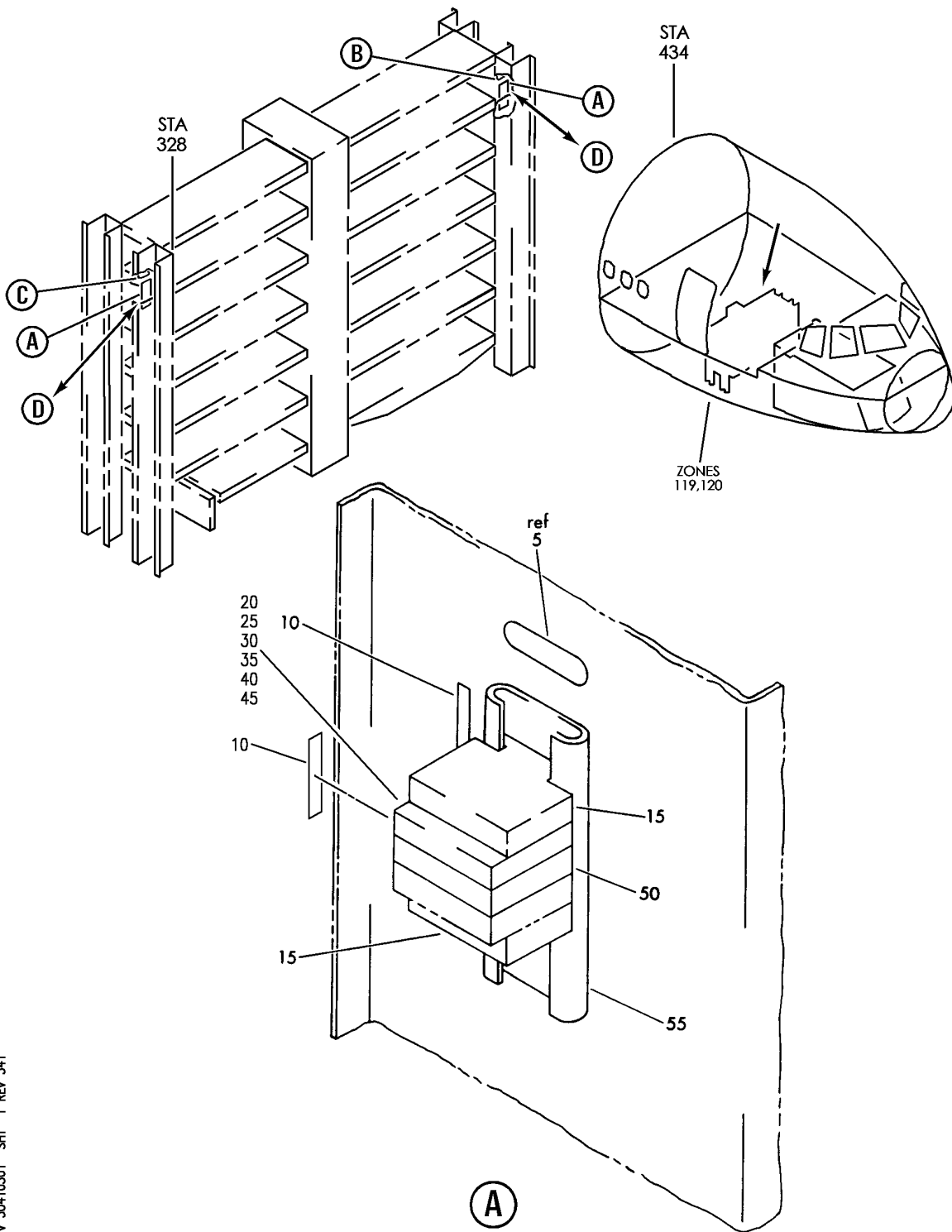
- ITEM NOT ILLUSTRATED

30-41-01-02

30-41-01
FIG. 02
PAGE 2
DEC 22/07

HXL

BOEING
767
PARTS CATALOG (MAINTENANCE)



V 30410301 SHT 1 REV 341

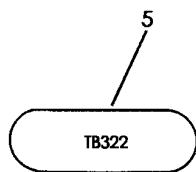
MODULE INSTL-ELECTRONIC EQPT CTR E1/E2 RACK
FIGURE 1 (SHEET 1)

30-41-03-01

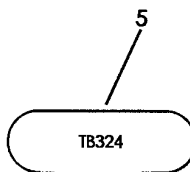
HXL
AUG 22/09

30-41-03-01
PAGE 0

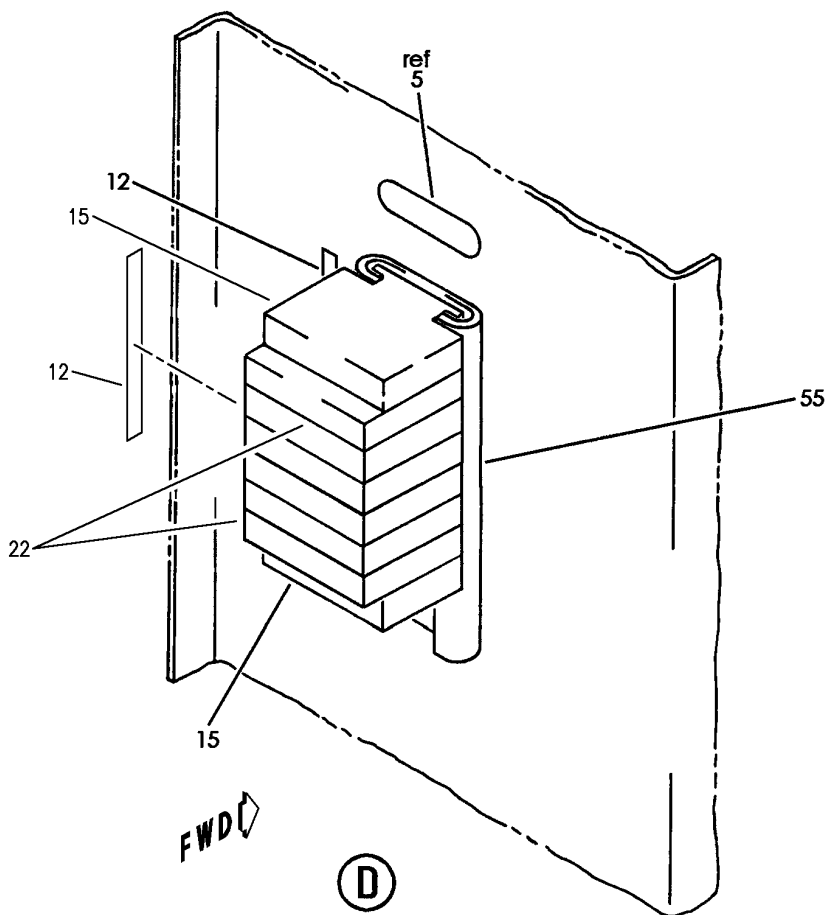
BOEING
767
PARTS CATALOG (MAINTENANCE)



(B)



(C)



V 30410301 SHT 2 REV 341

MODULE INSTL-ELECTRONIC EQPT CTR E1/E2 RACK
FIGURE 1 (SHEET 2)

30-41-03-01

HXL
AUG 22/09

30-41-03-01
PAGE 0A

BOEING
767
PARTS CATALOG (MAINTENANCE)

FIG ITEM	PART NUMBER	1 2 3 4 5 6 7	NOMENCLATURE	EFFECT FROM TO	UNITS PER ASSY
1			MODULE INSTL-ELECTRONIC EQPT CTR E1/E2 RACK		
- 1	284T1305-1		MODULE INSTL-ELECTRONIC EQPT CTR E1/E2 RACK FOR NHA SEE: 24-00-58-01D		RF
- 3	284T1305-2		MODULE INSTL-ELECTRONIC EQPT CTR E1/E2 RACK FOR NHA SEE: 24-00-58-01D		RF
	5 BAC27TEX4437		.DECALSET-INCLUDES DECALS IDENTIFIED ON THE ILLUSTRATION POST SERVICE BULLETIN: 30-0015		1
R R R R R	10 BAC27TEX0384		.DECAL- PLACARD CONTENT: 1 THRU 30 POST SERVICE BULLETIN: 30-0015		2
	15 H49-2		.CLAMP ASSY- SUPPLIER CODE: V34941 SPECIFICATION NUMBER: BACC49A2 OPTIONAL PART: MF104-2 V6E102 POST SERVICE BULLETIN: 30-0015		AR
	20 YHLZ2		.MODULE SUPPLIER CODE: V09922 SPECIFICATION NUMBER: BACM15C1A OPTIONAL PART: YHLZ2 V09922		AR
	25 YHLZ4		.MODULE SUPPLIER CODE: V09922 SPECIFICATION NUMBER: BACM15C1B OPTIONAL PART: YHLZ4 V09922		AR
ILLUSTRATION ITEMS NOT ON PARTS LIST ARE NOT APPLICABLE					

- ITEM NOT ILLUSTRATED

HXL

30-41-03-01

BOEING PROPRIETARY - Copyright © - Unpublished Work - See title page for details.

30-41-03
FIG. 01
PAGE 1
AUG 22/09



767

PARTS CATALOG (MAINTENANCE)

FIG ITEM	PART NUMBER	1 2 3 4 5 6 7	NOMENCLATURE	EFFECT FROM TO	UNITS PER ASSY
1					
30	YHLZ8		.MODULE SUPPLIER CODE: V09922 SPECIFICATION NUMBER: BACM15C2A		AR
35	YHLZ16-2		.MODULE SUPPLIER CODE: V09922 SPECIFICATION NUMBER: BACM15C3A OPTIONAL PART: TBH120450 V58982 421120-450 V58982		AR
40	YHLZ16-4		.MODULE SUPPLIER CODE: V09922 SPECIFICATION NUMBER: BACM15C3B OPTIONAL PART: 421120-452 V58982 TBH120452 V58982		AR
45	YHLZ16-8		.MODULE SUPPLIER CODE: V09922 SPECIFICATION NUMBER: BACM15C3C OPTIONAL PART: 421120-454 V58982 TBH120454 V58982		AR
50	BACM18AR6		.MODULE		AR
55	AMY0300T5		.TRACK- SUPPLIER CODE: V09922 SPECIFICATION NUMBER: BACT44B0300U ELECTRICAL EQUIP NUMBER: TB0322 TB0324 POST SERVICE BULLETIN: 30-0015		1
ILLUSTRATION ITEMS NOT ON PARTS LIST ARE NOT APPLICABLE					

- ITEM NOT ILLUSTRATED

30-41-03-01

30-41-03
FIG. 01
PAGE 2
DEC 22/06

HXL



767

PARTS CATALOG (MAINTENANCE)

FIG ITEM	PART NUMBER	1 2 3 4 5 6 7 NOMENCLATURE	EFFECT FROM TO	UNITS PER ASSY
1 - 60	BACR15BB4AD	ATTACHING PARTS .RIVET- SIZE DETERMINED ON INSTL. -----*-----		3

ILLUSTRATION ITEMS NOT ON PARTS LIST ARE NOT APPLICABLE

- ITEM NOT ILLUSTRATED

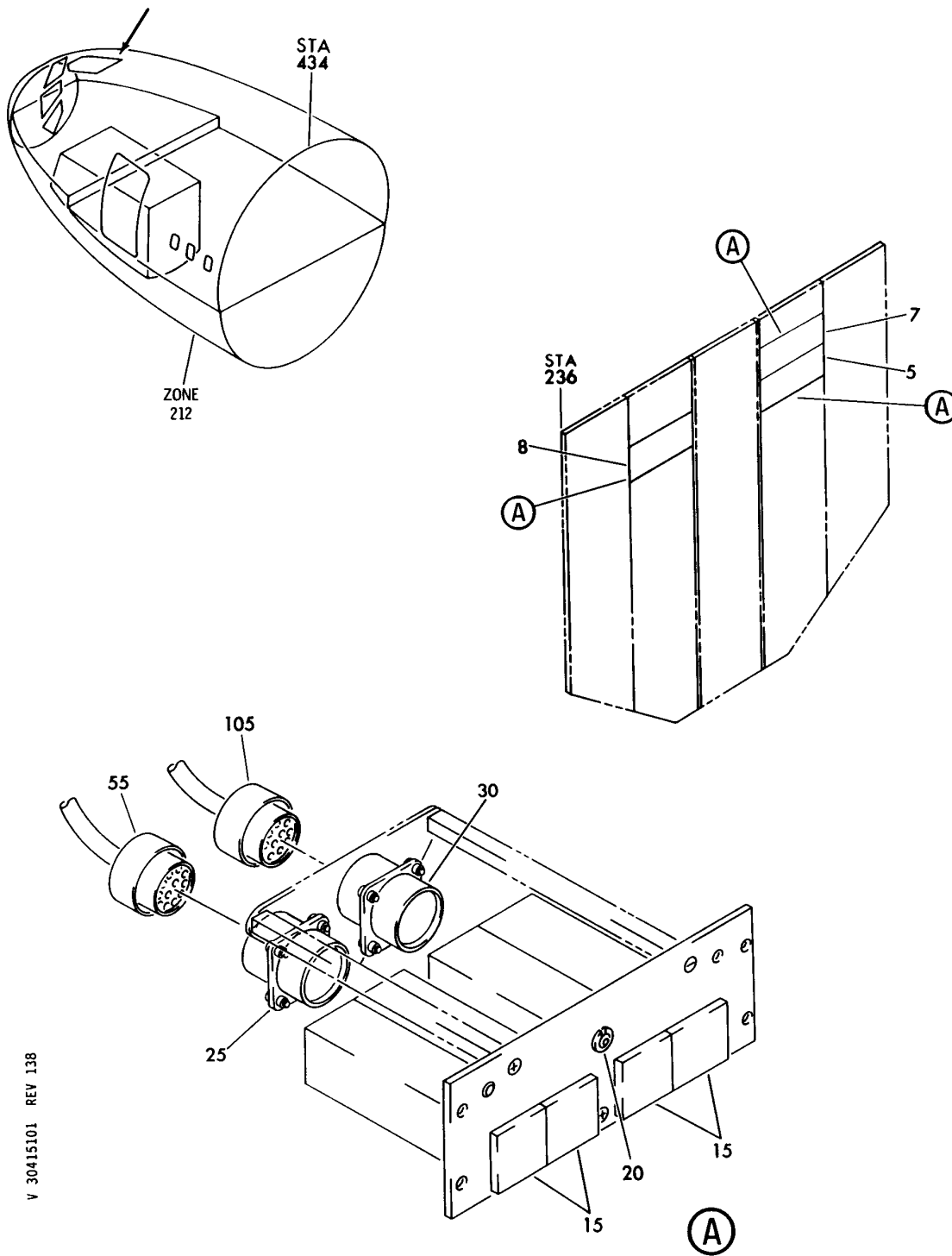
HXL

30-41-03-01

BOEING PROPRIETARY - Copyright © - Unpublished Work - See title page for details.

30-41-03
 FIG. 01
 PAGE 3
 AUG 22/08

BOEING
767
PARTS CATALOG (MAINTENANCE)



V 30415101 REV 138

PANEL INSTL-OVERHEAD (FLIGHT COMPARTMENT WINDOW ANTI-ICING ONLY)

FIGURE 1

30-41-51-01

HXL
DEC 22/06

30-41-51-01
PAGE 0



767

PARTS CATALOG (MAINTENANCE)

FIG ITEM	PART NUMBER	1 2 3 4 5 6 7	NOMENCLATURE	EFFECT FROM TO	UNITS PER ASSY
1			PANEL INSTL-OVERHEAD (FLIGHT COMPARTMENT WINDOW ANTI-ICING ONLY)		
- 1	233T3100-1		PANEL INSTL-OVERHEAD (FLIGHT COMPARTMENT WINDOW ANTI-ICING ONLY) VARIABLE DRAWING REF: 233T3100-5048		RF
- 1	233T3100-1		PANEL INSTL-OVERHEAD (FLIGHT COMPARTMENT WINDOW ANTI-ICING ONLY) FOR NHA/OTHER SYS DET SEE: 25-10-00-03		RF
5	233T3100-63		.PANEL ASSY-WINDOW HEAT		RF
5	233T3100-138		.PANEL ASSY-WINDOW HEAT		RF
5	233T3100-184		.PANEL ASSY-WINDOW HEAT		RF
5	233T3100-304		.PANEL ASSY-WINDOW HEAT		RF
- 10	233N3212-8		..PANEL ASSY- SUPPLIER CODE: V89954 ELECTRICAL EQUIP NUMBER: M10395 COMPONENT MAINT MANUAL REF: 30-41-71		1
- 10	233N3212-10		..PANEL ASSY- SUPPLIER CODE: V89954 ELECTRICAL EQUIP NUMBER: M10395 COMPONENT MAINT MANUAL REF: 30-41-71		1
- 10	233N3212-11		..PANEL ASSY- SUPPLIER CODE: V89954 MISCELLANEOUS DATA: (THE 233N3212-300 PANEL ASSY IS I/W THE 233N3212-11 PANEL ASSY T/W THE S233T100-1073 LIGHTPLATE) ELECTRICAL EQUIP NUMBER: M10395 COMPONENT MAINT MANUAL REF: 30-41-71 QUALIFIED I/W DATA: 233N3212-11 I/W -14 EXCEPT SUBJECT TO CUSTOMER PREFERENCE		1

ILLUSTRATION ITEMS NOT ON PARTS LIST ARE NOT APPLICABLE

- ITEM NOT ILLUSTRATED

HXL

30-41-51-01

BOEING PROPRIETARY - Copyright © - Unpublished Work - See title page for details.

30-41-51
FIG. 01
PAGE 1
DEC 22/07



767

PARTS CATALOG (MAINTENANCE)

FIG ITEM	PART NUMBER	1 2 3 4 5 6 7	NOMENCLATURE	EFFECT FROM TO	UNITS PER ASSY
1	15 BCREFA0505		<p>...SWITCH ASSY-LIGHTED PUSH BUTTON IND ON/INOP SUPPLIER CODE: V81590 OVERLENGTH PART NUMBER: 433-673-1001-1016 SPECIFICATION NUMBER: S231T290-1016 MISCELLANEOUS DATA: WHEN REPLACING THE PUSHBUTTON SWITCH ASSY OR THE MASTER MODULE WITHIN, VERIFY THAT A CONFIG D MASTER MODULE P/N 13206-001 IS INSTALLED IN LIEU OF ANY EARLIER CONFIGURATION MASTER MODULES. FOR DETAILS SEE: 33-13-75-17</p>		4
	15 BCREFA0505		<p>...SWITCH ASSY-LIGHTED PUSH BUTTON IND ON/INOP SUPPLIER CODE: V81590 OVERLENGTH PART NUMBER: 433-673-1004-4016 SPECIFICATION NUMBER: S231T290-4016 MISCELLANEOUS DATA: WHEN REPLACING THE PUSHBUTTON SWITCH ASSY OR THE MASTER MODULE WITHIN, VERIFY THAT A CONFIG D MASTER MODULE P/N 13206-001 IS INSTALLED IN LIEU OF ANY EARLIER CONFIGURATION MASTER MODULES. OPTIONAL PART: S231T290-5016 FOR DETAILS SEE: 33-13-75-37</p>		4

ILLUSTRATION ITEMS NOT ON PARTS LIST ARE NOT APPLICABLE

- ITEM NOT ILLUSTRATED

HXL

30-41-51-01

BOEING PROPRIETARY - Copyright © - Unpublished Work - See title page for details.

30-41-51
 FIG. 01
 PAGE 2
 DEC 22/07

BOEING
767
PARTS CATALOG (MAINTENANCE)

FIG ITEM	PART NUMBER	1 2 3 4 5 6 7	NOMENCLATURE	EFFECT FROM TO	UNITS PER ASSY
1					
15	851-30768-2016		...SWITCH ASSY-LIGHTED PUSH BUTTON IND ON/INOP SUPPLIER CODE: V96182 SPECIFICATION NUMBER: S231T290-2016 FOR DETAILS SEE: 33-13-75-07		4
15	851-30768-3016		...SWITCH ASSY-LIGHTED PUSH BUTTON IND ON/INOP SUPPLIER CODE: V96182 SPECIFICATION NUMBER: S231T290-3016 FOR DETAILS SEE: 33-13-75-07		4
15	851-35100-5016		...SWITCH ASSY-LIGHTED PUSH BUTTON IND ON/INOP SUPPLIER CODE: V96182 SPECIFICATION NUMBER: S231T290-5016 OPTIONAL PART: BCREFA0505 V81590		4
R R R R R R R R	15	4336731004-4216	...SWITCH ASSY-LIGHTED PUSH BUTTON CIRCULATION FAN IND SUPPLIER CODE: V81590 SPECIFICATION NUMBER: S231T290-4216 FOR DETAILS SEE: 33-13-75-31C		2
	20	800000121-1	...CONNECTOR-PWR SUPPLIER CODE: V05617		1
	25	BACC45FN18-31P9	...CONNECTOR		1
	30	BACC45FN20-41P7	...CONNECTOR ATTACHING PARTS		1
-	35	NAS1801-04-5	...SCREW		6

ILLUSTRATION ITEMS NOT ON PARTS LIST ARE NOT APPLICABLE

- ITEM NOT ILLUSTRATED

HXL

30-41-51-01

BOEING PROPRIETARY - Copyright © - Unpublished Work - See title page for details.

30-41-51
FIG. 01
PAGE 3
AUG 22/09



767

PARTS CATALOG (MAINTENANCE)

FIG ITEM	PART NUMBER	1 2 3 4 5 6 7	NOMENCLATURE	EFFECT FROM TO	UNITS PER ASSY
1					
- 40	K19798-04		. . . NUT SUPPLIER CODE: V15653 SPECIFICATION NUMBER: BACN10NW1 OPTIONAL PART: RMA4812-160-40 V72962 293162 V60119 -----*-----		6
- 50	286T0062-300		WIRE BUNDLE ASSY-(FLIGHT ICING ONLY)		RF
55	BACC45FT18A31S9		.CONNECTOR- ELECTRICAL EQUIP NUMBER: D00876 WIRING DIAGRAM REF: 304111		1
- 100	286T0066-300		WIRE BUNDLE ASSY-(FLIGHT COMPARTMENT WINDOW ANTI ICING ONLY)		RF
105	BACC45FT20A41S7		.CONNECTOR- ELECTRICAL EQUIP NUMBER: D00878 WIRING DIAGRAM REF: 304112		1

ILLUSTRATION ITEMS NOT ON PARTS LIST ARE NOT APPLICABLE

- ITEM NOT ILLUSTRATED

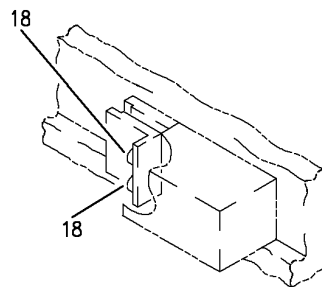
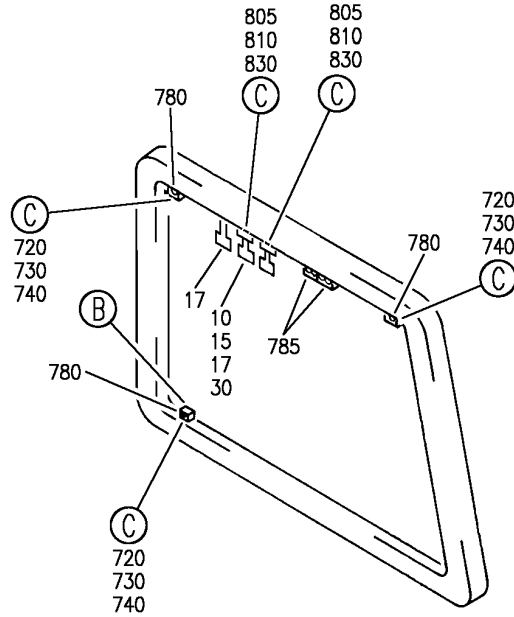
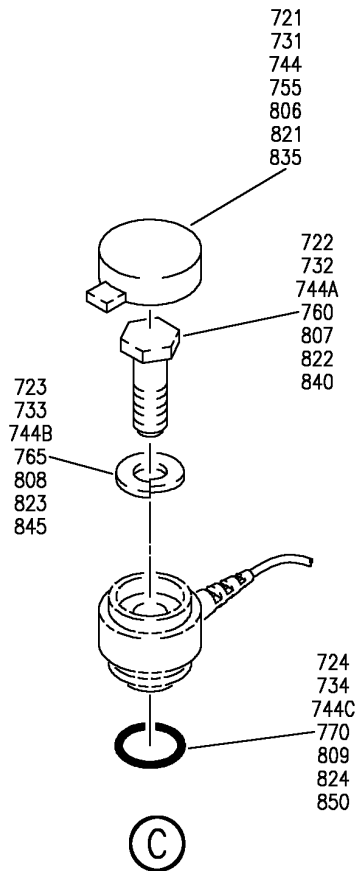
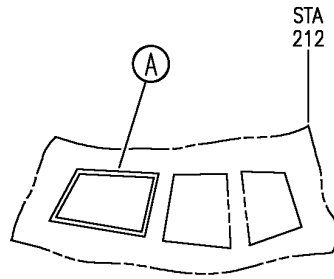
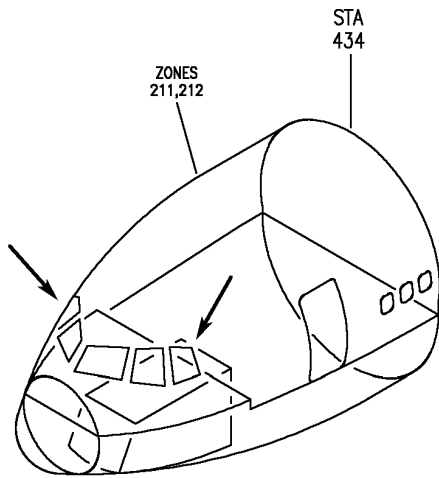
HXL

30-41-51-01

BOEING PROPRIETARY - Copyright © - Unpublished Work - See title page for details.

30-41-51
FIG. 01
PAGE 4
DEC 22/07

BOEING
767
PARTS CATALOG (MAINTENANCE)



V 30415201 REV 338

WINDOW ASSY-NO. 1 (ICE AND RAIN PROTECTION ONLY)
FIGURE 1

30-41-52-01

HXL
APR 22/09

30-41-52-01
PAGE 0



767

PARTS CATALOG (MAINTENANCE)

FIG ITEM	PART NUMBER	1 2 3 4 5 6 7 NOMENCLATURE	EFFECT FROM TO	UNITS PER ASSY
1		WINDOW ASSY-NO. 1 (ICE AND RAIN PROTECTION ONLY) WINDOW ASSY-NO. 1 (ICE AND RAIN PROTECTION ONLY) POSITION DATA: LH COMPONENT MAINT MANUAL REF: 56-11-02 OPTIONAL PART: 141T4800-13 141T4800-49 141T4801-1 141T4801-49 FOR NHA/OTHER SYS DET SEE: 56-11-01-01		RF

ILLUSTRATION ITEMS NOT ON PARTS LIST ARE NOT APPLICABLE

- ITEM NOT ILLUSTRATED

HXL

30-41-52-01

BOEING PROPRIETARY - Copyright © - Unpublished Work - See title page for details.

30-41-52
 FIG. 01
 PAGE 1
 AUG 22/09



767

PARTS CATALOG (MAINTENANCE)

FIG ITEM	PART NUMBER	1 2 3 4 5 6 7	NOMENCLATURE	EFFECT FROM TO	UNITS PER ASSY
1					
- 1	141T4801-1		WINDOW ASSY-NO. 1 (ICE AND RAIN PROTECTION ONLY) POSITION DATA: LH MISCELLANEOUS DATA: PREFERRED SPARE IS 141T4801-49. FOR WINDOW WITH ATTACHING HARDWARE CONSIDER 654T0518-11 IF AVAILABLE. COMPONENT MAINT MANUAL REF: 56-11-02 OPTIONAL PART: 141T4800-13 141T4800-49 141T4801-19 141T4801-49 FOR NHA/OTHER SYS DET SEE: 56-11-01-01		RF
- 1	141T4801-49		WINDOW ASSY-NO. 1 (ICE AND RAIN PROTECTION ONLY) POSITION DATA: LH COMPONENT MAINT MANUAL REF: 56-11-02 QUALIFIED I/W DATA: 141T4801-59 CAN REPLACE BUT NOT BE REPLACED BY 141T4801-49 AFTER INCORPORATION OF SERVICE BULLETIN 767-30-0039 FOR 767-200/-300 AIRCRAFT OR 767-30-0041 FOR 767-400. OPTIONAL PART: 141T4800-13 141T4800-49 141T4801-1 141T4801-19 FOR NHA/OTHER SYS DET SEE: 56-11-01-01		RF

ILLUSTRATION ITEMS NOT ON PARTS LIST ARE NOT APPLICABLE

- ITEM NOT ILLUSTRATED

HXL

30-41-52-01

BOEING PROPRIETARY - Copyright © - Unpublished Work - See title page for details.

30-41-52
 FIG. 01
 PAGE 3
 AUG 22/09



767

PARTS CATALOG (MAINTENANCE)

FIG ITEM	PART NUMBER	1 2 3 4 5 6 7	NOMENCLATURE	EFFECT FROM TO	UNITS PER ASSY
1 - 5	141T4801-2		WINDOW ASSY-NO. 1 (ICE AND RAIN PROTECTION ONLY) POSITION DATA: RH MISCELLANEOUS DATA: CONSIDER PREFERRED SPARE (141T4801-50) OR KIT 654T0518-4 IF AVAILABLE. COMPONENT MAINT MANUAL REF: 56-11-02 OPTIONAL PART: 141T4800-14 141T4800-50 141T4801-20 141T4801-50 FOR NHA/OTHER SYS DET SEE: 56-11-01-01		RF
- 5	141T4801-50		WINDOW ASSY-NO. 1 (ICE AND RAIN PROTECTION ONLY) POSITION DATA: RH COMPONENT MAINT MANUAL REF: 56-11-02 QUALIFIED I/W DATA: 141T4801-60 CAN REPLACE BUT NOT BE REPLACED BY 141T4801-50 AFTER INCORPORATION OF SERVICE BULLETIN 767-30-0039 FOR 767-200/-300 AIRCRAFT OR 767-30-0041 FOR 767-400. OPTIONAL PART: 141T4800-14 141T4801-2 141T4800-50 141T4801-20 FOR NHA/OTHER SYS DET SEE: 56-11-01-01		RF

ILLUSTRATION ITEMS NOT ON PARTS LIST ARE NOT APPLICABLE

- ITEM NOT ILLUSTRATED

HXL

30-41-52-01

BOEING PROPRIETARY - Copyright © - Unpublished Work - See title page for details.

30-41-52
 FIG. 01
 PAGE 6
 AUG 22/09



767

PARTS CATALOG (MAINTENANCE)

FIG ITEM	PART NUMBER	1 2 3 4 5 6 7	NOMENCLATURE	EFFECT FROM TO	UNITS PER ASSY
R R R R R R R R R R R R R R	1 - 5	141T4800-50	WINDOW ASSY-NO. 1 (ICE AND RAIN PROTECTION ONLY) POSITION DATA: RH MISCELLANEOUS DATA: 141T4800-50 IS SIMILAR TO 141T4800-14 EXCEPT ADDED HYDROPHOBIC COATING ELECTRICAL EQUIP NUMBER: B00035 COMPONENT MAINT MANUAL REF: 56-11-02 OPTIONAL PART: 141T4800-14 141T4801-2 141T4801-20 141T4801-50 FOR NHA/OTHER SYS DET SEE: 56-11-01-01		RF
	10	2791	.SENSOR-TEMP. SUPPLIER CODE: VU1610 USED ON: 141T4800-13 141T4800-14		2
	10	S10175-1	.SENSOR-TEMP. SUPPLIER CODE: V09359 USED ON: 141T4801-1 141T4801-2		2
	15	PSE2-1	.SENSOR-TEMP. SUPPLIER CODE: V53117 USED ON: 141T4801-19 141T4801-20		2
	- 20	141T4801-19	.WINDOW ASSY-NO. 1 POSITION DATA: LH SIDE COMPONENT MAINT MANUAL REF: 56-11-02 USED ON: 141T4801-49		1

ILLUSTRATION ITEMS NOT ON PARTS LIST ARE NOT APPLICABLE

- ITEM NOT ILLUSTRATED

30-41-52-01

30-41-52
FIG. 01
PAGE 7
AUG 22/09

HXL



767

PARTS CATALOG (MAINTENANCE)

FIG ITEM	PART NUMBER	1 2 3 4 5 6 7	NOMENCLATURE	EFFECT FROM TO	UNITS PER ASSY
1					
- 25	141T4801-20		.WINDOW ASSY-NO. 1 POSITION DATA: RH SIDE COMPONENT MAINT MANUAL REF: 56-11-02 USED ON: 141T4801-50		1
30	PSE2-1		..SENSOR-TEMP. SUPPLIER CODE: V53117		2
- 700	286T0622-120		WIRE BUNDLE ASSY- POSITION DATA: LH		RF
- 710	286T0624-300		WIRE BUNDLE ASSY- POSITION DATA: RH		RF
- 735	0712		.CAP- SUPPLIER CODE: V81323 ELECTRICAL EQUIP NUMBER: D01656T D01658T D01660T D01666T D01668T D01670T WIRING DIAGRAM REF: 304111 304112		3
785	WB1230		.PLUG- SUPPLIER CODE: V81323 ELECTRICAL EQUIP NUMBER: D01898 D01900 D01912 D01914 WIRING DIAGRAM REF: 304111 304112		2
- 790	1235		.CAP- SUPPLIER CODE: V81323 ELECTRICAL EQUIP NUMBER: D01898T D01900T D01912T D01914T		2

ILLUSTRATION ITEMS NOT ON PARTS LIST ARE NOT APPLICABLE

- ITEM NOT ILLUSTRATED

HXL

30-41-52-01

BOEING PROPRIETARY - Copyright © - Unpublished Work - See title page for details.

30-41-52
FIG. 01
PAGE 8
AUG 22/09



767

PARTS CATALOG (MAINTENANCE)

FIG ITEM	PART NUMBER	1 2 3 4 5 6 7	NOMENCLATURE	EFFECT FROM TO	UNITS PER ASSY
1					
- 825	1235		.CAP- SUPPLIER CODE: V81323 ELECTRICAL EQUIP NUMBER: D01914T D01912T D01898T D01900 WIRING DIAGRAM REF: 304112 304111 OPTIONAL PART: CWC02-2006 V71771 WB1230 V71771		2
830	CWC02-2006		.PLUG ASSY- SUPPLIER CODE: V71771 ELECTRICAL EQUIP NUMBER: D01898 D01900 D01914 D01912 WIRING DIAGRAM REF: 304111 304112 OPTIONAL PART: 1235 V81323 WB1230 V81323		2
830	WB1230		.PLUG- SUPPLIER CODE: V81323 ELECTRICAL EQUIP NUMBER: D01898 D01900 D01914 D01912 WIRING DIAGRAM REF: 304111 304112 OPTIONAL PART: 1235 V81323 CWC02-2006 V71771		2

ILLUSTRATION ITEMS NOT ON PARTS LIST ARE NOT APPLICABLE

- ITEM NOT ILLUSTRATED

HXL

30-41-52-01

BOEING PROPRIETARY - Copyright © - Unpublished Work - See title page for details.

30-41-52
FIG. 01
PAGE 9
AUG 22/09



767

PARTS CATALOG (MAINTENANCE)

FIG ITEM	PART NUMBER	1 2 3 4 5 6 7	NOMENCLATURE	EFFECT FROM TO	UNITS PER ASSY
1					
835	CWCC06		.. COVER- SUPPLIER CODE: V71771		1
840	NAS1802-06-10		.. SCREW		1
845	AN936A6C316		.. WASHER		1
850	K1606-0001-0600		.. PACKING- SUPPLIER CODE: V71771		1
ILLUSTRATION ITEMS NOT ON PARTS LIST ARE NOT APPLICABLE					

- ITEM NOT ILLUSTRATED

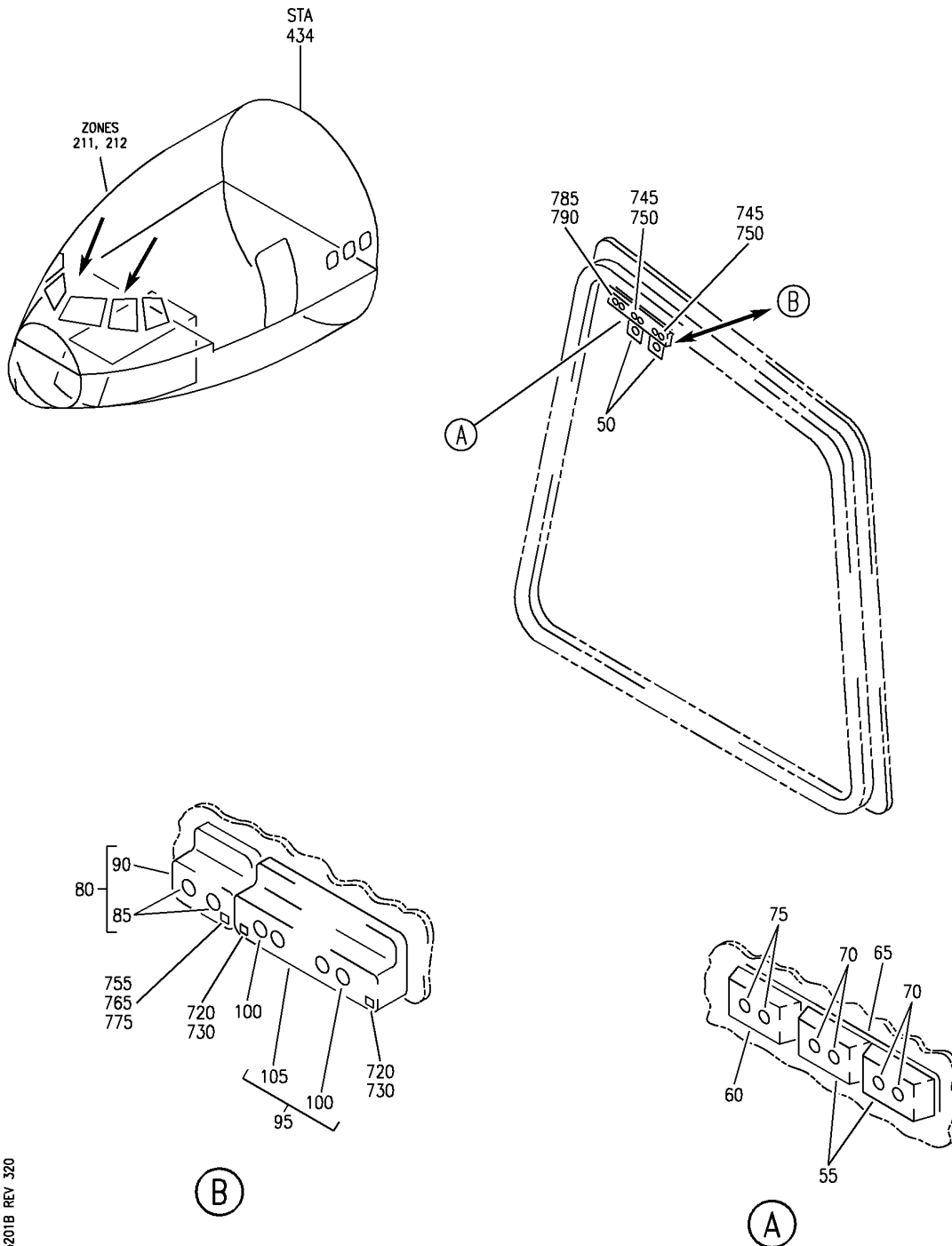
HXL

30-41-52-01

BOEING PROPRIETARY - Copyright © - Unpublished Work - See title page for details.

30-41-52
FIG. 01
PAGE 10
AUG 22/09

BOEING
767
PARTS CATALOG (MAINTENANCE)



V 30-41-52-01B REV 320

WINDOW ASSY-NO. 2 (ICE AND RAIN PROTECTION ONLY)
FIGURE 1B

30-41-52-01B

HXL
DEC 22/07

30-41-52-01B
PAGE 0



767

PARTS CATALOG (MAINTENANCE)

FIG ITEM	PART NUMBER	1 2 3 4 5 6 7	NOMENCLATURE	EFFECT FROM TO	UNITS PER ASSY
1B			WINDOW ASSY-NO. 2 (ICE AND RAIN PROTECTION ONLY)		
- 1	141T4810-15		WINDOW ASSY-NO. 2 (ICE AND RAIN PROTECTION ONLY) POSITION DATA: LH FOR NHA/OTHER SYS DET SEE: 56-11-02-16		RF
- 1	141T4810-17		WINDOW ASSY-NO. 2 (ICE AND RAIN PROTECTION ONLY) POSITION DATA: LH FOR NHA/OTHER SYS DET SEE: 56-11-02-16		RF
- 1	141T4810-19		WINDOW ASSY-NO. 2 (ICE AND RAIN PROTECTION ONLY) POSITION DATA: LH FOR NHA/OTHER SYS DET SEE: 56-11-02-16		RF
- 1	141T4810-11		WINDOW ASSY-NO. 2 (ICE AND RAIN PROTECTION ONLY) POSITION DATA: LH FOR NHA/OTHER SYS DET SEE: 56-11-02-16 QUALIFIED I/W DATA: UPON CUSTOMER REQUEST ACRYLIC SHALL BE AVAILABLE FULLY I/W FOR NHA/OTHER SYS DET SEE: 56-11-02-16		RF
- 1	141T4001-1		WINDOW ASSY-NO. 2 (ICE AND RAIN PROTECTION ONLY) POSITION DATA: LH QUALIFIED I/W DATA: UPON CUSTOMER REQUEST ACRYLIC SHALL BE AVAILABLE FULLY I/W OPTIONAL PART: 141T4001-29 FOR NHA/OTHER SYS DET SEE: 56-11-02-16		RF

ILLUSTRATION ITEMS NOT ON PARTS LIST ARE NOT APPLICABLE

- ITEM NOT ILLUSTRATED

30-41-52-01B

30-41-52
FIG. 01B
PAGE 1
DEC 22/07

HXL



767

PARTS CATALOG (MAINTENANCE)

FIG ITEM	PART NUMBER	1 2 3 4 5 6 7	NOMENCLATURE	EFFECT FROM TO	UNITS PER ASSY
1B					
- 1	141T4001-29		WINDOW ASSY-NO. 2 (ICE AND RAIN PROTECTION ONLY) POSITION DATA: LH OPTIONAL PART: 141T4001-1 FOR NHA/OTHER SYS DET SEE: 56-11-02-16		RF
- 1	141T4001-31		WINDOW ASSY-NO. 2 (ICE AND RAIN PROTECTION ONLY) POSITION DATA: LH FOR NHA/OTHER SYS DET SEE: 56-11-02-16		RF
- 5	141T4810-16		WINDOW ASSY-NO. 2 (ICE AND RAIN PROTECTION ONLY) POSITION DATA: RH FOR NHA/OTHER SYS DET SEE: 56-11-02-16		RF
- 5	141T4810-18		WINDOW ASSY-NO. 2 (ICE AND RAIN PROTECTION ONLY) POSITION DATA: RH FOR NHA/OTHER SYS DET SEE: 56-11-02-16		RF
- 5	141T4810-20		WINDOW ASSY-NO. 2 (ICE AND RAIN PROTECTION ONLY) POSITION DATA: RH FOR NHA/OTHER SYS DET SEE: 56-11-02-16		RF
- 5	141T4810-12		WINDOW ASSY-NO. 2 (ICE AND RAIN PROTECTION ONLY) POSITION DATA: RH FOR NHA/OTHER SYS DET SEE: 56-11-02-16 QUALIFIED I/W DATA: UPON CUSTOMER REQUEST ACRYLIC SHALL BE AVAILABLE FULLY I/W FOR NHA/OTHER SYS DET SEE: 56-11-02-16		RF
ILLUSTRATION ITEMS NOT ON PARTS LIST ARE NOT APPLICABLE					

- ITEM NOT ILLUSTRATED

30-41-52-01B

30-41-52
FIG. 01B
PAGE 2
DEC 22/07

HXL

 **BOEING**
767
PARTS CATALOG (MAINTENANCE)

FIG ITEM	PART NUMBER	1 2 3 4 5 6 7	NOMENCLATURE	EFFECT FROM TO	UNITS PER ASSY
R R R R R R R R R R R	1B 50	119000-23	.SENSOR-TEMP SUPPLIER CODE: V12035 OPTIONAL PART: E1190-14 V12035 USED ON: 141T4810-19 141T4810-20		2
	50	E1190-14	.SENSOR-TEMP SUPPLIER CODE: V12035 OPTIONAL PART: 119000-23 V12035 USED ON: 141T4810-19 141T4810-20		2
	55	500205-1	.CAP-TERM. SUPPLIER CODE: V12035 USED ON: 141T4810-11 141T4810-12 141T4810-15 141T4810-16 141T4810-17 141T4810-18		2
	60	500204-1	.CAP-TERM. SUPPLIER CODE: V12035 USED ON: 141T4810-11 141T4810-12 141T4810-15 141T4810-16 141T4810-17 141T4810-18		1
	65	500206-1	.CAP-TERM. SUPPLIER CODE: V12035 USED ON: 141T4810-19 141T4810-20		1

ILLUSTRATION ITEMS NOT ON PARTS LIST ARE NOT APPLICABLE

— ITEM NOT ILLUSTRATED

HXL

30-41-52-01B

BOEING PROPRIETARY - Copyright © - Unpublished Work - See title page for details.

30-41-52
FIG. 01B
PAGE 4
AUG 22/09



767

PARTS CATALOG (MAINTENANCE)

FIG ITEM	PART NUMBER	1 2 3 4 5 6 7	NOMENCLATURE	EFFECT FROM TO	UNITS PER ASSY
1B 70	500007-02		. TERMINAL-SENSOR SUPPLIER CODE: V12035 USED ON: 141T4810-11 141T4810-12 141T4810-15 141T4810-16 141T4810-17 141T4810-18 141T4810-19 141T4810-20		4
75	500007-1		. TERMINAL-PWR SUPPLIER CODE: V12035 USED ON: 141T4810-11 141T4810-12 141T4810-15 141T4810-16 141T4810-17 141T4810-18 141T4810-19 141T4810-20		2
80	141T4003-3		. BLOCK ASSY-TERM. OPTIONAL PART: 22-17-4920 V53117 USED ON: 141T4001-1 141T4001-2 141T4001-29 141T4001-30		1
80	22-17-4920		. BLOCK ASSY-TERM. SUPPLIER CODE: V53117 OPTIONAL PART: 141T4003-3 USED ON: 141T4001-1 141T4001-2 141T4001-29 141T4001-30		1
80	22-17-4920		. BLOCK ASSY-TERM. SUPPLIER CODE: V53117 USED ON: 141T4001-31 141T4001-32		1

ILLUSTRATION ITEMS NOT ON PARTS LIST ARE NOT APPLICABLE

- ITEM NOT ILLUSTRATED

30-41-52-01B

30-41-52
FIG. 01B
PAGE 5
AUG 22/09

HXL

BOEING PROPRIETARY - Copyright © - Unpublished Work - See title page for details.

 **BOEING**
767
PARTS CATALOG (MAINTENANCE)

FIG ITEM	PART NUMBER	1 2 3 4 5 6 7	NOMENCLATURE	EFFECT FROM TO	UNITS PER ASSY
1B					
85	141T4003-8	..	TERMINAL-PWR USED ON: 141T4003-3		2
90	141T4003-4	..	TERMINAL-PWR USED ON: 141T4003-3		1
95	141T4003-1	.	TERMINAL ASSY-TERM. OPTIONAL PART: 22-17-4922 V53117 USED ON: 141T4001-1 141T4001-2 141T4001-29 141T4001-30		1
95	22-17-4922	.	BLOCK ASSY-TERM. SUPPLIER CODE: V53117 OPTIONAL PART: 141T4003-1 USED ON: 141T4001-1 141T4001-2 141T4001-29 141T4001-30		1
95	22-17-4922	.	BLOCK ASSY-TERM. SUPPLIER CODE: V53117 USED ON: 141T4001-31 141T4001-32		1
100	141T4003-7	..	TERMINAL-PWR USED ON: 141T4003-1		2
105	141T4003-2	..	CAP-PWR USED ON: 141T4003-1		1
- 700	286T1158-001		WIRE BUNDLE ASSY- POSITION DATA: LH		RF
- 710	286T1156-001		WIRE BUNDLE ASSY- POSITION DATA: RH		RF
745	NAS1802-06-9	.	SCREW		4
750	MS35338-41	.	WASHER		4
785	NAS1802-3-9	.	BOLT		2
790	MS35338-43	.	WASHER		2

ILLUSTRATION ITEMS NOT ON PARTS LIST ARE NOT APPLICABLE

- ITEM NOT ILLUSTRATED

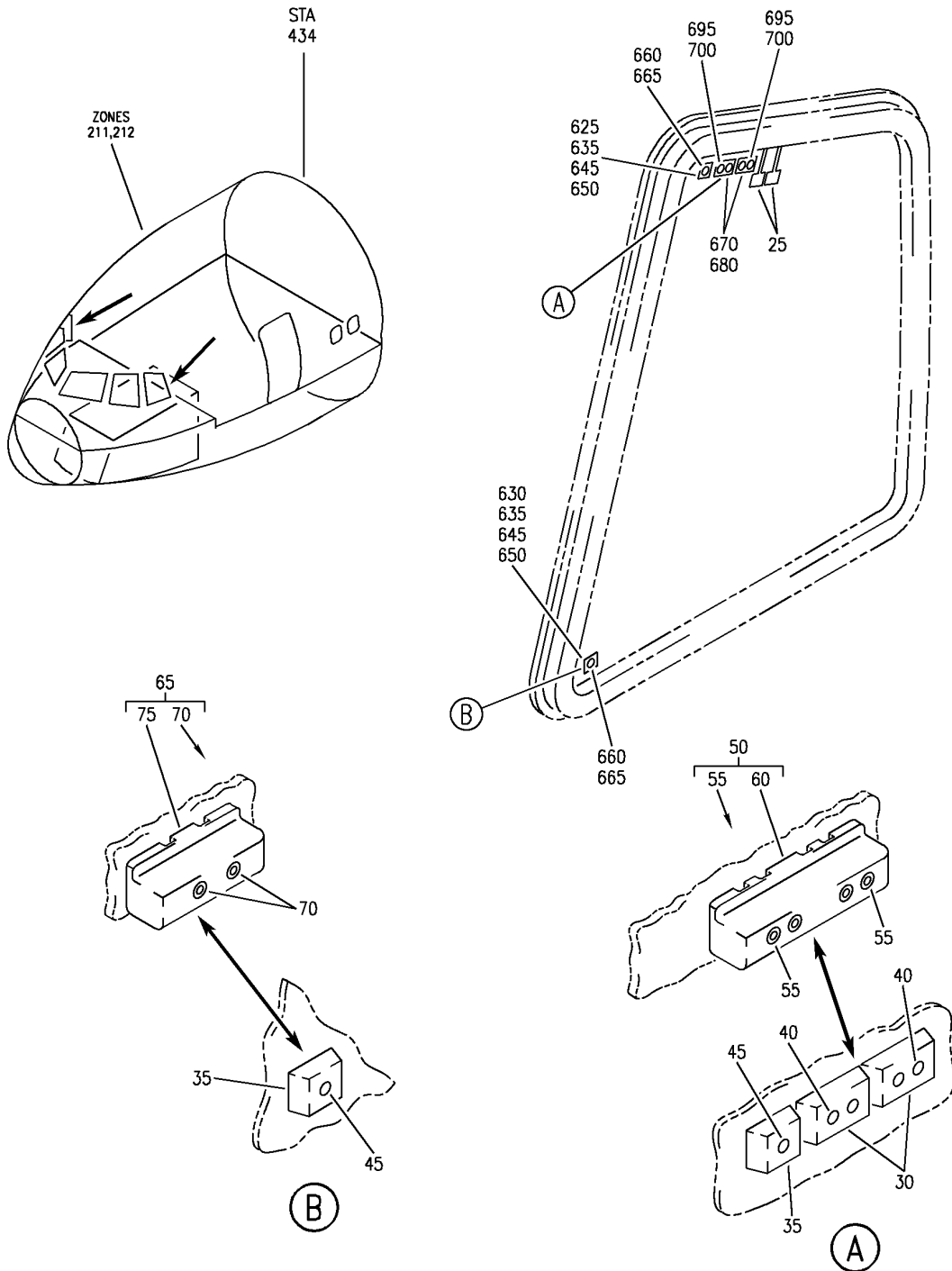
HXL

30-41-52-01B

BOEING PROPRIETARY - Copyright © - Unpublished Work - See title page for details.

30-41-52
FIG. 01B
PAGE 6
AUG 22/09

BOEING
767
PARTS CATALOG (MAINTENANCE)



V 30-41-52-01C REV 320

WINDOW ASSY-NO. 3 (ICE AND RAIN PROTECTION ONLY)
FIGURE 1C

30-41-52-01C

HXL
DEC 22/07

30-41-52-01C
PAGE 0



PARTS CATALOG (MAINTENANCE)

FIG ITEM	PART NUMBER	1 2 3 4 5 6 7 NOMENCLATURE	EFFECT FROM TO	UNITS PER ASSY
1C - 1	141T4820-1	<p>WINDOW ASSY-NO. 3 (ICE AND RAIN PROTECTION ONLY)</p> <p>WINDOW ASSY-NO. 3 ACRYLIC (ICE AND RAIN PROTECTION ONLY)</p> <p>POSITION DATA: LH</p> <p>MISCELLANEOUS DATA: 141T4004-21 CAN REPLACE OR BE REPLACED BY 141T4004-1 OR 141T4820-13 OR 141T4820-1 FOR WINDOW WITH ATTACHING HARDWARE PROCURE 654T0013-30</p> <p>ELECTRICAL EQUIP NUMBER: B00037</p> <p>COMPONENT MAINT MANUAL REF: 56-11-06</p> <p>QUALIFIED I/W DATA: 141T4004-1, -21 (TEMPERED GLASS) ARE I/W 141T4820-1, -13 (ACRYLIC), DEPENDENT UPON CUSTOMER PREFERENCE</p> <p>OPTIONAL PART: 141T4820-13</p> <p>FOR NHA/OTHER SYS DET SEE: 56-11-10-01</p>		RF

ILLUSTRATION ITEMS NOT ON PARTS LIST ARE NOT APPLICABLE

- ITEM NOT ILLUSTRATED

HXL

30-41-52-01C

BOEING PROPRIETARY - Copyright © - Unpublished Work - See title page for details.

30-41-52
FIG. 01C
PAGE 1
DEC 22/07



767

PARTS CATALOG (MAINTENANCE)

FIG ITEM	PART NUMBER	1 2 3 4 5 6 7 NOMENCLATURE	EFFECT FROM TO	UNITS PER ASSY
1C - 1	141T4820-13	WINDOW ASSY-NO. 3 ACRYLIC (ICE AND RAIN PROTECTION ONLY) POSITION DATA: LH MISCELLANEOUS DATA: 141T4004-21 CAN REPLACE OR BE REPLACED BY 141T4004-1 OR 141T4820-13 OR 141T4820-1 141T4820-13 ACRYLIC WINDOW HAS BEEN APPROVED FOR SPARES USAGE ON 777 PLANES PER SERVICE LETTER 777-SL-56-002-A ELECTRICAL EQUIP NUMBER: B00037 COMPONENT MAINT MANUAL REF: 56-11-06 QUALIFIED I/W DATA: 141T4004-1, -21 (TEMPERED GLASS) ARE I/W 141T4820-1, -13 (ACRYLIC), DEPENDENT UPON CUSTOMER PREFERENCE OPTIONAL PART: 141T4820-1 FOR NHA/OTHER SYS DET SEE: 56-11-10-01		RF

ILLUSTRATION ITEMS NOT ON PARTS LIST ARE NOT APPLICABLE

- ITEM NOT ILLUSTRATED

HXL

30-41-52-01C

BOEING PROPRIETARY - Copyright © - Unpublished Work - See title page for details.

30-41-52
 FIG. 01C
 PAGE 2
 DEC 22/07



767

PARTS CATALOG (MAINTENANCE)

FIG ITEM	PART NUMBER	1 2 3 4 5 6 7 NOMENCLATURE	EFFECT FROM TO	UNITS PER ASSY
1C - 10	141T4820-2	WINDOW ASSY-NO. 3 ACRYLIC (ICE AND RAIN PROTECTION ONLY) POSITION DATA: RH MISCELLANEOUS DATA: 141T4004-22 CAN REPLACE OR BE REPLACED BY 141T4004-2 OR 141T4820-14 OR 141T4820-2 FOR WINDOW WITH ATTACHING HARDWARE PROCURE 654T0013-31 FOR ATTACHING HARDWARE ONLY PROCURE 654T0013-32 ELECTRICAL EQUIP NUMBER: B00040 COMPONENT MAINT MANUAL REF: 56-11-06 QUALIFIED I/W DATA: 141T4004-2, -22 (TEMPERED GLASS) ARE I/W 141T4820-2, -14 (ACRYLIC), DEPENDENT UPON CUSTOMER PREFERENCE OPTIONAL PART: 141T4820-14 FOR NHA/OTHER SYS DET SEE: 56-11-10-01		RF

ILLUSTRATION ITEMS NOT ON PARTS LIST ARE NOT APPLICABLE

- ITEM NOT ILLUSTRATED

HXL

30-41-52-01C

BOEING PROPRIETARY - Copyright © - Unpublished Work - See title page for details.

30-41-52
 FIG. 01C
 PAGE 3
 DEC 22/07



767

PARTS CATALOG (MAINTENANCE)

FIG ITEM	PART NUMBER	1 2 3 4 5 6 7	NOMENCLATURE	EFFECT FROM TO	UNITS PER ASSY
1C - 10	141T4820-14		WINDOW ASSY-NO. 3 ACRYLIC (ICE AND RAIN PROTECTION ONLY) POSITION DATA: RH MISCELLANEOUS DATA: 141T4004-22 CAN REPLACE OR BE REPLACED BY 141T4004-2 OR 141T4820-14 OR 141T4820-2 141T4820-14 ACRYLIC WINDOW HAS BEEN APPROVED FOR SPARES USAGE ON 777 PLANES PER SERVICE LETTER 777-SL-56-002-A ELECTRICAL EQUIP NUMBER: B00040 COMPONENT MAINT MANUAL REF: 56-11-06 QUALIFIED I/W DATA: 141T4004-2, -22 (TEMPERED GLASS) ARE I/W 141T4820-2, -14 (ACRYLIC), DEPENDENT UPON CUSTOMER PREFERENCE FOR NHA/OTHER SYS DET SEE: 56-11-10-01		RF
R R R R R R R R R	25 E1190-14		.SENSOR-TEMP SUPPLIER CODE: V12035 OPTIONAL PART: 119000-23 V12035		2
	25 119000-23		.SENSOR-TEMP SUPPLIER CODE: V12035 OPTIONAL PART: E1190-14 V12035		2
	30 500205-1		.CAP-TERM. SUPPLIER CODE: V12035 USED ON: 141T4820-1 141T4820-2 141T4820-13 141T4820-14		2

ILLUSTRATION ITEMS NOT ON PARTS LIST ARE NOT APPLICABLE

- ITEM NOT ILLUSTRATED

30-41-52-01C

30-41-52
 FIG. 01C
 PAGE 4
 AUG 22/09

HXL



767

PARTS CATALOG (MAINTENANCE)

FIG ITEM	PART NUMBER	1 2 3 4 5 6 7	NOMENCLATURE	EFFECT FROM TO	UNITS PER ASSY
1C 35	500202-1		.CAP-TERM. SUPPLIER CODE: V12035 USED ON: 141T4820-1 141T4820-2 141T4820-13 141T4820-14		2
40	500007-02		.TERMINAL-SENSOR SUPPLIER CODE: V12035 USED ON: 141T4820-1 141T4820-2 141T4820-13 141T4820-14		4
45	500007-1		.TERMINAL-PWR SUPPLIER CODE: V12035 USED ON: 141T4820-1 141T4820-2 141T4820-13 141T4820-14		2
- 600	286T0624-300		WIRE BUNDLE ASSY- POSITION DATA: LH		RF
- 610	286T0622-120		WIRE BUNDLE ASSY- POSITION DATA: RH		RF
635	WB1240		.PLUG- SUPPLIER CODE: V81323 ELECTRICAL EQUIP NUMBER: D00872 D00892 D01672 D01662 WIRING DIAGRAM REF: 304111 304112		2

ILLUSTRATION ITEMS NOT ON PARTS LIST ARE NOT APPLICABLE

- ITEM NOT ILLUSTRATED

HXL

30-41-52-01C

BOEING PROPRIETARY - Copyright © - Unpublished Work - See title page for details.

30-41-52
FIG. 01C
PAGE 5
AUG 22/09



767

PARTS CATALOG (MAINTENANCE)

FIG ITEM	PART NUMBER	1 2 3 4 5 6 7	NOMENCLATURE	EFFECT FROM TO	UNITS PER ASSY
1C					
- 640	0712		.CAP- SUPPLIER CODE: V81323 ELECTRICAL EQUIP NUMBER: D00872T D00892T D01662T D01672T OPTIONAL PART: RBC412 V1EG24		2
- 640	RBC412		.CAP- SUPPLIER CODE: V1EG24 ELECTRICAL EQUIP NUMBER: D00872T D00892T D01662T D01672T OPTIONAL PART: 0712 V81323		2
660	NAS1802-3-9		.BOLT		2
665	MS35338-43		.WASHER		2
670	CWC02-2006		.PLUG ASSY- SUPPLIER CODE: V71771 ELECTRICAL EQUIP NUMBER: D01910 D01922 D01908 D01924 WIRING DIAGRAM REF: 304111 304112 OPTIONAL PART: WB1230 V81323 1235 V81323		2
ILLUSTRATION ITEMS NOT ON PARTS LIST ARE NOT APPLICABLE					

- ITEM NOT ILLUSTRATED

30-41-52-01C

30-41-52
FIG. 01C
PAGE 6
AUG 22/09

HXL



767

PARTS CATALOG (MAINTENANCE)

FIG ITEM	PART NUMBER	1 2 3 4 5 6 7	NOMENCLATURE	EFFECT FROM TO	UNITS PER ASSY
1C 670	WB1230		.PLUG- SUPPLIER CODE: V81323 ELECTRICAL EQUIP NUMBER: D01908 D01910 D01922 D01924 WIRING DIAGRAM REF: 304111 304112 OPTIONAL PART: CWC02-2006 V81323 1235 V81323		2
- 675	1235		.CAP- SUPPLIER CODE: V81323 ELECTRICAL EQUIP NUMBER: D01908T D01910T D01922T D01924T OPTIONAL PART: CWC02-2006 V81323 WB1230 V81323		2
695	NAS1802-06-9		.SCREW		4
700	MS35338-41		.WASHER		4

ILLUSTRATION ITEMS NOT ON PARTS LIST ARE NOT APPLICABLE

- ITEM NOT ILLUSTRATED

HXL

30-41-52-01C

BOEING PROPRIETARY - Copyright © - Unpublished Work - See title page for details.

30-41-52
FIG. 01C
PAGE 7
AUG 22/09