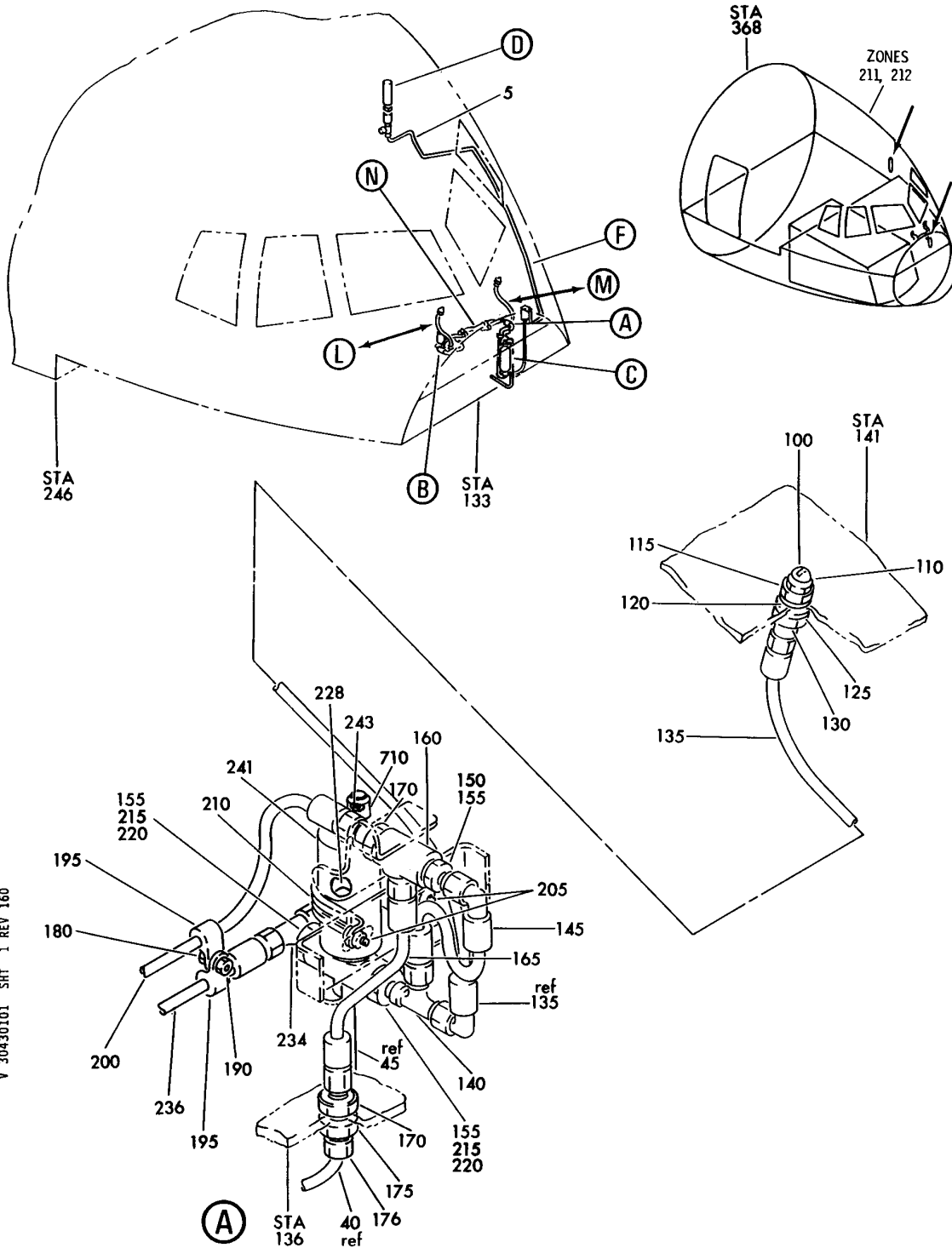


## WINDSHIELD RAIN REPELLENT SYSTEM

HXL  
DEC 22/06

30-43-00  
SECTION TITLE  
PAGE 1

**BOEING**  
767  
PARTS CATALOG (MAINTENANCE)



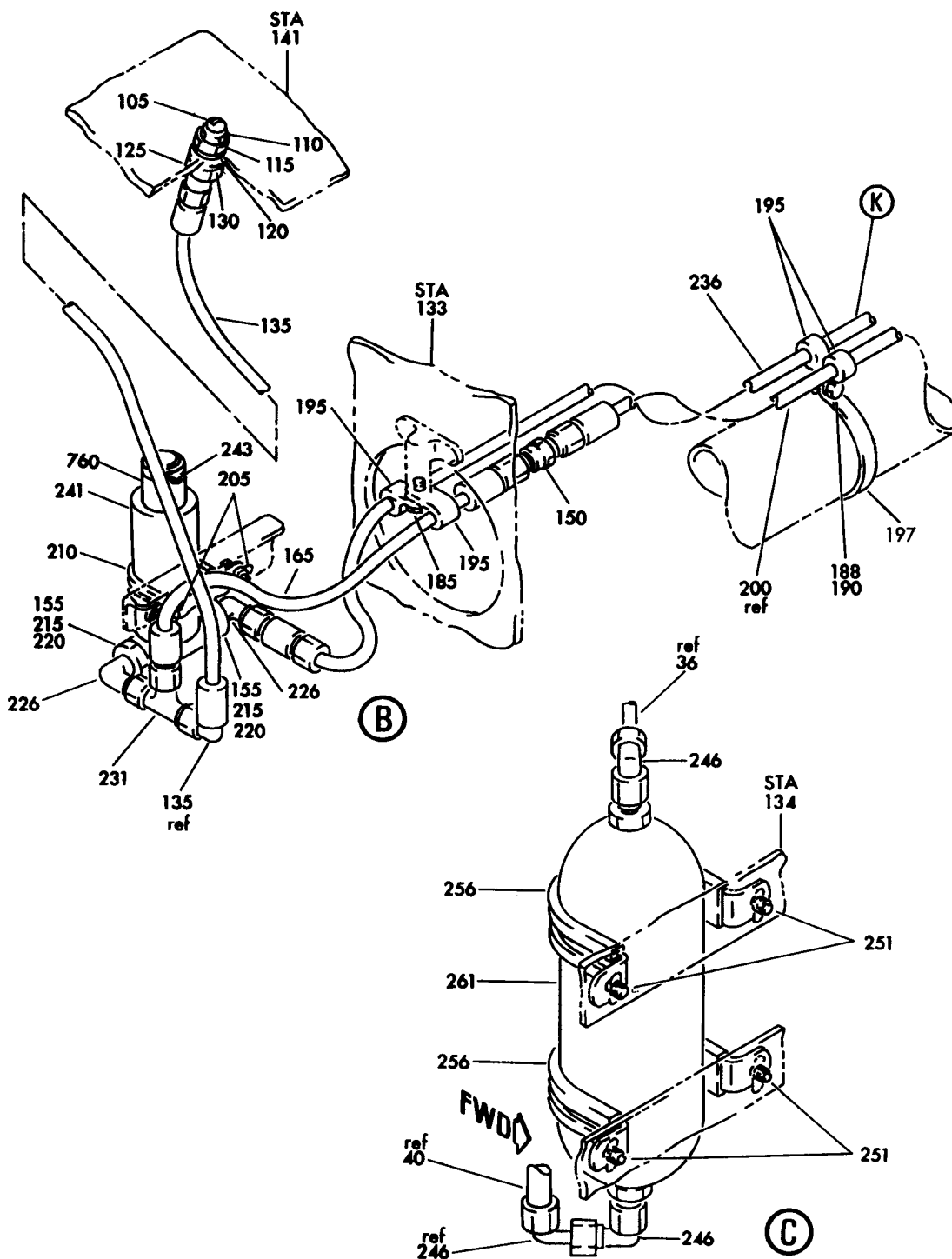
SYSTEM INSTL-RAIN REPELLENT (ICE AND RAIN PROTECTION ONLY) (DEACTIVATED FOR AAT)  
FIGURE 1 (SHEET 1)

HXL  
DEC 22/06

30-43-01-01

30-43-01-01  
PAGE 0

**BOEING**  
767  
PARTS CATALOG (MAINTENANCE)



V 30430101 SHT 2 REV 205

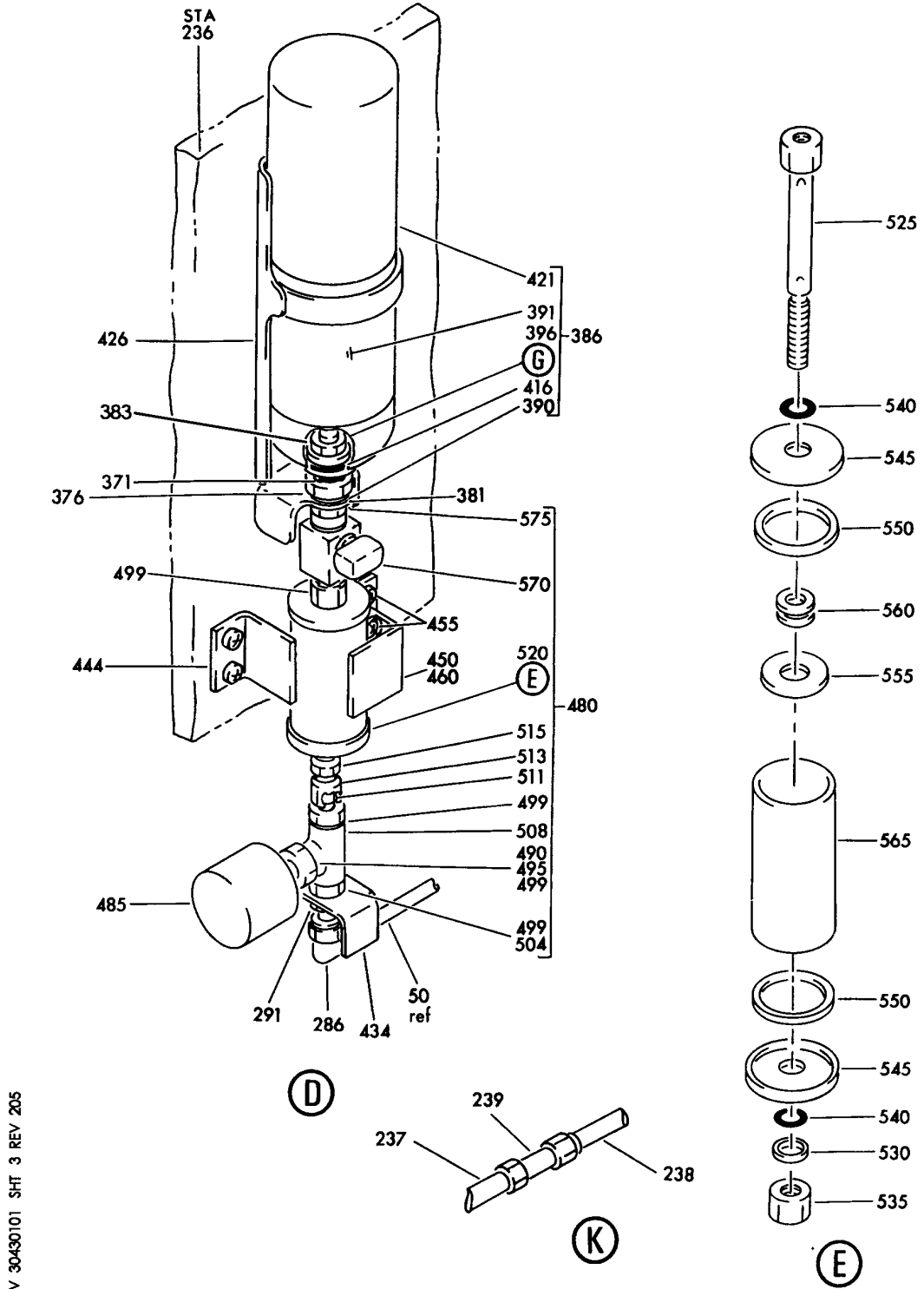
SYSTEM INSTL-RAIN REPELLENT (ICE AND RAIN PROTECTION ONLY) (DEACTIVATED FOR AAT)  
FIGURE 1 (SHEET 2)

# 30-43-01-01

HXL  
DEC 22/06

30-43-01-01  
PAGE 0A


**BOEING**  
 767  
**PARTS CATALOG (MAINTENANCE)**



V 30430101 SHF 3 REV 205

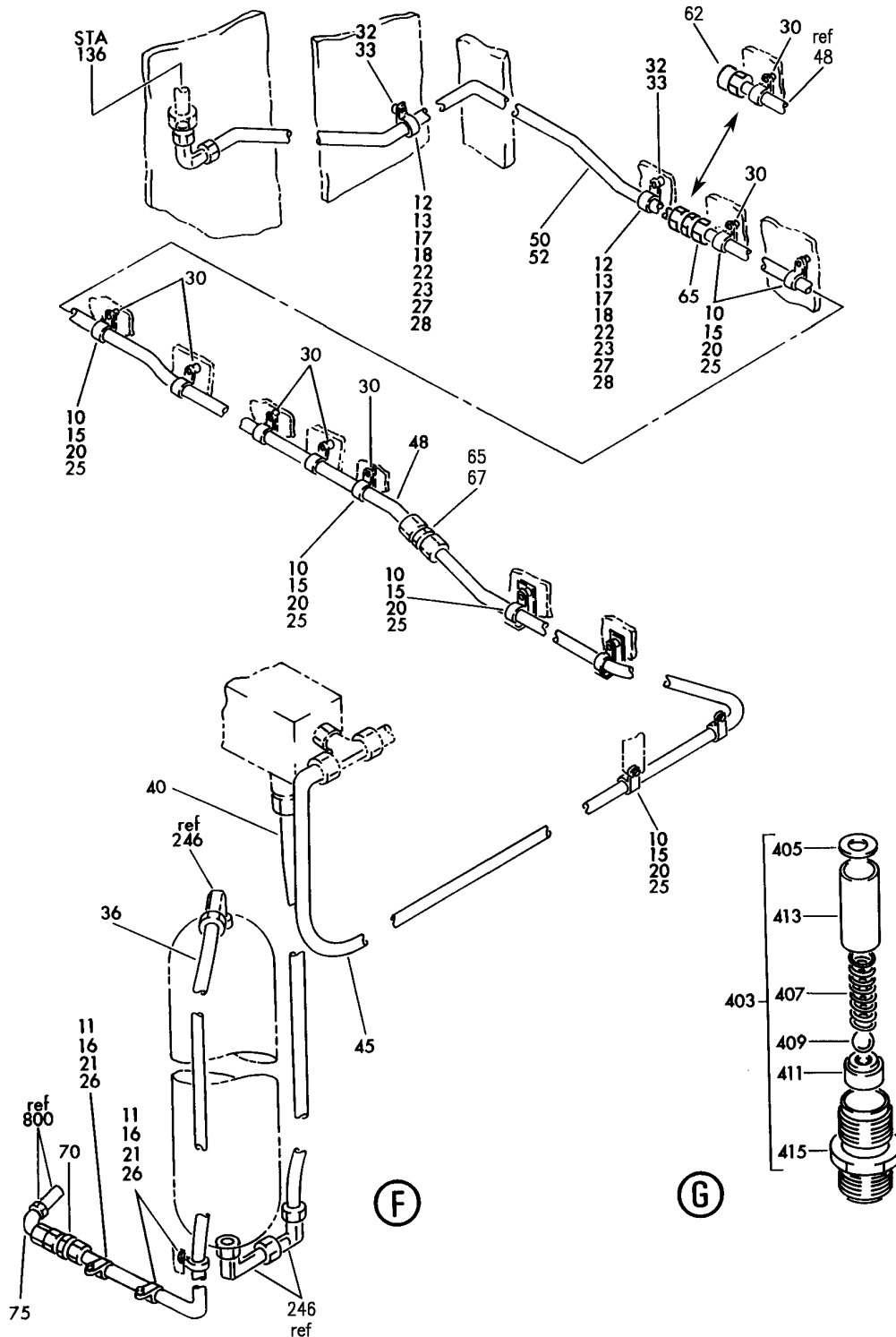
SYSTEM INSTL-RAIN REPELLENT (ICE AND RAIN PROTECTION ONLY) (DEACTIVATED FOR AAT)  
 FIGURE 1 (SHEET 3)

**30-43-01-01**

HXL  
 DEC 22/06

30-43-01-01  
 PAGE 0B

**BOEING**  
767  
**PARTS CATALOG (MAINTENANCE)**



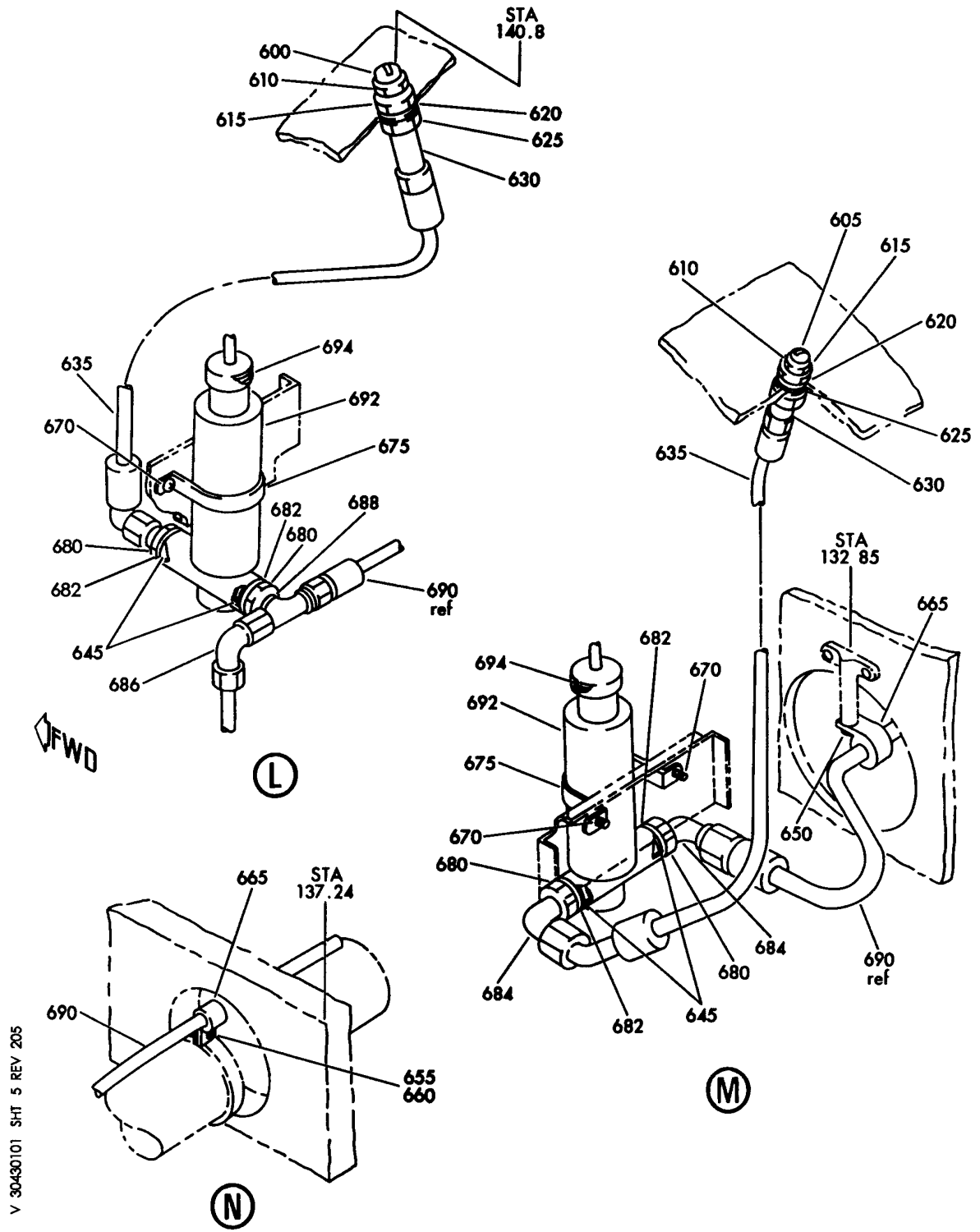
SYSTEM INSTL-RAIN REPELLENT (ICE AND RAIN PROTECTION ONLY) (DEACTIVATED FOR AAT)  
FIGURE 1 (SHEET 4)

**30-43-01-01**

HXL  
AUG 22/08

30-43-01-01  
PAGE 0C

**BOEING**  
767  
PARTS CATALOG (MAINTENANCE)



V 30430101 SHT 5 REV 205

SYSTEM INSTL-RAIN REPELLENT (ICE AND RAIN PROTECTION ONLY) (DEACTIVATED FOR AAT)  
FIGURE 1 (SHEET 5)

**30-43-01-01**

HXL  
DEC 22/06

30-43-01-01  
PAGE 0D

**BOEING**  
767  
**PARTS CATALOG (MAINTENANCE)**

FIG ITEM	PART NUMBER	1 2 3 4 5 6 7	NOMENCLATURE	EFFECT FROM TO	UNITS PER ASSY
1			SYSTEM INSTL-RAIN REPELLENT (ICE AND RAIN PROTECTION ONLY) (DEACTIVATED FOR AAT)		
- 1	232T6003-11		SYSTEM INSTL-RAIN REPELLENT (ICE AND RAIN PROTECTION ONLY) FOR NHA/OTHER SYS DET SEE: 21-00-00-01A		RF
- 5	232T6014-55		.TUBING INSTL-		1
10	NAS1801-3		..SCREW- SIZE DETERMINED ON INSTL.		11
11	NAS1801-3		..SCREW- SIZE DETERMINED ON INSTL.		3
12	NAS1801-3		..SCREW- SIZE DETERMINED ON INSTL.		2
15	AN960PD10L		..WASHER		11
16	AN960PD10L		..WASHER		3
17	AN960PD10L		..WASHER		2
20	BRH10A3		..NUT		11
			SUPPLIER CODE: V52828		
			SPECIFICATION NUMBER: BACN10JC3		
			OPTIONAL PART: H10-3BAC		
			V15653		
			NS202101-02		
			V80539		
			RMLH9075-3W		
			V72962		
			VN303A02		
			V92215		
			96-02		
			V80539		
			T6S1032J		
			V11815		
ILLUSTRATION ITEMS NOT ON PARTS LIST ARE NOT APPLICABLE					

- ITEM NOT ILLUSTRATED

HXL

# 30-43-01-01

BOEING PROPRIETARY - Copyright © - Unpublished Work - See title page for details.

30-43-01  
FIG. 01  
PAGE 1  
AUG 22/08

 **BOEING**  
767  
**PARTS CATALOG (MAINTENANCE)**

FIG ITEM	PART NUMBER	1 2 3 4 5 6 7	NOMENCLATURE	EFFECT FROM TO	UNITS PER ASSY
1	21 BRH10A3		..NUT SUPPLIER CODE: V52828 SPECIFICATION NUMBER: BACN10JC3 OPTIONAL PART: H10-3BAC V15653 NS202101-02 V80539 RMLH9075-3W V72962 VN303A02 V92215 96-02 V80539 T6S1032J V11815		3
	22 BRH10A3		..NUT SUPPLIER CODE: V52828 SPECIFICATION NUMBER: BACN10JC3 OPTIONAL PART: H10-3BAC V15653 NS202101-02 V80539 RMLH9075-3W V72962 VN303A02 V92215 96-02 V80539 T6S1032J V11815		2
	25 BACC10DK		..CLAMP- SIZE DETERMINED ON INSTL.		11
	26 BACC10DK		..CLAMP- SIZE DETERMINED ON INSTL.		3
	27 BACC10DK		..CLAMP- SIZE DETERMINED ON INSTL.		2
	30 NAS42DD6-16		..SPACER		6
	31 NAS42DD6-16		..SPACER		2
	32 NAS42DD6-16		..SPACER		2
	36 232T6014-53		..TUBE ASSY- TUBING MATERIAL: .250 IN. OD .028 IN. WALL 51.00 IN. LG AL		1

ILLUSTRATION ITEMS NOT ON PARTS LIST ARE NOT APPLICABLE

- ITEM NOT ILLUSTRATED

HXL

30-43-01-01

BOEING PROPRIETARY - Copyright © - Unpublished Work - See title page for details.

30-43-01  
FIG. 01  
PAGE 2  
DEC 22/07





767

PARTS CATALOG (MAINTENANCE)

FIG ITEM	PART NUMBER	1 2 3 4 5 6 7	NOMENCLATURE	EFFECT FROM TO	UNITS PER ASSY
1					
40	232T6014-23	..	TUBE ASSY- TUBING MATERIAL: .250 IN. OD .028 IN. WALL 16.00 IN. LG AL		1
45	232T6014-52	..	TUBE ASSY- TUBING MATERIAL: .250 IN. OD .028 IN. WALL 57.00 IN. LG AL		1
48	232T6014-49	..	TUBE ASSY- TUBING MATERIAL: .250 IN. OD .028 IN. WALL 71.00 IN. LG AL		1
52	232T6014-56	..	TUBE ASSY- TUBING MATERIAL: .250 IN. OD .028 IN. WALL 57.00 IN. LG AL		1
- 55	AP2097HP04	...	SLEEVE SUPPLIER CODE: V01673 SPECIFICATION NUMBER: BACS13BX04HP OPTIONAL PART: 2-02903-04HP V11328 35235VN04 V08199 AFP175V04P V30974 DBOS13BX04HP V14798		2
- 60	MS21921-4	...	NUT		2
65	MS21902D4	..	UNION		2
70	232T6006-1	..	UNION-ORF		1
75	NAS1762D0404	..	ELBOW		1
100	232T6004-1	.	NOZZLE		1
105	232T6004-2	.	NOZZLE		1
110	69-33973-2	.	NUT		2
115	69-33973-1	.	NUT		2
120	AN960PD816	.	WASHER		2
125	NAS1523C8R	.	WASHER		2
130	69-33972-2	.	FITTING-BHD		2

ILLUSTRATION ITEMS NOT ON PARTS LIST ARE NOT APPLICABLE

- ITEM NOT ILLUSTRATED

30-43-01-01

30-43-01  
FIG. 01  
PAGE 3  
DEC 22/07

HXL



767

PARTS CATALOG (MAINTENANCE)

FIG ITEM	PART NUMBER	1 2 3 4 5 6 7	NOMENCLATURE	EFFECT FROM TO	UNITS PER ASSY
1 135	AS161E0170AR		.HOSE ASSY SUPPLIER CODE: V00624 SPECIFICATION NUMBER: BACH5M0170AR OPTIONAL PART: B309BBB0170C V03925 R8918M0170AR V06851 95850M0170AR V78570 R89180170AR V06851 R89180170AR V12157 R89180170AR V50599 AS118E0170AR V00624		2
140	MS21912J4		.TEE		1
145	AS161E0076AR		.HOSE ASSY SUPPLIER CODE: V00624 SPECIFICATION NUMBER: BACH5M0076AR OPTIONAL PART: B309BBB0076C V03925 R8918M0076AR V06851 95850M0076AA V78570 R89180076AR V12157 R89180076AR V50599 R89180076AR V06851 AS118E0076AR V00624		1
150	2677T4EE3		.VALVE- SUPPLIER CODE: V91816		2
155	MS28778-4		.PACKING		5
160	MS21911J4		.TEE		1

ILLUSTRATION ITEMS NOT ON PARTS LIST ARE NOT APPLICABLE

- ITEM NOT ILLUSTRATED

30-43-01-01

HXL

BOEING PROPRIETARY - Copyright © - Unpublished Work - See title page for details.

30-43-01  
FIG. 01  
PAGE 4  
DEC 22/07



767

PARTS CATALOG (MAINTENANCE)

FIG ITEM	PART NUMBER	1 2 3 4 5 6 7	NOMENCLATURE	EFFECT FROM TO	UNITS PER ASSY
1 165	AS161E0072AA		.HOSE ASSY SUPPLIER CODE: V00624 SPECIFICATION NUMBER: BACH5M0072AA OPTIONAL PART: B307BBB0072C V03925 R8918M0072AA V06851 95850M0072AA V78570 R89180072AA V12157 R89180072AA V50599 R89180072AA V06851 AS118E0072AA V00624		2
170	AN924-4J		.NUT		2
175	MS21924J4		.UNION		1
180	NAS1801-3-8		.SCREW		1
185	NAS1801-3-10		.SCREW		1
188	NAS1801-3-12		.SCREW		1
188	NAS1801-3-16		.SCREW-		1
190	BRH10A3		.NUT SUPPLIER CODE: V52828 SPECIFICATION NUMBER: BACN10JC3 OPTIONAL PART: H10-3BAC V15653 NS202101-02 V80539 RMLH9075-3W V72962 VN303A02 V92215 96-02 V80539 T6S1032J V11815		2
195	BACC10DK6		.CLAMP		6
197	AN735D36		.CLAMP		1

ILLUSTRATION ITEMS NOT ON PARTS LIST ARE NOT APPLICABLE

- ITEM NOT ILLUSTRATED

30-43-01-01

30-43-01  
FIG. 01  
PAGE 5  
DEC 22/07

HXL

BOEING PROPRIETARY - Copyright © - Unpublished Work - See title page for details.

 **BOEING**  
767  
**PARTS CATALOG (MAINTENANCE)**

FIG ITEM	PART NUMBER	1 2 3 4 5 6 7	NOMENCLATURE	EFFECT FROM TO	UNITS PER ASSY
1 200	AS118E0290AA		.HOSE ASSY SUPPLIER CODE: V00624 SPECIFICATION NUMBER: BACH5M0290AA OPTIONAL PART: B307BBB0290C V03925 R8918M0290AA V06851 95850M0240AA V78570 R8918E0290AA V06851 R8918E0290AA V12157 R8918E0290AA V50599		1
205	NAS603-8P		.SCREW		4
210	751-22-8		.CLAMP SUPPLIER CODE: V83930 SPECIFICATION NUMBER: BACC10BA22 OPTIONAL PART: TA04C34D22 V84971		2
215	AN6289J4		.NUT		4
220	MS28777-4		.WASHER		4
226	MS21926J4		.ELBOW		2
228	NAS1762J0404		.ELBOW		1
231	NAS1763J040404		.TEE		1
234	MS21909J4		.TEE		1

ILLUSTRATION ITEMS NOT ON PARTS LIST ARE NOT APPLICABLE

- ITEM NOT ILLUSTRATED

HXL

# 30-43-01-01

BOEING PROPRIETARY - Copyright © - Unpublished Work - See title page for details.

30-43-01  
FIG. 01  
PAGE 6  
DEC 22/07



767

PARTS CATALOG (MAINTENANCE)

FIG ITEM	PART NUMBER	1 2 3 4 5 6 7	NOMENCLATURE	EFFECT FROM TO	UNITS PER ASSY
1 236	AS118E0320AA		.HOSE ASSY- SUPPLIER CODE: V00624 SPECIFICATION NUMBER: BACH5M0320AA OPTIONAL PART: R89180320AA V50599 95850M0320AA V78570 B3070320AA V98441 B3080320AA V98441 B3090320AA V03925 R89180320AA V06851 QUALIFIED OPTIONAL DATA: (OPT BACH5M0170AA USED WITH BACH5M0150AA, MS21902J4)		1
241	66030-5		.VALVE-TIME CONTROLLED SOL. SUPPLIER CODE: V83533 SPECIFICATION NUMBER: 60B40038-2 MISCELLANEOUS DATA: ELEC EQMT. NO. ELECTRICAL EQUIP NUMBER: V00027 V00028 COMPONENT MAINT MANUAL REF: 30-43-01		2
243	NAS1593-014		..PACKING		1
246	NAS1762D0404		.ELBOW-		3
251	NAS603-8P		.SCREW-		4
256	751-48-10		.CLAMP- SUPPLIER CODE: V83930 SPECIFICATION NUMBER: BACC10BA48 OPTIONAL PART: TA04C34D48 V84971		2
261	8111520100-1		.CANISTER- SUPPLIER CODE: V83533		1
286	NAS1762J0404		.ELBOW		1

ILLUSTRATION ITEMS NOT ON PARTS LIST ARE NOT APPLICABLE

- ITEM NOT ILLUSTRATED

30-43-01-01

30-43-01  
FIG. 01  
PAGE 7  
DEC 22/07

HXL

**BOEING**  
767  
**PARTS CATALOG (MAINTENANCE)**

FIG ITEM	PART NUMBER	1 2 3 4 5 6 7	NOMENCLATURE	EFFECT FROM TO	UNITS PER ASSY
1					
	291 AN924-4J		.NUT		1
	371 MS19070-023		.WASHER		1
	376 69-27996-1		.NUT-ADPTR		1
	381 66-20263-1		.GASKET-		1
			MANUFACTURED FROM: SH SYNTHETIC RUBBER MIL-T-6855 CLASS 1 GRADE 80 MATL QTY : 0.03, MATL UOM : SF MATL DIMENSIONS : .062 IN .475 IN .475 IN		
	383 TF8		.PLUG-		1
			SUPPLIER CODE: V23540 SPECIFICATION NUMBER: BACP20BH5 OPTIONAL PART: 808 V81904 POST SERVICE BULLETIN: 30-0028		
	426 232T6003-3		.BRACKET-		1
			ALTERED FROM PART NUMBER: 69-39480-3 ATTACHING PARTS		
-	431 NAS603-6P		.SCREW		4
			-----*-----		
	434 232T6003-2		.BRACKET-		1
			ATTACHING PARTS		
-	442 NAS603-6P		.SCREW		2
			-----*-----		
	480 232T6003-9		.VALVE AND GAGE ASSY-		1
	485 G3416		..GAGE-		1
			SUPPLIER CODE: V34830		
	490 AN6289J4		..NUT		1
	495 MS28777-4		..WASHER		1
	499 MS28778-4		..PACKING		5
	504 MS21924J4		..UNION-		1
	508 AN938J4		..TEE		1
	515 ER1832-4J		..UNION ASSY-		1
			SUPPLIER CODE: V14798 OPTIONAL PART: BCREF12873 V14798		

ILLUSTRATION ITEMS NOT ON PARTS LIST ARE NOT APPLICABLE

- ITEM NOT ILLUSTRATED

HXL

**30-43-01-01**

BOEING PROPRIETARY - Copyright © - Unpublished Work - See title page for details.

30-43-01  
FIG. 01  
PAGE 8  
AUG 22/09



767

PARTS CATALOG (MAINTENANCE)

FIG ITEM	PART NUMBER	1 2 3 4 5 6 7	NOMENCLATURE	EFFECT FROM TO	UNITS PER ASSY
1					
515	BCREF12873		..UNION ASSY- SUPPLIER CODE: V14798 OVERLENGTH PART NUMBER: 118-01832-10-004 OPTIONAL PART: ER1832-4J V02689		1
520	69-34511-1		..RESERVOIR ASSY- COMPONENT MAINT MANUAL REF: 30-43-01		1
525	69-34510-1		...BOLT		1
530	MS28777-4		...WASHER		1
535	AN6289-4		...NUT		1
540	MS28778-4		...PACKING		2
545	66-22264-1		...CAP		2
550	66-22266-1		...GASKET		2
555	66-22267-2		...FLOAT- MANUFACTURED FROM: SH POLTHN MIL-P-3803 .060 IN 1.4 IN 1.4 IN OPTL L-P-390 (5150609000)		1
560	NAS557-10B		...GROMMET		1
565	66-22265-1		...SLEEVE- MANUFACTURED FROM: TUBING FIBERGLASS REINFORCED PER BAC5426 BMS 9-3 TYPE H CLASS 2 5 6 OR 9 STYLE 181 MATL QTY : .12, MATL UOM : FT MATL DIMENSIONS : .06 IN WALL 1.50 IN ID 3.52 IN LONG		1
570	4D132		..VALVE- SUPPLIER CODE: V82829		1
575	69-48183-1		..ADAPTER		1
800			ILLUSTRATION REFERENCE: TUBING INSTL-TOTAL AIR TEMP PROBE ASPIRATION 34-12-52-01		RF

R  
R  
R  
R  
R  
R  
R  
R  
R  
R  
R  
R  
R  
R  
R  
R  
R  
R

ILLUSTRATION ITEMS NOT ON PARTS LIST ARE NOT APPLICABLE

- ITEM NOT ILLUSTRATED

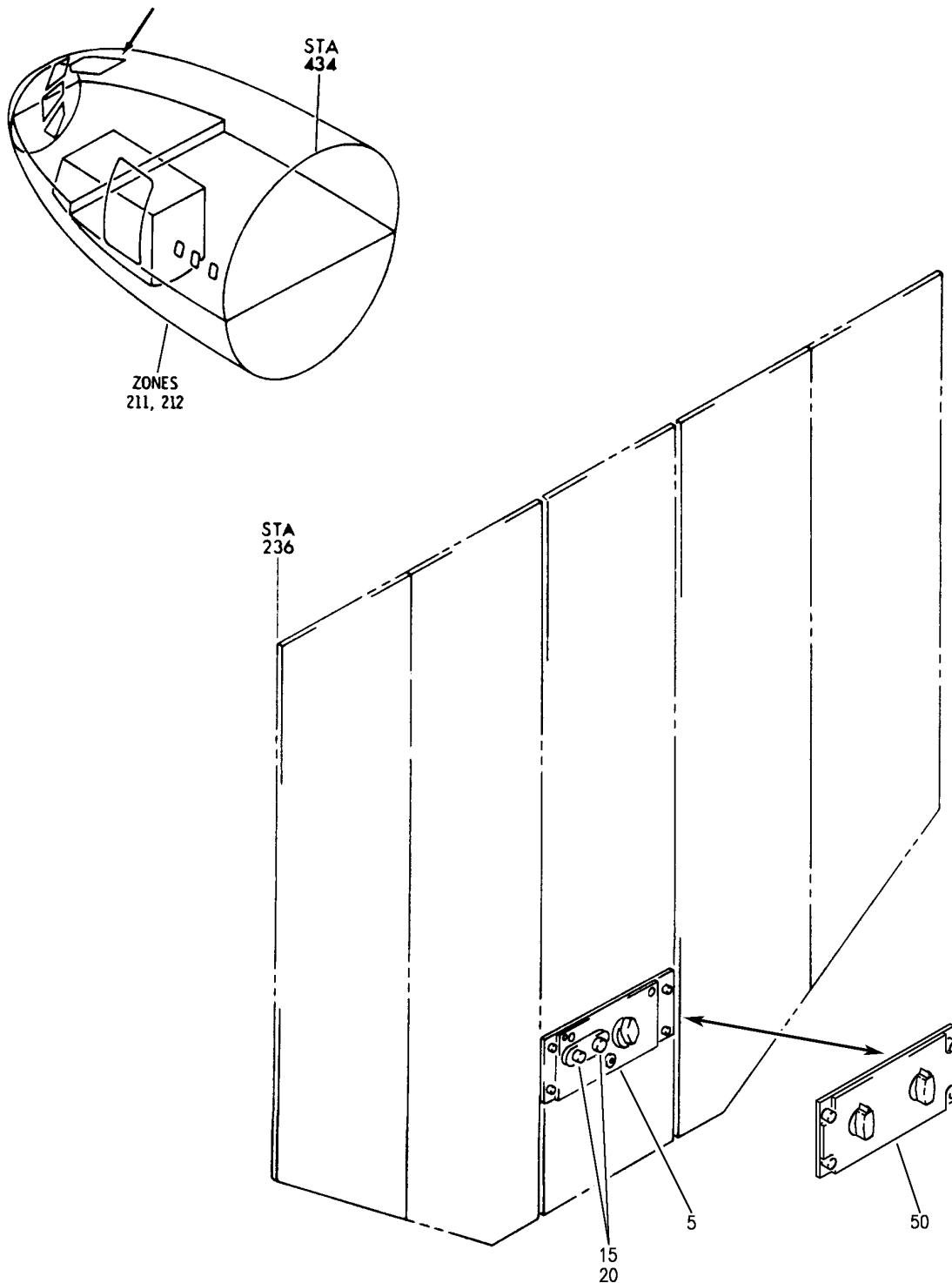
# 30-43-01-01

HXL

BOEING PROPRIETARY - Copyright © - Unpublished Work - See title page for details.

30-43-01  
FIG. 01  
PAGE 9  
AUG 22/09

**BOEING**  
767  
PARTS CATALOG (MAINTENANCE)



V 30435102 REV 273

PANEL INSTL-OVERHEAD (WINDSHIELD RAIN REPELLENT SYSTEM ONLY)  
FIGURE 2

**30-43-51-02**

HXL  
DEC 22/06

30-43-51-02  
PAGE 0



 **BOEING**  
767  
**PARTS CATALOG (MAINTENANCE)**

FIG ITEM	PART NUMBER	1 2 3 4 5 6 7	NOMENCLATURE	EFFECT FROM TO	UNITS PER ASSY
2			PANEL INSTL-OVERHEAD (WINDSHIELD RAIN REPELLENT SYSTEM ONLY)		
- 1	233T3100-1		PANEL INSTL-OVERHEAD (WINDSHIELD RAIN REPELLENT SYSTEM ONLY) VARIABLE DRAWING REF: 233T3100-5048 FOR NHA/OTHER SYS DET SEE: 25-10-00-03		RF
	5 233N3201-303		.PANEL ASSY-WSHLD CLEARANCE SUPPLIER CODE: V89954 MISCELLANEOUS DATA: 233N3201-16 PANEL AY T/W S233T100-1113 LIGHTPLATE AND BP248-127 KNOB IS I/W 233N3201-303 ELECTRICAL EQUIP NUMBER: M10023 COMPONENT MAINT MANUAL REF: 30-42-01 SERVICE BULLETIN OPT DATA: 233N3201-304 V89954 POST SERVICE BULLETIN: 30-0028		RF
	5 233N3201-304		.PANEL ASSY-WSHLD CLEARANCE SUPPLIER CODE: V89954 ELECTRICAL EQUIP NUMBER: M10023 SERVICE BULLETIN OPT DATA: 233N3201-303 V89954 POST SERVICE BULLETIN: 30-0028		RF
- 10	233N3201-18		..PANEL ASSY- SUPPLIER CODE: V89954 ELECTRICAL EQUIP NUMBER: M10023 COMPONENT MAINT MANUAL REF: 30-42-01 USED ON: 233N3201-304 POST SERVICE BULLETIN: 30-0028		1
ILLUSTRATION ITEMS NOT ON PARTS LIST ARE NOT APPLICABLE					

- ITEM NOT ILLUSTRATED

HXL

**30-43-51-02**

BOEING PROPRIETARY - Copyright © - Unpublished Work - See title page for details.

30-43-51  
FIG. 02  
PAGE 1  
DEC 22/07



767

PARTS CATALOG (MAINTENANCE)

FIG ITEM	PART NUMBER	1 2 3 4 5 6 7	NOMENCLATURE	EFFECT FROM TO	UNITS PER ASSY
2 - 10	233N3201-16		..PANEL ASSY- SUPPLIER CODE: V89954 MISCELLANEOUS DATA: (233N3201-16 PANEL AY T/W S233T100-1113 LIGHTPLATE AND BP248-127 KNOB IS I/W 233N3201-303) ELECTRICAL EQUIP NUMBER: M10023 COMPONENT MAINT MANUAL REF: 30-42-01 USED ON: 233T3100-444 233N3201-303 233T3201-303 POST SERVICE BULLETIN: 30-0028		RF
20	2645		...PLUG BUTTON- SUPPLIER CODE: V28520 POST SERVICE BULLETIN: 30-0028		2

ILLUSTRATION ITEMS NOT ON PARTS LIST ARE NOT APPLICABLE

- ITEM NOT ILLUSTRATED

HXL

30-43-51-02

BOEING PROPRIETARY - Copyright © - Unpublished Work - See title page for details.

30-43-51  
 FIG. 02  
 PAGE 2  
 DEC 22/07