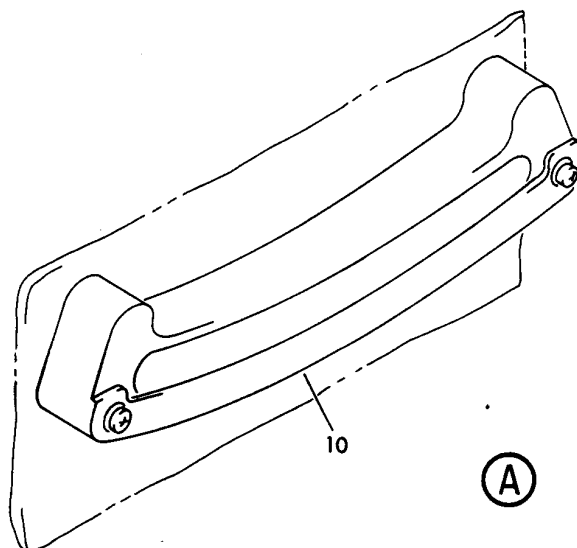
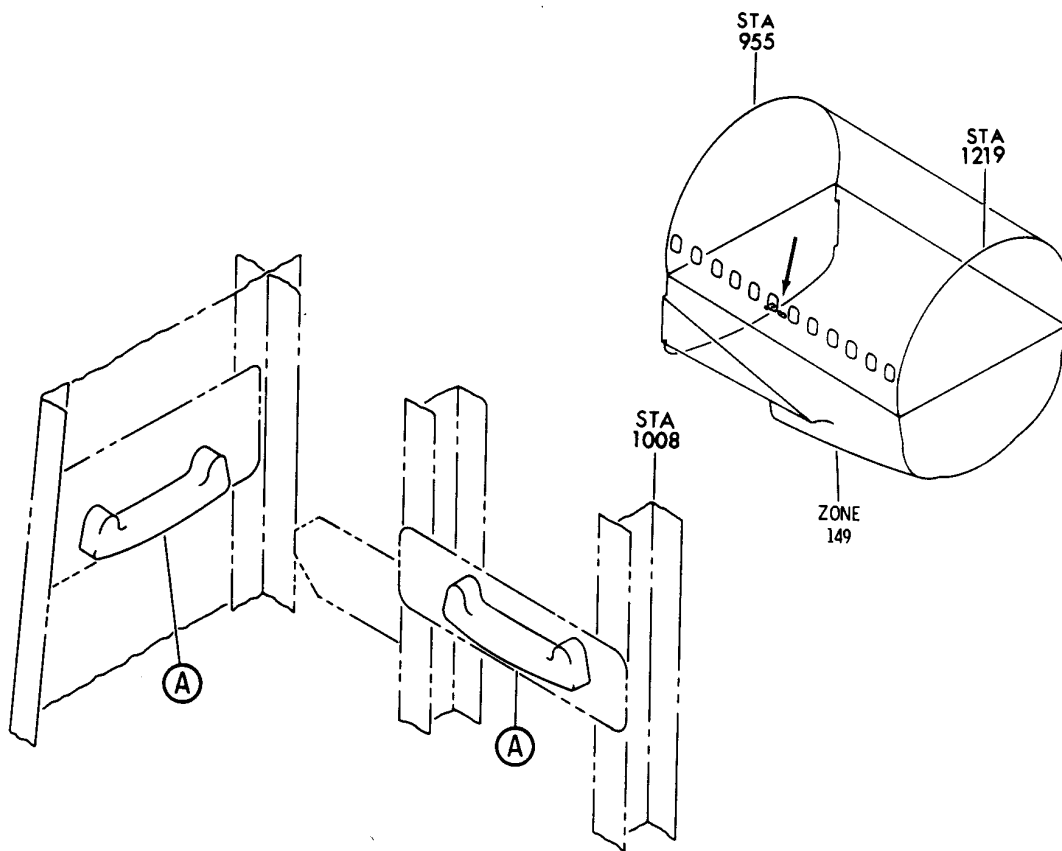


INDICATING/RECORDING SYSTEMS

HXL
DEC 22/06

31-00-00
SECTION TITLE
PAGE 1

BOEING
767
PARTS CATALOG (MAINTENANCE)



V 31005201 SHT 1 REV 051

INCLINOMETER INSTL-KEEL BEAM (INSTRUMENTS ONLY)
FIGURE 1

31-00-52-01

HXL
DEC 22/06

31-00-52-01
PAGE 0



767

PARTS CATALOG (MAINTENANCE)

FIG ITEM	PART NUMBER	1 2 3 4 5 6 7	NOMENCLATURE	EFFECT FROM TO	UNITS PER ASSY
1			INCLINOMETER INSTL-KEEL BEAM (INSTRUMENTS ONLY)		
- 1	145T8680-1		INCLINOMETER INSTL-KEEL BEAM (INSTRUMENTS ONLY)		RF
			POSITION DATA: LH FOR NHA/OTHER SYS DET SEE: 53-00-00-08		
- 5	145T8680-2		INCLINOMETER INSTL-KEEL BEAM (INSTRUMENTS ONLY)		RF
			POSITION DATA: RH FOR NHA/OTHER SYS DET SEE: 53-00-00-08		
10	1017S5		. INCLINOMETER- SUPPLIER CODE: V50926		1
- 15	NAS602-18P		ATTACHING PARTS		2
- 20	AN960-8		. SCREW-		4
- 25	BRH10A08		. WASHER . NUT		2
			SUPPLIER CODE: V52828 SPECIFICATION NUMBER: BACN10JC08 OPTIONAL PART: H10-08BAC V15653 NS202101-82 V80539 RMLH9075-82W V72962 VN303A82 V92215 96-82 V80539 T6S832J V11815		
			-----*-----		
ILLUSTRATION ITEMS NOT ON PARTS LIST ARE NOT APPLICABLE					

- ITEM NOT ILLUSTRATED

HXL

31-00-52-01

BOEING PROPRIETARY - Copyright © - Unpublished Work - See title page for details.

31-00-52
FIG. 01
PAGE 1
DEC 22/07