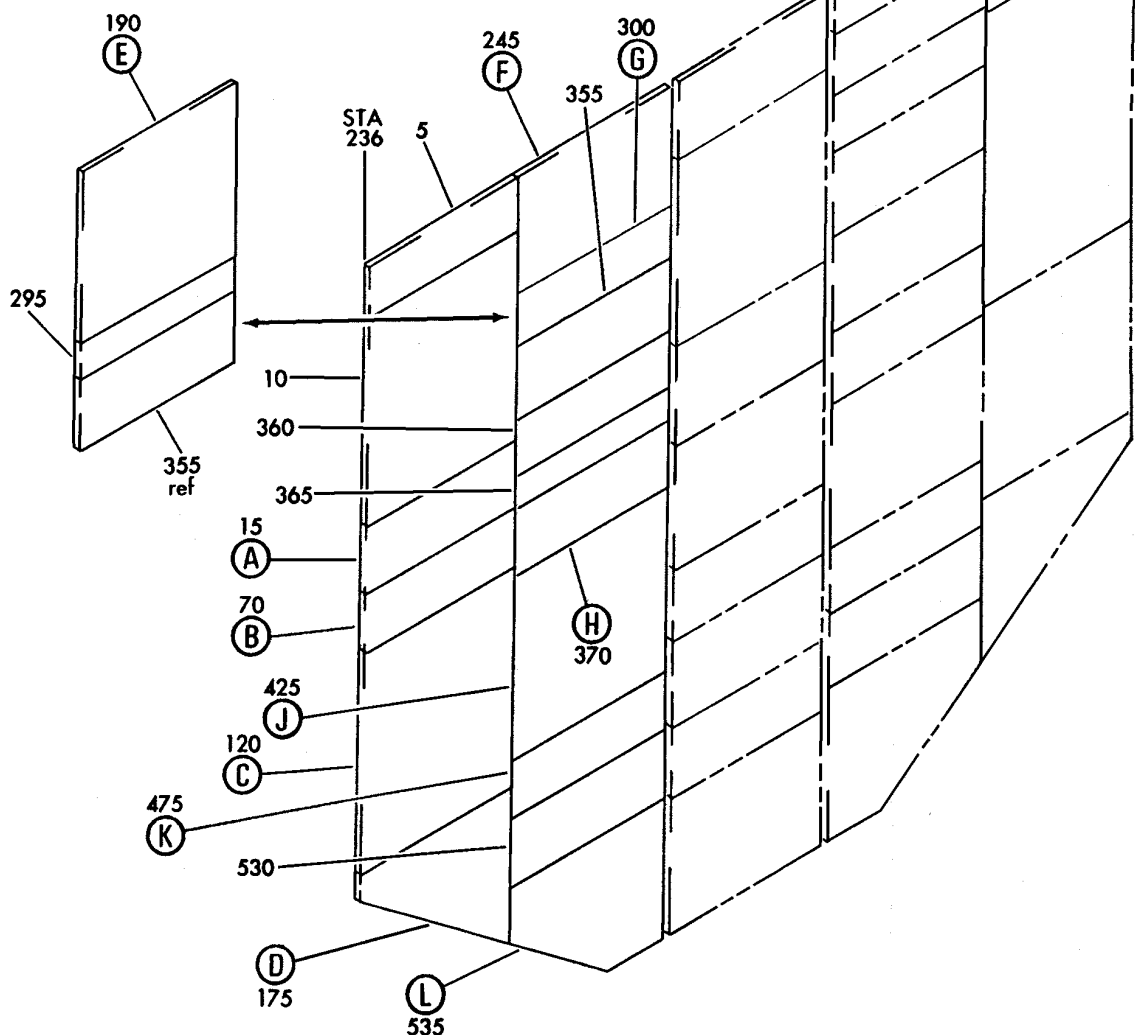
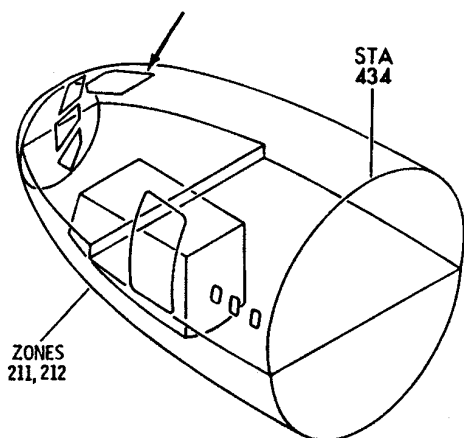


PILOTS OVERHEAD PANELS

HXL
DEC 22/06

31-12-00
SECTION TITLE
PAGE 1

BOEING
767
PARTS CATALOG (MAINTENANCE)



V 31121111 SHT 1 REV 214

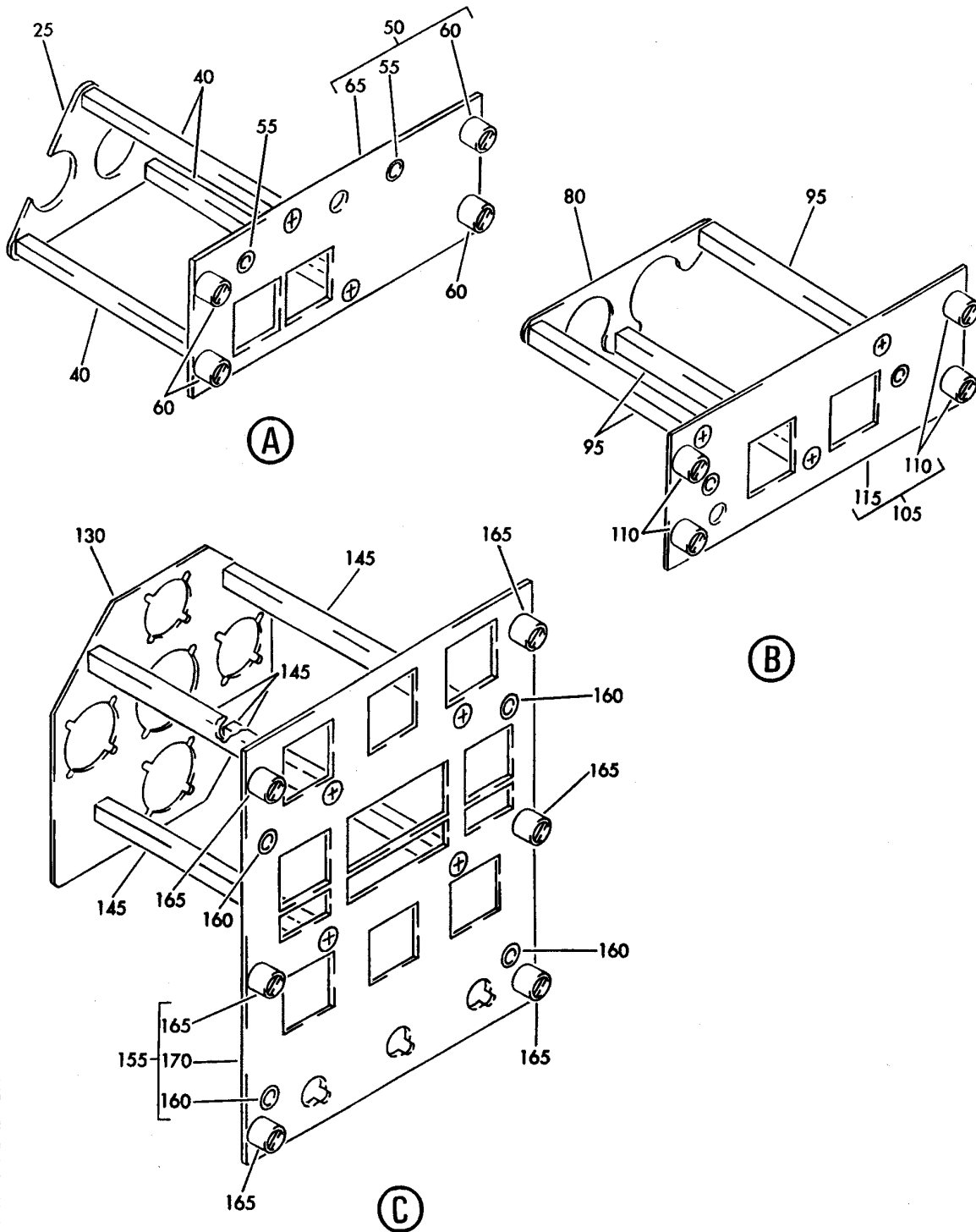
PANEL INSTL-OVHD (PILOTS' OVERHEAD PANEL ONLY)
FIGURE 11 (SHEET 1)

31-12-11-11

HXL
DEC 22/06

31-12-11-11
PAGE 0

BOEING
767
PARTS CATALOG (MAINTENANCE)



V 31121111 SH2 2 REV 214

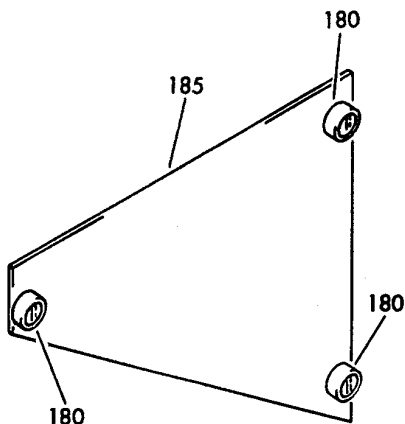
PANEL INSTL-OVHD (PILOTS' OVERHEAD PANEL ONLY)
FIGURE 11 (SHEET 2)

31-12-11-11

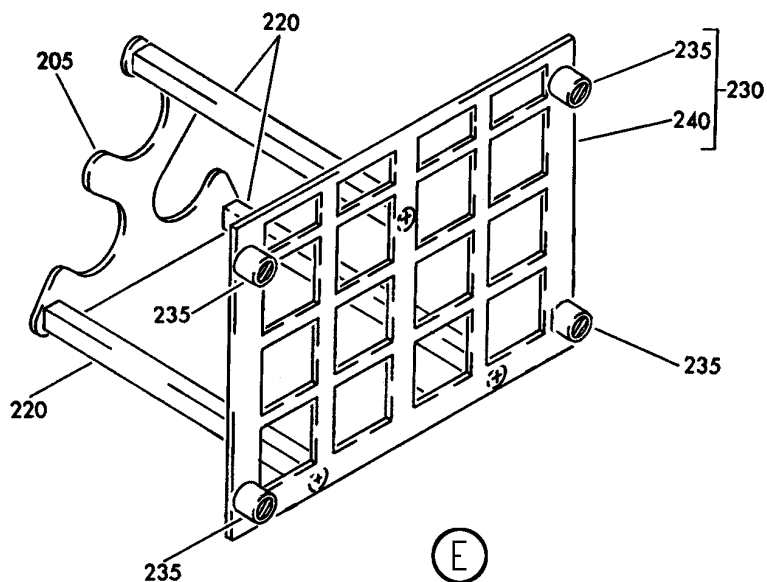
HXL
DEC 22/06

31-12-11-11
PAGE 0A

BOEING
767
PARTS CATALOG (MAINTENANCE)



(D)



(E)

V 31121111 SH1 3 REV 266

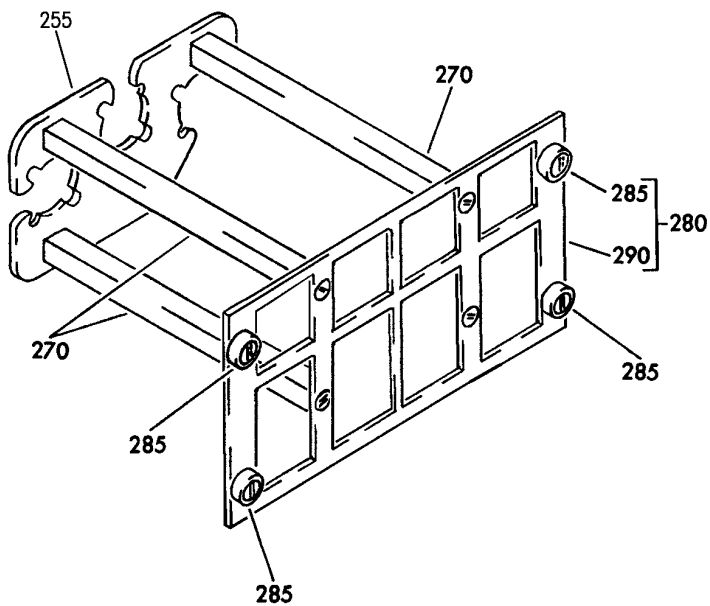
PANEL INSTL-OVHD (PILOTS' OVERHEAD PANEL ONLY)
FIGURE 11 (SHEET 3)

31-12-11-11

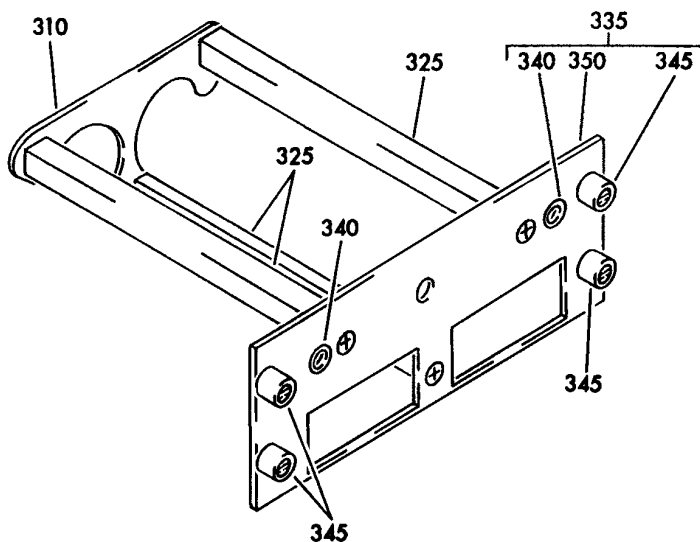
HXL
DEC 22/06

31-12-11-11
PAGE 0B

BOEING
767
PARTS CATALOG (MAINTENANCE)



(F)



(G)

V 31121111 SH1 4 REV 266

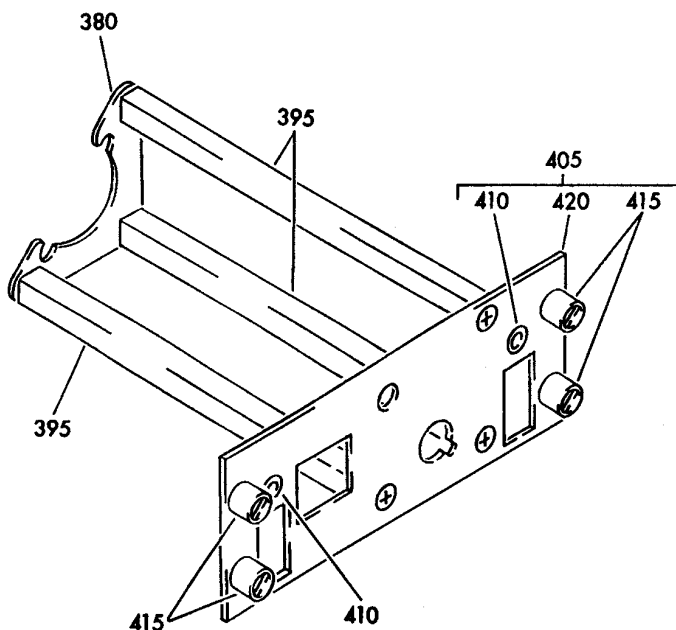
PANEL INSTL-OVHD (PILOTS' OVERHEAD PANEL ONLY)
FIGURE 11 (SHEET 4)

31-12-11-11

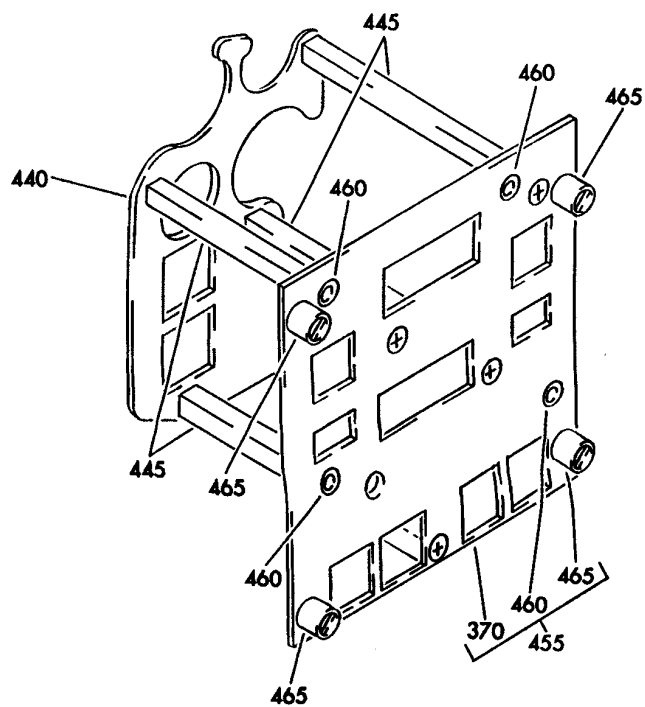
HXL
DEC 22/06

31-12-11-11
PAGE 0C

BOEING
767
PARTS CATALOG (MAINTENANCE)



(H)



(J)

V 31121111 SHT 5 REV 214

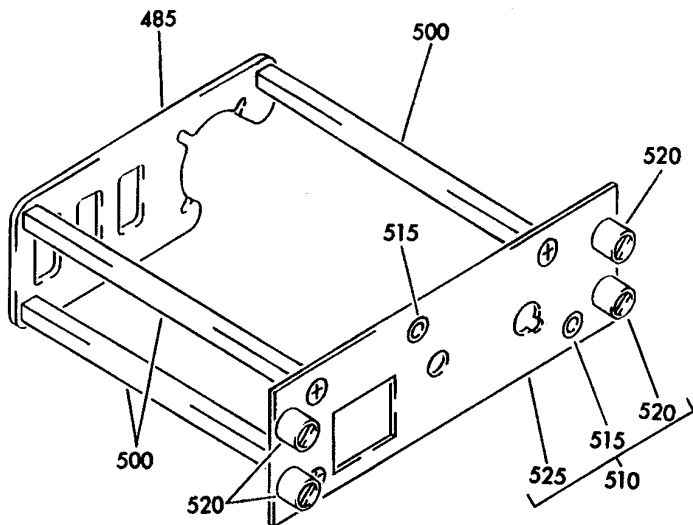
PANEL INSTL-OVHD (PILOTS' OVERHEAD PANEL ONLY)
FIGURE 11 (SHEET 5)

31-12-11-11

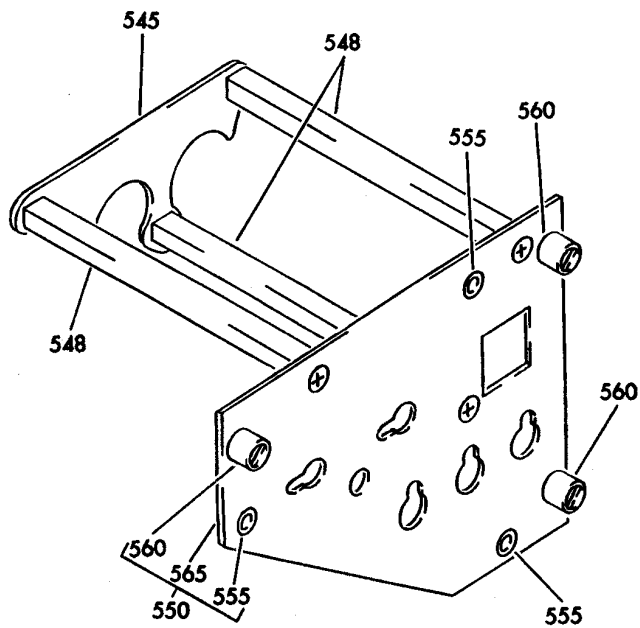
HXL
DEC 22/06

31-12-11-11
PAGE 0D

BOEING
767
PARTS CATALOG (MAINTENANCE)



(K)



(L)

V 31121111 SHT 6 REV 214

PANEL INSTL-OVHD (PILOTS' OVERHEAD PANEL ONLY)
FIGURE 11 (SHEET 6)

31-12-11-11

HXL
DEC 22/06

31-12-11-11
PAGE 0E



767

PARTS CATALOG (MAINTENANCE)

FIG ITEM	PART NUMBER	1 2 3 4 5 6 7	NOMENCLATURE	EFFECT FROM TO	UNITS PER ASSY
11			PANEL INSTL-OVHD (PILOTS' OVERHEAD PANEL ONLY)		
- 1	233T3100-1		PANEL INSTL-OVHD (PILOTS OVERHEAD PANELS ONLY) VARIABLE DRAWING REF: 233T3100-5048 FOR NHA/OTHER SYS DET SEE: 25-10-00-03		RF
5	BACP10U0150T		.PANEL ASSY		1
10	CG1093AD01		.PANEL ASSY-INERTIAL REF MODE SUPPLIER CODE: V94580 SPECIFICATION NUMBER: S242T101-203 ELECTRICAL EQUIP NUMBER: M00059 COMPONENT MAINT MANUAL REF: 34-21-21 QUALIFIED I/W DATA: CG1093AD01 I/W CG1093AC01 EXCEPT CG1093AD01 DISPLAY IRU MAINTENANCE CODES AND THE TIME REMAINING IN ALIGNMENT CG1093AD01 I/W CG1093AD02 EXCEPT CG1093AD01 DISPLAYS IRU MAINTENANCE CODES AND THE TIME REMAINING IN ALIGNMENT S242T101-206/CG1093AD03 CAN REPLACE AND BEREPLACED BY S242T101-203/CG1093AD01 EXCEPT FORNL001-NL999, NU701-NU999 FOR 757, AND VQ001-VQ999 FOR 767, WHERE S242T101-206/ CG1093AD03 MUST BE USED.		RF
ILLUSTRATION ITEMS NOT ON PARTS LIST ARE NOT APPLICABLE					

- ITEM NOT ILLUSTRATED

HXL

31-12-11-11

BOEING PROPRIETARY - Copyright © - Unpublished Work - See title page for details.

31-12-11
FIG. 11
PAGE 1
DEC 22/08



767

PARTS CATALOG (MAINTENANCE)

FIG ITEM	PART NUMBER	1 2 3 4 5 6 7	NOMENCLATURE	EFFECT FROM TO	UNITS PER ASSY
11 15	233T3100-309		.PANEL ASSY-YAW DAMPER ELECTRICAL EQUIP NUMBER: M10250 PRE ALERT SB: 33A0087 PRE COMPONENT SB: 233N3216-22-01 FOR OTHER SYS DETAILS SEE: 22-21-01-02		1
15	233N3216-1300		.PANEL ASSY-YAW DAMPER SUPPLIER CODE: V89954 ELECTRICAL EQUIP NUMBER: M10250 POST ALERT SB: 33A0087 POST COMPONENT SB: 233N3216-22-01		1
- 20	233N3216-18		..PANEL ASSY- SUPPLIER CODE: V89954 COMPONENT MAINT MANUAL REF: 22-21-71		RF
- 20	233N3216-20		..PANEL ASSY- SUPPLIER CODE: V89954 MISCELLANEOUS DATA: (THE 233N3216-300 PANEL ASSY IS I/W THE 233N3216-20 PANEL ASSY T/W THE S233T100-1075 LIGHTPLATE) FOR SPARES PROCURE NEXT HIGHER ASSEMBLY COMPONENT MAINT MANUAL REF: 22-21-71 QUALIFIED I/W DATA: 233N3216-20 I/W -26 EXCEPT SUBJECT TO CUSTOMER PREFERENCE PRE ALERT SB: 33A0087 PRE COMPONENT SB: 233N3216-22-01		RF
- 20	233N3216-14		..PANEL ASSY- SUPPLIER CODE: V89954 COMPONENT MAINT MANUAL REF: 22-21-71		RF

ILLUSTRATION ITEMS NOT ON PARTS LIST ARE NOT APPLICABLE

- ITEM NOT ILLUSTRATED

HXL

31-12-11-11

BOEING PROPRIETARY - Copyright © - Unpublished Work - See title page for details.

31-12-11
FIG. 11
PAGE 2
DEC 22/08



767

PARTS CATALOG (MAINTENANCE)

FIG ITEM	PART NUMBER	1 2 3 4 5 6 7	NOMENCLATURE	EFFECT FROM TO	UNITS PER ASSY
11					
- 20	233N3216-1020	..	PANEL ASSY- SUPPLIER CODE: V89954 COMPONENT MAINT MANUAL REF: 22-21-71 POST ALERT SB: 33A0087 POST COMPONENT SB: 233N3216-22-01		RF
- 20	233N3216-1018	..	PANEL ASSY- SUPPLIER CODE: V89954 COMPONENT MAINT MANUAL REF: 22-21-71 POST ALERT SB: 33A0087 POST COMPONENT SB: 233N3216-22-01		RF
25	233N3250-15	...	BRACKET-SPRT ATTACHING PARTS		1
- 30	NAS1801-06-5	...	SCREW		3
- 35	MS35338-41	...	WASHER		3
40	69B46200-12	...	STANDOFF-RCPT SPRT ATTACHING PARTS		3
- 45	NAS514P632-5	...	SCREW		3
50	233N3216-2	...	BASEPLATE ASSY- SUPPLIER CODE: V89954		1
55	SF6G6CBB5D	NUT SUPPLIER CODE: V12324 SPECIFICATION NUMBER: BACN10PA06-6		2
60	PFSC35-38ASEMB	STUD ASSY- SUPPLIER CODE: V72794 SPECIFICATION NUMBER: BACS21DX1B		4
65	233N3216-3	BASEPLATE- SUPPLIER CODE: V89954		1

ILLUSTRATION ITEMS NOT ON PARTS LIST ARE NOT APPLICABLE

- ITEM NOT ILLUSTRATED

HXL

31-12-11-11

BOEING PROPRIETARY - Copyright © - Unpublished Work - See title page for details.

31-12-11
FIG. 11
PAGE 3
DEC 22/08

BOEING
767
PARTS CATALOG (MAINTENANCE)

FIG ITEM	PART NUMBER	1 2 3 4 5 6 7	NOMENCLATURE	EFFECT FROM TO	UNITS PER ASSY
11					
70	233T3100-341		.PANEL ASSY-EEC CONT ELECTRICAL EQUIP NUMBER: M10761 COMPONENT MAINT MANUAL REF: 73-21-86 PRE ALERT SB: 33A0087 PRE COMPONENT SB: 233T3242-73-02 FOR OTHER SYS DETAILS SEE: 73-21-58-01		1
70	233T3242-1304		.PANEL ASSY-EEC CONT SUPPLIER CODE: V89954 ELECTRICAL EQUIP NUMBER: M10761 COMPONENT MAINT MANUAL REF: 73-21-86 POST ALERT SB: 33A0087 POST COMPONENT SB: 233T3242-73-02 FOR OTHER SYS DETAILS SEE: 73-21-58-01		1
- 75	233T3242-10		..PANEL ASSY- SUPPLIER CODE: V89954 MISCELLANEOUS DATA: (233T3242-304 PANEL ASSY IS I/W 233T3242-10 PANEL ASSY T/W S233T100-1092 LIGHTPLATE) PRE ALERT SB: 33A0087 PRE COMPONENT SB: 233T3242-73-02		RF
- 75	233T3242-1010		..PANEL ASSY- SUPPLIER CODE: V89954 POST ALERT SB: 33A0087 POST COMPONENT SB: 233T3242-73-02		RF
80	233T6200-142		...BRACKET-SPRT ATTACHING PARTS		1
- 85	NAS1801-06-5		...SCREW		3
- 90	MS35338-41		...WASHER -----*-----		3
ILLUSTRATION ITEMS NOT ON PARTS LIST ARE NOT APPLICABLE					

- ITEM NOT ILLUSTRATED

HXL

31-12-11-11

BOEING PROPRIETARY - Copyright © - Unpublished Work - See title page for details.

31-12-11
FIG. 11
PAGE 4
DEC 22/08



767

PARTS CATALOG (MAINTENANCE)

FIG ITEM	PART NUMBER	1 2 3 4 5 6 7	NOMENCLATURE	EFFECT FROM TO	UNITS PER ASSY
11	95 69B46200-12		...STANDOFF-RCPT SPRT ATTACHING PARTS		3
- 100	NAS514P632-5P		...SCREW -----*-----		3
105	233T3242-2		...BASEPLATE ASSY- SUPPLIER CODE: V89954		1
110	PFSC35-38ASEMB	STUD ASSY SUPPLIER CODE: V72794 SPECIFICATION NUMBER: BACS21DX1B		4
115	BACP10U0187N	PANEL		1
120	233T3100-372		.PANEL ASSY-HYDR SYS CONT ELECTRICAL EQUIP NUMBER: M00010 FOR OTHER SYS DETAILS SEE: 29-11-71-01 29-31-52-01 29-32-52-01 29-33-52-01		1
120	233T3234-305		.PANEL ASSY-HYDR SYS CONT SUPPLIER CODE: V89954 MISCELLANEOUS DATA: (THE 233T3234-305 PANEL ASSY IS I/W THE 233T3234-33 PANEL ASSY T/W THE S233T100-1066 LIGHTPLATE AND (3) BP248-127 KNOBS.) ELECTRICAL EQUIP NUMBER: M00010 COMPONENT MAINT MANUAL REF: 29-11-53 OPTIONAL PART: 233T3100-372 FOR OTHER SYS DETAILS SEE: 29-11-71-01 29-31-52-01 29-32-52-01 29-33-52-01		1

ILLUSTRATION ITEMS NOT ON PARTS LIST ARE NOT APPLICABLE

- ITEM NOT ILLUSTRATED

HXL

31-12-11-11

BOEING PROPRIETARY - Copyright © - Unpublished Work - See title page for details.

31-12-11
FIG. 11
PAGE 5
DEC 22/08



767

PARTS CATALOG (MAINTENANCE)

FIG ITEM	PART NUMBER	1 2 3 4 5 6 7	NOMENCLATURE	EFFECT FROM TO	UNITS PER ASSY
11 120	233T3234-300		.PANEL ASSY-HYDR SYS CONT SUPPLIER CODE: V89954 MISCELLANEOUS DATA: THE 233T3234-300 PANEL ASSY IS I/W THE 233T3234-31 PANEL ASSY T/W THE S233T100-1066 LIGHTPALTED AND (3) BP248-127 KNOBS. ELECTRICAL EQUIP NUMBER: M00010 COMPONENT MAINT MANUAL REF: 29-11-53 FOR OTHER SYS DETAILS SEE: 29-11-71-01 29-31-52-01 29-32-52-01 29-33-52-01		1
- 125	233T3234-30		..PANEL ASSY- SUPPLIER CODE: V89954 COMPONENT MAINT MANUAL REF: 29-11-53		RF
- 125	233T3234-33		..PANEL ASSY- SUPPLIER CODE: V89954 MISCELLANEOUS DATA: (THE 233T3234-305 PANEL ASSY IS I/W THE 233T3234-33 PANEL ASSY T/W THE S233T100-1066 LIGHTPLATE AND (3) BP248-127 KNOBS.) COMPONENT MAINT MANUAL REF: 29-11-53 USED ON: 233T3100-372 233T3234-305		RF

ILLUSTRATION ITEMS NOT ON PARTS LIST ARE NOT APPLICABLE

- ITEM NOT ILLUSTRATED

HXL

31-12-11-11

BOEING PROPRIETARY - Copyright © - Unpublished Work - See title page for details.

31-12-11
FIG. 11
PAGE 6
DEC 22/08



767

PARTS CATALOG (MAINTENANCE)

FIG ITEM	PART NUMBER	1 2 3 4 5 6 7	NOMENCLATURE	EFFECT FROM TO	UNITS PER ASSY
11					
- 125	233T3234-31		..PANEL ASSY- SUPPLIER CODE: V89954 MISCELLANEOUS DATA: THE 233T3234-300 PANEL ASSY IS I/W THE 233T3234-31 PANEL ASSY T/W THE S233T100-1066 LIGHTPALTED AND (3) BP248-127 KNOBS. COMPONENT MAINT MANUAL REF: 29-11-53 USED ON: 233T3100-300		RF
130	233T6200-94		...BRACKET-SPRT ATTACHING PARTS		1
- 135	NAS1801-06-5		...SCREW		4
- 140	MS35338-41		...WASHER		4
			-----*-----		
145	69B46200-11		...STANDOFF-RCPT SPRT ATTACHING PARTS		4
- 150	NAS514P632-5		...SCREW		4
			-----*-----		
155	233T3234-2		...BASEPLATE ASSY- SUPPLIER CODE: V89954		1
160	SF6G6CBB5D	NUT SUPPLIER CODE: V12324 SPECIFICATION NUMBER: BACN10PA06-6		4
165	PFSC35-38ASEMB	STUD ASSY- SUPPLIER CODE: V72794 SPECIFICATION NUMBER: BACS21DX1B		6
170	233T3200-5	BASEPLATE		1
175	233T3200-2		.PANEL ASSY		1
180	PFSC35-38ASEMB		..STUD ASSY- SUPPLIER CODE: V72794 SPECIFICATION NUMBER: BACS21DX1B		3
185	233T3200-4		..BASEPLATE		1

ILLUSTRATION ITEMS NOT ON PARTS LIST ARE NOT APPLICABLE

- ITEM NOT ILLUSTRATED

31-12-11-11

31-12-11
FIG. 11
PAGE 7
DEC 22/08

HXL

BOEING PROPRIETARY - Copyright © - Unpublished Work - See title page for details.

 **BOEING**
767
PARTS CATALOG (MAINTENANCE)

FIG ITEM	PART NUMBER	1 2 3 4 5 6 7	NOMENCLATURE	EFFECT FROM TO	UNITS PER ASSY
11 245	233T3233-35		.PANEL ASSY-MISC ANN SUPPLIER CODE: V89954 ELECTRICAL EQUIP NUMBER: M10394 COMPONENT MAINT MANUAL REF: 33-16-52 POST AIRLINE MOD: MTO-310236 VSAS FOR OTHER SYS DETAILS SEE: 27-11-72-02 27-21-58-02 27-41-61-02 27-61-51-02 27-62-53-02 30-31-01-02 30-32-53-01 30-33-53-01 32-42-52-03 52-71-51-01		1
255	233T6200-188		..BRACKET-SPRT ATTACHING PARTS		1
- 260	NAS1801-06-5		..SCREW		3
- 265	MS35338-41		..WASHER		3
			-----*-----		
270	69B46200-11		..STANDOFF-RCPT SPRT ATTACHING PARTS		3
- 275	NAS514P632-5		..SCREW		3
			-----*-----		
280	233T3233-36		..BASEPLATE ASSY- SUPPLIER CODE: V89954		1
285	PFSC35-38ASEMB		...STUD ASSY SUPPLIER CODE: V72794 SPECIFICATION NUMBER: BACS21DX1B		4
290	BACP10U0300N		...PANEL		1
295	BACP10U0075T		.PANEL ASSY		1
300	233T3100-304		.PANEL ASSY-WINDOW HEAT ELECTRICAL EQUIP NUMBER: M10395 FOR OTHER SYS DETAILS SEE: 30-41-51-01		1

ILLUSTRATION ITEMS NOT ON PARTS LIST ARE NOT APPLICABLE

- ITEM NOT ILLUSTRATED

HXL

31-12-11-11

BOEING PROPRIETARY - Copyright © - Unpublished Work - See title page for details.

31-12-11
FIG. 11
PAGE 8
DEC 22/08

 **BOEING**
767
PARTS CATALOG (MAINTENANCE)

FIG ITEM	PART NUMBER	1 2 3 4 5 6 7	NOMENCLATURE	EFFECT FROM TO	UNITS PER ASSY
11					
- 305	233N3212-11	..	PANEL ASSY- SUPPLIER CODE: V89954 MISCELLANEOUS DATA: (233N3212-11 I/W -14 EXCEPT SUBJECT TO CUSTOMER PREFERENCE) (THE 233N3212-300 PANEL ASSY IS I/W THE 233N3212-11 PANEL ASSY T/W THE S233T100-1073 LIGHTPLATE) COMPONENT MAINT MANUAL REF: 30-41-71 QUALIFIED I/W DATA: 233N3212-11 I/W -14 EXCEPT SUBJECT TO CUSTOMER PREFERENCE		RF
- 305	233N3212-8	..	PANEL ASSY- SUPPLIER CODE: V89954 COMPONENT MAINT MANUAL REF: 30-41-71		RF
- 305	233N3212-10	..	PANEL ASSY- SUPPLIER CODE: V89954 COMPONENT MAINT MANUAL REF: 30-41-71		RF
310	233N3250-11	...	BRACKET-SPRT ATTACHING PARTS		1
- 315	NAS1801-06-5	...	SCREW		3
- 320	MS35338-41	...	WASHER		3
			-----*-----		
325	69B46200-12	...	STANDOFF-RCPT SPRT ATTACHING PARTS		3
- 330	NAS514P632-5	...	SCREW		3
			-----*-----		
335	233N3212-2	...	BASEPLATE ASSY- SUPPLIER CODE: V89954		1
340	SF6G6CBB5D	NUT SUPPLIER CODE: V12324 SPECIFICATION NUMBER: BACN10PA06-6		2

ILLUSTRATION ITEMS NOT ON PARTS LIST ARE NOT APPLICABLE

- ITEM NOT ILLUSTRATED

HXL

31-12-11-11

BOEING PROPRIETARY - Copyright © - Unpublished Work - See title page for details.

31-12-11
FIG. 11
PAGE 9
DEC 22/08



767

PARTS CATALOG (MAINTENANCE)

FIG ITEM	PART NUMBER	1 2 3 4 5 6 7	NOMENCLATURE	EFFECT FROM TO	UNITS PER ASSY
11 345	PFSC35-38ASEMB	STUD ASSY- SUPPLIER CODE: V72794 SPECIFICATION NUMBER: BACS21DX1B		4
350	233N3212-3	BASEPLATE- SUPPLIER CODE: V89954		1
355	622-6827-002	.PANEL	ASSY-HF CONT (CUSTOMER FURNISHED) SUPPLIER CODE: V4V792 ELECTRICAL EQUIP NUMBER: M00082 COMPONENT MAINT MANUAL REF: 23-10-73 FOR BREAKDOWN SEE: 23-11-02-01		RF
355	622-5432-002	.PANEL	ASSY-HF CONT (CUSTOMER FURNISHED) SUPPLIER CODE: V4V792 ELECTRICAL EQUIP NUMBER: M00082 COMPONENT MAINT MANUAL REF: 23-10-71 FOR BREAKDOWN SEE: 23-11-02-01		RF
355	G7401-03	.PANEL	ASSY-HF CONT (CUSTOMER FURNISHED) SUPPLIER CODE: V99837 ELECTRICAL EQUIP NUMBER: M00082 FOR BREAKDOWN SEE: 23-11-02-01		RF
360	G6031A	.PANEL	ASSY-EMER EVACUATION SUPPLIER CODE: V99837 FUNCTIONAL DESCRIPTION: ALLOWS FLIGHT DECK CREW TO ACTIVATE OR TEST THE EMERGENCY EVACUATION SYSTEM ELECTRICAL EQUIP NUMBER: M00061 FOR BREAKDOWN SEE: 25-63-53-01		RF
365	BACP10U0037T	.PANEL	ASSY		1

ILLUSTRATION ITEMS NOT ON PARTS LIST ARE NOT APPLICABLE

- ITEM NOT ILLUSTRATED

31-12-11-11

31-12-11
FIG. 11
PAGE 10
DEC 22/08

HXL



767

PARTS CATALOG (MAINTENANCE)

FIG ITEM	PART NUMBER	1 2 3 4 5 6 7	NOMENCLATURE	EFFECT FROM TO	UNITS PER ASSY
11 370	233T3100-273		.PANEL ASSY-ELEC SYS ELECTRICAL EQUIP NUMBER: M10062 PRE ALERT SB: 33A0087R1		1
370	233N3211-1302		.PANEL ASSY-ELEC SYS SUPPLIER CODE: V89954 COMPONENT MAINT MANUAL REF: 24-33-72 POST ALERT SB: 33A0087R1		1
- 375	233N3211-34		..PANEL ASSY- SUPPLIER CODE: V89954 COMPONENT MAINT MANUAL REF: 24-33-71		RF
- 375	233N3211-41		..PANEL ASSY- SUPPLIER CODE: V89954 MISCELLANEOUS DATA: (233N3211-41 I/W -42 EXCEPT SUBJECT TO CUSTOMER PREFERENCE) (THE 233N3211-302 PANEL ASSY IS I/W THE 233N3211-41 PANEL ASSY T/W THE S233T100-1080 LIGHTPLATE AND BP248-127 KNOB) COMPONENT MAINT MANUAL REF: 24-33-72 QUALIFIED I/W DATA: 233N3211-41 I/W -42 EXCEPT SUBJECT TO CUSTOMER PREFERENCE PRE ALERT SB: 33A0087R1 PRE COMPONENT SB: 233N3211-24-02R1		RF
- 375	233N3211-8		..PANEL ASSY- SUPPLIER CODE: V89954 COMPONENT MAINT MANUAL REF: 24-33-71		RF

ILLUSTRATION ITEMS NOT ON PARTS LIST ARE NOT APPLICABLE

- ITEM NOT ILLUSTRATED

HXL

31-12-11-11

BOEING PROPRIETARY - Copyright © - Unpublished Work - See title page for details.

31-12-11
FIG. 11
PAGE 11
DEC 22/08



PARTS CATALOG (MAINTENANCE)

FIG ITEM	PART NUMBER	1 2 3 4 5 6 7	NOMENCLATURE	EFFECT FROM TO	UNITS PER ASSY
11					
- 375	233N3211-19	..	PANEL ASSY-M10062 SUPPLIER CODE: V89954 COMPONENT MAINT MANUAL REF: 24-33-71		RF
- 375	233N3211-29	..	PANEL ASSY- SUPPLIER CODE: V89954 COMPONENT MAINT MANUAL REF: 24-33-71		RF
- 375	233N3211-1034	..	PANEL ASSY- SUPPLIER CODE: V89954 COMPONENT MAINT MANUAL REF: 24-33-71		RF
- 375	233N3211-1041	..	PANEL ASSY- SUPPLIER CODE: V89954 COMPONENT MAINT MANUAL REF: 24-33-71 POST ALERT SB: 33A0087R1 POST COMPONENT SB: 233N3211-24-02R1		RF
- 375	233N3211-1029	..	PANEL ASSY- SUPPLIER CODE: V89954 COMPONENT MAINT MANUAL REF: 24-33-71 POST ALERT SB: 33A0087R1 POST COMPONENT SB: 233N3211-24-02R1		RF
380	233N3250-5	...	BRACKET-SPRT ATTACHING PARTS		1
- 385	NAS1801-06-5	...	SCREW		3
- 390	MS35338-41	...	WASHER		3
			-----*-----		
395	69B46200-17	...	STANDOFF-RCPT SPRT ATTACHING PARTS		3
- 400	NAS514P632-5	...	SCREW		3
			-----*-----		
405	233N3211-2	...	BASEPLATE ASSY- SUPPLIER CODE: V89954		1

ILLUSTRATION ITEMS NOT ON PARTS LIST ARE NOT APPLICABLE

- ITEM NOT ILLUSTRATED

HXL

31-12-11-11

BOEING PROPRIETARY - Copyright © - Unpublished Work - See title page for details.

31-12-11
FIG. 11
PAGE 12
DEC 22/08



767

PARTS CATALOG (MAINTENANCE)

FIG ITEM	PART NUMBER	1 2 3 4 5 6 7	NOMENCLATURE	EFFECT FROM TO	UNITS PER ASSY
11 410	SF6G6CBB5D	NUT SUPPLIER CODE: V12324 SPECIFICATION NUMBER: BACN10PA06-6		2
415	PFSC35-38ASEMB	STUD ASSY- SUPPLIER CODE: V72794 SPECIFICATION NUMBER: BACS21DX1B		4
420	233N3211-3	BASEPLATE- SUPPLIER CODE: V89954		1
425	233T3100-275	.	PANEL ASSY-ELEC SYS ELECTRICAL EQUIP NUMBER: M10063 PRE SERVICE BULLETIN: 24-0152 PRE ALERT SB: 33A0087 PRE COMPONENT SB: 233N3209-24-03 FOR OTHER SYS DETAILS SEE: 24-11-54-01 24-22-51-01 24-41-51-01 24-51-61-01		1
425	233N3209-1300	.	PANEL ASSY-ELEC SYS SUPPLIER CODE: V89954 ELECTRICAL EQUIP NUMBER: M10063 COMPONENT MAINT MANUAL REF: 24-22-71 PRE SERVICE BULLETIN: 24-0152 POST ALERT SB: 33A0087 POST COMPONENT SB: 233N3209-24-03		1
425	233N6252-13	.	PANEL ASSY-ELEC SYS ELECTRICAL EQUIP NUMBER: M10063 POST SERVICE BULLETIN: 24-0152	163999	RF

R
R
R
R
R
R
R
R
R
R
R
R

ILLUSTRATION ITEMS NOT ON PARTS LIST ARE NOT APPLICABLE

- ITEM NOT ILLUSTRATED

31-12-11-11

31-12-11
FIG. 11
PAGE 13
AUG 22/09

HXL



767

PARTS CATALOG (MAINTENANCE)

FIG ITEM	PART NUMBER	1 2 3 4 5 6 7	NOMENCLATURE	EFFECT FROM TO	UNITS PER ASSY
11 - 430	233N3209-14		..PANEL ASSY- SUPPLIER CODE: V89954 ELECTRICAL EQUIP NUMBER: M10063 COMPONENT MAINT MANUAL REF: 24-22-71 PRE ALERT SB: 33A0087 PRE COMPONENT SB: 233N3209-24-03		RF
- 430	233N3209-19		..PANEL ASSY- SUPPLIER CODE: V89954 ELECTRICAL EQUIP NUMBER: M10063 COMPONENT MAINT MANUAL REF: 24-22-71 PRE ALERT SB: 33A0087 PRE COMPONENT SB: 233N3209-24-03		RF
- 430	233N3209-23		..PANEL ASSY- SUPPLIER CODE: V89954 ELECTRICAL EQUIP NUMBER: M10063 COMPONENT MAINT MANUAL REF: 24-22-71 PRE ALERT SB: 33A0087 PRE COMPONENT SB: 233N3209-24-03		RF
- 430	233N3209-28		..PANEL ASSY- SUPPLIER CODE: V89954 MISCELLANEOUS DATA: (233N3209-302 PANEL ASSY IS I/W 233N3209-28 PANEL ASSY T/W S233T100-6004 LIGHTPLATE) ELECTRICAL EQUIP NUMBER: M10063 COMPONENT MAINT MANUAL REF: 24-22-71 PRE ALERT SB: 33A0087 PRE COMPONENT SB: 233N3209-24-03		RF

ILLUSTRATION ITEMS NOT ON PARTS LIST ARE NOT APPLICABLE

- ITEM NOT ILLUSTRATED

HXL

31-12-11-11

BOEING PROPRIETARY - Copyright © - Unpublished Work - See title page for details.

31-12-11
FIG. 11
PAGE 15
DEC 22/08



767

PARTS CATALOG (MAINTENANCE)

FIG ITEM	PART NUMBER	1 2 3 4 5 6 7	NOMENCLATURE	EFFECT FROM TO	UNITS PER ASSY
11 - 430	233N3209-41		<p>..PANEL ASSY- SUPPLIER CODE: V89954 MISCELLANEOUS DATA: (THE 233N3209-305 PANEL ASSY IS I/W THE 233N3209-41 PANEL ASSY T/W THE S233T100-6004 LIGHTPLATE) FOR SPARES PROCURE THE NEXT HIGHER ASSY ELECTRICAL EQUIP NUMBER: M10063 COMPONENT MAINT MANUAL REF: 24-22-71</p>		RF
- 430	233N3209-18		<p>..PANEL ASSY- SUPPLIER CODE: V89954 ELECTRICAL EQUIP NUMBER: M10063 COMPONENT MAINT MANUAL REF: 24-22-71 PRE ALERT SB: 33A0087 PRE COMPONENT SB: 233N3209-24-03</p>		RF
- 430	233N3209-1025		<p>..PANEL ASSY- SUPPLIER CODE: V89954 ELECTRICAL EQUIP NUMBER: M10063 COMPONENT MAINT MANUAL REF: 24-22-71 PRE SERVICE BULLETIN: 24-0152 POST ALERT SB: 33A0087 POST COMPONENT SB: 233N3209-24-03</p>		RF
- 430	233N3209-50		<p>..PANEL ASSY- SUPPLIER CODE: V89954 MISCELLANEOUS DATA: FOR SPARES PROCURE THE NEXT HIGHER ASSY ELECTRICAL EQUIP NUMBER: M10063 COMPONENT MAINT MANUAL REF: 24-22-71</p>		RF

ILLUSTRATION ITEMS NOT ON PARTS LIST ARE NOT APPLICABLE

- ITEM NOT ILLUSTRATED

31-12-11-11

31-12-11
 FIG. 11
 PAGE 16
 DEC 22/08

HXL



767

PARTS CATALOG (MAINTENANCE)

FIG ITEM	PART NUMBER	1 2 3 4 5 6 7	NOMENCLATURE	EFFECT FROM TO	UNITS PER ASSY
11					
- 430	233N6252-10	..	PANEL ASSY- ELECTRICAL EQUIP NUMBER: M10063 POST SERVICE BULLETIN: 24-0152	163999	1
440	233N3250-2	...	BRACKET-SPRT		1
445	69B46200-12	...	STANDOFF-RCPT SPRT ATTACHING PARTS		4
- 450	NAS514P632-5	...	SCREW -----*-----		4
455	233N3216-2	...	BASEPLATE ASSY- SUPPLIER CODE: V89954		1
460	SF6G6CBB5D	NUT SUPPLIER CODE: V12324 SPECIFICATION NUMBER: BACN10PA06-6		4
465	PFSC35-38ASEMB	STUD ASSY- SUPPLIER CODE: V72794 SPECIFICATION NUMBER: BACS21DX1B		4
470	233N3209-3	BASEPLATE- SUPPLIER CODE: V89954		1
475	233T3100-238	.	PANEL ASSY-APU CONT ELECTRICAL EQUIP NUMBER: M00001 FOR OTHER SYS DETAILS SEE: 33-13-56-03 49-41-52-01		1
475	233T3232-300	.	PANEL ASSY-APU CONT SUPPLIER CODE: V89954 ELECTRICAL EQUIP NUMBER: M00001 FOR OTHER SYS DETAILS SEE: 33-13-56-03 49-41-52-01		1
475	233T3100-144	.	PANEL ASSY-APU CONT ELECTRICAL EQUIP NUMBER: M00001 FOR OTHER SYS DETAILS SEE: 33-13-56-03 49-41-52-01		1

ILLUSTRATION ITEMS NOT ON PARTS LIST ARE NOT APPLICABLE

- ITEM NOT ILLUSTRATED

31-12-11-11

31-12-11
FIG. 11
PAGE 17
DEC 22/08

HXL



767

PARTS CATALOG (MAINTENANCE)

FIG ITEM	PART NUMBER	1 2 3 4 5 6 7	NOMENCLATURE	EFFECT FROM TO	UNITS PER ASSY
11 475	233T3100-149	.	PANEL ASSY-APU CONT ELECTRICAL EQUIP NUMBER: M00001 FOR OTHER SYS DETAILS SEE: 33-13-56-03 49-41-52-01		1
475	233T3100-153	.	PANEL ASSY-APU CONT ELECTRICAL EQUIP NUMBER: M00001 FOR OTHER SYS DETAILS SEE: 33-13-56-03 49-41-52-01		1
475	233T3100-164	.	PANEL ASSY-APU CONT ELECTRICAL EQUIP NUMBER: M00001 FOR OTHER SYS DETAILS SEE: 33-13-56-03 49-41-52-01		1
475	233T3100-53	.	PANEL ASSY-APU CONT ELECTRICAL EQUIP NUMBER: M00001 FOR OTHER SYS DETAILS SEE: 33-13-56-03 49-41-52-01		1
475	233T3232-305	.	PANEL ASSY-APU CONT SUPPLIER CODE: V89954 ELECTRICAL EQUIP NUMBER: M00001 FOR OTHER SYS DETAILS SEE: 49-41-52-01		1
- 480	233T3232-12	..	PANEL ASSY- SUPPLIER CODE: V89954 COMPONENT MAINT MANUAL REF: 49-61-52		RF
- 480	233T3232-1	..	PANEL ASSY- SUPPLIER CODE: V89954 COMPONENT MAINT MANUAL REF: 49-61-52		RF
- 480	233T3232-5	..	PANEL ASSY- SUPPLIER CODE: V89954 COMPONENT MAINT MANUAL REF: 49-61-52		RF

ILLUSTRATION ITEMS NOT ON PARTS LIST ARE NOT APPLICABLE

- ITEM NOT ILLUSTRATED

HXL

31-12-11-11

BOEING PROPRIETARY - Copyright © - Unpublished Work - See title page for details.

31-12-11
FIG. 11
PAGE 18
DEC 22/08



767

PARTS CATALOG (MAINTENANCE)

FIG ITEM	PART NUMBER	1 2 3 4 5 6 7	NOMENCLATURE	EFFECT FROM TO	UNITS PER ASSY
11					
- 480	233T3232-6	..	PANEL ASSY- SUPPLIER CODE: V89954 COMPONENT MAINT MANUAL REF: 49-61-52		RF
- 480	233T3232-9	..	PANEL ASSY- SUPPLIER CODE: V89954 COMPONENT MAINT MANUAL REF: 49-61-52		RF
- 480	233T3232-11	..	PANEL ASSY- SUPPLIER CODE: V89954 COMPONENT MAINT MANUAL REF: 49-61-52		RF
485	233T6200-95	...	BRACKET-SPRT USED ON: 233T3232-9 233T3232-11 233T3232-12		1
485	233T6200-72	...	BRACKET-SPRT USED ON: 233T3232-1 233T3232-5 233T3232-6 ATTACHING PARTS		1
- 490	NAS1801-06-5	...	SCREW		3
- 495	MS35338-41	...	WASHER		3
			-----*-----		
500	69B46200-10	...	STANDOFF-RCPT SPRT USED ON: 233T3232-1 233T3232-5 233T3232-6		3
500	69B46200-12	...	STANDOFF-RCPT SPRT USED ON: 233T3232-9 233T3232-11 233T3232-12 ATTACHING PARTS		3
- 505	NAS514P632-5	...	SCREW		3
			-----*-----		
510	233T3232-2	...	BASEPLATE ASSY- SUPPLIER CODE: V89954		1

ILLUSTRATION ITEMS NOT ON PARTS LIST ARE NOT APPLICABLE

- ITEM NOT ILLUSTRATED

31-12-11-11

31-12-11
FIG. 11
PAGE 19
DEC 22/08

HXL



767

PARTS CATALOG (MAINTENANCE)

FIG ITEM	PART NUMBER	1 2 3 4 5 6 7	NOMENCLATURE	EFFECT FROM TO	UNITS PER ASSY
11 515	SF6G6CBB5D	NUT SUPPLIER CODE: V12324 SPECIFICATION NUMBER: BACN10PA06-6		2
520	PFSC35-38ASEMB	STUD ASSY- SUPPLIER CODE: V72794 SPECIFICATION NUMBER: BACS21DX1B		4
525 530	BACP10U0187N 980-6109-032	PANEL .PANEL-CKPT VOICE RECORDER (CUSTOMER FURNISHED) SUPPLIER CODE: V97896 ELECTRICAL EQUIP NUMBER: M00050 COMPONENT MAINT MANUAL REF: 23-70-37 FOR BREAKDOWN SEE: 23-71-02-01		1 RF
535	233T3100-306	.PANEL	ASSY-LIGHTING CONT L ELECTRICAL EQUIP NUMBER: M10056 FOR OTHER SYS DETAILS SEE: 33-11-53-02 33-42-54-01		1
- 540	233N3214-26	..PANEL	ASSY- SUPPLIER CODE: V89954 COMPONENT MAINT MANUAL REF: 33-11-71		RF
- 540	233N3214-28	..PANEL	ASSY- SUPPLIER CODE: V89954 MISCELLANEOUS DATA: (THE 233N3214-303 PANEL ASSY IS I/W THE 233N3214-28 PANEL ASSY T/W THE S233T100-6016 LIGHTPLATE AND (2) RC445-131 KNOBS AND (2) TT410-101 KNOBS) COMPONENT MAINT MANUAL REF: 33-11-71 QUALIFIED I/W DATA: 233N3214-28 I/W -34 EXCEPT SUBJECT TO CUSTOMER PREFERENCE		RF

ILLUSTRATION ITEMS NOT ON PARTS LIST ARE NOT APPLICABLE

- ITEM NOT ILLUSTRATED

31-12-11-11

31-12-11
FIG. 11
PAGE 20
DEC 22/08

HXL



767

PARTS CATALOG (MAINTENANCE)

FIG ITEM	PART NUMBER	1 2 3 4 5 6 7	NOMENCLATURE	EFFECT FROM TO	UNITS PER ASSY
11					
- 540	233N3214-22		..PANEL ASSY- SUPPLIER CODE: V89954 COMPONENT MAINT MANUAL REF: 33-11-71		RF
545	233N3250-34		...BRACKET-SPRT		1
548	69B46200-14		...STANDOFF-RCPT SPRT ATTACHING PARTS		3
- 549	NAS514P632-5		...SCREW -----*-----		3
550	233N3214-19		...BASEPLATE ASSY- SUPPLIER CODE: V89954		1
555	SF6G6CBB5D	NUT SUPPLIER CODE: V12324 SPECIFICATION NUMBER: BACN10PA06-6		3
560	PFSC35-38ASEMB	STUD ASSY- SUPPLIER CODE: V72794 SPECIFICATION NUMBER: BACS21DX1B		3
565	233N3214-20	BASEPLATE- SUPPLIER CODE: V89954		1

ILLUSTRATION ITEMS NOT ON PARTS LIST ARE NOT APPLICABLE

- ITEM NOT ILLUSTRATED

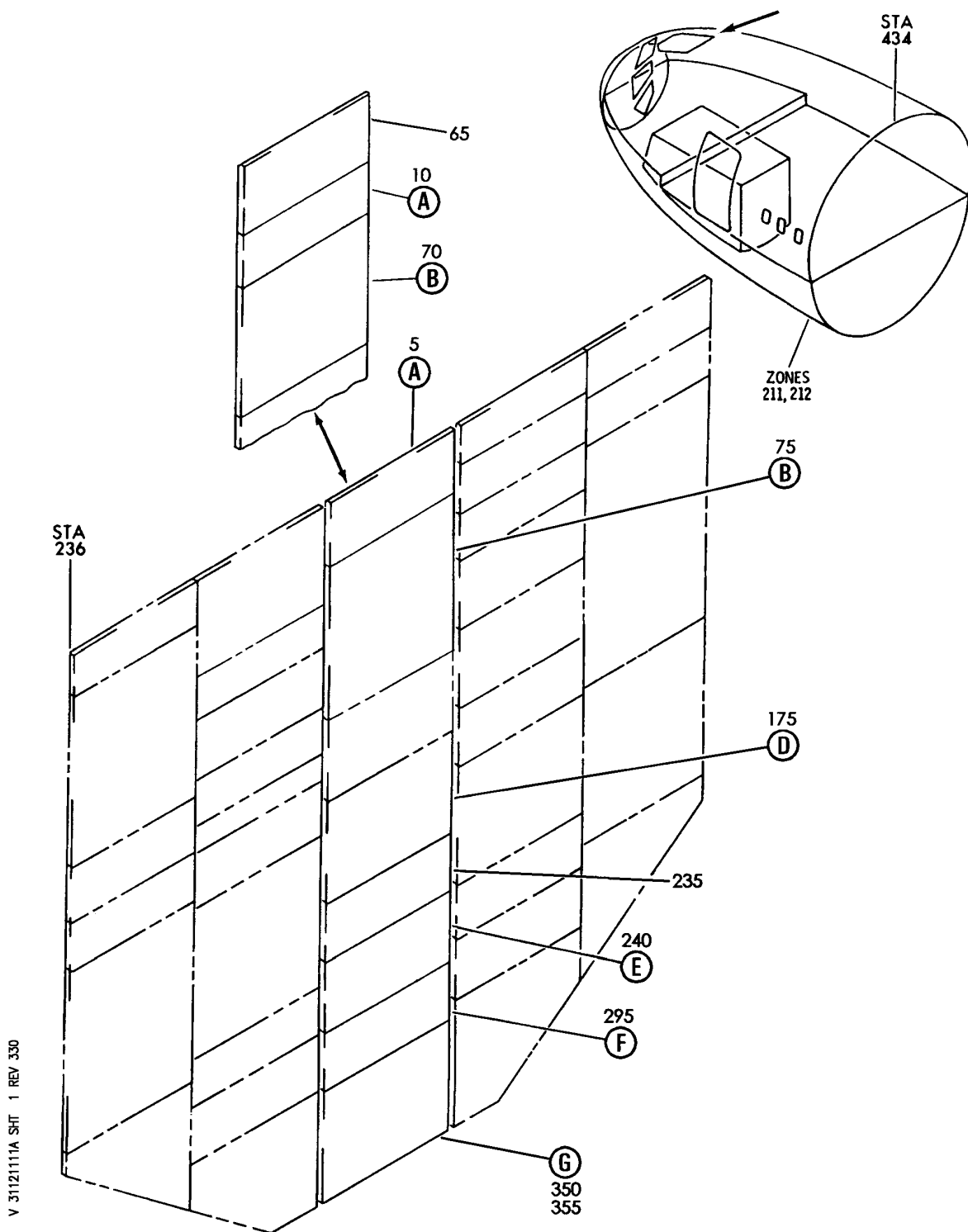
HXL

31-12-11-11

BOEING PROPRIETARY - Copyright © - Unpublished Work - See title page for details.

31-12-11
FIG. 11
PAGE 21
DEC 22/08

BOEING
767
PARTS CATALOG (MAINTENANCE)



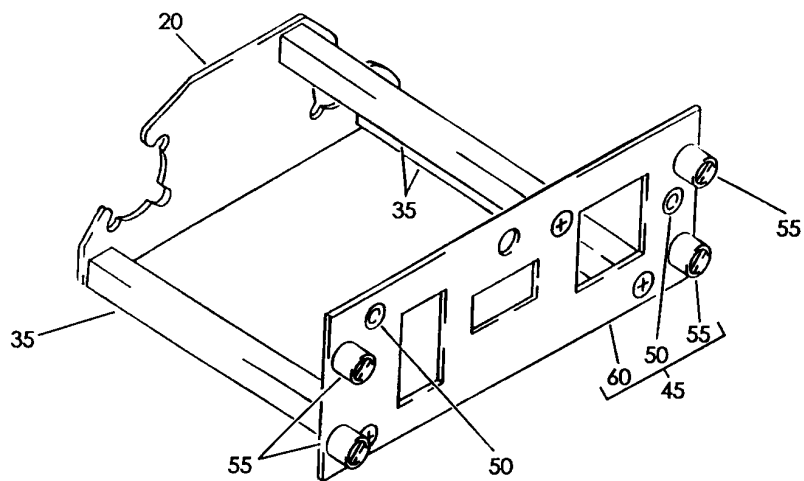
PANEL INSTL-OVHD (PILOTS' OVERHEAD PANELS ONLY)
FIGURE 11A (SHEET 1)

31-12-11-11A

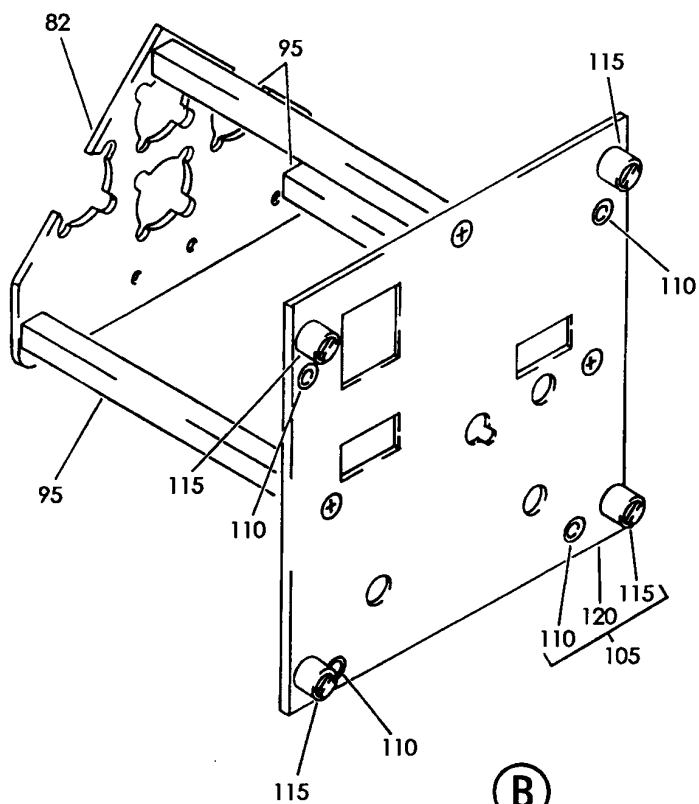
HXL
AUG 22/08

31-12-11-11A
PAGE 0

BOEING
767
PARTS CATALOG (MAINTENANCE)



(A)



(B)

V 31121111A SHT 2 REV 214

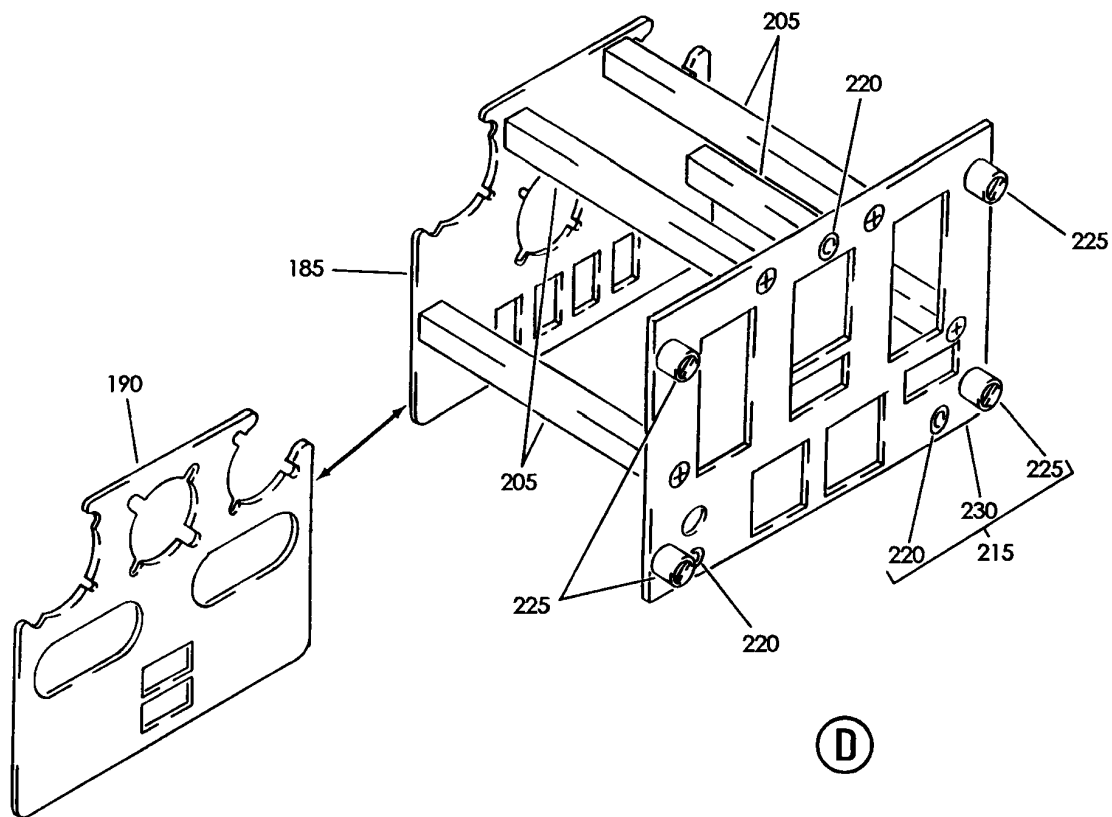
PANEL INSTL-OVHD (PILOTS' OVERHEAD PANELS ONLY)
FIGURE 11A (SHEET 2)

31-12-11-11A

HXL
DEC 22/06

31-12-11-11A
PAGE 0A

BOEING
767
PARTS CATALOG (MAINTENANCE)



V 3112111A SHT 3 REV 330

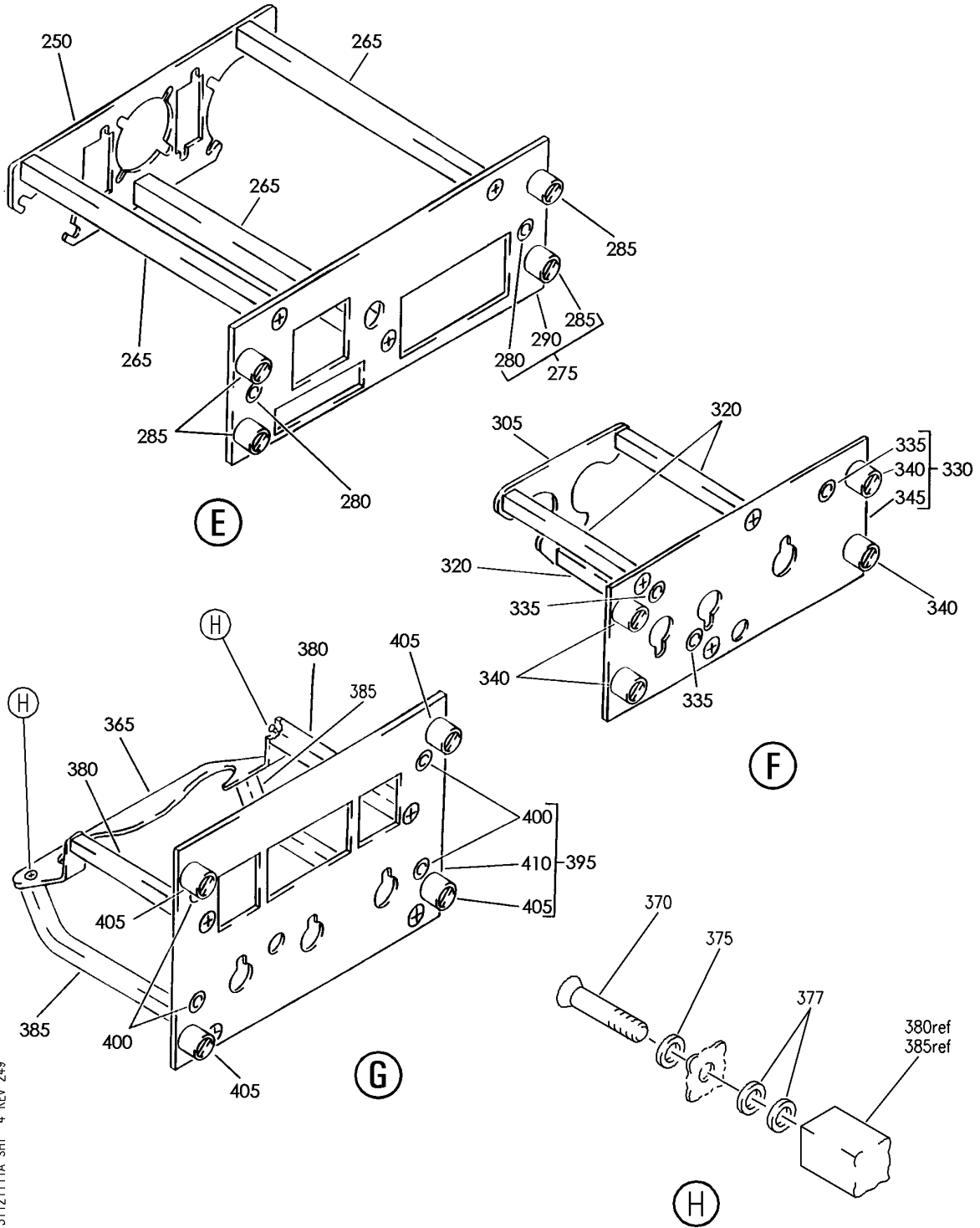
PANEL INSTL-OVHD (PILOTS' OVERHEAD PANELS ONLY)
FIGURE 11A (SHEET 3)

31-12-11-11A

HXL
AUG 22/08

31-12-11-11A
PAGE 0B


BOEING
 767
PARTS CATALOG (MAINTENANCE)



V 3112111A SHT 4 REV 249

PANEL INSTL-OVHD (PILOTS' OVERHEAD PANELS ONLY)
 FIGURE 11A (SHEET 4)

31-12-11-11A

HXL
DEC 22/06

31-12-11-11A
 PAGE 0C



767

PARTS CATALOG (MAINTENANCE)

FIG ITEM	PART NUMBER	1 2 3 4 5 6 7	NOMENCLATURE	EFFECT FROM TO	UNITS PER ASSY
11A			PANEL INSTL-OVHD (PILOTS' OVERHEAD PANELS ONLY)		
- 1	233T3100-1		PANEL INSTL-OVHD (PILOTS' OVERHEAD PANELS ONLY)		RF
			VARIABLE DRAWING REF: 233T3100-5048 FOR NHA/OTHER SYS DET SEE: 25-10-00-03		
	5 233T3100-301		.PANEL ASSY-EMER LT/PASS. OXY ELECTRICAL EQUIP NUMBER: M00043 PRE ALERT SB: 33A0087 33A0087R1 PRE COMPONENT SB: 233T3210-33-01 FOR OTHER SYS DETAILS SEE: 33-51-08-01 35-21-52-01		1
	5 233T3210-1304		.PANEL ASSY-EMER LT/PASS. OXY SUPPLIER CODE: V89954 ELECTRICAL EQUIP NUMBER: M00043 COMPONENT MAINT MANUAL REF: 33-51-03 POST ALERT SB: 33A0087 33A0087R1 POST COMPONENT SB: 233T3210-33-01 FOR OTHER SYS DETAILS SEE: 33-51-08-01 35-21-52-01		1
- 15	233T3210-27		..PANEL ASSY- SUPPLIER CODE: V89954 ELECTRICAL EQUIP NUMBER: M00043 COMPONENT MAINT MANUAL REF: 33-51-03 PRE ALERT SB: 33A0087R1		RF

ILLUSTRATION ITEMS NOT ON PARTS LIST ARE NOT APPLICABLE

- ITEM NOT ILLUSTRATED

31-12-11-11A

31-12-11
FIG. 11A
PAGE 1
DEC 22/08

HXL

BOEING PROPRIETARY - Copyright © - Unpublished Work - See title page for details.



767

PARTS CATALOG (MAINTENANCE)

FIG ITEM	PART NUMBER	1 2 3 4 5 6 7	NOMENCLATURE	EFFECT FROM TO	UNITS PER ASSY
11A - 15	233T3210-33		..PANEL ASSY- SUPPLIER CODE: V89954 MISCELLANEOUS DATA: THE 233T3210-304 PANEL ASSY IS I/W THE 233T3210-33 PANEL ASSY T/W THE S233T100-1077 LIGHTPLATE AND KNOB ELECTRICAL EQUIP NUMBER: M00043 COMPONENT MAINT MANUAL REF: 33-51-03 QUALIFIED I/W DATA: 233T3210-33 I/W -31 EXCEPT SUBJECT TO CUSTOMER PREFERENCE PRE ALERT SB: 33A0087 33A0087R1 PRE COMPONENT SB: 233T3210-33-01		RF
- 15	233T3210-22		..PANEL ASSY- SUPPLIER CODE: V89954 ELECTRICAL EQUIP NUMBER: M00043 COMPONENT MAINT MANUAL REF: 33-51-03 PRE ALERT SB: 33A0087R1		RF
- 15	233T3210-25		..PANEL ASSY- SUPPLIER CODE: V89954 ELECTRICAL EQUIP NUMBER: M00043 COMPONENT MAINT MANUAL REF: 33-51-03 PRE ALERT SB: 33A0087R1		RF

ILLUSTRATION ITEMS NOT ON PARTS LIST ARE NOT APPLICABLE

- ITEM NOT ILLUSTRATED

HXL

31-12-11-11A

BOEING PROPRIETARY - Copyright © - Unpublished Work - See title page for details.

31-12-11
 FIG. 11A
 PAGE 2
 DEC 22/08



767

PARTS CATALOG (MAINTENANCE)

FIG ITEM	PART NUMBER	1 2 3 4 5 6 7	NOMENCLATURE	EFFECT FROM TO	UNITS PER ASSY
11A 105	233N3223-2		...BASEPLATE ASSY- SUPPLIER CODE: V89954		1
110	SF6G6CBB5D	NUT SUPPLIER CODE: V12324 SPECIFICATION NUMBER: BACN10PA06-6		4
R 115	BACS21DD1B	STUD ASSY		4
120	233N3223-3	BASEPLATE- SUPPLIER CODE: V89954		1
175	233T3100-277		.PANEL ASSY-FUEL CONT PRE SERVICE BULLETIN: 28-0034 FOR OTHER SYS DETAILS SEE: 28-22-55-02		1
175	233T3100-438		.PANEL ASSY-FUEL CONT OPTIONAL PART: 233T3235-300 V89954 FOR OTHER SYS DETAILS SEE: 28-22-55-02	155162	1
- 180	233T3235-12		..PANEL ASSY- SUPPLIER CODE: V89954 ELECTRICAL EQUIP NUMBER: M10055 COMPONENT MAINT MANUAL REF: 28-22-52 PRE SERVICE BULLETIN: 28-0034		RF
- 180	233T3235-15		..PANEL ASSY- SUPPLIER CODE: V89954 ELECTRICAL EQUIP NUMBER: M10055 COMPONENT MAINT MANUAL REF: 28-22-52 QUALIFIED I/W DATA: 233T3235-15 I/W -13 EXCEPT SUBJECT TO CUSTOMER PREFERENCE PRE SERVICE BULLETIN: 28-0034		RF

ILLUSTRATION ITEMS NOT ON PARTS LIST ARE NOT APPLICABLE

- ITEM NOT ILLUSTRATED

HXL

31-12-11-11A

BOEING PROPRIETARY - Copyright © - Unpublished Work - See title page for details.

31-12-11
FIG. 11A
PAGE 6
AUG 22/09

BOEING
767
PARTS CATALOG (MAINTENANCE)

FIG ITEM	PART NUMBER	1 2 3 4 5 6 7	NOMENCLATURE	EFFECT FROM TO	UNITS PER ASSY
11A - 180	233T3235-21		..PANEL ASSY- SUPPLIER CODE: V89954 MISCELLANEOUS DATA: (THE 233T3235-300 PANEL ASSY IS I/W THE 233T3235-21 PANEL ASSY T/W THE S233T100-1106 LIGHTPLATE.) ELECTRICAL EQUIP NUMBER: M10055 COMPONENT MAINT MANUAL REF: 28-22-52 POST SERVICE BULLETIN: 28-0034	155162	RF
- 180	233T3235-10		..PANEL ASSY- SUPPLIER CODE: V89954 ELECTRICAL EQUIP NUMBER: M10055 COMPONENT MAINT MANUAL REF: 28-22-52 QUALIFIED I/W DATA: 233T3235-7 I/W 233T3235-10 EXCEPT FOR ETOPS WHERE 233T3235-10 MUST BE INSTALLED. PRE SERVICE BULLETIN: 28-0034		RF
185	233T6200-93		...BRACKET-SPRT OPTIONAL PART: 233T6200-92		1
185	233T6200-92		...BRACKET-SPRT OPTIONAL PART: 233T6200-93		1
190	233T6200-196		...SUPPORT ASSY-SPRT ATTACHING PARTS		1
- 195	NAS1801-06-5		...SCREW		4
- 200	MS35338-41		...WASHER		4
205	69B46200-13		...STANDOFF-RCPT SPRT OPTIONAL PART: 69B46200-11		4
205	69B46200-11		...STANDOFF-RCPT SPRT OPTIONAL PART: 69B46200-13 ATTACHING PARTS		4
- 210	NAS514P632-5		...SCREW -----*-----		4

ILLUSTRATION ITEMS NOT ON PARTS LIST ARE NOT APPLICABLE

- ITEM NOT ILLUSTRATED

HXL

31-12-11-11A

BOEING PROPRIETARY - Copyright © - Unpublished Work - See title page for details.

31-12-11
FIG. 11A
PAGE 7
AUG 22/09



767

PARTS CATALOG (MAINTENANCE)

FIG ITEM	PART NUMBER	1 2 3 4 5 6 7	NOMENCLATURE	EFFECT FROM TO	UNITS PER ASSY
11A 215	233T3235-8		...BASEPLATE ASSY- SUPPLIER CODE: V89954		1
220	SF6G6CBB5D	NUT SUPPLIER CODE: V12324 SPECIFICATION NUMBER: BACN10PA06-6		3
R 225	BACS21DD1B	STUD ASSY		4
230	BACP10U0412N	PANEL		1
235	20-212-09		.PANEL ASSY-FUEL QTY/TEMP IND SUPPLIER CODE: V35012 SPECIFICATION NUMBER: S345N011-7 ELECTRICAL EQUIP NUMBER: M10054 COMPONENT MAINT MANUAL REF: 28-41-60 FOR BREAKDOWN SEE: 28-41-53-01		1
235	20-212-06		.PANEL ASSY-FUEL QTY/TEMP IND SUPPLIER CODE: V35012 SPECIFICATION NUMBER: S345N011-3 ELECTRICAL EQUIP NUMBER: M10054 COMPONENT MAINT MANUAL REF: 28-41-60 FOR BREAKDOWN SEE: 28-41-53-01		1
240	233T3100-390		.PANEL ASSY-WING AND ENG ANTI-ICE CONT FOR OTHER SYS DETAILS SEE: 30-11-53-02 30-21-53-03		1

ILLUSTRATION ITEMS NOT ON PARTS LIST ARE NOT APPLICABLE

- ITEM NOT ILLUSTRATED

HXL

31-12-11-11A

BOEING PROPRIETARY - Copyright © - Unpublished Work - See title page for details.

31-12-11
FIG. 11A
PAGE 8
AUG 22/09



767

PARTS CATALOG (MAINTENANCE)

FIG ITEM	PART NUMBER	1 2 3 4 5 6 7	NOMENCLATURE	EFFECT FROM TO	UNITS PER ASSY
11A - 245	233T3241-64		.. PANEL ASSY- SUPPLIER CODE: V89954 MISCELLANEOUS DATA: (THE 233T3241-301 PANEL ASSY IS I/W THE 233T3241-64 PANEL ASSY T/W THE S233T100-1099 LIGHTPLATE AND BP247-192 KNOB) ELECTRICAL EQUIP NUMBER: M10397		RF
250	233T6200-147		...BRACKET-SPRT USED ON: 233T3241-54 233T3241-56 233T3241-62		1
250	233T6200-179		...BRACKET-SPRT ATTACHING PARTS		1
- 255	NAS1801-06-5		...SCREW		3
- 260	MS35338-41		...WASHER -----*-----		3
265	69B46200-11		...STANDOFF-RCPT SPRT ATTACHING PARTS		3
- 270	NAS514P632-5		...SCREW -----*-----		3
275	233T3241-2		...BASEPLATE ASSY- SUPPLIER CODE: V89954		1
280	SF6G6CBB5D	NUT SUPPLIER CODE: V12324 SPECIFICATION NUMBER: BACN10PA06-6		2
R 285	BACS21DD1B	STUD ASSY		4
290	BACP10U0225N	PANEL		1

ILLUSTRATION ITEMS NOT ON PARTS LIST ARE NOT APPLICABLE

- ITEM NOT ILLUSTRATED

HXL

31-12-11-11A

BOEING PROPRIETARY - Copyright © - Unpublished Work - See title page for details.

31-12-11
FIG. 11A
PAGE 9
AUG 22/09



767

PARTS CATALOG (MAINTENANCE)

FIG ITEM	PART NUMBER	1 2 3 4 5 6 7	NOMENCLATURE	EFFECT FROM TO	UNITS PER ASSY
11A 295	233N3201-303		.PANEL ASSY-WSHLD CLEARANCE SUPPLIER CODE: V89954 MISCELLANEOUS DATA: 233N3201-16 PANEL AY T/W S233T100-1113 LIGHTPLATE AND BP248-127 KNOB IS I/W 233N3201-303 ELECTRICAL EQUIP NUMBER: M10023 COMPONENT MAINT MANUAL REF: 30-42-01 SERVICE BULLETIN OPT DATA: 233N3201-304 V89954 POST SERVICE BULLETIN: 30-0028 FOR OTHER SYS DETAILS SEE: 30-42-51-02 30-43-51-02		1
295	233N3201-304		.PANEL ASSY-WSHLD CLEARANCE SUPPLIER CODE: V89954 ELECTRICAL EQUIP NUMBER: M10023 SERVICE BULLETIN OPT DATA: 233N3201-303 V89954 POST SERVICE BULLETIN: 30-0028		1
- 300	233N3201-16		..PANEL ASSY- SUPPLIER CODE: V89954 MISCELLANEOUS DATA: 233N3201-16 PANEL AY T/W S233T100-1113 LIGHTPLATE AND BP248-127 KNOB IS I/W 233N3201-303 ELECTRICAL EQUIP NUMBER: M10023 COMPONENT MAINT MANUAL REF: 30-42-01 USED ON: 233N3201-303 POST SERVICE BULLETIN: 30-0028		RF

ILLUSTRATION ITEMS NOT ON PARTS LIST ARE NOT APPLICABLE

- ITEM NOT ILLUSTRATED

31-12-11-11A

31-12-11
FIG. 11A
PAGE 10
AUG 22/09

HXL



767

PARTS CATALOG (MAINTENANCE)

FIG ITEM	PART NUMBER	1 2 3 4 5 6 7	NOMENCLATURE	EFFECT FROM TO	UNITS PER ASSY
11A - 300	233N3201-18		..PANEL ASSY- SUPPLIER CODE: V89954 ELECTRICAL EQUIP NUMBER: M10023 COMPONENT MAINT MANUAL REF: 30-42-01 USED ON: 233N3201-304 POST SERVICE BULLETIN: 30-0028		RF
305	233N3250-6		...BRACKET-SPRT ATTACHING PARTS		1
- 310	NAS1801-06-5		...SCREW		3
- 315	MS35338-41		...WASHER -----*-----		3
320	69B46200-5		...STANDOFF-RCPT SPRT ATTACHING PARTS		3
- 325	NAS514P632-5		...SCREW -----*-----		3
330	233N3201-8		...BASEPLATE ASSY- SUPPLIER CODE: V89954 USED ON: 233N3201-11 233N3201-13 233N3201-16		1
330	233N3201-15		...BASEPLATE ASSY- SUPPLIER CODE: V89954 USED ON: 233N3201-18		1
335	SF6G6CBB5D	NUT SUPPLIER CODE: V12324 SPECIFICATION NUMBER: BACN10PA06-6		3
R 340	BACS21DD1B	STUD ASSY		4
345	BACP10U0262N	PANEL		1
355	233T3100-320		.PANEL ASSY-ANTI-COLLISION AND LDG LT FOR OTHER SYS DETAILS SEE: 33-42-54-01 33-44-51-01		1

ILLUSTRATION ITEMS NOT ON PARTS LIST ARE NOT APPLICABLE

- ITEM NOT ILLUSTRATED

31-12-11-11A

31-12-11
FIG. 11A
PAGE 11
AUG 22/09

HXL

BOEING PROPRIETARY - Copyright © - Unpublished Work - See title page for details.



767

PARTS CATALOG (MAINTENANCE)

FIG ITEM	PART NUMBER	1 2 3 4 5 6 7	NOMENCLATURE	EFFECT FROM TO	UNITS PER ASSY
11A - 360	233T3217-40		..PANEL ASSY- SUPPLIER CODE: V89954 ELECTRICAL EQUIP NUMBER: M00056 COMPONENT MAINT MANUAL REF: 33-44-72		RF
- 360	233T3217-41		..PANEL ASSY- SUPPLIER CODE: V89954 MISCELLANEOUS DATA: (233T3217-41 I/W -44 EXCEPT SUBJECT TO CUSTOMER PREFERENCE) (THE 233T3217-300 PANEL ASSY IS I/W THE 233T3217-41 PANEL ASSY T/W THE S233T100-6030 LIGHTPLATE.) ELECTRICAL EQUIP NUMBER: M00056 COMPONENT MAINT MANUAL REF: 33-44-72 QUALIFIED I/W DATA: 233T3217-41 I/W -44 EXCEPT SUBJECT TO CUSTOMER PREFERENCE		RF
- 360	233T3217-38		..PANEL ASSY- SUPPLIER CODE: V89954 ELECTRICAL EQUIP NUMBER: M00056 COMPONENT MAINT MANUAL REF: 33-44-72		RF
365	233T6200-70		...BRACKET-SPRT ATTACHING PARTS		1
370	MS51957-28		...SCREW-		4
370	BACS12HN06-6		...SCREW- OPTIONAL PART: NAS1801-06-6		4
370	NAS1801-06-6		...SCREW- OPTIONAL PART: BACS12HN06-6		4
375	MS35338-136		...WASHER- USED ON: 233T3217-38 233T3217-40		4

ILLUSTRATION ITEMS NOT ON PARTS LIST ARE NOT APPLICABLE

- ITEM NOT ILLUSTRATED

31-12-11-11A

31-12-11
FIG. 11A
PAGE 12
AUG 22/09

HXL

BOEING PROPRIETARY - Copyright © - Unpublished Work - See title page for details.



767

PARTS CATALOG (MAINTENANCE)

FIG ITEM	PART NUMBER	1 2 3 4 5 6 7	NOMENCLATURE	EFFECT FROM TO	UNITS PER ASSY
11A 375	BACW10ECO6CD		...WASHER- OPTIONAL PART: BACW10ECO6S USED ON: 233T3217-41		4
375	BACW10ECO6S		...WASHER- OPTIONAL PART: BACW10ECO6CD USED ON: 233T3217-41		4
377	NAS620-6		...WASHER -----*-----		8
380	69B46200-5		...STANDOFF-RCPT SPRT		2
385	233T6200-66		...BRACKET-SPRT ALTERED FROM PART NUMBER: 69B46200-10 ATTACHING PARTS		2
- 390	NAS514P632-5		...SCREW -----*-----		4
395	233N3210-7		...BASEPLATE ASSY- SUPPLIER CODE: V89954		1
400	SF6G6CBB5D	NUT SUPPLIER CODE: V12324 SPECIFICATION NUMBER: BACN10PA06-6		4
R 405	BACs21DD1B	STUD ASSY		4
410	233N3210-8	BASEPLATE- SUPPLIER CODE: V89954		1

ILLUSTRATION ITEMS NOT ON PARTS LIST ARE NOT APPLICABLE

- ITEM NOT ILLUSTRATED

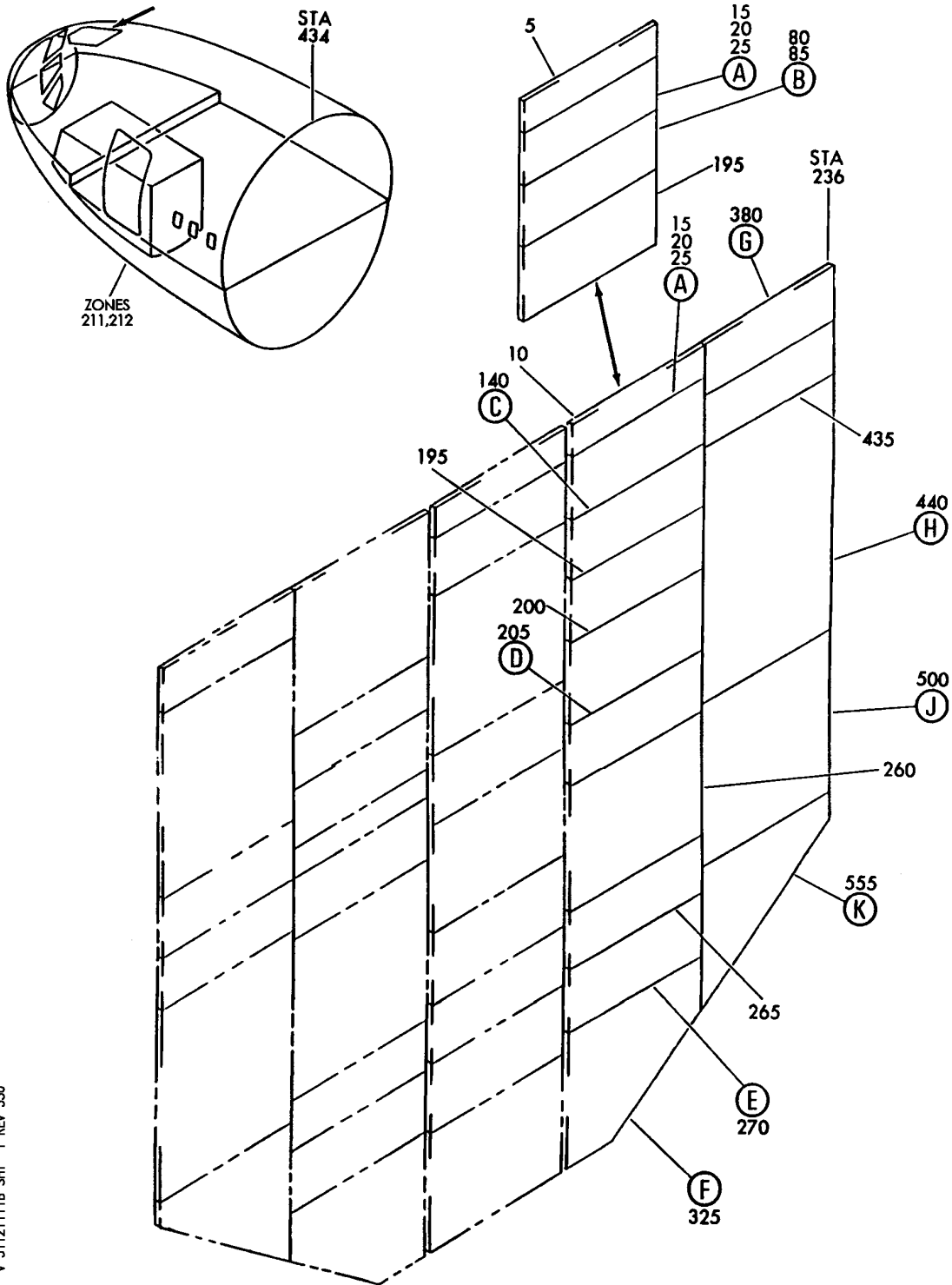
HXL

31-12-11-11A

BOEING PROPRIETARY - Copyright © - Unpublished Work - See title page for details.

31-12-11
FIG. 11A
PAGE 13
AUG 22/09

BOEING
767
PARTS CATALOG (MAINTENANCE)



V 3112111B SHT 1 REV 330

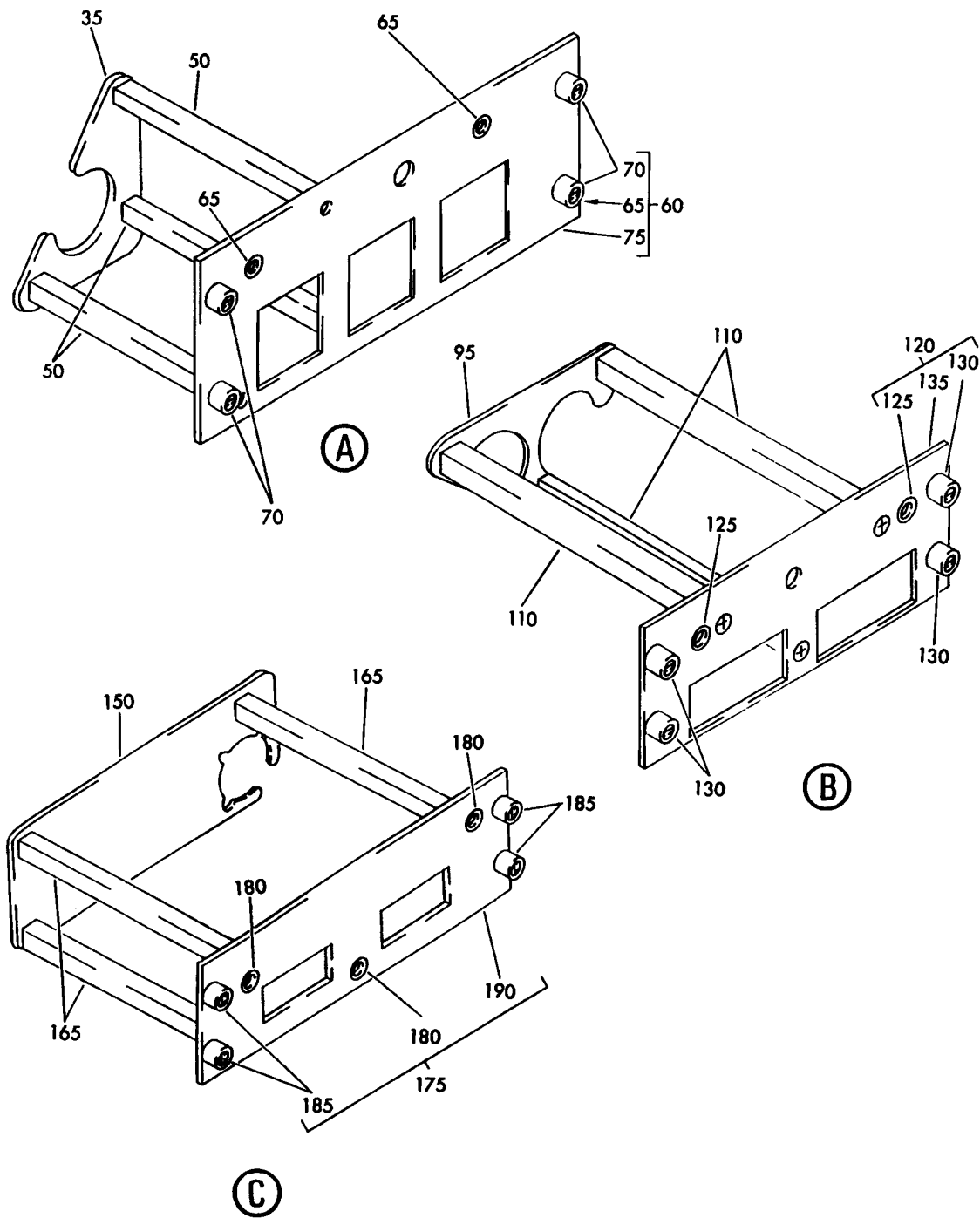
PANEL INSTL-OVERHEAD (PILOTS' OVERHEAD PANELS ONLY)
FIGURE 11B (SHEET 1)

31-12-11-11B

HXL
AUG 22/08

31-12-11-11B
PAGE 0

BOEING
767
PARTS CATALOG (MAINTENANCE)



V 31121111B SHT 2 REV 213

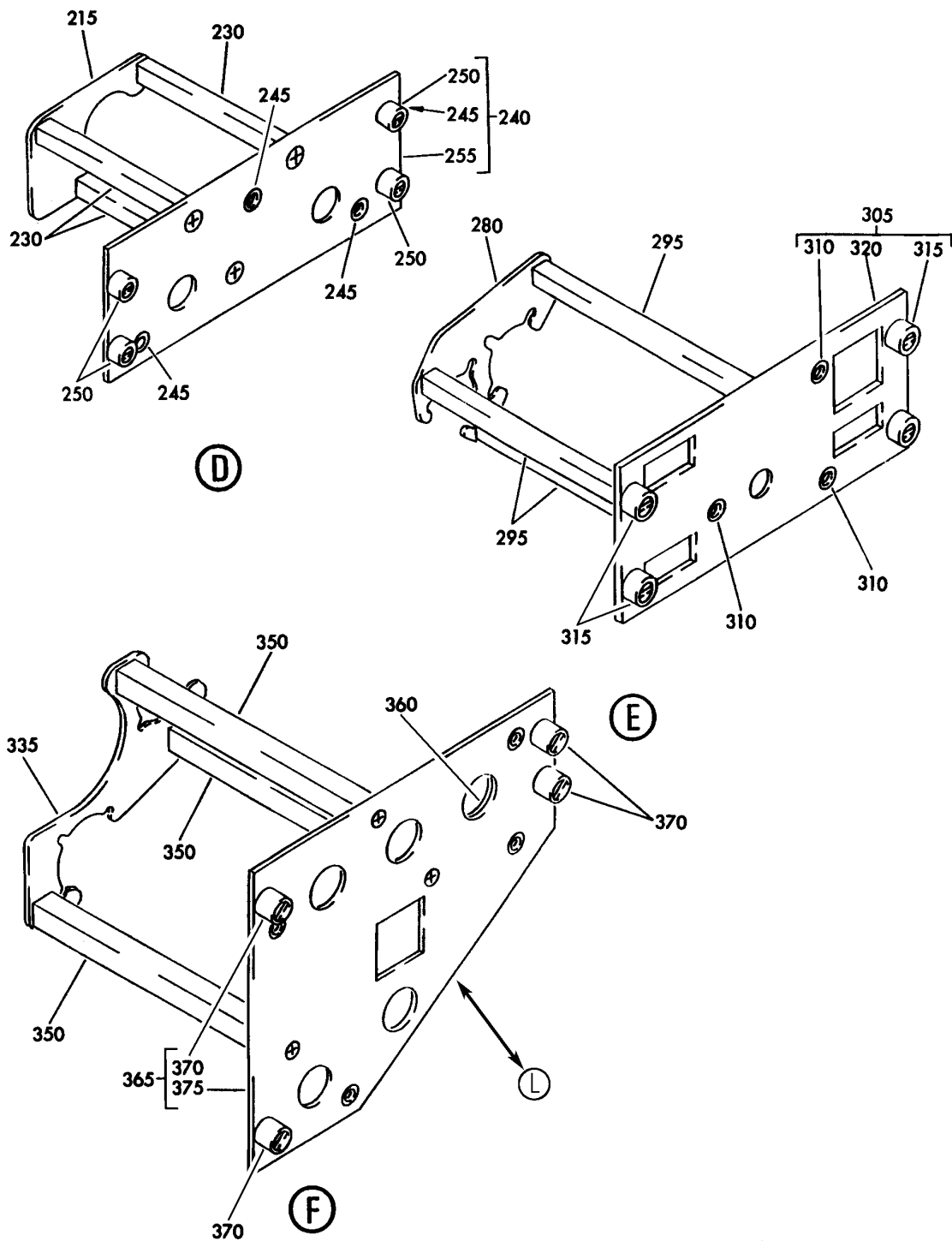
PANEL INSTL-OVERHEAD (PILOTS' OVERHEAD PANELS ONLY)
FIGURE 11B (SHEET 2)

31-12-11-11B

HXL
DEC 22/06

31-12-11-11B
PAGE 0A


BOEING
 767
PARTS CATALOG (MAINTENANCE)



V 3112111B SHT. 3 REV 287

PANEL INSTL-OVERHEAD (PILOTS' OVERHEAD PANELS ONLY)
 FIGURE 11B (SHEET 3)

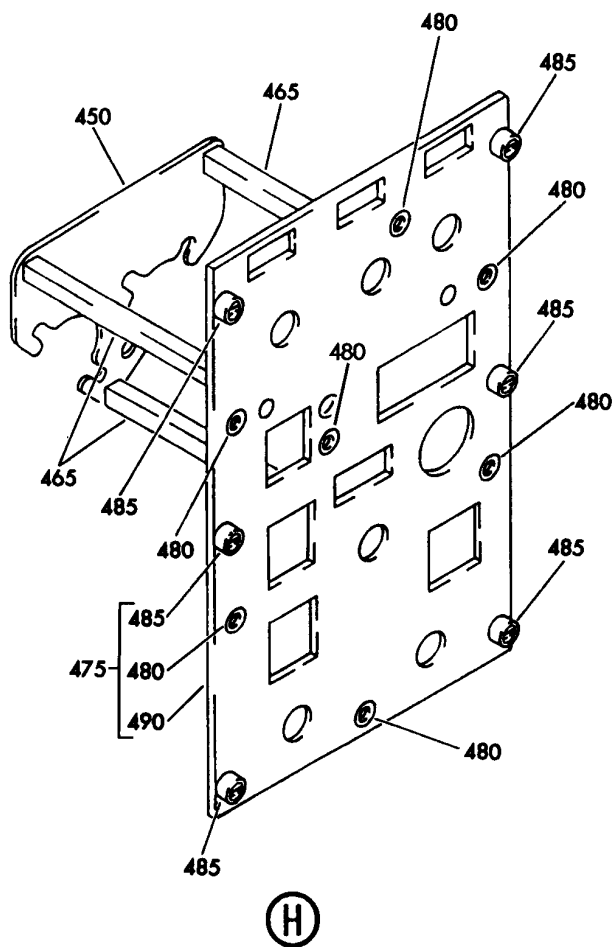
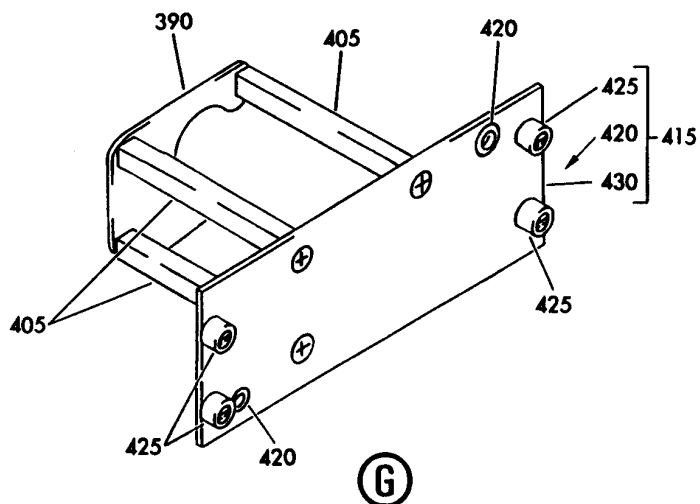
31-12-11-11B

HXL
DEC 22/06

31-12-11-11B
 PAGE 0B

BOEING PROPRIETARY - Copyright © - Unpublished Work - See title page for details.

BOEING
767
PARTS CATALOG (MAINTENANCE)



V 3112111B SHT 4 REV 213

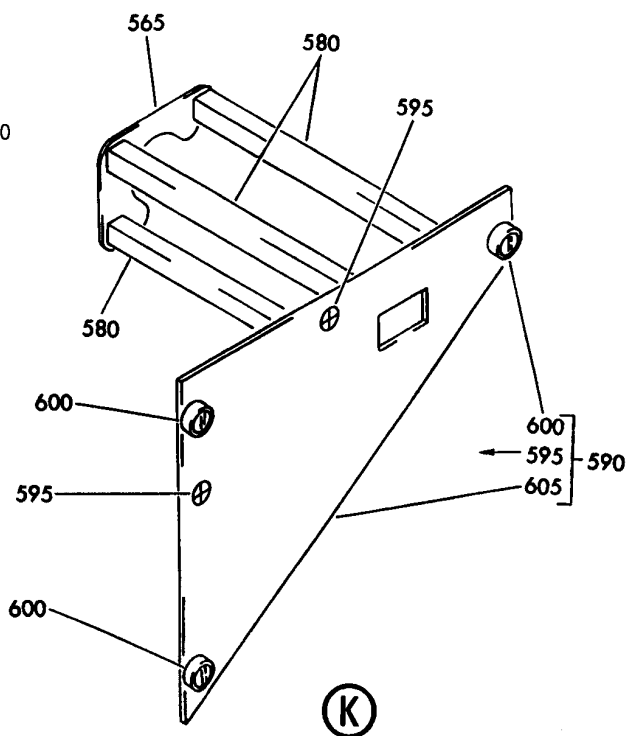
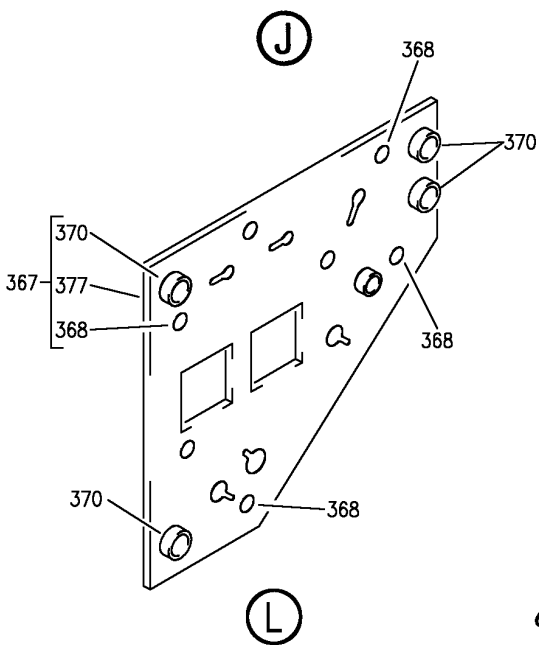
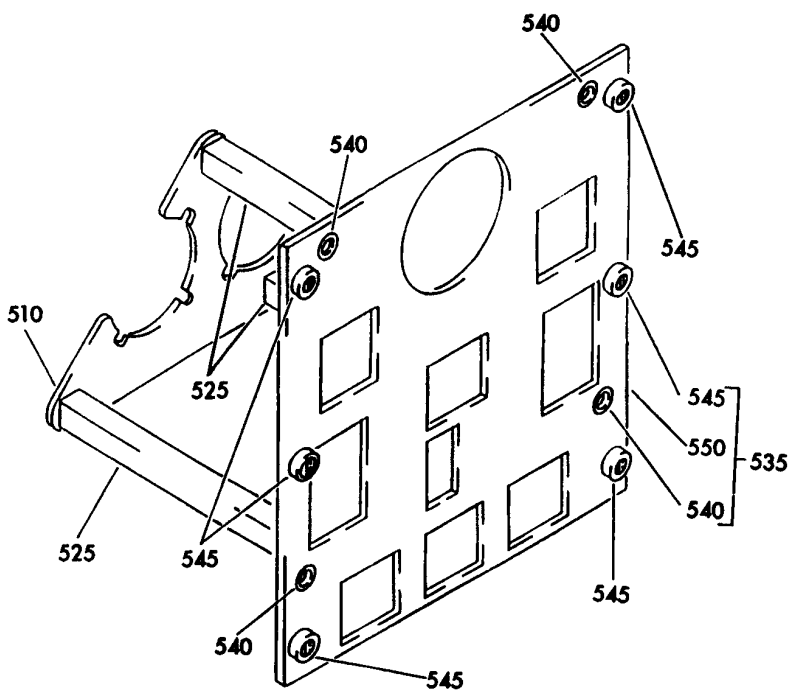
PANEL INSTL-OVERHEAD (PILOTS' OVERHEAD PANELS ONLY)
FIGURE 11B (SHEET 4)

31-12-11-11B

HXL
DEC 22/06

31-12-11-11B
PAGE 0C


BOEING
 767
PARTS CATALOG (MAINTENANCE)



V 3112111B SHT 5 REV 275

PANEL INSTL-OVERHEAD (PILOTS' OVERHEAD PANELS ONLY)
 FIGURE 11B (SHEET 5)

31-12-11-11B

HXL
DEC 22/06

31-12-11-11B
 PAGE 0D

BOEING PROPRIETARY - Copyright © - Unpublished Work - See title page for details.



767

PARTS CATALOG (MAINTENANCE)

FIG ITEM	PART NUMBER	1 2 3 4 5 6 7	NOMENCLATURE	EFFECT FROM TO	UNITS PER ASSY
11B			PANEL INSTL-OVERHEAD (PILOTS' OVERHEAD PANELS ONLY)		
- 1	233T3100-1		PANEL INSTL-OVERHEAD (PILOTS' OVERHEAD PANELS ONLY)		RF
			VARIABLE DRAWING REF: 233T3100-5048 FOR NHA/OTHER SYS DET SEE: 25-10-00-03		
5	BACP10U0112T		.PANEL ASSY		1
20	233T3100-279		.PANEL ASSY-CARGO HEAT FOR OTHER SYS DETAILS SEE: 21-43-54-01 21-44-53-01 33-13-56-03A		1
- 30	233T3239-10		..PANEL ASSY- SUPPLIER CODE: V89954 ELECTRICAL EQUIP NUMBER: M00029 COMPONENT MAINT MANUAL REF: 21-44-52		RF
- 30	233T3239-14		..PANEL ASSY- SUPPLIER CODE: V89954 MISCELLANEOUS DATA: 233T3239-302 PANEL ASSY IS I/W 233T3239-14 PANEL ASSY T/W S233T100-1068 ELECTRICAL EQUIP NUMBER: M00029 COMPONENT MAINT MANUAL REF: 21-44-52		RF
- 30	233T3239-8		..PANEL ASSY- SUPPLIER CODE: V89954 ELECTRICAL EQUIP NUMBER: M00029 COMPONENT MAINT MANUAL REF: 21-44-52		RF
- 30	233T3239-12		..PANEL ASSY-M29 SUPPLIER CODE: V89954 COMPONENT MAINT MANUAL REF: 21-44-52		RF
35	233T6200-38		...BRACKET-SPRT		1

ILLUSTRATION ITEMS NOT ON PARTS LIST ARE NOT APPLICABLE

- ITEM NOT ILLUSTRATED

31-12-11-11B

31-12-11
FIG. 11B
PAGE 1
DEC 22/07

HXL

BOEING PROPRIETARY - Copyright © - Unpublished Work - See title page for details.



767

PARTS CATALOG (MAINTENANCE)

FIG ITEM	PART NUMBER	1 2 3 4 5 6 7	NOMENCLATURE	EFFECT FROM TO	UNITS PER ASSY
11B			ATTACHING PARTS		
- 40	BACS12HN06-5	...	SCREW-		3
- 45	BACW10EC06CD	...	WASHER-		3
			-----*-----		
50	69B46200-10	...	STANDOFF-RCPT SPRT		3
			ATTACHING PARTS		
- 55	NAS514P632-5	...	SCREW		3
			-----*-----		
60	233T3239-2	...	BASEPLATE ASSY-		1
			SUPPLIER CODE: V89954		
65	SF6G6CBB5D	NUT		2
			SUPPLIER CODE: V12324		
			SPECIFICATION NUMBER: BACN10PA06-6		
R 70	BACS21DD1B	STUD ASSY		4
75	BACP10U0187N	PANEL		1
85	233T3100-304	.	PANEL ASSY-WINDOW HEAT		1
			FOR OTHER SYS DETAILS SEE: 30-41-51-01 33-13-56-03A		
- 90	233N3212-10	..	PANEL ASSY-		RF
			SUPPLIER CODE: V89954		
			ELECTRICAL EQUIP NUMBER: M10395		
			COMPONENT MAINT MANUAL REF: 30-41-71		
- 90	233N3212-11	..	PANEL ASSY-		RF
			SUPPLIER CODE: V89954		
			MISCELLANEOUS DATA: (THE 233N3212-300 PANEL ASSY IS I/W THE 233N3212-11 PANEL ASSY T/W THE S233T100-1073 LIGHTPLATE)		
			ELECTRICAL EQUIP NUMBER: M10395		
			COMPONENT MAINT MANUAL REF: 30-41-71		
			QUALIFIED I/W DATA: 233N3212-11 I/W -14 EXCEPT SUBJECT TO CUSTOMER PREFERENCE		

ILLUSTRATION ITEMS NOT ON PARTS LIST ARE NOT APPLICABLE

- ITEM NOT ILLUSTRATED

31-12-11-11B

31-12-11
FIG. 11B
PAGE 2
AUG 22/09

HXL



767

PARTS CATALOG (MAINTENANCE)

FIG ITEM	PART NUMBER	1 2 3 4 5 6 7	NOMENCLATURE	EFFECT FROM TO	UNITS PER ASSY
11B					
- 90	233N3212-8		..PANEL ASSY- SUPPLIER CODE: V89954 ELECTRICAL EQUIP NUMBER: M10395 COMPONENT MAINT MANUAL REF: 30-41-71		RF
95	233N3250-11		...BRACKET-SPRT ATTACHING PARTS		1
- 100	NAS1801-06-5		...SCREW		3
- 105	MS35338-41		...WASHER		3
			-----*-----		
110	69B46200-12		...STANDOFF-RCPT SPRT ATTACHING PARTS		3
- 115	NAS514P632-5		...SCREW		3
			-----*-----		
120	233N3212-2		...BASEPLATE ASSY- SUPPLIER CODE: V89954		1
125	SF6G6CBB5D	NUT SUPPLIER CODE: V12324 SPECIFICATION NUMBER: BACN10PA06-6		2
R 130	BACS21DD1B	STUD ASSY		4
135	233N3212-3	BASEPLATE- SUPPLIER CODE: V89954		1
195	622-6827-002		.PANEL ASSY-HF CONT (CUSTOMER FURNISHED) SUPPLIER CODE: V4V792 ELECTRICAL EQUIP NUMBER: M00083 COMPONENT MAINT MANUAL REF: 23-10-73 FOR BREAKDOWN SEE: 23-11-02-01		RF
195	622-5432-002		.PANEL ASSY-HF CONT (CUSTOMER FURNISHED) SUPPLIER CODE: V4V792 ELECTRICAL EQUIP NUMBER: M00083 COMPONENT MAINT MANUAL REF: 23-10-71 FOR BREAKDOWN SEE: 23-11-02-01		RF

ILLUSTRATION ITEMS NOT ON PARTS LIST ARE NOT APPLICABLE

- ITEM NOT ILLUSTRATED

31-12-11-11B

31-12-11
FIG. 11B
PAGE 3
AUG 22/09

HXL

BOEING PROPRIETARY - Copyright © - Unpublished Work - See title page for details.



767

PARTS CATALOG (MAINTENANCE)

FIG ITEM	PART NUMBER	1 2 3 4 5 6 7	NOMENCLATURE	EFFECT FROM TO	UNITS PER ASSY
11B 195	G7401-03		.PANEL ASSY-HF CONT (CUSTOMER FURNISHED) SUPPLIER CODE: V99837 ELECTRICAL EQUIP NUMBER: M00083 FOR BREAKDOWN SEE: 23-11-02-01		RF
200	285T0024-27		.MODULE ASSY-PILOT CALL PNL SUPPLIER CODE: V89954 ELECTRICAL EQUIP NUMBER: M00051 COMPONENT MAINT MANUAL REF: 23-42-59 QUALIFIED I/W DATA: 285T0024-46 MAY REPLACE 285T0024-27 EXCEPT THE "FLT INT" SWITCH AND ASSOCIATED FUNCTIONALITY WILL NO LONGER BE PRESENT. 285T0024-27 WITH "FLT INT" SWITCH LABELED INOP MAY REPLACE 285T0024-46 FOR OTHER SYS DETAILS SEE: 23-21-51-02 23-42-02-02 33-13-56-03A	155162	1
200	285T0024-43		.MODULE ASSY-PILOT CALL PNL SUPPLIER CODE: V89954 ELECTRICAL EQUIP NUMBER: M00051 COMPONENT MAINT MANUAL REF: 23-42-62 FOR OTHER SYS DETAILS SEE: 23-21-51-02 23-42-02-02 33-13-56-03A	163999	1
205	233T3100-161		.PANEL ASSY-PASS. SIGN CONT COMPONENT MAINT MANUAL REF: 33-24-02 FOR OTHER SYS DETAILS SEE: 33-24-52-01 33-13-56-03A		1

ILLUSTRATION ITEMS NOT ON PARTS LIST ARE NOT APPLICABLE

- ITEM NOT ILLUSTRATED

31-12-11-11B

31-12-11
FIG. 11B
PAGE 4
AUG 22/09

HXL



767

PARTS CATALOG (MAINTENANCE)

FIG ITEM	PART NUMBER	1 2 3 4 5 6 7	NOMENCLATURE	EFFECT FROM TO	UNITS PER ASSY
11B 205	233T3216-300		.PANEL ASSY-PASS. SIGN CONT SUPPLIER CODE: V89954 COMPONENT MAINT MANUAL REF: 33-24-02 OPTIONAL PART: 233T3100-161 FOR OTHER SYS DETAILS SEE: 33-24-52-01 33-13-56-03A		1
- 210	233T3216-10		..PANEL ASSY- SUPPLIER CODE: V89954 ELECTRICAL EQUIP NUMBER: M00052 COMPONENT MAINT MANUAL REF: 33-24-02		RF
215	233T6200-85		...BRACKET-SPRT ATTACHING PARTS		1
- 220	NAS1801-06-5		...SCREW		3
- 225	MS35338-41		...WASHER -----*-----		3
230	69B46200-9		...STANDOFF-RCPT SPRT ATTACHING PARTS		3
- 235	NAS514P632-5		...SCREW -----*-----		3
240	233T3216-2		...BASEPLATE ASSY- SUPPLIER CODE: V89954		1
245	SF6G6CBB5D	NUT SUPPLIER CODE: V12324 SPECIFICATION NUMBER: BACN10PA06-6		3
R 250	BACS21DD1B	STUD ASSY		4
255	233T3216-3	BASEPLATE- SUPPLIER CODE: V89954		1

ILLUSTRATION ITEMS NOT ON PARTS LIST ARE NOT APPLICABLE

- ITEM NOT ILLUSTRATED

31-12-11-11B

31-12-11
FIG. 11B
PAGE 5
AUG 22/09

HXL

BOEING PROPRIETARY - Copyright © - Unpublished Work - See title page for details.



767

PARTS CATALOG (MAINTENANCE)

FIG ITEM	PART NUMBER	1 2 3 4 5 6 7	NOMENCLATURE	EFFECT FROM TO	UNITS PER ASSY
11B 260	130502-6		.PANEL ASSY-CAB. PRESSURE SELECTOR SUPPLIER CODE: V64547 SPECIFICATION NUMBER: S210T160-62 ELECTRICAL EQUIP NUMBER: M00013 COMPONENT MAINT MANUAL REF: 21-31-50 OPTIONAL PART: 130502-5 V64547		1
260	130502-7		.PANEL ASSY-CAB. PRESSURE SELECTOR SUPPLIER CODE: V64547 FUNCTIONAL DESCRIPTION: SELECTOR CONTAINS CONTROLS AND CIRCUITRY NECESSARY FOR AUTOMATIC OR MANUAL PRESSURE SELECTION SPECIFICATION NUMBER: S210T160-72 ELECTRICAL EQUIP NUMBER: M00013 COMPONENT MAINT MANUAL REF: 21-31-50		1
260	130502-4		.PANEL ASSY-CAB. PRESSURE SELECTOR SUPPLIER CODE: V64547 SPECIFICATION NUMBER: S210T160-42 ELECTRICAL EQUIP NUMBER: M00013 COMPONENT MAINT MANUAL REF: 21-31-50		1

ILLUSTRATION ITEMS NOT ON PARTS LIST ARE NOT APPLICABLE

- ITEM NOT ILLUSTRATED

HXL

31-12-11-11B

BOEING PROPRIETARY - Copyright © - Unpublished Work - See title page for details.

31-12-11
FIG. 11B
PAGE 6
AUG 22/09



PARTS CATALOG (MAINTENANCE)

FIG ITEM	PART NUMBER	1 2 3 4 5 6 7	NOMENCLATURE	EFFECT FROM TO	UNITS PER ASSY
11B 260	130502-5		.PANEL ASSY-CAB. PRESSURE SELECTOR SUPPLIER CODE: V64547 SPECIFICATION NUMBER: S210T160-52 ELECTRICAL EQUIP NUMBER: M00013 COMPONENT MAINT MANUAL REF: 21-31-50 OPTIONAL PART: 130502-6 V64547		1
265	SETLOC420M		.PANEL ASSY-CAB. PRESSURE GAUGE SUPPLIER CODE: V61349 FUNCTIONAL DESCRIPTION: PROVIDES CABIN PRESSURE RATE OF CLIMB OR DESCENT CABIN TO AMBIENT DIFFERENTIAL PRESSURE AND CABIN ALTITUDE SPECIFICATION NUMBER: S231N210-14 ELECTRICAL EQUIP NUMBER: M00019 COMPONENT MAINT MANUAL REF: 21-33-07 QUALIFIED I/W DATA: INSTALLED AS A SET, PT033D T/W SETLOC420M OR SETLOC420L, I/W PT033A T/W SETLOC420J OR SETLOC420H FOR BREAKDOWN SEE: 21-33-52-01		RF
270	233T3100-364		.PANEL ASSY-EQPT COOLING FOR OTHER SYS DETAILS SEE: 21-33-52-01 21-58-56-01 33-13-56-03A		1

ILLUSTRATION ITEMS NOT ON PARTS LIST ARE NOT APPLICABLE

- ITEM NOT ILLUSTRATED

HXL

31-12-11-11B

BOEING PROPRIETARY - Copyright © - Unpublished Work - See title page for details.

31-12-11
FIG. 11B
PAGE 7
AUG 22/09



767

PARTS CATALOG (MAINTENANCE)

FIG ITEM	PART NUMBER	1 2 3 4 5 6 7	NOMENCLATURE	EFFECT FROM TO	UNITS PER ASSY
11B - 275	233T3238-16		..PANEL ASSY- SUPPLIER CODE: V89954 MISCELLANEOUS DATA: THE 233T3238-302 PANEL ASSY IS I/W THE 233T3228-16 PANEL ASSY I/W THE S233T100-1062 LIGHTPLATE AND BP248-127 KNOB. ELECTRICAL EQUIP NUMBER: M00017 COMPONENT MAINT MANUAL REF: 21-58-59		RF
- 275	233T3238-8		..PANEL ASSY- SUPPLIER CODE: V89954 ELECTRICAL EQUIP NUMBER: M00017 COMPONENT MAINT MANUAL REF: 21-58-59		RF
- 275	233T3238-15		..PANEL ASSY- SUPPLIER CODE: V89954 ELECTRICAL EQUIP NUMBER: M00017 COMPONENT MAINT MANUAL REF: 21-58-59		RF
- 275	233T3238-21		..PANEL ASSY- SUPPLIER CODE: V89954 MISCELLANEOUS DATA: THE 233T3238-302 PANEL ASSY IS I/W THE 233T3228-16 OR -22 OR -21 PANEL ASSY T/W THE S233T100-1062 LIGHTPLATE AND BP248-127 KNOB. ELECTRICAL EQUIP NUMBER: M00017 COMPONENT MAINT MANUAL REF: 21-58-59		RF

ILLUSTRATION ITEMS NOT ON PARTS LIST ARE NOT APPLICABLE

- ITEM NOT ILLUSTRATED

31-12-11-11B

31-12-11
 FIG. 11B
 PAGE 8
 AUG 22/09

HXL



767

PARTS CATALOG (MAINTENANCE)

FIG ITEM	PART NUMBER	1 2 3 4 5 6 7	NOMENCLATURE	EFFECT FROM TO	UNITS PER ASSY
11B - 275	233T3238-22		.. PANEL ASSY- SUPPLIER CODE: V89954 MISCELLANEOUS DATA: THE 233T3238-302 PANEL ASSY IS I/W THE 233T3228-16 OR -22 OR -21 PANEL ASSY T/W THE S233T100-1062 LIGHTPLATE AND BP248-127 KNOB. ELECTRICAL EQUIP NUMBER: M00017 COMPONENT MAINT MANUAL REF: 21-58-59		RF
280	233T6200-89		... BRACKET-SPRT ATTACHING PARTS		1
- 285	NAS1801-06-5		... SCREW		3
- 290	MS35338-41		... WASHER		3
295	69B46200-11		... STANDOFF-RCPT SPRT ATTACHING PARTS		3
- 300	NAS514P632-5		... SCREW		3
305	233T3238-9		... BASEPLATE ASSY- SUPPLIER CODE: V89954		1
310	SF6G6CBB5D	 NUT SUPPLIER CODE: V12324 SPECIFICATION NUMBER: BACN10PA06-6		3
R 315	BACs21DD1B	 STUD ASSY		4
320	BACP10U0262N	 PANEL		1
325	233T3100-299		. PANEL ASSY-LIGHTING CONT POSITION DATA: R PRE SERVICE BULLETIN: 25-0325 FOR OTHER SYS DETAILS SEE: 33-11-53-02 33-13-56-03A 33-45-52-03 52-51-51-01	155162	1

ILLUSTRATION ITEMS NOT ON PARTS LIST ARE NOT APPLICABLE

- ITEM NOT ILLUSTRATED

31-12-11-11B

31-12-11
FIG. 11B
PAGE 9
AUG 22/09

HXL

BOEING PROPRIETARY - Copyright © - Unpublished Work - See title page for details.



767

PARTS CATALOG (MAINTENANCE)

FIG ITEM	PART NUMBER	1 2 3 4 5 6 7	NOMENCLATURE	EFFECT FROM TO	UNITS PER ASSY
11B 325	233N3221-324		.PANEL ASSY-LIGHTING CONT SUPPLIER CODE: V89954 POSITION DATA: R POST SERVICE BULLETIN: 25-0325 25-0325R16 FOR OTHER SYS DETAILS SEE: 33-11-53-02 33-13-56-03A 33-45-52-03 52-51-51-01		1
- 330	233N3221-75		..PANEL ASSY- SUPPLIER CODE: V89954 ELECTRICAL EQUIP NUMBER: M10057 COMPONENT MAINT MANUAL REF: 33-11-72 QUALIFIED I/W DATA: 233N3221-75 I/W -73 SUBJECT TO CUSTOMER PREFERENCE PRE SERVICE BULLETIN: 25-0325	155162	RF
- 330	233N3221-88		..PANEL ASSY- SUPPLIER CODE: V89954 MISCELLANEOUS DATA: (233N3221-306 PANEL ASSY IS I/W 233N3221-88 PANEL ASSY T/W S233T100-6039 LIGHTPLATE AND (3) RD241-119 KNOBS AND (1) BP248-127 KNOB) ELECTRICAL EQUIP NUMBER: M10057 COMPONENT MAINT MANUAL REF: 33-11-72 PRE SERVICE BULLETIN: 25-0325	155162	RF
- 330	233N3221-50		..PANEL ASSY- SUPPLIER CODE: V89954 ELECTRICAL EQUIP NUMBER: M10057 COMPONENT MAINT MANUAL REF: 33-11-72	155162	RF

ILLUSTRATION ITEMS NOT ON PARTS LIST ARE NOT APPLICABLE

- ITEM NOT ILLUSTRATED

31-12-11-11B

31-12-11
FIG. 11B
PAGE 10
DEC 22/07

HXL



767

PARTS CATALOG (MAINTENANCE)

FIG ITEM	PART NUMBER	1 2 3 4 5 6 7	NOMENCLATURE	EFFECT FROM TO	UNITS PER ASSY
11B - 330	233N3221-32		..PANEL ASSY- SUPPLIER CODE: V89954 ELECTRICAL EQUIP NUMBER: M10057 COMPONENT MAINT MANUAL REF: 33-11-72	155162	RF
- 330	233N3221-44		..PANEL ASSY- SUPPLIER CODE: V89954 ELECTRICAL EQUIP NUMBER: M10057 COMPONENT MAINT MANUAL REF: 33-11-72	155162	RF
- 330	233N3221-72		..PANEL ASSY- SUPPLIER CODE: V89954 ELECTRICAL EQUIP NUMBER: M10057 COMPONENT MAINT MANUAL REF: 33-11-72	155162	RF
- 330	233N3221-123		..PANEL ASSY- SUPPLIER CODE: V89954 ELECTRICAL EQUIP NUMBER: M10057 POST SERVICE BULLETIN: 25-0325		RF
335	233T6200-87		...BRACKET-SPRT ATTACHING PARTS		1
- 340	NAS1801-06-5		...SCREW-		3
- 345	MS35338-41		...WASHER- -----*-----		3
350	69B46200-10		...STANDOFF-RCPT SPRT ATTACHING PARTS		3
- 355	NAS514P632-5		...SCREW- -----*-----		3
360	65B40112-12		...SPACER- OPTIONAL PART: 233N3221-42 V89954		1
360	233N3221-42		...SPACER- SUPPLIER CODE: V89954 OPTIONAL PART: 65B40112-12		1

ILLUSTRATION ITEMS NOT ON PARTS LIST ARE NOT APPLICABLE

- ITEM NOT ILLUSTRATED

31-12-11-11B

31-12-11
FIG. 11B
PAGE 11
DEC 22/07

HXL

BOEING PROPRIETARY - Copyright © - Unpublished Work - See title page for details.

BOEING
767
PARTS CATALOG (MAINTENANCE)

FIG ITEM	PART NUMBER	1 2 3 4 5 6 7	NOMENCLATURE	EFFECT FROM TO	UNITS PER ASSY
11B 365	233N3221-33		...BASEPLATE ASSY- SUPPLIER CODE: V89954 PRE SERVICE BULLETIN: 25-0325	155162	1
367	233N3221-104		...BASEPLATE ASSY- SUPPLIER CODE: V89954 POST SERVICE BULLETIN: 25-0325		1
368	SF6G6CBB5D	NUT- SUPPLIER CODE: V12324 POST SERVICE BULLETIN: 25-0325R7		4
R R R 370	BACS21DD1B	STUD ASSY- OPTIONAL PART: BACS21DX1B	155162	4
370	PFSC35-38ASEMB	STUD ASSY- SUPPLIER CODE: V72794 SPECIFICATION NUMBER: BACS21DX1B OPTIONAL PART: BACS21DD1B		4
375	233N3221-37	BASEPLATE- SUPPLIER CODE: V89954 PRE SERVICE BULLETIN: 25-0325	155162	1
377	233N3221-105	BASEPLATE- SUPPLIER CODE: V89954 POST SERVICE BULLETIN: 25-0325		1
380	233T3100-366		.PANEL ASSY-CARGO A/C POSITION DATA: FWD FOR OTHER SYS DETAILS SEE: 21-61-56-01 33-13-56-03A	163999	1
380	233T3100-398		.PANEL ASSY-CARGO A/C POSITION DATA: FWD FOR OTHER SYS DETAILS SEE: 21-61-56-01 33-13-56-03A	155162	1

ILLUSTRATION ITEMS NOT ON PARTS LIST ARE NOT APPLICABLE

- ITEM NOT ILLUSTRATED

HXL

31-12-11-11B

BOEING PROPRIETARY - Copyright © - Unpublished Work - See title page for details.

31-12-11
FIG. 11B
PAGE 12
AUG 22/09



767

PARTS CATALOG (MAINTENANCE)

FIG ITEM	PART NUMBER	1 2 3 4 5 6 7	NOMENCLATURE	EFFECT FROM TO	UNITS PER ASSY	
R R	11B - 385	233T3245-7	..PANEL ASSY- SUPPLIER CODE: V89954 MISCELLANEOUS DATA: (233T3245-303 PANEL ASSY IS I/W 233T3245-7 PANEL ASSY T/W S233T100-1118 LIGHTPLATE AND BP259-103 KNOB. THIS IS GOOD FOR KLM ONLY) (233T3245-301 PANEL IS I/W 233T3245-7 PANEL ASSY T/W S233T100-1118 LIGHTPLATE AND BP260-113 KNOB. THIS IS GOOD FOR AFA ONLY) (233T3245-300 PANEL ASSY IS I/W 233T3245-7 PANEL ASSY T/W S233T100-1095 LIGHTPLATE AND BP260-113 KNOB. THIS IS GOOD FOR SAS AND MTH ONLY) ELECTRICAL EQUIP NUMBER: M01619 COMPONENT MAINT MANUAL REF: 21-27-03 POST SERVICE BULLETIN: 21-0083R1	155162	RF	
	- 385	233T3245-1	..PANEL ASSY- SUPPLIER CODE: V89954 ELECTRICAL EQUIP NUMBER: M01619 COMPONENT MAINT MANUAL REF: 21-27-03	163999	RF	
	390	233T6200-27	...BRACKET-SPRT ATTACHING PARTS		1	
	- 395	NAS1801-06-5	...SCREW		3	
	- 400	MS35338-41	...WASHER -----*-----		3	
	405	69B46200-11	...STANDOFF-RCPT SPRT ATTACHING PARTS		3	
	- 410	NAS514P632-5P	...SCREW -----*-----		3	
	ILLUSTRATION ITEMS NOT ON PARTS LIST ARE NOT APPLICABLE					

- ITEM NOT ILLUSTRATED

31-12-11-11B

31-12-11
FIG. 11B
PAGE 13
AUG 22/09

HXL



767

PARTS CATALOG (MAINTENANCE)

FIG ITEM	PART NUMBER	1 2 3 4 5 6 7	NOMENCLATURE	EFFECT FROM TO	UNITS PER ASSY
11B 415	233T3245-5	...	BASEPLATE ASSY- SUPPLIER CODE: V89954		1
420	SF6G6CBB5D	NUT- SUPPLIER CODE: V12324		2
425	PFSC35-38ASEMB	STUD ASSY SUPPLIER CODE: V72794 SPECIFICATION NUMBER: BACS21DX1B		4
430 435	BACP10U0187N 2263-01-1	PANEL .INDICATOR ASSY-COMPT TEMP (STATIC SENSITIVE PART) SUPPLIER CODE: V52013 FUNCTIONAL DESCRIPTION: INDICATOR SHOWS COMPARTMENT TEMPERATURE FOR EA OF THE THREE CABIN ZONES SPECIFICATION NUMBER: S231N211-3 COMPONENT MAINT MANUAL REF: 21-61-02 FOR BREAKDOWN SEE: 21-65-01-10		1 RF
435	20-210-01	INDICATOR ASSY-COMPT TEMP SUPPLIER CODE: V35012 SPECIFICATION NUMBER: S231N211-2 ELECTRICAL EQUIP NUMBER: M10078 COMPONENT MAINT MANUAL REF: 21-65-01		RF
440	233T3100-378	PANEL ASSY-TEMP CONT PRE ALERT SB: 33A0087R1 FOR OTHER SYS DETAILS SEE: 21-25-53-01 21-51-54-01 21-61-54-02 33-13-56-03A		1
440	233T3236-1305	PANEL ASSY-TEMP CONT SUPPLIER CODE: V89954 POST ALERT SB: 33A0087R1		RF

ILLUSTRATION ITEMS NOT ON PARTS LIST ARE NOT APPLICABLE

- ITEM NOT ILLUSTRATED

31-12-11-11B

31-12-11
FIG. 11B
PAGE 14
AUG 22/09

HXL

BOEING PROPRIETARY - Copyright © - Unpublished Work - See title page for details.



767

PARTS CATALOG (MAINTENANCE)

FIG ITEM	PART NUMBER	1 2 3 4 5 6 7	NOMENCLATURE	EFFECT FROM TO	UNITS PER ASSY
11B - 445	233T3236-94		..PANEL ASSY- SUPPLIER CODE: V89954 ELECTRICAL EQUIP NUMBER: M00014 COMPONENT MAINT MANUAL REF: 21-61-54		RF
- 445	233T3236-93		..PANEL ASSY- SUPPLIER CODE: V89954 MISCELLANEOUS DATA: (THE 233T3236-305 PANEL ASSY IS I/W THE 233T3236-93 PANEL ASSY T/W THE S233T100-1082 LIGHTPLATE AND (2) BP248-127 KNOBS, (4) BP260-113 KNOBS AND S231T240-3 INDICATOR.) ELECTRICAL EQUIP NUMBER: M00014 COMPONENT MAINT MANUAL REF: 21-61-54 PRE ALERT SB: 33A0087R1		RF
- 445	233T3236-1093		..PANEL ASSY- SUPPLIER CODE: V89954 ELECTRICAL EQUIP NUMBER: M00014 COMPONENT MAINT MANUAL REF: 21-61-54 POST ALERT SB: 33A0087		1
450	233T6200-96		...BRACKET-SPRT ATTACHING PARTS		1
- 455	NAS1801-06-5		...SCREW		3
- 460	MS35338-41		...WASHER -----*-----		3
465	69B46200-11		...STANDOFF-RCPT SPRT ATTACHING PARTS		3
- 470	NAS514P632-5		...SCREW -----*-----		3
475	233T3236-14		...BASEPLATE ASSY- SUPPLIER CODE: V89954		1

ILLUSTRATION ITEMS NOT ON PARTS LIST ARE NOT APPLICABLE

- ITEM NOT ILLUSTRATED

31-12-11-11B

31-12-11
FIG. 11B
PAGE 15
AUG 22/09

HXL

BOEING PROPRIETARY - Copyright © - Unpublished Work - See title page for details.



767

PARTS CATALOG (MAINTENANCE)

FIG ITEM	PART NUMBER	1 2 3 4 5 6 7	NOMENCLATURE	EFFECT FROM TO	UNITS PER ASSY
11B 480	SF6G6CBB5D	NUT SUPPLIER CODE: V12324 SPECIFICATION NUMBER: BACN10PA06-6		7
R 485	BACCS21DD1B	STUD ASSY		6
490	BACP10U0937N	PANEL		1
500	233T3100-319	.	PANEL ASSY-BLEED AIR CONT COMPONENT MAINT MANUAL REF: 36-11-54 PRE ALERT SB: 33A0087 PRE COMPONENT SB: 233T3237-36-04 FOR OTHER SYS DETAILS SEE: 36-11-56-01 36-21-51-01 33-13-56-03A		1
500	233T3237-1304	.	PANEL ASSY-BLEED AIR CONT SUPPLIER CODE: V89954 COMPONENT MAINT MANUAL REF: 36-11-54 POST ALERT SB: 33A0087 POST COMPONENT SB: 233T3237-36-04 FOR OTHER SYS DETAILS SEE: 36-11-56-01 36-21-51-01 33-13-56-03A		1
- 505	233T3237-17	..	PANEL ASSY- SUPPLIER CODE: V89954 ELECTRICAL EQUIP NUMBER: M00015 COMPONENT MAINT MANUAL REF: 36-11-54		RF

ILLUSTRATION ITEMS NOT ON PARTS LIST ARE NOT APPLICABLE

- ITEM NOT ILLUSTRATED

HXL

31-12-11-11B

BOEING PROPRIETARY - Copyright © - Unpublished Work - See title page for details.

31-12-11
FIG. 11B
PAGE 16
AUG 22/09

BOEING
767
PARTS CATALOG (MAINTENANCE)

FIG ITEM	PART NUMBER	1 2 3 4 5 6 7	NOMENCLATURE	EFFECT FROM TO	UNITS PER ASSY
11B - 505	233T3237-27		..PANEL ASSY- SUPPLIER CODE: V89954 MISCELLANEOUS DATA: (233T3237-27 I/W -25 SUBJECT TO CUSTOMER PREFERENCE) (THE 233T3237-304 PANEL ASSY IS I/W THE 233T3237-27 PANEL ASSY T/W THE S233T100-1051 LIGHTPLATE.) ELECTRICAL EQUIP NUMBER: M00015 COMPONENT MAINT MANUAL REF: 36-11-54 QUALIFIED I/W DATA: 233T3237-27 I/W -25 SUBJECT TO CUSTOMER PREFERENCE PRE ALERT SB: 33A0087 PRE COMPONENT SB: 233T3237-36-04		RF
- 505	233T3237-1027		..PANEL ASSY- SUPPLIER CODE: V89954 ELECTRICAL EQUIP NUMBER: M00015 COMPONENT MAINT MANUAL REF: 36-11-54 POST ALERT SB: 33A0087 POST COMPONENT SB: 233T3237-36-04		RF
510	233T6200-19		...BRACKET-SPRT ATTACHING PARTS		1
- 515	NAS1801-06-5		...SCREW- USED ON: 233T3237-27		3
- 520	MS35338-41		...WASHER- USED ON: 233T3237-27		3
525	69B46200-11		-----*----- ...STANDOFF-RCPT SPRT		3

ILLUSTRATION ITEMS NOT ON PARTS LIST ARE NOT APPLICABLE

- ITEM NOT ILLUSTRATED

HXL

31-12-11-11B

BOEING PROPRIETARY - Copyright © - Unpublished Work - See title page for details.

31-12-11
FIG. 11B
PAGE 17
AUG 22/09

 **BOEING**
767
PARTS CATALOG (MAINTENANCE)

FIG ITEM	PART NUMBER	1 2 3 4 5 6 7	NOMENCLATURE	EFFECT FROM TO	UNITS PER ASSY
11B			ATTACHING PARTS		
- 530	NAS514P632-5	...	SCREW- USED ON: 233T3237-27 -----*-----		3
535	233T3237-2	...	BASEPLATE ASSY- SUPPLIER CODE: V89954		1
540	SF6G6CBB5D	NUT SUPPLIER CODE: V12324 SPECIFICATION NUMBER: BACN10PA06-6		4
R 545	BACS21DD1B	STUD ASSY		6
550	BACP10U0637N	PANEL		1
555	233T3100-367	.	PANEL ASSY-ENTERTAINMENT FOR OTHER SYS DETAILS SEE: 23-32-57-03 33-13-56-03A		1
- 560	233T3230-40	..	PANEL ASSY- MISCELLANEOUS DATA: (THE 233T3230-303 PANEL ASSY IS I/W THE 233T3230-40 PANEL ASSY T/W THE S233T100-1096 LIGHTPLATE.) ELECTRICAL EQUIP NUMBER: M01111 COMPONENT MAINT MANUAL REF: 23-32-52		RF
565	233T6200-27	...	BRACKET-SPRT ATTACHING PARTS		1
- 570	NAS1801-06-5	...	SCREW		3
- 575	MS35338-41	...	WASHER -----*-----		3
580	69B46200-11	...	STANDOFF-RCPT SPRT ATTACHING PARTS		3
- 585	NAS514P632-5P	...	SCREW -----*-----		3
590	233T3230-41	...	BASEPLATE ASSY		1
595	SF6G6CBB5D	NUT- SUPPLIER CODE: V12324		2
600	PFSC35-38ASEMB	STUD ASSY SUPPLIER CODE: V72794 SPECIFICATION NUMBER: BACS21DX1B		3
605	233T3200-3	BASEPLATE		1

ILLUSTRATION ITEMS NOT ON PARTS LIST ARE NOT APPLICABLE

- ITEM NOT ILLUSTRATED

HXL

31-12-11-11B

BOEING PROPRIETARY - Copyright © - Unpublished Work - See title page for details.

31-12-11
FIG. 11B
PAGE 18
AUG 22/09