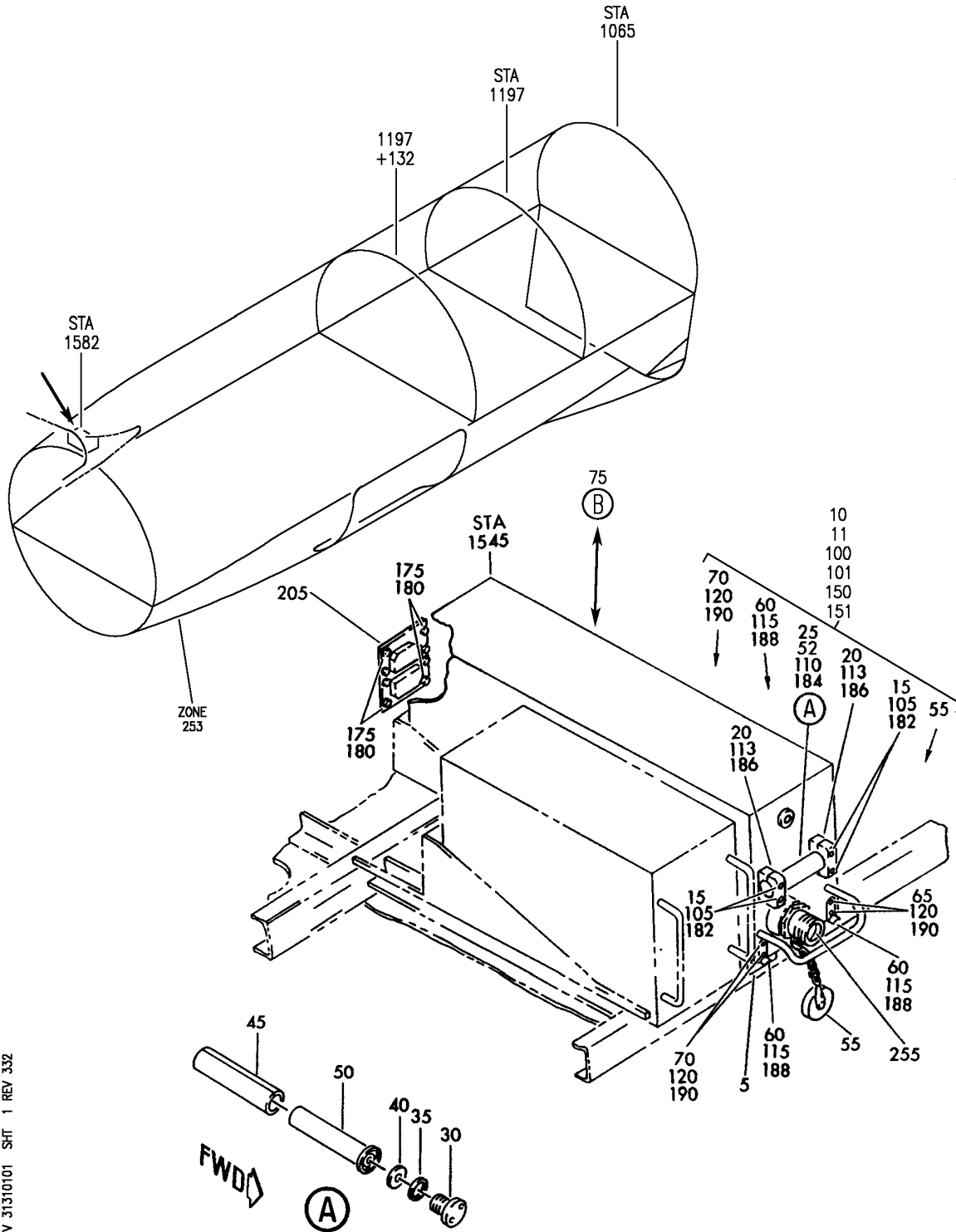


FLIGHT DATA RECORDER SYSTEM

HXL
DEC 22/06

31-31-00
SECTION TITLE
PAGE 1

BOEING
767
PARTS CATALOG (MAINTENANCE)



V 31310101 SHT 1 REV 332

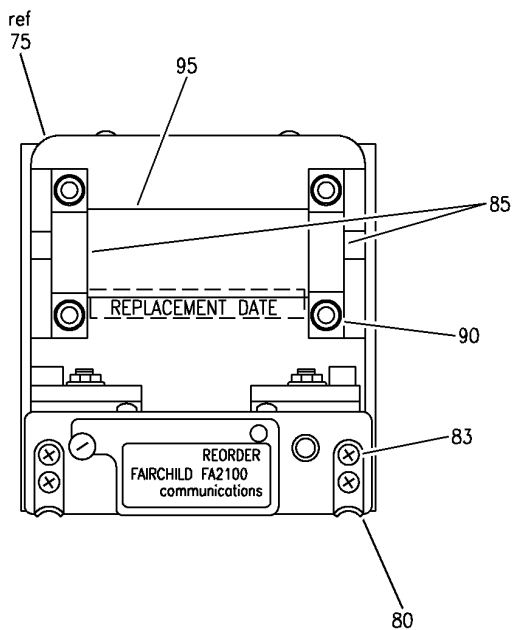
EQUIPMENT INSTL-FLIGHT RECORDER RACK (E7) (INSTRUMENTS ONLY)
FIGURE 1 (SHEET 1)

31-31-01-01

HXL
DEC 22/08

31-31-01-01
PAGE 0

BOEING
767
PARTS CATALOG (MAINTENANCE)



(B)

V 31310101 SHT 2 REV 311

EQUIPMENT INSTL-FLIGHT RECORDER RACK (E7) (INSTRUMENTS ONLY)
FIGURE 1 (SHEET 2)

31-31-01-01

HXL
DEC 22/06

31-31-01-01
PAGE 0A



767

PARTS CATALOG (MAINTENANCE)

FIG ITEM	PART NUMBER	1 2 3 4 5 6 7	NOMENCLATURE	EFFECT FROM TO	UNITS PER ASSY
1			EQUIPMENT INSTL-FLIGHT RECORDER RACK (E7) (INSTRUMENTS ONLY)		
- 1	284T0198-2		EQUIPMENT INSTL-FLIGHT RECORDER RACK E7 VARIABLE DRAWING REF: 284T0198-5012 FOR NHA/OTHER SYS DET SEE: 24-00-58-01D		RF
5	BAC27TEX2238		.DECAL- PLACARD CONTENT: M200 DIGITAL FLIGHT DATA RECORDER		1
10	980-4100BXUN		.RECORDER ASSY-DIGITAL FLIGHT DATA SUPPLIER CODE: V97896 SPECIFICATION NUMBER: S283T009-2 MISCELLANEOUS DATA: 980-4100BXUN (SFE) AND 980-4100DXUN (BFE) ARE THE SAME FLIGHT RECORDER. P/N VARIES WHETHER IT IS BFE OR SFE. 980-4100BXUN IS FULLY I/W 980-4100DXUN. ELECTRICAL EQUIP NUMBER: M00200 COMPONENT MAINT MANUAL REF: 31-30-32 QUALIFIED I/W DATA: 980-4100BXUS I/W 980-4100BXUN SUBJECT TO CUSTOMER PREFERENCE 980-4100BXUN I/W 980-4100DXUS EXCEPT SUBJECT TO CUSTOMER PREFERENCE PRE AIRLINE MOD: ECO C1619XX VAAT		1

ILLUSTRATION ITEMS NOT ON PARTS LIST ARE NOT APPLICABLE

- ITEM NOT ILLUSTRATED

HXL

31-31-01-01

BOEING PROPRIETARY - Copyright © - Unpublished Work - See title page for details.

31-31-01
FIG. 01
PAGE 1
DEC 22/07



767

PARTS CATALOG (MAINTENANCE)

FIG ITEM	PART NUMBER	1 2 3 4 5 6 7	NOMENCLATURE	EFFECT FROM TO	UNITS PER ASSY
1 10	980-4100DXUS		.RECORDER ASSY-DIGITAL FLIGHT DATA CUSTOMER FURNISHED SUPPLIER CODE: V97896 MISCELLANEOUS DATA: 980-4100BXUS (SFE) AND 980-4100DXUS (BFE) ARE THE SAME FLIGHT RECORDER P/N VARIES WHETHER IT IS BFE OR SFE. 980-4100BXUS IS FULLY I/W PREFERENCE) ELECTRICAL EQUIP NUMBER: M00200 COMPONENT MAINT MANUAL REF: 31-30-32 QUALIFIED I/W DATA: 980-4100DXUN I/W 980-4100DXUS EXCEPT SUBJECT TO CUSTOMER PREFERENCE 980-4100BXUN I/W 980-4100DXUS EXCEPT SUBJECT TO CUSTOMER PREFERENCE		1
10	980-4700-033		.RECORDER-DIGITAL FLIGHT DATA SUPPLIER CODE: V97896 SPECIFICATION NUMBER: S283T003-1 ELECTRICAL EQUIP NUMBER: M00200 COMPONENT MAINT MANUAL REF: 31-30-40		1

ILLUSTRATION ITEMS NOT ON PARTS LIST ARE NOT APPLICABLE

- ITEM NOT ILLUSTRATED

HXL

31-31-01-01

BOEING PROPRIETARY - Copyright © - Unpublished Work - See title page for details.

31-31-01
FIG. 01
PAGE 2
DEC 22/06



767

PARTS CATALOG (MAINTENANCE)

FIG ITEM	PART NUMBER	1 2 3 4 5 6 7	NOMENCLATURE	EFFECT FROM TO	UNITS PER ASSY
1 10	980-4700-003		.RECORDER-DIGITAL FLIGHT DATA SUPPLIER CODE: V97896 FUNCTIONAL DESCRIPTION: RECORDS SELECTED PARAMETERS FROM VARIOUS AIRPLANE SYSTEMS AND SENSORS USING SOLID- STATE MEMORY. ELECTRICAL EQUIP NUMBER: M00200 COMPONENT MAINT MANUAL REF: 31-30-40		1
10	10077A500-803		.RECORDER ASSY-DIGITAL FLIGHT DATA SUPPLIER CODE: V1NFM4 MISCELLANEOUS DATA: 980-4100BXUS (SFE) AND 980-4100DXUS (BFE) ARE THE SAME FLIGHT RECORDER. P/N VARIES WHETHER IT IS SFE OR BFE. 980-4100BXUS IS FULLY I/W 980-4100DXUS. ELECTRICAL EQUIP NUMBER: M00200 COMPONENT MAINT MANUAL REF: 31-30-04 QUALIFIED I/W DATA: 980-4100BXUS IS I/W 10077A500-803 SUBJECT TO CUSTOMER PREFERENCE 980--4100BXUS AND 2228766-2 ARE I/W 10077A500-803 SUBJECT TO CUSTOMER PREFERENCE		1
10	980-4700-042		.RECORDER-DIGITAL SUPPLIER CODE: V97896 COMPONENT MAINT MANUAL REF: 31-30-40		1

ILLUSTRATION ITEMS NOT ON PARTS LIST ARE NOT APPLICABLE

- ITEM NOT ILLUSTRATED

HXL

31-31-01-01

BOEING PROPRIETARY - Copyright © - Unpublished Work - See title page for details.

31-31-01
FIG. 01
PAGE 3
DEC 22/06



767

PARTS CATALOG (MAINTENANCE)

FIG ITEM	PART NUMBER	1 2 3 4 5 6 7	NOMENCLATURE	EFFECT FROM TO	UNITS PER ASSY
1					
10	980-4700-035		.RECORDER-DIGITAL SUPPLIER CODE: V97896 ELECTRICAL EQUIP NUMBER: M00200 COMPONENT MAINT MANUAL REF: 31-30-40		1
10	980-4700-034		.RECORDER-DIGITAL SUPPLIER CODE: V97896 ELECTRICAL EQUIP NUMBER: M00200 COMPONENT MAINT MANUAL REF: 31-30-40		1
10	980-4100BXUS		.RECORDER ASSY-DIGITAL FLIGHT DATA SUPPLIER CODE: V97896 SPECIFICATION NUMBER: S283T009-3 MISCELLANEOUS DATA: 980-4100BXUS (SFE) AND 980-4100DXUS (BFE) ARE THE SAME FLIGHT RECORDER. P/N VARIES WHETHER IT IS BFE OR SFE. 980-4100BXUS IS FULLY I/W 980-4100DXUS. ELECTRICAL EQUIP NUMBER: M00200 COMPONENT MAINT MANUAL REF: 31-30-32 QUALIFIED I/W DATA: 980-4100BXUS IS I/W 10077A500-803 SUBJECT TO CUSTOMER PREFERENCE 980-4100HXUS MAY REPLACE 980-4100BXUS SUBJECT TO CUSTOMER PREFERENCE 980-4100BXUS I/W 980-4100BXUN SUBJECT TO CUSTOMER PREFERENCE 980-4100DXUN I/W 980-4100BXUS EXCEPT SUBJECT TO CUSTOMER PREFERENCE		1
ILLUSTRATION ITEMS NOT ON PARTS LIST ARE NOT APPLICABLE					

- ITEM NOT ILLUSTRATED

31-31-01-01

31-31-01
FIG. 01
PAGE 4
DEC 22/06

HXL



767

PARTS CATALOG (MAINTENANCE)

FIG ITEM	PART NUMBER	1 2 3 4 5 6 7	NOMENCLATURE	EFFECT FROM TO	UNITS PER ASSY
1 10	980-4100HXUS		.RECORDER ASSY-DIGITAL FLIGHT DATA SUPPLIER CODE: V97896 MISCELLANEOUS DATA: (980-4100BXUS (SFE) AND 980-4100DXUS (BFE) ARE THE SAME FLIGHT RECORDER P/N VARIES WHETHER IT IS SFE OR BFE. 980-4100BXUS IS FULLY I/W 980-4100DXUS) ELECTRICAL EQUIP NUMBER: M00200 COMPONENT MAINT MANUAL REF: 31-30-37 QUALIFIED I/W DATA: 980-4100HXUS MAY REPLACE 980-4100BXUS SUBJECT TO CUSTOMER PREFERENCE		1
10	980-4100DXUN		.RECORDER ASSY-DIGITAL FLIGHT DATA (CUSTOMER FURNISHED) SUPPLIER CODE: V97896 MISCELLANEOUS DATA: 980-4100BXUN (SFE) AND 980-4100DXUN (BFE) ARE THE SAME FLIGHT RECORDER. P/N VARIES WHETHER IT IS BFE OR SFE. 980-4100BXUN IS FULLY I/W 980-4100DXUN. ELECTRICAL EQUIP NUMBER: M00200 COMPONENT MAINT MANUAL REF: 31-30-32 QUALIFIED I/W DATA: 980-4100DXUN I/W 980-4100BXUS EXCEPT SUBJECT TO CUSTOMER PREFERENCE 980-4100DXUN I/W 980-4100DXUS EXCEPT SUBJECT TO CUSTOMER PREFERENCE		1

ILLUSTRATION ITEMS NOT ON PARTS LIST ARE NOT APPLICABLE

- ITEM NOT ILLUSTRATED

HXL

31-31-01-01

BOEING PROPRIETARY - Copyright © - Unpublished Work - See title page for details.

31-31-01
FIG. 01
PAGE 5
DEC 22/06



767

PARTS CATALOG (MAINTENANCE)

FIG ITEM	PART NUMBER	1 2 3 4 5 6 7	NOMENCLATURE	EFFECT FROM TO	UNITS PER ASSY
1 10	980-4700-001		.RECORDER-DIGITAL FLIGHT DATA SUPPLIER CODE: V97896 SPECIFICATION NUMBER: S283T003-1 ELECTRICAL EQUIP NUMBER: M00200 COMPONENT MAINT MANUAL REF: 31-30-40		1
11	980-4700-042		.RECORDER-DIGITAL SUPPLIER CODE: V97896 FUNCTIONAL DESCRIPTION: RECORDS SELECTED PARAMETERS FROM VARIOUS AIRPLANE SYSTEMS AND SENSORS USING SOLID- STATE MEMORY. ELECTRICAL EQUIP NUMBER: M00200 COMPONENT MAINT MANUAL REF: 31-30-40		1
11	2100-4043-00		.RECORDER-FLIGHT DATA SUPPLIER CODE: V06141 FUNCTIONAL DESCRIPTION: RECORDS SELECTED PARAMETERS FROM VARIOUS AIRPLANE SYSTEMS AND SENSORS USING SOLID- STATE MEMORY. ELECTRICAL EQUIP NUMBER: M00200 COMPONENT MAINT MANUAL REF: 31-30-03		1
15	NAS1352C08-20		TEMPORARY BREAKDOWN FOR: 980-4100HXUS ..SCREW-SOCKET HEAD OPTIONAL PART: 631-0401-001 V97896		4
15	631-0401-001		..SCREW-SOCKET HEAD SUPPLIER CODE: V97896 OPTIONAL PART: NAS1352C08-20		4
ILLUSTRATION ITEMS NOT ON PARTS LIST ARE NOT APPLICABLE					

- ITEM NOT ILLUSTRATED

HXL

31-31-01-01

BOEING PROPRIETARY - Copyright © - Unpublished Work - See title page for details.

31-31-01
FIG. 01
PAGE 6
DEC 22/08



767

PARTS CATALOG (MAINTENANCE)

FIG ITEM	PART NUMBER	1 2 3 4 5 6 7	NOMENCLATURE	EFFECT FROM TO	UNITS PER ASSY
1					
20	654-0146-001		..MOUNT- SUPPLIER CODE: V97896 USED ON: 980-4100DXUS 980-4100BXUS 980-4100BXUN		2
25	N15F210B		..LOCATING DEVICE ASSY- UNDERWATER SUPPLIER CODE: V94970 OPTIONAL PART: DK100 V94970 USED ON: 980-4100DXUS 980-4100BXUS 980-4100BXUN		1
30	810-423		...CAP-END SUPPLIER CODE: V94970		1
35	810-342		...PACKING- SUPPLIER CODE: V94970		1
40	810-419		...CUSHION-SHOCK SUPPLIER CODE: V94970		1
45	810-371A		...CUSHION-SHOCK SUPPLIER CODE: V94970		1
50	810-418A		...BATTERY- SUPPLIER CODE: V94970		1
52	DK100		..BEACON- UNDERWATER ULD SUPPLIER CODE: V94970 OPTIONAL PART: ELP362D V4U270 ELP362DS V4U270 DK120 V94970 OPTIONAL PART: N15F210B V94970		1
ILLUSTRATION ITEMS NOT ON PARTS LIST ARE NOT APPLICABLE					

- ITEM NOT ILLUSTRATED

31-31-01-01

31-31-01
FIG. 01
PAGE 7
DEC 22/08

HXL



767

PARTS CATALOG (MAINTENANCE)

FIG ITEM	PART NUMBER	1 2 3 4 5 6 7	NOMENCLATURE	EFFECT FROM TO	UNITS PER ASSY
1					
55	MS3181-22N	..	CAP- USED ON: 980-4100BXUN 980-4100BXUS 980-4100DXUS 980-4100DXUN		1
55	MS3181-22NA	..	CAP- USED ON: 980-4100BXUN 980-4100BXUS 980-4100DXUS 980-4100DXUN		1
60	652-2002-001	..	H00K- SUPPLIER CODE: V97896 USED ON: 980-4100BXUN 980-4100BXUS 980-4100DXUS 980-4100DXUN ATTACHING PARTS		2
65	MS51957-45	..	SCREW		2
70	MS51957-43	..	SCREW- CONFIG CHG DATA FROM A CMM: SUPSD BY MS51957-45		2
70	MS51957-45	..	SCREW- CONFIG CHG DATA FROM A CMM: SUPERSEDES MS51957-43		2
100	980-4700-033	..	RECORDER-DIGITAL FLIGHT DATA SUPPLIER CODE: V97896 SPECIFICATION NUMBER: S283T003-1 ELECTRICAL EQUIP NUMBER: M00200 COMPONENT MAINT MANUAL REF: 31-30-40		1
100	S800-2000-00	..	RECORDER-DIGITAL FLIGHT DATA SUPPLIER CODE: V06141 ELECTRICAL EQUIP NUMBER: M00200 COMPONENT MAINT MANUAL REF: 31-30-02		1

ILLUSTRATION ITEMS NOT ON PARTS LIST ARE NOT APPLICABLE

- ITEM NOT ILLUSTRATED

HXL

31-31-01-01

BOEING PROPRIETARY - Copyright © - Unpublished Work - See title page for details.

31-31-01
FIG. 01
PAGE 8
DEC 22/08



767

PARTS CATALOG (MAINTENANCE)

FIG ITEM	PART NUMBER	1 2 3 4 5 6 7	NOMENCLATURE	EFFECT FROM TO	UNITS PER ASSY
1 101	10077A500-803		.RECORDER ASSY-DIGITAL FLIGHT DATA CUSTOMER FURNISHED SUPPLIER CODE: V1NFM4 MISCELLANEOUS DATA: 980-4100BXUS (SFE) AND 980-4100DXUS (BFE) ARE THE SAME FLIGHT RECORDER. P/N VARIES WHETHER IT IS SFE OR BFE. 980-4100BXUS IS FULLY I/W 980-4100DXUS. ELECTRICAL EQUIP NUMBER: M00200 COMPONENT MAINT MANUAL REF: 31-30-04 QUALIFIED I/W DATA: 980-4100BXUS IS I/W 10077A500-803 SUBJECT TO CUSTOMER PREFERENCE		1
101	10077A500-107		.RECORDER ASSY-DIGITAL FLIGHT DATA SUPPLIER CODE: V1NFM4 ELECTRICAL EQUIP NUMBER: M00200 COMPONENT MAINT MANUAL REF: 31-31-03		1
105	NAS1352C08-20		TEMPORARY BREAKDOWN FOR: S800-2000-00 .. SCREW- OPTIONAL PART: PLU5482J20 V03038 PL54U82J20 V03038 PAT63234SS1 V51506		4
105	PLU5482J20		.. SCREW- SUPPLIER CODE: V03038 OPTIONAL PART: NAS1352C08-20 V81205		4

ILLUSTRATION ITEMS NOT ON PARTS LIST ARE NOT APPLICABLE

- ITEM NOT ILLUSTRATED

31-31-01-01

31-31-01
FIG. 01
PAGE 9
DEC 22/08

HXL



767

PARTS CATALOG (MAINTENANCE)

FIG ITEM	PART NUMBER	1 2 3 4 5 6 7	NOMENCLATURE	EFFECT FROM TO	UNITS PER ASSY
1					
105	PL54U82J20	..	SCREW- SUPPLIER CODE: V03038 OPTIONAL PART: NAS1352C08-20 PAT63234SS1 V51506		4
105	PAT63234SS1	..	SCREW- SUPPLIER CODE: V51506 OPTIONAL PART: PL54U82J20 V03038 NAS1352C08-20		4
110	DK100	..	BEACON- UNDERWATER ACOUSTIC SUPPLIER CODE: V94970 OPTIONAL PART: ELP362D V4U270 ELP362DS V4U270 DK120 V94970 OPTIONAL PART: ELP362D V4U270 DK120 V94970 ELP362DS V4U270		1
110	ELP362D	..	BEACON-EMER LOCATOR SUPPLIER CODE: V4U270 OPTIONAL PART: DK100 V94970 DK120 V94970 ELP362DS V4U270		1

ILLUSTRATION ITEMS NOT ON PARTS LIST ARE NOT APPLICABLE

- ITEM NOT ILLUSTRATED

HXL

31-31-01-01

BOEING PROPRIETARY - Copyright © - Unpublished Work - See title page for details.

31-31-01
FIG. 01
PAGE 10
DEC 22/08



767

PARTS CATALOG (MAINTENANCE)

FIG ITEM	PART NUMBER	1 2 3 4 5 6 7	NOMENCLATURE	EFFECT FROM TO	UNITS PER ASSY
1					
110	DK120		..BEACON ASSY- UNDERWATER ACOUSTIC SUPPLIER CODE: V06141 OPTIONAL PART: DK100 V94970 ELP362D V4U270 ELP362DS V4U270		1
110	ELP362DS		..BEACON-EMER LOCATOR SUPPLIER CODE: V4U270 OPTIONAL PART: DK100 V94970 ELP362D V4U270 DK120 V94970		1
113	654-0146-001		..MOUNT- SUPPLIER CODE: V97896		2
115	405-0255-001		..HOOK- SUPPLIER CODE: V97896 ATTACHING PARTS		2
120	MS24693S29		..SCREW- CONFIG CHG DATA FROM A CMM: SUPERSEDES MS24693S25		4
120	MS24693S25		..SCREW- CONFIG CHG DATA FROM A CMM: SUPSD BY MS24693S29		4
175	NAS1801-04-8		-----*----- .SCREW		8

ILLUSTRATION ITEMS NOT ON PARTS LIST ARE NOT APPLICABLE

- ITEM NOT ILLUSTRATED

HXL

31-31-01-01

BOEING PROPRIETARY - Copyright © - Unpublished Work - See title page for details.

31-31-01
FIG. 01
PAGE 11
DEC 22/08



767

PARTS CATALOG (MAINTENANCE)

FIG ITEM	PART NUMBER	1 2 3 4 5 6 7	NOMENCLATURE	EFFECT FROM TO	UNITS PER ASSY
1 180	BRH10A04	.	NUT SUPPLIER CODE: V52828 SPECIFICATION NUMBER: BACN10JC04 OPTIONAL PART: NS202101-40 V80539 RMLH9075-40W V72962 VN303A40 V92215 96-40 V80539 T6S440J V11815 H10-04BAC V15653		8
- 200	286T0713-300	WIRE BUNDLE ASSY-	(INSTRUMENTS ONLY)		RF
205	BCREF0256	.CONNECTOR-	SUPPLIER CODE: V71468 OVERLENGTH PART NUMBER: DPX2MA57S57S33-0001 ELECTRICAL EQUIP NUMBER: D00307 WIRING DIAGRAM REF: 313111 OPTIONAL PART: BCREF5966 V71468		1
205	BCREF103935	.CONNECTOR-	SUPPLIER CODE: V71468 OVERLENGTH PART NUMBER: DPX2MB57S00S33-0001 ELECTRICAL EQUIP NUMBER: D00307 WIRING DIAGRAM REF: 313111 OPTIONAL PART: BCREF0256 V71468		1

ILLUSTRATION ITEMS NOT ON PARTS LIST ARE NOT APPLICABLE

- ITEM NOT ILLUSTRATED

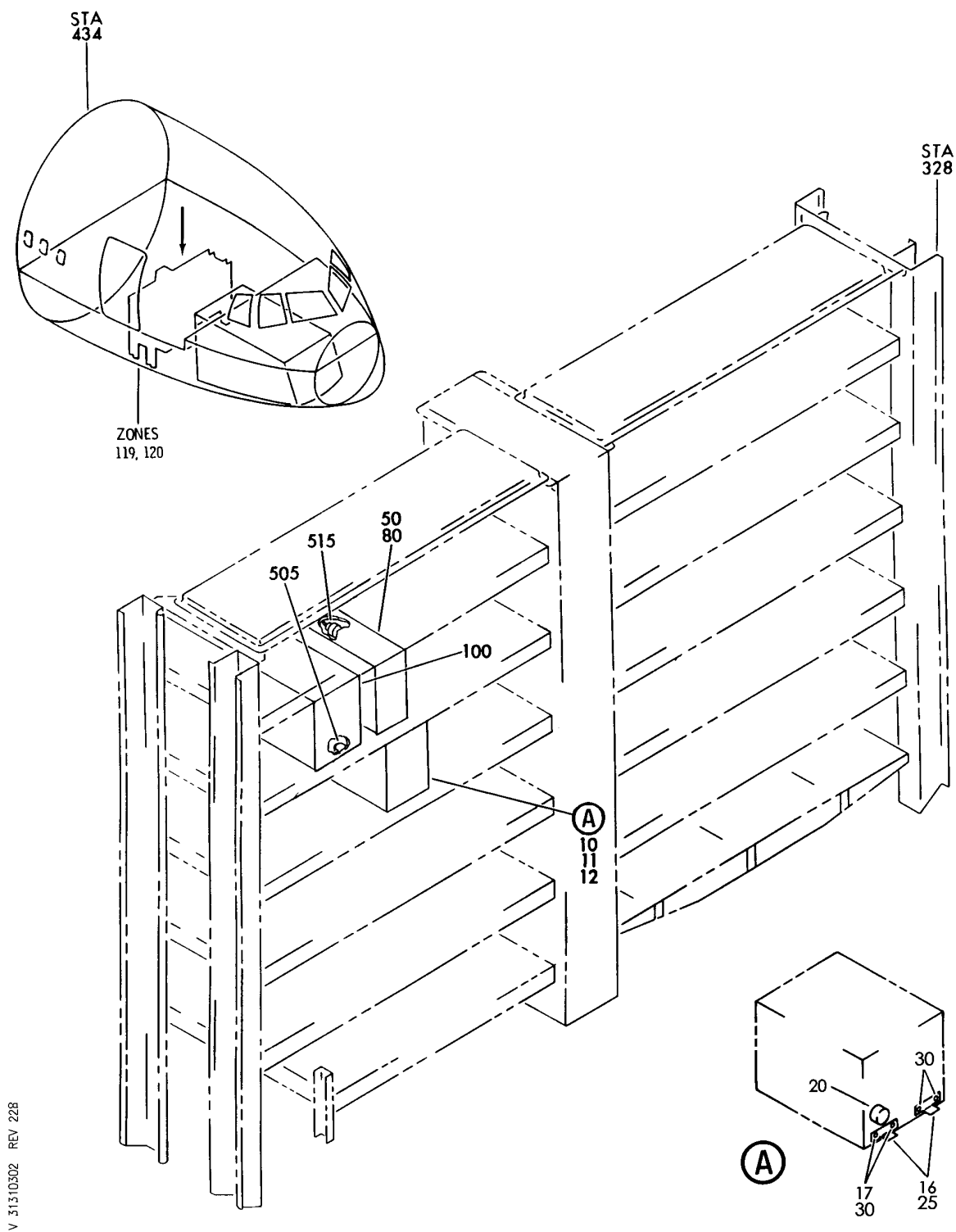
HXL

31-31-01-01

BOEING PROPRIETARY - Copyright © - Unpublished Work - See title page for details.

31-31-01
FIG. 01
PAGE 12
DEC 22/08

BOEING
767
PARTS CATALOG (MAINTENANCE)



EQUIPMENT AND SOFTWARE INSTL-CTRF E1/E2 RACK (DIGITAL FLIGHT DATA ACQUISITION SYSTEM ONLY)
FIGURE 2

31-31-03-02

HXL
DEC 22/06

31-31-03-02
PAGE 0



767

PARTS CATALOG (MAINTENANCE)

FIG ITEM	PART NUMBER	1 2 3 4 5 6 7	NOMENCLATURE	EFFECT FROM TO	UNITS PER ASSY
2			EQUIPMENT AND SOFTWARE INSTL-CTRF E1/E2 RACK (DIGITAL FLIGHT DATA ACQUISITION SYSTEM ONLY)		
- 1	284T0400-618		EQUIPMENT INSTL-ELECT. EQPT CTR E1/E2 RACK (DIGITAL FLIGHT DATA ACQUISITION SYSTEM ONLY) VARIABLE DRAWING REF: 284T0400-5284 FOR NHA/OTHER SYS DET SEE: 24-00-58-01J	155162	RF
- 2	284T0400-630		EQUIPMENT INSTL-ELECT. EQPT CTR E1/E2 RACK (DIGITAL FLIGHT DATA ACQUISITION SYSTEM ONLY) VARIABLE DRAWING REF: 284T0400-5349 284T0400-5357 FOR NHA/OTHER SYS DET SEE: 24-00-58-01J	163999	RF
10	2227000-59A		.UNIT ASSY-DIGITAL FLIGHT DATA ACQUISITION SUPPLIER CODE: V98571 ELECTRICAL EQUIP NUMBER: M00138 COMPONENT MAINT MANUAL REF: 31-32-56		1
10	2227000-59		.UNIT ASSY-DIGITAL FLIGHT DATA ACQUISITION SUPPLIER CODE: V98571 ELECTRICAL EQUIP NUMBER: M00138		1

ILLUSTRATION ITEMS NOT ON PARTS LIST ARE NOT APPLICABLE

- ITEM NOT ILLUSTRATED

HXL

31-31-03-02

BOEING PROPRIETARY - Copyright © - Unpublished Work - See title page for details.

31-31-03
FIG. 02
PAGE 1
DEC 22/07

BOEING
767
PARTS CATALOG (MAINTENANCE)

FIG ITEM	PART NUMBER	1 2 3 4 5 6 7	NOMENCLATURE	EFFECT FROM TO	UNITS PER ASSY
2			TEMPORARY BREAKDOWN FOR: 222700-4A 222700-16 222700-39A1 222700-40 222700-43 222700-43A 222700-52 222700-55 222700-51-1 222700-58,-59 222700-59A 222700-61 222700-61C1 222700-62 222700-69 222700-70 222700-71 2232000-02A 2232000-02B 2233000-3A 2233000-4 2233000-4A 2233000-43		
20	MS27511A12C		..CAP-		1
25	2227016		..HOOK-HOLD DOWN SUPPLIER CODE: V98571 ATTACHING PARTS		2
30	MS24693C24		..SCREW- -----*-----		4
100	2232000-02A		.UNIT ASSY-DATA MANAGEMENT (CUSTOMER FURNISHED) SUPPLIER CODE: V98571 ELECTRICAL EQUIP NUMBER: M01200 COMPONENT MAINT MANUAL REF: 31-31-37 QUALIFIED I/W DATA: 2232000-02B T/W FLY2232TBCOX109 MAY REPLACE 2232000-02A T/W FLY2232TBCOX107 SOFTWARE DRAWING REF: 31-31-03-02		1
ILLUSTRATION ITEMS NOT ON PARTS LIST ARE NOT APPLICABLE					

— ITEM NOT ILLUSTRATED

HXL

31-31-03-02

BOEING PROPRIETARY - Copyright © - Unpublished Work - See title page for details.

31-31-03
FIG. 02
PAGE 2
DEC 22/07



767

PARTS CATALOG (MAINTENANCE)

FIG ITEM	PART NUMBER	1 2 3 4 5 6 7	NOMENCLATURE	EFFECT FROM TO	UNITS PER ASSY
2					
- 200	284T1298-1		SOFTWARE INSTL-APL CONDITION MONITORING SYS (DIGITAL FLIGHT DATA ACQUISITION SYSTEM ONLY) VARIABLE DRAWING REF: 284T1298-5002 FOR NHA SEE: 24-00-58-01S		RF
- 205	FLY2232TBCOX107		.SOFTWARE-(CUSTOMER FURNISHED) SUPPLIER CODE: V98571		1
- 500	286T0135-127		WIRE BUNDLE ASSY		RF
505	BKA31B03AA01		.CONNECTOR- SUPPLIER CODE: V71468 SPECIFICATION NUMBER: BCREF9372 OPTIONAL PART: S631B03AA01 V59610 NIC6631B03AA01A V00779 OVERLENGTH PART NUMBER: BACC66K31C01AA01 ELECTRICAL EQUIP NUMBER: D00327 WIRING DIAGRAM REF: 313111		1
- 510	286T0133-104		WIRE BUNDLE ASSY		RF
515	BKA21C50A001		.CONNECTOR- SUPPLIER CODE: V71468 SPECIFICATION NUMBER: BCREFA1356 OPTIONAL PART: S621C50A001 V59610 N1C66H21C14AA01 V00779 OVERLENGTH PART NUMBER: BACC66H21C50A001 ELECTRICAL EQUIP NUMBER: D01735 WIRING DIAGRAM REF: 313111		1
ILLUSTRATION ITEMS NOT ON PARTS LIST ARE NOT APPLICABLE					

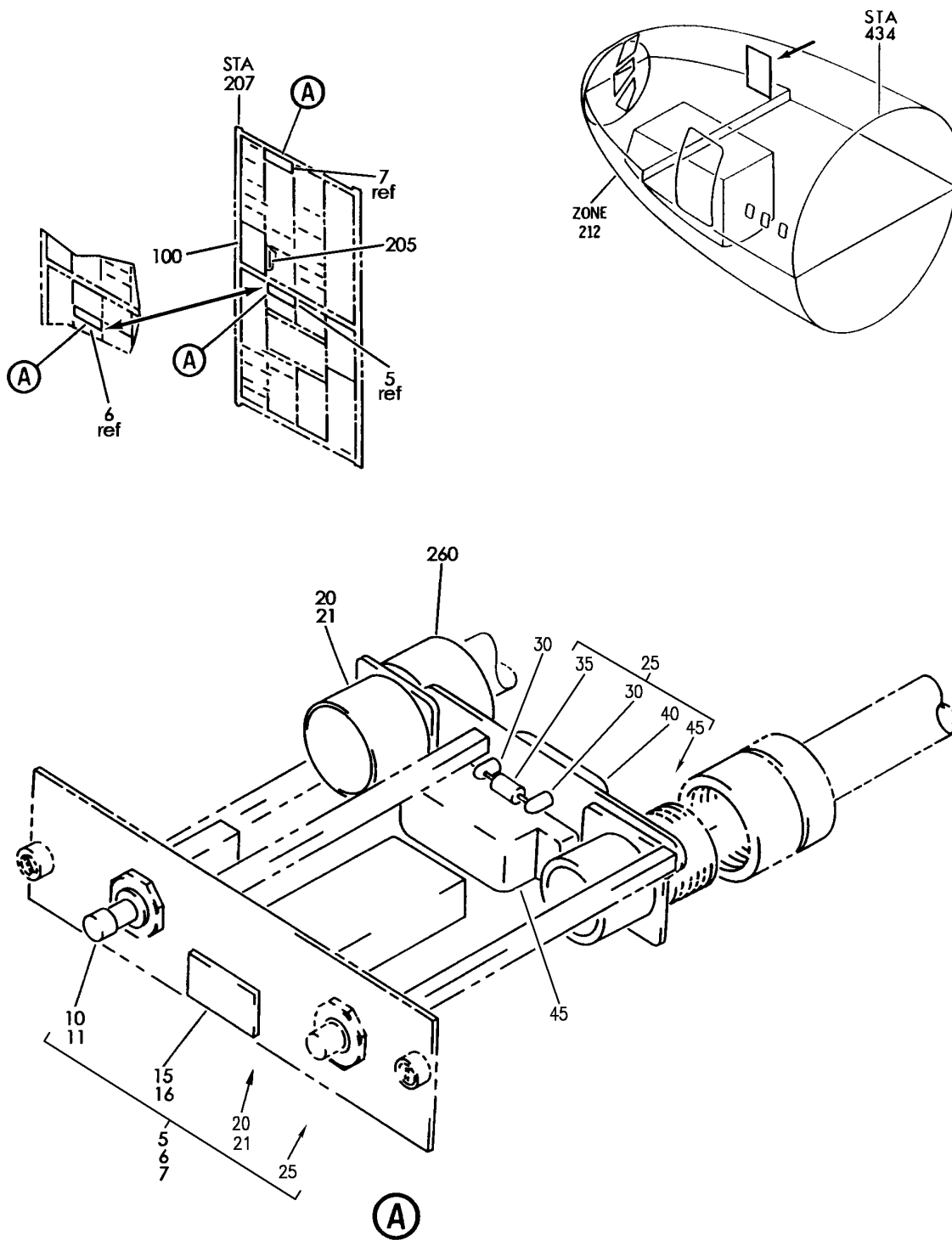
- ITEM NOT ILLUSTRATED

31-31-03-02

31-31-03
FIG. 02
PAGE 3
DEC 22/07

HXL

BOEING
767
PARTS CATALOG (MAINTENANCE)



V 31310403 REV 260

PANEL INSTL-R SIDE (FLIGHT DATA RECORDER SYSTEM ONLY)
FIGURE 3

31-31-04-03

HXL
DEC 22/06

31-31-04-03
PAGE 0



767

PARTS CATALOG (MAINTENANCE)

FIG ITEM	PART NUMBER	1 2 3 4 5 6 7	NOMENCLATURE	EFFECT FROM TO	UNITS PER ASSY
3			PANEL INSTL-R SIDE (FLIGHT DATA RECORDER SYSTEM ONLY)		
- 1	233T4100-1		PANEL INSTL-(FLIGHT DATA RECORDER SYSTEM ONLY) POSITION DATA: R SIDE VARIABLE DRAWING REF: 233T4100-5048 FOR NHA/OTHER SYS DET SEE: 25-10-00-03		RF
5	233N7508-9		.PANEL ASSY-FLIGHT RECORDER AND SVCE INTPH SUPPLIER CODE: V89954 ELECTRICAL EQUIP NUMBER: M00033 COMPONENT MAINT MANUAL REF: 31-31-52		RF
5	233N7508-7		.PANEL ASSY-FLIGHT RECORDER AND SVCE INTPH SUPPLIER CODE: V89954 ELECTRICAL EQUIP NUMBER: M00033 COMPONENT MAINT MANUAL REF: 31-31-52		RF
5	233N7508-14		.PANEL ASSY-FLIGHT RECORDER AND SVCE INTPH SUPPLIER CODE: V89954 ELECTRICAL EQUIP NUMBER: M00033 COMPONENT MAINT MANUAL REF: 31-31-52		RF
10	MS24658-31N		..SWITCH-		1
15	BCREF6130		..LIGHT ASSY-OFF IND SUPPLIER CODE: V81590 OVERLENGTH PART NUMBER: 434-674-1005-1269 SPECIFICATION NUMBER: S231T300-1269 OPTIONAL PART: BCREF8587 V81590 FOR DETAILS SEE: 33-16-02-02		1
ILLUSTRATION ITEMS NOT ON PARTS LIST ARE NOT APPLICABLE					

- ITEM NOT ILLUSTRATED

HXL

31-31-04-03

BOEING PROPRIETARY - Copyright © - Unpublished Work - See title page for details.

31-31-04
FIG. 03
PAGE 1
DEC 22/07



767

PARTS CATALOG (MAINTENANCE)

FIG ITEM	PART NUMBER	1 2 3 4 5 6 7	NOMENCLATURE	EFFECT FROM TO	UNITS PER ASSY
3					
15	BCREF8587		..LIGHT ASSY-OFF IND SUPPLIER CODE: V81590 OVERLENGTH PART NUMBER: 434-674-1031-2269 SPECIFICATION NUMBER: S231T300-2269 OPTIONAL PART: BCREF6130 V81590 FOR DETAILS SEE: 33-16-02-03		1
20	BACC45FN16-24P		..CONNECTOR- ATTACHING PARTS		1
- 22	NAS1801-04-5		..SCREW- USED ON: 233N7508-14		3
- 22	BACS12CB04-5		..SCREW- USED ON: 233N7508-7 233N7508-9 233N7508-11 233N7508-13		3
- 23	K19798-04		..NUT SUPPLIER CODE: V15653 SPECIFICATION NUMBER: BACN10NW1 OPTIONAL PART: RMA4812-160-40 V72962 293162 V60119 -----*-----		3
25	233N7508-4		..BRACKET ASSY- SUPPLIER CODE: V89954		1
30	4443B9		...TERMINAL- SUPPLIER CODE: V88245		2
35	JANTX1N5618		...DIODE		1

ILLUSTRATION ITEMS NOT ON PARTS LIST ARE NOT APPLICABLE

- ITEM NOT ILLUSTRATED

HXL

31-31-04-03

BOEING PROPRIETARY - Copyright © - Unpublished Work - See title page for details.

31-31-04
FIG. 03
PAGE 2
DEC 22/06



767

PARTS CATALOG (MAINTENANCE)

FIG ITEM	PART NUMBER	1 2 3 4 5 6 7	NOMENCLATURE	EFFECT FROM TO	UNITS PER ASSY
3					
40	E210-1631		...RELAY SUPPLIER CODE: V99699 SPECIFICATION NUMBER: BACR13CF2A OPTIONAL PART: BR246S0112 V56623 FCA210-70 V78290 E215-1050 V99699 JD4A017 V35344 BR64S104 V56623 61GB19-1A320 V98927		1
45	RSF116200		...SOCKET SUPPLIER CODE: V58982 SPECIFICATION NUMBER: BACS16X1A OPTIONAL PART: 102-006-1 V09922 000300-1538 V05574		1
- 250	286T0062-300		WIRE BUNDLE ASSY-(FLIGHT DATA RECORDER SYSTEM ONLY)		RF
260	BACC45FT12A12S6		.CONNECTOR- ELECTRICAL EQUIP NUMBER: D01431 WIRING DIAGRAM REF: 234111		1

ILLUSTRATION ITEMS NOT ON PARTS LIST ARE NOT APPLICABLE

- ITEM NOT ILLUSTRATED

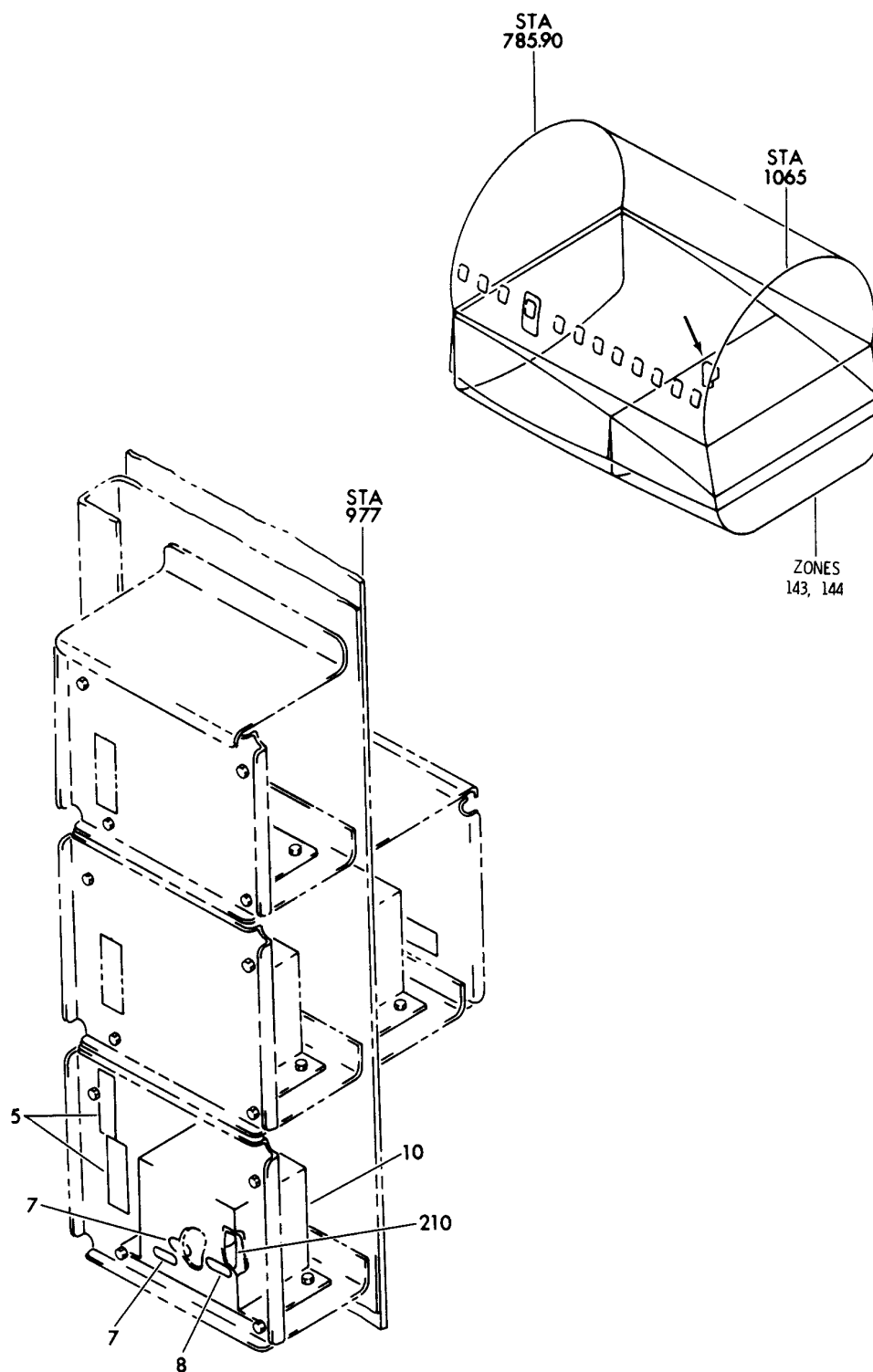
HXL

31-31-04-03

BOEING PROPRIETARY - Copyright © - Unpublished Work - See title page for details.

31-31-04
 FIG. 03
 PAGE 3
 DEC 22/07

BOEING
767
PARTS CATALOG (MAINTENANCE)



V 31310501 SHT 1 REV 242

EQUIPMENT INSTL-ACCLRM FLIGHT RECORDER AND PACS
FIGURE 1

31-31-05-01

HXL
DEC 22/06

31-31-05-01
PAGE 0



767

PARTS CATALOG (MAINTENANCE)

FIG ITEM	PART NUMBER	1 2 3 4 5 6 7	NOMENCLATURE	EFFECT FROM TO	UNITS PER ASSY
1			EQUIPMENT INSTL-ACCLRM FLIGHT RECORDER AND PACS		
- 1	284T0193-3		EQUIPMENT INSTL-ACCLRM FLIGHT RECORDER AND PACS VARIABLE DRAWING REF: 284T0193-5002 FOR NHA SEE: 24-00-58-02		RF
5	BAC27TEX0975		.DECAL- PLACARD CONTENT: ACCLRM-FLT DATA RCDR		2
7	BAC27TEX3047		.DECAL- PLACARD CONTENT: D321		2
8	BAC27TEX3048		.DECAL- PLACARD CONTENT: TS0028		1
10	971-4193-001		.ACCELEROMETER-THREE AXIS (CUSTOMER FURNISHED) SUPPLIER CODE: V97896 FUNCTIONAL DESCRIPTION: PROVIDES ACCELERATION DATA TO THE FLIGHT DATA RECORDER SYSTEM. COMPONENT MAINT MANUAL REF: 31-31-04		1
10	18-3001-3		.ACCELEROMETER ASSY-THREE AXIS SUPPLIER CODE: V96774 SPECIFICATION NUMBER: S283T011-3 ELECTRICAL EQUIP NUMBER: TS0028 COMPONENT MAINT MANUAL REF: 31-30-01		1
10	3001-01-111		.ACCELEROMETER ASSY-THREE AXIS SUPPLIER CODE: V99564 FUNCTIONAL DESCRIPTION: MEASURES ACCELERATION IN EA OF THE THREE ORTHOGONAL AXES; VERTICAL,LATERAL,AND LONGITUDINAL ELECTRICAL EQUIP NUMBER: TS0028		1

ILLUSTRATION ITEMS NOT ON PARTS LIST ARE NOT APPLICABLE

- ITEM NOT ILLUSTRATED

HXL

31-31-05-01

BOEING PROPRIETARY - Copyright © - Unpublished Work - See title page for details.

31-31-05
FIG. 01
PAGE 1
AUG 22/08



767

PARTS CATALOG (MAINTENANCE)

FIG ITEM	PART NUMBER	1 2 3 4 5 6 7	NOMENCLATURE	EFFECT FROM TO	UNITS PER ASSY
1			ATTACHING PARTS		
- 15	NAS1801-3-8		.SCREW		3
- 20	NAS1149D0316J		.WASHER-		6
- 25	BRH10C3D		.NUT-		3
			SUPPLIER CODE: V52828		
			SPECIFICATION NUMBER: BACN10JC3CD		
			OPTIONAL PART: T6C1032JCD		
			V11815		
			NS202486-02		
			V80539		
			102LH9075-3W		
			V72962		
			H51650-3BAC		
			V15653		
			-----*-----		
- 200	286T0533-002		WIRE BUNDLE ASSY		RF
210	KPSE06E12-10S		.PLUG-		1
			SUPPLIER CODE: V71468		
			ELECTRICAL EQUIP NUMBER: D00321		
			WIRING DIAGRAM REF: 313113		

ILLUSTRATION ITEMS NOT ON PARTS LIST ARE NOT APPLICABLE

- ITEM NOT ILLUSTRATED

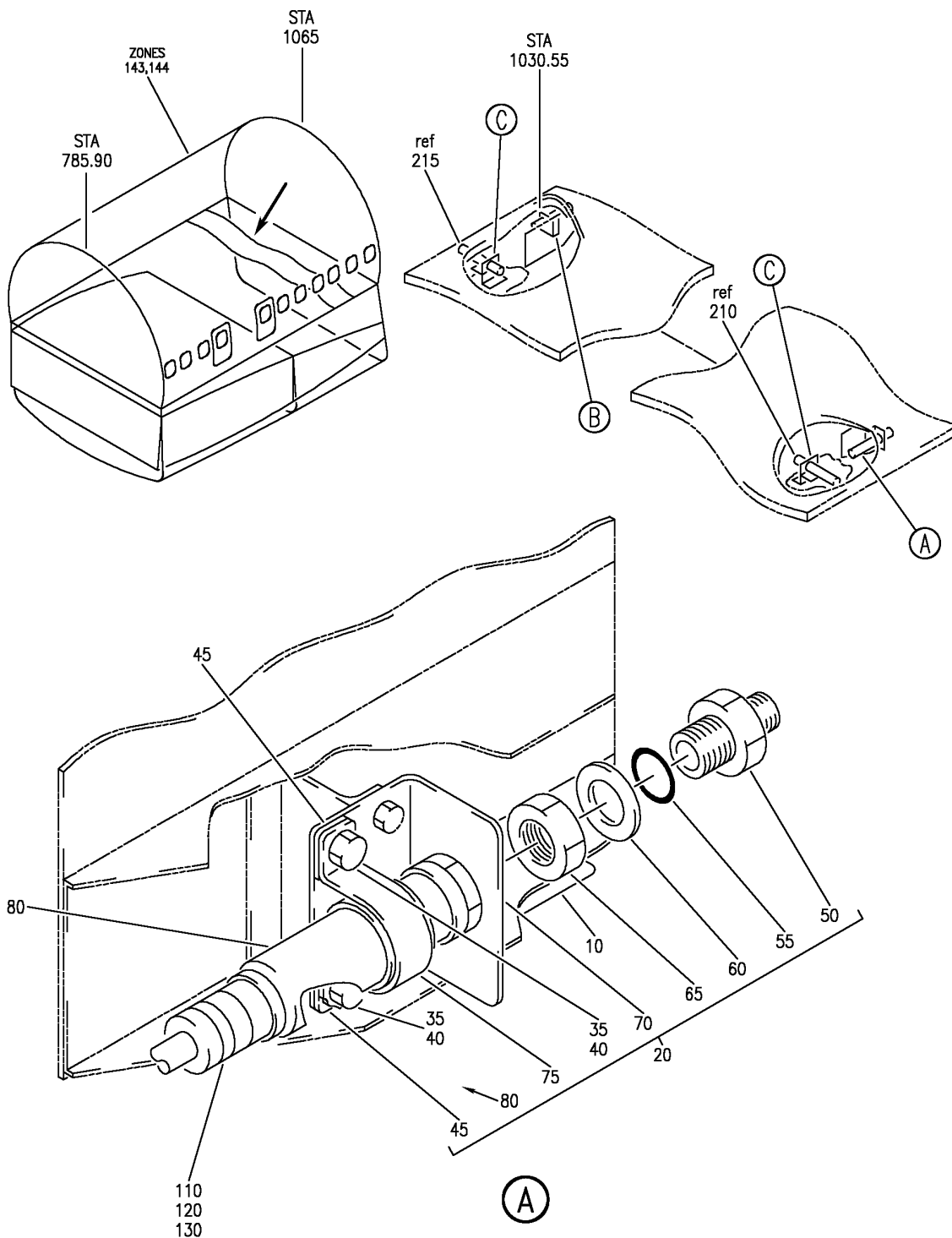
HXL

31-31-05-01

BOEING PROPRIETARY - Copyright © - Unpublished Work - See title page for details.

31-31-05
FIG. 01
PAGE 2
AUG 22/08

BOEING
767
PARTS CATALOG (MAINTENANCE)



V 31311301 SHT 1 REV 272

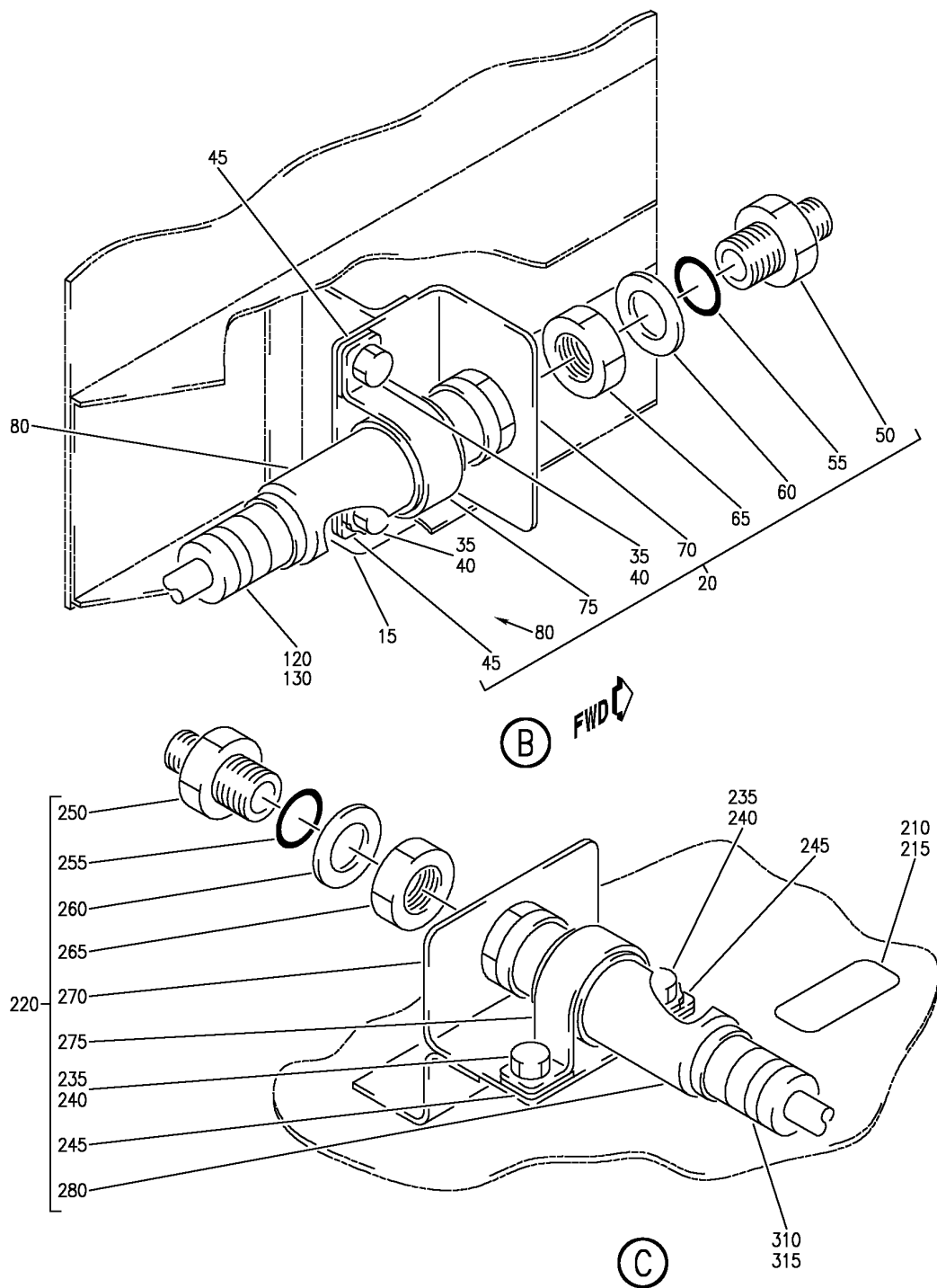
TRANSMITTER INSTL-MLG ALTERNATE BRAKE PRESSURE SECT. 45
FIGURE 1 (SHEET 1)

31-31-13-01

HXL
DEC 22/06

31-31-13-01
PAGE 0

BOEING
767
PARTS CATALOG (MAINTENANCE)



V 31311301 SHT 2 REV 272

TRANSMITTER INSTL-MLG ALTERNATE BRAKE PRESSURE SECT. 45
FIGURE 1 (SHEET 2)

31-31-13-01

HXL
DEC 22/06

31-31-13-01
PAGE 0A

BOEING
767
PARTS CATALOG (MAINTENANCE)

FIG ITEM	PART NUMBER	1 2 3 4 5 6 7	NOMENCLATURE	EFFECT FROM TO	UNITS PER ASSY
1			TRANSMITTER INSTL-MLG ALTERNATE BRAKE PRESSURE SECT. 45		
- 1	272T0141-7		TRANSMITTER INSTL-MLG ALTERNATE BRAKE PRESSURE PREMODULE POSITION DATA: SECT. 45 LH FOR NHA SEE: 32-41-64-02		RF
- 5	272T0141-8		TRANSMITTER INSTL-MLG ALTERNATE BRAKE PRESSURE PREMODULE POSITION DATA: SECT. 45 RH FOR NHA SEE: 32-41-64-02		RF
10	BAC27THY0189		.MARKER- POSITION DATA: LH SIDE PLACARD CONTENT: TS474 XDCR-HYDR PRESS LEFT ALT BRAKE		1
15	BAC27THY0190		.MARKER- POSITION DATA: RH SIDE PLACARD CONTENT: TS473 XDCR-HYDR PRESS RIGHT ALT BRAKE		1
20	272T0141-6		.TRANSMITTER ASSY ATTACHING PARTS		1
- 25	NAS1801-3-9		.SCREW-		2
- 30	AN960JD10L		.WASHER-		2
			-----*-----		
35	NAS1801-3-9		..SCREW-		2
40	AN960JD10L		..WASHER-		2
45	BACS18AW16		..SHIM-		2

ILLUSTRATION ITEMS NOT ON PARTS LIST ARE NOT APPLICABLE

- ITEM NOT ILLUSTRATED

HXL

31-31-13-01

BOEING PROPRIETARY - Copyright © - Unpublished Work - See title page for details.

31-31-13
FIG. 01
PAGE 1
DEC 22/06



767

PARTS CATALOG (MAINTENANCE)

FIG ITEM	PART NUMBER	1 2 3 4 5 6 7	NOMENCLATURE	EFFECT FROM TO	UNITS PER ASSY
1 50	AFP2326-4		..REDUCER- SUPPLIER CODE: V30974 SPECIFICATION NUMBER: BACR17E6-4 OPTIONAL PART: AP10276-4 V01673 BC916T6-4 V50948 DBOR17E6-4 V14798 ER21916T6-4 V88334 ER31916-6-4 V88334 F23-6-4 V73197 2-01075T6-4 V11328 31778-6-4 V14397 US2114-6-4 V50808 AP1027T6-4 V01673 US21146-4 V50808 317786-4 V14397		1
55	NAS1612-4		.. PACKING-		1
60	AN960JD1416L		.. WASHER-		1
65	AN924-10D		.. NUT-		1
70	272T0228-1		.. BRACKET-SUPPORT		1
75	TA0910011DC		.. CLAMP-SADDLE SUPPLIER CODE: V84971		1

ILLUSTRATION ITEMS NOT ON PARTS LIST ARE NOT APPLICABLE

- ITEM NOT ILLUSTRATED

HXL

31-31-13-01

BOEING PROPRIETARY - Copyright © - Unpublished Work - See title page for details.

31-31-13
 FIG. 01
 PAGE 2
 DEC 22/08



767

PARTS CATALOG (MAINTENANCE)

FIG ITEM	PART NUMBER	1 2 3 4 5 6 7	NOMENCLATURE	EFFECT FROM TO	UNITS PER ASSY
1 80	18-2141-3		.. TRANSMITTER-PRESS SUPPLIER CODE: V96774 FUNCTIONAL DESCRIPTION: TRANSMITS HYDRAULIC FLUID QUANTITY TO THE EICAS COMPUTER SPECIFICATION NUMBER: S271T451-3 ELECTRICAL EQUIP NUMBER: TS0473 TS0474 COMPONENT MAINT MANUAL REF: 29-30-03 OPTIONAL PART: 18-2141 V96774 18-2141-2 V96774		1
80	18-2141		.. TRANSMITTER-PRESS SUPPLIER CODE: V96774 SPECIFICATION NUMBER: S271T451-1 ELECTRICAL EQUIP NUMBER: TS0473 TS0474 COMPONENT MAINT MANUAL REF: 29-30-03 OPTIONAL PART: 18-2141-2 V96774 OPTIONAL PART: 18-2141-3 V96774		1

ILLUSTRATION ITEMS NOT ON PARTS LIST ARE NOT APPLICABLE

- ITEM NOT ILLUSTRATED

HXL

31-31-13-01

BOEING PROPRIETARY - Copyright © - Unpublished Work - See title page for details.

31-31-13
 FIG. 01
 PAGE 3
 APR 22/09



767

PARTS CATALOG (MAINTENANCE)

FIG ITEM	PART NUMBER	1 2 3 4 5 6 7	NOMENCLATURE	EFFECT FROM TO	UNITS PER ASSY
1 80	18-2141-2		.. TRANSMITTER-PRESS SUPPLIER CODE: V96774 SPECIFICATION NUMBER: S271T451-1 ELECTRICAL EQUIP NUMBER: TS0473 TS0474 COMPONENT MAINT MANUAL REF: 29-30-03 OPTIONAL PART: 18-2141 V96774 OPTIONAL PART: 18-2141-3 V96774		1
- 100	286T1206-001		WIRE BUNDLE ASSY- POSITION DATA: RH		RF
- 105	286T1214-001		WIRE BUNDLE ASSY- POSITION DATA: LH		RF
110	R071012B3SNL		. PLUG- SUPPLIER CODE: V41118 SPECIFICATION NUMBER: BACC63BP12B3SNL ELECTRICAL EQUIP NUMBER: D02291 WIRING DIAGRAM REF: 313122		1
115	R071012B3SNL		. PLUG- SUPPLIER CODE: V41118 SPECIFICATION NUMBER: BACC63BP12B3SNL ELECTRICAL EQUIP NUMBER: D02293 WIRING DIAGRAM REF: 313122		1

ILLUSTRATION ITEMS NOT ON PARTS LIST ARE NOT APPLICABLE

- ITEM NOT ILLUSTRATED

HXL

31-31-13-01

BOEING PROPRIETARY - Copyright © - Unpublished Work - See title page for details.

31-31-13
FIG. 01
PAGE 4
APR 22/09



767

PARTS CATALOG (MAINTENANCE)

FIG ITEM	PART NUMBER	1 2 3 4 5 6 7 NOMENCLATURE	EFFECT FROM TO	UNITS PER ASSY
1 120	BCREF110670	.ADAPTER- SUPPLIER CODE: V06324 OVERLENGTH PART NUMBER: 710AS011M1209-62A ELECTRICAL EQUIP NUMBER: D02291T D02293T WIRING DIAGRAM REF: 313122		1

ILLUSTRATION ITEMS NOT ON PARTS LIST ARE NOT APPLICABLE

- ITEM NOT ILLUSTRATED

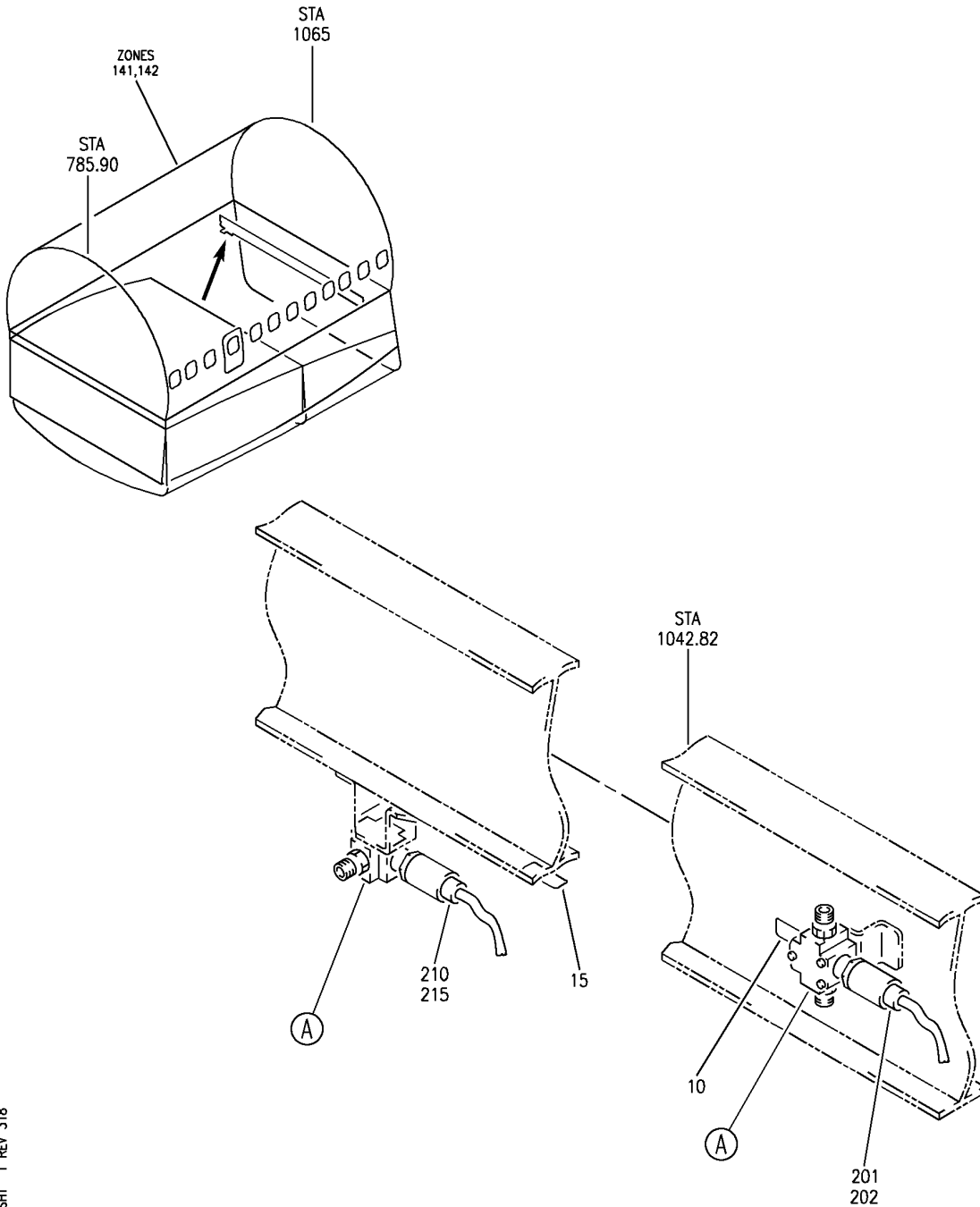
HXL

31-31-13-01

BOEING PROPRIETARY - Copyright © - Unpublished Work - See title page for details.

31-31-13
 FIG. 01
 PAGE 5
 APR 22/09

BOEING
767
PARTS CATALOG (MAINTENANCE)



V 31311501 SHT 1 REV 318

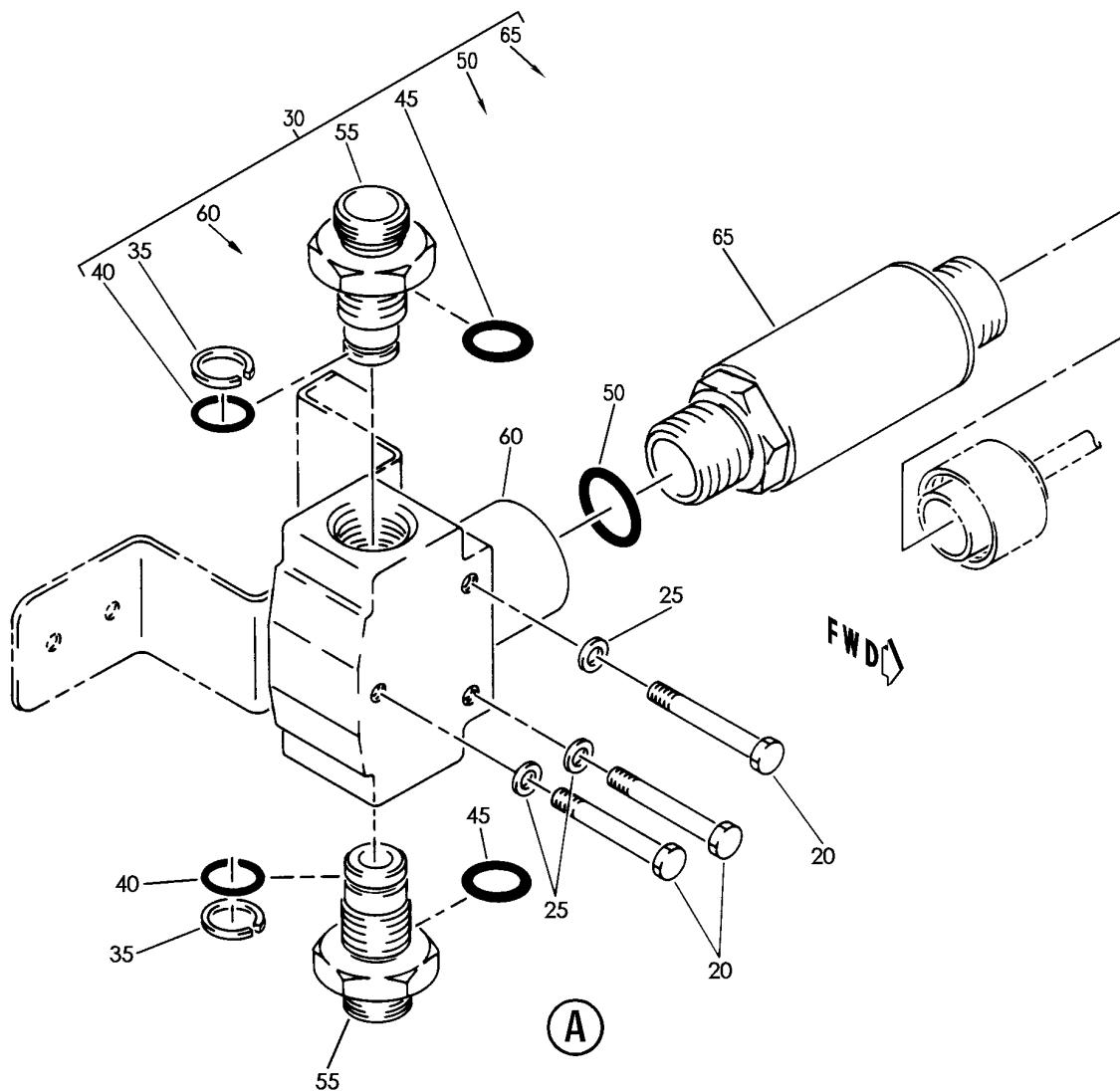
SWITCH/TRANSMITTER INSTL NORMAL BRAKE PRESSURE SECT. 45
FIGURE 1 (SHEET 1)

HXL
AUG 22/07

31-31-15-01

31-31-15-01
PAGE 0

BOEING
767
PARTS CATALOG (MAINTENANCE)



V 31311501 SH1 2 REV 31B

SWITCH/TRANSMITTER INSTL NORMAL BRAKE PRESSURE SECT. 45
FIGURE 1 (SHEET 2)

31-31-15-01

HXL
AUG 22/07

31-31-15-01
PAGE 0A

 **BOEING**
767
PARTS CATALOG (MAINTENANCE)

FIG ITEM	PART NUMBER	1 2 3 4 5 6 7	NOMENCLATURE	EFFECT FROM TO	UNITS PER ASSY
1			SWITCH/TRANSMITTER INSTL NORMAL BRAKE PRESSURE SECT. 45		
- 1	272T0194-5		TRANSMITTER INSTL-MLG NORMAL BRAKE PRESSURE PREMODULE POSITION DATA: SECT. 45 LH FOR NHA SEE: 32-44-53-01		RF
- 5	272T0194-6		TRANSMITTER INSTL-MLG NORMAL BRAKE PRESSURE PREMODULE POSITION DATA: SECT. 45 RH FOR NHA SEE: 32-44-53-01		RF
10	BAC27THY0177		.MARKER-ALUMINUM FOIL POSITION DATA: LH SIDE PLACARD CONTENT: TS452 XDCR-HYDR PRESS LEFT BRAKE		1
15	BAC27THY0176		.MARKER-ALUMINUM FOIL POSITION DATA: RH SIDE PLACARD CONTENT: TS451 XDCR-HYDR PRESS RIGHT BRAKE		1
20	NAS1801-3-32		.SCREW-		3
25	AN960PD10L		.WASHER-		3
30	272T0194-4		.TRANSMITTER ASSY-PRESSURE		1
35	C11236-111B		..RING- SUPPLIER CODE: V26879 SPECIFICATION NUMBER: BACR12BM111 OPTIONAL PART: RMR12BM111 V94878 STF800-111 V02107 S30294-111-1 V97820 TF450-111A V07128 2100-111 V26303		2
40	NAS1611-111		..PACKING-		2

ILLUSTRATION ITEMS NOT ON PARTS LIST ARE NOT APPLICABLE

- ITEM NOT ILLUSTRATED

HXL

31-31-15-01

BOEING PROPRIETARY - Copyright © - Unpublished Work - See title page for details.

31-31-15
FIG. 01
PAGE 1
DEC 22/06



767

PARTS CATALOG (MAINTENANCE)

FIG ITEM	PART NUMBER	1 2 3 4 5 6 7	NOMENCLATURE	EFFECT FROM TO	UNITS PER ASSY
1			.. PACKING- .. PACKING- .. ADAPTER- .. MANIFOLD- .. TRANSMITTER-PRESSURE HYDR SUPPLIER CODE: V96774 FUNCTIONAL DESCRIPTION: TRANSMITS HYDRAULIC FLUID QUANTITY TO THE EICAS COMPUTER SPECIFICATION NUMBER: S271T451-3 ELECTRICAL EQUIP NUMBER: TS0451 TS0452 COMPONENT MAINT MANUAL REF: 29-30-03 OPTIONAL PART: 18-2141 V96774 18-2141-2 V96774		2 1 2 1 1
65	18-2141		.. TRANSMITTER-PRESS SUPPLIER CODE: V96774 SPECIFICATION NUMBER: S271T451-1 ELECTRICAL EQUIP NUMBER: TS0451 TS0452 COMPONENT MAINT MANUAL REF: 29-30-03 OPTIONAL PART: 18-2141-2 V96774 OPTIONAL PART: 18-2141-3 V96774		1

ILLUSTRATION ITEMS NOT ON PARTS LIST ARE NOT APPLICABLE

- ITEM NOT ILLUSTRATED

HXL

31-31-15-01

BOEING PROPRIETARY - Copyright © - Unpublished Work - See title page for details.

31-31-15
 FIG. 01
 PAGE 2
 APR 22/09



767

PARTS CATALOG (MAINTENANCE)

FIG ITEM	PART NUMBER	1 2 3 4 5 6 7	NOMENCLATURE	EFFECT FROM TO	UNITS PER ASSY
1 65	18-2141-2		.. TRANSMITTER-PRESS SUPPLIER CODE: V96774 SPECIFICATION NUMBER: S271T451-1 ELECTRICAL EQUIP NUMBER: TS0451 TS0452 COMPONENT MAINT MANUAL REF: 29-30-03 OPTIONAL PART: 18-2141 V96774 OPTIONAL PART: 18-2141-3 V96774		1
- 200	286T0484-001		WIRE BUNDLE ASSY- POSITION DATA: LH		RF
201	BCREF110670		. ADAPTER- SUPPLIER CODE: V06324 OVERLENGTH PART NUMBER: 710AS011M1209-62A ELECTRICAL EQUIP NUMBER: D01923T WIRING DIAGRAM REF: 313122		1
202	R071012B3SNL		. PLUG- SUPPLIER CODE: V41118 SPECIFICATION NUMBER: BACC63BP12B3SNL ELECTRICAL EQUIP NUMBER: D01923 WIRING DIAGRAM REF: 313122		1
- 205	286T0462-001		WIRE BUNDLE ASSY- POSITION DATA: RH		RF
210	BCREF110670		. ADAPTER- SUPPLIER CODE: V06324 OVERLENGTH PART NUMBER: 710AS011M1209-62A ELECTRICAL EQUIP NUMBER: D01921T WIRING DIAGRAM REF: 313122		1

ILLUSTRATION ITEMS NOT ON PARTS LIST ARE NOT APPLICABLE

- ITEM NOT ILLUSTRATED

31-31-15-01

31-31-15
FIG. 01
PAGE 3
DEC 22/06

HXL



767
PARTS CATALOG (MAINTENANCE)

FIG ITEM	PART NUMBER	1 2 3 4 5 6 7	NOMENCLATURE	EFFECT FROM TO	UNITS PER ASSY
1 215	R071012B3SNL		.PLUG- SUPPLIER CODE: V41118 SPECIFICATION NUMBER: BACC63BP12B3SNL ELECTRICAL EQUIP NUMBER: D01921 WIRING DIAGRAM REF: 313122		1

ILLUSTRATION ITEMS NOT ON PARTS LIST ARE NOT APPLICABLE

- ITEM NOT ILLUSTRATED

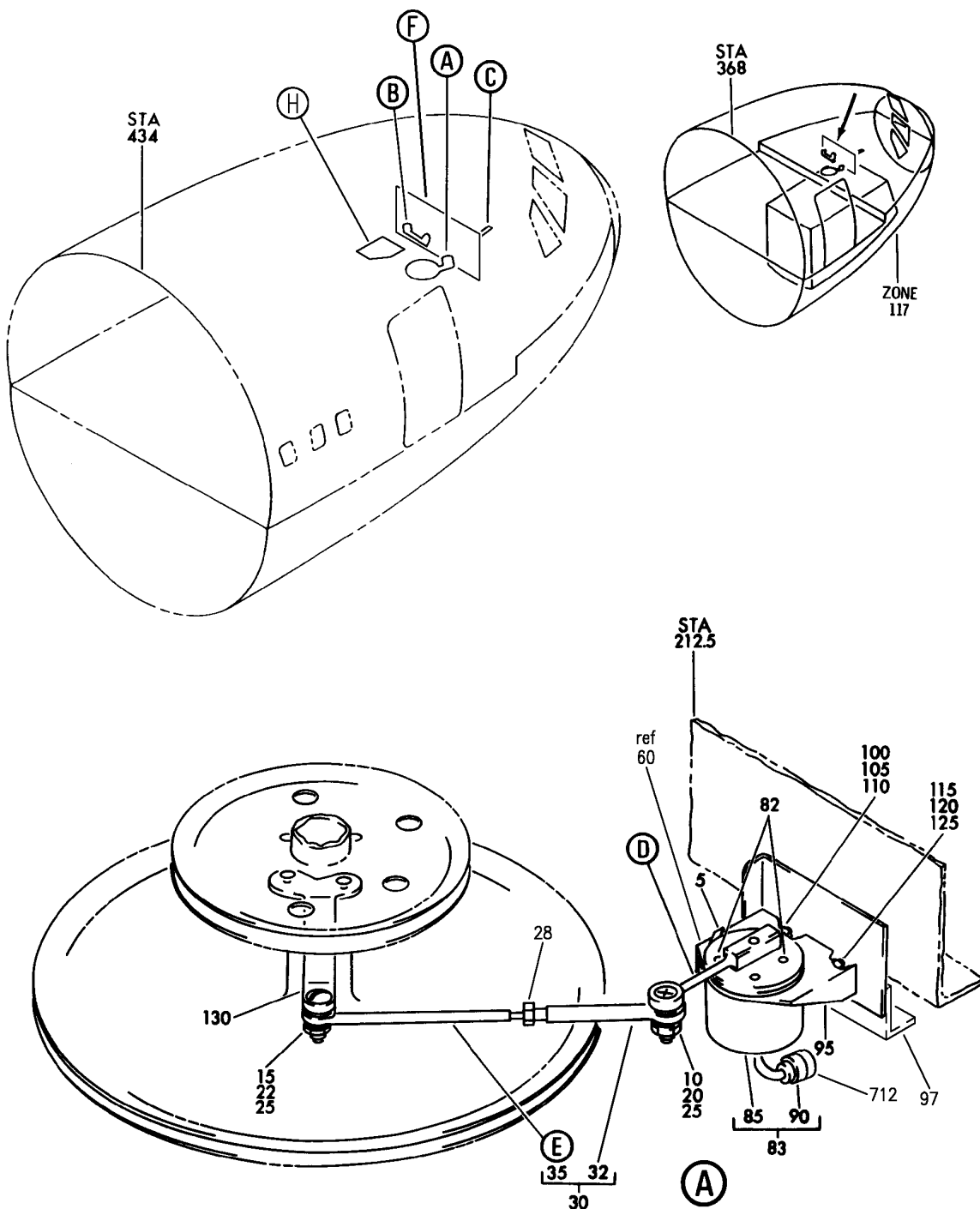
HXL

31-31-15-01

BOEING PROPRIETARY - Copyright © - Unpublished Work - See title page for details.

31-31-15
FIG. 01
PAGE 4
DEC 22/06

BOEING
767
PARTS CATALOG (MAINTENANCE)



V 31315101 SHT 1 REV 270

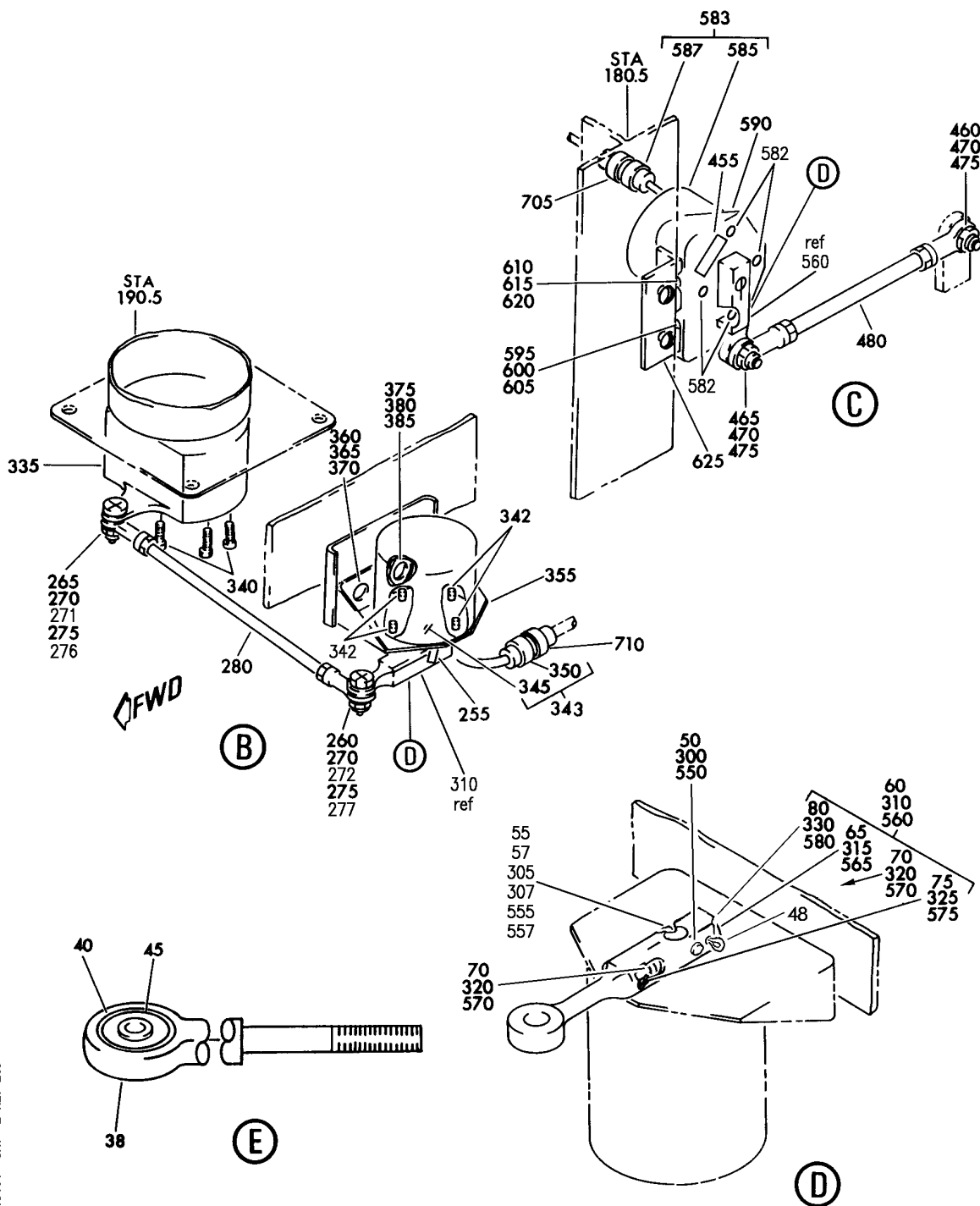
TRANSMITTER AND TRANSDUCER INSTL-POSITION AND AIL. AIDS
FIGURE 1 (SHEET 1)

31-31-51-01

HXL
DEC 22/06

31-31-51-01
PAGE 0

BOEING
767
PARTS CATALOG (MAINTENANCE)



V 31315101 SH1 2 REV 268

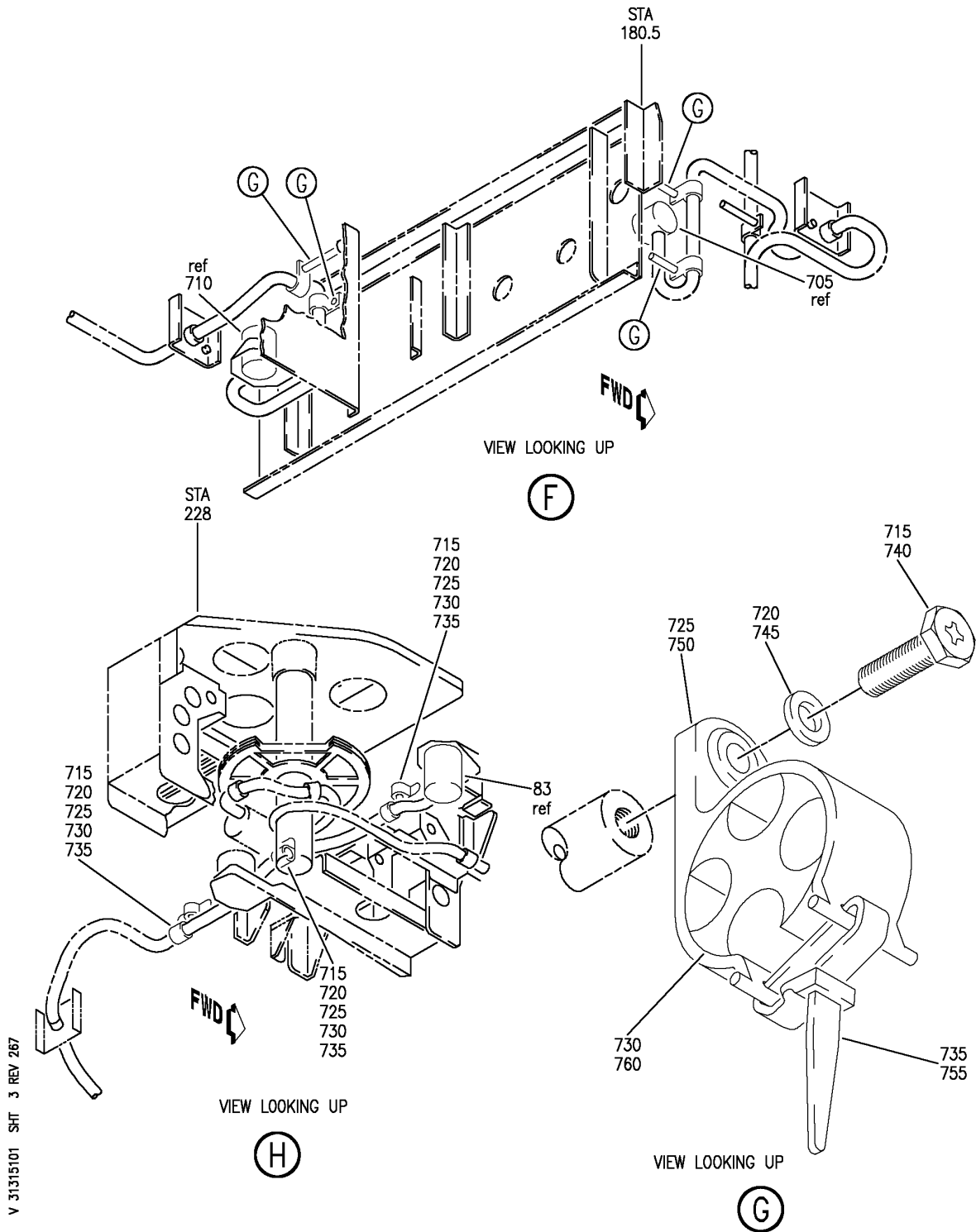
TRANSMITTER AND TRANSDUCER INSTL-POSITION AND AIL. AIDS
FIGURE 1 (SHEET 2)

31-31-51-01

HXL
DEC 22/06

31-31-51-01
PAGE 0A

BOEING
767
PARTS CATALOG (MAINTENANCE)



TRANSMITTER AND TRANSDUCER INSTL-POSITION AND AIL. AIDS
FIGURE 1 (SHEET 3)

31-31-51-01

BOEING
767
PARTS CATALOG (MAINTENANCE)

FIG ITEM	PART NUMBER	1 2 3 4 5 6 7	NOMENCLATURE	EFFECT FROM TO	UNITS PER ASSY
1			TRANSMITTER AND TRANSDUCER INSTL- POSITION AND AIL. AIDS		
- 1	253T4009-2		TRANSMITTER INSTL-AIL. AIDS VARIABLE DRAWING REF: 253T4009-5005 253T4009-5009 FOR NHA SEE: 27-00-01-02C		RF
	5 BAC27TCT0197		.DECAL- PLACARD CONTENT: TS0354		1
	10 HL21PB6-8		.BOLT- SUPPLIER CODE: V60516 SPECIFICATION NUMBER: BACB30JC6-8 POST SERVICE BULLETIN: 31-0040R2		1
	15 NAS623-3-7		.SCREW-	155162 164999	1
	15 NAS623-3-8		.SCREW- POST SERVICE BULLETIN: 31-0040R2		1
	20 AN960PD10L		.WASHER-	155162 164999	1
	20 AN960JD10L		.WASHER-	155162 164999	1
	20 AN960JD10LL		.WASHER- POST SERVICE BULLETIN: 31-0040 31-0040R2		1
	22 AN970-3		.WASHER- POST SERVICE BULLETIN: 31-0040R2		1

R
R
R
R
R
R
R

ILLUSTRATION ITEMS NOT ON PARTS LIST ARE NOT APPLICABLE

- ITEM NOT ILLUSTRATED

HXL

31-31-51-01

BOEING PROPRIETARY - Copyright © - Unpublished Work - See title page for details.

31-31-51
FIG. 01
PAGE 1
AUG 22/09



767

PARTS CATALOG (MAINTENANCE)

FIG ITEM	PART NUMBER	1 2 3 4 5 6 7	NOMENCLATURE	EFFECT FROM TO	UNITS PER ASSY
1	25 BRH10A3		.NUT- SUPPLIER CODE: V52828 SPECIFICATION NUMBER: BACN10JC3 OPTIONAL PART: H10-3BAC V15653 NS202101-02 V80539 RMLH9075-3W V72962 VN303A02 V92215 96-02 V80539 T6S1032J V11815		2
	30 65B81011-309		.ROD ASSY- FUNCTIONAL DESCRIPTION: PROVIDES LINKAGE FOR THE OUTBOARD AILERON. COMPONENT MAINT MANUAL REF: 27-00-13 POST SERVICE BULLETIN: 31-0040R2		1
	32 69-43491-1		..END ASSY	155162 164999	1
	35 69B81024-11		..END ASSY	155162 164999	1
	38 69B81024-12		...END	155162 164999	1
	40 69B81026-1		...SLEEVE	155162 164999	1
	45 KSP3LFS428		...BEARING SUPPLIER CODE: V21335 SPECIFICATION NUMBER: BACB10AC3L OPTIONAL PART: HHKSP3L V38443 KSP3LE9440A V21335 KSP3L2TS V43991 KSP3LG27 V30163	155162 164999	1

ILLUSTRATION ITEMS NOT ON PARTS LIST ARE NOT APPLICABLE

- ITEM NOT ILLUSTRATED

HXL

31-31-51-01

BOEING PROPRIETARY - Copyright © - Unpublished Work - See title page for details.

31-31-51
FIG. 01
PAGE 2
APR 22/09

 **BOEING**
767
PARTS CATALOG (MAINTENANCE)

FIG ITEM	PART NUMBER	1 2 3 4 5 6 7	NOMENCLATURE	EFFECT FROM TO	UNITS PER ASSY
1					
50	MS20392-1C15	.	PIN- POST SERVICE BULLETIN: 31-0040R2		1
55	AN960C4	.	WASHER- POST SERVICE BULLETIN: 31-0040R2		1
57	MS24665-86	.	PIN- POST SERVICE BULLETIN: 31-0040R2		1
60	65B82813-7	.	CRANK ASSY- POST SERVICE BULLETIN: 31-0040R2		1
70	69B82935-1	..	PLUNGER	155162 164999	1
75	69B82936-1	..	SPRING	155162 164999	1
80	69B82846-2	..	CRANK	155162 164999	1
82	NAS514P440-3	.	SCREW- POST SERVICE BULLETIN: 31-0040R2		4
83	253T4015-5	.	TRANSMITTER ASSY-CONT POSITION MISCELLANEOUS DATA: FOR SPARES PROCURE DETAIL PARTS POST SERVICE BULLETIN: 31-0040R2		1
85	U221557	..	TRANSMITTER-POSITION SUPPLIER CODE: V82686 FUNCTIONAL DESCRIPTION: TRANSMITS POSITION INFORMATION	155162 164999	1
85	U217939	..	TRANSMITTER-POSITION SUPPLIER CODE: V82686	155162 164999	1
90	C0909A10C05P6	..	CONNECTOR- SUPPLIER CODE: V13556 SPECIFICATION NUMBER: BACC63BN10C5P6 OPTIONAL PART: 48-63N10C5P6 V02660 R071210C5P6 V41118	155162 164999	1
95	253T4011-1	.	BRACKET-		1

ILLUSTRATION ITEMS NOT ON PARTS LIST ARE NOT APPLICABLE

- ITEM NOT ILLUSTRATED

HXL

31-31-51-01

BOEING PROPRIETARY - Copyright © - Unpublished Work - See title page for details.

31-31-51
FIG. 01
PAGE 3
APR 22/09



767

PARTS CATALOG (MAINTENANCE)

FIG ITEM	PART NUMBER	1 2 3 4 5 6 7	NOMENCLATURE	EFFECT FROM TO	UNITS PER ASSY
1			ATTACHING PARTS		
100	NAS602-7P	.	SCREW-		1
105	AN960PD8L	.	WASHER		1
110	BRH10A08	.	NUT		1
			SUPPLIER CODE: V52828		
			SPECIFICATION NUMBER: BACN10JC08		
			OPTIONAL PART: H10-08BAC		
			V15653		
			NS202101-82		
			V80539		
			RMLH9075-82W		
			V72962		
			VN303A82		
			V92215		
			96-82		
			V80539		
			T6S832J		
			V11815		
115	NAS601-6P	.	SCREW		1
120	AN960PD6L	.	WASHER		1
125	BRH10A06	.	NUT		1
			SUPPLIER CODE: V52828		
			SPECIFICATION NUMBER: BACN10JC06		
			OPTIONAL PART: H10-06BAC		
			V15653		
			RMLH9075-62W		
			V72962		
			VN303A62		
			V92215		
			96-62		
			V80539		
			NS202101-62		
			V80539		
			T6S632J		
			V11815		
			-----*-----		
130	253T4013-1	.	CRANK-		1
			ATTACHING PARTS		
- 135	L8006K10	.	BOLT-		2
			SUPPLIER CODE: V06725		
			SPECIFICATION NUMBER: BACB30MY6K10		
			ILLUSTRATION ITEMS NOT ON PARTS LIST ARE NOT APPLICABLE		

- ITEM NOT ILLUSTRATED

31-31-51-01

31-31-51
FIG. 01
PAGE 4
APR 22/09

HXL



767

PARTS CATALOG (MAINTENANCE)

FIG ITEM	PART NUMBER	1 2 3 4 5 6 7	NOMENCLATURE	EFFECT FROM TO	UNITS PER ASSY
1 - 140	HL79-6		.COLLAR- SUPPLIER CODE: V5M902 SPECIFICATION NUMBER: BACC30M6 OPTIONAL PART: HL79-6 V73197 HL79-6 V92215 66014-6 V56878 HL79-6 V56878		2
- 250	253T4010-1		-----*----- TRANSMITTER INSTL-RUD POSITION AIDS FOR NHA SEE: 27-00-01-02C		RF
255	BAC27TCT0198		.DECAL- PLACARD CONTENT: TS0355		1
260	BACB30LU3-8		.BOLT-		1
265	NAS623-3-6		.SCREW-		1
270	AN960PD10L		.WASHER		2
275	BRH10A3		.NUT SUPPLIER CODE: V52828 SPECIFICATION NUMBER: BACN10JC3 OPTIONAL PART: H10-3BAC V15653 NS202101-02 V80539 RMLH9075-3W V72962 VN303A02 V92215 96-02 V80539 T6S1032J V11815		2
280	69B82839-1		.ROD ASSY- COMPONENT MAINT MANUAL REF: 27-62-41		1
300	MS20392-1C15		.PIN-		1
305	AN960C4		.WASHER		1
310	65B82813-1		.CRANK ASSY-		1

ILLUSTRATION ITEMS NOT ON PARTS LIST ARE NOT APPLICABLE

- ITEM NOT ILLUSTRATED

31-31-51-01

31-31-51
FIG. 01
PAGE 5
DEC 22/06

HXL



767

PARTS CATALOG (MAINTENANCE)

FIG ITEM	PART NUMBER	1 2 3 4 5 6 7	NOMENCLATURE	EFFECT FROM TO	UNITS PER ASSY
1					
315	69B82845-1		.. STOP ASSY-		1
320	69B82935-1		.. PLUNGER		1
325	69B82936-1		.. SPRING		1
330	69B82846-1		.. CRANK		1
335	253T3213-2		. CRANK-		1
			ATTACHING PARTS		
340	NAS1351C3H28		. SCREW-		3
			OPTIONAL PART: 253T4010-2 NAS6603H25 NAS6703H25 NAS1351-3H28		
340	253T4010-2		. SCREW-		3
			ALTERED FROM PART NUMBER: BACB30NT3K24 BACB30NT3K25		
			OPTIONAL PART: NAS6603H25 NAS6703H25 NAS1351-3H28 NAS1351C3H28		
340	NAS1351-3H28		. SCREW-		3
			OPTIONAL PART: 253T4010-2 NAS6603H25 NAS6703H25 NAS1351C3H28		
340	NAS6603H25		. BOLT-		3
			OPTIONAL PART: 253T4010-2 NAS6703H25 NAS1351-3H28 NAS1351C3H28		
340	NAS6703H25		. BOLT-		3
			OPTIONAL PART: 253T4010-2 NAS6603H25 NAS1351-3H28 NAS1351C3H28		
342	NAS514P440-3		-----*----- . SCREW-		4

ILLUSTRATION ITEMS NOT ON PARTS LIST ARE NOT APPLICABLE

- ITEM NOT ILLUSTRATED

HXL

31-31-51-01

BOEING PROPRIETARY - Copyright © - Unpublished Work - See title page for details.

31-31-51
FIG. 01
PAGE 6
DEC 22/06



767

PARTS CATALOG (MAINTENANCE)

FIG ITEM	PART NUMBER	1 2 3 4 5 6 7	NOMENCLATURE	EFFECT FROM TO	UNITS PER ASSY
1					
343	253T4015-3		.TRANSMITTER ASSY-CONT POSITION MISCELLANEOUS DATA: FOR SPARES PROCURE DETAIL PARTS ELECTRICAL EQUIP NUMBER: TS0355 OPTIONAL PART: 253T4015-6		1
343	253T4015-6		.TRANSMITTER ASSY-CONT POSITION MISCELLANEOUS DATA: FOR SPARES PROCURE DETAIL PARTS ELECTRICAL EQUIP NUMBER: TS0355 OPTIONAL PART: 253T4015-3		1
345	U221557		..TRANSMITTER-POSITION SUPPLIER CODE: V82686 FUNCTIONAL DESCRIPTION: TRANSMITS POSITION INFORMATION USED ON: 253T4015-6		1
345	U217939		..TRANSMITTER-POSITION SUPPLIER CODE: V82686 USED ON: 253T4015-3		1
350	C0909A10C05P7		..CONNECTOR- SUPPLIER CODE: V13556 SPECIFICATION NUMBER: BACC63BN10C5P7 OPTIONAL PART: 48-63N10C5P7 V02660 R071210C5P7 V41118		1
355	253T4011-2		.BRACKET- ATTACHING PARTS		1
360	NAS602-6P		.SCREW-		1
365	AN960PD8L		.WASHER		1

ILLUSTRATION ITEMS NOT ON PARTS LIST ARE NOT APPLICABLE

- ITEM NOT ILLUSTRATED

HXL

31-31-51-01

BOEING PROPRIETARY - Copyright © - Unpublished Work - See title page for details.

31-31-51
FIG. 01
PAGE 7
DEC 22/06

 **BOEING**
767
PARTS CATALOG (MAINTENANCE)

FIG ITEM	PART NUMBER	1 2 3 4 5 6 7	NOMENCLATURE	EFFECT FROM TO	UNITS PER ASSY
1	370 BRH10A08		.NUT SUPPLIER CODE: V52828 SPECIFICATION NUMBER: BACN10JC08 OPTIONAL PART: H10-08BAC V15653 NS202101-82 V80539 RMLH9075-82W V72962 VN303A82 V92215 96-82 V80539 T6S832J V11815		1
375	NAS601-6P		.SCREW-		1
380	AN960PD6L		.WASHER		1
385	BRH10A06		.NUT SUPPLIER CODE: V52828 SPECIFICATION NUMBER: BACN10JC06 OPTIONAL PART: H10-06BAC V15653 RMLH9075-62W V72962 VN303A62 V92215 96-62 V80539 NS202101-62 V80539 T6S632J V11815		1
- 450	253T4008-1		-----*----- TRANSMITTER INSTL-ELEV POSITION AIDS FOR NHA SEE: 27-00-01-02C		RF
455	BAC27TCT0196		.DECAL- PLACARD CONTENT: TS0353		1
460	NAS623-3-8		.SCREW-		1
465	BACB30LU3-8		.BOLT-		1
470	AN960PD10L		.WASHER		2
ILLUSTRATION ITEMS NOT ON PARTS LIST ARE NOT APPLICABLE					

- ITEM NOT ILLUSTRATED

HXL

31-31-51-01

BOEING PROPRIETARY - Copyright © - Unpublished Work - See title page for details.

31-31-51
FIG. 01
PAGE 8
DEC 22/06



767

PARTS CATALOG (MAINTENANCE)

FIG ITEM	PART NUMBER	1 2 3 4 5 6 7	NOMENCLATURE	EFFECT FROM TO	UNITS PER ASSY
1 475	BRH10A3		.NUT SUPPLIER CODE: V52828 SPECIFICATION NUMBER: BACN10JC3 OPTIONAL PART: H10-3BAC V15653 NS202101-02 V80539 RMLH9075-3W V72962 VN303A02 V92215 96-02 V80539 T6S1032J V11815		2
480	69B82839-17		.ROD ASSY- COMPONENT MAINT MANUAL REF: 27-62-41		1
550	MS20392-1C15		.PIN-		1
555	AN960C4		.WASHER		1
560	65B82813-1		.CRANK ASSY-		1
565	69B82845-1		..STOP ASSY		1
570	69B82935-1		..PLUNGER		1
575	69B82936-1		..SPRING		1
580	69B82846-1		..CRANK		1
582	NAS514P440-3		.SCREW-		4
583	253T4015-1		.TRANSMITTER ASSY-CONT POSITION MISCELLANEOUS DATA: FOR SPARES PROCURE DETAIL PARTS ELECTRICAL EQUIP NUMBER: TS0353 OPTIONAL PART: 253T4015-4		1
583	253T4015-4		.TRANSMITTER ASSY-CONT POSITION MISCELLANEOUS DATA: FOR SPARES PROCURE DETAIL PARTS ELECTRICAL EQUIP NUMBER: TS0353 OPTIONAL PART: 253T4015-1		1

ILLUSTRATION ITEMS NOT ON PARTS LIST ARE NOT APPLICABLE

- ITEM NOT ILLUSTRATED

31-31-51-01

31-31-51
FIG. 01
PAGE 9
DEC 22/06

HXL



767

PARTS CATALOG (MAINTENANCE)

FIG ITEM	PART NUMBER	1 2 3 4 5 6 7	NOMENCLATURE	EFFECT FROM TO	UNITS PER ASSY
1					
585	U221557		.. TRANSMITTER- SUPPLIER CODE: V82686 FUNCTIONAL DESCRIPTION: TRANSMITS POSITION INFORMATION USED ON: 253T4015-4		1
585	U217939		.. TRANSMITTER- SUPPLIER CODE: V82686 USED ON: 253T4015-1		1
587	C0909A10C05PN		.. CONNECTOR- SUPPLIER CODE: V13556 SPECIFICATION NUMBER: BACC63BN10C5P OPTIONAL PART: 48-63N10C5P V02660 R071210C5P V41118		1
590	253T4011-3		. BRACKET- ATTACHING PARTS		1
595	NAS601-6P		. SCREW-		1
600	AN960PD6L		. WASHER		1
605	BRH10A06		. NUT SUPPLIER CODE: V52828 SPECIFICATION NUMBER: BACN10JCO6 OPTIONAL PART: H10-06BAC V15653 RMLH9075-62W V72962 VN303A62 V92215 96-62 V80539 NS202101-62 V80539 T6S632J V11815		1
610	NAS602-6P		. SCREW-		1
615	AN960PD8L		. WASHER		1

ILLUSTRATION ITEMS NOT ON PARTS LIST ARE NOT APPLICABLE

- ITEM NOT ILLUSTRATED

HXL

31-31-51-01

BOEING PROPRIETARY - Copyright © - Unpublished Work - See title page for details.

31-31-51
FIG. 01
PAGE 10
DEC 22/06



767

PARTS CATALOG (MAINTENANCE)

FIG ITEM	PART NUMBER	1 2 3 4 5 6 7	NOMENCLATURE	EFFECT FROM TO	UNITS PER ASSY
1 620	BRH10A08		.NUT SUPPLIER CODE: V52828 SPECIFICATION NUMBER: BACN10JCO8 OPTIONAL PART: H10-08BAC V15653 NS202101-82 V80539 RMLH9075-82W V72962 VN303A82 V92215 96-82 V80539 T6S832J V11815 -----*-----		1
625	253T4012-1		.CLIP- ATTACHING PARTS		1
- 630	NAS602-6P		.SCREW-		2
- 635	AN960PD8L		.WASHER		2
- 640	BRH10A08		.NUT SUPPLIER CODE: V52828 SPECIFICATION NUMBER: BACN10JCO8 OPTIONAL PART: H10-08BAC V15653 NS202101-82 V80539 RMLH9075-82W V72962 VN303A82 V92215 96-82 V80539 T6S832J V11815 -----*-----		2
- 700 705	286T0695-120 BACC45FN10-5S		WIRE BUNDLE ASSY- .CONNECTOR- ELECTRICAL EQUIP NUMBER: D01685 WIRING DIAGRAM REF: 313115		RF 1

ILLUSTRATION ITEMS NOT ON PARTS LIST ARE NOT APPLICABLE

- ITEM NOT ILLUSTRATED

31-31-51-01

HXL

BOEING PROPRIETARY - Copyright © - Unpublished Work - See title page for details.

31-31-51
FIG. 01
PAGE 11
DEC 22/06



767

PARTS CATALOG (MAINTENANCE)

FIG ITEM	PART NUMBER	1 2 3 4 5 6 7	NOMENCLATURE	EFFECT FROM TO	UNITS PER ASSY
1 710	BACC45FN10-5S7		.CONNECTOR- ELECTRICAL EQUIP NUMBER: D01689 WIRING DIAGRAM REF: 313115		1

ILLUSTRATION ITEMS NOT ON PARTS LIST ARE NOT APPLICABLE

- ITEM NOT ILLUSTRATED

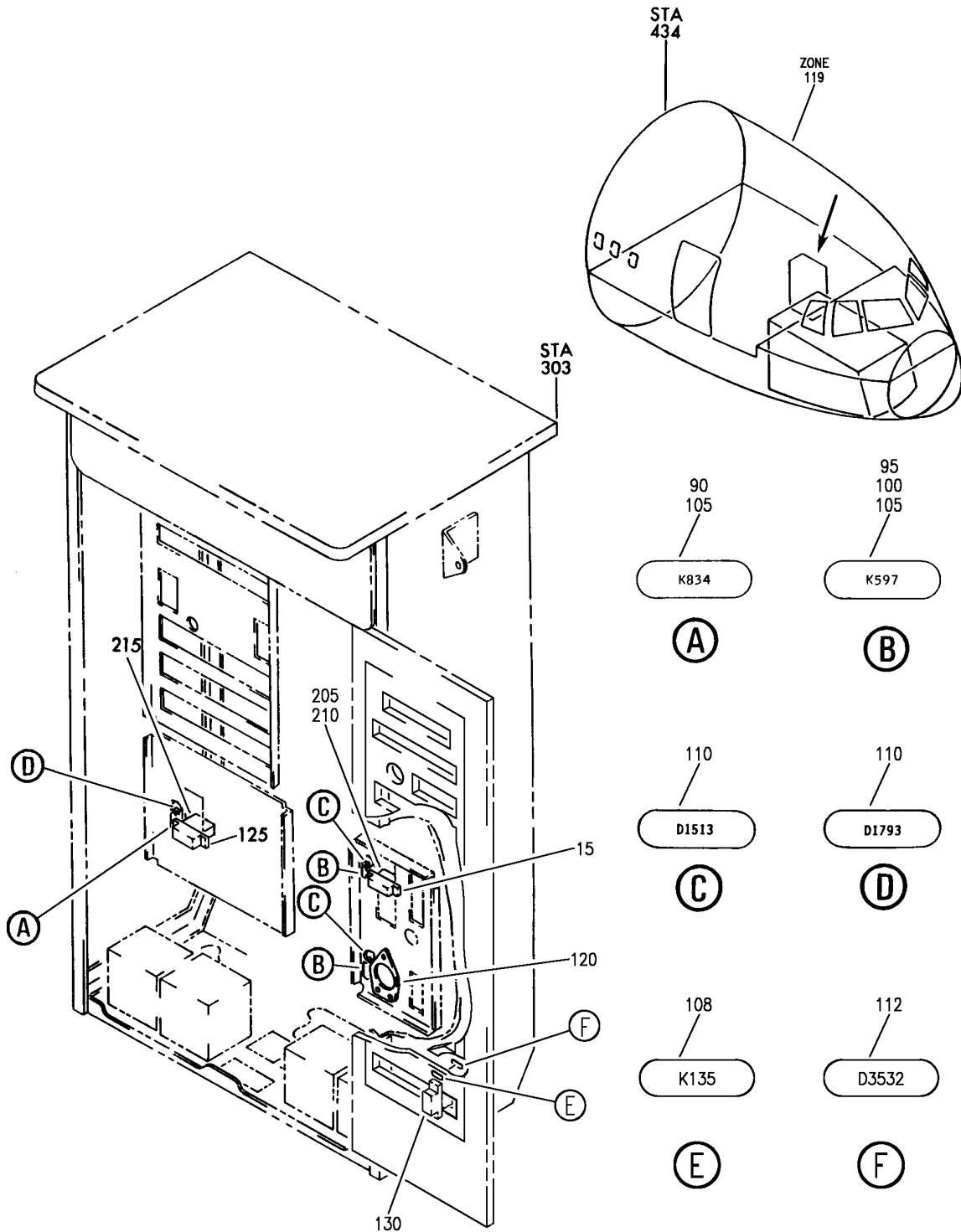
HXL

31-31-51-01

BOEING PROPRIETARY - Copyright © - Unpublished Work - See title page for details.

31-31-51
FIG. 01
PAGE 12
DEC 22/06

BOEING
767
PARTS CATALOG (MAINTENANCE)



EQUIPMENT ASSY-P36 MISC ELEC PNL L (INSTRUMENTS ONLY)
FIGURE 1

31-31-52-01

HXL
DEC 22/06

31-31-52-01
PAGE 0



767

PARTS CATALOG (MAINTENANCE)

FIG ITEM	PART NUMBER	1 2 3 4 5 6 7	NOMENCLATURE	EFFECT FROM TO	UNITS PER ASSY
1			EQUIPMENT ASSY-P36 MISC ELEC PNL L (INSTRUMENTS ONLY)		
- 9	284T0187-167		EQUIPMENT ASSY-P36 MISC ELEC PNL (INSTRUMENTS ONLY) POSITION DATA: L FOR NHA/OTHER SYS DET SEE: 53-11-70-03	155162	RF
- 12	284T0187-205		EQUIPMENT ASSY-P36 MISC ELEC PNL (INSTRUMENTS ONLY) POSITION DATA: L FOR NHA/OTHER SYS DET SEE: 53-11-70-03	163163	RF
- 12	284T0187-212		EQUIPMENT ASSY-P36 MISC ELEC PNL (INSTRUMENTS ONLY) POSITION DATA: L FOR NHA/OTHER SYS DET SEE: 53-11-70-03	164999	RF
105	BAC27TEX4180		.DECALSET-INCLUDES DECALS IDENTIFIED ON THE ILLUSTRATION		RF
110	BAC27TEX3726		.DECALSET-INCLUDES DECALS IDENTIFIED ON THE ILLUSTRATION		RF
110	BAC27TEX4186		.DECALSET-INCLUDES DECALS IDENTIFIED ON THE ILLUSTRATION		RF

ILLUSTRATION ITEMS NOT ON PARTS LIST ARE NOT APPLICABLE

- ITEM NOT ILLUSTRATED

HXL

31-31-52-01

BOEING PROPRIETARY - Copyright © - Unpublished Work - See title page for details.

31-31-52
FIG. 01
PAGE 1
DEC 22/07



767

PARTS CATALOG (MAINTENANCE)

FIG ITEM	PART NUMBER	1 2 3 4 5 6 7	NOMENCLATURE	EFFECT FROM TO	UNITS PER ASSY
1 125	W260F4AM11		.RELAY- SUPPLIER CODE: VF0219 SPECIFICATION NUMBER: BACR13CD2 OPTIONAL PART: BR16S233 V09026 EE4AA005 V35344 3SAV1338A2 V01526 HFW1206K03 V58614 HFW1204K01 V71482 ELECTRICAL EQUIP NUMBER: K00834		1
- 200 215	286T0176-300 RSE120026		.WIRE BUNDLE ASSY .. SOCKET- SUPPLIER CODE: V58982 SPECIFICATION NUMBER: BACS16AG1 OPTIONAL PART: 451120-026 V58982 ELECTRICAL EQUIP NUMBER: D01793 WIRING DIAGRAM REF: 313113		RF 1

ILLUSTRATION ITEMS NOT ON PARTS LIST ARE NOT APPLICABLE

- ITEM NOT ILLUSTRATED

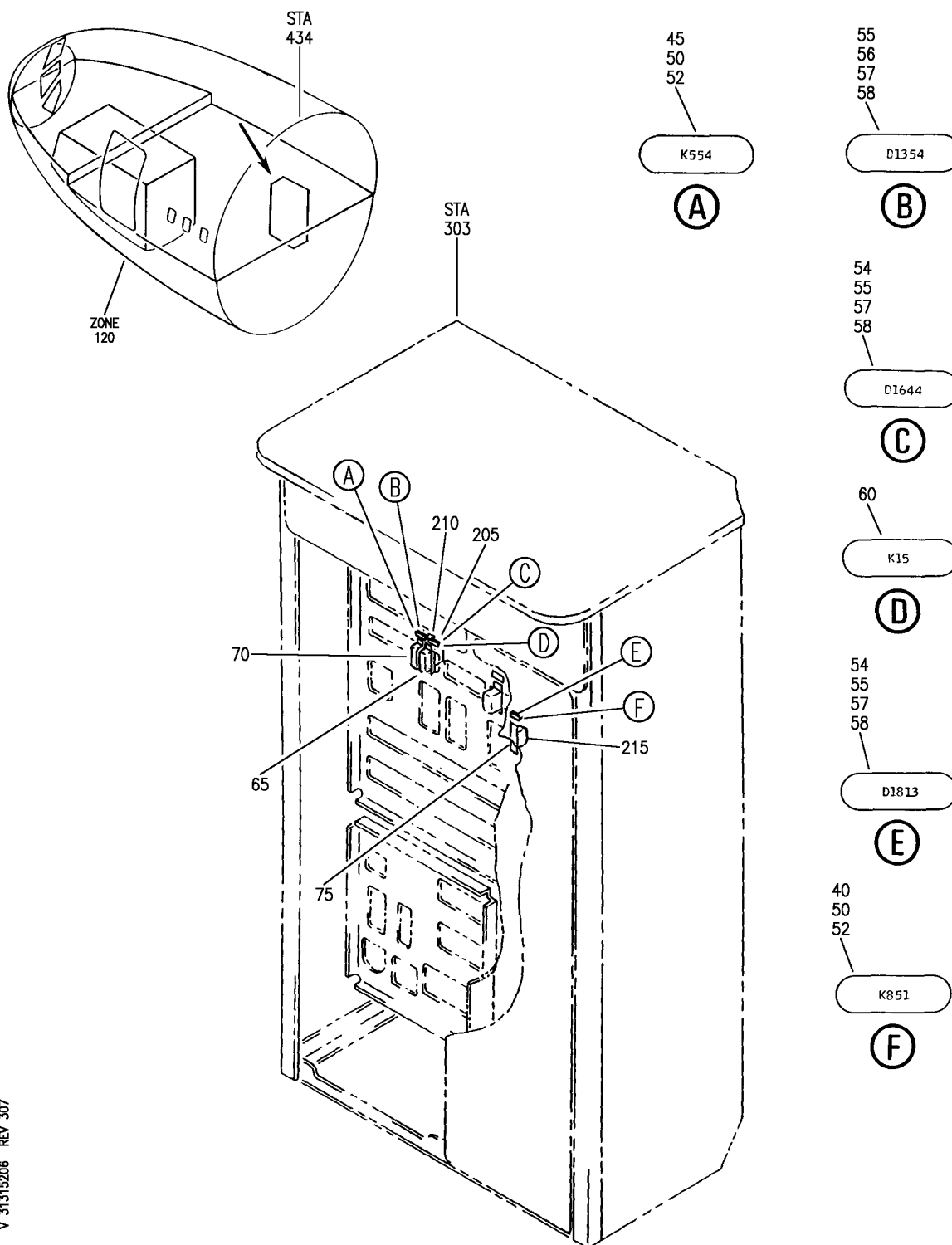
HXL

31-31-52-01

BOEING PROPRIETARY - Copyright © - Unpublished Work - See title page for details.

31-31-52
FIG. 01
PAGE 2
DEC 22/07

BOEING
767
PARTS CATALOG (MAINTENANCE)



V 31315206 REV 307

EQUIPMENT ASSY-P37 MISC ELEC PNL R (INSTRUMENTS ONLY)
FIGURE 6

31-31-52-06

HXL
DEC 22/06

31-31-52-06
PAGE 0



767

PARTS CATALOG (MAINTENANCE)

FIG ITEM	PART NUMBER	1 2 3 4 5 6 7	NOMENCLATURE	EFFECT FROM TO	UNITS PER ASSY
6			EQUIPMENT ASSY-P37 MISC ELEC PNL R (INSTRUMENTS ONLY)		
- 9	284T0188-157		EQUIPMENT ASSY-P37 MISC ELEC PNL (INSTRUMENTS ONLY) POSITION DATA: R FOR NHA/OTHER SYS DET SEE: 53-11-70-05	155162	RF
- 10	284T0188-172		EQUIPMENT ASSY-P37 MISC ELEC PNL (INSTRUMENTS ONLY) POSITION DATA: R FOR NHA/OTHER SYS DET SEE: 53-11-70-05	163163	RF
- 11	284T0188-194		EQUIPMENT ASSY-P37 MISC ELEC PNL (INSTRUMENTS ONLY) POSITION DATA: R FOR NHA/OTHER SYS DET SEE: 53-11-70-05	164999	RF
40	BAC27TEX4184		.DECALSET-(INCLUDES DECALS IDENTIFIED ON THE ILLUSTRATION)		RF
54	BAC27TEX4189		.DECALSET-(INCLUDES DECALS IDENTIFIED ON THE ILLUSTRATION)		RF
65	W260F4AM11		.RELAY- SUPPLIER CODE: VF0219 SPECIFICATION NUMBER: BACR13CD2 OPTIONAL PART: BR16S233 V09026 EE4AA005 V35344 3SAV1338A2 V01526 HFW1206K03 V58614 HFW1204K01 V71482 ELECTRICAL EQUIP NUMBER: K00015		1
ILLUSTRATION ITEMS NOT ON PARTS LIST ARE NOT APPLICABLE					

- ITEM NOT ILLUSTRATED

31-31-52-06

31-31-52
FIG. 06
PAGE 1
DEC 22/07

HXL



767
PARTS CATALOG (MAINTENANCE)

FIG ITEM	PART NUMBER	1 2 3 4 5 6 7	NOMENCLATURE	EFFECT FROM TO	UNITS PER ASSY
6 205	RSE120026		.. SOCKET- SUPPLIER CODE: V58982 SPECIFICATION NUMBER: BACS16AG1 OPTIONAL PART: 451120-026 V58982 ELECTRICAL EQUIP NUMBER: D01644 WIRING DIAGRAM REF: 313112		1

ILLUSTRATION ITEMS NOT ON PARTS LIST ARE NOT APPLICABLE

- ITEM NOT ILLUSTRATED

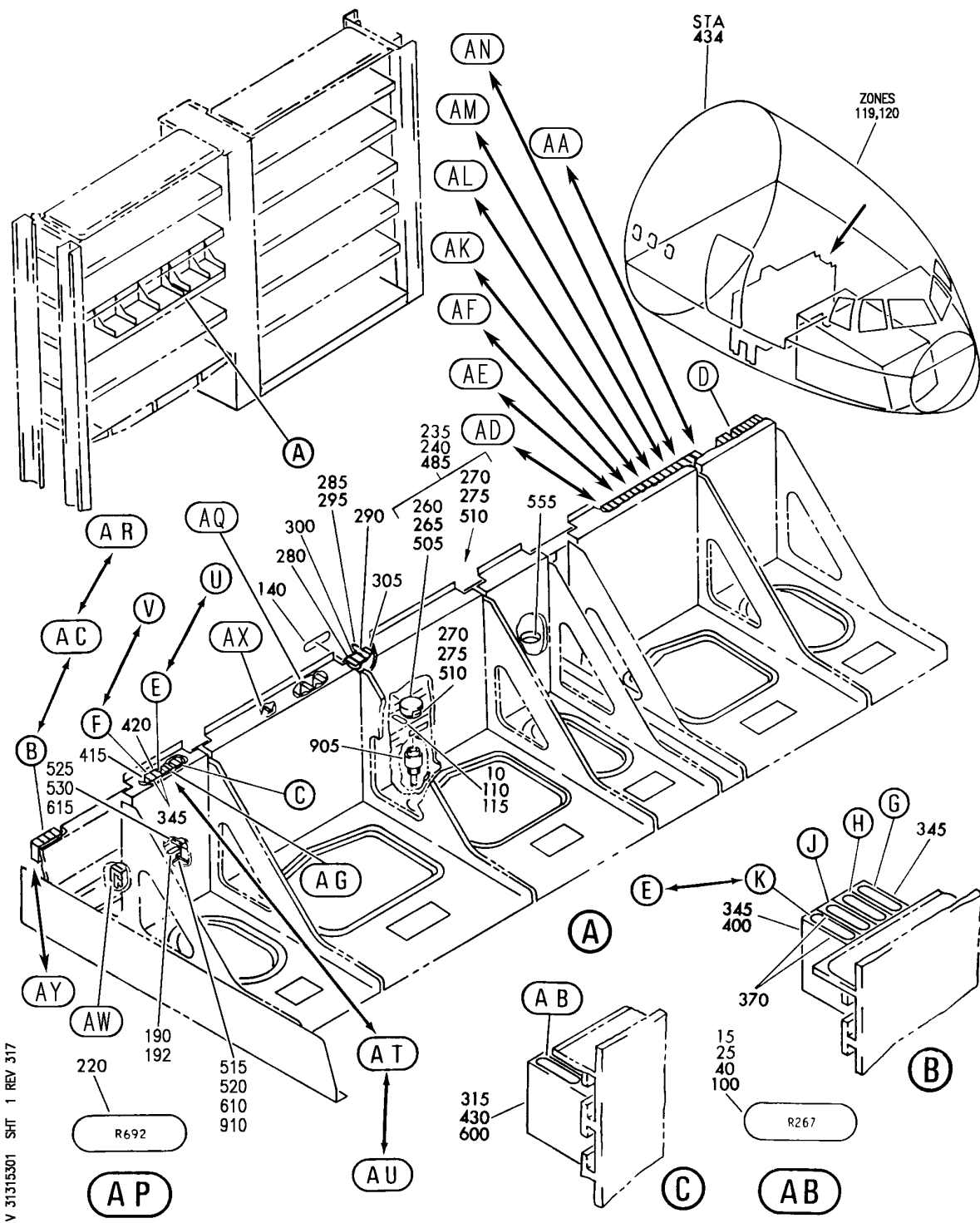
HXL

31-31-52-06

BOEING PROPRIETARY - Copyright © - Unpublished Work - See title page for details.

31-31-52
FIG. 06
PAGE 2
DEC 22/07

BOEING
767
PARTS CATALOG (MAINTENANCE)



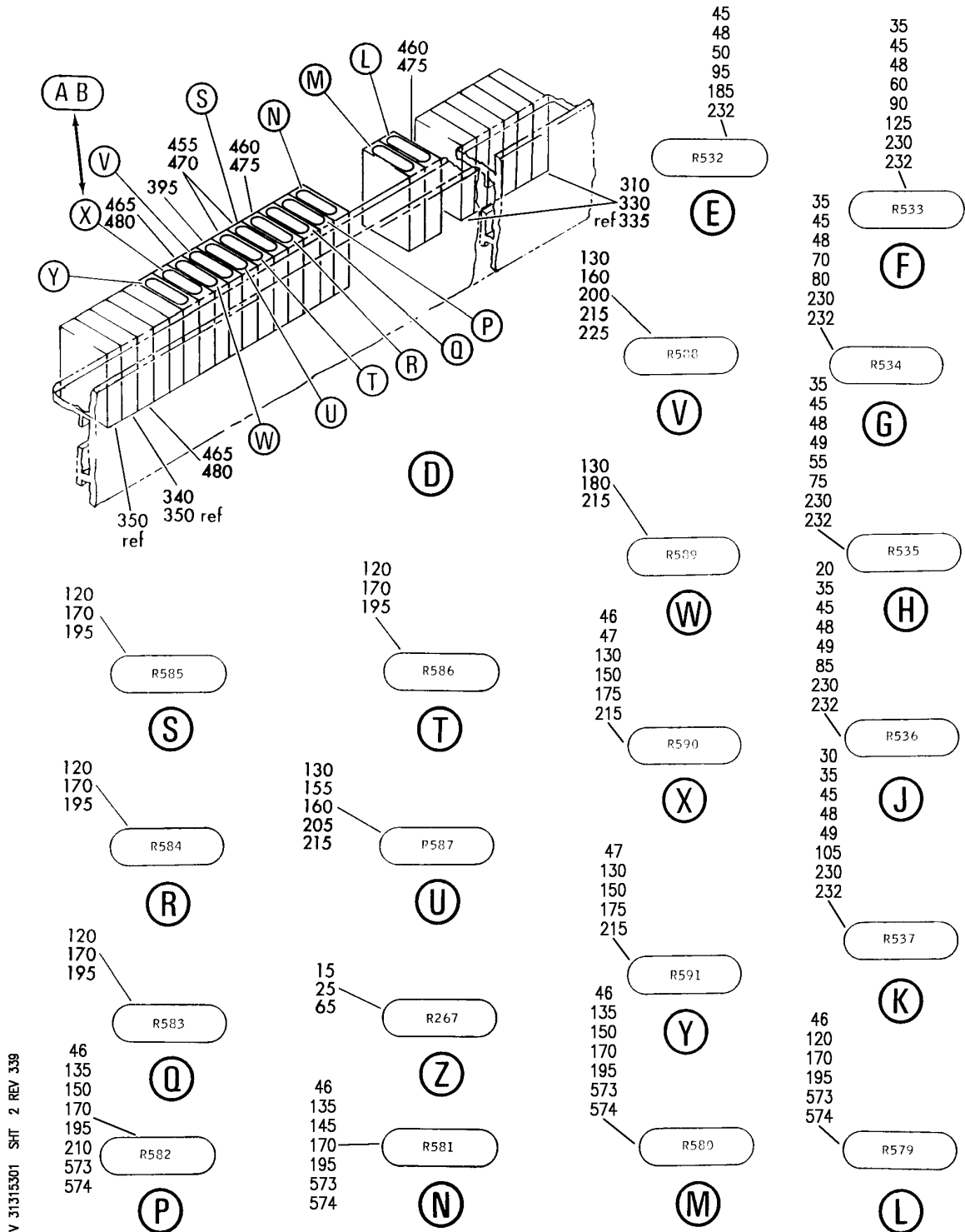
SHELF ASSY-ELECT. EQPT CTR E2-3 (INSTRUMENTS ONLY)
FIGURE 1 (SHEET 1)

31-31-53-01

HXL
AUG 22/07

31-31-53-01
PAGE 0

BOEING
767
PARTS CATALOG (MAINTENANCE)



V 31315301 SHT 2 REV 339

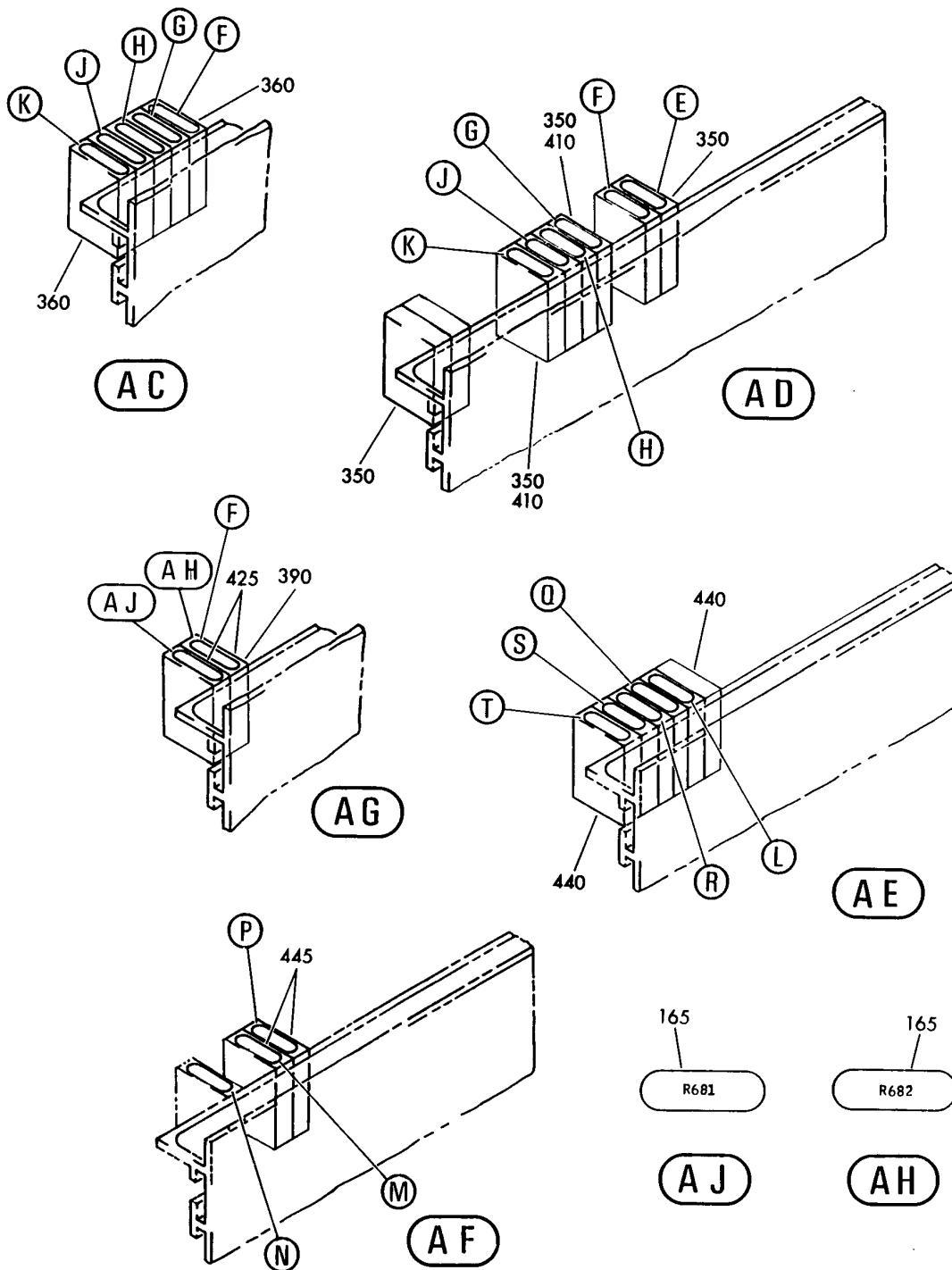
SHELF ASSY-ELECT. EQPT CTR E2-3 (INSTRUMENTS ONLY)
FIGURE 1 (SHEET 2)

31-31-53-01

HXL
APR 22/09

31-31-53-01
PAGE 0A

BOEING
767
PARTS CATALOG (MAINTENANCE)



V 31315301 SHT 3 REV 164

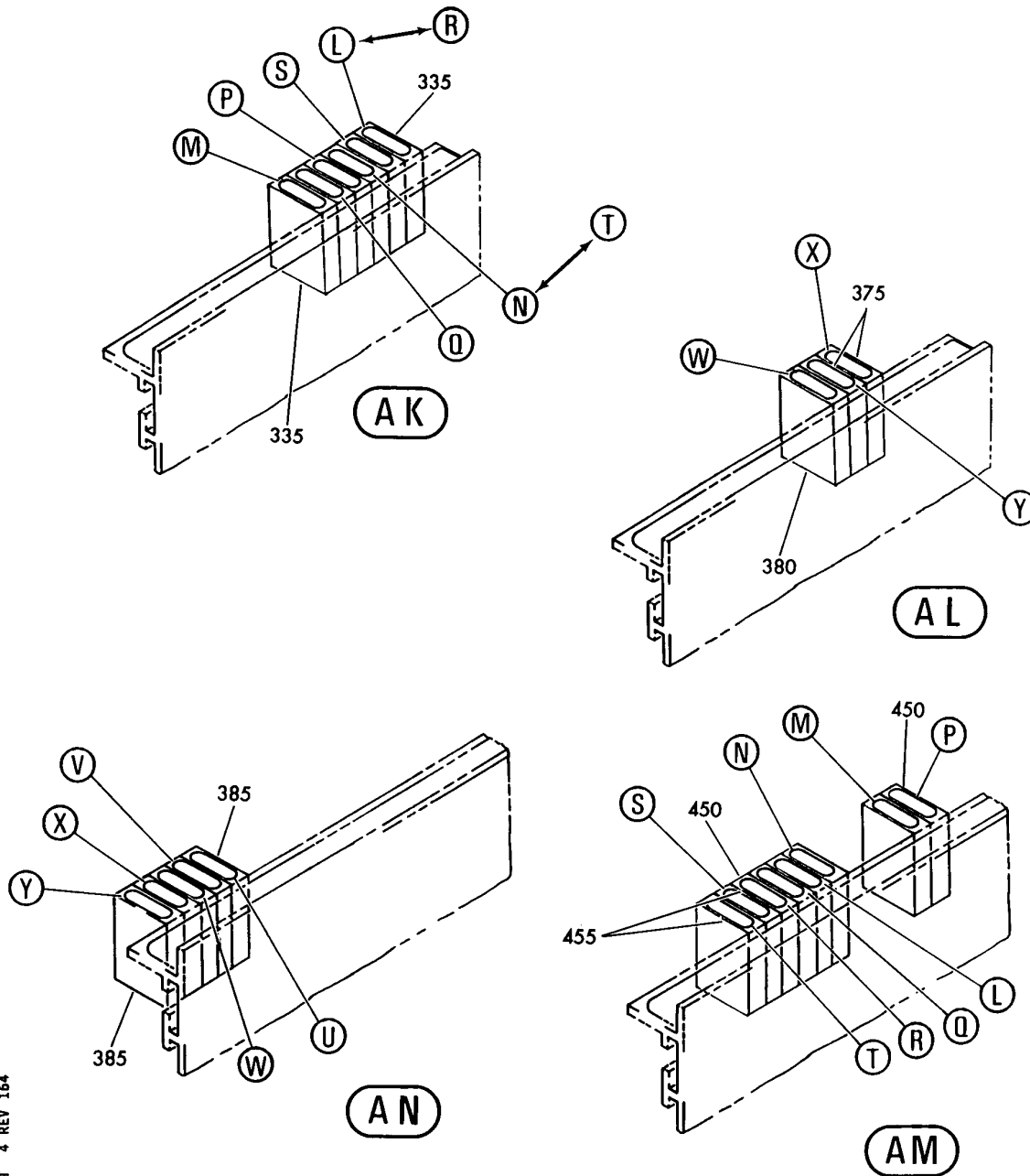
SHELF ASSY-ELECT. EQPT CTR E2-3 (INSTRUMENTS ONLY)
FIGURE 1 (SHEET 3)

31-31-53-01

HXL
DEC 22/06

31-31-53-01
PAGE 0B

BOEING
767
PARTS CATALOG (MAINTENANCE)



V 31315301 SH 4 REV 164

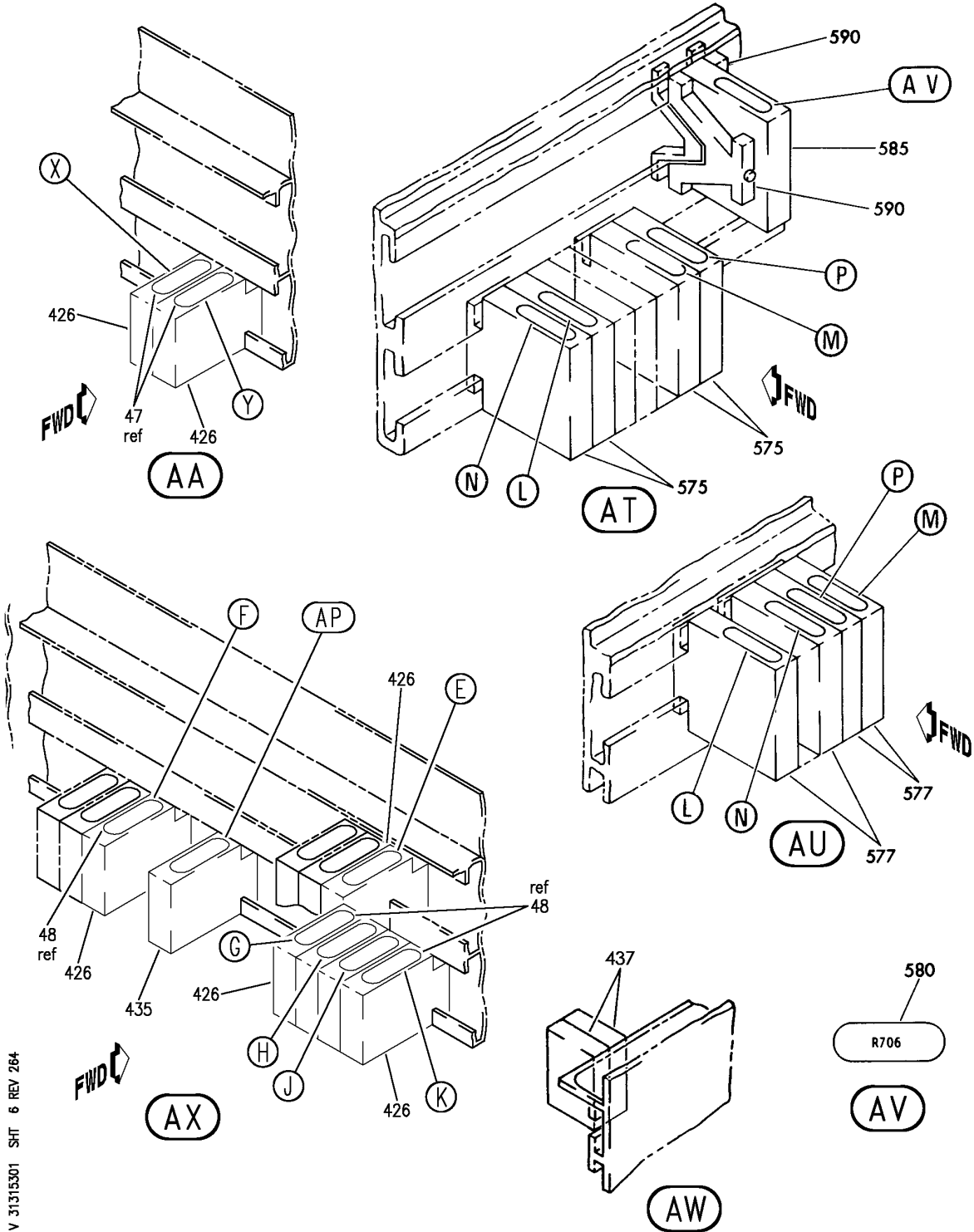
SHELF ASSY-ELECT. EQPT CTR E2-3 (INSTRUMENTS ONLY)
FIGURE 1 (SHEET 4)

31-31-53-01

HXL
DEC 22/06

31-31-53-01
PAGE 0C

BOEING
767
PARTS CATALOG (MAINTENANCE)



V 31315301 SHT 6 REV 264

SHELF ASSY-ELECT. EQPT CTR E2-3 (INSTRUMENTS ONLY)
FIGURE 1 (SHEET 6)

31-31-53-01

HXL
DEC 22/06

31-31-53-01
PAGE 0E

 **BOEING**
767
PARTS CATALOG (MAINTENANCE)

FIG ITEM	PART NUMBER	1 2 3 4 5 6 7	NOMENCLATURE	EFFECT FROM TO	UNITS PER ASSY
1			SHELF ASSY-ELECT. EQPT CTR E2-3 (INSTRUMENTS ONLY)		
- 3	284T0123-70		SHELF ASSY-ELECT. EQPT CTR E2-3 (INSTRUMENTS ONLY) FOR NHA/OTHER SYS DET SEE: 53-11-64-01B	163163	RF
- 5	284T0123-98		SHELF ASSY-ELECT. EQPT CTR E2-3 (INSTRUMENTS ONLY) FOR NHA/OTHER SYS DET SEE: 53-11-64-01B	155162 164999	RF
10	BAC27TEX1912		.DECAL- PLACARD CONTENT: D1421/M976	155162 164999	RF
25	BAC27TEX3434		.DECAL- PLACARD CONTENT: R267		1
50	BAC27TEX0965		.DECAL- PLACARD CONTENT: R532		1
60	BAC27TEX0966		.DECAL- PLACARD CONTENT: R533		1
70	BAC27TEX0967		.DECAL- PLACARD CONTENT: R534		1
75	BAC27TEX0968		.DECAL- PLACARD CONTENT: R535		1
85	BAC27TEX2153		.DECAL- PLACARD CONTENT: R536		1
105	BAC27TEX2154		.DECAL- PLACARD CONTENT: R537		1
110	BAC27TEX1912		.DECAL- PLACARD CONTENT: D1421/M976	163163	1
120	BAC27TEX3607		.DECALSET-INCLUDES DECALS IDENTIFIED ON THE ILLUSTRATION		1
145	BAC27TEX3607		.DECALSET-INCLUDES DECALS IDENTIFIED ON THE ILLUSTRATION		1
150	BAC27TEX3607		.DECALSET-INCLUDES DECALS IDENTIFIED ON THE ILLUSTRATION		1

ILLUSTRATION ITEMS NOT ON PARTS LIST ARE NOT APPLICABLE

- ITEM NOT ILLUSTRATED

HXL

31-31-53-01

BOEING PROPRIETARY - Copyright © - Unpublished Work - See title page for details.

31-31-53
FIG. 01
PAGE 1
DEC 22/07



767

PARTS CATALOG (MAINTENANCE)

FIG ITEM	PART NUMBER	1 2 3 4 5 6 7	NOMENCLATURE	EFFECT FROM TO	UNITS PER ASSY
1					
165	BAC27TEX4771		.DECALSET-INCLUDES DECALS IDENTIFIED ON THE ILLUSTRATION	155162 164999	1
200	BAC27TEX3607		.DECALSET-INCLUDES DECALS IDENTIFIED ON THE ILLUSTRATION		1
205	BAC27TEX3607		.DECALSET-INCLUDES DECALS IDENTIFIED ON THE ILLUSTRATION		1
235	280T1003-1		.RECEPTACLE ASSY- SUPPLIER CODE: V89954 ELECTRICAL EQUIP NUMBER: M00976 ATTACHING PARTS	163163	1
- 245	NAS1801-04-6		.SCREW	163163	2
- 250	AN960D4L		.WASHER-	163163	2
- 255	MS21042L04		.NUT-	163163	2
			-----*-----		
260	CN0942-057PN		..CONNECTOR- SUPPLIER CODE: V13556	163163	1
270	280T1003-2		..BOARD- SUPPLIER CODE: V89954	163163	1
340	YHLZD30		.DIODE- SUPPLIER CODE: V09922 ELECTRICAL EQUIP NUMBER: R00267		1
350	YHLZR10		.RESISTOR- SUPPLIER CODE: V09922 ELECTRICAL EQUIP NUMBER: R00532 R00533 R00534 R00535 R00536 R00537 R00590 R00591		8
365	YHLZR10		.RESISTOR- SUPPLIER CODE: V09922 ELECTRICAL EQUIP NUMBER: R00587 R00588		2

ILLUSTRATION ITEMS NOT ON PARTS LIST ARE NOT APPLICABLE

- ITEM NOT ILLUSTRATED

31-31-53-01

31-31-53
FIG. 01
PAGE 2
DEC 22/07

HXL



767

PARTS CATALOG (MAINTENANCE)

FIG ITEM	PART NUMBER	1 2 3 4 5 6 7	NOMENCLATURE	EFFECT FROM TO	UNITS PER ASSY
1					
410	YHLZR10		.RESISTOR- SUPPLIER CODE: V09922 ELECTRICAL EQUIP NUMBER: R00534 R00535 R00536 R00537		4
425	YHLZR10		.RESISTOR- SUPPLIER CODE: V09922 ELECTRICAL EQUIP NUMBER: R00681 R00682	155162 164999	2
440	69B40800-38		.RESISTOR ASSY- ELECTRICAL EQUIP NUMBER: R00579 R00581 R00583 R00584 R00585 R00586		6
445	69B40800-38		.RESISTOR ASSY- ELECTRICAL EQUIP NUMBER: R00580 R00582	155162 164999	2
455	69B40800-5		.ISOLATOR	155162 164999	3
465	69B40800-5		.ISOLATOR		7
485	280T1003-1		.RECEPTACLE ASSY- SUPPLIER CODE: V89954 ELECTRICAL EQUIP NUMBER: M00976	155162 164999	1
			ATTACHING PARTS		
- 490	NAS1801-04-6		.SCREW	155162 164999	2
- 495	AN960D4L		.WASHER-	155162 164999	2
- 500	MS21042L04		.NUT	155162 164999	2
			-----*-----		
505	CN0942-057PN		..CONNECTOR- SUPPLIER CODE: V13556	155162 164999	1
510	280T1003-2		..BOARD- SUPPLIER CODE: V89954	155162 164999	1
- 900	286T0135-127		.WIRE BUNDLE ASSY-		1

ILLUSTRATION ITEMS NOT ON PARTS LIST ARE NOT APPLICABLE

- ITEM NOT ILLUSTRATED

31-31-53-01

31-31-53
FIG. 01
PAGE 3
DEC 22/07

HXL



767
PARTS CATALOG (MAINTENANCE)

FIG ITEM	PART NUMBER	1 2 3 4 5 6 7	NOMENCLATURE	EFFECT FROM TO	UNITS PER ASSY
1 905	BACC45FT22A55S		.. CONNECTOR- ELECTRICAL EQUIP NUMBER: D01421 WIRING DIAGRAM REF: 313112		1

ILLUSTRATION ITEMS NOT ON PARTS LIST ARE NOT APPLICABLE

- ITEM NOT ILLUSTRATED

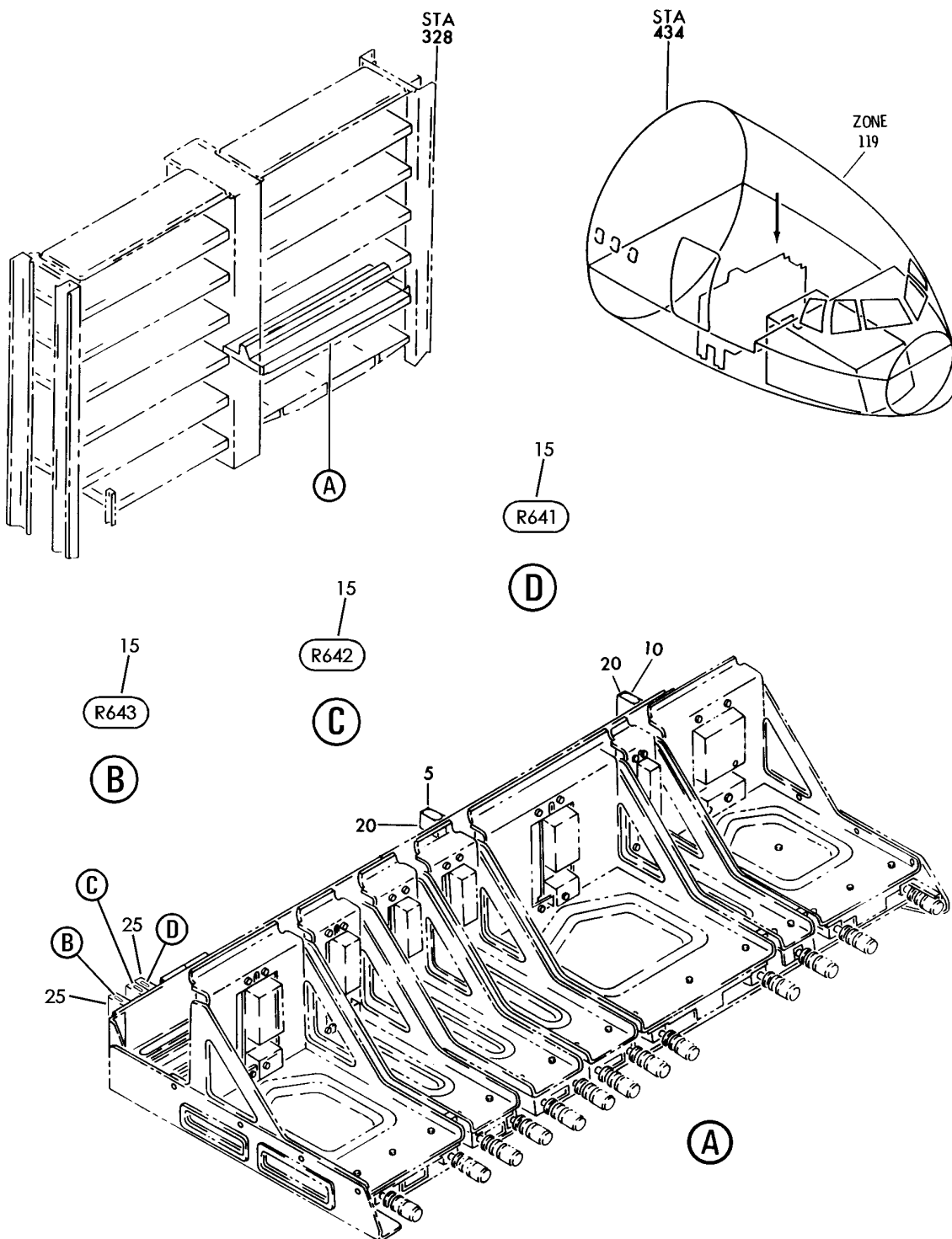
HXL

31-31-53-01

BOEING PROPRIETARY - Copyright © - Unpublished Work - See title page for details.

31-31-53
FIG. 01
PAGE 4
DEC 22/07

BOEING
767
PARTS CATALOG (MAINTENANCE)



V 31315303 REV 223

SHELF ASSY-ELECTRONIC EQPT CTR E1-5 (INDICATING/ RECORDING SYSTEMS ONLY)
FIGURE 3

31-31-53-03

HXL
DEC 22/06

31-31-53-03
PAGE 0



767

PARTS CATALOG (MAINTENANCE)

FIG ITEM	PART NUMBER	1 2 3 4 5 6 7	NOMENCLATURE	EFFECT FROM TO	UNITS PER ASSY
3			SHELF ASSY-ELECTRONIC EQPT CTR E1-5 (INDICATING/ RECORDING SYSTEMS ONLY)		
- 2	284T0115-58		SHELF ASSY-ELECTRONIC EQPT CTR E1-5 (INDICATING/ RECORDING SYSTEMS ONLY) FOR NHA/OTHER SYS DET SEE: 53-11-64-01B		RF
5	BAC27TEX3398		.DECAL- PLACARD CONTENT: R256		1
10	BAC27TEX3397		.DECAL- PLACARD CONTENT: R255		1
20	YHLZD30		.DIODE- SUPPLIER CODE: V09922 ELECTRICAL EQUIP NUMBER: R00255 R00256		2

ILLUSTRATION ITEMS NOT ON PARTS LIST ARE NOT APPLICABLE

- ITEM NOT ILLUSTRATED

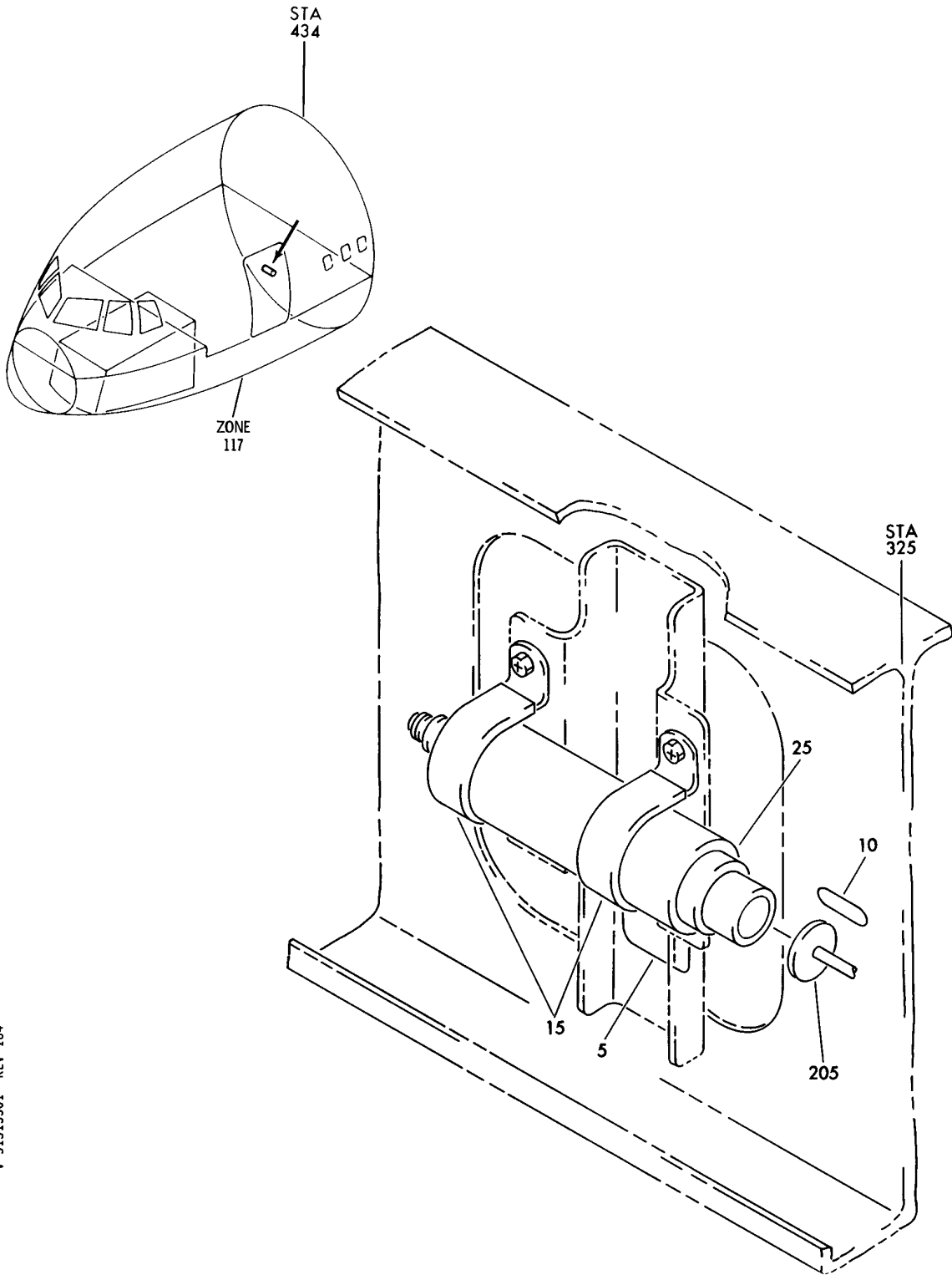
HXL

31-31-53-03

BOEING PROPRIETARY - Copyright © - Unpublished Work - See title page for details.

31-31-53
FIG. 03
PAGE 1
DEC 22/07

BOEING
767
PARTS CATALOG (MAINTENANCE)



V 31315501 REV 164

TRANSDUCER INSTL-SECT. 41 CAB. PRESSURE
FIGURE 1

31-31-55-01

HXL
DEC 22/06

31-31-55-01
PAGE 0



767

PARTS CATALOG (MAINTENANCE)

FIG ITEM	PART NUMBER	1 2 3 4 5 6 7	NOMENCLATURE	EFFECT FROM TO	UNITS PER ASSY
1			TRANSDUCER INSTL-SECT. 41 CAB. PRESSURE		
- 1	284T0919-2		TRANSDUCER INSTL-CAB. PRESSURE POSITION DATA: SECT. 41 FOR NHA SEE: 24-00-58-01B		RF
5	BAC27TEX2327		.DECAL-TS0356 CABIN PRESSURE TRANSDUCER		1
10	BAC27TEX2331		.DECAL- PLACARD CONTENT: D1635		1
15	751-20-8		.CLAMP- SUPPLIER CODE: V83930 SPECIFICATION NUMBER: BACC10BA20 OPTIONAL PART: TA04C34D20 V84971		2
- 20	NAS1801-08-7		ATTACHING PARTS .SCREW -----*-----		4
25	1332AH1		.TRANSDUCER- SUPPLIER CODE: V59885 ELECTRICAL EQUIP NUMBER: TS0356		1
- 200	286T0695-120		WIRE BUNDLE ASSY		RF
205	KPSE06F10-6S		.PLUG- SUPPLIER CODE: V71468 ELECTRICAL EQUIP NUMBER: D01635 WIRING DIAGRAM REF: 313115		1

ILLUSTRATION ITEMS NOT ON PARTS LIST ARE NOT APPLICABLE

- ITEM NOT ILLUSTRATED

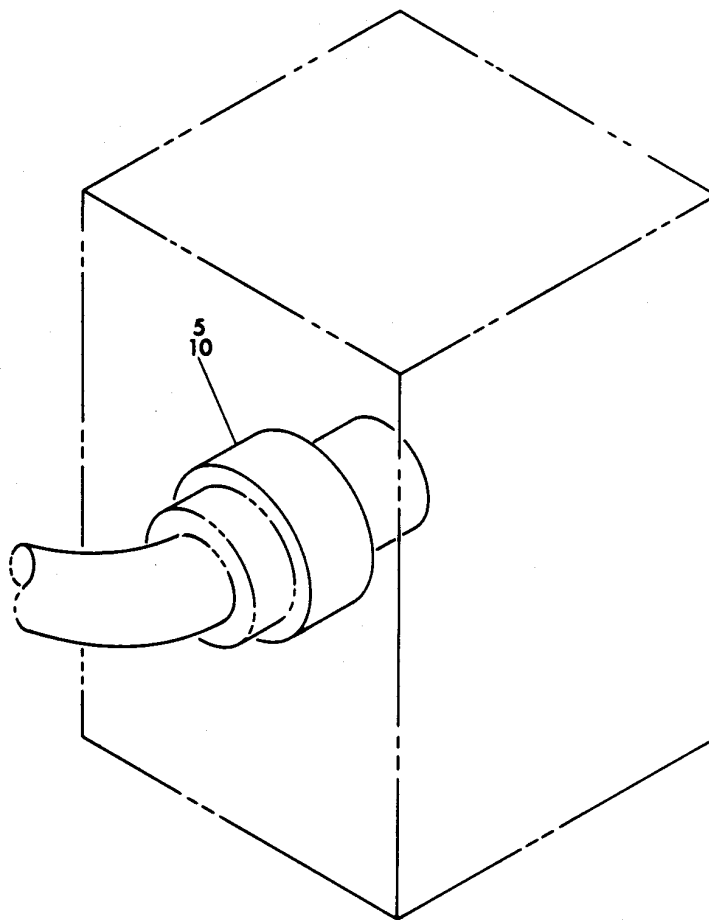
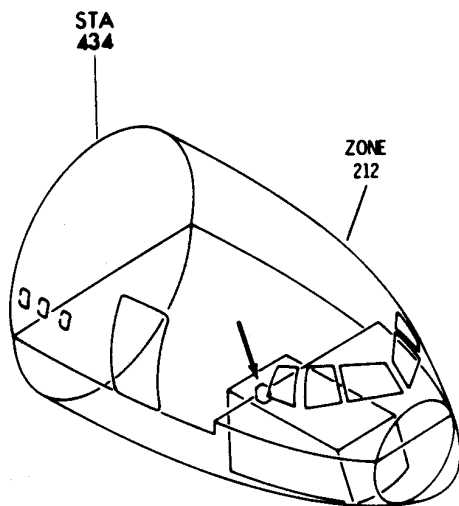
HXL

31-31-55-01

BOEING PROPRIETARY - Copyright © - Unpublished Work - See title page for details.

31-31-55
FIG. 01
PAGE 1
DEC 22/06

BOEING
767
PARTS CATALOG (MAINTENANCE)



V 3131801 SHT 1 REV 004

PROVISION INSTL-SECT. 41 WIRE MISC (INDICATING/ RECORDING ONLY)
FIGURE 1

31-31-58-01

HXL
DEC 22/06

31-31-58-01
PAGE 0



767

PARTS CATALOG (MAINTENANCE)

FIG ITEM	PART NUMBER	1 2 3 4 5 6 7	NOMENCLATURE	EFFECT FROM TO	UNITS PER ASSY
1			PROVISION INSTL-SECT. 41 WIRE MISC (INDICATING/ RECORDING ONLY)		
- 1	287T0001-1		PROVISION INSTL- WIRE MISC (INDICATING/ RECORDING ONLY) POSITION DATA: SECT. 41 FOR NHA/OTHER SYS DET SEE: 24-00-57-02		RF
10	280T1004-8		.PLUG ASSY-SHORTING SUPPLIER CODE: V89954 ELECTRICAL EQUIP NUMBER: M00968		1

ILLUSTRATION ITEMS NOT ON PARTS LIST ARE NOT APPLICABLE

- ITEM NOT ILLUSTRATED

HXL

31-31-58-01

BOEING PROPRIETARY - Copyright © - Unpublished Work - See title page for details.

31-31-58
FIG. 01
PAGE 1
DEC 22/06