

LANDING GEAR-GENERAL

HXL
DEC 22/06

32-00-00
SECTION TITLE
PAGE 1

BOEING
767
PARTS CATALOG (MAINTENANCE)

NON-ILLUSTRATED FIGURE

THE ITEMS REFLECTED IN THIS FIGURE ARE INTENTIONALLY
NON-ILLUSTRATED. THEY ARE REFERENCED TO EITHER A
NEXT HIGHER OR NEXT LOWER ASSEMBLY/INSTALLATION FIGURE.

V 3200001 SH1 1 REV 008

LANDING GEAR INSTL
FIGURE 1

32-00-00-01

HXL
DEC 22/06

32-00-00-01
PAGE 0



767

PARTS CATALOG (MAINTENANCE)

FIG ITEM	PART NUMBER	1 2 3 4 5 6 7	NOMENCLATURE	EFFECT FROM TO	UNITS PER ASSY
1			LANDING GEAR INSTL		
- 1	160T0000-618		LANDING GEAR INSTL- SCANDINAVIAN AIRLINES SYSTEM SAS 767-383ER IGW VARIABLE DRAWING REF: 160T0000-5176 160T0000-5221		1
- 12	161T0000-341		.GEAR INSTL-MAIN LDG POSITION DATA: LH FOR DETAILS SEE: 32-11-01-01F	155162	1
- 30	161T0000-223		.GEAR INSTL-MAIN LDG POSITION DATA: LH FOR DETAILS SEE: 32-11-01-01F	163999	1
- 60	161T0000-342		.GEAR INSTL-MAIN LDG POSITION DATA: RH FOR DETAILS SEE: 32-11-01-01F	155162	1
- 60	161T0000-224		.GEAR INSTL-MAIN LDG POSITION DATA: RH FOR DETAILS SEE: 32-11-01-01F	163999	1
- 81	162T0000-068		.GEAR INSTL-NLG FUNCTIONAL REFERENCE: LANDING GEAR FOR DETAILS SEE 32-21-01-01 PLACARDS AND MARKINGS FOR DETAILS SEE 11-22-01-01	163999	1
- 89	162T0000-514		.GEAR INSTL-NLG FUNCTIONAL REFERENCE: LANDING GEAR FOR DETAILS SEE 32-21-01-01 PLACARDS AND MARKINGS FOR DETAILS SEE 11-22-01-01	155162	1

ILLUSTRATION ITEMS NOT ON PARTS LIST ARE NOT APPLICABLE

- ITEM NOT ILLUSTRATED

HXL

32-00-00-01

BOEING PROPRIETARY - Copyright © - Unpublished Work - See title page for details.

32-00-00
FIG. 01
PAGE 1
DEC 22/07



767

PARTS CATALOG (MAINTENANCE)

FIG ITEM	PART NUMBER	1 2 3 4 5 6 7	NOMENCLATURE	EFFECT FROM TO	UNITS PER ASSY
1					
- 100	162T4000-5		.MECHANISM INSTL-NLG DOOR OPERATING POSITION DATA: FWD LH FUNCTIONAL REFERENCE: LANDING GEAR FOR DETAILS SEE 32-22-02-01 PLACARDS AND MARKINGS FOR DETAILS SEE 11-22-09-01		1
- 100	162T4000-6		.MECHANISM INSTL-NLG DOOR OPERATING POSITION DATA: FWD RH FUNCTIONAL REFERENCE: LANDING GEAR FOR DETAILS SEE 32-22-02-01 PLACARDS AND MARKINGS FOR DETAILS SEE 11-22-09-01		1
- 150	163T0000-002		.TAIL SKID INSTL-MODEL 767-300 VARIABLE DRAWING REF: 163T0000-5001 FUNCTIONAL REFERENCE: LANDING GEAR FOR DETAILS SEE 32-71-55-01 PLACARDS AND MARKINGS FOR DETAILS SEE 11-22-35-01		1

ILLUSTRATION ITEMS NOT ON PARTS LIST ARE NOT APPLICABLE

- ITEM NOT ILLUSTRATED

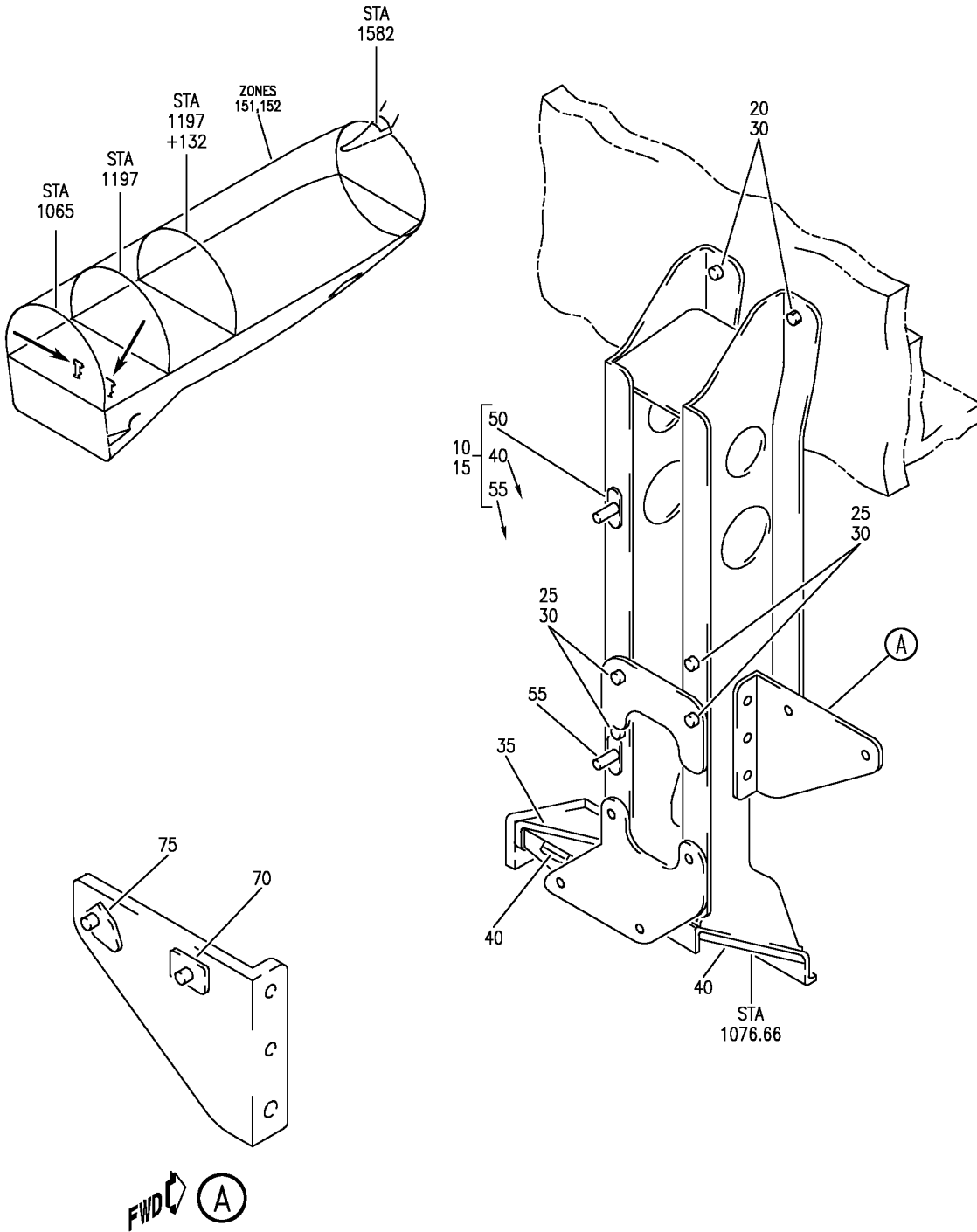
HXL

32-00-00-01

BOEING PROPRIETARY - Copyright © - Unpublished Work - See title page for details.

32-00-00
FIG. 01
PAGE 2
DEC 22/07

BOEING
767
PARTS CATALOG (MAINTENANCE)



V 32004001 REV 338

SUPPORT INSTL-GND DOOR RELEASE AFT WHEELWELL BHD,LWR
FIGURE 1

32-00-40-01

HXL
APR 22/09

32-00-40-01
PAGE 0

 **BOEING**
767
PARTS CATALOG (MAINTENANCE)

FIG ITEM	PART NUMBER	1 2 3 4 5 6 7	NOMENCLATURE	EFFECT FROM TO	UNITS PER ASSY
1			SUPPORT INSTL-GND DOOR RELEASE		
- 1	255T4506-1		AFT WHEELWELL BHD,LWR SUPPORT INSTL-GND DOOR RELEASE		RF
			POSITION DATA: AFT WHEELWELL LWR LH VARIABLE DRAWING REF: 255T4506-5003 FOR NHA SEE: 53-00-56-01		
- 5	255T4506-2		SUPPORT INSTL-GND DOOR RELEASE		RF
			POSITION DATA: AFT WHEELWELL LWR RH VARIABLE DRAWING REF: 255T4506-5004 FOR NHA SEE: 53-00-56-01		
10	255T4567-5		.SUPPORT ASSY-		1
			POSITION DATA: LH SIDE		
15	255T4567-6		.SUPPORT ASSY-		1
			POSITION DATA: RH SIDE		
20	L8008K5		ATTACHING PARTS .BOLT		2
			SUPPLIER CODE: V06725 SPECIFICATION NUMBER: BACB30MY8K5		
25	L8008K9		.BOLT		4
			SUPPLIER CODE: V06725 SPECIFICATION NUMBER: BACB30MY8K9		

ILLUSTRATION ITEMS NOT ON PARTS LIST ARE NOT APPLICABLE

- ITEM NOT ILLUSTRATED

HXL

32-00-40-01

BOEING PROPRIETARY - Copyright © - Unpublished Work - See title page for details.

32-00-40
FIG. 01
PAGE 1
APR 22/08

 **BOEING**
767
PARTS CATALOG (MAINTENANCE)

FIG ITEM	PART NUMBER	1 2 3 4 5 6 7	NOMENCLATURE	EFFECT FROM TO	UNITS PER ASSY
1					
30	HL79-8		. COLLAR SUPPLIER CODE: V5M902 SPECIFICATION NUMBER: BACC30M8 OPTIONAL PART: HL79-8 V73197 HL79-8 V92215 66014-8 V56878 HL79-8 V56878 -----*-----		4
35	BACS40R10A22F		. SHIM-		1
40	K2000-4		.. NUTPLATE SUPPLIER CODE: V15653 SPECIFICATION NUMBER: BACN10KB4 OPTIONAL PART: NS103184-048 V80539 RMA9207-4 V72962 T8109S428 V11815 VN101A1-048 V92215 BR1000A4 V52828 ATTACHING PARTS		2
- 45	BACR15BA4AD		.. RIVET- SIZE DETERMINED ON INSTL. -----*-----		4
50	BACN10NX32-9		.. NUTPLATE-SPACER POSITION DATA: LH SIDE		1
55	BACN10NX32-11		.. NUTPLATE-SPACER POSITION DATA: LH SIDE ATTACHING PARTS		1
- 60	BACR15BB4A		.. RIVET- SIZE DETERMINED ON INSTL. -----*-----		4
- 65	272T0079-5		.. BRACKET ASSY-HYDR POSITION DATA: LH SIDE		1

ILLUSTRATION ITEMS NOT ON PARTS LIST ARE NOT APPLICABLE

- ITEM NOT ILLUSTRATED

HXL

32-00-40-01

BOEING PROPRIETARY - Copyright © - Unpublished Work - See title page for details.

32-00-40
FIG. 01
PAGE 2
APR 22/08



767

PARTS CATALOG (MAINTENANCE)

FIG ITEM	PART NUMBER	1 2 3 4 5 6 7	NOMENCLATURE	EFFECT FROM TO	UNITS PER ASSY
1 70	MF53049-3		...NUTPLATE SUPPLIER CODE: V15653 SPECIFICATION NUMBER: BACN10JN3 OPTIONAL PART: BRFM20A3 V52828 MF1000-3BAC V15653 NS103218-02 V80539 RMF9201M3 V72962 VN252A02 V92215 T8124S3S V11815		1
75	F2000-3		...NUTPLATE SUPPLIER CODE: V15653 SPECIFICATION NUMBER: BACN10KB3F OPTIONAL PART: NS103185-02 V80539 RMF9207-3 V72962 T8114S1032S V11815 VN151A1-02 V92215 BRF100A3 V52828		1
- 80	BACR15DA3AD		ATTACHING PARTS ...RIVET- SIZE DETERMINED ON INSTL. -----*-----		4

ILLUSTRATION ITEMS NOT ON PARTS LIST ARE NOT APPLICABLE

- ITEM NOT ILLUSTRATED

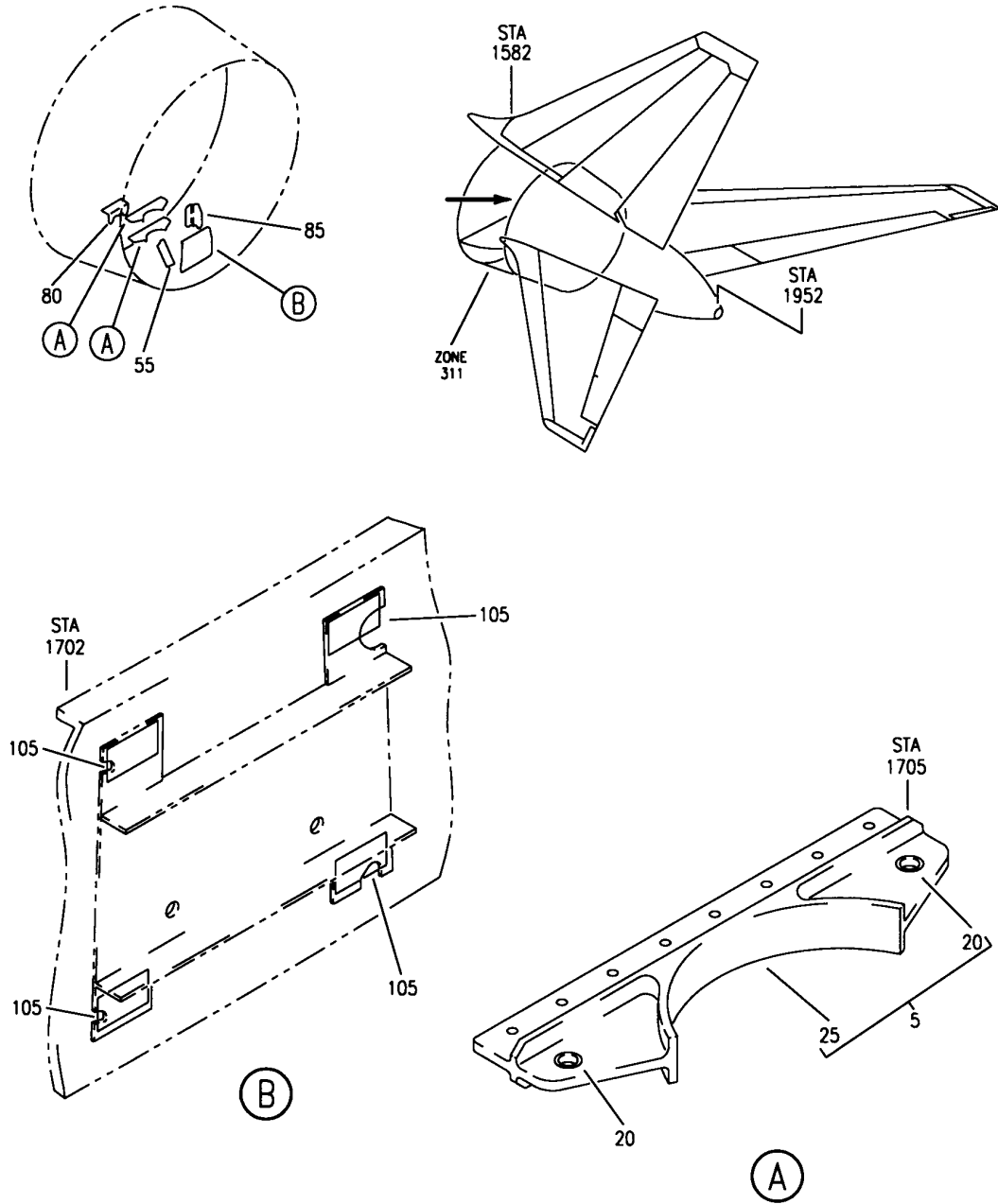
HXL

32-00-40-01

BOEING PROPRIETARY - Copyright © - Unpublished Work - See title page for details.

32-00-40
 FIG. 01
 PAGE 3
 DEC 22/06

BOEING
767
PARTS CATALOG (MAINTENANCE)



V 32005101 REV 188

BRACKET INSTL- TRANSFER CYLINDER TAIL SKID SECT. 48
FIGURE 1

32-00-51-01

HXL
DEC 22/06

32-00-51-01
PAGE 0



767

PARTS CATALOG (MAINTENANCE)

FIG ITEM	PART NUMBER	1 2 3 4 5 6 7	NOMENCLATURE	EFFECT FROM TO	UNITS PER ASSY
1			BRACKET INSTL- TRANSFER CYLINDER TAIL SKID SECT. 48		
- 1	272T0202-1		BRACKET INSTL-TRANSFER CYLINDER TAIL SKID POSITION DATA: SECT. 48		RF
5	272T0203-1		.BRACKET ASSY-SADDLE ATTACHING PARTS		2
- 10	L8005K4		.BOLT SUPPLIER CODE: V06725 SPECIFICATION NUMBER: BACB30MY5K4		16
- 15	HL70-5		.COLLAR SUPPLIER CODE: V5M902 SPECIFICATION NUMBER: BACC30M5 OPTIONAL PART: HL70-5 V73197 HL70-5 V92215 66014-5 V56878 HL70-5 V56878 -----*-----		16
20	BACB28Y4C015		..BUSHING		2
25	272T0203-2		..BRACKET		1
- 50	272T0202-2		BRACKET INSTL-TRANSFER CYLINDER TAIL SKID POSITION DATA: SECT. 48		RF
55	272T0205-5		.BRACKET ASSY		1
- 75	272T0202-3		BRACKET INSTL-TRANSFER CYLINDER TAIL SKID POSITION DATA: SECT. 48		RF
80	272T0196-1		.BRACKET ASSY		1
85	272T0199-1		.BRACKET ASSY		1
- 100	272T0202-4		BRACKET INSTL-TRANSFER CYLINDER TAIL SKID POSITION DATA: SECT. 48		RF
105	272T0210-6		.FILLER-RADIUS		4

ILLUSTRATION ITEMS NOT ON PARTS LIST ARE NOT APPLICABLE

- ITEM NOT ILLUSTRATED

32-00-51-01

32-00-51
FIG. 01
PAGE 1
APR 22/08

HXL