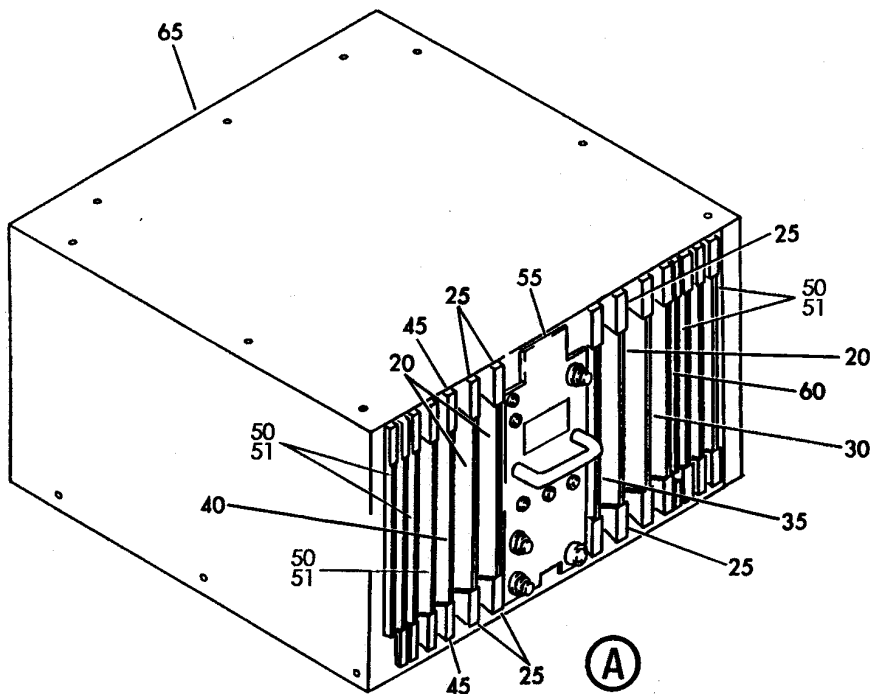
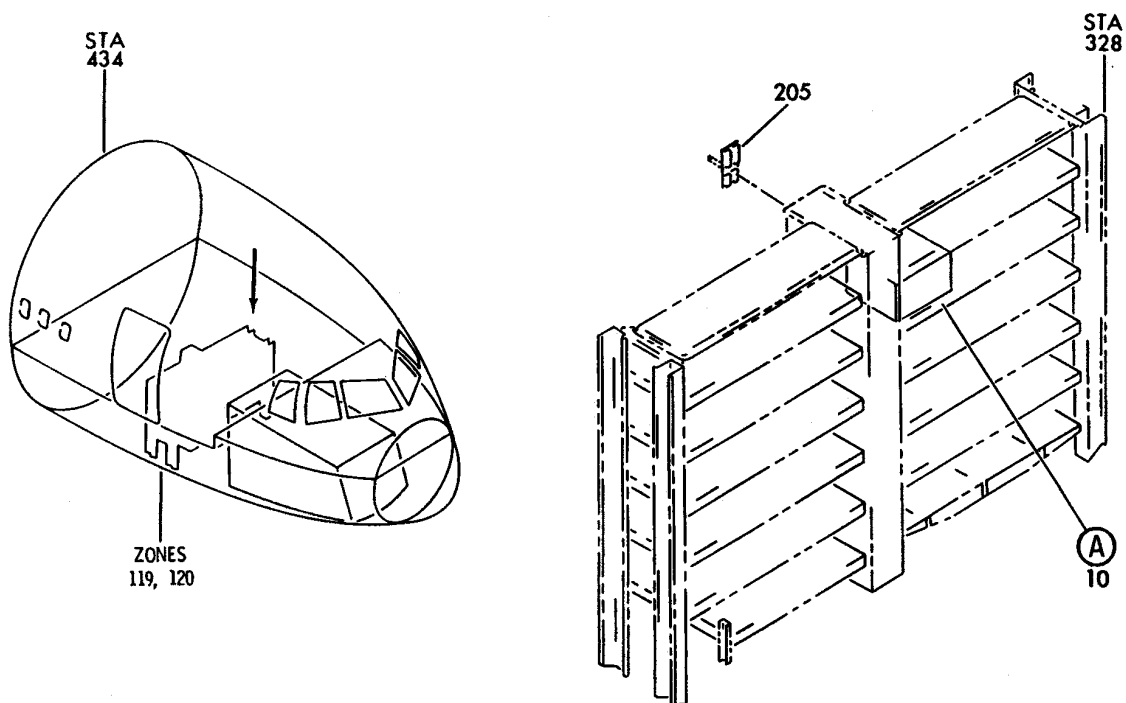


LANDING GEAR MULTIPLE USE SYSTEM/COMPONENTS

HXL
DEC 22/06

32-09-00
SECTION TITLE
PAGE 1

BOEING
767
PARTS CATALOG (MAINTENANCE)



V 32090402 REV 215

EQUIPMENT INSTL-ELECT. EQPT CTR E1/E2 RACK (LANDING GEAR MULTIPLE USE SYSTEMS/COMPONENTS ONLY)
FIGURE 2

HXL
DEC 22/06

32-09-04-02

32-09-04-02
PAGE 0



767

PARTS CATALOG (MAINTENANCE)

FIG ITEM	PART NUMBER	1 2 3 4 5 6 7	NOMENCLATURE	EFFECT FROM TO	UNITS PER ASSY
2			EQUIPMENT INSTL-ELECT. EQPT CTR E1/E2 RACK (LANDING GEAR MULTIPLE USE SYSTEMS/COMPONENTS ONLY)		
- 1	284T0400-618		EQUIPMENT INSTL-ELECT. EQPT CTR E1/E2 RACK (LANDING GEAR MULTIPLE USE SYSTEMS/COMPONENTS ONLY) VARIABLE DRAWING REF: 284T0400-5284 FOR NHA/OTHER SYS DET SEE: 24-00-58-01J	155162	RF
- 2	284T0400-630		EQUIPMENT INSTL-ELECT. EQPT CTR E1/E2 RACK (LANDING GEAR MULTIPLE USE SYSTEMS/COMPONENTS ONLY) VARIABLE DRAWING REF: 284T0400-5349 284T0400-5357 FOR NHA/OTHER SYS DET SEE: 24-00-58-01J	163999	RF
10	8-497-04		.UNIT ASSY-PROXIMITY SWITCH ELECTRONIC SUPPLIER CODE: V08748 FUNCTIONAL DESCRIPTION: PROVIDES POSITION & CONTROL INFO FOR DOORS, THRUST REVERSERS, LE SLATS & LANDING GEAR SYSTEMS. SPECIFICATION NUMBER: S283T006-26 ELECTRICAL EQUIP NUMBER: M00162 COMPONENT MAINT MANUAL REF: 32-09-16		1

ILLUSTRATION ITEMS NOT ON PARTS LIST ARE NOT APPLICABLE

- ITEM NOT ILLUSTRATED

HXL

32-09-04-02

BOEING PROPRIETARY - Copyright © - Unpublished Work - See title page for details.

32-09-04
FIG. 02
PAGE 1
DEC 22/07



767

PARTS CATALOG (MAINTENANCE)

FIG ITEM	PART NUMBER	1 2 3 4 5 6 7	NOMENCLATURE	EFFECT FROM TO	UNITS PER ASSY
2 20	8-351-07		..CARD ASSY-A5 DRIVER SUPPLIER CODE: V08748 CONFIG CHG DATA FROM A CMM: SUPSD BY 8-351-09 OPTIONAL PART: 8-351-09 V08748 USED ON: 8-497-04 USED ON: 8-468-01 8-468-02		3
20	8-351-05		..CARD ASSY-A5 DRIVER SUPPLIER CODE: V08748 CONFIG CHG DATA FROM A CMM: SUPSD BY 8-351-09 USED ON: 8-468-01 8-468-02		3
20	8-351-06		..CARD ASSY-A5 DRIVER SUPPLIER CODE: V08748 CONFIG CHG DATA FROM A CMM: SUPSD BY 8-351-09 USED ON: 8-468-01 8-468-02		3
20	8-351-08		..CARD ASSY-A5 DRIVER SUPPLIER CODE: V08748 CONFIG CHG DATA FROM A CMM: SUPSD BY 8-351-09 USED ON: 8-468-01 8-468-02		3

ILLUSTRATION ITEMS NOT ON PARTS LIST ARE NOT APPLICABLE

- ITEM NOT ILLUSTRATED

HXL

32-09-04-02

BOEING PROPRIETARY - Copyright © - Unpublished Work - See title page for details.

32-09-04
 FIG. 02
 PAGE 2
 DEC 22/07



767

PARTS CATALOG (MAINTENANCE)

FIG ITEM	PART NUMBER	1 2 3 4 5 6 7	NOMENCLATURE	EFFECT FROM TO	UNITS PER ASSY
2 20	8-351-09		..CARD ASSY-A5 DRIVER SUPPLIER CODE: V08748 CONFIG CHG DATA FROM A CMM: SUPSDS 8-351-05, -06 SUPSDS 8-351-07, -08 OPTIONAL PART: 8-351-05 V08748 8-351-07 V08748 USED ON: 8-497-04 USED ON: 8-468-01 8-468-02		3
25	8-392002-04		...EXTRACTOR- SUPPLIER CODE: V08748		2
30	8-498-02		..CARD ASSY-A1 LOGIC NO. 1 SUPPLIER CODE: V08748 CONFIG CHG DATA FROM A CMM: REPLD BY 8-498-04 USED ON: 8-497-03 8-497-04 USED ON: 8-497-01		1
30	8-498-01		..CARD ASSY-A1 LOGIC NO. 1 SUPPLIER CODE: V08748 CONFIG CHG DATA FROM A CMM: REPLD BY 8-498-04 USED ON: 8-497-03 8-497-04 USED ON: 8-497-01		1

ILLUSTRATION ITEMS NOT ON PARTS LIST ARE NOT APPLICABLE

- ITEM NOT ILLUSTRATED

HXL

32-09-04-02

BOEING PROPRIETARY - Copyright © - Unpublished Work - See title page for details.

32-09-04
 FIG. 02
 PAGE 3
 DEC 22/07



767

PARTS CATALOG (MAINTENANCE)

FIG ITEM	PART NUMBER	1 2 3 4 5 6 7	NOMENCLATURE	EFFECT FROM TO	UNITS PER ASSY
2					
30	8-498-04		..CARD ASSY-A1 LOGIC NO. 1 SUPPLIER CODE: V08748 CONFIG CHG DATA FROM A CMM: REPLS 8-414-01 REPLS 8-391-04 REPLS 8-498-01, -02 REPLD BY 8-498-05 OPTIONAL PART: 8-498-05 V08748 USED ON: 8-497-03 8-497-04 8-497-02 USED ON: 8-468-01 8-468-02 8-497-01		1
30	8-498-05		..CARD ASSY-A1 LOGIC NO. 1 SUPPLIER CODE: V08748 CONFIG CHG DATA FROM A CMM: REPLS 8-498-04 OPTIONAL PART: 8-498-04 V08748 USED ON: 8-497-04		1
35	8-392-02		..CARD ASSY-A2 LOGIC NO. 2 SUPPLIER CODE: V08748 CONFIG CHG DATA FROM A CMM: SUPSD BY 8-424-01 REPLD BY 8-424-02 USED ON: 8-497-03 8-497-02 USED ON: 8-468-01 8-468-02 8-497-01		1

ILLUSTRATION ITEMS NOT ON PARTS LIST ARE NOT APPLICABLE

- ITEM NOT ILLUSTRATED

HXL

32-09-04-02

BOEING PROPRIETARY - Copyright © - Unpublished Work - See title page for details.

32-09-04
 FIG. 02
 PAGE 4
 DEC 22/07



767

PARTS CATALOG (MAINTENANCE)

FIG ITEM	PART NUMBER	1 2 3 4 5 6 7	NOMENCLATURE	EFFECT FROM TO	UNITS PER ASSY
2 35	8-424-01		..CARD ASSY-A2 LOGIC NO. 2 SUPPLIER CODE: V08748 CONFIG CHG DATA FROM A CMM: REPLD BY 8-424-02 SUPSDS 8-392-02 USED ON: 8-497-03 8-497-02		1
35	8-424-02		..CARD ASSY-A2 LOGIC NO. 2 SUPPLIER CODE: V08748 CONFIG CHG DATA FROM A CMM: REPLS 8-392-02 REPLS 8-424-01 USED ON: 8-497-03 8-497-04 8-497-02		1
40	8-640-01		..CARD ASSY-A3 LOGIC NO. 3 SUPPLIER CODE: V08748 CONFIG CHG DATA FROM A CMM: REPLD BY 8-640-02 USED ON: 8-497-04		1
40	8-640-02		..CARD ASSY-A3 LOGIC NO. 3 SUPPLIER CODE: V08748 CONFIG CHG DATA FROM A CMM: REPLS 8-640-01 REPLD BY 8-640-04 USED ON: 8-497-04		1

ILLUSTRATION ITEMS NOT ON PARTS LIST ARE NOT APPLICABLE

- ITEM NOT ILLUSTRATED

HXL

32-09-04-02

BOEING PROPRIETARY - Copyright © - Unpublished Work - See title page for details.

32-09-04
FIG. 02
PAGE 5
DEC 22/07



767

PARTS CATALOG (MAINTENANCE)

FIG ITEM	PART NUMBER	1 2 3 4 5 6 7	NOMENCLATURE	EFFECT FROM TO	UNITS PER ASSY
2					
40	8-640-04		..CARD ASSY-A3 LOGIC NO. 3 SUPPLIER CODE: V08748 CONFIG CHG DATA FROM A CMM: REPLS 8-640-02 REPLD BY 8-640-05 OPTIONAL PART: 8-640-05 V08748 USED ON: 8-497-04		1
40	8-640-05		..CARD ASSY-A3 LOGIC NO. 3 SUPPLIER CODE: V08748 CONFIG CHG DATA FROM A CMM: REPLS 8-640-04 OPTIONAL PART: 8-640-04 V08748 USED ON: 8-497-04		1
45	8-392002-03		...EXTRACTOR- SUPPLIER CODE: V08748		2
50	8-535-02		..CARD ASSY-A4 16 CHAN PROXIMITY SUPPLIER CODE: V08748 CONFIG CHG DATA FROM A CMM: REPLD BY 8-535-03 USED ON: 8-497-04		8
50	8-535-03		..CARD ASSY-A4 16 CHAN PROXIMITY SUPPLIER CODE: V08748 CONFIG CHG DATA FROM A CMM: REPLS 8-535-02 REPLD BY 8-535-04 OPTIONAL PART: 8-535-04 V08748 USED ON: 8-497-04		8

ILLUSTRATION ITEMS NOT ON PARTS LIST ARE NOT APPLICABLE

- ITEM NOT ILLUSTRATED

HXL

32-09-04-02

BOEING PROPRIETARY - Copyright © - Unpublished Work - See title page for details.

32-09-04
FIG. 02
PAGE 6
DEC 22/07



767

PARTS CATALOG (MAINTENANCE)

FIG ITEM	PART NUMBER	1 2 3 4 5 6 7	NOMENCLATURE	EFFECT FROM TO	UNITS PER ASSY
2 50	8-535-04		..CARD ASSY-A4 16 CHAN PROXIMITY SUPPLIER CODE: V08748 CONFIG CHG DATA FROM A CMM: REPLS 8-535-03 OPTIONAL PART: 8-535-03 V08748 USED ON: 8-497-04		8
55	8-390-11		..MODULE-A7 BITE SUPPLIER CODE: V08748 USED ON: 8-497-04		1
60	8-394-02		..CARD ASSY-A6 18 CHANNEL DRIVER SUPPLIER CODE: V08748 OPTIONAL PART: 8-394-03 V08748 USED ON: 8-468-01 8-468-02 8-497-01 8-497-03 8-497-04 USED ON: 8-382-03		1
60	8-394-03		..CARD ASSY-A6 18 CHANNEL DRIVER SUPPLIER CODE: V08748 OPTIONAL PART: 8-394-02 V08748 8-394-04 V08748 USED ON: 8-468-01 8-468-02 8-497-01 8-497-03 8-497-04 USED ON: 8-382-03		1

ILLUSTRATION ITEMS NOT ON PARTS LIST ARE NOT APPLICABLE

- ITEM NOT ILLUSTRATED

HXL

32-09-04-02

BOEING PROPRIETARY - Copyright © - Unpublished Work - See title page for details.

32-09-04
FIG. 02
PAGE 7
DEC 22/07



767

PARTS CATALOG (MAINTENANCE)

FIG ITEM	PART NUMBER	1 2 3 4 5 6 7	NOMENCLATURE	EFFECT FROM TO	UNITS PER ASSY
2 60	8-394-02		..CARD ASSY-A6 18 CHANNEL DRIVER SUPPLIER CODE: V08748 OPTIONAL PART: 8-394-03 V08748 USED ON: 8-497-02		1
65	8-647-01		..CHASSIS ASSY- SUPPLIER CODE: V08748 OPTIONAL PART: 8-505-04 V08748 8-505-03 V08748 8-505-01 V08748 USED ON: 8-497-04		1
65	8-505-04		..CHASSIS ASSY- SUPPLIER CODE: V08748 OPTIONAL PART: 8-647-01 V08748 8-505-03 V08748 8-505-01 V08748 USED ON: 8-497-04		1
65	8-505-03		..CHASSIS ASSY- SUPPLIER CODE: V08748 OPTIONAL PART: 8-647-01 V08748 8-505-04 V08748 8-505-01 V08748 USED ON: 8-497-03 USED ON: 8-497-04		1

ILLUSTRATION ITEMS NOT ON PARTS LIST ARE NOT APPLICABLE

- ITEM NOT ILLUSTRATED

HXL

32-09-04-02

BOEING PROPRIETARY - Copyright © - Unpublished Work - See title page for details.

32-09-04
FIG. 02
PAGE 8
DEC 22/07



767

PARTS CATALOG (MAINTENANCE)

FIG ITEM	PART NUMBER	1 2 3 4 5 6 7	NOMENCLATURE	EFFECT FROM TO	UNITS PER ASSY
2 65	8-505-01		.. CHASSIS ASSY- SUPPLIER CODE: V08748 OPTIONAL PART: 8-647-01 V08748 8-505-04 V08748 8-505-03 V08748 USED ON: 8-497-01 8-497-04		1
- 200	286T1092-120		WIRE BUNDLE ASSY-(LANDING GEAR MULTIPLE USE SYSTEMS /COMPONENTS ONLY)		RF
205	BKA31C03AA01		.CONNECTOR- SUPPLIER CODE: V71468 SPECIFICATION NUMBER: BCREF9358 OPTIONAL PART: S631CD3AA01AA V59610 OVERLENGTH PART NUMBER: BACC66K31C03AA01 ELECTRICAL EQUIP NUMBER: D02166 WIRING DIAGRAM REF: 278811		1

ILLUSTRATION ITEMS NOT ON PARTS LIST ARE NOT APPLICABLE

- ITEM NOT ILLUSTRATED

HXL

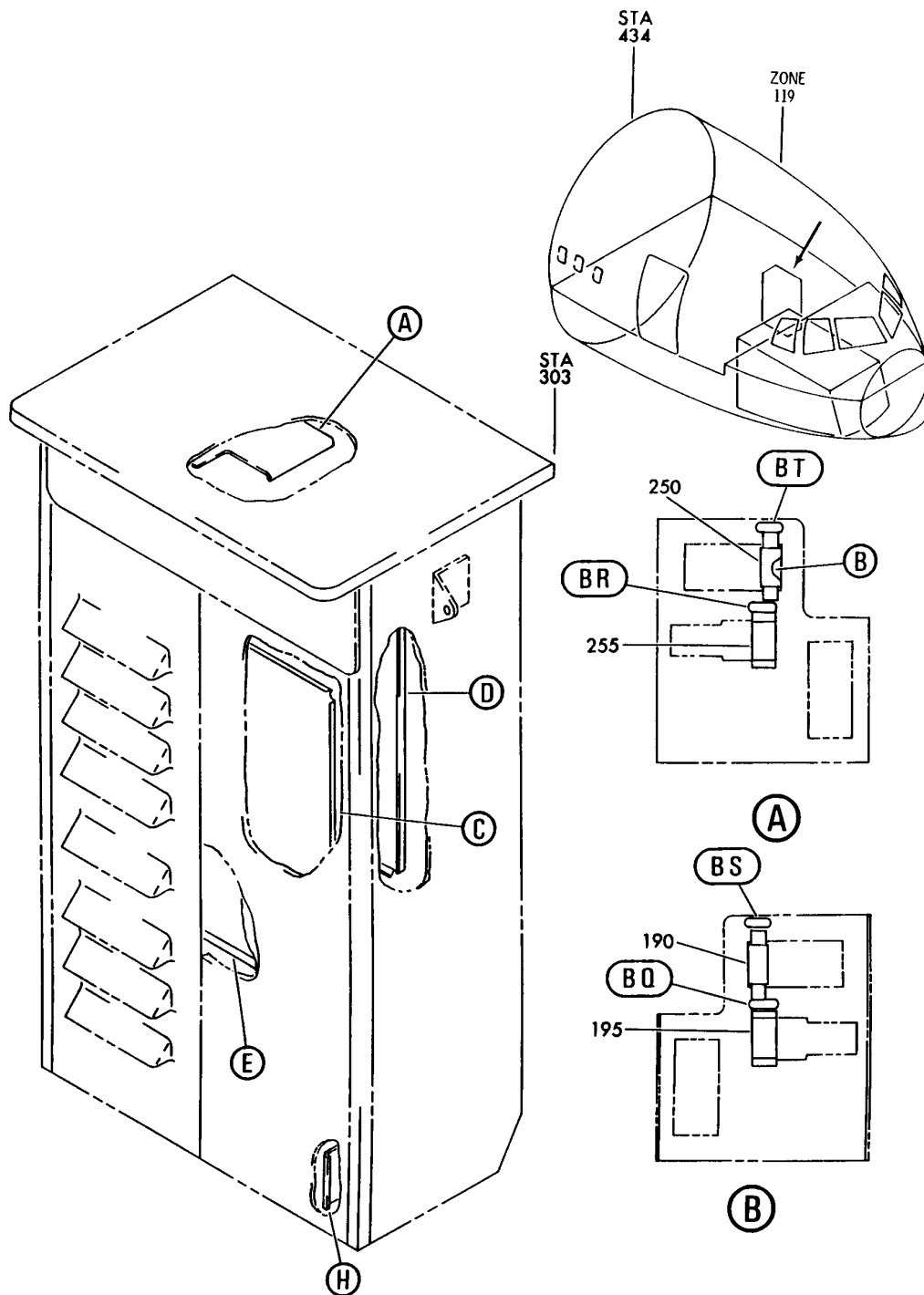
32-09-04-02

BOEING PROPRIETARY - Copyright © - Unpublished Work - See title page for details.

32-09-04
FIG. 02
PAGE 9
DEC 22/07

BOEING
767
PARTS CATALOG (MAINTENANCE)

V 32095102 SHT 1 REV 153



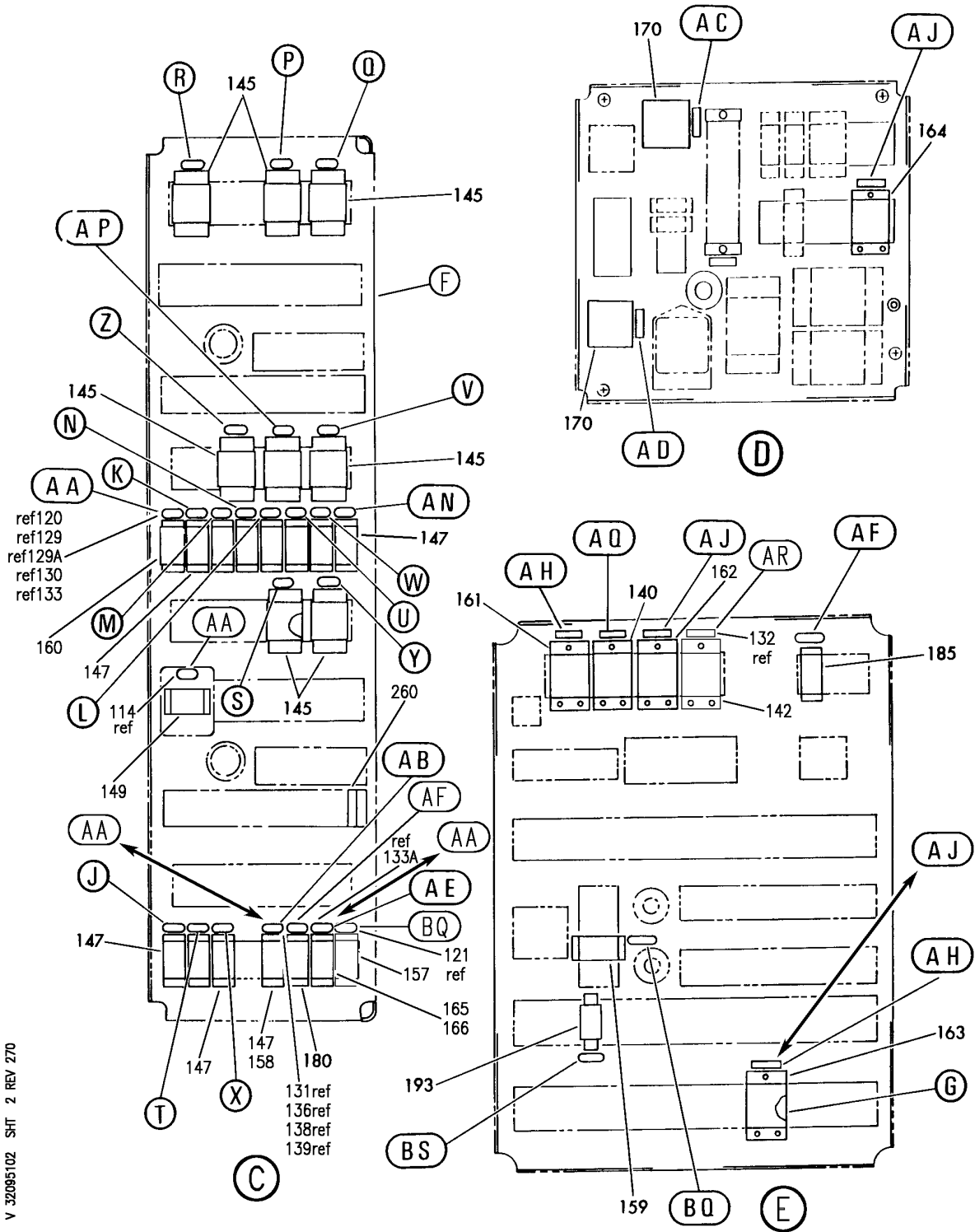
EQUIPMENT ASSY-P36 MISC ELEC PNL L (LANDING GEAR MULTIPLE USE SYSTEMS/ COMPONENTS ONLY)
FIGURE 2 (SHEET 1)

HXL
DEC 22/06

32-09-51-02

32-09-51-02
PAGE 0

BOEING
767
PARTS CATALOG (MAINTENANCE)



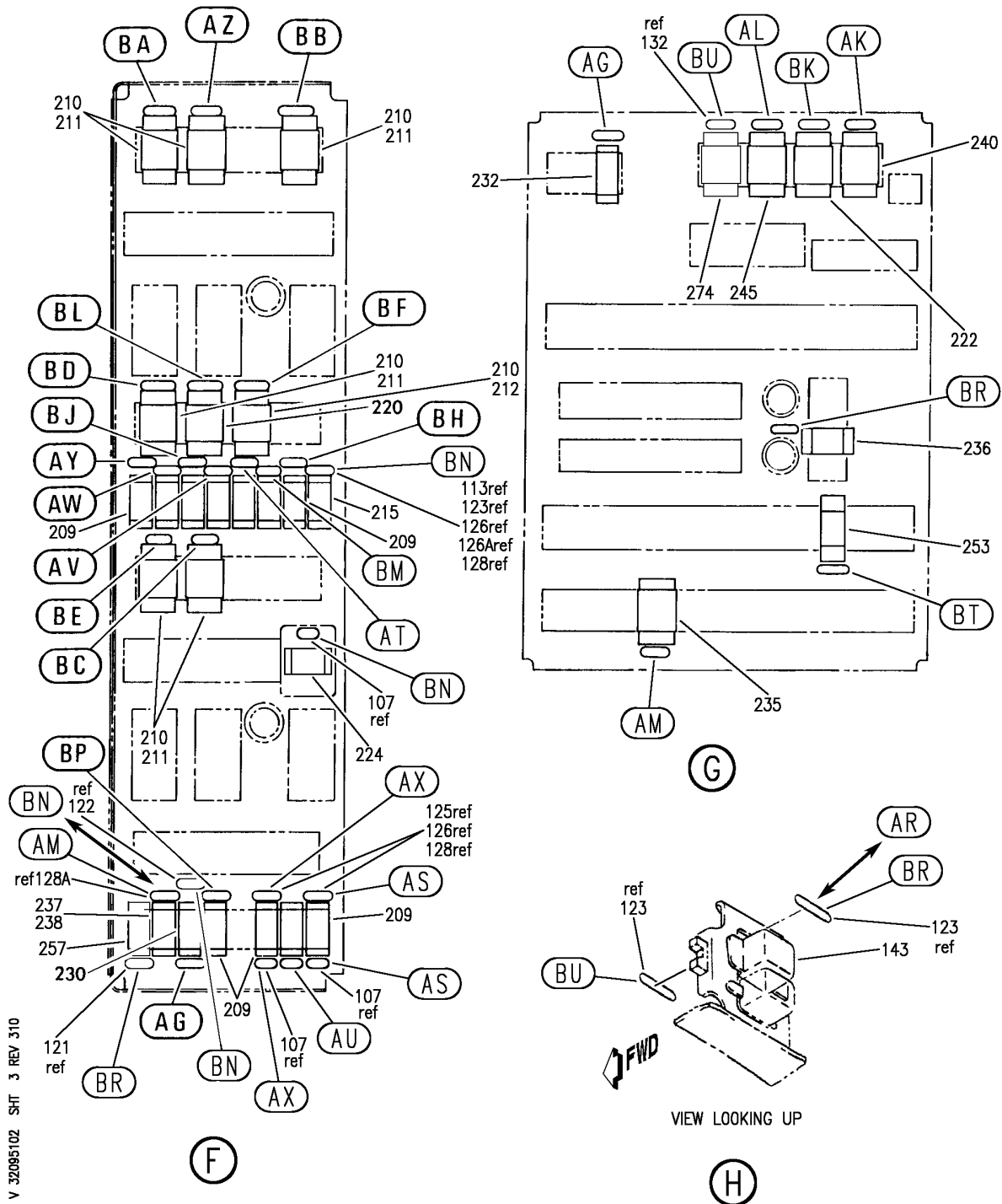
EQUIPMENT ASSY-P36 MISC ELEC PNL L (LANDING GEAR MULTIPLE USE SYSTEMS/ COMPONENTS ONLY)
FIGURE 2 (SHEET 2)

HXL
DEC 22/06

32-09-51-02

32-09-51-02
PAGE 0A


BOEING
 767
PARTS CATALOG (MAINTENANCE)



V 32095102 SHT 3 REV 310

EQUIPMENT ASSY-P36 MISC ELEC PNL L (LANDING GEAR MULTIPLE USE SYSTEMS/ COMPONENTS ONLY)
 FIGURE 2 (SHEET 3)

32-09-51-02

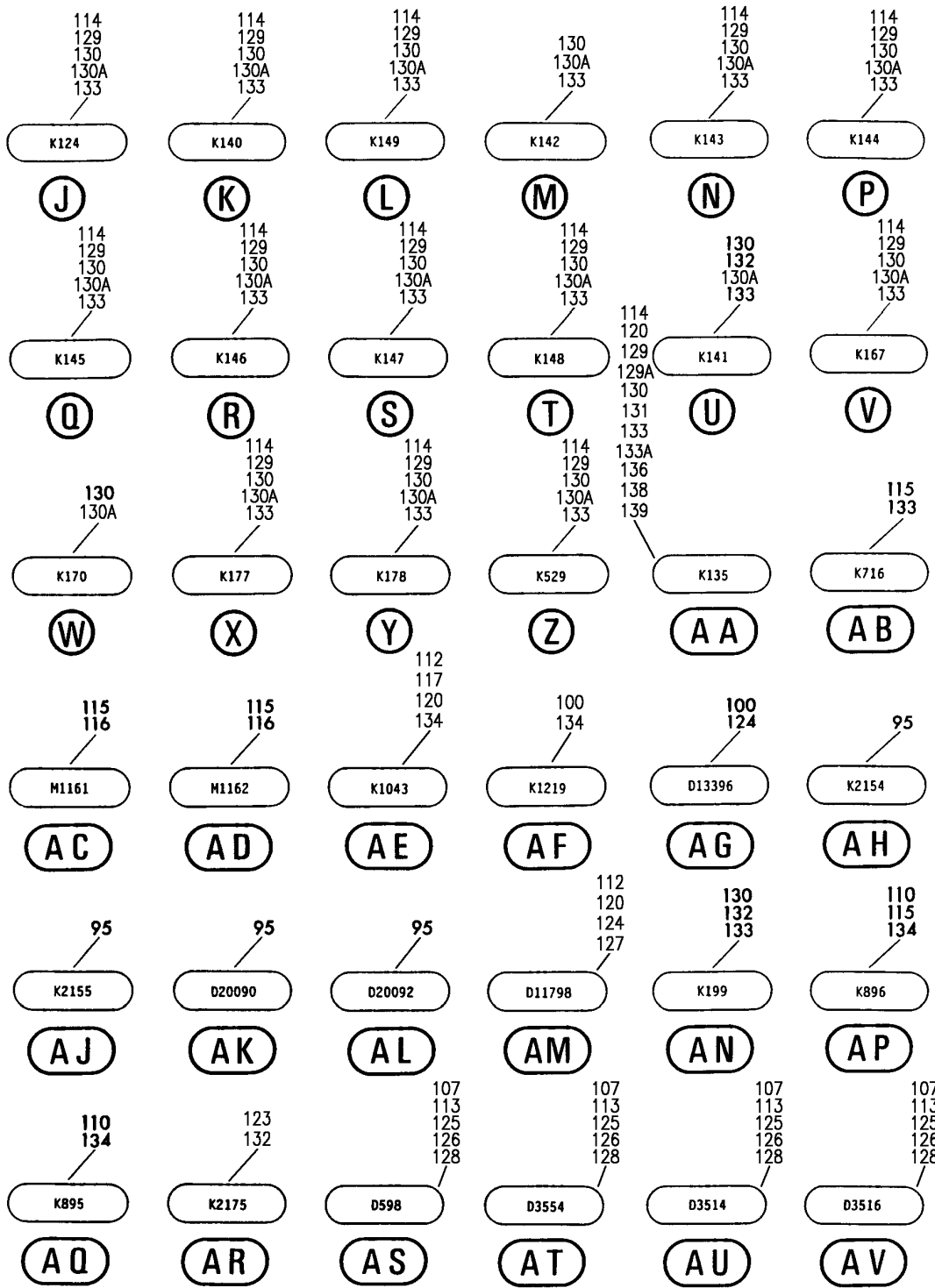
HXL
 DEC 22/06

32-09-51-02
 PAGE 0B

BOEING

767

PARTS CATALOG (MAINTENANCE)



V 32095102_SHT 4_REV 326

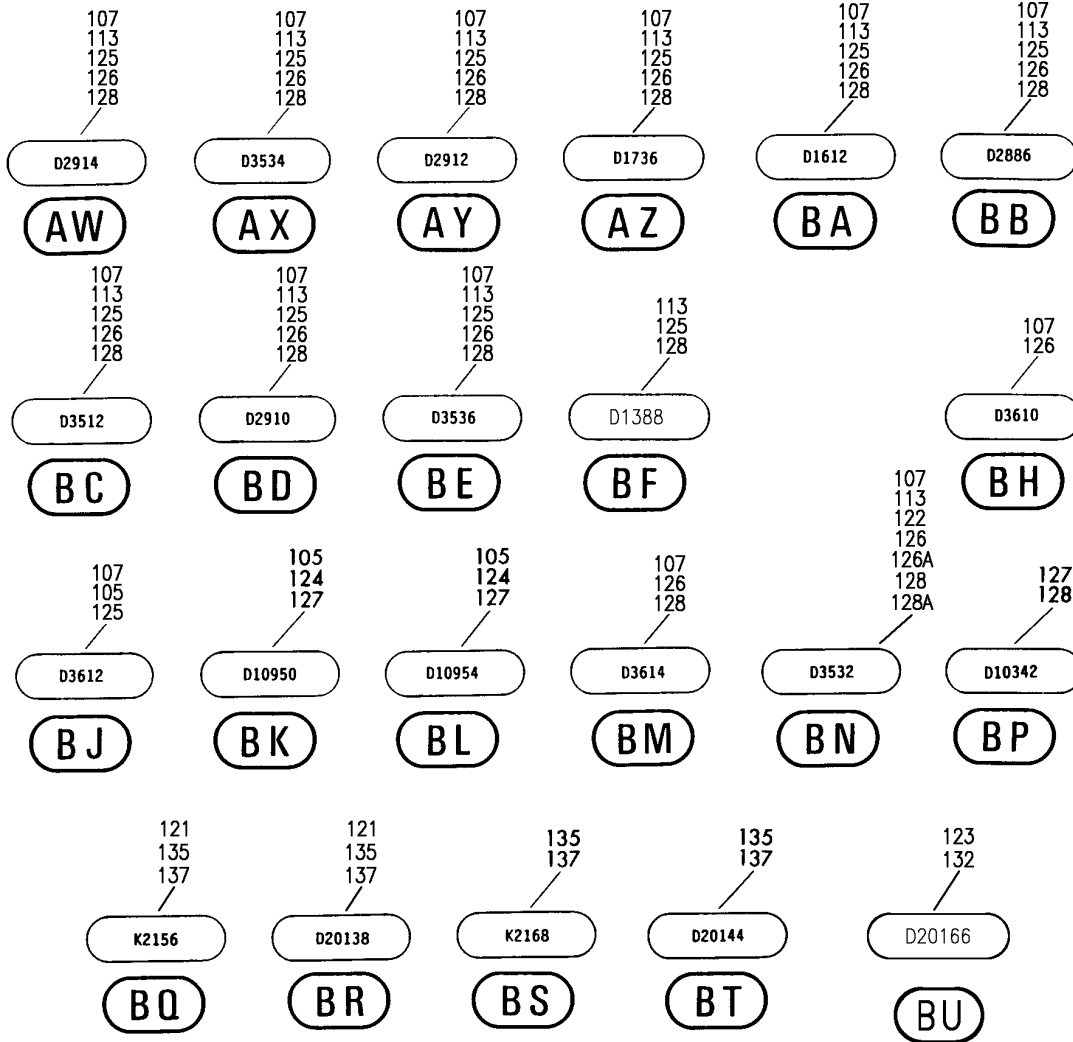
EQUIPMENT ASSY-P36 MISC ELEC PNL L (LANDING GEAR MULTIPLE USE SYSTEMS/ COMPONENTS ONLY)
FIGURE 2 (SHEET 4)

HXL
APR 22/08

32-09-51-02

32-09-51-02
PAGE 0C

BOEING
767
PARTS CATALOG (MAINTENANCE)



V 32095102 SH- 5 REV 270

EQUIPMENT ASSY-P36 MISC ELEC PNL L (LANDING GEAR MULTIPLE USE SYSTEMS/ COMPONENTS ONLY)
FIGURE 2 (SHEET 5)

32-09-51-02

HXL
DEC 22/06

32-09-51-02
PAGE 0D



767

PARTS CATALOG (MAINTENANCE)

FIG ITEM	PART NUMBER	1 2 3 4 5 6 7	NOMENCLATURE	EFFECT FROM TO	UNITS PER ASSY
2			EQUIPMENT ASSY-P36 MISC ELEC PNL L (LANDING GEAR MULTIPLE USE SYSTEMS/ COMPONENTS ONLY)		
- 10	284T0187-167		EQUIPMENT ASSY-P36 MISC ELEC PNL (LANDING GEAR MULTIPLE USE SYSTEMS/ COMPONENTS ONLY) POSITION DATA: L FOR NHA/OTHER SYS DET SEE: 53-11-70-03	155162	RF
- 12	284T0187-205		EQUIPMENT ASSY-P36 MISC ELEC PNL (LANDING GEAR MULTIPLE USE SYSTEMS/ COMPONENTS ONLY) POSITION DATA: L FOR NHA/OTHER SYS DET SEE: 53-11-70-03	163163	RF
- 13	284T0187-212		EQUIPMENT ASSY-P36 MISC ELEC PNL (LANDING GEAR MULTIPLE USE SYSTEMS/ COMPONENTS ONLY) POSITION DATA: L FOR NHA/OTHER SYS DET SEE: 53-11-70-03	164999	RF
95	BAC27TEX4936		.DECALSET-INCLUDES DECALS IDENTIFIED ON THE ILLUSTRATION POST SERVICE BULLETIN: 78-0051		1
100	BAC27TEX4277		.DECALSET-INCLUDES DECALS IDENTIFIED ON THE ILLUSTRATION		1
116	BAC27TEX4179		.DECALSET-INCLUDES DECALS IDENTIFIED ON THE ILLUSTRATION		RF
117	BAC27TEX4181		.DECALSET-INCLUDES DECALS IDENTIFIED ON THE ILLUSTRATION		RF
126	BAC27TEX4186		.DECALSET-INCLUDES DECALS IDENTIFIED ON THE ILLUSTRATION		RF
127	BAC27TEX4187		.DECALSET-INCLUDES DECALS IDENTIFIED ON THE ILLUSTRATION		RF

ILLUSTRATION ITEMS NOT ON PARTS LIST ARE NOT APPLICABLE

- ITEM NOT ILLUSTRATED

32-09-51-02

32-09-51
FIG. 02
PAGE 1
DEC 22/07

HXL



767

PARTS CATALOG (MAINTENANCE)

FIG ITEM	PART NUMBER	1 2 3 4 5 6 7	NOMENCLATURE	EFFECT FROM TO	UNITS PER ASSY
2					
129	BAC27TEX4180		.DECALSET-INCLUDES DECALS IDENTIFIED ON THE ILLUSTRATION		RF
140	E410-1537		.RELAY- SUPPLIER CODE: V99699 SPECIFICATION NUMBER: BACR13CG2A OPTIONAL PART: E415-1078 V99699 BR230S0116 V56623 KD4A017 V58687 FCA410-62 V78290 ELECTRICAL EQUIP NUMBER: K00895		1
145	E410-1537		.RELAY- SUPPLIER CODE: V99699 SPECIFICATION NUMBER: BACR13CG2A OPTIONAL PART: E415-1078 V99699 BR230S0116 V56623 KD4A017 V58687 FCA410-62 V78290 ELECTRICAL EQUIP NUMBER: K00144 K00145 K00146 K00147 K00167 K00178 K00529		7
ILLUSTRATION ITEMS NOT ON PARTS LIST ARE NOT APPLICABLE					

- ITEM NOT ILLUSTRATED

HXL

32-09-51-02

BOEING PROPRIETARY - Copyright © - Unpublished Work - See title page for details.

32-09-51
FIG. 02
PAGE 2
DEC 22/07



767

PARTS CATALOG (MAINTENANCE)

FIG ITEM	PART NUMBER	1 2 3 4 5 6 7	NOMENCLATURE	EFFECT FROM TO	UNITS PER ASSY
2 147	W460F1A		.RELAY- SUPPLIER CODE: VF0219 SPECIFICATION NUMBER: BACR13CE2 OPTIONAL PART: 3SAH5-13-4K1 V01526 3SAH1326A2 V01526 ELECTRICAL EQUIP NUMBER: K00124 K00140 K00141 K00142 K00143 K00148 K00149 K00170 K00177 K00199 K00716		11
160	W460F1A		.RELAY- SUPPLIER CODE: VF0219 SPECIFICATION NUMBER: BACR13CE2 OPTIONAL PART: 3SAH5-13-4K1 V01526 3SAH1326A2 V01526 ELECTRICAL EQUIP NUMBER: K00135		1

ILLUSTRATION ITEMS NOT ON PARTS LIST ARE NOT APPLICABLE

- ITEM NOT ILLUSTRATED

HXL

32-09-51-02

BOEING PROPRIETARY - Copyright © - Unpublished Work - See title page for details.

32-09-51
FIG. 02
PAGE 3
DEC 22/07



767

PARTS CATALOG (MAINTENANCE)

FIG ITEM	PART NUMBER	1 2 3 4 5 6 7	NOMENCLATURE	EFFECT FROM TO	UNITS PER ASSY
2 161	E410-1537		.RELAY- SUPPLIER CODE: V99699 SPECIFICATION NUMBER: BACR13CG2A OPTIONAL PART: E415-1078 V99699 BR230S0116 V56623 KD4A017 V58687 FCA410-62 V78290 ELECTRICAL EQUIP NUMBER: K02154 POST SERVICE BULLETIN: 78-0051		1
163	E410-1537		.RELAY- SUPPLIER CODE: V99699 SPECIFICATION NUMBER: BACR13CG2A OPTIONAL PART: E415-1078 V99699 BR230S0116 V56623 KD4A017 V58687 FCA410-62 V78290 ELECTRICAL EQUIP NUMBER: K02155 POST SERVICE BULLETIN: 78-0051		1
165	W460F1A		.RELAY- SUPPLIER CODE: VF0219 SPECIFICATION NUMBER: BACR13CE2 OPTIONAL PART: 3SAH5-13-4K1 V01526 3SAH1326A2 V01526 ELECTRICAL EQUIP NUMBER: K01043		1

ILLUSTRATION ITEMS NOT ON PARTS LIST ARE NOT APPLICABLE

- ITEM NOT ILLUSTRATED

32-09-51-02

32-09-51
FIG. 02
PAGE 4
DEC 22/07

HXL

BOEING
767
PARTS CATALOG (MAINTENANCE)

FIG ITEM	PART NUMBER	1 2 3 4 5 6 7	NOMENCLATURE	EFFECT FROM TO	UNITS PER ASSY
2 170	10167-3000BT		.MODULE- SUPPLIER CODE: V08719 ELECTRICAL EQUIP NUMBER: M01161 M01162 OPTIONAL PART: 10167BT V08719 TD1767-3000 V58657		2
170	TD1767-3000		.MODULE- SUPPLIER CODE: V58657 ELECTRICAL EQUIP NUMBER: M01161 M01162 OPTIONAL PART: 10167-3000BT V08719 10167BT V08719		2
170	10167BT		.MODULE- SUPPLIER CODE: V08719 ELECTRICAL EQUIP NUMBER: M01161 M01162 OPTIONAL PART: 10167-3000BT V08719 TD1767-3000 V58657		2
- 175	NAS1801-06-13		ATTACHING PARTS .SCREW -----*-----		4
185	W460F1A		.RELAY- SUPPLIER CODE: VF0219 SPECIFICATION NUMBER: BACR13CE2 OPTIONAL PART: 3SAH5-13-4K1 V01526 3SAH1326A2 V01526 ELECTRICAL EQUIP NUMBER: K01219		1
- 200	286T0176-300		.WIRE BUNDLE ASSY-		RF

ILLUSTRATION ITEMS NOT ON PARTS LIST ARE NOT APPLICABLE

- ITEM NOT ILLUSTRATED

HXL

32-09-51-02

BOEING PROPRIETARY - Copyright © - Unpublished Work - See title page for details.

32-09-51
FIG. 02
PAGE 5
DEC 22/07



767

PARTS CATALOG (MAINTENANCE)

FIG ITEM	PART NUMBER	1 2 3 4 5 6 7	NOMENCLATURE	EFFECT FROM TO	UNITS PER ASSY
2					
- 201	289T0247-10912	..	TAPE-IDENT POST SERVICE BULLETIN: 78-0062R5		1
- 204	289T0247-10911	..	TAPE-IDENT POST SERVICE BULLETIN: 78-0062R5		1
209	RSE120027	..	SOCKET- SUPPLIER CODE: V58982 SPECIFICATION NUMBER: BACS16AF1 OPTIONAL PART: 451120-027 V58982 ELECTRICAL EQUIP NUMBER: D00598 D02912 D02914 D03514 D03516 D03534 D03554 D03610 D03612 D03614 D10342 WIRING DIAGRAM REF: 320911		11
210	BACS16W1	..	SOCKET- ELECTRICAL EQUIP NUMBER: D01388 D01612 D01736 D02886 D02910 D03512 D03536 WIRING DIAGRAM REF: 215813 320911		7

ILLUSTRATION ITEMS NOT ON PARTS LIST ARE NOT APPLICABLE

- ITEM NOT ILLUSTRATED

HXL

32-09-51-02

BOEING PROPRIETARY - Copyright © - Unpublished Work - See title page for details.

32-09-51
FIG. 02
PAGE 6
DEC 22/07



767

PARTS CATALOG (MAINTENANCE)

FIG ITEM	PART NUMBER	1 2 3 4 5 6 7	NOMENCLATURE	EFFECT FROM TO	UNITS PER ASSY
2 215	RSE120027		.. SOCKET- SUPPLIER CODE: V58982 SPECIFICATION NUMBER: BACS16AF1 OPTIONAL PART: 451120-027 V58982 ELECTRICAL EQUIP NUMBER: D03532 WIRING DIAGRAM REF: 320911		1
222	BACS16W1		.. SOCKET- ELECTRICAL EQUIP NUMBER: D10950 WIRING DIAGRAM REF: 783611		1
232	RSE120027		.. SOCKET- SUPPLIER CODE: V58982 SPECIFICATION NUMBER: BACS16AF1 OPTIONAL PART: 451120-027 V58982 ELECTRICAL EQUIP NUMBER: D13396 WIRING DIAGRAM REF: 320911		1
237	RSE120027		.. SOCKET- SUPPLIER CODE: V58982 SPECIFICATION NUMBER: BACS16AF1 OPTIONAL PART: 451120-027 V58982 ELECTRICAL EQUIP NUMBER: D11798 WIRING DIAGRAM REF: 320911		1

ILLUSTRATION ITEMS NOT ON PARTS LIST ARE NOT APPLICABLE

- ITEM NOT ILLUSTRATED

HXL

32-09-51-02

BOEING PROPRIETARY - Copyright © - Unpublished Work - See title page for details.

32-09-51
FIG. 02
PAGE 7
DEC 22/07



767

PARTS CATALOG (MAINTENANCE)

FIG ITEM	PART NUMBER	1 2 3 4 5 6 7	NOMENCLATURE	EFFECT FROM TO	UNITS PER ASSY
2 240	RSF116400		.. SOCKET- SUPPLIER CODE: V58982 SPECIFICATION NUMBER: BACS16W1A OPTIONAL PART: 102-009-1 V09922 000300-1539 V05574 ELECTRICAL EQUIP NUMBER: D20090 WIRING DIAGRAM REF: 320911 POST SERVICE BULLETIN: 78-0062R5		1
245	RSF116400		.. SOCKET- SUPPLIER CODE: V58982 SPECIFICATION NUMBER: BACS16W1A OPTIONAL PART: 102-009-1 V09922 000300-1539 V05574 ELECTRICAL EQUIP NUMBER: D20092 WIRING DIAGRAM REF: 320911 POST SERVICE BULLETIN: 78-0062R5		1
- 318	324484		.. CAP- SUPPLIER CODE: V00779 POST ALERT SB: 27A0160		1

ILLUSTRATION ITEMS NOT ON PARTS LIST ARE NOT APPLICABLE

- ITEM NOT ILLUSTRATED

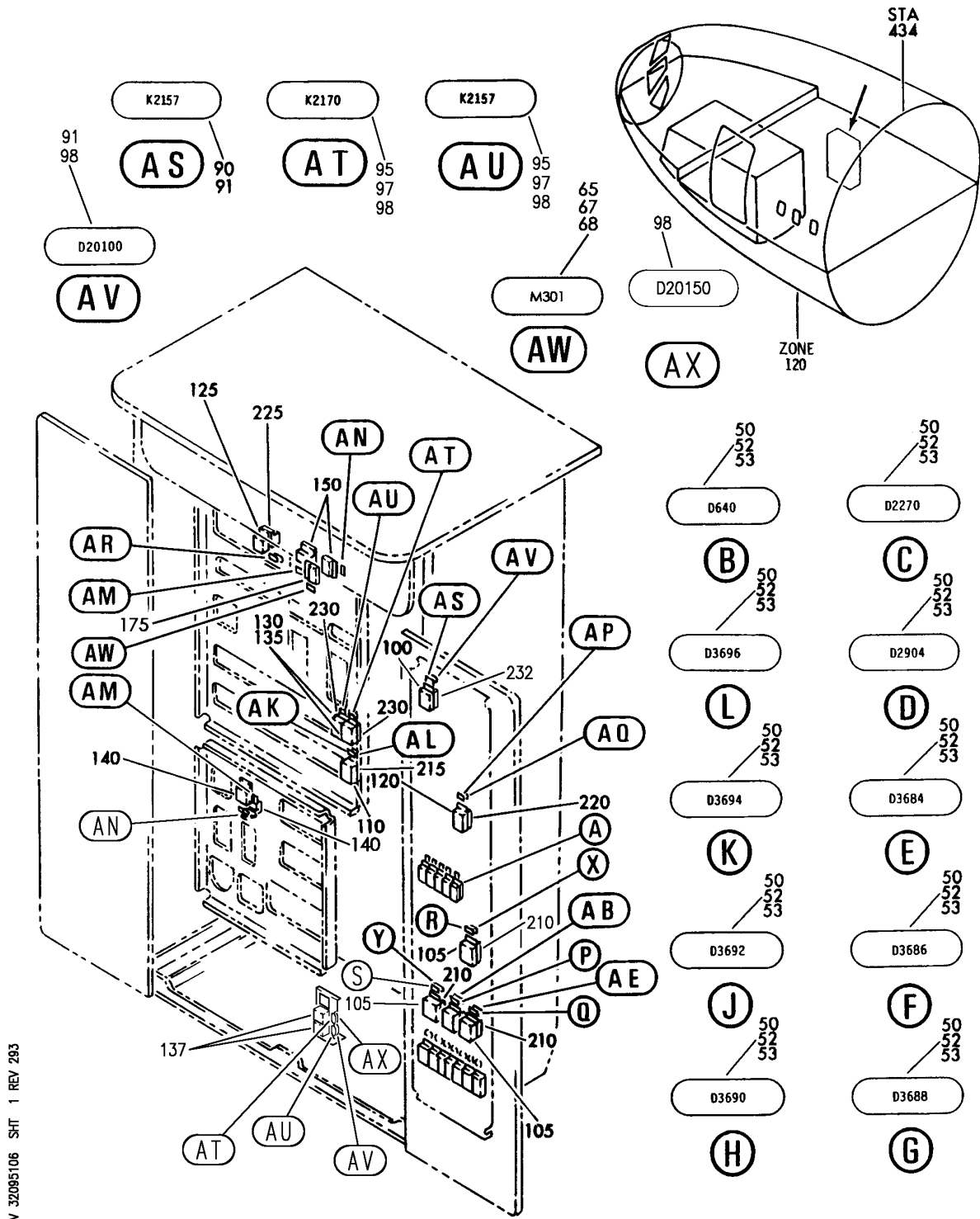
HXL

32-09-51-02

BOEING PROPRIETARY - Copyright © - Unpublished Work - See title page for details.

32-09-51
 FIG. 02
 PAGE 8
 DEC 22/07

BOEING
767
PARTS CATALOG (MAINTENANCE)



EQUIPMENT ASSY-P37 MISC ELEC PNL R (LANDING GEAR MULTIPLE USE SYSTEM/ COMPONENTS ONLY)
FIGURE 6 (SHEET 1)

HXL
DEC 22/06

32-09-51-06

32-09-51-06
PAGE 0



767

PARTS CATALOG (MAINTENANCE)

FIG ITEM	PART NUMBER	1 2 3 4 5 6 7	NOMENCLATURE	EFFECT FROM TO	UNITS PER ASSY
6			EQUIPMENT ASSY-P37 MISC ELEC PNL R (LANDING GEAR MULTIPLE USE SYSTEM/ COMPONENTS ONLY)		
- 9	284T0188-157		EQUIPMENT ASSY-P37 MISC ELEC PNL (LANDING GEAR MULTIPLE USE SYSTEM/ COMPONENTS ONLY) POSITION DATA: R FOR NHA/OTHER SYS DET SEE: 53-11-70-05	155162	RF
- 10	284T0188-172		EQUIPMENT ASSY-P37 MISC ELEC PNL (LANDING GEAR MULTIPLE USE SYSTEM/ COMPONENTS ONLY) POSITION DATA: R FOR NHA/OTHER SYS DET SEE: 53-11-70-05	163163	RF
- 11	284T0188-194		EQUIPMENT ASSY-P37 MISC ELEC PNL (LANDING GEAR MULTIPLE USE SYSTEM/ COMPONENTS ONLY) POSITION DATA: R FOR NHA/OTHER SYS DET SEE: 53-11-70-05	164999	RF
52	BAC27TEX4189		.DECALSET-INCLUDES DECALS IDENTIFIED ON THE ILLUSTRATION		RF
62	BAC27TEX4190		.DECALSET-INCLUDES DECALS IDENTIFIED ON THE ILLUSTRATION		RF
67	BAC27TEX4183		.DECALSET-INCLUDES DECALS IDENTIFIED ON THE ILLUSTRATION		RF
70	BAC27TEX3858		.DECALSET-INCLUDES DECALS IDENTIFIED ON THE ILLUSTRATION		RF
75	BAC27TEX4184		.DECALSET-INCLUDES DECALS IDENTIFIED ON THE ILLUSTRATION		RF
80	BAC27TEX4185		.DECALSET-INCLUDES DECALS IDENTIFIED ON THE ILLUSTRATION		RF

ILLUSTRATION ITEMS NOT ON PARTS LIST ARE NOT APPLICABLE

- ITEM NOT ILLUSTRATED

32-09-51-06

32-09-51
FIG. 06
PAGE 1
DEC 22/07

HXL



767

PARTS CATALOG (MAINTENANCE)

FIG ITEM	PART NUMBER	1 2 3 4 5 6 7	NOMENCLATURE	EFFECT FROM TO	UNITS PER ASSY
6 90	BAC27TEX4937		.DECALSET-INCLUDES DECALS IDENTIFIED ON THE ILLUSTRATION POST SERVICE BULLETIN: 78-0051		1
100	E410-1537		.RELAY- SUPPLIER CODE: V99699 SPECIFICATION NUMBER: BACR13CG2A OPTIONAL PART: E415-1078 V99699 BR230S0116 V56623 KD4A017 V58687 FCA410-62 V78290 ELECTRICAL EQUIP NUMBER: K02157 POST SERVICE BULLETIN: 78-0051		1
105	E410-1537		.RELAY- SUPPLIER CODE: V99699 SPECIFICATION NUMBER: BACR13CG2A OPTIONAL PART: E415-1078 V99699 BR230S0116 V56623 KD4A017 V58687 FCA410-62 V78290 ELECTRICAL EQUIP NUMBER: K00204 K00205 K00209 K00213		4

ILLUSTRATION ITEMS NOT ON PARTS LIST ARE NOT APPLICABLE

- ITEM NOT ILLUSTRATED

HXL

32-09-51-06

BOEING PROPRIETARY - Copyright © - Unpublished Work - See title page for details.

32-09-51
FIG. 06
PAGE 2
DEC 22/07



767

PARTS CATALOG (MAINTENANCE)

FIG ITEM	PART NUMBER	1 2 3 4 5 6 7	NOMENCLATURE	EFFECT FROM TO	UNITS PER ASSY
6 110	E410-1537		.RELAY- SUPPLIER CODE: V99699 SPECIFICATION NUMBER: BACR13CG2A OPTIONAL PART: E415-1078 V99699 BR230S0116 V56623 KD4A017 V58687 FCA410-62 V78290 ELECTRICAL EQUIP NUMBER: K00721		1
115	W460F1A		.RELAY- SUPPLIER CODE: VF0219 SPECIFICATION NUMBER: BACR13CE2 OPTIONAL PART: 3SAH5-13-4K1 V01526 3SAH1326A2 V01526 ELECTRICAL EQUIP NUMBER: K00200 K00201 K00202 K00203 K00206 K00207 K00210 K00211 K00214 K00215 K00219 K00293		12

ILLUSTRATION ITEMS NOT ON PARTS LIST ARE NOT APPLICABLE

- ITEM NOT ILLUSTRATED

HXL

32-09-51-06

BOEING PROPRIETARY - Copyright © - Unpublished Work - See title page for details.

32-09-51
FIG. 06
PAGE 3
DEC 22/07



767

PARTS CATALOG (MAINTENANCE)

FIG ITEM	PART NUMBER	1 2 3 4 5 6 7	NOMENCLATURE	EFFECT FROM TO	UNITS PER ASSY
6 120	E410-1537		.RELAY- SUPPLIER CODE: V99699 SPECIFICATION NUMBER: BACR13CG2A OPTIONAL PART: E415-1078 V99699 BR230S0116 V56623 KD4A017 V58687 FCA410-62 V78290 ELECTRICAL EQUIP NUMBER: K01064		1
140	10167-3000BT		.MODULE- SUPPLIER CODE: V08719 ELECTRICAL EQUIP NUMBER: M01163 M01164 OPTIONAL PART: 10167BT V08719 TD1767-3000 V58657		2
140	TD1767-3000		.MODULE- SUPPLIER CODE: V58657 ELECTRICAL EQUIP NUMBER: M01163 M01164 OPTIONAL PART: 10167-3000BT V08719 10167BT V08719		2
140	10167BT		.MODULE- SUPPLIER CODE: V08719 ELECTRICAL EQUIP NUMBER: M01163 M01164 OPTIONAL PART: 10167-3000BT V08719 TD1767-3000 V58657		2

ILLUSTRATION ITEMS NOT ON PARTS LIST ARE NOT APPLICABLE

- ITEM NOT ILLUSTRATED

32-09-51-06

32-09-51
FIG. 06
PAGE 4
DEC 22/07

HXL



767

PARTS CATALOG (MAINTENANCE)

FIG ITEM	PART NUMBER	1 2 3 4 5 6 7	NOMENCLATURE	EFFECT FROM TO	UNITS PER ASSY
6			ATTACHING PARTS		
- 145	NAS1801-06-13	.	SCREW		4
		-----*			
175	10167-3000BT	.	MODULE-		1
			SUPPLIER CODE: V08719		
			ELECTRICAL EQUIP NUMBER: M00301		
			OPTIONAL PART: 10167BT		
			V08719		
			TD1767-3000		
			V58657		
175	10167BT	.	MODULE-		1
			SUPPLIER CODE: V08719		
			ELECTRICAL EQUIP NUMBER: M00301		
			OPTIONAL PART: 10167-3000BT		
			V08719		
			TD1767-3000		
			V58657		
175	TD1767-3000	.	MODULE-		1
			SUPPLIER CODE: V58657		
			ELECTRICAL EQUIP NUMBER: M00301		
			OPTIONAL PART: 10167-3000BT		
			V08719		
			10167BT		
			V08719		
			ATTACHING PARTS		
- 180	NAS1801-06-13	.	SCREW		2
		-----*			
- 200	286T0192-300	.	WIRE BUNDLE ASSY		RF
- 201	289T0247-11214	..	TAPE-IDENT		1
			POST SERVICE BULLETIN: 78-0062R5		
- 204	289T0247-11213	..	TAPE-IDENT		1
			POST SERVICE BULLETIN: 78-0062R5		
- 205	289T0247-11202	..	TAPE-IDENT		1
			POST SERVICE BULLETIN: 78-0062R5		

ILLUSTRATION ITEMS NOT ON PARTS LIST ARE NOT APPLICABLE

- ITEM NOT ILLUSTRATED

32-09-51-06

32-09-51
FIG. 06
PAGE 5
DEC 22/07

HXL



767

PARTS CATALOG (MAINTENANCE)

FIG ITEM	PART NUMBER	1 2 3 4 5 6 7	NOMENCLATURE	EFFECT FROM TO	UNITS PER ASSY
6 209	RSE120027		.. SOCKET- SUPPLIER CODE: V58982 SPECIFICATION NUMBER: BACS16AF1 OPTIONAL PART: 451120-027 V58982 ELECTRICAL EQUIP NUMBER: D03684 D03686 D03688 D00640 D03690 D03692 D03694 D03696 D03700 D02270 D02904 D03698 WIRING DIAGRAM REF: 320912		12
210	BACS16W1		.. SOCKET- ELECTRICAL EQUIP NUMBER: D03728 D03730 D03712 D03714 WIRING DIAGRAM REF: 320911 320912		4
215	BACS16W1		.. SOCKET- ELECTRICAL EQUIP NUMBER: D10478 WIRING DIAGRAM REF: 320912		1
220	BACS16W1		.. SOCKET- ELECTRICAL EQUIP NUMBER: D13021 WIRING DIAGRAM REF: 262312		1

ILLUSTRATION ITEMS NOT ON PARTS LIST ARE NOT APPLICABLE

- ITEM NOT ILLUSTRATED

HXL

32-09-51-06

BOEING PROPRIETARY - Copyright © - Unpublished Work - See title page for details.

32-09-51
 FIG. 06
 PAGE 6
 DEC 22/07



767
PARTS CATALOG (MAINTENANCE)

FIG ITEM	PART NUMBER	1 2 3 4 5 6 7	NOMENCLATURE	EFFECT FROM TO	UNITS PER ASSY
6 232	RSF116400		.. SOCKET- SUPPLIER CODE: V58982 SPECIFICATION NUMBER: BACS16W1A OPTIONAL PART: 102-009-1 V09922 000300-1539 V05574 ELECTRICAL EQUIP NUMBER: D20100 WIRING DIAGRAM REF: 320912 POST SERVICE BULLETIN: 78-0062R5		1

ILLUSTRATION ITEMS NOT ON PARTS LIST ARE NOT APPLICABLE

- ITEM NOT ILLUSTRATED

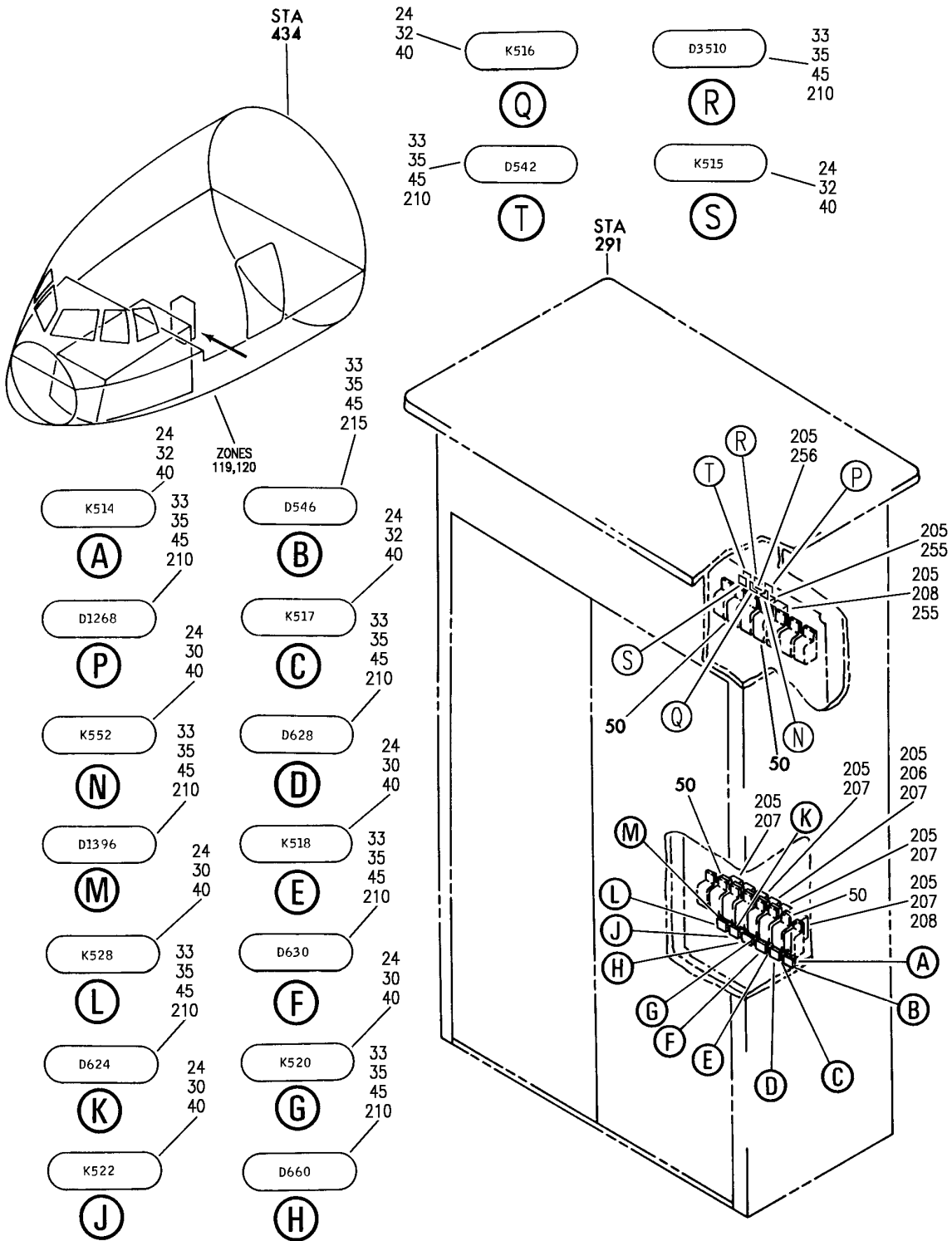
HXL

32-09-51-06

BOEING PROPRIETARY - Copyright © - Unpublished Work - See title page for details.

32-09-51
FIG. 06
PAGE 7
DEC 22/07

BOEING
767
PARTS CATALOG (MAINTENANCE)



V 32095202 REV 330

EQUIPMENT ASSY-P33 MISC ELEC PNL FWD (LANDING GEAR ONLY)
FIGURE 2

32-09-52-02

HXL
AUG 22/08

32-09-52-02
PAGE 0



767

PARTS CATALOG (MAINTENANCE)

FIG ITEM	PART NUMBER	1 2 3 4 5 6 7	NOMENCLATURE	EFFECT FROM TO	UNITS PER ASSY
2			EQUIPMENT ASSY-P33 MISC ELEC PNL FWD (LANDING GEAR ONLY)		
- 9	284T0189-155		EQUIPMENT ASSY-P33 MISC ELEC PNL (LANDING GEAR ONLY) POSITION DATA: FWD FOR NHA/OTHER SYS DET SEE: 25-50-51-01	163999	RF
- 11	284T0189-183		EQUIPMENT ASSY-P33 MISC ELEC PNL (LANDING GEAR ONLY) POSITION DATA: FWD FOR NHA/OTHER SYS DET SEE: 25-50-51-01	155162	RF
24	BAC27TEX4201		.DECALSET-INCLUDES DECALS IDENTIFIED ON THE ILLUSTRATION		RF
35	BAC27TEX4203		.DECALSET-INCLUDES DECALS IDENTIFIED ON THE ILLUSTRATION		RF
50	E410-1537		.RELAY- SUPPLIER CODE: V99699 SPECIFICATION NUMBER: BACR13CG2A OPTIONAL PART: E415-1078 V99699 BR230S0116 V56623 KD4A017 V58687 FCA410-62 V78290 ELECTRICAL EQUIP NUMBER: K00514 K00515 K00516 K00517 K00518 K00520 K00522 K00528 K00552		9
- 200	286T0142-300		.WIRE BUNDLE ASSY		RF

ILLUSTRATION ITEMS NOT ON PARTS LIST ARE NOT APPLICABLE

- ITEM NOT ILLUSTRATED

32-09-52-02

32-09-52
FIG. 02
PAGE 1
DEC 22/07

HXL



767

PARTS CATALOG (MAINTENANCE)

FIG ITEM	PART NUMBER	1 2 3 4 5 6 7	NOMENCLATURE	EFFECT FROM TO	UNITS PER ASSY
2					
- 201	289T1065-10103	..	TAPE-IDENT PLACARD CONTENT: D00630 M/W K00518 POST ALERT SB: 27A0160		1
207	BACS16W1	..	SOCKET- ELECTRICAL EQUIP NUMBER: D00546 D00624 D00628 D00630 D00660 D01396 WIRING DIAGRAM REF: 320913		6
- 250	286T0144-300	.	WIRE BUNDLE ASSY		RF
- 252	289T1065-10203	..	TAPE-IDENT PLACARD CONTENT: D1268 M/W K00552 POST ALERT SB: 27A0160 27A0160R1		1
- 254	BACS16W1	.	SOCKET- ELECTRICAL EQUIP NUMBER: D01268 WIRING DIAGRAM REF: 320913 POST ALERT SB: 27A0160 27A0160R1		1
255	BACS16W1	..	SOCKET- ELECTRICAL EQUIP NUMBER: D01268 D03510 WIRING DIAGRAM REF: 320913		2
256	BACS16W1	..	SOCKET- ELECTRICAL EQUIP NUMBER: D00542 WIRING DIAGRAM REF: 320913		1

ILLUSTRATION ITEMS NOT ON PARTS LIST ARE NOT APPLICABLE

- ITEM NOT ILLUSTRATED

HXL

32-09-52-02

BOEING PROPRIETARY - Copyright © - Unpublished Work - See title page for details.

32-09-52
FIG. 02
PAGE 2
AUG 22/08



767

PARTS CATALOG (MAINTENANCE)

FIG ITEM	PART NUMBER	1 2 3 4 5 6 7	NOMENCLATURE	EFFECT FROM TO	UNITS PER ASSY
2					
- 258	RSE120026		.. SOCKET- SUPPLIER CODE: V58982 SPECIFICATION NUMBER: BACS16AG1 OPTIONAL PART: 451120-026 V58982 ELECTRICAL EQUIP NUMBER: D01526 WIRING DIAGRAM REF: 276211 POST ALERT SB: 27A0160R1		1
- 278	YHLZ4		.. MODULE-TERMINAL SUPPLIER CODE: V09922 SPECIFICATION NUMBER: BACM15C1B OPTIONAL PART: YHLZ44 V09922	155162	1

ILLUSTRATION ITEMS NOT ON PARTS LIST ARE NOT APPLICABLE

- ITEM NOT ILLUSTRATED

HXL

32-09-52-02

BOEING PROPRIETARY - Copyright © - Unpublished Work - See title page for details.

32-09-52
 FIG. 02
 PAGE 3
 AUG 22/08