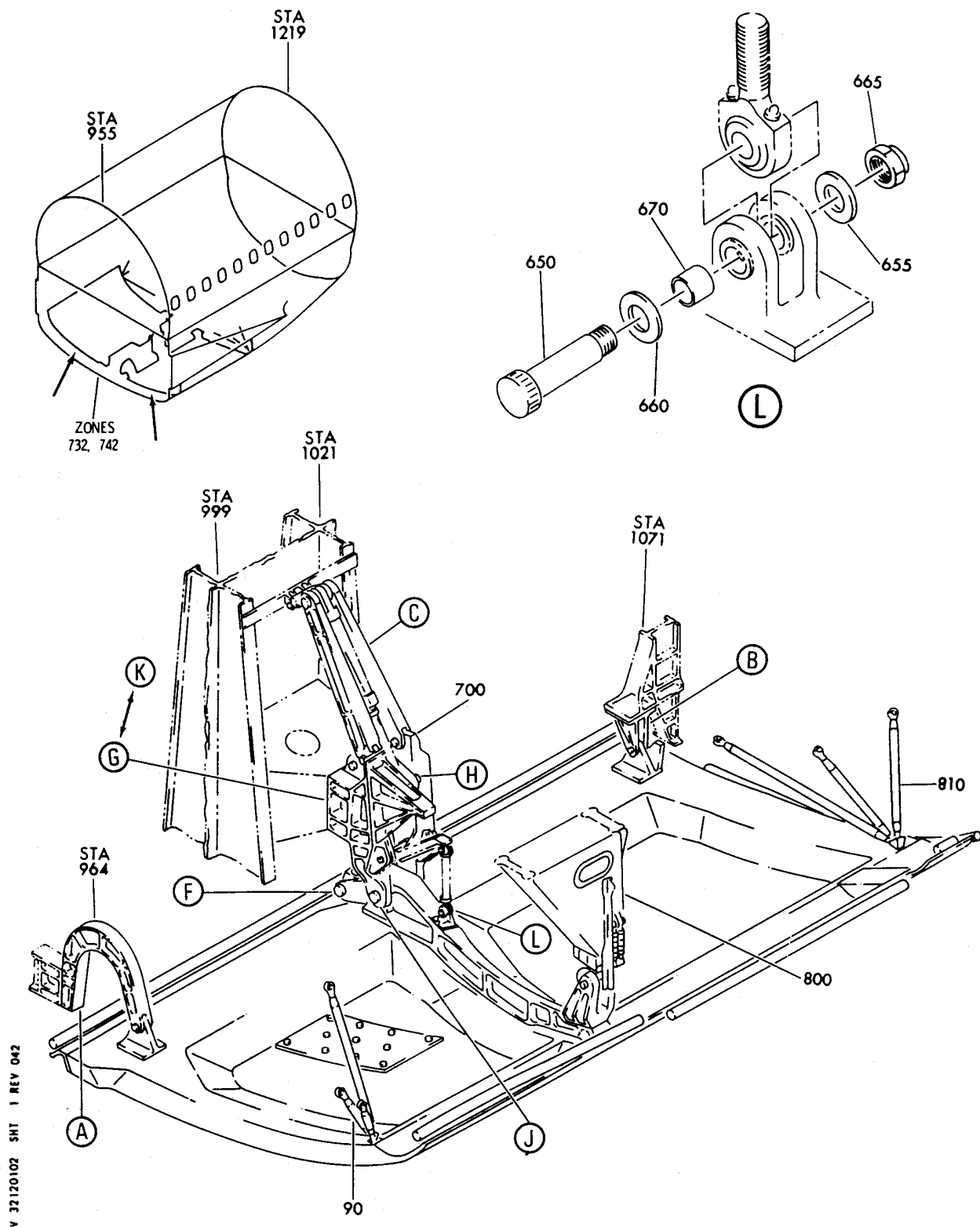


MAIN GEAR DOORS

HXL
DEC 22/06

32-12-00
SECTION TITLE
PAGE 1

BOEING
767
PARTS CATALOG (MAINTENANCE)



V 32120102 SHT 1 REV 042

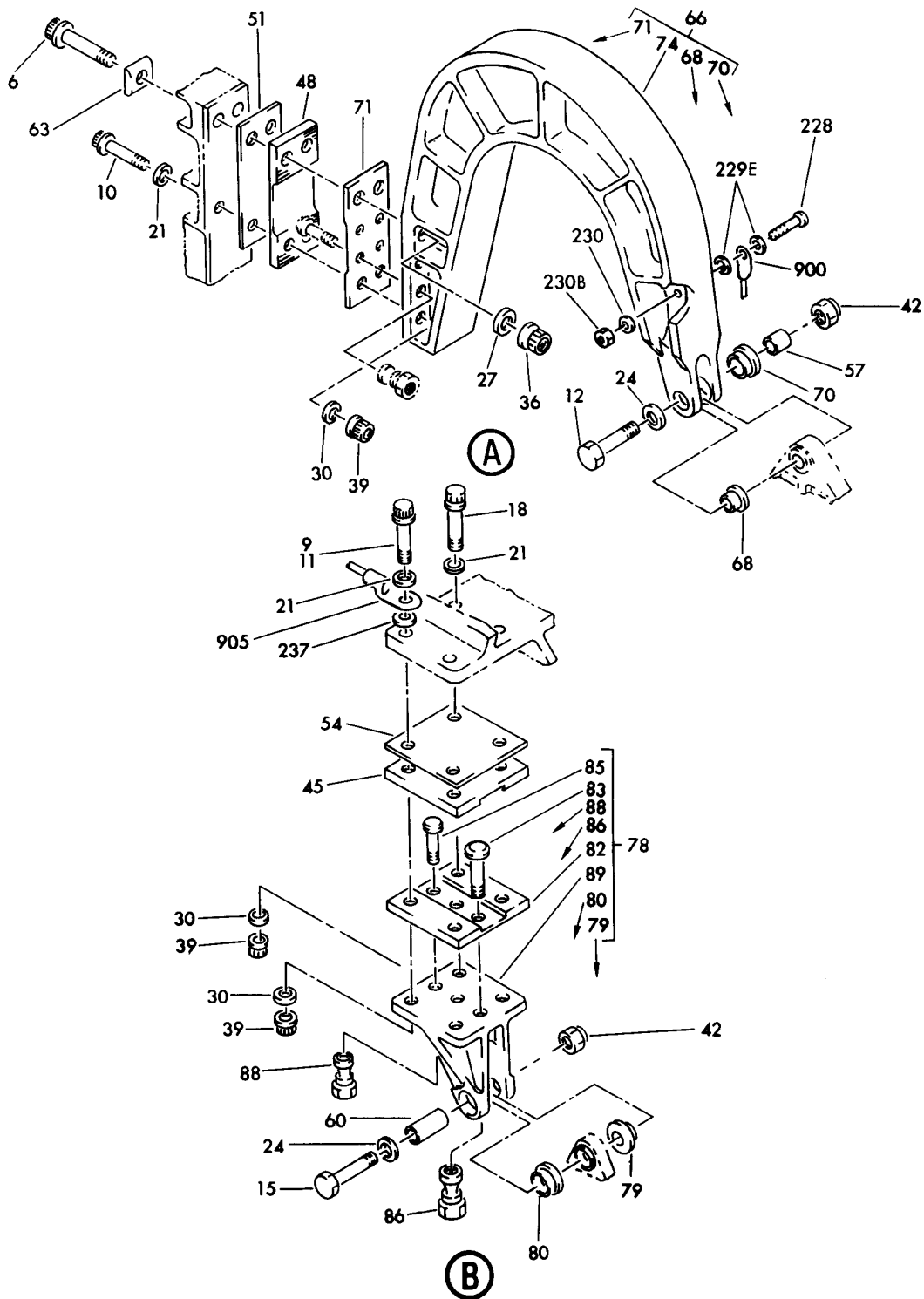
DOOR AND MECHANISM INTEGRATION-MLG DOOR
FIGURE 2 (SHEET 1)

32-12-01-02

HXL
DEC 22/06

32-12-01-02
PAGE 0


BOEING
 767
PARTS CATALOG (MAINTENANCE)



V 32120102 SHT 2 REV 137

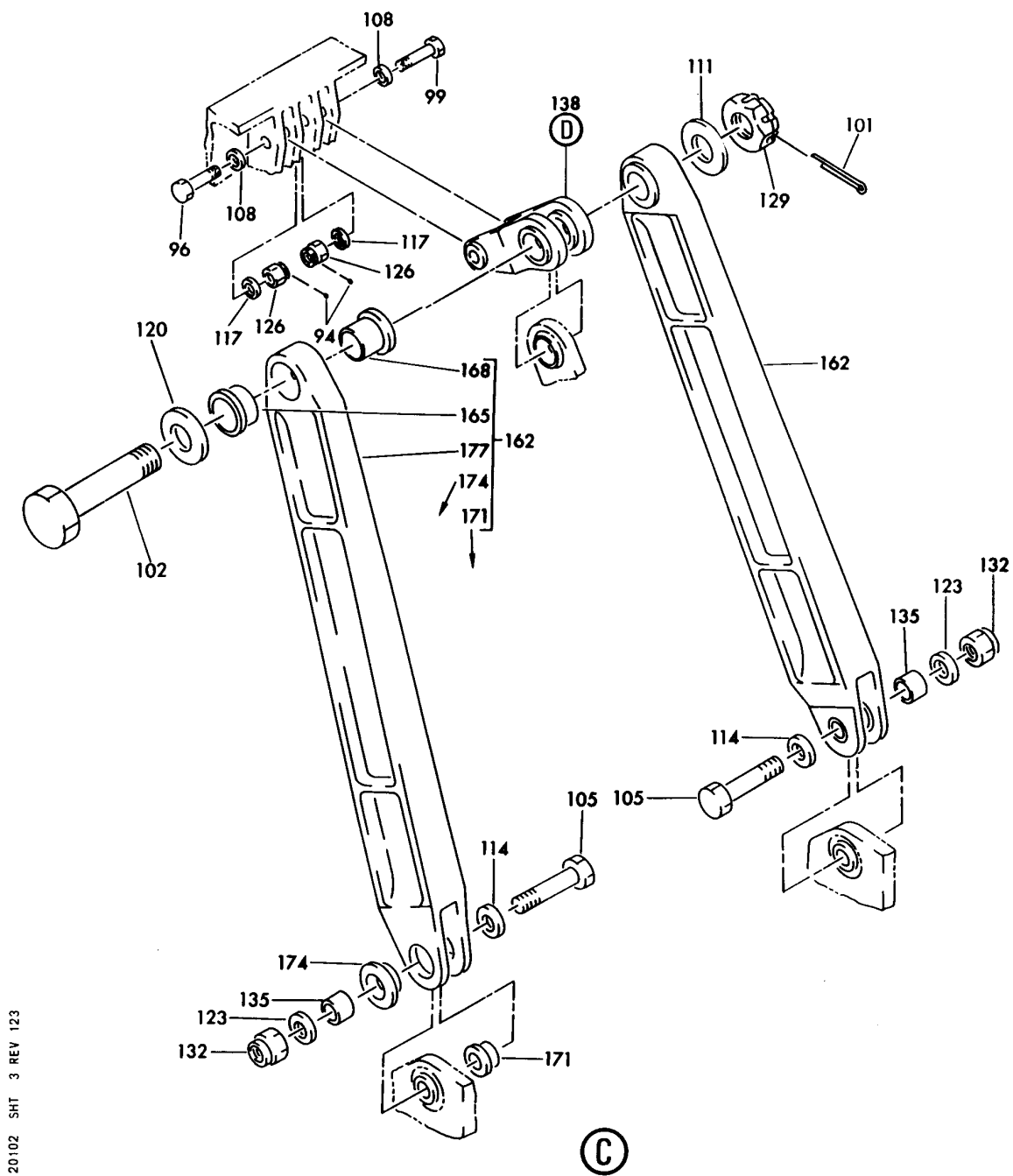
DOOR AND MECHANISM INTEGRATION-MLG DOOR
 FIGURE 2 (SHEET 2)

32-12-01-02

HXL
DEC 22/06

32-12-01-02
PAGE 0A

BOEING
767
PARTS CATALOG (MAINTENANCE)



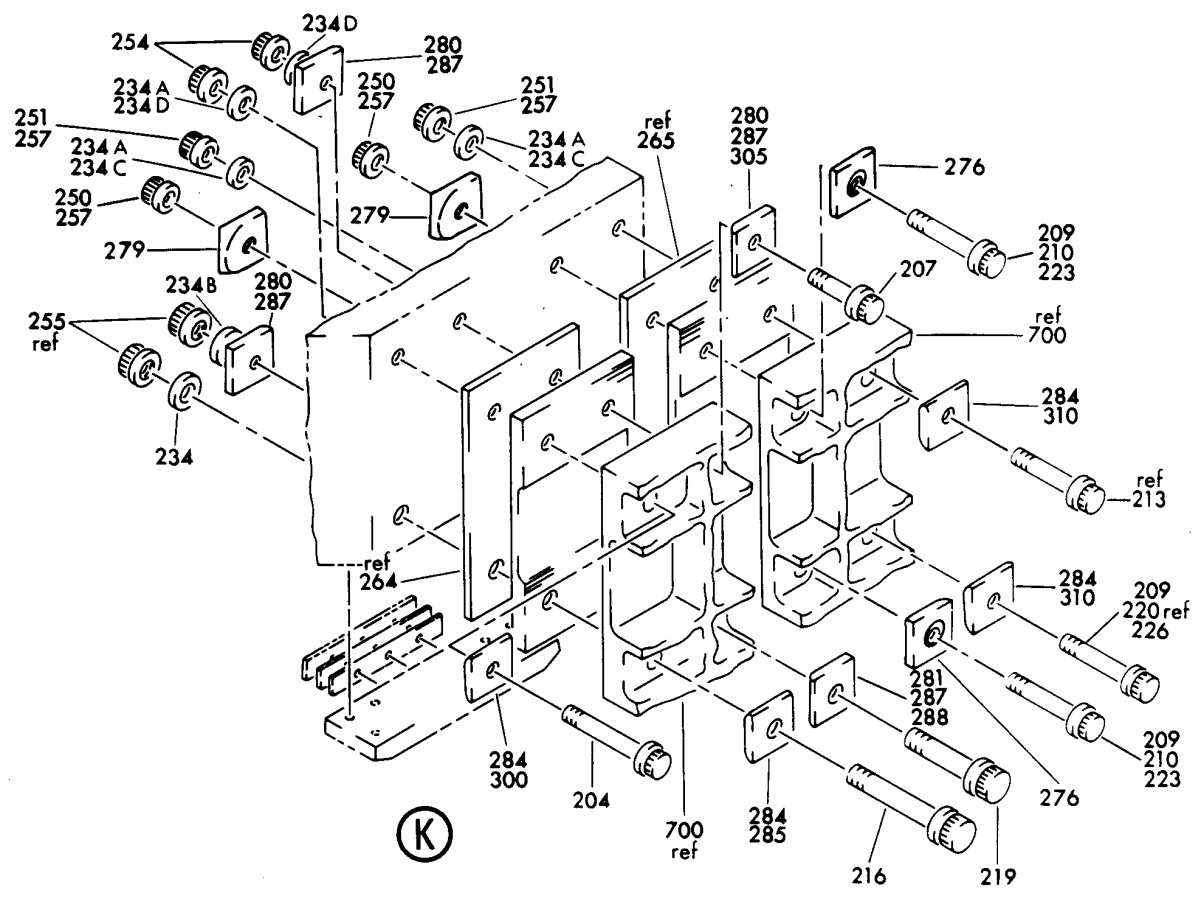
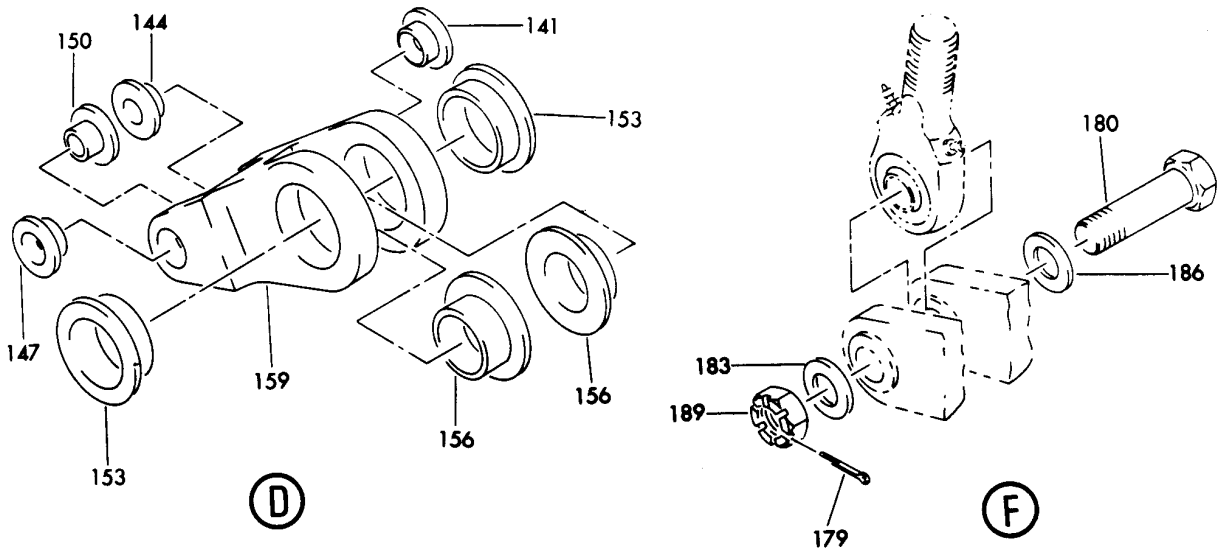
DOOR AND MECHANISM INTEGRATION-MLG DOOR
FIGURE 2 (SHEET 3)

32-12-01-02

HXL
DEC 22/06

32-12-01-02
PAGE 0B

BOEING
767
PARTS CATALOG (MAINTENANCE)



V 32120102 SH1 4 REV 100

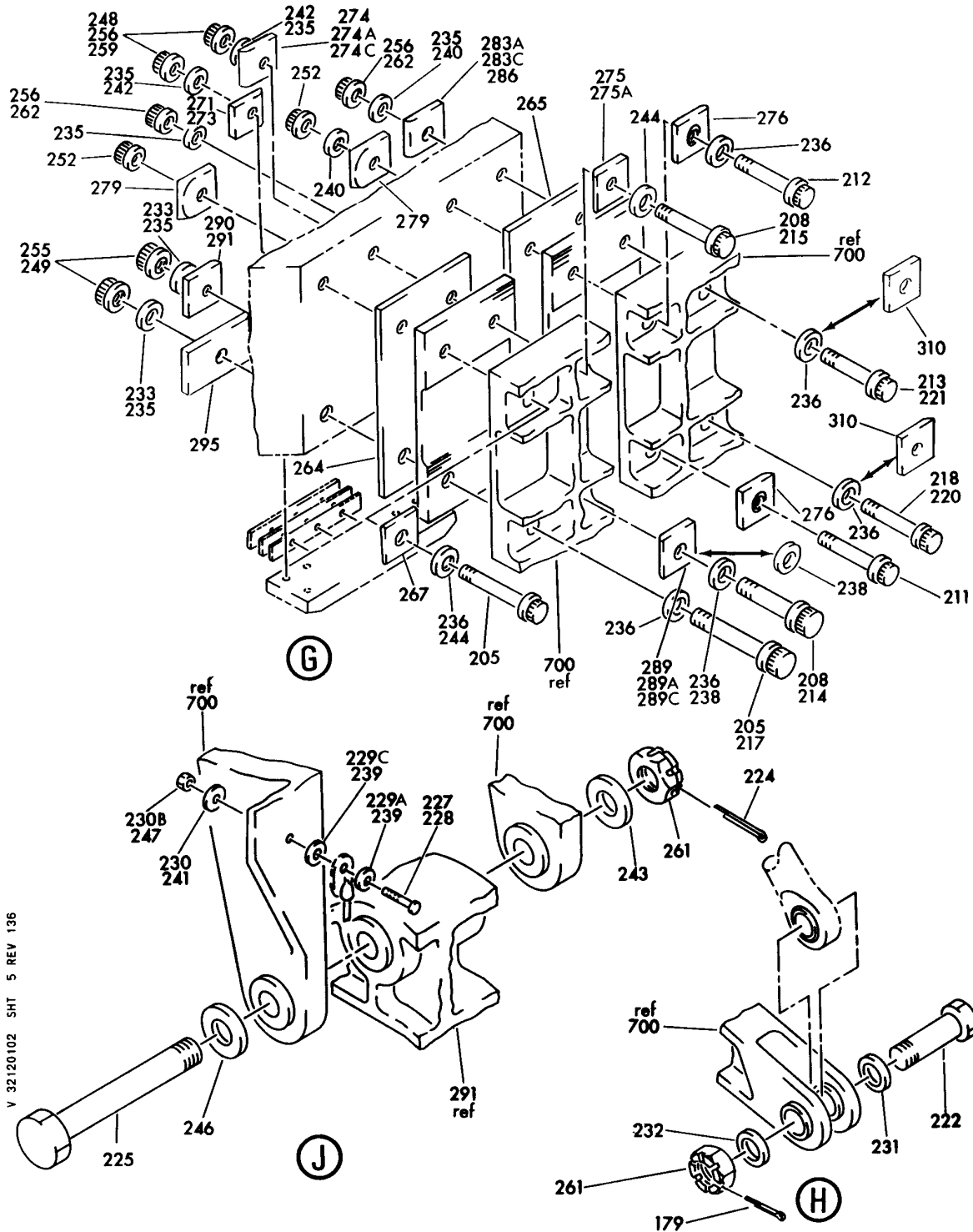
DOOR AND MECHANISM INTEGRATION-MLG DOOR
FIGURE 2 (SHEET 4)

32-12-01-02

HXL
DEC 22/06

32-12-01-02
PAGE 0C


BOEING
 767
PARTS CATALOG (MAINTENANCE)



V 32120102 SHT 5 REV 136

DOOR AND MECHANISM INTEGRATION-MLG DOOR
FIGURE 2 (SHEET 5)

32-12-01-02

HXL
DEC 22/06

32-12-01-02
PAGE 0D

 **BOEING**
767
PARTS CATALOG (MAINTENANCE)

FIG ITEM	PART NUMBER	1 2 3 4 5 6 7	NOMENCLATURE	EFFECT FROM TO	UNITS PER ASSY
2			DOOR AND MECHANISM INTEGRATION-MLG DOOR		
- 1	149T6902-73		DOOR AND MECHANISM- INTEGRATION-MLG DOOR POSITION DATA: LH VARIABLE DRAWING REF: 149T6902-5015 149T6902-7001 FOR NHA SEE: 53-00-54-01		RF
- 3	149T6902-74		DOOR AND MECHANISM- INTEGRATION-MLG DOOR POSITION DATA: RH VARIABLE DRAWING REF: 149T6902-5016 149T6902-7002 FOR NHA SEE: 53-00-54-01		RF
6	BACB30MR6K31		.BOLT-SELECT FROM		2
6	BACB30MR6K32		.BOLT-SELECT FROM		2
6	BACB30MR6K33		.BOLT-SELECT FROM		2
10	BACB30MR5K24		.BOLT-SELECT FROM		2
10	BACB30MR5K25		.BOLT-SELECT FROM		2
10	BACB30MR5K26		.BOLT-SELECT FROM		2
11	BACB30MR5K19		.BOLT-SELECT FROM		1
11	BACB30MR5K20		.BOLT-SELECT FROM		1
11	BACB30MR5K21		.BOLT-SELECT FROM		1
12	BACB30LM8SU26		.BOLT-		1
15	BACB30LM8SU36		.BOLT-		1
18	BACB30MR5K18		.BOLT-SELECT FROM		3
18	BACB30MR5K19		.BOLT-SELECT FROM		3
18	BACB30MR5K21		.BOLT-SELECT FROM		3
21	BACW10BP5CD		.WASHER- POSITION DATA: UNDER HEAD		6
24	BACW10BP8ACU		.WASHER- POSITION DATA: UNDER HEAD		2
27	BACW10BP6DP		.WASHER- POSITION DATA: UNDER NUT		2
30	BACW10BP5DP		.WASHER- POSITION DATA: UNDER NUT		6
36	NAS1805-6		.NUT		2
39	NAS1805-5		.NUT		6

ILLUSTRATION ITEMS NOT ON PARTS LIST ARE NOT APPLICABLE

- ITEM NOT ILLUSTRATED

HXL

32-12-01-02

BOEING PROPRIETARY - Copyright © - Unpublished Work - See title page for details.

32-12-01
FIG. 02
PAGE 1
DEC 22/07



767

PARTS CATALOG (MAINTENANCE)

FIG ITEM	PART NUMBER	1 2 3 4 5 6 7	NOMENCLATURE	EFFECT FROM TO	UNITS PER ASSY
2					
42	BMN4122C1D2-8	.NUT	SUPPLIER CODE: V97928 SPECIFICATION NUMBER: BACN10JC8CM OPTIONAL PART: BMN4122C1D2-8 V85495 H01-8BAC V15653 109LH9074-8 V72962 69235-820CM V56878		2
45	149T6964-1	.PLATE			1
48	149T6964-3	.PLATE-			1
51	BACS40R024D062F	.SHIM-	MISCELLANEOUS DATA: (USE BACF3F024F062NN AND/OR BACS40R024D062F (STA 964.3) OR BACF3F039F044NN AND/OR BACS40R039D044F (STA 1069) IF/AS REQD)		AR
52	BACF3F024F062NN	.SHIM-	MISCELLANEOUS DATA: (USE BACF3F024F062NN AND/OR BACS40R024D062F (STA 964.3) OR BACF3F039F044NN AND/OR BACS40R039D044F (STA 1069) IF/AS REQD)		AR
54	BACS40R039D044F	.SHIM-	MISCELLANEOUS DATA: (USE BACF3F024F062NN AND/OR BACS40R024D062F (STA 964.3) OR BACF3F039F044NN AND/OR BACS40R039D044F (STA 1069) IF/AS REQD)		AR
55	BACF3F039F044NN	.SHIM-	MISCELLANEOUS DATA: (USE BACF3F024F062NN AND/OR BACS40R024D062F (STA 964.3) OR BACF3F039F044NN AND/OR BACS40R039D044F (STA 1069) IF/AS REQD)		AR
57	BACB28AK08-058	.BUSHING			1

ILLUSTRATION ITEMS NOT ON PARTS LIST ARE NOT APPLICABLE

- ITEM NOT ILLUSTRATED

32-12-01-02

32-12-01
FIG. 02
PAGE 2
DEC 22/07

HXL

BOEING PROPRIETARY - Copyright © - Unpublished Work - See title page for details.



767

PARTS CATALOG (MAINTENANCE)

FIG ITEM	PART NUMBER	1 2 3 4 5 6 7	NOMENCLATURE	EFFECT FROM TO	UNITS PER ASSY
2					
60	BACB28AK08-164	.	BUSHING		1
63	149T6902-14	.	BLOCK		2
66	149T6938-5	.	SUPPORT ASSY-HINGE		1
			POSITION DATA:		
			FWD LH SIDE		
			OPTIONAL PART:		
			149T6816-7		
66	149T6816-7	.	SUPPORT ASSY-HINGE		1
			POSITION DATA:		
			FWD LH SIDE		
			OPTIONAL PART:		
			149T6938-5		
- 67	149T6938-6	.	SUPPORT ASSY-HINGE		1
			POSITION DATA:		
			FWD RH SIDE		
			OPTIONAL PART:		
			149T6816-8		
- 67	149T6816-8	.	SUPPORT ASSY-HINGE		1
			POSITION DATA:		
			FWD RH SIDE		
			OPTIONAL PART:		
			149T6938-6		
68	BACB28X8C038	..	BUSHING		1
70	BACB28X11M038	..	BUSHING		1
71	149T6951-2	..	PLATE		1
			ATTACHING PARTS		
- 72	L8006K6	..	BOLT		4
			SUPPLIER CODE:		
			V06725		
			SPECIFICATION NUMBER:		
			BACB30MY6K6		
- 73	HL79-6	..	COLLAR		4
			SUPPLIER CODE:		
			V5M902		
			SPECIFICATION NUMBER:		
			BACC30M6		
			OPTIONAL PART:		
			HL79-6		
			V73197		
			HL79-6		
			V92215		
			66014-6		
			V56878		
			HL79-6		
			V56878		
			-----*-----		

ILLUSTRATION ITEMS NOT ON PARTS LIST ARE NOT APPLICABLE

- ITEM NOT ILLUSTRATED

HXL

32-12-01-02

BOEING PROPRIETARY - Copyright © - Unpublished Work - See title page for details.

32-12-01
FIG. 02
PAGE 3
DEC 22/07



767

PARTS CATALOG (MAINTENANCE)

FIG ITEM	PART NUMBER	1 2 3 4 5 6 7	NOMENCLATURE	EFFECT FROM TO	UNITS PER ASSY
2					
74	149T6938-4	..	SUPPORT- USED ON: 149T6938-5 149T6938-6		1
74	149T6816-9	..	SUPPORT- USED ON: 149T6816-7 149T6816-8		1
78	149T6936-1	.HINGE ASSY-	OPTIONAL PART: 149T6911-1		1
78	149T6911-1	.HINGE ASSY-	OPTIONAL PART: 149T6936-1		1
79	149T6936-3	..	BUSHING		1
80	149T6936-4	..	BUSHING		1
82	149T6951-1	..	PLATE		1
			ATTACHING PARTS		
83	L8008K7	..	BOLT SUPPLIER CODE: V06725 SPECIFICATION NUMBER: BACB30MY8K7		1
85	L8006K7	..	BOLT SUPPLIER CODE: V06725 SPECIFICATION NUMBER: BACB30MY6K7		2
86	HL79-8	..	COLLAR SUPPLIER CODE: V5M902 SPECIFICATION NUMBER: BACC30M8 OPTIONAL PART: HL79-8 V73197 HL79-8 V92215 66014-8 V56878 HL79-8 V56878		1

ILLUSTRATION ITEMS NOT ON PARTS LIST ARE NOT APPLICABLE

- ITEM NOT ILLUSTRATED

HXL

32-12-01-02

BOEING PROPRIETARY - Copyright © - Unpublished Work - See title page for details.

32-12-01
FIG. 02
PAGE 4
APR 22/08

BOEING
767
PARTS CATALOG (MAINTENANCE)

FIG ITEM	PART NUMBER	1 2 3 4 5 6 7	NOMENCLATURE	EFFECT FROM TO	UNITS PER ASSY
2					
88	HL79-6		.. COLLAR SUPPLIER CODE: V5M902 SPECIFICATION NUMBER: BACC30M6 OPTIONAL PART: HL79-6 V73197 HL79-6 V92215 66014-6 V56878 HL79-6 V56878 -----*-----		2
89	149T6936-2		.. FITTING		1
90	149T6971-1		. STOP INSTL-MLG DOOR POSITION DATA: FWD LH SIDE VARIABLE DRAWING REF: 149T6971-5003 FOR DETAILS SEE: 32-12-02-01		1
- 93	149T6971-2		. STOP INSTL-MLG DOOR POSITION DATA: FWD RH SIDE VARIABLE DRAWING REF: 149T6971-5004 FOR DETAILS SEE: 32-12-02-01		1
94	MS24665-300		. PIN		2
96	BACB30LJ6CD22		. BOLT		1
99	BACB30LJ6CD19		. BOLT		1
101	MS24665-377		. PIN		1
102	149T6985-8		. BOLT-SPECIAL SHOULDER		1
105	BACB30LJ12CD30		. BOLT-		2
108	BACW10BN6SC		. WASHER- POSITION DATA: UNDER HEAD		2
111	BACW10BN18SC		. WASHER- POSITION DATA: UNDER HEAD		1
114	BACW10BN12SC		. WASHER- POSITION DATA: UNDER HEAD		2
117	BACW10BN6SP		. WASHER- POSITION DATA: UNDER NUT		2
ILLUSTRATION ITEMS NOT ON PARTS LIST ARE NOT APPLICABLE					

- ITEM NOT ILLUSTRATED

HXL

32-12-01-02

BOEING PROPRIETARY - Copyright © - Unpublished Work - See title page for details.

32-12-01
FIG. 02
PAGE 5
APR 22/08



767

PARTS CATALOG (MAINTENANCE)

FIG ITEM	PART NUMBER	1 2 3 4 5 6 7	NOMENCLATURE	EFFECT FROM TO	UNITS PER ASSY
2					
120	BACW10BN18SP	.WASHER-	POSITION DATA: UNDER NUT		1
123	BACW10BN12SP	.WASHER-	POSITION DATA: UNDER NUT		2
126	BACN10JD106ASU	.NUT			2
129	BACN10JD118ASU	.NUT-			1
132	BMN4122C1D2-12	.NUT-	SUPPLIER CODE: V97928 SPECIFICATION NUMBER: BACN10JC12CM OPTIONAL PART: H01-12BAC V15653 109LH9074-12 V72962 69235-1216CM V56878		2
135	BACB28AK12-060	.BUSHING-			2
138	149T6958-9	.LINK ASSY-	POSITION DATA: LH SIDE		1
- 139	149T6958-10	.LINK ASSY-	POSITION DATA: RH SIDE		1
141	BACB28W8C038	..BUSHING			1
144	BACB28AA6B040	..BUSHING			1
147	BACB28W8C048	..BUSHING			1
150	BACB28AA6B050	..BUSHING			1
153	BACB28W21C048	..BUSHING			2
156	BACB28AA18B050	..BUSHING			2
159	149T6958-11	..LINK-	POSITION DATA: LH SIDE		1
- 160	149T6958-12	..LINK-	POSITION DATA: RH SIDE		1
162	149T6957-3	.LINK ASSY-	OPTIONAL PART: 149T6801-1		2
162	149T6801-5	.LINK ASSY-	OPTIONAL PART: 149T6957-5		2
162	149T6957-5	.LINK ASSY-	OPTIONAL PART: 149T6801-5		2
165	BACB28W21C133	..BUSHING			1

ILLUSTRATION ITEMS NOT ON PARTS LIST ARE NOT APPLICABLE

- ITEM NOT ILLUSTRATED

32-12-01-02

32-12-01
FIG. 02
PAGE 6
APR 22/08

HXL

BOEING PROPRIETARY - Copyright © - Unpublished Work - See title page for details.



767

PARTS CATALOG (MAINTENANCE)

FIG ITEM	PART NUMBER	1 2 3 4 5 6 7	NOMENCLATURE	EFFECT FROM TO	UNITS PER ASSY
2					
168	BACB28AA18B125	..	BUSHING		1
171	BACB28W12C038	..	BUSHING-		1
174	BACB28W17B038	..	BUSHING-		1
177	149T6957-4	..	LINK-		1
			USED ON: 149T6957-3		
177	149T6801-4	..	LINK-		1
177	149T6957-6	..	LINK-		1
			USED ON: 149T6957-5		
179	MS24665-377	.	PIN		1
180	149T6985-7	.	BOLT-SPECIAL SHOULDER		1
183	149T6902-48	.	WASHER-		1
			POSITION DATA: UNDER NUT MISCELLANEOUS DATA: FOR SPARES PROCURE LOWER COMPONENTS		
186	149T6902-47	.	WASHER-		1
			POSITION DATA: UNDER HEAD		
189	BACN10JD116	.	NUT		1
205	BACB30MR12K44	.	BOLT-		2
208	BACB30MR12K40	.	BOLT-		2
211	BACB30MR9K26	.	BOLT-		1
212	BACB30MR9K27	.	BOLT-		1
213	BACB30MR12K28	.	BOLT-		1
220	BACB30MR12K23	.	BOLT-		1
222	149T6985-5	.	BOLT-SPECIAL SHOULDER		1
224	MS24665-378	.	PIN		1
225	149T6985-3	.	BOLT-SPECIAL SHOULDER		1

ILLUSTRATION ITEMS NOT ON PARTS LIST ARE NOT APPLICABLE

- ITEM NOT ILLUSTRATED

HXL

32-12-01-02

BOEING PROPRIETARY - Copyright © - Unpublished Work - See title page for details.

32-12-01
FIG. 02
PAGE 7
APR 22/08



767

PARTS CATALOG (MAINTENANCE)

FIG ITEM	PART NUMBER	1 2 3 4 5 6 7	NOMENCLATURE	EFFECT FROM TO	UNITS PER ASSY
2 227	HL448UC6-7		.BOLT SUPPLIER CODE: V56878 SPECIFICATION NUMBER: BACB30MB6A7 OPTIONAL PART: HL448UC6-7 V73197 HL448UC6-7 V92215 HL448UC6-7 V97928 69308-6A7 V56878 HL448UC6-7 V80539 HL448UC6-7 V08524 HL448UC6-7 V9N513 WC4486-7 V60516		1
228	BACB30LJ3-4		.BOLT- POSITION DATA: RH SIDE		1
229E	AN960D10L		.WASHER- POSITION DATA: UNDER HEAD AND UNDER JUMPER RH SIDE		2
230	AN960-10L		.WASHER- POSITION DATA: UNDER NUT RH SIDE		1

ILLUSTRATION ITEMS NOT ON PARTS LIST ARE NOT APPLICABLE

- ITEM NOT ILLUSTRATED

HXL

32-12-01-02

BOEING PROPRIETARY - Copyright © - Unpublished Work - See title page for details.

32-12-01
FIG. 02
PAGE 8
APR 22/08



767

PARTS CATALOG (MAINTENANCE)

FIG ITEM	PART NUMBER	1 2 3 4 5 6 7	NOMENCLATURE	EFFECT FROM TO	UNITS PER ASSY
2 230B	BRH10A3		.NUT- SUPPLIER CODE: V52828 SPECIFICATION NUMBER: BACN10JC3 OPTIONAL PART: H10-3BAC V15653 NS202101-02 V80539 RMLH9075-3W V72962 VN303A02 V92215 96-02 V80539 T6S1032J V11815 POSITION DATA: RH SIDE		1
231	149T6902-78		.WASHER- POSITION DATA: UNDER HEAD		1
232	149T6902-79		.WASHER- POSITION DATA: UNDER NUT		1
235	BACW10BP12P		.WASHER- POSITION DATA: UNDER NUT		6
236	BACW10BP12ACU		.WASHER- POSITION DATA: UNDER HEAD		6
237	AN960D516L		.WASHER		1
239	AN960D10L		.WASHER		2
241	AN960-10L		.WASHER		4
243	149T6902-49		.WASHER- POSITION DATA: UNDER NUT MISCELLANEOUS DATA: FOR SPARES PROCURE LOWER COMPONENTS		1
246	149T6902-50		.WASHER- POSITION DATA: UNDER HEAD MISCELLANEOUS DATA: FOR SPARES PROCURE LOWER COMPONENTS		1

ILLUSTRATION ITEMS NOT ON PARTS LIST ARE NOT APPLICABLE

- ITEM NOT ILLUSTRATED

32-12-01-02

32-12-01
FIG. 02
PAGE 9
APR 22/08

HXL



767

PARTS CATALOG (MAINTENANCE)

FIG ITEM	PART NUMBER	1 2 3 4 5 6 7 NOMENCLATURE	EFFECT FROM TO	UNITS PER ASSY
2 255	BH0030212	.NUT SUPPLIER CODE: V27238 SPECIFICATION NUMBER: BACN10HR12 OPTIONAL PART: H96-12 V15653 RMLH22-12 V72962 67832-1216 V56878 BH00302-12 V27238 H9612 V15653 RMLH2212 V72962 BMNN10HR12 V97928 CR590612 V62554 VAL2800912 V06710 6783212 V56878		2

ILLUSTRATION ITEMS NOT ON PARTS LIST ARE NOT APPLICABLE

- ITEM NOT ILLUSTRATED

HXL

32-12-01-02

BOEING PROPRIETARY - Copyright © - Unpublished Work - See title page for details.

32-12-01
 FIG. 02
 PAGE 11
 DEC 22/06



767

PARTS CATALOG (MAINTENANCE)

FIG ITEM	PART NUMBER	1 2 3 4 5 6 7	NOMENCLATURE	EFFECT FROM TO	UNITS PER ASSY
2 256	BH0030212	.NUT	SUPPLIER CODE: V27238 SPECIFICATION NUMBER: BACN10HR12 OPTIONAL PART: H96-12 V15653 RMLH22-12 V72962 67832-1216 V56878 BH00302-12 V27238 H9612 V15653 RMLH2212 V72962 BMNN10HR12 V97928 CR590612 V62554 VAL2800912 V06710 6783212 V56878		4
258	BACN10JD116ASU	.NUT-			1
261	149T6992-1	.NUT			1
264	BACS40R54C95F	.SHIM			1
265	BACS40R56C95F	.SHIM			1
267	149T6902-37	.FILLER-RADIUS			1
		POSITION DATA:			
		LH SIDE			
- 270	149T6902-52	.FILLER-RADIUS			1
		POSITION DATA:			
		RH SIDE			
271	149T6902-88	.FILLER-RADIUS			1
		POSITION DATA:			
		LH SIDE			
- 272	149T6902-88	.FILLER-RADIUS			1
		POSITION DATA:			
		RH SIDE			
-274B	149T6902-56	.FILLER-RADIUS			1
		POSITION DATA:			
		RH SIDE			
		OPTIONAL PART:			
		149T6902-91			

ILLUSTRATION ITEMS NOT ON PARTS LIST ARE NOT APPLICABLE

- ITEM NOT ILLUSTRATED

32-12-01-02

32-12-01
FIG. 02
PAGE 12
DEC 22/06

HXL



767

PARTS CATALOG (MAINTENANCE)

FIG ITEM	PART NUMBER	1 2 3 4 5 6 7	NOMENCLATURE	EFFECT FROM TO	UNITS PER ASSY
2 274C	149T6902-91		. FILLER-RADIUS POSITION DATA: LH SIDE		1
-274D	149T6902-91		. FILLER-RADIUS POSITION DATA: RH SIDE OPTIONAL PART: 149T6902-56		1
275A	149T6902-57		. FILLER-RADIUS POSITION DATA: LH SIDE		1
-275B	149T6902-58		. FILLER-RADIUS POSITION DATA: RH SIDE		1
276	149T6902-76		. BLOCK-RADIUS		2
279	149T6902-77		. BLOCK-RADIUS		2
283C	149T6902-90		. FILLER-RADIUS POSITION DATA: LH SIDE		1
289C	149T6902-93		. FILLER-RADIUS POSITION DATA: LH SIDE		1
-289D	149T6902-94		. FILLER-RADIUS POSITION DATA: RH SIDE		1
290	149T6902-86		. FILLER-RADIUS POSITION DATA: LH SIDE		1
295	149T6902-87		. FILLER-RADIUS POSITION DATA: LH SIDE		1
650	BACB30NJ12K36		. BOLT		1
655	BACW10BN12SP		. WASHER		1
660	BACW10BN12SC		. WASHER		1
665	BMN4122AD3-12		. NUT SUPPLIER CODE: V97928 SPECIFICATION NUMBER: BACN10JC12 OPTIONAL PART: H10-12BAC V15653 RMLH9074-12 V72962 48FT1216 V56878		1
670	BACB28AK12-070		. BUSHING-		1

ILLUSTRATION ITEMS NOT ON PARTS LIST ARE NOT APPLICABLE

- ITEM NOT ILLUSTRATED

32-12-01-02

32-12-01
FIG. 02
PAGE 13
DEC 22/07

HXL



767

PARTS CATALOG (MAINTENANCE)

FIG ITEM	PART NUMBER	1 2 3 4 5 6 7	NOMENCLATURE	EFFECT FROM TO	UNITS PER ASSY
2 700	149T6902-5		.BELLCRANK ASSY-HINGE SIDE) POSITION DATA: LH SIDE MISCELLANEOUS DATA: FOR SPARES PROCURE LOWER COMPONENTS COMPONENT MAINT MANUAL REF: 32-12-05 FOR DETAILS SEE: 32-12-01-30		1
700	149T6902-39		.BELLCRANK ASSY-HINGE POSITION DATA: LH SIDE MISCELLANEOUS DATA: FOR SPARES PROCURE LOWER COMPONENTS COMPONENT MAINT MANUAL REF: 32-12-05 FOR DETAILS SEE: 32-12-01-30		1
700	149T6902-43		.BELLCRANK ASSY-HINGE POSITION DATA: LH SIDE MISCELLANEOUS DATA: FOR SPARES PROCURE LOWER COMPONENTS COMPONENT MAINT MANUAL REF: 32-12-05 FOR DETAILS SEE: 32-12-01-30		1
700	149T6902-45		.BELLCRANK ASSY-HINGE POSITION DATA: LH SIDE MISCELLANEOUS DATA: FOR SPARES PROCURE LOWER COMPONENTS COMPONENT MAINT MANUAL REF: 32-12-05 FOR DETAILS SEE: 32-12-01-30		1

ILLUSTRATION ITEMS NOT ON PARTS LIST ARE NOT APPLICABLE

- ITEM NOT ILLUSTRATED

HXL

32-12-01-02

BOEING PROPRIETARY - Copyright © - Unpublished Work - See title page for details.

32-12-01
FIG. 02
PAGE 14
DEC 22/06



767

PARTS CATALOG (MAINTENANCE)

FIG ITEM	PART NUMBER	1 2 3 4 5 6 7	NOMENCLATURE	EFFECT FROM TO	UNITS PER ASSY
2 700	149T6902-69		.BELLCRANK ASSY-HINGE POSITION DATA: LH SIDE MISCELLANEOUS DATA: FOR SPARES PROCURE LOWER COMPONENTS COMPONENT MAINT MANUAL REF: 32-12-05 FOR DETAILS SEE: 32-12-01-30		1
700	149T6902-71		.BELLCRANK ASSY-HINGE POSITION DATA: LH SIDE MISCELLANEOUS DATA: FOR SPARES PROCURE LOWER COMPONENTS COMPONENT MAINT MANUAL REF: 32-12-05 FOR DETAILS SEE: 32-12-01-30		1
700	149T6902-107		.BELLCRANK ASSY-HINGE POSITION DATA: LH SIDE MISCELLANEOUS DATA: FOR SPARES PROCURE LOWER COMPONENTS COMPONENT MAINT MANUAL REF: 32-12-05 FOR DETAILS SEE: 32-12-01-30		1
- 703	149T6902-6		.BELLCRANK ASSY-HINGE POSITION DATA: RH SIDE MISCELLANEOUS DATA: FOR SPARES PROCURE LOWER COMPONENTS COMPONENT MAINT MANUAL REF: 32-12-05 FOR DETAILS SEE: 32-12-01-30		1

ILLUSTRATION ITEMS NOT ON PARTS LIST ARE NOT APPLICABLE

- ITEM NOT ILLUSTRATED

HXL

32-12-01-02

BOEING PROPRIETARY - Copyright © - Unpublished Work - See title page for details.

32-12-01
FIG. 02
PAGE 15
DEC 22/06



767

PARTS CATALOG (MAINTENANCE)

FIG ITEM	PART NUMBER	1 2 3 4 5 6 7	NOMENCLATURE	EFFECT FROM TO	UNITS PER ASSY
2					
- 703	149T6902-40	.	BELLCRANK ASSY-HINGE POSITION DATA: RH SIDE MISCELLANEOUS DATA: FOR SPARES PROCURE LOWER COMPONENTS COMPONENT MAINT MANUAL REF: 32-12-05 FOR DETAILS SEE: 32-12-01-30		1
- 703	149T6902-44	.	BELLCRANK ASSY-HINGE POSITION DATA: RH SIDE MISCELLANEOUS DATA: FOR SPARES PROCURE LOWER COMPONENTS COMPONENT MAINT MANUAL REF: 32-12-05 FOR DETAILS SEE: 32-12-01-30		1
- 703	149T6902-46	.	BELLCRANK ASSY-HINGE POSITION DATA: RH SIDE MISCELLANEOUS DATA: FOR SPARES PROCURE LOWER COMPONENTS COMPONENT MAINT MANUAL REF: 32-12-05 FOR DETAILS SEE: 32-12-01-30		1
- 703	149T6902-70	.	BELLCRANK ASSY-HINGE POSITION DATA: RH SIDE MISCELLANEOUS DATA: FOR SPARES PROCURE LOWER COMPONENTS COMPONENT MAINT MANUAL REF: 32-12-05 FOR DETAILS SEE: 32-12-01-30		1

ILLUSTRATION ITEMS NOT ON PARTS LIST ARE NOT APPLICABLE

- ITEM NOT ILLUSTRATED

HXL

32-12-01-02

BOEING PROPRIETARY - Copyright © - Unpublished Work - See title page for details.

32-12-01
FIG. 02
PAGE 16
DEC 22/06



767

PARTS CATALOG (MAINTENANCE)

FIG ITEM	PART NUMBER	1 2 3 4 5 6 7	NOMENCLATURE	EFFECT FROM TO	UNITS PER ASSY
2					
- 703	149T6902-72		.BELLCRANK ASSY-HINGE POSITION DATA: RH SIDE MISCELLANEOUS DATA: FOR SPARES PROCURE LOWER COMPONENTS COMPONENT MAINT MANUAL REF: 32-12-05 FOR DETAILS SEE: 32-12-01-30		1
- 703	149T6902-108		.BELLCRANK ASSY-HINGE POSITION DATA: RH SIDE MISCELLANEOUS DATA: FOR SPARES PROCURE LOWER COMPONENTS COMPONENT MAINT MANUAL REF: 32-12-05 FOR DETAILS SEE: 32-12-01-30		1
800	149T6972-187		.MECHANISM ASSY-UPLOCK POSITION DATA: LH SIDE VARIABLE DRAWING REF: 149T6972-7001 FOR DETAILS SEE: 32-32-14-01		1
- 805	149T6972-188		.MECHANISM ASSY-UPLOCK POSITION DATA: RH SIDE VARIABLE DRAWING REF: 149T6972-7002 FOR DETAILS SEE: 32-32-14-01		1
810	149T6970-11		.STOP INSTL-MLG DOOR POSITION DATA: AFT LH SIDE FOR DETAILS SEE: 32-12-02-05		1
- 815	149T6970-12		.STOP INSTL-MLG DOOR POSITION DATA: AFT RH SIDE FOR DETAILS SEE: 32-12-02-05		1
900			ILLUSTRATION REFERENCE: DOOR ASSY-MLG (LANDING GEAR ONLY) 32-12-01-20		RF
ILLUSTRATION ITEMS NOT ON PARTS LIST ARE NOT APPLICABLE					

- ITEM NOT ILLUSTRATED

32-12-01-02

32-12-01
FIG. 02
PAGE 17
DEC 22/07

HXL



767
PARTS CATALOG (MAINTENANCE)

FIG ITEM	PART NUMBER	1 2 3 4 5 6 7	NOMENCLATURE	EFFECT FROM TO	UNITS PER ASSY
2 905			ILLUSTRATION REFERENCE: DOOR ASSY-MLG (LANDING GEAR ONLY) 32-12-01-20		RF

ILLUSTRATION ITEMS NOT ON PARTS LIST ARE NOT APPLICABLE

- ITEM NOT ILLUSTRATED

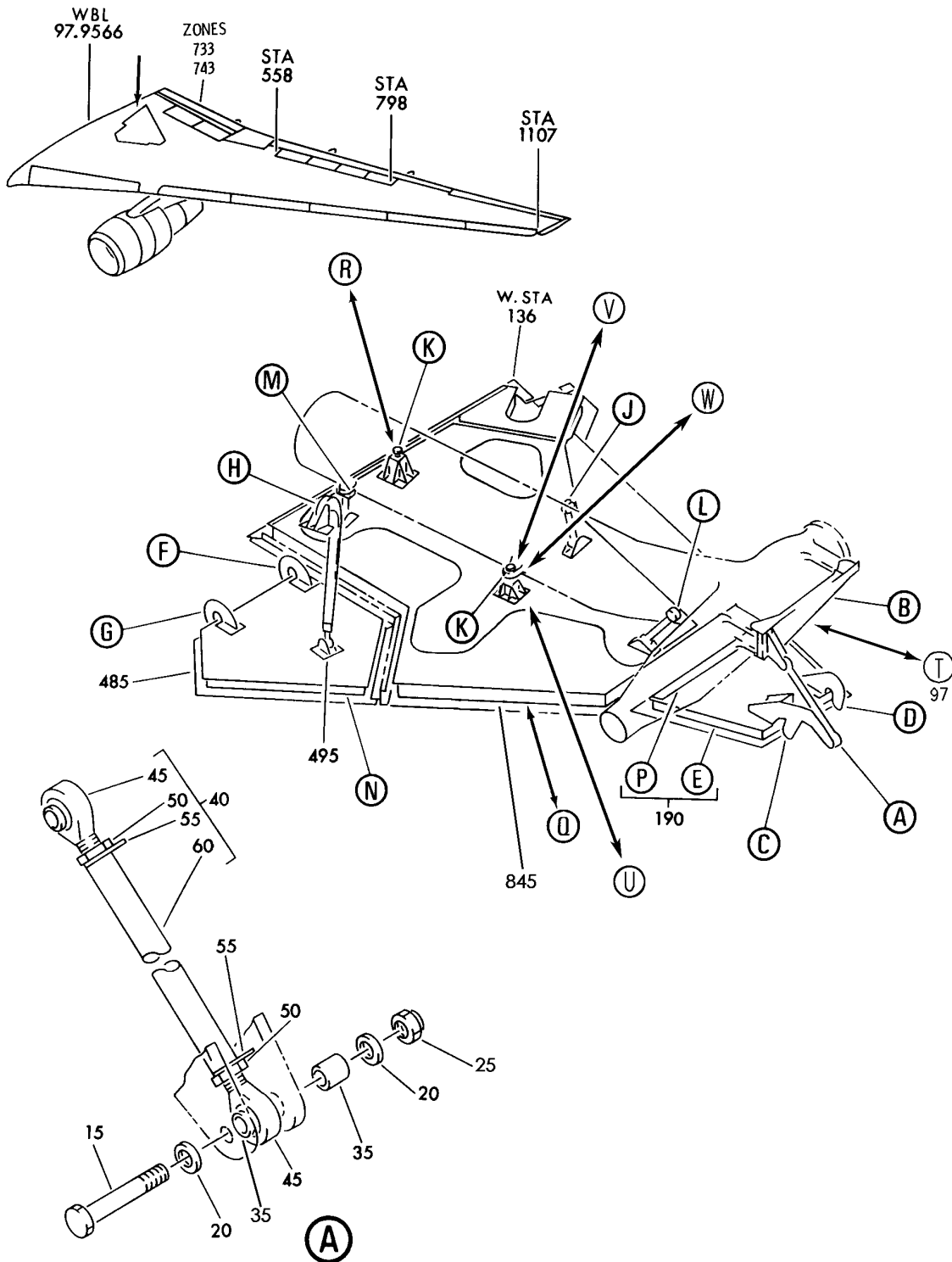
HXL

32-12-01-02

BOEING PROPRIETARY - Copyright © - Unpublished Work - See title page for details.

32-12-01
FIG. 02
PAGE 18
DEC 22/07


BOEING
 767
PARTS CATALOG (MAINTENANCE)



V 32120105 SHT 1 REV 307

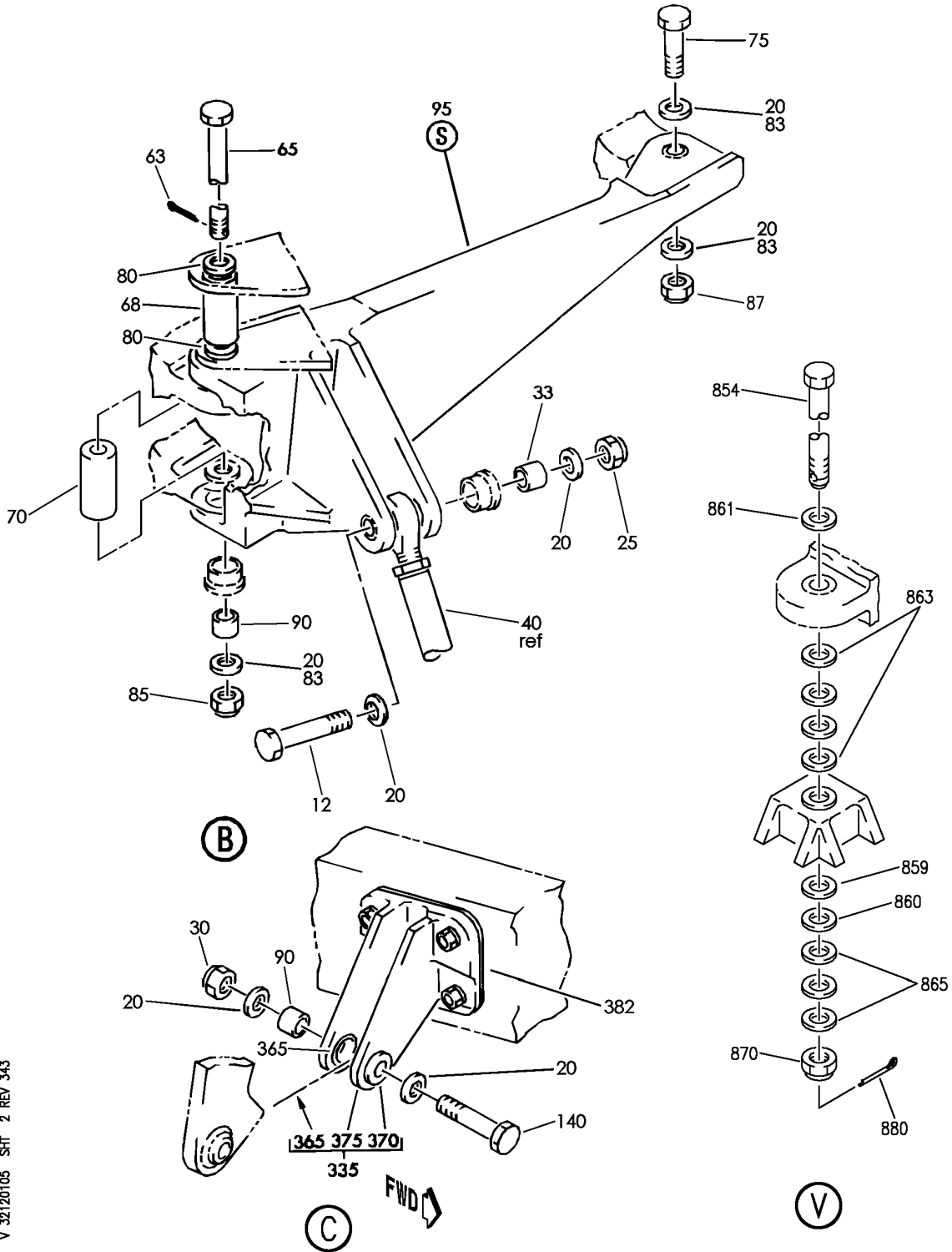
DOOR INSTL-MLG WING
FIGURE 5 (SHEET 1)

32-12-01-05

HXL
DEC 22/06

32-12-01-05
PAGE 0


BOEING
 767
PARTS CATALOG (MAINTENANCE)



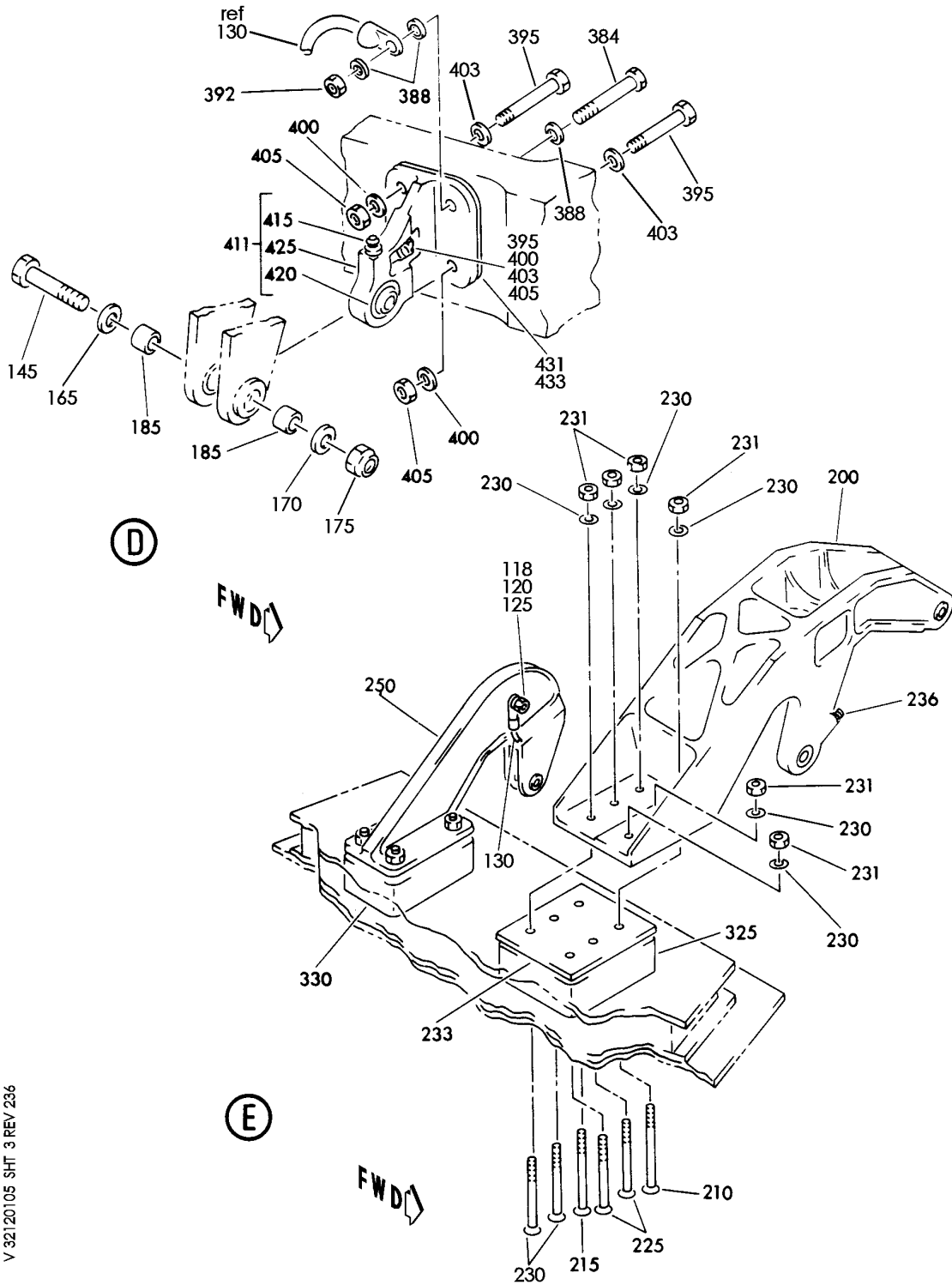
DOOR INSTL-MLG WING
FIGURE 5 (SHEET 2)

32-12-01-05

HXL
AUG 22/09

32-12-01-05
PAGE 0A


BOEING
 767
PARTS CATALOG (MAINTENANCE)



V 32120105 SHT 3 REV 236

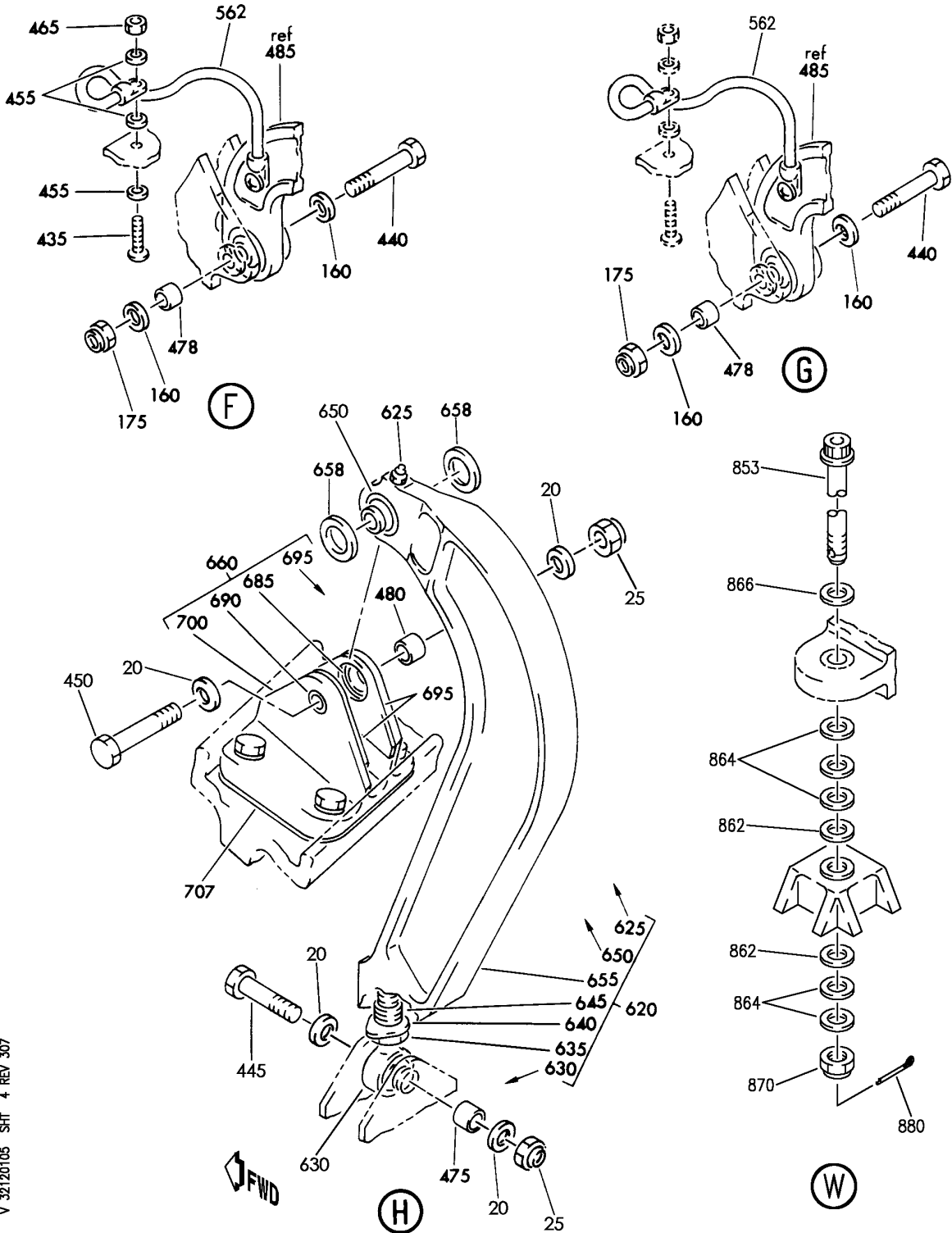
DOOR INSTL-MLG WING
FIGURE 5 (SHEET 3)

32-12-01-05

HXL
DEC 22/06

32-12-01-05
PAGE 0B

BOEING
767
PARTS CATALOG (MAINTENANCE)



V 32120105 SHT 4 REV 307

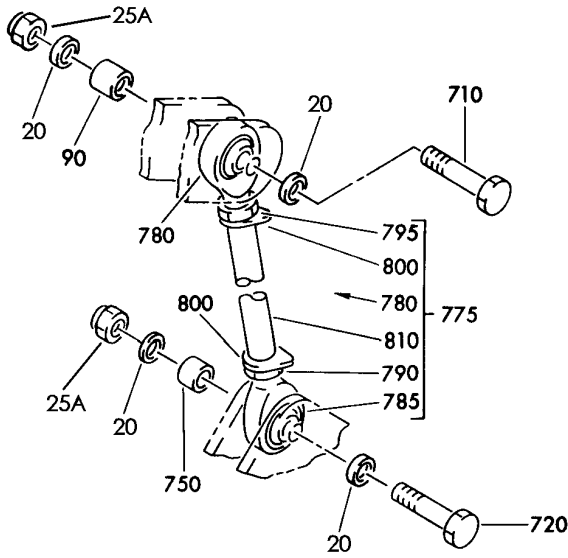
DOOR INSTL-MLG WING
FIGURE 5 (SHEET 4)

32-12-01-05

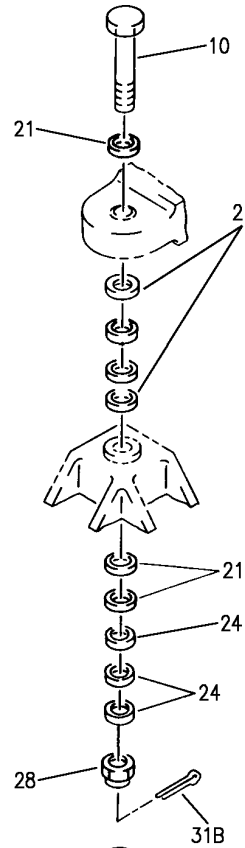
HXL
DEC 22/06

32-12-01-05
PAGE 0C

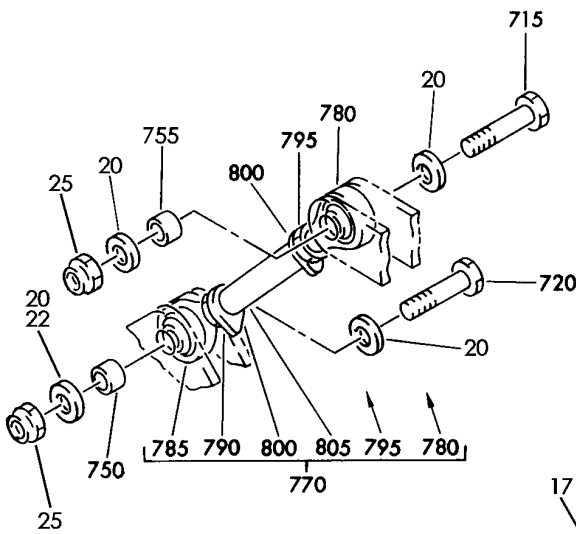

BOEING
 767
PARTS CATALOG (MAINTENANCE)



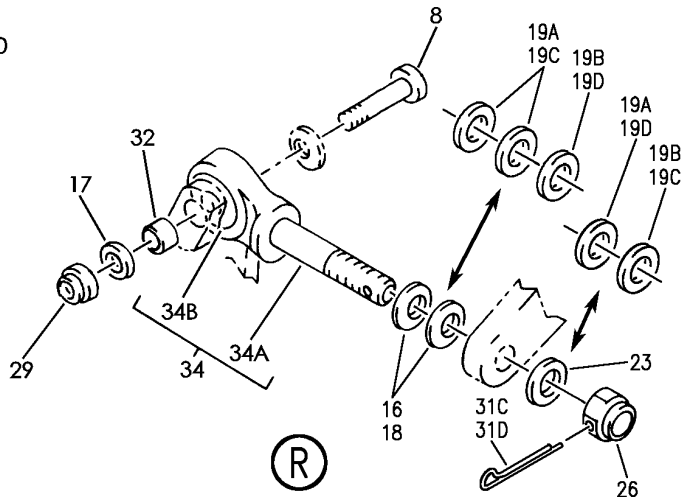
(J)



(K)



(L)



(R)

V 32120105 SHT 5 REV 343

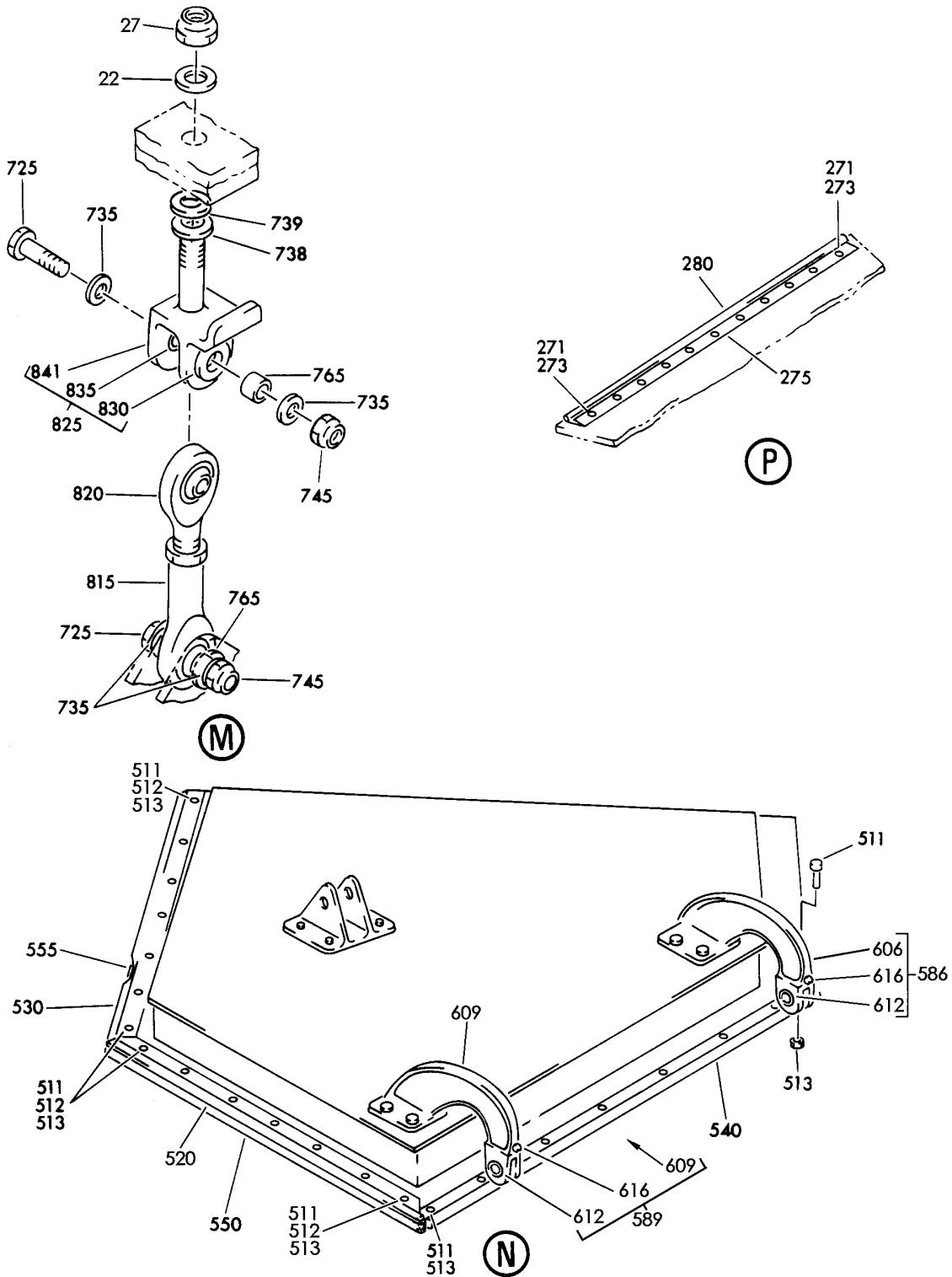
DOOR INSTL-MLG WING
FIGURE 5 (SHEET 5)

32-12-01-05

HXL
AUG 22/09

32-12-01-05
PAGE 0D

BOEING
767
PARTS CATALOG (MAINTENANCE)



V 32120105 SHT 6 REV 234

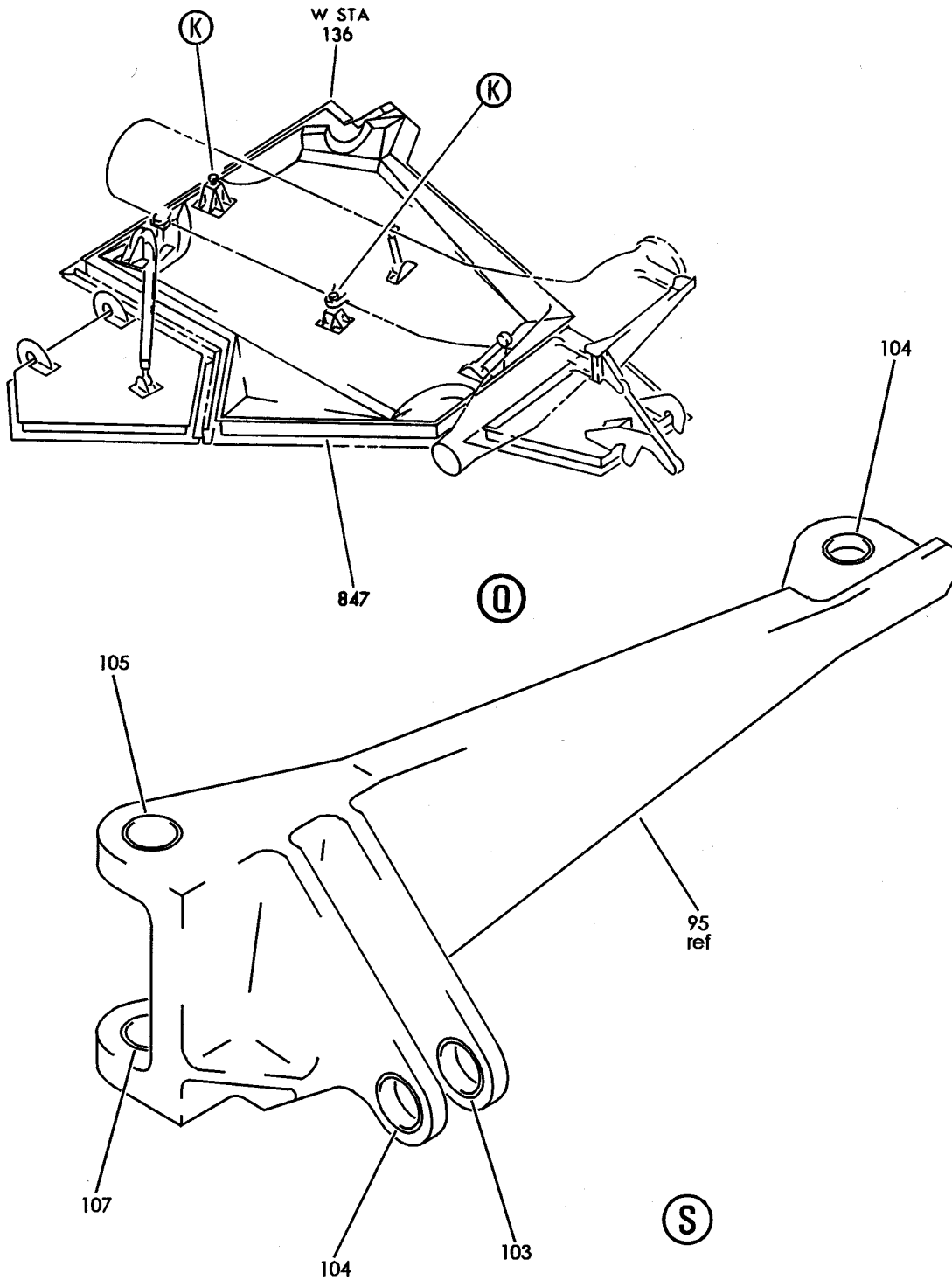
DOOR INSTL-MLG WING
FIGURE 5 (SHEET 6)

32-12-01-05

HXL
DEC 22/06

32-12-01-05
PAGE 0E

BOEING
767
PARTS CATALOG (MAINTENANCE)



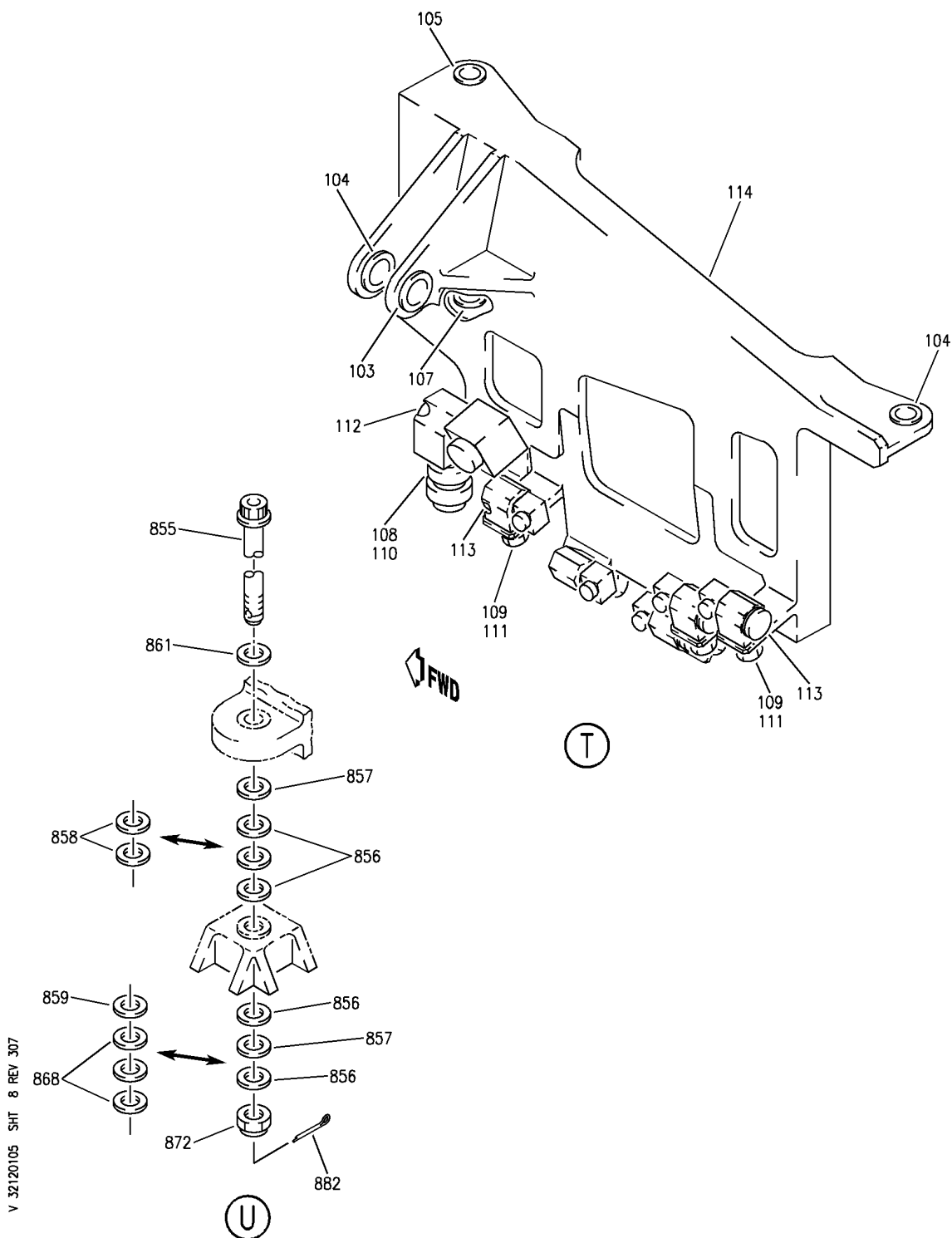
DOOR INSTL-MLG WING
FIGURE 5 (SHEET 7)

32-12-01-05

HXL
DEC 22/06

32-12-01-05
PAGE OF

BOEING
767
PARTS CATALOG (MAINTENANCE)



DOOR INSTL-MLG WING
FIGURE 5 (SHEET 8)

32-12-01-05

 **BOEING**
767
PARTS CATALOG (MAINTENANCE)

FIG ITEM	PART NUMBER	1 2 3 4 5 6 7	NOMENCLATURE	EFFECT FROM TO	UNITS PER ASSY
5					
- 1	113T8000-1		DOOR INSTL-MLG WING DOOR INSTL-MLG WING POSITION DATA: LH VARIABLE DRAWING REF: 113T8000-5009 113T8000-5011 FOR NHA SEE: 57-00-00-01A		RF
- 5	113T8000-2		DOOR INSTL-MLG WING POSITION DATA: RH VARIABLE DRAWING REF: 113T8000-5010 113T8000-5012 FOR NHA SEE: 57-00-00-01A		RF
10	NAS6706D26		.BOLT-		1
12	BACB30LJ6U25		.BOLT-		1
15	BACB30LJ6U30		.BOLT-		1
20	AN960C616L		.WASHER-		21
21	AN960C616L		.WASHER-		7
24	AN960C616L		.WASHER-		3
25	BRH10C6M		.NUT- SUPPLIER CODE: V52828 SPECIFICATION NUMBER: BACN10JC6CM OPTIONAL PART: 97E064 V80539 102LH9075-6 V72962 H01-6BAC V15653		6
25A	BRH10C6M		.NUT- SUPPLIER CODE: V52828 SPECIFICATION NUMBER: BACN10JC6CM OPTIONAL PART: 97E064 V80539 102LH9075-6 V72962 H01-6BAC V15653		2
28	BACN10JD6ASU		.NUT-		1

ILLUSTRATION ITEMS NOT ON PARTS LIST ARE NOT APPLICABLE

- ITEM NOT ILLUSTRATED

HXL

32-12-01-05

BOEING PROPRIETARY - Copyright © - Unpublished Work - See title page for details.

32-12-01
FIG. 05
PAGE 1
DEC 22/07



767

PARTS CATALOG (MAINTENANCE)

FIG ITEM	PART NUMBER	1 2 3 4 5 6 7	NOMENCLATURE	EFFECT FROM TO	UNITS PER ASSY
5					
30	BRH10C6M	.NUT	SUPPLIER CODE: V52828 SPECIFICATION NUMBER: BACN10JC6CM OPTIONAL PART: 97E064 V80539 102LH9075-6 V72962 H01-6BAC V15653		1
31B	MS24665-304	.PIN-COTTER			1
33	BACB28AK06-038	.BUSHING			1
35	BACB28AK06-056	.BUSHING-			2
40	113T8315-3	.LINK ASSY-			1
45	ARY6-22	..ROD END-	SUPPLIER CODE: V15860 SPECIFICATION NUMBER: S012T234-3 OPTIONAL PART: MSSK67-26AG V73134 ARYH6E101 VS0352		2
50	NAS1423-7	..NUT			2
55	NAS513-7	..WASHER			2
60	113T8315-4	..LINK-			1
63	MS24665-304	.PIN-			1
65	NAS6606D120	.BOLT-			1
68	NAS43DD6-194	.SPACER-			1
70	NAS43DD6-134	.SPACER-			1
75	BACB30LJ6U15	.BOLT			1
80	AN960PD616	.WASHER-			2
85	BACN10JD106	.NUT			1
87	BRH10C6M	.NUT-	SUPPLIER CODE: V52828 SPECIFICATION NUMBER: BACN10JC6CM OPTIONAL PART: 97E064 V80539 102LH9075-6 V72962 H01-6BAC V15653		1
90	BACB28AK06-043	.BUSHING-			3

ILLUSTRATION ITEMS NOT ON PARTS LIST ARE NOT APPLICABLE

- ITEM NOT ILLUSTRATED

32-12-01-05

32-12-01
FIG. 05
PAGE 2
DEC 22/07

HXL

BOEING PROPRIETARY - Copyright © - Unpublished Work - See title page for details.



767

PARTS CATALOG (MAINTENANCE)

FIG ITEM	PART NUMBER	1 2 3 4 5 6 7	NOMENCLATURE	EFFECT FROM TO	UNITS PER ASSY
5	95 113T8314-9		. FITTING ASSY- POSITION DATA: LH SIDE COMPONENT MAINT MANUAL REF: 32-12-06		1
- 100	113T8314-10		. FITTING ASSY- POSITION DATA: RH SIDE COMPONENT MAINT MANUAL REF: 32-12-06		1
103	BACB28AT09B019C		.. BUSHING- USED ON: 113T8314-9 113T8314-10 113T8314-17 113T8314-18		1
104	BACB28AP06P019		.. BUSHING		2
105	BACB28AP06P037		.. BUSHING		1
107	BACB28AT09B024A		.. BUSHING- USED ON: 113T8314-9 113T8314-10		1
118	NAS623-3-5		. SCREW		1
120	AN960-10L		. WASHER		1
125	BRH10A3		. NUT		1
			SUPPLIER CODE: V52828 SPECIFICATION NUMBER: BACN10JC3 OPTIONAL PART: H10-3BAC V15653 NS202101-02 V80539 RMLH9075-3W V72962 VN303A02 V92215 96-02 V80539 T6S1032J V11815		
ILLUSTRATION ITEMS NOT ON PARTS LIST ARE NOT APPLICABLE					

- ITEM NOT ILLUSTRATED

32-12-01-05

32-12-01
FIG. 05
PAGE 3
DEC 22/07

HXL



767

PARTS CATALOG (MAINTENANCE)

FIG ITEM	PART NUMBER	1 2 3 4 5 6 7	NOMENCLATURE	EFFECT FROM TO	UNITS PER ASSY
5					
130	940CW21-6		.JUMPER ASSY SUPPLIER CODE: V91812 SPECIFICATION NUMBER: BACJ40AB21-6 OPTIONAL PART: 100221-6 V1FF12 RBEJ40AB21-6 V1GK47		1
140	BACB30LJ6U21		.BOLT-		1
145	BACB30LJ5U18		.BOLT-		1
160	AN960C516L		.WASHER-		4
165	AN960C516L		.WASHER		1
170	AN960C516L		.WASHER		1
175	BRH10C5M		.NUT- SUPPLIER CODE: V52828 SPECIFICATION NUMBER: BACN10JC5CM OPTIONAL PART: T6C524JM V11815 97E054 V80539 109LH9075-5W V72962 H01-5BAC V15653		3
185	BACB28AK05-032		.BUSHING-		2
190	113T8301-27SP		.DOOR ASSY-TRUN POSITION DATA: LH SIDE MISCELLANEOUS DATA: FOR SPARES PROCURE LOWER COMPONENTS COMPONENT MAINT MANUAL REF: 32-12-61 QUALIFIED I/W DATA: 113T8301-29SP OR -27SP OR -21SP CAN REPLACE SUBJECT TO CUSTOMER PREFERENCE BUT NOT BE REPLACED BY 113T8301		1

ILLUSTRATION ITEMS NOT ON PARTS LIST ARE NOT APPLICABLE

- ITEM NOT ILLUSTRATED

HXL

32-12-01-05

BOEING PROPRIETARY - Copyright © - Unpublished Work - See title page for details.

32-12-01
FIG. 05
PAGE 4
DEC 22/07



767

PARTS CATALOG (MAINTENANCE)

FIG ITEM	PART NUMBER	1 2 3 4 5 6 7	NOMENCLATURE	EFFECT FROM TO	UNITS PER ASSY
5 190	113T8301-29SP	.	DOOR ASSY-TRUN POSITION DATA: LH SIDE MISCELLANEOUS DATA: FOR SPARES PROCURE LOWER COMPONENTS COMPONENT MAINT MANUAL REF: 32-12-61 QUALIFIED I/W DATA: 113T8301-29SP OR -27SP OR -21SP CAN REPLACE SUBJECT TO CUSTOMER PREFERENCE BUT NOT BE REPLACED BY 113T8301-17		1
190	113T8301-15SP	.	DOOR ASSY-TRUN POSITION DATA: LH SIDE MISCELLANEOUS DATA: FOR SPARES PROCURE LOWER COMPONENTS COMPONENT MAINT MANUAL REF: 32-12-61 QUALIFIED I/W DATA: PART I/W SUBJECT TO CUSTOMER PREFERENCE		1
190	113T8301-21SP	.	DOOR ASSY-TRUN POSITION DATA: LH SIDE MISCELLANEOUS DATA: FOR SPARES PROCURE LOWER COMPONENTS COMPONENT MAINT MANUAL REF: 32-12-61 QUALIFIED I/W DATA: 113T8301-29SP OR -27SP OR -21SP CAN REPLACE SUBJECT TO CUSTOMER PREFERENCE BUT NOT BE REPLACED BY 113T8301-17		1

ILLUSTRATION ITEMS NOT ON PARTS LIST ARE NOT APPLICABLE

- ITEM NOT ILLUSTRATED

HXL

32-12-01-05

BOEING PROPRIETARY - Copyright © - Unpublished Work - See title page for details.

32-12-01
FIG. 05
PAGE 5
DEC 22/07



767

PARTS CATALOG (MAINTENANCE)

FIG ITEM	PART NUMBER	1 2 3 4 5 6 7	NOMENCLATURE	EFFECT FROM TO	UNITS PER ASSY
5 - 195	113T8301-28SP		.DOOR ASSY-TRUN POSITION DATA: RH SIDE MISCELLANEOUS DATA: FOR SPARES PROCURE LOWER COMPONENTS COMPONENT MAINT MANUAL REF: 32-12-61 QUALIFIED I/W DATA: 113T8301-30SP OR -28SP OR -22SP CAN REPLACE SUBJECT TO CUSTOMER PREFERENCE, BUT NOT BE REPLACED BY 113T8301-18		1
- 195	113T8301-30SP		.DOOR ASSY-TRUN POSITION DATA: RH SIDE MISCELLANEOUS DATA: FOR SPARES PROCURE LOWER COMPONENTS COMPONENT MAINT MANUAL REF: 32-12-61 QUALIFIED I/W DATA: 113T8301-30SP OR -28SP OR -22SP CAN REPLACE SUBJECT TO CUSTOMER PREFERENCE, BUT NOT BE REPLACED BY 113T8301-18		1
- 195	113T8301-16SP		.DOOR ASSY-TRUN POSITION DATA: RH SIDE MISCELLANEOUS DATA: FOR SPARES PROCURE LOWER COMPONENTS COMPONENT MAINT MANUAL REF: 32-12-61 QUALIFIED I/W DATA: PART I/W SUBJECT TO CUSTOMER PREFERENCE		1

ILLUSTRATION ITEMS NOT ON PARTS LIST ARE NOT APPLICABLE

- ITEM NOT ILLUSTRATED

HXL

32-12-01-05

BOEING PROPRIETARY - Copyright © - Unpublished Work - See title page for details.

32-12-01
FIG. 05
PAGE 6
DEC 22/07



767

PARTS CATALOG (MAINTENANCE)

FIG ITEM	PART NUMBER	1 2 3 4 5 6 7	NOMENCLATURE	EFFECT FROM TO	UNITS PER ASSY
5 - 195	113T8301-22SP		.DOOR ASSY-TRUN POSITION DATA: RH SIDE MISCELLANEOUS DATA: FOR SPARES PROCURE LOWER COMPONENTS COMPONENT MAINT MANUAL REF: 32-12-61 QUALIFIED I/W DATA: 113T8301-30SP OR -28SP OR -22SP CAN REPLACE SUBJECT TO CUSTOMER PREFERENCE, BUT NOT BE REPLACED BY 113T8301-18		1
200	113T8316-9		..FITTING ASSY-HINGE AND ACTUATOR POSITION DATA: LH SIDE OPTIONAL PART: 113T8316-11		1
200	113T8316-11		..FITTING ASSY-HINGE AND ACTUATOR POSITION DATA: LH SIDE OPTIONAL PART: 113T8316-9		1
200	113T8316-19		..FITTING ASSY-HINGE AND ACTUATOR POSITION DATA: LH SIDE		1
- 205	113T8316-10		..FITTING ASSY-HINGE AND ACTUATOR POSITION DATA: RH SIDE OPTIONAL PART: 113T8316-12		1
- 205	113T8316-12		..FITTING ASSY-HINGE AND ACTUATOR POSITION DATA: RH SIDE OPTIONAL PART: 113T8316-10		1
- 205	113T8316-20		..FITTING ASSY-HINGE AND ACTUATOR POSITION DATA: RH SIDE ATTACHING PARTS		1
210	BACB30SW5K33		..BOLT		1
215	BACB30SW5K30		..BOLT		1

ILLUSTRATION ITEMS NOT ON PARTS LIST ARE NOT APPLICABLE

- ITEM NOT ILLUSTRATED

32-12-01-05

32-12-01
FIG. 05
PAGE 7
DEC 22/07

HXL

 **BOEING**
767
PARTS CATALOG (MAINTENANCE)

FIG ITEM	PART NUMBER	1 2 3 4 5 6 7	NOMENCLATURE	EFFECT FROM TO	UNITS PER ASSY
5					
220	BACB30SW5K31	..	BOLT		2
225	BACB30SW5K28	..	BOLT		2
230	AN960PD516L	..	WASHER		6
231	BH00303-5	..	NUT		6
			SUPPLIER CODE: V27238		
			SPECIFICATION NUMBER: BACN10HR5CS		
			OPTIONAL PART: H39953-5		
			V15653		
			109LH9031-5		
			V72962		
			67832AS524		
			V56878		
			SL7059C524		
			V11815		
			BMN5024CPD35		
			V97928		
			SL705095		
			V11815		
			109LH90315		
			V72962		
			67832AS5		
			V56878		
			CR5908-5		
			VF0224		
			BMN10HRCPD3-5		
			V97928		
233	BACS40R38D40F	..	SHIM		1
			-----*-----		
236	MS15001-1	...	FITTING		1
250	113T8313-1	..	FITTING ASSY-		1
250	113T8313-3	..	FITTING ASSY-		1
250	113T8313-6	..	FITTING ASSY-		1
			ATTACHING PARTS		
- 255	BACB30NN5K29	..	BOLT		4
- 260	AN960PD516L	..	WASHER		4

ILLUSTRATION ITEMS NOT ON PARTS LIST ARE NOT APPLICABLE

- ITEM NOT ILLUSTRATED

HXL

32-12-01-05

BOEING PROPRIETARY - Copyright © - Unpublished Work - See title page for details.

32-12-01
FIG. 05
PAGE 8
AUG 22/09



767

PARTS CATALOG (MAINTENANCE)

FIG ITEM	PART NUMBER	1 2 3 4 5 6 7	NOMENCLATURE	EFFECT FROM TO	UNITS PER ASSY
5					
- 265	BRH10A5		..NUT SUPPLIER CODE: V52828 SPECIFICATION NUMBER: BACN10JC5 OPTIONAL PART: T6S524J V11815 96-054 V80539 RMLH9075-5W V72962 H10-5BAC V15653		4
- 270	BACS40R26D41F		..SHIM -----*-----		1
271	BACB30NN3K3		..BOLT		11
273	BRH10A3		..NUT SUPPLIER CODE: V52828 SPECIFICATION NUMBER: BACN10JC3 OPTIONAL PART: H10-3BAC V15653 NS202101-02 V80539 RMLH9075-3W V72962 VN303A02 V92215 96-02 V80539 T6S1032J V11815		11
275	113T8301-3		..RETAINER-SEAL		1
280	113T8301-11		..SEAL- ALTERED FROM PART NUMBER: ARM5286 VK1406 NE496R		1
325	113T8311-1		..FITTING		1
330	113T8311-2		..FITTING		1
335	113T8321-9		.FITTING ASSY- POSITION DATA: LH SIDE		1

ILLUSTRATION ITEMS NOT ON PARTS LIST ARE NOT APPLICABLE

- ITEM NOT ILLUSTRATED

32-12-01-05

32-12-01
 FIG. 05
 PAGE 9
 DEC 22/07

HXL



767

PARTS CATALOG (MAINTENANCE)

FIG ITEM	PART NUMBER	1 2 3 4 5 6 7	NOMENCLATURE	EFFECT FROM TO	UNITS PER ASSY
5					
335	113T8321-13		.FITTING ASSY- POSITION DATA: LH SIDE OPTIONAL PART: 113T8321-17		1
335	113T8321-17		.FITTING ASSY- POSITION DATA: LH SIDE OPTIONAL PART: 113T8321-13		1
335	113T8321-23		.FITTING ASSY- POSITION DATA: LH SIDE		1
- 340	113T8321-10		.FITTING ASSY- POSITION DATA: RH SIDE		1
- 340	113T8321-14		.FITTING ASSY- POSITION DATA: RH SIDE		1
- 340	113T8321-18		.FITTING ASSY- POSITION DATA: RH SIDE		1
- 340	113T8321-24		.FITTING ASSY- POSITION DATA: RH SIDE MISCELLANEOUS DATA: PREFERRED SPARES CONFIGURATION 113T8321Y24 IS THE SAME AS 113T8321-24 EXCEPT INCLUDE #40 PILOT HOLES AT (2) B8 FASTENER LOCATIONS. ATTACHING PARTS		1
- 345	BACB30NM4K29		.BOLT		4
- 350	AN960D416		.WASHER		8

ILLUSTRATION ITEMS NOT ON PARTS LIST ARE NOT APPLICABLE

- ITEM NOT ILLUSTRATED

HXL

32-12-01-05

BOEING PROPRIETARY - Copyright © - Unpublished Work - See title page for details.

32-12-01
FIG. 05
PAGE 10
DEC 22/08

BOEING
767
PARTS CATALOG (MAINTENANCE)

FIG ITEM	PART NUMBER	1 2 3 4 5 6 7	NOMENCLATURE	EFFECT FROM TO	UNITS PER ASSY
5 - 355	BRH10A4		.NUT SUPPLIER CODE: V52828 SPECIFICATION NUMBER: BACN10JC4 OPTIONAL PART: T6S428J V11815 96-048 V80539 VN303A048 V92215 RMLH9075-4W V72962 NS202101-048 V80539 H10-4BAC V15653		4
- 360	113T8000-6		.SHIM- MANUFACTURED FROM: SH CRES BAC1534-62 .062 IN 2.2 IN 2.5 IN	163999	1
- 360	113T8000-26		.SHIM- -----*-----	155162	1
365	BACB28AM09B019A		..BUSHING- USED ON: 113T8321-9 113T8321-10		1
365	BACB28AT09B019C		..BUSHING- USED ON: 113T8321-13 113T8321-14 113T8321-17 113T8321-18 113T8321-23 113T8321-24		1
370	BACB28AP06P019		..BUSHING		1
375	113T8321-15		..FITTING- POSITION DATA: LH SIDE USED ON: 113T8321-13		1
375	113T8321-11		..FITTING- POSITION DATA: LH SIDE USED ON: 113T8321-9		1

ILLUSTRATION ITEMS NOT ON PARTS LIST ARE NOT APPLICABLE

- ITEM NOT ILLUSTRATED

HXL

32-12-01-05

BOEING PROPRIETARY - Copyright © - Unpublished Work - See title page for details.

32-12-01
FIG. 05
PAGE 11
DEC 22/08

 **BOEING**
767
PARTS CATALOG (MAINTENANCE)

FIG ITEM	PART NUMBER	1 2 3 4 5 6 7	NOMENCLATURE	EFFECT FROM TO	UNITS PER ASSY
5					
375	113T8321-19	..	FITTING- POSITION DATA: LH SIDE USED ON: 113T8321-17		1
375	113T8321-25	..	FITTING- POSITION DATA: LH SIDE USED ON: 113T8321-23		1
- 380	113T8321-16	..	FITTING- POSITION DATA: RH SIDE USED ON: 113T8321-14		1
- 380	113T8321-12	..	FITTING- POSITION DATA: RH SIDE USED ON: 113T8321-10		1
- 380	113T8321-20	..	FITTING- POSITION DATA: RH SIDE USED ON: 113T8321-18		1
- 380	113T8321-26	..	FITTING- POSITION DATA: RH SIDE USED ON: 113T8321-24		1
382	113T8332-8	.PLATE-	POSITION DATA: LH SIDE	155162	1
- 383	113T8332-7	.PLATE-	POSITION DATA: RH SIDE	155162	1
384	NAS6604-26	.BOLT		155162	1
384	NAS6604-22	.BOLT-		163999	1
388	BACW10BP4APU	.WASHER		163999	3
388	NAS1149D0463J	.WASHER		155162	3
392	NAS1804-4	.NUT		155162	1
392	BACN10GW4	.NUT-		163999	1
395	BACB30NM4K20	.BOLT-HEAD	INBD	163999	3
395	BACB30NM4K24	.BOLT-HEAD	INBD	155162	3
400	AN960D416	.WASHER			3
403	AN960D416	.WASHER		163999	3

ILLUSTRATION ITEMS NOT ON PARTS LIST ARE NOT APPLICABLE

- ITEM NOT ILLUSTRATED

HXL

32-12-01-05

BOEING PROPRIETARY - Copyright © - Unpublished Work - See title page for details.

32-12-01
FIG. 05
PAGE 12
DEC 22/08



767

PARTS CATALOG (MAINTENANCE)

FIG ITEM	PART NUMBER	1 2 3 4 5 6 7	NOMENCLATURE	EFFECT FROM TO	UNITS PER ASSY
5 405	BRH10A4	.NUT	SUPPLIER CODE: V52828 SPECIFICATION NUMBER: BACN10JC4 OPTIONAL PART: T6S428J V11815 96-048 V80539 VN303A048 V92215 RMLH9075-4W V72962 NS202101-048 V80539 H10-4BAC V15653		3
411	113T8320-1	.FITTING ASSY-	POSITION DATA: LH SIDE	163999	1
411	113T8320-15	.FITTING ASSY-	POSITION DATA: LH SIDE		1
411	113T8320-19	.FITTING ASSY-	POSITION DATA: LH SIDE		1
- 413	113T8320-2	.FITTING ASSY-	POSITION DATA: RH SIDE	163999	1
- 413	113T8320-16	.FITTING ASSY-	POSITION DATA: RH SIDE		1
- 413	113T8320-20	.FITTING ASSY-	POSITION DATA: RH SIDE		1
415	MS15001-1	..FITTING			1
420	BACB10EN05GC	..BEARING-		163999	1

ILLUSTRATION ITEMS NOT ON PARTS LIST ARE NOT APPLICABLE

- ITEM NOT ILLUSTRATED

32-12-01-05

32-12-01
FIG. 05
PAGE 13
AUG 22/08

HXL



767

PARTS CATALOG (MAINTENANCE)

FIG ITEM	PART NUMBER	1 2 3 4 5 6 7	NOMENCLATURE	EFFECT FROM TO	UNITS PER ASSY
5 420	BLR05-2588SC		.. BEARING- SUPPLIER CODE: V81376 SPECIFICATION NUMBER: BACB10FH05GC OPTIONAL PART: AG05V31C V15860 ASBFH05VC VS0352 BWG05A110C V16746 HU05-204VC V02758 KWB05-61 V97613 WC05G3C V56644 LHB05ENGC V73134	155162	1
425	113T8320-3		.. FITTING- POSITION DATA: LH SIDE	163999	1
425	113T8320-13		.. FITTING- POSITION DATA: LH SIDE USED ON: 113T8320-15	155162	1
425	113T8320-17		.. FITTING- POSITION DATA: LH SIDE USED ON: 113T8320-19	155162	1
- 430	113T8320-4		.. FITTING- POSITION DATA: RH SIDE	163999	1
- 430	113T8320-14		.. FITTING- POSITION DATA: RH SIDE USED ON: 113T8320-16	155162	1
- 430	113T8320-18		.. FITTING- POSITION DATA: RH SIDE USED ON: 113T8320-20	155162	1
431	113T8332-4		. PLATE- POSITION DATA: LH SIDE	155162	1

ILLUSTRATION ITEMS NOT ON PARTS LIST ARE NOT APPLICABLE

- ITEM NOT ILLUSTRATED

32-12-01-05

32-12-01
FIG. 05
PAGE 14
AUG 22/08

HXL

BOEING PROPRIETARY - Copyright © - Unpublished Work - See title page for details.



767

PARTS CATALOG (MAINTENANCE)

FIG ITEM	PART NUMBER	1 2 3 4 5 6 7	NOMENCLATURE	EFFECT FROM TO	UNITS PER ASSY
5					
- 432	113T8332-3		.PLATE- POSITION DATA: RH SIDE	155162	1
433	113T8000-5		.SHIM- MANUFACTURED FROM: SH CRES BAC1534-62 .062 IN 2.2 IN 2.5 IN	163999	1
433	113T8000-25		.SHIM-	155162	1
435	NAS6603-5		.BOLT		1
440	BACB30LJ5U15		.BOLT-		2
445	BACB30LJ6U22		.BOLT-		1
450	BACB30LJ6U24		.BOLT		1
455	AN960D10L		.WASHER		3
465	BRH10A3		.NUT SUPPLIER CODE: V52828 SPECIFICATION NUMBER: BACN10JC3 OPTIONAL PART: H10-3BAC V15653 NS202101-02 V80539 RMLH9075-3W V72962 VN303A02 V92215 96-02 V80539 T6S1032J V11815		1
475	BACB28AK06-033		.BUSHING-		1
478	BACB28AK05-033		.BUSHING-		2
480	BACB28AK06-046		.BUSHING		1
485	113T8101-1SP		.DOOR ASSY-DRAG STRUT POSITION DATA: LH SIDE MISCELLANEOUS DATA: FOR SPARES PROCURE LOWER COMPONENTS COMPONENT MAINT MANUAL REF: 32-12-53 QUALIFIED I/W DATA: 113T8101-13 MAY REPLACE OR MAY BE REPLACED BY 113T8101-1SP SUBJECT TO CUSTOMER PREFERENCE.		1

ILLUSTRATION ITEMS NOT ON PARTS LIST ARE NOT APPLICABLE

- ITEM NOT ILLUSTRATED

32-12-01-05

32-12-01
FIG. 05
PAGE 15
AUG 22/08

HXL



767

PARTS CATALOG (MAINTENANCE)

FIG ITEM	PART NUMBER	1 2 3 4 5 6 7	NOMENCLATURE	EFFECT FROM TO	UNITS PER ASSY
5 485	113T8101-27SP		.DOOR ASSY-DRAG STRUT POSITION DATA: LH SIDE COMPONENT MAINT MANUAL REF: 32-12-53 QUALIFIED I/W DATA: 113T8101-27SP MAY REPLACE OR MAY BE REPLACED BY 113T8101-13 SUBJECT TO CUSTOMER PREFERENCE		1
- 490	113T8101-2SP		.DOOR ASSY-DRAG STRUT POSITION DATA: RH SIDE MISCELLANEOUS DATA: FOR SPARES PROCURE LOWER COMPONENTS COMPONENT MAINT MANUAL REF: 32-12-53 QUALIFIED I/W DATA: 113T8101-14 MAY REPLACE OR MAY BE REPLACED BY 113T8101-2SP SUBJECT TO CUSTOMER PREFERENCE.		1
- 490	113T8101-28SP		.DOOR ASSY-DRAG STRUT POSITION DATA: RH SIDE MISCELLANEOUS DATA: FOR SPARES PROCURE LOWER COMPONENTS COMPONENT MAINT MANUAL REF: 32-12-53 QUALIFIED I/W DATA: 113T8101-28SP MAY REPLACE OR MAY BE REPLACED BY 113T8101-14 SUBJECT TO CUSTOMER PREFERENCE		1
495	113T8112-1		..FITTING ASSY-ATTACH ATTACHING PARTS		1
- 500	BACB30NN4K28		..BOLT		4
- 505	AN960PD416L		..WASHER		4

ILLUSTRATION ITEMS NOT ON PARTS LIST ARE NOT APPLICABLE

- ITEM NOT ILLUSTRATED

32-12-01-05

32-12-01
FIG. 05
PAGE 16
AUG 22/08

HXL



767

PARTS CATALOG (MAINTENANCE)

FIG ITEM	PART NUMBER	1 2 3 4 5 6 7	NOMENCLATURE	EFFECT FROM TO	UNITS PER ASSY
5 - 510	BRH10A4		..NUT SUPPLIER CODE: V52828 SPECIFICATION NUMBER: BACN10JC4 OPTIONAL PART: T6S428J V11815 96-048 V80539 VN303A048 V92215 RMLH9075-4W V72962 NS202101-048 V80539 H10-4BAC V15653 -----*-----		4
511	BACB30NN3K3		..BOLT- OPTIONAL PART: BACB30VF3K3		22
511	BACB30VF3K3		..BOLT- OPTIONAL PART: BACB30NN3K3		22
512	AN960PD10L		..WASHER		14
513	BRH10A3		..NUT SUPPLIER CODE: V52828 SPECIFICATION NUMBER: BACN10JC3 OPTIONAL PART: H10-3BAC V15653 NS202101-02 V80539 RMLH9075-3W V72962 VN303A02 V92215 96-02 V80539 T6S1032J V11815		22

ILLUSTRATION ITEMS NOT ON PARTS LIST ARE NOT APPLICABLE

- ITEM NOT ILLUSTRATED

HXL

32-12-01-05

BOEING PROPRIETARY - Copyright © - Unpublished Work - See title page for details.

32-12-01
 FIG. 05
 PAGE 17
 AUG 22/08



767

PARTS CATALOG (MAINTENANCE)

FIG ITEM	PART NUMBER	1 2 3 4 5 6 7	NOMENCLATURE	EFFECT FROM TO	UNITS PER ASSY
5	113T8101-9		..SEAL- POSITION DATA: LH SIDE MANUFACTURED FROM: EXTR RUBBER 10-60754-36 23.0 IN SPARES ORDER MATERIAL CODE: 5287000360		1
- 545	113T8101-10		..SEAL- POSITION DATA: RH SIDE MANUFACTURED FROM: EXTR RUBBER 10-60754-36 23.0 IN SPARES ORDER MATERIAL CODE: 5287000360		1
550	113T8101-11		..SEAL- POSITION DATA: LH SIDE MANUFACTURED FROM: EXTR RUBBER 10-60754-418 20.0 IN		1
- 553	113T8101-15		..SEAL- POSITION DATA: RH SIDE MANUFACTURED FROM: EXTR RUBBER 10-60754-418 20.0 IN		1
555	113T8101-12		..SEAL- POSITION DATA: LH SIDE MANUFACTURED FROM: EXTR RUBBER 10-60754-418 20.0 IN		1
- 558	113T8101-16		..SEAL- POSITION DATA: RH SIDE MANUFACTURED FROM: EXTR RUBBER 10-60754-418 20.0 IN SPARES ORDER MATERIAL CODE: 5287004180		1

ILLUSTRATION ITEMS NOT ON PARTS LIST ARE NOT APPLICABLE

- ITEM NOT ILLUSTRATED

32-12-01-05

32-12-01
FIG. 05
PAGE 19
AUG 22/09

HXL

 **BOEING**
767
PARTS CATALOG (MAINTENANCE)

FIG ITEM	PART NUMBER	1 2 3 4 5 6 7	NOMENCLATURE	EFFECT FROM TO	UNITS PER ASSY
5 562	940CW20-8		.. JUMPER ASSY SUPPLIER CODE: V91812 SPECIFICATION NUMBER: BACJ40AB20-8 OPTIONAL PART: 100220-8 V1FF12 RBEJ40AB20-8 V1GK47 ATTACHING PARTS		2
- 566	NAS623-3-5		.. SCREW		2
- 572	AN960-10L		.. WASHER		2
- 579	BRH10A3		.. NUT SUPPLIER CODE: V52828 SPECIFICATION NUMBER: BACN10JC3 OPTIONAL PART: H10-3BAC V15653 NS202101-02 V80539 RMLH9075-3W V72962 VN303A02 V92215 96-02 V80539 T6S1032J V11815 -----*-----		2
586	113T8111-1		.. HINGE ASSY-		2
586	113T8119-1		.. HINGE ASSY- QUALIFIED I/W DATA: 113T8119-7 CAN REPLACE OR BE REPLACED BY 113T8119-1 FOR HF LOCATION ONLY		2
586	113T8119-7		.. HINGE ASSY- QUALIFIED I/W DATA: 113T8119-7 CAN REPLACE OR BE REPLACED BY 113T8119-1 FOR HF LOCATION ONLY		2
586	113T8119-2		.. HINGE ASSY-		2
586	113T8111-2		.. HINGE ASSY-		2
589	113T8111-2		.. HINGE ASSY-		2
589	113T8119-2		.. HINGE ASSY-		2
ILLUSTRATION ITEMS NOT ON PARTS LIST ARE NOT APPLICABLE					

- ITEM NOT ILLUSTRATED

HXL

32-12-01-05

BOEING PROPRIETARY - Copyright © - Unpublished Work - See title page for details.

32-12-01
FIG. 05
PAGE 20
AUG 22/09

 **BOEING**
767
PARTS CATALOG (MAINTENANCE)

FIG ITEM	PART NUMBER	1 2 3 4 5 6 7	NOMENCLATURE	EFFECT FROM TO	UNITS PER ASSY
5					
589	113T8119-7		..HINGE ASSY- QUALIFIED I/W DATA: 113T8119-7 CAN REPLACE OR BE REPLACED BY 113T8119-1 FOR HF LOCATION ONLY ATTACHING PARTS		2
- 592	BACB30NN4K29		..BOLT		8
- 596	AN960PD416L		..WASHER		8
- 599	BRH10A4		..NUT SUPPLIER CODE: V52828 SPECIFICATION NUMBER: BACN10JC4 OPTIONAL PART: T6S428J V11815 96-048 V80539 VN303A048 V92215 RMLH9075-4W V72962 NS202101-048 V80539 H10-4BAC V15653		8
- 602	BACS40R23D27F		..SHIM -----*-----		2
606	113T8119-3		...HINGE- USED ON: 113T8119-1		1
606	113T8119-6		...HINGE- USED ON: 113T8119-7		1
609	113T8111-4		...HINGE- USED ON: 113T8111-2		1
609	113T8119-4		...HINGE- USED ON: 113T8119-2		1
609	113T8119-6		...HINGE- USED ON: 113T8119-7		1
612	BACB10EP05GC		...BEARING		1
616	MS15001-1		...FITTING		1
620	113T8115-1		.LINK ASSY		1
625	MS15001-1		..FITTING		1
ILLUSTRATION ITEMS NOT ON PARTS LIST ARE NOT APPLICABLE					

- ITEM NOT ILLUSTRATED

HXL

32-12-01-05

BOEING PROPRIETARY - Copyright © - Unpublished Work - See title page for details.

32-12-01
FIG. 05
PAGE 21
AUG 22/09

 **BOEING**
767
PARTS CATALOG (MAINTENANCE)

FIG ITEM	PART NUMBER	1 2 3 4 5 6 7	NOMENCLATURE	EFFECT FROM TO	UNITS PER ASSY
5					
630	ARY6-22		.. ROD END- SUPPLIER CODE: V15860 SPECIFICATION NUMBER: S012T234-3 OPTIONAL PART: ARYH6E101 VS0352 MSSK67-26AG V73134		1
635	NAS1423-7		.. NUT		1
640	NAS513-7		.. WASHER		1
645	MS21209F7-10P		.. INSERT		1
650	ASBY6V107		.. BEARING- SUPPLIER CODE: V15860 SPECIFICATION NUMBER: 60B00180-46 OPTIONAL PART: LHBG6-26B V73134 03-528-06E001 V09455 NC6G4 V65544 ABY6V106 VS0352		1
655	113T8115-2		.. LINK		1
658	113T8004-1		. WASHER-	163999	2
658	113T8004-2		. WASHER-	155162	2
660	113T8116-7		. FITTING ASSY- POSITION DATA: LH SIDE QUALIFIED I/W DATA: 113T8116-7 TOGETHER WITH 113T8004-1 I/W 113T116-1		1
- 665	113T8116-8		. FITTING ASSY- POSITION DATA: RH SIDE QUALIFIED I/W DATA: 113T8116-8 TOGETHER WITH 113T8004-1 I/W 113T116-2		1
- 670	BACB30NM5K15		ATTACHING PARTS		4
- 675	AN960D516L		. BOLT- . WASHER		8

ILLUSTRATION ITEMS NOT ON PARTS LIST ARE NOT APPLICABLE

- ITEM NOT ILLUSTRATED

HXL

32-12-01-05

BOEING PROPRIETARY - Copyright © - Unpublished Work - See title page for details.

32-12-01
FIG. 05
PAGE 22
AUG 22/09



767

PARTS CATALOG (MAINTENANCE)

FIG ITEM	PART NUMBER	1 2 3 4 5 6 7	NOMENCLATURE	EFFECT FROM TO	UNITS PER ASSY
5					
- 680	BRH10C5M		.NUT SUPPLIER CODE: V52828 SPECIFICATION NUMBER: BACN10JC5CM OPTIONAL PART: T6C524JM V11815 97E054 V80539 109LH9075-5W V72962 H01-5BAC V15653 -----*-----		4
685	BACB28AM09B019A		..BUSHING		1
690	BACB28AP06P021		..BUSHING		1
700	113T8116-3		..FITTING- POSITION DATA: LH SIDE		1
- 705	113T8116-4		..FITTING- POSITION DATA: RH SIDE		1
707	113T8000-11		.SHIM- POSITION DATA: LH SIDE		1
- 708	113T8000-12		.SHIM- POSITION DATA: RH SIDE		1
710	BACB30LJ6U20		.BOLT		1
715	BACB30LJ6U18		.BOLT-		1
720	BACB30LJ6U17		.BOLT-		2
750	BACB28AK06-035		.BUSHING-		2
755	BACB28AK06-039		.BUSHING		1
770	113T8220-1		.LINK ASSY-		1
770	113T8220-5		.LINK ASSY-		1
775	113T8220-2		.LINK ASSY- OPTIONAL PART: 113T8220-9 113T8220-6		1
775	113T8220-6		.LINK ASSY- OPTIONAL PART: 113T8220-9 113T8220-2		1
775	113T8220-9		.LINK ASSY- OPTIONAL PART: 113T8220-2 113T8220-6		1

ILLUSTRATION ITEMS NOT ON PARTS LIST ARE NOT APPLICABLE

- ITEM NOT ILLUSTRATED

32-12-01-05

32-12-01
FIG. 05
PAGE 23
AUG 22/08

HXL

BOEING PROPRIETARY - Copyright © - Unpublished Work - See title page for details.



767

PARTS CATALOG (MAINTENANCE)

FIG ITEM	PART NUMBER	1 2 3 4 5 6 7	NOMENCLATURE	EFFECT FROM TO	UNITS PER ASSY
5					
780	KBDEL6-106W	..	BEARING-.3750 BORE SEALED EXT THREAD ROD END SUPPLIER CODE: V97613 SPECIFICATION NUMBER: S012T235-106-78 OPTIONAL PART: ARNM6-101KLM VS0352 MSSRRSKL06FBDF V73134		1
780	BCREF5206	..	BEARING-.3750 BORE SEALED EXT THREAD ROD END SUPPLIER CODE: V97613 OVERLENGTH PART NUMBER: S012T235-106-789		1
785	ADNEL6-311NW9	..	BEARING-.3750 BORE SEALED EXT THREAD ROD END SUPPLIER CODE: V15860 SPECIFICATION NUMBER: S012T235-106-79 OPTIONAL PART: MSSRRSK06FBDF V73134 ARNM6-101KM VS0352		1
790	NAS1423-7	..	NUT		1
795	NAS1423-7LH	..	NUT		1
800	NAS513-7	..	WASHER		2
805	113T8220-3	..	TUBE- USED ON: 113T8220-1		1
805	113T8220-7	..	TUBE- USED ON: 113T8220-5		1
810	113T8220-4	..	TUBE- USED ON: 113T8220-2		1
810	113T8220-8	..	TUBE- USED ON: 113T8220-6		1
810	113T8220-10	..	TUBE- USED ON: 113T8220-9		1

ILLUSTRATION ITEMS NOT ON PARTS LIST ARE NOT APPLICABLE

- ITEM NOT ILLUSTRATED

32-12-01-05

32-12-01
FIG. 05
PAGE 24
AUG 22/08

HXL

BOEING PROPRIETARY - Copyright © - Unpublished Work - See title page for details.



767

PARTS CATALOG (MAINTENANCE)

FIG ITEM	PART NUMBER	1 2 3 4 5 6 7 NOMENCLATURE	EFFECT FROM TO	UNITS PER ASSY
5 847	113T8201-71SP	.DOOR ASSY-SHOCK STRUT POSITION DATA: LH SIDE COMPONENT MAINT MANUAL REF: 32-12-55 QUALIFIED I/W DATA: 113T8201-47SP OR -49SP OR -51SP T/W 113T8217-19 AND ATTACHING HARDWARE I/W 113T8201-79SP OR 77SP OR -75SP OR -73SP OR -69SP OR -71SP T/W 015T0384-2, 015T0384-2 IS A KIT THAT IS PART OF BOEING SERVICE BULLETIN 767-32-0101 POST SERVICE BULLETIN: 32-0101 FUNCTIONAL REFERENCE: LANDING GEAR FOR DETAILS SEE 32-12-01-11 PLACARDS AND MARKINGS FOR DETAILS SEE 11-24-00-01		1

ILLUSTRATION ITEMS NOT ON PARTS LIST ARE NOT APPLICABLE

- ITEM NOT ILLUSTRATED

HXL

32-12-01-05

BOEING PROPRIETARY - Copyright © - Unpublished Work - See title page for details.

32-12-01
 FIG. 05
 PAGE 25
 DEC 22/07



767

PARTS CATALOG (MAINTENANCE)

FIG ITEM	PART NUMBER	1 2 3 4 5 6 7	NOMENCLATURE	EFFECT FROM TO	UNITS PER ASSY
5					
- 852	113T8201-72SP		.DOOR ASSY-SHOCK STRUT POSITION DATA: RH SIDE COMPONENT MAINT MANUAL REF: 32-12-55 QUALIFIED I/W DATA: 113T8201-48SP OR -50SP OR -52SP T/W 113T8217-19 AND ATTACHING HARDWARE I/W 113T8201-80SP OR 78SP OR -76SP OR -74SP OR -70SP OR -72SP T/W 015T0384-2, 015T0384-2 IS A KIT THAT IS PART OF BOEING SERVICE BULLETIN 767-32-0101 POST SERVICE BULLETIN: 32-0101 FUNCTIONAL REFERENCE: LANDING GEAR FOR DETAILS SEE 32-12-01-11 PLACARDS AND MARKINGS FOR DETAILS SEE 11-24-00-01		1
	854 NAS6706D26		.BOLT-		1
R	859 AN960C616L		.WASHER-		1
R	860 AN960C616L		.WASHER-		1
R	861 AN960C616L		.WASHER-		1
R	863 AN960C616L		.WASHER-		AR
R	865 AN960C616L		.WASHER-		AR
	870 BACN10JD6ASU		.NUT-		1
	880 MS24665-304		.PIN-COTTER		1
ILLUSTRATION ITEMS NOT ON PARTS LIST ARE NOT APPLICABLE					

- ITEM NOT ILLUSTRATED

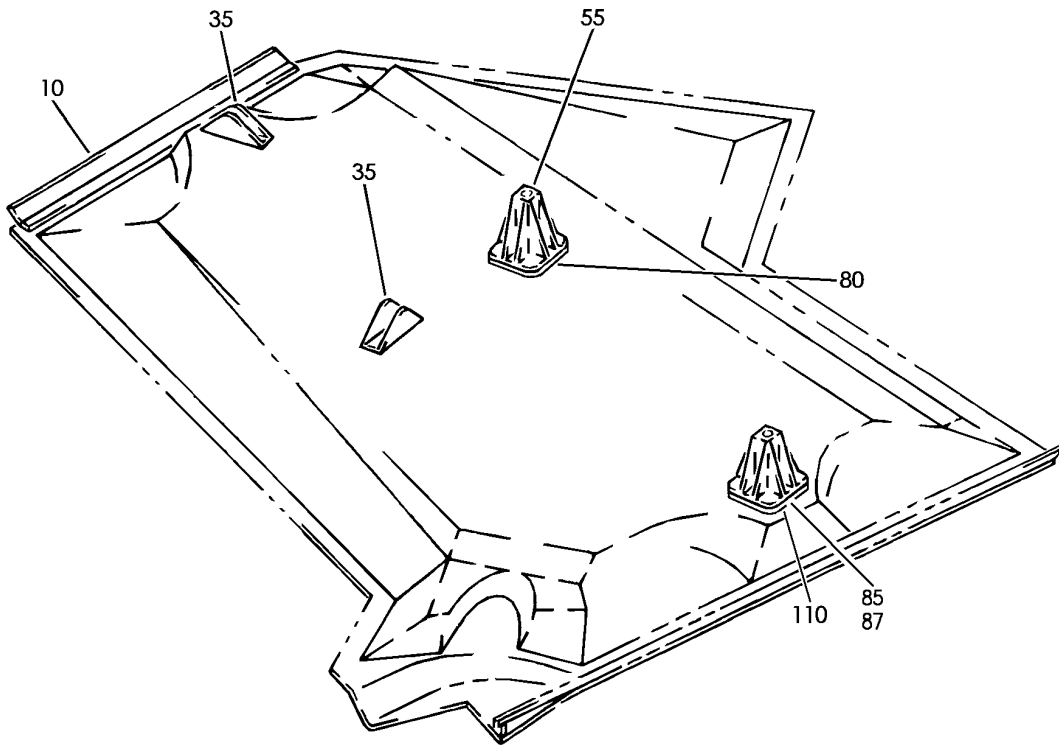
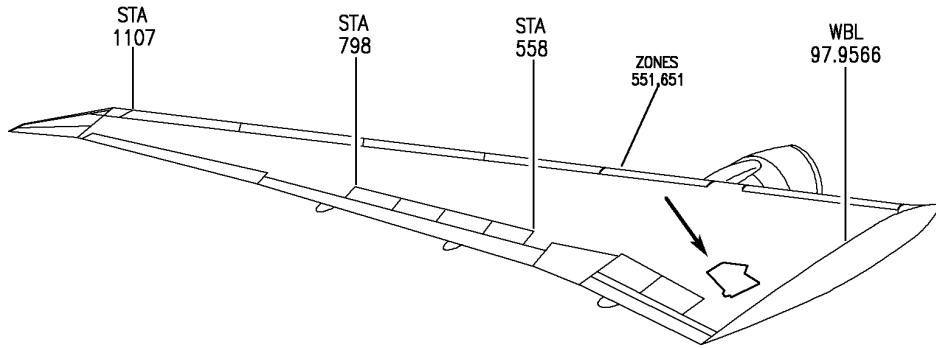
HXL

32-12-01-05

BOEING PROPRIETARY - Copyright © - Unpublished Work - See title page for details.

32-12-01
FIG. 05
PAGE 26
AUG 22/09

BOEING
767
PARTS CATALOG (MAINTENANCE)



V 32120111 REV 343

DOOR ASSY-SHOCK STRUT (LANDING GEAR ONLY)
 FIGURE 11

32-12-01-11

HXL
 AUG 22/09

32-12-01-11
 PAGE 0



767

PARTS CATALOG (MAINTENANCE)

FIG ITEM	PART NUMBER	1 2 3 4 5 6 7	NOMENCLATURE	EFFECT FROM TO	UNITS PER ASSY
11			DOOR ASSY-SHOCK STRUT (LANDING GEAR ONLY)		
- 1	113T8201-71SP		DOOR ASSY-SHOCK STRUT (LANDING GEAR ONLY) POSITION DATA: LH COMPONENT MAINT MANUAL REF: 32-12-55 QUALIFIED I/W DATA: 113T8201-47SP OR -49SP OR -51SP T/W 113T8217-19 AND ATTACHING HARDWARE I/W 113T8201-79SP OR 77SP OR -75SP OR -73SP OR -69SP OR -71SP T/W 015T0384-2, 015T0384-2 IS A KIT THAT IS PART OF BOEING SERVICE BULLETIN 767-32-0101 POST SERVICE BULLETIN: 32-0101 FOR NHA/OTHER SYS DET SEE: 32-12-01-05		RF
- 5	113T8201-72SP		DOOR ASSY-SHOCK STRUT (LANDING GEAR ONLY) POSITION DATA: RH COMPONENT MAINT MANUAL REF: 32-12-55 QUALIFIED I/W DATA: 113T8201-48SP OR -50SP OR -52SP T/W 113T8217-19 AND ATTACHING HARDWARE I/W 113T8201-80SP OR 78SP OR -76SP OR -74SP OR -70SP OR -72SP T/W 015T0384-2, 015T0384-2 IS A KIT THAT IS PART OF BOEING SERVICE BULLETIN 767-32-0101 POST SERVICE BULLETIN: 32-0101 FOR NHA/OTHER SYS DET SEE: 32-12-01-05		RF
10	113T8201-63		.DEPRESSOR-SEAL		1
10	113T8201-37		.DEPRESSOR-SEAL		1
- 20	BACB30NN3K3		ATTACHING PARTS .BOLT		13
- 25	NAS1149D0332J		.WASHER-		13
ILLUSTRATION ITEMS NOT ON PARTS LIST ARE NOT APPLICABLE					

- ITEM NOT ILLUSTRATED

32-12-01-11

32-12-01
FIG. 11
PAGE 1
DEC 22/07

HXL



767

PARTS CATALOG (MAINTENANCE)

FIG ITEM	PART NUMBER	1 2 3 4 5 6 7	NOMENCLATURE	EFFECT FROM TO	UNITS PER ASSY
11					
- 30	BRH10C3D		.NUT- SUPPLIER CODE: V52828 SPECIFICATION NUMBER: BACN10JC3CD OPTIONAL PART: T6C1032JCD V11815 NS202486-02 V80539 102LH9075-3W V72962 H51650-3BAC V15653		13
			-----*-----		
35	113T8219-4		.FITTING ASSY- OPTIONAL PART: 113T8201-65		2
35	113T8201-65		.FITTING ASSY- OPTIONAL PART: 113T8219-4		2
35	113T8215-2		.FITTING ASSY-		2
35	113T8219-1		.FITTING ASSY- ATTACHING PARTS		2
- 40	BACB30VG10K42		.BOLT-		4
- 45	NAS1149D0563J		.WASHER-		4
- 50	BRH10C5D		.NUT- SUPPLIER CODE: V52828 SPECIFICATION NUMBER: BACN10JC5CD OPTIONAL PART: T6C524JCD V11815 102LH9075-5W V72962 H51650-5BAC V15653		4
			-----*-----		
55	113T8216-15		.FITTING ASSY- POSITION DATA: LH SIDE		1
55	113T8216-19		.FITTING ASSY- POSITION DATA: LH SIDE		1
55	113T8216-5		.FITTING ASSY- POSITION DATA: LH SIDE		1
ILLUSTRATION ITEMS NOT ON PARTS LIST ARE NOT APPLICABLE					

- ITEM NOT ILLUSTRATED

32-12-01-11

32-12-01
FIG. 11
PAGE 2
DEC 22/07

HXL



767

PARTS CATALOG (MAINTENANCE)

FIG ITEM	PART NUMBER	1 2 3 4 5 6 7	NOMENCLATURE	EFFECT FROM TO	UNITS PER ASSY
11					
55	113T8216-11		.FITTING ASSY- POSITION DATA: LH SIDE		1
55	113T8216-23		.FITTING ASSY- POSITION DATA: LH SIDE		1
- 60	113T8216-16		.FITTING ASSY- POSITION DATA: RH SIDE		1
- 60	113T8216-20		.FITTING ASSY- POSITION DATA: RH SIDE		1
- 60	113T8216-6		.FITTING ASSY- POSITION DATA: RH SIDE		1
- 60	113T8216-12		.FITTING ASSY- POSITION DATA: RH SIDE		1
- 60	113T8216-24		.FITTING ASSY- POSITION DATA: RH SIDE		1
- 65	BACB30VG10K47		.ATTACHING PARTS .BOLT-		4
- 70	NAS1149D0563J		.WASHER- MISCELLANEOUS DATA: UNDER NUT		4
- 75	BRH10C5D		.NUT- SUPPLIER CODE: V52828 SPECIFICATION NUMBER: BACN10JC5CD OPTIONAL PART: T6C524JCD V11815 102LH9075-5W V72962 H51650-5BAC V15653 -----*-----		4
80	BACS40R038E038F		.SHIM-		1

ILLUSTRATION ITEMS NOT ON PARTS LIST ARE NOT APPLICABLE

- ITEM NOT ILLUSTRATED

HXL

32-12-01-11

BOEING PROPRIETARY - Copyright © - Unpublished Work - See title page for details.

32-12-01
FIG. 11
PAGE 3
DEC 22/07



767

PARTS CATALOG (MAINTENANCE)

FIG ITEM	PART NUMBER	1 2 3 4 5 6 7	NOMENCLATURE	EFFECT FROM TO	UNITS PER ASSY
11					
- 100	NAS1149D0563J		.WASHER-		4
- 105	BRH10C5D		.NUT-		4
			SUPPLIER CODE: V52828		
			SPECIFICATION NUMBER: BACN10JC5CD		
			OPTIONAL PART: T6C524JCD		
			V11815		
			102LH9075-5W		
			V72962		
			H51650-5BAC		
			V15653		
			-----*-----		
110	BACS40R038E038F		.SHIM-		1

ILLUSTRATION ITEMS NOT ON PARTS LIST ARE NOT APPLICABLE

- ITEM NOT ILLUSTRATED

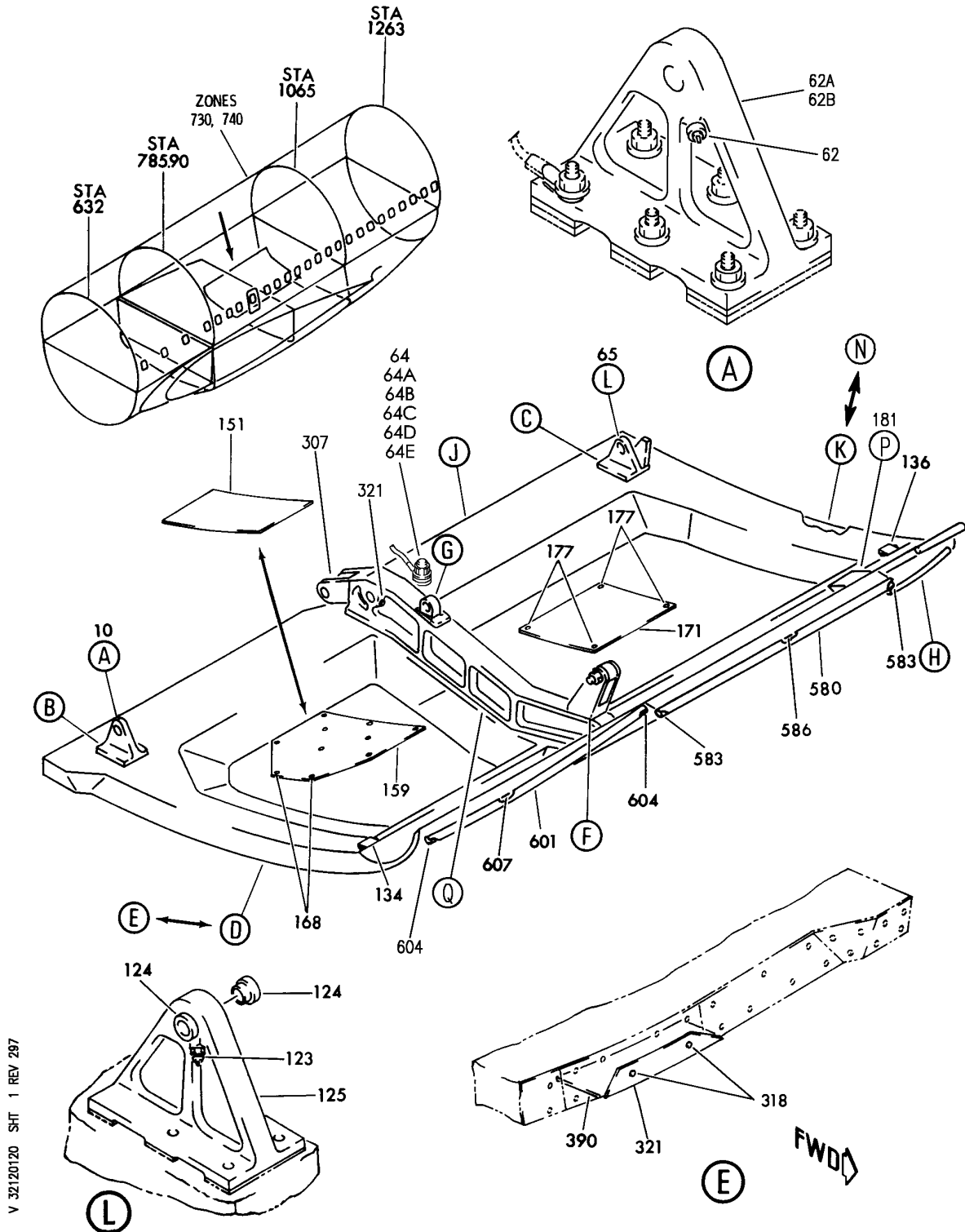
HXL

32-12-01-11

BOEING PROPRIETARY - Copyright © - Unpublished Work - See title page for details.

32-12-01
FIG. 11
PAGE 5
DEC 22/07

BOEING
767
PARTS CATALOG (MAINTENANCE)



V 32120120 SHT 1 REV 297

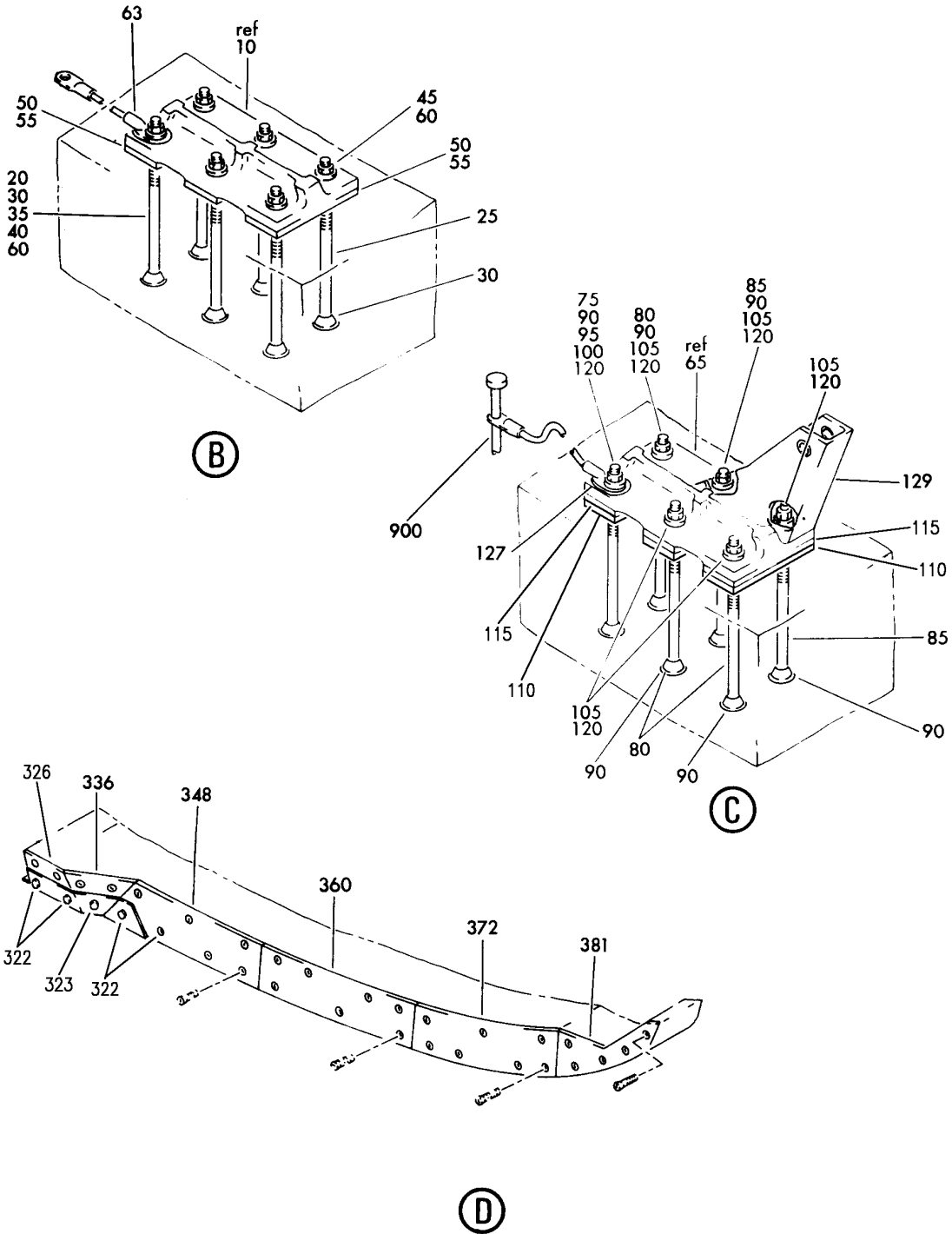
DOOR ASSY-MLG (LANDING GEAR ONLY)
FIGURE 20 (SHEET 1)

32-12-01-20

HXL
DEC 22/06

32-12-01-20
PAGE 0

BOEING
767
PARTS CATALOG (MAINTENANCE)



V 32120120 SHT 2 REV 297

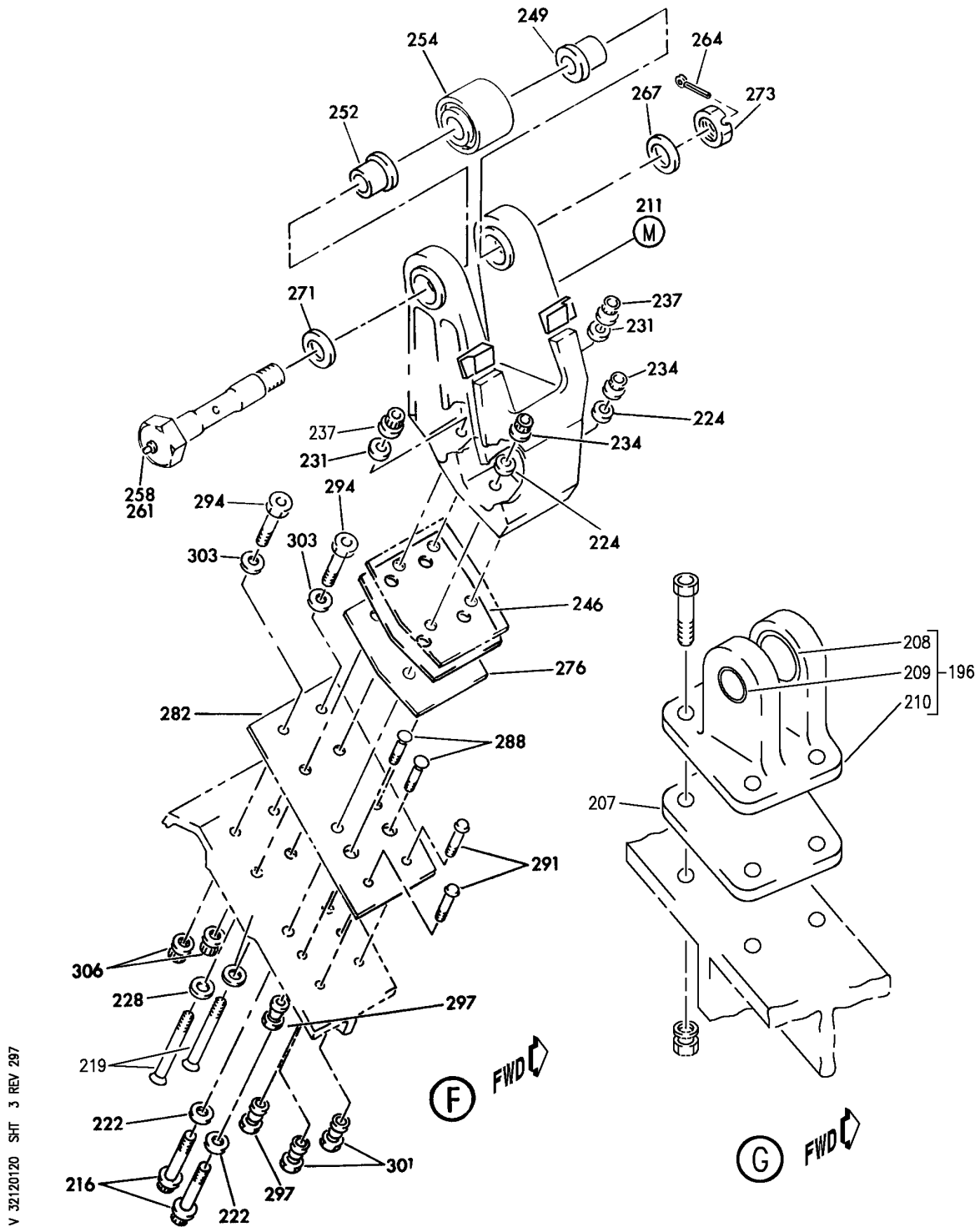
DOOR ASSY-MLG (LANDING GEAR ONLY)
FIGURE 20 (SHEET 2)

32-12-01-20

HXL
DEC 22/06

32-12-01-20
PAGE 0A

BOEING
767
PARTS CATALOG (MAINTENANCE)



V 32120120 SHT 3 REV 297

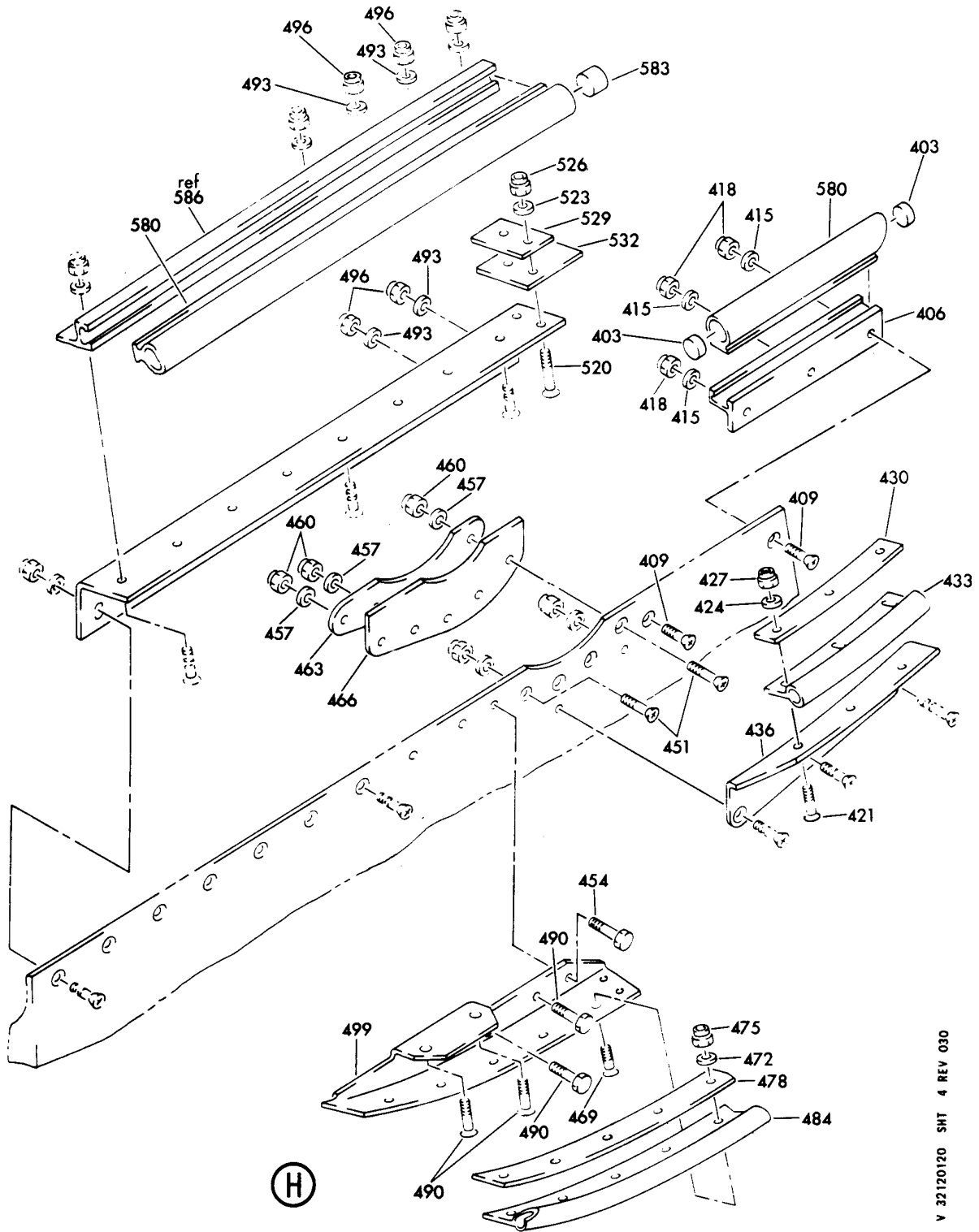
DOOR ASSY-MLG (LANDING GEAR ONLY)
FIGURE 20 (SHEET 3)

32-12-01-20

HXL
DEC 22/06

32-12-01-20
PAGE 0B

BOEING
767
PARTS CATALOG (MAINTENANCE)



V 32120120 SH1 4 REV 030

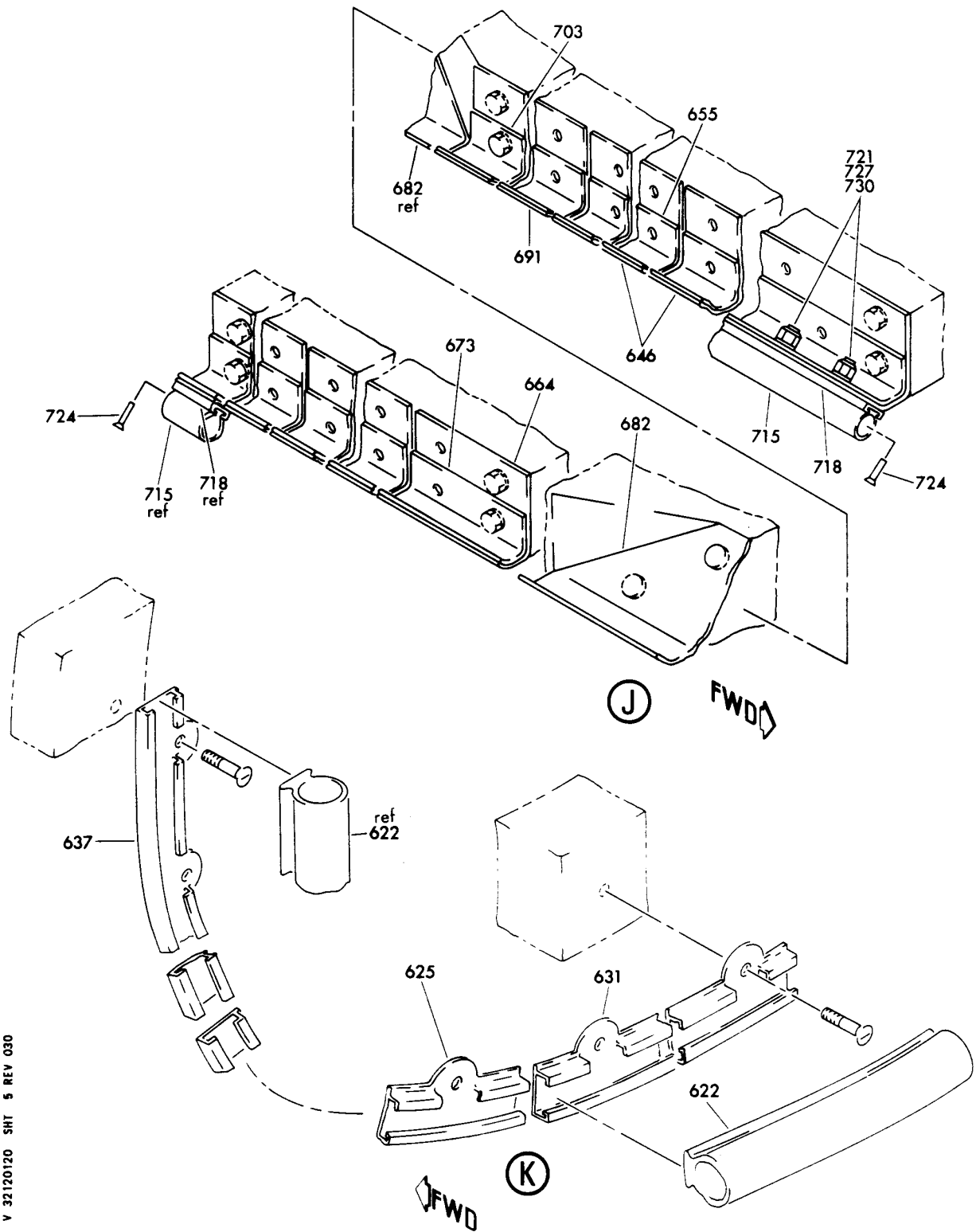
DOOR ASSY-MLG (LANDING GEAR ONLY)
FIGURE 20 (SHEET 4)

32-12-01-20

HXL
DEC 22/06

32-12-01-20
PAGE 0C

BOEING
767
PARTS CATALOG (MAINTENANCE)



V 32120120 SHT 5 REV 030

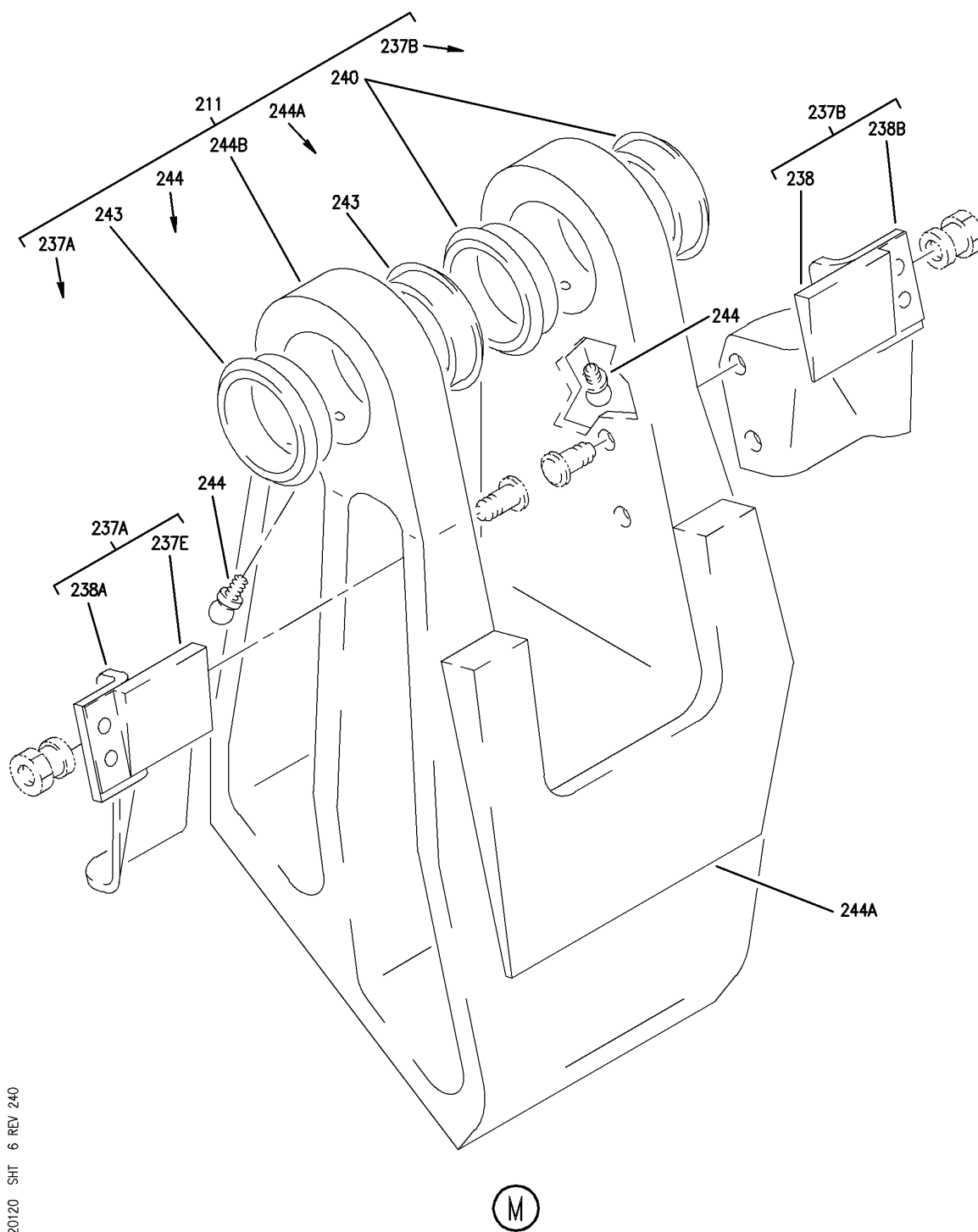
DOOR ASSY-MLG (LANDING GEAR ONLY)
FIGURE 20 (SHEET 5)

32-12-01-20

HXL
DEC 22/06

32-12-01-20
PAGE 0D

BOEING
767
PARTS CATALOG (MAINTENANCE)



V 32120120 SHT 6 REV 240

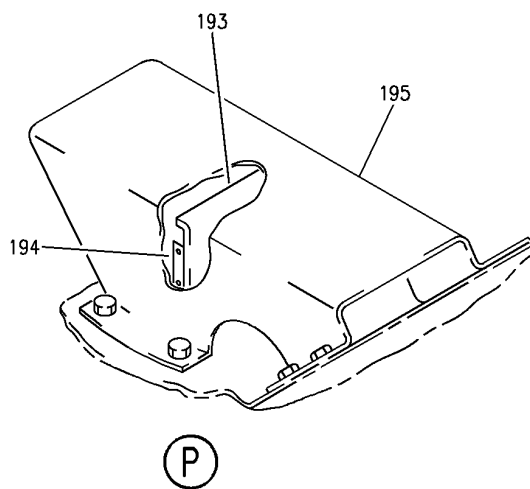
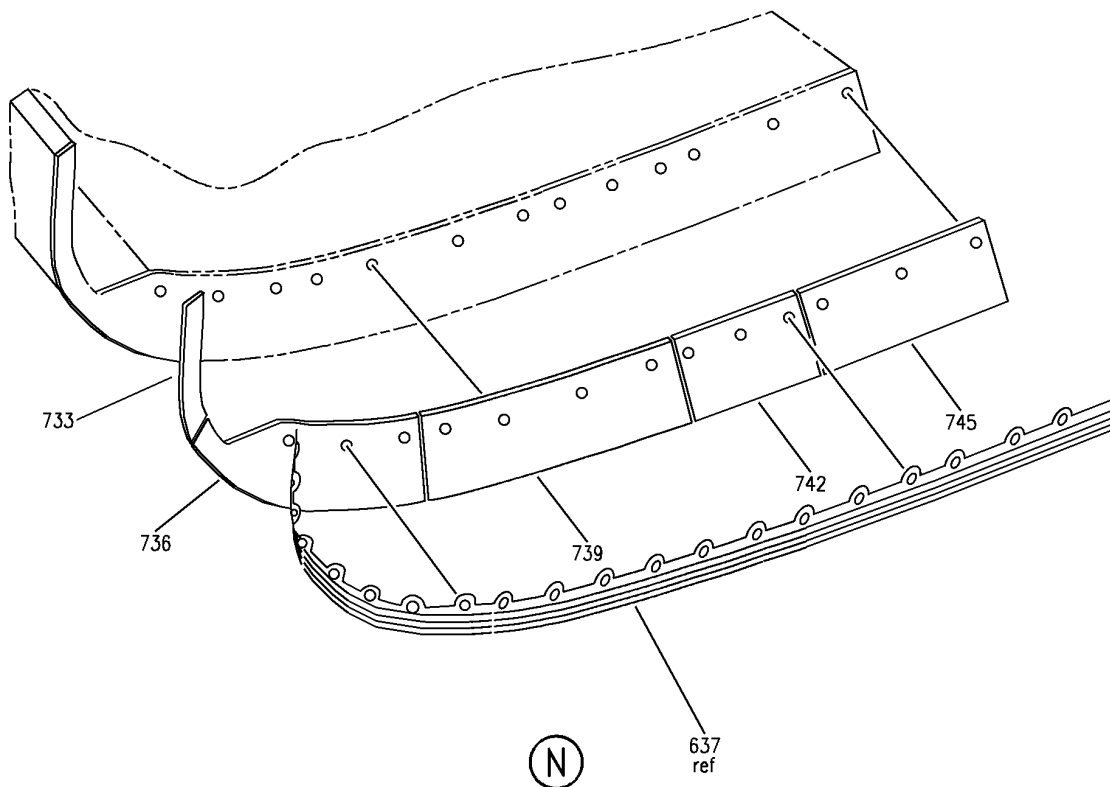
DOOR ASSY-MLG (LANDING GEAR ONLY)
FIGURE 20 (SHEET 6)

32-12-01-20

HXL
DEC 22/06

32-12-01-20
PAGE 0E

BOEING
767
PARTS CATALOG (MAINTENANCE)



V 32120120 SHT 7 REV 297

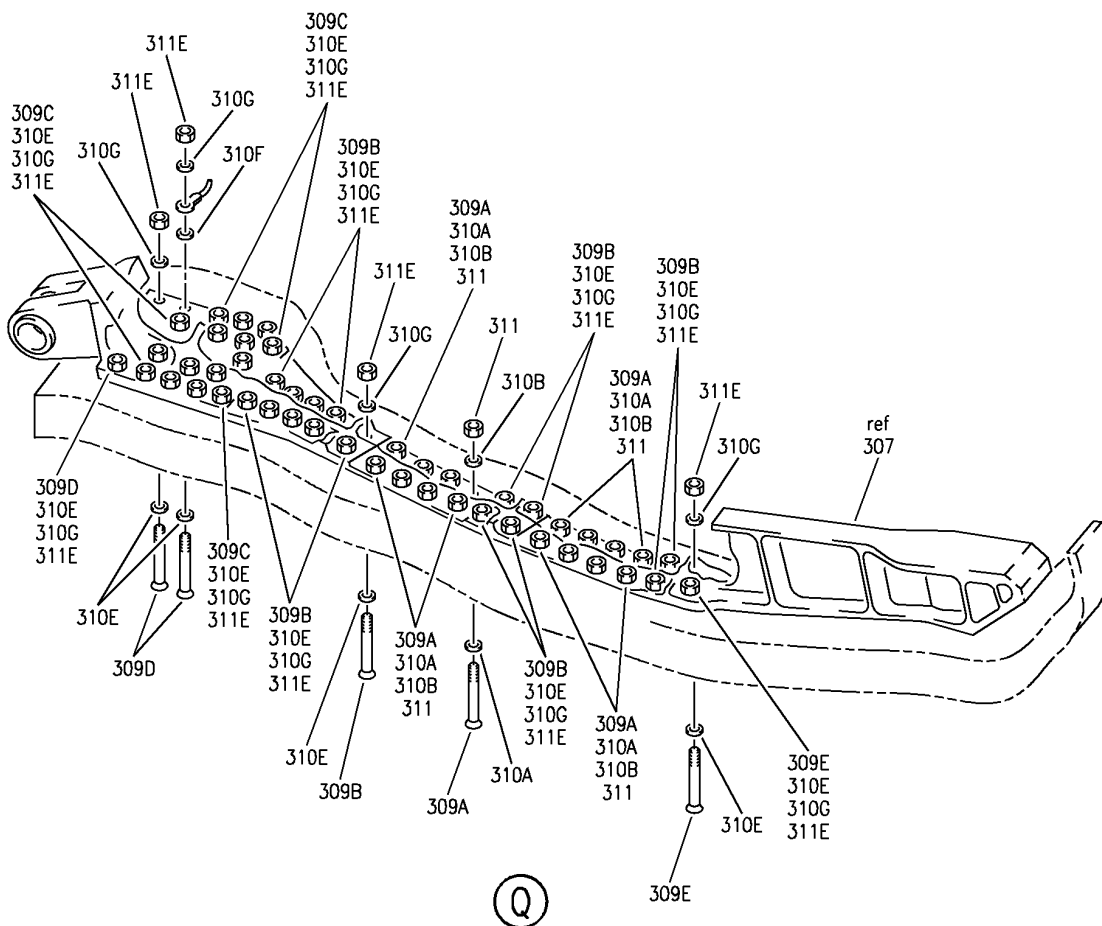
DOOR ASSY-MLG (LANDING GEAR ONLY)
FIGURE 20 (SHEET 7)

32-12-01-20

HXL
DEC 22/06

32-12-01-20
PAGE OF

BOEING
767
PARTS CATALOG (MAINTENANCE)



V 32120120 SHT 8 REV 297

DOOR ASSY-MLG (LANDING GEAR ONLY)
FIGURE 20 (SHEET 8)

32-12-01-20

HXL
DEC 22/06

32-12-01-20
PAGE 06



767

PARTS CATALOG (MAINTENANCE)

FIG ITEM	PART NUMBER	1 2 3 4 5 6 7	NOMENCLATURE	EFFECT FROM TO	UNITS PER ASSY
20					
- 1	149T6910-1		DOOR ASSY-MLG (LANDING GEAR ONLY) DOOR ASSY-MLG (LANDING GEAR ONLY) POSITION DATA: LH MISCELLANEOUS DATA: FOR SPARES PROCURE LOWER COMPONENTS COMPONENT MAINT MANUAL REF: 32-12-02 VARIABLE DRAWING REF: 149T6910-5017 149T6910-7001 FOR NHA/OTHER SYS DET SEE: 53-00-54-01		RF
- 1	149T6910-29		DOOR ASSY-MLG (LANDING GEAR ONLY) POSITION DATA: LH MISCELLANEOUS DATA: FOR SPARES PROCURE LOWER COMPONENTS COMPONENT MAINT MANUAL REF: 32-12-02 VARIABLE DRAWING REF: 149T6910-7001 QUALIFIED I/W DATA: 149T6910-29 CAN REPLACE BUT NOT REPLACE BY 149T6910-61 FOR NHA/OTHER SYS DET SEE: 53-00-54-01		RF
- 1	149T6910-61		DOOR ASSY-MLG (LANDING GEAR ONLY) POSITION DATA: LH MISCELLANEOUS DATA: FOR SPARES PROCURE LOWER COMPONENTS COMPONENT MAINT MANUAL REF: 32-12-02 QUALIFIED I/W DATA: 149T6910-29 CAN REPLACE BUT NOT REPLACED BY 149T6910-61		RF

ILLUSTRATION ITEMS NOT ON PARTS LIST ARE NOT APPLICABLE

- ITEM NOT ILLUSTRATED

HXL

32-12-01-20

BOEING PROPRIETARY - Copyright © - Unpublished Work - See title page for details.

32-12-01
FIG. 20
PAGE 1
DEC 22/07



767

PARTS CATALOG (MAINTENANCE)

FIG ITEM	PART NUMBER	1 2 3 4 5 6 7	NOMENCLATURE	EFFECT FROM TO	UNITS PER ASSY
20 - 1	149T6910-63		DOOR ASSY-MLG (LANDING GEAR ONLY) POSITION DATA: LH MISCELLANEOUS DATA: FOR SPARES PROCURE LOWER COMPONENTS COMPONENT MAINT MANUAL REF: 32-12-02		RF
- 5	149T6910-2		DOOR ASSY-MLG (LANDING GEAR ONLY) POSITION DATA: RH MISCELLANEOUS DATA: FOR SPARES PROCURE LOWER COMPONENTS COMPONENT MAINT MANUAL REF: 32-12-02 VARIABLE DRAWING REF: 149T6910-5018 149T6910-7002 FOR SPARES PROCURE: 654T0005-16 FOR NHA/OTHER SYS DET SEE: 53-00-54-01		RF
- 5	149T6910-30		DOOR ASSY-MLG (LANDING GEAR ONLY) POSITION DATA: RH MISCELLANEOUS DATA: FOR SPARES PROCURE LOWER COMPONENTS COMPONENT MAINT MANUAL REF: 32-12-02 VARIABLE DRAWING REF: 149T6910-7002 QUALIFIED I/W DATA: 149T6910-30 CAN REPLACE BUT NOT REPLACED BY 149T6910-62 FOR NHA/OTHER SYS DET SEE: 53-00-54-01		RF

ILLUSTRATION ITEMS NOT ON PARTS LIST ARE NOT APPLICABLE

- ITEM NOT ILLUSTRATED

HXL

32-12-01-20

BOEING PROPRIETARY - Copyright © - Unpublished Work - See title page for details.

32-12-01
FIG. 20
PAGE 2
DEC 22/07



767

PARTS CATALOG (MAINTENANCE)

FIG ITEM	PART NUMBER	1 2 3 4 5 6 7	NOMENCLATURE	EFFECT FROM TO	UNITS PER ASSY
20					
- 5	149T6910-62		DOOR ASSY-MLG (LANDING GEAR ONLY) POSITION DATA: RH MISCELLANEOUS DATA: FOR SPARES PROCURE LOWER COMPONENTS COMPONENT MAINT MANUAL REF: 32-12-02 QUALIFIED I/W DATA: 149T6910-30 CAN REPLACE BUT NOT REPLACED BY 149T6910-62		RF
- 5	149T6910-64		DOOR ASSY-MLG (LANDING GEAR ONLY) POSITION DATA: RH MISCELLANEOUS DATA: FOR SPARES PROCURE LOWER COMPONENTS COMPONENT MAINT MANUAL REF: 32-12-02 FOR NHA/OTHER SYS DET SEE: 53-00-54-01		RF
10	149T6927-1		.FITTING ASSY-HINGE POSITION DATA: FWD LH SIDE		1
- 15	149T6927-2		.FITTING ASSY-HINGE POSITION DATA: FWD RH SIDE ATTACHING PARTS		1
20	BACB30LH5-71		.BOLT- POSITION DATA: RH SIDE		1
25	BACB30NN5K70		.BOLT-		5
30	BACW10UC516P		.WASHER		6
35	NAS1149D0516H		.WASHER- POSITION DATA: UNDER JUMPER RH SIDE		1
40	NAS1149D0563H		.WASHER- POSITION DATA: UNDER NUT RH SIDE		1
45	NAS1149D0563J		.WASHER-		5
50	BACF3F013N032NN		.FILLER-		3
55	BAC40R013D032F		.SHIM-		3

ILLUSTRATION ITEMS NOT ON PARTS LIST ARE NOT APPLICABLE

- ITEM NOT ILLUSTRATED

32-12-01-20

32-12-01
FIG. 20
PAGE 3
DEC 22/06

HXL

 **BOEING**
767
PARTS CATALOG (MAINTENANCE)

FIG ITEM	PART NUMBER	1 2 3 4 5 6 7	NOMENCLATURE	EFFECT FROM TO	UNITS PER ASSY
20					
60	BRH10A5		.NUT SUPPLIER CODE: V52828 SPECIFICATION NUMBER: BACN10JC5 OPTIONAL PART: T6S524J V11815 96-054 V80539 RMLH9075-5W V72962 H10-5BAC V15653		6
			-----*-----		
62	1728B		..FITTING-LUBE SUPPLIER CODE: VOFKM1		1
62A	149T6927-3		..FITTING HINGE-		1
62B	149T6927-15		..FITTING HINGE- USED ON: 149T6927-11 149T6927-13		1
- 62C	149T6927-4		..FITTING HINGE- USED ON: 149T6927-2		1
- 62D	149T6927-16		..FITTING HINGE- USED ON: 149T6927-12 149T6927-14		1
63	940CW26-12		.JUMPER ASSY- SUPPLIER CODE: V91812 SPECIFICATION NUMBER: BACJ40AB26-12 OPTIONAL PART: 100226-12 V1FF12 RBEJ40AB23-12 V1GK47 POSITION DATA: RH SIDE		1

ILLUSTRATION ITEMS NOT ON PARTS LIST ARE NOT APPLICABLE

- ITEM NOT ILLUSTRATED

HXL

32-12-01-20

BOEING PROPRIETARY - Copyright © - Unpublished Work - See title page for details.

32-12-01
FIG. 20
PAGE 4
DEC 22/06



767

PARTS CATALOG (MAINTENANCE)

FIG ITEM	PART NUMBER	1 2 3 4 5 6 7	NOMENCLATURE	EFFECT FROM TO	UNITS PER ASSY
20					
64	940CW24-12		. JUMPER ASSY SUPPLIER CODE: V91812 SPECIFICATION NUMBER: BACJ40AB24-12 OPTIONAL PART: 100224-12 V1FF12 RBEJ40AB24-12 V1GK47 ATTACHING PARTS		1
64A	BACB30LH6-73		. BOLT		1
64B	BACW10UC616P		. WASHER		1
64C	AN960D616L		. WASHER		1
64D	AN960D616		. WASHER		1
64E	BRH10A6		. NUT SUPPLIER CODE: V52828 SPECIFICATION NUMBER: BACN10JC6 OPTIONAL PART: 96-064 V80539 RMLH9075-6 V72962 H10-6BAC V15653 -----*-----		1
65	149T6927-7		. FITTING ASSY-HINGE POSITION DATA: AFT LH SIDE		1
65	149T6927-17		. FITTING ASSY-HINGE POSITION DATA: AFT LH SIDE VARIABLE DRAWING REF: 149T6910-5003 149T6910-5005		1
65	149T6927-21		. FITTING ASSY-HINGE POSITION DATA: AFT LH SIDE FOR SPARES PROCURE: 654T0513-1015		1
- 70	149T6927-8		. FITTING ASSY-HINGE POSITION DATA: AFT RH SIDE		1

ILLUSTRATION ITEMS NOT ON PARTS LIST ARE NOT APPLICABLE

- ITEM NOT ILLUSTRATED

HXL

32-12-01-20

BOEING PROPRIETARY - Copyright © - Unpublished Work - See title page for details.

32-12-01
FIG. 20
PAGE 5
DEC 22/06



767

PARTS CATALOG (MAINTENANCE)

FIG ITEM	PART NUMBER	1 2 3 4 5 6 7	NOMENCLATURE	EFFECT FROM TO	UNITS PER ASSY
20					
- 70	149T6927-18		.FITTING ASSY-HINGE POSITION DATA: AFT RH SIDE VARIABLE DRAWING REF: 149T6910-5004 149T6910-5006		1
- 70	149T6927-22		.FITTING ASSY-HINGE POSITION DATA: AFT RH SIDE FOR SPARES PROCURE: 654T0513-1016 ATTACHING PARTS		1
75	BACB30LH5-71		.BOLT-		1
80	BACB30NN5K70		.BOLT		3
85	BACB30NN5K77		.BOLT		2
90	BACW10UC516P		.WASHER		6
95	NAS1149D0516H		.WASHER- POSITION DATA: UNDER JUMPER		1
100	NAS1149D0563H		.WASHER- POSITION DATA: UNDER NUT		1
105	NAS1149D0563J		.WASHER-		5
110	BACF3F013N032NN		.FILLER-		3
115	BACS40R013D032F		.SHIM-		3
120	BRH10A5		.NUT SUPPLIER CODE: V52828 SPECIFICATION NUMBER: BACN10JCS OPTIONAL PART: T6S524J V11815 96-054 V80539 RMLH9075-5W V72962 H10-5BAC V15653		6
123	1728B		-----*----- ..FITTING-LUBE SUPPLIER CODE: VOFKM1		1
124	149T6927-6		..BUSHING		2
124	149T6927-25		..BUSHING		2
125	149T6927-9		..HINGE- POSITION DATA: AFT LH SIDE		1

ILLUSTRATION ITEMS NOT ON PARTS LIST ARE NOT APPLICABLE

- ITEM NOT ILLUSTRATED

HXL

32-12-01-20

BOEING PROPRIETARY - Copyright © - Unpublished Work - See title page for details.

32-12-01
FIG. 20
PAGE 6
DEC 22/06



767

PARTS CATALOG (MAINTENANCE)

FIG ITEM	PART NUMBER	1 2 3 4 5 6 7	NOMENCLATURE	EFFECT FROM TO	UNITS PER ASSY
20					
125	149T6927-23	..	HINGE- POSITION DATA: AFT LH SIDE		1
- 126	149T6927-10	..	HINGE- POSITION DATA: AFT RH SIDE		1
- 126	149T6927-24	..	HINGE- POSITION DATA: AFT RH SIDE		1
127	940CW28-12	.JUMPER ASSY SUPPLIER CODE: V91812 SPECIFICATION NUMBER: BACJ40AB28-12 OPTIONAL PART: 100228-12 V1FF12 RBEJ40AB28-12 V1GK47			1
129	273T4540-1	.BRACKET ASSY- POSITION DATA: RH SIDE			1
- 132	273T4540-2	.BRACKET ASSY- POSITION DATA: LH SIDE			1
134	149T6973-1	.FITTING			1
136	149T6973-2	.FITTING			1
		ATTACHING PARTS			
- 138	BACB30NN4K67	.BOLT			6
- 141	BACW10UC416P	.WASHER			6
- 144	NAS1149D0463J	.WASHER-			6

ILLUSTRATION ITEMS NOT ON PARTS LIST ARE NOT APPLICABLE

- ITEM NOT ILLUSTRATED

HXL

32-12-01-20

BOEING PROPRIETARY - Copyright © - Unpublished Work - See title page for details.

32-12-01
FIG. 20
PAGE 7
DEC 22/06



767

PARTS CATALOG (MAINTENANCE)

FIG ITEM	PART NUMBER	1 2 3 4 5 6 7	NOMENCLATURE	EFFECT FROM TO	UNITS PER ASSY
20 - 147	BRH10A4		.NUT SUPPLIER CODE: V52828 SPECIFICATION NUMBER: BACN10JC4 OPTIONAL PART: T6S428J V11815 96-048 V80539 VN303A048 V92215 RMLH9075-4W V72962 NS202101-048 V80539 H10-4BAC V15653 -----*-----		6
151	149T6910-27		.PLATE-WEAR VARIABLE DRAWING REF: 149T6910-5001 149T6910-5003 149T6910-5005 149T6910-5011 149T6910-5017 149T6910-5021 149T6910-5025 USED ON: 149T6910-61		1
- 153	149T6910-28		.PLATE-WEAR VARIABLE DRAWING REF: 149T6910-5002 149T6910-5004 149T6910-5006 149T6910-5012 149T6910-5018 149T6910-5022 149T6910-5026 USED ON: 149T6910-62		1
- 156	BACB30NN3K1		ATTACHING PARTS .BOLT -----*-----		8

ILLUSTRATION ITEMS NOT ON PARTS LIST ARE NOT APPLICABLE

- ITEM NOT ILLUSTRATED

HXL

32-12-01-20

BOEING PROPRIETARY - Copyright © - Unpublished Work - See title page for details.

32-12-01
FIG. 20
PAGE 8
DEC 22/06

 **BOEING**
767
PARTS CATALOG (MAINTENANCE)

FIG ITEM	PART NUMBER	1 2 3 4 5 6 7	NOMENCLATURE	EFFECT FROM TO	UNITS PER ASSY
20 159	149T7804-1		.PANEL ASSY-THERMAL VARIABLE DRAWING REF: 149T6910-5013 149T6910-5015 149T6910-5019 149T6910-5023 149T6910-5027 USED ON: 149T6910-63		1
- 162	149T7804-2		.PANEL ASSY-THERMAL VARIABLE DRAWING REF: 149T6910-5014 149T6910-5016 149T6910-5020 149T6910-5024 149T6910-5028 USED ON: 149T6910-64		1
- 166	BACB30NN3K6		ATTACHING PARTS .BOLT -----*-----		10
168	NAS1835C3P		.INSERT		2
171	149T7804-7		.PANEL ASSY-THERMAL VARIABLE DRAWING REF: 149T6910-5014 149T6910-5016 149T6910-5020 149T6910-5024 149T6910-5028 149T6910-5013 149T6910-5015 149T6910-5019 149T6910-5023 149T6910-5027 USED ON: 149T6910-63 149T6910-64		1
- 174	BACB30NN3K6		ATTACHING PARTS .BOLT -----*-----		4
177	NAS1835C3P		.INSERT		4
181	149T6941-1		.BAR ASSY-ALTERNATE EXTENSION SKID ATTACHING PARTS		1
- 183	BACB30NN4K25		.BOLT		8
- 186	BACW10UC416P		.WASHER		8
- 189	NAS1149D0463J		.WASHER-		8

ILLUSTRATION ITEMS NOT ON PARTS LIST ARE NOT APPLICABLE

- ITEM NOT ILLUSTRATED

HXL

32-12-01-20

BOEING PROPRIETARY - Copyright © - Unpublished Work - See title page for details.

32-12-01
FIG. 20
PAGE 9
DEC 22/06



767

PARTS CATALOG (MAINTENANCE)

FIG ITEM	PART NUMBER	1 2 3 4 5 6 7	NOMENCLATURE	EFFECT FROM TO	UNITS PER ASSY
20 - 192	BRH10A4	.NUT	SUPPLIER CODE: V52828 SPECIFICATION NUMBER: BACN10JC4 OPTIONAL PART: T6S428J V11815 96-048 V80539 VN303A048 V92215 RMLH9075-4W V72962 NS202101-048 V80539 H10-4BAC V15653 -----*-----		8
193	149T6941-3	..CHANNEL			1
194	149T6941-4	..INTERCOASTAL			1
195	149T6941-2	..BAR-SKID			1
196	149T7803-7	.LINK ASSY-SPRT POSITION DATA: LH SIDE			1
- 198	149T7803-8	.LINK ASSY-SPRT POSITION DATA: RH SIDE			1

ILLUSTRATION ITEMS NOT ON PARTS LIST ARE NOT APPLICABLE

- ITEM NOT ILLUSTRATED

HXL

32-12-01-20

BOEING PROPRIETARY - Copyright © - Unpublished Work - See title page for details.

32-12-01
FIG. 20
PAGE 10
DEC 22/06



767

PARTS CATALOG (MAINTENANCE)

FIG ITEM	PART NUMBER	1 2 3 4 5 6 7	NOMENCLATURE	EFFECT FROM TO	UNITS PER ASSY
20			ATTACHING PARTS		
- 201	HL1012AZ10-17		.BOLT SUPPLIER CODE: VOPTK6 SPECIFICATION NUMBER: BACB30NX10K17 OPTIONAL PART: HL12VAZ10-17 V73197 HL12VAZ10-17 V92215 HL12VAZ10-17 V97928 L802-10K17 V06725 HL12VAZ10-17 V56878 HL1012AZ10-17 V06725 HL1012AZ10-17 V06950 HL1012AZ10-17 V17446 HL1012AZ10-17 V56878 HL1012AZ10-17 V60516 HL1012AZ10-17 V73197 HL1012AZ10-17 V97928		4
R R R R R R R R R R	- 204	HL1187-10	.COLLAR SUPPLIER CODE: V5M902 SPECIFICATION NUMBER: BACC30X10 OPTIONAL PART: HL1187-10 V56878 HL1187-10 V92215 HL1187-10 V73197		4
	207	149T6910-25	.SHIM -----*-----		1
	208	BACB28AM17B035A	..BUSHING-FLANGED		1
	209	BACB28X12C047	..BUSHING-FLANGED		1
ILLUSTRATION ITEMS NOT ON PARTS LIST ARE NOT APPLICABLE					

- ITEM NOT ILLUSTRATED

32-12-01-20

32-12-01
FIG. 20
PAGE 11
AUG 22/09

HXL



767

PARTS CATALOG (MAINTENANCE)

FIG ITEM	PART NUMBER	1 2 3 4 5 6 7	NOMENCLATURE	EFFECT FROM TO	UNITS PER ASSY
20					
210	149T7803-9	..	FITTING-SUPPORT POSITION DATA: LH SIDE		1
-210A	149T7803-10	..	FITTING-SUPPORT POSITION DATA: RH SIDE		1
211	149T6944-9	.	FITTING ASSY-ROLLER POSITION DATA: LH SIDE		1
- 213	149T6944-10	.	FITTING ASSY-ROLLER POSITION DATA: RH SIDE		1
216	BACB30MT6T20	.	BOLT-		2
219	BACB30NN6K72	.	BOLT-		2
222	BACW10BP6C	.	WASHER		2
224	BACW10BP6P	.	WASHER		2
228	BACW10UC616P	.	WASHER-		2
231	AS46-6	.	WASHER-		2
			SUPPLIER CODE: V10630		
			SPECIFICATION NUMBER: BACW10AU6		
			OPTIONAL PART: K19701P6		
			V15653		
			53488W624		
			V56878		
			6073-06		
			V72962		
			TLN1020L6W		
			V08524		
ILLUSTRATION ITEMS NOT ON PARTS LIST ARE NOT APPLICABLE					

- ITEM NOT ILLUSTRATED

HXL

32-12-01-20

BOEING PROPRIETARY - Copyright © - Unpublished Work - See title page for details.

32-12-01
FIG. 20
PAGE 12
AUG 22/09



767

PARTS CATALOG (MAINTENANCE)

FIG ITEM	PART NUMBER	1 2 3 4 5 6 7	NOMENCLATURE	EFFECT FROM TO	UNITS PER ASSY
20 234	BH003026		.NUT SUPPLIER CODE: V27238 SPECIFICATION NUMBER: BACN10HR6 OPTIONAL PART: BMNN10HR6 V97928 H966 V15653 RMLH226 V72962 VAL280096 V06710 678326 V56878 H96-6 V15653 RMLH22-6 V72962 SL7058S624 V11815 67832-624 V56878 BH00302-6 V27238 CR5906-6 VF0224		2

ILLUSTRATION ITEMS NOT ON PARTS LIST ARE NOT APPLICABLE

- ITEM NOT ILLUSTRATED

HXL

32-12-01-20

BOEING PROPRIETARY - Copyright © - Unpublished Work - See title page for details.

32-12-01
FIG. 20
PAGE 13
DEC 22/08



767

PARTS CATALOG (MAINTENANCE)

FIG ITEM	PART NUMBER	1 2 3 4 5 6 7	NOMENCLATURE	EFFECT FROM TO	UNITS PER ASSY
20 237	BH003027		.NUT SUPPLIER CODE: V27238 SPECIFICATION NUMBER: BACN10HR7 OPTIONAL PART: BMNN10HR7 V97928 H967 V15653 RMLH227 V72962 VAL280097 V06710 678327 V56878 H96-7 V15653 RMLH22-7 V72962 67832-720 V56878 BMNN10HR7 V97928 BH00302-7 V27238 CR5906-7 VF0224 -----*-----		2
237A	284T0452-5		..TARGET ASSY		1
237B	284T0452-6		..TARGET ASSY ATTACHING PARTS		1
-237C	HST10AG5-5		..BOLT SUPPLIER CODE: VOPTK6 SPECIFICATION NUMBER: BACB30VT5K5 OPTIONAL PART: HST10AG5-5 V06725 HST10AG5-5 V56878 HST10AG5-5 V73197		4
R -237D	BACC30BL5		..COLLAR -----*-----		4
237E	284T0860-1		...TARGET- USED ON: 284T0452-5		1

ILLUSTRATION ITEMS NOT ON PARTS LIST ARE NOT APPLICABLE

- ITEM NOT ILLUSTRATED

32-12-01-20

32-12-01
FIG. 20
PAGE 14
AUG 22/09

HXL



767

PARTS CATALOG (MAINTENANCE)

FIG ITEM	PART NUMBER	1 2 3 4 5 6 7	NOMENCLATURE	EFFECT FROM TO	UNITS PER ASSY
20					
238	284T0860-2		...TARGET- USED ON: 284T0452-6		1
238A	284T0441-3		...BRACKET- USED ON: 284T0452-5		1
238B	284T0441-4		...BRACKET- USED ON: 284T0452-6		1
-238C	L8005K3		ATTACHING PARTS ...BOLT SUPPLIER CODE: V06725 SPECIFICATION NUMBER: BACB30MY5K3		2
-238D	HL70-5		...COLLAR SUPPLIER CODE: V5M902 SPECIFICATION NUMBER: BACC30M5 OPTIONAL PART: HL70-5 V73197 HL70-5 V92215 66014-5 V56878 HL70-5 V56878 -----*-----		2
240	BACB28AT20B035C		..BUSHING-		2
243	BACB28AT19B035C		..BUSHING-		2
244	MS15001-1		..FITTING-GREASE		2
244A	284T0859-3		..STRIP-RUB		1
244B	149T6944-11		..FITTING-ROLLER POSITION DATA: LH SIDE		1
-244C	149T6944-12		..FITTING-ROLLER POSITION DATA: RH SIDE		1
246	149T6910-24		.SHIM		1
249	149T6922-9		.BUSHING		1
252	149T6922-10		.BUSHING		1

ILLUSTRATION ITEMS NOT ON PARTS LIST ARE NOT APPLICABLE

- ITEM NOT ILLUSTRATED

HXL

32-12-01-20

BOEING PROPRIETARY - Copyright © - Unpublished Work - See title page for details.

32-12-01
FIG. 20
PAGE 15
AUG 22/09



767

PARTS CATALOG (MAINTENANCE)

FIG ITEM	PART NUMBER	1 2 3 4 5 6 7	NOMENCLATURE	EFFECT FROM TO	UNITS PER ASSY
20 254	YAT14B		.BEARING SUPPLIER CODE: V07484 SPECIFICATION NUMBER: BACB10EU14 OPTIONAL PART: 14AL3234 V92563 ATL14 V60380		1
258	149T6986-5		.PIN ASSY-SPECIAL		1
261	MS15001-1		..FITTING-LUBE		1
264	MS24665-359		.PIN-		1
267	AN960XC1416		.WASHER		1
271	BACW10BP14C		.WASHER		1
273	BACN10JD114		.NUT		1
276	149T6940-1		.PLATE-SERRATED POSITION DATA: LH SIDE		1
- 279	149T6940-5		.PLATE-SERRATED POSITION DATA: RH SIDE		1
282	149T6940-7		.PLATE-SERRATED POSITION DATA: LH SIDE		1
- 284	149T6940-8		.PLATE-SERRATED POSITION DATA: RH SIDE		1
288	HL11VAZ8-8		ATTACHING PARTS .BOLT SUPPLIER CODE: V60516 SPECIFICATION NUMBER: BACB30NW8K8 OPTIONAL PART: B30NW8K8 V97928 HL11VAZ8-8 V73197 HL11VAZ8-8 V92215 HL11VAZ8-8 V97928 L803-8K8 V06725 HL11VAZ8-8 VOPTK6 HL11VAZ8-8 V56878		2

ILLUSTRATION ITEMS NOT ON PARTS LIST ARE NOT APPLICABLE

- ITEM NOT ILLUSTRATED

32-12-01-20

32-12-01
FIG. 20
PAGE 16
AUG 22/09

HXL



767

PARTS CATALOG (MAINTENANCE)

FIG ITEM	PART NUMBER	1 2 3 4 5 6 7	NOMENCLATURE	EFFECT FROM TO	UNITS PER ASSY
20 291	HL1012AZ8-8	.BOLT	SUPPLIER CODE: VOPTK6 SPECIFICATION NUMBER: BACB30NX8K8 OPTIONAL PART: HL12VAZ8-8 V73197 HL12VAZ8-8 V92215 HL12VAZ8-8 V97928 L802-8K8 V06725 HL12VAZ8-8 V56878 HL1012AZ8-8 V06725 HL1012AZ8-8 V06950 HL1012AZ8-8 V17446 HL1012AZ8-8 V56878 HL1012AZ8-8 V60516 HL1012AZ8-8 V73197 HL1012AZ8-8 V97928		2
294 297	NAS6605-8 HL79-8	.BOLT .COLLAR	SUPPLIER CODE: V5M902 SPECIFICATION NUMBER: BACC30M8 OPTIONAL PART: HL79-8 V73197 HL79-8 V92215 66014-8 V56878 HL79-8 V56878		2 2

ILLUSTRATION ITEMS NOT ON PARTS LIST ARE NOT APPLICABLE

- ITEM NOT ILLUSTRATED

HXL

32-12-01-20

BOEING PROPRIETARY - Copyright © - Unpublished Work - See title page for details.

32-12-01
FIG. 20
PAGE 17
AUG 22/09



767

PARTS CATALOG (MAINTENANCE)

FIG ITEM	PART NUMBER	1 2 3 4 5 6 7	NOMENCLATURE	EFFECT FROM TO	UNITS PER ASSY
20 301	HL1187-8		.COLLAR SUPPLIER CODE: V5M902 SPECIFICATION NUMBER: BACC30X8 OPTIONAL PART: HL87-8 V92215 HL87-8 V73197 HL1187-8 V56878 HL1187-8 V92215 HL87-8 V56878 HL1187-8 V73197		2
303 306	BACW10BP5C TLN1001W35		.WASHER-UNDER HEAD .NUT SUPPLIER CODE: V97928 SPECIFICATION NUMBER: BACN10HY5M OPTIONAL PART: RMLH9073-5 V72962 TLN1001WD35 V92215 69233SB5D V56878 TLN1001WD35 V97928 TLN1001W35 V92215 HW29872-5 V15653		2 2
307	149T6929-5		-----*----- .HINGE BEAM ASSY- POSITION DATA: CTR LH SIDE OPTIONAL PART: 149T6929-1		1
307	149T6929-1		.HINGE BEAM ASSY- POSITION DATA: CTR LH SIDE OPTIONAL PART: 149T6929-5		1

ILLUSTRATION ITEMS NOT ON PARTS LIST ARE NOT APPLICABLE

- ITEM NOT ILLUSTRATED

HXL

32-12-01-20

BOEING PROPRIETARY - Copyright © - Unpublished Work - See title page for details.

32-12-01
FIG. 20
PAGE 18
AUG 22/09



767

PARTS CATALOG (MAINTENANCE)

FIG ITEM	PART NUMBER	1 2 3 4 5 6 7	NOMENCLATURE	EFFECT FROM TO	UNITS PER ASSY
20					
- 308	149T6929-6		.HINGE BEAM ASSY- POSITION DATA: CTR RH SIDE OPTIONAL PART: 149T6929-2		1
- 308	149T6929-2		.HINGE BEAM ASSY- POSITION DATA: CTR RH SIDE OPTIONAL PART: 149T6929-6 ATTACHING PARTS		1
309A	BACB30NN5K70		.BOLT		16
309B	BACB30NN6K72		.BOLT		18
309C	BACB30NN6K73		.BOLT		15
309D	BACB30LH6-73		.BOLT		3
309E	BACB30NN6K76		.BOLT		4
310	BACB30NN5K75		.BOLT		2
310A	BACW10UC516P		.WASHER		18
310B	AN960PD516		.WASHER		16
310C	AS46-5		.WASHER SUPPLIER CODE: V10630 SPECIFICATION NUMBER: BACW10AU5 OPTIONAL PART: K19701P5 V15653 53488W524 V56878 6073-05 V72962 TLN1020L5W V08524		2
310E	BACW10UC616P		.WASHER		40
310F	AN960D616L		.WASHER		1
310G	AN960PD616		.WASHER		36

ILLUSTRATION ITEMS NOT ON PARTS LIST ARE NOT APPLICABLE

- ITEM NOT ILLUSTRATED

HXL

32-12-01-20

BOEING PROPRIETARY - Copyright © - Unpublished Work - See title page for details.

32-12-01
FIG. 20
PAGE 19
AUG 22/09



767

PARTS CATALOG (MAINTENANCE)

FIG ITEM	PART NUMBER	1 2 3 4 5 6 7	NOMENCLATURE	EFFECT FROM TO	UNITS PER ASSY
20 310H	AS46-6		.WASHER SUPPLIER CODE: V10630 SPECIFICATION NUMBER: BACW10AU6 OPTIONAL PART: K19701P6 V15653 53488W624 V56878 6073-06 V72962 TLN1020L6W V08524		4
311	BRH10A5		.NUT SUPPLIER CODE: V52828 SPECIFICATION NUMBER: BACN10JC5 OPTIONAL PART: T6S524J V11815 96-054 V80539 RMLH9075-5W V72962 H10-5BAC V15653		16
R 311A	BACN10MT5		.NUT		2
311E	BRH10A6		.NUT SUPPLIER CODE: V52828 SPECIFICATION NUMBER: BACN10JC6 OPTIONAL PART: 96-064 V80539 RMLH9075-6 V72962 H10-6BAC V15653		36

ILLUSTRATION ITEMS NOT ON PARTS LIST ARE NOT APPLICABLE

- ITEM NOT ILLUSTRATED

HXL

32-12-01-20

BOEING PROPRIETARY - Copyright © - Unpublished Work - See title page for details.

32-12-01
FIG. 20
PAGE 20
AUG 22/09

BOEING
767
PARTS CATALOG (MAINTENANCE)

FIG ITEM	PART NUMBER	1 2 3 4 5 6 7	NOMENCLATURE	EFFECT FROM TO	UNITS PER ASSY
20 311F	H19700P6		.NUT SUPPLIER CODE: V15653 SPECIFICATION NUMBER: BACN10MT6 OPTIONAL PART: 52LH6073-064 V72962 53488N624 V56878 TLN1020L6N V97928 -----*-----		4
321	MS15001-1		.FITTING-LUBE		1
322	BACB30NN3K2		.BOLT- POSITION DATA: LH SIDE		4
323	149T6811-1		.PLATE-EROSION POSITION DATA: LH SIDE		1
324	BACB30NN3K2		.BOLT- POSITION DATA: RH SIDE		2
325	149T6811-2		.PLATE-EROSION POSITION DATA: RH SIDE		1
R R R R R R R R	326	149T6910-45	.PLATE-EROSION POSITION DATA: LH SIDE MANUFACTURED FROM: SH AL 2024T3 F18.06 F21.03 .050 X 14.0 X 4.50 QQA250/5 SPARES ORDER MATERIAL CODE: 1124050601 ATTACHING PARTS		1
-	327	BACB30NN3K1	.BOLT -----*-----		2
R R R R R R R R	- 330	149T6910-32	.PLATE-EROSION POSITION DATA: RH SIDE VARIABLE DRAWING REF: 149T6910-7002 MANUFACTURED FROM: SH AL 2024T3 F18.06 F21.03 .050 X 14.0 X 4.50 QQA250/5 SPARES ORDER MATERIAL CODE: 1124050601		1

ILLUSTRATION ITEMS NOT ON PARTS LIST ARE NOT APPLICABLE

- ITEM NOT ILLUSTRATED

HXL

32-12-01-20

32-12-01
FIG. 20
PAGE 21
AUG 22/09

BOEING
767
PARTS CATALOG (MAINTENANCE)

FIG ITEM	PART NUMBER	1 2 3 4 5 6 7	NOMENCLATURE	EFFECT FROM TO	UNITS PER ASSY
20			ATTACHING PARTS		
- 333	BACB30NN3K1		.BOLT-		4
			-----*-----		
R	336	149T6910-47	.PLATE-EROSION		1
R			POSITION DATA:		
R			LH SIDE		
R			MANUFACTURED FROM:		
R			SH AL 2024T3		
R			F18.06 .050 X 11.0 X		
R			4.50 QQA250/5		
R			SRF14.905-702		
R			SPARES ORDER MATERIAL		
R			CODE: 1124050601		
			ATTACHING PARTS		
- 339	BACB30NN3K1		.BOLT		2
			-----*-----		
R	- 342	149T6910-34	.PLATE-EROSION		1
R			POSITION DATA:		
R			RH SIDE		
R			MANUFACTURED FROM:		
R			SH AL 2024T3		
R			F18.06 F21.03 .050 X		
R			4.50 X 11.0 QQA250/5		
R			SPARES ORDER MATERIAL		
R			CODE: 1124050601		
			ATTACHING PARTS		
- 345	BACB30NN3K1		.BOLT-		3
			-----*-----		
R	348	149T6910-49	.PLATE-EROSION		1
R			POSITION DATA:		
R			LH SIDE		
R			MANUFACTURED FROM:		
R			SH AL 2024T3		
R			F18.06 .050 X 4.50 X		
R			39.0 QQA250/5		
R			SRF14.905-702		
R			SPARES ORDER MATERIAL		
R			CODE: 1124050601		
			ATTACHING PARTS		
- 351	BACB30NN3K1		.BOLT		6
			-----*-----		

ILLUSTRATION ITEMS NOT ON PARTS LIST ARE NOT APPLICABLE

- ITEM NOT ILLUSTRATED

HXL

32-12-01-20

BOEING PROPRIETARY - Copyright © - Unpublished Work - See title page for details.

32-12-01
FIG. 20
PAGE 22
AUG 22/09

BOEING
767
PARTS CATALOG (MAINTENANCE)

FIG ITEM	PART NUMBER	1 2 3 4 5 6 7	NOMENCLATURE	EFFECT FROM TO	UNITS PER ASSY
R R R R R R R R R R	20 - 354 149T6910-50		.PLATE-EROSION POSITION DATA: RH SIDE MANUFACTURED FROM: SH AL 2024T3 F18.06 .050 X 4.50 X 39.0 QQA250/5 SRF14.905-702 SPARES ORDER MATERIAL CODE: 1124050601 ATTACHING PARTS		1
R R R R R R R R	- 357 BACB30NN3K1		.BOLT- -----*-----		7
R R R R R R R R	360 149T6910-37		.PLATE-EROSION POSITION DATA: LH SIDE MANUFACTURED FROM: SH AL 2024T3 F18.06 F21.03 .050 X 4.50 X 39.0 QQA250/5 SPARES ORDER MATERIAL CODE: 1124050601 ATTACHING PARTS		1
R R R R R R R R	- 363 BACB30NN3K1		.BOLT- -----*-----		7
R R R R R R R R	- 366 149T6910-48		.PLATE-EROSION POSITION DATA: RH SIDE MANUFACTURED FROM: SH 2024-T3 F18.06 F21.03 .050 IN. 39.00 IN. 4.50 IN. ATTACHING PARTS		1
R R R R R R R R	- 369 BACB30NN3K1		.BOLT -----*-----		5
R R R R R R R R	372 149T6910-39		.PLATE-EROSION POSITION DATA: LH SIDE MANUFACTURED FROM: SH AL 2024T3 F18.06 F21.03 .050 X 39.0 X 10.0 QQA250/5 SPARES ORDER MATERIAL CODE: 1124050601		1

ILLUSTRATION ITEMS NOT ON PARTS LIST ARE NOT APPLICABLE

- ITEM NOT ILLUSTRATED

32-12-01-20

32-12-01
FIG. 20
PAGE 23
AUG 22/09

HXL



767
PARTS CATALOG (MAINTENANCE)

FIG ITEM	PART NUMBER	1 2 3 4 5 6 7	NOMENCLATURE	EFFECT FROM TO	UNITS PER ASSY
R R R R R R R R R	20 - 375 149T6910-40		.PLATE-EROSION POSITION DATA: RH SIDE MANUFACTURED FROM: SH AL 2024T3 F18.06 F21.03 .050 X 39.0 X 10.0 QQA250/5 SPARES ORDER MATERIAL CODE: 1124050601 ATTACHING PARTS		1
R R R R R R R R R	- 378 BACB30NN3K1		.BOLT- -----*-----		7
R R R R R R R R R	381 149T6910-41		.PLATE-EROSION POSITION DATA: LH SIDE MANUFACTURED FROM: SH AL 2024T3 F18.06 F21.03 .050 X 39.0 X 10.0 QQA250/5 SPARES ORDER MATERIAL CODE: 1124050601 ATTACHING PARTS		1
R R R R R R R R R	- 384 149T6910-42		.PLATE-EROSION POSITION DATA: RH SIDE MANUFACTURED FROM: SH AL 2024T3 F18.06 F21.03 .050 X 37.0 X 9.0 QQA250/5 SPARES ORDER MATERIAL CODE: 1124050601 ATTACHING PARTS		1
R R R R R R R R R	- 387 BACB30NN3K1		.BOLT- -----*-----		5
R R R R R R R R R	390 149T6910-44		.PLATE-CONDUCTIVE POSITION DATA: RH SIDE MANUFACTURED FROM: SH 5052-H34 F17.04 F19,47 .040 X 14.10 X 41.6 QQA250/8 SPARES ORDER MATERIAL CODE: 1152040201		1

ILLUSTRATION ITEMS NOT ON PARTS LIST ARE NOT APPLICABLE

- ITEM NOT ILLUSTRATED

32-12-01-20

32-12-01
FIG. 20
PAGE 24
AUG 22/09

HXL

BOEING
767
PARTS CATALOG (MAINTENANCE)

FIG ITEM	PART NUMBER	1 2 3 4 5 6 7	NOMENCLATURE	EFFECT FROM TO	UNITS PER ASSY
R R R R R R R R R R R	20 - 400	149T6906-15	.SEAL- MANUFACTURED FROM: EXTR RUBBER 10-60754-279 X 7.0 SPARES ORDER MATERIAL CODE: 5287001200 FOR SPARES PROCURE: 149T6906Y15		1
	403	149T6906-53	.PLUG- MANUFACTURED FROM: BMS1-60, TYPE I SPARES ORDER MATERIAL CODE: 5287001200		2
	403	113T1822-24	.PLUG- MANUFACTURED FROM: SH RUBBER BMS 1-23 .875 DIA X 2.7		2
	406	149T6906-9	.RETAINER ATTACHING PARTS		1
	409	BACB30NN4K3	.BOLT		2
	412	BACB30NN4K4	.BOLT		1
	415	AN960PD416	.WASHER		3
	418	BRH10A4	.NUT		3
			SUPPLIER CODE: V52828 SPECIFICATION NUMBER: BACN10JC4 OPTIONAL PART: T6S428J V11815 96-048 V80539 VN303A048 V92215 RMLH9075-4W V72962 NS202101-048 V80539 H10-4BAC V15653		
			-----*-----		
	421 424	BACB30NU3K4 AN960PD10L	.BOLT- .WASHER-		3 3

ILLUSTRATION ITEMS NOT ON PARTS LIST ARE NOT APPLICABLE

- ITEM NOT ILLUSTRATED

HXL

32-12-01-20

BOEING PROPRIETARY - Copyright © - Unpublished Work - See title page for details.

32-12-01
FIG. 20
PAGE 25
AUG 22/09



767

PARTS CATALOG (MAINTENANCE)

FIG ITEM	PART NUMBER	1 2 3 4 5 6 7	NOMENCLATURE	EFFECT FROM TO	UNITS PER ASSY
20 427	BRH10A3	.	NUT SUPPLIER CODE: V52828 SPECIFICATION NUMBER: BACN10JC3 OPTIONAL PART: H10-3BAC V15653 NS202101-02 V80539 RMLH9075-3W V72962 VN303A02 V92215 96-02 V80539 T6S1032J V11815		3
430	149T6906-87	.	RETAINER-		1
436	149T6906-85	.	ANGLE- POSITION DATA: LH SIDE		1
- 439	149T6906-86	.	ANGLE- POSITION DATA: RH SIDE ATTACHING PARTS		1
- 442	BACB30NN3K2	.	BOLT		2
- 445	AN960PD10	.	WASHER		2
- 448	BRH10A3	.	NUT SUPPLIER CODE: V52828 SPECIFICATION NUMBER: BACN10JC3 OPTIONAL PART: H10-3BAC V15653 NS202101-02 V80539 RMLH9075-3W V72962 VN303A02 V92215 96-02 V80539 T6S1032J V11815		2
469	BACB30NU3K3	.	BOLT		5
472	AN960PD10	.	WASHER		5
-----*-----					
ILLUSTRATION ITEMS NOT ON PARTS LIST ARE NOT APPLICABLE					

- ITEM NOT ILLUSTRATED

32-12-01-20

32-12-01
FIG. 20
PAGE 26
AUG 22/09

HXL

BOEING
767
PARTS CATALOG (MAINTENANCE)

FIG ITEM	PART NUMBER	1 2 3 4 5 6 7	NOMENCLATURE	EFFECT FROM TO	UNITS PER ASSY
20 475	BRH10A3		.NUT SUPPLIER CODE: V52828 SPECIFICATION NUMBER: BACN10JC3 OPTIONAL PART: H10-3BAC V15653 NS202101-02 V80539 RMLH9075-3W V72962 VN303A02 V92215 96-02 V80539 T6S1032J V11815		5
478	149T6906-63		.RETAINER-SEAL POSITION DATA: LH SIDE MANUFACTURED FROM: SH ALUM F18.06 CLAD7075T6 .063 X 1.1 X 9.8		1
- 481	149T6906-64		.RETAINER-SEAL POSITION DATA: RH SIDE MANUFACTURED FROM: SH ALUM F18.06 CLAD7075T6 .063 X 1.1 X 9.8		1
484	149T6906-61		.SEAL- POSITION DATA: LH SIDE MANUFACTURED FROM: EXTR RUBBER 10-60754-662 9.8 IN SPARES ORDER MATERIAL CODE: 5287001200 FOR SPARES PROCURE: 654T0513-1039		1

R
R
R
R
R
R
R
R
R

ILLUSTRATION ITEMS NOT ON PARTS LIST ARE NOT APPLICABLE

- ITEM NOT ILLUSTRATED

HXL

32-12-01-20

BOEING PROPRIETARY - Copyright © - Unpublished Work - See title page for details.

32-12-01
FIG. 20
PAGE 27
AUG 22/09



767

PARTS CATALOG (MAINTENANCE)

FIG ITEM	PART NUMBER	1 2 3 4 5 6 7	NOMENCLATURE	EFFECT FROM TO	UNITS PER ASSY
R R R R R R R R R R	20 - 487	149T6906-62	.SEAL- POSITION DATA: RH SIDE MANUFACTURED FROM: EXTR RUBBER 10-60754-662 9.8 IN SPARES ORDER MATERIAL CODE: 5287001200 FOR SPARES PROCURE: 654T0513-1040		1
	490	BACB30NR4K4	.BOLT		4
	493	AN960PD416	.WASHER		4
	496	BRH10A4	.NUT SUPPLIER CODE: V52828 SPECIFICATION NUMBER: BACN10JC4 OPTIONAL PART: T6S428J V11815 96-048 V80539 VN303A048 V92215 RMLH9075-4W V72962 NS202101-048 V80539 H10-4BAC V15653		4
	499	149T6906-69	.ANGLE- POSITION DATA: LH SIDE		1
	- 502	149T6906-70	.ANGLE- POSITION DATA: RH SIDE		1
	505	149T6907-5	.DEPRESSOR- POSITION DATA: LH SIDE		1
	- 508	149T6907-6	.DEPRESSOR- POSITION DATA: RH SIDE		1
	- 511	BACB30NN4K3	ATTACHING PARTS .BOLT		7
	- 514	AN960PD416	.WASHER		7

ILLUSTRATION ITEMS NOT ON PARTS LIST ARE NOT APPLICABLE

- ITEM NOT ILLUSTRATED

32-12-01-20

32-12-01
FIG. 20
PAGE 28
AUG 22/09

HXL

 **BOEING**
767
PARTS CATALOG (MAINTENANCE)

FIG ITEM	PART NUMBER	1 2 3 4 5 6 7	NOMENCLATURE	EFFECT FROM TO	UNITS PER ASSY
20 - 517	BRH10A4		.NUT SUPPLIER CODE: V52828 SPECIFICATION NUMBER: BACN10JC4 OPTIONAL PART: T6S428J V11815 96-048 V80539 VN303A048 V92215 RMLH9075-4W V72962 NS202101-048 V80539 H10-4BAC V15653 -----*-----		7
535	149T6907-7		.DEPRESSOR ATTACHING PARTS		1
- 538	BACB30NN4K3		.BOLT		9
- 541	AN960PD416		.WASHER		9
- 544	BRH10A4		.NUT SUPPLIER CODE: V52828 SPECIFICATION NUMBER: BACN10JC4 OPTIONAL PART: T6S428J V11815 96-048 V80539 VN303A048 V92215 RMLH9075-4W V72962 NS202101-048 V80539 H10-4BAC V15653 -----*-----		9
547	149T6907-5		.DEPRESSOR- POSITION DATA: LH SIDE		1
- 550	149T6907-6		.DEPRESSOR- POSITION DATA: RH SIDE		1
ILLUSTRATION ITEMS NOT ON PARTS LIST ARE NOT APPLICABLE					

- ITEM NOT ILLUSTRATED

HXL

32-12-01-20

BOEING PROPRIETARY - Copyright © - Unpublished Work - See title page for details.

32-12-01
FIG. 20
PAGE 29
AUG 22/09



767

PARTS CATALOG (MAINTENANCE)

FIG ITEM	PART NUMBER	1 2 3 4 5 6 7	NOMENCLATURE	EFFECT FROM TO	UNITS PER ASSY
20			ATTACHING PARTS		
- 553	BACB30NN4K3	.BOLT			9
- 556	AN960PD416	.WASHER			9
- 559	BRH10A4	.NUT			9
		SUPPLIER CODE:	V52828		
		SPECIFICATION NUMBER:	BACN10JC4		
		OPTIONAL PART:	T6S428J		
			V11815		
			96-048		
			V80539		
			VN303A048		
			V92215		
			RMLH9075-4W		
			V72962		
			NS202101-048		
			V80539		
			H10-4BAC		
			V15653		
		-----*-----			
562	BACB30NN3K3	.BOLT			2
565	AN960PD10	.WASHER			2
568	BRH10A3	.NUT			2
		SUPPLIER CODE:	V52828		
		SPECIFICATION NUMBER:	BACN10JC3		
		OPTIONAL PART:	H10-3BAC		
			V15653		
			NS202101-02		
			V80539		
			RMLH9075-3W		
			V72962		
			VN303A02		
			V92215		
			96-02		
			V80539		
			T6S1032J		
			V11815		
571	149T6907-19	.DEPRESSOR-			1
		POSITION DATA:			
		LH SIDE			
- 574	149T6907-20	.DEPRESSOR-			1
		POSITION DATA:			
		RH SIDE			
577	BACS40R07C10F	.SHIM			1

ILLUSTRATION ITEMS NOT ON PARTS LIST ARE NOT APPLICABLE

- ITEM NOT ILLUSTRATED

32-12-01-20

32-12-01
FIG. 20
PAGE 30
AUG 22/09

HXL

BOEING
767
PARTS CATALOG (MAINTENANCE)

FIG ITEM	PART NUMBER	1 2 3 4 5 6 7	NOMENCLATURE	EFFECT FROM TO	UNITS PER ASSY
R R R R R R R R R R	20 580	149T6906-14	.SEAL- MANUFACTURED FROM: EXTR RUBBER 10-60754-279 X 54.0 SPARES ORDER MATERIAL CODE: 5287001200 FOR SPARES PROCURE: 149T6906Y14		1
	583	149T6906-53	.PLUG- MANUFACTURED FROM: BMS1-60, TYPE I SPARES ORDER MATERIAL CODE: 5287001200		2
	583	113T1822-24	.PLUG- MANUFACTURED FROM: SH RUBBER BMS 1-23 .875 DIA X 2.7		2
	586	149T6906-55	.RETAINER- POSITION DATA: LH SIDE		1
	- 589	149T6906-56	.RETAINER- POSITION DATA: RH SIDE		1
	- 592	BACB30NN4K3	ATTACHING PARTS .BOLT		23
	- 595	AN960PD416	.WASHER		23
	- 598	BRH10A4	.NUT		23
			SUPPLIER CODE: V52828 SPECIFICATION NUMBER: BACN10JC4 OPTIONAL PART: T6S428J V11815 96-048 V80539 VN303A048 V92215 RMLH9075-4W V72962 NS202101-048 V80539 H10-4BAC V15653 -----*-----		
			ILLUSTRATION ITEMS NOT ON PARTS LIST ARE NOT APPLICABLE		

- ITEM NOT ILLUSTRATED

HXL

32-12-01-20

BOEING PROPRIETARY - Copyright © - Unpublished Work - See title page for details.

32-12-01
FIG. 20
PAGE 31
AUG 22/09

BOEING
767
PARTS CATALOG (MAINTENANCE)

FIG ITEM	PART NUMBER	1 2 3 4 5 6 7	NOMENCLATURE	EFFECT FROM TO	UNITS PER ASSY
20					
R R R R R R R R R R	601 149T6906-73		.SEAL- MANUFACTURED FROM: EXTR RUBBER 10-60754-279 X 48.0 SPARES ORDER MATERIAL CODE: 5287001200 FOR SPARES PROCURE: 149T6906Y73		1
	604 149T6906-53		.PLUG- MANUFACTURED FROM: BMS1-60, TYPE I SPARES ORDER MATERIAL CODE: 5287001200		2
	604 113T1822-24		.PLUG- MANUFACTURED FROM: SH RUBBER BMS 1-23 .875 DIA X 2.7		2
	607 149T6906-71		.RETAINER- POSITION DATA: LH SIDE		1
-	610 149T6906-72		.RETAINER- POSITION DATA: RH SIDE ATTACHING PARTS		1
-	613 BACB30NN4K3		.BOLT		20
-	616 AN960PD416		.WASHER		20
-	619 BRH10A4		.NUT SUPPLIER CODE: V52828 SPECIFICATION NUMBER: BACN10JC4 OPTIONAL PART: T6S428J V11815 96-048 V80539 VN303A048 V92215 RMLH9075-4W V72962 NS202101-048 V80539 H10-4BAC V15653 -----*-----		20
ILLUSTRATION ITEMS NOT ON PARTS LIST ARE NOT APPLICABLE					

- ITEM NOT ILLUSTRATED

HXL

32-12-01-20

BOEING PROPRIETARY - Copyright © - Unpublished Work - See title page for details.

32-12-01
FIG. 20
PAGE 32
AUG 22/09

 **BOEING**
767
PARTS CATALOG (MAINTENANCE)

FIG ITEM	PART NUMBER	1 2 3 4 5 6 7	NOMENCLATURE	EFFECT FROM TO	UNITS PER ASSY
R R R R R R R R	20 622	149T6906-17	.SEAL- MANUFACTURED FROM: EXTR RUBBER 10-60754-120 X 76.0 SPARES ORDER MATERIAL CODE: 5287001200		1
	622	149T6906-88	.SEAL- MANUFACTURED FROM: EXTR RUBBER 10-60754-863 X 76.0 SPARES ORDER MATERIAL CODE: 5287001200		1
	625	149T6906-29	.RETAINER- POSITION DATA: LH SIDE MANUFACTURED FROM: EXTR ALUM F18.13 7075T6511 BAC1510-318 X 48.2		1
	- 628	149T6906-30	.RETAINER- POSITION DATA: RH SIDE MANUFACTURED FROM: EXTR ALUM F18.13 7075T6511 BAC1510-318 X 48.2		1
	631	149T6906-31	.RETAINER- POSITION DATA: LH SIDE MANUFACTURED FROM: EXTR ALUM F18.13 7075T6511 BAC1510-318 X 14.9		1
	- 634	149T6906-32	.RETAINER- POSITION DATA: RH SIDE MANUFACTURED FROM: EXTR ALUM F18.13 7075T6511 BAC1510-318 X 14.9		1
	637	149T6906-33	.RETAINER- POSITION DATA: LH SIDE MANUFACTURED FROM: EXTR ALUM F18.13 7075T6511 BAC1510-318 X 12.9		1
ILLUSTRATION ITEMS NOT ON PARTS LIST ARE NOT APPLICABLE					

- ITEM NOT ILLUSTRATED

HXL

32-12-01-20

BOEING PROPRIETARY - Copyright © - Unpublished Work - See title page for details.

32-12-01
FIG. 20
PAGE 33
AUG 22/09



767

PARTS CATALOG (MAINTENANCE)

FIG ITEM	PART NUMBER	1 2 3 4 5 6 7	NOMENCLATURE	EFFECT FROM TO	UNITS PER ASSY
20					
- 640	149T6906-34		.RETAINER- POSITION DATA: RH SIDE MANUFACTURED FROM: EXTR ALUM F18.13 7075T6511 BAC1510-318 X 12.9 ATTACHING PARTS		1
- 643	BACB30NN3K1		.BOLT		20
	646 149T6907-16		.DEPRESSOR ATTACHING PARTS		4
- 649	BACB30NR4K2		.BOLT		16
- 652	AN960PD416		.WASHER		16
	655 149T6907-11		.DEPRESSOR ATTACHING PARTS		4
- 658	BACB30NR4K3		.BOLT		24
- 661	AN960PD416		.WASHER		24
	664 149T6907-3		.DEPRESSOR ATTACHING PARTS		1
- 667	BACB30NR4K2		.BOLT		2
- 670	AN960PD416		.WASHER		2
	673 149T6907-9		.DEPRESSOR ATTACHING PARTS		1
- 676	BACB30NR4K3		.BOLT		2
- 679	AN960PD416		.WASHER		2
	682 149T6907-15		.DEPRESSOR ATTACHING PARTS		1
- 685	BACB30NR4K2		.BOLT		11
- 688	AN960PD416		.WASHER		11
	691 149T6907-13		.DEPRESSOR-SEAL POSITION DATA: LH SIDE		1
- 694	149T6907-14		.DEPRESSOR-SEAL POSITION DATA: RH SIDE ATTACHING PARTS		1
- 697	BACB30NR4K2		.BOLT		3
- 700	AN960PD416		.WASHER		3
	703 149T6907-10		.DEPRESSOR- POSITION DATA: LH SIDE		1

ILLUSTRATION ITEMS NOT ON PARTS LIST ARE NOT APPLICABLE

- ITEM NOT ILLUSTRATED

32-12-01-20

32-12-01
FIG. 20
PAGE 34
AUG 22/09

HXL

BOEING PROPRIETARY - Copyright © - Unpublished Work - See title page for details.



767

PARTS CATALOG (MAINTENANCE)

FIG ITEM	PART NUMBER	1 2 3 4 5 6 7	NOMENCLATURE	EFFECT FROM TO	UNITS PER ASSY
20					
- 706	149T6907-18		.DEPRESSOR- POSITION DATA: RH SIDE ATTACHING PARTS		1
- 709	BACB30NR4K3		.BOLT		5
- 712	AN960PD416		.WASHER		5
			-----*-----		
R R R R R R	715	149T6906-18	.SEAL- MANUFACTURED FROM: EXTR RUBBER 10-60754-279 X 120.0 SPARES ORDER MATERIAL CODE: 5287001200		1
	718	149T6906-12	.RETAINER-SEAL MANUFACTURED FROM: FT BAC1510-319 7075-T6511 F18.13 F21.03 .84 IN .266 IN 120.0 IN) ATTACHING PARTS		1
	721	BACB30NN3K3	.BOLT		40
	724	BACR15BA5AD	.RIVET- SIZE DETERMINED ON INSTL.		37
	727	AN960PD10	.WASHER		40
	730	BRH10A3	.NUT SUPPLIER CODE: V52828 SPECIFICATION NUMBER: BACN10JC3 OPTIONAL PART: H10-3BAC V15653 NS202101-02 V80539 RMLH9075-3W V72962 VN303A02 V92215 96-02 V80539 T6S1032J V11815		40
			-----*-----		
	900		ILLUSTRATION REFERENCE: DOOR AND MECHANISM INTEGRATION-MLG DOOR 32-12-01-02		RF
ILLUSTRATION ITEMS NOT ON PARTS LIST ARE NOT APPLICABLE					

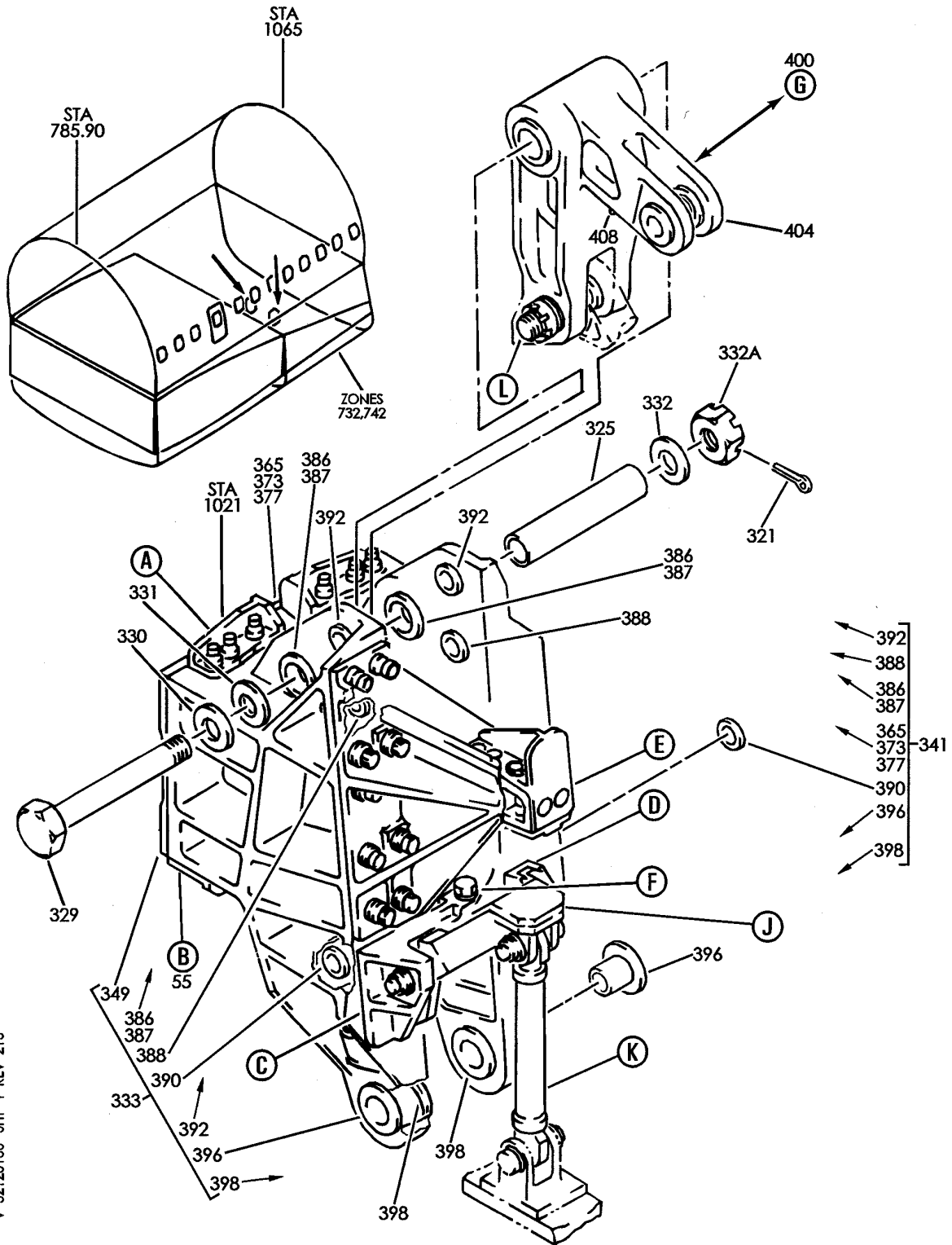
- ITEM NOT ILLUSTRATED

32-12-01-20

32-12-01
FIG. 20
PAGE 35
AUG 22/09

HXL

BOEING
767
PARTS CATALOG (MAINTENANCE)



V 32120130 SHT 1 REV 215

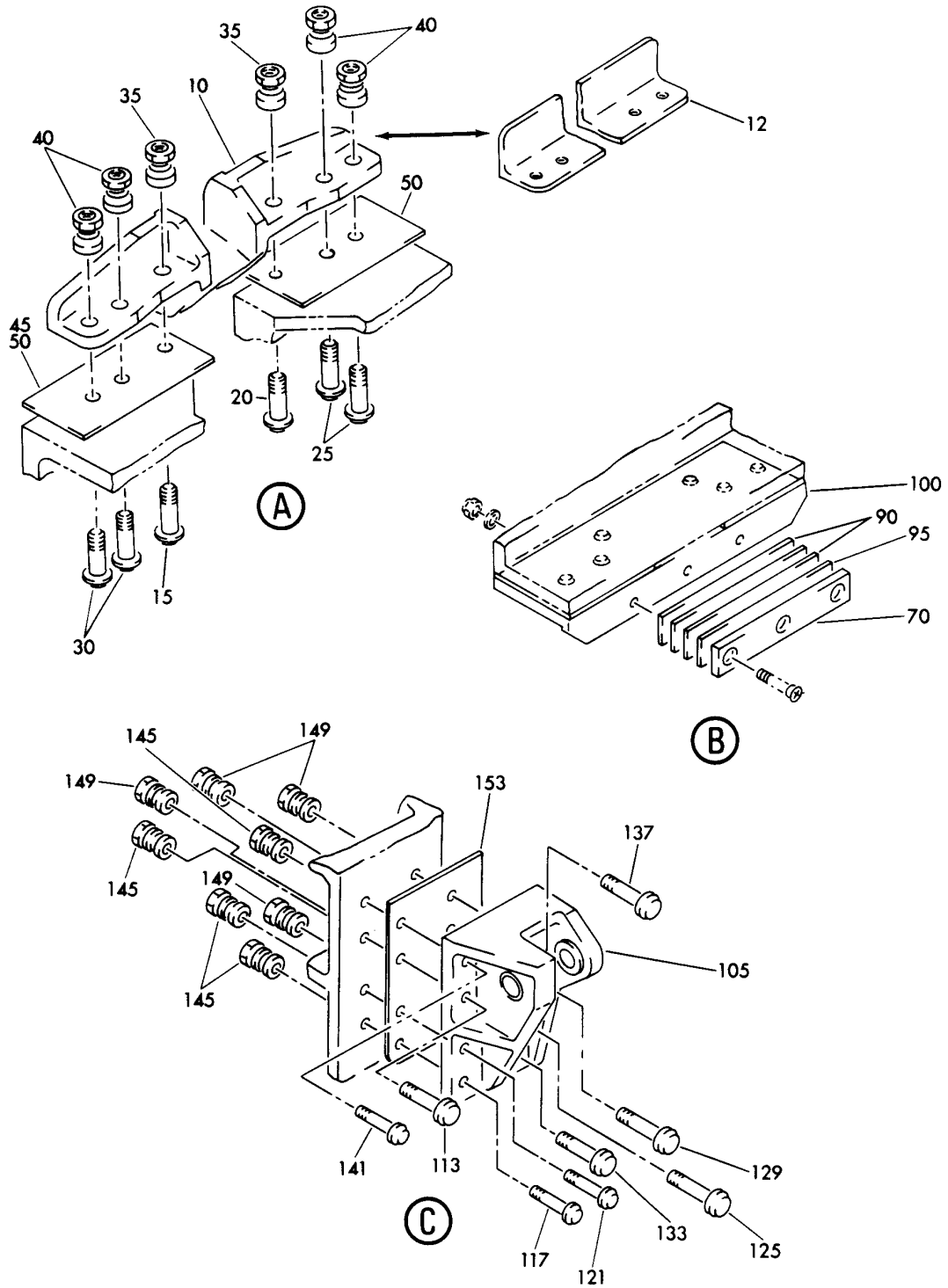
BELLCRANK ASSY-HINGE
FIGURE 30 (SHEET 1)

32-12-01-30

HXL
DEC 22/06

32-12-01-30
PAGE 0

BOEING
767
PARTS CATALOG (MAINTENANCE)



V 32120130 SHT 2 REV 031

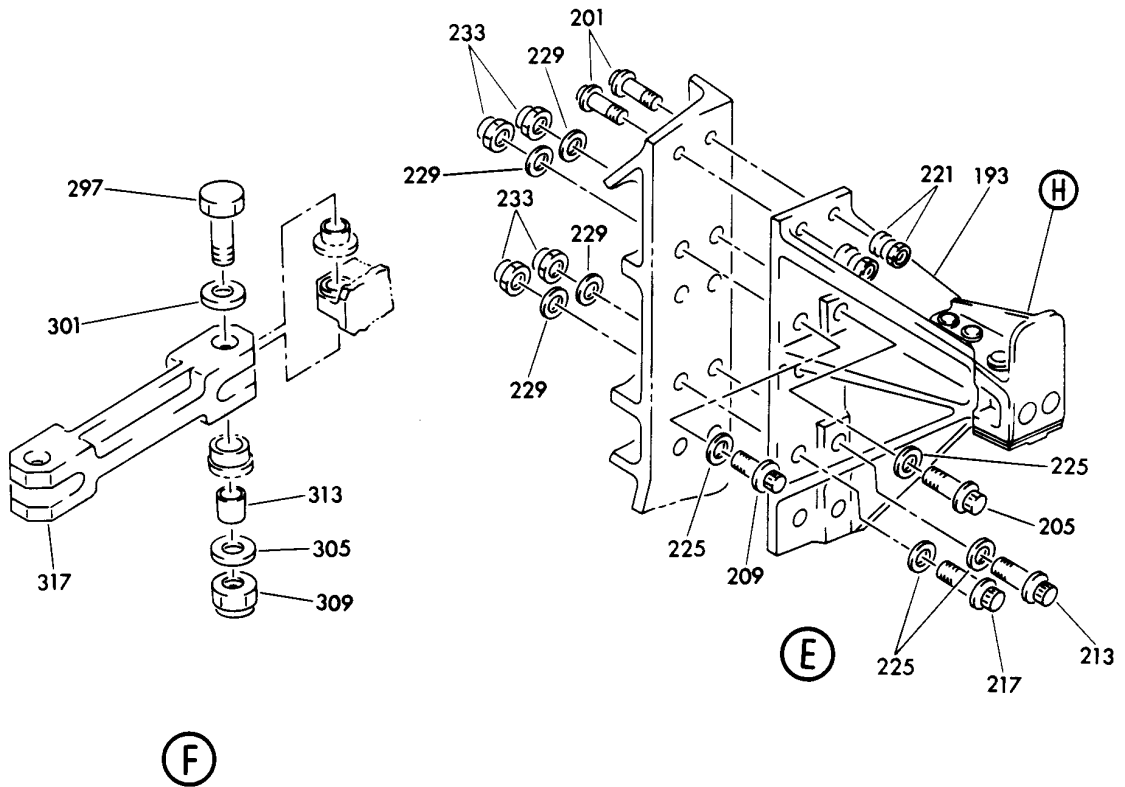
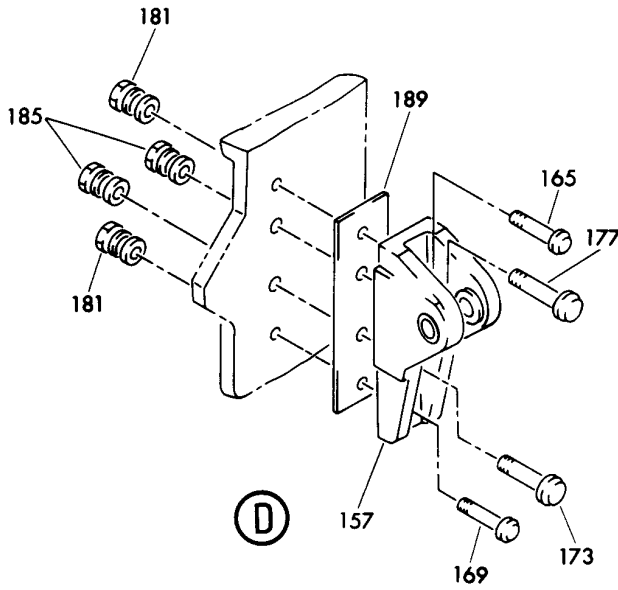
BELLCRANK ASSY-HINGE
FIGURE 30 (SHEET 2)

32-12-01-30

HXL
DEC 22/06

32-12-01-30
PAGE 0A

BOEING
767
PARTS CATALOG (MAINTENANCE)



V 32120130 SHT 3 REV 031

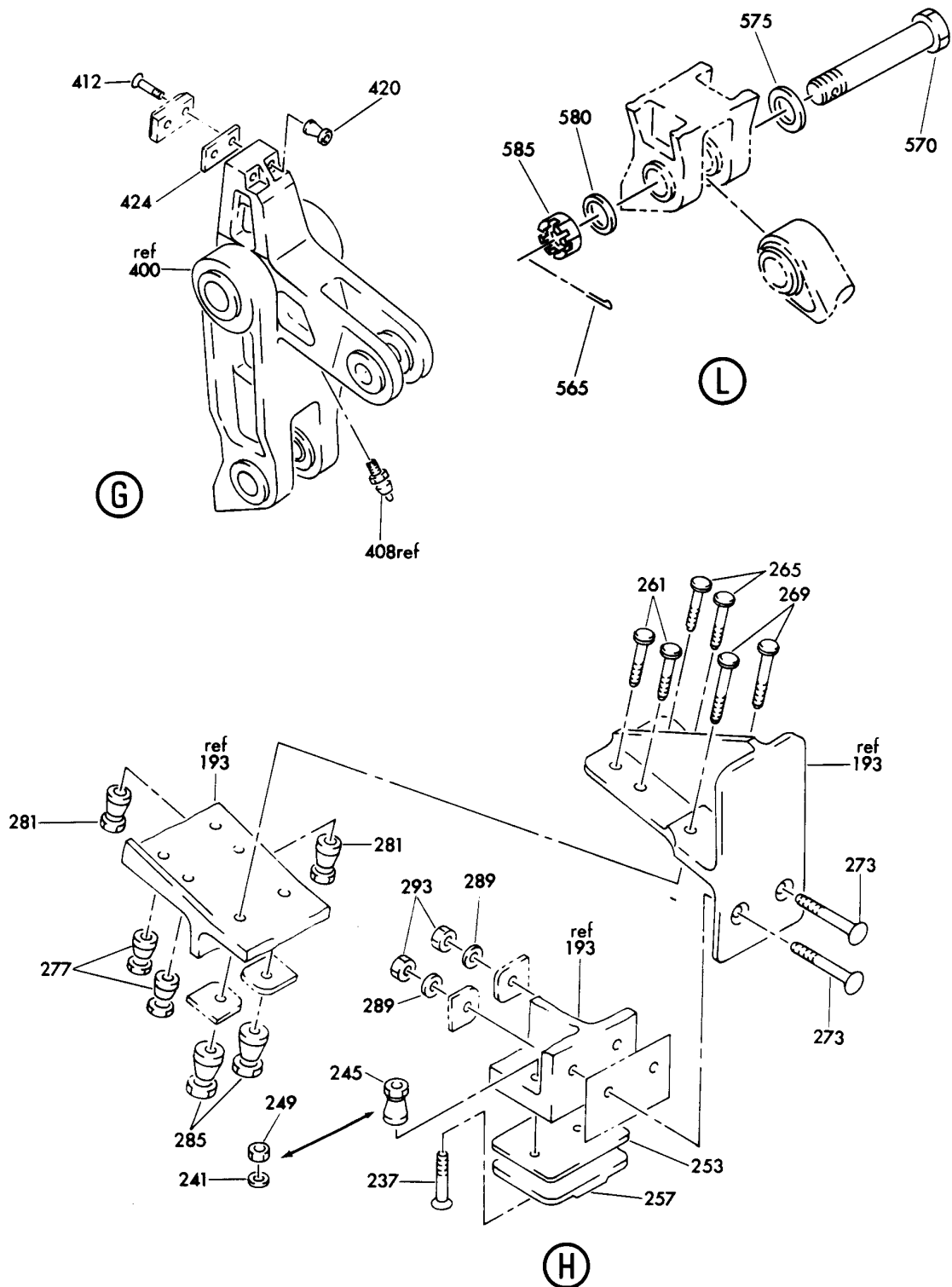
BELLCRANK ASSY-HINGE
FIGURE 30 (SHEET 3)

32-12-01-30

HXL
DEC 22/06

32-12-01-30
PAGE 0B

BOEING
767
PARTS CATALOG (MAINTENANCE)



V 32120130 SHT 4 REV 042

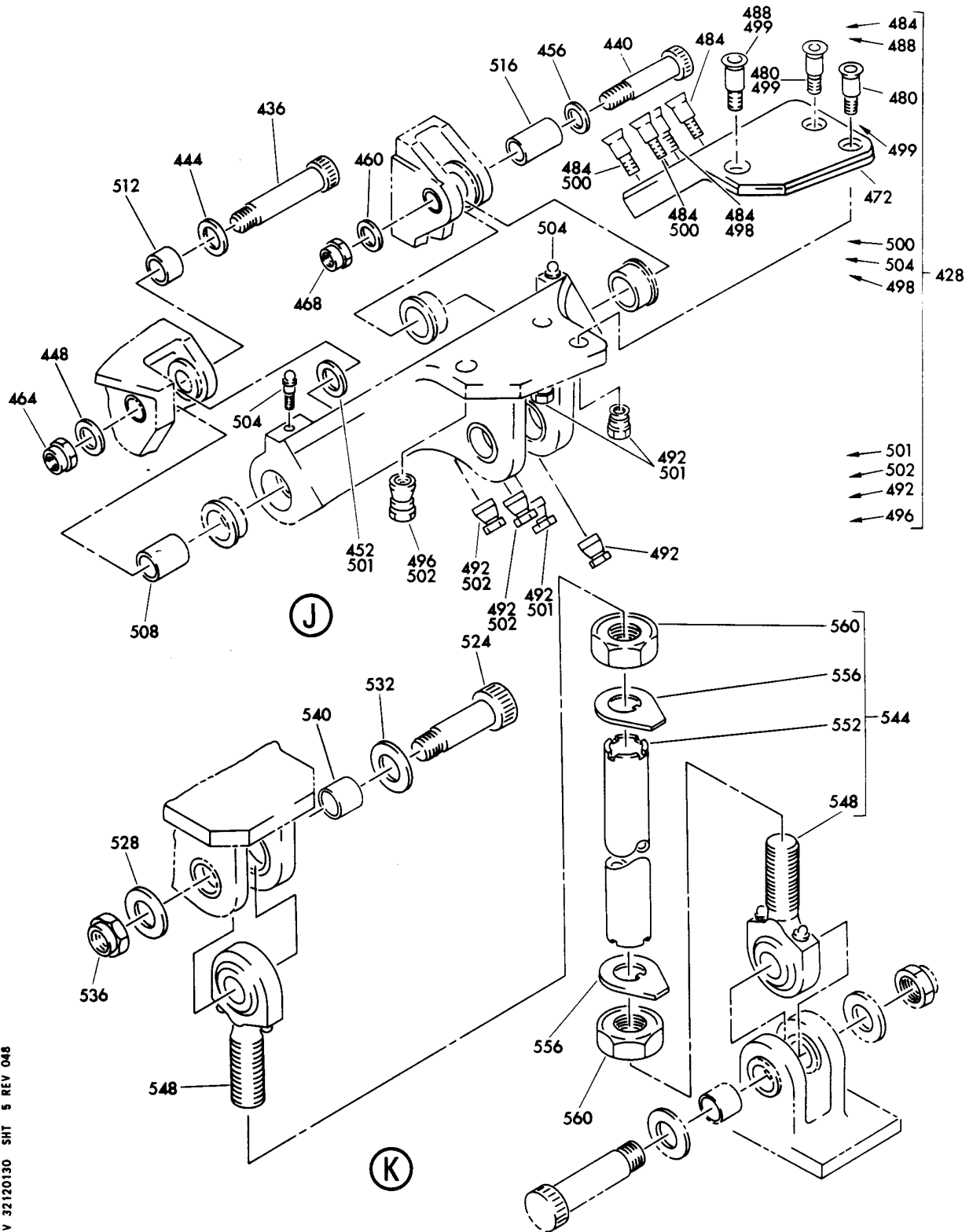
BELLCRANK ASSY-HINGE
FIGURE 30 (SHEET 4)

32-12-01-30

HXL
DEC 22/06

32-12-01-30
PAGE 0C


BOEING
 767
PARTS CATALOG (MAINTENANCE)



V 32120130 SHT 5 REV 048

BELLCRANK ASSY-HINGE
FIGURE 30 (SHEET 5)

32-12-01-30

HXL
DEC 22/06

32-12-01-30
 PAGE 0D



767

PARTS CATALOG (MAINTENANCE)

FIG ITEM	PART NUMBER	1 2 3 4 5 6 7	NOMENCLATURE	EFFECT FROM TO	UNITS PER ASSY
30					
- 1	149T6902-5		BELLCRANK ASSY-HINGE BELLCRANK ASSY-HINGE POSITION DATA: LH MISCELLANEOUS DATA: FOR SPARES PROCURE LOWER COMPONENTS COMPONENT MAINT MANUAL REF: 32-12-05 FOR NHA SEE: 32-12-01-02		RF
- 1	149T6902-39		BELLCRANK ASSY-HINGE POSITION DATA: LH MISCELLANEOUS DATA: FOR SPARES PROCURE LOWER COMPONENTS COMPONENT MAINT MANUAL REF: 32-12-05 FOR NHA SEE: 32-12-01-02		RF
- 1	149T6902-43		BELLCRANK ASSY-HINGE POSITION DATA: LH MISCELLANEOUS DATA: FOR SPARES PROCURE LOWER COMPONENTS COMPONENT MAINT MANUAL REF: 32-12-05 FOR NHA SEE: 32-12-01-02		RF
- 1	149T6902-45		BELLCRANK ASSY-HINGE POSITION DATA: LH MISCELLANEOUS DATA: FOR SPARES PROCURE LOWER COMPONENTS COMPONENT MAINT MANUAL REF: 32-12-05 FOR NHA SEE: 32-12-01-02		RF

ILLUSTRATION ITEMS NOT ON PARTS LIST ARE NOT APPLICABLE

- ITEM NOT ILLUSTRATED

HXL

32-12-01-30

BOEING PROPRIETARY - Copyright © - Unpublished Work - See title page for details.

32-12-01
FIG. 30
PAGE 1
DEC 22/06

BOEING
767
PARTS CATALOG (MAINTENANCE)

FIG ITEM	PART NUMBER	1 2 3 4 5 6 7	NOMENCLATURE	EFFECT FROM TO	UNITS PER ASSY
30 - 1	149T6902-69		BELLCRANK ASSY-HINGE POSITION DATA: LH MISCELLANEOUS DATA: FOR SPARES PROCURE LOWER COMPONENTS COMPONENT MAINT MANUAL REF: 32-12-05 FOR NHA SEE: 32-12-01-02		RF
- 1	149T6902-71		BELLCRANK ASSY-HINGE POSITION DATA: LH MISCELLANEOUS DATA: FOR SPARES PROCURE LOWER COMPONENTS COMPONENT MAINT MANUAL REF: 32-12-05 FOR NHA SEE: 32-12-01-02		RF
R R R R R R R R - 1	149T6902-107		BELLCRANK ASSY-HINGE POSITION DATA: LH MISCELLANEOUS DATA: FOR SPARES PROCURE LOWER COMPONENTS COMPONENT MAINT MANUAL REF: 32-12-05 FOR NHA SEE: 32-12-01-02		RF
- 5	149T6902-6		BELLCRANK ASSY-HINGE POSITION DATA: RH COMPONENT MAINT MANUAL REF: 32-12-05 FOR NHA SEE: 32-12-01-02		RF
- 5	149T6902-40		BELLCRANK ASSY-HINGE POSITION DATA: RH MISCELLANEOUS DATA: FOR SPARES PROCURE LOWER COMPONENTS COMPONENT MAINT MANUAL REF: 32-12-05 FOR NHA SEE: 32-12-01-02		RF

ILLUSTRATION ITEMS NOT ON PARTS LIST ARE NOT APPLICABLE

- ITEM NOT ILLUSTRATED

HXL

32-12-01-30

BOEING PROPRIETARY - Copyright © - Unpublished Work - See title page for details.

32-12-01
FIG. 30
PAGE 2
AUG 22/09



767

PARTS CATALOG (MAINTENANCE)

FIG ITEM	PART NUMBER	1 2 3 4 5 6 7	NOMENCLATURE	EFFECT FROM TO	UNITS PER ASSY
30 - 5	149T6902-44		BELLCRANK ASSY-HINGE POSITION DATA: RH MISCELLANEOUS DATA: FOR SPARES PROCURE LOWER COMPONENTS COMPONENT MAINT MANUAL REF: 32-12-05 FOR NHA SEE: 32-12-01-02		RF
- 5	149T6902-46		BELLCRANK ASSY-HINGE POSITION DATA: RH MISCELLANEOUS DATA: FOR SPARES PROCURE LOWER COMPONENTS COMPONENT MAINT MANUAL REF: 32-12-05 FOR NHA SEE: 32-12-01-02		RF
- 5	149T6902-70		BELLCRANK ASSY-HINGE POSITION DATA: RH MISCELLANEOUS DATA: FOR SPARES PROCURE LOWER COMPONENTS COMPONENT MAINT MANUAL REF: 32-12-05 FOR NHA SEE: 32-12-01-02		RF
- 5	149T6902-72		BELLCRANK ASSY-HINGE POSITION DATA: RH MISCELLANEOUS DATA: FOR SPARES PROCURE LOWER COMPONENTS COMPONENT MAINT MANUAL REF: 32-12-05 FOR NHA SEE: 32-12-01-02		RF

ILLUSTRATION ITEMS NOT ON PARTS LIST ARE NOT APPLICABLE

- ITEM NOT ILLUSTRATED

HXL

32-12-01-30

BOEING PROPRIETARY - Copyright © - Unpublished Work - See title page for details.

32-12-01
FIG. 30
PAGE 3
DEC 22/06

BOEING
767
PARTS CATALOG (MAINTENANCE)

FIG ITEM	PART NUMBER	1 2 3 4 5 6 7	NOMENCLATURE	EFFECT FROM TO	UNITS PER ASSY
30					
- 5	149T6902-108		BELLCRANK ASSY-HINGE POSITION DATA: RH MISCELLANEOUS DATA: FOR SPARES PROCURE LOWER COMPONENTS COMPONENT MAINT MANUAL REF: 32-12-05 FOR NHA SEE: 32-12-01-02		RF
10	149T6990-1		.STOP- USED ON: 149T6902-39 149T6902-40 149T6902-43 149T6902-44 149T6902-45 149T6902-46 149T6902-5 149T6902-6		1
12	149T6813-1		.TIE-STABILIZING USED ON: 149T6902-69 149T6902-70 149T6902-71 149T6902-72 149T6902-107 149T6902-108		1

R
R
R
R
R
R
R

ILLUSTRATION ITEMS NOT ON PARTS LIST ARE NOT APPLICABLE

- ITEM NOT ILLUSTRATED

HXL

32-12-01-30

BOEING PROPRIETARY - Copyright © - Unpublished Work - See title page for details.

32-12-01
FIG. 30
PAGE 4
AUG 22/09



767

PARTS CATALOG (MAINTENANCE)

FIG ITEM	PART NUMBER	1 2 3 4 5 6 7 NOMENCLATURE	EFFECT FROM TO	UNITS PER ASSY
30 15	HL1012AZ8-14	ATTACHING PARTS .BOLT SUPPLIER CODE: VOPTK6 SPECIFICATION NUMBER: BACB30NX8K14 OPTIONAL PART: HL12VAZ8-14 V73197 HL12VAZ8-14 V92215 HL12VAZ8-14 V97928 L802-8K14 V06725 HL12VAZ8-14 V56878 HL1012AZ8-14 V06725 HL1012AZ8-14 V06950 HL1012AZ8-14 V17446 HL1012AZ8-14 V56878 HL1012AZ8-14 V60516 HL1012AZ8-14 V73197 HL1012AZ8-14 V97928		1

ILLUSTRATION ITEMS NOT ON PARTS LIST ARE NOT APPLICABLE

- ITEM NOT ILLUSTRATED

HXL

32-12-01-30

BOEING PROPRIETARY - Copyright © - Unpublished Work - See title page for details.

32-12-01
FIG. 30
PAGE 5
DEC 22/06



767

PARTS CATALOG (MAINTENANCE)

FIG ITEM	PART NUMBER	1 2 3 4 5 6 7 NOMENCLATURE	EFFECT FROM TO	UNITS PER ASSY
30 20	HL1012AZ8-13	.BOLT SUPPLIER CODE: VOPTK6 SPECIFICATION NUMBER: BACB30NX8K13 OPTIONAL PART: HL12VAZ8-13 V73197 HL12VAZ8-13 V92215 HL12VAZ8-13 V97928 L802-8K13 V06725 HL12VAZ8-13 V56878 HL1012AZ8-13 V06725 HL1012AZ8-13 V06950 HL1012AZ8-13 V17446 HL1012AZ8-13 V56878 HL1012AZ8-13 V60516 HL1012AZ8-13 V73197 HL1012AZ8-13 V97928		1

ILLUSTRATION ITEMS NOT ON PARTS LIST ARE NOT APPLICABLE

- ITEM NOT ILLUSTRATED

HXL

32-12-01-30

BOEING PROPRIETARY - Copyright © - Unpublished Work - See title page for details.

32-12-01
 FIG. 30
 PAGE 6
 DEC 22/06



767

PARTS CATALOG (MAINTENANCE)

FIG ITEM	PART NUMBER	1 2 3 4 5 6 7 NOMENCLATURE	EFFECT FROM TO	UNITS PER ASSY
30 25	HL1012AZ10-14	.BOLT SUPPLIER CODE: VOPTK6 SPECIFICATION NUMBER: BACB30NX10K14 OPTIONAL PART: HL12VAZ10-14 V73197 HL12VAZ10-14 V92215 HL12VAZ10-14 V97928 L802-10K14 V06725 HL12VAZ10-14 V56878 HL1012AZ10-14 V06725 HL1012AZ10-14 V06950 HL1012AZ10-14 V17446 HL1012AZ10-14 V56878 HL1012AZ10-14 V60516 HL1012AZ10-14 V73197 HL1012AZ10-14 V97928		2

ILLUSTRATION ITEMS NOT ON PARTS LIST ARE NOT APPLICABLE

- ITEM NOT ILLUSTRATED

HXL

32-12-01-30

BOEING PROPRIETARY - Copyright © - Unpublished Work - See title page for details.

32-12-01
FIG. 30
PAGE 7
DEC 22/06



767

PARTS CATALOG (MAINTENANCE)

FIG ITEM	PART NUMBER	1 2 3 4 5 6 7	NOMENCLATURE	EFFECT FROM TO	UNITS PER ASSY
30	HL1012AZ10-13	.	BOLT SUPPLIER CODE: VOPTK6 SPECIFICATION NUMBER: BACB30NX10K13 OPTIONAL PART: HL12VAZ10-13 V73197 HL12VAZ10-13 V92215 HL12VAZ10-13 V97928 L802-10K13 V06725 HL12VAZ10-13 V56878 HL1012AZ10-13 V06725 HL1012AZ10-13 V06950 HL1012AZ10-13 V17446 HL1012AZ10-13 V56878 HL1012AZ10-13 V60516 HL1012AZ10-13 V73197 HL1012AZ10-13 V97928		2
35	HL1187-8	.	COLLAR SUPPLIER CODE: V5M902 SPECIFICATION NUMBER: BACC30X8 OPTIONAL PART: HL87-8 V92215 HL87-8 V73197 HL1187-8 V56878 HL1187-8 V92215 HL87-8 V56878 HL1187-8 V73197		2

ILLUSTRATION ITEMS NOT ON PARTS LIST ARE NOT APPLICABLE

- ITEM NOT ILLUSTRATED

HXL

32-12-01-30

BOEING PROPRIETARY - Copyright © - Unpublished Work - See title page for details.

32-12-01
 FIG. 30
 PAGE 8
 DEC 22/06



767

PARTS CATALOG (MAINTENANCE)

FIG ITEM	PART NUMBER	1 2 3 4 5 6 7	NOMENCLATURE	EFFECT FROM TO	UNITS PER ASSY
R R R R R R R R R R	30				
	40	HL1187-10	.COLLAR SUPPLIER CODE: V5M902 SPECIFICATION NUMBER: BACC30X10 OPTIONAL PART: HL1187-10 V56878 HL1187-10 V92215 HL1187-10 V73197		4
	45	BACS40R29B44F	-----*----- .SHIM- USED ON: 149T6902-39 149T6902-40 149T6902-43 149T6902-44 149T6902-45 149T6902-46 149T6902-5 149T6902-6		1
	50	BACS40R15B44F	.SHIM- USED ON: 149T6902-69 149T6902-70		2
R R R R	55	149T6991-1	.STOP ASSY		1

ILLUSTRATION ITEMS NOT ON PARTS LIST ARE NOT APPLICABLE

- ITEM NOT ILLUSTRATED

HXL

32-12-01-30

BOEING PROPRIETARY - Copyright © - Unpublished Work - See title page for details.

32-12-01
FIG. 30
PAGE 9
AUG 22/09



767

PARTS CATALOG (MAINTENANCE)

FIG ITEM	PART NUMBER	1 2 3 4 5 6 7	NOMENCLATURE	EFFECT FROM TO	UNITS PER ASSY
30					
- 60	HL1012AZ8-11		ATTACHING PARTS .BOLT SUPPLIER CODE: VOPTK6 SPECIFICATION NUMBER: BACB30NX8K11 OPTIONAL PART: HL12VAZ8-11 V73197 HL12VAZ8-11 V92215 HL12VAZ8-11 V97928 L802-8K11 V06725 HL12VAZ8-11 V56878 HL1012AZ8-11 V06725 HL1012AZ8-11 V06950 HL1012AZ8-11 V17446 HL1012AZ8-11 V56878 HL1012AZ8-11 V60516 HL1012AZ8-11 V73197 HL1012AZ8-11 V97928		6
ILLUSTRATION ITEMS NOT ON PARTS LIST ARE NOT APPLICABLE					

- ITEM NOT ILLUSTRATED

HXL

32-12-01-30

BOEING PROPRIETARY - Copyright © - Unpublished Work - See title page for details.

32-12-01
 FIG. 30
 PAGE 10
 DEC 22/06



767

PARTS CATALOG (MAINTENANCE)

FIG ITEM	PART NUMBER	1 2 3 4 5 6 7	NOMENCLATURE	EFFECT FROM TO	UNITS PER ASSY
30					
- 65	HL1187-8		. COLLAR SUPPLIER CODE: V5M902 SPECIFICATION NUMBER: BACC30X8 OPTIONAL PART: HL87-8 V92215 HL87-8 V73197 HL1187-8 V56878 HL1187-8 V92215 HL87-8 V56878 HL1187-8 V73197 -----*-----		6
	70 149T6991-3		.. PAD ATTACHING PARTS		1
- 75	BACB30NN3K9		.. BOLT		3
- 80	AN960PD10		.. WASHER		3
- 85	BRH10C3M		.. NUT SUPPLIER CODE: V52828 SPECIFICATION NUMBER: BACN10JC3CM OPTIONAL PART: T6C1032JM V11815 97E02 V80539 109LH9075-3W V72962 VN303D02 V92215 NS202101SE02 V80539 H01-3BAC V15653 -----*-----		3
	90 149T6991-4		.. SHIM- MANUFACTURED FROM: SH AL 7075T6 F18.06 .032 X 1.1 X 5.2 QQ-A-250/13 SPARES ORDER MATERIAL CODE: 1170032607 ILLUSTRATION ITEMS NOT ON PARTS LIST ARE NOT APPLICABLE		3

R
R
R
R
R
R
R

- ITEM NOT ILLUSTRATED

32-12-01-30

32-12-01
FIG. 30
PAGE 11
AUG 22/09

HXL



767

PARTS CATALOG (MAINTENANCE)

FIG ITEM	PART NUMBER	1 2 3 4 5 6 7	NOMENCLATURE	EFFECT FROM TO	UNITS PER ASSY
30					
95	BACS40R10C051F	..	SHIM		1
100	149T6991-2	..	STOP		1
105	149T6988-1	.FITTING ASSY-			1
		POSITION DATA:			
		LH SIDE			
- 109	149T6988-2	.FITTING ASSY-			1
		POSITION DATA:			
		RH SIDE			
		ATTACHING PARTS			
113	HL1012AZ8-18	.BOLT			1
		SUPPLIER CODE:			
		VOPTK6			
		SPECIFICATION NUMBER:			
		BACB30NX8K18			
		OPTIONAL PART:			
		HL12VAZ8-18			
		V73197			
		HL12VAZ8-18			
		V92215			
		HL12VAZ8-18			
		V97928			
		L802-8K18			
		V06725			
		HL12VAZ8-18			
		V56878			
		HL1012AZ8-18			
		V06725			
		HL1012AZ8-18			
		V06950			
		HL1012AZ8-18			
		V17446			
		HL1012AZ8-18			
		V56878			
		HL1012AZ8-18			
		V60516			
		HL1012AZ8-18			
		V73197			
		HL1012AZ8-18			
		V97928			

ILLUSTRATION ITEMS NOT ON PARTS LIST ARE NOT APPLICABLE

- ITEM NOT ILLUSTRATED

HXL

32-12-01-30

BOEING PROPRIETARY - Copyright © - Unpublished Work - See title page for details.

32-12-01
FIG. 30
PAGE 12
AUG 22/09



767

PARTS CATALOG (MAINTENANCE)

FIG ITEM	PART NUMBER	1 2 3 4 5 6 7 NOMENCLATURE	EFFECT FROM TO	UNITS PER ASSY
30 117	HL1012AZ8-16	.BOLT SUPPLIER CODE: V97928 SPECIFICATION NUMBER: BACB30NX8K16 OPTIONAL PART: HL12VAZ8-16 V73197 HL12VAZ8-16 V92215 HL12VAZ8-16 V97928 L802-8K16 V06725 HL1012AZ8-16 VOPTK6 HL1012AZ8-16 V06725 HL1012AZ8-16 V06950 HL1012AZ8-16 V17446 HL1012AZ8-16 V56878 HL12VAZ8-16 V56878 HL1012AZ8-16 V60516 HL1012AZ8-16 V73197		1

ILLUSTRATION ITEMS NOT ON PARTS LIST ARE NOT APPLICABLE

- ITEM NOT ILLUSTRATED

HXL

32-12-01-30

BOEING PROPRIETARY - Copyright © - Unpublished Work - See title page for details.

32-12-01
FIG. 30
PAGE 13
DEC 22/06



767

PARTS CATALOG (MAINTENANCE)

FIG ITEM	PART NUMBER	1 2 3 4 5 6 7 NOMENCLATURE	EFFECT FROM TO	UNITS PER ASSY
30 121	HL1012AZ8-17	.BOLT SUPPLIER CODE: VOPTK6 SPECIFICATION NUMBER: BACB30NX8K17 OPTIONAL PART: HL12VAZ8-17 V73197 HL12VAZ8-17 V92215 HL12VAZ8-17 V97928 L802-8K17 V06725 HL12VAZ8-17 V86878 HL1012AZ8-17 V06725 HL1012AZ8-17 V06950 HL1012AZ8-17 V17446 HL1012AZ8-17 V56878 HL1012AZ8-17 V60516 HL1012AZ8-17 V73197 HL1012AZ8-17 V97928		1

ILLUSTRATION ITEMS NOT ON PARTS LIST ARE NOT APPLICABLE

- ITEM NOT ILLUSTRATED

HXL

32-12-01-30

BOEING PROPRIETARY - Copyright © - Unpublished Work - See title page for details.

32-12-01
 FIG. 30
 PAGE 14
 DEC 22/06



767

PARTS CATALOG (MAINTENANCE)

FIG ITEM	PART NUMBER	1 2 3 4 5 6 7 NOMENCLATURE	EFFECT FROM TO	UNITS PER ASSY
30 125	HL1012AZ10-20	.BOLT SUPPLIER CODE: VOPTK6 SPECIFICATION NUMBER: BACB30NX10K20 OPTIONAL PART: HL12VAZ10-20 V73197 HL12VAZ10-20 V92215 HL12VAZ10-20 V97928 L802-10K20 V06725 HL12VAZ10-20 V56878 HL1012AZ10-20 V06725 HL1012AZ10-20 V06950 HL1012AZ10-20 V17446 HL1012AZ10-20 V56878 HL1012AZ10-20 V60516 HL1012AZ10-20 V73197 HL1012AZ10-20 V97928		1

ILLUSTRATION ITEMS NOT ON PARTS LIST ARE NOT APPLICABLE

- ITEM NOT ILLUSTRATED

HXL

32-12-01-30

BOEING PROPRIETARY - Copyright © - Unpublished Work - See title page for details.

32-12-01
FIG. 30
PAGE 15
DEC 22/06



767

PARTS CATALOG (MAINTENANCE)

FIG ITEM	PART NUMBER	1 2 3 4 5 6 7 NOMENCLATURE	EFFECT FROM TO	UNITS PER ASSY
30 129	HL1012AZ10-21	.BOLT SUPPLIER CODE: VOPTK6 SPECIFICATION NUMBER: BACB30NX10K21 OPTIONAL PART: HL12VAZ10-21 V73197 HL12VAZ10-21 V92215 HL12VAZ10-21 V97928 L802-10K21 V06725 HL12VAZ10-21 V56878 HL1012AZ10-21 V06725 HL1012AZ10-21 V06950 HL1012AZ10-21 V17446 HL1012AZ10-21 V56878 HL1012AZ10-21 V60516 HL1012AZ10-21 V73197 HL1012AZ10-21 V97928		1

ILLUSTRATION ITEMS NOT ON PARTS LIST ARE NOT APPLICABLE

- ITEM NOT ILLUSTRATED

HXL

32-12-01-30

BOEING PROPRIETARY - Copyright © - Unpublished Work - See title page for details.

32-12-01
FIG. 30
PAGE 16
DEC 22/06



767

PARTS CATALOG (MAINTENANCE)

FIG ITEM	PART NUMBER	1 2 3 4 5 6 7 NOMENCLATURE	EFFECT FROM TO	UNITS PER ASSY
30 133	HL1012AZ10-16	.BOLT SUPPLIER CODE: VOPTK6 SPECIFICATION NUMBER: BACB30NX10K16 OPTIONAL PART: HL12VAZ10-16 V73197 HL12VAZ10-16 V92215 HL12VAZ10-16 V97928 L802-10K16 V06725 HL12VAZ10-16 V56878 HL1012AZ10-16 V06725 HL1012AZ10-16 V06950 HL1012AZ10-16 V17446 HL1012AZ10-16 V56878 HL1012AZ10-16 V60516 HL1012AZ10-16 V73197 HL1012AZ10-16 V97928		1

ILLUSTRATION ITEMS NOT ON PARTS LIST ARE NOT APPLICABLE

- ITEM NOT ILLUSTRATED

HXL

32-12-01-30

BOEING PROPRIETARY - Copyright © - Unpublished Work - See title page for details.

32-12-01
FIG. 30
PAGE 17
APR 22/09



767

PARTS CATALOG (MAINTENANCE)

FIG ITEM	PART NUMBER	1 2 3 4 5 6 7 NOMENCLATURE	EFFECT FROM TO	UNITS PER ASSY
30 137	HL1012AZ10-19	.BOLT SUPPLIER CODE: VOPTK6 SPECIFICATION NUMBER: BACB30NX10K19 OPTIONAL PART: HL12VAZ10-19 V73197 HL12VAZ10-19 V92215 HL12VAZ10-19 V97928 L802-10K19 V06725 HL12VAZ10-19 V56878 HL1012AZ10-19 V06725 HL1012AZ10-19 V06950 HL1012AZ10-19 V17446 HL1012AZ10-19 V56878 HL1012AZ10-19 V60516 HL1012AZ10-19 V73197 HL1012AZ10-19 V97928		1

ILLUSTRATION ITEMS NOT ON PARTS LIST ARE NOT APPLICABLE

- ITEM NOT ILLUSTRATED

HXL

32-12-01-30

BOEING PROPRIETARY - Copyright © - Unpublished Work - See title page for details.

32-12-01
FIG. 30
PAGE 18
DEC 22/06



767

PARTS CATALOG (MAINTENANCE)

FIG ITEM	PART NUMBER	1 2 3 4 5 6 7	NOMENCLATURE	EFFECT FROM TO	UNITS PER ASSY
30 141	HL1012AZ8-19	.BOLT	SUPPLIER CODE: V97928 SPECIFICATION NUMBER: BACB30NX8K19 OPTIONAL PART: HL12VAZ8-19 V73197 HL12VAZ8-19 V92215 HL12VAZ8-19 V97928 L802-8K19 V06725 HL12VAZ8-19 V56878 HL1012AZ8-19 V73197 HL1012AZ8-19 V60516 HL1012AZ8-19 V56878 HL1012AZ8-19 V17446 HL1012AZ8-19 V06950 HL1012AZ8-19 V06725 HL1012AZ8-19 VOPTK6		1
145	HL1187-8	.COLLAR	SUPPLIER CODE: V5M902 SPECIFICATION NUMBER: BACC30X8 OPTIONAL PART: HL87-8 V92215 HL87-8 V73197 HL1187-8 V56878 HL1187-8 V92215 HL87-8 V56878 HL1187-8 V73197		4

ILLUSTRATION ITEMS NOT ON PARTS LIST ARE NOT APPLICABLE

- ITEM NOT ILLUSTRATED

HXL

32-12-01-30

BOEING PROPRIETARY - Copyright © - Unpublished Work - See title page for details.

32-12-01
 FIG. 30
 PAGE 19
 DEC 22/06



**767
PARTS CATALOG (MAINTENANCE)**

FIG ITEM	PART NUMBER	1 2 3 4 5 6 7	NOMENCLATURE	EFFECT FROM TO	UNITS PER ASSY
R R R R R R R R R	30 149	HL1187-10	.COLLAR SUPPLIER CODE: V5M902 SPECIFICATION NUMBER: BACC30X10 OPTIONAL PART: HL1187-10 V56878 HL1187-10 V92215 HL1187-10 V73197 -----*-----		4
	153	BACS40R36D57F	.SHIM		1
	157	149T6989-1	.FITTING ASSY- POSITION DATA: LH SIDE		1
	- 161	149T6989-2	.FITTING ASSY- POSITION DATA: RH SIDE		1

ILLUSTRATION ITEMS NOT ON PARTS LIST ARE NOT APPLICABLE

- ITEM NOT ILLUSTRATED

HXL

32-12-01-30

BOEING PROPRIETARY - Copyright © - Unpublished Work - See title page for details.

32-12-01
FIG. 30
PAGE 20
AUG 22/09



767

PARTS CATALOG (MAINTENANCE)

FIG ITEM	PART NUMBER	1 2 3 4 5 6 7 NOMENCLATURE	EFFECT FROM TO	UNITS PER ASSY
30 165	HL1012AZ8-10	ATTACHING PARTS .BOLT SUPPLIER CODE: VOPTK6 SPECIFICATION NUMBER: BACB30NX8K10 OPTIONAL PART: HL12VAZ8-10 V73197 HL12VAZ8-10 V92215 HL12VAZ8-10 V97928 L802-8K10 V06725 HL12VAZ8-10 V56878 HL1012AZ8-10 V06725 HL1012AZ8-10 V06950 HL1012AZ8-10 V17446 HL1012AZ8-10 V56878 HL1012AZ8-10 V60516 HL1012AZ8-10 V73197 HL1012AZ8-10 V97928		1

ILLUSTRATION ITEMS NOT ON PARTS LIST ARE NOT APPLICABLE

- ITEM NOT ILLUSTRATED

HXL

32-12-01-30

BOEING PROPRIETARY - Copyright © - Unpublished Work - See title page for details.

32-12-01
FIG. 30
PAGE 21
DEC 22/06



767

PARTS CATALOG (MAINTENANCE)

FIG ITEM	PART NUMBER	1 2 3 4 5 6 7 NOMENCLATURE	EFFECT FROM TO	UNITS PER ASSY
30 169	HL1012AZ8-11	.BOLT SUPPLIER CODE: VOPTK6 SPECIFICATION NUMBER: BACB30NX8K11 OPTIONAL PART: HL12VAZ8-11 V73197 HL12VAZ8-11 V92215 HL12VAZ8-11 V97928 L802-8K11 V06725 HL12VAZ8-11 V56878 HL1012AZ8-11 V06725 HL1012AZ8-11 V06950 HL1012AZ8-11 V17446 HL1012AZ8-11 V56878 HL1012AZ8-11 V60516 HL1012AZ8-11 V73197 HL1012AZ8-11 V97928		1

ILLUSTRATION ITEMS NOT ON PARTS LIST ARE NOT APPLICABLE

- ITEM NOT ILLUSTRATED

HXL

32-12-01-30

BOEING PROPRIETARY - Copyright © - Unpublished Work - See title page for details.

32-12-01
 FIG. 30
 PAGE 22
 DEC 22/06



767

PARTS CATALOG (MAINTENANCE)

FIG ITEM	PART NUMBER	1 2 3 4 5 6 7 NOMENCLATURE	EFFECT FROM TO	UNITS PER ASSY
30 173	HL1012AZ12-13	.BOLT SUPPLIER CODE: VOPTK6 SPECIFICATION NUMBER: BACB30NX12K13 OPTIONAL PART: HL12VAZ12-13 V73197 HL12VAZ12-13 V92215 HL12VAZ12-13 V97928 L802-12K13 V06725 HL12VAZ12-13 V56878 HL1012AZ12-13 V06725 HL1012AZ12-13 V06950 HL1012AZ12-13 V17446 HL1012AZ12-13 V56878 HL1012AZ12-13 V60516 HL1012AZ12-13 V73197 HL1012AZ12-13 V97928		1

ILLUSTRATION ITEMS NOT ON PARTS LIST ARE NOT APPLICABLE

- ITEM NOT ILLUSTRATED

HXL

32-12-01-30

BOEING PROPRIETARY - Copyright © - Unpublished Work - See title page for details.

32-12-01
 FIG. 30
 PAGE 23
 DEC 22/06



767

PARTS CATALOG (MAINTENANCE)

FIG ITEM	PART NUMBER	1 2 3 4 5 6 7	NOMENCLATURE	EFFECT FROM TO	UNITS PER ASSY
30 177	HL1012AZ12-14		.BOLT SUPPLIER CODE: VOPTK6 SPECIFICATION NUMBER: BACB30NX12K14 OPTIONAL PART: HL12VAZ12-14 V73197 HL12VAZ12-14 V92215 HL12VAZ12-14 V97928 L802-12K14 V06725 HL12VAZ12-14 V56878 HL1012AZ12-14 V06725 HL1012AZ12-14 V06950 HL1012AZ12-14 V17446 HL1012AZ12-14 V56878 HL1012AZ12-14 V60516 HL1012AZ12-14 V73197 HL1012AZ12-14 V97928		1
181	HL1187-8		.COLLAR SUPPLIER CODE: V5M902 SPECIFICATION NUMBER: BACC30X8 OPTIONAL PART: HL87-8 V92215 HL87-8 V73197 HL1187-8 V56878 HL1187-8 V92215 HL87-8 V56878 HL1187-8 V73197		2

ILLUSTRATION ITEMS NOT ON PARTS LIST ARE NOT APPLICABLE

- ITEM NOT ILLUSTRATED

HXL

32-12-01-30

BOEING PROPRIETARY - Copyright © - Unpublished Work - See title page for details.

32-12-01
FIG. 30
PAGE 24
APR 22/08



767

PARTS CATALOG (MAINTENANCE)

FIG ITEM	PART NUMBER	1 2 3 4 5 6 7	NOMENCLATURE	EFFECT FROM TO	UNITS PER ASSY
30					
R R R R R R R R R R	185 HL1187-12		.COLLAR SUPPLIER CODE: V5M902 SPECIFICATION NUMBER: BACC30X12 OPTIONAL PART: HL1187-12 V73197 HL1187-12 V56878 HL1187-12 V92215 -----*-----		2
	189 BACS40R21D57F		.SHIM		1
	193 149T6962-1		.FITTING ASSY- POSITION DATA: LH SIDE USED ON: 149T6902-5		1
	193 149T6962-7		.FITTING ASSY- POSITION DATA: LH SIDE USED ON: 149T6902-39 149T6902-43 149T6902-45 149T6902-69 149T6902-71		1
	193 149T6962-15		.FITTING ASSY- POSITION DATA: LH SIDE		1
-	197 149T6962-2		.FITTING ASSY- POSITION DATA: RH SIDE USED ON: 149T6902-6		1
-	197 149T6962-8		.FITTING ASSY- POSITION DATA: RH SIDE USED ON: 149T6902-40 149T6902-44 149T6902-46 149T6902-70 149T6902-72		1
-	197 149T6962-16		.FITTING ASSY- POSITION DATA: RH SIDE		1
ILLUSTRATION ITEMS NOT ON PARTS LIST ARE NOT APPLICABLE					

- ITEM NOT ILLUSTRATED

32-12-01-30

32-12-01
FIG. 30
PAGE 25
AUG 22/09

HXL

 **BOEING**
767
PARTS CATALOG (MAINTENANCE)

FIG ITEM	PART NUMBER	1 2 3 4 5 6 7	NOMENCLATURE	EFFECT FROM TO	UNITS PER ASSY
30			ATTACHING PARTS		
201	HL1012AZ10-11	.BOLT	SUPPLIER CODE: VOPTK6 SPECIFICATION NUMBER: BACB30NX10K11 OPTIONAL PART: HL12VAZ10-11 V73197 HL12VAZ10-11 V92215 HL12VAZ10-11 V97928 L802-10K11 V06725 HL1012AZ10-11 V06725 HL1012AZ10-11 V06950 HL1012AZ10-11 V17446 HL1012AZ10-11 V56878 HL1012AZ10-11 V60516 HL1012AZ10-11 V73197 HL1012AZ10-11 V97928 HL12VAZ10-11 V56878		2
205	BACB30MT6K20	.BOLT-			2
209	BACB30MT6K16	.BOLT-			2
213	BACB30MT6K23	.BOLT-			2
217	BACB30MT6K18	.BOLT-			2
221	HL1187-10	.COLLAR	SUPPLIER CODE: V5M902 SPECIFICATION NUMBER: BACC30X10 OPTIONAL PART: HL1187-10 V56878 HL1187-10 V92215 HL1187-10 V73197		2
225	BACW10BP6ACU	.WASHER			8
229	BACW10BP6APU	.WASHER			8
ILLUSTRATION ITEMS NOT ON PARTS LIST ARE NOT APPLICABLE					

R
R
R
R
R
R
R
R
R
R
R

- ITEM NOT ILLUSTRATED

32-12-01-30

32-12-01
FIG. 30
PAGE 26
AUG 22/09

HXL



767

PARTS CATALOG (MAINTENANCE)

FIG ITEM	PART NUMBER	1 2 3 4 5 6 7	NOMENCLATURE	EFFECT FROM TO	UNITS PER ASSY
30 233	BH003026		.NUT SUPPLIER CODE: V27238 SPECIFICATION NUMBER: BACN10HR6 OPTIONAL PART: BMNN10HR6 V97928 H966 V15653 RMLH226 V72962 VAL280096 V06710 678326 V56878 H96-6 V15653 RMLH22-6 V72962 SL7058S624 V11815 67832-624 V56878 BH00302-6 V27238 CR5906-6 VF0224 -----*-----		8
237	HL11VAZ8-14		..BOLT SUPPLIER CODE: V60516 SPECIFICATION NUMBER: BACB30NW8K14 OPTIONAL PART: B30NW8K14 V97928 HL11VAZ8-14 V73197 HL11VAZ8-14 V92215 HL11VAZ8-14 V97928 L803-8K14 V06725 HL11VAZ8-14 VOPTK6 HL11VAZ8-14 V56878		2

ILLUSTRATION ITEMS NOT ON PARTS LIST ARE NOT APPLICABLE

- ITEM NOT ILLUSTRATED

HXL

32-12-01-30

BOEING PROPRIETARY - Copyright © - Unpublished Work - See title page for details.

32-12-01
FIG. 30
PAGE 27
AUG 22/09



767

PARTS CATALOG (MAINTENANCE)

FIG ITEM	PART NUMBER	1 2 3 4 5 6 7	NOMENCLATURE	EFFECT FROM TO	UNITS PER ASSY
30 237	HL11VAZ8-16		.. BOLT SUPPLIER CODE: V60516 SPECIFICATION NUMBER: BACB30NW8K16 OPTIONAL PART: B30NW8K16 V97928 HL11VAZ8-16 V73197 HL11VAZ8-16 V92215 HL11VAZ8-16 V97928 L803-8K16 V06725 HL11VAZ8-16 V0PTK6 HL11VAZ8-16 V56878		2
241	AN960PD416L		.. WASHER- USED ON: 149T6962-7 149T6962-8		2
245	HL79-8		.. COLLAR- SUPPLIER CODE: V5M902 SPECIFICATION NUMBER: BACC30M8 OPTIONAL PART: HL79-8 V73197 HL79-8 V92215 66014-8 V56878 HL79-8 V56878 USED ON: 149T6962-1 149T6962-2		2

ILLUSTRATION ITEMS NOT ON PARTS LIST ARE NOT APPLICABLE

- ITEM NOT ILLUSTRATED

HXL

32-12-01-30

BOEING PROPRIETARY - Copyright © - Unpublished Work - See title page for details.

32-12-01
 FIG. 30
 PAGE 28
 AUG 22/09



767

PARTS CATALOG (MAINTENANCE)

FIG ITEM	PART NUMBER	1 2 3 4 5 6 7	NOMENCLATURE	EFFECT FROM TO	UNITS PER ASSY
30 249	BRH10C4D		..NUT- SUPPLIER CODE: V52828 SPECIFICATION NUMBER: BACN10JC4CD OPTIONAL PART: T6C428JCD V11815 NS202486-048 V80539 102LH9075-4W V72962 H51650-4BAC V15653 USED ON: 149T6962-7 149T6962-8		2
253 257	BACS40R17E25F 149T6962-5		.. SHIM .. PAD		1 1

ILLUSTRATION ITEMS NOT ON PARTS LIST ARE NOT APPLICABLE

- ITEM NOT ILLUSTRATED

HXL

32-12-01-30

BOEING PROPRIETARY - Copyright © - Unpublished Work - See title page for details.

32-12-01
FIG. 30
PAGE 29
AUG 22/09



767

PARTS CATALOG (MAINTENANCE)

FIG ITEM	PART NUMBER	1 2 3 4 5 6 7 NOMENCLATURE	EFFECT FROM TO	UNITS PER ASSY
30 261	HL1012AZ10-8	..BOLT- SUPPLIER CODE: VOPTK6 SPECIFICATION NUMBER: BACB30NX10K8 OPTIONAL PART: HL12VAZ10-8 V73197 HL12VAZ10-8 V92215 HL12VAZ10-8 V97928 L802-10K8 V06725 HL12VAZ10-8 V56878 HL1012AZ10-8 V06725 HL1012AZ10-8 V06950 HL1012AZ10-8 V17446 HL1012AZ10-8 V56878 HL1012AZ10-8 V60516 HL1012AZ10-8 V73197 HL1012AZ10-8 V97928 USED ON: 149T6962-7 149T6962-8		2

ILLUSTRATION ITEMS NOT ON PARTS LIST ARE NOT APPLICABLE

- ITEM NOT ILLUSTRATED

HXL

32-12-01-30

BOEING PROPRIETARY - Copyright © - Unpublished Work - See title page for details.

32-12-01
 FIG. 30
 PAGE 30
 DEC 22/06



767

PARTS CATALOG (MAINTENANCE)

FIG ITEM	PART NUMBER	1 2 3 4 5 6 7 NOMENCLATURE	EFFECT FROM TO	UNITS PER ASSY
30 265	HL1012AZ8-8	..BOLT- SUPPLIER CODE: VOPTK6 SPECIFICATION NUMBER: BACB30NX8K8 OPTIONAL PART: HL12VAZ8-8 V73197 HL12VAZ8-8 V92215 HL12VAZ8-8 V97928 L802-8K8 V06725 HL12VAZ8-8 V56878 HL1012AZ8-8 V06725 HL1012AZ8-8 V06950 HL1012AZ8-8 V17446 HL1012AZ8-8 V56878 HL1012AZ8-8 V60516 HL1012AZ8-8 V73197 HL1012AZ8-8 V97928 USED ON: 149T6962-7 149T6962-8		2

ILLUSTRATION ITEMS NOT ON PARTS LIST ARE NOT APPLICABLE

- ITEM NOT ILLUSTRATED

HXL

32-12-01-30

BOEING PROPRIETARY - Copyright © - Unpublished Work - See title page for details.

32-12-01
 FIG. 30
 PAGE 31
 DEC 22/06



767

PARTS CATALOG (MAINTENANCE)

FIG ITEM	PART NUMBER	1 2 3 4 5 6 7	NOMENCLATURE	EFFECT FROM TO	UNITS PER ASSY
30 269	HL1012AZ12-11		..BOLT- SUPPLIER CODE: VOPTK6 SPECIFICATION NUMBER: BACB30NX12K11 OPTIONAL PART: HL12VAZ12-11 V73197 HL12VAZ12-11 V92215 HL12VAZ12-11 V97928 L802-12K11 V06725 HL12VAZ12-11 V56878 HL1012AZ12-11 V06725 HL1012AZ12-11 V06950 HL1012AZ12-11 V17446 HL1012AZ12-11 V56878 HL1012AZ12-11 V60516 HL1012AZ12-11 V73197 HL1012AZ12-11 V97928 USED ON: 149T6962-7 149T6962-8		2
273	HL11VAZ12-9		..BOLT- SUPPLIER CODE: V60516 SPECIFICATION NUMBER: BACB30NW12K9 USED ON: 149T6962-7 149T6962-8		2

R
R
R
R
R
R
R

ILLUSTRATION ITEMS NOT ON PARTS LIST ARE NOT APPLICABLE

- ITEM NOT ILLUSTRATED

32-12-01-30

32-12-01
FIG. 30
PAGE 32
AUG 22/09

HXL

BOEING
767
PARTS CATALOG (MAINTENANCE)

FIG ITEM	PART NUMBER	1 2 3 4 5 6 7	NOMENCLATURE	EFFECT FROM TO	UNITS PER ASSY
R R R R R R R R R R R	30 277		.. COLLAR- SUPPLIER CODE: V5M902 SPECIFICATION NUMBER: BACC30X10 OPTIONAL PART: HL1187-10 V56878 HL1187-10 V92215 HL1187-10 V73197 USED ON: 149T6962-7 149T6962-8		2
	281	HL1187-8	.. COLLAR- SUPPLIER CODE: V5M902 SPECIFICATION NUMBER: BACC30X8 OPTIONAL PART: HL87-8 V92215 HL87-8 V73197 HL1187-8 V56878 HL1187-8 V92215 HL87-8 V56878 HL1187-8 V73197 USED ON: 149T6962-7 149T6962-8		2

ILLUSTRATION ITEMS NOT ON PARTS LIST ARE NOT APPLICABLE

— ITEM NOT ILLUSTRATED

HXL

32-12-01-30

BOEING PROPRIETARY - Copyright © - Unpublished Work - See title page for details.

32-12-01
FIG. 30
PAGE 33
AUG 22/09

 **BOEING**
767
PARTS CATALOG (MAINTENANCE)

FIG ITEM	PART NUMBER	1 2 3 4 5 6 7	NOMENCLATURE	EFFECT FROM TO	UNITS PER ASSY
R R R R R R R R R R	30 285	HL1187-12	.. COLLAR- SUPPLIER CODE: V5M902 SPECIFICATION NUMBER: BACC30X12 OPTIONAL PART: HL1187-12 V73197 HL1187-12 V56878 HL1187-12 V92215 USED ON: 149T6962-7 149T6962-8		2
	289	AN960PD616L	.. WASHER- USED ON: 149T6962-7 149T6962-8		2
	293	BRH10C6D	.. NUT- SUPPLIER CODE: V52828 SPECIFICATION NUMBER: BACN10JC6CD OPTIONAL PART: H51650-6BAC V15653 USED ON: 149T6962-7 149T6962-8		2
	297	BACB30LJ5U19	.BOLT		2
	301	BACW10BN5UC	.WASHER		2
	305	BACW10BN5UP	.WASHER		2
	309	BRH10C5M	.NUT SUPPLIER CODE: V52828 SPECIFICATION NUMBER: BACN10JC5CM OPTIONAL PART: T6C524JM V11815 97E054 V80539 109LH9075-5W V72962 H01-5BAC V15653		2
	313	149T6902-25	.BUSHING		2
	317	149T6963-1	.FITTING ASSY		1
	ILLUSTRATION ITEMS NOT ON PARTS LIST ARE NOT APPLICABLE				

- ITEM NOT ILLUSTRATED

32-12-01-30

32-12-01
FIG. 30
PAGE 34
AUG 22/09

HXL

 **BOEING**
767
PARTS CATALOG (MAINTENANCE)

FIG ITEM	PART NUMBER	1 2 3 4 5 6 7	NOMENCLATURE	EFFECT FROM TO	UNITS PER ASSY
30					
321	MS24665-377	.PIN			1
325	149T6986-1	.PIN			1
329	149T6986-3	.PIN			1
330	149T6902-47	.WASHER			1
331	149T6902-51	.WASHER-			1
			MISCELLANEOUS DATA: FOR SPARES PROCURE LOWER COMPONENTS		
332	149T6902-48	.WASHER-			1
			MISCELLANEOUS DATA: FOR SPARES PROCURE LOWER COMPONENTS		
332A	BACN10JD116ASU	.NUT			1
333	149T6931-1	.FITTING ASSY-			1
			POSITION DATA: LH SIDE USED ON: 149T6902-45 149T6902-5		
333	149T6931-9	.FITTING ASSY-			1
			POSITION DATA: LH SIDE USED ON: 149T6902-39 149T6902-69		
333	149T6931-17	.FITTING ASSY-			1
			POSITION DATA: LH SIDE USED ON: 149T6902-43		
333	149T6931-25	.FITTING ASSY-			1
			POSITION DATA: LH SIDE USED ON: 149T6902-71 149T6902-107		
- 337	149T6931-2	.FITTING ASSY-			1
			POSITION DATA: RH SIDE USED ON: 149T6902-46 149T6902-6		
- 337	149T6931-10	.FITTING ASSY-			1
			POSITION DATA: RH SIDE USED ON: 149T6902-40 149T6902-70		

ILLUSTRATION ITEMS NOT ON PARTS LIST ARE NOT APPLICABLE

- ITEM NOT ILLUSTRATED

HXL

32-12-01-30

BOEING PROPRIETARY - Copyright © - Unpublished Work - See title page for details.

32-12-01
FIG. 30
PAGE 35
AUG 22/09



767

PARTS CATALOG (MAINTENANCE)

FIG ITEM	PART NUMBER	1 2 3 4 5 6 7	NOMENCLATURE	EFFECT FROM TO	UNITS PER ASSY
30					
- 337	149T6931-18		.FITTING ASSY- POSITION DATA: RH SIDE USED ON: 149T6902-44		1
R					
- 337	149T6931-26		.FITTING ASSY- POSITION DATA: RH SIDE USED ON: 149T6902-72 149T6902-108		1
R					
R					
R					
R					
341	149T6931-4		.FITTING ASSY- POSITION DATA: LH SIDE USED ON: 149T6902-45 149T6902-5		1
341	149T6931-12		.FITTING ASSY- POSITION DATA: LH SIDE USED ON: 149T6902-39 149T6902-69		1
341	149T6931-20		.FITTING ASSY- POSITION DATA: LH SIDE USED ON: 149T6902-43		1
R					
R					
R					
R					
R					
- 345	149T6931-3		.FITTING ASSY- POSITION DATA: RH SIDE USED ON: 149T6902-46 149T6902-6		1
- 345	149T6931-11		.FITTING ASSY- POSITION DATA: RH SIDE USED ON: 149T6902-40 149T6902-70		1

ILLUSTRATION ITEMS NOT ON PARTS LIST ARE NOT APPLICABLE

- ITEM NOT ILLUSTRATED

32-12-01-30

32-12-01
FIG. 30
PAGE 36
AUG 22/09

HXL

BOEING
767
PARTS CATALOG (MAINTENANCE)

FIG ITEM	PART NUMBER	1 2 3 4 5 6 7	NOMENCLATURE	EFFECT FROM TO	UNITS PER ASSY
30					
- 345	149T6931-19		. FITTING ASSY- POSITION DATA: RH SIDE USED ON: 149T6902-44		1
R					
- 345	149T6931-27		. FITTING ASSY- POSITION DATA: RH SIDE USED ON: 149T6902-72 149T6902-108		1
R					
R					
R					
R					
	349	149T6965-9	.. PLATE- POSITION DATA: LH SIDE USED ON: 149T6931-1		1
	349	149T6965-13	.. PLATE- USED ON: 149T6931-9 149T6931-10 149T6931-17 149T6931-18		1
- 353	149T6965-10		.. PLATE- POSITION DATA: RH SIDE USED ON: 149T6931-2		1
- 357	L80010K12		ATTACHING PARTS .. BOLT SUPPLIER CODE: V06725 SPECIFICATION NUMBER: BACB30MY10K12		6
- 361	HL79-10		.. COLLAR SUPPLIER CODE: V5M902 SPECIFICATION NUMBER: BACC30M10 OPTIONAL PART: HL79-10 V73197 HL79-10 V92215 66014-10 V56878 HL79-10 V56878 -----*-----		6
ILLUSTRATION ITEMS NOT ON PARTS LIST ARE NOT APPLICABLE					

- ITEM NOT ILLUSTRATED

HXL

32-12-01-30

BOEING PROPRIETARY - Copyright © - Unpublished Work - See title page for details.

32-12-01
FIG. 30
PAGE 37
AUG 22/09



767

PARTS CATALOG (MAINTENANCE)

FIG ITEM	PART NUMBER	1 2 3 4 5 6 7	NOMENCLATURE	EFFECT FROM TO	UNITS PER ASSY
30					
365	149T6965-12		.. PLATE- POSITION DATA: LH SIDE USED ON: 149T6931-4		1
- 369	149T6965-11		.. PLATE- POSITION DATA: RH SIDE USED ON: 149T6931-3		1
373	149T6965-15		.. PLATE- USED ON: 149T6931-12 149T6931-20		1
377	149T6965-16		.. PLATE- USED ON: 149T6931-11 149T6931-19		1
- 381	L80010K10		ATTACHING PARTS .. BOLT SUPPLIER CODE: V06725 SPECIFICATION NUMBER: BACB30MY10K10		6
- 385	HL79-10		.. COLLAR SUPPLIER CODE: V5M902 SPECIFICATION NUMBER: BACC30M10 OPTIONAL PART: HL79-10 V73197 HL79-10 V92215 66014-10 V56878 HL79-10 V56878 -----*-----		6
R 386	012T2400-24		.. BUSHING		1
R 387	012T2400-25		.. BUSHING		1

ILLUSTRATION ITEMS NOT ON PARTS LIST ARE NOT APPLICABLE

- ITEM NOT ILLUSTRATED

32-12-01-30

32-12-01
FIG. 30
PAGE 38
AUG 22/09

HXL

BOEING PROPRIETARY - Copyright © - Unpublished Work - See title page for details.

PARTS CATALOG (MAINTENANCE)

FIG ITEM	PART NUMBER	1 2 3 4 5 6 7	NOMENCLATURE	EFFECT FROM TO	UNITS PER ASSY
30					
R	388	BACB28W22C065	.. BUSHING- USED ON: 149T6931-25 149T6931-26 149T6931-27 149T6931-28 149T6931-9 149T6931-10 149T6931-11 149T6931-12		1
R	390	BACB10EP05GC	.. BEARING		1
R	392	BACB10EP12GC	.. BEARING		1
R	- 394	149T6931-41	.. KIT ASSY- OPTIONAL PART: 149T6931-42 USED ON: 149T6931-25 149T6931-26 149T6931-27 149T6931-28		1
R	- 394	149T6931-42	.. KIT ASSY- OPTIONAL PART: 149T6931-41 USED ON: 149T6931-25 149T6931-26 149T6931-27 149T6931-28		1
R	396	012T2400-27	... BUSHING- USED ON: 149T6931-41		1
R	396	012T2400-50	... BUSHING- USED ON: 149T6931-42		1
R	398	012T2400-28	... BUSHING- USED ON: 149T6931-41		1
R	398	012T2400-51	... BUSHING- USED ON: 149T6931-42		1

ILLUSTRATION ITEMS NOT ON PARTS LIST ARE NOT APPLICABLE

- ITEM NOT ILLUSTRATED

HXL

32-12-01-30

BOEING PROPRIETARY - Copyright © - Unpublished Work - See title page for details.

 32-12-01
 FIG. 30
 PAGE 39
 AUG 22/09



767

PARTS CATALOG (MAINTENANCE)

FIG ITEM	PART NUMBER	1 2 3 4 5 6 7	NOMENCLATURE	EFFECT FROM TO	UNITS PER ASSY
30					
400	149T6955-11		.BELLCRANK ASSY- USED ON: 149T6902-39 149T6902-40 149T6902-43 149T6902-44 149T6902-45 149T6902-46 149T6902-5 149T6902-6		1
404	149T6955-8		.BELLCRANK ASSY- USED ON: 149T6902-69 149T6902-70 149T6902-71 149T6902-72 149T6902-107 149T6902-108		1
408	MS15001-1		.. FITTING		1
412	HL11VAZ6-18		.. BOLT- SUPPLIER CODE: V60516 SPECIFICATION NUMBER: BACB30NW6K18 OPTIONAL PART: B30NW6K18 V97928 HL11VAZ6-18 V73197 HL11VAZ6-18 V92215 HL11VAZ6-18 V97928 L803-6K18 V06725 HL11VAZ6-18 VOPTK6 HL11VAZ6-18 V56878 USED ON: 149T6955-11		2

R
R
R
R
R
R
R

ILLUSTRATION ITEMS NOT ON PARTS LIST ARE NOT APPLICABLE

- ITEM NOT ILLUSTRATED

HXL

32-12-01-30

BOEING PROPRIETARY - Copyright © - Unpublished Work - See title page for details.

32-12-01
FIG. 30
PAGE 40
AUG 22/09



767

PARTS CATALOG (MAINTENANCE)

FIG ITEM	PART NUMBER	1 2 3 4 5 6 7	NOMENCLATURE	EFFECT FROM TO	UNITS PER ASSY
30 420	HL79-6		.. COLLAR- SUPPLIER CODE: V5M902 SPECIFICATION NUMBER: BACC30M6 OPTIONAL PART: HL79-6 V73197 HL79-6 V92215 66014-6 V56878 HL79-6 V56878 USED ON: 149T6955-11		2
424	BACS40R06U016		.. SHIM- USED ON: 149T6955-11		4
428	149T7801-9		. FITTING ASSY-GR SPRT POSITION DATA: LH SIDE OPTIONAL PART: 149T7801-5 149T7801-15 USED ON: 149T6902-39 149T6902-43 149T6902-45 149T6902-5		1
428	149T7801-5		. FITTING ASSY-GR SPRT POSITION DATA: LH SIDE OPTIONAL PART: 149T7801-15 USED ON: 149T6902-39 149T6902-43 149T6902-45 149T6902-5 149T6902-69		1
428	149T7801-15		. FITTING ASSY-GR SPRT POSITION DATA: LH SIDE OPTIONAL PART: 149T7801-5		1

ILLUSTRATION ITEMS NOT ON PARTS LIST ARE NOT APPLICABLE

- ITEM NOT ILLUSTRATED

32-12-01-30

32-12-01
 FIG. 30
 PAGE 41
 AUG 22/09

HXL

 **BOEING**
767
PARTS CATALOG (MAINTENANCE)

FIG ITEM	PART NUMBER	1 2 3 4 5 6 7	NOMENCLATURE	EFFECT FROM TO	UNITS PER ASSY
30					
- 432	149T7801-10		.FITTING ASSY-GR SPRT POSITION DATA: RH SIDE OPTIONAL PART: 149T7801-6 149T7801-16 USED ON: 149T6902-40 149T6902-44 149T6902-46 149T6902-6		1
- 432	149T7801-6		.FITTING ASSY-GR SPRT POSITION DATA: RH SIDE OPTIONAL PART: 149T7801-16 USED ON: 149T6902-40 149T6902-44 149T6902-46 149T6902-6 149T6902-70		1
- 432	149T7801-16		.FITTING ASSY-GR SPRT POSITION DATA: RH SIDE OPTIONAL PART: 149T7801-6 ATTACHING PARTS		1
436	BACB30NJ10K46		.BOLT		1
440	BACB30NJ9K36		.BOLT		1
444	BACW10BN10SC		.WASHER		1
448	BACW10BN10SP		.WASHER		1
452	149T6902-20		.WASHER		1
456	BACW10BN9SC		.WASHER		1
460	BACW10BN9SP		.WASHER		1
464	BMN4122AD3-10		.NUT		1
			SUPPLIER CODE: V97928 SPECIFICATION NUMBER: BACN10JC10 OPTIONAL PART: BMN4122A10 V85495 H10-10BAC V15653 RMLH9074-10 V72962 48FT1018 V56878		
ILLUSTRATION ITEMS NOT ON PARTS LIST ARE NOT APPLICABLE					

- ITEM NOT ILLUSTRATED

HXL

32-12-01-30

BOEING PROPRIETARY - Copyright © - Unpublished Work - See title page for details.

32-12-01
FIG. 30
PAGE 42
AUG 22/09



767

PARTS CATALOG (MAINTENANCE)

FIG ITEM	PART NUMBER	1 2 3 4 5 6 7	NOMENCLATURE	EFFECT FROM TO	UNITS PER ASSY
30 468	BMN4122AD3-9		.NUT SUPPLIER CODE: V97928 SPECIFICATION NUMBER: BACN10JC9 OPTIONAL PART: 48FT918 V56878 RMLH9074-9 V72962 H10-9BAC V15653 BMN4122A9 V85495 -----*-----		1
472	149T6979-3		..PAD-WEAR POSITION DATA: LH SIDE		1
- 476	149T6979-4		..PAD-WEAR POSITION DATA: RH SIDE		1
480	HL11VAZ6-9		ATTACHING PARTS ..BOLT- SUPPLIER CODE: V60516 SPECIFICATION NUMBER: BACB30NW6K9 OPTIONAL PART: B30NW6K9 V97928 HL11VAZ6-9 V73197 HL11VAZ6-9 V92215 HL11VAZ6-9 V97928 L803-6K9 V06725 HL11VAZ6-9 VOPTK6 HL11VAZ6-9 V56878 USED ON: 149T7801-9 149T7801-10		2

ILLUSTRATION ITEMS NOT ON PARTS LIST ARE NOT APPLICABLE

- ITEM NOT ILLUSTRATED

HXL

32-12-01-30

BOEING PROPRIETARY - Copyright © - Unpublished Work - See title page for details.

32-12-01
FIG. 30
PAGE 43
AUG 22/09



767

PARTS CATALOG (MAINTENANCE)

FIG ITEM	PART NUMBER	1 2 3 4 5 6 7	NOMENCLATURE	EFFECT FROM TO	UNITS PER ASSY
30 484	HL11VAZ6-17		..BOLT- SUPPLIER CODE: V60516 SPECIFICATION NUMBER: BACB30NW6K17 OPTIONAL PART: B30NW6K17 V97928 HL11VAZ6-17 V73197 HL11VAZ6-17 V92215 HL11VAZ6-17 V97928 L803-6K17 V06725 HL11VAZ6-17 VOPTK6 HL11VAZ6-17 V56878 USED ON: 149T7801-9 149T7801-10		4
488	HL11VAZ8-9		..BOLT- SUPPLIER CODE: V56878 SPECIFICATION NUMBER: BACB30NW8K9 OPTIONAL PART: B30NW8K9 V97928 HL11VAZ8-9 V73197 HL11VAZ8-9 V92215 HL11VAZ8-9 V97928 L803-8K9 V06725 HL11VAZ8-9 VOPTK6 HL11VAZ8-9 V60516 USED ON: 149T7801-9 149T7801-10		1

ILLUSTRATION ITEMS NOT ON PARTS LIST ARE NOT APPLICABLE

- ITEM NOT ILLUSTRATED

HXL

32-12-01-30

BOEING PROPRIETARY - Copyright © - Unpublished Work - See title page for details.

32-12-01
 FIG. 30
 PAGE 44
 AUG 22/09



767

PARTS CATALOG (MAINTENANCE)

FIG ITEM	PART NUMBER	1 2 3 4 5 6 7	NOMENCLATURE	EFFECT FROM TO	UNITS PER ASSY
30 492	HL79-6		.. COLLAR- SUPPLIER CODE: V5M902 SPECIFICATION NUMBER: BACC30M6 OPTIONAL PART: HL79-6 V73197 HL79-6 V92215 66014-6 V56878 HL79-6 V56878 USED ON: 149T7801-9 149T7801-10		6
496	HL79-8		.. COLLAR- SUPPLIER CODE: V5M902 SPECIFICATION NUMBER: BACC30M8 OPTIONAL PART: HL79-8 V73197 HL79-8 V92215 66014-8 V56878 HL79-8 V56878 USED ON: 149T7801-9 149T7801-10		1

ILLUSTRATION ITEMS NOT ON PARTS LIST ARE NOT APPLICABLE

- ITEM NOT ILLUSTRATED

HXL

32-12-01-30

BOEING PROPRIETARY - Copyright © - Unpublished Work - See title page for details.

32-12-01
 FIG. 30
 PAGE 45
 AUG 22/09



767

PARTS CATALOG (MAINTENANCE)

FIG ITEM	PART NUMBER	1 2 3 4 5 6 7 NOMENCLATURE	EFFECT FROM TO	UNITS PER ASSY
30 498	HL11VAZ8-17	..BOLT- SUPPLIER CODE: V60516 SPECIFICATION NUMBER: BACB30NW8K17 OPTIONAL PART: B30NW8K17 V97928 HL11VAZ8-17 V73197 HL11VAZ8-17 V92215 HL11VAZ8-17 V97928 L803-8K17 V06725 HL11VAZ8-17 V0PTK6 HL11VAZ8-17 V56878 USED ON: 149T7801-5 149T7801-6 149T7801-15 149T7801-16		1

ILLUSTRATION ITEMS NOT ON PARTS LIST ARE NOT APPLICABLE

- ITEM NOT ILLUSTRATED

HXL

32-12-01-30

BOEING PROPRIETARY - Copyright © - Unpublished Work - See title page for details.

32-12-01
 FIG. 30
 PAGE 46
 AUG 22/09



767

PARTS CATALOG (MAINTENANCE)

FIG ITEM	PART NUMBER	1 2 3 4 5 6 7 NOMENCLATURE	EFFECT FROM TO	UNITS PER ASSY
30 499	HL11VAZ8-9	..BOLT- SUPPLIER CODE: V56878 SPECIFICATION NUMBER: BACB30NW8K9 OPTIONAL PART: B30NW8K9 V97928 HL11VAZ8-9 V73197 HL11VAZ8-9 V92215 HL11VAZ8-9 V97928 L803-8K9 V06725 HL11VAZ8-9 V0PTK6 HL11VAZ8-9 V60516 USED ON: 149T7801-5 149T7801-6 149T7801-15 149T7801-16		3

ILLUSTRATION ITEMS NOT ON PARTS LIST ARE NOT APPLICABLE

- ITEM NOT ILLUSTRATED

HXL

32-12-01-30

BOEING PROPRIETARY - Copyright © - Unpublished Work - See title page for details.

32-12-01
 FIG. 30
 PAGE 47
 DEC 22/06



767

PARTS CATALOG (MAINTENANCE)

FIG ITEM	PART NUMBER	1 2 3 4 5 6 7	NOMENCLATURE	EFFECT FROM TO	UNITS PER ASSY
30 500	HL11VAZ6-17		..BOLT- SUPPLIER CODE: V60516 SPECIFICATION NUMBER: BACB30NW6K17 OPTIONAL PART: B30NW6K17 V97928 HL11VAZ6-17 V73197 HL11VAZ6-17 V92215 HL11VAZ6-17 V97928 L803-6K17 V06725 HL11VAZ6-17 V0PTK6 HL11VAZ6-17 V56878 USED ON: 149T7801-5 149T7801-6 149T7801-15 149T7801-16		2
501	HL79-8		..COLLAR- SUPPLIER CODE: V5M902 SPECIFICATION NUMBER: BACC30M8 OPTIONAL PART: HL79-8 V73197 HL79-8 V92215 66014-8 V56878 HL79-8 V56878 USED ON: 149T7801-5 149T7801-6 149T7801-15 149T7801-16		4

ILLUSTRATION ITEMS NOT ON PARTS LIST ARE NOT APPLICABLE

- ITEM NOT ILLUSTRATED

HXL

32-12-01-30

BOEING PROPRIETARY - Copyright © - Unpublished Work - See title page for details.

32-12-01
 FIG. 30
 PAGE 48
 DEC 22/06

 **BOEING**
767
PARTS CATALOG (MAINTENANCE)

FIG ITEM	PART NUMBER	1 2 3 4 5 6 7	NOMENCLATURE	EFFECT FROM TO	UNITS PER ASSY
30 502	HL79-6		.. COLLAR- SUPPLIER CODE: V5M902 SPECIFICATION NUMBER: BACC30M6 OPTIONAL PART: HL79-6 V73197 HL79-6 V92215 66014-6 V56878 HL79-6 V56878 USED ON: 149T7801-5 149T7801-6 149T7801-15 149T7801-16 -----*-----		2
504	1728B		.. FITTING-LUBE SUPPLIER CODE: VOFKM1		2
508	BACB28AK10-134		.BUSHING		1
512	BACB28AK10-060		.BUSHING		1
516	BACB28AK09-153		.BUSHING		1
524	BACB30NJ12K34		.BOLT- OPTIONAL PART: BACB30NJ12-34		1
524	BACB30NJ12-34		.BOLT- OPTIONAL PART: BACB30NJ12K34		1
528	BACW10BN12SP		.WASHER		1
532	BACW10BN12SC		.WASHER		1
536	BMN4122AD3-12		.NUT SUPPLIER CODE: V97928 SPECIFICATION NUMBER: BACN10JC12 OPTIONAL PART: H10-12BAC V15653 RMLH9074-12 V72962 48FT1216 V56878		1
540	BACB28AK12-066		.BUSHING		1
544	149T6935-1		.LINK ASSY		1

ILLUSTRATION ITEMS NOT ON PARTS LIST ARE NOT APPLICABLE

- ITEM NOT ILLUSTRATED

HXL

32-12-01-30

BOEING PROPRIETARY - Copyright © - Unpublished Work - See title page for details.

32-12-01
FIG. 30
PAGE 49
DEC 22/06



767

PARTS CATALOG (MAINTENANCE)

FIG ITEM	PART NUMBER	1 2 3 4 5 6 7	NOMENCLATURE	EFFECT FROM TO	UNITS PER ASSY
30					
548	MK1216-26-2G		.. ROD END ASSY- SUPPLIER CODE: V73134 SPECIFICATION NUMBER: S012T234-1		2
552	149T6980-1		.. TUBE		1
556	NAS513-16		.. WASHER		2
560	NAS509-17C		.. NUT		2
565	MS24665-377		. PIN		1
570	149T6985-2		. BOLT- USED ON: 149T6902-39 149T6902-40 149T6902-43 149T6902-44 149T6902-45 149T6902-46 149T6902-5 149T6902-6		1
570	149T6985-6		. BOLT- USED ON: 149T6902-69 149T6902-70 149T6902-71 149T6902-72 149T6902-107 149T6902-108		1
575	149T6902-47		. WASHER		1
580	149T6902-48		. WASHER- MISCELLANEOUS DATA: FOR SPARES PROCURE LOWER COMPONENTS		1
585	BACN10JD116		. NUT		1

ILLUSTRATION ITEMS NOT ON PARTS LIST ARE NOT APPLICABLE

- ITEM NOT ILLUSTRATED

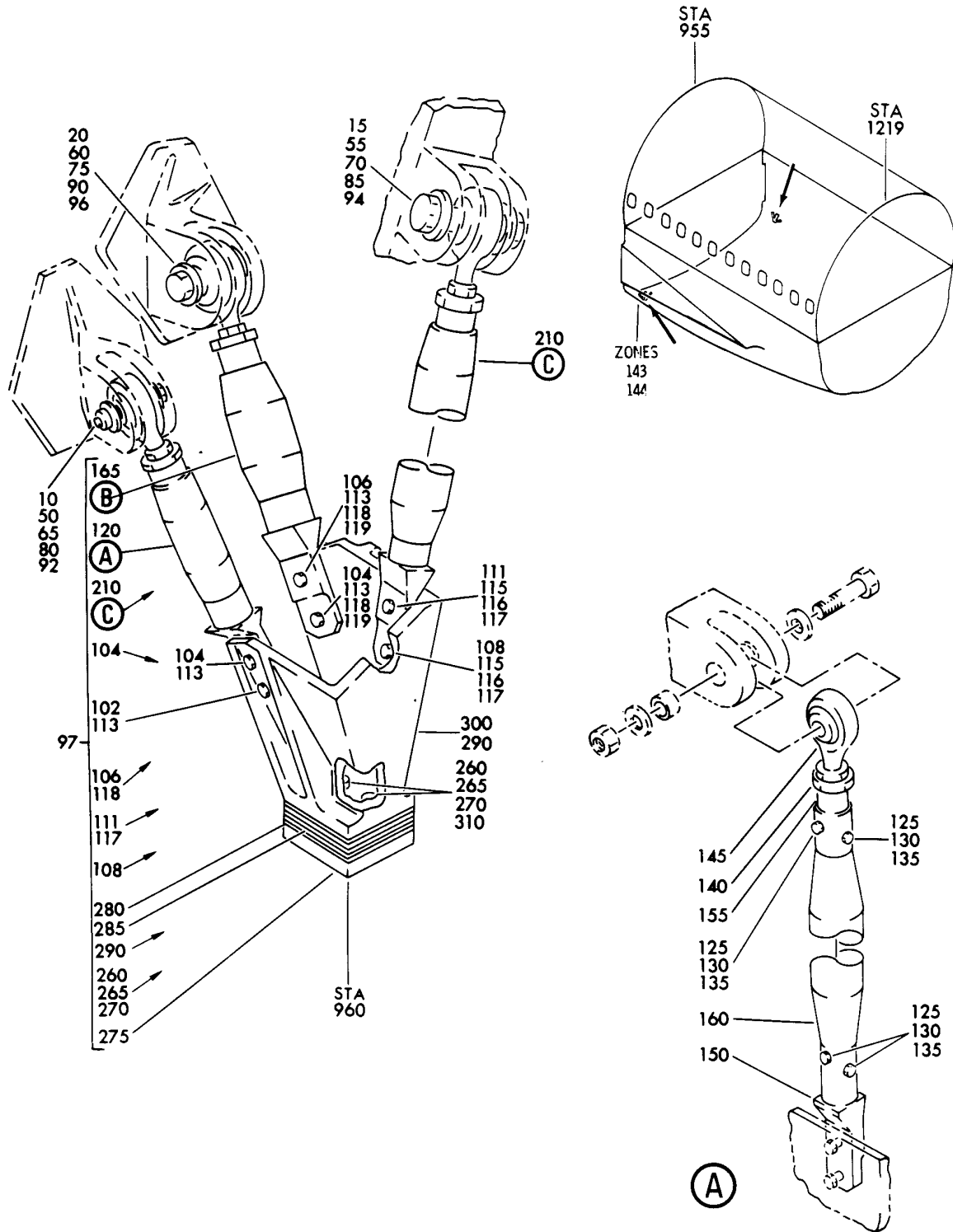
HXL

32-12-01-30

BOEING PROPRIETARY - Copyright © - Unpublished Work - See title page for details.

32-12-01
FIG. 30
PAGE 50
DEC 22/06

BOEING
767
PARTS CATALOG (MAINTENANCE)



V 32120201 SHT 1 REV 100

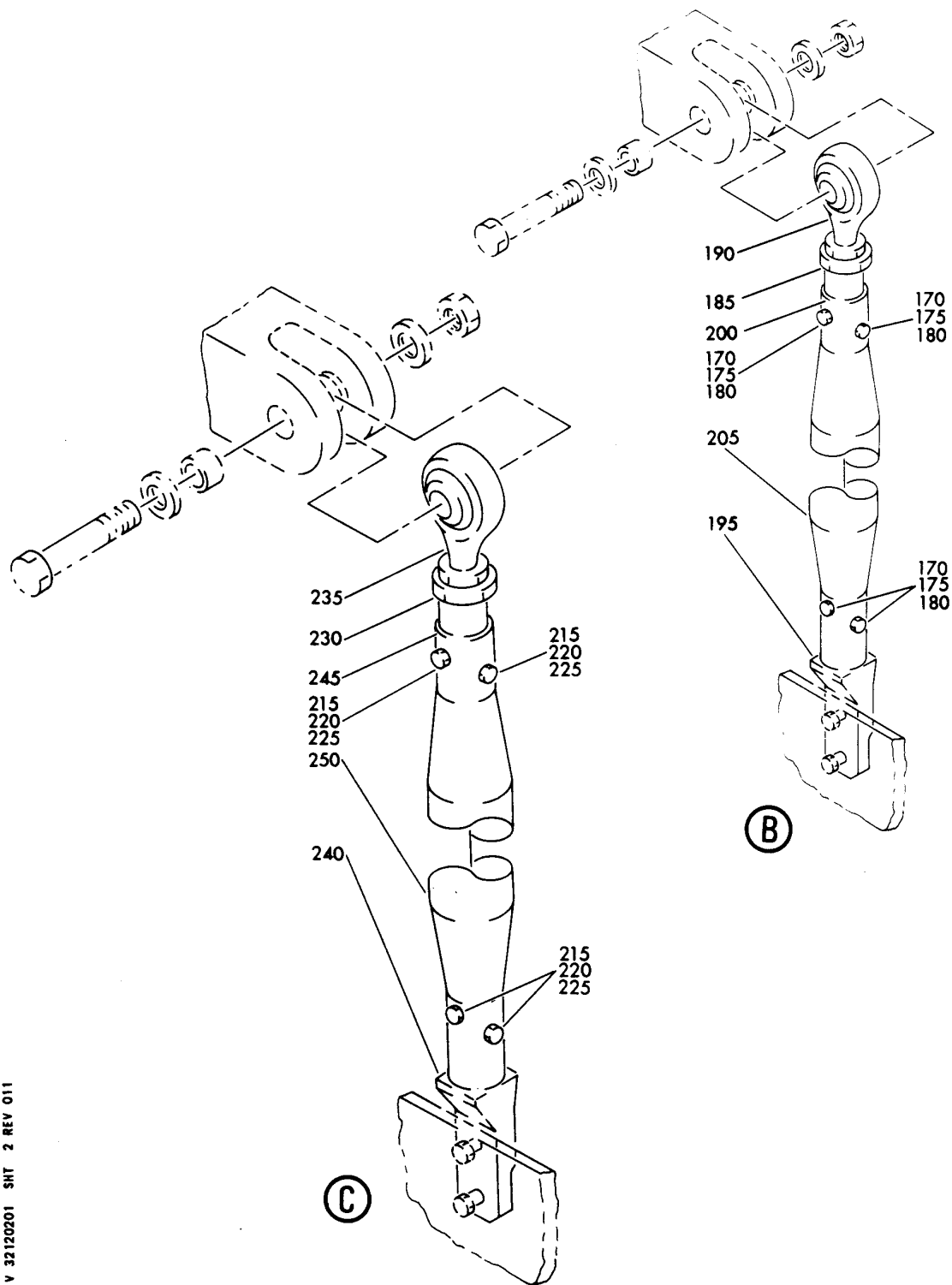
STOP INSTL-MLG DOOR FWD
FIGURE 1 (SHEET 1)

32-12-02-01

HXL
DEC 22/06

32-12-02-01
PAGE 0

BOEING
767
PARTS CATALOG (MAINTENANCE)



V 32120201 SHT 2 REV 011

STOP INSTL-MLG DOOR FWD
FIGURE 1 (SHEET 2)

32-12-02-01

HXL
DEC 22/06

32-12-02-01
PAGE 0A

BOEING
767
PARTS CATALOG (MAINTENANCE)

FIG ITEM	PART NUMBER	1 2 3 4 5 6 7	NOMENCLATURE	EFFECT FROM TO	UNITS PER ASSY
1					
- 1	149T6971-1		STOP INSTL-MLG DOOR FWD STOP INSTL-MLG DOOR POSITION DATA: FWD LH VARIABLE DRAWING REF: 149T6971-5003 FOR NHA SEE: 32-12-01-02		RF
- 5	149T6971-2		STOP INSTL-MLG DOOR POSITION DATA: FWD RH VARIABLE DRAWING REF: 149T6971-5004 FOR NHA SEE: 32-12-01-02		RF
10	BACB30LJ7C18		.BOLT-		1
15	BACB30LJ10C28		.BOLT		1
20	BACB30LJ12C30		.BOLT		1
50	BACW10BN7SC		.WASHER- POSITION DATA: UNDER HEAD		1
55	BACW10BN10SC		.WASHER- POSITION DATA: UNDER HEAD		1
60	BACW10BN12SC		.WASHER- POSITION DATA: UNDER HEAD		1
65	BACW10BN7SP		.WASHER- POSITION DATA: UNDER NUT		1
70	BACW10BN10SP		.WASHER- POSITION DATA: UNDER NUT		1
75	BACW10BN12SP		.WASHER- POSITION DATA: UNDER NUT		1
80	BACN10JC7CM		.NUT-		1
85	BMN4122C1D2-10		.NUT SUPPLIER CODE: V97928 SPECIFICATION NUMBER: BACN10JC10CM OPTIONAL PART: H01-10BAC V15653 109LH9074-10 V72962 69235-1018CM V56878		1
ILLUSTRATION ITEMS NOT ON PARTS LIST ARE NOT APPLICABLE					

- ITEM NOT ILLUSTRATED

HXL

32-12-02-01

BOEING PROPRIETARY - Copyright © - Unpublished Work - See title page for details.

32-12-02
FIG. 01
PAGE 1
DEC 22/07



767

PARTS CATALOG (MAINTENANCE)

FIG ITEM	PART NUMBER	1 2 3 4 5 6 7	NOMENCLATURE	EFFECT FROM TO	UNITS PER ASSY
1	90 BMN4122C1D2-12		.NUT SUPPLIER CODE: V97928 SPECIFICATION NUMBER: BACN10JC12CM OPTIONAL PART: H01-12BAC V15653 109LH9074-12 V72962 69235-1216CM V56878		1
	92 BACB28AK07-034		.BUSHING-		1
	94 BACB28AK10-052		.BUSHING		1
	96 BACB28AK12-056		.BUSHING		1
	97 149T6971-9		.STOP ASSY- POSITION DATA: LH SIDE		1
-	99 149T6971-10		.STOP ASSY- POSITION DATA: RH SIDE		1

ILLUSTRATION ITEMS NOT ON PARTS LIST ARE NOT APPLICABLE

- ITEM NOT ILLUSTRATED

HXL

32-12-02-01

BOEING PROPRIETARY - Copyright © - Unpublished Work - See title page for details.

32-12-02
FIG. 01
PAGE 2
DEC 22/07



767

PARTS CATALOG (MAINTENANCE)

FIG ITEM	PART NUMBER	1 2 3 4 5 6 7 NOMENCLATURE	EFFECT FROM TO	UNITS PER ASSY
1 102	HL1012AZ8-6	.. BOLT SUPPLIER CODE: VOPTK6 SPECIFICATION NUMBER: BACB30NX8K6 OPTIONAL PART: HL12VAZ8-6 V73197 HL12VAZ8-6 V92215 HL12VAZ8-6 V97928 L802-8K6 V06725 HL12VAZ8-6 V56878 HL1012AZ8-6 V06725 HL1012AZ8-6 V06950 HL1012AZ8-6 V17446 HL1012AZ8-6 V56878 HL1012AZ8-6 V60516 HL1012AZ8-6 V73197 HL1012AZ8-6 V97928		1

ILLUSTRATION ITEMS NOT ON PARTS LIST ARE NOT APPLICABLE

- ITEM NOT ILLUSTRATED

HXL

32-12-02-01

BOEING PROPRIETARY - Copyright © - Unpublished Work - See title page for details.

32-12-02
 FIG. 01
 PAGE 3
 DEC 22/06



767

PARTS CATALOG (MAINTENANCE)

FIG ITEM	PART NUMBER	1 2 3 4 5 6 7 NOMENCLATURE	EFFECT FROM TO	UNITS PER ASSY
1 104	HL1012AZ8-8	.. BOLT SUPPLIER CODE: VOPTK6 SPECIFICATION NUMBER: BACB30NX8K8 OPTIONAL PART: HL12VAZ8-8 V73197 HL12VAZ8-8 V92215 HL12VAZ8-8 V97928 L802-8K8 V06725 HL12VAZ8-8 V56878 HL1012AZ8-8 V06725 HL1012AZ8-8 V06950 HL1012AZ8-8 V17446 HL1012AZ8-8 V56878 HL1012AZ8-8 V60516 HL1012AZ8-8 V73197 HL1012AZ8-8 V97928		2

ILLUSTRATION ITEMS NOT ON PARTS LIST ARE NOT APPLICABLE

- ITEM NOT ILLUSTRATED

HXL

32-12-02-01

BOEING PROPRIETARY - Copyright © - Unpublished Work - See title page for details.

32-12-02
 FIG. 01
 PAGE 4
 DEC 22/06



767

PARTS CATALOG (MAINTENANCE)

FIG ITEM	PART NUMBER	1 2 3 4 5 6 7 NOMENCLATURE	EFFECT FROM TO	UNITS PER ASSY
1 106	HL1012AZ8-11	.. BOLT SUPPLIER CODE: VOPTK6 SPECIFICATION NUMBER: BACB30NX8K11 OPTIONAL PART: HL12VAZ8-11 V73197 HL12VAZ8-11 V92215 HL12VAZ8-11 V97928 L802-8K11 V06725 HL12VAZ8-11 V56878 HL1012AZ8-11 V06725 HL1012AZ8-11 V06950 HL1012AZ8-11 V17446 HL1012AZ8-11 V56878 HL1012AZ8-11 V60516 HL1012AZ8-11 V73197 HL1012AZ8-11 V97928		1

ILLUSTRATION ITEMS NOT ON PARTS LIST ARE NOT APPLICABLE

- ITEM NOT ILLUSTRATED

HXL

32-12-02-01

BOEING PROPRIETARY - Copyright © - Unpublished Work - See title page for details.

32-12-02
 FIG. 01
 PAGE 5
 DEC 22/06



767

PARTS CATALOG (MAINTENANCE)

FIG ITEM	PART NUMBER	1 2 3 4 5 6 7 NOMENCLATURE	EFFECT FROM TO	UNITS PER ASSY
1 108	HL1012AZ10-11	.. BOLT SUPPLIER CODE: VOPTK6 SPECIFICATION NUMBER: BACB30NX10K11 OPTIONAL PART: HL12VAZ10-11 V73197 HL12VAZ10-11 V92215 HL12VAZ10-11 V97928 L802-10K11 V06725 HL1012AZ10-11 V06725 HL1012AZ10-11 V06950 HL1012AZ10-11 V17446 HL1012AZ10-11 V56878 HL1012AZ10-11 V60516 HL1012AZ10-11 V73197 HL1012AZ10-11 V97928 HL12VAZ10-11 V56878		1

ILLUSTRATION ITEMS NOT ON PARTS LIST ARE NOT APPLICABLE

- ITEM NOT ILLUSTRATED

HXL

32-12-02-01

BOEING PROPRIETARY - Copyright © - Unpublished Work - See title page for details.

32-12-02
 FIG. 01
 PAGE 6
 DEC 22/06



767

PARTS CATALOG (MAINTENANCE)

FIG ITEM	PART NUMBER	1 2 3 4 5 6 7	NOMENCLATURE	EFFECT FROM TO	UNITS PER ASSY
1 111	HL1012AZ10-14	..	BOLT SUPPLIER CODE: VOPTK6 SPECIFICATION NUMBER: BACB30NX10K14 OPTIONAL PART: HL12VAZ10-14 V73197 HL12VAZ10-14 V92215 HL12VAZ10-14 V97928 L802-10K14 V06725 HL12VAZ10-14 V56878 HL1012AZ10-14 V06725 HL1012AZ10-14 V06950 HL1012AZ10-14 V17446 HL1012AZ10-14 V56878 HL1012AZ10-14 V60516 HL1012AZ10-14 V73197 HL1012AZ10-14 V97928		1
113	HL1187-8	..	COLLAR SUPPLIER CODE: V5M902 SPECIFICATION NUMBER: BACC30X8 OPTIONAL PART: HL87-8 V92215 HL87-8 V73197 HL1187-8 V56878 HL1187-8 V92215 HL87-8 V56878 HL1187-8 V73197		4

ILLUSTRATION ITEMS NOT ON PARTS LIST ARE NOT APPLICABLE

- ITEM NOT ILLUSTRATED

HXL

32-12-02-01

BOEING PROPRIETARY - Copyright © - Unpublished Work - See title page for details.

32-12-02
 FIG. 01
 PAGE 7
 DEC 22/06



767

PARTS CATALOG (MAINTENANCE)

FIG ITEM	PART NUMBER	1 2 3 4 5 6 7	NOMENCLATURE	EFFECT FROM TO	UNITS PER ASSY
1	115 AS46-5		.. WASHER SUPPLIER CODE: V10630 SPECIFICATION NUMBER: BACW10AU5 OPTIONAL PART: K19701P5 V15653 53488W524 V56878 6073-05 V72962 TLN1020L5W V08524		2
R	116 BACN10MT5		.. NUT		2
R	117 HL1187-10		.. COLLAR SUPPLIER CODE: V5M902 SPECIFICATION NUMBER: BACC30X10 OPTIONAL PART: HL1187-10 V56878 HL1187-10 V92215 HL1187-10 V73197		2
R	118 AS46-4		.. WASHER- SUPPLIER CODE: V10630 SPECIFICATION NUMBER: BACW10AU4 OPTIONAL PART: K19701P4 V15653 53488W428 V56878 6073-04 V72962 TLN1020L4W V08524		2
R	119 BACN10MT4		.. NUT		2
	120 149T6978-7		.. TUBE ASSY-		1
	125 BACB30NR4K19		... BOLT		4
	130 AN960D416		... WASHER		8

ILLUSTRATION ITEMS NOT ON PARTS LIST ARE NOT APPLICABLE

- ITEM NOT ILLUSTRATED

32-12-02-01

32-12-02
 FIG. 01
 PAGE 8
 AUG 22/09

HXL

 **BOEING**
767
PARTS CATALOG (MAINTENANCE)

FIG ITEM	PART NUMBER	1 2 3 4 5 6 7	NOMENCLATURE	EFFECT FROM TO	UNITS PER ASSY
1 135	BRH10C4M	...	NUT SUPPLIER CODE: V52828 SPECIFICATION NUMBER: BACN10JC4CM OPTIONAL PART: T6C428JM V11815 97E48 V80539 109LH9075-4W V72962 VN303D048 V92215 H01-4BAC V15653 NS202101SE048 V80539		4
140	NAS509-8	...	NUT-		1
145	S012T235-107-79	...	BEARING-ROD END EXT THREAD SEALED .4375 BORE OPTIONAL PART: ADE7-311N9 V15860		1
145	ADNE7-311N9	...	BEARING-ROD END EXT THREAD SEALED .4375 BORE SUPPLIER CODE: V15860 SPECIFICATION NUMBER: S012T235-107-9 OPTIONAL PART: MSSRRS07FBDF V73134 ARNM7-101M VS0352 OPTIONAL PART: S012T235-107-79		1
150	149T6975-5	...	FITTING-		1
155	149T6974-2	...	INSERT-		1
160	149T6977-4	...	TUBE-		1
165	149T6978-2	..	TUBE ASSY		1
170	BACB30NR4K21	...	BOLT		4
175	AN960D416	...	WASHER		8

ILLUSTRATION ITEMS NOT ON PARTS LIST ARE NOT APPLICABLE

— ITEM NOT ILLUSTRATED

HXL

32-12-02-01

BOEING PROPRIETARY - Copyright © - Unpublished Work - See title page for details.

32-12-02
FIG. 01
PAGE 9
AUG 22/09

 **BOEING**
767
PARTS CATALOG (MAINTENANCE)

FIG ITEM	PART NUMBER	1 2 3 4 5 6 7	NOMENCLATURE	EFFECT FROM TO	UNITS PER ASSY
1 180	BRH10C4M	...	NUT SUPPLIER CODE: V52828 SPECIFICATION NUMBER: BACN10JC4CM OPTIONAL PART: T6C428JM V11815 97E48 V80539 109LH9075-4W V72962 VN303D048 V92215 H01-4BAC V15653 NS202101SE048 V80539		4
185	NAS509-12	...	NUT		1
190	ARNM10-101M	...	BEARING-ROD END EXT THREAD SEALED .6250 BORE SUPPLIER CODE: VS0352 SPECIFICATION NUMBER: S012T235-110-9 OPTIONAL PART: MSSRRS10FBDF V73134		1
195	149T6975-2	...	END		1
200	149T6974-3	...	INSERT		1
205	149T6977-5	...	TUBE		1
210	149T6978-3	..	TUBE ASSY		1
215	BACB30NR5K26	...	BOLT		4
220	AN960D516	...	WASHER		8
225	BRH10C5M	...	NUT SUPPLIER CODE: V52828 SPECIFICATION NUMBER: BACN10JC5CM OPTIONAL PART: T6C524JM V11815 97E054 V80539 109LH9075-5W V72962 H01-5BAC V15653		4

ILLUSTRATION ITEMS NOT ON PARTS LIST ARE NOT APPLICABLE

- ITEM NOT ILLUSTRATED

HXL

32-12-02-01

BOEING PROPRIETARY - Copyright © - Unpublished Work - See title page for details.

32-12-02
FIG. 01
PAGE 10
AUG 22/09



767

PARTS CATALOG (MAINTENANCE)

FIG ITEM	PART NUMBER	1 2 3 4 5 6 7	NOMENCLATURE	EFFECT FROM TO	UNITS PER ASSY
1					
230	NAS509-14	...	NUT		1
235	ADNE12-311N9	...	BEARING-ROD END EXT THREAD SEALED .7500 BORE SUPPLIER CODE: V15860 SPECIFICATION NUMBER: S012T235-112-9 OPTIONAL PART: MSSRRS12FBDF V73134 ARNM12-101M VS0352 MSSES12FBDF V73134		1
235	ARNM12-101M	...	BEARING-ROD END EXT THREAD SEALED .7500 BORE SUPPLIER CODE: VS0352 SPECIFICATION NUMBER: S012T235-112-9 OPTIONAL PART: MSSRRS12FBDF V73134 ADNE12-311N9 V15860 MSSES12FBDF V73134		1
235	MSSES12FBDF	...	BEARING-ROD END EXT THREAD SEALED .7500 BORE SUPPLIER CODE: V73134 SPECIFICATION NUMBER: S012T235-112-9 OPTIONAL PART: MSSRRS12FBDF V73134 ARNM12-101M VS0352 ADNE12-311N9 V15860		1
240	149T6976-1	...	FITTING		1
245	149T6974-4	...	INSERT		1
250	149T6977-1	...	TUBE		1

ILLUSTRATION ITEMS NOT ON PARTS LIST ARE NOT APPLICABLE

- ITEM NOT ILLUSTRATED

32-12-02-01

32-12-02
FIG. 01
PAGE 11
AUG 22/09

HXL



767

PARTS CATALOG (MAINTENANCE)

FIG ITEM	PART NUMBER	1 2 3 4 5 6 7	NOMENCLATURE	EFFECT FROM TO	UNITS PER ASSY
1 260	BACB30NN3K3		<p>..BOLT-</p> <p>QUALIFIED OPTIONAL DATA: (149T6947-1, AN960PD10, BACB30NN3K9 AND BACN10JC3CM ARE OPTIONAL TO 149T6947-3 AND BACB30NN3K3) (149T6947-2, AN960PD10, BACB30NN3K9 AND BACN10JC3CM ARE OPTIONAL TO 149T6947-4 AND BACB30NN3K3)</p>		2
275	149T6971-6		<p>..PAD-</p> <p>POSITION DATA: LH SIDE</p>		1
- 277	149T6971-7		<p>..PAD-</p> <p>POSITION DATA: RH SIDE</p>		1
280	149T6971-5		..SHIM		4
285	BACS40R20B20F		..SHIM		1
290	149T6947-1		<p>..FITTING-</p> <p>POSITION DATA: LH SIDE</p> <p>QUALIFIED OPTIONAL DATA: (149T6947-1, AN960PD10, BACB30NN3K9 AND BACN10JC3CM ARE OPTIONAL TO 149T6947-3 AND BACB30NN3K3)</p>		1
- 295	149T6947-2		<p>..FITTING-</p> <p>POSITION DATA: RH SIDE</p> <p>QUALIFIED OPTIONAL DATA: (149T6947-2, AN960PD10, BACB30NN3K9 AND BACN10JC3CM ARE OPTIONAL TO 149T6947-4 AND BACB30NN3K3)</p>		1
300	149T6947-3		<p>..FITTING ASSY-</p> <p>POSITION DATA: LH SIDE</p> <p>QUALIFIED OPTIONAL DATA: (149T6947-1, AN960PD10, BACB30NN3K9 AND BACN10JC3CM ARE OPTIONAL TO 149T6947-3 AND BACB30NN3K3)</p>		1

ILLUSTRATION ITEMS NOT ON PARTS LIST ARE NOT APPLICABLE

- ITEM NOT ILLUSTRATED

32-12-02-01

32-12-02
FIG. 01
PAGE 12
AUG 22/09

HXL



767

PARTS CATALOG (MAINTENANCE)

FIG ITEM	PART NUMBER	1 2 3 4 5 6 7	NOMENCLATURE	EFFECT FROM TO	UNITS PER ASSY
1 - 305	149T6947-4		.. FITTING- POSITION DATA: RH SIDE QUALIFIED OPTIONAL DATA: (149T6947-2, AN960PD10, BACB30NN3K9 AND BACN10JC3CM ARE OPTIONAL TO 149T6947-4 AND BACB30NN3K3)		1
310	MS21209F1-15L		... INSERT-		2

ILLUSTRATION ITEMS NOT ON PARTS LIST ARE NOT APPLICABLE

- ITEM NOT ILLUSTRATED

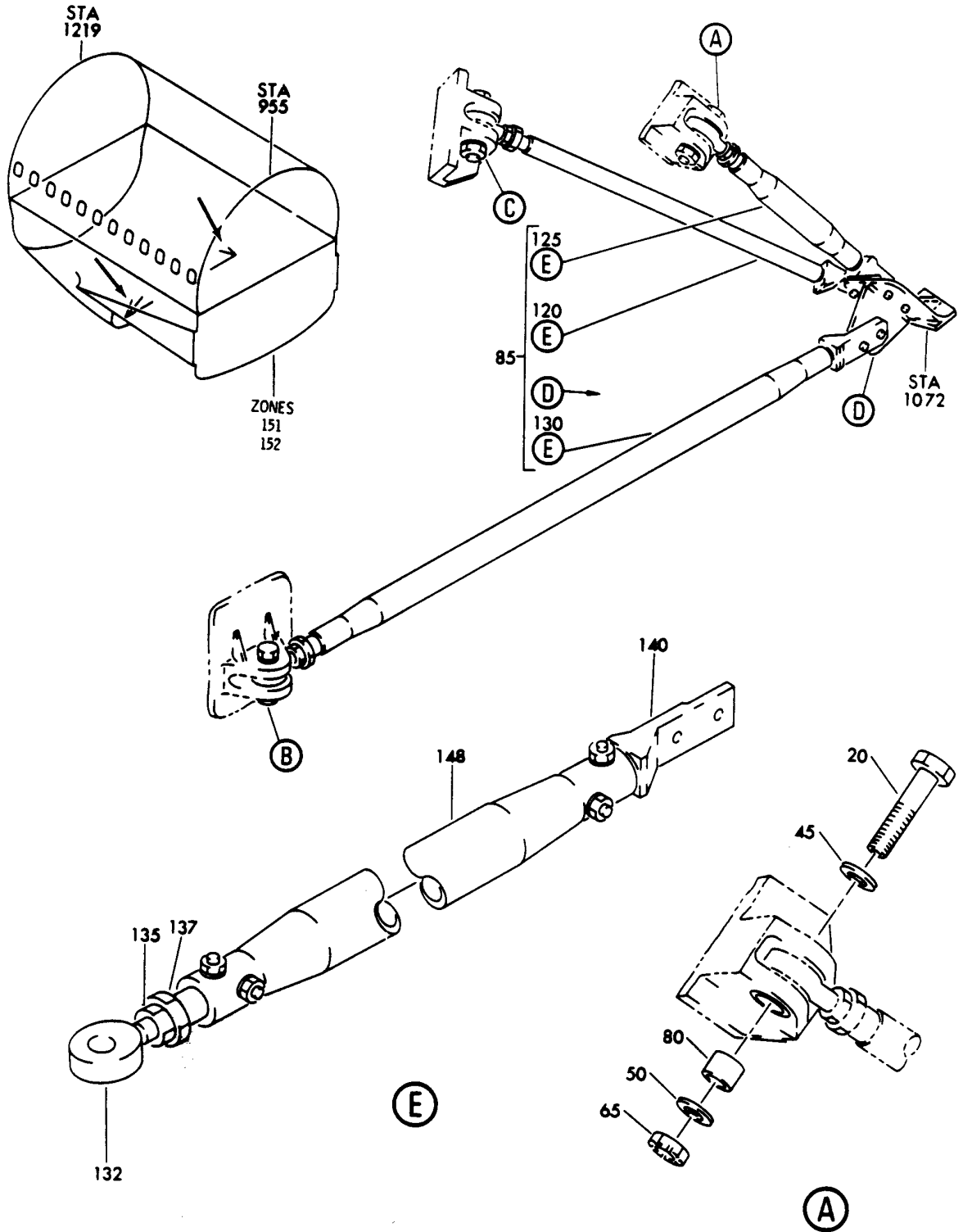
HXL

32-12-02-01

BOEING PROPRIETARY - Copyright © - Unpublished Work - See title page for details.

32-12-02
FIG. 01
PAGE 13
AUG 22/09

BOEING
767
PARTS CATALOG (MAINTENANCE)



V 32120205 SHT 1 REV 004

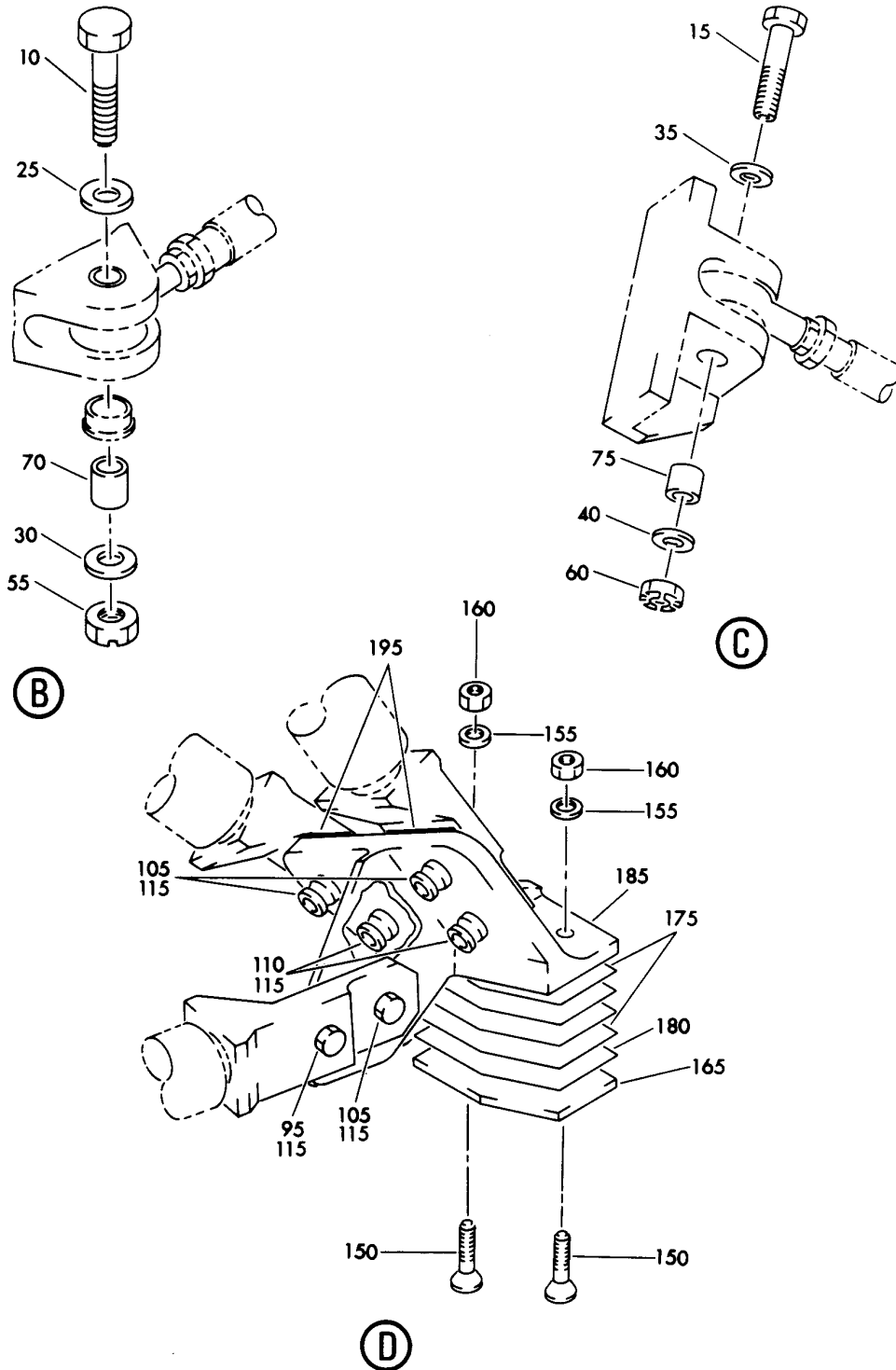
STOP INSTL-MLG DOOR AFT
FIGURE 5 (SHEET 1)

32-12-02-05

HXL
DEC 22/06

32-12-02-05
PAGE 0

BOEING
767
PARTS CATALOG (MAINTENANCE)



V 32120205 SHT 2 REV 262

STOP INSTL-MLG DOOR AFT
FIGURE 5 (SHEET 2)

32-12-02-05

HXL
DEC 22/06

32-12-02-05
PAGE 0A



767

PARTS CATALOG (MAINTENANCE)

FIG ITEM	PART NUMBER	1 2 3 4 5 6 7	NOMENCLATURE	EFFECT FROM TO	UNITS PER ASSY
5					
- 1	149T6970-11		STOP INSTL-MLG DOOR AFT STOP INSTL-MLG DOOR POSITION DATA: AFT LH FOR NHA SEE: 32-12-01-02		RF
- 5	149T6970-12		STOP INSTL-MLG DOOR POSITION DATA: AFT RH FOR NHA SEE: 32-12-01-02		RF
10	BACB30LJ5C18		.BOLT-		1
15	BACB30LJ4C16		.BOLT-		1
20	BACB30LJ7C20		.BOLT-		1
25	BACW10BN5SC		.WASHER		1
30	BACW10BN5SP		.WASHER		1
35	BACW10BN4SC		.WASHER		1
40	BACW10BN4SP		.WASHER		1
45	BACW10BN7SC		.WASHER- POSITION DATA: UNDER HEAD		1
50	BACW10BN7SP		.WASHER- POSITION DATA: UNDER NUT		1
55	BRH10C5M		.NUT- SUPPLIER CODE: V52828 SPECIFICATION NUMBER: BACN10JC5CM OPTIONAL PART: T6C524JM V11815 97E054 V80539 109LH9075-5W V72962 H01-5BAC V15653		1

ILLUSTRATION ITEMS NOT ON PARTS LIST ARE NOT APPLICABLE

- ITEM NOT ILLUSTRATED

HXL

32-12-02-05

BOEING PROPRIETARY - Copyright © - Unpublished Work - See title page for details.

32-12-02
FIG. 05
PAGE 1
DEC 22/06



767

PARTS CATALOG (MAINTENANCE)

FIG ITEM	PART NUMBER	1 2 3 4 5 6 7	NOMENCLATURE	EFFECT FROM TO	UNITS PER ASSY
5					
60	BRH10C4M	.NUT-	SUPPLIER CODE: V52828 SPECIFICATION NUMBER: BACN10JC4CM OPTIONAL PART: T6C428JM V11815 97E48 V80539 109LH9075-4W V72962 VN303D048 V92215 H01-4BAC V15653 NS202101SE048 V80539		1
65	BACN10JC7CM	.NUT-			1
70	BACB28AK05-033	.BUSHING			1
75	BACB28AK04-033	.BUSHING			1
80	BACB28AK07-040	.BUSHING			1
85	149T6970-13	.STOP ASSY-	POSITION DATA: AFT LH SIDE USED ON: 149T6970-11		1
85	149T6970-13	.STOP ASSY-	POSITION DATA: AFT LH SIDE		1
- 90	149T6970-14	.STOP ASSY-	POSITION DATA: AFT RH SIDE		1

ILLUSTRATION ITEMS NOT ON PARTS LIST ARE NOT APPLICABLE

- ITEM NOT ILLUSTRATED

HXL

32-12-02-05

BOEING PROPRIETARY - Copyright © - Unpublished Work - See title page for details.

32-12-02
FIG. 05
PAGE 2
DEC 22/06



767

PARTS CATALOG (MAINTENANCE)

FIG ITEM	PART NUMBER	1 2 3 4 5 6 7 NOMENCLATURE	EFFECT FROM TO	UNITS PER ASSY
5 95	HL1012AZ8-10	.. BOLT SUPPLIER CODE: VOPTK6 SPECIFICATION NUMBER: BACB30NX8K10 OPTIONAL PART: HL12VAZ8-10 V73197 HL12VAZ8-10 V92215 HL12VAZ8-10 V97928 L802-8K10 V06725 HL12VAZ8-10 V56878 HL1012AZ8-10 V06725 HL1012AZ8-10 V06950 HL1012AZ8-10 V17446 HL1012AZ8-10 V56878 HL1012AZ8-10 V60516 HL1012AZ8-10 V73197 HL1012AZ8-10 V97928		1

ILLUSTRATION ITEMS NOT ON PARTS LIST ARE NOT APPLICABLE

- ITEM NOT ILLUSTRATED

HXL

32-12-02-05

BOEING PROPRIETARY - Copyright © - Unpublished Work - See title page for details.

32-12-02
 FIG. 05
 PAGE 3
 DEC 22/06



767

PARTS CATALOG (MAINTENANCE)

FIG ITEM	PART NUMBER	1 2 3 4 5 6 7 NOMENCLATURE	EFFECT FROM TO	UNITS PER ASSY
5 105	HL1012AZ8-11	.. BOLT SUPPLIER CODE: VOPTK6 SPECIFICATION NUMBER: BACB30NX8K11 OPTIONAL PART: HL12VAZ8-11 V73197 HL12VAZ8-11 V92215 HL12VAZ8-11 V97928 L802-8K11 V06725 HL12VAZ8-11 V56878 HL1012AZ8-11 V06725 HL1012AZ8-11 V06950 HL1012AZ8-11 V17446 HL1012AZ8-11 V56878 HL1012AZ8-11 V60516 HL1012AZ8-11 V73197 HL1012AZ8-11 V97928		3

ILLUSTRATION ITEMS NOT ON PARTS LIST ARE NOT APPLICABLE

- ITEM NOT ILLUSTRATED

HXL

32-12-02-05

BOEING PROPRIETARY - Copyright © - Unpublished Work - See title page for details.

32-12-02
 FIG. 05
 PAGE 4
 DEC 22/06



767

PARTS CATALOG (MAINTENANCE)

FIG ITEM	PART NUMBER	1 2 3 4 5 6 7	NOMENCLATURE	EFFECT FROM TO	UNITS PER ASSY
5 110	HL1012AZ8-9		..BOLT- SUPPLIER CODE: VOPTK6 SPECIFICATION NUMBER: BACB30NX8K9 OPTIONAL PART: HL12VAZ8-9 V73197 HL12VAZ8-9 V92215 HL12VAZ8-9 V97928 L802-8K9 V06725 HL12VAZ8-9 V56878 HL1012AZ8-9 V06725 HL1012AZ8-9 V06950 HL1012AZ8-9 V17446 HL1012AZ8-9 V56878 HL1012AZ8-9 V60516 HL1012AZ8-9 V73197 HL1012AZ8-9 V97928		2
115	HL1187-8		..COLLAR SUPPLIER CODE: V5M902 SPECIFICATION NUMBER: BACC30X8 OPTIONAL PART: HL87-8 V92215 HL87-8 V73197 HL1187-8 V56878 HL1187-8 V92215 HL87-8 V56878 HL1187-8 V73197		6
120	149T6978-5		..TUBE ASSY ILLUSTRATION ITEMS NOT ON PARTS LIST ARE NOT APPLICABLE		1

- ITEM NOT ILLUSTRATED

32-12-02-05

32-12-02
 FIG. 05
 PAGE 5
 DEC 22/06

HXL



767

PARTS CATALOG (MAINTENANCE)

FIG ITEM	PART NUMBER	1 2 3 4 5 6 7	NOMENCLATURE	EFFECT FROM TO	UNITS PER ASSY
5					
125	149T6978-4	..	TUBE ASSY		1
130	149T6978-6	..	TUBE ASSY		1
132	ARNM5-101M	...	BEARING-ROD END SUPPLIER CODE: VS0352 SPECIFICATION NUMBER: S012T235-105-9 OPTIONAL PART: MSSRRS05FBDF V73134 ADNE5-311N9 V15860 USED ON: 149T6978-6		1
132	S012T235-107-79	...	BEARING-ROD END OPTIONAL PART: ADNE7-311N9 V15860 USED ON: 149T6978-4		1
132	ADNE7-311N9	...	BEARING-ROD END SUPPLIER CODE: V15860 SPECIFICATION NUMBER: S012T235-107-9 OPTIONAL PART: MSSRRS07FBDF V73134 ARNM7-101M VS0352 OPTIONAL PART: S012T235-107-79 USED ON: 149T6978-4		1

ILLUSTRATION ITEMS NOT ON PARTS LIST ARE NOT APPLICABLE

- ITEM NOT ILLUSTRATED

HXL

32-12-02-05

BOEING PROPRIETARY - Copyright © - Unpublished Work - See title page for details.

32-12-02
FIG. 05
PAGE 6
DEC 22/06

 **BOEING**
767
PARTS CATALOG (MAINTENANCE)

FIG ITEM	PART NUMBER	1 2 3 4 5 6 7	NOMENCLATURE	EFFECT FROM TO	UNITS PER ASSY
5 132	ADNE4-334N9		... BEARING-ROD END SUPPLIER CODE: V15860 SPECIFICATION NUMBER: S012T235-104-9 OPTIONAL PART: MSSES04FBDF V73134 MSSRRS04FB V73134 MSSE104FB V73134 ADNE4-334N V15860 ARNM4-101 VS0352 USED ON: 149T6978-5		1
135	NAS509-8		... NUT- USED ON: 149T6978-4		1
135	NAS509-6		... NUT- USED ON: 149T6978-5 149T6978-6		1
137	149T6974-2		... INSERT- USED ON: 149T6978-4		1
137	149T6974-1		... INSERT- USED ON: 149T6978-5 149T6978-6		1
140	149T6975-3		... FITTING-END ATTACHING PARTS		1
- 142	BACB30NR4K20		... BOLT- USED ON: 149T6978-4 149T6978-6		4
- 142	BACB30NR4K17		... BOLT- USED ON: 149T6978-5		4
- 144	AN960D416		... WASHER		4

ILLUSTRATION ITEMS NOT ON PARTS LIST ARE NOT APPLICABLE

- ITEM NOT ILLUSTRATED

HXL

32-12-02-05

BOEING PROPRIETARY - Copyright © - Unpublished Work - See title page for details.

32-12-02
FIG. 05
PAGE 7
DEC 22/06



767

PARTS CATALOG (MAINTENANCE)

FIG ITEM	PART NUMBER	1 2 3 4 5 6 7	NOMENCLATURE	EFFECT FROM TO	UNITS PER ASSY
5 - 146	BRH10C4M		...NUT SUPPLIER CODE: V52828 SPECIFICATION NUMBER: BACN10JC4CM OPTIONAL PART: T6C428JM V11815 97E48 V80539 109LH9075-4W V72962 VN303D048 V92215 H01-4BAC V15653 NS202101SE048 V80539 -----*-----		4
148	149T6977-2		...TUBE- USED ON: 149T6978-4		1
148	149T6977-6		...TUBE- USED ON: 149T6978-5		1
148	149T6977-3		...TUBE- USED ON: 149T6978-6		1
150	BACB30NN3K9		..BOLT		2
155	AN960PD10		..WASHER		2
160	BRH10C3M		..NUT SUPPLIER CODE: V52828 SPECIFICATION NUMBER: BACN10JC3CM OPTIONAL PART: T6C1032JM V11815 97E02 V80539 109LH9075-3W V72962 VN303D02 V92215 NS202101SE02 V80539 H01-3BAC V15653		2

ILLUSTRATION ITEMS NOT ON PARTS LIST ARE NOT APPLICABLE

- ITEM NOT ILLUSTRATED

32-12-02-05

32-12-02
 FIG. 05
 PAGE 8
 DEC 22/06

HXL



767

PARTS CATALOG (MAINTENANCE)

FIG ITEM	PART NUMBER	1 2 3 4 5 6 7	NOMENCLATURE	EFFECT FROM TO	UNITS PER ASSY
5	149T6970-5	..	PAD- POSITION DATA: LH SIDE		1
- 170	149T6970-6	..	PAD- POSITION DATA: RH SIDE		1
175	149T6970-7	..	SHIM		4
180	BACS40R15B22F	..	SHIM		1
185	149T6969-5	..	FITTING- POSITION DATA: LH SIDE OPTIONAL PART: 149T6809-1 149T6809-3 USED ON: 149T6970-13		1
185	149T6809-1	..	FITTING- POSITION DATA: LH SIDE OPTIONAL PART: 149T6809-3 149T6969-5 USED ON: 149T6970-13		1
185	149T6809-3	..	FITTING- POSITION DATA: LH SIDE OPTIONAL PART: 149T6809-1 149T6969-5 USED ON: 149T6970-13		1
- 190	149T6969-6	..	FITTING- POSITION DATA: RH SIDE OPTIONAL PART: 149T6809-2 149T6809-4 USED ON: 149T6970-14		1
- 190	149T6809-2	..	FITTING- POSITION DATA: RH SIDE OPTIONAL PART: 149T6809-4 149T6969-6 USED ON: 149T6970-14		1

ILLUSTRATION ITEMS NOT ON PARTS LIST ARE NOT APPLICABLE

- ITEM NOT ILLUSTRATED

HXL

32-12-02-05

BOEING PROPRIETARY - Copyright © - Unpublished Work - See title page for details.

32-12-02
FIG. 05
PAGE 9
DEC 22/06



767
PARTS CATALOG (MAINTENANCE)

FIG ITEM	PART NUMBER	1 2 3 4 5 6 7	NOMENCLATURE	EFFECT FROM TO	UNITS PER ASSY
5 - 190	149T6809-4		.. FITTING- POSITION DATA: RH SIDE OPTIONAL PART: 149T6809-2 149T6969-6 USED ON: 149T6970-14		1
195	BACS40R010B021F		. SHIM-LAMINATED		1

ILLUSTRATION ITEMS NOT ON PARTS LIST ARE NOT APPLICABLE

- ITEM NOT ILLUSTRATED

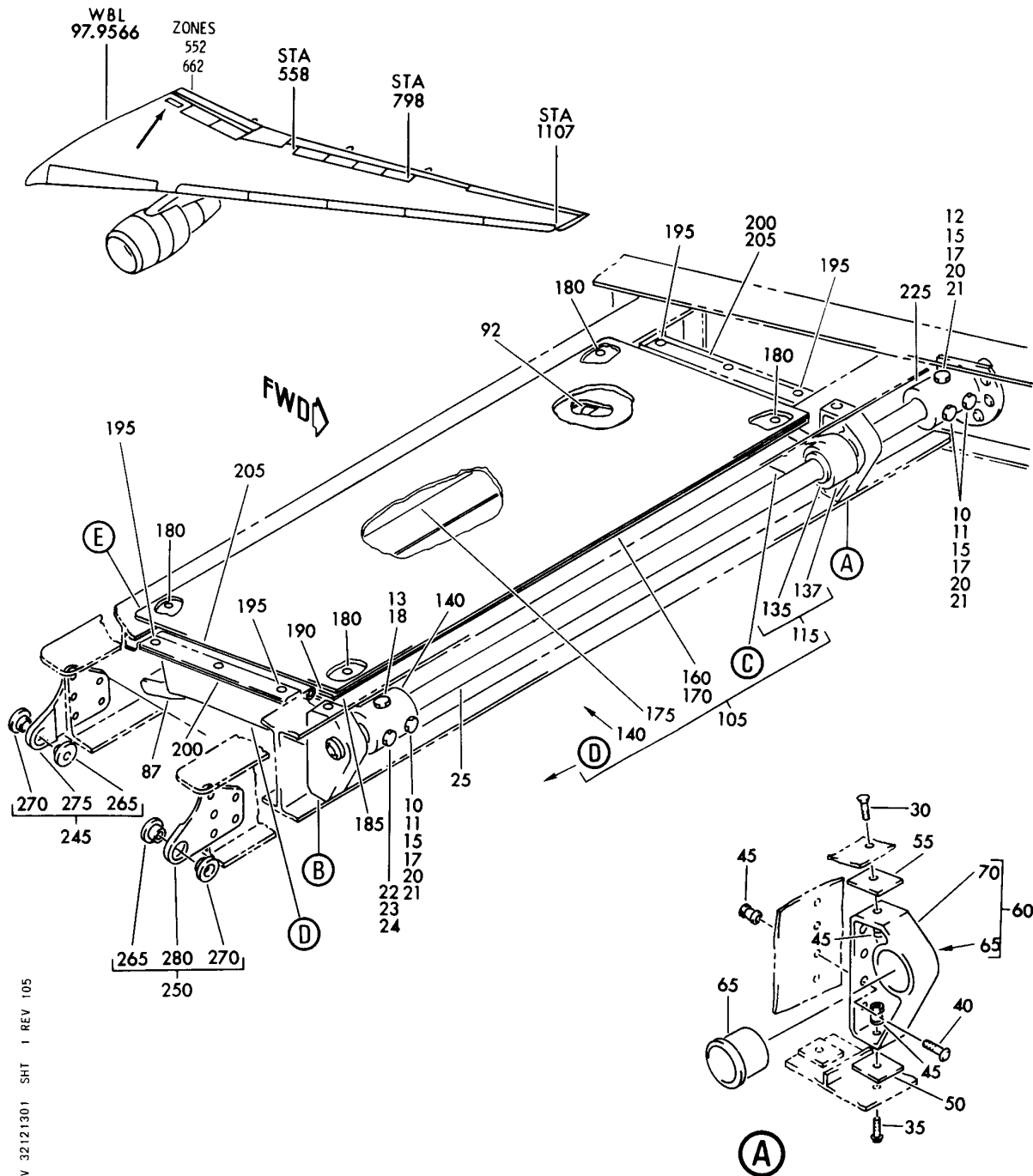
HXL

32-12-02-05

BOEING PROPRIETARY - Copyright © - Unpublished Work - See title page for details.

32-12-02
FIG. 05
PAGE 10
DEC 22/06


BOEING
 767
PARTS CATALOG (MAINTENANCE)



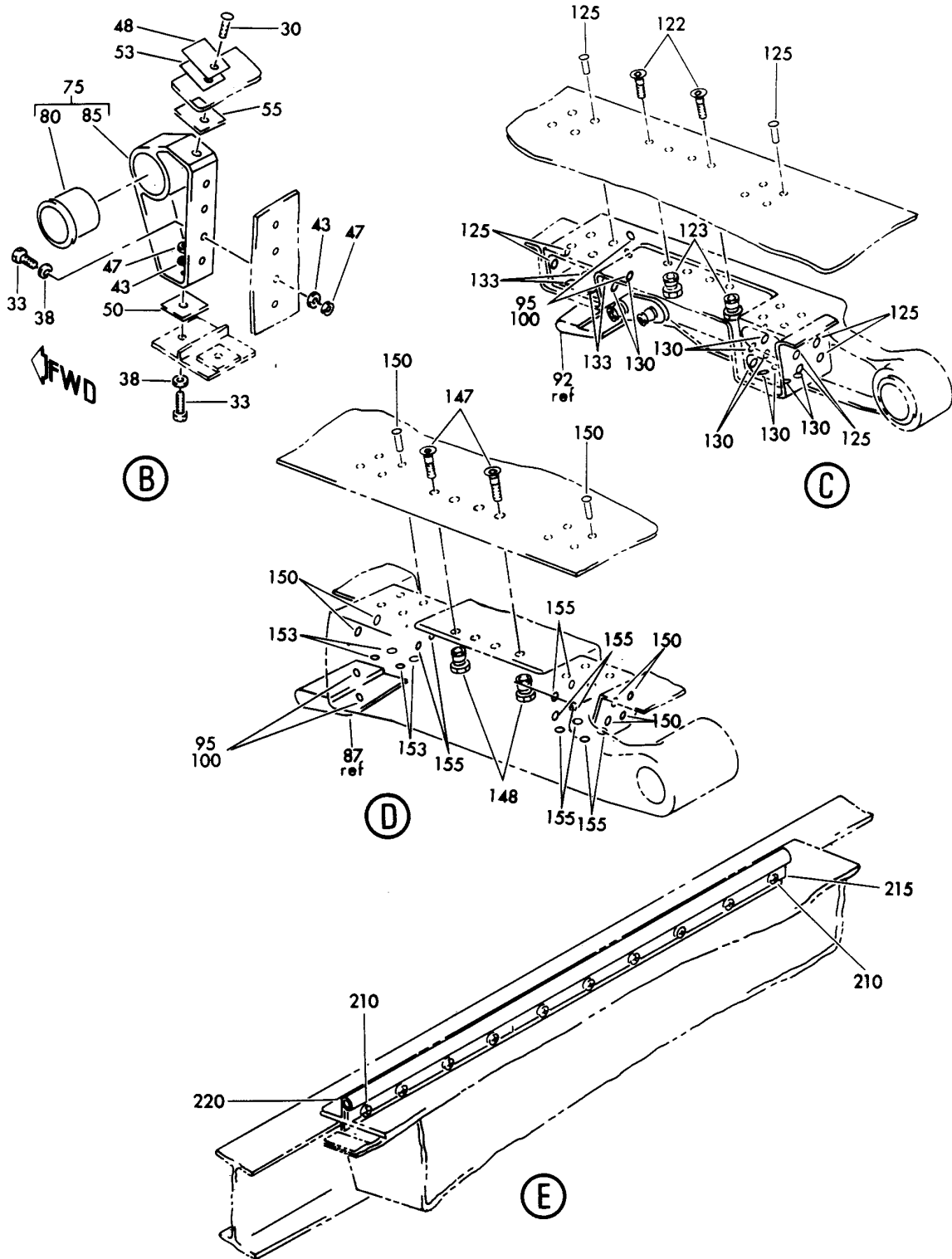
DOOR INSTL-MLG POP UP UPR SURF. FXD TE
 FIGURE 1 (SHEET 1)

32-12-13-01

HXL
 DEC 22/06

32-12-13-01
 PAGE 0


BOEING
 767
PARTS CATALOG (MAINTENANCE)



V 32121301 SHT 2 REV 048

DOOR INSTL-MLG POP UP UPR SURF. FXD TE
FIGURE 1 (SHEET 2)

32-12-13-01

HXL
DEC 22/06

32-12-13-01
PAGE 0A



767

PARTS CATALOG (MAINTENANCE)

FIG ITEM	PART NUMBER	1 2 3 4 5 6 7	NOMENCLATURE	EFFECT FROM TO	UNITS PER ASSY
1 13	HL1012AZ8-21		.BOLT- SUPPLIER CODE: VOPTK6 SPECIFICATION NUMBER: BACB30NX8K21 OPTIONAL PART: HL12VAZ8-21 V97928 L802-8K21 V06725 HL12VAZ8-21 V92215 HL12VAZ8-21 V73197 HL12VAZ8-21 V56878 HL1012AZ8-21 V06725 HL1012AZ8-21 V06950 HL1012AZ8-21 V17446 HL1012AZ8-21 V56878 HL1012AZ8-21 V60516 HL1012AZ8-21 V73197 HL1012AZ8-21 V97928		1
17	AN960PD416		.WASHER		4
18	HL1187-8		.COLLAR SUPPLIER CODE: V5M902 SPECIFICATION NUMBER: BACC30X8 OPTIONAL PART: HL87-8 V92215 HL87-8 V73197 HL1187-8 V56878 HL1187-8 V92215 HL87-8 V56878 HL1187-8 V73197		1

ILLUSTRATION ITEMS NOT ON PARTS LIST ARE NOT APPLICABLE

- ITEM NOT ILLUSTRATED

HXL

32-12-13-01

BOEING PROPRIETARY - Copyright © - Unpublished Work - See title page for details.

32-12-13
FIG. 01
PAGE 2
DEC 22/06



767

PARTS CATALOG (MAINTENANCE)

FIG ITEM	PART NUMBER	1 2 3 4 5 6 7	NOMENCLATURE	EFFECT FROM TO	UNITS PER ASSY
1 21	BRH10A4	.	NUT SUPPLIER CODE: V52828 SPECIFICATION NUMBER: BACN10JC4 OPTIONAL PART: T6S428J V11815 96-048 V80539 VN303A048 V92215 RMLH9075-4W V72962 NS202101-048 V80539 H10-4BAC V15653		4
22	BACB30PU4-22	.	BOLT-		1
23	NAS1805-3P	.	NUT-		1
24	113T1631-56	.	FILLER-RADIUS		1
25	113T1928-3	.	TUBE-		1
25	113T1928-2	.	TUBE-		1
30	HL11VAZ5-3	.	BOLT SUPPLIER CODE: V60516 SPECIFICATION NUMBER: BACB30NW5K3 OPTIONAL PART: B30NW5K3 V97928 HL11VAZ5-3 V73197 HL11VAZ5-3 V92215 HL11VAZ5-3 V97928 L803-5K3 V06725 HL11VAZ5-3 VOPTK6 HL11VAZ5-3 V56878		2
ILLUSTRATION ITEMS NOT ON PARTS LIST ARE NOT APPLICABLE					

- ITEM NOT ILLUSTRATED

HXL

32-12-13-01

BOEING PROPRIETARY - Copyright © - Unpublished Work - See title page for details.

32-12-13
FIG. 01
PAGE 3
DEC 22/06



767

PARTS CATALOG (MAINTENANCE)

FIG ITEM	PART NUMBER	1 2 3 4 5 6 7	NOMENCLATURE	EFFECT FROM TO	UNITS PER ASSY
1					
33	HL11VAZ5-4		.BOLT SUPPLIER CODE: V60516 SPECIFICATION NUMBER: BACB30NW5K4 OPTIONAL PART: B30NW5K4 V97928 HL11VAZ5-4 V73197 HL11VAZ5-4 V92215 HL11VAZ5-4 V97928 L803-5K4 V06725 HL11VAZ5-4 VOPTK6 HL11VAZ5-4 V56878		5
35	L8005K3		.BOLT SUPPLIER CODE: V06725 SPECIFICATION NUMBER: BACB30MY5K3		1
38	BACW10BP5CD		.WASHER- POSITION DATA: UNDER HEAD		5
40	L8005K4		.BOLT SUPPLIER CODE: V06725 SPECIFICATION NUMBER: BACB30MY5K4		4
43	BACW10BP5DP		.WASHER- POSITION DATA: UNDER NUT		5

ILLUSTRATION ITEMS NOT ON PARTS LIST ARE NOT APPLICABLE

- ITEM NOT ILLUSTRATED

HXL

32-12-13-01

BOEING PROPRIETARY - Copyright © - Unpublished Work - See title page for details.

32-12-13
FIG. 01
PAGE 4
APR 22/08

 **BOEING**
767
PARTS CATALOG (MAINTENANCE)

FIG ITEM	PART NUMBER	1 2 3 4 5 6 7	NOMENCLATURE	EFFECT FROM TO	UNITS PER ASSY
1					
45	HL70-5		.COLLAR SUPPLIER CODE: V5M902 SPECIFICATION NUMBER: BACC30M5 OPTIONAL PART: HL70-5 V73197 HL70-5 V92215 66014-5 V56878 HL70-5 V56878		6
47	BRH10A5		.NUT SUPPLIER CODE: V52828 SPECIFICATION NUMBER: BACN10JC5 OPTIONAL PART: T6S524J V11815 96-054 V80539 RMLH9075-5W V72962 H10-5BAC V15653		5
48	NAS1195DD3WH		.SHIM		1
50	BACS40R07C08F		.SHIM		2
53	NAS1195DD3WM		.SHIM		1
55	BACS40R08C08F		.SHIM		2
60	113T1926-1		.HINGE ASSY- OPTIONAL PART: 113T1012-1		1
60	113T1012-1		.HINGE ASSY- OPTIONAL PART: 113T1926-1		1
65	BACB28AR13B100		..BUSHING- USED ON: 113T1926-1		1
65	BCREFA1445		..BUSHING- OVERLENGTH PART NUMBER: BACB28AY13B100AG USED ON: 113T1012-1		1
70	113T1926-3		..BLOCK- USED ON: 113T1926-1		1
ILLUSTRATION ITEMS NOT ON PARTS LIST ARE NOT APPLICABLE					

- ITEM NOT ILLUSTRATED

HXL

32-12-13-01

BOEING PROPRIETARY - Copyright © - Unpublished Work - See title page for details.

32-12-13
FIG. 01
PAGE 5
APR 22/08



767

PARTS CATALOG (MAINTENANCE)

FIG ITEM	PART NUMBER	1 2 3 4 5 6 7	NOMENCLATURE	EFFECT FROM TO	UNITS PER ASSY
1					
70	113T1012-3	..	BLOCK- USED ON: 113T1012-1		1
75	113T1926-2	.HINGE ASSY- OPTIONAL PART: 113T1012-2			1
75	113T1012-2	.HINGE ASSY- OPTIONAL PART: 113T1926-2			1
80	BACB28AR13B100	..	BUSHING- USED ON: 113T1926-2		1
80	BCREFA1445	..	BUSHING- OVERLENGTH PART NUMBER: BACB28AY13B100AG USED ON: 113T1012-2		1
85	113T1926-4	..	BLOCK- USED ON: 113T1926-2		1
85	113T1012-4	..	BLOCK- USED ON: 113T1012-2		1
87	113T1894-7	.	STOP-		1
92	113T1894-8	.	STOP-		1
			ATTACHING PARTS		
95	HL11VAZ6-4	.	BOLT SUPPLIER CODE: V60516 SPECIFICATION NUMBER: BACB30NW6K4 OPTIONAL PART: B30NW6K4 V97928 HL11VAZ6-4 V73197 HL11VAZ6-4 V92215 HL11VAZ6-4 V97928 L803-6K4 V06725 HL11VAZ6-4 VOPTK6 HL11VAZ6-4 V56878		4
ILLUSTRATION ITEMS NOT ON PARTS LIST ARE NOT APPLICABLE					

- ITEM NOT ILLUSTRATED

32-12-13-01

32-12-13
FIG. 01
PAGE 6
APR 22/08

HXL



767

PARTS CATALOG (MAINTENANCE)

FIG ITEM	PART NUMBER	1 2 3 4 5 6 7	NOMENCLATURE	EFFECT FROM TO	UNITS PER ASSY
1 100	HL79-6		. COLLAR SUPPLIER CODE: V5M902 SPECIFICATION NUMBER: BACC30M6 OPTIONAL PART: HL79-6 V73197 HL79-6 V92215 66014-6 V56878 HL79-6 V56878		4
105	113T1645-17		-----*----- . DOOR ASSY- POSITION DATA: LH SIDE QUALIFIED I/W DATA: THE 113T1645-17 IS INTERCHANGEABLE WITH 113T1645-19 FOR UPS TAIL NUMBERS N323UP THRU N334UP ONLY. THE 113T1645-17 IS INTERCHANGEABLE WITH 113T1645-23 FOR UPS TAIL NUMBERS N323UP THRU N334UP ONLY.		1
105	113T1645-21		. DOOR ASSY- POSITION DATA: LH SIDE QUALIFIED I/W DATA: THE 113T1645-21 IS INTERCHANGEABLE WITH 113T1645-23 FOR UPS TAIL NUMBERS N323UP THRU N334UP ONLY.		1
- 110	113T1645-18		. DOOR ASSY- POSITION DATA: RH SIDE		1
- 110	113T1645-22		. DOOR ASSY- POSITION DATA: RH SIDE		1
115	113T1927-1		.. ARM ASSY-PIVOT POSITION DATA: LH SIDE		1

ILLUSTRATION ITEMS NOT ON PARTS LIST ARE NOT APPLICABLE

- ITEM NOT ILLUSTRATED

32-12-13-01

32-12-13
FIG. 01
PAGE 7
DEC 22/08

HXL

 **BOEING**
767
PARTS CATALOG (MAINTENANCE)

FIG ITEM	PART NUMBER	1 2 3 4 5 6 7	NOMENCLATURE	EFFECT FROM TO	UNITS PER ASSY
1					
- 120	113T1927-2		..ARM ASSY-PIVOT POSITION DATA: RH SIDE ATTACHING PARTS		1
122	BACB30NW5K		..BOLT- SIZE DETERMINED ON INSTL.		4
123	HL70-5		..COLLAR SUPPLIER CODE: V5M902 SPECIFICATION NUMBER: BACC30M5 OPTIONAL PART: HL70-5 V73197 HL70-5 V92215 66014-5 V56878 HL70-5 V56878		4
125	NAS1399MW5		..RIVET- SIZE DETERMINED ON INSTL.		14
130	NAS1398MW5		..RIVET- SIZE DETERMINED ON INSTL.		10
133	NAS1399MW6		..RIVET- SIZE DETERMINED ON INSTL. -----*-----		4
135	BACB28AR13B100		...BUSHING		1
137	113T1927-3		...ARM- POSITION DATA: LH SIDE		1
- 138	113T1927-4		...ARM- POSITION DATA: RH SIDE		1
140	113T1929-3		..ARM-ACTR POSITION DATA: LH SIDE OPTIONAL PART: 113T1929-5		1
140	113T1929-5		..ARM ASSY-ACTR POSITION DATA: LH SIDE OPTIONAL PART: 113T1929-3		1
- 145	113T1929-4		..ARM-ACTR POSITION DATA: RH SIDE OPTIONAL PART: 113T1929-6		1

ILLUSTRATION ITEMS NOT ON PARTS LIST ARE NOT APPLICABLE

- ITEM NOT ILLUSTRATED

HXL

32-12-13-01

BOEING PROPRIETARY - Copyright © - Unpublished Work - See title page for details.

32-12-13
FIG. 01
PAGE 8
DEC 22/08



767

PARTS CATALOG (MAINTENANCE)

FIG ITEM	PART NUMBER	1 2 3 4 5 6 7	NOMENCLATURE	EFFECT FROM TO	UNITS PER ASSY
1					
- 145	113T1929-6		..ARM ASSY-ACTR POSITION DATA: RH SIDE OPTIONAL PART: 113T1929-4 ATTACHING PARTS		1
147	BACB30NW5K		..BOLT-		4
148	HL70-5		..COLLAR SUPPLIER CODE: V5M902 SPECIFICATION NUMBER: BACC30M5 OPTIONAL PART: HL70-5 V73197 HL70-5 V92215 66014-5 V56878 HL70-5 V56878		4
150	NAS1399MW5		..RIVET-		14
			SIZE DETERMINED ON INSTL.		
153	NAS1399MW6		..RIVET-		4
			SIZE DETERMINED ON INSTL.		
155	NAS1398MW5		..RIVET-		10
			SIZE DETERMINED ON INSTL.		
			-----*-----		
160	113T1904-35		..PANEL ASSY-		1
			POSITION DATA: LH SIDE ACCESS PANEL NUMBER: 551FT		
160	113T1904-39		..PANEL ASSY-		1
			POSITION DATA: LH SIDE ACCESS PANEL NUMBER: 551FT		
- 165	113T1904-36		..PANEL ASSY-		1
			POSITION DATA: RH SIDE ACCESS PANEL NUMBER: 651FT		
- 165	113T1904-40		..PANEL ASSY-		1
			POSITION DATA: RH SIDE ACCESS PANEL NUMBER: 651FT		
ILLUSTRATION ITEMS NOT ON PARTS LIST ARE NOT APPLICABLE					

- ITEM NOT ILLUSTRATED

32-12-13-01

32-12-13
FIG. 01
PAGE 9
DEC 22/08

HXL



767

PARTS CATALOG (MAINTENANCE)

FIG ITEM	PART NUMBER	1 2 3 4 5 6 7	NOMENCLATURE	EFFECT FROM TO	UNITS PER ASSY
1			ATTACHING PARTS		
- 167	BACR15BA5DD		..RIVET- SIZE DETERMINED ON INSTL. -----*-----		58
R	170	113T1904-31	...STRIP-RUB MANUFACTURED FROM: SH NYLON 6/6 PER L-P-410 0.050 IN 2.40 IN 24.00 IN SPARES ORDER MATERIAL CODE: 5150505030 USED ON: 113T1904-35 113T1904-36		1
R	175	113T1904-37	..DEPRESSOR-SEAL		1
R	- 178	BACR15BA5DD5	ATTACHING PARTS ..RIVET -----*-----		60
R	180	BACB30NN3K4	.BOLT		10
R	185	113T1631-28	.RETAINER- POSITION DATA: LH SIDE		1
R	- 187	113T1631-61	.RETAINER- POSITION DATA: RH SIDE		1
R	190	113T1631-27	.SEAL- MANUFACTURED FROM: EXTR RUBBER 10-60754-32 24.00 IN. (5287000320)		1
R	195	BACB30NN3K7	.BOLT		6
R	200	113T1631-16	.RETAINER		2
R	205	113T1631-19	.SEAL- MANUFACTURED FROM: EXTR RUBBER 10-60754-32 12.00 IN. (5287000320)		2
R	210	BACB30NT3K3	.BOLT-		10
R	215	113T1631-30	.RETAINER		1
R	220	113T1631-29	.SEAL- MANUFACTURED FROM: EXTR RUBBER 10-60754-32 25.20 IN. (5287000320)		1
R	225	113T1925-7	.FITTING-ANCHOR POSITION DATA: LH SIDE		1

ILLUSTRATION ITEMS NOT ON PARTS LIST ARE NOT APPLICABLE

- ITEM NOT ILLUSTRATED

32-12-13-01

32-12-13
FIG. 01
PAGE 10
AUG 22/09

HXL

BOEING PROPRIETARY - Copyright © - Unpublished Work - See title page for details.



767

PARTS CATALOG (MAINTENANCE)

FIG ITEM	PART NUMBER	1 2 3 4 5 6 7	NOMENCLATURE	EFFECT FROM TO	UNITS PER ASSY
1					
225	113T1925-15		. FITTING-ANCHOR POSITION DATA: LH SIDE		1
- 230	113T1925-13		. FITTING-ANCHOR POSITION DATA: RH SIDE		1
- 235	L8008K6		ATTACHING PARTS . BOLT SUPPLIER CODE: V06725 SPECIFICATION NUMBER: BACB30MY8K6		3
- 240	HL79-8		. COLLAR SUPPLIER CODE: V5M902 SPECIFICATION NUMBER: BACC30M8 OPTIONAL PART: HL79-8 V73197 HL79-8 V92215 66014-8 V56878 HL79-8 V56878		3
			-----*-----		
245	113T1641-47		. CLIP ASSY-		1
250	113T1641-48		. CLIP ASSY-		1
- 255	L8006K3		ATTACHING PARTS . BOLT SUPPLIER CODE: V06725 SPECIFICATION NUMBER: BACB30MY6K3		10

ILLUSTRATION ITEMS NOT ON PARTS LIST ARE NOT APPLICABLE

- ITEM NOT ILLUSTRATED

HXL

32-12-13-01

BOEING PROPRIETARY - Copyright © - Unpublished Work - See title page for details.

32-12-13
FIG. 01
PAGE 11
AUG 22/09



767

PARTS CATALOG (MAINTENANCE)

FIG ITEM	PART NUMBER	1 2 3 4 5 6 7	NOMENCLATURE	EFFECT FROM TO	UNITS PER ASSY
1 - 260	HL79-6		. COLLAR SUPPLIER CODE: V5M902 SPECIFICATION NUMBER: BACC30M6 OPTIONAL PART: HL79-6 V73197 HL79-6 V92215 66014-6 V56878 HL79-6 V56878 -----*-----		10
265	BACB28AA4B026		.. BUSHING-		1
270	BACB28AP06P023		.. BUSHING-		1
275	113T1641-49		.. CLIP- USED ON: 113T1641-47		1
280	113T1641-50		.. CLIP- USED ON: 113T1641-48		1

ILLUSTRATION ITEMS NOT ON PARTS LIST ARE NOT APPLICABLE

- ITEM NOT ILLUSTRATED

HXL

32-12-13-01

BOEING PROPRIETARY - Copyright © - Unpublished Work - See title page for details.

32-12-13
FIG. 01
PAGE 12
AUG 22/09