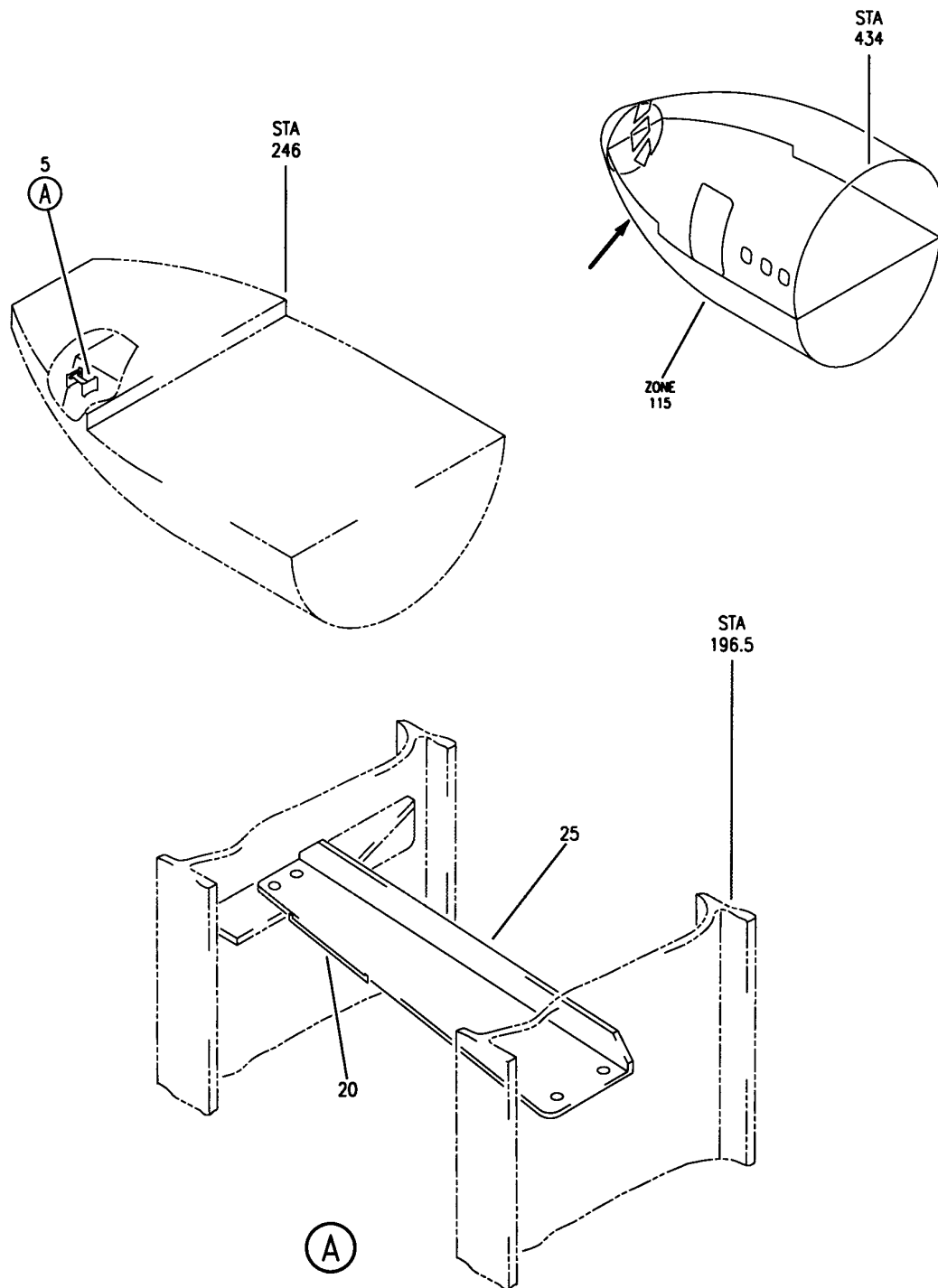


WHEELS AND BRAKES

HXL
DEC 22/06

32-40-00
SECTION TITLE
PAGE 1

BOEING
767
PARTS CATALOG (MAINTENANCE)



V 32405001 REV 199

BRACKET INSTL-LG BRAKE PULLEY LH STA 196.50
FIGURE 1

32-40-50-01

HXL
DEC 22/06

32-40-50-01
PAGE 0



767

PARTS CATALOG (MAINTENANCE)

FIG ITEM	PART NUMBER	1 2 3 4 5 6 7	NOMENCLATURE	EFFECT FROM TO	UNITS PER ASSY
1			BRACKET INSTL-LG BRAKE PULLEY LH STA 196.50		
- 1	255T4132-1		BRACKET INSTL-LG BRAKE PULLEY POSITION DATA: LH STA 196.50 VARIABLE DRAWING REF: 255T4132-5003 FOR NHA SEE: 53-13-56-01		RF
	5 255T4258-20		. ANGLE ASSY		1
- 10	HL1012AZ6-3		. BOLT SUPPLIER CODE: V97928 SPECIFICATION NUMBER: BACB30NX6K3 OPTIONAL PART: HL12VAZ6-3 V73197 HL12VAZ6-3 V92215 HL12VAZ6-3 V97928 L802-6K3 V06725 HL12VAZ6-3 V56878 HL1012AZ6-3 VOPTK6 HL1012AZ6-3 V06725 HL1012AZ6-3 V06950 HL1012AZ6-3 V17446 HL1012AZ6-3 V56878 HL1012AZ6-3 V60516 HL1012AZ6-3 V73197		4
- 15	BACC30X		. COLLAR -----*-----		4
	20 BACG20ZP0300B		. . GROMMET		1
	25 255T4258-21		. . ANGLE		1

ILLUSTRATION ITEMS NOT ON PARTS LIST ARE NOT APPLICABLE

- ITEM NOT ILLUSTRATED

HXL

32-40-50-01

BOEING PROPRIETARY - Copyright © - Unpublished Work - See title page for details.

32-40-50
FIG. 01
PAGE 1
DEC 22/07