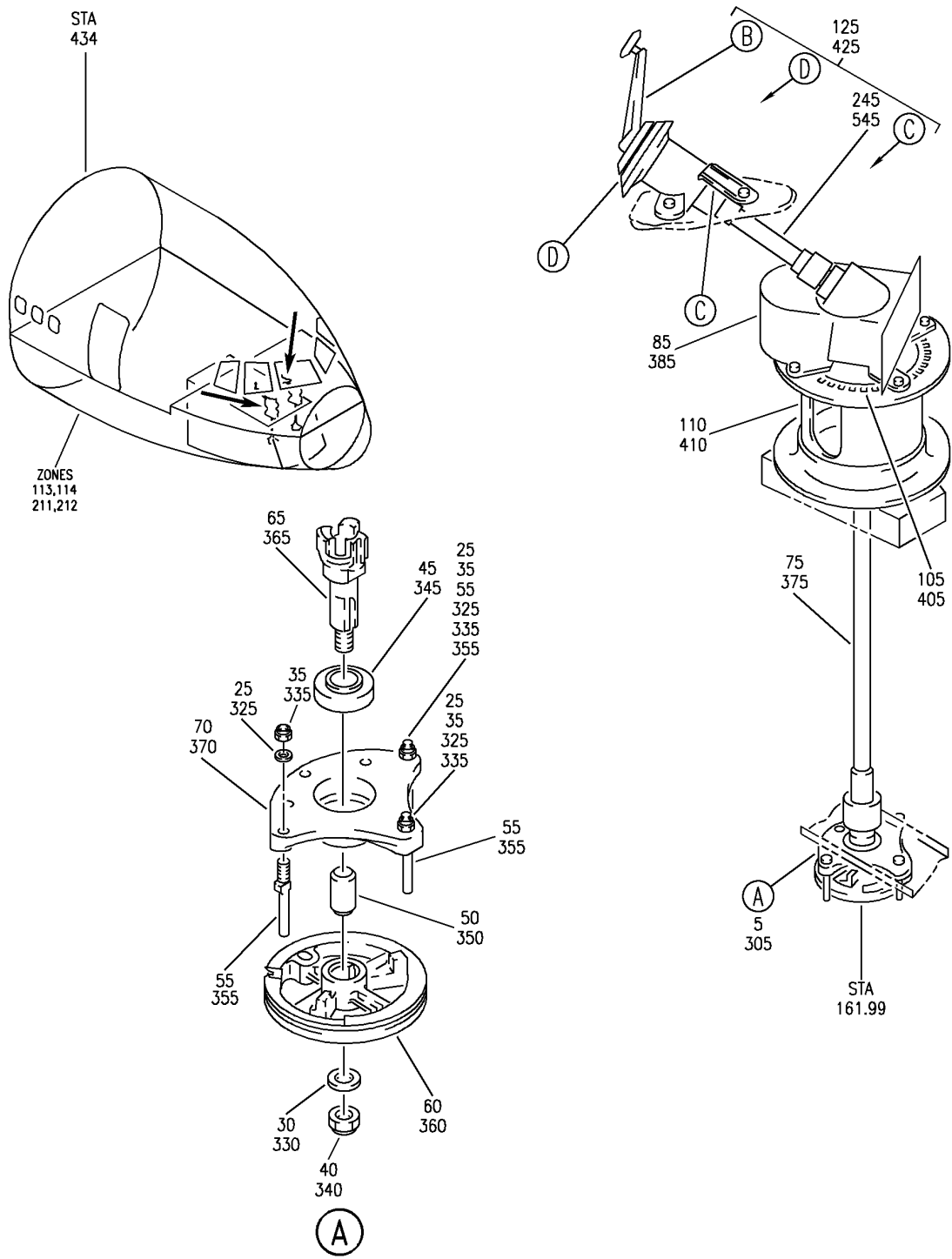


## NOSE WHEEL STEERING SYSTEM

HXL  
DEC 22/06

32-51-00  
SECTION TITLE  
PAGE 1

**BOEING**  
767  
PARTS CATALOG (MAINTENANCE)



V 32510101B SHT 1 REV 286

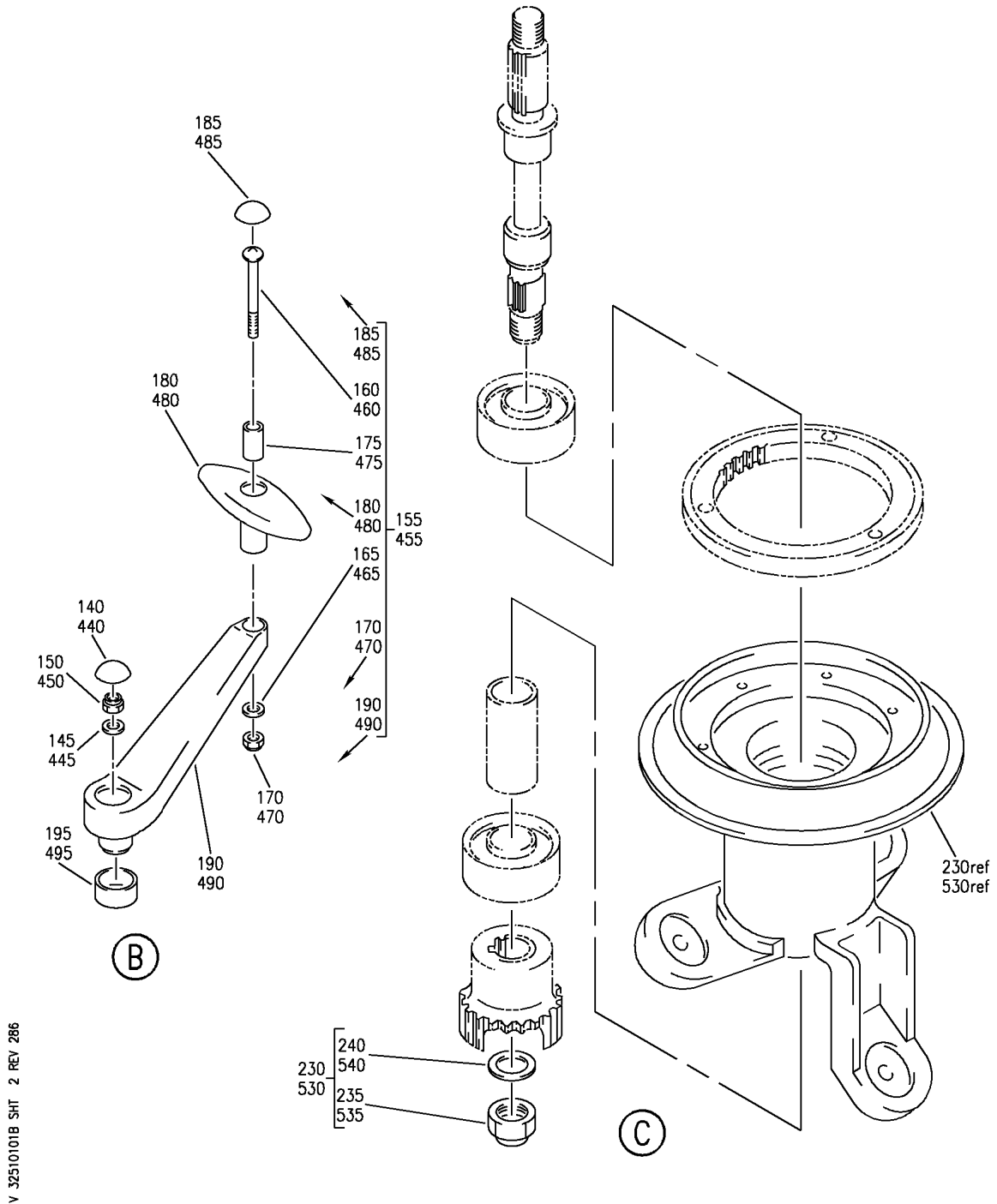
HANDLE INSTL-FWD QUADRANT NOSE WHL STEERING TILLER (LANDING GEAR ONLY)  
FIGURE 1B (SHEET 1)

**32-51-01-01B**

HXL  
DEC 22/06

32-51-01-01B  
PAGE 0

**BOEING**  
767  
PARTS CATALOG (MAINTENANCE)



V 32510101B SHT 2 REV 286

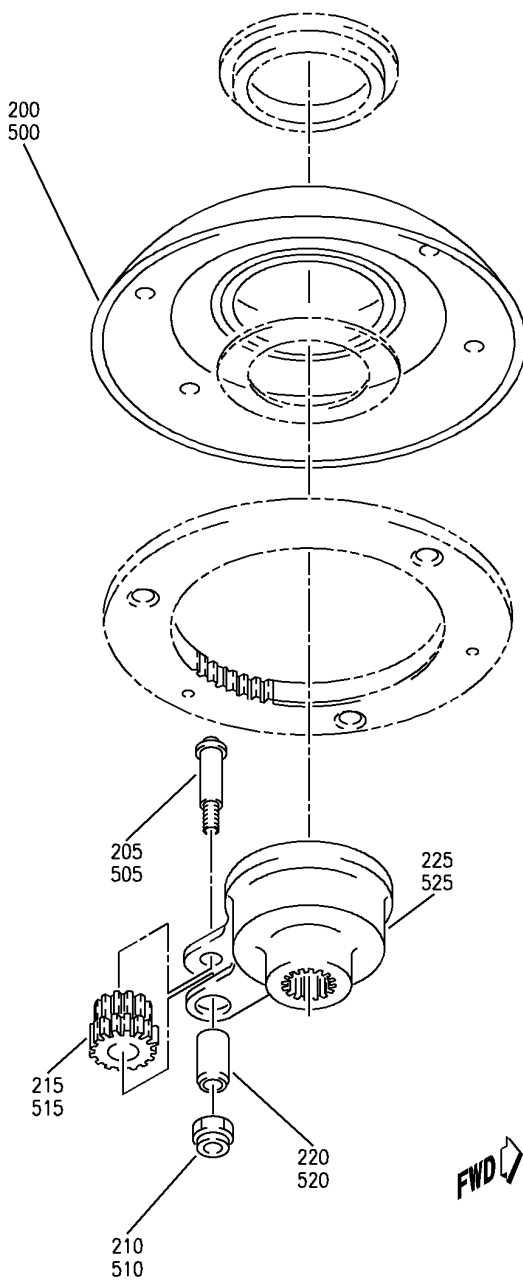
HANDLE INSTL-FWD QUADRANT NOSE WHL STEERING TILLER (LANDING GEAR ONLY)  
FIGURE 1B (SHEET 2)

**32-51-01-01B**

HXL  
DEC 22/06

32-51-01-01B  
PAGE 0A

**BOEING**  
767  
PARTS CATALOG (MAINTENANCE)



VIEW LOOKING UP

(D)

V 32510101B SHT 3 REV 286

HANDLE INSTL-FWD QUADRANT NOSE WHL STEERING TILLER (LANDING GEAR ONLY)  
FIGURE 1B (SHEET 3)

**32-51-01-01B**

HXL  
DEC 22/06

32-51-01-01B  
PAGE 0B



767

PARTS CATALOG (MAINTENANCE)

FIG ITEM	PART NUMBER	1 2 3 4 5 6 7	NOMENCLATURE	EFFECT FROM TO	UNITS PER ASSY
1B			HANDLE INSTL-FWD QUADRANT NOSE WHL STEERING TILLER (LANDING GEAR ONLY)		
- 1	257T4100-9		HANDLE INSTL-NOSE WHL STEERING TILLER (LANDING GEAR ONLY)		RF
			POSITION DATA: FWD QUADRANT LH CAPT		
			FOR NHA/OTHER SYS DET SEE: 32-51-60-01		
5	257T4169-1		.QUADRANT ASSY- COMPONENT MAINT MANUAL REF: 32-51-02		1
- 10	BACB30NR4K5		ATTACHING PARTS .BOLT		3
- 15	NAS1149D0463J		.WASHER-		3
- 20	BRH10C4D		.NUT-		3
			SUPPLIER CODE: V52828		
			SPECIFICATION NUMBER: BACN10JC4CD		
			OPTIONAL PART: T6C428JCD V11815 NS202486-048 V80539 102LH9075-4W V72962 H51650-4BAC V15653		
			-----*-----		
25	AN960PD416		.. WASHER		3
30	AN960PD816		.. WASHER		1

ILLUSTRATION ITEMS NOT ON PARTS LIST ARE NOT APPLICABLE

- ITEM NOT ILLUSTRATED

HXL

32-51-01-01B

BOEING PROPRIETARY - Copyright © - Unpublished Work - See title page for details.

32-51-01  
FIG. 01B  
PAGE 1  
DEC 22/08



767

PARTS CATALOG (MAINTENANCE)

FIG ITEM	PART NUMBER	1 2 3 4 5 6 7	NOMENCLATURE	EFFECT FROM TO	UNITS PER ASSY
1B 35	BRH10A4		..NUT SUPPLIER CODE: V52828 SPECIFICATION NUMBER: BACN10JC4 OPTIONAL PART: T6S428J V11815 96-048 V80539 VN303A048 V92215 RMLH9075-4W V72962 NS202101-048 V80539 H10-4BAC V15653		3
40	BMN4122AD3-8		..NUT SUPPLIER CODE: V97928 SPECIFICATION NUMBER: BACN10JC8 OPTIONAL PART: BMN4122A8 V85495 H10-8BAC V15653 RMLH9074-8 V72962 48FT820 V56878		1

ILLUSTRATION ITEMS NOT ON PARTS LIST ARE NOT APPLICABLE

- ITEM NOT ILLUSTRATED

HXL

32-51-01-01B

BOEING PROPRIETARY - Copyright © - Unpublished Work - See title page for details.

32-51-01  
 FIG. 01B  
 PAGE 2  
 DEC 22/06



767

PARTS CATALOG (MAINTENANCE)

FIG ITEM	PART NUMBER	1 2 3 4 5 6 7	NOMENCLATURE	EFFECT FROM TO	UNITS PER ASSY
1B 45	KP12AFS428		.. BEARING SUPPLIER CODE: V21335 SPECIFICATION NUMBER: BACB10BX12 OPTIONAL PART: KP12A2TS V43991 LLKP12A V38443 KP12AG27 V30163 KP12A V38443 KF12ALY196 V40920 KP12ASD610 V83086 CS212E VK8455 KP12ANJC V06144 KP12AFS428 V06144		1
50	BACB28AK12-018		.. BUSHING		1
55	69B282871-2		.. PIN-GUARD		3
60	257T4102-3		.. QUADRANT		1
65	257T4168-2		.. SHAFT		1
70	257T4128-1		.. HOUSING ASSY		1
75	257T4117-1		. SHAFT ASSY-TORQUE MISCELLANEOUS DATA: NOT A PROVISIONING SPARE COMPONENT MAINT MANUAL REF: 32-51-02 ATTACHING PARTS		1
- 80	NAS1351-3H6P		. SCREW -----*-----		9
85	257T4120-1		. GEARBOX ASSY- MISCELLANEOUS DATA: FOR SPARES PROCURE LOWER COMPONENTS COMPONENT MAINT MANUAL REF: 32-51-01 OPTIONAL PART: 257T4120-2		1

ILLUSTRATION ITEMS NOT ON PARTS LIST ARE NOT APPLICABLE

- ITEM NOT ILLUSTRATED

32-51-01-01B

32-51-01  
 FIG. 01B  
 PAGE 3  
 DEC 22/08

HXL

 **BOEING**  
767  
**PARTS CATALOG (MAINTENANCE)**

FIG ITEM	PART NUMBER	1 2 3 4 5 6 7	NOMENCLATURE	EFFECT FROM TO	UNITS PER ASSY
1B					
85	257T4120-2		. GEARBOX ASSY- COMPONENT MAINT MANUAL REF: 32-51-01 OPTIONAL PART: 257T4120-1 ATTACHING PARTS		1
- 90	BACB30NR4K4		. BOLT-		4
- 95	NAS1149D0463J		. WASHER-		4
- 100	BRH10C4D		. NUT SUPPLIER CODE: V52828 SPECIFICATION NUMBER: BACN10JC4CD OPTIONAL PART: T6C428JCD V11815 NS202486-048 V80539 102LH9075-4W V72962 H51650-4BAC V15653 -----*-----		4
105	BACG20ZM001900B		. GROMMET		AR
110	257T4142-1		. SUPPORT ASSY-GEARBOX ATTACHING PARTS		1
- 115	BACB30NR4K3		. BOLT		4
- 120	NAS1149D0463J		. WASHER -----*-----		4
125	257T4100-15		. HANDLE ASSY-TILLER ATTACHING PARTS		1
- 130	BACB30NR4K5		. BOLT		3
- 135	NAS1149D0463J		. WASHER- -----*-----		3
140	257T4100-2		.. PLUG-BUTTON		1
145	NAS1149D0663J		.. WASHER-		1
150	BRH10C6D		.. NUT- SUPPLIER CODE: V52828 SPECIFICATION NUMBER: BACN10JC6CD OPTIONAL PART: H51650-6BAC V15653		1
155	257T4119-4		.. TILLER ASSY- COMPONENT MAINT MANUAL REF: 32-51-02		1
160	NAS623-4-25		... SCREW		1
165	AN960PD416		... WASHER		1

ILLUSTRATION ITEMS NOT ON PARTS LIST ARE NOT APPLICABLE

- ITEM NOT ILLUSTRATED

HXL

32-51-01-01B

BOEING PROPRIETARY - Copyright © - Unpublished Work - See title page for details.

32-51-01  
FIG. 01B  
PAGE 4  
DEC 22/08





767

PARTS CATALOG (MAINTENANCE)

FIG ITEM	PART NUMBER	1 2 3 4 5 6 7	NOMENCLATURE	EFFECT FROM TO	UNITS PER ASSY
1B 170	BRH10A4	...	NUT SUPPLIER CODE: V52828 SPECIFICATION NUMBER: BACN10JC4 OPTIONAL PART: T6S428J V11815 96-048 V80539 VN303A048 V92215 RMLH9075-4W V72962 NS202101-048 V80539 H10-4BAC V15653		1
175	BACB28Y4C107	...	BUSHING		1
180	69B81297-7	...	KNOB ASSY- MISCELLANEOUS DATA: NOT AN INITIAL PROVISIONING SPARE		1
185	257T4119-2	...	PLUG-BUTTON		1
190	257T4167-1	...	HANDLE		1
195	BACB28AK12-037	..	BUSHING		1
200	257T4165-1	..	INDICATOR ASSY- COMPONENT MAINT MANUAL REF: 32-51-02		1
205	HL1012AZ5-8	..	BOLT SUPPLIER CODE: V60516 SPECIFICATION NUMBER: BACB30NX5HK8		1
210	BRH10C08D	..	NUT- SUPPLIER CODE: V52828 SPECIFICATION NUMBER: BACN10JC08CD OPTIONAL PART: H51650-08BAC V15653 102LH9075-82W V72962 NS202486-82 V80539 T6C832JCD V11815		1

ILLUSTRATION ITEMS NOT ON PARTS LIST ARE NOT APPLICABLE

- ITEM NOT ILLUSTRATED

HXL

32-51-01-01B

BOEING PROPRIETARY - Copyright © - Unpublished Work - See title page for details.

32-51-01  
FIG. 01B  
PAGE 5  
DEC 22/08



767

PARTS CATALOG (MAINTENANCE)

FIG ITEM	PART NUMBER	1 2 3 4 5 6 7	NOMENCLATURE	EFFECT FROM TO	UNITS PER ASSY
1B					
215	257T4159-1	..	GEAR-PLANET COMPONENT MAINT MANUAL REF: 32-51-02		1
220	257T4158-1	..	BUSHING- COMPONENT MAINT MANUAL REF: 32-51-02		1
225	257T4155-1	..	LINK- COMPONENT MAINT MANUAL REF: 32-51-02		1
230	257T4162-1	..	HOUSING ASSY-BRG COMPONENT MAINT MANUAL REF: 32-51-02		1
235	BRH10A6	...	NUT SUPPLIER CODE: V52828 SPECIFICATION NUMBER: BACN10JC6 OPTIONAL PART: 96-064 V80539 RMLH9075-6 V72962 H10-6BAC V15653		1
240	AN960PD416	...	WASHER		1
245	257T4117-2	..	SHAFT ASSY-TORQUE MISCELLANEOUS DATA: NOT A PROVISIONING SPARE COMPONENT MAINT MANUAL REF: 32-51-02 ATTACHING PARTS		1
- 250	NAS1351-3H6P	..	SCREW -----*-----		3

ILLUSTRATION ITEMS NOT ON PARTS LIST ARE NOT APPLICABLE

- ITEM NOT ILLUSTRATED

HXL

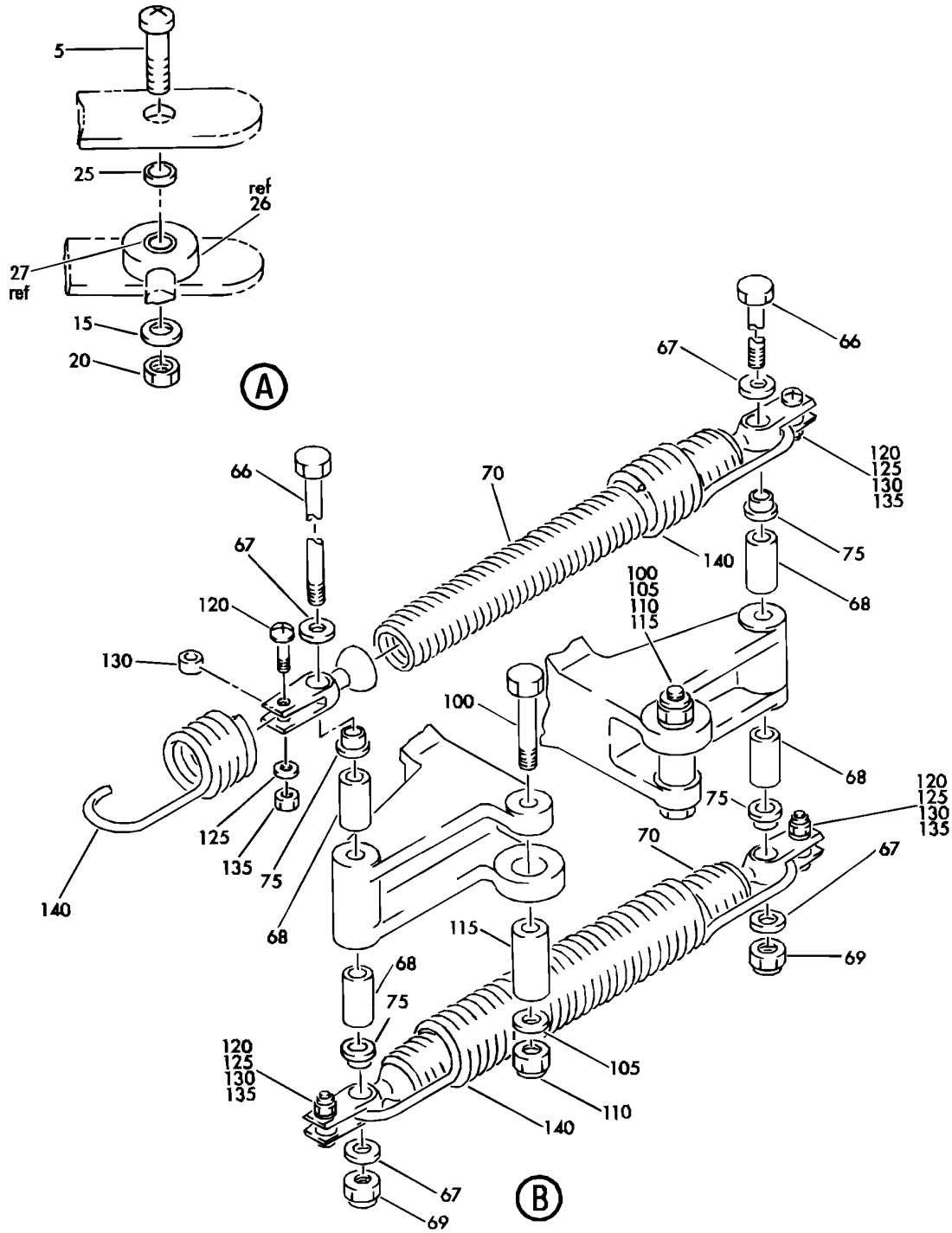
32-51-01-01B

BOEING PROPRIETARY - Copyright © - Unpublished Work - See title page for details.

32-51-01  
FIG. 01B  
PAGE 6  
DEC 22/08



**BOEING**  
767  
PARTS CATALOG (MAINTENANCE)



V 32510201 SH1 2 REV 241

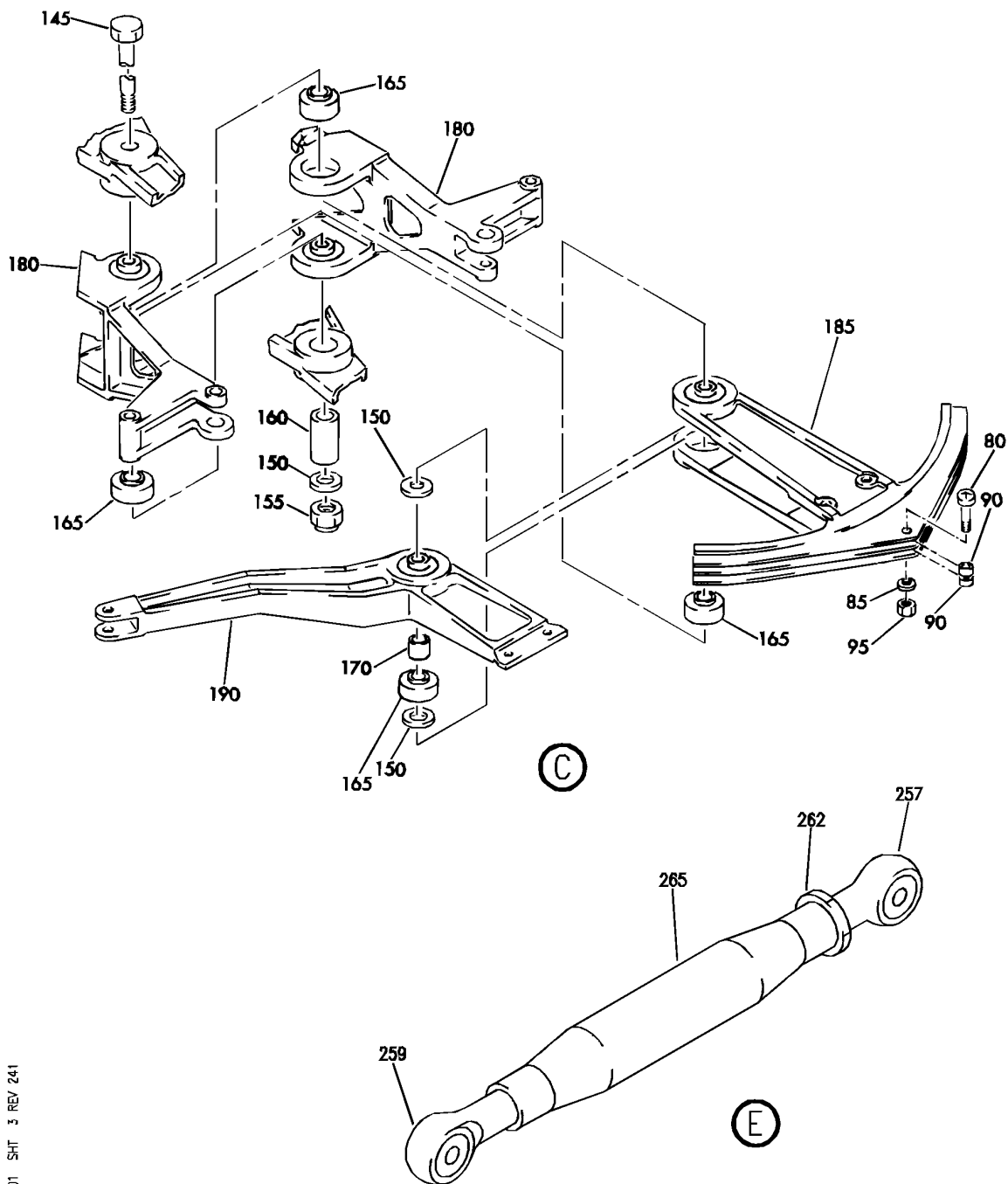
MECHANISM INSTL-CTR SPR AND RUD INTERCONNECT NWS  
FIGURE 1 (SHEET 2)

# 32-51-02-01

HXL  
DEC 22/06

32-51-02-01  
PAGE 0A

**BOEING**  
767  
PARTS CATALOG (MAINTENANCE)



V 32510201 SHT 3 REV 241

MECHANISM INSTL-CTR SPR AND RUD INTERCONNECT NWS  
FIGURE 1 (SHEET 3)

**32-51-02-01**

HXL  
DEC 22/06

32-51-02-01  
PAGE 0B



767

PARTS CATALOG (MAINTENANCE)

FIG ITEM	PART NUMBER	1 2 3 4 5 6 7	NOMENCLATURE	EFFECT FROM TO	UNITS PER ASSY
1			MECHANISM INSTL-CTR SPR AND RUD INTERCONNECT NWS		
- 1	257T4200-1		MECHANISM INSTL-CTR SPR AND RUD INTERCONNECT NOSE WHL STEERING FOR NHA SEE: 32-51-60-01		RF
5	NAS623-3-13		.SCREW		1
10	NAS623-3-11		.SCREW-		1
15	AN960PD10		.WASHER-		2
20	BRH10A3		.NUT-		2
			SUPPLIER CODE: V52828		
			SPECIFICATION NUMBER: BACN10JC3		
			OPTIONAL PART: H10-3BAC V15653 NS202101-02 V80539 RMLH9075-3W V72962 VN303A02 V92215 96-02 V80539 T6S1032J V11815		
25	BACB28Y3C018		.BUSHING-		1
			QUALIFIED OPTIONAL DATA: OPT 257T4216-1 USED WITH BACB28Y3C025 USED WITH: 251T0100-201		
25	BACB28Y3C025		.BUSHING-		1
			QUALIFIED OPTIONAL DATA: OPT 251T0100-201 USED WITH BACB28Y3C018 USED WITH: 257T4216-1		

ILLUSTRATION ITEMS NOT ON PARTS LIST ARE NOT APPLICABLE

- ITEM NOT ILLUSTRATED

HXL

32-51-02-01

BOEING PROPRIETARY - Copyright © - Unpublished Work - See title page for details.

32-51-02  
FIG. 01  
PAGE 1  
DEC 22/07



767

PARTS CATALOG (MAINTENANCE)

FIG ITEM	PART NUMBER	1 2 3 4 5 6 7	NOMENCLATURE	EFFECT FROM TO	UNITS PER ASSY
1	26 251T0100-201		.ROD ASSY- MISCELLANEOUS DATA: FOR SPARES PROCURE LOWER COMPONENTS COMPONENT MAINT MANUAL REF: 27-00-11 QUALIFIED I/W DATA: 251T0100-201 T/W BACB28Y3C018 OPT TO 257T4216-1 T/W BACB28Y3C025 QUALIFIED OPTIONAL DATA: (OPT 257T4216-1 USED WITH BACB28Y3C025) USED WITH: BACB28Y3C018		1
	27 REP3M6AFS428		..BEARING- SUPPLIER CODE: V73134 SPECIFICATION NUMBER: BACB10AD4 OPTIONAL PART: HHRE3M6A1 V38443 REP3M6AE6531 V21335 ABR3M3G VS0352 REP3M6CP62 VF0222 REP3M6AFS428 V21335 ABR3M110 VS0352 REB3M6-21-2R V92563 DBM3-6B1-501 V77896 ABRM3B V15860 REP3M6-3J V73134		1
	28 AN316-6R		..NUT		1

ILLUSTRATION ITEMS NOT ON PARTS LIST ARE NOT APPLICABLE

- ITEM NOT ILLUSTRATED

HXL

32-51-02-01

BOEING PROPRIETARY - Copyright © - Unpublished Work - See title page for details.

32-51-02  
FIG. 01  
PAGE 2  
DEC 22/08



767

PARTS CATALOG (MAINTENANCE)

FIG ITEM	PART NUMBER	1 2 3 4 5 6 7	NOMENCLATURE	EFFECT FROM TO	UNITS PER ASSY
1	29 257T4216-1		.ROD ASSY- QUALIFIED I/W DATA: 251T0100-201 T/W BACB28Y3C018 OPT TO 257T4216-1 T/W BACB28Y3C025 QUALIFIED OPTIONAL DATA: (OPT 251T0100-201 USED WITH BACB28Y3C018) USED WITH: BACB28Y3C025		1
	30 REP3H5FS436		..BEARING SUPPLIER CODE: V73134 SPECIFICATION NUMBER: BACB10AE8A OPTIONAL PART: ABR3H101 VS0352 HHRE3H5-1 V38443 REP3H5E9171A V21335 REP3H5-2 V38443 REP3H5FS436 V21335 REB3HE4-14 V92563 DBH3-7A1-502 V73134 DBH3-7A1-502 V77896 ABR3H101B V15860 REP3HE4-008J V73134 ATTACHING PARTS		1
-	31 BACR15FT4KE		..RIVET- SIZE DETERMINED ON INSTL. -----*-----		2
	32 257T4217-1		..EXTENDER ASSY		1

ILLUSTRATION ITEMS NOT ON PARTS LIST ARE NOT APPLICABLE

- ITEM NOT ILLUSTRATED

32-51-02-01

32-51-02  
FIG. 01  
PAGE 3  
DEC 22/08

HXL



**BOEING**  
767  
**PARTS CATALOG (MAINTENANCE)**

FIG ITEM	PART NUMBER	1 2 3 4 5 6 7	NOMENCLATURE	EFFECT FROM TO	UNITS PER ASSY
1	33 REP3N2FS428		. . . BEARING SUPPLIER CODE: V73134 SPECIFICATION NUMBER: BACB10AE3 OPTIONAL PART: REPB3N2FS428 V21335 REPB3N2-3 V38443 REPB3N2E9171 V21335 HHREB3N2-1 V38443 ABR3F2G VS0352 DBF3-5B1-501 V77896 ABR3F108 VS0352 ABR3F2B V15860 REB3F5-12 V92563 DBF3-5B1-501 V73134 REP3F5-2J V73134 ATTACHING PARTS		1
-	34 MS206154M		. . . RIVET -----*-----		1
	35 257T4217-2		. . . EXTENDER		1
	36 257T4218-1		.. SLEEVE		1
	37 BACB30NF4-10		.. BOLT		1
	38 AN960PD416L		.. WASHER		1

ILLUSTRATION ITEMS NOT ON PARTS LIST ARE NOT APPLICABLE

- ITEM NOT ILLUSTRATED

HXL

# 32-51-02-01

BOEING PROPRIETARY - Copyright © - Unpublished Work - See title page for details.

32-51-02  
FIG. 01  
PAGE 4  
APR 22/09

 **BOEING**  
767  
**PARTS CATALOG (MAINTENANCE)**

FIG ITEM	PART NUMBER	1 2 3 4 5 6 7	NOMENCLATURE	EFFECT FROM TO	UNITS PER ASSY
1					
39	BRH10A4		..NUT- SUPPLIER CODE: V52828 SPECIFICATION NUMBER: BACN10JC4 OPTIONAL PART: T6S428J V11815 96-048 V80539 VN303A048 V92215 RMLH9075-4W V72962 NS202101-048 V80539 H10-4BAC V15653		1
40	257T4219-1		..COLLAR ATTACHING PARTS		1
- 41	NAS1398D4A2		..RIVET -----*-----		4
42	251T0101-149		..TUBE		1
50	257T4200-5		.MECHANISM ASSY- COMPONENT MAINT MANUAL REF: 32-51-30		1
50	257T4200-10		.MECHANISM ASSY- COMPONENT MAINT MANUAL REF: 32-51-30 ATTACHING PARTS		1
- 55	BACB30NF4-6		.BOLT-		4
- 60	AN960PD416		.WASHER-		4

ILLUSTRATION ITEMS NOT ON PARTS LIST ARE NOT APPLICABLE

- ITEM NOT ILLUSTRATED

HXL

# 32-51-02-01

BOEING PROPRIETARY - Copyright © - Unpublished Work - See title page for details.

32-51-02  
FIG. 01  
PAGE 5  
DEC 22/07



767

PARTS CATALOG (MAINTENANCE)

FIG ITEM	PART NUMBER	1 2 3 4 5 6 7	NOMENCLATURE	EFFECT FROM TO	UNITS PER ASSY
1 - 65	BRH10A4		.NUT- SUPPLIER CODE: V52828 SPECIFICATION NUMBER: BACN10JC4 OPTIONAL PART: T6S428J V11815 96-048 V80539 VN303A048 V92215 RMLH9075-4W V72962 NS202101-048 V80539 H10-4BAC V15653 -----*-----		4
66	BACB30NF4-60		..BOLT		2
67	AN960XC416		..WASHER- USED ON: 257T4200-5 257T4200-7		4
67	NAS1149C0463B		..WASHER- USED ON: 257T4200-10 257T4200-11		4
68	NAS43DD4-50		..SPACER- USED ON: 257T4200-5 257T4200-7		4
68	NAS43DD4-50FC		..SPACER- USED ON: 257T4200-10 257T4200-11		4

ILLUSTRATION ITEMS NOT ON PARTS LIST ARE NOT APPLICABLE

- ITEM NOT ILLUSTRATED

HXL

32-51-02-01

BOEING PROPRIETARY - Copyright © - Unpublished Work - See title page for details.

32-51-02  
FIG. 01  
PAGE 6  
DEC 22/07



767

PARTS CATALOG (MAINTENANCE)

FIG ITEM	PART NUMBER	1 2 3 4 5 6 7	NOMENCLATURE	EFFECT FROM TO	UNITS PER ASSY
1	69 BRH10A4		..NUT- SUPPLIER CODE: V52828 SPECIFICATION NUMBER: BACN10JC4 OPTIONAL PART: T6S428J V11815 96-048 V80539 VN303A048 V92215 RMLH9075-4W V72962 NS202101-048 V80539 H10-4BAC V15653 USED ON: 257T4200-5 257T4200-7		2
	69 BRH10C4D		..NUT- SUPPLIER CODE: V52828 SPECIFICATION NUMBER: BACN10JC4CD OPTIONAL PART: T6C428JCD V11815 NS202486-048 V80539 102LH9075-4W V72962 H51650-4BAC V15653 USED ON: 257T4200-10 257T4200-11		2
	70 257T4212-1		.. SPRING ASSY		2
	75 BACB28X4M036		.. BUSHING		4
	80 NAS623-3-10		.. SCREW		1
	85 AN960PD10		.. WASHER- USED ON: 257T4200-5 257T4200-7		1
	85 NAS1149D0363J		.. WASHER- USED ON: 257T4200-10 257T4200-11		1

ILLUSTRATION ITEMS NOT ON PARTS LIST ARE NOT APPLICABLE

- ITEM NOT ILLUSTRATED

32-51-02-01

32-51-02  
 FIG. 01  
 PAGE 7  
 DEC 22/07

HXL



767

PARTS CATALOG (MAINTENANCE)

FIG ITEM	PART NUMBER	1 2 3 4 5 6 7	NOMENCLATURE	EFFECT FROM TO	UNITS PER ASSY
1	90 NAS42DD6-13		.. SPACER- USED ON: 257T4200-5 257T4200-7		2
	90 NAS42DD6-13FC		.. SPACER- USED ON: 257T4200-10 257T4200-11		2
	95 BRH10A3		.. NUT- SUPPLIER CODE: V52828 SPECIFICATION NUMBER: BACN10JC3 OPTIONAL PART: H10-3BAC V15653 NS202101-02 V80539 RMLH9075-3W V72962 VN303A02 V92215 96-02 V80539 T6S1032J V11815 USED ON: 257T4200-5 257T4200-7		1
	95 BRH10C3D		.. NUT- SUPPLIER CODE: V52828 SPECIFICATION NUMBER: BACN10JC3CD OPTIONAL PART: T6C1032JCD V11815 NS202486-02 V80539 102LH9075-3W V72962 H51650-3BAC V15653 USED ON: 257T4200-10 257T4200-11		1
	100 BACB30NF4-22		.. BOLT		2

ILLUSTRATION ITEMS NOT ON PARTS LIST ARE NOT APPLICABLE

- ITEM NOT ILLUSTRATED

HXL

32-51-02-01

BOEING PROPRIETARY - Copyright © - Unpublished Work - See title page for details.

32-51-02  
FIG. 01  
PAGE 8  
DEC 22/07



767

PARTS CATALOG (MAINTENANCE)

FIG ITEM	PART NUMBER	1 2 3 4 5 6 7	NOMENCLATURE	EFFECT FROM TO	UNITS PER ASSY
1					
105	AN960PD416		.. WASHER- USED ON: 257T4200-5 257T4200-7		2
105	NAS1149D0463J		.. WASHER- USED ON: 257T4200-10 257T4200-11		2
110	BRH10A4		.. NUT- SUPPLIER CODE: V52828 SPECIFICATION NUMBER: BACN10JC4 OPTIONAL PART: T6S428J V11815 96-048 V80539 VN303A048 V92215 RMLH9075-4W V72962 NS202101-048 V80539 H10-4BAC V15653 USED ON: 257T4200-5 257T4200-7		2
110	BRH10C4D		.. NUT- SUPPLIER CODE: V52828 SPECIFICATION NUMBER: BACN10JC4CD OPTIONAL PART: T6C428JCD V11815 NS202486-048 V80539 102LH9075-4W V72962 H51650-4BAC V15653 USED ON: 257T4200-10 257T4200-11		2
115	BACB28Z4-110		.. BUSHING		2
120	NAS623-2-6		.. SCREW		4

ILLUSTRATION ITEMS NOT ON PARTS LIST ARE NOT APPLICABLE

- ITEM NOT ILLUSTRATED

32-51-02-01

32-51-02  
FIG. 01  
PAGE 9  
DEC 22/07

HXL

BOEING PROPRIETARY - Copyright © - Unpublished Work - See title page for details.



767

PARTS CATALOG (MAINTENANCE)

FIG ITEM	PART NUMBER	1 2 3 4 5 6 7	NOMENCLATURE	EFFECT FROM TO	UNITS PER ASSY
1					
125	AN960PD8		.. WASHER- USED ON: 257T4200-5 257T4200-7		4
125	NAS1149DN832J		.. WASHER- USED ON: 257T4200-10 257T4200-11		4
130	NAS43DD3-13		.. SPACER- USED ON: 257T4200-5 257T4200-7		4
130	NAS43DD3-13FC		.. SPACER- USED ON: 257T4200-10 257T4200-11		4
135	BRH10A08		.. NUT- SUPPLIER CODE: V52828 SPECIFICATION NUMBER: BACN10JC08 OPTIONAL PART: H10-08BAC V15653 NS202101-82 V80539 RMLH9075-82W V72962 VN303A82 V92215 96-82 V80539 T6S832J V11815 USED ON: 257T4200-5 257T4200-7		4
ILLUSTRATION ITEMS NOT ON PARTS LIST ARE NOT APPLICABLE					

- ITEM NOT ILLUSTRATED

HXL

32-51-02-01

BOEING PROPRIETARY - Copyright © - Unpublished Work - See title page for details.

32-51-02  
FIG. 01  
PAGE 10  
DEC 22/08



767

PARTS CATALOG (MAINTENANCE)

FIG ITEM	PART NUMBER	1 2 3 4 5 6 7	NOMENCLATURE	EFFECT FROM TO	UNITS PER ASSY
1 135	BRH10C08D		..NUT- SUPPLIER CODE: V52828 SPECIFICATION NUMBER: BACN10JC08CD OPTIONAL PART: H51650-08BAC V15653 102LH9075-82W V72962 NS202486-82 V80539 T6C832JCD V11815 USED ON: 257T4200-10 257T4200-11		4
140	257T4211-1		..SPRING-		2
145	BACB30NF8-98		..BOLT- OPTIONAL PART: BACB30NR8K98		1
145	BACB30NR8K98		..BOLT- OPTIONAL PART: BACB30NF8-98		1
150	AN960-816		..WASHER- USED ON: 257T4200-5 257T4200-7		3
150	NAS1149F0863P		..WASHER- USED ON: 257T4200-10 257T4200-11		3
155	BMN4122AD3-8		..NUT- SUPPLIER CODE: V97928 SPECIFICATION NUMBER: BACN10JC8 OPTIONAL PART: BMN4122A8 V85495 H10-8BAC V15653 RMLH9074-8 V72962 48FT820 V56878 USED ON: 257T4200-5 257T4200-7		1

ILLUSTRATION ITEMS NOT ON PARTS LIST ARE NOT APPLICABLE

- ITEM NOT ILLUSTRATED

32-51-02-01

32-51-02  
 FIG. 01  
 PAGE 11  
 DEC 22/08

HXL





767

PARTS CATALOG (MAINTENANCE)

FIG ITEM	PART NUMBER	1 2 3 4 5 6 7	NOMENCLATURE	EFFECT FROM TO	UNITS PER ASSY
1 155	69235-820CD	..	NUT- SUPPLIER CODE: V92215 SPECIFICATION NUMBER: BACN10JC8CD OPTIONAL PART: 102LH9074-8 V72962 BMN4122CPD8-8 V97928 H51650-8BAC V15653 USED ON: 257T4200-10 257T4200-11		1
160	BACB28AK08-144	..	BUSHING		1
165	KP8AFS428	..	BEARING- SUPPLIER CODE: V06144 SPECIFICATION NUMBER: BACB10BX8 OPTIONAL PART: KP8AFS428 V21335 KP8A2TS V43991 LLKP8A V38443 KP8AG27 V30163 KP8A V38443 KP8BSD610 V83086 CS208E VK8455 KP8A V21760 KP8ANJC V06144 KP8ALY196 V40920 USED ON: 257T4200-5 257T4200-7		4
165	BACB28Y3C018	..	BUSHING- USED ON: 257T4200-10 257T4200-11		4

ILLUSTRATION ITEMS NOT ON PARTS LIST ARE NOT APPLICABLE

- ITEM NOT ILLUSTRATED

32-51-02-01

32-51-02  
FIG. 01  
PAGE 12  
APR 22/09

HXL



767

PARTS CATALOG (MAINTENANCE)

FIG ITEM	PART NUMBER	1 2 3 4 5 6 7	NOMENCLATURE	EFFECT FROM TO	UNITS PER ASSY
1					
170	NAS43HT8-33		.. SPACER		1
175	257T4204-3		.. HOUSING ASSY- USED ON: 257T4200-5 257T4200-7		1
175	257T4204-5		.. HOUSING ASSY- USED ON: 257T4200-10 257T4200-11		1
180	257T4202-4		.. ARM ASSY-SPR		2
185	257T4201-4		.. QUADRANT ASSY		1
190	257T4203-4		.. ARM ASSY-INPUT		1
ILLUSTRATION ITEMS NOT ON PARTS LIST ARE NOT APPLICABLE					

- ITEM NOT ILLUSTRATED

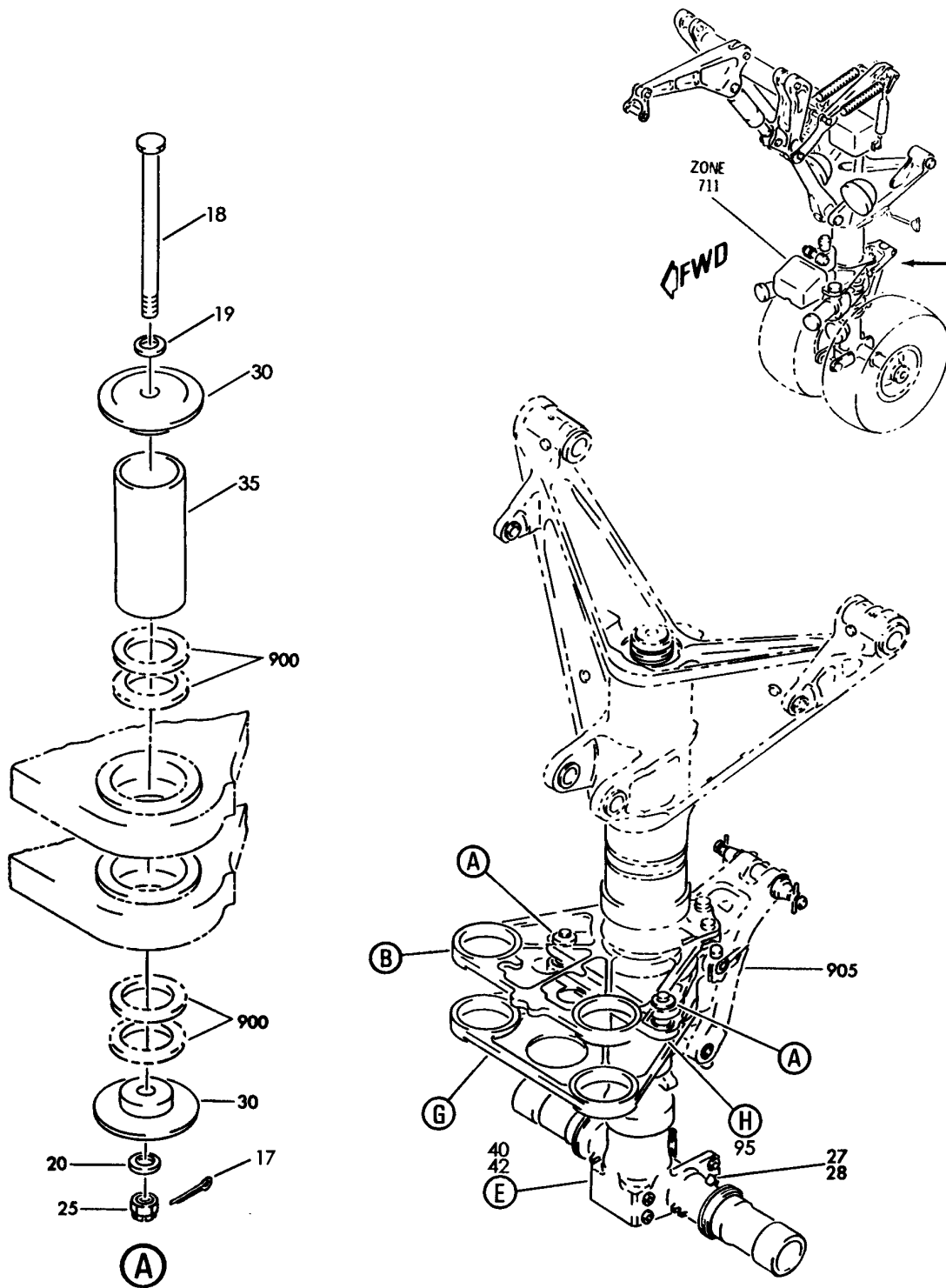
HXL

32-51-02-01

BOEING PROPRIETARY - Copyright © - Unpublished Work - See title page for details.

32-51-02  
FIG. 01  
PAGE 13  
APR 22/09

**BOEING**  
767  
PARTS CATALOG (MAINTENANCE)



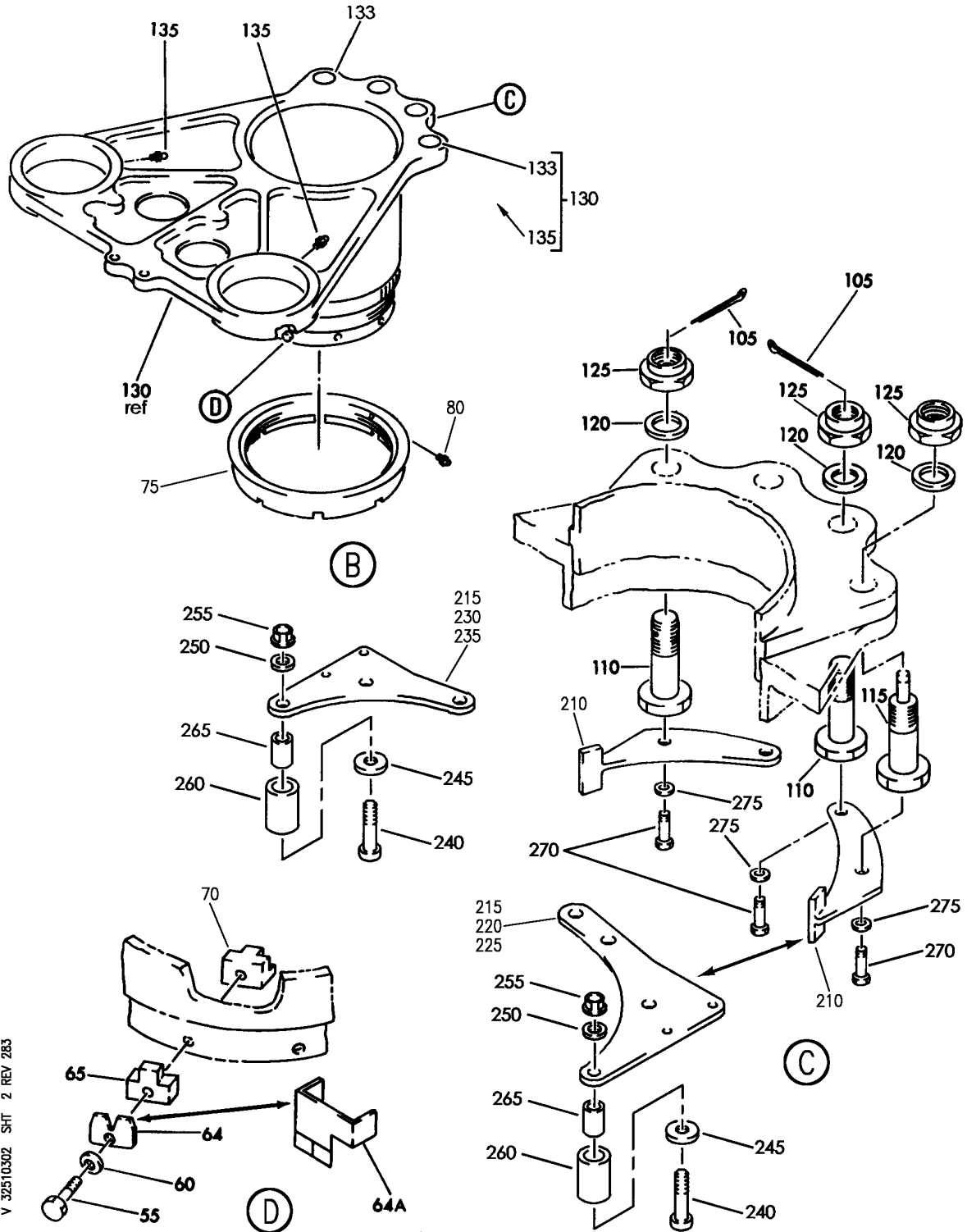
COMPONENT ASSY-NLG (STEERING ONLY)  
FIGURE 2 (SHEET 1)

**32-51-03-02**

HXL  
DEC 22/06

32-51-03-02  
PAGE 0


**BOEING**  
 767  
**PARTS CATALOG (MAINTENANCE)**



V 32510302 SHT 2 REV 283

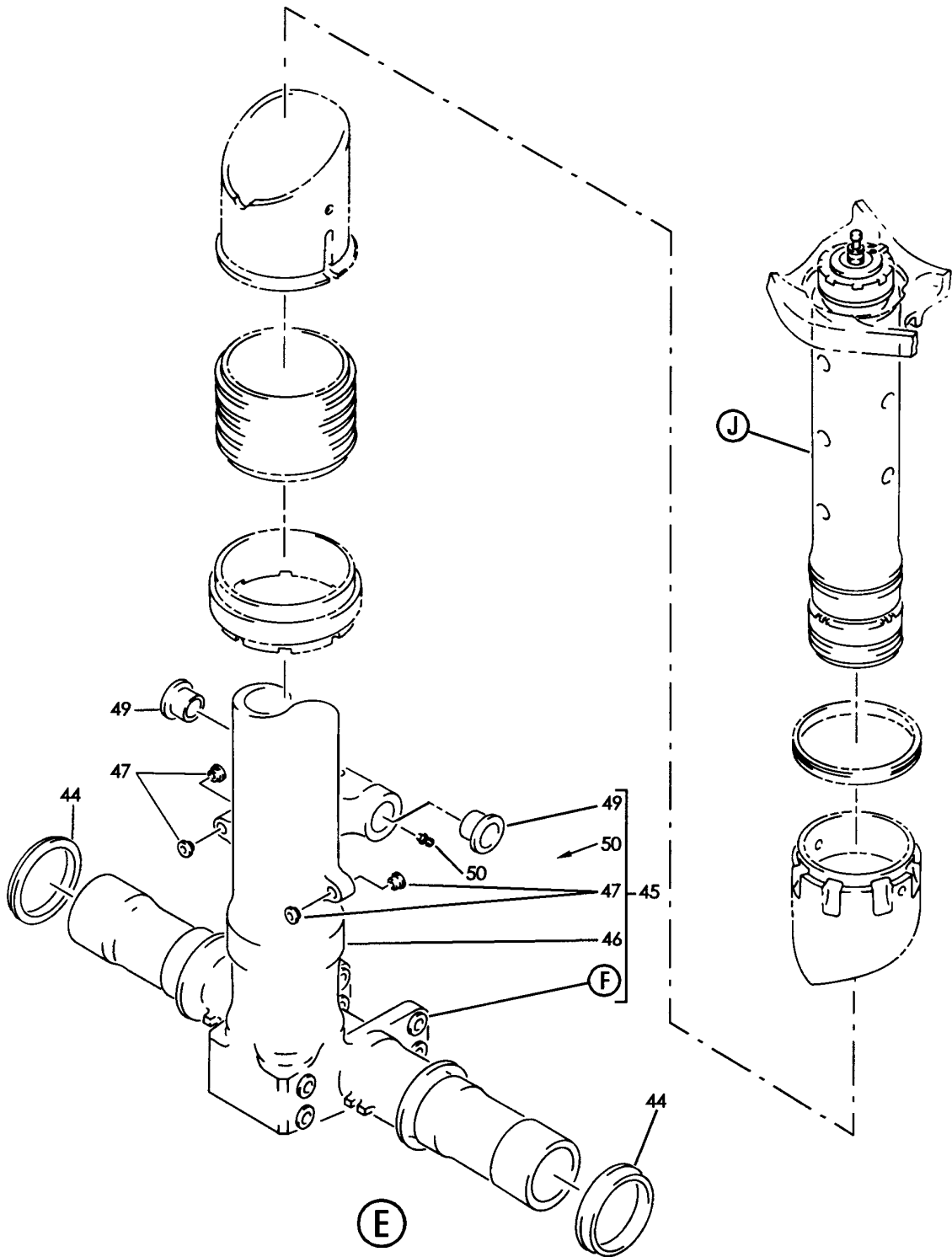
COMPONENT ASSY-NLG (STEERING ONLY)  
 FIGURE 2 (SHEET 2)

**32-51-03-02**

HXL  
DEC 22/06

32-51-03-02  
 PAGE 0A

**BOEING**  
767  
PARTS CATALOG (MAINTENANCE)



V 32510302 SHT 3 REV 212

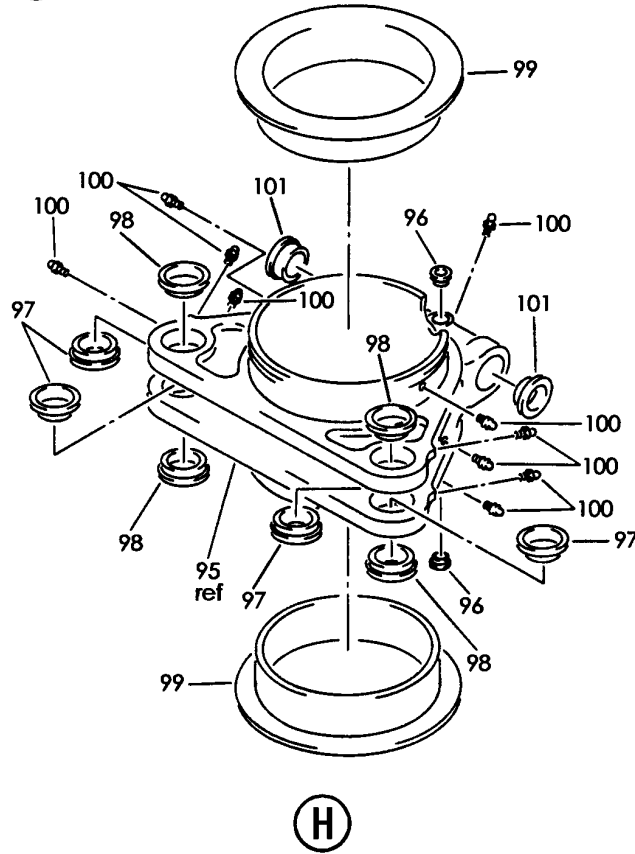
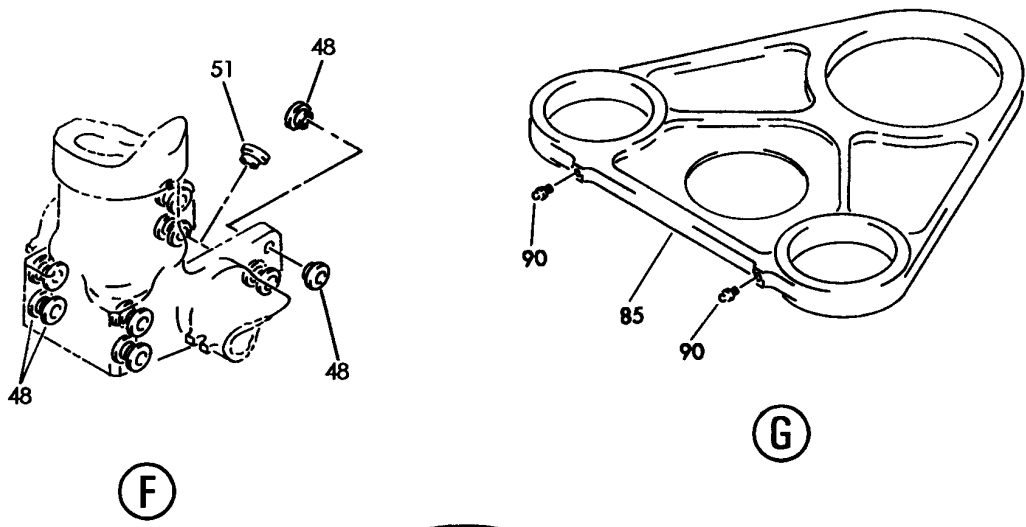
COMPONENT ASSY-NLG (STEERING ONLY)  
FIGURE 2 (SHEET 3)

**32-51-03-02**

HXL  
DEC 22/06

32-51-03-02  
PAGE 0B

**BOEING**  
767  
PARTS CATALOG (MAINTENANCE)



V 32510302 SHT 4 REV 212

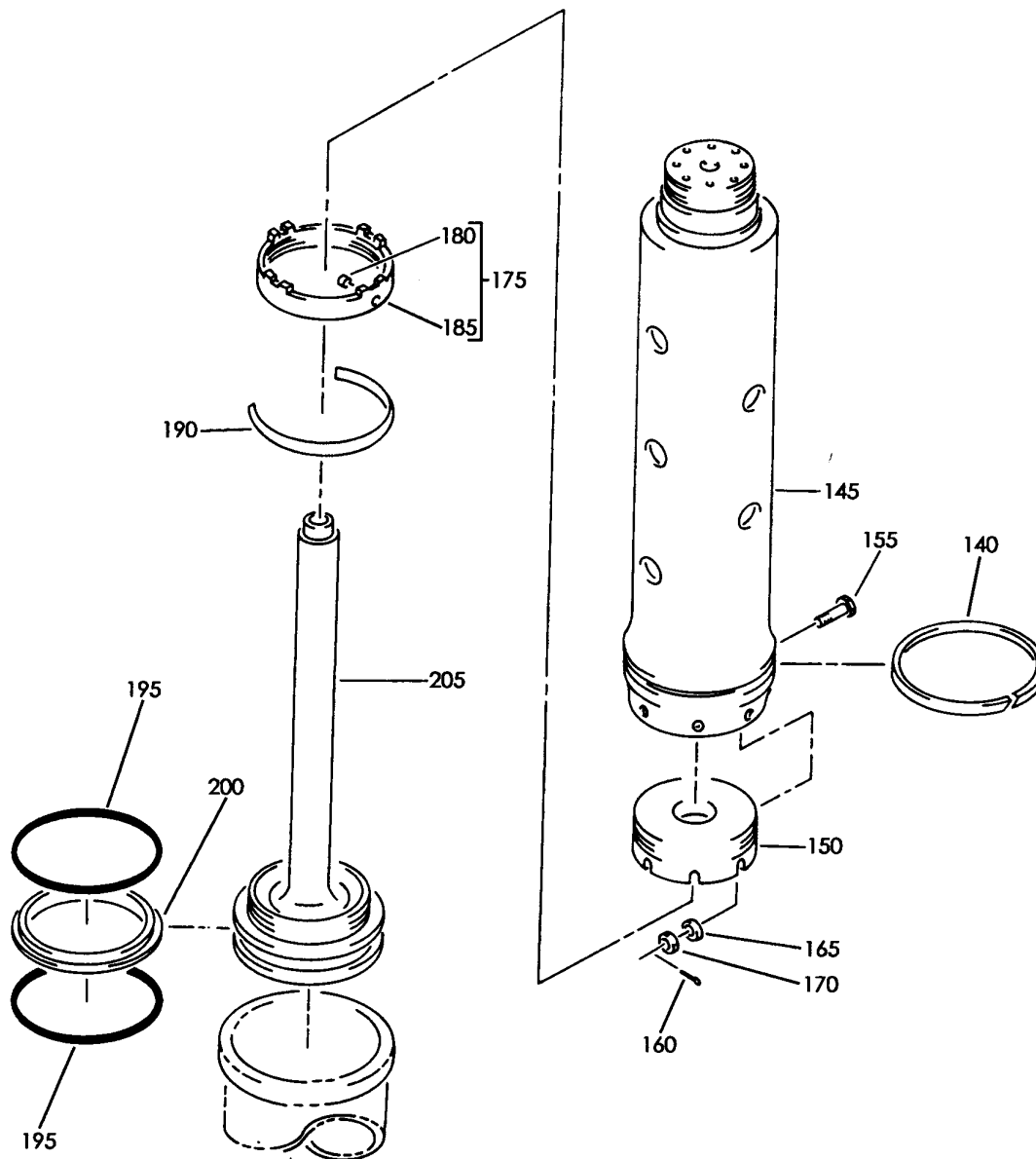
COMPONENT ASSY-NLG (STEERING ONLY)  
FIGURE 2 (SHEET 4)

**32-51-03-02**

HXL  
DEC 22/06

32-51-03-02  
PAGE 0C

**BOEING**  
767  
PARTS CATALOG (MAINTENANCE)



V 32510302 SHT 5 REV 212

J

COMPONENT ASSY-NLG (STEERING ONLY)  
FIGURE 2 (SHEET 5)

**32-51-03-02**

HXL  
DEC 22/06

32-51-03-02  
PAGE 0D



767

PARTS CATALOG (MAINTENANCE)

FIG ITEM	PART NUMBER	1 2 3 4 5 6 7	NOMENCLATURE	EFFECT FROM TO	UNITS PER ASSY
2			COMPONENT ASSY-NLG (STEERING ONLY)		
- 2	162T1136-004		COMPONENT ASSY-NLG (STEERING ONLY) MISCELLANEOUS DATA: FOR SPARES PROCURE LOWER COMPONENTS COMPONENT MAINT MANUAL REF: 32-21-47 QUALIFIED I/W DATA: 162T1136-004 OR -008 T/W 2EA 162T1621-1, 2EA 162T1622-1 AND ATTACHING HARDWARE MAY REPLACE -001 OR -004 T/W 2EA 162T1602-1, 2EA 162T1603-1, 4EA NAS6705-7, 4EA BACW10BP5APU AND 4EA BACN10JC5, FOR CUST. NOT USING TPIS WITH CUST. APPROVAL. CUSTOMER USING TPIS MUST USE 162T1136-004 OR -008. 162T1136-075,-074,-070, -068, -038, -030, -020, -017, -012, -008 OR -004 WITH QUICK DISCONNECT (QD) FEATURE IS I/W 162T1136-073, -040, -021 WITHOUT QD FEATURE AND INCLUDES IMPROVED NOSE GEAR STEERING ANGLE INDICATOR WITH CUSTOMER APPROVAL 162T1136-075,-074,-070, -068, -038, -030, -020, -017, -012, -008 OR -004 WITH QUICK DISCONNECT (QD) FEATURE IS I/W 162T1136-072,-035,-033, -022, -019, -018, -014, OR -013 WITHOUT QD FEATURE WITH CUSTOMER APPROVAL FOR NHA/OTHER SYS DET SEE: 32-21-01-01		RF
ILLUSTRATION ITEMS NOT ON PARTS LIST ARE NOT APPLICABLE					

- ITEM NOT ILLUSTRATED

32-51-03-02

32-51-03  
FIG. 02  
PAGE 1  
DEC 22/06

HXL





767

PARTS CATALOG (MAINTENANCE)

FIG ITEM	PART NUMBER	1 2 3 4 5 6 7 NOMENCLATURE	EFFECT FROM TO	UNITS PER ASSY
2 - 2	162T1136-008	COMPONENT ASSY-NLG (STEERING ONLY) MISCELLANEOUS DATA: FOR SPARES PROCURE LOWER COMPONENTS COMPONENT MAINT MANUAL REF: 32-21-47 QUALIFIED I/W DATA: -013 MAY REPLACE -008 FOR VN221-VN230 162T1136-075,-074,-070, -068, -038, -030, -020, -017, -012, -008 OR -004 WITH QUICK DISCONNECT (QD) FEATURE IS I/W 162T1136-073, -040, -021 WITHOUT QD FEATURE AND INCLUDES IMPROVED NOSE GEAR STEERING ANGLE INDICATOR WITH CUSTOMER APPROVAL 162T1136-075,-074,-070, -068, -038, -030, -020, -017, -012, -008 OR -004 WITH QUICK DISCONNECT (QD) FEATURE IS I/W 162T1136-072,-035,-033, -022, -019, -018, -014 OR -013 WITHOUT QD FEATURE WITH CUSTOMER APPROVAL FOR NHA/OTHER SYS DET SEE: 32-21-01-01		RF

ILLUSTRATION ITEMS NOT ON PARTS LIST ARE NOT APPLICABLE

- ITEM NOT ILLUSTRATED

HXL

32-51-03-02

BOEING PROPRIETARY - Copyright © - Unpublished Work - See title page for details.

32-51-03  
 FIG. 02  
 PAGE 2  
 DEC 22/06



767

PARTS CATALOG (MAINTENANCE)

FIG ITEM	PART NUMBER	1 2 3 4 5 6 7 NOMENCLATURE	EFFECT FROM TO	UNITS PER ASSY
2 - 2	162T1136-012	COMPONENT ASSY-NLG (STEERING ONLY) MISCELLANEOUS DATA: FOR SPARES PROCURE LOWER COMPONENTS COMPONENT MAINT MANUAL REF: 32-21-47 QUALIFIED I/W DATA: 162T1136-075, -074, -070, -068, -038, -030, -020, -017, -012, -008 OR -004 WITH QUICK DISCONNECT (QD) FEATURE IS I/W 162T1136-073, -040, -021 WITHOUT QD FEATURE AND INCLUDES IMPROVED NOSE GEAR STEERING ANGLE INDICATOR WITH CUSTOMER APPROVAL 162T1136-075, -074, -070, -068, -038, -030, -020, -017, -012, -008 OR -004 WITH QUICK DISCONNECT (QD) FEATURE IS I/W 162T1136-072, -035, -033, -022, -019, -018, -014, OR -013 WITHOUT QD FEATURE WITH CUSTOMER APPROVAL FOR NHA/OTHER SYS DET SEE: 32-21-01-01		RF

ILLUSTRATION ITEMS NOT ON PARTS LIST ARE NOT APPLICABLE

- ITEM NOT ILLUSTRATED

HXL

32-51-03-02

BOEING PROPRIETARY - Copyright © - Unpublished Work - See title page for details.

32-51-03  
 FIG. 02  
 PAGE 3  
 DEC 22/06



767

PARTS CATALOG (MAINTENANCE)

FIG ITEM	PART NUMBER	1 2 3 4 5 6 7 NOMENCLATURE	EFFECT FROM TO	UNITS PER ASSY
2 - 2	162T1136-013	COMPONENT ASSY-NLG (STEERING ONLY) MISCELLANEOUS DATA: FOR SPARES PROCURE LOWER COMPONENTS COMPONENT MAINT MANUAL REF: 32-21-47 QUALIFIED I/W DATA: 162T1136-072, -035, -033, -022, -019, -018, -014 OR -013 T/W 2 EA 162T1621-1, 2 EA 162T1622-1 WITHOUT QUICK DISCONNECT (QD) MAY REPLACE BUT NOT BE REPLACED BY 162T1136 -044, -041, -010, -006 OR -002 T/W 2 EA 162T1602-1, 2 EA 162T1603-1, 8 EA BACW10BP5APU, 4 EA NAS6705-7, 4 EA BACN10JC5 FOR CUSTOMERS NOT USING TIRE PRESSURE INDICATOR SYSTEM (TPIS) WITH CUSTOMER APPROVAL FOR NHA/OTHER SYS DET SEE: 32-21-01-01		RF

ILLUSTRATION ITEMS NOT ON PARTS LIST ARE NOT APPLICABLE

- ITEM NOT ILLUSTRATED

HXL

32-51-03-02

BOEING PROPRIETARY - Copyright © - Unpublished Work - See title page for details.

32-51-03  
 FIG. 02  
 PAGE 4  
 DEC 22/06



767

PARTS CATALOG (MAINTENANCE)

FIG ITEM	PART NUMBER	1 2 3 4 5 6 7 NOMENCLATURE	EFFECT FROM TO	UNITS PER ASSY
2 - 2	162T1136-014	COMPONENT ASSY-NLG (STEERING ONLY) MISCELLANEOUS DATA: FOR SPARES PROCURE LOWER COMPONENTS COMPONENT MAINT MANUAL REF: 32-21-47 QUALIFIED I/W DATA: -013 MAY REPLACE -008 FOR VN221-VN230 162T1136-075,074,-070, -068,-038,-030,-020, -017, -012, -008 OR -004 WITH QUICK DISCONNECT (QD) FEATURE IS CAN REPLACE AND BE REPLACED BY 162T1136-072, -035, -033, -022, -019, -018, -014 OR -013 WITHOUT (QD) FEATURE WITH CUSTOMER APPROVAL FOR NHA/OTHER SYS DET SEE: 32-21-01-01		RF

ILLUSTRATION ITEMS NOT ON PARTS LIST ARE NOT APPLICABLE

- ITEM NOT ILLUSTRATED

HXL

32-51-03-02

BOEING PROPRIETARY - Copyright © - Unpublished Work - See title page for details.

32-51-03  
FIG. 02  
PAGE 5  
DEC 22/06



767

PARTS CATALOG (MAINTENANCE)

FIG ITEM	PART NUMBER	1 2 3 4 5 6 7 NOMENCLATURE	EFFECT FROM TO	UNITS PER ASSY
2 - 2	162T1136-017	COMPONENT ASSY-NLG (STEERING ONLY) MISCELLANEOUS DATA: FOR SPARES PROCURE LOWER COMPONENTS COMPONENT MAINT MANUAL REF: 32-21-47 QUALIFIED I/W DATA: 162T1136-075, -074, -070, -068, -038, -030, -020, -017, -012, -008 OR -004 WITH QUICK DISCONNECT (QD) FEATURE IS I/W 162T1136-073, -040, -021 WITHOUT QD FEATURE AND INCLUDES IMPROVED NOSE GEAR STEERING ANGLE INDICATOR WITH CUSTOMER APPROVAL 162T1136-075, -074, -070, -068, -038, -030, -020, -017, -012, -008 OR -004 WITH QUICK DISCONNECT (QD) FEATURE IS I/W 162T11336-072, -035, -033, -022, -019, -018, -014 OR -013 WITHOUT QD FEATURE WITH CUSTOMER APPROVAL OPTIONAL PART: 162T1136-030 FOR NHA/OTHER SYS DET SEE: 32-21-01-01		RF

ILLUSTRATION ITEMS NOT ON PARTS LIST ARE NOT APPLICABLE

- ITEM NOT ILLUSTRATED

HXL

32-51-03-02

BOEING PROPRIETARY - Copyright © - Unpublished Work - See title page for details.

32-51-03  
 FIG. 02  
 PAGE 6  
 DEC 22/06



767

PARTS CATALOG (MAINTENANCE)

FIG ITEM	PART NUMBER	1 2 3 4 5 6 7	NOMENCLATURE	EFFECT FROM TO	UNITS PER ASSY
2	162T1136-018		COMPONENT ASSY-NLG (STEERING ONLY) MISCELLANEOUS DATA: FOR SPARES PROCURE LOWER COMPONENTS COMPONENT MAINT MANUAL REF: 32-21-47 QUALIFIED I/W DATA: 162T1136-075,-074,-070, -068,-038,-030,-017, -012,-008 OR -004 WITH QUICK DISCONNECT (QD) FEATURE IS I/W 162T1136-072,-035,-033, -022,-019,-018,-014 OR -013 WITHOUT QD FEATURE WITH CUSTOMER APPROVAL OPTIONAL PART: 162T1136-033 FOR NHA/OTHER SYS DET SEE: 32-21-01-01		RF
- 2	162T1136-019		COMPONENT ASSY-NLG (STEERING ONLY) MISCELLANEOUS DATA: FOR SPARES PROCURE LOWER COMPONENTS COMPONENT MAINT MANUAL REF: 32-21-47 QUALIFIED I/W DATA: 162T1136-075,-074,-070, -068,-038,-030,-017, -012,-008 OR -004 WITH QUICK DISCONNECT (QD) FEATURE IS I/W 162T1136 -072,-035,-033,-022, -019,-018,-014 OR -013 WITHOUT QD FEATURE WITH CUSTOMER APPROVAL OPTIONAL PART: 162T1136-035 FOR NHA/OTHER SYS DET SEE: 32-21-01-01		RF

ILLUSTRATION ITEMS NOT ON PARTS LIST ARE NOT APPLICABLE

- ITEM NOT ILLUSTRATED

HXL

32-51-03-02

BOEING PROPRIETARY - Copyright © - Unpublished Work - See title page for details.

32-51-03  
FIG. 02  
PAGE 7  
DEC 22/06



767

PARTS CATALOG (MAINTENANCE)

FIG ITEM	PART NUMBER	1 2 3 4 5 6 7 NOMENCLATURE	EFFECT FROM TO	UNITS PER ASSY
2 - 3	162T1136-020	COMPONENT ASSY-NLG (STEERING ONLY) MISCELLANEOUS DATA: FOR SPARES PROCURE LOWER COMPONENTS COMPONENT MAINT MANUAL REF: 32-21-47 QUALIFIED I/W DATA: 162T1136-075, -074, -070, -068, -038, -030, -020, -017, -012, -008 OR -004 WITH QUICK DISCONNECT (QD) FEATURE IS I/W 162T1136-073, -040, -021 WITHOUT QD FEATURE AND INCLUDES IMPROVED NOSE GEAR STEERING ANGLE INDICATOR WITH CUSTOMER APPROVAL OPTIONAL PART: 162T162T1136-038 FOR NHA/OTHER SYS DET SEE: 32-21-01-01		RF

ILLUSTRATION ITEMS NOT ON PARTS LIST ARE NOT APPLICABLE

- ITEM NOT ILLUSTRATED

HXL

32-51-03-02

BOEING PROPRIETARY - Copyright © - Unpublished Work - See title page for details.

32-51-03  
 FIG. 02  
 PAGE 8  
 DEC 22/06



767

PARTS CATALOG (MAINTENANCE)

FIG ITEM	PART NUMBER	1 2 3 4 5 6 7	NOMENCLATURE	EFFECT FROM TO	UNITS PER ASSY
2 -	3 162T1136-022		COMPONENT ASSY-NLG (STEERING ONLY) MISCELLANEOUS DATA: FOR SPARES PROCURE LOWER COMPONENTS COMPONENT MAINT MANUAL REF: 32-21-47 QUALIFIED I/W DATA: 162T1136-075,-070,-068, -038,-030,-017,-012, -008 OR -004 WITH QUICK DISCONNECT (QD) FEATURE IS I/W 162T1136-072, -035,-033,-022,-019, -018,-014 OR -013 WITHOUT QD FEATURE WITH CUSTOMER APPROVAL 162T1136-075,-070,-068, -038,-030,-017,-012, -008 OR -013 WITH QUICK DISCONNECT (QD) FEATURE IS I/W 162T1136-072, -035,-033,-022,-019, -018,-014 OR -013 WITHOUT QD FEATURE WITH CUSTOMER APPROVAL FOR NHA/OTHER SYS DET SEE: 32-21-01-01		RF
-	3 162T1136-030		COMPONENT ASSY-NLG (STEERING ONLY) MISCELLANEOUS DATA: FOR SPARES PROCURE LOWER COMPONENTS COMPONENT MAINT MANUAL REF: 32-21-47 QUALIFIED I/W DATA: 162T1136-075,-074,-070, -068,-038,-030,-020, -017,-012, -008 OR -004 WITH QUICK DISCONNECT (QD) FEATURE IS I/W 162T1136-072, -035, -033, -022, -019, -018, -014 OR -013 WITHOUT QD FEATURE WITH CUSTOMER APPROVAL FOR NHA/OTHER SYS DET SEE: 32-21-01-01		RF

ILLUSTRATION ITEMS NOT ON PARTS LIST ARE NOT APPLICABLE

- ITEM NOT ILLUSTRATED

32-51-03-02

32-51-03  
 FIG. 02  
 PAGE 9  
 DEC 22/06

HXL





767

PARTS CATALOG (MAINTENANCE)

FIG ITEM	PART NUMBER	1 2 3 4 5 6 7	NOMENCLATURE	EFFECT FROM TO	UNITS PER ASSY
2 -	3 162T1136-033		COMPONENT ASSY-NLG (STEERING ONLY) MISCELLANEOUS DATA: FOR SPARES PROCURE LOWER COMPONENTS COMPONENT MAINT MANUAL REF: 32-21-47 QUALIFIED I/W DATA: 162T1136-075,-074,-070, -068,-038,-030,-030, -017,-012,-008 OR -004 WITH QUICK DISCONNECT (QD) FEATURE IS I/W 162T1136-072, -035,-033,-022,-019, -018,-014 OR -013 WITHOUT QD FEATURE WITH CUSTOMER APPROVAL OPTIONAL PART: 162T1136-018 FOR NHA/OTHER SYS DET SEE: 32-21-01-01		RF
-	3 162T1136-035		COMPONENT ASSY-NLG (STEERING ONLY) MISCELLANEOUS DATA: FOR SPARES PROCURE LOWER COMPONENTS COMPONENT MAINT MANUAL REF: 32-21-47 QUALIFIED I/W DATA: 162T1136-075,-074,-070, -068,-038,-030,-017, -012, -008 OR -004 WITH QUICK DISCONNECT (QD) FEATURE IS I/W 162T1136 -072,-035,-033,-022, -019,-018, -014 OR -013 WITHOUT QD FEATURE WITH CUSTOMER APPROVAL FOR NHA/OTHER SYS DET SEE: 32-21-01-01		RF

ILLUSTRATION ITEMS NOT ON PARTS LIST ARE NOT APPLICABLE

- ITEM NOT ILLUSTRATED

HXL

32-51-03-02

BOEING PROPRIETARY - Copyright © - Unpublished Work - See title page for details.

32-51-03  
 FIG. 02  
 PAGE 10  
 DEC 22/06



767

PARTS CATALOG (MAINTENANCE)

FIG ITEM	PART NUMBER	1 2 3 4 5 6 7	NOMENCLATURE	EFFECT FROM TO	UNITS PER ASSY
2 -	3 162T1136-038		COMPONENT ASSY-NLG (STEERING ONLY) MISCELLANEOUS DATA: FOR SPARES PROCURE LOWER COMPONENTS COMPONENT MAINT MANUAL REF: 32-21-47 QUALIFIED I/W DATA: 162T1136-075, -074, -070, -068, -038, -030, -020, -017, -012, -008 OR -004 WITH QUICK DISCONNECT (QD) FEATURE IS I/W 162T1136-072, -035, -033, -022, -019, -018, -014, OR -013 WITHOUT QD FEATURE WITH CUSTOMER APPROVAL FOR NHA/OTHER SYS DET SEE: 32-21-01-01		RF
-	4 162T1136-068		COMPONENT ASSY-NLG (STEERING ONLY) MISCELLANEOUS DATA: FOR SPARES PROCURE LOWER COMPONENTS COMPONENT MAINT MANUAL REF: 32-21-47 QUALIFIED I/W DATA: 162T1136-075, -074, -070, -068, -038, -030, -020, -017, -012, -008 OR 004 WITH QUICK DISCONNECT (QD) FEATURE IS I/W 162T1136-072, -035, -033, -022, -019, -018, -014 OR -013 WITHOUT QD FEATURE WITH CUSTOMER APPROVAL OPTIONAL PART: 162T1136-070 FOR NHA/OTHER SYS DET SEE: 32-21-01-01		RF

ILLUSTRATION ITEMS NOT ON PARTS LIST ARE NOT APPLICABLE

- ITEM NOT ILLUSTRATED

HXL

32-51-03-02

BOEING PROPRIETARY - Copyright © - Unpublished Work - See title page for details.

32-51-03  
 FIG. 02  
 PAGE 11  
 DEC 22/06



767

PARTS CATALOG (MAINTENANCE)

FIG ITEM	PART NUMBER	1 2 3 4 5 6 7	NOMENCLATURE	EFFECT FROM TO	UNITS PER ASSY
2 - 4	162T1136-070		COMPONENT ASSY-NLG (STEERING ONLY) MISCELLANEOUS DATA: FOR SPARES PROCURE LOWER COMPONENTS COMPONENT MAINT MANUAL REF: 32-21-47 QUALIFIED I/W DATA: 162T1136-075,-074,-070, -068,-038,-030,-020, -017,-012, -008 OR 004 WITH QUICK DISCONNECT (QD) FEATURE IS I/W 162T1136-072, -035,-033, -022,-019,-018,-014 OR -013 WITHOUT QD FEATURE WITH CUSTOMER APPROVAL FOR NHA/OTHER SYS DET SEE: 32-21-01-01		RF
- 4	162T1136-072		COMPONENT ASSY-NLG (STEERING ONLY) MISCELLANEOUS DATA: FOR SPARES PROCURE LOWER COMPONENTS COMPONENT MAINT MANUAL REF: 32-21-47 QUALIFIED I/W DATA: 162T1136-075,074,-070, -068,-038,-030,-020, -017, -012, -008 OR -004 WITH QUICK DISCONNECT (QD) FEATURE IS CAN REPLACE AND BE REPLACED BY 162T1136-072, -035, -033, -022, -019, -018, -014 OR -013 WITHOUT (QD) FEATURE WITH CUSTOMER APPROVAL FOR NHA/OTHER SYS DET SEE: 32-21-01-01		RF

ILLUSTRATION ITEMS NOT ON PARTS LIST ARE NOT APPLICABLE

- ITEM NOT ILLUSTRATED

HXL

32-51-03-02

BOEING PROPRIETARY - Copyright © - Unpublished Work - See title page for details.

32-51-03  
 FIG. 02  
 PAGE 12  
 DEC 22/06



767

PARTS CATALOG (MAINTENANCE)

FIG ITEM	PART NUMBER	1 2 3 4 5 6 7	NOMENCLATURE	EFFECT FROM TO	UNITS PER ASSY
2 -	4 162T1136-074		COMPONENT ASSY-NLG (STEERING ONLY) MISCELLANEOUS DATA: FOR SPARES PROCURE LOWER COMPONENTS COMPONENT MAINT MANUAL REF: 32-21-47 QUALIFIED I/W DATA: 162T1136-075,-074,-070, -068,-038,-030,-020, -017,-012, -008 OR 004 WITH QUICK DISCONNECT (QD) FEATURE IS I/W 162T1136-072,-035,-033, -022,-019,-018, -014 OR -013 WITHOUT QD FEATURE WITH CUSTOMER APPROVAL FOR NHA/OTHER SYS DET SEE: 32-21-01-01		RF
-	4 162T1136-075		COMPONENT ASSY-NLG (STEERING ONLY) MISCELLANEOUS DATA: FOR SPARES PROCURE LOWER COMPONENTS COMPONENT MAINT MANUAL REF: 32-21-47 QUALIFIED I/W DATA: 162T1136-075,-074,-070, -068,-038,-030,-020, -017,-012, -008 OR 004 WITH QUICK DISCONNECT (QD) FEATURE IS I/W 162T1136-072,-035,-033, -022,-019,-018, -014 OR -013 WITHOUT QD FEATURE WITH CUSTOMER APPROVAL FOR NHA/OTHER SYS DET SEE: 32-21-01-01		RF

ILLUSTRATION ITEMS NOT ON PARTS LIST ARE NOT APPLICABLE

- ITEM NOT ILLUSTRATED

HXL

32-51-03-02

BOEING PROPRIETARY - Copyright © - Unpublished Work - See title page for details.

32-51-03  
 FIG. 02  
 PAGE 13  
 DEC 22/06



767

PARTS CATALOG (MAINTENANCE)

FIG ITEM	PART NUMBER	1 2 3 4 5 6 7 NOMENCLATURE	EFFECT FROM TO	UNITS PER ASSY
2 - 4	162T1136-022	<p>COMPONENT ASSY-NLG            COMPONENT MAINT MANUAL REF:            32-21-47            QUALIFIED I/W DATA:            162T1136-075,-070,-068,            -038,-030,-017,-012,            -008 OR -004 WITH QUICK            DISCONNECT (QD) FEATURE            IS I/W 162T1136-072,            -035,-033,-022,-019,            -018,-014 OR -013            WITHOUT QD FEATURE WITH            CUSTOMER APPROVAL            162T1136-072,-035,-033,            -022,-019,-018,-014, OR            -013 I/W 162T1136-073,            -040 OR -021 WITH            IMPROVED NOSE GEAR            STEERING ANGLE            INDICATOR WITH CUSTOMER            APPROVAL            162T1136-073,-035,-033,            -022,-019,-018,-014 OR            -013 T/W 2 EA            162T1621-1, 2 EA            161T1622-1 WITHOUT QUICK            DISCONNECT (QD) MAY            REPLACE BUT NOT BE            REPLACED BY            162T1136-044,-041,-010,            -006 OR -002 T/W 2EA            162T1602-1, 2EA            162T1603-1, 8EA            BACW10BP5APU, 4EA            NAS6705-7,4EA BACN10JC5            FOR CUSTOMERS NOT USING            TIRE PRESSURE INDICATOR            SYSTEM (TPIS) WITH            CUSTOMER APPROVAL</p>		RF

ILLUSTRATION ITEMS NOT ON PARTS LIST ARE NOT APPLICABLE

- ITEM NOT ILLUSTRATED

HXL

32-51-03-02

BOEING PROPRIETARY - Copyright © - Unpublished Work - See title page for details.

32-51-03  
 FIG. 02  
 PAGE 14  
 DEC 22/06



767

PARTS CATALOG (MAINTENANCE)

FIG ITEM	PART NUMBER	1 2 3 4 5 6 7 NOMENCLATURE	EFFECT FROM TO	UNITS PER ASSY
2 - 4	162T1136-022	COMPONENT ASSY-NLG COMPONENT MAINT MANUAL REF: 32-21-47 QUALIFIED I/W DATA: 162T1136-073,-035,-033, -022,-019,-018,-014 OR -013 T/W 2 EA 162T1621-1, 2 EA 161T1622-1 WITHOUT QUICK DISCONNECT (QD) MAY REPLACE BUT NOT BE REPLACED BY 162T1136-044,-041,-010, -006 OR -002 T/W 2EA 162T1602-1, 2EA 162T1603-1, 8EA BACW10BP5APU, 4EA NAS6705-7,4EA BACN10JC5 FOR CUSTOMERS NOT USING TIRE PRESSURE INDICATOR SYSTEM (TPIS) WITH CUSTOMER APPROVAL 162T1136-072,-035,-033, -022,-019,-018,-014 OR -013 T/W 2EA 162T1621-1, 2 EA 162T1622-1 MAY REPLACE BUT NOT BE REPLACED BY 162T1136-042, -009,-005 OR -001 T/W 2 EA 162T1602-1, 2 EA 162T1603-1, 8 EA BACW10BP5APU, 4 EA NAS6705-7, 4EA BACN10JC5 FOR CUSTOMERS NOT USING TIRE PRESSURE INDICATOR SYSTEM (TPIS) WITH CUSTOMER APPROVAL		RF

ILLUSTRATION ITEMS NOT ON PARTS LIST ARE NOT APPLICABLE

- ITEM NOT ILLUSTRATED

HXL

32-51-03-02

BOEING PROPRIETARY - Copyright © - Unpublished Work - See title page for details.

32-51-03  
 FIG. 02  
 PAGE 15  
 DEC 22/06



767

PARTS CATALOG (MAINTENANCE)

FIG ITEM	PART NUMBER	1 2 3 4 5 6 7 NOMENCLATURE	EFFECT FROM TO	UNITS PER ASSY
2 - 4	162T1136-022	COMPONENT ASSY-NLG COMPONENT MAINT MANUAL REF: 32-21-47 QUALIFIED I/W DATA: 162T1136-072,-035,-033, -022,-019,-018,-014 OR -013 T/W 2EA 162T1621-1, 2 EA 162T1622-1 MAY REPLACE BUT NOT BE REPLACED BY 162T1136-042, -009,-005 OR -001 T/W 2 EA 162T1602-1, 2 EA 162T1603-1, 8 EA BACW10BP5APU, 4 EA NAS6705-7, 4 EA FOR CUSTOMERS NOT USING TIRE PRESSURE INDICATOR SYSTEM (TPIS) WITH CUSTOMER APPROVAL 162T1136-072, -035,-033, -022,-019,-018,-014 OR -013 T/W 2EA 162T1621-1, 2 EA 162T1622-1 MAY REPLACE BUT NOT BE REPLACED BY 162T1136-043,-011,-007 OR -003 T/W 2 EA 162T1602-1, 2 EA 162T1603-1, 8 EA BACW10BP5APU, 4 EA NAS6705-7, 4EA BACN10JC5 INCLUDE IMPROVED NOSE GEAR STEERING ANGLE INDICATOR SYSTEM (TPIS) WITH CUSTOMER APPROVAL		RF

ILLUSTRATION ITEMS NOT ON PARTS LIST ARE NOT APPLICABLE

- ITEM NOT ILLUSTRATED

HXL

32-51-03-02

BOEING PROPRIETARY - Copyright © - Unpublished Work - See title page for details.

32-51-03  
 FIG. 02  
 PAGE 16  
 DEC 22/06



767

PARTS CATALOG (MAINTENANCE)

FIG ITEM	PART NUMBER	1 2 3 4 5 6 7	NOMENCLATURE	EFFECT FROM TO	UNITS PER ASSY
2 - 5	162T1136-018		COMPONENT ASSY-NLG COMPONENT MAINT MANUAL REF: 32-21-47 QUALIFIED I/W DATA: 162T1136-075,-074,-070, -068,-038,-030,-017, -012,-008 OR -004 WITH QUICK DISCONNECT (QD) FEATURE IS I/W 162T1136-072,-035,-033, -022,-019,-018,-014 OR -013 WITHOU QD FEATURE WITH CUSTOMER APPROVAL 162T1136-072,-035,-033, -022,-019,-018,-014 OR -013 I/W 162T1136-073, -040 OR -021 WITH IMPROVED NOSE GEAR STEERING ANGLE INDICATOR WITH CUSTOMER APPROVAL		RF
- 5	162T1136-018		COMPONENT ASSY-NLG COMPONENT MAINT MANUAL REF: 32-21-47 QUALIFIED I/W DATA: 162T1136-072,-035,-033, -022,-019,-018,-014 OR -013 T/W 2EA 162T1621-1, 2 EA 162T1622-1 WITHOUT QUICK DISCONNECT (QD) MAY REPLACE BUT NOT BE REPLACED BY 162T1136-044,-041,-010, -006 OR -002 T/W 2 EA 162T1602-1, 2 EA 162T1603-1, 8 EA BACW10BP5APU, 4 EA NAS6705-7, 4 EA BACN10JC5 FOR CUSTOMERS NOT USING TIRE PRESSURE INDICATOR SYSTEM (TPIS) WITH CSTOMER APPROVAL		RF

ILLUSTRATION ITEMS NOT ON PARTS LIST ARE NOT APPLICABLE

- ITEM NOT ILLUSTRATED

HXL

32-51-03-02

BOEING PROPRIETARY - Copyright © - Unpublished Work - See title page for details.

32-51-03  
 FIG. 02  
 PAGE 17  
 DEC 22/06





767

PARTS CATALOG (MAINTENANCE)

FIG ITEM	PART NUMBER	1 2 3 4 5 6 7 NOMENCLATURE	EFFECT FROM TO	UNITS PER ASSY
2 - 5	162T1136-018	COMPONENT ASSY-NLG COMPONENT MAINT MANUAL REF: 32-21-47 QUALIFIED I/W DATA: 162T1136-072,-035,-033, -022,-019,-018,-014 OR -013 T/W 2EA 162T1621-1, 2 EA 162T1622-1 MAY REPLACE BUT NOT BE REPLACED BY 162T1136-042, -009, -005 OR -001 T/W 2 EA 162T1602-1, 2 EA 162T1603-1, 8 EA BAC10BP5APU, 4 EA NAS6705-7, 4EA BACN10JC5 FOR CUSTOMERS NOT USING TIRE PRESSURE INDICATOR SYSTEM (TPIS) WITH CUSTOMER APPROVAL		RF

ILLUSTRATION ITEMS NOT ON PARTS LIST ARE NOT APPLICABLE

- ITEM NOT ILLUSTRATED

HXL

32-51-03-02

BOEING PROPRIETARY - Copyright © - Unpublished Work - See title page for details.

32-51-03  
FIG. 02  
PAGE 18  
DEC 22/06



767

PARTS CATALOG (MAINTENANCE)

FIG ITEM	PART NUMBER	1 2 3 4 5 6 7 NOMENCLATURE	EFFECT FROM TO	UNITS PER ASSY
2 - 5	162T1136-018	COMPONENT ASSY-NLG COMPONENT MAINT MANUAL REF: 32-21-47 QUALIFIED I/W DATA: 162T1136-072,-035,-033, -022,-019,-018,-014 OR -013 T/W 2EA 162T1621-1, 2 EA 162T1622-1 MAY REPLACE BUT NOT BE REPLACED BY 162T1136-042, -009, -005 OR -001 T/W 2 EA 162T1602-1, 2 EA 162T1603-1, 8 EA BAC10BP5APU, 4 EA NAS6705-7, 4EA BACN10JC5 FOR CUSTOMERS NOT USING TIRE PRESSURE INDICATOR SYSTEM (TPIS) WITH CUSTOMER APPROVAL 162T1136-072,-035,-033, -022,-019,-018,-014 OR -013 T/W 2EA 162T1621-1, 2 EA 162T1622-1 MAY REPLACE BUT NOT BE REPLACED BY 162T1136-043, -011, -007 OR -003 T/W 2 EA 162T1602-1, 2 EA 162T1603-1, 8 EA BACW10BP5APU, 4 EA NAS6705-7, 4EA BACN10JC5 INCLUDE IMPROVED NOSE GEAR STEERING ANGLE INDICATOR FOR CUSTOMER NOT USING TIRE PRESSURE INDICATOR SYSTEM (TPIS) WITH CUSTOMER APPROVAL		RF

ILLUSTRATION ITEMS NOT ON PARTS LIST ARE NOT APPLICABLE

- ITEM NOT ILLUSTRATED

HXL

32-51-03-02

BOEING PROPRIETARY - Copyright © - Unpublished Work - See title page for details.

32-51-03  
 FIG. 02  
 PAGE 19  
 DEC 22/06



767

PARTS CATALOG (MAINTENANCE)

FIG ITEM	PART NUMBER	1 2 3 4 5 6 7 NOMENCLATURE	EFFECT FROM TO	UNITS PER ASSY
2 - 5	162T1136-004	COMPONENT ASSY-NLG COMPONENT MAINT MANUAL REF: 32-21-47 QUALIFIED I/W DATA: 162T1136-075,-074,-070, -068, -038, -030, -020, -017, -012, -008 OR -004 WITH QUICK DISCONNECT (QD) FEATURE IS I/W 162T1136-072,-035,-033, -022, -019, -018, -014 OR -013 WITHOUT QD FEATURE WITH CUSTOMER APPROVAL		RF

ILLUSTRATION ITEMS NOT ON PARTS LIST ARE NOT APPLICABLE

- ITEM NOT ILLUSTRATED

HXL

32-51-03-02

BOEING PROPRIETARY - Copyright © - Unpublished Work - See title page for details.

32-51-03  
FIG. 02  
PAGE 20  
DEC 22/06



767

PARTS CATALOG (MAINTENANCE)

FIG ITEM	PART NUMBER	1 2 3 4 5 6 7	NOMENCLATURE	EFFECT FROM TO	UNITS PER ASSY
2 - 5	162T1136-004		<p>COMPONENT ASSY-NLG            COMPONENT MAINT MANUAL REF:            32-21-47            QUALIFIED I/W DATA:            162T1136-075,-074,-070,            -068, -038, -030, -020,            -017, -012. -008 OR -004            T/W 2EA 162T1621-1, 2EA            162T1622-1 WITH QUICK            DISCONNECT (QD) FEATURE            MAY REPLACE BUT NOT BE            REPLACED BY            163T1136-043, -011, -007            OR -003 T/W 2EA            162T1602-1, 2EA            162T1603-1, 8EA            BACW10BP5APU, 4EA            NAS6705-7, 4EA BACN10JC5            FOR CUSTOMER NOT USING            TIRE PRESSURE INDICATOR            SYSTEM (TPIS) WITHOUT QD            FEATURE WITH IMPROVED            NOSE GEAR STEERING ANGLE            INDICATOR WITH CUSTOMER            APPROVAL            162T1136-075,-074,-070,            -068, -038, -030, -020,            -017, -012, -008 OR -004            T/W 2EA 162T1621-1, 2EA            162T1622-1, MAY REPLACE            BUT NOT BE REPLACED BY            162T1136-044, -041,-010,            -006 OR -002 T/W            162T1602-1, 2EA            162T1603-1 8EA            BACW10BP5APU, 4EA            NAS6705-7, 4EA BACN10JC5            FOR CUSTOMERS NOT USING            TIRE PRESSURE INDICATOR            SYSTEM (TPIS) WITH            CUSTOMER APPROVAL</p>		RF

ILLUSTRATION ITEMS NOT ON PARTS LIST ARE NOT APPLICABLE

- ITEM NOT ILLUSTRATED

HXL

32-51-03-02

BOEING PROPRIETARY - Copyright © - Unpublished Work - See title page for details.

32-51-03  
 FIG. 02  
 PAGE 21  
 DEC 22/06



767

PARTS CATALOG (MAINTENANCE)

FIG ITEM	PART NUMBER	1 2 3 4 5 6 7	NOMENCLATURE	EFFECT FROM TO	UNITS PER ASSY
2 -	6 162T1136-004		COMPONENT ASSY-NLG COMPONENT MAINT MANUAL REF: 32-21-47 QUALIFIED I/W DATA: 162T1136-075,-074,-070, -068, -038, -030, -020, -017, -012, -008 OR -004 T/W 2EA 162T1621-1, 2EA 162T1622-1, MAY REPLACE BUT NOT BE REPLACED BY 162T1136-044, -041,-010, -006 OR -002 T/W 162T1602-1, 2EA 162T1603-1 8EA BACW10BP5APU, 4EA NAS6705-7, 4EA BACN10JC5 FOR CUSTOMERS NOT USING TIRE PRESSURE INDICATOR SYSTEM (TPIS) WITH CUSTOMER APPROVAL		RF
-	6 162T1136-008		COMPONENT ASSY-NLG COMPONENT MAINT MANUAL REF: 32-21-47 QUALIFIED I/W DATA: 162T1136-075,-074,-070, -068, -038, -030, -020, -017, -012, -008 OR -004 WITH QUICK DISCONNECT (QD) FEATURE IS I/W 162T1136-072,-035,-033, -022, -019, -018, -014 OR -013 WITHOUT QD FEATURE WITH CUSTOMER APPROVAL 162T1136-075,-074,-070, -068, -038, -030, -020, -017, -012, -008 OR -004 T/W 2EA 162T1621-1, 2EA 162T1622-1 MAY REPLACE BUT NOT BE REPLACED BY 162T1136-044,-041,-010, -006 OR -002 T/W 2EA 162T1602-1, 2EA 162T1603-1, 8EA BACW10BP5APU, 4EA BACN10JC5 FOR CUSTOMERS NOT USING TIRE PRESSURE INDICATOR SYSTEM (TPIS) WITH CUSTOMER APPROVAL		RF

ILLUSTRATION ITEMS NOT ON PARTS LIST ARE NOT APPLICABLE

- ITEM NOT ILLUSTRATED

32-51-03-02

32-51-03  
 FIG. 02  
 PAGE 22  
 DEC 22/06

HXL



767

PARTS CATALOG (MAINTENANCE)

FIG ITEM	PART NUMBER	1 2 3 4 5 6 7 NOMENCLATURE	EFFECT FROM TO	UNITS PER ASSY
2 - 7	162T1136-008	COMPONENT ASSY-NLG COMPONENT MAINT MANUAL REF: 32-21-47 QUALIFIED I/W DATA: 162T1136-075,-074,-070, -068, -038, -030, -020, -017, -012, -008 OR -004 T/W 2EA 162T1621-1, 2EA 162T1622-1 MAY REPLACE BUT NOT BE REPLACED BY 162T1136-044,-041,-010, -006 OR -002 T/W 2EA 162T1602-1, 2EA 162T1603-1, 8EA BACW10BP5APU, 4EA BACN10JC5 FOR CUSTOMERS NOT USING TIRE PRESSURE INDICATOR SYSTEM (TPIS) WITH CUSTOMER APPROVAL 162T1136-075,-074,-070, -068, -038, -030, -020, -017, -012, -008 OR -004 T/W 162T11621-1, 2EA 162T1622-1 WITH QUICK DISCONNECT (QD) FEATURE MAY REPLACE BUT NOT BE REPLACED BY 162T1136-042, -009, -005 OR -001 T/W 2EA 162T1602-1, 2EA 162T1603-1, 8EA BACW10BP5APU 4 EA NAS6705-7, 4EA BACN10JC5 FOR CUSTOMERS NOT USING TIRE PRESSURE INDICATOR SYSTEM (TPIS) AND WITHOUT QD FEATURE WITH CUSTOMER APPROVAL		RF

ILLUSTRATION ITEMS NOT ON PARTS LIST ARE NOT APPLICABLE

- ITEM NOT ILLUSTRATED

HXL

32-51-03-02

BOEING PROPRIETARY - Copyright © - Unpublished Work - See title page for details.

32-51-03  
 FIG. 02  
 PAGE 23  
 DEC 22/06



767

PARTS CATALOG (MAINTENANCE)

FIG ITEM	PART NUMBER	1 2 3 4 5 6 7 NOMENCLATURE	EFFECT FROM TO	UNITS PER ASSY
2 - 7	162T1136-008	COMPONENT ASSY-NLG COMPONENT MAINT MANUAL REF: 32-21-47 QUALIFIED I/W DATA: 162T1136-075,-074,-070, -068, -038, -030, -020, -017, -012, -008 OR -004 T/W 2EA 162T1621-1, 2EA 162T1622-1 WITH QUICK DISCONNECT (QD) FEATURE MAY REPLACE BUT NOT BE REPLACED BY 162T1136-043, -011, -007 OR -003 T/W 2EA 162T1602-1, 2EA 162T1603-1, 8EA BACW10BP5APU, 4EA NAS6705-7, 4EA BACN10JC5 FOR CUSTOMER NOT USING TIRE PRESSURE INDICATOR SYSTEM (TPIS) WITHOUT QD FEATURE WITH IMPROVED NOSE GEAR STEERING ANGLE INDICATOR WITH CUSTOMER APPROVAL		RF

ILLUSTRATION ITEMS NOT ON PARTS LIST ARE NOT APPLICABLE

- ITEM NOT ILLUSTRATED

HXL

32-51-03-02

BOEING PROPRIETARY - Copyright © - Unpublished Work - See title page for details.

32-51-03  
 FIG. 02  
 PAGE 24  
 DEC 22/06



767

PARTS CATALOG (MAINTENANCE)

FIG ITEM	PART NUMBER	1 2 3 4 5 6 7 NOMENCLATURE	EFFECT FROM TO	UNITS PER ASSY
2 - 7	162T1136-012	COMPONENT ASSY-NLG COMPONENT MAINT MANUAL REF: 32-21-47 QUALIFIED I/W DATA: 162T1136-075, -074, -070, -068, -038, -030, -020, -017, -012, -008 OR -004 WITH QUICK DISCONNECT (QD) FEATURE IS I/W 162T1136-072, -035, -033, -022, -019, -018, -014, OR -013 WITHOUT QD FEATURE WITH CUSTOMER APPROVAL 162T1136-075, -074, -070, -068, -038, -030, -020, -017, -012, -008 OR -004 T/W 2 EA 162T1621-1, 2 EA 162T1622-1 MAY REPLACE BUT NOT BE REPLACED BY 162T1136 -044, -041, -010, -006 OR -002 T/W 2 EA 162T1602-1, 2 EA 162T1603-1, 8 EA BACW10BP5APU, 4 EA NAS6705-7, 4 EA BACN10JC5 FOR CUSTOMERS NOT USING TIRE PRESSURE INDICATOR SYSTEM (TPIS) WITH CUSTOMER APPROVAL.		RF

ILLUSTRATION ITEMS NOT ON PARTS LIST ARE NOT APPLICABLE

- ITEM NOT ILLUSTRATED

HXL

32-51-03-02

BOEING PROPRIETARY - Copyright © - Unpublished Work - See title page for details.

32-51-03  
 FIG. 02  
 PAGE 25  
 DEC 22/06





767

PARTS CATALOG (MAINTENANCE)

FIG ITEM	PART NUMBER	1 2 3 4 5 6 7	NOMENCLATURE	EFFECT FROM TO	UNITS PER ASSY
2 - 7	162T1136-012		<p>COMPONENT ASSY-NLG            COMPONENT MAINT MANUAL REF:            32-21-47            QUALIFIED I/W DATA:            162T1136-075,-074,-070,            -068,-038,-030,-020,            -017,-012,-008 OR -004            T/W 2 EA 162T1621-1,            2 EA 162T1622-1 MAY            REPLACE BUT NOT BE            REPLACED BY 162T1136            -044,-041,-010,-006 OR            -002 T/W 2 EA            162T1602-1, 2 EA            162T1603-1, 8 EA            BACW10BP5APU, 4 EA            NAS6705-7, 4 EA            BACN10JC5 FOR CUSTOMERS            NOT USING TIRE PRESSURE            INDICATOR SYSTEM (TPIS)            WITH CUSTOMER APPROVAL.            162T1136-075,-074,-070,            -068,-038,-030,-020,            -017,-012,-008 OR -004            T/W 2 EA 162T1621-1,            2 EA 162T1622-1 WITH            QUICK DISCONNECT (QD)            FEATURE MAY REPLACE BUT            NOT BE REPLACED BY            162T1136-042, -009,-005            OR -001 T/W 2 EA            162T1602-1, 2 EA            162T1603-1, 8 EA            BACW10BP5APU, 4 EA            NAS6705-7, 4 EA            BACN10JC5 FOR CUSTOMERS            NOT USING TIRE PRESSURE            INDICATOR SYSTEM (TPIS)            AND WITHOUT QD FEATURE            WITH CUSTOMER APPROVAL</p>		RF

ILLUSTRATION ITEMS NOT ON PARTS LIST ARE NOT APPLICABLE

- ITEM NOT ILLUSTRATED

32-51-03-02

32-51-03  
 FIG. 02  
 PAGE 26  
 DEC 22/06

HXL



767

PARTS CATALOG (MAINTENANCE)

FIG ITEM	PART NUMBER	1 2 3 4 5 6 7	NOMENCLATURE	EFFECT FROM TO	UNITS PER ASSY
2 - 8	162T1136-012		<p>COMPONENT ASSY-NLG            COMPONENT MAINT MANUAL REF:            32-21-47            QUALIFIED I/W DATA:            162T1136-075,-074,-070,            -068,-038,-030,-020,            -017,-012,-008 OR -004            T/W 2 EA 162T1621-1,            2 EA 162T1622-1 WITH            QUICK DISCONNECT (QD)            FEATURE MAY REPLACE BUT            NOT BE REPLACED BY            162T1136-042, -009,-005            OR -001 T/W 2 EA            162T1602-1, 2 EA            162T1603-1, 8 EA            BACW10BP5APU, 4 EA            NAS6705-7, 4 EA            BACN10JC5 FOR CUSTOMERS            NOT USING TIRE PRESSURE            INDICATOR SYSTEM (TPIS)            AND WITHOUT QD FEATURE            WITH CUSTOMER APPROVAL            162T1136-075, -074,            -070, -068,-038,-030,            -020,-017,-012, -008 OR            -004 T/W 2 EA            162T1621-1, 2 EA            162T1622-1 WITH QUICK            DISCONNECT (QD) FEATURE            MAY REPLACE BUT NOT BE            REPLACED BY 162T1136            -043, -011,-007 OR -003            T/W 2 EA 162T1602-1 2 EA            162T1603-1, 8 EA            BACW10BP5APU, 4 EA            NAS6705-7, 4 EA            BACN10JC5 FOR CUSTOMER            NOT USING TIRE PRESSURE            INDICATOR SYSTEM (TPIS)            WITHOUT QD FEATURE WITH            IMPROVED NOSE GEAR            STEERING ANGLE INDICATOR            WITH CUSTOMER APPROVAL</p>		RF

ILLUSTRATION ITEMS NOT ON PARTS LIST ARE NOT APPLICABLE

- ITEM NOT ILLUSTRATED

32-51-03-02

32-51-03  
 FIG. 02  
 PAGE 27  
 DEC 22/06

HXL



767

PARTS CATALOG (MAINTENANCE)

FIG ITEM	PART NUMBER	1 2 3 4 5 6 7 NOMENCLATURE	EFFECT FROM TO	UNITS PER ASSY
2 - 8	162T1136-013	COMPONENT ASSY-NLG COMPONENT MAINT MANUAL REF: 32-21-47 QUALIFIED I/W DATA: 162T1136-072, -035, -033, -022, -019, -018, -014 OR -013 T/W 2 EA 162T1621-1, 2 EA 162T1622-1 WITHOUT QUICK DISCONNECT (QD) MAY REPLACE BUT NOT BE REPLACED BY 162T1136 -044, -041, -010, -006 OR -002 T/W 2 EA 162T1602-1, 2 EA 162T1603-1, 8 EA BACW10BP5APU, 4 EA NAS6705-7, 4 EA BACN10JC5 FOR CUSTOMERS NOT USING TIRE PRESSURE INDICATOR SYSTEM (TPIS) WITH CUSTOMER APPROVAL 162T1136-075, 074, -070, -068, -038, -030, -020, -017, -012, -008 OR -004 WITH QUICK DISCONNECT (QD) FEATURE IS CAN REPLACE AND BE REPLACED BY 162T1136-072, -035, -033, -022, -019, -018, -014 OR -013 WITHOUT (QD) FEATURE WITH CUSTOMER APPROVAL		RF

ILLUSTRATION ITEMS NOT ON PARTS LIST ARE NOT APPLICABLE

- ITEM NOT ILLUSTRATED

HXL

32-51-03-02

BOEING PROPRIETARY - Copyright © - Unpublished Work - See title page for details.

32-51-03  
 FIG. 02  
 PAGE 28  
 DEC 22/06



767

PARTS CATALOG (MAINTENANCE)

FIG ITEM	PART NUMBER	1 2 3 4 5 6 7 NOMENCLATURE	EFFECT FROM TO	UNITS PER ASSY
2 - 8	162T1136-013	COMPONENT ASSY-NLG COMPONENT MAINT MANUAL REF: 32-21-47 QUALIFIED I/W DATA: 162T1136-075,074,-070, -068,-038,-030,-020, -017, -012, -008 OR -004 WITH QUICK DISCONNECT (QD) FEATURE IS CAN REPLACE AND BE REPLACED BY 162T1136-072, -035, -033, -022, -019, -018, -014 OR -013 WITHOUT (QD) FEATURE WITH CUSTOMER APPROVAL 162T1136-072, -035, -033, -022, -019, -018, -014 OR -013 I/W 162T1136-073, -040 OR -021 WITH IMPROVED NOSE GEAR STEERING ANGLE INDICATOR WITH CUSTOMER APPROVAL		RF

ILLUSTRATION ITEMS NOT ON PARTS LIST ARE NOT APPLICABLE

- ITEM NOT ILLUSTRATED

HXL

32-51-03-02

BOEING PROPRIETARY - Copyright © - Unpublished Work - See title page for details.

32-51-03  
 FIG. 02  
 PAGE 29  
 DEC 22/06



767

PARTS CATALOG (MAINTENANCE)

FIG ITEM	PART NUMBER	1 2 3 4 5 6 7	NOMENCLATURE	EFFECT FROM TO	UNITS PER ASSY
2 - 8	162T1136-013		<p>COMPONENT ASSY-NLG            COMPONENT MAINT MANUAL REF:            32-21-47            QUALIFIED I/W DATA:            162T1136-072, -035,            -033, -022, -019, -018,            -014 OR -013 T/W 2 EA            162T1621-1, 2 EA            162T1622-1 MAY REPLACE            BUT NOT BE REPLACED BY            162T1136-042, -009,            -005 OR -001 T/W 2 EA            162T1602-1, 2 EA            162T1603-1, 8 EA            BACW10BP5APU, 4 EA            NAS6705-7, 4 EA            BACN10JC5 FOR CUSTOMERS            NOT USING TIRE PRESSURE            INDICATOR SYSTEM (TPIS)            WITH CUSTOMER APPROVAL            162T1136-072, -035,            -033, -022, -019, -018,            -014 OR -013 T/W 2 EA            162T1621-1, 2 EA            162T1622-1 MAY REPLACE            BUT NOT BE REPLACED BY            162T1136-043, -011,            -007 OR -003 T/W 2 EA            162T1602-1, 2 EA            162T1603-1, 8 EA            BACW10BP5APU, 4 EA            NAS6705-7, 4 EA            BACN10JC5 INCLUDE            IMPROVED NOSE GEAR            STEERING ANGLE INDICATOR            FOR CUSTOMER NOT USING            TIRE PRESSURE INDICATOR            SYSTEM (TPIS) WITH            CUSTOMER APPROVAL</p>		RF
ILLUSTRATION ITEMS NOT ON PARTS LIST ARE NOT APPLICABLE					

- ITEM NOT ILLUSTRATED

HXL

32-51-03-02

BOEING PROPRIETARY - Copyright © - Unpublished Work - See title page for details.

32-51-03  
 FIG. 02  
 PAGE 30  
 DEC 22/06



767

PARTS CATALOG (MAINTENANCE)

FIG ITEM	PART NUMBER	1 2 3 4 5 6 7	NOMENCLATURE	EFFECT FROM TO	UNITS PER ASSY
2 -	8 162T1136-013		COMPONENT ASSY-NLG COMPONENT MAINT MANUAL REF: 32-21-47 QUALIFIED I/W DATA: 162T1136-072, -035, -033, -022, -019, -018, -014 OR -013 T/W 2 EA 162T1621-1, 2 EA 162T1622-1 MAY REPLACE BUT NOT BE REPLACED BY 162T1136-043, -011, -007 OR -003 T/W 2 EA 162T1602-1, 2 EA 162T1603-1, 8 EA BACW10BP5APU, 4 EA NAS6705-7, 4 EA BACN10JC5 INCLUDE IMPROVED NOSE GEAR STEERING ANGLE INDICATOR FOR CUSTOMER NOT USING TIRE PRESSURE INDICATOR SYSTEM (TPIS) WITH CUSTOMER APPROVAL		RF
-	8 162T1136-014		COMPONENT ASSY-NLG COMPONENT MAINT MANUAL REF: 32-21-47 QUALIFIED I/W DATA: 162T1136-075, 074, -070, -068, -038, -030, -020, -017, -012, -008 OR -004 WITH QUICK DISCONNECT (QD) FEATURE IS CAN REPLACE AND BE REPLACED BY 162T1136-072, -035, -033, -022, -019, -018, -014 OR -013 WITHOUT (QD) FEATURE WITH CUSTOMER APPROVAL 162T1136-072, -035, -033, -022, -019, -018, -014, OR -013 I/W 162T1136-073, -040 OR -021 WITH IMPROVED NOSE GEAR STEERING ANGLE INDICATOR WITH CUSTOMER APPROVAL		RF

ILLUSTRATION ITEMS NOT ON PARTS LIST ARE NOT APPLICABLE

- ITEM NOT ILLUSTRATED

32-51-03-02

32-51-03  
 FIG. 02  
 PAGE 31  
 DEC 22/06

HXL



767

PARTS CATALOG (MAINTENANCE)

FIG ITEM	PART NUMBER	1 2 3 4 5 6 7 NOMENCLATURE	EFFECT FROM TO	UNITS PER ASSY
2 - 8	162T1136-014	COMPONENT ASSY-NLG COMPONENT MAINT MANUAL REF: 32-21-47 QUALIFIED I/W DATA: 162T1136-072,-035,-033, -022, -019, -018, -014 OR -013 T/W 2EA 162T1621-1, 2EA 162T1622-1 WITHOUT QUICK DISCONNECT (QD) MAY REPLACE BUT NOT BE REPLACED BY 162T1136-044,-041,-010, -006 OR -002 T/W 2EA 162T1602-1, 2EA 162T1603-1, 8EA BACW10BP5APU, 4EA NAS6705-7, 4EA BACN10JC5 FOR CUSTOMERS NOT USING TIRE PRESSURE INDICATOR SYSTEM (TPIS) WITH CUSTOMER APPROVAL		RF

ILLUSTRATION ITEMS NOT ON PARTS LIST ARE NOT APPLICABLE

- ITEM NOT ILLUSTRATED

HXL

32-51-03-02

BOEING PROPRIETARY - Copyright © - Unpublished Work - See title page for details.

32-51-03  
 FIG. 02  
 PAGE 32  
 DEC 22/06



767

PARTS CATALOG (MAINTENANCE)

FIG ITEM	PART NUMBER	1 2 3 4 5 6 7	NOMENCLATURE	EFFECT FROM TO	UNITS PER ASSY
2 - 8	162T1136-014		<p>COMPONENT ASSY-NLG            COMPONENT MAINT MANUAL REF:            32-21-47            QUALIFIED I/W DATA:            162T1136-072,-035,-033,            -022, -019, -018, -014            OR -013 T/W 2EA            162T1621-1, 2EA            162T1622-1 MAY REPLACE            BUT NOT BE REPLACED BY            162T1136-042, -009, -005            OR -001 T/W 2EA            162T1602-1, 2EA            162T1603-1, 8EA            BACW10BP5APU, 4EA            NAS6705-7, 4EA BACN10JC5            FOR CUSTOMERS NOT USING            TIRE PRESSURE INDICATOR            SYSTEM (TPIS) WITH            CUSTOMER APPROVAL            162T1136-072,-035,-033,            -022, -019, -018, -014            OR -013 T/W 2EA            162T1621-1, 2EA            162T1622-1 MAY REPLACE            BUT NOT BE REPLACED BY            162T1136-043, -011, -007            OR -003 T/W 2EA            162T1602-1, 2EA            162T1603-1, 8EA            BACW10BP5APU, 4EA            NAS6705-7, 4EA BACN10JC5            INCLUDE IMPROVED NOSE            GEAR STEERING ANGLE            INDICATOR FOR CUSTOMER            NOT USING TIRE PRESSURE            INDICATOR SYSTEM (TPIS)            WITH CUSTOMER APPROVAL</p>		RF

ILLUSTRATION ITEMS NOT ON PARTS LIST ARE NOT APPLICABLE

- ITEM NOT ILLUSTRATED

HXL

32-51-03-02

BOEING PROPRIETARY - Copyright © - Unpublished Work - See title page for details.

32-51-03  
 FIG. 02  
 PAGE 33  
 DEC 22/06





767

PARTS CATALOG (MAINTENANCE)

FIG ITEM	PART NUMBER	1 2 3 4 5 6 7 NOMENCLATURE	EFFECT FROM TO	UNITS PER ASSY
2 - 8	162T1136-014	COMPONENT ASSY-NLG COMPONENT MAINT MANUAL REF: 32-21-47 QUALIFIED I/W DATA: 162T1136-072,-035,-033, -022, -019, -018, -014 OR -013 T/W 2EA 162T1621-1, 2EA 162T1622-1 MAY REPLACE BUT NOT BE REPLACED BY 162T1136-043, -011, -007 OR -003 T/W 2EA 162T1602-1, 2EA 162T1603-1, 8EA BACW10BP5APU, 4EA NAS6705-7, 4EA BACN10JC5 INCLUDE IMPROVED NOSE GEAR STEERING ANGLE INDICATOR FOR CUSTOMER NOT USING TIRE PRESSURE INDICATOR SYSTEM (TPIS) WITH CUSTOMER APPROVAL		RF

ILLUSTRATION ITEMS NOT ON PARTS LIST ARE NOT APPLICABLE

- ITEM NOT ILLUSTRATED

HXL

32-51-03-02

BOEING PROPRIETARY - Copyright © - Unpublished Work - See title page for details.

32-51-03  
 FIG. 02  
 PAGE 34  
 DEC 22/06



767

PARTS CATALOG (MAINTENANCE)

FIG ITEM	PART NUMBER	1 2 3 4 5 6 7 NOMENCLATURE	EFFECT FROM TO	UNITS PER ASSY
2 - 8	162T1136-017	COMPONENT ASSY-NLG COMPONENT MAINT MANUAL REF: 32-21-47 QUALIFIED I/W DATA: 162T1136-075,-074,-070, -068,-038,-030,-020, -017,-012,-008 OR -004 WITH QUICK DISCONNECT (QD) FEATURE IS I/W 162T11336-072, -035, -033,-022,-019,-018,-014 OR -013 WITHOUT QD FEATURE WITH CUSTOMER APPROVAL 162T1136-075,-074,-070, -068,-038,-030,-020, -017,-012,-008 OR -004 T/W 2 EA 162T1621-1, 2 EA 162T1622-1 MAY REPLACE BUT NOT BE REPLACED BY 162T1136-044, -041, -010,-006 OR -002 T/W 2 EA 162T1602-1, 2 EA 162T1603-1 8 EA BACW10BP5APU, 4 EA NAS6705-7, 4 EA BACN10JC5 FOR CUSTOMERS NOT USING TIRE PRESSURE INDICATOR SYSTEM (TPIS) WITH CUSTOMER APPROVAL		RF

ILLUSTRATION ITEMS NOT ON PARTS LIST ARE NOT APPLICABLE

- ITEM NOT ILLUSTRATED

HXL

32-51-03-02

BOEING PROPRIETARY - Copyright © - Unpublished Work - See title page for details.

32-51-03  
 FIG. 02  
 PAGE 35  
 DEC 22/06



767

PARTS CATALOG (MAINTENANCE)

FIG ITEM	PART NUMBER	1 2 3 4 5 6 7	NOMENCLATURE	EFFECT FROM TO	UNITS PER ASSY
2 -	8 162T1136-017		COMPONENT ASSY-NLG COMPONENT MAINT MANUAL REF: 32-21-47 QUALIFIED I/W DATA: 162T1136-075,-074,-070, -068,-038,-030,-020, -017,-012,-008 OR -004 T/W 2 EA 162T1621-1, 2 EA 162T1622-1 MAY REPLACE BUT NOT BE REPLACED BY 162T1136-044, -041, -010,-006 OR -002 T/W 2 EA 162T1602-1, 2 EA 162T1603-1 8 EA BACW10BP5APU, 4 EA NAS6705-7, 4 EA BACN10JC5 FOR CUSTOMERS NOT USING TIRE PRESSURE INDICATOR SYSTEM (TPIS) WITH CUSTOMER APPROVAL		RF
-	8 162T1136-017		COMPONENT ASSY-NLG COMPONENT MAINT MANUAL REF: 32-21-47 QUALIFIED I/W DATA: 162T1136-075,-074,-070, -068, -038, -030, -020, -017,-012,-008 OR -004 T/W 2 EA 162T1621-1, 2 EA 162T1622-1 WITH QUICK DISCONNECT (QD) FEATURE MAY REPLACE BUT NOT BE REPLACED BY 162T1136-042,-009,-005, OR -001 T/W 2 EA 162T1602-1, 2 EA 162T1603-1, 8 EA BACW10BP5APU 4 EA NAS6705-7 4 EA BACN10JC5 FOR CUSTOMERS NOT USING TIRE PRESSURE INDICATOR SYSTEM (TPIS) AND WITHOUT QD FEATURE WITH CUSTOMER APPROVAL		RF

ILLUSTRATION ITEMS NOT ON PARTS LIST ARE NOT APPLICABLE

- ITEM NOT ILLUSTRATED

HXL

32-51-03-02

BOEING PROPRIETARY - Copyright © - Unpublished Work - See title page for details.

32-51-03  
 FIG. 02  
 PAGE 36  
 DEC 22/06



767

PARTS CATALOG (MAINTENANCE)

FIG ITEM	PART NUMBER	1 2 3 4 5 6 7	NOMENCLATURE	EFFECT FROM TO	UNITS PER ASSY
2 - 8	162T1136-017		<p>COMPONENT ASSY-NLG            COMPONENT MAINT MANUAL REF:            32-21-47            QUALIFIED I/W DATA:            162T1136-075,-074,-070,            -068,-038,-030,-020,            -017,-012,-008 OR -004            T/W 2 EA 162T1621-1 2 EA            162T1622-1 WITH QUICK            DISCONNECT (QD) FEATURE            MAY REPLACE BUT NOT BE            REPLACED BY            162T1136-043, -011,-007            OR -003 T/W 2 EA            162T1602-1, 2 EA            162T1603-1, 8 EA            BACW10BP5APU, 4 EA            NAS6705-7, 4 EA            BACN10JC5 FOR CUSTOMER            NOT USING TIRE PRESSURE            INDICATOR SYSTEM (TPIS)            WITHOUT QD FEATURE WITH            IMPROVED NOSE GEAR            STEERING ANGLE INDICATOR            WITH CUSTOMER APPROVAL</p>		RF
- 8	162T1136-019		<p>COMPONENT ASSY-NLG            COMPONENT MAINT MANUAL REF:            32-21-47            QUALIFIED I/W DATA:            162T1136-075,-074,-070,            -068,-038,-030,-017,            -012,-008 OR -004 WITH            QUICK DISCONNECT (QD)            FEATURE IS I/W 162T1136            -072,-035,-033,-022,            -019,-018,-014 OR -013            WITHOUT QD FEATURE WITH            CUSTOMER APPROVAL            162T1136-072, -035,            -033, -022, -019, -018,            -014 OR -013 I/W            162T1136-073, -040 OR            -021 WITH IMPROVED NOSE            GEAR STEERING ANGLE            INDICATOR WITH CUSTOMER            APPROVAL</p>		RF

ILLUSTRATION ITEMS NOT ON PARTS LIST ARE NOT APPLICABLE

- ITEM NOT ILLUSTRATED

32-51-03-02

32-51-03  
 FIG. 02  
 PAGE 37  
 DEC 22/06

HXL



767

PARTS CATALOG (MAINTENANCE)

FIG ITEM	PART NUMBER	1 2 3 4 5 6 7 NOMENCLATURE	EFFECT FROM TO	UNITS PER ASSY
2 - 8	162T1136-019	COMPONENT ASSY-NLG COMPONENT MAINT MANUAL REF: 32-21-47 QUALIFIED I/W DATA: 162T1136-072, -035, -033, -022, -019, -018, -014 OR -013 T/W 2 EA 162T1621-1, 2 EA 162T1622-1 WITHOUT QUICK DISCONNECT (QD) MAY REPLACE BUT NOT BE REPLACED BY 162T1136 -044, -041, -010, -006 OR -002 T/W 2 EA 162T1602-1, 2 EA 162T1603-1, 8 EA BACW10BP5APU, 4 EA NAS6705-7, 4 EA BACN10JC5 FOR CUSTOMERS NOT USING TIRE PRESSURE INDICATOR SYSTEM (TPIS) WITH CUSTOMER APPROVAL		RF

ILLUSTRATION ITEMS NOT ON PARTS LIST ARE NOT APPLICABLE

- ITEM NOT ILLUSTRATED

HXL

32-51-03-02

BOEING PROPRIETARY - Copyright © - Unpublished Work - See title page for details.

32-51-03  
FIG. 02  
PAGE 38  
DEC 22/06



767

PARTS CATALOG (MAINTENANCE)

FIG ITEM	PART NUMBER	1 2 3 4 5 6 7 NOMENCLATURE	EFFECT FROM TO	UNITS PER ASSY
2 - 9	162T1136-019	COMPONENT ASSY-NLG COMPONENT MAINT MANUAL REF: 32-21-47 QUALIFIED I/W DATA: 162T1136-072, -035, -033, -022, -019, -018, -014 OR -013 T/W 2 EA 162T1621-1, 2 EA 162T1622-1 WITHOUT QUICK DISCONNECT (QD) MAY REPLACE BUT NOT BE REPLACED BY 162T1136 -044, -041, -010, -006 OR -002 T/W 2 EA 162T1602-1, 2 EA 162T1603-1, 8 EA BACW10BP5APU, 4 EA NAS6705-7, 4 EA BACN10JC5 FOR CUSTOMERS NOT USING TIRE PRESSURE INDICATOR SYSTEM (TPIS) WITH CUSTOMER APPROVAL 162T1136-072, -035, -033, -022, -019, -018, -014 OR -013 T/W 2 EA 162T1621-1, 2 EA 162T1622-1 MAY REPLACE BUT NOT BE REPLACED BY 162T1136-042, -009, -005 OR -001 T/W 2 EA 162T1602-1, 2 EA 162T1603-1, 8 EA BACW10BP5APU, 4 EA NAS6705-7, 4 EA BACN10JC5 FOR CUSTOMERS NOT USING TIRE PRESSURE INDICATOR SYSTEM (TPIS) WITH CUSTOMER APPROVAL		RF

ILLUSTRATION ITEMS NOT ON PARTS LIST ARE NOT APPLICABLE

- ITEM NOT ILLUSTRATED

HXL

32-51-03-02

BOEING PROPRIETARY - Copyright © - Unpublished Work - See title page for details.

32-51-03  
 FIG. 02  
 PAGE 39  
 DEC 22/06



767

PARTS CATALOG (MAINTENANCE)

FIG ITEM	PART NUMBER	1 2 3 4 5 6 7	NOMENCLATURE	EFFECT FROM TO	UNITS PER ASSY
2 - 9	162T1136-019		COMPONENT ASSY-NLG COMPONENT MAINT MANUAL REF: 32-21-47 QUALIFIED I/W DATA: 162T1136-072, -035, -033, -022, -019, -018, -014 OR -013 T/W 2 EA 162T1621-1, 2 EA 162T1622-1 MAY REPLACE BUT NOT BE REPLACED BY 162T1136-043, -011, -007 OR -003 T/W 2 EA 162T1602-1, 2 EA 162T1603-1, 8 EA BACW10BP5APU, 4 EA NAS6705-7, 4 EA BACN10JC5 INCLUDE IMPROVED NOSE GEAR STEERING ANGLE INDICATOR FOR CUSTOMER NOT USING TIRE PRESSURE INDICATOR SYSTEM (TPIS) WITH CUSTOMER APPROVAL		RF
- 9	162T1136-020		COMPONENT ASSY-NLG COMPONENT MAINT MANUAL REF: 32-21-47 QUALIFIED I/W DATA: 162T1136-075, -074, -070, -068, -038, -030, -020, -017, -012, -008 OR -004 WITH QUICK DISCONNECT (QD) FEATURE IS I/W 162T1136-072, -035, -033, -022, -019, -018, -014 OR -013 WITHOUT QD FEATURE WITH CUSTOMER APPROVAL		RF

ILLUSTRATION ITEMS NOT ON PARTS LIST ARE NOT APPLICABLE

- ITEM NOT ILLUSTRATED

HXL

32-51-03-02

BOEING PROPRIETARY - Copyright © - Unpublished Work - See title page for details.

32-51-03  
 FIG. 02  
 PAGE 40  
 DEC 22/06



767

PARTS CATALOG (MAINTENANCE)

FIG ITEM	PART NUMBER	1 2 3 4 5 6 7 NOMENCLATURE	EFFECT FROM TO	UNITS PER ASSY
2 - 9	162T1136-020	COMPONENT ASSY-NLG COMPONENT MAINT MANUAL REF: 32-21-47 QUALIFIED I/W DATA: 162T1136-075,-074,-070, -068,-038,-030,-020, -017,-012,-008 OR -004 T/W 2 EA 162T1621-1, 2 EA 162T1622-1 MAY REPLACE BUT NOT BE REPLACED BY 162T1136 -044,-041,-010,-006 OR -002 T/W 2 EA 162T1602-1, 2 EA 162T1603-1, 8 EA BACW10BP5APU, 4 EA NAS6705-7, 4 EA BACN10JC5 FOR CUSTOMERS NOT USING TIRE PRESSURE INDICATOR SYSTEM (TPIS) WITH CUSTOMER APPROVAL.		RF

ILLUSTRATION ITEMS NOT ON PARTS LIST ARE NOT APPLICABLE

- ITEM NOT ILLUSTRATED

HXL

32-51-03-02

BOEING PROPRIETARY - Copyright © - Unpublished Work - See title page for details.

32-51-03  
FIG. 02  
PAGE 41  
DEC 22/06





767

PARTS CATALOG (MAINTENANCE)

FIG ITEM	PART NUMBER	1 2 3 4 5 6 7 NOMENCLATURE	EFFECT FROM TO	UNITS PER ASSY
2 - 9	162T1136-020	<p>COMPONENT ASSY-NLG            COMPONENT MAINT MANUAL REF:            32-21-47            QUALIFIED I/W DATA:            162T1136-075,-074,-070,            -068,-038,-030,-020,            -017,-012,-008 OR -004            T/W 2 EA 162T1621-1,            2 EA 162T1622-1 MAY            REPLACE BUT NOT BE            REPLACED BY 162T1136            -044,-041,-010,-006            OR -002 T/W 2 EA            162T1602-1, 2 EA            162T1603-1, 8 EA            BACW10BP5APU, 4 EA            NAS6705-7, 4 EA            BACN10JC5 FOR CUSTOMERS            NOT USING TIRE PRESSURE            INDICATOR SYSTEM (TPIS)            WITH CUSTOMER APPROVAL.            162T1136-075,-074,-070,            -068,-038,-030,-020,            -017,-012,-008 OR -004            T/W 2 EA 162T1621-1,            2 EA 162T1622-1 WITH            QUICK DISCONNECT (QD)            FEATURE MAY REPLACE BUT            NOT BE REPLACED BY            162T1136-042, -009,            -005, OR -001 T/W 2 EA            162T1602-1, 2 EA            162T1603-1, 8 EA            BACW10BP5APU, 4 EA            NAS6705-7, 4 EA            BACN10JC5 FOR CUSTOMERS            NOT USING TIRE PRESSURE            INDICATOR SYSTEM (TPIS)            AND WITHOUT QD FEATURE            WITH CUSTOMER APPROVAL.</p>		RF

ILLUSTRATION ITEMS NOT ON PARTS LIST ARE NOT APPLICABLE

- ITEM NOT ILLUSTRATED

HXL

32-51-03-02

BOEING PROPRIETARY - Copyright © - Unpublished Work - See title page for details.

32-51-03  
 FIG. 02  
 PAGE 42  
 DEC 22/06



767

PARTS CATALOG (MAINTENANCE)

FIG ITEM	PART NUMBER	1 2 3 4 5 6 7 NOMENCLATURE	EFFECT FROM TO	UNITS PER ASSY
2 - 9	162T1136-020	COMPONENT ASSY-NLG COMPONENT MAINT MANUAL REF: 32-21-47 QUALIFIED I/W DATA: 162T1136-075,-074,-070, -068,-038,-030,-020, -017,-012,-008 OR -004 T/W 2 EA 162T1621-1, 2 EA 162T1622-1 WITH QUICK DISCONNECT (QD) FEATURE MAY REPLACE BUT NOT BE REPLACED BY 162T1136-043, -011, -007 OR -003 T/W 2 EA 162T1602-1, 2 EA 162T1603-1, 8 EA BACW10BP5APU, 4 EA NAS6705-7, 4 EA BACN10JC5 FOR CUSTOMER NOT USING TIRE PRESSURE INDICATOR SYSTEM (TPIS) WITHOUT QD FEATURE WITH IMPROVED NOSE GEAR STEERING ANGLE INDICATOR WITH CUSTOMER APPROVAL		RF

ILLUSTRATION ITEMS NOT ON PARTS LIST ARE NOT APPLICABLE

- ITEM NOT ILLUSTRATED

HXL

32-51-03-02

BOEING PROPRIETARY - Copyright © - Unpublished Work - See title page for details.

32-51-03  
FIG. 02  
PAGE 43  
DEC 22/06



767

PARTS CATALOG (MAINTENANCE)

FIG ITEM	PART NUMBER	1 2 3 4 5 6 7	NOMENCLATURE	EFFECT FROM TO	UNITS PER ASSY
2 - 9	162T1136-030		COMPONENT ASSY-NLG COMPONENT MAINT MANUAL REF: 32-21-47 QUALIFIED I/W DATA: 162T1136-075,-074,-070, -068,-038,-030,-020, -017,-012, -008 OR -004 WITH QUICK DISCONNECT (QD) FEATURE IS I/W 162T1136-072, -035, -033, -022, -019, -018, -014 OR -013 WITHOUT QD FEATURE WITH CUSTOMER APPROVAL 162T1136-075,-074,-070, -068,-038,-030,-020, -017,-012, -008 OR -004 WITH QUICK DISCONNECT (QD) FEATURE IS I/W 162T1136-073,-040 OR -021 WITHOUT QD FEATURE AND INCLUDES IMPROVED NOSE GEAR STEERING ANGLE INDICATOR WITH CUSTOMER APPROVAL		RF
- 9	162T1136-030		COMPONENT ASSY-NLG COMPONENT MAINT MANUAL REF: 32-21-47 QUALIFIED I/W DATA: 162T1136-075,-074,-070, -068,-038,-030,-020, -017,-012, -008 OR -004 T/W 2 EA 162T1621-1, 2 EA 162T1622-1 MAY REPLACE BUT NOT BE REPLACED BY 162T1136 -044,-041,-010, -006 OR -002 T/W 2 EA 162T1602-1, 2 EA 162T1603-1, 8 EA BACW10BP5APU, 4 EA NAS6705-7, 4 EA BACN10JC5 FOR CUSTOMERS NOT USING TIRE PRESSURE INDICATOR SYSTEM (TPIS) WITH CUSTOMER APPROVAL		RF

ILLUSTRATION ITEMS NOT ON PARTS LIST ARE NOT APPLICABLE

- ITEM NOT ILLUSTRATED

32-51-03-02

32-51-03  
 FIG. 02  
 PAGE 44  
 DEC 22/06

HXL



767

PARTS CATALOG (MAINTENANCE)

FIG ITEM	PART NUMBER	1 2 3 4 5 6 7	NOMENCLATURE	EFFECT FROM TO	UNITS PER ASSY
2 - 9	162T1136-030		<p>COMPONENT ASSY-NLG            COMPONENT MAINT MANUAL REF:            32-21-47            QUALIFIED I/W DATA:            162T1136-075,-074,-070,            -068,-038,-030,-020,            -017,-012, -008 OR -004            T/W 2 EA 162T1621-1,            2 EA 162T1622-1 MAY            REPLACE BUT NOT BE            REPLACED BY 162T1136            -044,-041,-010, -006            OR -002 T/W 2 EA            162T1602-1, 2 EA            162T1603-1, 8 EA            BACW10BP5APU, 4 EA            NAS6705-7, 4 EA            BACN10JC5 FOR CUSTOMERS            NOT USING TIRE PRESSURE            INDICATOR SYSTEM (TPIS)            WITH CUSTOMER APPROVAL            162T1136-075,-074,-070,            -068,-038,-030,-020,            -017,-012, -008 OR -004            T/W 2 EA 162T1621-1,            2 EA 162T1622-1 WITH            QUICK DISCONNECT (QD)            FEATURE MAY REPLACE BUT            NOT BE REPLACED BY            162T1136-042, -009,            -005 OR -001 T/W 2 EA            162T1602-1, 2 EA            162T1603-1, 8 EA            BACW10BP5APU, 4 EA            NAS6705-7, 4 EA            BACN10JC5 FOR CUSTOMERS            NOT USING TIRE PRESSURE            INDICATOR SYSTEM (TPIS)            AND WITHOUT QD FEATURE            WITH CUSTOMER APPROVAL</p>		RF

ILLUSTRATION ITEMS NOT ON PARTS LIST ARE NOT APPLICABLE

- ITEM NOT ILLUSTRATED

HXL

32-51-03-02

BOEING PROPRIETARY - Copyright © - Unpublished Work - See title page for details.

32-51-03  
 FIG. 02  
 PAGE 45  
 DEC 22/06



767

PARTS CATALOG (MAINTENANCE)

FIG ITEM	PART NUMBER	1 2 3 4 5 6 7	NOMENCLATURE	EFFECT FROM TO	UNITS PER ASSY
2 - 9	162T1136-030		COMPONENT ASSY-NLG COMPONENT MAINT MANUAL REF: 32-21-47 QUALIFIED I/W DATA: 162T1136-075,-074,-070, -068,-038,-030,-020, -017,-012, -008 OR -004 T/W 2 EA 162T1621-1, 2 EA 162T1622-1 WITH QUICK DISCONNECT (QD) FEATURE MAY REPLACE BUT NOT BE REPLACED BY 162T1136-043, -011, -007 OR -003 T/W 2 EA 162T1602-1, 2 EA 162T1603-1, 8 EA BACW10BP5APU, 4 EA NAS6705-7, 4 EA BACN10JC5 FOR CUSTOMER NOT USING TIRE PRESSURE INDICATOR SYSTEM (TPIS), WITHOUT QD FEATURE WITH IMPROVED NOSE GEAR STEERING ANGLE INDICATOR WITH CUSTOMER APPROVAL		RF
- 9	162T1136-033		COMPONENT ASSY-NLG COMPONENT MAINT MANUAL REF: 32-21-47 QUALIFIED I/W DATA: 162T1136-075,-074,-070, -068,-038,-030,-030, -017,-012,-008 OR -004 WITH QUICK DISCONNECT (QD) FEATURE IS I/W 162T1136-072, -035,-033,-022,-019, -018,-014 OR -013 WITHOUT QD FEATURE WITH CUSTOMER APPROVAL 162T1136-072, -035, -033, -022, -019, -018, -014, OR -013 I/W 162T1136-073, -040 OR -021 WITH IMPROVED NOSE GEAR STEERING ANGLE INDICATOR WITH CUSTOMER APPROVAL		RF

ILLUSTRATION ITEMS NOT ON PARTS LIST ARE NOT APPLICABLE

- ITEM NOT ILLUSTRATED

32-51-03-02

32-51-03  
 FIG. 02  
 PAGE 46  
 DEC 22/06

HXL



767

PARTS CATALOG (MAINTENANCE)

FIG ITEM	PART NUMBER	1 2 3 4 5 6 7	NOMENCLATURE	EFFECT FROM TO	UNITS PER ASSY
2 -	9 162T1136-035		COMPONENT ASSY-NLG COMPONENT MAINT MANUAL REF: 32-21-47 QUALIFIED I/W DATA: 162T1136-075,-074,-070, -068,-038,-030,-017, -012, -008 OR -004 WITH QUICK DISCONNECT (QD) FEATURE IS I/W 162T1136 -072,-035,-033,-022, -019,-018, -014 OR -013 WITHOUT QD FEATURE WITH CUSTOMER APPROVAL		RF
-	10 162T1136-035		COMPONENT ASSY-NLG COMPONENT MAINT MANUAL REF: 32-21-47 QUALIFIED I/W DATA: 162T1136-072, -035, -033, -022, -019, -018, -014 OR -013 I/W 162T1136-073, -040 OR -021 WITH IMPROVED NOSE GEAR STEERING ANGLE INDICATOR WITH CUSTOMER APPROVAL 162T1136-072,-035,-033, -022,-019,-018,-014 OR -013 T/W 2 EA 162T1621-1,, 2 EA 162T1622-1 WITHOUT QUICK DISCONNECT (QD) MAY REPLACE BUT NOT BE REPLACED BY 162T1136 -044,-041,-010, -006 OR -002 T/W 2 EA 162T1602-1, 2 EA 162T1603-1, 8 EA BACW10BP5APU, 4 EA NAS6705-7, 4 EA BACN10JC5 FOR CUSTOMERS NOT USING TIRE PRESSURE INDICATOR SYSTEM (TPIS) WITH CUSTOMER APPROVAL		RF

ILLUSTRATION ITEMS NOT ON PARTS LIST ARE NOT APPLICABLE

- ITEM NOT ILLUSTRATED

HXL

32-51-03-02

BOEING PROPRIETARY - Copyright © - Unpublished Work - See title page for details.

32-51-03  
FIG. 02  
PAGE 47  
DEC 22/06



767

PARTS CATALOG (MAINTENANCE)

FIG ITEM	PART NUMBER	1 2 3 4 5 6 7 NOMENCLATURE	EFFECT FROM TO	UNITS PER ASSY
2 - 10	162T1136-035	COMPONENT ASSY-NLG COMPONENT MAINT MANUAL REF: 32-21-47 QUALIFIED I/W DATA: 162T1136-072,-035,-033, -022,-019,-018,-014 OR -013 T/W 2 EA 162T1621-1,, 2 EA 162T1622-1 WITHOUT QUICK DISCONNECT (QD) MAY REPLACE BUT NOT BE REPLACED BY 162T1136 -044,-041,-010, -006 OR -002 T/W 2 EA 162T1602-1, 2 EA 162T1603-1, 8 EA BACW10BP5APU, 4 EA NAS6705-7, 4 EA BACN10JC5 FOR CUSTOMERS NOT USING TIRE PRESSURE INDICATOR SYSTEM (TPIS) WITH CUSTOMER APPROVAL 162T1136-072,-035,-033, -022,-019,-018,-014 OR -013 T/W 2 EA 162T1621-1,, 2 EA 162T1622-1 MAY REPLACE BUT NOT BE REPLACED BY 162T1136-042, -009,-005 OR -001 T/W 2 EA 162T1602-1, 2 EA 162T1603-1, 8 EA BACW10BP5APU, 4 EA NAS6705-7, 4 EA BACN10JC5 FOR CUSTOMERS NOT USING TIRE PRESSURE INDICATOR SYSTEM (TPIS) WITH CUSTOMER APPROVAL		RF

ILLUSTRATION ITEMS NOT ON PARTS LIST ARE NOT APPLICABLE

- ITEM NOT ILLUSTRATED

HXL

32-51-03-02

BOEING PROPRIETARY - Copyright © - Unpublished Work - See title page for details.

32-51-03  
 FIG. 02  
 PAGE 48  
 DEC 22/06



767

PARTS CATALOG (MAINTENANCE)

FIG ITEM	PART NUMBER	1 2 3 4 5 6 7 NOMENCLATURE	EFFECT FROM TO	UNITS PER ASSY
2 - 10	162T1136-035	COMPONENT ASSY-NLG COMPONENT MAINT MANUAL REF: 32-21-47 QUALIFIED I/W DATA: 162T1136-072,-035,-033, -022,-019,-018,-014 OR -013 T/W 2 EA 162T1621-1,, 2 EA 162T1622-1 MAY REPLACE BUT NOT BE REPLACED BY 162T1136-042, -009,-005 OR -001 T/W 2 EA 162T1602-1, 2 EA 162T1603-1, 8 EA BACW10BP5APU, 4 EA NAS6705-7, 4 EA BACN10JC5 FOR CUSTOMERS NOT USING TIRE PRESSURE INDICATOR SYSTEM (TPIS) WITH CUSTOMER APPROVAL 162T1136-072,-035,-033, -022,-019,-018,-014 OR -013 T/W 2 EA 162T1621-1,, 2 EA 162T1622-1 MAY REPLACE BUT NOT BE REPLACED BY 162T1136-043, -011,-007 OR -003 T/W 2 EA 162T1602-1, 2 EA 162T1603-1, 8 EA BACW10BP5APU, 4 EA NAS6705-7, 4 EA BACN10JC5 INCLUDE IMPROVED NOSE GEAR STEERING ANGLE INDICATOR FOR CUSTOMER NOT USING TIRE PRESSURE INDICATOR SYSTEM (TPIS) WITH CUSTOMER APPROVAL		RF

ILLUSTRATION ITEMS NOT ON PARTS LIST ARE NOT APPLICABLE

- ITEM NOT ILLUSTRATED

HXL

32-51-03-02

BOEING PROPRIETARY - Copyright © - Unpublished Work - See title page for details.

32-51-03  
 FIG. 02  
 PAGE 49  
 DEC 22/06





767

PARTS CATALOG (MAINTENANCE)

FIG ITEM	PART NUMBER	1 2 3 4 5 6 7	NOMENCLATURE	EFFECT FROM TO	UNITS PER ASSY
2 - 10	162T1136-035		COMPONENT ASSY-NLG COMPONENT MAINT MANUAL REF: 32-21-47 QUALIFIED I/W DATA: 162T1136-072,-035,-033, -022,-019,-018,-014 OR -013 T/W 2 EA 162T1621-1,, 2 EA 162T1622-1 MAY REPLACE BUT NOT BE REPLACED BY 162T1136-043, -011,-007 OR -003 T/W 2 EA 162T1602-1, 2 EA 162T1603-1, 8 EA BACW10BP5APU, 4 EA NAS6705-7, 4 EA BACN10JC5 INCLUDE IMPROVED NOSE GEAR STEERING ANGLE INDICATOR FOR CUSTOMER NOT USING TIRE PRESSURE INDICATOR SYSTEM (TPIS) WITH CUSTOMER APPROVAL		RF
- 10	162T1136-038		COMPONENT ASSY-NLG COMPONENT MAINT MANUAL REF: 32-21-47 QUALIFIED I/W DATA: 162T1136-075, -074,-070, -068,-038,-030,-020, -017,-012,-008 OR -004 WITH QUICK DISCONNECT (QD) FEATURE IS I/W 162T1136-072,-035,-033, -022,-019,-018,-014, OR -013 WITHOUT QD FEATURE WITH CUSTOMER APPROVAL 162T1136-075,-074,-070, -068,-038,-030,-020, -017,-012,-008 OR -004 QUICK DISCONNECT (QD) FEATURE IS I/W 162T1136-073,-040,-021 WITHOUT QD FEATURE AND INCLUDES IMPROVED NOSE GEAR STEERING ANGLE INDICATOR WITH CUSTOMER APPROVAL		RF

ILLUSTRATION ITEMS NOT ON PARTS LIST ARE NOT APPLICABLE

- ITEM NOT ILLUSTRATED

32-51-03-02

32-51-03  
 FIG. 02  
 PAGE 50  
 DEC 22/06

HXL



767

PARTS CATALOG (MAINTENANCE)

FIG ITEM	PART NUMBER	1 2 3 4 5 6 7 NOMENCLATURE	EFFECT FROM TO	UNITS PER ASSY
2 - 10	162T1136-038	COMPONENT ASSY-NLG COMPONENT MAINT MANUAL REF: 32-21-47 QUALIFIED I/W DATA: 162T1136-075,-074,-070, -068,-038,-030,-020, -017,-012,-008 OR -004 QUICK DISCONNECT (QD) FEATURE IS I/W 162T1136-073,-040,-021 WITHOUT QD FEATURE AND INCLUDES IMPROVED NOSE GEAR STEERING ANGLE INDICATOR WITH CUSTOMER APPROVAL 162T1136-075, -074, -070,-068,-038,-030, -020,-017,-012,-008 OR -004 T/W 2 EA 162T1621-1, 2 EA 162T1622-1, MAY REPLACE BUT NOT BE REPLACED BY 162T1136-044, -041, -010, -006, OR -002 T/W 2 EA 162T1602-1, 2 EA 162T1603-1, 8 EA BACW10BP5APU, 4 EA NAS6705-7, 4 EA BACN10JC5 FOR CUSTOMER NOT USING TIRE PRESSURE INDICATOR SYSTEM (TPIS) WITH CUSTOMER APPROVAL		RF

ILLUSTRATION ITEMS NOT ON PARTS LIST ARE NOT APPLICABLE

- ITEM NOT ILLUSTRATED

HXL

32-51-03-02

BOEING PROPRIETARY - Copyright © - Unpublished Work - See title page for details.

32-51-03  
 FIG. 02  
 PAGE 51  
 DEC 22/06



767

PARTS CATALOG (MAINTENANCE)

FIG ITEM	PART NUMBER	1 2 3 4 5 6 7 NOMENCLATURE	EFFECT FROM TO	UNITS PER ASSY
2 - 10	162T1136-038	COMPONENT ASSY-NLG COMPONENT MAINT MANUAL REF: 32-21-47 QUALIFIED I/W DATA: 162T1136-075, -074, -070,-068,-038,-030, -020,-017,-012,-008 OR -004 T/W 2 EA 162T1621-1, 2 EA 162T1622-1, MAY REPLACE BUT NOT BE REPLACED BY 162T1136-044, -041, -010, -006, OR -002 T/W 2 EA 162T1602-1, 2 EA 162T1603-1, 8 EA BACW10BP5APU, 4 EA NAS6705-7, 4 EA BACN10JC5 FOR CUSTOMER NOT USING TIRE PRESSURE INDICATOR SYSTEM (TPIS) WITH CUSTOMER APPROVAL 162T1136-075,-074,-070, -068,-038,-030,-020, -017,-012,-008 OR -004 T/W 2 EA 162T1621-1, 2 EA 162T1622-1, WITH QUICK DISCONNECT (QD) FEATURE MAY REPLACE BUT NOT BE REPLACED BY 162T1136-042, -009,-005 OR -001 T/W 2 EA 162T1602-1, 2 EA 162T1603-1, 8 EA BACW10BP5APU, 4 EA NAS6705-7, 4 EA BACN10JC5 FOR CUSTOMERS NOT USING TIRE PRESSURE INDICATOR SYSTEM (TPIS) AND WITHOUT QD FEATURE WITH CUSTOMER APPROVAL		RF

ILLUSTRATION ITEMS NOT ON PARTS LIST ARE NOT APPLICABLE

- ITEM NOT ILLUSTRATED

HXL

32-51-03-02

BOEING PROPRIETARY - Copyright © - Unpublished Work - See title page for details.

32-51-03  
 FIG. 02  
 PAGE 52  
 DEC 22/06



767

PARTS CATALOG (MAINTENANCE)

FIG ITEM	PART NUMBER	1 2 3 4 5 6 7	NOMENCLATURE	EFFECT FROM TO	UNITS PER ASSY
2 - 10	162T1136-038		COMPONENT ASSY-NLG COMPONENT MAINT MANUAL REF: 32-21-47 QUALIFIED I/W DATA: 162T1136-075,-074,-070, -068,-038,-030,-020, -017,-012,-008 OR -004 T/W 2 EA 162T1621-1, 2 EA 162T1622-1 WITH QUICK DISCONNECT (QD) FEATURE MAY REPLACE BUT NOT BE REPLACED BY 162T1136-043,-011,-007 OR -003 T/W 2 EA 162T1602-1, 2 EA 162T1603-1, 8 EA BACW10BP5APU, 4 EA NAS6705-7, 4 EA BACN10JC5 FOR CUSTOMER NOT USING TIRE PRESSURE INDICATOR SYSTEM (TPIS) WITHOUT QD FEATURE, WITH IMPROVED NOSE GEAR STEERING ANGLE INDICATOR WITH CUSTOMER APPROVAL		RF
- 11	162T1136-068		COMPONENT ASSY-NLG COMPONENT MAINT MANUAL REF: 32-21-47 QUALIFIED I/W DATA: 162T1136-075,-074,-070, -068,-038,-030,-020, -017,-012, -008 OR 004 WITH QUICK DISCONNECT (QD) FEATURE IS I/W 162T1136-072,-035,-033, -022,-019,-018,-014 OR -013 WITHOUT QD FEATURE WITH CUSTOMER APPROVAL 162T1136-075,-074,-070, -068,-038,-030,-020, -017,-012, -008 OR 004 WITH QUICK DISCONNECT (QD) FEATURE IS I/W 162T1136-073, -040, -021 WITHOUT QD FEATURE AND INCLUDES IMPROVED NOSE GEAR STEERING ANGLE INDICATOR WITH CUSTOMER APPROVAL		RF

ILLUSTRATION ITEMS NOT ON PARTS LIST ARE NOT APPLICABLE

- ITEM NOT ILLUSTRATED

32-51-03-02

32-51-03  
 FIG. 02  
 PAGE 53  
 DEC 22/06

HXL



767

PARTS CATALOG (MAINTENANCE)

FIG ITEM	PART NUMBER	1 2 3 4 5 6 7 NOMENCLATURE	EFFECT FROM TO	UNITS PER ASSY
2 - 11	162T1136-068	COMPONENT ASSY-NLG COMPONENT MAINT MANUAL REF: 32-21-47 QUALIFIED I/W DATA: 162T1136-075,-074,-070, -068,-038,-030,-020, -017,-012, -008 OR 004 WITH QUICK DISCONNECT (QD) FEATURE IS I/W 162T1136-073, -040, -021 WITHOUT QD FEATURE AND INCLUDES IMPROVED NOSE GEAR STEERING ANGLE INDICATOR WITH CUSTOMER APPROVAL 162T1136-075,-074,-070, -068,-038,-030,-020, -017, -008 OR -004 T/W 2 EA 162T1621-1, 2 EA 162T1622-1 MAY REPLACE BUT NOT BE REPLACED BY 162T1136 -044,-041,-010, -006 OR -002 T/W 2 EA 162T1602-1, 2 EA 162T1603-1, 8 EA BACW10BP5APU, 4 EA NAS6705-7, 4 EA BACN10JC5 FOR CUSTOMERS NOT USING TIRE PRESSURE INDICATOR SYSTEM (TPIS) WITH CUSTOMER APPROVAL		RF

ILLUSTRATION ITEMS NOT ON PARTS LIST ARE NOT APPLICABLE

- ITEM NOT ILLUSTRATED

HXL

32-51-03-02

BOEING PROPRIETARY - Copyright © - Unpublished Work - See title page for details.

32-51-03  
 FIG. 02  
 PAGE 54  
 DEC 22/06



767

PARTS CATALOG (MAINTENANCE)

FIG ITEM	PART NUMBER	1 2 3 4 5 6 7	NOMENCLATURE	EFFECT FROM TO	UNITS PER ASSY
2					
- 11	162T1136-068		COMPONENT ASSY-NLG COMPONENT MAINT MANUAL REF: 32-21-47 QUALIFIED I/W DATA: 162T1136-075,-074,-070, -068,-038,-030,-020, -017, -008 OR -004 T/W 2 EA 162T1621-1, 2 EA 162T1622-1 MAY REPLACE BUT NOT BE REPLACED BY 162T1136 -044,-041,-010, -006 OR -002 T/W 2 EA 162T1602-1, 2 EA 162T1603-1, 8 EA BACW10BP5APU, 4 EA NAS6705-7, 4 EA BACN10JC5 FOR CUSTOMERS NOT USING TIRE PRESSURE INDICATOR SYSTEM (TPIS) WITH CUSTOMER APPROVAL		RF
- 11	162T1136-068		COMPONENT ASSY-NLG COMPONENT MAINT MANUAL REF: 32-21-47 QUALIFIED I/W DATA: 162T1136-075,-074,-070, -068,-038,-030,-020, -017,-012 -008 OR -004 T/W 2 EA 162T1621-1, 2 EA 162T1622-1 WITH QUICK DISCONNECT (QD) FEATURE MAY REPLACE BUT NOT BE REPLACED BY 162T1136-042, -009, -005 OR -001 T/W 2 EA 162T1602-1, 2 EA 162T1603-1, 8 EA BACW10BP5APU, 4 EA NAS6705-7, 4 EA BACN10JC5 FOR CUSTOMERS NOT USING TIRE PRESSURE INDICATOR SYSTEM (TPIS) AND WITHOUT QD FEATURE WITH CUSTOMER APPROVAL		RF

ILLUSTRATION ITEMS NOT ON PARTS LIST ARE NOT APPLICABLE

- ITEM NOT ILLUSTRATED

HXL

32-51-03-02

BOEING PROPRIETARY - Copyright © - Unpublished Work - See title page for details.

32-51-03  
 FIG. 02  
 PAGE 55  
 DEC 22/06



767

PARTS CATALOG (MAINTENANCE)

FIG ITEM	PART NUMBER	1 2 3 4 5 6 7	NOMENCLATURE	EFFECT FROM TO	UNITS PER ASSY
2					
- 11	162T1136-068		COMPONENT ASSY-NLG COMPONENT MAINT MANUAL REF: 32-21-47 QUALIFIED I/W DATA: 162T1136-075,-074,-070, -068,-038,-030,-020, -017,-012 -008 OR -004 T/W 2 EA 162T1621-1, 2 EA 162T1622-1 WITH QUICK DISCONNECT (QD) FEATURE MAY REPLACE BUT NOT BE REPLACED BY 162T1136-042, -009, -005 OR -001 T/W 2 EA 162T1602-1, 2 EA 162T1603-1, 8 EA BACW10BP5APU, 4 EA NAS6705-7, 4 EA BACN10JC5 FOR CUSTOMERS NOT USING TIRE PRESSURE INDICATOR SYSTEM (TPIS) AND WITHOUT QD FEATURE WITH CUSTOMER APPROVAL		RF
- 11	162T1136-068		COMPONENT ASSY-NLG COMPONENT MAINT MANUAL REF: 32-21-47 QUALIFIED I/W DATA: 162T1136-075,-074,-070, -068,-038,-030,-020, -017,-012 -008 OR -004 T/W 2 EA 162T1621-1, 2 EA 162T1622-1 WITH QUICK DISCONNECT (QD) FEATURE MAY REPLACE BUT NOT BE REPLACED BY 162T1136-043, -011, -007 OR -003 T/W 2 EA 162T1602-1, 2 EA 162T1603-1, 8 EA BACW10BP5APU, 4 EA NAS6705-7, 4 EA BACN10JC5 FOR CUSTOMER NOT USING TIRE PRESSURE INDICATOR SYSTEM (TPIS), WITHOUT QD FEATURE, WITH IMPROVED NOSE GEAR STEERING ANGLE INDICATOR WITH CUSTOMER APPROVAL		RF

ILLUSTRATION ITEMS NOT ON PARTS LIST ARE NOT APPLICABLE

- ITEM NOT ILLUSTRATED

32-51-03-02

32-51-03  
 FIG. 02  
 PAGE 56  
 DEC 22/06

HXL



767

PARTS CATALOG (MAINTENANCE)

FIG ITEM	PART NUMBER	1 2 3 4 5 6 7	NOMENCLATURE	EFFECT FROM TO	UNITS PER ASSY
2 - 11	162T1136-068		<p>COMPONENT ASSY-NLG            COMPONENT MAINT MANUAL REF:            32-21-47            QUALIFIED I/W DATA:            162T1136-075,-074,-070,            -068,-038,-030,-020,            -017,-012 -008 OR -004            T/W 2 EA 162T1621-1,            2 EA 162T1622-1 WITH            QUICK DISCONNECT (QD)            FEATURE MAY REPLACE BUT            NOT BE REPLACED BY            162T1136-043, -011, -007            OR -003 T/W 2 EA            162T1602-1, 2 EA            162T1603-1, 8 EA            BACW10BP5APU, 4 EA            NAS6705-7, 4 EA            BACN10JC5 FOR CUSTOMER            NOT USING TIRE PRESSURE            INDICATOR SYSTEM (TPIS),            WITHOUT QD FEATURE, WITH            IMPROVED NOSE GEAR            STEERING ANGLE INDICATOR            WITH CUSTOMER APPROVAL</p>		RF
- 12	162T1136-070		<p>COMPONENT ASSY-NLG            COMPONENT MAINT MANUAL REF:            32-21-47            QUALIFIED I/W DATA:            162T1136-075,-074,-070,            -068,-038,-030,-020,            -017,-012, -008 OR 004            WITH QUICK DISCONNECT            (QD) FEATURE IS I/W            162T1136-072, -035,-033,            -022,-019,-018,-014 OR            -013 WITHOUT QD FEATURE            WITH CUSTOMER APPROVAL            162T1136-075,-074,-070,            -068,-038,-030,-020,            -017,-012, -008 OR 004            WITH QUICK DISCONNECT            (QD) FEATURE IS I/W            162T1136-073, -040 OR            -021 WITHOUT QD FEATURE            AND INCLUDES IMPROVED            NOSE GEAR STEERING ANGLE            INDICATOR WITH CUSTOMER            APPROVAL</p>		RF

ILLUSTRATION ITEMS NOT ON PARTS LIST ARE NOT APPLICABLE

- ITEM NOT ILLUSTRATED

32-51-03-02

32-51-03  
 FIG. 02  
 PAGE 57  
 DEC 22/06

HXL





767

PARTS CATALOG (MAINTENANCE)

FIG ITEM	PART NUMBER	1 2 3 4 5 6 7 NOMENCLATURE	EFFECT FROM TO	UNITS PER ASSY
2 - 12	162T1136-070	COMPONENT ASSY-NLG COMPONENT MAINT MANUAL REF: 32-21-47 QUALIFIED I/W DATA: 162T1136-075,-074,-070, -068,-038,-030,-020, -017,-012, -008 OR 004 WITH QUICK DISCONNECT (QD) FEATURE IS I/W 162T1136-073, -040 OR -021 WITHOUT QD FEATURE AND INCLUDES IMPROVED NOSE GEAR STEERING ANGLE INDICATOR WITH CUSTOMER APPROVAL 162T1136-075,-074,-070, -068,-038,-030,-020, -017,-012, -008 OR -004 T/W 2 EA 162T1621-1, 2 EA 162T1622-1 MAY REPLACE BUT NOT BE REPLACED BY 162T1136 -044,-041,-010, -006 OR -002 T/W 2 EA 162T1602-1, 2 EA 162T1603-1, 8 EA BACW10BP5APU, 4 EA NAS6705-7, 4 EA BACN10JC5 FOR CUSTOMERS NOT USING TIRE PRESSURE INDICATOR SYSTEM (TPIS) WITH CUSTOMER APPROVAL		RF

ILLUSTRATION ITEMS NOT ON PARTS LIST ARE NOT APPLICABLE

- ITEM NOT ILLUSTRATED

HXL

32-51-03-02

BOEING PROPRIETARY - Copyright © - Unpublished Work - See title page for details.

32-51-03  
FIG. 02  
PAGE 58  
DEC 22/06



767

PARTS CATALOG (MAINTENANCE)

FIG ITEM	PART NUMBER	1 2 3 4 5 6 7	NOMENCLATURE	EFFECT FROM TO	UNITS PER ASSY
2					
- 12	162T1136-070		COMPONENT ASSY-NLG COMPONENT MAINT MANUAL REF: 32-21-47 QUALIFIED I/W DATA: 162T1136-075,-074,-070, -068,-038,-030,-020, -017,-012, -008 OR -004 T/W 2 EA 162T1621-1, 2 EA 162T1622-1 MAY REPLACE BUT NOT BE REPLACED BY 162T1136 -044,-041,-010, -006 OR -002 T/W 2 EA 162T1602-1, 2 EA 162T1603-1, 8 EA BACW10BP5APU, 4 EA NAS6705-7, 4 EA BACN10JC5 FOR CUSTOMERS NOT USING TIRE PRESSURE INDICATOR SYSTEM (TPIS) WITH CUSTOMER APPROVAL		RF
- 12	162T1136-070		COMPONENT ASSY-NLG COMPONENT MAINT MANUAL REF: 32-21-47 QUALIFIED I/W DATA: 162T1136-075,-074,-070, -068,-038,-030,-020, -017,-012, -008 OR -004 T/W 2 EA 162T1621-1, 2 EA 162T1622-1 WITH QUICK DISCONNECT (QD) FEATURE MAY REPLACE BUT NOT BE REPLACED BY 162T1136-042, -009, -005 OR -001 T/W 2 EA 162T1602-1, 2 EA 162T1603-1, 8 EA BACW10BP5APU, 4 EA NAS6705-7, 4 EA BACN10JC5 FOR CUSTOMERS NOT USING TIRE PRESSURE INDICATOR SYSTEM (TPIS) AND WITHOUT QD FEATURE WITH CUSTOMER APPROVAL		RF

ILLUSTRATION ITEMS NOT ON PARTS LIST ARE NOT APPLICABLE

- ITEM NOT ILLUSTRATED

HXL

32-51-03-02

BOEING PROPRIETARY - Copyright © - Unpublished Work - See title page for details.

32-51-03  
 FIG. 02  
 PAGE 59  
 DEC 22/06



767

PARTS CATALOG (MAINTENANCE)

FIG ITEM	PART NUMBER	1 2 3 4 5 6 7	NOMENCLATURE	EFFECT FROM TO	UNITS PER ASSY
2					
- 12	162T1136-070		COMPONENT ASSY-NLG COMPONENT MAINT MANUAL REF: 32-21-47 QUALIFIED I/W DATA: 162T1136-075,-074,-070, -068,-038,-030,-020, -017,-012, -008 OR -004 T/W 2 EA 162T1621-1, 2 EA 162T1622-1 WITH QUICK DISCONNECT (QD) FEATURE MAY REPLACE BUT NOT BE REPLACED BY 162T1136-042, -009, -005 OR -001 T/W 2 EA 162T1602-1, 2 EA 162T1603-1, 8 EA BACW10BP5APU, 4 EA NAS6705-7, 4 EA BACN10JC5 FOR CUSTOMERS NOT USING TIRE PRESSURE INDICATOR SYSTEM (TPIS) AND WITHOUT QD FEATURE WITH CUSTOMER APPROVAL		RF
- 12	162T1136-070		COMPONENT ASSY-NLG COMPONENT MAINT MANUAL REF: 32-21-47 QUALIFIED I/W DATA: 162T1136-075,-074,-068, -038,-020,-017,-012, -008 OR -004 T/W 2 EA 162T1621-1, 2 EA 162T1622-1 WITH QUICK DISCONNECT (QD) FEATURE MAY REPLACE BUT NOT BE REPLACED BY 162T1136 -043,-011, -007 OR -003 T/W 2 EA 162T1602-1, 2 EA 162T1603-1, 8 EA BACW10BP5APU, 4 EA NAS6705-7, 4 EA BACN10JC5 FOR CUSTOMER NOT USING TIRE PRESSURE INDICATOR SYSTEM (TPIS) WITHOUT QD FEATURE WITH IMPROVED NOSE GEAR STEERING ANGLE INDICATOR WITH CUSTOMER APPROVAL		RF

ILLUSTRATION ITEMS NOT ON PARTS LIST ARE NOT APPLICABLE

- ITEM NOT ILLUSTRATED

32-51-03-02

32-51-03  
 FIG. 02  
 PAGE 60  
 DEC 22/06

HXL



767

PARTS CATALOG (MAINTENANCE)

FIG ITEM	PART NUMBER	1 2 3 4 5 6 7	NOMENCLATURE	EFFECT FROM TO	UNITS PER ASSY
2 - 12	162T1136-070		COMPONENT ASSY-NLG COMPONENT MAINT MANUAL REF: 32-21-47 QUALIFIED I/W DATA: 162T1136-075,-074,-068, -038,-020,-017,-012, -008 OR -004 T/W 2 EA 162T1621-1, 2 EA 162T1622-1 WITH QUICK DISCONNECT (QD) FEATURE MAY REPLACE BUT NOT BE REPLACED BY 162T1136 -043,-011, -007 OR -003 T/W 2 EA 162T1602-1, 2 EA 162T1603-1, 8 EA BACW10BP5APU, 4 EA NAS6705-7, 4 EA BACN10JC5 FOR CUSTOMER NOT USING TIRE PRESSURE INDICATOR SYSTEM (TPIS) WITHOUT QD FEATURE WITH IMPROVED NOSE GEAR STEERING ANGLE INDICATOR WITH CUSTOMER APPROVAL		RF
- 12	162T1136-072		COMPONENT ASSY-NLG COMPONENT MAINT MANUAL REF: 32-21-47 QUALIFIED I/W DATA: 162T1136-075,074,-070, -068,-038,-030,-020, -017, -012, -008 OR -004 WITH QUICK DISCONNECT (QD) FEATURE IS CAN REPLACE AND BE REPLACED BY 162T1136-072, -035, -033, -022, -019, -018, -014 OR -013 WITHOUT (QD) FEATURE WITH CUSTOMER APPROVAL		RF

ILLUSTRATION ITEMS NOT ON PARTS LIST ARE NOT APPLICABLE

- ITEM NOT ILLUSTRATED

HXL

32-51-03-02

BOEING PROPRIETARY - Copyright © - Unpublished Work - See title page for details.

32-51-03  
 FIG. 02  
 PAGE 61  
 DEC 22/06



767

PARTS CATALOG (MAINTENANCE)

FIG ITEM	PART NUMBER	1 2 3 4 5 6 7 NOMENCLATURE	EFFECT FROM TO	UNITS PER ASSY
2 - 12	162T1136-072	COMPONENT ASSY-NLG COMPONENT MAINT MANUAL REF: 32-21-47 QUALIFIED I/W DATA: 162T1136-072,-035,-033, -022,-019,-018,-014 OR -013 I/W 162T1136-073, -040 OR -021 WITH IMPROVED NOSE GEAR STEERING ANGLE INDICATOR WITH CUSTOMER APPROVAL 162T1136-072,-035,-033, -022,-019,-018,-014 OR -013 T/W 2 EA 162T1621-1 2 EA 162T1622-1 WITHOUT QUICK DISCONNECT (QD) MAY REPLACE BUT NOT BE REPLACED BY 162T1136 -044,-041,-010, -006 OR OR -002 T/W 2 EA 162T1602-1, 2 EA 162T1603-1, 8 EA BACW10BP5APU, 4 EA NAS6705-7, 4 EA BACN10JC5 FOR CUSTOMERS NOT USING TIRE PRESSURE INDICATOR SYSTEM (TPIS) WITH CUSTOMER APPROVAL		RF

ILLUSTRATION ITEMS NOT ON PARTS LIST ARE NOT APPLICABLE

- ITEM NOT ILLUSTRATED

HXL

32-51-03-02

BOEING PROPRIETARY - Copyright © - Unpublished Work - See title page for details.

32-51-03  
 FIG. 02  
 PAGE 62  
 DEC 22/06



767

PARTS CATALOG (MAINTENANCE)

FIG ITEM	PART NUMBER	1 2 3 4 5 6 7 NOMENCLATURE	EFFECT FROM TO	UNITS PER ASSY
2 - 12	162T1136-072	COMPONENT ASSY-NLG COMPONENT MAINT MANUAL REF: 32-21-47 QUALIFIED I/W DATA: 162T1136-072,-035,-033, -022,-019,-018,-014 OR -013 T/W 2 EA 162T1621-1 2 EA 162T1622-1 WITHOUT QUICK DISCONNECT (QD) MAY REPLACE BUT NOT BE REPLACED BY 162T1136 -044,-041,-010, -006 OR OR -002 T/W 2 EA 162T1602-1, 2 EA 162T1603-1, 8 EA BACW10BP5APU, 4 EA NAS6705-7, 4 EA BACN10JC5 FOR CUSTOMERS NOT USING TIRE PRESSURE INDICATOR SYSTEM (TPIS) WITH CUSTOMER APPROVAL		RF

ILLUSTRATION ITEMS NOT ON PARTS LIST ARE NOT APPLICABLE

- ITEM NOT ILLUSTRATED

HXL

32-51-03-02

BOEING PROPRIETARY - Copyright © - Unpublished Work - See title page for details.

32-51-03  
 FIG. 02  
 PAGE 63  
 DEC 22/06

**BOEING**  
767  
**PARTS CATALOG (MAINTENANCE)**

FIG ITEM	PART NUMBER	1 2 3 4 5 6 7	NOMENCLATURE	EFFECT FROM TO	UNITS PER ASSY
2 - 12	162T1136-072		COMPONENT ASSY-NLG COMPONENT MAINT MANUAL REF: 32-21-47 QUALIFIED I/W DATA: 162T1136-072,-035,-033, -022,-019,-018,-014 OR -013 T/W 2 EA 162T1621-1 2 EA 162T1622-1 WITHOUT QUICK DISCONNECT (QD) MAY REPLACE BUT NOT BE REPLACED BY 162T1136 -044,-041,-010, -006 OR OR -002 T/W 2 EA 162T1602-1, 2 EA 162T1603-1, 8 EA BACW10BP5APU, 4 EA NAS6705-7, 4 EA BACN10JC5 FOR CUSTOMERS NOT USING TIRE PRESSURE INDICATOR SYSTEM (TPIS) WITH CUSTOMER APPROVAL 162T1136-072,-035,-033, -022,-019,-018,-014 OR -013 T/W 2 EA 162T1621-1 2 EA 162T1622-1 MAY REPLACE BUT NOT BE REPLACED BY 162T1136-042, -009, -005 OR -001 T/W 2 EA 162T1602-1, 2 EA 162T1603-1, 8 EA BACW10BP5APU, 4 EA NAS6705-7, 4 EA BACN10JC5 FOR CUSTOMERS NOT USING TIRE PRESSURE INDICATOR SYSTEM (TPIS) WITH CUSTOMER APPROVAL		RF
ILLUSTRATION ITEMS NOT ON PARTS LIST ARE NOT APPLICABLE					

- ITEM NOT ILLUSTRATED

HXL

# 32-51-03-02

BOEING PROPRIETARY - Copyright © - Unpublished Work - See title page for details.

32-51-03  
FIG. 02  
PAGE 64  
DEC 22/06



767

PARTS CATALOG (MAINTENANCE)

FIG ITEM	PART NUMBER	1 2 3 4 5 6 7	NOMENCLATURE	EFFECT FROM TO	UNITS PER ASSY
2 - 12	162T1136-072		<p>COMPONENT ASSY-NLG            COMPONENT MAINT MANUAL REF:            32-21-47            QUALIFIED I/W DATA:            162T1136-072,-035,-033,            -022,-019,-018,-014 OR            -013 T/W 2 EA            162T1621-1 2 EA            162T1622-1 MAY REPLACE            BUT NOT BE REPLACED BY            162T1136-042, -009, -005            OR -001 T/W 2 EA            162T1602-1, 2 EA            162T1603-1, 8 EA            BACW10BP5APU, 4 EA            NAS6705-7, 4 EA            BACN10JC5 FOR CUSTOMERS            NOT USING TIRE PRESSURE            INDICATOR SYSTEM (TPIS)            WITH CUSTOMER APPROVAL            162T1136-072,-035,-033,            -022,-019,-018,-014 OR            -013 T/W 2 EA            162T1621-1 2 EA            162T1622-1 MAY REPLACE            BUT NOT BE REPLACED BY            162T1136-043, -011, -007            OR -003 T/W 2 EA            162T1602-1, 2 EA            162T1603-1, 8 EA            BACW10BP5APU, 4 EA            NAS6705-7, 4 EA            BACN10JC5 INCLUDE            IMPROVED NOSE GEAR            STEERING ANGLE INDICATOR            FOR CUSTOMER NOT USING            TIRE PRESSURE INDICATOR            SYSTEM (TPIS) WITH            CUSTOMER APPROVAL</p>		RF

ILLUSTRATION ITEMS NOT ON PARTS LIST ARE NOT APPLICABLE

- ITEM NOT ILLUSTRATED

HXL

32-51-03-02

BOEING PROPRIETARY - Copyright © - Unpublished Work - See title page for details.

32-51-03  
 FIG. 02  
 PAGE 65  
 DEC 22/06





767

PARTS CATALOG (MAINTENANCE)

FIG ITEM	PART NUMBER	1 2 3 4 5 6 7	NOMENCLATURE	EFFECT FROM TO	UNITS PER ASSY
2					
- 12	162T1136-072		COMPONENT ASSY-NLG COMPONENT MAINT MANUAL REF: 32-21-47 QUALIFIED I/W DATA: 162T1136-072,-035,-033, -022,-019,-018,-014 OR -013 T/W 2 EA 162T1621-1 2 EA 162T1622-1 MAY REPLACE BUT NOT BE REPLACED BY 162T1136-043, -011, -007 OR -003 T/W 2 EA 162T1602-1, 2 EA 162T1603-1, 8 EA BACW10BP5APU, 4 EA NAS6705-7, 4 EA BACN10JC5 INCLUDE IMPROVED NOSE GEAR STEERING ANGLE INDICATOR FOR CUSTOMER NOT USING TIRE PRESSURE INDICATOR SYSTEM (TPIS) WITH CUSTOMER APPROVAL		RF
- 12	162T1136-072		COMPONENT ASSY-NLG COMPONENT MAINT MANUAL REF: 32-21-47 QUALIFIED I/W DATA: 162T1136-072,-035,-033, -022,-019,-018,-014 OR -013 T/W 2 EA 162T1621-1 2 EA 162T1622-1 MAY REPLACE BUT NOT BE REPLACED BY 162T1136-043, -011, -007 OR -003 T/W 2 EA 162T1602-1, 2 EA 162T1603-1, 8 EA BACW10BP5APU, 4 EA NAS6705-7, 4 EA BACN10JC5 INCLUDE IMPROVED NOSE GEAR STEERING ANGLE INDICATOR FOR CUSTOMER NOT USING TIRE PRESSURE INDICATOR SYSTEM (TPIS) WITH CUSTOMER APPROVAL		RF

ILLUSTRATION ITEMS NOT ON PARTS LIST ARE NOT APPLICABLE

- ITEM NOT ILLUSTRATED

32-51-03-02

32-51-03  
 FIG. 02  
 PAGE 66  
 DEC 22/06

HXL



767

PARTS CATALOG (MAINTENANCE)

FIG ITEM	PART NUMBER	1 2 3 4 5 6 7 NOMENCLATURE	EFFECT FROM TO	UNITS PER ASSY
2 - 13	162T1136-074	COMPONENT ASSY-NLG COMPONENT MAINT MANUAL REF: 32-21-47 QUALIFIED I/W DATA: 162T1136-075,-074,-070, -068,-038,-030,-020, -017,-012, -008 OR 004 WITH QUICK DISCONNECT (QD) FEATURE IS I/W 162T1136-072,-035,-033, -022,-019,-018, -014 OR -013 WITHOUT QD FEATURE WITH CUSTOMER APPROVAL 162T1136-075,-074,-070, -068,-038,-030,-020, -017,-012, -008 OR 004 WITH QUICK DISCONNECT (QD) FEATURE IS I/W 162T1136-073,-040,-021 WITHOUT QD FEATURE AND INCLUDES IMPROVED NOSE GEAR STEERING ANGLE INDICATOR WITH CUSTOMER APPROVAL		RF

ILLUSTRATION ITEMS NOT ON PARTS LIST ARE NOT APPLICABLE

- ITEM NOT ILLUSTRATED

HXL

32-51-03-02

BOEING PROPRIETARY - Copyright © - Unpublished Work - See title page for details.

32-51-03  
FIG. 02  
PAGE 67  
DEC 22/06



767

PARTS CATALOG (MAINTENANCE)

FIG ITEM	PART NUMBER	1 2 3 4 5 6 7 NOMENCLATURE	EFFECT FROM TO	UNITS PER ASSY
2 - 13	162T1136-074	COMPONENT ASSY-NLG COMPONENT MAINT MANUAL REF: 32-21-47 QUALIFIED I/W DATA: 162T1136-075,-074,-070, -068,-038,-030,-020, -017,-012, -008 OR 004 WITH QUICK DISCONNECT (QD) FEATURE IS I/W 162T1136-073,-040,-021 WITHOUT QD FEATURE AND INCLUDES IMPROVED NOSE GEAR STEERING ANGLE INDICATOR WITH CUSTOMER APPROVAL 162T1136-075,-074,-070, -068,-038,-030,-020, -017,-012, -008 OR -004 T/W 2 EA 162T1621-1, 2 EA 162T1622-1 MAY REPLACE BUT NOT BE REPLACED BY 162T1136 -044,-041,-010, -006 OR -002 T/W 2 EA 162T1602-1, 2 EA 162T1603-1, 8 EA BACW10BP5APU, 4 EA NAS6705-7, 4 EA BACN10JC5 FOR CUSTOMERS NOT USING TIRE PRESSURE INDICATOR SYSTEM (TPIS) WITH CUSTOMER APPROVAL		RF

ILLUSTRATION ITEMS NOT ON PARTS LIST ARE NOT APPLICABLE

- ITEM NOT ILLUSTRATED

HXL

32-51-03-02

BOEING PROPRIETARY - Copyright © - Unpublished Work - See title page for details.

32-51-03  
 FIG. 02  
 PAGE 68  
 DEC 22/06



767

PARTS CATALOG (MAINTENANCE)

FIG ITEM	PART NUMBER	1 2 3 4 5 6 7	NOMENCLATURE	EFFECT FROM TO	UNITS PER ASSY
2					
- 13	162T1136-074		COMPONENT ASSY-NLG COMPONENT MAINT MANUAL REF: 32-21-47 QUALIFIED I/W DATA: 162T1136-075,-074,-070, -068,-038,-030,-020, -017,-012, -008 OR -004 T/W 2 EA 162T1621-1, 2 EA 162T1622-1 MAY REPLACE BUT NOT BE REPLACED BY 162T1136 -044,-041,-010, -006 OR -002 T/W 2 EA 162T1602-1, 2 EA 162T1603-1, 8 EA BACW10BP5APU, 4 EA NAS6705-7, 4 EA BACN10JC5 FOR CUSTOMERS NOT USING TIRE PRESSURE INDICATOR SYSTEM (TPIS) WITH CUSTOMER APPROVAL		RF
- 13	162T1136-074		COMPONENT ASSY-NLG COMPONENT MAINT MANUAL REF: 32-21-47 QUALIFIED I/W DATA: 162T1136-075,-074,-070, -068,-038,-030,-020, -017,-012, -008 OR -004 T/W 2 EA 162T1621-1, 2 EA 162T1622-1 WITH QUICK DISCONNECT (QD) FEATURE MAY REPLACE BUT NOT BE REPLACED BY 162T1136-042, -009, -005 OR -001 T/W 2 EA 162T1602-1, 2 EA 162T1603-1, 8 EA BACW10BP5APU, 4 EA NAS6705-7, 4 EA BACN10JC5 FOR CUSTOMERS NOT USING TIRE PRESSURE INDICATOR SYSTEM (TPIS) AND WITHOUT QD FEATURE WITH CUSTOMER APPROVAL		RF

ILLUSTRATION ITEMS NOT ON PARTS LIST ARE NOT APPLICABLE

- ITEM NOT ILLUSTRATED

HXL

32-51-03-02

BOEING PROPRIETARY - Copyright © - Unpublished Work - See title page for details.

32-51-03  
 FIG. 02  
 PAGE 69  
 DEC 22/06



767

PARTS CATALOG (MAINTENANCE)

FIG ITEM	PART NUMBER	1 2 3 4 5 6 7	NOMENCLATURE	EFFECT FROM TO	UNITS PER ASSY
2					
- 13	162T1136-074		COMPONENT ASSY-NLG COMPONENT MAINT MANUAL REF: 32-21-47 QUALIFIED I/W DATA: 162T1136-075,-074,-070, -068,-038,-030,-020, -017,-012, -008 OR -004 T/W 2 EA 162T1621-1, 2 EA 162T1622-1 WITH QUICK DISCONNECT (QD) FEATURE MAY REPLACE BUT NOT BE REPLACED BY 162T1136-042, -009, -005 OR -001 T/W 2 EA 162T1602-1, 2 EA 162T1603-1, 8 EA BACW10BP5APU, 4 EA NAS6705-7, 4 EA BACN10JC5 FOR CUSTOMERS NOT USING TIRE PRESSURE INDICATOR SYSTEM (TPIS) AND WITHOUT QD FEATURE WITH CUSTOMER APPROVAL		RF
- 13	162T1136-074		COMPONENT ASSY-NLG COMPONENT MAINT MANUAL REF: 32-21-47 QUALIFIED I/W DATA: 162T1136-075,-074,-068, -038,-030,-020,-017, -012, -008 OR -004 T/W 2 EA 162T1621-1, 2 EA 162T1622-1 WITH QUICK DISCONNECT (QD) FEATURE MAY REPLACE BUT NOT BE REPLACED BY 162T1136-043, -011, -007 OR -003 T/W 2 EA 162T1602-1, 2 EA 162T1603-1, 8 EA BACW10BP5APU, 4 EA NAS6705-7, 4 EA BACN10JC5 FOR CUSTOMER NOT USING TIRE PRESSURE INDICATOR SYSTEM (TPIS) WITHOUT QD FEATURE, WITH IMPROVED NOSE GEAR STEERING ANGLE INDICATOR WITH CUSTOMER APPROVAL		RF

ILLUSTRATION ITEMS NOT ON PARTS LIST ARE NOT APPLICABLE

- ITEM NOT ILLUSTRATED

32-51-03-02

32-51-03  
 FIG. 02  
 PAGE 70  
 DEC 22/06

HXL



767

PARTS CATALOG (MAINTENANCE)

FIG ITEM	PART NUMBER	1 2 3 4 5 6 7	NOMENCLATURE	EFFECT FROM TO	UNITS PER ASSY
2 - 13	162T1136-074		<p>COMPONENT ASSY-NLG            COMPONENT MAINT MANUAL REF:            32-21-47            QUALIFIED I/W DATA:            162T1136-075,-074,-068,            -038,-030,-020,-017,            -012, -008 OR -004 T/W            2 EA 162T1621-1,            2 EA 162T1622-1 WITH            QUICK DISCONNECT (QD)            FEATURE MAY REPLACE BUT            NOT BE REPLACED BY            162T1136-043, -011, -007            OR -003 T/W 2 EA            162T1602-1, 2 EA            162T1603-1, 8 EA            BACW10BP5APU, 4 EA            NAS6705-7, 4 EA            BACN10JC5 FOR CUSTOMER            NOT USING TIRE PRESSURE            INDICATOR SYSTEM (TPIS)            WITHOUT QD FEATURE, WITH            IMPROVED NOSE GEAR            STEERING ANGLE INDICATOR            WITH CUSTOMER APPROVAL</p>		RF
- 13	162T1136-075		<p>COMPONENT ASSY-NLG            COMPONENT MAINT MANUAL REF:            32-21-47            QUALIFIED I/W DATA:            162T1136-075,-074,-070,            -068,-038,-030,-020,            -017,-012, -008 OR 004            WITH QUICK DISCONNECT            (QD) FEATURE IS I/W            162T1136-072,-035,-033,            -022,-019,-018, -014 OR            -013 WITHOUT QD FEATURE            WITH CUSTOMER APPROVAL            162T1136-075,-074,-070,            -068,-038,-030,-020,            -017,-012, -008 OR 004            WITH QUICK DISCONNECT            (QD) FEATURE IS I/W            162T1136-073,-040,-021            WITHOUT QD FEATURE AND            INCLUDES IMPROVED NOSE            GEAR STEERING ANGLE            INDICATOR WITH CUSTOMER            APPROVAL</p>		RF

ILLUSTRATION ITEMS NOT ON PARTS LIST ARE NOT APPLICABLE

- ITEM NOT ILLUSTRATED

32-51-03-02

32-51-03  
 FIG. 02  
 PAGE 71  
 DEC 22/06

HXL



767

PARTS CATALOG (MAINTENANCE)

FIG ITEM	PART NUMBER	1 2 3 4 5 6 7 NOMENCLATURE	EFFECT FROM TO	UNITS PER ASSY
2 - 13	162T1136-075	COMPONENT ASSY-NLG COMPONENT MAINT MANUAL REF: 32-21-47 QUALIFIED I/W DATA: 162T1136-075,-074,-070, -068,-038,-030,-020, -017,-012, -008 OR 004 WITH QUICK DISCONNECT (QD) FEATURE IS I/W 162T1136-073,-040,-021 WITHOUT QD FEATURE AND INCLUDES IMPROVED NOSE GEAR STEERING ANGLE INDICATOR WITH CUSTOMER APPROVAL 162T1136-075,-074,-070, -068,-038,-030,-020, -017,-012, -008 OR -004 T/W 2 EA 162T1621-1, 2 EA 162T1622-1 MAY REPLACE BUT NOT BE REPLACED BY 162T1136 -044,-041,-010, -006 OR -002 T/W 2 EA 162T1602-1, 2 EA 162T1603-1, 8 EA BACW10BP5APU, 4 EA NAS6705-7, 4 EA BACN10JC5 FOR CUSTOMERS NOT USING TIRE PRESSURE INDICATOR SYSTEM (TPIS) WITH CUSTOMER APPROVAL		RF

ILLUSTRATION ITEMS NOT ON PARTS LIST ARE NOT APPLICABLE

- ITEM NOT ILLUSTRATED

HXL

32-51-03-02

BOEING PROPRIETARY - Copyright © - Unpublished Work - See title page for details.

32-51-03  
 FIG. 02  
 PAGE 72  
 DEC 22/06



767

PARTS CATALOG (MAINTENANCE)

FIG ITEM	PART NUMBER	1 2 3 4 5 6 7	NOMENCLATURE	EFFECT FROM TO	UNITS PER ASSY
2					
- 13	162T1136-075		COMPONENT ASSY-NLG COMPONENT MAINT MANUAL REF: 32-21-47 QUALIFIED I/W DATA: 162T1136-075,-074,-070, -068,-038,-030,-020, -017,-012, -008 OR -004 T/W 2 EA 162T1621-1, 2 EA 162T1622-1 MAY REPLACE BUT NOT BE REPLACED BY 162T1136 -044,-041,-010, -006 OR -002 T/W 2 EA 162T1602-1, 2 EA 162T1603-1, 8 EA BACW10BP5APU, 4 EA NAS6705-7, 4 EA BACN10JC5 FOR CUSTOMERS NOT USING TIRE PRESSURE INDICATOR SYSTEM (TPIS) WITH CUSTOMER APPROVAL		RF
- 13	162T1136-075		COMPONENT ASSY-NLG COMPONENT MAINT MANUAL REF: 32-21-47 QUALIFIED I/W DATA: 162T1136-075,-074,-070, -068,-038,-030,-020, -017,-012, -008 OR -004 T/W 2 EA 162T1621-1, 2 EA 162T1622-1 WITH QUICK DISCONNECT (QD) FEATURE MAY REPLACE BUT NOT BE REPLACED BY 162T1136-042, -009, -005 OR -001 T/W 2 EA 162T1602-1, 2 EA 162T1603-1, 8 EA BACW10BP5APU, 4 EA NAS6705-7, 4 EA BACN10JC5 FOR CUSTOMERS NOT USING TIRE PRESSURE INDICATOR SYSTEM (TPIS) AND WITHOUT QD FEATURE WITH CUSTOMER APPROVAL		RF

ILLUSTRATION ITEMS NOT ON PARTS LIST ARE NOT APPLICABLE

- ITEM NOT ILLUSTRATED

32-51-03-02

32-51-03  
 FIG. 02  
 PAGE 73  
 DEC 22/06

HXL





767

PARTS CATALOG (MAINTENANCE)

FIG ITEM	PART NUMBER	1 2 3 4 5 6 7	NOMENCLATURE	EFFECT FROM TO	UNITS PER ASSY
2					
- 13	162T1136-075		COMPONENT ASSY-NLG COMPONENT MAINT MANUAL REF: 32-21-47 QUALIFIED I/W DATA: 162T1136-075,-074,-070, -068,-038,-030,-020, -017,-012, -008 OR -004 T/W 2 EA 162T1621-1, 2 EA 162T1622-1 WITH QUICK DISCONNECT (QD) FEATURE MAY REPLACE BUT NOT BE REPLACED BY 162T1136-042, -009, -005 OR -001 T/W 2 EA 162T1602-1, 2 EA 162T1603-1, 8 EA BACW10BP5APU, 4 EA NAS6705-7, 4 EA BACN10JC5 FOR CUSTOMERS NOT USING TIRE PRESSURE INDICATOR SYSTEM (TPIS) AND WITHOUT QD FEATURE WITH CUSTOMER APPROVAL		RF
- 13	162T1136-075		COMPONENT ASSY-NLG COMPONENT MAINT MANUAL REF: 32-21-47 QUALIFIED I/W DATA: 162T1136-075,-074,-070, -068,-038,-030,-020, -017,-012, -008 OR -004 T/W 2 EA 162T1621-1, 2 EA 162T1622-1 WITH QUICK DISCONNECT (QD) FEATURE MAY REPLACE BUT NOT BE REPLACED BY 162T1136-043, -011, -007 OR -003 T/W 2 EA 162T1602-1, 2 EA 162T1603-1, 8 EA BACW10BP5APU, 4 EA NAS6705-7, 4 EA BACN10JC5 FOR CUSTOMER NOT USING TIRE PRESSURE INDICATOR SYSTEM (TPIS) WITHOUT QD FEATURE, WITH IMPROVED NOSE GEAR STEERING ANGLE INDICATOR WITH CUSTOMER APPROVAL		RF

ILLUSTRATION ITEMS NOT ON PARTS LIST ARE NOT APPLICABLE

- ITEM NOT ILLUSTRATED

32-51-03-02

32-51-03  
 FIG. 02  
 PAGE 74  
 DEC 22/06

HXL



767

PARTS CATALOG (MAINTENANCE)

FIG ITEM	PART NUMBER	1 2 3 4 5 6 7	NOMENCLATURE	EFFECT FROM TO	UNITS PER ASSY
2 - 14	162T1136-075		COMPONENT ASSY-NLG COMPONENT MAINT MANUAL REF: 32-21-47 QUALIFIED I/W DATA: 162T1136-075,-074,-070, -068,-038,-030,-020, -017,-012, -008 OR -004 T/W 2 EA 162T1621-1, 2 EA 162T1622-1 WITH QUICK DISCONNECT (QD) FEATURE MAY REPLACE BUT NOT BE REPLACED BY 162T1136-043, -011, -007 OR -003 T/W 2 EA 162T1602-1, 2 EA 162T1603-1, 8 EA BACW10BP5APU, 4 EA NAS6705-7, 4 EA BACN10JC5 FOR CUSTOMER NOT USING TIRE PRESSURE INDICATOR SYSTEM (TPIS) WITHOUT QD FEATURE, WITH IMPROVED NOSE GEAR STEERING ANGLE INDICATOR WITH CUSTOMER APPROVAL		RF
17	MS24665-304	.	PIN		2
18	NAS6606DH61	.	BOLT-		2
19	BACW10BP6ACU	.	WASHER-		2
20	BACW10BP6APU	.	WASHER-		2
25	MS14144L6	.	NUT-		2
27	162T5051-1	.	PLATE	155162	1
28	BACN10WW10C	.	NUT	155162	1
30	162T1413-1	.	CAP-STEERING PIN		4
35	162T1408-3	.	PIN-STEERING COLLAR	155162	2
			USED ON: 162T1100-32 162T1100-33 162T1100-38 162T1136-030 162T1136-033 162T1136-035 162T1136-038 162T1136-040 162T1136-070 162T1136-072 162T1136-073 162T1136-074 162T1136-075		
ILLUSTRATION ITEMS NOT ON PARTS LIST ARE NOT APPLICABLE					

- ITEM NOT ILLUSTRATED

32-51-03-02

32-51-03  
FIG. 02  
PAGE 75  
DEC 22/07

HXL



767

PARTS CATALOG (MAINTENANCE)

FIG ITEM	PART NUMBER	1 2 3 4 5 6 7	NOMENCLATURE	EFFECT FROM TO	UNITS PER ASSY
2 35	162T1408-2		.PIN-STEERING COLLAR USED ON: 162T1100-6 162T1100-7 162T1100-8 162T1100-9 162T1100-10 162T1100-12 162T1100-13 162T1100-17 162T1100-19 162T1100-20 162T1100-21 162T1100-29 162T1100-30 162T1100-35 162T1100-36 162T1100-37 162T1136-001 162T1136-002 162T1136-003 162T1136-004 162T1136-005 162T1136-006 162T1136-007 162T1136-008 162T1136-009 162T1136-010 162T1136-011 162T1136-012 162T1136-013 162T1136-014 162T1136-017 162T1136-018 162T1136-019 162T1136-020 162T1136-021 162T1136-022 162T1136-041 162T1136-042 162T1136-043 162T1136-044 162T1136-068		2

ILLUSTRATION ITEMS NOT ON PARTS LIST ARE NOT APPLICABLE

- ITEM NOT ILLUSTRATED

HXL

32-51-03-02

BOEING PROPRIETARY - Copyright © - Unpublished Work - See title page for details.

32-51-03  
FIG. 02  
PAGE 76  
DEC 22/07



767

PARTS CATALOG (MAINTENANCE)

FIG ITEM	PART NUMBER	1 2 3 4 5 6 7	NOMENCLATURE	EFFECT FROM TO	UNITS PER ASSY
2					
40	162T1136-051		.STRUT ASSY-SHOCK MISCELLANEOUS DATA: FOR SPARES PROCURE LOWER COMPONENTS QUALIFIED I/W DATA: 162T1136-051 T/W 2EA 162T1621-1, 2EA 162T1622-1, AND ATTACHING HARDWARE MAY REPLACE -050 OR -054 T/W 2EA 162T1602-1 2EA 162T1603-1, 4EA NAS6705-7, 4EA BACW10BP5APU AND 4EA BACN10JC5 FOR CUST. NOT USING TPIS WITH CUST. APPROVAL. CUSTOMER USING TPIS MUST USE 162T1136-051)		1
40	162T1136-053		.STRUT ASSY-SHOCK MISCELLANEOUS DATA: FOR SPARES PROCURE LOWER COMPONENTS QUALIFIED I/W DATA: 162T1136-051 T/W 2EA 162T1621-1, 2EA 162T1622-1, AND ATTACHING HARDWARE MAY REPLACE -050 OR -054 T/W 2EA 162T1602-1 2EA 162T1603-1, 4EA NAS6705-7, 4EA BACW10BP5APU AND 4EA BACN10JC5 FOR CUST. NOT USING TPIS WITH CUST. APPROVAL. CUSTOMER USING TPIS MUST USE 162T1136-051		1
40	162T1136-056		.STRUT ASSY-SHOCK MISCELLANEOUS DATA: FOR SPARES PROCURE LOWER COMPONENTS		1
40	162T1136-064		.STRUT ASSY-SHOCK	155162	1
44	162T1102-1		..SPACER-AXLE		2
45	162T1138-3		..CYLINDER ASSY- POSITION DATA: INNER QUALIFIED I/W DATA: 162T1138-3 T/W 2EA		1

ILLUSTRATION ITEMS NOT ON PARTS LIST ARE NOT APPLICABLE

- ITEM NOT ILLUSTRATED

32-51-03-02

32-51-03  
FIG. 02  
PAGE 77  
DEC 22/08

HXL



767

PARTS CATALOG (MAINTENANCE)

FIG ITEM	PART NUMBER	1 2 3 4 5 6 7 NOMENCLATURE	EFFECT FROM TO	UNITS PER ASSY
2 45		162T1621-1, 2EA 162T1622-1, 4EA NAS6704-11, 8EA AN960JD416 OR NAS1149D0463J, AND 4EA MS21042L4 ARE I/W 162T1138-1 T/W 2 EA 162T1602-1, 2EA 162T1603-1, 4EA NAS6705-7, 8EA BACW10BP5APU AND 4EA BACN10JC5 FOR CUSTOMERS NOT USING TIRE PRESSURE INDICATOR SYSTEM (TPIS) WITH CUSTOMER APPROVAL 162T1138-3 T/W 1EA 162T1521-2, 1EA 162T1522-2, 1EA 162T1523-2, 1EA 162T1524-1, 1EA 162T1525-1, 1EA 162T1526-1, 2EA 7349MT2N, 1EA 7349MT987 AND 1EA MS14145L4 MAY REPLACE BUT NOT BE REPLACED BY 162T1113-5 T/W 1EA 162T1501-1, 1EA 162T1500-1, 1EA 162T1503-1, 1EA 162T1513-1, 1EA 162T1514-1, 1EA 162T1515-1, 2EA 7427MTN OR 7427MT2N, 1EA 7427MT987 1EA LCN6-428 OR RMTE9868-4 OR 58703-428-9 OR TE9868-4 2EA MS28774-338 AND 1EA MS28775-338 162T1138-3 T/W 1EA 162T1521-2, 1EA 162T1522-2, 1EA 162T1523-2, 1EA 162T1524-1, 1EA 162T1525-1, 1EA 162T1526-1, 2EA 7349MT2N, 1EA 7349MT987, 1EA MS14145L4, 2EA 162T1621-1, 2EA		

ILLUSTRATION ITEMS NOT ON PARTS LIST ARE NOT APPLICABLE

- ITEM NOT ILLUSTRATED

HXL

32-51-03-02

BOEING PROPRIETARY - Copyright © - Unpublished Work - See title page for details.

32-51-03  
FIG. 02  
PAGE 78  
DEC 22/08



767

PARTS CATALOG (MAINTENANCE)

FIG ITEM	PART NUMBER	1 2 3 4 5 6 7	NOMENCLATURE	EFFECT FROM TO	UNITS PER ASSY
2	45		162T1622-1, 4EA NAS6704-11, 8EA AN960JD416 OR NAS1149D0463J, AND 4EA MS21042L4 MAY REPLACE BUT NOT BE REPLACED BY 162T1113-3 T/W 1EA 162T1501-1, 1EA 162T1500-1, 1EA 162T1503-1, 1EA 162T1513-1, 1EA 1EA 162T1514-1, 1EA 162T1515-1, 2EA 7427MTN OR 7427MT2N, 1EA 7427MT987, 1EA LCN6-428 OR RMTE9868-4 OR 58703-428-9 OR OR TE9868-4, 2EA MS28774-338, 1EA MS28775-338, 2EA 162T1602-1, 1EA 162T1603-1, 4EA NAS6705-7 8EA BACW10BP5APU AND 4EA BACN10JC5 FOR CUSTOMERS NOT USING TIRE PRESSURE INDICATOR SYSTEM (TPIS) WITH CUSTOMER APPROVAL		
	46	162T1138-4	...CYLINDER-INNER USED ON: 162T1138-3		1
	47	161T1210-1	...BUSHING		4
	48	161T1210-9	...BUSHING		16
	49	162T1124-2	...BUSHING		1
	50	1728B	...FITTING-LUBE SUPPLIER CODE: VOFKM1		1
	51	162T1139-1	...BUSHING- USED ON: 162T1113-5 162T1138-3 162T1138-5		1
	55	NAS6704H7	..BOLT-		1
	60	BACW10BP4APU	..WASHER-		1
	65	162T1411-1	..PLATE-LOCK		1
	70	162T1520-1	..PLATE-LOCK		1
	75	162T1406-1	..NUT ASSY-STEERING		1

ILLUSTRATION ITEMS NOT ON PARTS LIST ARE NOT APPLICABLE

- ITEM NOT ILLUSTRATED

32-51-03-02

32-51-03  
 FIG. 02  
 PAGE 79  
 DEC 22/08

HXL



767

PARTS CATALOG (MAINTENANCE)

FIG ITEM	PART NUMBER	1 2 3 4 5 6 7	NOMENCLATURE	EFFECT FROM TO	UNITS PER ASSY
2					
80	1728B	...	FITTING-LUBE SUPPLIER CODE: VOFKM1		1
85	162T1402-1	..	PLATE ASSY-SPRT POSITION DATA: LWR		1
90	1728B	...	FITTING-LUBE SUPPLIER CODE: VOFKM1		2
95	162T1404-5	..	COLLAR ASSY-STEERING		1
96	161T1210-1	...	BUSHING		2
97	161T1210-11	...	BUSHING		4
98	161T1210-16	...	BUSHING		4
99	162T1407-1	...	BUSHING-		2
100	1728B	...	FITTING-LUBE SUPPLIER CODE: VOFKM1		10
101	162T1414-2	...	BUSHING-		2
105	MS24665-374	..	PIN		3
110	162T1409-1	..	BOLT-SPRT TORQUE TUBE		3
115	162T1409-3	..	BOLT		1
120	BACW10BP16APU	..	WASHER		4
125	BMN4122AD3-16	..	NUT SUPPLIER CODE: V97928 SPECIFICATION NUMBER: BACN10JC16 OPTIONAL PART: H10-1612BAC V15653 BMN4122A16 V85495 RMLH9074-16 V72962 48FT1612 V56878		4
130	162T1400-1	..	TUBE ASSY-SPRT TORQUE		1
133	161T1210-17	...	BUSHING-		4
135	1728B	...	FITTING-LUBE SUPPLIER CODE: VOFKM1		2
215	162T1412-3	.	PLATE-SENSOR MTG		2
240	NAS623-4-15	.	SCREW-		2
245	BACW10P186CC	.	WASHER-		2
250	NAS1149D0416J	.	WASHER-		2

ILLUSTRATION ITEMS NOT ON PARTS LIST ARE NOT APPLICABLE

- ITEM NOT ILLUSTRATED

32-51-03-02

32-51-03  
FIG. 02  
PAGE 80  
DEC 22/08

HXL



767

PARTS CATALOG (MAINTENANCE)

FIG ITEM	PART NUMBER	1 2 3 4 5 6 7	NOMENCLATURE	EFFECT FROM TO	UNITS PER ASSY
2 255	BRH10C4D		.NUT- SUPPLIER CODE: V52828 SPECIFICATION NUMBER: BACN10JC4CD OPTIONAL PART: T6C428JCD V11815 NS202486-048 V80539 102LH9075-4W V72962 H51650-4BAC V15653		2
260	BACB28AK08-065		.BUSHING-		2
265	BACB28Z4-068		.BUSHING-		2
270	NAS6605H2		.BOLT-		4
275	MS35333-75		.WASHER-		4
900			ILLUSTRATION REFERENCE: GEAR ASSY-NOSE LDG (STEERING ONLY) 32-51-04-01		RF
905			ILLUSTRATION REFERENCE: COMPONENT ASSY-NLG (NOSE LANDING GEAR AND DOORS ONLY) 32-21-02-01		RF
910			ILLUSTRATION REFERENCE: GEAR ASSY-NOSE LDG (TIRES AND WHEELS ONLY) 32-45-02-01		RF

ILLUSTRATION ITEMS NOT ON PARTS LIST ARE NOT APPLICABLE

- ITEM NOT ILLUSTRATED

HXL

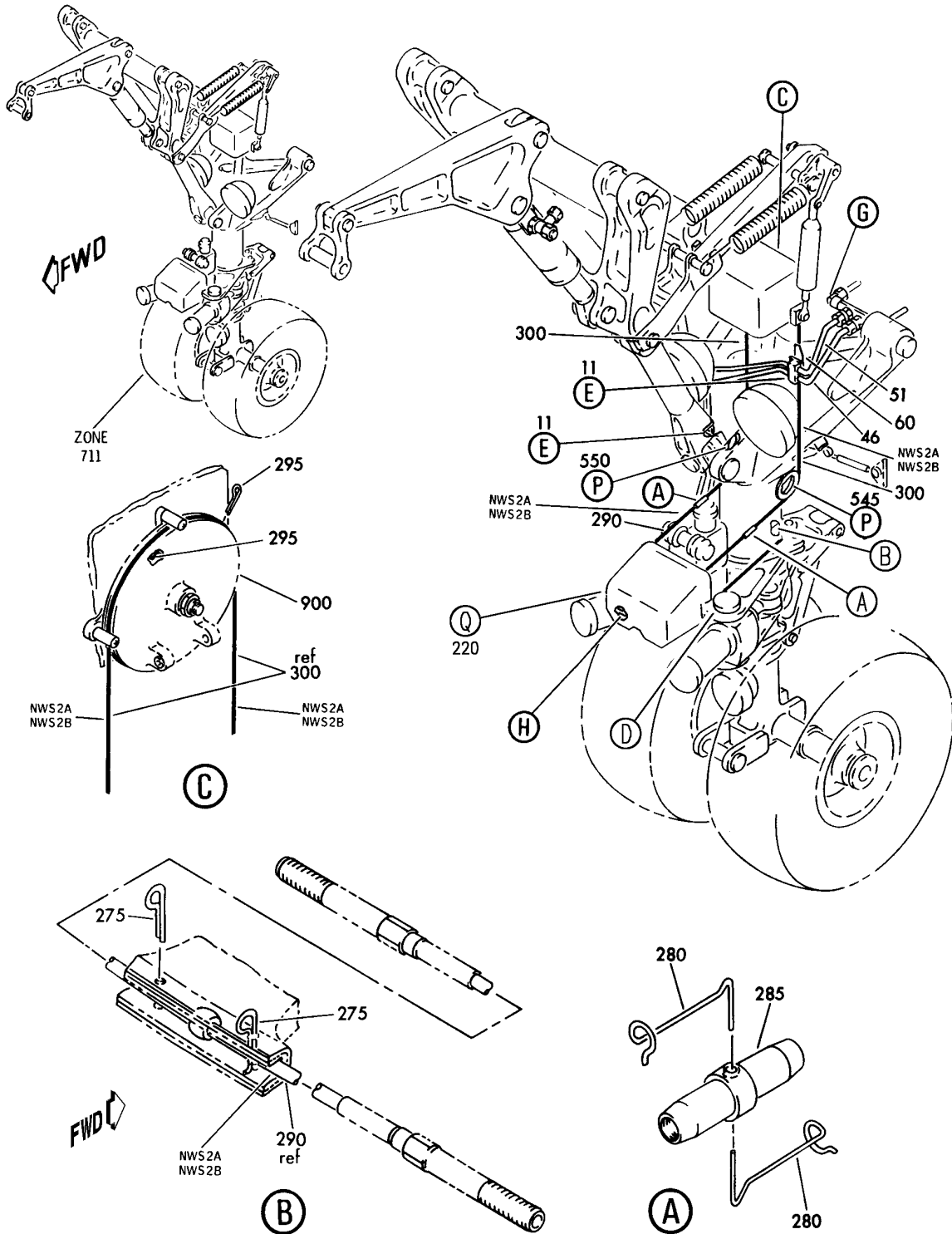
32-51-03-02

BOEING PROPRIETARY - Copyright © - Unpublished Work - See title page for details.

32-51-03  
FIG. 02  
PAGE 81  
DEC 22/08



**BOEING**  
767  
PARTS CATALOG (MAINTENANCE)



V 32510401 SHT 1 REV 256

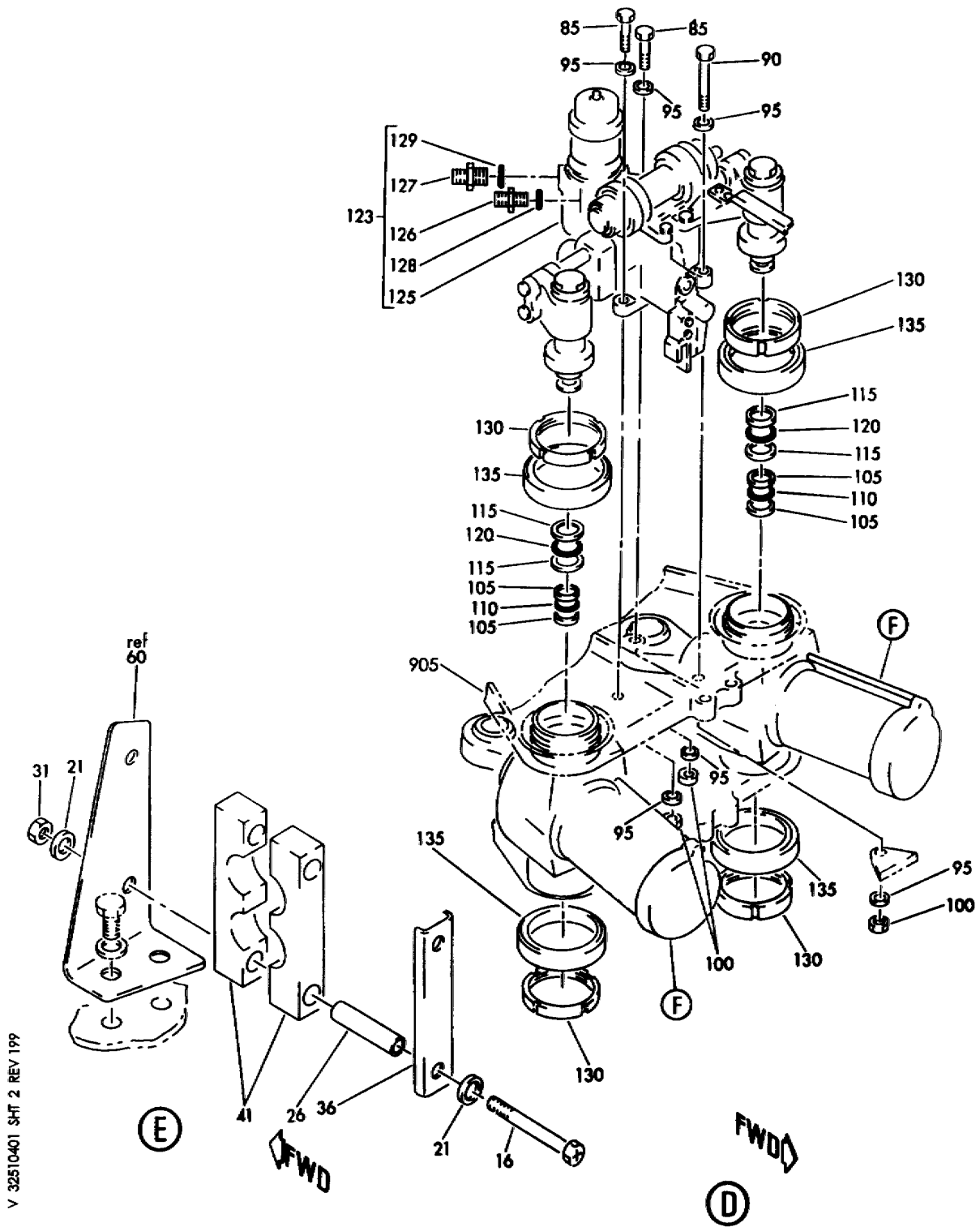
GEAR ASSY-NOSE LDG (STEERING ONLY)  
FIGURE 1 (SHEET 1)

**32-51-04-01**

HXL  
DEC 22/06

32-51-04-01  
PAGE 0

**BOEING**  
767  
PARTS CATALOG (MAINTENANCE)



V 32510401 SHT 2 REV 199

GEAR ASSY-NOSE LDG (STEERING ONLY)  
FIGURE 1 (SHEET 2)

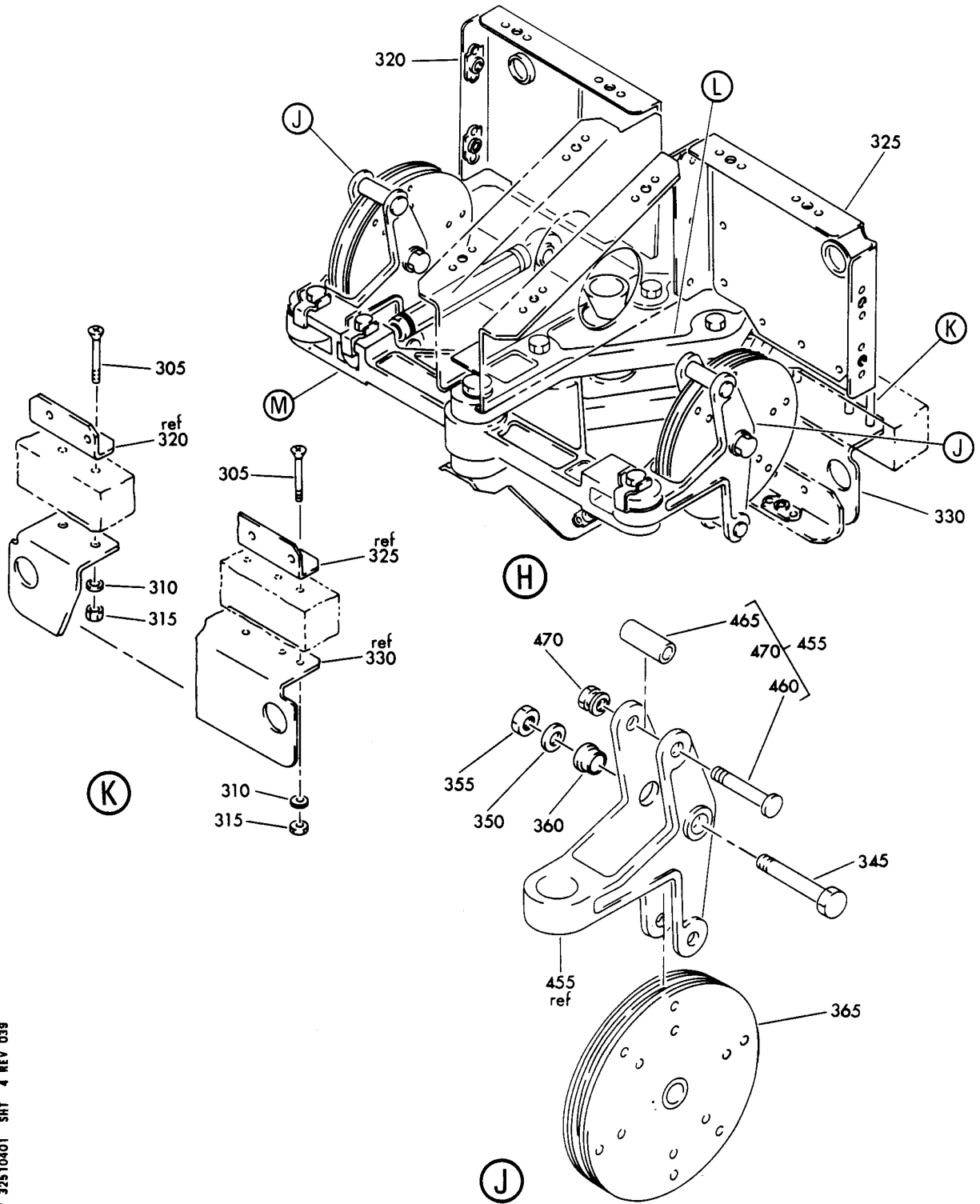
**32-51-04-01**

HXL  
DEC 22/06

32-51-04-01  
PAGE 0A



**BOEING**  
767  
PARTS CATALOG (MAINTENANCE)



V 32510401 SH1 4 REV 039

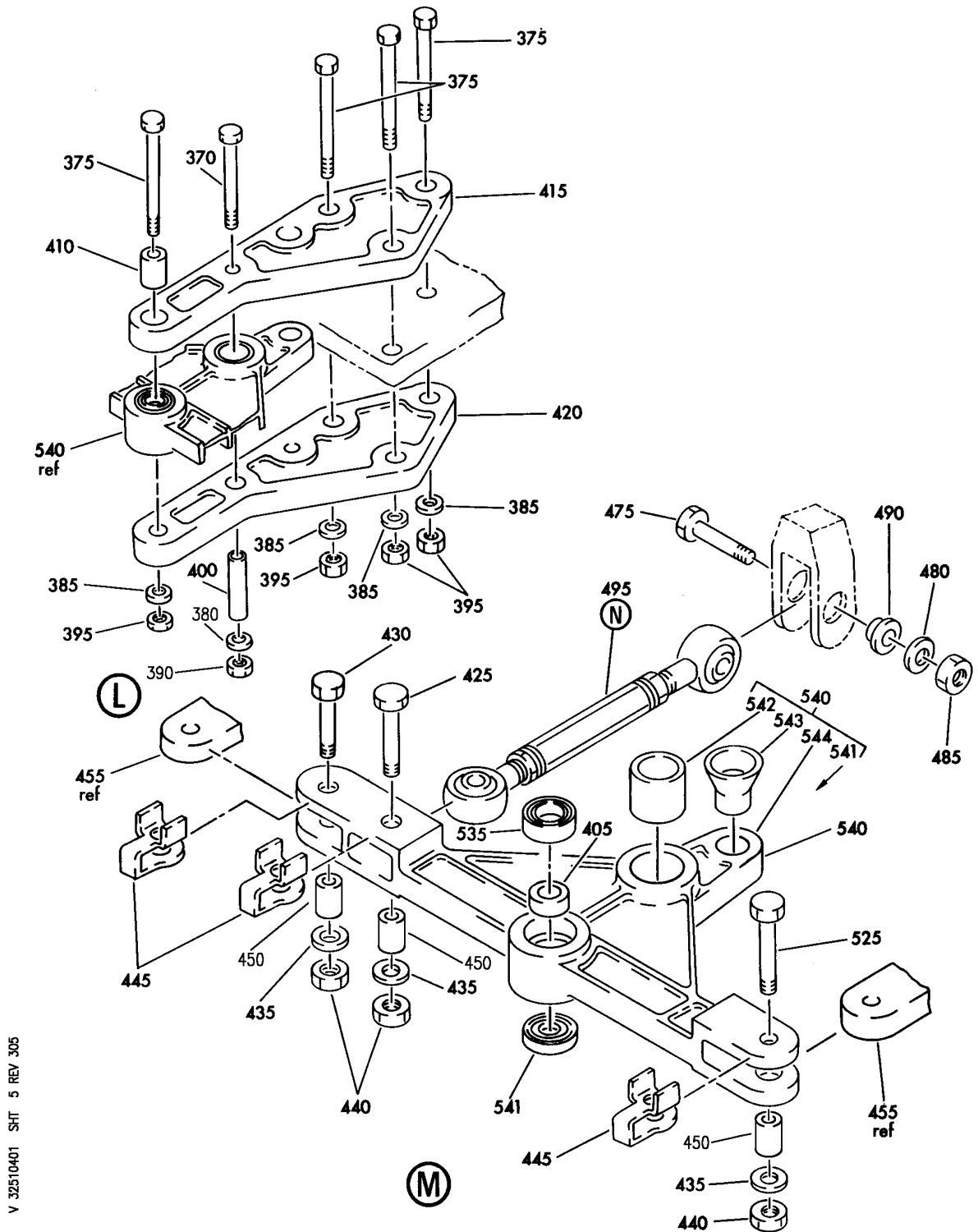
GEAR ASSY-NOSE LDG (STEERING ONLY)  
FIGURE 1 (SHEET 4)

**32-51-04-01**

HXL  
DEC 22/06

32-51-04-01  
PAGE 0C

**BOEING**  
767  
PARTS CATALOG (MAINTENANCE)



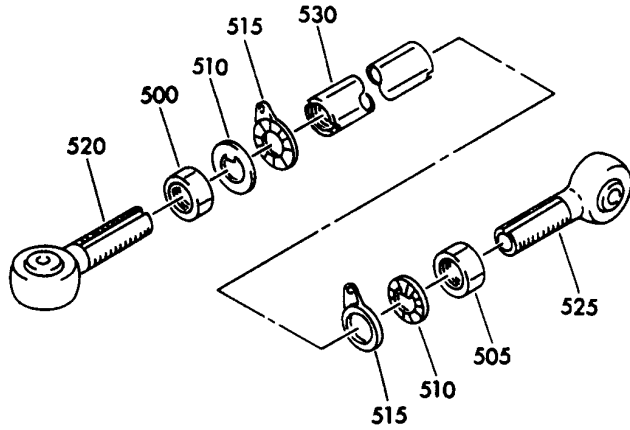
GEAR ASSY-NOSE LDG (STEERING ONLY)  
FIGURE 1 (SHEET 5)

**32-51-04-01**

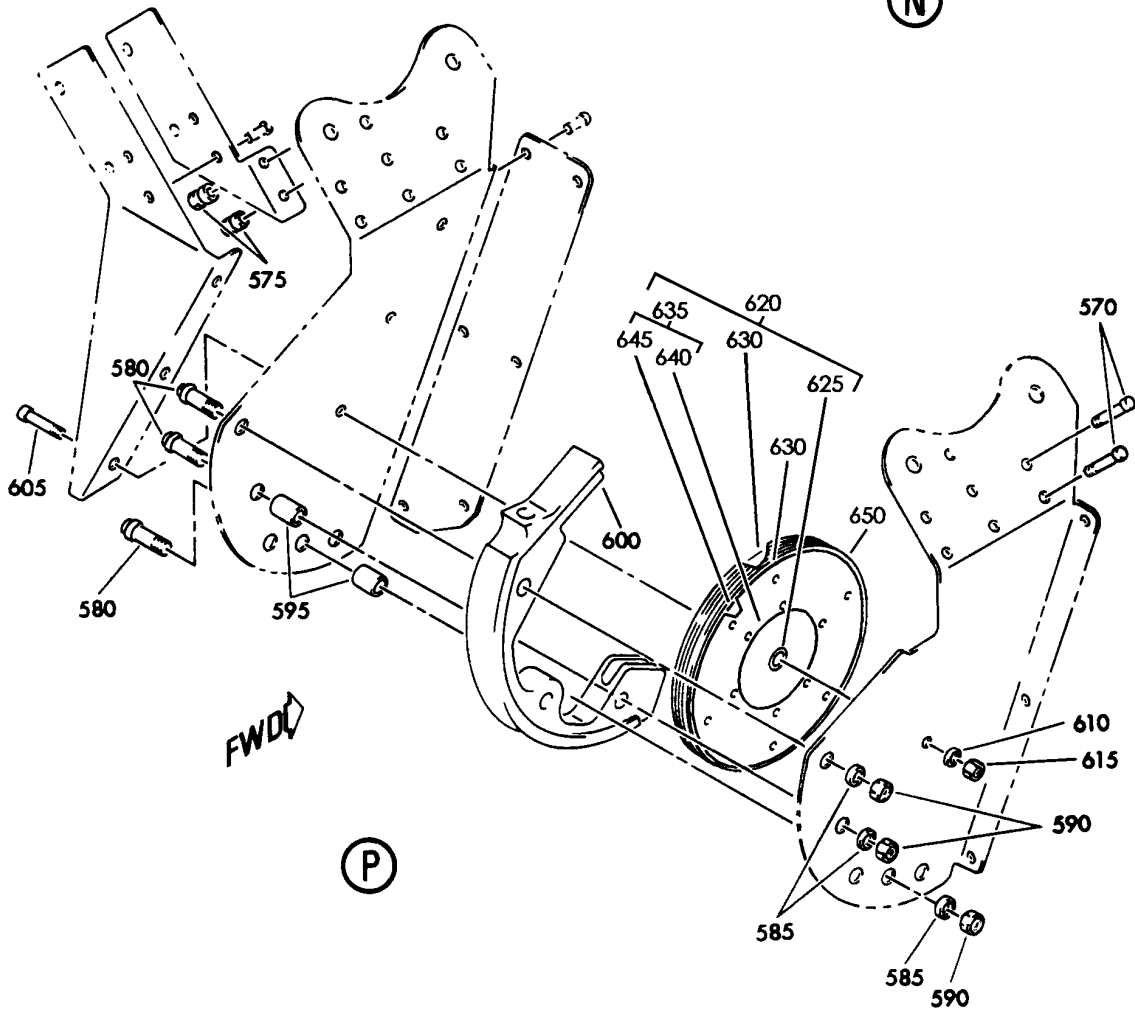
HXL  
DEC 22/06

32-51-04-01  
PAGE 0D

**BOEING**  
767  
PARTS CATALOG (MAINTENANCE)



(N)



(P)

V 32510401 SHT 6 REV 206

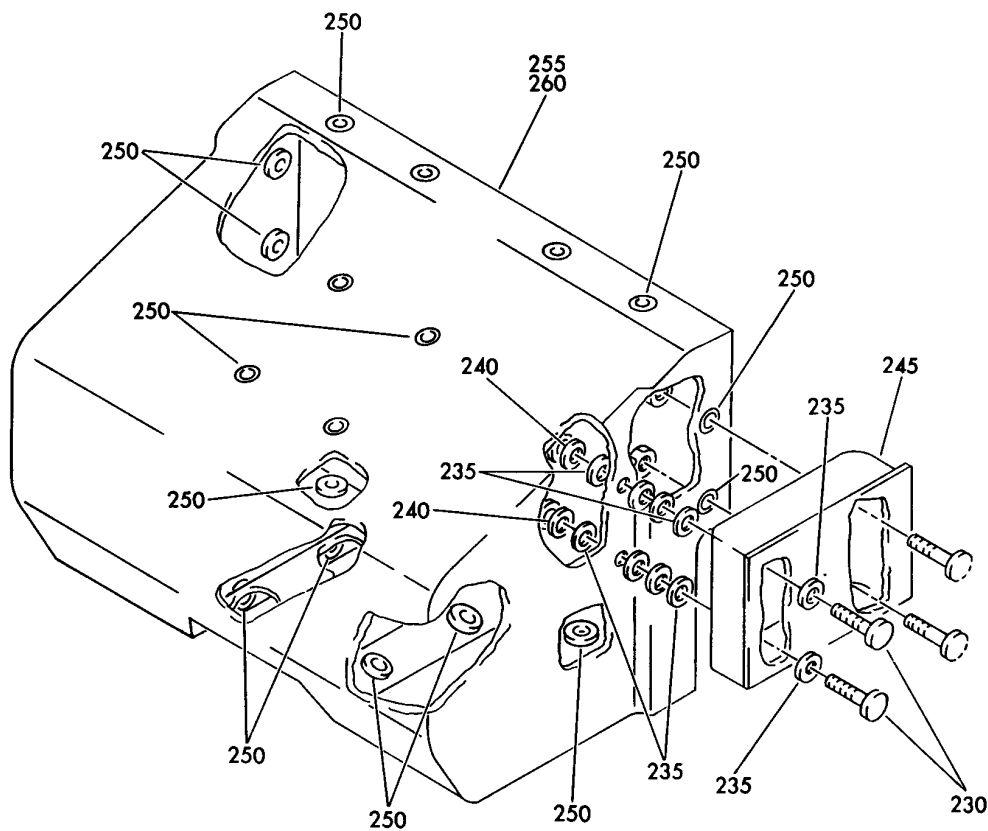
GEAR ASSY-NOSE LDG (STEERING ONLY)  
FIGURE 1 (SHEET 6)

**32-51-04-01**

HXL  
DEC 22/06

32-51-04-01  
PAGE 0E

**BOEING**  
767  
PARTS CATALOG (MAINTENANCE)



Q

V 32510401 SHT 7 REV 163

GEAR ASSY-NOSE LDG (STEERING ONLY)  
FIGURE 1 (SHEET 7)

**32-51-04-01**

HXL  
DEC 22/06

32-51-04-01  
PAGE OF



767

PARTS CATALOG (MAINTENANCE)

FIG ITEM	PART NUMBER	1 2 3 4 5 6 7	NOMENCLATURE	EFFECT FROM TO	UNITS PER ASSY
1			GEAR ASSY-NOSE LDG (STEERING ONLY)		
- 4	162T0000-263		GEAR ASSY-NOSE LDG (STEERING ONLY) MISCELLANEOUS DATA: FOR SPARES PROCURE LOWER COMPONENTS COMPONENT MAINT MANUAL REF: 32-21-21 FOR NHA/OTHER SYS DET SEE: 32-21-01-01	163999	RF
- 5	162T0000-281		GEAR ASSY-NOSE LDG (STEERING ONLY) COMPONENT MAINT MANUAL REF: 32-21-21 FOR NHA/OTHER SYS DET SEE: 32-21-01-01	155162	RF
11	270T0005-207		.BLOCK ASSY-SPRT		2
16	NAS1801-3-28		..SCREW		2
21	AN960PD10L		..WASHER		4
26	NAS43DD3-77		..SPACER		2
31	BRH10A3		..NUT SUPPLIER CODE: V52828 SPECIFICATION NUMBER: BACN10JC3 OPTIONAL PART: H10-3BAC V15653 NS202101-02 V80539 RMLH9075-3W V72962 VN303A02 V92215 96-02 V80539 T6S1032J V11815		2
36	65B80254-300		..CHANNEL		1
41	65B80254-229		..BLOCK-CLAMP		2
46	272T6200-5		.TUBE ASSY-PRESSURE CTR SYS		1
46	272T6200-7		.TUBE ASSY-PRESSURE CTR SYS		1
51	272T6200-4		.TUBE ASSY-RETURN CTR SYS		1
51	272T6200-6		.TUBE ASSY-RETURN CTR SYS		1
60	272T6211-1		.BRACKET-		1
60	272T6211-2		.BRACKET-		1
- 65	NAS6603-5		ATTACHING PARTS .BOLT-		2

ILLUSTRATION ITEMS NOT ON PARTS LIST ARE NOT APPLICABLE

- ITEM NOT ILLUSTRATED

32-51-04-01

32-51-04  
FIG. 01  
PAGE 1  
DEC 22/07

HXL





767

PARTS CATALOG (MAINTENANCE)

FIG ITEM	PART NUMBER	1 2 3 4 5 6 7	NOMENCLATURE	EFFECT FROM TO	UNITS PER ASSY
1					
- 70	NAS1149D0316J		.WASHER -----*-----		2
75	AN924-10		.NUT		2
80	AE81090J		.JOINT ASSY-SWIVEL SUPPLIER CODE: V00624 FOR DETAILS SEE: 32-34-52-01		2
85	BACB30NF6-28		.BOLT-		2
90	BACB30NF6-44		.BOLT-		1
95	AN960PD616		.WASHER-		6
100	BRH10A6		.NUT- SUPPLIER CODE: V52828 SPECIFICATION NUMBER: BACN10JC6 OPTIONAL PART: 96-064 V80539 RMLH9075-6 V72962 H10-6BAC V15653		3
105	MS27595-213		.RETAINER		4
110	NAS1611-213		.PACKING-		2
115	MS27595-222		.RETAINER		4
120	NAS1611-222		.PACKING-		2
123	275T6210-4		.VALVE ASSY-STEERING METERING		1
123	275T6210-6		.VALVE ASSY-STEERING METERING		1
123	275T6210-8		.VALVE ASSY-STEERING METERING		1
123	275T6210-10		.VALVE ASSY-STEERING METERING		1
125	3790037-105		..VALVE MODULE ASSY- SUPPLIER CODE: V92003 SPECIFICATION NUMBER: S275T601-5 COMPONENT MAINT MANUAL REF: 32-50-05 FOR DETAILS SEE: 32-51-04-51		1

ILLUSTRATION ITEMS NOT ON PARTS LIST ARE NOT APPLICABLE

- ITEM NOT ILLUSTRATED

32-51-04-01

32-51-04  
FIG. 01  
PAGE 2  
DEC 22/07

HXL



767

PARTS CATALOG (MAINTENANCE)

FIG ITEM	PART NUMBER	1 2 3 4 5 6 7	NOMENCLATURE	EFFECT FROM TO	UNITS PER ASSY
1					
125	3790037-106		.. VALVE MODULE ASSY- SUPPLIER CODE: V92003 SPECIFICATION NUMBER: S275T601-7 COMPONENT MAINT MANUAL REF: 32-50-05 FOR DETAILS SEE: 32-51-04-51		1
125	3790037-108		.. VALVE MODULE ASSY- SUPPLIER CODE: V92003 FUNCTIONAL DESCRIPTION: CONTROLS THE HYDRAULIC STEERING ACTUATORS SPECIFICATION NUMBER: S275T601-11 COMPONENT MAINT MANUAL REF: 32-50-05 FOR DETAILS SEE: 32-51-04-51		1
125	3790037-107		.. VALVE MODULE ASSY- SUPPLIER CODE: V92003 SPECIFICATION NUMBER: S275T601-10 COMPONENT MAINT MANUAL REF: 32-50-05 FOR DETAILS SEE: 32-51-04-51		1
126	BACU24K10		.. UNION- OPTIONAL PART: MS21902-10		1
126	MS21902-10		.. UNION- OPTIONAL PART: BACU24K10		1
127	MS21916D12-10		.. REDUCER		1
128	NAS1612-10		.. PACKING-		1
129	NAS1612-12		.. PACKING-		1
130	82631-6012		. NUT- SUPPLIER CODE: V56878 SPECIFICATION NUMBER: BACN10RF60 OPTIONAL PART: BR9080-6012 V72962 SL2822-60 V97393		4
ILLUSTRATION ITEMS NOT ON PARTS LIST ARE NOT APPLICABLE					

- ITEM NOT ILLUSTRATED

# 32-51-04-01

32-51-04  
FIG. 01  
PAGE 3  
DEC 22/07

HXL

**BOEING**  
767  
**PARTS CATALOG (MAINTENANCE)**

FIG ITEM	PART NUMBER	1 2 3 4 5 6 7	NOMENCLATURE	EFFECT FROM TO	UNITS PER ASSY
1					
135	DAT64-82B1-504	.	BEARING- SUPPLIER CODE: V77896		4
135	DAT64-82B1-506	.	BEARING- SUPPLIER CODE: V77896		4
135	DAT64-82B1-509	.	BEARING- SUPPLIER CODE: V77896		4
135	DAT64-82B1-507	.	BEARING- SUPPLIER CODE: V77896		4
140	162T5013-5	.	WASHER-ALIGNMENT		4
145	162T5013-6	.	WASHER-ALIGNMENT		4
150	275T6221-2	.	ACTUATOR ASSY-STEERING MISCELLANEOUS DATA: FOR SPARES PROCURE LOWER COMPONENTS COMPONENT MAINT MANUAL REF: 32-51-10 OPTIONAL PART: 275T6221-3 FUNCTIONAL REFERENCE: PLACARDS AND MARKINGS FOR DETAILS SEE 11-22-06-02		2
150	275T6221-3	.	ACTUATOR ASSY-STEERING COMPONENT MAINT MANUAL REF: 32-51-10 OPTIONAL PART: 275T6221-2 FUNCTIONAL REFERENCE: PLACARDS AND MARKINGS FOR DETAILS SEE 11-22-06-02		2
152	BAC27THY1	..	NAMEPLATE		RF
153	69B80300-2	..	STRAP		RF
155	275T6230-1	..	RETAINER-TRANSFER TUBE MANUFACTURED FROM: SH 302 CRES MIL-S-5059 F-17.09 0.125 IN 1.0 IN 2.0 IN (3112520001) ATTACHING PARTS		1
- 160	NAS1351C4LB6	..	SCREW		2
- 165	AN960XC416	..	WASHER -----*-----		2
170	MS28782-11	..	RING		4
175	NAS1611-113	..	PACKING-		2
ILLUSTRATION ITEMS NOT ON PARTS LIST ARE NOT APPLICABLE					

R  
R  
R  
R  
R  
R

- ITEM NOT ILLUSTRATED

# 32-51-04-01

32-51-04  
FIG. 01  
PAGE 4  
AUG 22/09

HXL

BOEING PROPRIETARY - Copyright © - Unpublished Work - See title page for details.



767

PARTS CATALOG (MAINTENANCE)

FIG ITEM	PART NUMBER	1 2 3 4 5 6 7	NOMENCLATURE	EFFECT FROM TO	UNITS PER ASSY
1					
180	275T6226-1		..TUBE-TRANSFER		1
185	270T0002-28		..BEARING-SPHERICAL SPLIT BALL OPTIONAL PART: 270T0002-43 USED ON: 275T6221-1 275T6221-2 275T6221-3		1
185	270T0002-43		..BEARING-SPHERICAL SPLIT BALL OPTIONAL PART: 270T0002-28 USED ON: 275T6221-3		1
186	275T6228-1		..NUT-ACTUATOR SEAL		1
187	66-12156-6		..LOCKWASHER-CUP		1
188	CWR76-18B		..SCRAPER SUPPLIER CODE: V26879 SPECIFICATION NUMBER: BACS34A18A OPTIONAL PART: TF005-18A V07128 2140-18A V26303 DW96801-18A V02886 RMS34A18A V94878		1
190	275T6227-7		..END ASSY-ROD USED ON: 275T6221-2 275T6221-3		1
195	MS15004-1		...FITTING		1
- 200	69B80038-1		...KEY- MISCELLANEOUS DATA: NOT AN INITIAL PROVISIONING SPARE		1
205	275T6229-1		..BUSHING		1

ILLUSTRATION ITEMS NOT ON PARTS LIST ARE NOT APPLICABLE

- ITEM NOT ILLUSTRATED

HXL

32-51-04-01

BOEING PROPRIETARY - Copyright © - Unpublished Work - See title page for details.

32-51-04  
FIG. 01  
PAGE 5  
AUG 22/09



767

PARTS CATALOG (MAINTENANCE)

FIG ITEM	PART NUMBER	1 2 3 4 5 6 7	NOMENCLATURE	EFFECT FROM TO	UNITS PER ASSY
1					
210	FS100-326A		.. SEAL- SUPPLIER CODE: V05939 SPECIFICATION NUMBER: BACS11AA326A OPTIONAL PART: FS100-326A V02107 2053-326A V26303 S12095-326-1 V09257 TF455-326A V07128 RMS11A326A V94878 CSF11-326B V26879 S33555-326H99 V97820 NAS1611-326		1
210	S33555-326H99		.. SEAL-HAT SUPPLIER CODE: V09257 OPTIONAL PART: NAS1611-326 V80205 BACS11AA326A		1
210	NAS1611-326		.. PACKING- OPTIONAL PART: BACS11AA326A S33555-326H99		1
213	NAS1611-328		.. PACKING-		1

ILLUSTRATION ITEMS NOT ON PARTS LIST ARE NOT APPLICABLE

- ITEM NOT ILLUSTRATED

HXL

32-51-04-01

BOEING PROPRIETARY - Copyright © - Unpublished Work - See title page for details.

32-51-04  
 FIG. 01  
 PAGE 6  
 DEC 22/08

 **BOEING**  
767  
**PARTS CATALOG (MAINTENANCE)**

FIG ITEM	PART NUMBER	1 2 3 4 5 6 7	NOMENCLATURE	EFFECT FROM TO	UNITS PER ASSY
1 216	C11236-328B		..RING- SUPPLIER CODE: V26879 SPECIFICATION NUMBER: BACR12BM328 OPTIONAL PART: RMR12BM328 V94878 STF800-328 V02107 S30294-328-1 V97820 TF450-328A V07128 2100-328 V26303 MS28782-31		2
216	MS28782-31		..RING- OPTIONAL PART: BACR12BM328		2
220	257T4404-3		.COVER ASSY-WHL STEERING SUMMING MECH COMPONENT MAINT MANUAL REF: 32-21-21 OPTIONAL PART: 257T4404-5 FUNCTIONAL REFERENCE: PLACARDS AND MARKINGS FOR DETAILS SEE 11-22-16-01		1
220	257T4404-5		.COVER ASSY-WHL STEERING SUMMING MECH COMPONENT MAINT MANUAL REF: 32-21-21 OPTIONAL PART: 257T4404-3 FUNCTIONAL REFERENCE: PLACARDS AND MARKINGS FOR DETAILS SEE 11-22-16-01		1
220	257T4404-8		.COVER ASSY-WHL STEERING SUMMING MECH COMPONENT MAINT MANUAL REF: 32-21-21 FUNCTIONAL REFERENCE: PLACARDS AND MARKINGS FOR DETAILS SEE 11-22-16-01		1

ILLUSTRATION ITEMS NOT ON PARTS LIST ARE NOT APPLICABLE

- ITEM NOT ILLUSTRATED

HXL

# 32-51-04-01

BOEING PROPRIETARY - Copyright © - Unpublished Work - See title page for details.

32-51-04  
FIG. 01  
PAGE 7  
APR 22/08



767

PARTS CATALOG (MAINTENANCE)

FIG ITEM	PART NUMBER	1 2 3 4 5 6 7	NOMENCLATURE	EFFECT FROM TO	UNITS PER ASSY
1			ATTACHING PARTS		
- 225	NAS514P1032-10		.SCREW		18
			-----*-----		
250	BACG20L3		..GROMMET		18
255	257T4404-2		..COVER-		1
			USED ON:		
			257T4404-5		
260	257T4404-7		..COVER-		1
			USED ON:		
			257T4404-8		
275	MS24665-71		.PIN		2
280	BACC15AJ1		.CLIP-		4
285	MS21251B3S		.TURNBUCKLE-		2
290	251T2050-33		.CABLE ASSY-NWS2A-NWS2B		1
			OPTIONAL PART:		
			251T2050-83		
290	251T2050-83		.CABLE ASSY-NWS2A-NWS2B		1
			OPTIONAL PART:		
			251T2050-33		
295	MS24665-132		.PIN		2
300	BACC2D3A00508CG		.CABLE ASSY-NWS2A, NWS2B		2
300	BACC2C3A00509CG		.CABLE ASSY-NWS2A, NWS2B		2
			MISCELLANEOUS DATA:		
			ZINC-ONLY AND		
			TIN-OVER-ZINC COATED		
			CABLES ARE		
			INTERCHANGEABLE, AND		
			MAY BE INTERMIXED		
			WITHIN A SYSTEM,		
			PROVIDING OPPOSITE		
			CABLES WITHIN A GIVEN		
			CABLE LOOP ARE REPLACED		
			WITH CABLES OF THE		
			SAME TYPE.		
			PRE SERVICE LETTER:		
			20-006		
300	BACC2C3D00509CG		.CABLE ASSY-NWS2A, NWS2B		2
305	NAS623-3-17		.SCREW		5
310	AN960PD10		.WASHER		5

ILLUSTRATION ITEMS NOT ON PARTS LIST ARE NOT APPLICABLE

- ITEM NOT ILLUSTRATED

32-51-04-01

32-51-04  
FIG. 01  
PAGE 8  
AUG 22/08

HXL



767

PARTS CATALOG (MAINTENANCE)

FIG ITEM	PART NUMBER	1 2 3 4 5 6 7	NOMENCLATURE	EFFECT FROM TO	UNITS PER ASSY
1 315	BRH10A3	.	NUT SUPPLIER CODE: V52828 SPECIFICATION NUMBER: BACN10JC3 OPTIONAL PART: H10-3BAC V15653 NS202101-02 V80539 RMLH9075-3W V72962 VN303A02 V92215 96-02 V80539 T6S1032J V11815		5
320	257T4405-1	.	SUPPORT ASSY-		1
320	257T4405-21	.	SUPPORT ASSY-		1
325	257T4405-2	.	SUPPORT ASSY-		1
325	257T4405-22	.	SUPPORT ASSY-		1
330	257T4405-18	.	SUPPORT ASSY		1
345	BACB30NF4-17	.	BOLT		2
350	AN960PD416	.	WASHER		2
355	BRH10A4	.	NUT SUPPLIER CODE: V52828 SPECIFICATION NUMBER: BACN10JC4 OPTIONAL PART: T6S428J V11815 96-048 V80539 VN303A048 V92215 RMLH9075-4W V72962 NS202101-048 V80539 H10-4BAC V15653		2
360	69B81791-2	.	BUSHING		2
365	65B80977-1	.	PULLEY ASSY- FOR SPARES PROCURE: BACP30M4		2
370	BACB30NF4-32	.	BOLT		1
375	BACB30NF6-32	.	BOLT		4

ILLUSTRATION ITEMS NOT ON PARTS LIST ARE NOT APPLICABLE

- ITEM NOT ILLUSTRATED

32-51-04-01

32-51-04  
FIG. 01  
PAGE 9  
AUG 22/08

HXL

BOEING PROPRIETARY - Copyright © - Unpublished Work - See title page for details.





767

PARTS CATALOG (MAINTENANCE)

FIG ITEM	PART NUMBER	1 2 3 4 5 6 7	NOMENCLATURE	EFFECT FROM TO	UNITS PER ASSY
1					
380	AN960PD416	.	WASHER		1
385	AN960PD616	.	WASHER		4
390	BRH10A4	.	NUT		1
			SUPPLIER CODE: V52828		
			SPECIFICATION NUMBER: BACN10JC4		
			OPTIONAL PART: T6S428J		
			V11815		
			96-048		
			V80539		
			VN303A048		
			V92215		
			RMLH9075-4W		
			V72962		
			NS202101-048		
			V80539		
			H10-4BAC		
			V15653		
395	BRH10A6	.	NUT		4
			SUPPLIER CODE: V52828		
			SPECIFICATION NUMBER: BACN10JC6		
			OPTIONAL PART: 96-064		
			V80539		
			RMLH9075-6		
			V72962		
			H10-6BAC		
			V15653		
400	BACB28AK04-149	.	BUSHING		1
405	NAS43HT6-20	.	SPACER		1
410	NAS72-6E009	.	BUSHING		1
415	257T4403-1	.	PLATE ASSY-MTG		1
420	257T4403-3	.	PLATE-MTG		1
425	BACB30NF4-17	.	BOLT-		2
430	BACB30NF4-16	.	BOLT-		1
435	AN960PD416	.	WASHER		3

ILLUSTRATION ITEMS NOT ON PARTS LIST ARE NOT APPLICABLE

- ITEM NOT ILLUSTRATED

32-51-04-01

32-51-04  
FIG. 01  
PAGE 10  
AUG 22/08

HXL

BOEING PROPRIETARY - Copyright © - Unpublished Work - See title page for details.



767

PARTS CATALOG (MAINTENANCE)

FIG ITEM	PART NUMBER	1 2 3 4 5 6 7	NOMENCLATURE	EFFECT FROM TO	UNITS PER ASSY
1 440	BRH10A4	.	NUT SUPPLIER CODE: V52828 SPECIFICATION NUMBER: BACN10JC4 OPTIONAL PART: T6S428J V11815 96-048 V80539 VN303A048 V92215 RMLH9075-4W V72962 NS202101-048 V80539 H10-4BAC V15653		3
445	65-35436-15	.	RETAINER		3
450	BACB28AK04-026	.	BUSHING		3
455	257T4401-1	.	BRACKET ASSY-PULLEY		2
460	2LPYE6-14	..	BOLT SUPPLIER CODE: V11815 SPECIFICATION NUMBER: BACB30GP6-14 OPTIONAL PART: 2LPYE6-14 V17446		2
465	NAS42DD6-31	..	SPACER		2
470	NAS1080D06	..	COLLAR		2
475	BACB30NF4-15	..	BOLT-		1
480	AN960PD416	.	WASHER-		1

ILLUSTRATION ITEMS NOT ON PARTS LIST ARE NOT APPLICABLE

- ITEM NOT ILLUSTRATED

HXL

32-51-04-01

BOEING PROPRIETARY - Copyright © - Unpublished Work - See title page for details.

32-51-04  
FIG. 01  
PAGE 11  
AUG 22/08

 **BOEING**  
767  
**PARTS CATALOG (MAINTENANCE)**

FIG ITEM	PART NUMBER	1 2 3 4 5 6 7	NOMENCLATURE	EFFECT FROM TO	UNITS PER ASSY
1 485	BRH10A4	.	NUT- SUPPLIER CODE: V52828 SPECIFICATION NUMBER: BACN10JC4 OPTIONAL PART: T6S428J V11815 96-048 V80539 VN303A048 V92215 RMLH9075-4W V72962 NS202101-048 V80539 H10-4BAC V15653		1
490	69B81791-4	.	BUSHING-		1
495	69B81787-6	.	ROD ASSY		1
495	69B81787-11	.	ROD ASSY-		1
500	NAS509-6	..	NUT		1
505	NAS509L6	..	NUT		1
510	NAS1193-6-2	..	DEVICE-LOCKING USED ON: 69B81787-6		2
510	NAS1193K6-2P	..	DEVICE-LOCKING USED ON: 69B81787-11		2
515	NAS1193-6-1	..	DEVICE-LOCKING USED ON: 69B81787-6		2
515	NAS1193K6-1P	..	DEVICE-LOCKING USED ON: 69B81787-11		2

ILLUSTRATION ITEMS NOT ON PARTS LIST ARE NOT APPLICABLE

- ITEM NOT ILLUSTRATED

HXL

32-51-04-01

BOEING PROPRIETARY - Copyright © - Unpublished Work - See title page for details.

32-51-04  
FIG. 01  
PAGE 12  
AUG 22/08

**BOEING**  
767  
**PARTS CATALOG (MAINTENANCE)**

FIG ITEM	PART NUMBER	1 2 3 4 5 6 7	NOMENCLATURE	EFFECT FROM TO	UNITS PER ASSY
1 520	REP4MK6-4FS428		.. BEARING- SUPPLIER CODE: V73134 SPECIFICATION NUMBER: BACB10AD5K OPTIONAL PART: HHRE4MS6-1 V38443 REP4M6-4E9171B V21335 ABR4M8WG VS0352 ABR4M120 VS0352 REB4MK6-18 V92563 DBM4-6A1-502 V77896 ABR4M8WB V15860 REP4MK6-8J V73134 BACB10A446H USED ON: 69B81787-6		1
520	BACB10A446H		.. BEARING- OPTIONAL PART: BACB10AD5K USED ON: 69B81787-6		1
520	AACREP4M6-4		.. BEARING- SUPPLIER CODE: V60380 SPECIFICATION NUMBER: 60B00179-605K USED ON: 69B81787-11		1

ILLUSTRATION ITEMS NOT ON PARTS LIST ARE NOT APPLICABLE

- ITEM NOT ILLUSTRATED

HXL

32-51-04-01

BOEING PROPRIETARY - Copyright © - Unpublished Work - See title page for details.

32-51-04  
FIG. 01  
PAGE 13  
DEC 22/08



767

PARTS CATALOG (MAINTENANCE)

FIG ITEM	PART NUMBER	1 2 3 4 5 6 7	NOMENCLATURE	EFFECT FROM TO	UNITS PER ASSY
1	525 REP4ML6-4FS428		.. BEARING- SUPPLIER CODE: V73134 SPECIFICATION NUMBER: BACB10AD5LK OPTIONAL PART: HHRE4MLS6-1 V38443 REP4ML6-4E9171B V21335 ABRL4M9WG VS0352 REP4ML6-4FS428 V21335 ABRL4M120 VS0352 REB4MLK6-18 V92563 ABRL4M9WB V15860 REP4MKL6-9J V73134 REP4ML6-4E91715 V21335		1
	525 REP4ML6-4E91715		.. BEARING- SUPPLIER CODE: V21335 OPTIONAL PART: BACB10AD5LK		1
	525 AACREP4ML6-4		.. BEARING- SUPPLIER CODE: V60380 SPECIFICATION NUMBER: 60B00179-605LK		1
	530 69B81787-8		.. ROD- USED ON: 69B81787-6		1
	530 69B81787-12		.. ROD- USED ON: 69B81787-11		1

ILLUSTRATION ITEMS NOT ON PARTS LIST ARE NOT APPLICABLE

- ITEM NOT ILLUSTRATED

32-51-04-01

32-51-04  
 FIG. 01  
 PAGE 14  
 DEC 22/08

HXL

 **BOEING**  
767  
**PARTS CATALOG (MAINTENANCE)**

FIG ITEM	PART NUMBER	1 2 3 4 5 6 7	NOMENCLATURE	EFFECT FROM TO	UNITS PER ASSY
1					
535	PACMKP6AFS428		.BEARING- SUPPLIER CODE: V21335 SPECIFICATION NUMBER: BACB10FS6 OPTIONAL PART: ACMKP6AP510LY19 V40920 SSMKP6ASD705 V83086 PACMKP6AA3908 V21335 SSMKP6AP V21760 POST SERVICE LETTER: 32-063A		1
540	257T4402-4		.LEVER ASSY-		1
540	257T4402-6		.LEVER ASSY-		1
541	PACMKP6AFS428		..BEARING- SUPPLIER CODE: V21335 SPECIFICATION NUMBER: BACB10FS6 OPTIONAL PART: ACMKP6AP510LY19 V40920 SSMKP6ASD705 V83086 PACMKP6AA3908 V21335 SSMKP6AP V21760 POST SERVICE LETTER: 32-063A		1
542	BACB28U10C84		..BUSHING		1
543	69B82080-2		..BUSHING		1
544	257T4402-5		..LEVER- OPTIONAL PART: 257T4402-7		1
544	257T4402-7		..LEVER- OPTIONAL PART: 257T4402-5		1
545	257T4407-31		.BRACKET ASSY-PULLEY		1
545	257T4407-43		.BRACKET ASSY-PULLEY		1
550	257T4407-32		.BRACKET ASSY-PULLEY		1
550	257T4407-44		.BRACKET ASSY-PULLEY		1
			ATTACHING PARTS		
- 555	BACB30NF4-9		.BOLT		2
- 560	AN960PD416		.WASHER		2
ILLUSTRATION ITEMS NOT ON PARTS LIST ARE NOT APPLICABLE					

- ITEM NOT ILLUSTRATED

# 32-51-04-01

32-51-04  
FIG. 01  
PAGE 15  
APR 22/08

HXL

 **BOEING**  
767  
**PARTS CATALOG (MAINTENANCE)**

FIG ITEM	PART NUMBER	1 2 3 4 5 6 7	NOMENCLATURE	EFFECT FROM TO	UNITS PER ASSY
1 - 565	BRH10A4		.NUT SUPPLIER CODE: V52828 SPECIFICATION NUMBER: BACN10JC4 OPTIONAL PART: T6S428J V11815 96-048 V80539 VN303A048 V92215 RMLH9075-4W V72962 NS202101-048 V80539 H10-4BAC V15653		2
570	HL1012AZ5-4		-----*----- ..BOLT SUPPLIER CODE: V97928 SPECIFICATION NUMBER: BACB30NX5K4 OPTIONAL PART: HL12VAZ5-4 V73197 HL12VAZ5-4 V92215 HL12VAZ5-4 V97928 L802-5K4 V06725 HL12VAZ5-4 V56878 HL1012AZ5-4 V0PTK6 HL1012AZ5-4 V06725 HL1012AZ5-4 V06950 HL1012AZ5-4 V17446 HL1012AZ5-4 V56878 HL1012AZ5-4 V60516 HL1012AZ5-4 V73197		2
ILLUSTRATION ITEMS NOT ON PARTS LIST ARE NOT APPLICABLE					

- ITEM NOT ILLUSTRATED

HXL

# 32-51-04-01

BOEING PROPRIETARY - Copyright © - Unpublished Work - See title page for details.

32-51-04  
FIG. 01  
PAGE 16  
APR 22/08



767

PARTS CATALOG (MAINTENANCE)

FIG ITEM	PART NUMBER	1 2 3 4 5 6 7	NOMENCLATURE	EFFECT FROM TO	UNITS PER ASSY	
R R R R R R R R R R	1 575	HL1187-5	.. COLLAR SUPPLIER CODE: V5M902 SPECIFICATION NUMBER: BACC30X5 OPTIONAL PART: HL86PB5 V73197 HL86PB5 V92215 HL86PB5 V56878 HL1187-5 V56878 HL1187-5 V92215 HL1187-5 V73197		2	
	580	NAS623-3-10	.. SCREW		5	
	585	AN960PD10	.. WASHER		5	
	590	BRH10A3	.. NUT SUPPLIER CODE: V52828 SPECIFICATION NUMBER: BACN10JC3 OPTIONAL PART: H10-3BAC V15653 NS202101-02 V80539 RMLH9075-3W V72962 VN303A02 V92215 96-02 V80539 T6S1032J V11815		5	
	595	NAS42DD6-31	.. SPACER		2	
	600	257T4408-1	.. GUARD PULLEY		1	
	605	BACB30NF4-11	.. BOLT		1	
	610	AN960PD416	.. WASHER		1	
	ILLUSTRATION ITEMS NOT ON PARTS LIST ARE NOT APPLICABLE					

- ITEM NOT ILLUSTRATED

32-51-04-01

32-51-04  
FIG. 01  
PAGE 17  
AUG 22/09

HXL





767

PARTS CATALOG (MAINTENANCE)

FIG ITEM	PART NUMBER	1 2 3 4 5 6 7	NOMENCLATURE	EFFECT FROM TO	UNITS PER ASSY
1 615	BRH10A4	..	NUT SUPPLIER CODE: V52828 SPECIFICATION NUMBER: BACN10JC4 OPTIONAL PART: T6S428J V11815 96-048 V80539 VN303A048 V92215 RMLH9075-4W V72962 NS202101-048 V80539 H10-4BAC V15653		1
620	65B80977-1	..	PULLEY ASSY- OPTIONAL PART: BACP30M4C FOR SPARES PROCURE: BACP30M4		1
625	JMKP4P25LY196	...	BEARING SUPPLIER CODE: V40920 SPECIFICATION NUMBER: BACB10AN4 OPTIONAL PART: MKP4FS428 V21335 MKP4G20 V38443 LLMKP4 V38443 MKP4 V38443 MKP4-2TS V43991 MKP4E6531 V21335 MKP4TT V43991 MKP4SD610 V83086		1
630	69B81979-1	...	SHIELD		2
635	65B80978-1	...	SHEAVE ASSY		1
640	69B81362-2	....	INSERT		1
645	69B80978-2	....	SHEAVE		1

ILLUSTRATION ITEMS NOT ON PARTS LIST ARE NOT APPLICABLE

- ITEM NOT ILLUSTRATED

32-51-04-01

32-51-04  
FIG. 01  
PAGE 18  
APR 22/08

HXL



767

PARTS CATALOG (MAINTENANCE)

FIG ITEM	PART NUMBER	1 2 3 4 5 6 7	NOMENCLATURE	EFFECT FROM TO	UNITS PER ASSY
1 650	AVS4CM		.. PULLEY- SUPPLIER CODE: V29965 SPECIFICATION NUMBER: BACP30M4C OPTIONAL PART: BMP30M4C V22277 R30M4C V25337 65B80977-1		1
900			ILLUSTRATION REFERENCE: GEAR ASSY-NOSE LDG (EXTENSION AND RETRACTION ONLY) 32-34-05-01		RF
905			ILLUSTRATION REFERENCE: COMPONENT ASSY-NLG (STEERING ONLY) 32-51-03-02		RF

ILLUSTRATION ITEMS NOT ON PARTS LIST ARE NOT APPLICABLE

- ITEM NOT ILLUSTRATED

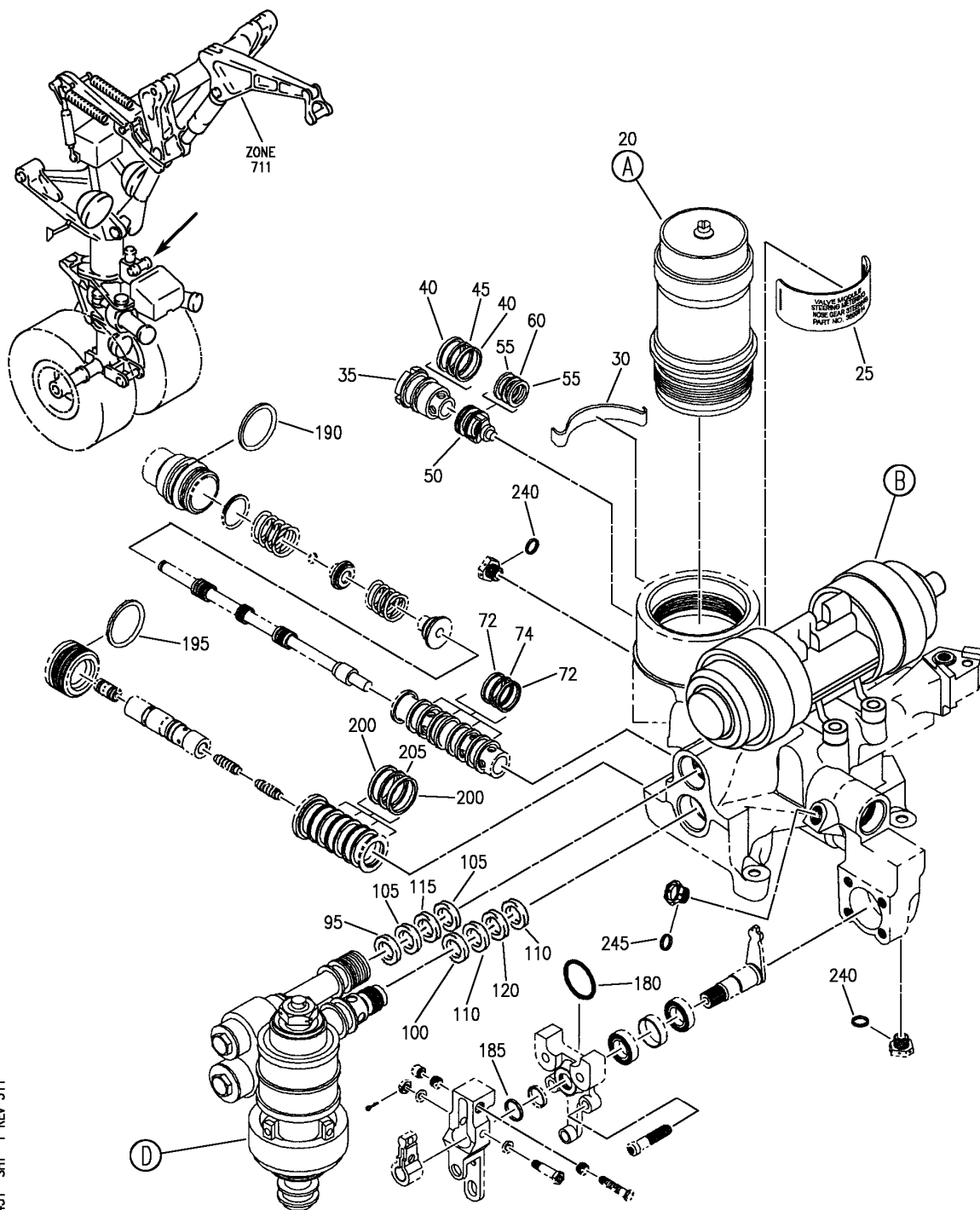
HXL

32-51-04-01

BOEING PROPRIETARY - Copyright © - Unpublished Work - See title page for details.

32-51-04  
 FIG. 01  
 PAGE 19  
 APR 22/08

**BOEING**  
767  
**PARTS CATALOG (MAINTENANCE)**



V 32510451 SHT 1 REV 311

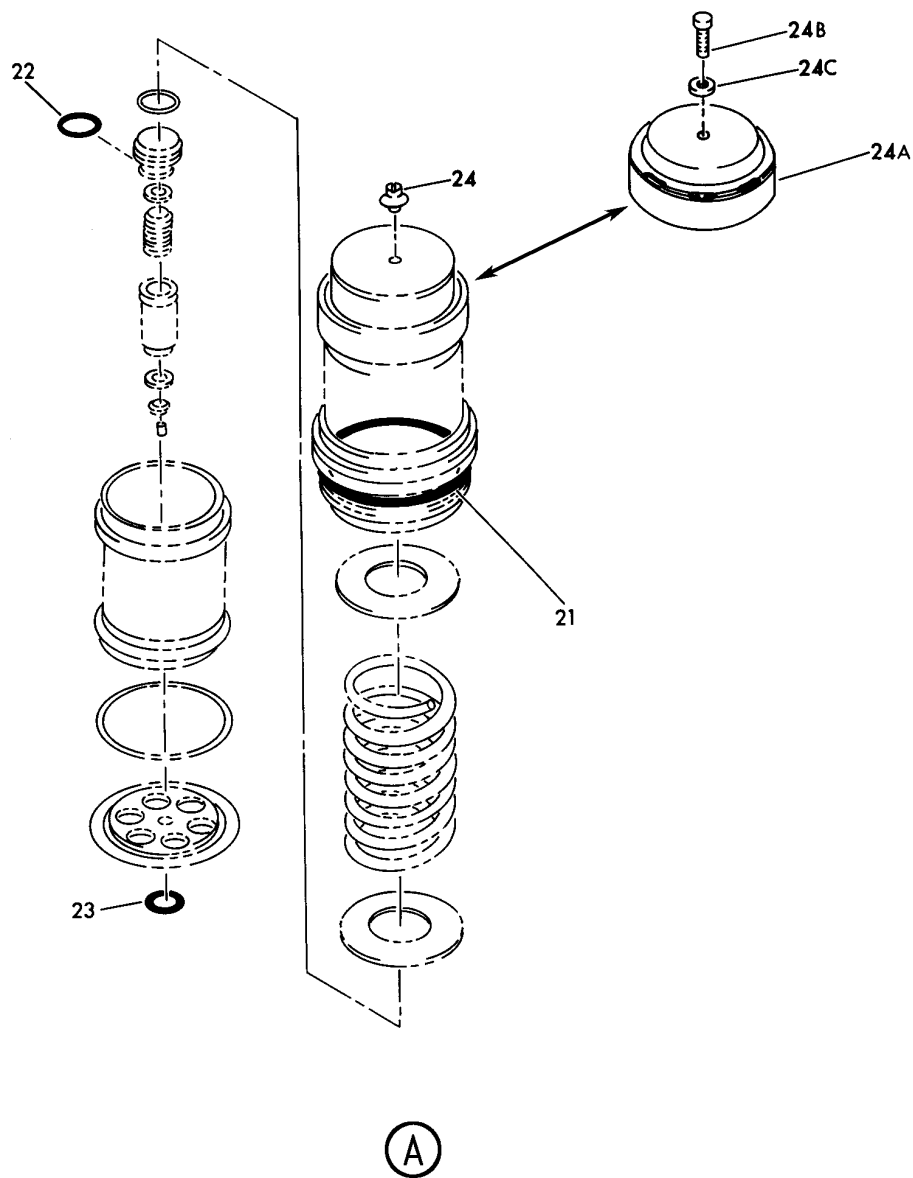
VALVE MODULE ASSY-NOSE GEAR STEERING METERING  
FIGURE 51 (SHEET 1)

**32-51-04-51**

HXL  
DEC 22/06

32-51-04-51  
PAGE 0

**BOEING**  
767  
PARTS CATALOG (MAINTENANCE)



V 32510451 SH1 2 REV 311

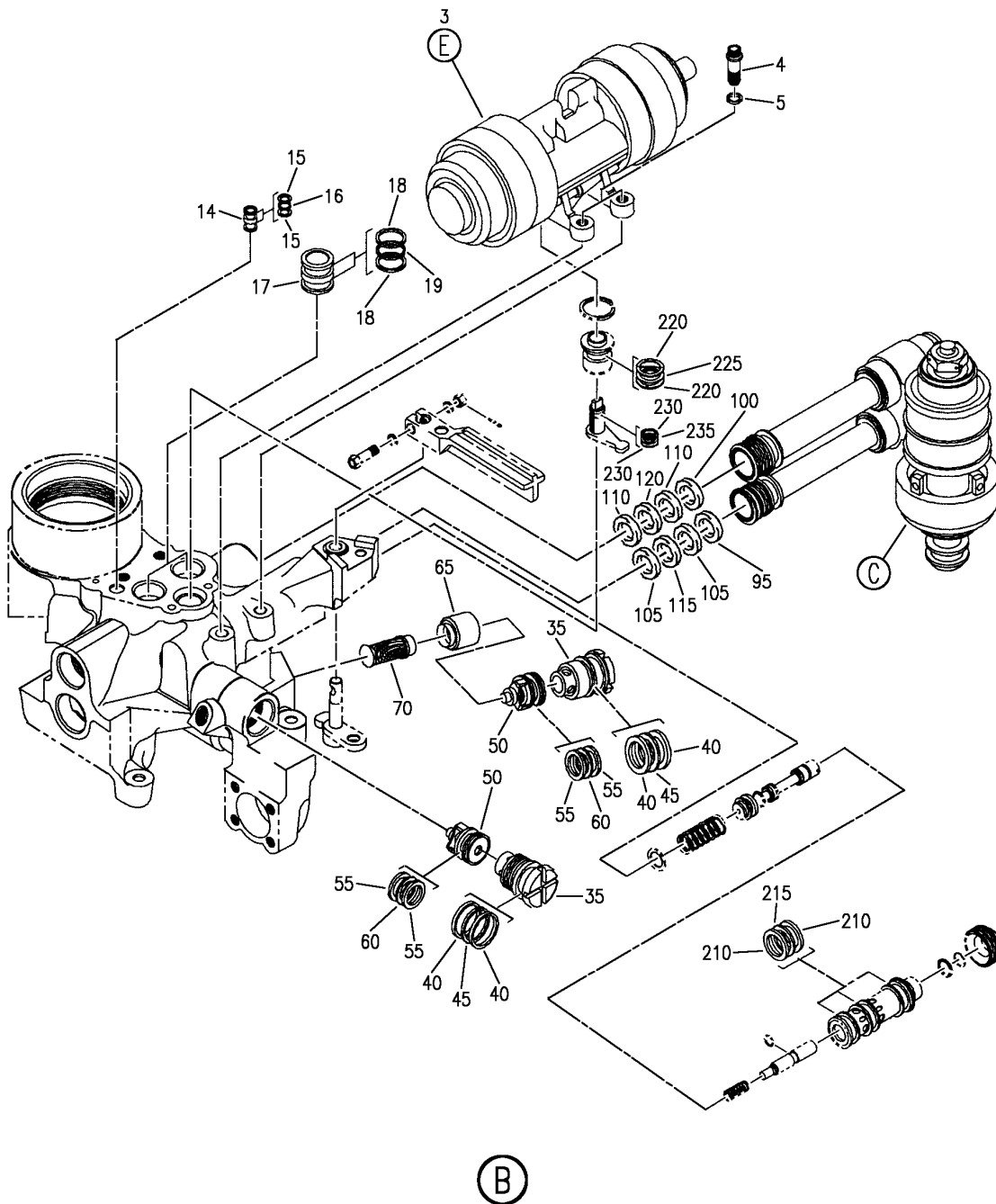
VALVE MODULE ASSY-NOSE GEAR STEERING METERING  
FIGURE 51 (SHEET 2)

**32-51-04-51**

HXL  
DEC 22/06

32-51-04-51  
PAGE 0A

**BOEING**  
767  
PARTS CATALOG (MAINTENANCE)



V 32510451 SHT 3 REV 311

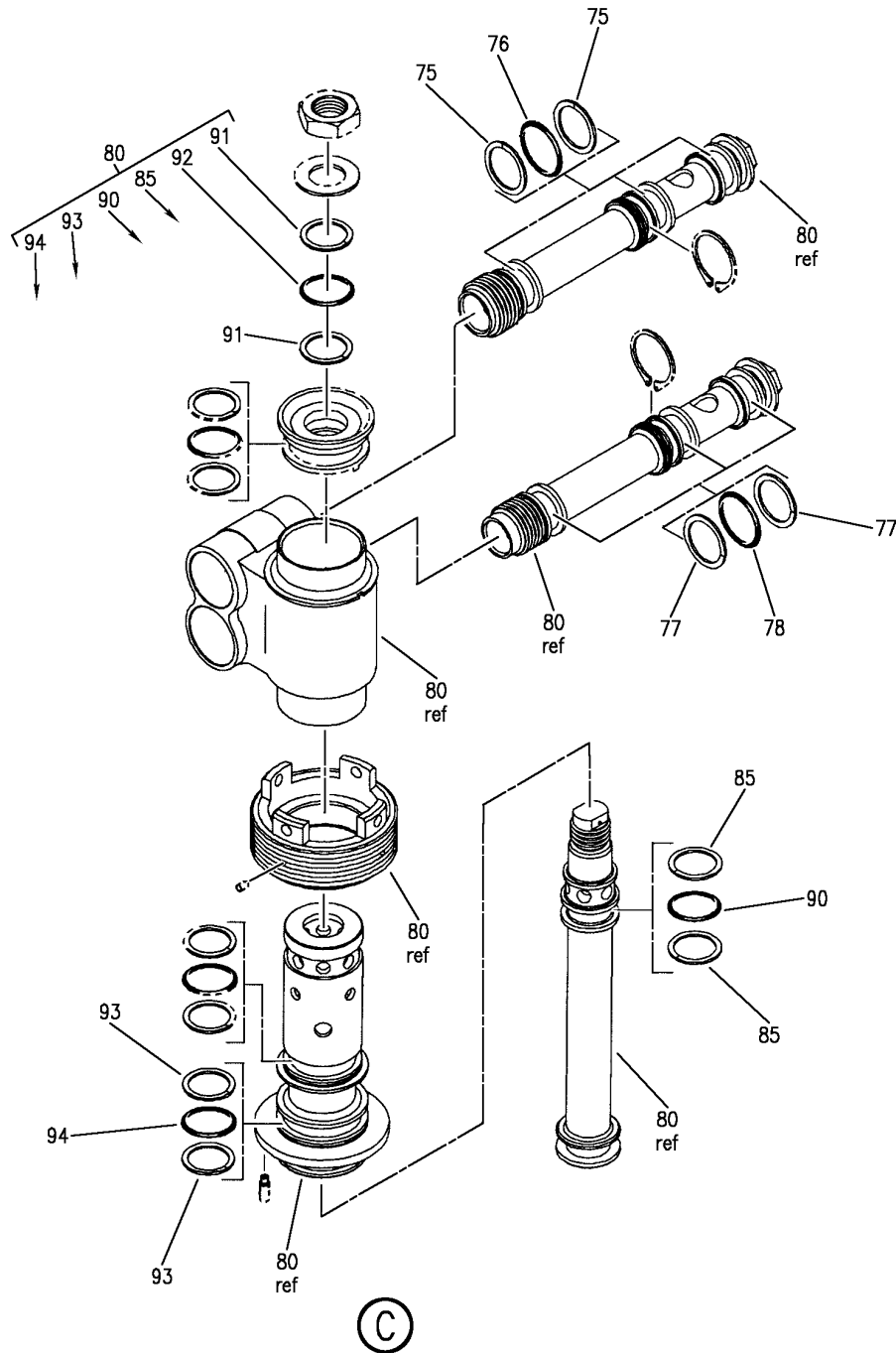
VALVE MODULE ASSY-NOSE GEAR STEERING METERING  
FIGURE 51 (SHEET 3)

**32-51-04-51**

HXL  
DEC 22/06

32-51-04-51  
PAGE 0B

**BOEING**  
767  
**PARTS CATALOG (MAINTENANCE)**



V 32510451 SH1 4 REV 311

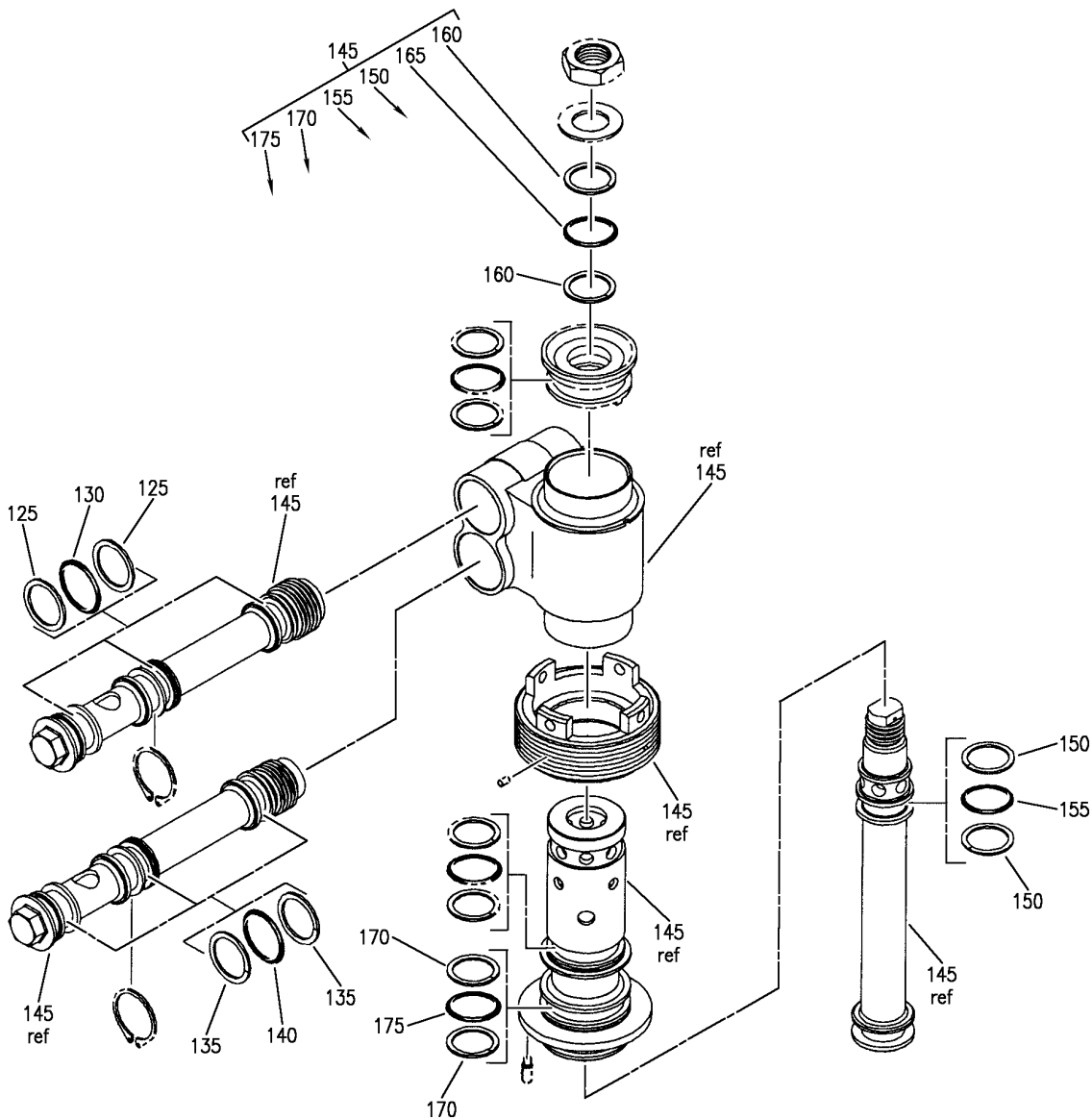
VALVE MODULE ASSY-NOSE GEAR STEERING METERING  
FIGURE 51 (SHEET 4)

**32-51-04-51**

HXL  
DEC 22/06

32-51-04-51  
PAGE 0C

**BOEING**  
767  
PARTS CATALOG (MAINTENANCE)



(D)

V 32510451 SH1 5 REV 311

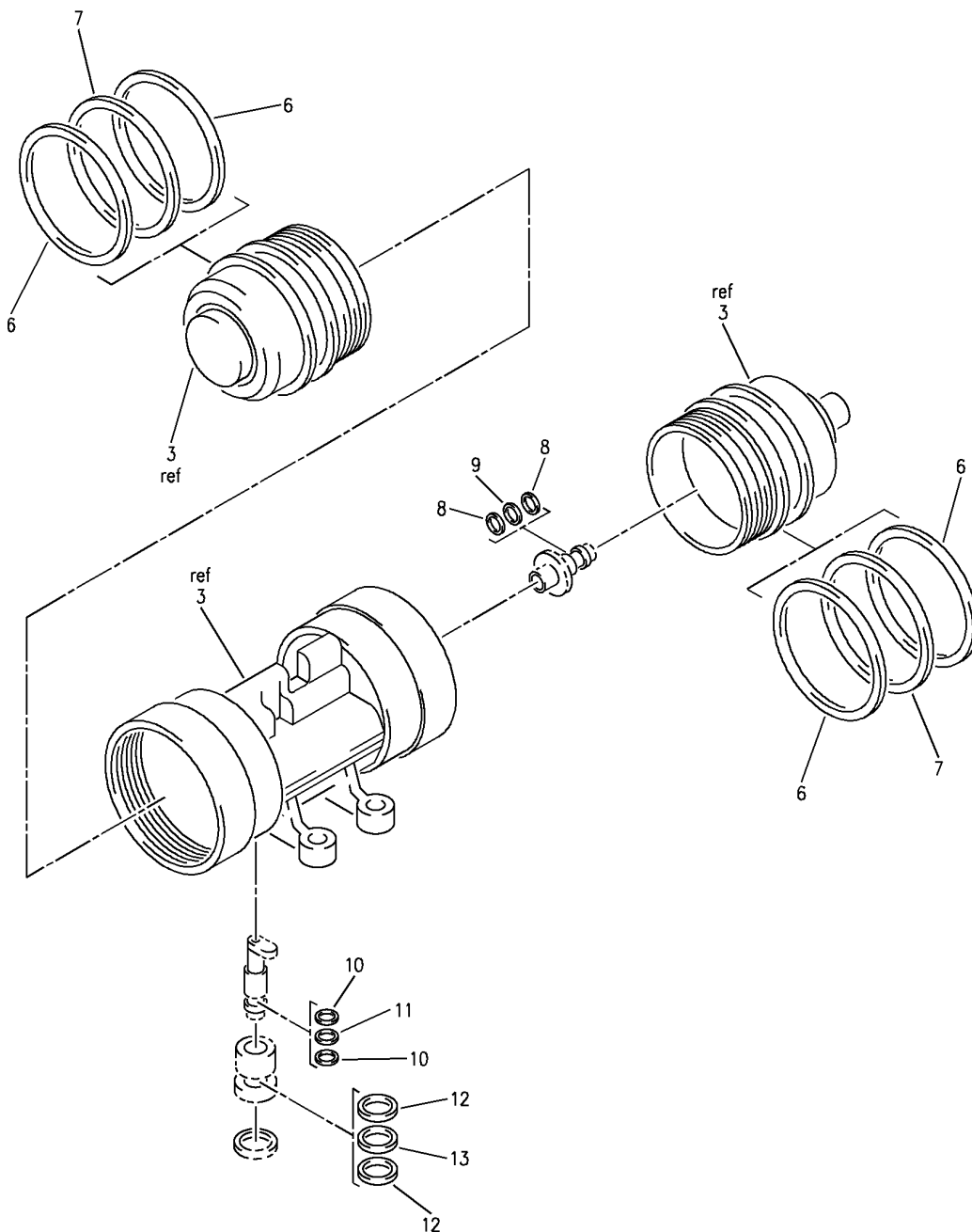
VALVE MODULE ASSY-NOSE GEAR STEERING METERING  
FIGURE 51 (SHEET 5)

**32-51-04-51**

HXL  
DEC 22/06

32-51-04-51  
PAGE 0D

**BOEING**  
767  
PARTS CATALOG (MAINTENANCE)



(E)

V 32510451 SHT 6 REV 311

VALVE MODULE ASSY-NOSE GEAR STEERING METERING  
FIGURE 51 (SHEET 6)

**32-51-04-51**

HXL  
DEC 22/06

32-51-04-51  
PAGE 0E





767

PARTS CATALOG (MAINTENANCE)

FIG ITEM	PART NUMBER	1 2 3 4 5 6 7	NOMENCLATURE	EFFECT FROM TO	UNITS PER ASSY
51			VALVE MODULE ASSY-NOSE GEAR STEERING METERING		
- 1	3790037-105		VALVE MODULE ASSY-NOSE GEAR STEERING METERING SUPPLIER CODE: V92003 SPECIFICATION NUMBER: S275T601-5 COMPONENT MAINT MANUAL REF: 32-50-05 FOR NHA SEE: 32-51-04-01		RF
- 1	3790037-106		VALVE MODULE ASSY-NOSE GEAR STEERING METERING SUPPLIER CODE: V92003 SPECIFICATION NUMBER: S275T601-7 COMPONENT MAINT MANUAL REF: 32-50-05 FOR NHA SEE: 32-51-04-01		RF
- 1	3790037-107		VALVE MODULE ASSY-NOSE GEAR STEERING METERING SUPPLIER CODE: V92003 SPECIFICATION NUMBER: S275T601-10 COMPONENT MAINT MANUAL REF: 32-50-05 FOR NHA SEE: 32-51-04-01		RF
- 1	3790037-108		VALVE MODULE ASSY-NOSE GEAR STEERING METERING SUPPLIER CODE: V92003 FUNCTIONAL DESCRIPTION: CONTROLS THE HYDRAULIC STEERING ACTUATORS SPECIFICATION NUMBER: S275T601-11 COMPONENT MAINT MANUAL REF: 32-50-05 FOR NHA SEE: 32-51-04-01		RF
3	3791539-101		. DAMPER ASSY-DYNAMIC LOAD SUPPLIER CODE: V92003		1

ILLUSTRATION ITEMS NOT ON PARTS LIST ARE NOT APPLICABLE

- ITEM NOT ILLUSTRATED

32-51-04-51

32-51-04  
FIG. 51  
PAGE 1  
DEC 22/06

HXL



767

PARTS CATALOG (MAINTENANCE)

FIG ITEM	PART NUMBER	1 2 3 4 5 6 7	NOMENCLATURE	EFFECT FROM TO	UNITS PER ASSY
51			ATTACHING PARTS		
4	NAS625-6		.BOLT		4
5	MS20002C5		.WASHER		4
			-----*-----		
6	S30310-231		..RING		4
			SUPPLIER CODE: V09257		
			SPECIFICATION NUMBER: BACR12BP231		
			OPTIONAL PART: DW969516-231		
			V02886		
			RM9157BU231		
			V94878		
			STS900-231		
			V02107		
			TF456-231		
			V07128		
			2150-231		
			V26303		
			C11237-231		
			V26879		
7	NAS1611-231		..PACKING-		2
8	C11236-012B		..RING		2
			SUPPLIER CODE: V26879		
			SPECIFICATION NUMBER: BACR12BM012		
			OPTIONAL PART: RMR12BM012		
			V94878		
			STF800-012		
			V02107		
			S30294-012-1		
			V97820		
			TF450-012A		
			V07128		
			2100-012		
			V26303		
9	NAS1611-012		..PACKING-		1

ILLUSTRATION ITEMS NOT ON PARTS LIST ARE NOT APPLICABLE

- ITEM NOT ILLUSTRATED

HXL

32-51-04-51

BOEING PROPRIETARY - Copyright © - Unpublished Work - See title page for details.

32-51-04  
FIG. 51  
PAGE 2  
DEC 22/07



767

PARTS CATALOG (MAINTENANCE)

FIG ITEM	PART NUMBER	1 2 3 4 5 6 7	NOMENCLATURE	EFFECT FROM TO	UNITS PER ASSY
51					
10	C11236-011B		.. RING SUPPLIER CODE: V26879 SPECIFICATION NUMBER: BACR12BM011 OPTIONAL PART: RMR12BM011 V94878 STF800-011 V02107 S30294-011-1 V97820 TF450-011A V07128 2100-011 V26303		2
11	NAS1611-011		.. PACKING-		1
12	C11236-114B		.. RING SUPPLIER CODE: V26879 SPECIFICATION NUMBER: BACR12BM114 OPTIONAL PART: RMR12BM114 V94878 STF800-114 V02107 S30294-114-1 V97820 TF450-114A V07128 2100-114 V26303		2
13	NAS1611-114		.. PACKING-		1
14	3791521-101		. FERRULE- SUPPLIER CODE: V92003		1

ILLUSTRATION ITEMS NOT ON PARTS LIST ARE NOT APPLICABLE

- ITEM NOT ILLUSTRATED

HXL

32-51-04-51

BOEING PROPRIETARY - Copyright © - Unpublished Work - See title page for details.

32-51-04  
 FIG. 51  
 PAGE 3  
 DEC 22/07



767

PARTS CATALOG (MAINTENANCE)

FIG ITEM	PART NUMBER	1 2 3 4 5 6 7	NOMENCLATURE	EFFECT FROM TO	UNITS PER ASSY
51 15	C11236-010B	.RING SUPPLIER CODE: V26879 SPECIFICATION NUMBER: BACR12BM010 OPTIONAL PART: RMR12BM010 V94878 STF800-010 V02107 S30294-010-1 V97820 TF450-010A V07128 2100-010 V26303			4
16	NAS1611-010	.PACKING-			2
17	3791524-101	.FERRULE- SUPPLIER CODE: V92003			2
18	C11236-116B	.RING SUPPLIER CODE: V26879 SPECIFICATION NUMBER: BACR12BM116 OPTIONAL PART: RMR12BM116 V94878 STF800-116 V02107 S30294-116-1 V97820 TF450-116A V07128 2100-116 V26303			8
19	NAS1611-116	.PACKING-			4
20	3791559-102	.COMPENSATOR ASSY- SUPPLIER CODE: V92003 CONFIG CHG DATA FROM A CMM: REPLD BY 3791559-105 USED ON: 3790037-105			1

ILLUSTRATION ITEMS NOT ON PARTS LIST ARE NOT APPLICABLE

- ITEM NOT ILLUSTRATED

HXL

32-51-04-51

BOEING PROPRIETARY - Copyright © - Unpublished Work - See title page for details.

32-51-04  
FIG. 51  
PAGE 4  
DEC 22/07

**BOEING**  
767  
**PARTS CATALOG (MAINTENANCE)**

FIG ITEM	PART NUMBER	1 2 3 4 5 6 7	NOMENCLATURE	EFFECT FROM TO	UNITS PER ASSY
51					
20	3791559-103		.COMPENSATOR ASSY- SUPPLIER CODE: V92003 CONFIG CHG DATA FROM A CMM: REPLD BY 3791559-105 USED ON: 3790037-106		1
20	3791559-104		.COMPENSATOR ASSY- SUPPLIER CODE: V92003 CONFIG CHG DATA FROM A CMM: REPLD BY 3791559-105 USED ON: 3790037-107 3790037-108		1
20	3791559-105		.COMPENSATOR ASSY- SUPPLIER CODE: V92003 CONFIG CHG DATA FROM A CMM: REPLS 3791559-102 REPLS 3791559-103 REPLS 3791559-104		1
21	NAS1611-233		..PACKING-		1
22	NAS1611-115		..PACKING-		1
23	NAS1611-114		..PACKING-		1
24	2681438		..SEAL-VENT SUPPLIER CODE: V92003 USED ON: 3791559-102 3791559-103		1
24A	3851307-101		..COVER- SUPPLIER CODE: V92003 USED ON: 3791559-104 ATTACHING PARTS		1
24B	NAS1351-3LL6P		..SCREW		1
24C	AN960-10L		..WASHER -----*-----		1
25	3791520-101		.PLATE-IDENT SUPPLIER CODE: V92003		1
30	2733127-1030		.STRAP- SUPPLIER CODE: V92003		1
35	3791540-101		.RETAINER- SUPPLIER CODE: V92003		3
ILLUSTRATION ITEMS NOT ON PARTS LIST ARE NOT APPLICABLE					

- ITEM NOT ILLUSTRATED

# 32-51-04-51

32-51-04  
FIG. 51  
PAGE 5  
DEC 22/06

HXL

BOEING PROPRIETARY - Copyright © - Unpublished Work - See title page for details.

**BOEING**  
767  
**PARTS CATALOG (MAINTENANCE)**

FIG ITEM	PART NUMBER	1 2 3 4 5 6 7	NOMENCLATURE	EFFECT FROM TO	UNITS PER ASSY
51 40	C11236-211B	.RING SUPPLIER CODE: V26879 SPECIFICATION NUMBER: BACR12BM211 OPTIONAL PART: RMR12BM211 V94878 STF800-211 V02107 S30294-211-1 V97820 TF450-211A V07128 2100-211 V26303			6
45 50	NAS1611-211 92980-5003	.PACKING- .VALVE-CHECK SUPPLIER CODE: V92003			3 3
55	C11236-115B	.RING SUPPLIER CODE: V26879 SPECIFICATION NUMBER: BACR12BM115 OPTIONAL PART: RMR12BM115 V94878 STF800-115 V02107 S30294-115-1 V97820 TF450-115A V07128 2100-115 V26303			6
60 65	NAS1611-115 3791541-101	.PACKING- .RETAINER-SCREEN SUPPLIER CODE: V92003			3 1

ILLUSTRATION ITEMS NOT ON PARTS LIST ARE NOT APPLICABLE

- ITEM NOT ILLUSTRATED

HXL

32-51-04-51

BOEING PROPRIETARY - Copyright © - Unpublished Work - See title page for details.

32-51-04  
FIG. 51  
PAGE 6  
DEC 22/06



767

PARTS CATALOG (MAINTENANCE)

FIG ITEM	PART NUMBER	1 2 3 4 5 6 7	NOMENCLATURE	EFFECT FROM TO	UNITS PER ASSY
51					
70	10-774		.SCREEN ASSY- SUPPLIER CODE: V14818 SPECIFICATION NUMBER: S252T002-1 COMPONENT MAINT MANUAL REF: 27-10-03 OPTIONAL PART: 26570 V18350 1745174 V90005		1
72	C11236-211B		.RING SUPPLIER CODE: V26879 SPECIFICATION NUMBER: BACR12BM211 OPTIONAL PART: RMR12BM211 V94878 STF800-211 V02107 S30294-211-1 V97820 TF450-211A V07128 2100-211 V26303		8
74	NAS1611-211		.PACKING-		4
75	C11236-212B		.RING SUPPLIER CODE: V26879 SPECIFICATION NUMBER: BACR12BM212 OPTIONAL PART: RMR12BM212 V94878 STF800-212 V02107 S30294-212-1 V97820 TF450-212A V07128 2100-212 V26303		6
76	NAS1611-212		.PACKING-		3

ILLUSTRATION ITEMS NOT ON PARTS LIST ARE NOT APPLICABLE

- ITEM NOT ILLUSTRATED

HXL

32-51-04-51

BOEING PROPRIETARY - Copyright © - Unpublished Work - See title page for details.

32-51-04  
FIG. 51  
PAGE 7  
DEC 22/07



767

PARTS CATALOG (MAINTENANCE)

FIG ITEM	PART NUMBER	1 2 3 4 5 6 7	NOMENCLATURE	EFFECT FROM TO	UNITS PER ASSY
51					
77	C11236-210B	.RING	SUPPLIER CODE: V26879 SPECIFICATION NUMBER: BACR12BM210 OPTIONAL PART: RMR12BM210 V94878 STF800-210 V02107 S30294-210-1 V97820 TF450-210A V07128 2100-210 V26303		6
78	NAS1611-210	.PACKING-			3
80	3791499-105	.VALVE ASSY-SWIVEL	SUPPLIER CODE: V92003 POSITION DATA: LH		1
85	C11236-211B	..RING	SUPPLIER CODE: V26879 SPECIFICATION NUMBER: BACR12BM211 OPTIONAL PART: RMR12BM211 V94878 STF800-211 V02107 S30294-211-1 V97820 TF450-211A V07128 2100-211 V26303		2
90	NAS1611-211	..PACKING-			1

ILLUSTRATION ITEMS NOT ON PARTS LIST ARE NOT APPLICABLE

- ITEM NOT ILLUSTRATED

HXL

32-51-04-51

BOEING PROPRIETARY - Copyright © - Unpublished Work - See title page for details.

32-51-04  
FIG. 51  
PAGE 8  
DEC 22/07





767

PARTS CATALOG (MAINTENANCE)

FIG ITEM	PART NUMBER	1 2 3 4 5 6 7	NOMENCLATURE	EFFECT FROM TO	UNITS PER ASSY
51					
91	C11236-116B		..RING SUPPLIER CODE: V26879 SPECIFICATION NUMBER: BACR12BM116 OPTIONAL PART: RMR12BM116 V94878 STF800-116 V02107 S30294-116-1 V97820 TF450-116A V07128 2100-116 V26303		2
92	NAS1611-116		..PACKING-		1
93	C11236-222B		..RING SUPPLIER CODE: V26879 SPECIFICATION NUMBER: BACR12BM222 OPTIONAL PART: RMR12BM222 V94878 STF800-222 V02107 S30294-222-1 V97820 TF450-222A V07128 2100-222 V26303		2
94	NAS1611-222		..PACKING-		1
95	MS16624-1106		.RING-RETAINING CONFIG CHG DATA FROM A CMM: NAS670-106		2
95	NAS670-106		.RING-RETAINING CONFIG CHG DATA FROM A CMM: MS16624-1106		2
100	MS16624-1098		.RING-RETAINING CONFIG CHG DATA FROM A CMM: NAS670-98		2
100	NAS670-98		.RING-RETAINING CONFIG CHG DATA FROM A CMM: MS16624-1098		2

ILLUSTRATION ITEMS NOT ON PARTS LIST ARE NOT APPLICABLE

- ITEM NOT ILLUSTRATED

32-51-04-51

32-51-04  
FIG. 51  
PAGE 9  
DEC 22/07

HXL

BOEING PROPRIETARY - Copyright © - Unpublished Work - See title page for details.



767

PARTS CATALOG (MAINTENANCE)

FIG ITEM	PART NUMBER	1 2 3 4 5 6 7	NOMENCLATURE	EFFECT FROM TO	UNITS PER ASSY
51 105	C11236-212B		.RING-BACKUP SUPPLIER CODE: V26879 SPECIFICATION NUMBER: BACR12BM212 OPTIONAL PART: RMR12BM212 V94878 STF800-212 V02107 S30294-212-1 V97820 TF450-212A V07128 2100-212 V26303		4
110	C11236-210B		.RING-BACKUP SUPPLIER CODE: V26879 SPECIFICATION NUMBER: BACR12BM210 OPTIONAL PART: RMR12BM210 V94878 STF800-210 V02107 S30294-210-1 V97820 TF450-210A V07128 2100-210 V26303		4
115	NAS1611-121		.PACKING-		2
120	NAS1611-210		.PACKING-		2

ILLUSTRATION ITEMS NOT ON PARTS LIST ARE NOT APPLICABLE

- ITEM NOT ILLUSTRATED

HXL

32-51-04-51

BOEING PROPRIETARY - Copyright © - Unpublished Work - See title page for details.

32-51-04  
FIG. 51  
PAGE 10  
DEC 22/06



767

PARTS CATALOG (MAINTENANCE)

FIG ITEM	PART NUMBER	1 2 3 4 5 6 7	NOMENCLATURE	EFFECT FROM TO	UNITS PER ASSY
51 125	C11236-210B	.RING	SUPPLIER CODE: V26879 SPECIFICATION NUMBER: BACR12BM210 OPTIONAL PART: RMR12BM210 V94878 STF800-210 V02107 S30294-210-1 V97820 TF450-210A V07128 2100-210 V26303		6
130 135	NAS1611-210 C11236-212B	.PACKING- .RING	SUPPLIER CODE: V26879 SPECIFICATION NUMBER: BACR12BM212 OPTIONAL PART: RMR12BM212 V94878 STF800-212 V02107 S30294-212-1 V97820 TF450-212A V07128 2100-212 V26303		3 6
140 145	NAS1611-212 3791499-106	.PACKING- .VALVE ASSY-SWIVEL	SUPPLIER CODE: V92003 POSITION DATA: RH		3 1

ILLUSTRATION ITEMS NOT ON PARTS LIST ARE NOT APPLICABLE

- ITEM NOT ILLUSTRATED

HXL

32-51-04-51

BOEING PROPRIETARY - Copyright © - Unpublished Work - See title page for details.

32-51-04  
FIG. 51  
PAGE 11  
DEC 22/07



767

PARTS CATALOG (MAINTENANCE)

FIG ITEM	PART NUMBER	1 2 3 4 5 6 7	NOMENCLATURE	EFFECT FROM TO	UNITS PER ASSY
51 150	C11236-211B		..RING SUPPLIER CODE: V26879 SPECIFICATION NUMBER: BACR12BM211 OPTIONAL PART: RMR12BM211 V94878 STF800-211 V02107 S30294-211-1 V97820 TF450-211A V07128 2100-211 V26303		2
155 160	NAS1611-211 C11236-116B		..PACKING- ..RING SUPPLIER CODE: V26879 SPECIFICATION NUMBER: BACR12BM116 OPTIONAL PART: RMR12BM116 V94878 STF800-116 V02107 S30294-116-1 V97820 TF450-116A V07128 2100-116 V26303		1 2
165	NAS1611-116		..PACKING-		1

ILLUSTRATION ITEMS NOT ON PARTS LIST ARE NOT APPLICABLE

- ITEM NOT ILLUSTRATED

HXL

32-51-04-51

BOEING PROPRIETARY - Copyright © - Unpublished Work - See title page for details.

32-51-04  
 FIG. 51  
 PAGE 12  
 DEC 22/07



767

PARTS CATALOG (MAINTENANCE)

FIG ITEM	PART NUMBER	1 2 3 4 5 6 7	NOMENCLATURE	EFFECT FROM TO	UNITS PER ASSY
51 170	C11236-222B	. .	RING SUPPLIER CODE: V26879 SPECIFICATION NUMBER: BACR12BM222 OPTIONAL PART: RMR12BM222 V94878 STF800-222 V02107 S30294-222-1 V97820 TF450-222A V07128 2100-222 V26303		2
175	NAS1611-222	. .	PACKING-		1
180	NAS1611-123	.	PACKING-		1
185	NAS1611-113	.	PACKING-		1
190	NAS1611-217	.	PACKING-		1
195	NAS1611-219	.	PACKING-		1
200	C11236-214B	. RING	SUPPLIER CODE: V26879 SPECIFICATION NUMBER: BACR12BM214 OPTIONAL PART: RMR12BM214 V94878 STF800-214 V02107 S30294-214-1 V97820 TF450-214A V07128 2100-214 V26303		8
205	NAS1611-214	.	PACKING-		4

ILLUSTRATION ITEMS NOT ON PARTS LIST ARE NOT APPLICABLE

- ITEM NOT ILLUSTRATED

HXL

32-51-04-51

BOEING PROPRIETARY - Copyright © - Unpublished Work - See title page for details.

32-51-04  
FIG. 51  
PAGE 13  
DEC 22/07



767

PARTS CATALOG (MAINTENANCE)

FIG ITEM	PART NUMBER	1 2 3 4 5 6 7	NOMENCLATURE	EFFECT FROM TO	UNITS PER ASSY
51 210	C11236-216B	.RING	SUPPLIER CODE: V26879 SPECIFICATION NUMBER: BACR12BM216 OPTIONAL PART: RMR12BM216 V94878 STF800-216 V02107 S30294-216-1 V97820 TF450-216A V07128 2100-216 V26303		6
215 220	NAS1611-216 C11236-114B	.PACKING- .RING	SUPPLIER CODE: V26879 SPECIFICATION NUMBER: BACR12BM114 OPTIONAL PART: RMR12BM114 V94878 STF800-114 V02107 S30294-114-1 V97820 TF450-114A V07128 2100-114 V26303		3 2
225	NAS1611-114	.PACKING-			1

ILLUSTRATION ITEMS NOT ON PARTS LIST ARE NOT APPLICABLE

- ITEM NOT ILLUSTRATED

HXL

32-51-04-51

BOEING PROPRIETARY - Copyright © - Unpublished Work - See title page for details.

32-51-04  
FIG. 51  
PAGE 14  
DEC 22/07



767

PARTS CATALOG (MAINTENANCE)

FIG ITEM	PART NUMBER	1 2 3 4 5 6 7	NOMENCLATURE	EFFECT FROM TO	UNITS PER ASSY
51 230	C11236-011B	.	RING SUPPLIER CODE: V26879 SPECIFICATION NUMBER: BACR12BM011 OPTIONAL PART: RMR12BM011 V94878 STF800-011 V02107 S30294-011-1 V97820 TF450-011A V07128 2100-011 V26303		2
235	NAS1611-011	.	PACKING-		1
240	NAS1612-4	.	PACKING-		2
245	NAS1612-6	.	PACKING-		1

ILLUSTRATION ITEMS NOT ON PARTS LIST ARE NOT APPLICABLE

- ITEM NOT ILLUSTRATED

HXL

32-51-04-51

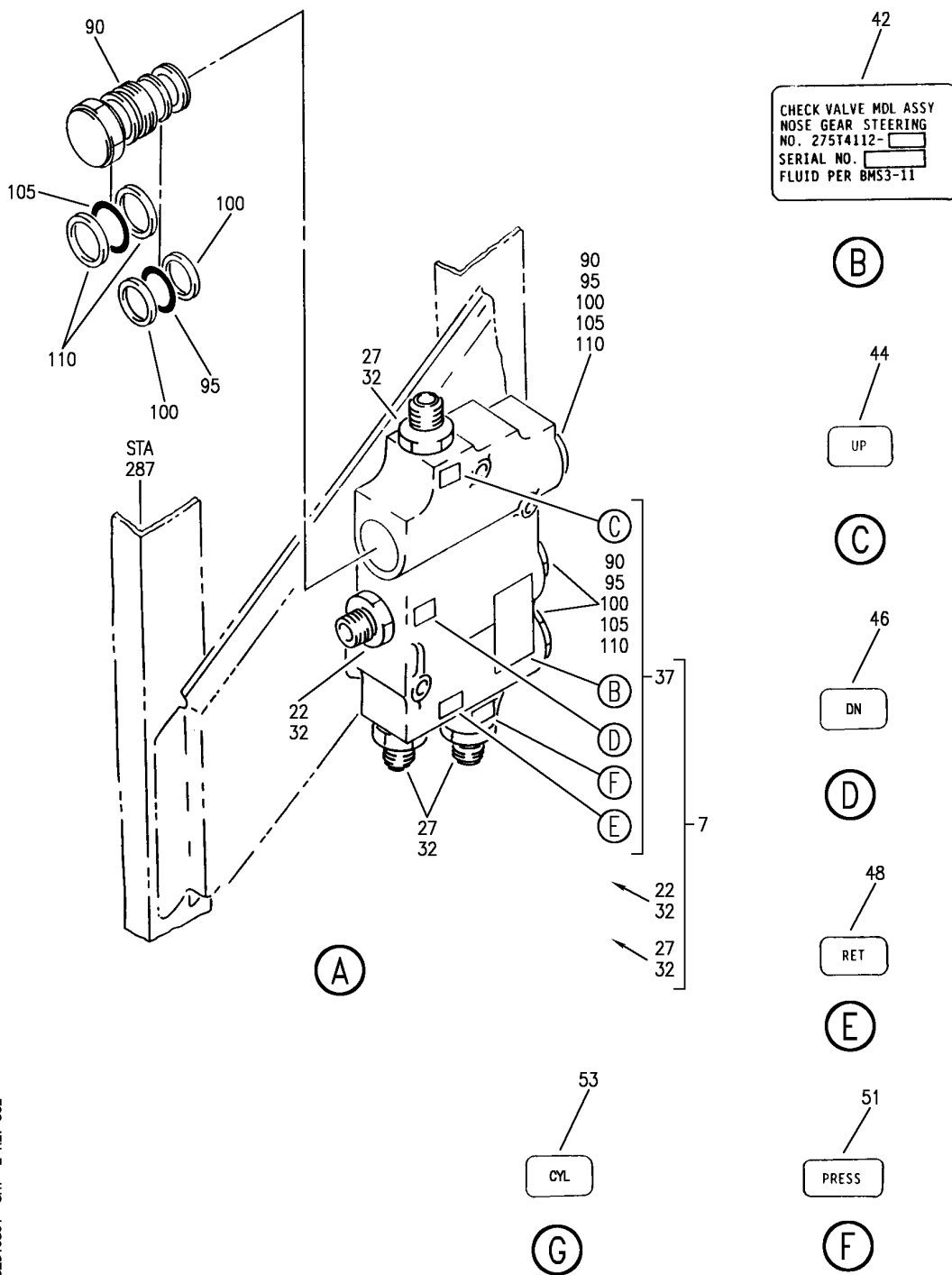
BOEING PROPRIETARY - Copyright © - Unpublished Work - See title page for details.

32-51-04  
FIG. 51  
PAGE 15  
DEC 22/07





**BOEING**  
767  
**PARTS CATALOG (MAINTENANCE)**



V 32510801 SHT 2 REV 302

MODULE INSTL-NOSE GR STEERING CHK VALVE  
FIGURE 1 (SHEET 2)

**32-51-08-01**

HXL  
DEC 22/06

32-51-08-01  
PAGE 0A



767

PARTS CATALOG (MAINTENANCE)

FIG ITEM	PART NUMBER	1 2 3 4 5 6 7	NOMENCLATURE	EFFECT FROM TO	UNITS PER ASSY
1			MODULE INSTL-NOSE GR STEERING CHK VALVE		
- 1	275T4110-3		MODULE INSTL-NOSE GR STEERING CHK VALVE FOR NHA SEE: 32-51-62-01		RF
7	275T4110-4		.MODULE ASSY- USED ON: 275T4110-3 MODREF50806		1
- 10	BACB30LJ4-30		ATTACHING PARTS		3
- 15	NAS1149C0432R		.BOLT- .WASHER- USED ON: 275T4110-3 MODREF50806		3
20	BACU24K8		-----*----- ..UNION- USED ON: 275T4110-2		2
22	MS21902-8T		..UNION- USED ON: 275T4110-4		1
25	AFP23210-8		..REDUCER- SUPPLIER CODE: V30974 SPECIFICATION NUMBER: BACR17E10-8 OPTIONAL PART: AP102710-8 V01673 BC916T10-8 V50948 DBOR17E10-8 V14798 ER21916T10-8 V88334 ER31916-10-8 V88334 F23-10-8 V73197 2-01075T10-8 V11328 31778-10-8 V14397 US2114-10-8 V50808 USED ON: 275T4110-2		3
ILLUSTRATION ITEMS NOT ON PARTS LIST ARE NOT APPLICABLE					

- ITEM NOT ILLUSTRATED

32-51-08-01

32-51-08  
FIG. 01  
PAGE 1  
DEC 22/06

HXL



767

PARTS CATALOG (MAINTENANCE)

FIG ITEM	PART NUMBER	1 2 3 4 5 6 7	NOMENCLATURE	EFFECT FROM TO	UNITS PER ASSY
1					
27	AFP23210-8		..REDUCER- SUPPLIER CODE: V30974 SPECIFICATION NUMBER: BACR17E10-8 OPTIONAL PART: AP102710-8 V01673 BC916T10-8 V50948 DBOR17E10-8 V14798 ER21916T10-8 V88334 ER31916-10-8 V88334 F23-10-8 V73197 2-01075T10-8 V11328 31778-10-8 V14397 US2114-10-8 V50808 USED ON: 275T4110-4		3
30	NAS1612-8		..PACKING- USED ON: 275T4110-2		5
32	NAS1612-8A		..PACKING- USED ON: 275T4110-4		4
37	275T4112-3		..MODULE ASSY- COMPONENT MAINT MANUAL REF: 32-51-40		1
42	BAC27THY0061		...MARKER		1
44	BAC27THY2		...MARKER		1
46	BAC27THY3		...MARKER		1
48	BAC27THY4		...MARKER		1
51	BAC27THY23		...MARKER		1

ILLUSTRATION ITEMS NOT ON PARTS LIST ARE NOT APPLICABLE

- ITEM NOT ILLUSTRATED

32-51-08-01

32-51-08  
FIG. 01  
PAGE 2  
DEC 22/06

HXL

BOEING PROPRIETARY - Copyright © - Unpublished Work - See title page for details.



767

PARTS CATALOG (MAINTENANCE)

FIG ITEM	PART NUMBER	1 2 3 4 5 6 7	NOMENCLATURE	EFFECT FROM TO	UNITS PER ASSY
1	90 2790521-102		... VALVE-CARTRIDGE SUPPLIER CODE: V92003 SPECIFICATION NUMBER: S270T242-1 COMPONENT MAINT MANUAL REF: 29-09-14 OPTIONAL PART: 1C1244 V99240		4
	95 NAS1611-116		... PACKING-		4
	100 MS27595-116		... RETAINER- OPTIONAL PART: BACR12BM116		8
	100 C11236-116B		... RING- SUPPLIER CODE: V26879 SPECIFICATION NUMBER: BACR12BM116 OPTIONAL PART: RMR12BM116 V94878 STF800-116 V02107 S30294-116-1 V97820 TF450-116A V07128 2100-116 V26303 MS27595-116		8
	105 NAS1611-213		... PACKING-		4
	110 MS27595-213		... RETAINER- OPTIONAL PART: BACR12BM213		8

ILLUSTRATION ITEMS NOT ON PARTS LIST ARE NOT APPLICABLE

- ITEM NOT ILLUSTRATED

HXL

32-51-08-01

BOEING PROPRIETARY - Copyright © - Unpublished Work - See title page for details.

32-51-08  
FIG. 01  
PAGE 3  
DEC 22/06



767

PARTS CATALOG (MAINTENANCE)

FIG ITEM	PART NUMBER	1 2 3 4 5 6 7	NOMENCLATURE	EFFECT FROM TO	UNITS PER ASSY
1 110	C11236-213B		...RING- SUPPLIER CODE: V26879 SPECIFICATION NUMBER: BACR12BM213 OPTIONAL PART: RMR12BM213 V94878 STF800-213 V02107 S30294-213-1 V97820 TF450-213A V07128 2100-213 V26303 MS27595-213		8

ILLUSTRATION ITEMS NOT ON PARTS LIST ARE NOT APPLICABLE

- ITEM NOT ILLUSTRATED

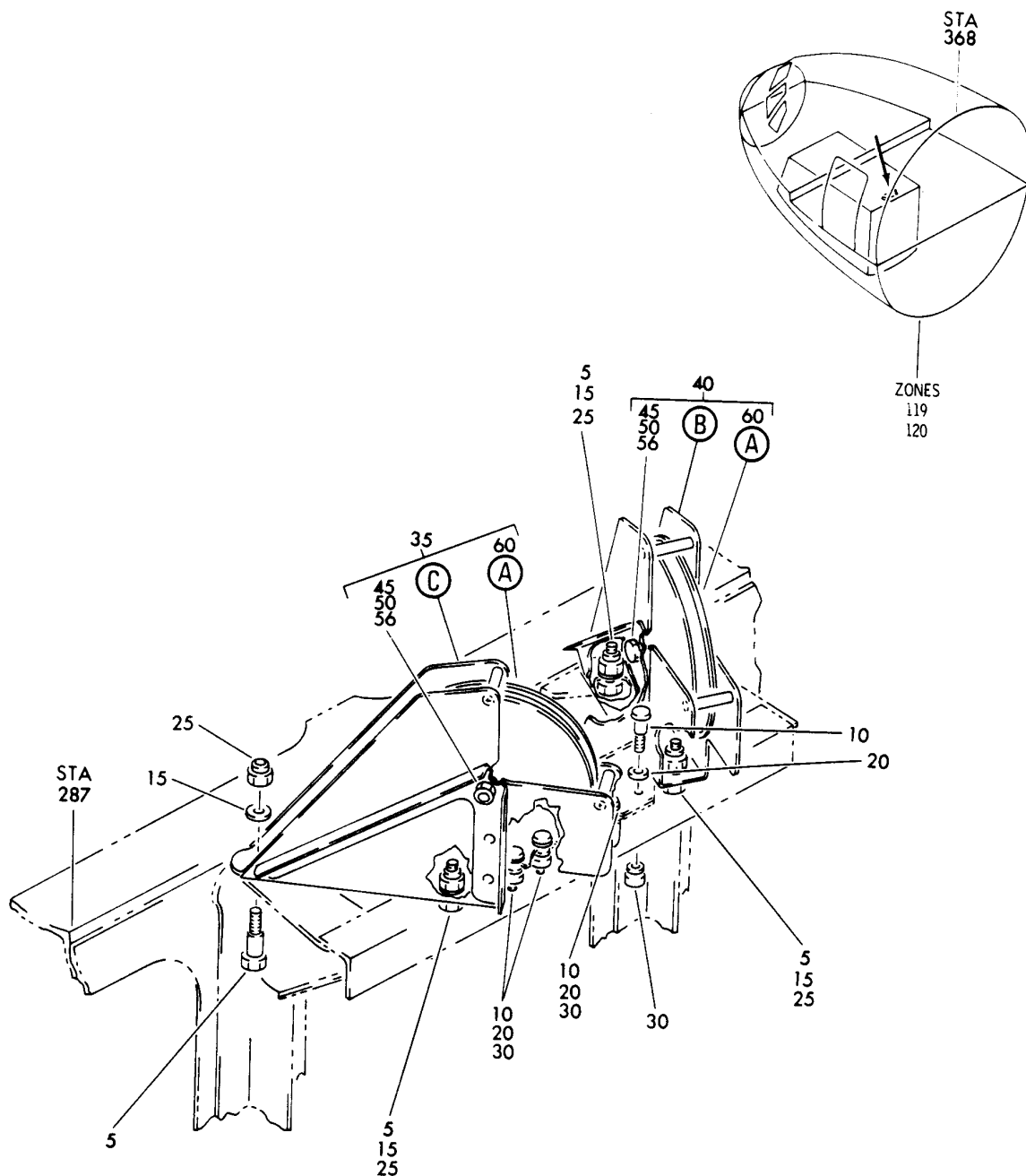
HXL

32-51-08-01

BOEING PROPRIETARY - Copyright © - Unpublished Work - See title page for details.

32-51-08  
FIG. 01  
PAGE 4  
DEC 22/06

**BOEING**  
767  
PARTS CATALOG (MAINTENANCE)



V 32515101 SHT 1 REV 000

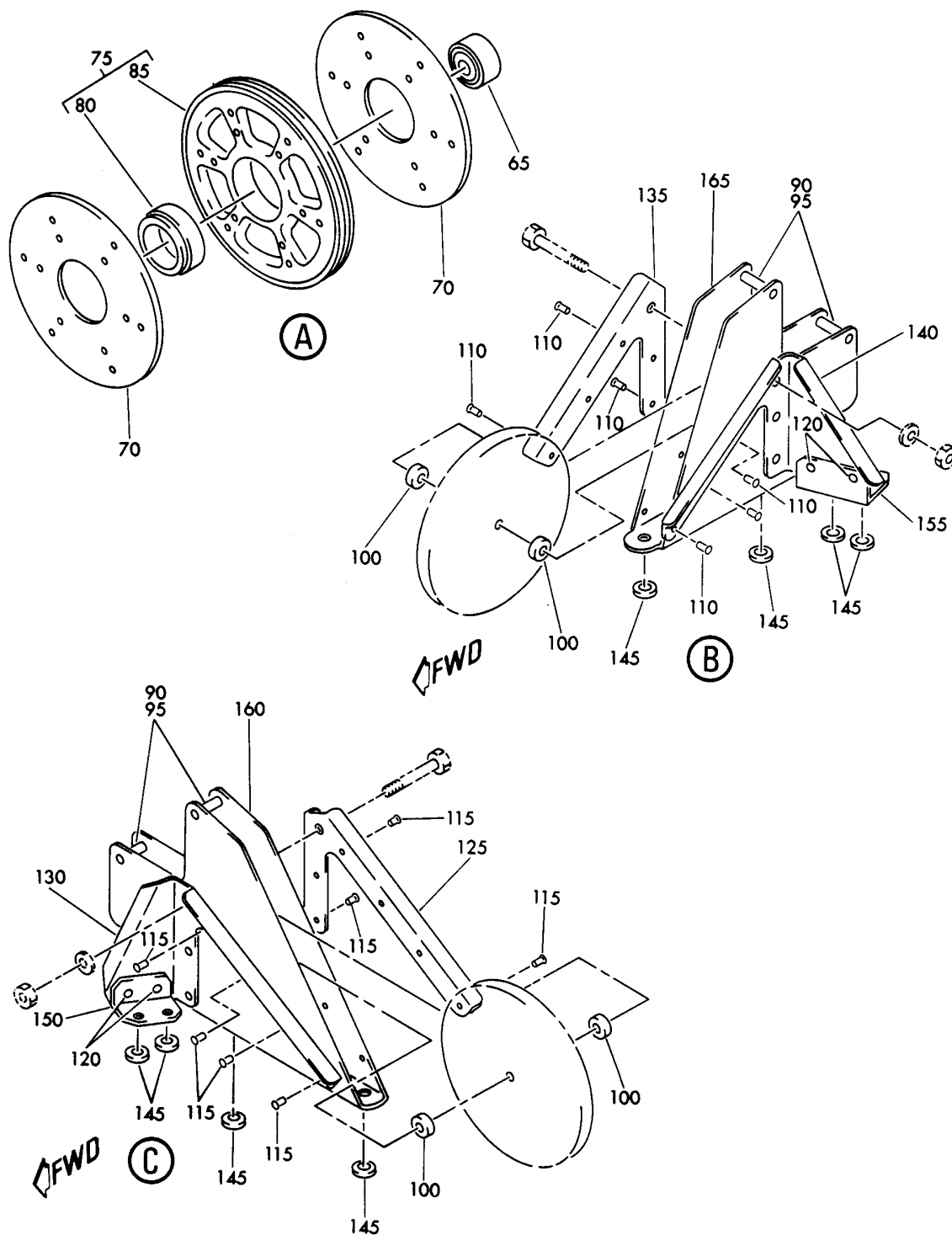
BRACKET INSTL-SECT. 41 NWSAP6, NWSBP3 PULLEY  
FIGURE 1 (SHEET 1)

**32-51-51-01**

HXL  
DEC 22/06

32-51-51-01  
PAGE 0

**BOEING**  
767  
PARTS CATALOG (MAINTENANCE)



V 325 15 101 SHT 2 REV 000

BRACKET INSTL-SECT. 41 NWSAP6, NWSBP3 PULLEY  
FIGURE 1 (SHEET 2)

**32-51-51-01**

HXL  
DEC 22/06

32-51-51-01  
PAGE 0A



767

PARTS CATALOG (MAINTENANCE)

FIG ITEM	PART NUMBER	1 2 3 4 5 6 7	NOMENCLATURE	EFFECT FROM TO	UNITS PER ASSY
1			BRACKET INSTL-SECT. 41 NWSAP6, NWSBP3 PULLEY		
- 1	255T4117-1		BRACKET INSTL-NWSAP6 NWSBP3 PULLEY POSITION DATA: SECT. 41 VARIABLE DRAWING REF: 255T4117-5002 FOR NHA SEE: 53-13-56-01		RF
5	BACB30NR4K4		.BOLT		4
10	HL1012AZ6-5		.BOLT SUPPLIER CODE: V97928 SPECIFICATION NUMBER: BACB30NX6K5 OPTIONAL PART: HL12VAZ6-5 V73197 HL12VAZ6-5 V92215 HL12VAZ6-5 V97928 L802-6K5 V06725 HL12VAZ6-5 V56878 HL1012AZ6-5 VOPTK6 HL1012AZ6-5 V06725 HL1012AZ6-5 V06950 HL1012AZ6-5 V17446 HL1012AZ6-5 V56878 HL1012AZ6-5 V60516 HL1012AZ6-5 V73197		4
15	NAS1149D0463J		.WASHER-		4
20	AN960PD10		.WASHER		4

ILLUSTRATION ITEMS NOT ON PARTS LIST ARE NOT APPLICABLE

- ITEM NOT ILLUSTRATED

HXL

32-51-51-01

BOEING PROPRIETARY - Copyright © - Unpublished Work - See title page for details.

32-51-51  
FIG. 01  
PAGE 1  
DEC 22/07





767

PARTS CATALOG (MAINTENANCE)

FIG ITEM	PART NUMBER	1 2 3 4 5 6 7	NOMENCLATURE	EFFECT FROM TO	UNITS PER ASSY
1					
25	BRH10C4D	.	NUT- SUPPLIER CODE: V52828 SPECIFICATION NUMBER: BACN10JC4CD OPTIONAL PART: T6C428JCD V11815 NS202486-048 V80539 102LH9075-4W V72962 H51650-4BAC V15653		4
30	HL1187-6	.	COLLAR SUPPLIER CODE: V5M902 SPECIFICATION NUMBER: BACC30X6 OPTIONAL PART: HL87-6 V92215 HL87-6 V73197 HL1187-6 V56878 HL1187-6 V92215 HL87-6 V56878 HL1187-6 V73197		4
35	255T4171-1	.	BRACKET ASSY-PULLEY		1
40	255T4171-2	.	BRACKET ASSY-PULLEY		1
45	BACB30NR4K18	..	BOLT		1
50	AN960PD416	..	WASHER		1

ILLUSTRATION ITEMS NOT ON PARTS LIST ARE NOT APPLICABLE

- ITEM NOT ILLUSTRATED

HXL

32-51-51-01

BOEING PROPRIETARY - Copyright © - Unpublished Work - See title page for details.

32-51-51  
FIG. 01  
PAGE 2  
DEC 22/07

**BOEING**  
767  
**PARTS CATALOG (MAINTENANCE)**

FIG ITEM	PART NUMBER	1 2 3 4 5 6 7	NOMENCLATURE	EFFECT FROM TO	UNITS PER ASSY
1	56 BRH10A4		..NUT SUPPLIER CODE: V52828 SPECIFICATION NUMBER: BACN10JC4 OPTIONAL PART: T6S428J V11815 96-048 V80539 VN303A048 V92215 RMLH9075-4W V72962 NS202101-048 V80539 H10-4BAC V15653		1
	60 65B80977-1		..PULLEY ASSY-4 IN. DIA 3/32 IN. CABLE FOR SPARES PROCURE: BACP30M4		1
	65 JMKP4P25LY196		...BEARING- SUPPLIER CODE: V40920 SPECIFICATION NUMBER: BACB10AN4 OPTIONAL PART: MKP4FS428 V21335 MKP4G20 V38443 LLMKP4 V38443 MKP4 V38443 MKP4-2TS V43991 MKP4E6531 V21335 MKP4TT V43991 MKP4SD610 V83086		1
	70 69B81979-1		...SHIELD		2
	75 65B80978-1		...SHEAVE ASSY		1
	80 69B81362-2		....INSERT		1
	85 65B80978-2		....SHEAVE		1

ILLUSTRATION ITEMS NOT ON PARTS LIST ARE NOT APPLICABLE

— ITEM NOT ILLUSTRATED

HXL

# 32-51-51-01

BOEING PROPRIETARY - Copyright © - Unpublished Work - See title page for details.

32-51-51  
FIG. 01  
PAGE 3  
DEC 22/06



767

PARTS CATALOG (MAINTENANCE)

FIG ITEM	PART NUMBER	1 2 3 4 5 6 7	NOMENCLATURE	EFFECT FROM TO	UNITS PER ASSY
1	90 BACR15BB4AD	..	RIVET- SIZE DETERMINED ON INSTL.		2
	95 NAS42DD4-58FC	..	SPACER-		2
R	100 BACS18S21B	..	SPACER ATTACHING PARTS		2
-	105 BACR15BB3AD	..	RIVET- SIZE DETERMINED ON INSTL. -----*-----		4
	110 BACR15BB4AD	..	RIVET- SIZE DETERMINED ON INSTL. USED ON: 255T4171-2		10
	115 BACR15FT4KE	..	RIVET- SIZE DETERMINED ON INSTL. USED ON: 255T4171-1 255T4171-3		12
	120 BACR15FT5KE	..	RIVET- SIZE DETERMINED ON INSTL.		2
	125 255T4279-3	..	BRACKET-SPRT USED ON: 255T4171-1 255T4171-3		1
	130 255T4279-5	..	BRACKET-SPRT USED ON: 255T4171-1		1
	135 255T4279-4	..	BRACKET-SPRT USED ON: 255T4171-2		1
	140 255T4279-6	..	BRACKET-SPRT USED ON: 255T4171-2		1
	145 BACW10P347GE	..	WASHER		4
	150 255T4276-6	..	BRACKET- USED ON: 255T4171-1 255T4171-3		1
	155 255T4276-5	..	BRACKET- OPTIONAL PART: 255T4276-6 USED ON: 255T4171-2		1
	155 255T4276-6	..	BRACKET- OPTIONAL PART: 255T4276-5 USED ON: 255T4171-2		1

ILLUSTRATION ITEMS NOT ON PARTS LIST ARE NOT APPLICABLE

- ITEM NOT ILLUSTRATED

32-51-51-01

32-51-51  
FIG. 01  
PAGE 4  
AUG 22/09

HXL



767  
PARTS CATALOG (MAINTENANCE)

FIG ITEM	PART NUMBER	1 2 3 4 5 6 7	NOMENCLATURE	EFFECT FROM TO	UNITS PER ASSY
1 160	255T4279-1		..BRACKET- USED ON: 255T4171-1 255T4171-3		1
165	255T4279-2		..BRACKET- USED ON: 255T4171-2		1

ILLUSTRATION ITEMS NOT ON PARTS LIST ARE NOT APPLICABLE

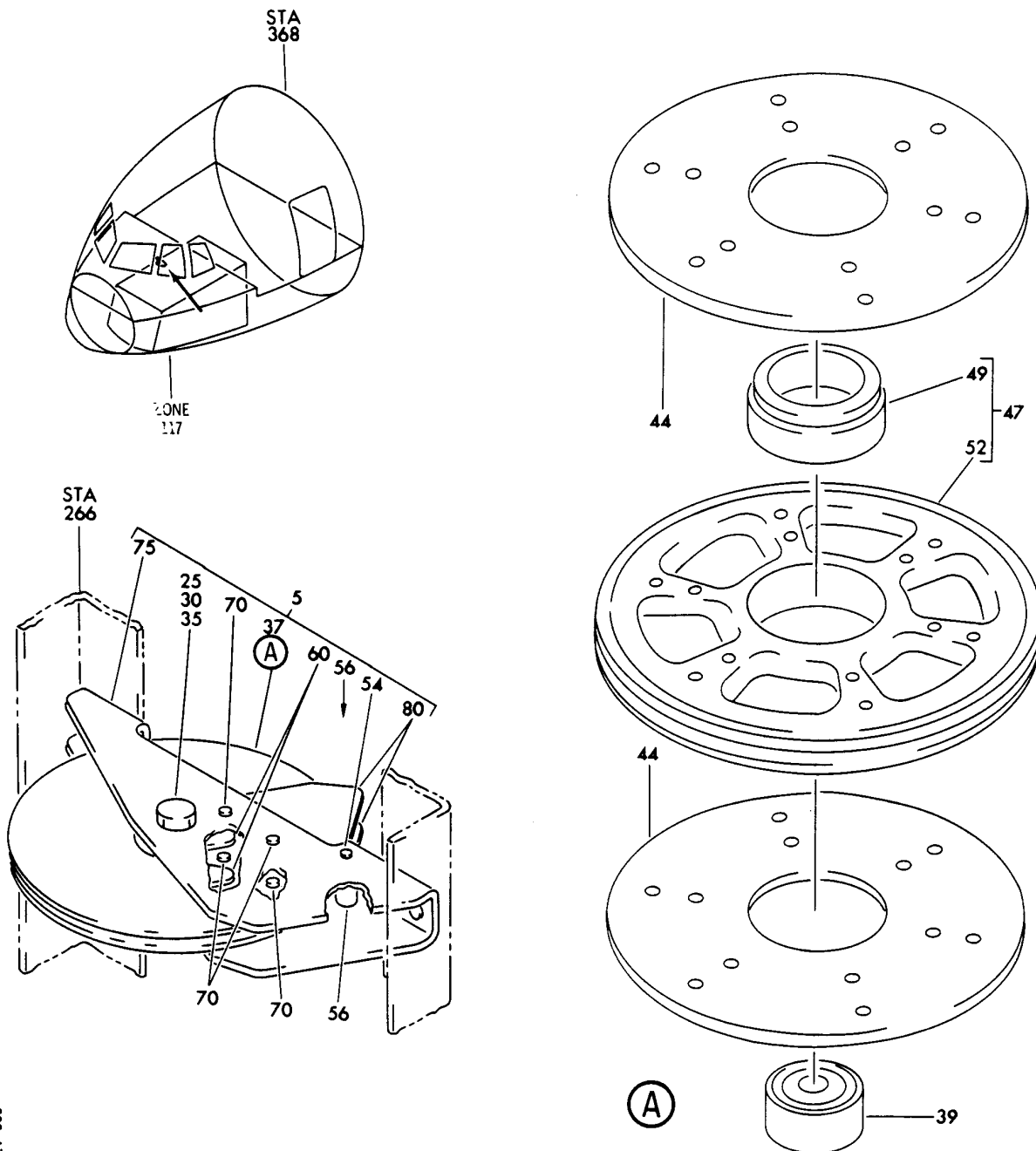
- ITEM NOT ILLUSTRATED

HXL

32-51-51-01

BOEING PROPRIETARY - Copyright © - Unpublished Work - See title page for details.

32-51-51  
FIG. 01  
PAGE 5  
AUG 22/09



V 325 15 105 SHT 1 REV 000

BRACKET INSTL-STA 266.50 NWSBP2 PULLEY  
FIGURE 5

**32-51-51-05**

HXL  
DEC 22/06

32-51-51-05  
PAGE 0



767

PARTS CATALOG (MAINTENANCE)

FIG ITEM	PART NUMBER	1 2 3 4 5 6 7	NOMENCLATURE	EFFECT FROM TO	UNITS PER ASSY
5			BRACKET INSTL-STA 266.50 NWSBP2 PULLEY		
- 1	255T4109-1		BRACKET INSTL-NWSBP2 PULLEY POSITION DATA: STA 266.50 FOR NHA SEE: 53-13-56-01		RF
5	255T4204-1		.BRACKET ASSY-PULLEY ATTACHING PARTS		1
- 10	HL1012AZ6-2		.BOLT SUPPLIER CODE: V97928 SPECIFICATION NUMBER: BACB30NX6K2 OPTIONAL PART: HL12VAZ6-2 V73197 HL12VAZ6-2 V92215 HL12VAZ6-2 V97928 L802-6K2 V06725 HL12VAZ6-2 V56878 HL1012AZ6-2 VOPTK6 HL1012AZ6-2 V06725 HL1012AZ6-2 V06950 HL1012AZ6-2 V17446 HL1012AZ6-2 V56878 HL1012AZ6-2 V60516 HL1012AZ6-2 V73197		2
- 15	BACW10P348GE		.WASHER		2

ILLUSTRATION ITEMS NOT ON PARTS LIST ARE NOT APPLICABLE

- ITEM NOT ILLUSTRATED

HXL

32-51-51-05

BOEING PROPRIETARY - Copyright © - Unpublished Work - See title page for details.

32-51-51  
FIG. 05  
PAGE 1  
DEC 22/06



767

PARTS CATALOG (MAINTENANCE)

FIG ITEM	PART NUMBER	1 2 3 4 5 6 7	NOMENCLATURE	EFFECT FROM TO	UNITS PER ASSY
5 - 20	HL1187-6		. COLLAR SUPPLIER CODE: V5M902 SPECIFICATION NUMBER: BACC30X6 OPTIONAL PART: HL87-6 V92215 HL87-6 V73197 HL1187-6 V56878 HL1187-6 V92215 HL87-6 V56878 HL1187-6 V73197 -----*-----		2
25	BACB30NR4K14		.. BOLT-		1
30	AN960PD416		.. WASHER		1
35	BRH10A4		.. NUT SUPPLIER CODE: V52828 SPECIFICATION NUMBER: BACN10JC4 OPTIONAL PART: T6S428J V11815 96-048 V80539 VN303A048 V92215 RMLH9075-4W V72962 NS202101-048 V80539 H10-4BAC V15653		1
37	65B80977-1		.. PULLEY ASSY-4 IN. DIA 3/32 IN. CABLE FOR SPARES PROCURE: BACP30M4		1

ILLUSTRATION ITEMS NOT ON PARTS LIST ARE NOT APPLICABLE

- ITEM NOT ILLUSTRATED

HXL

32-51-51-05

BOEING PROPRIETARY - Copyright © - Unpublished Work - See title page for details.

32-51-51  
FIG. 05  
PAGE 2  
DEC 22/06



767

PARTS CATALOG (MAINTENANCE)

FIG ITEM	PART NUMBER	1 2 3 4 5 6 7	NOMENCLATURE	EFFECT FROM TO	UNITS PER ASSY
5	39	JMKP4P25LY196	... BEARING- SUPPLIER CODE: V40920 SPECIFICATION NUMBER: BACB10AN4 OPTIONAL PART: MKP4FS428 V21335 MKP4G20 V38443 LLMKP4 V38443 MKP4 V38443 MKP4-2TS V43991 MKP4E6531 V21335 MKP4TT V43991 MKP4SD610 V83086		1
	44	69B81979-1	... SHIELD		2
	47	65B80978-1	... SHEAVE ASSY-MOLDING		1
	49	69B81362-2	.... INSERT		1
	52	65B80978-2	.... SHEAVE		1
	54	BACR15BB4AD	.. RIVET- SIZE DETERMINED ON INSTL.		1
	56	NAS42DD4-47	.. SPACER		1
	60	NAS463TKD416H	.. SPACER ATTACHING PARTS		2
-	65	BACR15BA3AD	.. RIVET- SIZE DETERMINED ON INSTL. -----*-----		4
	70	BACR15BB4AD	.. RIVET- SIZE DETERMINED ON INSTL.		4
	75	255T4257-3	.. BRACKET		1
	80	255T4257-4	.. GUARD		2

ILLUSTRATION ITEMS NOT ON PARTS LIST ARE NOT APPLICABLE

- ITEM NOT ILLUSTRATED

32-51-51-05

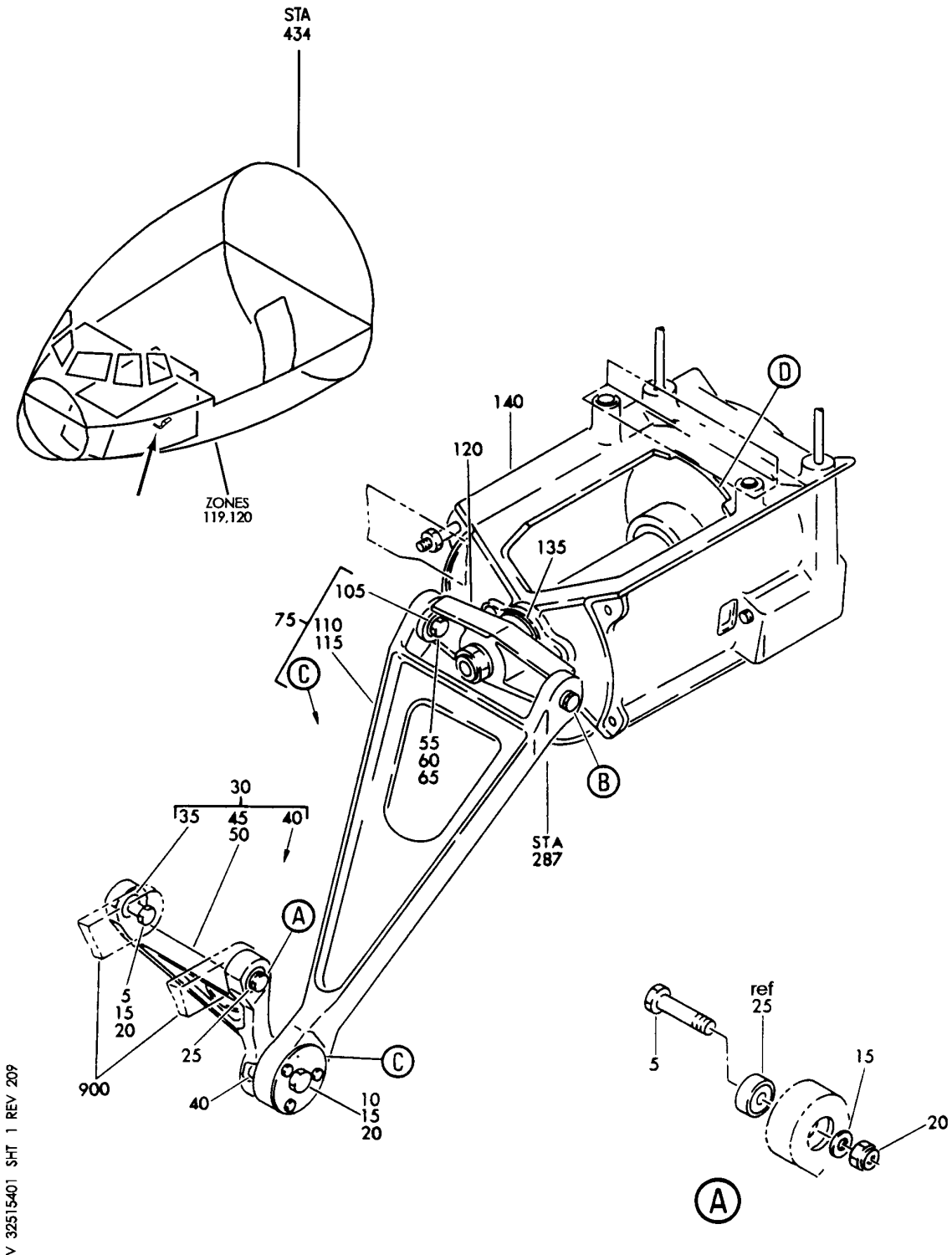
HXL

BOEING PROPRIETARY - Copyright © - Unpublished Work - See title page for details.

32-51-51  
 FIG. 05  
 PAGE 3  
 DEC 22/06



**BOEING**  
767  
PARTS CATALOG (MAINTENANCE)



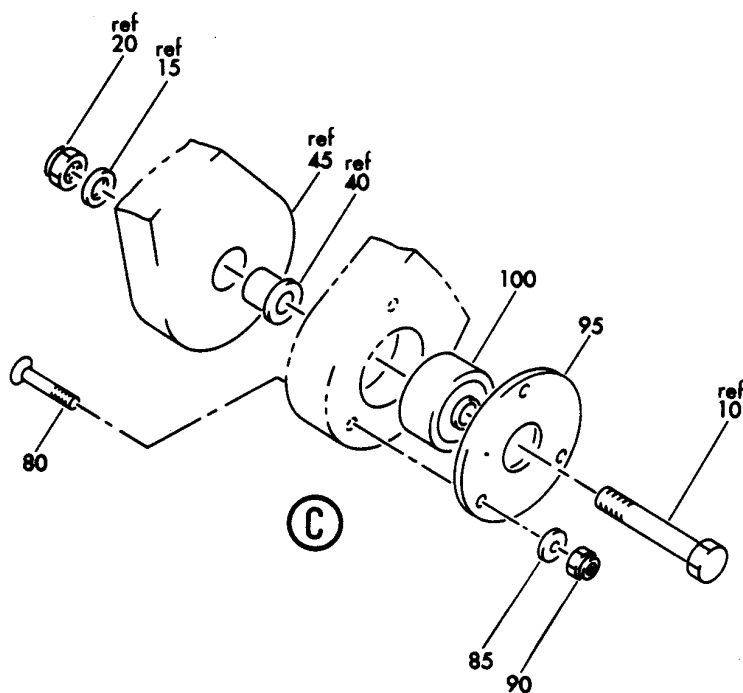
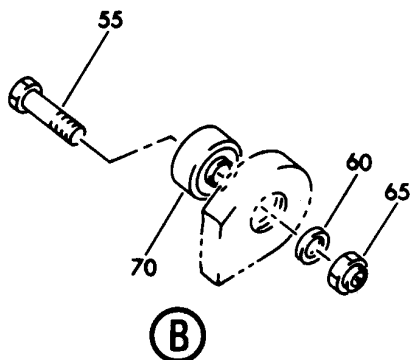
LINK INSTL-CABLE COMPENSATOR AND PIVOT  
FIGURE 1 (SHEET 1)

**32-51-54-01**

HXL  
DEC 22/06

32-51-54-01  
PAGE 0

**BOEING**  
767  
PARTS CATALOG (MAINTENANCE)



V 32515401 SHT 2 REV 007

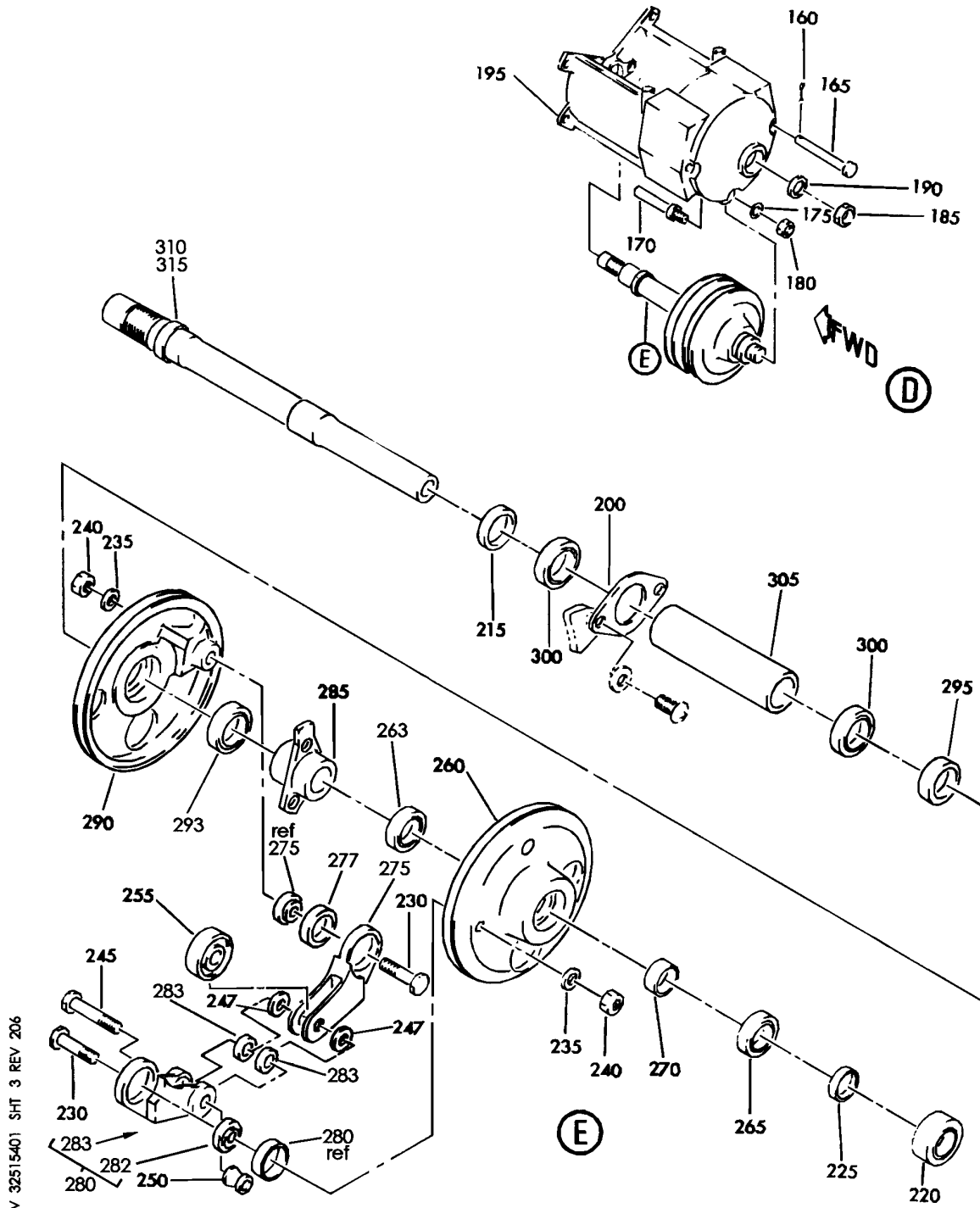
LINK INSTL-CABLE COMPENSATOR AND PIVOT  
FIGURE 1 (SHEET 2)

**32-51-54-01**

HXL  
DEC 22/06

32-51-54-01  
PAGE 0A

**BOEING**  
767  
PARTS CATALOG (MAINTENANCE)



LINK INSTL-CABLE COMPENSATOR AND PIVOT  
FIGURE 1 (SHEET 3)

**32-51-54-01**

HXL  
DEC 22/06

32-51-54-01  
PAGE 0B



767

PARTS CATALOG (MAINTENANCE)

FIG ITEM	PART NUMBER	1 2 3 4 5 6 7	NOMENCLATURE	EFFECT FROM TO	UNITS PER ASSY
1			LINK INSTL-CABLE COMPENSATOR AND PIVOT		
- 1	257T4332-1		LINK INSTL-CABLE COMPENSATOR AND PIVOT VARIABLE DRAWING REF: 257T4332-5001 FOR NHA SEE: 32-51-60-01		RF
5	BACB30NF4-14		.BOLT-		2
10	BACB30NF4-18		.BOLT		1
15	NAS1149D0463J		.WASHER-		3
20	BRH10C4D		.NUT-		3
			SUPPLIER CODE: V52828 SPECIFICATION NUMBER: BACN10JC4CD OPTIONAL PART: T6C428JCD V11815 NS202486-048 V80539 102LH9075-4W V72962 H51650-4BAC V15653		
25	KSP4ASD529		.BEARING- SUPPLIER CODE: V50294 SPECIFICATION NUMBER: BACB10AC04AJ OPTIONAL PART: KSP04AJSD610 V83086		1
30	257T4320-1		.LINK ASSY-		1
35	KSP4AFS428		..BEARING SUPPLIER CODE: V21335 SPECIFICATION NUMBER: BACB10AC4A OPTIONAL PART: HHKSP4A V38443 KSP4AE9440A V21335 KSP4A2TS V43991 KSP4AG27 V30163		1
ILLUSTRATION ITEMS NOT ON PARTS LIST ARE NOT APPLICABLE					

- ITEM NOT ILLUSTRATED

32-51-54-01

32-51-54  
FIG. 01  
PAGE 1  
DEC 22/07

HXL



767

PARTS CATALOG (MAINTENANCE)

FIG ITEM	PART NUMBER	1 2 3 4 5 6 7	NOMENCLATURE	EFFECT FROM TO	UNITS PER ASSY
1					
40	69B81791-3		.. BUSHING- MISCELLANEOUS DATA: NOT AN INITIAL PROVISIONING SPARE		1
45	257T4320-2		.. LINK-		1
55	BACB30NF4-9		. BOLT		2
60	NAS1149D0463J		. WASHER-		2
65	BRH10C4D		. NUT- SUPPLIER CODE: V52828 SPECIFICATION NUMBER: BACN10JC4CD OPTIONAL PART: T6C428JCD V11815 NS202486-048 V80539 102LH9075-4W V72962 H51650-4BAC V15653		2
70	KSP4ASD529		. BEARING- SUPPLIER CODE: V50294 SPECIFICATION NUMBER: BACB10ACO4AJ OPTIONAL PART: KSP04AJSD610 V83086		1
75	257T4319-1		. LINK ASSY-		1
80	BACB30LU3-9		.. BOLT		3
85	AN960PD10		.. WASHER		3

ILLUSTRATION ITEMS NOT ON PARTS LIST ARE NOT APPLICABLE

- ITEM NOT ILLUSTRATED

HXL

32-51-54-01

BOEING PROPRIETARY - Copyright © - Unpublished Work - See title page for details.

32-51-54  
FIG. 01  
PAGE 2  
DEC 22/07



767

PARTS CATALOG (MAINTENANCE)

FIG ITEM	PART NUMBER	1 2 3 4 5 6 7	NOMENCLATURE	EFFECT FROM TO	UNITS PER ASSY
1	90 BRH10A3		..NUT SUPPLIER CODE: V52828 SPECIFICATION NUMBER: BACN10JC3 OPTIONAL PART: H10-3BAC V15653 NS202101-02 V80539 RMLH9075-3W V72962 VN303A02 V92215 96-02 V80539 T6S1032J V11815		3
95	69B82375-1		..RETAINER		1
100	DAS4-14A1-514		..BEARING SUPPLIER CODE: V77896 SPECIFICATION NUMBER: BACB10CH40 OPTIONAL PART: ASRD4H30B VS0352 DAS4-14A4 V77896 DAS4-14A51 V77896 ASRD4-30B VS0352		1
105	KSP4AFS428		..BEARING SUPPLIER CODE: V21335 SPECIFICATION NUMBER: BACB10AC4A OPTIONAL PART: HHKSP4A V38443 KSP4AE9440A V21335 KSP4A2TS V43991 KSP4AG27 V30163		1

ILLUSTRATION ITEMS NOT ON PARTS LIST ARE NOT APPLICABLE

- ITEM NOT ILLUSTRATED

32-51-54-01

32-51-54  
 FIG. 01  
 PAGE 3  
 DEC 22/07

HXL

**BOEING**  
767  
**PARTS CATALOG (MAINTENANCE)**

FIG ITEM	PART NUMBER	1 2 3 4 5 6 7	NOMENCLATURE	EFFECT FROM TO	UNITS PER ASSY
1					
110	257T4319-2		..LINK- USED ON: 81205 812257T4319-1		1
120	65B82747-1		.BAR ATTACHING PARTS		1
- 125	102LH9074-10		.NUT- SUPPLIER CODE: V72962 SPECIFICATION NUMBER: BACN10JC10CD OPTIONAL PART: H51650-10BAC V15653 69235-1018CD V92215 BMN4122CPD8-10 V97928		1
- 130	NAS1149D1063J		.WASHER- -----*-----		1
135	66B80028-1		.GASKET- MANUFACTURED FROM: SHEET RUBBER BMS 1-57 GRADE 50 MATL QTY : 0.16, MATL UOM : SF MATL DIMENSIONS : .032 IN 1.5 IN 1.5 IN		1
140	257T4316-2		.COMPENSATOR ASSY- COMPONENT MAINT MANUAL REF: 32-51-20		1
140	257T4316-3		.COMPENSATOR ASSY- COMPONENT MAINT MANUAL REF: 32-51-20 ATTACHING PARTS		1
- 145	BACB30NF4-8		.BOLT		4
- 150	NAS1149D0463J		.WASHER-		4

R  
R  
R  
R  
R  
R  
R

ILLUSTRATION ITEMS NOT ON PARTS LIST ARE NOT APPLICABLE

- ITEM NOT ILLUSTRATED

HXL

# 32-51-54-01

BOEING PROPRIETARY - Copyright © - Unpublished Work - See title page for details.

32-51-54  
FIG. 01  
PAGE 4  
AUG 22/09



767

PARTS CATALOG (MAINTENANCE)

FIG ITEM	PART NUMBER	1 2 3 4 5 6 7	NOMENCLATURE	EFFECT FROM TO	UNITS PER ASSY
1 - 155	BRH10C4D		.NUT- SUPPLIER CODE: V52828 SPECIFICATION NUMBER: BACN10JC4CD OPTIONAL PART: T6C428JCD V11815 NS202486-048 V80539 102LH9075-4W V72962 H51650-4BAC V15653 -----*-----		4
160	MS24665-132		..PIN		2
165	MS20392-2C83		..PIN- OPTIONAL PART: MS20392-2C89		2
165	MS20392-2C89		..PIN- OPTIONAL PART: MS20392-2C83		2
170	69B82871-1		..PIN-GUARD		1
175	AN960PD416L		..WASHER		1
180	BRH10A4		..NUT SUPPLIER CODE: V52828 SPECIFICATION NUMBER: BACN10JC4 OPTIONAL PART: T6S428J V11815 96-048 V80539 VN303A048 V92215 RMLH9075-4W V72962 NS202101-048 V80539 H10-4BAC V15653		1

ILLUSTRATION ITEMS NOT ON PARTS LIST ARE NOT APPLICABLE

- ITEM NOT ILLUSTRATED

HXL

32-51-54-01

BOEING PROPRIETARY - Copyright © - Unpublished Work - See title page for details.

32-51-54  
FIG. 01  
PAGE 5  
DEC 22/06



**BOEING**  
767  
**PARTS CATALOG (MAINTENANCE)**

FIG ITEM	PART NUMBER	1 2 3 4 5 6 7	NOMENCLATURE	EFFECT FROM TO	UNITS PER ASSY
1					
185	BMN4122AD3-8		..NUT SUPPLIER CODE: V97928 SPECIFICATION NUMBER: BACN10JC8 OPTIONAL PART: BMN4122A8 V85495 H10-8BAC V15653 RMLH9074-8 V72962 48FT820 V56878		1
190	AN960XC816		..WASHER		1
195	257T4315-1		..HOUSING ASSY- USED ON: 257T4316-2		1
195	257T4315-4		..HOUSING ASSY- USED ON: 257T4316-2 257T4316-3		1
200	69B82872-1		..RETAINER ATTACHING PARTS		1
- 205	NAS623-3-2		..SCREW		2
- 210	AN960PD10		..WASHER		2
			-----*-----		
215	8620		..SEAL- SUPPLIER CODE: V51829		1

ILLUSTRATION ITEMS NOT ON PARTS LIST ARE NOT APPLICABLE

- ITEM NOT ILLUSTRATED

HXL

# 32-51-54-01

BOEING PROPRIETARY - Copyright © - Unpublished Work - See title page for details.

32-51-54  
FIG. 01  
PAGE 6  
DEC 22/07



767

PARTS CATALOG (MAINTENANCE)

FIG ITEM	PART NUMBER	1 2 3 4 5 6 7	NOMENCLATURE	EFFECT FROM TO	UNITS PER ASSY
1 220	P10KP		.. BEARING SUPPLIER CODE: V21760 SPECIFICATION NUMBER: BACB10BG5S OPTIONAL PART: P10KE6531 V21335 P10KFS428 V21335 P10KTT V43991 P10KT1C1-01 V21760 P10KG20 V38443 LLP10K V38443 CE310E VK8455 P10KSD610 V83086 P10KE V21760 P10K V38443		1
225	69B82926-8		.. SPACER		1
230	BACB30NF4-12		.. BOLT		2
235	AN960PD416L		.. WASHER		2
240	BRH10A4		.. NUT SUPPLIER CODE: V52828 SPECIFICATION NUMBER: BACN10JC4 OPTIONAL PART: T6S428J V11815 96-048 V80539 VN303A048 V92215 RMLH9075-4W V72962 NS202101-048 V80539 H10-4BAC V15653		2

ILLUSTRATION ITEMS NOT ON PARTS LIST ARE NOT APPLICABLE

- ITEM NOT ILLUSTRATED

HXL

32-51-54-01

BOEING PROPRIETARY - Copyright © - Unpublished Work - See title page for details.

32-51-54  
 FIG. 01  
 PAGE 7  
 DEC 22/06

**BOEING**  
767  
**PARTS CATALOG (MAINTENANCE)**

FIG ITEM	PART NUMBER	1 2 3 4 5 6 7	NOMENCLATURE	EFFECT FROM TO	UNITS PER ASSY	
R R R R R R R R R R R R	1 245	HL18PB6-15	.. BOLT SUPPLIER CODE: V06725 SPECIFICATION NUMBER: BACB30FM6-15 OPTIONAL PART: HL18PB6-15 V73197 HL18PB6-15 V92215 HL18PB6-15 V97928 HL18PB6-15 V80539 62550-6-15 V56878 HL18PB6-15 V08524 HL18PB6-15 V56878		1	
	247	BACW10BP3NDP	.. WASHER		AR 1	
	250	HL79-6	.. COLLAR SUPPLIER CODE: V5M902 SPECIFICATION NUMBER: BACC30M6 OPTIONAL PART: HL79-6 V73197 HL79-6 V92215 66014-6 V56878 HL79-6 V56878			
	255	ATF3	.. BEARING- SUPPLIER CODE: V60380 SPECIFICATION NUMBER: BACB10ET03 OPTIONAL PART: 3AFC512 V92563 YAF03B V07484 BACB10GH03N BACB10HH03		1	
	ILLUSTRATION ITEMS NOT ON PARTS LIST ARE NOT APPLICABLE					

- ITEM NOT ILLUSTRATED

HXL

# 32-51-54-01

BOEING PROPRIETARY - Copyright © - Unpublished Work - See title page for details.

32-51-54  
FIG. 01  
PAGE 8  
AUG 22/09



767

PARTS CATALOG (MAINTENANCE)

FIG ITEM	PART NUMBER	1 2 3 4 5 6 7	NOMENCLATURE	EFFECT FROM TO	UNITS PER ASSY
1					
255	ATF3SN	..	BEARING- SUPPLIER CODE: V60380 SPECIFICATION NUMBER: BACB10GH03N OPTIONAL PART: ATF3SY V21335 CR3AFC V92563 BACB10ET03		1
255	ATF3T8	..	BEARING- SUPPLIER CODE: V60380 SPECIFICATION NUMBER: BACB10HH03 OPTIONAL PART: YAF03XD V07484 FAG594037 VD2456 BACB10ET03		1
260	65B82750-5	..	DRUM ASSY		1
263	B538DDH	...	BEARING SUPPLIER CODE: V21335 SPECIFICATION NUMBER: BACB10A27DDH OPTIONAL PART: B538DDH V38443 B5DDE6531 V21335 B538ZZ4 V38443		1

ILLUSTRATION ITEMS NOT ON PARTS LIST ARE NOT APPLICABLE

- ITEM NOT ILLUSTRATED

HXL

32-51-54-01

BOEING PROPRIETARY - Copyright © - Unpublished Work - See title page for details.

32-51-54  
FIG. 01  
PAGE 9  
DEC 22/06



767

PARTS CATALOG (MAINTENANCE)

FIG ITEM	PART NUMBER	1 2 3 4 5 6 7	NOMENCLATURE	EFFECT FROM TO	UNITS PER ASSY
1 265	B538DDFS428		.. BEARING SUPPLIER CODE: V06144 SPECIFICATION NUMBER: BACB10CF10PP OPTIONAL PART: B538DDFS101 V06144 T338E VK8455 B538SSG27 V30163 B538DDFS428 V21335 B538DD V38443 B538-2TS V43991 B538FS101 V06144 B538DDP V21760 B538DDNJC V06144		1
270	69B82926-7		.. SPACER		1
275	65B82744-1		.. LINK ASSY- MISCELLANEOUS DATA: NOT AN INITIAL PROVISIONING SPARE OPTIONAL PART: 65B82744-4		1
275	65B82744-4		.. LINK ASSY- MISCELLANEOUS DATA: NOT AN INITIAL PROVISIONING SPARE OPTIONAL PART: 65B82744-1		1
275	65B82744-6		.. LINK ASSY- MISCELLANEOUS DATA: NOT AN INITIAL PROVISIONING SPARE		1

ILLUSTRATION ITEMS NOT ON PARTS LIST ARE NOT APPLICABLE

- ITEM NOT ILLUSTRATED

HXL

32-51-54-01

BOEING PROPRIETARY - Copyright © - Unpublished Work - See title page for details.

32-51-54  
 FIG. 01  
 PAGE 10  
 APR 22/09

 **BOEING**  
767  
**PARTS CATALOG (MAINTENANCE)**

FIG ITEM	PART NUMBER	1 2 3 4 5 6 7	NOMENCLATURE	EFFECT FROM TO	UNITS PER ASSY
1 277	KSP4AFS428	...	BEARING- SUPPLIER CODE: V21335 SPECIFICATION NUMBER: BACB10AC4A OPTIONAL PART: HHKSP4A V38443 KSP4AE9440A V21335 KSP4A2TS V43991 KSP4AG27 V30163 USED ON: 65B82744-4		1
277	ACMKSP4AFS428	...	BEARING- SUPPLIER CODE: V21335 SPECIFICATION NUMBER: BACB10FP04AJ OPTIONAL PART: SSMKSP4ASD529 V50294 USED ON: 65B82744-6		1
280	65B82754-1	..	LINK ASSY- OPTIONAL PART: 65B82754-3		1
280	65B82754-3	..	LINK ASSY- OPTIONAL PART: 65B82754-1		1
282	KSP4AFS428	...	BEARING SUPPLIER CODE: V21335 SPECIFICATION NUMBER: BACB10AC4A OPTIONAL PART: HHKSP4A V38443 KSP4AE9440A V21335 KSP4A2TS V43991 KSP4AG27 V30163		1
283	BACB10A122H	...	BEARING- OPTIONAL PART: BACB10A122		2

ILLUSTRATION ITEMS NOT ON PARTS LIST ARE NOT APPLICABLE

- ITEM NOT ILLUSTRATED

HXL

32-51-54-01

BOEING PROPRIETARY - Copyright © - Unpublished Work - See title page for details.

32-51-54  
FIG. 01  
PAGE 11  
DEC 22/06

 **BOEING**  
767  
**PARTS CATALOG (MAINTENANCE)**

FIG ITEM	PART NUMBER	1 2 3 4 5 6 7	NOMENCLATURE	EFFECT FROM TO	UNITS PER ASSY	
R R R	1					
	283	BACB10A122	...	BEARING- OPTIONAL PART: BACB10A122H		2
	285	65B82752-2	..	CAM		1
	290	65B82751-5	..	DRUM ASSY		1
	293	B539DDH	...	BEARING SUPPLIER CODE: V21335 SPECIFICATION NUMBER: BACB10A35DDH OPTIONAL PART: B539DDH V38443 B539ZZ4 V38443		1
	295	69B82926-6	..	SPACER		1
	300	B539DDFS428	..	BEARING- SUPPLIER CODE: V06144 SPECIFICATION NUMBER: BACB10CF12PP OPTIONAL PART: B539DDFS101 V06144 T339E VK8455 B539SSG27 V30163 B539DDFS428 V21335 B539DD V38443 B539-2TS V43991 B539FS101 V06144 B539DDP V21760 B539DDNJC V06144 BACB10FU12		2
	ILLUSTRATION ITEMS NOT ON PARTS LIST ARE NOT APPLICABLE					

- ITEM NOT ILLUSTRATED

HXL

# 32-51-54-01

BOEING PROPRIETARY - Copyright © - Unpublished Work - See title page for details.

32-51-54  
FIG. 01  
PAGE 12  
AUG 22/09



767

PARTS CATALOG (MAINTENANCE)

FIG ITEM	PART NUMBER	1 2 3 4 5 6 7	NOMENCLATURE	EFFECT FROM TO	UNITS PER ASSY
1 300	PACMB539DDFS428		.. BEARING- SUPPLIER CODE: V21335 SPECIFICATION NUMBER: BACB10FU12 OPTIONAL PART: SSMB539DDSD705 V83086 ACMB539DDP818LY V40920 PACMB539DDA3908 V21335 BACB10CF12PP		2
305	69B82926-9		.. SPACER		1
310	257T4323-1		.. SHAFT ASSY		1
315	257T4329-1		... PLUG		1
900			ILLUSTRATION REFERENCE: GEAR ASSY-NOSE LDG (EXTENSION AND RETRACTION ONLY) 32-34-05-01		RF

ILLUSTRATION ITEMS NOT ON PARTS LIST ARE NOT APPLICABLE

- ITEM NOT ILLUSTRATED

HXL

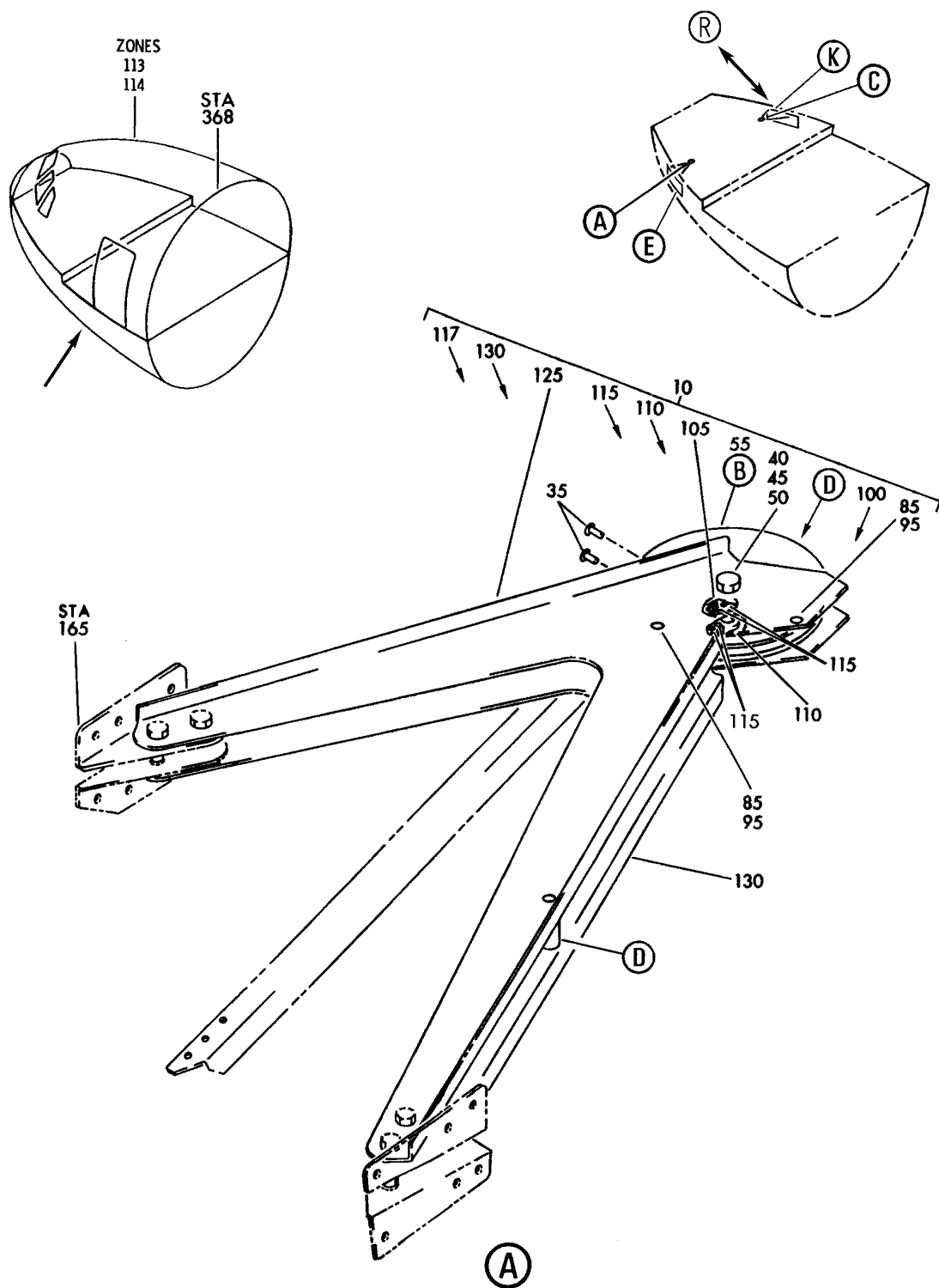
32-51-54-01

BOEING PROPRIETARY - Copyright © - Unpublished Work - See title page for details.

32-51-54  
 FIG. 01  
 PAGE 13  
 DEC 22/06



**BOEING**  
767  
PARTS CATALOG (MAINTENANCE)



V 32515601 SHT 1 REV 293

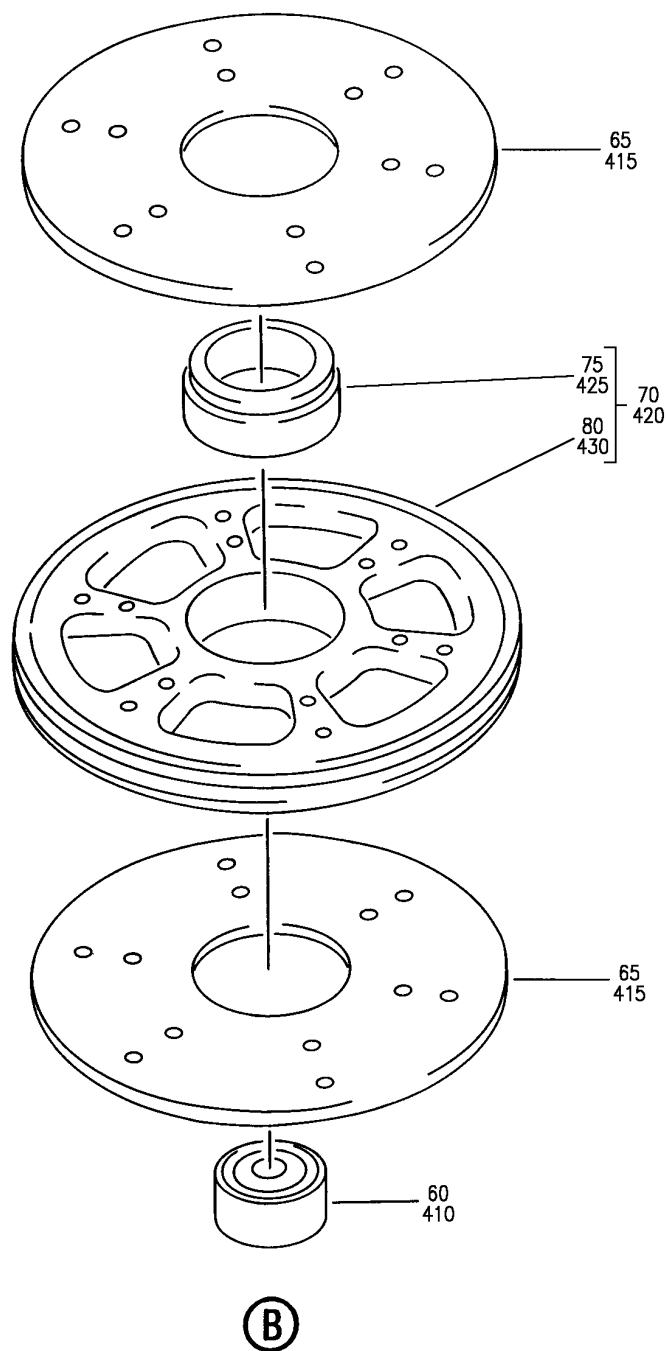
BRACKET INSTL-NWS PULLEY  
FIGURE 1 (SHEET 1)

**32-51-56-01**

HXL  
DEC 22/06

32-51-56-01  
PAGE 0

**BOEING**  
767  
PARTS CATALOG (MAINTENANCE)



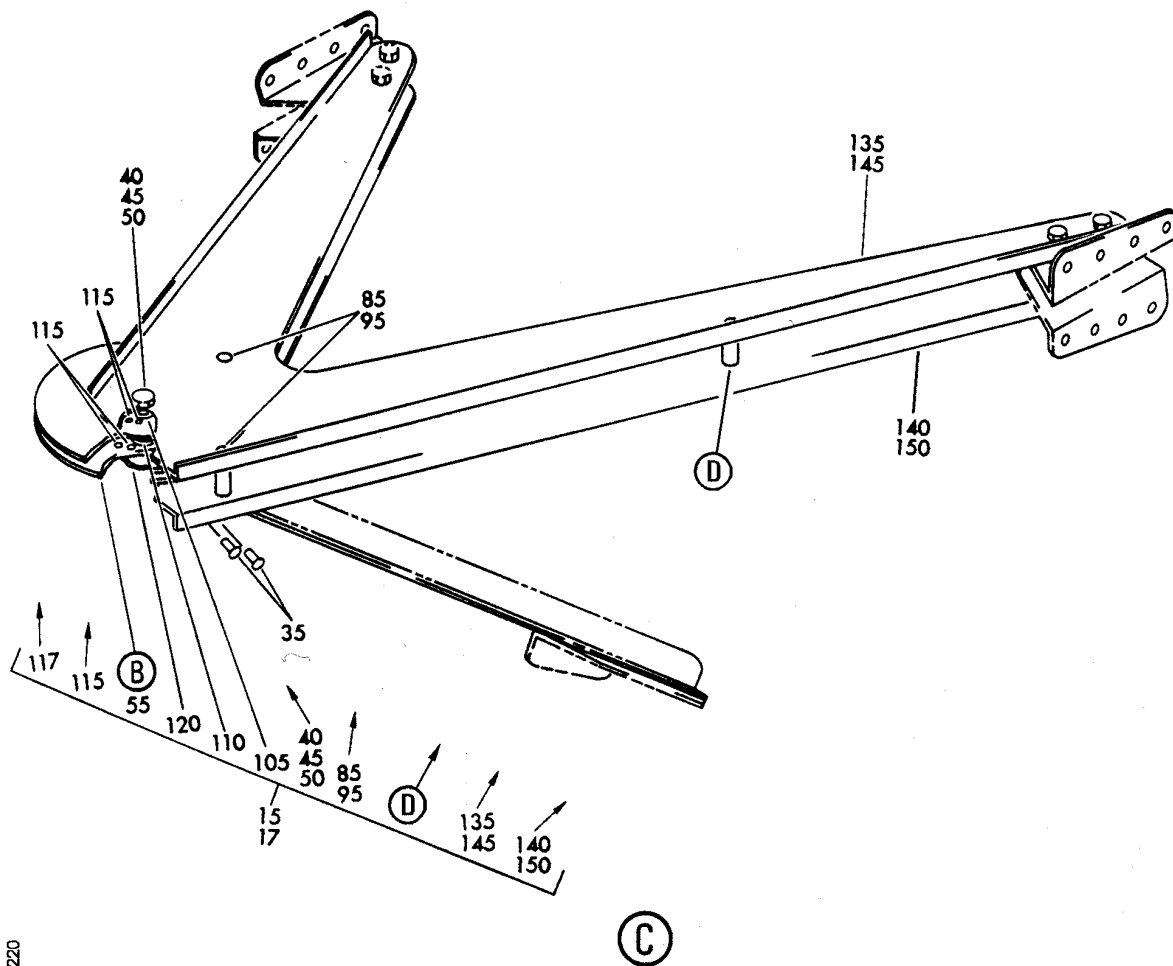
V 32515601 SH1 2 REV 293

BRACKET INSTL-NWS PULLEY  
FIGURE 1 (SHEET 2)

**32-51-56-01**

HXL  
DEC 22/06

32-51-56-01  
PAGE 0A



V 32515601 SHT. 3 REV 220

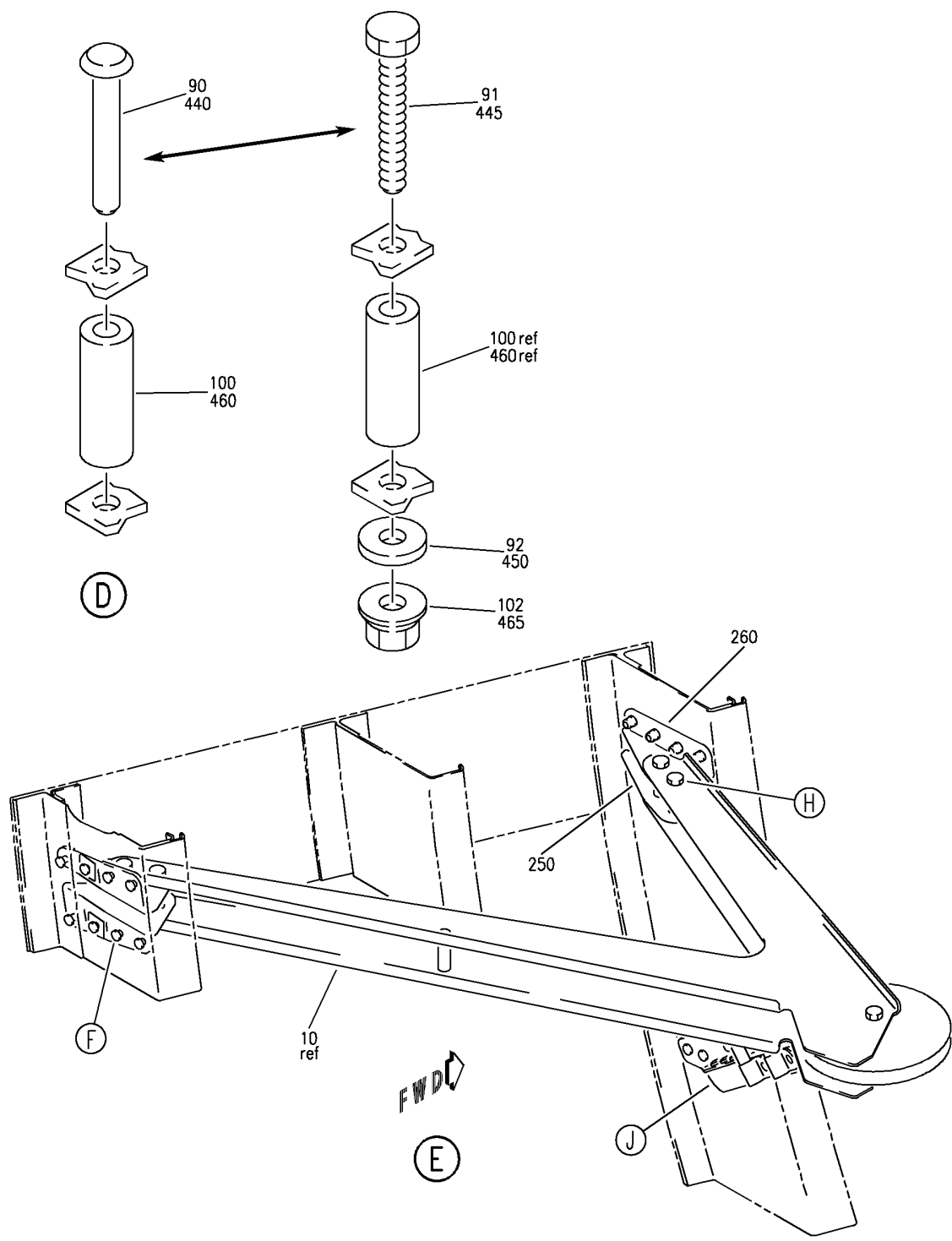
BRACKET INSTL-NWS PULLEY  
FIGURE 1 (SHEET 3)

**32-51-56-01**

HXL  
DEC 22/06

32-51-56-01  
PAGE 0B

**BOEING**  
767  
PARTS CATALOG (MAINTENANCE)



V 32515601 SHT 4 REV 293

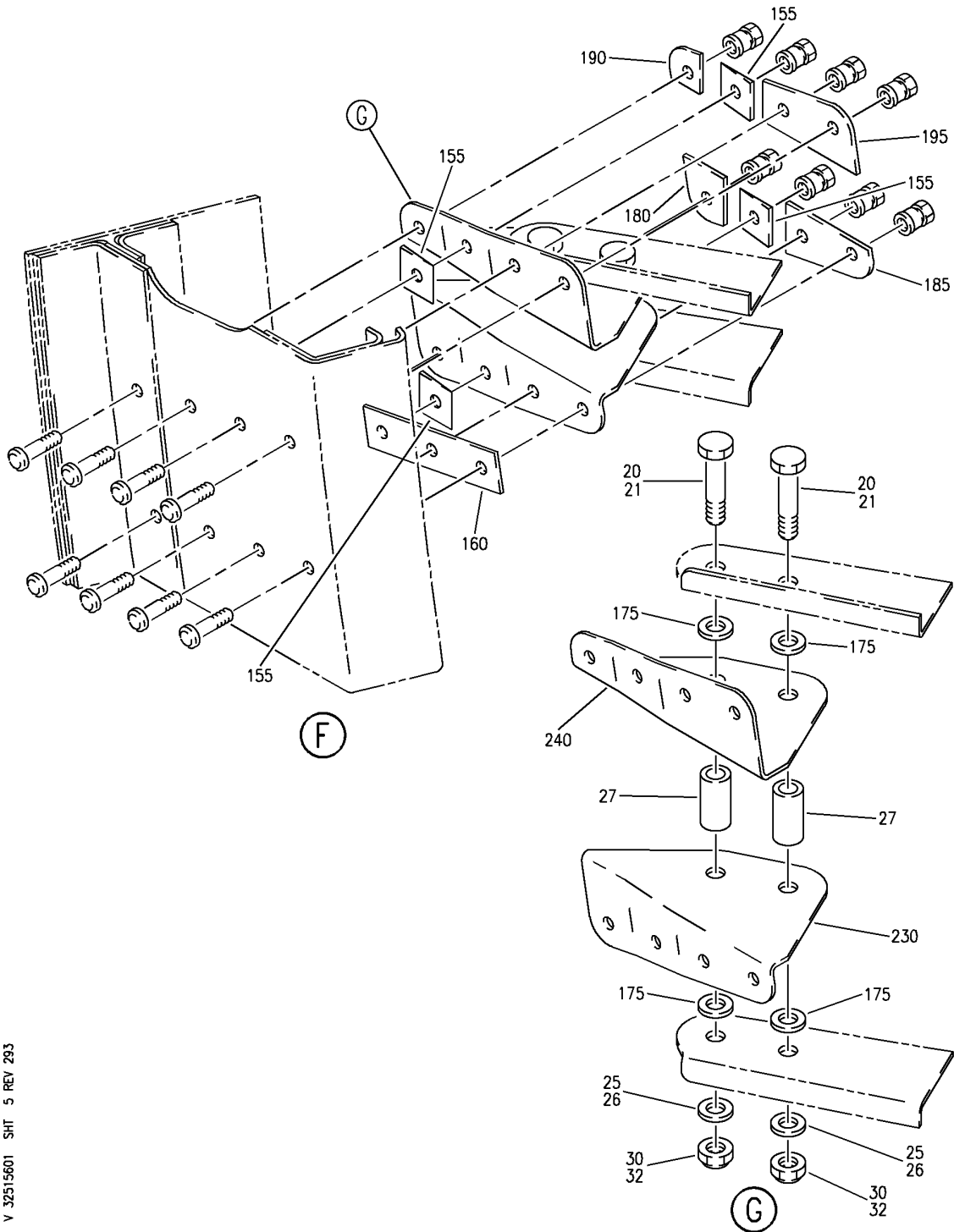
BRACKET INSTL-NWS PULLEY  
FIGURE 1 (SHEET 4)

**32-51-56-01**

HXL  
DEC 22/06

32-51-56-01  
PAGE 0C

**BOEING**  
767  
PARTS CATALOG (MAINTENANCE)



V 32515601 SHT 5 REV 293

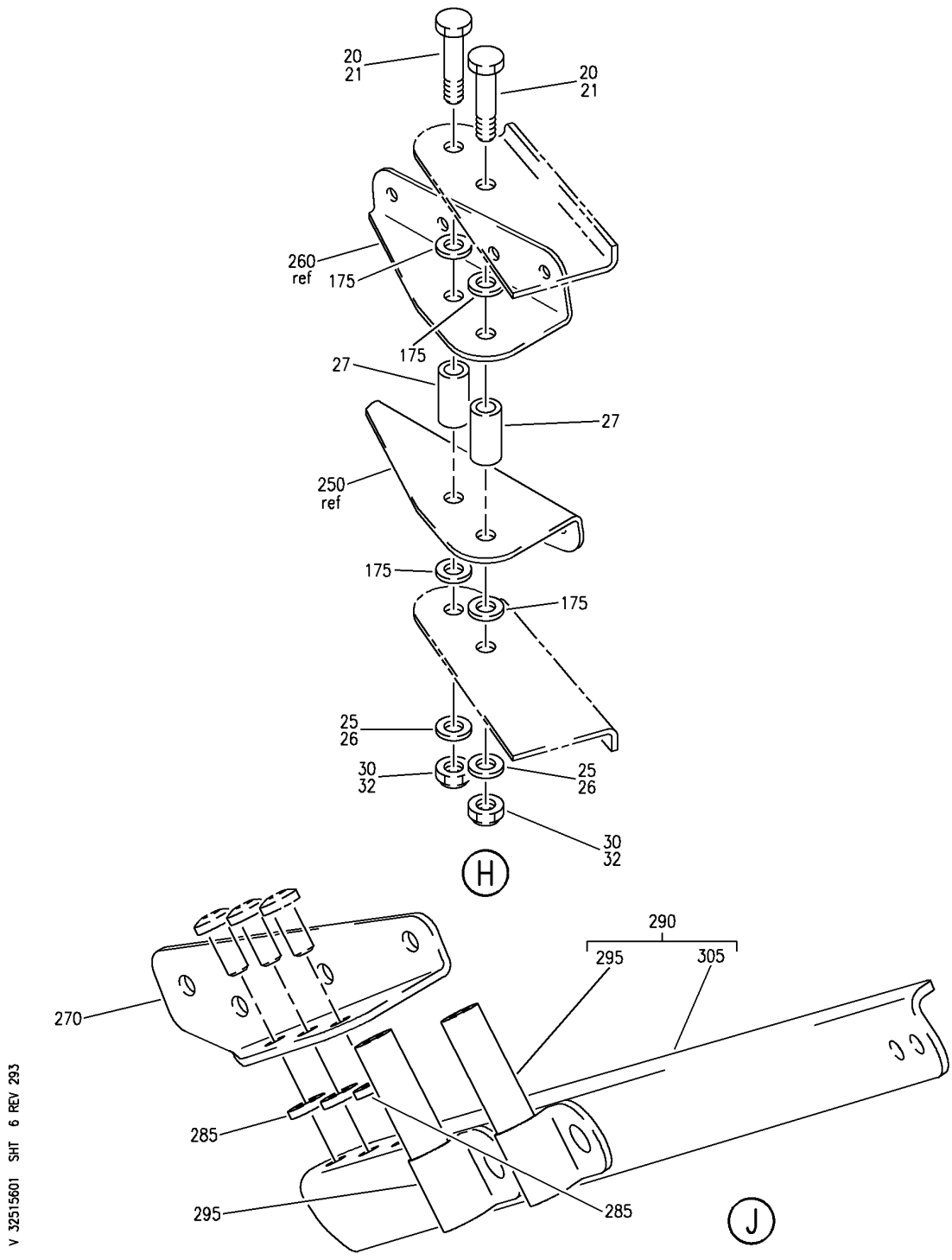
BRACKET INSTL-NWS PULLEY  
FIGURE 1 (SHEET 5)

**32-51-56-01**

HXL  
DEC 22/06

32-51-56-01  
PAGE 0D

**BOEING**  
767  
**PARTS CATALOG (MAINTENANCE)**



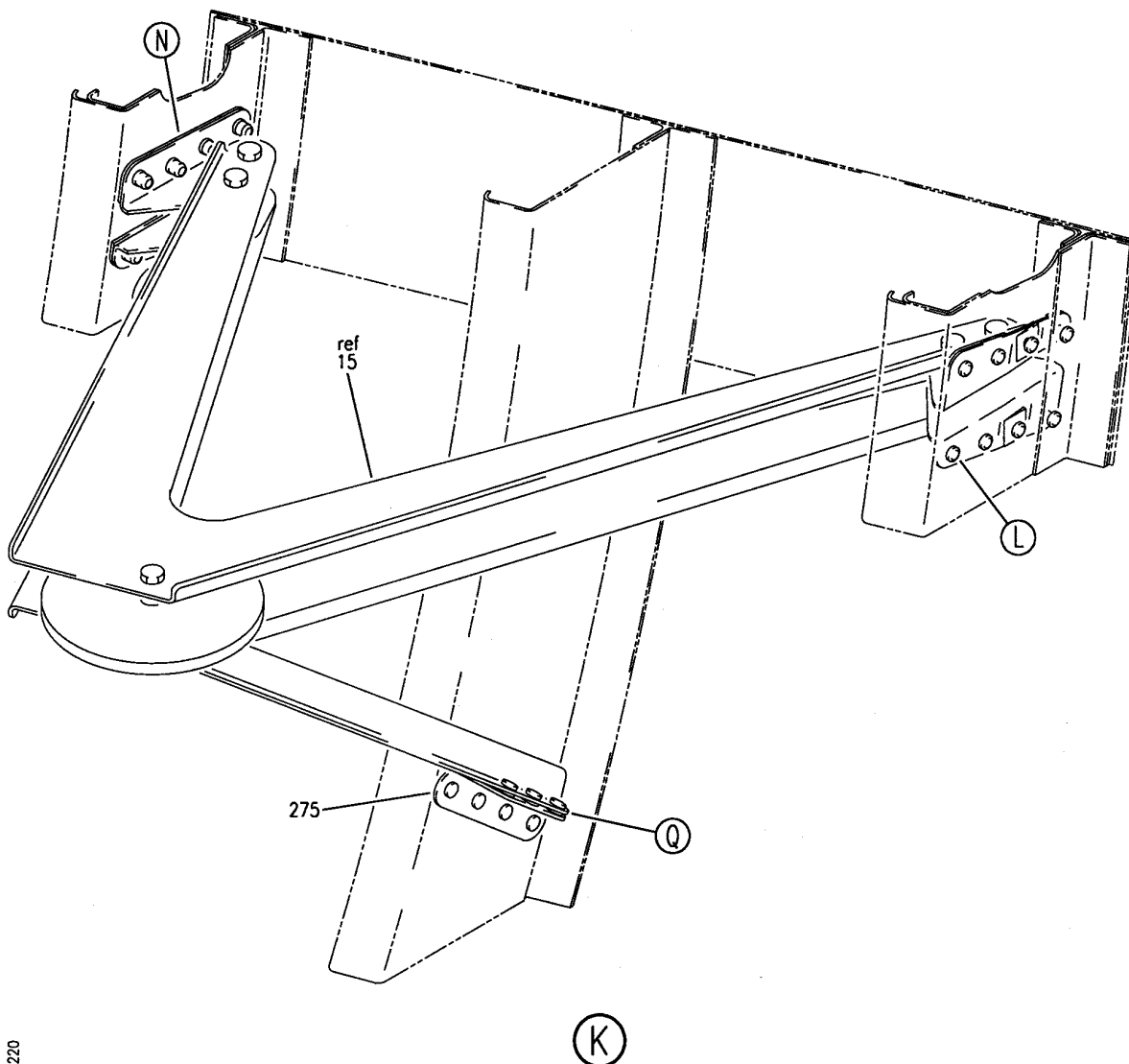
BRACKET INSTL-NWS PULLEY  
FIGURE 1 (SHEET 6)

**32-51-56-01**

HXL  
DEC 22/06

32-51-56-01  
PAGE 0E

**BOEING**  
767  
PARTS CATALOG (MAINTENANCE)



V 32515601 SHT 7 REV 220

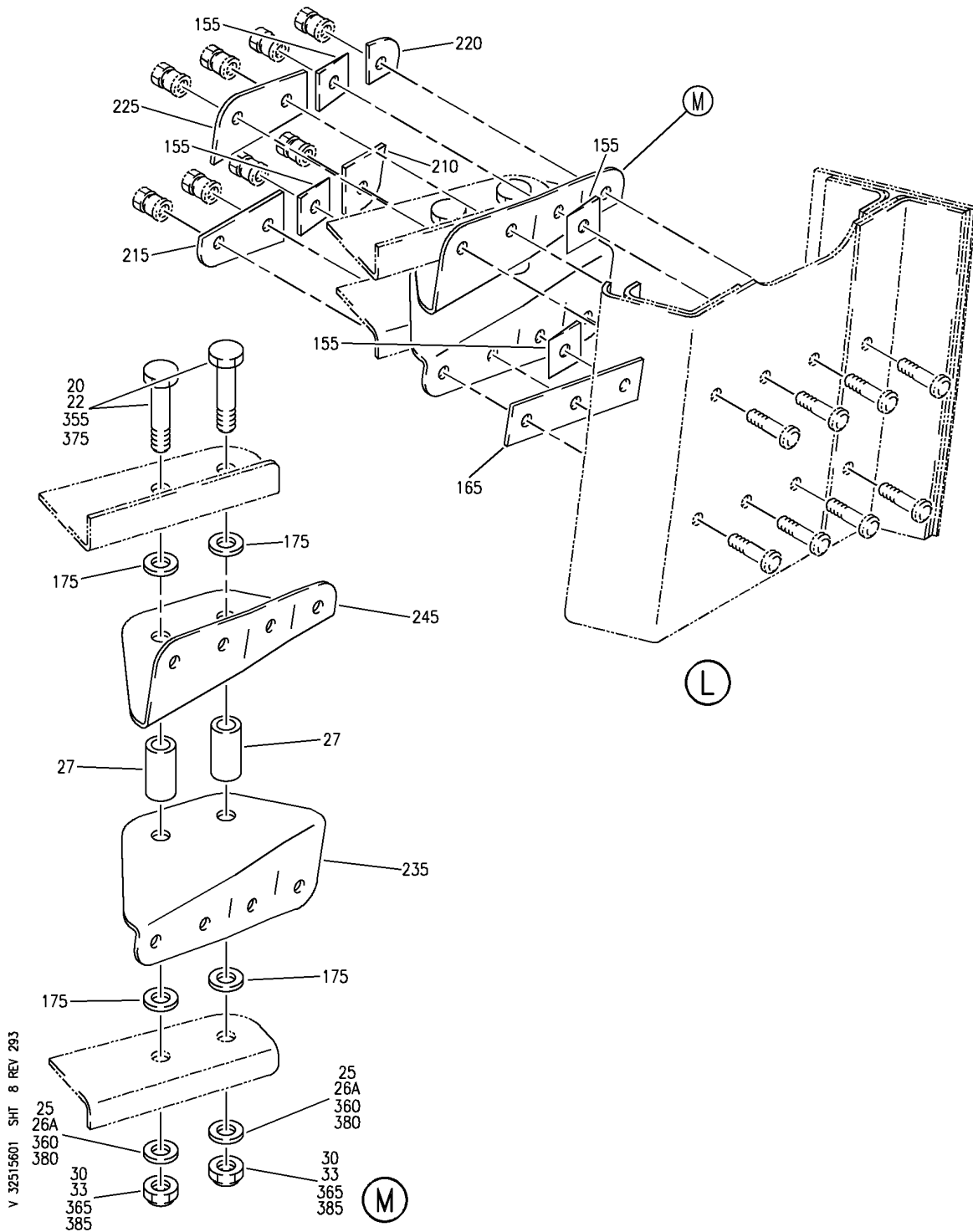
BRACKET INSTL-NWS PULLEY  
FIGURE 1 (SHEET 7)

**32-51-56-01**

HXL  
DEC 22/06

32-51-56-01  
PAGE OF


**BOEING**  
 767  
**PARTS CATALOG (MAINTENANCE)**



BRACKET INSTL-NWS PULLEY  
 FIGURE 1 (SHEET 8)

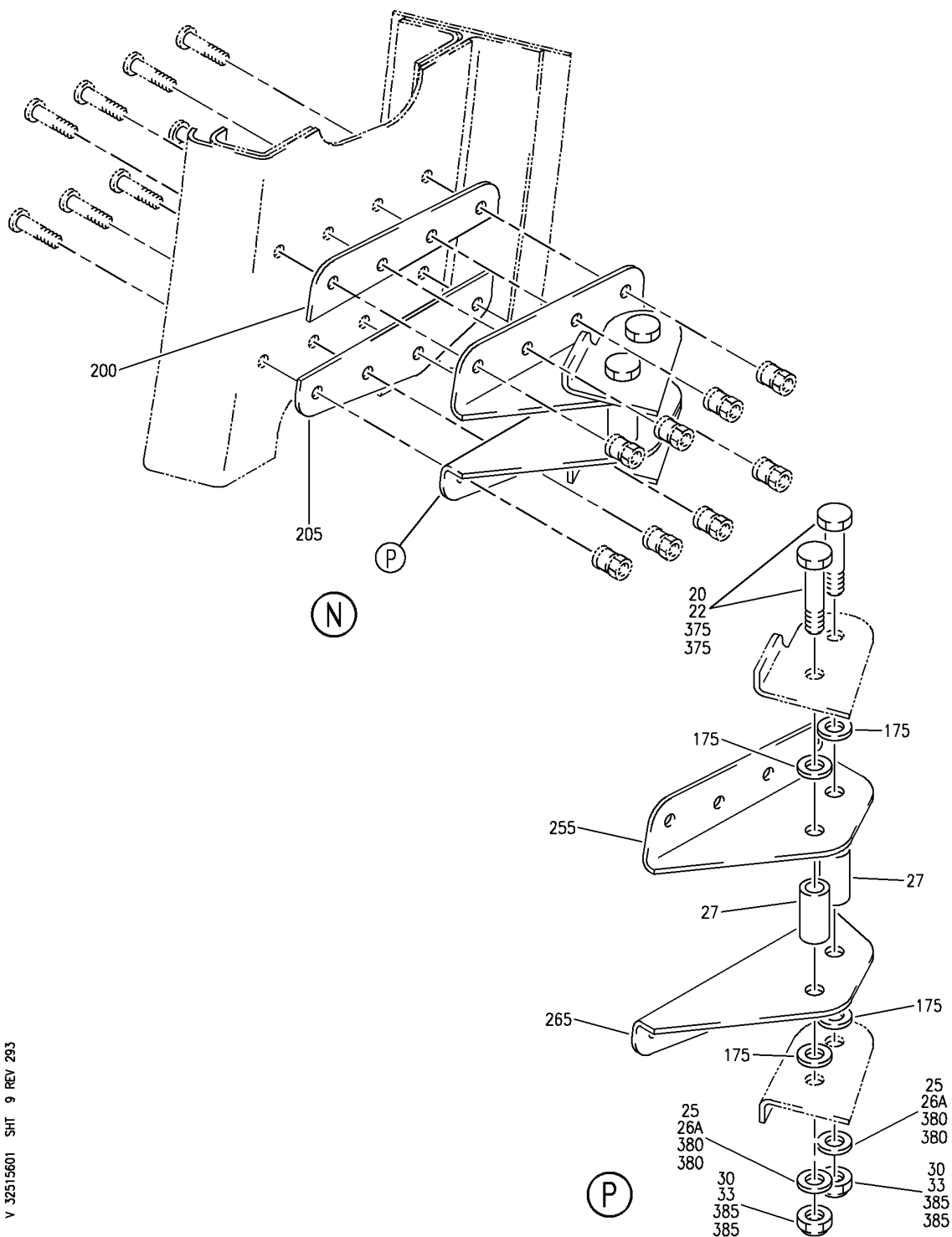
# 32-51-56-01

HXL  
DEC 22/06

32-51-56-01  
 PAGE 0G



**BOEING**  
767  
PARTS CATALOG (MAINTENANCE)



V 32515601 SH1 9 REV 293

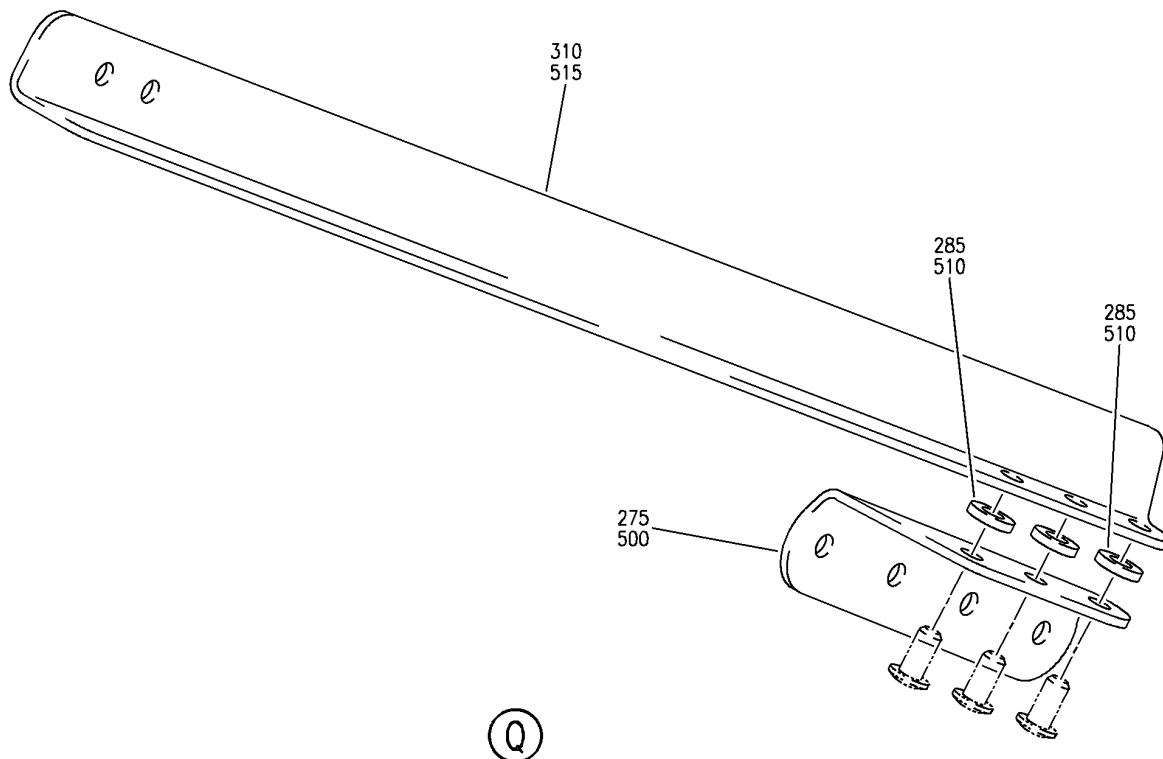
BRACKET INSTL-NWS PULLEY  
FIGURE 1 (SHEET 9)

**32-51-56-01**

HXL  
DEC 22/06

32-51-56-01  
PAGE 0H

**BOEING**  
767  
PARTS CATALOG (MAINTENANCE)



V 32515601 SHT 10 REV 283

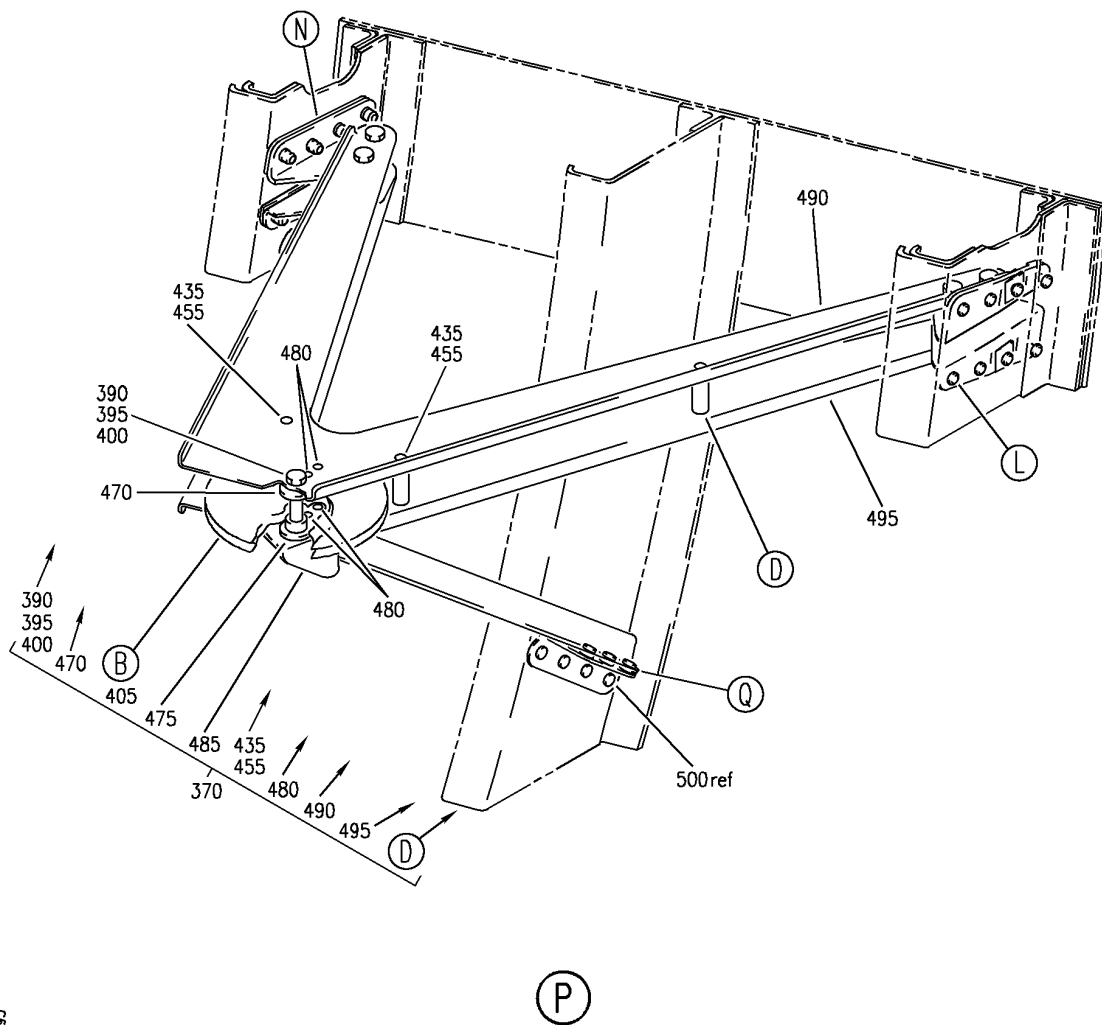
BRACKET INSTL-NWS PULLEY  
FIGURE 1 (SHEET 10)

**32-51-56-01**

HXL  
DEC 22/06

32-51-56-01  
PAGE 01

**BOEING**  
767  
PARTS CATALOG (MAINTENANCE)



V 32515601 SHT 11 REV 293

BRACKET INSTL-NWS PULLEY  
FIGURE 1 (SHEET 11)

**32-51-56-01**

HXL  
DEC 22/06

32-51-56-01  
PAGE 0J



767

PARTS CATALOG (MAINTENANCE)

FIG ITEM	PART NUMBER	1 2 3 4 5 6 7	NOMENCLATURE	EFFECT FROM TO	UNITS PER ASSY
1					
- 1	255T4129-1		BRACKET INSTL-NWS PULLEY BRACKET INSTL-NWS PULLEY POSITION DATA: LH FOR NHA SEE: 32-51-60-01		RF
- 5	255T4129-2		BRACKET INSTL-NWS PULLEY POSITION DATA: RH FOR NHA SEE: 32-51-60-01		RF
10	255T4203-5		.BRACKET ASSY- POSITION DATA: LH SIDE		1
15	255T4203-7		.BRACKET ASSY- POSITION DATA: RH SIDE ATTACHING PARTS		1
20	BACB30NR4K16		.BOLT		4
25	NAS1149D0463J		.WASHER-		4
27	BACS18S62B		.SPACER		4
30	BRH10C4D		.NUT- SUPPLIER CODE: V52828 SPECIFICATION NUMBER: BACN10JC4CD OPTIONAL PART: T6C428JCD V11815 NS202486-048 V80539 102LH9075-4W V72962 H51650-4BAC V15653		4
35	BACR15FT5KE		.RIVET- SIZE DETERMINED ON INSTL. -----*-----		2
40	BACB30NR4K16		..BOLT		1
45	AN960PD416		..WASHER		1

ILLUSTRATION ITEMS NOT ON PARTS LIST ARE NOT APPLICABLE

- ITEM NOT ILLUSTRATED

HXL

32-51-56-01

BOEING PROPRIETARY - Copyright © - Unpublished Work - See title page for details.

32-51-56  
FIG. 01  
PAGE 1  
APR 22/09



767

PARTS CATALOG (MAINTENANCE)

FIG ITEM	PART NUMBER	1 2 3 4 5 6 7	NOMENCLATURE	EFFECT FROM TO	UNITS PER ASSY
1	50 BRH10A4		..NUT SUPPLIER CODE: V52828 SPECIFICATION NUMBER: BACN10JC4 OPTIONAL PART: T6S428J V11815 96-048 V80539 VN303A048 V92215 RMLH9075-4W V72962 NS202101-048 V80539 H10-4BAC V15653		1
	55 65B80977-1		..PULLEY ASSY-4 IN. DIA 3/32 IN. CABLE FOR SPARES PROCURE: BACP30M4		1
	60 JMKP4P25LY196		...BEARING SUPPLIER CODE: V40920 SPECIFICATION NUMBER: BACB10AN4 OPTIONAL PART: MKP4FS428 V21335 MKP4G20 V38443 LLMKP4 V38443 MKP4 V38443 MKP4-2TS V43991 MKP4E6531 V21335 MKP4TT V43991 MKP4SD610 V83086		1
	65 69B81979-1		...SHIELD		2
	70 65B80978-1		...SHEAVE ASSY		1
	75 69B81362-2		....INSERT		1
	80 65B80978-2		....SHEAVE		1

ILLUSTRATION ITEMS NOT ON PARTS LIST ARE NOT APPLICABLE

- ITEM NOT ILLUSTRATED

HXL

32-51-56-01

BOEING PROPRIETARY - Copyright © - Unpublished Work - See title page for details.

32-51-56  
FIG. 01  
PAGE 2  
APR 22/09



767

PARTS CATALOG (MAINTENANCE)

FIG ITEM	PART NUMBER	1 2 3 4 5 6 7	NOMENCLATURE	EFFECT FROM TO	UNITS PER ASSY
1					
85	BACR15BB4AD	..	RIVET- SIZE DETERMINED ON INSTL.		2
90	BACR15BB6AD	..	RIVET- SIZE DETERMINED ON INSTL. QUALIFIED OPTIONAL DATA: (BACR15BB6AD OPT NAS1801-3-21 PLUS AN960JD10 PLUS MS21042L3)		1
91	NAS1801-3-21	..	SCREW- QUALIFIED OPTIONAL DATA: (BACR15BB6AD OPT NAS1801-3-21 PLUS AN960JD10 PLUS MS21042L3)		1
92	AN960JD10	..	WASHER- QUALIFIED OPTIONAL DATA: (BACR15BB6AD OPT NAS1801-3-21 PLUS AN960JD10 PLUS MS21042L3)		1
95	NAS42DD4-54	..	SPACER		2
100	NAS42DD6-54	..	SPACER		1
102	MS21042L3	..	NUT- QUALIFIED OPTIONAL DATA: (BACR15BB6AD OPT NAS1801-3-21 PLUS AN960JD10 PLUS MS21042L3)		1
105	NAS463TKD416	..	SPACER		1
110	BACS18S30B	..	SPACER		1
115	BACR15BA3AD	..	RIVET- SIZE DETERMINED ON INSTL. -----*-----		4
120	255T4261-1	..	CLIP- POSITION DATA: RH SIDE		1
125	255T4260-7	..	BRACKET- POSITION DATA: LH SIDE		1
130	255T4260-8	..	BRACKET- POSITION DATA: LH SIDE		1
135	255T4260-9	..	BRACKET- POSITION DATA: RH SIDE		1

ILLUSTRATION ITEMS NOT ON PARTS LIST ARE NOT APPLICABLE

- ITEM NOT ILLUSTRATED

32-51-56-01

32-51-56  
FIG. 01  
PAGE 3  
APR 22/09

HXL

BOEING PROPRIETARY - Copyright © - Unpublished Work - See title page for details.



767

PARTS CATALOG (MAINTENANCE)

FIG ITEM	PART NUMBER	1 2 3 4 5 6 7	NOMENCLATURE	EFFECT FROM TO	UNITS PER ASSY
1					
140	255T4260-10		.. BRACKET- POSITION DATA: RH SIDE		1
155	BACF3T02H07D7		. FILLER		4
160	BACF3F008J024NG		. FILLER- POSITION DATA: LH SIDE		1
165	BACF3F008J025NG		. FILLER- POSITION DATA: RH SIDE		1
175	BACW10P347GE		. WASHER		8
180	255T4298-13		. FILLER- POSITION DATA: LH SIDE		1
185	255T4298-15		. FILLER- POSITION DATA: LH SIDE		1
190	255T4298-3		. FILLER- POSITION DATA: LH SIDE		1
195	255T4298-5		. FILLER- POSITION DATA: LH SIDE		1
200	255T4298-1		. FILLER- POSITION DATA: RH SIDE		1
205	255T4298-2		. FILLER- POSITION DATA: RH SIDE		1
230	255T4261-10		. CLIP- POSITION DATA: LH SIDE		1
235	255T4263-16		. CLIP- POSITION DATA: RH SIDE		1
240	255T4261-11		. CLIP- POSITION DATA: LH SIDE		1
245	255T4263-15		. CLIP- POSITION DATA: RH SIDE		1
250	255T4261-5		. CLIP- POSITION DATA: LH SIDE		1
255	255T4263-3		. CLIP- POSITION DATA: RH SIDE		1

ILLUSTRATION ITEMS NOT ON PARTS LIST ARE NOT APPLICABLE

- ITEM NOT ILLUSTRATED

32-51-56-01

32-51-56  
FIG. 01  
PAGE 4  
APR 22/09

HXL

BOEING PROPRIETARY - Copyright © - Unpublished Work - See title page for details.



767

PARTS CATALOG (MAINTENANCE)

FIG ITEM	PART NUMBER	1 2 3 4 5 6 7	NOMENCLATURE	EFFECT FROM TO	UNITS PER ASSY
1					
260	255T4261-6		.CLIP- POSITION DATA: LH SIDE		1
265	255T4263-4		.CLIP- POSITION DATA: RH SIDE		1
270	255T4261-12		.CLIP- POSITION DATA: LH SIDE		1
275	255T4263-11		.CLIP- POSITION DATA: RH SIDE		1
- 280	BACR15KE5C		ATTACHING PARTS .RIVET-		7
285	BACW10P346GE		SIZE DETERMINED ON INSTL. .WASHER		3
290	255T4129-3		-----*----- .CLIP ASSY-		1
295	BACN10GH3A10		POSITION DATA: LH SIDE ..NUTPLATE-		2
- 300	BACR15BA4AD		POSITION DATA: LH SIDE ATTACHING PARTS ..RIVET-		4
305	255T4263-1		SIZE DETERMINED ON INSTL. -----*----- ..CLIP		1
310	255T4263-2		.CLIP- POSITION DATA: RH SIDE		1

ILLUSTRATION ITEMS NOT ON PARTS LIST ARE NOT APPLICABLE

- ITEM NOT ILLUSTRATED

HXL

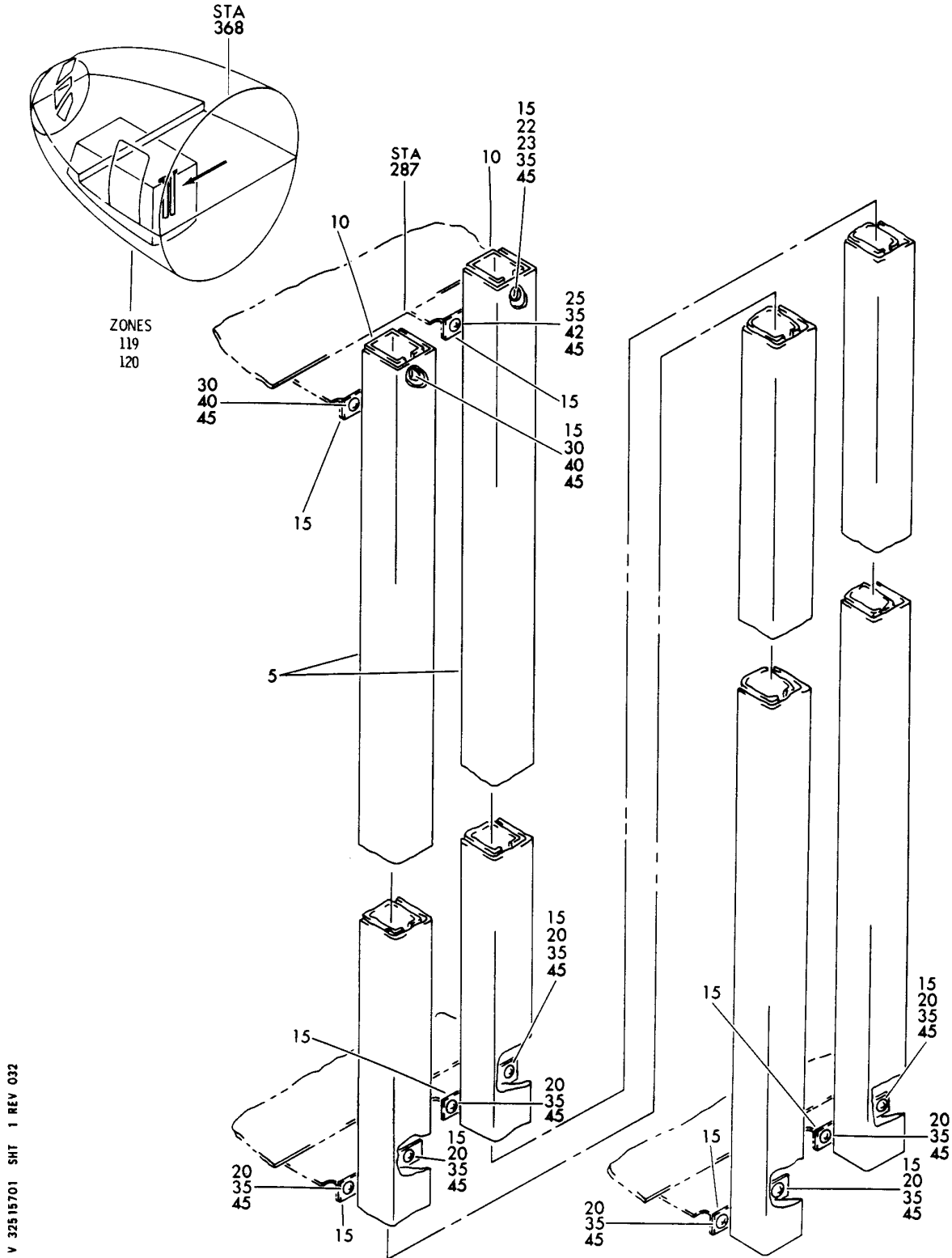
32-51-56-01

BOEING PROPRIETARY - Copyright © - Unpublished Work - See title page for details.

32-51-56  
FIG. 01  
PAGE 5  
APR 22/09



**BOEING**  
767  
PARTS CATALOG (MAINTENANCE)



V 32515701 SHT 1 REV 032

GUARD INSTL-STA 287.0 NOSE WHL STEERING CABLE  
FIGURE 1

**32-51-57-01**

HXL  
DEC 22/06

32-51-57-01  
PAGE 0

 **BOEING**  
767  
**PARTS CATALOG (MAINTENANCE)**

FIG ITEM	PART NUMBER	1 2 3 4 5 6 7	NOMENCLATURE	EFFECT FROM TO	UNITS PER ASSY
1			GUARD INSTL-STA 287.0 NOSE WHL STEERING CABLE		
- 1	255T4106-1		GUARD INSTL-NOSE WHL STEERING CABLE POSITION DATA: STA 287.0 VARIABLE DRAWING REF: 255T4106-5002 FOR NHA SEE: 32-51-60-01		RF
5	255T4236-2		.GUARD- OPTIONAL PART: 255T4236-4		2
5	255T4236-4		.GUARD- OPTIONAL PART: 255T4236-2		2
10	255T4236-1		.GUARD- OPTIONAL PART: 255T4236-3		2
10	255T4236-3		.GUARD- OPTIONAL PART: 255T4236-1		2
15	69B82348-2		.CLIP ATTACHING PARTS		12
20	NAS623-3-2		.SCREW-		8
23	NAS623-3-8		.SCREW-		1
25	NAS623-3-8		.SCREW		1
30	NAS623-3-21		.SCREW		2
35	AN960PD10		.WASHER		10
40	AN960PD10L		.WASHER		2
45	BRH10A3		.NUT  SUPPLIER CODE: V52828 SPECIFICATION NUMBER: BACN10JC3 OPTIONAL PART: H10-3BAC V15653 NS202101-02 V80539 RMLH9075-3W V72962 VN303A02 V92215 96-02 V80539 T6S1032J V11815  -----*-----		12
ILLUSTRATION ITEMS NOT ON PARTS LIST ARE NOT APPLICABLE					

- ITEM NOT ILLUSTRATED

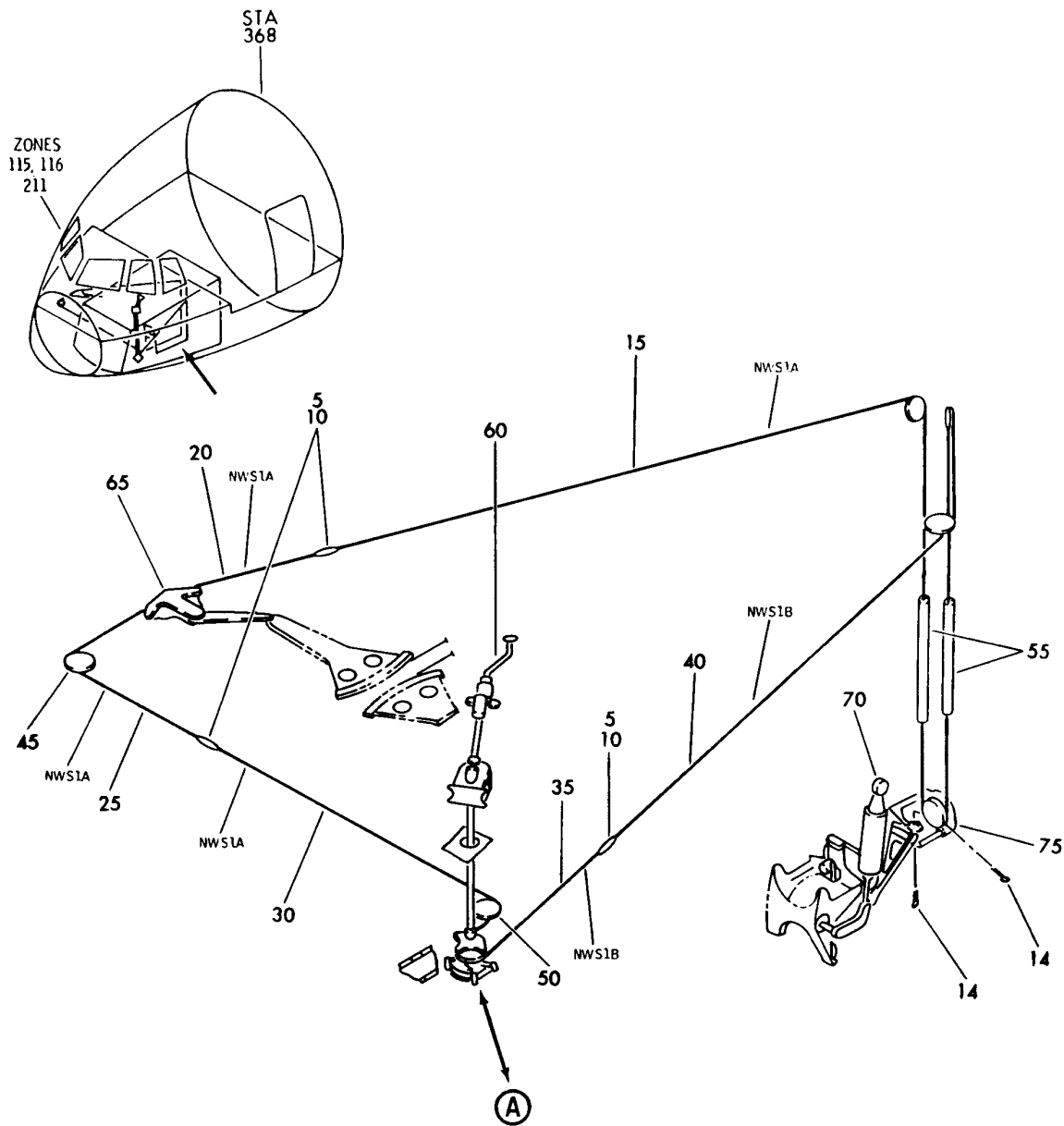
HXL

# 32-51-57-01

BOEING PROPRIETARY - Copyright © - Unpublished Work - See title page for details.

32-51-57  
FIG. 01  
PAGE 1  
DEC 22/07

**BOEING**  
767  
PARTS CATALOG (MAINTENANCE)



V 32516001 SHT 1 REV 198

CONTROL INSTL-NOSE WHL STEERING  
FIGURE 1 (SHEET 1)

**32-51-60-01**

HXL  
DEC 22/06

32-51-60-01  
PAGE 0





767

PARTS CATALOG (MAINTENANCE)

FIG ITEM	PART NUMBER	1 2 3 4 5 6 7	NOMENCLATURE	EFFECT FROM TO	UNITS PER ASSY
1			CONTROL INSTL-NOSE WHL STEERING		
- 1	257T4000-5		CONTROL INSTL-NOSE WHL STEERING VARIABLE DRAWING REF: 257T4000-5028 FOR NHA SEE: 27-00-01-01C		RF
5	BACC15AJ2		.CLIP-LOCKING		6
10	MS21251B3L		.TURNBUCKLE BODY-		3
12	MS24665-134		.PIN		2
13	MS24665-132		.PIN-		4
15	BACC2C3D01515FG		.CABLE ASSY-NWS1A		1
20	BACC2C3D00279EG		.CABLE ASSY-NWS1A		1
25	BACC2C3D00536FG		.CABLE ASSY-NWS1A		1
25	BACC2C3A00536FG		.CABLE ASSY-NWS1A MISCELLANEOUS DATA: ZINC-ONLY AND TIN-OVER-ZINC COATED CABLES ARE INTERCHANGEABLE, AND MAY BE INTERMIXED WITHIN A SYSTEM, PROVIDING OPPOSITE CABLES WITHIN A GIVEN CABLE LOOP ARE REPLACED WITH CABLES OF THE SAME TYPE.		1
30	BACC2C3D00656EG		.CABLE ASSY-NWS1A		1
35	BACC2C3D00419EG		.CABLE ASSY-NWS1B		1
40	BACC2C3D01680FG		.CABLE ASSY-NWS1B		1
45	255T4129-2		.BRACKET INSTL-PULLEY FOR DETAILS SEE: 32-51-56-01		1
50	255T4129-1		.BRACKET INSTL-PULLEY FOR DETAILS SEE: 32-51-56-01		1
55	255T4106-1		.GUARD INSTL-CABLE POSITION DATA: STA 287.0 VARIABLE DRAWING REF: 255T4106-5002 FOR DETAILS SEE: 32-51-57-01		1

ILLUSTRATION ITEMS NOT ON PARTS LIST ARE NOT APPLICABLE

- ITEM NOT ILLUSTRATED

32-51-60-01

32-51-60  
FIG. 01  
PAGE 1  
DEC 22/07

HXL

BOEING PROPRIETARY - Copyright © - Unpublished Work - See title page for details.



767

PARTS CATALOG (MAINTENANCE)

FIG ITEM	PART NUMBER	1 2 3 4 5 6 7	NOMENCLATURE	EFFECT FROM TO	UNITS PER ASSY
1 60	257T4100-9		.HANDLE INSTL-FWD QUADRANT FUNCTIONAL REFERENCE: PLACARDS AND MARKINGS FOR DETAILS SEE 11-22-02-01 FOR DETAILS SEE: 32-51-01-01B		1
65	257T4200-1		.MECHANISM INSTL-SPR AND RUD INTERCONNECT POSITION DATA: CTR FOR DETAILS SEE: 32-51-02-01		1
70	257T4331-1		.CARTRIDGE INSTL-SPR FOR DETAILS SEE: 32-34-06-01		1
75	257T4332-1		.LINK INSTL-CABLE COMPENSATOR AND PIVOT VARIABLE DRAWING REF: 257T4332-5001 FOR DETAILS SEE: 32-51-54-01		1

ILLUSTRATION ITEMS NOT ON PARTS LIST ARE NOT APPLICABLE

- ITEM NOT ILLUSTRATED

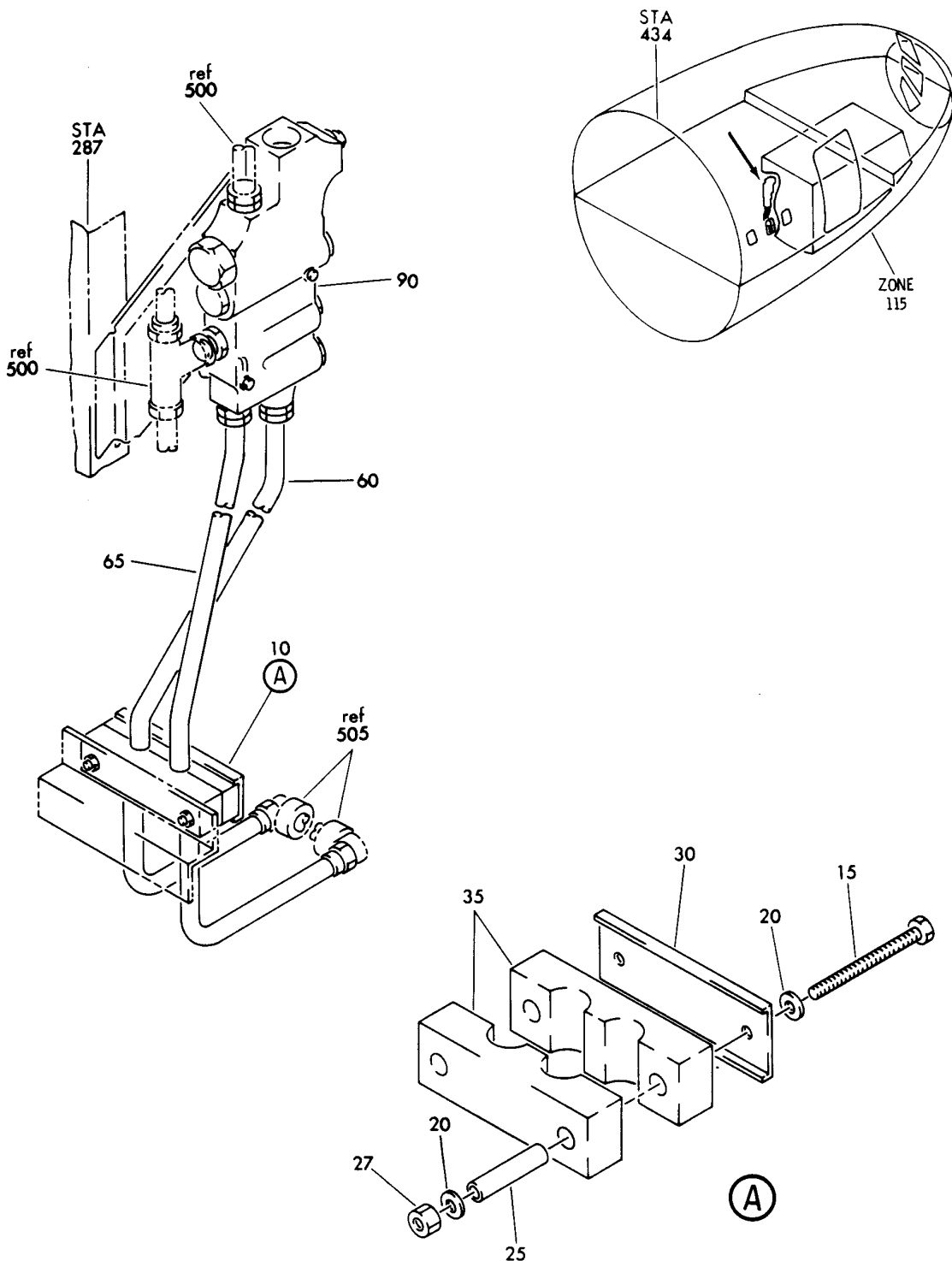
HXL

32-51-60-01

BOEING PROPRIETARY - Copyright © - Unpublished Work - See title page for details.

32-51-60  
FIG. 01  
PAGE 2  
DEC 22/07

**BOEING**  
767  
PARTS CATALOG (MAINTENANCE)



V 32518201 SHT 1 REV 024

HYDRAULIC INSTL-SECT. 41 (STEERING ONLY)  
FIGURE 1

**32-51-62-01**

HXL  
DEC 22/06

32-51-62-01  
PAGE 0



767

PARTS CATALOG (MAINTENANCE)

FIG ITEM	PART NUMBER	1 2 3 4 5 6 7	NOMENCLATURE	EFFECT FROM TO	UNITS PER ASSY
1			HYDRAULIC INSTL-SECT. 41 (STEERING ONLY)		
- 1	272T4100-3		HYDRAULIC INSTL-(STEERING ONLY) POSITION DATA: SECT. 41 VARIABLE DRAWING REF: 272T4100-5010 272T4100-5013 272T4100-7002 FOR NHA/OTHER SYS DET SEE: 29-00-00-04		RF
10	270T0005-207		.BLOCK ASSY-SPRT		1
15	NAS1801-3-28		..SCREW		2
20	AN960PD10L		..WASHER		4
25	NAS43DD3-77		..SPACER		2
27	BRH10A3		..NUT SUPPLIER CODE: V52828 SPECIFICATION NUMBER: BACN10JC3 OPTIONAL PART: H10-3BAC V15653 NS202101-02 V80539 RMLH9075-3W V72962 VN303A02 V92215 96-02 V80539 T6S1032J V11815		2
30	65B80254-300		..CHANNEL		1
35	65B80254-229		..BLOCK-CLAMP		2
60	272T4100-156		.TUBE ASSY-FLIGHT CONT PRESSURE CTR SYS MANUFACTURED FROM: TUBING TITANIUM .625 IN. OD .032 IN. WALL 39.00 IN. LG		1

ILLUSTRATION ITEMS NOT ON PARTS LIST ARE NOT APPLICABLE

- ITEM NOT ILLUSTRATED

HXL

32-51-62-01

BOEING PROPRIETARY - Copyright © - Unpublished Work - See title page for details.

32-51-62  
FIG. 01  
PAGE 1  
DEC 22/07





767

PARTS CATALOG (MAINTENANCE)

FIG ITEM	PART NUMBER	1 2 3 4 5 6 7	NOMENCLATURE	EFFECT FROM TO	UNITS PER ASSY
1	65 272T4100-157		.TUBE ASSY-FLIGHT CONT PRESSURE CTR SYS MANUFACTURED FROM: TUBING TITANIUM .625 IN. OD .032 IN. WALL 27.00 IN. LG		1
-	70 AS1581T10		..SLEEVE		2
-	75 BACN10YA10		..NUT- OPTIONAL PART: BACN10NR10		2
-	75 AFP107-10		..NUT- SUPPLIER CODE: V30974 SPECIFICATION NUMBER: BACN10NR10 OPTIONAL PART: AP1028T10 V01673 BC921T10 V50948 DBON10NR10 V14798 ER01921-10T V88334 FER8928-10 V14397 F11-10 V73197 2-03005T10 V11328 31783-10 V14397 BACN10YA10		2
	90 275T4110-3		.MODULE INSTL-NOSE GR STEERING CHK VALVE FOR DETAILS SEE: 32-51-08-01		1
	500		ILLUSTRATION REFERENCE: HYDRAULIC INSTL-SECT. 41 (EXTENSION AND RETRACTION ONLY) 32-34-54-01		RF

ILLUSTRATION ITEMS NOT ON PARTS LIST ARE NOT APPLICABLE

- ITEM NOT ILLUSTRATED

HXL

32-51-62-01

BOEING PROPRIETARY - Copyright © - Unpublished Work - See title page for details.

32-51-62  
FIG. 01  
PAGE 2  
DEC 22/06