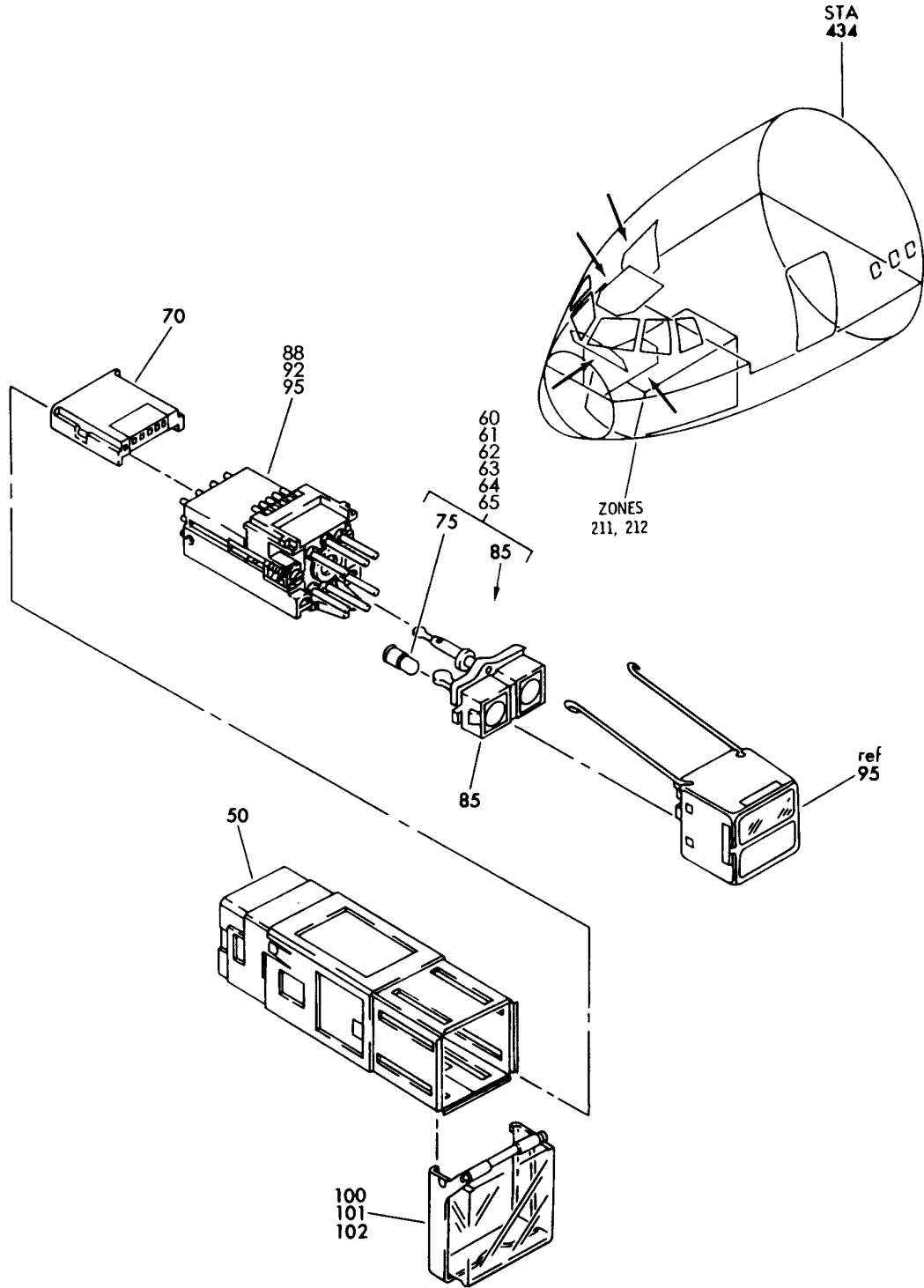


INTEGRAL PANEL LIGHTS

HXL
DEC 22/06

33-13-00
SECTION TITLE
PAGE 1

BOEING
767
PARTS CATALOG (MAINTENANCE)



V 33130001 REV 201

SWITCH ASSY-LIGHTED PUSH BUTTON IND
FIGURE 1

33-13-00-01

HXL
DEC 22/06

33-13-00-01
PAGE 0



767

PARTS CATALOG (MAINTENANCE)

| FIG ITEM | PART NUMBER | 1 2 3 4 5 6 7 | NOMENCLATURE | EFFECT FROM TO | UNITS PER ASSY |
|----------|-------------|---------------|--|----------------|----------------|
| 1 | | | SWITCH ASSY-LIGHTED PUSH BUTTON IND | | |
| - 1 | BCREF7619 | | SWITCH ASSY-LIGHTED PUSH BUTTON IND ON/AVAIL SUPPLIER CODE: V81590 OVERLENGTH PART NUMBER: 433-673-1001-1045 SPECIFICATION NUMBER: S231T290-1045 FOR NHA SEE: 24-41-51-01 | | RF |
| - 5 | BCREF7622 | | SWITCH ASSY-LIGHTED PUSH BUTTON IND INOP/PACK OFF SUPPLIER CODE: V81590 OVERLENGTH PART NUMBER: 433-673-1001-1056 SPECIFICATION NUMBER: S231T290-1056 FOR NHA SEE: 21-51-54-01 | | RF |
| - 10 | BCREF7748 | | SWITCH ASSY-LIGHTED PUSH BUTTON IND WARNING/ CAUTION SUPPLIER CODE: V81590 OVERLENGTH PART NUMBER: 433-673-1001-1042 SPECIFICATION NUMBER: S231T290-1042 FOR NHA SEE: 33-11-01-05 | | RF |
| - 15 | BCREF7680 | | SWITCH ASSY-LIGHTED PUSH BUTTON IND GND/PROX G/S INHB SUPPLIER CODE: V81590 OVERLENGTH PART NUMBER: 433-673-1001-1070 SPECIFICATION NUMBER: S231T290-1070 FOR NHA SEE: 34-46-53-02 | | RF |

ILLUSTRATION ITEMS NOT ON PARTS LIST ARE NOT APPLICABLE

- ITEM NOT ILLUSTRATED

HXL

33-13-00-01

BOEING PROPRIETARY - Copyright © - Unpublished Work - See title page for details.

33-13-00
FIG. 01
PAGE 1
AUG 22/07



767

PARTS CATALOG (MAINTENANCE)

| FIG ITEM | PART NUMBER | 1 2 3 4 5 6 7 | NOMENCLATURE | EFFECT FROM TO | UNITS PER ASSY |
|-----------|---------------|---------------|---|----------------|----------------|
| 1 - 20 | BCREF7684 | | SWITCH ASSY-LIGHTED PUSH BUTTON IND PRESS/UNLKD SUPPLIER CODE: V81590 OVERLENGTH PART NUMBER: 433-673-1001-1079 SPECIFICATION NUMBER: S231T290-1079 MISCELLANEOUS DATA: 433-100-003 SWITCHGUARD WHEN REPLACING THE PUSHBUTTON SWITCH ASSY OR THE MASTER MODULE WITHIN, VERIFY THAT A CONFIG D MASTER MODULE P/N 13205-001 IS INSTALLED IN LIEU OF ANY EARLIER CONFIGURATION MASTER MODULES. QUALIFIED I/W DATA: 851-30768-2079 TOGETHER WITH 851-30768-802 OR -812 SWITCHGUARD I/W BCREF7684 BCREFA0832 OR S231T290-5079 T/W FOR NHA SEE: 29-21-56-01 | | RF |
| 50 | 433-107-002 | | .HOUSING ASSY-WITH MTG SUPPLIER CODE: V81590 | | 1 |
| 60 | 673-1001-1042 | | .CAP ASSY-WARNING/CAUTION SUPPLIER CODE: V81590 USED ON: BCREF7748 | | 1 |
| 61 | 673-1001-1045 | | .CAP ASSY-ON/AVAIL SUPPLIER CODE: V81590 USED ON: BCREF7619 | | 1 |
| 62 | 673-1001-1056 | | .CAP ASSY-INOP/PACK OFF SUPPLIER CODE: V81590 USED ON: BCREF7622 | | 1 |

ILLUSTRATION ITEMS NOT ON PARTS LIST ARE NOT APPLICABLE

- ITEM NOT ILLUSTRATED

33-13-00-01

33-13-00
FIG. 01
PAGE 2
AUG 22/07

HXL

BOEING
767
PARTS CATALOG (MAINTENANCE)

| FIG ITEM | PART NUMBER | 1 2 3 4 5 6 7 | NOMENCLATURE | EFFECT FROM TO | UNITS PER ASSY |
|---|-----------------|---------------|---|-------------------|----------------------|
| 1 | | | | | |
| 63 | 673-1001-1070 | | .CAP ASSY-GND/PROX G/S INHB SUPPLIER CODE: V81590 USED ON: BCREF7680 | | 1 |
| 64 | 673-1001-1079 | | .CAP ASSY-PRESS/UNLKD SUPPLIER CODE: V81590 USED ON: BCREF7684 | | 1 |
| 70 | 433-097-001 | | .MODULE ASSY-CKT SUPPLIER CODE: V81590 | | 1 |
| 75 | MS25237-387AS15 | | ..LAMP | | 4 |
| 85 | 673-092-005 | | ..HOLDER-LAMP SUPPLIER CODE: V81590 | | 1 |
| 85 | 13963-001 | | ..HOLDER-LAMP SUPPLIER CODE: V81590 | | 1 |
| 92 | 13205-001 | | .MODULE ASSY-MASTER SUPPLIER CODE: V81590 USED ON: BCREF7684 BCREFA0743 | | 1 |
| 95 | 13203-001 | | .MODULE ASSY-MASTER SUPPLIER CODE: V81590 USED ON: BCREF7619 BCREF7622 BCREF7680 BCREF7748 | | 1 |
| ILLUSTRATION ITEMS NOT ON PARTS LIST ARE NOT APPLICABLE | | | | | |

- ITEM NOT ILLUSTRATED

HXL

33-13-00-01

BOEING PROPRIETARY - Copyright © - Unpublished Work - See title page for details.

33-13-00
FIG. 01
PAGE 3
AUG 22/08



767

PARTS CATALOG (MAINTENANCE)

| FIG ITEM | PART NUMBER | 1 2 3 4 5 6 7 | NOMENCLATURE | EFFECT FROM TO | UNITS PER ASSY |
|----------|-------------|---------------|--|----------------|----------------|
| 1 100 | 433-100-002 | | . GUARD- SUPPLIER CODE: V81590 SPECIFICATION NUMBER: S231T290-821 OPTIONAL PART: 433-100-003 V81590 433-100-004 V81590 433-100-005 V81590 433-100-006 V81590 433-100-007 V81590 | | 1 |
| 100 | 433-100-003 | | . GUARD- SUPPLIER CODE: V81590 SPECIFICATION NUMBER: S231T290-822 OPTIONAL PART: 433-100-002 V81590 433-100-004 V81590 433-100-005 V81590 433-100-006 V81590 433-100-007 V81590 | | 1 |
| 101 | 433-100-004 | | . GUARD- SUPPLIER CODE: V81590 SPECIFICATION NUMBER: S231T290-823 OPTIONAL PART: 433-100-002 V81590 433-100-003 V81590 433-100-005 V81590 433-100-006 V81590 433-100-007 V81590 | | 1 |

ILLUSTRATION ITEMS NOT ON PARTS LIST ARE NOT APPLICABLE

- ITEM NOT ILLUSTRATED

33-13-00-01

33-13-00
FIG. 01
PAGE 4
AUG 22/08

HXL



767

PARTS CATALOG (MAINTENANCE)

| FIG ITEM | PART NUMBER | 1 2 3 4 5 6 7 | NOMENCLATURE | EFFECT FROM TO | UNITS PER ASSY |
|----------|-------------|---------------|--|----------------|----------------|
| 1 101 | 433-100-005 | | . GUARD- SUPPLIER CODE: V81590 SPECIFICATION NUMBER: S231T290-824 OPTIONAL PART: 433-100-002 V81590 433-100-003 V81590 433-100-004 V81590 433-100-006 V81590 433-100-007 V81590 | | 1 |
| 101 | 433-100-006 | | . GUARD- SUPPLIER CODE: V81590 OPTIONAL PART: 433-100-002 V81590 433-100-003 V81590 433-100-004 V81590 433-100-005 V81590 433-100-007 V81590 | | 1 |
| 102 | 433-100-007 | | . GUARD- SUPPLIER CODE: V81590 SPECIFICATION NUMBER: S231T290-826 OPTIONAL PART: 433-100-002 V81590 433-100-003 V81590 433-100-004 V81590 433-100-005 V81590 433-100-006 V81590 | | 1 |

ILLUSTRATION ITEMS NOT ON PARTS LIST ARE NOT APPLICABLE

- ITEM NOT ILLUSTRATED

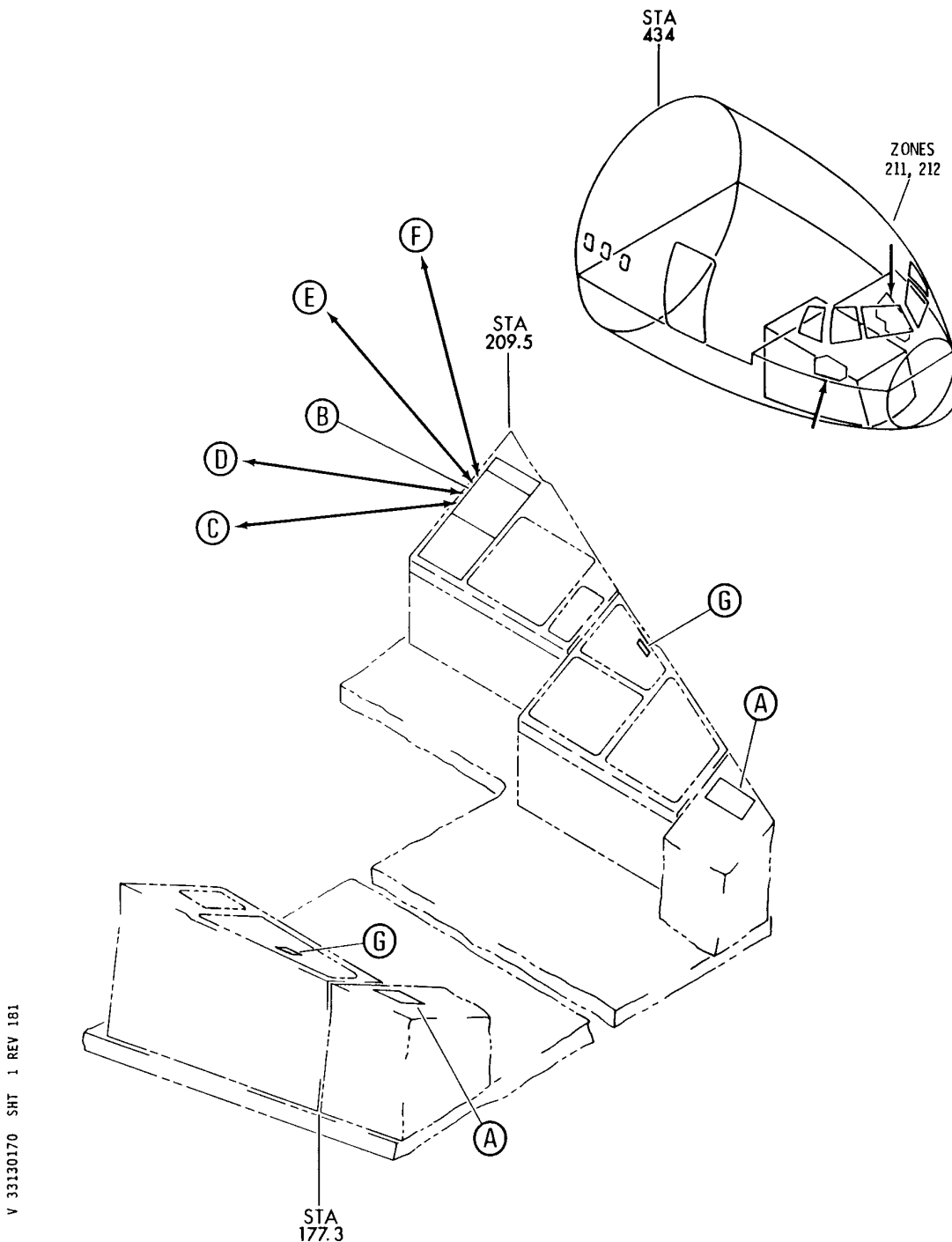
HXL

33-13-00-01

BOEING PROPRIETARY - Copyright © - Unpublished Work - See title page for details.

33-13-00
FIG. 01
PAGE 5
AUG 22/08

BOEING
767
PARTS CATALOG (MAINTENANCE)



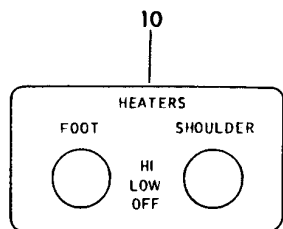
PANEL INSTL- AUX (LIGHTS ONLY)
FIGURE 70 (SHEET 1)

33-13-01-70

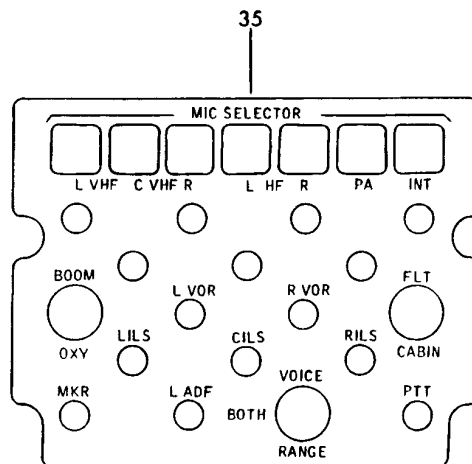
HXL
DEC 22/06

33-13-01-70
PAGE 0

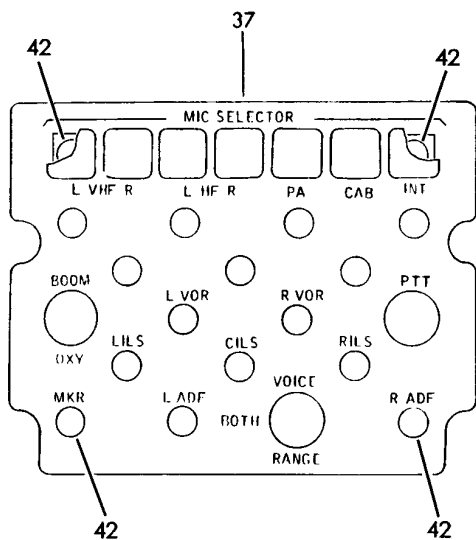
BOEING
767
PARTS CATALOG (MAINTENANCE)



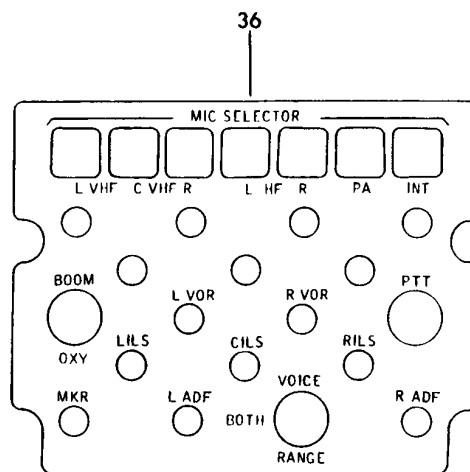
(A)



(B)



(D)



(C)

V 33130170 SH1 2 REV 209

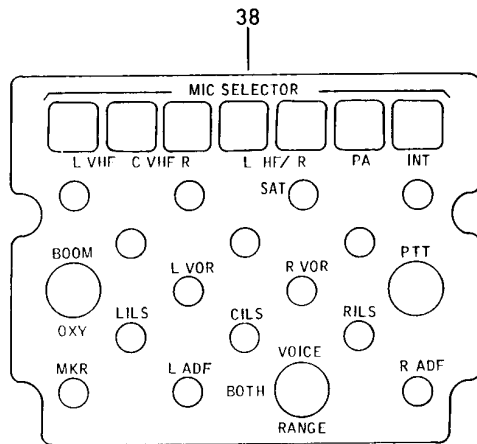
PANEL INSTL- AUX (LIGHTS ONLY)
FIGURE 70 (SHEET 2)

33-13-01-70

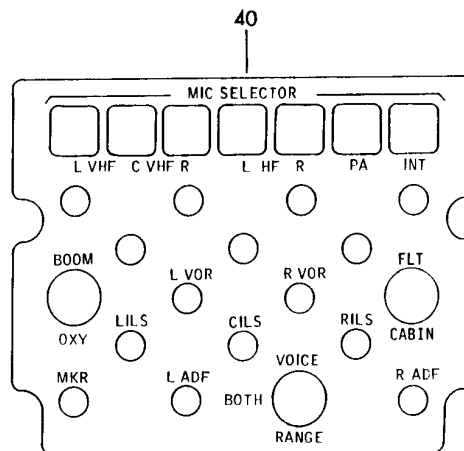
HXL
DEC 22/06

33-13-01-70
PAGE 0A

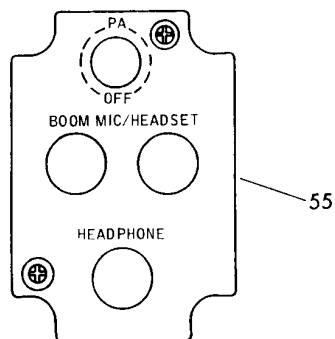
BOEING
767
PARTS CATALOG (MAINTENANCE)



(E)



(F)



(G)

V 33130170 SHT 3 REV 181

PANEL INSTL- AUX (LIGHTS ONLY)
FIGURE 70 (SHEET 3)

33-13-01-70

HXL
DEC 22/06

33-13-01-70
PAGE 0B



767

PARTS CATALOG (MAINTENANCE)

| FIG ITEM | PART NUMBER | 1 2 3 4 5 6 7 | NOMENCLATURE | EFFECT FROM TO | UNITS PER ASSY |
|----------|--------------|---------------|--|----------------|----------------|
| 70 | | | PANEL INSTL- AUX (LIGHTS ONLY) | | |
| - 1 | 233T7100-1 | | PANEL INSTL-AUX (LIGHTS ONLY) VARIABLE DRAWING REF: 233T7100-5048 FOR NHA/OTHER SYS DET SEE: 25-10-00-07 | | RF |
| - 5 | 233T7100-4 | | .PANEL ASSY-HEATER OPTIONAL PART: 233T7210-302 V89954 | | RF |
| - 5 | 233T7210-302 | | .PANEL ASSY-HEATER SUPPLIER CODE: V89954 COMPONENT MAINT MANUAL REF: 21-45-01 OPTIONAL PART: 233T7100-4 | | RF |
| 10 | 800-000904 | | ..LIGHTPLATE ASSY-5V WHITE-ILLUMINATED INTEGRALLY-LIGHTED SUPPLIER CODE: V05617 SPECIFICATION NUMBER: S233T100-4006 MISCELLANEOUS DATA: FOR VENDOR FSCM 05617 FOR SPARES ORDER THE 800-000904-1 OPTIONAL PART: S233T100-4006 V51896 800-000904-1 V05617 | | 1 |
| 10 | 800-000904-1 | | ..LIGHTPLATE ASSY-5V WHITE-ILLUMINATED INTEGRALLY-LIGHTED SUPPLIER CODE: V05617 SPECIFICATION NUMBER: S233T100-4006 OPTIONAL PART: S233T100-4006 V51896 800-000904 V05617 | | 1 |

ILLUSTRATION ITEMS NOT ON PARTS LIST ARE NOT APPLICABLE

- ITEM NOT ILLUSTRATED

HXL

33-13-01-70

BOEING PROPRIETARY - Copyright © - Unpublished Work - See title page for details.

33-13-01
FIG. 70
PAGE 1
APR 22/08



767

PARTS CATALOG (MAINTENANCE)

| FIG ITEM | PART NUMBER | 1 2 3 4 5 6 7 | NOMENCLATURE | EFFECT FROM TO | UNITS PER ASSY |
|----------|---------------|---------------|---|----------------|----------------|
| 70 | | | | | |
| - 50 | 233T7100-5 | | .PANEL ASSY-INTPH JACK OPTIONAL PART: 233T7205-300 V89954 | | RF |
| - 50 | 233T7205-300 | | .PANEL ASSY-INTPH JACK SUPPLIER CODE: V89954 COMPONENT MAINT MANUAL REF: 23-51-56 OPTIONAL PART: 233T7100-5 | | RF |
| 55 | S233T100-4012 | | ..LIGHTPLATE ASSY-5V WHITE-ILLUMINATED INTEGRALLY-LIGHTED SUPPLIER CODE: V51896 SPECIFICATION NUMBER: S233T100-4012 OPTIONAL SUPPLIER CODE: 05617 98140 | | 1 |

ILLUSTRATION ITEMS NOT ON PARTS LIST ARE NOT APPLICABLE

- ITEM NOT ILLUSTRATED

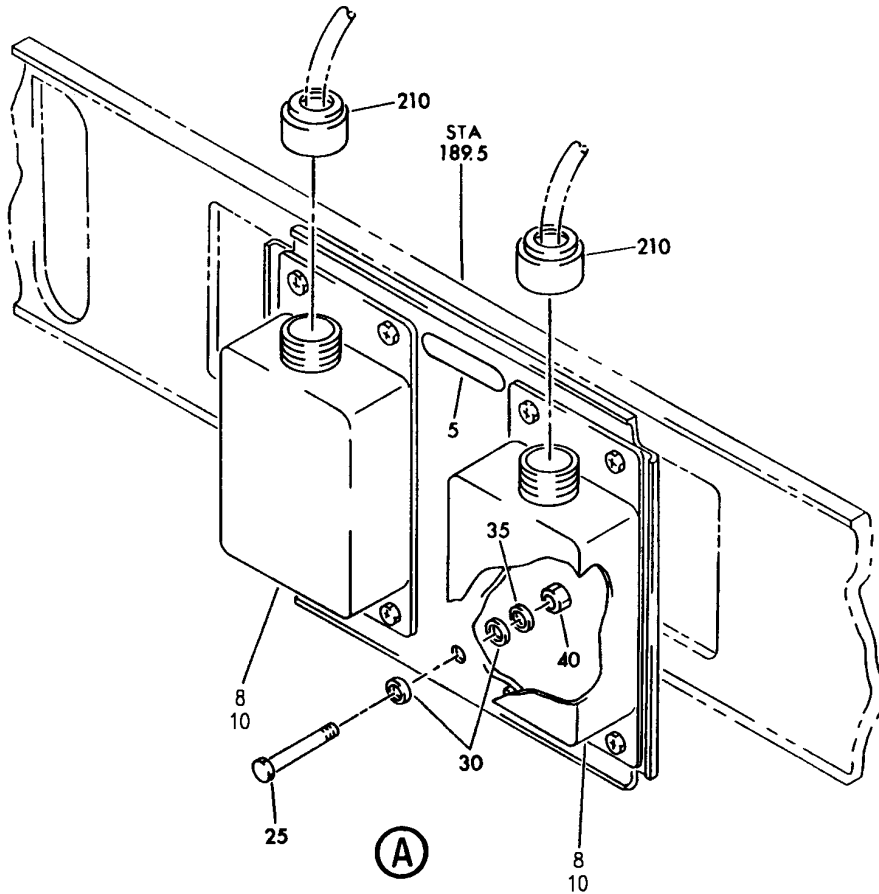
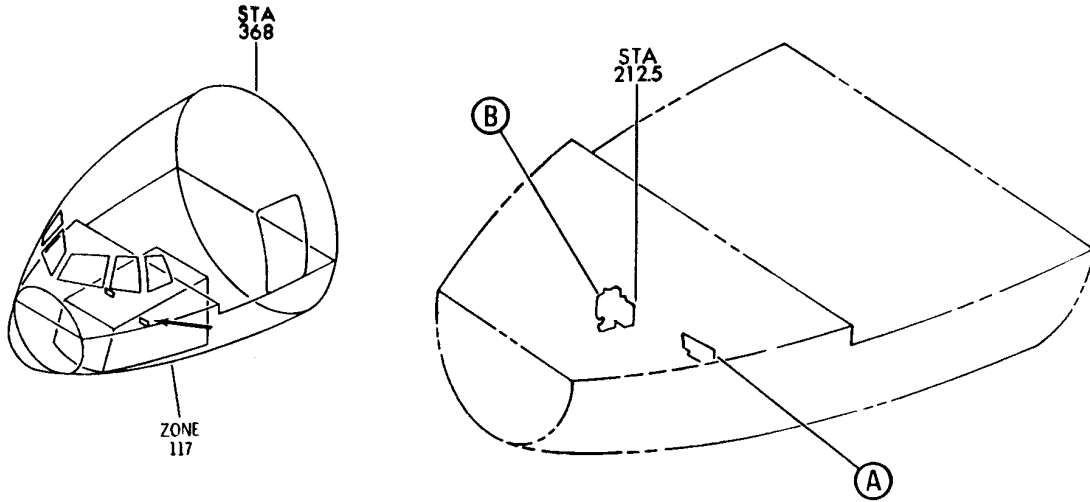
HXL

33-13-01-70

BOEING PROPRIETARY - Copyright © - Unpublished Work - See title page for details.

33-13-01
FIG. 70
PAGE 2
APR 22/08

BOEING
767
PARTS CATALOG (MAINTENANCE)



V 33130201 SHT 1 REV 305

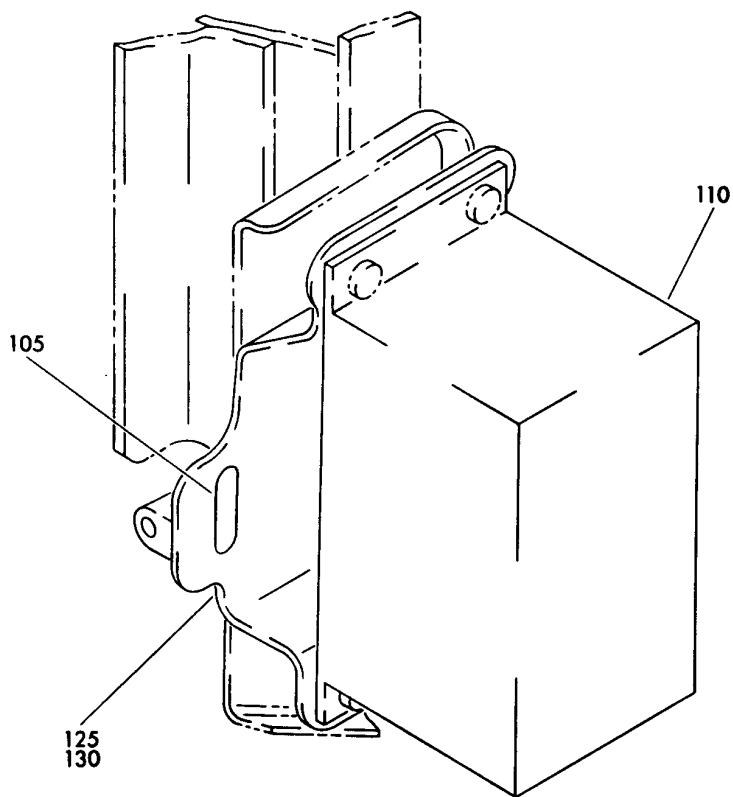
EQUIPMENT INSTL-SECT. 41 DIMMER CONT
FIGURE 1 (SHEET 1)

33-13-02-01

HXL
DEC 22/06

33-13-02-01
PAGE 0

BOEING
767
PARTS CATALOG (MAINTENANCE)



(B)

V 33130201 SHT 2 REV 190

EQUIPMENT INSTL-SECT. 41 DIMMER CONT
FIGURE 1 (SHEET 2)

33-13-02-01

HXL
DEC 22/06

33-13-02-01
PAGE 0A



767

PARTS CATALOG (MAINTENANCE)

| FIG ITEM | PART NUMBER | 1 2 3 4 5 6 7 | NOMENCLATURE | EFFECT FROM TO | UNITS PER ASSY |
|----------|--------------|---------------|---|----------------|----------------|
| 1 | | | EQUIPMENT INSTL-SECT. 41 DIMMER CONT | | |
| - 1 | 284T0773-1 | | EQUIPMENT INSTL-DIMMER CONT POSITION DATA: SECT. 41 FOR NHA SEE: 24-00-58-02 | | RF |
| 5 | BAC27TEX1822 | | .DECAL- PLACARD CONTENT: M796 M794 | | 1 |
| - 7 | 284T0773-2 | | .CONTROL KIT-DIMMER OPTIONAL PART: BDC5 V60540 | | 2 |
| 8 | 708200-3 | | ..CONTROL-DIMMER INCANDESCENT LAMPS (STATIC SENSITIVE PART) SUPPLIER CODE: V19623 SPECIFICATION NUMBER: S283T019-3 ELECTRICAL EQUIP NUMBER: M00794 M00796 COMPONENT MAINT MANUAL REF: 33-16-11 OPTIONAL PART: 708200-2 V19623 | | 1 |
| 8 | 708200-2 | | ..CONTROL-DIMMER INCANDESCENT LAMPS (STATIC SENSITIVE PART) SUPPLIER CODE: V19623 SPECIFICATION NUMBER: S283T019-2 ELECTRICAL EQUIP NUMBER: M00794 M00796 COMPONENT MAINT MANUAL REF: 33-16-11 OPTIONAL PART: 708200-3 V19623 | | 1 |

ILLUSTRATION ITEMS NOT ON PARTS LIST ARE NOT APPLICABLE

- ITEM NOT ILLUSTRATED

HXL

33-13-02-01

BOEING PROPRIETARY - Copyright © - Unpublished Work - See title page for details.

33-13-02
FIG. 01
PAGE 1
DEC 22/06



767

PARTS CATALOG (MAINTENANCE)

| FIG ITEM | PART NUMBER | 1 2 3 4 5 6 7 | NOMENCLATURE | EFFECT FROM TO | UNITS PER ASSY |
|----------|-----------------|---------------|---|----------------|----------------|
| 1 | 10 BDC5 | | .CONTROL-DIMMER INCANDESCENT LAMPS (STATIC SENSITIVE PART) SUPPLIER CODE: V1MXA1 FUNCTIONAL DESCRIPTION: CONTROLS & VARIES THE LIGHT INTENSITY OF INCANDESCENT LIGHT PLATES & INSTRUMENT PANELS ON THE FLIGHT DECK. SPECIFICATION NUMBER: S283T019-4 ELECTRICAL EQUIP NUMBER: M00794 M00796 COMPONENT MAINT MANUAL REF: 33-10-01 OPTIONAL PART: 284T0773-2 ATTACHING PARTS | | 2 |
| - 15 | NAS1801-3-7 | | .SCREW | | 8 |
| - 20 | AN960PD10L | | .WASHER | | 8 |
| | | | -----*----- | | |
| | 25 NAS1801-3-12 | | .SCREW | | 1 |
| | 30 AN960PD10L | | .WASHER | | 2 |
| | 35 MS35338-43 | | .WASHER | | 1 |
| | 40 MS35650-305S | | .NUT | | 1 |
| - 200 | 286T0632-120 | | WIRE BUNDLE ASSY- | | RF |
| 210 | BACC45FT12A12S | | .CONNECTOR- ELECTRICAL EQUIP NUMBER: D03734 D03756 WIRING DIAGRAM REF: 331318 | | 2 |

ILLUSTRATION ITEMS NOT ON PARTS LIST ARE NOT APPLICABLE

- ITEM NOT ILLUSTRATED

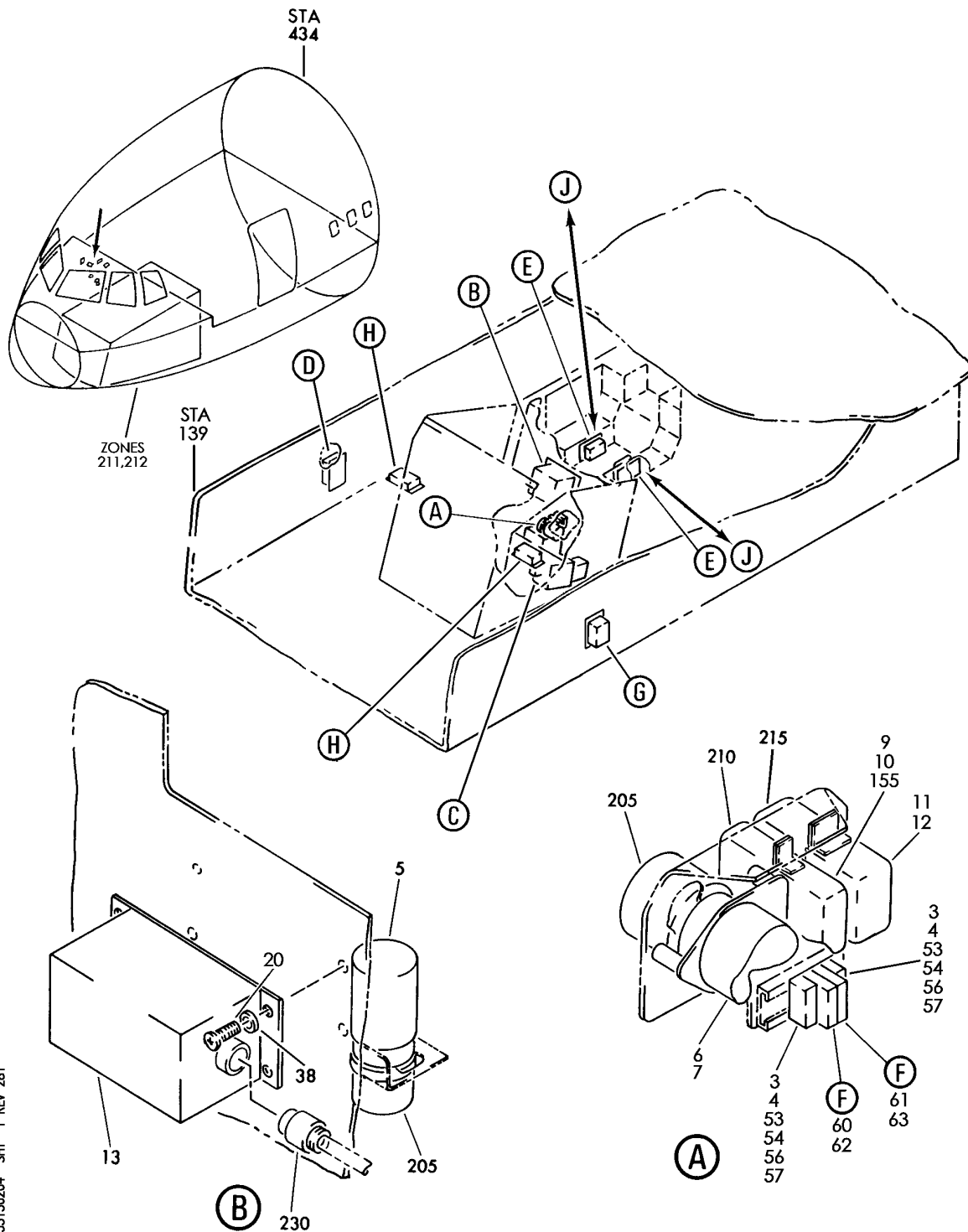
HXL

33-13-02-01

BOEING PROPRIETARY - Copyright © - Unpublished Work - See title page for details.

33-13-02
FIG. 01
PAGE 2
DEC 22/06

BOEING
767
PARTS CATALOG (MAINTENANCE)



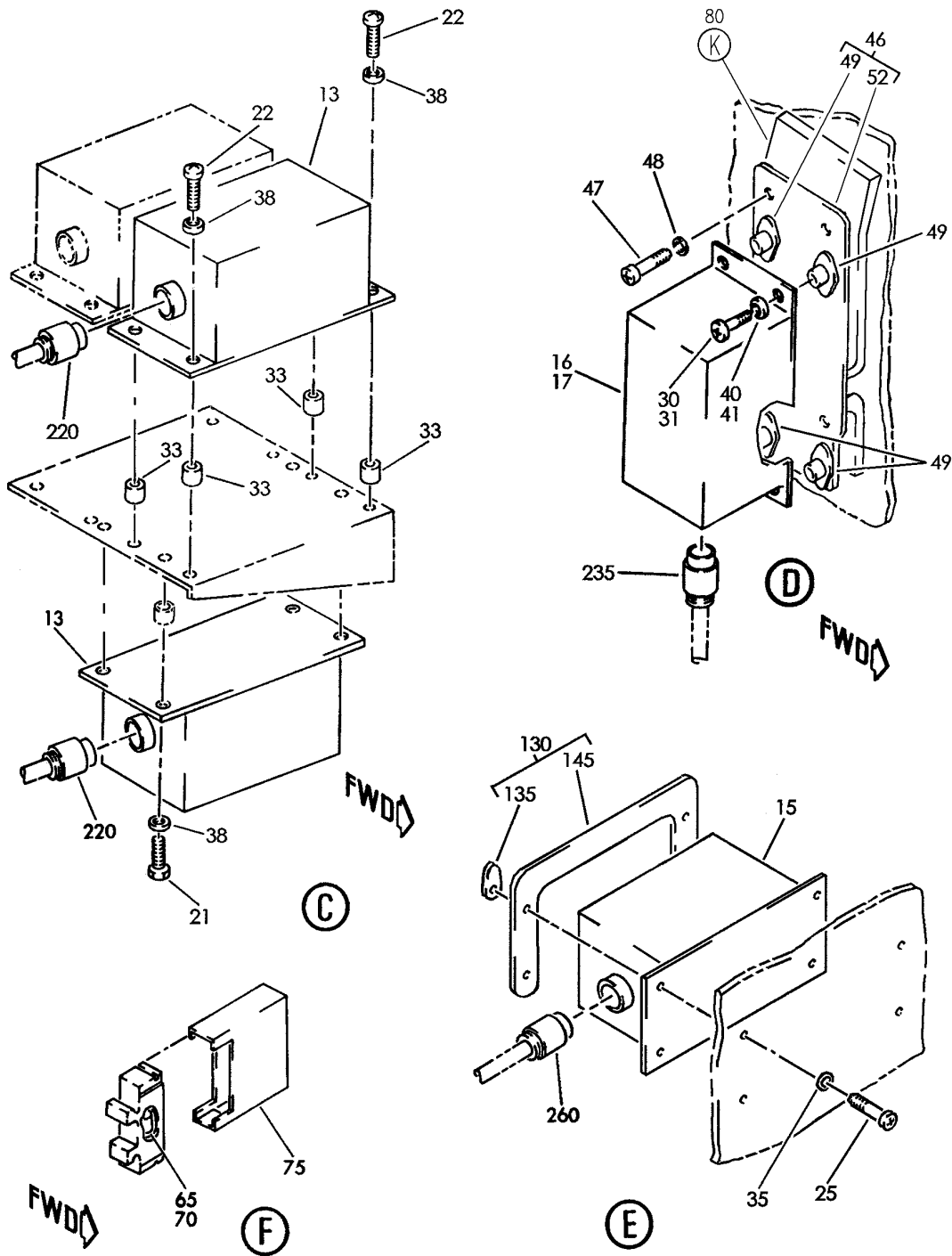
DIMMER INSTL-PILOTS INSTR PNL (INTEGRAL PANEL LIGHTS ONLY)
FIGURE 4 (SHEET 1)

33-13-02-04

HXL
DEC 22/06

33-13-02-04
PAGE 0

BOEING
767
PARTS CATALOG (MAINTENANCE)



V 33130204 SH1 2 REV 281

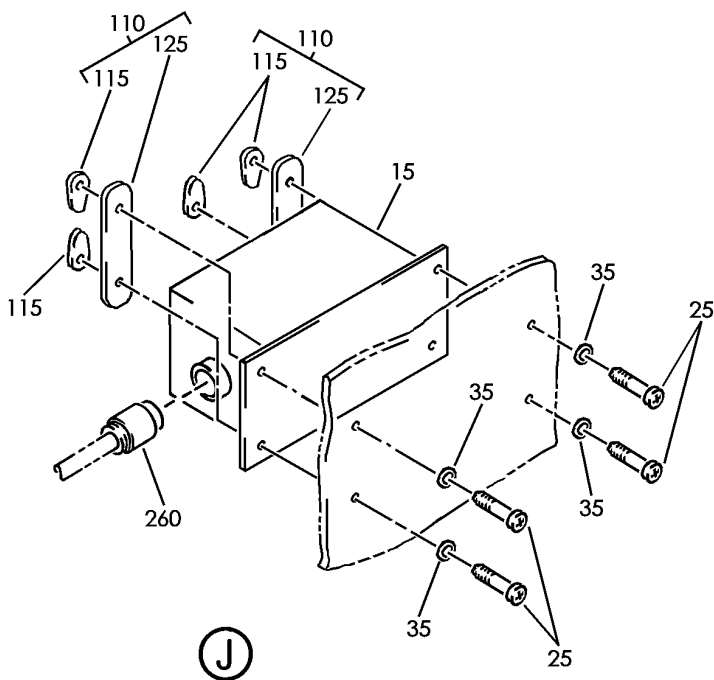
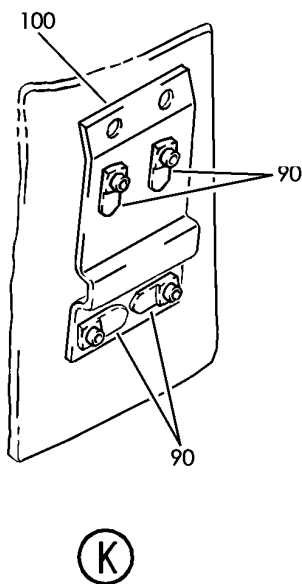
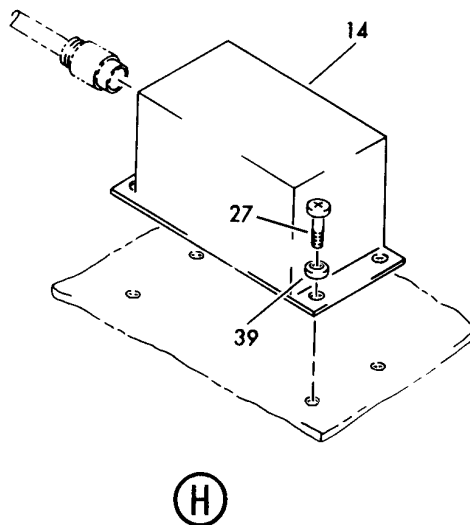
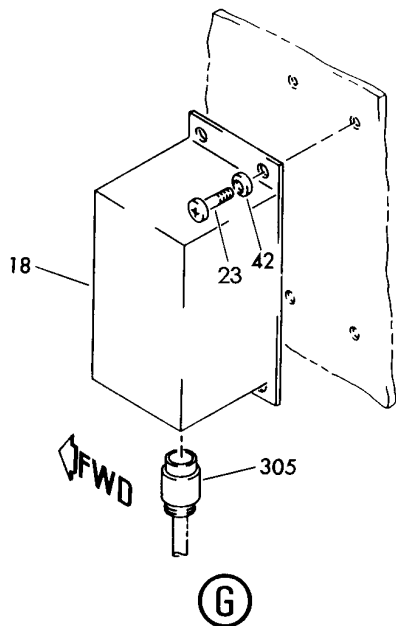
DIMMER INSTL-PILOTS INSTR PNL (INTEGRAL PANEL LIGHTS ONLY)
FIGURE 4 (SHEET 2)

33-13-02-04

HXL
DEC 22/06

33-13-02-04
PAGE 0A

BOEING
767
PARTS CATALOG (MAINTENANCE)



V 33130204 SHT 3 REV 220

DIMMER INSTL-PILOTS INSTR PNL (INTEGRAL PANEL LIGHTS ONLY)
FIGURE 4 (SHEET 3)

33-13-02-04

HXL
DEC 22/06

33-13-02-04
PAGE 0B



767

PARTS CATALOG (MAINTENANCE)

| FIG ITEM | PART NUMBER | 1 2 3 4 5 6 7 NOMENCLATURE | EFFECT FROM TO | UNITS PER ASSY |
|--------------|-------------|---|-------------------|----------------------|
| 4 - 1 | 233T2402-1 | DIMMER INSTL-PILOTS INSTR PNL (INTEGRAL PANEL LIGHTS ONLY) DIMMER INSTL-PILOTS INSTR PNL (INTEGRAL PANEL LIGHTS ONLY) VARIABLE DRAWING REF: 233T2402-5007 FOR NHA/OTHER SYS DET SEE: 25-10-00-03 | | RF |

ILLUSTRATION ITEMS NOT ON PARTS LIST ARE NOT APPLICABLE

- ITEM NOT ILLUSTRATED

HXL

33-13-02-04

BOEING PROPRIETARY - Copyright © - Unpublished Work - See title page for details.

33-13-02
 FIG. 04
 PAGE 1
 DEC 22/07



767

PARTS CATALOG (MAINTENANCE)

| FIG ITEM | PART NUMBER | 1 2 3 4 5 6 7 NOMENCLATURE | EFFECT FROM TO | UNITS PER ASSY |
|-------------|--------------|--|-------------------|----------------------|
| 4 3 | BAC27EEL6332 | .DECAL- QUALIFIED OPTIONAL DATA: BACC49A2 OPT TO BACC49A1 TOGETHER WITH BAC27EEL6332 WHEN USED WITH 233T2402-5001 BACC49A2 OPT TO BACC49A1 TOGETHER WITH BAC27EEL6332 WHEN USED WITH 233T2402-5002 BACC49A2 OPT TO BACC49A1 TOGETHER WITH BAC27EEL6332 WHEN USED WITH 233T2402-5003 BACC49A2 OPT TO BACC49A1 TOGETHER WITH BAC27EEL6332 WHEN USED WITH 233T2402-5004 BACC49A2 OPT TO BACC49A1 TOGETHER WITH BAC27EEL6332 WHEN USED WITH 233T2402-5005 BACC49A2 OPT TO BACC49A1 TOGETHER WITH BAC27EEL6332 WHEN USED WITH 233T2402-5006 BACC49A2 OPT TO BACC49A1 TOGETHER WITH BAC27EEL6332 WHEN USED WITH 233T2402-5007 BACC49A2 OPT TO BACC49A1 TOGETHER WITH BAC27EEL6332 WHEN USED WITH 233T2402-5008 BACC49A2 OPT TO BACC49A1 TOGETHER WITH BAC27EEL6332 WHEN USED WITH 233T2402-5009 BACC49A2 OPT TO BACC49A1 TOGETHER WITH BAC27EEL6332 WHEN USED WITH 233T2402-5010 BACC49A2 OPT TO BACC49A1 TOGETHER WITH BAC27EEL6332 WHEN USED WITH 233T2402-5011 | | 2 |

ILLUSTRATION ITEMS NOT ON PARTS LIST ARE NOT APPLICABLE

- ITEM NOT ILLUSTRATED

HXL

33-13-02-04

BOEING PROPRIETARY - Copyright © - Unpublished Work - See title page for details.

33-13-02
 FIG. 04
 PAGE 2
 DEC 22/07



767

PARTS CATALOG (MAINTENANCE)

| FIG ITEM | PART NUMBER | 1 2 3 4 5 6 7 | NOMENCLATURE | EFFECT FROM TO | UNITS PER ASSY |
|----------|-------------|---------------|--|----------------|----------------|
| 4 | 5 FCC400-6 | | .RELAY-10 AMP 4PDT PLUG-IN TYPE 118VAC COIL SUPPLIER CODE: V00213 SPECIFICATION NUMBER: 10-60450-2 ELECTRICAL EQUIP NUMBER: K00756 OPTIONAL PART: A410-159673-02 V73949 G59673-2 V73949 9524-6507 V35344 | | 1 |
| | 6 FCC400-6 | | .RELAY-10 AMP 4PDT PLUG-IN TYPE 118VAC COIL SUPPLIER CODE: V00213 SPECIFICATION NUMBER: 10-60450-2 ELECTRICAL EQUIP NUMBER: K00396 OPTIONAL PART: A410-159673-02 V73949 G59673-2 V73949 9524-6507 V35344 | | 1 |
| | 11 KAD9F005 | | .RELAY- SUPPLIER CODE: V58657 ELECTRICAL EQUIP NUMBER: K00726 | | 1 |

ILLUSTRATION ITEMS NOT ON PARTS LIST ARE NOT APPLICABLE

- ITEM NOT ILLUSTRATED

HXL

33-13-02-04

BOEING PROPRIETARY - Copyright © - Unpublished Work - See title page for details.

33-13-02
FIG. 04
PAGE 3
DEC 22/07



767

PARTS CATALOG (MAINTENANCE)

| FIG ITEM | PART NUMBER | 1 2 3 4 5 6 7 | NOMENCLATURE | EFFECT FROM TO | UNITS PER ASSY |
|----------|-------------|---------------|--|----------------|----------------|
| 4 13 | 708200-2 | | .CONTROL-DIMMER INCANDESCENT LAMPS (STATIC SENSITIVE PART) SUPPLIER CODE: V19623 SPECIFICATION NUMBER: S283T019-2 ELECTRICAL EQUIP NUMBER: M00788 M00790 M00793 COMPONENT MAINT MANUAL REF: 33-16-11 OPTIONAL PART: 708200-3 V19623 BDC5 V60540 | | 3 |
| 13 | 708200-3 | | .CONTROL-DIMMER INCANDESCENT LAMPS (STATIC SENSITIVE PART) SUPPLIER CODE: V19623 SPECIFICATION NUMBER: S283T019-3 ELECTRICAL EQUIP NUMBER: M00788 M00790 M00793 COMPONENT MAINT MANUAL REF: 33-16-11 OPTIONAL PART: 708200-2 V19623 BDC5 V60540 | | 3 |

ILLUSTRATION ITEMS NOT ON PARTS LIST ARE NOT APPLICABLE

- ITEM NOT ILLUSTRATED

HXL

33-13-02-04

BOEING PROPRIETARY - Copyright © - Unpublished Work - See title page for details.

33-13-02
FIG. 04
PAGE 4
DEC 22/07



767

PARTS CATALOG (MAINTENANCE)

| FIG ITEM | PART NUMBER | 1 2 3 4 5 6 7 | NOMENCLATURE | EFFECT FROM TO | UNITS PER ASSY |
|-------------|-------------|---------------|--|-------------------|----------------------|
| 4 13 | BDC5 | | .CONTROL-DIMMER INCANDESCENT LAMPS (STATIC SENSITIVE PART) SUPPLIER CODE: V1MXA1 FUNCTIONAL DESCRIPTION: CONTROLS & VARIES THE LIGHT INTENSITY OF INCANDESCENT LIGHT PLATES & INSTRUMENT PANELS ON THE FLIGHT DECK. SPECIFICATION NUMBER: S283T019-4 ELECTRICAL EQUIP NUMBER: M00788 M00790 M00793 COMPONENT MAINT MANUAL REF: 33-10-01 OPTIONAL PART: 708200-2 V19623 708900-3 V19623 | | 3 |
| 15 | 708200-2 | | .CONTROL-DIMMER INCANDESCENT LAMPS (STATIC SENSITIVE PART) SUPPLIER CODE: V19623 SPECIFICATION NUMBER: S283T019-2 ELECTRICAL EQUIP NUMBER: M00795 M01107 COMPONENT MAINT MANUAL REF: 33-16-11 OPTIONAL PART: 708200-3 V19623 BDC5 V60540 | | 2 |

ILLUSTRATION ITEMS NOT ON PARTS LIST ARE NOT APPLICABLE

- ITEM NOT ILLUSTRATED

HXL

33-13-02-04

BOEING PROPRIETARY - Copyright © - Unpublished Work - See title page for details.

33-13-02
FIG. 04
PAGE 5
DEC 22/07



767

PARTS CATALOG (MAINTENANCE)

| FIG ITEM | PART NUMBER | 1 2 3 4 5 6 7 | NOMENCLATURE | EFFECT FROM TO | UNITS PER ASSY |
|----------|-------------|---------------|--|----------------|----------------|
| 4 15 | 708200-3 | | .CONTROL-DIMMER INCANDESCENT LAMPS (STATIC SENSITIVE PART) SUPPLIER CODE: V19623 SPECIFICATION NUMBER: S283T019-3 ELECTRICAL EQUIP NUMBER: M00795 M01107 COMPONENT MAINT MANUAL REF: 33-16-11 OPTIONAL PART: 708200-2 V19623 BDC5 V60540 | | 2 |
| 15 | BDC5 | | .CONTROL-DIMMER INCANDESCENT LAMPS INCANDESCENT LAMPS (STATIC SENSITIVE PART) SUPPLIER CODE: V1MXA1 FUNCTIONAL DESCRIPTION: CONTROLS & VARIES THE LIGHT INTENSITY OF INCANDESCENT LIGHT PLATES & INSTRUMENT PANELS ON THE FLIGHT DECK. SPECIFICATION NUMBER: S283T019-4 ELECTRICAL EQUIP NUMBER: M00795 M01107 COMPONENT MAINT MANUAL REF: 33-10-01 OPTIONAL PART: 708200-2 V19623 708200-3 V19623 | | 2 |

ILLUSTRATION ITEMS NOT ON PARTS LIST ARE NOT APPLICABLE

- ITEM NOT ILLUSTRATED

HXL

33-13-02-04

BOEING PROPRIETARY - Copyright © - Unpublished Work - See title page for details.

33-13-02
FIG. 04
PAGE 6
DEC 22/07



767

PARTS CATALOG (MAINTENANCE)

| FIG ITEM | PART NUMBER | 1 2 3 4 5 6 7 | NOMENCLATURE | EFFECT FROM TO | UNITS PER ASSY |
|----------|-------------|---------------|--|----------------|----------------|
| 4 16 | 708200-2 | | .CONTROL-DIMMER INCANDESCENT LAMPS (STATIC SENSITIVE PART) SUPPLIER CODE: V19623 SPECIFICATION NUMBER: S283T019-2 ELECTRICAL EQUIP NUMBER: M00789 COMPONENT MAINT MANUAL REF: 33-16-11 OPTIONAL PART: 708200-3 V19623 BDC5 V60540 | | 1 |
| 16 | 708200-3 | | .CONTROL-DIMMER INCANDESCENT LAMPS (STATIC SENSITIVE PART) SUPPLIER CODE: V19623 SPECIFICATION NUMBER: S283T019-3 ELECTRICAL EQUIP NUMBER: M00789 COMPONENT MAINT MANUAL REF: 33-16-11 OPTIONAL PART: 708200-2 V19623 BDC5 V60540 | | 1 |

ILLUSTRATION ITEMS NOT ON PARTS LIST ARE NOT APPLICABLE

- ITEM NOT ILLUSTRATED

HXL

33-13-02-04

BOEING PROPRIETARY - Copyright © - Unpublished Work - See title page for details.

33-13-02
FIG. 04
PAGE 7
DEC 22/07



767

PARTS CATALOG (MAINTENANCE)

| FIG ITEM | PART NUMBER | 1 2 3 4 5 6 7 | NOMENCLATURE | EFFECT FROM TO | UNITS PER ASSY |
|----------|--------------|---------------|---|----------------|----------------|
| 4 16 | BDC5 | | .CONTROL-DIMMER INCANDESCENT LAMPS (STATIC SENSITIVE PART) SUPPLIER CODE: V1MXA1 FUNCTIONAL DESCRIPTION: CONTROLS & VARIES THE LIGHT INTENSITY OF INCANDESCENT LIGHT PLATES & INSTRUMENT PANELS ON THE FLIGHT DECK. SPECIFICATION NUMBER: S283T019-4 ELECTRICAL EQUIP NUMBER: M00789 COMPONENT MAINT MANUAL REF: 33-10-01 OPTIONAL PART: 708200-2 V19623 708200-3 V19623 ATTACHING PARTS | | 1 |
| 20 | NAS1801-3-7 | | .SCREW | | 4 |
| 21 | NAS1801-3-7 | | .SCREW- | | 4 |
| 22 | NAS1801-3-13 | | .SCREW | | 4 |
| 25 | NAS1801-3-10 | | .SCREW | | 8 |
| 30 | NAS1801-3-8 | | .SCREW- | | 4 |
| | | | POST ALERT SB: 35A0029 | | |
| 30 | NAS1801-3-5 | | .SCREW- | | 4 |
| | | | PRE ALERT SB: 35A0029 | | |
| 33 | NAS43DD3-20 | | .SPACER | | 4 |
| 35 | AN960PD10 | | .WASHER | | 8 |
| 38 | AN960PD10 | | .WASHER | | 16 |
| 40 | AN960PD10L | | .WASHER | | 4 |
| | | | -----*----- | | |

ILLUSTRATION ITEMS NOT ON PARTS LIST ARE NOT APPLICABLE

- ITEM NOT ILLUSTRATED

33-13-02-04

33-13-02
FIG. 04
PAGE 8
AUG 22/09

HXL

BOEING PROPRIETARY - Copyright © - Unpublished Work - See title page for details.



767

PARTS CATALOG (MAINTENANCE)

| FIG ITEM | PART NUMBER | 1 2 3 4 5 6 7 | NOMENCLATURE | EFFECT FROM TO | UNITS PER ASSY |
|----------|--------------|---------------|---|----------------|----------------|
| R 4 | | | WITH 233T2402-5011 | | |
| 53 | | | .BLOCK ASSY-PTT SUPPRESSOR | | 1 |
| 62 | 285T0442-3 | | SUPPLIER CODE: V89954 ELECTRICAL EQUIP NUMBER: R00558 | | |
| 63 | 285T0442-2 | | .BLOCK ASSY-PTT SUPPRESSOR | | 1 |
| | | | SUPPLIER CODE: V89954 ELECTRICAL EQUIP NUMBER: R00557 | | |
| 65 | RLR07C2873FR | | ..RESISTOR- | | 1 |
| | | | USED ON: 285T0442-2 | | |
| 70 | RLR07C2103FR | | ..RESISTOR- | | 1 |
| | | | USED ON: 285T0442-3 | | |
| 75 | YHLZD27 | | ..BLOCK-TERM. | | 1 |
| | | | SUPPLIER CODE: V09922 | | |
| 80 | 233T2330-3 | | .BRACKET ASSY- | | 1 |
| | | | POST ALERT SB: 35A0029NSC1 | | |
| - 85 | NAS1801-3-3 | | ATTACHING PARTS | | 4 |
| | | | .SCREW | | |
| | | | -----*----- | | |
| 90 | F177-3 | | ..NUTPLATE | | 4 |
| | | | SUPPLIER CODE: V72962 SPECIFICATION NUMBER: BACN10JA3 OPTIONAL PART: F2400-3 V15653 43610-02 V80539 BRF110A3 V52828 BRF170A3 V52828 | | |
| | | | ATTACHING PARTS | | |
| - 95 | BACR15BA3AD | | ..RIVET- | | 8 |
| | | | SIZE DETERMINED ON INSTL. | | |
| | | | -----*----- | | |
| 100 | 233T2330-5 | | ..BRACKET | | 1 |
| 110 | 233T2317-28 | | .BRACKET ASSY- | | 4 |
| | | | QUALIFIED OPTIONAL DATA: 233T2317-20 (1) OPTIONAL T0 (2) 233T2317-28 | | |

ILLUSTRATION ITEMS NOT ON PARTS LIST ARE NOT APPLICABLE

- ITEM NOT ILLUSTRATED

33-13-02-04

33-13-02
FIG. 04
PAGE 11
AUG 22/09

HXL



767

PARTS CATALOG (MAINTENANCE)

| FIG ITEM | PART NUMBER | 1 2 3 4 5 6 7 | NOMENCLATURE | EFFECT FROM TO | UNITS PER ASSY |
|----------|-------------|---------------|---|----------------|----------------|
| 4 115 | F2000-3 | | ..NUTPLATE SUPPLIER CODE: V15653 SPECIFICATION NUMBER: BACN10KB3F OPTIONAL PART: NS103185-02 V80539 RMF9207-3 V72962 T8114S1032S V11815 VN151A1-02 V92215 BRF100A3 V52828 ATTACHING PARTS | | 2 |
| - 120 | BACR15BA3AD | | ..RIVET- SIZE DETERMINED ON INSTL. -----*----- | | 4 |
| 125 | 233T2317-29 | | ..BRACKET | | 1 |
| 130 | 233T2317-20 | | .BRACKET ASSY- MISCELLANEOUS DATA: USE WHEN INSTALL S283T019-2 AND S283T019-3 DIMMERS. DO NOT USE FOR S283T019-4 DIMMERS (233T2317-28 IS GOOD FOR ALL DIMMERS) QUALIFIED OPTIONAL DATA: 233T2317-20 (1) OPTIONAL TO (2) 233T2317-28 | | 2 |
| 135 | F2000-3 | | ..NUTPLATE SUPPLIER CODE: V15653 SPECIFICATION NUMBER: BACN10KB3F OPTIONAL PART: NS103185-02 V80539 RMF9207-3 V72962 T8114S1032S V11815 VN151A1-02 V92215 BRF100A3 V52828 | | 4 |

ILLUSTRATION ITEMS NOT ON PARTS LIST ARE NOT APPLICABLE

- ITEM NOT ILLUSTRATED

33-13-02-04

33-13-02
 FIG. 04
 PAGE 12
 AUG 22/09

HXL



767

PARTS CATALOG (MAINTENANCE)

| FIG ITEM | PART NUMBER | 1 2 3 4 5 6 7 | NOMENCLATURE | EFFECT FROM TO | UNITS PER ASSY |
|----------|----------------|---------------|--|----------------|----------------|
| 4 | | | ATTACHING PARTS | | |
| - 140 | BACR15BA3AD | | ..RIVET- SIZE DETERMINED ON INSTL. -----*----- | | 8 |
| 145 | 233T2317-21 | | ..BRACKET | | 1 |
| - 200 | 286T0051-101 | | WIRE BUNDLE ASSY- | | RF |
| 205 | 000300-0445 | | .SOCKET- SUPPLIER CODE: V05574 SPECIFICATION NUMBER: 10-60450-5 ELECTRICAL EQUIP NUMBER: D00212 D10400 WIRING DIAGRAM REF: 331311 331317 OPTIONAL PART: 105-100-02 V26742 82164-1F V12054 | | 2 |
| 215 | BACS16W3 | | .SOCKET- ELECTRICAL EQUIP NUMBER: D10430 WIRING DIAGRAM REF: 331311 | | 1 |
| 220 | BACC45FT12C12S | | .CONNECTOR- ELECTRICAL EQUIP NUMBER: D00210 D02688 WIRING DIAGRAM REF: 331311 | | 2 |
| 230 | BACC45FT12A12S | | .CONNECTOR- ELECTRICAL EQUIP NUMBER: D03732 WIRING DIAGRAM REF: 331317 | | 1 |
| 235 | BACC45FT12D12S | | .CONNECTOR- ELECTRICAL EQUIP NUMBER: D03722 WIRING DIAGRAM REF: 331313 | | 1 |
| - 250 | 286T0632-120 | | WIRE BUNDLE ASSY- | | RF |

ILLUSTRATION ITEMS NOT ON PARTS LIST ARE NOT APPLICABLE

- ITEM NOT ILLUSTRATED

33-13-02-04

33-13-02
FIG. 04
PAGE 13
AUG 22/09

HXL



767
PARTS CATALOG (MAINTENANCE)

| FIG ITEM | PART NUMBER | 1 2 3 4 5 6 7 | NOMENCLATURE | EFFECT FROM TO | UNITS PER ASSY |
|-------------|----------------|---------------|--|-------------------|----------------------|
| 4 260 | BACC45FT12A12S | | .CONNECTOR- ELECTRICAL EQUIP NUMBER: D03736 D10204 WIRING DIAGRAM REF: 331318 | | 2 |

ILLUSTRATION ITEMS NOT ON PARTS LIST ARE NOT APPLICABLE

- ITEM NOT ILLUSTRATED

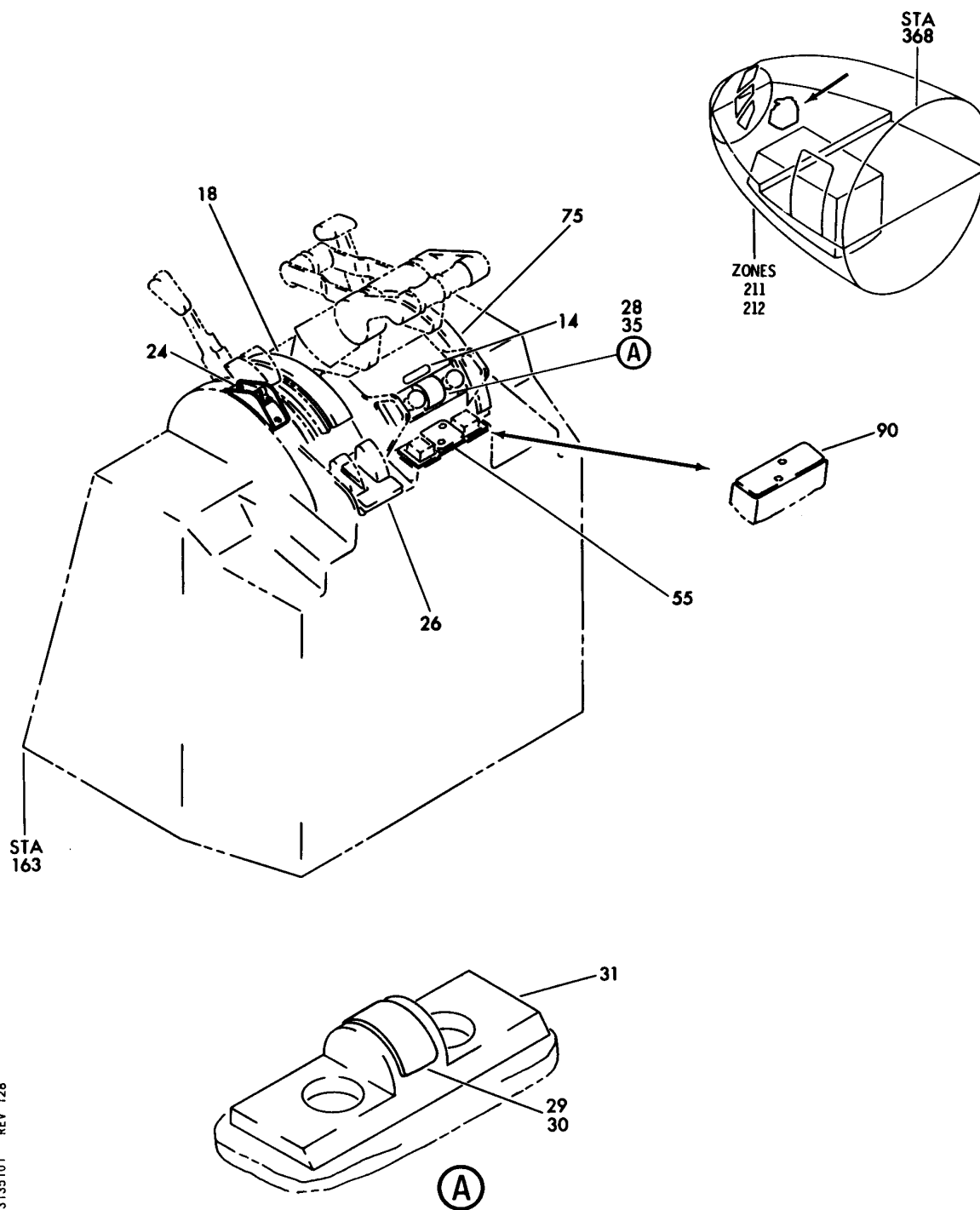
HXL

33-13-02-04

BOEING PROPRIETARY - Copyright © - Unpublished Work - See title page for details.

33-13-02
FIG. 04
PAGE 14
AUG 22/09

BOEING
767
PARTS CATALOG (MAINTENANCE)



V 33135101 REV 12B

STAND ASSY-CONT (LIGHTS ONLY)
FIGURE 1

33-13-51-01

HXL
DEC 22/06

33-13-51-01
PAGE 0



767

PARTS CATALOG (MAINTENANCE)

| FIG ITEM | PART NUMBER | 1 2 3 4 5 6 7 | NOMENCLATURE | EFFECT FROM TO | UNITS PER ASSY |
|----------|---------------|---------------|---|----------------|----------------|
| 1 | | | STAND ASSY-CONT (LIGHTS ONLY) | | |
| - 4 | 253T5100-238 | | STAND ASSY-CONT (LIGHTS ONLY) FOR NHA/OTHER SYS DET SEE: 25-13-58-01 | | RF |
| - 12 | 253T5599-11 | | .LIGHTPLATE AND DECAL INSTL FOR OTHER SYS DETAILS SEE: 11-31-04-01 | | 1 |
| 18 | 800-000915 | | ..LIGHTPLATE ASSY-5V WHITE ILLUM INTEGRALLY LIGHTED SPEED BRAKE SUPPLIER CODE: V05617 SPECIFICATION NUMBER: S233T100-510 MISCELLANEOUS DATA: FOR VENDOR FSCM 05617 FOR SPARES ORDER THE 800-000915-1. OPTIONAL PART: S233T100-510 V51896 800-000915-1 V05617 | | 1 |
| 18 | 800-000915-1 | | ..LIGHTPLATE ASSY-5V WHITE ILLUM INTEGRALLY LIGHTED SPEED BRAKE SUPPLIER CODE: V05617 SPECIFICATION NUMBER: S233T100-510 OPTIONAL PART: S233T100-510 V51896 800-000915 V05617 | | 1 |
| - 20 | PS6C5DL12BN | | ATTACHING PARTS ..SCREW- SUPPLIER CODE: V12324 | | 2 |
| - 20 | SFSW6C5DL12BN | | ..SCREW- SUPPLIER CODE: V12324 | | 2 |
| - 22 | MS90451-6832 | | -----*----- ...LAMP | | 4 |

ILLUSTRATION ITEMS NOT ON PARTS LIST ARE NOT APPLICABLE

- ITEM NOT ILLUSTRATED

33-13-51-01

33-13-51
FIG. 01
PAGE 1
DEC 22/07

HXL

BOEING
767
PARTS CATALOG (MAINTENANCE)

| FIG ITEM | PART NUMBER | 1 2 3 4 5 6 7 | NOMENCLATURE | EFFECT FROM TO | UNITS PER ASSY |
|----------------------------|------------------|---------------|--|----------------|----------------|
| 1 | 24 800-006142 | | ..LIGHTPLATE ASSY-5V WHITE ILLUM INTEGRALLY LIGHTED ALTERNATE STAB. TRIM SUPPLIER CODE: V05617 SPECIFICATION NUMBER: S233T100-569 OPTIONAL PART: S233T100-569 V51896 | | 1 |
| | 26 800-001352 | | ..LIGHTPLATE ASSY-5V WHITE ILLUM INTEGRALLY LIGHTED STAB TRIM CUTOUT SUPPLIER CODE: V05617 SPECIFICATION NUMBER: S233T100-507 MISCELLANEOUS DATA: FOR VENDOR FSCM 05617 FOR SPARES ORDER THE 800-001352-1 OPTIONAL PART: S233T100-507 V51896 800-001352-1 V05617 | | 1 |
| - | 27 FB7900-6A1 | | ...FASTENER-CAPTIVE SUPPLIER CODE: V17419 | | 2 |
| - | 27A NAS662-2-3 | | ...SCREW | | AR |
| - | 27B MS90451-6832 | | ...LAMP | | 4 |
| | 28 253T5916-2 | | ..LIGHTPLATE ASSY- | | 1 |
| | 30 BAC27ECT1032 | | ...DECAL- PLACARD CONTENT: RUN CUT OFF | | 1 |
| R R R R R R | 31 S233T100-571 | | ...LIGHTPLATE ASSY-5V WHITE ILLUM INTEGRALLY LIGHTED FUEL CONT OPTIONAL PART: 800-001018 V05617 | | 1 |

ILLUSTRATION ITEMS NOT ON PARTS LIST ARE NOT APPLICABLE

- ITEM NOT ILLUSTRATED

HXL

33-13-51-01

BOEING PROPRIETARY - Copyright © - Unpublished Work - See title page for details.

33-13-51
FIG. 01
PAGE 2
AUG 22/09



767

PARTS CATALOG (MAINTENANCE)

| FIG ITEM | PART NUMBER | 1 2 3 4 5 6 7 | NOMENCLATURE | EFFECT FROM TO | UNITS PER ASSY |
|----------|--------------|---------------|---|----------------|----------------|
| 1 31 | 800-001018 | | ...LIGHTPLATE ASSY-5V WHITE ILLUM INTEGRALLY LIGHTED FUEL CONT SUPPLIER CODE: V05617 SPECIFICATION NUMBER: S233T100-508 MISCELLANEOUS DATA: FOR VENDOR FSCM 05617 FOR SPARES ORDER THE 800-001018-1 OPTIONAL PART: S233T100-508 V51896 800-001018-1 V05617 OPTIONAL PART: S233T100-571 V51896 | | 1 |
| - 32 | FB7900-6A1 | |FASTENER-CAPTIVE SUPPLIER CODE: V17419 | | 2 |
| - 33 | NAS662-2-3 | |SCREW- | | AR |
| - 34 | MS90451-6832 | |LAMP- | | 4 |
| 35 | 800-001344 | | ..LIGHTPLATE ASSY-5V WHITE ILLUM INTEGRALLY LIGHTED FUEL CONT SUPPLIER CODE: V05617 SPECIFICATION NUMBER: S233T100-532 MISCELLANEOUS DATA: FOR VENDOR FSCM 05617 FOR SPARES ORDER THE 800-001344-1 OPTIONAL PART: S233T100-532 V51896 800-001344-1 V05617 | | 1 |

ILLUSTRATION ITEMS NOT ON PARTS LIST ARE NOT APPLICABLE

- ITEM NOT ILLUSTRATED

HXL

33-13-51-01

BOEING PROPRIETARY - Copyright © - Unpublished Work - See title page for details.

33-13-51
 FIG. 01
 PAGE 3
 DEC 22/08



767

PARTS CATALOG (MAINTENANCE)

| FIG ITEM | PART NUMBER | 1 2 3 4 5 6 7 | NOMENCLATURE | EFFECT FROM TO | UNITS PER ASSY |
|----------|------------------|---------------|--|----------------|----------------|
| 1 | 75 800-000914 | | ..LIGHTPLATE ASSY-5V WHITE ILLUM INTEGRALLY LIGHTED FLAP POSITION SUPPLIER CODE: V05617 SPECIFICATION NUMBER: S233T100-526 MISCELLANEOUS DATA: FOR VENDOR FSCM 05617 FOR SPARES ORDER THE 800-000914-1 OPTIONAL PART: S233T100-526 V51896 800-000914-1 V05617 | | 1 |
| | 75 800-003445 | | ..LIGHTPLATE ASSY-5V WHITE ILLUM INTEGRALLY LIGHTED FLAP POSITION SUPPLIER CODE: V05617 SPECIFICATION NUMBER: S233T100-509 OPTIONAL PART: S233T100-526 V51896 ATTACHING PARTS | | 1 |
| - | 80 SFSW6C5DL12BN | | ..SCREW- SUPPLIER CODE: V12324 | | 2 |
| - | 80 PS6C5DL12BN | | ..SCREW- SUPPLIER CODE: V12324 | | 2 |
| - | 82 FB7900-6A1 | | -----*----- ...FASTENER-CAPTIVE SUPPLIER CODE: V17419 OPTIONAL PART: CPS6C5D V12324 CA1187-1-1 V29372 P2-001000300 V51896 USED ON: S233T100-509 S233T100-520 S233T100-526 S233T100-5515 | | 2 |

ILLUSTRATION ITEMS NOT ON PARTS LIST ARE NOT APPLICABLE

- ITEM NOT ILLUSTRATED

33-13-51-01

33-13-51
 FIG. 01
 PAGE 4
 APR 22/08

HXL



767

PARTS CATALOG (MAINTENANCE)

| FIG ITEM | PART NUMBER | 1 2 3 4 5 6 7 | NOMENCLATURE | EFFECT FROM TO | UNITS PER ASSY |
|----------|--------------|---------------|--|----------------|----------------|
| 1 | | | | | |
| - 82 | CPS6C5D | | ... FASTENER-CAPTIVE SUPPLIER CODE: V12324 OPTIONAL PART: FB7900-6A1 V17419 CA1187-1-1 V29372 P2-001000300 V51896 USED ON: S233T100-509 S233T100-520 | | 2 |
| - 82 | CA1187-1-1 | | ... FASTENER-CAPTIVE SUPPLIER CODE: V29372 OPTIONAL PART: FB7900-6A1 V17419 CPS6C5D V12324 P2-001000300 V51896 USED ON: S233T100-509 S233T100-520 | | 2 |
| - 82 | P2-001000300 | | ... FASTENER-CAPTIVE SUPPLIER CODE: V51896 OPTIONAL PART: FB7900-6A1 V17419 CPS6C5D V12324 CA1187-1-1 V29372 USED ON: S233T100-509 S233T100-520 | | 2 |
| - 83 | NAS662-2-3 | | ... SCREW | | AR |
| - 85 | MS90451-6832 | | ... LAMP | | 6 |

ILLUSTRATION ITEMS NOT ON PARTS LIST ARE NOT APPLICABLE

- ITEM NOT ILLUSTRATED

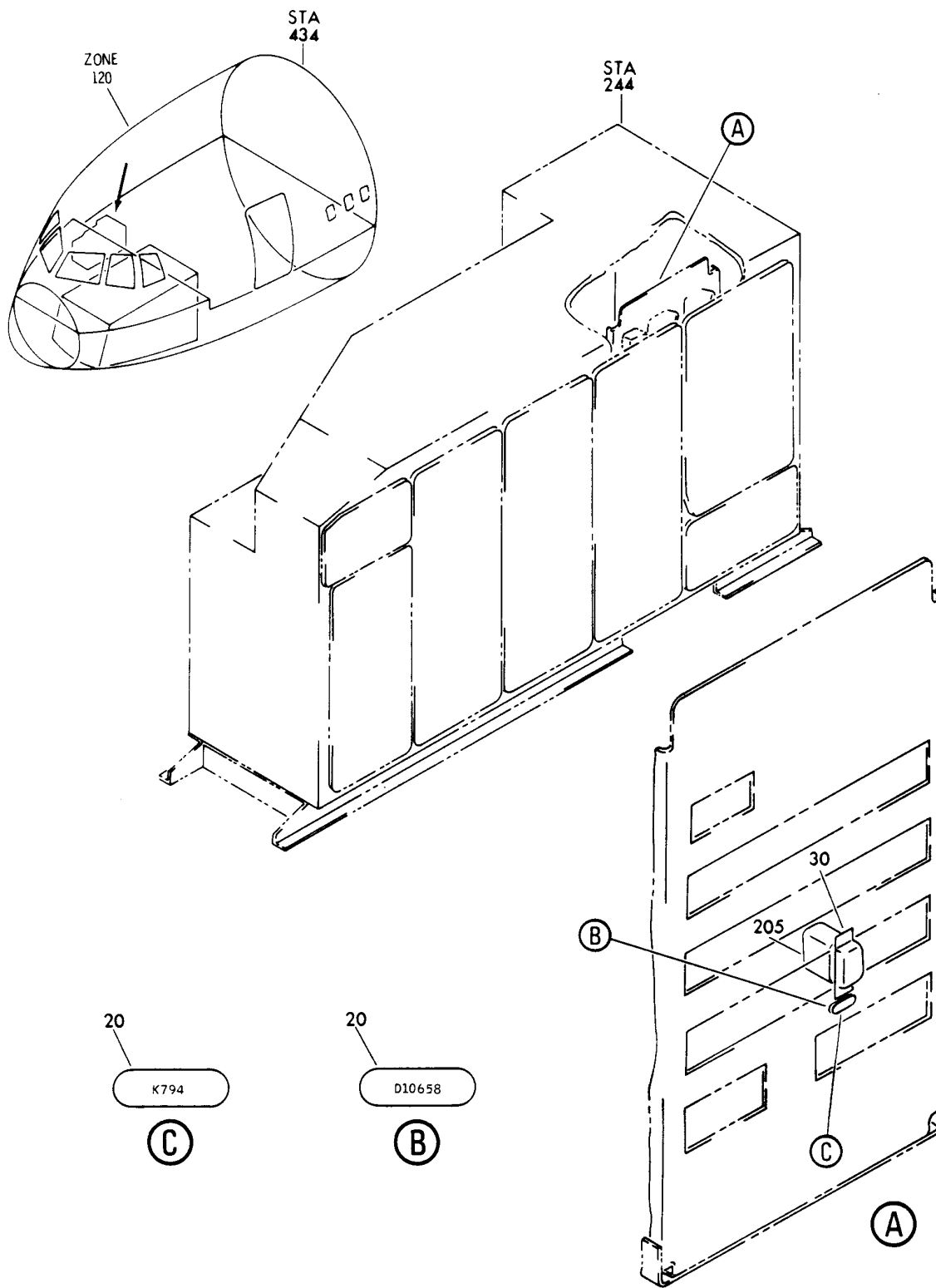
HXL

33-13-51-01

BOEING PROPRIETARY - Copyright © - Unpublished Work - See title page for details.

33-13-51
FIG. 01
PAGE 5
APR 22/08

BOEING
767
PARTS CATALOG (MAINTENANCE)



V 33135202 SHT 1 REV 072

EQUIPMENT ASSY-MAIN PWR DISTR P6 PNL (INTEGRAL PANEL LIGHTS)
FIGURE 2

33-13-52-02

HXL
DEC 22/06

33-13-52-02
PAGE 0



767

PARTS CATALOG (MAINTENANCE)

| FIG ITEM | PART NUMBER | 1 2 3 4 5 6 7 | NOMENCLATURE | EFFECT FROM TO | UNITS PER ASSY |
|----------|--------------|---------------|--|----------------|----------------|
| 2 | | | EQUIPMENT ASSY-MAIN PWR DISTR P6 PNL (INTEGRAL PANEL LIGHTS) | | |
| - 6 | 284T0997-147 | | EQUIPMENT ASSY-MAIN PWR DISTR P6 PNL (INTEGRAL PANEL LIGHTS ONLY) FOR NHA/OTHER SYS DET SEE: 25-10-53-01 | 163163 | RF |
| - 9 | 284T0997-175 | | EQUIPMENT ASSY-MAIN PWR DISTR P6 PNL (INTEGRAL PANEL LIGHTS ONLY) FOR NHA/OTHER SYS DET SEE: 25-10-53-01 | 155162 | RF |
| - 10 | 284T0997-184 | | EQUIPMENT ASSY-MAIN PWR DISTR P6 PNL (INTEGRAL PANEL LIGHTS ONLY) FOR NHA/OTHER SYS DET SEE: 25-10-53-01 | 164999 | RF |
| 20 | BAC27TEX3739 | | .DECALSET-INCLUDES DECALS IDENTIFIED ON THE ILLUSTRATION | | RF |
| 30 | JAD9F007 | | .RELAY- SUPPLIER CODE: V58657 SPECIFICATION NUMBER: BACR13CJ2 ELECTRICAL EQUIP NUMBER: K00794 | | 1 |
| - 200 | 286T0150-101 | | .WIRE BUNDLE ASSY- | | RF |

ILLUSTRATION ITEMS NOT ON PARTS LIST ARE NOT APPLICABLE

- ITEM NOT ILLUSTRATED

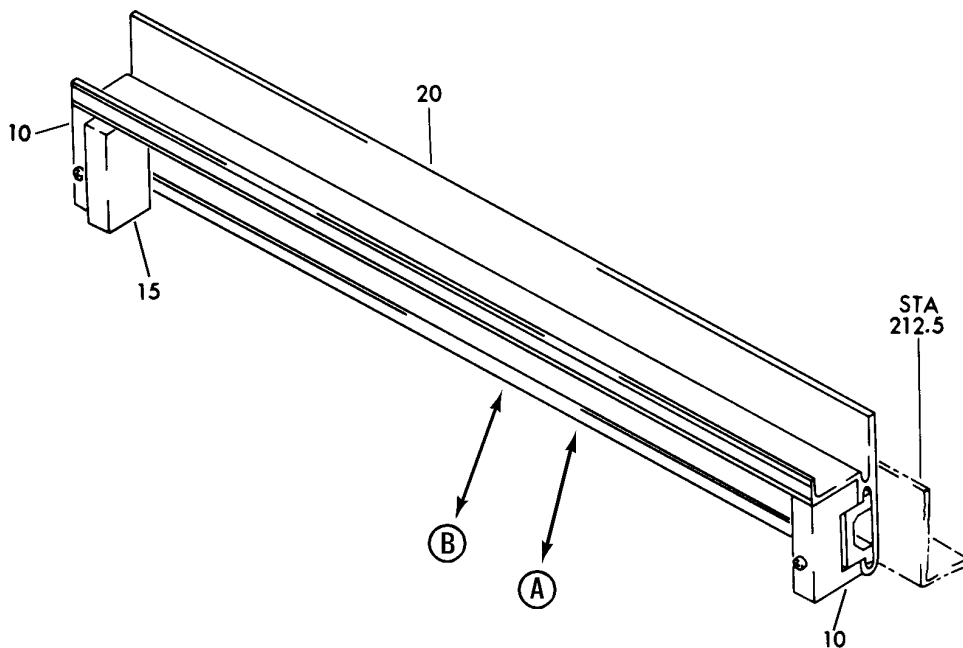
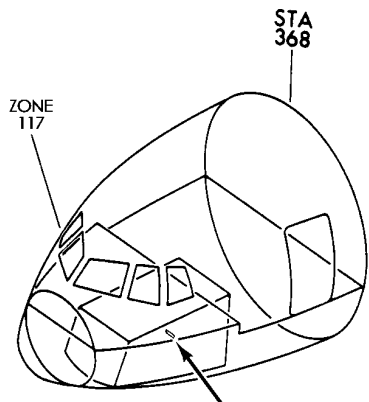
HXL

33-13-52-02

BOEING PROPRIETARY - Copyright © - Unpublished Work - See title page for details.

33-13-52
FIG. 02
PAGE 1
DEC 22/07

BOEING
767
PARTS CATALOG (MAINTENANCE)



V 33135301 SHT 1 REV 232

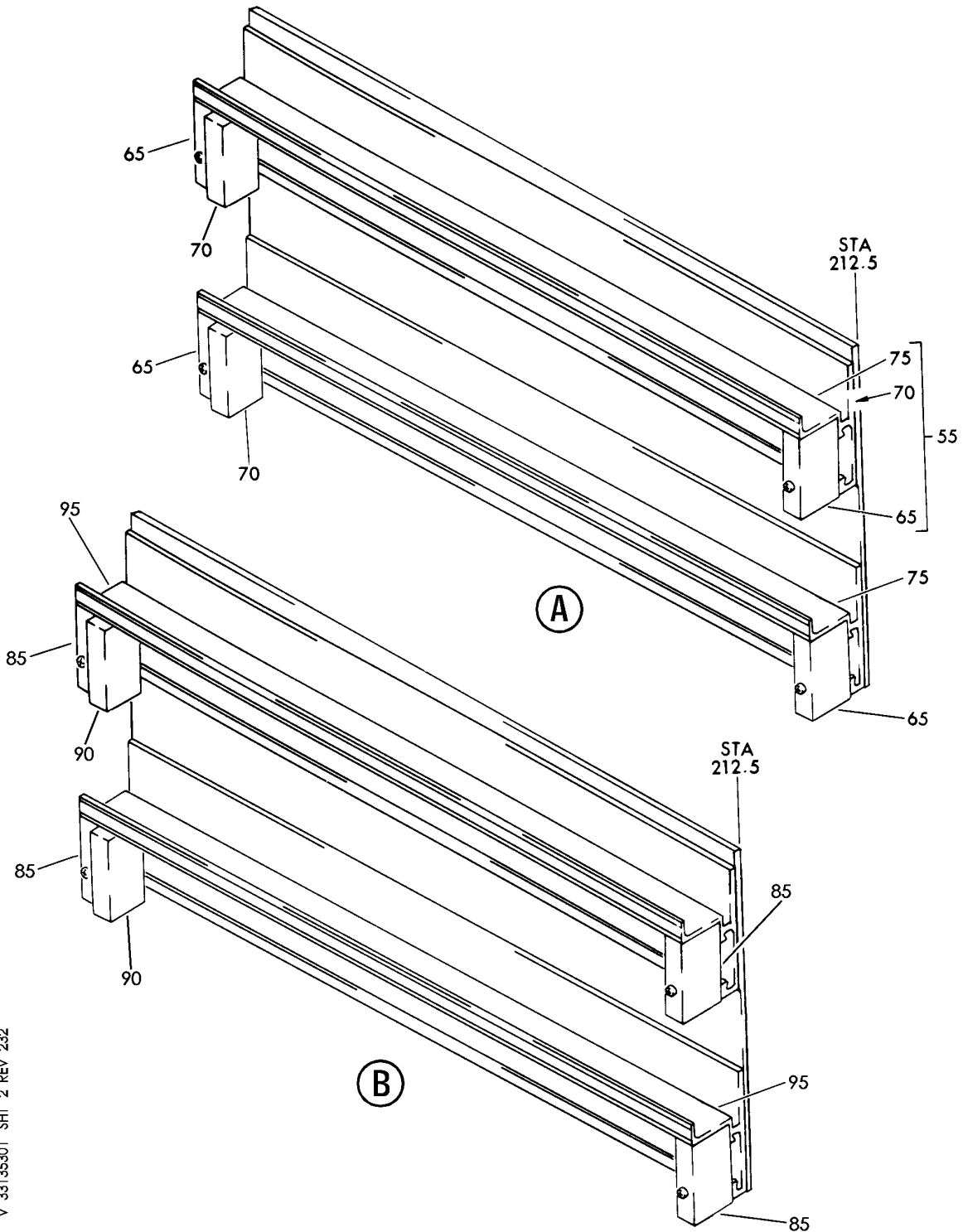
TERMINAL BOARD INSTL-SECT. 41 LWR (LIGHTS ONLY)
FIGURE 1 (SHEET 1)

33-13-53-01

HXL
DEC 22/06

33-13-53-01
PAGE 0

BOEING
767
PARTS CATALOG (MAINTENANCE)



V 33135301 SHT 2 REV 232

TERMINAL BOARD INSTL-SECT. 41 LWR (LIGHTS ONLY)
FIGURE 1 (SHEET 2)

33-13-53-01

HXL
DEC 22/06

33-13-53-01
PAGE 0A



767

PARTS CATALOG (MAINTENANCE)

| FIG ITEM | PART NUMBER | 1 2 3 4 5 6 7 | NOMENCLATURE | EFFECT FROM TO | UNITS PER ASSY |
|----------|--------------|---------------|--|----------------|----------------|
| 1 | | | TERMINAL BOARD INSTL-SECT. 41 LWR (LIGHTS ONLY) | | |
| - 50 | 287T4109-5 | | BOARD INSTL-TB31 AND TB255 (LIGHTS ONLY) POSITION DATA: SECT. 41 LWR FOR NHA/OTHER SYS DET SEE: 24-00-57-01 | | RF |
| 55 | 287T4145-9 | | .BOARD ASSY- | | 1 |
| - 60 | NAS1801-3-10 | | .ATTACHING PARTS .SCREW -----*----- | | 2 |
| R 65 | BACC49A1 | | ..CLAMP ASSY | | 4 |
| 70 | H21-1 | | ..SPACER SUPPLIER CODE: V34941 SPECIFICATION NUMBER: BACS18AR1 OPTIONAL PART: FAB276A V15805 YHLZ1C2 V09922 | | 2 |
| 75 | AMY0920T1 | | ..TRACK SUPPLIER CODE: V09922 SPECIFICATION NUMBER: BACT44A0920U | | 2 |

ILLUSTRATION ITEMS NOT ON PARTS LIST ARE NOT APPLICABLE

- ITEM NOT ILLUSTRATED

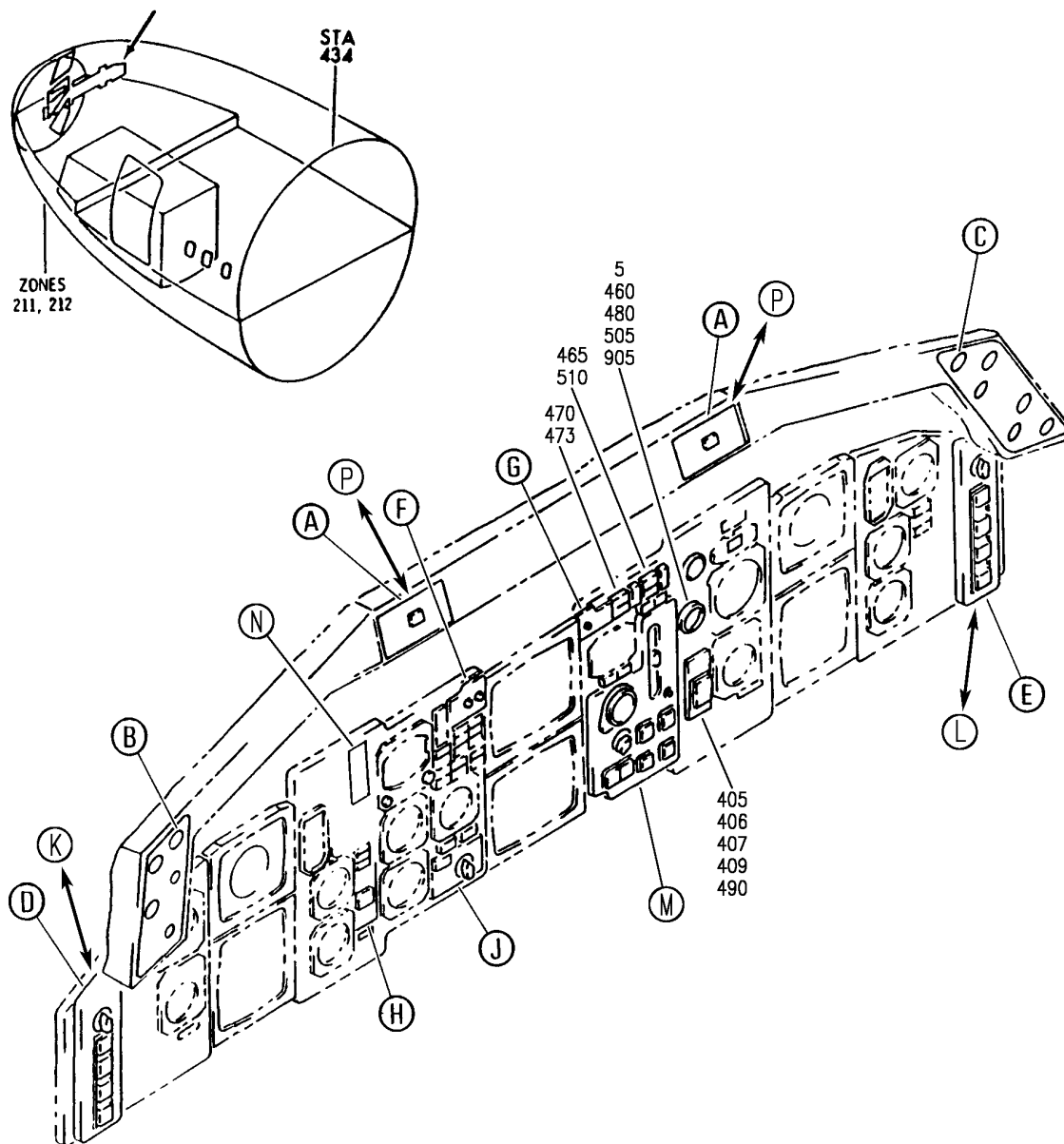
HXL

33-13-53-01

BOEING PROPRIETARY - Copyright © - Unpublished Work - See title page for details.

33-13-53
FIG. 01
PAGE 1
AUG 22/09

BOEING
767
PARTS CATALOG (MAINTENANCE)



V 33135401 SHT 1 REV 283

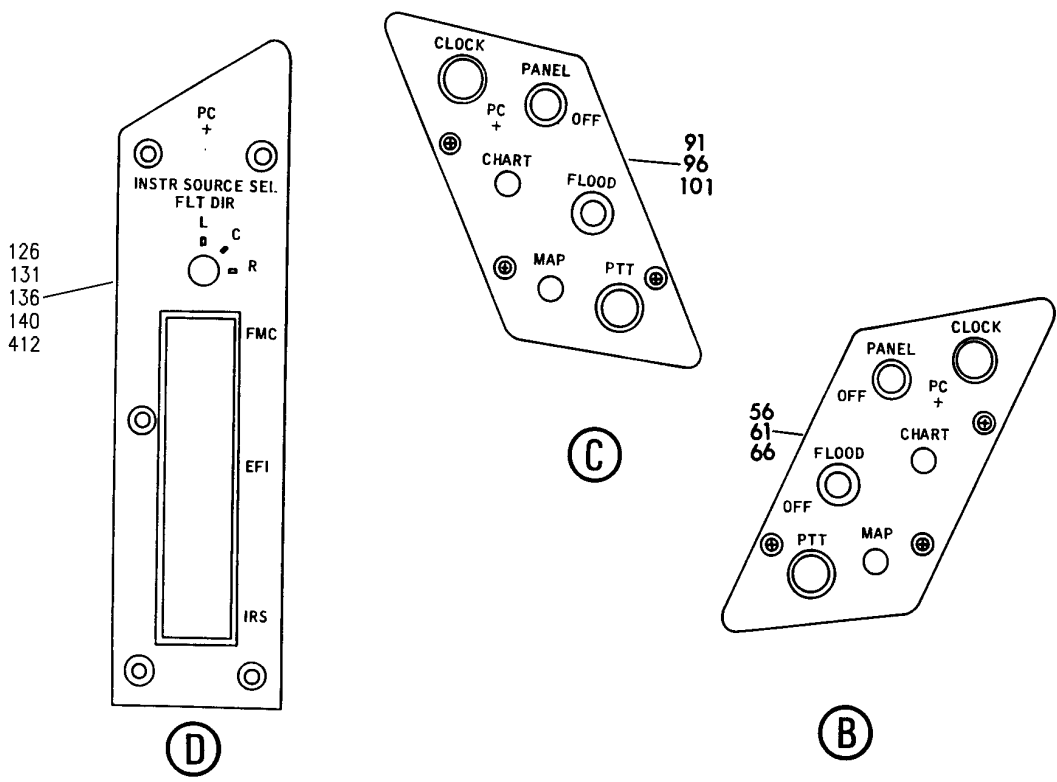
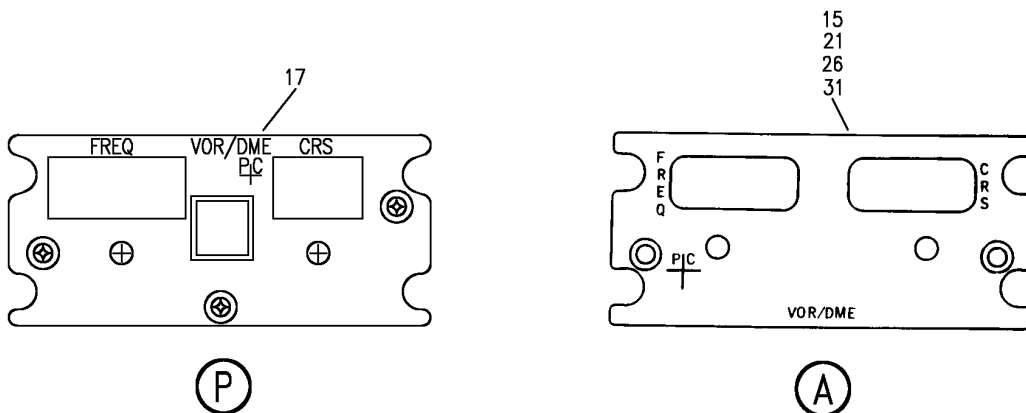
PANEL INSTL-PILOTS MAIN (INTEGRAL PANEL LIGHTS ONLY)
FIGURE 1 (SHEET 1)

33-13-54-01

HXL
DEC 22/06

33-13-54-01
PAGE 0

BOEING
767
PARTS CATALOG (MAINTENANCE)



V 33135401 SH1 2 REV 268

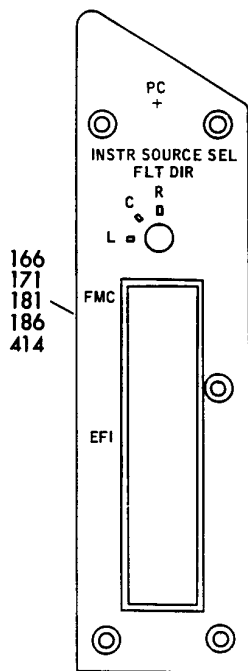
PANEL INSTL-PILOTS MAIN (INTEGRAL PANEL LIGHTS ONLY)
FIGURE 1 (SHEET 2)

33-13-54-01

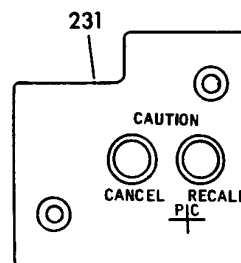
HXL
DEC 22/06

33-13-54-01
PAGE 0A

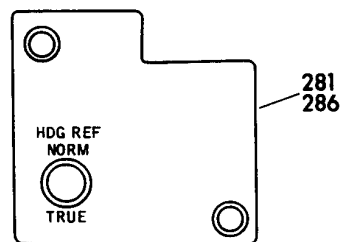
BOEING
767
PARTS CATALOG (MAINTENANCE)



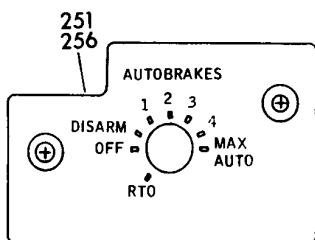
(E)



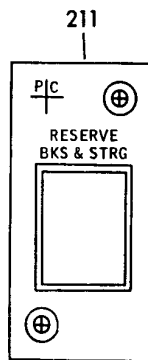
(F)



(G)



(J)



(H)

V 33135401 SHT 3 REV 177

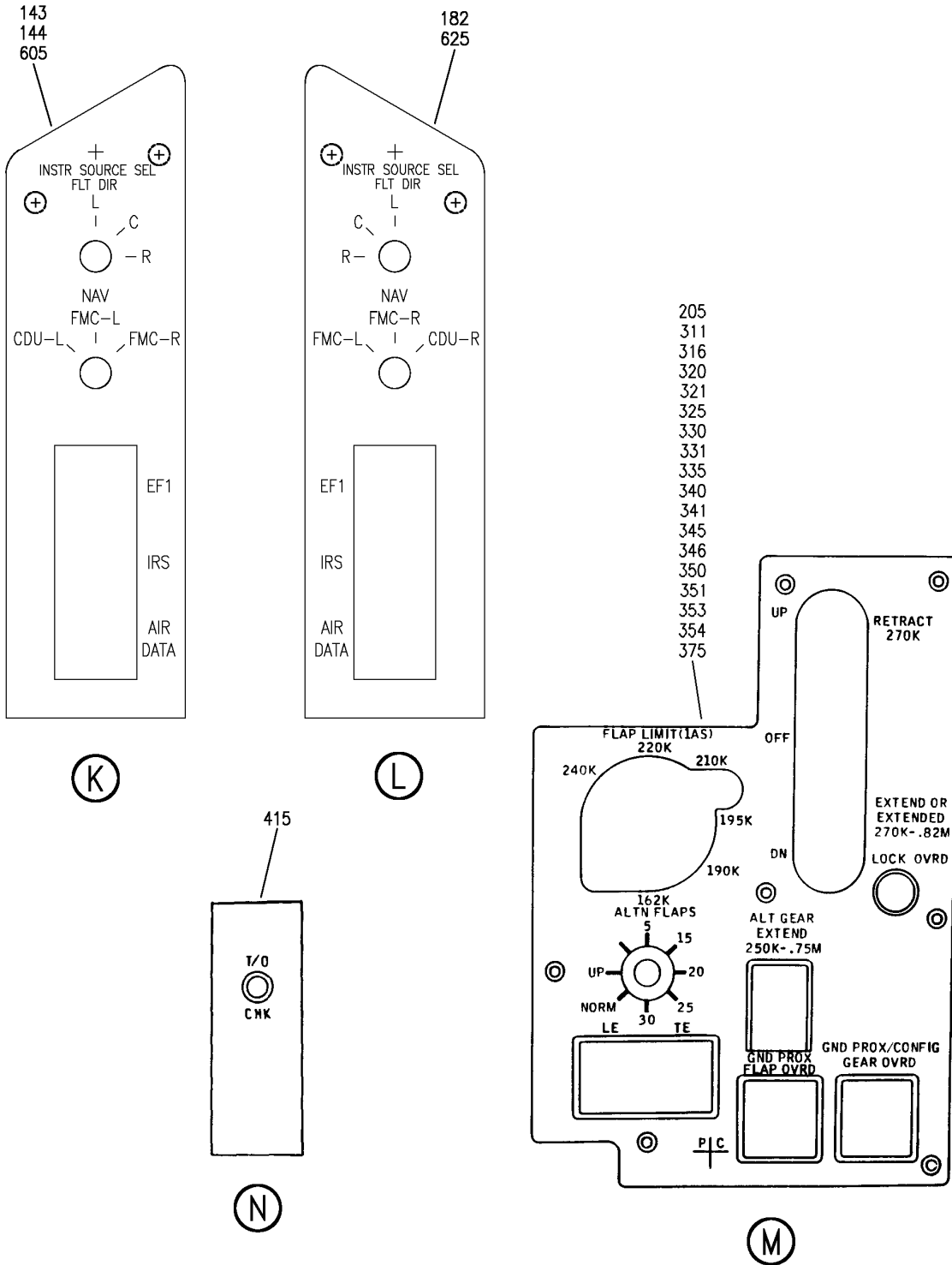
PANEL INSTL-PILOTS MAIN (INTEGRAL PANEL LIGHTS ONLY)
FIGURE 1 (SHEET 3)

33-13-54-01

HXL
DEC 22/06

33-13-54-01
PAGE 0B

BOEING
767
PARTS CATALOG (MAINTENANCE)



V 33135401 SHT 4 REV 327

PANEL INSTL-PILOTS MAIN (INTEGRAL PANEL LIGHTS ONLY)
FIGURE 1 (SHEET 4)

33-13-54-01

HXL
APR 22/08

33-13-54-01
PAGE 0C



767

PARTS CATALOG (MAINTENANCE)

| FIG ITEM | PART NUMBER | 1 2 3 4 5 6 7 | NOMENCLATURE | EFFECT FROM TO | UNITS PER ASSY |
|---|-------------|---------------|--|----------------|----------------|
| 1 | | | PANEL INSTL-PILOTS MAIN (INTEGRAL PANEL LIGHTS ONLY) | | |
| - 1 | 233T2100-1 | | PANEL INSTL-PILOTS MAIN (INTEGRAL PANEL LIGHTS ONLY) | | RF |
| | | | VARIABLE DRAWING REF: 233T2100-5048 FOR NHA/OTHER SYS DET SEE: 25-10-00-03 | | |
| - 10 | 285T0021-16 | | .PANEL ASSY-VHF OMNIDIRECTIONAL RANGE CONT (STATIC SENSITIVE PART) SUPPLIER CODE: V89954 MISCELLANEOUS DATA: 285T0021-16 MOD - A - IS REWORKED FROM 285T0021-16 WITH COMPONENT KIT 285T1138-18. COMPLETELY OBSCURE MOD LEVEL LETTER - A - ON NAMEPLATE WITH PERMANENT CONTRASTING INK PER BAC5307. NO PRODUCTION EQUIVALENT EXISTS. REF MLCCR 91-128 COMPONENT MAINT MANUAL REF: 34-51-51 | | RF |
| ILLUSTRATION ITEMS NOT ON PARTS LIST ARE NOT APPLICABLE | | | | | |

- ITEM NOT ILLUSTRATED

HXL

33-13-54-01

BOEING PROPRIETARY - Copyright © - Unpublished Work - See title page for details.

33-13-54
FIG. 01
PAGE 1
DEC 22/07



767

PARTS CATALOG (MAINTENANCE)

| FIG ITEM | PART NUMBER | 1 2 3 4 5 6 7 | NOMENCLATURE | EFFECT FROM TO | UNITS PER ASSY |
|-----------|-------------|---------------|--|----------------|----------------|
| 1 - 10 | 285T0554-3 | | .PANEL ASSY-VHF OMNIDIRECTIONAL RANGE CONT (STATIC SENSITIVE PART) SUPPLIER CODE: V89954 MISCELLANEOUS DATA: ASSY -3 MOD A IS REWORKED FROM ASSY -3 IN ACCORDANCE WITH 285T1138-1 COMPONENT KIT. NO -3 MOD A PROD EQUIV EXISTS ASSY -3 MOD C IS REWORKED FROM ASSY -3 IN ACCORDANCE WITH 285T1138-7 COMPONENT KIT. NO -3 MOD C PROD EQUIV EXISTS ASSY -3 MOD B IS REWORKED FROM ASSY -3 IN ACCORDANCE WITH 285T1138-4 COMPONENT KIT. NO -3 MOD B PROD EQUIV EXISTS -3 MOD D IS -3 REWORKED PER COMPONENT KIT DWG 285T1138-10. REF -MLCCR89-068. NO -3 MOD D PROD EQUIV EXISTS ASSY -3 MODE IS ASSY -3 REWORKED PER COMPONENT KIT DWGT 285T1138-14. REF - MLCCR90-100. NO -3 MODE PRODUCTION EQUIV EXISTS COMPONENT MAINT MANUAL REF: 34-51-61 OPTIONAL PART: 285T0554-5 V89954 | | RF |
| - 10 | 285T0554-5 | | .PANEL ASSY-VHF OMNIDIRECTIONAL RANGE CONT (STATIC SENSITIVE PART) SUPPLIER CODE: V89954 MISCELLANEOUS DATA: ASSY -5 WITH -5002 INSTALLED IS MOD A. ALL ASSY -5 BUILT AFTER JUNE | | RF |

ILLUSTRATION ITEMS NOT ON PARTS LIST ARE NOT APPLICABLE

- ITEM NOT ILLUSTRATED

33-13-54-01

33-13-54
FIG. 01
PAGE 2
DEC 22/06

HXL



767

PARTS CATALOG (MAINTENANCE)

| FIG ITEM | PART NUMBER | 1 2 3 4 5 6 7 NOMENCLATURE | EFFECT FROM TO | UNITS PER ASSY |
|-------------|-------------|---|-------------------|----------------------|
| 1 10 | | <p>6, 1989 WILL HAVE -5002 INSTALLED. COMPLETELY OBSCURE MOD LEVEL LETTER - A - ON NAMEPLATE WITH CONTRASTING PERMANENT INK ASSY -5 WITH -5003 INSTALLED IS MOD B. ALL ASSY -5 BUILT AFTER AUG 30, 1989 WILL HAVE -5003 INSTALLED. COMPLETELY OBSCURE MOD LEVEL LETTER - B - ON NAMEPLATE WITH CONTRASTING PERMANENT INK. MOD B REPLACES MOD A. DO NOT OBSCURE MOD LEVEL A ON THE NAMEPLATE ASSY -5 WITH -5005 INSTALLED IS MOD C. ALL ASSY -5 BUILT AFTER JAN 22, 1990 WILL HAVE -5005 INSTALLED. COMPLETELY OBSCURE MOD LEVEL LETTER - C - ON NAMEPLATE WITH CONTRASTING PERMANENT INK. INCORPORATE MOD B AND OBSCURE MOD LEVEL B ON THE NAMEPLATE WITH CONTRASTING PERMANENT INK. DO NOT OBSCURE MOD LEVEL A -5 MOD D IS -5 WITH 285T0562-11 OR 285T0562-12 INSTALLED AND AN INSPECTION/REPLACEMENT OF 4.99K RESISTORS R105, R109, R110 THAT COULD HAVE BEEN INSTALLED AS 49.9K. ALL ASSY -5 BUILT AFTER 7-25-90 WILL HAVE 285T0562-11 OR 285T0562-12 INSTALLED. COMPLETELY OBSCURE MOD LEVEL LETTER - D - ON NAMEPLATE WITH CONTRASTING PERMANENT INK. INCORPORATE MOD B AND C AND OBSCURE MOD LEVELS B AND C ON THE NAMEPLATE WITH</p> | | |

ILLUSTRATION ITEMS NOT ON PARTS LIST ARE NOT APPLICABLE

- ITEM NOT ILLUSTRATED

33-13-54-01

33-13-54
 FIG. 01
 PAGE 3
 DEC 22/06

HXL



767

PARTS CATALOG (MAINTENANCE)

| FIG ITEM | PART NUMBER | 1 2 3 4 5 6 7 NOMENCLATURE | EFFECT FROM TO | UNITS PER ASSY |
|-------------|-------------|--|-------------------|----------------------|
| 1 10 | | <p>CONTRASTING PERMANENT INK. DO NOT OBSCURE MOD LEVEL A ASSY -5 WITH -5008 INSTALLED IS MOD E. ALL ASSY -5 FOR MODEL 767 BUILT AFTER 10-30-90 WILL HAVE -5008 INSTALLED. ALL ASSY -5 FOR MODEL 757 BUILT AFTER 11-2-90 WILL HAVE -5008 INSTALLED. COMPLETELY OBSCURE MOD LEVEL LETTER E ON NAMEPLATE WITH CONTRASTING PERMANENT INK. INCORPORATE MOD C AND D AND OBSCURE MOD LEVEL C AND D ON THE NAMEPLATE WITH CONTRASTING PERMANENT INK. DO NOT OBSCURE MOD LEVEL A OR B COMPONENT MAINT MANUAL REF: 34-51-61</p> | | |

ILLUSTRATION ITEMS NOT ON PARTS LIST ARE NOT APPLICABLE

- ITEM NOT ILLUSTRATED

HXL

33-13-54-01

BOEING PROPRIETARY - Copyright © - Unpublished Work - See title page for details.

33-13-54
 FIG. 01
 PAGE 4
 DEC 22/06



767

PARTS CATALOG (MAINTENANCE)

| FIG ITEM | PART NUMBER | 1 2 3 4 5 6 7 | NOMENCLATURE | EFFECT FROM TO | UNITS PER ASSY |
|-----------|-------------|---------------|--|----------------|----------------|
| 1 - 10 | 285T0021-19 | | .PANEL ASSY-VHF OMNIDIRECTIONAL RANGE CONT (STATIC SENSITIVE PART) SUPPLIER CODE: V89954 MISCELLANEOUS DATA: 285T0021-19 MOD -A- IS REWORKED FROM 285T0021-19 IN ACCORDANCE WITH COMPONENT SERVICE BULLETIN 285T0021-34-03. REF 285T1138-2 MLCCR87-017 285T0021-19 MOD -B- IS REWORKED FROM 285T0021-19 OR -19 MOD - A - WITH COMPONENT KIT 285T1138-5 285T0021-19 MOD - C - IS REWORKED FROM 285T0021-19, -19 MOD - A - OR -19 MOD - B - WITH COMPONENT KIT 285T1138-15 285T0021-19 MOD -D- IS REWORKED FROM 285T0021-19, -19 MOD - A -, -19 MOD -B- OR -19 MOD -C- WITH COMPONENT KIT 285T1138-18. COMPLETELY OBSCURE MOD LEVEL LETTER -D- ON NAMEPLATE WITH PERMANENT CONTRASTING INK PER BAC5307. NO PRODUCTION EQUIVALENT EXISTS. REF MLCCR 91-128 COMPONENT MAINT MANUAL REF: 34-51-51 | | RF |

ILLUSTRATION ITEMS NOT ON PARTS LIST ARE NOT APPLICABLE

- ITEM NOT ILLUSTRATED

HXL

33-13-54-01

BOEING PROPRIETARY - Copyright © - Unpublished Work - See title page for details.

33-13-54
FIG. 01
PAGE 5
DEC 22/06



767

PARTS CATALOG (MAINTENANCE)

| FIG ITEM | PART NUMBER | 1 2 3 4 5 6 7 | NOMENCLATURE | EFFECT FROM TO | UNITS PER ASSY |
|----------|-----------------|---------------|--|----------------|----------------|
| 1 | 15 S233T100-020 | | ..LIGHTPLATE ASSY-5V WHITE-ILLUMINATED INTEGRALLY-LIGHTED VOR/DME SUPPLIER CODE: V51896 SPECIFICATION NUMBER: S233T100-020 OPTIONAL PART: S233T100-038 V51896 800-008002 V05617 OPTIONAL SUPPLIER CODE: 05617 98140 USED ON: 285T0021-16 | | 1 |
| | 17 S233T100-038 | | ..LIGHTPLATE ASSY-5V WHITE-ILLUMINATED INTEGRALLY-LIGHTED VOR/DME SUPPLIER CODE: V51896 SPECIFICATION NUMBER: S233T100-038 OPTIONAL PART: 800-008002 V05617 OPTIONAL PART: S233T100-020 V51896 USED ON: 285T0021-16 | | 1 |
| | 17 800-008002 | | ..LIGHTPLATE ASSY-5V WHITE-ILLUMINATED INTEGRALLY-LIGHTED VOR/DME SUPPLIER CODE: V05617 SPECIFICATION NUMBER: S233T100-038 OPTIONAL PART: S233T100-038 V51896 OPTIONAL PART: S233T100-020 V51896 USED ON: 285T0021-16 | | 1 |

ILLUSTRATION ITEMS NOT ON PARTS LIST ARE NOT APPLICABLE

- ITEM NOT ILLUSTRATED

HXL

33-13-54-01

BOEING PROPRIETARY - Copyright © - Unpublished Work - See title page for details.

33-13-54
 FIG. 01
 PAGE 6
 APR 22/08



767

PARTS CATALOG (MAINTENANCE)

| FIG ITEM | PART NUMBER | 1 2 3 4 5 6 7 | NOMENCLATURE | EFFECT FROM TO | UNITS PER ASSY |
|--------------------------------------|-------------|---------------|---|----------------|----------------|
| R R R R R R R R | 1 26 | S233T100-043 | .. LIGHTPLATE ASSY-5V WHITE-ILLUMINATED INTEGRALLY-LIGHTED VOR/DME SUPPLIER CODE: V51896 OPTIONAL SUPPLIER CODE: 05617 98140 USED ON: 285T0554-3 | | 1 |
| | 26 | 285T1201-1 | .. LIGHTPLATE ASSY-5V WHITE-ILLUMINATED INTEGRALLY-LIGHTED VOR/DME SUPPLIER CODE: V89954 MISCELLANEOUS DATA: USED WITH 285T0554-5001 USED WITH 285T0554-5002 USED WITH 285T0554-5003 | | 1 |
| | - 36 | S0050002 | ...CONNECTOR-ELECTRICAL SUPPLIER CODE: V51896 | | 1 |
| | - 41 | NAS662-2-3 | ...SCREW | | 4 |
| | - 46 | S0056832 | ...LAMP ASSY- SUPPLIER CODE: V51896 | | 6 |
| | - 51 | S0050001 | ...FASTENER-CAPTIVE SUPPLIER CODE: V51896 | | 2 |

ILLUSTRATION ITEMS NOT ON PARTS LIST ARE NOT APPLICABLE

- ITEM NOT ILLUSTRATED

HXL

33-13-54-01

BOEING PROPRIETARY - Copyright © - Unpublished Work - See title page for details.

33-13-54
FIG. 01
PAGE 7
AUG 22/09



767

PARTS CATALOG (MAINTENANCE)

| FIG ITEM | PART NUMBER | 1 2 3 4 5 6 7 | NOMENCLATURE | EFFECT FROM TO | UNITS PER ASSY |
|----------|-----------------|---------------|--|----------------|----------------|
| 1 | 61 800-002544 | | .LIGHTPLATE ASSY-5V WHITE-ILLUMINATED INTEGRALLY-LIGHTED GLARESHIELD LIGHTING SUPPLIER CODE: V05617 POSITION DATA: L SPECIFICATION NUMBER: S233T100-013 MISCELLANEOUS DATA: FOR VENDOR FSCM 05617 FOR SPARES ORDER THE 800-002544-1 ELECTRICAL EQUIP NUMBER: L00482 OPTIONAL PART: S233T100-013 V51896 800-002544-1 V05617 | | 1 |
| | 61 800-002544-1 | | .LIGHTPLATE ASSY-5V WHITE-ILLUMINATED INTEGRALLY-LIGHTED GLARESHIELD LIGHTING SUPPLIER CODE: V05617 SPECIFICATION NUMBER: S233T100-013 ELECTRICAL EQUIP NUMBER: L00482 OPTIONAL PART: S233T100-013 V51896 800-002544 V05617 | | 1 |
| - | 71 FB7900-6A1 | | ..FASTENER-CAPTIVE SUPPLIER CODE: V17419 | | 4 |
| - | 76 NAS662-2-3 | | ..SCREW | | AR |
| - | 86 MS90451-6832 | | ..LAMP | | 9 |

ILLUSTRATION ITEMS NOT ON PARTS LIST ARE NOT APPLICABLE

- ITEM NOT ILLUSTRATED

33-13-54-01

33-13-54
FIG. 01
PAGE 8
AUG 22/09

HXL



767

PARTS CATALOG (MAINTENANCE)

| FIG ITEM | PART NUMBER | 1 2 3 4 5 6 7 | NOMENCLATURE | EFFECT FROM TO | UNITS PER ASSY |
|----------|-----------------|---------------|---|----------------|----------------|
| 1 | 96 800-002476 | | .LIGHTPLATE ASSY-5V WHITE-ILLUMINATED INTEGRALLY-LIGHTED GLARESHIELD LIGHTING SUPPLIER CODE: V05617 POSITION DATA: R SPECIFICATION NUMBER: S233T100-014 MISCELLANEOUS DATA: FOR VENDOR FSCM 05617 FOR SPARES ORDER THE 800-002476-1 ELECTRICAL EQUIP NUMBER: L00483 OPTIONAL PART: S233T100-014 V51896 800-002476-1 V05617 PRE AIRLINE MOD: EI6-23-50/351-23-25 VACN | | 1 |
| | 96 800-002476-1 | | .LIGHTPLATE ASSY-5V WHITE-ILLUMINATED INTEGRALLY-LIGHTED GLARESHIELD LIGHTING SUPPLIER CODE: V05617 SPECIFICATION NUMBER: S233T100-014 ELECTRICAL EQUIP NUMBER: L00483 OPTIONAL PART: S233T100-014 V51896 800-002476 V05617 | | 1 |
| - 106 | FB7900-6A1 | | ..FASTENER-CAPTIVE SUPPLIER CODE: V17419 | | 4 |
| - 111 | NAS662-2-3 | | ..SCREW | | AR |
| - 121 | MS90451-6832 | | ..LAMP | | 8 |

ILLUSTRATION ITEMS NOT ON PARTS LIST ARE NOT APPLICABLE

- ITEM NOT ILLUSTRATED

33-13-54-01

33-13-54
FIG. 01
PAGE 9
APR 22/08

HXL



767

PARTS CATALOG (MAINTENANCE)

| FIG ITEM | PART NUMBER | 1 2 3 4 5 6 7 | NOMENCLATURE | EFFECT FROM TO | UNITS PER ASSY |
|----------|--------------|---------------|---|----------------|----------------|
| 1 136 | 800-003144 | | .LIGHTPLATE ASSY-5V WHITE-ILLUMINATED INTEGRALLY-LIGHTED INSTR SOURCE SELECTOR SUPPLIER CODE: V05617 POSITION DATA: L SPECIFICATION NUMBER: S233T100-049 MISCELLANEOUS DATA: FOR VENDOR FSCM 05617 FOR SPARES ORDER THE 800-003144-1 ELECTRICAL EQUIP NUMBER: L00481 OPTIONAL PART: S233T100-049 V51896 800-003144-1 V05617 | | 1 |
| 136 | 800-003144-1 | | .LIGHTPLATE ASSY-5V WHITE-ILLUMINATED INTEGRALLY-LIGHTED INSTR SOURCE SELECTOR SUPPLIER CODE: V05617 SPECIFICATION NUMBER: S233T100-049 ELECTRICAL EQUIP NUMBER: L00481 OPTIONAL PART: S233T100-049 V51896 800-003144 V05617 | | 1 |

ILLUSTRATION ITEMS NOT ON PARTS LIST ARE NOT APPLICABLE

- ITEM NOT ILLUSTRATED

HXL

33-13-54-01

BOEING PROPRIETARY - Copyright © - Unpublished Work - See title page for details.

33-13-54
FIG. 01
PAGE 10
APR 22/08



767

PARTS CATALOG (MAINTENANCE)

| FIG ITEM | PART NUMBER | 1 2 3 4 5 6 7 | NOMENCLATURE | EFFECT FROM TO | UNITS PER ASSY |
|----------|--------------|---------------|---|----------------|----------------|
| 1 181 | 800-003147 | | .LIGHTPLATE ASSY-5V WHITE-ILLUMINATED INTEGRALLY-LIGHTED INSTR SOURCE SELECTOR SUPPLIER CODE: V05617 POSITION DATA: R SPECIFICATION NUMBER: S233T100-050 MISCELLANEOUS DATA: FOR VENDOR FSCM 05617 FOR SPARES ORDER THE 800-003147-1 ELECTRICAL EQUIP NUMBER: L00489 OPTIONAL PART: S233T100-050 V51896 800-003147-1 V05617 | | 1 |
| 181 | 800-003147-1 | | .LIGHTPLATE ASSY-5V WHITE-ILLUMINATED INTEGRALLY-LIGHTED INSTR SOURCE SELECTOR SUPPLIER CODE: V05617 SPECIFICATION NUMBER: S233T100-050 ELECTRICAL EQUIP NUMBER: L00489 OPTIONAL PART: S233T100-050 V51896 800-003147 V05617 | | 1 |

ILLUSTRATION ITEMS NOT ON PARTS LIST ARE NOT APPLICABLE

- ITEM NOT ILLUSTRATED

HXL

33-13-54-01

BOEING PROPRIETARY - Copyright © - Unpublished Work - See title page for details.

33-13-54
FIG. 01
PAGE 11
APR 22/08

BOEING
767
PARTS CATALOG (MAINTENANCE)

| FIG ITEM | PART NUMBER | 1 2 3 4 5 6 7 | NOMENCLATURE | EFFECT FROM TO | UNITS PER ASSY |
|-------------|--------------|---------------|--|-------------------|----------------------|
| 1 211 | 800-001038 | | .LIGHTPLATE ASSY-5V WHITE-ILLUMINATED INTEGRALLY-LIGHTED RESERVE BRAKE AND STEERING SUPPLIER CODE: V05617 SPECIFICATION NUMBER: S233T100-023 ELECTRICAL EQUIP NUMBER: L00609 OPTIONAL PART: S233T100-023 V51896 | | 1 |
| - 216 | FB7900-6A1 | | ..FASTENER-CAPTIVE SUPPLIER CODE: V17419 | | 2 |
| - 221 | NAS662-2-3 | | ..SCREW | | AR |
| - 226 | MS90451-6832 | | ..LAMP | | 4 |
| 231 | 800-002576 | | .LIGHTPLATE ASSY-5V WHITE-ILLUMINATED INTEGRALLY-LIGHTED CAUTION SUPPLIER CODE: V05617 SPECIFICATION NUMBER: S233T100-022 MISCELLANEOUS DATA: FOR VENDOR FSCM 05617 FOR SPARES ORDER THE 800-002576-1 ELECTRICAL EQUIP NUMBER: L00662 OPTIONAL PART: S233T100-022 V51896 800-002576-1 V05617 | | 1 |

ILLUSTRATION ITEMS NOT ON PARTS LIST ARE NOT APPLICABLE

- ITEM NOT ILLUSTRATED

HXL

33-13-54-01

BOEING PROPRIETARY - Copyright © - Unpublished Work - See title page for details.

33-13-54
FIG. 01
PAGE 12
APR 22/08



767

PARTS CATALOG (MAINTENANCE)

| FIG ITEM | PART NUMBER | 1 2 3 4 5 6 7 | NOMENCLATURE | EFFECT FROM TO | UNITS PER ASSY |
|----------|--------------|---------------|---|----------------|----------------|
| 1 231 | 800-002576-1 | . | LIGHTPLATE ASSY-5V WHITE-ILLUMINATED INTEGRALLY-LIGHTED CAUTION SUPPLIER CODE: V05617 SPECIFICATION NUMBER: S233T100-022 ELECTRICAL EQUIP NUMBER: L00662 OPTIONAL PART: S233T100-022 V51896 800-002576 V05617 | | 1 |
| - 236 | FB7900-6A1 | .. | FASTENER-CAPTIVE SUPPLIER CODE: V17419 | | 2 |
| - 241 | NAS662-2-3 | .. | SCREW | | AR |
| - 246 | MS90451-6832 | .. | LAMP | | 3 |
| 251 | 800-002557 | . | LIGHTPLATE ASSY-5V WHITE-ILLUMINATED INTEGRALLY-LIGHTED AUTO BRAKES SUPPLIER CODE: V05617 SPECIFICATION NUMBER: S233T100-5014 MISCELLANEOUS DATA: FOR VENDOR FSCM 05617 FOR SPARES ORDER THE 800-002557-1 ELECTRICAL EQUIP NUMBER: L00494 OPTIONAL PART: S233T100-5014 V51896 800-002557-1 V05617 | | 1 |

ILLUSTRATION ITEMS NOT ON PARTS LIST ARE NOT APPLICABLE

- ITEM NOT ILLUSTRATED

HXL

33-13-54-01

BOEING PROPRIETARY - Copyright © - Unpublished Work - See title page for details.

33-13-54
FIG. 01
PAGE 13
APR 22/08



767

PARTS CATALOG (MAINTENANCE)

| FIG ITEM | PART NUMBER | 1 2 3 4 5 6 7 | NOMENCLATURE | EFFECT FROM TO | UNITS PER ASSY |
|----------|--------------|---------------|--|----------------|----------------|
| 1 251 | 800-002557-1 | | .LIGHTPLATE ASSY-5V WHITE-ILLUMINATED INTEGRALLY-LIGHTED AUTO BRAKES SUPPLIER CODE: V05617 SPECIFICATION NUMBER: S233T100-5014 ELECTRICAL EQUIP NUMBER: L00494 OPTIONAL PART: S233T100-5014 V51896 800-002557 V05617 | | 1 |
| - 261 | S0050002 | | ..CONNECTOR-ELECTRICAL SUPPLIER CODE: V51896 | | 1 |
| - 266 | NAS662-2-3 | | ..SCREW | | 3 |
| - 271 | S0056832 | | ..LAMP ASSY- SUPPLIER CODE: V51896 | | 3 |
| - 276 | S0050001 | | ..FASTENER-CAPTIVE SUPPLIER CODE: V51896 | | 3 |
| 281 | 800-000449 | | .LIGHTPLATE ASSY-5V WHITE-ILLUMINATED INTEGRALLY-LIGHTED HDG REF SUPPLIER CODE: V05617 SPECIFICATION NUMBER: S233T100-033 ELECTRICAL EQUIP NUMBER: L00698 OPTIONAL PART: S233T100-033 V51896 | | 1 |
| - 291 | FB7900-6A1 | | ..FASTENER-CAPTIVE SUPPLIER CODE: V17419 | | 2 |
| - 296 | NAS662-2-3 | | ..SCREW | | AR |
| - 303 | MS90451-6832 | | ..LAMP | | 3 |

ILLUSTRATION ITEMS NOT ON PARTS LIST ARE NOT APPLICABLE

- ITEM NOT ILLUSTRATED

33-13-54-01

33-13-54
FIG. 01
PAGE 14
APR 22/08

HXL

 **BOEING**
767
PARTS CATALOG (MAINTENANCE)

| FIG ITEM | PART NUMBER | 1 2 3 4 5 6 7 | NOMENCLATURE | EFFECT FROM TO | UNITS PER ASSY |
|-------------|--------------|---------------|--|-------------------|----------------------|
| 1 353 | S233T100-061 | | .LIGHTPLATE ASSY-5V WHITE-ILLUMINATED INTEGRALLY-LIGHTED FLAP/LG SUPPLIER CODE: V51896 SPECIFICATION NUMBER: S233T100-061 OPTIONAL PART: 800-007881 V05617 | | 1 |
| 353 | 800-007881 | | .LIGHTPLATE ASSY-5V WHITE-ILLUMINATED INTEGRALLY-LIGHTED FLAP/LG SUPPLIER CODE: V05617 SPECIFICATION NUMBER: S233T100-061 OPTIONAL PART: S233T100-061 V51896 | | 1 |
| 354 | S233T100-048 | | .LIGHTPLATE ASSY-5V WHITE-ILLUMINATED INTEGRALLY-LIGHTED FLAP/LG SUPPLIER CODE: V51896 SPECIFICATION NUMBER: S233T100-048 OPTIONAL PART: 800-002856 V05617 | | 1 |
| 354 | 800-002856 | | .LIGHTPLATE ASSY-5V WHITE-ILLUMINATED INTEGRALLY-LIGHTED FLAP/LG SUPPLIER CODE: V05617 SPECIFICATION NUMBER: S233T100-048 OPTIONAL PART: S233T100-048 V51896 | | 1 |

ILLUSTRATION ITEMS NOT ON PARTS LIST ARE NOT APPLICABLE

- ITEM NOT ILLUSTRATED

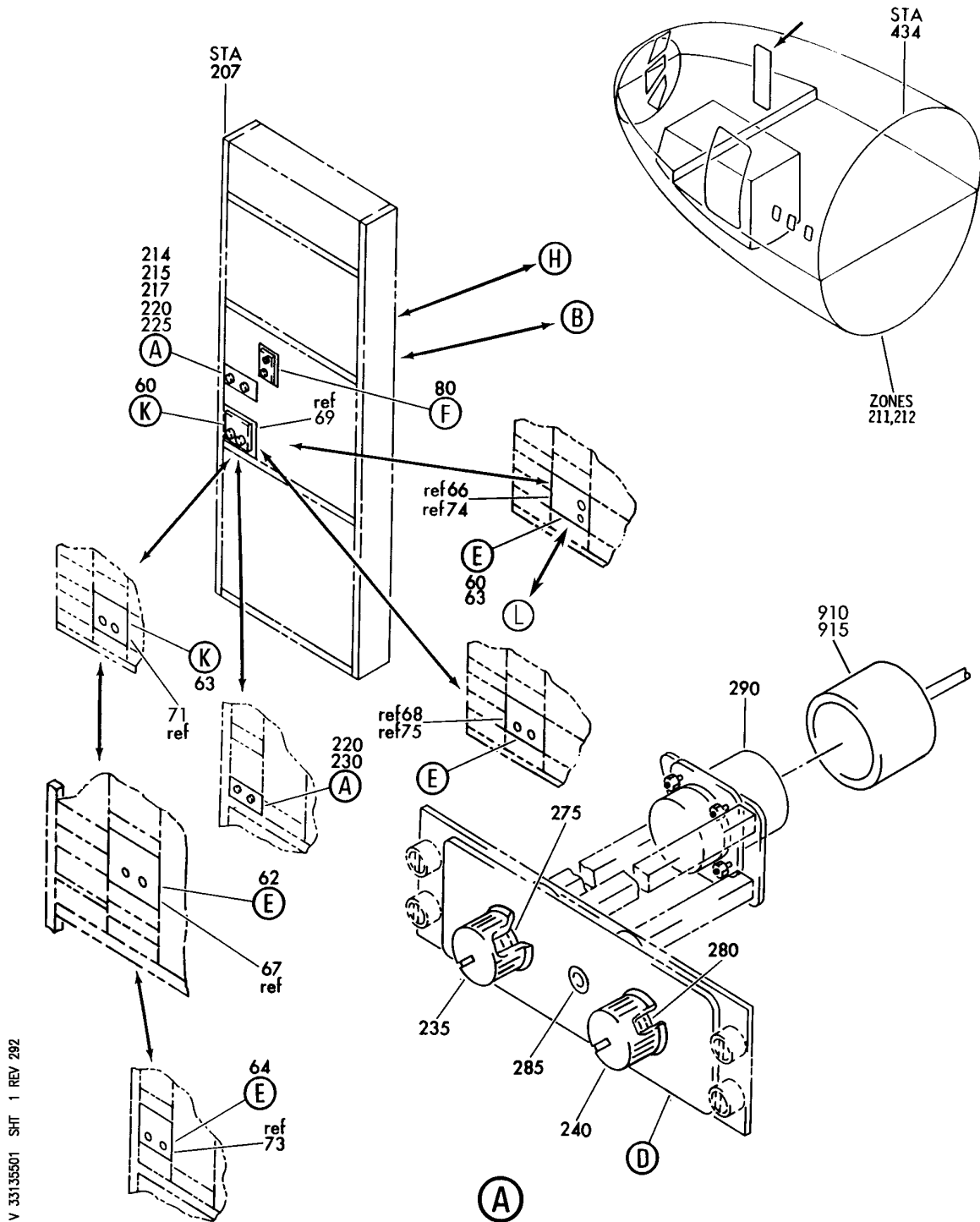
HXL

33-13-54-01

BOEING PROPRIETARY - Copyright © - Unpublished Work - See title page for details.

33-13-54
FIG. 01
PAGE 15
DEC 22/08

BOEING
767
PARTS CATALOG (MAINTENANCE)



V 33135501 SHT 1 REV 292

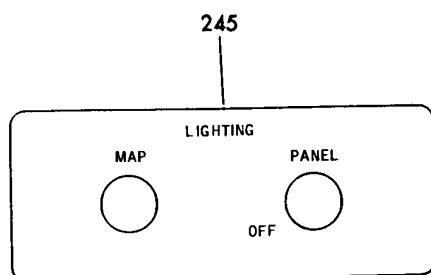
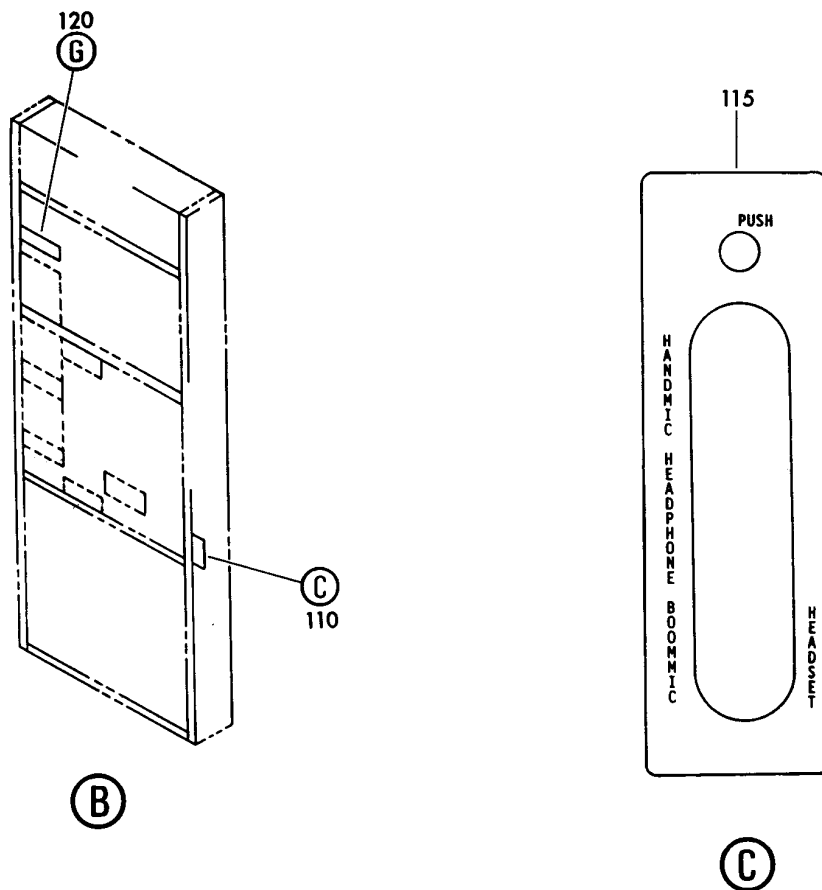
PANEL INSTL-R SIDE (INTEGRAL PANEL LIGHTS ONLY)
FIGURE 1 (SHEET 1)

33-13-55-01

HXL
DEC 22/06

33-13-55-01
PAGE 0

BOEING
767
PARTS CATALOG (MAINTENANCE)



(D)

V 33135501 SHT 2 REV 173

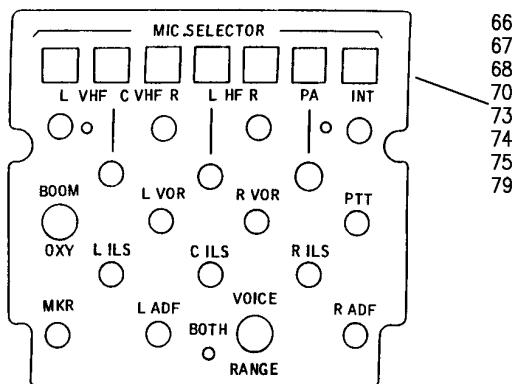
PANEL INSTL-R SIDE (INTEGRAL PANEL LIGHTS ONLY)
FIGURE 1 (SHEET 2)

33-13-55-01

HXL
DEC 22/06

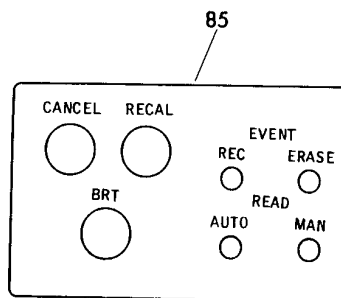
33-13-55-01
PAGE 0A

BOEING
767
PARTS CATALOG (MAINTENANCE)



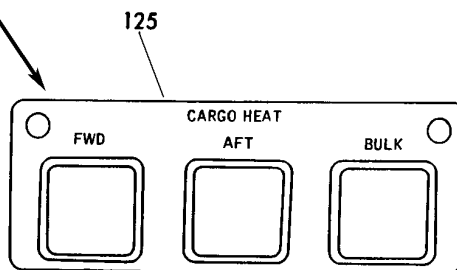
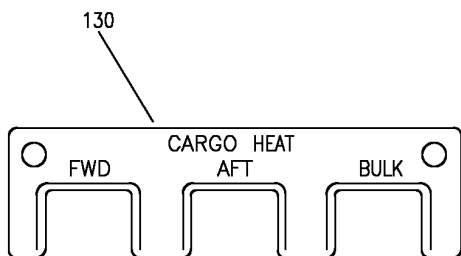
66
67
68
70
73
74
75
79

(E)



85

(F)



(G)

V 33135501 SH1 3 REV 332

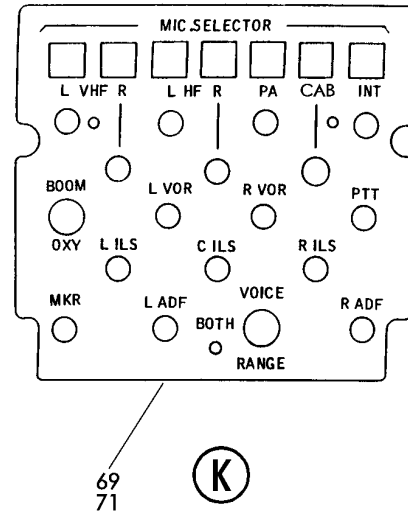
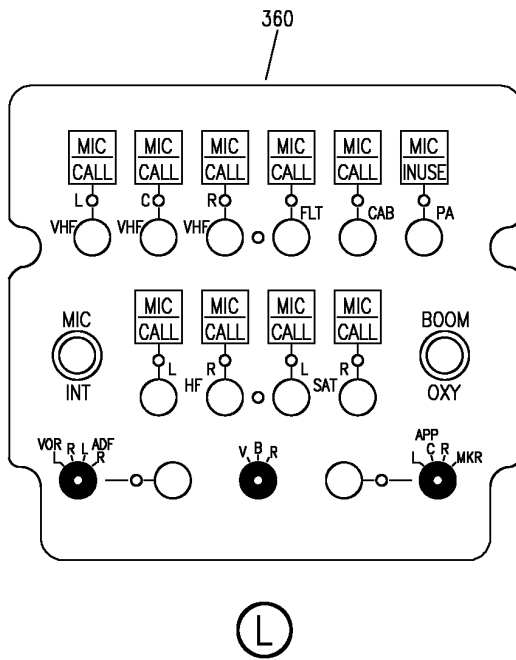
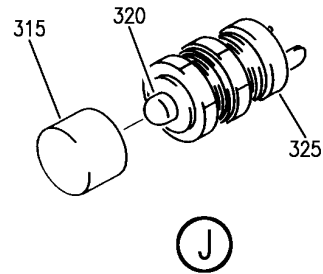
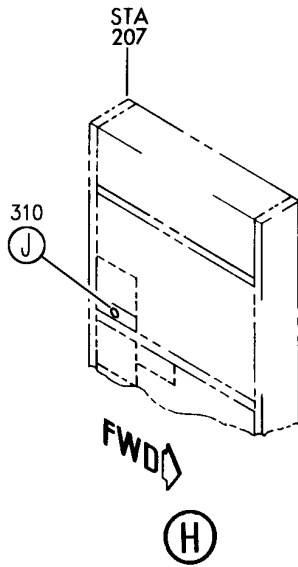
PANEL INSTL-R SIDE (INTEGRAL PANEL LIGHTS ONLY)
FIGURE 1 (SHEET 3)

33-13-55-01

HXL
DEC 22/08

33-13-55-01
PAGE 08

BOEING
767
PARTS CATALOG (MAINTENANCE)



V 33135501 SH 4 REV 320

PANEL INSTL-R SIDE (INTEGRAL PANEL LIGHTS ONLY)
FIGURE 1 (SHEET 4)

33-13-55-01

HXL
DEC 22/07

33-13-55-01
PAGE 0C



767

PARTS CATALOG (MAINTENANCE)

| FIG ITEM | PART NUMBER | 1 2 3 4 5 6 7 | NOMENCLATURE | EFFECT FROM TO | UNITS PER ASSY |
|----------|---------------|---------------|---|----------------|----------------|
| 1 | | | PANEL INSTL-R SIDE (INTEGRAL PANEL LIGHTS ONLY) | | |
| - 1 | 233T4100-1 | | PANEL INSTL- (INTEGRAL PANEL LIGHTS ONLY) POSITION DATA: R SIDE VARIABLE DRAWING REF: 233T4100-5048 FOR NHA/OTHER SYS DET SEE: 25-10-00-03 | | RF |
| 110 | 233T4100-150 | | .PANEL ASSY-INTPH JACK ELECTRICAL EQUIP NUMBER: M00133 OPTIONAL PART: 233T4222-300 V89954 | | RF |
| 110 | 233T4222-300 | | .PANEL ASSY-INTPH JACK SUPPLIER CODE: V89954 ELECTRICAL EQUIP NUMBER: M00133 OPTIONAL PART: 233T4100-150 | | RF |
| 115 | S233T100-2068 | | ..LIGHTPLATE- SUPPLIER CODE: V51896 SPECIFICATION NUMBER: S233T100-2068 OPTIONAL SUPPLIER CODE: 05617 98140 | | RF |
| 220 | 233T4100-146 | | .PANEL ASSY-LIGHTING CONT ELECTRICAL EQUIP NUMBER: M01129 OPTIONAL PART: 233T4244-303 V89954 | | RF |

R
R
R
R
R
R

ILLUSTRATION ITEMS NOT ON PARTS LIST ARE NOT APPLICABLE

- ITEM NOT ILLUSTRATED

33-13-55-01

33-13-55
FIG. 01
PAGE 1
AUG 22/09

HXL



767

PARTS CATALOG (MAINTENANCE)

| FIG ITEM | PART NUMBER | 1 2 3 4 5 6 7 | NOMENCLATURE | EFFECT FROM TO | UNITS PER ASSY |
|----------|--------------|---------------|--|----------------|----------------|
| 1 220 | 233T4244-303 | | .PANEL ASSY-LIGHTING CONT SUPPLIER CODE: V89954 MISCELLANEOUS DATA: (233T4244-303 PANEL ASSY IS I/W 233T4244-1 PANEL ASSY T/W S233T100-2064 LIGHTPLATE AND GP425-102 KNOB, AND RD241-119 KNOB) ELECTRICAL EQUIP NUMBER: M01129 COMPONENT MAINT MANUAL REF: 33-11-13 OPTIONAL PART: 233T4100-146 | | RF |
| 235 | GP425-102 | | ..KNOB- SUPPLIER CODE: V81590 | | 1 |
| 240 | RD241-102 | | ..KNOB- SUPPLIER CODE: V81590 OPTIONAL PART: RD241-119 V15084 | | 1 |
| 240 | RD241-119 | | ..KNOB- SUPPLIER CODE: V81590 OPTIONAL PART: RD241-102 V15084 | | 1 |
| 245 | 800-001026 | | ..LIGHTPLATE ASSY-5V WHITE-ILLUMINATED INTEGRALLY-LIGHTED SUPPLIER CODE: V05617 SPECIFICATION NUMBER: S233T100-2064 MISCELLANEOUS DATA: FOR VENDOR FSCM 05617 FOR SPARES ORDER THE 800-001026-1 OPTIONAL PART: S233T100-2064 V51896 800-001026-1 V05617 | | 1 |

ILLUSTRATION ITEMS NOT ON PARTS LIST ARE NOT APPLICABLE

- ITEM NOT ILLUSTRATED

HXL

33-13-55-01

BOEING PROPRIETARY - Copyright © - Unpublished Work - See title page for details.

33-13-55
FIG. 01
PAGE 2
APR 22/08



767

PARTS CATALOG (MAINTENANCE)

| FIG ITEM | PART NUMBER | 1 2 3 4 5 6 7 | NOMENCLATURE | EFFECT FROM TO | UNITS PER ASSY |
|----------|-----------------|---------------|--|----------------|----------------|
| 1 245 | 800-001026-1 | .. | LIGHTPLATE ASSY-5V WHITE-ILLUMINATED INTEGRALLY-LIGHTED SUPPLIER CODE: V05617 SPECIFICATION NUMBER: S233T100-2064 OPTIONAL PART: S233T100-2064 V51896 800-001026 V05617 | | 1 |
| - 250 | S0050002 | ... | CONNECTOR-ELECTRICAL SUPPLIER CODE: V51896 | | 1 |
| - 255 | NAS662-2-3 | ... | SCREW | | 4 |
| - 260 | S0056832 | ... | LAMP ASSY- SUPPLIER CODE: V51896 | | 5 |
| - 265 | S0050001 | ... | FASTENER-CAPTIVE SUPPLIER CODE: V51896 | | 2 |
| - 270 | 233T4244-1 | .. | PANEL ASSY- SUPPLIER CODE: V89954 MISCELLANEOUS DATA: (233T4244-303 PANEL ASSY IS I/W 233T4244-1 PANEL ASSY T/W S233T100-2064 LIGHTPLATE AND GP425-102 KNOB, AND RD241-119 KNOB) ELECTRICAL EQUIP NUMBER: M01129 COMPONENT MAINT MANUAL REF: 33-11-13 | | 1 |
| 275 | 26405 | ... | RHEOSTAT- SUPPLIER CODE: V95266 | | 1 |
| 280 | WA03923A | ... | RHEOSTAT- SUPPLIER CODE: V34263 | | 1 |
| 285 | 800000121-1 | ... | CONNECTOR- SUPPLIER CODE: V05617 | | 1 |
| 290 | BACC45FN12-12P9 | ... | CONNECTOR ATTACHING PARTS | | 1 |
| - 295 | NAS1801-04-5 | ... | SCREW | | 2 |

ILLUSTRATION ITEMS NOT ON PARTS LIST ARE NOT APPLICABLE

- ITEM NOT ILLUSTRATED

33-13-55-01

33-13-55
FIG. 01
PAGE 3
APR 22/08

HXL

BOEING PROPRIETARY - Copyright © - Unpublished Work - See title page for details.



767

PARTS CATALOG (MAINTENANCE)

| FIG ITEM | PART NUMBER | 1 2 3 4 5 6 7 | NOMENCLATURE | EFFECT FROM TO | UNITS PER ASSY |
|------------|-----------------|---------------|---|----------------|----------------|
| 1 - 300 | K19798-04 | | ...NUT SUPPLIER CODE: V15653 SPECIFICATION NUMBER: BACN10NW1 OPTIONAL PART: RMA4812-160-40 V72962 293162 V60119 -----*----- | | 2 |
| - 900 | 286T0066-300 | | WIRE BUNDLE ASSY-(INTEGRAL PANEL LIGHTS ONLY) | | RF |
| 910 | BACC45FT12A12S9 | | .CONNECTOR- ELECTRICAL EQUIP NUMBER: D10396 WIRING DIAGRAM REF: 331321 | | 1 |

ILLUSTRATION ITEMS NOT ON PARTS LIST ARE NOT APPLICABLE

- ITEM NOT ILLUSTRATED

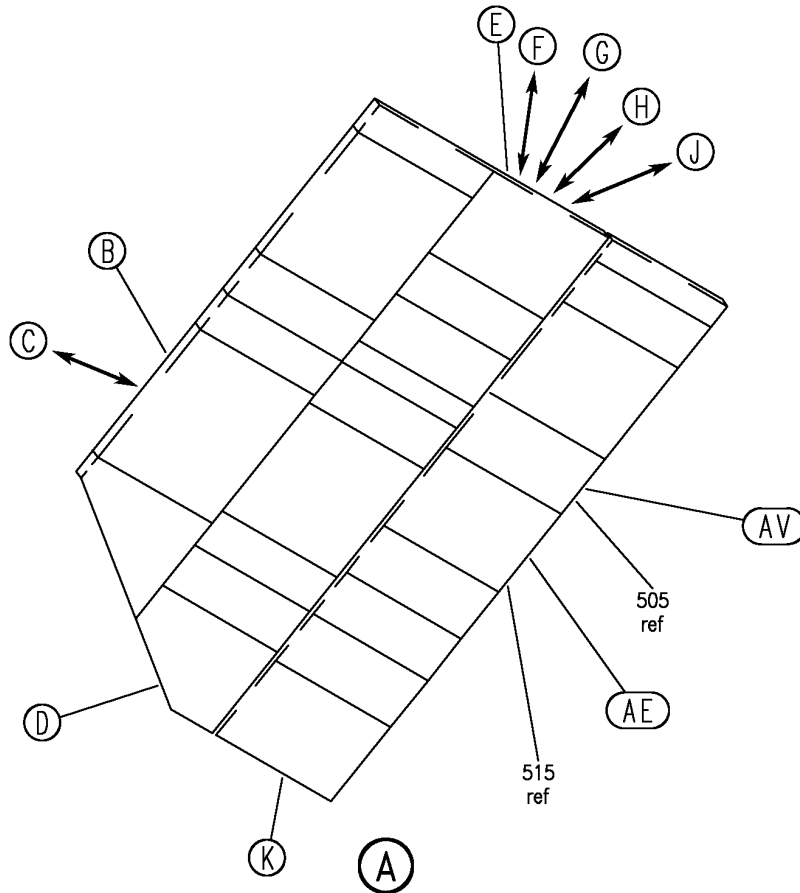
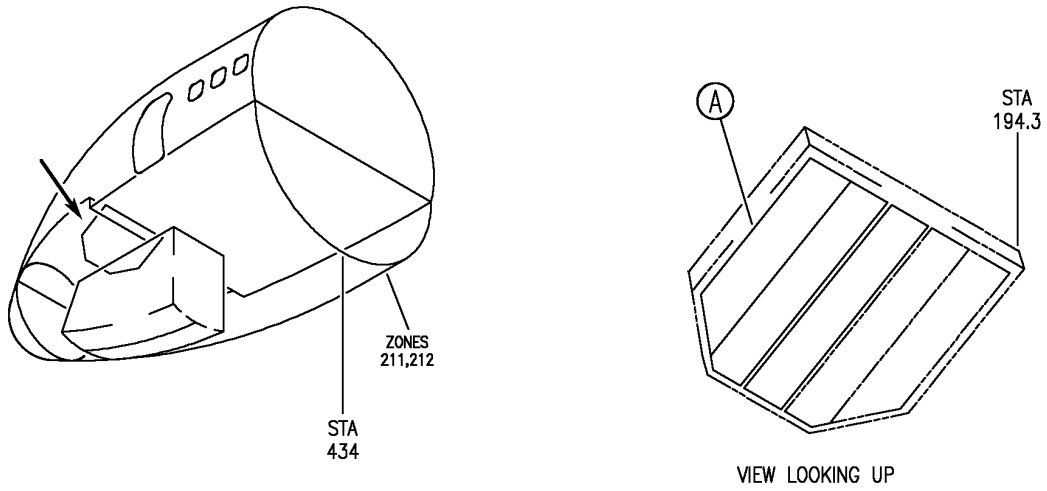
HXL

33-13-55-01

BOEING PROPRIETARY - Copyright © - Unpublished Work - See title page for details.

33-13-55
FIG. 01
PAGE 4
APR 22/08

BOEING
767
PARTS CATALOG (MAINTENANCE)



V 33135603 SH1 1 REV 330

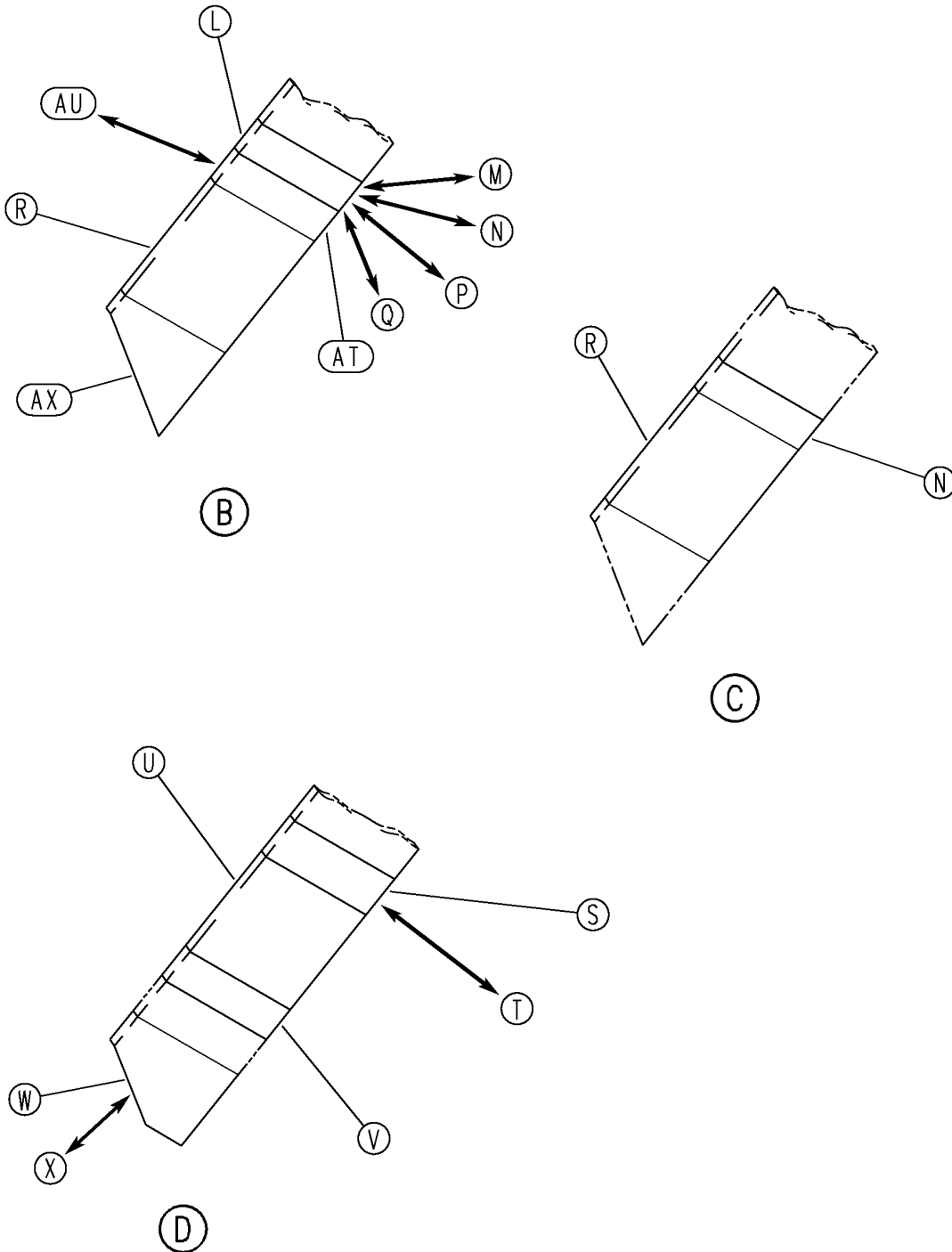
PANEL INSTL-OVHD (INTEGRAL PANEL LIGHTS ONLY)
FIGURE 3 (SHEET 1)

33-13-56-03

HXL
AUG 22/08

33-13-56-03
PAGE 0

BOEING
767
PARTS CATALOG (MAINTENANCE)



V 33135603 SHT 2 REV 318

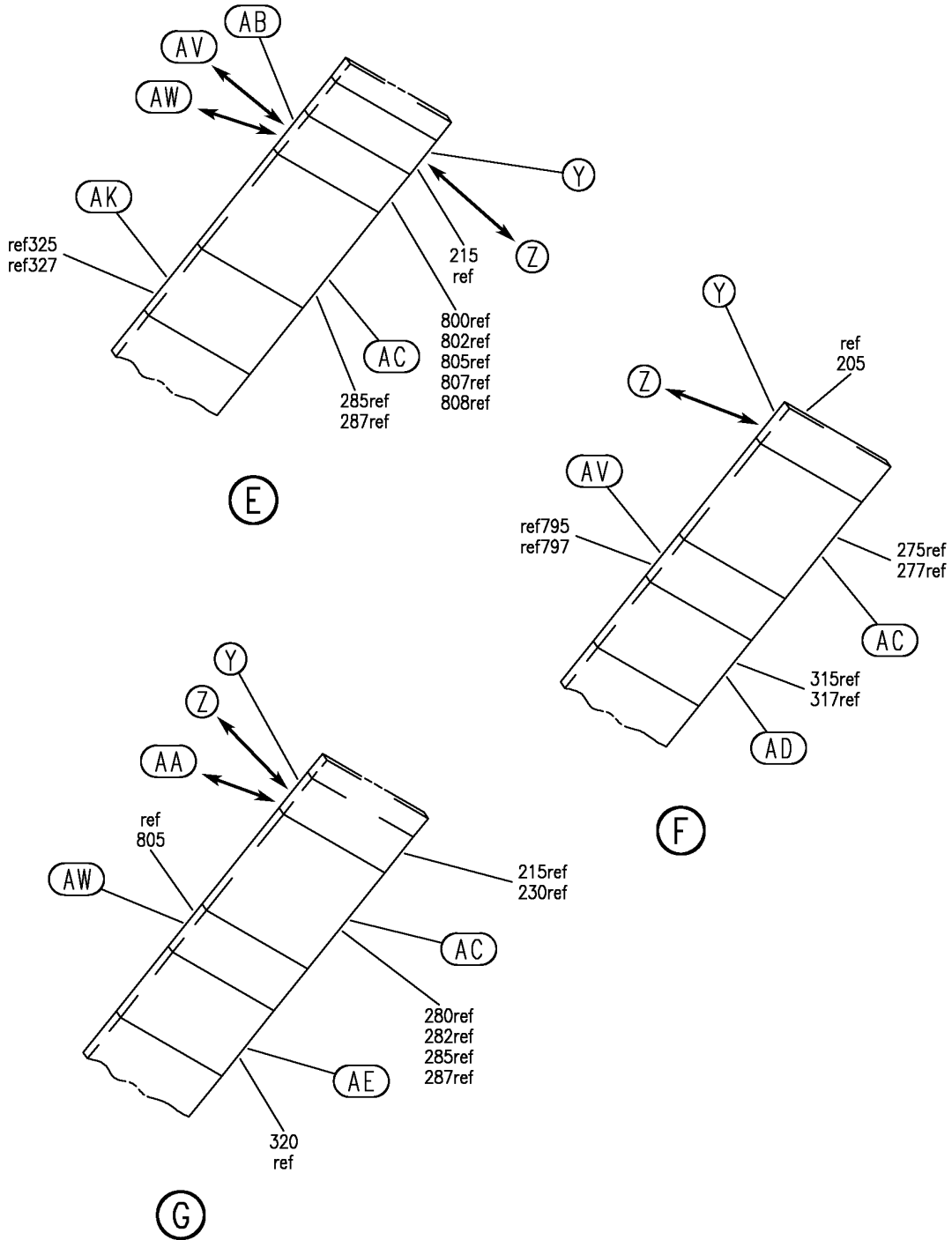
PANEL INSTL-OVHD (INTEGRAL PANEL LIGHTS ONLY)
FIGURE 3 (SHEET 2)

33-13-56-03

HXL
AUG 22/07

33-13-56-03
PAGE 0A

BOEING
767
PARTS CATALOG (MAINTENANCE)



V 33135603 SH1 3 REV 330

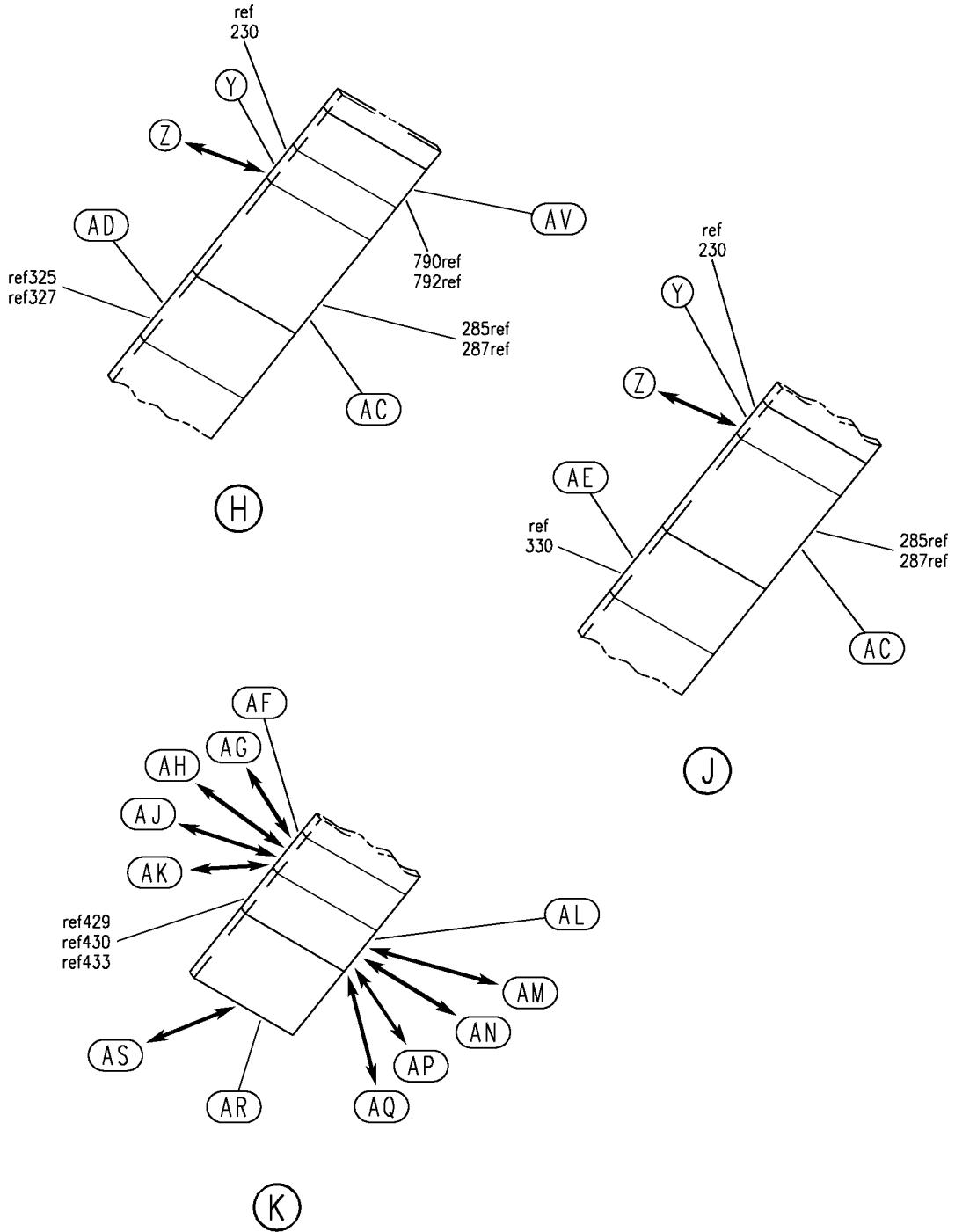
PANEL INSTL-OVHD (INTEGRAL PANEL LIGHTS ONLY)
FIGURE 3 (SHEET 3)

33-13-56-03

HXL
AUG 22/08

33-13-56-03
PAGE 0B

BOEING
767
PARTS CATALOG (MAINTENANCE)



V 33135603 SH 4 REV 318

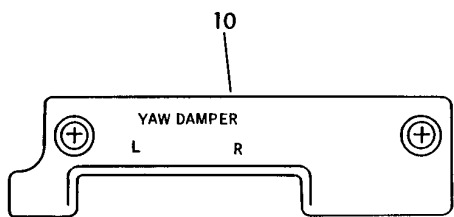
PANEL INSTL-OVHD (INTEGRAL PANEL LIGHTS ONLY)
FIGURE 3 (SHEET 4)

33-13-56-03

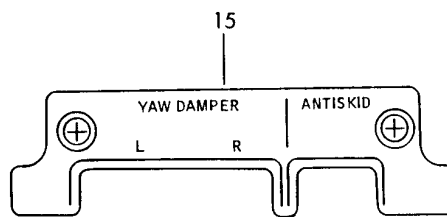
HXL
AUG 22/07

33-13-56-03
PAGE 0C

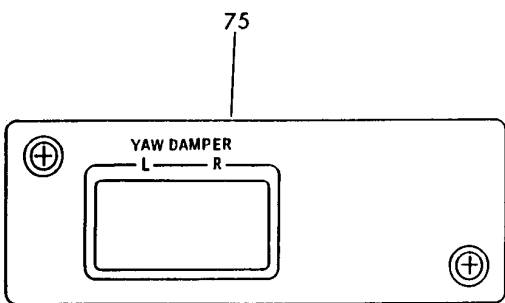
BOEING
767
PARTS CATALOG (MAINTENANCE)



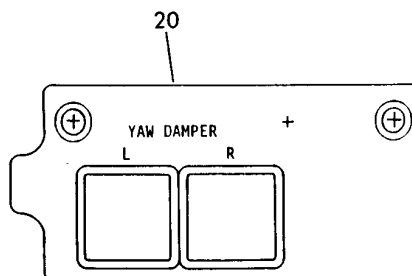
(L)



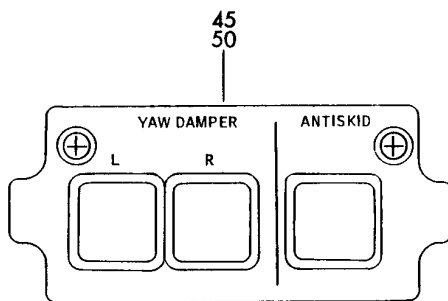
(M)



(Q)



(N)



(P)

V 33135603 SHIT 5 REV 318

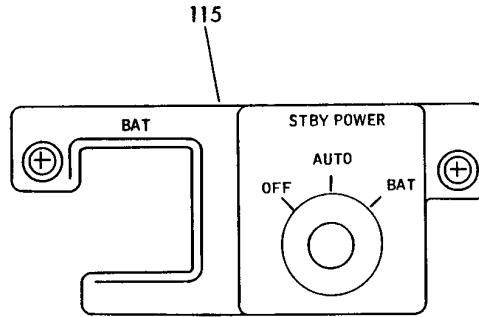
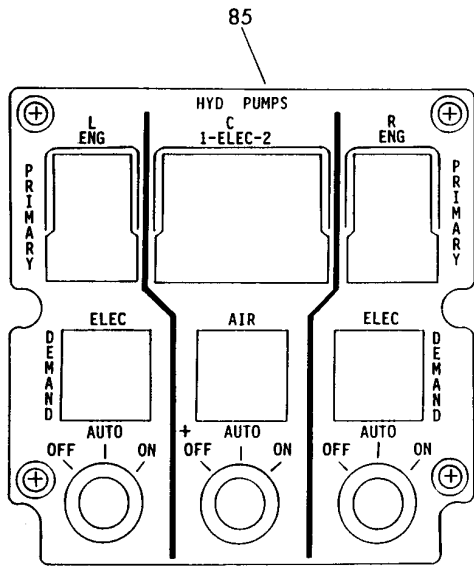
PANEL INSTL-OVHD (INTEGRAL PANEL LIGHTS ONLY)
FIGURE 3 (SHEET 5)

33-13-56-03

HXL
AUG 22/07

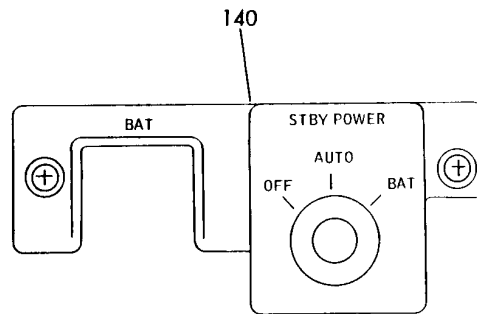
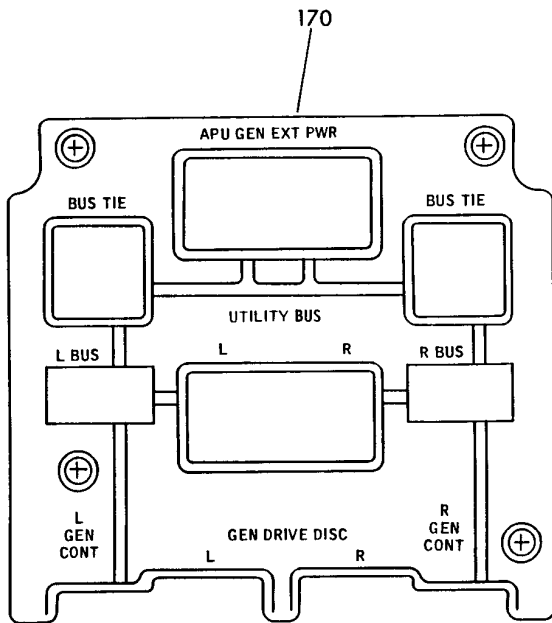
33-13-56-03
PAGE 0D

BOEING
767
PARTS CATALOG (MAINTENANCE)



(R)

(S)



(U)

(T)

V 33135603 SH1 6 REV 318

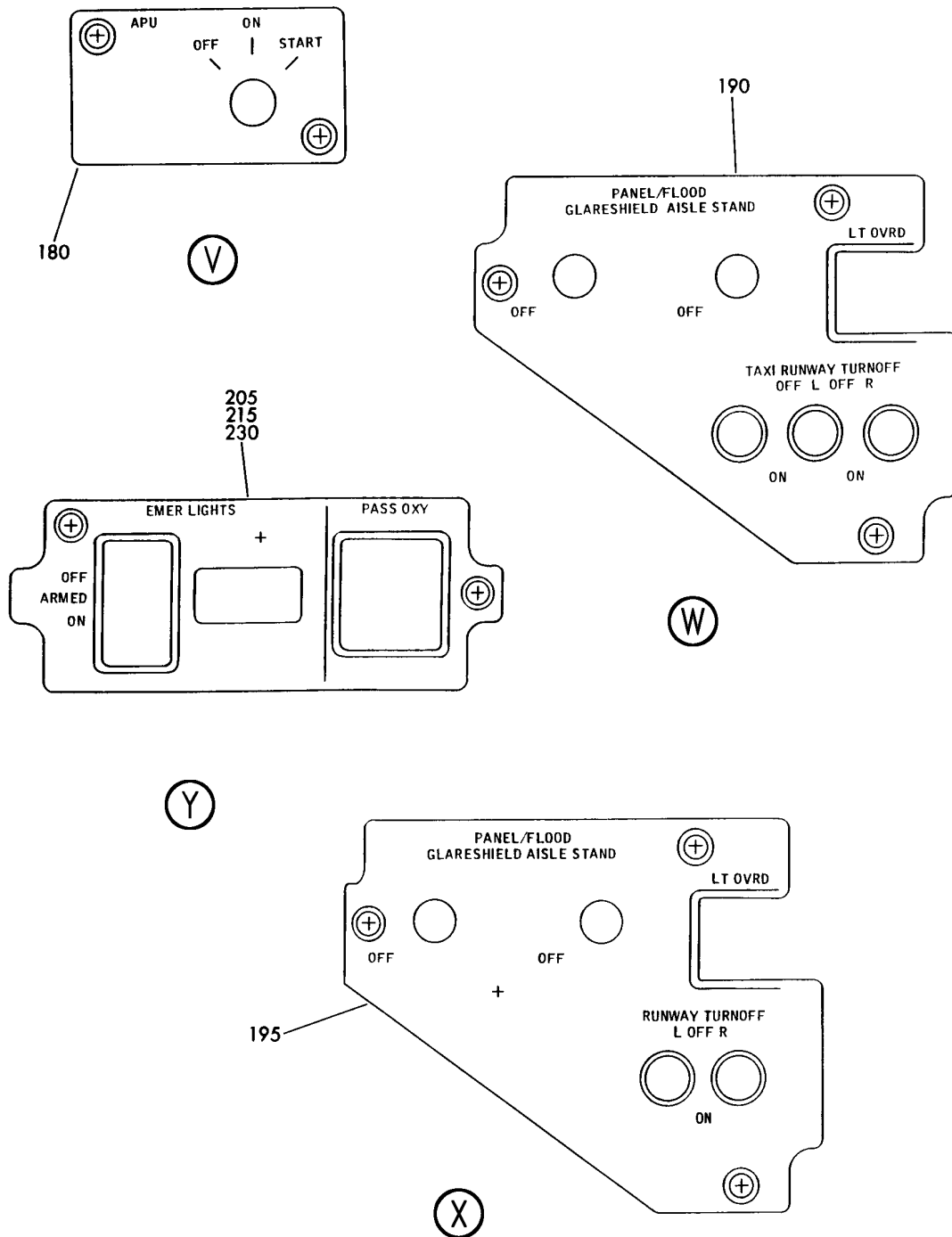
PANEL INSTL-OVHD (INTEGRAL PANEL LIGHTS ONLY)
FIGURE 3 (SHEET 6)

33-13-56-03

HXL
AUG 22/07

33-13-56-03
PAGE 0E

BOEING
767
PARTS CATALOG (MAINTENANCE)



V 33135603 SH1 7 REV 318

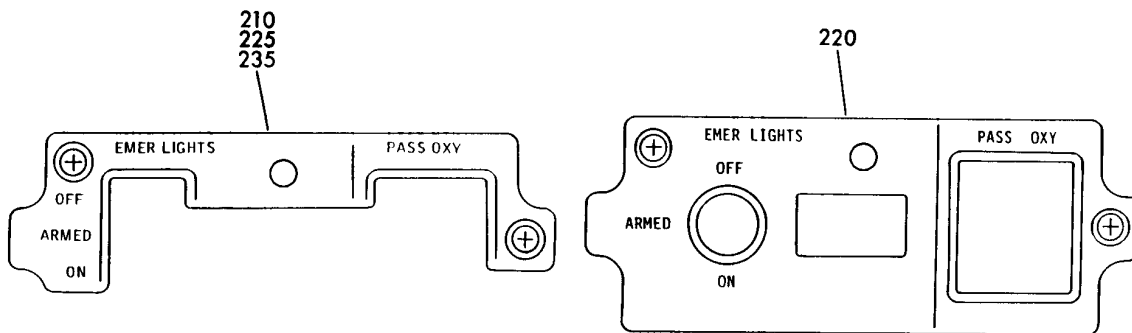
PANEL INSTL-OVHD (INTEGRAL PANEL LIGHTS ONLY)
FIGURE 3 (SHEET 7)

33-13-56-03

HXL
AUG 22/07

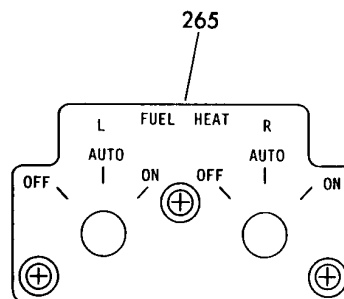
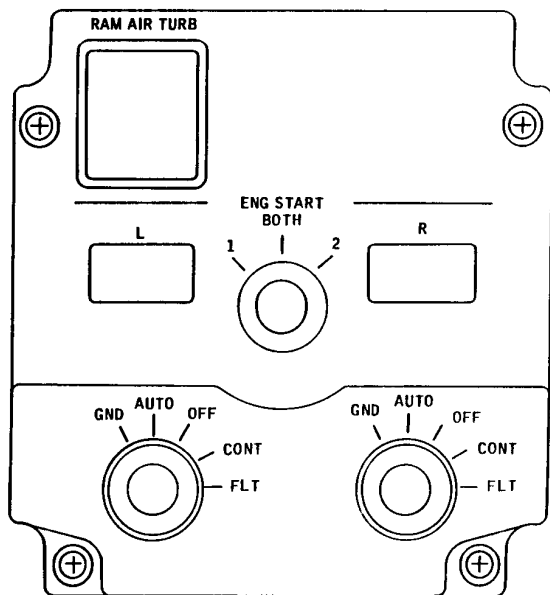
33-13-56-03
PAGE OF

BOEING
767
PARTS CATALOG (MAINTENANCE)



(Z)

(AA)



(AB)

(AC)

275
277
280
282
285
287

V 33135603 SH1 8 REV 318

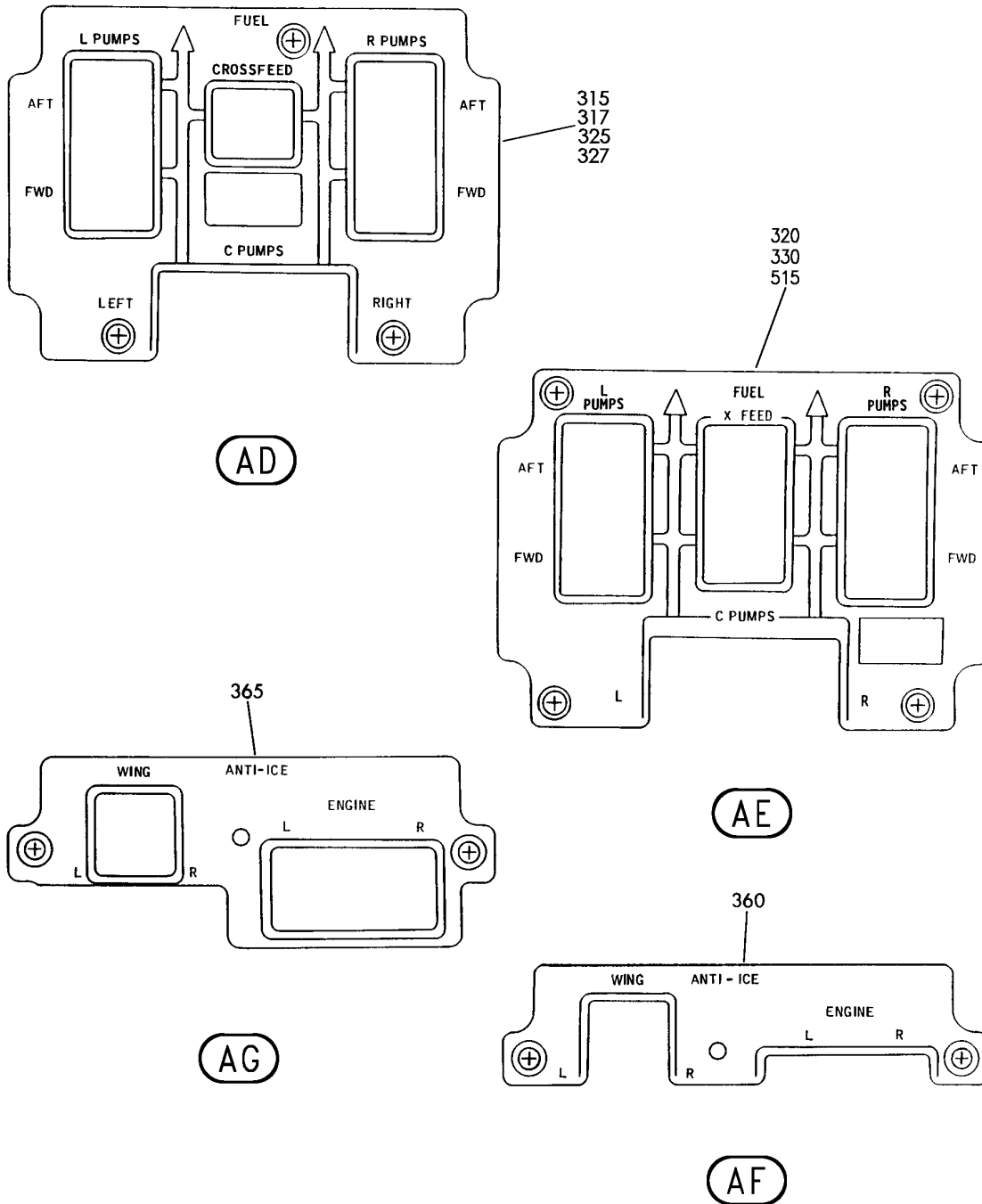
PANEL INSTL-OVHD (INTEGRAL PANEL LIGHTS ONLY)
FIGURE 3 (SHEET 8)

33-13-56-03

HXL
AUG 22/07

33-13-56-03
PAGE 06

BOEING
767
PARTS CATALOG (MAINTENANCE)



V 33135603 SH1 9 REV 330

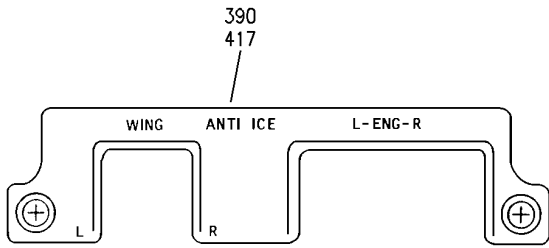
PANEL INSTL-OVHD (INTEGRAL PANEL LIGHTS ONLY)
FIGURE 3 (SHEET 9)

33-13-56-03

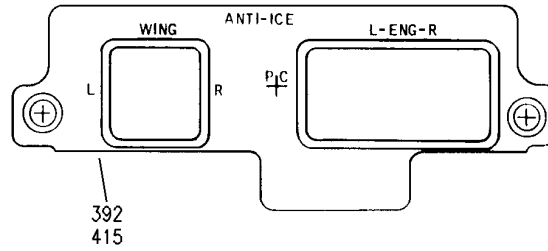
HXL
AUG 22/08

33-13-56-03
PAGE 0H

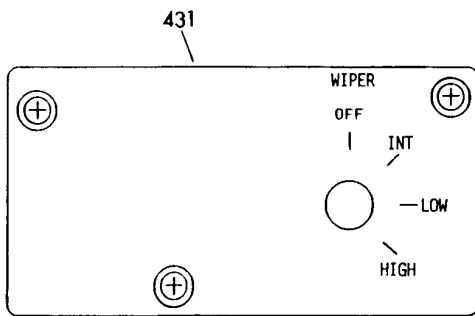
BOEING
767
PARTS CATALOG (MAINTENANCE)



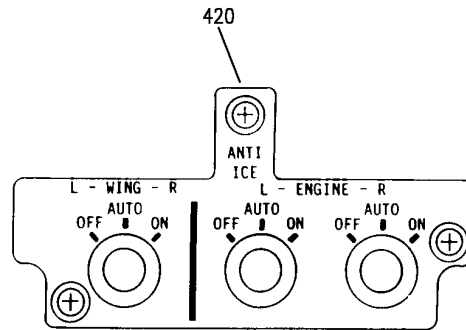
AH



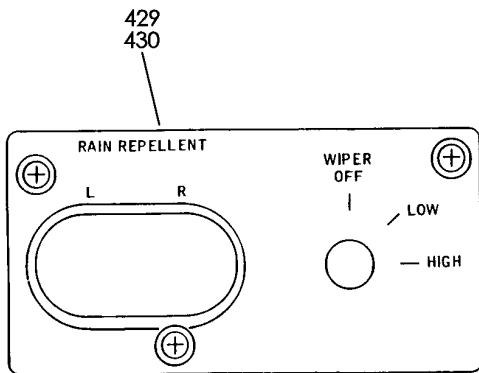
AJ



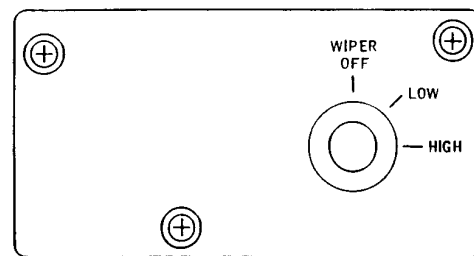
AN



AK



AM



AL

428

V 33135603 SHT 10 REV 318

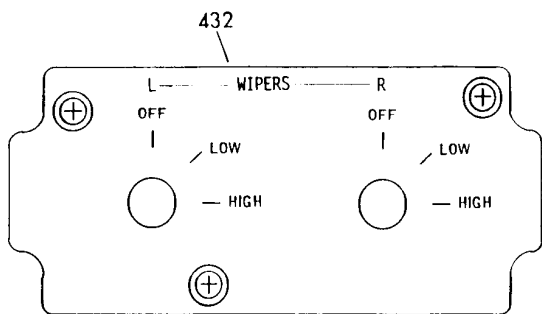
PANEL INSTL-OVHD (INTEGRAL PANEL LIGHTS ONLY)
FIGURE 3 (SHEET 10)

33-13-56-03

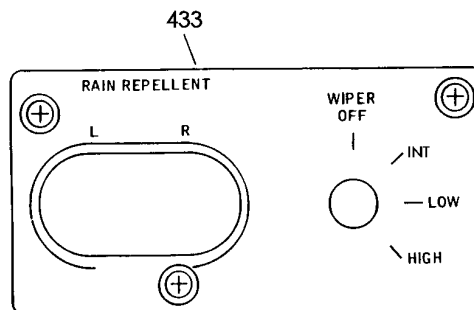
HXL
AUG 22/07

33-13-56-03
PAGE 01

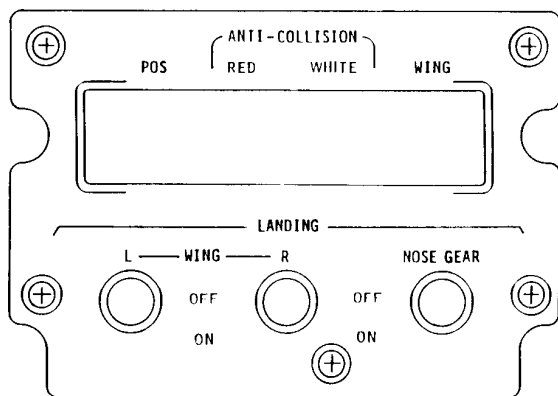
BOEING
767
PARTS CATALOG (MAINTENANCE)



AP

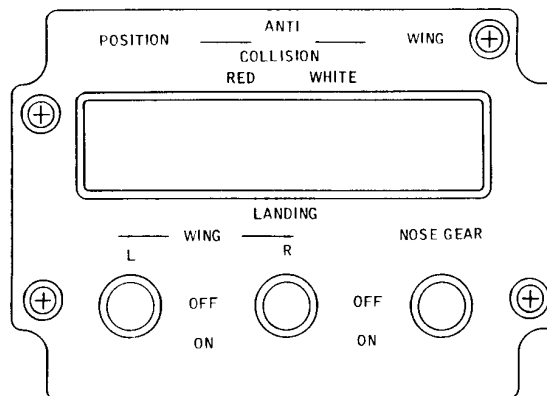


AQ



473

AS



470

AR

V 33135603 SHT 11 REV 318

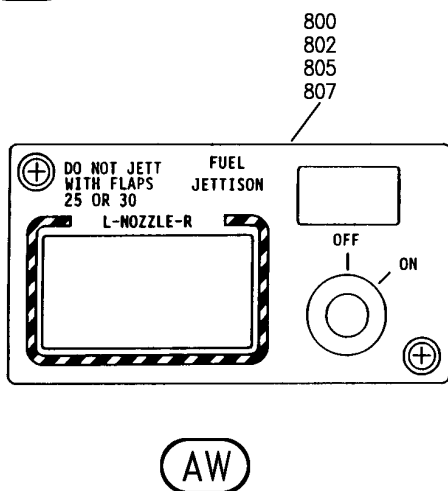
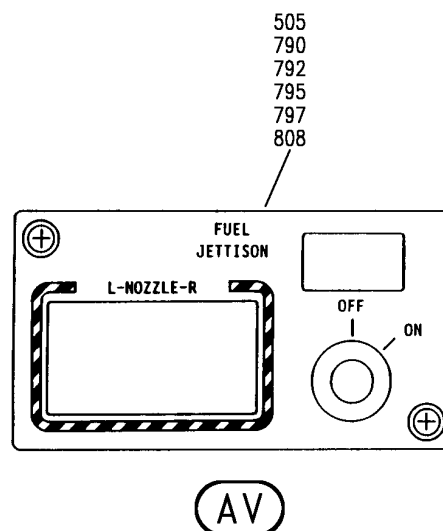
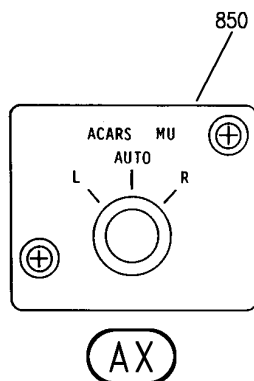
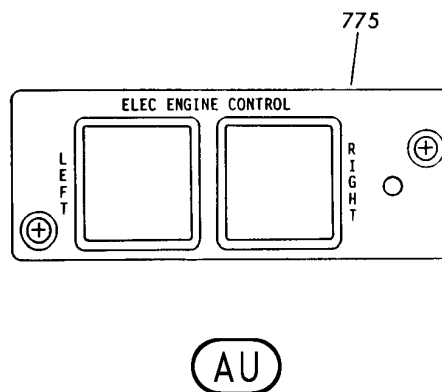
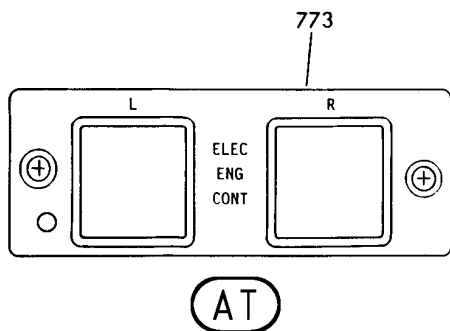
PANEL INSTL-OVHD (INTEGRAL PANEL LIGHTS ONLY)
FIGURE 3 (SHEET 11)

33-13-56-03

HXL
AUG 22/07

33-13-56-03
PAGE 0J

BOEING
767
PARTS CATALOG (MAINTENANCE)



V 33135603 SH1 12 REV 330

PANEL INSTL-OVHD (INTEGRAL PANEL LIGHTS ONLY)
FIGURE 3 (SHEET 12)

33-13-56-03

HXL
AUG 22/08

33-13-56-03
PAGE OK



767

PARTS CATALOG (MAINTENANCE)

| FIG ITEM | PART NUMBER | 1 2 3 4 5 6 7 | NOMENCLATURE | EFFECT FROM TO | UNITS PER ASSY |
|----------|---------------|---------------|---|----------------|----------------|
| 3 | | | PANEL INSTL-OVHD (INTEGRAL PANEL LIGHTS ONLY) | | |
| - 1 | 233T3100-1 | | PANEL INSTL-OVHD (INTEGRAL PANEL LIGHTS ONLY) VARIABLE DRAWING REF: 233T3100-5048 FOR NHA/OTHER SYS DET SEE: 25-10-00-03 | | RF |
| - 5 | 233T3100-72 | | .PANEL ASSY-YAW DAMPER ELECTRICAL EQUIP NUMBER: M10250 | | RF |
| - 5 | 233T3100-140 | | .PANEL ASSY-YAW DAMPER ELECTRICAL EQUIP NUMBER: M10250 | | RF |
| - 5 | 233T3100-174 | | .PANEL ASSY-YAW DAMPER ELECTRICAL EQUIP NUMBER: M10250 | | RF |
| - 5 | 233T3100-280 | | .PANEL ASSY-YAW DAMPER ELECTRICAL EQUIP NUMBER: M10250 | | RF |
| - 5 | 233T3100-309 | | .PANEL ASSY-YAW DAMPER ELECTRICAL EQUIP NUMBER: M10250 | | RF |
| - 5 | 233N3216-1300 | | .PANEL ASSY-YAW DAMPER SUPPLIER CODE: V89954 ELECTRICAL EQUIP NUMBER: M10250 POST ALERT SB: 33A0087R1 POST COMPONENT SB: 233N3216-22-01R1 | | RF |

ILLUSTRATION ITEMS NOT ON PARTS LIST ARE NOT APPLICABLE

- ITEM NOT ILLUSTRATED

HXL

33-13-56-03

BOEING PROPRIETARY - Copyright © - Unpublished Work - See title page for details.

33-13-56
FIG. 03
PAGE 1
APR 22/09



767

PARTS CATALOG (MAINTENANCE)

| FIG ITEM | PART NUMBER | 1 2 3 4 5 6 7 | NOMENCLATURE | EFFECT FROM TO | UNITS PER ASSY |
|----------|---------------|---------------|--|----------------|----------------|
| 3 | | | | | |
| 10 | S233T100-6019 | | ..LIGHTPLATE ASSY-5V WHITE-ILLUMINATED INTEGRALLY-LIGHTED SUPPLIER CODE: V51896 SPECIFICATION NUMBER: S233T100-6019 OPTIONAL SUPPLIER CODE: 05617 98140 USED ON: 233T3100-72 233N3216-1308 | | 1 |
| 20 | 800-002799 | | ..LIGHTPLATE ASSY-5V WHITE-ILLUMINATED INTEGRALLY-LIGHTED SUPPLIER CODE: V05617 SPECIFICATION NUMBER: S233T100-1075 OPTIONAL PART: S233T100-1075 V51896 800-002799-1 V05617 USED ON: 233T3100-140 233T3100-174 233T3100-280 233T3100-309 233N3216-1300 233N3216-1306 233N3216-1307 233N3216-1311 | | 1 |

ILLUSTRATION ITEMS NOT ON PARTS LIST ARE NOT APPLICABLE

- ITEM NOT ILLUSTRATED

HXL

33-13-56-03

BOEING PROPRIETARY - Copyright © - Unpublished Work - See title page for details.

33-13-56
 FIG. 03
 PAGE 2
 APR 22/09



767

PARTS CATALOG (MAINTENANCE)

| FIG ITEM | PART NUMBER | 1 2 3 4 5 6 7 | NOMENCLATURE | EFFECT FROM TO | UNITS PER ASSY |
|----------|--------------|---------------|--|----------------|----------------|
| 3 20 | 800-002799-1 | | ..LIGHTPLATE ASSY-5V WHITE-ILLUMINATED INTEGRALLY-LIGHTED SUPPLIER CODE: V05617 SPECIFICATION NUMBER: S233T100-1075 OPTIONAL PART: S233T100-1075 V51896 800-002799 V05617 USED ON: 233T3100-140 233T3100-174 233T3100-280 233T3100-309 233N3216-1300 233N3216-1306 233N3216-1307 233N3216-1311 | | 1 |
| - 80 | 233T3100-372 | | .PANEL ASSY-HYDR SYS CONT ELECTRICAL EQUIP NUMBER: M00010 | | RF |
| - 81 | 233T3234-305 | | .PANEL ASSY-HYDR SYS CONT SUPPLIER CODE: V89954 MISCELLANEOUS DATA: THE 233T3234-305 PANEL ASSY IS I/W THE 233T3234-33 PANEL ASSY T/W THE S233T100-1066 LIGHTPLATE AND (3) BP248-127 KNOBS. ELECTRICAL EQUIP NUMBER: M00010 COMPONENT MAINT MANUAL REF: 29-11-53 | | RF |

ILLUSTRATION ITEMS NOT ON PARTS LIST ARE NOT APPLICABLE

- ITEM NOT ILLUSTRATED

HXL

33-13-56-03

BOEING PROPRIETARY - Copyright © - Unpublished Work - See title page for details.

33-13-56
 FIG. 03
 PAGE 3
 APR 22/09



767

PARTS CATALOG (MAINTENANCE)

| FIG ITEM | PART NUMBER | 1 2 3 4 5 6 7 | NOMENCLATURE | EFFECT FROM TO | UNITS PER ASSY |
|----------|-----------------|---------------|---|----------------|----------------|
| 3 | | | | | |
| - 81 | 233T3234-300 | | .PANEL ASSY-HYDR SYS CONT SUPPLIER CODE: V89954 MISCELLANEOUS DATA: THE 233T3234-300 PANEL ASSY IS I/W THE 233T3234-31 PANEL ASSY T/W THE S233T100-1066 LIGHTPLATE AND (3) BP248-127 KNOBS. ELECTRICAL EQUIP NUMBER: M00010 COMPONENT MAINT MANUAL REF: 29-11-53 | | RF |
| | 85 800-000926 | | ..LIGHTPLATE ASSY-5V WHITE-ILLUMINATED INTEGRALLY-LIGHTED SUPPLIER CODE: V05617 SPECIFICATION NUMBER: S233T100-1066 MISCELLANEOUS DATA: FOR VENDOR FSCM 05617 FOR SPARES ORDER THE 800-000926-1 OPTIONAL PART: S233T100-1066 V51896 800-000926-1 V05617 | | 1 |
| | 85 800-000926-1 | | ..LIGHTPLATE ASSY-5V WHITE-ILLUMINATED INTEGRALLY-LIGHTED SUPPLIER CODE: V05617 SPECIFICATION NUMBER: S233T100-1066 OPTIONAL PART: S233T100-1066 V51896 800-000926 V05617 | | 1 |
| - 90 | S0050002 | | ...CONNECTOR-ELECTRICAL SUPPLIER CODE: V51896 | | 1 |
| - 95 | NAS662-2-3 | | ...SCREW | | 6 |
| - 100 | S0056832 | | ...LAMP ASSY- SUPPLIER CODE: V51896 | | 14 |

ILLUSTRATION ITEMS NOT ON PARTS LIST ARE NOT APPLICABLE

- ITEM NOT ILLUSTRATED

33-13-56-03

33-13-56
FIG. 03
PAGE 4
APR 22/09

HXL



767

PARTS CATALOG (MAINTENANCE)

| FIG ITEM | PART NUMBER | 1 2 3 4 5 6 7 | NOMENCLATURE | EFFECT FROM TO | UNITS PER ASSY |
|----------|---------------|---------------|--|----------------|----------------|
| 3 | | | | | |
| - 105 | S0050001 | | ... FASTENER-CAPTIVE SUPPLIER CODE: V51896 | | 4 |
| - 110 | 233T3100-273 | | . PANEL ASSY-BATTERY/STBY PWR ELECTRICAL EQUIP NUMBER: M10062 PRE ALERT SB: 33A0087 PRE COMPONENT SB: 233N3211-24-02 | | RF |
| - 110 | 233N3211-1302 | | . PANEL ASSY-BATTERY/STBY PWR SUPPLIER CODE: V89954 ELECTRICAL EQUIP NUMBER: M10062 COMPONENT MAINT MANUAL REF: 24-33-72 POST ALERT SB: 33A0087R1 POST COMPONENT SB: 233N3211-24-02R1 | | RF |
| 115 | 800-000994-1 | | .. LIGHTPLATE ASSY-5V WHITE-ILLUMINATED INTEGRALLY-LIGHTED SUPPLIER CODE: V05617 SPECIFICATION NUMBER: S233T100-1080 OPTIONAL PART: S233T100-1080 V51896 800-000994 V05617 | | 1 |
| 115 | 800-000994 | | .. LIGHTPLATE ASSY-5V WHITE-ILLUMINATED INTEGRALLY-LIGHTED SUPPLIER CODE: V05617 SPECIFICATION NUMBER: S233T100-1080 OPTIONAL PART: S233T100-1080 V51896 800-000994-1 V05617 | | 1 |

ILLUSTRATION ITEMS NOT ON PARTS LIST ARE NOT APPLICABLE

- ITEM NOT ILLUSTRATED

33-13-56-03

33-13-56
FIG. 03
PAGE 5
APR 22/09

HXL



767

PARTS CATALOG (MAINTENANCE)

| FIG ITEM | PART NUMBER | 1 2 3 4 5 6 7 | NOMENCLATURE | EFFECT FROM TO | UNITS PER ASSY |
|----------|--------------|---------------|--|----------------|----------------|
| 3 | | | | | |
| - 120 | FB7900-6A1 | ... | FASTENER-CAPTIVE SUPPLIER CODE: V17419 OPTIONAL PART: CPS6C5D V12324 CA1187-1-1 V29372 P2-001000300 V51896 | | 2 |
| - 120 | CPS6C5D | ... | FASTENER-CAPTIVE SUPPLIER CODE: V12324 OPTIONAL PART: CA1187-1-1 V29372 P2-001000300 V51896 FB7900-6A1 V17419 | | 2 |
| - 120 | CA1187-1-1 | ... | FASTENER-CAPTIVE SUPPLIER CODE: V29372 OPTIONAL PART: CPS6C5D V12324 P2-001000300 V51896 FB7900-6A1 V17419 | | 2 |
| - 120 | P2-001000300 | ... | FASTENER-CAPTIVE SUPPLIER CODE: V51896 OPTIONAL PART: CPS6C5D V12324 CA1187-1-1 V29372 FB7900-6A1 V17419 | | 2 |
| - 125 | AN507C256 | ... | SCREW | | 5 |
| - 130 | MS90451-6832 | ... | LAMP | | 7 |
| - 135 | 800-000-119 | ... | CONNECTOR- SUPPLIER CODE: V05617 | | 1 |

ILLUSTRATION ITEMS NOT ON PARTS LIST ARE NOT APPLICABLE

- ITEM NOT ILLUSTRATED

33-13-56-03

33-13-56
FIG. 03
PAGE 6
APR 22/08

HXL



767

PARTS CATALOG (MAINTENANCE)

| FIG ITEM | PART NUMBER | 1 2 3 4 5 6 7 | NOMENCLATURE | EFFECT FROM TO | UNITS PER ASSY |
|--|-------------|---------------|--|----------------|----------------|
| R | 3 - 165 | 233T3100-275 | .PANEL ASSY-ELEC SYS ELECTRICAL EQUIP NUMBER: M10063 PRE SERVICE BULLETIN: 24-0152 PRE ALERT SB: 33A0087 PRE COMPONENT SB: 233N3209-24-03 | | RF |
| | - 166 | 233N3209-1300 | .PANEL ASSY-ELEC SYS SUPPLIER CODE: V89954 ELECTRICAL EQUIP NUMBER: M10063 COMPONENT MAINT MANUAL REF: 24-22-71 PRE SERVICE BULLETIN: 24-0152 POST ALERT SB: 33A0087 POST COMPONENT SB: 233N3209-24-03 | | RF |
| | 167 | 233N6252-13 | .PANEL ASSY-ELEC SYS ELECTRICAL EQUIP NUMBER: M10063 POST SERVICE BULLETIN: 24-0152 | 163999 | RF |
| | 170 | 800-000928 | ..LIGHTPLATE ASSY-5V WHITE-ILLUMINATED INTEGRALLY-LIGHTED SUPPLIER CODE: V05617 SPECIFICATION NUMBER: S233T100-6004 MISCELLANEOUS DATA: FOR VENDOR FSCM 05617 FOR SPARES ORDER THE 800-000928-1 OPTIONAL PART: S233T100-6004 V51896 800-000928-1 V05617 | | 1 |
| ILLUSTRATION ITEMS NOT ON PARTS LIST ARE NOT APPLICABLE | | | | | |

- ITEM NOT ILLUSTRATED

33-13-56-03

33-13-56
FIG. 03
PAGE 7
AUG 22/09

HXL



767

PARTS CATALOG (MAINTENANCE)

| FIG ITEM | PART NUMBER | 1 2 3 4 5 6 7 | NOMENCLATURE | EFFECT FROM TO | UNITS PER ASSY |
|----------|--------------|---------------|---|----------------|----------------|
| 3 170 | 800-000928-1 | | .. LIGHTPLATE ASSY-5V WHITE-ILLUMINATED INTEGRALLY-LIGHTED SUPPLIER CODE: V05617 SPECIFICATION NUMBER: S233T100-6004 OPTIONAL PART: S233T100-6004 V51896 800-000928 V05617 | | 1 |
| - 175 | 233T3100-153 | | . PANEL ASSY-APU CONT ELECTRICAL EQUIP NUMBER: M00001 | | RF |
| - 175 | 233T3100-164 | | . PANEL ASSY-APU CONT ELECTRICAL EQUIP NUMBER: M00001 | | RF |
| - 175 | 233T3100-238 | | . PANEL ASSY-APU CONT ELECTRICAL EQUIP NUMBER: M00001 | | RF |
| - 175 | 233T3100-144 | | . PANEL ASSY-APU CONT ELECTRICAL EQUIP NUMBER: M00001 | | RF |
| - 175 | 233T3100-149 | | . PANEL ASSY-APU CONT ELECTRICAL EQUIP NUMBER: M00001 | | RF |
| - 175 | 233T3100-53 | | . PANEL ASSY-APU CONT ELECTRICAL EQUIP NUMBER: M00001 | | RF |
| - 175 | 233T3232-300 | | . PANEL ASSY-APU CONT SUPPLIER CODE: V89954 ELECTRICAL EQUIP NUMBER: M00001 | | RF |
| - 175 | 233T3232-305 | | . PANEL ASSY-APU CONT SUPPLIER CODE: V89954 ELECTRICAL EQUIP NUMBER: M00001 | | RF |

ILLUSTRATION ITEMS NOT ON PARTS LIST ARE NOT APPLICABLE

- ITEM NOT ILLUSTRATED

33-13-56-03

33-13-56
FIG. 03
PAGE 8
AUG 22/09

HXL



767

PARTS CATALOG (MAINTENANCE)

| FIG ITEM | PART NUMBER | 1 2 3 4 5 6 7 | NOMENCLATURE | EFFECT FROM TO | UNITS PER ASSY |
|----------|--------------|---------------|--|----------------|----------------|
| 3 180 | 800-002583-1 | | ..LIGHTPLATE ASSY-5V WHITE-ILLUMINATED INTEGRALLY-LIGHTED SUPPLIER CODE: V05617 SPECIFICATION NUMBER: S233T100-6025 OPTIONAL PART: S233T100-6025 V51896 800-002583 V05617 | | 1 |
| 180 | 800-002583 | | ..LIGHTPLATE ASSY-5V WHITE-ILLUMINATED INTEGRALLY-LIGHTED SUPPLIER CODE: V05617 SPECIFICATION NUMBER: S233T100-6025 OPTIONAL PART: S233T100-6025 V51896 800-002583-1 V05617 | | 1 |
| - 185 | 233T3100-306 | | .PANEL ASSY-LIGHTING CONT POSITION DATA: L ELECTRICAL EQUIP NUMBER: M10056 | | RF |

ILLUSTRATION ITEMS NOT ON PARTS LIST ARE NOT APPLICABLE

- ITEM NOT ILLUSTRATED

HXL

33-13-56-03

BOEING PROPRIETARY - Copyright © - Unpublished Work - See title page for details.

33-13-56
FIG. 03
PAGE 9
AUG 22/09



767

PARTS CATALOG (MAINTENANCE)

| FIG ITEM | PART NUMBER | 1 2 3 4 5 6 7 | NOMENCLATURE | EFFECT FROM TO | UNITS PER ASSY |
|----------|--------------|---------------|---|----------------|----------------|
| 3 190 | 800-000922 | | .. LIGHTPLATE ASSY-5V WHITE-ILLUMINATED INTEGRALLY-LIGHTED SUPPLIER CODE: V05617 SPECIFICATION NUMBER: S233T100-6016 MISCELLANEOUS DATA: FOR VENDOR FSCM 05617 FOR SPARES ORDER THE 800-000922-1 OPTIONAL PART: S233T100-6016 V51896 800-000922-1 V05617 USED ON: 233T3100-190 233T3100-283 233T3100-306 233N3214-303 | | 1 |
| 190 | 800-000922-1 | | .. LIGHTPLATE ASSY-5V WHITE-ILLUMINATED INTEGRALLY-LIGHTED SUPPLIER CODE: V05617 SPECIFICATION NUMBER: S233T100-6016 OPTIONAL PART: S233T100-6016 V51896 800-000922 V05617 USED ON: 233T3100-190 233T3100-283 233T3100-306 233N3214-303 | | 1 |
| - 200 | 233T3100-301 | | . PANEL ASSY-EMER LT/PASS. OXY ELECTRICAL EQUIP NUMBER: M00043 PRE ALERT SB: 33A0087R1 | | RF |

ILLUSTRATION ITEMS NOT ON PARTS LIST ARE NOT APPLICABLE

- ITEM NOT ILLUSTRATED

33-13-56-03

33-13-56
 FIG. 03
 PAGE 10
 AUG 22/09

HXL



767

PARTS CATALOG (MAINTENANCE)

| FIG ITEM | PART NUMBER | 1 2 3 4 5 6 7 | NOMENCLATURE | EFFECT FROM TO | UNITS PER ASSY |
|------------|---------------|---------------|--|----------------|----------------|
| 3 - 201 | 233T3210-1304 | | .PANEL ASSY-EMER LT/PASS. OXY SUPPLIER CODE: V89954 ELECTRICAL EQUIP NUMBER: M00043 COMPONENT MAINT MANUAL REF: 33-51-03 POST ALERT SB: 33A0087R1 POST COMPONENT SB: 233T3210-33-01R1 | | RF |
| 205 | 800-000912 | | ..LIGHTPLATE ASSY-5V WHITE-ILLUMINATED INTEGRALLY-LIGHTED SUPPLIER CODE: V05617 SPECIFICATION NUMBER: S233T100-1077 MISCELLANEOUS DATA: FOR VENDOR FSCM 05617 FOR SPARES ORDER THE 800-000912-1 OPTIONAL PART: S233T100-1077 V51896 800-000912-1 V05617 | | 1 |
| 205 | 800-000912-1 | | ..LIGHTPLATE ASSY-5V WHITE-ILLUMINATED INTEGRALLY-LIGHTED SUPPLIER CODE: V05617 SPECIFICATION NUMBER: S233T100-1077 OPTIONAL PART: S233T100-1077 V51896 800-000912 V05617 | | 1 |

ILLUSTRATION ITEMS NOT ON PARTS LIST ARE NOT APPLICABLE

- ITEM NOT ILLUSTRATED

HXL

33-13-56-03

BOEING PROPRIETARY - Copyright © - Unpublished Work - See title page for details.

33-13-56
FIG. 03
PAGE 11
AUG 22/09

BOEING
767
PARTS CATALOG (MAINTENANCE)

| FIG ITEM | PART NUMBER | 1 2 3 4 5 6 7 | NOMENCLATURE | EFFECT FROM TO | UNITS PER ASSY |
|--|-------------|---------------|--|----------------|----------------|
| 3 210 | 800-003456 | | .. LIGHTPLATE ASSY-5V WHITE-ILLUMINATED INTEGRALLY-LIGHTED SUPPLIER CODE: V05617 SPECIFICATION NUMBER: S233T100-6022 OPTIONAL PART: S233T100-6022 V51896 | | 1 |
| R R R R R R R R R R R R | - 270 | 233T3244-302 | . PANEL ASSY-ENG IGNITION AND STARTING SUPPLIER CODE: V89954 ELECTRICAL EQUIP NUMBER: M00049 COMPONENT MAINT MANUAL REF: 74-31-52 QUALIFIED I/W DATA: 233T3244-302 PANEL ASSY IS I/W 233T3244-23 PANEL ASSY T/W S233T100-1078 LIGHTPLATE AND (3) BP248-127 KNOBS POST SERVICE BULLETIN: 73-0044R1 | | RF |
| | - 271 | 233T3244-1302 | . PANEL ASSY-ENG IGNITION AND STARTING SUPPLIER CODE: V89954 ELECTRICAL EQUIP NUMBER: M00049 WIRING DIAGRAM REF: 743111 POST ALERT SB: 33A0087R1 | | RF |
| R R R R R R R | - 272 | 233T3244-308 | . PANEL ASSY-ENG IGNITION AND STARTING SUPPLIER CODE: V89954 ELECTRICAL EQUIP NUMBER: M00049 WIRING DIAGRAM REF: 743111 | | RF |

ILLUSTRATION ITEMS NOT ON PARTS LIST ARE NOT APPLICABLE

- ITEM NOT ILLUSTRATED

HXL

33-13-56-03

BOEING PROPRIETARY - Copyright © - Unpublished Work - See title page for details.

33-13-56
FIG. 03
PAGE 12
AUG 22/09

 **BOEING**
767
PARTS CATALOG (MAINTENANCE)

| FIG ITEM | PART NUMBER | 1 2 3 4 5 6 7 | NOMENCLATURE | EFFECT FROM TO | UNITS PER ASSY |
|-------------|--------------|---------------|--|-------------------|----------------------|
| 3 275 | 800-000923 | | ..LIGHTPLATE ASSY-5V WHITE-ILLUMINATED INTEGRALLY-LIGHTED SUPPLIER CODE: V05617 SPECIFICATION NUMBER: S233T100-1078 MISCELLANEOUS DATA: FOR VENDOR FSCM 05617 FOR SPARES ORDER THE 800-000923-1 ELECTRICAL EQUIP NUMBER: M00049T WIRING DIAGRAM REF: 331316 OPTIONAL PART: S233T100-1078 V51896 800-000923-1 V05617 | | 1 |
| 275 | 800-000923-1 | | ..LIGHTPLATE ASSY-5V WHITE-ILLUMINATED INTEGRALLY-LIGHTED SUPPLIER CODE: V05617 SPECIFICATION NUMBER: S233T100-1078 ELECTRICAL EQUIP NUMBER: M00049T WIRING DIAGRAM REF: 331316 OPTIONAL PART: S233T100-1078 V51896 800-000923 V05617 | | 1 |
| - 290 | S0050002 | | ...CONNECTOR-ELECTRICAL SUPPLIER CODE: V51896 | | 1 |
| - 295 | NAS662-2-3 | | ...SCREW | | 7 |
| - 300 | S0056832 | | ...LAMP ASSY- SUPPLIER CODE: V51896 | | 11 |
| - 305 | S0050001 | | ...FASTENER-CAPTIVE SUPPLIER CODE: V51896 | | 4 |

ILLUSTRATION ITEMS NOT ON PARTS LIST ARE NOT APPLICABLE

- ITEM NOT ILLUSTRATED

HXL

33-13-56-03

BOEING PROPRIETARY - Copyright © - Unpublished Work - See title page for details.

33-13-56
FIG. 03
PAGE 13
AUG 22/09



767

PARTS CATALOG (MAINTENANCE)

| FIG ITEM | PART NUMBER | 1 2 3 4 5 6 7 | NOMENCLATURE | EFFECT FROM TO | UNITS PER ASSY |
|----------|--------------|---------------|---|----------------|----------------|
| 3 | | | | | |
| - 310 | 233T3100-277 | | .PANEL ASSY-FUEL CONT ELECTRICAL EQUIP NUMBER: M10055 PRE SERVICE BULLETIN: 28-0034 | | RF |
| - 310 | 233T3100-438 | | .PANEL ASSY-FUEL CONT ELECTRICAL EQUIP NUMBER: M10055 POST SERVICE BULLETIN: 28-0034 | | RF |
| 315 | 800-003402 | | ..LIGHTPLATE ASSY-5V WHITE-ILLUMINATED INTEGRALLY-LIGHTED SUPPLIER CODE: V05617 SPECIFICATION NUMBER: S233T100-1060 OPTIONAL PART: 800-003402-1 V05617 USED ON: 233T3100-148 233T3100-189 PRE SERVICE BULLETIN: 28-0034 | | 1 |
| 315 | 800-003402-1 | | ..LIGHTPLATE ASSY-5V WHITE-ILLUMINATED INTEGRALLY-LIGHTED SUPPLIER CODE: V05617 SPECIFICATION NUMBER: S233T100-1060 OPTIONAL PART: 800-003402 V05617 USED ON: 233T3100-148 233T3100-189 PRE SERVICE BULLETIN: 28-0034 | | 1 |

ILLUSTRATION ITEMS NOT ON PARTS LIST ARE NOT APPLICABLE

- ITEM NOT ILLUSTRATED

33-13-56-03

33-13-56
FIG. 03
PAGE 14
AUG 22/09

HXL



767

PARTS CATALOG (MAINTENANCE)

| FIG ITEM | PART NUMBER | 1 2 3 4 5 6 7 | NOMENCLATURE | EFFECT FROM TO | UNITS PER ASSY |
|-------------|--------------|---------------|--|-------------------|----------------------|
| 3 317 | 800-001259 | | ..LIGHTPLATE ASSY-5V WHITE-ILLUMINATED INTEGRALLY-LIGHTED SUPPLIER CODE: V05617 SPECIFICATION NUMBER: S233T100-6043 MISCELLANEOUS DATA: FOR VENDOR FSCM 05617 FOR SPARES ORDER THE 800-001259-1 OPTIONAL PART: S233T100-6043 V51896 800-001259-1 V05617 USED ON: 233T3100-148 233T3100-189 PRE SERVICE BULLETIN: 28-0034 | | 1 |
| 317 | 800-001259-1 | | ..LIGHTPLATE ASSY-5V WHITE-ILLUMINATED INTEGRALLY-LIGHTED SUPPLIER CODE: V05617 SPECIFICATION NUMBER: S233T100-6043 OPTIONAL PART: S233T100-6043 V51896 800-001259 V05617 USED ON: 233T3100-148 233T3100-189 PRE SERVICE BULLETIN: 28-0034 | | 1 |

ILLUSTRATION ITEMS NOT ON PARTS LIST ARE NOT APPLICABLE

- ITEM NOT ILLUSTRATED

HXL

33-13-56-03

BOEING PROPRIETARY - Copyright © - Unpublished Work - See title page for details.

33-13-56
 FIG. 03
 PAGE 15
 AUG 22/09



767

PARTS CATALOG (MAINTENANCE)

| FIG ITEM | PART NUMBER | 1 2 3 4 5 6 7 | NOMENCLATURE | EFFECT FROM TO | UNITS PER ASSY |
|----------|--------------|---------------|--|----------------|----------------|
| 3 317 | 800-001259 | | ..LIGHTPLATE ASSY-5V WHITE-ILLUMINATED INTEGRALLY-LIGHTED SUPPLIER CODE: V05617 SPECIFICATION NUMBER: S233T100-6043 MISCELLANEOUS DATA: FOR VENDOR FSCM 05617 FOR SPARES ORDER THE 800-001259-1 OPTIONAL PART: S233T100-6043 V51896 800-001259-1 V05617 USED ON: 233T3100-251 233T3100-277 233T3100-293 PRE SERVICE BULLETIN: 28-0034 | | 1 |
| 317 | 800-001259-1 | | ..LIGHTPLATE ASSY-5V WHITE-ILLUMINATED INTEGRALLY-LIGHTED SUPPLIER CODE: V05617 SPECIFICATION NUMBER: S233T100-6043 OPTIONAL PART: S233T100-6043 V51896 800-001259 V05617 USED ON: 233T3100-251 233T3100-277 233T3100-293 PRE SERVICE BULLETIN: 28-0034 | | 1 |

ILLUSTRATION ITEMS NOT ON PARTS LIST ARE NOT APPLICABLE

- ITEM NOT ILLUSTRATED

HXL

33-13-56-03

BOEING PROPRIETARY - Copyright © - Unpublished Work - See title page for details.

33-13-56
 FIG. 03
 PAGE 16
 AUG 22/09



767

PARTS CATALOG (MAINTENANCE)

| FIG ITEM | PART NUMBER | 1 2 3 4 5 6 7 | NOMENCLATURE | EFFECT FROM TO | UNITS PER ASSY |
|----------|--------------|---------------|---|----------------|----------------|
| 3 320 | 800-000954 | | ..LIGHTPLATE ASSY-5V WHITE-ILLUMINATED INTEGRALLY-LIGHTED SUPPLIER CODE: V05617 SPECIFICATION NUMBER: S233T100-1106 MISCELLANEOUS DATA: FOR VENDOR FSCM 05617 FOR SPARES ORDER THE 800-000954-1 OPTIONAL PART: S233T100-1106 V51896 800-000954-1 V05617 POST SERVICE BULLETIN: 28-0034 | | 1 |
| 320 | 800-000954-1 | | ..LIGHTPLATE ASSY-5V WHITE-ILLUMINATED INTEGRALLY-LIGHTED SUPPLIER CODE: V05617 SPECIFICATION NUMBER: S233T100-1106 OPTIONAL PART: S233T100-1106 V51896 800-000954 V05617 POST SERVICE BULLETIN: 28-0034 | | 1 |
| - 355 | 233T3100-390 | | .PANEL ASSY-WING AND ENG ANTI-ICE CONT ELECTRICAL EQUIP NUMBER: M10397 | | RF |

ILLUSTRATION ITEMS NOT ON PARTS LIST ARE NOT APPLICABLE

- ITEM NOT ILLUSTRATED

33-13-56-03

33-13-56
FIG. 03
PAGE 17
AUG 22/09

HXL



767

PARTS CATALOG (MAINTENANCE)

| FIG ITEM | PART NUMBER | 1 2 3 4 5 6 7 | NOMENCLATURE | EFFECT FROM TO | UNITS PER ASSY |
|----------|--------------|---------------|---|----------------|----------------|
| 3 420 | 800-001013 | | ..LIGHTPLATE ASSY-5V WHITE-ILLUMINATED INTEGRALLY-LIGHTED SUPPLIER CODE: V05617 SPECIFICATION NUMBER: S233T100-1099 MISCELLANEOUS DATA: FOR VENDOR FSCM 05617 FOR SPARES ORDER THE 800-001013-1 OPTIONAL PART: S233T100-1099 V51896 800-001013-1 V05617 | | 1 |
| 420 | 800-001013-1 | | ..LIGHTPLATE ASSY-5V WHITE-ILLUMINATED INTEGRALLY-LIGHTED SUPPLIER CODE: V05617 SPECIFICATION NUMBER: S233T100-1099 OPTIONAL PART: S233T100-1099 V51896 800-001013 V05617 | | 1 |
| - 425 | 233N3201-304 | | .PANEL ASSY-WSHLD CLEARANCE SUPPLIER CODE: V89954 ELECTRICAL EQUIP NUMBER: M10023 POST SERVICE BULLETIN: 30-0028 | | RF |
| - 425 | 233N3201-303 | | .PANEL ASSY-WSHLD CLEARANCE SUPPLIER CODE: V89954 MISCELLANEOUS DATA: 233N3201-16 PANEL AY T/W S233T100-1113 LIGHTPLATE AND BP248-127 KNOB IS I/W 233N3201-303 ELECTRICAL EQUIP NUMBER: M10023 COMPONENT MAINT MANUAL REF: 30-42-01 POST SERVICE BULLETIN: 30-0028 | | RF |

ILLUSTRATION ITEMS NOT ON PARTS LIST ARE NOT APPLICABLE

- ITEM NOT ILLUSTRATED

33-13-56-03

33-13-56
FIG. 03
PAGE 18
AUG 22/09

HXL



767

PARTS CATALOG (MAINTENANCE)

| FIG ITEM | PART NUMBER | 1 2 3 4 5 6 7 | NOMENCLATURE | EFFECT FROM TO | UNITS PER ASSY |
|----------|---------------|---------------|--|----------------|----------------|
| 3 428 | S233T100-1113 | | ..LIGHTPLATE ASSY-5V WHITE-ILLUMINATED INTEGRALLY-LIGHTED SUPPLIER CODE: V51896 SPECIFICATION NUMBER: S233T100-1113 OPTIONAL PART: 800-007678 V05617 USED ON: 233T3100-444 233N3201-303 POST SERVICE BULLETIN: 30-0028 | | 1 |
| 428 | 800-007678 | | ..LIGHTPLATE ASSY-5V WHITE-ILLUMINATED INTEGRALLY-LIGHTED SUPPLIER CODE: V05617 SPECIFICATION NUMBER: S233T100-1113 OPTIONAL PART: S233T100-1113 V51896 POST SERVICE BULLETIN: 30-0028 | | 1 |
| 431 | 800-007707 | | ..LIGHTPLATE ASSY-5V WHITE-ILLUMINATED INTEGRALLY-LIGHTED SUPPLIER CODE: V05617 SPECIFICATION NUMBER: S233T100-1114 OPTIONAL PART: S233T100-1114 V51896 POST SERVICE BULLETIN: 30-0028 | | 1 |

ILLUSTRATION ITEMS NOT ON PARTS LIST ARE NOT APPLICABLE

- ITEM NOT ILLUSTRATED

HXL

33-13-56-03

BOEING PROPRIETARY - Copyright © - Unpublished Work - See title page for details.

33-13-56
FIG. 03
PAGE 19
AUG 22/09



767

PARTS CATALOG (MAINTENANCE)

| FIG ITEM | PART NUMBER | 1 2 3 4 5 6 7 | NOMENCLATURE | EFFECT FROM TO | UNITS PER ASSY |
|----------|--------------|---------------|---|----------------|----------------|
| 3 432 | 800-009207 | | .. LIGHTPLATE ASSY-5V WHITE-ILLUMINATED INTEGRALLY-LIGHTED SUPPLIER CODE: V05617 SPECIFICATION NUMBER: S233T100-1121 OPTIONAL PART: S233T100-1121 V51896 USED ON: 233T3201-300 | | 1 |
| - 465 | 233T3100-145 | | . PANEL ASSY-ANTI-COLLISION AND LDG LT ELECTRICAL EQUIP NUMBER: M00056 | | RF |
| - 465 | 233T3100-196 | | . PANEL ASSY-ANTI-COLLISION AND LDG LT ELECTRICAL EQUIP NUMBER: M00056 | | RF |
| - 465 | 233T3100-320 | | . PANEL ASSY-ANTI-COLLISION AND LDG LT ELECTRICAL EQUIP NUMBER: M00056 | | RF |
| 470 | 800-000916 | | .. LIGHTPLATE ASSY-5V WHITE-ILLUMINATED INTEGRALLY-LIGHTED SUPPLIER CODE: V05617 SPECIFICATION NUMBER: S233T100-6030 MISCELLANEOUS DATA: FOR VENDOR FSCM 05617 FOR SPARES ORDER THE 800-000916-1 OPTIONAL PART: S233T100-6030 V51896 800-000916-1 V05617 | | 1 |

ILLUSTRATION ITEMS NOT ON PARTS LIST ARE NOT APPLICABLE

- ITEM NOT ILLUSTRATED

33-13-56-03

33-13-56
FIG. 03
PAGE 20
AUG 22/09

HXL



767

PARTS CATALOG (MAINTENANCE)

| FIG ITEM | PART NUMBER | 1 2 3 4 5 6 7 | NOMENCLATURE | EFFECT FROM TO | UNITS PER ASSY |
|----------|---------------|---------------|---|----------------|----------------|
| 3 470 | 800-000916-1 | | .. LIGHTPLATE ASSY-5V WHITE-ILLUMINATED INTEGRALLY-LIGHTED SUPPLIER CODE: V05617 SPECIFICATION NUMBER: S233T100-6030 OPTIONAL PART: S233T100-6030 V51896 800-000916 V05617 | | 1 |
| - 770 | 233T3100-341 | | . PANEL ASSY-EEC CONT ELECTRICAL EQUIP NUMBER: M10761 COMPONENT MAINT MANUAL REF: 73-21-86 | | RF |
| - 770 | 233T3242-1304 | | . PANEL ASSY-ELECTRONIC ENG CONT SUPPLIER CODE: V89954 ELECTRICAL EQUIP NUMBER: M10761 COMPONENT MAINT MANUAL REF: 73-21-86 POST ALERT SB: 33A0087R1 POST COMPONENT SB: 233T3242-73-02R1 | | RF |
| 773 | 800-002855-1 | | .. LIGHTPLATE ASSY-5V WHITE-ILLUMINATED INTEGRALLY-LIGHTED SUPPLIER CODE: V05617 SPECIFICATION NUMBER: S233T100-1092 ELECTRICAL EQUIP NUMBER: M10761T WIRING DIAGRAM REF: 331316 OPTIONAL PART: S233T100-1092 V51896 800-002855 V05617 | | 1 |

ILLUSTRATION ITEMS NOT ON PARTS LIST ARE NOT APPLICABLE

- ITEM NOT ILLUSTRATED

33-13-56-03

33-13-56
FIG. 03
PAGE 21
AUG 22/09

HXL



767

PARTS CATALOG (MAINTENANCE)

| FIG ITEM | PART NUMBER | 1 2 3 4 5 6 7 | NOMENCLATURE | EFFECT FROM TO | UNITS PER ASSY |
|----------|--------------|---------------|--|----------------|----------------|
| 3 773 | 800-002855 | | ..LIGHTPLATE ASSY-5V WHITE-ILLUMINATED INTEGRALLY-LIGHTED SUPPLIER CODE: V05617 SPECIFICATION NUMBER: S233T100-1092 ELECTRICAL EQUIP NUMBER: M10761T WIRING DIAGRAM REF: 331316 OPTIONAL PART: S233T100-1092 V51896 800-002855-1 V05617 | | 1 |
| - 785 | 233T3100-404 | | .PANEL ASSY-FUEL JETTISION ELECTRICAL EQUIP NUMBER: M01733 | 163999 | RF |
| - 785 | 233T3100-418 | | .PANEL ASSY-FUEL JETTISION ELECTRICAL EQUIP NUMBER: M01733 | 155162 | RF |
| 795 | 800-006209 | | ..LIGHTPLATE ASSY-5V WHITE-ILLUMINATED INTEGRALLY-LIGHTED SUPPLIER CODE: V05617 SPECIFICATION NUMBER: S233T100-1101 OPTIONAL PART: S233T100-1101 V51896 | | 1 |

ILLUSTRATION ITEMS NOT ON PARTS LIST ARE NOT APPLICABLE

- ITEM NOT ILLUSTRATED

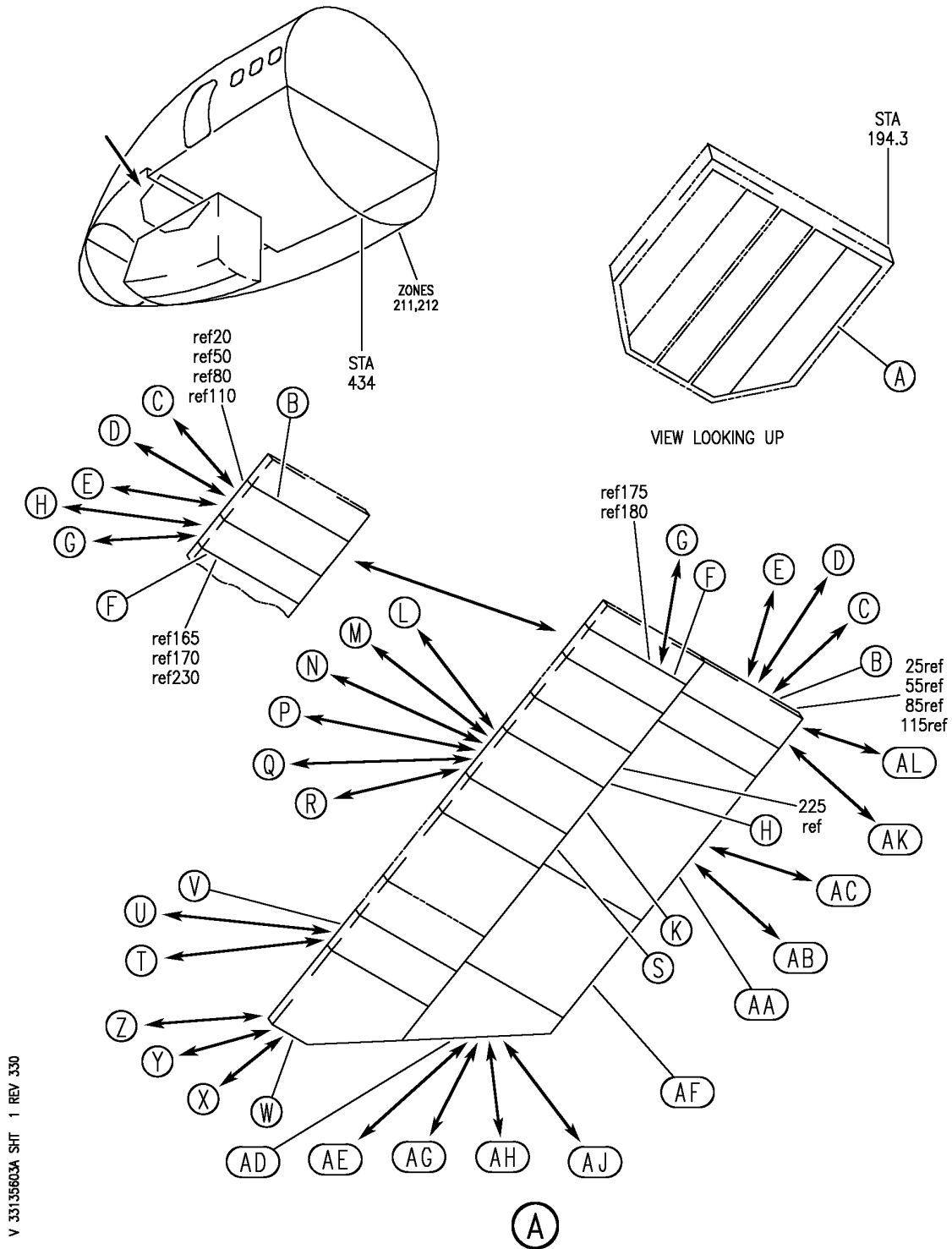
HXL

33-13-56-03

BOEING PROPRIETARY - Copyright © - Unpublished Work - See title page for details.

33-13-56
 FIG. 03
 PAGE 22
 AUG 22/09

BOEING
767
PARTS CATALOG (MAINTENANCE)



V 33135603A SHT 1 REV 330

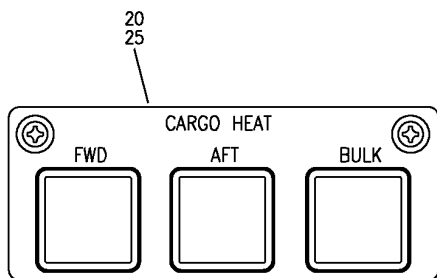
PANEL INSTL-OVHD (INTEGRAL PANEL LIGHTS ONLY)
FIGURE 3A (SHEET 1)

33-13-56-03A

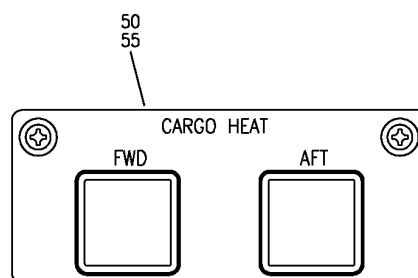
HXL
AUG 22/08

33-13-56-03A
PAGE 0

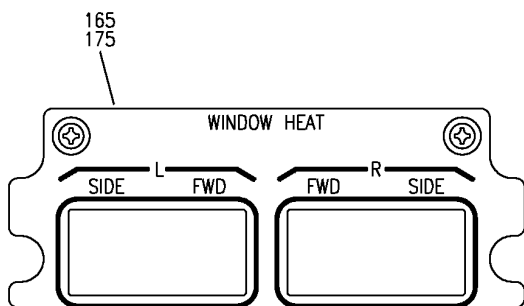

BOEING
 767
PARTS CATALOG (MAINTENANCE)



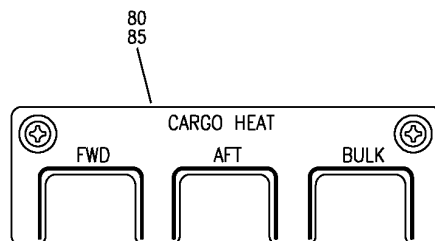
(B)



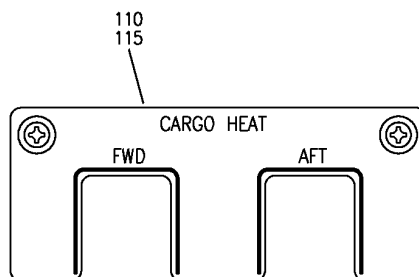
(C)



(F)



(D)



(E)

V 33135603A SH1 2 REV 318

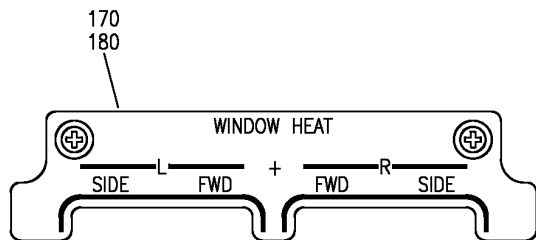
PANEL INSTL-OVHD (INTEGRAL PANEL LIGHTS ONLY)
 FIGURE 3A (SHEET 2)

33-13-56-03A

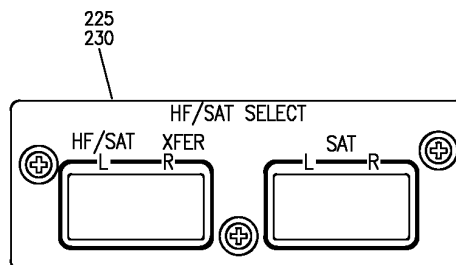
HXL
AUG 22/07

33-13-56-03A
 PAGE 0A

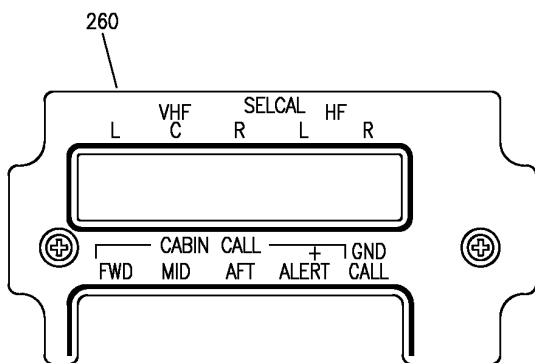
BOEING
767
PARTS CATALOG (MAINTENANCE)



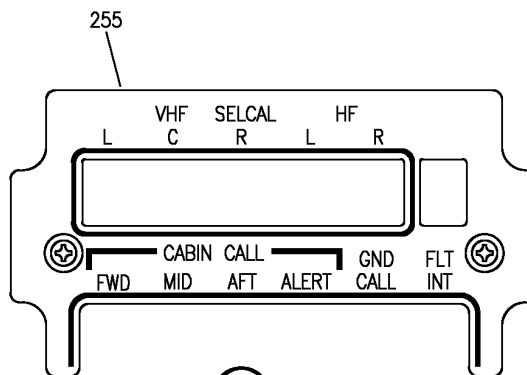
(G)



(H)



(L)



(K)

V 33135603A SHT 3 REV 330

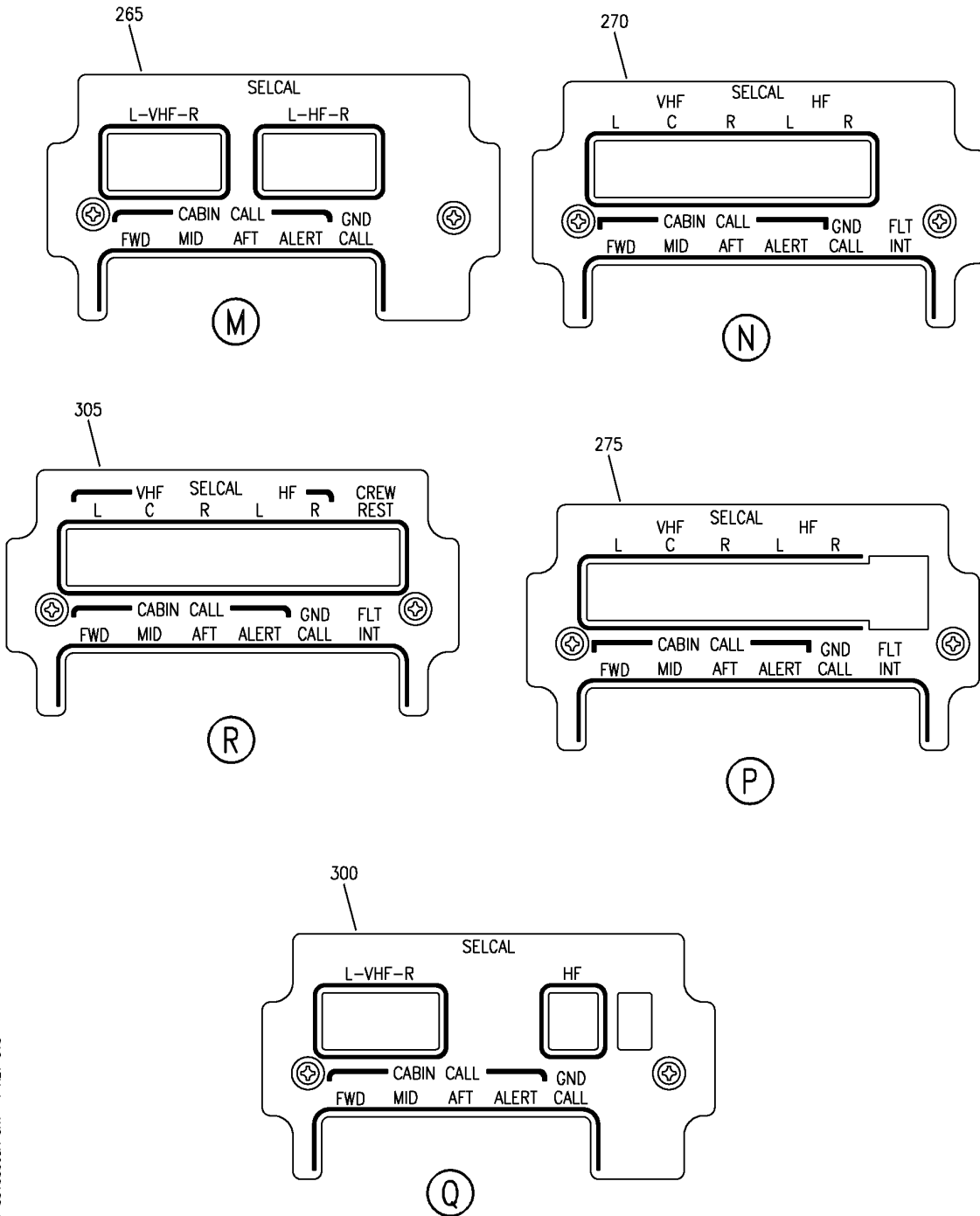
PANEL INSTL-OVHD (INTEGRAL PANEL LIGHTS ONLY)
FIGURE 3A (SHEET 3)

33-13-56-03A

HXL
AUG 22/08

33-13-56-03A
PAGE 0B

BOEING
767
PARTS CATALOG (MAINTENANCE)



V 33135603A SHT 4 REV 318

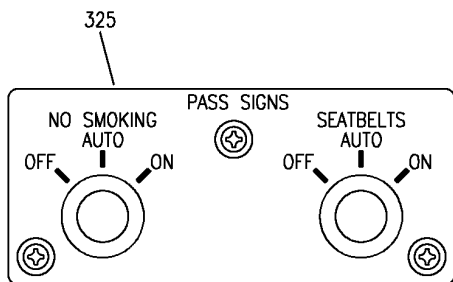
PANEL INSTL-OVHD (INTEGRAL PANEL LIGHTS ONLY)
FIGURE 3A (SHEET 4)

33-13-56-03A

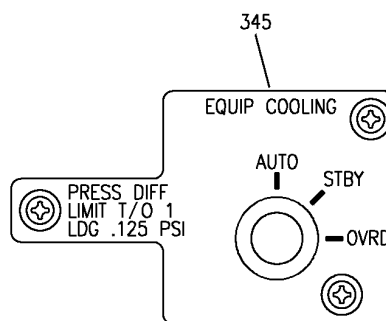
HXL
AUG 22/07

33-13-56-03A
PAGE 0C

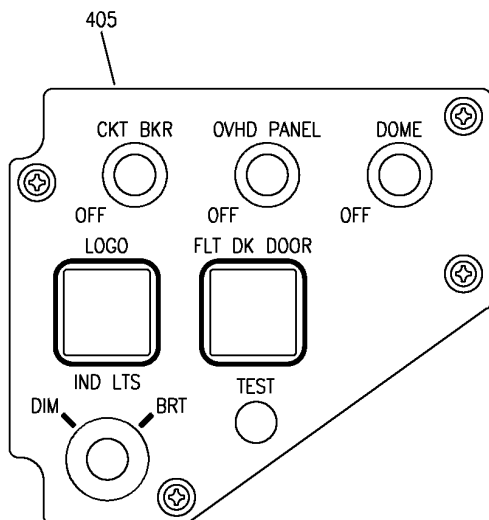

BOEING
 767
PARTS CATALOG (MAINTENANCE)



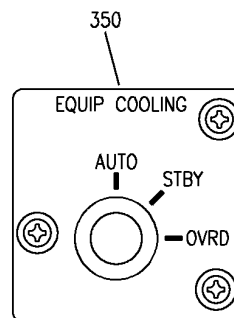
S



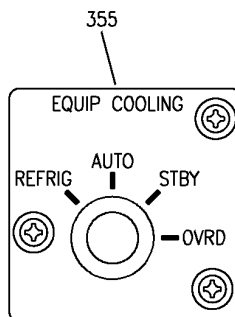
T



W



U



V

V 33135603A SHT 5 REV 318

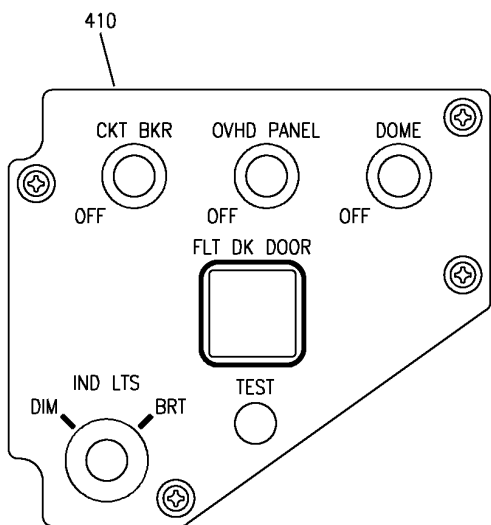
PANEL INSTL-OVHD (INTEGRAL PANEL LIGHTS ONLY)
 FIGURE 3A (SHEET 5)

33-13-56-03A

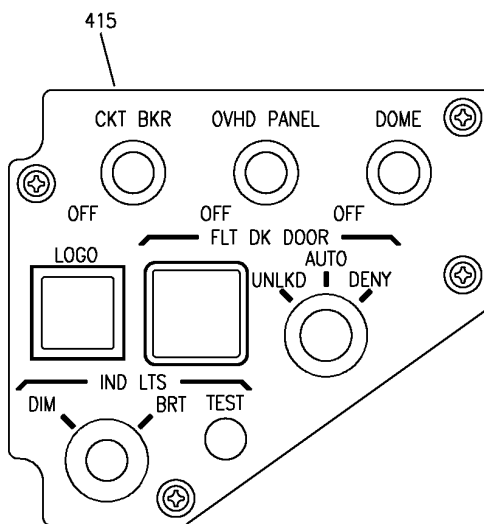
HXL
AUG 22/07

33-13-56-03A
 PAGE 0D

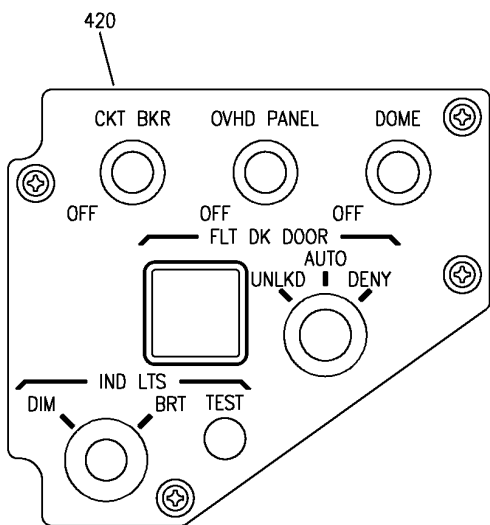

BOEING
 767
PARTS CATALOG (MAINTENANCE)



(X)



(Y)



(Z)

V 33135603A SHT 6 REV 318

PANEL INSTL-OVHD (INTEGRAL PANEL LIGHTS ONLY)
 FIGURE 3A (SHEET 6)

33-13-56-03A

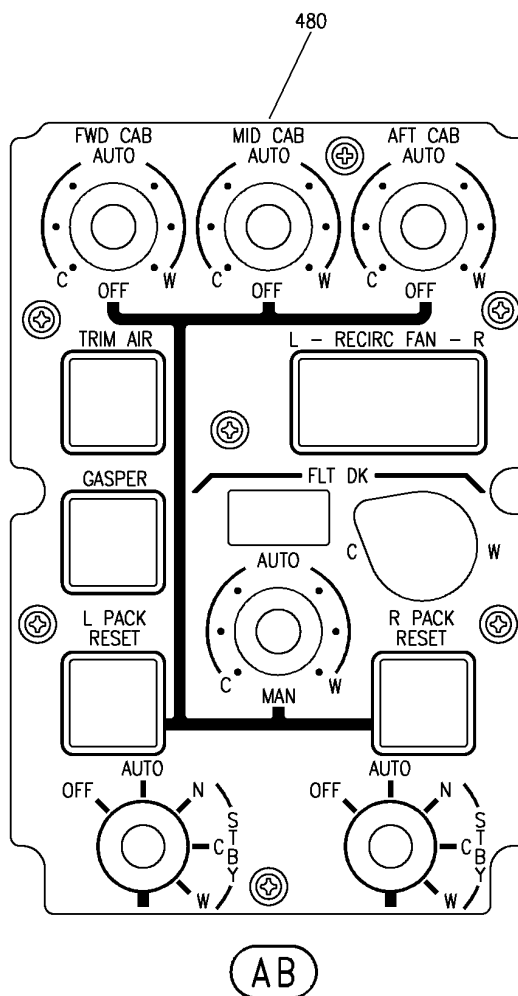
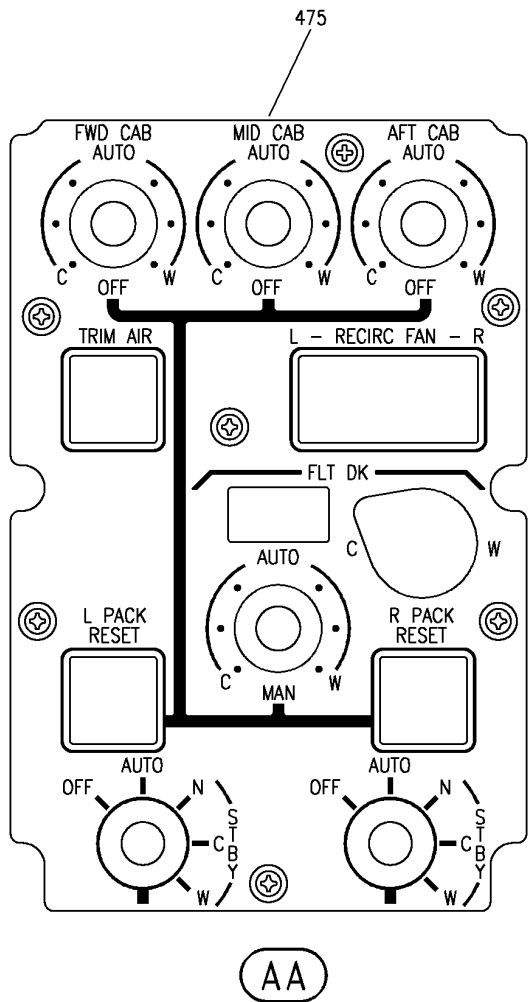
HXL
AUG 22/07

33-13-56-03A
 PAGE 0E



767

PARTS CATALOG (MAINTENANCE)



V 33135603A SH7 7 REV 318

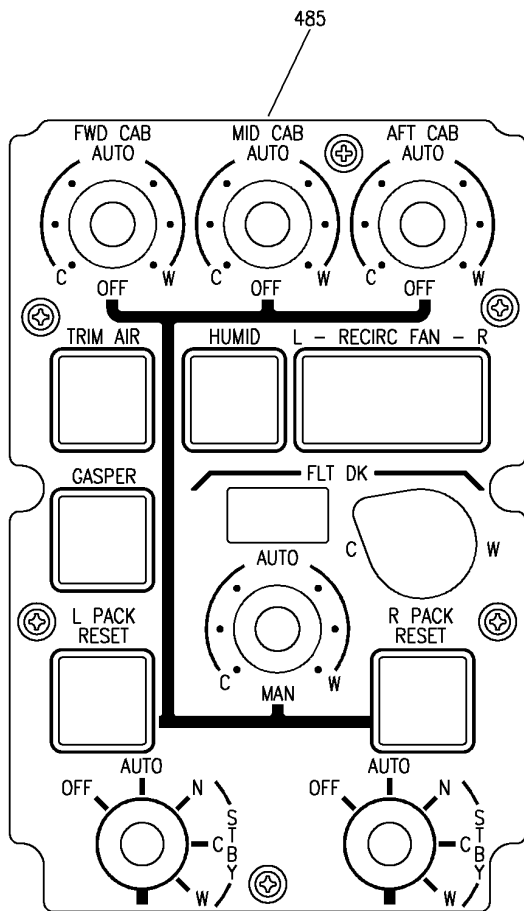
PANEL INSTL-OVHD (INTEGRAL PANEL LIGHTS ONLY)
 FIGURE 3A (SHEET 7)

33-13-56-03A

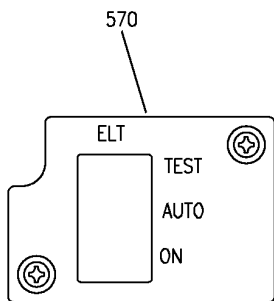
HXL
AUG 22/07

33-13-56-03A
 PAGE OF

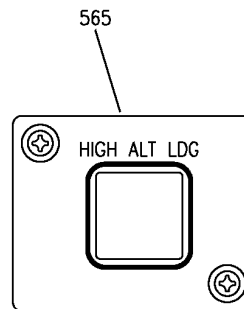

BOEING
 767
PARTS CATALOG (MAINTENANCE)



AC



AE



AD

V 33135603A SHT 8 REV 318

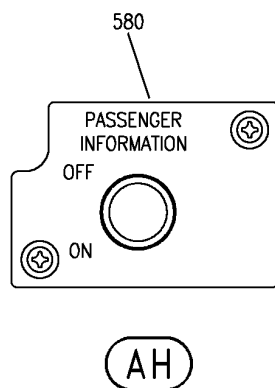
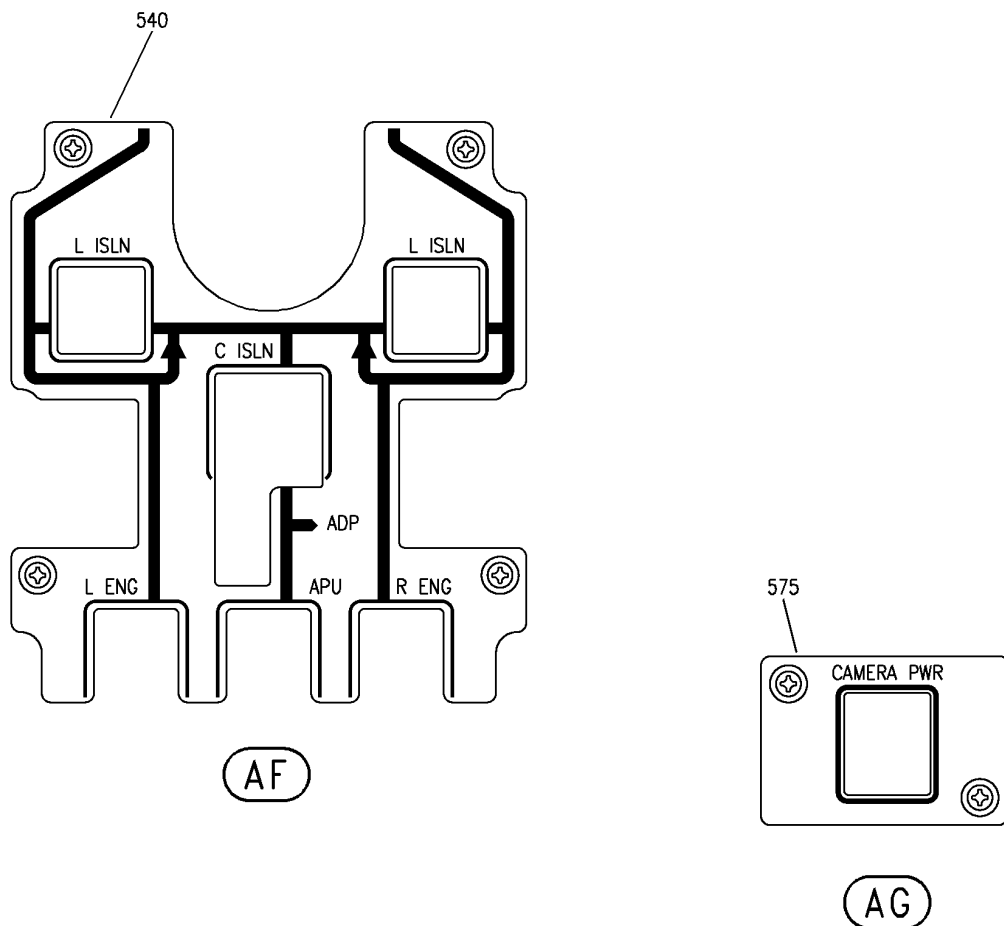
PANEL INSTL-OVHD (INTEGRAL PANEL LIGHTS ONLY)
FIGURE 3A (SHEET 8)

33-13-56-03A

HXL
AUG 22/07

33-13-56-03A
PAGE 0G

BOEING
767
PARTS CATALOG (MAINTENANCE)



V 33135603A SHT 9 REV 318

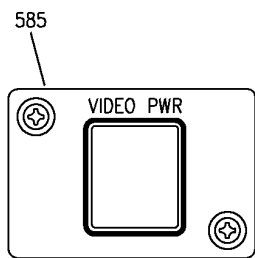
PANEL INSTL-OVHD (INTEGRAL PANEL LIGHTS ONLY)
FIGURE 3A (SHEET 9)

33-13-56-03A

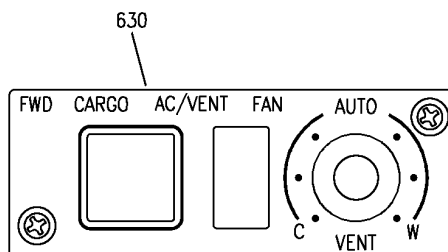
HXL
AUG 22/07

33-13-56-03A
PAGE 0H

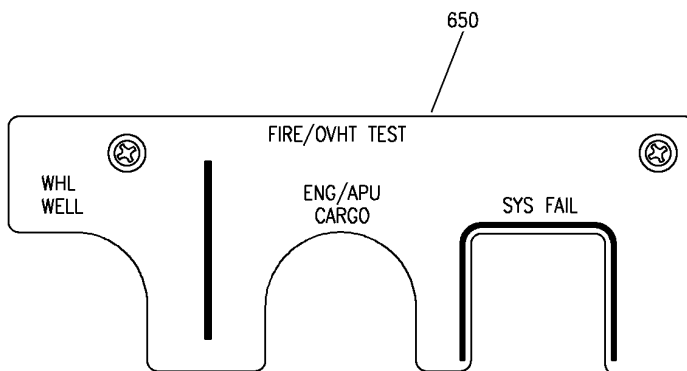
BOEING
767
PARTS CATALOG (MAINTENANCE)



AJ



AK



AL

V 33135603A SHT 10 REV 318

PANEL INSTL-OVHD (INTEGRAL PANEL LIGHTS ONLY)
FIGURE 3A (SHEET 10)

33-13-56-03A

HXL
AUG 22/07

33-13-56-03A
PAGE 01



767

PARTS CATALOG (MAINTENANCE)

| FIG ITEM | PART NUMBER | 1 2 3 4 5 6 7 | NOMENCLATURE | EFFECT FROM TO | UNITS PER ASSY |
|----------|--------------|---------------|--|----------------|----------------|
| 3A | | | PANEL INSTL-OVHD (INTEGRAL PANEL LIGHTS ONLY) | | |
| - 1 | 233T3100-1 | | PANEL INSTL-OVHD (INTEGRAL PANEL LIGHTS ONLY) VARIABLE DRAWING REF: 233T3100-5048 FOR NHA/OTHER SYS DET SEE: 25-10-00-03 | | RF |
| - 5 | 233T3100-203 | | .PANEL ASSY-CARGO HEAT ELECTRICAL EQUIP NUMBER: M00029 | | RF |
| - 5 | 233T3100-279 | | .PANEL ASSY-CARGO HEAT ELECTRICAL EQUIP NUMBER: M00029 | | RF |
| - 5 | 233T3100-285 | | .PANEL ASSY-CARGO HEAT ELECTRICAL EQUIP NUMBER: M00029 | | RF |
| - 5 | 233T3100-143 | | .PANEL ASSY-CARGO HEAT ELECTRICAL EQUIP NUMBER: M00029 | | RF |
| - 5 | 233T3100-58 | | .PANEL ASSY-CARGO HEAT ELECTRICAL EQUIP NUMBER: M00029 | | RF |
| 20 | 800-000905 | | ..LIGHTPLATE ASSY-5V WHITE-ILLUMINATED INTEGRALLY-LIGHTED SUPPLIER CODE: V05617 SPECIFICATION NUMBER: S233T100-1068 MISCELLANEOUS DATA: FOR VENDOR FSCM 05617 FOR SPARES ORDER THE 800-000905-1 OPTIONAL PART: S233T100-1068 V51896 800-000905-1 V05617 | | 1 |

ILLUSTRATION ITEMS NOT ON PARTS LIST ARE NOT APPLICABLE

- ITEM NOT ILLUSTRATED

33-13-56-03A

33-13-56
FIG. 03A
PAGE 1
APR 22/08

HXL

BOEING PROPRIETARY - Copyright © - Unpublished Work - See title page for details.

BOEING
767
PARTS CATALOG (MAINTENANCE)

| FIG ITEM | PART NUMBER | 1 2 3 4 5 6 7 | NOMENCLATURE | EFFECT FROM TO | UNITS PER ASSY |
|---|---------------|---------------|---|-------------------|----------------------|
| 3A | | | | | |
| 20 | 800-000905-1 | .. | LIGHTPLATE ASSY-5V WHITE-ILLUMINATED INTEGRALLY-LIGHTED SUPPLIER CODE: V05617 SPECIFICATION NUMBER: S233T100-1068 OPTIONAL PART: S233T100-1068 V51896 800-000905 V05617 | | 1 |
| 20 | S233T100-1068 | .. | LIGHTPLATE ASSY-5V WHITE-ILLUMINATED INTEGRALLY-LIGHTED SUPPLIER CODE: V51896 SPECIFICATION NUMBER: S233T100-1068 OPTIONAL PART: 800-000905 V05617 800-000905-1 V05617 | | 1 |
| - 30 | FB7900-6A1 | ... | FASTENER-CAPTIVE SUPPLIER CODE: V17419 | | 2 |
| - 35 | NAS662-2-3 | ... | SCREW | | 6 |
| - 40 | MS90451-6832 | ... | LAMP | | 8 |
| - 45 | 800-000-110 | ... | CONNECTOR- SUPPLIER CODE: V05617 | | 1 |
| 80 | S233T100-1048 | .. | LIGHTPLATE ASSY-5V WHITE-ILLUMINATED INTEGRALLY-LIGHTED SUPPLIER CODE: V51896 SPECIFICATION NUMBER: S233T100-1048 OPTIONAL PART: 800-003394 V05617 800-003394-1 V05617 OPTIONAL SUPPLIER CODE: 05617 98140 | | 1 |
| ILLUSTRATION ITEMS NOT ON PARTS LIST ARE NOT APPLICABLE | | | | | |

- ITEM NOT ILLUSTRATED

HXL

33-13-56-03A

BOEING PROPRIETARY - Copyright © - Unpublished Work - See title page for details.

33-13-56
FIG. 03A
PAGE 2
DEC 22/08



767

PARTS CATALOG (MAINTENANCE)

| FIG ITEM | PART NUMBER | 1 2 3 4 5 6 7 | NOMENCLATURE | EFFECT FROM TO | UNITS PER ASSY |
|----------|--------------|---------------|--|----------------|----------------|
| 3A | | | | | |
| 80 | 800-003394 | .. | LIGHTPLATE ASSY-5V WHITE-ILLUMINATED INTEGRALLY-LIGHTED SUPPLIER CODE: V05617 SPECIFICATION NUMBER: S233T100-1048 OPTIONAL PART: S233T100-1048 V51896 800-003394-1 V05617 | | 1 |
| 80 | 800-003394-1 | .. | LIGHTPLATE ASSY-5V WHITE-ILLUMINATED INTEGRALLY-LIGHTED SUPPLIER CODE: V05617 SPECIFICATION NUMBER: S233T100-1048 OPTIONAL PART: S233T100-1048 V51896 800-003394 V05617 | | 1 |
| - 90 | S0050002 | ... | CONNECTOR-ELECTRICAL SUPPLIER CODE: V51896 | | 1 |
| - 95 | NAS662-2-3 | ... | SCREW | | 3 |
| - 100 | S0056832 | ... | LAMP ASSY- SUPPLIER CODE: V51896 | | 4 |
| - 105 | S0050001 | ... | FASTENER-CAPTIVE SUPPLIER CODE: V51896 | | 2 |
| - 150 | 233T3100-184 | . | PANEL ASSY-WINDOW HEAT ELECTRICAL EQUIP NUMBER: M10395 | | RF |
| - 150 | 233T3100-281 | . | PANEL ASSY-WINDOW HEAT ELECTRICAL EQUIP NUMBER: M10395 | | RF |
| - 150 | 233T3100-304 | . | PANEL ASSY-WINDOW HEAT ELECTRICAL EQUIP NUMBER: M10395 | | RF |
| - 150 | 233T3100-138 | . | PANEL ASSY-WINDOW HEAT ELECTRICAL EQUIP NUMBER: M10395 | | RF |
| - 150 | 233T3100-63 | . | PANEL ASSY-WINDOW HEAT ELECTRICAL EQUIP NUMBER: M10395 | | RF |

ILLUSTRATION ITEMS NOT ON PARTS LIST ARE NOT APPLICABLE

- ITEM NOT ILLUSTRATED

33-13-56-03A

33-13-56
FIG. 03A
PAGE 3
DEC 22/08

HXL

BOEING PROPRIETARY - Copyright © - Unpublished Work - See title page for details.



767

PARTS CATALOG (MAINTENANCE)

| FIG ITEM | PART NUMBER | 1 2 3 4 5 6 7 | NOMENCLATURE | EFFECT FROM TO | UNITS PER ASSY |
|-----------|--------------|---------------|---|----------------|----------------|
| 3A 165 | 800-000920 | | .. LIGHTPLATE ASSY-5V WHITE-ILLUMINATED INTEGRALLY-LIGHTED SUPPLIER CODE: V05617 SPECIFICATION NUMBER: S233T100-1073 MISCELLANEOUS DATA: FOR VENDOR FSCM 05617 FOR SPARES ORDER THE 800-000920-1 OPTIONAL PART: S233T100-1073 V51896 800-000920-1 V05617 | | 1 |
| 165 | 800-000920-1 | | .. LIGHTPLATE ASSY-5V WHITE-ILLUMINATED INTEGRALLY-LIGHTED SUPPLIER CODE: V05617 SPECIFICATION NUMBER: S233T100-1073 OPTIONAL PART: S233T100-1073 V51896 800-000920 V05617 | | 1 |
| 170 | 800-003413 | | .. LIGHTPLATE ASSY-5V WHITE-ILLUMINATED INTEGRALLY-LIGHTED SUPPLIER CODE: V05617 SPECIFICATION NUMBER: S233T100-6006 MISCELLANEOUS DATA: FOR VENDOR FSCM 05617 FOR SPARES ORDER THE 800-003413-1 OPTIONAL PART: S233T100-6006 V51896 800-003413-1 V05617 | | 1 |

ILLUSTRATION ITEMS NOT ON PARTS LIST ARE NOT APPLICABLE

- ITEM NOT ILLUSTRATED

HXL

33-13-56-03A

BOEING PROPRIETARY - Copyright © - Unpublished Work - See title page for details.

33-13-56
 FIG. 03A
 PAGE 4
 DEC 22/08



767

PARTS CATALOG (MAINTENANCE)

| FIG ITEM | PART NUMBER | 1 2 3 4 5 6 7 | NOMENCLATURE | EFFECT FROM TO | UNITS PER ASSY |
|-----------|---------------|---------------|--|----------------|----------------|
| 3A 170 | 800-003413-1 | | .. LIGHTPLATE ASSY-5V WHITE-ILLUMINATED INTEGRALLY-LIGHTED SUPPLIER CODE: V05617 SPECIFICATION NUMBER: S233T100-6006 OPTIONAL PART: S233T100-6006 V51896 800-003413 V05617 | | 1 |
| - 240 | 285T0024-27 | | . MODULE ASSY-PILOT CALL PNL SUPPLIER CODE: V89954 ELECTRICAL EQUIP NUMBER: M00051 COMPONENT MAINT MANUAL REF: 23-42-59 QUALIFIED I/W DATA: 285T0024-46 MAY REPLACE 285T0024-27 EXCEPT THE "FLT INT" SWITCH AND ASSOCIATED FUNCTIONALITY WILL NO LONGER BE PRESENT. 285T0024-27 WITH "FLT INT" SWITCH LABELED INOP MAY REPLACE 285T0024-46 | 155162 | RF |
| - 240 | 285T0024-43 | | . MODULE ASSY-PILOT CALL PNL SUPPLIER CODE: V89954 ELECTRICAL EQUIP NUMBER: M00051 COMPONENT MAINT MANUAL REF: 23-42-62 | 163999 | RF |
| 270 | S233T100-6050 | | .. LIGHTPLATE ASSY-5V WHITE-ILLUMINATED INTEGRALLY-LIGHTED SUPPLIER CODE: V51896 SPECIFICATION NUMBER: S233T100-6050 OPTIONAL SUPPLIER CODE: 05617 98140 | 155162 | 1 |
| 305 | 285T1163-3 | | .. LIGHTPLATE ASSY-5V WHITE-ILLUMINATED INTEGRALLY-LIGHTED | 163999 | 1 |

ILLUSTRATION ITEMS NOT ON PARTS LIST ARE NOT APPLICABLE

- ITEM NOT ILLUSTRATED

33-13-56-03A

33-13-56
FIG. 03A
PAGE 5
APR 22/09

HXL

BOEING PROPRIETARY - Copyright © - Unpublished Work - See title page for details.



767

PARTS CATALOG (MAINTENANCE)

| FIG ITEM | PART NUMBER | 1 2 3 4 5 6 7 | NOMENCLATURE | EFFECT FROM TO | UNITS PER ASSY |
|-------------|--------------|---------------|--|----------------|----------------|
| 3A - 320 | 233T3100-161 | | .PANEL ASSY-PASS. SIGN CONT ELECTRICAL EQUIP NUMBER: M00052 | | RF |
| - 320 | 233T3216-300 | | .PANEL ASSY-PASS. SIGN CONT SUPPLIER CODE: V89954 ELECTRICAL EQUIP NUMBER: M00052 COMPONENT MAINT MANUAL REF: 33-24-02 | | RF |
| 325 | 800-000907 | | ..LIGHTPLATE ASSY-5V WHITE-ILLUMINATED INTEGRALLY-LIGHTED SUPPLIER CODE: V05617 SPECIFICATION NUMBER: S233T100-1018 MISCELLANEOUS DATA: FOR VENDOR FSCM 05617 FOR SPARES ORDER THE 800-000907-1 OPTIONAL PART: S233T100-1018 V51896 800-000907-1 V05617 | | 1 |
| 325 | 800-000907-1 | | ..LIGHTPLATE ASSY-5V WHITE-ILLUMINATED INTEGRALLY-LIGHTED SUPPLIER CODE: V05617 SPECIFICATION NUMBER: S233T100-1018 OPTIONAL PART: S233T100-1018 V51896 800-000907 V05617 | | 1 |
| - 340 | 233T3100-364 | | .PANEL ASSY-EQPT COOLING ELECTRICAL EQUIP NUMBER: M00017 | | RF |

ILLUSTRATION ITEMS NOT ON PARTS LIST ARE NOT APPLICABLE

- ITEM NOT ILLUSTRATED

33-13-56-03A

33-13-56
FIG. 03A
PAGE 6
APR 22/09

HXL



767

PARTS CATALOG (MAINTENANCE)

| FIG ITEM | PART NUMBER | 1 2 3 4 5 6 7 | NOMENCLATURE | EFFECT FROM TO | UNITS PER ASSY |
|-----------|---------------|---------------|---|----------------|----------------|
| 3A 350 | S233T100-1062 | | .. LIGHTPLATE ASSY-5V WHITE-ILLUMINATED INTEGRALLY-LIGHTED SUPPLIER CODE: V51896 SPECIFICATION NUMBER: S233T100-1062 OPTIONAL SUPPLIER CODE: 05617 98140 | | 1 |
| - 395 | 233T3100-299 | | . PANEL ASSY-LIGHTING CONT ELECTRICAL EQUIP NUMBER: M10057 PRE SERVICE BULLETIN: 25-0325 | 155162 | RF |
| - 396 | 233N3221-324 | | . PANEL ASSY-LIGHTING CONT SUPPLIER CODE: V89954 ELECTRICAL EQUIP NUMBER: M10057 POST SERVICE BULLETIN: 25-0325 | | RF |
| 405 | 800-002786 | | .. LIGHTPLATE ASSY-5V WHITE-ILLUMINATED INTEGRALLY-LIGHTED SUPPLIER CODE: V05617 SPECIFICATION NUMBER: S233T100-6039 MISCELLANEOUS DATA: FOR VENDOR FSCM 05617 FOR SPARES ORDER THE 800-002786-1 OPTIONAL PART: S233T100-6039 V51896 800-002786-1 V05617 PRE SERVICE BULLETIN: 25-0325 | 155162 | 1 |

ILLUSTRATION ITEMS NOT ON PARTS LIST ARE NOT APPLICABLE

- ITEM NOT ILLUSTRATED

HXL

33-13-56-03A

BOEING PROPRIETARY - Copyright © - Unpublished Work - See title page for details.

33-13-56
FIG. 03A
PAGE 7
APR 22/09

 **BOEING**
767
PARTS CATALOG (MAINTENANCE)

| FIG ITEM | PART NUMBER | 1 2 3 4 5 6 7 | NOMENCLATURE | EFFECT FROM TO | UNITS PER ASSY | |
|--|--------------|---------------|--|---|----------------|----|
| 3A 405 | 800-002786-1 | .. | LIGHTPLATE ASSY-5V WHITE-ILLUMINATED INTEGRALLY-LIGHTED SUPPLIER CODE: V05617 SPECIFICATION NUMBER: S233T100-6039 OPTIONAL PART: S233T100-6039 V51896 800-002786 V05617 PRE SERVICE BULLETIN: 25-0325 | 155162 | 1 | |
| R | 415 | S233T100-6069 | .. | LIGHTPLATE ASSY-5V WHITE-ILLUMINATED INTEGRALLY-LIGHTED SUPPLIER CODE: V51896 SPECIFICATION NUMBER: S233T100-6069 OPTIONAL PART: 800-008834 V05617 POST SERVICE BULLETIN: 25-0325 | | 1 |
| R | 415 | 800-008834 | .. | LIGHTPLATE ASSY-5V WHITE-ILLUMINATED INTEGRALLY-LIGHTED SUPPLIER CODE: V05617 SPECIFICATION NUMBER: S233T100-6069 OPTIONAL PART: S233T100-6069 V51896 POST SERVICE BULLETIN: 25-0325 | | 1 |
| - | 460 | 233T3100-378 | . | PANEL ASSY-TEMP CONT ELECTRICAL EQUIP NUMBER: M00014 PRE ALERT SB: 33A0087R1 | | RF |

ILLUSTRATION ITEMS NOT ON PARTS LIST ARE NOT APPLICABLE

- ITEM NOT ILLUSTRATED

33-13-56-03A

33-13-56
FIG. 03A
PAGE 8
AUG 22/09

HXL



767

PARTS CATALOG (MAINTENANCE)

| FIG ITEM | PART NUMBER | 1 2 3 4 5 6 7 | NOMENCLATURE | EFFECT FROM TO | UNITS PER ASSY |
|---|---------------|---------------|--|----------------|----------------|
| 3A - 462 | 233T3236-1305 | | .PANEL ASSY-TEMP CONT SUPPLIER CODE: V89954 ELECTRICAL EQUIP NUMBER: M00014 POST ALERT SB: 33A0087R1 | | R F |
| 480 | 800-001278 | | ..LIGHTPLATE ASSY-5V WHITE-ILLUMINATED INTEGRALLY-LIGHTED SUPPLIER CODE: V05617 SPECIFICATION NUMBER: S233T100-1082 MISCELLANEOUS DATA: FOR VENDOR FSCM 05617 FOR SPARES ORDER THE 800-001278-1 OPTIONAL PART: S233T100-1082 V51896 800-001278-1 V05617 USED ON: 233T3100-214 233T3100-258 233T3100-261 233T3100-315 233T3100-339 233T3100-340 233T3100-377 233T3100-378 233T3100-407 233T3236-303 233T3236-305 | | 1 |
| ILLUSTRATION ITEMS NOT ON PARTS LIST ARE NOT APPLICABLE | | | | | |

- ITEM NOT ILLUSTRATED

HXL

33-13-56-03A

BOEING PROPRIETARY - Copyright © - Unpublished Work - See title page for details.

33-13-56
FIG. 03A
PAGE 9
APR 22/09



767

PARTS CATALOG (MAINTENANCE)

| FIG ITEM | PART NUMBER | 1 2 3 4 5 6 7 | NOMENCLATURE | EFFECT FROM TO | UNITS PER ASSY |
|-----------|--------------|---------------|---|----------------|----------------|
| 3A 480 | 800-001278-1 | | .. LIGHTPLATE ASSY-5V WHITE-ILLUMINATED INTEGRALLY-LIGHTED SUPPLIER CODE: V05617 SPECIFICATION NUMBER: S233T100-1082 OPTIONAL PART: S233T100-1082 V51896 800-001278 V05617 USED ON: 233T3100-214 233T3100-258 233T3100-261 233T3100-315 233T3100-339 233T3100-340 233T3100-377 233T3100-378 233T3100-407 233T3236-303 233T3236-305 | | 1 |
| - 490 | FB7900-6A1 | | ... FASTENER-CAPTIVE SUPPLIER CODE: V17419 OPTIONAL PART: CPS6C5D V12324 CA1187-1-1 V29372 P2-001000300 V51896 | | 7 |
| - 490 | CPS6C5D | | ... FASTENER-CAPTIVE SUPPLIER CODE: V12324 OPTIONAL PART: CA1187-1-1 V29372 P2-001000300 V51896 FB7900-6A1 V17419 | | 7 |

ILLUSTRATION ITEMS NOT ON PARTS LIST ARE NOT APPLICABLE

- ITEM NOT ILLUSTRATED

HXL

33-13-56-03A

BOEING PROPRIETARY - Copyright © - Unpublished Work - See title page for details.

33-13-56
 FIG. 03A
 PAGE 10
 APR 22/09

 **BOEING**
767
PARTS CATALOG (MAINTENANCE)

| FIG ITEM | PART NUMBER | 1 2 3 4 5 6 7 | NOMENCLATURE | EFFECT FROM TO | UNITS PER ASSY |
|-------------|---------------|---------------|--|----------------|----------------|
| 3A - 490 | CA1187-1-1 | | ... FASTENER-CAPTIVE SUPPLIER CODE: V29372 OPTIONAL PART: CPS6C5D V12324 P2-001000300 V51896 FB7900-6A1 V17419 | | 7 |
| - 490 | P2-001000300 | | ... FASTENER-CAPTIVE SUPPLIER CODE: V51896 OPTIONAL PART: CPS6C5D V12324 CA1187-1-1 V29372 FB7900-6A1 V17419 | | 7 |
| - 495 | AN507C256 | | ... SCREW | | 13 |
| - 500 | MS90451-6832 | | ... LAMP | | 31 |
| - 505 | 800-000-119 | | ... CONNECTOR- SUPPLIER CODE: V05617 | | 1 |
| - 520 | 233T3100-319 | | . PANEL ASSY-BLEED AIR CONT ELECTRICAL EQUIP NUMBER: M00015 COMPONENT MAINT MANUAL REF: 36-11-54 QUALIFIED OPTIONAL DATA: SEDLOC9B (V61349) WITH 233T3237-304 IS OPTIONAL TO 233T3100-319 PRE ALERT SB: 33A0087 PRE COMPONENT SB: 233T3237-36-04 | | RF |
| - 521 | 233T3237-1304 | | . PANEL ASSY-BLEED AIR CONT SUPPLIER CODE: V89954 ELECTRICAL EQUIP NUMBER: M00015 COMPONENT MAINT MANUAL REF: 36-11-54 POST ALERT SB: 33A0087 POST COMPONENT SB: 233T3237-36-04 | | RF |

ILLUSTRATION ITEMS NOT ON PARTS LIST ARE NOT APPLICABLE

- ITEM NOT ILLUSTRATED

HXL

33-13-56-03A

BOEING PROPRIETARY - Copyright © - Unpublished Work - See title page for details.

33-13-56
FIG. 03A
PAGE 11
APR 22/09



767

PARTS CATALOG (MAINTENANCE)

| FIG ITEM | PART NUMBER | 1 2 3 4 5 6 7 | NOMENCLATURE | EFFECT FROM TO | UNITS PER ASSY |
|-----------|--------------|---------------|---|----------------|----------------|
| 3A 540 | 800-000906 | | ..LIGHTPLATE ASSY-5V WHITE-ILLUMINATED INTEGRALLY-LIGHTED SUPPLIER CODE: V05617 SPECIFICATION NUMBER: S233T100-1051 MISCELLANEOUS DATA: FOR VENDOR FSCM 05617 FOR SPARES ORDER THE 800-000906-1 ELECTRICAL EQUIP NUMBER: M0015T WIRING DIAGRAM REF: 331316 OPTIONAL PART: S233T100-1051 V51896 800-000906-1 V05617 | | 1 |
| 540 | 800-000906-1 | | ..LIGHTPLATE ASSY-5V WHITE-ILLUMINATED INTEGRALLY-LIGHTED SUPPLIER CODE: V05617 SPECIFICATION NUMBER: S233T100-1051 ELECTRICAL EQUIP NUMBER: M0015T WIRING DIAGRAM REF: 331316 OPTIONAL PART: S233T100-1051 V51896 800-000906 V05617 | | 1 |
| - 555 | 233T3100-367 | | .PANEL ASSY-ENTERTAINMENT ELECTRICAL EQUIP NUMBER: M01111 | | RF |

ILLUSTRATION ITEMS NOT ON PARTS LIST ARE NOT APPLICABLE

- ITEM NOT ILLUSTRATED

HXL

33-13-56-03A

BOEING PROPRIETARY - Copyright © - Unpublished Work - See title page for details.

33-13-56
 FIG. 03A
 PAGE 12
 APR 22/09



767

PARTS CATALOG (MAINTENANCE)

| FIG ITEM | PART NUMBER | 1 2 3 4 5 6 7 | NOMENCLATURE | EFFECT FROM TO | UNITS PER ASSY |
|-----------|--------------|---------------|--|----------------|----------------|
| 3A 570 | 800-003164 | | ..LIGHTPLATE ASSY-5V WHITE-ILLUMINATED INTEGRALLY-LIGHTED SUPPLIER CODE: V05617 SPECIFICATION NUMBER: S233T100-1096 MISCELLANEOUS DATA: FOR VENDOR FSCM 05617 FOR SPARES ORDER THE 800-003164-1 OPTIONAL PART: S233T100-1096 V51896 800-003164-1 V05617 | | 1 |
| 570 | 800-003164-1 | | ..LIGHTPLATE ASSY-5V WHITE-ILLUMINATED INTEGRALLY-LIGHTED SUPPLIER CODE: V05617 SPECIFICATION NUMBER: S233T100-1096 OPTIONAL PART: S233T100-1096 V51896 800-003164 V05617 | | 1 |
| - 625 | 233T3100-366 | | .PANEL ASSY-CARGO A/C POSITION DATA: FWD ELECTRICAL EQUIP NUMBER: M01619 | 163999 | RF |
| - 625 | 233T3100-398 | | .PANEL ASSY-CARGO A/C POSITION DATA: FWD ELECTRICAL EQUIP NUMBER: M01619 | 155162 | RF |

ILLUSTRATION ITEMS NOT ON PARTS LIST ARE NOT APPLICABLE

- ITEM NOT ILLUSTRATED

HXL

33-13-56-03A

BOEING PROPRIETARY - Copyright © - Unpublished Work - See title page for details.

33-13-56
FIG. 03A
PAGE 13
APR 22/09



767

PARTS CATALOG (MAINTENANCE)

| FIG ITEM | PART NUMBER | 1 2 3 4 5 6 7 | NOMENCLATURE | EFFECT FROM TO | UNITS PER ASSY |
|-----------|--------------|---------------|---|----------------|----------------|
| 3A 630 | 800-003163 | | .. LIGHTPLATE ASSY-5V WHITE-ILLUMINATED INTEGRALLY-LIGHTED SUPPLIER CODE: V05617 SPECIFICATION NUMBER: S233T100-1095 MISCELLANEOUS DATA: FOR VENDOR FSCM 05617 FOR SPARES ORDER THE 800-003163-1 OPTIONAL PART: S233T100-1095 V51896 800-003163-1 V05617 | | 1 |
| 630 | 800-003163-1 | | .. LIGHTPLATE ASSY-5V WHITE-ILLUMINATED INTEGRALLY-LIGHTED SUPPLIER CODE: V05617 SPECIFICATION NUMBER: S233T100-1095 OPTIONAL PART: S233T100-1095 V51896 800-003163 V05617 | | 1 |

ILLUSTRATION ITEMS NOT ON PARTS LIST ARE NOT APPLICABLE

- ITEM NOT ILLUSTRATED

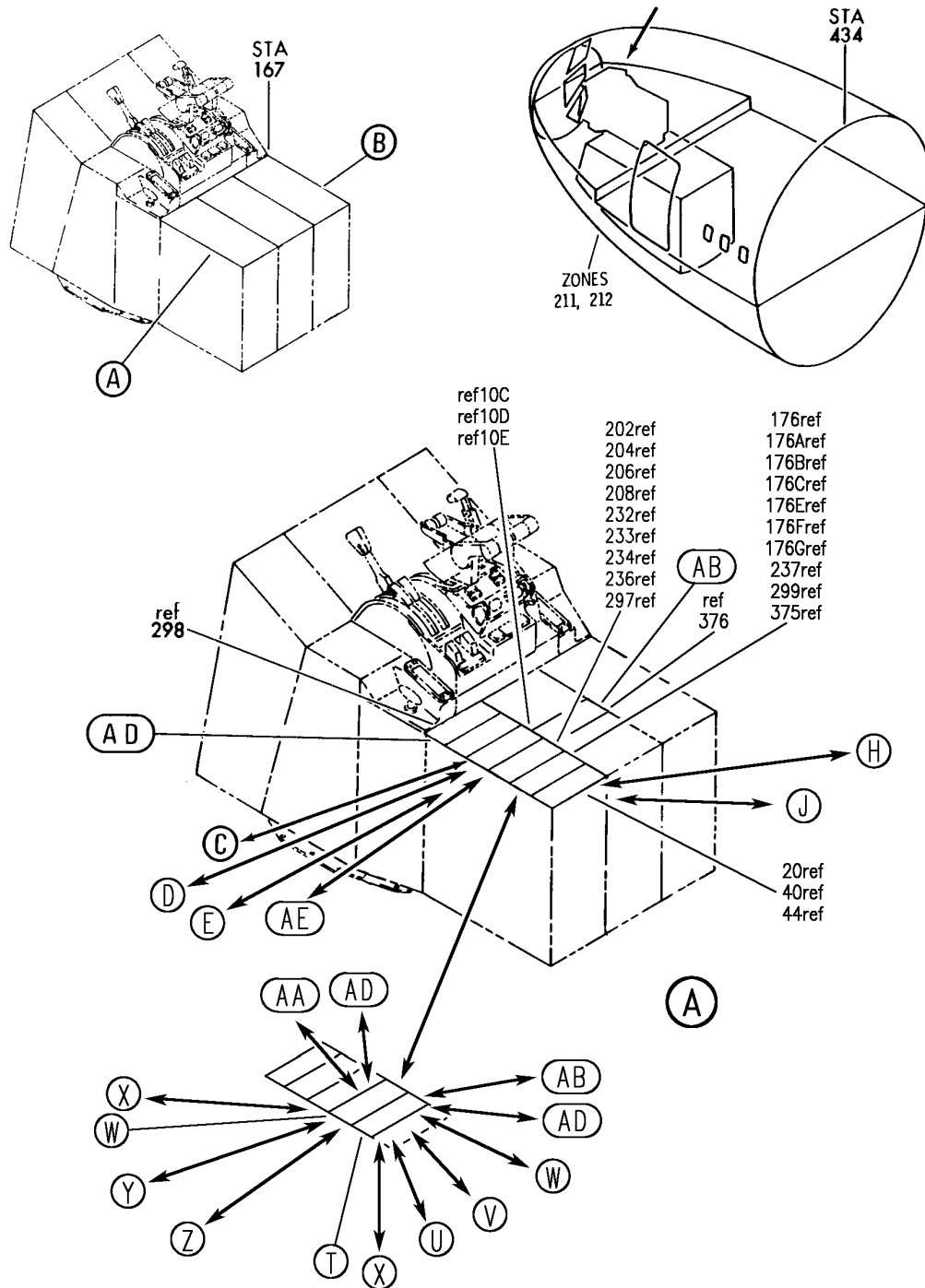
HXL

33-13-56-03A

BOEING PROPRIETARY - Copyright © - Unpublished Work - See title page for details.

33-13-56
 FIG. 03A
 PAGE 14
 APR 22/09

BOEING
767
PARTS CATALOG (MAINTENANCE)



V 33135701 SHT 1 REV 333

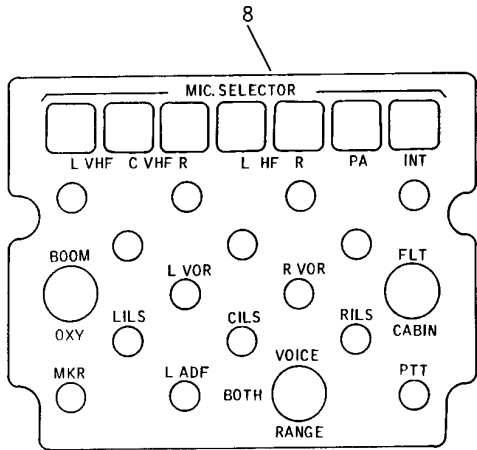
PANEL INSTL-ELECTRONICS (LIGHTS ONLY)
FIGURE 1 (SHEET 1)

33-13-57-01

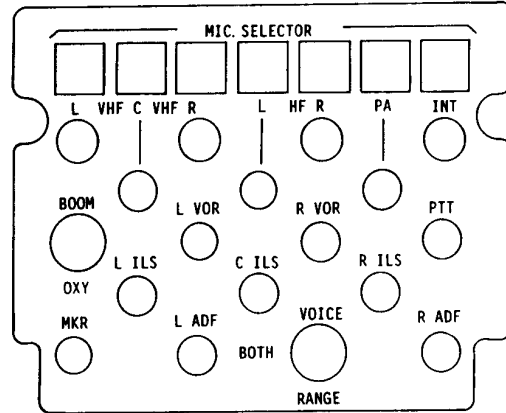
HXL
DEC 22/08

33-13-57-01
PAGE 0

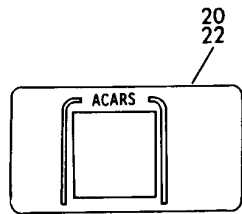
BOEING
767
PARTS CATALOG (MAINTENANCE)



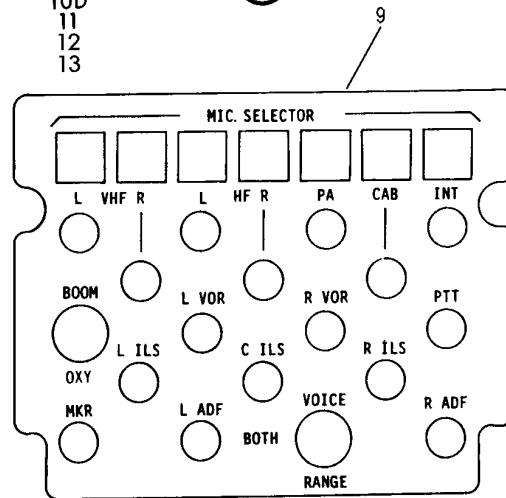
(C)



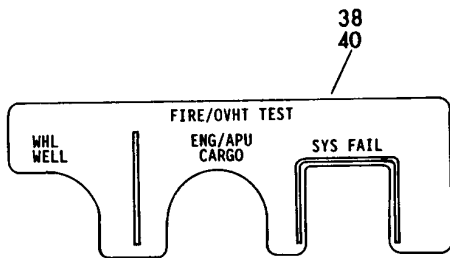
(D)



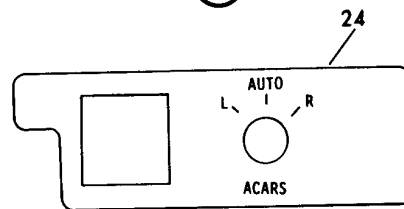
(H)



(E)



(G)



(F)

V 33135701 SHT 3 REV 239

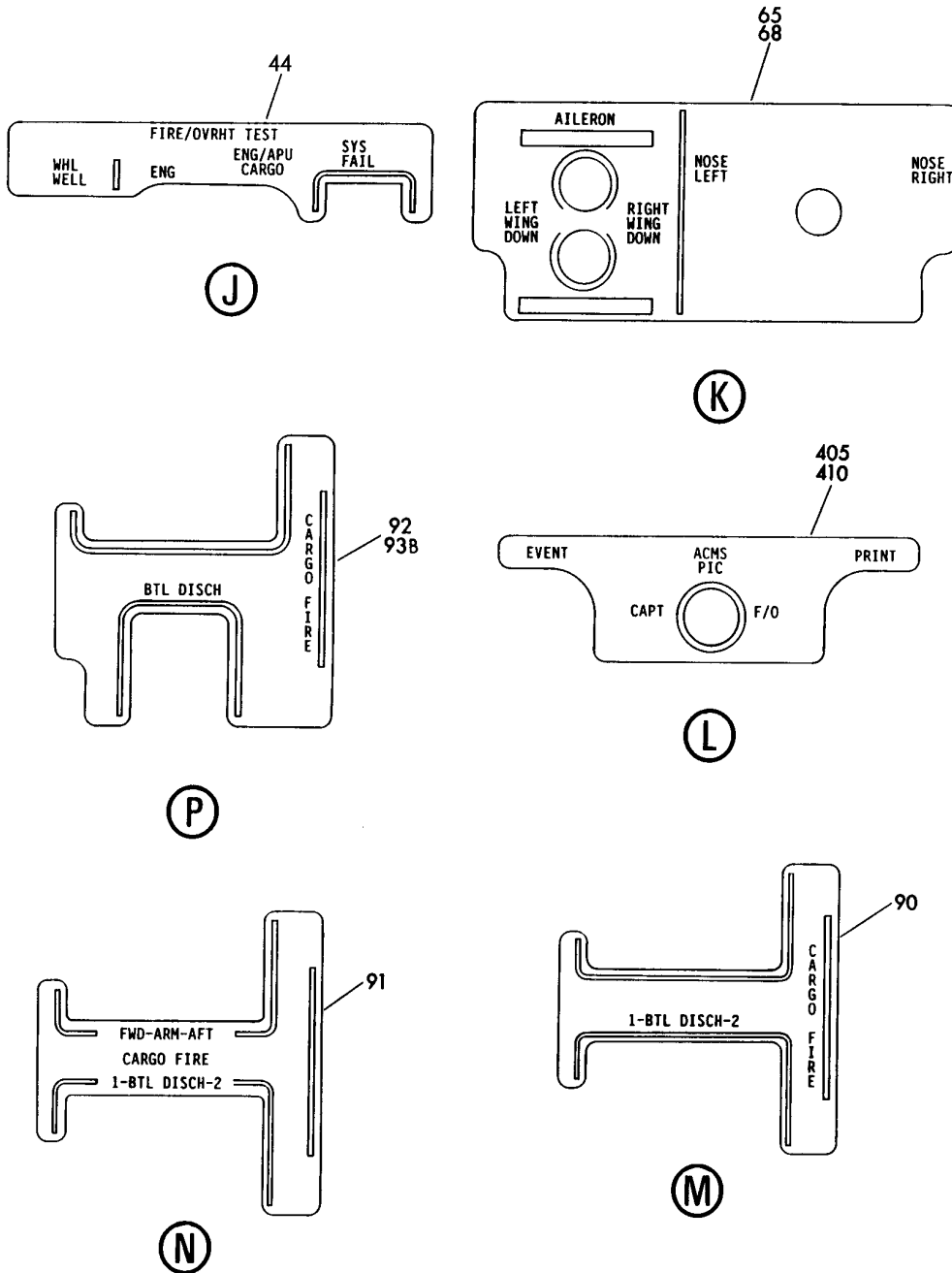
PANEL INSTL-ELECTRONICS (LIGHTS ONLY)
FIGURE 1 (SHEET 3)

33-13-57-01

HXL
DEC 22/06

33-13-57-01
PAGE 0B

BOEING
767
PARTS CATALOG (MAINTENANCE)



V 33135701 SHT 4 REV 237

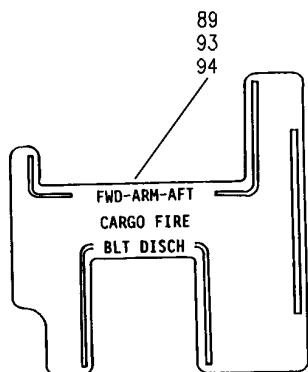
PANEL INSTL-ELECTRONICS (LIGHTS ONLY)
FIGURE 1 (SHEET 4)

33-13-57-01

HXL
DEC 22/06

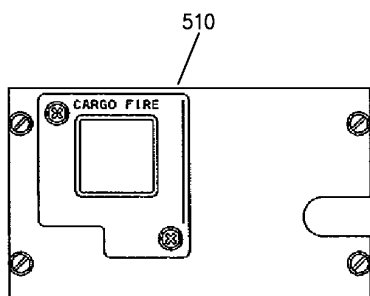
33-13-57-01
PAGE 0C

BOEING
767
PARTS CATALOG (MAINTENANCE)

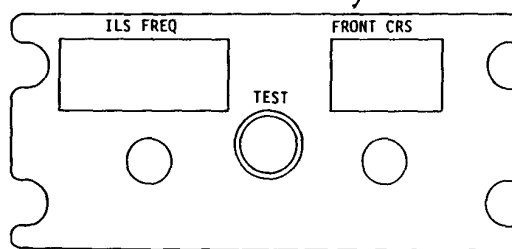


Q

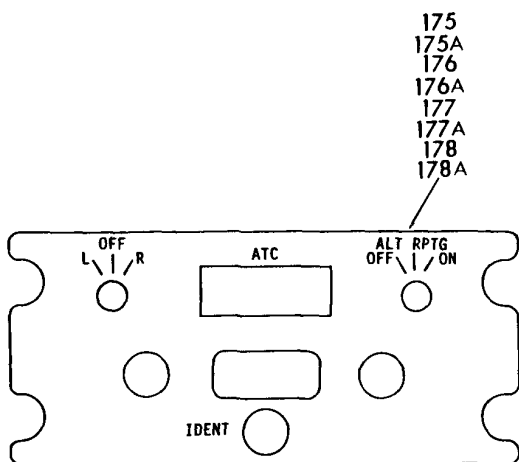
- 120
- 121
- 123
- 124
- 126
- 127
- 130
- 130B
- 130C
- 130D
- 130E
- 131
- 132
- 132A
- 132D
- 132E
- 132F
- 133
- 133A
- 133D
- 133E
- 133F



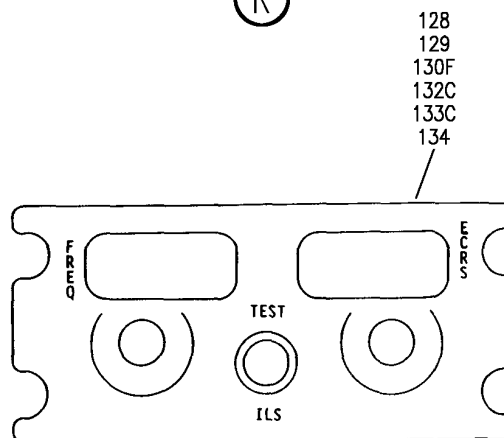
AC



R



T



S

V 33135701 SHT 5 REV 327

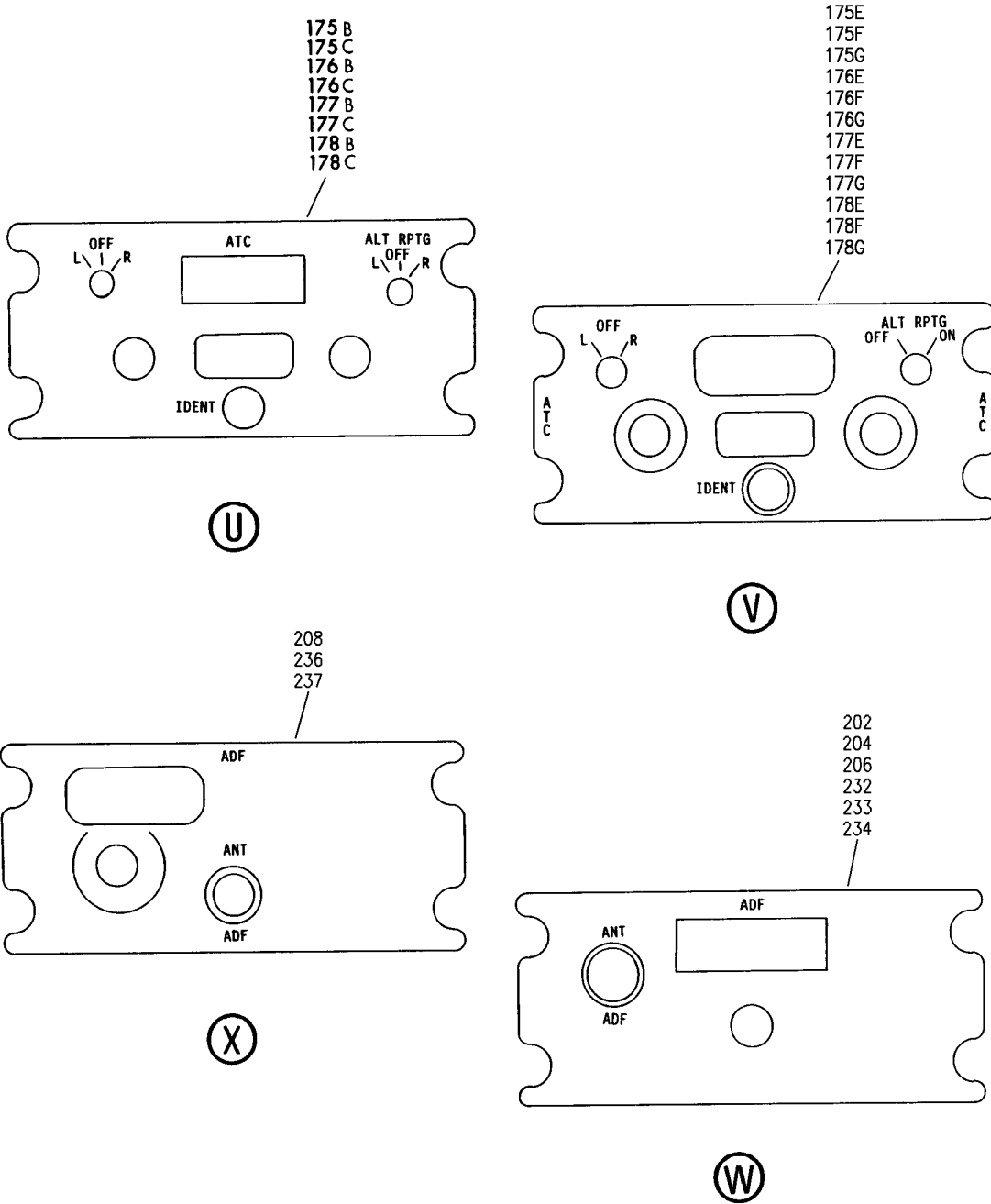
PANEL INSTL-ELECTRONICS (LIGHTS ONLY)
FIGURE 1 (SHEET 5)

33-13-57-01

HXL
APR 22/08

33-13-57-01
PAGE 0D


BOEING
 767
PARTS CATALOG (MAINTENANCE)



V 33135701 SH1 6 REV 333

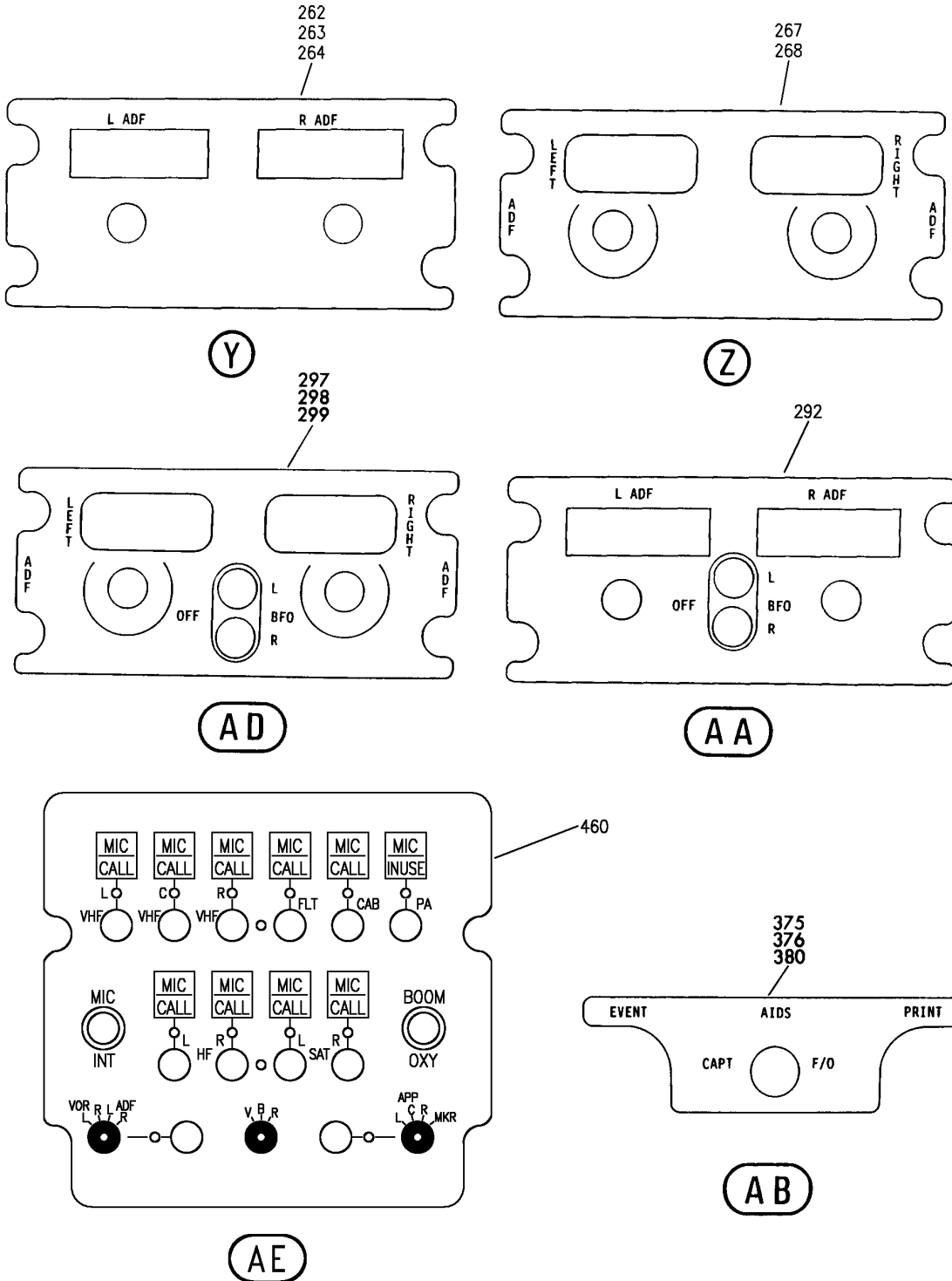
PANEL INSTL-ELECTRONICS (LIGHTS ONLY)
 FIGURE 1 (SHEET 6)

33-13-57-01

HXL
DEC 22/08

33-13-57-01
 PAGE 0E

BOEING
767
PARTS CATALOG (MAINTENANCE)



V 33135701 SH7 7 REV 308

PANEL INSTL-ELECTRONICS (LIGHTS ONLY)
FIGURE 1 (SHEET 7)

33-13-57-01

HXL
DEC 22/06

33-13-57-01
PAGE OF



767

PARTS CATALOG (MAINTENANCE)

| FIG ITEM | PART NUMBER | 1 2 3 4 5 6 7 | NOMENCLATURE | EFFECT FROM TO | UNITS PER ASSY |
|----------|--------------|---------------|---|----------------|----------------|
| 1 | | | PANEL INSTL-ELECTRONICS (LIGHTS ONLY) | | |
| - 1 | 233T6100-1 | | PANEL INSTL-ELECTRONICS (LIGHTS ONLY) MISCELLANEOUS DATA: (CONT. ON ITEM 001K) VARIABLE DRAWING REF: 233T6100-5048 | | RF |
| - 1 | 233T6100-1 | | PANEL INSTL-ELECTRONICS (LIGHTS ONLY) MISCELLANEOUS DATA: (CONT. FROM ITEM 001J) FOR NHA/OTHER SYS DET SEE: 25-10-00-06 | | RF |
| - 34 | 233T6100-16 | | .PANEL ASSY-FIRE/OVERHEAT ELECTRICAL EQUIP NUMBER: M10445 | | RF |
| - 34 | 233T6100-18 | | .PANEL ASSY-FIRE/OVERHEAT ELECTRICAL EQUIP NUMBER: M10445 | | RF |
| - 34 | 233T6100-26 | | .PANEL ASSY-FIRE/OVERHEAT ELECTRICAL EQUIP NUMBER: M10445 | | RF |
| - 34 | 233T6100-75 | | .PANEL ASSY-FIRE/OVERHEAT ELECTRICAL EQUIP NUMBER: M10445 COMPONENT MAINT MANUAL REF: 26-11-51 | | RF |
| - 34 | 233T6100-64 | | .PANEL ASSY-FIRE/OVERHEAT ELECTRICAL EQUIP NUMBER: M10445 | | RF |
| - 34 | 233T6204-301 | | .PANEL ASSY-FIRE/OVERHEAT SUPPLIER CODE: V89954 MISCELLANEOUS DATA: (233T6204-301 PANEL ASSY IS I/W 233T6204-13 PANEL ASSY T/W S233T100-538 LIGHTPLATE) ELECTRICAL EQUIP NUMBER: M10445 COMPONENT MAINT MANUAL REF: 26-11-51 | | RF |

ILLUSTRATION ITEMS NOT ON PARTS LIST ARE NOT APPLICABLE

- ITEM NOT ILLUSTRATED

HXL

33-13-57-01

BOEING PROPRIETARY - Copyright © - Unpublished Work - See title page for details.

33-13-57
FIG. 01
PAGE 1
DEC 22/07



767

PARTS CATALOG (MAINTENANCE)

| FIG ITEM | PART NUMBER | 1 2 3 4 5 6 7 | NOMENCLATURE | EFFECT FROM TO | UNITS PER ASSY |
|----------|--------------|---------------|--|----------------|----------------|
| 1 | | | | | |
| 40 | 800-000903 | | ..LIGHTPLATE ASSY-5V WHITE-ILLUMINATED INTEGRALLY-LIGHTED SUPPLIER CODE: V05617 SPECIFICATION NUMBER: S233T100-538 OPTIONAL PART: S233T100-538 V51896 800-000903-1 V05617 | | 1 |
| 40 | 800-000903-1 | | ..LIGHTPLATE ASSY-5V WHITE-ILLUMINATED INTEGRALLY-LIGHTED SUPPLIER CODE: V05617 SPECIFICATION NUMBER: S233T100-538 OPTIONAL PART: S233T100-538 V51896 800-000903 V05617 | | 1 |
| - 41 | FB7900-6A1 | | ...FASTENER-CAPTIVE SUPPLIER CODE: V17419 | | 2 |
| - 42 | NAS662-2-3 | | ...SCREW | | AR |
| - 42A | MS90451-6832 | | ...LAMP | | 4 |
| - 60 | 233T6100-17 | | .PANEL ASSY-AIL. AND RUD TRIM CONT ELECTRICAL EQUIP NUMBER: M00074 | 163999 | RF |
| - 60 | 233T6100-31 | | .PANEL ASSY-AIL. AND RUD TRIM CONT STATIC SENSITIVE PART ELECTRICAL EQUIP NUMBER: M00074 | 163999 | RF |
| - 60 | 233T6100-33 | | .PANEL ASSY-AIL. AND RUD TRIM CONT STATIC SESNSITIVE PART ELECTRICAL EQUIP NUMBER: M00074 | 163999 | RF |

ILLUSTRATION ITEMS NOT ON PARTS LIST ARE NOT APPLICABLE

- ITEM NOT ILLUSTRATED

33-13-57-01

33-13-57
FIG. 01
PAGE 2
APR 22/08

HXL



767

PARTS CATALOG (MAINTENANCE)

| FIG ITEM | PART NUMBER | 1 2 3 4 5 6 7 | NOMENCLATURE | EFFECT FROM TO | UNITS PER ASSY |
|----------|---------------|---------------|--|----------------|----------------|
| 1 | | | | | |
| - 60 | 233T6100-93 | | .PANEL ASSY-AIL. AND RUD TRIM CONT STATIC SENSITIVE PART ELECTRICAL EQUIP NUMBER: M00074 COMPONENT MAINT MANUAL REF: 27-21-63 | 155162 | RF |
| 65 | 800-000448 | | ..LIGHTPLATE ASSY-5V WHITE-ILLUMINATED INTEGRALLY-LIGHTED SUPPLIER CODE: V05617 SPECIFICATION NUMBER: S233T100-528 MISCELLANEOUS DATA: FOR VENDOR FSCM 05617 FOR SPARES ORDER THE 800-000448-1 OPTIONAL PART: S233T100-528 V51896 800-000448-1 V05617 | | 1 |
| 65 | 800-000448-1 | | ..LIGHTPLATE ASSY-5V WHITE-ILLUMINATED INTEGRALLY-LIGHTED SUPPLIER CODE: V05617 SPECIFICATION NUMBER: S233T100-528 OPTIONAL PART: S233T100-528 V51896 800-000448 V05617 | | 1 |
| - 70 | FB7900-6A1 | | ...FASTENER-CAPTIVE SUPPLIER CODE: V17419 | | 3 |
| - 75 | NAS662-2-3 | | ...SCREW | | AR |
| - 80 | MS90451-6832 | | ...LAMP | | 8 |
| - 82 | 233N6203-1377 | | .PANEL ASSY-APU FIRE CONT SUPPLIER CODE: V89954 COMPONENT MAINT MANUAL REF: 26-15-55 POST ALERT SB: 33A0087R1 | 163163 | RF |

ILLUSTRATION ITEMS NOT ON PARTS LIST ARE NOT APPLICABLE

- ITEM NOT ILLUSTRATED

33-13-57-01

33-13-57
FIG. 01
PAGE 3
DEC 22/08

HXL



767

PARTS CATALOG (MAINTENANCE)

| FIG ITEM | PART NUMBER | 1 2 3 4 5 6 7 | NOMENCLATURE | EFFECT FROM TO | UNITS PER ASSY |
|----------|---------------|---------------|---|------------------|----------------|
| 1 | | | | | |
| - 84 | 233N6203-1378 | | .PANEL ASSY-APU FIRE CONT SUPPLIER CODE: V89954 ELECTRICAL EQUIP NUMBER: M10444 COMPONENT MAINT MANUAL REF: 26-15-55 POST ALERT SB: 33A0087R1 POST COMPONENT SB: 233N6203-26-10R1 | 155162 164999 | RF |
| - 86 | 233T6100-77 | | .PANEL ASSY-APU FIRE CONT ELECTRICAL EQUIP NUMBER: M10444 COMPONENT MAINT MANUAL REF: 26-15-55 PRE ALERT SB: 33A0087R1 | 163163 | RF |
| - 86 | 233T6100-89 | | .PANEL ASSY-APU FIRE CONT ELECTRICAL EQUIP NUMBER: M10444 COMPONENT MAINT MANUAL REF: 26-15-55 PRE ALERT SB: 33A0087R1 PRE COMPONENT SB: 233N6203-26-10R1 | 155162 164999 | RF |
| - 87 | 233N6203-343 | | .PANEL ASSY-APU FIRE CONT SUPPLIER CODE: V89954 MISCELLANEOUS DATA: THE 233N6203-343 PANEL ASSY IS I/W THE 233N6203-178 PANEL ASSY T/W S233T100-572 LIGHTPLATE ELECTRICAL EQUIP NUMBER: M10444 COMPONENT MAINT MANUAL REF: 26-15-55 | 155162 164999 | RF |
| - 88 | 233N6203-353 | | .PANEL ASSY-APU/CARGO FIRE CONT SUPPLIER CODE: V89954 ELECTRICAL EQUIP NUMBER: M10444 COMPONENT MAINT MANUAL REF: 26-15-55 | 155162 164999 | RF |

ILLUSTRATION ITEMS NOT ON PARTS LIST ARE NOT APPLICABLE

- ITEM NOT ILLUSTRATED

33-13-57-01

33-13-57
FIG. 01
PAGE 4
DEC 22/08

HXL



767

PARTS CATALOG (MAINTENANCE)

| FIG ITEM | PART NUMBER | 1 2 3 4 5 6 7 | NOMENCLATURE | EFFECT FROM TO | UNITS PER ASSY |
|-------------|--------------|---------------|--|-------------------|----------------------|
| 1 92 | 800-000612 | | ..LIGHTPLATE ASSY-5V WHITE-ILLUMINATED INTEGRALLY-LIGHTED SUPPLIER CODE: V05617 SPECIFICATION NUMBER: S233T100-567 OPTIONAL PART: 800-000612-1 V05617 | 163163 | 1 |
| 92 | 800-006845 | | ..LIGHTPLATE ASSY-5V WHITE-ILLUMINATED INTEGRALLY-LIGHTED SUPPLIER CODE: V05617 SPECIFICATION NUMBER: S233T100-572 OPTIONAL PART: S233T100-572 V51896 | 163163 | 1 |
| 92 | 800-000612-1 | | ..LIGHTPLATE ASSY-5V WHITE-ILLUMINATED INTEGRALLY-LIGHTED SUPPLIER CODE: V05617 SPECIFICATION NUMBER: S233T100-567 OPTIONAL PART: 800-000612 V05617 | 163163 | 1 |
| 93 | 800-006845 | | ..LIGHTPLATE ASSY-5V WHITE-ILLUMINATED INTEGRALLY-LIGHTED SUPPLIER CODE: V05617 SPECIFICATION NUMBER: S233T100-572 OPTIONAL PART: S233T100-572 V51896 | 155162 164999 | 1 |

ILLUSTRATION ITEMS NOT ON PARTS LIST ARE NOT APPLICABLE

- ITEM NOT ILLUSTRATED

HXL

33-13-57-01

BOEING PROPRIETARY - Copyright © - Unpublished Work - See title page for details.

33-13-57
FIG. 01
PAGE 5
DEC 22/08

BOEING
767
PARTS CATALOG (MAINTENANCE)

| FIG ITEM | PART NUMBER | 1 2 3 4 5 6 7 | NOMENCLATURE | EFFECT FROM TO | UNITS PER ASSY |
|-------------|--------------|---------------|--|-------------------|----------------------|
| 1 93 | 800-000612 | | ..LIGHTPLATE ASSY-5V WHITE-ILLUMINATED INTEGRALLY-LIGHTED SUPPLIER CODE: V05617 SPECIFICATION NUMBER: S233T100-567 OPTIONAL PART: 800-000612-1 V05617 | 155162 164999 | 1 |
| 93 | 800-000612-1 | | ..LIGHTPLATE ASSY-5V WHITE-ILLUMINATED INTEGRALLY-LIGHTED SUPPLIER CODE: V05617 SPECIFICATION NUMBER: S233T100-567 OPTIONAL PART: 800-000612 V05617 | 155162 164999 | 1 |
| - 115 | 285T0020-8 | | .PANEL ASSY-INSTR LDG SYS CONT STATIC SENSITIVE PART SUPPLIER CODE: V89954 ELECTRICAL EQUIP NUMBER: M00087 COMPONENT MAINT MANUAL REF: 34-31-51 | | RF |
| - 115 | 285T0524-1 | | .PANEL ASSY-INSTR LDG SYS CONT STATIC SENSITIVE PART SUPPLIER CODE: V89954 ELECTRICAL EQUIP NUMBER: M00087 COMPONENT MAINT MANUAL REF: 34-31-52 | | RF |
| - 115 | 285T0524-6 | | .PANEL ASSY-INSTR LDG SYS CONT STATIC SENSITIVE PART SUPPLIER CODE: V89954 ELECTRICAL EQUIP NUMBER: M00087 COMPONENT MAINT MANUAL REF: 34-31-52 | | RF |

ILLUSTRATION ITEMS NOT ON PARTS LIST ARE NOT APPLICABLE

- ITEM NOT ILLUSTRATED

HXL

33-13-57-01

BOEING PROPRIETARY - Copyright © - Unpublished Work - See title page for details.

33-13-57
FIG. 01
PAGE 6
APR 22/09



767

PARTS CATALOG (MAINTENANCE)

| FIG ITEM | PART NUMBER | 1 2 3 4 5 6 7 | NOMENCLATURE | EFFECT FROM TO | UNITS PER ASSY |
|----------|-------------|---------------|--|----------------|----------------|
| 1 | | | | | |
| - 115 | 285T0553-1 | | .PANEL ASSY-INSTR LDG SYS CONT SUPPLIER CODE: V89954 ELECTRICAL EQUIP NUMBER: M00087 COMPONENT MAINT MANUAL REF: 34-31-61 | | RF |
| - 115 | 285T0553-2 | | .PANEL ASSY-INSTR LDG SYS CONT STATIC SENSITIVE PART SUPPLIER CODE: V89954 ELECTRICAL EQUIP NUMBER: M00087 COMPONENT MAINT MANUAL REF: 34-31-61 | | RF |
| - 115 | 285T0553-4 | | .PANEL ASSY-INSTR LDG SYS CONT STATIC SENSITIVE PART SUPPLIER CODE: V89954 ELECTRICAL EQUIP NUMBER: M00087 COMPONENT MAINT MANUAL REF: 34-31-61 | | RF |
| 120 | 800-007826 | | ..LIGHTPLATE ASSY-5V WHITE-ILLUMINATED INTEGRALLY-LIGHTED SUPPLIER CODE: V05617 SPECIFICATION NUMBER: S233T100-554 OPTIONAL PART: S233T100-554 V51896 OPTIONAL PART: S233T100-543 V51896 S233T100-544 V51896 | | 1 |

ILLUSTRATION ITEMS NOT ON PARTS LIST ARE NOT APPLICABLE

- ITEM NOT ILLUSTRATED

HXL

33-13-57-01

BOEING PROPRIETARY - Copyright © - Unpublished Work - See title page for details.

33-13-57
FIG. 01
PAGE 7
APR 22/09



767

PARTS CATALOG (MAINTENANCE)

| FIG ITEM | PART NUMBER | 1 2 3 4 5 6 7 | NOMENCLATURE | EFFECT FROM TO | UNITS PER ASSY |
|----------|--------------|---------------|--|----------------|----------------|
| 1 121 | 800-008004 | | ..LIGHTPLATE ASSY-5V WHITE-ILLUMINATED INTEGRALLY-LIGHTED SUPPLIER CODE: V05617 SPECIFICATION NUMBER: S233T100-543 OPTIONAL PART: S233T100-543 V51896 OPTIONAL PART: S233T100-544 V51896 S233T100-554 V51896 | | 1 |
| 128 | 800-007677 | | ..LIGHTPLATE ASSY-5V WHITE-ILLUMINATED INTEGRALLY-LIGHTED SUPPLIER CODE: V05617 SPECIFICATION NUMBER: S233T100-559 OPTIONAL PART: S233T100-559 V51896 USED ON: 285T0553-1 285T0553-2 285T0553-4 | | 1 |
| 130 | S233T100-554 | | ..LIGHTPLATE ASSY-5V WHITE-ILLUMINATED INTEGRALLY-LIGHTED SUPPLIER CODE: V51896 SPECIFICATION NUMBER: S233T100-554 OPTIONAL PART: 800-007826 V05617 OPTIONAL PART: S233T100-543 V51896 S233T100-544 V51896 USED ON: 285T0020-8 | | 1 |

ILLUSTRATION ITEMS NOT ON PARTS LIST ARE NOT APPLICABLE

- ITEM NOT ILLUSTRATED

HXL

33-13-57-01

BOEING PROPRIETARY - Copyright © - Unpublished Work - See title page for details.

33-13-57
 FIG. 01
 PAGE 8
 APR 22/09



767

PARTS CATALOG (MAINTENANCE)

| FIG ITEM | PART NUMBER | 1 2 3 4 5 6 7 | NOMENCLATURE | EFFECT FROM TO | UNITS PER ASSY |
|-----------|--------------|---------------|---|----------------|----------------|
| 1 130B | S233T100-544 | | .. LIGHTPLATE ASSY-5V WHITE-ILLUMINATED INTEGRALLY-LIGHTED SUPPLIER CODE: V51896 SPECIFICATION NUMBER: S233T100-544 OPTIONAL PART: S233T100-554 V51896 S233T100-543 V51896 800-007826 V05617 800-008004 V05617 OPTIONAL SUPPLIER CODE: 05617 91840 USED ON: 285T0020-8 | | 1 |
| 130C | S233T100-555 | | .. LIGHTPLATE ASSY-5V WHITE-ILLUMINATED INTEGRALLY-LIGHTED SUPPLIER CODE: V51896 SPECIFICATION NUMBER: S233T100-555 OPTIONAL PART: S233T100-545 V51896 S233T100-546 V51896 OPTIONAL SUPPLIER CODE: 05617 98140 USED ON: 285T0524-1 285T0524-6 | | 1 |

ILLUSTRATION ITEMS NOT ON PARTS LIST ARE NOT APPLICABLE

- ITEM NOT ILLUSTRATED

HXL

33-13-57-01

BOEING PROPRIETARY - Copyright © - Unpublished Work - See title page for details.

33-13-57
 FIG. 01
 PAGE 9
 APR 22/09



767

PARTS CATALOG (MAINTENANCE)

| FIG ITEM | PART NUMBER | 1 2 3 4 5 6 7 | NOMENCLATURE | EFFECT FROM TO | UNITS PER ASSY |
|-----------|--------------|---------------|--|----------------|----------------|
| 1 130D | S233T100-545 | | ..LIGHTPLATE ASSY-5V WHITE-ILLUMINATED INTEGRALLY-LIGHTED SUPPLIER CODE: V51896 SPECIFICATION NUMBER: S233T100-545 OPTIONAL PART: S233T100-546 V51896 S233T100-555 V51896 OPTIONAL SUPPLIER CODE: 05617 98140 USED ON: 285T0524-1 285T0524-6 | | 1 |
| 130E | S233T100-546 | | ..LIGHTPLATE ASSY-5V WHITE-ILLUMINATED INTEGRALLY-LIGHTED SUPPLIER CODE: V51896 SPECIFICATION NUMBER: S233T100-546 OPTIONAL PART: S233T100-543 V51896 S233T100-544 V51896 OPTIONAL SUPPLIER CODE: 05617 98140 USED ON: 285T0524-1 285T0524-6 | | 1 |
| 130F | S233T100-559 | | ..LIGHTPLATE ASSY-5V WHITE-ILLUMINATED INTEGRALLY-LIGHTED SUPPLIER CODE: V51896 SPECIFICATION NUMBER: S233T100-559 OPTIONAL PART: 800-007677 V05617 USED ON: 285T0553-1 285T0553-2 285T0553-4 | | 1 |

ILLUSTRATION ITEMS NOT ON PARTS LIST ARE NOT APPLICABLE

- ITEM NOT ILLUSTRATED

HXL

33-13-57-01

BOEING PROPRIETARY - Copyright © - Unpublished Work - See title page for details.

33-13-57
 FIG. 01
 PAGE 10
 APR 22/09



767

PARTS CATALOG (MAINTENANCE)

| FIG ITEM | PART NUMBER | 1 2 3 4 5 6 7 | NOMENCLATURE | EFFECT FROM TO | UNITS PER ASSY |
|----------|-------------|---------------|---|----------------|----------------|
| 1 | | | | | |
| - 135 | S0050002 | | ...CONNECTOR-ELECTRICAL SUPPLIER CODE: V51896 USED ON: S233T100-559 | | 1 |
| - 138 | NAS662-2-3 | | ...SCREW- USED ON: S233T100-559 | | 4 |
| - 141 | S0056832 | | ...LAMP ASSY- SUPPLIER CODE: V51896 USED ON: S233T100-559 | | 6 |
| - 145 | S0050001 | | ...FASTENER-CAPTIVE SUPPLIER CODE: V51896 USED ON: S233T100-559 | | 2 |

ILLUSTRATION ITEMS NOT ON PARTS LIST ARE NOT APPLICABLE

- ITEM NOT ILLUSTRATED

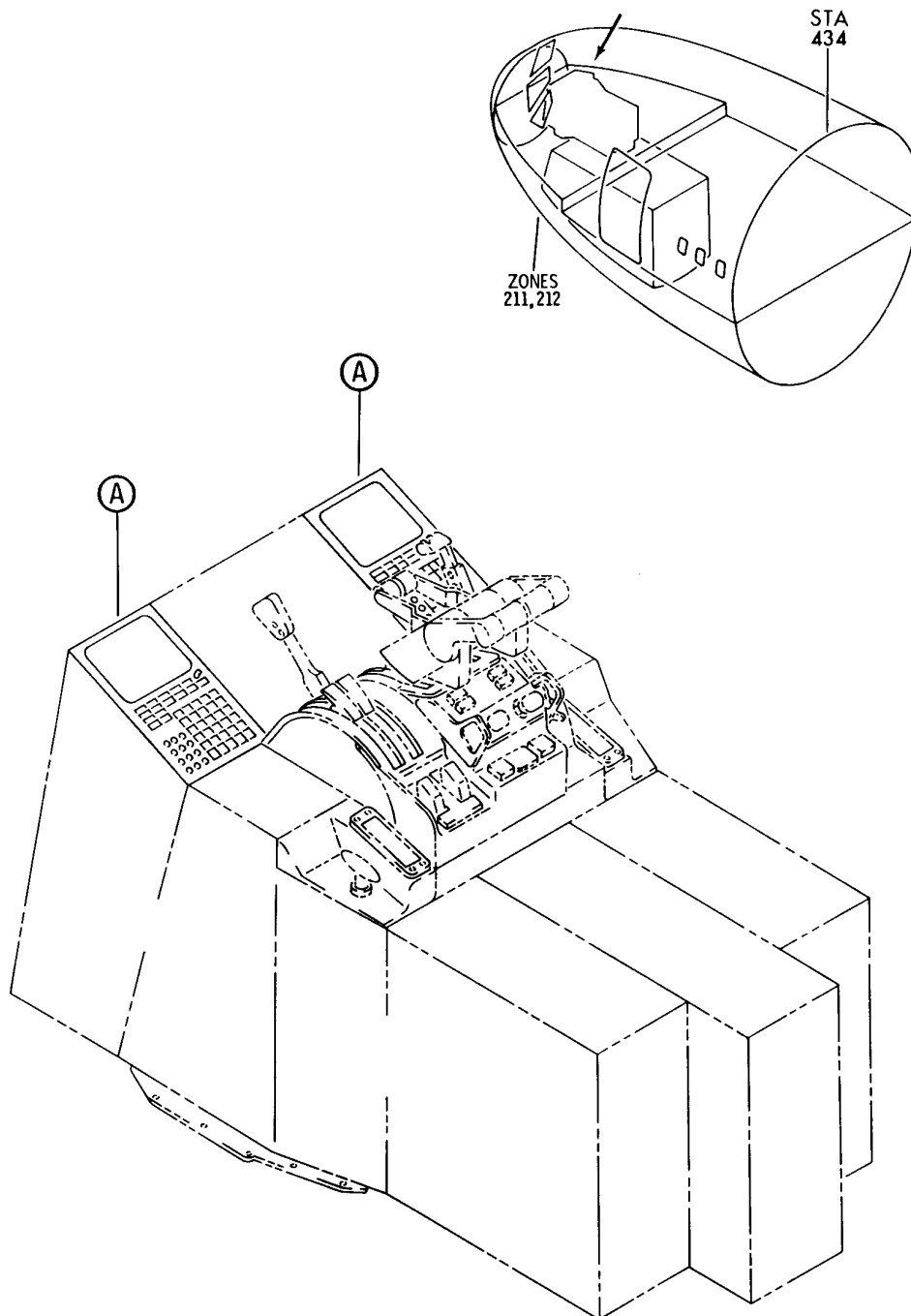
HXL

33-13-57-01

BOEING PROPRIETARY - Copyright © - Unpublished Work - See title page for details.

33-13-57
FIG. 01
PAGE 11
APR 22/09

BOEING
767
PARTS CATALOG (MAINTENANCE)



V 33135702 SHT 1 REV 167

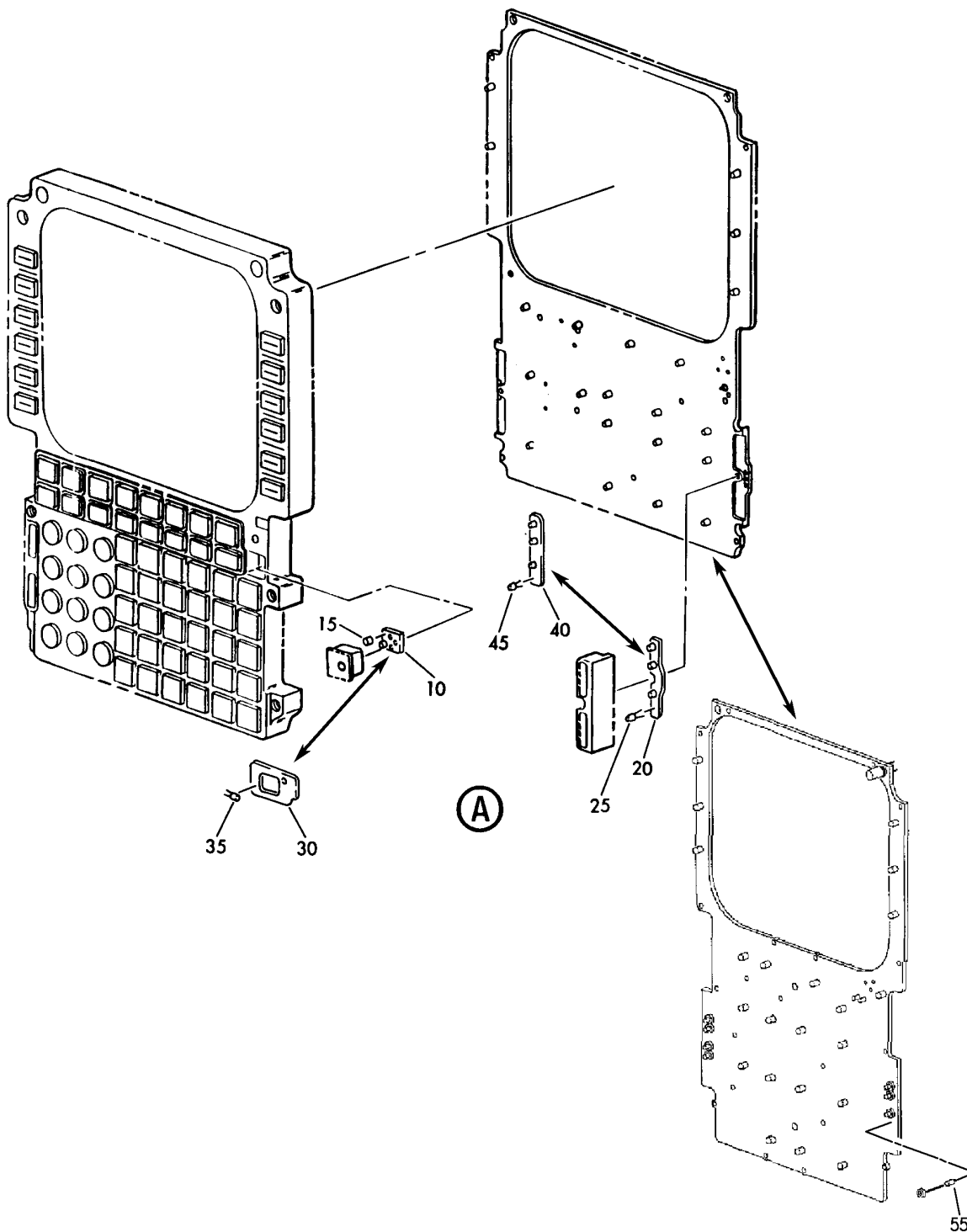
PANEL ASSY-FLIGHT MANAGEMENT CONT AND DISPLAY (LIGHTS ONLY)
FIGURE 2 (SHEET 1)

33-13-57-02

HXL
DEC 22/06

33-13-57-02
PAGE 0

BOEING
767
PARTS CATALOG (MAINTENANCE)



V 33135702 SH1 2 REV 309

PANEL ASSY-FLIGHT MANAGEMENT CONT AND DISPLAY (LIGHTS ONLY)
FIGURE 2 (SHEET 2)

33-13-57-02

HXL
DEC 22/06

33-13-57-02
PAGE 0A



767

PARTS CATALOG (MAINTENANCE)

| FIG ITEM | PART NUMBER | 1 2 3 4 5 6 7 | NOMENCLATURE | EFFECT FROM TO | UNITS PER ASSY |
|----------|--------------|---------------|---|----------------|----------------|
| 2 | | | PANEL ASSY-FLIGHT MANAGEMENT CONT AND DISPLAY (LIGHTS ONLY) | | |
| - 1 | 4058650-930 | | PANEL ASSY-FLIGHT MANAGEMENT CONT AND DISPLAY (LIGHTS ONLY) SUPPLIER CODE: V58960 SPECIFICATION NUMBER: S242T102-130 ELECTRICAL EQUIP NUMBER: M00076 M00077 COMPONENT MAINT MANUAL REF: 34-61-37 POST SERVICE BULLETIN: 34-61-767-001 V5R601 FOR NHA/OTHER SYS DET SEE: 34-61-02-01 | | RF |
| - 1 | 4058650-931 | | PANEL ASSY-FLIGHT MANAGEMENT CONT AND DISPLAY (LIGHTS ONLY) SUPPLIER CODE: V58960 SPECIFICATION NUMBER: S242T102-131 ELECTRICAL EQUIP NUMBER: M00076 M00077 COMPONENT MAINT MANUAL REF: 34-61-37 FOR NHA/OTHER SYS DET SEE: 34-61-02-01 | | RF |
| 30 | 565-000227-1 | | .BOARD ASSY-PRINTED WIRING SUPPLIER CODE: V58960 USED ON: 4058650-930 4058650-931 | | RF |
| 35 | 100-150067-1 | | ..LAMP- SUPPLIER CODE: V58960 | | 2 |
| 40 | 565-000228-1 | | .BOARD ASSY-PRINTED WIRING SUPPLIER CODE: V58960 USED ON: 4058650-930 4058650-931 | | RF |

ILLUSTRATION ITEMS NOT ON PARTS LIST ARE NOT APPLICABLE

- ITEM NOT ILLUSTRATED

33-13-57-02

33-13-57
FIG. 02
PAGE 1
DEC 22/06

HXL



767
PARTS CATALOG (MAINTENANCE)

| FIG ITEM | PART NUMBER | 1 2 3 4 5 6 7 | NOMENCLATURE | EFFECT FROM TO | UNITS PER ASSY |
|-------------|--------------|---------------|--------------|-------------------|----------------------|
| 2 45 | MS90451-7152 | . . | LAMP | | 8 |

ILLUSTRATION ITEMS NOT ON PARTS LIST ARE NOT APPLICABLE

- ITEM NOT ILLUSTRATED

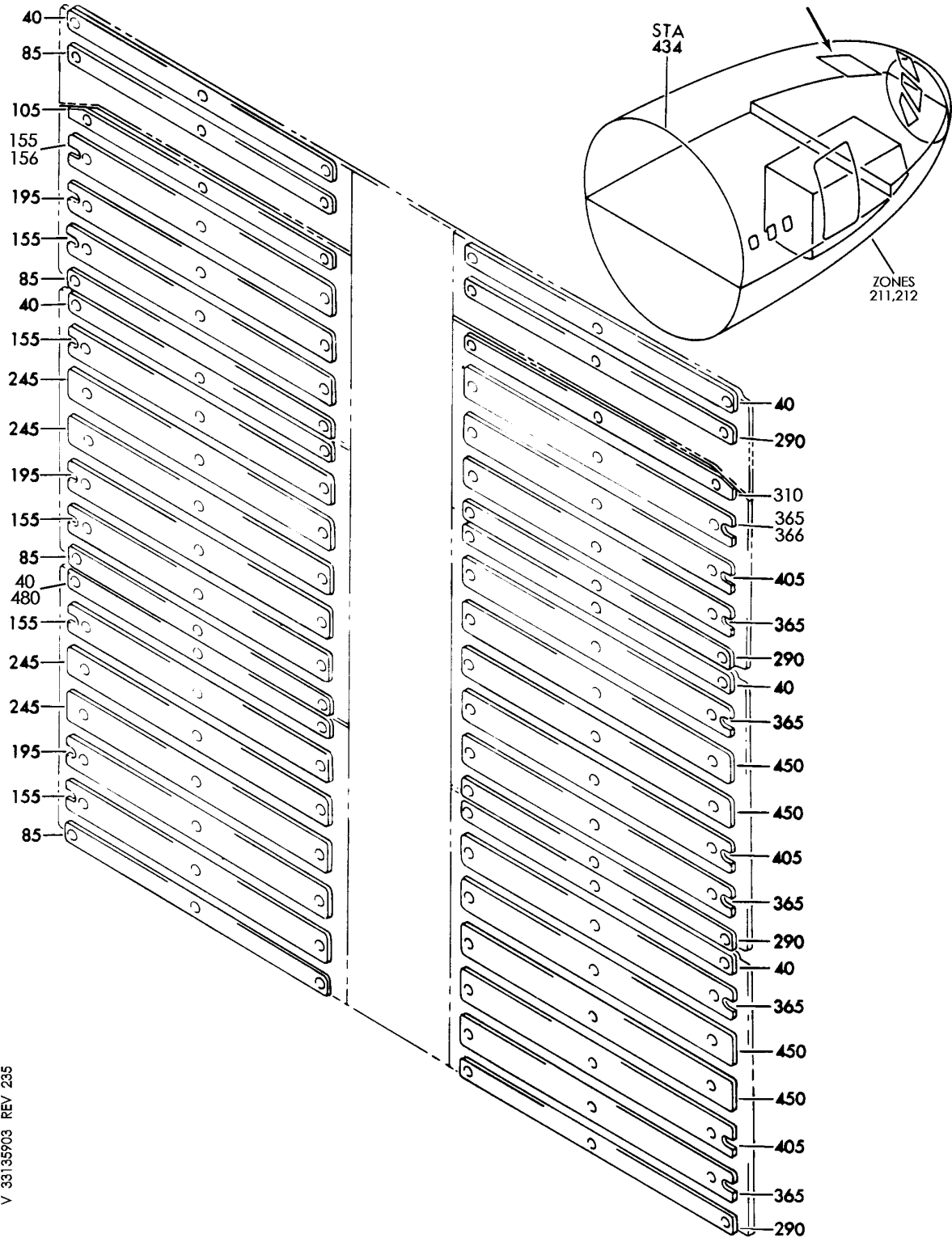
HXL

33-13-57-02

BOEING PROPRIETARY - Copyright © - Unpublished Work - See title page for details.

33-13-57
FIG. 02
PAGE 2
DEC 22/06

BOEING
767
PARTS CATALOG (MAINTENANCE)



V 33135903 REV 235

PANEL INSTL-P11 CB (LIGHTS ONLY)
FIGURE 3

33-13-59-03

HXL
DEC 22/06

33-13-59-03
PAGE 0



767

PARTS CATALOG (MAINTENANCE)

| FIG ITEM | PART NUMBER | 1 2 3 4 5 6 7 | NOMENCLATURE | EFFECT FROM TO | UNITS PER ASSY |
|----------|---------------|---------------|---|----------------|----------------|
| 3 | | | PANEL INSTL-P11 CB (LIGHTS ONLY) | | |
| - 1 | 233T5100-1 | | PANEL INSTL-P11 CB (LIGHTS ONLY) VARIABLE DRAWING REF: 233T5100-5048 FOR NHA/OTHER SYS DET SEE: 25-10-00-03 | | RF |
| - 6 | 233T5100-4048 | | .LIGHTPLATE ASSY | | RF |
| - 10 | 233T5317-33 | | ..INDICIA AND LIGHTPLATE- ASSY-P11-1 ROW F | | 1 |
| - 15 | 233T5327-43 | | ..INDICIA AND LIGHTPLATE- ASSY-P11-2 ROW M | | 1 |
| - 16 | 233T5327-35 | | ..INDICIA AND LIGHTPLATE- ASSY-P11-2 ROW M | | 1 |
| - 25 | 233T5347-21 | | ..INDICIA AND LIGHTPLATE- ASSY-P11-4 ROW F | | 1 |
| - 30 | 233T5357-19 | | ..INDICIA AND LIGHTPLATE- ASSY-P11-5 ROW M | | 1 |
| - 36 | 233T5367-51 | | ..INDICIA AND LIGHTPLATE- ASSY-P11-6 ROW U | | 1 |
| 40 | 800-001750-1 | | ...LIGHTPLATE ASSY-5V WHITE-ILLUMINATED INTEGRALLY-LIGHTED SUPPLIER CODE: V05617 SPECIFICATION NUMBER: S233T100-3006 ELECTRICAL EQUIP NUMBER: L00499 L00506 L00513 L00520 L00527 L00534 OPTIONAL PART: S233T100-3006 V51896 800-001750 V05617 | | 1 |

ILLUSTRATION ITEMS NOT ON PARTS LIST ARE NOT APPLICABLE

- ITEM NOT ILLUSTRATED

33-13-59-03

33-13-59
FIG. 03
PAGE 1
APR 22/08

HXL



767

PARTS CATALOG (MAINTENANCE)

| FIG ITEM | PART NUMBER | 1 2 3 4 5 6 7 | NOMENCLATURE | EFFECT FROM TO | UNITS PER ASSY |
|----------|-------------|---------------|---|----------------|----------------|
| 3 | | | | | |
| 40 | 800-001750 | | ...LIGHTPLATE ASSY-5V WHITE-ILLUMINATED INTEGRALLY-LIGHTED SUPPLIER CODE: V05617 SPECIFICATION NUMBER: S233T100-3006 MISCELLANEOUS DATA: FOR VENDOR FSCM 05617 FOR SPARES ORDER THE 800-001750-1 ELECTRICAL EQUIP NUMBER: L00499 L00506 L00513 L00520 L00527 L00534 OPTIONAL PART: S233T100-3006 V51896 800-001750-1 V05617 | | 1 |
| - 45 | S0050002 | |CONNECTOR-ELECTRICAL SUPPLIER CODE: V51896 | | 1 |
| - 50 | NAS662-2-3 | |SCREW | | 5 |
| - 55 | S0056832 | |LAMP ASSY- SUPPLIER CODE: V51896 | | 10 |
| - 60 | S0050001 | |FASTENER-CAPTIVE SUPPLIER CODE: V51896 | | 3 |
| - 65 | 233T5311-1 | | ..INDICIA AND LIGHTPLATE- ASSY-P11-1 ROW | | 1 |
| - 70 | 233T5321-1 | | ..INDICIA AND LIGHTPLATE- ASSY-P11-2 ROW | | 1 |
| - 75 | 233T5331-1 | | ..INDICIA AND LIGHTPLATE- ASSY-P11-3 ROW | | 1 |
| - 80 | 233T5336-53 | | ..INDICIA AND LIGHTPLATE- ASSY POSITION DATA: P11-3 ROW T | | 1 |
| - 81 | 233T5336-61 | | ..INDICIA AND LIGHTPLATE- ASSY POSITION DATA: P11-3 ROW T POST SERVICE BULLETIN: 30-0028 | | 1 |

ILLUSTRATION ITEMS NOT ON PARTS LIST ARE NOT APPLICABLE

- ITEM NOT ILLUSTRATED

33-13-59-03

33-13-59
FIG. 03
PAGE 2
APR 22/08

HXL



767

PARTS CATALOG (MAINTENANCE)

| FIG ITEM | PART NUMBER | 1 2 3 4 5 6 7 | NOMENCLATURE | EFFECT FROM TO | UNITS PER ASSY |
|----------|--------------|---------------|---|----------------|----------------|
| 3 85 | 800-001012-1 | | ...LIGHTPLATE ASSY-5V WHITE-ILLUMINATED INTEGRALLY-LIGHTED SUPPLIER CODE: V05617 SPECIFICATION NUMBER: S233T100-3005 ELECTRICAL EQUIP NUMBER: L00500 L00505 L00512 L00519 OPTIONAL PART: S233T100-3005 V51896 800-001012 V05617 | | 1 |
| 85 | 800-001012 | | ...LIGHTPLATE ASSY-5V WHITE-ILLUMINATED INTEGRALLY-LIGHTED SUPPLIER CODE: V05617 SPECIFICATION NUMBER: S233T100-3005 MISCELLANEOUS DATA: FOR VENDOR FSCM 05617 FOR SPARES ORDER THE 800-001012-1 ELECTRICAL EQUIP NUMBER: L00500 L00505 L00512 L00519 OPTIONAL PART: S233T100-3005 V51896 800-001012-1 V05617 | | 1 |
| - 100 | 233T5335-1 | | ..INDICIA AND LIGHTPLATE- ASSY-P11-3 ROW S | | 1 |

ILLUSTRATION ITEMS NOT ON PARTS LIST ARE NOT APPLICABLE

- ITEM NOT ILLUSTRATED

33-13-59-03

33-13-59
FIG. 03
PAGE 3
APR 22/08

HXL



767

PARTS CATALOG (MAINTENANCE)

| FIG ITEM | PART NUMBER | 1 2 3 4 5 6 7 | NOMENCLATURE | EFFECT FROM TO | UNITS PER ASSY |
|----------|--------------|---------------|--|----------------|----------------|
| 3 | | | | | |
| 105 | 800-003100-1 | ... | LIGHTPLATE ASSY-5V WHITE-ILLUMINATED INTEGRALLY-LIGHTED SUPPLIER CODE: V05617 SPECIFICATION NUMBER: S233T100-3014 ELECTRICAL EQUIP NUMBER: L00501 OPTIONAL PART: S233T100-3014 V51896 800-003100 V05617 | | 1 |
| 105 | 800-003100 | ... | LIGHTPLATE ASSY-5V WHITE-ILLUMINATED INTEGRALLY-LIGHTED SUPPLIER CODE: V05617 SPECIFICATION NUMBER: S233T100-3014 MISCELLANEOUS DATA: FOR VENDOR FSCM 05617 FOR SPARES ORDER THE 800-003100-1 ELECTRICAL EQUIP NUMBER: L00501 OPTIONAL PART: S233T100-3014 V51896 800-003100-1 V05617 | | 1 |
| - 110 | S0050002 | | CONNECTOR-ELECTRICAL SUPPLIER CODE: V51896 | | 1 |
| - 115 | NAS662-2-3 | | SCREW | | 5 |
| - 120 | S0056832 | | LAMP ASSY- SUPPLIER CODE: V51896 | | 10 |
| - 125 | S0050001 | | FASTENER-CAPTIVE SUPPLIER CODE: V51896 | | 3 |
| - 130 | 233T5312-1 | .. | INDICIA AND LIGHTPLATE- ASSY-P11-1 ROW A | | 1 |
| - 135 | 233T5322-23 | .. | INDICIA AND LIGHTPLATE- ASSY-P11-2 ROW G | | 1 |
| - 137 | 233T5316-5 | .. | INDICIA AND LIGHTPLATE- ASSY-P11-1 ROW E | | 1 |

ILLUSTRATION ITEMS NOT ON PARTS LIST ARE NOT APPLICABLE

- ITEM NOT ILLUSTRATED

33-13-59-03

33-13-59
FIG. 03
PAGE 4
APR 22/08

HXL



767

PARTS CATALOG (MAINTENANCE)

| FIG ITEM | PART NUMBER | 1 2 3 4 5 6 7 | NOMENCLATURE | EFFECT FROM TO | UNITS PER ASSY |
|----------|--------------|---------------|---|----------------|----------------|
| 3 | | | | | |
| - 140 | 233T5326-35 | | ..INDICIA AND LIGHTPLATE- ASSY-P11-2 ROW L | | 1 |
| - 145 | 233T5332-17 | | ..INDICIA AND LIGHTPLATE- ASSY-P11-3 ROW N | | 1 |
| - 151 | 233T5334-57 | | ..INDICIA AND LIGHTPLATE- ASSY-P11-3 ROW R | | 1 |
| 155 | 800-001755-1 | | ...LIGHTPLATE ASSY-5V WHITE-ILLUMINATED INTEGRALLY-LIGHTED SUPPLIER CODE: V05617 SPECIFICATION NUMBER: S233T100-3007 ELECTRICAL EQUIP NUMBER: L00502 L00504 L00507 L00511 L00514 L00518 OPTIONAL PART: S233T100-3007 V51896 800-001755 V05617 | | 1 |
| 155 | 800-001755 | | ...LIGHTPLATE ASSY-5V WHITE-ILLUMINATED INTEGRALLY-LIGHTED SUPPLIER CODE: V05617 SPECIFICATION NUMBER: S233T100-3007 MISCELLANEOUS DATA: FOR VENDOR FSCM 05617 FOR SPARES ORDER THE 800-001755-1 ELECTRICAL EQUIP NUMBER: L00502 L00504 L00507 L00511 L00518 OPTIONAL PART: S233T100-3007 V51896 800-001755-1 V05617 | | 1 |

ILLUSTRATION ITEMS NOT ON PARTS LIST ARE NOT APPLICABLE

- ITEM NOT ILLUSTRATED

33-13-59-03

33-13-59
FIG. 03
PAGE 5
APR 22/08

HXL



767

PARTS CATALOG (MAINTENANCE)

| FIG ITEM | PART NUMBER | 1 2 3 4 5 6 7 | NOMENCLATURE | EFFECT FROM TO | UNITS PER ASSY |
|----------|--------------|---------------|---|----------------|----------------|
| 3 | | | | | |
| - 160 | S0050002 | | CONNECTOR-ELECTRICAL SUPPLIER CODE: V51896 | | 1 |
| - 165 | NAS662-2-3 | | SCREW | | 5 |
| - 170 | S0056832 | | LAMP ASSY- SUPPLIER CODE: V51896 | | 10 |
| - 175 | S0050001 | | FASTENER-CAPTIVE SUPPLIER CODE: V51896 | | 3 |
| - 180 | 233T5313-11 | .. | INDICIA AND LIGHTPLATE- ASSY-P11-1 ROW B | | 1 |
| - 185 | 233T5323-9 | .. | INDICIA AND LIGHTPLATE- ASSY-P11-2 ROW H | | 1 |
| - 190 | 233T5333-7 | .. | INDICIA AND LIGHTPLATE- ASSY-P11-3 ROW P | | 1 |
| 195 | 800-000963-1 | ... | LIGHTPLATE ASSY-5V WHITE-ILLUMINATED INTEGRALLY-LIGHTED SUPPLIER CODE: V05617 SPECIFICATION NUMBER: S233T100-3011 ELECTRICAL EQUIP NUMBER: L00503 L00510 L00517 OPTIONAL PART: 800-000963 V05617 | | 1 |
| 195 | 800-000963 | ... | LIGHTPLATE ASSY-5V WHITE-ILLUMINATED INTEGRALLY-LIGHTED SUPPLIER CODE: V05617 SPECIFICATION NUMBER: S233T100-3011 MISCELLANEOUS DATA: FOR VENDOR FSCM 05617 FOR SPARES ORDER THE 800-000963-1 ELECTRICAL EQUIP NUMBER: L00503 L00510 L00517 OPTIONAL PART: 800-000963-1 V05617 | | 1 |

ILLUSTRATION ITEMS NOT ON PARTS LIST ARE NOT APPLICABLE

- ITEM NOT ILLUSTRATED

33-13-59-03

33-13-59
FIG. 03
PAGE 6
AUG 22/08

HXL



767

PARTS CATALOG (MAINTENANCE)

| FIG ITEM | PART NUMBER | 1 2 3 4 5 6 7 | NOMENCLATURE | EFFECT FROM TO | UNITS PER ASSY |
|----------|--------------|---------------|---|----------------|----------------|
| 3 | | | | | |
| - 200 | S0050002 | |CONNECTOR-ELECTRICAL SUPPLIER CODE: V51896 | | 1 |
| - 205 | NAS662-2-3 | |SCREW | | 6 |
| - 210 | S0056832 | |LAMP ASSY- SUPPLIER CODE: V51896 | | 11 |
| - 215 | S0050001 | |FASTENER-CAPTIVE SUPPLIER CODE: V51896 | | 3 |
| - 220 | 233T5314-1 | | ..INDICIA AND LIGHTPLATE- ASSY-P11-1 ROW C | | 1 |
| - 225 | 233T5315-33 | | ..INDICIA AND LIGHTPLATE- ASSY-P11-1 ROW D | | 1 |
| - 235 | 233T5324-29 | | ..INDICIA AND LIGHTPLATE- ASSY-P11-2 ROW J | | 1 |
| - 240 | 233T5325-9 | | ..INDICIA AND LIGHTPLATE- ASSY-P11-2 ROW K | | 1 |
| 245 | 800-002553-1 | | ...LIGHTPLATE ASSY-5V WHITE-ILLUMINATED INTEGRALLY-LIGHTED SUPPLIER CODE: V05617 SPECIFICATION NUMBER: S233T100-3009 ELECTRICAL EQUIP NUMBER: L00508 L00509 L00514 L00515 L00516 OPTIONAL PART: S233T100-3009 V51896 800-002553 V05617 | | 1 |

ILLUSTRATION ITEMS NOT ON PARTS LIST ARE NOT APPLICABLE

- ITEM NOT ILLUSTRATED

HXL

33-13-59-03

BOEING PROPRIETARY - Copyright © - Unpublished Work - See title page for details.

33-13-59
FIG. 03
PAGE 7
AUG 22/08



767

PARTS CATALOG (MAINTENANCE)

| FIG ITEM | PART NUMBER | 1 2 3 4 5 6 7 | NOMENCLATURE | EFFECT FROM TO | UNITS PER ASSY |
|----------|-------------|---------------|---|----------------|----------------|
| 3 245 | 800-002553 | | ...LIGHTPLATE ASSY-5V WHITE-ILLUMINATED INTEGRALLY-LIGHTED SUPPLIER CODE: V05617 SPECIFICATION NUMBER: S233T100-3009 MISCELLANEOUS DATA: FOR VENDOR FSCM 05617 FOR SPARES ORDER THE 800-002553-1 ELECTRICAL EQUIP NUMBER: L00508 L00509 L00514 L00515 L00516 OPTIONAL PART: S233T100-3009 V51896 800-002553-1 V05617 | | 1 |
| - 250 | S0050002 | |CONNECTOR-ELECTRICAL SUPPLIER CODE: V51896 | | 1 |
| - 255 | NAS662-2-3 | |SCREW | | 7 |
| - 260 | S0056832 | |LAMP ASSY- SUPPLIER CODE: V51896 | | 10 |
| - 265 | S0050001 | |FASTENER-CAPTIVE SUPPLIER CODE: V51896 | | 3 |
| - 270 | 233T5341-1 | | ..INDICIA AND LIGHTPLATE- ASSY-P11-4 ROW | | 1 |
| - 275 | 233T5351-1 | | ..INDICIA AND LIGHTPLATE- ASSY-P11-5 ROW | | 1 |
| - 280 | 233T5361-1 | | ..INDICIA AND LIGHTPLATE- ASSY-P11-6 ROW | | 1 |
| - 286 | 233T5366-85 | | ..INDICIA AND LIGHTPLATE- ASSY POSITION DATA: P11-6 ROW T POST SERVICE BULLETIN: 30-0028 | | 1 |

ILLUSTRATION ITEMS NOT ON PARTS LIST ARE NOT APPLICABLE

- ITEM NOT ILLUSTRATED

33-13-59-03

33-13-59
 FIG. 03
 PAGE 8
 AUG 22/08

HXL



767

PARTS CATALOG (MAINTENANCE)

| FIG ITEM | PART NUMBER | 1 2 3 4 5 6 7 | NOMENCLATURE | EFFECT FROM TO | UNITS PER ASSY |
|----------|--------------|---------------|---|----------------|----------------|
| 3 290 | 800-003434 | | ...LIGHTPLATE ASSY-5V WHITE-ILLUMINATED INTEGRALLY-LIGHTED SUPPLIER CODE: V05617 SPECIFICATION NUMBER: S233T100-3001 ELECTRICAL EQUIP NUMBER: L00521 L00526 L00533 L00540 OPTIONAL PART: S233T100-3001 V51896 | | 1 |
| - 305 | 233T5365-9 | | ..INDICIA AND LIGHTPLATE- ASSY-P11-6 ROW S | 155162 | 1 |
| - 305 | 233T5365-17 | | ..INDICIA AND LIGHTPLATE- ASSY-P11-6 ROW S | 163999 | 1 |
| 310 | 800-002450-1 | | ...LIGHTPLATE ASSY-5V WHITE-ILLUMINATED INTEGRALLY-LIGHTED SUPPLIER CODE: V05617 SPECIFICATION NUMBER: S233T100-3013 ELECTRICAL EQUIP NUMBER: L00522 OPTIONAL PART: S233T100-3013 V51896 800-002450 V05617 | | 1 |

ILLUSTRATION ITEMS NOT ON PARTS LIST ARE NOT APPLICABLE

- ITEM NOT ILLUSTRATED

HXL

33-13-59-03

BOEING PROPRIETARY - Copyright © - Unpublished Work - See title page for details.

33-13-59
FIG. 03
PAGE 9
AUG 22/08



767

PARTS CATALOG (MAINTENANCE)

| FIG ITEM | PART NUMBER | 1 2 3 4 5 6 7 | NOMENCLATURE | EFFECT FROM TO | UNITS PER ASSY |
|----------|-------------|---------------|---|----------------|----------------|
| 3 310 | 800-002450 | | ...LIGHTPLATE ASSY-5V WHITE-ILLUMINATED INTEGRALLY-LIGHTED SUPPLIER CODE: V05617 SPECIFICATION NUMBER: S233T100-3013 MISCELLANEOUS DATA: FOR VENDOR FSCM 05617 FOR SPARES ORDER THE 800-002450-1 ELECTRICAL EQUIP NUMBER: L00522 OPTIONAL PART: S233T100-3013 V51896 800-002450-1 V05617 | | 1 |
| - 315 | S0050002 | |CONNECTOR-ELECTRICAL SUPPLIER CODE: V51896 | | 1 |
| - 320 | NAS662-2-3 | |SCREW | | 5 |
| - 325 | S0056832 | |LAMP ASSY- SUPPLIER CODE: V51896 | | 10 |
| - 330 | S0050001 | |FASTENER-CAPTIVE SUPPLIER CODE: V51896 | | 3 |
| - 335 | 233T5342-19 | | ..INDICIA AND LIGHTPLATE- ASSY-P11-4 ROW A | | 1 |
| - 340 | 233T5346-3 | | ..INDICIA AND LIGHTPLATE- ASSY-P11-4 ROW E | | 1 |
| - 345 | 233T5352-23 | | ..INDICIA AND LIGHTPLATE- ASSY-P11-5 ROW G | | 1 |
| - 350 | 233T5356-19 | | ..INDICIA AND LIGHTPLATE- ASSY-P11-5 ROW L | | 1 |
| - 355 | 233T5362-19 | | ..INDICIA AND LIGHTPLATE- ASSY-P11-6 ROW N | | 1 |
| - 360 | 233T5364-15 | | ..INDICIA AND LIGHTPLATE- ASSY-P11-6 ROW R | | 1 |

ILLUSTRATION ITEMS NOT ON PARTS LIST ARE NOT APPLICABLE

- ITEM NOT ILLUSTRATED

33-13-59-03

33-13-59
FIG. 03
PAGE 10
APR 22/08

HXL



767

PARTS CATALOG (MAINTENANCE)

| FIG ITEM | PART NUMBER | 1 2 3 4 5 6 7 | NOMENCLATURE | EFFECT FROM TO | UNITS PER ASSY |
|----------|--------------|---------------|---|----------------|----------------|
| 3 365 | 800-001751-1 | | ...LIGHTPLATE ASSY-5V WHITE-ILLUMINATED INTEGRALLY-LIGHTED SUPPLIER CODE: V05617 SPECIFICATION NUMBER: S233T100-3008 ELECTRICAL EQUIP NUMBER: L00523 L00525 L00528 L00532 L00535 L00539 OPTIONAL PART: S233T100-3008 V51896 800-001751 V05617 | | 1 |
| 365 | 800-001751 | | ...LIGHTPLATE ASSY-5V WHITE-ILLUMINATED INTEGRALLY-LIGHTED SUPPLIER CODE: V05617 SPECIFICATION NUMBER: S233T100-3008 MISCELLANEOUS DATA: FOR VENDOR FSCM 05617 FOR SPARES ORDER THE 800-001751-1 ELECTRICAL EQUIP NUMBER: L00523 L00525 L00528 L00532 L00535 L00539 OPTIONAL PART: S233T100-3008 V51896 800-001751-1 V05617 | | 1 |
| - 370 | S0050002 | |CONNECTOR-ELECTRICAL SUPPLIER CODE: V51896 | | 1 |
| - 375 | NAS662-2-3 | |SCREW | | 5 |
| - 380 | S0056832 | |LAMP ASSY- SUPPLIER CODE: V51896 | | 10 |

ILLUSTRATION ITEMS NOT ON PARTS LIST ARE NOT APPLICABLE

- ITEM NOT ILLUSTRATED

33-13-59-03

33-13-59
FIG. 03
PAGE 11
APR 22/08

HXL



767

PARTS CATALOG (MAINTENANCE)

| FIG ITEM | PART NUMBER | 1 2 3 4 5 6 7 | NOMENCLATURE | EFFECT FROM TO | UNITS PER ASSY |
|----------|-------------|---------------|--|----------------|----------------|
| 3 | | | | | |
| - 385 | S0050001 | | FASTENER-CAPTIVE SUPPLIER CODE: V51896 | | 3 |
| - 390 | 233T5343-1 | .. | INDICIA AND LIGHTPLATE- ASSY-P11-4 ROW B | | 1 |
| - 395 | 233T5353-1 | .. | INDICIA AND LIGHTPLATE- ASSY-P11-5 ROW H | | 1 |
| - 401 | 233T5363-43 | .. | INDICIA AND LIGHTPLATE- ASSY-P11-6 ROW P | | 1 |
| 405 | 800-007835 | ... | LIGHTPLATE ASSY-5V WHITE-ILLUMINATED INTEGRALLY-LIGHTED SUPPLIER CODE: V05617 SPECIFICATION NUMBER: S233T100-3012 ELECTRICAL EQUIP NUMBER: L00524 L00531 L00538 OPTIONAL PART: S233T100-3012 V51896 | | 1 |
| - 410 | S0050002 | | CONNECTOR-ELECTRICAL SUPPLIER CODE: V51896 | | 1 |
| - 415 | NAS662-2-3 | | SCREW | | 6 |
| - 420 | S0056832 | | LAMP ASSY- SUPPLIER CODE: V51896 | | 11 |
| - 425 | S0050001 | | FASTENER-CAPTIVE SUPPLIER CODE: V51896 | | 3 |
| - 432 | 233T5344-93 | .. | INDICIA AND LIGHTPLATE- ASSY-P11-4 ROW C | | 1 |
| - 435 | 233T5345-11 | .. | INDICIA AND LIGHTPLATE- ASSY-P11-4 ROW D | | 1 |
| - 440 | 233T5354-1 | .. | INDICIA AND LIGHTPLATE- ASSY-P11-5 ROW J | | 1 |
| - 445 | 233T5355-13 | .. | INDICIA AND LIGHTPLATE- ASSY-P11-5 ROW K | | 1 |

ILLUSTRATION ITEMS NOT ON PARTS LIST ARE NOT APPLICABLE

- ITEM NOT ILLUSTRATED

33-13-59-03

33-13-59
FIG. 03
PAGE 12
APR 22/08

HXL



767

PARTS CATALOG (MAINTENANCE)

| FIG ITEM | PART NUMBER | 1 2 3 4 5 6 7 | NOMENCLATURE | EFFECT FROM TO | UNITS PER ASSY |
|----------|--------------|---------------|---|----------------|----------------|
| 3 450 | 800-001752-1 | | ...LIGHTPLATE ASSY-5V WHITE-ILLUMINATED INTEGRALLY-LIGHTED SUPPLIER CODE: V05617 SPECIFICATION NUMBER: S233T100-3010 ELECTRICAL EQUIP NUMBER: L00529 L00530 L00536 L00537 OPTIONAL PART: S233T100-3010 V51896 800-001752 V05617 | | 1 |
| 450 | 800-001752 | | ...LIGHTPLATE ASSY-5V WHITE-ILLUMINATED INTEGRALLY-LIGHTED SUPPLIER CODE: V05617 SPECIFICATION NUMBER: S233T100-3010 MISCELLANEOUS DATA: FOR VENDOR FSCM 05617 FOR SPARES ORDER THE 800-001752-1 ELECTRICAL EQUIP NUMBER: L00529 L00530 L00536 L00537 OPTIONAL PART: S233T100-3010 V51896 800-001752-1 V05617 | | 1 |
| - 455 | S0050002 | |CONNECTOR-ELECTRICAL SUPPLIER CODE: V51896 | | 1 |
| - 460 | NAS662-2-3 | |SCREW | | 7 |
| - 465 | S0056832 | |LAMP ASSY- SUPPLIER CODE: V51896 | | 10 |
| - 470 | S0050001 | |FASTENER-CAPTIVE SUPPLIER CODE: V51896 | | 3 |

ILLUSTRATION ITEMS NOT ON PARTS LIST ARE NOT APPLICABLE

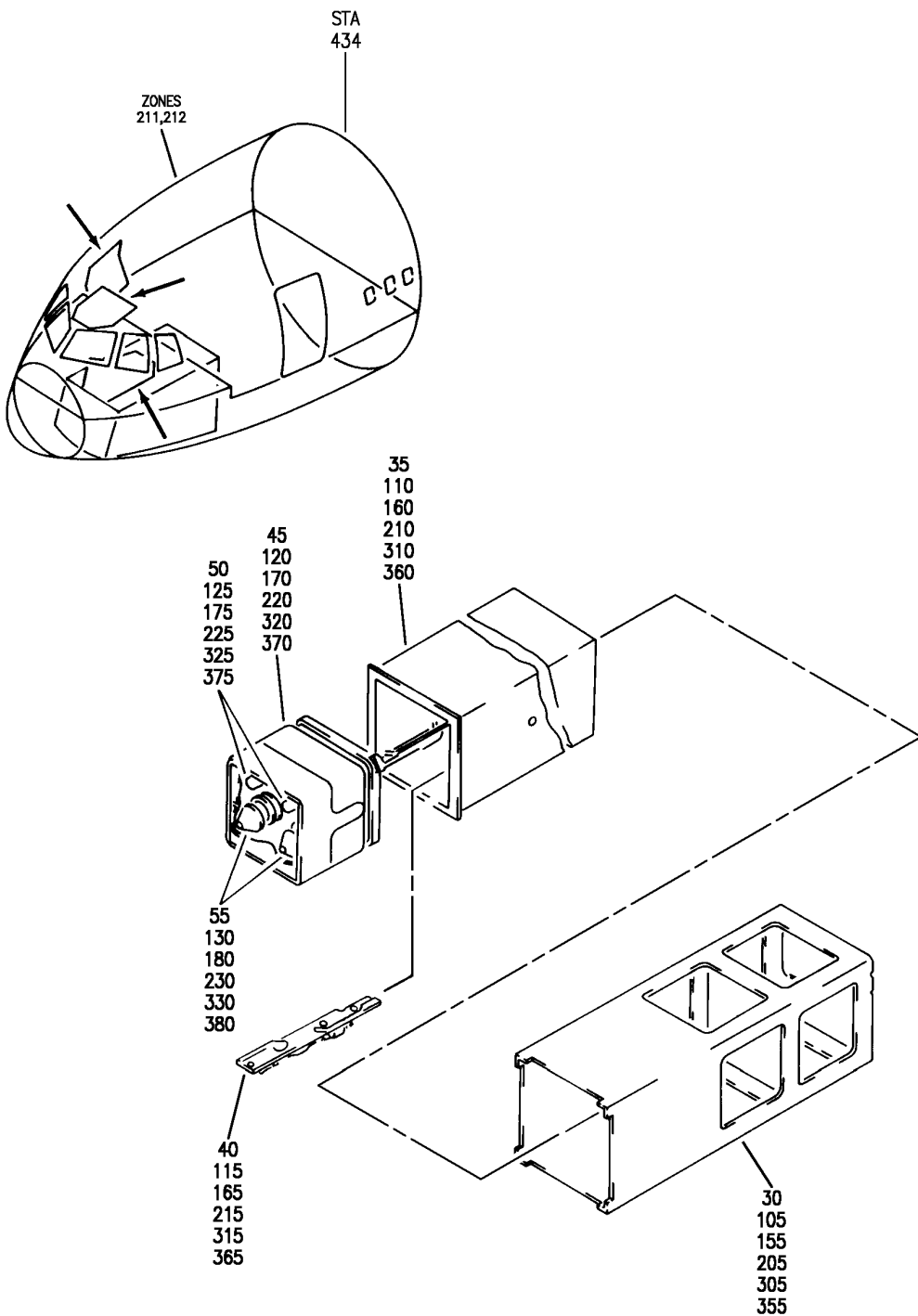
- ITEM NOT ILLUSTRATED

33-13-59-03

33-13-59
FIG. 03
PAGE 13
APR 22/08

HXL

BOEING
767
PARTS CATALOG (MAINTENANCE)



V 33137501 REV 327

SWITCH ASSY-LIGHTED PUSH BUTTON IND
FIGURE 1

33-13-75-01

HXL
APR 22/08

33-13-75-01
PAGE 0



767

PARTS CATALOG (MAINTENANCE)

| FIG ITEM | PART NUMBER | 1 2 3 4 5 6 7 | NOMENCLATURE | EFFECT FROM TO | UNITS PER ASSY |
|----------|----------------|--------------------------|--|----------------|----------------|
| 1 | | | SWITCH ASSY-LIGHTED PUSH BUTTON IND | | |
| - 1 | 851-30768-2007 | | SWITCH ASSY-LIGHTED PUSH BUTTON IND DRIVE SUPPLIER CODE: V96182 SPECIFICATION NUMBER: S231T290-2007 QUALIFIED I/W DATA: 851-30768-2007 TOGETHER WITH 851-30768-802 OR -812 OR 433-100-003 SWITCHGUARD I/W BCREF7603 OR 851-30768-3007 BCREFA0502 S231T290-5007 TOGETHER WITH 433-100-003 SWITCHGUARD FOR NHA SEE: 24-11-54-01 | | RF |
| 30 | 851-30768-3825 | . | SLEEVE-MTG SUPPLIER CODE: V96182 | | 1 |
| 35 | 851-30768-709 | .BASE ASSY- | SUPPLIER CODE: V96182 | | 1 |
| 40 | 851-30768-823 | ..MODULE-DIODE/FUSE | SUPPLIER CODE: V96182 | | 1 |
| 45 | 851-30768-507 | .CAPSULE ASSY-LENS-DRIVE | SUPPLIER CODE: V96182 | | 1 |
| 50 | MS25237-387 | ..LAMP- | | | 1 |
| 55 | 851-30768-829 | ..PLUG-LAMP | SUPPLIER CODE: V96182 | | 1 |
| - 100 | 851-30768-2041 | | SWITCH ASSY-LIGHTED PUSH BUTTON IND ON SUPPLIER CODE: V96182 SPECIFICATION NUMBER: S231T290-2041 FOR NHA SEE: 35-21-52-01 | | RF |
| 105 | 851-30768-3825 | . | SLEEVE-MTG SUPPLIER CODE: V96182 | | 1 |

ILLUSTRATION ITEMS NOT ON PARTS LIST ARE NOT APPLICABLE

- ITEM NOT ILLUSTRATED

33-13-75-01

33-13-75
FIG. 01
PAGE 1
APR 22/08

HXL



767

PARTS CATALOG (MAINTENANCE)

| FIG ITEM | PART NUMBER | 1 2 3 4 5 6 7 | NOMENCLATURE | EFFECT FROM TO | UNITS PER ASSY |
|----------|----------------|---------------|--|----------------|----------------|
| 1 | | | | | |
| 110 | 851-30768-709 | | .BASE ASSY- SUPPLIER CODE: V96182 | | 1 |
| 115 | 851-30768-823 | | ..MODULE-DIODE/FUSE SUPPLIER CODE: V96182 | | 1 |
| 120 | 851-30768-541 | | .CAPSULE ASSY-LENS-ON SUPPLIER CODE: V96182 | | 1 |
| 125 | MS25237-387 | | ..LAMP- | | 1 |
| 130 | 851-30768-829 | | ..PLUG-LAMP SUPPLIER CODE: V96182 | | 1 |
| - 300 | 851-30768-2063 | | SWITCH ASSY-LIGHTED PUSH BUTTON IND FAIL P-RESET SUPPLIER CODE: V96182 SPECIFICATION NUMBER: S231T290-2063 FOR NHA SEE: 26-11-53-01 | | RF |
| 305 | 851-30768-3825 | | .SLEEVE-MTG SUPPLIER CODE: V96182 | | 1 |
| 310 | 851-30768-709 | | .BASE ASSY- SUPPLIER CODE: V96182 | | 1 |
| 315 | 851-30768-823 | | ..MODULE-DIODE/FUSE SUPPLIER CODE: V96182 | | 1 |
| 320 | 851-30768-563 | | ATTACHING PARTS .CAPSULE ASSY-LENS-FAIL/ P-RESET SUPPLIER CODE: V96182 -----*----- | | 1 |
| 325 | MS25237-387 | | ..LAMP- | | 1 |
| 330 | 851-30768-829 | | ..PLUG-LAMP SUPPLIER CODE: V96182 | | 1 |
| - 350 | 851-30768-2073 | | SWITCH ASSY-LIGHTED PUSH BUTTON IND FIELD OFF SUPPLIER CODE: V96182 SPECIFICATION NUMBER: S231T290-2073 FOR NHA SEE: 24-22-01-02 | | RF |

ILLUSTRATION ITEMS NOT ON PARTS LIST ARE NOT APPLICABLE

- ITEM NOT ILLUSTRATED

33-13-75-01

33-13-75
FIG. 01
PAGE 2
APR 22/08

HXL

BOEING PROPRIETARY - Copyright © - Unpublished Work - See title page for details.



767

PARTS CATALOG (MAINTENANCE)

| FIG ITEM | PART NUMBER | 1 2 3 4 5 6 7 | NOMENCLATURE | EFFECT FROM TO | UNITS PER ASSY |
|---|----------------|---------------|--|-------------------|----------------------|
| 1 | | | | | |
| 355 | 851-30768-3825 | . | SLEEVE-MTG SUPPLIER CODE: V96182 | | 1 |
| 360 | 851-30768-709 | . | BASE ASSY- SUPPLIER CODE: V96182 | | 1 |
| 365 | 851-30768-823 | .. | MODULE-DIODE/FUSE SUPPLIER CODE: V96182 | | 1 |
| 370 | 851-30768-573 | . | CAPSULE ASSY-LENS-FIELD OFF SUPPLIER CODE: V96182 | | 1 |
| 375 | MS25237-387 | .. | LAMP | | 1 |
| 380 | 851-30768-829 | .. | PLUG-LAMP SUPPLIER CODE: V96182 | | 1 |
| ILLUSTRATION ITEMS NOT ON PARTS LIST ARE NOT APPLICABLE | | | | | |

- ITEM NOT ILLUSTRATED

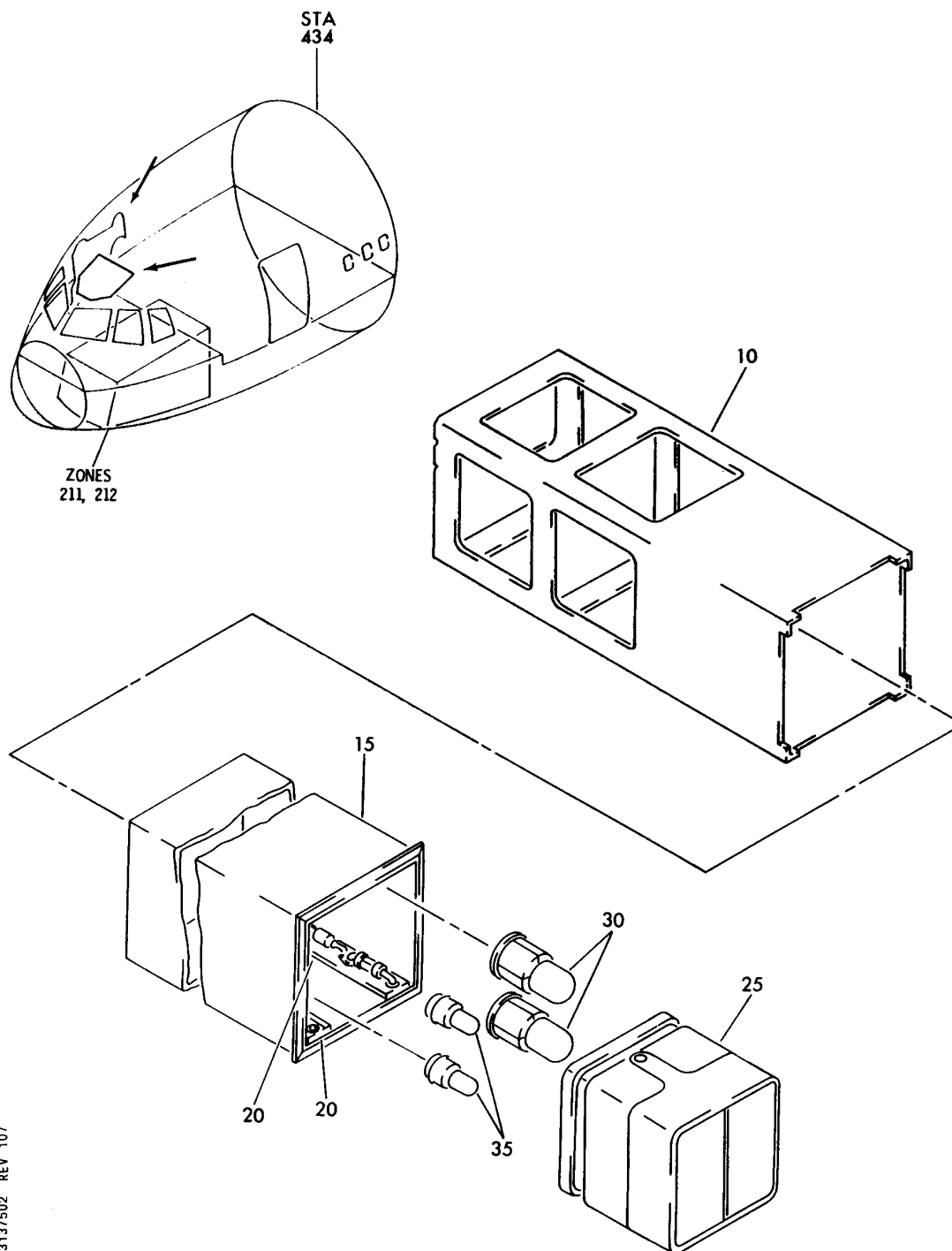
HXL

33-13-75-01

BOEING PROPRIETARY - Copyright © - Unpublished Work - See title page for details.

33-13-75
FIG. 01
PAGE 3
APR 22/08

BOEING
767
PARTS CATALOG (MAINTENANCE)



V 33137502 REV 107

SWITCH ASSY-LIGHTED PUSH BUTTON IND
FIGURE 2

33-13-75-02

HXL
DEC 22/06

33-13-75-02
PAGE 0



767

PARTS CATALOG (MAINTENANCE)

| FIG ITEM | PART NUMBER | 1 2 3 4 5 6 7 | NOMENCLATURE | EFFECT FROM TO | UNITS PER ASSY |
|----------|-----------------|---------------|--|----------------|----------------|
| 2 | | | SWITCH ASSY-LIGHTED PUSH BUTTON IND | | |
| - 1 | 851-30768-2013 | | SWITCH ASSY-LIGHTED PUSH BUTTON IND OFF SUPPLIER CODE: V96182 SPECIFICATION NUMBER: S231T290-2013 FOR NHA SEE: 36-11-56-01 | | RF |
| - 5 | 851-30768-2021 | | SWITCH ASSY-LIGHTED PUSH BUTTON IND ON/PRESS SUPPLIER CODE: V96182 SPECIFICATION NUMBER: S231T290-2021 FOR NHA SEE: 28-22-55-02 | | RF |
| 10 | 851-30768-3825 | | .SLEEVE-MTG SUPPLIER CODE: V96182 | | 1 |
| 15 | 851-30768-715 | | .BASE ASSY- SUPPLIER CODE: V96182 | | 1 |
| 20 | 851-30768-823 | | ..MODULE- SUPPLIER CODE: V96182 | | 2 |
| 25 | 851-30768-513 | | .CAPSULE ASSY-LENS SUPPLIER CODE: V96182 USED ON: 851-30768-2013 | | 1 |
| 25 | 851-30768-521 | | .CAPSULE ASSY- SUPPLIER CODE: V96182 USED ON: 851-30768-2021 | | 1 |
| 30 | MS25237-387 | | ..LAMP- | | 2 |
| 35 | MS24515-685AS15 | | ..LAMP | | 2 |

ILLUSTRATION ITEMS NOT ON PARTS LIST ARE NOT APPLICABLE

- ITEM NOT ILLUSTRATED

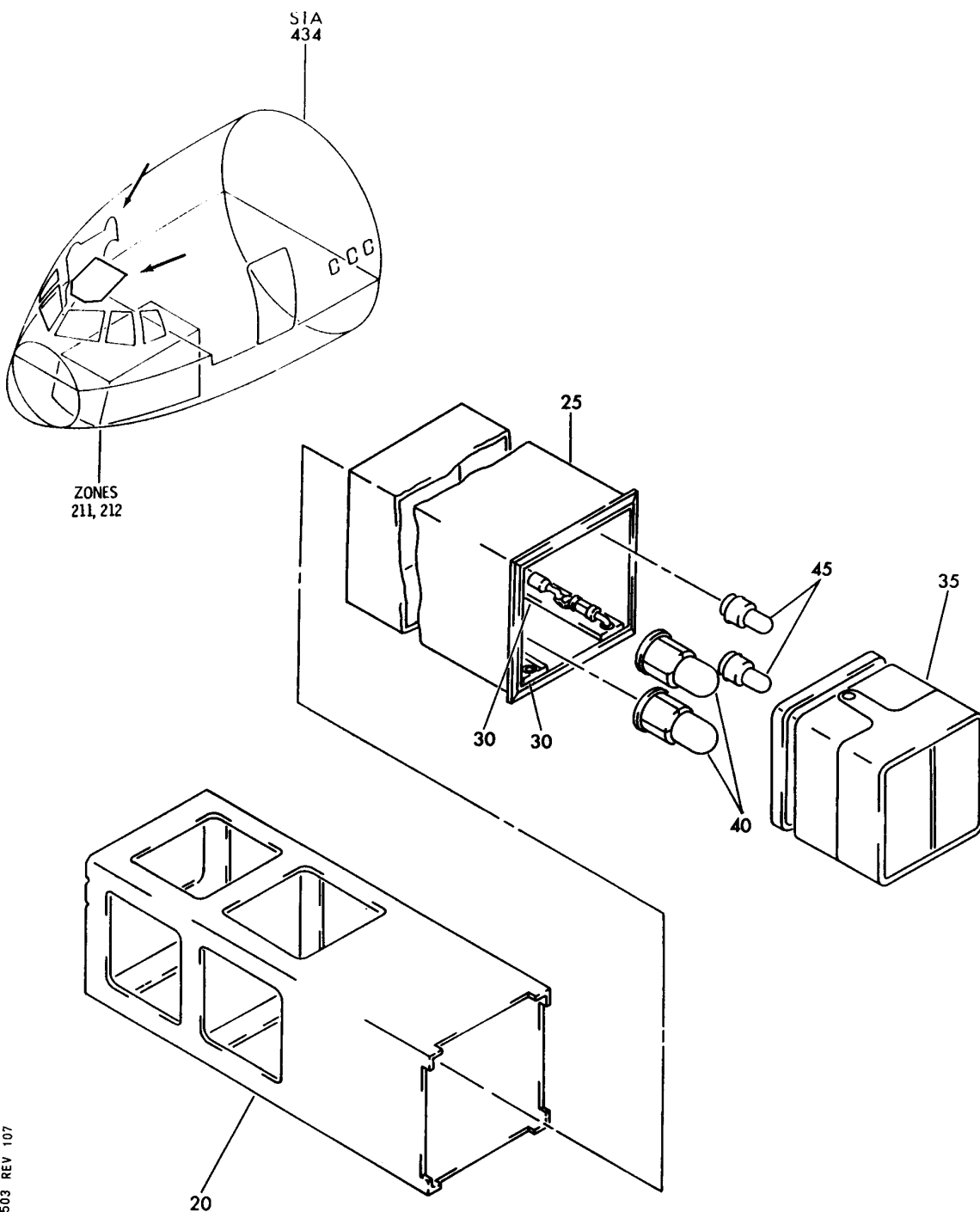
33-13-75-02

33-13-75
FIG. 02
PAGE 1
DEC 22/06

HXL

BOEING PROPRIETARY - Copyright © - Unpublished Work - See title page for details.

BOEING
767
PARTS CATALOG (MAINTENANCE)



V 33137503 REV 107

SWITCH ASSY-LIGHTED PUSH BUTTON IND
FIGURE 3

33-13-75-03

HXL
DEC 22/06

33-13-75-03
PAGE 0



767

PARTS CATALOG (MAINTENANCE)

| FIG ITEM | PART NUMBER | 1 2 3 4 5 6 7 | NOMENCLATURE | EFFECT FROM TO | UNITS PER ASSY |
|----------|----------------|---------------|--|----------------|----------------|
| 3 | | | SWITCH ASSY-LIGHTED PUSH BUTTON IND | | |
| - 1 | 851-30768-2019 | | SWITCH ASSY-LIGHTED PUSH BUTTON IND VALVE SUPPLIER CODE: V96182 SPECIFICATION NUMBER: S231T290-2019 FOR NHA SEE: 36-11-56-01 | | RF |
| - 5 | 851-30768-2030 | | SWITCH ASSY-LIGHTED PUSH BUTTON IND OFF SUPPLIER CODE: V96182 SPECIFICATION NUMBER: S231T290-2030 FOR NHA SEE: 36-11-56-01 | | RF |
| - 10 | 851-30768-2022 | | SWITCH ASSY-LIGHTED PUSH BUTTON IND PRESS/ON SUPPLIER CODE: V96182 SPECIFICATION NUMBER: S231T290-2022 FOR NHA SEE: 36-11-56-01 | | RF |
| - 15 | 851-30768-2031 | | SWITCH ASSY-LIGHTED PUSH BUTTON IND OFF/ON SUPPLIER CODE: V96182 SPECIFICATION NUMBER: S231T290-2031 FOR NHA SEE: 24-22-51-01 | | RF |
| 20 | 851-30768-3825 | | .SLEEVE-MTG SUPPLIER CODE: V96182 | | 1 |
| 25 | 851-30768-714 | | .BASE ASSY- SUPPLIER CODE: V96182 | | 1 |
| 30 | 851-30768-823 | | ..MODULE-DIODE/FUSE SUPPLIER CODE: V96182 | | 2 |
| 35 | 851-30768-519 | | .CAPSULE ASSY-LENS-VALVE SUPPLIER CODE: V96182 USED ON: 851-30768-2019 | | 1 |

ILLUSTRATION ITEMS NOT ON PARTS LIST ARE NOT APPLICABLE

- ITEM NOT ILLUSTRATED

33-13-75-03

33-13-75
FIG. 03
PAGE 1
DEC 22/06

HXL



767

PARTS CATALOG (MAINTENANCE)

| FIG ITEM | PART NUMBER | 1 2 3 4 5 6 7 | NOMENCLATURE | EFFECT FROM TO | UNITS PER ASSY |
|-------------|-----------------|---------------|--|-------------------|----------------------|
| 3 | | | | | |
| 35 | 851-30768-530 | . | CAPSULE ASSY-LENS-OFF SUPPLIER CODE: V96182 USED ON: 851-30768-2030 | | 1 |
| 35 | 851-30768-522 | . | CAPSULE ASSY-LENS-PRESS/ON SUPPLIER CODE: V96182 USED ON: 851-30768-2022 | | 1 |
| 35 | 851-30768-531 | . | CAPSULE ASSY-LENS-OFF/ON SUPPLIER CODE: V96182 USED ON: 851-30768-2031 | | 1 |
| 40 | MS25237-387 | .. | LAMP- | | 2 |
| 45 | MS24515-685AS15 | .. | LAMP | | 2 |

ILLUSTRATION ITEMS NOT ON PARTS LIST ARE NOT APPLICABLE

- ITEM NOT ILLUSTRATED

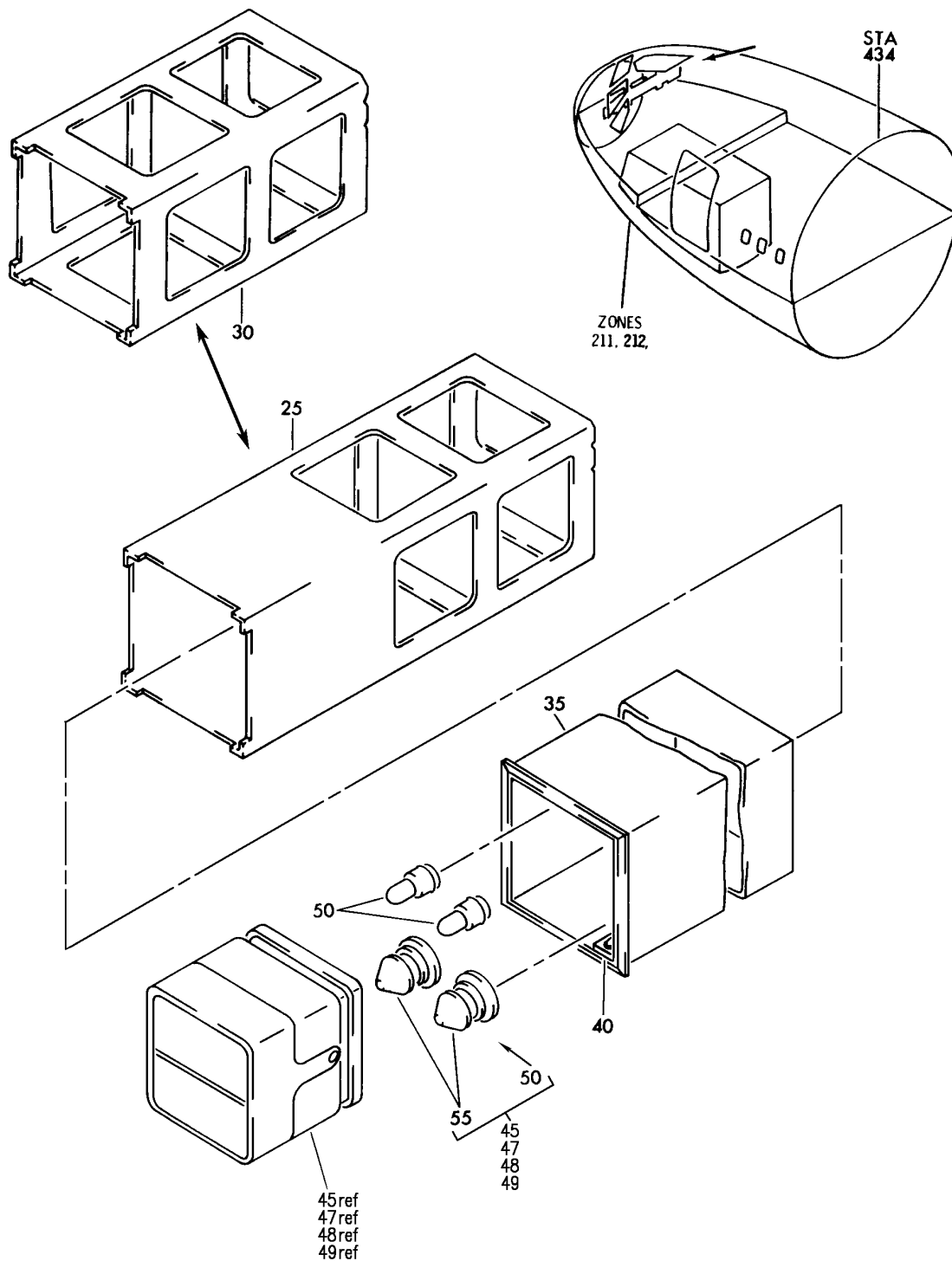
HXL

33-13-75-03

BOEING PROPRIETARY - Copyright © - Unpublished Work - See title page for details.

33-13-75
FIG. 03
PAGE 2
DEC 22/06

BOEING
767
PARTS CATALOG (MAINTENANCE)



V 33137504 REV 299

SWITCH ASSY-LIGHTED PUSH BUTTON IND
FIGURE 4

33-13-75-04

HXL
DEC 22/06

33-13-75-04
PAGE 0

 **BOEING**
767
PARTS CATALOG (MAINTENANCE)

| FIG ITEM | PART NUMBER | 1 2 3 4 5 6 7 | NOMENCLATURE | EFFECT FROM TO | UNITS PER ASSY |
|---|----------------|---------------|--|----------------|----------------|
| 4 | | | SWITCH ASSY-LIGHTED PUSH BUTTON IND | | |
| - 5 | 851-30768-2001 | | SWITCH ASSY-LIGHTED PUSH BUTTON IND ALTN SUPPLIER CODE: V96182 SPECIFICATION NUMBER: S231T290-2001 FOR NHA SEE: 27-81-57-01 | | RF |
| - 10 | 851-30768-2012 | | SWITCH ASSY-LIGHTED PUSH BUTTON IND ON SUPPLIER CODE: V96182 SPECIFICATION NUMBER: S231T290-2012 OPTIONAL PART: BCREF7604 V81590 851-30768-3012 V96182 PRE SERVICE BULLETIN: 25-0325R12 FOR NHA SEE: 33-11-53-02 | | RF |
| - 12 | 851-30768-2012 | | SWITCH ASSY-LIGHTED PUSH BUTTON IND ON SUPPLIER CODE: V96182 SPECIFICATION NUMBER: S231T290-2012 MISCELLANEOUS DATA: TAI PANEL OPTIONAL PART: 851-30768-3012 V96182 BCREF7604 V81590 FOR NHA SEE: 30-11-53-02 | | RF |
| - 15 | 851-30768-2057 | | SWITCH ASSY-LIGHTED PUSH BUTTON IND OVRD SUPPLIER CODE: V96182 SPECIFICATION NUMBER: S231T290-2057 FOR NHA SEE: 31-51-02-11 34-46-53-02 | | RF |
| ILLUSTRATION ITEMS NOT ON PARTS LIST ARE NOT APPLICABLE | | | | | |

- ITEM NOT ILLUSTRATED

HXL

33-13-75-04

BOEING PROPRIETARY - Copyright © - Unpublished Work - See title page for details.

33-13-75
FIG. 04
PAGE 1
DEC 22/06



767

PARTS CATALOG (MAINTENANCE)

| FIG ITEM | PART NUMBER | 1 2 3 4 5 6 7 | NOMENCLATURE | EFFECT FROM TO | UNITS PER ASSY |
|----------|-----------------|---------------|--|----------------|----------------|
| 4 | | | | | |
| 25 | 851-30768-3825 | . | SLEEVE-MTG SUPPLIER CODE: V96182 USED ON: 851-30768-2012 | | 1 |
| 45 | 851-30768-501 | . | CAPSULE ASSY-LENS-ALTN SUPPLIER CODE: V96182 USED ON: 851-30768-2001 | | 1 |
| 47 | 851-30768-512 | . | CAPSULE ASSY-LENS-ON SUPPLIER CODE: V96182 USED ON: 851-30768-2012 | | 1 |
| 48 | 851-30768-557 | . | CAPSULE ASSY-LENS-OVRD SUPPLIER CODE: V96182 USED ON: 851-30768-2057 | | 1 |
| 50 | MS24515-685AS15 | .. | LAMP | | 2 |
| 50 | MS24515-685AS15 | .. | LAMP | | 2 |
| 50 | MS24515-685AS15 | .. | LAMP | | 2 |
| 55 | 851-30768-829 | .. | PLUG-LAMP SUPPLIER CODE: V96182 | | 2 |
| 55 | 851-30768-829 | .. | PLUG-LAMP SUPPLIER CODE: V96182 | | 2 |
| 55 | 851-30768-829 | .. | PLUG-LAMP SUPPLIER CODE: V96182 | | 2 |

ILLUSTRATION ITEMS NOT ON PARTS LIST ARE NOT APPLICABLE

- ITEM NOT ILLUSTRATED

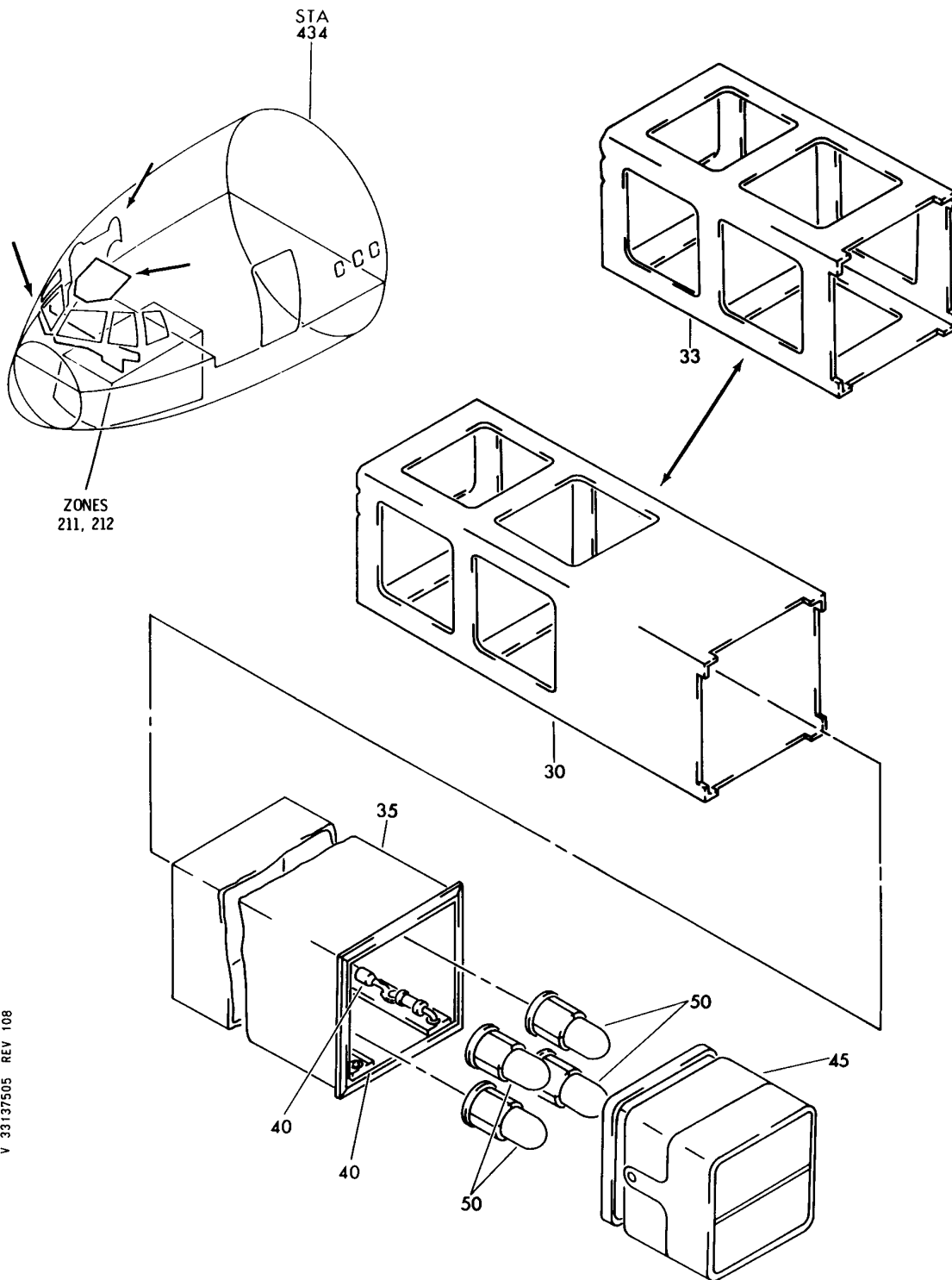
HXL

33-13-75-04

BOEING PROPRIETARY - Copyright © - Unpublished Work - See title page for details.

33-13-75
FIG. 04
PAGE 2
DEC 22/06

BOEING
767
PARTS CATALOG (MAINTENANCE)



V 33137505 REV 108

SWITCH ASSY-LIGHTED PUSH BUTTON IND
FIGURE 5

33-13-75-05

HXL
DEC 22/06

33-13-75-05
PAGE 0



767

PARTS CATALOG (MAINTENANCE)

| FIG ITEM | PART NUMBER | 1 2 3 4 5 6 7 | NOMENCLATURE | EFFECT FROM TO | UNITS PER ASSY |
|----------|----------------|---------------|--|----------------|----------------|
| 5 | | | SWITCH ASSY-LIGHTED PUSH BUTTON IND | | |
| - 1 | 851-30768-2045 | | SWITCH ASSY-LIGHTED PUSH BUTTON IND ON/AVAIL SUPPLIER CODE: V96182 SPECIFICATION NUMBER: S231T290-2045 FOR NHA SEE: 24-41-51-01 | | RF |
| - 5 | 851-30768-2056 | | SWITCH ASSY-LIGHTED PUSH BUTTON IND INOP/PACK OFF SUPPLIER CODE: V96182 SPECIFICATION NUMBER: S231T290-2056 FOR NHA SEE: 21-51-54-01 | | RF |
| - 10 | 851-30768-2042 | | SWITCH ASSY-LIGHTED PUSH BUTTON IND WARNING/ CAUTION SUPPLIER CODE: V96182 SPECIFICATION NUMBER: S231T290-2042 FOR NHA SEE: 33-11-01-05 | | RF |
| - 15 | 851-30768-2070 | | SWITCH ASSY-LIGHTED PUSH BUTTON IND GND/PROX G/S INHB SUPPLIER CODE: V96182 SPECIFICATION NUMBER: S231T290-2070 FOR NHA SEE: 34-46-53-02 | | RF |

ILLUSTRATION ITEMS NOT ON PARTS LIST ARE NOT APPLICABLE

- ITEM NOT ILLUSTRATED

HXL

33-13-75-05

BOEING PROPRIETARY - Copyright © - Unpublished Work - See title page for details.

33-13-75
FIG. 05
PAGE 1
AUG 22/07



767

PARTS CATALOG (MAINTENANCE)

| FIG ITEM | PART NUMBER | 1 2 3 4 5 6 7 | NOMENCLATURE | EFFECT FROM TO | UNITS PER ASSY |
|-----------|----------------|---------------|---|----------------|----------------|
| 5 - 20 | 851-30768-2079 | | SWITCH ASSY-LIGHTED PUSH BUTTON IND PRESS/UNLKD SUPPLIER CODE: V96182 SPECIFICATION NUMBER: S231T290-2079 QUALIFIED I/W DATA: 851-30768-2079 TOGETHER WITH 851-30768-802 OR -812 SWITCHGUARD I/W BCREF7684 BCREFA0832 OR S231T290-5079 T/W 433-100-003 SWITCHGUARD FOR NHA SEE: 29-21-56-01 | | RF |
| 30 | 851-30768-3825 | | .SLEEVE-MTG SUPPLIER CODE: V96182 USED ON: 851-30768-2042 851-30768-2079 851-30768-2045 851-30768-2056 | | 1 |
| 33 | 851-30768-826 | | .SLEEVE-MTG SUPPLIER CODE: V96182 USED ON: 851-30768-2070 | | 1 |
| 35 | 851-30768-705 | | .BASE ASSY- SUPPLIER CODE: V96182 USED ON: 851-30768-2042 851-30768-2045 851-30768-2070 851-30768-2056 | | 1 |
| 35 | 851-30768-713 | | .BASE ASSY- SUPPLIER CODE: V96182 USED ON: 851-30768-2079 | | 1 |
| 40 | 851-30768-823 | | ..MODULE-DIODE/FUSE SUPPLIER CODE: V96182 USED ON: 851-30768-705 | | 2 |

ILLUSTRATION ITEMS NOT ON PARTS LIST ARE NOT APPLICABLE

- ITEM NOT ILLUSTRATED

33-13-75-05

33-13-75
FIG. 05
PAGE 2
AUG 22/07

HXL



767

PARTS CATALOG (MAINTENANCE)

| FIG ITEM | PART NUMBER | 1 2 3 4 5 6 7 | NOMENCLATURE | EFFECT FROM TO | UNITS PER ASSY |
|---|---------------|---------------|--|-------------------|----------------------|
| 5 | | | | | |
| 40 | 851-30768-823 | | . . MODULE-DIODE/FUSE SUPPLIER CODE: V96182 USED ON: 851-30768-713 | | 2 |
| 45 | 851-30768-545 | | . CAPSULE ASSY-LENS-ON/AVAIL SUPPLIER CODE: V96182 USED ON: 851-30768-2045 | | 1 |
| 45 | 851-30768-556 | | . CAPSULE ASSY-LENS-INOP/ PACK OFF SUPPLIER CODE: V96182 USED ON: 851-30768-2056 | | 1 |
| 45 | 851-30768-542 | | . CAPSULE ASSY-LENS-WARNING/ CAUTION SUPPLIER CODE: V96182 USED ON: 851-30768-2042 | | 1 |
| 45 | 851-30768-570 | | . CAPSULE ASSY-LENS-GND/PROX G/S INHB SUPPLIER CODE: V96182 USED ON: 851-30768-2070 | | 1 |
| 45 | 851-30768-579 | | . CAPSULE ASSY-LENS-PRESS/ UNLKD SUPPLIER CODE: V96182 USED ON: 851-30768-2079 | | 1 |
| ILLUSTRATION ITEMS NOT ON PARTS LIST ARE NOT APPLICABLE | | | | | |

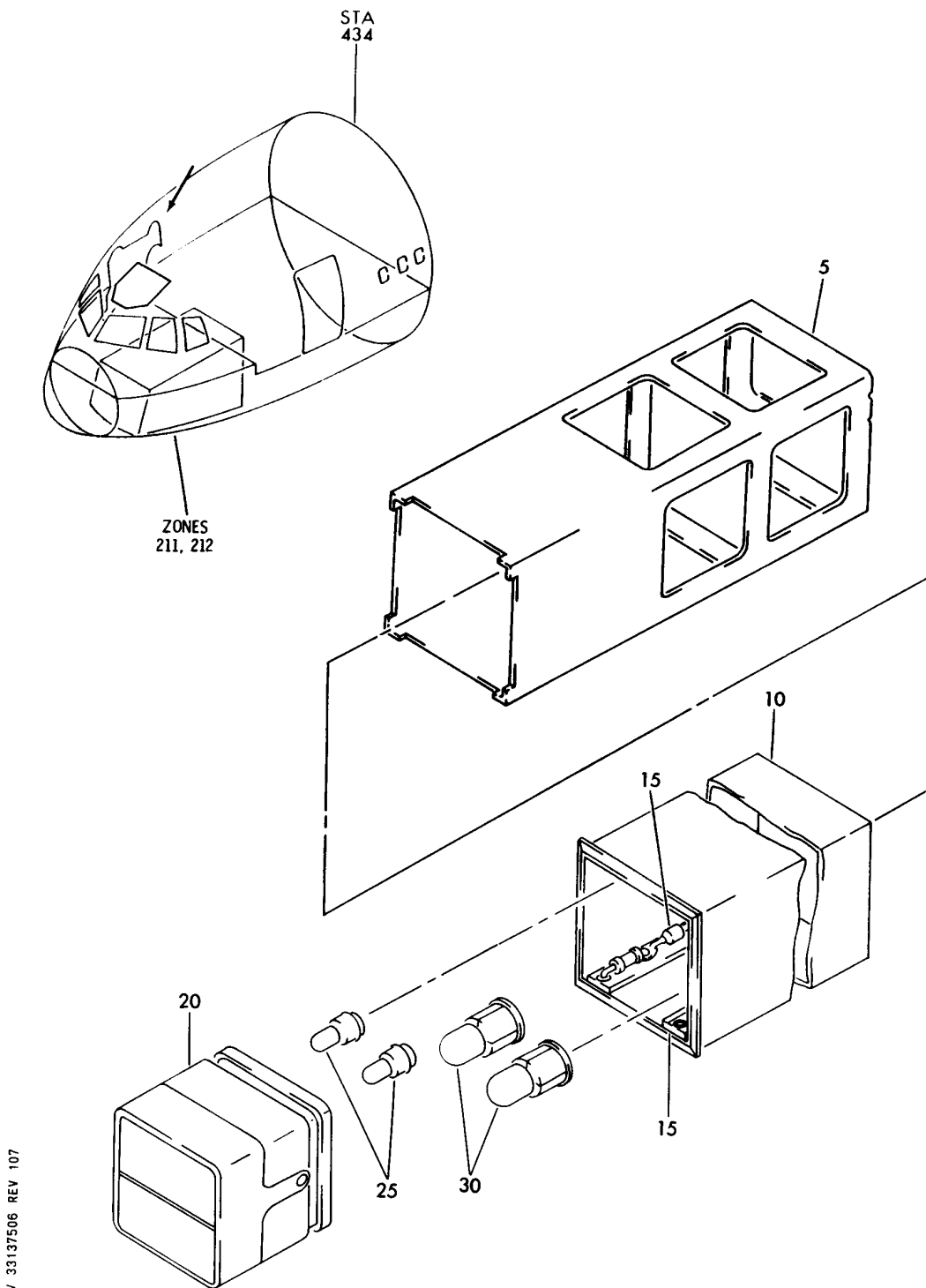
- ITEM NOT ILLUSTRATED

33-13-75-05

33-13-75
FIG. 05
PAGE 3
AUG 22/07

HXL

BOEING
767
PARTS CATALOG (MAINTENANCE)



V 33137506 REV 107

SWITCH ASSY-LIGHTED PUSH BUTTON IND (VALVE)
FIGURE 6

33-13-75-06

HXL
DEC 22/06

33-13-75-06
PAGE 0



767

PARTS CATALOG (MAINTENANCE)

| FIG ITEM | PART NUMBER | 1 2 3 4 5 6 7 | NOMENCLATURE | EFFECT FROM TO | UNITS PER ASSY |
|----------|-----------------|---------------|---|----------------|----------------|
| 6 | | | SWITCH ASSY-LIGHTED PUSH BUTTON IND (VALVE) | | |
| - 1 | 851-30768-2074 | | SWITCH ASSY-LIGHTED PUSH BUTTON IND VALVE SUPPLIER CODE: V96182 SPECIFICATION NUMBER: S231T290-2074 FOR NHA SEE: 36-11-56-01 | | RF |
| 5 | 851-30768-3825 | | .SLEEVE-MTG SUPPLIER CODE: V96182 | | 1 |
| 10 | 851-30768-716 | | .BASE ASSY- SUPPLIER CODE: V96182 | | 1 |
| 15 | 851-30768-823 | | ..MODULE-DIODE/FUSE SUPPLIER CODE: V96182 | | 2 |
| 20 | 851-30768-574 | | .CAPSULE ASSY-LENS-VALVE SUPPLIER CODE: V96182 | | 1 |
| 25 | MS25237-387 | | ..LAMP- | | 2 |
| 30 | MS24515-685AS15 | | ..LAMP | | 2 |

ILLUSTRATION ITEMS NOT ON PARTS LIST ARE NOT APPLICABLE

- ITEM NOT ILLUSTRATED

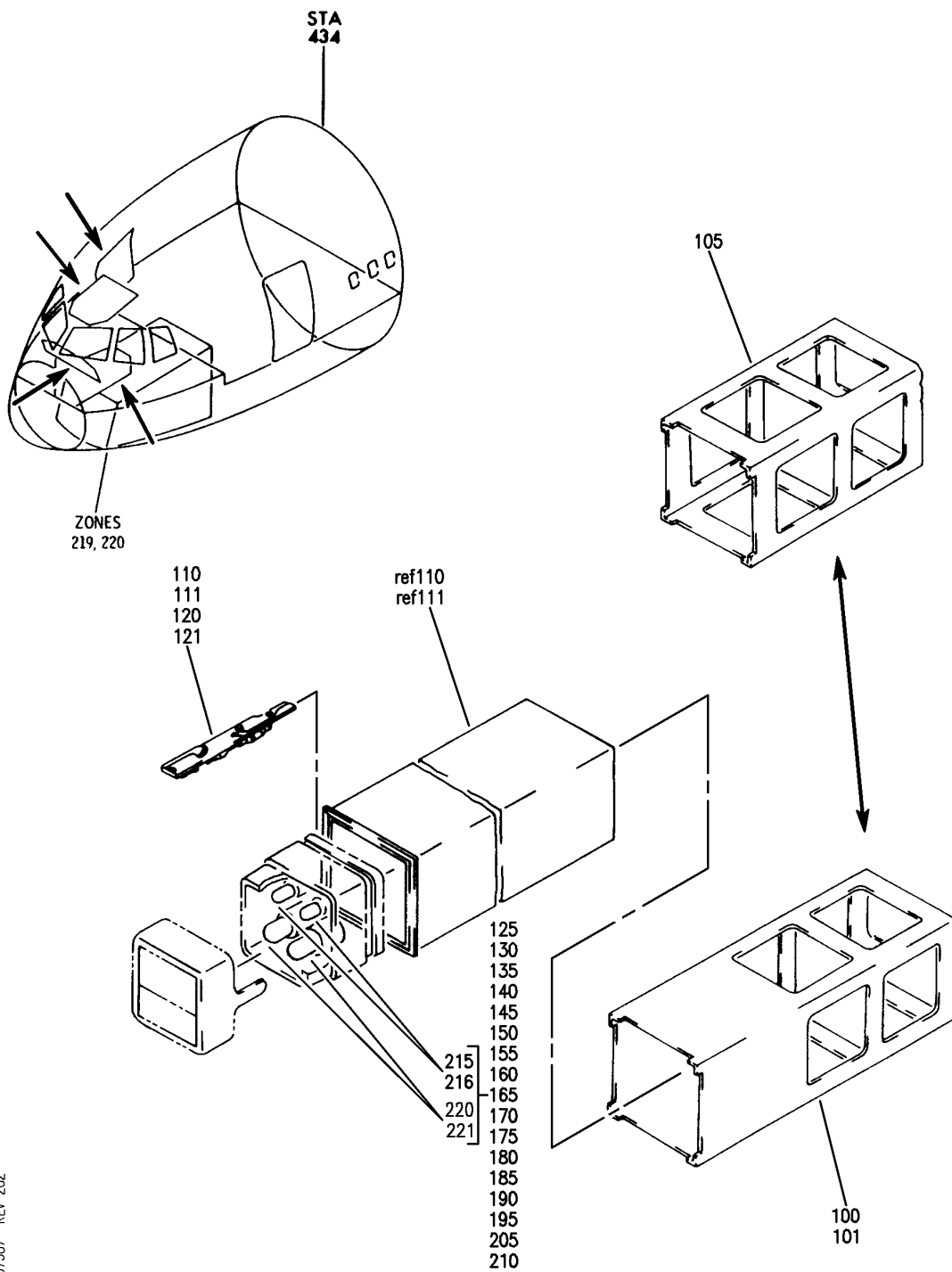
HXL

33-13-75-06

BOEING PROPRIETARY - Copyright © - Unpublished Work - See title page for details.

33-13-75
FIG. 06
PAGE 1
DEC 22/06

BOEING
767
PARTS CATALOG (MAINTENANCE)



V 33137507 REV 262

SWITCH ASSY-LIGHTED PUSH BUTTON IND
FIGURE 7

33-13-75-07

HXL
DEC 22/06

33-13-75-07
PAGE 0



767

PARTS CATALOG (MAINTENANCE)

| FIG ITEM | PART NUMBER | 1 2 3 4 5 6 7 | NOMENCLATURE | EFFECT FROM TO | UNITS PER ASSY |
|---|----------------|----------------|---|----------------|----------------|
| 7 | | | SWITCH ASSY-LIGHTED PUSH BUTTON IND | | |
| - 1 | 851-30768-2016 | | SWITCH ASSY-LIGHTED PUSH BUTTON IND ON/INOP SUPPLIER CODE: V96182 SPECIFICATION NUMBER: S231T290-2016 FOR NHA SEE: 21-25-53-01 22-21-01-02 30-41-51-01 | | RF |
| - 10 | 851-30768-2020 | | SWITCH ASSY-LIGHTED PUSH BUTTON IND ON/PRESS SUPPLIER CODE: V96182 SPECIFICATION NUMBER: S231T290-2020 FOR NHA SEE: 29-11-71-01 | | RF |
| R R R R R R R | - 15 | 851-30768-2023 | SWITCH ASSY-LIGHTED PUSH BUTTON IND ON/OFF SUPPLIER CODE: V96182 SPECIFICATION NUMBER: S231T290-2023 FOR NHA SEE: 21-61-54-02 | | RF |
| - 20 | 851-30768-2024 | | SWITCH ASSY-LIGHTED PUSH BUTTON IND ON/OFF SUPPLIER CODE: V96182 SPECIFICATION NUMBER: S231T290-2024 FOR NHA SEE: 21-61-54-02 24-33-52-01 27-13-55-01 | | RF |
| - 25 | 851-30768-2026 | | SWITCH ASSY-LIGHTED PUSH BUTTON IND ON/PRESS SUPPLIER CODE: V96182 SPECIFICATION NUMBER: S231T290-2026 FOR NHA SEE: 28-22-55-02 | | RF |
| ILLUSTRATION ITEMS NOT ON PARTS LIST ARE NOT APPLICABLE | | | | | |

- ITEM NOT ILLUSTRATED

33-13-75-07

33-13-75
FIG. 07
PAGE 1
AUG 22/09

HXL



767

PARTS CATALOG (MAINTENANCE)

| FIG ITEM | PART NUMBER | 1 2 3 4 5 6 7 | NOMENCLATURE | EFFECT FROM TO | UNITS PER ASSY |
|----------|----------------|---------------|---|----------------|----------------|
| 7 | | | | | |
| - 30 | 851-30768-2027 | | SWITCH ASSY-LIGHTED PUSH BUTTON IND ON/VALVE SUPPLIER CODE: V96182 SPECIFICATION NUMBER: S231T290-2027 | | RF |
| - 35 | 851-30768-2038 | | SWITCH ASSY-LIGHTED PUSH BUTTON IND VALVE SUPPLIER CODE: V96182 SPECIFICATION NUMBER: S231T290-2038 FOR NHA SEE: 28-22-55-02 | | RF |
| - 40 | 851-30768-2053 | | SWITCH ASSY-LIGHTED PUSH BUTTON IND ON/OFF SUPPLIER CODE: V96182 SPECIFICATION NUMBER: S231T290-2053 FOR NHA SEE: 24-51-61-01 | | RF |
| - 45 | 851-30768-2054 | | SWITCH ASSY-LIGHTED PUSH BUTTON IND ON/OFF SUPPLIER CODE: V96182 SPECIFICATION NUMBER: S231T290-2054 FOR NHA SEE: 24-51-61-01 | | RF |
| - 50 | 851-30768-2061 | | SWITCH ASSY-LIGHTED PUSH BUTTON IND ARMED/FWD SUPPLIER CODE: V96182 SPECIFICATION NUMBER: S231T290-2061 FOR NHA SEE: 26-23-54-01 | | RF |
| - 55 | 851-30768-2062 | | SWITCH ASSY-LIGHTED PUSH BUTTON IND ARMED/AFT SUPPLIER CODE: V96182 SPECIFICATION NUMBER: S231T290-2062 FOR NHA SEE: 26-23-54-01 | | RF |

ILLUSTRATION ITEMS NOT ON PARTS LIST ARE NOT APPLICABLE

- ITEM NOT ILLUSTRATED

HXL

33-13-75-07

BOEING PROPRIETARY - Copyright © - Unpublished Work - See title page for details.

33-13-75
FIG. 07
PAGE 2
AUG 22/09



767

PARTS CATALOG (MAINTENANCE)

| FIG ITEM | PART NUMBER | 1 2 3 4 5 6 7 | NOMENCLATURE | EFFECT FROM TO | UNITS PER ASSY |
|---|----------------|---------------|---|----------------|----------------|
| 7 | | | | | |
| - 60 | 851-30768-2064 | | SWITCH ASSY-LIGHTED PUSH BUTTON IND AUTO/ISLN SUPPLIER CODE: V96182 SPECIFICATION NUMBER: S231T290-2064 FOR NHA SEE: 24-22-51-01 | | RF |
| - 70 | 851-30768-2071 | | SWITCH ASSY-LIGHTED PUSH BUTTON IND ON/OVHT SUPPLIER CODE: V96182 SPECIFICATION NUMBER: S231T290-2071 FOR NHA SEE: 21-43-54-01 | | RF |
| - 80 | 851-30768-2077 | | SWITCH ASSY-LIGHTED PUSH BUTTON IND UNLKD/UNLKD SUPPLIER CODE: V96182 SPECIFICATION NUMBER: S231T290-2077 PRE SERVICE BULLETIN: 25-0325R12 FOR NHA SEE: 52-51-51-01 | 155162 | RF |
| - 85 | 851-30768-2084 | | SWITCH ASSY-LIGHTED PUSH BUTTON IND ON/VTR/TV ON SUPPLIER CODE: V96182 SPECIFICATION NUMBER: S231T290-2084 MISCELLANEOUS DATA: (851-30768-2084 TOGETHER WITH 851-30768-801 OR -811 SWITCHGUARD I/W BCREF7692 TOGETHER WITH 433-100-002 SWITCHGUARD) FOR NHA SEE: 23-32-57-03 | | RF |
| - 90 | 851-30768-2075 | | SWITCH ASSY-LIGHTED PUSH BUTTON IND ON/VALVE SUPPLIER CODE: V96182 SPECIFICATION NUMBER: S231T290-2075 FOR NHA SEE: 32-41-63-02 | | RF |
| ILLUSTRATION ITEMS NOT ON PARTS LIST ARE NOT APPLICABLE | | | | | |

- ITEM NOT ILLUSTRATED

33-13-75-07

33-13-75
FIG. 07
PAGE 3
AUG 22/09

HXL



767

PARTS CATALOG (MAINTENANCE)

| FIG ITEM | PART NUMBER | 1 2 3 4 5 6 7 | NOMENCLATURE | EFFECT FROM TO | UNITS PER ASSY |
|----------|----------------|---------------|--|----------------|----------------|
| 7 | | | | | |
| 101 | 851-30768-3825 | . | SLEEVE-MTG SUPPLIER CODE: V96182 | | 1 |
| 110 | 851-30768-702 | . | BASE ASSY- SUPPLIER CODE: V96182 | | 1 |
| 120 | 851-30768-823 | .. | MODULE-DIODE/FUSE SUPPLIER CODE: V96182 | | 1 |
| 125 | 851-30768-516 | . | CAPSULE ASSY-LENS-ON/INOP SUPPLIER CODE: V96182 USED ON: 851-30768-2016 | | 1 |
| 135 | 851-30768-520 | . | CAPSULE ASSY-LENS-ON/PRESS SUPPLIER CODE: V96182 USED ON: 851-30768-2020 | | 1 |
| 145 | 851-30768-524 | . | CAPSULE ASSY-LENS-ON/OFF SUPPLIER CODE: V96182 USED ON: 851-30768-2024 | | 1 |
| 150 | 851-30768-526 | . | CAPSULE ASSY-LENS-ON/PRESS SUPPLIER CODE: V96182 USED ON: 851-30768-2026 | | 1 |
| 155 | 851-30768-527 | . | CAPSULE ASSY-LENS-ON/VALVE SUPPLIER CODE: V96182 USED ON: 851-30768-2027 | | 1 |
| 160 | 851-30768-538 | . | CAPSULE ASSY-LENS-VALVE SUPPLIER CODE: V96182 USED ON: 851-30768-2038 | | 1 |
| 165 | 851-30768-553 | . | CAPSULE ASSY-LENS-ON/OFF SUPPLIER CODE: V96182 USED ON: 851-30768-2053 | | 1 |
| 170 | 851-30768-554 | . | CAPSULE ASSY-LENS-ON/OFF SUPPLIER CODE: V96182 USED ON: 851-30768-2054 | | 1 |

ILLUSTRATION ITEMS NOT ON PARTS LIST ARE NOT APPLICABLE

- ITEM NOT ILLUSTRATED

33-13-75-07

33-13-75
FIG. 07
PAGE 4
AUG 22/09

HXL



767

PARTS CATALOG (MAINTENANCE)

| FIG ITEM | PART NUMBER | 1 2 3 4 5 6 7 | NOMENCLATURE | EFFECT FROM TO | UNITS PER ASSY |
|----------|-----------------|---------------|---|----------------|----------------|
| 7 175 | 851-30768-561 | | .CAPSULE ASSY-LENS-ARMED SUPPLIER CODE: V96182 POSITION DATA: FWD USED ON: 851-30768-2061 | | 1 |
| 180 | 851-30768-562 | | .CAPSULE ASSY-LENS-ARMED SUPPLIER CODE: V96182 POSITION DATA: AFT USED ON: 851-30768-2062 | | 1 |
| 185 | 851-30768-564 | | .CAPSULE ASSY-LENS-AUTO/ ISLN SUPPLIER CODE: V96182 USED ON: 851-30768-2064 | | 1 |
| 195 | 851-30768-571 | | .CAPSULE ASSY-LENS-ON/OVHT SUPPLIER CODE: V96182 USED ON: 851-30768-2071 | | 1 |
| 205 | 851-30768-577 | | .CAPSULE ASSY-LENS-UNLKD/ UNLKD SUPPLIER CODE: V96182 USED ON: 851-30768-2077 PRE SERVICE BULLETIN: 25-0325R12 | 155162 | 1 |
| 210 | 851-30768-584 | | .CAPSULE ASSY-LENS-ON/VTR TV ON SUPPLIER CODE: V96182 USED ON: 851-30768-2084 | | 1 |
| 215 | MS24515-685AS15 | | ..LAMP | | 2 |
| 220 | MS25237-387 | | ..LAMP- | | 2 |

ILLUSTRATION ITEMS NOT ON PARTS LIST ARE NOT APPLICABLE

- ITEM NOT ILLUSTRATED

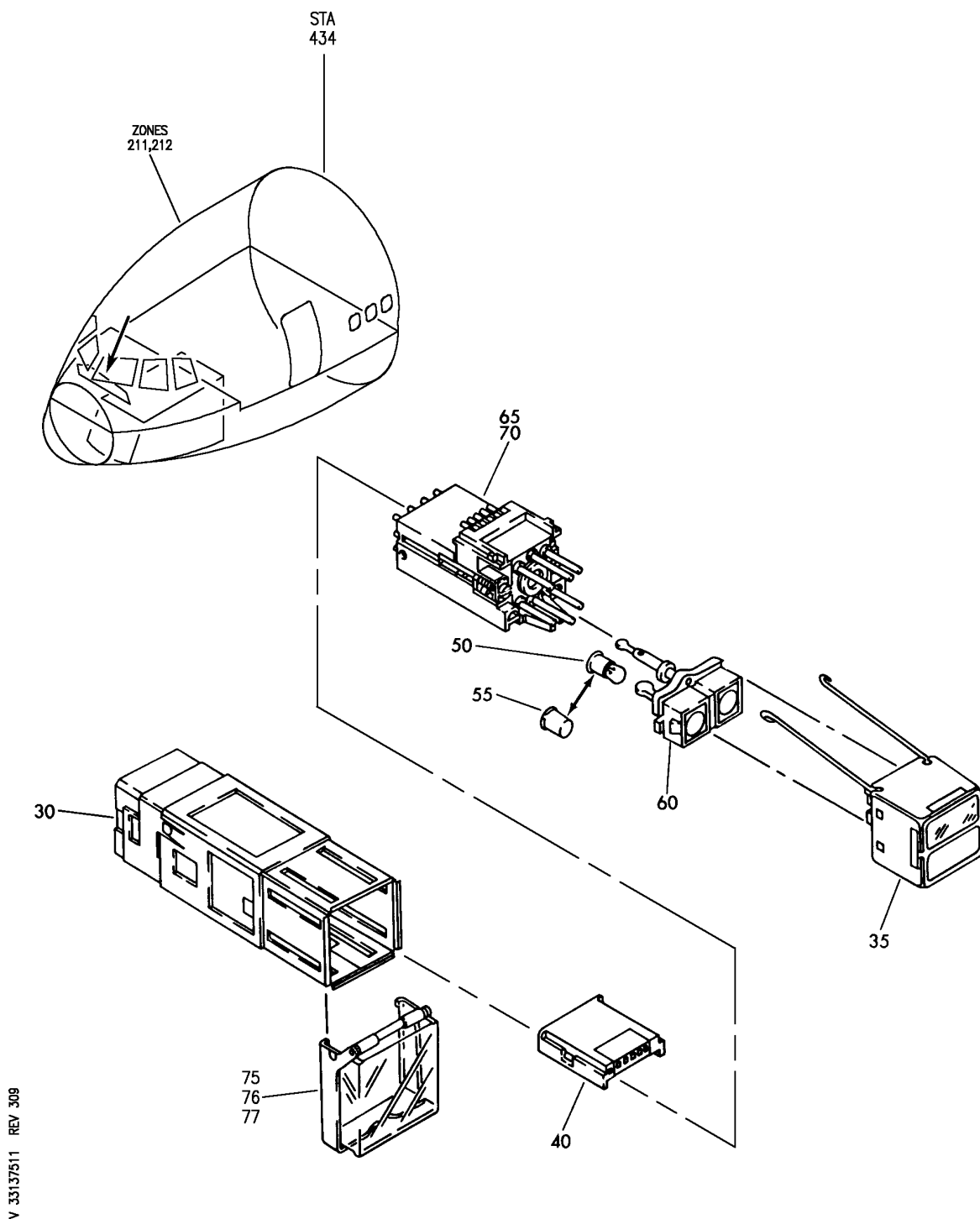
33-13-75-07

33-13-75
FIG. 07
PAGE 5
AUG 22/09

HXL

BOEING PROPRIETARY - Copyright © - Unpublished Work - See title page for details.

BOEING
767
PARTS CATALOG (MAINTENANCE)



SWITCH ASSY-LIGHTED PUSH BUTTON IND
FIGURE 11

33-13-75-11

HXL
DEC 22/06

33-13-75-11
PAGE 0



767

PARTS CATALOG (MAINTENANCE)

| FIG ITEM | PART NUMBER | 1 2 3 4 5 6 7 NOMENCLATURE | EFFECT FROM TO | UNITS PER ASSY |
|---------------|-------------|---|-------------------|----------------------|
| 11 - 1 | BCREF7603 | SWITCH ASSY-LIGHTED PUSH BUTTON IND SWITCH ASSY-LIGHTED PUSH BUTTON IND (DRIVE) SUPPLIER CODE: V81590 OVERLENGTH PART NUMBER: 433-673-1001-1007 SPECIFICATION NUMBER: S231T290-1007 MISCELLANEOUS DATA: WHEN REPLACING THE PUSHBUTTON SWITCH ASSY OR THE MASTER MODULE WITHIN, VERIFY THAT A CONFIG D MASTER MODULE P/N 13202-001 IS INSTALLED IN LIEU OF ANY EARLIER CONFIGURATION MASTER MODULES. FOR NHA SEE: 24-11-54-01 | | RF |

ILLUSTRATION ITEMS NOT ON PARTS LIST ARE NOT APPLICABLE

- ITEM NOT ILLUSTRATED

HXL

33-13-75-11

BOEING PROPRIETARY - Copyright © - Unpublished Work - See title page for details.

33-13-75
 FIG. 11
 PAGE 1
 DEC 22/06



767

PARTS CATALOG (MAINTENANCE)

| FIG ITEM | PART NUMBER | 1 2 3 4 5 6 7 | NOMENCLATURE | EFFECT FROM TO | UNITS PER ASSY |
|-----------|-------------|---------------|--|----------------|----------------|
| 11 - 5 | BCREF7618 | | SWITCH ASSY-LIGHTED PUSH BUTTON IND (ON) SUPPLIER CODE: V81590 OVERLENGTH PART NUMBER: 433-673-1001-1041 SPECIFICATION NUMBER: S231T290-1041 MISCELLANEOUS DATA: WHEN REPLACING THE PUSHBUTTON SWITCH ASSY OR THE MASTER MODULE WITHIN, VERIFY THAT A CONFIG D MASTER MODULE P/N 13202-001 IS INSTALLED IN LIEU OF ANY EARLIER CONFIGURATION MASTER MODULES. QUALIFIED I/W DATA: 851-30768-2041 TOGETHER H 851-30768-802 OR -812 433-100-003 SWITCHGUARD I/W BCREF7618 OR 851-30768-3041 TOGETHER WITH 433-100-003 SWITCHGUARD FOR NHA SEE: 35-21-52-01 | | RF |
| - 15 | BCREF7633 | | SWITCH ASSY-LIGHTED PUSH BUTTON IND FAIL P-RESET SUPPLIER CODE: V81590 OVERLENGTH PART NUMBER: 433-673-1001-1063 SPECIFICATION NUMBER: S231T290-1063 FOR NHA SEE: 26-11-53-01 | | RF |
| - 20 | BCREF7625 | | SWITCH ASSY-LIGHTED PUSH BUTTON IND FIELD OFF SUPPLIER CODE: V81590 OVERLENGTH PART NUMBER: 433-673-1001-1073 SPECIFICATION NUMBER: S231T290-1073 FOR NHA SEE: 24-22-01-02 | | RF |

ILLUSTRATION ITEMS NOT ON PARTS LIST ARE NOT APPLICABLE

- ITEM NOT ILLUSTRATED

33-13-75-11

33-13-75
FIG. 11
PAGE 2
DEC 22/06

HXL



767

PARTS CATALOG (MAINTENANCE)

| FIG ITEM | PART NUMBER | 1 2 3 4 5 6 7 | NOMENCLATURE | EFFECT FROM TO | UNITS PER ASSY |
|----------|-----------------|---------------|---|----------------|----------------|
| 11 | | | | | |
| 30 | 433-107-002 | | .HOUSING ASSY-WITH MTG SLEEVE SUPPLIER CODE: V81590 | | 1 |
| 35 | 673-1001-1007 | | .CAP ASSY-LENS-DRIVE SUPPLIER CODE: V81590 USED ON: BCREF7603 | | 1 |
| 35 | 673-1001-1041 | | .CAP ASSY-LENS-ON SUPPLIER CODE: V81590 USED ON: BCREF7618 | | 1 |
| 35 | 673-1001-1063 | | .CAP ASSY-LENS-FAIL P-RESET SUPPLIER CODE: V81590 USED ON: BCREF7633 | | 1 |
| 35 | 673-1001-1073 | | .CAP ASSY-LENS-FIELD OFF SUPPLIER CODE: V81590 USED ON: BCREF7625 | | 1 |
| 40 | 433-097-001 | | .MODULE ASSY-CKT SUPPLIER CODE: V81590 | | 1 |
| 50 | MS25237-387AS15 | | ..LAMP | | 2 |
| 55 | 673-025-000 | | ..PLUG- SUPPLIER CODE: V81590 | | 2 |
| 60 | 673-092-005 | | ..HOLDER-LAMP SUPPLIER CODE: V81590 | | 1 |
| 60 | 13963-001 | | ..HOLDER-LAMP SUPPLIER CODE: V81590 | | 1 |
| 70 | 13203-001 | | .MODULE ASSY-MASTER SUPPLIER CODE: V81590 USED ON: BCREF7625 BCREF7633 | | 1 |

ILLUSTRATION ITEMS NOT ON PARTS LIST ARE NOT APPLICABLE

- ITEM NOT ILLUSTRATED

33-13-75-11

33-13-75
FIG. 11
PAGE 3
AUG 22/08

HXL

BOEING PROPRIETARY - Copyright © - Unpublished Work - See title page for details.



767

PARTS CATALOG (MAINTENANCE)

| FIG ITEM | PART NUMBER | 1 2 3 4 5 6 7 | NOMENCLATURE | EFFECT FROM TO | UNITS PER ASSY |
|----------|-------------|---------------|--|----------------|----------------|
| 11 75 | 433-100-002 | | . GUARD- SUPPLIER CODE: V81590 SPECIFICATION NUMBER: S231T290-821 OPTIONAL PART: 433-100-003 V81590 433-100-004 V81590 433-100-005 V81590 433-100-006 V81590 433-100-007 V81590 | | 1 |
| 75 | 433-100-003 | | . GUARD- SUPPLIER CODE: V81590 SPECIFICATION NUMBER: S231T290-822 OPTIONAL PART: 433-100-002 V81590 433-100-004 V81590 433-100-005 V81590 433-100-006 V81590 433-100-007 V81590 | | 1 |
| 75 | 433-100-004 | | . GUARD- SUPPLIER CODE: V81590 SPECIFICATION NUMBER: S231T290-823 OPTIONAL PART: 433-100-002 V81590 433-100-003 V81590 433-100-005 V81590 433-100-006 V81590 433-100-007 V81590 | | 1 |

ILLUSTRATION ITEMS NOT ON PARTS LIST ARE NOT APPLICABLE

- ITEM NOT ILLUSTRATED

HXL

33-13-75-11

BOEING PROPRIETARY - Copyright © - Unpublished Work - See title page for details.

33-13-75
FIG. 11
PAGE 4
DEC 22/06



767

PARTS CATALOG (MAINTENANCE)

| FIG ITEM | PART NUMBER | 1 2 3 4 5 6 7 | NOMENCLATURE | EFFECT FROM TO | UNITS PER ASSY |
|----------|-------------|---------------|--|----------------|----------------|
| 11 76 | 433-100-005 | | . GUARD- SUPPLIER CODE: V81590 SPECIFICATION NUMBER: S231T290-824 OPTIONAL PART: 433-100-002 V81590 433-100-003 V81590 433-100-004 V81590 433-100-006 V81590 433-100-007 V81590 | | 1 |
| 76 | 433-100-006 | | . GUARD- SUPPLIER CODE: V81590 OPTIONAL PART: 433-100-002 V81590 433-100-003 V81590 433-100-004 V81590 433-100-005 V81590 433-100-007 V81590 | | 1 |
| 76 | 433-100-007 | | . GUARD- SUPPLIER CODE: V81590 SPECIFICATION NUMBER: S231T290-826 OPTIONAL PART: 433-100-002 V81590 433-100-003 V81590 433-100-004 V81590 433-100-005 V81590 433-100-006 V81590 | | 1 |

ILLUSTRATION ITEMS NOT ON PARTS LIST ARE NOT APPLICABLE

- ITEM NOT ILLUSTRATED

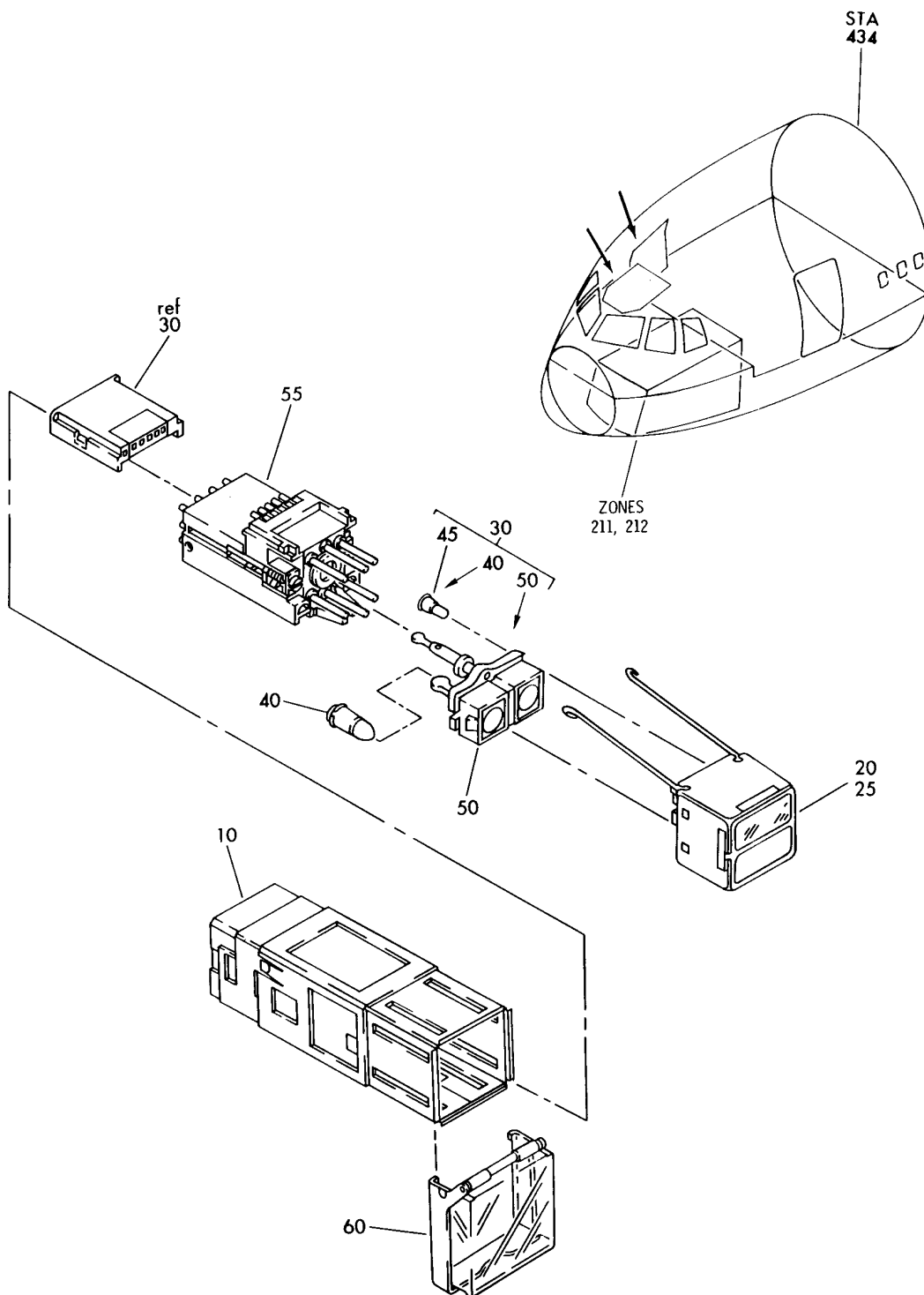
HXL

33-13-75-11

BOEING PROPRIETARY - Copyright © - Unpublished Work - See title page for details.

33-13-75
FIG. 11
PAGE 5
DEC 22/06

BOEING
767
PARTS CATALOG (MAINTENANCE)



V 33137512 REV 172

SWITCH ASSY-LIGHTED PUSH BUTTON IND
FIGURE 12

33-13-75-12

HXL
DEC 22/06

33-13-75-12
PAGE 0



767

PARTS CATALOG (MAINTENANCE)

| FIG ITEM | PART NUMBER | 1 2 3 4 5 6 7 | NOMENCLATURE | EFFECT FROM TO | UNITS PER ASSY |
|----------|---------------|---------------|---|----------------|----------------|
| 12 | | | SWITCH ASSY-LIGHTED PUSH BUTTON IND | | |
| - 1 | BCREF7605 | | SWITCH ASSY-LIGHTED PUSH BUTTON IND OFF SUPPLIER CODE: V81590 OVERLENGTH PART NUMBER: 433-673-1001-1013 SPECIFICATION NUMBER: S231T290-1013 MISCELLANEOUS DATA: WHEN REPLACING THE PUSHBUTTON SWITCH ASSY OR THE MASTER MODULE WITHIN, VERIFY THAT A CONFIG D MASTER MODULE P/N 13206-001 IS INSTALLED IN LIEU OF ANY EARLIER CONFIGURATION MASTER MODULES. FOR NHA SEE: 36-11-56-01 | | RF |
| - 5 | BCREF7609 | | SWITCH ASSY-LIGHTED PUSH BUTTON IND ON/PRESS SUPPLIER CODE: V81590 OVERLENGTH PART NUMBER: 433-673-1001-1021 SPECIFICATION NUMBER: S231T290-1021 FOR NHA SEE: 28-22-55-02 | 163999 | RF |
| 10 | 433-107-002 | | .HOUSING ASSY-WITH MTG SLEEVE SUPPLIER CODE: V81590 | 163999 | 1 |
| 10 | 433-107-002 | | .HOUSING ASSY-WITH MTG SLEEVE SUPPLIER CODE: V81590 | 155162 | 1 |
| 20 | 673-1001-1013 | | .CAP ASSY-LENS-OFF SUPPLIER CODE: V81590 USED ON: BCREF7605 | | 1 |

ILLUSTRATION ITEMS NOT ON PARTS LIST ARE NOT APPLICABLE

- ITEM NOT ILLUSTRATED

33-13-75-12

33-13-75
FIG. 12
PAGE 1
DEC 22/07

HXL

BOEING
767
PARTS CATALOG (MAINTENANCE)

| FIG ITEM | PART NUMBER | 1 2 3 4 5 6 7 | NOMENCLATURE | EFFECT FROM TO | UNITS PER ASSY |
|---|-----------------|---------------|--|----------------|----------------|
| 12 | | | | | |
| 25 | 673-1001-1021 | . | CAP ASSY-LENS-ON/PRESS SUPPLIER CODE: V81590 USED ON: BCREF7609 | 163999 | 1 |
| 30 | 433-097-003 | . | MODULE ASSY-CKT SUPPLIER CODE: V81590 | 163999 | 1 |
| 30 | 433-097-003 | . | MODULE ASSY-CKT SUPPLIER CODE: V81590 | 155162 | 1 |
| 40 | MS25237-387AS15 | .. | LAMP | 163999 | 2 |
| 40 | MS25237-387AS15 | .. | LAMP | 155162 | 2 |
| 45 | MS24515-685AS15 | .. | LAMP | 163999 | 2 |
| 45 | MS24515-685AS15 | .. | LAMP | 155162 | 2 |
| 50 | 673-092-005 | .. | HOLDER-LAMP SUPPLIER CODE: V81590 | 163999 | 1 |
| 50 | 673-092-005 | .. | HOLDER-LAMP SUPPLIER CODE: V81590 | 155162 | 1 |
| 50 | 13963-001 | .. | HOLDER-LAMP SUPPLIER CODE: V81590 | 163999 | 1 |
| 50 | 13963-001 | .. | HOLDER-LAMP SUPPLIER CODE: V81590 | 155162 | 1 |
| 55 | 13206-001 | . | MODULE ASSY-MASTER SUPPLIER CODE: V81590 | 163999 | 1 |
| 55 | 13206-001 | . | MODULE ASSY-MASTER SUPPLIER CODE: V81590 | 155162 | 1 |
| 60 | 433-100-002 | . | GUARD- SUPPLIER CODE: V81590 SPECIFICATION NUMBER: S231T290-821 OPTIONAL PART: 433-100-003 V81590 433-100-004 V81590 433-100-005 V81590 433-100-006 V81590 433-100-007 V81590 | 163999 | 1 |
| ILLUSTRATION ITEMS NOT ON PARTS LIST ARE NOT APPLICABLE | | | | | |

- ITEM NOT ILLUSTRATED

HXL

33-13-75-12

BOEING PROPRIETARY - Copyright © - Unpublished Work - See title page for details.

33-13-75
FIG. 12
PAGE 2
AUG 22/08



767

PARTS CATALOG (MAINTENANCE)

| FIG ITEM | PART NUMBER | 1 2 3 4 5 6 7 | NOMENCLATURE | EFFECT FROM TO | UNITS PER ASSY |
|----------|-------------|---------------|--|----------------|----------------|
| 12 60 | 433-100-002 | | . GUARD- SUPPLIER CODE: V81590 SPECIFICATION NUMBER: S231T290-821 OPTIONAL PART: 433-100-003 V81590 433-100-004 V81590 433-100-005 V81590 433-100-006 V81590 433-100-007 V81590 | 155162 | 1 |
| 60 | 433-100-003 | | . GUARD- SUPPLIER CODE: V81590 SPECIFICATION NUMBER: S231T290-822 OPTIONAL PART: 433-100-002 V81590 433-100-004 V81590 433-100-005 V81590 433-100-006 V81590 433-100-007 V81590 | 163999 | 1 |
| 60 | 433-100-003 | | . GUARD- SUPPLIER CODE: V81590 SPECIFICATION NUMBER: S231T290-822 OPTIONAL PART: 433-100-002 V81590 433-100-004 V81590 433-100-005 V81590 433-100-006 V81590 433-100-007 V81590 | 155162 | 1 |

ILLUSTRATION ITEMS NOT ON PARTS LIST ARE NOT APPLICABLE

- ITEM NOT ILLUSTRATED

HXL

33-13-75-12

BOEING PROPRIETARY - Copyright © - Unpublished Work - See title page for details.

33-13-75
FIG. 12
PAGE 3
DEC 22/07



767

PARTS CATALOG (MAINTENANCE)

| FIG ITEM | PART NUMBER | 1 2 3 4 5 6 7 | NOMENCLATURE | EFFECT FROM TO | UNITS PER ASSY |
|----------|-------------|---------------|--|----------------|----------------|
| 12 60 | 433-100-004 | | . GUARD- SUPPLIER CODE: V81590 SPECIFICATION NUMBER: S231T290-823 OPTIONAL PART: 433-100-002 V81590 433-100-003 V81590 433-100-005 V81590 433-100-006 V81590 433-100-007 V81590 | 163999 | 1 |
| 60 | 433-100-004 | | . GUARD- SUPPLIER CODE: V81590 SPECIFICATION NUMBER: S231T290-823 OPTIONAL PART: 433-100-002 V81590 433-100-003 V81590 433-100-005 V81590 433-100-006 V81590 433-100-007 V81590 | 155162 | 1 |
| 60 | 433-100-005 | | . GUARD- SUPPLIER CODE: V81590 SPECIFICATION NUMBER: S231T290-824 OPTIONAL PART: 433-100-002 V81590 433-100-003 V81590 433-100-004 V81590 433-100-006 V81590 433-100-007 V81590 | 163999 | 1 |

ILLUSTRATION ITEMS NOT ON PARTS LIST ARE NOT APPLICABLE

- ITEM NOT ILLUSTRATED

33-13-75-12

33-13-75
FIG. 12
PAGE 4
DEC 22/07

HXL



767

PARTS CATALOG (MAINTENANCE)

| FIG ITEM | PART NUMBER | 1 2 3 4 5 6 7 | NOMENCLATURE | EFFECT FROM TO | UNITS PER ASSY |
|----------|-------------|---------------|--|----------------|----------------|
| 12 60 | 433-100-005 | | . GUARD- SUPPLIER CODE: V81590 SPECIFICATION NUMBER: S231T290-824 OPTIONAL PART: 433-100-002 V81590 433-100-003 V81590 433-100-004 V81590 433-100-006 V81590 433-100-007 V81590 | 155162 | 1 |
| 60 | 433-100-006 | | . GUARD- SUPPLIER CODE: V81590 OPTIONAL PART: 433-100-002 V81590 433-100-003 V81590 433-100-004 V81590 433-100-005 V81590 433-100-007 V81590 | 163999 | 1 |
| 60 | 433-100-006 | | . GUARD- SUPPLIER CODE: V81590 OPTIONAL PART: 433-100-002 V81590 433-100-003 V81590 433-100-004 V81590 433-100-005 V81590 433-100-007 V81590 | 155162 | 1 |

ILLUSTRATION ITEMS NOT ON PARTS LIST ARE NOT APPLICABLE

- ITEM NOT ILLUSTRATED

HXL

33-13-75-12

BOEING PROPRIETARY - Copyright © - Unpublished Work - See title page for details.

33-13-75
FIG. 12
PAGE 5
DEC 22/07



**767
PARTS CATALOG (MAINTENANCE)**

| FIG ITEM | PART NUMBER | 1 2 3 4 5 6 7 | NOMENCLATURE | EFFECT FROM TO | UNITS PER ASSY |
|-------------|-------------|---------------|--|-------------------|----------------------|
| 12 60 | 433-100-007 | | . GUARD- SUPPLIER CODE: V81590 SPECIFICATION NUMBER: S231T290-826 OPTIONAL PART: 433-100-002 V81590 433-100-003 V81590 433-100-004 V81590 433-100-005 V81590 433-100-006 V81590 | 163999 | 1 |
| 60 | 433-100-007 | | . GUARD- SUPPLIER CODE: V81590 SPECIFICATION NUMBER: S231T290-826 OPTIONAL PART: 433-100-002 V81590 433-100-003 V81590 433-100-004 V81590 433-100-005 V81590 433-100-006 V81590 | 155162 | 1 |

ILLUSTRATION ITEMS NOT ON PARTS LIST ARE NOT APPLICABLE

— ITEM NOT ILLUSTRATED

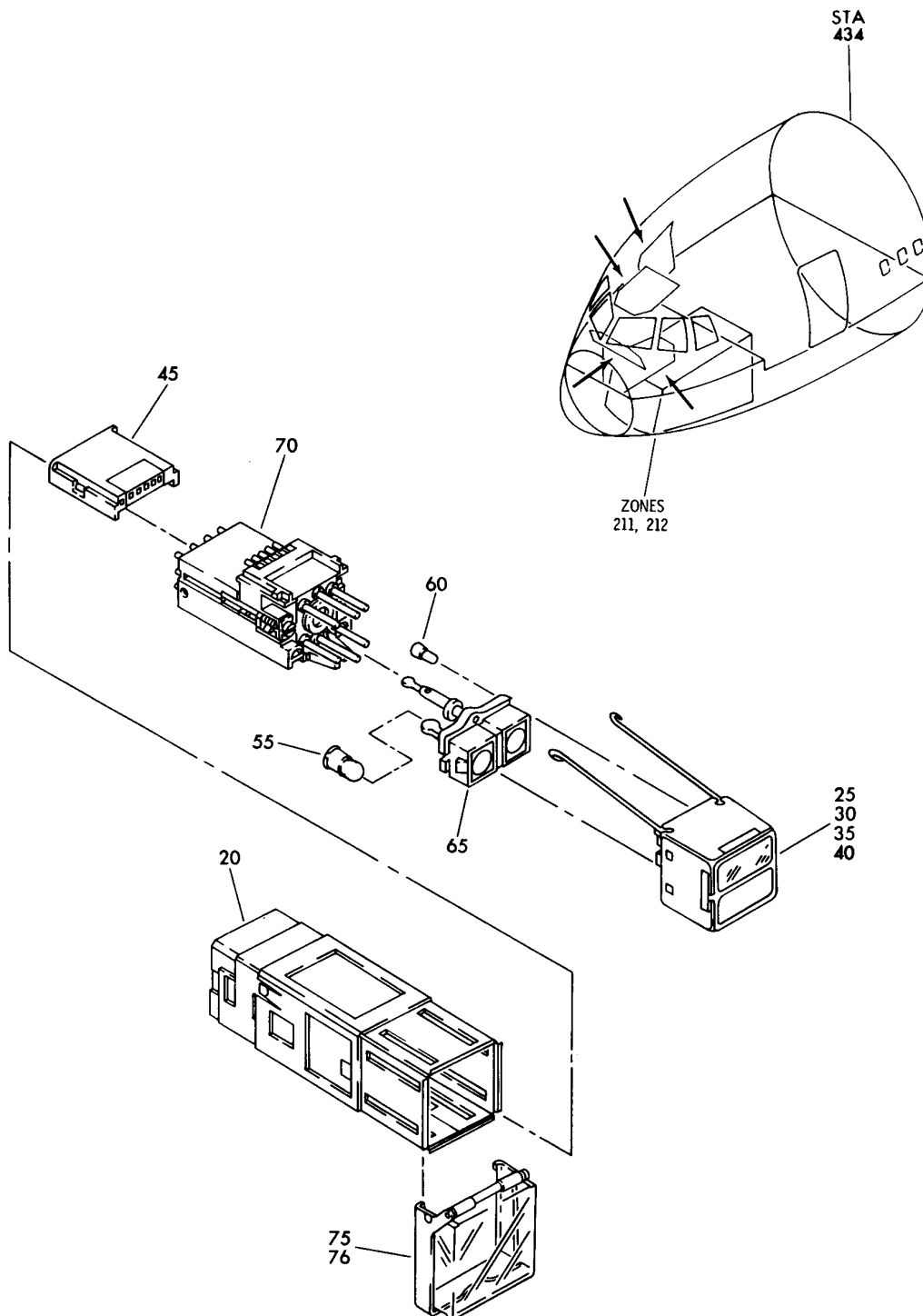
HXL

33-13-75-12

BOEING PROPRIETARY - Copyright © - Unpublished Work - See title page for details.

33-13-75
FIG. 12
PAGE 6
DEC 22/07

BOEING
767
PARTS CATALOG (MAINTENANCE)



V 33137513 REV 172

SWITCH ASSY-LIGHTED PUSH BUTTON IND
FIGURE 13

33-13-75-13

HXL
DEC 22/06

33-13-75-13
PAGE 0



767

PARTS CATALOG (MAINTENANCE)

| FIG ITEM | PART NUMBER | 1 2 3 4 5 6 7 | NOMENCLATURE | EFFECT FROM TO | UNITS PER ASSY |
|----------|-------------|---------------|--|----------------|----------------|
| 13 | | | SWITCH ASSY-LIGHTED PUSH BUTTON IND | | |
| - 5 | BCREF7614 | | SWITCH ASSY-LIGHTED PUSH BUTTON IND OFF SUPPLIER CODE: V81590 OVERLENGTH PART NUMBER: 433-673-1001-1030 SPECIFICATION NUMBER: S231T290-1030 MISCELLANEOUS DATA: WHEN REPLACING THE PUSHBUTTON SWITCH ASSY OR THE MASTER MODULE WITHIN, VERIFY THAT A CONFIG D MASTER MODULE P/N 13206-001 IS INSTALLED IN LIEU OF ANY EARLIER CONFIGURATION MASTER MODULES. | | RF |
| - 10 | BCREF7610 | | SWITCH ASSY-LIGHTED PUSH BUTTON IND PRESS/ON SUPPLIER CODE: V81590 OVERLENGTH PART NUMBER: 433-673-1001-1022 SPECIFICATION NUMBER: S231T290-1022 FOR NHA SEE: 28-22-55-02 | 163999 | RF |
| - 15 | BCREF7615 | | SWITCH ASSY-LIGHTED PUSH BUTTON IND OFF/ON SUPPLIER CODE: V81590 OVERLENGTH PART NUMBER: 433-673-1001-1031 SPECIFICATION NUMBER: S231T290-1031 FOR NHA SEE: 24-22-51-01 | | RF |
| 20 | 433-107-002 | | .HOUSING ASSY-WITH MTG SLEEVE SUPPLIER CODE: V81590 | 155162 | 1 |
| 20 | 433-107-002 | | .HOUSING ASSY-WITH MTG SLEEVE SUPPLIER CODE: V81590 | 163999 | 1 |

ILLUSTRATION ITEMS NOT ON PARTS LIST ARE NOT APPLICABLE

- ITEM NOT ILLUSTRATED

33-13-75-13

33-13-75
FIG. 13
PAGE 1
DEC 22/07

HXL



767

PARTS CATALOG (MAINTENANCE)

| FIG ITEM | PART NUMBER | 1 2 3 4 5 6 7 | NOMENCLATURE | EFFECT FROM TO | UNITS PER ASSY |
|----------|-----------------|---------------|---|----------------|----------------|
| 13 | | | | | |
| 30 | 673-1001-1030 | . | CAP ASSY-LENS-OFF SUPPLIER CODE: V81590 USED ON: BCREF7614 | | 1 |
| 35 | 673-1001-1022 | . | CAP ASSY-LENS-PRESS/ON SUPPLIER CODE: V81590 USED ON: BCREF7610 | 163999 | 1 |
| 40 | 673-1001-1031 | . | CAP ASSY-LENS-OFF/ON SUPPLIER CODE: V81590 USED ON: BCREF7615 | | 1 |
| 45 | 433-097-003 | . | MODULE ASSY-CKT SUPPLIER CODE: V81590 | 155162 | 1 |
| 45 | 433-097-003 | . | MODULE ASSY-CKT SUPPLIER CODE: V81590 | 163999 | 1 |
| 55 | MS24515-685AS15 | .. | LAMP | 155162 | 2 |
| 55 | MS24515-685AS15 | .. | LAMP | 163999 | 2 |
| 60 | MS25237-387AS15 | .. | LAMP | 155162 | 2 |
| 60 | MS25237-387AS15 | .. | LAMP | 163999 | 2 |
| 65 | 673-092-005 | .. | HOLDER-LAMP SUPPLIER CODE: V81590 | 155162 | 1 |
| 65 | 673-092-005 | .. | HOLDER-LAMP SUPPLIER CODE: V81590 | 163999 | 1 |
| 65 | 13963-001 | .. | HOLDER-LAMP SUPPLIER CODE: V81590 | 155162 | 1 |
| 65 | 13963-001 | .. | HOLDER-LAMP SUPPLIER CODE: V81590 | 163999 | 1 |
| 70 | 13206-001 | . | MODULE ASSY-MASTER SUPPLIER CODE: V81590 | 155162 | 1 |
| 70 | 13206-001 | . | MODULE ASSY-MASTER SUPPLIER CODE: V81590 | 163999 | 1 |

ILLUSTRATION ITEMS NOT ON PARTS LIST ARE NOT APPLICABLE

- ITEM NOT ILLUSTRATED

33-13-75-13

33-13-75
FIG. 13
PAGE 2
AUG 22/08

HXL



767

PARTS CATALOG (MAINTENANCE)

| FIG ITEM | PART NUMBER | 1 2 3 4 5 6 7 | NOMENCLATURE | EFFECT FROM TO | UNITS PER ASSY |
|----------|-------------|---------------|--|----------------|----------------|
| 13 75 | 433-100-002 | | . GUARD- SUPPLIER CODE: V81590 SPECIFICATION NUMBER: S231T290-821 OPTIONAL PART: 433-100-003 V81590 433-100-004 V81590 433-100-005 V81590 433-100-006 V81590 433-100-007 V81590 | 155162 | 1 |
| 75 | 433-100-002 | | . GUARD- SUPPLIER CODE: V81590 SPECIFICATION NUMBER: S231T290-821 OPTIONAL PART: 433-100-003 V81590 433-100-004 V81590 433-100-005 V81590 433-100-006 V81590 433-100-007 V81590 | 163999 | 1 |
| 75 | 433-100-003 | | . GUARD- SUPPLIER CODE: V81590 SPECIFICATION NUMBER: S231T290-822 OPTIONAL PART: 433-100-002 V81590 433-100-004 V81590 433-100-005 V81590 433-100-006 V81590 433-100-007 V81590 | 155162 | 1 |

ILLUSTRATION ITEMS NOT ON PARTS LIST ARE NOT APPLICABLE

- ITEM NOT ILLUSTRATED

HXL

33-13-75-13

BOEING PROPRIETARY - Copyright © - Unpublished Work - See title page for details.

33-13-75
FIG. 13
PAGE 3
DEC 22/07



767

PARTS CATALOG (MAINTENANCE)

| FIG ITEM | PART NUMBER | 1 2 3 4 5 6 7 | NOMENCLATURE | EFFECT FROM TO | UNITS PER ASSY |
|----------|-------------|---------------|--|----------------|----------------|
| 13 75 | 433-100-003 | | . GUARD- SUPPLIER CODE: V81590 SPECIFICATION NUMBER: S231T290-822 OPTIONAL PART: 433-100-002 V81590 433-100-004 V81590 433-100-005 V81590 433-100-006 V81590 433-100-007 V81590 | 163999 | 1 |
| 75 | 433-100-004 | | . GUARD- SUPPLIER CODE: V81590 SPECIFICATION NUMBER: S231T290-823 OPTIONAL PART: 433-100-002 V81590 433-100-003 V81590 433-100-005 V81590 433-100-006 V81590 433-100-007 V81590 | 155162 | 1 |
| 75 | 433-100-004 | | . GUARD- SUPPLIER CODE: V81590 SPECIFICATION NUMBER: S231T290-823 OPTIONAL PART: 433-100-002 V81590 433-100-003 V81590 433-100-005 V81590 433-100-006 V81590 433-100-007 V81590 | 163999 | 1 |

ILLUSTRATION ITEMS NOT ON PARTS LIST ARE NOT APPLICABLE

- ITEM NOT ILLUSTRATED

33-13-75-13

33-13-75
FIG. 13
PAGE 4
DEC 22/07

HXL



767

PARTS CATALOG (MAINTENANCE)

| FIG ITEM | PART NUMBER | 1 2 3 4 5 6 7 | NOMENCLATURE | EFFECT FROM TO | UNITS PER ASSY |
|----------|-------------|---------------|--|----------------|----------------|
| 13 75 | 433-100-005 | | . GUARD- SUPPLIER CODE: V81590 SPECIFICATION NUMBER: S231T290-824 OPTIONAL PART: 433-100-002 V81590 433-100-003 V81590 433-100-004 V81590 433-100-006 V81590 433-100-007 V81590 | 155162 | 1 |
| 75 | 433-100-005 | | . GUARD- SUPPLIER CODE: V81590 SPECIFICATION NUMBER: S231T290-824 OPTIONAL PART: 433-100-002 V81590 433-100-003 V81590 433-100-004 V81590 433-100-006 V81590 433-100-007 V81590 | 163999 | 1 |
| 76 | 433-100-006 | | . GUARD- SUPPLIER CODE: V81590 OPTIONAL PART: 433-100-002 V81590 433-100-003 V81590 433-100-004 V81590 433-100-005 V81590 433-100-007 V81590 | 155162 | 1 |

ILLUSTRATION ITEMS NOT ON PARTS LIST ARE NOT APPLICABLE

- ITEM NOT ILLUSTRATED

33-13-75-13

33-13-75
FIG. 13
PAGE 5
DEC 22/07

HXL



**767
PARTS CATALOG (MAINTENANCE)**

| FIG ITEM | PART NUMBER | 1 2 3 4 5 6 7 | NOMENCLATURE | EFFECT FROM TO | UNITS PER ASSY |
|----------|-------------|---------------|--|----------------|----------------|
| 13 76 | 433-100-006 | | . GUARD- SUPPLIER CODE: V81590 OPTIONAL PART: 433-100-002 V81590 433-100-003 V81590 433-100-004 V81590 433-100-005 V81590 433-100-007 V81590 | 163999 | 1 |
| 76 | 433-100-007 | | . GUARD- SUPPLIER CODE: V81590 SPECIFICATION NUMBER: S231T290-826 OPTIONAL PART: 433-100-002 V81590 433-100-003 V81590 433-100-004 V81590 433-100-005 V81590 433-100-006 V81590 | 155162 | 1 |
| 76 | 433-100-007 | | . GUARD- SUPPLIER CODE: V81590 SPECIFICATION NUMBER: S231T290-826 OPTIONAL PART: 433-100-002 V81590 433-100-003 V81590 433-100-004 V81590 433-100-005 V81590 433-100-006 V81590 | 163999 | 1 |

ILLUSTRATION ITEMS NOT ON PARTS LIST ARE NOT APPLICABLE

— ITEM NOT ILLUSTRATED

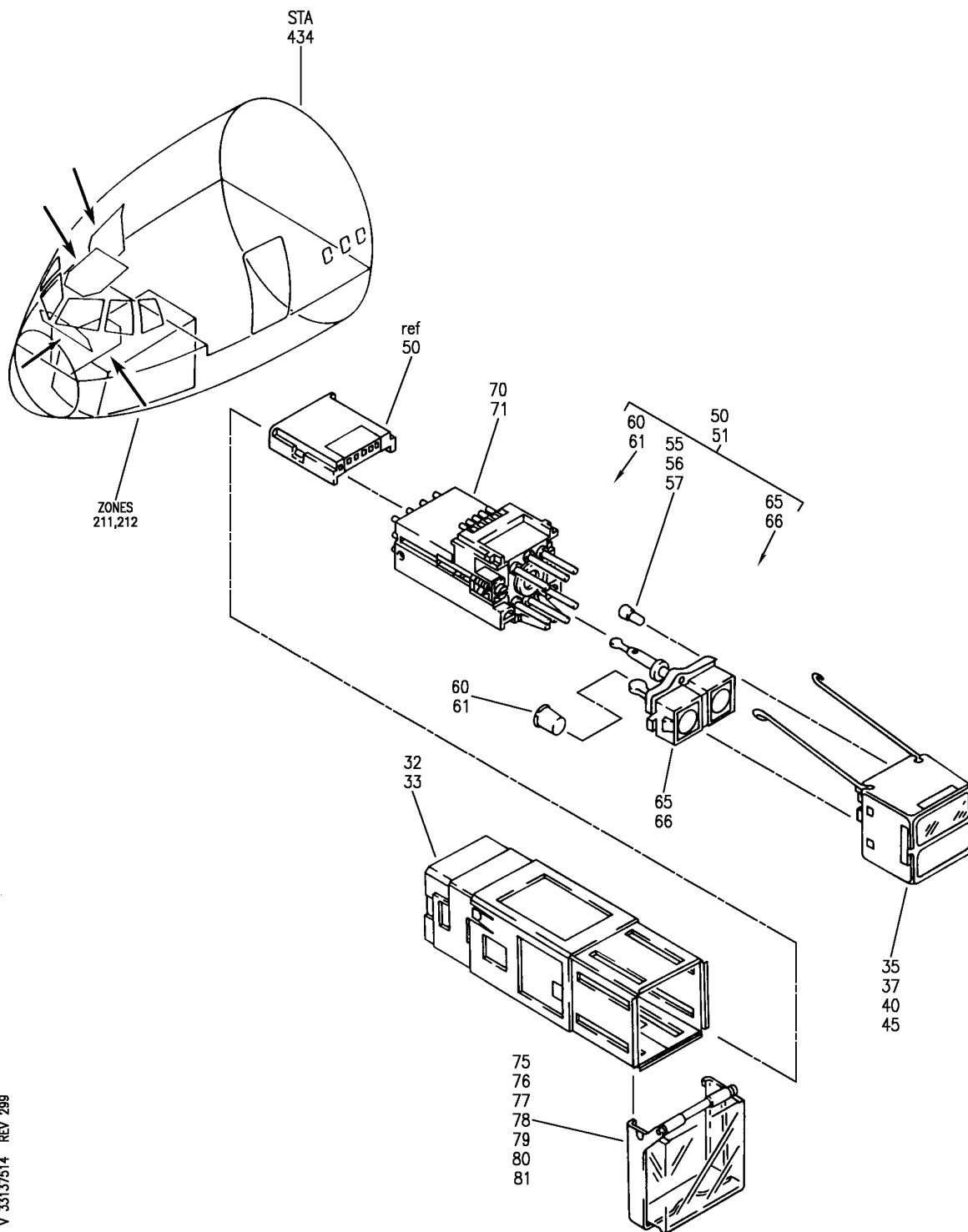
HXL

33-13-75-13

BOEING PROPRIETARY - Copyright © - Unpublished Work - See title page for details.

33-13-75
FIG. 13
PAGE 6
DEC 22/07

BOEING
767
PARTS CATALOG (MAINTENANCE)



V 33137514 REV 299

SWITCH ASSY-LIGHTED PUSH BUTTON IND
FIGURE 14

33-13-75-14

HXL
DEC 22/06

33-13-75-14
PAGE 0



767

PARTS CATALOG (MAINTENANCE)

| FIG ITEM | PART NUMBER | 1 2 3 4 5 6 7 | NOMENCLATURE | EFFECT FROM TO | UNITS PER ASSY |
|----------|-------------|---------------|--|----------------|----------------|
| 14 | | | | | |
| - 1 | BCREF7679 | | SWITCH ASSY-LIGHTED PUSH BUTTON IND SWITCH ASSY-LIGHTED PUSH BUTTON IND ALTN SUPPLIER CODE: V81590 OVERLENGTH PART NUMBER: 433-673-1001-1001 SPECIFICATION NUMBER: S231T290-1001 MISCELLANEOUS DATA: WHEN REPLACING THE PUSHBUTTON SWITCH ASSY OR THE MASTER MODULE WITHIN, VERIFY THAT A CONFIG D MASTER MODULE P/N 13206-001 IS INSTALLED IN LIEU OF ANY EARLIER CONFIGURATION MASTER MODULES. REWORKED BY ALERT SB: 33A0087 FOR NHA SEE: 27-81-57-01 | | RF |
| - 5 | BCREF7604 | | SWITCH ASSY-LIGHTED PUSH BUTTON IND ON SUPPLIER CODE: V81590 OVERLENGTH PART NUMBER: 433-673-1001-1012 SPECIFICATION NUMBER: S231T290-1012 PRE SERVICE BULLETIN: 25-0325R12 REWORKED BY ALERT SB: 33A0087 REWORKED BY COMPONENT SB: 233T3241-30-03 FOR NHA SEE: 33-45-52-03 | | RF |

ILLUSTRATION ITEMS NOT ON PARTS LIST ARE NOT APPLICABLE

- ITEM NOT ILLUSTRATED

HXL

33-13-75-14

BOEING PROPRIETARY - Copyright © - Unpublished Work - See title page for details.

33-13-75
FIG. 14
PAGE 1
DEC 22/07



767

PARTS CATALOG (MAINTENANCE)

| FIG ITEM | PART NUMBER | 1 2 3 4 5 6 7 | NOMENCLATURE | EFFECT FROM TO | UNITS PER ASSY |
|-----------|---------------|---------------|---|----------------|----------------|
| 14 - 7 | BCREF7604 | | SWITCH ASSY-LIGHTED PUSH BUTTON IND ON SUPPLIER CODE: V81590 OVERLENGTH PART NUMBER: 433-673-1001-1012 SPECIFICATION NUMBER: S231T290-1012 MISCELLANEOUS DATA: TAI PANEL REWORKED BY ALERT SB: 33A0087 REWORKED BY COMPONENT SB: 233T3241-30-03 FOR NHA SEE: 30-11-53-02 | | RF |
| - 10 | BCREF7682 | | SWITCH ASSY-LIGHTED PUSH BUTTON IND OVRD SUPPLIER CODE: V81590 OVERLENGTH PART NUMBER: 433-673-1001-1057 SPECIFICATION NUMBER: S231T290-1057 QUALIFIED I/W DATA: 851-30768-2057 TOGETHER WITH 851-30768-801 OR -811 433-100-002 SWITCHGUARD I/W BCREF7682 OR 851-30768-3057 TOGETHER WITH 433-100-002 SWITCHGUARD FOR NHA SEE: 31-51-02-11 34-46-53-02 | | RF |
| 32 | 433-107-002 | | .HOUSING ASSY-WITH MTG SLEEVE SUPPLIER CODE: V81590 | | 1 |
| 35 | 673-1001-1001 | | .CAP ASSY-LENS-ALTN SUPPLIER CODE: V81590 USED ON: BCREF7679 | | 1 |

ILLUSTRATION ITEMS NOT ON PARTS LIST ARE NOT APPLICABLE

- ITEM NOT ILLUSTRATED

HXL

33-13-75-14

BOEING PROPRIETARY - Copyright © - Unpublished Work - See title page for details.

33-13-75
FIG. 14
PAGE 2
DEC 22/06



767

PARTS CATALOG (MAINTENANCE)

| FIG ITEM | PART NUMBER | 1 2 3 4 5 6 7 | NOMENCLATURE | EFFECT FROM TO | UNITS PER ASSY |
|---|-----------------|---------------|--|----------------|----------------|
| 14 | | | | | |
| 37 | 673-1001-1012 | . | CAP ASSY-LENS-ON SUPPLIER CODE: V81590 USED ON: BCREF7604 | | 1 |
| 40 | 673-1001-1057 | . | CAP ASSY-LENS-OVRD SUPPLIER CODE: V81590 USED ON: BCREF7682 | | 1 |
| 50 | 433-097-003 | . | MODULE ASSY-CKT SUPPLIER CODE: V81590 | | 1 |
| 55 | MS24515-685AS15 | .. | LAMP- OPTIONAL PART: MS24515-685 | | 2 |
| 56 | MS24515-685 | .. | LAMP- OPTIONAL PART: MS24515-685AS15 | | 2 |
| 60 | 673-025-000 | .. | PLUG- SUPPLIER CODE: V81590 | | 2 |
| 65 | 673-092-005 | .. | HOLDER-LAMP SUPPLIER CODE: V81590 | | 1 |
| 66 | 13963-001 | .. | HOLDER-LAMP SUPPLIER CODE: V81590 | | 1 |
| 70 | 13206-001 | . | MODULE ASSY-MASTER SUPPLIER CODE: V81590 | | 1 |
| 75 | 433-100-002 | . | GUARD- SUPPLIER CODE: V81590 SPECIFICATION NUMBER: S231T290-821 OPTIONAL PART: 433-100-003 V81590 433-100-004 V81590 433-100-005 V81590 433-100-006 V81590 433-100-007 V81590 | | 1 |
| ILLUSTRATION ITEMS NOT ON PARTS LIST ARE NOT APPLICABLE | | | | | |

- ITEM NOT ILLUSTRATED

33-13-75-14

33-13-75
FIG. 14
PAGE 3
AUG 22/08

HXL



767

PARTS CATALOG (MAINTENANCE)

| FIG ITEM | PART NUMBER | 1 2 3 4 5 6 7 | NOMENCLATURE | EFFECT FROM TO | UNITS PER ASSY |
|----------|-------------|---------------|--|----------------|----------------|
| 14 76 | 433-100-003 | | . GUARD- SUPPLIER CODE: V81590 SPECIFICATION NUMBER: S231T290-822 OPTIONAL PART: 433-100-002 V81590 433-100-004 V81590 433-100-005 V81590 433-100-006 V81590 433-100-007 V81590 | | 1 |
| 76 | 433-100-004 | | . GUARD- SUPPLIER CODE: V81590 SPECIFICATION NUMBER: S231T290-823 OPTIONAL PART: 433-100-002 V81590 433-100-003 V81590 433-100-005 V81590 433-100-006 V81590 433-100-007 V81590 | | 1 |
| 77 | 433-100-005 | | . GUARD- SUPPLIER CODE: V81590 SPECIFICATION NUMBER: S231T290-824 OPTIONAL PART: 433-100-002 V81590 433-100-003 V81590 433-100-004 V81590 433-100-006 V81590 433-100-007 V81590 | | 1 |

ILLUSTRATION ITEMS NOT ON PARTS LIST ARE NOT APPLICABLE

- ITEM NOT ILLUSTRATED

HXL

33-13-75-14

BOEING PROPRIETARY - Copyright © - Unpublished Work - See title page for details.

33-13-75
FIG. 14
PAGE 4
AUG 22/08



767

PARTS CATALOG (MAINTENANCE)

| FIG ITEM | PART NUMBER | 1 2 3 4 5 6 7 | NOMENCLATURE | EFFECT FROM TO | UNITS PER ASSY |
|----------|-------------|---------------|--|----------------|----------------|
| 14 77 | 433-100-006 | | . GUARD- SUPPLIER CODE: V81590 OPTIONAL PART: 433-100-002 V81590 433-100-003 V81590 433-100-004 V81590 433-100-005 V81590 433-100-007 V81590 | | 1 |
| 78 | 433-100-007 | | . GUARD- SUPPLIER CODE: V81590 SPECIFICATION NUMBER: S231T290-826 OPTIONAL PART: 433-100-002 V81590 433-100-003 V81590 433-100-004 V81590 433-100-005 V81590 433-100-006 V81590 | | 1 |

ILLUSTRATION ITEMS NOT ON PARTS LIST ARE NOT APPLICABLE

- ITEM NOT ILLUSTRATED

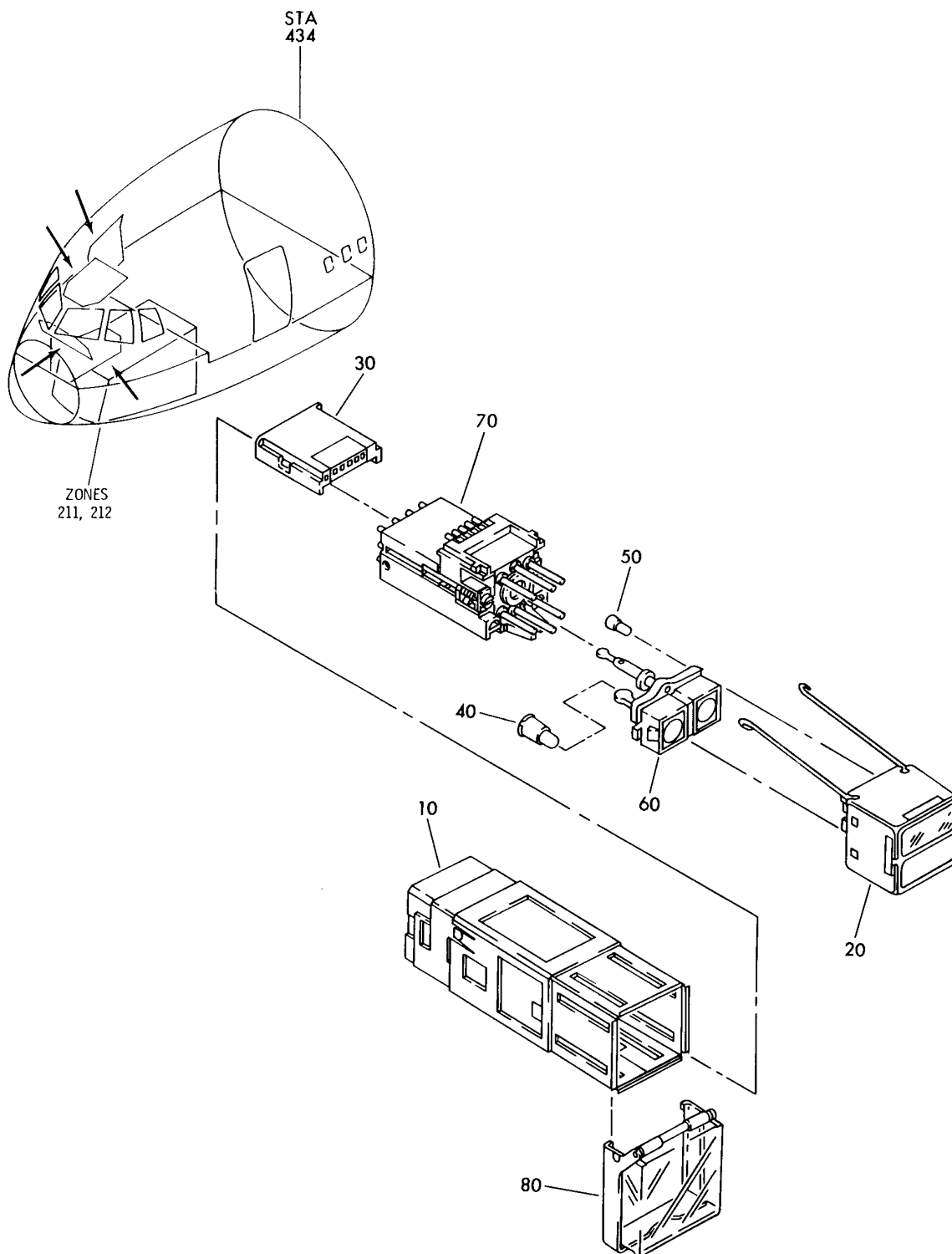
HXL

33-13-75-14

BOEING PROPRIETARY - Copyright © - Unpublished Work - See title page for details.

33-13-75
FIG. 14
PAGE 5
AUG 22/08

BOEING
767
PARTS CATALOG (MAINTENANCE)



V 33137516 REV 172

SWITCH ASSY-LIGHTED PUSH BUTTON IND (VALVE)
FIGURE 16

33-13-75-16

HXL
DEC 22/06

33-13-75-16
PAGE 0



767

PARTS CATALOG (MAINTENANCE)

| FIG ITEM | PART NUMBER | 1 2 3 4 5 6 7 | NOMENCLATURE | EFFECT FROM TO | UNITS PER ASSY |
|----------|-----------------|---------------|---|----------------|----------------|
| 16 | | | SWITCH ASSY-LIGHTED PUSH BUTTON IND (VALVE) | | |
| - 1 | BCREF7686 | | SWITCH ASSY-LIGHTED PUSH BUTTON IND VALVE SUPPLIER CODE: V81590 OVERLENGTH PART NUMBER: 433-673-1001-1074 SPECIFICATION NUMBER: S231T290-1074 OPTIONAL PART: 851-30768-3074 V96182 FOR NHA SEE: 36-11-56-01 | | RF |
| 10 | 433-107-002 | | .HOUSING ASSY-WITH MTG SLEEVE SUPPLIER CODE: V81590 | | 1 |
| 20 | 673-1001-1074 | | .CAP ASSY-LENS-VALVE SUPPLIER CODE: V81590 | | 1 |
| 30 | 433-097-003 | | .MODULE ASSY-CKT SUPPLIER CODE: V81590 | | 1 |
| 40 | MS25237-387AS15 | | ..LAMP | | 2 |
| 50 | MS24515-685AS15 | | ..LAMP | | 2 |
| 60 | 13963-001 | | ..HOLDER-LAMP SUPPLIER CODE: V81590 | | 1 |
| 60 | 673-092-005 | | ..HOLDER-LAMP SUPPLIER CODE: V81590 | | 1 |
| 70 | 13206-001 | | .MODULE ASSY-MASTER SUPPLIER CODE: V81590 | | 1 |

ILLUSTRATION ITEMS NOT ON PARTS LIST ARE NOT APPLICABLE

- ITEM NOT ILLUSTRATED

HXL

33-13-75-16

BOEING PROPRIETARY - Copyright © - Unpublished Work - See title page for details.

33-13-75
FIG. 16
PAGE 1
AUG 22/08



767

PARTS CATALOG (MAINTENANCE)

| FIG ITEM | PART NUMBER | 1 2 3 4 5 6 7 | NOMENCLATURE | EFFECT FROM TO | UNITS PER ASSY |
|----------|-------------|---------------|--|----------------|----------------|
| 16 80 | 433-100-002 | | . GUARD- SUPPLIER CODE: V81590 SPECIFICATION NUMBER: S231T290-821 OPTIONAL PART: 433-100-003 V81590 433-100-004 V81590 433-100-005 V81590 433-100-006 V81590 433-100-007 V81590 | | 1 |
| 80 | 433-100-003 | | . GUARD- SUPPLIER CODE: V81590 SPECIFICATION NUMBER: S231T290-822 OPTIONAL PART: 433-100-002 V81590 433-100-004 V81590 433-100-005 V81590 433-100-006 V81590 433-100-007 V81590 | | 1 |
| 80 | 433-100-004 | | . GUARD- SUPPLIER CODE: V81590 SPECIFICATION NUMBER: S231T290-823 OPTIONAL PART: 433-100-002 V81590 433-100-003 V81590 433-100-005 V81590 433-100-006 V81590 433-100-007 V81590 | | 1 |

ILLUSTRATION ITEMS NOT ON PARTS LIST ARE NOT APPLICABLE

- ITEM NOT ILLUSTRATED

HXL

33-13-75-16

BOEING PROPRIETARY - Copyright © - Unpublished Work - See title page for details.

33-13-75
FIG. 16
PAGE 2
AUG 22/08



767

PARTS CATALOG (MAINTENANCE)

| FIG ITEM | PART NUMBER | 1 2 3 4 5 6 7 | NOMENCLATURE | EFFECT FROM TO | UNITS PER ASSY |
|----------|-------------|---------------|--|----------------|----------------|
| 16 80 | 433-100-005 | | . GUARD- SUPPLIER CODE: V81590 SPECIFICATION NUMBER: S231T290-824 OPTIONAL PART: 433-100-002 V81590 433-100-003 V81590 433-100-004 V81590 433-100-006 V81590 433-100-007 V81590 | | 1 |
| 80 | 433-100-006 | | . GUARD- SUPPLIER CODE: V81590 OPTIONAL PART: 433-100-002 V81590 433-100-003 V81590 433-100-004 V81590 433-100-005 V81590 433-100-007 V81590 | | 1 |
| 80 | 433-100-007 | | . GUARD- SUPPLIER CODE: V81590 SPECIFICATION NUMBER: S231T290-826 OPTIONAL PART: 433-100-002 V81590 433-100-003 V81590 433-100-004 V81590 433-100-005 V81590 433-100-006 V81590 | | 1 |

ILLUSTRATION ITEMS NOT ON PARTS LIST ARE NOT APPLICABLE

- ITEM NOT ILLUSTRATED

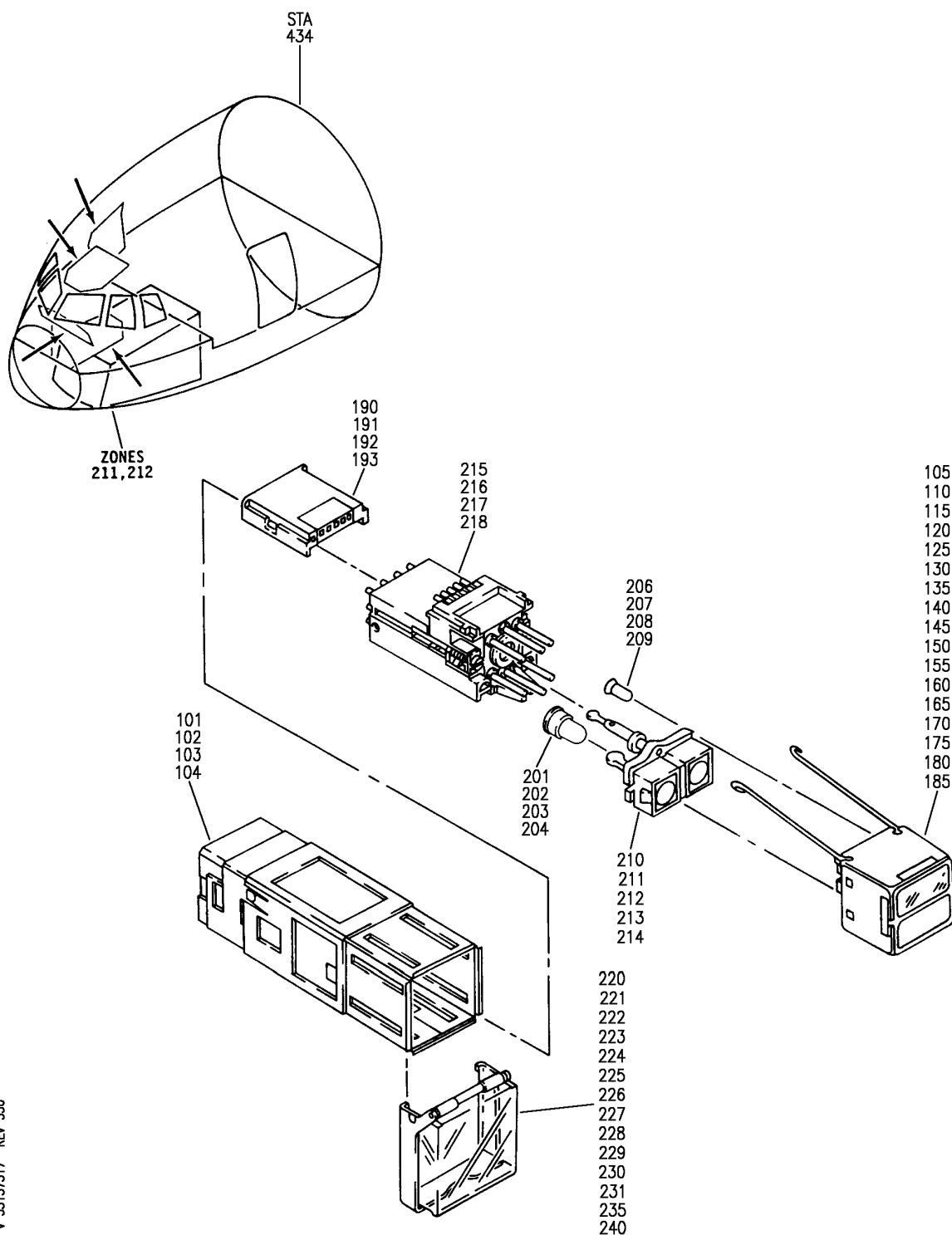
HXL

33-13-75-16

BOEING PROPRIETARY - Copyright © - Unpublished Work - See title page for details.

33-13-75
FIG. 16
PAGE 3
AUG 22/08

BOEING
767
PARTS CATALOG (MAINTENANCE)



V 33137517 REV 330

SWITCH ASSY-LIGHTED PUSH BUTTON IND
FIGURE 17

33-13-75-17

HXL
AUG 22/08

33-13-75-17
PAGE 0

 **BOEING**
767
PARTS CATALOG (MAINTENANCE)

| FIG ITEM | PART NUMBER | 1 2 3 4 5 6 7 | NOMENCLATURE | EFFECT FROM TO | UNITS PER ASSY |
|---|-------------|---------------|--|----------------|----------------|
| 17 | | | SWITCH ASSY-LIGHTED PUSH BUTTON IND | | |
| - 1 | BCREF7606 | | SWITCH ASSY-LIGHTED PUSH BUTTON IND ON/INOP SUPPLIER CODE: V81590 OVERLENGTH PART NUMBER: 433-673-1001-1016 SPECIFICATION NUMBER: S231T290-1016 MISCELLANEOUS DATA: WHEN REPLACING THE PUSHBUTTON SWITCH ASSY OR THE MASTER MODULE WITHIN, VERIFY THAT A CONFIG D MASTER MODULE P/N 13206-001 IS INSTALLED IN LIEU OF ANY EARLIER CONFIGURATION MASTER MODULES. REWORKED BY COMPONENT SB: 233N3216-22-01 FOR NHA SEE: 21-25-53-01 22-21-01-02 30-41-51-01 | | RF |
| - 10 | BCREF7608 | | SWITCH ASSY-LIGHTED PUSH BUTTON IND ON/PRESS SUPPLIER CODE: V81590 OVERLENGTH PART NUMBER: 433-673-1001-1020 SPECIFICATION NUMBER: S231T290-1020 FOR NHA SEE: 29-11-71-01 | | RF |
| R R R R R R R R R | - 15 | BCREF7771 | SWITCH ASSY-LIGHTED PUSH BUTTON IND ON/OFF SUPPLIER CODE: V81590 OVERLENGTH PART NUMBER: 433-673-1001-1023 SPECIFICATION NUMBER: S231T290-1023 FOR NHA SEE: 21-61-54-02 | | RF |
| ILLUSTRATION ITEMS NOT ON PARTS LIST ARE NOT APPLICABLE | | | | | |

- ITEM NOT ILLUSTRATED

HXL

33-13-75-17

BOEING PROPRIETARY - Copyright © - Unpublished Work - See title page for details.

33-13-75
FIG. 17
PAGE 1
AUG 22/09



767

PARTS CATALOG (MAINTENANCE)

| FIG ITEM | PART NUMBER | 1 2 3 4 5 6 7 | NOMENCLATURE | EFFECT FROM TO | UNITS PER ASSY |
|------------|-------------|---------------|---|----------------|----------------|
| 17 - 20 | BCREF7611 | | SWITCH ASSY-LIGHTED PUSH BUTTON IND ON/OFF SUPPLIER CODE: V81590 OVERLENGTH PART NUMBER: 433-673-1001-1024 SPECIFICATION NUMBER: S231T290-1024 MISCELLANEOUS DATA: WHEN REPLACING THE PUSHBUTTON SWITCH ASSY OR THE MASTER MODULE WITHIN, VERIFY THAT A CONFIG D MASTER MODULE P/N 13206-001 IS INSTALLED IN LIEU OF ANY EARLIER CONFIGURATION MASTER MODULES. FOR NHA SEE: 21-61-54-02 24-33-52-01 | | RF |
| - 25 | BCREF7612 | | SWITCH ASSY-LIGHTED PUSH BUTTON IND ON/PRESS SUPPLIER CODE: V81590 OVERLENGTH PART NUMBER: 433-673-1001-1026 SPECIFICATION NUMBER: S231T290-1026 FOR NHA SEE: 28-22-55-02 | | RF |
| - 30 | BCREF7613 | | SWITCH ASSY-LIGHTED PUSH BUTTON IND ON/VALVE SUPPLIER CODE: V81590 OVERLENGTH PART NUMBER: 433-673-1001-1027 SPECIFICATION NUMBER: S231T290-1027 MISCELLANEOUS DATA: WHEN REPLACING THE PUSHBUTTON SWITCH ASSY OR THE MASTER MODULE WITHIN, VERIFY THAT A CONFIG D MASTER MODULE P/N 13206-001 IS INSTALLED IN LIEU OF ANY EARLIER CONFIGURATION MASTER MODULES. | | RF |

ILLUSTRATION ITEMS NOT ON PARTS LIST ARE NOT APPLICABLE

- ITEM NOT ILLUSTRATED

33-13-75-17

33-13-75
FIG. 17
PAGE 2
DEC 22/07

HXL



767

PARTS CATALOG (MAINTENANCE)

| FIG ITEM | PART NUMBER | 1 2 3 4 5 6 7 | NOMENCLATURE | EFFECT FROM TO | UNITS PER ASSY |
|------------|-------------|---------------|---|----------------|----------------|
| 17 - 35 | BCREF7617 | | SWITCH ASSY-LIGHTED PUSH BUTTON IND VALVE SUPPLIER CODE: V81590 OVERLENGTH PART NUMBER: 433-673-1001-1038 SPECIFICATION NUMBER: S231T290-1038 MISCELLANEOUS DATA: WHEN REPLACING THE PUSHBUTTON SWITCH ASSY OR THE MASTER MODULE WITHIN, VERIFY THAT A CONFIG D MASTER MODULE P/N 13206-001 IS INSTALLED IN LIEU OF ANY EARLIER CONFIGURATION MASTER MODULES. FOR NHA SEE: 28-22-55-02 | | RF |
| - 40 | BCREF7620 | | SWITCH ASSY-LIGHTED PUSH BUTTON IND ON/OFF SUPPLIER CODE: V81590 OVERLENGTH PART NUMBER: 433-673-1001-1053 SPECIFICATION NUMBER: S231T290-1053 POST SERVICE LETTER: 39-04 FOR NHA SEE: 24-51-61-01 | | RF |
| - 45 | BCREF7621 | | SWITCH ASSY-LIGHTED PUSH BUTTON IND ON/OFF SUPPLIER CODE: V81590 OVERLENGTH PART NUMBER: 433-673-1001-1054 SPECIFICATION NUMBER: S231T290-1054 FOR NHA SEE: 24-51-61-01 | | RF |

ILLUSTRATION ITEMS NOT ON PARTS LIST ARE NOT APPLICABLE

- ITEM NOT ILLUSTRATED

HXL

33-13-75-17

BOEING PROPRIETARY - Copyright © - Unpublished Work - See title page for details.

33-13-75
FIG. 17
PAGE 3
DEC 22/07



767

PARTS CATALOG (MAINTENANCE)

| FIG ITEM | PART NUMBER | 1 2 3 4 5 6 7 | NOMENCLATURE | EFFECT FROM TO | UNITS PER ASSY |
|------------|-------------|---------------|--|----------------|----------------|
| 17 - 50 | BCREF7750 | | SWITCH ASSY-LIGHTED PUSH BUTTON IND ARMED/FWD SUPPLIER CODE: V81590 OVERLENGTH PART NUMBER: 433-673-1001-1061 SPECIFICATION NUMBER: S231T290-1061 MISCELLANEOUS DATA: WHEN REPLACING THE PUSHBUTTON SWITCH ASSY OR THE MASTER MODULE WITHIN, VERIFY THAT A CONFIG D MASTER MODULE P/N 13206-001 IS INSTALLED IN LIEU OF ANY EARLIER CONFIGURATION MASTER MODULES. REWORKED BY COMPONENT SB: 233N6203-26-10 FOR NHA SEE: 26-23-54-01 | | RF |
| - 55 | BCREF7751 | | SWITCH ASSY-LIGHTED PUSH BUTTON IND ARMED/AFT SUPPLIER CODE: V81590 OVERLENGTH PART NUMBER: 433-673-1001-1062 SPECIFICATION NUMBER: S231T290-1062 MISCELLANEOUS DATA: WHEN REPLACING THE PUSHBUTTON SWITCH ASSY OR THE MASTER MODULE WITHIN, VERIFY THAT A CONFIG D MASTER MODULE P/N 13206-001 IS INSTALLED IN LIEU OF ANY EARLIER CONFIGURATION MASTER MODULES. REWORKED BY COMPONENT SB: 233N6203-26-10 FOR NHA SEE: 26-23-54-01 | | RF |

ILLUSTRATION ITEMS NOT ON PARTS LIST ARE NOT APPLICABLE

- ITEM NOT ILLUSTRATED

HXL

33-13-75-17

BOEING PROPRIETARY - Copyright © - Unpublished Work - See title page for details.

33-13-75
FIG. 17
PAGE 4
DEC 22/07



767

PARTS CATALOG (MAINTENANCE)

| FIG ITEM | PART NUMBER | 1 2 3 4 5 6 7 | NOMENCLATURE | EFFECT FROM TO | UNITS PER ASSY |
|----------|-------------|---------------|--|----------------|----------------|
| 17 | | | | | |
| - 60 | BCREF7623 | | SWITCH ASSY-LIGHTED PUSH BUTTON IND AUTO/ISLN SUPPLIER CODE: V81590 OVERLENGTH PART NUMBER: 433-673-1001-1064 SPECIFICATION NUMBER: S231T290-1064 FOR NHA SEE: 24-22-51-01 | | RF |
| - 65 | BCREF7687 | | SWITCH ASSY-LIGHTED PUSH BUTTON IND ON/OVHT SUPPLIER CODE: V81590 OVERLENGTH PART NUMBER: 433-673-1001-1071 SPECIFICATION NUMBER: S231T290-1071 FOR NHA SEE: 21-43-54-01 | | RF |
| - 70 | BCREF7746 | | SWITCH ASSY-LIGHTED PUSH BUTTON IND ON/VALVE SUPPLIER CODE: V81590 OVERLENGTH PART NUMBER: 433-673-1001-1075 SPECIFICATION NUMBER: S231T290-1075 FOR NHA SEE: 32-41-63-02 | | RF |
| - 75 | BCREF7626 | | SWITCH ASSY-LIGHTED PUSH BUTTON IND UNLKD/UNLKD SUPPLIER CODE: V81590 OVERLENGTH PART NUMBER: 433-673-1001-1077 SPECIFICATION NUMBER: S231T290-1077 PRE SERVICE BULLETIN: 25-0325R12 FOR NHA SEE: 52-51-51-01 | 155162 | RF |
| 101 | 433-107-002 | | .HOUSING ASSY-WITH MTG SLEEVE SUPPLIER CODE: V81590 | | 1 |

ILLUSTRATION ITEMS NOT ON PARTS LIST ARE NOT APPLICABLE

- ITEM NOT ILLUSTRATED

33-13-75-17

33-13-75
FIG. 17
PAGE 5
DEC 22/07

HXL



767

PARTS CATALOG (MAINTENANCE)

| FIG ITEM | PART NUMBER | 1 2 3 4 5 6 7 | NOMENCLATURE | EFFECT FROM TO | UNITS PER ASSY |
|----------|---------------|---------------|--|----------------|----------------|
| 17 | | | | | |
| 102 | 433-107-002 | | .HOUSING ASSY-WITH MTG SLEEVE SUPPLIER CODE: V81590 | | 1 |
| 104 | 433-107-002 | | .HOUSING ASSY-WITH MTG SLEEVE SUPPLIER CODE: V81590 | 155162 | 1 |
| 105 | 673-1001-1016 | | .CAP ASSY-LENS-ON/INOP SUPPLIER CODE: V81590 USED ON: BCREF7606 | | 1 |
| 115 | 673-1001-1020 | | .CAP ASSY-LENS-ON/PRESS SUPPLIER CODE: V81590 USED ON: BCREF7608 | | 1 |
| 120 | 673-1001-1023 | | .CAP ASSY-LENS-ON/OFF SUPPLIER CODE: V81590 USED ON: BCREF7771 | | 1 |
| 130 | 673-1001-1026 | | .CAP ASSY-LENS-ON/PRESS SUPPLIER CODE: V81590 USED ON: BCREF7612 | | 1 |
| 135 | 673-1001-1027 | | .CAP ASSY-LENS-ON/VALVE SUPPLIER CODE: V81590 USED ON: BCREF7613 | | 1 |
| 140 | 673-1001-1038 | | .CAP ASSY-LENS-VALVE SUPPLIER CODE: V81590 USED ON: BCREF7617 | | 1 |
| 145 | 673-1001-1053 | | .CAP ASSY-LENS-ON/OFF SUPPLIER CODE: V81590 USED ON: BCREF7620 | | 1 |
| 150 | 673-1001-1054 | | .CAP ASSY-LENS-ON/OFF SUPPLIER CODE: V81590 USED ON: BCREF7621 | | 1 |

R
R
R
R
R

ILLUSTRATION ITEMS NOT ON PARTS LIST ARE NOT APPLICABLE

- ITEM NOT ILLUSTRATED

33-13-75-17

33-13-75
FIG. 17
PAGE 6
AUG 22/09

HXL

 **BOEING**
767
PARTS CATALOG (MAINTENANCE)

| FIG ITEM | PART NUMBER | 1 2 3 4 5 6 7 | NOMENCLATURE | EFFECT FROM TO | UNITS PER ASSY |
|-----------|-----------------|---------------|--|----------------|----------------|
| 17 155 | 673-1001-1061 | | .CAP ASSY-LENS-ARMED/FWD SUPPLIER CODE: V81590 USED ON: BCREF7750 | | 1 |
| 160 | 673-1001-1062 | | .CAP ASSY-LENS-ARMED/AFT SUPPLIER CODE: V81590 USED ON: BCREF7751 | | 1 |
| 165 | 673-1001-1064 | | .CAP ASSY-LENS-AUTO/ISLN SUPPLIER CODE: V81590 USED ON: BCREF7623 | | 1 |
| 170 | 673-1001-1071 | | .CAP ASSY-LENS-ON/OVHT SUPPLIER CODE: V81590 USED ON: BCREF7687 | | 1 |
| 175 | 673-1001-1075 | | .CAP ASSY-LENS-ON/VALVE SUPPLIER CODE: V81590 USED ON: BCREF7746 | | 1 |
| 180 | 673-1001-1077 | | .CAP ASSY-LENS-UNLKD/UNLKD SUPPLIER CODE: V81590 USED ON: BCREF7626 PRE SERVICE BULLETIN: 25-0325R12 | 155162 | 1 |
| 185 | 673-1001-1084 | | .CAP ASSY-LENS-ON/VTR/TV ON SUPPLIER CODE: V81590 USED ON: BCREF7692 | | 1 |
| 190 | 433-097-003 | | .MODULE ASSY-CKT SUPPLIER CODE: V81590 | | 1 |
| 191 | 433-097-003 | | .MODULE ASSY-CKT SUPPLIER CODE: V81590 | | 1 |
| 193 | 433-097-003 | | .MODULE ASSY-CKT SUPPLIER CODE: V81590 | 155162 | 1 |
| 201 | MS25237-387AS15 | | ..LAMP | | 2 |
| 204 | MS25237-387AS15 | | ..LAMP- | 155162 | 2 |
| 206 | MS24515-685AS15 | | ..LAMP | | 2 |

ILLUSTRATION ITEMS NOT ON PARTS LIST ARE NOT APPLICABLE

— ITEM NOT ILLUSTRATED

HXL

33-13-75-17

BOEING PROPRIETARY - Copyright © - Unpublished Work - See title page for details.

33-13-75
FIG. 17
PAGE 7
AUG 22/09



767

PARTS CATALOG (MAINTENANCE)

| FIG ITEM | PART NUMBER | 1 2 3 4 5 6 7 | NOMENCLATURE | EFFECT FROM TO | UNITS PER ASSY |
|----------|-----------------|---------------|--|----------------|----------------|
| 17 | | | | | |
| 207 | MS25237-387AS15 | .. | LAMP | | 2 |
| 209 | MS24515-685AS15 | .. | LAMP- | 155162 | 2 |
| 210 | 13963-001 | .. | HOLDER-LAMP SUPPLIER CODE: V81590 | | 1 |
| 210 | 673-092-005 | .. | HOLDER-LAMP SUPPLIER CODE: V81590 | | 1 |
| 211 | 673-092-005 | .. | HOLDER-LAMP SUPPLIER CODE: V81590 | | 1 |
| 213 | 673-092-005 | .. | HOLDER-LAMP SUPPLIER CODE: V81590 | 155162 | 1 |
| 213 | 13963-001 | .. | HOLDER-LAMP SUPPLIER CODE: V81590 | | 1 |
| 214 | 13963-001 | .. | HOLDER-LAMP SUPPLIER CODE: V81590 | 155162 | 1 |
| 215 | 13206-001 | .MODULE | ASSY-MASTER SUPPLIER CODE: V81590 | | 1 |
| 216 | 13206-001 | .MODULE | ASSY-MASTER SUPPLIER CODE: V81590 | | 1 |
| 218 | 13206-001 | .MODULE | ASSY-MASTER SUPPLIER CODE: V81590 | 155162 | 1 |
| 220 | 433-100-002 | .GUARD- | SUPPLIER CODE: V81590 SPECIFICATION NUMBER: S231T290-821 OPTIONAL PART: 433-100-003 V81590 433-100-004 V81590 433-100-005 V81590 433-100-006 V81590 433-100-007 V81590 | | 1 |

ILLUSTRATION ITEMS NOT ON PARTS LIST ARE NOT APPLICABLE

- ITEM NOT ILLUSTRATED

33-13-75-17

33-13-75
FIG. 17
PAGE 8
AUG 22/09

HXL

BOEING PROPRIETARY - Copyright © - Unpublished Work - See title page for details.

BOEING
767
PARTS CATALOG (MAINTENANCE)

| FIG ITEM | PART NUMBER | 1 2 3 4 5 6 7 | NOMENCLATURE | EFFECT FROM TO | UNITS PER ASSY |
|-------------|-------------|---------------|--|-------------------|----------------------|
| 17 221 | 433-100-003 | | . GUARD- SUPPLIER CODE: V81590 SPECIFICATION NUMBER: S231T290-822 OPTIONAL PART: 433-100-002 V81590 433-100-004 V81590 433-100-005 V81590 433-100-006 V81590 433-100-007 V81590 | | 1 |
| 222 | 433-100-004 | | . GUARD- SUPPLIER CODE: V81590 SPECIFICATION NUMBER: S231T290-823 OPTIONAL PART: 433-100-002 V81590 433-100-003 V81590 433-100-005 V81590 433-100-006 V81590 433-100-007 V81590 | | 1 |
| 223 | 433-100-005 | | . GUARD- SUPPLIER CODE: V81590 SPECIFICATION NUMBER: S231T290-824 OPTIONAL PART: 433-100-002 V81590 433-100-003 V81590 433-100-004 V81590 433-100-006 V81590 433-100-007 V81590 | | 1 |

ILLUSTRATION ITEMS NOT ON PARTS LIST ARE NOT APPLICABLE

- ITEM NOT ILLUSTRATED

HXL

33-13-75-17

BOEING PROPRIETARY - Copyright © - Unpublished Work - See title page for details.

33-13-75
FIG. 17
PAGE 9
AUG 22/08



767

PARTS CATALOG (MAINTENANCE)

| FIG ITEM | PART NUMBER | 1 2 3 4 5 6 7 | NOMENCLATURE | EFFECT FROM TO | UNITS PER ASSY |
|-----------|-------------|---------------|--|----------------|----------------|
| 17 224 | 433-100-006 | | . GUARD- SUPPLIER CODE: V81590 OPTIONAL PART: 433-100-002 V81590 433-100-003 V81590 433-100-004 V81590 433-100-005 V81590 433-100-007 V81590 | | 1 |
| 225 | 433-100-007 | | . GUARD- SUPPLIER CODE: V81590 SPECIFICATION NUMBER: S231T290-826 OPTIONAL PART: 433-100-002 V81590 433-100-003 V81590 433-100-004 V81590 433-100-005 V81590 433-100-006 V81590 | | 1 |
| 227 | 433-100-002 | | . GUARD- SUPPLIER CODE: V81590 SPECIFICATION NUMBER: S231T290-821 OPTIONAL PART: 433-100-003 V81590 433-100-004 V81590 433-100-005 V81590 433-100-006 V81590 433-100-007 V81590 | | 1 |

ILLUSTRATION ITEMS NOT ON PARTS LIST ARE NOT APPLICABLE

- ITEM NOT ILLUSTRATED

HXL

33-13-75-17

BOEING PROPRIETARY - Copyright © - Unpublished Work - See title page for details.

33-13-75
FIG. 17
PAGE 10
AUG 22/08



767

PARTS CATALOG (MAINTENANCE)

| FIG ITEM | PART NUMBER | 1 2 3 4 5 6 7 | NOMENCLATURE | EFFECT FROM TO | UNITS PER ASSY |
|-----------|-------------|---------------|--|----------------|----------------|
| 17 227 | 433-100-003 | | . GUARD- SUPPLIER CODE: V81590 SPECIFICATION NUMBER: S231T290-822 OPTIONAL PART: 433-100-002 V81590 433-100-004 V81590 433-100-005 V81590 433-100-006 V81590 433-100-007 V81590 | | 1 |
| 227 | 433-100-004 | | . GUARD- SUPPLIER CODE: V81590 SPECIFICATION NUMBER: S231T290-823 OPTIONAL PART: 433-100-002 V81590 433-100-003 V81590 433-100-005 V81590 433-100-006 V81590 433-100-007 V81590 | | 1 |
| 227 | 433-100-005 | | . GUARD- SUPPLIER CODE: V81590 SPECIFICATION NUMBER: S231T290-824 OPTIONAL PART: 433-100-002 V81590 433-100-003 V81590 433-100-004 V81590 433-100-006 V81590 433-100-007 V81590 | | 1 |

ILLUSTRATION ITEMS NOT ON PARTS LIST ARE NOT APPLICABLE

- ITEM NOT ILLUSTRATED

HXL

33-13-75-17

BOEING PROPRIETARY - Copyright © - Unpublished Work - See title page for details.

33-13-75
FIG. 17
PAGE 11
AUG 22/08



767

PARTS CATALOG (MAINTENANCE)

| FIG ITEM | PART NUMBER | 1 2 3 4 5 6 7 | NOMENCLATURE | EFFECT FROM TO | UNITS PER ASSY |
|-----------|-------------|---------------|--|----------------|----------------|
| 17 227 | 433-100-006 | | . GUARD- SUPPLIER CODE: V81590 OPTIONAL PART: 433-100-002 V81590 433-100-003 V81590 433-100-004 V81590 433-100-005 V81590 433-100-007 V81590 | | 1 |
| 227 | 433-100-007 | | . GUARD- SUPPLIER CODE: V81590 SPECIFICATION NUMBER: S231T290-826 OPTIONAL PART: 433-100-002 V81590 433-100-003 V81590 433-100-004 V81590 433-100-005 V81590 433-100-006 V81590 | | 1 |
| 235 | 433-100-002 | | . GUARD- SUPPLIER CODE: V81590 SPECIFICATION NUMBER: S231T290-821 OPTIONAL PART: 433-100-003 V81590 433-100-004 V81590 433-100-005 V81590 433-100-006 V81590 433-100-007 V81590 | 155162 | 1 |

ILLUSTRATION ITEMS NOT ON PARTS LIST ARE NOT APPLICABLE

- ITEM NOT ILLUSTRATED

HXL

33-13-75-17

BOEING PROPRIETARY - Copyright © - Unpublished Work - See title page for details.

33-13-75
FIG. 17
PAGE 12
AUG 22/08



767

PARTS CATALOG (MAINTENANCE)

| FIG ITEM | PART NUMBER | 1 2 3 4 5 6 7 | NOMENCLATURE | EFFECT FROM TO | UNITS PER ASSY |
|-----------|-------------|---------------|--|----------------|----------------|
| 17 235 | 433-100-003 | | . GUARD- SUPPLIER CODE: V81590 SPECIFICATION NUMBER: S231T290-822 OPTIONAL PART: 433-100-002 V81590 433-100-004 V81590 433-100-005 V81590 433-100-006 V81590 433-100-007 V81590 | 155162 | 1 |
| 235 | 433-100-004 | | . GUARD- SUPPLIER CODE: V81590 SPECIFICATION NUMBER: S231T290-823 OPTIONAL PART: 433-100-002 V81590 433-100-003 V81590 433-100-005 V81590 433-100-006 V81590 433-100-007 V81590 | 155162 | 1 |
| 235 | 433-100-005 | | . GUARD- SUPPLIER CODE: V81590 SPECIFICATION NUMBER: S231T290-824 OPTIONAL PART: 433-100-002 V81590 433-100-003 V81590 433-100-004 V81590 433-100-006 V81590 433-100-007 V81590 | 155162 | 1 |

ILLUSTRATION ITEMS NOT ON PARTS LIST ARE NOT APPLICABLE

- ITEM NOT ILLUSTRATED

33-13-75-17

33-13-75
FIG. 17
PAGE 13
AUG 22/08

HXL



767

PARTS CATALOG (MAINTENANCE)

| FIG ITEM | PART NUMBER | 1 2 3 4 5 6 7 | NOMENCLATURE | EFFECT FROM TO | UNITS PER ASSY |
|-----------|-------------|---------------|--|----------------|----------------|
| 17 235 | 433-100-006 | | . GUARD- SUPPLIER CODE: V81590 OPTIONAL PART: 433-100-002 V81590 433-100-003 V81590 433-100-004 V81590 433-100-005 V81590 433-100-007 V81590 | 155162 | 1 |
| 235 | 433-100-007 | | . GUARD- SUPPLIER CODE: V81590 SPECIFICATION NUMBER: S231T290-826 OPTIONAL PART: 433-100-002 V81590 433-100-003 V81590 433-100-004 V81590 433-100-005 V81590 433-100-006 V81590 | 155162 | 1 |

ILLUSTRATION ITEMS NOT ON PARTS LIST ARE NOT APPLICABLE

- ITEM NOT ILLUSTRATED

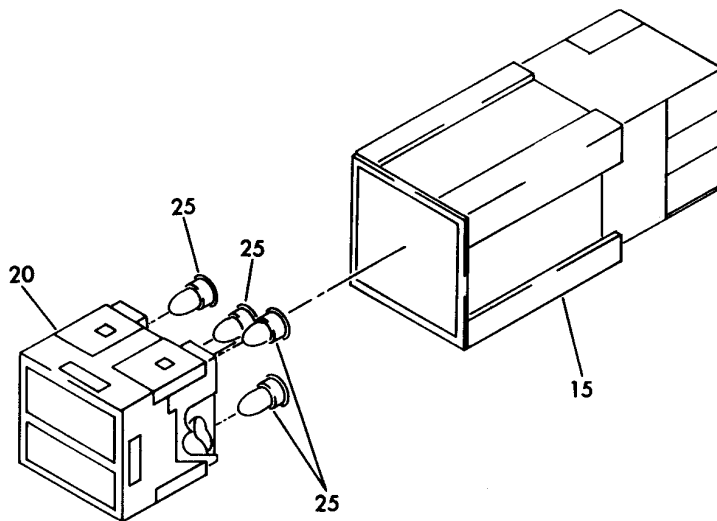
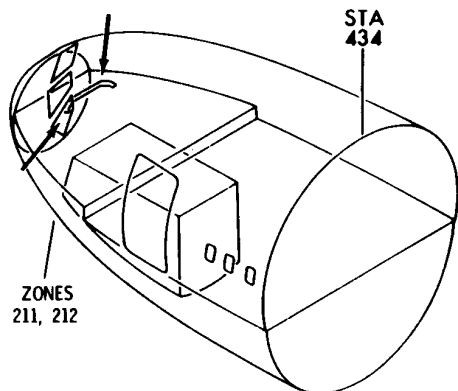
HXL

33-13-75-17

BOEING PROPRIETARY - Copyright © - Unpublished Work - See title page for details.

33-13-75
FIG. 17
PAGE 14
AUG 22/08

BOEING
767
PARTS CATALOG (MAINTENANCE)



V 33137520 REV 107

SWITCH ASSY-LIGHT
FIGURE 20

33-13-75-20

HXL
DEC 22/06

33-13-75-20
PAGE 0



767

PARTS CATALOG (MAINTENANCE)

| FIG ITEM | PART NUMBER | 1 2 3 4 5 6 7 | NOMENCLATURE | EFFECT FROM TO | UNITS PER ASSY |
|----------|-------------|---------------|---|----------------|----------------|
| 20 | | | | | |
| - 1 | BCREF8180 | | SWITCH ASSY-LIGHT SWITCH ASSY-LIGHT SUPPLIER CODE: V81590 OVERLENGTH PART NUMBER: 411-811-0982-001R QUALIFIED OPTIONAL DATA: (BCREF8180 OPTIONAL TO BCREFA0732 AND BCREFA1545 USED WITH ASSOCIATED ITEMS) OPTIONAL PART: BCREF8634 V81590 FOR NHA SEE: 34-51-02-01 | | RF |
| - 5 | BCREF8634 | | SWITCH ASSY-LIGHT SUPPLIER CODE: V81590 OVERLENGTH PART NUMBER: 411-811-0982-002 QUALIFIED OPTIONAL DATA: (BCREF8634 OPTIONAL TO BCREFA0732 AND BCREFA1545 USED WITH ASSOCIATED ITEMS) OPTIONAL PART: BCREF8180 V81590 FOR NHA SEE: 34-51-02-01 | | RF |
| 7 | BCREFA0732 | | SWITCH ASSY- SUPPLIER CODE: V81590 OVERLENGTH PART NUMBER: 411-811-0982-003 QUALIFIED OPTIONAL DATA: (BCREFA0732 OPTIONAL TO BCREF8634 AND BCREFA0732 USED WITH ASSOCIATED ITEMS) OPTIONAL PART: BCREFA1545 V81590 FOR NHA SEE: 34-51-02-01 | | RF |

ILLUSTRATION ITEMS NOT ON PARTS LIST ARE NOT APPLICABLE

- ITEM NOT ILLUSTRATED

HXL

33-13-75-20

BOEING PROPRIETARY - Copyright © - Unpublished Work - See title page for details.

33-13-75
FIG. 20
PAGE 1
DEC 22/06



767

PARTS CATALOG (MAINTENANCE)

| FIG ITEM | PART NUMBER | 1 2 3 4 5 6 7 | NOMENCLATURE | EFFECT FROM TO | UNITS PER ASSY |
|----------|---------------|---------------|--|----------------|----------------|
| 20 | | | | | |
| 10 | BCREFA1545 | | SWITCH ASSY- SUPPLIER CODE: V81590 OVERLENGTH PART NUMBER: 411-811-0982-004 QUALIFIED OPTIONAL DATA: (BCREFA1545 OPTIONAL TO BCREF8634 AND BCREF8180 USED WITH ASSOCIATED ITEMS) OPTIONAL PART: BCREFA0732 V81590 FOR NHA SEE: 34-51-02-01 | | RF |
| 15 | 411-0982-001R | | .BASE ASSY- SUPPLIER CODE: V81590 USED ON: BCREF8180 | | 1 |
| 15 | 411-0982-002 | | .BASE ASSY- SUPPLIER CODE: V81590 USED ON: BCREF8634 | | 1 |
| 20 | 811-0982-001R | | .CAP ASSY- SUPPLIER CODE: V81590 USED ON: BCREF8180 | | 1 |
| 20 | 811-0982-002 | | .CAP ASSY- SUPPLIER CODE: V81590 USED ON: BCREF8634 | | 1 |
| 25 | M5338-6839 | | ..LAMP- SUPPLIER CODE: V58774 | | 4 |

ILLUSTRATION ITEMS NOT ON PARTS LIST ARE NOT APPLICABLE

- ITEM NOT ILLUSTRATED

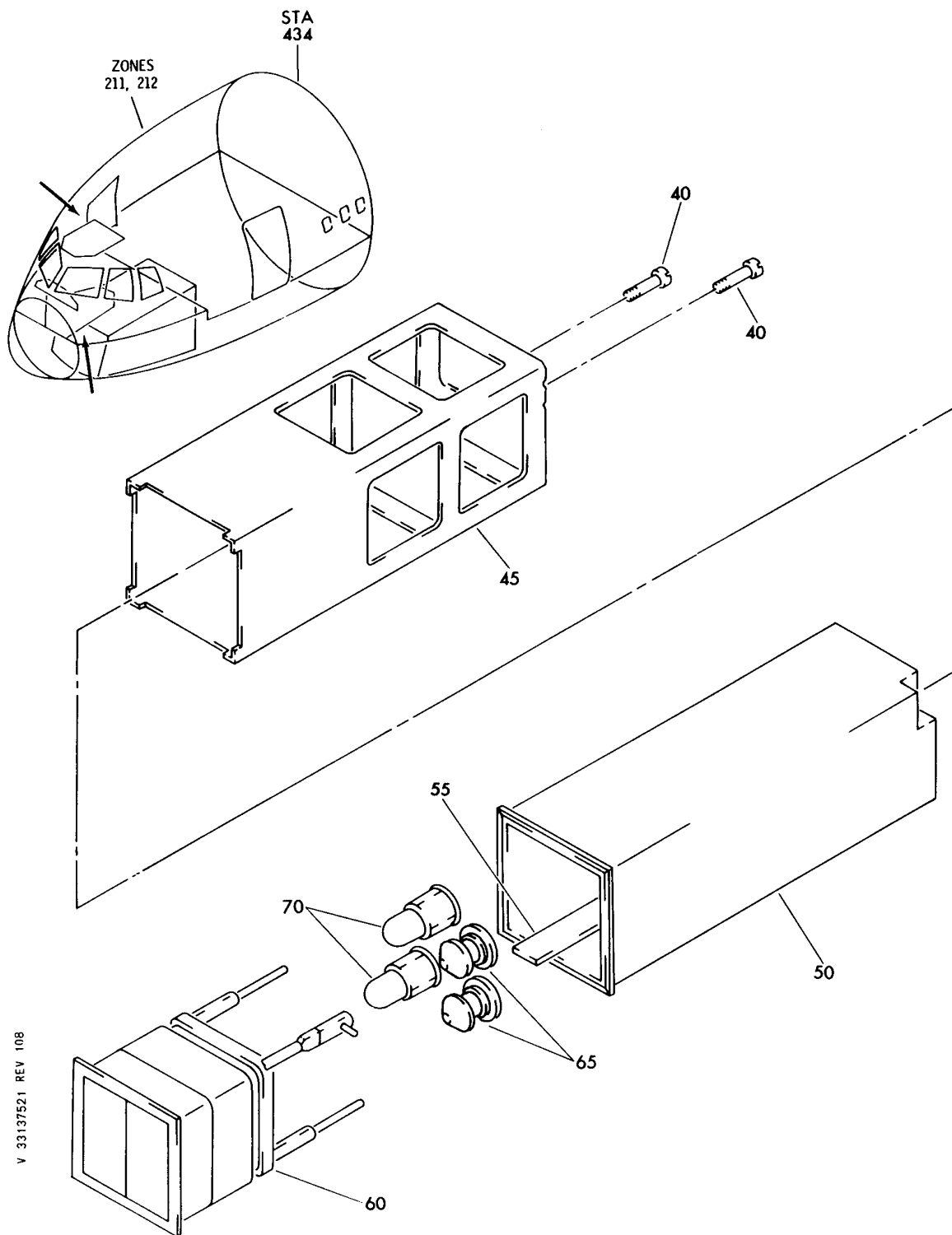
HXL

33-13-75-20

BOEING PROPRIETARY - Copyright © - Unpublished Work - See title page for details.

33-13-75
FIG. 20
PAGE 2
DEC 22/06

BOEING
767
PARTS CATALOG (MAINTENANCE)



V 33137521 REV 108

SWITCH ASSY-LIGHTED PUSH BUTTON IND
FIGURE 21

33-13-75-21

HXL
DEC 22/06

33-13-75-21
PAGE 0



767

PARTS CATALOG (MAINTENANCE)

| FIG ITEM | PART NUMBER | 1 2 3 4 5 6 7 | NOMENCLATURE | EFFECT FROM TO | UNITS PER ASSY |
|----------|----------------|---------------|--|----------------|----------------|
| 21 | | | SWITCH ASSY-LIGHTED PUSH BUTTON IND | | |
| - 1 | 851-30768-3007 | | SWITCH ASSY-LIGHTED PUSH BUTTON IND DRIVE SUPPLIER CODE: V96182 SPECIFICATION NUMBER: S231T290-3007 QUALIFIED I/W DATA: 851-30768-2007 TOGETHER WITH 851-30768-802 OR -812 OR 433-100-003 SWITCHGUARD I/W BCREF7603 OR 851-30768-3007 TOGETHER WITH 433-100-003 SWITCHGUARD FOR NHA SEE: 24-11-54-01 | | RF |
| - 5 | 851-30768-3041 | | SWITCH ASSY-LIGHTED PUSH BUTTON IND ON SUPPLIER CODE: V96182 SPECIFICATION NUMBER: S231T290-3041 QUALIFIED I/W DATA: 851-30768-2041 TOGETHER WITH 851-30768-802 OR -812 OR 433-100-003 SWITCHGUARD I/W BCREF7618 OR 851-30768-3041 TOGETHER WITH 433-100-003 SWITCHGUARD FOR NHA SEE: 35-21-52-01 | | RF |
| - 10 | 851-30768-3060 | | SWITCH ASSY-LIGHTED PUSH BUTTON IND DISCH SUPPLIER CODE: V96182 SPECIFICATION NUMBER: S231T290-3060 FOR NHA SEE: 26-23-54-01 | | RF |

ILLUSTRATION ITEMS NOT ON PARTS LIST ARE NOT APPLICABLE

- ITEM NOT ILLUSTRATED

HXL

33-13-75-21

BOEING PROPRIETARY - Copyright © - Unpublished Work - See title page for details.

33-13-75
FIG. 21
PAGE 1
DEC 22/06



767

PARTS CATALOG (MAINTENANCE)

| FIG ITEM | PART NUMBER | 1 2 3 4 5 6 7 | NOMENCLATURE | EFFECT FROM TO | UNITS PER ASSY |
|-------------|----------------|---------------|---|-------------------|----------------------|
| 21 | | | | | |
| - 15 | 851-30768-3063 | | SWITCH ASSY-LIGHTED PUSH BUTTON IND FAIL P-RESET SUPPLIER CODE: V96182 SPECIFICATION NUMBER: S231T290-3063 POST SERVICE LETTER: 39-04 FOR NHA SEE: 26-11-53-01 | | RF |
| - 20 | 851-30768-3073 | | SWITCH ASSY-LIGHTED PUSH BUTTON IND FIELD OFF SUPPLIER CODE: V96182 SPECIFICATION NUMBER: S231T290-3073 FOR NHA SEE: 24-22-01-02 | | RF |
| 40 | 851-30768-3830 | | .SCREW- SUPPLIER CODE: V96182 | | 2 |
| 45 | 851-30768-3825 | | .SLEEVE-MTG SUPPLIER CODE: V96182 | | 1 |
| 50 | 851-30768-3709 | | .BASE ASSY- SUPPLIER CODE: V96182 USED ON: 851-30768-3007 851-30768-3041 851-30768-3060 851-30768-3073 | | 1 |
| 55 | 851-30768-3823 | | ..MODULE-FUSE/DIODE SUPPLIER CODE: V96182 | | 1 |
| 60 | 851-30768-3507 | | .CAPSULE ASSY-LENS-DRIVE SUPPLIER CODE: V96182 USED ON: 851-30768-3007 | | 1 |
| 60 | 851-30768-3541 | | .CAPSULE ASSY-LENS-ON SUPPLIER CODE: V96182 USED ON: 851-30768-3041 | | 1 |

ILLUSTRATION ITEMS NOT ON PARTS LIST ARE NOT APPLICABLE

- ITEM NOT ILLUSTRATED

33-13-75-21

33-13-75
FIG. 21
PAGE 2
DEC 22/06

HXL



767

PARTS CATALOG (MAINTENANCE)

| FIG ITEM | PART NUMBER | 1 2 3 4 5 6 7 | NOMENCLATURE | EFFECT FROM TO | UNITS PER ASSY |
|----------|----------------|---------------|---|----------------|----------------|
| 21 | | | | | |
| 60 | 851-30768-3560 | . | CAPSULE ASSY-LENS-DISCH SUPPLIER CODE: V96182 USED ON: 851-30768-3060 | | 1 |
| 60 | 851-30768-3563 | . | CAPSULE ASSY-LENS-FAIL P-RESET SUPPLIER CODE: V96182 USED ON: 851-30768-3063 | | 1 |
| 60 | 851-30768-3573 | . | CAPSULE ASSY-LENS-FIELD OFF SUPPLIER CODE: V96182 USED ON: 851-30768-3073 | | 1 |
| 65 | 851-30768-3829 | .. | PLUG-LAMP SUPPLIER CODE: V96182 | | 2 |
| 70 | MS25237-387 | .. | LAMP- | | 2 |

ILLUSTRATION ITEMS NOT ON PARTS LIST ARE NOT APPLICABLE

- ITEM NOT ILLUSTRATED

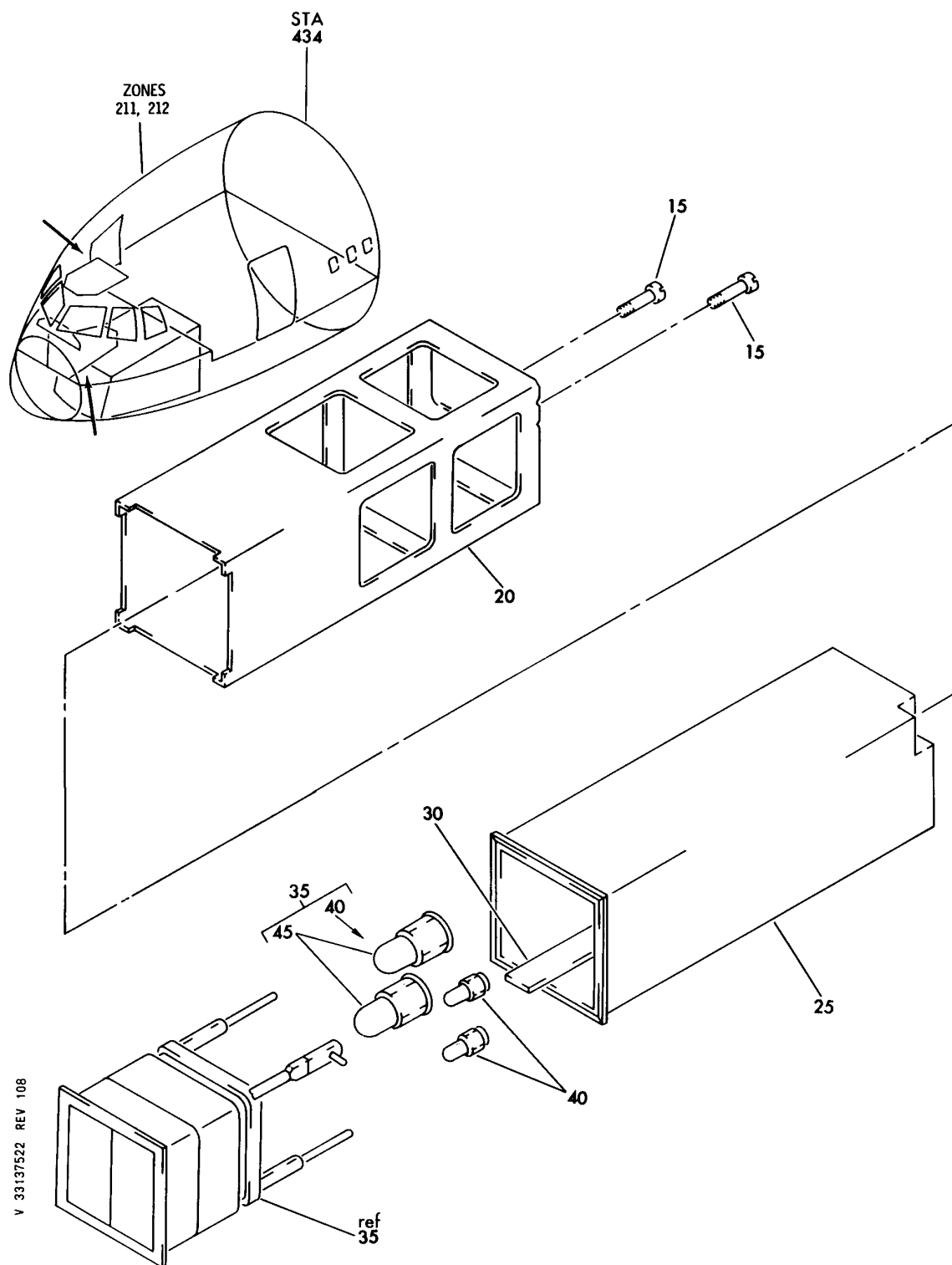
HXL

33-13-75-21

BOEING PROPRIETARY - Copyright © - Unpublished Work - See title page for details.

33-13-75
FIG. 21
PAGE 3
DEC 22/06

BOEING
767
PARTS CATALOG (MAINTENANCE)



V 33137522 REV 108

SWITCH ASSY-LIGHTED PUSH BUTTON IND
FIGURE 22

33-13-75-22

HXL
DEC 22/06

33-13-75-22
PAGE 0



767

PARTS CATALOG (MAINTENANCE)

| FIG ITEM | PART NUMBER | 1 2 3 4 5 6 7 | NOMENCLATURE | EFFECT FROM TO | UNITS PER ASSY |
|----------|----------------|---------------|--|----------------|----------------|
| 22 | | | SWITCH ASSY-LIGHTED PUSH BUTTON IND | | |
| - 1 | 851-30768-3013 | | SWITCH ASSY-LIGHTED PUSH BUTTON IND OFF SUPPLIER CODE: V96182 SPECIFICATION NUMBER: S231T290-3013 | | RF |
| - 5 | 851-30768-3021 | | SWITCH ASSY-LIGHTED PUSH BUTTON IND ON/PRESS SUPPLIER CODE: V96182 SPECIFICATION NUMBER: S231T290-3021 FOR NHA SEE: 28-22-55-02 | | RF |
| 15 | 851-30768-3830 | | .SCREW- SUPPLIER CODE: V96182 | | 2 |
| 20 | 851-30768-3825 | | .SLEEVE-MTG SUPPLIER CODE: V96182 | | 1 |
| 25 | 851-30768-3715 | | .BASE ASSY- SUPPLIER CODE: V96182 | | 1 |
| 30 | 851-30768-3823 | | ..MODULE-FUSE/DIODE SUPPLIER CODE: V96182 | | 1 |
| 35 | 851-30768-3513 | | .CAPSULE ASSY-LENS-OFF SUPPLIER CODE: V96182 USED ON: 851-30768-3013 | | 1 |
| 35 | 851-30768-3521 | | .CAPSULE ASSY-LENS-OFF SUPPLIER CODE: V96182 USED ON: 851-30768-3021 | | 1 |
| 40 | 685AS15 | | ..BULB- SUPPLIER CODE: V88204 | | 2 |
| 45 | MS25237-387 | | ..LAMP- | | 2 |

ILLUSTRATION ITEMS NOT ON PARTS LIST ARE NOT APPLICABLE

- ITEM NOT ILLUSTRATED

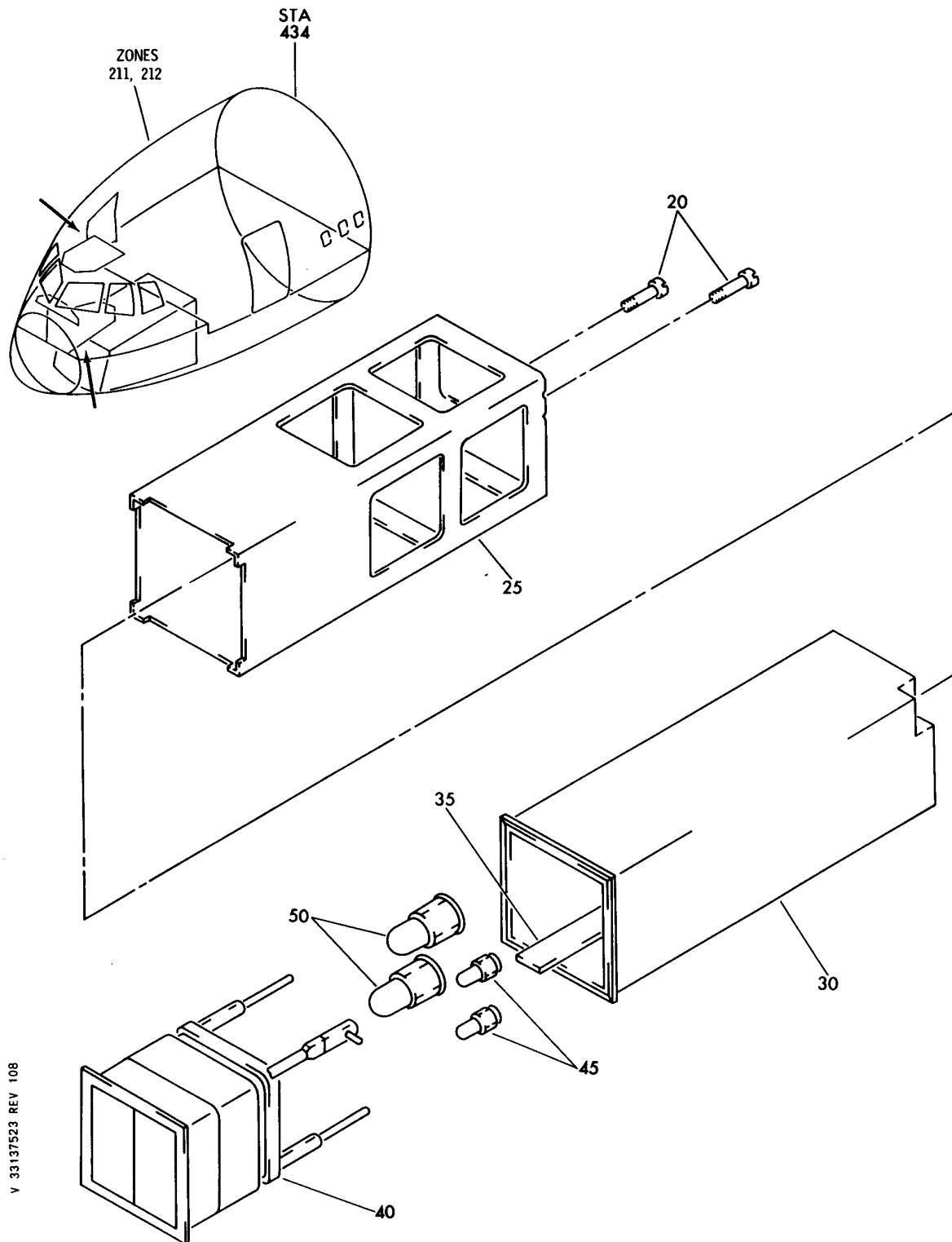
33-13-75-22

33-13-75
FIG. 22
PAGE 1
DEC 22/06

HXL

BOEING PROPRIETARY - Copyright © - Unpublished Work - See title page for details.

BOEING
767
PARTS CATALOG (MAINTENANCE)



V 33137523 REV 108

SWITCH ASSY-LIGHTED PUSH BUTTON IND
FIGURE 23

33-13-75-23

HXL
DEC 22/06

33-13-75-23
PAGE 0



767

PARTS CATALOG (MAINTENANCE)

| FIG ITEM | PART NUMBER | 1 2 3 4 5 6 7 | NOMENCLATURE | EFFECT FROM TO | UNITS PER ASSY |
|---|----------------|---------------|--|----------------|----------------|
| 23 | | | SWITCH ASSY-LIGHTED PUSH BUTTON IND | | |
| - 1 | 851-30768-3019 | | SWITCH ASSY-LIGHTED PUSH BUTTON IND VALVE SUPPLIER CODE: V96182 SPECIFICATION NUMBER: S231T290-3019 FOR NHA SEE: 36-11-56-01 | | RF |
| - 5 | 851-30768-3030 | | SWITCH ASSY-LIGHTED PUSH BUTTON IND OFF SUPPLIER CODE: V96182 SPECIFICATION NUMBER: S231T290-3030 FOR NHA SEE: 36-11-56-01 | | RF |
| - 10 | 851-30768-3022 | | SWITCH ASSY-LIGHTED PUSH BUTTON IND PRESS/ON SUPPLIER CODE: V96182 SPECIFICATION NUMBER: S231T290-3022 | | RF |
| - 15 | 851-30768-3031 | | SWITCH ASSY-LIGHTED PUSH BUTTON IND OFF/ON SUPPLIER CODE: V96182 SPECIFICATION NUMBER: S231T290-3031 FOR NHA SEE: 24-22-51-01 | | RF |
| 20 | 851-30768-3830 | | .SCREW- SUPPLIER CODE: V96182 | | 1 |
| 25 | 851-30768-3825 | | .SLEEVE-MTG SUPPLIER CODE: V96182 | | 1 |
| 30 | 851-30768-3714 | | .BASE ASSY- SUPPLIER CODE: V96182 | | 1 |
| 35 | 851-30768-3823 | | ..MODULE-FUSE/DIODE SUPPLIER CODE: V96182 | | 1 |
| 40 | 851-30768-3519 | | .CAPSULE ASSY-LENS-VALVE SUPPLIER CODE: V96182 USED ON: 851-30768-3019 | | 1 |
| ILLUSTRATION ITEMS NOT ON PARTS LIST ARE NOT APPLICABLE | | | | | |

- ITEM NOT ILLUSTRATED

33-13-75-23

33-13-75
FIG. 23
PAGE 1
DEC 22/06

HXL



767

PARTS CATALOG (MAINTENANCE)

| FIG ITEM | PART NUMBER | 1 2 3 4 5 6 7 | NOMENCLATURE | EFFECT FROM TO | UNITS PER ASSY |
|----------|----------------|---------------|--|----------------|----------------|
| 23 | | | | | |
| 40 | 851-30768-3530 | . | CAPSULE ASSY-LENS-OFF SUPPLIER CODE: V96182 USED ON: 851-30768-3030 | | 1 |
| 40 | 851-30768-3522 | . | CAPSULE ASSY-LENS-PRESS/ON SUPPLIER CODE: V96182 USED ON: 851-30768-3022 | | 1 |
| 40 | 851-30768-3531 | . | CAPSULE ASSY-LENS-OFF/ON SUPPLIER CODE: V96182 USED ON: 851-30768-3031 | | 1 |
| 45 | MS25237-387 | .. | LAMP- | | 2 |
| 50 | 685AS15 | .. | BULB- SUPPLIER CODE: V88204 | | 2 |

ILLUSTRATION ITEMS NOT ON PARTS LIST ARE NOT APPLICABLE

- ITEM NOT ILLUSTRATED

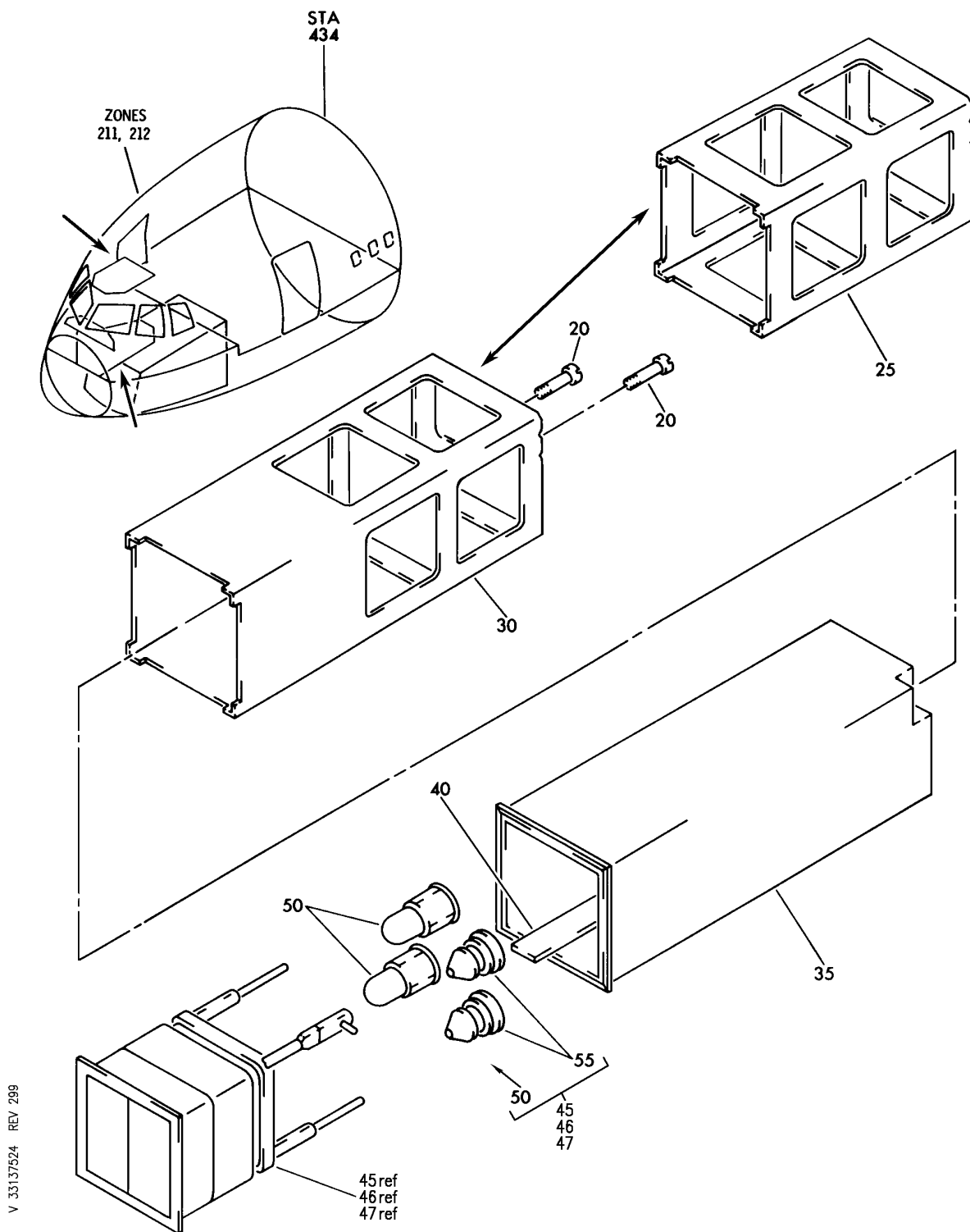
HXL

33-13-75-23

BOEING PROPRIETARY - Copyright © - Unpublished Work - See title page for details.

33-13-75
FIG. 23
PAGE 2
DEC 22/06

BOEING
767
PARTS CATALOG (MAINTENANCE)



SWITCH ASSY-LIGHTED PUSH BUTTON IND
FIGURE 24

33-13-75-24

HXL
DEC 22/06

33-13-75-24
PAGE 0



767

PARTS CATALOG (MAINTENANCE)

| FIG ITEM | PART NUMBER | 1 2 3 4 5 6 7 | NOMENCLATURE | EFFECT FROM TO | UNITS PER ASSY |
|----------|----------------|---------------|--|----------------|----------------|
| 24 | | | SWITCH ASSY-LIGHTED PUSH BUTTON IND | | |
| - 5 | 851-30768-3012 | | SWITCH ASSY-LIGHTED PUSH BUTTON IND ON SUPPLIER CODE: V96182 SPECIFICATION NUMBER: S231T290-3012 PRE SERVICE BULLETIN: 25-0325R12 FOR NHA SEE: 33-44-51-01 33-45-52-03 | 155162 | RF |
| - 7 | 851-30768-3012 | | SWITCH ASSY-LIGHTED PUSH BUTTON IND ON SUPPLIER CODE: V96182 SPECIFICATION NUMBER: S231T290-3012 MISCELLANEOUS DATA: TAI PANEL FOR NHA SEE: 33-11-53-02 | | RF |
| 20 | 851-30768-3830 | | .SCREW- SUPPLIER CODE: V96182 | | 2 |
| 25 | 851-30768-3826 | | .SLEEVE-MTG SUPPLIER CODE: V96182 USED ON: 851-30768-3001 | | 1 |
| 35 | 851-30768-3701 | | .BASE ASSY- SUPPLIER CODE: V96182 | | 1 |
| 40 | 851-30768-3823 | | ..MODULE-FUSE/DIODE SUPPLIER CODE: V96182 | | 1 |
| 45 | 851-30768-3501 | | .CAPSULE ASSY-LENS-ALTN SUPPLIER CODE: V96182 USED ON: 851-3068-3001 | | 1 |
| 50 | 685AS15 | | ..BULB- SUPPLIER CODE: V88204 | | 2 |
| 55 | 851-30768-3829 | | ..PLUG-LAMP SUPPLIER CODE: V96182 | | 2 |

ILLUSTRATION ITEMS NOT ON PARTS LIST ARE NOT APPLICABLE

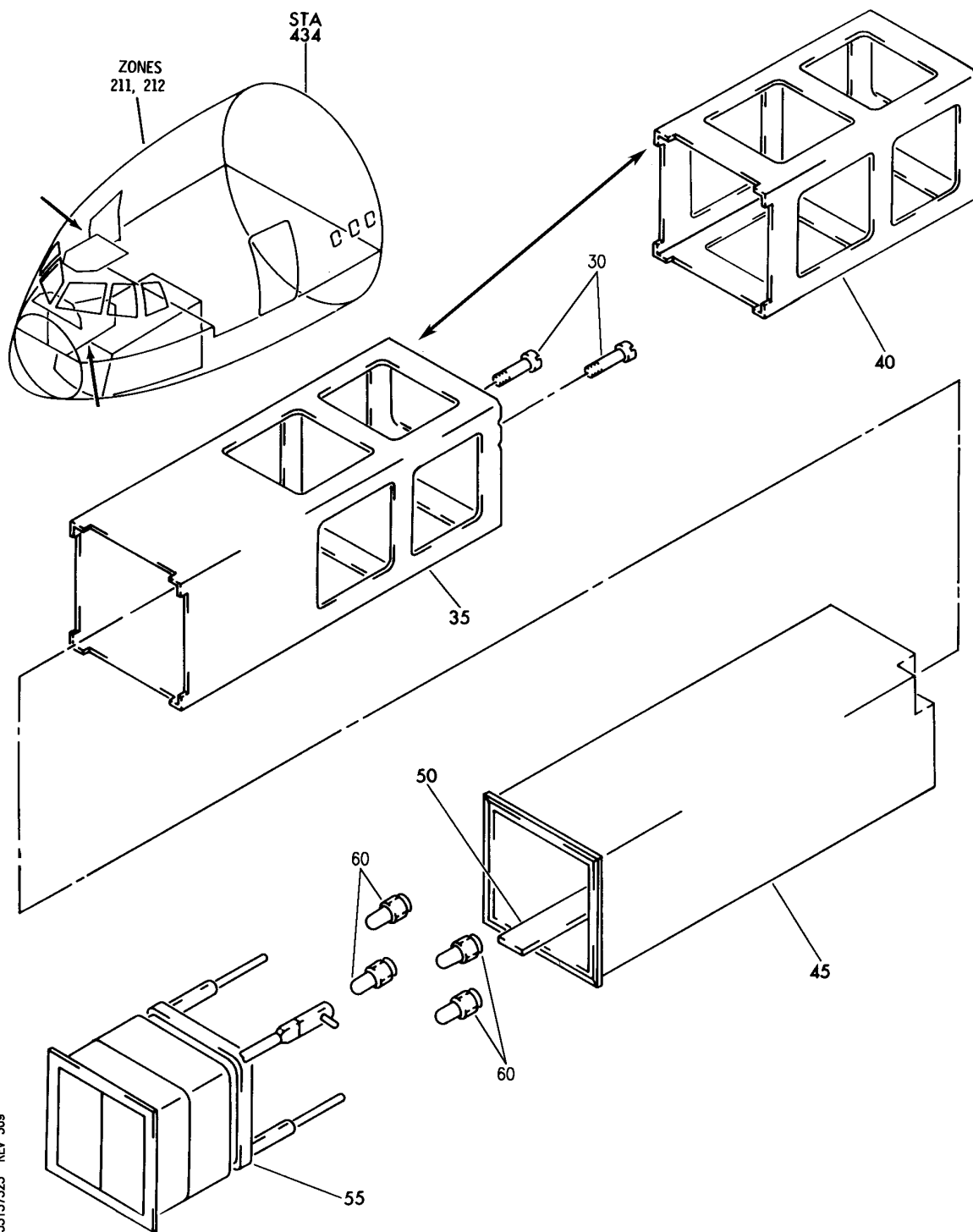
- ITEM NOT ILLUSTRATED

33-13-75-24

33-13-75
FIG. 24
PAGE 1
DEC 22/07

HXL

BOEING
767
PARTS CATALOG (MAINTENANCE)



V 33137525 REV 309

SWITCH ASSY-LIGHTED PUSH BUTTON IND
FIGURE 25

33-13-75-25

HXL
DEC 22/06

33-13-75-25
PAGE 0



767

PARTS CATALOG (MAINTENANCE)

| FIG ITEM | PART NUMBER | 1 2 3 4 5 6 7 | NOMENCLATURE | EFFECT FROM TO | UNITS PER ASSY |
|----------|----------------|---------------|--|----------------|----------------|
| 25 | | | SWITCH ASSY-LIGHTED PUSH BUTTON IND | | |
| - 1 | 851-30768-3045 | | SWITCH ASSY-LIGHTED PUSH BUTTON IND ON/AVAIL SUPPLIER CODE: V96182 SPECIFICATION NUMBER: S231T290-3045 FOR NHA SEE: 24-41-51-01 | | RF |
| - 5 | 851-30768-3056 | | SWITCH ASSY-LIGHTED PUSH BUTTON IND INOP/PACK OFF SUPPLIER CODE: V96182 SPECIFICATION NUMBER: S231T290-3056 FOR NHA SEE: 21-51-54-01 | | RF |
| - 10 | 851-30768-3042 | | SWITCH ASSY-LIGHTED PUSH BUTTON IND WARNING/ CAUTION SUPPLIER CODE: V96182 SPECIFICATION NUMBER: S231T290-3042 FOR NHA SEE: 33-11-01-05 | | RF |
| - 15 | 851-30768-3070 | | SWITCH ASSY-LIGHTED PUSH BUTTON IND GND/PROX G/S INHB SUPPLIER CODE: V96182 SPECIFICATION NUMBER: S231T290-3070 FOR NHA SEE: 34-46-53-02 | | RF |
| - 20 | 851-30768-3079 | | SWITCH ASSY-LIGHTED PUSH BUTTON IND PRESS/UNLKD SUPPLIER CODE: V96182 SPECIFICATION NUMBER: S231T290-3079 | | RF |
| 30 | 851-30768-3830 | | .SCREW- SUPPLIER CODE: V96182 | | 2 |

ILLUSTRATION ITEMS NOT ON PARTS LIST ARE NOT APPLICABLE

- ITEM NOT ILLUSTRATED

HXL

33-13-75-25

BOEING PROPRIETARY - Copyright © - Unpublished Work - See title page for details.

33-13-75
FIG. 25
PAGE 1
AUG 22/07



767

PARTS CATALOG (MAINTENANCE)

| FIG ITEM | PART NUMBER | 1 2 3 4 5 6 7 | NOMENCLATURE | EFFECT FROM TO | UNITS PER ASSY |
|----------|----------------|---------------|--|----------------|----------------|
| 25 | | | | | |
| 35 | 851-30768-3825 | . | SLEEVE-MTG SUPPLIER CODE: V96182 USED ON: 851-30768-3042 851-30768-3045 851-30768-3056 851-30768-3079 | | 1 |
| 40 | 851-30768-3826 | . | SLEEVE-MTG SUPPLIER CODE: V96182 USED ON: 851-30768-3070 | | 1 |
| 45 | 851-30768-3705 | . | BASE ASSY- SUPPLIER CODE: V96182 USED ON: 851-30768-3042 851-30768-3045 851-30768-3056 851-30768-3070 | | 1 |
| 50 | 851-30768-3823 | .. | MODULE-FUSE/DIODE SUPPLIER CODE: V96182 | | 1 |
| 55 | 851-30768-3545 | . | CAPSULE ASSY-LENS-ON/AVAIL SUPPLIER CODE: V96182 USED ON: 851-30768-3045 | | 1 |
| 55 | 851-30768-3556 | . | CAPSULE ASSY-LENS-INOP/ PACK OFF SUPPLIER CODE: V96182 USED ON: 851-30768-3056 | | 1 |
| 55 | 851-30768-3542 | . | CAPSULE ASSY-LENS-WARNING CAUTION SUPPLIER CODE: V96182 USED ON: 851-30768-3042 | | 1 |
| 55 | 851-30768-3570 | . | CAPSULE ASSY-GND/PROX G/S INHB SUPPLIER CODE: V96182 USED ON: 851-30768-3070 | | 1 |

ILLUSTRATION ITEMS NOT ON PARTS LIST ARE NOT APPLICABLE

- ITEM NOT ILLUSTRATED

33-13-75-25

33-13-75
FIG. 25
PAGE 2
AUG 22/07

HXL

BOEING PROPRIETARY - Copyright © - Unpublished Work - See title page for details.



767

PARTS CATALOG (MAINTENANCE)

| FIG ITEM | PART NUMBER | 1 2 3 4 5 6 7 | NOMENCLATURE | EFFECT FROM TO | UNITS PER ASSY |
|-------------|----------------|---------------|---|-------------------|----------------------|
| 25 55 | 851-30768-3579 | | .CAPSULE ASSY-LENS-PRESS/ UNLOCKED SUPPLIER CODE: V96182 USED ON: 851-30768-3079 | | 1 |

ILLUSTRATION ITEMS NOT ON PARTS LIST ARE NOT APPLICABLE

- ITEM NOT ILLUSTRATED

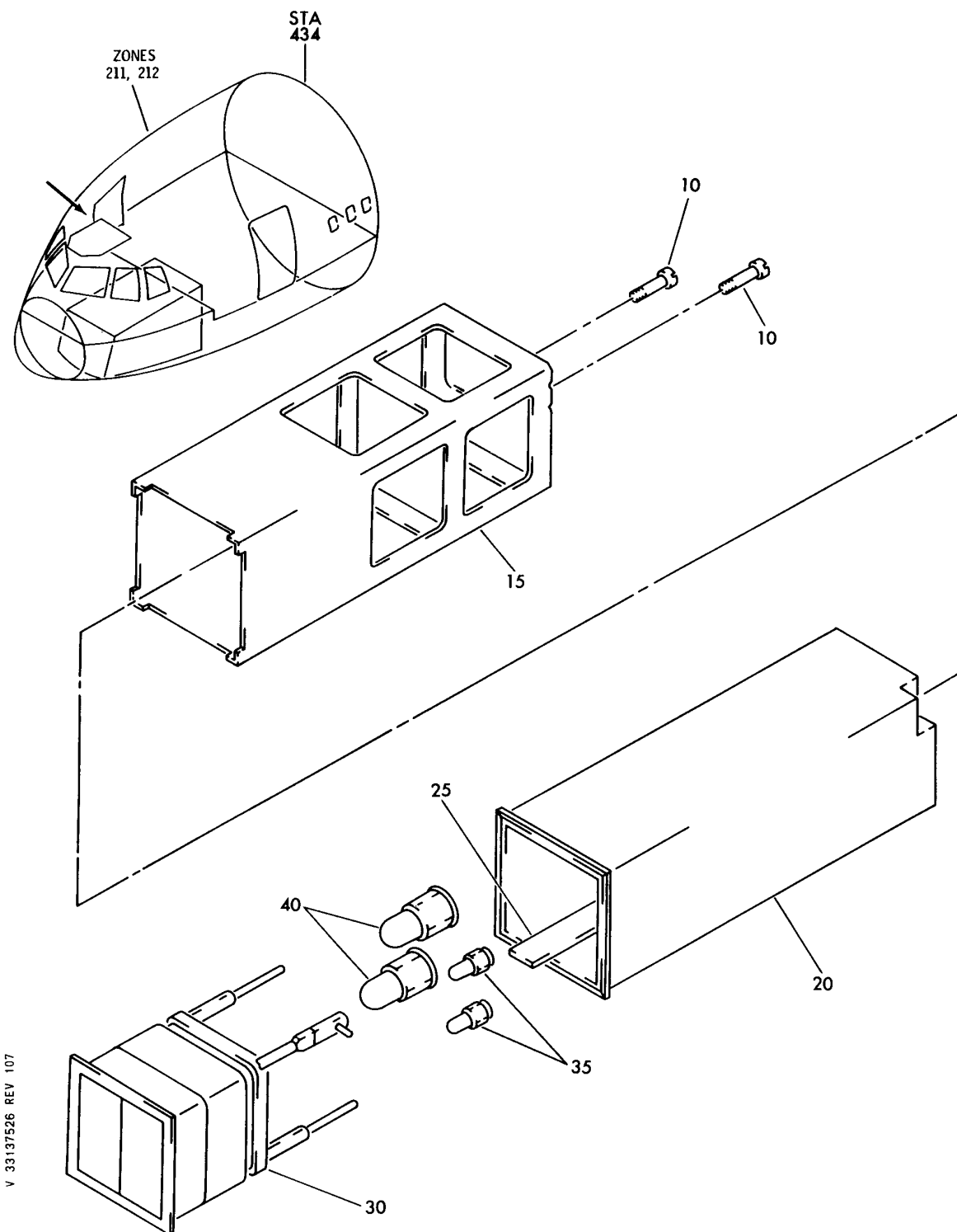
HXL

33-13-75-25

BOEING PROPRIETARY - Copyright © - Unpublished Work - See title page for details.

33-13-75
FIG. 25
PAGE 3
AUG 22/07

BOEING
767
PARTS CATALOG (MAINTENANCE)



V 33137526 REV 107

SWITCH ASSY-LIGHTED PUSH BUTTON IND (VALVE)
FIGURE 26

33-13-75-26

HXL
DEC 22/06

33-13-75-26
PAGE 0



767

PARTS CATALOG (MAINTENANCE)

| FIG ITEM | PART NUMBER | 1 2 3 4 5 6 7 | NOMENCLATURE | EFFECT FROM TO | UNITS PER ASSY |
|----------|----------------|---------------|---|----------------|----------------|
| 26 | | | SWITCH ASSY-LIGHTED PUSH BUTTON IND (VALVE) | | |
| - 1 | 851-30768-3074 | | SWITCH ASSY-LIGHTED PUSH BUTTON IND VALVE SUPPLIER CODE: V96182 SPECIFICATION NUMBER: S231T290-3074 FOR NHA SEE: 36-11-56-01 | | RF |
| 10 | 851-30768-3830 | | .SCREW- SUPPLIER CODE: V96182 | | 2 |
| 15 | 851-30768-3825 | | .SLEEVE-MOUNTING SUPPLIER CODE: V96182 | | 1 |
| 20 | 851-30768-3716 | | .BASE ASSY- SUPPLIER CODE: V96182 | | 1 |
| 25 | 851-30768-3823 | | ..MODULE-FUSE/DIODE SUPPLIER CODE: V96182 | | 1 |
| 30 | 851-30768-3574 | | .CAPSULE ASSY-LENS-VALVE SUPPLIER CODE: V96182 | | 1 |
| 35 | MS25237-387 | | ..LAMP- | | 2 |
| 40 | 685AS15 | | ..BULB- SUPPLIER CODE: V88204 | | 2 |

ILLUSTRATION ITEMS NOT ON PARTS LIST ARE NOT APPLICABLE

- ITEM NOT ILLUSTRATED

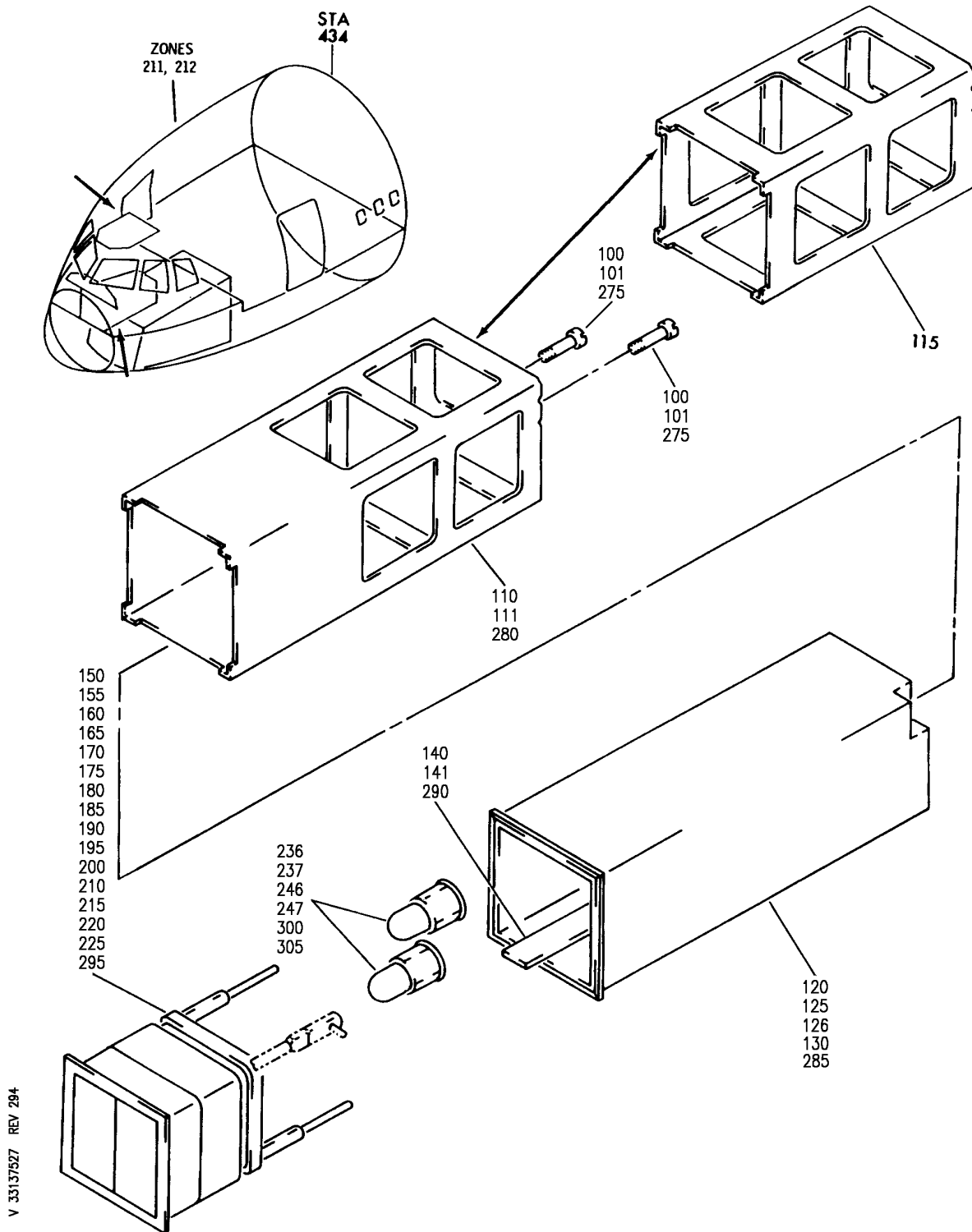
HXL

33-13-75-26

BOEING PROPRIETARY - Copyright © - Unpublished Work - See title page for details.

33-13-75
FIG. 26
PAGE 1
DEC 22/06

BOEING
767
PARTS CATALOG (MAINTENANCE)



V 33137527 REV 294

SWITCH ASSY-LIGHTED PUSH BUTTON IND
FIGURE 27

33-13-75-27

HXL
DEC 22/06

33-13-75-27
PAGE 0



767

PARTS CATALOG (MAINTENANCE)

| FIG ITEM | PART NUMBER | 1 2 3 4 5 6 7 | NOMENCLATURE | EFFECT FROM TO | UNITS PER ASSY |
|---------------------------------|----------------|----------------|---|----------------|----------------|
| 27 | | | SWITCH ASSY-LIGHTED PUSH BUTTON IND | | |
| - 1 | 851-30768-3016 | | SWITCH ASSY-LIGHTED PUSH BUTTON IND ON/INOP SUPPLIER CODE: V96182 SPECIFICATION NUMBER: S231T290-3016 FOR NHA SEE: 21-25-53-01 22-21-01-02 30-41-51-01 | | RF |
| - 5 | 851-30768-3020 | | SWITCH ASSY-LIGHTED PUSH BUTTON IND ON/PRESS SUPPLIER CODE: V96182 SPECIFICATION NUMBER: S231T290-3020 FOR NHA SEE: 29-11-71-01 | | RF |
| R R R R R R R | - 10 | 851-30768-3023 | SWITCH ASSY-LIGHTED PUSH BUTTON IND ON/OFF SUPPLIER CODE: V96182 SPECIFICATION NUMBER: S231T290-3023 FOR NHA SEE: 21-61-54-02 | | RF |
| - 15 | 851-30768-3024 | | SWITCH ASSY-LIGHTED PUSH BUTTON IND ON/OFF SUPPLIER CODE: V96182 SPECIFICATION NUMBER: S231T290-3024 FOR NHA SEE: 21-61-54-02 | | RF |
| - 20 | 851-30768-3026 | | SWITCH ASSY-LIGHTED PUSH BUTTON IND ON/PRESS SUPPLIER CODE: V96182 SPECIFICATION NUMBER: S231T290-3026 FOR NHA SEE: 28-22-55-02 | | RF |

ILLUSTRATION ITEMS NOT ON PARTS LIST ARE NOT APPLICABLE

- ITEM NOT ILLUSTRATED

HXL

33-13-75-27

BOEING PROPRIETARY - Copyright © - Unpublished Work - See title page for details.

33-13-75
FIG. 27
PAGE 1
AUG 22/09



767

PARTS CATALOG (MAINTENANCE)

| FIG ITEM | PART NUMBER | 1 2 3 4 5 6 7 | NOMENCLATURE | EFFECT FROM TO | UNITS PER ASSY |
|---|----------------|---------------|---|----------------|----------------|
| 27 | | | | | |
| - 25 | 851-30768-3027 | | SWITCH ASSY-LIGHTED PUSH BUTTON IND ON/VALVE SUPPLIER CODE: V96182 SPECIFICATION NUMBER: S231T290-3027 | | RF |
| - 30 | 851-30768-3038 | | SWITCH ASSY-LIGHTED PUSH BUTTON IND VALVE SUPPLIER CODE: V96182 SPECIFICATION NUMBER: S231T290-3038 FOR NHA SEE: 28-22-55-02 | | RF |
| - 35 | 851-30768-3053 | | SWITCH ASSY-LIGHTED PUSH BUTTON IND ON/OFF SUPPLIER CODE: V96182 SPECIFICATION NUMBER: S231T290-3053 FOR NHA SEE: 24-51-61-01 | | RF |
| - 40 | 851-30768-3054 | | SWITCH ASSY-LIGHTED PUSH BUTTON IND ON/OFF SUPPLIER CODE: V96182 SPECIFICATION NUMBER: S231T290-3054 FOR NHA SEE: 24-51-61-01 | | RF |
| - 45 | 851-30768-3061 | | SWITCH ASSY-LIGHTED PUSH BUTTON IND ARMED/FWD SUPPLIER CODE: V96182 SPECIFICATION NUMBER: S231T290-3061 FOR NHA SEE: 26-23-54-01 | | RF |
| - 50 | 851-30768-3062 | | SWITCH ASSY-LIGHTED PUSH BUTTON IND ARMED/AFT SUPPLIER CODE: V96182 SPECIFICATION NUMBER: S231T290-3062 FOR NHA SEE: 26-23-54-01 | | RF |
| ILLUSTRATION ITEMS NOT ON PARTS LIST ARE NOT APPLICABLE | | | | | |

- ITEM NOT ILLUSTRATED

33-13-75-27

33-13-75
FIG. 27
PAGE 2
AUG 22/09

HXL



767

PARTS CATALOG (MAINTENANCE)

| FIG ITEM | PART NUMBER | 1 2 3 4 5 6 7 | NOMENCLATURE | EFFECT FROM TO | UNITS PER ASSY |
|------------|----------------|---------------|--|----------------|----------------|
| 27 - 60 | 851-30768-3071 | | SWITCH ASSY-LIGHTED PUSH BUTTON IND ON/OVHT SUPPLIER CODE: V96182 SPECIFICATION NUMBER: S231T290-3071 FOR NHA SEE: 21-43-54-01 | | RF |
| - 65 | 851-30768-3075 | | SWITCH-LIGHTED PUSH BUTTON IND ON/VALVE SUPPLIER CODE: V96182 SPECIFICATION NUMBER: S231T290-3075 FOR NHA SEE: 32-41-63-02 | | RF |
| - 70 | 851-30768-3077 | | SWITCH ASSY-LIGHTED PUSH BUTTON IND UNLKD/UNLKD SUPPLIER CODE: V96182 SPECIFICATION NUMBER: S231T290-3077 PRE SERVICE BULLETIN: 25-0325R12 FOR NHA SEE: 52-51-51-01 | 155162 | RF |
| - 75 | 851-30768-3084 | | SWITCH ASSY-LIGHTED PUSH BUTTON IND ON/VTR/TV ON SUPPLIER CODE: V96182 SPECIFICATION NUMBER: S231T290-3084 FOR NHA SEE: 23-32-57-03 | | RF |
| 100 | 851-30768-3830 | | .SCREW- SUPPLIER CODE: V96182 | | 2 |

ILLUSTRATION ITEMS NOT ON PARTS LIST ARE NOT APPLICABLE

- ITEM NOT ILLUSTRATED

HXL

33-13-75-27

BOEING PROPRIETARY - Copyright © - Unpublished Work - See title page for details.

33-13-75
FIG. 27
PAGE 3
AUG 22/09



767

PARTS CATALOG (MAINTENANCE)

| FIG ITEM | PART NUMBER | 1 2 3 4 5 6 7 | NOMENCLATURE | EFFECT FROM TO | UNITS PER ASSY |
|-----------|----------------|---------------------|--|----------------|----------------|
| 27 110 | 851-30768-3825 | .SLEEVE-MTG | SUPPLIER CODE: V96182 USED ON: 851-30768-3016 851-30768-3020 851-30768-3023 851-30768-3024 851-30768-3026 851-30768-3027 851-30768-3038 851-30768-3053 851-30768-3054 851-30768-3061 851-30768-3062 851-30768-3071 851-30768-3077 | | 1 |
| 115 | 851-30768-3826 | .SLEEVE-MTG | SUPPLIER CODE: V96182 USED ON: 851-30768-3075 | | 1 |
| 125 | 851-30768-3702 | .BASE ASSY- | SUPPLIER CODE: V96182 USED ON: 851-30768-3016 851-30768-3020 851-30768-3023 851-30768-3026 851-30768-3027 851-30768-3038 851-30768-3053 851-30768-3054 851-30768-3061 851-30768-3062 851-30768-3071 851-30768-3075 851-30768-3077 | | 1 |
| 130 | 851-30768-3015 | .BASE ASSY- | SUPPLIER CODE: V96182 USED ON: 851-30768-3024 | | 1 |
| 140 | 851-30768-3823 | ..MODULE-FUSE/DIODE | SUPPLIER CODE: V96182 | | 1 |

ILLUSTRATION ITEMS NOT ON PARTS LIST ARE NOT APPLICABLE

- ITEM NOT ILLUSTRATED

33-13-75-27

33-13-75
FIG. 27
PAGE 4
AUG 22/09

HXL



767

PARTS CATALOG (MAINTENANCE)

| FIG ITEM | PART NUMBER | 1 2 3 4 5 6 7 | NOMENCLATURE | EFFECT FROM TO | UNITS PER ASSY |
|-----------|----------------|---------------|---|----------------|----------------|
| 27 150 | 851-30768-3516 | | .CAPSULE ASSY-LENS-ON/INOP SUPPLIER CODE: V96182 USED ON: 851-30768-3016 | | 1 |
| 155 | 851-30768-3520 | | .CAPSULE ASSY-LENS-ON/PRESS SUPPLIER CODE: V96182 USED ON: 851-30768-3020 | | 1 |
| 165 | 851-30768-3524 | | .CAPSULE ASSY-LENS-ON/OFF SUPPLIER CODE: V96182 USED ON: 851-30768-3024 | | 1 |
| 165 | 851-30768-3524 | | .CAPSULE ASSY-LENS-ON/OFF SUPPLIER CODE: V96182 USED ON: 851-30768-3024 | | 1 |
| 165 | 851-30768-3524 | | .CAPSULE ASSY-LENS-ON/OFF SUPPLIER CODE: V96182 USED ON: 851-30768-3024 | | 1 |
| 170 | 851-30768-3526 | | .CAPSULE ASSY-LENS-ON/PRESS SUPPLIER CODE: V96182 USED ON: 851-30768-3026 | | 1 |
| 175 | 851-30768-3527 | | .CAPSULE ASSY-LENS-ON/VALVE SUPPLIER CODE: V96182 USED ON: 851-30768-3027 | | 1 |
| 180 | 851-30768-3538 | | .CAPSULE ASSY-LENS-VALVE SUPPLIER CODE: V96182 USED ON: 851-30768-3038 | | 1 |
| 185 | 851-30768-3553 | | .CAPSULE ASSY-LENS-ON/OFF SUPPLIER CODE: V96182 USED ON: 851-30768-3053 | | 1 |

ILLUSTRATION ITEMS NOT ON PARTS LIST ARE NOT APPLICABLE

- ITEM NOT ILLUSTRATED

33-13-75-27

33-13-75
FIG. 27
PAGE 5
AUG 22/09

HXL



767

PARTS CATALOG (MAINTENANCE)

| FIG ITEM | PART NUMBER | 1 2 3 4 5 6 7 | NOMENCLATURE | EFFECT FROM TO | UNITS PER ASSY |
|-----------|----------------|---------------|--|----------------|----------------|
| 27 190 | 851-30768-3554 | . | CAPSULE ASSY-LENS-ON/OFF SUPPLIER CODE: V96182 USED ON: 851-30768-3054 | | 1 |
| 195 | 851-30768-3561 | . | CAPSULE ASSY-LENS-ARMED/ FWD SUPPLIER CODE: V96182 USED ON: 851-30768-3061 | | 1 |
| 200 | 851-30768-3562 | . | CAPSULE ASSY-LENS-ARMED/ AFT SUPPLIER CODE: V96182 USED ON: 851-30768-3062 | | 1 |
| 210 | 851-30768-3571 | . | CAPSULE ASSY-LENS-ON/OVHT SUPPLIER CODE: V96182 USED ON: 851-30768-3071 | | 1 |
| 215 | 851-30768-3575 | . | CAPSULE ASSY-LENS-ON/VALVE SUPPLIER CODE: V96182 USED ON: 851-30768-3075 | | 1 |
| 220 | 851-30768-3577 | . | CAPSULE ASSY-LENS-UNLKD/ UNLKD SUPPLIER CODE: V96182 USED ON: 851-30768-3077 PRE SERVICE BULLETIN: 25-0325R12 | 155162 | 1 |
| 225 | 851-30768-3584 | . | CAPSULE ASSY-LENS-ON/VTR/ TV ON SUPPLIER CODE: V96182 USED ON: 851-30768-3084 | | 1 |
| 236 | 685AS15 | .. | BULB- SUPPLIER CODE: V88204 | | 2 |
| 246 | MS25237-387 | .. | LAMP- | | 2 |

ILLUSTRATION ITEMS NOT ON PARTS LIST ARE NOT APPLICABLE

- ITEM NOT ILLUSTRATED

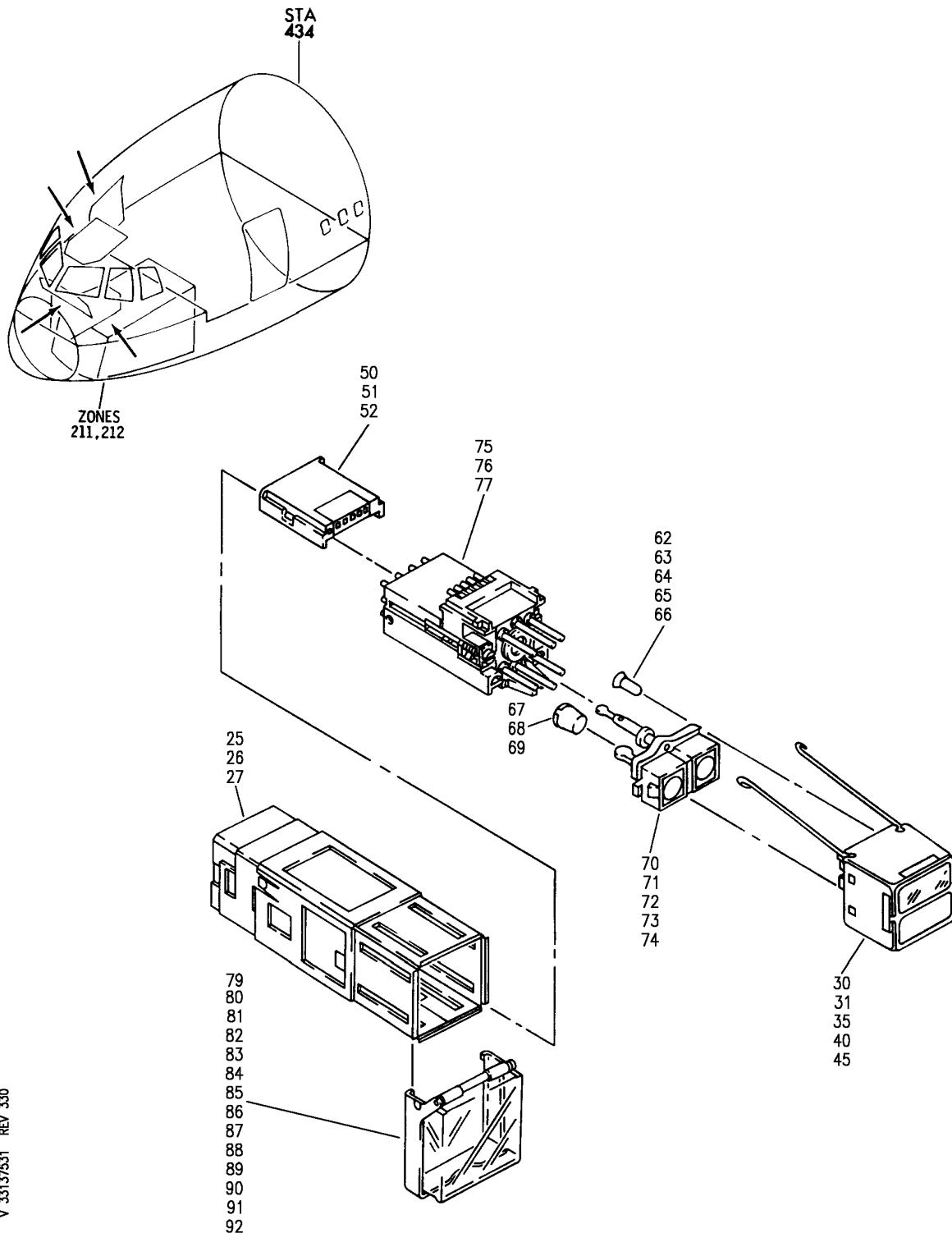
33-13-75-27

33-13-75
FIG. 27
PAGE 6
AUG 22/09

HXL

BOEING PROPRIETARY - Copyright © - Unpublished Work - See title page for details.

BOEING
767
PARTS CATALOG (MAINTENANCE)



V 33137531 REV 330

SWITCH ASSY-LIGHTED PUSH BUTTON IND
FIGURE 31

33-13-75-31

HXL
AUG 22/08

33-13-75-31
PAGE 0



767

PARTS CATALOG (MAINTENANCE)

| FIG ITEM | PART NUMBER | 1 2 3 4 5 6 7 | NOMENCLATURE | EFFECT FROM TO | UNITS PER ASSY |
|----------|-------------|---------------|--|----------------|----------------|
| 31 | | | | | |
| - 1 | BCREFA0501 | | SWITCH ASSY-LIGHTED PUSH BUTTON IND SWITCH ASSY-LIGHTED PUSH BUTTON IND ALTN SUPPLIER CODE: V81590 OVERLENGTH PART NUMBER: 433-673-1004-4001 SPECIFICATION NUMBER: S231T290-4001 MISCELLANEOUS DATA: WHEN REPLACING THE PUSHBUTTON SWITCH ASSY OR THE MASTER MODULE WITHIN, VERIFY THAT A CONFIG D MASTER MODULE P/N 13206-001 IS INSTALLED IN LIEU OF ANY EARLIER CONFIGURATION MASTER MODULES. REWORKED BY ALERT SB: 33A0087 FOR NHA SEE: 27-51-65-01 27-81-57-01 34-12-56-01 34-21-52-01 34-22-54-02 | | RF |
| - 1 | BCREF151861 | | SWITCH ASSY-LIGHTED PUSHBUTTON IND SUPPLIER CODE: V81590 OVERLENGTH PART NUMBER: 433-673-1004-4201 SPECIFICATION NUMBER: S231T290-4201 ELECTRICAL EQUIP NUMBER: S00482 | | RF |

ILLUSTRATION ITEMS NOT ON PARTS LIST ARE NOT APPLICABLE

- ITEM NOT ILLUSTRATED

HXL

33-13-75-31

BOEING PROPRIETARY - Copyright © - Unpublished Work - See title page for details.

33-13-75
 FIG. 31
 PAGE 1
 DEC 22/06



767

PARTS CATALOG (MAINTENANCE)

| FIG ITEM | PART NUMBER | 1 2 3 4 5 6 7 | NOMENCLATURE | EFFECT FROM TO | UNITS PER ASSY |
|-----------|---------------|---------------|---|----------------|----------------|
| 31 - 5 | BCREFA0503 | | SWITCH ASSY-LIGHTED PUSH BUTTON IND ON SUPPLIER CODE: V81590 OVERLENGTH PART NUMBER: 433-673-1004-4012 SPECIFICATION NUMBER: S231T290-4012 MISCELLANEOUS DATA: WHEN REPLACING THE PUSHBUTTON SWITCH ASSY OR THE MASTER MODULE WITHIN, VERIFY THAT A CONFIG D MASTER MODULE P/N 13206-001 IS INSTALLED IN LIEU OF ANY EARLIER CONFIGURATION MASTER MODULES. REWORKED BY ALERT SB: 33A0087 REWORKED BY COMPONENT SB: 233T3241-30-03 FOR NHA SEE: 33-11-53-02 33-44-51-01 33-45-52-03 | | RF |
| - 10 | BCREFA0524 | | SWITCH ASSY-LIGHTED PUSH BUTTON IND OVRD SUPPLIER CODE: V81590 OVERLENGTH PART NUMBER: 433-673-1004-4057 SPECIFICATION NUMBER: S231T290-4057 FOR NHA SEE: 31-51-02-11 34-46-53-02 | | RF |
| 25 | 433-107-002 | | .HOUSING ASSY-WITH MTG SLEEVE SUPPLIER CODE: V81590 | | 1 |
| 30 | 433-1004-4001 | | .CAP ASSY-LENS-ALTN SUPPLIER CODE: V81590 USED ON: BCREFA0501 AAP3531 4336731004-4201 | | 1 |

ILLUSTRATION ITEMS NOT ON PARTS LIST ARE NOT APPLICABLE

- ITEM NOT ILLUSTRATED

33-13-75-31

33-13-75
FIG. 31
PAGE 2
DEC 22/07

HXL



767

PARTS CATALOG (MAINTENANCE)

| FIG ITEM | PART NUMBER | 1 2 3 4 5 6 7 | NOMENCLATURE | EFFECT FROM TO | UNITS PER ASSY |
|----------|-----------------|---------------|--|----------------|----------------|
| 31 | | | | | |
| 40 | 433-1004-4057 | . | CAP ASSY-LENS-OVRD SUPPLIER CODE: V81590 USED ON: BCREFA0524 | | 1 |
| 50 | 433-097-003 | . | MODULE ASSY-CKT SUPPLIER CODE: V81590 | | 1 |
| 62 | MS24515-685AS15 | .. | LAMP- OPTIONAL PART: MS24515-685 | | 2 |
| 63 | MS24515-685 | .. | LAMP- OPTIONAL PART: MS24515-685AS15 | | 2 |
| 67 | 673-025-000 | .. | PLUG- SUPPLIER CODE: V81590 | | 2 |
| 70 | 673-092-005 | .. | HOLDER-LAMP SUPPLIER CODE: V81590 | | 1 |
| 72 | 13963-001 | .. | HOLDER-LAMP SUPPLIER CODE: V81590 | | 1 |
| 75 | 13206-001 | . | MODULE ASSY-MASTER SUPPLIER CODE: V81590 | | 1 |
| 80 | 433-100-002 | . | GUARD- SUPPLIER CODE: V81590 SPECIFICATION NUMBER: S231T290-821 OPTIONAL PART: 433-100-003 V81590 433-100-004 V81590 433-100-005 V81590 433-100-006 V81590 433-100-007 V81590 | | 1 |

ILLUSTRATION ITEMS NOT ON PARTS LIST ARE NOT APPLICABLE

- ITEM NOT ILLUSTRATED

HXL

33-13-75-31

BOEING PROPRIETARY - Copyright © - Unpublished Work - See title page for details.

33-13-75
FIG. 31
PAGE 3
AUG 22/08



767

PARTS CATALOG (MAINTENANCE)

| FIG ITEM | PART NUMBER | 1 2 3 4 5 6 7 | NOMENCLATURE | EFFECT FROM TO | UNITS PER ASSY |
|----------|-------------|---------------|--|----------------|----------------|
| 31 80 | 433-100-003 | | . GUARD- SUPPLIER CODE: V81590 SPECIFICATION NUMBER: S231T290-822 OPTIONAL PART: 433-100-002 V81590 433-100-004 V81590 433-100-005 V81590 433-100-006 V81590 433-100-007 V81590 | | 1 |
| 81 | 433-100-004 | | . GUARD- SUPPLIER CODE: V81590 SPECIFICATION NUMBER: S231T290-823 OPTIONAL PART: 433-100-002 V81590 433-100-003 V81590 433-100-005 V81590 433-100-006 V81590 433-100-007 V81590 | | 1 |
| 81 | 433-100-005 | | . GUARD- SUPPLIER CODE: V81590 SPECIFICATION NUMBER: S231T290-824 OPTIONAL PART: 433-100-002 V81590 433-100-003 V81590 433-100-004 V81590 433-100-006 V81590 433-100-007 V81590 | | 1 |

ILLUSTRATION ITEMS NOT ON PARTS LIST ARE NOT APPLICABLE

- ITEM NOT ILLUSTRATED

HXL

33-13-75-31

BOEING PROPRIETARY - Copyright © - Unpublished Work - See title page for details.

33-13-75
FIG. 31
PAGE 4
DEC 22/07



767

PARTS CATALOG (MAINTENANCE)

| FIG ITEM | PART NUMBER | 1 2 3 4 5 6 7 | NOMENCLATURE | EFFECT FROM TO | UNITS PER ASSY |
|----------|-------------|---------------|--|----------------|----------------|
| 31 | | | | | |
| 82 | 433-100-006 | | . GUARD- SUPPLIER CODE: V81590 OPTIONAL PART: 433-100-002 V81590 433-100-003 V81590 433-100-004 V81590 433-100-005 V81590 433-100-007 V81590 | | 1 |
| 82 | 433-100-007 | | . GUARD- SUPPLIER CODE: V81590 SPECIFICATION NUMBER: S231T290-826 OPTIONAL PART: 433-100-002 V81590 433-100-003 V81590 433-100-004 V81590 433-100-005 V81590 433-100-006 V81590 | | 1 |

ILLUSTRATION ITEMS NOT ON PARTS LIST ARE NOT APPLICABLE

- ITEM NOT ILLUSTRATED

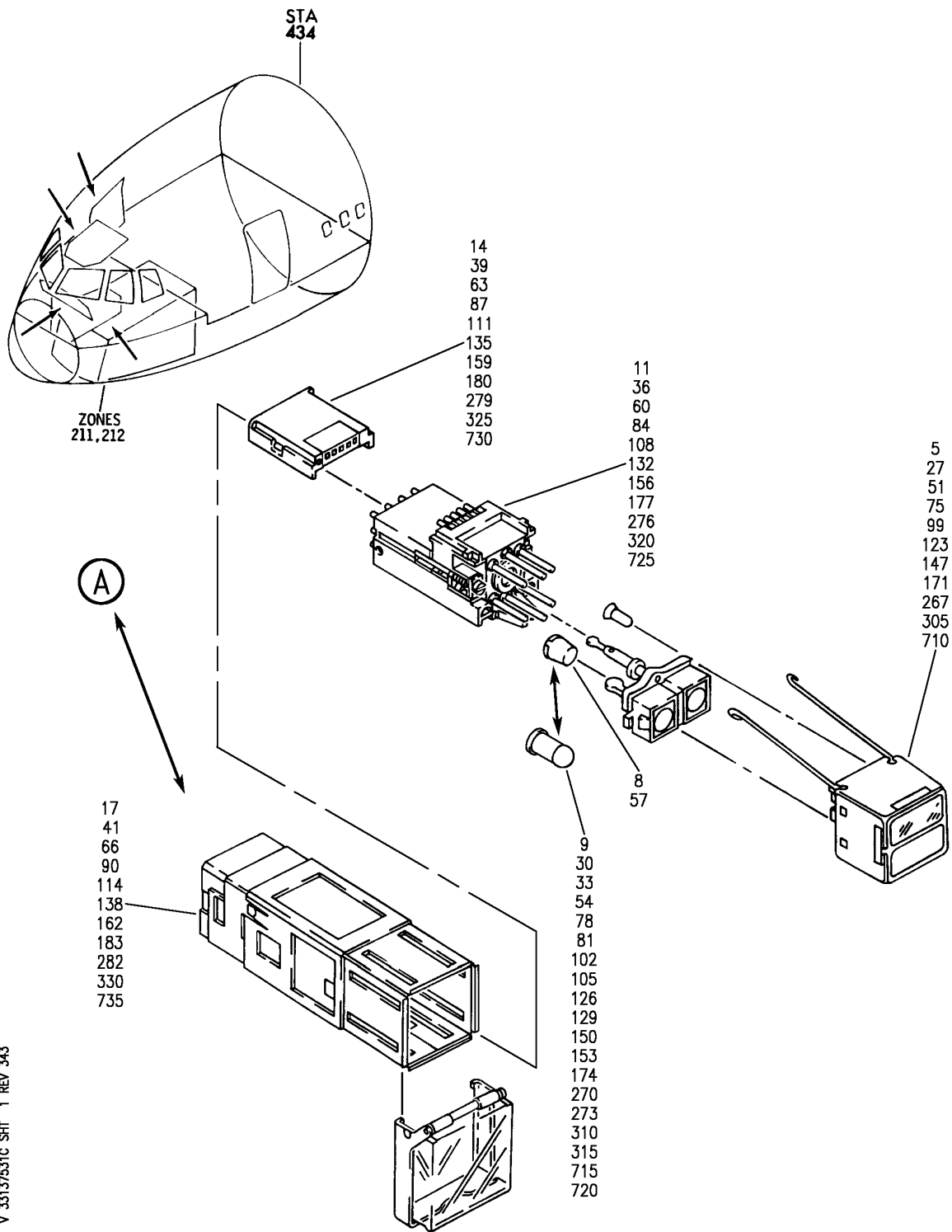
HXL

33-13-75-31

BOEING PROPRIETARY - Copyright © - Unpublished Work - See title page for details.

33-13-75
FIG. 31
PAGE 5
DEC 22/07

BOEING
767
PARTS CATALOG (MAINTENANCE)



V 33137531C SHT 1 REV 343

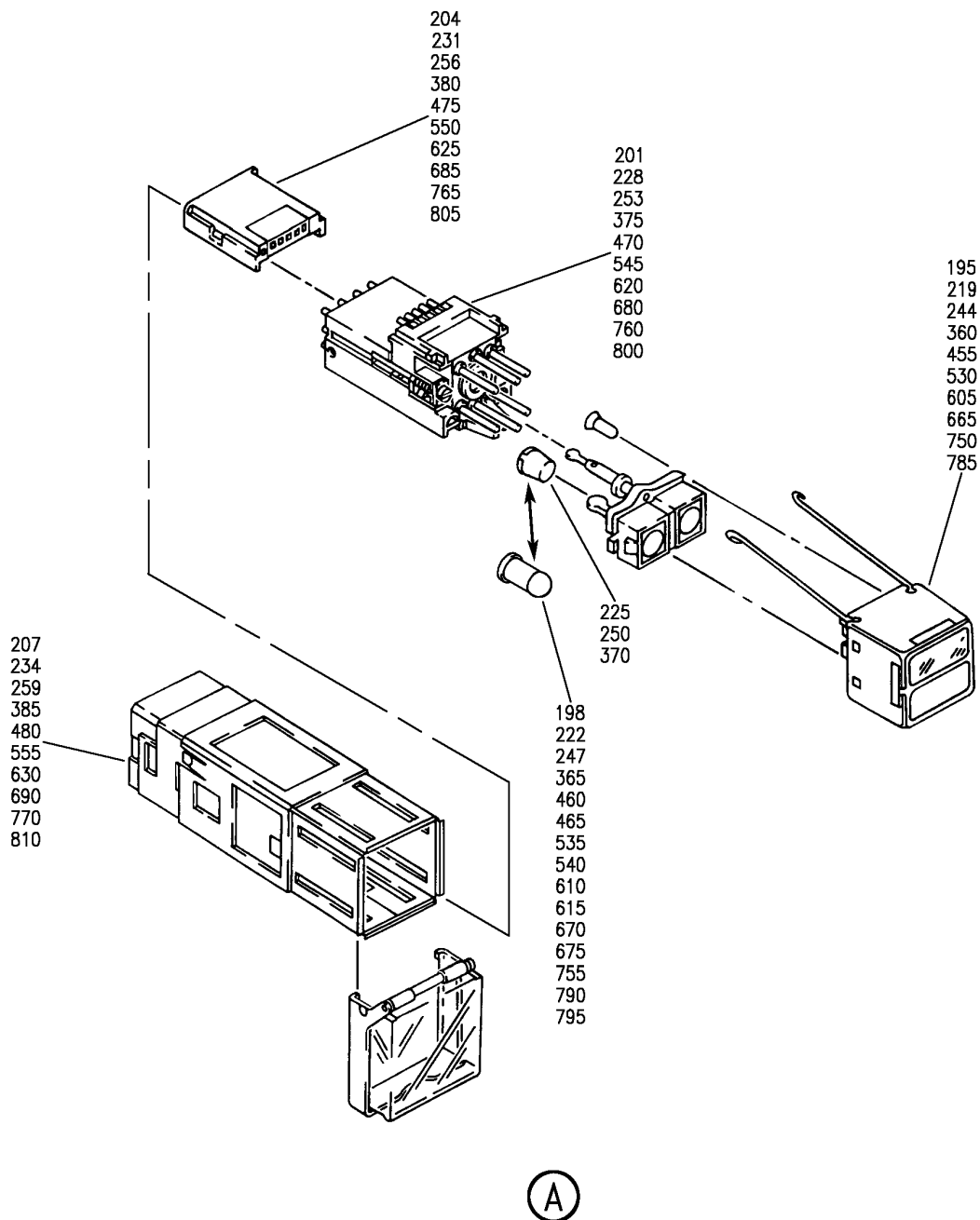
SWITCH ASSY-LIGHTED PUSH BUTTON IND
FIGURE 31C (SHEET 1)

33-13-75-31C

HXL
AUG 22/09

33-13-75-31C
PAGE 0

BOEING
767
PARTS CATALOG (MAINTENANCE)



V 33137531C SHT 2 REV 343

SWITCH ASSY-LIGHTED PUSH BUTTON IND
FIGURE 31C (SHEET 2)

33-13-75-31C

HXL
AUG 22/09

33-13-75-31C
PAGE 0A

 **BOEING**
767
PARTS CATALOG (MAINTENANCE)

| FIG ITEM | PART NUMBER | 1 2 3 4 5 6 7 | NOMENCLATURE | EFFECT FROM TO | UNITS PER ASSY |
|----------|-------------|-----------------|--|----------------|----------------|
| R | 31C | | | | |
| R | 135 | 433-097-003 | .MODULE ASSY-CKT SUPPLIER CODE: V81590 | | 1 |
| R | 138 | 433-107-003 | .MODULE ASSY-TERM. AND MTG SLEEVE SUPPLIER CODE: V81590 | | 1 |
| R | - 144 | 4336731004-4230 | SWITCH ASSY-LIGHTED PUSH BUTTON IND OFF SUPPLIER CODE: V81590 SPECIFICATION NUMBER: S231T290-4230 MISCELLANEOUS DATA: WHEN REPLACING THE PUSHBUTTON SWITCH ASSY OR THE MASTER MODULE WITHIN, VERIFY THAT A CONFIG D MASTER MODULE P/N 13206-001 IS INSTALLED IN LIEU OF ANY EARLIER CONFIGURATION MASTER MODULES. COMPONENT MAINT MANUAL REF: 33-10-22 FOR NHA SEE: 36-11-56-01 | | RF |
| R | 147 | 6731004-4230 | .CAP ASSY- SUPPLIER CODE: V81590 | | 1 |
| R | 150 | MS25237-387AS15 | ..LAMP- CONFIG CHG DATA FROM A CMM: SUPSD BY M6363-8-7AS15 | | 2 |
| R | 150 | M6363-8-7AS15 | ..LAMP- SUPPLIER CODE: V81590 CONFIG CHG DATA FROM A CMM: SUPERSEDES MS25237-387AS15 | | 2 |
| R | 153 | MS24515-685AS15 | ..LAMP | | 2 |
| R | 156 | 13206-001 | .MODULE ASSY-MASTER SUPPLIER CODE: V81590 | | 1 |
| R | 159 | 433-097-003 | .MODULE ASSY-CKT SUPPLIER CODE: V81590 | | 1 |

ILLUSTRATION ITEMS NOT ON PARTS LIST ARE NOT APPLICABLE

- ITEM NOT ILLUSTRATED

HXL

33-13-75-31C

BOEING PROPRIETARY - Copyright © - Unpublished Work - See title page for details.

33-13-75
FIG. 31C
PAGE 5
AUG 22/09



767
PARTS CATALOG (MAINTENANCE)

| FIG ITEM | PART NUMBER | 1 2 3 4 5 6 7 | NOMENCLATURE | EFFECT FROM TO | UNITS PER ASSY |
|-------------|-------------|---------------|--|-------------------|----------------------|
| 31C 810 | 433-107-003 | | .MODULE ASSY-TERM. AND MTG SLEEVE SUPPLIER CODE: V81590 | | 1 |

R
R
R
R

ILLUSTRATION ITEMS NOT ON PARTS LIST ARE NOT APPLICABLE

- ITEM NOT ILLUSTRATED

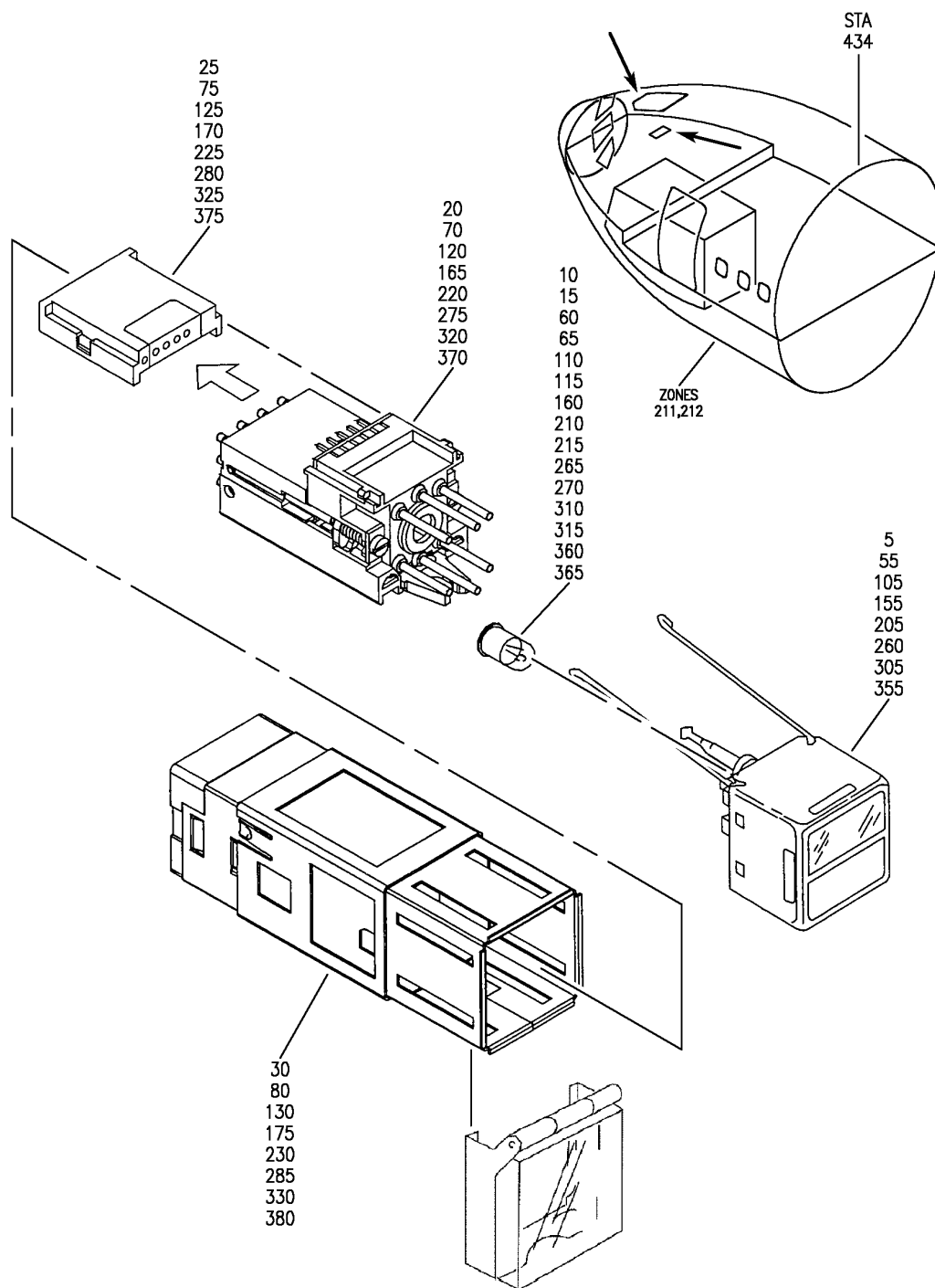
HXL

33-13-75-31C

BOEING PROPRIETARY - Copyright © - Unpublished Work - See title page for details.

33-13-75
FIG. 31C
PAGE 14
AUG 22/09

BOEING
767
PARTS CATALOG (MAINTENANCE)



V 33137531E REV 323

SWITCH ASSY-LIGHTED PUSH BUTTON IND
FIGURE 31E

33-13-75-31E

HXL
DEC 22/07

33-13-75-31E
PAGE 0



767

PARTS CATALOG (MAINTENANCE)

| FIG ITEM | PART NUMBER | 1 2 3 4 5 6 7 | NOMENCLATURE | EFFECT FROM TO | UNITS PER ASSY |
|---|-----------------|---------------|---|----------------|----------------|
| 31E | | | SWITCH ASSY-LIGHTED PUSH BUTTON IND | | |
| - 1 | 4336731004-4206 | | SWITCH ASSY-LIGHTED PUSH BUTTON IND DISCH SUPPLIER CODE: V81590 SPECIFICATION NUMBER: S231T290-4206 MISCELLANEOUS DATA: WHEN REPLACING THE PUSHBUTTON SWITCH ASSY OR THE MASTER MODULE WITHIN, VERIFY THAT A CONFIG D MASTER MODULE P/N 13203-001 IS INSTALLED IN LIEU OF ANY EARLIER CONFIGURATION MASTER MODULES. FOR NHA SEE: 26-23-54-01 | | RF |
| 5 | 6731004-4206 | | .CAP ASSY- SUPPLIER CODE: V81590 | | 1 |
| 10 | MS25237-387AS15 | | ..LAMP- OPTIONAL PART: M6363-8-7AS15 V81590 | | 2 |
| 10 | M6363-8-7AS15 | | ..LAMP- SUPPLIER CODE: V81590 OPTIONAL PART: MS25237-387AS15 | | 2 |
| 15 | 673-025-000 | | ..PLUG- SUPPLIER CODE: V81590 | | 2 |
| 20 | 13203-001 | | .MODULE ASSY-MASTER SUPPLIER CODE: V81590 | | 1 |
| 25 | 433-097-001 | | .MODULE ASSY-CKT SUPPLIER CODE: V81590 | | 1 |
| 30 | 433-107-003 | | .MODULE ASSY-TERM. AND MTG SLEEVE SUPPLIER CODE: V81590 | | 1 |
| ILLUSTRATION ITEMS NOT ON PARTS LIST ARE NOT APPLICABLE | | | | | |

- ITEM NOT ILLUSTRATED

33-13-75-31E

33-13-75
FIG. 31E
PAGE 1
DEC 22/06

HXL


BOEING
 767
PARTS CATALOG (MAINTENANCE)

| FIG ITEM | PART NUMBER | 1 2 3 4 5 6 7 | NOMENCLATURE | EFFECT FROM TO | UNITS PER ASSY |
|---|-------------|-----------------|---|----------------|----------------|
| R R R R R R R R R R R R R | 31E - 50 | 4336731004-4261 | SWITCH ASSY-LIGHTED PUSH BUTTON IND ARMED SUPPLIER CODE: V81590 POSITION DATA: FWD SPECIFICATION NUMBER: S231T290-4261 MISCELLANEOUS DATA: WHEN REPLACING THE PUSHBUTTON SWITCH ASSY OR THE MASTER MODULE WITHIN, VERIFY THAT A CONFIG D MASTER MODULE P/N 13206-001 IS INSTALLED IN LIEU OF ANY EARLIER CONFIGURATION MASTER MODULES. COMPONENT MAINT MANUAL REF: 33-10-22 FOR NHA SEE: 26-23-54-01 | | RF |
| | 55 | 6731004-4261 | .CAP ASSY- SUPPLIER CODE: V81590 | | 1 |
| | 60 | MS25237-387AS15 | ..LAMP- OPTIONAL PART: M6363-8-7AS15 V81590 | | 2 |
| | 60 | M6363-8-7AS15 | ..LAMP- SUPPLIER CODE: V81590 OPTIONAL PART: MS25237-387AS15 | | 2 |
| | 65 | MS24515-685AS15 | ..LAMP | | 2 |
| | 70 | 13206-001 | .MODULE ASSY-MASTER SUPPLIER CODE: V81590 | | 1 |
| | 75 | 433-097-003 | .MODULE ASSY-CKT SUPPLIER CODE: V81590 | | 1 |
| | 80 | 433-107-003 | .MODULE ASSY-TERM. AND MTG SLEEVE SUPPLIER CODE: V81590 | | 1 |
| ILLUSTRATION ITEMS NOT ON PARTS LIST ARE NOT APPLICABLE | | | | | |

- ITEM NOT ILLUSTRATED

HXL

33-13-75-31E

BOEING PROPRIETARY - Copyright © - Unpublished Work - See title page for details.

33-13-75
 FIG. 31E
 PAGE 2
 AUG 22/09

BOEING
767
PARTS CATALOG (MAINTENANCE)

| FIG ITEM | PART NUMBER | 1 2 3 4 5 6 7 | NOMENCLATURE | EFFECT FROM TO | UNITS PER ASSY |
|--|--------------|-----------------|--|----------------|----------------|
| R R R R R R R R R R R R | 31E - 100 | 4336731004-4262 | SWITCH ASSY-LIGHTED PUSH BUTTON IND ARMED SUPPLIER CODE: V81590 SPECIFICATION NUMBER: S231T290-4262 MISCELLANEOUS DATA: WHEN REPLACING THE PUSHBUTTON SWITCH ASSY OR THE MASTER MODULE WITHIN, VERIFY THAT A CONFIG D MASTER MODULE P/N 13206-001 IS INSTALLED IN LIEU OF ANY EARLIER CONFIGURATION MASTER MODULES. COMPONENT MAINT MANUAL REF: 33-10-22 FOR NHA SEE: 26-23-54-01 | | RF |
| | 105 | 6731004-4262 | .CAP ASSY- SUPPLIER CODE: V81590 | | 1 |
| | 110 | MS25237-387AS15 | ..LAMP- OPTIONAL PART: M6363-8-7AS15 V81590 | | 2 |
| | 110 | M6363-8-7AS15 | ..LAMP- SUPPLIER CODE: V81590 OPTIONAL PART: MS25237-387AS15 | | 2 |
| | 115 | MS24515-685AS15 | ..LAMP | | 2 |
| | 120 | 13206-001 | .MODULE ASSY-MASTER SUPPLIER CODE: V81590 | | 1 |
| | 125 | 433-097-003 | .MODULE ASSY-CKT SUPPLIER CODE: V81590 | | 1 |
| | 130 | 433-107-003 | .MODULE ASSY-TERM. AND MTG SLEEVE SUPPLIER CODE: V81590 | | 1 |
| ILLUSTRATION ITEMS NOT ON PARTS LIST ARE NOT APPLICABLE | | | | | |

- ITEM NOT ILLUSTRATED

HXL

33-13-75-31E

BOEING PROPRIETARY - Copyright © - Unpublished Work - See title page for details.

33-13-75
FIG. 31E
PAGE 3
AUG 22/09



767

PARTS CATALOG (MAINTENANCE)

| FIG ITEM | PART NUMBER | 1 2 3 4 5 6 7 | NOMENCLATURE | EFFECT FROM TO | UNITS PER ASSY |
|--------------|-----------------|---------------|---|----------------|----------------|
| 31E - 200 | 4336731004-4226 | | SWITCH ASSY-LIGHTED PUSH BUTTON IND ON/PRESS SUPPLIER CODE: V81590 SPECIFICATION NUMBER: S231T290-4226 FOR NHA SEE: 28-22-55-02 | | RF |
| 205 | 6731004-4226 | | .CAP ASSY- SUPPLIER CODE: V81590 | | 1 |
| 210 | MS25237-387AS15 | | ..LAMP- OPTIONAL PART: M6363-8-7AS15 V81590 | | 2 |
| 210 | M6363-8-7AS15 | | ..LAMP- SUPPLIER CODE: V81590 OPTIONAL PART: MS25237-387AS15 | | 2 |
| 215 | MS24515-685AS15 | | ..LAMP | | 2 |
| 220 | 13206-001 | | .MODULE ASSY-MASTER SUPPLIER CODE: V81590 | | 1 |
| 225 | 433-097-003 | | .MODULE ASSY-CKT SUPPLIER CODE: V81590 | | 1 |
| 230 | 433-107-003 | | .MODULE ASSY-TERM. AND MTG SLEEVE SUPPLIER CODE: V81590 | | 1 |
| - 350 | 4336731004-4221 | | SWITCH ASSY-LIGHTED PUSH BUTTON IND ON/PRESS SUPPLIER CODE: V81590 SPECIFICATION NUMBER: S231T290-4221 COMPONENT MAINT MANUAL REF: 33-10-22 FOR NHA SEE: 28-22-55-02 | | RF |
| 355 | 6731004-4221 | | .CAP ASSY- SUPPLIER CODE: V81590 | | 1 |
| 360 | MS25237-387AS15 | | ..LAMP- OPTIONAL PART: M6363-8-7AS15 V81590 | | 2 |

ILLUSTRATION ITEMS NOT ON PARTS LIST ARE NOT APPLICABLE

- ITEM NOT ILLUSTRATED

33-13-75-31E

33-13-75
FIG. 31E
PAGE 4
AUG 22/09

HXL

BOEING PROPRIETARY - Copyright © - Unpublished Work - See title page for details.



767

PARTS CATALOG (MAINTENANCE)

| FIG ITEM | PART NUMBER | 1 2 3 4 5 6 7 | NOMENCLATURE | EFFECT FROM TO | UNITS PER ASSY |
|-------------|------------------------------|---------------|--|----------------|----------------|
| 31 E 360 | M6363-8-7AS15 | . . | LAMP- SUPPLIER CODE: V81590 OPTIONAL PART: MS25237-387AS15 | | 2 |
| 365 370 | MS24515-685AS15 13206-001 | . . | LAMP .MODULE ASSY-MASTER SUPPLIER CODE: V81590 | | 2 1 |
| 375 | 433-097-003 | . . | MODULE ASSY-CKT SUPPLIER CODE: V81590 | | 1 |
| 380 | 433-107-003 | . . | MODULE ASSY-TERM. AND MTG SLEEVE SUPPLIER CODE: V81590 | | 1 |

ILLUSTRATION ITEMS NOT ON PARTS LIST ARE NOT APPLICABLE

- ITEM NOT ILLUSTRATED

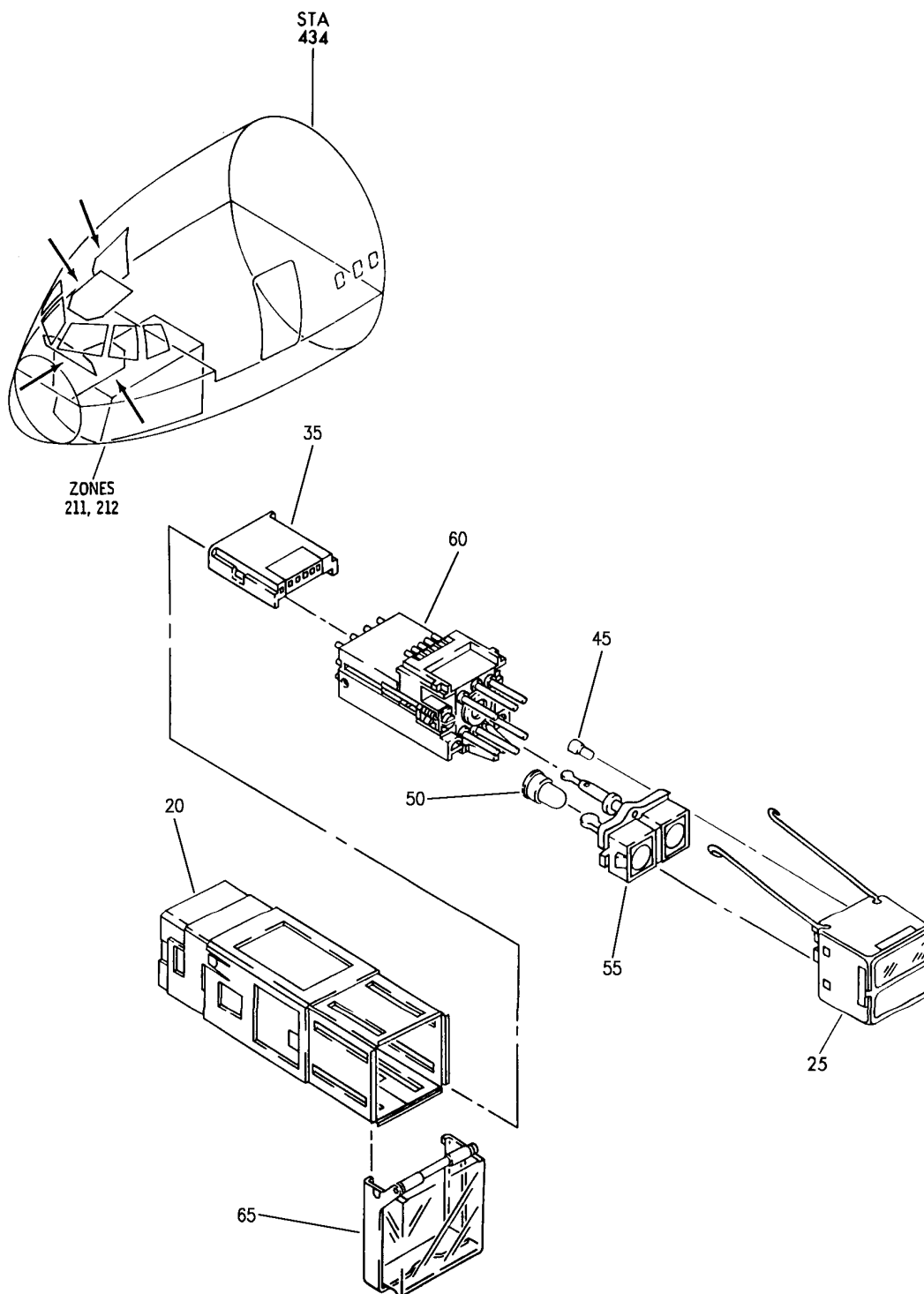
HXL

33-13-75-31E

BOEING PROPRIETARY - Copyright © - Unpublished Work - See title page for details.

33-13-75
FIG. 31E
PAGE 5
AUG 22/09

BOEING
767
PARTS CATALOG (MAINTENANCE)



V 33137532 REV 283

SWITCH ASSY-LIGHTED PUSH BUTTON IND
FIGURE 32

33-13-75-32

HXL
DEC 22/06

33-13-75-32
PAGE 0



767

PARTS CATALOG (MAINTENANCE)

| FIG ITEM | PART NUMBER | 1 2 3 4 5 6 7 | NOMENCLATURE | EFFECT FROM TO | UNITS PER ASSY |
|----------|---------------|---------------|--|----------------|----------------|
| 32 | | | SWITCH ASSY-LIGHTED PUSH BUTTON IND | | |
| - 1 | BCREFA0504 | | SWITCH ASSY-LIGHTED PUSH BUTTON IND OFF SUPPLIER CODE: V81590 OVERLENGTH PART NUMBER: 433-673-1004-4013 SPECIFICATION NUMBER: S231T290-4013 MISCELLANEOUS DATA: WHEN REPLACING THE PUSHBUTTON SWITCH ASSY OR THE MASTER MODULE WITHIN, VERIFY THAT A CONFIG D MASTER MODULE P/N 13206-001 IS INSTALLED IN LIEU OF ANY EARLIER CONFIGURATION MASTER MODULES. REWORKED BY COMPONENT SB: 233T3237-36-04 FOR NHA SEE: 36-11-56-01 | | RF |
| - 5 | BCREFA0508 | | SWITCH ASSY-LIGHTED PUSH BUTTON IND ON/PRESS SUPPLIER CODE: V81590 OVERLENGTH PART NUMBER: 433-673-1004-4021 SPECIFICATION NUMBER: S231T290-4021 FOR NHA SEE: 28-22-55-02 | | RF |
| 20 | 433-107-002 | | .HOUSING ASSY-WITH MTG SLEEVE SUPPLIER CODE: V81590 | | 1 |
| 25 | 673-1004-4013 | | .CAP ASSY-LENS-OFF SUPPLIER CODE: V81590 USED ON: BCREFA0504 AAP3543 | | 1 |
| 30 | 673-1004-4021 | | .CAP ASSY-LENS-ON/PRESS SUPPLIER CODE: V81590 USED ON: BCREFA0508 | | 1 |

ILLUSTRATION ITEMS NOT ON PARTS LIST ARE NOT APPLICABLE

- ITEM NOT ILLUSTRATED

33-13-75-32

33-13-75
FIG. 32
PAGE 1
DEC 22/06

HXL



767

PARTS CATALOG (MAINTENANCE)

| FIG ITEM | PART NUMBER | 1 2 3 4 5 6 7 | NOMENCLATURE | EFFECT FROM TO | UNITS PER ASSY |
|----------|-----------------|---------------|---|----------------|----------------|
| 32 | | | | | |
| 35 | 433-097-003 | | .MODULE ASSY-CKT SUPPLIER CODE: V81590 | | 1 |
| 45 | MS24515-685AS15 | | ..LAMP | | 2 |
| 50 | MS25237-387AS15 | | ..LAMP | | 2 |
| 55 | 673-092-005 | | ..HOLDER-LAMP SUPPLIER CODE: V81590 | | 1 |
| 55 | 13963-001 | | ..HOLDER-LAMP SUPPLIER CODE: V81590 | | 1 |
| 60 | 13206-001 | | .MODULE ASSY-MASTER SUPPLIER CODE: V81590 | | 1 |
| 65 | 433-100-002 | | .GUARD- SUPPLIER CODE: V81590 SPECIFICATION NUMBER: S231T290-821 OPTIONAL PART: 433-100-003 V81590 433-100-004 V81590 433-100-005 V81590 433-100-006 V81590 433-100-007 V81590 | | 1 |
| 65 | 433-100-003 | | .GUARD- SUPPLIER CODE: V81590 SPECIFICATION NUMBER: S231T290-822 OPTIONAL PART: 433-100-002 V81590 433-100-004 V81590 433-100-005 V81590 433-100-006 V81590 433-100-007 V81590 | | 1 |

ILLUSTRATION ITEMS NOT ON PARTS LIST ARE NOT APPLICABLE

- ITEM NOT ILLUSTRATED

HXL

33-13-75-32

BOEING PROPRIETARY - Copyright © - Unpublished Work - See title page for details.

33-13-75
FIG. 32
PAGE 2
AUG 22/08



767

PARTS CATALOG (MAINTENANCE)

| FIG ITEM | PART NUMBER | 1 2 3 4 5 6 7 | NOMENCLATURE | EFFECT FROM TO | UNITS PER ASSY |
|----------|-------------|---------------|--|----------------|----------------|
| 32 65 | 433-100-004 | | . GUARD- SUPPLIER CODE: V81590 SPECIFICATION NUMBER: S231T290-823 OPTIONAL PART: 433-100-002 V81590 433-100-003 V81590 433-100-005 V81590 433-100-006 V81590 433-100-007 V81590 | | 1 |
| 65 | 433-100-005 | | . GUARD- SUPPLIER CODE: V81590 SPECIFICATION NUMBER: S231T290-824 OPTIONAL PART: 433-100-002 V81590 433-100-003 V81590 433-100-004 V81590 433-100-006 V81590 433-100-007 V81590 | | 1 |
| 65 | 433-100-006 | | . GUARD- SUPPLIER CODE: V81590 OPTIONAL PART: 433-100-002 V81590 433-100-003 V81590 433-100-004 V81590 433-100-005 V81590 433-100-007 V81590 | | 1 |

ILLUSTRATION ITEMS NOT ON PARTS LIST ARE NOT APPLICABLE

- ITEM NOT ILLUSTRATED

HXL

33-13-75-32

BOEING PROPRIETARY - Copyright © - Unpublished Work - See title page for details.

33-13-75
FIG. 32
PAGE 3
DEC 22/06



767

PARTS CATALOG (MAINTENANCE)

| FIG ITEM | PART NUMBER | 1 2 3 4 5 6 7 NOMENCLATURE | EFFECT FROM TO | UNITS PER ASSY |
|-------------|-------------|--|-------------------|----------------------|
| 32 65 | 433-100-007 | . GUARD- SUPPLIER CODE: V81590 SPECIFICATION NUMBER: S231T290-826 OPTIONAL PART: 433-100-002 V81590 433-100-003 V81590 433-100-004 V81590 433-100-005 V81590 433-100-006 V81590 | | 1 |

ILLUSTRATION ITEMS NOT ON PARTS LIST ARE NOT APPLICABLE

- ITEM NOT ILLUSTRATED

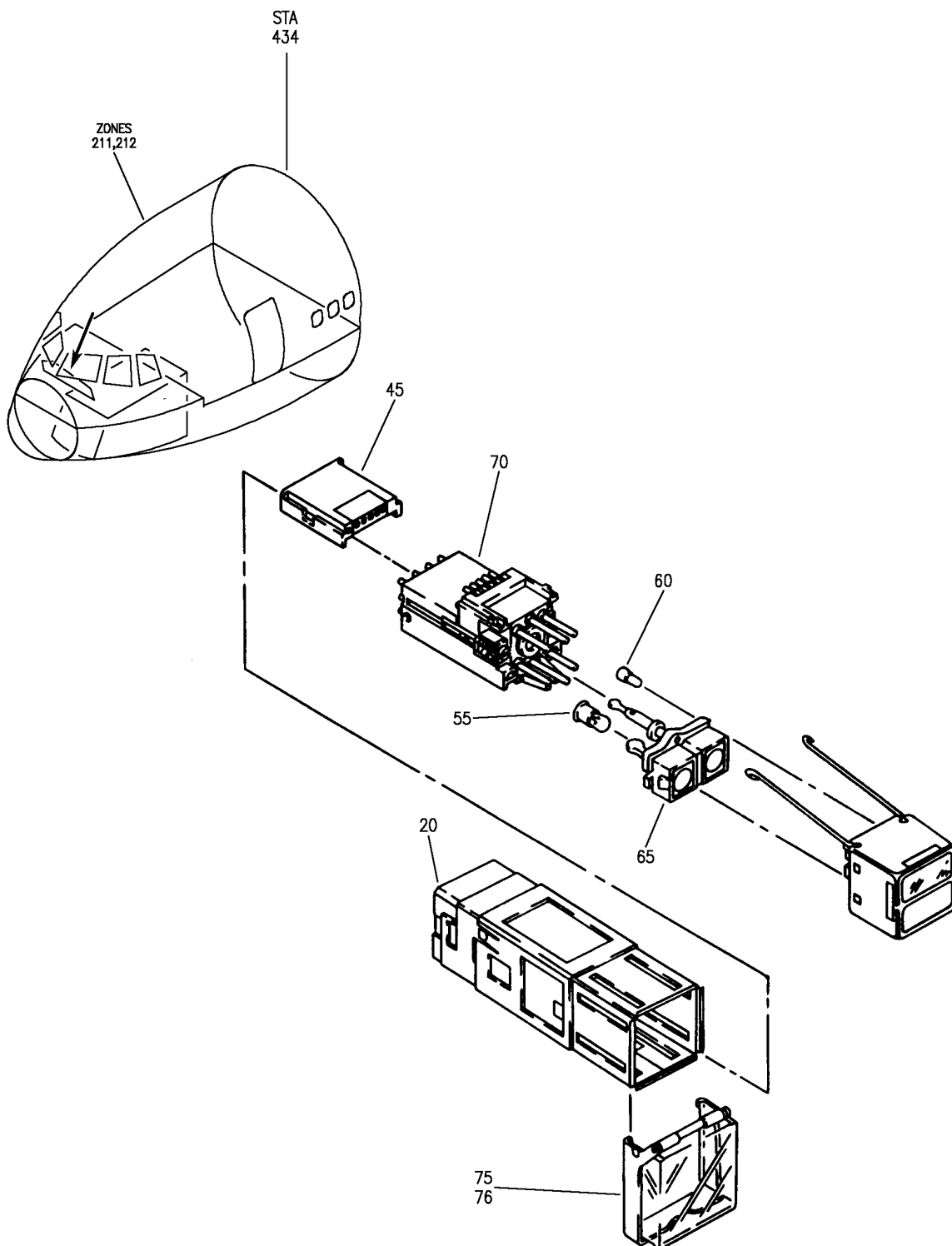
HXL

33-13-75-32

BOEING PROPRIETARY - Copyright © - Unpublished Work - See title page for details.

33-13-75
FIG. 32
PAGE 4
DEC 22/06

BOEING
767
PARTS CATALOG (MAINTENANCE)



1 V 33137533 REV 309

SWITCH ASSY-LIGHTED PUSH BUTTON IND
FIGURE 33

33-13-75-33

HXL
DEC 22/06

33-13-75-33
PAGE 0



767

PARTS CATALOG (MAINTENANCE)

| FIG ITEM | PART NUMBER | 1 2 3 4 5 6 7 | NOMENCLATURE | EFFECT FROM TO | UNITS PER ASSY |
|----------|-------------|---------------|--|----------------|----------------|
| 33 | | | | | |
| - 1 | BCREFA0834 | | SWITCH ASSY-LIGHTED PUSH BUTTON IND SWITCH ASSY-LIGHTED PUSH BUTTON IND VALVE SUPPLIER CODE: V81590 OVERLENGTH PART NUMBER: 433-673-1004-4019 SPECIFICATION NUMBER: S231T290-4019 QUALIFIED I/W DATA: 851-30768-2019 T/W 851-30768-803 OR -813 SWITCHGUARD I/W BCREF7685 BCREFA0834 OR S231T290-5019 T/W 433-100-004 SWITCHGUARD FOR NHA SEE: 36-11-56-01 | | RF |
| - 5 | BCREFA0513 | | SWITCH ASSY-LIGHTED PUSH BUTTON IND OFF SUPPLIER CODE: V81590 OVERLENGTH PART NUMBER: 433-673-1004-4030 SPECIFICATION NUMBER: S231T290-4030 MISCELLANEOUS DATA: WHEN REPLACING THE PUSHBUTTON SWITCH ASSY OR THE MASTER MODULE WITHIN, VERIFY THAT A CONFIG D MASTER MODULE P/N 13206-001 IS INSTALLED IN LIEU OF ANY EARLIER CONFIGURATION MASTER MODULES. REWORKED BY COMPONENT SB: 233T3237-36-04 FOR NHA SEE: 36-11-56-01 | | RF |

ILLUSTRATION ITEMS NOT ON PARTS LIST ARE NOT APPLICABLE

- ITEM NOT ILLUSTRATED

33-13-75-33

33-13-75
FIG. 33
PAGE 1
DEC 22/06

HXL



767

PARTS CATALOG (MAINTENANCE)

| FIG ITEM | PART NUMBER | 1 2 3 4 5 6 7 | NOMENCLATURE | EFFECT FROM TO | UNITS PER ASSY |
|---|---------------|---------------|--|----------------|----------------|
| 33 | | | | | |
| - 10 | BCREFA0514 | | SWITCH ASSY-LIGHTED PUSH BUTTON IND OFF/ON SUPPLIER CODE: V81590 OVERLENGTH PART NUMBER: 433-673-1004-4031 SPECIFICATION NUMBER: S231T290-4031 FOR NHA SEE: 24-22-51-01 | | RF |
| - 15 | BCREFA0509 | | SWITCH ASSY-LIGHTED PUSH BUTTON IND PRESS/ON SUPPLIER CODE: V81590 OVERLENGTH PART NUMBER: 433-673-1004-4022 SPECIFICATION NUMBER: S231T290-4022 FOR NHA SEE: 28-22-55-02 | | RF |
| 20 | 433-107-002 | | .HOUSING ASSY-WITH MTG SLEEVE SUPPLIER CODE: V81590 | | 1 |
| 25 | 673-1004-4019 | | .CAP ASSY-LENS-VALVE SUPPLIER CODE: V81590 USED ON: BCREFA0834 AAP3549 | | 1 |
| 30 | 673-1004-4030 | | .CAP ASSY-LENS-OFF SUPPLIER CODE: V81590 USED ON: BCREFA0513 | | 1 |
| 35 | 673-1004-4031 | | .CAP ASSY-LENS-OFF/ON SUPPLIER CODE: V81590 USED ON: BCREFA0514 AAP3561 | | 1 |
| 40 | 673-1004-4022 | | .CAP ASSY-LENS-PRESS/ON SUPPLIER CODE: V81590 USED ON: BCREFA0509 | | 1 |
| 45 | 433-097-003 | | .MODULE ASSY-CKT SUPPLIER CODE: V81590 | | 1 |
| ILLUSTRATION ITEMS NOT ON PARTS LIST ARE NOT APPLICABLE | | | | | |

- ITEM NOT ILLUSTRATED

33-13-75-33

33-13-75
FIG. 33
PAGE 2
DEC 22/06

HXL



767

PARTS CATALOG (MAINTENANCE)

| FIG ITEM | PART NUMBER | 1 2 3 4 5 6 7 | NOMENCLATURE | EFFECT FROM TO | UNITS PER ASSY |
|----------|-----------------|---------------|---------------------------------------|----------------|----------------|
| 33 | | | | | |
| 55 | MS25237-387AS15 | .. | LAMP | | 2 |
| 60 | MS24515-685AS15 | .. | LAMP | | 2 |
| 65 | 673-092-005 | .. | HOLDER-LAMP | | 1 |
| | | | SUPPLIER CODE: V81590 | | |
| 65 | 13963-001 | .. | HOLDER-LAMP | | 1 |
| | | | SUPPLIER CODE: V81590 | | |
| 70 | 13206-001 | . | MODULE ASSY-MASTER | | 1 |
| | | | SUPPLIER CODE: V81590 | | |
| 75 | 433-100-002 | . | GUARD- | | 1 |
| | | | SUPPLIER CODE: V81590 | | |
| | | | SPECIFICATION NUMBER: S231T290-821 | | |
| | | | OPTIONAL PART: 433-100-003 | | |
| | | | V81590 | | |
| | | | 433-100-004 | | |
| | | | V81590 | | |
| | | | 433-100-005 | | |
| | | | V81590 | | |
| | | | 433-100-006 | | |
| | | | V81590 | | |
| | | | 433-100-007 | | |
| | | | V81590 | | |
| 75 | 433-100-003 | . | GUARD- | | 1 |
| | | | SUPPLIER CODE: V81590 | | |
| | | | SPECIFICATION NUMBER: S231T290-822 | | |
| | | | OPTIONAL PART: 433-100-002 | | |
| | | | V81590 | | |
| | | | 433-100-004 | | |
| | | | V81590 | | |
| | | | 433-100-005 | | |
| | | | V81590 | | |
| | | | 433-100-006 | | |
| | | | V81590 | | |
| | | | 433-100-007 | | |
| | | | V81590 | | |

ILLUSTRATION ITEMS NOT ON PARTS LIST ARE NOT APPLICABLE

- ITEM NOT ILLUSTRATED

HXL

33-13-75-33

BOEING PROPRIETARY - Copyright © - Unpublished Work - See title page for details.

33-13-75
FIG. 33
PAGE 3
AUG 22/08



767

PARTS CATALOG (MAINTENANCE)

| FIG ITEM | PART NUMBER | 1 2 3 4 5 6 7 | NOMENCLATURE | EFFECT FROM TO | UNITS PER ASSY |
|----------|-------------|---------------|--|----------------|----------------|
| 33 75 | 433-100-004 | | . GUARD- SUPPLIER CODE: V81590 SPECIFICATION NUMBER: S231T290-823 OPTIONAL PART: 433-100-002 V81590 433-100-003 V81590 433-100-005 V81590 433-100-006 V81590 433-100-007 V81590 | | 1 |
| 75 | 433-100-005 | | . GUARD- SUPPLIER CODE: V81590 SPECIFICATION NUMBER: S231T290-824 OPTIONAL PART: 433-100-002 V81590 433-100-003 V81590 433-100-004 V81590 433-100-006 V81590 433-100-007 V81590 | | 1 |
| 75 | 433-100-006 | | . GUARD- SUPPLIER CODE: V81590 OPTIONAL PART: 433-100-002 V81590 433-100-003 V81590 433-100-004 V81590 433-100-005 V81590 433-100-007 V81590 | | 1 |

ILLUSTRATION ITEMS NOT ON PARTS LIST ARE NOT APPLICABLE

- ITEM NOT ILLUSTRATED

HXL

33-13-75-33

BOEING PROPRIETARY - Copyright © - Unpublished Work - See title page for details.

33-13-75
FIG. 33
PAGE 4
DEC 22/06



**767
PARTS CATALOG (MAINTENANCE)**

| FIG ITEM | PART NUMBER | 1 2 3 4 5 6 7 NOMENCLATURE | EFFECT FROM TO | UNITS PER ASSY |
|-------------|-------------|--|-------------------|----------------------|
| 33 75 | 433-100-007 | . GUARD- SUPPLIER CODE: V81590 SPECIFICATION NUMBER: S231T290-826 OPTIONAL PART: 433-100-002 V81590 433-100-003 V81590 433-100-004 V81590 433-100-005 V81590 433-100-006 V81590 | | 1 |

ILLUSTRATION ITEMS NOT ON PARTS LIST ARE NOT APPLICABLE

— ITEM NOT ILLUSTRATED

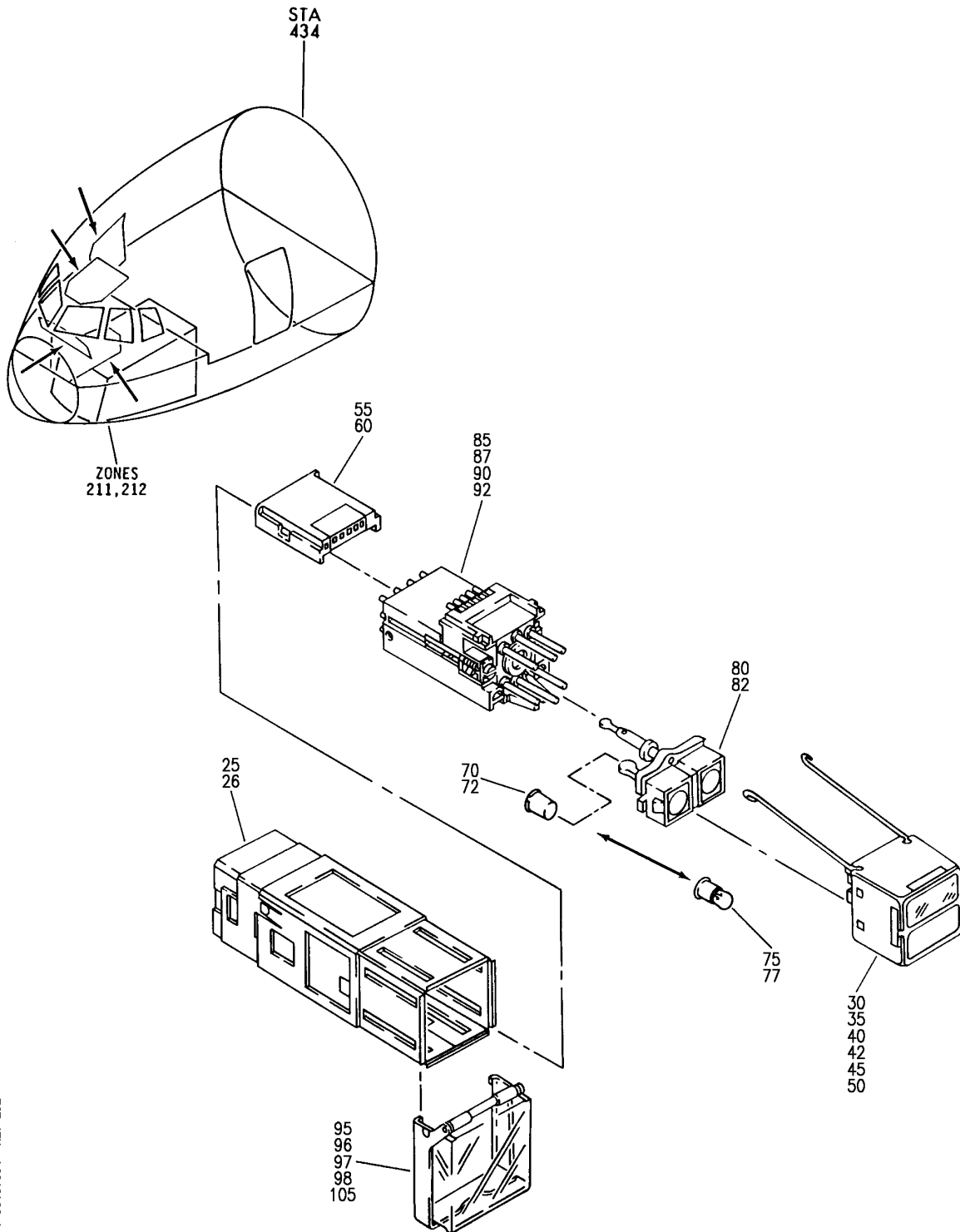
HXL

33-13-75-33

BOEING PROPRIETARY - Copyright © - Unpublished Work - See title page for details.

33-13-75
FIG. 33
PAGE 5
DEC 22/06

BOEING
767
PARTS CATALOG (MAINTENANCE)



V 33137534 REV 292

SWITCH ASSY-LIGHTED PUSH BUTTON IND
FIGURE 34

33-13-75-34

HXL
DEC 22/06

33-13-75-34
PAGE 0



767

PARTS CATALOG (MAINTENANCE)

| FIG ITEM | PART NUMBER | 1 2 3 4 5 6 7 NOMENCLATURE | EFFECT FROM TO | UNITS PER ASSY |
|---------------|-------------|--|-------------------|----------------------|
| 34 - 1 | BCREFA0502 | SWITCH ASSY-LIGHTED PUSH BUTTON IND SWITCH ASSY-LIGHTED PUSH BUTTON IND DRIVE SUPPLIER CODE: V81590 OVERLENGTH PART NUMBER: 433-673-1004-4007 SPECIFICATION NUMBER: S231T290-4007 MISCELLANEOUS DATA: WHEN REPLACING THE PUSHBUTTON SWITCH ASSY OR THE MASTER MODULE WITHIN, VERIFY THAT A CONFIG D MASTER MODULE P/N 13202-001 IS INSTALLED IN LIEU OF ANY EARLIER CONFIGURATION MASTER MODULES. QUALIFIED I/W DATA: 851-30768-2007 TOGETHER WITH 851-30768-802 OR -812 OR 433-100-003 SWITCHGUARD I/W BCREFA0502 S231T290-5007 TOGETHER WITH 433-100-003 SWITCHGUARD 851-30768-2007 TOGETHER WITH 851-30768-802 OR -812 OR 433-100-003 SWITCHGUARD I/W BCREFA0502 S231T290-5007 TOGETHER WITH 433-100-003 SWITCHGUARD FOR NHA SEE: 24-11-54-01 | | RF |

ILLUSTRATION ITEMS NOT ON PARTS LIST ARE NOT APPLICABLE

- ITEM NOT ILLUSTRATED

33-13-75-34

33-13-75
 FIG. 34
 PAGE 1
 DEC 22/06

HXL



767

PARTS CATALOG (MAINTENANCE)

| FIG ITEM | PART NUMBER | 1 2 3 4 5 6 7 NOMENCLATURE | EFFECT FROM TO | UNITS PER ASSY |
|-------------|-------------|--|-------------------|----------------------|
| 34 - 5 | BCREFA0518 | SWITCH ASSY-LIGHTED PUSH BUTTON IND ON SUPPLIER CODE: V81590 OVERLENGTH PART NUMBER: 433-673-1004-4041 SPECIFICATION NUMBER: S231T290-4041 MISCELLANEOUS DATA: WHEN REPLACING THE PUSHBUTTON SWITCH ASSY OR THE MASTER MODULE WITHIN, VERIFY THAT A CONFIG D MASTER MODULE P/N 13202-001 IS INSTALLED IN LIEU OF ANY EARLIER CONFIGURATION MASTER MODULES. QUALIFIED I/W DATA: 851-30768-2041 TOGETHER WITH 851-30768-802 OR -812 OR 433-100-003 SWITCHGUARD I/W BCREFA0518 851-30768-3041 BCREFA0518 OR S231T290-5041 T/W 433-100-003 REWORKED BY COMPONENT SB: 233T3210-33-01 FOR NHA SEE: 35-21-52-01 | | RF |

ILLUSTRATION ITEMS NOT ON PARTS LIST ARE NOT APPLICABLE

- ITEM NOT ILLUSTRATED

HXL

33-13-75-34

BOEING PROPRIETARY - Copyright © - Unpublished Work - See title page for details.

33-13-75
 FIG. 34
 PAGE 2
 DEC 22/06



767

PARTS CATALOG (MAINTENANCE)

| FIG ITEM | PART NUMBER | 1 2 3 4 5 6 7 | NOMENCLATURE | EFFECT FROM TO | UNITS PER ASSY |
|---|-------------|---------------|--|----------------|----------------|
| 34 - 10 | BCREFA0525 | | SWITCH ASSY-LIGHTED PUSH BUTTON IND (DISCH) SUPPLIER CODE: V81590 OVERLENGTH PART NUMBER: 433-673-1004-4060 SPECIFICATION NUMBER: S231T290-4060 MISCELLANEOUS DATA: WHEN REPLACING THE PUSHBUTTON SWITCH ASSY OR THE MASTER MODULE WITHIN, VERIFY THAT A CONFIG D MASTER MODULE P/N 13202-001 IS INSTALLED IN LIEU OF ANY EARLIER CONFIGURATION MASTER MODULES. REWORKED BY COMPONENT SB: 233N6203-26-10 FOR NHA SEE: 26-23-54-01 | | RF |
| - 15 | BCREFA0528 | | SWITCH ASSY-LIGHTED PUSH BUTTON IND FAIL P-RESET SUPPLIER CODE: V81590 OVERLENGTH PART NUMBER: 433-673-1004-4063 SPECIFICATION NUMBER: S231T290-4063 FOR NHA SEE: 26-11-53-01 | | RF |
| - 20 | BCREFA0532 | | SWITCH ASSY-LIGHTED PUSH BUTTON IND FIELD OFF SUPPLIER CODE: V81590 OVERLENGTH PART NUMBER: 433-673-1004-4073 SPECIFICATION NUMBER: S231T290-4073 OPTIONAL PART: S231T290-5073 FOR NHA SEE: 24-22-01-02 | | RF |
| 25 | 433-107-002 | | .HOUSING ASSY-WITH MTG SLEEVE SUPPLIER CODE: V81590 | | 1 |
| ILLUSTRATION ITEMS NOT ON PARTS LIST ARE NOT APPLICABLE | | | | | |

- ITEM NOT ILLUSTRATED

33-13-75-34

33-13-75
FIG. 34
PAGE 3
DEC 22/06

HXL



767

PARTS CATALOG (MAINTENANCE)

| FIG ITEM | PART NUMBER | 1 2 3 4 5 6 7 | NOMENCLATURE | EFFECT FROM TO | UNITS PER ASSY |
|----------|-----------------|---------------|--|----------------|----------------|
| 34 | | | | | |
| 30 | 673-1004-4007 | . | CAP ASSY-LENS-DRIVE SUPPLIER CODE: V81590 USED ON: BCREFA0502 AAP3537 | | 1 |
| 35 | 673-1004-4041 | . | CAP ASSY-LENS-ON SUPPLIER CODE: V81590 USED ON: BCREFA0518 AAP3571 | | 1 |
| 40 | 673-1004-4060 | . | CAP ASSY-LENS-DISCH SUPPLIER CODE: V81590 USED ON: BCREFA0525 AAP3590 | | 1 |
| 45 | 673-1004-4063 | . | CAP ASSY-LENS-FAIL P-RESET SUPPLIER CODE: V81590 USED ON: BCREFA0528 | | 1 |
| 50 | 673-1004-4073 | . | CAP ASSY-LENS-FIELD OFF SUPPLIER CODE: V81590 USED ON: BCREFA0532 | | 1 |
| 55 | 433-097-001 | . | MODULE ASSY-CKT SUPPLIER CODE: V81590 | | 1 |
| 70 | 673-025-000 | .. | PLUG- SUPPLIER CODE: V81590 | | 2 |
| 75 | MS25237-387AS15 | .. | LAMP- OPTIONAL PART: M6363-8-7AS15 V81590 | | 2 |
| 75 | M6363-8-7AS15 | .. | LAMP- SUPPLIER CODE: V81590 OPTIONAL PART: MS25237-387AS15 | | 2 |
| 80 | 673-092-005 | .. | HOLDER-LAMP SUPPLIER CODE: V81590 | | 1 |
| 80 | 13963-001 | .. | HOLDER-LAMP SUPPLIER CODE: V81590 | | 1 |

ILLUSTRATION ITEMS NOT ON PARTS LIST ARE NOT APPLICABLE

- ITEM NOT ILLUSTRATED

33-13-75-34

33-13-75
FIG. 34
PAGE 4
AUG 22/08

HXL

BOEING PROPRIETARY - Copyright © - Unpublished Work - See title page for details.



767

PARTS CATALOG (MAINTENANCE)

| FIG ITEM | PART NUMBER | 1 2 3 4 5 6 7 | NOMENCLATURE | EFFECT FROM TO | UNITS PER ASSY |
|----------|-------------|---------------|---|----------------|----------------|
| 34 85 | 13202-001 | | .MODULE ASSY-MASTER SUPPLIER CODE: V81590 USED ON: BCREFA0502 BCREFA0518 BCREFA0525 | | 1 |
| 90 | 13203-001 | | .MODULE ASSY-MASTER SUPPLIER CODE: V81590 USED ON: BCREFA0528 BCREFA0532 | | 1 |
| 95 | 433-100-002 | | .GUARD- SUPPLIER CODE: V81590 SPECIFICATION NUMBER: S231T290-821 OPTIONAL PART: 433-100-003 V81590 433-100-004 V81590 433-100-005 V81590 433-100-006 V81590 433-100-007 V81590 | | 1 |
| 95 | 433-100-003 | | .GUARD- SUPPLIER CODE: V81590 SPECIFICATION NUMBER: S231T290-822 OPTIONAL PART: 433-100-002 V81590 433-100-004 V81590 433-100-005 V81590 433-100-006 V81590 433-100-007 V81590 | | 1 |

ILLUSTRATION ITEMS NOT ON PARTS LIST ARE NOT APPLICABLE

- ITEM NOT ILLUSTRATED

HXL

33-13-75-34

BOEING PROPRIETARY - Copyright © - Unpublished Work - See title page for details.

33-13-75
FIG. 34
PAGE 5
DEC 22/06



767

PARTS CATALOG (MAINTENANCE)

| FIG ITEM | PART NUMBER | 1 2 3 4 5 6 7 | NOMENCLATURE | EFFECT FROM TO | UNITS PER ASSY |
|----------|-------------|---------------|--|----------------|----------------|
| 34 96 | 433-100-004 | | . GUARD- SUPPLIER CODE: V81590 SPECIFICATION NUMBER: S231T290-823 OPTIONAL PART: 433-100-002 V81590 433-100-003 V81590 433-100-005 V81590 433-100-006 V81590 433-100-007 V81590 | | 1 |
| 96 | 433-100-005 | | . GUARD- SUPPLIER CODE: V81590 SPECIFICATION NUMBER: S231T290-824 OPTIONAL PART: 433-100-002 V81590 433-100-003 V81590 433-100-004 V81590 433-100-006 V81590 433-100-007 V81590 | | 1 |
| 96 | 433-100-006 | | . GUARD- SUPPLIER CODE: V81590 OPTIONAL PART: 433-100-002 V81590 433-100-003 V81590 433-100-004 V81590 433-100-005 V81590 433-100-007 V81590 | | 1 |

ILLUSTRATION ITEMS NOT ON PARTS LIST ARE NOT APPLICABLE

- ITEM NOT ILLUSTRATED

HXL

33-13-75-34

BOEING PROPRIETARY - Copyright © - Unpublished Work - See title page for details.

33-13-75
FIG. 34
PAGE 6
DEC 22/06



767

PARTS CATALOG (MAINTENANCE)

| FIG ITEM | PART NUMBER | 1 2 3 4 5 6 7 NOMENCLATURE | EFFECT FROM TO | UNITS PER ASSY |
|-------------|-------------|--|-------------------|----------------------|
| 34 97 | 433-100-007 | . GUARD- SUPPLIER CODE: V81590 SPECIFICATION NUMBER: S231T290-826 OPTIONAL PART: 433-100-002 V81590 433-100-003 V81590 433-100-004 V81590 433-100-005 V81590 433-100-006 V81590 | | 1 |

ILLUSTRATION ITEMS NOT ON PARTS LIST ARE NOT APPLICABLE

- ITEM NOT ILLUSTRATED

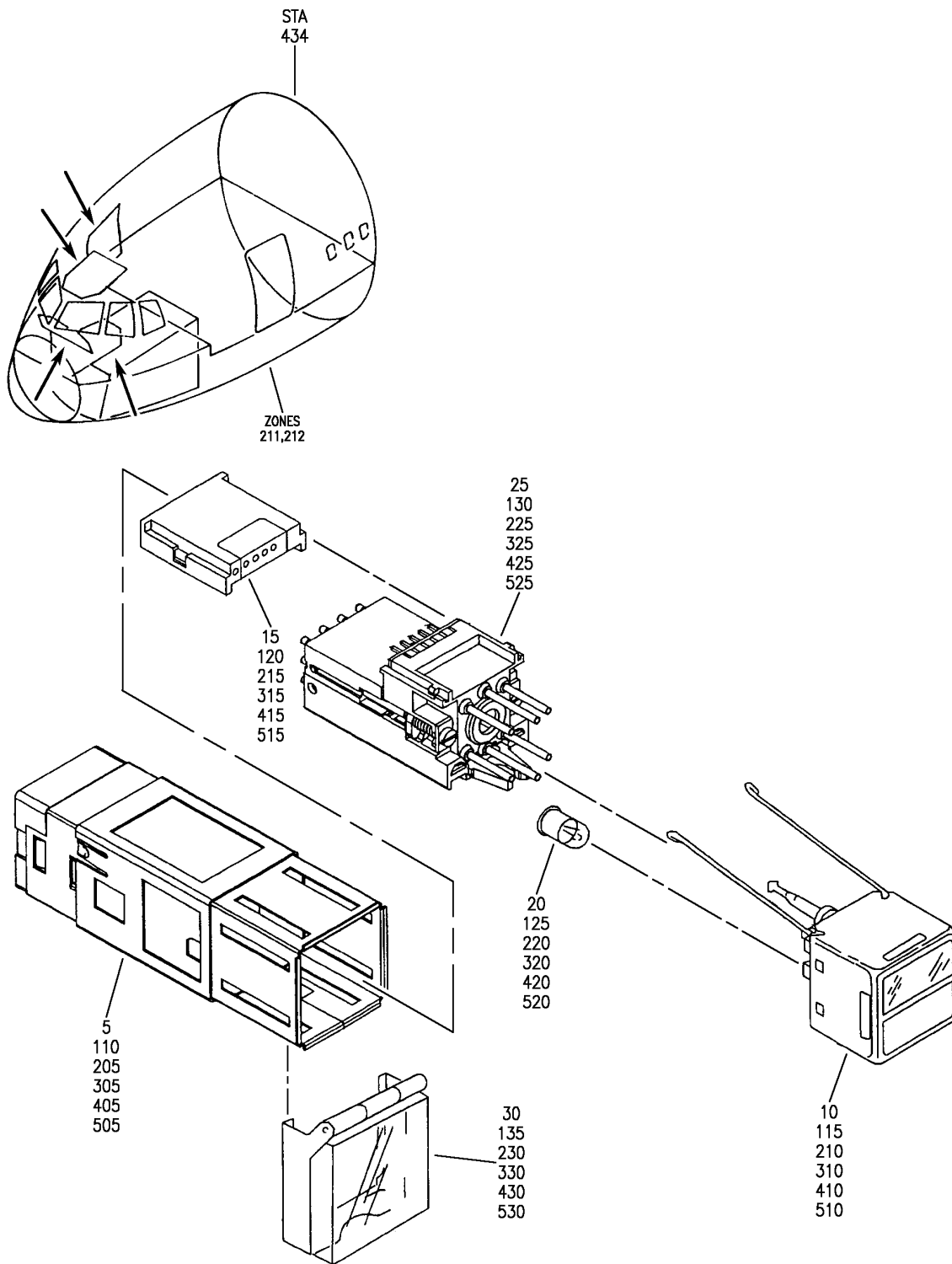
HXL

33-13-75-34

BOEING PROPRIETARY - Copyright © - Unpublished Work - See title page for details.

33-13-75
 FIG. 34
 PAGE 7
 DEC 22/06

BOEING
767
PARTS CATALOG (MAINTENANCE)



V 33137535 REV 296

SWITCH ASSY-LIGHTED PUSH BUTTON IND
FIGURE 35

33-13-75-35

HXL
DEC 22/06

33-13-75-35
PAGE 0



767

PARTS CATALOG (MAINTENANCE)

| FIG ITEM | PART NUMBER | 1 2 3 4 5 6 7 | NOMENCLATURE | EFFECT FROM TO | UNITS PER ASSY |
|----------|-----------------|---------------|---|----------------|----------------|
| 35 | | | SWITCH ASSY-LIGHTED PUSH BUTTON IND | | |
| - 1 | BCREFA0519 | | SWITCH ASSY-LIGHTED PUSH BUTTON IND WARNING/ CAUTION SUPPLIER CODE: V81590 OVERLENGTH PART NUMBER: 433-673-1004-4042 SPECIFICATION NUMBER: S231T290-4042 COMPONENT MAINT MANUAL REF: 31-12-01 OPTIONAL PART: S231T290-5042 FOR NHA SEE: 33-11-01-05 | | RF |
| 5 | 433-107-002 | | .HOUSING ASSY-WITH MTG SLEEVE SUPPLIER CODE: V81590 | | 1 |
| 10 | 673-1004-4042 | | .CAP ASSY-LENS-WARNING/ CAUTION SUPPLIER CODE: V81590 | | 1 |
| 15 | 433-097-001 | | .MODULE ASSY-CKT SUPPLIER CODE: V81590 | | 1 |
| 20 | MS25237-387AS15 | | .LAMP- OPTIONAL PART: M6363-8-7AS15 V81590 | | 4 |
| 20 | M6363-8-7AS15 | | .LAMP- SUPPLIER CODE: V81590 OPTIONAL PART: MS25237-387AS15 | | 4 |
| 25 | 13203-001 | | .MODULE ASSY-MASTER SUPPLIER CODE: V81590 | | 1 |

ILLUSTRATION ITEMS NOT ON PARTS LIST ARE NOT APPLICABLE

- ITEM NOT ILLUSTRATED

HXL

33-13-75-35

BOEING PROPRIETARY - Copyright © - Unpublished Work - See title page for details.

33-13-75
FIG. 35
PAGE 1
AUG 22/07



767

PARTS CATALOG (MAINTENANCE)

| FIG ITEM | PART NUMBER | 1 2 3 4 5 6 7 | NOMENCLATURE | EFFECT FROM TO | UNITS PER ASSY |
|----------|-------------|---------------|--|----------------|----------------|
| 35 30 | 433-100-002 | | . GUARD- SUPPLIER CODE: V81590 SPECIFICATION NUMBER: S231T290-821 OPTIONAL PART: 433-100-003 V81590 433-100-004 V81590 433-100-005 V81590 433-100-006 V81590 433-100-007 V81590 | | 1 |
| 30 | 433-100-003 | | . GUARD- SUPPLIER CODE: V81590 SPECIFICATION NUMBER: S231T290-822 OPTIONAL PART: 433-100-002 V81590 433-100-004 V81590 433-100-005 V81590 433-100-006 V81590 433-100-007 V81590 | | 1 |
| 30 | 433-100-004 | | . GUARD- SUPPLIER CODE: V81590 SPECIFICATION NUMBER: S231T290-823 OPTIONAL PART: 433-100-002 V81590 433-100-003 V81590 433-100-005 V81590 433-100-006 V81590 433-100-007 V81590 | | 1 |

ILLUSTRATION ITEMS NOT ON PARTS LIST ARE NOT APPLICABLE

- ITEM NOT ILLUSTRATED

HXL

33-13-75-35

BOEING PROPRIETARY - Copyright © - Unpublished Work - See title page for details.

33-13-75
FIG. 35
PAGE 2
DEC 22/06



767

PARTS CATALOG (MAINTENANCE)

| FIG ITEM | PART NUMBER | 1 2 3 4 5 6 7 | NOMENCLATURE | EFFECT FROM TO | UNITS PER ASSY |
|----------|-------------|---------------|--|----------------|----------------|
| 35 30 | 433-100-005 | | . GUARD- SUPPLIER CODE: V81590 SPECIFICATION NUMBER: S231T290-824 OPTIONAL PART: 433-100-002 V81590 433-100-003 V81590 433-100-004 V81590 433-100-006 V81590 433-100-007 V81590 | | 1 |
| 30 | 433-100-006 | | . GUARD- SUPPLIER CODE: V81590 OPTIONAL PART: 433-100-002 V81590 433-100-003 V81590 433-100-004 V81590 433-100-005 V81590 433-100-007 V81590 | | 1 |
| 30 | 433-100-007 | | . GUARD- SUPPLIER CODE: V81590 SPECIFICATION NUMBER: S231T290-826 OPTIONAL PART: 433-100-002 V81590 433-100-003 V81590 433-100-004 V81590 433-100-005 V81590 433-100-006 V81590 | | 1 |

ILLUSTRATION ITEMS NOT ON PARTS LIST ARE NOT APPLICABLE

- ITEM NOT ILLUSTRATED

HXL

33-13-75-35

BOEING PROPRIETARY - Copyright © - Unpublished Work - See title page for details.

33-13-75
FIG. 35
PAGE 3
DEC 22/06



767

PARTS CATALOG (MAINTENANCE)

| FIG ITEM | PART NUMBER | 1 2 3 4 5 6 7 | NOMENCLATURE | EFFECT FROM TO | UNITS PER ASSY |
|-------------|-----------------|---------------|---|----------------|----------------|
| 35 - 105 | BCREFA0520 | | SWITCH ASSY-LIGHTED PUSH BUTTON IND ON/AVAIL SUPPLIER CODE: V81590 OVERLENGTH PART NUMBER: 433-673-1004-4045 SPECIFICATION NUMBER: S231T290-4045 FOR NHA SEE: 24-41-51-01 | | RF |
| 110 | 433-107-002 | | .HOUSING ASSY-WITH MTG SLEEVE SUPPLIER CODE: V81590 | | 1 |
| 115 | 673-1004-4045 | | .CAP ASSY-LENS-ON/AVAIL SUPPLIER CODE: V81590 | | 1 |
| 120 | 433-097-001 | | .MODULE ASSY-CKT SUPPLIER CODE: V81590 | | 1 |
| 125 | MS25237-387AS15 | | .LAMP- OPTIONAL PART: M6363-8-7AS15 V81590 | | 4 |
| 125 | M6363-8-7AS15 | | .LAMP- SUPPLIER CODE: V81590 OPTIONAL PART: MS25237-387AS15 | | 4 |
| 130 | 13203-001 | | .MODULE ASSY-MASTER SUPPLIER CODE: V81590 | | 1 |
| 135 | 433-100-002 | | .GUARD- SUPPLIER CODE: V81590 SPECIFICATION NUMBER: S231T290-821 OPTIONAL PART: 433-100-003 V81590 433-100-004 V81590 433-100-005 V81590 433-100-006 V81590 433-100-007 V81590 | | 1 |

ILLUSTRATION ITEMS NOT ON PARTS LIST ARE NOT APPLICABLE

- ITEM NOT ILLUSTRATED

33-13-75-35

33-13-75
FIG. 35
PAGE 4
DEC 22/07

HXL



767

PARTS CATALOG (MAINTENANCE)

| FIG ITEM | PART NUMBER | 1 2 3 4 5 6 7 | NOMENCLATURE | EFFECT FROM TO | UNITS PER ASSY |
|-----------|-------------|---------------|--|----------------|----------------|
| 35 135 | 433-100-003 | | . GUARD- SUPPLIER CODE: V81590 SPECIFICATION NUMBER: S231T290-822 OPTIONAL PART: 433-100-002 V81590 433-100-004 V81590 433-100-005 V81590 433-100-006 V81590 433-100-007 V81590 | | 1 |
| 135 | 433-100-004 | | . GUARD- SUPPLIER CODE: V81590 SPECIFICATION NUMBER: S231T290-823 OPTIONAL PART: 433-100-002 V81590 433-100-003 V81590 433-100-005 V81590 433-100-006 V81590 433-100-007 V81590 | | 1 |
| 135 | 433-100-005 | | . GUARD- SUPPLIER CODE: V81590 SPECIFICATION NUMBER: S231T290-824 OPTIONAL PART: 433-100-002 V81590 433-100-003 V81590 433-100-004 V81590 433-100-006 V81590 433-100-007 V81590 | | 1 |

ILLUSTRATION ITEMS NOT ON PARTS LIST ARE NOT APPLICABLE

- ITEM NOT ILLUSTRATED

33-13-75-35

HXL

BOEING PROPRIETARY - Copyright © - Unpublished Work - See title page for details.

33-13-75
FIG. 35
PAGE 5
DEC 22/07



767

PARTS CATALOG (MAINTENANCE)

| FIG ITEM | PART NUMBER | 1 2 3 4 5 6 7 | NOMENCLATURE | EFFECT FROM TO | UNITS PER ASSY |
|-----------|-------------|---------------|---|----------------|----------------|
| 35 135 | 433-100-006 | | . GUARD- SUPPLIER CODE: V81590 OPTIONAL PART: 433-100-002 V81590 433-100-003 V81590 433-100-004 V81590 433-100-005 V81590 433-100-007 V81590 | | 1 |
| 135 | 433-100-007 | | . GUARD- SUPPLIER CODE: V81590 SPECIFICATION NUMBER: S231T290-826 OPTIONAL PART: 433-100-002 V81590 433-100-003 V81590 433-100-004 V81590 433-100-005 V81590 433-100-006 V81590 | | 1 |
| - 200 | BCREFA0523 | | SWITCH ASSY-LIGHTED PUSH BUTTON IND INOP/PACK OFF SUPPLIER CODE: V81590 OVERLENGTH PART NUMBER: 433-673-1004-4056 SPECIFICATION NUMBER: S231T290-4056 OPTIONAL PART: S231T290-5056 V96182 FOR NHA SEE: 21-51-54-01 | | RF |
| 205 | 433-107-002 | | . HOUSING ASSY-WITH MTG SLEEVE SUPPLIER CODE: V81590 | | 1 |

ILLUSTRATION ITEMS NOT ON PARTS LIST ARE NOT APPLICABLE

- ITEM NOT ILLUSTRATED

HXL

33-13-75-35

BOEING PROPRIETARY - Copyright © - Unpublished Work - See title page for details.

33-13-75
FIG. 35
PAGE 6
APR 22/09



767

PARTS CATALOG (MAINTENANCE)

| FIG ITEM | PART NUMBER | 1 2 3 4 5 6 7 | NOMENCLATURE | EFFECT FROM TO | UNITS PER ASSY |
|---|-----------------|---------------|--|----------------|----------------|
| 35 | | | | | |
| 210 | 673-1004-4056 | . | CAP ASSY-LENS-INOP/PACK OFF SUPPLIER CODE: V81590 | | 1 |
| 215 | 433-097-001 | . | MODULE ASSY-CKT SUPPLIER CODE: V81590 | | 1 |
| 220 | MS25237-387AS15 | . | LAMP- OPTIONAL PART: M6363-8-7AS15 V81590 | | 4 |
| 220 | M6363-8-7AS15 | . | LAMP- SUPPLIER CODE: V81590 OPTIONAL PART: MS25237-387AS15 | | 4 |
| 225 | 13203-001 | . | MODULE ASSY-MASTER SUPPLIER CODE: V81590 | | 1 |
| 230 | 433-100-002 | . | GUARD- SUPPLIER CODE: V81590 SPECIFICATION NUMBER: S231T290-821 OPTIONAL PART: 433-100-003 V81590 433-100-004 V81590 433-100-005 V81590 433-100-006 V81590 433-100-007 V81590 | | 1 |
| ILLUSTRATION ITEMS NOT ON PARTS LIST ARE NOT APPLICABLE | | | | | |

- ITEM NOT ILLUSTRATED

HXL

33-13-75-35

BOEING PROPRIETARY - Copyright © - Unpublished Work - See title page for details.

33-13-75
FIG. 35
PAGE 7
APR 22/09



767

PARTS CATALOG (MAINTENANCE)

| FIG ITEM | PART NUMBER | 1 2 3 4 5 6 7 | NOMENCLATURE | EFFECT FROM TO | UNITS PER ASSY |
|-----------|-------------|---------------|--|----------------|----------------|
| 35 230 | 433-100-003 | | . GUARD- SUPPLIER CODE: V81590 SPECIFICATION NUMBER: S231T290-822 OPTIONAL PART: 433-100-002 V81590 433-100-004 V81590 433-100-005 V81590 433-100-006 V81590 433-100-007 V81590 | | 1 |
| 230 | 433-100-004 | | . GUARD- SUPPLIER CODE: V81590 SPECIFICATION NUMBER: S231T290-823 OPTIONAL PART: 433-100-002 V81590 433-100-003 V81590 433-100-005 V81590 433-100-006 V81590 433-100-007 V81590 | | 1 |
| 230 | 433-100-005 | | . GUARD- SUPPLIER CODE: V81590 SPECIFICATION NUMBER: S231T290-824 OPTIONAL PART: 433-100-002 V81590 433-100-003 V81590 433-100-004 V81590 433-100-006 V81590 433-100-007 V81590 | | 1 |

ILLUSTRATION ITEMS NOT ON PARTS LIST ARE NOT APPLICABLE

- ITEM NOT ILLUSTRATED

HXL

33-13-75-35

BOEING PROPRIETARY - Copyright © - Unpublished Work - See title page for details.

33-13-75
FIG. 35
PAGE 8
APR 22/09



767

PARTS CATALOG (MAINTENANCE)

| FIG ITEM | PART NUMBER | 1 2 3 4 5 6 7 | NOMENCLATURE | EFFECT FROM TO | UNITS PER ASSY |
|-----------|-------------|---------------|---|----------------|----------------|
| 35 230 | 433-100-006 | | . GUARD- SUPPLIER CODE: V81590 OPTIONAL PART: 433-100-002 V81590 433-100-003 V81590 433-100-004 V81590 433-100-005 V81590 433-100-007 V81590 | | 1 |
| 230 | 433-100-007 | | . GUARD- SUPPLIER CODE: V81590 SPECIFICATION NUMBER: S231T290-826 OPTIONAL PART: 433-100-002 V81590 433-100-003 V81590 433-100-004 V81590 433-100-005 V81590 433-100-006 V81590 | | 1 |
| - 300 | BCREFA0531 | | SWITCH ASSY-LIGHTED PUSH BUTTON IND GND/PROX G/S INHB SUPPLIER CODE: V81590 OVERLENGTH PART NUMBER: 433-673-1004-4070 SPECIFICATION NUMBER: S231T290-4070 OPTIONAL PART: S231T290-5070 V96182 FOR NHA SEE: 34-46-53-02 | | RF |
| 305 | 433-107-002 | | . HOUSING ASSY-WITH MTG SLEEVE SUPPLIER CODE: V81590 | | 1 |

ILLUSTRATION ITEMS NOT ON PARTS LIST ARE NOT APPLICABLE

- ITEM NOT ILLUSTRATED

HXL

33-13-75-35

BOEING PROPRIETARY - Copyright © - Unpublished Work - See title page for details.

33-13-75
FIG. 35
PAGE 9
APR 22/09



767

PARTS CATALOG (MAINTENANCE)

| FIG ITEM | PART NUMBER | 1 2 3 4 5 6 7 | NOMENCLATURE | EFFECT FROM TO | UNITS PER ASSY |
|---|-----------------|---------------|--|----------------|----------------|
| 35 | | | | | |
| 310 | 673-1004-4070 | . | CAP ASSY-LENS-GND/PROX G/S INHB SUPPLIER CODE: V81590 | | 1 |
| 315 | 433-097-001 | . | MODULE ASSY-CKT SUPPLIER CODE: V81590 | | 1 |
| 320 | MS25237-387AS15 | . | LAMP- OPTIONAL PART: M6363-8-7AS15 V81590 | | 4 |
| 320 | M6363-8-7AS15 | . | LAMP- SUPPLIER CODE: V81590 OPTIONAL PART: MS25237-387AS15 | | 4 |
| 325 | 13203-001 | . | MODULE ASSY-MASTER SUPPLIER CODE: V81590 | | 1 |
| 330 | 433-100-002 | . | GUARD- SUPPLIER CODE: V81590 SPECIFICATION NUMBER: S231T290-821 OPTIONAL PART: 433-100-003 V81590 433-100-004 V81590 433-100-005 V81590 433-100-006 V81590 433-100-007 V81590 | | 1 |
| ILLUSTRATION ITEMS NOT ON PARTS LIST ARE NOT APPLICABLE | | | | | |

- ITEM NOT ILLUSTRATED

HXL

33-13-75-35

BOEING PROPRIETARY - Copyright © - Unpublished Work - See title page for details.

33-13-75
FIG. 35
PAGE 10
APR 22/09



767

PARTS CATALOG (MAINTENANCE)

| FIG ITEM | PART NUMBER | 1 2 3 4 5 6 7 | NOMENCLATURE | EFFECT FROM TO | UNITS PER ASSY |
|-----------|-------------|---------------|--|----------------|----------------|
| 35 330 | 433-100-003 | | . GUARD- SUPPLIER CODE: V81590 SPECIFICATION NUMBER: S231T290-822 OPTIONAL PART: 433-100-002 V81590 433-100-004 V81590 433-100-005 V81590 433-100-006 V81590 433-100-007 V81590 | | 1 |
| 330 | 433-100-004 | | . GUARD- SUPPLIER CODE: V81590 SPECIFICATION NUMBER: S231T290-823 OPTIONAL PART: 433-100-002 V81590 433-100-003 V81590 433-100-005 V81590 433-100-006 V81590 433-100-007 V81590 | | 1 |
| 330 | 433-100-005 | | . GUARD- SUPPLIER CODE: V81590 SPECIFICATION NUMBER: S231T290-824 OPTIONAL PART: 433-100-002 V81590 433-100-003 V81590 433-100-004 V81590 433-100-006 V81590 433-100-007 V81590 | | 1 |

ILLUSTRATION ITEMS NOT ON PARTS LIST ARE NOT APPLICABLE

- ITEM NOT ILLUSTRATED

HXL

33-13-75-35

BOEING PROPRIETARY - Copyright © - Unpublished Work - See title page for details.

33-13-75
FIG. 35
PAGE 11
APR 22/09



767

PARTS CATALOG (MAINTENANCE)

| FIG ITEM | PART NUMBER | 1 2 3 4 5 6 7 | NOMENCLATURE | EFFECT FROM TO | UNITS PER ASSY |
|-----------|-------------|---------------|--|----------------|----------------|
| 35 330 | 433-100-006 | | . GUARD- SUPPLIER CODE: V81590 OPTIONAL PART: 433-100-002 V81590 433-100-003 V81590 433-100-004 V81590 433-100-005 V81590 433-100-007 V81590 | | 1 |
| 330 | 433-100-007 | | . GUARD- SUPPLIER CODE: V81590 SPECIFICATION NUMBER: S231T290-826 OPTIONAL PART: 433-100-002 V81590 433-100-003 V81590 433-100-004 V81590 433-100-005 V81590 433-100-006 V81590 | | 1 |

ILLUSTRATION ITEMS NOT ON PARTS LIST ARE NOT APPLICABLE

- ITEM NOT ILLUSTRATED

HXL

33-13-75-35

BOEING PROPRIETARY - Copyright © - Unpublished Work - See title page for details.

33-13-75
FIG. 35
PAGE 12
APR 22/09



767

PARTS CATALOG (MAINTENANCE)

| FIG ITEM | PART NUMBER | 1 2 3 4 5 6 7 | NOMENCLATURE | EFFECT FROM TO | UNITS PER ASSY |
|-------------|-----------------|---------------|---|----------------|----------------|
| 35 - 400 | BCREFA0832 | | SWITCH ASSY-LIGHTED PUSH BUTTON IND PRESS/UNLKD SUPPLIER CODE: V81590 OVERLENGTH PART NUMBER: 433-673-1004-4079 SPECIFICATION NUMBER: S231T290-4079 MISCELLANEOUS DATA: WHEN REPLACING THE PUSHBUTTON SWITCH ASSY OR THE MASTER MODULE WITHIN, VERIFY THAT A CONFIG D MASTER MODULE P/N 13205-001 IS INSTALLED IN LIEU OF ANY EARLIER CONFIGURATION MASTER MODULES. FOR NHA SEE: 29-21-56-01 | | RF |
| 405 | 433-107-002 | | .HOUSING ASSY-WITH MTG SLEEVE SUPPLIER CODE: V81590 | | 1 |
| 410 | 673-1004-4079 | | .CAP ASSY-LENS-PRESS/ UNLKD SUPPLIER CODE: V81590 | | 1 |
| 415 | 433-097-001 | | .MODULE ASSY-CKT SUPPLIER CODE: V81590 | | 1 |
| 420 | MS25237-387AS15 | | .LAMP- OPTIONAL PART: M6363-8-7AS15 V81590 | | 4 |
| 420 | M6363-8-7AS15 | | .LAMP- SUPPLIER CODE: V81590 OPTIONAL PART: MS25237-387AS15 | | 4 |
| 425 | 13205-001 | | .MODULE ASSY-MASTER SUPPLIER CODE: V81590 | | 1 |

ILLUSTRATION ITEMS NOT ON PARTS LIST ARE NOT APPLICABLE

- ITEM NOT ILLUSTRATED

HXL

33-13-75-35

BOEING PROPRIETARY - Copyright © - Unpublished Work - See title page for details.

33-13-75
FIG. 35
PAGE 13
APR 22/09



767

PARTS CATALOG (MAINTENANCE)

| FIG ITEM | PART NUMBER | 1 2 3 4 5 6 7 | NOMENCLATURE | EFFECT FROM TO | UNITS PER ASSY |
|-----------|-------------|---------------|--|----------------|----------------|
| 35 430 | 433-100-002 | | . GUARD- SUPPLIER CODE: V81590 SPECIFICATION NUMBER: S231T290-821 OPTIONAL PART: 433-100-003 V81590 433-100-004 V81590 433-100-005 V81590 433-100-006 V81590 433-100-007 V81590 | | 1 |
| 430 | 433-100-003 | | . GUARD- SUPPLIER CODE: V81590 SPECIFICATION NUMBER: S231T290-822 OPTIONAL PART: 433-100-002 V81590 433-100-004 V81590 433-100-005 V81590 433-100-006 V81590 433-100-007 V81590 | | 1 |
| 430 | 433-100-004 | | . GUARD- SUPPLIER CODE: V81590 SPECIFICATION NUMBER: S231T290-823 OPTIONAL PART: 433-100-002 V81590 433-100-003 V81590 433-100-005 V81590 433-100-006 V81590 433-100-007 V81590 | | 1 |

ILLUSTRATION ITEMS NOT ON PARTS LIST ARE NOT APPLICABLE

- ITEM NOT ILLUSTRATED

HXL

33-13-75-35

BOEING PROPRIETARY - Copyright © - Unpublished Work - See title page for details.

33-13-75
FIG. 35
PAGE 14
APR 22/09



767

PARTS CATALOG (MAINTENANCE)

| FIG ITEM | PART NUMBER | 1 2 3 4 5 6 7 | NOMENCLATURE | EFFECT FROM TO | UNITS PER ASSY |
|-----------|-------------|---------------|--|----------------|----------------|
| 35 430 | 433-100-005 | | . GUARD- SUPPLIER CODE: V81590 SPECIFICATION NUMBER: S231T290-824 OPTIONAL PART: 433-100-002 V81590 433-100-003 V81590 433-100-004 V81590 433-100-006 V81590 433-100-007 V81590 | | 1 |
| 430 | 433-100-006 | | . GUARD- SUPPLIER CODE: V81590 OPTIONAL PART: 433-100-002 V81590 433-100-003 V81590 433-100-004 V81590 433-100-005 V81590 433-100-007 V81590 | | 1 |
| 430 | 433-100-007 | | . GUARD- SUPPLIER CODE: V81590 SPECIFICATION NUMBER: S231T290-826 OPTIONAL PART: 433-100-002 V81590 433-100-003 V81590 433-100-004 V81590 433-100-005 V81590 433-100-006 V81590 | | 1 |

ILLUSTRATION ITEMS NOT ON PARTS LIST ARE NOT APPLICABLE

- ITEM NOT ILLUSTRATED

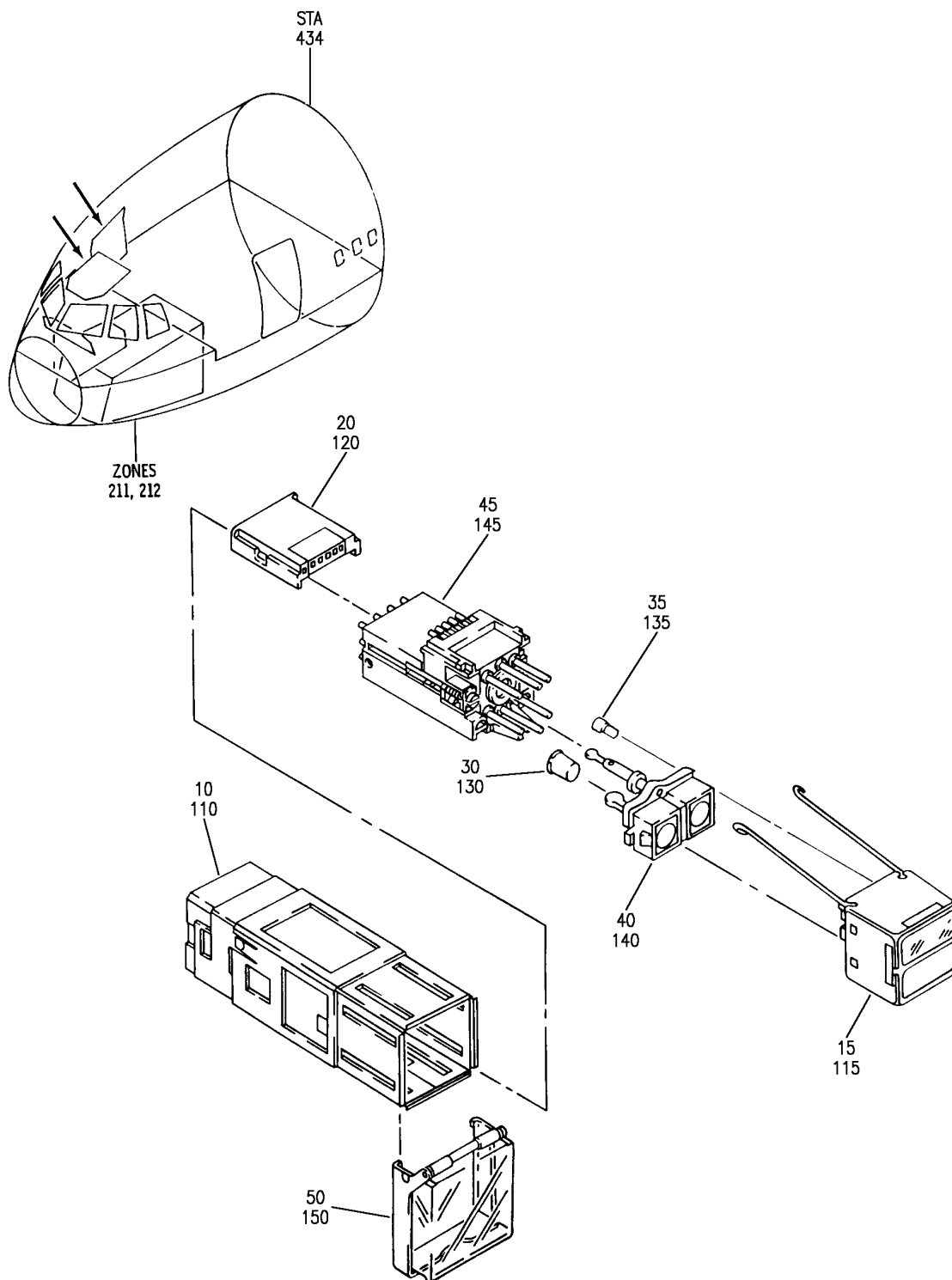
HXL

33-13-75-35

BOEING PROPRIETARY - Copyright © - Unpublished Work - See title page for details.

33-13-75
FIG. 35
PAGE 15
APR 22/09

BOEING
767
PARTS CATALOG (MAINTENANCE)



V 33137536 REV 319

SWITCH ASSY-LIGHTED PUSH BUTTON IND
FIGURE 36

33-13-75-36

HXL
AUG 22/07

33-13-75-36
PAGE 0



767

PARTS CATALOG (MAINTENANCE)

| FIG ITEM | PART NUMBER | 1 2 3 4 5 6 7 | NOMENCLATURE | EFFECT FROM TO | UNITS PER ASSY |
|----------|-----------------|---------------|---|----------------|----------------|
| 36 | | | SWITCH ASSY-LIGHTED PUSH BUTTON IND | | |
| - 1 | BCREFA0533 | | SWITCH ASSY-LIGHTED PUSH BUTTON-IND VALVE SUPPLIER CODE: V81590 OVERLENGTH PART NUMBER: 433-673-1004-4074 SPECIFICATION NUMBER: S231T290-4074 MISCELLANEOUS DATA: WHEN REPLACING THE PUSHBUTTON SWITCH ASSY OR THE MASTER MODULE WITHIN, VERIFY THAT A CONFIG D MASTER MODULE P/N 13206-001 IS INSTALLED IN LIEU OF ANY EARLIER CONFIGURATION MASTER MODULES. FOR NHA SEE: 36-11-56-01 | | RF |
| 10 | 433-107-002 | | .HOUSING ASSY-WITH MTG SLEEVE SUPPLIER CODE: V81590 | | 1 |
| 15 | 673-1004-4074 | | .CAP ASSY-LENS-VALVE SUPPLIER CODE: V81590 | | 1 |
| 20 | 433-097-003 | | .MODULE ASSY-CKT SUPPLIER CODE: V81590 | | 1 |
| 30 | MS25237-387AS15 | | ..LAMP | | 2 |
| 35 | MS24515-685AS15 | | ..LAMP | | 2 |
| 40 | 673-092-005 | | ..HOLDER-LAMP SUPPLIER CODE: V81590 | | 1 |
| 40 | 13963-001 | | ..HOLDER-LAMP SUPPLIER CODE: V81590 | | 1 |
| 45 | 13206-001 | | .MODULE ASSY-MASTER SUPPLIER CODE: V81590 | | 1 |

ILLUSTRATION ITEMS NOT ON PARTS LIST ARE NOT APPLICABLE

- ITEM NOT ILLUSTRATED

33-13-75-36

33-13-75
FIG. 36
PAGE 1
AUG 22/08

HXL

BOEING PROPRIETARY - Copyright © - Unpublished Work - See title page for details.

BOEING
767
PARTS CATALOG (MAINTENANCE)

| FIG ITEM | PART NUMBER | 1 2 3 4 5 6 7 | NOMENCLATURE | EFFECT FROM TO | UNITS PER ASSY |
|-------------|-------------|---------------|--|-------------------|----------------------|
| 36 50 | 433-100-002 | | . GUARD- SUPPLIER CODE: V81590 SPECIFICATION NUMBER: S231T290-821 OPTIONAL PART: 433-100-003 V81590 433-100-004 V81590 433-100-005 V81590 433-100-006 V81590 433-100-007 V81590 | | 1 |
| 50 | 433-100-003 | | . GUARD- SUPPLIER CODE: V81590 SPECIFICATION NUMBER: S231T290-822 OPTIONAL PART: 433-100-002 V81590 433-100-004 V81590 433-100-005 V81590 433-100-006 V81590 433-100-007 V81590 | | 1 |
| 50 | 433-100-004 | | . GUARD- SUPPLIER CODE: V81590 SPECIFICATION NUMBER: S231T290-823 OPTIONAL PART: 433-100-002 V81590 433-100-003 V81590 433-100-005 V81590 433-100-006 V81590 433-100-007 V81590 | | 1 |

ILLUSTRATION ITEMS NOT ON PARTS LIST ARE NOT APPLICABLE

- ITEM NOT ILLUSTRATED

HXL

33-13-75-36

BOEING PROPRIETARY - Copyright © - Unpublished Work - See title page for details.

33-13-75
FIG. 36
PAGE 2
DEC 22/06



767

PARTS CATALOG (MAINTENANCE)

| FIG ITEM | PART NUMBER | 1 2 3 4 5 6 7 | NOMENCLATURE | EFFECT FROM TO | UNITS PER ASSY |
|----------|-------------|---------------|--|----------------|----------------|
| 36 50 | 433-100-005 | | . GUARD- SUPPLIER CODE: V81590 SPECIFICATION NUMBER: S231T290-824 OPTIONAL PART: 433-100-002 V81590 433-100-003 V81590 433-100-004 V81590 433-100-006 V81590 433-100-007 V81590 | | 1 |
| 50 | 433-100-006 | | . GUARD- SUPPLIER CODE: V81590 OPTIONAL PART: 433-100-002 V81590 433-100-003 V81590 433-100-004 V81590 433-100-005 V81590 433-100-007 V81590 | | 1 |
| 50 | 433-100-007 | | . GUARD- SUPPLIER CODE: V81590 SPECIFICATION NUMBER: S231T290-826 OPTIONAL PART: 433-100-002 V81590 433-100-003 V81590 433-100-004 V81590 433-100-005 V81590 433-100-006 V81590 | | 1 |

ILLUSTRATION ITEMS NOT ON PARTS LIST ARE NOT APPLICABLE

- ITEM NOT ILLUSTRATED

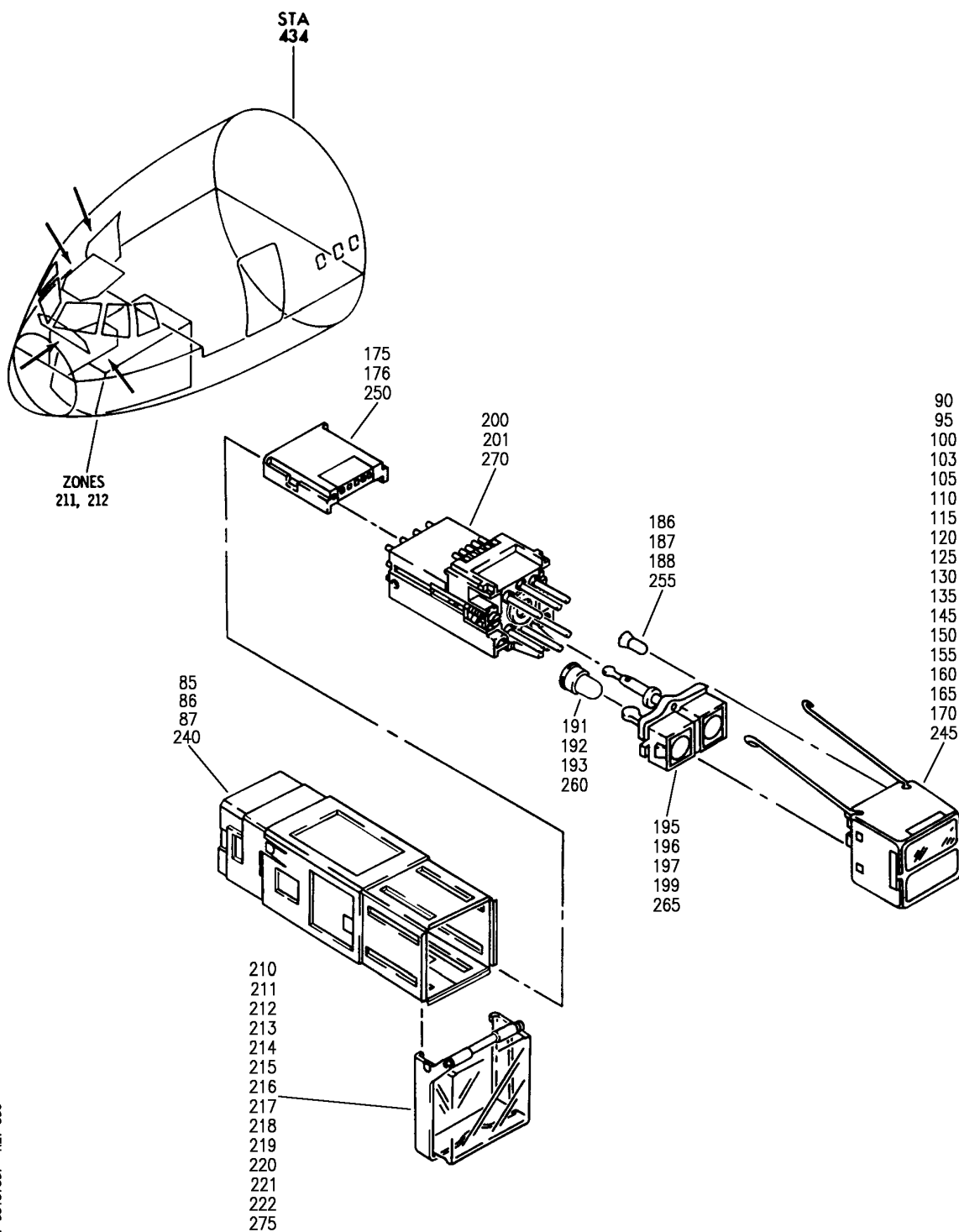
HXL

33-13-75-36

BOEING PROPRIETARY - Copyright © - Unpublished Work - See title page for details.

33-13-75
FIG. 36
PAGE 3
DEC 22/06

BOEING
767
PARTS CATALOG (MAINTENANCE)



V 33137537 REV 330

SWITCH ASSY-LIGHTED PUSH BUTTON IND
FIGURE 37

33-13-75-37

HXL
AUG 22/08

33-13-75-37
PAGE 0



767

PARTS CATALOG (MAINTENANCE)

| FIG ITEM | PART NUMBER | 1 2 3 4 5 6 7 | NOMENCLATURE | EFFECT FROM TO | UNITS PER ASSY |
|---|-------------|---------------|---|----------------|----------------|
| 37 | | | | | |
| - 1 | BCREFA0505 | | SWITCH ASSY-LIGHTED PUSH BUTTON IND SWITCH ASSY-LIGHTED PUSH BUTTON IND ON/INOP SUPPLIER CODE: V81590 OVERLENGTH PART NUMBER: 433-673-1004-4016 SPECIFICATION NUMBER: S231T290-4016 MISCELLANEOUS DATA: WHEN REPLACING THE PUSHBUTTON SWITCH ASSY OR THE MASTER MODULE WITHIN, VERIFY THAT A CONFIG D MASTER MODULE P/N 13206-001 IS INSTALLED IN LIEU OF ANY EARLIER CONFIGURATION MASTER MODULES. REWORKED BY COMPONENT SB: 233N3216-22-01 FOR NHA/OTHER SYS DET SEE: 21-25-53-01 21-61-56-01 22-21-01-02 30-41-51-01 | | RF |
| - 5 | BCREFA0507 | | SWITCH ASSY-LIGHTED PUSH BUTTON IND ON/PRESS SUPPLIER CODE: V81590 OVERLENGTH PART NUMBER: 433-673-1004-4020 SPECIFICATION NUMBER: S231T290-4020 FOR NHA SEE: 29-11-71-01 | | RF |
| - 10 | BCREFA0837 | | SWITCH ASSY-LIGHTED PUSH BUTTON IND ON/OFF SUPPLIER CODE: V81590 OVERLENGTH PART NUMBER: 433-673-1004-4023 SPECIFICATION NUMBER: S231T290-4023 FOR NHA SEE: 21-61-54-02 | | RF |
| ILLUSTRATION ITEMS NOT ON PARTS LIST ARE NOT APPLICABLE | | | | | |

- ITEM NOT ILLUSTRATED

33-13-75-37

33-13-75
FIG. 37
PAGE 1
DEC 22/07

HXL



767

PARTS CATALOG (MAINTENANCE)

| FIG ITEM | PART NUMBER | 1 2 3 4 5 6 7 | NOMENCLATURE | EFFECT FROM TO | UNITS PER ASSY |
|-------------|-------------|---------------|--|-------------------|----------------------|
| 37 - 12 | BCREFA0510 | | SWITCH ASSY-LIGHTED PUSH BUTTON IND ON/OFF SUPPLIER CODE: V81590 OVERLENGTH PART NUMBER: 433-673-1004-4024 SPECIFICATION NUMBER: S231T290-4024 MISCELLANEOUS DATA: WHEN REPLACING THE PUSHBUTTON SWITCH ASSY OR THE MASTER MODULE WITHIN, VERIFY THAT A CONFIG D MASTER MODULE P/N 13206-001 IS INSTALLED IN LIEU OF ANY EARLIER CONFIGURATION MASTER MODULES. OPTIONAL PART: 851-35100-5024 V96182 FOR NHA SEE: 21-61-54-02 24-33-52-01 27-13-55-01 | | RF |
| - 15 | BCREFA0511 | | SWITCH ASSY-LIGHTED PUSH BUTTON IND ON/PRESS SUPPLIER CODE: V81590 OVERLENGTH PART NUMBER: 433-673-1004-4026 SPECIFICATION NUMBER: S231T290-4026 FOR NHA SEE: 28-22-55-02 | | RF |

ILLUSTRATION ITEMS NOT ON PARTS LIST ARE NOT APPLICABLE

- ITEM NOT ILLUSTRATED

HXL

33-13-75-37

BOEING PROPRIETARY - Copyright © - Unpublished Work - See title page for details.

33-13-75
FIG. 37
PAGE 2
DEC 22/07



767

PARTS CATALOG (MAINTENANCE)

| FIG ITEM | PART NUMBER | 1 2 3 4 5 6 7 | NOMENCLATURE | EFFECT FROM TO | UNITS PER ASSY |
|------------|-------------|---------------|---|----------------|----------------|
| 37 - 20 | BCREFA0512 | | SWITCH ASSY-LIGHTED PUSH BUTTON IND ON/VALVE SUPPLIER CODE: V81590 OVERLENGTH PART NUMBER: 433-673-1004-4027 SPECIFICATION NUMBER: S231T290-4027 MISCELLANEOUS DATA: WHEN REPLACING THE PUSHBUTTON SWITCH ASSY OR THE MASTER MODULE WITHIN, VERIFY THAT A CONFIG D MASTER MODULE P/N 13206-001 IS INSTALLED IN LIEU OF ANY EARLIER CONFIGURATION MASTER MODULES. | | RF |
| - 25 | BCREFA0517 | | SWITCH ASSY-LIGHTED PUSH BUTTON IND VALVE SUPPLIER CODE: V81590 OVERLENGTH PART NUMBER: 433-673-1004-4038 SPECIFICATION NUMBER: S231T290-4038 MISCELLANEOUS DATA: WHEN REPLACING THE PUSHBUTTON SWITCH ASSY OR THE MASTER MODULE WITHIN, VERIFY THAT A CONFIG D MASTER MODULE P/N 13206-001 IS INSTALLED IN LIEU OF ANY EARLIER CONFIGURATION MASTER MODULES. FOR NHA SEE: 28-22-55-02 | | RF |

ILLUSTRATION ITEMS NOT ON PARTS LIST ARE NOT APPLICABLE

- ITEM NOT ILLUSTRATED

HXL

33-13-75-37

BOEING PROPRIETARY - Copyright © - Unpublished Work - See title page for details.

33-13-75
FIG. 37
PAGE 3
DEC 22/07



767

PARTS CATALOG (MAINTENANCE)

| FIG ITEM | PART NUMBER | 1 2 3 4 5 6 7 | NOMENCLATURE | EFFECT FROM TO | UNITS PER ASSY |
|----------|-------------|---------------|--|----------------|----------------|
| 37 | | | | | |
| - 30 | BCREFA0521 | | SWITCH ASSY-LIGHTED PUSH BUTTON IND ON/OFF SUPPLIER CODE: V81590 OVERLENGTH PART NUMBER: 433-673-1004-4053 SPECIFICATION NUMBER: S231T290-4053 OPTIONAL PART: S231T290-5053 FOR NHA SEE: 24-51-61-01 | | RF |
| - 35 | BCREFA0522 | | SWITCH ASSY-LIGHTED PUSH BUTTON IND ON/OFF SUPPLIER CODE: V81590 OVERLENGTH PART NUMBER: 433-673-1004-4054 SPECIFICATION NUMBER: S231T290-4054 OPTIONAL PART: S231T290-5054 FOR NHA SEE: 24-51-61-01 | | RF |
| - 40 | BCREFA0526 | | SWITCH ASSY-LIGHTED PUSH BUTTON IND ARMED/FWD SUPPLIER CODE: V81590 OVERLENGTH PART NUMBER: 433-673-1004-4061 SPECIFICATION NUMBER: S231T290-4061 MISCELLANEOUS DATA: WHEN REPLACING THE PUSHBUTTON SWITCH ASSY OR THE MASTER MODULE WITHIN, VERIFY THAT A CONFIG D MASTER MODULE P/N 13206-001 IS INSTALLED IN LIEU OF ANY EARLIER CONFIGURATION MASTER MODULES. REWORKED BY COMPONENT SB: 233N6203-26-10 FOR NHA SEE: 26-23-54-01 | | RF |

ILLUSTRATION ITEMS NOT ON PARTS LIST ARE NOT APPLICABLE

- ITEM NOT ILLUSTRATED

33-13-75-37

33-13-75
FIG. 37
PAGE 4
DEC 22/06

HXL



767

PARTS CATALOG (MAINTENANCE)

| FIG ITEM | PART NUMBER | 1 2 3 4 5 6 7 | NOMENCLATURE | EFFECT FROM TO | UNITS PER ASSY |
|------------|-------------|---------------|--|----------------|----------------|
| 37 - 45 | BCREFA0527 | | SWITCH ASSY-LIGHTED PUSH BUTTON IND ARMED/AFT SUPPLIER CODE: V81590 OVERLENGTH PART NUMBER: 433-673-1004-4062 SPECIFICATION NUMBER: S231T290-4062 MISCELLANEOUS DATA: WHEN REPLACING THE PUSHBUTTON SWITCH ASSY OR THE MASTER MODULE WITHIN, VERIFY THAT A CONFIG D MASTER MODULE P/N 13206-001 IS INSTALLED IN LIEU OF ANY EARLIER CONFIGURATION MASTER MODULES. REWORKED BY COMPONENT SB: 233N6203-26-10 FOR NHA SEE: 26-23-54-01 | | RF |
| - 55 | BCREFA0830 | | SWITCH ASSY-LIGHTED PUSH BUTTON IND ON/OVHT SUPPLIER CODE: V81590 OVERLENGTH PART NUMBER: 433-673-1004-4071 SPECIFICATION NUMBER: S231T290-4071 FOR NHA SEE: 21-43-54-01 21-44-53-01 | | RF |
| - 60 | BCREFA0810 | | SWITCH ASSY-LIGHTED PUSH BUTTON IND ON/VALVE SUPPLIER CODE: V81590 OVERLENGTH PART NUMBER: 433-673-1004-4075 SPECIFICATION NUMBER: S231T290-4075 FOR NHA SEE: 32-41-63-02 | | RF |

ILLUSTRATION ITEMS NOT ON PARTS LIST ARE NOT APPLICABLE

- ITEM NOT ILLUSTRATED

33-13-75-37

33-13-75
FIG. 37
PAGE 5
DEC 22/06

HXL



767

PARTS CATALOG (MAINTENANCE)

| FIG ITEM | PART NUMBER | 1 2 3 4 5 6 7 | NOMENCLATURE | EFFECT FROM TO | UNITS PER ASSY |
|----------|-------------|---------------|---|----------------|----------------|
| 37 | | | | | |
| - 65 | BCREFA0535 | | SWITCH ASSY-LIGHTED PUSH BUTTON IND UNLKD/UNLKD SUPPLIER CODE: V81590 OVERLENGTH PART NUMBER: 433-673-1004-4077 SPECIFICATION NUMBER: S231T290-4077 FOR NHA SEE: 52-51-51-01 | 155162 | RF |
| - 70 | BCREFA0812 | | SWITCH ASSY-LIGHTED PUSH BUTTON IND ON/VTR TV ON SUPPLIER CODE: V81590 OVERLENGTH PART NUMBER: 433-673-1004-4084 SPECIFICATION NUMBER: S231T290-4084 FOR NHA SEE: 23-32-57-03 | | RF |
| - 75 | BCREFA0538 | | SWITCH ASSY-LIGHTED PUSH BUTTON IND NORM/ALTN SUPPLIER CODE: V81590 OVERLENGTH PART NUMBER: 433-673-1004-4086 SPECIFICATION NUMBER: S231T290-4086 MISCELLANEOUS DATA: WHEN REPLACING THE PUSHBUTTON SWITCH ASSY OR THE MASTER MODULE WITHIN, VERIFY THAT A CONFIG D MASTER MODULE P/N 13206-001 IS INSTALLED IN LIEU OF ANY EARLIER CONFIGURATION MASTER MODULES. FOR NHA SEE: 73-21-58-01 | | RF |
| 85 | 433-107-002 | | .HOUSING ASSY-WITH MTG SLEEVE SUPPLIER CODE: V81590 | 163999 | 1 |
| 86 | 433-107-002 | | .HOUSING ASSY-WITH MTG SLEEVE SUPPLIER CODE: V81590 | | 1 |

ILLUSTRATION ITEMS NOT ON PARTS LIST ARE NOT APPLICABLE

- ITEM NOT ILLUSTRATED

33-13-75-37

33-13-75
FIG. 37
PAGE 6
DEC 22/07

HXL



767

PARTS CATALOG (MAINTENANCE)

| FIG ITEM | PART NUMBER | 1 2 3 4 5 6 7 | NOMENCLATURE | EFFECT FROM TO | UNITS PER ASSY |
|----------|---------------|---------------|---|----------------|----------------|
| 37 | | | | | |
| 90 | 673-1004-4016 | . | CAP ASSY-LENS-ON/INOP SUPPLIER CODE: V81590 USED ON: BCREFA0505 | | 1 |
| 90 | 673-1004-4016 | . | CAP ASSY-LENS-ON/INOP SUPPLIER CODE: V81590 USED ON: BCREFA0505 AAP3546 | | 1 |
| 95 | 673-1004-4020 | . | CAP ASSY-LENS-ON/PRESS SUPPLIER CODE: V81590 USED ON: BCREFA0507 | | 1 |
| 100 | 673-1004-4023 | . | CAP ASSY-LENS-ON/OFF SUPPLIER CODE: V81590 USED ON: BCREFA0837 | | 1 |
| 103 | 673-1004-4024 | . | CAP ASSY-LENS-ON/OFF SUPPLIER CODE: V81590 USED ON: BCREFA0510 | | 1 |
| 103 | 673-1004-4024 | . | CAP ASSY-LENS-ON/OFF SUPPLIER CODE: V81590 USED ON: BCREFA0510 AAP3554 | | 1 |
| 105 | 673-1004-4026 | . | CAP ASSY-LENS-ON/PRESS SUPPLIER CODE: V81590 USED ON: BCREFA0511 AAP3556 | | 1 |
| 110 | 673-1004-4027 | . | CAP ASSY-LENS-ON/VALVE SUPPLIER CODE: V81590 USED ON: BCREFA0512 AAP3557 | | 1 |

ILLUSTRATION ITEMS NOT ON PARTS LIST ARE NOT APPLICABLE

- ITEM NOT ILLUSTRATED

HXL

33-13-75-37

BOEING PROPRIETARY - Copyright © - Unpublished Work - See title page for details.

33-13-75
FIG. 37
PAGE 7
DEC 22/07



767

PARTS CATALOG (MAINTENANCE)

| FIG ITEM | PART NUMBER | 1 2 3 4 5 6 7 | NOMENCLATURE | EFFECT FROM TO | UNITS PER ASSY |
|-----------|---------------|---------------|---|----------------|----------------|
| 37 115 | 673-1004-4038 | | .CAP ASSY-LENS-VALVE SUPPLIER CODE: V81590 USED ON: BCREFA0517 AAP3568 | | 1 |
| 120 | 673-1004-4053 | | .CAP ASSY-LENS-ON/OFF SUPPLIER CODE: V81590 USED ON: BCREFA0521 | | 1 |
| 125 | 673-1004-4054 | | .CAP ASSY-LENS-ON/OFF SUPPLIER CODE: V81590 USED ON: BCREFA0522 | | 1 |
| 130 | 673-1004-4061 | | .CAP ASSY-LENS-ARMED/FWD SUPPLIER CODE: V81590 USED ON: BCREFA0526 AAP3591 | | 1 |
| 135 | 673-1004-4062 | | .CAP ASSY-LENS-ARMED/AFT SUPPLIER CODE: V81590 USED ON: BCREFA0527 AAP3592 | | 1 |
| 145 | 673-1004-4071 | | .CAP ASSY-LENS-ON/OVHT SUPPLIER CODE: V81590 USED ON: BCREFA0830 | | 1 |
| 150 | 673-1004-4075 | | .CAP ASSY-LENS-ON/VALVE SUPPLIER CODE: V81590 USED ON: BCREFA0810 | | 1 |
| 155 | 673-1004-4077 | | .CAP ASSY-LENS-UNLKD/UNLKD SUPPLIER CODE: V81590 USED ON: BCREFA0535 | 155162 | 1 |
| 160 | 673-1004-4084 | | .CAP ASSY-LENS-ON/VTR/TV ON SUPPLIER CODE: V81590 USED ON: BCREFA0812 | | 1 |

ILLUSTRATION ITEMS NOT ON PARTS LIST ARE NOT APPLICABLE

- ITEM NOT ILLUSTRATED

HXL

33-13-75-37

BOEING PROPRIETARY - Copyright © - Unpublished Work - See title page for details.

33-13-75
FIG. 37
PAGE 8
DEC 22/07



767

PARTS CATALOG (MAINTENANCE)

| FIG ITEM | PART NUMBER | 1 2 3 4 5 6 7 | NOMENCLATURE | EFFECT FROM TO | UNITS PER ASSY |
|-----------|-----------------|---------------|--|----------------|----------------|
| 37 165 | 673-1004-4086 | . | CAP ASSY-LENS-NORM/ALTN SUPPLIER CODE: V81590 USED ON: BCREFA0538 | | 1 |
| 175 | 433-097-003 | . | MODULE ASSY-CKT SUPPLIER CODE: V81590 | 163999 | 1 |
| 176 | 433-097-003 | . | MODULE ASSY-CKT SUPPLIER CODE: V81590 | | 1 |
| 187 | MS24515-685AS15 | .. | LAMP | 163999 | 2 |
| 187 | MS24515-685AS15 | .. | LAMP | | 2 |
| 192 | MS25237-387AS15 | .. | LAMP | 163999 | 2 |
| 192 | MS25237-387AS15 | .. | LAMP | | 2 |
| 195 | 673-092-005 | .. | HOLDER-LAMP SUPPLIER CODE: V81590 | 163999 | 1 |
| 196 | 673-092-005 | .. | HOLDER-LAMP SUPPLIER CODE: V81590 | | 1 |
| 197 | 13963-001 | .. | HOLDER-LAMP SUPPLIER CODE: V81590 | 163999 | 1 |
| 197 | 13963-001 | .. | HOLDER-LAMP SUPPLIER CODE: V81590 | | 1 |
| 200 | 13206-001 | . | MODULE ASSY-MASTER SUPPLIER CODE: V81590 | 163999 | 1 |
| 201 | 13206-001 | . | MODULE ASSY-MASTER SUPPLIER CODE: V81590 | | 1 |
| 210 | 433-100-002 | . | GUARD- SUPPLIER CODE: V81590 SPECIFICATION NUMBER: S231T290-821 OPTIONAL PART: 433-100-003 V81590 433-100-004 V81590 433-100-005 V81590 433-100-006 V81590 433-100-007 V81590 | 163999 | 1 |

ILLUSTRATION ITEMS NOT ON PARTS LIST ARE NOT APPLICABLE

- ITEM NOT ILLUSTRATED

33-13-75-37

33-13-75
FIG. 37
PAGE 9
AUG 22/08

HXL

BOEING PROPRIETARY - Copyright © - Unpublished Work - See title page for details.



767

PARTS CATALOG (MAINTENANCE)

| FIG ITEM | PART NUMBER | 1 2 3 4 5 6 7 | NOMENCLATURE | EFFECT FROM TO | UNITS PER ASSY |
|-------------|-------------|---------------|--|-------------------|----------------------|
| 37 211 | 433-100-002 | | . GUARD- SUPPLIER CODE: V81590 SPECIFICATION NUMBER: S231T290-821 OPTIONAL PART: 433-100-003 V81590 433-100-004 V81590 433-100-005 V81590 433-100-006 V81590 433-100-007 V81590 | | 1 |
| 212 | 433-100-003 | | . GUARD- SUPPLIER CODE: V81590 SPECIFICATION NUMBER: S231T290-822 OPTIONAL PART: 433-100-002 V81590 433-100-004 V81590 433-100-005 V81590 433-100-006 V81590 433-100-007 V81590 | 163999 | 1 |
| 212 | 433-100-003 | | . GUARD- SUPPLIER CODE: V81590 SPECIFICATION NUMBER: S231T290-822 OPTIONAL PART: 433-100-002 V81590 433-100-004 V81590 433-100-005 V81590 433-100-006 V81590 433-100-007 V81590 | | 1 |

ILLUSTRATION ITEMS NOT ON PARTS LIST ARE NOT APPLICABLE

- ITEM NOT ILLUSTRATED

HXL

33-13-75-37

BOEING PROPRIETARY - Copyright © - Unpublished Work - See title page for details.

33-13-75
FIG. 37
PAGE 10
DEC 22/07



767

PARTS CATALOG (MAINTENANCE)

| FIG ITEM | PART NUMBER | 1 2 3 4 5 6 7 | NOMENCLATURE | EFFECT FROM TO | UNITS PER ASSY |
|-----------|-------------|---------------|--|----------------|----------------|
| 37 213 | 433-100-004 | | . GUARD- SUPPLIER CODE: V81590 SPECIFICATION NUMBER: S231T290-823 OPTIONAL PART: 433-100-002 V81590 433-100-003 V81590 433-100-005 V81590 433-100-006 V81590 433-100-007 V81590 | 163999 | 1 |
| 213 | 433-100-004 | | . GUARD- SUPPLIER CODE: V81590 SPECIFICATION NUMBER: S231T290-823 OPTIONAL PART: 433-100-002 V81590 433-100-003 V81590 433-100-005 V81590 433-100-006 V81590 433-100-007 V81590 | | 1 |
| 214 | 433-100-005 | | . GUARD- SUPPLIER CODE: V81590 SPECIFICATION NUMBER: S231T290-824 OPTIONAL PART: 433-100-002 V81590 433-100-003 V81590 433-100-004 V81590 433-100-006 V81590 433-100-007 V81590 | 163999 | 1 |

ILLUSTRATION ITEMS NOT ON PARTS LIST ARE NOT APPLICABLE

- ITEM NOT ILLUSTRATED

HXL

33-13-75-37

BOEING PROPRIETARY - Copyright © - Unpublished Work - See title page for details.

33-13-75
FIG. 37
PAGE 11
DEC 22/07



767

PARTS CATALOG (MAINTENANCE)

| FIG ITEM | PART NUMBER | 1 2 3 4 5 6 7 | NOMENCLATURE | EFFECT FROM TO | UNITS PER ASSY |
|-----------|-------------|---------------|--|----------------|----------------|
| 37 214 | 433-100-005 | | . GUARD- SUPPLIER CODE: V81590 SPECIFICATION NUMBER: S231T290-824 OPTIONAL PART: 433-100-002 V81590 433-100-003 V81590 433-100-004 V81590 433-100-006 V81590 433-100-007 V81590 | | 1 |
| 215 | 433-100-006 | | . GUARD- SUPPLIER CODE: V81590 OPTIONAL PART: 433-100-002 V81590 433-100-003 V81590 433-100-004 V81590 433-100-005 V81590 433-100-007 V81590 | 163999 | 1 |
| 216 | 433-100-006 | | . GUARD- SUPPLIER CODE: V81590 OPTIONAL PART: 433-100-002 V81590 433-100-003 V81590 433-100-004 V81590 433-100-005 V81590 433-100-007 V81590 | | 1 |

ILLUSTRATION ITEMS NOT ON PARTS LIST ARE NOT APPLICABLE

- ITEM NOT ILLUSTRATED

HXL

33-13-75-37

BOEING PROPRIETARY - Copyright © - Unpublished Work - See title page for details.

33-13-75
FIG. 37
PAGE 12
DEC 22/07



767

PARTS CATALOG (MAINTENANCE)

| FIG ITEM | PART NUMBER | 1 2 3 4 5 6 7 | NOMENCLATURE | EFFECT FROM TO | UNITS PER ASSY |
|-----------|-------------|---------------|--|----------------|----------------|
| 37 216 | 433-100-007 | | . GUARD- SUPPLIER CODE: V81590 SPECIFICATION NUMBER: S231T290-826 OPTIONAL PART: 433-100-002 V81590 433-100-003 V81590 433-100-004 V81590 433-100-005 V81590 433-100-006 V81590 | 163999 | 1 |
| 217 | 433-100-007 | | . GUARD- SUPPLIER CODE: V81590 SPECIFICATION NUMBER: S231T290-826 OPTIONAL PART: 433-100-002 V81590 433-100-003 V81590 433-100-004 V81590 433-100-005 V81590 433-100-006 V81590 | | 1 |
| - 235 | BCREFA0529 | | SWITCH ASSY-LIGHTED PUSH BUTTON IND AUTO/ISLN SUPPLIER CODE: V81590 OVERLENGTH PART NUMBER: 433-673-1004-4064 SPECIFICATION NUMBER: S231T290-4064 COMPONENT MAINT MANUAL REF: 24-22-71 FOR NHA SEE: 24-22-51-01 | | RF |
| 240 | 433-107-002 | | . HOUSING ASSY-WITH MTG SLEEVE SUPPLIER CODE: V81590 | | 1 |

ILLUSTRATION ITEMS NOT ON PARTS LIST ARE NOT APPLICABLE

- ITEM NOT ILLUSTRATED

33-13-75-37

33-13-75
FIG. 37
PAGE 13
DEC 22/07

HXL

 **BOEING**
767
PARTS CATALOG (MAINTENANCE)

| FIG ITEM | PART NUMBER | 1 2 3 4 5 6 7 | NOMENCLATURE | EFFECT FROM TO | UNITS PER ASSY |
|----------|-----------------|---------------|--|----------------|----------------|
| 37 | | | | | |
| 245 | 673-1004-4064 | . | CAP ASSY-LENS-AUTO/ISLN SUPPLIER CODE: V81590 | | 1 |
| 250 | 433-097-003 | . | MODULE ASSY-CKT SUPPLIER CODE: V81590 | | 1 |
| 255 | MS24515-685AS15 | .. | LAMP | | 2 |
| 260 | MS25237-387AS15 | .. | LAMP | | 2 |
| 265 | 673-092-005 | .. | HOLDER-LAMP SUPPLIER CODE: V81590 | | 1 |
| 265 | 13963-001 | .. | HOLDER-LAMP SUPPLIER CODE: V81590 | | 1 |
| 270 | 13206-001 | . | MODULE ASSY-MASTER SUPPLIER CODE: V81590 | | 1 |
| 275 | 433-100-002 | . | GUARD- SUPPLIER CODE: V81590 SPECIFICATION NUMBER: S231T290-821 OPTIONAL PART: 433-100-003 V81590 433-100-004 V81590 433-100-005 V81590 433-100-006 V81590 433-100-007 V81590 | | 1 |
| 275 | 433-100-003 | . | GUARD- SUPPLIER CODE: V81590 SPECIFICATION NUMBER: S231T290-822 OPTIONAL PART: 433-100-002 V81590 433-100-004 V81590 433-100-005 V81590 433-100-006 V81590 433-100-007 V81590 | | 1 |

ILLUSTRATION ITEMS NOT ON PARTS LIST ARE NOT APPLICABLE

- ITEM NOT ILLUSTRATED

HXL

33-13-75-37

BOEING PROPRIETARY - Copyright © - Unpublished Work - See title page for details.

33-13-75
FIG. 37
PAGE 14
AUG 22/08



767

PARTS CATALOG (MAINTENANCE)

| FIG ITEM | PART NUMBER | 1 2 3 4 5 6 7 | NOMENCLATURE | EFFECT FROM TO | UNITS PER ASSY |
|-----------|-------------|---------------|--|----------------|----------------|
| 37 275 | 433-100-004 | | . GUARD- SUPPLIER CODE: V81590 SPECIFICATION NUMBER: S231T290-823 OPTIONAL PART: 433-100-002 V81590 433-100-003 V81590 433-100-005 V81590 433-100-006 V81590 433-100-007 V81590 | | 1 |
| 275 | 433-100-005 | | . GUARD- SUPPLIER CODE: V81590 SPECIFICATION NUMBER: S231T290-824 OPTIONAL PART: 433-100-002 V81590 433-100-003 V81590 433-100-004 V81590 433-100-006 V81590 433-100-007 V81590 | | 1 |
| 275 | 433-100-006 | | . GUARD- SUPPLIER CODE: V81590 OPTIONAL PART: 433-100-002 V81590 433-100-003 V81590 433-100-004 V81590 433-100-005 V81590 433-100-007 V81590 | | 1 |

ILLUSTRATION ITEMS NOT ON PARTS LIST ARE NOT APPLICABLE

- ITEM NOT ILLUSTRATED

HXL

33-13-75-37

BOEING PROPRIETARY - Copyright © - Unpublished Work - See title page for details.

33-13-75
FIG. 37
PAGE 15
DEC 22/07



767

PARTS CATALOG (MAINTENANCE)

| FIG ITEM | PART NUMBER | 1 2 3 4 5 6 7 NOMENCLATURE | EFFECT FROM TO | UNITS PER ASSY |
|-------------|-------------|--|-------------------|----------------------|
| 37 275 | 433-100-007 | . GUARD- SUPPLIER CODE: V81590 SPECIFICATION NUMBER: S231T290-826 OPTIONAL PART: 433-100-002 V81590 433-100-003 V81590 433-100-004 V81590 433-100-005 V81590 433-100-006 V81590 | | 1 |

ILLUSTRATION ITEMS NOT ON PARTS LIST ARE NOT APPLICABLE

- ITEM NOT ILLUSTRATED

HXL

33-13-75-37

BOEING PROPRIETARY - Copyright © - Unpublished Work - See title page for details.

33-13-75
FIG. 37
PAGE 16
DEC 22/07