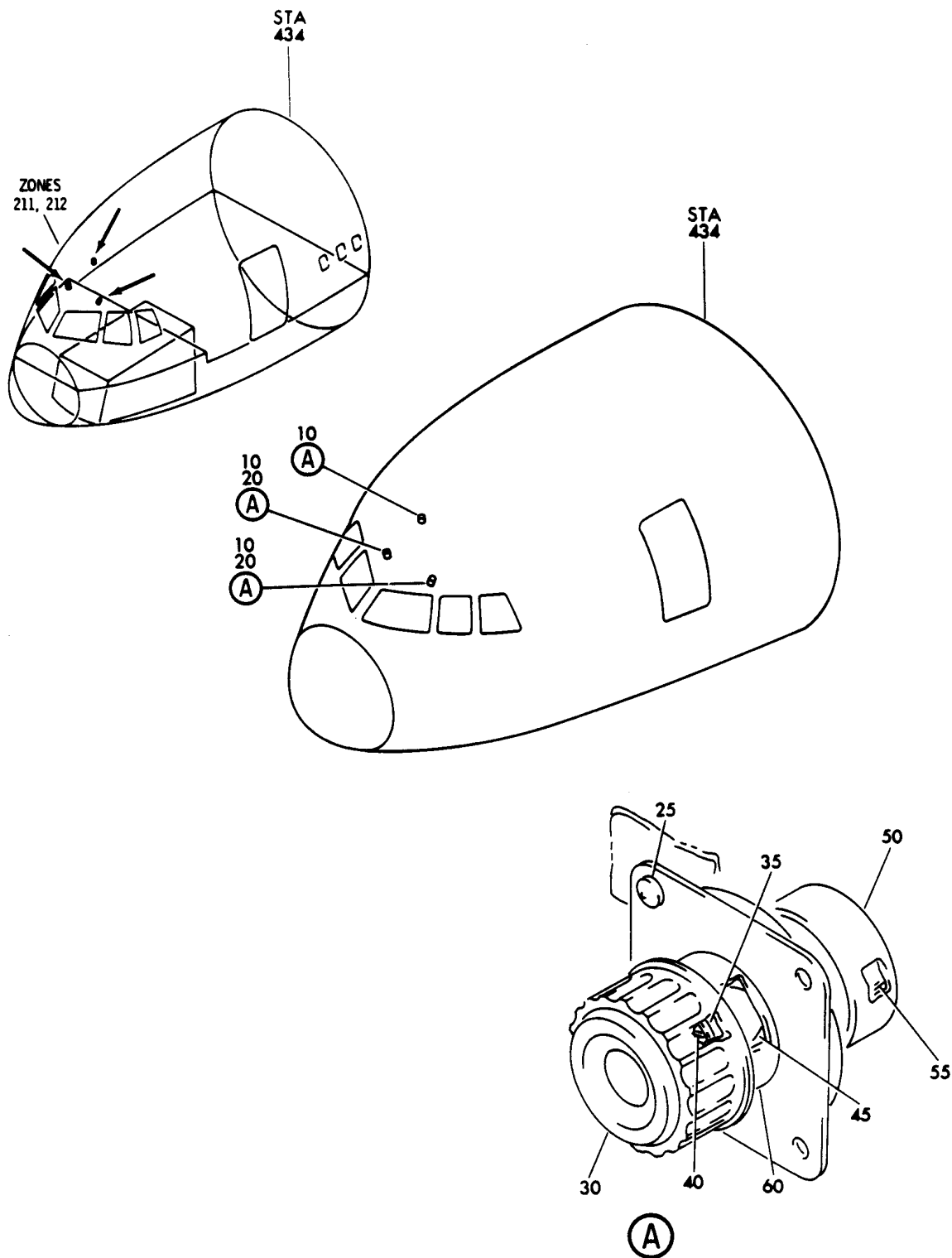


FLIGHT COMPARTMENT MISCELLANEOUS LIGHTS

HXL
DEC 22/06

33-14-00
SECTION TITLE
PAGE 1

BOEING
767
PARTS CATALOG (MAINTENANCE)



V 33145102 SHT 1 REV 036

LIGHT INSTL-CAPT FIRST OFFICER AND FIRST OBSERVER MAP
FIGURE 2

33-14-51-02

HXL
DEC 22/06

33-14-51-02
PAGE 0

 **BOEING**
767
PARTS CATALOG (MAINTENANCE)

FIG ITEM	PART NUMBER	1 2 3 4 5 6 7	NOMENCLATURE	EFFECT FROM TO	UNITS PER ASSY
2			LIGHT INSTL-CAPT FIRST OFFICER AND FIRST OBSERVER MAP		
- 1	232T5001-4		LIGHT INSTL-CAPT FIRST OFFICER AND FIRST OBSERVER MAP		RF
10	81000-13701		FOR NHA SEE: 25-10-00-15 LIGHT ASSY-MAP SUPPLIER CODE: VS5006 SPECIFICATION NUMBER: S232T500-1 ELECTRICAL EQUIP NUMBER: L00030 L00741 L00031		3
25	89911-00094		..SCREW-CAPTIVE SUPPLIER CODE: VS5006		4
30	81002-13701		..BEZEL ASSY- SUPPLIER CODE: VS5006		1
35	81125-13701		..SLIDER- SUPPLIER CODE: VS5006		1
40	81118-13701		..SLIDER- SUPPLIER CODE: VS5006		1
45	1308		..BULB- SUPPLIER CODE: V08806		1
50	81119-13701		..CAP- SUPPLIER CODE: VS5006		1
55	81003-13701		..SOCKET ASSY- SUPPLIER CODE: VS5006		1
60	81001-13701		..HOUSING ASSY- SUPPLIER CODE: VS5006		1

ILLUSTRATION ITEMS NOT ON PARTS LIST ARE NOT APPLICABLE

- ITEM NOT ILLUSTRATED

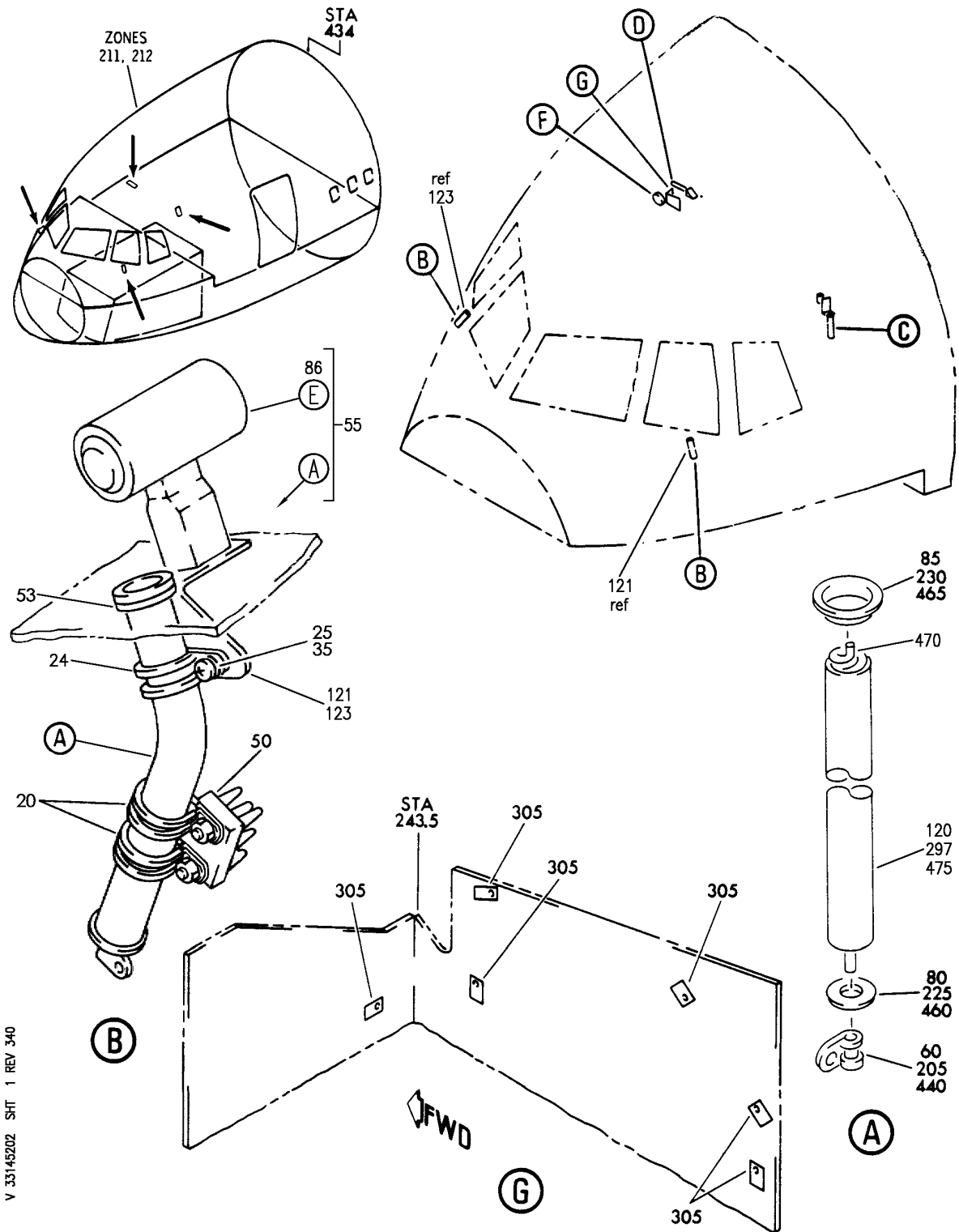
HXL

33-14-51-02

BOEING PROPRIETARY - Copyright © - Unpublished Work - See title page for details.

33-14-51
FIG. 02
PAGE 1
APR 22/07

BOEING
767
PARTS CATALOG (MAINTENANCE)



V 33145202 SHT 1 REV 340

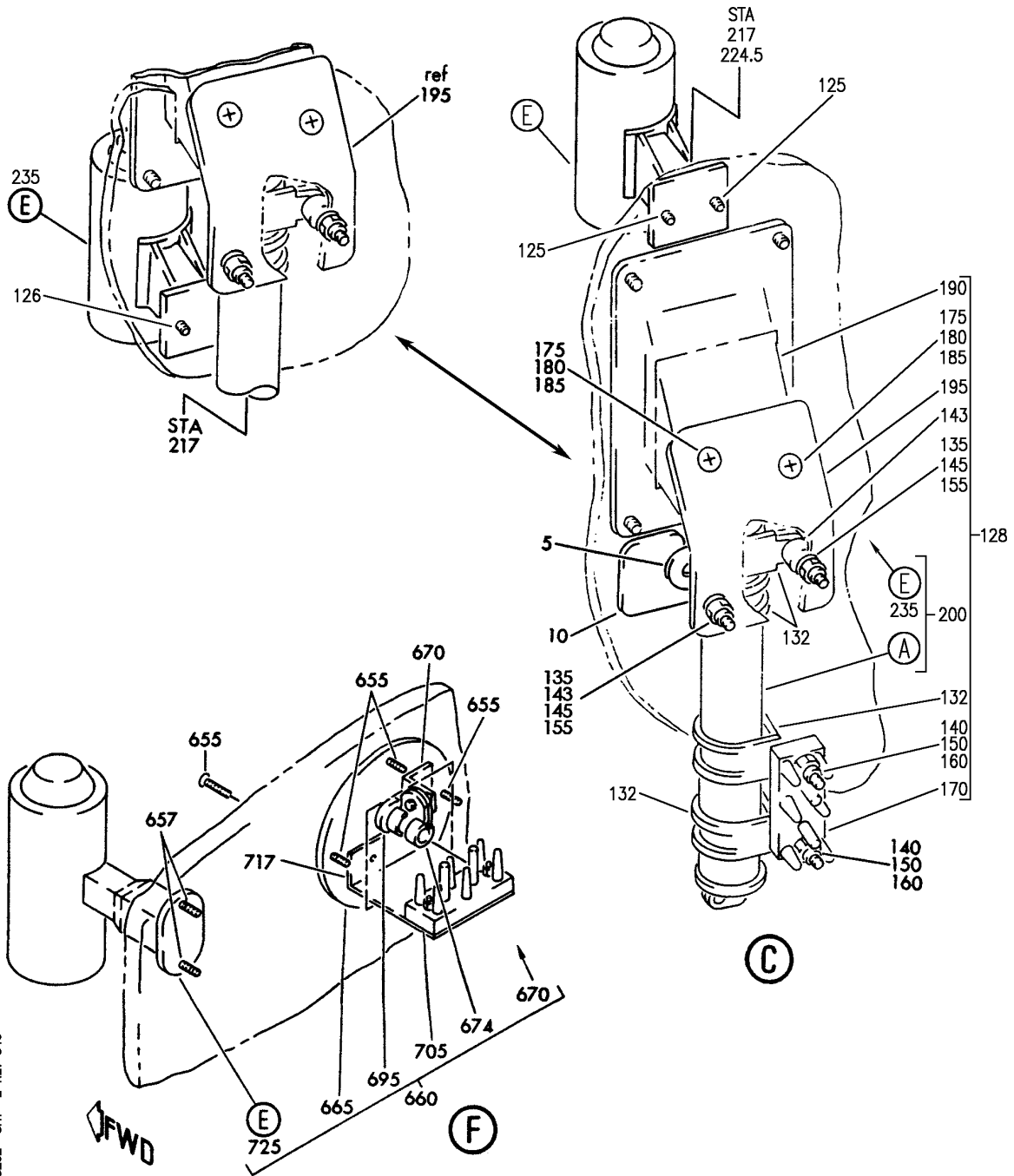
LIGHT INSTL-UTILITY
FIGURE 2 (SHEET 1)

33-14-52-02

HXL
AUG 22/09

33-14-52-02
PAGE 0

BOEING
767
PARTS CATALOG (MAINTENANCE)



V 33145202 SHT 2 REV 340

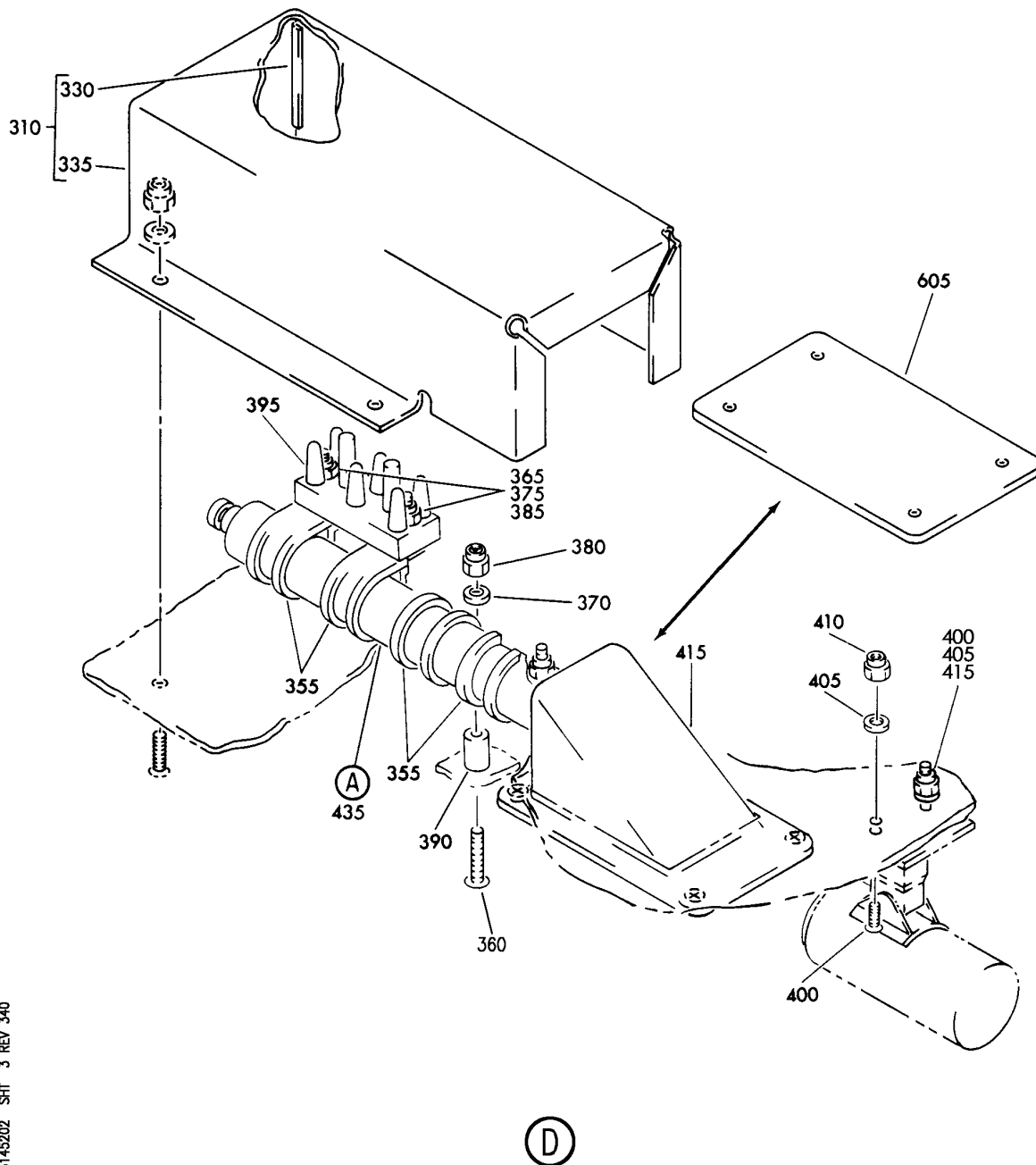
LIGHT INSTL-UTILITY
FIGURE 2 (SHEET 2)

33-14-52-02

HXL
AUG 22/09

33-14-52-02
PAGE 0A

BOEING
767
PARTS CATALOG (MAINTENANCE)



V 33145202 SHT 3 REV 340

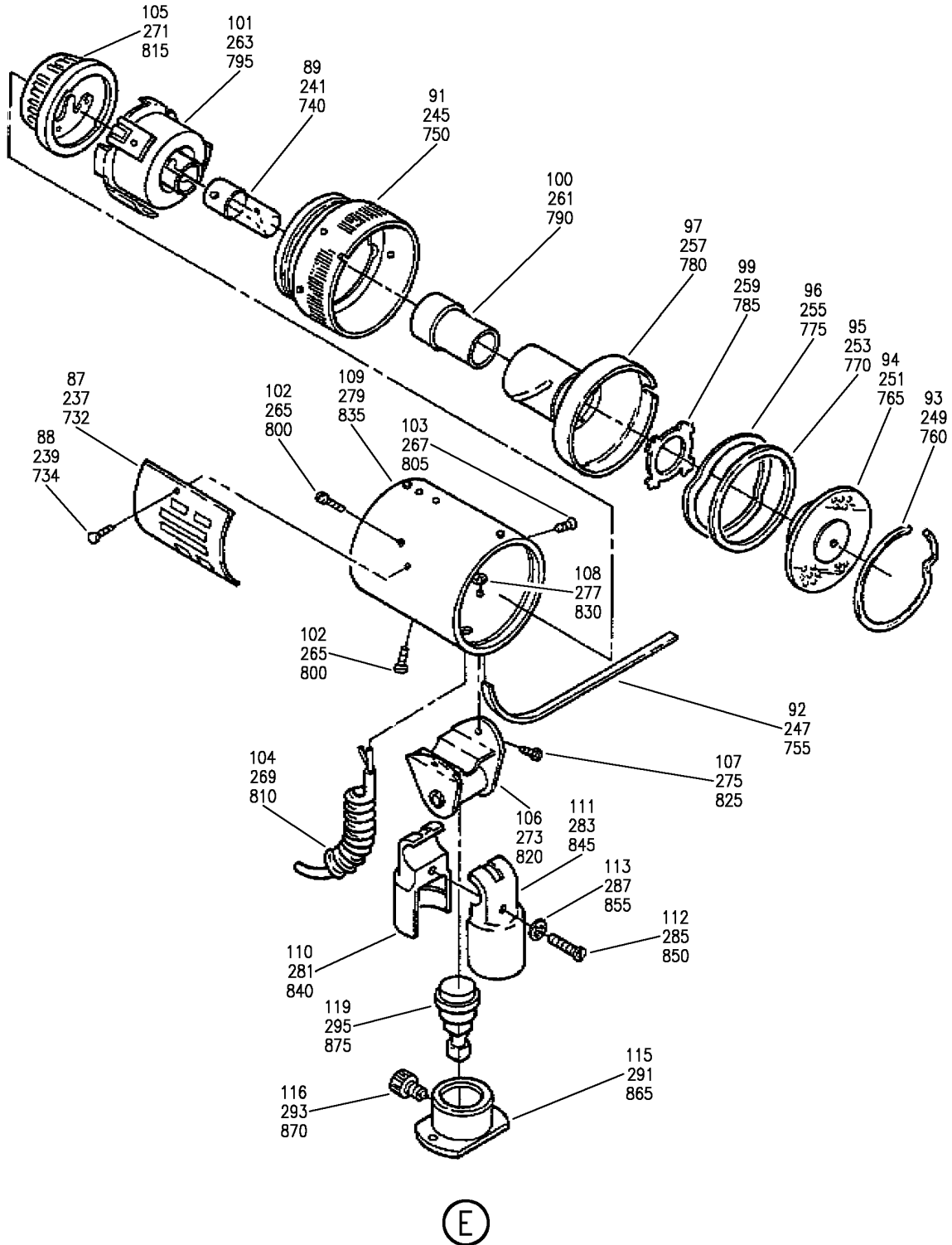
LIGHT INSTL-UTILITY
FIGURE 2 (SHEET 3)

33-14-52-02

HXL
AUG 22/09

33-14-52-02
PAGE 0B

BOEING
767
PARTS CATALOG (MAINTENANCE)



V 33145202 SHT 4 REV 340

LIGHT INSTL-UTILITY
FIGURE 2 (SHEET 4)

33-14-52-02

HXL
AUG 22/09

33-14-52-02
PAGE 0C

 **BOEING**
767
PARTS CATALOG (MAINTENANCE)

FIG ITEM	PART NUMBER	1 2 3 4 5 6 7	NOMENCLATURE	EFFECT FROM TO	UNITS PER ASSY
2			LIGHT INSTL-UTILITY		
- 1	232T5002-15		LIGHT INSTL-UTILITY		RF
			FOR NHA SEE: 25-10-00-15		
	5 140-062		.GROMMET-		1
			SUPPLIER CODE: V77969		
			SPECIFICATION NUMBER: BACG20C11		
	10 232T5006-6		.PLATE-COVER		1
			ATTACHING PARTS		
- 15	PS10F5DL11BG		.SCREW-		2
			SUPPLIER CODE: V12324		
			OPTIONAL PART: SFSW10F5DL11BG V12324		
- 15	SFSW10F5DL11BG		.SCREW-		2
			SUPPLIER CODE: V12324		
			OPTIONAL PART: PS10F5DL11BG V12324		
			-----*-----		
	20 JM44LC13WS16R		.CLAMP		4
			SUPPLIER CODE: V22175		
			SPECIFICATION NUMBER: BACC10GE16		
			OPTIONAL PART: S369WH16 V18076 TA12C32WS16 V84971 509S16 V83930		
			ATTACHING PARTS		
- 21	NAS600-6P		.SCREW		4
- 22	AN960PD4L		.WASHER-		4

ILLUSTRATION ITEMS NOT ON PARTS LIST ARE NOT APPLICABLE

- ITEM NOT ILLUSTRATED

HXL

33-14-52-02

BOEING PROPRIETARY - Copyright © - Unpublished Work - See title page for details.

33-14-52
FIG. 02
PAGE 1
DEC 22/08



767

PARTS CATALOG (MAINTENANCE)

FIG ITEM	PART NUMBER	1 2 3 4 5 6 7	NOMENCLATURE	EFFECT FROM TO	UNITS PER ASSY
2					
- 23	BRH10A04		.NUT SUPPLIER CODE: V52828 SPECIFICATION NUMBER: BACN10JC04 OPTIONAL PART: NS202101-40 V80539 RMLH9075-40W V72962 VN303A40 V92215 96-40 V80539 T6S440J V11815 H10-04BAC V15653 -----*-----		4
24	JM44LC13WS15R		.CLAMP SUPPLIER CODE: V22175 SPECIFICATION NUMBER: BACC10GE15 OPTIONAL PART: S369WH15 V18076 TA12C32WS15 V84971 509S15 V83930 ATTACHING PARTS		2
25	NAS603-8P		.SCREW		2
35	AN960PD10L		.WASHER-		2
50	232T5002-20		.TERMINAL BOARD ASSY- ELECTRICAL EQUIP NUMBER: TB5102 TB5104		2
55	232T5004-7		.CONTAINER ASSY- ELECTRICAL EQUIP NUMBER: L00034 L00037		2

ILLUSTRATION ITEMS NOT ON PARTS LIST ARE NOT APPLICABLE

- ITEM NOT ILLUSTRATED

33-14-52-02

33-14-52
FIG. 02
PAGE 2
DEC 22/06

HXL

BOEING PROPRIETARY - Copyright © - Unpublished Work - See title page for details.

 **BOEING**
767
PARTS CATALOG (MAINTENANCE)

FIG ITEM	PART NUMBER	1 2 3 4 5 6 7	NOMENCLATURE	EFFECT FROM TO	UNITS PER ASSY
2					
R	89	1864	...BULB-		1
R			SUPPLIER CODE:		
R			V71744		
R	-	90	16-0050-1	...LIGHT ASSY-	1
R			SUPPLIER CODE:		
R			V72914		
R		91	16-0050-17HOUSING-LENS	1
R			SUPPLIER CODE:		
R			V72914		
R		92	16-1605-1STRAP-	1
R			SUPPLIER CODE:		
R			V72914		
R		93	A7098ASPRING-RETAINER	1
R			SUPPLIER CODE:		
R			V72914		
R		94	16-0095-1LENS-	1
R			SUPPLIER CODE:		
R			V72914		
R		95	MS29513-126PACKING	1
R		96	16-2548-1WASHER-WAVE	1
R			SUPPLIER CODE:		
R			V72914		
R		97	16-0046-1REFLECTOR-	1
R			SUPPLIER CODE:		
R			V72914		
R		99	16-0012GUIDE-FILTER	1
R			SUPPLIER CODE:		
R			V72914		
R		100	16-0048-1FILTER-	1
R			SUPPLIER CODE:		
R			V72914		
R		101	16-0094-1RHEOSTAT AND-	1
R			ASSY		
R			SUPPLIER CODE:		
R			V72914		
R			ATTACHING PARTS		
R		102	55-0206-2BSCREW-	2
R			SUPPLIER CODE:		
R			V72914		
R		103	55-0208-9BSCREW-	1
R			SUPPLIER CODE:		
R			V72914		
R			-----*-----		
R		104	B7041-6CORD-COILED	1
R			SUPPLIER CODE:		
R			V72914		
R		105	A7081-1KNOB ASSY-	1
R			SUPPLIER CODE:		
R			V72914		

ILLUSTRATION ITEMS NOT ON PARTS LIST ARE NOT APPLICABLE

- ITEM NOT ILLUSTRATED

HXL

33-14-52-02

BOEING PROPRIETARY - Copyright © - Unpublished Work - See title page for details.

33-14-52
FIG. 02
PAGE 4
AUG 22/09

BOEING
767
PARTS CATALOG (MAINTENANCE)

FIG ITEM	PART NUMBER	1 2 3 4 5 6 7	NOMENCLATURE	EFFECT FROM TO	UNITS PER ASSY
2					
R	106	A7665BRACKET-MTG SUPPLIER CODE: V72914 ATTACHING PARTS		1
R					
R					
R	107	60-3764-3SCREW- SUPPLIER CODE: V72914		2
R					
R					
R	108	MS21083N06NUT -----*-----		2
R					
R	109	16-0050-19HOUSING- SUPPLIER CODE: V72914		1
R					
R					
R	110	20237-1	...CLAMP- SUPPLIER CODE: V72914		1
R					
R					
R	111	20237-2	...CLAMP- SUPPLIER CODE: V72914 ATTACHING PARTS		1
R					
R	112	60-3763-1	...SCREW- SUPPLIER CODE: V72914		1
R					
R					
R	113	60-3765-1	...LOCKWASHER- SUPPLIER CODE: V72914 -----*-----		1
R					
R					
R	- 114	15982-1	...BASE ASSY- SUPPLIER CODE: V72914		1
R					
R					
R	115	A8156-8BASE- SUPPLIER CODE: V72914		1
R					
R					
R	116	A2812LOCKING DEVICE- SUPPLIER CODE: V72914		1
R					
R					
R	119	A6690	...POST- SUPPLIER CODE: V72914		1
R					
R	120	232T5004-8	..CONTAINER		1
R	121	232T5006-1	.BRACKET ASSY- POSITION DATA: LH SIDE		1
R					
R					
R	123	232T5006-2	.BRACKET ASSY- POSITION DATA: RH SIDE ATTACHING PARTS		1
R					
R	- 124	NAS603-10B	.SCREW -----*-----		4
R					
R	126	NAS603-10B	.SCREW		2

ILLUSTRATION ITEMS NOT ON PARTS LIST ARE NOT APPLICABLE

- ITEM NOT ILLUSTRATED

33-14-52-02

33-14-52
FIG. 02
PAGE 5
AUG 22/09

HXL

 **BOEING**
767
PARTS CATALOG (MAINTENANCE)

FIG ITEM	PART NUMBER	1 2 3 4 5 6 7	NOMENCLATURE	EFFECT FROM TO	UNITS PER ASSY
R R R R R R R R R R R R R R R	2 128	232T5002-16	.LIGHT ASSY- ELECTRICAL EQUIP NUMBER: L00412 ATTACHING PARTS		1
	- 130	SFSW10F5DL11BG	.SCREW- SUPPLIER CODE: V12324		4
	- 130	PS10F5DL11BG	.SCREW- SUPPLIER CODE: V12324		4
	132	JM44LC13WS16R	-----*----- ..CLAMP SUPPLIER CODE: V22175 SPECIFICATION NUMBER: BACC10GE16 OPTIONAL PART: S369WH16 V18076 TA12C32WS16 V84971 509S16 V83930 ATTACHING PARTS		4
	135	NAS603-15P	..SCREW-		2
	140	NAS600-6P	..SCREW		2
	143	NAS43DD3-34	..SPACER		2
	145	AN960PD10L	..WASHER-		2
	150	AN960PD4L	..WASHER-		2
	155	BRH10A3	..NUT- SUPPLIER CODE: V52828 SPECIFICATION NUMBER: BACN10JC3 OPTIONAL PART: H10-3BAC V15653 NS202101-02 V80539 RMLH9075-3W V72962 VN303A02 V92215 96-02 V80539 T6S1032J V11815		2
	ILLUSTRATION ITEMS NOT ON PARTS LIST ARE NOT APPLICABLE				

- ITEM NOT ILLUSTRATED

33-14-52-02

33-14-52
FIG. 02
PAGE 6
AUG 22/09

HXL

 **BOEING**
767
PARTS CATALOG (MAINTENANCE)

FIG ITEM	PART NUMBER	1 2 3 4 5 6 7	NOMENCLATURE	EFFECT FROM TO	UNITS PER ASSY
2 160	BRH10A04		..NUT- SUPPLIER CODE: V52828 SPECIFICATION NUMBER: BACN10JC04 OPTIONAL PART: NS202101-40 V80539 RMLH9075-40W V72962 VN303A40 V92215 96-40 V80539 T6S440J V11815 H10-04BAC V15653 -----*-----		2
170	MS27212-2-2		.. TERMINAL BOARD ASSY- ELECTRICAL EQUIP NUMBER: TB5100		1
175	SFSW10F7DL11BG		.. SCREW- SUPPLIER CODE: V12324		2
180	AN960PD10L		.. WASHER-		2
185	BRH10A3		..NUT- SUPPLIER CODE: V52828 SPECIFICATION NUMBER: BACN10JC3 OPTIONAL PART: H10-3BAC V15653 NS202101-02 V80539 RMLH9075-3W V72962 VN303A02 V92215 96-02 V80539 T6S1032J V11815		2
190	232T5005-13		.. HOUSING-SPRT		1
195	232T5006-8		.. BRACKET-		1
200	232T5004-5		.. CONTAINER ASSY-		1

ILLUSTRATION ITEMS NOT ON PARTS LIST ARE NOT APPLICABLE

- ITEM NOT ILLUSTRATED

HXL

33-14-52-02

BOEING PROPRIETARY - Copyright © - Unpublished Work - See title page for details.

33-14-52
FIG. 02
PAGE 7
AUG 22/09

 **BOEING**
767
PARTS CATALOG (MAINTENANCE)

FIG ITEM	PART NUMBER	1 2 3 4 5 6 7	NOMENCLATURE	EFFECT FROM TO	UNITS PER ASSY
2 205	JM44LC13WS2R		...CLAMP SUPPLIER CODE: V22175 SPECIFICATION NUMBER: BACC10GE2 OPTIONAL PART: TA12C32WS2 V84971 509S2 V83930 S714WH2 V18076 ATTACHING PARTS		1
- 210	NAS603-8P		...SCREW		1
- 215	AN960PD10L		...WASHER		1
- 220	BRH10A3		...NUT SUPPLIER CODE: V52828 SPECIFICATION NUMBER: BACN10JC3 OPTIONAL PART: H10-3BAC V15653 NS202101-02 V80539 RMLH9075-3W V72962 VN303A02 V92215 96-02 V80539 T6S1032J V11815 -----*-----		1
	225 232T5004-4		...PLUG		1
	230 232T5004-3		...FITTING		1
	235 D7520-5		...FLOOD LIGHT ASSY- SUPPLIER CODE: V72914		1
R 297	232T5004-6		...CONTAINER-		1

ILLUSTRATION ITEMS NOT ON PARTS LIST ARE NOT APPLICABLE

- ITEM NOT ILLUSTRATED

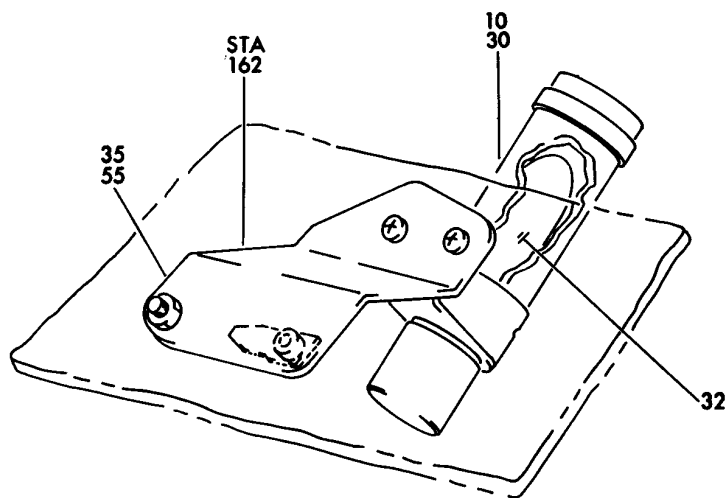
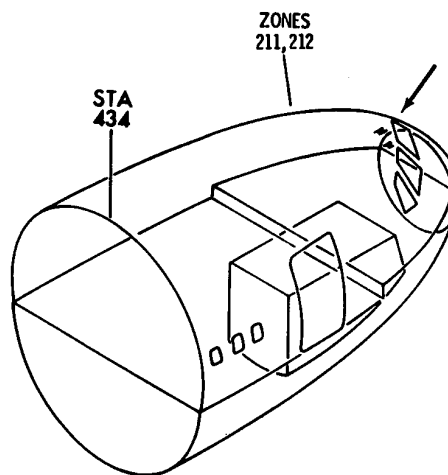
HXL

33-14-52-02

BOEING PROPRIETARY - Copyright © - Unpublished Work - See title page for details.

33-14-52
FIG. 02
PAGE 8
AUG 22/09

BOEING
767
PARTS CATALOG (MAINTENANCE)



V 33145301 REV 179

LIGHT INSTL-CHART
FIGURE 1

33-14-53-01

HXL
DEC 22/06

33-14-53-01
PAGE 0



767

PARTS CATALOG (MAINTENANCE)

FIG ITEM	PART NUMBER	1 2 3 4 5 6 7	NOMENCLATURE	EFFECT FROM TO	UNITS PER ASSY
1					
- 1	232T5008-8		LIGHT INSTL-CHART LIGHT INSTL-CHART POSITION DATA: LH FOR NHA SEE: 25-10-00-15		RF
- 5	232T5008-9		LIGHT INSTL-CHART POSITION DATA: RH FOR NHA SEE: 25-10-00-15		RF
10	69B41965-1		.LIGHT ASSY ATTACHING PARTS		1
- 15	NAS601-5P		.SCREW		2
30	A4135C1864		-----*----- ..LIGHT ASSY- SUPPLIER CODE: V72914		1
32	GE1864		...LAMP- SUPPLIER CODE: V08806		1
35	232T5008-7		.BRACKET ASSY- ELECTRICAL EQUIP NUMBER: L00028 L00029 ATTACHING PARTS		1
- 45	NAS514P1032-7B		.SCREW- -----*-----		2
55	232T5008-6		..BRACKET		1

ILLUSTRATION ITEMS NOT ON PARTS LIST ARE NOT APPLICABLE

- ITEM NOT ILLUSTRATED

HXL

33-14-53-01

BOEING PROPRIETARY - Copyright © - Unpublished Work - See title page for details.

33-14-53
FIG. 01
PAGE 1
DEC 22/06