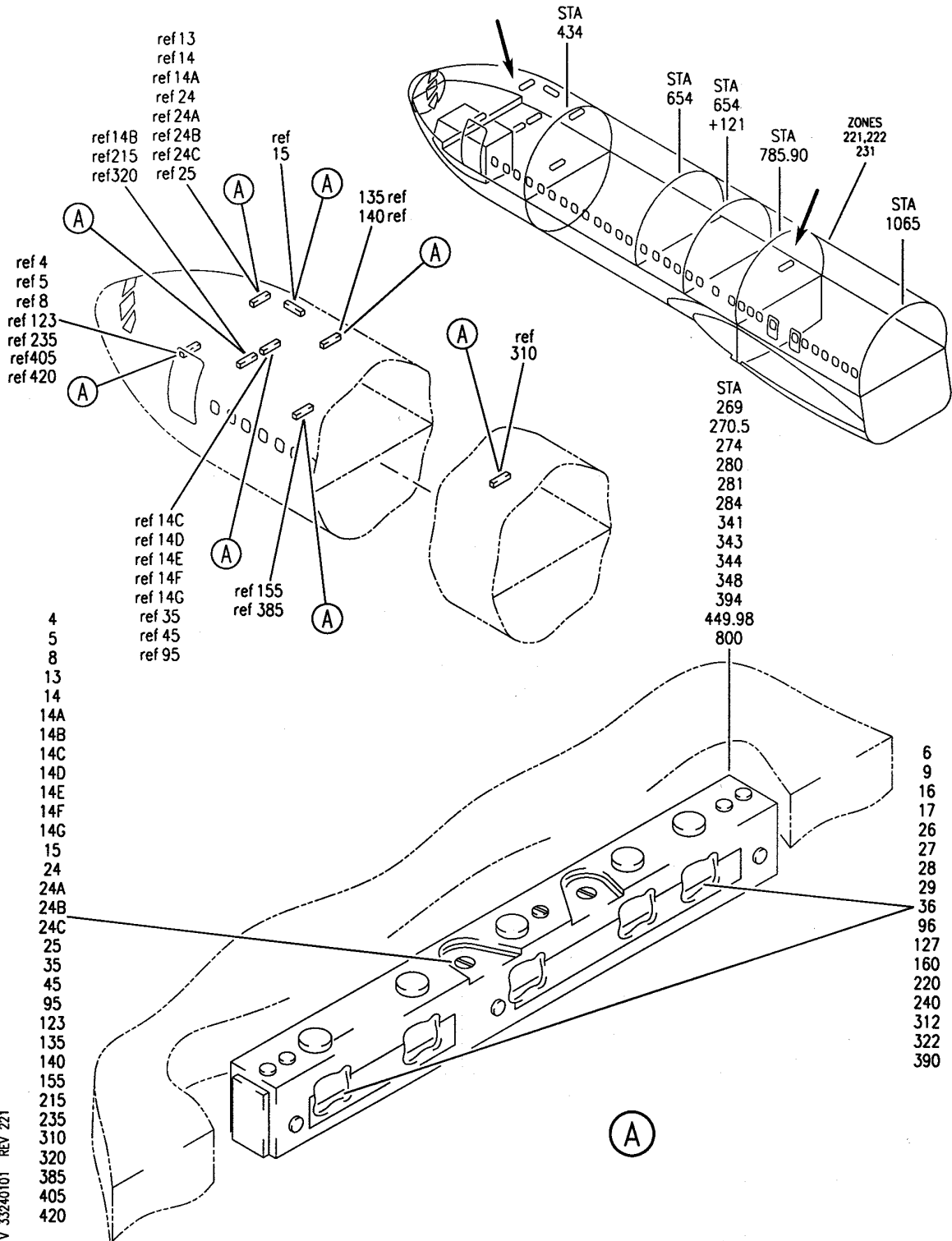


## PASSENGER SIGNS

**BOEING**  
767  
**PARTS CATALOG (MAINTENANCE)**



V 33240101 REV 221

SIGN INSTL-ATTENDANT NSFSB  
FIGURE 1

**33-24-01-01**

HXL  
DEC 22/06

33-24-01-01  
PAGE 0



767

PARTS CATALOG (MAINTENANCE)

FIG ITEM	PART NUMBER	1 2 3 4 5 6 7	NOMENCLATURE	EFFECT FROM TO	UNITS PER ASSY
1					
- 20	417T5129-44		SIGN INSTL-ATTENDANT NSFBS SIGN INSTL-ATTENDANT NSFBS POSITION DATA: FWD RH FOR NHA SEE: 25-20-00-17G		RF
25	10-0428-31		.SIGN ASSY-ILLUMINATED WARNING SUPPLIER CODE: V72914		1
26	10-0291-3		..SIGN-LAMP SUPPLIER CODE: V72914		5
- 120	417T5129-43		SIGN INSTL-ATTENDANT NSFBS POSITION DATA: FWD LH FOR NHA SEE: 25-20-00-17G		RF
123	10-0428-31		.SIGN ASSY-ILLUMINATED WARNING SUPPLIER CODE: V72914		1
127	10-0291-3		..SIGN-LAMP SUPPLIER CODE: V72914		5
- 210	417T5129-50		SIGN INSTL-ATTENDANT NSFBS POSITION DATA: FWD CTR FOR NHA SEE: 25-20-00-17G		RF
215	10-0428-31		.SIGN ASSY-ILLUMINATED WARNING SUPPLIER CODE: V72914		1
220	10-0291-3		..SIGN-LAMP SUPPLIER CODE: V72914		5

ILLUSTRATION ITEMS NOT ON PARTS LIST ARE NOT APPLICABLE

- ITEM NOT ILLUSTRATED

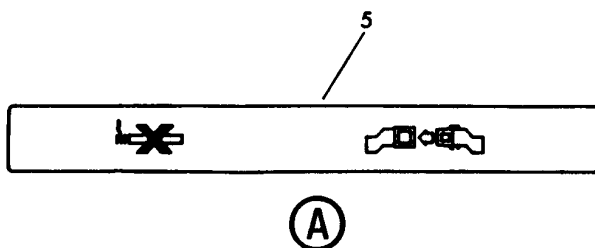
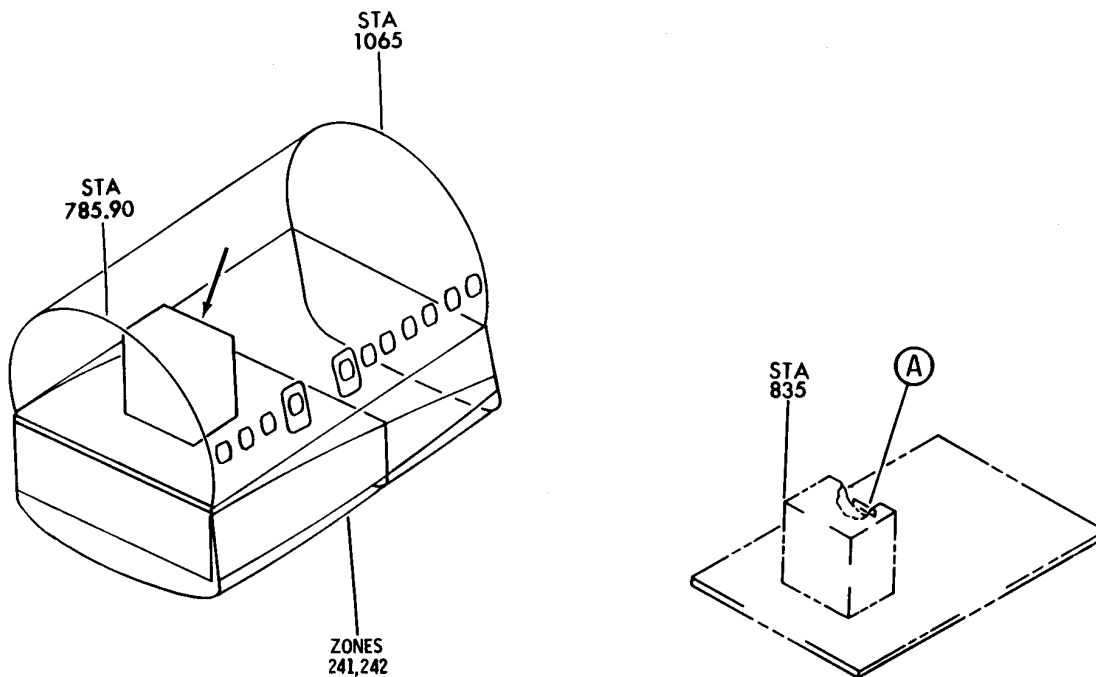
HXL

33-24-01-01

BOEING PROPRIETARY - Copyright © - Unpublished Work - See title page for details.

33-24-01  
FIG. 01  
PAGE 1  
DEC 22/07

**BOEING**  
767  
PARTS CATALOG (MAINTENANCE)



V 33240108 REV 130

PANEL ASSY-(LIGHTS ONLY)  
FIGURE 8

**33-24-01-08**

HXL  
DEC 22/06

33-24-01-08  
PAGE 0



767

PARTS CATALOG (MAINTENANCE)

FIG ITEM	PART NUMBER	1 2 3 4 5 6 7	NOMENCLATURE	EFFECT FROM TO	UNITS PER ASSY
8					
- 1	413T3270-10SP		PANEL ASSY-(LIGHTS ONLY)	163999	
			PANEL ASSY-(LIGHTS ONLY)	163999	RF
			FOR NHA/OTHER SYS DET SEE: 25-24-10-52		
5	10-0428-29		.SIGN ASSY-NO SMOKING, FASTEN SEAT BELT	163999	1
			SUPPLIER CODE: V72914		
- 10	10-0291-3		..SIGN-LAMP	163999	5
			SUPPLIER CODE: V72914		

ILLUSTRATION ITEMS NOT ON PARTS LIST ARE NOT APPLICABLE

- ITEM NOT ILLUSTRATED

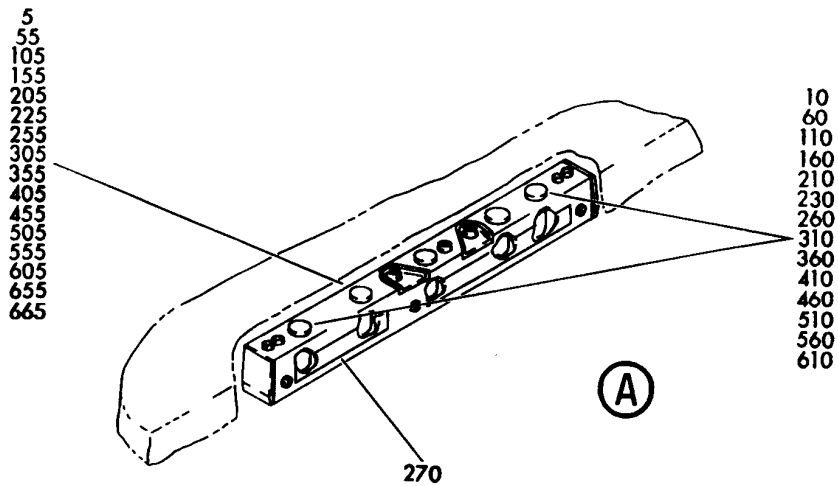
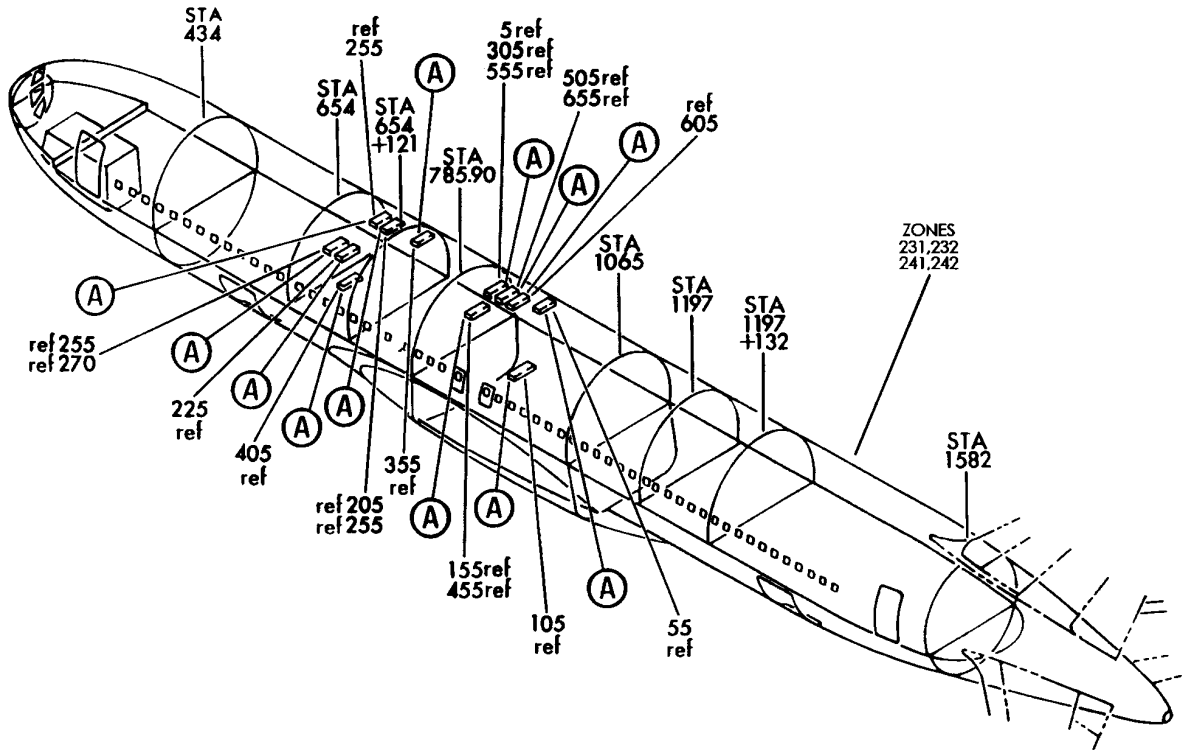
HXL

33-24-01-08

BOEING PROPRIETARY - Copyright © - Unpublished Work - See title page for details.

33-24-01  
FIG. 08  
PAGE 1  
AUG 22/08

**BOEING**  
767  
PARTS CATALOG (MAINTENANCE)



V 33240121 REV 205

SIGN INSTL-ATTENDANT NSFSB MID  
FIGURE 21

**33-24-01-21**

HXL  
DEC 22/06

33-24-01-21  
PAGE 0



767

PARTS CATALOG (MAINTENANCE)

FIG ITEM	PART NUMBER	1 2 3 4 5 6 7	NOMENCLATURE	EFFECT FROM TO	UNITS PER ASSY
21			SIGN INSTL-ATTENDANT NSF SB MID		
- 100	417T5129-47		SIGN INSTL-ATTENDANT NSF SB POSITION DATA: MID LH FOR NHA SEE: 25-20-00-17G		RF
105	10-0428-31		.SIGN ASSY-ILLUMINATED WARNING SUPPLIER CODE: V72914		1
110	10-0291-3		..SIGN-LAMP SUPPLIER CODE: V72914		5

ILLUSTRATION ITEMS NOT ON PARTS LIST ARE NOT APPLICABLE

- ITEM NOT ILLUSTRATED

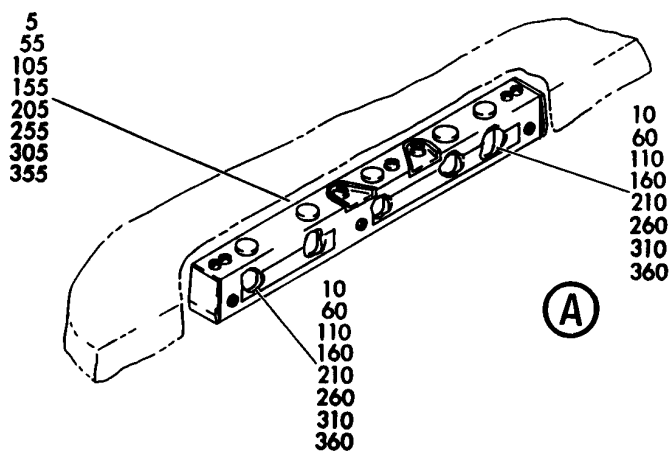
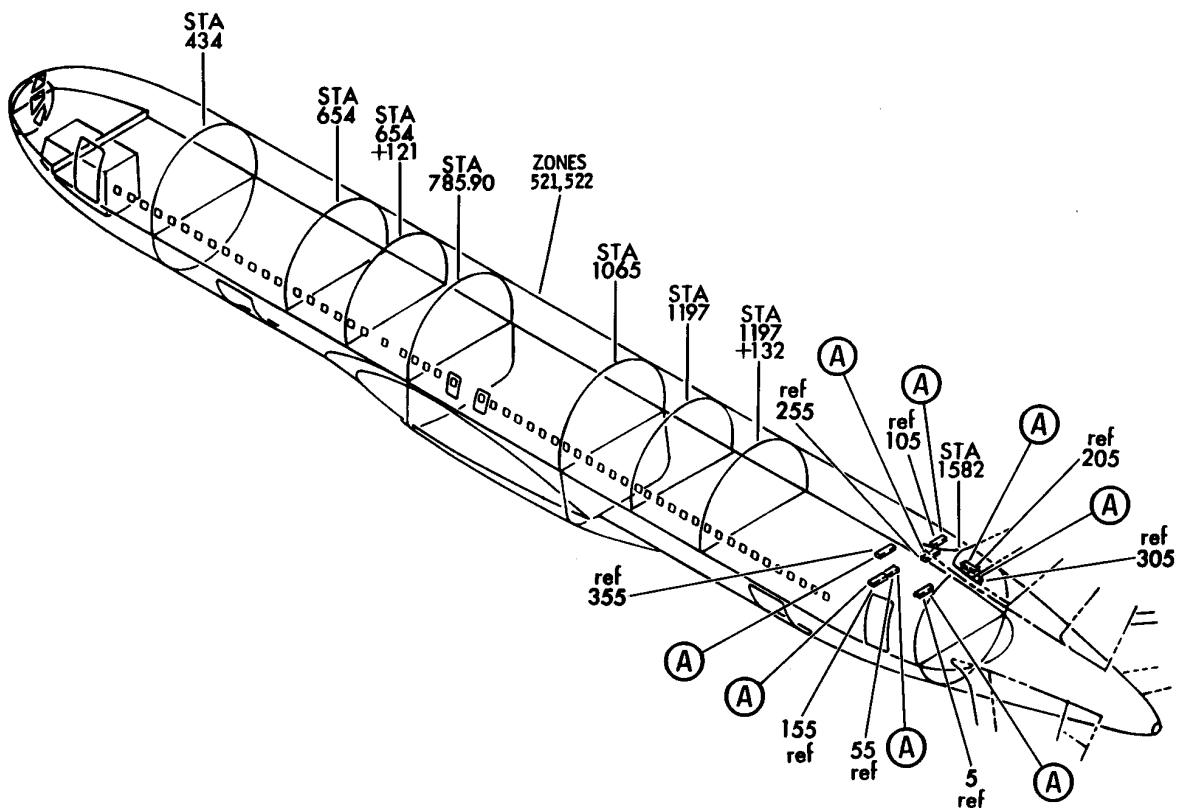
HXL

33-24-01-21

BOEING PROPRIETARY - Copyright © - Unpublished Work - See title page for details.

33-24-01  
FIG. 21  
PAGE 1  
DEC 22/07

**BOEING**  
767  
PARTS CATALOG (MAINTENANCE)



V 33240122 REV 146

SIGN INSTL-ATTENDANT NSFSB AFT  
FIGURE 22

**33-24-01-22**

HXL  
DEC 22/06

33-24-01-22  
PAGE 0





767

PARTS CATALOG (MAINTENANCE)

FIG ITEM	PART NUMBER	1 2 3 4 5 6 7	NOMENCLATURE	EFFECT FROM TO	UNITS PER ASSY
22			SIGN INSTL-ATTENDANT NSF SB AFT		
- 1	417T5129-45		SIGN INSTL-ATTENDANT NSF SB POSITION DATA: MID LH FOR NHA SEE: 25-20-00-17G		RF
5	10-0428-31		.SIGN ASSY-ILLUMINATED WARNING SUPPLIER CODE: V72914		1
10	10-0291-3		..SIGN-LAMP SUPPLIER CODE: V72914		5

ILLUSTRATION ITEMS NOT ON PARTS LIST ARE NOT APPLICABLE

- ITEM NOT ILLUSTRATED

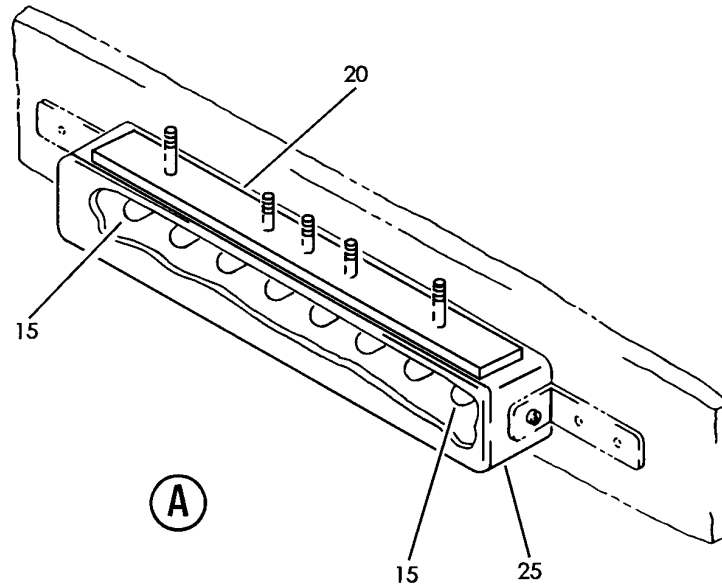
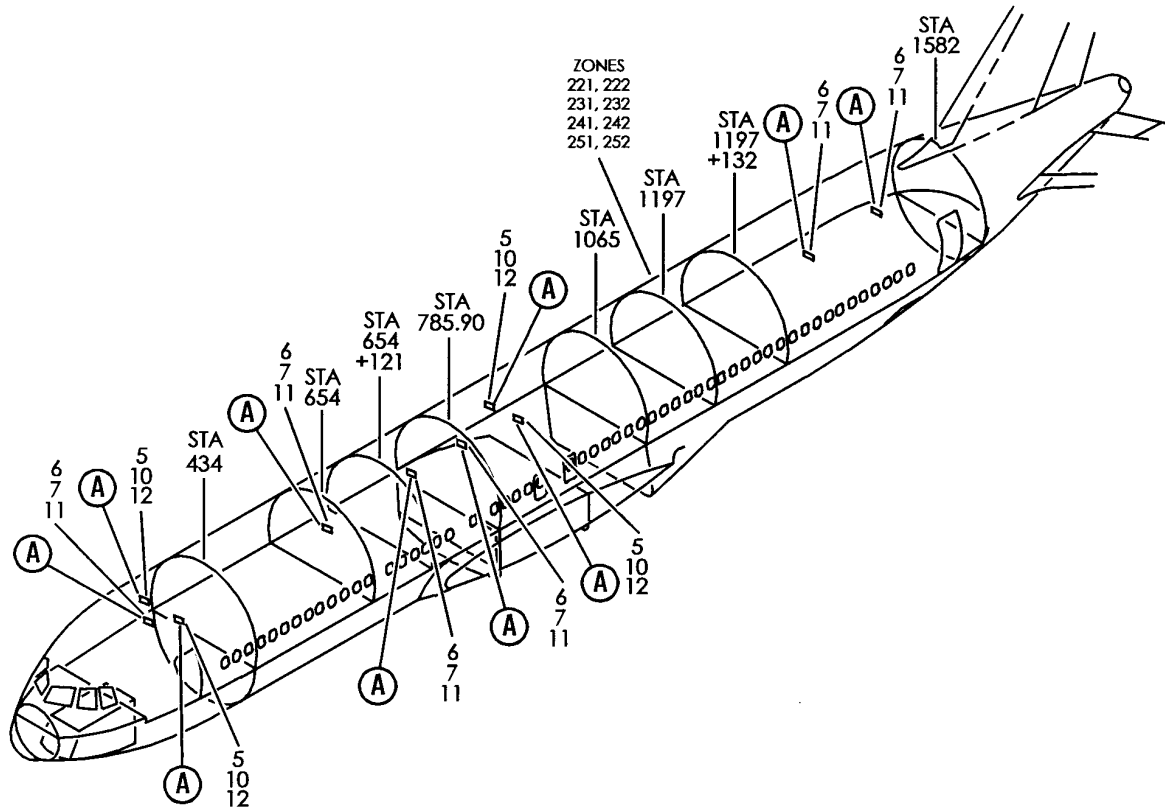
HXL

33-24-01-22

BOEING PROPRIETARY - Copyright © - Unpublished Work - See title page for details.

33-24-01  
FIG. 22  
PAGE 1  
DEC 22/07

**BOEING**  
767  
PARTS CATALOG (MAINTENANCE)



V 33240150 REV 213

SIGN ASSY-LAVATORY OCCUPIED TYPE A,C & E  
FIGURE 50

**33-24-01-50**

HXL  
DEC 22/06

33-24-01-50  
PAGE 0

**BOEING**  
767  
**PARTS CATALOG (MAINTENANCE)**

FIG ITEM	PART NUMBER	1 2 3 4 5 6 7	NOMENCLATURE	EFFECT FROM TO	UNITS PER ASSY
50			SIGN ASSY-LAVATORY OCCUPIED TYPE A, C & E		
- 2	10-1005-84		SIGN ASSY-LAV OCCUPIED SUPPLIER CODE: V72914 POSITION DATA: AFT SPECIFICATION NUMBER: S417T508-84 FOR NHA SEE: 33-26-51-15		RF
- 2	10-1005-85		SIGN ASSY-LAV OCCUPIED SUPPLIER CODE: V72914 POSITION DATA: FWD SPECIFICATION NUMBER: S417T508-85 FOR NHA SEE: 33-26-51-15		RF
6	25-1090-32		.LENS- SUPPLIER CODE: V72914 USED ON: 10-1005-84		1
7	25-1090-33		.LENS- SUPPLIER CODE: V72914 USED ON: 10-1005-85		1
12	417T5100-308		.TRANSPARENCY- USED ON: 10-1005-84		1
12	417T5100-309		.TRANSPARENCY- USED ON: 10-1005-85		1
15	MS25237-387		.LAMP-28 VOLT .04 AMP		8
15	MS25237-387		.LAMP-28 VOLT .04 AMP		8
15	MS25237-387		.LAMP-28 VOLT .04 AMP		8
20	11-4036-1		.CONTACT- SUPPLIER CODE: V72914		1
20	11-4036-1		.CONTACT- SUPPLIER CODE: V72914		1
20	11-4036-1		.CONTACT- SUPPLIER CODE: V72914		1

ILLUSTRATION ITEMS NOT ON PARTS LIST ARE NOT APPLICABLE

- ITEM NOT ILLUSTRATED

HXL

# 33-24-01-50

BOEING PROPRIETARY - Copyright © - Unpublished Work - See title page for details.

33-24-01  
FIG. 50  
PAGE 1  
DEC 22/07



767  
PARTS CATALOG (MAINTENANCE)

FIG ITEM	PART NUMBER	1 2 3 4 5 6 7	NOMENCLATURE	EFFECT FROM TO	UNITS PER ASSY
50					
25	11-4035-1		.HOUSING- SUPPLIER CODE: V72914		1
25	11-4035-1		.HOUSING- SUPPLIER CODE: V72914		1

ILLUSTRATION ITEMS NOT ON PARTS LIST ARE NOT APPLICABLE

- ITEM NOT ILLUSTRATED

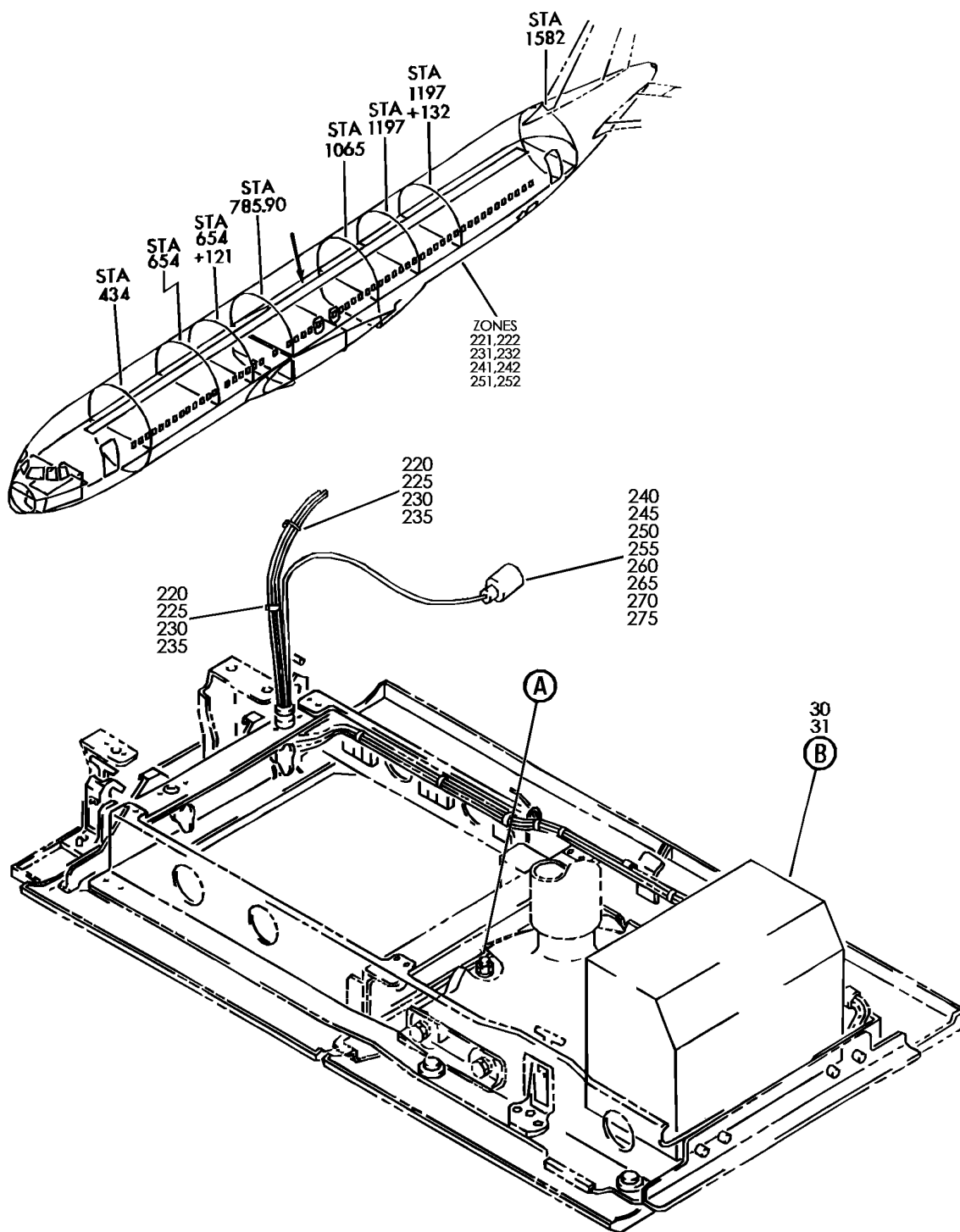
HXL

33-24-01-50

BOEING PROPRIETARY - Copyright © - Unpublished Work - See title page for details.

33-24-01  
FIG. 50  
PAGE 2  
DEC 22/07

**BOEING**  
767  
PARTS CATALOG (MAINTENANCE)



V 33240202 SHT 1 REV 240

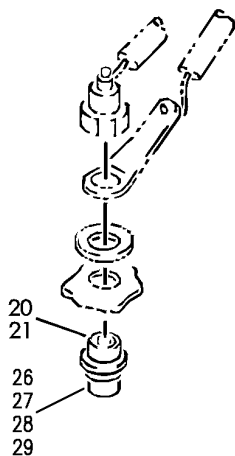
PANEL ASSY-OXY/LT INBD (LIGHTS ONLY)  
FIGURE 2 (SHEET 1)

**33-24-02-02**

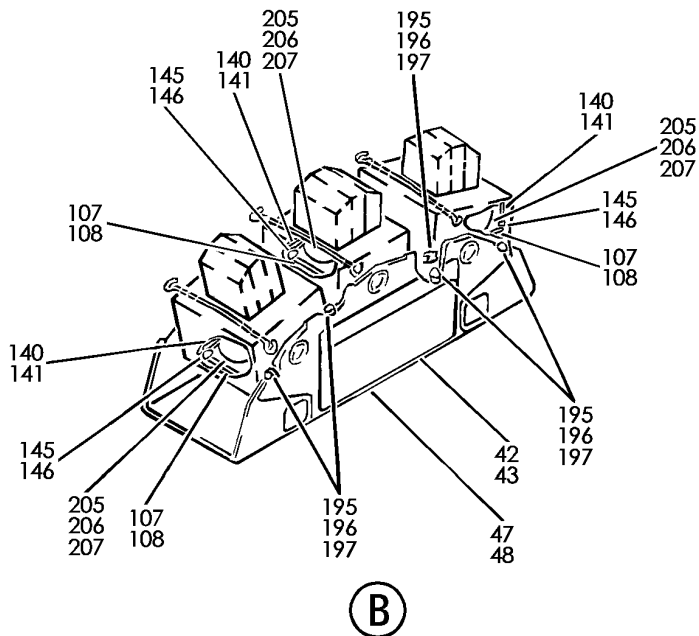
HXL  
DEC 22/06

33-24-02-02  
PAGE 0

**BOEING**  
767  
PARTS CATALOG (MAINTENANCE)



(A)



(B)

V 33240202 SHT 2 REV 331

PANEL ASSY-OXY/LT INBD (LIGHTS ONLY)  
FIGURE 2 (SHEET 2)

**33-24-02-02**

HXL  
AUG 22/08

33-24-02-02  
PAGE 0A



767

PARTS CATALOG (MAINTENANCE)

FIG ITEM	PART NUMBER	1 2 3 4 5 6 7	NOMENCLATURE	EFFECT FROM TO	UNITS PER ASSY
2			PANEL ASSY-OXY/LT INBD (LIGHTS ONLY)		
- 1	417T3051-384SP		PANEL ASSY-OXY/LT (LIGHTS ONLY) POSITION DATA: INBD COMPONENT MAINT MANUAL REF: 25-23-09 QUALIFIED I/W DATA: 417T3051-484SP MAY REPLACE 417T3051-384SP TOGETHER WITH RDAX5301A. FOR NHA/OTHER SYS DET SEE: 25-23-01-48B 25-23-01-48C		RF
- 1	417T3051-184SP		PANEL ASSY-OXY/LT (LIGHTS ONLY) POSITION DATA: INBD COMPONENT MAINT MANUAL REF: 25-23-09 FOR NHA/OTHER SYS DET SEE: 25-23-01-48B	163999	RF
- 5	417T3051-385SP		PANEL ASSY-OXY/LT (LIGHTS ONLY) POSITION DATA: INBD COMPONENT MAINT MANUAL REF: 25-23-09 QUALIFIED I/W DATA: 417T3051-485SP MAY REPLACE 417T3051-385SP TOGETHER WITH RDAX5301A FOR NHA/OTHER SYS DET SEE: 25-23-01-48B 25-23-01-48C		RF
- 5	417T3051-185SP		PANEL ASSY-OXY/LT (LIGHTS ONLY) POSITION DATA: INBD COMPONENT MAINT MANUAL REF: 25-23-09 FOR NHA/OTHER SYS DET SEE: 25-23-01-48B	163999	RF
20	BCREF5417		.LIGHT-CALL SUPPLIER CODE: V08717 OVERLENGTH PART NUMBER: 102SKWLUCSTDFB12H5	155162	1
ILLUSTRATION ITEMS NOT ON PARTS LIST ARE NOT APPLICABLE					

- ITEM NOT ILLUSTRATED

33-24-02-02

33-24-02  
FIG. 02  
PAGE 1  
DEC 22/07

HXL

 **BOEING**  
767  
**PARTS CATALOG (MAINTENANCE)**

FIG ITEM	PART NUMBER	1 2 3 4 5 6 7	NOMENCLATURE	EFFECT FROM TO	UNITS PER ASSY
2					
21	BCREF5417		.LIGHT-CALL SUPPLIER CODE: V08717 OVERLENGTH PART NUMBER: 102SKWLUCSTDFB12H5	163999	1
26	102STDWLUC		..LENS- SUPPLIER CODE: V08717	155162	1
27	102STDWLUC		..LENS- SUPPLIER CODE: V08717	163999	1
28	102STDW		..LENS- SUPPLIER CODE: V08717	155162	1
28	102STDW		..LENS- SUPPLIER CODE: V08717	163999	1
30	81000-13302		.LIGHT ASSY-READING SUPPLIER CODE: VS5006 SPECIFICATION NUMBER: S417T505-2	155162	1
31	81000-13302		.LIGHT ASSY-READING SUPPLIER CODE: VS5006 SPECIFICATION NUMBER: S417T505-2	163999	1
- 35	NAS1801-08-7		.SCREW	155162	4
- 36	NAS1801-08-7		.SCREW	163999	4
			-----*-----		
42	81119-13301		..NAMEPLATE- SUPPLIER CODE: VS5006	155162	1
43	81119-13301		..NAMEPLATE- SUPPLIER CODE: VS5006	163999	1
47	81005-13301		..BRACKET ASSY- SUPPLIER CODE: VS5006	155162	1
48	81005-13301		..BRACKET ASSY- SUPPLIER CODE: VS5006	163999	1
- 52	81120-13301		...BRACKET- SUPPLIER CODE: VS5006	155162	1
- 53	81120-13301		...BRACKET- SUPPLIER CODE: VS5006	163999	1

ILLUSTRATION ITEMS NOT ON PARTS LIST ARE NOT APPLICABLE

- ITEM NOT ILLUSTRATED

HXL

33-24-02-02

33-24-02  
FIG. 02  
PAGE 2  
AUG 22/08





767

PARTS CATALOG (MAINTENANCE)

FIG ITEM	PART NUMBER	1 2 3 4 5 6 7	NOMENCLATURE	EFFECT FROM TO	UNITS PER ASSY
2					
- 57	81104-13301	...	PIVOT- SUPPLIER CODE: VS5006	155162	3
- 58	81104-13301	...	PIVOT- SUPPLIER CODE: VS5006	163999	3
- 62	81104-13302	...	PIVOT- SUPPLIER CODE: VS5006	155162	3
- 63	81104-13302	...	PIVOT- SUPPLIER CODE: VS5006	163999	3
- 67	89515-00123	...	WASHER- SUPPLIER CODE: VS5006 OPTIONAL PART: AN960JD4L	155162	6
- 67	AN960JD4L	...	WASHER- OPTIONAL PART: 89515-00123 VS5006	155162	6
- 69	89515-00123	...	WASHER- SUPPLIER CODE: VS5006 OPTIONAL PART: AN960JD4L	163999	6
- 69	AN960JD4L	...	WASHER- OPTIONAL PART: 89515-00123 VS5006	163999	6
- 72	89915-00072	...	WASHER ASSY-WAVE SPR SUPPLIER CODE: VS5006	155162	6
- 73	89915-00072	...	WASHER ASSY-WAVE SPR SUPPLIER CODE: VS5006	163999	6
- 77	89515-00121	....	WASHER- SUPPLIER CODE: VS5006 OPTIONAL PART: WW6 VS5006	155162	6
- 77	WW6	....	WASHER- SUPPLIER CODE: VS5006 OPTIONAL PART: 89515-00121 VS5006	155162	6

ILLUSTRATION ITEMS NOT ON PARTS LIST ARE NOT APPLICABLE

- ITEM NOT ILLUSTRATED

HXL

33-24-02-02

33-24-02  
FIG. 02  
PAGE 3  
AUG 22/08

 **BOEING**  
767  
**PARTS CATALOG (MAINTENANCE)**

FIG ITEM	PART NUMBER	1 2 3 4 5 6 7	NOMENCLATURE	EFFECT FROM TO	UNITS PER ASSY
2					
- 79	89515-00121	....	WASHER- SUPPLIER CODE: VS5006 OPTIONAL PART: WW6 VS5006	163999	6
- 79	WW6	....	WASHER- SUPPLIER CODE: VS5006 OPTIONAL PART: 89515-00121 VS5006	163999	6
- 82	81106-13301	...	HOUSING-LAMP SUPPLIER CODE: VS5006	155162	3
- 83	81106-13301	...	HOUSING-LAMP SUPPLIER CODE: VS5006	163999	3
- 87	81108-13301	...	SHAFT- SUPPLIER CODE: VS5006	155162	3
- 88	81108-13301	...	SHAFT- SUPPLIER CODE: VS5006	163999	3
- 92	81108-13302	...	SHAFT- SUPPLIER CODE: VS5006	155162	3
- 93	81108-13302	...	SHAFT- SUPPLIER CODE: VS5006	163999	3
- 97	81121-13301	...	COVER- SUPPLIER CODE: VS5006	155162	1
- 98	81121-13301	...	COVER- SUPPLIER CODE: VS5006	163999	1
- 102	81130-13301	...	STOPPER-COVER SUPPLIER CODE: VS5006	155162	2
- 103	81130-13301	...	STOPPER-COVER SUPPLIER CODE: VS5006	163999	2
107	81003-13302	..	LENS ASSY- SUPPLIER CODE: VS5006	155162	3
108	81003-13302	..	LENS ASSY- SUPPLIER CODE: VS5006	163999	3
ILLUSTRATION ITEMS NOT ON PARTS LIST ARE NOT APPLICABLE					

- ITEM NOT ILLUSTRATED

HXL

33-24-02-02

BOEING PROPRIETARY - Copyright © - Unpublished Work - See title page for details.

33-24-02  
FIG. 02  
PAGE 4  
AUG 22/08

 **BOEING**  
767  
**PARTS CATALOG (MAINTENANCE)**

FIG ITEM	PART NUMBER	1 2 3 4 5 6 7	NOMENCLATURE	EFFECT FROM TO	UNITS PER ASSY
2					
- 115	81109-13302	...	LENS- SUPPLIER CODE: VS5006	155162	3
- 116	81109-13302	...	LENS- SUPPLIER CODE: VS5006	163999	3
- 120	81131-13301	...	WASHER- SUPPLIER CODE: VS5006	155162	6
- 121	81131-13301	...	WASHER- SUPPLIER CODE: VS5006	163999	6
- 125	81110-13301	...	SHIELD-LT SUPPLIER CODE: VS5006	155162	3
- 126	81110-13301	...	SHIELD-LT SUPPLIER CODE: VS5006	163999	3
- 130	89928-00020	...	EYELET ASSY- SUPPLIER CODE: VS5006	155162	3
- 131	89928-00020	...	EYELET ASSY- SUPPLIER CODE: VS5006	163999	3
- 135	89518-00011	....	EYELET- SUPPLIER CODE: VS5006	155162	3
- 136	89518-00011	....	EYELET- SUPPLIER CODE: VS5006	163999	3
140	81111-13301	..	REFLECTOR- SUPPLIER CODE: VS5006	155162	3
141	81111-13301	..	REFLECTOR- SUPPLIER CODE: VS5006	163999	3
145	81112-13301	..	SUPPORT-REFLECTOR SUPPLIER CODE: VS5006	155162	3
146	81112-13301	..	SUPPORT-REFLECTOR SUPPLIER CODE: VS5006	163999	3
- 150	81107-13301	..	SPRING-HOLDING SUPPLIER CODE: VS5006	155162	3
- 151	81107-13301	..	SPRING-HOLDING SUPPLIER CODE: VS5006	163999	3
ILLUSTRATION ITEMS NOT ON PARTS LIST ARE NOT APPLICABLE					

- ITEM NOT ILLUSTRATED

HXL

33-24-02-02

BOEING PROPRIETARY - Copyright © - Unpublished Work - See title page for details.

33-24-02  
FIG. 02  
PAGE 5  
AUG 22/08



767

PARTS CATALOG (MAINTENANCE)

FIG ITEM	PART NUMBER	1 2 3 4 5 6 7	NOMENCLATURE	EFFECT FROM TO	UNITS PER ASSY
2					
- 155	81007-13302	..	SOCKET ASSY- SUPPLIER CODE: VS5006	155162	1
- 156	81007-13302	..	SOCKET ASSY- SUPPLIER CODE: VS5006	163999	1
- 160	81113-13301	...	SOCKET- SUPPLIER CODE: VS5006	155162	3
- 161	81113-13301	...	SOCKET- SUPPLIER CODE: VS5006	163999	3
- 165	81114-13301	...	TERMINAL-A SUPPLIER CODE: VS5006	155162	3
- 166	81114-13301	...	TERMINAL-A SUPPLIER CODE: VS5006	163999	3
- 170	81115-13301	...	TERMINAL-B SUPPLIER CODE: VS5006	155162	3
- 171	81115-13301	...	TERMINAL-B SUPPLIER CODE: VS5006	163999	3
- 175	81116-13301	...	TERMINAL-C SUPPLIER CODE: VS5006	155162	3
- 176	81116-13301	...	TERMINAL-C SUPPLIER CODE: VS5006	163999	3
- 180	81117-13301	...	CAP- SUPPLIER CODE: VS5006	155162	3
- 181	81117-13301	...	CAP- SUPPLIER CODE: VS5006	163999	3
- 185	89172-00042	...	TERMINAL- SUPPLIER CODE: VS5006	155162	1
- 186	89172-00042	...	TERMINAL- SUPPLIER CODE: VS5006	163999	1
- 190	89176-00002	...	STRAP-TIEDOWN SUPPLIER CODE: VS5006 OPTIONAL PART: MS3367-5-0	155162	3

ILLUSTRATION ITEMS NOT ON PARTS LIST ARE NOT APPLICABLE

- ITEM NOT ILLUSTRATED

33-24-02-02

33-24-02  
FIG. 02  
PAGE 6  
AUG 22/08

HXL

BOEING PROPRIETARY - Copyright © - Unpublished Work - See title page for details.

 **BOEING**  
767  
**PARTS CATALOG (MAINTENANCE)**

FIG ITEM	PART NUMBER	1 2 3 4 5 6 7	NOMENCLATURE	EFFECT FROM TO	UNITS PER ASSY
2					
- 190	MS3367-5-0	...	STRAP-TIEDOWN OPTIONAL PART: 89176-00002 VS5006	155162	3
- 192	89176-00002	...	STRAP-TIEDOWN SUPPLIER CODE: VS5006 OPTIONAL PART: MS3367-5-0	163999	3
- 192	MS3367-5-0	...	STRAP-TIEDOWN OPTIONAL PART: 89176-00002 VS5006	163999	3
195	89176-00002	..	STRAP-TIEDOWN SUPPLIER CODE: VS5006 OPTIONAL PART: MS3367-5-0	155162	5
195	MS3367-5-0	..	STRAP-TIEDOWN OPTIONAL PART: 89176-00002 VS5006	155162	5
197	89176-00002	..	STRAP-TIEDOWN SUPPLIER CODE: VS5006 OPTIONAL PART: MS3367-5-0	163999	5
197	MS3367-5-0	..	STRAP-TIEDOWN OPTIONAL PART: 89176-00002 VS5006	163999	5
205	89903-00055	..	LAMP- SUPPLIER CODE: VS5006 OPTIONAL PART: 1308 V08806	155162	3
205	1308	..	BULB- SUPPLIER CODE: V08806 OPTIONAL PART: 89903-00055 VS5006	155162	3
207	89903-00055	..	LAMP- SUPPLIER CODE: VS5006 OPTIONAL PART: 1308 V08806	163999	3

ILLUSTRATION ITEMS NOT ON PARTS LIST ARE NOT APPLICABLE

- ITEM NOT ILLUSTRATED

HXL

**33-24-02-02**

BOEING PROPRIETARY - Copyright © - Unpublished Work - See title page for details.

33-24-02  
FIG. 02  
PAGE 7  
AUG 22/08



767

PARTS CATALOG (MAINTENANCE)

FIG ITEM	PART NUMBER	1 2 3 4 5 6 7	NOMENCLATURE	EFFECT FROM TO	UNITS PER ASSY
2 207	1308		. . BULB- SUPPLIER CODE: V08806 OPTIONAL PART: 89903-00055 VS5006	163999	3
220	TY903-5		. STRAP- SUPPLIER CODE: V06383 OPTIONAL PART: SST15MM V06383 TY90 V59730 MS3367-1-9	155162	1
220	TY903-5		. STRAP- SUPPLIER CODE: V06383 OPTIONAL PART: SST15MM V06383 TY90 V59730 MS3367-1-9	163999	1
225	TY90		. STRAP- SUPPLIER CODE: V59730 OPTIONAL PART: SST15MM V06383 TY903-5 V06383 MS3367-1-9	155162	1
225	TY90		. STRAP- SUPPLIER CODE: V59730 OPTIONAL PART: SST15MM V06383 TY903-5 V06383 MS3367-1-9	163999	1

ILLUSTRATION ITEMS NOT ON PARTS LIST ARE NOT APPLICABLE

- ITEM NOT ILLUSTRATED

HXL

33-24-02-02

BOEING PROPRIETARY - Copyright © - Unpublished Work - See title page for details.

33-24-02  
FIG. 02  
PAGE 8  
DEC 22/07



767

PARTS CATALOG (MAINTENANCE)

FIG ITEM	PART NUMBER	1 2 3 4 5 6 7	NOMENCLATURE	EFFECT FROM TO	UNITS PER ASSY
2 230	MS3367-1-9		. STRAP- OPTIONAL PART: SST15MM V06383 TY90 V59730 TY903-5 V06383	155162	1
230	MS3367-1-9		. STRAP- OPTIONAL PART: SST15MM V06383 TY90 V59730 TY903-5 V06383	163999	1
235	SST15MM		. TIE-CABLE SUPPLIER CODE: V06383 OPTIONAL PART: TY903-5 V06383 TY90 V59730 MS3367-1-9	155162	1
235	SST15MM		. TIE-CABLE SUPPLIER CODE: V06383 OPTIONAL PART: TY903-5 V06383 TY90 V59730 MS3367-1-9	163999	1
245	BACC10GH08		. CLAMP	155162	1
250	BACC10GH08		. CLAMP	163999	1
255	C0909A08-02PN		. CONNECTOR- SUPPLIER CODE: V13556 SPECIFICATION NUMBER: BACC63BN8-2P OPTIONAL PART: 48-63N8-2P V02660 BACC45FT8-2P	155162	1

ILLUSTRATION ITEMS NOT ON PARTS LIST ARE NOT APPLICABLE

- ITEM NOT ILLUSTRATED

33-24-02-02

33-24-02  
FIG. 02  
PAGE 9  
DEC 22/07

HXL



767

PARTS CATALOG (MAINTENANCE)

FIG ITEM	PART NUMBER	1 2 3 4 5 6 7	NOMENCLATURE	EFFECT FROM TO	UNITS PER ASSY
2 260	C0909A08-02PN	.	CONNECTOR- SUPPLIER CODE: V13556 SPECIFICATION NUMBER: BACC63BN8-2P OPTIONAL PART: 48-63N8-2P V02660 BACC45FT8-2P	163999	1
265	BACC45FT8-2P	.	PLUG- OPTIONAL PART: BACC63BN8-2P	163999	1
265	BACC45FT8-2P	.	PLUG- OPTIONAL PART: BACC63BN8-2P	155162	1

ILLUSTRATION ITEMS NOT ON PARTS LIST ARE NOT APPLICABLE

- ITEM NOT ILLUSTRATED

HXL

33-24-02-02

BOEING PROPRIETARY - Copyright © - Unpublished Work - See title page for details.

33-24-02  
FIG. 02  
PAGE 10  
DEC 22/07





 **BOEING**  
767  
**PARTS CATALOG (MAINTENANCE)**

FIG ITEM	PART NUMBER	1 2 3 4 5 6 7	NOMENCLATURE	EFFECT FROM TO	UNITS PER ASSY
3			PANEL ASSY-LT INBD (LIGHTS ONLY)		
- 1	417T3051-387SP		PANEL ASSY-LT (LIGHTS ONLY) POSITION DATA: INBD COMPONENT MAINT MANUAL REF: 25-23-09 FOR NHA/OTHER SYS DET SEE: 25-23-01-48B 25-23-01-48C		RF
- 1	417T3051-187SP		PANEL ASSY-LT (LIGHTS ONLY) POSITION DATA: INBD COMPONENT MAINT MANUAL REF: 25-23-09 FOR NHA/OTHER SYS DET SEE: 25-23-01-48B	163999	RF
6	NAS1801-08-6		.SCREW		1
8	BACC10DK4		.CLAMP		1
9	N2088		.PLUG		1
			SUPPLIER CODE: V75345 SPECIFICATION NUMBER: BACP20BA1 OPTIONAL PART: SZ7105 V95272 4841 V84914		
10	81000-13302		.LIGHT ASSY-READING SUPPLIER CODE: VS5006 SPECIFICATION NUMBER: S417T505-2		1
			ATTACHING PARTS		
15	NAS1801-08-3		.SCREW		3
20	81119-13301		..NAMEPLATE- SUPPLIER CODE: VS5006		1
25	81005-13301		..BRACKET ASSY- SUPPLIER CODE: VS5006		1
- 30	81120-13301		...BRACKET- SUPPLIER CODE: VS5006		1
ILLUSTRATION ITEMS NOT ON PARTS LIST ARE NOT APPLICABLE					

- ITEM NOT ILLUSTRATED

HXL

# 33-24-02-03

BOEING PROPRIETARY - Copyright © - Unpublished Work - See title page for details.

33-24-02  
FIG. 03  
PAGE 1  
DEC 22/07



767

PARTS CATALOG (MAINTENANCE)

FIG ITEM	PART NUMBER	1 2 3 4 5 6 7	NOMENCLATURE	EFFECT FROM TO	UNITS PER ASSY
3					
- 35	81104-13301	...	PIVOT- SUPPLIER CODE: VS5006		3
- 40	81104-13302	...	PIVOT- SUPPLIER CODE: VS5006		3
- 45	89515-00123	...	WASHER- SUPPLIER CODE: VS5006 OPTIONAL PART: AN960JD4L		6
- 45	AN960JD4L	...	WASHER- OPTIONAL PART: 89515-00123 VS5006		6
- 50	89915-00072	...	WASHER ASSY-WAVE SPR SUPPLIER CODE: VS5006		6
- 55	89515-00121	....	WASHER- SUPPLIER CODE: VS5006 OPTIONAL PART: WW6 VS5006		6
- 55	WW6	....	WASHER- SUPPLIER CODE: VS5006 OPTIONAL PART: 89515-00121 VS5006		6
- 60	81106-13301	...	HOUSING-LAMP SUPPLIER CODE: VS5006		3
- 65	81108-13301	...	SHAFT- SUPPLIER CODE: VS5006		3
- 70	81108-13302	...	SHAFT- SUPPLIER CODE: VS5006		3
- 75	81121-13301	...	COVER- SUPPLIER CODE: VS5006		1
- 80	81130-13301	...	STOPPER-COVER SUPPLIER CODE: VS5006		2
85	81003-13302	..	LENS ASSY- SUPPLIER CODE: VS5006		3

ILLUSTRATION ITEMS NOT ON PARTS LIST ARE NOT APPLICABLE

- ITEM NOT ILLUSTRATED

33-24-02-03

33-24-02  
FIG. 03  
PAGE 2  
DEC 22/07

HXL

BOEING PROPRIETARY - Copyright © - Unpublished Work - See title page for details.

 **BOEING**  
767  
**PARTS CATALOG (MAINTENANCE)**

FIG ITEM	PART NUMBER	1 2 3 4 5 6 7	NOMENCLATURE	EFFECT FROM TO	UNITS PER ASSY
3					
- 90	81109-13302	...	LENS- SUPPLIER CODE: VS5006		3
- 95	81131-13301	...	WASHER- SUPPLIER CODE: VS5006		6
- 100	81110-13301	...	SHIELD-LT SUPPLIER CODE: VS5006		3
- 105	89928-00020	...	EYELET ASSY- SUPPLIER CODE: VS5006		3
- 110	89518-00011	....	EYELET- SUPPLIER CODE: VS5006		3
115	81111-13301	..	REFLECTOR- SUPPLIER CODE: VS5006		3
120	81112-13301	..	SUPPORT-REFLECTOR SUPPLIER CODE: VS5006		3
125	81107-13301	..	SPRING-HOLDING SUPPLIER CODE: VS5006		3
- 130	81007-13302	..	SOCKET ASSY- SUPPLIER CODE: VS5006		1
- 135	81113-13301	...	SOCKET- SUPPLIER CODE: VS5006		3
- 140	81114-13301	...	TERMINAL-A SUPPLIER CODE: VS5006		3
- 145	81115-13301	...	TERMINAL-B SUPPLIER CODE: VS5006		3
- 150	81116-13301	...	TERMINAL-C SUPPLIER CODE: VS5006		3
- 155	81117-13301	...	CAP- SUPPLIER CODE: VS5006		3
- 160	89172-00042	...	TERMINAL- SUPPLIER CODE: VS5006		1

ILLUSTRATION ITEMS NOT ON PARTS LIST ARE NOT APPLICABLE

- ITEM NOT ILLUSTRATED

HXL

# 33-24-02-03

BOEING PROPRIETARY - Copyright © - Unpublished Work - See title page for details.

33-24-02  
FIG. 03  
PAGE 3  
DEC 22/07



767

PARTS CATALOG (MAINTENANCE)

FIG ITEM	PART NUMBER	1 2 3 4 5 6 7	NOMENCLATURE	EFFECT FROM TO	UNITS PER ASSY
3					
- 165	89176-00002	...	STRAP-TIEDOWN SUPPLIER CODE: VS5006 OPTIONAL PART: MS3367-5-0		3
- 165	MS3367-5-0	...	STRAP-TIEDOWN OPTIONAL PART: 89176-00002 VS5006		3
170	89176-00002	..	STRAP-TIEDOWN SUPPLIER CODE: VS5006		5
170	MS3367-5-0	..	STRAP-TIEDOWN OPTIONAL PART: 89176-00002 VS5006		5
175	89903-00055	..	LAMP- SUPPLIER CODE: VS5006 OPTIONAL PART: 1308 V08806		3
175	1308	..	BULB- SUPPLIER CODE: V08806 OPTIONAL PART: 89903-00055 VS5006		3
180	BCREF5417	.	LIGHT-CALL SUPPLIER CODE: V08717 OVERLENGTH PART NUMBER: 102SKWLUCSTDFB12H5		1
185	102STDWLUC	..	LENS- SUPPLIER CODE: V08717		1
185	102STDW	..	LENS- SUPPLIER CODE: V08717		1

ILLUSTRATION ITEMS NOT ON PARTS LIST ARE NOT APPLICABLE

- ITEM NOT ILLUSTRATED

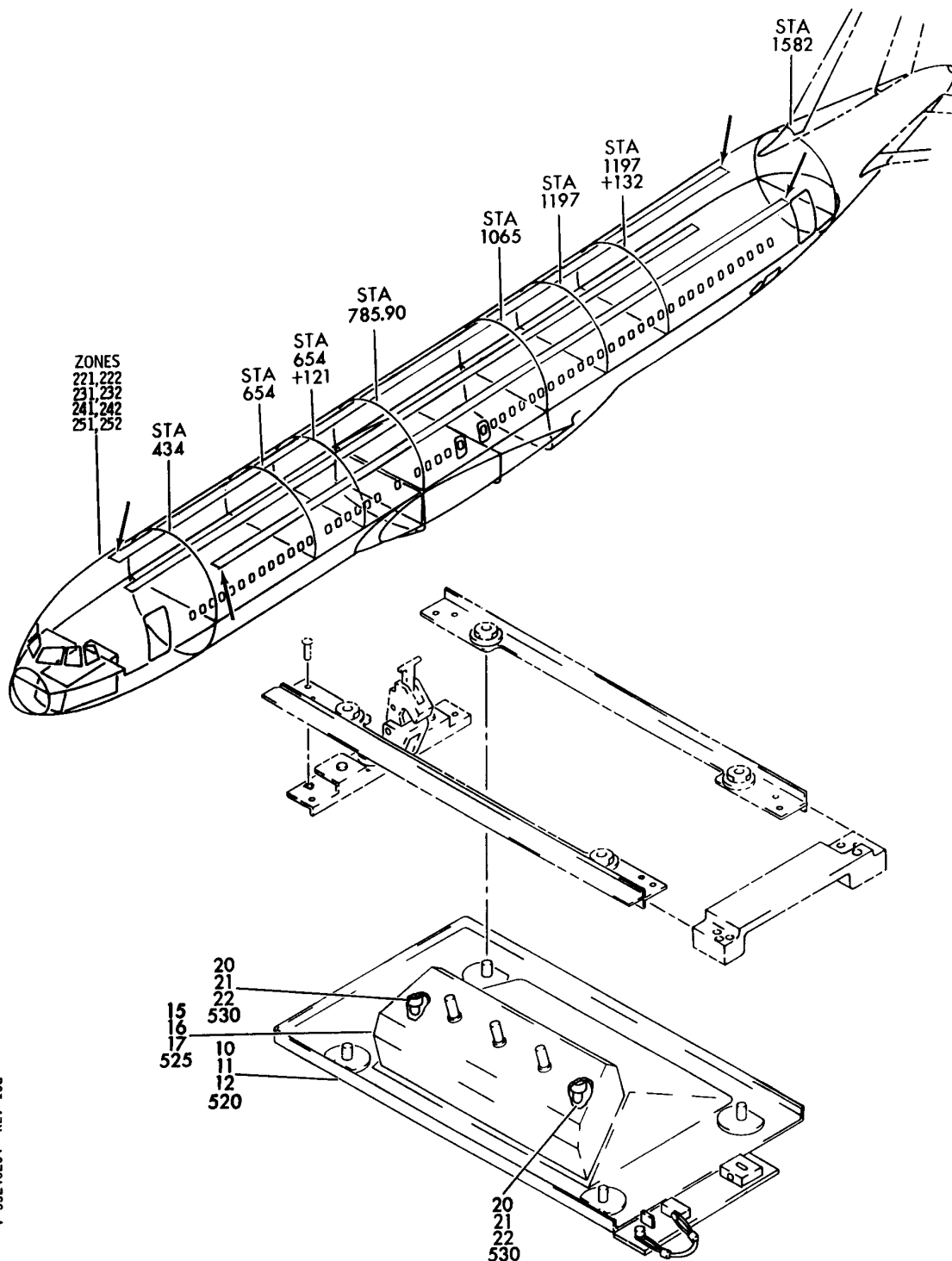
HXL

33-24-02-03

BOEING PROPRIETARY - Copyright © - Unpublished Work - See title page for details.

33-24-02  
FIG. 03  
PAGE 4  
AUG 22/08

**BOEING**  
767  
PARTS CATALOG (MAINTENANCE)



V 33240204 REV 152

PANEL ASSY-SIGN INBD AND OUTBD (LIGHTS ONLY)  
FIGURE 4

**33-24-02-04**

HXL  
DEC 22/06

33-24-02-04  
PAGE 0



767

PARTS CATALOG (MAINTENANCE)

FIG ITEM	PART NUMBER	1 2 3 4 5 6 7	NOMENCLATURE	EFFECT FROM TO	UNITS PER ASSY
4			PANEL ASSY-SIGN INBD AND OUTBD (LIGHTS ONLY)		
- 1	417T3056-327SP		PANEL ASSY-SIGN (LIGHTS ONLY) POSITION DATA: INBD COMPONENT MAINT MANUAL REF: 25-23-08 FOR NHA SEE: 25-23-01-48B 25-23-01-48C		RF
- 1	417T3056-127SP		PANEL ASSY-SIGN (LIGHTS ONLY) POSITION DATA: INBD COMPONENT MAINT MANUAL REF: 25-23-08 FOR NHA SEE: 25-23-01-48B	163999	RF
- 2	417T3056-327SP		PANEL ASSY-SIGN (LIGHTS ONLY) POSITION DATA: INBD COMPONENT MAINT MANUAL REF: 25-23-08 FOR NHA SEE: 25-23-01-48B		RF
- 3	417T3056-332SP		PANEL ASSY-SIGN (LIGHTS ONLY) POSITION DATA: INBD COMPONENT MAINT MANUAL REF: 25-23-08 FOR NHA SEE: 25-23-01-48B 25-23-01-48C		RF
- 3	417T3056-132SP		PANEL ASSY-SIGN (LIGHTS ONLY) POSITION DATA: INBD COMPONENT MAINT MANUAL REF: 25-23-08 FOR NHA SEE: 25-23-01-48B	163999	RF

ILLUSTRATION ITEMS NOT ON PARTS LIST ARE NOT APPLICABLE

- ITEM NOT ILLUSTRATED

HXL

33-24-02-04

BOEING PROPRIETARY - Copyright © - Unpublished Work - See title page for details.

33-24-02  
FIG. 04  
PAGE 1  
DEC 22/07



767

PARTS CATALOG (MAINTENANCE)

FIG ITEM	PART NUMBER	1 2 3 4 5 6 7	NOMENCLATURE	EFFECT FROM TO	UNITS PER ASSY
4	417T3056-337SP		PANEL ASSY-SIGN (LIGHTS ONLY) POSITION DATA: INBD COMPONENT MAINT MANUAL REF: 25-23-08 FOR NHA SEE: 25-23-01-48C	155162	RF
- 5	417T3056-328SP		PANEL ASSY-SIGN (LIGHTS ONLY) POSITION DATA: OUTBD MISCELLANEOUS DATA: (CONT. AT ITEM 009Q) COMPONENT MAINT MANUAL REF: 25-23-08 FOR NHA SEE: 25-23-01-48B 25-23-01-48C		RF
- 5	417T3056-128SP		PANEL ASSY-SIGN (LIGHTS ONLY) POSITION DATA: OUTBD COMPONENT MAINT MANUAL REF: 25-23-08 FOR NHA SEE: 25-23-01-48B	163999	RF
- 9	417T3056-328SP		PANEL ASSY-SIGN POSITION DATA: OUTBD OUTBD MISCELLANEOUS DATA: (CONT. FROM ITEM 005) (CONT. FROM ITEM 005) COMPONENT MAINT MANUAL REF: 25-23-08		RF
10	10-1004-7		.SIGN ASSY-SYMBOLIC PASS. INFO SUPPLIER CODE: V72914 SPECIFICATION NUMBER: S417T503-7 COMPONENT MAINT MANUAL REF: 33-21-53	155162	1

ILLUSTRATION ITEMS NOT ON PARTS LIST ARE NOT APPLICABLE

- ITEM NOT ILLUSTRATED

33-24-02-04

33-24-02  
FIG. 04  
PAGE 2  
DEC 22/07

HXL

BOEING PROPRIETARY - Copyright © - Unpublished Work - See title page for details.





767

PARTS CATALOG (MAINTENANCE)

FIG ITEM	PART NUMBER	1 2 3 4 5 6 7	NOMENCLATURE	EFFECT FROM TO	UNITS PER ASSY
4					
11	10-1004-7		.SIGN ASSY-SYMBOLIC PASS. INFO SUPPLIER CODE: V72914 SPECIFICATION NUMBER: S417T503-7 COMPONENT MAINT MANUAL REF: 33-21-53	163999	1
15	25-1088-7		..LENS- SUPPLIER CODE: V72914	155162	1
16	25-1088-7		..LENS- SUPPLIER CODE: V72914 USED ON: 10-1004-7	163999	1
20	MS25237-387		..LAMP-	155162	6
20	MS25237-387		..LAMP-	163999	6
- 510	417T3056-128SP		PANEL ASSY-SIGN (LIGHTS ONLY) POSITION DATA: OUTBD MISCELLANEOUS DATA: (SALVAGE FROM 417T3330-1) COMPONENT MAINT MANUAL REF: 25-23-08 FOR NHA SEE: 25-23-01-48B	163999	RF
520	10-1004-7		.SIGN ASSY-SYMBOLIC PASS. INFO SUPPLIER CODE: V72914 SPECIFICATION NUMBER: S417T503-7 COMPONENT MAINT MANUAL REF: 33-21-53	163999	RF
525	25-1088-7		..LENS- SUPPLIER CODE: V72914	163999	RF
530	MS25237-387		..LAMP-	163999	RF

ILLUSTRATION ITEMS NOT ON PARTS LIST ARE NOT APPLICABLE

- ITEM NOT ILLUSTRATED

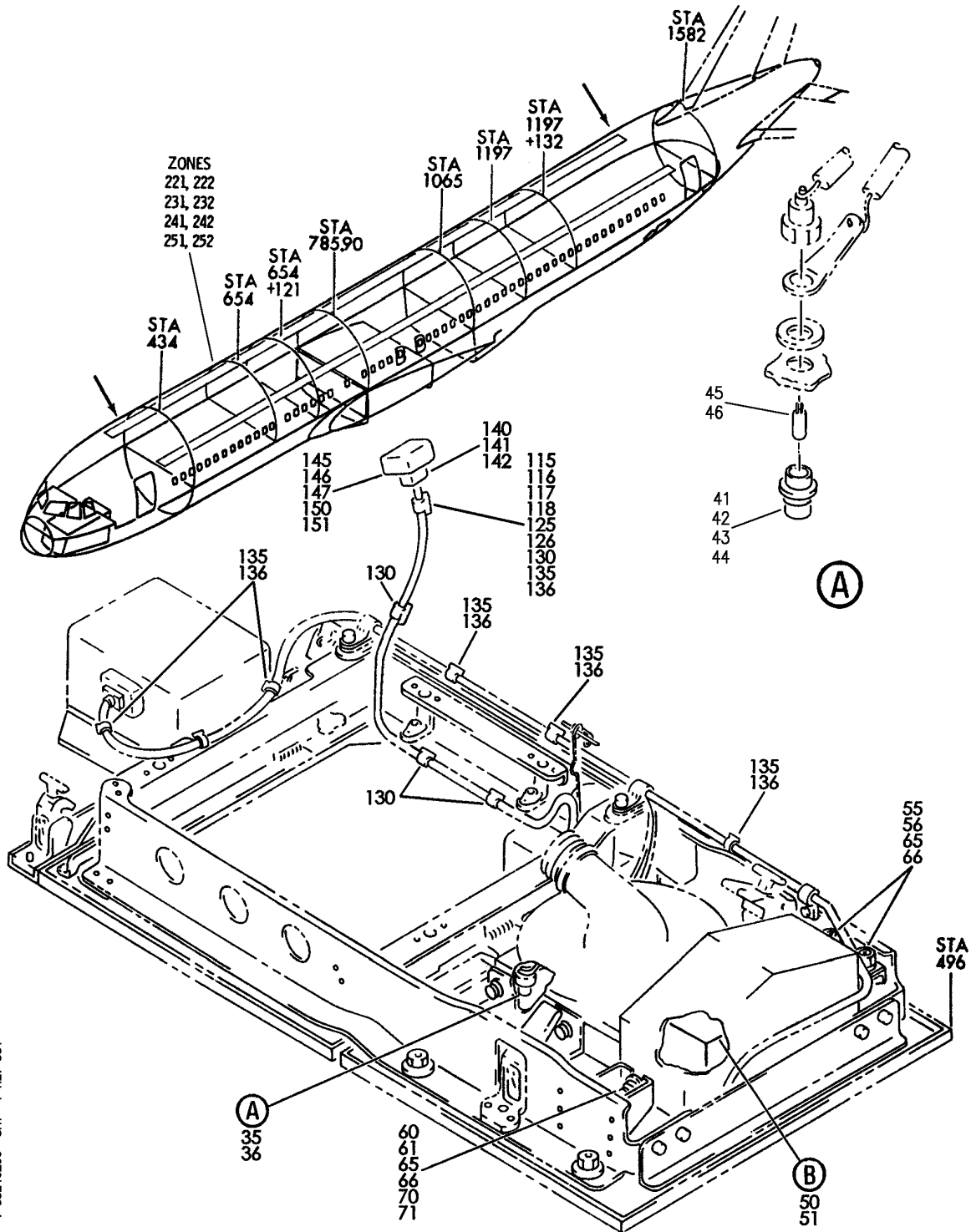
HXL

33-24-02-04

BOEING PROPRIETARY - Copyright © - Unpublished Work - See title page for details.

33-24-02  
FIG. 04  
PAGE 3  
DEC 22/07

**BOEING**  
767  
PARTS CATALOG (MAINTENANCE)



V 33240206 SHT 1 REV 331

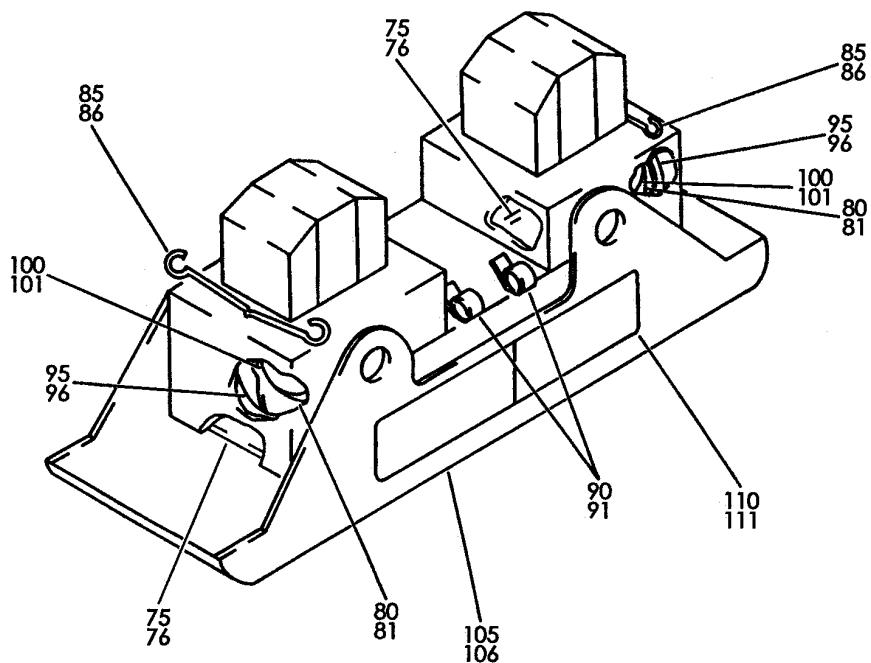
PANEL ASSY-OXY/LT PSU OUTBD (LIGHTS ONLY)  
FIGURE 6 (SHEET 1)

**33-24-02-06**

HXL  
AUG 22/08

33-24-02-06  
PAGE 0

**BOEING**  
767  
PARTS CATALOG (MAINTENANCE)



(B)

V 33240206 SHT 2 REV 224

PANEL ASSY-OXY/LT PSU OUTBD (LIGHTS ONLY)  
FIGURE 6 (SHEET 2)

**33-24-02-06**

HXL  
DEC 22/06

33-24-02-06  
PAGE 0A



767

PARTS CATALOG (MAINTENANCE)

FIG ITEM	PART NUMBER	1 2 3 4 5 6 7	NOMENCLATURE	EFFECT FROM TO	UNITS PER ASSY
6			PANEL ASSY-OXY/LT PSU OUTBD (LIGHTS ONLY)		
- 20	417T3052-366SP		PANEL ASSY-OXY/LT PSU (LIGHTS ONLY) POSITION DATA: OUTBD COMPONENT MAINT MANUAL REF: 25-23-10 FOR NHA/OTHER SYS DET SEE: 25-23-01-48B 25-23-01-48C		RF
- 25	417T3052-365SP		PANEL ASSY-OXY/LT PSU (LIGHTS ONLY) POSITION DATA: OUTBD COMPONENT MAINT MANUAL REF: 25-23-10 QUALIFIED I/W DATA: 417T3052-465SP MAY REPLACE 417T3052-365SP TOGETHER WITH RDAX5301A FOR NHA/OTHER SYS DET SEE: 25-23-01-48B 25-23-01-48C		RF
- 25	417T3052-465SP		PANEL ASSY-OXY/LT PSU (LIGHTS ONLY) POSITION DATA: OUTBD COMPONENT MAINT MANUAL REF: 25-23-10 QUALIFIED I/W DATA: 417T3052-465SP MAY REPLACE 417T3052-365SP TOGETHER WITH RDAX5301A	155162	RF
35	BCREF5417		.LIGHT-CALL SUPPLIER CODE: V08717 OVERLENGTH PART NUMBER: 102SKWLUCSTDFB12H5	163999	1
35	BCREF5417		.LIGHT-CALL SUPPLIER CODE: V08717 OVERLENGTH PART NUMBER: 102SKWLUCSTDFB12H5	155162	1
41	102STDWLUC		..LENS- SUPPLIER CODE: V08717	163999	1

ILLUSTRATION ITEMS NOT ON PARTS LIST ARE NOT APPLICABLE

- ITEM NOT ILLUSTRATED

33-24-02-06

33-24-02  
FIG. 06  
PAGE 1  
DEC 22/08

HXL

BOEING PROPRIETARY - Copyright © - Unpublished Work - See title page for details.



767

PARTS CATALOG (MAINTENANCE)

FIG ITEM	PART NUMBER	1 2 3 4 5 6 7	NOMENCLATURE	EFFECT FROM TO	UNITS PER ASSY
6					
42	102STDWLUC	..	LENS- SUPPLIER CODE: V08717	155162	1
43	102STDW	..	LENS- SUPPLIER CODE: V08717	163999	1
43	102STDW	..	LENS- SUPPLIER CODE: V08717	155162	1
45	FB12	..	BULB- SUPPLIER CODE: V08717 MISCELLANEOUS DATA: BULB TYPE 682 BULB TYPE 685	163999	1
45	FB12	..	BULB- SUPPLIER CODE: V08717 MISCELLANEOUS DATA: BULB TYPE 682 BULB TYPE 685	155162	1
50	81000-13301	.L	LIGHT ASSY-READING 2 SEAT SUPPLIER CODE: VS5006 SPECIFICATION NUMBER: S417T505-1	163999	1
50	81000-13301	.L	LIGHT ASSY-READING 2 SEAT SUPPLIER CODE: VS5006 SPECIFICATION NUMBER: S417T505-1	155162	1
55	NAS1801-08-7	.S	SCREW	163999	2
55	NAS1801-08-7	.S	SCREW	155162	2
60	MS35333-38	.W	WASHER	163999	1
60	MS35333-38	.W	WASHER	155162	1
65	AN960PD8	.W	WASHER	163999	3
65	AN960PD8	.W	WASHER	155162	3
70	MS25082-2	.N	NUT	163999	1
70	MS25082-2	.N	NUT	155162	1
			-----*-----		
75	81003-13301	..	LENS- SUPPLIER CODE: VS5006	163999	2
75	81003-13301	..	LENS- SUPPLIER CODE: VS5006	155162	2

ILLUSTRATION ITEMS NOT ON PARTS LIST ARE NOT APPLICABLE

- ITEM NOT ILLUSTRATED

33-24-02-06

33-24-02  
FIG. 06  
PAGE 2  
DEC 22/08

HXL

BOEING PROPRIETARY - Copyright © - Unpublished Work - See title page for details.



767

PARTS CATALOG (MAINTENANCE)

FIG ITEM	PART NUMBER	1 2 3 4 5 6 7	NOMENCLATURE	EFFECT FROM TO	UNITS PER ASSY
6					
80	89903-00055	..	LAMP- SUPPLIER CODE: VS5006	163999	2
80	89903-00055	..	LAMP- SUPPLIER CODE: VS5006	155162	2
85	81107-13301	..	SPRING-HOLDING SUPPLIER CODE: VS5006	163999	2
85	81107-13301	..	SPRING-HOLDING SUPPLIER CODE: VS5006	155162	2
90	89176-00002	..	STRAP-TIEDOWN SUPPLIER CODE: VS5006	163999	2
90	89176-00002	..	STRAP-TIEDOWN SUPPLIER CODE: VS5006	155162	2
95	81112-13301	..	SUPPORT-REFLECTOR SUPPLIER CODE: VS5006	163999	2
95	81112-13301	..	SUPPORT-REFLECTOR SUPPLIER CODE: VS5006	155162	2
100	81111-13301	..	REFLECTOR- SUPPLIER CODE: VS5006	163999	2
100	81111-13301	..	REFLECTOR- SUPPLIER CODE: VS5006	155162	2
105	81001-13301	..	BRACKET ASSY- SUPPLIER CODE: VS5006	163999	1
105	81001-13301	..	BRACKET ASSY- SUPPLIER CODE: VS5006	155162	1
110	81101-13301	..	NAMEPLATE- SUPPLIER CODE: VS5006	163999	1
110	81101-13301	..	NAMEPLATE- SUPPLIER CODE: VS5006	155162	1

ILLUSTRATION ITEMS NOT ON PARTS LIST ARE NOT APPLICABLE

- ITEM NOT ILLUSTRATED

33-24-02-06

33-24-02  
FIG. 06  
PAGE 3  
DEC 22/08

HXL

BOEING PROPRIETARY - Copyright © - Unpublished Work - See title page for details.



767

PARTS CATALOG (MAINTENANCE)

FIG ITEM	PART NUMBER	1 2 3 4 5 6 7	NOMENCLATURE	EFFECT FROM TO	UNITS PER ASSY
6 115	TY903-5	.	STRAP- SUPPLIER CODE: V06383 OPTIONAL PART: SST15MM V06383 TY90 V59730 MS3367-1-9	163999	1
115	TY903-5	.	STRAP- SUPPLIER CODE: V06383 OPTIONAL PART: SST15MM V06383 TY90 V59730 MS3367-1-9	155162	1
116	TY90	.	STRAP- SUPPLIER CODE: V59730 OPTIONAL PART: SST15MM V06383 TY903-5 V06383 MS3367-1-9	163999	1
116	TY90	.	STRAP- SUPPLIER CODE: V59730 OPTIONAL PART: SST15MM V06383 TY903-5 V06383 MS3367-1-9	155162	1
117	MS3367-1-9	.	STRAP- OPTIONAL PART: SST15MM V06383 TY90 V59730 TY903-5 V06383	163999	1

ILLUSTRATION ITEMS NOT ON PARTS LIST ARE NOT APPLICABLE

- ITEM NOT ILLUSTRATED

HXL

33-24-02-06

BOEING PROPRIETARY - Copyright © - Unpublished Work - See title page for details.

33-24-02  
FIG. 06  
PAGE 4  
DEC 22/08



767

PARTS CATALOG (MAINTENANCE)

FIG ITEM	PART NUMBER	1 2 3 4 5 6 7	NOMENCLATURE	EFFECT FROM TO	UNITS PER ASSY
6 117	MS3367-1-9		. STRAP- OPTIONAL PART: SST15MM V06383 TY90 V59730 TY903-5 V06383	155162	1
125	SST15MM		. TIE-CABLE SUPPLIER CODE: V06383 OPTIONAL PART: TY903-5 V06383 TY90 V59730 MS3367-1-9	163999	1
125	SST15MM		. TIE-CABLE SUPPLIER CODE: V06383 OPTIONAL PART: TY903-5 V06383 TY90 V59730 MS3367-1-9	155162	1
140	BACC10GH08		. CLAMP	163999	1
140	BACC10GH08		. CLAMP	155162	1
145	C0909A08-02PN		. CONNECTOR- SUPPLIER CODE: V13556 SPECIFICATION NUMBER: BACC63BN8-2P OPTIONAL PART: 48-63N8-2P V02660 BACC45FT8-2P	163999	1
145	C0909A08-02PN		. CONNECTOR- SUPPLIER CODE: V13556 SPECIFICATION NUMBER: BACC63BN8-2P OPTIONAL PART: 48-63N8-2P V02660 BACC45FT8-2P	155162	1
150	BACC45FT8-2P		. PLUG- OPTIONAL PART: BACC63BN8-2P	163999	1

ILLUSTRATION ITEMS NOT ON PARTS LIST ARE NOT APPLICABLE

- ITEM NOT ILLUSTRATED

33-24-02-06

33-24-02  
FIG. 06  
PAGE 5  
DEC 22/08

HXL



**PARTS CATALOG (MAINTENANCE)**

FIG ITEM	PART NUMBER	1 2 3 4 5 6 7 NOMENCLATURE	EFFECT FROM TO	UNITS PER ASSY
6 150	BACC45FT8-2P	. PLUG- OPTIONAL PART: BACC63BN8-2P	155162	1

ILLUSTRATION ITEMS NOT ON PARTS LIST ARE NOT APPLICABLE

- ITEM NOT ILLUSTRATED

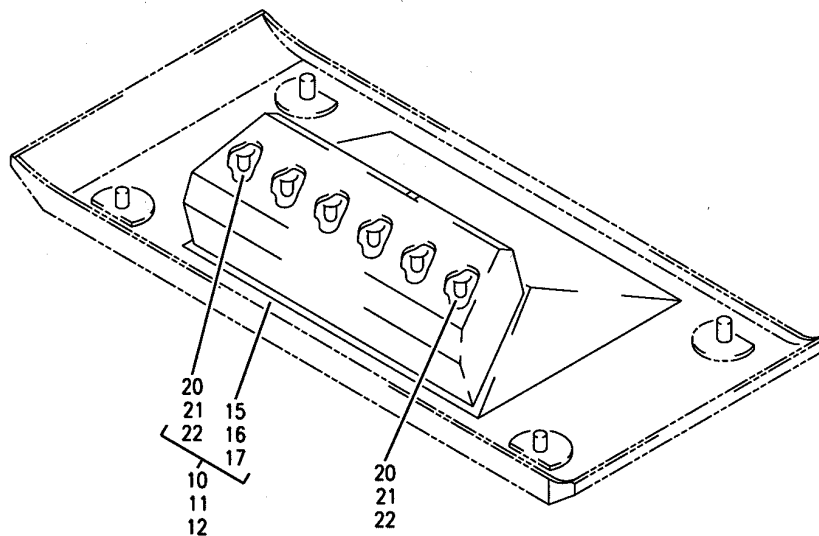
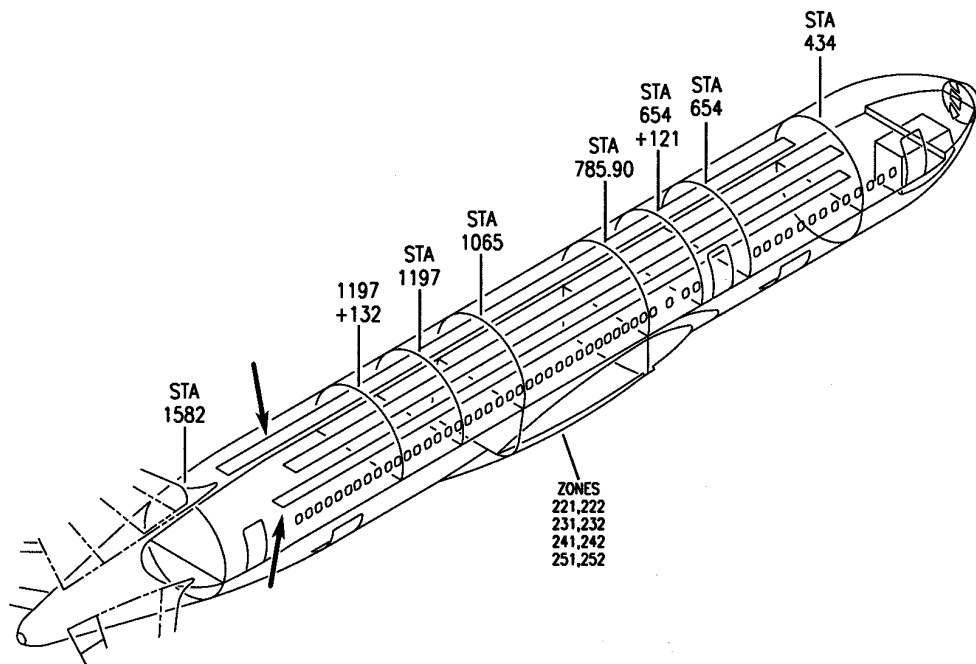
HXL

# 33-24-02-06

BOEING PROPRIETARY - Copyright © - Unpublished Work - See title page for details.

 33-24-02  
 FIG. 06  
 PAGE 6  
 DEC 22/08

**BOEING**  
767  
PARTS CATALOG (MAINTENANCE)



V 33240208 REV 219

PANEL ASSY-SIGN PSU INBD AND OUTBD (LIGHTS ONLY)  
FIGURE 8

**33-24-02-08**

HXL  
DEC 22/06

33-24-02-08  
PAGE 0



767

PARTS CATALOG (MAINTENANCE)

FIG ITEM	PART NUMBER	1 2 3 4 5 6 7	NOMENCLATURE	EFFECT FROM TO	UNITS PER ASSY
8			PANEL ASSY-SIGN PSU INBD AND OUTBD (LIGHTS ONLY)	163999	
- 1	417T3056-137SP		PANEL ASSY-SIGN PSU POSITION DATA: INBD COMPONENT MAINT MANUAL REF: 25-23-08 FOR NHA SEE: 25-23-01-48B	163999	RF
- 1	417T3056-337SP		PANEL ASSY-SIGN PSU POSITION DATA: INBD COMPONENT MAINT MANUAL REF: 25-23-08 FOR NHA SEE: 25-23-01-48B	163999	RF
10	10-1004-7		.SIGN ASSY- SUPPLIER CODE: V72914 SPECIFICATION NUMBER: S417T503-7 COMPONENT MAINT MANUAL REF: 33-21-53	163999	1
15	25-1088-7		..LENS- SUPPLIER CODE: V72914	163999	1
20	MS25237-387		..LAMP-	163999	6

ILLUSTRATION ITEMS NOT ON PARTS LIST ARE NOT APPLICABLE

- ITEM NOT ILLUSTRATED

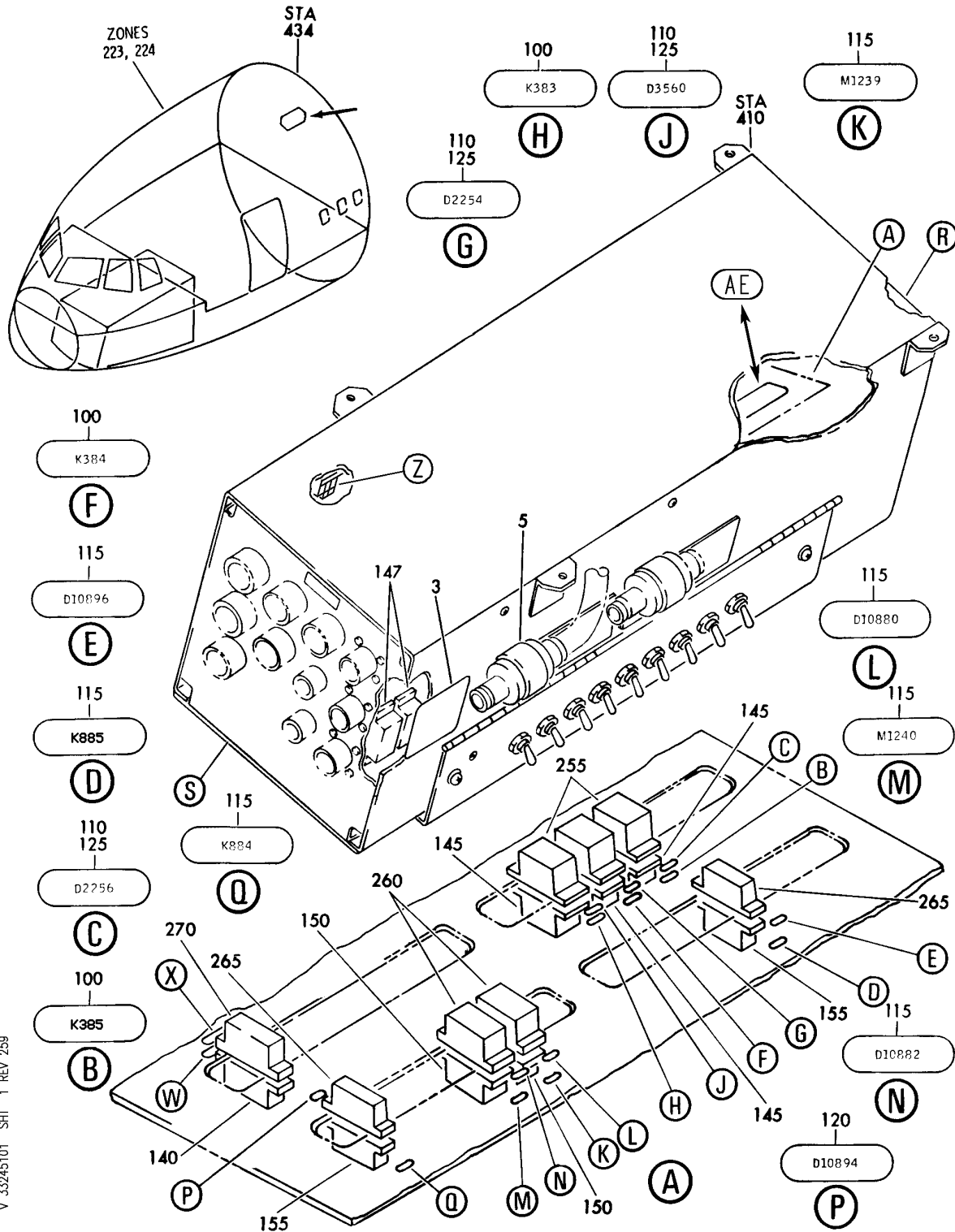
HXL

33-24-02-08

BOEING PROPRIETARY - Copyright © - Unpublished Work - See title page for details.

33-24-02  
FIG. 08  
PAGE 1  
DEC 22/07

**BOEING**  
767  
PARTS CATALOG (MAINTENANCE)



V 33245101 SHT 1 REV 259

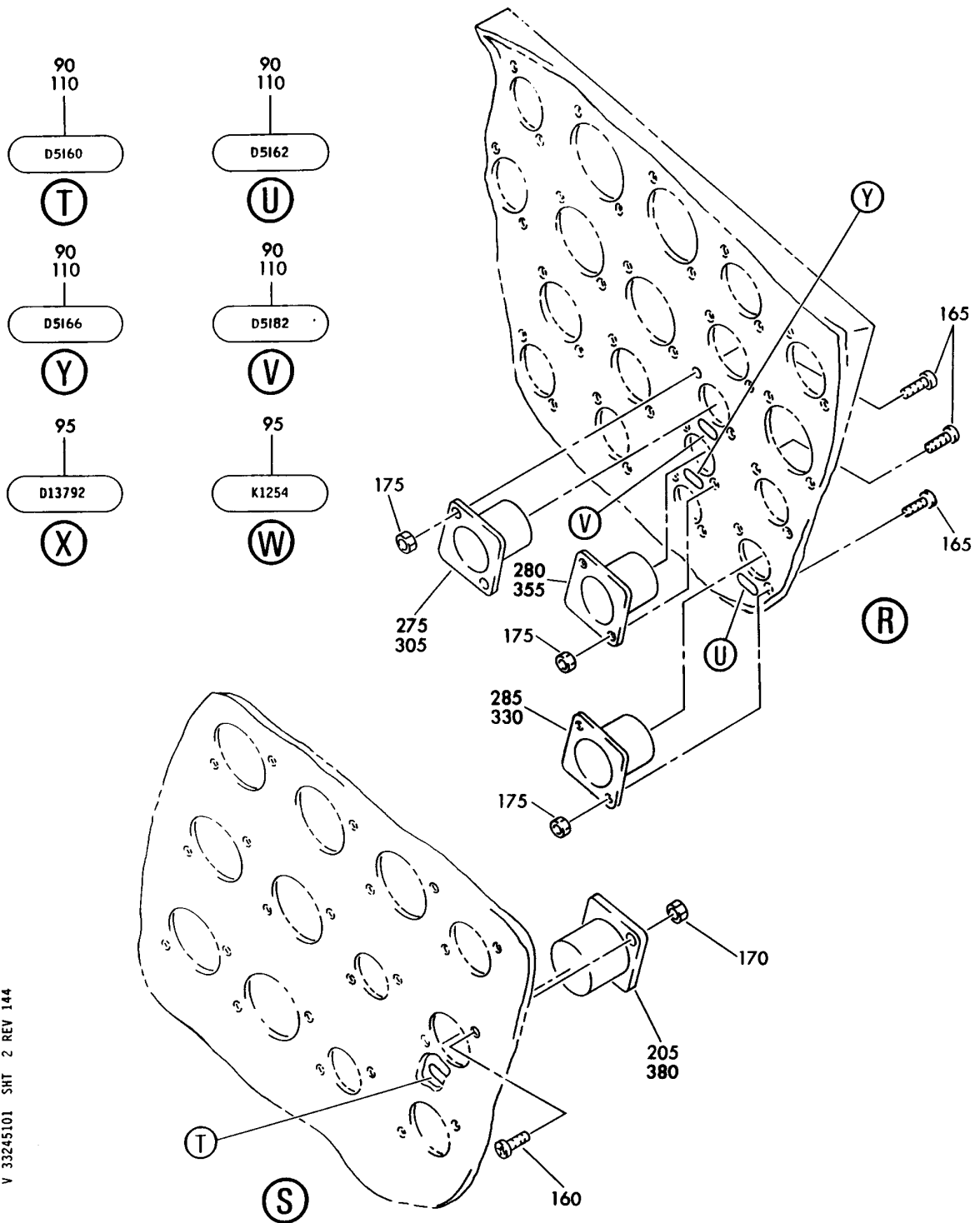
BOX INSTL-FWD LIGHTING PNL P19 (PASSENGER SIGNS ONLY)  
FIGURE 1 (SHEET 1)

**33-24-51-01**

HXL  
DEC 22/06

33-24-51-01  
PAGE 0

**BOEING**  
767  
PARTS CATALOG (MAINTENANCE)



V 33245101 SHT 2 REV 144

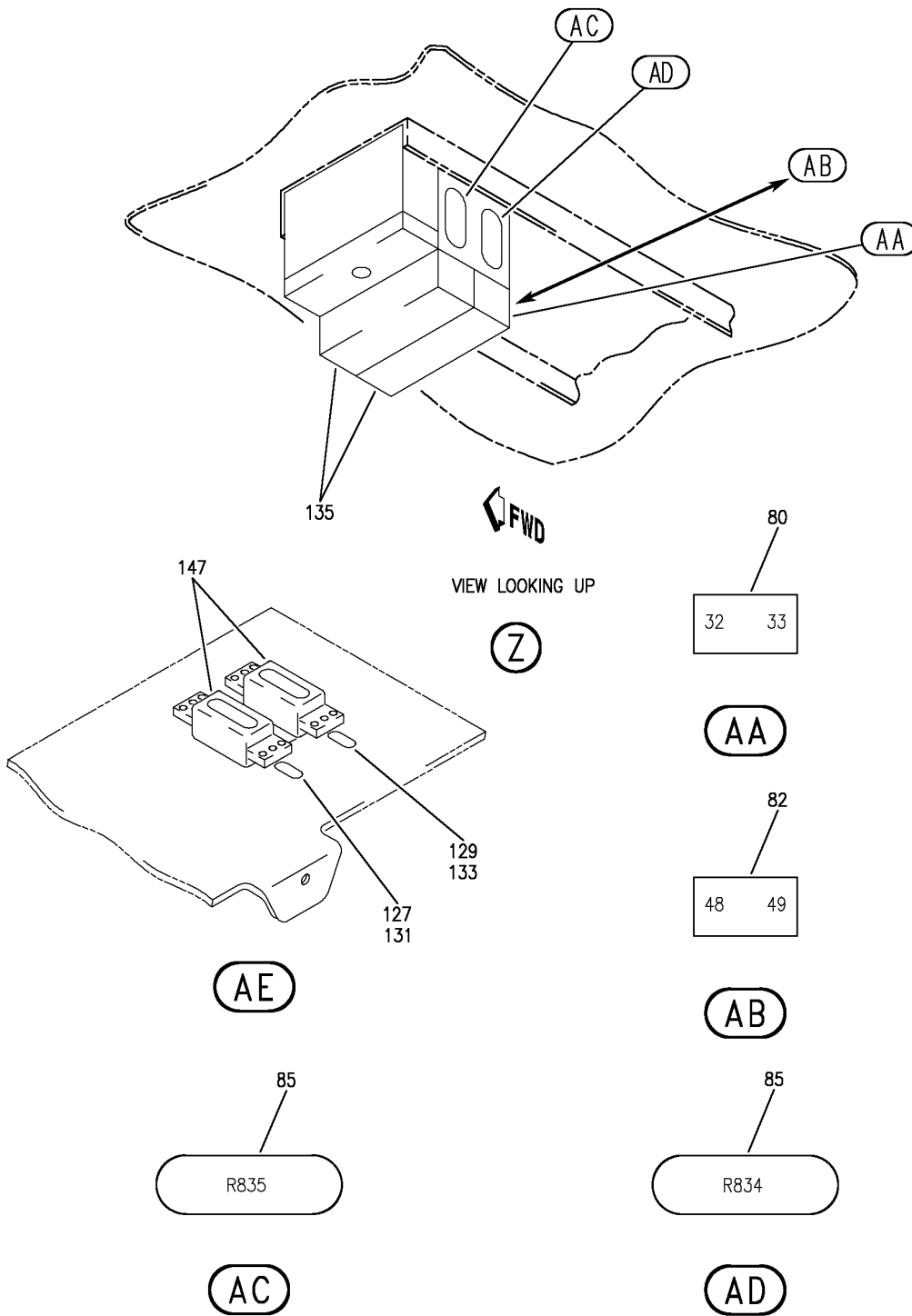
BOX INSTL-FWD LIGHTING PNL P19 (PASSENGER SIGNS ONLY)  
FIGURE 1 (SHEET 2)

**33-24-51-01**

HXL  
DEC 22/06

33-24-51-01  
PAGE 0A

**BOEING**  
767  
PARTS CATALOG (MAINTENANCE)



V 33245101 SH1 3 REV 259

BOX INSTL-FWD LIGHTING PNL P19 (PASSENGER SIGNS ONLY)  
FIGURE 1 (SHEET 3)

**33-24-51-01**

HXL  
DEC 22/06

33-24-51-01  
PAGE 0B

 **BOEING**  
767  
**PARTS CATALOG (MAINTENANCE)**

FIG ITEM	PART NUMBER	1 2 3 4 5 6 7	NOMENCLATURE	EFFECT FROM TO	UNITS PER ASSY
1			BOX INSTL-FWD LIGHTING PNL P19 (PASSENGER SIGNS ONLY)		
- 1	284T0186-1		BOX INSTL-LIGHTING PNL P19 (PASSENGER SIGNS ONLY) POSITION DATA: FWD VARIABLE DRAWING REF: 284T0186-5068 284T0186-5083 FOR NHA/OTHER SYS DET SEE: 24-00-58-01A		RF
	3 BAC27TEX3361		.DECAL- PLACARD CONTENT: S467 D168		1
	5 214C40-1-71		.SWITCH-PRESSURE SUPPLIER CODE: V02750 ELECTRICAL EQUIP NUMBER: S00467		1
- 10	NAS1801-3-8		ATTACHING PARTS .SCREW		2
- 32	285T0019-73		-----*----- .PANEL ASSY-DISTR VARIABLE DRAWING REF: 285T0019-5063	155162	RF
- 34	285T0019-88		.PANEL ASSY-DISTR VARIABLE DRAWING REF: 285T0019-5077	163999	RF
	90 BAC27TEX4555		..DECALSET-INCLUDES DECALS IDENTIFIED ON THE ILLUSTRATION	163999	RF
	100 BAC27TEX3748		..DECALSET-INCLUDES DECALS IDENTIFIED ON THE ILLUSTRATION	155162	RF
	100 BAC27TEX4557		..DECALSET-INCLUDES DECALS IDENTIFIED ON THE ILLUSTRATION	163999	RF
	110 BAC27TEX3749		..DECALSET-INCLUDES DECALS IDENTIFIED ON THE ILLUSTRATION POSITION DATA: ILLUSTRATION	155162	RF
	125 BAC27TEX4558		..DECALSET-INCLUDES DECALS IDENTIFIED ON THE ILLUSTRATION	163999	RF
ILLUSTRATION ITEMS NOT ON PARTS LIST ARE NOT APPLICABLE					

- ITEM NOT ILLUSTRATED

HXL

# 33-24-51-01

BOEING PROPRIETARY - Copyright © - Unpublished Work - See title page for details.

33-24-51  
FIG. 01  
PAGE 1  
DEC 22/07



767

PARTS CATALOG (MAINTENANCE)

FIG ITEM	PART NUMBER	1 2 3 4 5 6 7	NOMENCLATURE	EFFECT FROM TO	UNITS PER ASSY
1 145	E410-1537		..RELAY- SUPPLIER CODE: V99699 SPECIFICATION NUMBER: BACR13CG2A OPTIONAL PART: E415-1078 V99699 BR230S0116 V56623 KD4A017 V58687 FCA410-62 V78290 ELECTRICAL EQUIP NUMBER: K00383 K00384 K00385		3
160	NAS1801-04-6		..SCREW		2
165	NAS1801-04-6		..SCREW		6
170	MS21042L04		..NUT		2
175	MS21042L04		..NUT		6
- 200	286T1058-101		..WIRE BUNDLE ASSY		RF
- 200	286T1058-300		..WIRE BUNDLE ASSY-		RF
205	BACC45FN20-39S7		...CONNECTOR- ELECTRICAL EQUIP NUMBER: D05160J WIRING DIAGRAM REF: 332411		1
- 250	286T1060-300		..WIRE BUNDLE ASSY-		1
255	BACS16W1		...SOCKET- ELECTRICAL EQUIP NUMBER: D02254 D02256 D03560 WIRING DIAGRAM REF: 332411		3
275	BACC45FN14-12S9		...CONNECTOR- ELECTRICAL EQUIP NUMBER: D05182J WIRING DIAGRAM REF: 332411		1
280	BACC45FN14-12S		...CONNECTOR- ELECTRICAL EQUIP NUMBER: D05166J WIRING DIAGRAM REF: 332411		1

ILLUSTRATION ITEMS NOT ON PARTS LIST ARE NOT APPLICABLE

- ITEM NOT ILLUSTRATED

33-24-51-01

33-24-51  
 FIG. 01  
 PAGE 2  
 AUG 22/09

HXL





767

PARTS CATALOG (MAINTENANCE)

FIG ITEM	PART NUMBER	1 2 3 4 5 6 7	NOMENCLATURE	EFFECT FROM TO	UNITS PER ASSY
1	285 BACC45FN14-12S8		...CONNECTOR- ELECTRICAL EQUIP NUMBER: D05162J WIRING DIAGRAM REF: 332411		1
R R R R R	- 300 286T0800-300		WIRE BUNDLE ASSY-		RF
	305 BACC45FT14-12P9		.CONNECTOR- ELECTRICAL EQUIP NUMBER: D05182P WIRING DIAGRAM REF: 332412		1
	- 325 286T0802-001		WIRE BUNDLE ASSY-		RF
	330 BACC45FT14-12P8		.CONNECTOR- ELECTRICAL EQUIP NUMBER: D05162P WIRING DIAGRAM REF: 332413		1
	- 350 286T0804-300		WIRE BUNDLE ASSY-		RF
355 BACC45FT14-12P		.CONNECTOR- ELECTRICAL EQUIP NUMBER: D05166P WIRING DIAGRAM REF: 332414		1	
- 375 286T0820-300		WIRE BUNDLE ASSY-		RF	
380 BACC45FT20-39P7		.CONNECTOR- ELECTRICAL EQUIP NUMBER: D05160P WIRING DIAGRAM REF: 332621		1	

ILLUSTRATION ITEMS NOT ON PARTS LIST ARE NOT APPLICABLE

- ITEM NOT ILLUSTRATED

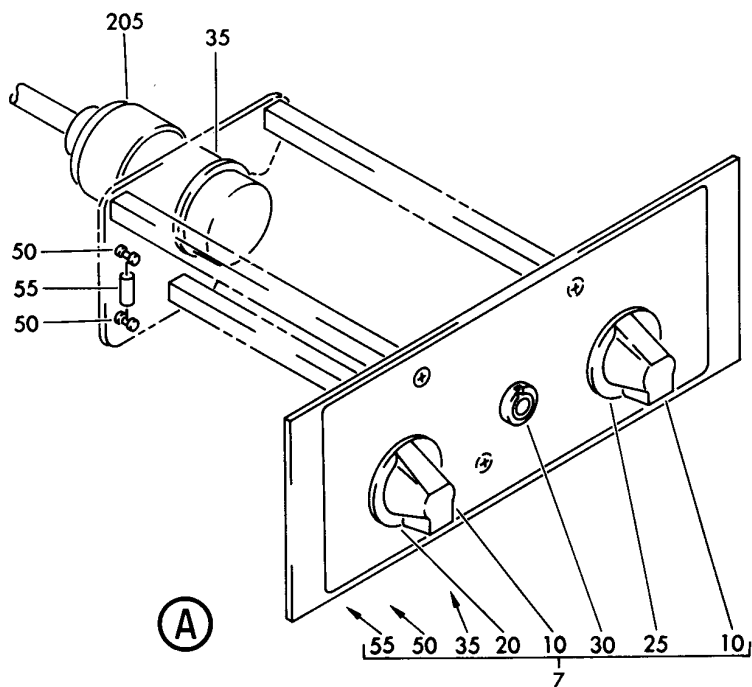
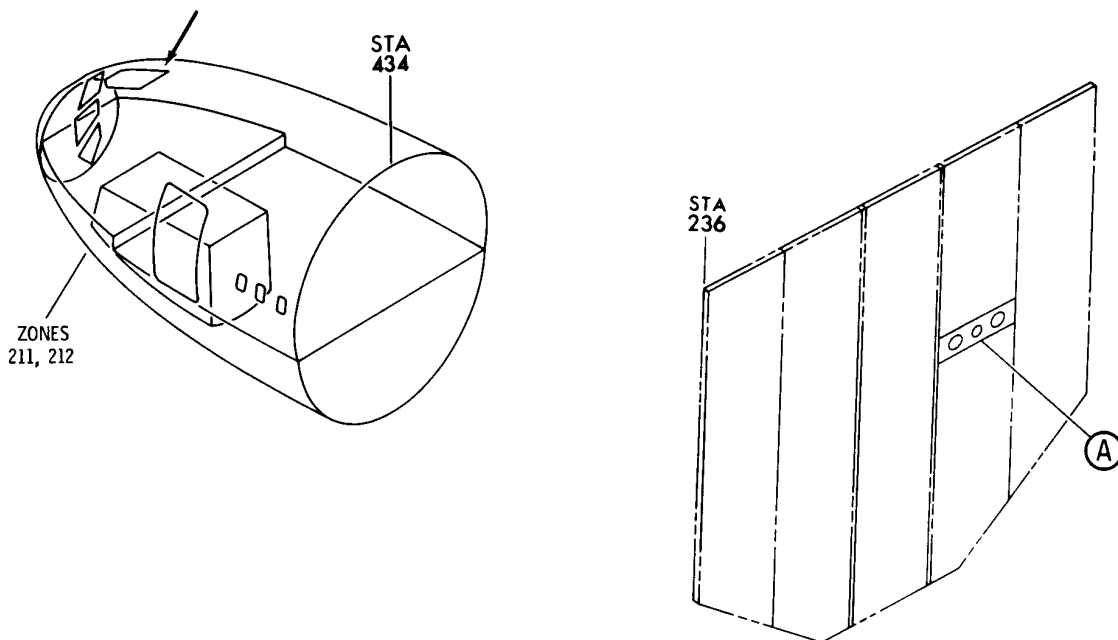
HXL

33-24-51-01

BOEING PROPRIETARY - Copyright © - Unpublished Work - See title page for details.

33-24-51  
FIG. 01  
PAGE 3  
AUG 22/09

**BOEING**  
767  
PARTS CATALOG (MAINTENANCE)



V 33245201 SH1 1 REV 105

PANEL INSTL-OVERHEAD (PASSENGER SIGNS ONLY)  
FIGURE 1

**33-24-52-01**

HXL  
DEC 22/06

33-24-52-01  
PAGE 0



767

PARTS CATALOG (MAINTENANCE)

FIG ITEM	PART NUMBER	1 2 3 4 5 6 7	NOMENCLATURE	EFFECT FROM TO	UNITS PER ASSY
1			PANEL INSTL-OVERHEAD (PASSENGER SIGNS ONLY)		
- 1	233T3100-1		PANEL INSTL-OVERHEAD (PASSENGER SIGNS ONLY) VARIABLE DRAWING REF: 233T3100-5048 FOR NHA/OTHER SYS DET SEE: 25-10-00-03		RF
7	233T3100-161		.PANEL ASSY-PASS. SIGN CONT COMPONENT MAINT MANUAL REF: 33-24-02		RF
7	233T3216-300		.PANEL ASSY-PASS. SIGN CONT SUPPLIER CODE: V89954 COMPONENT MAINT MANUAL REF: 33-24-02		RF
10	BP248-110		..KNOB- SUPPLIER CODE: V81590 SPECIFICATION NUMBER: 452-016-9001 OPTIONAL PART: BP248-127 V81590		2
10	BP248-127		..KNOB- SUPPLIER CODE: V81590 OPTIONAL PART: BP248-110 V15084		2
- 15	233T3216-10		..PANEL ASSY- SUPPLIER CODE: V89954 ELECTRICAL EQUIP NUMBER: M00052 COMPONENT MAINT MANUAL REF: 33-24-02		1
20	AC45-0009-1		...SWITCH-ROTARY SUPPLIER CODE: V91812 OPTIONAL PART: AC45-0009-2 V91812		1
20	AC45-0009-2		...SWITCH-ROTARY SUPPLIER CODE: V91812 OPTIONAL PART: AC45-0009-1 V91812		1

ILLUSTRATION ITEMS NOT ON PARTS LIST ARE NOT APPLICABLE

- ITEM NOT ILLUSTRATED

33-24-52-01

33-24-52  
FIG. 01  
PAGE 1  
APR 22/09

HXL

BOEING PROPRIETARY - Copyright © - Unpublished Work - See title page for details.



767

PARTS CATALOG (MAINTENANCE)

FIG ITEM	PART NUMBER	1 2 3 4 5 6 7	NOMENCLATURE	EFFECT FROM TO	UNITS PER ASSY
1					
25	AC45-0008-1		... SWITCH-ROTARY SUPPLIER CODE: V91812 OPTIONAL PART: AC45-0008-2 V91812		1
25	AC45-0008-2		... SWITCH-ROTARY SUPPLIER CODE: V91812 OPTIONAL PART: AC45-0008-1 V91812		1
30	800-000121-1		... CONNECTOR-PWR SUPPLIER CODE: V05617		1
35	BACC45FN14-15P		... CONNECTOR ATTACHING PARTS		1
- 40	NAS1801-04-5		... SCREW-		3
- 45	K19798-04		... NUT SUPPLIER CODE: V15653 SPECIFICATION NUMBER: BACN10NW1 OPTIONAL PART: RMA4812-160-40 V72962 293162 V60119		3
			-----*-----		
50	4443B9		... TERMINAL- SUPPLIER CODE: V88245		2
55	JANTX1N5618		... DIODE-		1
- 200	286T0066-300		WIRE BUNDLE ASSY-(PASSENGER SIGNS ONLY)		RF
205	BACC45FT14A15S		.CONNECTOR- ELECTRICAL EQUIP NUMBER: D00854 WIRING DIAGRAM REF: 332411		1

ILLUSTRATION ITEMS NOT ON PARTS LIST ARE NOT APPLICABLE

- ITEM NOT ILLUSTRATED

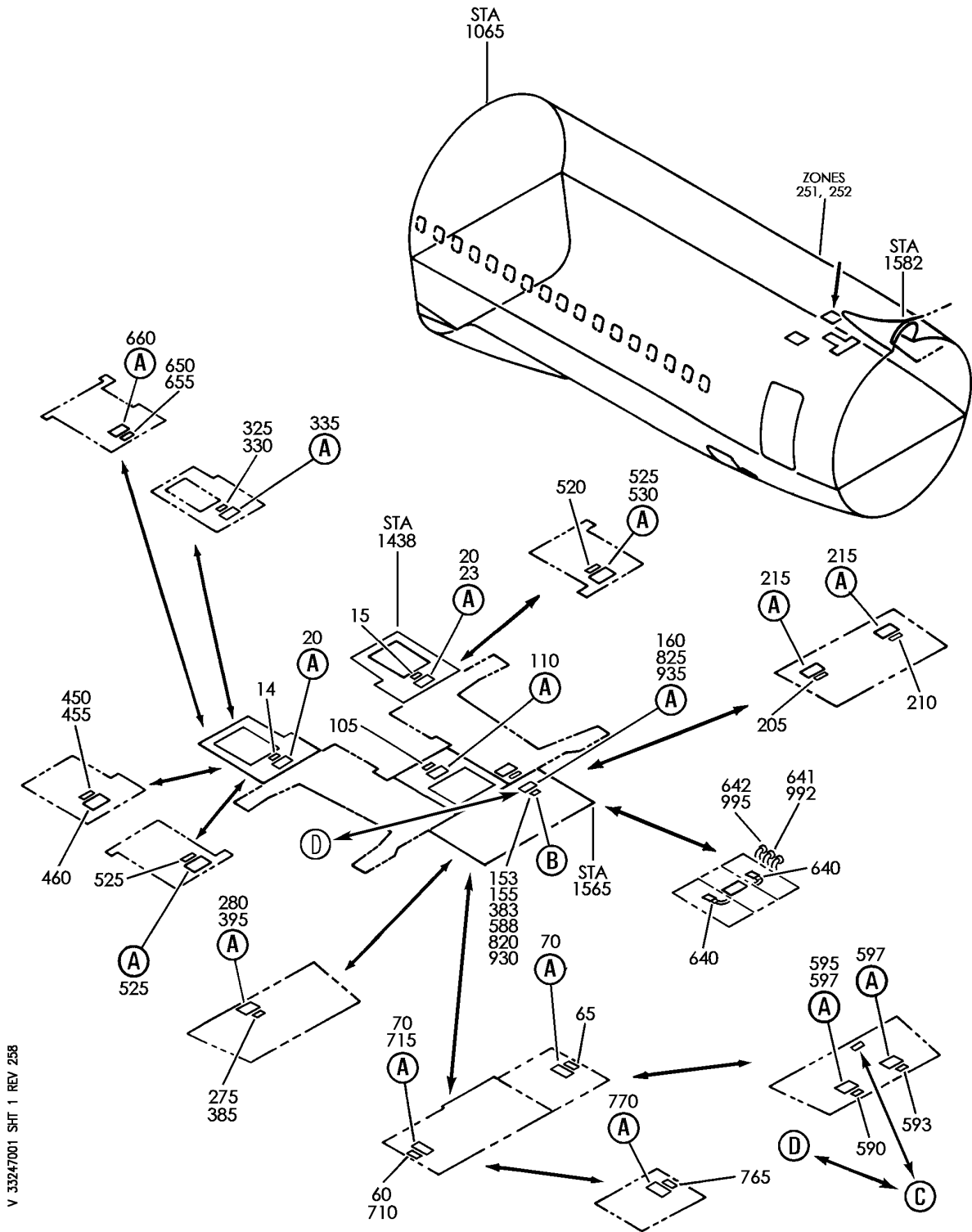
33-24-52-01

33-24-52  
FIG. 01  
PAGE 2  
APR 22/08

HXL

BOEING PROPRIETARY - Copyright © - Unpublished Work - See title page for details.

**BOEING**  
767  
PARTS CATALOG (MAINTENANCE)



V 33247001 SHT 1 REV 258

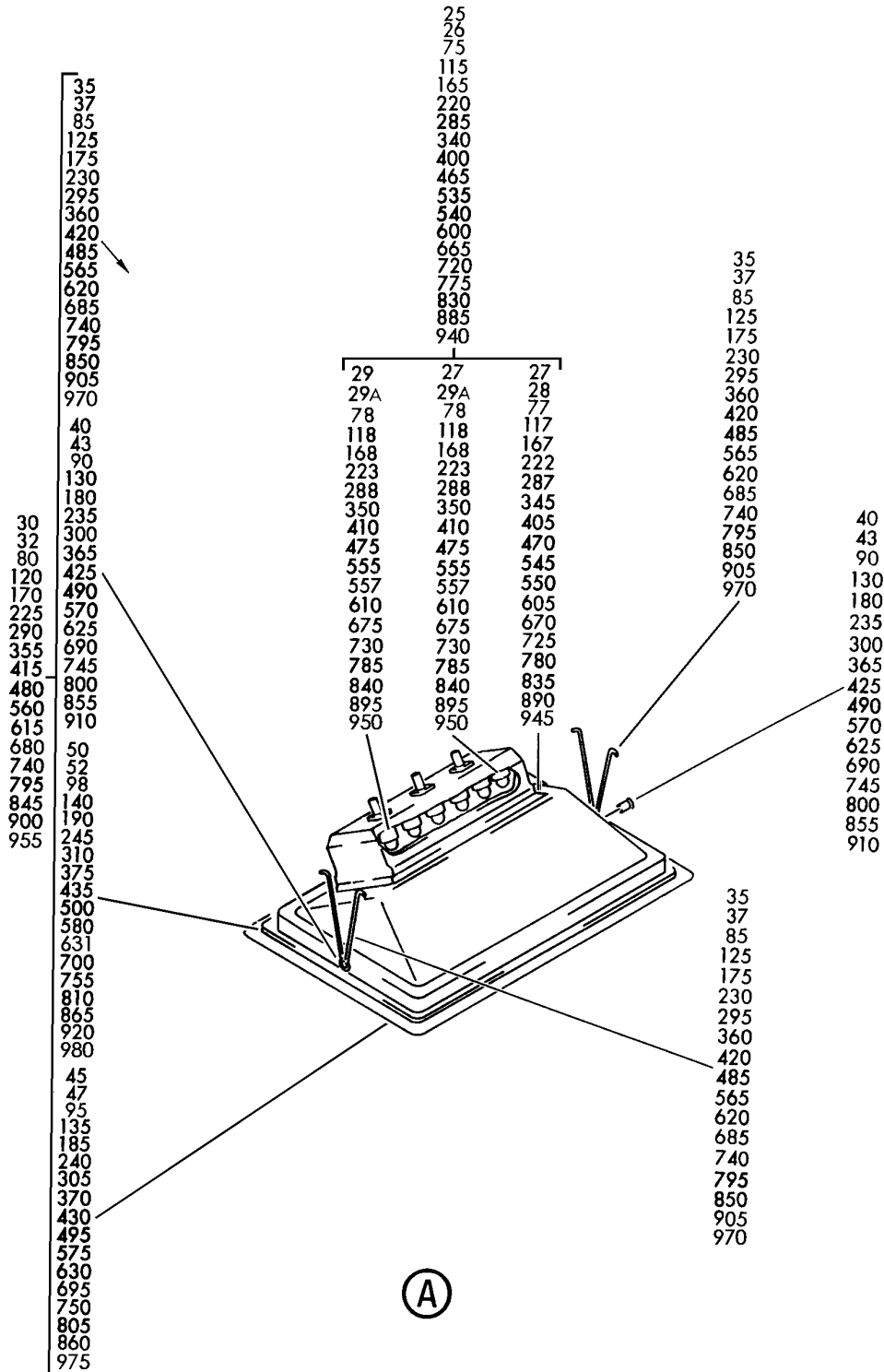
CEILING ASSY-LOWERED AFT (PASSENGER SIGNS ONLY)  
FIGURE 1 (SHEET 1)

**33-24-70-01**

HXL  
DEC 22/06

33-24-70-01  
PAGE 0

**BOEING**  
767  
PARTS CATALOG (MAINTENANCE)

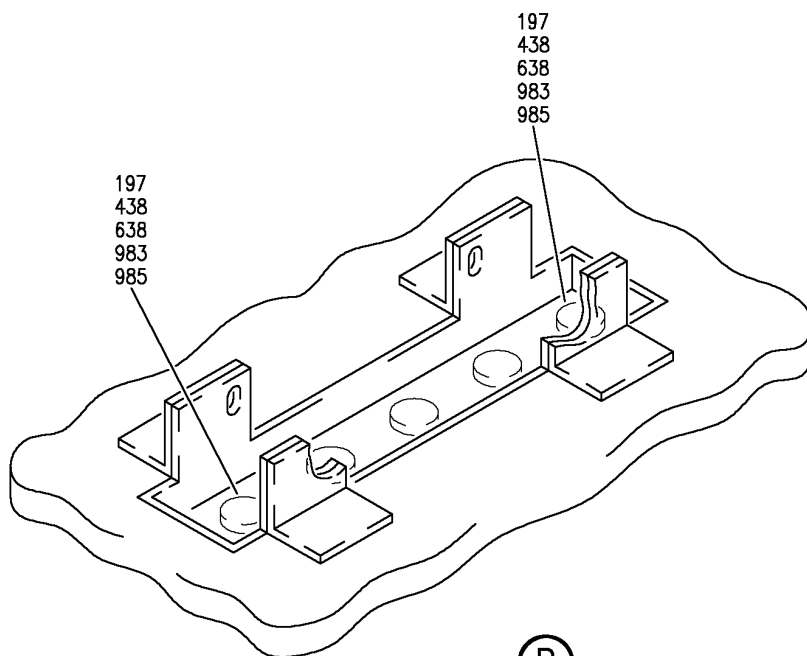


V 33247001 SHT 2 REV 217

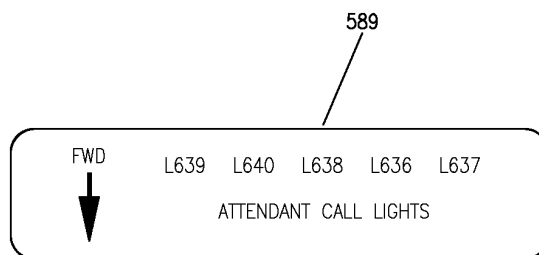
CEILING ASSY-LOWERED AFT (PASSENGER SIGNS ONLY)  
FIGURE 1 (SHEET 2)

**33-24-70-01**

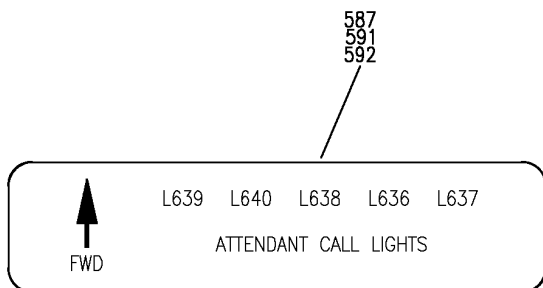
**BOEING**  
767  
PARTS CATALOG (MAINTENANCE)



(B)



(C)



(D)

V 33247001 SH1 3 REV 258

CEILING ASSY-LOWERED AFT (PASSENGER SIGNS ONLY)  
FIGURE 1 (SHEET 3)

**33-24-70-01**

HXL  
DEC 22/06

33-24-70-01  
PAGE 0B



767

PARTS CATALOG (MAINTENANCE)

FIG ITEM	PART NUMBER	1 2 3 4 5 6 7	NOMENCLATURE	EFFECT FROM TO	UNITS PER ASSY
1			CEILING ASSY-LOWERED AFT (PASSENGER SIGNS ONLY)	155162	
- 444	411T3127-679SP		CEILING ASSY-LOWERED (PASSENGER SIGNS ONLY) POSITION DATA: AFT LH FOR NHA/OTHER SYS DET SEE: 25-22-02-50	155162	RF
- 445	411T3127-680SP		CEILING ASSY-LOWERED (PASSENGER SIGNS ONLY) POSITION DATA: AFT RH FOR NHA/OTHER SYS DET SEE: 25-22-02-50	155162	RF
450	BAC27TPPS4146		.MARKER-ALUMINUM FOIL POSITION DATA: LH SIDE PLACARD CONTENT: L415 NSFSB SIGN LOCATE WITH CUTOUT IN REVEAL TO THIS SIDE	155162	1
455	BAC27TPPS4147		.MARKER-ALUMINUM FOIL POSITION DATA: RH SIDE PLACARD CONTENT: L416 NSFSB SIGN LOCATE WITH CUTOUT IN REVEAL TO THIS SIDE	155162	1
460	417T5096-5SP		.SIGN ASSY-NSFSB ATTENDANT ELECTRICAL EQUIP NUMBER: L00415 L00416	155162	1
465	10-1004-7		..SIGN ASSY-SYMBOLIC PASS. INFO SUPPLIER CODE: V72914 SPECIFICATION NUMBER: S417T503-7 COMPONENT MAINT MANUAL REF: 33-21-53	155162	1
470	25-1088-7		...LENS- SUPPLIER CODE: V72914	155162	1
475	MS25237-387		...LAMP-	155162	6
480	417T5088-1SP		..REVEAL ASSY	155162	1
485	1264-49		...RETAINER-TNSN SUPPLIER CODE: V53494	155162	2
490	MS20604B4W2		...RIVET	155162	2

ILLUSTRATION ITEMS NOT ON PARTS LIST ARE NOT APPLICABLE

- ITEM NOT ILLUSTRATED

33-24-70-01

33-24-70  
FIG. 01  
PAGE 1  
DEC 22/07

HXL





767  
PARTS CATALOG (MAINTENANCE)

FIG ITEM	PART NUMBER	1 2 3 4 5 6 7	NOMENCLATURE	EFFECT FROM TO	UNITS PER ASSY
1					
495	1264-43		...BEZEL-	155162	1
			SUPPLIER CODE:		
			V53494		
500	417T5095-1SP		...REVEAL-NSFSB	155162	1

ILLUSTRATION ITEMS NOT ON PARTS LIST ARE NOT APPLICABLE

- ITEM NOT ILLUSTRATED

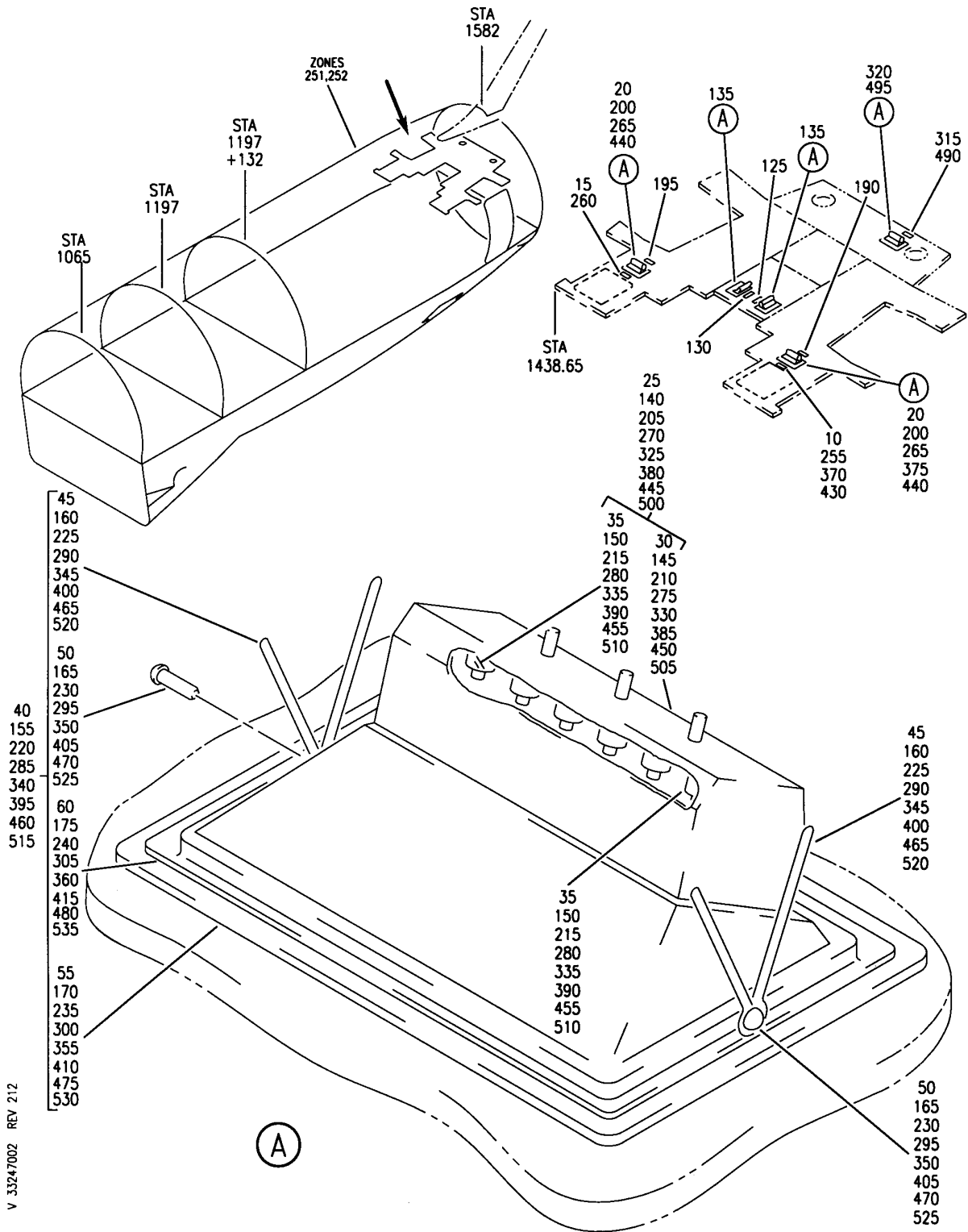
HXL

33-24-70-01

BOEING PROPRIETARY - Copyright © - Unpublished Work - See title page for details.

33-24-70  
FIG. 01  
PAGE 2  
DEC 22/07

**BOEING**  
767  
PARTS CATALOG (MAINTENANCE)



V 33247002 REV 212

CEILING ASSY-LWR AFT (PASSENGER SIGNS ONLY)  
FIGURE 2

**33-24-70-02**

HXL  
DEC 22/06

33-24-70-02  
PAGE 0



767

PARTS CATALOG (MAINTENANCE)

FIG ITEM	PART NUMBER	1 2 3 4 5 6 7	NOMENCLATURE	EFFECT FROM TO	UNITS PER ASSY
2			CEILING ASSY-LWR AFT (PASSENGER SIGNS ONLY)	163999	
- 120	411T3127-768SP		CEILING ASSY-LOWERED (PASSENGER SIGNS ONLY) POSITION DATA: AFT FOR NHA/OTHER SYS DET SEE: 25-22-02-88	163999	RF
125	BAC27TPPS4146		.MARKER-ALUMINUM FOIL PLACARD CONTENT: L415 NSFSB SIGN LOCATE WITH CUTOUT IN REVEAL TO THIS SIDE	163999	1
130	BAC27TPPS4147		.MARKER-ALUMINUM FOIL PLACARD CONTENT: L416 NSFSB SIGN LOCATE WITH CUTOUT IN REVEAL TO THIS SIDE	163999	1
135	417T5096-5SP		.SIGN ASSY-NSFSB ATTENDANT ELECTRICAL EQUIP NUMBER: L00415 L00416	163999	2
140	10-1004-7		..SIGN ASSY-SYMBOLIC PASS. INFO SUPPLIER CODE: V72914 SPECIFICATION NUMBER: S417T503-7 COMPONENT MAINT MANUAL REF: 33-21-53	163999	1
145	25-1088-7		...LENS- SUPPLIER CODE: V72914	163999	1
150	MS25237-387		...LAMP-	163999	6
155	417T5088-1SP		..REVEAL ASSY	163999	1
160	1264-49		...RETAINER-TNSN SUPPLIER CODE: V53494	163999	2
165	MS20604B4W2		...RIVET	163999	2
170	1264-43		...BEZEL- SUPPLIER CODE: V53494	163999	1
175	417T5095-1SP		...REVEAL-NSFSB	163999	1

ILLUSTRATION ITEMS NOT ON PARTS LIST ARE NOT APPLICABLE

- ITEM NOT ILLUSTRATED

33-24-70-02

33-24-70  
FIG. 02  
PAGE 1  
DEC 22/07

HXL