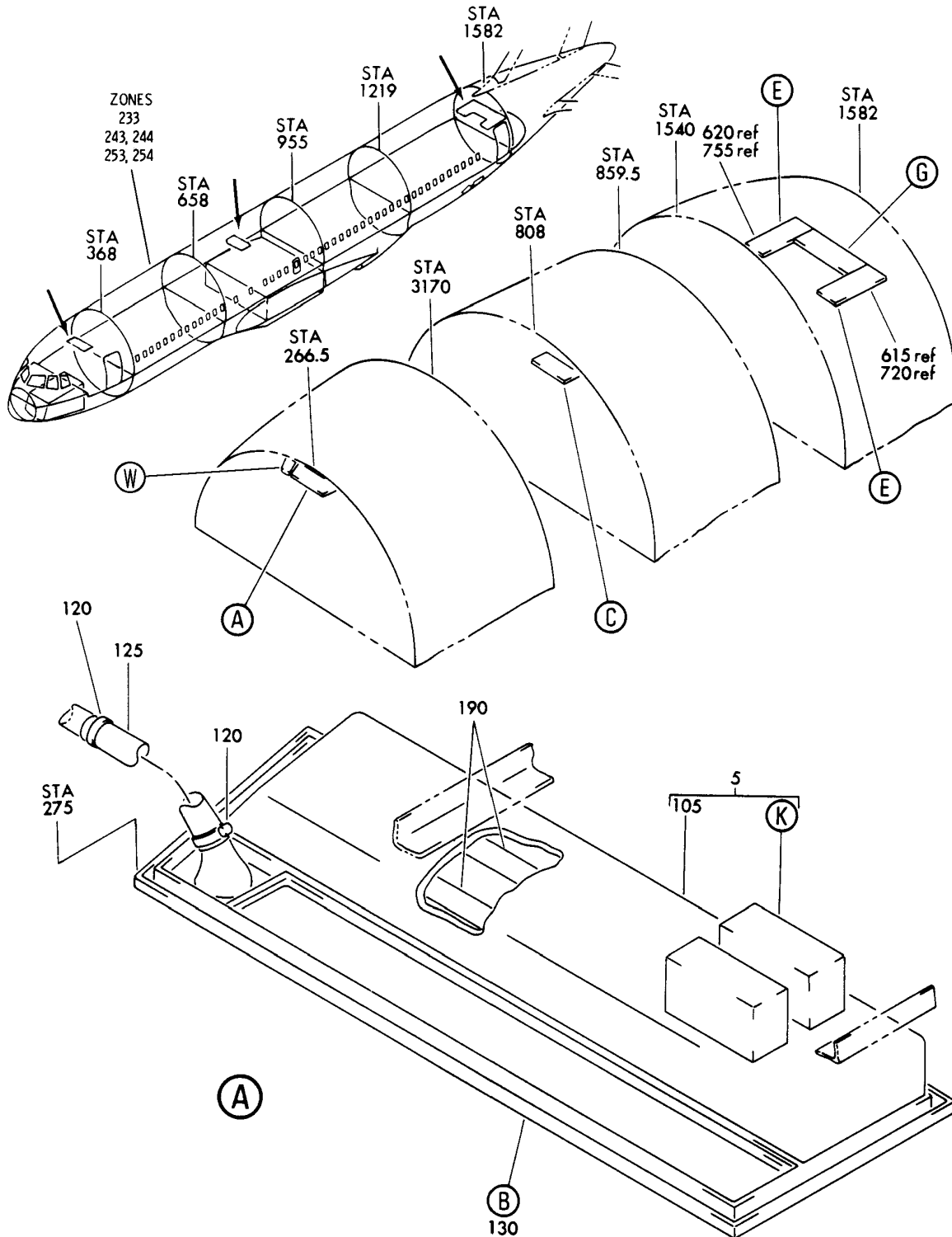


GALLEY LIGHTS

HXL
DEC 22/06

33-27-00
SECTION TITLE
PAGE 1


BOEING
 767
PARTS CATALOG (MAINTENANCE)



V 33270001 SHT 1 REV 341

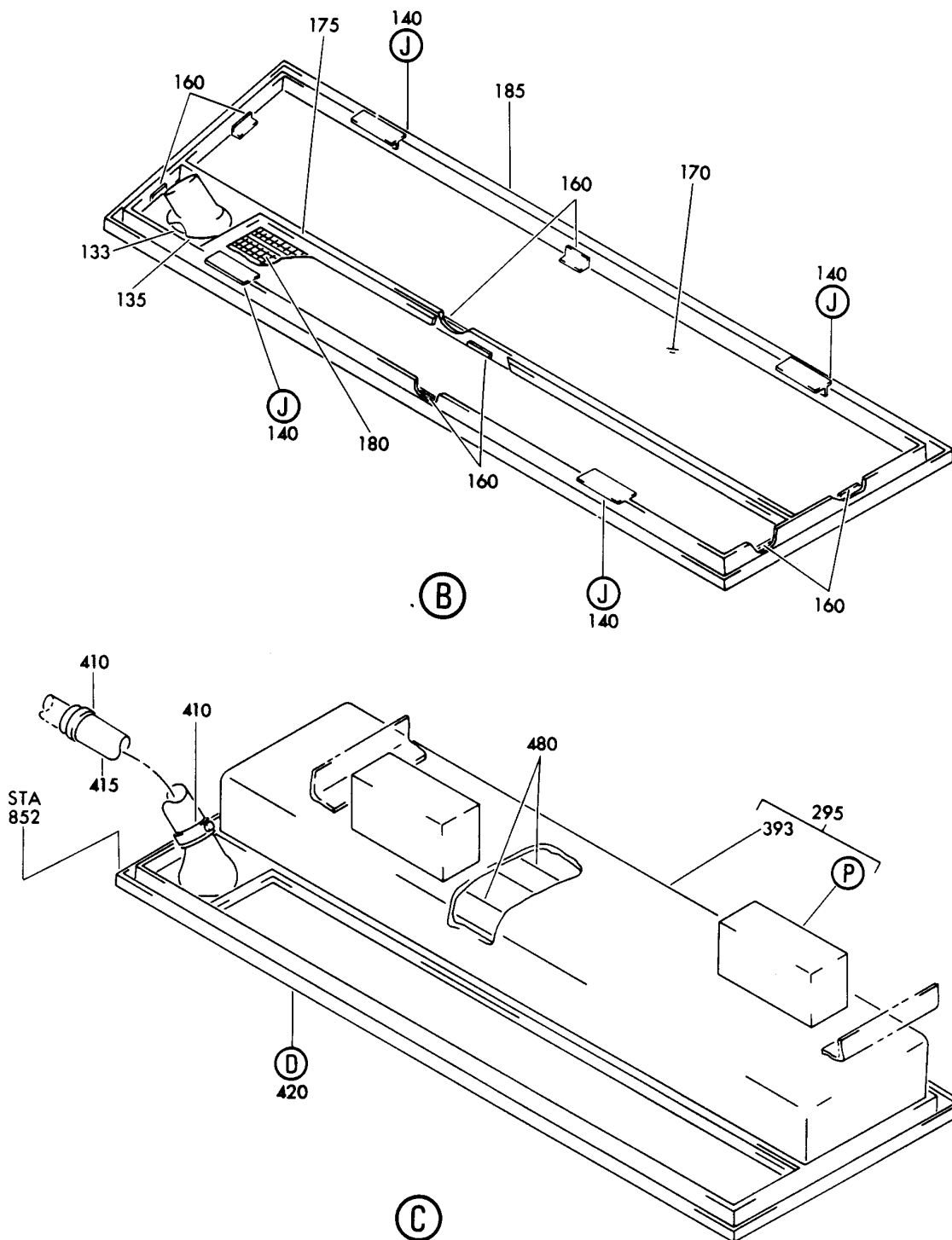
LIGHT AND LAMP INSTL-GALLEY AREA FWD
 FIGURE 1 (SHEET 1)

33-27-00-01

HXL
AUG 22/09

33-27-00-01
 PAGE 0

BOEING
767
PARTS CATALOG (MAINTENANCE)



V 33270001 SH1 2 REV 018

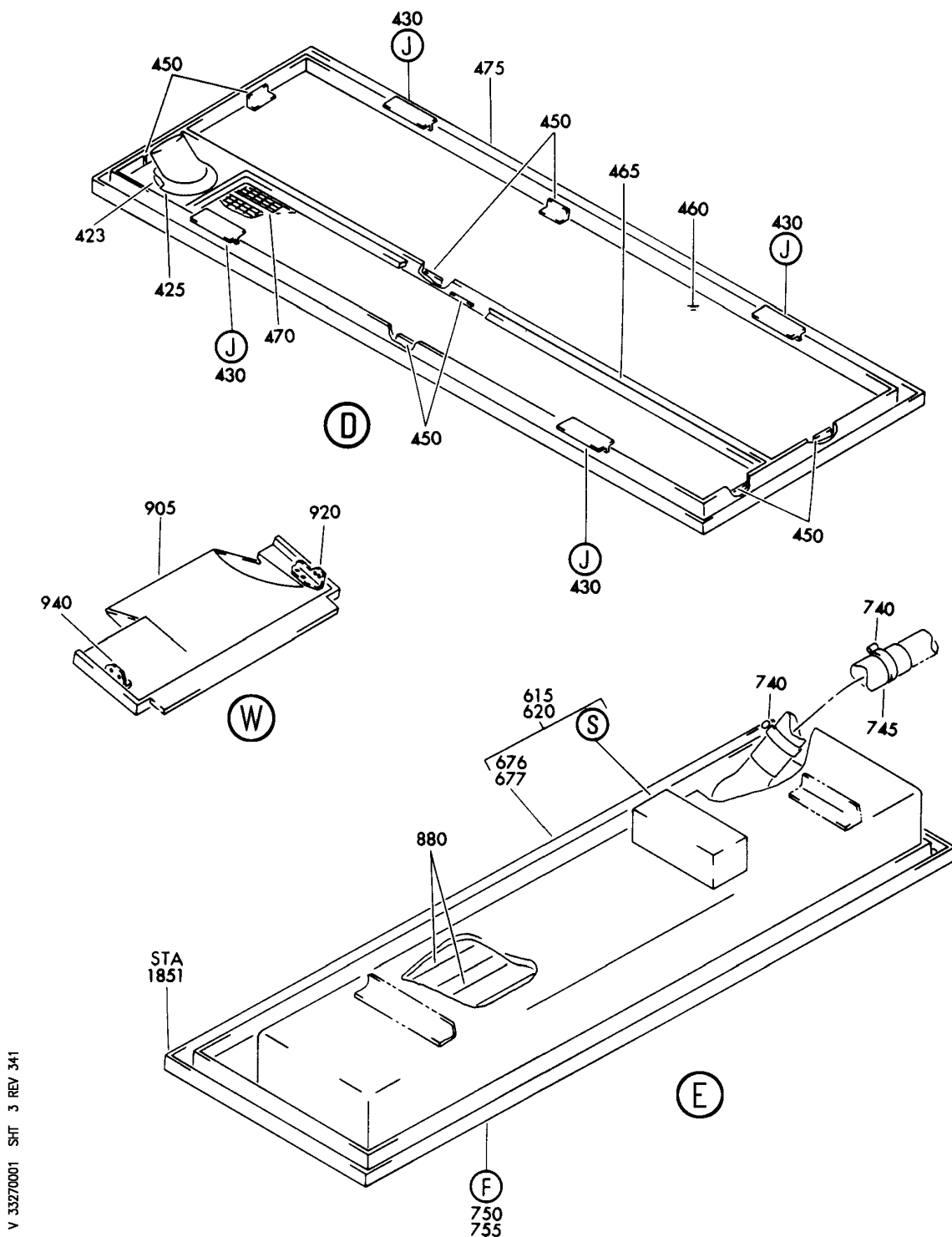
LIGHT AND LAMP INSTL-GALLEY AREA FWD
FIGURE 1 (SHEET 2)

33-27-00-01

HXL
DEC 22/06

33-27-00-01
PAGE 0A

BOEING
767
PARTS CATALOG (MAINTENANCE)



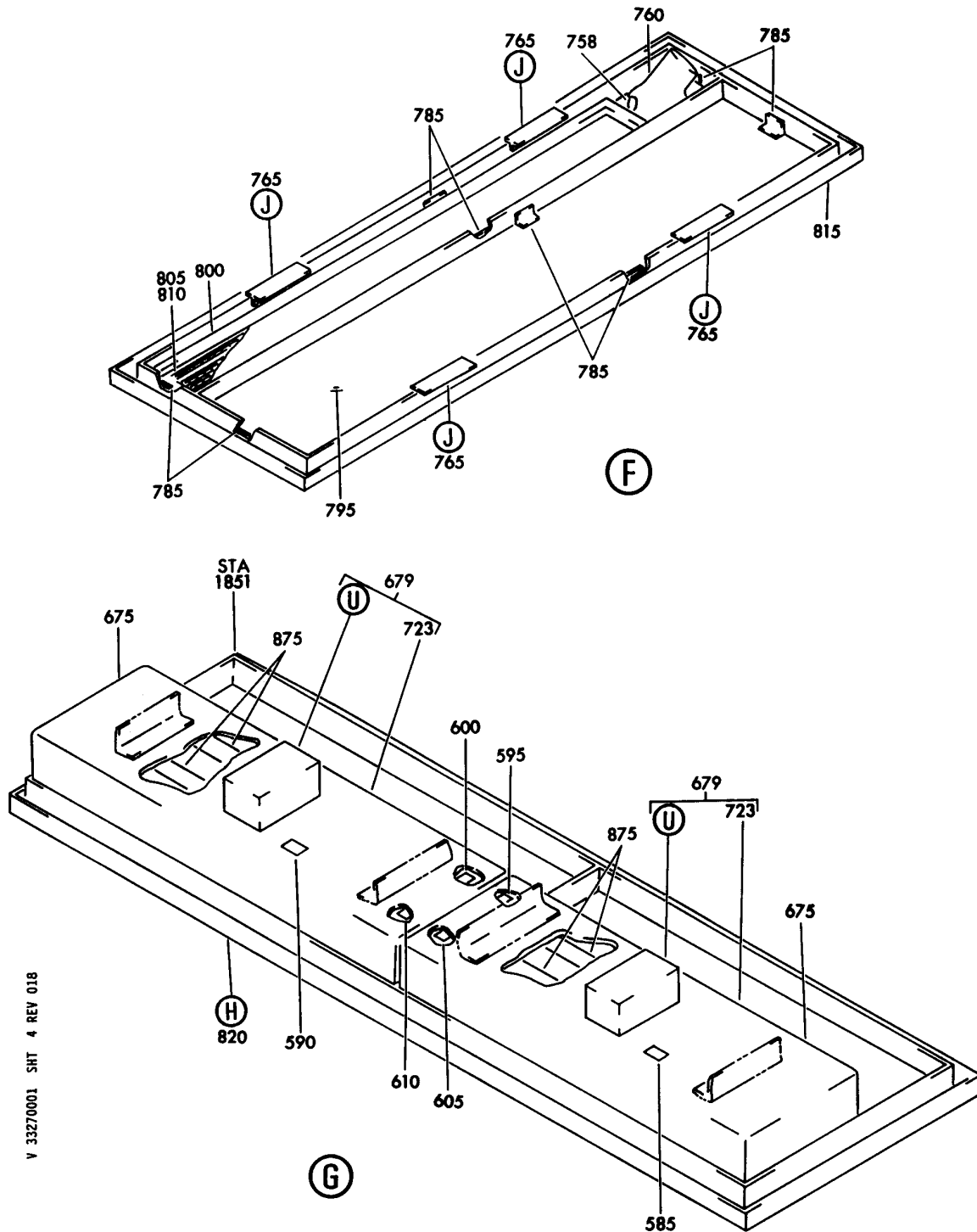
LIGHT AND LAMP INSTL-GALLEY AREA FWD
FIGURE 1 (SHEET 3)

33-27-00-01

HXL
AUG 22/09

33-27-00-01
PAGE 0B

BOEING
767
PARTS CATALOG (MAINTENANCE)



V 33270001 SHT 4 REV 018

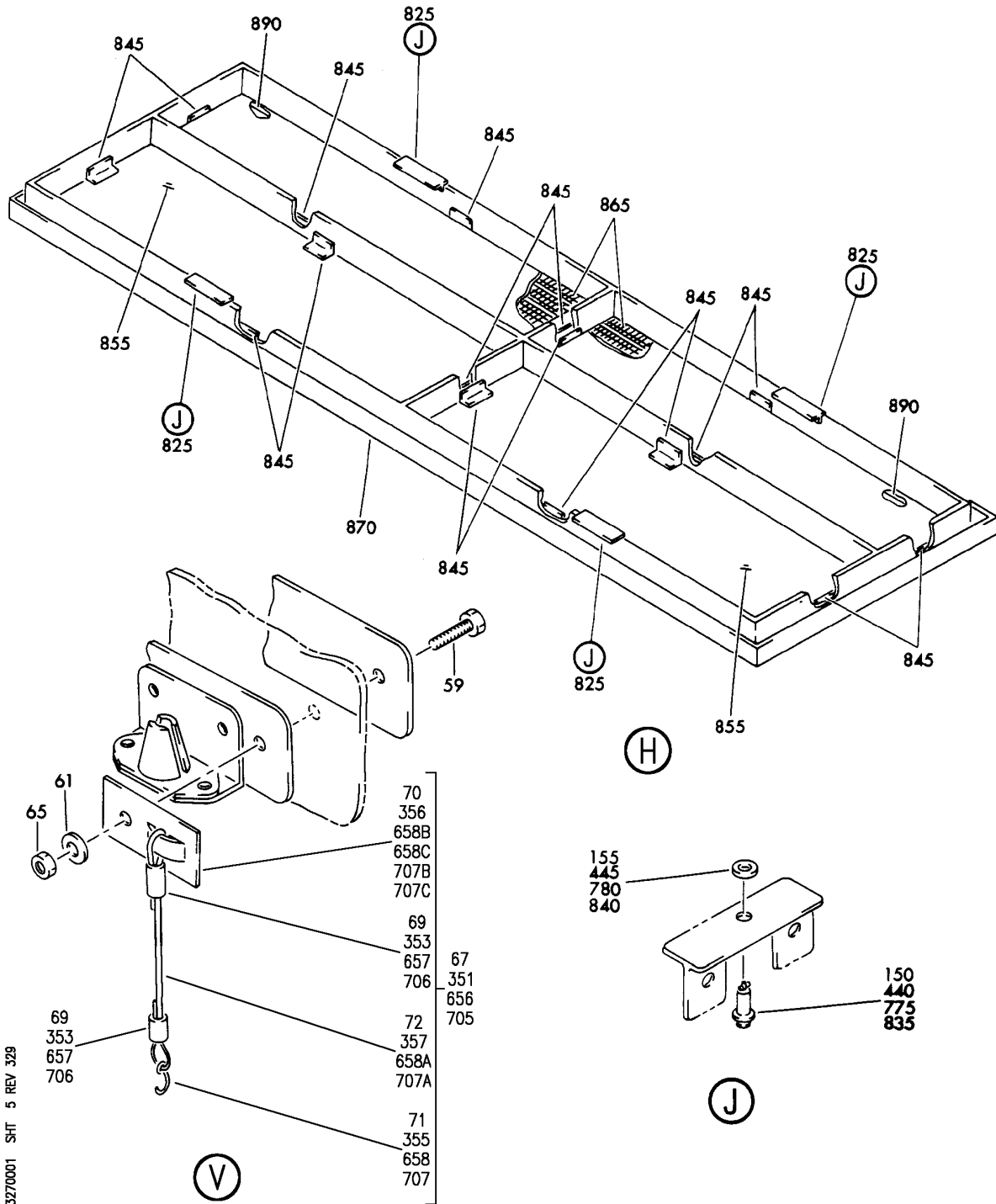
LIGHT AND LAMP INSTL-GALLEY AREA FWD
FIGURE 1 (SHEET 4)

33-27-00-01

HXL
DEC 22/06

33-27-00-01
PAGE 0C

BOEING
767
PARTS CATALOG (MAINTENANCE)



V 33270001 SHT 5 REV 329

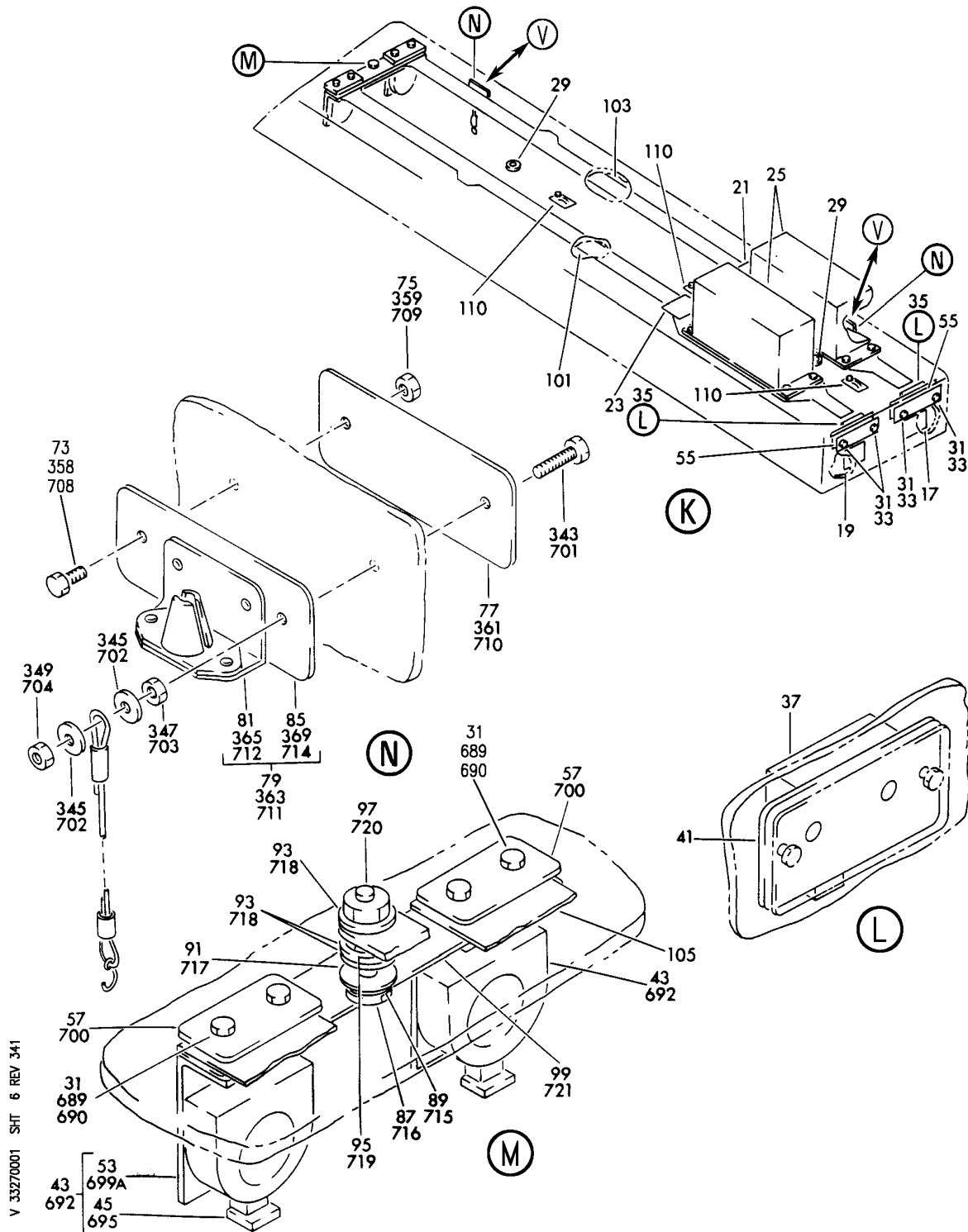
LIGHT AND LAMP INSTL-GALLEY AREA FWD
FIGURE 1 (SHEET 5)

33-27-00-01

HXL
AUG 22/08

33-27-00-01
PAGE 0D


BOEING
 767
PARTS CATALOG (MAINTENANCE)



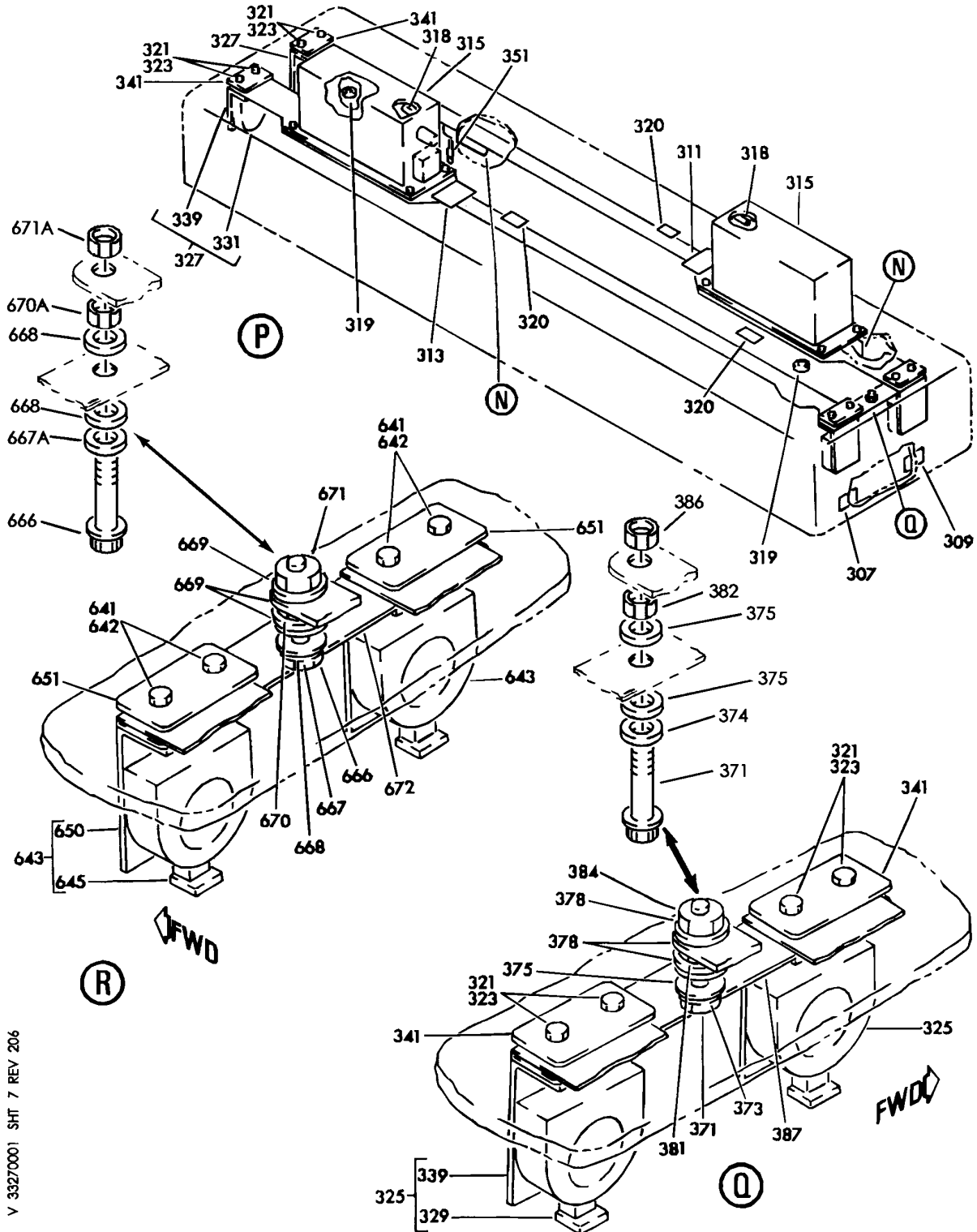
LIGHT AND LAMP INSTL-GALLEY AREA FWD
 FIGURE 1 (SHEET 6)

33-27-00-01

HXL
 AUG 22/09

33-27-00-01
 PAGE 0E

BOEING
767
PARTS CATALOG (MAINTENANCE)



V 33270001 SHT 7 REV 206

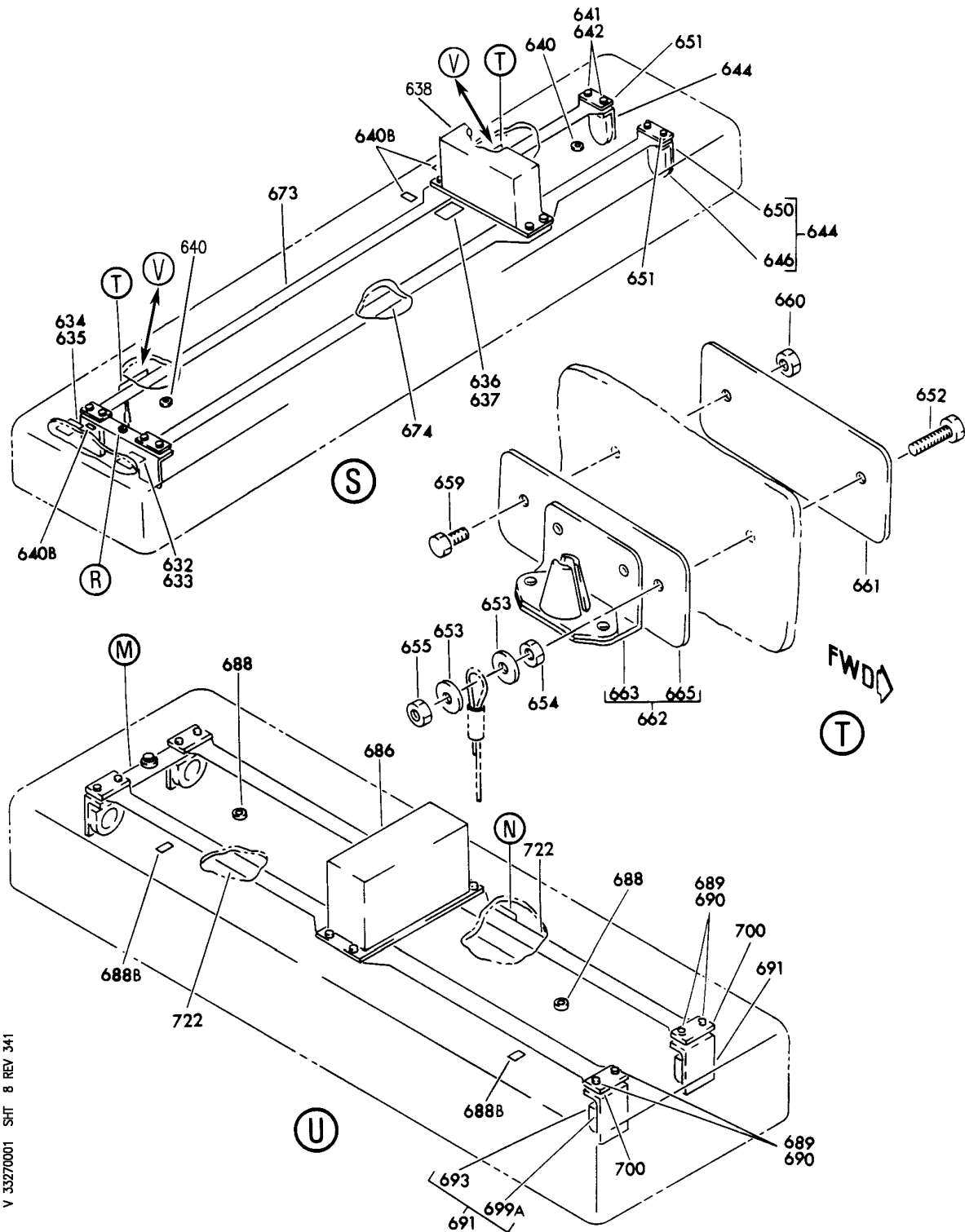
LIGHT AND LAMP INSTL-GALLEY AREA FWD
FIGURE 1 (SHEET 7)

33-27-00-01

HXL
DEC 22/06

33-27-00-01
PAGE OF

BOEING
767
PARTS CATALOG (MAINTENANCE)



V 3327001 SHT 8 REV 341

LIGHT AND LAMP INSTL-GALLEY AREA FWD
FIGURE 1 (SHEET 8)

33-27-00-01

HXL
AUG 22/09

33-27-00-01
PAGE 0G



767

PARTS CATALOG (MAINTENANCE)

FIG ITEM	PART NUMBER	1 2 3 4 5 6 7	NOMENCLATURE	EFFECT FROM TO	UNITS PER ASSY
1			LIGHT AND LAMP INSTL-GALLEY AREA FWD		
- 1	417T5023-4		LIGHT INSTL-GALLEY AREA POSITION DATA: FWD FOR NHA SEE: 25-20-00-17F		RF
5	417T5072-12		.REFLECTOR ASSY- OPTIONAL PART: 417T5072-30		1
5	417T5072-30		.REFLECTOR ASSY- OPTIONAL PART: 417T5072-12		1
- 10	NAS1801-3-8		ATTACHING PARTS .SCREW		4
- 15	AN960D10L		.WASHER		4
			-----*-----		
17	BAC27TPPS4017		..MARKER-ALUMINUM FOIL PLACARD CONTENT: L201 LIGHT GALLEY		1
19	BAC27TPPS4018		..MARKER-ALUMINUM FOIL PLACARD CONTENT: L202 LIGHT GALLEY		1
21	BAC27TPPS4009		..MARKER-ALUMINUM FOIL PLACARD CONTENT: M650 BALLAST GALLEY		1
23	BAC27TPPS4010		..MARKER-ALUMINUM FOIL PLACARD CONTENT: M651 BALLAST GALLEY		1
25	1907-1-1		..BALLAST ASSY- 55-1239-1 LAMP SUPPLIER CODE: V30242 SPECIFICATION NUMBER: S283T018-27 ELECTRICAL EQUIP NUMBER: M00650 M00651 COMPONENT MAINT MANUAL REF: 33-21-10		2
- 27	NAS1801-08-9		ATTACHING PARTS ..SCREW -----*-----		8

ILLUSTRATION ITEMS NOT ON PARTS LIST ARE NOT APPLICABLE

- ITEM NOT ILLUSTRATED

HXL

33-27-00-01

33-27-00
FIG. 01
PAGE 1
AUG 22/08

BOEING
767
PARTS CATALOG (MAINTENANCE)

FIG ITEM	PART NUMBER	1 2 3 4 5 6 7	NOMENCLATURE	EFFECT FROM TO	UNITS PER ASSY
1	29 RR2002-3D1		.. GROMMET SUPPLIER CODE: V57268 SPECIFICATION NUMBER: BACG20AF3D1 OPTIONAL PART: G6940-3D1 V75345 SZ6924-3D1 V95272 701-3D1 V07096 E3D1 V60980 H3D1 V60980		2
	31 NAS1801-06-8		.. SCREW		8
	33 BRH10A06		.. NUT SUPPLIER CODE: V52828 SPECIFICATION NUMBER: BACN10JCO6 OPTIONAL PART: H10-06BAC V15653 RMLH9075-62W V72962 VN303A62 V92215 96-62 V80539 NS202101-62 V80539 T6S632J V11815		4
	35 417T5069-5		.. SOCKET ASSY		2
	37 BV03202N40		... SOCKET- SUPPLIER CODE: V17023 ATTACHING PARTS		1
-	39 NAS514P440-8		... SCREW -----*-----		2
	41 417T5074-20		... PLATE		1
	43 417T5060-20		.. SOCKET ASSY-		2
	45 BV03203N40		... SOCKET- SUPPLIER CODE: V17023 ATTACHING PARTS		1
-	47 NAS1801-04-08		... SCREW		2

ILLUSTRATION ITEMS NOT ON PARTS LIST ARE NOT APPLICABLE

- ITEM NOT ILLUSTRATED

HXL

33-27-00-01

BOEING PROPRIETARY - Copyright © - Unpublished Work - See title page for details.

33-27-00
FIG. 01
PAGE 2
DEC 22/06

BOEING
767
PARTS CATALOG (MAINTENANCE)

FIG ITEM	PART NUMBER	1 2 3 4 5 6 7	NOMENCLATURE	EFFECT FROM TO	UNITS PER ASSY
1					
- 51	MS35333-36		...WASHER -----*-----		2
53	417T5060-18		...BRACKET-		1
55	417T5074-21		..PLATE		2
57	417T5074-54		..PLATE-		2
59	NAS1801-06-11		..SCREW		2
61	AN960D6		..WASHER		2
65	BRH10A06		..NUT SUPPLIER CODE: V52828 SPECIFICATION NUMBER: BACN10JCO6 OPTIONAL PART: H10-06BAC V15653 RMLH9075-62W V72962 VN303A62 V92215 96-62 V80539 NS202101-62 V80539 T6S632J V11815		2
67	417T5089-3		..CABLE ASSY-		2
69	GSC149		...SLEEVE- SUPPLIER CODE: V56501 SPECIFICATION NUMBER: BACS13S149C OPTIONAL PART: YOC90 V12357		2
70	MABMSS10M70		...PLATE- SUPPLIER CODE: V06383 SPECIFICATION NUMBER: STBP19H1 OPTIONAL PART: MABMS V06383 TC105 V59730 STBP19H1A		1

ILLUSTRATION ITEMS NOT ON PARTS LIST ARE NOT APPLICABLE

- ITEM NOT ILLUSTRATED

HXL

33-27-00-01

BOEING PROPRIETARY - Copyright © - Unpublished Work - See title page for details.

33-27-00
FIG. 01
PAGE 3
AUG 22/08

 **BOEING**
767
PARTS CATALOG (MAINTENANCE)

FIG ITEM	PART NUMBER	1 2 3 4 5 6 7	NOMENCLATURE	EFFECT FROM TO	UNITS PER ASSY
1	70 MABMSAC		...PLATE- SUPPLIER CODE: V06383 SPECIFICATION NUMBER: STBP19H1A OPTIONAL PART: STBP19H1		1
	71 NAS1090-1		...HOOK		1
	72 417T5089-4		...CABLE		1
	73 NAS1801-06-7		..SCREW		2
	75 BRH10A06		..NUT SUPPLIER CODE: V52828 SPECIFICATION NUMBER: BACN10JCO6 OPTIONAL PART: H10-06BAC V15653 RMLH9075-62W V72962 VN303A62 V92215 96-62 V80539 NS202101-62 V80539 T6S632J V11815		2
	77 417T5074-18		..PLATE		2
	79 417T5069-1		..RECEPTACLE ASSY		2
	81 BACR11Y1		...RECEPTACLE ATTACHING PARTS		1
-	83 BACR15BA3AD		...RIVET- SIZE DETERMINED ON INSTL. -----*-----		2
	85 417T5074-18		...PLATE		1
	87 NAS1801-3-12		..SCREW		1
	89 MS35338-119		..WASHER		1
	91 AN960D10L		..WASHER		1
	93 AN960D10		..WASHER		3
	95 MS25082B3		..NUT		1

ILLUSTRATION ITEMS NOT ON PARTS LIST ARE NOT APPLICABLE

- ITEM NOT ILLUSTRATED

HXL

33-27-00-01

BOEING PROPRIETARY - Copyright © - Unpublished Work - See title page for details.

33-27-00
FIG. 01
PAGE 4
AUG 22/08

BOEING
767
PARTS CATALOG (MAINTENANCE)

FIG ITEM	PART NUMBER	1 2 3 4 5 6 7	NOMENCLATURE	EFFECT FROM TO	UNITS PER ASSY
1					
97	BRH10A3		..NUT SUPPLIER CODE: V52828 SPECIFICATION NUMBER: BACN10JC3 OPTIONAL PART: H10-3BAC V15653 NS202101-02 V80539 RMLH9075-3W V72962 VN303A02 V92215 96-02 V80539 T6S1032J V11815		1
99	417T5074-12		..PLATE		1
101	417T5074-49		..PLATE ASSY-		1
103	417T5074-50		..PLATE ASSY-		1
105	417T5073-25		..REFLECTOR ASSY- USED ON: 417T5072-12		1
105	417T5073-30		..REFLECTOR ASSY- USED ON: 417T5072-30		1
110	MABMSAC		..PLATE SUPPLIER CODE: V06383 SPECIFICATION NUMBER: STBP19H1A		3
- 115	417T5023-8		LIGHT INSTL-GALLEY AREA POSITION DATA: FWD FOR NHA SEE: 25-20-00-17F		RF
120	10		.CLAMP- SUPPLIER CODE: V7Z588 SPECIFICATION NUMBER: STBC10GG26-34 OPTIONAL PART: WWD26-34H V66295		2
125	AS1504-03B0150		.HOSE		1
130	417T5066-34		.LENS ASSY-		1
130	417T5066-16		.LENS ASSY-		1
133	417T5066-19		..WASHER		1
ILLUSTRATION ITEMS NOT ON PARTS LIST ARE NOT APPLICABLE					

- ITEM NOT ILLUSTRATED

33-27-00-01

33-27-00
FIG. 01
PAGE 5
AUG 22/08

HXL

BOEING
767
PARTS CATALOG (MAINTENANCE)

FIG ITEM	PART NUMBER	1 2 3 4 5 6 7	NOMENCLATURE	EFFECT FROM TO	UNITS PER ASSY
1					
135	3720		..OUTLET-INDIVIDUAL AIR SYS SUPPLIER CODE: VOACH0 SPECIFICATION NUMBER: 60B40058-14		1
140	417T5069-2		..STUD ASSY ATTACHING PARTS		4
- 145	NAS1801-06-5		..SCREW -----*-----		8
150	BACS21Y4R		...STUD		1
155	1127700		...WASHER SUPPLIER CODE: V60119 SPECIFICATION NUMBER: BACW10X4 OPTIONAL PART: 2600LW V71286		1
160	417T5074-17		..CLIP ATTACHING PARTS		8
- 165	BACR15BB4AD		..RIVET- SIZE DETERMINED ON INSTL. -----*-----		16
170	417T5068-11		..LENS-		1
175	417T5090-9		..GASKET- MANUFACTURED FROM: SH SPONGE RUBBER BMS1-60 TYPE 1 GRADE A .38 X 4.5 X 40 SPARES ORDER MATERIAL CODE: 5233753060		1
180	417T5070-15		..GRILL-AIR USED ON: 417T5066-34 417T5066-35		1
180	417T5070-12		..GRILL-AIR USED ON: 417T5066-16 417T5066-17		1
185	417T5067-55		..BEZEL ASSY-		1
190	55-1239-1		.LAMP-FLUOR. SUPPLIER CODE: V72914 ELECTRICAL EQUIP NUMBER: L00201 L00202		2

R
R
R
R
R
R
R

ILLUSTRATION ITEMS NOT ON PARTS LIST ARE NOT APPLICABLE

- ITEM NOT ILLUSTRATED

HXL

33-27-00-01

BOEING PROPRIETARY - Copyright © - Unpublished Work - See title page for details.

33-27-00
FIG. 01
PAGE 6
AUG 22/09

 **BOEING**
767
PARTS CATALOG (MAINTENANCE)

FIG ITEM	PART NUMBER	1 2 3 4 5 6 7	NOMENCLATURE	EFFECT FROM TO	UNITS PER ASSY
1					
- 900	417T5023-7		COVER INSTL-CRANK ASSY DOOR MECHANISM FOR NHA SEE: 25-20-00-17F		RF
905	417T5132-8		.COVER ASSY- ATTACHING PARTS		1
- 910	NAS1801-3-4		.SCREW-		4
- 915	BACW10P183AL		.WASHER		4
			-----*-----		
920	417T5133-1		.SUPPORT ATTACHING PARTS		1
- 925	NAS1801-3-7		.SCREW		2
- 930	BACW10P183AL		.WASHER		2
- 935	BRH10A3		.NUT		2
			SUPPLIER CODE: V52828		
			SPECIFICATION NUMBER: BACN10JC3		
			OPTIONAL PART: H10-3BAC		
			V15653		
			NS202101-02		
			V80539		
			RMLH9075-3W		
			V72962		
			VN303A02		
			V92215		
			96-02		
			V80539		
			T6S1032J		
			V11815		
			-----*-----		
940	417T5133-2		.SUPPORT ATTACHING PARTS		1
- 945	BACB30NT3K2		.BOLT		2
- 950	BACW10P183AL		.WASHER		4

ILLUSTRATION ITEMS NOT ON PARTS LIST ARE NOT APPLICABLE

- ITEM NOT ILLUSTRATED

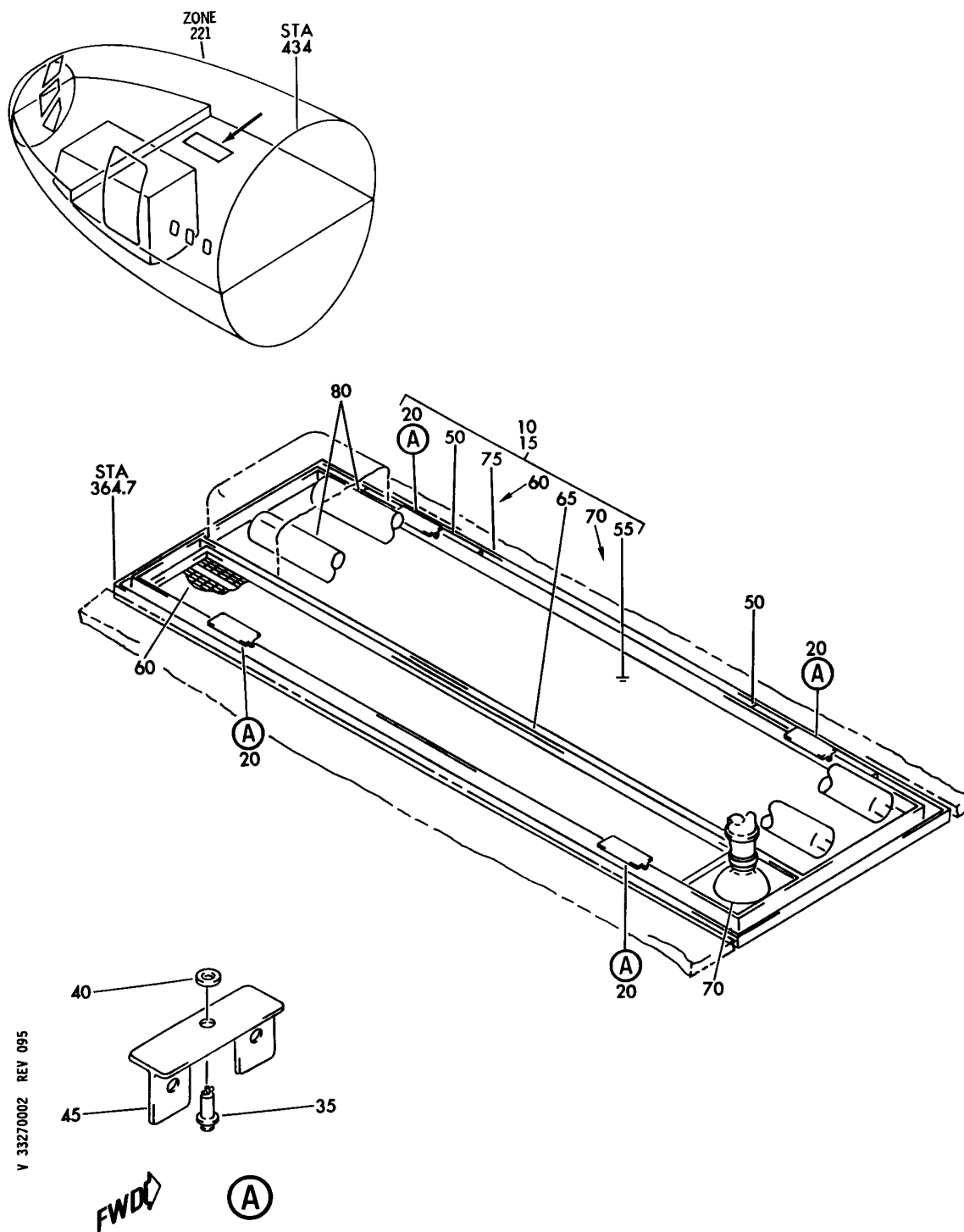
HXL

33-27-00-01

BOEING PROPRIETARY - Copyright © - Unpublished Work - See title page for details.

33-27-00
FIG. 01
PAGE 7
AUG 22/09

BOEING
767
PARTS CATALOG (MAINTENANCE)



LIGHT INSTL-GALLEY AREA LIGHTS
FIGURE 2

33-27-00-02

HXL
DEC 22/06

33-27-00-02
PAGE 0

 **BOEING**
767
PARTS CATALOG (MAINTENANCE)

FIG ITEM	PART NUMBER	1 2 3 4 5 6 7	NOMENCLATURE	EFFECT FROM TO	UNITS PER ASSY
2			LIGHT INSTL-GALLEY AREA LIGHTS		
- 1	417T5023-11		LIGHT INSTL-GALLEY AREA LIGHTS FOR NHA SEE: 25-20-00-17F		RF
- 5	417T5023-12		LIGHT INSTL-GALLEY AREA LIGHTS FOR NHA SEE: 25-20-00-17F		RF
10	417T5066-73		.LENS ASSY- USED ON: 417T5023-11		1
15	417T5066-74		.LENS ASSY- USED ON: 417T5023-12		1
20	417T5069-2		..STUD ASSY ATTACHING PARTS		4
- 25	NAS1801-06-5		..SCREW		4
- 30	BRH10A06		..NUT SUPPLIER CODE: V52828 SPECIFICATION NUMBER: BACN10JCO6 OPTIONAL PART: H10-06BAC V15653 RMLH9075-62W V72962 VN303A62 V92215 96-62 V80539 NS202101-62 V80539 T6S632J V11815 -----*-----		4
35	BACS21Y4R		...STUD		1
40	1127700		...WASHER SUPPLIER CODE: V60119 SPECIFICATION NUMBER: BACW10X4 OPTIONAL PART: 2600LW V71286		1
45	417T5075-10		...BRACKET		1
50	417T5066-20		..SPACER		2
ILLUSTRATION ITEMS NOT ON PARTS LIST ARE NOT APPLICABLE					

- ITEM NOT ILLUSTRATED

HXL

33-27-00-02

BOEING PROPRIETARY - Copyright © - Unpublished Work - See title page for details.

33-27-00
FIG. 02
PAGE 1
DEC 22/07



767

PARTS CATALOG (MAINTENANCE)

FIG ITEM	PART NUMBER	1 2 3 4 5 6 7	NOMENCLATURE	EFFECT FROM TO	UNITS PER ASSY
2 R R R R R	55	417T5068-17	..LENS		1
	60	417T5070-32	..AIR GRILL		1
	65	417T5090-17	..GASKET-		1
			MANUFACTURED FROM: BMS1-60 TYPE 1 GRADE A .38 X 4.5 X 34.6 SPARES ORDER MATERIAL CODE: 5233753060		
	70	3720	..OUTLET-AIR SUPPLIER CODE: VOACH0 SPECIFICATION NUMBER: 60B40058-14		1
	75	417T5067-114	..BEZEL ASSY		1
80	F30T12WWS	.LAMP-FLUOR SUPPLIER CODE: V13545		2	

ILLUSTRATION ITEMS NOT ON PARTS LIST ARE NOT APPLICABLE

- ITEM NOT ILLUSTRATED

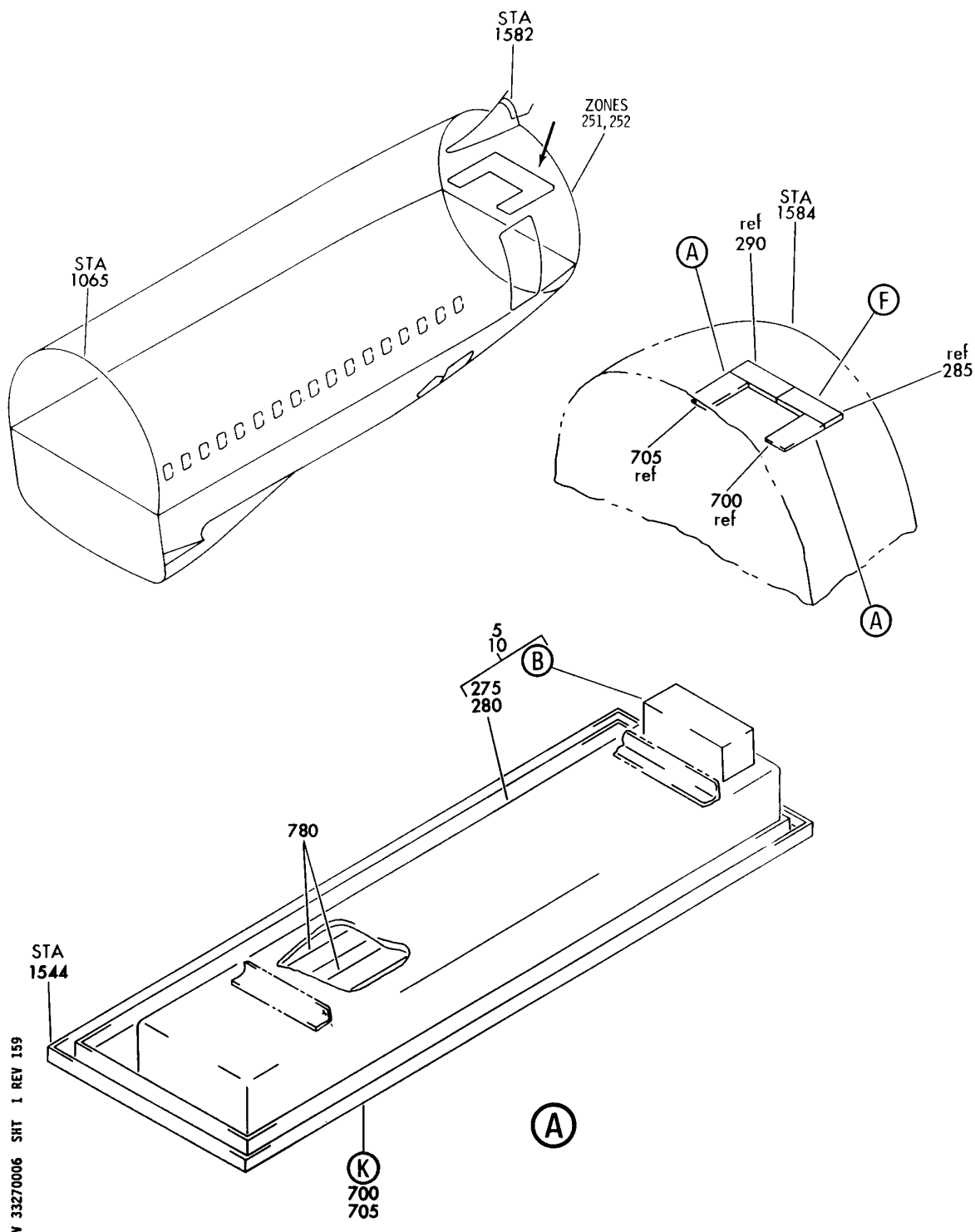
HXL

33-27-00-02

BOEING PROPRIETARY - Copyright © - Unpublished Work - See title page for details.

33-27-00
FIG. 02
PAGE 2
AUG 22/09

BOEING
767
PARTS CATALOG (MAINTENANCE)



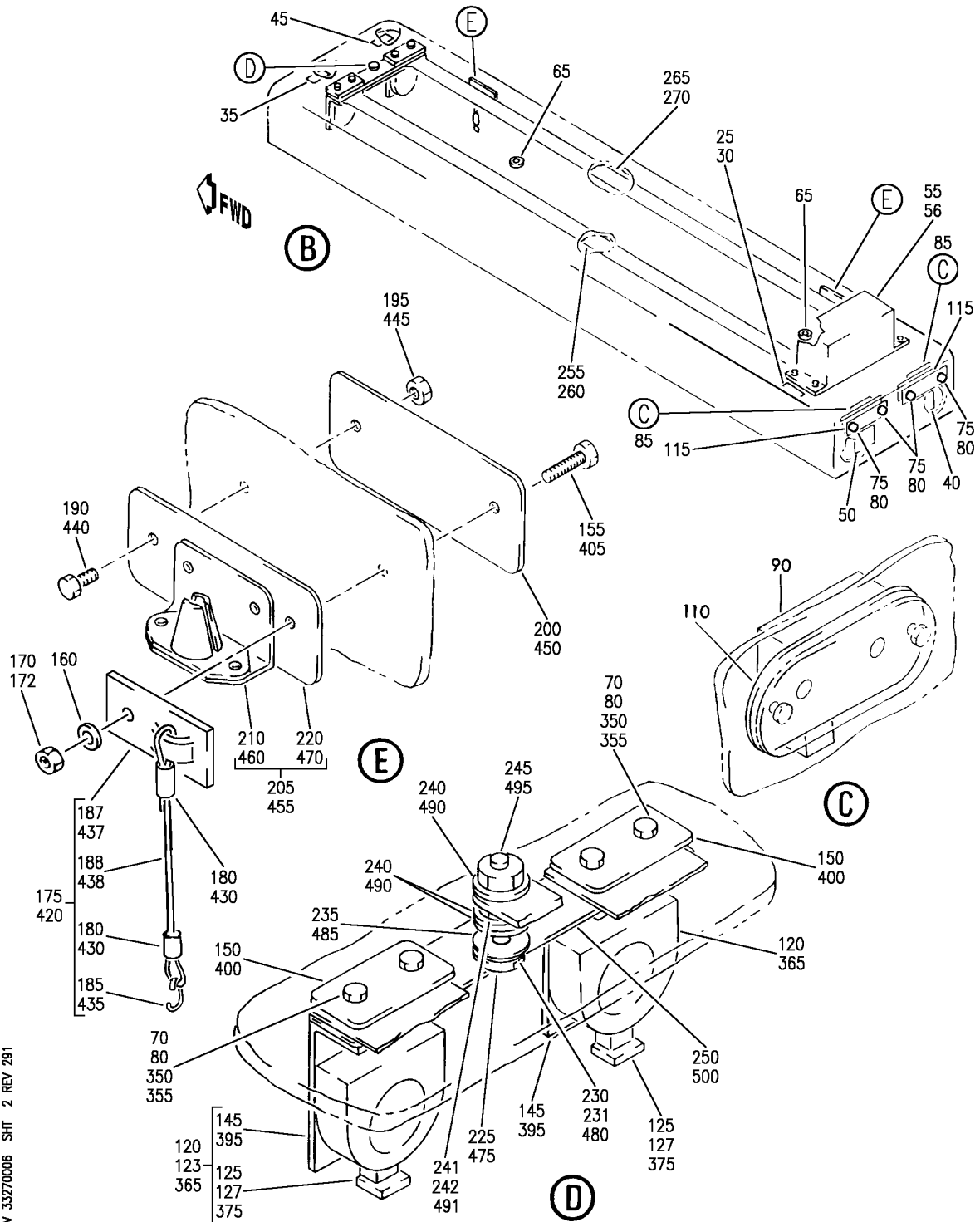
LIGHTING AND REFLECTOR INSTL-GALLEY AREA AFT
FIGURE 6 (SHEET 1)

33-27-00-06

HXL
DEC 22/06

33-27-00-06
PAGE 0


BOEING
 767
PARTS CATALOG (MAINTENANCE)



V 33270006 SH1 2 REV 291

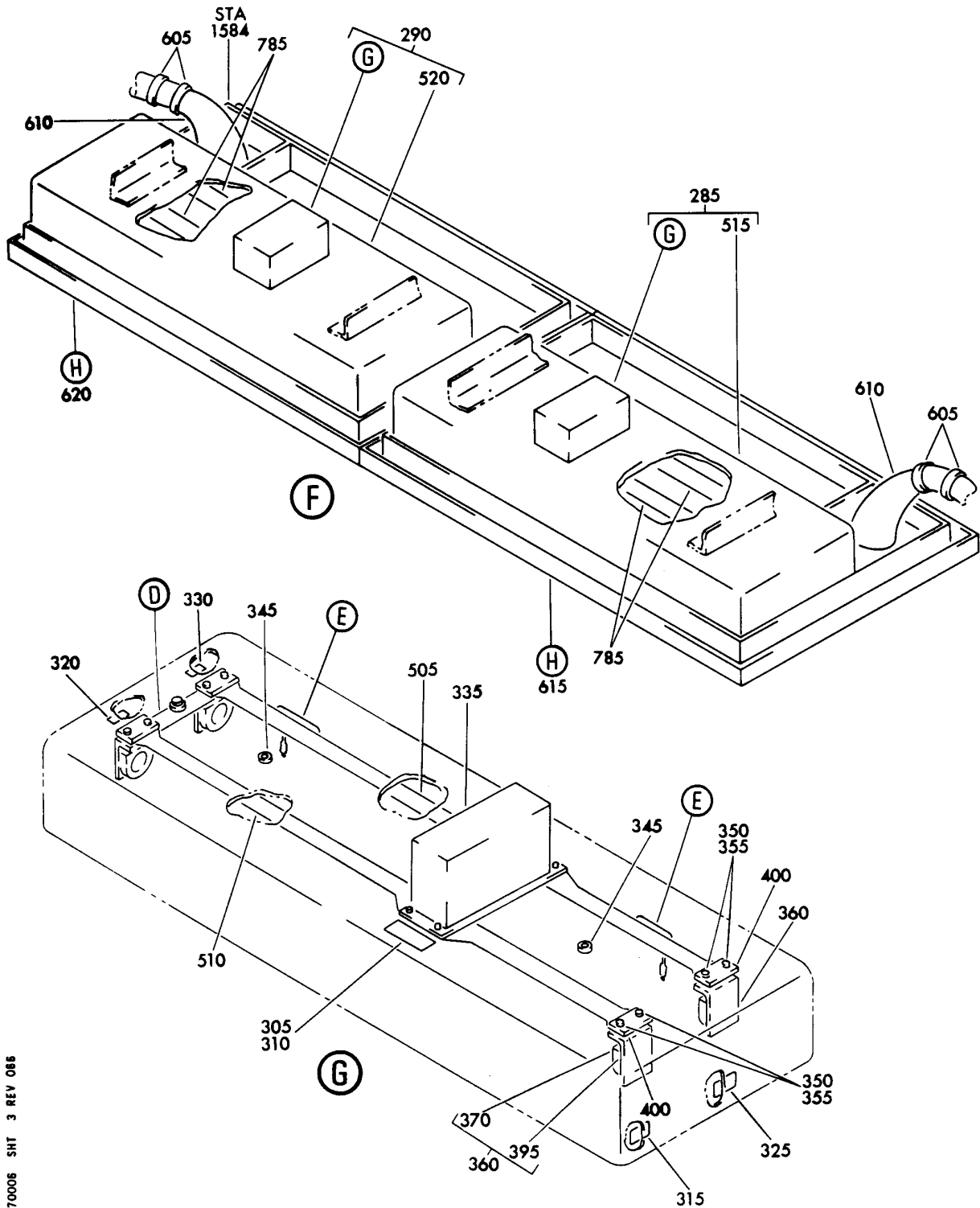
LIGHTING AND REFLECTOR INSTL-GALLEY AREA AFT
 FIGURE 6 (SHEET 2)

33-27-00-06

HXL
DEC 22/06

33-27-00-06
 PAGE 0A


BOEING
 767
PARTS CATALOG (MAINTENANCE)



V 33270006 SHT 3 REV 086

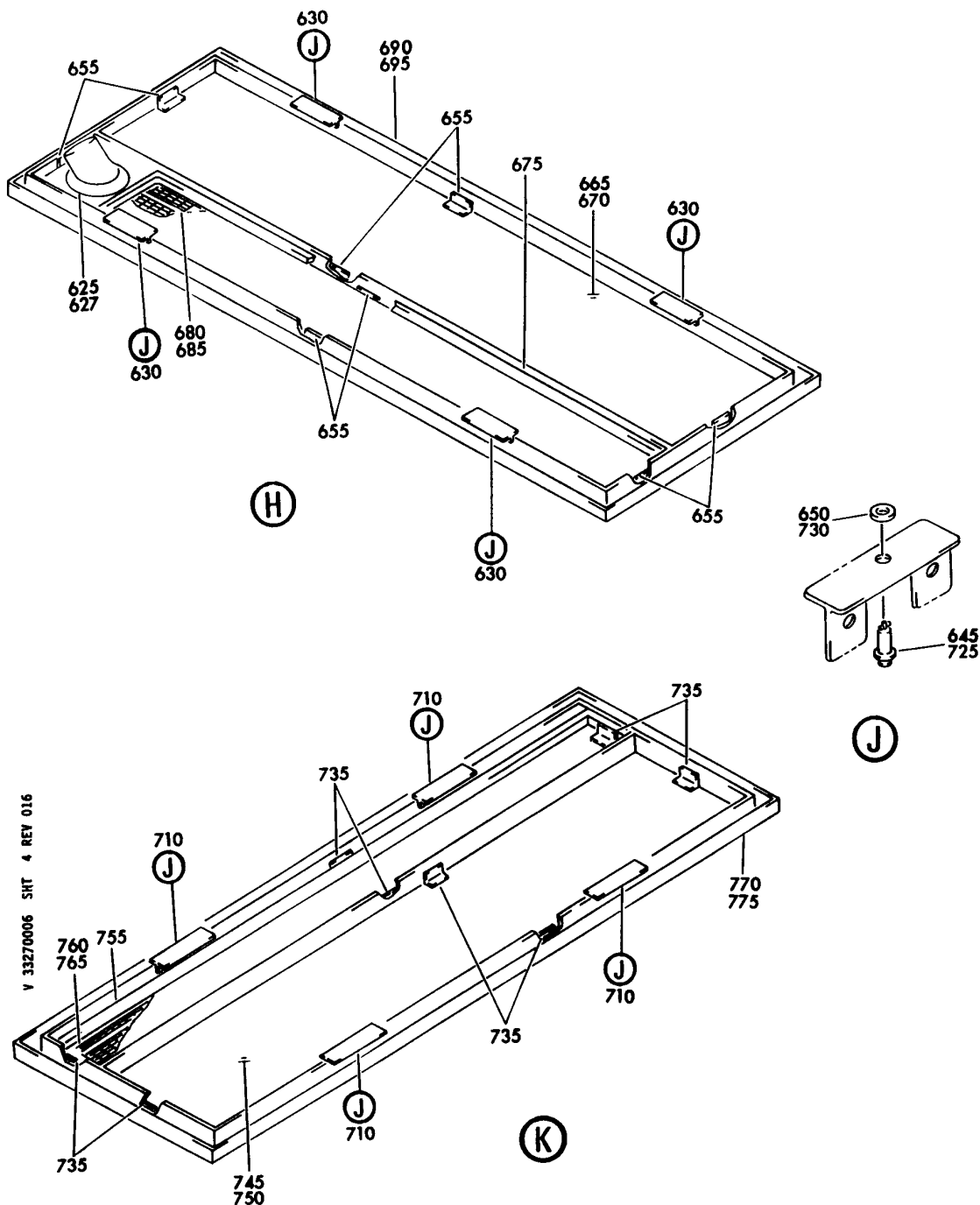
LIGHTING AND REFLECTOR INSTL-GALLEY AREA AFT
 FIGURE 6 (SHEET 3)

33-27-00-06

HXL
DEC 22/06

33-27-00-06
 PAGE 0B

BOEING
767
PARTS CATALOG (MAINTENANCE)



LIGHTING AND REFLECTOR INSTL-GALLEY AREA AFT
FIGURE 6 (SHEET 4)

33-27-00-06

HXL
DEC 22/06

33-27-00-06
PAGE 0C

 **BOEING**
767
PARTS CATALOG (MAINTENANCE)

FIG ITEM	PART NUMBER	1 2 3 4 5 6 7	NOMENCLATURE	EFFECT FROM TO	UNITS PER ASSY
6			LIGHTING AND REFLECTOR INSTL-GALLEY AREA AFT		
- 1	417T5025-15		REFLECTOR INSTL-GALLEY AREA POSITION DATA: AFT FOR NHA SEE: 25-20-00-17F		RF
5	417T5072-70		.REFLECTOR ASSY-		1
10	417T5072-71		.REFLECTOR ASSY- ATTACHING PARTS		1
- 15	NAS1801-3-9		.SCREW		8
- 20	AN970-3		.WASHER		8
			-----*-----		
25	BAC27TPPS4013		..MARKER-ALUMINUM FOIL PLACARD CONTENT: M654 BALLAST GALLEY USED ON: 417T5072-18 417T5072-32 417T5072-71		1
30	BAC27TPPS4014		..MARKER-ALUMINUM FOIL PLACARD CONTENT: M655 BALLAST GALLEY USED ON: 417T5072-17 417T5072-31 417T5072-71		1
35	BAC27TPPS4023		..MARKER-ALUMINUM FOIL PLACARD CONTENT: L207 LIGHT GALLEY USED ON: 417T5072-17 417T5072-31 417T5072-70		1
40	BAC27TPPS4024		..MARKER-ALUMINUM FOIL PLACARD CONTENT: L208 LIGHT GALLEY USED ON: 417T5072-18 417T5072-32 417T5072-71		1
45	BAC27TPPS4025		..MARKER-ALUMINUM FOIL PLACARD CONTENT: L209 LIGHT GALLEY USED ON: 417T5072-17 417T5072-31 417T5072-70		1
ILLUSTRATION ITEMS NOT ON PARTS LIST ARE NOT APPLICABLE					

- ITEM NOT ILLUSTRATED

HXL

33-27-00-06

BOEING PROPRIETARY - Copyright © - Unpublished Work - See title page for details.

33-27-00
FIG. 06
PAGE 1
DEC 22/06

BOEING
767
PARTS CATALOG (MAINTENANCE)

FIG ITEM	PART NUMBER	1 2 3 4 5 6 7	NOMENCLATURE	EFFECT FROM TO	UNITS PER ASSY
6	50 BAC27TPPS4026		..MARKER-ALUMINUM FOIL PLACARD CONTENT: L210 LIGHT GALLEY USED ON: 417T5072-18 417T5072-32 417T5072-71		1
	55 1910-1-1		..BALLAST- SUPPLIER CODE: V30242 SPECIFICATION NUMBER: S283T018-30 ELECTRICAL EQUIP NUMBER: M00654 M00655 COMPONENT MAINT MANUAL REF: 33-21-13		1
	57 1910-1-1		..BALLAST- SUPPLIER CODE: V30242 SPECIFICATION NUMBER: S283T018-30 ELECTRICAL EQUIP NUMBER: M00655 COMPONENT MAINT MANUAL REF: 33-21-13 USED ON: 417T5072-70 417T5072-71 ATTACHING PARTS		1
-	60 NAS1801-08-9		..SCREW -----*-----		4
	65 RR2002-3D1		..GROMMET SUPPLIER CODE: V57268 SPECIFICATION NUMBER: BACG20AF3D1 OPTIONAL PART: G6940-3D1 V75345 SZ6924-3D1 V95272 701-3D1 V07096 E3D1 V60980 H3D1 V60980		2
	70 NAS1801-06-8		..SCREW		4

ILLUSTRATION ITEMS NOT ON PARTS LIST ARE NOT APPLICABLE

- ITEM NOT ILLUSTRATED

HXL

33-27-00-06

BOEING PROPRIETARY - Copyright © - Unpublished Work - See title page for details.

33-27-00
FIG. 06
PAGE 2
AUG 22/08

 **BOEING**
767
PARTS CATALOG (MAINTENANCE)

FIG ITEM	PART NUMBER	1 2 3 4 5 6 7	NOMENCLATURE	EFFECT FROM TO	UNITS PER ASSY
6					
75	NAS1801-06-9	..	SCREW		4
80	BRH10A06	..	NUT		8
			SUPPLIER CODE: V52828		
			SPECIFICATION NUMBER: BACN10JCO6		
			OPTIONAL PART: H10-06BAC		
			V15653		
			RMLH9075-62W		
			V72962		
			VN303A62		
			V92215		
			96-62		
			V80539		
			NS202101-62		
			V80539		
			T6S632J		
			V11815		
85	417T5069-8	..	SOCKET ASSY		2
90	BV03203N40	...	SOCKET-		1
			SUPPLIER CODE: V17023		
			ATTACHING PARTS		
R - 95	BACS12HNO4-8	...	SCREW		2
R - 100	NAS1149FN416P	...	WASHER		2
- 105	MS35333-36	...	WASHER		2
			-----*-----		
110	417T5127-1	...	RECEPTACLE-MTG		1
115	417T5074-34	..	PLATE		2
120	417T5060-35	..	SOCKET ASSY-		2
			USED ON: 417T5072-31		
			417T5072-32		
			ATTACHING PARTS		
- 130	NAS1801-04-8	...	SCREW-		2
R - 135	NAS1149FN416P	...	WASHER		2
- 140	MS35333-36	...	WASHER		2
			-----*-----		
145	417T5060-34	...	BRACKET-ANGLE		1
			USED ON: 417T5060-35		
150	417T5074-54	..	PLATE-		2
155	NAS1801-06-8	..	SCREW-		2
160	AN960D6	..	WASHER		2

ILLUSTRATION ITEMS NOT ON PARTS LIST ARE NOT APPLICABLE

- ITEM NOT ILLUSTRATED

HXL

33-27-00-06

BOEING PROPRIETARY - Copyright © - Unpublished Work - See title page for details.

33-27-00
FIG. 06
PAGE 3
AUG 22/09

 **BOEING**
767
PARTS CATALOG (MAINTENANCE)

FIG ITEM	PART NUMBER	1 2 3 4 5 6 7	NOMENCLATURE	EFFECT FROM TO	UNITS PER ASSY
6 170	BRH10A06	..	NUT SUPPLIER CODE: V52828 SPECIFICATION NUMBER: BACN10JC06 OPTIONAL PART: H10-06BAC V15653 RMLH9075-62W V72962 VN303A62 V92215 96-62 V80539 NS202101-62 V80539 T6S632J V11815		2
175 180	417T5089-3 GSC149	..	CABLE ASSY- ...SLEEVE- SUPPLIER CODE: V56501 SPECIFICATION NUMBER: BACS13S149C OPTIONAL PART: YOC90 V12357		2 2
185 187	NAS1090-1 MABMSS10M70	HOOK PLATE- SUPPLIER CODE: V06383 SPECIFICATION NUMBER: STBP19H1 OPTIONAL PART: MABMS V06383 TC105 V59730 STBP19H1A		1 1
187	MABMSAC	PLATE- SUPPLIER CODE: V06383 SPECIFICATION NUMBER: STBP19H1A OPTIONAL PART: STBP19H1		1
188 190	417T5089-4 NAS1801-06-7	CABLE SCREW		1 2

ILLUSTRATION ITEMS NOT ON PARTS LIST ARE NOT APPLICABLE

- ITEM NOT ILLUSTRATED

HXL

33-27-00-06

BOEING PROPRIETARY - Copyright © - Unpublished Work - See title page for details.

33-27-00
FIG. 06
PAGE 4
AUG 22/08

 **BOEING**
767
PARTS CATALOG (MAINTENANCE)

FIG ITEM	PART NUMBER	1 2 3 4 5 6 7	NOMENCLATURE	EFFECT FROM TO	UNITS PER ASSY
6 195	BRH10A06	..	NUT SUPPLIER CODE: V52828 SPECIFICATION NUMBER: BACN10JCO6 OPTIONAL PART: H10-06BAC V15653 RMLH9075-62W V72962 VN303A62 V92215 96-62 V80539 NS202101-62 V80539 T6S632J V11815		2
200	417T5074-18	..	PLATE		2
205	417T5069-1	..	RECEPTACLE ASSY		2
210	BACR11Y1	...	RECEPTACLE- ATTACHING PARTS		1
- 215	BACR15BA3AD	...	RIVET- SIZE DETERMINED ON INSTL. -----*-----		2
220	417T5074-18	...	PLATE		1
225	NAS1801-3-12	..	SCREW		1
230	MS35338-119	..	WASHER- QUALIFIED OPTIONAL DATA: MS25082B3 WITH MS35338-119 OPTIONAL TO MS35650-305T WITH MS35338-43		1
231	MS35338-43	..	WASHER- QUALIFIED OPTIONAL DATA: MS25082B3 WITH MS35338-119 OPTIONAL TO MS35650-305T WITH MS35338-43		1
235	AN960D10L	..	WASHER		1
240	AN960D10	..	WASHER		3
241	MS25082B3	..	NUT- QUALIFIED OPTIONAL DATA: MS25082B3 WITH MS35338-119 OPTIONAL TO MS35650-305T WITH MS35338-43		1

ILLUSTRATION ITEMS NOT ON PARTS LIST ARE NOT APPLICABLE

- ITEM NOT ILLUSTRATED

HXL

33-27-00-06

BOEING PROPRIETARY - Copyright © - Unpublished Work - See title page for details.

33-27-00
FIG. 06
PAGE 5
DEC 22/06



767

PARTS CATALOG (MAINTENANCE)

FIG ITEM	PART NUMBER	1 2 3 4 5 6 7	NOMENCLATURE	EFFECT FROM TO	UNITS PER ASSY
6 242	MS35650-305T	..NUT-	QUALIFIED OPTIONAL DATA: MS25082B3 WITH MS35338-119 OPTIONAL TO MS35650-305T WITH MS35338-43		1
245	BRH10A3	..NUT	SUPPLIER CODE: V52828 SPECIFICATION NUMBER: BACN10JC3 OPTIONAL PART: H10-3BAC V15653 NS202101-02 V80539 RMLH9075-3W V72962 VN303A02 V92215 96-02 V80539 T6S1032J V11815		1
250	417T5074-28	..PLATE			1
255	417T5074-37	..PLATE ASSY-	USED ON: 417T5072-71 USED ON: 417T5072-18 417T5072-32		1
260	417T5074-38	..PLATE ASSY-	USED ON: 417T5072-70 USED ON: 417T5072-17 417T5072-31		1
265	417T5074-35	..PLATE ASSY-	USED ON: 417T5072-71 USED ON: 417T5072-18 417T5072-32		1
270	417T5074-36	..PLATE ASSY-	USED ON: 417T5072-71 USED ON: 417T5072-17 417T5072-31		1

ILLUSTRATION ITEMS NOT ON PARTS LIST ARE NOT APPLICABLE

- ITEM NOT ILLUSTRATED

33-27-00-06

33-27-00
FIG. 06
PAGE 6
DEC 22/06

HXL

 **BOEING**
767
PARTS CATALOG (MAINTENANCE)

FIG ITEM	PART NUMBER	1 2 3 4 5 6 7	NOMENCLATURE	EFFECT FROM TO	UNITS PER ASSY
6					
275	417T5073-75		.. REFLECTOR ASSY- USED ON: 417T5072-70		1
280	417T5073-74		.. REFLECTOR ASSY- USED ON: 417T5072-71		1
285	417T5072-45		. REFLECTOR ASSY- POSITION DATA: LH		1
290	417T5072-46		. REFLECTOR ASSY- POSITION DATA: RH		1
- 295	NAS1801-3-9		. SCREW		8
- 300	AN970-3		. WASHER		8
			-----*-----		
305	BAC27TPPS4011		.. MARKER-ALUMINUM FOIL PLACARD CONTENT: M652 BALLAST GALLEY USED ON: 417T5072-45		1
310	BAC27TPPS4012		.. MARKER-ALUMINUM FOIL PLACARD CONTENT: M653 BALLAST GALLEY USED ON: 417T5072-46 417T5072-28		1
315	BAC27TPPS4019		.. MARKER-ALUMINUM FOIL PLACARD CONTENT: L203 LIGHT GALLEY USED ON: 417T5072-45		1
320	BAC27TPPS4020		.. MARKER-ALUMINUM FOIL PLACARD CONTENT: L204 LIGHT GALLEY USED ON: 417T5072-46		1
325	BAC27TPPS4021		.. MARKER-ALUMINUM FOIL PLACARD CONTENT: L205 LIGHT GALLEY USED ON: 417T5072-45		1
330	BAC27TPPS4022		.. MARKER-ALUMINUM FOIL PLACARD CONTENT: L206 LIGHT GALLEY USED ON: 417T5072-46		1

ILLUSTRATION ITEMS NOT ON PARTS LIST ARE NOT APPLICABLE

- ITEM NOT ILLUSTRATED

HXL

33-27-00-06

BOEING PROPRIETARY - Copyright © - Unpublished Work - See title page for details.

33-27-00
FIG. 06
PAGE 7
DEC 22/06



767

PARTS CATALOG (MAINTENANCE)

FIG ITEM	PART NUMBER	1 2 3 4 5 6 7	NOMENCLATURE	EFFECT FROM TO	UNITS PER ASSY
6 335	1906-1-1		..BALLAST- SUPPLIER CODE: V30242 SPECIFICATION NUMBER: S283T018-26 ELECTRICAL EQUIP NUMBER: M00652 M00653 COMPONENT MAINT MANUAL REF: 33-21-09 ATTACHING PARTS		1
- 340	NAS1801-08-9		..SCREW -----*-----		4
345	RR2002-3D1		..GROMMET SUPPLIER CODE: V57268 SPECIFICATION NUMBER: BACG20AF3D1 OPTIONAL PART: G6940-3D1 V75345 SZ6924-3D1 V95272 701-3D1 V07096 E3D1 V60980 H3D1 V60980		2
350	NAS1801-06-8		..SCREW		8
355	BRH10A06		..NUT SUPPLIER CODE: V52828 SPECIFICATION NUMBER: BACN10JCO6 OPTIONAL PART: H10-06BAC V15653 RMLH9075-62W V72962 VN303A62 V92215 96-62 V80539 NS202101-62 V80539 T6S632J V11815		8
360	417T5069-3		..SOCKET ASSY		2

ILLUSTRATION ITEMS NOT ON PARTS LIST ARE NOT APPLICABLE

- ITEM NOT ILLUSTRATED

33-27-00-06

33-27-00
FIG. 06
PAGE 8
AUG 22/08

HXL

 **BOEING**
767
PARTS CATALOG (MAINTENANCE)

FIG ITEM	PART NUMBER	1 2 3 4 5 6 7	NOMENCLATURE	EFFECT FROM TO	UNITS PER ASSY
6					
365	417T5069-4	..	SOCKET ASSY		2
370	BV03202N40	...	SOCKET-		1
			SUPPLIER CODE: V17023		
			USED ON: 417T5069-3		
375	BV03203N40	...	SOCKET-		1
			SUPPLIER CODE: V17023		
			USED ON: 417T5069-4		
			ATTACHING PARTS		
R - 380	BACS12HN04-8	...	SCREW		2
R - 385	NAS1149FN416P	...	WASHER		2
- 390	MS35333-36	...	WASHER		2
			-----*-----		
395	417T5075-9	...	BRACKET-ANGLE		1
400	417T5074-54	..	PLATE-		4
405	NAS1801-06-8	..	SCREW-		2
410	AN960D6	..	WASHER		2
420	BRH10A06	..	NUT		2
			SUPPLIER CODE: V52828		
			SPECIFICATION NUMBER: BACN10JCO6		
			OPTIONAL PART: H10-06BAC		
			V15653		
			RMLH9075-62W		
			V72962		
			VN303A62		
			V92215		
			96-62		
			V80539		
			NS202101-62		
			V80539		
			T6S632J		
			V11815		
425	417T5089-3	..	CABLE ASSY-		2
430	GSC149	...	SLEEVE-		2
			SUPPLIER CODE: V56501		
			SPECIFICATION NUMBER: BACS13S149C		
			OPTIONAL PART: YOC90		
			V12357		
435	NAS1090-1	...	HOOK		1

ILLUSTRATION ITEMS NOT ON PARTS LIST ARE NOT APPLICABLE

- ITEM NOT ILLUSTRATED

HXL

33-27-00-06

BOEING PROPRIETARY - Copyright © - Unpublished Work - See title page for details.

33-27-00
FIG. 06
PAGE 9
AUG 22/09

 **BOEING**
767
PARTS CATALOG (MAINTENANCE)

FIG ITEM	PART NUMBER	1 2 3 4 5 6 7	NOMENCLATURE	EFFECT FROM TO	UNITS PER ASSY
6					
437	MABMSS10M70	...	PLATE- SUPPLIER CODE: V06383 SPECIFICATION NUMBER: STBP19H1 OPTIONAL PART: MABMS V06383 TC105 V59730 STBP19H1A		1
437	MABMSAC	...	PLATE- SUPPLIER CODE: V06383 SPECIFICATION NUMBER: STBP19H1A OPTIONAL PART: STBP19H1		1
438	417T5089-4	...	CABLE		1
440	NAS1801-06-7	..	SCREW		2
445	BRH10A06	..	NUT SUPPLIER CODE: V52828 SPECIFICATION NUMBER: BACN10JCO6 OPTIONAL PART: H10-06BAC V15653 RMLH9075-62W V72962 VN303A62 V92215 96-62 V80539 NS202101-62 V80539 T6S632J V11815		2
450	417T5074-18	..	PLATE		2
455	417T5069-1	..	RECEPTACLE ASSY		2
460	BACR11Y1	...	RECEPTACLE ATTACHING PARTS		1
- 465	BACR15BA3AD	...	RIVET- SIZE DETERMINED ON INSTL. -----*-----		2
470	417T5074-18	...	PLATE		1
475	NAS1801-3-12	..	SCREW		1
480	MS35338-119	..	WASHER		1
485	AN960D10L	..	WASHER		1
ILLUSTRATION ITEMS NOT ON PARTS LIST ARE NOT APPLICABLE					

- ITEM NOT ILLUSTRATED

HXL

33-27-00-06

BOEING PROPRIETARY - Copyright © - Unpublished Work - See title page for details.

33-27-00
FIG. 06
PAGE 10
AUG 22/08



767

PARTS CATALOG (MAINTENANCE)

FIG ITEM	PART NUMBER	1 2 3 4 5 6 7	NOMENCLATURE	EFFECT FROM TO	UNITS PER ASSY
6					
490	AN960D10	..	WASHER		3
491	MS25082B3	..	NUT		1
495	BRH10A3	..	NUT		1
			SUPPLIER CODE: V52828		
			SPECIFICATION NUMBER: BACN10JC3		
			OPTIONAL PART: H10-3BAC		
			V15653		
			NS202101-02		
			V80539		
			RMLH9075-3W		
			V72962		
			VN303A02		
			V92215		
			96-02		
			V80539		
			T6S1032J		
			V11815		
500	417T5074-11	..	PLATE		1
505	417T5074-31	..	PLATE ASSY		1
510	417T5074-32	..	PLATE ASSY		1
515	417T5073-45	..	REFLECTOR ASSY-		1
			USED ON: 417T5072-45		
520	417T5073-46	..	REFLECTOR ASSY-		1
			USED ON: 417T5072-46		
- 600	417T5025-11		LIGHTING INSTL-GALLEY AREA		RF
			POSITION DATA: AFT		
			FOR NHA SEE: 25-20-00-17F		
605	12	.CLAMP-			4
			SUPPLIER CODE: V7Z588		
			SPECIFICATION NUMBER: STBC10GG34-38		
			OPTIONAL PART: WWD34-38H		
			V66295		
			NAS1922-0075-3		
605	NAS1922-0075-3	.CLAMP-			4
			OPTIONAL PART: STBC10GG34-38		
610	AS1504-03B0360	.HOSE			2
615	417T5066-45	.LENS ASSY-			1
615	417T5066-27	.LENS ASSY-			1

ILLUSTRATION ITEMS NOT ON PARTS LIST ARE NOT APPLICABLE

- ITEM NOT ILLUSTRATED

33-27-00-06

33-27-00
FIG. 06
PAGE 11
AUG 22/08

HXL



767

PARTS CATALOG (MAINTENANCE)

FIG ITEM	PART NUMBER	1 2 3 4 5 6 7	NOMENCLATURE	EFFECT FROM TO	UNITS PER ASSY
6					
620	417T5066-46		.LENS ASSY-		1
620	417T5066-28		.LENS ASSY-		1
625	3720		..OUTLET-INDIVIDUAL AIR SYS SUPPLIER CODE: VOACH0 SPECIFICATION NUMBER: 60B40058-14		1
627	417T5066-19		..WASHER		1
630	417T5069-2		..STUD ASSY ATTACHING PARTS		4
- 635	NAS1801-06-5		..SCREW		8
- 640	BRH10A06		..NUT SUPPLIER CODE: V52828 SPECIFICATION NUMBER: BACN10JCO6 OPTIONAL PART: H10-06BAC V15653 RMLH9075-62W V72962 VN303A62 V92215 96-62 V80539 NS202101-62 V80539 T6S632J V11815 -----*-----		8
645	BACS21Y4R		...STUD		1
650	1127700		...WASHER- SUPPLIER CODE: V60119 SPECIFICATION NUMBER: BACW10X4 OPTIONAL PART: 2600LW V71286 ATTACHING PARTS		1
- 660	BACR15BB4AD		..RIVET- SIZE DETERMINED ON INSTL. -----*-----		16
665	417T5068-5		..LENS- USED ON: 417T5066-27 417T5066-29 417T5066-45 417T5066-49		1

ILLUSTRATION ITEMS NOT ON PARTS LIST ARE NOT APPLICABLE

- ITEM NOT ILLUSTRATED

HXL

33-27-00-06

BOEING PROPRIETARY - Copyright © - Unpublished Work - See title page for details.

33-27-00
FIG. 06
PAGE 12
AUG 22/08



767

PARTS CATALOG (MAINTENANCE)

FIG ITEM	PART NUMBER	1 2 3 4 5 6 7	NOMENCLATURE	EFFECT FROM TO	UNITS PER ASSY
6					
670	417T5068-6		.. LENS- USED ON: 417T5066-28 417T5066-30 417T5066-46 417T5066-50		1
675	417T5090-6		.. GASKET-VENT MANUFACTURED FROM: SH SPONGE RUBBER BMS1-60 TYPE 1 GRADE A .38 X 4.50 X 34.00 SPARES ORDER MATERIAL CODE: 5233753060		1
680	417T5070-7		.. GRILL-AIR USED ON: 417T5066-27 417T5066-29		1
680	417T5070-23		.. GRILL-AIR USED ON: 417T5066-45 417T5066-49		1
685	417T5070-8		.. GRILL-AIR USED ON: 417T5066-28 417T5066-30		1
685	417T5070-24		.. GRILL-AIR USED ON: 417T5066-46 417T5066-50		1
690	417T5067-89		.. BEZEL ASSY- USED ON: 417T5066-45 417T5066-49 USED ON: 417T5066-27 417T5066-29		1
695	417T5067-90		.. BEZEL ASSY- USED ON: 417T5066-46 417T5066-50 USED ON: 417T5066-28 417T5066-30		1
700	417T5066-9		. LENS ASSY- POSITION DATA: LH		1
700	417T5066-47		. LENS ASSY- POSITION DATA: LH		1
ILLUSTRATION ITEMS NOT ON PARTS LIST ARE NOT APPLICABLE					

R
R
R
R
R
R
R

- ITEM NOT ILLUSTRATED

33-27-00-06

33-27-00
FIG. 06
PAGE 13
AUG 22/09

HXL



767

PARTS CATALOG (MAINTENANCE)

FIG ITEM	PART NUMBER	1 2 3 4 5 6 7	NOMENCLATURE	EFFECT FROM TO	UNITS PER ASSY
6					
705	417T5066-10	. LENS ASSY-	POSITION DATA:		1
		RH			
705	417T5066-48	. LENS ASSY-	POSITION DATA:		1
		RH			
710	417T5069-2	.. STUD ASSY	ATTACHING PARTS		4
- 715	NAS1801-06-5	.. SCREW			8
- 720	BRH10A06	.. NUT			8
		SUPPLIER CODE:	V52828		
		SPECIFICATION NUMBER:	BACN10JCO6		
		OPTIONAL PART:	H10-06BAC		
			V15653		
			RMLH9075-62W		
			V72962		
			VN303A62		
			V92215		
			96-62		
			V80539		
			NS202101-62		
			V80539		
			T6S632J		
			V11815		
		-----*-----			
725	BACS21Y4R	... STUD			1
730	1127700	... WASHER			1
		SUPPLIER CODE:	V60119		
		SPECIFICATION NUMBER:	BACW10X4		
		OPTIONAL PART:	2600LW		
			V71286		
		ATTACHING PARTS			
- 740	BACR15BB4AD	.. RIVET-	SIZE DETERMINED ON INSTL.		16
		-----*-----			
745	417T5068-7	.. LENS-	USED ON:		1
			417T5066-9		
			417T5066-47		
750	417T5068-8	.. LENS-	USED ON:		1
			417T5066-10		
			417T5066-48		

ILLUSTRATION ITEMS NOT ON PARTS LIST ARE NOT APPLICABLE

- ITEM NOT ILLUSTRATED

33-27-00-06

33-27-00
FIG. 06
PAGE 14
AUG 22/09

HXL

BOEING PROPRIETARY - Copyright © - Unpublished Work - See title page for details.



767

PARTS CATALOG (MAINTENANCE)

FIG ITEM	PART NUMBER	1 2 3 4 5 6 7	NOMENCLATURE	EFFECT FROM TO	UNITS PER ASSY
R R R R R R R R R R	6 755	417T5090-7	.. GASKET-VENT MANUFACTURED FROM: SH SPONGE RUBBER BMS1-60 TYPE 1 GRADE A .38 X 4.50 X 25.50 SPARES ORDER MATERIAL CODE: 5233753060		1
	760	417T5070-9	.. GRILL-AIR USED ON: 417T5066-9		1
	760	417T5070-25	.. GRILL-AIR USED ON: 417T5066-47		1
	765	417T5070-10	.. GRILL-AIR USED ON: 417T5066-10		1
	765	417T5070-26	.. GRILL-AIR USED ON: 417T5066-48		1
	770	417T5067-25	.. BEZEL ASSY- USED ON: 417T5066-9 417T5066-47		1
	775	417T5067-26	.. BEZEL ASSY- USED ON: 417T5066-10 417T5066-48		1
	780	F20T12WW	. LAMP-FLUOR. SUPPLIER CODE: V13545		4
	785	F30T12WWS	. LAMP-FLUOR. SUPPLIER CODE: V13545		4
	ILLUSTRATION ITEMS NOT ON PARTS LIST ARE NOT APPLICABLE				

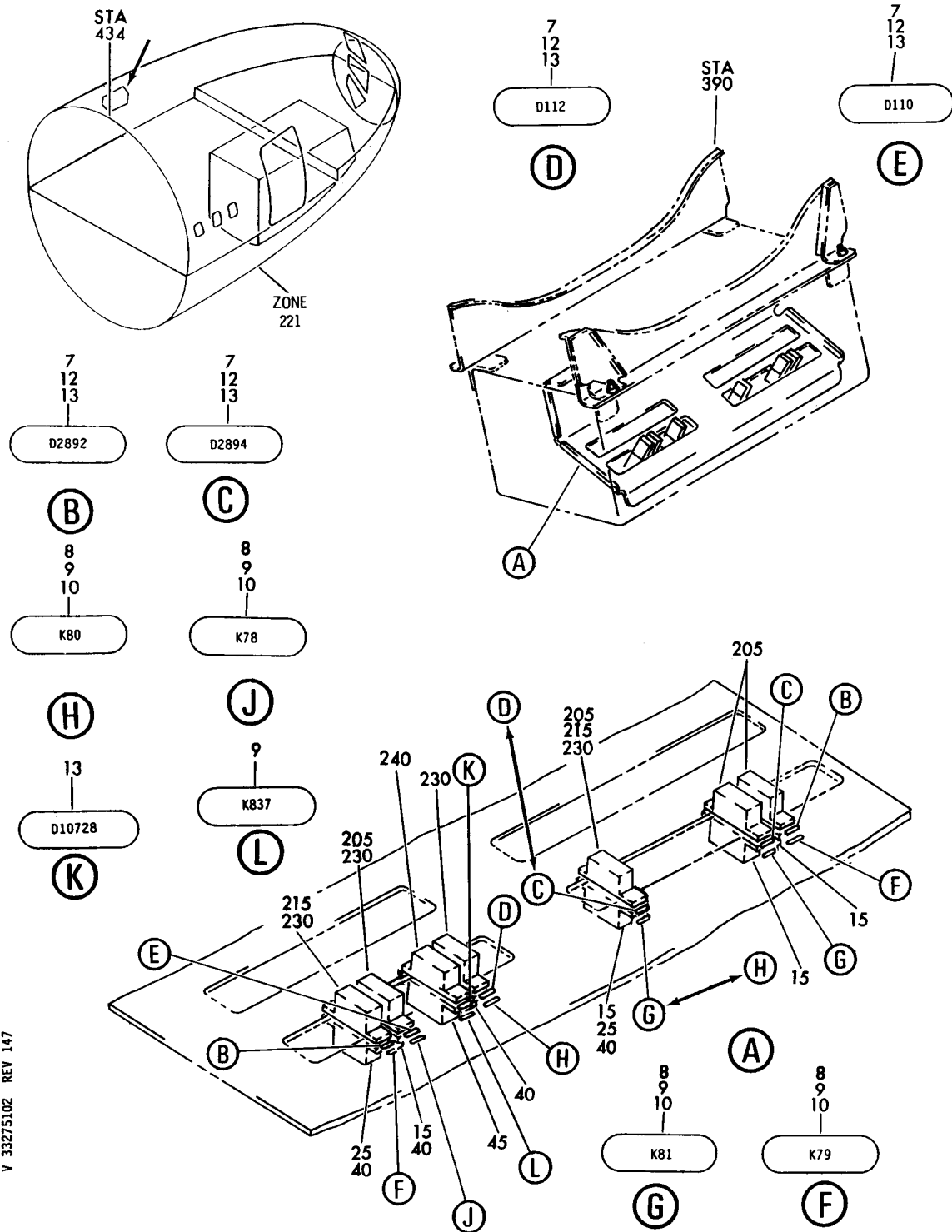
- ITEM NOT ILLUSTRATED

33-27-00-06

33-27-00
FIG. 06
PAGE 15
AUG 22/09

HXL

BOEING
767
PARTS CATALOG (MAINTENANCE)



V 33275102 REV 147

PANEL ASSY-FWD LIGHTING DISTR (P19) (GALLEY LIGHTS ONLY)
FIGURE 2

33-27-51-02

HXL
DEC 22/06

33-27-51-02
PAGE 0



767

PARTS CATALOG (MAINTENANCE)

FIG ITEM	PART NUMBER	1 2 3 4 5 6 7	NOMENCLATURE	EFFECT FROM TO	UNITS PER ASSY
2			PANEL ASSY-FWD LIGHTING DISTR (P19) (GALLEY LIGHTS ONLY)		
- 2	285T0019-73		PANEL ASSY-LIGHTING DISTR P19 (GALLEY LIGHTS ONLY) POSITION DATA: FWD VARIABLE DRAWING REF: 285T0019-5063 FOR NHA/OTHER SYS DET SEE: 25-71-33-01	155162	RF
- 3	285T0019-88		PANEL ASSY-LIGHTING DISTR P19 (GALLEY LIGHTS ONLY) POSITION DATA: FWD VARIABLE DRAWING REF: 285T0019-5077 FOR NHA/OTHER SYS DET SEE: 25-71-33-01	163999	RF
9	BAC27TEX4557		.DECALSET-INCLUDES DECALS IDENTIFIED ON THE ILLUSTRATION	163999	RF
10	BAC27TEX3748		.DECALSET-INCLUDES DECALS IDENTIFIED ON THE ILLUSTRATION	155162	RF
12	BAC27TEX3749		.DECALSET-INCLUDES DECALS IDENTIFIED ON THE ILLUSTRATION	155162	RF
13	BAC27TEX4558		.DECALSET-INCLUDES DECALS IDENTIFIED ON THE ILLUSTRATION	163999	RF
25	JAD9F007		.RELAY- SUPPLIER CODE: V58657 SPECIFICATION NUMBER: BACR13CJ2 ELECTRICAL EQUIP NUMBER: K00079 K00081		2
- 200	286T1104-300		.WIRE BUNDLE ASSY-		RF

ILLUSTRATION ITEMS NOT ON PARTS LIST ARE NOT APPLICABLE

- ITEM NOT ILLUSTRATED

HXL

33-27-51-02

BOEING PROPRIETARY - Copyright © - Unpublished Work - See title page for details.

33-27-51
FIG. 02
PAGE 1
APR 22/09



767

PARTS CATALOG (MAINTENANCE)

FIG ITEM	PART NUMBER	1 2 3 4 5 6 7	NOMENCLATURE	EFFECT FROM TO	UNITS PER ASSY
2 215	RSF116208		.. SOCKET- SUPPLIER CODE: V58982 SPECIFICATION NUMBER: BACS16X3A OPTIONAL PART: 102-005-1 V09922 000300-1541 V05574 ELECTRICAL EQUIP NUMBER: D02892 D02894 WIRING DIAGRAM REF: 332711		2

ILLUSTRATION ITEMS NOT ON PARTS LIST ARE NOT APPLICABLE

- ITEM NOT ILLUSTRATED

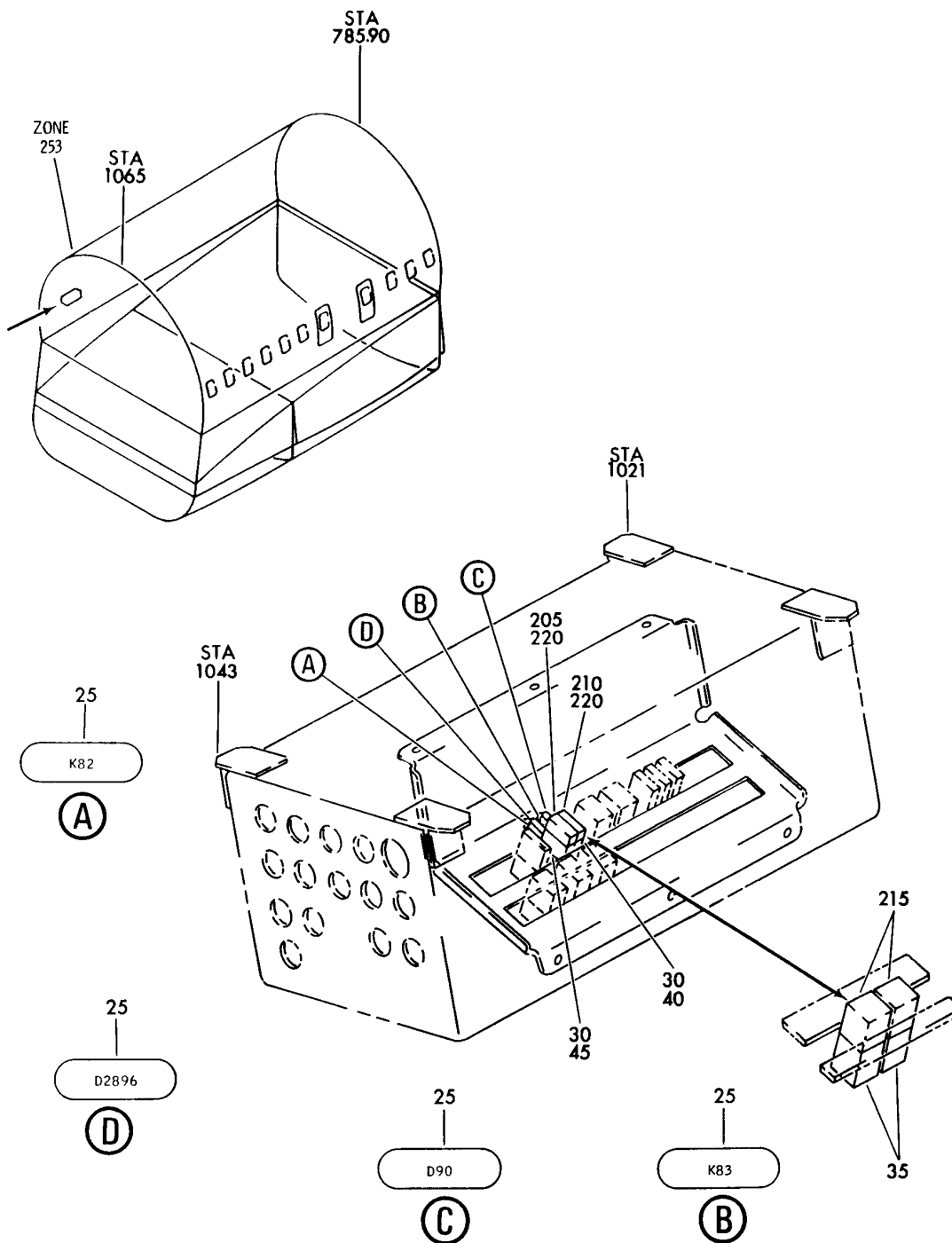
HXL

33-27-51-02

BOEING PROPRIETARY - Copyright © - Unpublished Work - See title page for details.

33-27-51
FIG. 02
PAGE 2
DEC 22/07

BOEING
767
PARTS CATALOG (MAINTENANCE)



V 33275105 REV 166

PANEL ASSY-LIGHTING DISTR P25 AFT (GALLEY LIGHTS ONLY)
FIGURE 5

33-27-51-05

HXL
DEC 22/06

33-27-51-05
PAGE 0



767

PARTS CATALOG (MAINTENANCE)

FIG ITEM	PART NUMBER	1 2 3 4 5 6 7	NOMENCLATURE	EFFECT FROM TO	UNITS PER ASSY
5			PANEL ASSY-LIGHTING DISTR P25 AFT (GALLEY LIGHTS ONLY)		
- 3	285T0009-38		PANEL ASSY-LIGHTING DISTR P25 (GALLEY LIGHTS ONLY) POSITION DATA: AFT FOR NHA/OTHER SYS DET SEE: 33-21-51-01	155162	RF
- 3	285T0009-49		PANEL ASSY-LIGHTING DISTR P25 (GALLEY LIGHTS ONLY) POSITION DATA: AFT FOR NHA/OTHER SYS DET SEE: 33-21-51-01	163999	RF
25	BAC27TEX4349		.DECALSET-INCLUDES DECALS IDENTIFIED ON THE ILLUSTRATION		RF
35	KAD9F005		.RELAY- SUPPLIER CODE: V58657 ELECTRICAL EQUIP NUMBER: K00082 K00083		2
- 200	286T1064-300		.WIRE BUNDLE ASSY-		RF
215	BACS16W3		..SOCKET- ELECTRICAL EQUIP NUMBER: D00090 D02896 WIRING DIAGRAM REF: 332711		2

ILLUSTRATION ITEMS NOT ON PARTS LIST ARE NOT APPLICABLE

- ITEM NOT ILLUSTRATED

HXL

33-27-51-05

BOEING PROPRIETARY - Copyright © - Unpublished Work - See title page for details.

33-27-51
FIG. 05
PAGE 1
APR 22/09