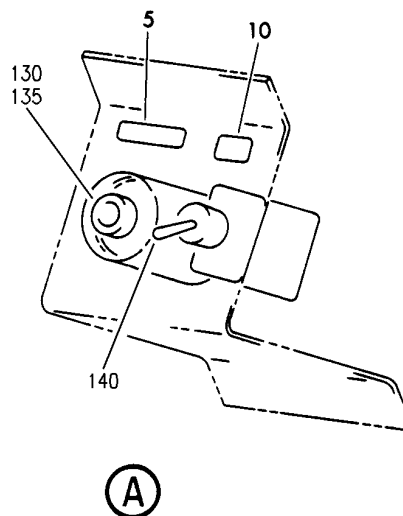
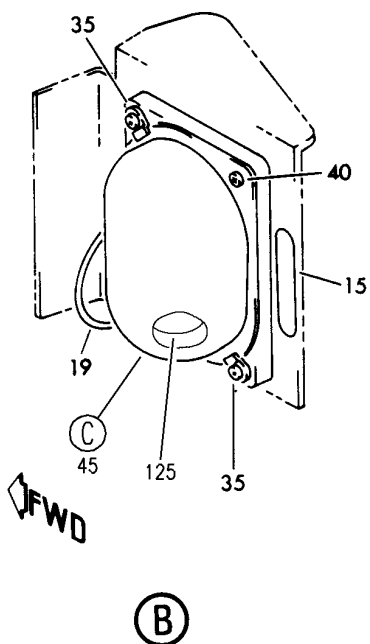
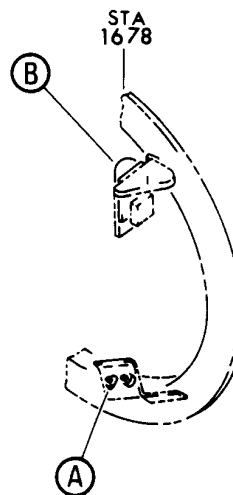
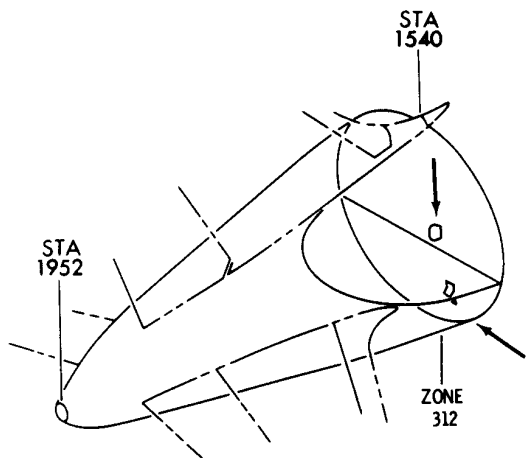


SERVICE LIGHTS

HXL
DEC 22/06

33-31-00
SECTION TITLE
PAGE 1

BOEING
767
PARTS CATALOG (MAINTENANCE)



V 33310101 SHT 1 REV 236

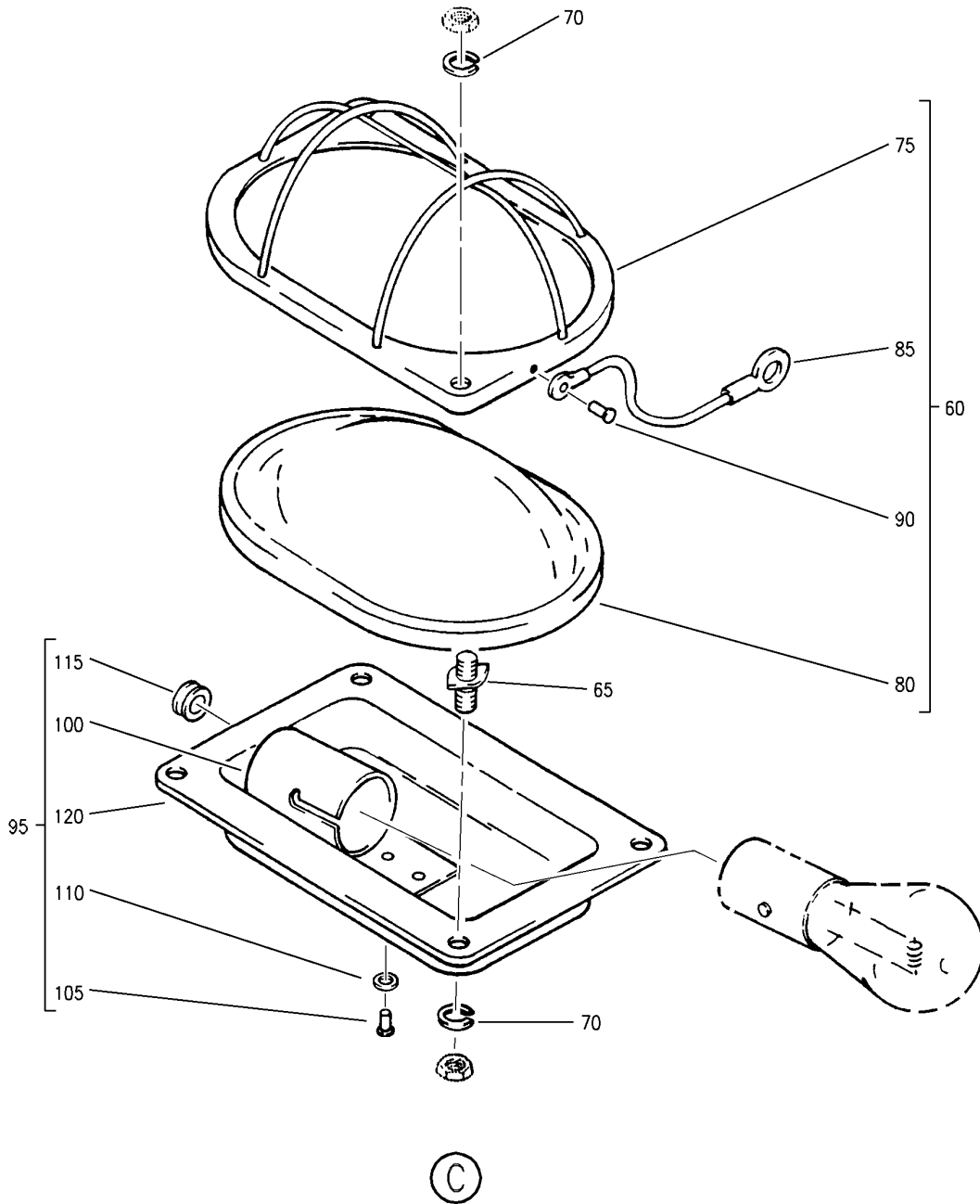
LIGHT INSTL-FWD TAILCONE COMPT SVCE
FIGURE 1 (SHEET 1)

33-31-01-01

HXL
DEC 22/06

33-31-01-01
PAGE 0

BOEING
767
PARTS CATALOG (MAINTENANCE)



V 33310101 SHT 2 REV 236

LIGHT INSTL-FWD TAILCONE COMPT SVCE
FIGURE 1 (SHEET 2)

33-31-01-01

HXL
DEC 22/06

33-31-01-01
PAGE 0A



767

PARTS CATALOG (MAINTENANCE)

FIG ITEM	PART NUMBER	1 2 3 4 5 6 7	NOMENCLATURE	EFFECT FROM TO	UNITS PER ASSY
1			LIGHT INSTL-FWD TAILCONE COMPT SVCE		
- 1	284T0549-1		LIGHT INSTL-TAILCONE COMPT SVCE POSITION DATA: FWD FOR NHA SEE: 24-00-58-01B		RF
5	BAC27TEX0808		.MARKER-ALUMINUM FOIL PLACARD CONTENT: D8503		1
10	BAC27TEX0809		.MARKER-ALUMINUM FOIL PLACARD CONTENT: S427		1
15	BAC27TEX0807		.MARKER-ALUMINUM FOIL PLACARD CONTENT: L187		1
19	740A11-4		.JUMPER ASSY SUPPLIER CODE: V91812 SPECIFICATION NUMBER: BACJ40A11-4 OPTIONAL PART: 30351 V00779 CD4E V79550		1
- 24	NAS1801-3-7		ATTACHING PARTS .SCREW		1
- 29	NAS1149D0316H		.WASHER- -----*-----		1
35	NAS601-7P		.SCREW		2
40	NAS601-9P		.SCREW		2
45	15-0143-17		.LIGHT ASSY- SUPPLIER CODE: V72914 ELECTRICAL EQUIP NUMBER: L00178 COMPONENT MAINT MANUAL REF: 33-30-07		1
- 50	60-2042-1		..WASHER- SUPPLIER CODE: V72914		3
- 55	75247		..EYELET- SUPPLIER CODE: V51853 OPTIONAL PART: EY520 V72914		2

ILLUSTRATION ITEMS NOT ON PARTS LIST ARE NOT APPLICABLE

- ITEM NOT ILLUSTRATED

33-31-01-01

33-31-01
FIG. 01
PAGE 1
DEC 22/06

HXL



767

PARTS CATALOG (MAINTENANCE)

FIG ITEM	PART NUMBER	1 2 3 4 5 6 7	NOMENCLATURE	EFFECT FROM TO	UNITS PER ASSY
1					
- 55	EY520		.. EYELET- SUPPLIER CODE: V72914 OPTIONAL PART: 75247 V51853		2
60	16-0454-13		.. COVER ASSY- SUPPLIER CODE: V72914 ATTACHING PARTS		1
65	16-1149-1		.. STUD- SUPPLIER CODE: V72914		2
70	MS35338-4		.. WASHER		4
75	16-1176-1		... GRILL ASSY- SUPPLIER CODE: V72914		1
80	20201-23		... COVER-GLASS SUPPLIER CODE: V72914		1
85	16-1177-1		... LANYARD- SUPPLIER CODE: V72914 ATTACHING PARTS		1
90	RV162		... RIVET		1
95	16-1174-1		.. HOUSING ASSY- SUPPLIER CODE: V72914		1
100	16-1173-1		... LAMPHOLDER ASSY- SUPPLIER CODE: V72914 ATTACHING PARTS		1
105	MS20470AD3-4		... RIVET		1
110	MS27183-4		... WASHER		2
115	MS35489-4		... GROMMET		1
120	16-1175-1		... HOUSING- SUPPLIER CODE: V72914		1
125	2232		. LAMP- SUPPLIER CODE: V08806		1
130	2J1659		. JACK- SUPPLIER CODE: V82389		1

ILLUSTRATION ITEMS NOT ON PARTS LIST ARE NOT APPLICABLE

- ITEM NOT ILLUSTRATED

33-31-01-01

33-31-01
FIG. 01
PAGE 2
AUG 22/07

HXL

BOEING PROPRIETARY - Copyright © - Unpublished Work - See title page for details.



767

PARTS CATALOG (MAINTENANCE)

FIG ITEM	PART NUMBER	1 2 3 4 5 6 7	NOMENCLATURE	EFFECT FROM TO	UNITS PER ASSY
1					
130	2J1865A		. JACK- SUPPLIER CODE: V82389 OPTIONAL PART: BCREFD00032 V82389		1
135	BACW10CR7		. WASHER		1
140	MS25306-222		. SWITCH		1
ILLUSTRATION ITEMS NOT ON PARTS LIST ARE NOT APPLICABLE					

- ITEM NOT ILLUSTRATED

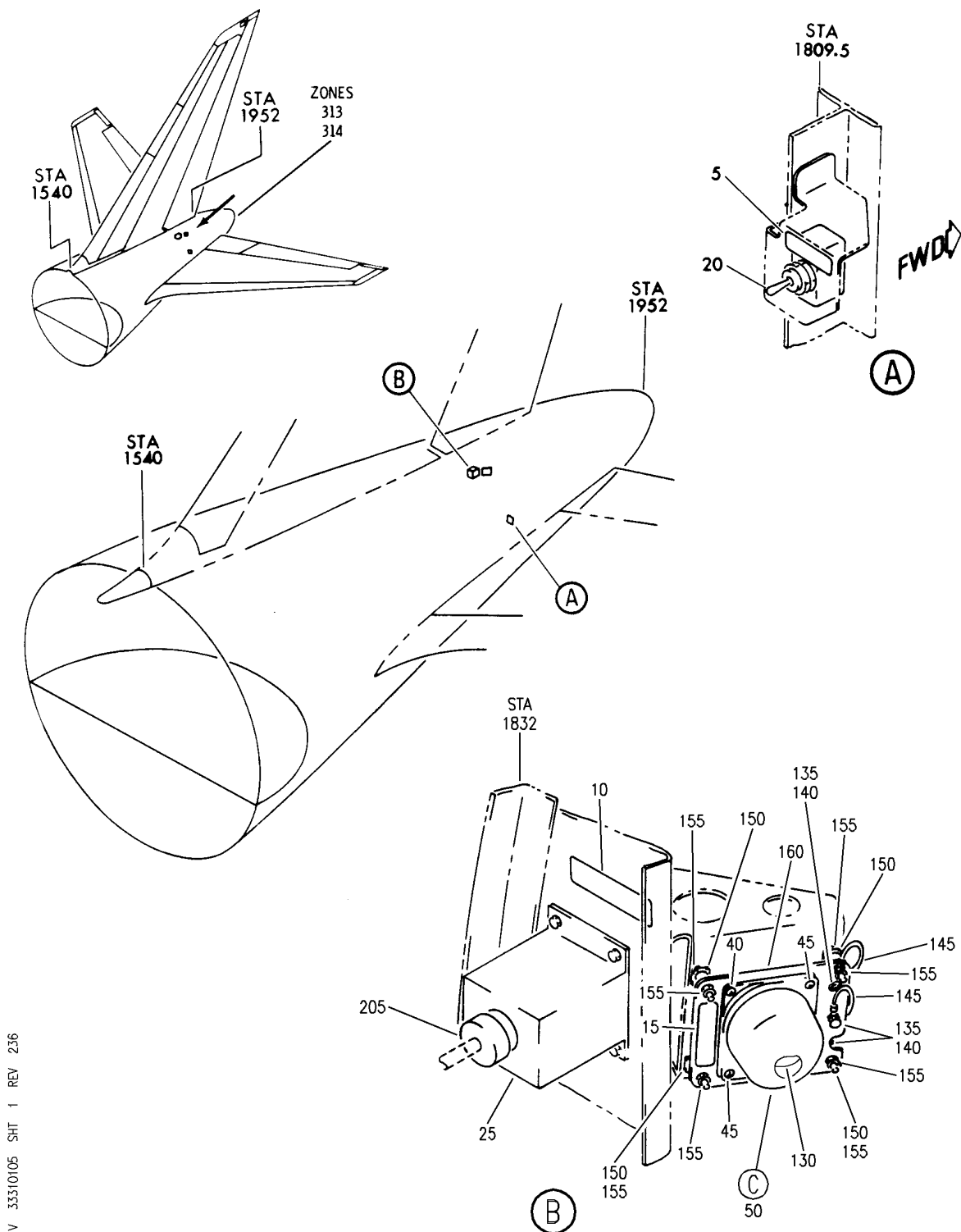
HXL

33-31-01-01

BOEING PROPRIETARY - Copyright © - Unpublished Work - See title page for details.

33-31-01
FIG. 01
PAGE 3
APR 22/09

BOEING
767
PARTS CATALOG (MAINTENANCE)



V 33310105 SHT 1 REV 236

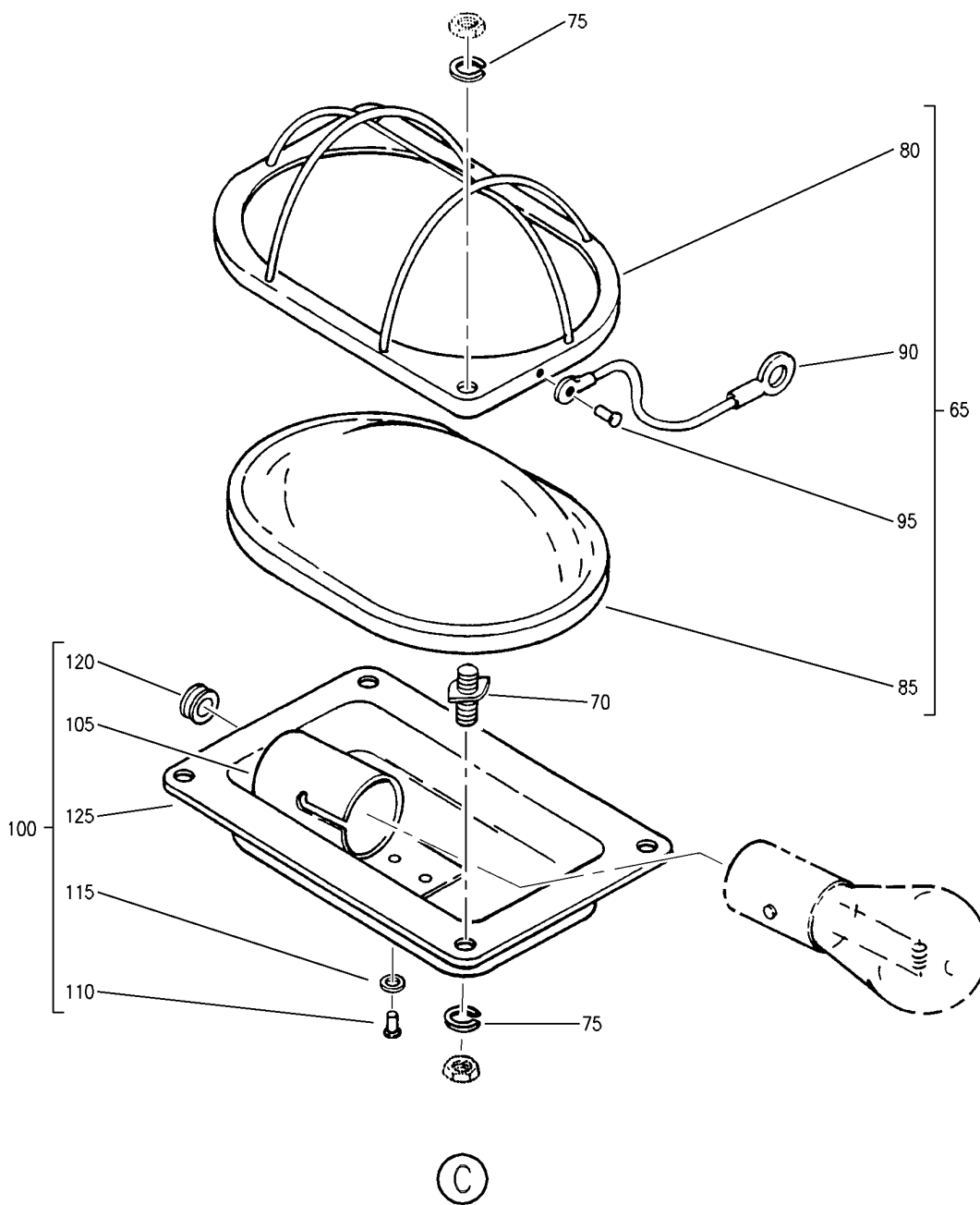
LIGHT INSTL-SECT. 48 SVCE
FIGURE 5 (SHEET 1)

33-31-01-05

HXL
DEC 22/06

33-31-01-05
PAGE 0

BOEING
767
PARTS CATALOG (MAINTENANCE)



V 33310105 SHT 2 REV 236

LIGHT INSTL-SECT. 48 SVCE
FIGURE 5 (SHEET 2)

33-31-01-05

HXL
DEC 22/06

33-31-01-05
PAGE 0A

BOEING
767
PARTS CATALOG (MAINTENANCE)

FIG ITEM	PART NUMBER	1 2 3 4 5 6 7	NOMENCLATURE	EFFECT FROM TO	UNITS PER ASSY
5			LIGHT INSTL-SECT. 48 SVCE		
- 1	284T0551-1		LIGHT INSTL-SVCE POSITION DATA: SECT 48 FOR NHA SEE: 24-00-58-01B		RF
	5 BAC27TEX0806		.MARKER-ALUMINUM FOIL PLACARD CONTENT: S443		1
	10 BAC27TEX0804		.MARKER-ALUMINUM FOIL PLACARD CONTENT: T149 APU/SECT. 48		1
	15 BAC27TEX0805		.MARKER-ALUMINUM FOIL PLACARD CONTENT: L179		1
	20 MS25306-222		.SWITCH- ELECTRICAL EQUIP NUMBER: S00443		1
	25 FT1007		.AUTOTRANSFORMER-LIGHTING AND GENERAL PURPOSE 150VA 118/114/110 TO 28V SUPPLIER CODE: V14752 SPECIFICATION NUMBER: 60B40026-19 ELECTRICAL EQUIP NUMBER: T00149		1
- 30	NAS1801-3-10		ATTACHING PARTS .SCREW -----*-----		4
	35 BRH10C3D		.NUT- SUPPLIER CODE: V52828 SPECIFICATION NUMBER: BACN10JC3CD OPTIONAL PART: T6C1032JCD V11815 NS202486-02 V80539 102LH9075-3W V72962 H51650-3BAC V15653		4
	40 NAS601-7P		.SCREW		2
	45 NAS601-9P		.SCREW		2

ILLUSTRATION ITEMS NOT ON PARTS LIST ARE NOT APPLICABLE

- ITEM NOT ILLUSTRATED

HXL

33-31-01-05

BOEING PROPRIETARY - Copyright © - Unpublished Work - See title page for details.

33-31-01
FIG. 05
PAGE 1
AUG 22/08

BOEING
767
PARTS CATALOG (MAINTENANCE)

FIG ITEM	PART NUMBER	1 2 3 4 5 6 7	NOMENCLATURE	EFFECT FROM TO	UNITS PER ASSY
5					
50	15-0143-17		.LIGHT ASSY- SUPPLIER CODE: V72914 ELECTRICAL EQUIP NUMBER: L00179 COMPONENT MAINT MANUAL REF: 33-30-07		1
- 55	60-2042-1		..WASHER- SUPPLIER CODE: V72914		3
- 60	75247		..EYELET- SUPPLIER CODE: V51853 OPTIONAL PART: EY520 V72914		2
- 60	EY520		..EYELET- SUPPLIER CODE: V72914 OPTIONAL PART: 75247 V51853		2
65	16-0454-13		..COVER ASSY- SUPPLIER CODE: V72914 ATTACHING PARTS		1
70	16-1149-1		..STUD- SUPPLIER CODE: V72914		2
75	MS35338-4		..WASHER -----*-----		4
80	16-1176-1		...GRILL ASSY- SUPPLIER CODE: V72914		1
85	20201-23		...COVER-GLASS SUPPLIER CODE: V72914		1
90	16-1177-1		...LANYARD- SUPPLIER CODE: V72914 ATTACHING PARTS		1
95	RV162		...RIVET -----*-----		1
100	16-1174-1		..HOUSING ASSY- SUPPLIER CODE: V72914		1
105	16-1173-1		...LAMPHOLDER ASSY- SUPPLIER CODE: V72914		1
ILLUSTRATION ITEMS NOT ON PARTS LIST ARE NOT APPLICABLE					

- ITEM NOT ILLUSTRATED

HXL

33-31-01-05

BOEING PROPRIETARY - Copyright © - Unpublished Work - See title page for details.

33-31-01
FIG. 05
PAGE 2
DEC 22/06



767

PARTS CATALOG (MAINTENANCE)

FIG ITEM	PART NUMBER	1 2 3 4 5 6 7	NOMENCLATURE	EFFECT FROM TO	UNITS PER ASSY
5			ATTACHING PARTS		
110	MS20470AD3-4	...	RIVET		1
115	MS27183-4	...	WASHER		2
			-----*-----		
120	MS35489-4	...	GROMMET		1
125	16-1175-1	...	HOUSING-		1
			SUPPLIER CODE: V72914		
130	2232	.	LAMP-		1
			SUPPLIER CODE: V08806		
135	NAS1801-3-7	.	SCREW		3
140	NAS1149D0316H	.	WASHER-		3
145	740A20-4	.	JUMPER ASSY		2
			SUPPLIER CODE: V91812		
			SPECIFICATION NUMBER: BACJ40A20-4		
			OPTIONAL PART: TJEJ40A20-4		
			V33483		
			RBEJ20-4		
			V1GK47		
150	RL2347	.	SHOCKMOUNT		4
155	BRH10C08D	.	NUT-		8
			SUPPLIER CODE: V52828		
			SPECIFICATION NUMBER: BACN10JC08CD		
			OPTIONAL PART: H51650-08BAC		
			V15653		
			102LH9075-82W		
			V72962		
			NS202486-82		
			V80539		
			T6C832JCD		
			V11815		
160	69B43256-3	.	ADAPTER ASSY		1
- 200	286T0242-001		WIRE BUNDLE ASSY		RF
205	BACC63BN14C7SN	.	CONNECTOR-		1
			ELECTRICAL EQUIP NUMBER: D02662		
			WIRING DIAGRAM REF: 333131		
ILLUSTRATION ITEMS NOT ON PARTS LIST ARE NOT APPLICABLE					

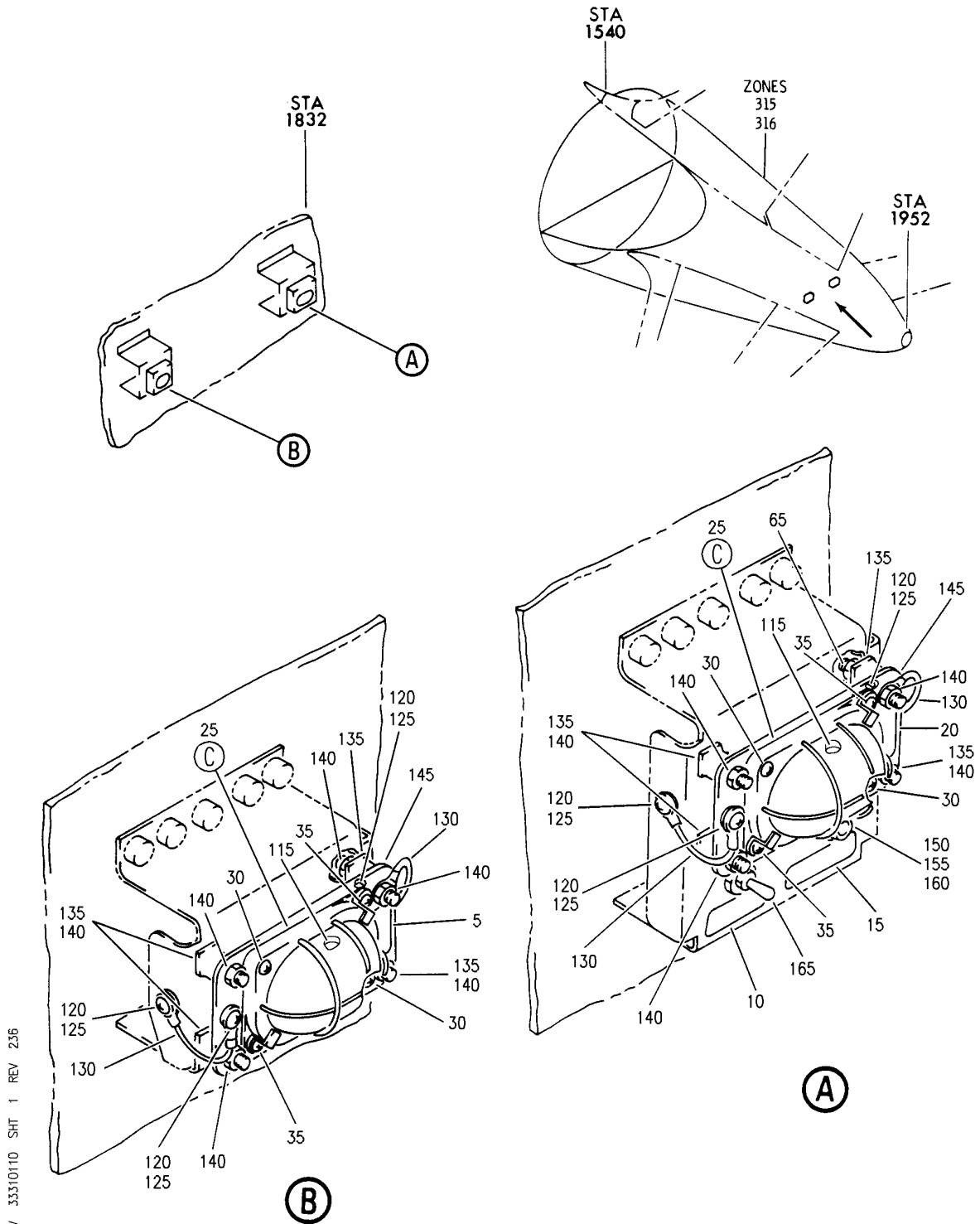
- ITEM NOT ILLUSTRATED

33-31-01-05

33-31-01
FIG. 05
PAGE 3
DEC 22/08

HXL

BOEING
767
PARTS CATALOG (MAINTENANCE)



V 33310110 SHT 1 REV 236

LIGHT INSTL-SECT. 48 APU COMPT SVCE
FIGURE 10 (SHEET 1)

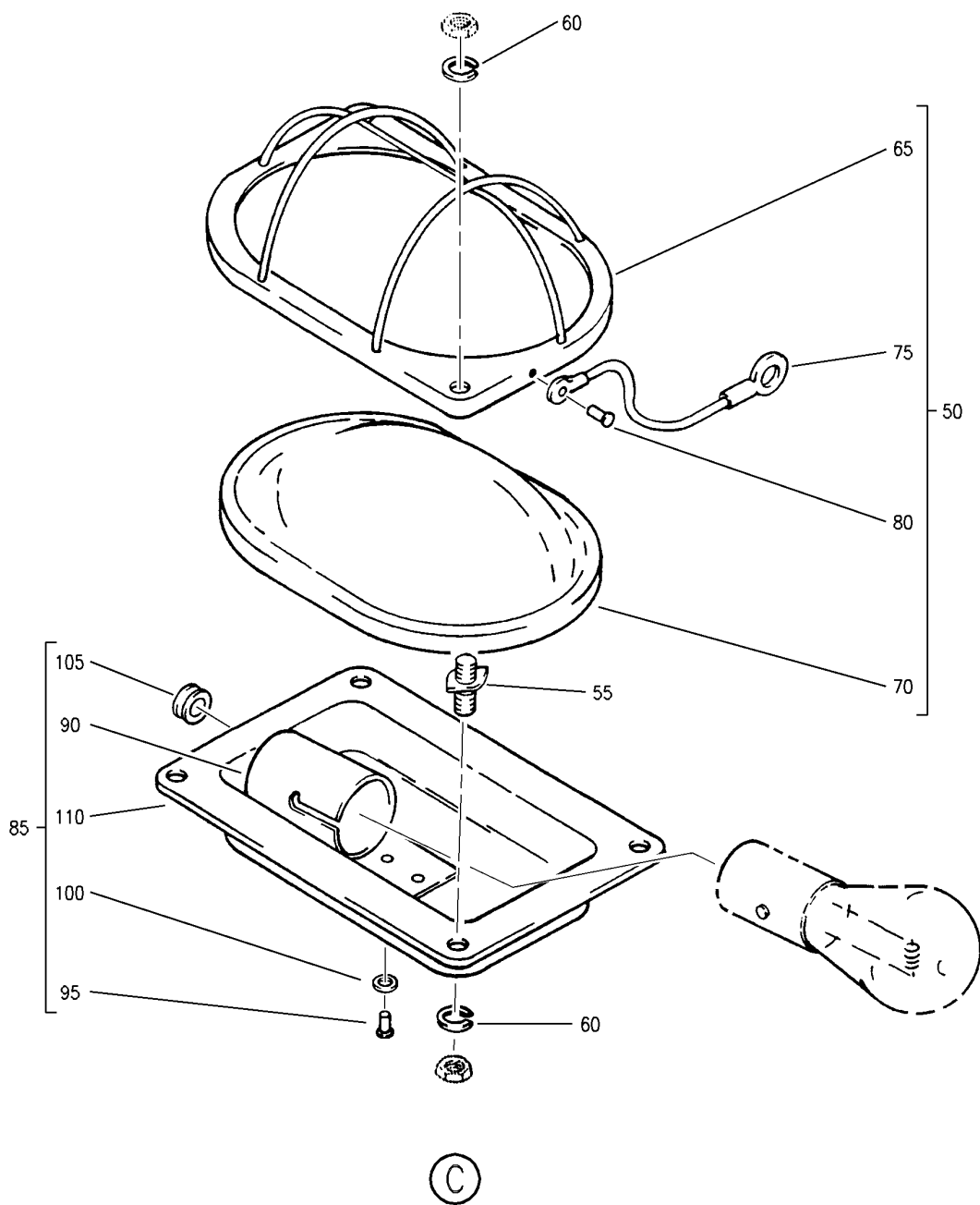
33-31-01-10

HXL
DEC 22/06

33-31-01-10
PAGE 0

BOEING PROPRIETARY - Copyright © - Unpublished Work - See title page for details.

BOEING
767
PARTS CATALOG (MAINTENANCE)



V 33310110 SHT 2 REV 236

LIGHT INSTL-SECT. 48 APU COMPT SVCE
FIGURE 10 (SHEET 2)

33-31-01-10

HXL
DEC 22/06

33-31-01-10
PAGE 0A

 **BOEING**
767
PARTS CATALOG (MAINTENANCE)

FIG ITEM	PART NUMBER	1 2 3 4 5 6 7	NOMENCLATURE	EFFECT FROM TO	UNITS PER ASSY
10			LIGHT INSTL-SECT. 48 APU COMPT SVCE		
- 1	284T0559-1		LIGHT INSTL-APU COMPT SVCE POSITION DATA: SECT. 48 FOR NHA SEE: 24-00-58-01B		RF
	5 BAC27TEX0812		.MARKER-ALUMINUM FOIL PLACARD CONTENT: L181		1
	10 BAC27TEX0810		.MARKER-ALUMINUM FOIL PLACARD CONTENT: S428		1
	15 BAC27TEX0811		.MARKER-ALUMINUM FOIL PLACARD CONTENT: D8505		1
	20 BAC27TEX0813		.MARKER-ALUMINUM FOIL PLACARD CONTENT: L180		1
	25 15-0143-17		.LIGHT ASSY- SUPPLIER CODE: V72914 ELECTRICAL EQUIP NUMBER: L00180 L00181 COMPONENT MAINT MANUAL REF: 33-30-07 ATTACHING PARTS		2
	30 NAS601-9P		.SCREW		4
	35 NAS601-7P		.SCREW		4
			-----*-----		
- 40	60-2042-1		..WASHER- SUPPLIER CODE: V72914		3
- 45	75247		..EYELET- SUPPLIER CODE: V51853 OPTIONAL PART: EY520 V72914		2
- 45	EY520		..EYELET- SUPPLIER CODE: V72914 OPTIONAL PART: 75247 V51853		2
	50 16-0454-13		..COVER ASSY- SUPPLIER CODE: V72914		1

ILLUSTRATION ITEMS NOT ON PARTS LIST ARE NOT APPLICABLE

- ITEM NOT ILLUSTRATED

HXL

33-31-01-10

BOEING PROPRIETARY - Copyright © - Unpublished Work - See title page for details.

33-31-01
FIG. 10
PAGE 1
DEC 22/06

BOEING
767
PARTS CATALOG (MAINTENANCE)

FIG ITEM	PART NUMBER	1 2 3 4 5 6 7	NOMENCLATURE	EFFECT FROM TO	UNITS PER ASSY
10			ATTACHING PARTS		
55	16-1149-1	..	STUD- SUPPLIER CODE: V72914		2
60	MS35338-4	..	WASHER -----*-----		4
65	16-1176-1	...	GRILL ASSY- SUPPLIER CODE: V72914		1
70	20201-23	...	COVER-GLASS SUPPLIER CODE: V72914		1
75	16-1177-1	...	LANYARD- SUPPLIER CODE: V72914		1
80	RV162	...	ATTACHING PARTS RIVET -----*-----		1
85	16-1174-1	..	HOUSING ASSY- SUPPLIER CODE: V72914		1
90	16-1173-1	...	LAMPHOLDER ASSY- SUPPLIER CODE: V72914		1
95	MS20470AD3-4	...	ATTACHING PARTS RIVET		1
100	MS27183-4	...	WASHER -----*-----		2
105	MS35489-4	...	GROMMET		1
110	16-1175-1	...	HOUSING- SUPPLIER CODE: V72914		1
115	2232	.LAMP-	SUPPLIER CODE: V08806		2
120	NAS1801-3-7	.SCREW			6
125	AN960D10L	.WASHER			6
130	740A20-4	.JUMPER ASSY	SUPPLIER CODE: V91812 SPECIFICATION NUMBER: BACJ40A20-4 OPTIONAL PART: TJEJ40A20-4 V33483 RBEJ20-4 V1GK47		4
135	RL2347	.SHOCKMOUNT-			8

ILLUSTRATION ITEMS NOT ON PARTS LIST ARE NOT APPLICABLE

- ITEM NOT ILLUSTRATED

HXL

33-31-01-10

BOEING PROPRIETARY - Copyright © - Unpublished Work - See title page for details.

33-31-01
FIG. 10
PAGE 2
DEC 22/08



767

PARTS CATALOG (MAINTENANCE)

FIG ITEM	PART NUMBER	1 2 3 4 5 6 7	NOMENCLATURE	EFFECT FROM TO	UNITS PER ASSY
10 140	BRH10A08	.	NUT SUPPLIER CODE: V52828 SPECIFICATION NUMBER: BACN10JC08 OPTIONAL PART: H10-08BAC V15653 NS202101-82 V80539 RMLH9075-82W V72962 VN303A82 V92215 96-82 V80539 T6S832J V11815		16
145	284T0560-3	.	SUPPORT ASSY		2
150	NAS549H716	.	WASHER-		1
155	69B47882-1	.	COVER		1
160	2J1659	.	JACK- SUPPLIER CODE: V82389		1
160	2J1865A	.	JACK- SUPPLIER CODE: V82389 OPTIONAL PART: BCREFD00032 V82389		1
165	MS25306-222	.	SWITCH-		1

ILLUSTRATION ITEMS NOT ON PARTS LIST ARE NOT APPLICABLE

- ITEM NOT ILLUSTRATED

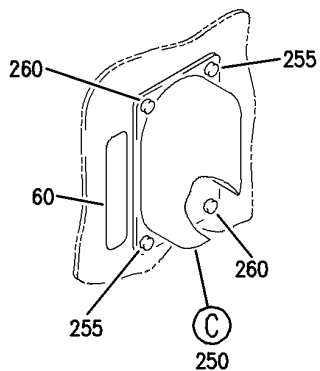
HXL

33-31-01-10

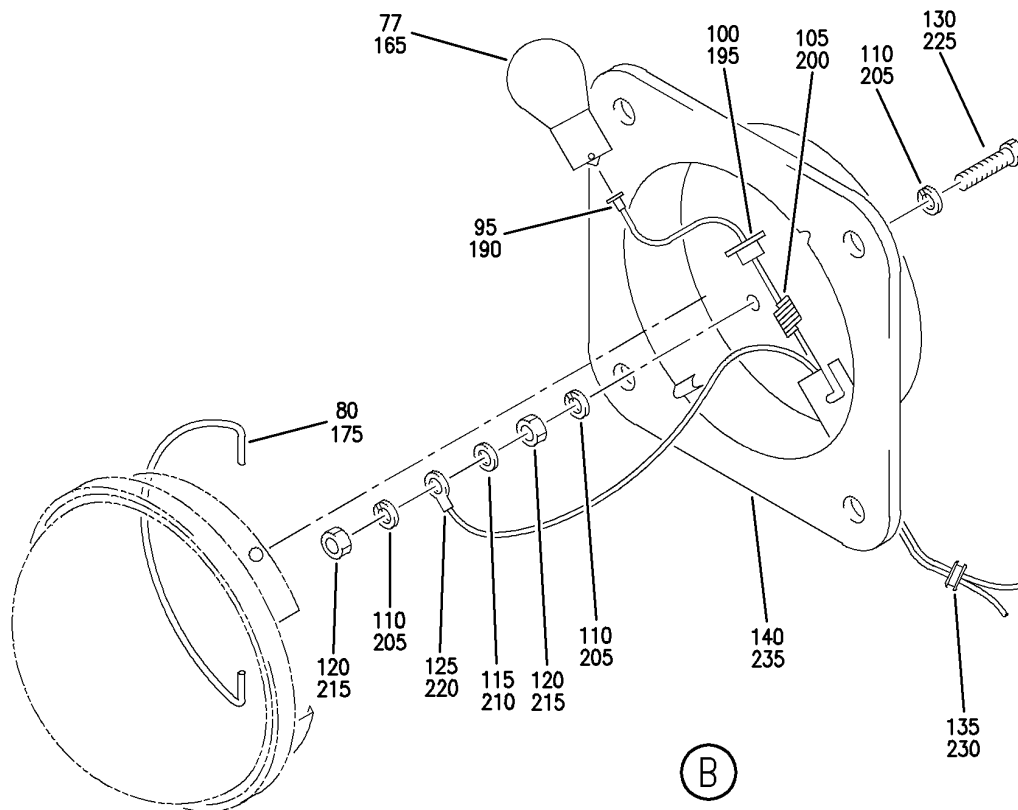
BOEING PROPRIETARY - Copyright © - Unpublished Work - See title page for details.

33-31-01
FIG. 10
PAGE 3
APR 22/09

BOEING
767
PARTS CATALOG (MAINTENANCE)



(A)



(B)

V 33310201 SHT 2 REV 231

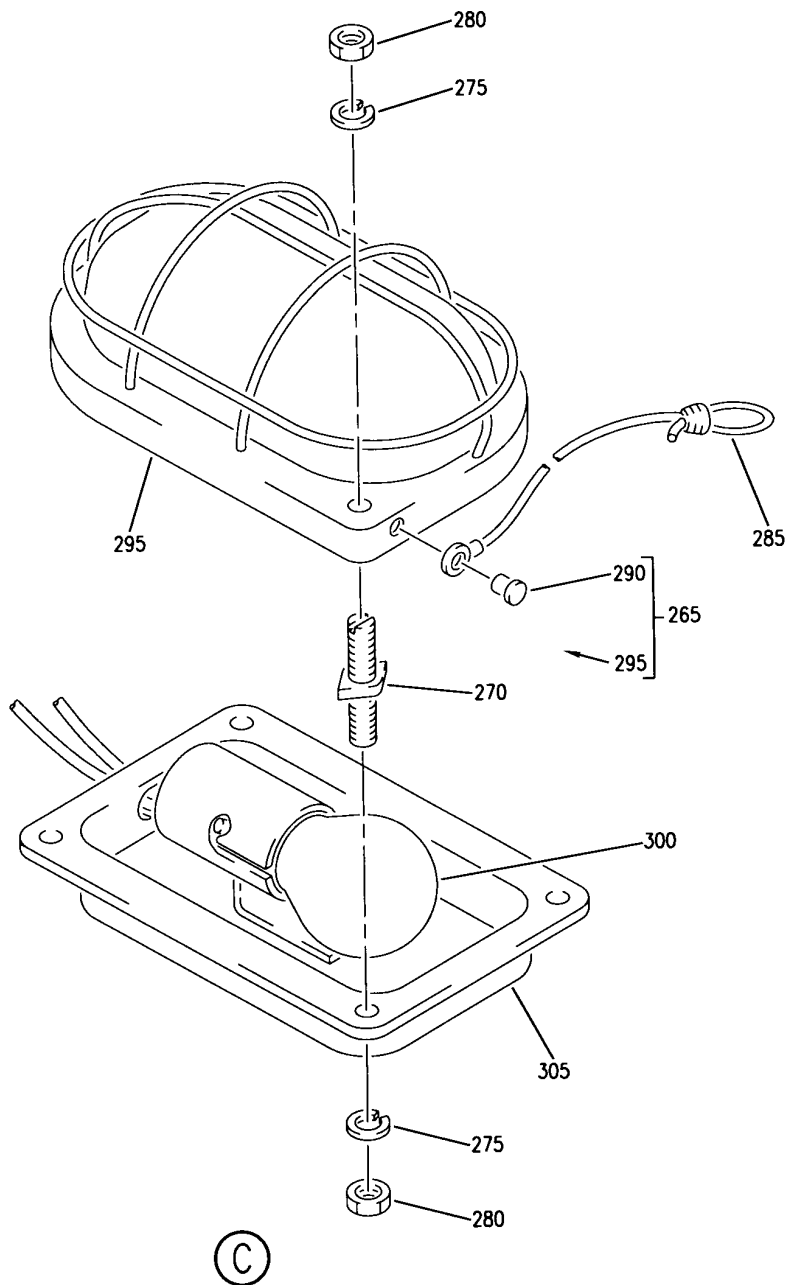
LIGHT INSTL-SECT. 41 SVCE (SERVICE LIGHTS ONLY)
FIGURE 1 (SHEET 2)

33-31-02-01

HXL
DEC 22/06

33-31-02-01
PAGE 0A

BOEING
767
PARTS CATALOG (MAINTENANCE)



V 33310201 SHT 3 REV 231

LIGHT INSTL-SECT. 41 SVCE (SERVICE LIGHTS ONLY)
FIGURE 1 (SHEET 3)

33-31-02-01

HXL
DEC 22/06

33-31-02-01
PAGE 0B

 **BOEING**
767
PARTS CATALOG (MAINTENANCE)

FIG ITEM	PART NUMBER	1 2 3 4 5 6 7	NOMENCLATURE	EFFECT FROM TO	UNITS PER ASSY
1			LIGHT INSTL-SECT. 41 SVCE (SERVICE LIGHTS ONLY)		
- 1	284T0388-3		LIGHT INSTL-SVCE (SERVICE LIGHTS ONLY) POSITION DATA: SECT. 41 VARIABLE DRAWING REF: 284T0388-5002 FOR NHA SEE: 24-00-58-01B		RF
	5 BAC27TEX0599		.DECAL- PLACARD CONTENT: SERVICE LIGHT L80		1
	10 BAC27TEX0598		.DECAL- PLACARD CONTENT: SERVICE LIGHT L79		1
	15 BAC27TEX0602		.DECAL- PLACARD CONTENT: SERVICE LIGHT SW S357		1
	20 BAC27TEX0597		.DECAL- PLACARD CONTENT: SERVICE LIGHT L78		1
	25 BAC27TEX0594		.DECAL- PLACARD CONTENT: SERVICE LIGHT L75		1
	30 BAC27TEX0593		.DECAL- PLACARD CONTENT: SERVICE LIGHT L74		1
	32 BAC27TEX2453		.DECAL- PLACARD CONTENT: SERVICE LIGHT L672		1
	35 BAC27TEX0600		.DECAL- PLACARD CONTENT: SERVICE LIGHT SW S355		1
	40 BAC27TEX0601		.DECAL- PLACARD CONTENT: SERVICE LIGHT SW S356		1
	46 BAC27TEX0592		.DECAL- PLACARD CONTENT: SERVICE LIGHT L73		1
	50 BAC27TEX0591		.DECAL- PLACARD CONTENT: SERVICE LIGHT L72		1
	55 BAC27TEX0595		.DECAL- PLACARD CONTENT: SERVICE LIGHT L76		1
	60 BAC27TEX0596		.DECAL- PLACARD CONTENT: SERVICE LIGHT L77		1

ILLUSTRATION ITEMS NOT ON PARTS LIST ARE NOT APPLICABLE

- ITEM NOT ILLUSTRATED

HXL

33-31-02-01

BOEING PROPRIETARY - Copyright © - Unpublished Work - See title page for details.

33-31-02
FIG. 01
PAGE 1
DEC 22/06

BOEING
767
PARTS CATALOG (MAINTENANCE)

FIG ITEM	PART NUMBER	1 2 3 4 5 6 7	NOMENCLATURE	EFFECT FROM TO	UNITS PER ASSY
1					
62	BAC27TEX0433		.DECAL- PLACARD CONTENT: SERVICE LIGHT SW S354		1
70	15-0129-5		.LIGHT ASSY- SUPPLIER CODE: V72914 ELECTRICAL EQUIP NUMBER: L00072 L00073 L00074 L00075 L00076 L00078 L00079 L00080 COMPONENT MAINT MANUAL REF: 33-30-06 ATTACHING PARTS		8
- 71	NAS1801-08-6		.SCREW-		32
- 72	NAS1149DN832J		.WASHER		64
- 73	PLH508CD		.NUT- SUPPLIER CODE: VF0224 SPECIFICATION NUMBER: BACN10YR08CD OPTIONAL PART: H52732-08CD V15653 -----*-----		32
77	1665		..BULB- SUPPLIER CODE: V71744		1
- 78	B9842-4		..LENS AND RETAINER ASSY- SUPPLIER CODE: V72914		1
80	A9183-1		...BAIL- SUPPLIER CODE: V72914		1
- 85	B9842-2NB		...LENS-SUBASSEMBLY SUPPLIER CODE: V72914 CONFIG CHG DATA FROM A CMM: SUPSD BY B9842-4NB		1
- 85	B9842-4NB		...LENS-SUBASSEMBLY SUPPLIER CODE: V72914 CONFIG CHG DATA FROM A CMM: SUPERSEDES B9842-2NB		1

ILLUSTRATION ITEMS NOT ON PARTS LIST ARE NOT APPLICABLE

- ITEM NOT ILLUSTRATED

HXL

33-31-02-01

BOEING PROPRIETARY - Copyright © - Unpublished Work - See title page for details.

33-31-02
FIG. 01
PAGE 2
DEC 22/08

 **BOEING**
767
PARTS CATALOG (MAINTENANCE)

FIG ITEM	PART NUMBER	1 2 3 4 5 6 7	NOMENCLATURE	EFFECT FROM TO	UNITS PER ASSY
1					
- 90	16-0490-3		..HOUSING ASSY- SUPPLIER CODE: V72914		1
95	A2351-1		...TERMINAL- SUPPLIER CODE: V72914		1
100	A7744		...GUIDE-TERM. SUPPLIER CODE: V72914		1
105	A3320		...SPRING- SUPPLIER CODE: V72914		1
110	MS35338-41		...WASHER		3
115	WA058		...WASHER- CAD CHROMATE, NO. 6 SUPPLIER CODE: V72914		1
120	NAS671-6		...NUT		2
125	36151		...TERMINAL-RING SUPPLIER CODE: V00779		1
130	MS35206-230		...SCREW		1
135	MS35489-4		...GROMMET		1
140	16-0490-7		...HOUSING- SUPPLIER CODE: V72914		1
145	15-0129-5		.LIGHT ASSY- SUPPLIER CODE: V72914 ELECTRICAL EQUIP NUMBER: L00672 COMPONENT MAINT MANUAL REF: 33-30-06 ATTACHING PARTS		1
- 150	NAS1801-08-6		.SCREW		4
- 155	NAS1149DN832J		.WASHER		8
- 160	PLH508CD		.NUT SUPPLIER CODE: VF0224 SPECIFICATION NUMBER: BACN10YR08CD OPTIONAL PART: H52732-08CD V15653		4
165	1665		-----*----- ..BULB- SUPPLIER CODE: V71744		1

ILLUSTRATION ITEMS NOT ON PARTS LIST ARE NOT APPLICABLE

- ITEM NOT ILLUSTRATED

HXL

33-31-02-01

BOEING PROPRIETARY - Copyright © - Unpublished Work - See title page for details.

33-31-02
FIG. 01
PAGE 3
DEC 22/08



767

PARTS CATALOG (MAINTENANCE)

FIG ITEM	PART NUMBER	1 2 3 4 5 6 7	NOMENCLATURE	EFFECT FROM TO	UNITS PER ASSY
1					
- 170	B9842-4		..LENS AND RETAINER ASSY- SUPPLIER CODE: V72914		1
175	A9183-1		...BAIL- SUPPLIER CODE: V72914		1
- 180	B9842-2NB		...LENS-SUBASSEMBLY SUPPLIER CODE: V72914 CONFIG CHG DATA FROM A CMM: SUPSD BY B9842-4NB		1
- 180	B9842-4NB		...LENS-SUBASSEMBLY SUPPLIER CODE: V72914 CONFIG CHG DATA FROM A CMM: SUPERSEDES B9842-2NB		1
- 185	16-0490-3		..HOUSING ASSY- SUPPLIER CODE: V72914		1
190	A2351-1		...TERMINAL- SUPPLIER CODE: V72914		1
195	A7744		...GUIDE-TERM. SUPPLIER CODE: V72914		1
200	A3320		...SPRING- SUPPLIER CODE: V72914		1
205	MS35338-41		...WASHER		3
210	WA058		...WASHER- CAD CHROMATE, NO. 6 SUPPLIER CODE: V72914		1
215	NAS671-6		...NUT		2
220	36151		...TERMINAL-RING SUPPLIER CODE: V00779		1
225	MS35206-230		...SCREW		1
230	MS35489-4		...GROMMET		1
235	16-0490-7		...HOUSING- SUPPLIER CODE: V72914		1
240	MS25307-232		.SWITCH- ELECTRICAL EQUIP NUMBER: S00355		1
245	MS24331-3		.SWITCH- ELECTRICAL EQUIP NUMBER: S00403		1

ILLUSTRATION ITEMS NOT ON PARTS LIST ARE NOT APPLICABLE

- ITEM NOT ILLUSTRATED

33-31-02-01

33-31-02
FIG. 01
PAGE 4
DEC 22/06

HXL



767

PARTS CATALOG (MAINTENANCE)

FIG ITEM	PART NUMBER	1 2 3 4 5 6 7	NOMENCLATURE	EFFECT FROM TO	UNITS PER ASSY
1					
250	15-0143-15		.LIGHT ASSY- SUPPLIER CODE: V72914 ELECTRICAL EQUIP NUMBER: L00077 COMPONENT MAINT MANUAL REF: 33-30-07 ATTACHING PARTS		1
255	NAS1801-06-10		.SCREW		2
260	NAS1801-06-7		.SCREW		2
			-----*-----		
265	16-0454-13		..COVER ASSY- SUPPLIER CODE: V72914		1
270	16-1149-1		..STUD- SUPPLIER CODE: V72914		2
275	MS35338-41		..WASHER		4
280	MS20341-65		..NUT		4
285	16-1177-1		...LANYARD- SUPPLIER CODE: V72914 ATTACHING PARTS		1
290	RV162		...RIVET- -----*-----		1
295	16-0454-21		...COVER- SUPPLIER CODE: V72914		1
300	MS35478-1691		..LAMP-INCANDESCENT ELECTRICAL EQUIP NUMBER: S00001		1
305	16-1174-1		..HOUSING ASSY- SUPPLIER CODE: V72914		1
- 310	A552		..EYELET- SUPPLIER CODE: V09127		2
- 315	60-2042-1		..WASHER- SUPPLIER CODE: V72914		3
320	MS25306-222		.SWITCH- ELECTRICAL EQUIP NUMBER: S00357		1
325	MS25306-232		.SWITCH- ELECTRICAL EQUIP NUMBER: S00354 S00356		2

ILLUSTRATION ITEMS NOT ON PARTS LIST ARE NOT APPLICABLE

- ITEM NOT ILLUSTRATED

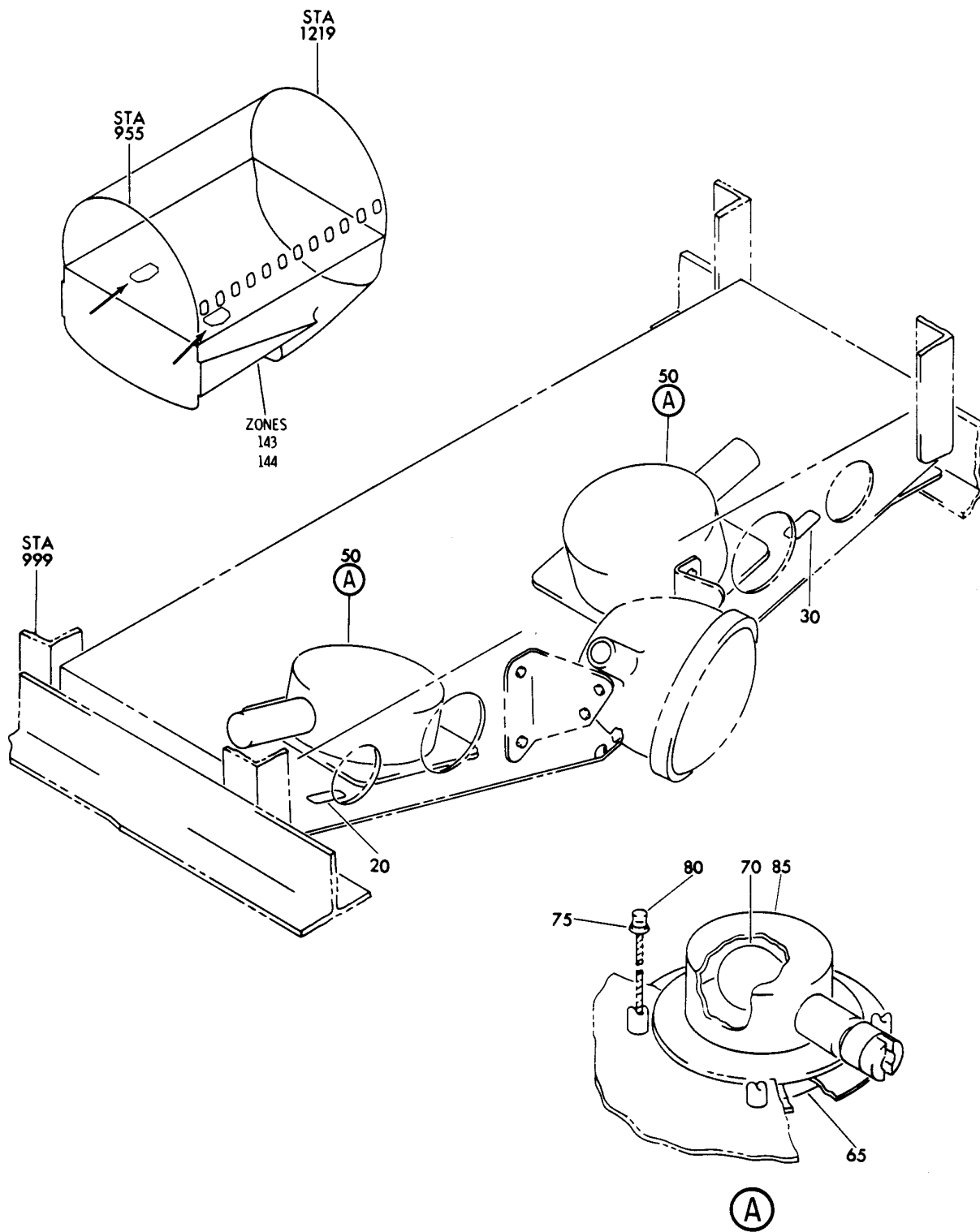
33-31-02-01

33-31-02
FIG. 01
PAGE 5
DEC 22/06

HXL

BOEING PROPRIETARY - Copyright © - Unpublished Work - See title page for details.

BOEING
767
PARTS CATALOG (MAINTENANCE)



V 33310301 SHT 1 REV 022

LIGHT INSTL-MAIN WHL WELL SVCE
FIGURE 1

33-31-03-01

HXL
DEC 22/06

33-31-03-01
PAGE 0



767

PARTS CATALOG (MAINTENANCE)

FIG ITEM	PART NUMBER	1 2 3 4 5 6 7	NOMENCLATURE	EFFECT FROM TO	UNITS PER ASSY
1			LIGHT INSTL-MAIN WHL WELL SVCE		
- 1	284T0628-1		LIGHT INSTL-MAIN WHL WELL SVCE POSITION DATA: LH FOR NHA SEE: 24-00-58-01B		RF
- 5	284T0628-2		LIGHT INSTL-MAIN WHL WELL SVCE POSITION DATA: RH FOR NHA SEE: 24-00-58-01B		RF
20	BAC27TEX1066		.MARKER-ALUMINUM FOIL POSITION DATA: LH SIDE PLACARD CONTENT: L56		1
- 25	BAC27TEX1065		.MARKER-ALUMINUM FOIL POSITION DATA: RH SIDE PLACARD CONTENT: L118		1
30	BAC27TEX1067		.MARKER-ALUMINUM FOIL POSITION DATA: LH SIDE PLACARD CONTENT: L57		1
- 35	BAC27TEX1064		.MARKER-ALUMINUM FOIL POSITION DATA: RH SIDE PLACARD CONTENT: L117		1
50	10-0015-5		.LIGHT-DOME SUPPLIER CODE: V72914 ELECTRICAL EQUIP NUMBER: L00056 L00057 L00117 L00118		2
- 55	NAS1801-08-6		ATTACHING PARTS .SCREW		6

ILLUSTRATION ITEMS NOT ON PARTS LIST ARE NOT APPLICABLE

- ITEM NOT ILLUSTRATED

33-31-03-01

HXL

BOEING PROPRIETARY - Copyright © - Unpublished Work - See title page for details.

33-31-03
FIG. 01
PAGE 1
DEC 22/08



767

PARTS CATALOG (MAINTENANCE)

FIG ITEM	PART NUMBER	1 2 3 4 5 6 7	NOMENCLATURE	EFFECT FROM TO	UNITS PER ASSY
1 - 60	BRH10C08D		.NUT- SUPPLIER CODE: V52828 SPECIFICATION NUMBER: BACN10JC08CD OPTIONAL PART: H51650-08BAC V15653 102LH9075-82W V72962 NS202486-82 V80539 T6C832JCD V11815 -----*-----		6
65	11-0111-17		..COVER ASSY- SUPPLIER CODE: V72914		1
70	MS25235-3011		..LAMP		1
75	MS15795-802		..WASHER-		1
80	60-3799-1		..BUSHING- SUPPLIER CODE: V72914		1
85	11-0110-9		..HOUSING ASSY- SUPPLIER CODE: V72914		1

ILLUSTRATION ITEMS NOT ON PARTS LIST ARE NOT APPLICABLE

- ITEM NOT ILLUSTRATED

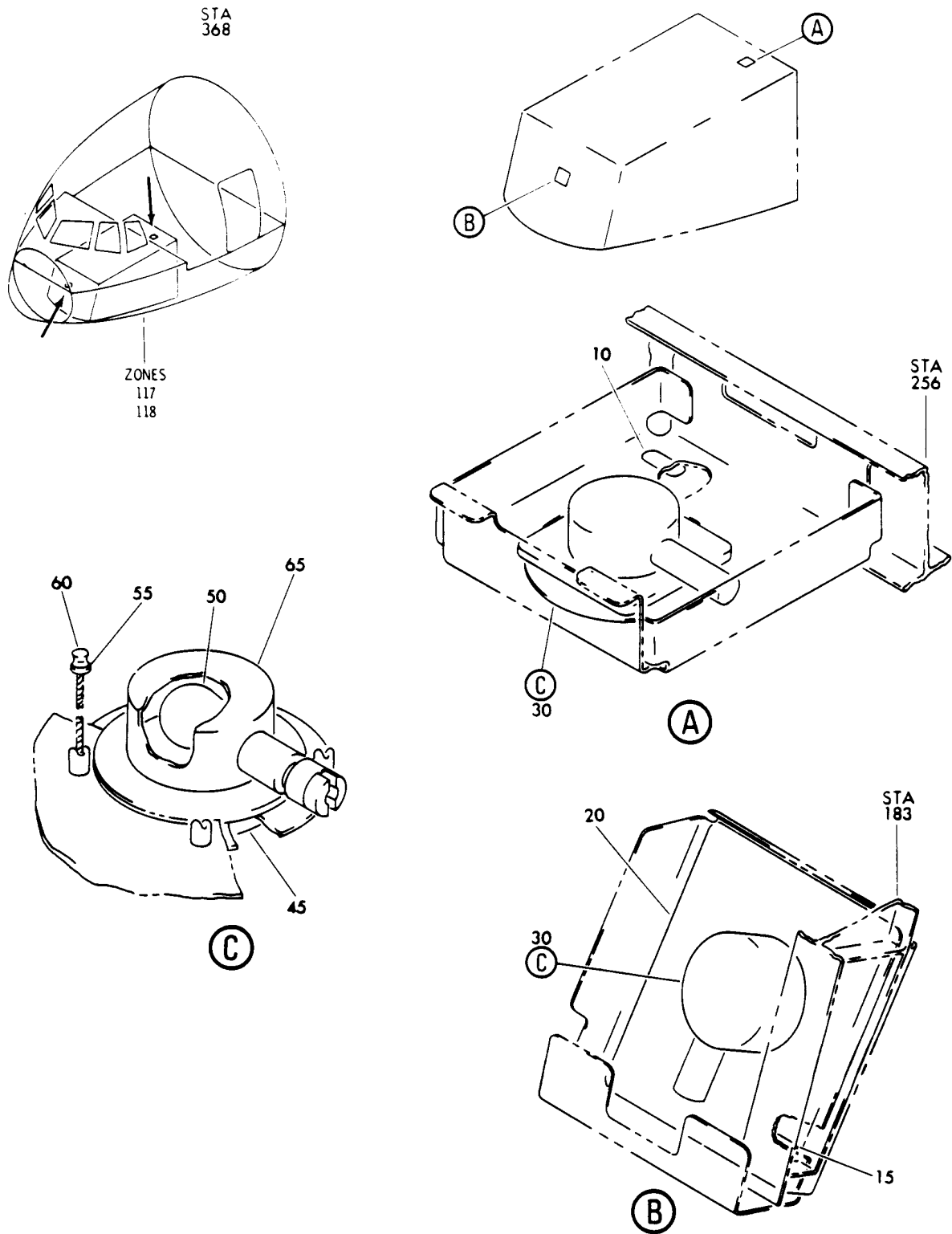
HXL

33-31-03-01

BOEING PROPRIETARY - Copyright © - Unpublished Work - See title page for details.

33-31-03
FIG. 01
PAGE 2
DEC 22/08

BOEING
767
PARTS CATALOG (MAINTENANCE)



V 33310305 SHT 1 REV 018

LIGHT INSTL-NOSE WHL WELL SVCE
FIGURE 5

33-31-03-05

HXL
DEC 22/06

33-31-03-05
PAGE 0



767

PARTS CATALOG (MAINTENANCE)

FIG ITEM	PART NUMBER	1 2 3 4 5 6 7	NOMENCLATURE	EFFECT FROM TO	UNITS PER ASSY
5			LIGHT INSTL-NOSE WHL WELL SVCE		
- 1	284T0155-1		LIGHT INSTL-NOSE WHL WELL SVCE FOR NHA SEE: 24-00-58-01B		RF
- 5	284T0155-2		LIGHT INSTL-NOSE WHL WELL SVCE FOR NHA SEE: 24-00-58-01B		RF
10	BAC27TEX1292		.MARKER-ALUMINUM FOIL PLACARD CONTENT: L55 LAMP 3011 USED ON: 284T0155-1		1
15	BAC27TEX1293		.MARKER-ALUMINUM FOIL PLACARD CONTENT: L54 LAMP 3011 USED ON: 284T0155-2 284T0155-4 MODREF53896		1
20	284T0156-1		.PANEL- USED ON: 284T0155-2 284T0155-4 MODREF53896 ATTACHING PARTS		1
- 25	NAS1801-3-7		.SCREW- USED ON: 284T0155-2		4
- 27	NAS1149D0316J		.WASHER- USED ON: 284T0155-2 284T0155-4 MODREF53896		4
30	10-0015-5		-----*----- .LIGHT-DOME SUPPLIER CODE: V72914 ELECTRICAL EQUIP NUMBER: L00054 L00055 ATTACHING PARTS		1
- 35	NAS1801-08-7		.SCREW-		3
- 37	NAS1149DN816J		.WASHER-		6
- 40	MS21042L08		.NUT- -----*-----		3

ILLUSTRATION ITEMS NOT ON PARTS LIST ARE NOT APPLICABLE

- ITEM NOT ILLUSTRATED

33-31-03-05

33-31-03
FIG. 05
PAGE 1
DEC 22/06

HXL



767

PARTS CATALOG (MAINTENANCE)

FIG ITEM	PART NUMBER	1 2 3 4 5 6 7	NOMENCLATURE	EFFECT FROM TO	UNITS PER ASSY
5					
45	11-0111-17		..COVER ASSY- SUPPLIER CODE: V72914		1
50	MS25235-3011		..LAMP		1
55	MS15795-802		..WASHER-		1
60	60-3799-1		..BUSHING- SUPPLIER CODE: V72914		1
65	11-0110-9		..HOUSING ASSY- SUPPLIER CODE: V72914		1
ILLUSTRATION ITEMS NOT ON PARTS LIST ARE NOT APPLICABLE					

- ITEM NOT ILLUSTRATED

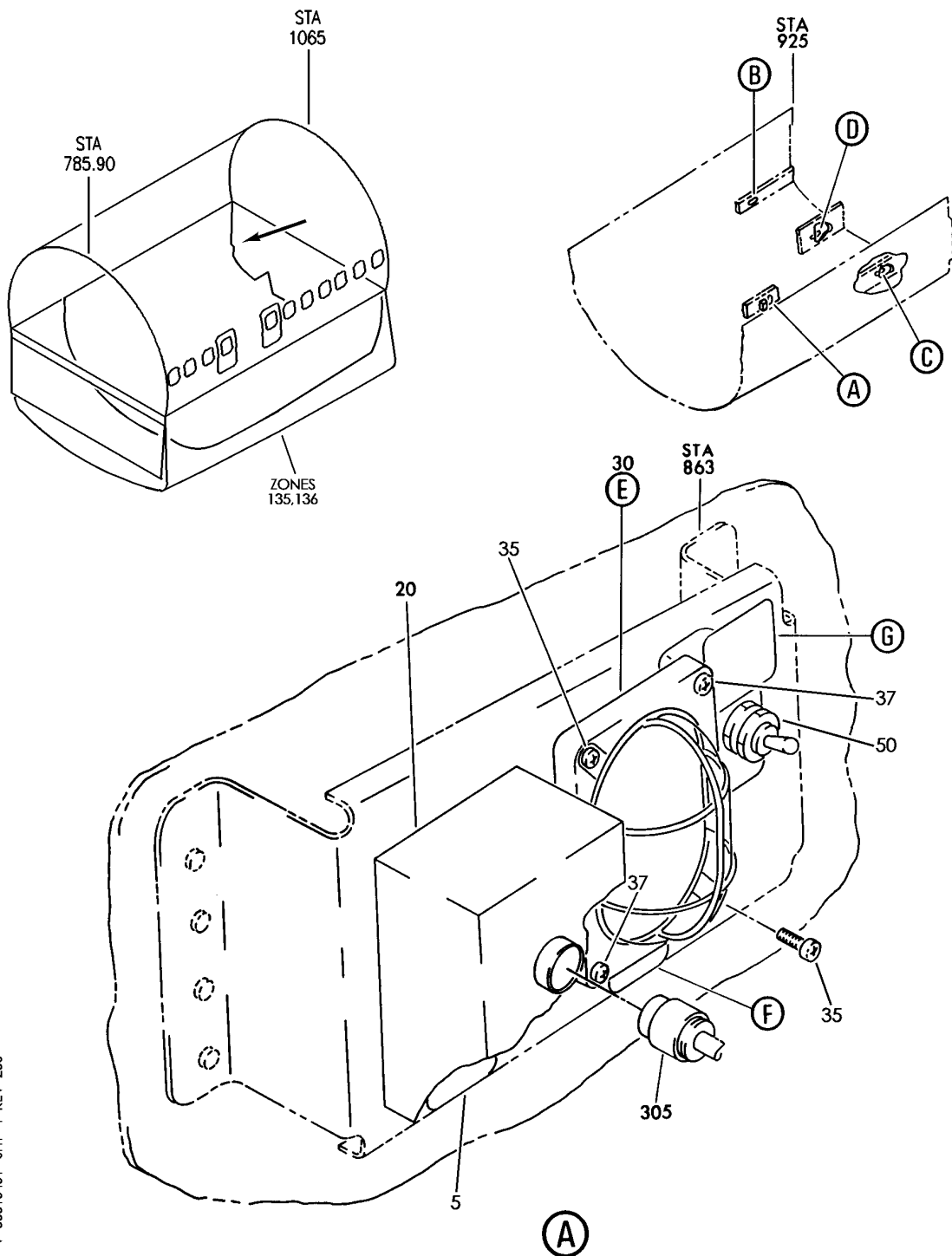
HXL

33-31-03-05

BOEING PROPRIETARY - Copyright © - Unpublished Work - See title page for details.

33-31-03
FIG. 05
PAGE 2
DEC 22/06

BOEING
767
PARTS CATALOG (MAINTENANCE)



V 33310401 SHT 1 REV 236

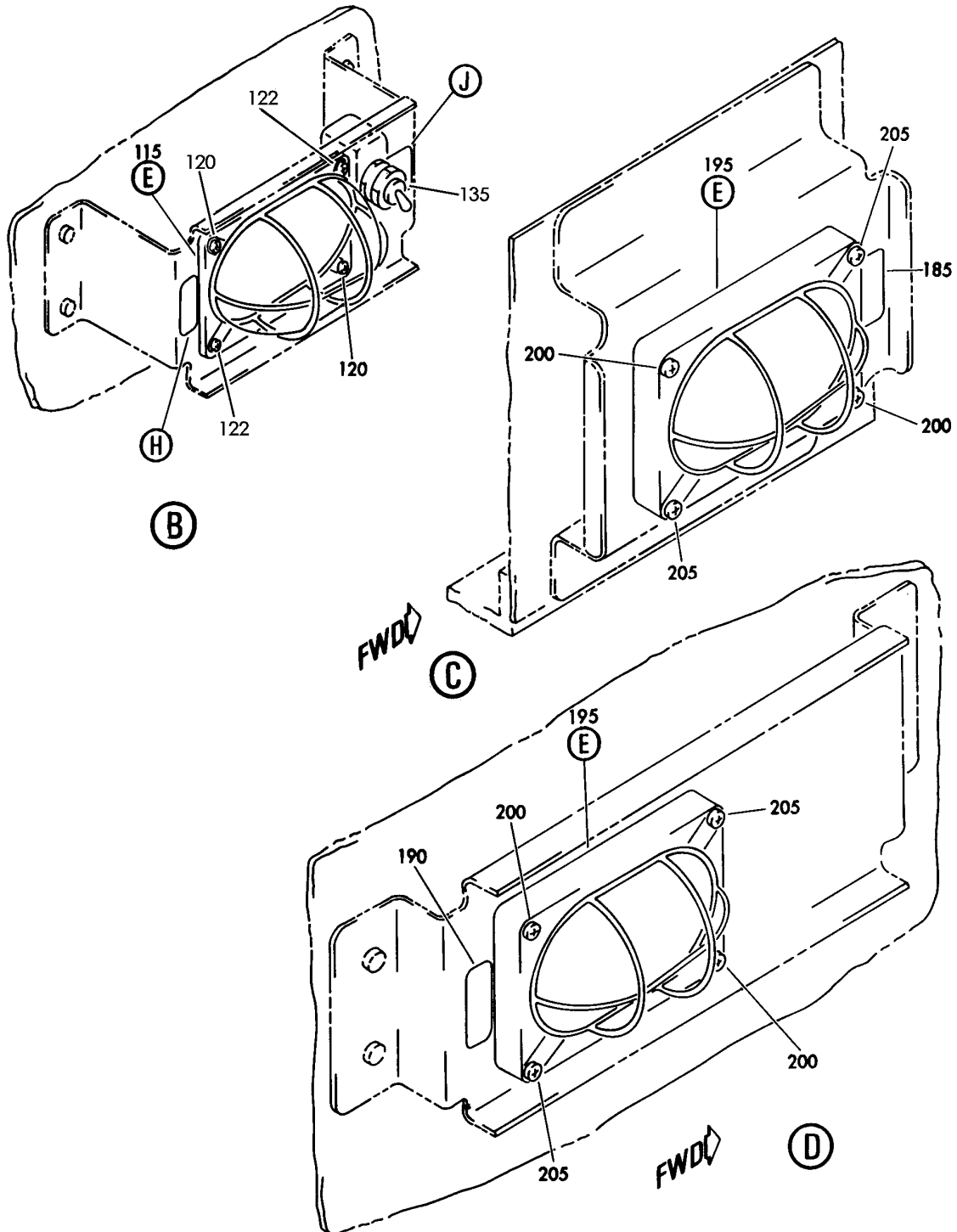
LIGHT INSTL-SVCE ECS BAY
FIGURE 1 (SHEET 1)

33-31-04-01

HXL
AUG 22/08

33-31-04-01
PAGE 0

BOEING
767
PARTS CATALOG (MAINTENANCE)



V 33310401 SHT 2 REV 236

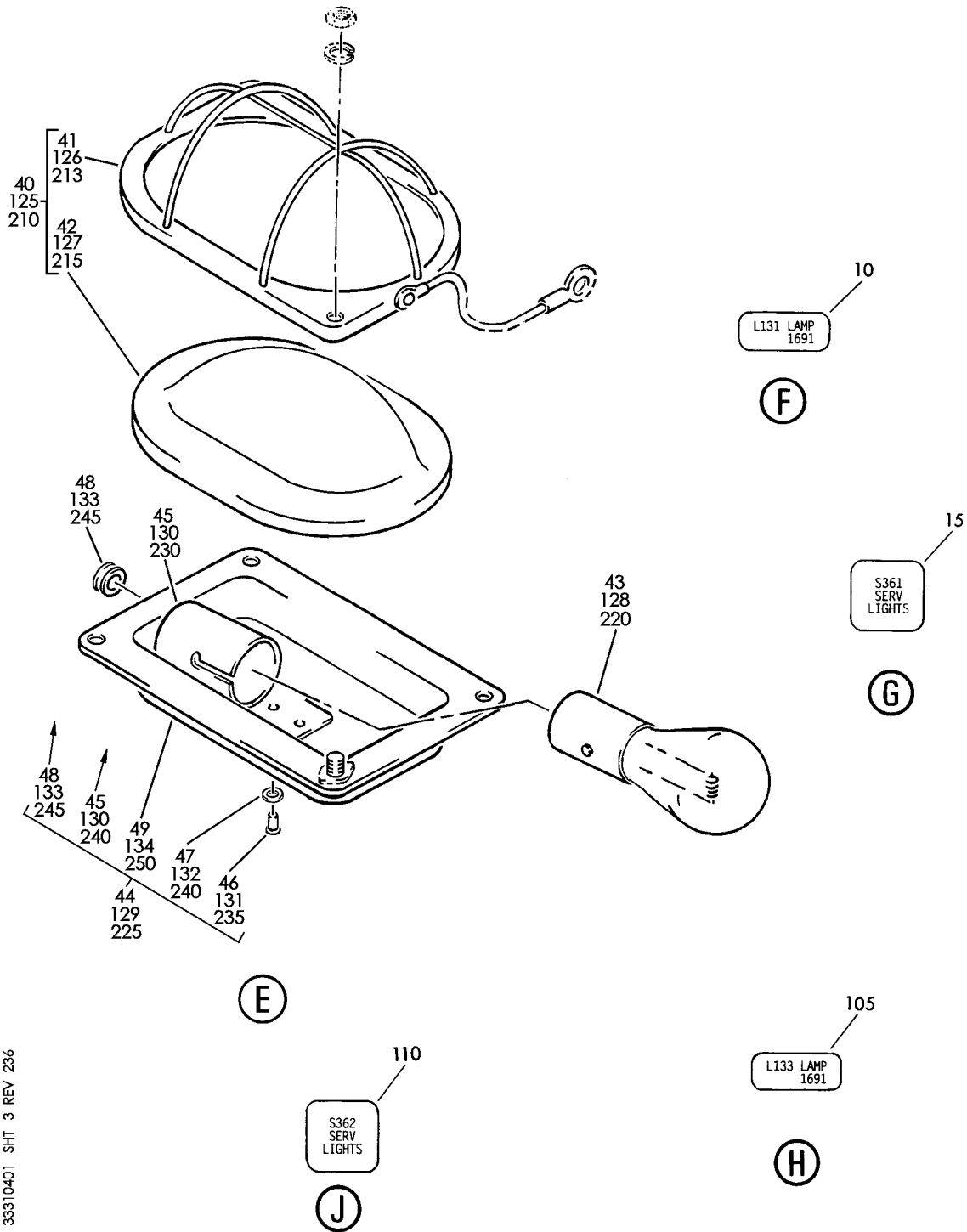
LIGHT INSTL-SVCE ECS BAY
FIGURE 1 (SHEET 2)

33-31-04-01

HXL
AUG 22/08

33-31-04-01
PAGE 0A


BOEING
 767
PARTS CATALOG (MAINTENANCE)



V 33310401 SHT 3 REV 236

LIGHT INSTL-SVCE ECS BAY
 FIGURE 1 (SHEET 3)

33-31-04-01

HXL
AUG 22/08

33-31-04-01
 PAGE 0B

BOEING
767
PARTS CATALOG (MAINTENANCE)

FIG ITEM	PART NUMBER	1 2 3 4 5 6 7	NOMENCLATURE	EFFECT FROM TO	UNITS PER ASSY
1					
- 1	284T0657-1		LIGHT INSTL-SVCE ECS BAY LIGHT INSTL-SVCE ECS BAY FOR NHA SEE: 24-00-58-01B		RF
5	BAC27TEX0913		.MARKER-ALUMINUM FOIL PLACARD CONTENT: T146		1
10	BAC27TEX0911		.MARKER-ALUMINUM FOIL		1
15	BAC27TEX0912		.MARKER-ALUMINUM FOIL		1
20	FT1007		.AUTOTRANSFORMER- SUPPLIER CODE: V14752 SPECIFICATION NUMBER: 60B40026-19 ELECTRICAL EQUIP NUMBER: T00146		1
- 25	NAS1801-3-8		ATTACHING PARTS .SCREW -----*-----		4
30	15-0143-7		.LIGHT ASSY- SUPPLIER CODE: V72914 ELECTRICAL EQUIP NUMBER: L00131 COMPONENT MAINT MANUAL REF: 33-30-07 ATTACHING PARTS		1
35	NAS601-7P		.SCREW		2
37	NAS601-10P		.SCREW -----*-----		2
- 38	60-2042-1		..WASHER- SUPPLIER CODE: V72914		4
- 39	75247		..EYELET- SUPPLIER CODE: V51853 OPTIONAL PART: EY520 V72914		2
- 39	EY520		..EYELET- SUPPLIER CODE: V72914 OPTIONAL PART: 75247 V51853		2
40	16-0454-9		..COVER ASSY- SUPPLIER CODE: V72914		1
ILLUSTRATION ITEMS NOT ON PARTS LIST ARE NOT APPLICABLE					

- ITEM NOT ILLUSTRATED

33-31-04-01

33-31-04
FIG. 01
PAGE 1
AUG 22/08

HXL

BOEING
767
PARTS CATALOG (MAINTENANCE)

FIG ITEM	PART NUMBER	1 2 3 4 5 6 7	NOMENCLATURE	EFFECT FROM TO	UNITS PER ASSY
1					
41	21424B2		...GRILL ASSY- SUPPLIER CODE: V72914		1
42	20201-23		...COVER-GLASS SUPPLIER CODE: V72914		1
43	1691		..BULB- SUPPLIER CODE: V08806 OPTIONAL PART: GE1691 V72914		1
43	GE1691		..BULB- SUPPLIER CODE: V72914 OPTIONAL PART: 1691 V08805		1
44	16-1174-1		..HOUSING ASSY- SUPPLIER CODE: V72914		1
45	16-1173-1		...LAMPHOLDER ASSY- SUPPLIER CODE: V72914 ATTACHING PARTS		1
46	MS20470AD3-4		...RIVET		2
47	MS27183-4		...WASHER -----*-----		2
48	MS35489-4		...GROMMET		1
49	16-1175-1		...HOUSING- SUPPLIER CODE: V72914		1
50	MS25306-222		.SWITCH- ELECTRICAL EQUIP NUMBER: S00361		1
- 100	284T0657-2		LIGHT INSTL-SVCE ECS BAY FOR NHA SEE: 24-00-58-01B		RF
105	BAC27TEX0915		.MARKER-ALUMINUM FOIL		1
110	BAC27TEX0914		.MARKER-ALUMINUM FOIL		1
115	15-0143-7		.LIGHT ASSY- SUPPLIER CODE: V72914 ELECTRICAL EQUIP NUMBER: L00133 COMPONENT MAINT MANUAL REF: 33-30-07 ATTACHING PARTS		1
120	NAS601-10P		.SCREW		2

ILLUSTRATION ITEMS NOT ON PARTS LIST ARE NOT APPLICABLE

- ITEM NOT ILLUSTRATED

HXL

33-31-04-01

BOEING PROPRIETARY - Copyright © - Unpublished Work - See title page for details.

33-31-04
FIG. 01
PAGE 2
AUG 22/08



767

PARTS CATALOG (MAINTENANCE)

FIG ITEM	PART NUMBER	1 2 3 4 5 6 7	NOMENCLATURE	EFFECT FROM TO	UNITS PER ASSY
1					
122	NAS601-7P	.	SCREW		2
- 123	60-2042-1	-----*	WASHER-		4
			SUPPLIER CODE: V72914		
- 124	75247	..	EYELET-		2
			SUPPLIER CODE: V51853		
			OPTIONAL PART: EY520		
- 124	EY520	..	EYELET-		2
			SUPPLIER CODE: V72914		
			OPTIONAL PART: 75247		
			V51853		
125	16-0454-9	..	COVER ASSY-		1
			SUPPLIER CODE: V72914		
126	21424B2	...	GRILL ASSY-		1
			SUPPLIER CODE: V72914		
127	20201-23	...	COVER-GLASS		1
			SUPPLIER CODE: V72914		
128	1691	..	BULB-		1
			SUPPLIER CODE: V08806		
			OPTIONAL PART: GE1691		
			V72914		
128	GE1691	..	BULB-		1
			SUPPLIER CODE: V72914		
			OPTIONAL PART: 1691		
			V08805		
129	16-1174-1	..	HOUSING ASSY-		1
			SUPPLIER CODE: V72914		
130	16-1173-1	...	LAMPHOLDER ASSY-		1
			SUPPLIER CODE: V72914		
			ATTACHING PARTS		
131	MS20470AD3-4	...	RIVET		2
132	MS27183-4	...	WASHER		2
		-----*			
133	MS35489-4	...	GROMMET		1

ILLUSTRATION ITEMS NOT ON PARTS LIST ARE NOT APPLICABLE

- ITEM NOT ILLUSTRATED

33-31-04-01

33-31-04
FIG. 01
PAGE 3
AUG 22/08

HXL



767

PARTS CATALOG (MAINTENANCE)

FIG ITEM	PART NUMBER	1 2 3 4 5 6 7	NOMENCLATURE	EFFECT FROM TO	UNITS PER ASSY
1					
134	16-1175-1		...HOUSING- SUPPLIER CODE: V72914		1
135	MS25306-222		.SWITCH- ELECTRICAL EQUIP NUMBER: S00362		1
- 175	284T0657-3		LIGHT INSTL-SVCE ECS BAY FOR NHA SEE: 24-00-58-01B		RF
- 180	284T0657-4		LIGHT INSTL-SVCE ECS BAY FOR NHA SEE: 24-00-58-01B		RF
185	BAC27TEX0917		.MARKER-ALUMINUM FOIL PLACARD CONTENT: L132 USED ON: 284T0657-3 MODREF54337		1
190	BAC27TEX0916		.MARKER-ALUMINUM FOIL PLACARD CONTENT: L134 USED ON: 284T0657-4 MODREF54338		1
195	15-0143-7		.LIGHT ASSY- SUPPLIER CODE: V72914 ELECTRICAL EQUIP NUMBER: L00132 L00134 COMPONENT MAINT MANUAL REF: 33-30-07 ATTACHING PARTS		1
200	NAS601-10P		.SCREW		2
205	NAS601-7P		.SCREW		2
- 207	60-2042-1		-----*----- ..WASHER- SUPPLIER CODE: V72914		4
- 208	75247		..EYELET- SUPPLIER CODE: V51853 OPTIONAL PART: EY520 V72914		2

ILLUSTRATION ITEMS NOT ON PARTS LIST ARE NOT APPLICABLE

- ITEM NOT ILLUSTRATED

33-31-04-01

33-31-04
FIG. 01
PAGE 4
AUG 22/08

HXL



767

PARTS CATALOG (MAINTENANCE)

FIG ITEM	PART NUMBER	1 2 3 4 5 6 7	NOMENCLATURE	EFFECT FROM TO	UNITS PER ASSY
1					
- 208	EY520		.. EYELET- SUPPLIER CODE: V72914 OPTIONAL PART: 75247 V51853		2
210	16-0454-9		.. COVER ASSY- SUPPLIER CODE: V72914		1
213	21424B2		... GRILL ASSY- SUPPLIER CODE: V72914		1
215	20201-23		... COVER-GLASS SUPPLIER CODE: V72914		1
220	1691		.. BULB- SUPPLIER CODE: V08806 OPTIONAL PART: GE1691 V72914		1
220	GE1691		.. BULB- SUPPLIER CODE: V72914 OPTIONAL PART: 1691 V08805		1
225	16-1174-1		.. HOUSING ASSY- SUPPLIER CODE: V72914		1
230	16-1173-1		... LAMPHOLDER ASSY- SUPPLIER CODE: V72914 ATTACHING PARTS		1
235	MS20470AD3-4		... RIVET		2
240	MS27183-4		... WASHER -----*-----		2
245	MS35489-4		... GROMMET		1
250	16-1175-1		... HOUSING- SUPPLIER CODE: V72914		1
- 300	286T0938-102		WIRE BUNDLE ASSY		RF
305	BACC63BN14C7SN		. CONNECTOR- ELECTRICAL EQUIP NUMBER: D03062 WIRING DIAGRAM REF: 333121		1

ILLUSTRATION ITEMS NOT ON PARTS LIST ARE NOT APPLICABLE

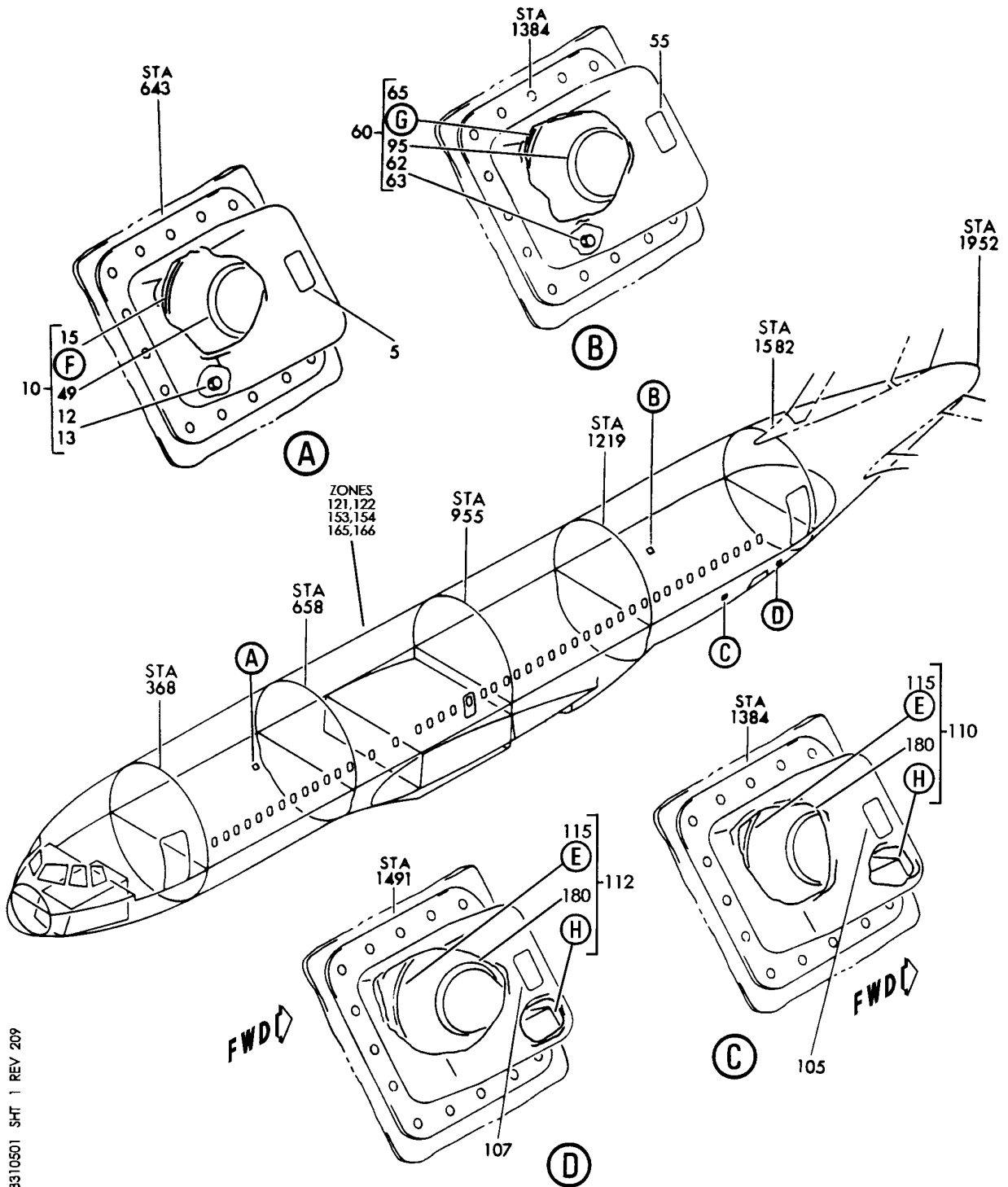
- ITEM NOT ILLUSTRATED

33-31-04-01

33-31-04
FIG. 01
PAGE 5
AUG 22/08

HXL

BOEING
767
PARTS CATALOG (MAINTENANCE)



V 33310501 SHT 1 REV 209

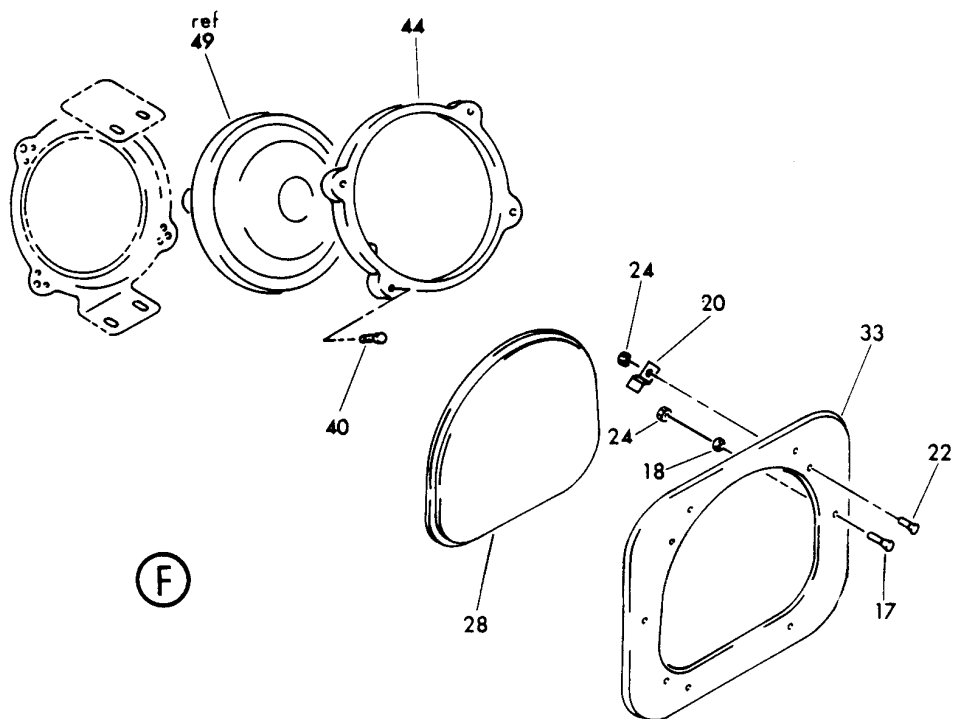
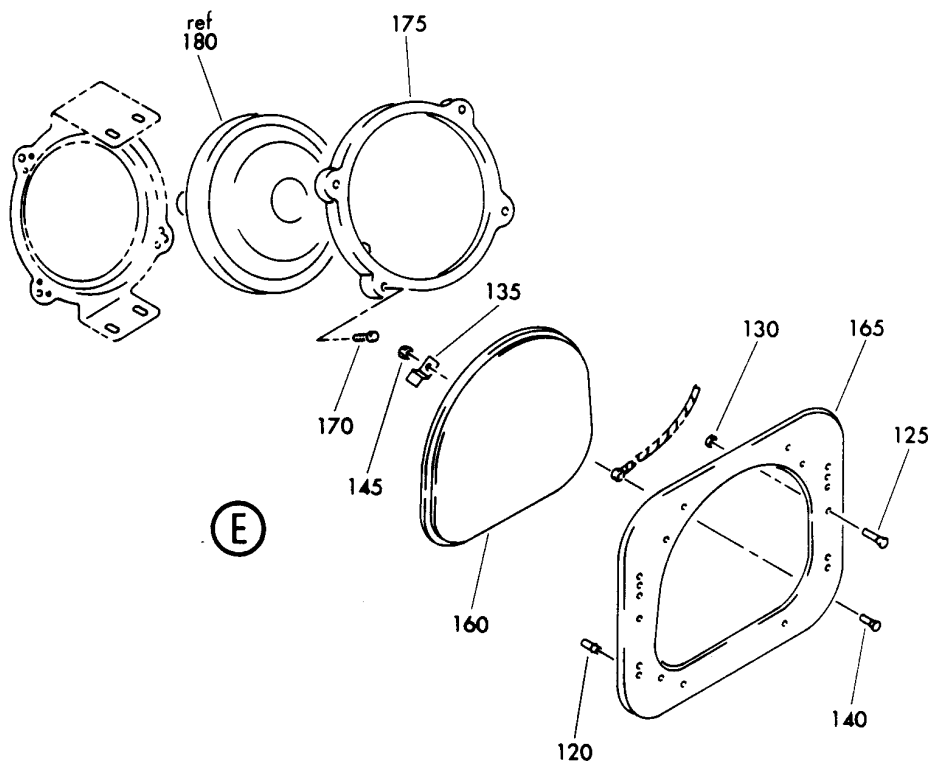
LIGHT INSTL-MAIN AND BULK CARGO LOADING
FIGURE 1 (SHEET 1)

33-31-05-01

HXL
DEC 22/06

33-31-05-01
PAGE 0

BOEING
767
PARTS CATALOG (MAINTENANCE)



V 33310501 SMT 2 REV 066

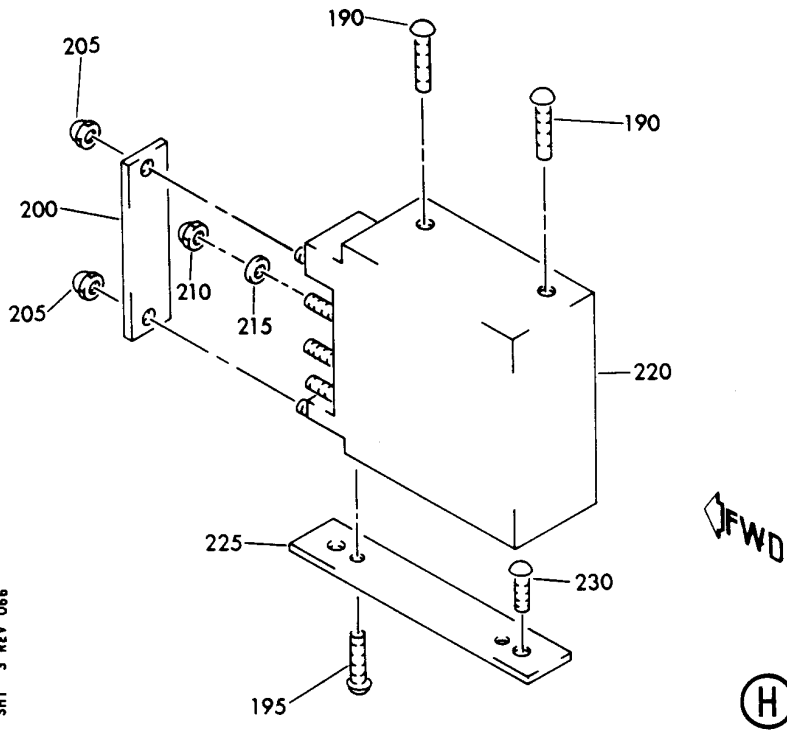
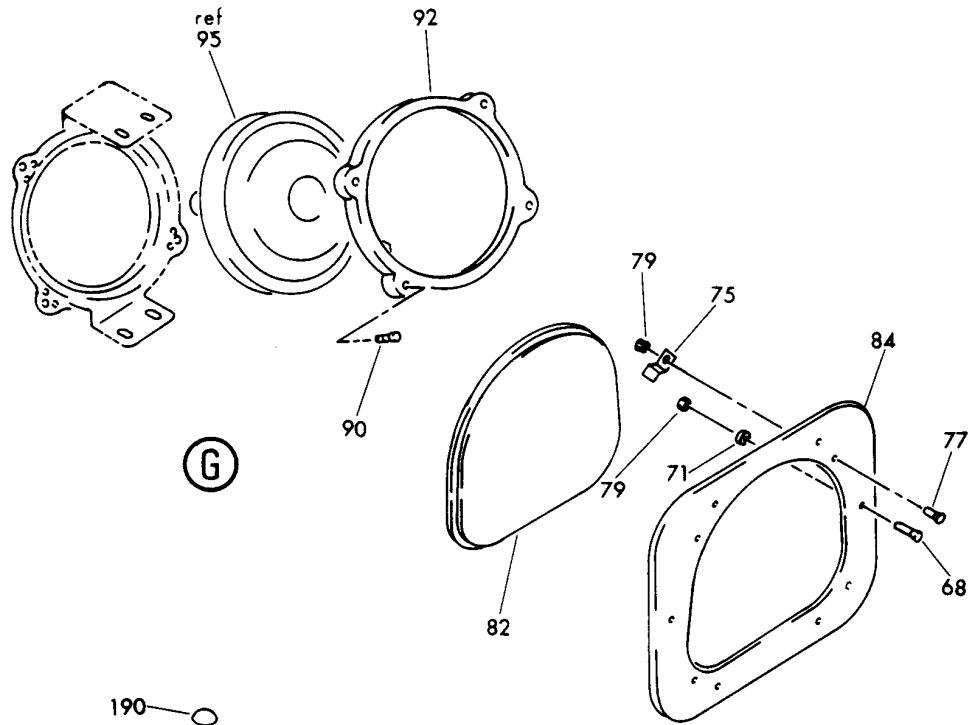
LIGHT INSTL-MAIN AND BULK CARGO LOADING
FIGURE 1 (SHEET 2)

33-31-05-01

HXL
DEC 22/06

33-31-05-01
PAGE 0A

BOEING
767
PARTS CATALOG (MAINTENANCE)



V 33310501 SHT 3 REV 066

LIGHT INSTL-MAIN AND BULK CARGO LOADING
FIGURE 1 (SHEET 3)

33-31-05-01

HXL
DEC 22/06

33-31-05-01
PAGE 0B

BOEING
767
PARTS CATALOG (MAINTENANCE)

FIG ITEM	PART NUMBER	1 2 3 4 5 6 7	NOMENCLATURE	EFFECT FROM TO	UNITS PER ASSY
1			LIGHT INSTL-MAIN AND BULK CARGO LOADING		
- 1	284T0231-1		LIGHT INSTL-MAIN CARGO LOADING FOR NHA SEE: 24-00-58-01B		RF
5	BAC27TEX0609		.MARKER-ALUMINUM FOIL PLACARD CONTENT: L137		1
10	30-1552-1		.FLOODLIGHT ASSY-MAIN CARGO DOOR GND ILLUMINATION SUPPLIER CODE: V72914 POSITION DATA: FWD SPECIFICATION NUMBER: S283T008-10 ELECTRICAL EQUIP NUMBER: L00137 COMPONENT MAINT MANUAL REF: 33-31-06		1
12	MS35206-230		..SCREW		1
13	MS21042-06		..NUT		1
15	31-5182-1		..LENS ASSY- SUPPLIER CODE: V72914		1
17	60-3503-3		...SCREW- SUPPLIER CODE: V72914		6
18	MS35338-42		...WASHER		6
20	60-0759-1		...CLIP- SUPPLIER CODE: V72914 ATTACHING PARTS		4
22	MS24693S28		...SCREW		4
24	MS21042-06		...NUT		4
			-----*-----		
- 25	31-4923-1		...LANYARD- SUPPLIER CODE: V72914		1
28	25-1084-23		...LENS- SUPPLIER CODE: V72914		1
33	31-5183-1		...RETAINER- SUPPLIER CODE: V72914		1
- 36	31-5187-1		..RETAINER ASSY- SUPPLIER CODE: V72914		1

ILLUSTRATION ITEMS NOT ON PARTS LIST ARE NOT APPLICABLE

- ITEM NOT ILLUSTRATED

HXL

33-31-05-01

BOEING PROPRIETARY - Copyright © - Unpublished Work - See title page for details.

33-31-05
FIG. 01
PAGE 1
DEC 22/06

 **BOEING**
767
PARTS CATALOG (MAINTENANCE)

FIG ITEM	PART NUMBER	1 2 3 4 5 6 7	NOMENCLATURE	EFFECT FROM TO	UNITS PER ASSY
1					
40	MS35206-249	...	SCREW		4
44	B6492-5	...	RETAINER-		1
			SUPPLIER CODE: V72914		
49	4571LAMP	..	LAMP-28V 150W		1
			SUPPLIER CODE: V08806		
- 50	284T0231-2		LIGHT INSTL-MAIN CARGO LOADING FOR NHA SEE: 24-00-58-01B		RF
55	BAC27TEX0610	.	MARKER-ALUMINUM FOIL PLACARD CONTENT: L138		1
60	30-1552-3	.	FLOODLIGHT ASSY-MAIN CARGO DOOR GND ILLUMINATION SUPPLIER CODE: V72914 PLACARD CONTENT: AFT SPECIFICATION NUMBER: S283T008-14 ELECTRICAL EQUIP NUMBER: L00138 COMPONENT MAINT MANUAL REF: 33-31-06		1
62	MS35206-230	..	SCREW		1
63	MS21042-06	..	NUT		1
65	31-5182-3	..	LENS ASSY-		1
			SUPPLIER CODE: V72914		
68	60-3503-3	...	SCREW-		6
			SUPPLIER CODE: V72914		
71	MS35338-42	...	WASHER		6
75	60-0759-1	...	CLIP-		4
			SUPPLIER CODE: V72914 ATTACHING PARTS		
77	MS24693S28	...	SCREW		4
79	MS21042-06	...	NUT		4
			-----*-----		
- 80	31-4923-1	...	LANYARD-		1
			SUPPLIER CODE: V72914		
82	25-1084-23	...	LENS-		1
			SUPPLIER CODE: V72914		

ILLUSTRATION ITEMS NOT ON PARTS LIST ARE NOT APPLICABLE

- ITEM NOT ILLUSTRATED

HXL

33-31-05-01

BOEING PROPRIETARY - Copyright © - Unpublished Work - See title page for details.

33-31-05
FIG. 01
PAGE 2
DEC 22/06



767

PARTS CATALOG (MAINTENANCE)

FIG ITEM	PART NUMBER	1 2 3 4 5 6 7	NOMENCLATURE	EFFECT FROM TO	UNITS PER ASSY
1	84 31-5183-3		...RETAINER- SUPPLIER CODE: V72914		1
-	86 31-5187-1		..RETAINER ASSY- SUPPLIER CODE: V72914		1
	90 MS35206-249		...SCREW		1
	92 B6492-5		...RETAINER- SUPPLIER CODE: V72914		1
	95 4571LAMP		..LAMP-28V 150W SUPPLIER CODE: V08806		1
-	100 284T0231-3		LIGHT INSTL-BULK CARGO LOADING FOR NHA SEE: 24-00-58-01B		RF
-	102 284T0231-5		LIGHT INSTL-BULK CARGO LOADING FOR NHA SEE: 24-00-58-01B		RF
	105 BAC27TEX0611		.MARKER-ALUMINUM FOIL PLACARD CONTENT: L139 USED ON: 285T0231-3 MODREF54034		1
	107 BAC27TEX0612		.MARKER-ALUMINUM FOIL PLACARD CONTENT: L140 USED ON: 285T0231-5 MODREF54035		1
	110 30-1627-1		.FLOODLIGHT ASSY-BULK CARGO DOOR GND ILLUMINATION SUPPLIER CODE: V72914 SPECIFICATION NUMBER: S283T008-11 ELECTRICAL EQUIP NUMBER: L00139 COMPONENT MAINT MANUAL REF: 33-31-07 USED ON: 284T0231-3 MODREF54034		1

ILLUSTRATION ITEMS NOT ON PARTS LIST ARE NOT APPLICABLE

- ITEM NOT ILLUSTRATED

33-31-05-01

33-31-05
FIG. 01
PAGE 3
DEC 22/07

HXL



767

PARTS CATALOG (MAINTENANCE)

FIG ITEM	PART NUMBER	1 2 3 4 5 6 7	NOMENCLATURE	EFFECT FROM TO	UNITS PER ASSY
1 112	30-1627-5	.	FLOODLIGHT ASSY-BULK CARGO DOOR GND ILLUMINATION SUPPLIER CODE: V72914 SPECIFICATION NUMBER: S283T008-19 ELECTRICAL EQUIP NUMBER: L00140 COMPONENT MAINT MANUAL REF: 33-31-07 USED ON: 284T0231-5 MODREF54035		1
115	31-5182-5	..	LENS ASSY- SUPPLIER CODE: V72914		1
120	A7794-4	...	TUBE- SUPPLIER CODE: V72914		12
125	60-3503-1	...	SCREW-MACHINE SUPPLIER CODE: V72914		6
130	MS35338-42	...	WASHER		6
135	60-0759-1	...	CLIP- SUPPLIER CODE: V72914		4
140	MS24693S26	...	SCREW		4
145	MS21042-06	...	NUT		4
160	25-1084-23	...	LENS- SUPPLIER CODE: V72914		1
165	31-5183-5	...	RETAINER- SUPPLIER CODE: V72914		1
- 168	31-5187-1	..	RETAINER ASSY- SUPPLIER CODE: V72914		1
170	MS35206-249	...	SCREW		4
175	B6492-5	...	RETAINER- SUPPLIER CODE: V72914		1
180	4571LAMP	..	LAMP-28V 150W SUPPLIER CODE: V08806		1
- 184	55-1333-1	..	TRANSFORMER ASSY- SUPPLIER CODE: V72914		1

ILLUSTRATION ITEMS NOT ON PARTS LIST ARE NOT APPLICABLE

- ITEM NOT ILLUSTRATED

33-31-05-01

33-31-05
FIG. 01
PAGE 4
DEC 22/07

HXL



767

PARTS CATALOG (MAINTENANCE)

FIG ITEM	PART NUMBER	1 2 3 4 5 6 7	NOMENCLATURE	EFFECT FROM TO	UNITS PER ASSY
1					
190	MS35207-259	..	SCREW		2
195	MS2469S268	..	SCREW		2
200	56-0261-1	...	PLATE-COVER		1
			SUPPLIER CODE: V72914		
			ATTACHING PARTS		
205	MS21043-3	...	NUT		2
			-----*-----		
210	MS21043-3	...	NUT		3
215	NAS620C10L	...	WASHER		3
220	56-0451-1	...	TRANSFORMER-		1
			SUPPLIER CODE: V72914		
225	31-4926-1	...	PLATE-MTG		1
			SUPPLIER CODE: V72914		
			ATTACHING PARTS		
230	MS35207-263	...	SCREW		2
			-----*-----		

ILLUSTRATION ITEMS NOT ON PARTS LIST ARE NOT APPLICABLE

- ITEM NOT ILLUSTRATED

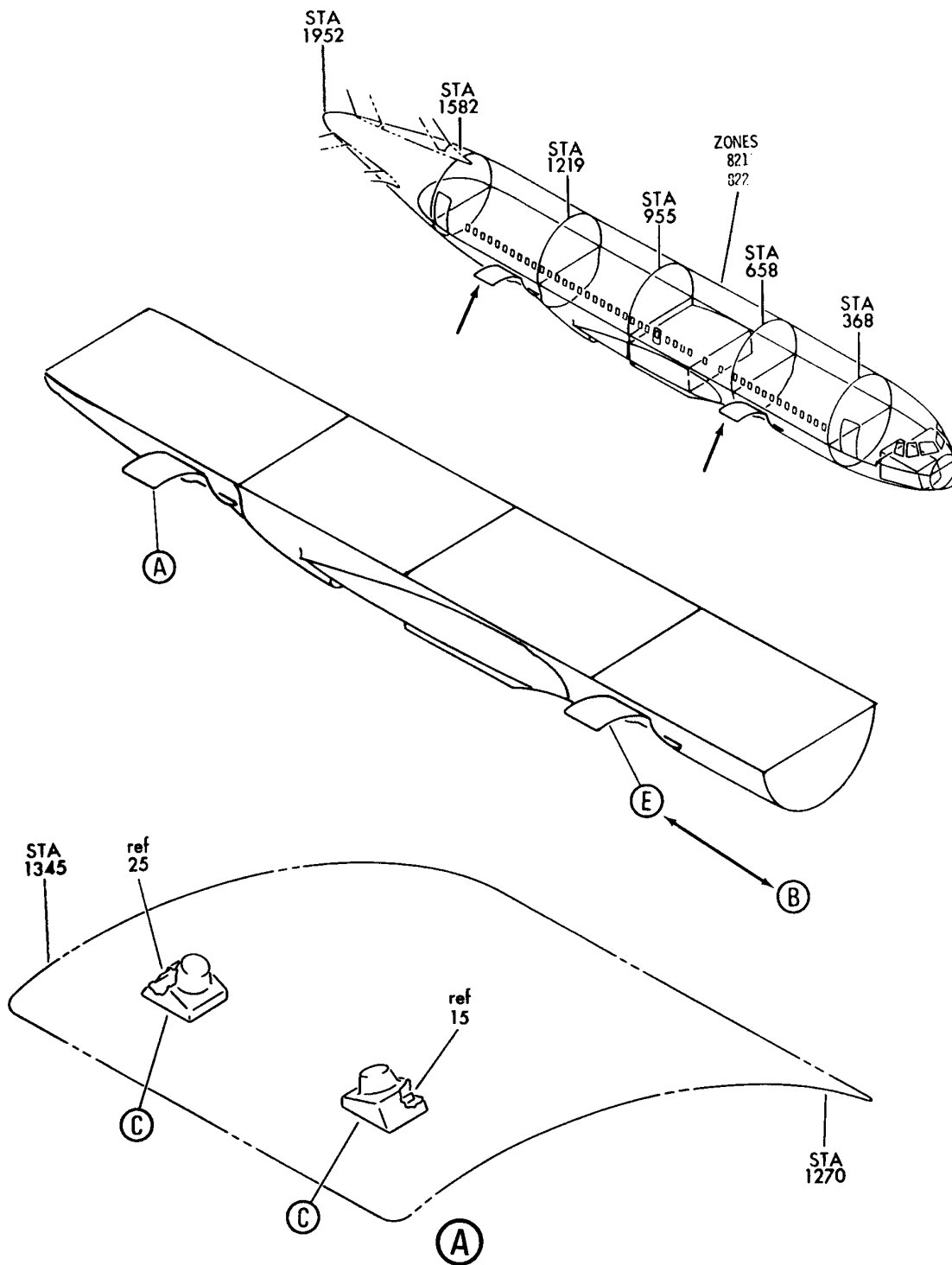
HXL

33-31-05-01

BOEING PROPRIETARY - Copyright © - Unpublished Work - See title page for details.

33-31-05
FIG. 01
PAGE 5
DEC 22/07

BOEING
767
PARTS CATALOG (MAINTENANCE)



V 33310505 SHT 1 REV 199

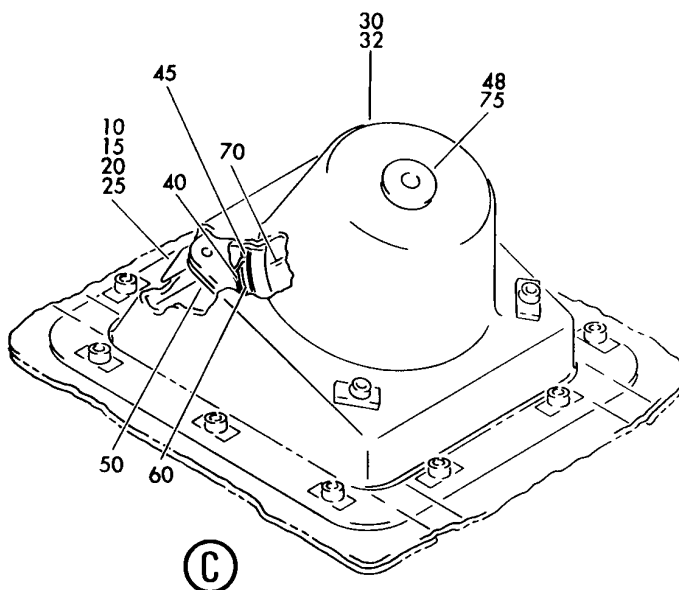
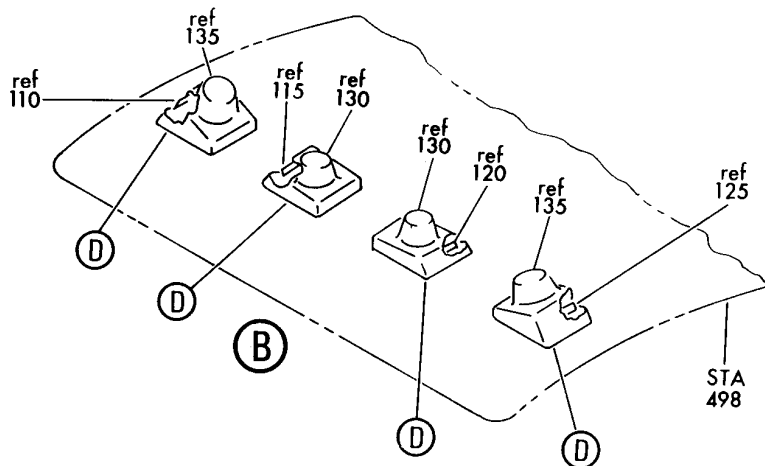
LIGHT INSTL-FWD/AFT MAIN CARGO LOADING ILLUMINATION
FIGURE 5 (SHEET 1)

33-31-05-05

HXL
DEC 22/06

33-31-05-05
PAGE 0

BOEING
767
PARTS CATALOG (MAINTENANCE)



V 33310505 SHT 2 REV 162

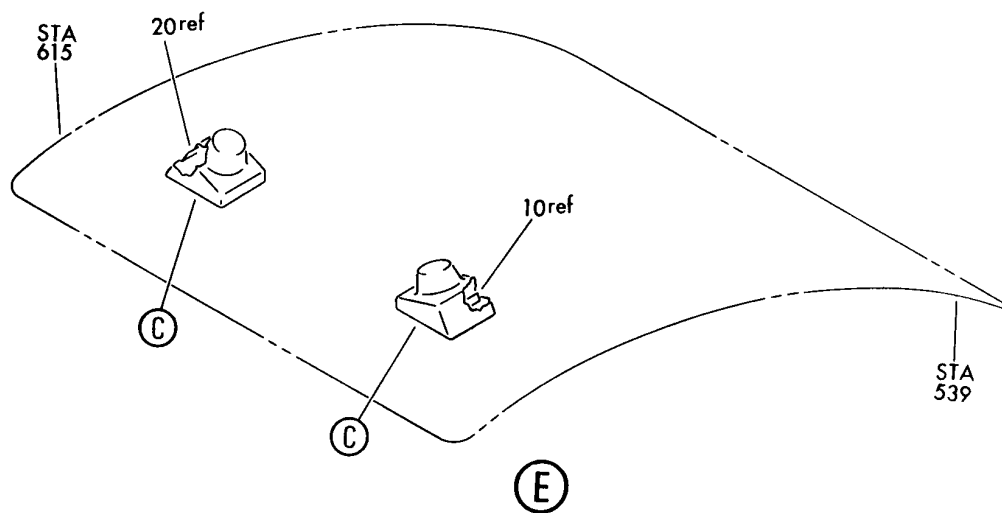
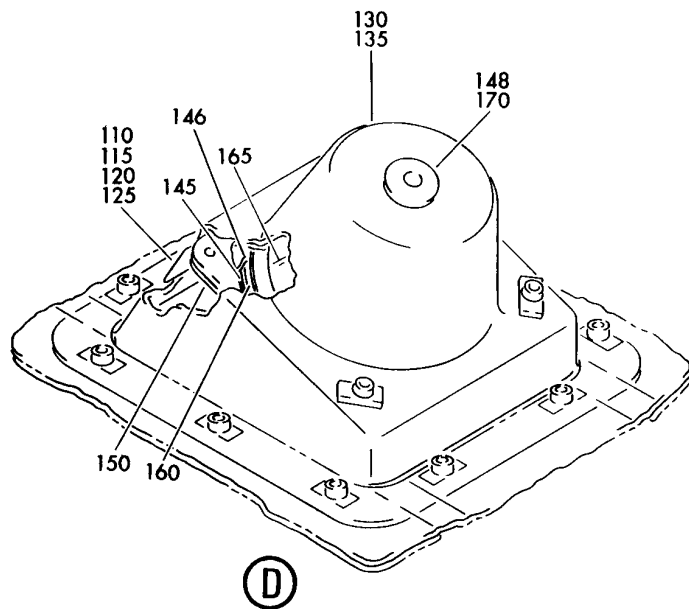
LIGHT INSTL-FWD/AFT MAIN CARGO LOADING ILLUMINATION
FIGURE 5 (SHEET 2)

33-31-05-05

HXL
DEC 22/06

33-31-05-05
PAGE 0A

BOEING
767
PARTS CATALOG (MAINTENANCE)



V 33310505 SHT 3 REV 162

LIGHT INSTL-FWD/AFT MAIN CARGO LOADING ILLUMINATION
FIGURE 5 (SHEET 3)

33-31-05-05

HXL
DEC 22/06

33-31-05-05
PAGE 0B



767

PARTS CATALOG (MAINTENANCE)

FIG ITEM	PART NUMBER	1 2 3 4 5 6 7	NOMENCLATURE	EFFECT FROM TO	UNITS PER ASSY
5			LIGHT INSTL-FWD/AFT MAIN CARGO LOADING ILLUMINATION		
- 5	284T1005-2		LIGHT INSTL-MAIN CARGO LOADING ILLUMINATION POSITION DATA: AFT VARIABLE DRAWING REF: 284T1005-5003 FOR NHA SEE: 24-00-58-01B		RF
15	BAC27TEX0427		.DECAL-CARGO LOADING LT L545 100W USE LAMP NO. 4627 POSITION DATA: AFT		RF
25	BAC27TEX0428		.DECAL-CARGO LOADING LT L547 100W USE LAMP NO. 4627 POSITION DATA: AFT		RF
32	284T1003-1		.HOUSING ASSY- ATTACHING PARTS		2
- 35	CA3105-1032-8		.SCREW ASSY- SUPPLIER CODE: V73439 SPECIFICATION NUMBER: BACS12N10-8 OPTIONAL PART: CA3105-1032-8 V78189 SP1561-1032-8 V73439 POSITION DATA: AFT -----*-----		20
40	284T1003-4		..GASKET- POSITION DATA: AFT		1
45	284T1003-3		..PLATE-MTG POSITION DATA: AFT ATTACHING PARTS		1
- 47	BACR15BA4A		..RIVET- POSITION DATA: AFT SIZE DETERMINED ON INSTL. -----*-----		8
ILLUSTRATION ITEMS NOT ON PARTS LIST ARE NOT APPLICABLE					

- ITEM NOT ILLUSTRATED

33-31-05-05

33-31-05
FIG. 05
PAGE 1
DEC 22/07

HXL

BOEING
767
PARTS CATALOG (MAINTENANCE)

FIG ITEM	PART NUMBER	1 2 3 4 5 6 7	NOMENCLATURE	EFFECT FROM TO	UNITS PER ASSY
5	284T1004-1		.RETAINER ASSY- POSITION DATA: AFT		2
- 55	NAS1801-3-7		.SCREW- POSITION DATA: AFT		8
60	284T1004-3		-----*----- .GASKET- POSITION DATA: AFT		1
70	4627		.LAMP- SUPPLIER CODE: V08806 POSITION DATA: AFT		2
75	NAS1368N6A		.GROMMET- POSITION DATA: AFT		2
- 100	284T1005-3		LIGHT INSTL-MAIN CARGO LOADING ILLUMINATION POSITION DATA: FWD FOR NHA SEE: 24-00-58-01B		RF
110	BAC27TEX3442		.DECAL- PLACARD CONTENT: L740 100W USE LAMP NO. 4627		RF
115	BAC27TEX3444		.DECAL- PLACARD CONTENT: L173 100W USE LAMP NO. 4627		RF
120	BAC27TEX3445		.DECAL- PLACARD CONTENT: L172 100W USE LAMP NO. 4627		RF
125	BAC27TEX3443		.DECAL- PLACARD CONTENT: L739 100W USE LAMP NO. 4627		RF
130	284T0959-1		.HOUSING ASSY-		2
135	284T0959-2		.HOUSING ASSY-		2

ILLUSTRATION ITEMS NOT ON PARTS LIST ARE NOT APPLICABLE

- ITEM NOT ILLUSTRATED

HXL

33-31-05-05

BOEING PROPRIETARY - Copyright © - Unpublished Work - See title page for details.

33-31-05
FIG. 05
PAGE 2
DEC 22/07

BOEING
767
PARTS CATALOG (MAINTENANCE)

FIG ITEM	PART NUMBER	1 2 3 4 5 6 7	NOMENCLATURE	EFFECT FROM TO	UNITS PER ASSY
5			ATTACHING PARTS		
- 140	CA3105-1032-8		.SCREW ASSY SUPPLIER CODE: V73439 SPECIFICATION NUMBER: BACS12N10-8 OPTIONAL PART: CA3105-1032-8 V78189 SP1561-1032-8 V73439 -----*-----		16
145	284T1003-4		..GASKET		1
146	284T1003-3		..PLATE-MTG		1
- 147	BACR15BA4A		ATTACHING PARTS ..RIVET- SIZE DETERMINED ON INSTL. -----*-----		8
150	284T1004-1		.RETAINER ASSY		4
- 155	NAS1801-3-7		ATTACHING PARTS .SCREW -----*-----		16
160	284T1004-3		..GASKET		1
165	4627		.LAMP- SUPPLIER CODE: V08806		4
170	NAS1368N6A		.GROMMET		4

ILLUSTRATION ITEMS NOT ON PARTS LIST ARE NOT APPLICABLE

- ITEM NOT ILLUSTRATED

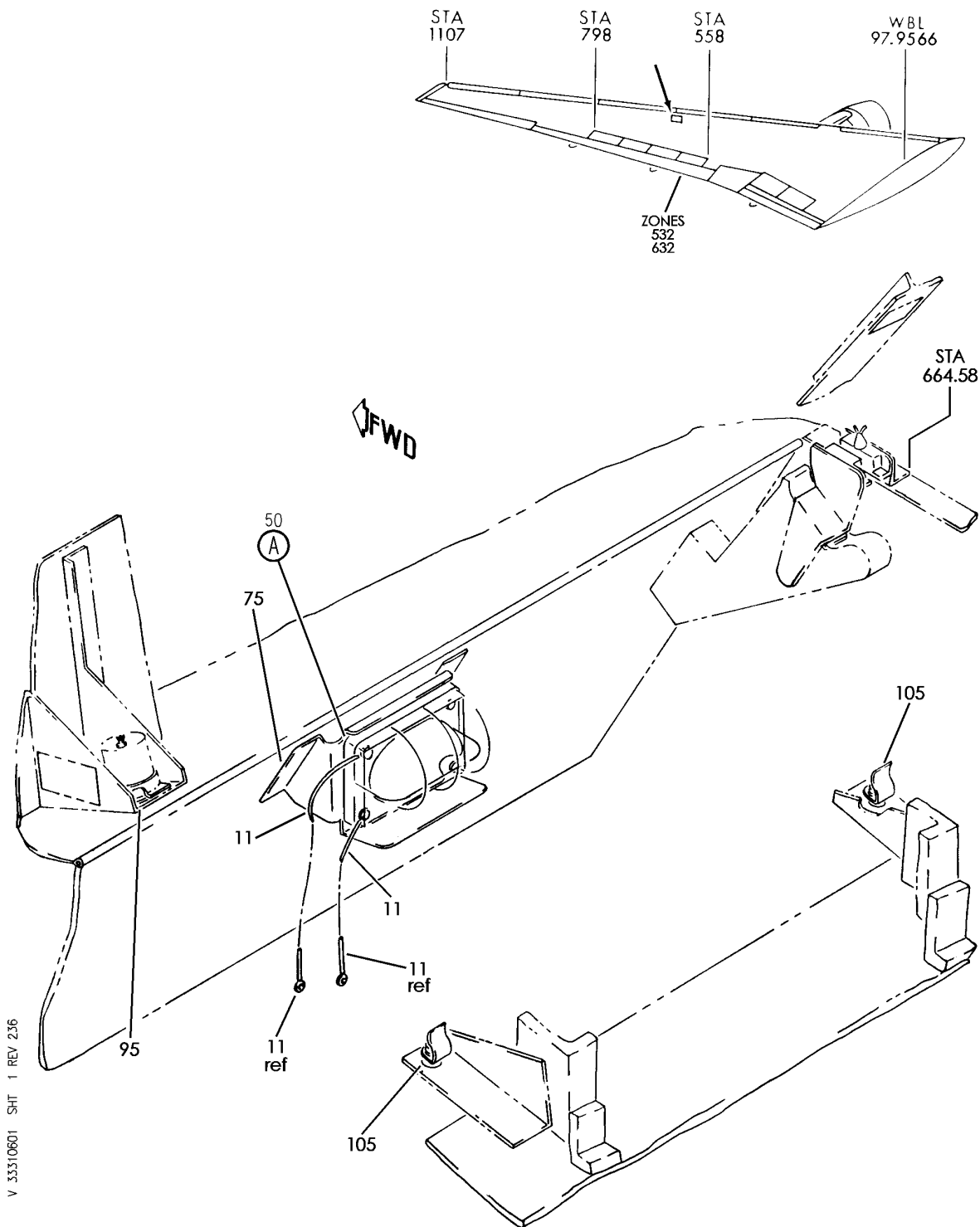
HXL

33-31-05-05

BOEING PROPRIETARY - Copyright © - Unpublished Work - See title page for details.

33-31-05
FIG. 05
PAGE 3
DEC 22/07

BOEING
767
PARTS CATALOG (MAINTENANCE)



V 33310601 SHT 1 REV 236

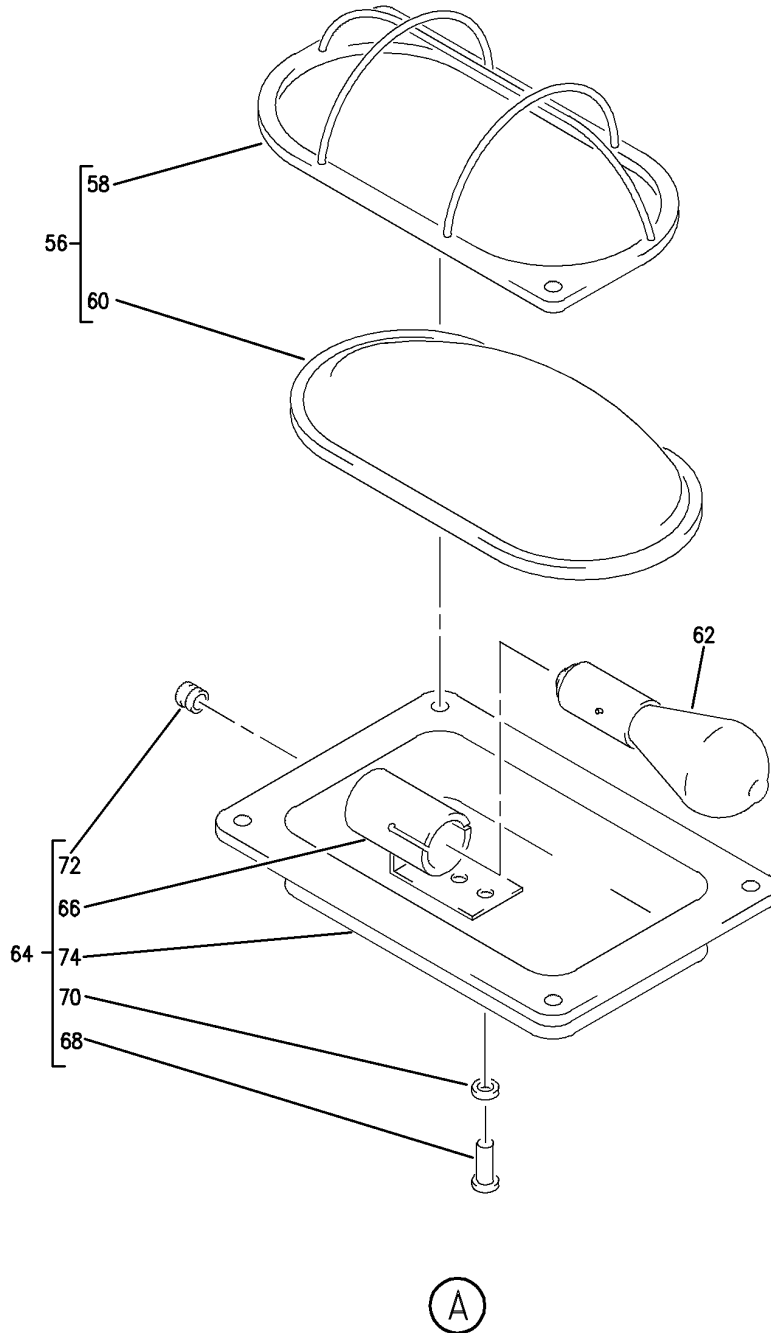
LIGHT INSTL-REFUELING PNL (LIGHTS ONLY)
FIGURE 1 (SHEET 1)

33-31-06-01

HXL
DEC 22/06

33-31-06-01
PAGE 0

BOEING
767
PARTS CATALOG (MAINTENANCE)



V 33310601 SHT 2 REV 236

LIGHT INSTL-REFUELING PNL (LIGHTS ONLY)
FIGURE 1 (SHEET 2)

33-31-06-01

HXL
DEC 22/06

33-31-06-01
PAGE 0A



767

PARTS CATALOG (MAINTENANCE)

FIG ITEM	PART NUMBER	1 2 3 4 5 6 7	NOMENCLATURE	EFFECT FROM TO	UNITS PER ASSY
1			LIGHT INSTL-REFUELING PNL (LIGHTS ONLY)		
- 1	284T0562-1		LIGHT INSTL-REFUELING PNL (LIGHTS ONLY) POSITION DATA: LH VARIABLE DRAWING REF: 284T0562-5003 FOR NHA/OTHER SYS DET SEE: 24-00-58-01B		RF
11	BACJ40A20-8		. JUMPER ASSY ATTACHING PARTS		2
- 14	BRH10A3		. NUT SUPPLIER CODE: V52828 SPECIFICATION NUMBER: BACN10JC3 OPTIONAL PART: H10-3BAC V15653 NS202101-02 V80539 RMLH9075-3W V72962 VN303A02 V92215 96-02 V80539 T6S1032J V11815		2
50	15-0143-7		-----*----- . LIGHT ASSY- SUPPLIER CODE: V72914 ELECTRICAL EQUIP NUMBER: L00062 COMPONENT MAINT MANUAL REF: 33-30-07		1
- 52	60-2042-1		.. WASHER- SUPPLIER CODE: V72914		4
- 54	75247		.. EYELET- SUPPLIER CODE: V51853 OPTIONAL PART: EY520 V72914		2
ILLUSTRATION ITEMS NOT ON PARTS LIST ARE NOT APPLICABLE					

- ITEM NOT ILLUSTRATED

33-31-06-01

33-31-06
FIG. 01
PAGE 1
DEC 22/06

HXL



767

PARTS CATALOG (MAINTENANCE)

FIG ITEM	PART NUMBER	1 2 3 4 5 6 7	NOMENCLATURE	EFFECT FROM TO	UNITS PER ASSY
1					
- 54	EY520		.. EYELET- SUPPLIER CODE: V72914 OPTIONAL PART: 75247 V51853		2
56	16-0454-9		.. COVER ASSY- SUPPLIER CODE: V72914		1
58	21424B2		... GRILL ASSY- SUPPLIER CODE: V72914		1
60	20201-23		... COVER-GLASS SUPPLIER CODE: V72914		1
62	1691		.. BULB- SUPPLIER CODE: V08806 OPTIONAL PART: GE1691 V72914		1
62	GE1691		.. BULB- SUPPLIER CODE: V72914 OPTIONAL PART: 1691 V08805		1
64	16-1174-1		.. HOUSING ASSY- SUPPLIER CODE: V72914		1
66	16-1173-1		... LAMPHOLDER ASSY- SUPPLIER CODE: V72914 ATTACHING PARTS		1
68	MS20470AD3-4		... RIVET		1
70	MS27183-4		... WASHER -----*-----		2
72	MS35489-4		... GROMMET		1
74	16-1175-1		... HOUSING- SUPPLIER CODE: V72914		1
75	284T0563-5		. SUPPORT ASSY ATTACHING PARTS		1
- 80	BACB30LH3-3		. BOLT		2
- 85	AN960PD10L		. WASHER		2

ILLUSTRATION ITEMS NOT ON PARTS LIST ARE NOT APPLICABLE

- ITEM NOT ILLUSTRATED

33-31-06-01

33-31-06
FIG. 01
PAGE 2
DEC 22/06

HXL



767

PARTS CATALOG (MAINTENANCE)

FIG ITEM	PART NUMBER	1 2 3 4 5 6 7	NOMENCLATURE	EFFECT FROM TO	UNITS PER ASSY
1 - 90	BRH10A3		.NUT SUPPLIER CODE: V52828 SPECIFICATION NUMBER: BACN10JC3 OPTIONAL PART: H10-3BAC V15653 NS202101-02 V80539 RMLH9075-3W V72962 VN303A02 V92215 96-02 V80539 T6S1032J V11815 -----*-----		2
95 105	BACW10CR7 MS90298-2		.WASHER .CONNECTOR		1 2

ILLUSTRATION ITEMS NOT ON PARTS LIST ARE NOT APPLICABLE

- ITEM NOT ILLUSTRATED

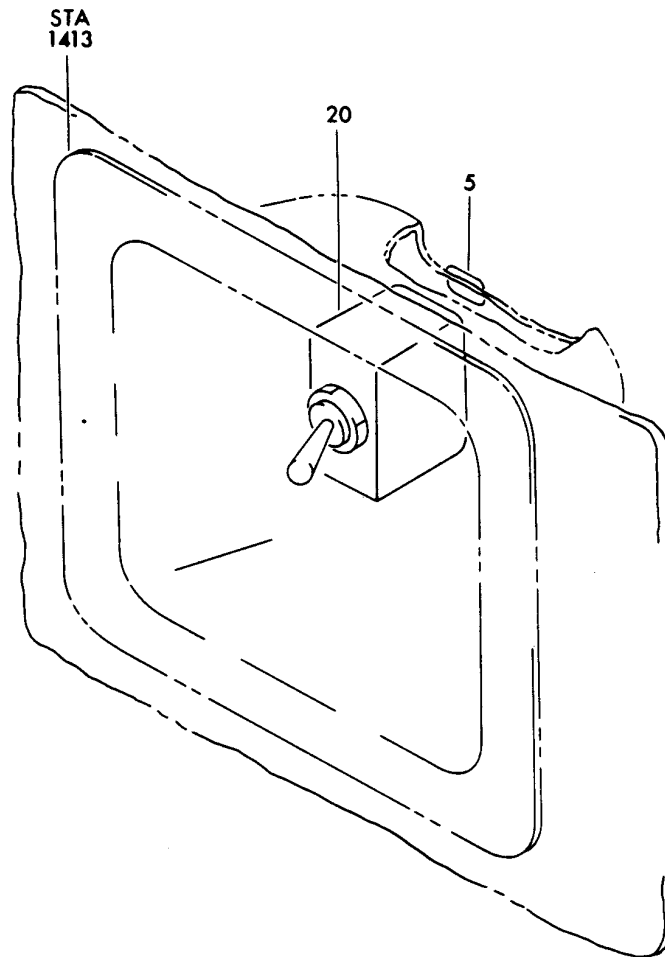
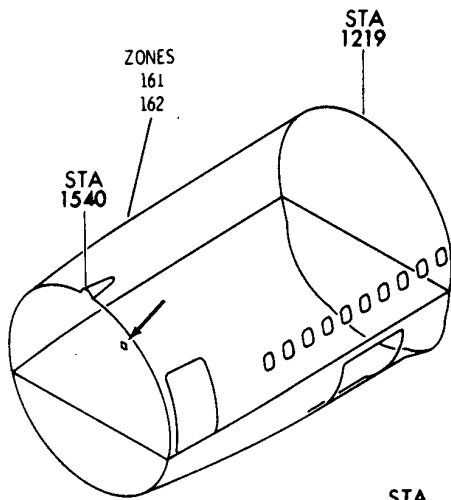
HXL

33-31-06-01

BOEING PROPRIETARY - Copyright © - Unpublished Work - See title page for details.

33-31-06
FIG. 01
PAGE 3
DEC 22/06

BOEING
767
PARTS CATALOG (MAINTENANCE)



V 33315101 SH1 1 REV 032

SWITCH INSTL-BULK CARGO LIGHTS (SERVICE LIGHTS ONLY)
FIGURE 1

33-31-51-01

HXL
DEC 22/06

BOEING PROPRIETARY - Copyright © - Unpublished Work - See title page for details.

33-31-51-01
PAGE 0



767

PARTS CATALOG (MAINTENANCE)

FIG ITEM	PART NUMBER	1 2 3 4 5 6 7	NOMENCLATURE	EFFECT FROM TO	UNITS PER ASSY
1			SWITCH INSTL-BULK CARGO LIGHTS (SERVICE LIGHTS ONLY)		
- 1	284T0196-1		SWITCH INSTL-BULK CARGO LIGHTS (SERVICE LIGHTS ONLY) FOR NHA/OTHER SYS DET SEE: 24-00-58-01B		RF
5	BAC27TEX0544		.DECAL- PLACARD CONTENT: S379		1
20	MS25306-222		.SWITCH- ELECTRICAL EQUIP NUMBER: S00379		1
ILLUSTRATION ITEMS NOT ON PARTS LIST ARE NOT APPLICABLE					

- ITEM NOT ILLUSTRATED

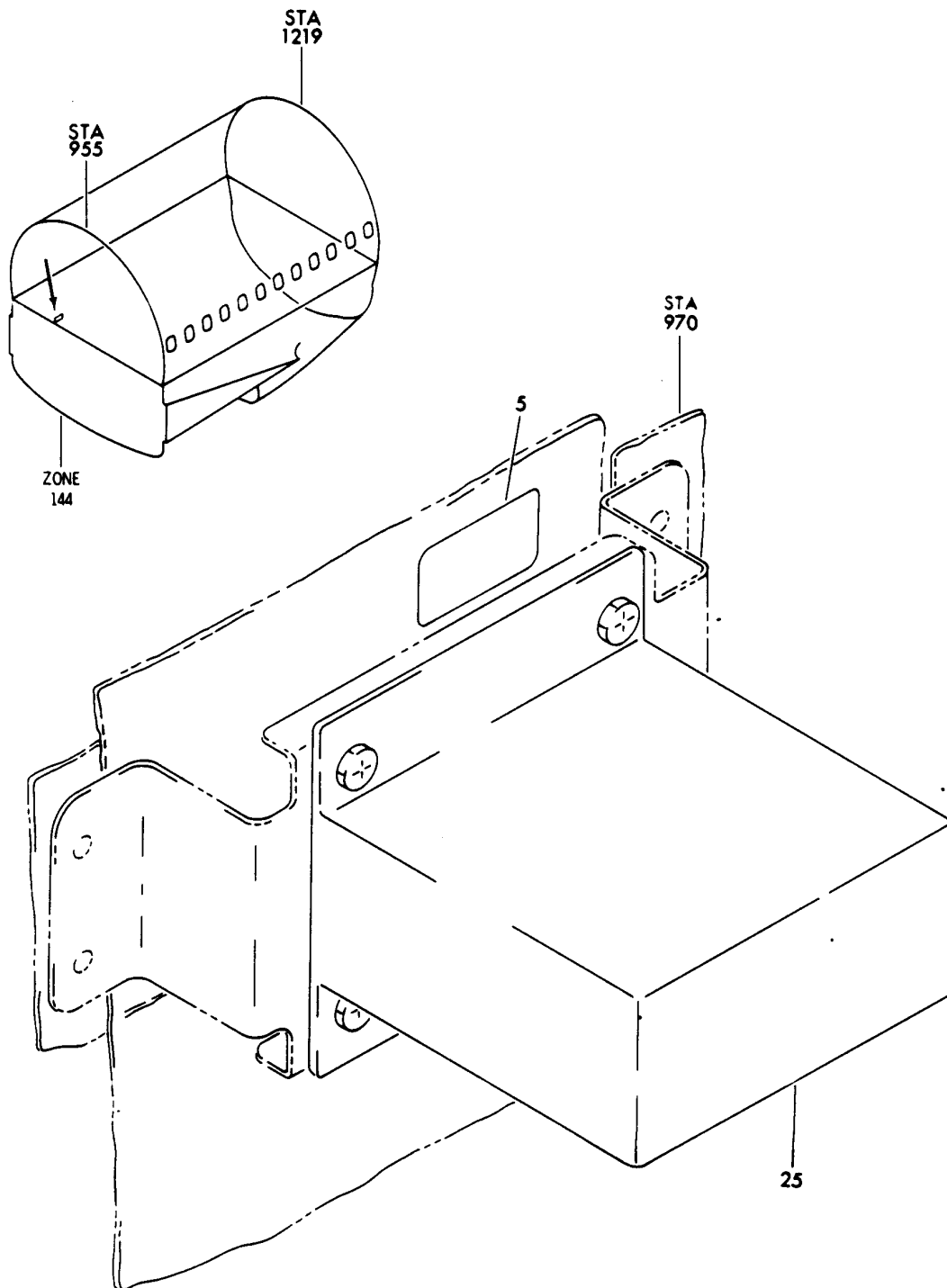
HXL

33-31-51-01

BOEING PROPRIETARY - Copyright © - Unpublished Work - See title page for details.

33-31-51
FIG. 01
PAGE 1
DEC 22/06

BOEING
767
PARTS CATALOG (MAINTENANCE)



V 33315201 SH1 1 REV 022

TRANSFORMER INSTL-MAIN WHL WELL SVCE LT
FIGURE 1

33-31-52-01

HXL
DEC 22/06

33-31-52-01
PAGE 0



767

PARTS CATALOG (MAINTENANCE)

FIG ITEM	PART NUMBER	1 2 3 4 5 6 7	NOMENCLATURE	EFFECT FROM TO	UNITS PER ASSY
1			TRANSFORMER INSTL-MAIN WHL WELL SVCE LT		
- 1	284T0636-1		TRANSFORMER INSTL-MAIN WHL WELL SVCE LT FOR NHA SEE: 24-00-58-02		RF
5	BAC27TEX1068		.DECAL- PLACARD CONTENT: T141		1
25	FT1054AUTOXFMR		.AUTOTRANSFORMER-LIGHTING AND GENERAL PURPOSE 350VA 118/114/110V TO 28V SUPPLIER CODE: V14752 FUNCTIONAL DESCRIPTION: AUTOTRANSFORMER CONVERTS 400 HZ POWER TO SUPPLY GENERAL LIGHTING NEEDS SPECIFICATION NUMBER: 60B40026-16 ELECTRICAL EQUIP NUMBER: T00141		1
- 35	NAS1801-3-8		ATTACHING PARTS .SCREW -----*-----		4

ILLUSTRATION ITEMS NOT ON PARTS LIST ARE NOT APPLICABLE

- ITEM NOT ILLUSTRATED

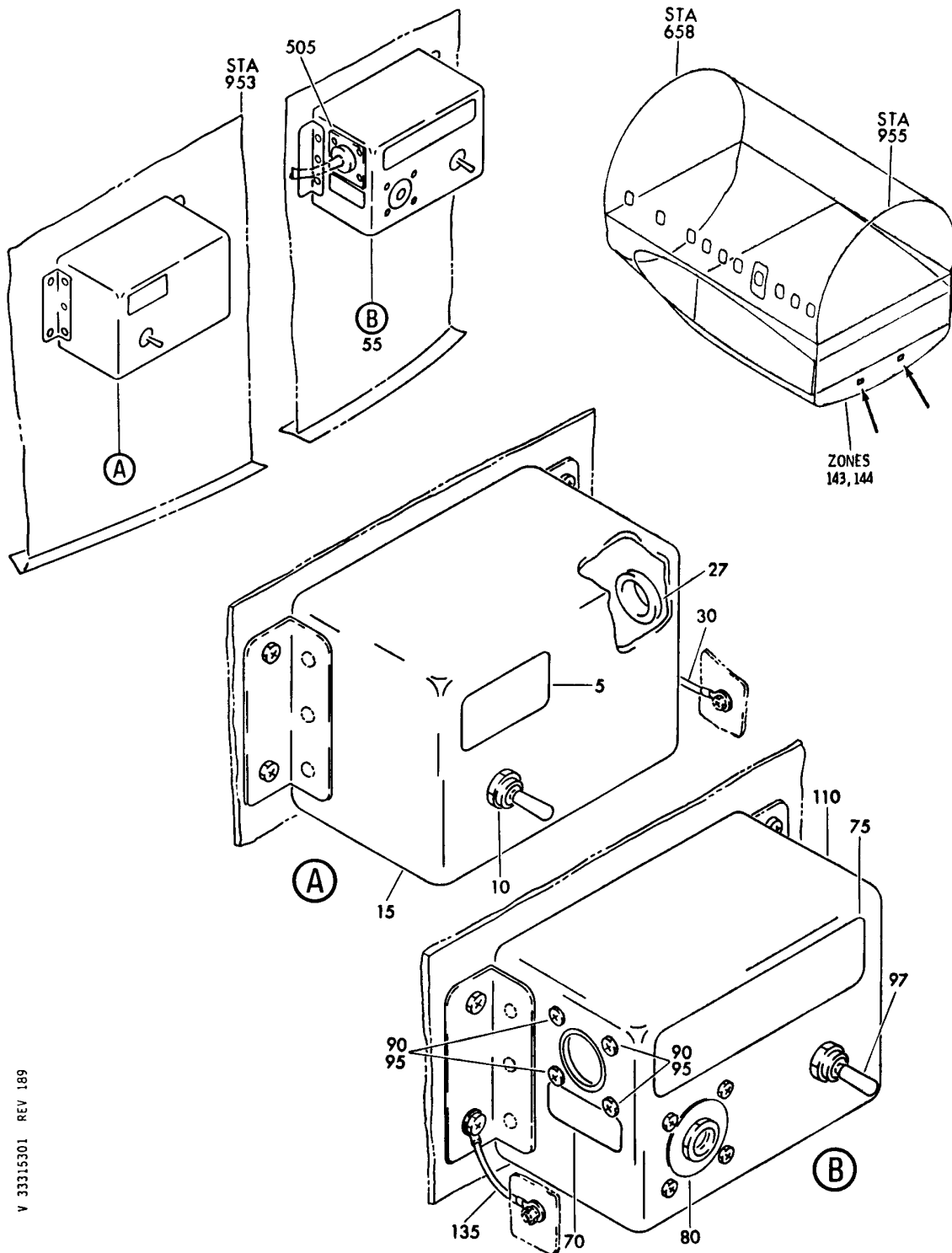
HXL

33-31-52-01

BOEING PROPRIETARY - Copyright © - Unpublished Work - See title page for details.

33-31-52
FIG. 01
PAGE 1
DEC 22/06

BOEING
767
PARTS CATALOG (MAINTENANCE)



V 33315301 REV 189

SWITCH INSTL-MAIN WHL WELL LIGHTS
FIGURE 1

33-31-53-01

HXL
DEC 22/06

33-31-53-01
PAGE 0

BOEING
767
PARTS CATALOG (MAINTENANCE)

FIG ITEM	PART NUMBER	1 2 3 4 5 6 7	NOMENCLATURE	EFFECT FROM TO	UNITS PER ASSY
1			SWITCH INSTL-MAIN WHL WELL LIGHTS		
- 1	284T0550-1		SWITCH INSTL-MAIN WHL WELL LIGHTS POSITION DATA: LH FOR NHA SEE: 24-00-58-01B		RF
	5 BAC27TEX0437		.MARKER-ALUMINUM FOIL PLACARD CONTENT: S468 SERV LTS		1
	10 MS25307-232		.SWITCH- ELECTRICAL EQUIP NUMBER: S00468		1
	15 284T0554-1		.BOX ASSY ATTACHING PARTS		1
- 20	NAS1801-3-10		.SCREW		4
- 25	BRH10A3		.NUT SUPPLIER CODE: V52828 SPECIFICATION NUMBER: BACN10JC3 OPTIONAL PART: H10-3BAC V15653 NS202101-02 V80539 RMLH9075-3W V72962 VN303A02 V92215 96-02 V80539 T6S1032J V11815 -----*-----		4
	27 NAS1368N8A		..GROMMET		1
	30 1002BB7		.JUMPER ASSY SUPPLIER CODE: V1FF12 SPECIFICATION NUMBER: BACJ40A20-7 OPTIONAL PART: CE7E V79550 30363 V00779 ATTACHING PARTS		1
- 33	NAS1801-3-12		.SCREW		1

R
R
R
R
R
R
R
R
R

- ITEM NOT ILLUSTRATED

33-31-53-01

33-31-53
FIG. 01
PAGE 1
AUG 22/09

HXL



767

PARTS CATALOG (MAINTENANCE)

FIG ITEM	PART NUMBER	1 2 3 4 5 6 7	NOMENCLATURE	EFFECT FROM TO	UNITS PER ASSY
1					
- 36	AN960D10L		.WASHER		2
- 39	MS35338-43		.WASHER		1
- 42	BRH10A3		.NUT		1
			SUPPLIER CODE: V52828		
			SPECIFICATION NUMBER: BACN10JC3		
			OPTIONAL PART: H10-3BAC		
			V15653		
			NS202101-02		
			V80539		
			RMLH9075-3W		
			V72962		
			VN303A02		
			V92215		
			96-02		
			V80539		
			T6S1032J		
			V11815		
- 45	MS35650-305T		.NUT		1
			-----*-----		
- 50	284T0550-2		SWITCH INSTL-MAIN WHL WELL LIGHTS		RF
			POSITION DATA: RH		
			FOR NHA SEE: 24-00-58-01B		
55	284T0550-3		.BOX ASSY		1
			ATTACHING PARTS		
- 60	NAS1801-3-10		.SCREW		4

ILLUSTRATION ITEMS NOT ON PARTS LIST ARE NOT APPLICABLE

- ITEM NOT ILLUSTRATED

HXL

33-31-53-01

BOEING PROPRIETARY - Copyright © - Unpublished Work - See title page for details.

33-31-53
FIG. 01
PAGE 2
AUG 22/09



767

PARTS CATALOG (MAINTENANCE)

FIG ITEM	PART NUMBER	1 2 3 4 5 6 7	NOMENCLATURE	EFFECT FROM TO	UNITS PER ASSY
1 - 65	BRH10A3	.	NUT SUPPLIER CODE: V52828 SPECIFICATION NUMBER: BACN10JC3 OPTIONAL PART: H10-3BAC V15653 NS202101-02 V80539 RMLH9075-3W V72962 VN303A02 V92215 96-02 V80539 T6S1032J V11815 -----*-----		4
70	BAC27TEX1136	..	MARKER-ALUMINUM FOIL PLACARD CONTENT: D5810J		1
75	BAC27TEX0439	..	MARKER-ALUMINUM FOIL PLACARD CONTENT: P56 D8553 SERV INPH S319 SERV LTS		1
80	BACW10CR7	..	WASHER-GSE		1
90	NAS1801-04-6	..	SCREW		4
95	BRH10A04	..	NUT SUPPLIER CODE: V52828 SPECIFICATION NUMBER: BACN10JC04 OPTIONAL PART: NS202101-40 V80539 RMLH9075-40W V72962 VN303A40 V92215 96-40 V80539 T6S440J V11815 H10-04BAC V15653		4
97	MS25306-232	..	SWITCH- ELECTRICAL EQUIP NUMBER: S00319		1

ILLUSTRATION ITEMS NOT ON PARTS LIST ARE NOT APPLICABLE

- ITEM NOT ILLUSTRATED

33-31-53-01

33-31-53
FIG. 01
PAGE 3
AUG 22/09

HXL



767

PARTS CATALOG (MAINTENANCE)

FIG ITEM	PART NUMBER	1 2 3 4 5 6 7	NOMENCLATURE	EFFECT FROM TO	UNITS PER ASSY
1					
110	284T0554-2		. . BOX ASSY		1
135	1002BB7		. JUMPER ASSY		1
			SUPPLIER CODE: V1FF12		
			SPECIFICATION NUMBER: BACJ40A20-7		
			OPTIONAL PART: CE7E		
			V79550		
			30363		
			V00779		
			ATTACHING PARTS		
- 140	NAS1801-3-12		. SCREW		1
- 145	AN960D10L		. WASHER		2
- 150	MS35338-43		. WASHER		1
- 155	BRH10A3		. NUT		1
			SUPPLIER CODE: V52828		
			SPECIFICATION NUMBER: BACN10JC3		
			OPTIONAL PART: H10-3BAC		
			V15653		
			NS202101-02		
			V80539		
			RMLH9075-3W		
			V72962		
			VN303A02		
			V92215		
			96-02		
			V80539		
			T6S1032J		
			V11815		
- 160	MS35650-305T		. NUT		1
			-----*-----		
- 500	286T1116-001		WIRE BUNDLE ASSY-		1
505	BACC45FM14C7P		. CONNECTOR-		1
			ELECTRICAL EQUIP NUMBER: D5810J		
			WIRING DIAGRAM REF: 333111		

ILLUSTRATION ITEMS NOT ON PARTS LIST ARE NOT APPLICABLE

- ITEM NOT ILLUSTRATED

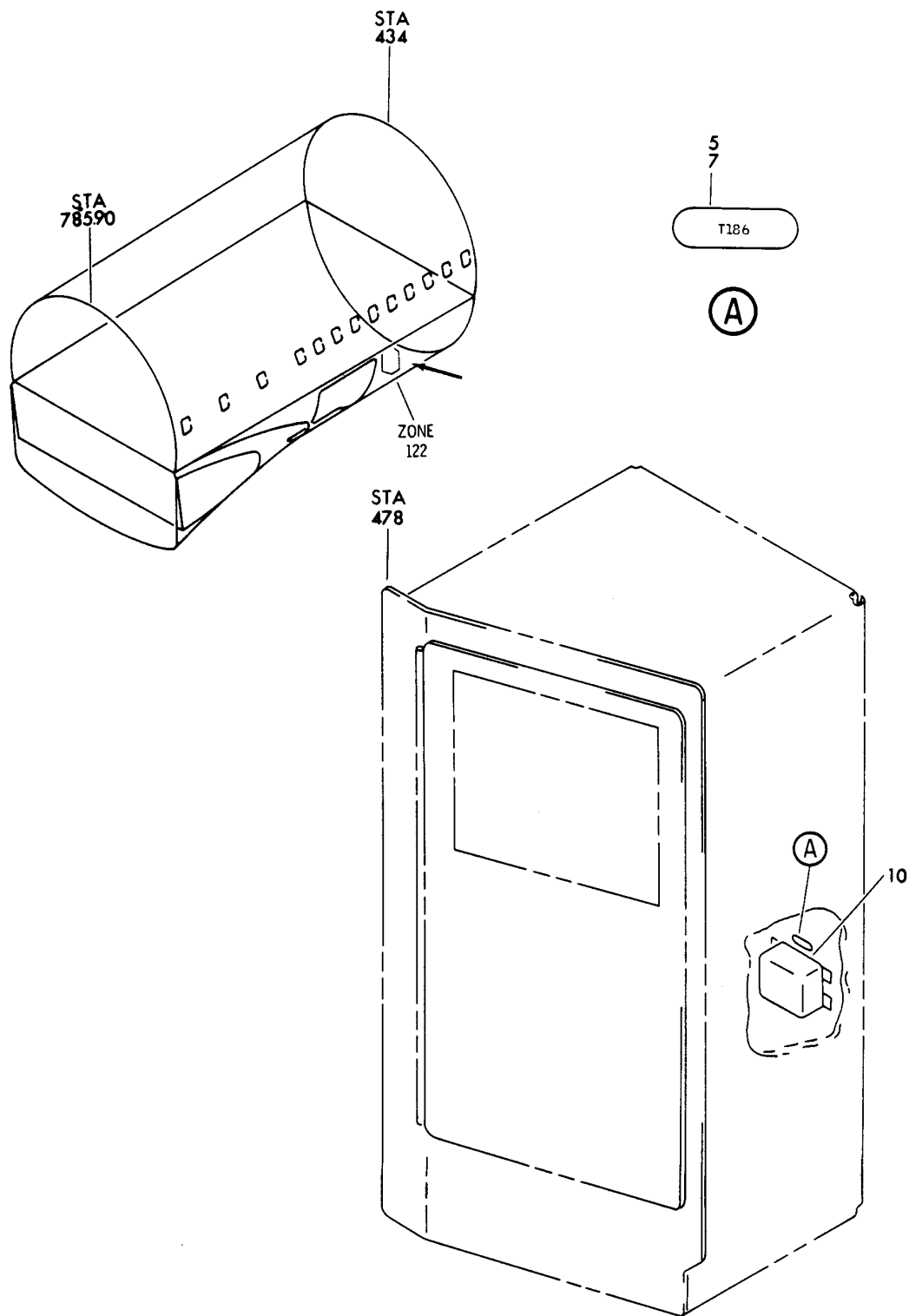
HXL

33-31-53-01

BOEING PROPRIETARY - Copyright © - Unpublished Work - See title page for details.

33-31-53
FIG. 01
PAGE 4
AUG 22/09

BOEING
767
PARTS CATALOG (MAINTENANCE)



V 33315501 SMT 1 REV 089

PANEL ASSY-FWD COMPT CARGO HANDLING ACCESS. (P35) (SERVICE LIGHTS ONLY)

FIGURE 1

33-31-55-01

HXL
DEC 22/06

33-31-55-01
PAGE 0



767

PARTS CATALOG (MAINTENANCE)

FIG ITEM	PART NUMBER	1 2 3 4 5 6 7	NOMENCLATURE	EFFECT FROM TO	UNITS PER ASSY
1			PANEL ASSY-FWD COMPT CARGO HANDLING ACCESS. (P35) (SERVICE LIGHTS ONLY)		
- 2	284T0687-84		PANEL ASSY-CARGO HANDLING ACCESS. P35 (SERVICE LIGHTS ONLY) POSITION DATA: FWD COMPT FOR NHA/OTHER SYS DET SEE: 25-53-07-01		RF
7	BAC27TEX3801		.DECALSET-INCLUDES DECALS IDENTIFIED ON THE ILLUSTRATION		RF
10	284T1174-1		.AUTOTRANSFORMER-750VA 118/114/110V TO 28V ELECTRICAL EQUIP NUMBER: T00186		1
- 20	NAS1801-3-8		ATTACHING PARTS .SCREW -----*-----		4

ILLUSTRATION ITEMS NOT ON PARTS LIST ARE NOT APPLICABLE

- ITEM NOT ILLUSTRATED

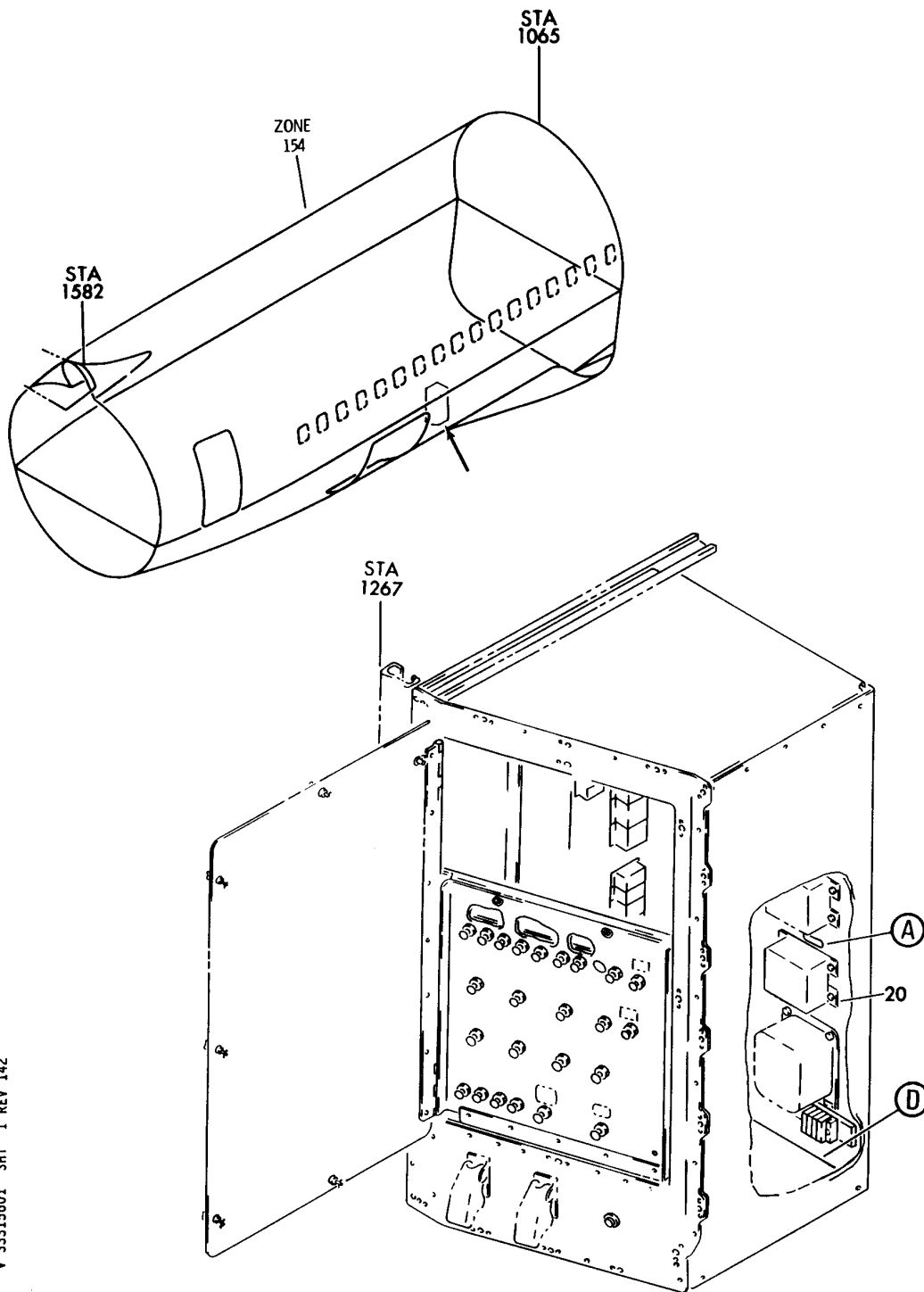
HXL

33-31-55-01

BOEING PROPRIETARY - Copyright © - Unpublished Work - See title page for details.

33-31-55
FIG. 01
PAGE 1
DEC 22/07

BOEING
767
PARTS CATALOG (MAINTENANCE)



V 33315601 SHT 1 REV 142

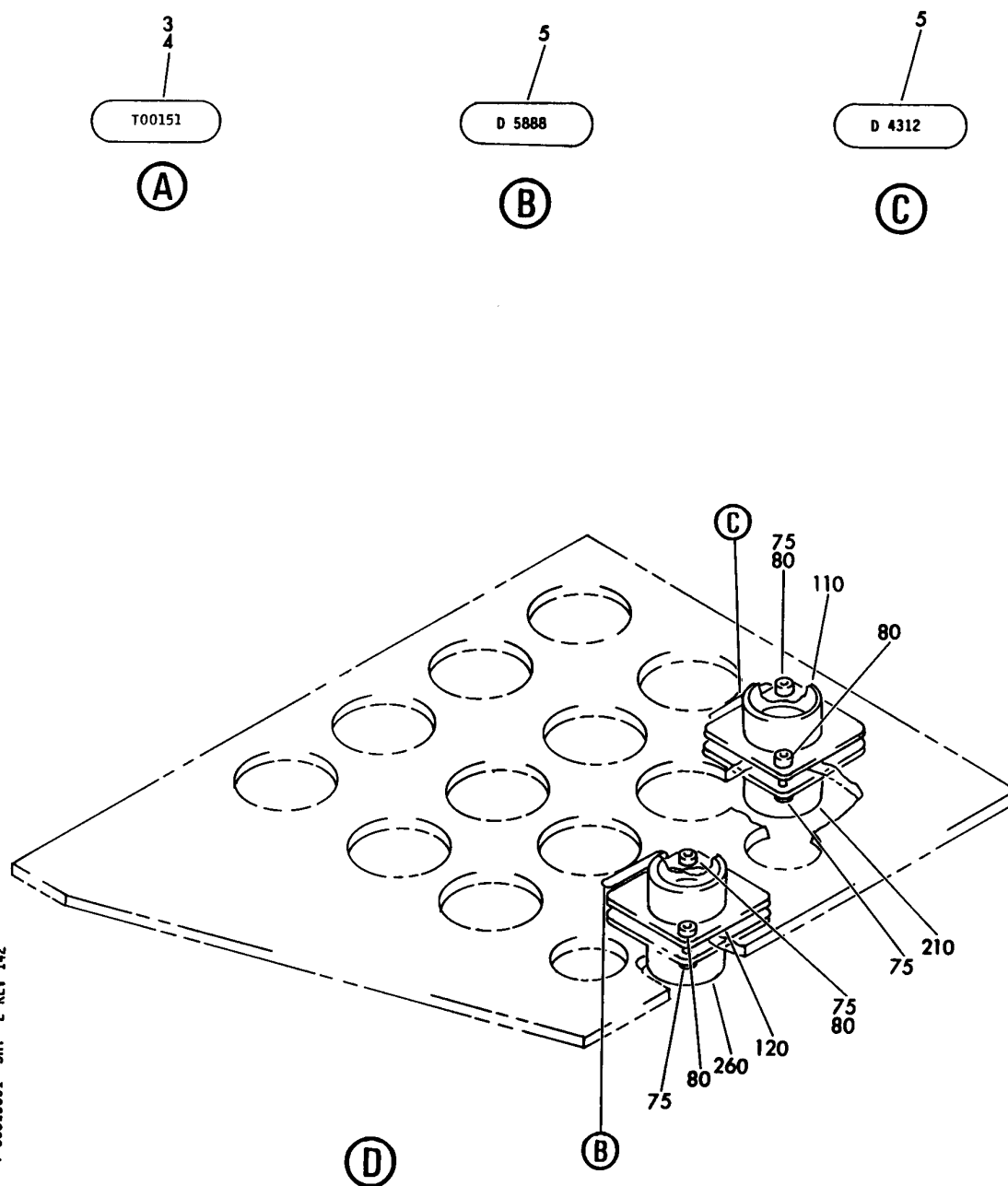
PANEL ASSY-AFT COMPT CARGO HANDLING ACCESS. (P39) (SERVICE LIGHTS ONLY)
FIGURE 1 (SHEET 1)

33-31-56-01

HXL
DEC 22/06

33-31-56-01
PAGE 0

BOEING
767
PARTS CATALOG (MAINTENANCE)



PANEL ASSY-AFT COMPT CARGO HANDLING ACCESS. (P39) (SERVICE LIGHTS ONLY)
FIGURE 1 (SHEET 2)

HXL
DEC 22/06

33-31-56-01

33-31-56-01
PAGE 0A



PARTS CATALOG (MAINTENANCE)

FIG ITEM	PART NUMBER	1 2 3 4 5 6 7	NOMENCLATURE	EFFECT FROM TO	UNITS PER ASSY
1			PANEL ASSY-AFT COMPT CARGO HANDLING ACCESS. (P39) (SERVICE LIGHTS ONLY)		
- 1	284T0688-64		PANEL ASSY-CARGO HANDLING ACCESS. P39 (SERVICE LIGHTS ONLY)		RF
		4	BAC27TEX3795 .DECALSET-INCLUDES DECALS IDENTIFIED ON THE ILLUSTRATION		RF
		5	BAC27TEX3796 .DECALSET-INCLUDES DECALS IDENTIFIED ON THE ILLUSTRATION		RF
		20	FT1054AUTOXFMR .AUTOTRANSFORMER-350VA 118/114/110V TO 28V SUPPLIER CODE: V14752 FUNCTIONAL DESCRIPTION: AUTOTRANSFORMER CONVERTS 400 HZ POWER TO SUPPLY GENERAL LIGHTING NEEDS SPECIFICATION NUMBER: 60B40026-16 ELECTRICAL EQUIP NUMBER: T00151		1
- 25	NAS1801-3-8		ATTACHING PARTS .SCREW -----*-----		4
		75	NAS1801-04-6 .SCREW		4
		80	K19798-04 .NUT		4
			SUPPLIER CODE: V15653 SPECIFICATION NUMBER: BACN10NW1 OPTIONAL PART: RMA4812-160-40 V72962 293162 V60119		
- 100	286T1068-300		.WIRE BUNDLE ASSY		1
		110	BACC45FN20-39S ..CONNECTOR- ELECTRICAL EQUIP NUMBER: D04312J WIRING DIAGRAM REF: 333161		1

ILLUSTRATION ITEMS NOT ON PARTS LIST ARE NOT APPLICABLE

- ITEM NOT ILLUSTRATED

33-31-56-01

33-31-56
FIG. 01
PAGE 1
DEC 22/07

HXL



767

PARTS CATALOG (MAINTENANCE)

FIG ITEM	PART NUMBER	1 2 3 4 5 6 7	NOMENCLATURE	EFFECT FROM TO	UNITS PER ASSY
1 120	BACC45FN14-15S		. . CONNECTOR- ELECTRICAL EQUIP NUMBER: D05888J WIRING DIAGRAM REF: 333161		1
- 200 210	286T0662-300 BACC45FT20-39P		WIRE BUNDLE ASSY .CONNECTOR- ELECTRICAL EQUIP NUMBER: D04312P WIRING DIAGRAM REF: 333761		RF 1
- 250 260	286T1136-300 BACC45FT14-15P		WIRE BUNDLE ASSY .CONNECTOR- ELECTRICAL EQUIP NUMBER: D05888P WIRING DIAGRAM REF: 333161		RF 1

ILLUSTRATION ITEMS NOT ON PARTS LIST ARE NOT APPLICABLE

- ITEM NOT ILLUSTRATED

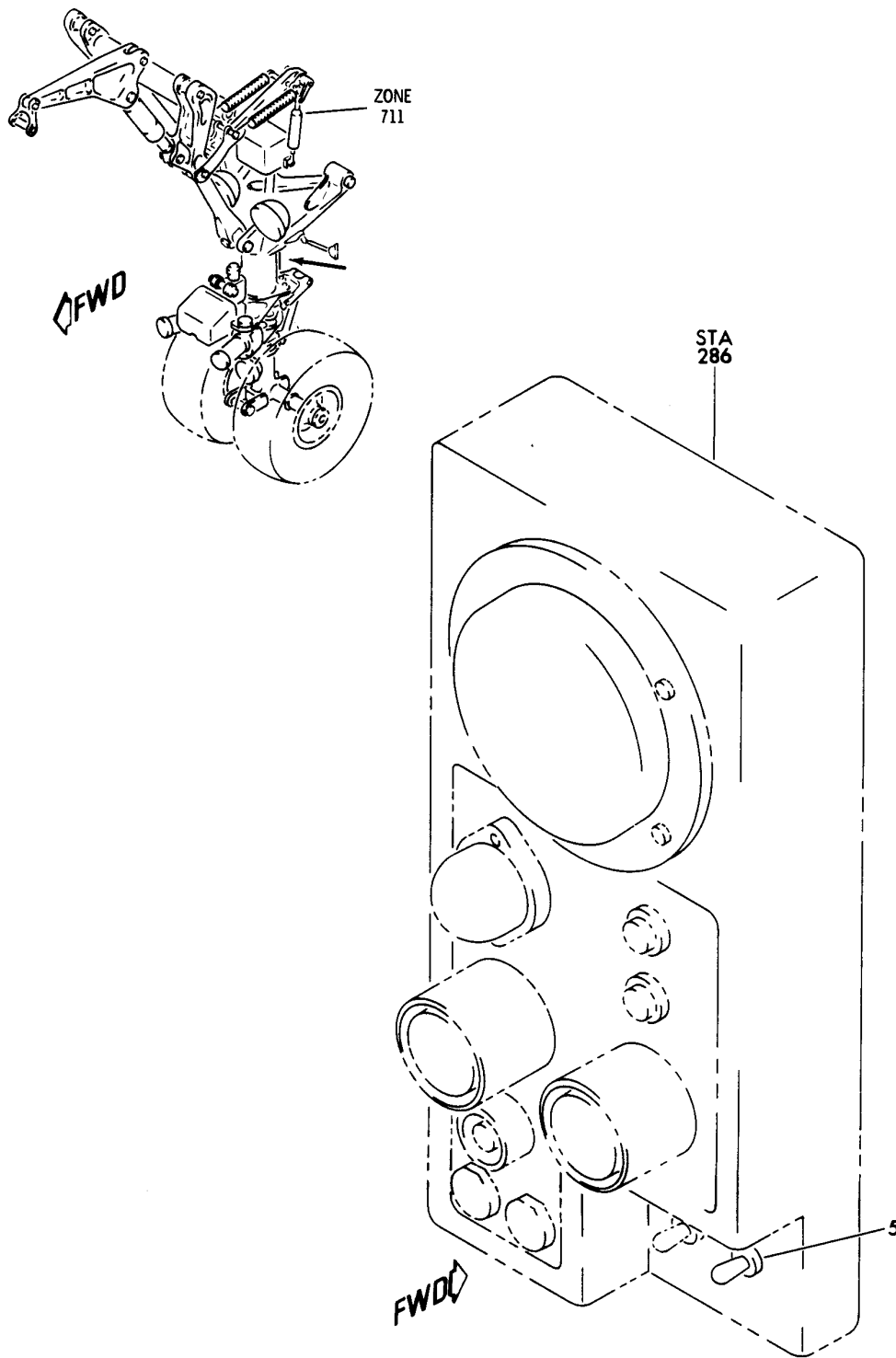
HXL

33-31-56-01

BOEING PROPRIETARY - Copyright © - Unpublished Work - See title page for details.

33-31-56
FIG. 01
PAGE 2
DEC 22/07

BOEING
767
PARTS CATALOG (MAINTENANCE)



V 33315701 SHT 1 REV 025

PANEL ASSY-APU SHUTDOWN P40 (SERVICE LIGHTS ONLY)
FIGURE 1

33-31-57-01

HXL
DEC 22/06

33-31-57-01
PAGE 0



767

PARTS CATALOG (MAINTENANCE)

FIG ITEM	PART NUMBER	1 2 3 4 5 6 7	NOMENCLATURE	EFFECT FROM TO	UNITS PER ASSY
1			PANEL ASSY-APU SHUTDOWN P40 (SERVICE LIGHTS ONLY)		
- 1	284T0719-18		PANEL ASSY-APU SHUTDOWN P40 (SERVICE LIGHTS ONLY)		RF
			FOR NHA/OTHER SYS DET SEE: 26-15-01-01		
5	MS24658-23D		.SWITCH- ELECTRICAL EQUIP NUMBER: S00324		1

ILLUSTRATION ITEMS NOT ON PARTS LIST ARE NOT APPLICABLE

- ITEM NOT ILLUSTRATED

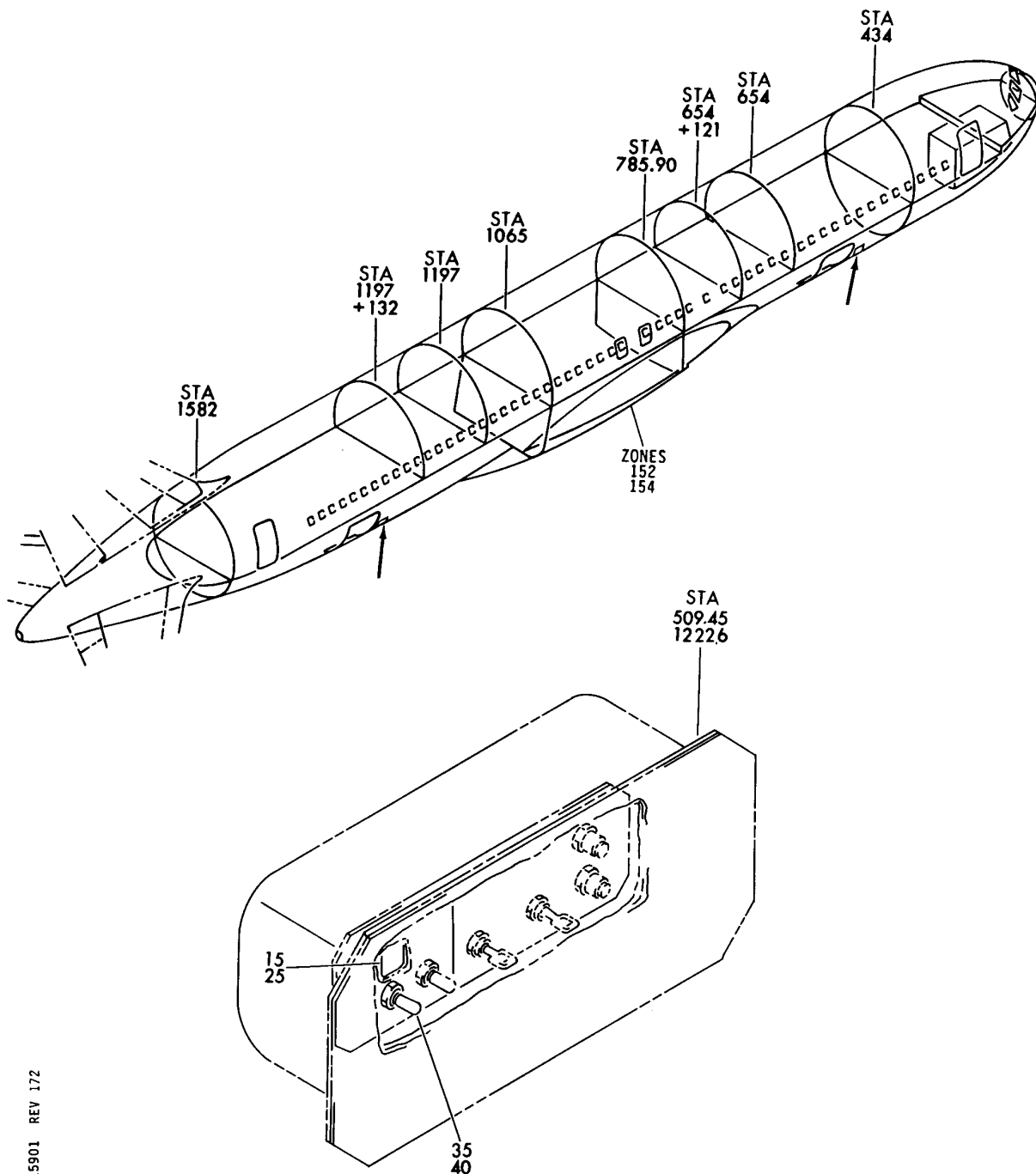
HXL

33-31-57-01

BOEING PROPRIETARY - Copyright © - Unpublished Work - See title page for details.

33-31-57
FIG. 01
PAGE 1
DEC 22/07

BOEING
767
PARTS CATALOG (MAINTENANCE)



V 33315901 REV 172

PANEL ASSY-CARGO DOOR ACTUATION CONT (SERVICE LIGHTS ONLY)
FIGURE 1

33-31-59-01

HXL
DEC 22/06

33-31-59-01
PAGE 0



767

PARTS CATALOG (MAINTENANCE)

FIG ITEM	PART NUMBER	1 2 3 4 5 6 7	NOMENCLATURE	EFFECT FROM TO	UNITS PER ASSY
1			PANEL ASSY-CARGO DOOR ACTUATION CONT (SERVICE LIGHTS ONLY)		
- 5	284T0566-2		PANEL ASSY-CARGO DOOR ACTUATION CONT (SERVICE LIGHTS ONLY) POSITION DATA: AFT FOR NHA/OTHER SYS DET SEE: 52-35-09-01		RF
- 5	284T0566-7		PANEL ASSY-CARGO DOOR ACTUATION CONT (SERVICE LIGHTS ONLY) POSITION DATA: AFT FOR NHA/OTHER SYS DET SEE: 52-35-09-01		RF
25	BAC27TEX0791		.MARKER-ALUMINUM FOIL POSITION DATA: AFT PLACARD CONTENT: S516		1
40	MS25306-232		.SWITCH- ELECTRICAL EQUIP NUMBER: S00516 OPTIONAL PART: 8836K4 V81640		1
40	8836K4		.SWITCH- SUPPLIER CODE: V81640 ELECTRICAL EQUIP NUMBER: S00516 OPTIONAL PART: MS25306-232		1

ILLUSTRATION ITEMS NOT ON PARTS LIST ARE NOT APPLICABLE

- ITEM NOT ILLUSTRATED

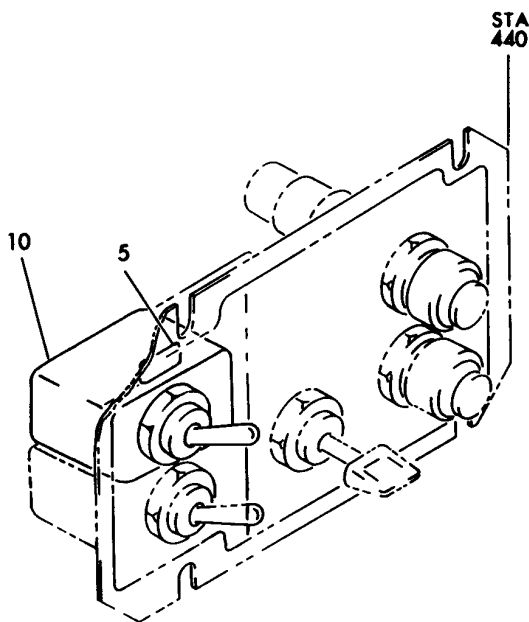
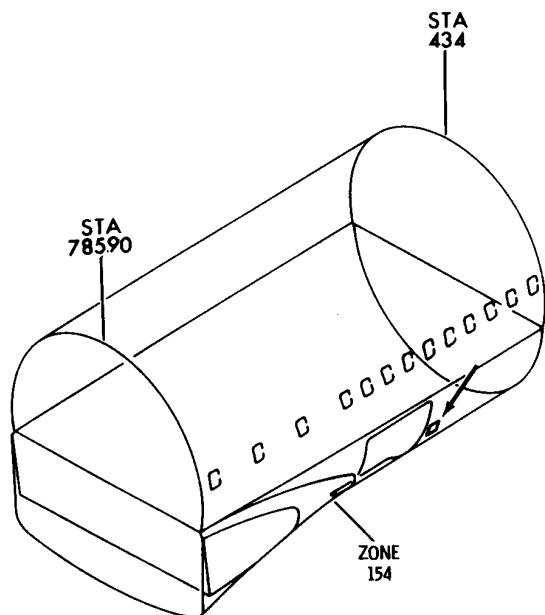
HXL

33-31-59-01

BOEING PROPRIETARY - Copyright © - Unpublished Work - See title page for details.

33-31-59
FIG. 01
PAGE 1
DEC 22/06

BOEING
767
PARTS CATALOG (MAINTENANCE)



V 33316001 REV 096

PANEL ASSY-LARGE CARGO DOOR ACTUATION CONT (P43) (SERVICE LIGHTS ONLY)

FIGURE 1

33-31-60-01

HXL
DEC 22/06

33-31-60-01
PAGE 0



767

PARTS CATALOG (MAINTENANCE)

FIG ITEM	PART NUMBER	1 2 3 4 5 6 7	NOMENCLATURE	EFFECT FROM TO	UNITS PER ASSY
1			PANEL ASSY-LARGE CARGO DOOR ACTUATION CONT (P43) (SERVICE LIGHTS ONLY)		
- 1	284T0923-7		PANEL ASSY-LARGE CARGO DOOR ACTUATION CONT P43 (SERVICE LIGHTS ONLY) FOR NHA/OTHER SYS DET SEE: 52-33-11-01		RF
5	BAC27TEX3437		.MARKER-ALUMINUM FOIL PLACARD CONTENT: S515		1
10	MS25306-222		.SWITCH- ELECTRICAL EQUIP NUMBER: S00515		1
ILLUSTRATION ITEMS NOT ON PARTS LIST ARE NOT APPLICABLE					

- ITEM NOT ILLUSTRATED

HXL

33-31-60-01

BOEING PROPRIETARY - Copyright © - Unpublished Work - See title page for details.

33-31-60
FIG. 01
PAGE 1
DEC 22/06