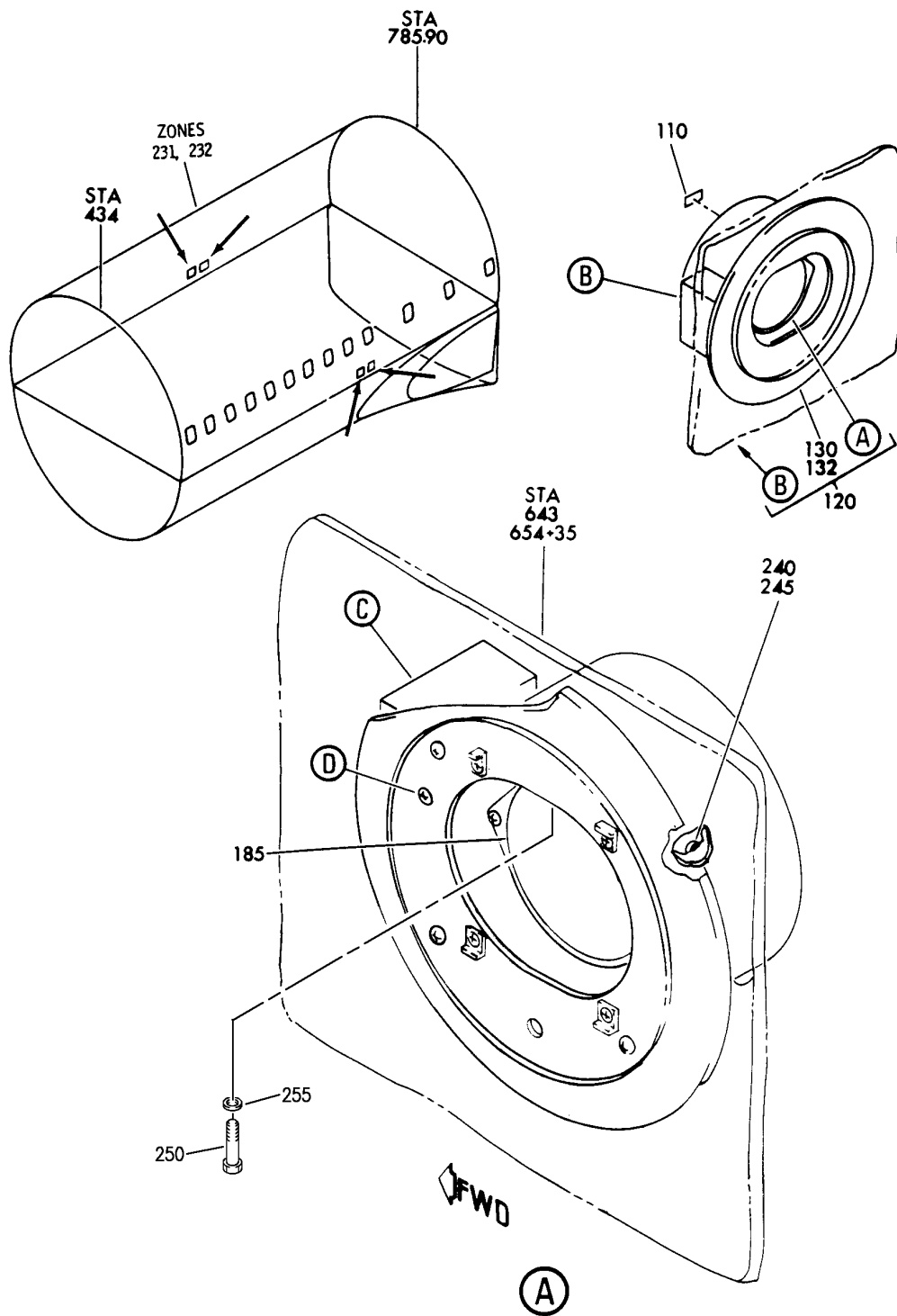


WING ILLUMINATION LIGHTS

HXL
DEC 22/06

33-41-00
SECTION TITLE
PAGE 1

BOEING
767
PARTS CATALOG (MAINTENANCE)



V. 33410001 SHT 1 REV 252

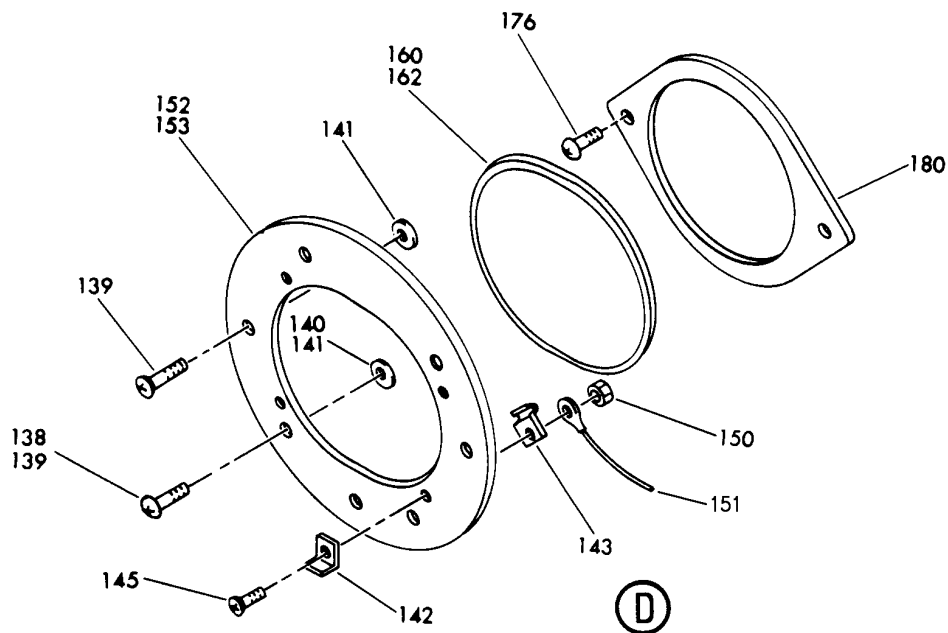
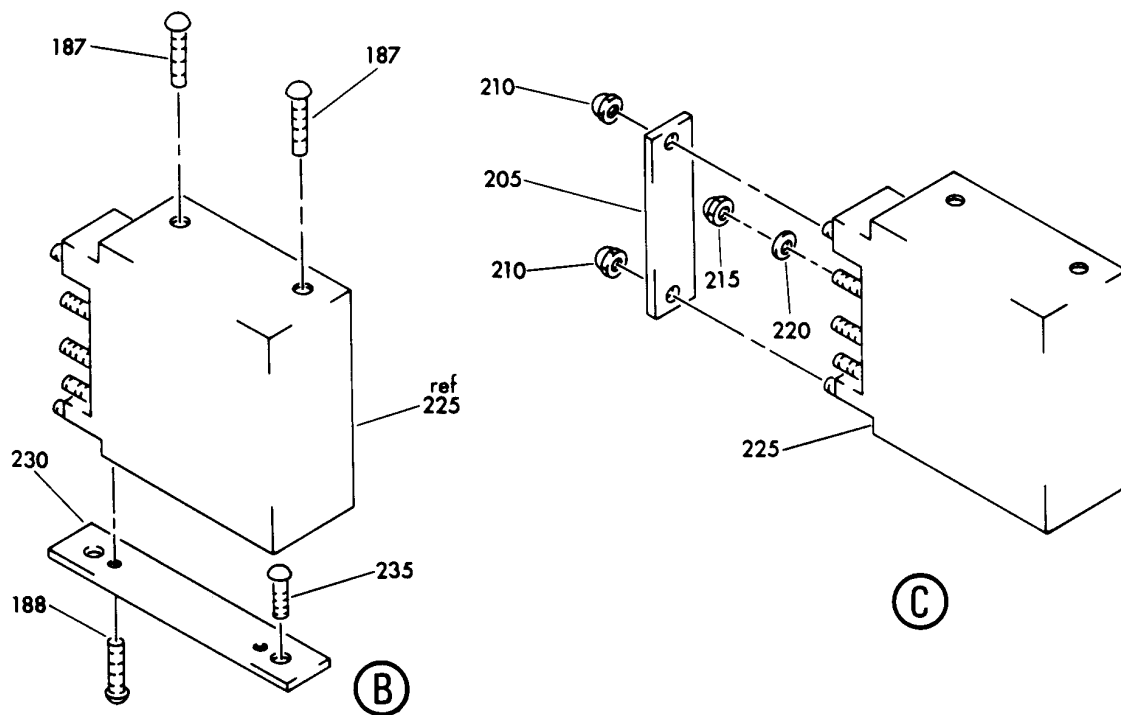
LIGHT INSTL-WING ILLUMINATION
FIGURE 1 (SHEET 1)

33-41-00-01

HXL
DEC 22/06

33-41-00-01
PAGE 0

BOEING
767
PARTS CATALOG (MAINTENANCE)



V. 33410001 SHT 2 REV 252

LIGHT INSTL-WING ILLUMINATION
FIGURE 1 (SHEET 2)

33-41-00-01

HXL
DEC 22/06

33-41-00-01
PAGE 0A



767

PARTS CATALOG (MAINTENANCE)

FIG ITEM	PART NUMBER	1 2 3 4 5 6 7	NOMENCLATURE	EFFECT FROM TO	UNITS PER ASSY
1			LIGHT INSTL-WING ILLUMINATION		
- 97	284T0230-27		LIGHT INSTL-WING ILLUMINATION POSITION DATA: LH STA 654+33 FOR NHA SEE: 24-00-58-01B		RF
- 102	284T0230-28		LIGHT INSTL-WING ILLUMINATION POSITION DATA: RH STA 654+33 FOR NHA SEE: 24-00-58-01B		RF
110	BAC27TEX1130		.MARKER-ALUMINUM FOIL POSITION DATA: LH SIDE PLACARD CONTENT: L61		1
- 115	BAC27TEX1131		.MARKER-ALUMINUM FOIL POSITION DATA: RH SIDE PLACARD CONTENT: L60		1
120	30-1867-5		.LIGHT ASSY- SUPPLIER CODE: V72914 POSITION DATA: LH SIDE SPECIFICATION NUMBER: S283T008-89 ELECTRICAL EQUIP NUMBER: L00061 COMPONENT MAINT MANUAL REF: 33-41-58		1
- 125	30-1867-6		.LIGHT ASSY- SUPPLIER CODE: V72914 POSITION DATA: RH SIDE SPECIFICATION NUMBER: S283T008-90 ELECTRICAL EQUIP NUMBER: L00060 COMPONENT MAINT MANUAL REF: 33-41-58		1
130	MS35206-227		..SCREW		1
132	MS21042-06		..NUT		1

ILLUSTRATION ITEMS NOT ON PARTS LIST ARE NOT APPLICABLE

- ITEM NOT ILLUSTRATED

33-41-00-01

33-41-00
FIG. 01
PAGE 1
APR 22/07

HXL

 **BOEING**
767
PARTS CATALOG (MAINTENANCE)

FIG ITEM	PART NUMBER	1 2 3 4 5 6 7	NOMENCLATURE	EFFECT FROM TO	UNITS PER ASSY
1					
- 134	31-5413-3		..RETAINER- SUPPLIER CODE: V72914 POSITION DATA: LH SIDE		1
- 136	31-5414-4		..LENS ASSY- SUPPLIER CODE: V72914 POSITION DATA: RH SIDE		1
139	60-3503-1		...SCREW- SUPPLIER CODE: V72914		6
141	MS35338-41		...WASHER		6
143	60-3731-1		...CLIP- SUPPLIER CODE: V72914 ATTACHING PARTS		4
145	MS24693C27		...SCREW-		4
150	MS21042-06		...NUT -----*-----		4
151	31-4923-1		...LANYARD- SUPPLIER CODE: V72914		1
153	31-5413-3		...RETAINER- SUPPLIER CODE: V72914 POSITION DATA: LH SIDE		1
- 155	31-5413-4		...RETAINER- SUPPLIER CODE: V72914 POSITION DATA: RH SIDE		1
162	25-0304-23		...LENS- SUPPLIER CODE: V72914		1
- 169	31-5239-1		..RETAINER ASSY-LAMP SUPPLIER CODE: V72914		1
176	MS35206-248		...SCREW		2
180	31-5239-3		...RETAINER- SUPPLIER CODE: V72914		1
185	Q4631		..LAMP-13V 250W SUPPLIER CODE: V08806		1
187	MS35207-260		..SCREW		2

ILLUSTRATION ITEMS NOT ON PARTS LIST ARE NOT APPLICABLE

- ITEM NOT ILLUSTRATED

HXL

33-41-00-01

BOEING PROPRIETARY - Copyright © - Unpublished Work - See title page for details.

33-41-00
FIG. 01
PAGE 2
APR 22/07

 **BOEING**
767
PARTS CATALOG (MAINTENANCE)

FIG ITEM	PART NUMBER	1 2 3 4 5 6 7	NOMENCLATURE	EFFECT FROM TO	UNITS PER ASSY
1					
188	MS24693S269	..	SCREW- CONFIG CHG DATA FROM A CMM: SUPERSEDES MS24693S69		2
188	MS24693S69	..	SCREW- CONFIG CHG DATA FROM A CMM: SUPSD BY MS24693S269		2
- 190	55-1202-1	..	TRANSFORMER ASSY- SUPPLIER CODE: V72914 MISCELLANEOUS DATA: SUPERSEDES 55-1444-1		1
- 190	55-1444-1	..	TRANSFORMER ASSY- SUPPLIER CODE: V72914 CONFIG CHG DATA FROM A CMM: SUPSD BY 55-1202-1		1
205	56-0261-1	...	PLATE-COVER SUPPLIER CODE: V72914 ATTACHING PARTS		1
210	MS21043-3	...	NUT -----*-----		2
215	MS21043-3	...	NUT		3
220	NAS620C10L	...	WASHER		3
225	56-0425-1	...	TRANSFORMER ASSY- SUPPLIER CODE: V72914 MISCELLANEOUS DATA: SUPERSEDES 56-0544-1		1
225	56-0544-1	...	TRANSFORMER ASSY- SUPPLIER CODE: V72914 CONFIG CHG DATA FROM A CMM: SUPSD BY 56-0425-1		1
230	31-4926-1	..	PLATE-MTG SUPPLIER CODE: V72914 ATTACHING PARTS		1
235	MS35207-263	..	SCREW -----*-----		2
240	NAS1801-3D8	..	SCREW		4
245	AN960-10	..	WASHER		4
250	NAS1801-3D8	..	SCREW		4
255	AN960-10	..	WASHER		4
- 260	31-5419-5	..	BRACKET ASSY- SUPPLIER CODE: V72914		1

ILLUSTRATION ITEMS NOT ON PARTS LIST ARE NOT APPLICABLE

- ITEM NOT ILLUSTRATED

HXL

33-41-00-01

BOEING PROPRIETARY - Copyright © - Unpublished Work - See title page for details.

33-41-00
FIG. 01
PAGE 3
AUG 22/07