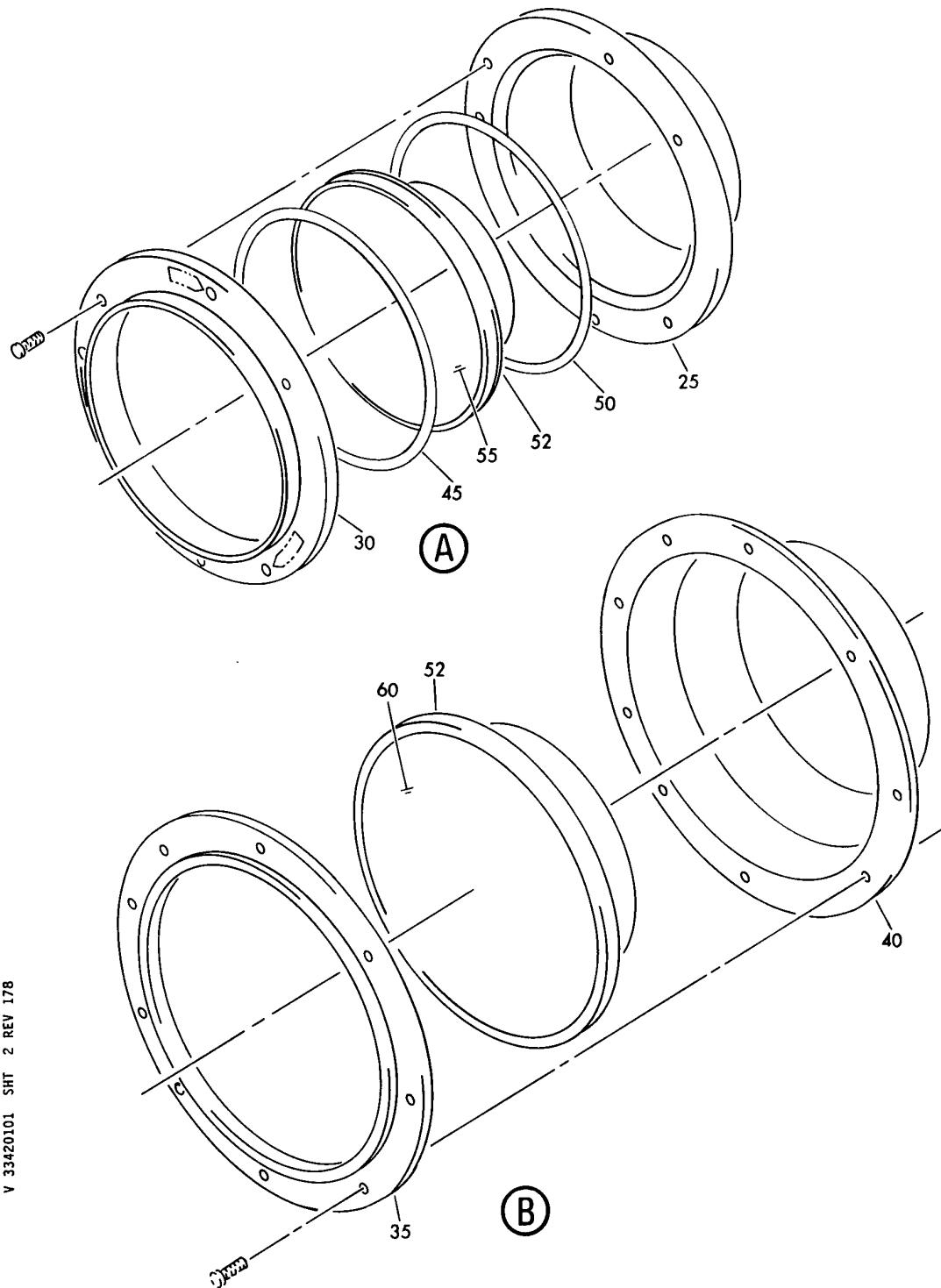


LANDING, RUNWAY TURNOFF AND TAXI LIGHTS

HXL
DEC 22/06

33-42-00
SECTION TITLE
PAGE 1

BOEING
767
PARTS CATALOG (MAINTENANCE)



V 33420101 SHT 2 REV 178

LIGHT INSTL-LANDING AND RUNWAY TURNOFF (LIGHTS ONLY)
FIGURE 1 (SHEET 2)

33-42-01-01

HXL
DEC 22/06

33-42-01-01
PAGE 0A



767

PARTS CATALOG (MAINTENANCE)

FIG ITEM	PART NUMBER	1 2 3 4 5 6 7	NOMENCLATURE	EFFECT FROM TO	UNITS PER ASSY
1			LIGHT INSTL-LANDING AND RUNWAY TURNOFF (LIGHTS ONLY)		
- 1	284T0233-1		LIGHT INSTL-LANDING AND RUNWAY TURNOFF (LIGHTS ONLY) POSITION DATA: LH FOR NHA/OTHER SYS DET SEE: 24-00-58-01B		RF
- 5	284T0233-2		LIGHT INSTL-LANDING AND RUNWAY TURNOFF (LIGHTS ONLY) POSITION DATA: RH FOR NHA/OTHER SYS DET SEE: 24-00-58-01B		RF
12	284T0233-5		.LIGHT ASSY-		1
15	NAS1801-3-6		..SCREW-		9
20	NAS1801-3-30		..SCREW-		6
22	NAS43DD3-12		..SPACER-		6
25	90-10021		..RETAINER ASSY-		1
30	90-10021-3		..RETAINER-		1
35	9-64386-2		..RETAINER ASSY-		1
40	9-64387-2		..FRAME ASSY-		1
45	284T0233-3		..GASKET- OPTIONAL PART: 284T0233-9		1
50	284T0233-4		..GASKET- OPTIONAL PART: 284T0233-9		1
52	284T0233-9		..TAPE-SILICONE OPTIONAL PART: 284T0233-3 284T0233-4		AR
55	4551		..LAMP- SUPPLIER CODE: V08806		1
55	MS24517-4551		..LAMP- SUPPLIER CODE: V96906		1
60	Q4559X		..LIGHT-LDG SUPPLIER CODE: V08806		1

ILLUSTRATION ITEMS NOT ON PARTS LIST ARE NOT APPLICABLE

- ITEM NOT ILLUSTRATED

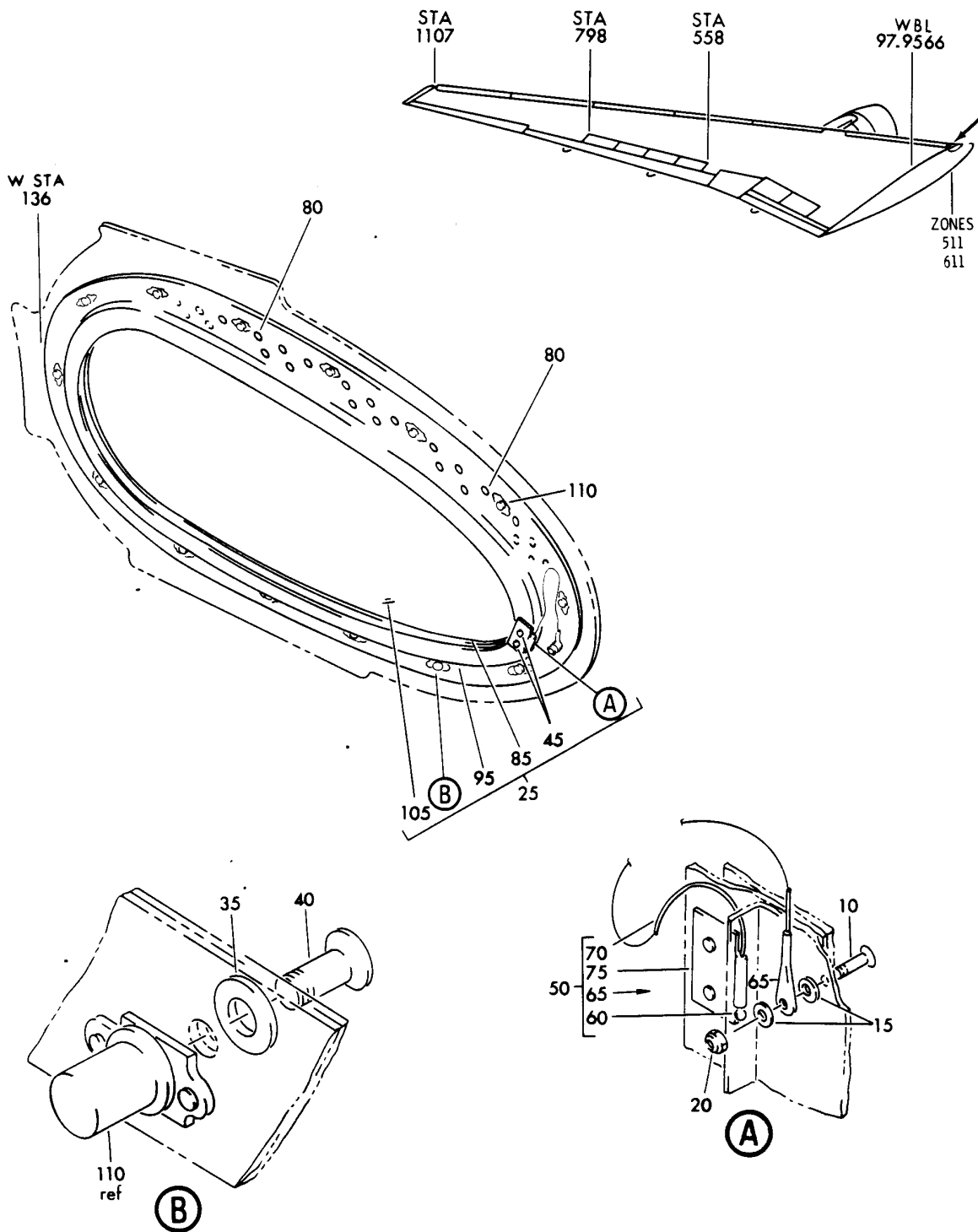
33-42-01-01

33-42-01
FIG. 01
PAGE 1
APR 22/08

HXL

BOEING PROPRIETARY - Copyright © - Unpublished Work - See title page for details.

BOEING
767
PARTS CATALOG (MAINTENANCE)



V 33420105 SHT 1 REV 044

LENS INSTL-LDG AND TAXI LT STRAKELET WING LE
FIGURE 5

33-42-01-05

HXL
DEC 22/06

33-42-01-05
PAGE 0



767

PARTS CATALOG (MAINTENANCE)

FIG ITEM	PART NUMBER	1 2 3 4 5 6 7	NOMENCLATURE	EFFECT FROM TO	UNITS PER ASSY
5			LENS INSTL-LDG AND TAXI LT STRAKELET WING LE		
- 1	114T0130-1		LENS INSTL-LDG AND TAXI LT STRAKELET WING LE POSITION DATA: LH VARIABLE DRAWING REF: 114T0130-5003 FOR NHA SEE: 57-41-01-05		RF
- 5	114T0130-2		LENS INSTL-LDG AND TAXI LT STRAKELET WING LE POSITION DATA: RH VARIABLE DRAWING REF: 114T0130-5004 FOR NHA SEE: 57-41-01-05		RF
10	BACB30NN3K4		.BOLT		1
15	AN960PD10		.WASHER		2
20	BRH10A3		.NUT SUPPLIER CODE: V52828 SPECIFICATION NUMBER: BACN10JC3 OPTIONAL PART: H10-3BAC V15653 NS202101-02 V80539 RMLH9075-3W V72962 VN303A02 V92215 96-02 V80539 T6S1032J V11815		1
25	114T0130-3		.LENS ASSY- POSITION DATA: LH SIDE		1
25	114T0130-13		.LENS ASSY- POSITION DATA: LH SIDE OPTIONAL PART: 114T0130-29		1
25	114T0130-21		.LENS ASSY- POSITION DATA: LH SIDE		1

ILLUSTRATION ITEMS NOT ON PARTS LIST ARE NOT APPLICABLE

- ITEM NOT ILLUSTRATED

33-42-01-05

33-42-01
FIG. 05
PAGE 1
DEC 22/06

HXL



767

PARTS CATALOG (MAINTENANCE)

FIG ITEM	PART NUMBER	1 2 3 4 5 6 7	NOMENCLATURE	EFFECT FROM TO	UNITS PER ASSY
5					
25	114T0130-29	.	LENS ASSY- POSITION DATA: LH SIDE OPTIONAL PART: 114T0130-13		1
- 30	114T0130-4	.	LENS ASSY- POSITION DATA: RH SIDE		1
- 30	114T0130-14	.	LENS ASSY- POSITION DATA: RH SIDE OPTIONAL PART: 114T0130-30		1
- 30	114T0130-22	.	LENS ASSY- POSITION DATA: RH SIDE		1
- 30	114T0130-30	.	LENS ASSY- POSITION DATA: RH SIDE OPTIONAL PART: 114T0130-14		1
35	CA1826-1	..	RETAINER- SUPPLIER CODE: V29372		14
40	CA1820-1	..	STUD- SUPPLIER CODE: V26390		14
45	BACR15CE5AD	..	RIVET- SIZE DETERMINED ON INSTL.		2
50	114T0130-9	..	TETHER ASSY- POSITION DATA: LH SIDE		1
- 55	114T0130-10	..	TETHER ASSY- POSITION DATA: RH SIDE		1

ILLUSTRATION ITEMS NOT ON PARTS LIST ARE NOT APPLICABLE

- ITEM NOT ILLUSTRATED

HXL

33-42-01-05

BOEING PROPRIETARY - Copyright © - Unpublished Work - See title page for details.

33-42-01
FIG. 05
PAGE 2
DEC 22/06

 **BOEING**
767
PARTS CATALOG (MAINTENANCE)

FIG ITEM	PART NUMBER	1 2 3 4 5 6 7	NOMENCLATURE	EFFECT FROM TO	UNITS PER ASSY
5					
60	BA3-2		... TERMINAL SUPPLIER CODE: V65196 SPECIFICATION NUMBER: BACT14B2 OPTIONAL PART: HT200-2 V83014 RA2487-2 V80523 HI2487-2 V26590 8-04056-2 V11328 BM2487-2 V22277		1
65	MS20668-2		... TERMINAL		1
70	114T0130-12		... CABLE-		1
75	114T0130-11		... CLIP		1
80	BACR15CE5AD		.. RIVET-		70
			SIZE DETERMINED ON INSTL.		
85	114T0130-7		.. COVER-		1
			POSITION DATA: LH SIDE USED ON: 114T0130-3		
85	114T0130-17		.. COVER-		1
			POSITION DATA: LH SIDE USED ON: 114T0130-13		
85	114T0130-27		.. COVER-		1
			POSITION DATA: LH SIDE USED ON: 114T0130-21		
- 90	114T0130-8		.. COVER-		1
			POSITION DATA: RH SIDE USED ON: 114T0130-4		
- 90	114T0130-18		.. COVER-		1
			POSITION DATA: RH SIDE USED ON: 114T0130-14		

ILLUSTRATION ITEMS NOT ON PARTS LIST ARE NOT APPLICABLE

- ITEM NOT ILLUSTRATED

HXL

33-42-01-05

BOEING PROPRIETARY - Copyright © - Unpublished Work - See title page for details.

33-42-01
FIG. 05
PAGE 3
DEC 22/06

 **BOEING**
767
PARTS CATALOG (MAINTENANCE)

FIG ITEM	PART NUMBER	1 2 3 4 5 6 7	NOMENCLATURE	EFFECT FROM TO	UNITS PER ASSY
5					
- 90	114T0130-28	..	COVER- POSITION DATA: RH SIDE USED ON: 114T0130-22		1
95	114T0130-5	..	FRAME- POSITION DATA: LH SIDE USED ON: 114T0130-3		1
95	114T0130-15	..	FRAME- POSITION DATA: LH SIDE USED ON: 114T0130-13		1
95	114T0130-25	..	FRAME- POSITION DATA: LH SIDE USED ON: 114T0130-21		1
- 100	114T0130-6	..	FRAME- POSITION DATA: RH SIDE USED ON: 114T0130-4		1
- 100	114T0130-16	..	FRAME- POSITION DATA: RH SIDE USED ON: 114T0130-14		1
- 100	114T0130-26	..	FRAME- POSITION DATA: RH SIDE USED ON: 114T0130-22		1
105	114T0131-1	..	LENS- POSITION DATA: LH SIDE USED ON: 114T0130-3 114T0130-13		1
105	114T0131-3	..	LENS- POSITION DATA: LH SIDE USED ON: 114T0130-21		1

ILLUSTRATION ITEMS NOT ON PARTS LIST ARE NOT APPLICABLE

- ITEM NOT ILLUSTRATED

HXL

33-42-01-05

BOEING PROPRIETARY - Copyright © - Unpublished Work - See title page for details.

33-42-01
FIG. 05
PAGE 4
DEC 22/06



767

PARTS CATALOG (MAINTENANCE)

FIG ITEM	PART NUMBER	1 2 3 4 5 6 7	NOMENCLATURE	EFFECT FROM TO	UNITS PER ASSY
5					
- 108	114T0131-2		..LENS- POSITION DATA: RH SIDE USED ON: 114T0130-4		1
- 108	114T0131-4		..LENS- POSITION DATA: RH SIDE USED ON: 114T0130-22		1
110	CA1810		.RECEPTACLE- SUPPLIER CODE: V26390		14
- 115	BACR15BA3AD		ATTACHING PARTS .RIVET- SIZE DETERMINED ON INSTL. -----*-----		28

ILLUSTRATION ITEMS NOT ON PARTS LIST ARE NOT APPLICABLE

- ITEM NOT ILLUSTRATED

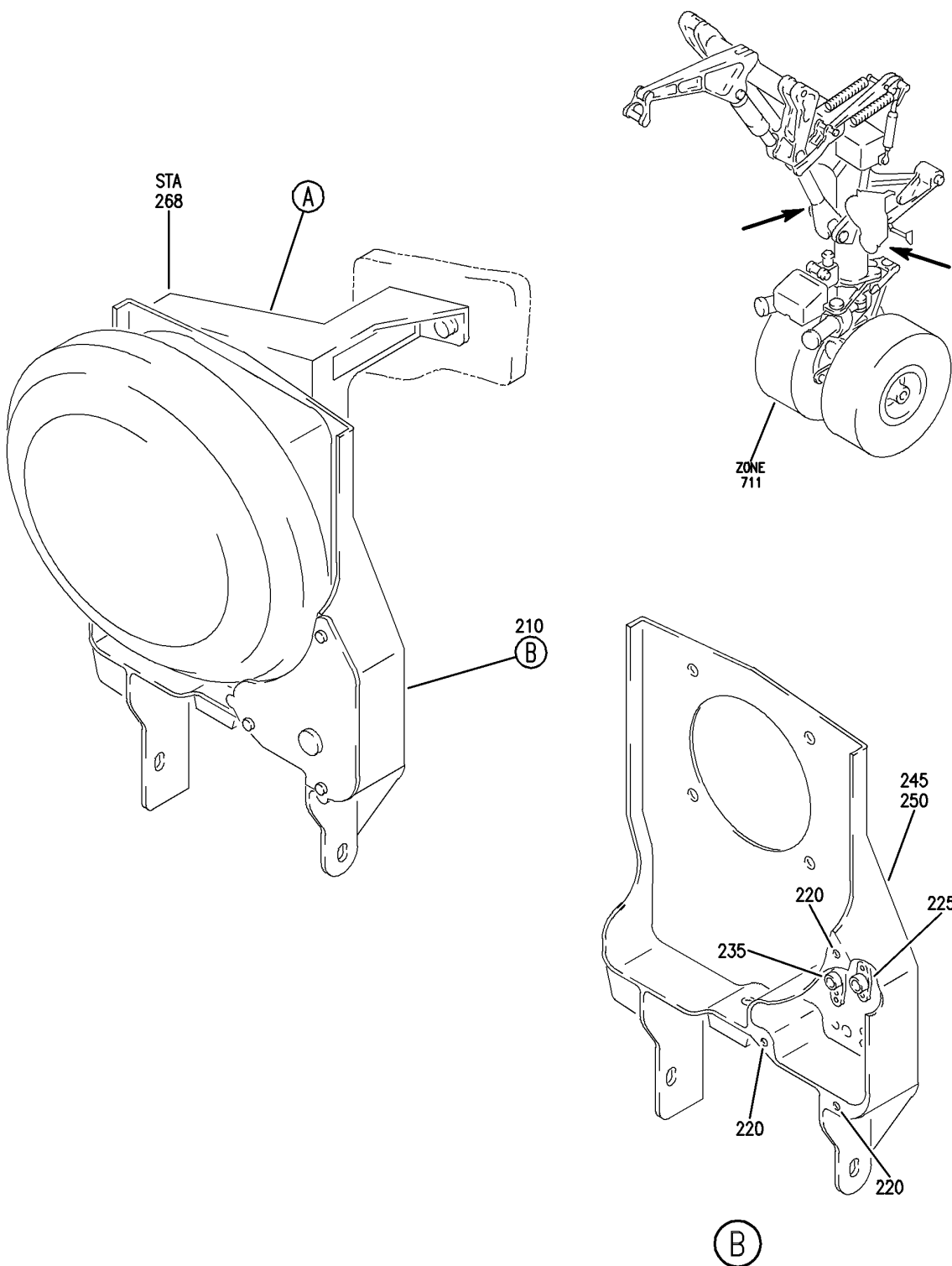
HXL

33-42-01-05

BOEING PROPRIETARY - Copyright © - Unpublished Work - See title page for details.

33-42-01
FIG. 05
PAGE 5
DEC 22/06

BOEING
767
PARTS CATALOG (MAINTENANCE)



V 33420110 SHT 1 REV 228

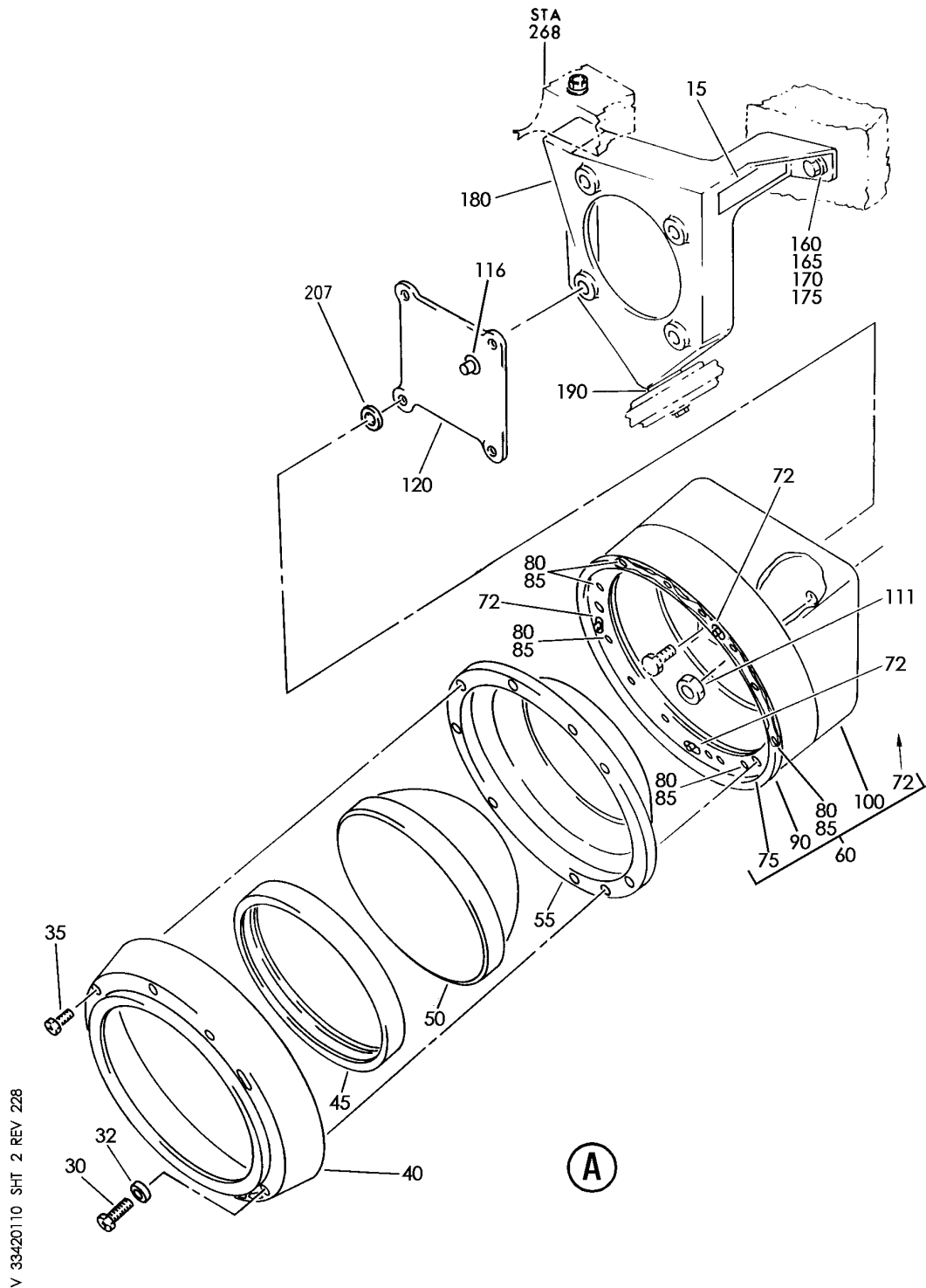
LIGHT AND SUPPORT INSTL-NLG (LIGHTS ONLY)
FIGURE 10 (SHEET 1)

33-42-01-10

HXL
DEC 22/06

33-42-01-10
PAGE 0

BOEING
767
PARTS CATALOG (MAINTENANCE)



V 33-420110 SHT 2 REV 228

LIGHT AND SUPPORT INSTL-NLG (LIGHTS ONLY)
FIGURE 10 (SHEET 2)

33-42-01-10

HXL
DEC 22/06

33-42-01-10
PAGE 0A



767

PARTS CATALOG (MAINTENANCE)

FIG ITEM	PART NUMBER	1 2 3 4 5 6 7	NOMENCLATURE	EFFECT FROM TO	UNITS PER ASSY
10			LIGHT AND SUPPORT INSTL-NLG (LIGHTS ONLY)		
- 1	284T0588-1		LIGHT INSTL-NOSE GEAR LDG (LIGHTS ONLY) POSITION DATA: LH FOR NHA/OTHER SYS DET SEE: 32-20-51-01		RF
- 5	284T0588-2		LIGHT INSTL-NOSE GEAR LDG (LIGHTS ONLY) POSITION DATA: RH FOR NHA/OTHER SYS DET SEE: 32-20-51-01		RF
15	BAC27TEX1114		.MARKER-ALUMINUM FOIL POSITION DATA: LH SIDE PLACARD CONTENT: LANDING LIGHT L113 USE LAMP Q4559X INSTALL FILAMENT HORIZ.		1
- 20	BAC27TEX1117		.MARKER-ALUMINUM FOIL POSITION DATA: RH SIDE PLACARD CONTENT: LANDING LIGHT L114 USE LAMP Q4559X INSTALL FILAMENT HORIZ.		1
30	NAS1801-3D25		.SCREW-		3
32	NAS43DD3-6		.SPACER		3
35	NAS1801-3-6		.SCREW-		6
40	284T0593-1		.RETAINER-		1
45	284T0588-6		.GASKET- MANUFACTURED FROM: SH RUBBER BMS1-63 0.03X1.0X25.4 COLOR OPT (5210326300)		1
45	284T0588-10		.TAPE-SILICONE		AR
50	Q4559X		.LIGHT-PAR64 SUPPLIER CODE: V08806 ELECTRICAL EQUIP NUMBER: L00113 L00114		1
55	284T0588-7		.FRAME		1
60	284T0592-7		.HOUSING ASSY- POSITION DATA: LH SIDE		1

R
R
R
R
R

ILLUSTRATION ITEMS NOT ON PARTS LIST ARE NOT APPLICABLE

- ITEM NOT ILLUSTRATED

33-42-01-10

33-42-01
FIG. 10
PAGE 1
AUG 22/09

HXL

BOEING
767
PARTS CATALOG (MAINTENANCE)

FIG ITEM	PART NUMBER	1 2 3 4 5 6 7	NOMENCLATURE	EFFECT FROM TO	UNITS PER ASSY
10					
- 65	284T0592-8		.HOUSING ASSY- POSITION DATA: RH SIDE ATTACHING PARTS		1
- 70	NAS6604H7		.BOLT-		4
			-----*-----		
72	MF53049-3		..NUTPLATE SUPPLIER CODE: V15653 SPECIFICATION NUMBER: BACN10JN3 OPTIONAL PART: BRFM20A3 V52828 MF1000-3BAC V15653 NS103218-02 V80539 RMF9201M3 V72962 VN252A02 V92215 T8124S3S V11815 ATTACHING PARTS		3
- 74	BACR15BA3AD		..RIVET- SIZE DETERMINED ON INSTL.		6
			-----*-----		
75	284T0592-5		..RETAINER ATTACHING PARTS		1
80	NAS42DD4-3FC		..SPACER		13
85	BACR15FT4AD		..RIVET- SIZE DETERMINED ON INSTL.		13
			-----*-----		
R R R R R	90	284T0714-1	..GASKET- MANUFACTURED FROM: EXTR RUBBER F25.01 BAC1521-557 X 30.2 (5270557000)		1
100	284T0592-9		..HOUSING- POSITION DATA: LH SIDE		1
- 105	284T0592-10		..HOUSING- POSITION DATA: RH SIDE		1

ILLUSTRATION ITEMS NOT ON PARTS LIST ARE NOT APPLICABLE

- ITEM NOT ILLUSTRATED

HXL

33-42-01-10

BOEING PROPRIETARY - Copyright © - Unpublished Work - See title page for details.

33-42-01
FIG. 10
PAGE 2
AUG 22/09



767

PARTS CATALOG (MAINTENANCE)

FIG ITEM	PART NUMBER	1 2 3 4 5 6 7	NOMENCLATURE	EFFECT FROM TO	UNITS PER ASSY
10					
111	6-2S6KC		.NUT- SUPPLIER CODE: V30463 OPTIONAL PART: 186027FS60K3 V30463		1
111	186027FS60K3		.NUT- SUPPLIER CODE: V30463 OPTIONAL PART: 6-2S6KC V30463		1
116	28-12S6KC		.CONNECTOR-BOX SUPPLIER CODE: V30463 OPTIONAL PART: 229833F560K30A V30463		1
116	229833F560K30A		.CONNECTOR-BOX SUPPLIER CODE: V30463 OPTIONAL PART: 28-12S6KC V30463		1
120	284T0947-1		.PLATE-GND		1
- 150	284T0588-3		SUPPORT INSTL-NLG POSITION DATA: LH FOR NHA SEE: 32-20-51-01		RF
- 155	284T0588-4		SUPPORT INSTL-NLG POSITION DATA: RH FOR NHA SEE: 32-20-51-01		RF
160	NAS6606D15		.BOLT		1
165	AN960-616		.WASHER		2
170	BACN10JD6		.NUT		1
175	MS24665-304		.PIN		1
180	284T0212-1		.SUPPORT ASSY- POSITION DATA: LH		1
- 185	284T0212-2		.SUPPORT ASSY- POSITION DATA: RH		1

ILLUSTRATION ITEMS NOT ON PARTS LIST ARE NOT APPLICABLE

- ITEM NOT ILLUSTRATED

33-42-01-10

33-42-01
FIG. 10
PAGE 3
AUG 22/09

HXL



767
PARTS CATALOG (MAINTENANCE)

FIG ITEM	PART NUMBER	1 2 3 4 5 6 7	NOMENCLATURE	EFFECT FROM TO	UNITS PER ASSY
10 190	284T0588-5		. SHIM- MANUFACTURED FROM: SH CRES BAC1534-62 .062 IN 2.2 IN 2.5 IN (5210326300)		1

R
R
R
R
R

ILLUSTRATION ITEMS NOT ON PARTS LIST ARE NOT APPLICABLE

- ITEM NOT ILLUSTRATED

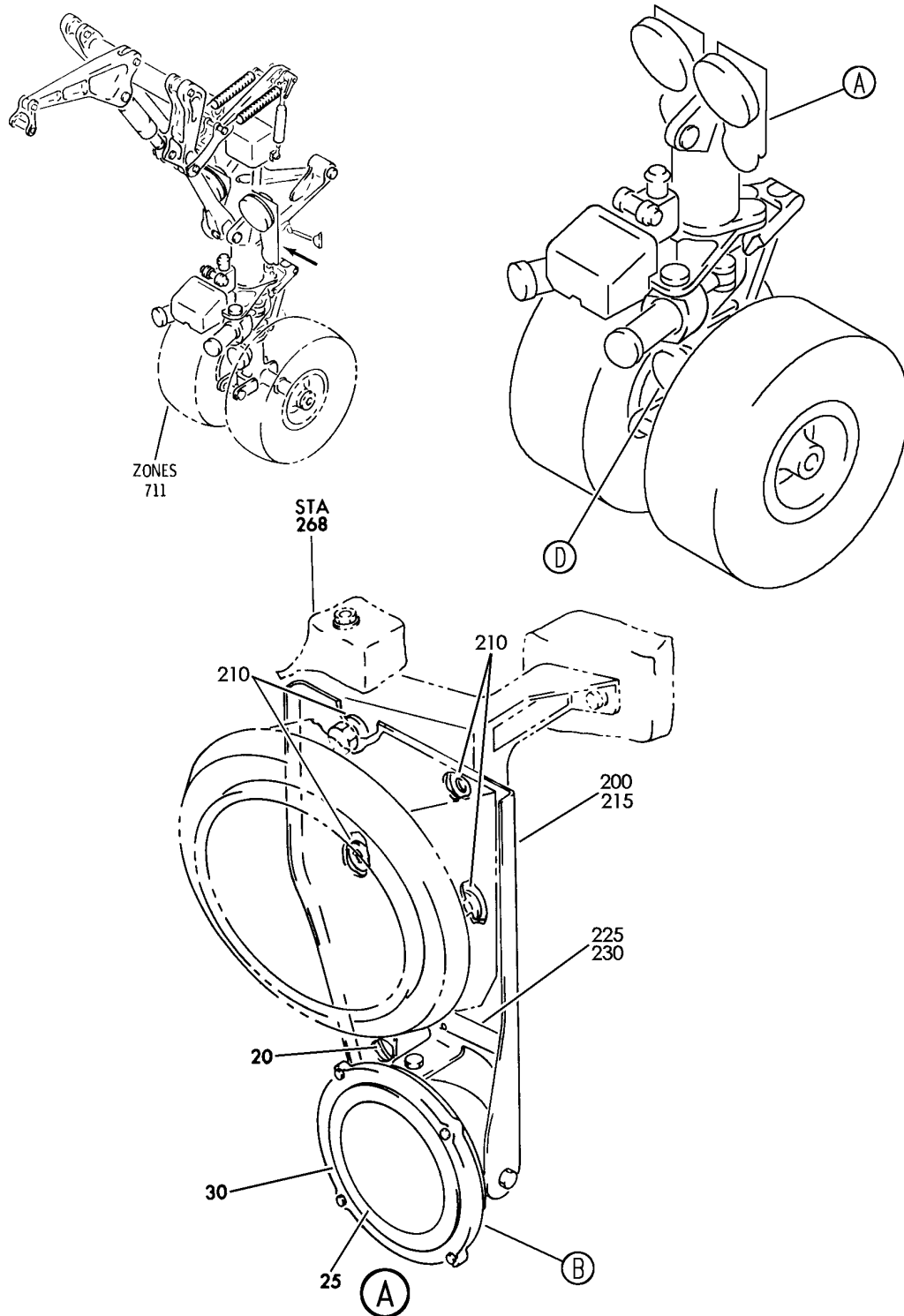
HXL

33-42-01-10

BOEING PROPRIETARY - Copyright © - Unpublished Work - See title page for details.

33-42-01
FIG. 10
PAGE 4
AUG 22/09

BOEING
767
PARTS CATALOG (MAINTENANCE)



V 33420205 SH1 1 REV 308

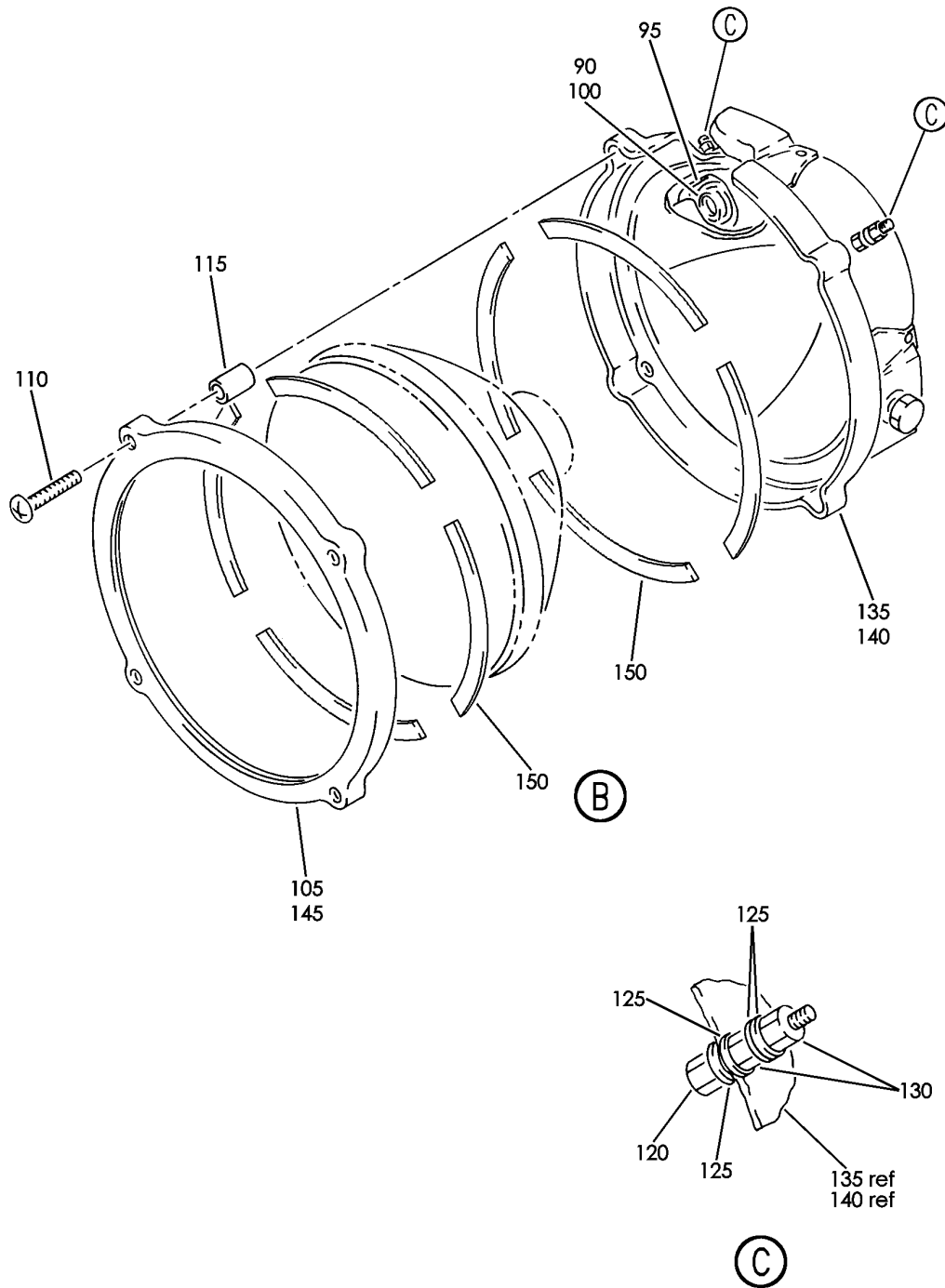
LIGHT INSTL-NLG TAXI LIGHTS ONLY
FIGURE 5 (SHEET 1)

33-42-02-05

HXL
DEC 22/06

33-42-02-05
PAGE 0

BOEING
767
PARTS CATALOG (MAINTENANCE)



V 33420205 SH1 2 REV 308

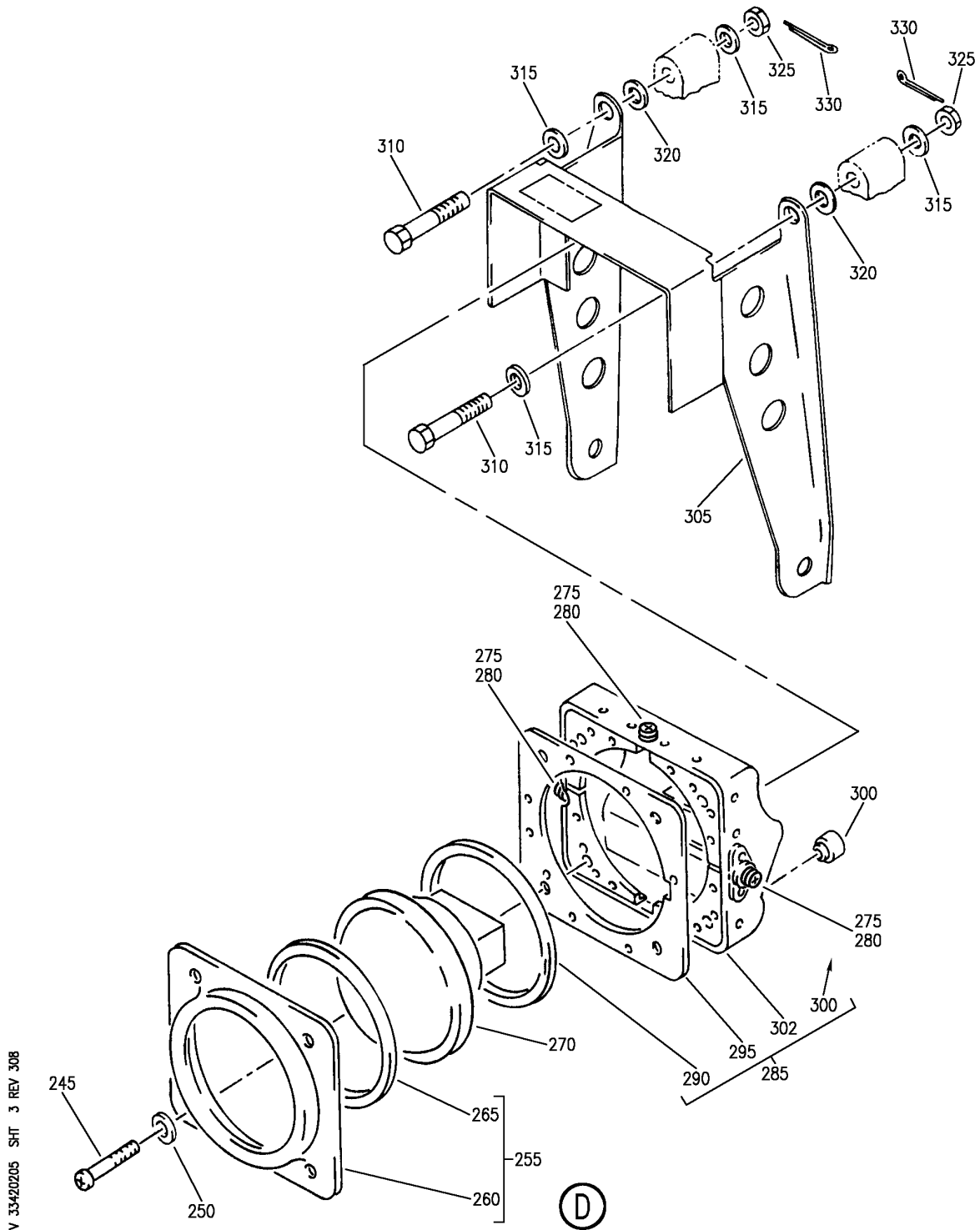
LIGHT INSTL-NLG TAXI LIGHTS ONLY
FIGURE 5 (SHEET 2)

33-42-02-05

HXL
DEC 22/06

33-42-02-05
PAGE 0A

BOEING
767
PARTS CATALOG (MAINTENANCE)



LIGHT INSTL-NLG TAXI LIGHTS ONLY
FIGURE 5 (SHEET 3)

33-42-02-05

HXL
DEC 22/06

33-42-02-05
PAGE 0B



767

PARTS CATALOG (MAINTENANCE)

FIG ITEM	PART NUMBER	1 2 3 4 5 6 7	NOMENCLATURE	EFFECT FROM TO	UNITS PER ASSY
5			LIGHT INSTL-NLG TAXI LIGHTS ONLY		
- 1	284T0798-1		LIGHT INSTL-NLG TAXI (LIGHTS ONLY) POSITION DATA: LH VARIABLE DRAWING REF: 284T0798-5005 FOR NHA/OTHER SYS DET SEE: 32-20-51-01		RF
- 3	284T0798-2		LIGHT INSTL-NLG TAXI (LIGHTS ONLY) POSITION DATA: RH VARIABLE DRAWING REF: 284T0798-5006 FOR NHA/OTHER SYS DET SEE: 32-20-51-01		RF
20	BACJ40A22-7		.JUMPER ASSY-		1
25	4554		.LAMP- SUPPLIER CODE: V08806		1
30	50-0129-3		.LIGHT- SUPPLIER CODE: V72914 POSITION DATA: LH SIDE ELECTRICAL EQUIP NUMBER: L621		1
- 35	50-0129-1		.LIGHT- SUPPLIER CODE: V72914 POSITION DATA: RH SIDE ELECTRICAL EQUIP NUMBER: L622		1
- 40	NAS6604H5		ATTACHING PARTS .SCREW-		3
- 85	AN960-416		.WASHER-		3
			-----*-----		
90	AN3067W3		..WASHER		1
95	A5326		..NUT- SUPPLIER CODE: V72914		1
100	AN3067S2		..SEAL		1
105	B6492		..RETAINER-LAMP SUPPLIER CODE: V72914		1

ILLUSTRATION ITEMS NOT ON PARTS LIST ARE NOT APPLICABLE

- ITEM NOT ILLUSTRATED

33-42-02-05

33-42-02
FIG. 05
PAGE 1
DEC 22/07

HXL



767

PARTS CATALOG (MAINTENANCE)

FIG ITEM	PART NUMBER	1 2 3 4 5 6 7	NOMENCLATURE	EFFECT FROM TO	UNITS PER ASSY
5			ATTACHING PARTS		
110	MS35206-234	..	SCREW		4
			-----*-----		
115	TU375	..	TUBING-		4
			SUPPLIER CODE:		
			V72914		
			TUBING MATERIAL:		
			#9 TEMFLEX 105 DEGREES		
			7/16 LG		
120	MS35207-264	..	SCREW		1
125	AN960-10L	..	WASHER		4
130	MS21043-3	..	NUT		2
135	B9185-8	..	CANOPY ASSY-		1
			SUPPLIER CODE:		
			V72914		
			USED ON:		
			50-0129-1		
140	B9185-9	..	CANOPY ASSY-		1
			SUPPLIER CODE:		
			V72914		
			USED ON:		
			50-0129-3		
145	51-0744-1	..	RETAINER-		1
			SUPPLIER CODE:		
			V72914		
150	51-0722-1	..	GASKET-		4
			SUPPLIER CODE:		
			V72914		
200	284T0907-21	.	SUPPORT ASSY-		1
			POSITION DATA:		
			LH SIDE		
- 205	284T0907-22	.	SUPPORT ASSY-		1
			POSITION DATA:		
			RH SIDE		
210	AN960-416	.	WASHER-		4

ILLUSTRATION ITEMS NOT ON PARTS LIST ARE NOT APPLICABLE

- ITEM NOT ILLUSTRATED

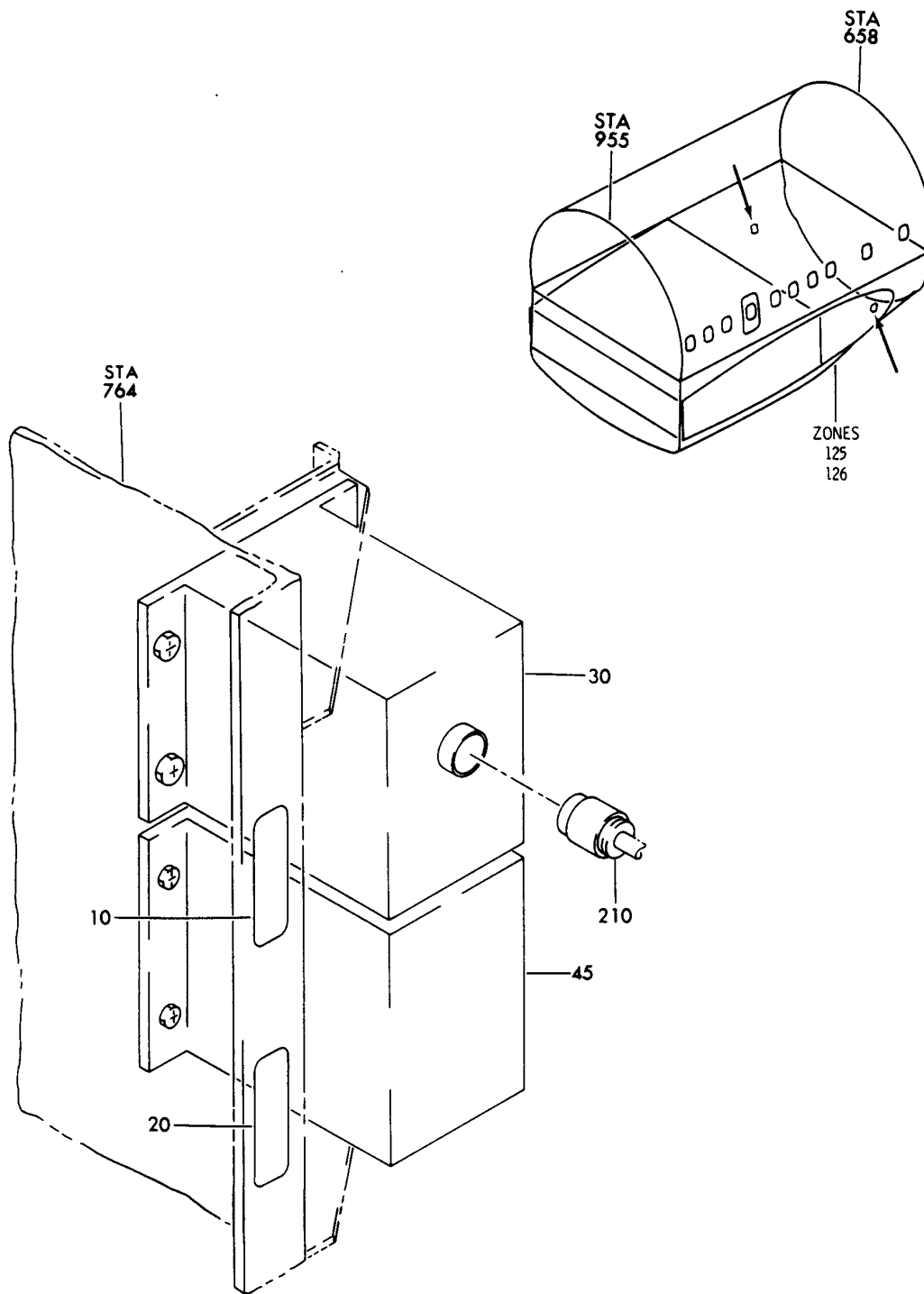
HXL

33-42-02-05

BOEING PROPRIETARY - Copyright © - Unpublished Work - See title page for details.

33-42-02
FIG. 05
PAGE 2
DEC 22/07

BOEING
767
PARTS CATALOG (MAINTENANCE)



V 33425101 SHT 1 REV 028

TRANSFORMER INSTL-LDG LT AND RUNWAY TURNOFF LT
FIGURE 1

33-42-51-01

HXL
DEC 22/06

33-42-51-01
PAGE 0



767

PARTS CATALOG (MAINTENANCE)

FIG ITEM	PART NUMBER	1 2 3 4 5 6 7	NOMENCLATURE	EFFECT FROM TO	UNITS PER ASSY
1			TRANSFORMER INSTL-LDG LT AND RUNWAY TURNOFF LT		
- 1	284T0639-1		TRANSFORMER INSTL-LDG LT AND RUNWAY TURNOFF LT POSITION DATA: LH FOR NHA SEE: 24-00-58-02		RF
- 5	284T0639-2		TRANSFORMER INSTL-LDG LT AND RUNWAY TURNOFF LT POSITION DATA: RH FOR NHA SEE: 24-00-58-02		RF
10	BAC27TEX0431		.MARKER-ALUMINUM FOIL POSITION DATA: LH SIDE PLACARD CONTENT: T137		1
- 15	BAC27TEX0432		.MARKER-ALUMINUM FOIL POSITION DATA: RH SIDE PLACARD CONTENT: T138		1
20	BAC27TEX0429		.MARKER-ALUMINUM FOIL POSITION DATA: LH SIDE PLACARD CONTENT: T129		1
- 25	BAC27TEX0430		.MARKER-ALUMINUM FOIL POSITION DATA: RH SIDE PLACARD CONTENT: T130		1
30	FT1008		.AUTOTRANSFORMER-LIGHTING AND GENERAL PURPOSE 350VA 118/114/110V TO 28 SUPPLIER CODE: V14752 SPECIFICATION NUMBER: 60B40026-20 ELECTRICAL EQUIP NUMBER: T00137 T00138		1
- 35	NAS1801-3-10		ATTACHING PARTS .SCREW		4
- 40	AN960PD10		.WASHER -----*-----		4

ILLUSTRATION ITEMS NOT ON PARTS LIST ARE NOT APPLICABLE

- ITEM NOT ILLUSTRATED

33-42-51-01

33-42-51
FIG. 01
PAGE 1
DEC 22/06

HXL



767

PARTS CATALOG (MAINTENANCE)

FIG ITEM	PART NUMBER	1 2 3 4 5 6 7	NOMENCLATURE	EFFECT FROM TO	UNITS PER ASSY
1					
45	FT1046		.AUTOTRANSFORMER-LIGHTING AND GENERAL PURPOSE 750A 118/114/110V TO 28V SUPPLIER CODE: V14752 FUNCTIONAL DESCRIPTION: PROVIDES 115 VOLT POWER FOR CARGO BAY LIGHTING SPECIFICATION NUMBER: 60B40026-17 ELECTRICAL EQUIP NUMBER: T00129 T00130		1
45	FT1046-14752		.AUTOTRANSFORMER-LIGHTING AND GENERAL PURPOSE 750A 118/114/110V TO 28V SUPPLIER CODE: V14752 FUNCTIONAL DESCRIPTION: PROVIDES 115 VOLT POWER FOR CARGO BAY LIGHTING SPECIFICATION NUMBER: 60B40026-17 ELECTRICAL EQUIP NUMBER: T00129 T00130		1
- 50	NAS1801-06-8		ATTACHING PARTS .SCREW-		4
- 55	AN960PD6		.WASHER		4
			-----*-----		
- 201	286T0602-300		WIRE BUNDLE ASSY		RF
- 206	286T0656-300		WIRE BUNDLE ASSY		RF
210	BACC45FT14A7S		.CONNECTOR- ELECTRICAL EQUIP NUMBER: D02112 D02114 WIRING DIAGRAM REF: 334221		1

ILLUSTRATION ITEMS NOT ON PARTS LIST ARE NOT APPLICABLE

- ITEM NOT ILLUSTRATED

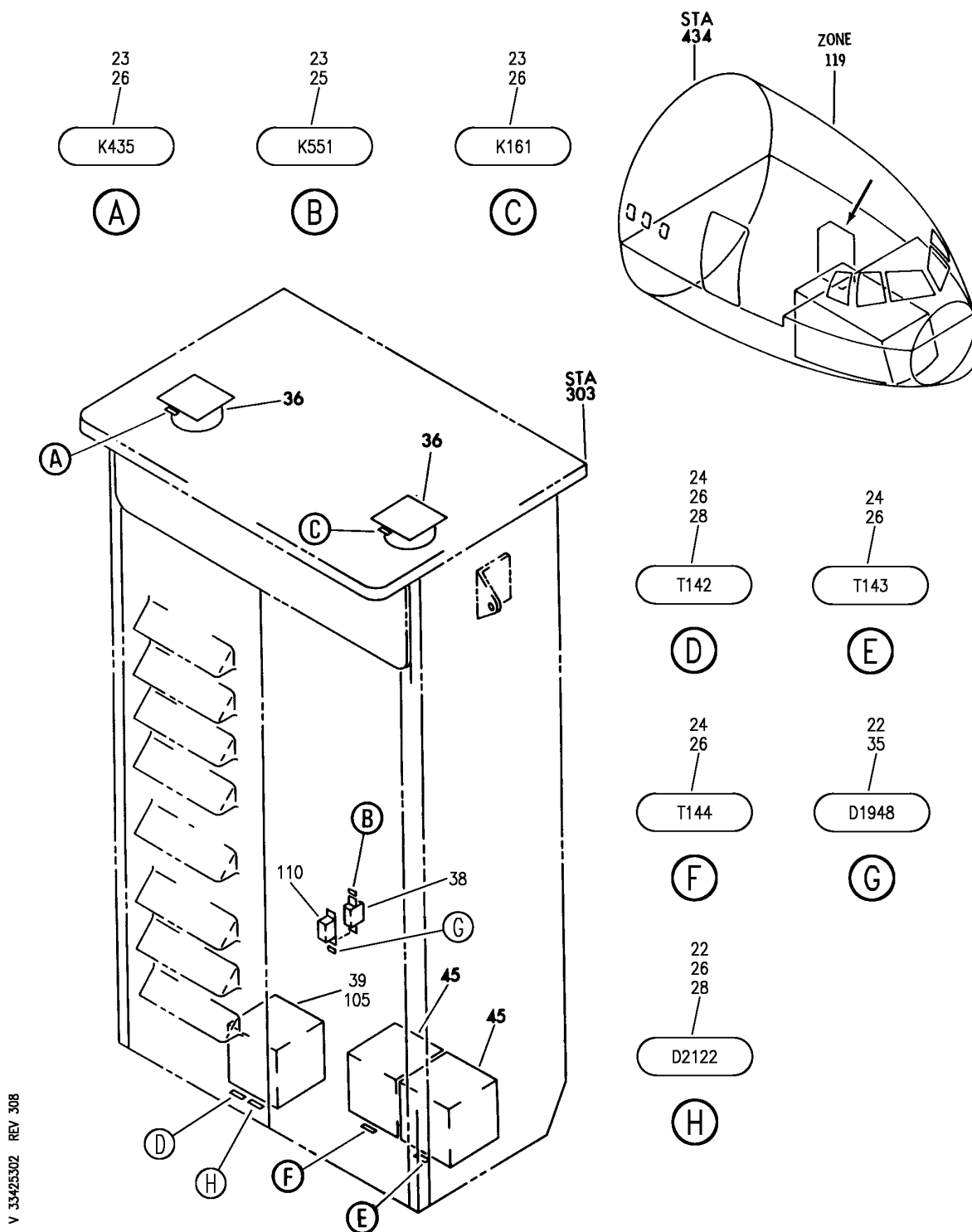
HXL

33-42-51-01

BOEING PROPRIETARY - Copyright © - Unpublished Work - See title page for details.

33-42-51
FIG. 01
PAGE 2
DEC 22/06

BOEING
767
PARTS CATALOG (MAINTENANCE)



V 33425302 REV 308

EQUIPMENT ASSY-P36 MISC ELEC PNL L (LIGHTS ONLY)
FIGURE 2

33-42-53-02

HXL
DEC 22/06

33-42-53-02
PAGE 0



767

PARTS CATALOG (MAINTENANCE)

FIG ITEM	PART NUMBER	1 2 3 4 5 6 7	NOMENCLATURE	EFFECT FROM TO	UNITS PER ASSY
2			EQUIPMENT ASSY-P36 MISC ELEC PNL L (LIGHTS ONLY)		
- 10	284T0187-167		EQUIPMENT ASSY-P36 MISC ELEC PNL (LIGHTS ONLY) POSITION DATA: L FOR NHA/OTHER SYS DET SEE: 53-11-70-03	155162	RF
- 12	284T0187-205		EQUIPMENT ASSY-P36 MISC ELEC PNL (LIGHTS ONLY) POSITION DATA: L FOR NHA/OTHER SYS DET SEE: 53-11-70-03	163163	RF
- 13	284T0187-212		EQUIPMENT ASSY-P36 MISC ELEC PNL (LIGHTS ONLY) POSITION DATA: L FOR NHA/OTHER SYS DET SEE: 53-11-70-03	164999	RF
22	BAC27TEX4186		.DECALSET-(INCLUDES DECALS IDENTIFIED ON THE ILLUSTRATION)		RF
23	BAC27TEX4180		.DECALSET-(INCLUDES DECALS IDENTIFIED ON THE ILLUSTRATION)		RF
24	BAC27TEX4181		.DECALSET-(INCLUDES DECALS IDENTIFIED ON THE ILLUSTRATION)		RF
36	MS27751-1		.RELAY- ELECTRICAL EQUIP NUMBER: K00161 K00435		2
- 37	NAS1801-08-7		ATTACHING PARTS .SCREW -----*-----		8

ILLUSTRATION ITEMS NOT ON PARTS LIST ARE NOT APPLICABLE

- ITEM NOT ILLUSTRATED

HXL

33-42-53-02

BOEING PROPRIETARY - Copyright © - Unpublished Work - See title page for details.

33-42-53
FIG. 02
PAGE 1
DEC 22/07



767

PARTS CATALOG (MAINTENANCE)

FIG ITEM	PART NUMBER	1 2 3 4 5 6 7	NOMENCLATURE	EFFECT FROM TO	UNITS PER ASSY
2 38	E210-1631		.RELAY- SUPPLIER CODE: V99699 SPECIFICATION NUMBER: BACR13CF2A OPTIONAL PART: BR246S0112 V56623 FCA210-70 V78290 E215-1050 V99699 JD4A017 V35344 BR64S104 V56623 61GB19-1A320 V98927 ELECTRICAL EQUIP NUMBER: K00551		1
- 100 110	286T0176-300 RSF116200		WIRE BUNDLE ASSY .SOCKET- SUPPLIER CODE: V58982 SPECIFICATION NUMBER: BACS16X1A OPTIONAL PART: 102-006-1 V09922 000300-1538 V05574 ELECTRICAL EQUIP NUMBER: D01948 WIRING DIAGRAM REF: 334221		RF 1

ILLUSTRATION ITEMS NOT ON PARTS LIST ARE NOT APPLICABLE

- ITEM NOT ILLUSTRATED

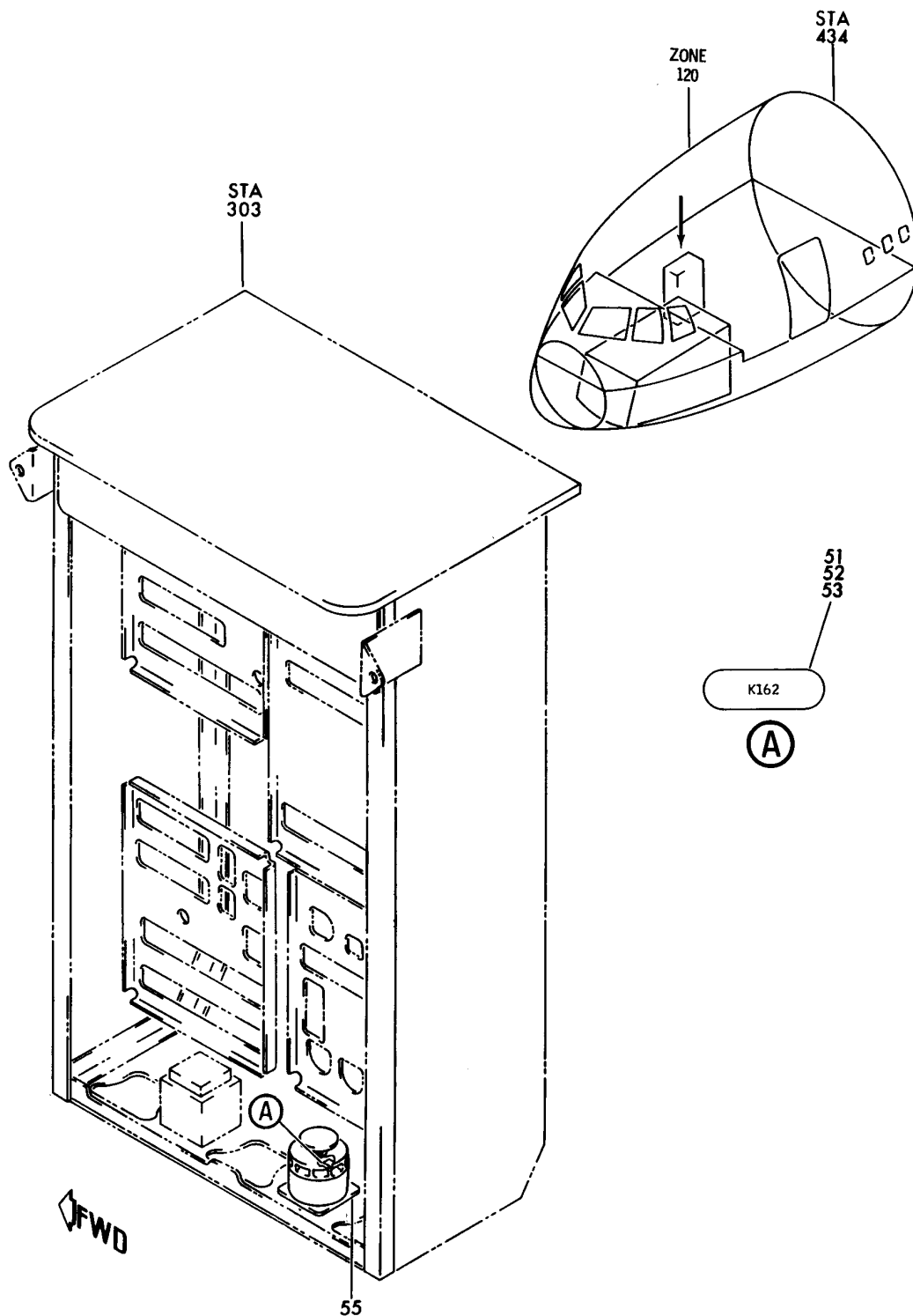
HXL

33-42-53-02

BOEING PROPRIETARY - Copyright © - Unpublished Work - See title page for details.

33-42-53
FIG. 02
PAGE 2
DEC 22/07

BOEING
767
PARTS CATALOG (MAINTENANCE)



V 33425305 REV 144

EQUIPMENT ASSY-P37 MISC ELEC PNL R (LANDING RUNWAY TURNOFF AND TAXI LIGHTS ONLY)

FIGURE 5

33-42-53-05

HXL
DEC 22/06

33-42-53-05
PAGE 0

BOEING
767
PARTS CATALOG (MAINTENANCE)

FIG ITEM	PART NUMBER	1 2 3 4 5 6 7	NOMENCLATURE	EFFECT FROM TO	UNITS PER ASSY
5			EQUIPMENT ASSY-P37 MISC ELEC PNL R (LANDING RUNWAY TURNOFF AND TAXI LIGHTS ONLY)		
- 9	284T0188-157		EQUIPMENT ASSY-P37 MISC ELEC PNL (LANDING RUNWAY TURNOFF AND TAXI LIGHTS ONLY) POSITION DATA: R FOR NHA/OTHER SYS DET SEE: 53-11-70-05	155162	RF
- 10	284T0188-172		EQUIPMENT ASSY-P37 MISC ELEC PNL (LANDING RUNWAY TURNOFF AND TAXI LIGHTS ONLY) POSITION DATA: R FOR NHA/OTHER SYS DET SEE: 53-11-70-05	163163	RF
- 11	284T0188-194		EQUIPMENT ASSY-P37 MISC ELEC PNL (LANDING RUNWAY TURNOFF AND TAXI LIGHTS ONLY) POSITION DATA: R FOR NHA/OTHER SYS DET SEE: 53-11-70-05	164999	RF
50	BAC27TEX3732		.DECALSET-INCLUDES DECALS IDENTIFIED ON THE ILLUSTRATION		RF
52	BAC27TEX4184		.DECALSET-INCLUDES DECALS IDENTIFIED ON THE ILLUSTRATION		RF
55	MS27751-1		.RELAY- ELECTRICAL EQUIP NUMBER: K00162		1
- 60	NAS1801-08-7		ATTACHING PARTS .SCREW -----*-----		4

ILLUSTRATION ITEMS NOT ON PARTS LIST ARE NOT APPLICABLE

- ITEM NOT ILLUSTRATED

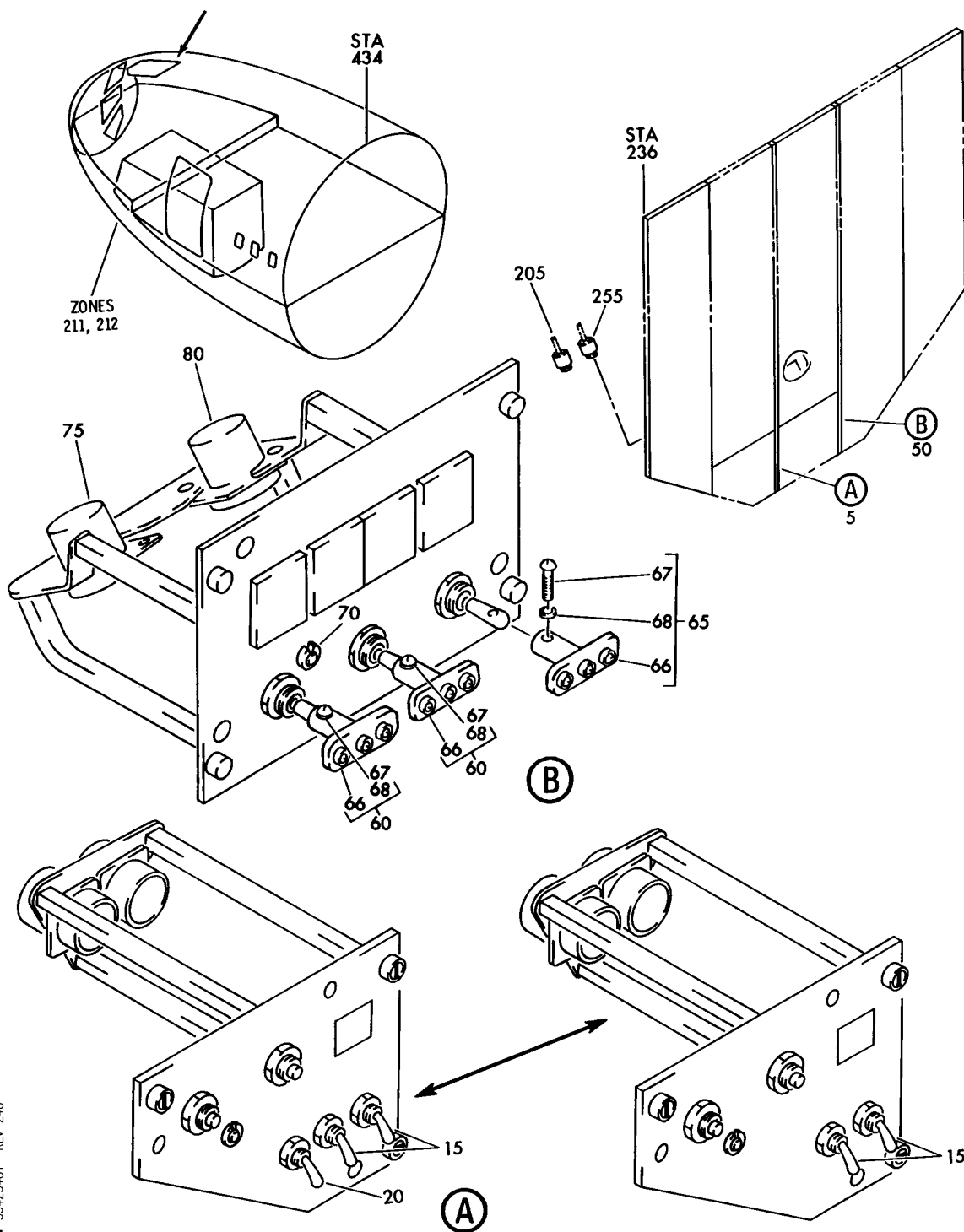
HXL

33-42-53-05

BOEING PROPRIETARY - Copyright © - Unpublished Work - See title page for details.

33-42-53
FIG. 05
PAGE 1
DEC 22/07

BOEING
767
PARTS CATALOG (MAINTENANCE)



V 33425401 REV 240

PANEL INSTL-OVHD (LANDING, RUNWAY TURNOFF AND TAXI LIGHTS ONLY)
FIGURE 1

33-42-54-01

HXL
DEC 22/06

33-42-54-01
PAGE 0



767

PARTS CATALOG (MAINTENANCE)

FIG ITEM	PART NUMBER	1 2 3 4 5 6 7	NOMENCLATURE	EFFECT FROM TO	UNITS PER ASSY
1			PANEL INSTL-OVHD (LANDING, RUNWAY TURNOFF AND TAXI LIGHTS ONLY)		
- 1	233T3100-1		PANEL INSTL-OVHD (LANDING, RUNWAY TURNOFF AND TAXI LIGHTS ONLY) VARIABLE DRAWING REF: 233T3100-5048 FOR NHA/OTHER SYS DET SEE: 25-10-00-03		RF
	5 233T3100-306		.PANEL ASSY-LIGHTING CONT POSITION DATA: L		RF
- 10	233N3214-22		..PANEL ASSY- SUPPLIER CODE: V89954 ELECTRICAL EQUIP NUMBER: M10056 COMPONENT MAINT MANUAL REF: 33-11-71		RF
- 10	233N3214-26		..PANEL ASSY- SUPPLIER CODE: V89954 ELECTRICAL EQUIP NUMBER: M10056 COMPONENT MAINT MANUAL REF: 33-11-71		RF
- 10	233N3214-28		..PANEL ASSY- SUPPLIER CODE: V89954 MISCELLANEOUS DATA: (THE 233N3214-303 PANEL ASSY IS I/W THE 233N3214-28 PANEL ASSY T/W THE S233T100-6016 LIGHTPLATE AND (2) RC445-131 KNOBS AND (2) TT410-101 KNOBS) ELECTRICAL EQUIP NUMBER: M10056 COMPONENT MAINT MANUAL REF: 33-11-71 QUALIFIED I/W DATA: 233N3214-28 I/W -34 EXCEPT SUBJECT TO CUSTOMER PREFERENCE USED ON: 233T3100-306 233N3214-303		RF

ILLUSTRATION ITEMS NOT ON PARTS LIST ARE NOT APPLICABLE

- ITEM NOT ILLUSTRATED

33-42-54-01

33-42-54
FIG. 01
PAGE 1
DEC 22/07

HXL



767

PARTS CATALOG (MAINTENANCE)

FIG ITEM	PART NUMBER	1 2 3 4 5 6 7	NOMENCLATURE	EFFECT FROM TO	UNITS PER ASSY
1					
15	MS25306-222		...SWITCH-		2
20	MS25306-222		...SWITCH-		1
			USED ON:		
			233N3214-22		
			233N3214-26		
			233N3214-28		
			233N3214-34		
50	233T3100-145		.PANEL ASSY-ANTI-COLLISION AND LDG LT		RF
50	233T3100-196		.PANEL ASSY-ANTI-COLLISION AND LDG LT		RF
50	233T3100-284		.PANEL ASSY-ANTI-COLLISION AND LDG LT		RF
50	233T3100-320		.PANEL ASSY-ANTI-COLLISION AND LDG LT		RF
- 55	233T3217-38		..PANEL ASSY- SUPPLIER CODE: V89954 ELECTRICAL EQUIP NUMBER: M00056 COMPONENT MAINT MANUAL REF: 33-44-72 USED ON: 233T3100-145		1
- 55	233T3217-40		..PANEL ASSY- SUPPLIER CODE: V89954 ELECTRICAL EQUIP NUMBER: M00056 COMPONENT MAINT MANUAL REF: 33-44-72		1
- 55	233T3217-41		..PANEL ASSY- SUPPLIER CODE: V89954 MISCELLANEOUS DATA: (THE 233T3217-300 PANEL ASSY IS I/W THE 233T3217-41 PANEL ASSY T/E THE S233T100-6030 LIGHTPLATE.) ELECTRICAL EQUIP NUMBER: M00056 COMPONENT MAINT MANUAL REF: 33-44-72 QUALIFIED I/W DATA: 233T3217-41 I/W -44 EXCEPT SUBJECT TO CUSTOMER PREFERENCE		1

ILLUSTRATION ITEMS NOT ON PARTS LIST ARE NOT APPLICABLE

- ITEM NOT ILLUSTRATED

33-42-54-01

33-42-54
FIG. 01
PAGE 2
DEC 22/07

HXL



767

PARTS CATALOG (MAINTENANCE)

FIG ITEM	PART NUMBER	1 2 3 4 5 6 7	NOMENCLATURE	EFFECT FROM TO	UNITS PER ASSY
1					
- 55	233T3217-44		.. PANEL ASSY- SUPPLIER CODE: V89954 MISCELLANEOUS DATA: (THE 233T3217-302 PANEL ASSY IS I/W THE 233T3217-44 PANEL ASSY T/W THE S233T100-6030 LIGHTPLATE.) ELECTRICAL EQUIP NUMBER: M00056 COMPONENT MAINT MANUAL REF: 33-44-72 QUALIFIED I/W DATA: 233T3217-41 I/W -44 EXCEPT SUBJECT TO CUSTOMER PREFERENCE		1
60	A3-50		... SWITCH ASSY-TG SUPPLIER CODE: V81640 SPECIFICATION NUMBER: BACS30AN1 OPTIONAL PART: 8906K870 V15605		2
65	A3-1207		... SWITCH ASSY-TG SUPPLIER CODE: V81640		1
66	24-7137	 TOGGLE ASSY-CAP AND LENS SUPPLIER CODE: V27193 ATTACHING PARTS		1
67	11-4177-101	 SCREW- SUPPLIER CODE: V27193		1
68	16-3257-69	 LOCKWASHER- SUPPLIER CODE: V27193 -----*-----		1
70	800-000121-1		... CONNECTOR-PWR SUPPLIER CODE: V05617		1
70	90-42301-1		... CONNECTOR-PWR SUPPLIER CODE: V51074		1
75	BACC45FN16-24P9		... CONNECTOR		1
80	BACC45FN16-24P		... CONNECTOR		1

ILLUSTRATION ITEMS NOT ON PARTS LIST ARE NOT APPLICABLE

- ITEM NOT ILLUSTRATED

33-42-54-01

33-42-54
FIG. 01
PAGE 3
DEC 22/07

HXL



767

PARTS CATALOG (MAINTENANCE)

FIG ITEM	PART NUMBER	1 2 3 4 5 6 7	NOMENCLATURE	EFFECT FROM TO	UNITS PER ASSY
1			ATTACHING PARTS		
- 85	NAS1801-04-5	...	SCREW- OPTIONAL PART: BACS12HN04-5		4
- 85	BACS12HN04-5	...	SCREW- OPTIONAL PART: NAS1801-04-5		4
- 90	K19798-04	...	NUT SUPPLIER CODE: V15653 SPECIFICATION NUMBER: BACN10NW1 OPTIONAL PART: RMA4812-160-40 V72962 293162 V60119		4
- 100	M39029-1-16-20	...	CONTACT		26
- 200	286T0062-300		WIRE BUNDLE ASSY-(LANDING, RUNWAY TURNOFF AND TAXI LIGHTS ONLY)		RF
205	BACC45FT16A24S9	.	CONNECTOR- ELECTRICAL EQUIP NUMBER: D00856 WIRING DIAGRAM REF: 334211		1
- 250	286T0066-300		WIRE BUNDLE ASSY-(LANDING, RUNWAY TURNOFF AND TAXI LIGHTS ONLY)		RF
255	BACC45FT16A24S	.	CONNECTOR- ELECTRICAL EQUIP NUMBER: D00858 WIRING DIAGRAM REF: 334111		1

ILLUSTRATION ITEMS NOT ON PARTS LIST ARE NOT APPLICABLE

- ITEM NOT ILLUSTRATED

HXL

33-42-54-01

BOEING PROPRIETARY - Copyright © - Unpublished Work - See title page for details.

33-42-54
FIG. 01
PAGE 4
DEC 22/07