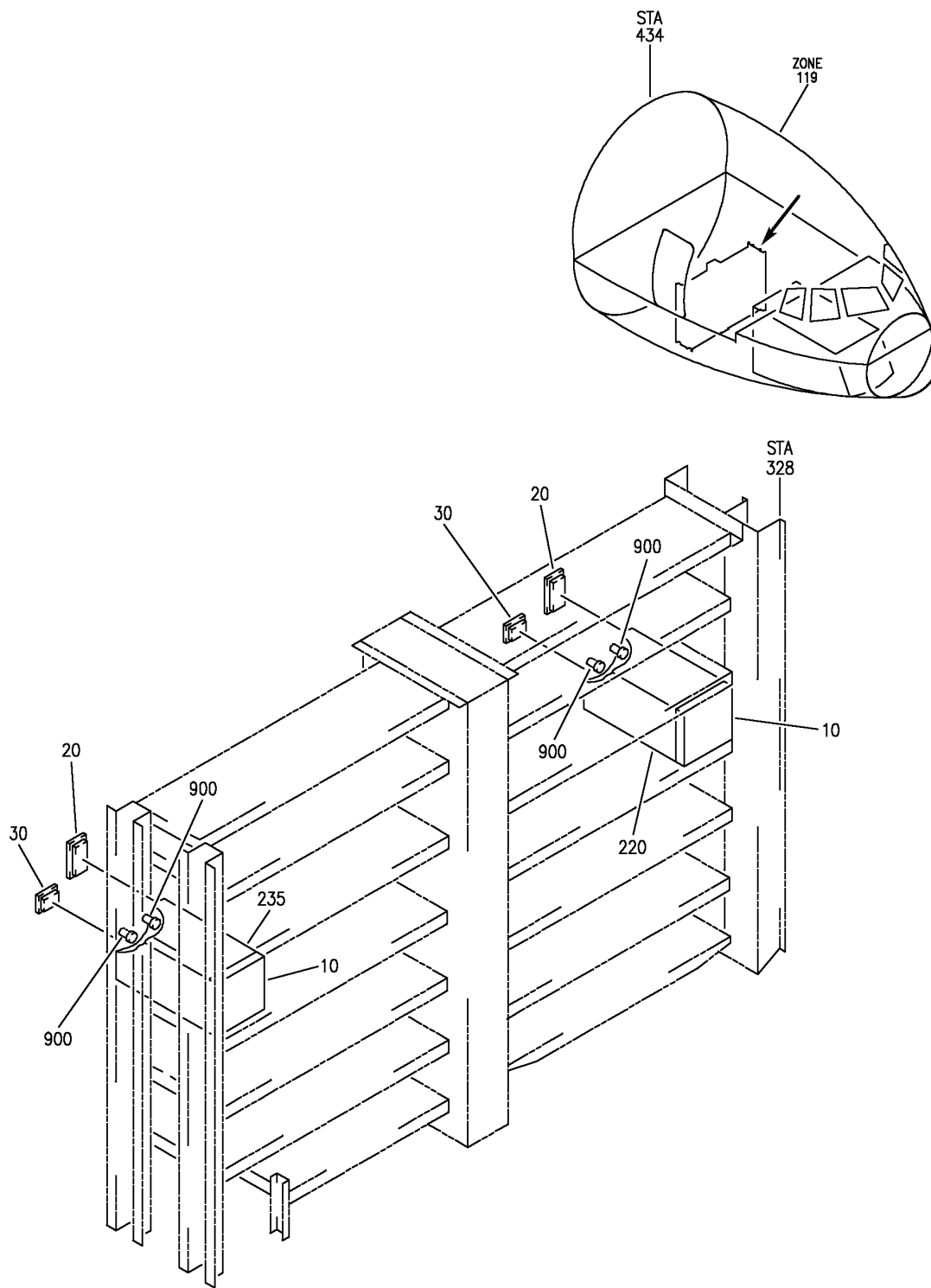


AIR DATA COMPUTING SYSTEM

HXL
DEC 22/06

34-12-00
SECTION TITLE
PAGE 1

BOEING
767
PARTS CATALOG (MAINTENANCE)



V 34120102 REV 269

EQUIPMENT INSTL-ELECT. EQPT CTR E1/E2 RACK (AIR DATA COMPUTING SYSTEM ONLY)
FIGURE 2

34-12-01-02

HXL
DEC 22/06

34-12-01-02
PAGE 0



767

PARTS CATALOG (MAINTENANCE)

FIG ITEM	PART NUMBER	1 2 3 4 5 6 7	NOMENCLATURE	EFFECT FROM TO	UNITS PER ASSY
2			EQUIPMENT INSTL-ELECT. EQPT CTR E1/E2 RACK (AIR DATA COMPUTING SYSTEM ONLY)		
- 1	284T0400-618		EQUIPMENT INSTL-ELECT. EQPT CTR E1/E2 RACK (AIR DATA COMPUTING SYSTEM ONLY) VARIABLE DRAWING REF: 284T0400-5284 FOR NHA/OTHER SYS DET SEE: 24-00-58-01J	155162	RF
- 2	284T0400-630		EQUIPMENT INSTL-ELECT. EQPT CTR E1/E2 RACK (AIR DATA COMPUTING SYSTEM ONLY) VARIABLE DRAWING REF: 284T0400-5349 284T0400-5357 FOR NHA/OTHER SYS DET SEE: 24-00-58-01J	163999	RF
10	4040800-904		.COMPUTER ASSY-AIR DATA SUPPLIER CODE: V58960 POSITION DATA: L AND R SPECIFICATION NUMBER: S242T210-204 ELECTRICAL EQUIP NUMBER: M00100 M00101 COMPONENT MAINT MANUAL REF: 34-12-14 QUALIFIED I/W DATA: 4040800-902 I/W 4040800-904 FOR 767-200 ACFT 4040800-904 MUST BE INSTALLED ON 767-300 ACFT		2

ILLUSTRATION ITEMS NOT ON PARTS LIST ARE NOT APPLICABLE

- ITEM NOT ILLUSTRATED

HXL

34-12-01-02

BOEING PROPRIETARY - Copyright © - Unpublished Work - See title page for details.

34-12-01
FIG. 02
PAGE 1
DEC 22/07



767

PARTS CATALOG (MAINTENANCE)

FIG ITEM	PART NUMBER	1 2 3 4 5 6 7 NOMENCLATURE	EFFECT FROM TO	UNITS PER ASSY
2 10	4040800-906	.COMPUTER ASSY-AIR DATA SUPPLIER CODE: V58960 POSITION DATA: L AND R SPECIFICATION NUMBER: S242T210-206 MISCELLANEOUS DATA: S242T210-204/4040800-904 S242T210-206/4040800-906 S242T210-207/4040800-907 S242T210-208/4040800-908 S242T210-211/4040800-911 S242T210-212/4040800-912 ARE FULLY INTERCHANGEABLE FOR MODEL 767 AIRPLANES VA001-VF180, VF191-VJ999, VK001-VW999 ACCORDING TO I/W DWG. 242T0902. ELECTRICAL EQUIP NUMBER: M00100 M00101 WIRING DIAGRAM REF: 341221 341211 COMPONENT MAINT MANUAL REF: 34-12-14		2

ILLUSTRATION ITEMS NOT ON PARTS LIST ARE NOT APPLICABLE

- ITEM NOT ILLUSTRATED

HXL

34-12-01-02

BOEING PROPRIETARY - Copyright © - Unpublished Work - See title page for details.

34-12-01
 FIG. 02
 PAGE 2
 DEC 22/06



767

PARTS CATALOG (MAINTENANCE)

FIG ITEM	PART NUMBER	1 2 3 4 5 6 7	NOMENCLATURE	EFFECT FROM TO	UNITS PER ASSY
2 10	4040800-911	.	COMPUTER ASSY-AIR DATA SUPPLIER CODE: V58960 POSITION DATA: L AND R SPECIFICATION NUMBER: S242T210-211 MISCELLANEOUS DATA: S242T210-204/4040800-904 S242T210-206/4040800-906 S242T210-207/4040800-907 S242T210-208/4040800-908 S242T210-211/4040800-911 S242T210-212/4040800-912 ARE FULLY INTERCHANGEABLE FOR MODEL 767 AIRPLANES VA001-VF180, VF191-VJ999 VK001-VW999 ACCORDING TO I/W DWG 242T0902. ELECTRICAL EQUIP NUMBER: M00100 M00101 COMPONENT MAINT MANUAL REF: 34-12-18		2
20	025-1157-001	..	CAP-DUST SUPPLIER CODE: V71468 OPTIONAL PART: 4041437-5 V58960		1
30	025-1158-001	..	CAP-DUST SUPPLIER CODE: V71468 OPTIONAL PART: 4041437-6 V58960		1
- 205	286T0105-120		WIRE BUNDLE ASSY-		RF

ILLUSTRATION ITEMS NOT ON PARTS LIST ARE NOT APPLICABLE

- ITEM NOT ILLUSTRATED

HXL

34-12-01-02

BOEING PROPRIETARY - Copyright © - Unpublished Work - See title page for details.

34-12-01
FIG. 02
PAGE 3
DEC 22/06



767

PARTS CATALOG (MAINTENANCE)

FIG ITEM	PART NUMBER	1 2 3 4 5 6 7	NOMENCLATURE	EFFECT FROM TO	UNITS PER ASSY
2 220	BKA21C02AA01		.CONNECTOR- SUPPLIER CODE: V71468 SPECIFICATION NUMBER: BCREFA0473 OPTIONAL PART: S621C02AA01 V59610 OVERLENGTH PART NUMBER: BACC66H21C02AA01 ELECTRICAL EQUIP NUMBER: D00423 WIRING DIAGRAM REF: 341211		1
235	BKA21C02AA01		.CONNECTOR- SUPPLIER CODE: V71468 SPECIFICATION NUMBER: BCREFA0473 OPTIONAL PART: S621C02AA01 V59610 OVERLENGTH PART NUMBER: BACC66H21C02AA01 ELECTRICAL EQUIP NUMBER: D00351 WIRING DIAGRAM REF: 341221		1
900			ILLUSTRATION REFERENCE: TUBING INSTL-SECT. 41 PITOT STATIC (NAVIGATION ONLY) 34-11-00-13		RF

ILLUSTRATION ITEMS NOT ON PARTS LIST ARE NOT APPLICABLE

- ITEM NOT ILLUSTRATED

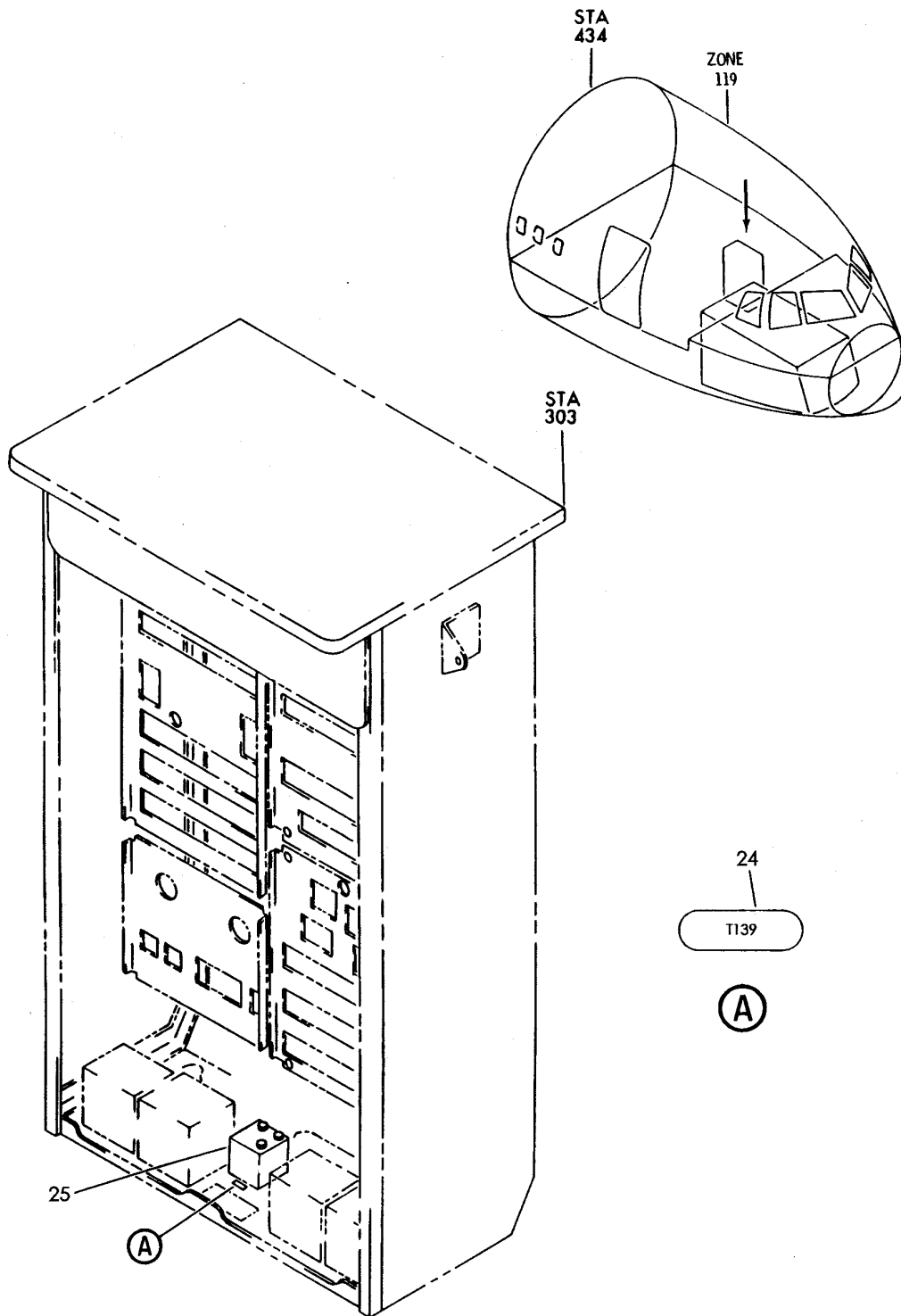
HXL

34-12-01-02

BOEING PROPRIETARY - Copyright © - Unpublished Work - See title page for details.

34-12-01
FIG. 02
PAGE 4
DEC 22/08

BOEING
767
PARTS CATALOG (MAINTENANCE)



EQUIPMENT ASSY-P36 MISC ELEC PNL L (AIR DATA COMPUTING SYSTEM ONLY)
FIGURE 5

34-12-01-05

HXL
DEC 22/06

34-12-01-05
PAGE 0



767

PARTS CATALOG (MAINTENANCE)

FIG ITEM	PART NUMBER	1 2 3 4 5 6 7	NOMENCLATURE	EFFECT FROM TO	UNITS PER ASSY
5			EQUIPMENT ASSY-P36 MISC ELEC PNL L (AIR DATA COMPUTING SYSTEM ONLY)		
- 10	284T0187-167		EQUIPMENT ASSY-P36 MISC ELEC PNL (AIR DATA COMPUTING SYSTEM ONLY) POSITION DATA: L FOR NHA/OTHER SYS DET SEE: 53-11-70-03	155162	RF
- 12	284T0187-205		EQUIPMENT ASSY-P36 MISC ELEC PNL (AIR DATA COMPUTING SYSTEM ONLY) POSITION DATA: L FOR NHA/OTHER SYS DET SEE: 53-11-70-03	163163	RF
- 13	284T0187-212		EQUIPMENT ASSY-P36 MISC ELEC PNL (AIR DATA COMPUTING SYSTEM ONLY) POSITION DATA: L FOR NHA/OTHER SYS DET SEE: 53-11-70-03	164999	RF
24	BAC27TEX4181		.DECALSET-(INCLUDE DECALS IDENTIFIED ON THE ILLUSTRATION)		RF
25	10615		.TRANSFORMER- SUPPLIER CODE: V95266 ELECTRICAL EQUIP NUMBER: T00139		1
- 30	NAS1801-08-7		ATTACHING PARTS .SCREW -----*-----		4

ILLUSTRATION ITEMS NOT ON PARTS LIST ARE NOT APPLICABLE

- ITEM NOT ILLUSTRATED

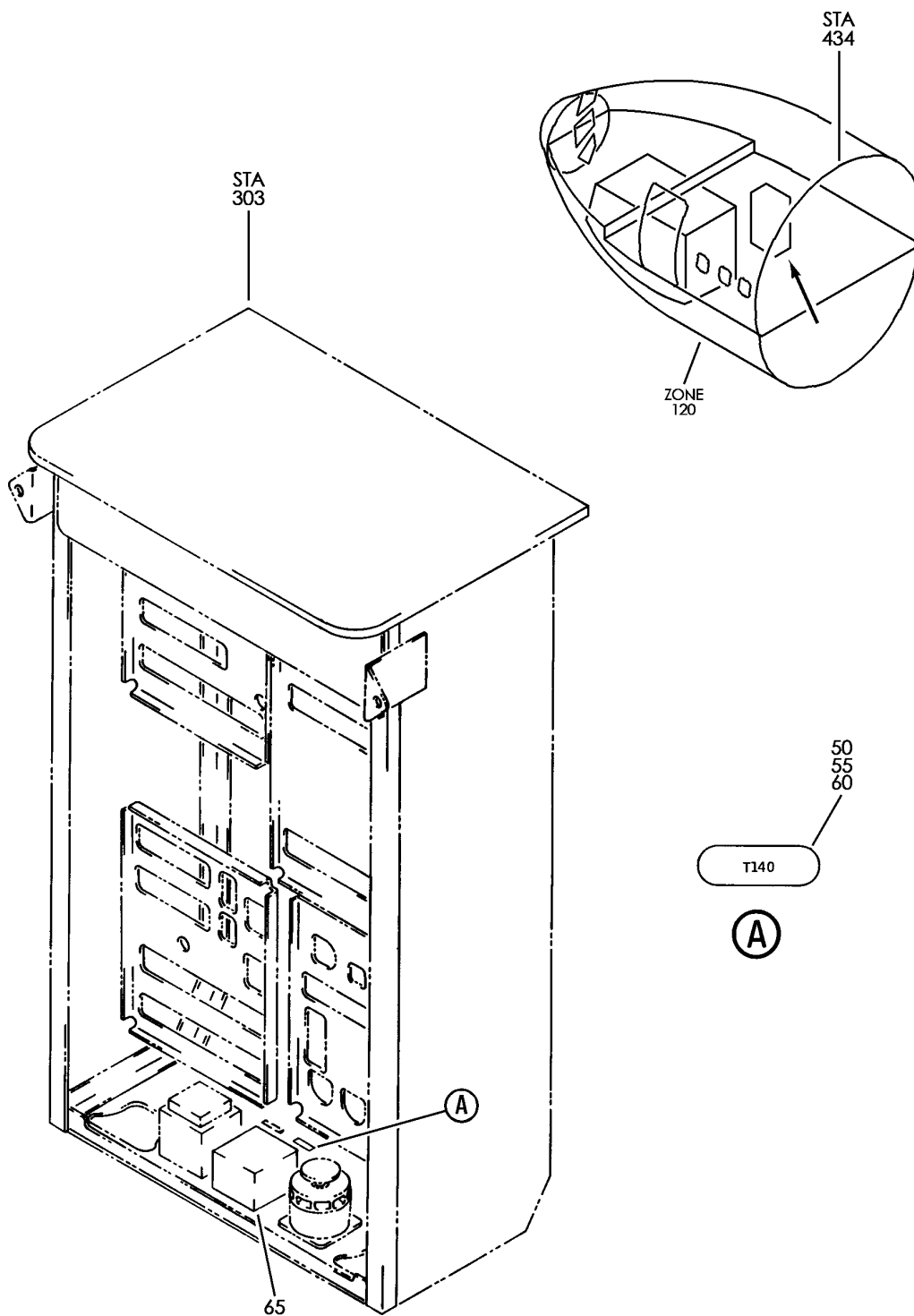
HXL

34-12-01-05

BOEING PROPRIETARY - Copyright © - Unpublished Work - See title page for details.

34-12-01
FIG. 05
PAGE 1
DEC 22/07

BOEING
767
PARTS CATALOG (MAINTENANCE)



V 34120109 REV 219

EQUIPMENT ASSY-P37 MISC ELEC PNL R (NAVIGATION ONLY)
FIGURE 9

34-12-01-09

HXL
DEC 22/06

34-12-01-09
PAGE 0



767

PARTS CATALOG (MAINTENANCE)

FIG ITEM	PART NUMBER	1 2 3 4 5 6 7	NOMENCLATURE	EFFECT FROM TO	UNITS PER ASSY
9			EQUIPMENT ASSY-P37 MISC ELEC PNL R (NAVIGATION ONLY)		
- 9	284T0188-157		EQUIPMENT ASSY-P37 MISC ELEC PNL (NAVIGATION ONLY) POSITION DATA: R FOR NHA/OTHER SYS DET SEE: 53-11-70-05	155162	RF
- 10	284T0188-172		EQUIPMENT ASSY-P37 MISC ELEC PNL (NAVIGATION ONLY) POSITION DATA: R FOR NHA/OTHER SYS DET SEE: 53-11-70-05	163163	RF
- 11	284T0188-194		EQUIPMENT ASSY-P37 MISC ELEC PNL (NAVIGATION ONLY) POSITION DATA: R FOR NHA/OTHER SYS DET SEE: 53-11-70-05	164999	RF
55	BAC27TEX4185		.DECALSET-INCLUDES DECALS IDENTIFIED ON THE ILLUSTRATION		RF
65	10615		.TRANSFORMER- SUPPLIER CODE: V95266 ELECTRICAL EQUIP NUMBER: T00140		1
- 70	NAS1801-08-7		ATTACHING PARTS .SCREW -----*-----		4

ILLUSTRATION ITEMS NOT ON PARTS LIST ARE NOT APPLICABLE

- ITEM NOT ILLUSTRATED

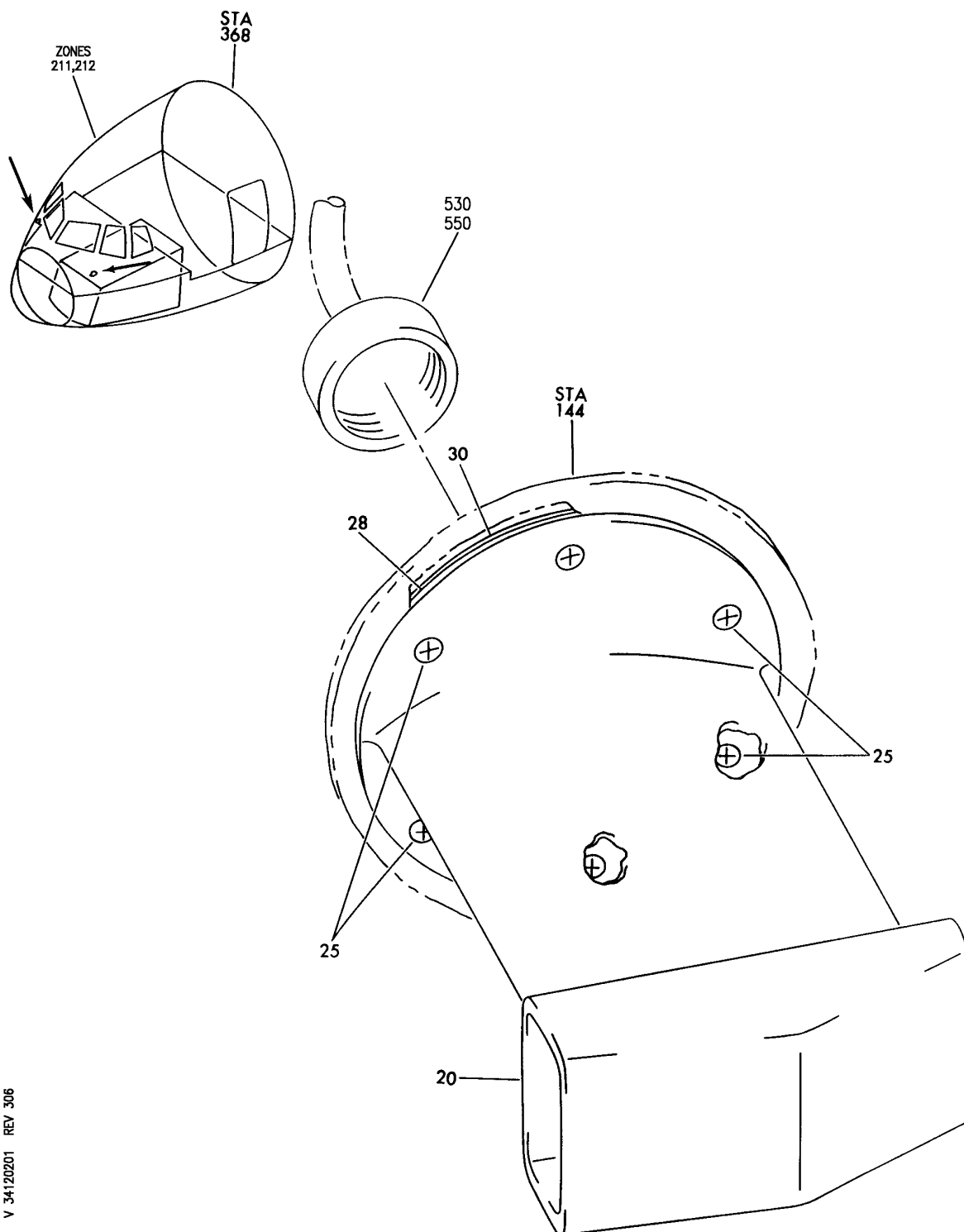
HXL

34-12-01-09

BOEING PROPRIETARY - Copyright © - Unpublished Work - See title page for details.

34-12-01
FIG. 09
PAGE 1
DEC 22/07

BOEING
767
PARTS CATALOG (MAINTENANCE)



V 34120201 REV 306

PROBE INSTL-TOTAL AIR TEMP
FIGURE 1

34-12-02-01

HXL
DEC 22/06

34-12-02-01
PAGE 0

BOEING
767
PARTS CATALOG (MAINTENANCE)

FIG ITEM	PART NUMBER	1 2 3 4 5 6 7	NOMENCLATURE	EFFECT FROM TO	UNITS PER ASSY
1			PROBE INSTL-TOTAL AIR TEMP		
- 1	233T9140-1		PROBE INSTL-TOTAL AIR TEMP PREMODULE POSITION DATA: LH FOR NHA SEE: 25-10-00-03		RF
20	102LA2AG		.PROBE- SUPPLIER CODE: V59885 POSITION DATA: LH SIDE ELECTRICAL EQUIP NUMBER: TS0161		1
20	102LJ2AG		.PROBE- SUPPLIER CODE: V60678 POSITION DATA: LH SIDE ELECTRICAL EQUIP NUMBER: TS0161		1
25	BACB30LU2-4		ATTACHING PARTS .BOLT- POSITION DATA: LH SIDE -----*-----		6
28	233T9141-13		.SHIM- POSITION DATA: LH SIDE		1
30	233T9141-6		.GASKET- POSITION DATA: LH SIDE MANUFACTURED FROM: SH RUBBER BMS1-57 F25.01 0.055 IN. X 3.0 IN. X 3.0 IN. SPARES ORDER MATERIAL CODE: 5210625700		1
- 500	286T0011-106		WIRE BUNDLE ASSY-		RF
530	BACC45FT14A7S		.CONNECTOR- ELECTRICAL EQUIP NUMBER: D00299 WIRING DIAGRAM REF: 341211		1

R
R
R
R
R
R
R
R
R

ILLUSTRATION ITEMS NOT ON PARTS LIST ARE NOT APPLICABLE

- ITEM NOT ILLUSTRATED

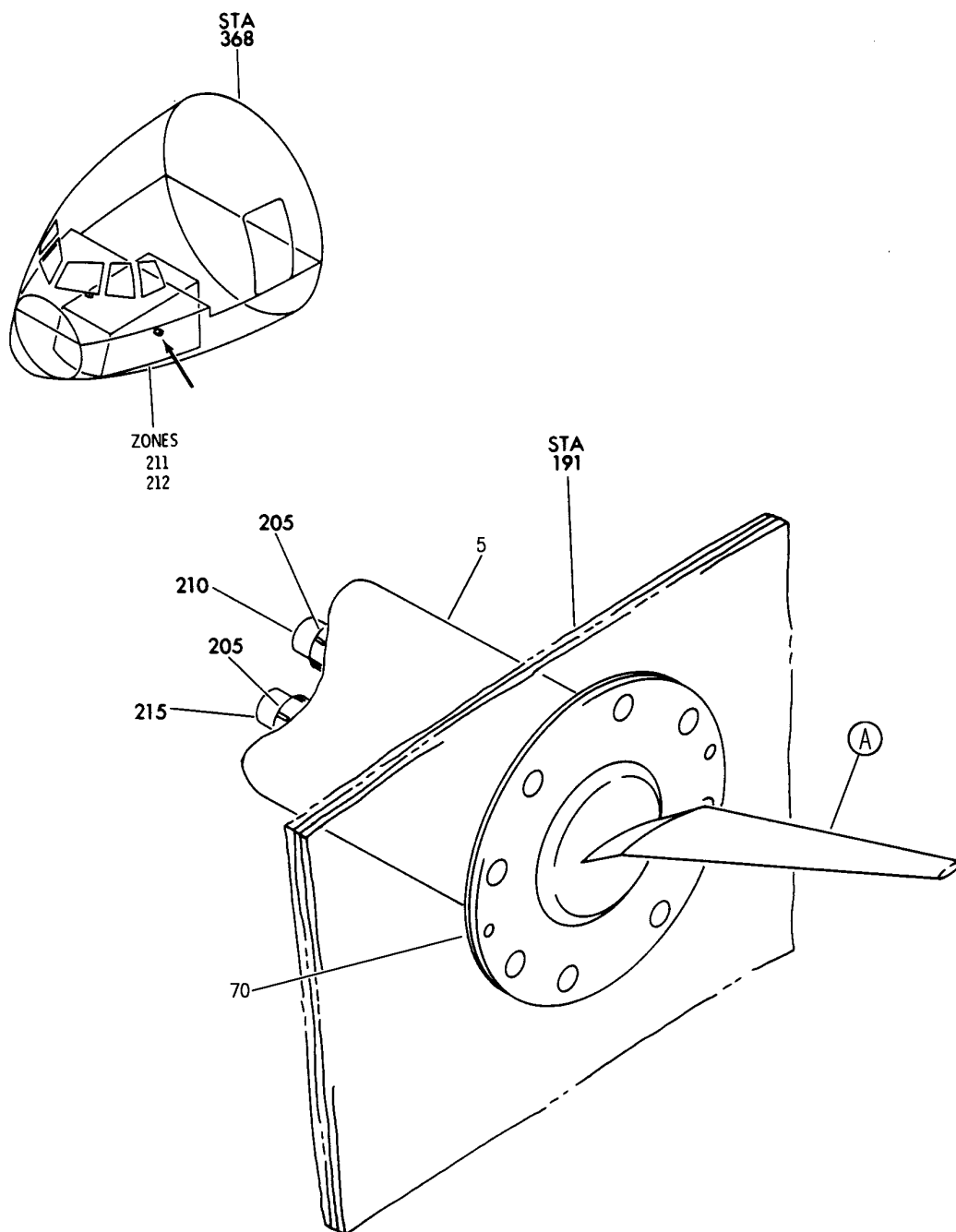
HXL

34-12-02-01

BOEING PROPRIETARY - Copyright © - Unpublished Work - See title page for details.

34-12-02
FIG. 01
PAGE 1
AUG 22/09

BOEING
767
PARTS CATALOG (MAINTENANCE)



V 34120301 SH1 1 REV 259

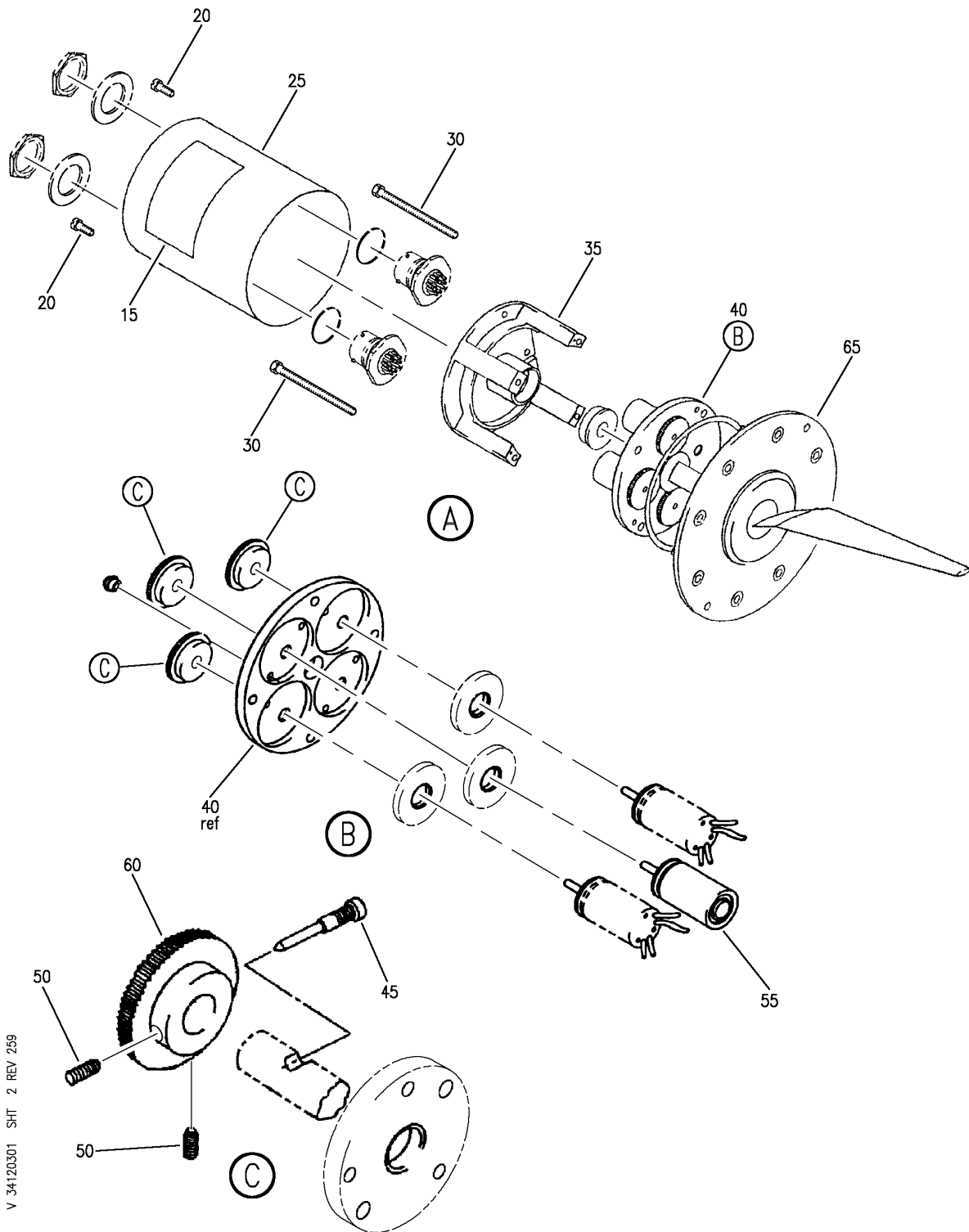
SENSOR INSTL-ANGLE OF ATTACK
FIGURE 1 (SHEET 1)

34-12-03-01

HXL
DEC 22/06

34-12-03-01
PAGE 0

BOEING
767
PARTS CATALOG (MAINTENANCE)



SENSOR INSTL-ANGLE OF ATTACK
FIGURE 1 (SHEET 2)

34-12-03-01



767

PARTS CATALOG (MAINTENANCE)

FIG ITEM	PART NUMBER	1 2 3 4 5 6 7	NOMENCLATURE	EFFECT FROM TO	UNITS PER ASSY
1			SENSOR INSTL-ANGLE OF ATTACK		
- 1	233T9130-1		SENSOR INSTL-ANGLE OF ATTACK POSITION DATA: LH FOR NHA SEE: 25-10-00-03		RF
- 2	233T9130-2		SENSOR INSTL-ANGLE OF ATTACK POSITION DATA: RH FOR NHA SEE: 25-10-00-03		RF
5	0861FL1		SENSOR-115V ELEC HEATED VANE TYPE ANGLE OF ATTACK SUPPLIER CODE: V59885 FUNCTIONAL DESCRIPTION: PROVIDES THE PRIMARY SOURCE OF ANGLE OF ATTACK INFORMATION FOR THE STALL WARNING AND FLIGHT CONTROL SYSTEMS. SPECIFICATION NUMBER: S233T913-5 MISCELLANEOUS DATA: MMEL PROVIDES SOME RELIEF ELECTRICAL EQUIP NUMBER: TS0012 TS0013 COMPONENT MAINT MANUAL REF: 34-12-34 OPTIONAL PART: 0861FL V59885		1

ILLUSTRATION ITEMS NOT ON PARTS LIST ARE NOT APPLICABLE

- ITEM NOT ILLUSTRATED

HXL

34-12-03-01

BOEING PROPRIETARY - Copyright © - Unpublished Work - See title page for details.

34-12-03
FIG. 01
PAGE 1
DEC 22/07



767

PARTS CATALOG (MAINTENANCE)

FIG ITEM	PART NUMBER	1 2 3 4 5 6 7	NOMENCLATURE	EFFECT FROM TO	UNITS PER ASSY
1	5 861CAB		.SENSOR-115V ELEC HEATED VANE TYPE ANGLE OF ATTACK SUPPLIER CODE: V59885 FUNCTIONAL DESCRIPTION: PROVIDES THE PRIMARY SOURCE OF ANGLE OF ATTACK INFORMATION FOR THE STALL WARNING AND FLIGHT CONTROL SYSTEMS. SPECIFICATION NUMBER: S233T913-1 ELECTRICAL EQUIP NUMBER: TS0012 TS0013 COMPONENT MAINT MANUAL REF: 34-12-00 OPTIONAL PART: 861CABMOD0001A V59885 861CABMOD0001AB V59885		1
	5 0861FL		.SENSOR-115V ELEC HEATED VANE TYPE ANGLE OF ATTACK SUPPLIER CODE: V59885 FUNCTIONAL DESCRIPTION: PROVIDES THE PRIMARY SOURCE OF ANGLE OF ATTACK INFORMATION FOR THE STALL WARNING AND FLIGHT CONTRO SYSTEMS. SPECIFICATION NUMBER: S233T913-4 ELECTRICAL EQUIP NUMBER: TS0012 TS0013 COMPONENT MAINT MANUAL REF: 34-12-34 OPTIONAL PART: 0861FL1 V59885		1

ILLUSTRATION ITEMS NOT ON PARTS LIST ARE NOT APPLICABLE

- ITEM NOT ILLUSTRATED

HXL

34-12-03-01

BOEING PROPRIETARY - Copyright © - Unpublished Work - See title page for details.

34-12-03
FIG. 01
PAGE 2
DEC 22/07

BOEING
767
PARTS CATALOG (MAINTENANCE)

FIG ITEM	PART NUMBER	1 2 3 4 5 6 7	NOMENCLATURE	EFFECT FROM TO	UNITS PER ASSY
1	5 861CABMOD0001A		.SENSOR-115V ELEC HEATED VANE TYPE ANGLE OF ATTACK SUPPLIER CODE: V59885 SPECIFICATION NUMBER: S233T913-1 ELECTRICAL EQUIP NUMBER: TS0012 TS0013 COMPONENT MAINT MANUAL REF: 34-12-00 OPTIONAL PART: 861CABMOD0001AB V59885 861CAB V59885		1
	5 861CABMOD0001AB		.SENSOR-115V ELEC HEATED VANE TYPE ANGLE OF ATTACK SUPPLIER CODE: V59885 SPECIFICATION NUMBER: S233T913-1 ELECTRICAL EQUIP NUMBER: TS0012 TS0013 COMPONENT MAINT MANUAL REF: 34-12-00 OPTIONAL PART: 861CABMOD0001A V59885 861CAB V59885		1
-	10 BACB30LU3-3		ATTACHING PARTS .BOLT-		8
-	12 NS103227-02		.NUTPLATE- SUPPLIER CODE: V80539 SPECIFICATION NUMBER: BACN10KA3B OPTIONAL PART: T8099S1032SK V11815		8
	15 00514-0327-0003		-----*----- ..NAMEPLATE- SUPPLIER CODE: V59885		1

ILLUSTRATION ITEMS NOT ON PARTS LIST ARE NOT APPLICABLE

- ITEM NOT ILLUSTRATED

HXL

34-12-03-01

BOEING PROPRIETARY - Copyright © - Unpublished Work - See title page for details.

34-12-03
FIG. 01
PAGE 3
AUG 22/09



767

PARTS CATALOG (MAINTENANCE)

FIG ITEM	PART NUMBER	1 2 3 4 5 6 7	NOMENCLATURE	EFFECT FROM TO	UNITS PER ASSY
1					
20	BCREF47315	..	SCREW- OVERLENGTH PART NUMBER: C09345-0305-1201		2
25	00861-1309-0001	..	COVER-DUST SUPPLIER CODE: V59885		1
30	NAS1352-06LB32P	..	SCREW		4
35	00861-1308-0001	..	SUPPORT- SUPPLIER CODE: V59885		1
40	861RFASSY3	..	BULKHEAD ASSY- SUPPLIER CODE: V59885		1
45	00861-1035-0001	...	PIN- SUPPLIER CODE: V59885		1
50	BCREF47316	...	SCREW- OVERLENGTH PART NUMBER: C20427-1440-1204		2
55	00861-0667-0002	...	DAMPER ASSY- SUPPLIER CODE: V59885		1
60	00861-1011-0001	...	GEAR- SUPPLIER CODE: V59885		1
65	861RFASSY4	..	MOUNTING SECTION- SUPPLIER CODE: V59885		1
70	233T9131-2	.	GASKET- MANUFACTURED FROM: SH RUBBER BMS1-57 F25.01 .100 IN. 5.0 IN. 5.0 IN. SPARES ORDER MATERIAL CODE: 5210700157		1
- 200	286T0431-120		WIRE BUNDLE ASSY		RF
205	BACC10GH12	.	CLAMP- ELECTRICAL EQUIP NUMBER: D00117T D00121T WIRING DIAGRAM REF: 341211		2
210	BACC63BN12-12SN	.	CONNECTOR- ELECTRICAL EQUIP NUMBER: D00117 WIRING DIAGRAM REF: 341211		1

R
R
R
R
R
R
R

ILLUSTRATION ITEMS NOT ON PARTS LIST ARE NOT APPLICABLE

- ITEM NOT ILLUSTRATED

34-12-03-01

34-12-03
FIG. 01
PAGE 4
AUG 22/09

HXL

BOEING PROPRIETARY - Copyright © - Unpublished Work - See title page for details.



767

PARTS CATALOG (MAINTENANCE)

FIG ITEM	PART NUMBER	1 2 3 4 5 6 7	NOMENCLATURE	EFFECT FROM TO	UNITS PER ASSY
1 215	C0909A12-12S6		.CONNECTOR- SUPPLIER CODE: V13556 SPECIFICATION NUMBER: BACC63BN12-12S6 OPTIONAL PART: 48-63N12-12S6 V02660 R071212-12S6 V41118 ELECTRICAL EQUIP NUMBER: D00121 WIRING DIAGRAM REF: 341211		1
- 250	286T0441-120		WIRE BUNDLE ASSY		RF
- 255	BACC10GH12		.CLAMP- ELECTRICAL EQUIP NUMBER: D00123T D00127T WIRING DIAGRAM REF: 341221		2
- 260	BACC63BN12-12SN		.CONNECTOR- ELECTRICAL EQUIP NUMBER: D00123 WIRING DIAGRAM REF: 341221		1
- 265	C0909A12-12S6		.CONNECTOR- SUPPLIER CODE: V13556 SPECIFICATION NUMBER: BACC63BN12-12S6 OPTIONAL PART: 48-63N12-12S6 V02660 R071212-12S6 V41118 ELECTRICAL EQUIP NUMBER: D00127 WIRING DIAGRAM REF: 341221		1

ILLUSTRATION ITEMS NOT ON PARTS LIST ARE NOT APPLICABLE

- ITEM NOT ILLUSTRATED

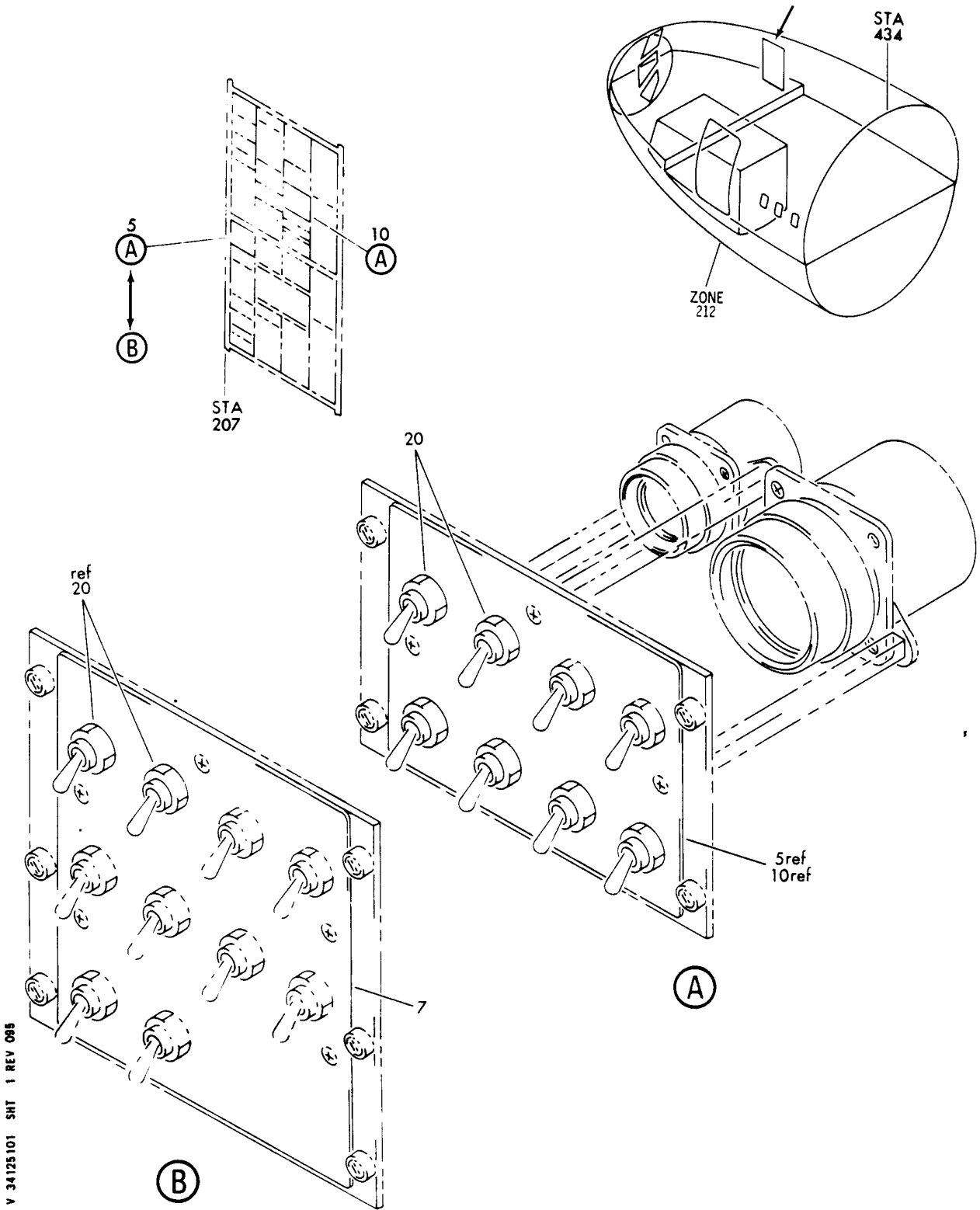
HXL

34-12-03-01

BOEING PROPRIETARY - Copyright © - Unpublished Work - See title page for details.

34-12-03
FIG. 01
PAGE 5
DEC 22/07

BOEING
767
PARTS CATALOG (MAINTENANCE)



PANEL INSTL-R SIDE (AIR DATA COMPUTING SYSTEM ONLY)
FIGURE 1

34-12-51-01

HXL
DEC 22/06

34-12-51-01
PAGE 0



767

PARTS CATALOG (MAINTENANCE)

FIG ITEM	PART NUMBER	1 2 3 4 5 6 7	NOMENCLATURE	EFFECT FROM TO	UNITS PER ASSY
1			PANEL INSTL-R SIDE (AIR DATA COMPUTING SYSTEM ONLY)		
- 1	233T4100-1		PANEL INSTL-(AIR DATA COMPUTING SYSTEM ONLY) POSITION DATA: R SIDE VARIABLE DRAWING REF: 233T4100-5048 233T4100-5083		RF
- 1	233T4100-1		PANEL INSTL-(AIR DATA COMPUTING SYSTEM ONLY) POSITION DATA: R SIDE FOR NHA/OTHER SYS DET SEE: 25-10-00-03		RF
5	233T4239-26		.PANEL ASSY-MISC TEST SUPPLIER CODE: V89954 ELECTRICAL EQUIP NUMBER: M10398 COMPONENT MAINT MANUAL REF: 33-16-53		RF
20	64AT22-7		..SWITCH- SUPPLIER CODE: V91929		2

ILLUSTRATION ITEMS NOT ON PARTS LIST ARE NOT APPLICABLE

- ITEM NOT ILLUSTRATED

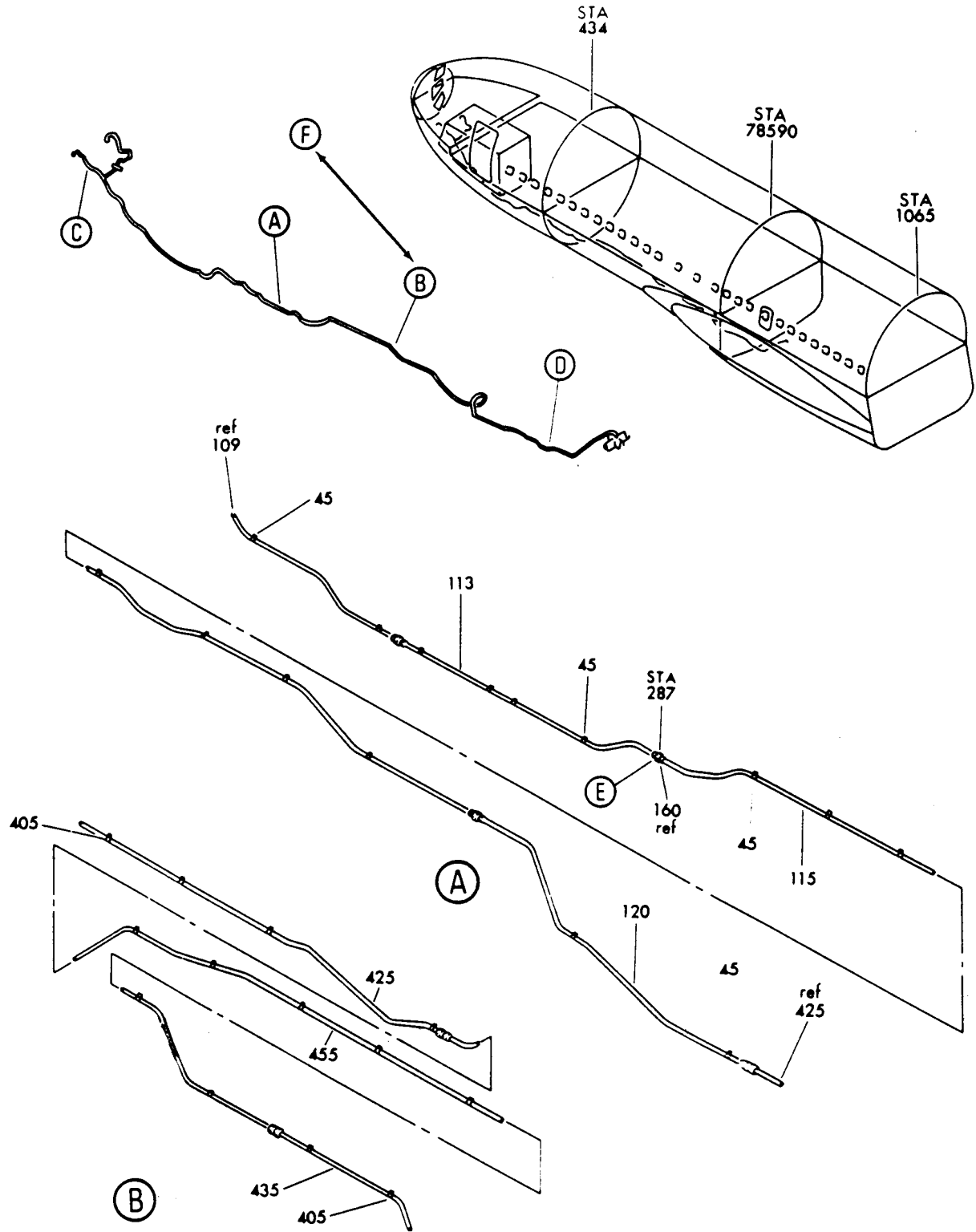
HXL

34-12-51-01

BOEING PROPRIETARY - Copyright © - Unpublished Work - See title page for details.

34-12-51
FIG. 01
PAGE 1
DEC 22/07

BOEING
767
PARTS CATALOG (MAINTENANCE)



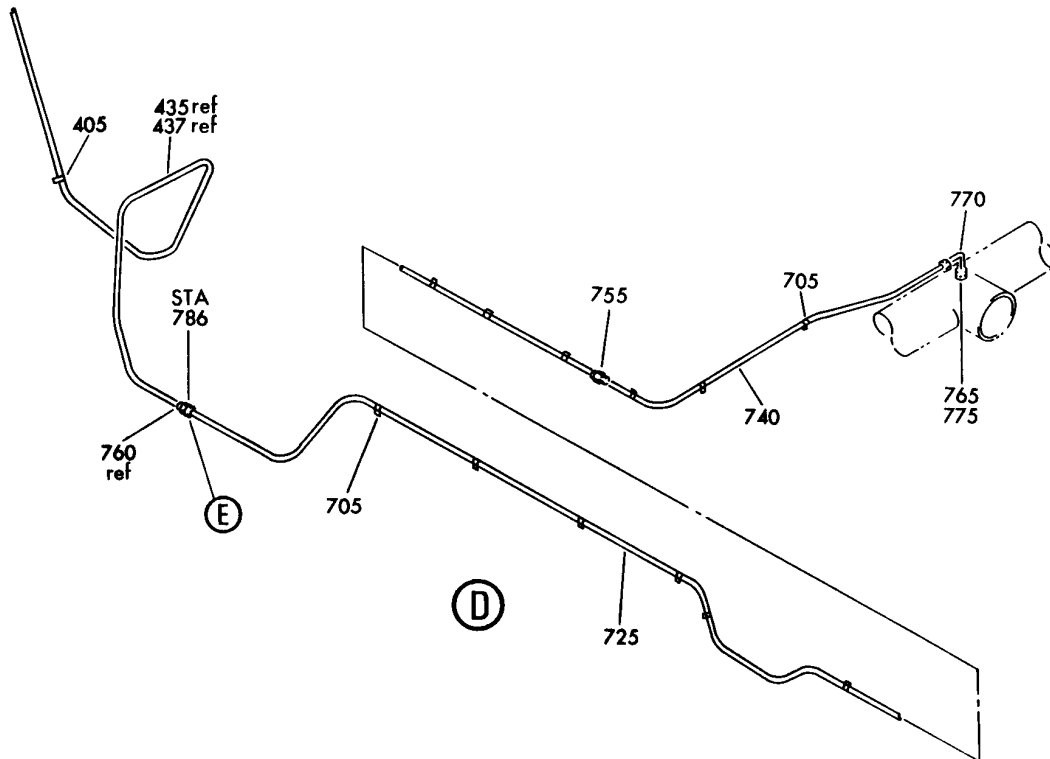
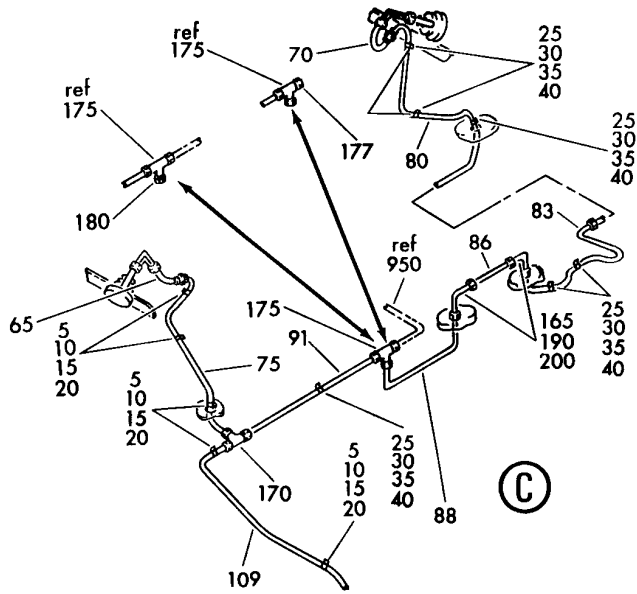
TUBING INSTL-TOTAL AIR TEMP PROBE ASPIRATION
FIGURE 1 (SHEET 1)

34-12-52-01

HXL
DEC 22/06

34-12-52-01
PAGE 0

BOEING
767
PARTS CATALOG (MAINTENANCE)



V 34125201 SHT 2 REV 190

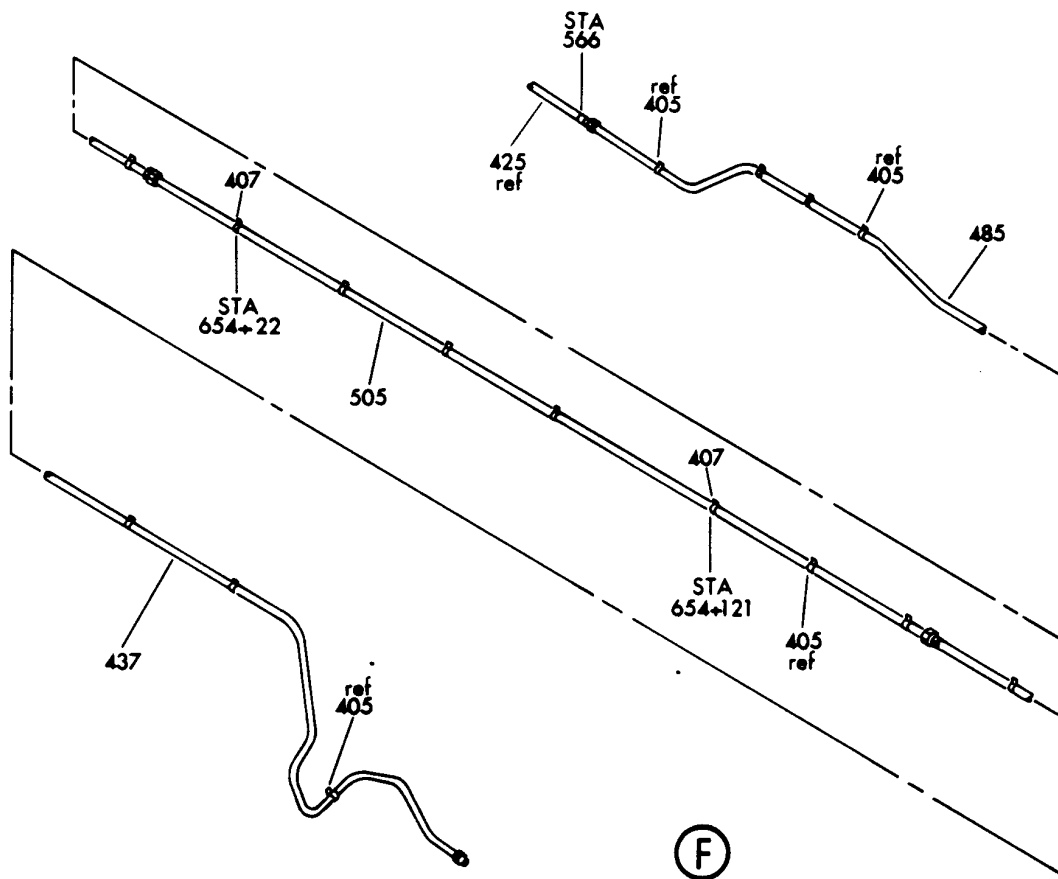
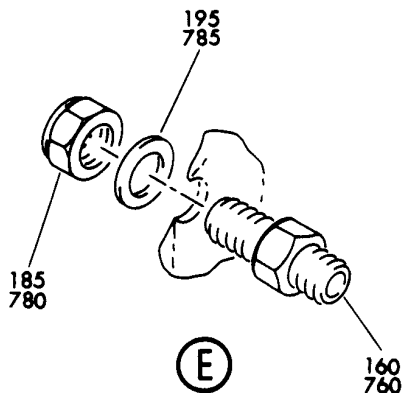
TUBING INSTL-TOTAL AIR TEMP PROBE ASPIRATION
FIGURE 1 (SHEET 2)

34-12-52-01

HXL
DEC 22/06

34-12-52-01
PAGE 0A

BOEING
767
PARTS CATALOG (MAINTENANCE)



V 34125201 SHT 3 REV 060

TUBING INSTL-TOTAL AIR TEMP PROBE ASPIRATION
FIGURE 1 (SHEET 3)

34-12-52-01

HXL
DEC 22/06

34-12-52-01
PAGE 0B



767

PARTS CATALOG (MAINTENANCE)

FIG ITEM	PART NUMBER	1 2 3 4 5 6 7	NOMENCLATURE	EFFECT FROM TO	UNITS PER ASSY
1			TUBING INSTL-TOTAL AIR TEMP PROBE ASPIRATION		
- 1	233T9150-4141		TUBING INSTL-TOTAL AIR TEMP PROBE ASPIRATION POSITION DATA: SECT. 41 VARIABLE DRAWING REF: 233T9150-5010 FOR NHA SEE: 25-10-00-03		RF
5	NAS1801-3		.SCREW- SIZE DETERMINED ON INSTL.		AR
10	AN960PD10L		.WASHER		AR
15	BRH10A3		.NUT SUPPLIER CODE: V52828 SPECIFICATION NUMBER: BACN10JC3 OPTIONAL PART: H10-3BAC V15653 NS202101-02 V80539 RMLH9075-3W V72962 VN303A02 V92215 96-02 V80539 T6S1032J V11815		AR
20	BACC10DK		.CLAMP- SIZE DETERMINED ON INSTL. OPTIONAL PART: BACC10GE		AR
20	JM44LC13WSR		.CLAMP- SUPPLIER CODE: V22175 SPECIFICATION NUMBER: BACC10GE OPTIONAL PART: S369WH V18076 TA12C32WS V84971 SIZE DETERMINED ON INSTL.		AR
45	BACC10EP10		BACC10DK .CLAMP		15

ILLUSTRATION ITEMS NOT ON PARTS LIST ARE NOT APPLICABLE

- ITEM NOT ILLUSTRATED

HXL

34-12-52-01

BOEING PROPRIETARY - Copyright © - Unpublished Work - See title page for details.

34-12-52
FIG. 01
PAGE 1
DEC 22/06



767

PARTS CATALOG (MAINTENANCE)

FIG ITEM	PART NUMBER	1 2 3 4 5 6 7	NOMENCLATURE	EFFECT FROM TO	UNITS PER ASSY
1			ATTACHING PARTS		
- 50	NAS1801-3		.SCREW-		15
			SIZE DETERMINED ON INSTL.		
- 55	AN960PD10L		.WASHER		15
- 60	BRH10A3		.NUT		15
			SUPPLIER CODE: V52828		
			SPECIFICATION NUMBER: BACN10JC3		
			OPTIONAL PART: H10-3BAC		
			V15653		
			NS202101-02		
			V80539		
			RMLH9075-3W		
			V72962		
			VN303A02		
			V92215		
			96-02		
			V80539		
			T6S1032J		
			V11815		
			-----*-----		
65	41073-16		.HOSE ASSY-		1
			SUPPLIER CODE: V24984		
75	233T9150-34		.TUBE ASSY-		1
			TUBING MATERIAL: .375 IN. OD .028 IN. WALL 47.00 IN. LG AL		
91	233T9150-50		.TUBE ASSY-		1
			TUBING MATERIAL: .375 IN. OD .028 IN. WALL		

ILLUSTRATION ITEMS NOT ON PARTS LIST ARE NOT APPLICABLE

- ITEM NOT ILLUSTRATED

HXL

34-12-52-01

BOEING PROPRIETARY - Copyright © - Unpublished Work - See title page for details.

34-12-52
FIG. 01
PAGE 2
DEC 22/06



767

PARTS CATALOG (MAINTENANCE)

FIG ITEM	PART NUMBER	1 2 3 4 5 6 7	NOMENCLATURE	EFFECT FROM TO	UNITS PER ASSY
1					
- 93	AP2097HP06	..	SLEEVE- SUPPLIER CODE: V01673 SPECIFICATION NUMBER: BACS13BX06HP OPTIONAL PART: 2-02903-06HP V11328 35235VN06 V08199 AFP175V06P V30974 DBOS13BX06HP V14798 USED ON: 233T9150-34		1
- 95	AP2097HP06	..	SLEEVE- SUPPLIER CODE: V01673 SPECIFICATION NUMBER: BACS13BX06HP OPTIONAL PART: 2-02903-06HP V11328 35235VN06 V08199 AFP175V06P V30974 DBOS13BX06HP V14798 USED ON: 233T9150-39 233T9150-50		2
- 97	BACN10YLO6	..	NUT- USED ON: 233T9150-34		1
- 100	BACN10YLO6	..	NUT- USED ON: 233T9150-39 233T9150-50		2
109	233T9150-49	.	TUBE ASSY- TUBING MATERIAL: .625 IN. OD .032 IN. WALL TITANIUM		1
113	233T9150-44	.	TUBE ASSY- TUBING MATERIAL: .625 IN. OD .032 IN. WALL 80.00 IN. LG TITANIUM		1

ILLUSTRATION ITEMS NOT ON PARTS LIST ARE NOT APPLICABLE

- ITEM NOT ILLUSTRATED

34-12-52-01

34-12-52
FIG. 01
PAGE 3
DEC 22/06

HXL

BOEING
767
PARTS CATALOG (MAINTENANCE)

FIG ITEM	PART NUMBER	1 2 3 4 5 6 7	NOMENCLATURE	EFFECT FROM TO	UNITS PER ASSY
1					
115	233T9150-31		.TUBE ASSY- TUBING MATERIAL: .625 IN. OD .032 IN. WALL 92.00 IN. LG TITANIUM		1
120	233T9150-30		.TUBE ASSY- TUBING MATERIAL: .625 IN. OD .032 IN. WALL 113.20 IN. LG TITANIUM		1
- 125	AS1581T10		..SLEEVE- USED ON: 233T9150-31 233T9150-33 233T9150-49		2
- 130	AS1581T10		..SLEEVE- USED ON: 233T9150-30 233T9150-44		1
- 135	BACN10YA10N		..NUT-CPLG USED ON: 233T9150-31 233T9150-33 233T9150-49		2
- 140	BACN10YA10N		..NUT-CPLG USED ON: 233T9150-30 233T9150-44		1
- 145	AS1582T10		..UNION- USED ON: 233T9150-30 233T9150-44		1
160	BACU24L10		.UNION-BHD		1

ILLUSTRATION ITEMS NOT ON PARTS LIST ARE NOT APPLICABLE

- ITEM NOT ILLUSTRATED

HXL

34-12-52-01

BOEING PROPRIETARY - Copyright © - Unpublished Work - See title page for details.

34-12-52
FIG. 01
PAGE 4
DEC 22/06



767

PARTS CATALOG (MAINTENANCE)

FIG ITEM	PART NUMBER	1 2 3 4 5 6 7	NOMENCLATURE	EFFECT FROM TO	UNITS PER ASSY
1 170	APX824J100606		. TEE-REDUCER SUPPLIER CODE: V01673 SPECIFICATION NUMBER: BACT16AS100606J OPTIONAL PART: APX824-100606J V01673 DBOT16AS100606J V14798 ER824-100606J V50948 FER1571-100606J V14397 LER824-100606J V11328 NAF1824-100606J V52930 US1925-100606J V50808 AFP325-100606J V30974		1
175	NAS1763D040606		. TEE		1
180	AP1008-06D		. CAP SUPPLIER CODE: V01673 SPECIFICATION NUMBER: BACC14AD06D OPTIONAL PART: DBOC14AD06D V14798 FER22661-06D V14397 2-02813-06D V11328 4690009-06D V50948 AFP241-06D V30974 US2103-06D V50808		1
185	AN924-10J		. NUT		1
195	AN960PD1416		. WASHER		2
- 400	233T9150-4343		TUBING INSTL-TOTAL AIR TEMP PROBE ASPIRATION POSITION DATA: SECT. 43 VARIABLE DRAWING REF: 233T9150-5008		RF
ILLUSTRATION ITEMS NOT ON PARTS LIST ARE NOT APPLICABLE					

- ITEM NOT ILLUSTRATED

34-12-52-01

34-12-52
FIG. 01
PAGE 5
DEC 22/06

HXL

 **BOEING**
767
PARTS CATALOG (MAINTENANCE)

FIG ITEM	PART NUMBER	1 2 3 4 5 6 7	NOMENCLATURE	EFFECT FROM TO	UNITS PER ASSY
1					
405	BACC10EP10	.	CLAMP		14
407	BACC10EP10	.	CLAMP		5
			ATTACHING PARTS		
- 411	NAS1801-3	.	SCREW-		20
			SIZE DETERMINED ON INSTL.		
- 416	AN960PD10L	.	WASHER		20
- 421	BRH10A3	.	NUT		20
			SUPPLIER CODE: V52828		
			SPECIFICATION NUMBER: BACN10JC3		
			OPTIONAL PART: H10-3BAC		
			V15653		
			NS202101-02		
			V80539		
			RMLH9075-3W		
			V72962		
			VN303A02		
			V92215		
			96-02		
			V80539		
			T6S1032J		
			V11815		
			-----*-----		
425	233T9150-29	.	TUBE ASSY-		1
			TUBING MATERIAL: .625 IN. OD .032 IN. WALL 90.00 IN. LG TITANIUM		
437	233T9150-47	.	TUBE ASSY-		1
			TUBING MATERIAL: .625 IN. OD .032 IN. WALL 122.00 IN. LG TITANIUM .		
- 440	AS1581T10	..	SLEEVE-		1
- 445	BACN10YA10N	..	NUT-CPLG		1
- 450	AS1582T10	..	UNION-		1
485	233T9150-46	.	TUBE ASSY-		1
			TUBING MATERIAL: .625 IN. OD .032 IN. WALL 91.00 IN. LG TITANIUM		
- 490	AS1581T10	..	SLEEVE		1
- 495	BACN10YA10N	..	NUT		1
- 500	AS1582T10	..	UNION		1

ILLUSTRATION ITEMS NOT ON PARTS LIST ARE NOT APPLICABLE

- ITEM NOT ILLUSTRATED

HXL

34-12-52-01

BOEING PROPRIETARY - Copyright © - Unpublished Work - See title page for details.

34-12-52
FIG. 01
PAGE 6
DEC 22/06

 **BOEING**
767
PARTS CATALOG (MAINTENANCE)

FIG ITEM	PART NUMBER	1 2 3 4 5 6 7	NOMENCLATURE	EFFECT FROM TO	UNITS PER ASSY
1					
505	233T9150-45		.TUBE ASSY- TUBING MATERIAL: .625 IN. OD .032 IN. WALL 165.00 IN. LG TITANIUM		1
- 510	233T9150-1017		..TUBE ASSY		1
- 515	AS1582T10		...UNION		1
- 520	233T9150-1018		..TUBE ASSY		1
- 525	AS1581T10		...SLEEVE		1
- 530	BACN10YA10N		...NUT		1
- 700	233T9150-4949		TUBING INSTL-TOTAL AIR TEMP PROBE ASPIRATION POSITION DATA: SECT. 49 VARIABLE DRAWING REF: 233T9150-5009		RF
705	BACC10EP10		.CLAMP ATTACHING PARTS		12
- 710	NAS1801-3		.SCREW- SIZE DETERMINED ON INSTL.		12
- 715	AN960PD10L		.WASHER		12
- 720	BRH10A3		.NUT SUPPLIER CODE: V52828 SPECIFICATION NUMBER: BACN10JC3 OPTIONAL PART: H10-3BAC V15653 NS202101-02 V80539 RMLH9075-3W V72962 VN303A02 V92215 96-02 V80539 T6S1032J V11815 -----*-----		12
725	233T9150-48		.TUBE ASSY-		1
- 730	AS1581T10		..SLEEVE-		2
- 735	BACN10YA10N		..NUT-CPLG		2
740	233T9150-43		.TUBE ASSY- TUBING MATERIAL: .625 IN. OD .032 IN. WALL 61.00 IN. LG TITANIUM		1
- 745	AS1581T10		..SLEEVE-		1

ILLUSTRATION ITEMS NOT ON PARTS LIST ARE NOT APPLICABLE

- ITEM NOT ILLUSTRATED

HXL

34-12-52-01

BOEING PROPRIETARY - Copyright © - Unpublished Work - See title page for details.

34-12-52
FIG. 01
PAGE 7
DEC 22/06



767

PARTS CATALOG (MAINTENANCE)

FIG ITEM	PART NUMBER	1 2 3 4 5 6 7	NOMENCLATURE	EFFECT FROM TO	UNITS PER ASSY
1					
- 750	BACN10YA10N		. . NUT-CPLG		1
755	AS1582T10		. . UNION-		1
760	BACU24L10		. UNION-BHD		1
765	AFP23210-6		. REDUCER-		1
			SUPPLIER CODE: V30974		
			SPECIFICATION NUMBER: BACR17E10-6		
			OPTIONAL PART: AP102710-6		
			V01673		
			BC916T10-6		
			V50948		
			DB0R17E10-6		
			V14798		
			ER21916T10-6		
			V88334		
			ER31916-10-6		
			V88334		
			F23-10-6		
			V73197		
			2-01075T10-6		
			V11328		
			31778-10-6		
			V14397		
			US2114-10-6		
			V50808		
770	AP1042T1010		. ELBOW-SWIVEL		1
			SUPPLIER CODE: V01673		
			SPECIFICATION NUMBER: BACE21BT1010T		
			OPTIONAL PART: NAS1762T1010		
770	NAS1762T1010		. ELBOW-SWIVEL		1
			OPTIONAL PART: BACE21BT1010T		

ILLUSTRATION ITEMS NOT ON PARTS LIST ARE NOT APPLICABLE

- ITEM NOT ILLUSTRATED

HXL

34-12-52-01

BOEING PROPRIETARY - Copyright © - Unpublished Work - See title page for details.

34-12-52
FIG. 01
PAGE 8
DEC 22/06



767

PARTS CATALOG (MAINTENANCE)

FIG ITEM	PART NUMBER	1 2 3 4 5 6 7	NOMENCLATURE	EFFECT FROM TO	UNITS PER ASSY
1 775	R1131-906		.PACKING- SUPPLIER CODE: V57268 SPECIFICATION NUMBER: BACP11K6 OPTIONAL PART: 3-906S383-70 V02697 1090-06 V95272 150701-06 V95272 AS568-906S32 V11314		1
780	AN924-10J		.NUT		1
785	BACW10P316L		.WASHER		2
950			ILLUSTRATION REFERENCE: SYSTEM INSTL-RAIN REPELLENT (ICE AND RAIN PROTECTION ONLY) (DEACTIVATED FOR AAT) 30-43-01-01		RF

ILLUSTRATION ITEMS NOT ON PARTS LIST ARE NOT APPLICABLE

- ITEM NOT ILLUSTRATED

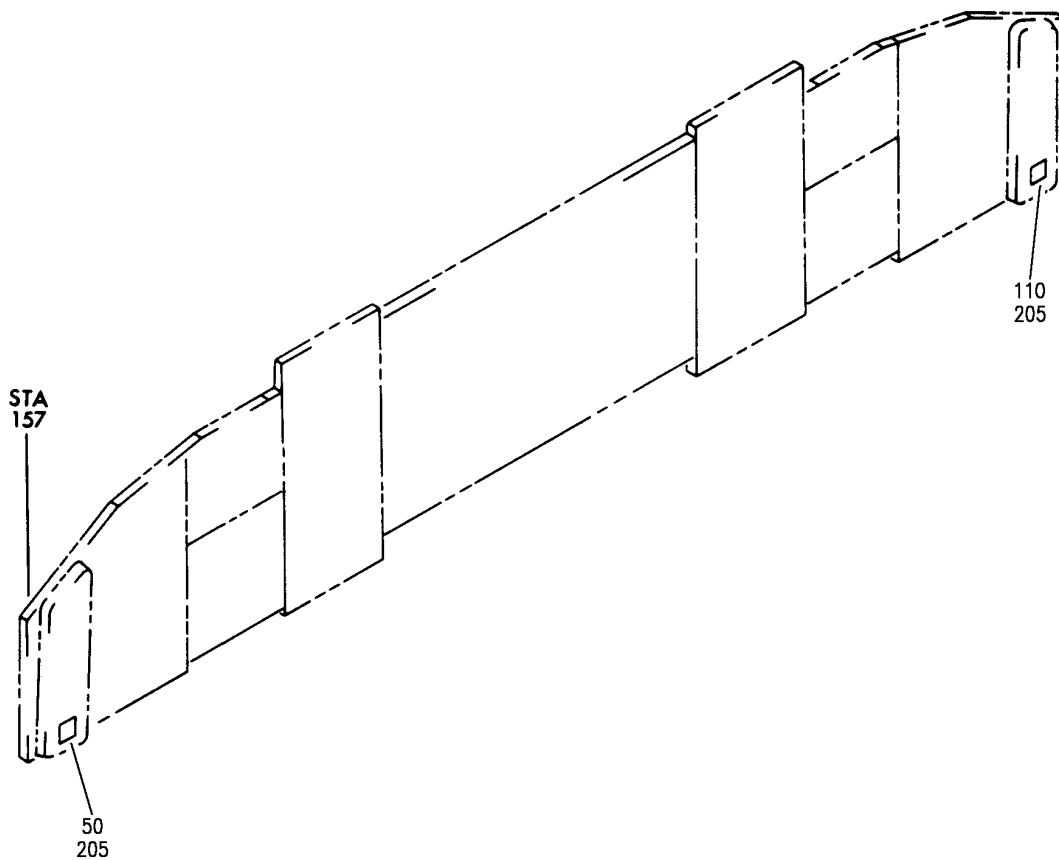
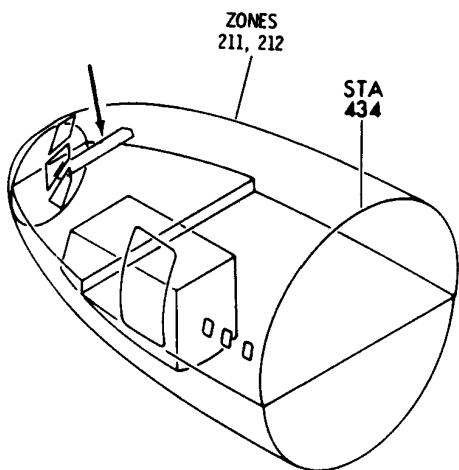
HXL

34-12-52-01

BOEING PROPRIETARY - Copyright © - Unpublished Work - See title page for details.

34-12-52
FIG. 01
PAGE 9
DEC 22/06

BOEING
767
PARTS CATALOG (MAINTENANCE)



V 34125601 REV 327

PANEL INSTL-PILOTS MAIN (AIR DATA COMPUTING SYSTEM ONLY)
FIGURE 1

34-12-56-01

HXL
APR 22/08

34-12-56-01
PAGE 0



767

PARTS CATALOG (MAINTENANCE)

FIG ITEM	PART NUMBER	1 2 3 4 5 6 7	NOMENCLATURE	EFFECT FROM TO	UNITS PER ASSY
1			PANEL INSTL-PILOTS MAIN (AIR DATA COMPUTING SYSTEM ONLY)		RF
- 1	233T2100-1		PANEL INSTL-PILOTS MAIN (AIR DATA COMPUTING SYSTEM ONLY) VARIABLE DRAWING REF: 233T2100-5048 FOR NHA/OTHER SYS DET SEE: 25-10-00-03		RF
- 31	233T2200-57		.PANEL ASSY-CAPT AND FIRST OFFICER INSTR CONT P1-1		RF
50	851-30768-2001		..SWITCH ASSY-LIGHTED PUSH BUTTON IND ALTN SUPPLIER CODE: V96182 SPECIFICATION NUMBER: S231T290-2001 ELECTRICAL EQUIP NUMBER: S00482 FOR DETAILS SEE: 33-13-75-04		1
50	851-30768-3001		..SWITCH ASSY-LIGHTED PUSH BUTTON IND ALTN SUPPLIER CODE: V96182 SPECIFICATION NUMBER: S231T290-3001 ELECTRICAL EQUIP NUMBER: S00482 FOR DETAILS SEE: 33-13-75-24		1

ILLUSTRATION ITEMS NOT ON PARTS LIST ARE NOT APPLICABLE

- ITEM NOT ILLUSTRATED

HXL

34-12-56-01

BOEING PROPRIETARY - Copyright © - Unpublished Work - See title page for details.

34-12-56
FIG. 01
PAGE 1
DEC 22/07

BOEING
767
PARTS CATALOG (MAINTENANCE)

FIG ITEM	PART NUMBER	1 2 3 4 5 6 7	NOMENCLATURE	EFFECT FROM TO	UNITS PER ASSY
1 50	BCREFA0501		..SWITCH ASSY-LIGHTED PUSH BUTTON IND SUPPLIER CODE: V81590 OVERLENGTH PART NUMBER: 433-673-1004-4001 SPECIFICATION NUMBER: S231T290-4001 MISCELLANEOUS DATA: WHEN REPLACING THE PUSHBUTTON SWITCH ASSY OR THE MASTER MODULE WITHIN, VERIFY THAT A CONFIG D MASTER MODULE P/N 13206-001 IS INSTALLED IN LIEU OF ANY EARLIER CONFIGURATION MASTER MODULES. ELECTRICAL EQUIP NUMBER: S00482 OPTIONAL PART: S231T290-5001 V96182 FOR DETAILS SEE: 33-13-75-31		1
	50 S231T290-5001		..SWITCH ASSY-LIGHTED PUSH BUTTON IND SUPPLIER CODE: V96182 ELECTRICAL EQUIP NUMBER: S00482 OPTIONAL PART: BCREFA0501 V81590		1
R R R R R R R R	50 4336731004-4201		..SWITCH ASSY- SUPPLIER CODE: V81590 SPECIFICATION NUMBER: S231T290-4201 ELECTRICAL EQUIP NUMBER: S00482 FOR DETAILS SEE: 33-13-75-31C		1
- 101	233T2204-63		.PANEL ASSY-CAPT AND FIRST OFFICER INSTR CONT P3-3		RF

ILLUSTRATION ITEMS NOT ON PARTS LIST ARE NOT APPLICABLE

- ITEM NOT ILLUSTRATED

HXL

34-12-56-01

BOEING PROPRIETARY - Copyright © - Unpublished Work - See title page for details.

34-12-56
FIG. 01
PAGE 2
AUG 22/09



767

PARTS CATALOG (MAINTENANCE)

FIG ITEM	PART NUMBER	1 2 3 4 5 6 7	NOMENCLATURE	EFFECT FROM TO	UNITS PER ASSY
1 110	851-30768-2001		..SWITCH ASSY-LIGHTED PUSH BUTTON IND ALTN SUPPLIER CODE: V96182 SPECIFICATION NUMBER: S231T290-2001 ELECTRICAL EQUIP NUMBER: S00483 FOR DETAILS SEE: 33-13-75-04		1
110	851-30768-3001		..SWITCH ASSY-LIGHTED PUSH BUTTON IND ALTN SUPPLIER CODE: V96182 SPECIFICATION NUMBER: S231T290-3001 ELECTRICAL EQUIP NUMBER: S00483 FOR DETAILS SEE: 33-13-75-04		1
110	BCREFA0501		..SWITCH ASSY-LIGHTED PUSH BUTTON IND SUPPLIER CODE: V81590 OVERLENGTH PART NUMBER: 433-673-1004-4001 SPECIFICATION NUMBER: S231T290-4001 MISCELLANEOUS DATA: WHEN REPLACING THE PUSHBUTTON SWITCH ASSY OR THE MASTER MODULE WITHIN, VERIFY THAT A CONFIG D MASTER MODULE P/N 13206-001 IS INSTALLED IN LIEU OF ANY EARLIER CONFIGURATION MASTER MODULES. ELECTRICAL EQUIP NUMBER: S00483 OPTIONAL PART: S231T290-5001 V96182 FOR DETAILS SEE: 33-13-75-31		1

ILLUSTRATION ITEMS NOT ON PARTS LIST ARE NOT APPLICABLE

- ITEM NOT ILLUSTRATED

34-12-56-01

34-12-56
FIG. 01
PAGE 3
DEC 22/07

HXL



767

PARTS CATALOG (MAINTENANCE)

FIG ITEM	PART NUMBER	1 2 3 4 5 6 7	NOMENCLATURE	EFFECT FROM TO	UNITS PER ASSY
1 110	S231T290-5001		..SWITCH ASSY-LIGHTED PUSH BUTTON IND SUPPLIER CODE: V96182 ELECTRICAL EQUIP NUMBER: S00483 OPTIONAL PART: BCREFA0501 V81590		1
R R R R R R R R	110 4336731004-4201		..SWITCH ASSY- SUPPLIER CODE: V81590 SPECIFICATION NUMBER: S231T290-4201 ELECTRICAL EQUIP NUMBER: S00482 FOR DETAILS SEE: 33-13-75-31C		1

ILLUSTRATION ITEMS NOT ON PARTS LIST ARE NOT APPLICABLE

- ITEM NOT ILLUSTRATED

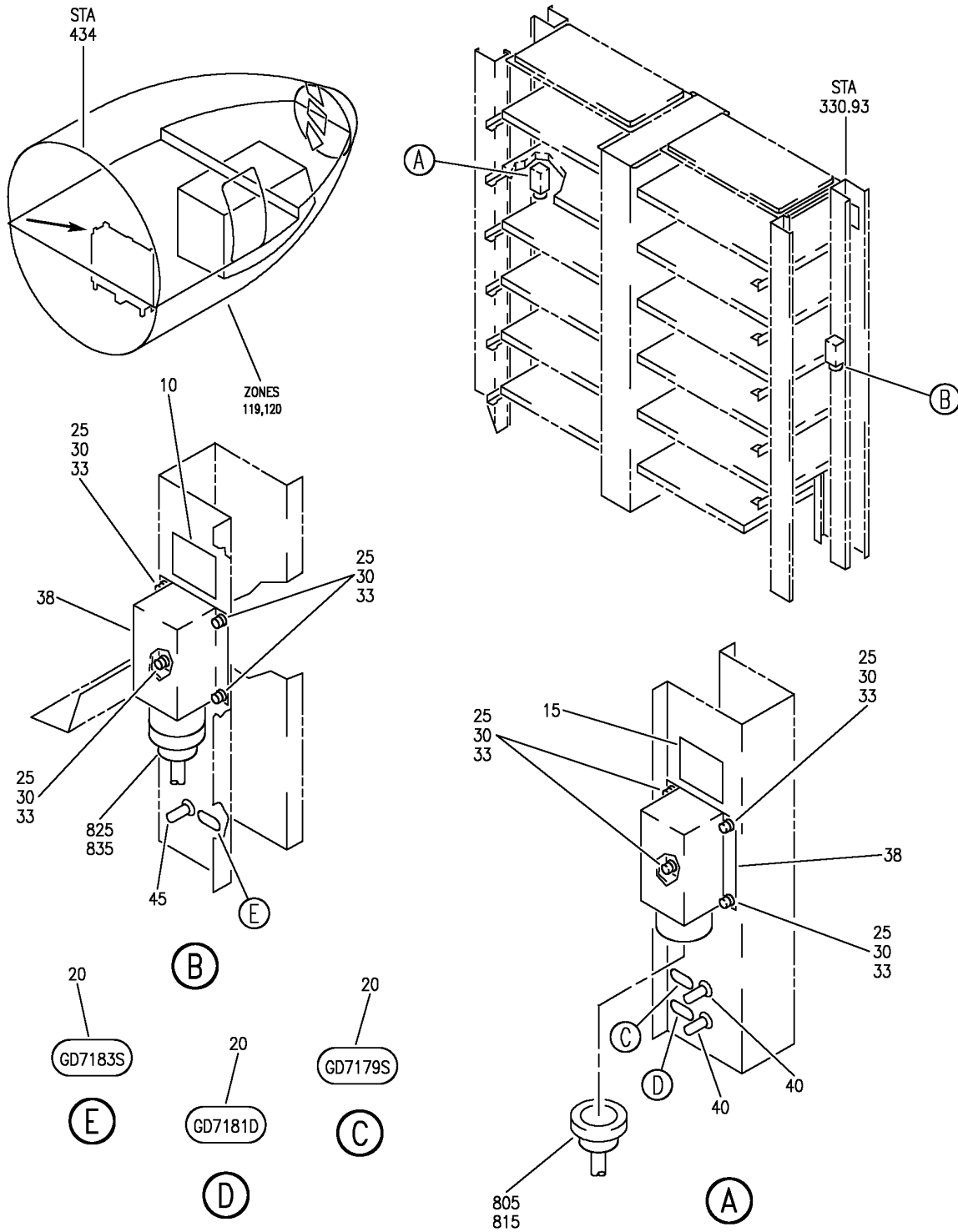
HXL

34-12-56-01

BOEING PROPRIETARY - Copyright © - Unpublished Work - See title page for details.

34-12-56
FIG. 01
PAGE 4
AUG 22/09

BOEING
767
PARTS CATALOG (MAINTENANCE)



MODULE INSTL-ELECTRONIC EQPT CTR E1/E2 RACK
FIGURE 1

34-12-62-01

HXL
DEC 22/06

34-12-62-01
PAGE 0



767

PARTS CATALOG (MAINTENANCE)

FIG ITEM	PART NUMBER	1 2 3 4 5 6 7	NOMENCLATURE	EFFECT FROM TO	UNITS PER ASSY
1			MODULE INSTL-ELECTRONIC EQPT CTR E1/E2 RACK		
- 1	284T1305-406		MODULE INSTL-E2 RACK POST ALERT SB: 34A0332 FOR NHA SEE: 24-00-58-01D		RF
- 5	284T1305-407		MODULE INSTL-E1 RACK POST ALERT SB: 34A0332 FOR NHA SEE: 24-00-58-01D		RF
10	BAC27TEX5392		.DECAL- PLACARD CONTENT: K2231 RELAY ADC SOURCE SELECT RIGHT USED ON: 284T1305-8 284T1305-406 MODREF54974		1
15	BAC27TEX5393		.DECAL- PLACARD CONTENT: K2230 RELAY ADC SOURCE SELECT LEFT USED ON: 284T1305-9 284T1305-407 MODREF54975		1
20	BAC27TEX5504		.DECALSET-INCLUDES DECALS IDENTIFIED ON THE ILLUSTRATION		1
25	NAS1801-06-5		.SCREW		4
30	NAS1149DN816J		.WASHER		4

ILLUSTRATION ITEMS NOT ON PARTS LIST ARE NOT APPLICABLE

- ITEM NOT ILLUSTRATED

HXL

34-12-62-01

BOEING PROPRIETARY - Copyright © - Unpublished Work - See title page for details.

34-12-62
FIG. 01
PAGE 1
DEC 22/06



767

PARTS CATALOG (MAINTENANCE)

FIG ITEM	PART NUMBER	1 2 3 4 5 6 7	NOMENCLATURE	EFFECT FROM TO	UNITS PER ASSY
1	33 MF53049-06		.NUTPLATE- SUPPLIER CODE: V15653 SPECIFICATION NUMBER: BACN10JN06 OPTIONAL PART: MF1000-06BAC V15653 NS103218-62 V80539 RMF9201M62 V72962 VN252A62L V92215 T8124S06S V11815 BRFM20A06L V52828 POST ALERT SB: 34A0332 ATTACHING PARTS		8
-	34 BACR15BA3AD4C		.RIVET		16
	38 128941-001		-----*----- .RELAY- SUPPLIER CODE: V81840 ELECTRICAL EQUIP NUMBER: K02230 K02231		1
	40 VNS1924CA1-8		.STUD- SUPPLIER CODE: V5M902 SPECIFICATION NUMBER: BACS53B1EA1 OPTIONAL PART: VNS1924CA3-1-8 V92215 USED ON: 284T1305-407 284T1305-411 284T1305-9 MODREF54975		2

ILLUSTRATION ITEMS NOT ON PARTS LIST ARE NOT APPLICABLE

- ITEM NOT ILLUSTRATED

HXL

34-12-62-01

BOEING PROPRIETARY - Copyright © - Unpublished Work - See title page for details.

34-12-62
FIG. 01
PAGE 2
DEC 22/06



767

PARTS CATALOG (MAINTENANCE)

FIG ITEM	PART NUMBER	1 2 3 4 5 6 7	NOMENCLATURE	EFFECT FROM TO	UNITS PER ASSY
1 45	VNS1924CA1-8		.STUD- SUPPLIER CODE: V5M902 SPECIFICATION NUMBER: BACS53B1EA1 OPTIONAL PART: VNS1924CA3-1-8 V92215 USED ON: 284T1305-406 284T1305-410 284T1305-8 MODREF54974		1
- 800	286T1603-120		WIRE BUNDLE ASSY- POST ALERT SB: 34A0332		RF
805	BACC45FT22A55S		.CONNECTOR- ELECTRICAL EQUIP NUMBER: D03129 WIRING DIAGRAM REF: 341261		1
- 820	286T1615-121		WIRE BUNDLE ASSY- POST ALERT SB: 34A0332		RF
825	BACC45FT22A55S		.CONNECTOR- ELECTRICAL EQUIP NUMBER: D03131 WIRING DIAGRAM REF: 341262		1
- 830	286T0115-120		WIRE BUNDLE ASSY-		RF
- 837	BACC45FT18A31P8		.PLUG- POSITION DATA: POS 44 ELECTRICAL EQUIP NUMBER: D05821P WIRING DIAGRAM REF: 222313		1
- 840	BACC45FT20A41P		.CONNECTOR- POSITION DATA: POS 46 ELECTRICAL EQUIP NUMBER: D04683P WIRING DIAGRAM REF: 223211 POST ALERT SB: 34A0332		1

ILLUSTRATION ITEMS NOT ON PARTS LIST ARE NOT APPLICABLE

- ITEM NOT ILLUSTRATED

34-12-62-01

34-12-62
FIG. 01
PAGE 3
DEC 22/06

HXL