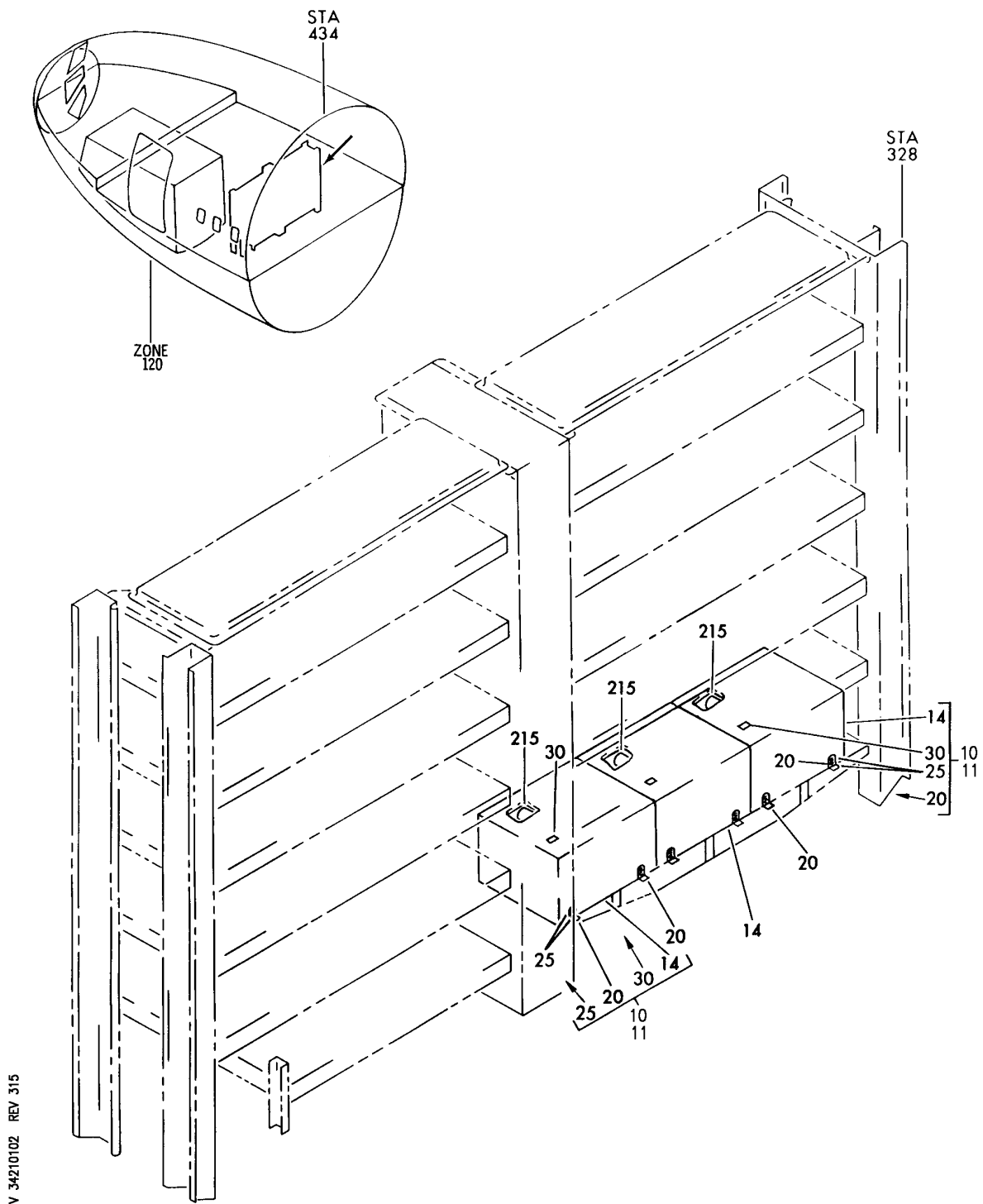


## INERTIAL REFERENCE SYSTEM

HXL  
DEC 22/06

34-21-00  
SECTION TITLE  
PAGE 1

**BOEING**  
767  
PARTS CATALOG (MAINTENANCE)



V 34210102 REV 315

EQUIPMENT INSTL-ELECT. EQPT CTR E1/E2 RACK (INERTIAL REFERENCE SYSTEM ONLY)  
FIGURE 2

**34-21-01-02**

HXL  
APR 22/07

34-21-01-02  
PAGE 0



767

PARTS CATALOG (MAINTENANCE)

FIG ITEM	PART NUMBER	1 2 3 4 5 6 7	NOMENCLATURE	EFFECT FROM TO	UNITS PER ASSY
2			EQUIPMENT INSTL-ELECT. EQPT CTR E1/E2 RACK (INERTIAL REFERENCE SYSTEM ONLY)		
- 1	284T0400-618		EQUIPMENT INSTL-ELECT. EQPT CTR E1/E2 RACK (INERTIAL REFERENCE SYSTEM ONLY) VARIABLE DRAWING REF: 284T0400-5284 FOR NHA/OTHER SYS DET SEE: 24-00-58-01J	155162	RF
- 2	284T0400-630		EQUIPMENT INSTL-ELECT. EQPT CTR E1/E2 RACK (INERTIAL REFERENCE SYSTEM ONLY) VARIABLE DRAWING REF: 284T0400-5349 284T0400-5357 FOR NHA/OTHER SYS DET SEE: 24-00-58-01J	163999	RF

ILLUSTRATION ITEMS NOT ON PARTS LIST ARE NOT APPLICABLE

- ITEM NOT ILLUSTRATED

HXL

34-21-01-02

BOEING PROPRIETARY - Copyright © - Unpublished Work - See title page for details.

34-21-01  
FIG. 02  
PAGE 1  
APR 22/09



767

PARTS CATALOG (MAINTENANCE)

FIG ITEM	PART NUMBER	1 2 3 4 5 6 7 NOMENCLATURE	EFFECT FROM TO	UNITS PER ASSY
2 10	HG1050AD09	.UNIT ASSY-INERTIAL REF SUPPLIER CODE: V65507 POSITION DATA: L, CTR AND R SPECIFICATION NUMBER: S242T101-111 ELECTRICAL EQUIP NUMBER: M00159 M00160 M00161 COMPONENT MAINT MANUAL REF: 34-21-13 QUALIFIED I/W DATA: THE S242T101-111/HG1050AD09, S242T101-112/HG1050AE09, S242T101-114/HG1050AD10, S242T101-115/HG1050AE10, S242T101-118/HG1050AE11 IRU'S ARE INTERCHANGEABLE AND INTERMIXABLE PROVIDED THAT THE 1995 MAGVAR IS ACTIVATED. SEE ATTACHMENT II 767-SL-34-151 AND 767-SB-34-0411 FOR MORE CONDITIONAL INFORMATION. POST SERVICE BULLETIN: HG1050AD-34-16 V58960 HG1050AD-34-17 V58960 POST AIRLINE MOD: MT0-340652 VSAS MT0-340732 VSAS		3

ILLUSTRATION ITEMS NOT ON PARTS LIST ARE NOT APPLICABLE

- ITEM NOT ILLUSTRATED

HXL

34-21-01-02

BOEING PROPRIETARY - Copyright © - Unpublished Work - See title page for details.

34-21-01  
 FIG. 02  
 PAGE 2  
 APR 22/09



767

PARTS CATALOG (MAINTENANCE)

FIG ITEM	PART NUMBER	1 2 3 4 5 6 7	NOMENCLATURE	EFFECT FROM TO	UNITS PER ASSY
2	11 HG1050AC11		.UNIT ASSY-INERTIAL REF SUPPLIER CODE: V65507 POSITION DATA: L, CTR AND R SPECIFICATION NUMBER: S242T101-116 ELECTRICAL EQUIP NUMBER: M00159 M00160 M00161 COMPONENT MAINT MANUAL REF: 34-27-06 SERVICE BULLETIN OPT DATA: HG1050AD11 V65507 HG1050AE11 V65507 POST SERVICE BULLETIN: 34-0411		3
	11 HG1050AD11		.UNIT ASSY-INERTIAL REF SUPPLIER CODE: V65507 POSITION DATA: L, CTR AND R SPECIFICATION NUMBER: S242T101-117 ELECTRICAL EQUIP NUMBER: M00159 M00160 M00161 COMPONENT MAINT MANUAL REF: 34-27-05 SERVICE BULLETIN OPT DATA: HG1050AC11 V65507 HG1050AE11 V65507 POST SERVICE BULLETIN: 34-0411		3

ILLUSTRATION ITEMS NOT ON PARTS LIST ARE NOT APPLICABLE

- ITEM NOT ILLUSTRATED

HXL

34-21-01-02

BOEING PROPRIETARY - Copyright © - Unpublished Work - See title page for details.

34-21-01  
FIG. 02  
PAGE 3  
APR 22/09



767

PARTS CATALOG (MAINTENANCE)

FIG ITEM	PART NUMBER	1 2 3 4 5 6 7	NOMENCLATURE	EFFECT FROM TO	UNITS PER ASSY
2 11	HG1050AE11		.UNIT ASSY-INERTIAL REF SUPPLIER CODE: V65507 POSITION DATA: L, CTR AND R SPECIFICATION NUMBER: S242T101-118 ELECTRICAL EQUIP NUMBER: M00159 M00160 M00161 COMPONENT MAINT MANUAL REF: 34-26-95 QUALIFIED I/W DATA: THE S242T101-111/HG1050AD09, S242T101-112/HG1050AE09, S242T101-114/HG1050AD10, S242T101-115/HG1050AE10, S242T101-118/HG1050AE11 IRU'S ARE INTERCHANGEABLE AND INTERMIXABLE PROVIDED THAT THE 1995 MAGVAR IS ACTIVATED. SEE ATTACHMENT II 767-SL-34-151 AND 767-SB-34-0411 FOR MORE CONDITIONAL INFORMATION SERVICE BULLETIN OPT DATA: HG1050AC11 V65507 HG1050AD11 V65507 POST SERVICE BULLETIN: 34-0411		3
14	26012892-101		..UNIT ASSY- SUPPLIER CODE: V65507		1

ILLUSTRATION ITEMS NOT ON PARTS LIST ARE NOT APPLICABLE

- ITEM NOT ILLUSTRATED

HXL

34-21-01-02

BOEING PROPRIETARY - Copyright © - Unpublished Work - See title page for details.

34-21-01  
FIG. 02  
PAGE 4  
APR 22/09

**BOEING**  
767  
**PARTS CATALOG (MAINTENANCE)**

FIG ITEM	PART NUMBER	1 2 3 4 5 6 7	NOMENCLATURE	EFFECT FROM TO	UNITS PER ASSY
2					
- 17	10089800-601		..UNIT ASSY-REFERENCE SUPPLIER CODE: V65507 SB DATA FROM A CMM: (POST SB 34-16, SB 34-17 OR POST SB 34-18) OPTIONAL PART: 10089800-600 V65507 USED ON: HG1050AD09		1
- 17	10089800-600		..UNIT ASSY-REFERENCE SUPPLIER CODE: V65507 OPTIONAL PART: 10089800-601 V65507 USED ON: HG1050AD09		1
20	NAS622CT2		...HOOK		2
25	MS24693C25		...SCREW		4
			-----*-----		
- 200	286T0161-120		WIRE BUNDLE ASSY		RF
- 205	286T0181-120		WIRE BUNDLE ASSY		RF
- 210	286T0171-120		WIRE BUNDLE ASSY		RF
215	BCREF9395		.CONNECTOR- OVERLENGTH PART NUMBER: BACC66H21C06AA01 ELECTRICAL EQUIP NUMBER: D00367 D00369 D00371 WIRING DIAGRAM REF: 342111 342121 342131		1
- 218	9X1115888-1		.PLACARD- SUPPLIER CODE: V8B250 PLACARD CONTENT: DO NOT DISTURB IRU SHIMS POST AIRLINE MOD: USAIPCP987673198 V8B250		2
ILLUSTRATION ITEMS NOT ON PARTS LIST ARE NOT APPLICABLE					

- ITEM NOT ILLUSTRATED

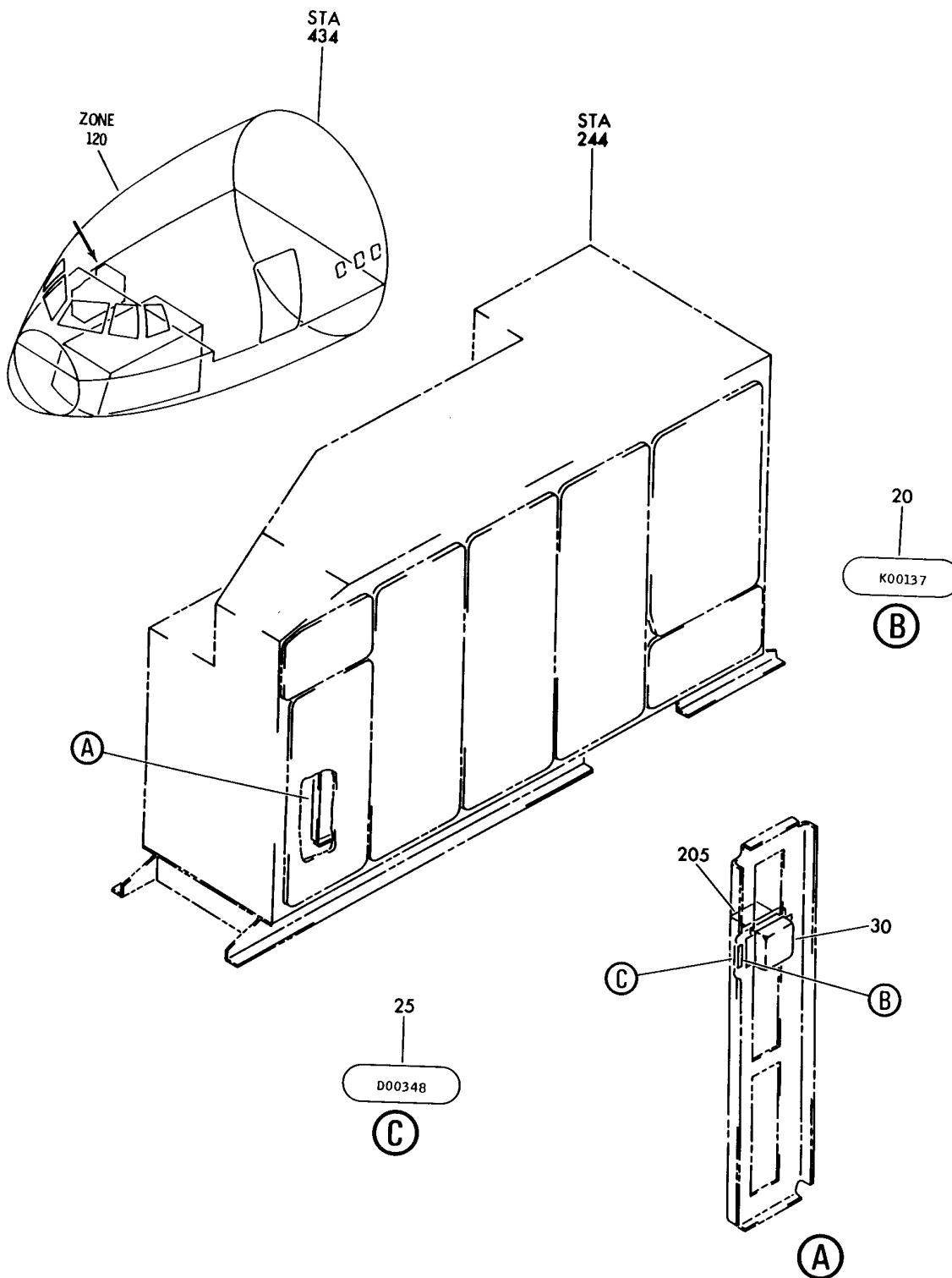
HXL

# 34-21-01-02

BOEING PROPRIETARY - Copyright © - Unpublished Work - See title page for details.

34-21-01  
FIG. 02  
PAGE 5  
APR 22/09

**BOEING**  
767  
PARTS CATALOG (MAINTENANCE)



V 34210301 REV 111

EQUIPMENT ASSY-MAIN PWR DISTR P6 PNL (NAVIGATION ONLY)  
FIGURE 1

**34-21-03-01**

HXL  
DEC 22/06

34-21-03-01  
PAGE 0





767

PARTS CATALOG (MAINTENANCE)

FIG ITEM	PART NUMBER	1 2 3 4 5 6 7	NOMENCLATURE	EFFECT FROM TO	UNITS PER ASSY
1			EQUIPMENT ASSY-MAIN PWR DISTR P6 PNL (NAVIGATION ONLY)		
- 7	284T0997-147		EQUIPMENT ASSY-MAIN PWR DISTR P6 PNL (NAVIGATION ONLY) FOR NHA/OTHER SYS DET SEE: 25-10-53-01	163163	RF
- 10	284T0997-175		EQUIPMENT ASSY-MAIN PWR DISTR P6 PNL (NAVIGATION ONLY) FOR NHA/OTHER SYS DET SEE: 25-10-53-01	155162	RF
- 11	284T0997-184		EQUIPMENT ASSY-MAIN PWR DISTR P6 PNL (NAVIGATION ONLY) FOR NHA/OTHER SYS DET SEE: 25-10-53-01	164999	RF
- 15	284T0997-283		EQUIPMENT ASSY-MAIN PWR DISTR P6 PNL (NAVIGATION ONLY)		RF
	20 BAC27TEX3738		.DECALSET-INCLUDES DECALS IDENTIFIED ON THE ILLUSTRATION		RF
	25 BAC27TEX3739		.DECALSET-INCLUDES DECALS IDENTIFIED ON THE ILLUSTRATION		RF
	30 M83726-3-155		.RELAY- SUPPLIER CODE: V35344 ELECTRICAL EQUIP NUMBER: K00137		1
- 200	286T0028-101		.WIRE BUNDLE ASSY		RF
205	S0-1048-8308		..SOCKET- SUPPLIER CODE: V35344 ELECTRICAL EQUIP NUMBER: D00348 WIRING DIAGRAM REF: 342111		1

ILLUSTRATION ITEMS NOT ON PARTS LIST ARE NOT APPLICABLE

- ITEM NOT ILLUSTRATED

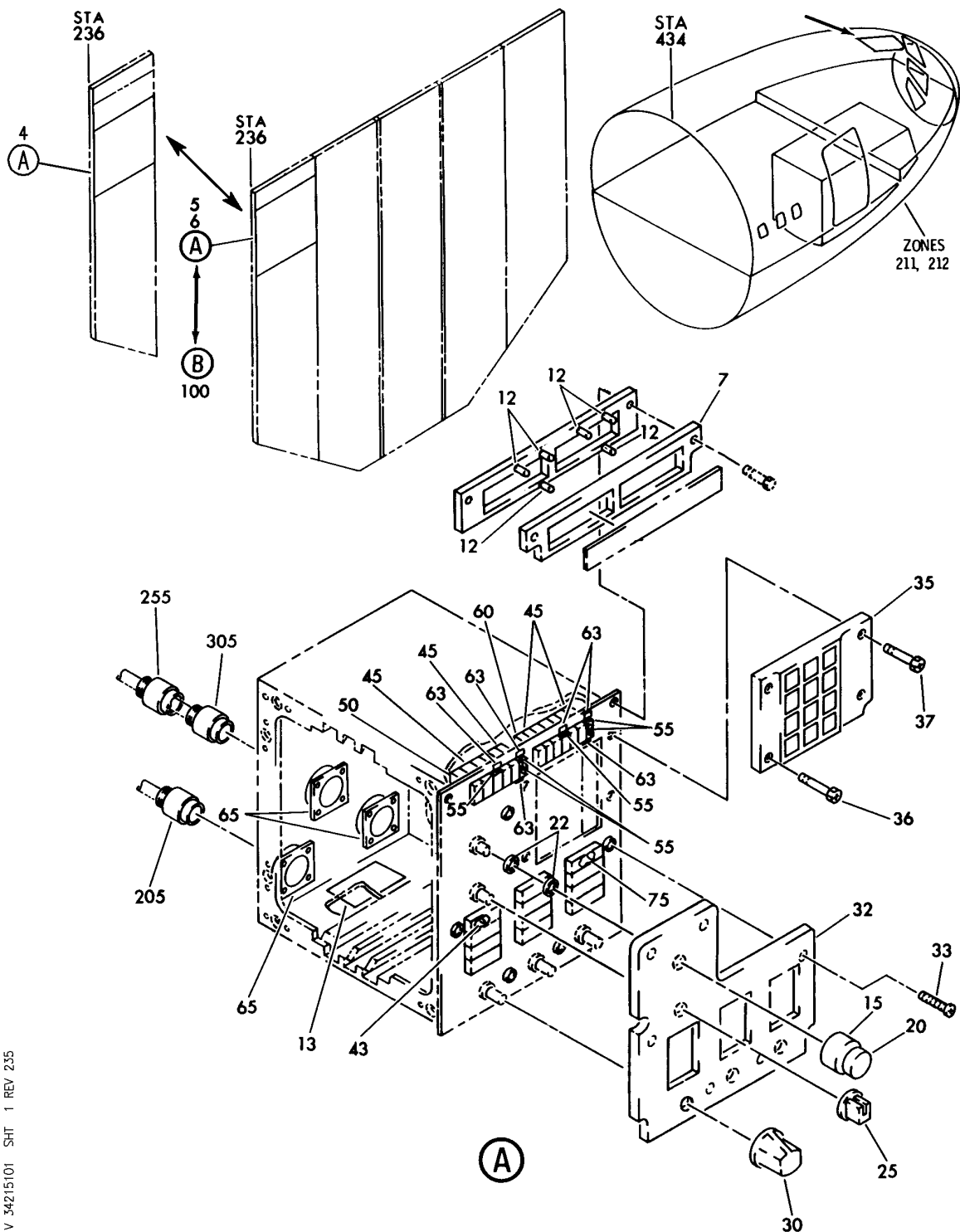
HXL

34-21-03-01

BOEING PROPRIETARY - Copyright © - Unpublished Work - See title page for details.

34-21-03  
FIG. 01  
PAGE 1  
AUG 22/08

**BOEING**  
767  
PARTS CATALOG (MAINTENANCE)



V 34215101 SHT 1 REV 235

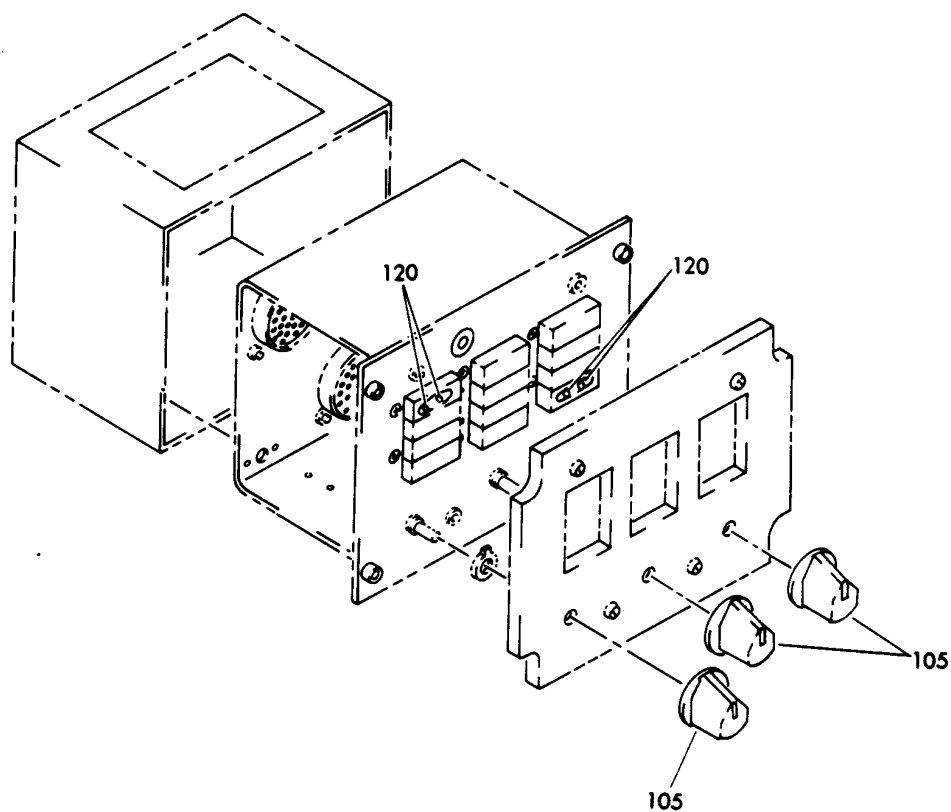
PANEL INSTL-OVHD (INERTIAL REFERENCE SYSTEM ONLY)  
FIGURE 1 (SHEET 1)

**34-21-51-01**

HXL  
DEC 22/06

34-21-51-01  
PAGE 0

**BOEING**  
767  
PARTS CATALOG (MAINTENANCE)



(B)

Y 34215101 SH1 2 REV 041

PANEL INSTL-OVHD (INERTIAL REFERENCE SYSTEM ONLY)  
FIGURE 1 (SHEET 2)

**34-21-51-01**

HXL  
DEC 22/06

34-21-51-01  
PAGE 0A



767

PARTS CATALOG (MAINTENANCE)

FIG ITEM	PART NUMBER	1 2 3 4 5 6 7	NOMENCLATURE	EFFECT FROM TO	UNITS PER ASSY
1			PANEL INSTL-OVHD (INERTIAL REFERENCE SYSTEM ONLY)		
- 1	233T3100-1		PANEL INSTL-OVHD (INERTIAL REFERENCE SYSTEM ONLY) VARIABLE DRAWING REF: 233T3100-5048		RF
- 1	233T3100-1		PANEL INSTL-OVHD (INERTIAL REFERENCE SYSTEM ONLY) FOR NHA/OTHER SYS DET SEE: 25-10-00-03		RF
5	CG1093AD01		.PANEL ASSY-INERTIAL REF MODE SUPPLIER CODE: V94580 SPECIFICATION NUMBER: S242T101-203 ELECTRICAL EQUIP NUMBER: M00059 COMPONENT MAINT MANUAL REF: 34-21-21 QUALIFIED I/W DATA: CG1093AD01 I/W CG1093AC01 EXCEPT CG1093AD01 DISPLAYS IRU MAINTENANCE CODES AND THE TIME REMAINING IN ALIGNMENT CG1093AD01 I/W CG1093AD02 EXCEPT CG1093AD01 DISPLAYS IRU MAINTENANCE CODES AND THE TIME REMAINING IN ALIGNMENT S242T101-206/CG1093AD03 CAN REPLACE AND BEREPLACED BY S242T101-203/CG1093AD01 EXCEPT FORNL001-NL999, NU701-NU999 FOR 757, AND VQ001-VQ999 FOR 767, WHERE S242T101-206/CG1093AD03 MUST BE USED.		1

ILLUSTRATION ITEMS NOT ON PARTS LIST ARE NOT APPLICABLE

- ITEM NOT ILLUSTRATED

HXL

34-21-51-01

BOEING PROPRIETARY - Copyright © - Unpublished Work - See title page for details.

34-21-51  
FIG. 01  
PAGE 1  
APR 22/09

**BOEING**  
767  
**PARTS CATALOG (MAINTENANCE)**

FIG ITEM	PART NUMBER	1 2 3 4 5 6 7	NOMENCLATURE	EFFECT FROM TO	UNITS PER ASSY
1					
7	26013940-102		..BEZEL AND FILTER ASSY- SUPPLIER CODE: V94580 USED ON: CG1093AD02 USED ON: CG1093AD01		1
13	10074939-104		..PLATE-IDENT SUPPLIER CODE: V94580		1
15	RC446-101		..KNOB-DISPLAY SELECT SUPPLIER CODE: V15084		1
20	RD238-111		..KNOB-DISPLAY SELECT SUPPLIER CODE: V15084		1
22	10068397-101		..WASHER-SWITCH SUPPLIER CODE: V94580		2
25	TT377-101		..KNOB-SYSTEM DISPLAY SUPPLIER CODE: V81590		1
30	GP119-103		..KNOB-MODE SELECT SUPPLIER CODE: V15084		3
32	10074413-101		..PANEL-LIGHTPLATE SUPPLIER CODE: V94580 ATTACHING PARTS		1
33	FB7900-6A1		..FASTENER- SUPPLIER CODE: V17419 -----*-----		6
35	26014688-101		..PANEL-KEYBOARD SUPPLIER CODE: V81590		1
35	10075907-101		..PANEL-KEYBOARD SUPPLIER CODE: V81590 ATTACHING PARTS		1
36	MS3498-10		..SCREW		2
37	FB7900-6A1		..FASTENER- SUPPLIER CODE: V17419 -----*-----		2

ILLUSTRATION ITEMS NOT ON PARTS LIST ARE NOT APPLICABLE

— ITEM NOT ILLUSTRATED

HXL

# 34-21-51-01

BOEING PROPRIETARY - Copyright © - Unpublished Work - See title page for details.

34-21-51  
FIG. 01  
PAGE 2  
APR 22/07

 **BOEING**  
767  
**PARTS CATALOG (MAINTENANCE)**

FIG ITEM	PART NUMBER	1 2 3 4 5 6 7	NOMENCLATURE	EFFECT FROM TO	UNITS PER ASSY
1					
- 37A	10075965-101		..BEZEL ASSY-NUMERIC SUPPLIER CODE: V94580 OPTIONAL PART: 10075965-102 V94580		1
- 37B	10075965-102		..BEZEL ASSY-NUMERIC SUPPLIER CODE: V94580 OPTIONAL PART: 10075965-101 V94580		1
45	KW104S		..DISPLAY-INCANDESCENT D2-D6, D8-D13 SUPPLIER CODE: VS3774		11
50	KW104NS		..LAMP-INCANDESCENT SUPPLIER CODE: VS3774		1
60	KW104EW		..LAMP-INCANDESCENT SUPPLIER CODE: VS3774 USED ON: CG1093AD02 USED ON: CG1093AD01		1
63	10076885-103		..LAMP- SUPPLIER CODE: V58774 USED ON: CG1093AD02 USED ON: CG1093AD01		6
75	CM387		..LAMP-ELECTRICAL SUPPLIER CODE: V71744 USED ON: CG1093AD02 USED ON: CG1093AD01		8
- 85	10089762-101		..CABLE-PANEL LAMPS SUPPLIER CODE: V94580 USED ON: CG1093AD02 USED ON: CG1093AD01		1
- 200	286T0751-120		WIRE BUNDLE ASSY-(INERTIAL REFERENCE SYSTEM ONLY)		RF

ILLUSTRATION ITEMS NOT ON PARTS LIST ARE NOT APPLICABLE

- ITEM NOT ILLUSTRATED

HXL

# 34-21-51-01

BOEING PROPRIETARY - Copyright © - Unpublished Work - See title page for details.

34-21-51  
FIG. 01  
PAGE 3  
DEC 22/06



767

PARTS CATALOG (MAINTENANCE)

FIG ITEM	PART NUMBER	1 2 3 4 5 6 7	NOMENCLATURE	EFFECT FROM TO	UNITS PER ASSY
1 205	BACC45FT18A31S		.CONNECTOR- ELECTRICAL EQUIP NUMBER: D00739 WIRING DIAGRAM REF: 342111		1
- 250	286T0725-120		WIRE BUNDLE ASSY-(INERTIAL REFERENCE SYSTEM ONLY)		RF
255	BACC45FT18D31S6		.CONNECTOR- ELECTRICAL EQUIP NUMBER: D00741 WIRING DIAGRAM REF: 342121		1
- 300	286T0723-120		WIRE BUNDLE ASSY-(INERTIAL REFERENCE SYSTEM ONLY)		RF
305	BACC45FT18D31S7		.CONNECTOR- ELECTRICAL EQUIP NUMBER: D00743 WIRING DIAGRAM REF: 342131		1

ILLUSTRATION ITEMS NOT ON PARTS LIST ARE NOT APPLICABLE

- ITEM NOT ILLUSTRATED

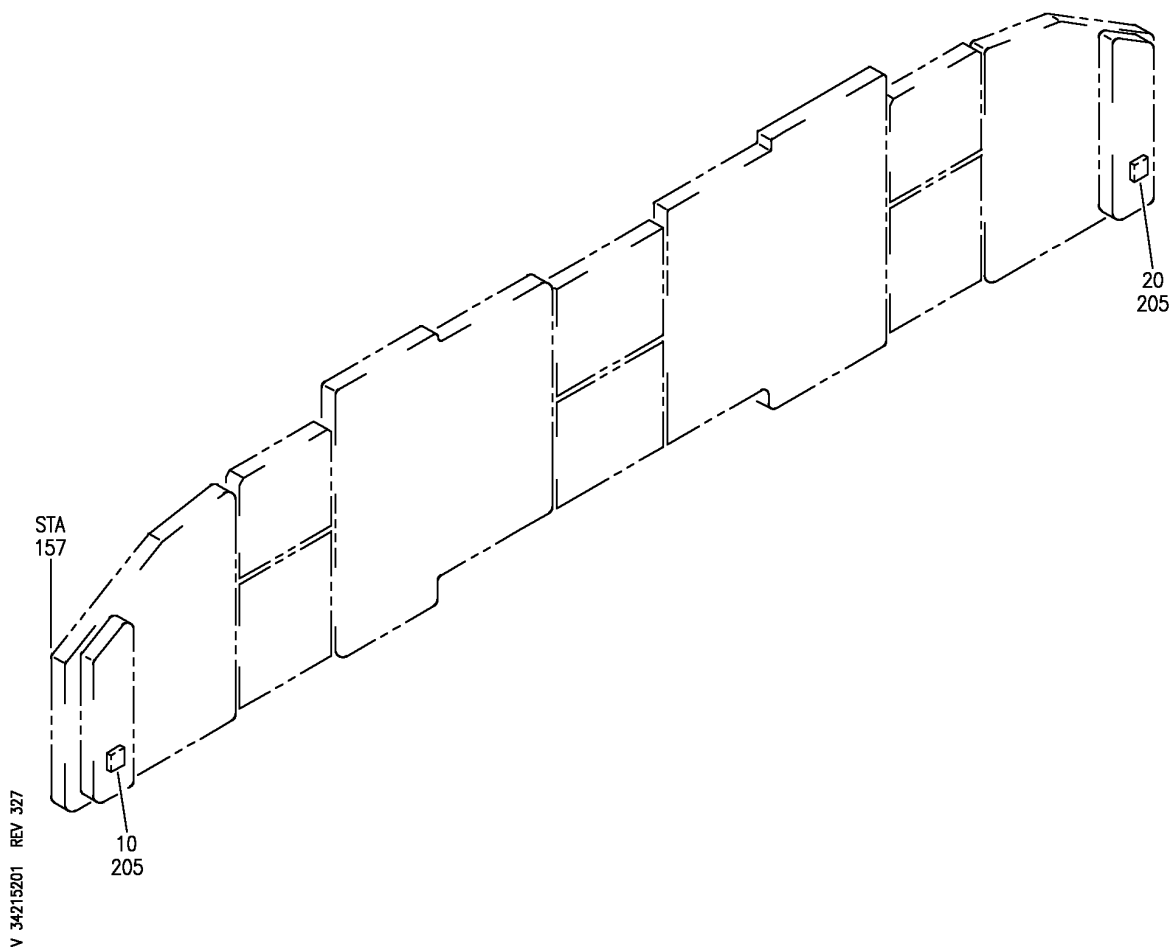
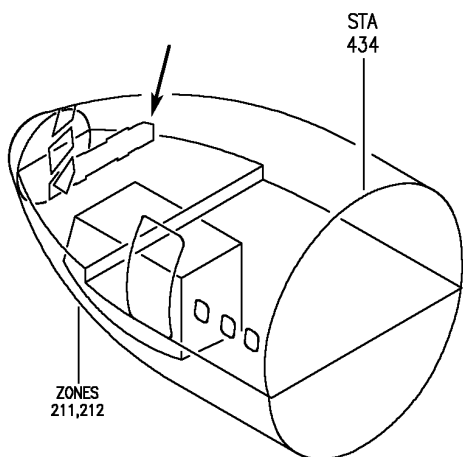
HXL

34-21-51-01

BOEING PROPRIETARY - Copyright © - Unpublished Work - See title page for details.

34-21-51  
FIG. 01  
PAGE 4  
DEC 22/06

**BOEING**  
767  
PARTS CATALOG (MAINTENANCE)



PANEL INSTL-PILOTS MAIN (INERTIAL REFERENCE SYSTEM ONLY)  
FIGURE 1

HXL  
APR 22/08

**34-21-52-01**

34-21-52-01  
PAGE 0





767

PARTS CATALOG (MAINTENANCE)

FIG ITEM	PART NUMBER	1 2 3 4 5 6 7	NOMENCLATURE	EFFECT FROM TO	UNITS PER ASSY
1			PANEL INSTL-PILOTS MAIN (INERTIAL REFERENCE SYSTEM ONLY)		
- 1	233T2100-1		PANEL INSTL-PILOTS MAIN (INERTIAL REFERENCE SYSTEM ONLY) VARIABLE DRAWING REF: 233T2100-5048 FOR NHA/OTHER SYS DET SEE: 25-10-00-03		RF
- 6	233T2200-57		.PANEL ASSY-CAPT AND FIRST OFFICER INSTR CONT P1-1		RF
10	851-30768-2001		..SWITCH ASSY-LIGHTED PUSH BUTTON IND ALTN SUPPLIER CODE: V96182 SPECIFICATION NUMBER: S231T290-2001 ELECTRICAL EQUIP NUMBER: S00004 FOR DETAILS SEE: 33-13-75-04		1
10	851-30768-3001		..SWITCH ASSY-LIGHTED PUSH BUTTON IND ALTN SUPPLIER CODE: V96182 SPECIFICATION NUMBER: S231T290-3001 ELECTRICAL EQUIP NUMBER: S00004 FOR DETAILS SEE: 33-13-75-24		1

ILLUSTRATION ITEMS NOT ON PARTS LIST ARE NOT APPLICABLE

- ITEM NOT ILLUSTRATED

HXL

34-21-52-01

BOEING PROPRIETARY - Copyright © - Unpublished Work - See title page for details.

34-21-52  
FIG. 01  
PAGE 1  
DEC 22/07



767

PARTS CATALOG (MAINTENANCE)

FIG ITEM	PART NUMBER	1 2 3 4 5 6 7	NOMENCLATURE	EFFECT FROM TO	UNITS PER ASSY
1 10	BCREFA0501		..SWITCH ASSY-LIGHTED PUSH BUTTON IND ALTN SUPPLIER CODE: V81590 OVERLENGTH PART NUMBER: 433-673-1004-4001 SPECIFICATION NUMBER: S231T290-4001 MISCELLANEOUS DATA: WHEN REPLACING THE PUSHBUTTON SWITCH ASSY OR THE MASTER MODULE WITHIN, VERIFY THAT A CONFIG D MASTER MODULE P/N 13206-001 IS INSTALLED IN LIEU OF ANY EARLIER CONFIGURATION MASTER MODULES. ELECTRICAL EQUIP NUMBER: S00004 OPTIONAL PART: S231T290-5001 V96182 FOR DETAILS SEE: 33-13-75-31		1
10	S231T290-5001		..SWITCH ASSY-LIGHTED PUSH BUTTON IND ALTN SUPPLIER CODE: V96182 ELECTRICAL EQUIP NUMBER: S00004 OPTIONAL PART: BCREFA0501 V96182		1
10	4336731004-4201		..SWITCH ASSY-LIGHTED PUSH BUTTON IND ALTN SUPPLIER CODE: V81590 SPECIFICATION NUMBER: S231T290-4201 ELECTRICAL EQUIP NUMBER: S00004		1
- 16	233T2204-63		.PANEL ASSY-CAPT AND FIRST OFFICER INSTR CONT P3-3		RF

ILLUSTRATION ITEMS NOT ON PARTS LIST ARE NOT APPLICABLE

- ITEM NOT ILLUSTRATED

34-21-52-01

34-21-52  
FIG. 01  
PAGE 2  
DEC 22/07

HXL



767

PARTS CATALOG (MAINTENANCE)

FIG ITEM	PART NUMBER	1 2 3 4 5 6 7	NOMENCLATURE	EFFECT FROM TO	UNITS PER ASSY
1	20 851-30768-2001		..SWITCH ASSY-LIGHTED PUSH BUTTON IND ALTN SUPPLIER CODE: V96182 SPECIFICATION NUMBER: S231T290-2001 ELECTRICAL EQUIP NUMBER: S00012 FOR DETAILS SEE: 33-13-75-04		1
	20 851-30768-3001		..SWITCH ASSY-LIGHTED PUSH BUTTON IND ALTN SUPPLIER CODE: V96182 SPECIFICATION NUMBER: S231T290-3001 ELECTRICAL EQUIP NUMBER: S00012 FOR DETAILS SEE: 33-13-75-04		1
	20 BCREFA0501		..SWITCH ASSY-LIGHTED PUSH BUTTON IND ALTN SUPPLIER CODE: V81590 OVERLENGTH PART NUMBER: 433-673-1004-4001 SPECIFICATION NUMBER: S231T290-4001 MISCELLANEOUS DATA: WHEN REPLACING THE PUSHBUTTON SWITCH ASSY OR THE MASTER MODULE WITHIN, VERIFY THAT A CONFIG D MASTER MODULE P/N 13206-001 IS INSTALLED IN LIEU OF ANY EARLIER CONFIGURATION MASTER MODULES. ELECTRICAL EQUIP NUMBER: S00012 OPTIONAL PART: S231T290-5001 V96182 FOR DETAILS SEE: 33-13-75-31		1

ILLUSTRATION ITEMS NOT ON PARTS LIST ARE NOT APPLICABLE

- ITEM NOT ILLUSTRATED

34-21-52-01

34-21-52  
FIG. 01  
PAGE 3  
APR 22/08

HXL



767

PARTS CATALOG (MAINTENANCE)

FIG ITEM	PART NUMBER	1 2 3 4 5 6 7	NOMENCLATURE	EFFECT FROM TO	UNITS PER ASSY
1					
20	S231T290-5001		..SWITCH ASSY-LIGHTED PUSH BUTTON IND ALTN SUPPLIER CODE: V96182 ELECTRICAL EQUIP NUMBER: S00012 OPTIONAL PART: BCREFA0501 V96182		1
20	4336731004-4201		..SWITCH ASSY-LIGHTED PUSH BUTTON IND ALTN SUPPLIER CODE: V81590 SPECIFICATION NUMBER: S231T290-4201 ELECTRICAL EQUIP NUMBER: S00012		1

ILLUSTRATION ITEMS NOT ON PARTS LIST ARE NOT APPLICABLE

- ITEM NOT ILLUSTRATED

HXL

34-21-52-01

BOEING PROPRIETARY - Copyright © - Unpublished Work - See title page for details.

34-21-52  
FIG. 01  
PAGE 4  
DEC 22/07