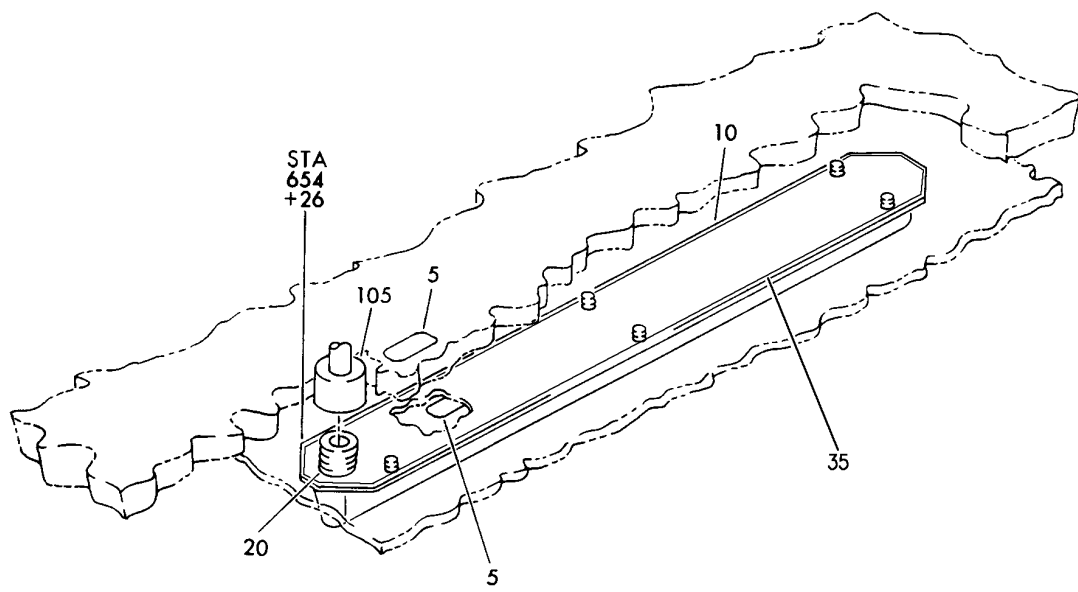
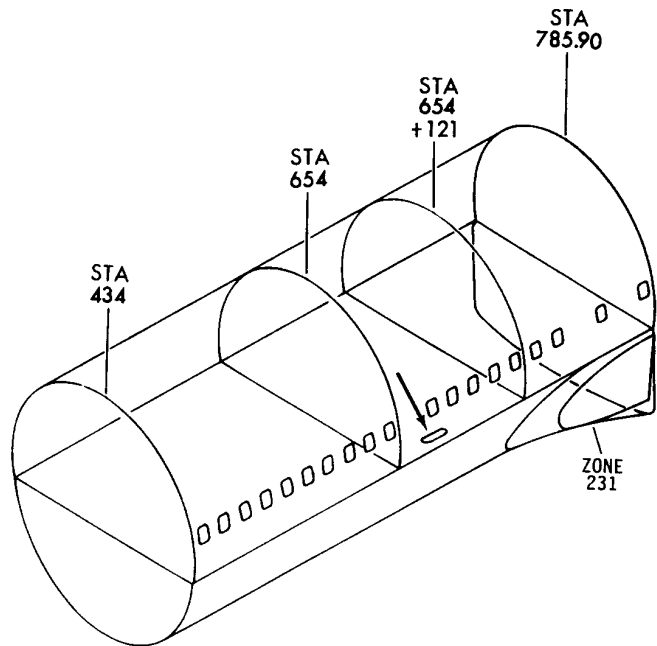


MARKER BEACON SYSTEM

HXL
DEC 22/06

34-32-00
SECTION TITLE
PAGE 1

BOEING
767
PARTS CATALOG (MAINTENANCE)



V 34-320102 REV 284

ANTENNA INSTL-MARKER BEACON
FIGURE 2

34-32-01-02

HXL
DEC 22/06

34-32-01-02
PAGE 0



767

PARTS CATALOG (MAINTENANCE)

FIG ITEM	PART NUMBER	1 2 3 4 5 6 7	NOMENCLATURE	EFFECT FROM TO	UNITS PER ASSY
2			ANTENNA INSTL-MARKER BEACON		
- 1	284T0223-21		ANTENNA INSTL-MARKER BEACON POSITION DATA: STA 654+26 FOR NHA SEE: 24-00-58-02		RF
5	BAC27TEX1347		.DECAL- PLACARD CONTENT: M243		2
10	DMN27-2		.ANTENNA ASSY- SUPPLIER CODE: V00752 ELECTRICAL EQUIP NUMBER: M00243		1
- 15	BACB30LH2-4		ATTACHING PARTS .BOLT -----*-----		6
20	UG706AU		..CONNECTOR- SUPPLIER CODE: V85226		1
- 100	286T0375-300		WIRE BUNDLE ASSY-		RF
105	KD59-161		.PLUG- SUPPLIER CODE: V91836 ELECTRICAL EQUIP NUMBER: D00083 WIRING DIAGRAM REF: 343211		1

ILLUSTRATION ITEMS NOT ON PARTS LIST ARE NOT APPLICABLE

- ITEM NOT ILLUSTRATED

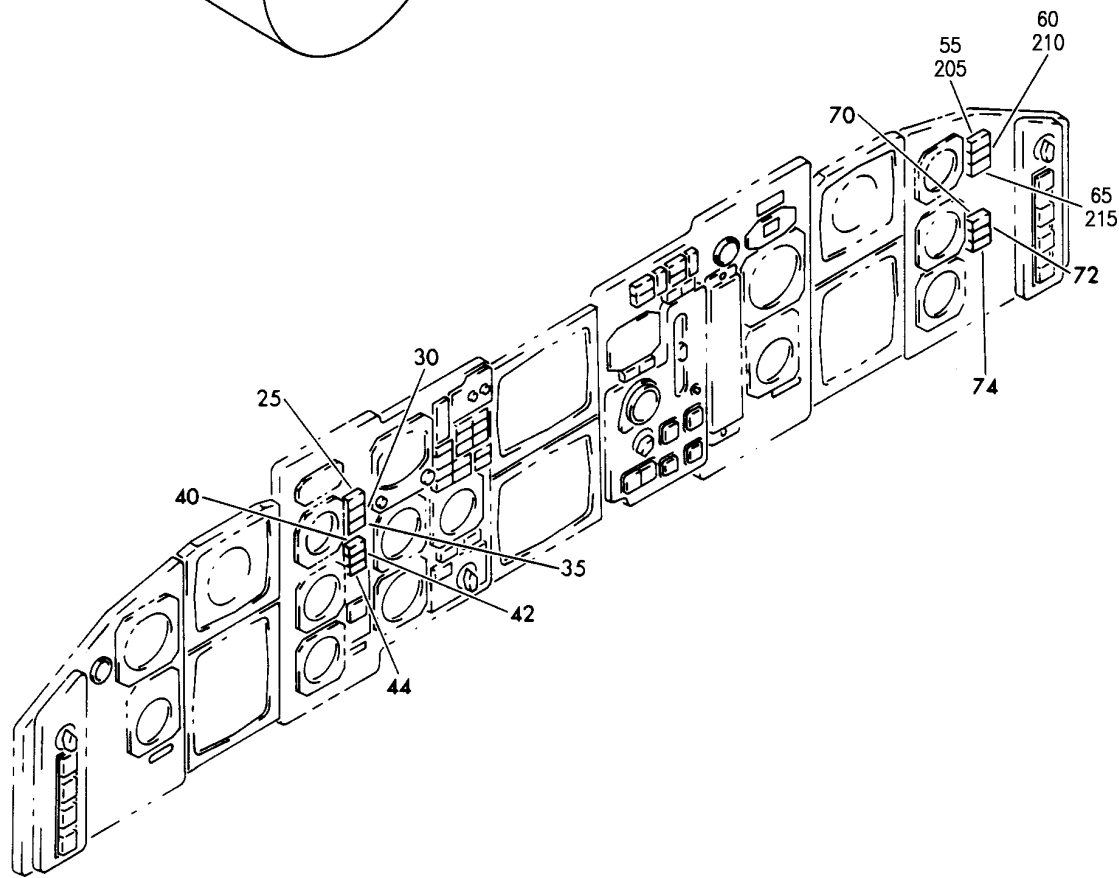
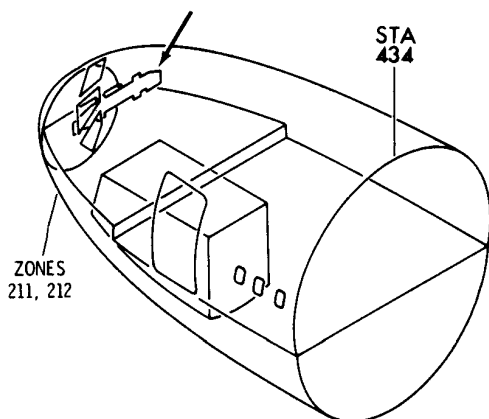
HXL

34-32-01-02

BOEING PROPRIETARY - Copyright © - Unpublished Work - See title page for details.

34-32-01
FIG. 02
PAGE 1
DEC 22/07

BOEING
767
PARTS CATALOG (MAINTENANCE)



V 34325103 REV 327

PANEL INSTL-PILOTS MAIN (MARKER BEACON SYSTEM ONLY)
FIGURE 3

34-32-51-03

HXL
APR 22/08

34-32-51-03
PAGE 0



767

PARTS CATALOG (MAINTENANCE)

FIG ITEM	PART NUMBER	1 2 3 4 5 6 7	NOMENCLATURE	EFFECT FROM TO	UNITS PER ASSY
3			PANEL INSTL-PILOTS MAIN (MARKER BEACON SYSTEM ONLY)		
- 1	233T2100-1		PANEL INSTL-PILOTS MAIN (MARKER BEACON SYSTEM ONLY) VARIABLE DRAWING REF: 233T2100-5048 FOR NHA/OTHER SYS DET SEE: 25-10-00-03		RF
- 1	233T2100-1		PANEL INSTL-PILOTS MAIN (MARKER BEACON SYSTEM ONLY)		RF
- 11	233T2222-58		.PANEL ASSY-2 CREW CONT STATIC SENSITIVE PART P1-3		RF
25	BCREF6217		..LIGHT ASSY-INNER/AIRWAYS IND SUPPLIER CODE: V81590 OVERLENGTH PART NUMBER: 434-674-1005-1054 SPECIFICATION NUMBER: S231T300-1054 ELECTRICAL EQUIP NUMBER: L00585 OPTIONAL PART: BCREF8535 V81590 FOR DETAILS SEE: 33-16-02-02		1
25	BCREF8535		..LIGHT ASSY-INNER/AIRWAYS IND SUPPLIER CODE: V81590 OVERLENGTH PART NUMBER: 434-674-1031-2054 SPECIFICATION NUMBER: S231T300-2054 ELECTRICAL EQUIP NUMBER: L00585 OPTIONAL PART: BCREF6217 V81590 FOR DETAILS SEE: 33-16-02-03		1

ILLUSTRATION ITEMS NOT ON PARTS LIST ARE NOT APPLICABLE

- ITEM NOT ILLUSTRATED

HXL

34-32-51-03

BOEING PROPRIETARY - Copyright © - Unpublished Work - See title page for details.

34-32-51
FIG. 03
PAGE 1
DEC 22/07



767

PARTS CATALOG (MAINTENANCE)

FIG ITEM	PART NUMBER	1 2 3 4 5 6 7	NOMENCLATURE	EFFECT FROM TO	UNITS PER ASSY
3					
30	BCREF6218		..LIGHT ASSY-MIDDLE IND SUPPLIER CODE: V81590 OVERLENGTH PART NUMBER: 434-674-1005-1070 SPECIFICATION NUMBER: S231T300-1070 ELECTRICAL EQUIP NUMBER: L00586 OPTIONAL PART: BCREf8537 V81590 FOR DETAILS SEE: 33-16-02-02		1
30	BCREF8537		..LIGHT ASSY-MIDDLE IND SUPPLIER CODE: V81590 OVERLENGTH PART NUMBER: 434-674-1031-2070 SPECIFICATION NUMBER: S231T300-2070 ELECTRICAL EQUIP NUMBER: L00586 OPTIONAL PART: BCREf6218 V81590 FOR DETAILS SEE: 33-16-02-03		1
35	BCREF6219		..LIGHT ASSY-OUTER IND SUPPLIER CODE: V81590 OVERLENGTH PART NUMBER: 434-674-1005-1082 SPECIFICATION NUMBER: S231T300-1082 ELECTRICAL EQUIP NUMBER: L00587 OPTIONAL PART: BCREf8538 V81590 FOR DETAILS SEE: 33-16-02-02		1

ILLUSTRATION ITEMS NOT ON PARTS LIST ARE NOT APPLICABLE

- ITEM NOT ILLUSTRATED

HXL

34-32-51-03

BOEING PROPRIETARY - Copyright © - Unpublished Work - See title page for details.

34-32-51
 FIG. 03
 PAGE 2
 DEC 22/07



767

PARTS CATALOG (MAINTENANCE)

FIG ITEM	PART NUMBER	1 2 3 4 5 6 7	NOMENCLATURE	EFFECT FROM TO	UNITS PER ASSY
3					
35	BCREF8538		..LIGHTS ASSY-OUTER IND SUPPLIER CODE: V81590 OVERLENGTH PART NUMBER: 434-674-1031-2082 SPECIFICATION NUMBER: S231T300-2082 ELECTRICAL EQUIP NUMBER: L00587 OPTIONAL PART: BCREF6219 V81590 FOR DETAILS SEE: 33-16-02-03		1
- 50	233T2204-27		.PANEL ASSY-CAPT AND FIRST OFFICER INSTR CONT P3-3		RF
- 51	233T2204-63		.PANEL ASSY-CAPT AND FIRST OFFICER INSTR CONT P3-3		RF
55	BCREF6217		..LIGHT ASSY-INNER/AIRWAYS IND SUPPLIER CODE: V81590 OVERLENGTH PART NUMBER: 434-674-1005-1054 SPECIFICATION NUMBER: S231T300-1054 ELECTRICAL EQUIP NUMBER: L00588 FOR DETAILS SEE: 33-16-02-02		1
55	BCREF8535		..LIGHT ASSY-INNER/AIRWAYS IND SUPPLIER CODE: V81590 OVERLENGTH PART NUMBER: 434-674-1031-2054 SPECIFICATION NUMBER: S231T300-2054 ELECTRICAL EQUIP NUMBER: L00588 FOR DETAILS SEE: 33-16-02-03		1

ILLUSTRATION ITEMS NOT ON PARTS LIST ARE NOT APPLICABLE

- ITEM NOT ILLUSTRATED

34-32-51-03

34-32-51
FIG. 03
PAGE 3
DEC 22/07

HXL



767

PARTS CATALOG (MAINTENANCE)

FIG ITEM	PART NUMBER	1 2 3 4 5 6 7	NOMENCLATURE	EFFECT FROM TO	UNITS PER ASSY
3	60 BCRE6218		..LIGHT ASSY-MIDDLE IND SUPPLIER CODE: V81590 OVERLENGTH PART NUMBER: 434-674-1005-1070 SPECIFICATION NUMBER: S231T300-1070 ELECTRICAL EQUIP NUMBER: L00589 FOR DETAILS SEE: 33-16-02-02		1
	60 BCRE8537		..LIGHT ASSY-MIDDLE IND SUPPLIER CODE: V81590 OVERLENGTH PART NUMBER: 434-674-1031-2070 SPECIFICATION NUMBER: S231T300-2070 ELECTRICAL EQUIP NUMBER: L00589 FOR DETAILS SEE: 33-16-02-03		1
	65 BCRE6219		..LIGHT ASSY-OUTER IND SUPPLIER CODE: V81590 OVERLENGTH PART NUMBER: 434-674-1005-1082 SPECIFICATION NUMBER: S231T300-1082 ELECTRICAL EQUIP NUMBER: L00590 FOR DETAILS SEE: 33-16-02-02		1
	65 BCRE8538		..LIGHTS ASSY-OUTER IND SUPPLIER CODE: V81590 OVERLENGTH PART NUMBER: 434-674-1031-2082 SPECIFICATION NUMBER: S231T300-2082 ELECTRICAL EQUIP NUMBER: L00590 FOR DETAILS SEE: 33-16-02-03		1

ILLUSTRATION ITEMS NOT ON PARTS LIST ARE NOT APPLICABLE

- ITEM NOT ILLUSTRATED

34-32-51-03

34-32-51
FIG. 03
PAGE 4
DEC 22/07

HXL

BOEING PROPRIETARY - Copyright © - Unpublished Work - See title page for details.