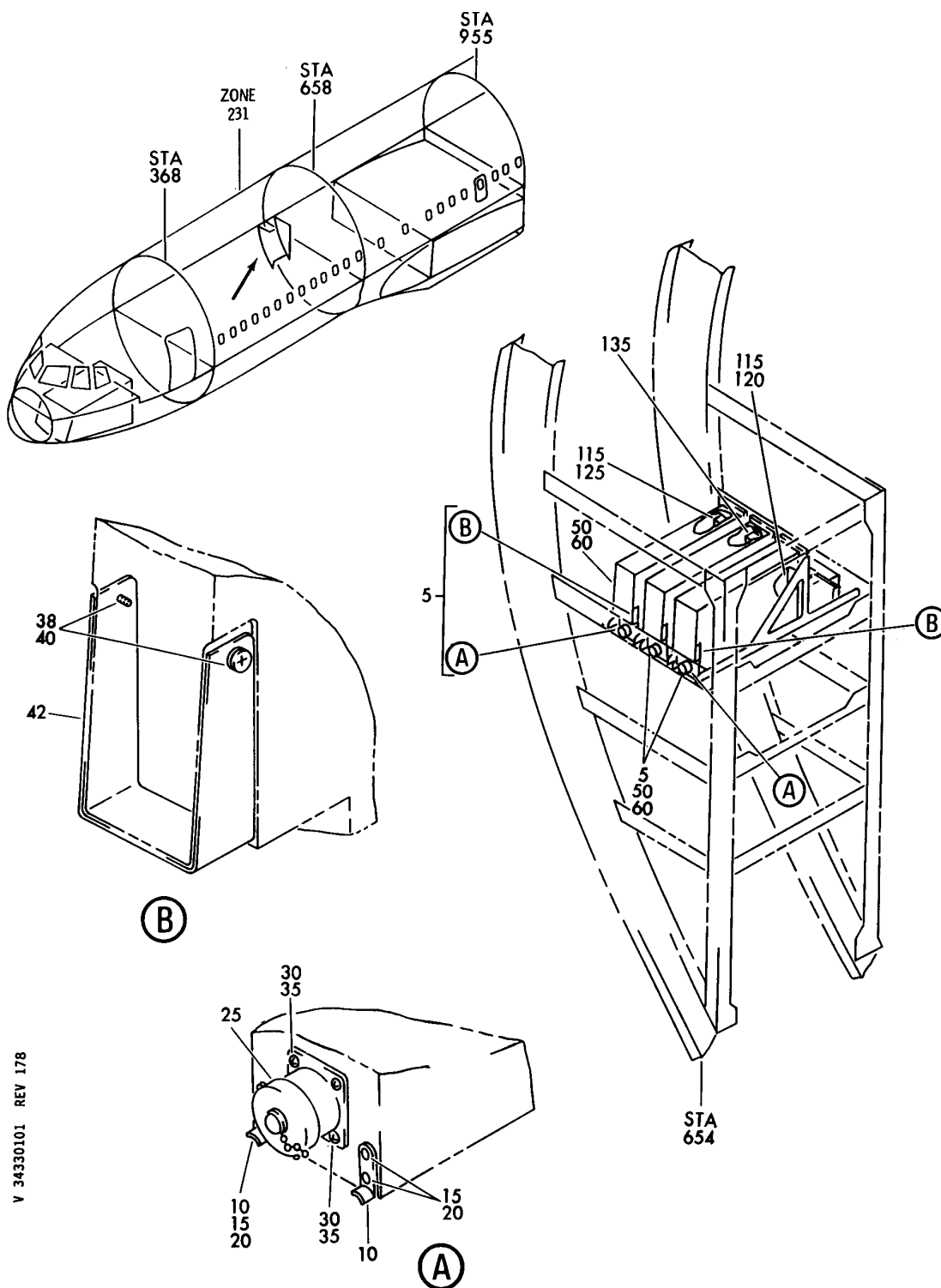


RADIO ALTIMETER SYSTEM

HXL
DEC 22/06

34-33-00
SECTION TITLE
PAGE 1

BOEING
767
PARTS CATALOG (MAINTENANCE)



V 34330101 REV 178

EQUIPMENT INSTL-E5 RACK LARGE AND SMALL CARGO DOORS (RADIO ALTIMETER SYSTEM ONLY)

FIGURE 1

34-33-01-01

HXL
DEC 22/06

34-33-01-01
PAGE 0



767

PARTS CATALOG (MAINTENANCE)

FIG ITEM	PART NUMBER	1 2 3 4 5 6 7	NOMENCLATURE	EFFECT FROM TO	UNITS PER ASSY
1			EQUIPMENT INSTL-E5 RACK LARGE AND SMALL CARGO DOORS (RADIO ALTIMETER SYSTEM ONLY)		
- 1	284T0755-2		EQUIPMENT INSTL-E5 RACK LARGE CARGO DOOR (RADIO ALTIMETER SYSTEM ONLY) VARIABLE DRAWING REF: 284T0755-5052 FOR NHA/OTHER SYS DET SEE: 24-00-58-01N		RF
60	9599-607-14923		.TRANSCEIVER ASSY-RADIO ALTM (CUSTOMER FURNISHED) SUPPLIER CODE: VF6170 SPECIFICATION NUMBER: S220T101-106 ELECTRICAL EQUIP NUMBER: M00202 M00203 M00204 COMPONENT MAINT MANUAL REF: 34-42-34 QUALIFIED I/W DATA: INTERCHANGEABLE AS A SET ONLY. 9599-607-14923 IS INTERCHANGEABLE WITH 9599-607-14939 AS A SET ONLY FOR DETAILS SEE: 34-33-01-50		3
- 100	286T0165-350		WIRE BUNDLE ASSY-		RF
- 105	286T0175-350		WIRE BUNDLE ASSY-(RADIO ALTIMETER SYSTEM ONLY)		RF
120	BCREF101623		.PLUG- OVERLENGTH PART NUMBER: BACC66H123C01AD01 ELECTRICAL EQUIP NUMBER: D00401 WIRING DIAGRAM REF: 343311		1
ILLUSTRATION ITEMS NOT ON PARTS LIST ARE NOT APPLICABLE					

- ITEM NOT ILLUSTRATED

34-33-01-01

34-33-01
FIG. 01
PAGE 1
DEC 22/06

HXL



767

PARTS CATALOG (MAINTENANCE)

FIG ITEM	PART NUMBER	1 2 3 4 5 6 7	NOMENCLATURE	EFFECT FROM TO	UNITS PER ASSY
1 125	BCREF101623		.PLUG- OVERLENGTH PART NUMBER: BACC66H123C01AD01 ELECTRICAL EQUIP NUMBER: D00403 WIRING DIAGRAM REF: 343321		1
- 130	286T0185-350		WIRE BUNDLE ASSY-(RADIO ALTIMETER SYSTEM ONLY)		RF
135	BCREF101623		.PLUG- OVERLENGTH PART NUMBER: BACC66H123C01AD01 ELECTRICAL EQUIP NUMBER: D00405 WIRING DIAGRAM REF: 343331		1

ILLUSTRATION ITEMS NOT ON PARTS LIST ARE NOT APPLICABLE

- ITEM NOT ILLUSTRATED

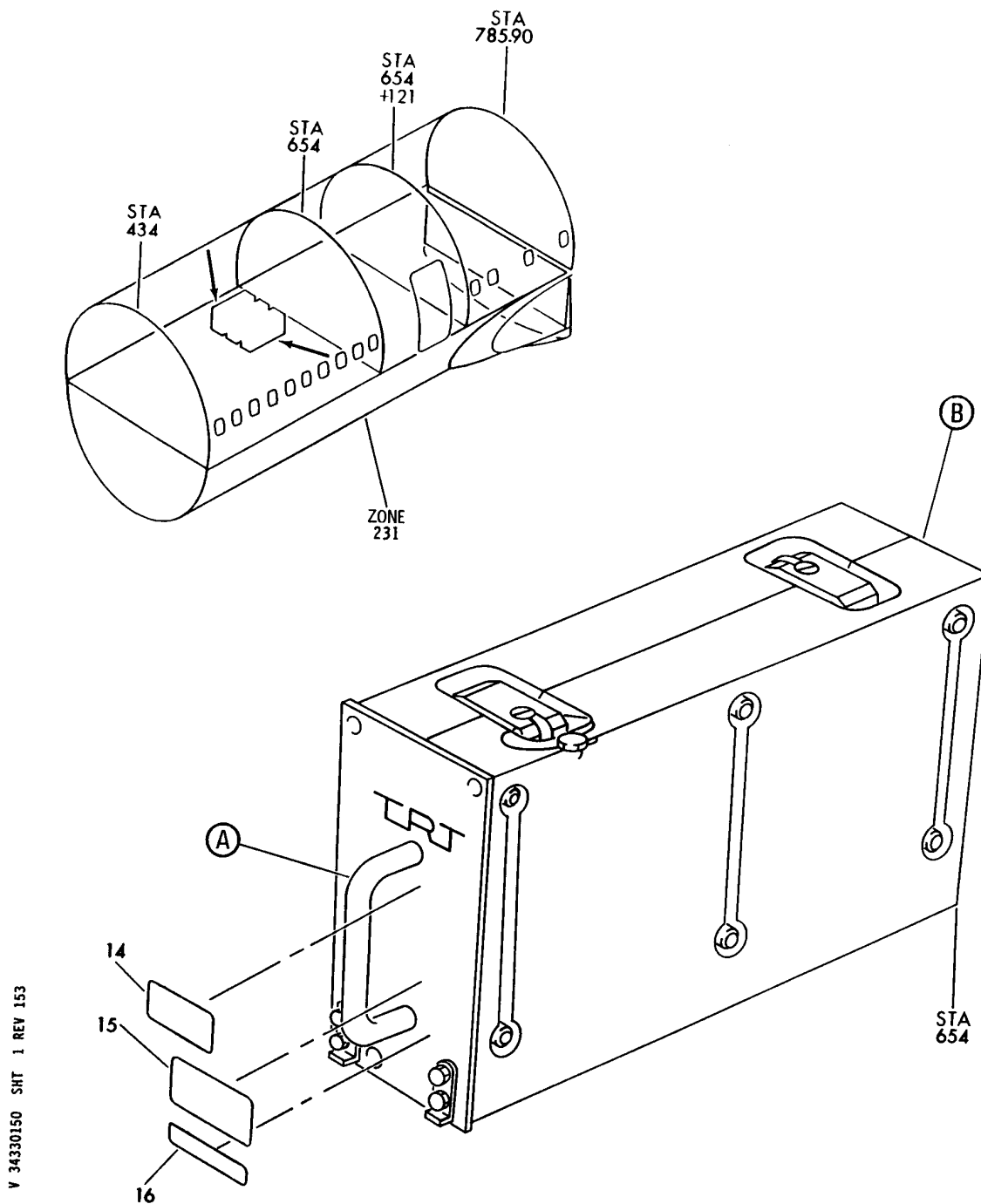
HXL

34-33-01-01

BOEING PROPRIETARY - Copyright © - Unpublished Work - See title page for details.

34-33-01
FIG. 01
PAGE 2
DEC 22/06

BOEING
767
PARTS CATALOG (MAINTENANCE)



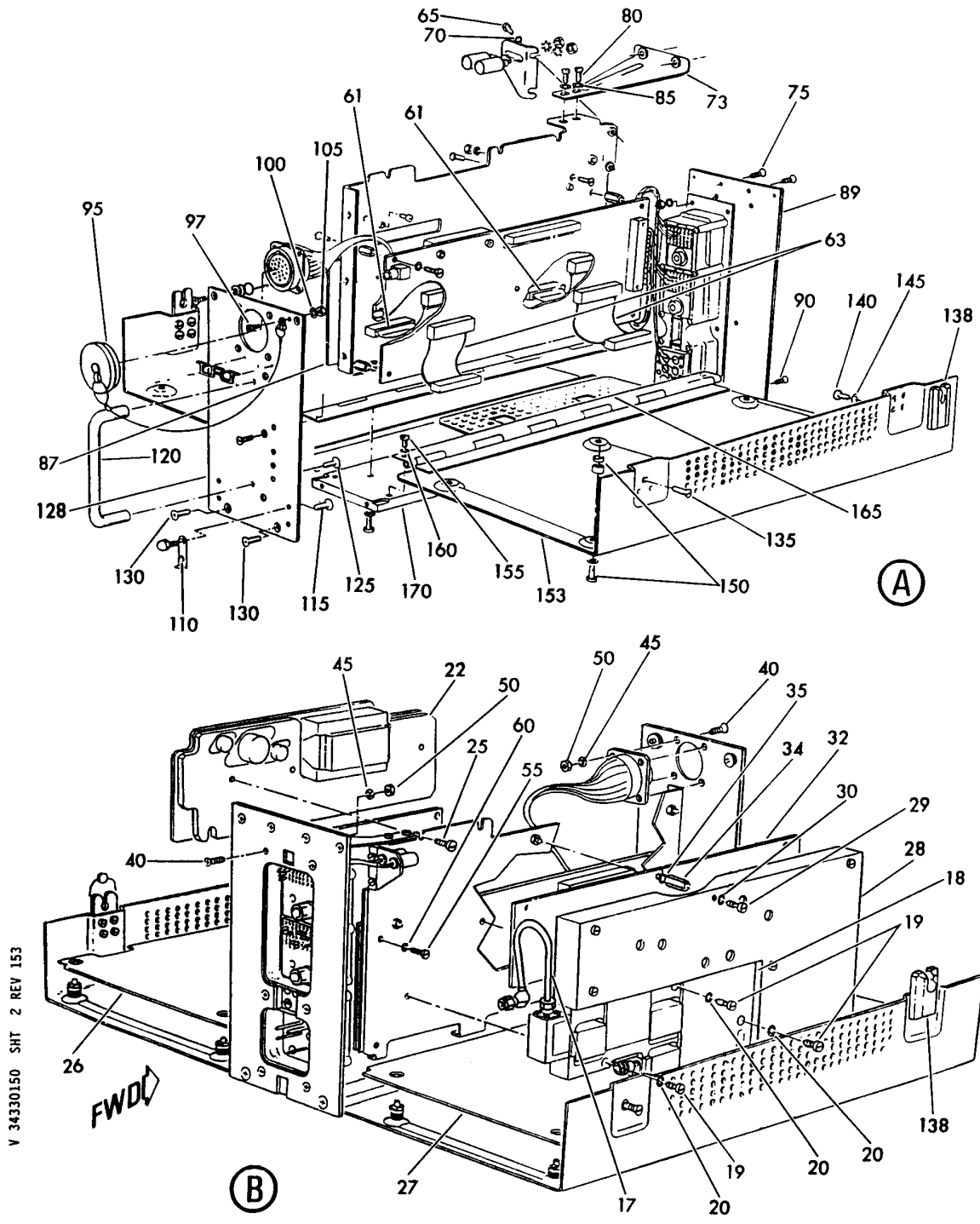
RECEIVER ASSY-RADIO ALTM XMTR
FIGURE 50 (SHEET 1)

34-33-01-50

HXL
DEC 22/06

34-33-01-50
PAGE 0

BOEING
767
PARTS CATALOG (MAINTENANCE)



V 34330150 SHT 2 REV 153

RECEIVER ASSY-RADIO ALTM XMTR
FIGURE 50 (SHEET 2)

34-33-01-50

HXL
DEC 22/06

34-33-01-50
PAGE 0A



767

PARTS CATALOG (MAINTENANCE)

FIG ITEM	PART NUMBER	1 2 3 4 5 6 7	NOMENCLATURE	EFFECT FROM TO	UNITS PER ASSY
50			RECEIVER ASSY-RADIO ALTM XMTR		
- 1	9599-607-14923		TRANSCEIVER ASSY-RADIO ALTM XMTR (CUSTOMER FURNISHED) SUPPLIER CODE: VF6170 SPECIFICATION NUMBER: S220T101-106 ELECTRICAL EQUIP NUMBER: M00202 M00203 M00204 COMPONENT MAINT MANUAL REF: 34-42-34 QUALIFIED I/W DATA: INTERCHANGEABLE AS A SET ONLY. 9599-607-14923 IS INTERCHANGEABLE WITH 9599-607-14939 AS A SET ONLY FOR NHA SEE: 34-33-01-01		RF
14	3511-180-44971		.PLATE-INSTRUCTION SUPPLIER CODE: VF6170		1
15	3511-181-16181		.PLATE-IDENT SUPPLIER CODE: VF0057		1
16	3511-181-08961		.PLATE-SOFTWARE SUPPLIER CODE: VF6170		1
17	3511-180-95181		.CABLE-COAX. XMSN 01-08 SUPPLIER CODE: VF6170		1
18	3511-180-92003		.SOURCE-01-02 SUPPLIER CODE: VF6170		1
19	3511-180-83291		ATTACHING PARTS .SCREW-EXTERNALLY RELIEVED BODY SUPPLIER CODE: VF6170		3
20	520301-24		.WASHER-SPR TNSN ONDUFLEX B DIA3 XC60 CDPL BCRPL SUPPLIER CODE: VF0349 -----*-----		3
ILLUSTRATION ITEMS NOT ON PARTS LIST ARE NOT APPLICABLE					

- ITEM NOT ILLUSTRATED

34-33-01-50

34-33-01
FIG. 50
PAGE 1
DEC 22/06

HXL



767

PARTS CATALOG (MAINTENANCE)

FIG ITEM	PART NUMBER	1 2 3 4 5 6 7	NOMENCLATURE	EFFECT FROM TO	UNITS PER ASSY
50					
22	3511-180-80031		.POWER SUPPLY-01-03 SUPPLIER CODE: VF6170		1
22	3511-181-50411		.POWER SUPPLY-01-03 SUPPLIER CODE: VF6170 SB DATA FROM A CMM: POST SB 34-28 ATTACHING PARTS		1
25	H2Q1QC030008ACG		.SCREW-CLS M3X8 CL4.8 CDPL BCRPL SUPPLIER CODE: VF0110 -----*-----		3
26	3511-180-92861		.CIRCUIT CARD ASSY- MICROPROCESSOR OUTPUT 01-04 SUPPLIER CODE: VF6170		1
26	3511-180-92862		.CIRCUIT CARD ASSY- MICROPROCESSOR OUTPUT 01-04 SUPPLIER CODE: VF6170 SB DATA FROM A CMM: POST SB 34-25		1
27	3511-180-92881		.CIRCUIT CARD ASSY- GDS-RP-DELTA F.FO 01-05 SUPPLIER CODE: VF6170		1
28	3511-180-89831		.COVER-MARKED SUPPLIER CODE: VF6170 OPTIONAL PART: 3511-180-89833 VF6170		1
28	3511-180-89833		.COVER-MARKED SUPPLIER CODE: VF6170 OPTIONAL PART: 3511-180-89831 VF6170 ATTACHING PARTS		1
29	3511-180-83291		.SCREW-EXTERNALLY RELIEVED BODY SUPPLIER CODE: VF6170		7

ILLUSTRATION ITEMS NOT ON PARTS LIST ARE NOT APPLICABLE

- ITEM NOT ILLUSTRATED

34-33-01-50

34-33-01
FIG. 50
PAGE 2
DEC 22/06

HXL

BOEING
767
PARTS CATALOG (MAINTENANCE)

FIG ITEM	PART NUMBER	1 2 3 4 5 6 7	NOMENCLATURE	EFFECT FROM TO	UNITS PER ASSY
50					
30	520301-24		.WASHER-SPR TNSN ONDUFLEX B DIA3 XC60 CDPL BCRPL SUPPLIER CODE: VF0349 -----*-----		7
32	3511-180-80091		.CIRCUIT CARD ASSY-IF AMPL DISCRIMINATOR 01-07 SUPPLIER CODE: VF6170		1
32	3511-180-80092		.CIRCUIT CARD ASSY-IF AMPL DISCRIMINATOR 01-07 SUPPLIER CODE: VF6170 SB DATA FROM A CMM: POST SB 34-24		1
32	3511-181-50371		.CIRCUIT CARD ASSY-IF AMPL DISCRIMINATOR 01-07 SUPPLIER CODE: VF6170 SB DATA FROM A CMM: POST SB 34-28		1
32	3511-181-50381		.CIRCUIT CARD ASSY-IF AMPL DISCRIMINATOR 01-07 POST SB 34-28 SUPPLIER CODE: VF6170		1
34	3511-180-83301		ATTACHING PARTS .SPACER-SLEEVE SUPPLIER CODE: VF6170		7
35	520301-24		.WASHER-SPR TNSN ONDUFLEX B DIA3 XC60 CDPL BCRPL SUPPLIER CODE: VF0349 -----*-----		7
- 38	3511-181-12571		..COVER-XFMR SUPPLIER CODE: VF6170		1
40	2511-066-01037		.SCREW- SUPPLIER CODE: VF0057		10
45	520301-24		.WASHER-SPR TNSN ONDUFLEX B DIA3 XC60 CDPL BCRPL SUPPLIER CODE: VF0349		10
50	XUQ1QF030ACG		.NUT-PLAIN HEXAGON H M3 CL5 CDPL BCRPL SUPPLIER CODE: VF0110		10

ILLUSTRATION ITEMS NOT ON PARTS LIST ARE NOT APPLICABLE

- ITEM NOT ILLUSTRATED

HXL

34-33-01-50

BOEING PROPRIETARY - Copyright © - Unpublished Work - See title page for details.

34-33-01
FIG. 50
PAGE 3
DEC 22/06



767

PARTS CATALOG (MAINTENANCE)

FIG ITEM	PART NUMBER	1 2 3 4 5 6 7	NOMENCLATURE	EFFECT FROM TO	UNITS PER ASSY
50					
55	H2Q1QC040006ACG	.	SCREW-CLS M4X6 CL4.8 CDPL BCRPL SUPPLIER CODE: VF0110		5
60	520401-24	.	WASHER-SPR TNSN ONDUFLEX B DIA4 XC60 CDPL BCRPL SUPPLIER CODE: VF0349		5
61	3511-180-84621	.	CABLE-NETWORK EQUIPPED SUPPLIER CODE: VF6170		2
63	3511-180-92731	.	CABLE-NETWORK EQUIPPED SUPPLIER CODE: VF6170		2
65	H2Q1QC030008ACG	.	SCREW-CLS M3X8 CL4.8 CDPL BCRPL SUPPLIER CODE: VF0110		2
70	520301-24	.	WASHER-SPR TNSN ONDUFLEX B DIA3 XC60 CDPL BCRPL SUPPLIER CODE: VF0349		2
73	3511-180-84091	.	JUMPER-CRIMPED SUPPLIER CODE: VF6170		1
75	2511-066-01036	.	ATTACHING PARTS SCREW- SUPPLIER CODE: VF0057		2
85	S1PF030ACG	.	WASHER-FLAT M DIA3 160HV CDPL BCRPL SUPPLIER CODE: VF0110		2
87	3511-181-13041	.	-----*----- SHIELD-ELECTRICAL SUPPLIER CODE: VF6170		1
89	3511-180-85531	.	FACE-REAR PAINTED SUPPLIER CODE: VF6170		1
90	2511-066-01048	.	ATTACHING PARTS SCREW- SUPPLIER CODE: VF0057 -----*-----		2

ILLUSTRATION ITEMS NOT ON PARTS LIST ARE NOT APPLICABLE

- ITEM NOT ILLUSTRATED

HXL

34-33-01-50

BOEING PROPRIETARY - Copyright © - Unpublished Work - See title page for details.

34-33-01
FIG. 50
PAGE 4
DEC 22/06



767

PARTS CATALOG (MAINTENANCE)

FIG ITEM	PART NUMBER	1 2 3 4 5 6 7	NOMENCLATURE	EFFECT FROM TO	UNITS PER ASSY
50					
95	BECN18		.COVER-ELECTRICAL CONN. SUPPLIER CODE: VF6162 OPTIONAL PART: 8500-06B VF0225 951-00C18A231 VF1983		1
95	8500-06B		.COVER-ELECTRICAL CONN. SUPPLIER CODE: VF0225 OPTIONAL PART: BECN18 VF6162 951-00C18A231 VF1983		1
95	951-00C18A231		.COVER-ELECTRICAL CONN. SUPPLIER CODE: VF1983 OPTIONAL PART: BECN18 VF6162 8500-06B VF0225		1
97	H2Q1QC030010ACG		ATTACHING PARTS .SCREW-CLS M3X10 CL4.8 CDPL BCRPL SUPPLIER CODE: VF0110		1
100	520301-24		.WASHER-SPR TNSN ONDUFLEX B DIA3 XC60 CDPL BCRPL SUPPLIER CODE: VF0349		1
105	XUQ1QF030ACG		.NUT-PLAIN HEXAGON H M3 CL5 CDPL BCRPL SUPPLIER CODE: VF0110		1
110	3511-960-03771		-----*----- .STRAP-ANCHOR SUPPLIER CODE: VF0057		2
115	H2Q1QC040008ACG		ATTACHING PARTS .SCREW-CLS M4X8 CL4.8 CDPL BCRPL SUPPLIER CODE: VF0110 -----*-----		4

ILLUSTRATION ITEMS NOT ON PARTS LIST ARE NOT APPLICABLE

- ITEM NOT ILLUSTRATED

34-33-01-50

34-33-01
FIG. 50
PAGE 5
DEC 22/06

HXL

BOEING PROPRIETARY - Copyright © - Unpublished Work - See title page for details.



767

PARTS CATALOG (MAINTENANCE)

FIG ITEM	PART NUMBER	1 2 3 4 5 6 7	NOMENCLATURE	EFFECT FROM TO	UNITS PER ASSY
50					
120	103		.HANDLE-BOW SUPPLIER CODE: VF3391 ATTACHING PARTS		1
125	B8Q1QF050010ACG		.SCREW-FS M5X10 CL5.8 CDPL BCRPL SUPPLIER CODE: VF0110 -----*-----		2
128	3511-180-89974		.FACE-FRONT PAINTED SUPPLIER CODE: VF6170 ATTACHING PARTS		1
130	2511-066-01048		.SCREW- SUPPLIER CODE: VF0057 -----*-----		2
135	YSQ1ZE040016APA		.SCREW-FBS M4X16 A2-70 PSVT SUPPLIER CODE: VF0110		2
138	3511-180-83931		.LUG-LOCKING SUPPLIER CODE: VF6170 OPTIONAL PART: 3511-181-11961 VF6170		2
138	3511-181-11961		.TAB-LOCKING SUPPLIER CODE: VF6170 OPTIONAL PART: 3511-180-83931 VF6170 ATTACHING PARTS		2
140	H2Q1QC030006ACG		.SCREW-CLS M3X6 CL4.8 CDPL BCRPL SUPPLIER CODE: VF0110 OPTIONAL PART: H2Q1QC030005ACG		8
140	H2Q1QC030005ACG		.SCREW-CLS M3X5 CL4.8 CDPL BCRPL SUPPLIER CODE: VF0110 OPTIONAL PART: H2Q1QC030006ACG		8

ILLUSTRATION ITEMS NOT ON PARTS LIST ARE NOT APPLICABLE

- ITEM NOT ILLUSTRATED

34-33-01-50

34-33-01
FIG. 50
PAGE 6
DEC 22/06

HXL

BOEING PROPRIETARY - Copyright © - Unpublished Work - See title page for details.



767

PARTS CATALOG (MAINTENANCE)

FIG ITEM	PART NUMBER	1 2 3 4 5 6 7	NOMENCLATURE	EFFECT FROM TO	UNITS PER ASSY
50 145	520301-24		.WASHER-SPR TNSN ONDUFLEX B DIA3 XC60 CDPL BCRPL SUPPLIER CODE: VF0349 -----*-----		8
150	V9FSP518900		.FASTENER-POSITIVE LOCK SUPPLIER CODE: VF1699		12
153	3511-180-85541		.PANEL ASSY-SIDE SUPPLIER CODE: VF6170		2
155	H2Q1QC030008ACG		ATTACHING PARTS .SCREW-CLS M3X8 CL4.8 CDPL BCRPL SUPPLIER CODE: VF0110		4
160	S1PF030ACG		.WASHER-FLAT M DIA3 160HV CDPL BCRPL SUPPLIER CODE: VF0110 -----*-----		4
165	3511-180-84761		.GRID- SUPPLIER CODE: VF6170		1
170	3511-180-84751		.BASE-PLATE SUPPLIER CODE: VF6170		1

ILLUSTRATION ITEMS NOT ON PARTS LIST ARE NOT APPLICABLE

- ITEM NOT ILLUSTRATED

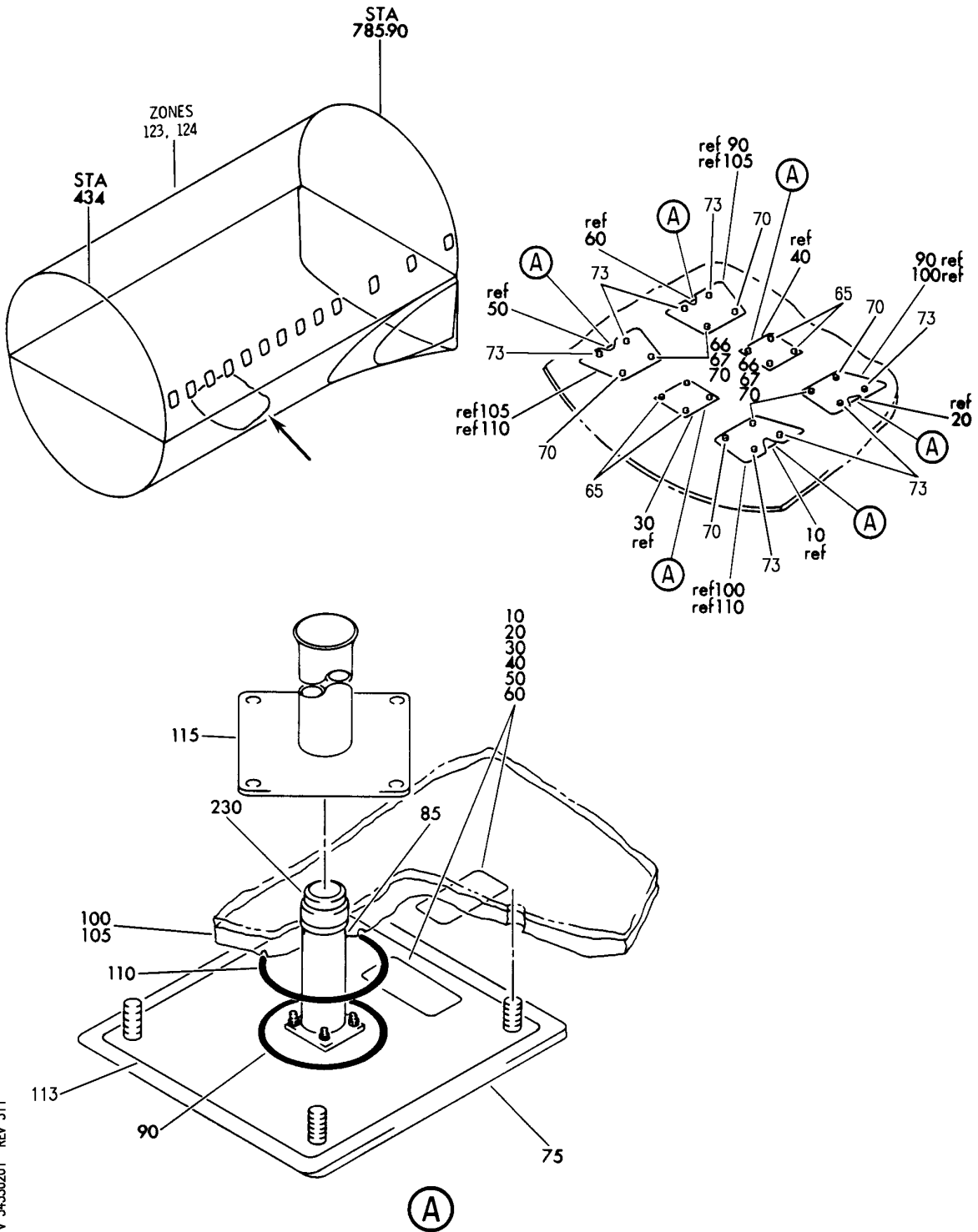
HXL

34-33-01-50

BOEING PROPRIETARY - Copyright © - Unpublished Work - See title page for details.

34-33-01
FIG. 50
PAGE 7
DEC 22/06

BOEING
767
PARTS CATALOG (MAINTENANCE)



V 34-330201 REV 311

ANTENNA INSTL-RADIO ALTM XMTR AND RCVR
FIGURE 1

34-33-02-01

HXL
DEC 22/06

34-33-02-01
PAGE 0



767

PARTS CATALOG (MAINTENANCE)

FIG ITEM	PART NUMBER	1 2 3 4 5 6 7	NOMENCLATURE	EFFECT FROM TO	UNITS PER ASSY
1			ANTENNA INSTL-RADIO ALTM XMTR AND RCVR		
- 1	284T0223-7		ANTENNA INSTL-RADIO ALTM XMTR POSITION DATA: STA 577 L, R AND CTR VARIABLE DRAWING REF: 284T0223-5034 FOR NHA SEE: 24-00-58-02		RF
- 5	284T0223-8		ANTENNA INSTL-RADIO ALTM RCVR POSITION DATA: STA 621 L, R AND CTR VARIABLE DRAWING REF: 284T0223-5035 FOR NHA SEE: 24-00-58-02		RF
10	BAC27TEX1348		.MARKER-ALUMINUM FOIL PLACARD CONTENT: M252 USED ON: 284T0223-7		2
20	BAC27TEX1351		.MARKER-ALUMINUM FOIL PLACARD CONTENT: M253 USED ON: 284T0223-8		2
30	BAC27TEX1349		.MARKER-ALUMINUM FOIL PLACARD CONTENT: M256 USED ON: 284T0223-7		2
40	BAC27TEX1352		.MARKER-ALUMINUM FOIL PLACARD CONTENT: M257 USED ON: 284T0223-8		2
50	BAC27TEX1350		.MARKER-ALUMINUM FOIL PLACARD CONTENT: M254 USED ON: 284T0223-7		2
60	BAC27TEX1353		.MARKER-ALUMINUM FOIL PLACARD CONTENT: M255 USED ON: 284T0223-8		2
65	BACB30LH3C5		.BOLT-		4

ILLUSTRATION ITEMS NOT ON PARTS LIST ARE NOT APPLICABLE

- ITEM NOT ILLUSTRATED

34-33-02-01

34-33-02
FIG. 01
PAGE 1
DEC 22/07

HXL



767

PARTS CATALOG (MAINTENANCE)

FIG ITEM	PART NUMBER	1 2 3 4 5 6 7	NOMENCLATURE	EFFECT FROM TO	UNITS PER ASSY
1					
70	BACB30LH3C10	.	BOLT-		4
73	BACB30LH3C16	.	BOLT-		4
75	LG81AJ01	.	ANTENNA-		3
			SUPPLIER CODE: V94580		
			SPECIFICATION NUMBER: S220T112-101		
			ELECTRICAL EQUIP NUMBER: M00252		
			M00253		
			M00254		
			M00255		
			M00256		
			M00257		
			OPTIONAL PART: SS67-2002-18		
			V13691		
75	S67-2002-18	.	ANTENNA-		3
			SUPPLIER CODE: V13691		
			FUNCTIONAL DESCRIPTION: TRANSMITS AND RECEIVES SIGNALS TO DETERMINE HEIGHT ABOVE TERRAIN.		
			SPECIFICATION NUMBER: S220T112-102		
			ELECTRICAL EQUIP NUMBER: M00252		
			M00253		
			M00254		
			M00255		
			M00256		
			M00257		
			OPTIONAL PART: LG81AJ01		
			V94580		
80	NAS679C04	..	NUT-		4
			OPTIONAL PART: NAS1021C04		
80	NAS1021C04	..	NUT-		4
			OPTIONAL PART: NAS679C04		
85	10077873-101	..	CONNECTOR-		1
			SUPPLIER CODE: V94580		
90	M25988-1-025	..	PACKING		1
100	284T1130-9	.	FAIRING ASSY		1
105	284T1130-10	.	FAIRING ASSY		1
110	MS29513-024	.	PACKING		2

ILLUSTRATION ITEMS NOT ON PARTS LIST ARE NOT APPLICABLE

- ITEM NOT ILLUSTRATED

34-33-02-01

34-33-02
FIG. 01
PAGE 2
DEC 22/07

HXL



767

PARTS CATALOG (MAINTENANCE)

FIG ITEM	PART NUMBER	1 2 3 4 5 6 7	NOMENCLATURE	EFFECT FROM TO	UNITS PER ASSY
1					
115	69B41514-4		.TUBE ASSY		3
- 200	286T0285-351		WIRE BUNDLE ASSY		RF
- 210	286T0293-351		WIRE BUNDLE ASSY		RF
- 220	286T0301-351		WIRE BUNDLE ASSY		RF
230	KA59-185		.PLUG-		1
			SUPPLIER CODE: V91836		
			ELECTRICAL EQUIP NUMBER: D00023 D00025 D00027 D00029 D00031 D00033		
			WIRING DIAGRAM REF: 343311 343321 343331		
ILLUSTRATION ITEMS NOT ON PARTS LIST ARE NOT APPLICABLE					

- ITEM NOT ILLUSTRATED

HXL

34-33-02-01

BOEING PROPRIETARY - Copyright © - Unpublished Work - See title page for details.

34-33-02
FIG. 01
PAGE 3
DEC 22/07