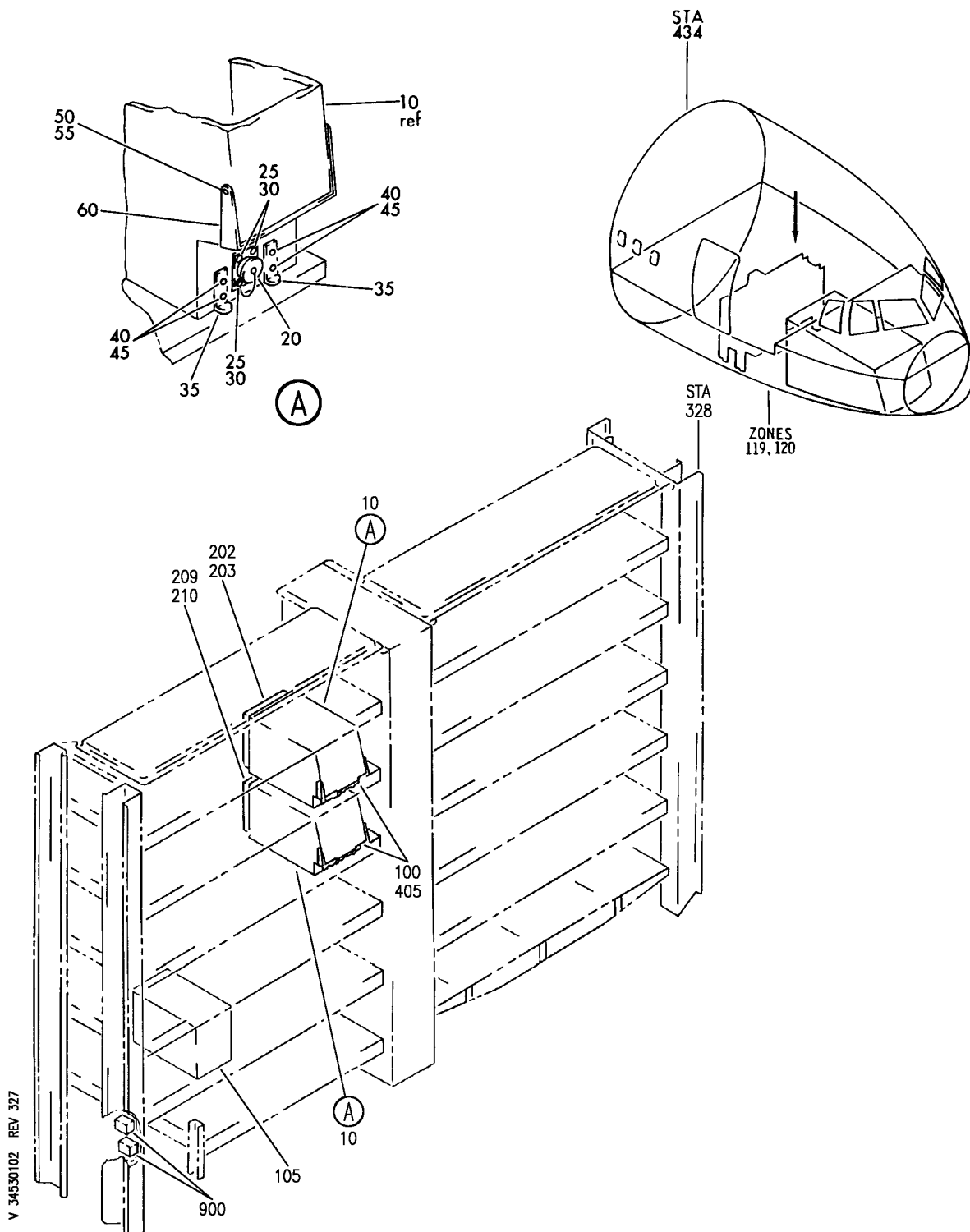


ATC SYSTEM

HXL
DEC 22/06

34-53-00
SECTION TITLE
PAGE 1

BOEING
767
PARTS CATALOG (MAINTENANCE)



EQUIPMENT INSTL-ELECTRONIC EQPT CTR E1/E2 RACK (ATC SYSTEM ONLY)

FIGURE 2

34-53-01-02

HXL
APR 22/08

34-53-01-02
PAGE 0



767

PARTS CATALOG (MAINTENANCE)

FIG ITEM	PART NUMBER	1 2 3 4 5 6 7	NOMENCLATURE	EFFECT FROM TO	UNITS PER ASSY
2			EQUIPMENT INSTL-ELECTRONIC EQPT CTR E1/E2 RACK (ATC SYSTEM ONLY)		
- 1	284T0400-618		EQUIPMENT INSTL-ELECTRONIC EQPT CTR E1/E2 RACK (ATC SYSTEM ONLY) VARIABLE DRAWING REF: 284T0400-5284 FOR NHA/OTHER SYS DET SEE: 24-00-58-01J	155162	RF
- 2	284T0400-630		EQUIPMENT INSTL-ELECTRONIC EQPT CTR E1/E2 RACK (ATC SYSTEM ONLY) VARIABLE DRAWING REF: 284T0400-5349 284T0400-5357 FOR NHA/OTHER SYS DET SEE: 24-00-58-01J	163999	RF
100	622-7878-201		.TRANSPONDER ASSY-AIR TRAFFIC CONT (CUSTOMER FURNISHED) SUPPLIER CODE: V4V792 POSITION DATA: L AND R FUNCTIONAL DESCRIPTION: PROVIDES AIRPLANE ALTITUDE AND IDENTIFICATION DATA TO GROUND FACILITIES ENABLING THEM TO MONITOR AIRPLANE LOCATION IN FLIGHT. ELECTRICAL EQUIP NUMBER: M00112 M00113 COMPONENT MAINT MANUAL REF: 34-50-75 QUALIFIED I/W DATA: 622-7878-201 INTERCHANGEABLE WITH 822-0336-001 IN SHIPSETS ONLY POST AIRLINE MOD: MTO-340652 VSAS MTO-340732 VSAS		2
ILLUSTRATION ITEMS NOT ON PARTS LIST ARE NOT APPLICABLE					

- ITEM NOT ILLUSTRATED

34-53-01-02

34-53-01
FIG. 02
PAGE 1
DEC 22/07

HXL



767

PARTS CATALOG (MAINTENANCE)

FIG ITEM	PART NUMBER	1 2 3 4 5 6 7	NOMENCLATURE	EFFECT FROM TO	UNITS PER ASSY
2					
- 200	286T0133-104		WIRE BUNDLE ASSY-(ATC SYSTEM ONLY)		RF
	203 BKA23C05A01		.CONNECTOR- SUPPLIER CODE: V71468 SPECIFICATION NUMBER: BCREF9370 OPTIONAL PART: S623C05A01 V59610 NIC66H23C05A01 V00779 OVERLENGTH PART NUMBER: BACC66H23C05AF01 ELECTRICAL EQUIP NUMBER: D00331 WIRING DIAGRAM REF: 345311		1
- 205	286T0145-120		WIRE BUNDLE ASSY-(ATC SYSTEM ONLY)		RF
	210 BKA23C05A01		.CONNECTOR- SUPPLIER CODE: V71468 SPECIFICATION NUMBER: BCREF9370 OPTIONAL PART: S623C05A01 V59610 NIC66H23C05A01 V00779 OVERLENGTH PART NUMBER: BACC66H23C05AF01 ELECTRICAL EQUIP NUMBER: D00359 WIRING DIAGRAM REF: 345321		1
- 250	286T1063-120		WIRE BUNDLE ASSY-		RF
- 250	286T1063-121		WIRE BUNDLE ASSY		RF
- 255	286T1099-120		WIRE BUNDLE ASSY-		RF
- 255	286T1099-121		WIRE BUNDLE ASSY		RF

ILLUSTRATION ITEMS NOT ON PARTS LIST ARE NOT APPLICABLE

- ITEM NOT ILLUSTRATED

34-53-01-02

34-53-01
FIG. 02
PAGE 2
DEC 22/07

HXL



767

PARTS CATALOG (MAINTENANCE)

FIG ITEM	PART NUMBER	1 2 3 4 5 6 7	NOMENCLATURE	EFFECT FROM TO	UNITS PER ASSY
2					
- 260	8660-2295A		.CONTACT- SUPPLIER CODE: VF0323 SPECIFICATION NUMBER: BACC47EN1 OPTIONAL PART: 8660-2295A V59610 620101 VF0987 349-0017-000 V71468 ELECTRICAL EQUIP NUMBER: D00331AT D00359AT WIRING DIAGRAM REF: 345313		1
- 310	286T1065-120		WIRE BUNDLE ASSY		RF
- 315	286T1069-002		WIRE BUNDLE ASSY		RF
- 320	8660-2295A		.CONTACT- SUPPLIER CODE: VF0323 SPECIFICATION NUMBER: BACC47EN1 OPTIONAL PART: 8660-2295A V59610 620101 VF0987 349-0017-000 V71468 ELECTRICAL EQUIP NUMBER: D00331BT D00359BT WIRING DIAGRAM REF: 345313		1
- 350	286T1089-002		WIRE BUNDLE ASSY		RF
- 355	286T1093-005		WIRE BUNDLE ASSY		RF

ILLUSTRATION ITEMS NOT ON PARTS LIST ARE NOT APPLICABLE

- ITEM NOT ILLUSTRATED

HXL

34-53-01-02

BOEING PROPRIETARY - Copyright © - Unpublished Work - See title page for details.

34-53-01
FIG. 02
PAGE 3
DEC 22/07



767

PARTS CATALOG (MAINTENANCE)

FIG ITEM	PART NUMBER	1 2 3 4 5 6 7	NOMENCLATURE	EFFECT FROM TO	UNITS PER ASSY
2 - 360	349-0015-000		. CONTACT- SUPPLIER CODE: V71468 SPECIFICATION NUMBER: BACC47EU2 OPTIONAL PART: 8660-2298D V59610 ELECTRICAL EQUIP NUMBER: D00331CT D00359CT WIRING DIAGRAM REF: 345311 345321		1

ILLUSTRATION ITEMS NOT ON PARTS LIST ARE NOT APPLICABLE

- ITEM NOT ILLUSTRATED

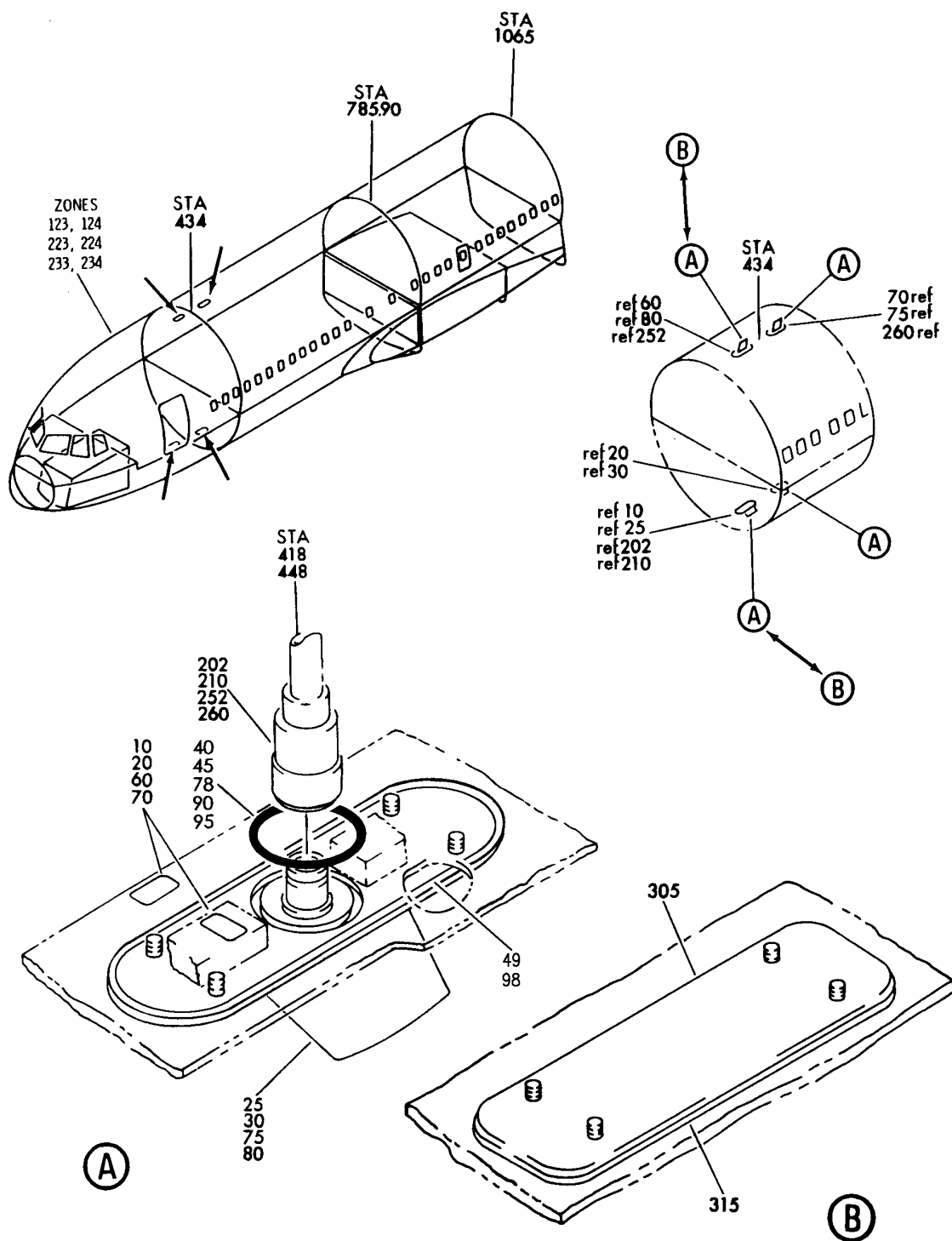
HXL

34-53-01-02

BOEING PROPRIETARY - Copyright © - Unpublished Work - See title page for details.

34-53-01
FIG. 02
PAGE 4
DEC 22/07

BOEING
767
PARTS CATALOG (MAINTENANCE)



V 34530301 REV 311

ANTENNA INSTL-ATC
FIGURE 1

34-53-03-01

HXL
DEC 22/06

34-53-03-01
PAGE 0



PARTS CATALOG (MAINTENANCE)

FIG ITEM	PART NUMBER	1 2 3 4 5 6 7	NOMENCLATURE	EFFECT FROM TO	UNITS PER ASSY
1			ANTENNA INSTL-ATC		
- 5	284T0223-4		ANTENNA INSTL-ATC POSITION DATA: STA 448 R LOWER		RF
20	BAC27TEX1344		.MARKER-ALUMINUM FOIL- POSITION DATA: RH SIDE PLACARD CONTENT: M259		2
30	DM1601354-001		.ANTENNA-L BAND SUPPLIER CODE: V00752 FUNCTIONAL DESCRIPTION: RECEIVES/TRANSMITS ATC TRANSPONDER OR DME SIGNALS. SPECIFICATION NUMBER: S220T116-1 ELECTRICAL EQUIP NUMBER: M00259		1
- 35	BACB30NN3C4		ATTACHING PARTS .BOLT-		4
- 35	BACB30LH3-5		OPTIONAL PART: BACB30LH3-5 .BOLT-		4
			OPTIONAL PART: BACB30NN3C4		
			-----*-----		
40	MS9068-028		..PACKING-		1
40	AS3582-028		..PACKING-		1
- 55	284T0223-13		ANTENNA INSTL-ATC POSITION DATA: STA 448 L UPPER FOR NHA SEE: 24-00-58-01		RF
- 77	BACS12ER3K12		ATTACHING PARTS .SCREW-		4
			OPTIONAL PART: BACB30LH3-5		
			-----*-----		
95	MS9068-028		..PACKING-		1
95	AS3582-028		..PACKING-		1
			POST AIRLINE MOD: PCR92-025 VQF2		
- 205	286T0325-001		WIRE BUNDLE ASSY-		RF

ILLUSTRATION ITEMS NOT ON PARTS LIST ARE NOT APPLICABLE

- ITEM NOT ILLUSTRATED

34-53-03-01

34-53-03
FIG. 01
PAGE 1
APR 22/08

HXL



767

PARTS CATALOG (MAINTENANCE)

FIG ITEM	PART NUMBER	1 2 3 4 5 6 7	NOMENCLATURE	EFFECT FROM TO	UNITS PER ASSY
1 210	KD59-193M06		.PLUG- SUPPLIER CODE: V91836 ELECTRICAL EQUIP NUMBER: D00041 WIRING DIAGRAM REF: 345313		1
- 255	286T0335-001		WIRE BUNDLE ASSY-		RF

ILLUSTRATION ITEMS NOT ON PARTS LIST ARE NOT APPLICABLE

- ITEM NOT ILLUSTRATED

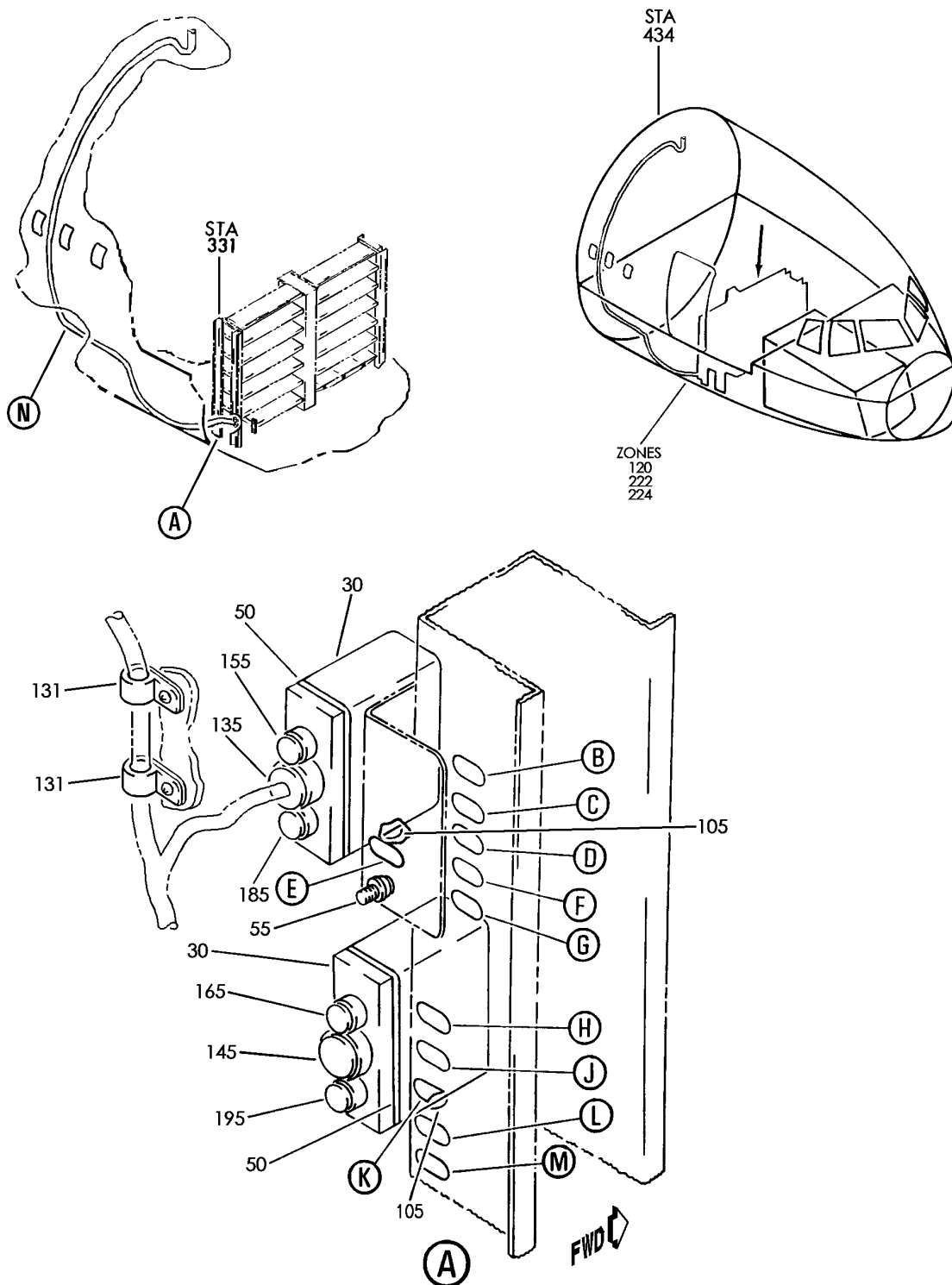
HXL

34-53-03-01

BOEING PROPRIETARY - Copyright © - Unpublished Work - See title page for details.

34-53-03
FIG. 01
PAGE 2
APR 22/08

BOEING
767
PARTS CATALOG (MAINTENANCE)



V 34530401 SHT 1 REV 296

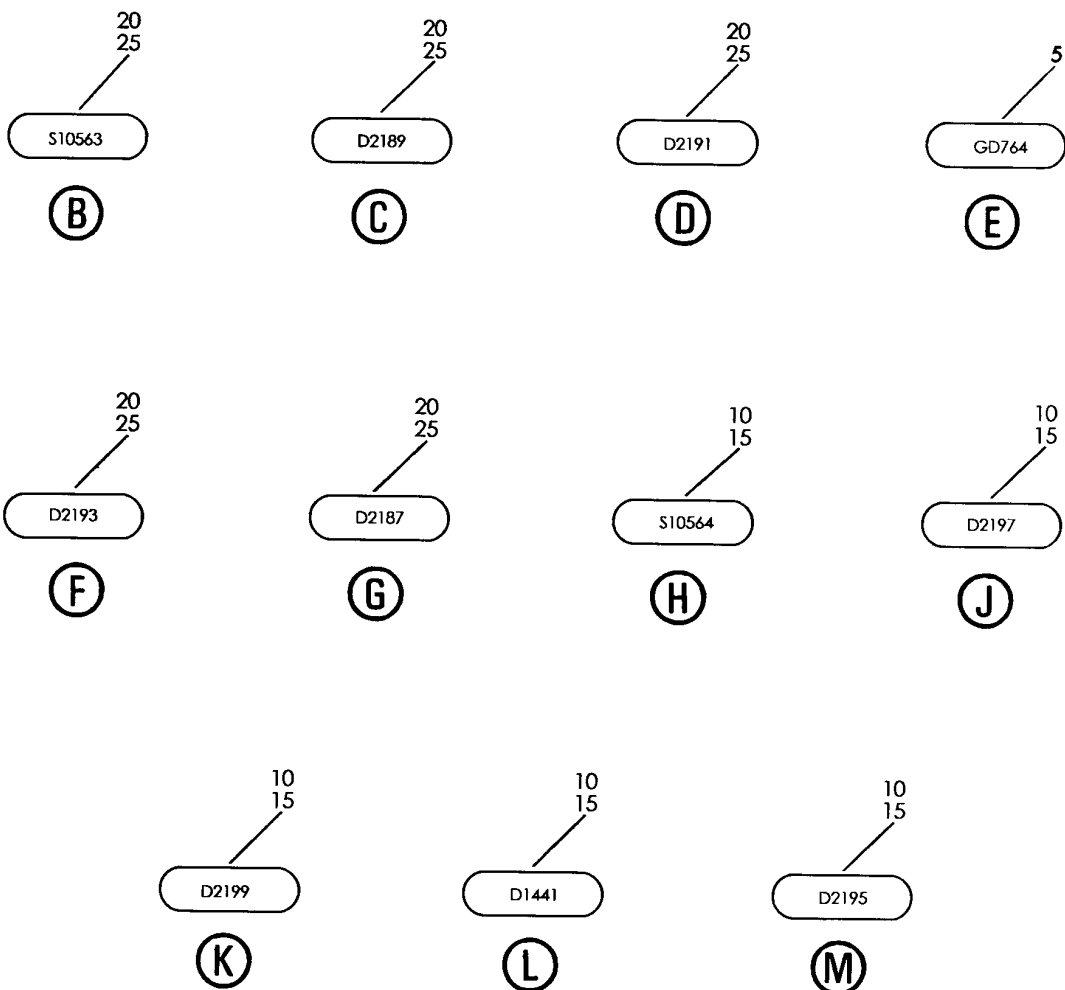
SWITCH INSTL-RF COAX. (AIR TRAFFIC CONTROL ANTENNA SWITCH ONLY)
FIGURE 1 (SHEET 1)

34-53-04-01

HXL
DEC 22/06

34-53-04-01
PAGE 0

BOEING
767
PARTS CATALOG (MAINTENANCE)



V 34530401 SHT 2 REV 206

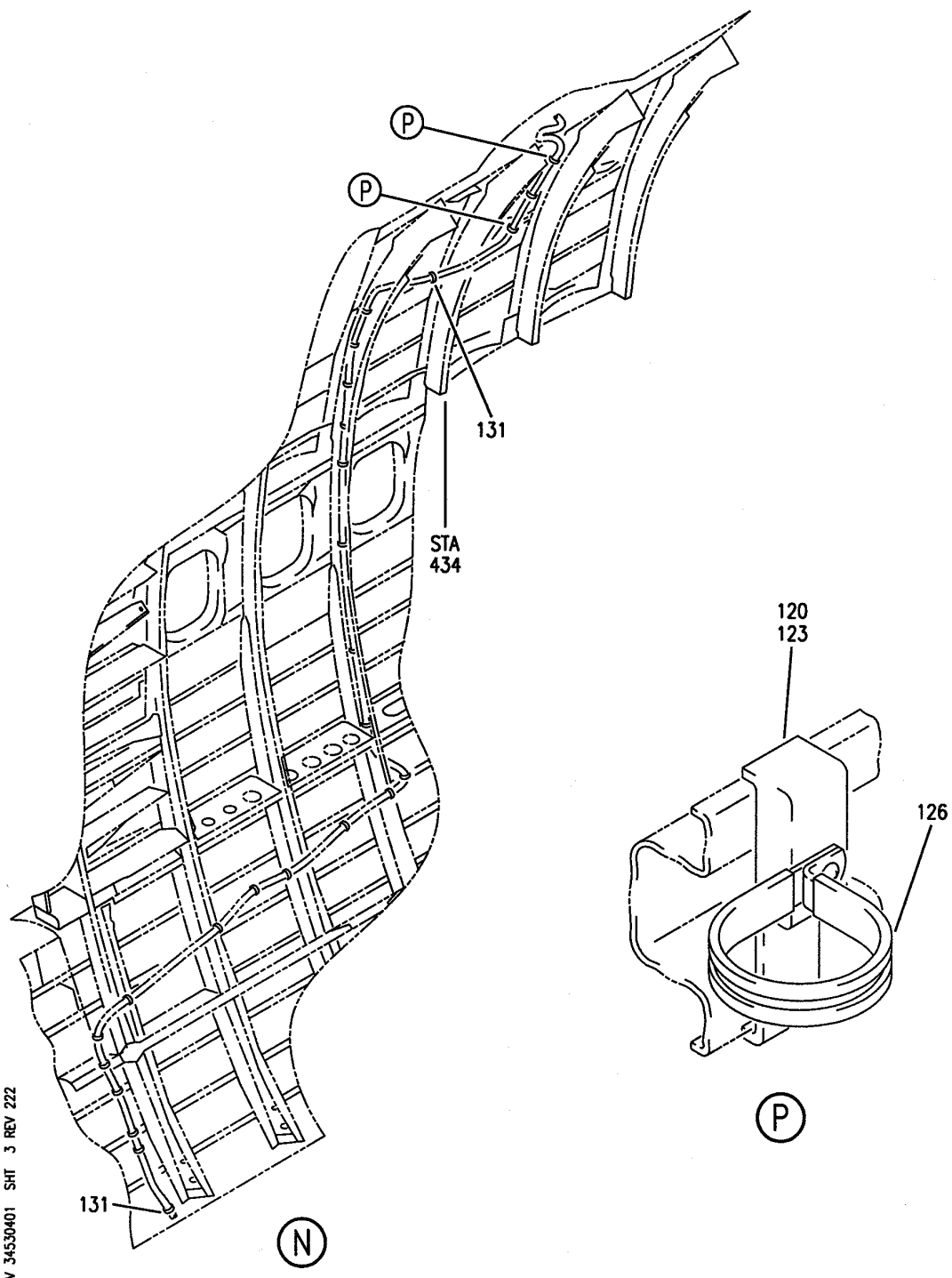
SWITCH INSTL-RF COAX. (AIR TRAFFIC CONTROL ANTENNA SWITCH ONLY)
FIGURE 1 (SHEET 2)

34-53-04-01

HXL
DEC 22/06

34-53-04-01
PAGE 0A

BOEING
767
PARTS CATALOG (MAINTENANCE)



SWITCH INSTL-RF COAX. (AIR TRAFFIC CONTROL ANTENNA SWITCH ONLY)
FIGURE 1 (SHEET 3)

34-53-04-01

HXL
DEC 22/06

34-53-04-01
PAGE 0B



767

PARTS CATALOG (MAINTENANCE)

FIG ITEM	PART NUMBER	1 2 3 4 5 6 7	NOMENCLATURE	EFFECT FROM TO	UNITS PER ASSY
1			SWITCH INSTL-RF COAX. (AIR TRAFFIC CONTROL ANTENNA SWITCH ONLY)		
- 1	284T1305-3		SWITCH INSTL-RF COAX. (AIR TRAFFIC CONTROL ANTENNA SWITCH ONLY) VARIABLE DRAWING REF: 284T1305-5001 FOR NHA SEE: 24-00-58-01B		RF
5	BAC27TEX4484		.DECAL- PLACARD CONTENT: GD764		1
10	BAC27TEX4310		.DECALSET-INCLUDES DECALS IDENTIFIED ON THE ILLUSTRATION		1
20	BAC27TEX4309		.DECALSET-INCLUDES DECALS IDENTIFIED ON THE ILLUSTRATION		1
30	D2-729B001		.SWITCH- SUPPLIER CODE: V08719 FUNCTIONAL DESCRIPTION: PROVIDES SWITCHING BETWEEN THE LEFT AND RIGHT TRANSPONDERS ELECTRICAL EQUIP NUMBER: S10563 S10564 QUALIFIED I/W DATA: D2-729B003 OR 402-167 MAY REPLACE D2-729B001 IN SHIPSETS ONLY. PRE SERVICE LETTER: 34-082		2

ILLUSTRATION ITEMS NOT ON PARTS LIST ARE NOT APPLICABLE

- ITEM NOT ILLUSTRATED

HXL

34-53-04-01

BOEING PROPRIETARY - Copyright © - Unpublished Work - See title page for details.

34-53-04
FIG. 01
PAGE 1
APR 22/09



767

PARTS CATALOG (MAINTENANCE)

FIG ITEM	PART NUMBER	1 2 3 4 5 6 7	NOMENCLATURE	EFFECT FROM TO	UNITS PER ASSY
1					
30	D2-729B003		.SWITCH- SUPPLIER CODE: V08719 FUNCTIONAL DESCRIPTION: PROVIDES SWITCHING BETWEEN THE LEFT AND RIGHT TRANSPONDERS ELECTRICAL EQUIP NUMBER: S10563 S10564 QUALIFIED I/W DATA: D2-729B003 OR 402-167 MAY REPLACE D2-729B001 IN SHIPSETS. 402-167 INTERCHANGEABLE WITH D2-729B003 IN SHIPSETS. POST SERVICE LETTER: 34-082		2
30	D2-729B005		.SWITCH- SUPPLIER CODE: V08719 ELECTRICAL EQUIP NUMBER: S10563 S10564 POST SERVICE LETTER: 34-082		2
- 35	NAS1801-3-21		ATTACHING PARTS .SCREW-		4
- 35	NAS1801-3-26		.SCREW		4
- 40	AN960JD10L		.WASHER-		4
- 40	NAS1149D0332J		.WASHER		4
- 45	MS21042L3		.NUT-		4
			-----*-----		
55	VNS1924CA1-8		.STUD- SUPPLIER CODE: V5M902 SPECIFICATION NUMBER: BACS53B1EA1 OPTIONAL PART: VNS1924CA3-1-8 V92215		1
- 100	286T0807-001		WIRE BUNDLE ASSY-		RF

ILLUSTRATION ITEMS NOT ON PARTS LIST ARE NOT APPLICABLE

- ITEM NOT ILLUSTRATED

34-53-04-01

34-53-04
FIG. 01
PAGE 2
APR 22/09

HXL



767

PARTS CATALOG (MAINTENANCE)

FIG ITEM	PART NUMBER	1 2 3 4 5 6 7	NOMENCLATURE	EFFECT FROM TO	UNITS PER ASSY
1 105	MS3126F10-6S		.CONNECTOR- ELECTRICAL EQUIP NUMBER: D02187 D02195 WIRING DIAGRAM REF: 345313 345314		2
- 115 135	286T0333-120 KN59-329M06		WIRE BUNDLE ASSY- .PLUG- SUPPLIER CODE: V91836 ELECTRICAL EQUIP NUMBER: D02191 WIRING DIAGRAM REF: 345313		RF 1
- 140 145	286T0323-300 KN59-329M06		WIRE BUNDLE ASSY .PLUG- SUPPLIER CODE: V91836 ELECTRICAL EQUIP NUMBER: D02199 WIRING DIAGRAM REF: 345313		RF 1
- 150 155	286T1905-001 KA59-353M06		WIRE BUNDLE ASSY- .PLUG- SUPPLIER CODE: V91836 ELECTRICAL EQUIP NUMBER: D02189 WIRING DIAGRAM REF: 345313		RF 1
- 160 165	286T1907-001 KA59-353M06		WIRE BUNDLE ASSY- .PLUG- SUPPLIER CODE: V91836 ELECTRICAL EQUIP NUMBER: D02197 WIRING DIAGRAM REF: 345313		RF 1
- 180 185	286T1903-001 KD59-180M06		WIRE BUNDLE ASSY- .PLUG- SUPPLIER CODE: V91836 ELECTRICAL EQUIP NUMBER: D02193 WIRING DIAGRAM REF: 345313		RF 1
- 190	286T1909-001		WIRE BUNDLE ASSY-		RF

ILLUSTRATION ITEMS NOT ON PARTS LIST ARE NOT APPLICABLE

- ITEM NOT ILLUSTRATED

34-53-04-01

34-53-04
FIG. 01
PAGE 3
APR 22/09

HXL



767
PARTS CATALOG (MAINTENANCE)

FIG ITEM	PART NUMBER	1 2 3 4 5 6 7	NOMENCLATURE	EFFECT FROM TO	UNITS PER ASSY
1 195	KD59-180M06		.PLUG- SUPPLIER CODE: V91836 ELECTRICAL EQUIP NUMBER: D01441 WIRING DIAGRAM REF: 345313		1

ILLUSTRATION ITEMS NOT ON PARTS LIST ARE NOT APPLICABLE

- ITEM NOT ILLUSTRATED

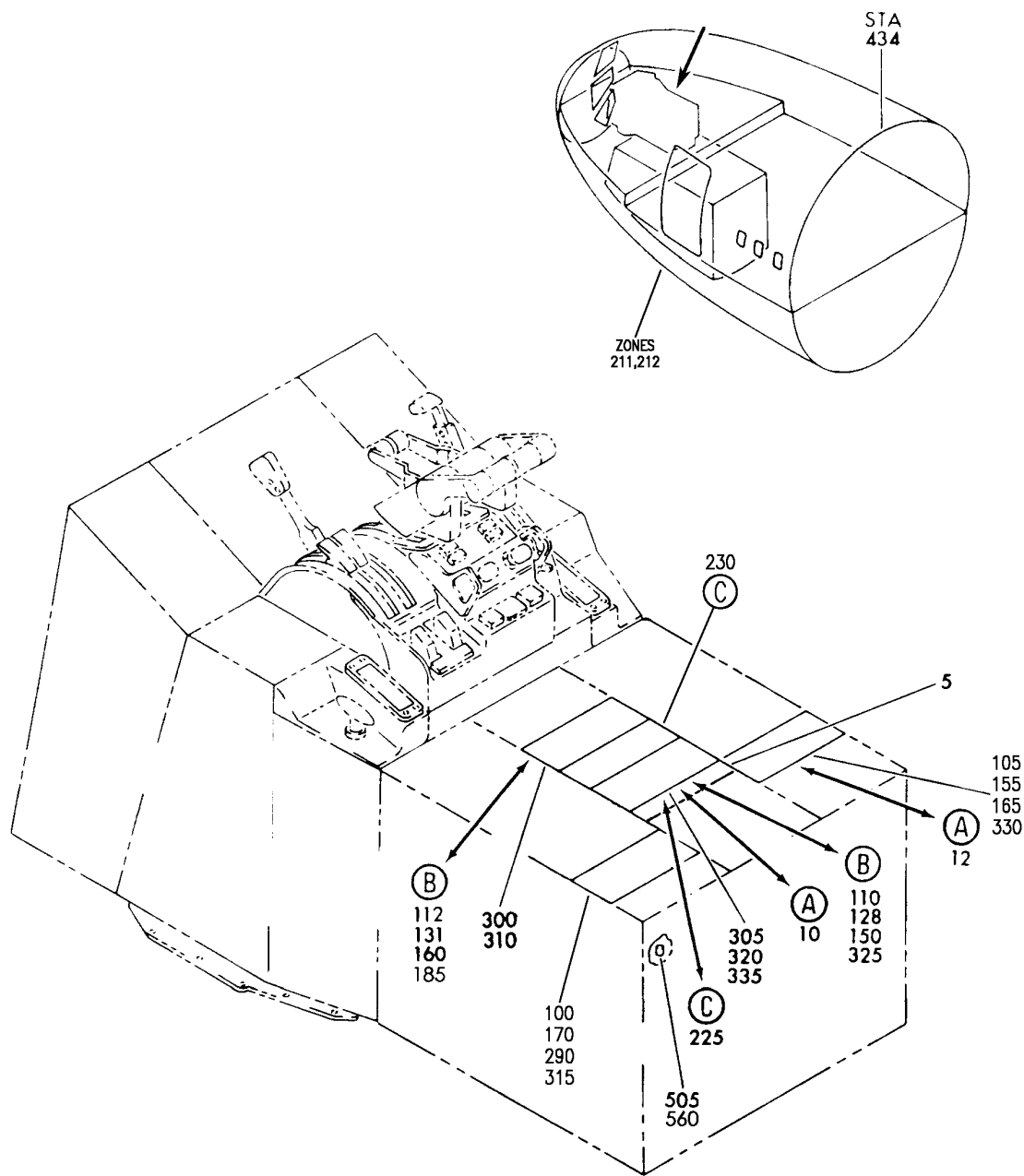
HXL

34-53-04-01

BOEING PROPRIETARY - Copyright © - Unpublished Work - See title page for details.

34-53-04
FIG. 01
PAGE 4
APR 22/09

BOEING
767
PARTS CATALOG (MAINTENANCE)



V 34535102 SH1 1 REV 339

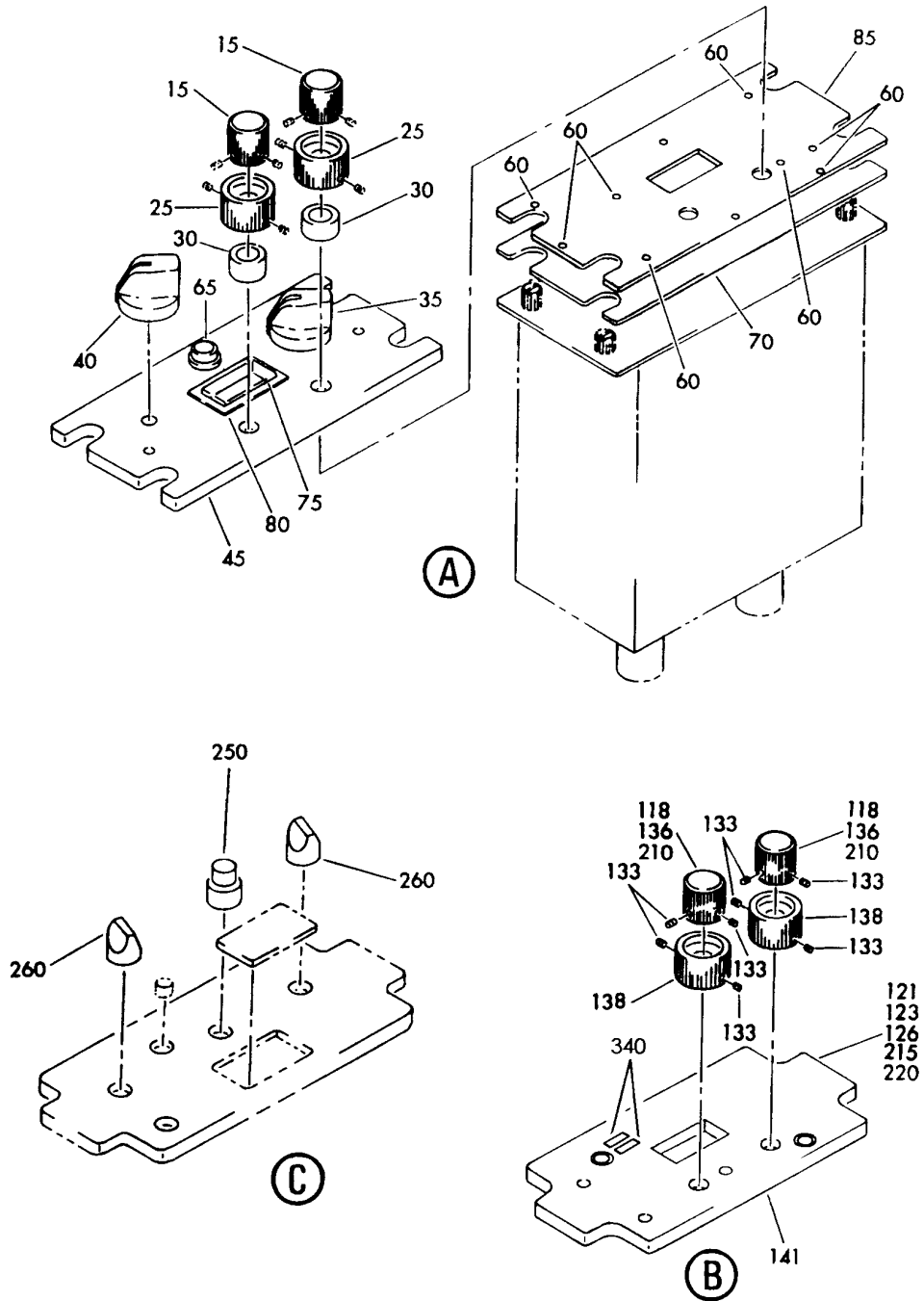
PANEL INSTL-ELECT. (ATC SYSTEM ONLY)
FIGURE 2 (SHEET 1)

34-53-51-02

HXL
APR 22/09

34-53-51-02
PAGE 0

BOEING
767
PARTS CATALOG (MAINTENANCE)



V 34535102 SHT 2 REV 207

PANEL INSTL-ELECT. (ATC SYSTEM ONLY)
FIGURE 2 (SHEET 2)

34-53-51-02

HXL
DEC 22/06

34-53-51-02
PAGE 0A

 **BOEING**
767
PARTS CATALOG (MAINTENANCE)

FIG ITEM	PART NUMBER	1 2 3 4 5 6 7	NOMENCLATURE	EFFECT FROM TO	UNITS PER ASSY
2			PANEL INSTL-ELECT. (ATC SYSTEM ONLY)		
- 1	233T6100-1		PANEL INSTL-ELECT. (ATC SYSTEM ONLY) MISCELLANEOUS DATA: (CONT. AT ITEM 001L) VARIABLE DRAWING REF: 233T6100-5048		RF
160	G6992-26		.PANEL ASSY-DUAL AIR TRAFFIC CONT SUPPLIER CODE: V99837 COMPONENT MAINT MANUAL REF: 34-50-76 QUALIFIED SB I/W DATA: (POST TCAS INSTALLATION) POST AIRLINE MOD: PCRATA-34/21/93 VSAS MTO-340652 VSAS MTO-340732 VSAS		RF
- 200	AN565F4H3		.. SETSCREW		4
- 205	AN565F6H3		.. SETSCREW		4
210	281-0673-020		.. KNOB-CONCENTRIC BROWN SUPPLIER CODE: V86797		2
215	754-0564-001		.. PANEL ASSY-LT BROWN SUPPLIER CODE: V4V792 CONFIG CHG DATA FROM A CMM: SUPSD BY 754-0564-004		1
215	754-0564-004		.. PANEL ASSY-LT BROWN SUPPLIER CODE: V4V792 CONFIG CHG DATA FROM A CMM: SUPERSEDES 754-0564-001		1
220	LT715PORM15PCT		... LAMP-INCANDESCENT SUPPLIER CODE: V61342 CONFIG CHG DATA FROM A CMM: SUPSD BY 713AS10		2

ILLUSTRATION ITEMS NOT ON PARTS LIST ARE NOT APPLICABLE

- ITEM NOT ILLUSTRATED

HXL

34-53-51-02

BOEING PROPRIETARY - Copyright © - Unpublished Work - See title page for details.

34-53-51
FIG. 02
PAGE 1
DEC 22/07



767

PARTS CATALOG (MAINTENANCE)

FIG ITEM	PART NUMBER	1 2 3 4 5 6 7	NOMENCLATURE	EFFECT FROM TO	UNITS PER ASSY
2 220	713AS10		...LAMP-INCANDESCENT SUPPLIER CODE: V64158 CONFIG CHG DATA FROM A CMM: SUPERSEDES LT715PORM15PCT TEMPORARY BREAKDOWN FOR: 622-8974-314		2
- 500 505	286T0687-121 BACC45FT16A24S8		WIRE BUNDLE ASSY- .CONNECTOR- ELECTRICAL EQUIP NUMBER: D00305 WIRING DIAGRAM REF: 345311		RF 1

ILLUSTRATION ITEMS NOT ON PARTS LIST ARE NOT APPLICABLE

- ITEM NOT ILLUSTRATED

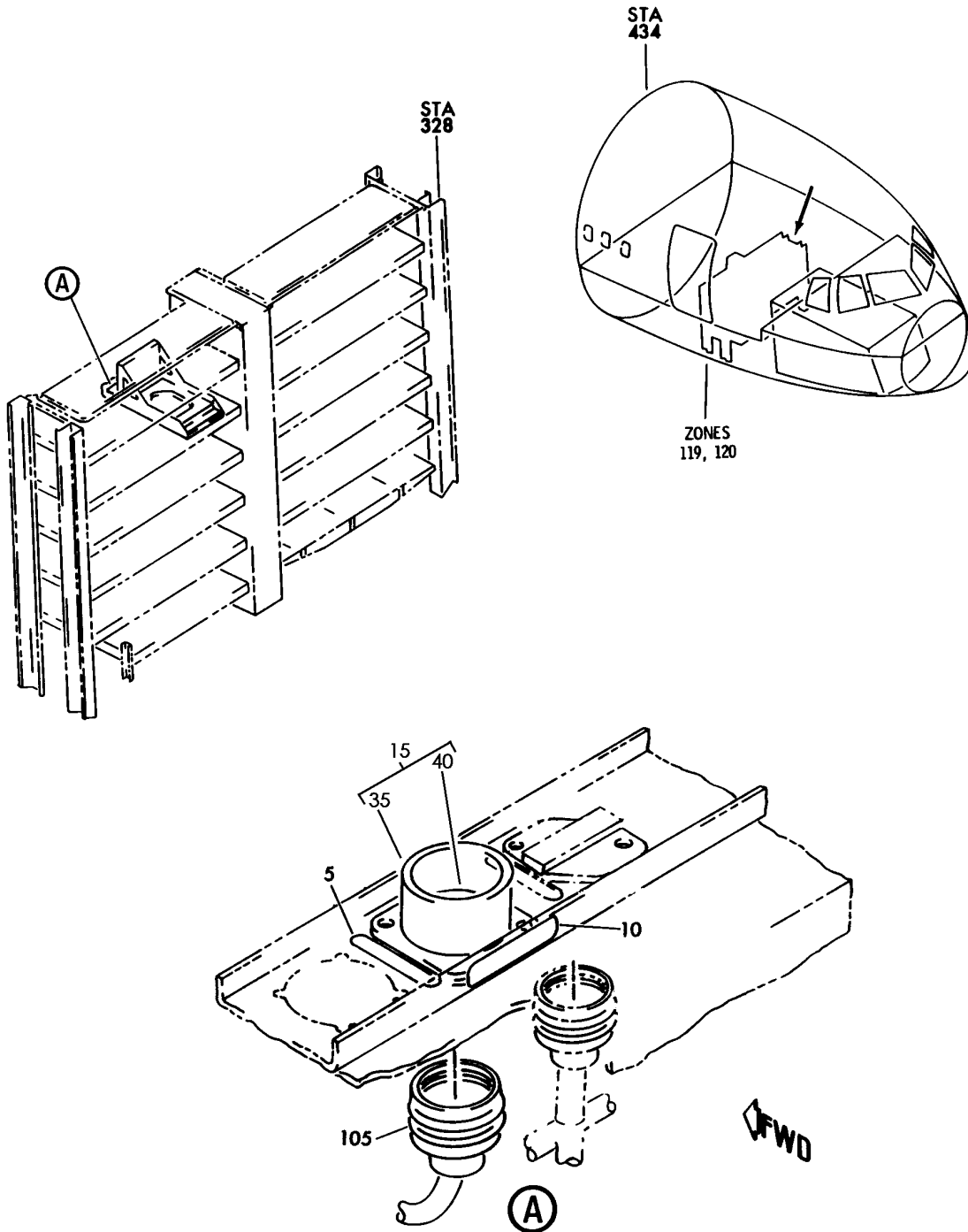
HXL

34-53-51-02

BOEING PROPRIETARY - Copyright © - Unpublished Work - See title page for details.

34-53-51
FIG. 02
PAGE 2
DEC 22/07

BOEING
767
PARTS CATALOG (MAINTENANCE)



V 34535201 REV 222

SHELF ASSY-ELECTRONIC EQPT CTR E2-2 (ATC SYSTEM ONLY)
FIGURE 1

34-53-52-01

HXL
DEC 22/06

34-53-52-01
PAGE 0



767

PARTS CATALOG (MAINTENANCE)

FIG ITEM	PART NUMBER	1 2 3 4 5 6 7	NOMENCLATURE	EFFECT FROM TO	UNITS PER ASSY
1			SHELF ASSY-ELECTRONIC EQPT CTR E2-2 (ATC SYSTEM ONLY)		
- 2	284T0122-35		SHELF ASSY-ELECTRONIC EQPT CTR E2-2 (ATC SYSTEM ONLY)		RF
			FOR NHA/OTHER SYS DET SEE: 53-11-64-01B		
8	BAC27TEX1913		.DECAL- PLACARD CONTENT: D1423/M977		1
15	MS27297-6		.CONNECTOR- ELECTRICAL EQUIP NUMBER: M00977		1
			ATTACHING PARTS		
- 20	NAS1801-04-6		.SCREW		2
- 25	AN960D4L		.WASHER-		2
- 30	MS21042L04		.NUT-		2
			-----*-----		
- 100	286T0133-104		.WIRE BUNDLE ASSY-		1
105	BACC45FT22-55S		..CONNECTOR- ELECTRICAL EQUIP NUMBER: D01423 WIRING DIAGRAM REF: 345312		1

ILLUSTRATION ITEMS NOT ON PARTS LIST ARE NOT APPLICABLE

- ITEM NOT ILLUSTRATED

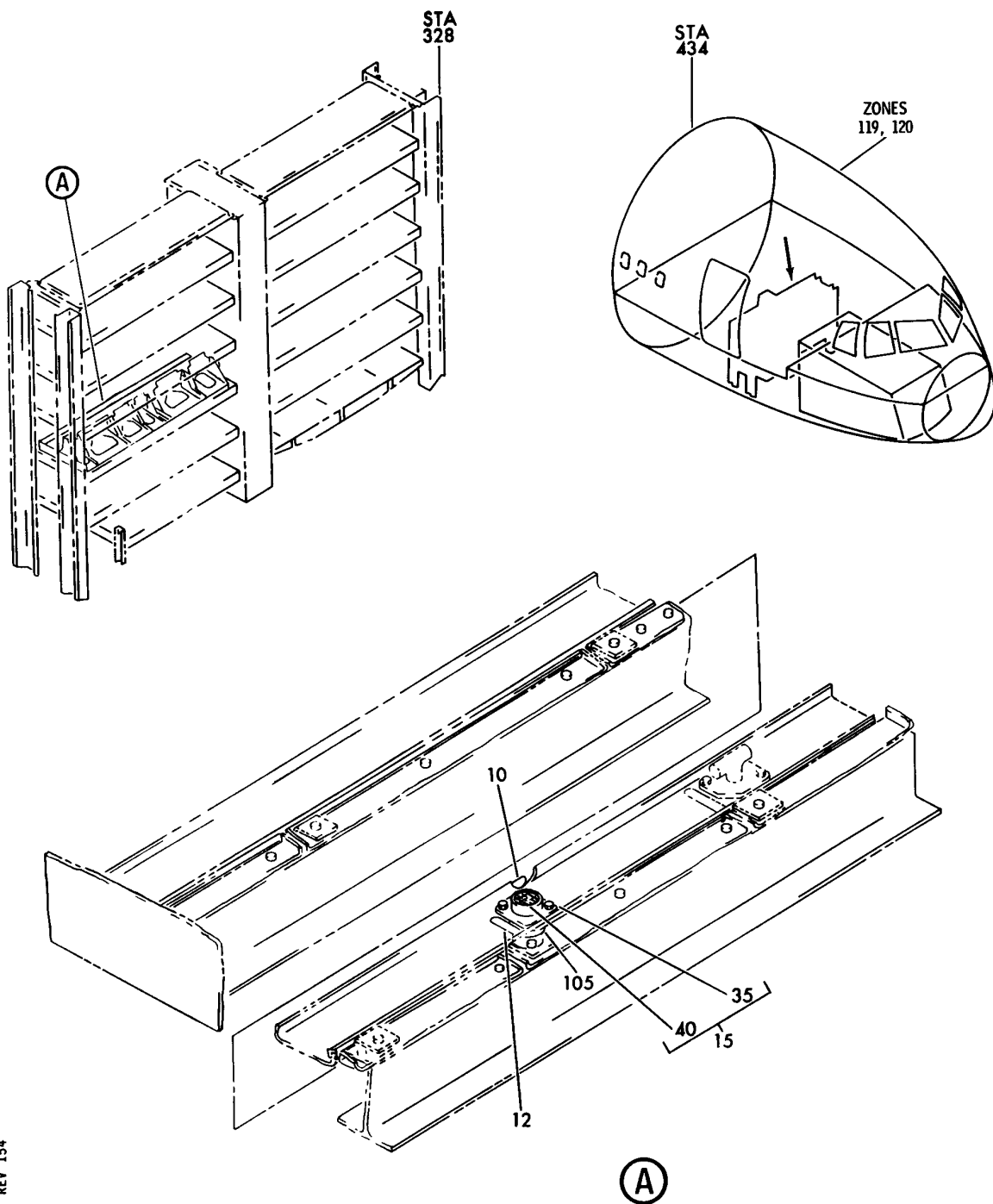
HXL

34-53-52-01

BOEING PROPRIETARY - Copyright © - Unpublished Work - See title page for details.

34-53-52
FIG. 01
PAGE 1
DEC 22/07

BOEING
767
PARTS CATALOG (MAINTENANCE)



V 3453301 REV 154

SHELF ASSY-ELECT. EQPT CTR E2-3 (NAVIGATION ONLY)
FIGURE 1

34-53-53-01

HXL
DEC 22/06

34-53-53-01
PAGE 0



767

PARTS CATALOG (MAINTENANCE)

FIG ITEM	PART NUMBER	1 2 3 4 5 6 7	NOMENCLATURE	EFFECT FROM TO	UNITS PER ASSY
1			SHELF ASSY-ELECT. EQPT CTR E2-3 (NAVIGATION ONLY)		
- 4	284T0123-70		SHELF ASSY-ELECT. EQPT CTR E2-3 (NAVIGATION ONLY) FOR NHA/OTHER SYS DET SEE: 53-11-64-01B	163163	RF
- 5	284T0123-98		SHELF ASSY-ELECT. EQPT CTR E2-3 (NAVIGATION ONLY) FOR NHA/OTHER SYS DET SEE: 53-11-64-01B	155162 164999	RF
12	BAC27TEX1914		.DECAL- PLACARD CONTENT: D1425/M978		1
15	280T1003-1		.RECEPTACLE ASSY- SUPPLIER CODE: V89954 ELECTRICAL EQUIP NUMBER: M00978 ATTACHING PARTS		1
- 20	NAS1801-04-6		.SCREW		2
- 25	AN960D4L		.WASHER-		2
- 30	MS21042L04		.NUT-		2
			-----*-----		
35	CN0942-057PN		..CONNECTOR- SUPPLIER CODE: V13556		1
40	280T1003-2		..BOARD- SUPPLIER CODE: V89954		1
- 100	286T0145-120		.WIRE BUNDLE ASSY-		RF
105	BACC45FT22-55S		..CONNECTOR- ELECTRICAL EQUIP NUMBER: D01425 WIRING DIAGRAM REF: 345322		1
- 110	MS39029-11-145		..CONTACT- POST SERVICE BULLETIN: 34-0253R1	155162	2

ILLUSTRATION ITEMS NOT ON PARTS LIST ARE NOT APPLICABLE

- ITEM NOT ILLUSTRATED

HXL

34-53-53-01

BOEING PROPRIETARY - Copyright © - Unpublished Work - See title page for details.

34-53-53
FIG. 01
PAGE 1
DEC 22/07



767

PARTS CATALOG (MAINTENANCE)

FIG ITEM	PART NUMBER	1 2 3 4 5 6 7	NOMENCLATURE	EFFECT FROM TO	UNITS PER ASSY
1					
- 115	YHMM20-3D28	..	CONTACT- SUPPLIER CODE: V09922 SPECIFICATION NUMBER: BACC47DE7A OPTIONAL PART: 417-1220-332 V55104 SERVICE BULLETIN OPT DATA: BACC47DE7 POST SERVICE BULLETIN: 34-0253R1		1
- 115	BACC47DE7	..	CONTACT- SERVICE BULLETIN OPT DATA: BACC47DE7A POST SERVICE BULLETIN: 34-0253R1		1
- 120	S063-2-9036-22	..	SLEEVE- SUPPLIER CODE: V06090 SPECIFICATION NUMBER: BACS13CT2A SERVICE BULLETIN OPT DATA: BACS13BH1 POST SERVICE BULLETIN: 34-0253R1		1
- 120	D144-00	..	SLEEVE- SUPPLIER CODE: V06090 SPECIFICATION NUMBER: BACS13BH1 OPTIONAL PART: RTS46-2 V59659 IST255-11 V57707 HIB1 V1JX75 RTS144-00 V59659 SERVICE BULLETIN OPT DATA: BACS13CT2A POST SERVICE BULLETIN: 34-0253R1		1

ILLUSTRATION ITEMS NOT ON PARTS LIST ARE NOT APPLICABLE

- ITEM NOT ILLUSTRATED

34-53-53-01

34-53-53
FIG. 01
PAGE 2
DEC 22/07

HXL