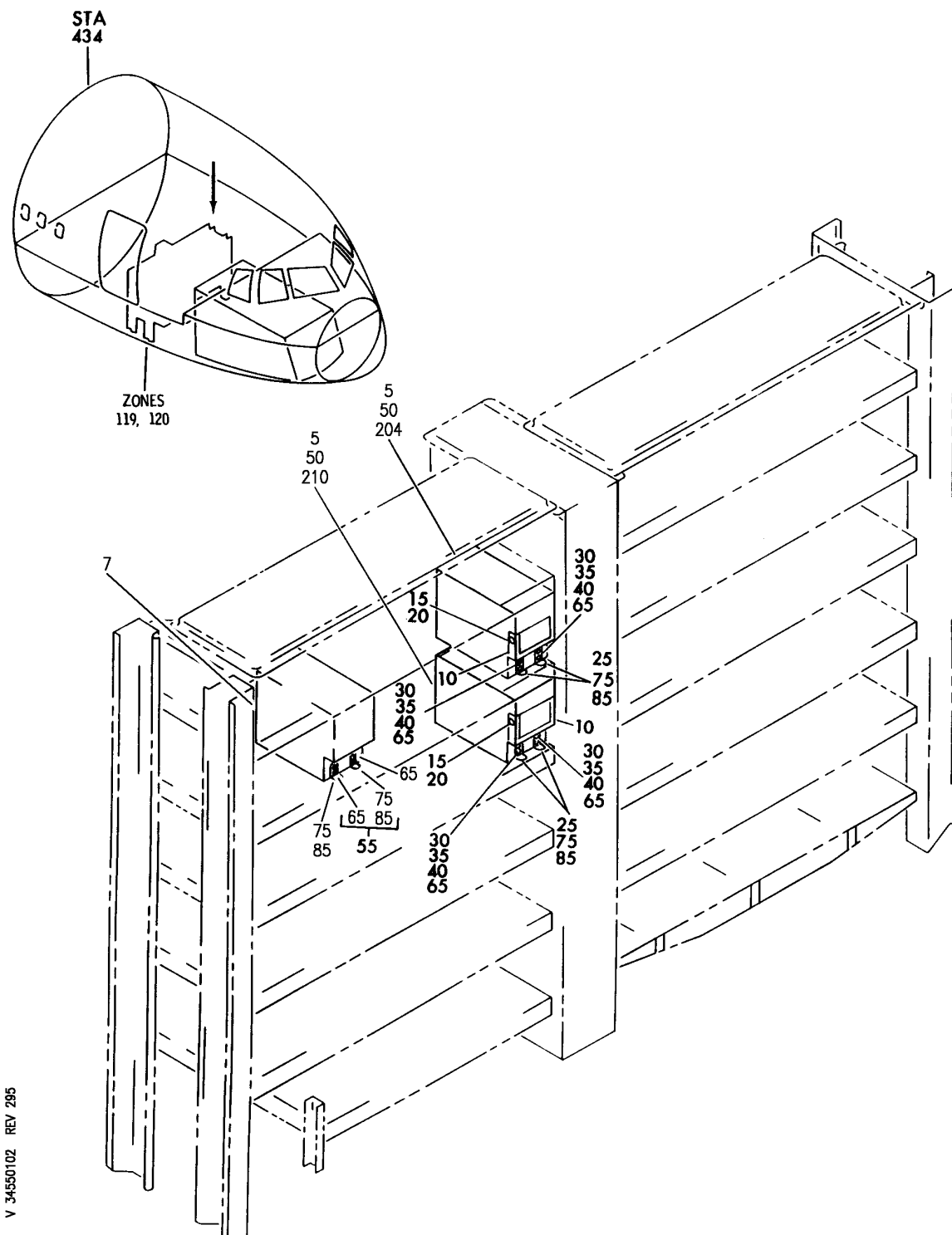


DME SYSTEM

HXL
DEC 22/06

34-55-00
SECTION TITLE
PAGE 1

BOEING
767
PARTS CATALOG (MAINTENANCE)



V 34550102 REV 295

EQUIPMENT INSTL-ELECTRONIC EQPT CTR E1/E2 RACK (DME SYSTEM ONLY)
FIGURE 2

34-55-01-02

HXL
DEC 22/06

34-55-01-02
PAGE 0



767

PARTS CATALOG (MAINTENANCE)

| FIG ITEM | PART NUMBER | 1 2 3 4 5 6 7 | NOMENCLATURE | EFFECT FROM TO | UNITS PER ASSY |
|----------|--------------|---------------|---|----------------|----------------|
| 2 | | | EQUIPMENT INSTL-ELECTRONIC EQPT CTR E1/E2 RACK (DME SYSTEM ONLY) | | |
| - 1 | 284T0400-618 | | EQUIPMENT INSTL-ELECTRONIC EQPT CTR E1/E2 RACK (DME SYSTEM ONLY) VARIABLE DRAWING REF: 284T0400-5284 FOR NHA/OTHER SYS DET SEE: 24-00-58-01J | 155162 | RF |
| - 2 | 284T0400-630 | | EQUIPMENT INSTL-ELECTRONIC EQPT CTR E1/E2 RACK (DME SYSTEM ONLY) VARIABLE DRAWING REF: 284T0400-5349 284T0400-5357 FOR NHA/OTHER SYS DET SEE: 24-00-58-01J | 163999 | RF |
| 5 | 2041167-3704 | | . INTERROGATOR ASSY-DME (CUSTOMER FURNISHED) SUPPLIER CODE: V97896 POSITION DATA: L AND R SPECIFICATION NUMBER: S220T105-102 ELECTRICAL EQUIP NUMBER: M00123 M00124 COMPONENT MAINT MANUAL REF: 34-51-33 QUALIFIED I/W DATA: 2041167-3702 I/W 2041167-3704 EXCEPT SUBJECT TO CUSTOMER PREFERENCE | | 2 |
| 5 | 2041167-3703 | | . INTERROGATOR ASSY-DME (CUSTOMER FURNISHED) SUPPLIER CODE: V97896 POSITION DATA: L AND R ELECTRICAL EQUIP NUMBER: M00123 M00124 COMPONENT MAINT MANUAL REF: 34-51-33 | | 2 |

ILLUSTRATION ITEMS NOT ON PARTS LIST ARE NOT APPLICABLE

- ITEM NOT ILLUSTRATED

HXL

34-55-01-02

BOEING PROPRIETARY - Copyright © - Unpublished Work - See title page for details.

34-55-01
FIG. 02
PAGE 1
DEC 22/07



767

PARTS CATALOG (MAINTENANCE)

| FIG ITEM | PART NUMBER | 1 2 3 4 5 6 7 | NOMENCLATURE | EFFECT FROM TO | UNITS PER ASSY |
|----------|----------------|---------------|---|----------------|----------------|
| 2 | | | | | |
| 5 | 2041167-3706 | | . INTERROGATOR ASSY-DME (CUSTOMER FURNISHED) SUPPLIER CODE: V97896 POSITION DATA: L AND R ELECTRICAL EQUIP NUMBER: M00123 M00124 COMPONENT MAINT MANUAL REF: 34-51-34 | | 2 |
| 5 | 066-50013-0101 | | . INTERROGATOR ASSY-DME (CUSTOMER FURNISHED) SUPPLIER CODE: V97896 POSITION DATA: L AND R FUNCTIONAL DESCRIPTION: COMPUTES THE SLANT-RANGE DISTANCE TO THE TUNED GROUND STATION USING TRANSMITTED AND RECEIVED RF SIGNALS ELECTRICAL EQUIP NUMBER: M00123 M00124 COMPONENT MAINT MANUAL REF: 34-51-35 | | 2 |
| 10 | 3603608-0003 | | TEMPORARY BREAKDOWN FOR: 2041167-3703 2041167-3706 .. HANDLE- SUPPLIER CODE: V27914 CONFIG CHG DATA FROM A CMM: REPLD BY 2040266-0503 EFF S/N 1001 | | 1 |
| 10 | 2040266-0503 | | .. HANDLE- SUPPLIER CODE: V97896 CONFIG CHG DATA FROM A CMM: REPLS 3603608-0003 EFF S/N 1001 | | 1 |

ILLUSTRATION ITEMS NOT ON PARTS LIST ARE NOT APPLICABLE

- ITEM NOT ILLUSTRATED

HXL

34-55-01-02

BOEING PROPRIETARY - Copyright © - Unpublished Work - See title page for details.

34-55-01
FIG. 02
PAGE 2
DEC 22/07



767

PARTS CATALOG (MAINTENANCE)

| FIG ITEM | PART NUMBER | 1 2 3 4 5 6 7 | NOMENCLATURE | EFFECT FROM TO | UNITS PER ASSY |
|----------|--------------|---------------|--|----------------|----------------|
| 2 | | | ATTACHING PARTS | | |
| 15 | 46054-0002 | | .. SCREW-FLAT HEAD SUPPLIER CODE: V27914 CONFIG CHG DATA FROM A CMM: REPLD BY 3611334-0001 EFF S/N 1001 | | 2 |
| 15 | 3611334-0001 | | .. SCREW-SHOULDER SUPPLIER CODE: V97896 CONFIG CHG DATA FROM A CMM: REPLS 46054-0002 EFF S/N 1001 | | 2 |
| 20 | 2080077-0012 | | .. WASHER-LOCK SUPPLIER CODE: V97896 CONFIG CHG DATA FROM A CMM: REPLD BY 36028-3458 EFF S/N 1001 | | 2 |
| 20 | 36028-3458 | | .. WASHER-FLAT SUPPLIER CODE: V97896 CONFIG CHG DATA FROM A CMM: REPLS 2080077-0012 EFF S/N 1001 | | 2 |
| 25 | 39035-0001 | | -----*----- .. HOOK-HOLD DOWN SUPPLIER CODE: V97896 | | 2 |
| 30 | MS35216-12 | | ATTACHING PARTS .. SCREW- CONFIG CHG DATA FROM A CMM: REPLD BY MS35216-13 EFF S/N 1001 | | 4 |
| 30 | MS35216-13 | | .. SCREW- CONFIG CHG DATA FROM A CMM: REPLS MS35216-12 EFF S/N 1001 | | 4 |
| 35 | MS35338-78 | | .. WASHER- CONFIG CHG DATA FROM A CMM: REPLD BY MS35337-78 EFF S/N 1001 | | 4 |
| 35 | MS35337-78 | | .. WASHER- CONFIG CHG DATA FROM A CMM: REPLS MS35338-78 EFF S/N 1001 | | 4 |
| 40 | MS35216-15 | | .. SCREW- -----*----- | | 4 |

ILLUSTRATION ITEMS NOT ON PARTS LIST ARE NOT APPLICABLE

- ITEM NOT ILLUSTRATED

34-55-01-02

34-55-01
FIG. 02
PAGE 3
DEC 22/07

HXL



767

PARTS CATALOG (MAINTENANCE)

| FIG ITEM | PART NUMBER | 1 2 3 4 5 6 7 | NOMENCLATURE | EFFECT FROM TO | UNITS PER ASSY |
|----------|--------------|---------------|---|----------------|----------------|
| 2 | | | | | |
| 50 | 622-4540-001 | . | INTERROGATOR ASSY-DME (CUSTOMER FURNISHED) SUPPLIER CODE: V4V792 POSITION DATA: L AND R ELECTRICAL EQUIP NUMBER: M00123 M00124 COMPONENT MAINT MANUAL REF: 34-52-70 QUALIFIED I/W DATA: 622-4540-001 I/W -120 EXCEPT SUBJECT TO CUSTOMER PREFERENCE | | 2 |
| 50 | 622-4540-120 | . | INTERROGATOR ASSY-DME (CUSTOMER FURNISHED) SUPPLIER CODE: V4V792 POSITION DATA: L AND R ELECTRICAL EQUIP NUMBER: M00123 M00124 COMPONENT MAINT MANUAL REF: 34-52-73 QUALIFIED I/W DATA: 622-4540-001 I/W -120 EXCEPT SUBJECT TO CUSTOMER PREFERENCE | | 2 |
| 50 | 622-4540-121 | . | INTERROGATOR ASSY-DME (CUSTOMER FURNISHED) SUPPLIER CODE: V4V792 POSITION DATA: L AND R ELECTRICAL EQUIP NUMBER: M00123 M00124 COMPONENT MAINT MANUAL REF: 34-52-73 | | 2 |

ILLUSTRATION ITEMS NOT ON PARTS LIST ARE NOT APPLICABLE

- ITEM NOT ILLUSTRATED

HXL

34-55-01-02

BOEING PROPRIETARY - Copyright © - Unpublished Work - See title page for details.

34-55-01
FIG. 02
PAGE 4
DEC 22/07



767

PARTS CATALOG (MAINTENANCE)

| FIG ITEM | PART NUMBER | 1 2 3 4 5 6 7 | NOMENCLATURE | EFFECT FROM TO | UNITS PER ASSY |
|---|---------------|---------------|---|----------------|----------------|
| 2 | | | | | |
| 50 | 622-4540-122 | . | INTERROGATOR ASSY-DME (CUSTOMER FURNISHED) SUPPLIER CODE: V4V792 POSITION DATA: L AND R ELECTRICAL EQUIP NUMBER: M00123 M00124 | | 2 |
| 50 | 822-0329-001 | . | INTERROGATOR ASSY-DME (CUSTOMER FURNISHED) SUPPLIER CODE: V4V792 POSITION DATA: L AND R FUNCTIONAL DESCRIPTION: COMPUTES THE SLANT-RANGE DISTANCE TO THE TUNED GROUND STATION USING TRANSMITTED AND RECEIVED RF SIGNALS. TEMPORARY BREAKDOWN FOR: 622-4540-122 | | 2 |
| 65 | MS51957-30 | .. | SCREW | | 4 |
| 75 | 503-4970-001 | .. | BRACKET-ANGLE SUPPLIER CODE: V4V792 | | 2 |
| 85 | 641-8914-001 | .. | SHIM-HOLD DOWN SUPPLIER CODE: V4V792 | | 2 |
| - 200 | 286T0133-104 | | WIRE BUNDLE ASSY-(DME SYSTEM ONLY) | | RF |
| 204 | BKA125C03AF01 | . | CONNECTOR- SUPPLIER CODE: V71468 SPECIFICATION NUMBER: BCREFA0548 OPTIONAL PART: S6125C03AF01 V59610 N1C66H125C03AF0 V00779 OVERLENGTH PART NUMBER: BACC66H125C03AF01 ELECTRICAL EQUIP NUMBER: D00333 WIRING DIAGRAM REF: 345511 | | 1 |
| ILLUSTRATION ITEMS NOT ON PARTS LIST ARE NOT APPLICABLE | | | | | |

- ITEM NOT ILLUSTRATED

34-55-01-02

34-55-01
FIG. 02
PAGE 5
DEC 22/07

HXL



767

PARTS CATALOG (MAINTENANCE)

| FIG ITEM | PART NUMBER | 1 2 3 4 5 6 7 | NOMENCLATURE | EFFECT FROM TO | UNITS PER ASSY |
|-------------------|------------------------------|---------------|--|-------------------|----------------------|
| 2 - 205 210 | 286T0145-124 BKA25C03AF01 | | WIRE BUNDLE ASSY- .CONNECTOR- SUPPLIER CODE: V71468 SPECIFICATION NUMBER: BCREF9360 OPTIONAL PART: S625C03AF01 V59610 NIC66H25C03AF01 V00779 OVERLENGTH PART NUMBER: BACC66H25C03AF01 ELECTRICAL EQUIP NUMBER: D00361 WIRING DIAGRAM REF: 345521 | | RF 1 |

ILLUSTRATION ITEMS NOT ON PARTS LIST ARE NOT APPLICABLE

- ITEM NOT ILLUSTRATED

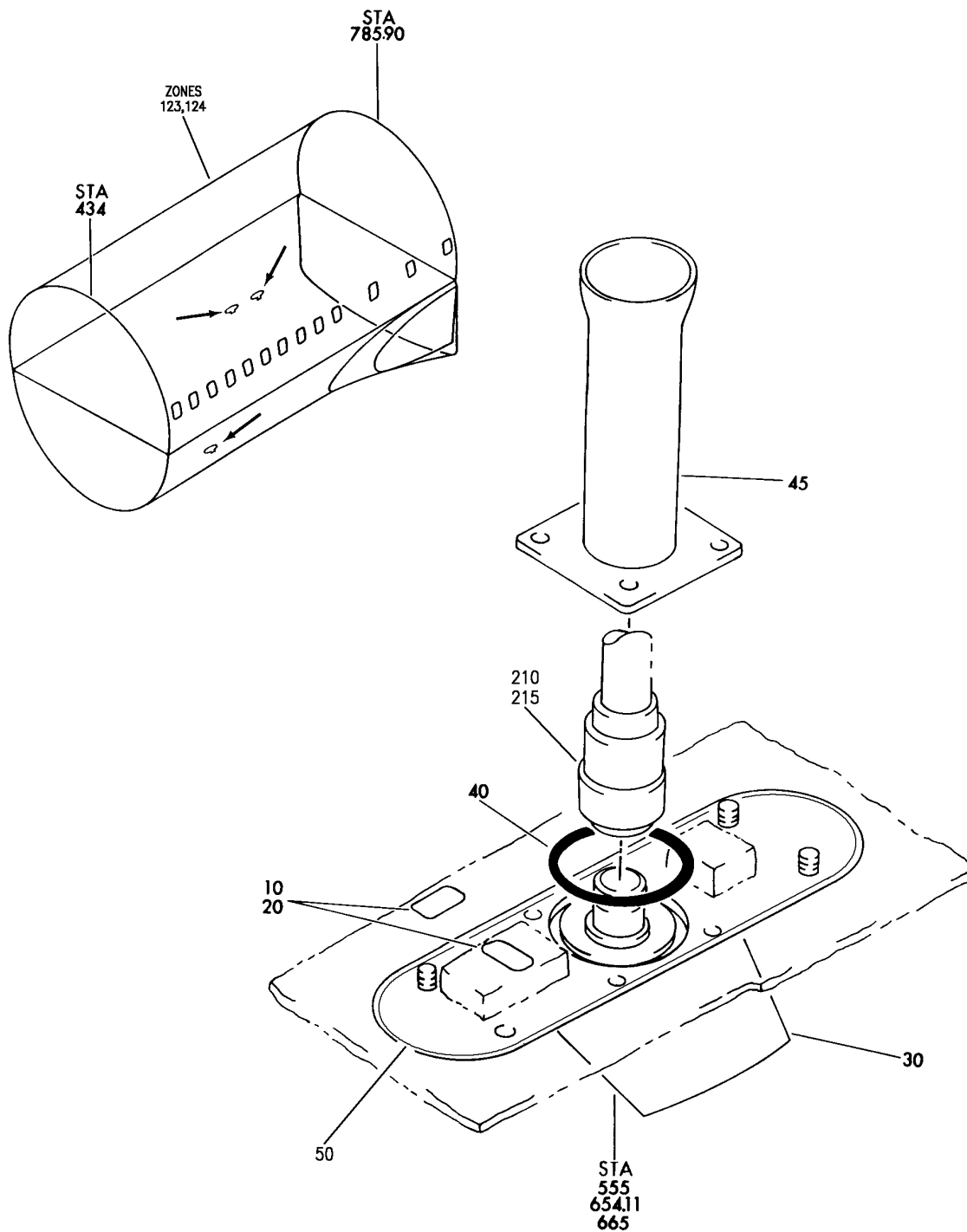
HXL

34-55-01-02

BOEING PROPRIETARY - Copyright © - Unpublished Work - See title page for details.

34-55-01
FIG. 02
PAGE 6
DEC 22/07

BOEING
767
PARTS CATALOG (MAINTENANCE)



V 34550201 REV 312

ANTENNA INSTL-DME
FIGURE 1

34-55-02-01

HXL
APR 22/07

34-55-02-01
PAGE 0



767

PARTS CATALOG (MAINTENANCE)

| FIG ITEM | PART NUMBER | 1 2 3 4 5 6 7 | NOMENCLATURE | EFFECT FROM TO | UNITS PER ASSY |
|----------|---------------|---------------|---|----------------|----------------|
| 1 | | | | | |
| - 1 | 284T0223-5 | | ANTENNA INSTL-DME ANTENNA INSTL-DME POSITION DATA: STA. 555 L VARIABLE DRAWING REF: 284T0223-5029 FOR NHA SEE: 24-00-58-02 | | RF |
| - 7 | 284T0223-20 | | ANTENNA INSTL-DME POSITION DATA: STA. 654.11 VARIABLE DRAWING REF: 284T0223-5033 FOR NHA SEE: 24-00-58-02 | | RF |
| 10 | BAC27TEX1345 | | .MARKER-ALUMINUM FOIL POSITION DATA: LH SIDE PLACARD CONTENT: M263 | | 2 |
| 20 | BAC27TEX1346 | | .MARKER-ALUMINUM FOIL POSITION DATA: RH SIDE PLACARD CONTENT: M264 | | 2 |
| 30 | DM1601354-001 | | .ANTENNA-L BAND SUPPLIER CODE: V00752 FUNCTIONAL DESCRIPTION: RECEIVES/TRANSMITS ATC TRANSPONDER OR DME SIGNALS. SPECIFICATION NUMBER: S220T116-1 ELECTRICAL EQUIP NUMBER: M00263 M00264 | | 1 |
| 30 | 10-203-23P5K | | .ANTENNA-L BAND SUPPLIER CODE: V00752 SPECIFICATION NUMBER: S220T116-1 MISCELLANEOUS DATA: (EQUIVALENT ADDED PER CPN PDA) ELECTRICAL EQUIP NUMBER: M00263 M00264 | | 1 |

ILLUSTRATION ITEMS NOT ON PARTS LIST ARE NOT APPLICABLE

- ITEM NOT ILLUSTRATED

HXL

34-55-02-01

BOEING PROPRIETARY - Copyright © - Unpublished Work - See title page for details.

34-55-02
FIG. 01
PAGE 1
DEC 22/07



767

PARTS CATALOG (MAINTENANCE)

| FIG ITEM | PART NUMBER | 1 2 3 4 5 6 7 | NOMENCLATURE | EFFECT FROM TO | UNITS PER ASSY |
|----------|--------------|---------------|---|----------------|----------------|
| 1 | | | ATTACHING PARTS | | |
| - 35 | BACB30NN3C4 | | .BOLT- OPTIONAL PART: BACB30LH3-5 BACS12ER3K12 | | 4 |
| - 35 | BACB30LH3-5 | | .BOLT- OPTIONAL PART: BACB30NN3C4 BACS12ER3K12 V06710 | | 4 |
| - 35 | BACS12ER3K12 | | .SCREW- OPTIONAL PART: BACB30LH3-5 BACB30NN3C4 -----*----- | | 4 |
| 40 | MS9068-028 | | ..PACKING- | | 1 |
| 40 | AS3582-028 | | ..PACKING- | | 1 |
| 45 | 69B41514-4 | | .TUBE ASSY | | 1 |
| - 200 | 286T0339-300 | | WIRE BUNDLE ASSY-DME ANT. | | RF |
| - 205 | 286T0343-300 | | WIRE BUNDLE ASSY-DME ANT. | | RF |
| 210 | KD59-180M06 | | .PLUG- SUPPLIER CODE: V91836 ELECTRICAL EQUIP NUMBER: D00047 WIRING DIAGRAM REF: 345511 | | 1 |
| 215 | KD59-180M06 | | .PLUG- SUPPLIER CODE: V91836 ELECTRICAL EQUIP NUMBER: D00049 WIRING DIAGRAM REF: 345521 | | 1 |

ILLUSTRATION ITEMS NOT ON PARTS LIST ARE NOT APPLICABLE

- ITEM NOT ILLUSTRATED

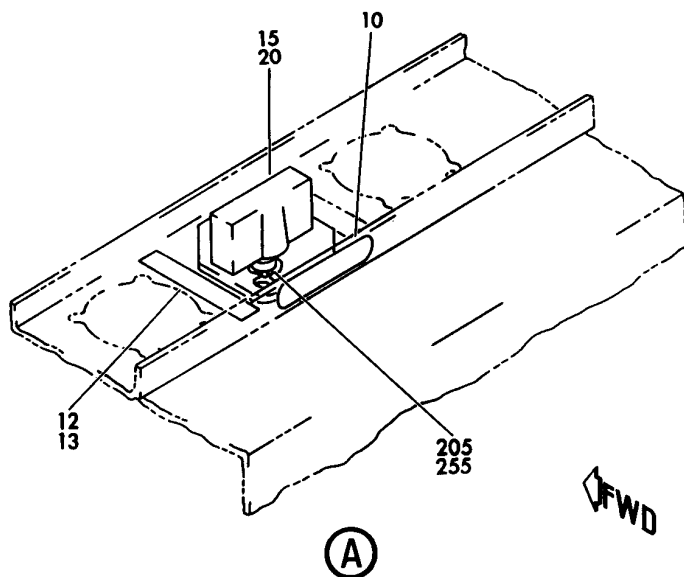
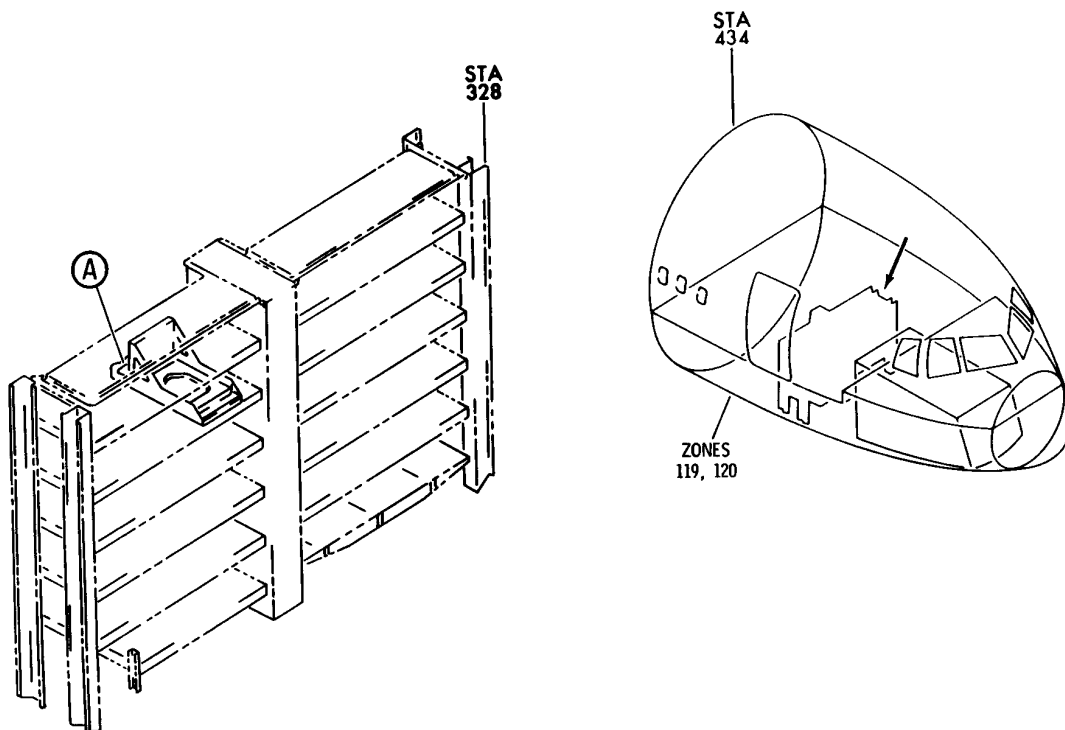
HXL

34-55-02-01

BOEING PROPRIETARY - Copyright © - Unpublished Work - See title page for details.

34-55-02
FIG. 01
PAGE 2
APR 22/08

BOEING
767
PARTS CATALOG (MAINTENANCE)



V 3455101 REV 159

SHELF ASSY-ELECTRONIC EQPT CTR E2-2 (DME SYSTEM ONLY)
FIGURE 1

34-55-51-01

HXL
DEC 22/06

34-55-51-01
PAGE 0



767

PARTS CATALOG (MAINTENANCE)

| FIG ITEM | PART NUMBER | 1 2 3 4 5 6 7 | NOMENCLATURE | EFFECT FROM TO | UNITS PER ASSY |
|----------|--------------|---------------|--|----------------|----------------|
| 1 | | | SHELF ASSY-ELECTRONIC EQPT CTR E2-2 (DME SYSTEM ONLY) | | |
| - 2 | 284T0122-35 | | SHELF ASSY-ELECTRONIC EQPT CTR E2-2 (DME SYSTEM ONLY) FOR NHA/OTHER SYS DET SEE: 53-11-64-01B | | RF |
| 12 | BAC27TEX2043 | | .DECAL- PLACARD CONTENT: D1331/B125/D1333/D1337T | | 1 |
| 15 | 129-6M06 | | .TEE-COAX. SUPPLIER CODE: V91836 ELECTRICAL EQUIP NUMBER: B00125 | | 1 |
| 20 | 284T0635-1 | | .PLATE-ADPTR ATTACHING PARTS | | 1 |
| - 25 | NAS1801-04-6 | | .SCREW | | 2 |
| - 30 | AN960D4L | | .WASHER | | 2 |
| - 35 | MS21042L04 | | .NUT- | | 2 |
| | | | -----*----- | | |
| - 200 | 286T1089-002 | | .WIRE BUNDLE ASSY- | | 1 |
| 205 | KA59-392M06 | | ..PLUG- SUPPLIER CODE: V91836 ELECTRICAL EQUIP NUMBER: D01331 WIRING DIAGRAM REF: 345311 | | 1 |
| - 250 | 286T1091-002 | | .WIRE BUNDLE ASSY- | | 1 |
| 255 | KA59-392M06 | | ..PLUG- SUPPLIER CODE: V91836 ELECTRICAL EQUIP NUMBER: D01333 WIRING DIAGRAM REF: 345511 | | 1 |

ILLUSTRATION ITEMS NOT ON PARTS LIST ARE NOT APPLICABLE

- ITEM NOT ILLUSTRATED

HXL

34-55-51-01

BOEING PROPRIETARY - Copyright © - Unpublished Work - See title page for details.

34-55-51
FIG. 01
PAGE 1
DEC 22/07